

AS/400e series



X.25 Network Support

Version 4

AS/400e series



X.25 Network Support

Version 4

Note

Before using this information and the product it supports, be sure to read the general information in "Notices" on page 113.

Second Edition (September 1998)

This edition replaces SC41-5405-00. This edition applies only to reduced instruction set computer (RISC) systems.

© **Copyright International Business Machines Corporation 1997, 1998. All rights reserved.**

Note to U.S. Government Users — Documentation related to restricted rights — Use, duplication or disclosure is subject to restrictions set forth in GSA ADP Schedule Contract with IBM Corp.

Contents

About X.25 Network Support (SC41-5405)	vii
Who should read this book	vii
Conventions and terminology used in this book	vii
AS/400 Operations Navigator	viii
Installing Operations Navigator subcomponents	ix
Accessing AS/400 Operations Navigator	ix
Prerequisite and related information	x
How to send your comments	x
Chapter 1. Introducing X.25	1
DTE-to-DCE Interface	2
Physical Layer.	3
Data Link Control Layer	4
Packet Layer	4
Network Support of Non-X.25 DTEs.	6
Advantages of Using X.25 for Communications.	6
X.25 Service Charges	7
X.25 Transmission on an Integrated Services Digital Network (X.31)	8
Circuit Mode (X.31 Case A)	8
Packet Mode (X.31 Case B).	9
Chapter 2. AS/400 Support of X.25	13
X.25 Virtual Circuit Support	13
AS/400 X.25 Capabilities	14
X.25 Line Description Configuration Considerations	16
Network Subscription Considerations (DTE-to-DCE)	16
X.25 Switched Line Considerations	19
Connecting Systems without an X.25 Network (DTE-to-DTE)	20
Chapter 3. End-to-End Connectivity Considerations.	23
X.25-Specific Values	23
PVC Functions	24
SVC Functions	24
SVC Incoming Call Function	27
SVC Outgoing Call Function	31
Calling DTE Information	32
Status Information	32
AS/400-Supported Protocols on an X.25 Virtual Circuit	33
SNA Considerations.	33
SNA over X.25	34
Asynchronous Communications Considerations	40
TCP/IP	41
OSI.	41
IPX.	41
User-Defined Communications.	42
Chapter 4. Performance Considerations	43
Line Speed	43
Protocol Efficiency	43
Packet Processing Capacity.	43
Processing Loads	44
Chapter 5. X.25 Error Recovery and Problem Isolation.	45

Physical Layer Errors	45
Data Link Control Errors	45
X.25 Packet Layer Errors.	45
Finding Cause and Diagnostic Codes	46
Determining the Meaning of Cause and Diagnostic Codes	46
Chapter 6. X.25 Cause Codes	49
X.25 Cause Codes Generated by the AS/400 System	49
ITU-T X.25 and ISO-8208 Cause Codes	50
Chapter 7. X.25 Diagnostic Codes.	53
X.25 Diagnostic Codes Generated by the AS/400 System.	53
Diagnostic Codes Generated by the X.25 Network	57
SNA Diagnostic Codes Generated by the DTE	60
ITU-T X.25 and ISO-8208 Diagnostic Codes.	63
Chapter 8. X.25 Configuration Examples	67
Example 1: AS/400 System-to-X.25 PSDN Configuration	67
Configurations on Local AS/400 System 499	69
Configurations on Remote AS/400 System 603.	77
Configurations on Host System	78
Configurations on System/36 024.	80
System/36 X.25 Configuration	83
Configurations on System/38 258.	86
Configurations for 5394 Controller and 5251 Display Station	87
Configurations for 3274 Controller and 3279 Display Station	89
Example 2: AS/400 System-to-AS/400 System X.25 Non-PSDN Configuration	91
Configurations on AS/400 System 499	92
Configurations on AS/400 System 386	93
Example 3: AS/400 System-to-System/38 X.25 Non-PSDN Configuration	94
Configurations on the AS/400 System 320	94
Configurations on System/38 262.	95
Example 4: AS/400 System-to-AS/400 System X.25 PSDN Switched Line Configuration	96
Configuring System 340	97
Configuring System 324	98
Configuring System 015	98
Chapter 9. Connecting Personal Computers with X.3 Network PAD and Client Access	101
System Requirements	101
Topology	102
Asynchronous and X.25 Considerations	103
Fundamentals of SNA and Asynchronous Connections	103
Logical Link Control Protocol	103
Call User Data Format.	103
Initializing a Session	105
Call Processing	105
Performance Considerations	106
AS/400 Configuration	107
PC Configuration.	110
Network Configuration	110
Example Configuration.	111
AS/400 Configuration	111
Notices	113

Programming Interface Information	115
Trademarks.	115
Bibliography	117
AS/400 Publications.	117
Non-AS/400 Publications	117
Index	119
Readers' Comments — We'd Like to Hear from You.	129

About X.25 Network Support (SC41-5405)

This book contains information about the X.25 network interface and how to use it on the AS/400 system. This information includes X.25 network concepts, examples, and information on preparation and configuration. Information for communications functions supported on the AS/400 system, such as ISDN, TCP/IP, OSI, IPX, and user-defined communications are described in the related publications referred to in the "Bibliography" on page 117.

Who should read this book

This publication is intended for programmers and support personnel responsible for configuring and maintaining AS/400 connections X.25 networks.

Before using this book, you must be familiar with the use of the AS/400 system. A knowledge of configuration concepts and X.25 networking will be helpful when using this book. Additionally, ISDN users should have some knowledge of X.25 networking on an ISDN.

This book should be used in conjunction with the *Communications Configuration*, SC41-5401 book, to configure your X.25 network. After configuration is completed, this book can be used to improve network performance.

Conventions and terminology used in this book

The AS/400 displays in this book could be shown as they are presented through Graphical Access for AS/400, which is part of Client Access on the personal computer. The example displays in this book could also be shown without Graphical Access for AS/400 available. Figure 1 on page viii shows both types of displays.

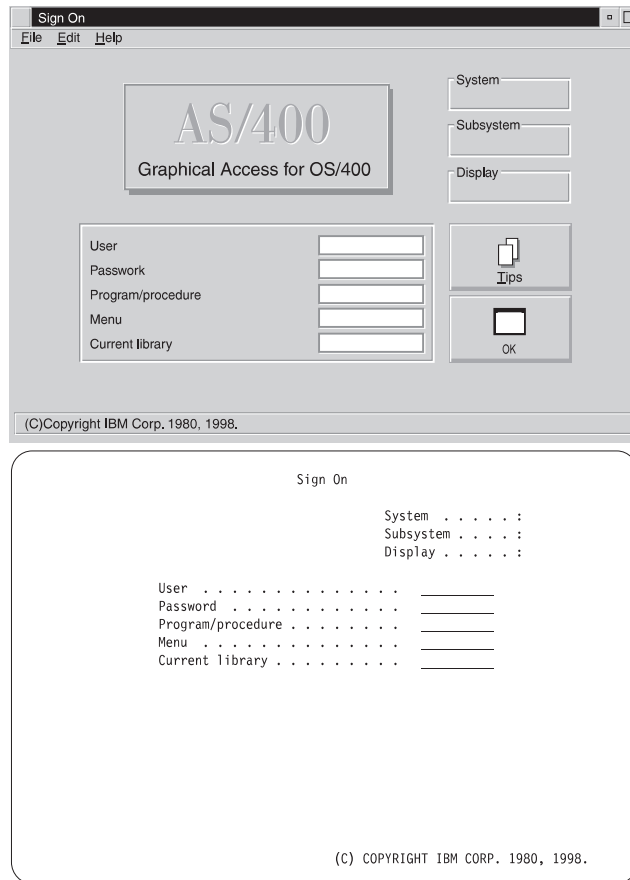


Figure 1. Types of AS/400 Displays

AS/400 Operations Navigator

AS/400 Operations Navigator is a powerful graphical interface for Windows 95/NT clients. With AS/400 Operations Navigator, you can use your Windows 95/NT skills to manage and administer your AS/400 systems.

- You can work with basic operations (messages, printer output, and printers), job management, system configuration, network administration, security, users and groups, database administration, file systems, and multimedia.
- You can schedule regular system backups, work with Interprocess Communication through application development, and manage multiple AS/400 systems through a central system by using Management Central. You can also customize the amount of Operations Navigator function that a user or user group can use through application administration.
- You can create a shortcut to any item in the explorer view of Operations Navigator. For example, you can create a shortcut either to **Basic Operations** or to the items that are listed under **Basic Operations (Messages, Printer Output, and Printers)**. You can even create a shortcut to an individual printer or use a shortcut as a fast way to open the item.

Figure 2 on page ix shows an example of the Operations Navigator display:

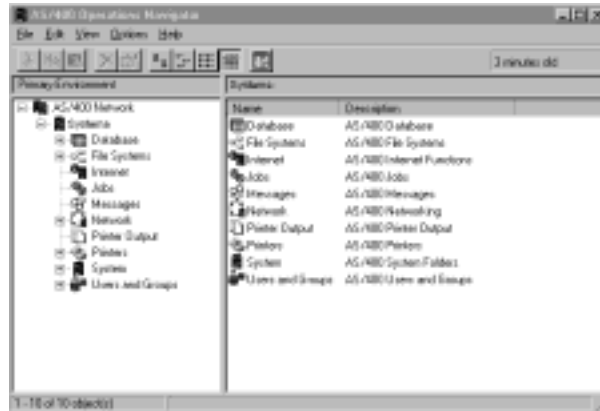


Figure 2. AS/400 Operations Navigator Display

IBM recommends that you use this new interface. It has online help to guide you. While we develop this interface, you will still need to use either of the following to do some of your tasks:

- Graphical Access (which provides a graphical interface to AS/400 screens). Graphical Access is part of the base Client Access.
- A traditional emulator such as PC5250.

Installing Operations Navigator subcomponents

AS/400 Operations Navigator is packaged as separately installable subcomponents. If you are upgrading from a previous release of AS/400 Operations Navigator, only those subcomponents that correspond to the function that is contained in the previous release will be installed. If you are installing for the first time and you use the **Typical** or **Minimum** installation options, the following options are installed by default:

- Operations Navigator base support
- Basic operations (messages, printer output, and printers)

To install additional AS/400 Operations Navigator subcomponents, either use the **Custom** installation option or use **selective setup** to add subcomponents after Operations Navigator has been installed:

1. Display the list of currently installed subcomponents in the **Component Selection** window of **Custom** installation or selective setup.
2. Select AS/400 Operations Navigator and click **Details**.
3. Select any additional subcomponents that you want to install and continue with **Custom** installation or selective setup.

Note: To use AS/400 Operations Navigator, you must have Client Access installed on your Windows 95/NT PC and have an AS/400 connection from that PC. For help in connecting your Windows 95/NT PC to your AS/400 system, consult *Client Access for Windows 95/NT - Setup*, SC41-3512.

Accessing AS/400 Operations Navigator

To access Operations Navigator after you install Client Access and create an AS/400 connection, do the following:

1. Double-click the **Client Access** folder on your desktop.

2. Double-click the **Operations Navigator** icon to open Operations Navigator. You can also drag the icon to your desktop for even quicker access.

Prerequisite and related information

Use the AS/400 Information Center as a starting point for your AS/400 information needs. It is available in either of the following ways:

- The Internet at this uniform resource locator (URL) address:
<http://publib.boulder.ibm.com/html/as400/infocenter.html>
- On CD-ROM: *AS/400e series Information Center*, SK3T-2027.

The AS/400 Information Center contains browsable information on important topics such as Java, program temporary fixes (PTFs), and Internet security. It also contains hypertext links to related topics, including Internet links to Web sites such as the AS/400 Technical Studio, the AS/400 softcopy library, and the AS/400 home page.

For a list of related publications, see the “Bibliography” on page 117.

How to send your comments

Your feedback is important in helping to provide the most accurate and high-quality information. If you have any comments about this book or any other AS/400 documentation, fill out the readers’ comment form at the back of this book.

- If you prefer to send comments by mail, use the readers’ comment form with the address that is printed on the back. If you are mailing a readers’ comment form from a country other than the United States, you can give the form to the local IBM branch office or IBM representative for postage-paid mailing.
- If you prefer to send comments by FAX, use either of the following numbers:
 - United States and Canada: 1-800-937-3430
 - Other countries: 1-507-253-5192
- If you prefer to send comments electronically, use this network ID:
 - IBMMAIL, to IBMMAIL(USIB56RZ)
 - RCHCLERK@us.ibm.com

Be sure to include the following:

- The name of the book.
- The publication number of the book.
- The page number or topic to which your comment applies.

Chapter 1. Introducing X.25

The X.25 network interface is the three-layer interface between packet-mode **data terminal equipment (DTE)**¹ and **data circuit-terminating equipment (DCE)**² that exists in a **packet-switching data network (PSDN)**³ as defined by the International Telecommunications Union - Telecommunications Standardization Sector (ITU-T)⁴ and the International Standards Organization (ISO).

The layers that comprise the X.25 network are:

Physical

Defines how a DTE is physically connected to its corresponding network DCE.

Data link control

Defines the procedures for the connection, error-free transfer of information, and disconnection between the DTE and the network DCE.

Packet

Defines the procedures necessary for establishing connections (virtual circuits) between DTEs, transferring information (in packets), and clearing connections.

This three-layer interface is referred to as the X.25 network. ITU-T publicizes this interface in a document called **Recommendation X.25** that outlines standards for the connection of processing equipment to a packet-switching data network. ISO defines the data link control layer in Standard 7776 and the packet layer in Standard 8208.

This guide provides an overview of X.25, a discussion of AS/400 system support of X.25, and information on end-to-end connectivity using X.25. Some general information about Recommendation X.25 is provided, but a knowledge of X.25 networks would be helpful when configuring your system.

The following sections provide a general discussion of an X.25 network, information on the parts that comprise the network, and how to use an integrated services digital network (ISDN) for X.25 transmissions.

Note: Throughout this publication, the term *DTE* refers to a system (for example, an AS/400 system) or other remote facilities (for example, controllers) that want to communicate through an X.25 network. The term *DCE* refers to the interface of the systems to the X.25 network.

1. Data terminal equipment is the part of a data link that sends data, receives data, and provides the data communications control function according to protocols.

2. Data circuit-terminating equipment is equipment installed at the user's premises that provides all the functions required to establish, maintain, and end a connection, and the signal conversion and coding between the data terminal equipment and the network.

3. Packet-switching data network is a communications network that uses packets to send data.

4. This organization was known as the International Telegraph and Telephone Consultative Committee (CCITT).

DTE-to-DCE Interface

Even though this DTE-to-DCE interface is standardized, the architecture allows it to be tailored to the specific needs of the DTE and the network. For an interface to work properly, both the DTE owner and the network administrator must configure their equipment according to a previously negotiated network subscription. The network subscription details the specific X.25 options to be used on the DTE-to-DCE interface.

All types of packet-mode DTEs may connect to an X.25 network; therefore, each DTE-to-DCE interface supported by the network may have a unique subscription. Because the ultimate goal of a DTE using X.25 is to communicate with a remote DTE, the network must be able to bridge any possible differences between the separate subscriptions of two communicating DTEs.

The X.25 standards define procedures for the connection of one packet-mode DTE directly to another without an intervening network. This connectivity, referred to by ISO as DTE-to-DTE, requires that one of the DTEs provide a subset of DCE functions. In the remainder of this section, whenever DTE-to-network connectivity is discussed, the information is also applicable to DTE-to-DTE connectivity, unless specified otherwise.

The DTE-to-DCE interface, illustrated in Figure 3 on page 3, supports the exchange of information among the individual X.25 network subscribers (DTEs).

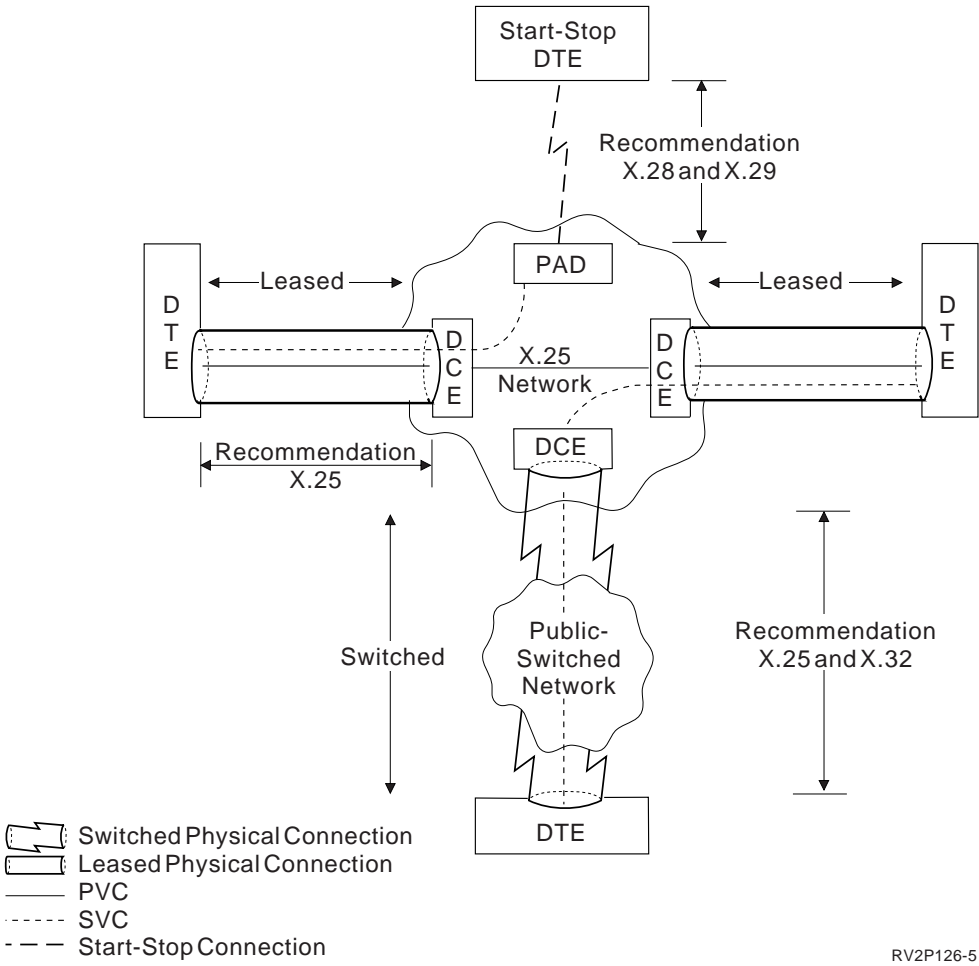


Figure 3. DTE-to-DCE Interface

RV2P126-5

The following sections discuss the X.25 network layers and connectivity illustrated in Figure 3.

Physical Layer

The physical layer defines how a DTE is physically connected to its corresponding network DCE. The medium between the DTE and the network DCE must be capable of duplex transmission.

CCITT Recommendation X.32 defines procedures for using physically-switched mediums for network connectivity. Due to the transient nature of switched mediums, Recommendation X.32 also includes ways to identify the calling DTE or DCE for billing or security reasons. The physical interface protocols supported by X.25 are defined in other ITU-T standards. Some of these standards include:

Recommendation X.21

Defines the physical characteristics and call control procedures for the DTE-to-DCE interface on a public data network.

Recommendation X.21 bis

Provides an interim definition for the interface between a DTE and a V-Series-type DCE for synchronous operation on public data networks.

V-series recommendations

Define the physical layer for analog data communications. This includes the interface between a DTE and a synchronous modem (DCE).

Recommendation X.31

Defines the support of the X.25 protocol over integrated services digital networks (ISDNs).

See "AS/400 X.25 Capabilities" on page 14 for information on all of the physical interfaces supported by the AS/400 system for X.25.

Data Link Control Layer

The data link control layer defines the procedures for the connection, error-free transfer of information, and disconnection between the DTE and the network DCE. At the data link control layer, the information is transmitted between the two stations in data units called high-level data link control (HDLC) **frames**. Both the DTE and the network DCE are considered peer stations.

The **link access protocol-balanced (LAPB)** (a data link level protocol for using an X.25 network) subset of HDLC is used. Because of this peer relationship, constant polling is not required when the HDLC connection is established. **Polling** involves contacting the attached devices to avoid contention, to determine operational status, or to determine readiness to send or receive data. Either station can transmit frames as necessary to carry higher layer information. Depending on the network subscription, either the DTE or network DCE can begin the HDLC connection. However, the DTE normally disconnects the link when network connectivity is no longer required.

The **link access procedure-D-channel (LAPD)**, recommended by the ITU-T, defines the data link control protocol used on an ISDN D-channel. LAPD may be used to carry both ISDN signalling data and X.25 packet data on the D-channel. The AS/400 system does not support LAPD.

Packet Layer

The packet layer defines the procedures necessary for establishing connections (virtual circuits) between DTEs, transferring information (in packets), and clearing connections.

Table 1 illustrates the types of packets used in the X.25 network.

Table 1. Packet Types

Packet Type from DCE to DTE	Packet Type from DTE to DCE
INCOMING_CALL	CALL_REQUEST
CALL_CONNECTED	CALL_ACCEPTED
CLEAR_INDICATION	CLEAR_REQUEST
DCE_CLEAR_CONFIRMATION	DTE_CLEAR_CONFIRMATION
DCE_DATA	DTE_DATA
DCE_INTERRUPT	DTE_INTERRUPT
DCE_INTERRUPT_CONFIRMATION	DTE_INTERRUPT_CONFIRMATION
DCE_RR	DTE_RR

Table 1. Packet Types (continued)

Packet Type from DCE to DTE	Packet Type from DTE to DCE
DCE_RNR	DTE_RNR
RESET_INDICATION	DTE_REJ
RESET_INDICATION	RESET_REQUEST
DCE_RESET_CONFIRMATION	DTE_RESET_CONFIRMATION
RESTART_INDICATION	RESTART_REQUEST
DCE_RESTART_CONFIRMATION	DTE_RESTART_CONFIRMATION
DIAGNOSTIC	—
REGISTRATION_CONFIRMATION	REGISTRATION_REQUEST

Notice that even though a virtual circuit logically connects two DTEs, the packet layer in each DTE is actually a peer with the packet layer in its corresponding network DCE. This peer relationship between the packet layer in the DTE and the packet layer in the corresponding network DCE enables the network to translate any differences that may exist between the two DTE network subscriptions. Typically, an effect of this relationship is that X.25 provides no DTE-to-DTE acknowledgment of received data. ITU-T has defined a means for DTE-to-DTE packet acknowledgment called the delivery-bit (D-bit). However, not all DTEs or networks support this function. Depending on the quality of network service, some higher layer protocols using X.25 may incorporate their own end-to-end acknowledgment scheme.

A DTE can simultaneously have multiple virtual circuits active to multiple DTEs. Each virtual circuit active on a network interface can have different characteristics. For example, maximum packet size or maximum number of outstanding unacknowledged packets can vary among virtual circuits. To enable this multiplexing, each DTE-to-DCE interface identifies individual virtual circuits using a uniquely assigned 12-bit identifier, called a **logical channel**. The assignment of a virtual circuit to a logical channel can be either on demand (switched) or static (permanent), depending on the network subscription.

To enable switched virtual circuit connectivity to a remote DTE, each DTE is assigned a unique network address as part of its network subscription. When switched connectivity is desired, the calling DTE initiates a call setup procedure with the network. As part of this procedure, the calling DTE supplies the network with the network address of the remote DTE. The calling DTE assigns logical channels on the calling interface. The DCE assigns logical channels on the called interface. Because logical channels are unique on each network interface, it is possible that the actual values used on each end of the switched virtual circuit (SVC) are different.

At call setup time, SVC characteristics are established. These characteristics are determined by the network subscription and the presence or absence of special fields in the call setup packets called **facilities**. These facility fields allow the DTE and DCE to negotiate SVC characteristics by determining which optional user facilities will be in effect. Certain user facilities allow transmission of call user data between DTEs on call setup packets. Several higher layer protocols, those layers not defined by X.25, reserve the first byte of this call user data as a protocol identifier. The protocol identifier allows the called DTE to determine the exact higher layer protocol needed by the calling DTE.

Permanent virtual circuits (PVCs) are used to establish nonswitched connectivity to a remote DTE. PVC characteristics and their logical channels are statically defined in the network subscription. Provided the DTE-to-DCE interface on each end of a PVC is active at the packet layer, the virtual circuit is considered ready for information transfer.

One major network management function of the packet layer is the ability to send and receive status information on either a specific virtual circuit or all SVCs. This status information is carried in the cause and diagnostic code fields of certain packet types.

Network Support of Non-X.25 DTEs

ITU-T standardized an interface and procedures for the attachment of start-stop mode (asynchronous) DTEs to an X.25 network in Recommendation X.28. The DTE communicates with the X.25 network through a packet assembler/disassembler (PAD) facility. The PAD maps the X.28 protocol from the DTE to X.25 in the network direction, and from X.25 to X.28 in the DTE direction. Recommendation X.29 defines how a packet-mode DTE on the network can remotely tailor the configuration of the PAD facility to meet the specific needs of the asynchronous DTE (for example, how and when data from the DTE should be forwarded to the network).

Other nonstandard equipment exists that performs PAD-like functions for DTEs supporting non-X.25 protocols other than asynchronous communications.

Advantages of Using X.25 for Communications

The layers of X.25 together provide many advantages including networking, standardization, multiplexing, information integrity, and dynamic negotiation of connection. The following sections describe some of these advantages.

Networking

X.25 allows DTE-to-DTE connectivity. The individual network subscribers are only responsible for the configuration, and perhaps attachment to the network (depending on the network subscription), of their DTEs. The network administration is responsible for maintaining the equipment and transmission mediums inside the network to ensure connectivity.

Standardization

Unlike a proprietary protocol, X.25 is a standard defined by the ITU-T. Therefore, any DTE that conforms to Recommendation X.25 is able to perform packet communications with all other DTEs conforming to Recommendation X.25 without modification to the protocol. The network accommodates subscription differences so that DTEs with different subscriptions may communicate.

Multiplexing

X.25 has no requirement on what higher layer protocol uses the virtual circuits provided by the packet layer. **Multiplexing** means that of the several virtual circuits potentially active over a given interface at a particular time, each could be supporting different higher layer protocols.

Because the X.25 packet layer supports many virtual circuits on a single network interface, equipment cost is reduced.

Information Integrity

The X.25 data link control layer ensures the integrity of all information passed to the packet layer and to all higher layers.

Dynamic Negotiation of Connection Characteristics

If negotiation is allowed by the network subscription, different SVC characteristics can be established from call to call. This function allows the DTE to tailor its resources to the demand. For example, during periods when large numbers of SVCs are active, the packet sizes can be decreased to reduce DTE storage demands.

Some communications applications have additional requirements not addressed by X.25. These requirements include:

- End-to-end acknowledgment of received data
- Transaction-based processing
- Data translation
- Multiplexing within a virtual circuit

Many communication applications do not interface directly to X.25. Instead, a higher layer protocol is used in a virtual circuit provided by X.25. Many higher layer protocols are designed to operate in X.25 virtual circuits. These protocols include:

- Asynchronous
- Open systems interconnection (OSI)
- Systems Network Architecture (SNA)
- Transmission Control Protocol/Internet Protocol (TCP/IP)
- Internetwork Packet Exchange (IPX)
- User-defined communications

The choice of which higher layer protocol, if any, to use on a given X.25 virtual circuit depends on the protocols supported by each of the communicating DTEs and the particular requirements of the application program.

See “AS/400-Supported Protocols on an X.25 Virtual Circuit” on page 33 for more information on the higher layer protocols supported by the AS/400 system that can make use of the connectivity provided by X.25.

X.25 Service Charges

Specific X.25 charging information (**tariffs**) is network-dependent. However, the most common method is a periodic subscription fee that covers network access and any subscribed PVCs. For SVCs, charging is similar to the access charges of a public-switched telephone network. If allowed by the subscription, the calling DTE can request, through a special facility code, that the SVC charges be reversed to the called DTE. The called DTE is informed that the calling DTE is requesting reverse charging and can choose to accept or clear the call.

The subscription fee may not cover the physical medium or communications equipment (the modem) used to access the network interface by a DTE. For

example, if a switched voice-grade line is used for X.25 network access, the customer can be billed separately by the public-switched telephone network.

The choice between using an SVC or a PVC for connectivity to a particular DTE is made by estimating cost and use. According to Recommendation X.32, if any PVCs are to be requested in the network subscription, the physical medium to the network interface must be nonswitched. If only SVCs are required, then another estimation of cost and use can help determine whether the medium to the network should be physically switched.

X.25 Transmission on an Integrated Services Digital Network (X.31)

Recommendation X.31 provides a versatile network interface for X.25. The integrated services digital network (ISDN) physical layer is described by ITU-T Recommendations I.430 (basic rate interface) and I.431 (primary rate interface). These interfaces consist of a single D-channel and two or more B-channels. The **B-channels** (bearer channels) transmit digital data between end users at a rate of 64 000 bits per second (bps). A B-channel may be switched, which means that it is established on demand, or it may be permanent, which means that it always exists and is available for use. The **D-channel** communicates the necessary information for call setup, call ending, and other call control between a system and the ISDN.

With ISDN, several time-multiplexed channels are available on one network interface. Additional channels allow X.25 connections to exist with other types of connections, and each channel can offer a different service. Thus, an ISDN physical interface can have capabilities for fax, image, packet-switched data transmission, circuit switching, and voice transmission. The ISDN potentially provides all these services. When the X.25 protocol is used with an ISDN, the digital end-to-end connectivity eliminates the need for modems. This leads to faster communication speed with fewer errors.

Because ISDN provides the D-channel for signalling, the system can selectively accept calls based on the information received on the signalling channel. This leaves B-channels free for other purposes or for continuing the current activity without interruption.

CCITT Recommendation X.31 defines two modes of accessing an X.25 network through an ISDN. One mode, known as circuit mode, uses the ISDN B-channel as a high-speed transmission medium to access a packet-switching data network (PSDN). The other mode, known as packet mode, uses an ISDN B-channel or D-channel to use the packet services integrated in the ISDN. Both modes use the D-channel to establish a switched B-channel connection to the X.25 DCE. The two modes are described in "Circuit Mode (X.31 Case A)" and "Packet Mode (X.31 Case B)" on page 9. Some network providers may not support the services defined by X.31.

Circuit Mode (X.31 Case A)

In circuit mode, also known as service case A, a DTE uses an ISDN B-channel as a high-speed transportation medium to a DCE in the PSDN. This B-channel may be either permanent or switched. If the B-channel is switched, D-channel call control sets up the B-channel connection. Once this connection is established, X.25 packet communications is transparent to the ISDN. The DTE uses the B-channel for its HDLC connection to the DCE. Then it can establish virtual circuit connections to

remote DTEs on the PSDN. The circuit mode of X.31 is shown in Figure 4.

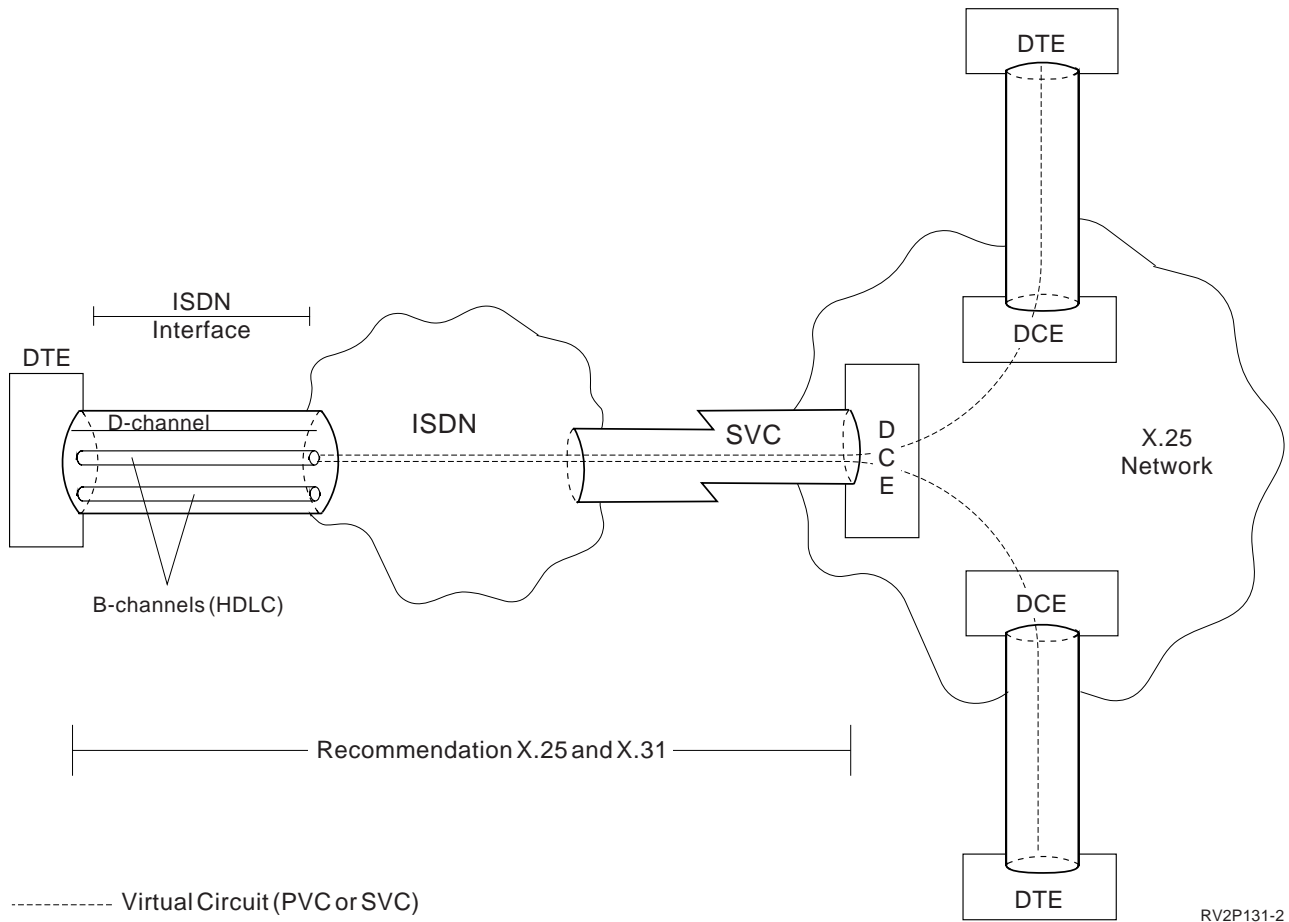
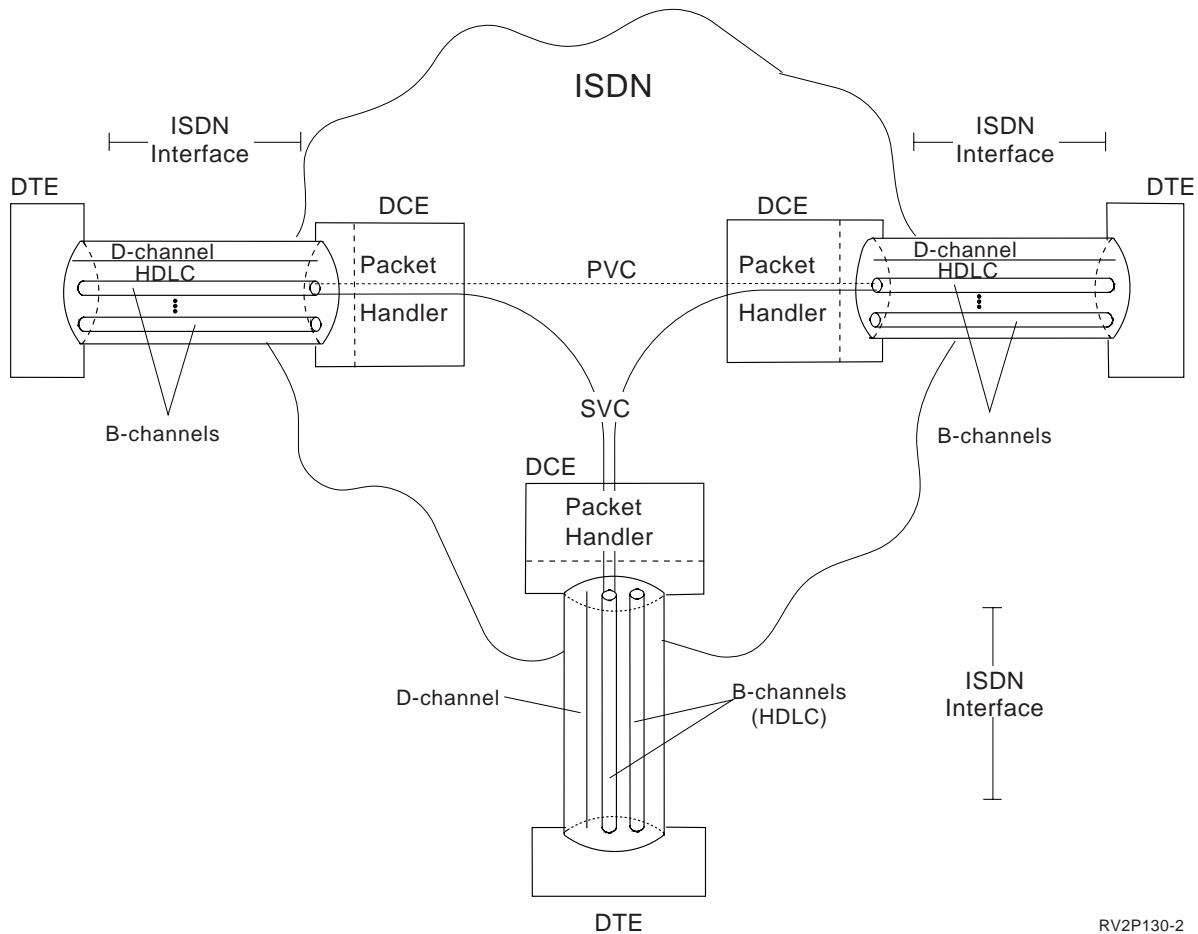


Figure 4. ISDN Circuit Mode DTE-to-DCE Interface

Packet Mode (X.31 Case B)

In packet mode, also known as service case B, either an ISDN B-channel or the D-channel may be used to access the packet services integrated in the ISDN. For switched B-channel connections, D-channel signalling controls the connection to a logical DCE within the ISDN. This logical DCE is known as a packet handler. The packet handler contains the software necessary to provide X.25 virtual circuit services to route the X.25 packets transmitted on the B-channels and D-channels. Each packet handler has the capability to route X.25 packets through the ISDN and eventually to the designated DTE. The packet mode of X.31 is shown in Figure 5 on page 10 .



RV2P130-2

Figure 5. ISDN Packet Mode DTE-to-DCE Interface

Certain information regarding an X.25 call is encoded in an X.25 call packet. The called DTE can accept or reject the call based on this received X.25 information. Depending on the subscription options, the ISDN may use the D-channel to deliver this encoded information. The delivery of this information is determined by the X.31 notification class subscribed to by the called DTE. The following notification classes are defined:

None The packet handler delivers the X.25 call to the DTE only if a packet-mode connection already exists on the ISDN interface. The **terminal equipment (TE)⁵** receives no notification over the D-channel of the attempt. If a packet-mode connection does not already exist, the packet handler clears the call.

Conditional

The packet handler delivers the X.25 call to the DTE using an existing packet-mode connection. If no such connection exists, the ISDN notifies the TE of this condition using the D-channel. If the TE is configured to accept the call, a new B-channel connection is established for call delivery. After the new B-channel connection is established, the packet handler delivers the X.25 call on that B-channel.

Unconditional

The packet handler notifies the TE of all X.25 calls using the D-channel.

5. Terminal equipment is a DTE that provides the necessary function for the operation of protocol access by users.

The TE may instruct the packet handler to deliver the call using an existing packet-mode connection, or it may set up a new B-channel connection for the call delivery.

Chapter 2. AS/400 Support of X.25

The AS/400 implementation of X.25 conforms to the protocol described in International Telecommunications Union - Telecommunications Standardization Sector (ITU-T) Recommendation X.25 (1988 level) and International Standards Organization (ISO) Standards 7776 and 8208.

An AS/400 X.25 line can be connected to the packet-switching data network (PSDN) or to an adjacent remote system using either a nonswitched or switched physical line. A **switched line** connection is one that is established on demand between the AS/400 system and the X.25 network. On nonswitched line connections, the AS/400 system supports both **switched virtual circuits (SVCs)** (virtual circuits that are requested by a virtual call) and **permanent virtual circuits (PVCs)** (virtual circuits that have a logical channels permanently assigned to them at each data terminal equipment (DTE)). Only SVCs are supported on switched physical lines. See "X.25 Switched Line Considerations" on page 19 for a description of switched line support on the AS/400 system.

X.25 Virtual Circuit Support

One X.25 line supports one or more virtual circuits. Each virtual circuit can support one of the following:

- One or more Systems Network Architecture (SNA) sessions that can include advanced program-to-program communications (APPC), SNA upline facility (SNUF), remote work station, or finance communications.
- One connection to an asynchronous communications **host system** (the primary or controlling computer in a communications network).
- One connection to an asynchronous device through the X.25 network packet assembler/disassembler (PAD) facility.
- One connection to an asynchronous communications host system through AS/400 PAD emulation.
- One user-defined communications facility.
- One Transmission Control Protocol/Internet Protocol (TCP/IP) link to an adjacent IP node or **gateway** (a device used to connect two systems that use two different communications protocols).
- One open systems interconnection (OSI) path to an adjacent node. This node may be an OSI end system or intermediate system.
- One Internetwork Packet Exchange (IPX) circuit to an adjacent IPX system. For more information about IPX, see the *Internetwork Packet Exchange (IPX) Support* book.

Several different applications running over different virtual circuit facilities (for example, Systems Network Architecture (SNA), asynchronous, Transmission Control Protocol/Internet Protocol (TCP/IP), open systems interconnection (OSI), IPX, or user-defined communications) can be used on the same X.25 line.

Connections to the X.25 network and to remote data terminal equipment (DTE) are configured on the AS/400 system using line descriptions and controller descriptions. These objects relate to X.25 as follows:

Line description

The AS/400 line description defines the physical connection between the AS/400 system and the X.25 packet-switched network.

SNA and asynchronous controller descriptions

Each SNA or asynchronous controller description defines one remote DTE and the virtual circuit through the X.25 network.

Network controller description

A network controller defines many virtual circuits to adjacent Internet Protocol (IP) nodes or gateways, adjacent OSI nodes, adjacent IPX systems, and adjacent systems that use the user-defined protocol.

Device descriptions describe aspects of the protocol, such as SNA, running above X.25.

On the AS/400 system, each X.25 line description has a logical channel table; this table, which can have a maximum of 64 entries, contains the logical channel subscription information. Each logical channel entry defines one possible active virtual circuit.

AS/400 X.25 Capabilities

Table 2 lists the maximum data rates (in bits per second) and ITU-T interfaces supported by the AS/400 system for a given X.25 line.

Table 2. Maximum Data Rates

Maximum Data Rate	Interface
19 200 bps ¹	CCITT Recommendation X.21 bis/V.24 EIA Recommendation RS-232/V.24
64 000 bps ²	CCITT Recommendation X.21 bis/V.35 CCITT Recommendation X.21, X.31 EIA Recommendations RS-232/V.24
640 000 bps	CCITT Recommendations V.35, X.21 EIA Recommendation RS-449/V.36

Notes:

¹ The maximum data rate for lines using the RS-232/V.24 and X.21 bis/V.24 interfaces is 19 200 bps.

² The RS-232/V.24, X.21 bis/V.24, and X.31 interfaces are not supported on the 2629/2666/2809 IOPs.

Table 3 lists the maximum number of channels (virtual circuits), frame sizes, and data rates that may be defined on a communications controller.

Table 3. Maximum Circuits, Frame Sizes, and Data Rates for AS/400 Communications Processors

Communications Processor	Maximum Number of Circuits	Maximum Frame Size	Maximum Data Rate
Multiple Function IOP	16	1024	19 200
2623 Multiline Communications IOP	96	4096	64 000 ¹
2629/2809 Non-dedicated	16	4096	64 000

Table 3. Maximum Circuits, Frame Sizes, and Data Rates for AS/400 Communications Processors (continued)

Communications Processor	Maximum Number of Circuits	Maximum Frame Size	Maximum Data Rate
2629/2809 Dedicated	256	4096	640 000
2666 High-Speed Communications IOP	128	4096	640 000 ²
Notes:			
¹ The maximum data rate for lines using the RS-232/V.24 and X.21 bis/V.24 interfaces is 19 200 bps.			
² The RS-232/V.24, X.21 bis/V.24, and X.31 interfaces are not supported on the 2629/2666/2809 IOPs.			

Table 4 shows the number of lines and virtual circuits supported by AS/400 communications processors.

Note: There is no correlation between the maximum number of active virtual circuits and the maximum number of X.25 SVC controller descriptions that can exist on the AS/400 system. You can have as many SVC controller descriptions defined on the system as you want.

Table 4. Line and Circuit Capacities

Communications Processor	Number of Lines	Maximum Number of Circuits
Multiple Function IOP	1	16
6150 Communications Controller	1	32
	2	32 for one line; 16 for second line
6130 Multiline Communications IOP	1	32
	2	32 for each line
	3	16 for each line
2623 Multiline Communications IOP X.31 Interface ¹	1	64
	2	32 for each line
	3	16 for each line, or 32 for one line and 8 each for the remaining two lines
	4	Not supported
	5	Not supported
	6	Not supported
2623 Multiline Communications IOP Non-X.31 Interface ¹	1	64
	2	64 for one line, 32 for remaining line
	3	32 for each line, or 64 for one line and 16 each for the remaining two lines
	4	32 each for two lines, 16 each for the remaining two lines
	5	32 for one line, 16 each for the remaining four lines
	6	16 for each line

Table 4. Line and Circuit Capacities (continued)

Communications Processor	Number of Lines	Maximum Number of Circuits
2666 High-Speed Communications IOP	1	128
2629/2809 Non-dedicated	1	16
2629/2809 Dedicated	6	256 (This is the total of all lines on both the 2629 and 2809.)

Notes:

¹ Assumes a maximum frame size (line description MAXFRAME parameter) of 1024. If the MAXFRAME value is greater than 1024, fewer circuits are supported.

²

For more information about the number of lines and the aggregate speed supported by each controller, see the *Communications Management* book.

X.25 Line Description Configuration Considerations

An X.25 line description describes the X.25 interface between the AS/400 DTE and the data circuit-terminating equipment (DCE) in the network. A major portion of this interface depends on the actual subscription contracted with the network supplier.

An X.25 line description can also describe the X.25 interface between an AS/400 DTE, acting as a DCE, and another system acting as a DTE. In this case, there is no X.25 network. Configuration considerations for the AS/400 system are discussed in “Connecting Systems without an X.25 Network (DTE-to-DTE)” on page 20.

All SNA AS/400 controller descriptions that are created and attached to a synchronous data link control (SDLC) line can also be attached to a X.25 line. Asynchronous communications controllers can be attached to a X.25 line if the corresponding remote DTE is either an asynchronous communications host system or is attached to a packet assembler/disassembler (PAD) facility. TCP/IP, OSI, IPX, and user-defined connections can be established with remote DTEs that support this type of connection. The X.25 portion of these controller descriptions describes the run-time characteristics of the associated virtual circuit, and for SNA, logical link control (LLC) parameters are provided to allow the logical link station characteristics to be tailored.

The following sections discuss the capabilities, limitations, and values you should be aware of when configuring X.25 lines on your system.

Network Subscription Considerations (DTE-to-DCE)

For describing the interface between a DTE (your AS/400 system, in this case) and a DCE (when the DCE is in an X.25 PSDN), most of the X.25 line description parameters depend on the following information being provided by your network supplier:

DCE clocking rate

If the physical interface (INTERFACE) parameter is not *X31, then this specifies the value to be used in the line speed (LINESPEED) parameter of

the line description. See Table 2 on page 14 for the maximum data rates supported by the AS/400 system over the varying ITU-T physical interfaces.

DTE local network address

The value to be used in the local network address (NETADR) parameter of the line description. This address can be 1 to 15 decimal digits.

If your network subscription includes the type of address/numbering plan identification address subscription facility, however, this address can be up to 17 decimal digits. If this facility is subscribed, the first digit is the type of address subfield, and the second digit is the numbering plan Identification subfield.

Logical channel configuration

Information for each logical channel subscribed to in your network subscription includes:

- The logical group and channel numbers.
- The type of logical channel circuit being used (a permanent or switched virtual circuit, abbreviated as PVC or SVC). For SVCs, this includes whether it supports incoming calls, outgoing calls, or both.
- When a PVC is used, the remote DTE to which data over this logical channel is to be routed to and from the network.

With this information, you can specify all the logical channel entries on the logical channel entries (LGLCHLE) parameter in the X.25 line description. For the type of each logical channel circuit (or virtual circuit), you specify one of the following values: *PVC, *SVCIN, *SVCBOTH, or *SVCOUT. Given the PVC routing information, you can correctly associate the PVC controller descriptions with their corresponding PVC logical channels.

When more than one type of virtual circuit is specified in the LGLCHLE parameter, all of the entries for each type should be grouped together. For more information about entering logical channel entries in the X.25 line description, see the description of this parameter in the *Communications Configuration* book.

Physical interface provided

The value to be used for the physical interface (INTERFACE) parameter of the line description.

HDLC link-level modulus

For high-level data link control (HDLC), the AS/400 system supports a frame link-level modulus of 8; this value cannot be configured.

HDLC link-level maximum send and receive window size

The AS/400 system supports an HDLC maximum send and receive window size of 7; this value cannot be configured.

Maximum and default send and receive packet sizes

The AS/400 system supports the maximum packet size limit of 1024 bytes or 4096 bytes for the AS/400 system, depending on the communications controller being used. For supported configurations, see Table 3 on page 14. Separate transmit and receive values (independent from each other) can be specified in the packet size parameters. These values are specified in the maximum packet size (MAXPKTSIZE) parameter in the line description, and should be greater than or equal to the corresponding values specified in the default packet size (DFTPCKTSIZE) parameter. This default packet size value is used for all logical channels defined for an X.25 line. If a

different value is supplied in a controller description or in the OSI or user-defined configuration, that value will be used on the associated logical channel.

Packet-level modulus

The value to be used in the modulus (MODULUS) parameter of the line description. Allowed values are 8 and 128.

Default packet-level send and receive window size

The values to be used in the default window size (DFTWDWSIZE) parameter of the line description. Separate transmit and receive values (independent from each other) can be specified in the default window size parameter. Packet-level window size specifies the maximum number of unacknowledged packets that can be outstanding at a given time. Values 1 through 7 are valid if MODULUS(8) is specified; values 1 through 15 are valid if MODULUS(128) is specified. The default value is 2. This window size is used for all logical channels on an X.25 line. If a different value is supplied in a controller description, or in the OSI or user-defined configuration, that value is used on the associated logical channel.

DCE processing overhead and spreading delay of medium to network

These values for either satellite or communications lines, together with the line speed and maximum packet size, are used to determine the idle timer (IDLTMR) parameter value in the line description. For example:

$$\text{IDLTMR} \geq (2 * p + (\text{MAXPKTSIZE} * 8) / \text{LINESPEED} + o) * 10$$

where:

- p** = Propagation delay of medium to network (in seconds). For ground lines, p is usually unimportant; for satellites, p can be significant.
- o** = DCE processing overhead (in seconds).

See the *Communications Configuration* book for the acceptable idle timer values for various combinations of line speeds and packet sizes.

Quality of the communications line to the network

Depending on the line quality (the amount of noise on the X.25 line), the value in the frame retry (FRAMERTY) parameter of the line description can be adjusted. Larger values can allow transparent recovery (to the application program) on a given line during a particularly noisy period. However, too large a value lengthens error reporting time for permanent errors.

Insertion of local network address by the network

Indicates whether it is necessary for the AS/400 system to insert its local network address into every call request and call accept packet. If *YES (the default) is specified in the insert network address in the packets (ADRINSERT) parameter of the X.25 line description, the AS/400 system inserts its local network address in all call request and call accept packets transmitted on the line.

Level of network support available

Specifies whether the network supports the ITU-T X.25 Recommendation at the 1980, 1984, or 1988 levels. This value is required for the X.25 network level (NETLVL) parameter when creating SNA controller descriptions.

X.25 Switched Line Considerations

CCITT Recommendation X.32 defines the use of X.25 lines in a switched environment. By using switched lines, a system without a nonswitched line connection to a PSDN uses a modem to dial a remote DCE or the PSDN. The system can either dial a public-switched telephone network, or use an ISDN to gain switched access.

The recommendation also defines procedures for identifying the DTE to the network for billing and security reasons. The AS/400 system supports identification to an ISDN by the calling party number, the called party number, and the subaddress provided by the system. The AS/400 system also supports identification of DTEs by the network user identification (NUI) subscription facility.

If a switched physical line is used to connect the AS/400 system to the network by specifying CNNTYPE(*SWTPP), the following considerations must be made:

Physical interface (INTERFACE parameter)

Switched connections are supported for the following interfaces only:

- *RS232V24
- *X21BISV24
- *X21BISV35
- *X31

Note: Switched connections are not allowed on the 2666 High-Speed Communications IOP.

Manual or automatic dial (AUTODIAL parameter)

The call can be established manually or automatically. Automatic dial is accomplished by using an automatic call unit (AUTOCALL(*YES)) or by using a V.25 bis-compatible modem (DIALCMD(*V25BIS)). This parameter does not apply for switched lines on an ISDN.

Automatic call unit (AUTOCALL parameter)

Automatic dialing can be performed using an automatic call unit. Duplex modems are required to use X.25, while most modems requiring automatic call units are half-duplex. This parameter does not apply for switched lines on an integrated services digital network (ISDN) or X.21.

Connection number (CNNNBR parameter)

The connection number specifies the telephone number of the remote DCE to be dialed if automatic dial or an automatic call unit is being used. This parameter does not apply for switched lines on an ISDN.

Call immediate (CALLIMMED parameter)

The call immediate parameter specifies whether the AS/400 system is to call the network immediately when the line is varied on. This parameter should be used when the network does not support dialing the AS/400 system and when the remote DTEs may initiate connections (through SVCs) with the AS/400 system.

Generally, the switched disconnect (SWTDSC) parameter should be *NO when the call immediate parameter is specified as *YES.

Switched disconnect (SWTDSC parameter)

The switched disconnect parameter specifies that the switched line should be disconnected when no virtual circuits are active on the line. The switched disconnect timers (SWTDSC TMR parameter) specify the minimum

time the line must be connected and the time to wait before switched disconnection. The minimum amount of time the switched line will be connected is:

minimum connect timer + disconnection delay timer

The default value for the switched disconnect timer is 170 0. Each time a switched line is connected, the connection is maintained for 170 seconds, even if there are no active virtual circuits on the line. If active virtual circuits exist after 170 seconds, the connection is maintained until all virtual circuits become inactive, at which time the switched line is immediately disconnected.

Note: In some countries, the public switched telephone networks restrict the length of time that a voice-grade line can be left connected with no activity on the line. The SWTDSCMTR parameter values may have to be reduced to meet these requirements.

Disconnect timers of (0,0) can be specified; however, this is not recommended because there is not enough time for an incoming SVC to be established before the physical link is disconnected.

If switched disconnection is specified for a line, all active SVCs must be disconnected before the disconnection delay timer starts. For more information on SVC disconnections, see the disconnect timer (DSCTMR) and switched disconnect timer (SWTDSC) parameters in the *Communications Configuration* book.

Network user identification (NETUSRID parameter)

Many networks use the network user identification (NUI) on switched lines for accounting and identification purposes. Contact your network administrator for more information on NUIs. If the NETUSRID parameter is specified, the system encodes the NUI facility on every X.25 call request initiated on the line.

The remaining line description parameters do not depend on your network subscription.

Connecting Systems without an X.25 Network (DTE-to-DTE)

As described earlier, you can connect your AS/400 system to a DTE without going through an X.25 network. Modems, modem eliminators, or an ISDN may provide the physical connection. When this method is used, the AS/400 system acts as a DCE to the remote DTE, and the remote DTE acts as though it is attached to an X.25 network (even though it is not). The remote DTE in this example could be a System/36, System/38, or another AS/400 system. When configuring an AS/400 DCE in this manner, the following considerations apply:

X.25 DCE support (X25DCE parameter)

The AS/400 system should normally specify *YES for the X25DCE parameter in the line description.

The value *NEG can be specified for switched connections when the remote system supports the DTE/DCE role negotiation feature (another AS/400 system, for example). *NEG allows the two systems to negotiate their roles, with one system being selected as the DCE, the other as DTE. *NEG should be specified only when the remote system supports this feature and is configured with an equivalent value.

Connection initiation (CNNINIT parameter)

In the DCE line description, specifying *LOCAL for the CNNINIT parameter causes infinite polling of the remote DTE. When *LOCAL is specified, the remote DTE system must specify *NO for X.25 DCE support and specify either *WAIT or *REMOTE for its CNNINIT parameter, or their equivalent values for non-AS/400 systems.

For switched lines, *CALLER can be specified for the CNNINIT parameter. This value instructs the AS/400 system to determine which system initiates the call, based on the direction of the call. *CALLER should only be specified when the remote system supports this feature and is configured with an equivalent value.

With each line configured as described, either line can be varied on first. The remote system waits for the local system to contact it. If the local system has X.25 DCE support and CNNINIT(*LOCAL) for connection initiation, it will poll the remote system indefinitely or until the remote system responds. Vary the line off if you do not want to establish a connection.

Matching logical channel tables (LGLCHLE parameter)

The logical channel identifiers and types that are specified on the LGLCHLE parameter should match between the AS/400 DCE and the directly attached DTE. For SVCs, this is possible because the channel ordering with X25DCE(*YES) is *SVCOUT, *SVCBOTH, and *SVCIN.

Insert network address into packets (ADRINSERT parameter)

If SVCs are used when connecting an AS/400 system as a DCE without a network to another DTE, both systems must specify ADRINSERT as *YES (or its equivalent) in the line description.

Chapter 3. End-to-End Connectivity Considerations

Just as an X.25 line description describes the interface between data terminal equipment (DTE) and data circuit-terminating equipment (DCE), AS/400 system controller descriptions describe characteristics of remote DTEs. This chapter discusses the controller descriptions and values unique to the X.25 line.

X.25-Specific Values

Several of the values in the controller descriptions are unique to X.25 and depend on the network subscription information. For each of the remote DTEs with which your AS/400 system is communicating, you must determine certain characteristics and configure them in the associated controller descriptions.

Regardless of whether the AS/400 system is connected to the remote DTE through a packet-switching data network (PSDN) or connected directly through a modem eliminator, the remote considerations in this topic are the same. The following characteristics about the remote DTEs determine some of the X.25-specific values for the controller description parameters:

Note: These characteristics are not applicable for users of a network controller, such as Transmission Control Protocol/Internet Protocol (TCP/IP), open systems interconnection (OSI), Internetwork Packet Exchange (IPX), or user-defined communications.

Type of virtual circuit

Specify whether the connection to the remote DTE is by a permanent virtual circuit (PVC) or a switched virtual circuit (SVC). Your choice of either a PVC or an SVC should be determined by cost and use. The type of virtual circuit is determined by the logical channel entry (LGLCHLE) parameter on the X.25 line description. See "PVC Functions" on page 24 or "SVC Functions" on page 24 for more information about PVCs or SVCs.

Closed user group identifier of remote DTE

An AS/400 system can call a remote DTE that is subscribed to a closed user group in the network. The value for the initial connection (INLCNN) parameter on the controller description must be *DIAL. The X.25 user group identifier (USRGRPID) parameter in the SVC controller description must match the user group identifier assigned by the network to the remote DTE.

Billing intentions

An AS/400 system normally does not request or accept reverse charging. **Reverse charging** allows the data terminal equipment (DTE) to request that the cost of a communications session be charged to the DTE that is called.

However, the AS/400 system can be configured to request X.25 reverse charging (RVSCRG parameter on the controller description) on outgoing calls, to accept reverse charging on incoming calls, or both. You must determine the type of billing policy to be used for virtual calls to correctly configure your system to handle reverse charging. Reverse charging applies to SVCs only.

Additional user facilities to be requested

The AS/400 system allows you to request additional network user facilities (besides closed user group, reverse charging, and packet or window size negotiation) by entering the hexadecimal representation of the facilities into

the user facility (USRFCL parameter) field of controller descriptions. If the network user identification parameter (NETUSRID) is specified in the line description, the network user identification (NUI) facility is encoded and joined with the facilities listed in the USRFCL parameter of the controller description. The joined NUI facility is then placed in the facility field of CALL REQUEST packets. User facilities apply to SVCs only.

The remaining controller description parameters are dependent on the protocol that is being used on each of the X.25 virtual circuits defined for a line description. See "AS/400-Supported Protocols on an X.25 Virtual Circuit" on page 33 for more information about the higher layer protocols that can be used with AS/400 X.25 communications. The following discussions provide a general overview of using X.25 PVCs and SVCs on the AS/400 system.

PVC Functions

PVCs are defined in the line description and may be attached to a controller description. If the PVCs are defined in the line description and not attached to a specific controller, the PVCs become eligible for any application using the network controller that is attached to the line and varied on.

The virtual circuit is established when requested by an application using the network controller or when the controller assigned to the PVC is varied on.

After a PVC has been defined and established, data is transmitted on that PVC as if it were a nonswitched line. Because no call establishment or completion procedures are required on a PVC, it is faster to establish PVCs than SVCs. Therefore, when using X.25 DCE-to-DTE communications over nonswitched lines, it is recommended that PVCs be used whenever possible to eliminate SVC overhead.

When configuring an X.25 logical channel as a PVC, you must be certain that the configuration parameters that are entered on the AS/400 system match the X.25 network subscription characteristics for that logical channel. Parameters such as packet size, packet window size, and modulus must be coordinated before doing the configuration. In addition, the higher layer protocol to be used on each virtual circuit must be coordinated by the two communicating DTEs. If these parameters do not agree, errors can occur either when the virtual circuit connection is first established, or in some cases, only after the local AS/400 system, the network, or a remote DTE detects some violation of this agreement.

The AS/400 system does not support PVCs on physically switched X.25 lines.

SVC Functions

The following topics describe some considerations for the three types of SVC functions supported by the AS/400 system. These types are specified on the logical channel entries (LGLCHLE) parameter in the X.25 line description. The SVC types are:

- SVC incoming call (*SVCIN)
- SVC outgoing call (*SVCOUT)
- SVC incoming and outgoing call (*SVCBOTH)

On a given switched logical channel, a variety of different higher layer protocols are possible at different times. For example, an SVC may be established using the SNA protocol for a short period of time. After that virtual call is ended, another call can be made on the same logical channel. This time, the asynchronous protocol may be used. Later, the protocol could be TCP/IP, OSI, IPX, or user-defined.

The higher layer protocol of a call is determined by the first byte of the user data field, called the protocol identifier, in the CALL REQUEST packet. Table 5 defines the hexadecimal protocol identifiers supported by the AS/400 system.

Table 5. AS/400-Supported Protocol Identifiers

Identifier	Protocol
00	OSI connectionless-mode network service inactive subset
01	Asynchronous packet assembler/disassembler (PAD) communications. This ID is sent by an asynchronous PAD or an AS/400 system emulating PAD communications.
03-3F	OSI network connection management subprotocol
81	OSI connectionless-mode network service
C0	Asynchronous host communications
C3	Qualified logical link control (QLLC) with nonextended cause codes (pre-1984 ITU-T network level)
C6	Enhanced logical link control (ELLC) with nonextended cause codes (pre-1984 ITU-T network level)
CB	QLLC with extended cause codes (ITU-T 1984 or 1988 network level)
CE	ELLC with extended cause codes (ITU-T 1984 or 1988 network level)
CC	TCP/IP
F0 to FE	OSI connection-mode network service on a 1980 X.25 network
None	OSI connection-mode network service
Others	Routed to user-defined communications support

SNA protocol identifiers are derived from the X.25 link protocol (LINKPCL) and X.25 network level (NETLVL) parameters of the controller description for outgoing calls. Incoming calls are screened according to the same parameters. Asynchronous protocol identifiers are derived according to the PAD emulation (PADEML) parameter of the asynchronous controller description. TCP/IP calls always use a protocol identifier of hex CC.

The AS/400 system allows for security when connecting to an X.25 packet-switched network by screening incoming calls according to fields in an INCOMING CALL packet. Access to an AS/400 system from the X.25 network through any SVC is controlled by the calling DTE network address, together with the protocol identifier and password (SNA only), all of which are located in the 12-byte user data field of an X.25 INCOMING CALL packet.

Table 6 on page 26 shows the format of the user data field for SNA and asynchronous calls. Note that this field, other than the protocol identifier, will be different for incoming calls associated with TCP/IP, OSI, IPX, and user-defined communications.

Table 6. User Data Fields for an SNA and Asynchronous CALL REQUEST Packet

Byte Number	Length (Bytes)	Description of User Data Field
0	1	Protocol identifier. See Table 5 on page 25 for a list of possible values.
1	1	Password indicator. Possible hexadecimal values are: 00 No password was sent. 01 A password follows.
2	1	Call or recall indicator, used by ELLC only. Possible hexadecimal values are: 00 Initial call (all non-SNA protocols). 01 Recall to establish a broken connection.
3	1	Reserved (set to 00).
4	8	X.25 network password (SNA only), taken from the X.25 connection password (CNNPWD) parameter of the controller description used for an SVC outgoing call or recall. If the password is less than 8 characters, it is left-justified and padded with blanks. Before a connection can be completed for SVC incoming calls, the password sent by the remote DTE in the incoming call or recall packet must match the password specified in the controller description that describes that remote DTE. Blank or *NONE indicates that a password will not be used; the network password field contains blanks.

Figure 6 illustrates user data formats for a CALL REQUEST packet, created and accepted by the AS/400 system when either no value or *NONE is specified for the CNNPWD parameter of the associated SNA controller description. The CNNPWD parameter contains blanks if a create controller description command is used without specifying this parameter. The CNNPWD parameter contains *NONE if the change controller description command is used. These two values are equivalent.

Byte: **01234**

Created for *NONE: pi 01 ci 00 4040404040404040

Accepted as *NONE: pi 01 ci 00 4040404040404040
pi 00 ci 00
pi 00 ci
pi 00
pi

pi SNA protocol identifier
ci Call (or recall) indicator

Figure 6. User Data Field Formats for a CALL REQUEST Packet

In the cases where a password is not supplied in the call data, the AS/400 system creates its equivalent of an *NONE password, which is eight blanks (hex 4040404040404040), as shown in Figure 6 on page 26. If this password is used and no corresponding controller is found, the call is rejected and a message is displayed to the local system operator, indicating an incoming call with a password of eight blanks was rejected.

SVC Incoming Call Function

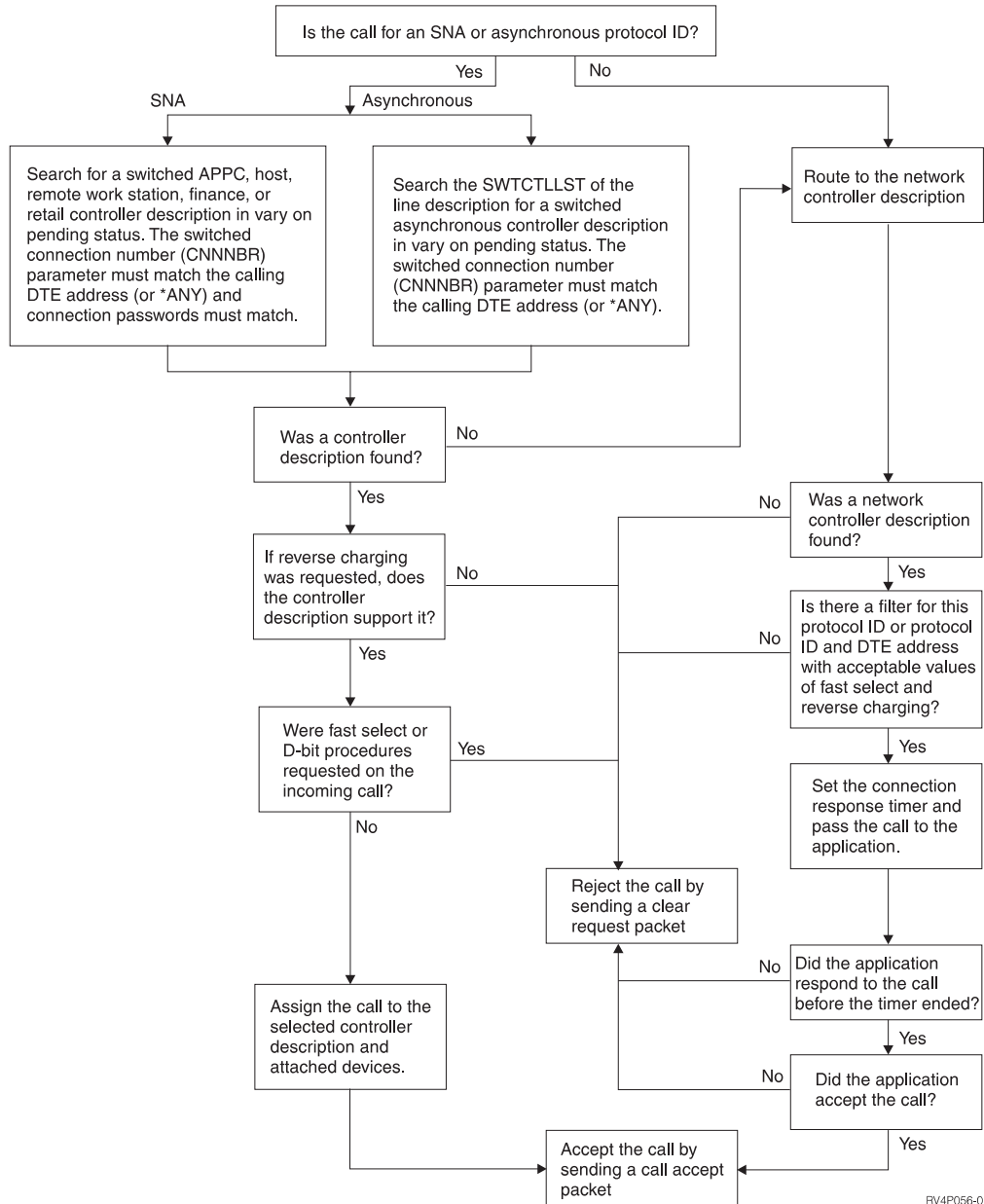
For a flowchart of the control and routing of incoming calls, see the diagram in Figure 7 on page 28.

X.25 calls arriving to the AS/400 system are routed by the X.25 support, based primarily on the protocol ID field. Protocol IDs are defined for and used by SNA, asynchronous X.25, OSI, and TCP/IP protocols. Other protocol IDs can be defined and used by applications that use user-defined communications support. For a list of protocol identifiers supported by communications subsystems on the AS/400 system, see Table 5 on page 25.

If the protocol ID field contains an SNA or asynchronous X.25 protocol ID, the system attempts to route the incoming call to the appropriate controller for SNA or asynchronous X.25 support. Incoming calls are further screened based on the calling network address and, for the SNA protocol, the password field in the call user data. A controller must be configured with a matching calling network address (or *ANY) and connection password. The controller must also contain the X.25 line description name in its switched line list.

If there is no switched vary on pending SNA or asynchronous X.25 controller to accept the call, the system routes the call to the network controller, if present. If the protocol ID is not an SNA or asynchronous X.25 protocol ID, the system also routes the call to the network controller. If there is no network controller, the call is cleared. Each line description may have only one network controller.

Each network controller on the AS/400 system defines one or more virtual circuits through an X.25 packet-switching data network (PSDN). The virtual circuits defined by a network controller can be used for TCP/IP, user-defined, IPX, or OSI communications.



RV4P056-0

Figure 7. X.25 Call Control Algorithm

Incoming Call Function for SNA/Asynchronous

The SVC incoming call (*SVCIN) function for SNA or asynchronous incoming calls is similar to an automatic answer function. It includes the automatic answering of calls received on any one of the lines specified in the switched-line list (SWTLINLST) parameter of the controller description. The AS/400 system must be prepared to respond to an incoming call.

On the logical channel entry (LGLCHLE) parameter of the Create X.25 Line (CRTLINX25) or the Change X.25 Line (CHGLINX25) command, at least one logical channel entry must be configured as either *SVCIN or *SVCBOTH and cannot already be in use on the active X.25 line. The associated controller description must

be varied on (in a vary on pending status) at the time of the call. INLCNN parameter values of *ANS or *DIAL for the controller description are both acceptable for answering incoming calls.

To prepare the AS/400 system to support SVC incoming calls, you must vary on the line, controller, and device descriptions. The following items are also necessary:

- The switched connection number (CNNNBR) parameter on the controller description must match the network address of the calling DTE or the answer number (ANSNBR) parameter must be configured to *ANY.

A controller can be configured to accept any incoming call by creating the controller description and specifying the answer number or the connection number as *ANY. This does not apply to network controllers. In this case, if the controller description specifies APPN(*YES), the minimum switched status (MINSWTSTS) parameter should be specified as *VRYON so that **Advanced Peer-to-Peer Networking (APPN)** (a data communications support that routes data in a network between two or more APPC systems) does not attempt to use this controller for routing unless a connection is already established.

A controller can be configured to accept calls from any network address and to dial a specific network address at the same time. To do this, specify the network address to call in CNNNBR, and specify *ANY for ANSNBR.

- For SNA, the X.25 link protocol (LINKPCL) parameter in the controller description must match that used by the remote system; for example, *QLLC or *ELLC. However, depending on the network level supported by the remote DTE, two scenarios can occur:
 - If a call is received with a protocol identifier (PI) field of hex C3 (QLLC before 1984) and the controller on the AS/400 system is QLLC (at the 1984 or 1988 level), then the call is accepted, but pre-1984 QLLC is used.
 - If a call is received with a PI field of hex C6 (ELLC before 1984) and the AS/400 controller is ELLC (at the 1984 or 1988 level), the call is accepted, but pre-1984 ELLC is used.

Note: QLLC and ELLC are X.25 protocols that allow the transfer of data link control information between two adjoining SNA nodes that are connected through an X.25 packet-switching data network. The QLLC provides the qualifier “Q” bit in X.25 data packets to identify packets that carry logical link protocol information and ELLC enhances error detection and recovery.

- For SNA controller descriptions, the controller that is used to answer the call must contain the associated line name in its switched line list (SWTLINLST). Also, the value supplied for the X.25 connection password (CNNPWD) parameter must match, including use of uppercase or lowercase characters. If the connection password does not match, the call is rejected with a diagnostic message of Connection identifier mismatch (hex error code).
- If the call request indicates reverse charging is requested, the X.25 reverse charging (RVSCRG) parameter must indicate support of reverse charging.
- A protocol identifier of C0 or 01 causes an attempt to locate an asynchronous controller in the switched controller list of the associated line description. The CNNNBR of one or more of the asynchronous controllers must match the network address of the calling DTE. Otherwise, the CNNNBR of the asynchronous controller must be specified as *ANY. No X.25 connection passwords are used in selecting asynchronous controllers.
- The AS/400 system performs *packet size* negotiation on incoming calls by using the minimum value of the following:

- The X.25 default packet size (DFTPFSIZE) parameter in the answering controller description (or in the line description if the value is *LIND). For protocols using the network controller description, the default packet size is obtained from the protocol-specific configuration.
- The value (if any) included in the incoming call.
- The X.25 maximum packet size (MAXPKTSIZE) parameter specified in the line description.

The same negotiation occurs for the *window size* using the following:

- The X.25 default window size (DFTWDWSIZE) parameter from the answering controller description (or in the line description if the value is *LIND). For protocols using the network controller description, the default window size is obtained from the protocol-specific configuration.
- The value (if any) included in the incoming call.
- A maximum of 7 if MODULUS (8) is specified or 15 if MODULUS (128) is specified.

The resulting negotiated packet and window sizes in use on an active logical channel (with the exception of network controllers) can be displayed using the Display Controller Description (DSPCTLD) command.

The AS/400 system answers an incoming call without intervention. A message confirms this to the system operator. If an error occurs, an error message is displayed to the system operator.

Incoming Call Function for Other Protocols

To determine how to perform incoming call routing for the network controller, the AS/400 X.25 support uses routing information that is supplied by the applications that use the network controller. TCP/IP, OSI, IPX, and user-defined communications provide this information.

These applications, which use the network controller, can set inbound routing information to accept calls based on one or more of the following fields in an INCOMING CALL packet:

- Protocol identifier
- Calling DTE address
- Reverse charging facility
- Fast select facility

For example, a user-defined application may accept all incoming calls with a specific protocol identifier and that do not request reverse charging. Then the application program sets the appropriate inbound routing information for the network controller description attached to the line. The Display Connection Status (DSPCNNSTS) command displays the inbound routing information that has been set for a network controller.

If a call is received and there is no matching inbound routing information, the system rejects the call. If an application has specified routing information for the protocol ID or for the protocol ID and calling DTE address, the system further checks the call for acceptable fast select and reverse charging values.

If the call specifies reverse charging, but reverse charging is not specified in the routing information, the call is rejected with an X'42' diagnostic code. If the call

specifies fast select, but fast select is not included in the routing information, the call is rejected with an X'A4' diagnostic code.

For additional information specific to each protocol, see the *TCP/IP Configuration and Reference*, *OSI CS/400 Operations*, *Internetwork Packet Exchange (IPX) Support*, and *System API Reference* books.

SVC Outgoing Call Function

The SVC outgoing call (*SVCOUT) function includes the automatic selection of a line that is included in the switched line list (SWTLINLST) parameter of the controller description and is available for use.

You can control the line selection method by configuring the X.25 switched line selection (SWTLINSLCT) parameter of the controller description. However, network controllers cannot be switched over X.25 lines.

If *FIRST is specified in the SWTLINSLCT parameter of a controller description, the AS/400 system attempts to use the first line from the switched line list. If the first line is not in the proper state, the AS/400 system moves through the switched line list until an eligible line is found. If no eligible line exists, an error message is sent to the QSYSOPR message queue.

If *CALC is specified in the SWTLINSLCT parameter, the AS/400 system attempts to select a nonswitched line that is varied on or is active with an unused logical channel available for an outgoing call. If no such line is found, the AS/400 system then looks for a switched line that has already established a connection. If a candidate line is still not found, a switched line in connect pending state is selected. If no eligible line exists, an error message is sent to the QSYSOPR message queue.

If a switched line in connect pending state is selected and a subsequent dial fails, a message is displayed in QSYSOPR. This message allows you to cancel the dial, retry the dial, or select the next eligible line from the SWTLINLST according to the line selection method used. If no lines in the SWTLINLST are eligible for selection, an error message is displayed in QSYSOPR.

The AS/400 system must be prepared to place a call establishing the logical link. At least one logical channel entry must be configured as either *SVCOUT or *SVCBOTH, and cannot already be in use on the active X.25 line. The associated controller description must specify INLCNN(*DIAL).

To prepare the AS/400 system to support SVC outgoing calls, you must vary on the line, controller, and device descriptions. The following parameters of the controller description have critical relationships:

- The value in the X.25 default packet size (DFTPKTSIZE) parameter must not be greater than the value in the maximum packet size (MAXPKTSIZE) parameter of the associated line description. This applies to the transmit and receive values, respectively.
- The value in the X.25 default window size (DFTWDWSIZE) parameter must not be greater than 7 if MODULUS(8) is specified in the line description (or 15, if MODULUS(128) is specified). This applies to the transmit and receive values, respectively.
- For SNA, the value in the X.25 link protocol (LINKPCL) parameter in the controller description must match that used by the remote DTE; the value can be

either *QLLC or *ELLC. However, depending on the network level supported by the remote DTE, two variations can occur:

- If the AS/400 system makes a call using hex CB (QLLC at 1984 or 1988 level) in the protocol identifier field and the remote DTE rejects the call, the call is tried again using hex C3 (QLLC before 1984).
- If the AS/400 system makes a call using hex CE (ELLC at 1984 or 1988 level) and the remote DTE rejects the call, the call is tried again using hex C6 (ELLC before 1984).

This ability to retry a failing call request allows the AS/400 system to connect to remote SNA DTEs that may not support the DTE-originated extended cause codes defined for ITU-T 1984 or 1988, even though 1984 or 1988 was specified in the X.25 network level (NETLVL) parameter of the controller.

- Either an *SVCOUT or *SVCBOTH logical channel must be available when the connection is attempted.
- The program used to communicate with the remote device must be started. You should be aware that starting the subsystem does not start the SVC connection.

Note: For a user-defined application, you must issue the OPEN command to display the file associated with a device. The device must be configured using the DROP(*NO) option (the file must be closed to cause the SIGNON display to be shown).

Non-SNA (asynchronous) controllers that use PAD emulation support, by specifying *YES on the PADEML parameter, will not have an SVC connection established at the time the program is started. Instead, connections are established (or disconnected) by CCITT X.28 commands issued within the program to the PAD support. For more information about PAD emulation support, see the *Asynchronous Communications Programming* book.

After the call request has been sent, the remote DTE answers the call, a connection is established, and a message is displayed to the system operator. If an error occurs, the connection is not established and an error message is displayed to the system operator.

Calling DTE Information

User applications written in high-level languages use the get attributes operation of the intersystem communications function (ICF) to access information that a system receives or sends when making a call. The accessed information includes the following:

- Network address of the connected DTE
- Address extension of the remote DTE
- Call direction between the AS/400 system and the network

For more information on writing programs in ICF to access this information, see the *ICF Programming* book.

Status Information

There are several configuration status commands that you can use to show dynamically defined configuration values and status information for objects associated with X.25 communications. These include the following:

- The Work with Configuration Status (WRKCFGSTS) command can be used to show the current status of X.25 configuration objects and their connection. A connection between an SVC controller description (not including network controllers) and a line description exists only if the controller has answered or called on that line.

Network controller descriptions representing SVCs act different than other AS/400 SVC controller descriptions. A network controller description will always have a connection to an associated line description. Therefore, when using the WRKCFGSTS command for a line description, any associated network controller descriptions will always be displayed as being connected to the line description.

- To show the active connections for a network device description on TCP/IP, OSI, IPX, or user-defined communications, use the Display Connection Status (DSPCNNSTS) command for the device. When using a network controller and device with a X.25 line, each of these connections corresponds to a connection on a different virtual circuit.
- The Display Controller Description (DSPCTLD) command is used to display the packet and window sizes in use on SVC controllers. These SVC controllers must have a virtual circuit already established (either the controller was varied on or has active controller status). The DSPCTLD command also shows the network address of the attached DTE.
- The Display Line Description (DSPLIND) command can be used to show the logical channels used by active SVC controllers.

For information about configuration status, see the *Communications Management* book.

AS/400-Supported Protocols on an X.25 Virtual Circuit

The AS/400 system supports several different protocols for each virtual circuit. The protocol that is used depends on the definitions given to a particular virtual circuit. For a PVC, both the local and remote DTEs must agree on the higher layer protocol that will be used after HDLC and X.25 communications are established. For SVCs, the value of the protocol identifier in a CALL REQUEST packet dynamically determines the protocol (see Table 5 on page 25 for a list of valid protocol identifiers).

The AS/400 system supports SNA, asynchronous, TCP/IP, OSI, IPX, and user-defined protocols on a given virtual circuit. The following discussions outline considerations for each of these protocols.

SNA Considerations

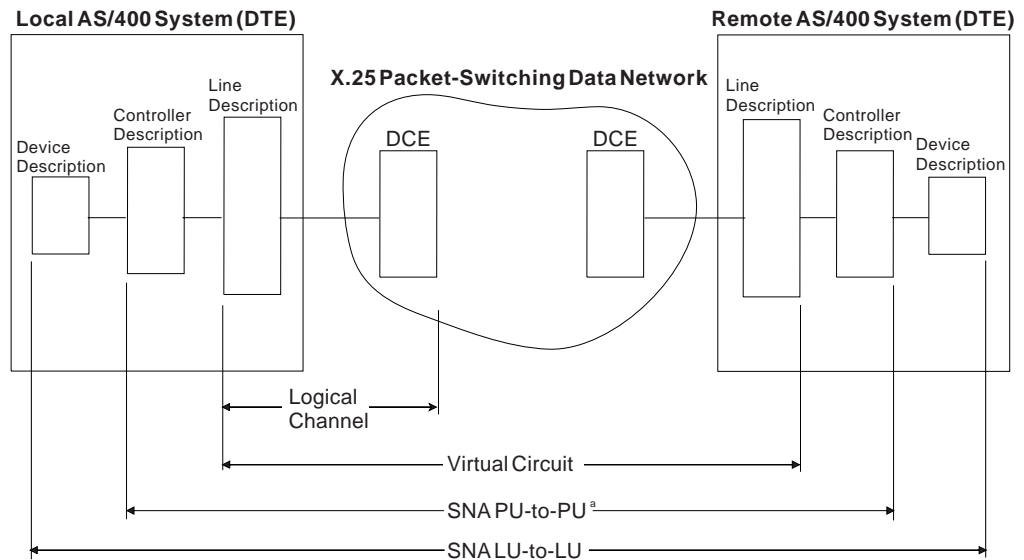
An AS/400 system can communicate with a variety of DTEs using SNA over X.25, both in hierarchical and peer networks. SNA host, remote work station, APPC, finance, and retail controllers all use the SNA protocol and can be configured to use an X.25 line description.

Each AS/400 X.25 line description supports multiple logical channels. The AS/400 X.25 logical channels support virtual circuits, which in turn support logical links, which in turn support the SNA sessions. (Figure 8 on page 34 illustrates these relationships.)

SNA over X.25

SNA originally operated over transmission mediums using the synchronous data link control (SDLC) protocol. Some of the function performed by SDLC for SNA is not supported by X.25. A layer called the logical link control (LLC) exists between the SNA layers and the X.25 packet layer on a given virtual circuit, and adds the function required by SNA to communicate with the X.25 virtual circuit. Two examples of LLC protocols are qualified logical link control (QLLC) and enhanced logical link control (ELLC).

The LLC layers of two DTEs communicating on a given virtual circuit are sometimes referred to as **adjacent logical link stations**. The information units passed between these stations are called link protocol data units (PDUs). Link PDUs are transported as one or more logically associated packets by the network to the adjacent logical link station.



^a This is equivalent to a logical link level.
 PU=Physical Unit
 LU=Logical Unit

RSLN453-3

Figure 8. Virtual Circuits in an SNA X.25 Network

In the SNA environment, virtual circuits are viewed as logical links supporting multiple sessions. Several sessions, depending on the SNA controller, may be active over a single virtual circuit. Virtual circuits can be viewed as the logical equivalent of SDLC point-to-point nonswitched or switched lines.

On the AS/400 system, using X.25 with SNA DTEs does not require any additional application programming. After you configure your system for X.25 by creating an X.25 line description and the appropriate controller and device descriptions, no changes are required in any of your existing SNA communications application programs. All SNA session types, including remote job entry (RJE), are supported by the AS/400 implementation of X.25.

The following characteristics about the remote DTEs determine some of the X.25 SNA-specific controller description parameter values that are required to use SNA over an X.25 virtual circuit:

Level of ITU-T X.25 support by DTE

If the remote DTE supports only the ITU-T 1980 level of X.25, the X.25 network level (NETLVL) parameter in the controller description should specify 1980. If the DTE supports the 1984 or 1988 level, the value of the NETLVL parameter should reflect the level supported by the network (either 1980, 1984, or 1988 level). The following figure shows the recommended value for the NETLVL parameter when different levels of support are specified for the DTE and the network.

Table 7. Level of ITU-T X.25 Support

Level of DTE ¹	Level of Network	Suggested NETLVL Value
1980	1980	1980
1980	1984 or 1988 ²	1980, 1984, or 1988 ³
1984 or 1988	1980	1980
1984 or 1988	1984 or 1988	1984 or 1988
1988	1988	1988

Notes:

¹ If you cannot determine the level of the DTE or the network, specify 1980 for the NETLVL parameter value.

² The 1988 level can be used in any application where the 1984 level can be used.

³ For PVCs, the 1980 level must be used. For SVCs, either the 1980, 1984, or 1988 level can be used.

Maximum link PDU acceptable by an SNA DTE

In SNA, the maximum length of the protocol data unit (PDU) frame value includes the transmission and request headers, the user data in the request unit (RU), plus the logical link header (if ELLC is used). The maximum length can be configured by using the maximum frame size (MAXFRAME) parameter for controller descriptions and line descriptions. For controller descriptions, the value is specified by the parameter on the create commands for APPC, finance, remote work station, or SNA host controllers. This value can also be changed using the respective change controller description commands. The maximum frame size for a controller description and for a line description is 4096 bytes. The MAXFRAME parameter specified in the line description represents the maximum frame size that can be sent or received on the line.

Note: The MAXFRAME parameter does not represent the high-level data link control (HDLC) frame size.

Because the size of the line frame needs to be at least the same size as the maximum frame for the controller description, the maximum length PDU depends on the MAXFRAME values for the controller description and the line description. This allows the line description frame to accommodate the size of the controller description frame.

For X.25, this value is limited to a maximum of 4096 bytes regardless of the maximum packet size used. The default is 1024. X.25 MAXFRAME values, which are binary multiples of the packet size, provide efficient use of packets. This minimizes the number of nonfull packets that are sent or received. For more information about the use of SNA RUs with X.25, see "Request Unit Sizes" on page 38.

For best performance, it is recommended that the largest frame size be used if the remote DTE can support that PDU length. The AS/400 system supports values up to 4096 bytes.

The AS/400 system determines the frame size to send to the remote DTE by checking the maximum frame size of the exchange identifier received from the remote DTE. The AS/400 system uses the remote exchange identifier if this value is not greater than the maximum frame size of the line description. If the value in the remote exchange identifier is greater than the maximum frame size of the line description, the system uses the maximum value from the line description. When no exchange identifier is received from the remote system, the system uses the maximum frame size of the controller description to determine the frame size to send.

Logical data link role for SNA DTEs (APPC only)

The data link role (ROLE) parameter of the remote DTE can be specified as primary (*PRI), secondary (*SEC), or negotiable (*NEG). If *NEG is used, the AS/400 system dynamically negotiates the link station roles during logical link establishment with the remote DTE.

Exchange identifier of remote DTEs

If the exchange identifier value is supplied in the exchange identifier (EXCHID) parameter of the controller description and if that value is different from the exchange identifier received from the remote DTE, the AS/400 system will not establish a connection.

Logical link protocol used for SNA communications

The AS/400 system supports two logical link control (LLC) protocols:

QLLC The qualified logical link control (QLLC) protocol provides additional function required for SNA connections that is not available in X.25. QLLC has very low protocol overhead; however, it provides no end-to-end (DTE-to-DTE) acknowledgment of logical link control protocol data units (LLC PDUs) carrying user data. QLLC provides an efficient logical link control when used in a reliable network.

ELLC The enhanced logical link control (ELLC) protocol performs the same base function as QLLC. In addition, it includes enhanced logical link error recovery procedures (using transparent recovery for recoverable failures), additional checksum protection, and sequencing (to guard against lost or duplicate data). The intent is to compensate for an unreliable network.

This, however, is not without additional effects on performance that are caused by protocol overhead and by longer delays before failures are reported.

Your protocol choice depends on what protocol the remote DTE is limited to, cost, and network reliability. The protocol selected for the remote DTE must be reflected in the X.25 link protocol (LINKPCL) controller description parameter.

Logical Link Control Parameters

The following logical link timer parameters in the controller description apply to both the QLLC and ELLC protocols:

X.25 frame retry (X25FRMRTY parameter)

This value is the maximum number of times that a PDU of data or of logical link disconnection can be transmitted if no acknowledgment is received from the

adjacent logical link station in the remote DTE during the time specified by the X.25 response time (X25RSPTMR) parameter.

This parameter applies principally to controllers specifying LINKTYPE(*ELLC), and represents the ELLC PDU retry timer. For controllers specifying LINKTYPE(*QLLC), this parameter applies only to logical link disconnection timing because data PDUs are never retransmitted DTE-to-DTE. Valid values are 0 (no frames retransmitted) through 21. The default is 7.

If this retry limit is reached, the controller is considered inoperative and second-level error recovery procedures are started.

X.25 connection retry (X25CNNRTY parameter)

This value is identical to the X.25 frame retry (X25FRMRTY) parameter value except that this value applies only to LLC connection establishment. Values are 0 (no frames retransmitted) through 21. The default is 7.

This parameter is valid only if the ROLE parameter does not specify *PRI, and the X.25 delayed connection timer (X25DLYTMR) parameter specifies *CALC.

X.25 response timer (X25RSPTMR parameter)

This value is the maximum amount of time allowed (in intervals of 0.1 second each) between sending a command and the receipt of a corresponding acknowledgment from the adjacent link station on the remote DTE. This parameter applies to controllers specifying LINKTYPE(*ELLC). The X25RSPTMR parameter represents the ELLC PDU response timer used to detect the failure to receive a required acknowledgment or response from the remote link station. For LINKTYPE(*QLLC), this parameter applies only to logical link disconnection timing.

The parameter should be set to exceed the DTE-to-DTE delay plus the DTE processing overhead. Values are 1 through 2550. The default is 300 (or 30 seconds).

X.25 connection timer (X25CNNTMR parameter)

This value is identical to the X.25 response timer, except that this value applies only to establishing the LLC connection. Values are 1 through 2550, in 0.1 second intervals. The default is 300.

This parameter is valid only if the ROLE parameter does not specify *PRI, and the X25DLYTMR parameter specifies *CALC.

X.25 delayed connection timer (X25DLYTMR parameter)

This value is the time between retries when the system is trying to establish a connection to the remote controller. Values other than the default (*CALC) can be specified only for permanent virtual circuits (PVCs) for which the role of the remote DTE is not primary. If the initial attempt to establish a connection is not successful, periodic attempts are made to contact the remote controller. This timer helps to minimize peer system coordination at vary-on time.

Valid values are from 1 through 32 767 (in 0.1 second intervals) or the default value *CALC. For example, a value of 20 for this parameter means that the time between retries is 2 seconds. *CALC means the AS/400 system uses the values specified for the X25CNNRTY and X25CNNTMR parameters in the controller description to determine how often and how long to try to establish the connection. Values other than *CALC result in the AS/400 system attempting to establish a connection indefinitely, using the given value as the time-out between retries.

When you are testing a new configuration, you should use *CALC for this parameter until you have finished testing. If you were to specify any value other than *CALC, it is possible that a configuration error could be undetected.

ELLC Parameters

If the ELLC protocol is chosen, the following controller description parameters also should be considered:

X.25 acknowledgment timer (X25ACKTMR parameter)

This value is the maximum time allowed between the receipt of the LLC PDU and sending a corresponding acknowledgment. This value is used to make maximum use of sending acknowledgments in outgoing LLC PDUs. The value selected must be considerably less than the ELLC PDU response timer of the remote station so that the remote station response timer does not end before the delayed acknowledgment arrives.

$$\begin{array}{lcl} \text{Local DTE LT2} & < & \text{Remote DTE LT1} \\ \text{(in X25ACKTMR)} & & \text{(in X25RSPTMR)} \end{array}$$

Acceptable values are 0 and 20 through 2550. Zero indicates no waiting; the acknowledgment is to be sent immediately. Values 20 through 2550 specify the delay time (in 0.1 second intervals) between receiving the LLC PDU and sending back the acknowledgment. The default value is 20 (or 2 seconds).

X.25 inactivity timer (X25INACTMR parameter)

This value is the maximum amount of time that a link station allows the connection to remain in a NO TRAFFIC state. ELLC uses this timer to detect an inoperable condition in the remote link station or media after the link connection is established. Valid values are 1 through 2550 (0.1 through 255 seconds, in 0.1 second intervals). The default is 1050 (or 105 seconds).

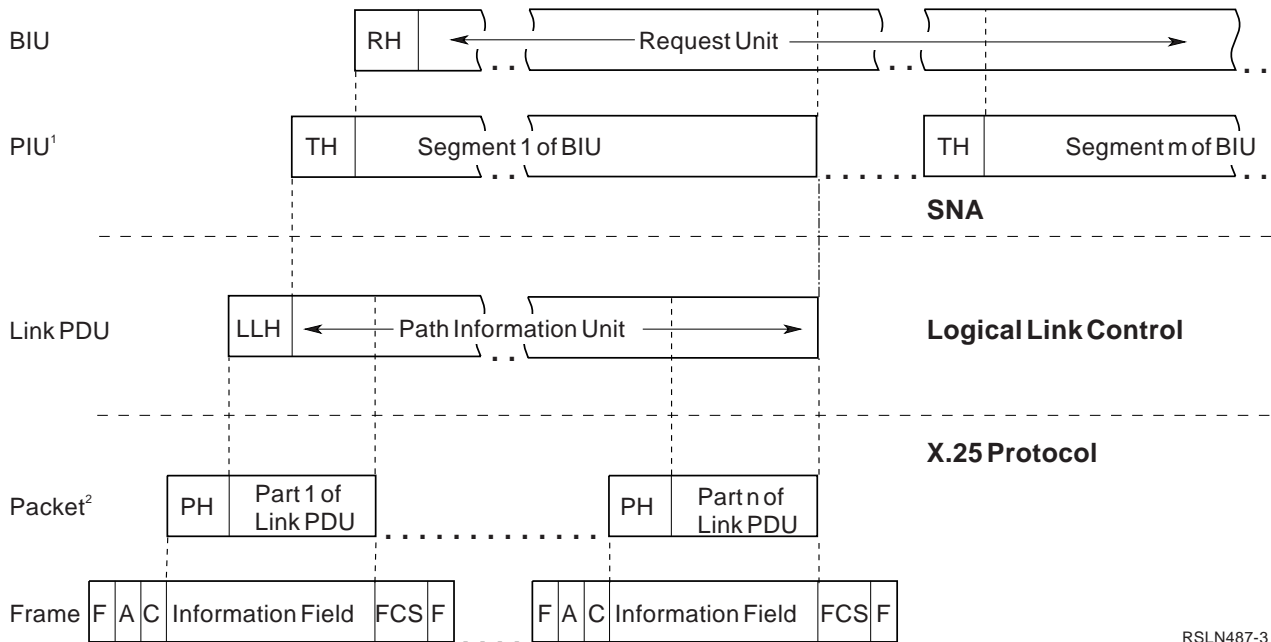
Request Unit Sizes

The AS/400 system allows you to specify a value for the RU size, or it will dynamically generate an optimum value. If you specify the value *CALC (the default) for the maximum length RU (MAXLENRU) parameter in a mode (APPC) description or in device descriptions that have this parameter, the AS/400 system determines the best RU size to be used for devices attached to an X.25 controller.

When specifying values other than *CALC, you should try to use RU sizes that, together with your packet size and protocol, minimize communications costs. For example, assume that your subscription requires 128-byte packets and the protocol to be used between the DTEs is ELLC (which requires 6 bytes for the LLC header). If you specify an RU value of 241, the data, together with the 9 bytes of SNA headers and the 6 bytes for the LLC header, fills two packets exactly. Specifying a larger RU size creates the need for a third packet to accommodate the excess over the 256 bytes contained in two packets. See the chart of common maximum RU sizes under the MAXLENRU parameter of the Create Mode Description (CRTMODD) command in the *CL Reference (Abridged)* book. The *Communications Configuration* book includes additional information about specifying the MAXLENRU parameter.

Figure 9 on page 39 shows how user data in RUs is mapped into HDLC frames.

Information Unit



RSLN487-3

Figure 9. Mapping of SNA User Data Sent or Received over an X.25 Line

Abbreviation	Description
BIU	Basic information unit
RH	Request header (3 bytes)
RU	Request unit (length is less than or equal to the value in the MAXLENRU parameter of either the mode or device description)
PIU	Path information unit
TH	Transmission header (6 bytes, for example, when APPC is used)
Link PDU	Logical link control (LLC) protocol data unit (length is less than or equal to the value in the MAXFRAME parameter in the controller description)
LLH	Logical link header (0 bytes for QLLC; 6 bytes for ELLC)
PH	Packet header (3 bytes if MODULUS(8) is specified in the line description; 4 bytes if MODULUS(128) is specified)
F, A, C	Flag, address, and control fields (1 byte each)
FCS	Frame checking sequence field (2 bytes)

Notes:

1. In the SNA level, BIUs can be divided into several segments called path information units (PIUs). Segmenting occurs whenever the size of the request unit (RU) to be sent is greater than the maximum frame size specified in the MAXFRAME parameter of the corresponding controller description, less the 9 bytes for QLLC, or 15 bytes for ELLC.
2. In the X.25 level, packets are created (disassembled) from the PDUs that were created in the logical link control level. Packet disassembly is the process of breaking up link PDUs into individual packets to send through the X.25 network. This process occurs when the Link PDU size is greater than the X.25 default

transmit packet size specified in the DFTPFSIZE parameter of the corresponding controller description or the line description. The length of each packet, less the packet header (PH) length, is less than or equal to the value in the DFTPFSIZE parameter in the line description.

Figure 9 on page 39 shows the different levels of breaking basic information units (BIUs) into smaller PIUs at the SNA level, into PDUs at the logical **link level** (a link protocol used to get data into and out of the network across the duplex line connecting the subscriber's equipment to the network), and into packets and X.25 HDLC frames at the X.25 level.

Asynchronous Communications Considerations

The AS/400 system supports connections to asynchronous communications host systems as defined by CCITT Recommendation X.28. The AS/400 system also supports connections to asynchronous devices through the X.25 network packet assembler/disassembler (PAD) facility as defined by CCITT Recommendation X.29. An AS/400 system also provides an integrated PAD function that allows you to configure the AS/400 system to perform PAD emulation. Asynchronous communications can be used on both SVCs and PVCs over an X.25 line. You can create asynchronous controllers and devices that are associated with one or more X.25 line descriptions. For more information about asynchronous communications using X.25, see the *Asynchronous Communications Programming* book.

When a PVC is established, asynchronous communications can be started. No special PVC initiation protocol is needed. The configuration characteristics to be used on the PVC must be coordinated between the local AS/400 system and the remote DTE. These characteristics must match the network subscription information assigned to each DTE. After the configuration has been completed, the PVCs defined for asynchronous communications should be ready for use.

When an SVC connection is established, characteristics for SVCs may be dynamically negotiated. There are several considerations that apply to starting and configuring an SVC to allow asynchronous communications.

Switched asynchronous controllers can be configured to accept calls from a specific group of selected network addresses. In this case, you must create a separate SVC controller and device for each remote DTE that the AS/400 system is to accept calls from. Then the AS/400 system accepts calls from a remote DTE if the following conditions are true:

- The network address of the calling DTE matches the connection number parameter in a switched asynchronous controller, or either the connection number (CANNBR) or the answer number (ANSNBR) parameter is *ANY. The controller must be in a vary on pending state.
- The controller is specified in the switched controller list (SWTCTLLST) parameter of the associated line description.

By specifying *ANY for the connection number or answer number, you can configure generic switched asynchronous communications controllers and devices. The use of these configurations allows the AS/400 system to accept calls from remote DTEs whose network addresses are not specifically configured. The first available generic controller specified in the switched control list (SWTCTLLST parameter) of the line description is used to accept the call. If the answer number is used for this generic configuration, a network address to call can still be specified in CANNBR. This enables the controller to answer any call and dial a remote DTE as

needed. For more information on configuring generic controllers and devices, see the *Asynchronous Communications Programming* book.

When the call is accepted, the local location name associated with the call becomes the remote location name of the asynchronous device attached to the controller accepting the call.

When the AS/400 system makes outgoing calls for the X.25 network using asynchronous communications, the protocol identifier is placed in the CALL REQUEST packet based on the setting of the pad emulation (PADEML) parameter in the selected controller description. The X.25 line description over which the call will be made is selected from the switched line list (SWTLINLST parameter) in the controller description. See "SVC Outgoing Call Function" on page 31 for more information about the line selection process.

When sending and receiving asynchronous data over X.25, the largest frame size that the AS/400 system supports is 4096 bytes. This means that when the AS/400 system receives data, the system assembles packets until all data for the frame is received or until 4096 bytes are received. The system passes this data to an application as one frame. If a frame size larger than 4096 bytes is received, the system treats this as an error. The AS/400 system never sends data in frames larger than 4096 bytes. The maximum frame (MAXFRAME) parameter on the X.25 line description determines what frame sizes the AS/400 system sends.

TCP/IP

The AS/400 system supports connections to a remote TCP/IP-capable host system over both switched and permanent virtual circuits. Each network controller on the AS/400 system defines one or more virtual circuits through an X.25 packet-switched network to adjacent IP nodes or gateways. All switched virtual calls that are associated with TCP/IP use a protocol identifier of X'CC'. TCP/IP supports a maximum of 64 virtual circuits.

For more information about TCP/IP communications using X.25, see the *TCP/IP Configuration and Reference* book.

OSI

OSI support on the AS/400 system allows connections to processors and other equipment (nodes) in an OSI network using X.25 communications. The nodes in the OSI network may be homogeneous, or they may be a collection of heterogeneous systems (produced by IBM or other equipment manufacturers). AS/400 support of OSI allows communications to other nodes on the network using the OSI protocol established by the International Standards Organization (ISO).

OSI communication using X.25 is allowed on SVCs.

OSI also accepts calls with no protocol ID when X.25 at the ITU-T 1984 level is used. For more information about using the OSI protocol in an X.25 network, see the *OSI CS/400 Configuration* book.

IPX

IPX support on the AS/400 system allows connections to processors and other equipment (nodes) in an IPX network that uses X.25 communications.

| For more information about using the IPX protocol in a X.25 network, see the
| *Internetwork Packet Exchange (IPX) Support* book.

User-Defined Communications

User-defined communications support provides a functional interface that allows an application program to use specific data or functions of the system or licensed program. This **application program interface (API)** is used to access data link control support on the AS/400 system. The interface supports X.25 and local area networks (token-ring or Ethernet) and uses network controllers and devices. User-defined communications using X.25 is allowed on SVCs and PVCs. This API allows users to write applications written for a user-defined protocol to communicate with other systems which use the same protocol.

Since the protocol is user-defined, the content of the X.25 calls (for example, protocol ID) and other X.25 packets is supplied by the user-defined application.

For more information about user-defined communications using X.25, see the *System API Reference* book.

Chapter 4. Performance Considerations

The total data **throughput** (the traffic between stations over a period of time) for a given X.25 line on an AS/400 system is defined to be the sum of the user data transmissions that occur in both directions (X.25 is always duplex) across the data link. Because this value is determined by several limiting factors, total saturation of the **bandwidth** (the capacity of the communications line) provided by a given line speed is unlikely. Some of these limiting factors include:

- Line speed (DCE clocking rate), which provides the upper limit on throughput
- Efficiency of the logical link control (LLC) and packet protocols (the ratio of user data to protocol overhead bits)
- Packet processing capacity of the AS/400 X.25 communications controller
- Processing load on the AS/400 system and the DCE

For more information about X.25 performance considerations, see the *Communications Management* book.

Line Speed

Line speed is the bit-per-second rate of the line to the network (DCE clock speed). This value is usually negotiable with the network supplier. The line speed determines the maximum upper limit of data throughput in one direction. An increase in the line speed may not increase data throughput because of other limiting factors.

Protocol Efficiency

The packet and the logical link protocols create an overhead in the transmission of user data. Because this overhead is constant, increasing the packet size to the limit allowed by the network improves performance without increasing the packet overhead.

The maximum packet size is not a DTE-to-DTE restriction for most networks. DTE-to-DCE is the common restriction and is limited by the network supplier. For example, when attaching the DTE with a maximum packet size of 64 bytes to an AS/400 system through an X.25 network with a maximum packet size of 1024 bytes, the AS/400 system can send 1024-byte packets on the logical channel to the remote DTE. It is the responsibility of the network to create the X.25 packets so that they contain a maximum of 64 bytes for the remote DTE, if the remote DTE subscription indicates a maximum packet size of 64 bytes.

Packet Processing Capacity

The packet level protocol provides the multiplexing support for multiple virtual circuits for a given X.25 line. It should be noted that each virtual circuit competes for the total bandwidth available on the line to the network. As the number of virtual circuits is increased, it is possible that the throughput on the individual virtual circuits will decrease.

Processing Loads

For each X.25 communications controller, the AS/400 system has some processing limitations that affect the number of lines, the line speeds, and the total number of virtual circuits that can be used. Overhead can be reduced by observing these limitations. For more information on the limitations and capabilities of the X.25 communications controller on the AS/400 system, see “AS/400 X.25 Capabilities” on page 14 .

Processing loads for the X.25 communications controller become greater as the following parameters are increased:

- Number of lines in use
- Number of virtual circuits in use
- Packet-layer window size
- Packet size
- Frame size, specified in the MAXFRAME parameter in the line description
- Line speed

Chapter 5. X.25 Error Recovery and Problem Isolation

Errors can occur on any of the three layers of X.25. Errors associated with X.25 communications are reported in the **system operator message queue** (QSYSOPR), which logs the error messages sent from the system. These errors can occur at the physical layer, the data link control layer, or at the packet layer.

Physical Layer Errors

The physical interface is how a data terminal equipment (DTE) is physically connected to its corresponding network data circuit-terminating equipment (DCE). Errors that occur on this layer are the result of problems with the medium. For example, these errors can be caused by a modem or cable that is not installed correctly or is defective. Frequently, physical interface errors result in signalling problems such as data set ready, clear to send, or request to send errors and drops.

Data Link Control Errors

The high-level data link control (HDLC) layer is the layer used to support X.25 communications. The AS/400 system uses a subset of HDLC, called link access protocol-balanced (LAPB), for X.25 data link control. Link level errors can occur at the data link layer for a variety of reasons. Errors such as HDLC retry limits reached, frame reject sent or received, or a disconnect (DISC) sent or received are just a few examples of some common HDLC layer errors. These errors can be caused by modem or cable problems, configuration problems, or mismatched network subscription and AS/400 configuration problems. Information in the QSYSOPR message queue should provide an indication of what type of error is occurring and possible causes.

Errors related to the HDLC layer do not produce any cause and diagnostic codes. These errors must be isolated using information provided in the QSYSOPR message queue.

X.25 Packet Layer Errors

There are several possible causes for X.25 packet layer errors. Some of the errors may be a part of normal X.25 communications. Other errors may be caused by configuration mismatches or network problems.

To isolate and identify the cause of errors, a set of International Telecommunications Union — Telecommunications Standardizations Sector (ITU-T) and Systems Network Architecture (SNA) cause and diagnostic codes are defined. These codes should help you understand why and where X.25 packet layer errors are occurring. These cause and diagnostic codes are sent or received in CLEAR, RESET, RESTART REQUEST or INDICATION, or DIAGNOSTIC packets. These cause and diagnostic codes are very valuable in isolating X.25-related errors.

Note: These codes may be application-specific for user-defined communications applications.

The ITU-T recommendation for X.25 defines 200 seconds as the time-out value during, which time a corresponding acknowledgment must be received for a CALL REQUEST, CLEAR REQUEST, or RESET REQUEST. The AS/400 X.25 adapter supports these ITU-T defined time-outs.

Because the Vary Configuration (VRYCFG) command has a much shorter relative time duration, a situation can develop where the X.25 controller is performing the time-out at the same time that the AS/400 system considers the virtual circuit closed and available for work.

Because of this situation, it is possible for subsequent vary-on operations in the time-out interval to fail. For a switched virtual circuit (SVC), this can only occur if all defined SVC circuits are active, including those still in recovery. For a permanent virtual circuit (PVC), an attempt to vary on the same controller may fail. This is a temporary problem. Subsequent retries, after approximately 400 seconds (the original packet acknowledgment time-out plus one retry), should work.

It is important to note that these long time-out values usually occur as the result of a configuration error. The AS/400 system sends a message to QSYSOPR after all time-out intervals have ended. You should wait the appropriate amount of time to receive the proper failure message. At that time, the message sent to QSYSOPR describes the failure and provides some possible causes. This time might be anywhere from a few seconds to 7 minutes for errors that require 400 second time-out periods.

Finding Cause and Diagnostic Codes

On the AS/400 system, cause and diagnostic codes can be retrieved in a variety of ways, which include:

- Looking at the message help in the QSYSOPR message queue
When you use the command DSPMSG QSYSOPR, the first level text of the message queue QSYSOPR is displayed. Move the cursor to a specified message and press the Help key to display the second level text of the message. Also shown with the second level text is the message ID, the error log ID, and other vital data. The X.25 cause and diagnostic codes are contained in the X.25-related error messages or in the error log.
- Taking a communications trace during an X.25 communications error
Included in the data field of all CLEAR, RESET, RESTART REQUEST or INDICATION, and DIAGNOSTIC packets are 2 bytes of data. The first byte of data is the cause code field, and the second byte of data is the diagnostic code field. It is also important to notice whether the AS/400 system has sent or received a packet containing cause or diagnostic codes. The meaning of the codes can then be determined.

Determining the Meaning of Cause and Diagnostic Codes

The X.25 cause code can be used to determine the source of an error, while the diagnostic code is used to supply further information about why the packet was transmitted. See Chapter 6. X.25 Cause Codes for information about the meanings of X.25 cause codes. See Chapter 7. X.25 Diagnostic Codes for information about the meanings of X.25 diagnostic codes. Note that the figures in Chapter 6. X.25 Cause Codes and Chapter 7. X.25 Diagnostic Codes are included for reference only and may vary according to the implementation of different networks and DTEs. These codes may also vary as the ITU-T and ISO-8208 standards are changed.

Note: When using user-defined communications applications, these codes may be application-specific.

The cause and diagnostic code figures in Chapter 6. X.25 Cause Codes and Chapter 7. X.25 Diagnostic Codes are arranged according to the source of the errors, such as AS/400-generated, non-AS/400 DTE-generated, or network-generated codes. Also, because the SNA and the ITU-T and ISO-8208 diagnostic codes may differ slightly in meaning, both figures are included in the reference topics.

After gathering the cause and diagnostic code information from messages or communications traces, you can use the figures that show the cause and diagnostic codes in Chapter 6. X.25 Cause Codes to determine the meanings for the codes.

Chapter 6. X.25 Cause Codes

The International Telecommunications Union — Telecommunications Standardization Sector (ITU-T) has defined 1-byte cause and diagnostic code fields to indicate why CLEAR, RESET, and RESTART REQUEST or INDICATION packets are transmitted for the X.25 protocol. The value of the cause code can determine the source of the error, such as the remote data terminal equipment (DTE) or X.25 network data circuit-terminating equipment (DCE). The AS/400 system uses **cause codes** to communicate that a DTE (the AS/400 system in this case detected the error condition). Cause codes do not necessarily denote the reason for the error, as do **diagnostic codes**, cause codes denote only the source of the error.

Specific information about errors can be determined by the value of the diagnostic code. Chapter 7. X.25 Diagnostic Codes contains diagnostic error codes and information about their significance. DIAGNOSTIC packets are created only by the X.25 network and contain only a diagnostic code.

X.25 Cause Codes Generated by the AS/400 System

This section explains the X.25 cause codes generated by the AS/400 system. Cause codes produced by the X.25 network or the remote DTE can have different meanings than those produced by the AS/400 system.

The AS/400 system generates two values for the X.25 cause code field. These hexadecimal values, as displayed by the AS/400 system, are shown in Table 8.

Table 8. X.25 Cause Codes Generated by the AS/400 System

Code	Description
00	ITU-T 1980 DTE-generated cause code. Used if the controller description on the AS/400 system has 1980 selected in the X.25 network level (NETLVL) parameter, and if TCP/IP, OSI, IPX, user-defined, or asynchronous communications using X.25 protocol is being used.
80	ITU-T 1984 DTE generated extended cause code. Used if the controller description on the AS/400 system has 1984 or 1988 selected in the X.25 network level (NETLVL) parameter. This cause code value is not used for TCP/IP, OSI, IPX, user-defined, or asynchronous communications using X.25.

A value of 1980 should be used when the X.25 network does not support the ITU-T 1984 level. Otherwise, the choice depends on the level of support by the remote DTE.

Any other cause code value should be interpreted as being generated by the X.25 network. The network administrator should be able to identify the meaning of the cause code.

When using SNA communications and enhanced logical link control (ELLC) as the logical link protocol, the AS/400 system uses X.25 cause codes received in RESTART, RESET, and CLEAR INDICATION packets to determine if a failure is recoverable. An error is not considered recoverable if the cause code is interpreted as being generated by the DTE. However, if the cause code is interpreted as being generated by the network, ELLC attempts recovery. An incorrect setting of the X.25 network level (NETLVL) parameter in the controller description can delay ELLC recovery procedures.

Note: The AS/400 system attempts to recall any calls (using the ITU-T 1980 level) that are rejected by a remote DTE and are defined in the controller description to support the ITU-T 1984 level. If the call using the 1980 level is also rejected, the AS/400 system indicates that the call was cleared.

ITU-T X.25 and ISO-8208 Cause Codes

The following figures show the ITU-T X.25 and ISO-8208 cause codes. These cause codes can be produced by the X.25 network or the remote DTE and can be received in CLEAR, RESET, or RESTART INDICATION packets. Note that these cause codes are defined by the standards and can be defined differently by networks or remote DTEs not conforming to ITU-T X.25 and ISO-8208 standards. The standardized cause codes provided here will help with problem analysis. Because the ITU-T X.25 and ISO-8208 standards are subject to change, the information provided may vary.

Table 9 shows the hexadecimal cause codes in CLEAR INDICATION packets.

Table 9. ITU-T X.25 and ISO-8208 Cause Codes in CLEAR INDICATION Packets

Public Data Network	Private Network or DTE	Cause Code Description
	00	1980 DTE-originated (See diagnostic code for more information.)
	80	1984 DTE-originated (See diagnostic code for more information.)
01	81	Number busy
03	83	Facility request not valid
05	85	Network congestion
09	89	Out of order
0B	8B	Access barred
0D	8D	Not obtainable
11	91	Remote procedure error
13	93	Local procedure error
15	95	Recognized Private Operating Agency out of order (1)
19	99	Reverse charging acceptance not subscribed (1)
21	A1	Destination not compatible
29	A9	Fast select acceptance not subscribed (1)
39	B9	Ship absent
	C1	Gateway-detected procedure error
	C3	Gateway congestion
Note:		
Blanks indicate that codes do not apply.		
(1) Indicates receipt only if the optional user facility is used by the network.		

Table 10 shows the hexadecimal cause codes in RESET INDICATION packets.

Table 10. ITU-T X.25 and ISO-8208 Cause Codes in RESET INDICATION Packets

Public Data Network	Private Network or DTE	Cause Code Description
	00	1980 DTE-originated (See diagnostic code for more information.)
	80	1984 DTE-originated (See diagnostic code for more information.)
01	81	Out of order (1)
03	83	Remote procedure error
05	85	Local procedure error
07	87	Network congestion
09	89	Remote DTE operational (1)
0F	8F	Network operational (1)
11	91	Destination not compatible
1D	9D	Network out of order (1)
C1	C1	Procedure error detected by gateway
C3	C3	Gateway congestion
C7	C7	Gateway operational
Note:		
Blanks indicate that codes do not apply.		
(1) Applicable to permanent virtual circuits only.		

Table 11 shows the hexadecimal cause codes in RESTART INDICATION packets.

Table 11. ITU-T X.25 and ISO-8208 Cause Codes in RESTART INDICATION Packets

Public Data Network	Private Network or DTE	Cause Code Description
00	80	DTE-originated (1)
01	81	Local procedure error
03	83	Network congestion
07	87	Network operational
7F		Registration or cancellation confirmed (2)
Note:		
(1) This restarting cause applies only to a DTE-to-DTE environment. All others apply only to a DTE-to-DCE environment.		
(2) May be received only if the optional online facility registration facility is used.		

Chapter 7. X.25 Diagnostic Codes

The interpretation of diagnostic code values is slightly different for Systems Network Architecture (SNA) using X.25 versus International Telecommunications Union — Telecommunications Standardization Sector (ITU-T) and International Organization for Standardization (ISO) X.25 recommendations. The selection of the two types by the AS/400 system depends on the situation. The standardized diagnostic codes provided here will help with problem analysis. Because the ITU-T X.25 and ISO-8208 standards are subject to change, the information provided may differ slightly from later standards documents.

For more information about diagnostic codes being received by the AS/400 system, see the following topics, “Diagnostic Codes Generated by the X.25 Network” on page 57 , “SNA Diagnostic Codes Generated by the DTE” on page 60, or “ITU-T X.25 and ISO-8208 Diagnostic Codes” on page 63.

X.25 Diagnostic Codes Generated by the AS/400 System

Table 12 shows the SNA and the ITU-T and ISO X.25 hexadecimal diagnostic codes generated by the AS/400 system, along with their descriptions and possible causes. The AS/400 system uses ITU-T/ISO diagnostic codes for failures that cannot be attributed to any certain controller description. For errors associated with a certain asynchronous X.25 controller description or a network controller description, the AS/400 system uses ITU-T/ISO diagnostic codes as well. For all other controller description types, the AS/400 system generates SNA diagnostic codes.

For messages indicating a failure on a particular controller description, the X.25 diagnostic code type, if present, reflects the controller description type, as indicated in the previous paragraph. Otherwise, ITU-T/ISO diagnostic codes can be assumed. Note the considerations for the following figure:

- The diagnostic codes are listed in hexadecimal format, as displayed by the AS/400 system.
- The possible causes are listed in the order they are likely to occur. The explanations for possible causes follow the figure.
- Some ITU-T/ISO diagnostic codes could appear in multiple entries of the figure. The associated causes from all the duplicate entries should be considered as possible causes. Use the diagnostic code description to help determine what the most likely causes of the errors are.
- Not applicable (NA) means an equivalent diagnostic code is not defined.

Table 12. X.25 Diagnostic Codes Generated by the AS/400 System

SNA	ITU-T/ISO	Diagnostic Code Description	Possible Cause (Explanation Follows Table)
00	00	Normal communication ending	
0C	NA	Logical link control (LLC) type not valid	13, 12
11	11	Packet type received in state r1 not valid	2
13	13	Packet type received in state r3 not valid	2
14	14	Packet type received in state p1 not valid	4, 2

Table 12. X.25 Diagnostic Codes Generated by the AS/400 System (continued)

SNA	ITU-T/ISO	Diagnostic Code Description	Possible Cause (Explanation Follows Table)
15	15	Packet type received in state p2 not valid	2
16	16	Packet type received in state p3 not valid	2
17	17	Packet type received in state p4 not valid	2
18	18	Packet type received in state p5 not valid	2
1A	1A	Packet type received in state p7 not valid	2
1B	1B	Packet type received in state d1 not valid	4, 2
1D	1D	Packet type received in state d3 not valid	2
24	34	DCE indicated that the local system did not respond in time to a previously sent RESTART INDICATION packet.	7, 1
31	31	Time-out on CALL REQUEST packet	4, 2, 20
32	32	Time-out on CLEAR REQUEST packet	4, 2, 20
33	33	Time-out on RESET REQUEST packet	4, 2
34	34	Time-out on RESTART REQUEST packet	7, 2
50	NA	Unexpected general error (QLLC or ELLC)	3, 2, 1
51	NA	Control field in received link PDU is not defined (QLLC or ELLC).	3
52	NA	Control field in received link PDU is not expected (QLLC or ELLC).	3
53	NA	Information field missing from received link PDU (QLLC or ELLC)	3
54	NA	Information field in received link PDU is not defined (QLLC or ELLC).	3
55	NA	Information field in received link PDU is too long (QLLC or ELLC).	3
56	NA	Link PDU frame reject received (QLLC or ELLC)	1, 3
57	NA	LLC header not valid (QLLC or ELLC)	3, 2
58	NA	Data received in incorrect state (QLLC or ELLC)	13, 3
59	NA	No response received in required time (QLLC or ELLC)	18, 3, 12
5A	NA	Number received sequence count, for example, N(r) in received link PDU is not valid (ELLC).	3
5B	NA	Logical link recovery rejected or ended (QLLC or ELLC)	3, 1
A0	2B	INTERRUPT CONFIRM packet received but not authorized	3, 2
A1	A5	Nonfull packet indicates more data follows, for example, the M(ore)-bit is on.	5, 15, 2
A3	23	Packet received on PVC not valid	4, 2

Table 12. X.25 Diagnostic Codes Generated by the AS/400 System (continued)

SNA	ITU-T/ISO	Diagnostic Code Description	Possible Cause (Explanation Follows Table)
A4	24	Packet received on unassigned logical channel	4, 2
A5	A5	DIAGNOSTIC packet received (never transmitted)	4, 1
A6	26	Received packet too short	2, 1
A7	27	Received packet exceeds configured size.	5, 15, 2
A8	28	Received packet has a general format identifier (GFI) that is not valid.	7, 2
A9	21	Received packet is not identifiable.	2
AA	21	Received packet is not supported.	22, 2
AB	01	Number sent sequence count, for example, P(s) in received packet is not valid.	8, 16, 2, 1
AC	02	Number received sequence count, for example, P(r) in received packet is not valid.	2, 1
AD	A6	D(elivery)-bit setting not valid or unexpected	3, 2
AE	53	Q(ualified)-bit setting not valid or unexpected	13, 3
C1	F4	Virtual circuit termination pending on logical channel	21, 1
C5	F4, A3	Physical unit (PU) is not available or resources are temporarily not available. The ITU-T/ISO diagnostic code A3 is used only for switched virtual circuits (SVCs).	19, 21
C7	46	The line and controller configurations are not compatible.	10, 9
D0	NA	Resources are not currently available.	21, 1
D2	F5, A3	Packet exceeds maximum supported size.	6, 25, 2
E0	20, 4C	Unexpected general error	3, 2, 1, 24
E1	20	Packet received on logical channel other than zero prior to completion of RESTARTING procedure	2
E2	29	RESTART or DIAGNOSTIC packet received on logical channel other than zero	2
E3	22	Incoming call received on incorrect logical channel	4, 2
E4	42	Facility not subscribed or allowed	23
E5	24	Packet other than RESTART or DIAGNOSTIC received on logical channel zero, when zero is not configured for use	4, 2
E6	42	Facility parameter is not supported or allowed	5, 8, 17
E7	41, A4	Requested facility is not supported. The ITU-T/ISO diagnostic code A4 is used when the requested facility was fast select.	22
E8	46	Identified DTE not expected	19, 11, 9, 21
E9	20	D(elivery)-bit procedure not supported	22
EB	NA	Protocol identifier not valid, for example, PSH	22

Table 12. X.25 Diagnostic Codes Generated by the AS/400 System (continued)

SNA	ITU-T/ISO	Diagnostic Code Description	Possible Cause (Explanation Follows Table)
EC	NA	Connection identifier mismatch	14, 19, 21
F0	A2	Internal system failure	1

The following are explanations for the possible cause codes listed in Table 12:

1. Possible local system problem.
2. Possible X.25 network data circuit-terminating equipment (DCE) problem.
3. Possible remote data terminal equipment (DTE) problem — for example, configuration, system problem, and resources.
4. The logical channel entries (LGLCHLE) parameter in the line description does not match the X.25 network subscription — for example, number and type of logical channels.
5. The X.25 default packet size (DFTPFSIZE) parameter in the line description does not match the X.25 network subscription. Some network subscriptions allow different packet sizes for different logical channels on the same network interface.
6. The X.25 maximum packet size (MAXPKFSIZE) parameter in the line description does not match the X.25 network subscription. The largest packet size supported by the AS/400 system is 1024 bytes.
7. The packet level modulus (MODULUS) parameter in the line description does not match the X.25 network subscription.
8. The X.25 default window size (DFTWDWSIZE) parameter of the line description does not match the X.25 network subscription. Some network subscriptions allow different window sizes for different logical channels on the same interface. The user may have deleted or re-created the line description but did not re-create the controller description.
9. If using asynchronous communications over the X.25 line, the switched controller list (SWTCTLLST) parameter in the line description does not include the corresponding asynchronous and X.25 controller description name. The user may have specified a controller and line description with the same name. If the user deletes the line description and then re-creates it without deleting and re-creating the controller description, the line description fails.
10. The switched line list (SWTLINLST) parameter of the controller description does not include the name of the line description over which the call was received.
11. The switched connection number (CNNNBR) parameter of the controller description does not match the local network address of the remote DTE.
12. When you use communications over X.25, the X.25 network level (NETLVL) parameter of the controller description does not match the ITU-T level supported by the network or the remote DTE. This only applies to permanent virtual circuits (PVCs) and incoming calls on switched virtual circuits (SVCs). For outgoing calls on SVCs, the AS/400 system has the ability to negotiate the network level using a re-call attempt.
13. If using anything other than asynchronous communications over X.25, the X.25 link protocol (LINKPCL) parameter in the controller description does not match the link protocol used by the remote DTE.

14. If using anything other than asynchronous communications over X.25, the X.25 connection password (CNNPWD) parameter in the controller description does not match the password used by the remote DTE.
15. The X.25 default packet size (DFTPFSIZE) parameter in the controller description does not match the X.25 network subscription. If the value is *LIND, then see possible cause 5 on page 56.
16. The X.25 default window size (DFTWDWSIZE) parameter in the controller description does not match the X.25 network subscription. If the value is *LIND, then see possible cause 8 on page 56.
17. The X.25 reverse charging (RVSCRG) parameter in the controller description does not match the call billing intentions requested by the remote DTE.
18. If using anything other than asynchronous communications over X.25, the X.25 response timer (X25RSPTMR) or X.25 connection timer (X25CNNTMR) parameter in the controller description does not consider the round-trip time between the local system and the DTE.
19. The corresponding controller description is not in the correct state to be used — for example, vary off or recovery pending.
20. If the local AS/400 system is attached to another AS/400 system without an X.25 network (for example, one configured with the X.25 DCE support (X25DCE) parameter selected in the line description), both systems attempted to call simultaneously. This is not recommended. However, if SVCs are to be used in this configuration (not X.25 network), one system should be configured to only answer incoming calls.
21. The local system is completing the termination (or ELLC recovery) of a previously active virtual circuit. This is a temporary condition.
22. A requested option is not supported by the AS/400 system — for example, the physical services header LLC protocol, fast-select function, REGISTRATION packet, or delivery confirmation bit (D bit).
23. The extended network address (EXNNETADR) parameter in the line description does not match the X.25 network subscription. An incoming call containing an extended type of address/numbering plan identification address format was received, but the EXNNETADR parameter is set to *NO.
24. The extended network address (EXNNETADR) parameter in the line description does not match the X.25 network subscription. An incoming call containing a nonextended address format was received, but the EXNNETADR parameter is set to *YES.
25. The MAXFRAME parameter in the line description is less than the length of the received PIU. The remote DTE sent a PIU that is greater than the maximum PIU size supported by the AS/400 system (4096 bytes).

Diagnostic Codes Generated by the X.25 Network

Table 13 figure shows the hexadecimal

diagnostic codes generated by the X.25 network in CLEAR, RESET, and RESTART indication and diagnostic packets. These values may differ slightly according to network implementations.

Table 13. Diagnostic Codes Generated by the X.25 Network

Diagnostic Code	Code Description
00	No additional information

Table 13. Diagnostic Codes Generated by the X.25 Network (continued)

Diagnostic Code	Code Description
01	Packet send count not valid
02	Packet receive count not valid
10	Packet type not valid
11	Packet type not valid for state r1
12	Packet type not valid for state r2
13	Packet type not valid for state r3
14	Packet type not valid for state p1
15	Packet type not valid for state p2
16	Packet type not valid for state p3
17	Packet type not valid for state p4
18	Packet type not valid for state p5
19	Packet type not valid for state p6
1A	Packet type not valid for state p7
1B	Packet type not valid for state d1
1C	Packet type not valid for state d2
1D	Packet type not valid for state d3
20	Packet not allowed
21	Unidentifiable packet
22	Call on one-way logical channel
23	Packet type on a PVC not valid
24	Packet on unassigned logical channel
25	Reject not subscribed to
26	Packet too short
27	Packet too long
28	General format identifier not valid
29	restart or registration packet on nonzero logical channel
2A	Packet type not compatible with facility
2B	Interrupt confirmation not authorized
2C	Interrupt not authorized
2D	Reject not authorized
30	Timer ended
31	Timer ended for INCOMING_CALL
32	Timer ended for CLEAR_INDICATION
33	Timer ended for RESET_INDICATION
34	Timer ended for RESTART_INDICATION
35	Timer ended for call deflection
40	Call setup, call clearing, or registration problem

Table 13. Diagnostic Codes Generated by the X.25 Network (continued)

Diagnostic Code	Code Description
41	Facility or registration code not allowed
42	Facility or registration parameter not allowed
43	Called address not valid
44	Calling address not valid
45	Facility or registration length not valid
46	Incoming call barred
47	No logical channel available
48	Call collision
49	Duplicate facility requested
4A	Nonzero address length
4B	Nonzero facility length
4C	Facility not provided when expected
4D	ITU-T specified DTE facility not valid
4E	Maximum number of call redirections or deflections exceeded
50	Miscellaneous errors
51	Improper cause code from DTE
52	Octet not aligned
53	Q-bit setting not consistent
54	NUI problem
60	Not assigned
70	International problem
71	Remote network problem
72	International protocol problem
73	International link out of order
74	International link busy
75	Transit network facility problem
76	Remote network facility problem
77	International routing problem
78	Temporary routing problem
79	Unknown network called DNIC
7A	Maintenance action
80	Reserved for network-specific tests

SNA Diagnostic Codes Generated by the DTE

Table 14 shows the hexadecimal diagnostic codes generated by the DTE using SNA over X.25 in CLEAR, RESET, and RESTART indication and diagnostic packets. These values may differ slightly according to network implementations.

See Table 14 for an explanation of the possible error or system failure that may occur during processing if the AS/400 system receives a diagnostic code on a virtual circuit using SNA and the cause code indicates that the remote DTE has generated the diagnostic code.

Table 14. SNA Diagnostic Codes Generated by the DTE

Diagnostic Code	Code Description
00	Normal initialization or end
01	Packet send count no valid
02	Packet receive count not valid
03	LLC type not valid
10	Packet type not valid
11	Packet type not valid for state r1
12	Packet type not valid for state r2
13	Packet type not valid for state r3
14	Packet type not valid for state p1
15	Packet type not valid for state p2
16	Packet type not valid for state p3
17	Packet type not valid for state p4
18	Packet type not valid for state p5
19	Packet type not valid for state p6
1A	Packet type not valid for state p7
1B	Packet type not valid for state d1
1C	Packet type not valid for state d2
1D	Packet type not valid for state d3
20	DCE timer ended
21	Incoming call
22	Clear indication
23	Reset indication
24	Restart indication
2B	Interrupt-confirmation not authorized
2C	Interrupt not authorized
30	DTE timer ended
31	Call request
32	Clear request
33	Reset request

Table 14. SNA Diagnostic Codes Generated by the DTE (continued)

Diagnostic Code	Code Description
34	Restart request
40	Unassigned (General)
50	QLLC error (General)
51	Control field not defined
52	Control field not expected
53	Missing information field
54	Information field not defined
55	Information field too long
56	Frame reject received
57	Header not valid
58	Data received in wrong state
59	Time-out condition
5A	Number received (Nr) not valid
5B	Recovery rejected or ended
5C	Exchange identifier (XID) negotiation in wrong state
5D	ELLC time-out condition
5E	Q-bit discrepancy
60	PSH error (General)
61	Sequence error
62	Header too short
63	PSH format not valid
64	Command not defined
65	Protocol not valid
66	Data received in wrong state
69	Time-out condition
70	Packet assembler/disassembler (PAD) error (General)
71	PAD access facility failure
72	SDLC frame check sequence error
73	SDLC time-out
74	SDLC frame not valid
75	Information field too long
76	SDLC sequence error
77	SDLC frame canceled
78	SDLC FRMR received
79	SDLC response not valid
7B	Packet type not valid
7F	PAD not operable

Table 14. SNA Diagnostic Codes Generated by the DTE (continued)

Diagnostic Code	Code Description
80	DTE-specific (General)
81	8100_DPPX specific
82-8F	INN_QLLC specific
90	Network specific
91	DDX-P RNR packet received
A0	Packet not allowed (General)
A1	M-bit packet sequence not valid
A2	Packet type received not valid
A3	Packet on permanent virtual circuit not valid
A4	Logical channel not assigned
A5	Diagnostic packet received
A6	Packet too short
A7	Packet too long
A8	General format identifier not valid
A9	Not identifiable
AA	Not supported
AB	Packet sent count not valid
AC	Packet receive count not valid
AD	D-bit received not valid
AE	Q-bit received not valid
B0	DTE-specific (NCP packet-switching interface gate or date) (General)
B1	No LU-LU session
B2	Abnormal End 703 in progress
B3	Cancel CHAIN command
C0	DTE-specific (General)
C1	End pending
C2	Channel not operative
C3	Interrupt confirmation not authorized
C4	Interrupt request not authorized
C5	PU not available
C6	Inactivity time-out
C7	Line configuration not compatible
C8	RESET_INDICATION for PAD, translated from signal
C9	DTE not operational
D0	Resources (General)
D1	Buffers depleted
D2	Path information unit too long

Table 14. SNA Diagnostic Codes Generated by the DTE (continued)

Diagnostic Code	Code Description
E0	Local procedure error (General)
E1	Packet with LC=0 not received
E2	RESTART, DIAGNOSTIC, REGISTRATION on logical channel identifier not equal to 0
E3	INCOMING_CALL received on wrong logical channel
E4	Facility not subscribed
E5	Packet not RESTART or DIAGNOSTIC on logical channel identifier equal to 0
E6	Facility parameters not supported
E7	Facility not supported
E8	Calling DTE not expected
E9	D-bit request not valid
EA	RESET indication on virtual call
EB	Protocol identifier not valid
EC	Connection identifier mismatch
ED	Missing cause or diagnostic code
F0	Remote procedure error (General)

ITU-T X.25 and ISO-8208 Diagnostic Codes

Table 15 shows the coding of standard ITU-T X.25 and ISO-8208 hexadecimal diagnostic codes in CLEAR, RESET, and RESTART indication and diagnostic packets. These values may differ slightly according to network implementations. Because the ITU-T X.25 and ISO-8208 standards are subject to change, the information provided may vary.

See Table 15 for an explanation of the possible error or system failure that may occur during processing if the AS/400 system receives a diagnostic code on a virtual circuit that is not using SNA and the cause code indicates that the error codes have been generated by the remote DTE. See Chapter 6. X.25 Cause Codes for more information on cause codes.

Table 15. ITU-T X.25 and ISO-8208 Diagnostic Codes

Diagnostic Code	Code Description
00	No additional information
01	Packet send count not valid
02	Packet receive count not valid
10	Packet type not valid
11	Packet type not valid for state r1
12	Packet type not valid for state r2
13	Packet type not valid for state r3
14	Packet type not valid for state p1

Table 15. ITU-T X.25 and ISO-8208 Diagnostic Codes (continued)

Diagnostic Code	Code Description
15	Packet type not valid for state p2
16	Packet type not valid for state p3
17	Packet type not valid for state p4
18	Packet type not valid for state p5
19	Packet type not valid for state p6
1A	Packet type not valid for state p7
1B	Packet type not valid for state d1
1C	Packet type not valid for state d2
1D	Packet type not valid for state d3
20	Packet type not valid
21	Packet type not identifiable
22	Call on one-way logical channel
23	Packet type on PVC not valid
24	Packet on unassigned logical channel
25	REJECT not subscribed to
26	Packet too short
27	Packet too long
28	General format identifier (GFI) not valid
29	Restart or registration with logical channel indicator not equal to 0
2A	Packet type not compatible with facility
2B	Interrupt confirmation not authorized
2C	Interrupt not authorized
2D	Reject not authorized
30	Timer ended (or limit surpassed)
31	For INCOMING_CALL (or CALL_REQUEST)
32	FOR CLEAR_INDICATION (or REQUEST)
33	For RESET_INDICATION (or RESET_REQUEST)
34	For RESTART_INDICATION (or REQUEST)
35	For call deflection
40	Call setup, clearing, or registration problem
41	Facility or registration code not allowed
42	Facility or registration parameter not allowed
43	Called address not valid
44	Calling address not valid
45	Facility or registration length not valid
46	Incoming call barred
47	No logical channel available

Table 15. ITU-T X.25 and ISO-8208 Diagnostic Codes (continued)

Diagnostic Code	Code Description
48	Call collision
49	Duplicate facility requested
4A	Nonzero address length
4B	Nonzero facility length
4C	Facility not provided when expected
4D	ITU-T specified DTE facility not valid
4E	Maximum redirections or deflections exceeded
50	Miscellaneous errors
51	Improper cause code from DTE
52	Non-octet aligned
53	Q-bit settings not consistent
54	Network user identification (NUI) problem
60	Not assigned
70	International problem
71	Remote network problem
72	International protocol problem
73	International link out of order
74	International link busy
75	Transit network facility problem
76	Remove network facility problem
77	International routing problem
78	Temporary routing problem
79	Unknown network called DNIC
7A	Maintenance action
80	Not assigned
90	Timer ended (or limit surpassed)
91	For INTERRUPT_CONFIRMATION
92	For DATA packet retransmission
93	For REJECT packet retransmission
A0	DTE-specific signals
A1	DTE-operational
A2	DTE not operational
A3	DTE resource limitation
A4	Fast select not subscribed
A5	Partially full DATA packet not valid
A6	D-bit procedure not supported
A7	Registration or cancellation confirmed

Table 15. ITU-T X.25 and ISO-8208 Diagnostic Codes (continued)

Diagnostic Code	Code Description
B0	Not assigned
B1	No LU-LU session
E0	Network service problem on open systems interconnection (OSI)
E1	Disconnection (transient condition)
E2	Disconnection (permanent condition)
E3	Connection rejection, unspecified reason (transient condition)
E4	Connection rejection, unspecified reason (permanent condition)
E5	Connection rejection, requested quality of service not available (transient condition)
E6	Connection rejection, requested quality of service not available (permanent condition)
E7	Connection rejection, OSI network address unreachable (transient problem)
E8	Connection rejection, OSI network address unreachable (permanent problem)
E9	Reset, reason unspecified
EA	Reset, congestion
EB	Connection rejection, OSI network address unknown (permanent condition)
F0	Higher layer initiated
F1	Normal disconnection
F2	Abnormal disconnection
F3	Disconnection due to incompatible information in user data
F4	Connection rejection, reason unspecified (transient condition)
F5	Connection rejection, reason unspecified (permanent condition)
F6	Connection rejection, requested quality of service not available (transient condition)
F7	Connection rejection, requested quality of service not available (permanent condition)
F8	Connection rejection, incompatible information in user data
F9	Connection rejection, unrecognizable protocol identifier in user data
FA	Reset, resynchronization

Chapter 8. X.25 Configuration Examples

The following major configuration examples are described in this chapter:

- “Example 1: AS/400 System-to-X.25 PSDN Configuration” describes the configuration of a local AS/400 system for X.25 communications with several remote systems and devices, including another AS/400 system. In this example (as shown in Figure 10 on page 69), both AS/400 systems are 9406 System Units. This X.25 configuration is for communications through an X.25 packet-p] switching data network (PSDN).
- “Example 2: AS/400 System-to-AS/400 System X.25 Non-PSDN Configuration” on page 91 describes the configuration of an AS/400 system for X.25 communications with another AS/400 system when they are connected using a V.35 modem eliminator instead of an X.25 PSDN. In this example (as shown in Figure 16 on page 92), one AS/400 system is a 9406 System Unit, and the other AS/400 system is a 9404 System Unit.
- “Example 3: AS/400 System-to-System/38 X.25 Non-PSDN Configuration” on page 94 describes the configuration of an AS/400 system for X.25 communications with a System/38 when they are connected using a V.24 modem eliminator instead of an X.25 PSDN. In this example (as shown in Figure 17 on page 94), the AS/400 system is a 9406 System Unit.
- “Example 4: AS/400 System-to-AS/400 System X.25 PSDN Switched Line Configuration” on page 96 describes the configuration for X.25 communications through PSDN using switched lines shown in Figure 18 on page 97.

The following configuration examples have unique identifiers for some of the systems. These identifiers (such as 499 for the local AS/400 system, and HOST for the remote System/370 used as the host system) are shown in a different type font simply to make them easy for you to find as you use the examples. These identifiers are typical of what a system administrator might use to identify each system instead of using the system *types*—especially if there are many systems being used in the network that are of the same type. These identifiers are shown in the illustrations of the configured networks, in the text describing the example configurations, and (where applicable) in the coding of the commands.

For information and configuration examples for OSI communications, see the *OSI/CS/400 Configuration* book. For information and configuration examples for TCP/IP communications, see the *TCP/IP Configuration and Reference* book. For information about IPX support, see the *Internetwork Packet Exchange (IPX) Support* book. For information about user-defined communications, see the *System API Reference* book.

Example 1: AS/400 System-to-X.25 PSDN Configuration

In this example, a system administrator at the local AS/400 system wishes to connect to several remote data terminating equipment (DTEs) (with their corresponding X.25 adapters) by means of an X.25 packet-switching data network (PSDN). The local AS/400 system is identified as system 499, and the remote DTEs (systems and devices) to be connected to are:

- Another AS/400 system, identified as system 603

This link will be an advanced peer-to-peer networking (APPN) link with the AS/400 system 603 operating as an end node, that is, the NODETYPE parameter

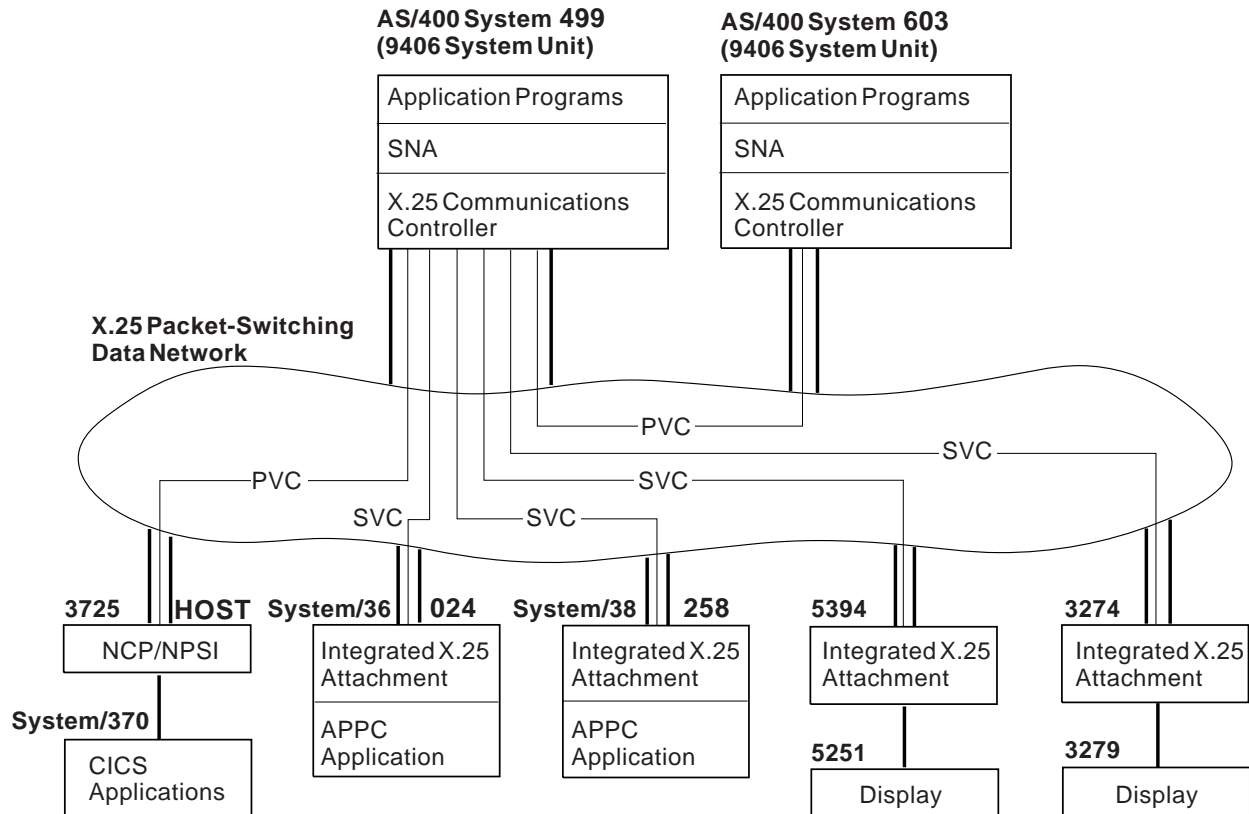
in the network attributes for AS/400 system 603 is set to *ENDNODE. This link will be continuously and fully used, so a permanent virtual circuit (PVC) is justified. The X.25 PSDN provides reliable service. However, this link is to be used for very sensitive data, so the extra end-to-end logical link level error detection and recovery provided by the enhanced logical link control (ELLC) protocol is desired.

Also, because the AS/400 system 499 and the remote AS/400 system 603 may be turned off for periodic maintenance, the X.25 delayed connection timer (X25DLYTMR) parameter in both controller descriptions is set to a value other than *CALC. This ensures that the system that remains turned on (or is turned on first) will, without user intervention, continue to poll the other system until it is turned on and logical link connection occurs.

For more information about APPN links with an AS/400 system, see the *APPN Support* book.

- A System/370 host system (identified as HOST), with a 3725 controller
Because this link will also be continuously and fully used, a PVC is justified. Various host application programs will be run using customer information control systems (CICS) and time-sharing option (TSO); therefore, the AS/400 system 499 will perform 3270 emulation. Occasionally, users on System/370 display stations will use the Host Command Facility (HCF) to acquire a sign-on to the AS/400 system 499.
- A System/36, identified as system 024
This link will be an APPN link with the System/36 024 operating as a networking node. The AS/400 system 499 will start the call to the System/36 and will be charged for the call. System/36 024 does not support the extended cause code options of the International Telecommunications Union — Telecommunications Standardization Sector (ITU-T) 1984.
- A System/38, identified as system 258
This link will be an APPN link with the System/38 258 operating as a low-end networking node. The AS/400 system 499 will start the call to the System/38 and will pay the charges.
- A 5394 controller with an attached 5251 display station
The 5251 display station user will call the AS/400 system 499, with the billing charges reversed. The 5394 controller is located in a secure location; therefore, the extra protection of an X.25 connection password (CNNPWD) is not required.
- A 3274 controller with an attached 3279 display station
The 3279 display station user will call the AS/400 system 499 from a nonsecure location and will be responsible for the call charges. An X.25 connection password (CNNPWD) is required, and the controller's XID (hex 017000C1 in this case) is also verified by the AS/400 system 499 while establishing the connection.

Figure 10 on page 69 shows the virtual circuit configuration between AS/400 system 499 and all of the specified remote DTEs in an X.25 PSDN network.



PVC = Permanent Virtual Circuit
 SVC = Switched Virtual Circuit
 NPSI = NCP Packet-Switching Interface

RV2P128-1

Figure 10. Example 1: X.25 Virtual Circuits between AS/400 System 499 and the Remote DTEs

Notice that all the communications links defined in this example are only between the AS/400 system 499 and each of the other (remote) systems that are shown, but *not* between any of the remote systems. Although any of these remote systems can be configured to communicate with any of the other remote systems, this example does not provide the coding for those connections.

Configurations on Local AS/400 System 499

The following configurations are created by the system administrator on the local AS/400 system 499 to allow it to communicate with all the other systems and devices through the X.25 network.

First, the network attributes are changed as follows:

```
CHGNETA SYSNAME(RCHSX499) LCLNETID(RPC) LCLCPNAME(RCHSX499)
LCLLOCNAME(RCHSX499) NODETYPE(*NETNODE)
```

The Change Network Attributes (CHGNETA) command allows you to change the system attributes. When using this command, you can specify new input and output files, system names, node types, and similar attributes. This allows you to work with different sets of values without configuring the entire network again.

Note: After changing the attributes using the CHGNETA command, you should refresh your system to ensure that the attributes you changed to are used for processing instead of those that were specified or defaulted when the session was started.

The following information was obtained by the system administrator for the network subscription purchased for the local system 499. This information describes the interface between the system 499 DTE and the network DCE to which it is directly attached:

- DCE clocking rate (line speed) is 9600 bps.
- DTE local network address is 00000499.
- Logical channel configuration:
 - 001** PVC routed to AS/400 system 603
 - 002** PVC routed to host System/370 (HOST)
 - 003-008**
Currently unassigned PVCs
 - 009-010**
SVCs handling incoming calls from the network
 - 011-01B**
SVCs handling both incoming and outgoing calls
 - 019-020**
SVCs handling outgoing calls from the AS/400 system 499
- Network addresses of the remote DTEs:
 - 00000024**
System/36 024
 - 00000258**
System/38 258
 - 00005394**
5394 controller
 - 00003274**
3274 controller
- Physical interface supplied is CCITT Recommendation X.21 bis/V.24.
- HDLC link level modulus is 8.
- Packet level modulus is 128.
- Maximum packet size supported is 1024.
- HDLC link level maximum send and receive window size is 7.
- Packet level maximum send and receive window size is 15.
- Maximum DCE processing overhead is 0.5 second (0 increase delay is assumed).
- Good quality lines to the network are used.
- The network allows the DTE to insert its network address into call request and accept packets.

Using this network subscription information, the line description for AS/400 system 499 is created using the CRTLINX25 displays. You can access these X.25 line description displays by typing CRTLINX25 on any command line and then pressing F4 (Prompt). The Create Line Description displays illustrate this procedure.

Create Line Desc (X.25) (CRTLINX25)

Type choices, press Enter.

Line description **LX25022** Name
Resource name **LIN022** Name, *NWID

Create Line Desc (X.25) (CRTLINX25)

Type choices, press Enter.

Logical channel entries:

Logical channel identifier . . . > 001	001-FFF, *PROMPT
Logical channel type > *PVC	*PVC, *SVCIN, *SVCBOTH...
PVC controller	Name
Logical channel identifier . . . > 002	001-FFF, *PROMPT
Logical channel type > *PVC	*PVC, *SVCIN, *SVCBOTH...
PVC controller	Name
Logical channel identifier . . . > 003	001-FFF, *PROMPT
Logical channel type > *SVCIN	*PVC, *SVCIN, *SVCBOTH...
PVC controller	Name
Logical channel identifier . . . > 004	001-FFF, *PROMPT
Logical channel type > *SVCBOTH	*PVC, *SVCIN, *SVCBOTH...
PVC controller	Name

More...

F3=Exit F4=Prompt F5=Refresh F10=Additional parameters F12=Cancel
F13=How to use this display F24=More keys

Create Line Desc (X.25) (CRTLINX25)

Type choices, press Enter.

Logical channel identifier . . . > 005	001-FFF, *PROMPT
Logical channel type > *SVCOUT	*PVC, *SVCIN, *SVCBOTH...
PVC controller	Name
+ for more values	
Local network address > 00000499	
Connection initiation > *LOCAL	*LOCAL, *REMOTE, *WAIT...
Online at IPL	*YES, *NO
Physical interface	*X21BISV24, *X21BISV35...
Connection type	*NONSWTTP, *SWTTP
Vary on wait	*NOWAIT, 15-180 (1 second)
Line speed	*CALC, 600, 1200, 2400...
Exchange identifier	*SYSGEN 05600000-056FFFFFF, *SYSGEN
Extended network addressing . .	*NO, *YES, *NO
Maximum frame size	1024, 2048, 4096

More...

F3=Exit F4=Prompt F5=Refresh F12=Cancel F13=How to use this display
F24=More keys

```

Create Line Desc (X.25) (CRTLINX25)

Type choices, press Enter.

Default packet size:
  Transmit value . . . . . 128          64, 128, 256, 512, 1024...
  Receive value  . . . . . *TRANSMIT   *TRANSMIT, 64, 128, 256...
Maximum packet size:
  Transmit value . . . . . *DFTPFSIZE  *DFTPFSIZE, 64, 128, 256...
  Receive value  . . . . . *TRANSMIT   *DFTPFSIZE, *TRANSMIT, 64...
Modulus . . . . . 8                    8, 128
Default window size:
  Transmit value . . . . . 2            1-15
  Receive value  . . . . . *TRANSMIT   1-15, *TRANSMIT
Insert net address in packets . *YES    *YES, *NO
Text 'description' . . . . . > 'X.25 line description'

More...
F3=Exit  F4=Prompt  F5=Refresh  F12=Cancel  F13=How to use this display
F24=More keys

```

As shown in the LIND parameter, this X.25 line description is named LX25022. This name is used to associate this line description with each of the six remote controllers that are a part of this X.25 network. Thus, in the create controller commands that follow, the LX25022 line name is specified in the LINE parameters of the first two (PVC-related) controller commands and in the SWTLINLST parameters of the last four (SVC-related) controller commands. Also, all these commands indicate the link type as *X25, in the LINKTYPE parameter.

As shown in the LGLCHLE parameter, the first two logical channel entries (001 and 002) specify that PVCs are used, one with AS/400 system 603 and one with the 3275 host system. The same channel entry numbers are also specified in the first two create controller commands, in their LGLCHLID parameters.

The LGLCHLE parameter also specifies many of the logical channel entries as SVCs, which can be used for switched virtual circuits to the other four remote DTEs in this example. The create controller commands for these four DTEs all specify *YES for their SWITCHED parameters, and they each have the network address of the corresponding remote DTE specified in their switched connection number (C>NNNBR) parameters.

- When the AS/400 system *calls* one of these four remote DTEs, it inserts the value specified in the C>NNNBR parameter of the associated controller into the called DTE network address field of the call request packet to be sent.
- When the AS/400 system *answers* a call from one of these four remote DTEs, it attempts to locate a controller description that has a VARY ON PENDING status and a C>NNNBR parameter value that matches the calling DTE network address in the incoming call packet. For SNA calls to be accepted, the password contained in the call user data of the incoming call request must also match that value specified in the X.25 connection password (C>NNPWD) parameter of the controller description.

As an example of these network address identifiers, the remote System/38 in this example (known as system 258) has a network address of 00000258. On the AS/400 system 499, this value is specified in the C>NNNBR parameter of the Create APPC Controller (CRTCTLAPPC) command used to configure the AS/400 system for communications with the System/38. (On the System/38, this 00000258 network

address value is also specified in the LCLNETADR parameter of the System/38 Create Line Description (CRTLIND) command, which is shown in Figure 15 on page 87 .)

Remote AS/400 System Configuration

The controller description representing the remote AS/400 system 603 is created on the local AS/400 system using the following displays. The displays can be accessed by typing CRTCTLAPPC and pressing F4 (Prompt). The Create Controller Description displays illustrate this procedure.

```

Create Ct1 Desc (APPC) (CRTCTLAPPC)

Type choices, press Enter.

Controller description . . . . . > CX25S603P      Name
Link type . . . . . > *X25                      *FAX, *FR, *IDLC, *LAN...
Online at IPL . . . . . *YES                      *YES, *NO
Switched connection . . . . . *NO                 *NO, *YES
APPN-capable . . . . . *YES                       *YES, *NO
Attached nonswitched line . . . . . > LX25022      Name
Maximum frame size . . . . . *LINKTYPE           265-16393, 256, 265, 512...
Remote network identifier . . . . . *NETATR       Name, *NETATR, *NONE, *ANY
Remote control point . . . . . > RCHSX603         Name, *ANY
Exchange identifier . . . . .                    00000000-FFFFFFF
Data link role . . . . . *NEG                     *NEG, *PRI, *SEC
X.25 network level . . . . . > 1984              1980, 1984, 1988
X.25 link level protocol . . . . . > *ELLC       *QLLC, *ELLC
X.25 logical channel ID . . . . . > 001          001-FFF
APPN CP session support . . . . . *YES           *YES, *NO
APPN node type . . . . . *ENDNODE                *ENDNODE, *LENNODE...

More...
F3=Exit  F4=Prompt  F5=Refresh  F12=Cancel  F13=How to use this display
F24=More keys

```

```

Create Ct1 Desc (APPC) (CRTCTLAPPC)

Type choices, press Enter.

APPN transmission group number 1 1-20, *CALC
Autocreate device . . . . . *ALL *ALL, *NONE
Autodelete device . . . . . 1440 1-10000, *NO
User-defined 1 . . . . . *LIND 0-255, *LIND
User-defined 2 . . . . . *LIND 0-255, *LIND
User-defined 3 . . . . . *LIND 0-255, *LIND
Text 'description' . . . . . > 'X.25 controller for System 603'

```

Note: The AS/400 system automatically creates the devices for controllers of type APPC when the APPN parameter specifies *YES (as it does in this case). Because *YES is the default, it was not coded in the CRTCTLAPPC command.

Remote Host System/370 Configuration

The controller, emulation device, and distributed host command facility (DHCF) device descriptions for the remote System/370 HOST are created on the local AS/400 system using the following displays.

Create Ct1 Desc (SNA Host) (CRTCTLHOST)

Type choices, press Enter.

Controller description	> CX25HOSTP	Name
Link type	> *X25	*IDLC, *FR, *LAN, *SDLC, *X25
Online at IPL	*YES	*YES, *NO
Switched connection	*NO	*NO, *YES
APPN-capable	> *NO	*YES, *NO
Attached nonswitched line	> LX25022	Name
Maximum frame size	*LINKTYPE	265-16393, 256, 265, 512...
Remote network identifier	*NETATR	Name, *NETATR, *NONE, *ANY
Remote control point		Name, *ANY
SSCP identifier		050000000000-05FFFFFFFF
Local exchange identifier	*LIND	05600000-056FFFFFF, *LIND
X.25 network level	> 1984	1980, 1984, 1988
X.25 link level protocol	*QLLC	*QLLC, *ELLC
X.25 logical channel ID	> 002	001-FFF
Recontact on vary off	*YES	*YES, *NO

More...

F3=Exit F4=Prompt F5=Refresh F12=Cancel F13=How to use this display
F24=More keys

Create Ct1 Desc (SNA Host) (CRTCTLHOST)

Type choices, press Enter.

Text 'description' 'Remote System/370 host controller'

Create Device Desc (SNA Host) (CRTDEVHOST)

Type choices, press Enter.

Device description	> DX25HOST1	Name
Local location address	> 01	01-FF
Remote location	> DX25HOST	Name
Online at IPL	*YES	*YES, *NO
Attached controller	> CX25HOSTP	Name
Application type	> *EML	*RJE, *EML, *PGM
Maximum length of request unit	*CALC	*CALC
Emulated device	3278	3278, 3284, 3286, 3287...
Emulated keyboard	*UPPER	*UPPER, *LOWER
Emulated numeric lock	*NO	*NO, *YES
Emulation work station	*ANY	Name, *ANY
End session with host	*UNBIND	*UNBIND, *RSHUTD
Text 'description'	> 'Remote System/370 host system'	

More...

F3=Exit F4=Prompt F5=Refresh F12=Cancel F13=How to use this display
F24=More keys

Create Device Desc (Display) (CRTDEVDSP)

Type choices, press Enter.

```
Device description . . . . . > DX25HOST2      Name
Device class . . . . . > *RMT                *LCL, *RMT, *VRT, *SNPT
Device type . . . . . > 3277                 3101, 3151, 3161, 3162...
Device model . . . . . > *DHCF              0, 1, 2, 4, 11, 12, 23...
Local location address . . . . . > 02         00-FE
Online at IPL . . . . . > *NO                *YES, *NO
Attached controller . . . . . > CX25HOSTP     Name
Keyboard language type . . . . . *SYSVAL      *SYSVAL, AGB, AGI, ALI...
Drop line at signoff . . . . . *YES          *YES, *NO
Text 'description' . . . . . > 'Remote System/370 display device'
```

More...

F3=Exit F4=Prompt F5=Refresh F12=Cancel F13=How to use this display
F24=More keys

Remote System/36 Configuration

The controller description representing the remote System/36 024 is created on the local AS/400 system using the following command.

```
CRTCTLAPPC CTLD(CX25S024S) LINKTYPE(*X25) SWITCHED(*YES) +
  SWTLINLST(LX25022) RMTCPNAME(RCH36024) EXCHID(03E00024) +
  CNNBR(00000024) NETLVL(1980) NODETYPE(*NETNODE) +
  TMSGPNBR(*CALC) TEXT('Remote System/36 controller')
```

Remote System/38 Configuration

The controller description representing the remote System/38 258 is created on the local AS/400 system using the following command.

```
CRTCTLAPPC CTLD(CX25S258S) LINKTYPE(*X25) SWITCHED(*YES) +
  SWTLINLST(LX25022) RMTCPNAME(RCH38258) EXCHID(02200258) +
  CNNBR(00000258) NETLVL(1984) NODETYPE(*LENNODE) +
  TMSGPNBR(*CALC) TEXT('Remote System/38 controller')
```

Remote 5394 Controller Configuration

The controller and device descriptions representing the remote 5394 controller and its attached 5251 display station are created on the local AS/400 system using the following displays.

Create Ct1 Desc (Remote WS) (CRTCTLRWS)

Type choices, press Enter.

```
Controller description . . . . . > CX25RWSS      Name
Controller type . . . . . > 5394                3174, 3274, 5251, 5294...
Controller model . . . . . > 1                  0, 1, 0001, 2, 0002, 12, 0012
Link type . . . . . > *X25                     *IDL, *LAN, *NONE, *SDLC...
Online at IPL . . . . . *YES                    *YES, *NO
Switched connection . . . . . > *YES           *NO, *YES
Switched line list . . . . . > LX25022         Name
+ for more values
Maximum frame size . . . . . *LINKTYPE         265-1994, 256, 261, 265...
Exchange identifier . . . . .                 00100000-FFFFFFFF
Initial connection . . . . . *DIAL             *DIAL, *ANS
Dial initiation . . . . . *LINKTYPE           *LINKTYPE, *IMMED, *DELAY
Connection number . . . . . > 00005394
Answer number . . . . . *CNNBR                *CNNBR, *ANY
X.25 network level . . . . . > 1984           1980, 1984, 1988
X.25 link level protocol . . . . . *QLLC      *QLLC, *ELLC
More...
F3=Exit  F4=Prompt  F5=Refresh  F12=Cancel  F13=How to use this display
F24=More keys
```

Create Ct1 Desc (Remote WS) (CRTCTLRWS)

Type choices, press Enter.

```
X.25 connection password . . . . . Character value
Text 'description' . . . . . > 'Remote 5394 controller'
```

Create Device Desc (Display) (CRTDEVDSPP)

Type choices, press Enter.

```
Device description . . . . . > DX25RWSS1      Name
Device class . . . . . > *RMT                 *LCL, *RMT, *VRT, *SNPT
Device type . . . . . > 5251                  3101, 3151, 3161, 3162...
Device model . . . . . > 11                   0, 1, 2, 4, 11, 12, 23...
Local location address . . . . . > 00         00-FE
Online at IPL . . . . . *YES                    *YES, *NO
Attached controller . . . . . > CX25RWSS      Name
Drop line at signoff . . . . . *YES           *YES, *NO
Allow blinking cursor . . . . . *YES          *YES, *NO
Printer . . . . . Name
Text 'description' . . . . . 'Display device for 5394 controller'
```

```
More...
F3=Exit  F4=Prompt  F5=Refresh  F12=Cancel  F13=How to use this display
F24=More keys
```

Remote 3274 Controller Configuration

The controller and device descriptions representing the remote 3274 controller and its attached 3279 display station are created on the local AS/400 system using the following commands.

```
CRTCTLRWS CTLD(CX25RAS) TYPE(3274) MODEL(0) LINKTYPE(*X25) +
SWITCHED(*YES) SWTLINLST(LX25022) EXCHID(017000C1) +
CNNBR(00003274) NETLVL(1980) CNPWD(3274) +
TEXT('Remote 3274 controller')
```



```
CRTDEV DSP DEVD(DX25RAS3) DEVCLS(*RMT) TYPE(3279) MODEL(0) +
  LOCADR(02) CTL(CX25RAS) TEXT('3729 attached to 3274 controller')
```

Configurations on Remote AS/400 System 603

The following configurations are created by the system administrator on the remote AS/400 system 603 to allow it to communicate through the X.25 network with the local AS/400 system 499.

First, the network attributes are changed as follows:

```
CHGNETA SYSNAME(RCHSX603) LCLNETID(RPC) LCLCPNAME(RCHSX603)
  LCLLOCNAME(RCHSX603) NODETYPE(*ENDNODE)
  NETSERVER((RPC RCHSX024) (RPC RCHSX499))
```

The following information was obtained by the system administrator for the network subscription purchased for the remote AS/400 system 603. Remember that this information describes the interface between the system 603 DTE and the network DCE to which it is directly attached:

- DCE clocking rate (line speed) is 9600 bps.
- DTE local network address is 00000603.
- Logical channel configuration:

001 PVC routed to AS/400 system 499

002-004

Currently unassigned PVCs

005-008

SVCs handling incoming calls from the network

009-00C

SVCs handling both incoming and outgoing calls

00D-010

SVCs handling outgoing calls from the AS/400 system 603

- Network address of the remote DTE is not applicable for this DTE; no SVCs (switched virtual circuits) will exist between AS/400 systems 499 and 603.
- Physical interface supplied is CCITT Recommendation X.21 bis/V.24.
- HDLC link level modulus is 8.
- Packet level modulus is 8.
- Maximum packet size supported is 64.
- HDLC link level maximum send and receive window size is 7.
- Packet level maximum send and receive window size is 2.
- Maximum DCE processing overhead is 0.5 second (0 increase delay is assumed).
- Good quality lines to the network are used.
- The network allows the DTE to insert its network address into call request and accept packets.

Using this network subscription information, the line description for AS/400 system 603 is created on that system using the following command:

```
CRTLINX25 LIND(LX25021) RSRNAME(LIN021) LGLCHLE((001 *PVC)
  (002 *PVC) (003 *PVC) (004 *PVC) (005 *SVCIN) (006 *SVCIN)
  (007 *SVCIN) (008 *SVCIN) (009 *SVCBOTH) (00A *SVCBOTH))
```

```
(00B *SVCBOTH) (00C *SVCBOTH) (00D *SVCOUT) (00E *SVCOUT)
(00F *SVCOUT) (010 *SVCOUT)) NETADR(00000603)
CNNINIT(*LOCAL) EXCHID(05600603) DFTPKTSIZE(64)
```

The controller description representing the AS/400 system 499 is created on system 603 using the following command:

```
CRTCTLAPPC CTLD(CX25S499P) LINKTYPE(*X25) LINE(LX25021)
RMTCPNAME(RCHSX499) NETLVL(1984) LINKPCL(*ELLC)
LGLCHLID(001) NODETYPE(*NETNODE) TMSGPRNBR(*CALC)
X25DLTYMR(20)
```

For an example of creating line and controller descriptions using displays, refer to “Configurations on Local AS/400 System 499” on page 69.

Configurations on Host System

The following NCP configurations are created by the host system administrator on the System/370 HOST to allow it to communicate with the AS/400 system 499 through the X.25 network.

The following information was obtained by the system administrator for the network subscription purchased for the host System/370. Remember that this information describes the interface between the host DTE and the network DCE to which the host is directly attached:

- DCE clocking rate (line speed) is 9600 bps.
- DTE local network address is 00000370.
- Logical channel configuration:
 - 001** PVC routed to AS/400 system 499
 - 002-008** Currently unassigned PVCs
 - 009-010** SVCs handling incoming calls from the network
 - 011-018** SVCs handling both incoming and outgoing calls
 - 019-020** SVCs handling outgoing calls from the System/370 HOST
- Network address of the remote DTE is not applicable for this DTE; no SVCs (switched virtual circuits) will exist between AS/400 system 499 and the host System/370.
- Physical interface supplied is CCITT Recommendation X.21 bis V.24.
- HDLC link level modulus is 8.
- Packet level modulus is 128.
- Maximum packet size supported is 1024.
- HDLC link level maximum send and receive window size is 7.
- Packet level maximum send and receive window size is 7.
- Maximum DCE processing overhead is 0.5 second (0 increase delay is assumed).
- Good quality lines to the network are used.
- The network allows the DTE to insert its network address into call request and accept packets.

Using the above network subscription information, the following is created on the host System/370 as source input for stage 1 of the NCP configuration for the X.25 characteristics:

```

*****
*   Macro definition for X.25 line R1102   *
*****
R1102   X25MCH   ADDRESS=102,           Line at addr 102
        ANS=STOP,           Shutdown PUs if NCP ans shutdn
        CSBTYPE=3,
        DBIT=NO,           No delivery confirmation bit
        DIRECT=NO,         Line is modem attached
        DSABLTO=3.0,       Delay to DSR signal to go off
        ENABLTO=3.0,       Delay to DSR signal to come on
        FRMLGTH=1028,      MAXPKTL + 4
        GATE=NO,           Gate and date not supported
        LCGDEF=0(32),      32 logical channels defined
        LCN0=USED,         Logical channel 0 used as VC
        LLCLIST=(LLC3),    LLC3=QLLC
        MWINDOW=7,         Window size
        NCPGRP=R1X25G08,   Name for NCP group macro
        NDRETRY=2,         NP/TP sequence
        NPRETRY=7,         Retrans TP time-out recover
        PAD=NO,            No PAD support
        PKTMODL=128,       Modulus 128
        PROTOCOL=LAPB,     X.25 level 2 protocol
        SPEED=9600,        Line speed
        SPNQLLC=NO,        No RETD network with HDLC PAD
        STATION=DTE,       Operate as DTE
        TDTIMER=3,         Internal delay timer
        TPTIMER=6.0        T1 timer
*****
*   Macro definition for logical channel group 0   *
*****
X25LCG   LCGN=0
*****
*   Macro definitions for PVCs   *
*****
L8VC0    X25LINE LCN=1,           Logical channel 1
        TYPE=PERMANENT,         PVC
        LLC=LLC3,              SNA DTE using QLLC
        RETVCTO=30,            Timer between retrans phys serv
        RETVCCT=3,             Nbr retrans of phys serv command
        COMMITO=4,            Idle VC commit time-out
        VCCINDX=8,            Index in X25VCCPT
L8VC0A   X25PU ADDR=C1,
        ISTATUS=INACTIVE,      Initial status
        MAXDATA=1024,          MAXPIU for this PVC
        PUTYPE=2,              PU type 2
        MODETAB=LOGMOD38,      VTAM logmode table name
        PACING=7,
        LUDR=NO,               Per X.25 manual
        PUDR=NO                Per X.25 manual
L8VC0A01 X25LU LOCADDR=1,       LU with address of 1
        ISTATUS=INACTIVE
L8VC0A02 X25LU LOCADDR=2,       LU with address of 2
        ISTATUS=INACTIVE

```

Figure 11. Source Input for Stage 1 of System/370 NCP Configuration for X.25

The following represents the X.25-related portion of the output, produced by stage 1 generation, that is used as input for stage 2 of the NCP configuration:

```

R1102    LINE  UACB=(X25A102X,X25A102R),ADDRESS=(102,FULL),SPEED=9600
XC102    SERVICE ORDER=XP102
XP102    PU    ADDR=01,MAXDATA=1024,ANS=STOP,PUTYPE=1
XU102    LU    LOCADDR=0,ISTATUS=INACTIVE
R1X25G09 GROUP LNCTL=SDLC,BERPROC=BALNMBER,LEVEL2=BALNAML2,LEVEL3=BALNA*
          ML3,USERID=(5668981,BALNBDT,NORECMS),LEVEL5=NCP,TYPE=NCP*
          ,TIMER=(BALLAP4,,BALLAP4,BALLAP4),COMPACB=YES,XIO=(BALNA*
          MXL,BALNAMXS,BALNAMXI,BALNAMXK),DIAL=NO,ISTATUS=INACTIVE
L8VC0    LINE  IPL=NO,UACB=XA102000
XC102000 SERVICE ORDER=L8VC0A
L8VC0A   PU    ADDR=C1,MAXDATA=137,PACING=7,MODETAB=LOGMOD38,ISTATUS=IN*
          ACTIVE,PUDR=NO,LUDR=NO,PUTYPE=2
L8VC0A01 LU    LOCADDR=1,ISTATUS=INACTIVE
L8VC0A02 LU    LOCADDR=2,ISTATUS=INACTIVE

```

Figure 12. Output Produced from Stage 1 of System/370 NCP Configuration for X.25

Note: The configurations shown are for a host that is running VTAM Version 3 Release 1.1 with NCP Version 4 Release 2. Changes may be necessary for configurations created on hosts running VTAM/NCP at different versions or releases.

Configurations on System/36 024

The following configurations are created by the system administrator on System/36 024 to allow it to communicate with AS/400 system 499 through the X.25 network. The major parts of the configuration include:

- Line member configuration
- Subsystem member configuration
- X.25 member configuration
 - X.25 network and logical channel configuration
 - X.25 virtual circuit configuration

System/36 Line Member Configuration

The following sequence of System/36 displays shows the contents of the configuration line member LX25005. The CNFIGICF procedure command is used on the System/36 to display this information.

Note: For each display, only the top portion that is relevant to the example is shown; the function keys are not.

```

1.0          SSP-ICF CONFIGURATION MEMBER DEFINITION          W1
1. Configuration member name . . . . . LX25005
2. Library name . . . . . CMNCFG
3. Select one of the following:
   1. Create new member
   2. Edit existing member
   3. Create new member from existing member
   4. Remove a member
   5. Review a member
Option . . . . . 1-5 5

```

```

2.0                SSP-ICF CONFIGURATION MEMBER TYPE                LX25005    W1
Select one of the following options:
  1. Intra
  2. BSC
  3. SNA
  4. Async
  5. PC Support/36
Option: 3

```

```

4.0                SNA CONFIGURATION MEMBER TYPE                    LX25005    W1
1. SNA member type . . . . . 1-4 3
  1. SNA subsystem member
  2. SNA/SDLC line member
  3. SNA/X.25 line member
  4. SNA/IBM Token-Ring Network line member
2. Will APPC or APPN be used? . . . . . Y,N Y

```

```

12.0               SNA LINE MEMBER ATTRIBUTES                      LX25005    W1
1. Data link protocol . . . . . 3
  1-Primary      2-Secondary      3-Negotiated
2. Line type . . . . . 1
  1-Nonswitched  2-Switched
4. X.25 configuration member name . . . . . CX25005
6. Local system's station XID in hexadecimal . . . . . 00024

```

Note: The contents of the X.25 configuration member, CX25005, is shown in “System/36 X.25 Configuration” on page 83.

```

12.5               REMOTE SYSTEM SELECTION                        LX25005    W1
1. Select from the following options:
  5-Review
  Option . . . . .
2. Remote system name . . . . .
-----
OPTION REMOTE SYSTEM    OPTION REMOTE SYSTEM    OPTION REMOTE SYSTEM
  5      RCHSX499

```

Notice in the following System/36 display, when the values supplied by the system administrator for options 3 (056) and 4 (00499) are combined, they match that value (05600499) supplied for the EXCHID parameter in the line description created on AS/400 system 499. This particular EXCHID parameter is shown in Figure 15 on page 87 .

```

13.0          REMOTE SYSTEM ATTRIBUTES                LX25005    W1
      Remote system RCHSX499
1. Remote system type . . . . . 2
  1-Host          2-Peer
3. Remote system's block ID in hexadecimal . . . . . 056
4. Remote system's station XID in hexadecimal . . . . . 00499

```

System/36 Subsystem Member Configuration

The following sequence of System/36 displays shows the contents of the subsystem member configuration named SX25APPN. The CNFIGICF procedure command is used on the System/36 to display this information.

```

1.0          SSP-ICF CONFIGURATION MEMBER DEFINITION    W1
1. Configuration member name . . . . . SX25APPN
2. Library name . . . . . CMNCFG
3. Select one of the following:
  1. Create new member
  2. Edit existing member
  3. Create new member from existing member
  4. Remove a member
  5. Review a member
Option . . . . . 1-5 5

```

```

2.0          SSP-ICF CONFIGURATION MEMBER TYPE        SX25APPN    W1
Select one of the following options:
  1. Intra
  2. BSC
  3. SNA
  4. Async
  5. PC Support/36
Option: 3

```

```

4.0          SNA CONFIGURATION MEMBER TYPE            SX25APPN    W1
1. SNA member type . . . . . 1-4 1
  1. SNA subsystem member
  2. SNA/SDLC line member
  3. SNA/X.25 line member
  4. SNA/IBM Token-Ring Network line member

```

```

21.0         SNA SUBSYSTEM MEMBER SELECTION           SX25APPN    W1
1. Select subsystem type from the following options:
  1. Peer
  2. SNA Upline
  3. SNA 3270
  4. Finance
  5. SNA MSRJE
  6. APPC
  7. APPN
Option . . . . . 1-7 7

```

```

22.0          SUBSYSTEM MEMBER DEFINITION          SX25APPN  W1
1. Local location name . . . . . RCH36024
5. Network ID . . . . . RPC

```

```

28.0          APPN SUBSYSTEM MEMBER DEFINITION    SX25APPN  W1
Optional-*
1. Select one of the following options:
    1. Define locations in non-networking nodes
    2. Define locations in networking nodes
    3. Define locations in nonadjacent single-session nodes
    5. Define session groups for multiple-session locations
    6. Define session groups for single-session locations
Option . . . . . 2
2. Line member name . . . . . LX25005 *

```

Note: Remember that AS/400 system 499 is an APPN networking node.

```

29.0          REMOTE LOCATION SELECTION          SX25APPN  W1
1. Select from the following options:
    5-Review
Option . . . . .
2. Remote location name . . . . .
3. Remote system name . . . . .
-----
OPTION  LOCATION  REMOTE SYSTEM          Page 1 of 1
5      RCHSX499   RCHSX499

```

```

41.0          APPC AND APPN LOCATION DEFINITION  SX25APPN  W1
Remote system RCHSX499      Remote location RCHSX499
2. Stay operational? . . . . . Y,N Y

```

System/36 X.25 Configuration

The following sequence of System/36 displays and printed data shows the X.25 configuration information created on the System/36 for communications with the AS/400 system 499 through the X.25 network. The displays and printed data are obtained by using the CNFIGX25 procedure command on the System/36.

X.25 Network and Logical Channel Configuration

The following information was obtained by the system administrator for the network subscription purchased for System/36 024. Remember that this information describes the interface between the System/36 DTE and the network DCE to which it is directly attached:

- DCE clocking rate (line speed) is 9600 bps.
- DTE local network address is 00000024.
- Logical channel configuration:

001-004

Currently unassigned PVCs

005-008

SVCs handling incoming calls from the network

009-00C

SVCs handling both incoming and outgoing calls

00D-010

SVCs handling outgoing calls from System/36 024

- Network address of the remote DTE:

00000499

AS/400 system 499

- Physical interface supplied is CCITT Recommendation X.21 bis/V.24.
- HDLC link level modulus is 8.
- Packet level modulus is 8.
- Maximum packet size supported is 256.
- HDLC link level maximum send and receive window size is 7.
- Packet level maximum send and receive window size is 7.
- Maximum DCE processing overhead is 0.5 second (0 increase delay is assumed).
- Good quality lines to the network are used.
- The network allows the DTE to insert its network address into call request and accept packets.

Using the above network subscription information, the X.25 network and logical channel configuration information is defined on the System/36 using the CNFIGX25 procedure command. The following displays show the steps needed to print the contents of the configuration.

```

1.0                                X.25 CONFIGURATION UTILITY MENU                W1
1. Select one of the following:
    1. X.25 network and logical channel configuration
    2. X.25 virtual circuit configuration
Option . . . . . 1

```

```

1.5                                X.25 NETWORK CONFIGURATION MENU                W1
1. Select one of the following:
1. Create new member
2. Edit member
3. Remove member
4. Print member
Option . . . . . 4
2. Network configuration member name . . . . . CX25005

```

The following is the result of the values specified on the two previous displays:

X.25 NETWORK AND LOGICAL CHANNEL CONFIGURATION
 NETWORK CONFIGURATION

CX25005

PAGE 001

NETWORK TYPE A
 NETWORK DEFAULT PACKET SIZE 256
 NETWORK DEFAULT PACKET WINDOW 07
 LINK LEVEL TIME-OUT IN SECONDS 3.0
 LOCAL NETWORK ADDRESS 00000024
 NUMBER OF LOGICAL CHANNELS 16
 NETWORK MAXIMUM PACKET SIZE 256

LOGICAL CHANNEL CONFIGURATION

REFERENCE NUMBER	01	02	03	04	05	06	07	08	09	10	11	12	13	14	15	16
1. TYPE	P	P	P	P	S	S	S	S	S	S	S	S	S	S	S	S
2. GROUP NUMBER	0	0	0	0	0	0	0	0	0	0	0	0	0	0	0	0
3. CHANNEL NUMBER	01	02	03	04	05	06	07	08	09	0A	0B	0C	0D	0E	0F	10
4. CALL DIRECTION					I	I	I	I	B	B	B	B	0	0	0	0

Figure 13. Printout of System/36 X.25 Network and Channel Configuration

X.25 Virtual Circuit Configuration

The X.25 virtual circuit configuration characteristics of the switched virtual circuit to the remote AS/400 system 499 are defined on the System/36 using the CNFIGX25 procedure command. The following displays show the steps needed to print the contents of the configuration.

```

1.0                      X.25 CONFIGURATION UTILITY MENU                      W1
1. Select one of the following:
   1. X.25 network and logical channel configuration
   2. X.25 virtual circuit configuration
Option . . . . . 2
  
```

```

4.0                      X.25 VIRTUAL CIRCUIT MENU                          W1
1. Select one of the following:
   1. Create new member
   2. Edit member
   3. Create new member from existing member
   4. Remove member
   5. Print member
Option . . . . . 5
  
```

```

5.0                      X.25 VIRTUAL CIRCUIT MEMBER SELECT                W1
1. Member name . . . . . CX25005
3. Library name . . . . . CMNCFG
  
```

The following is the result of the values specified on the three previous displays:

```

X.25 VIRTUAL CONFIGURATION MEMBER                                PAGE 001
MEMBER NAME . . . . . CX25005      LIBRARY NAME . . . . . CMNCFG
NETWORK CONFIGURATION NAME . . . . . CX25005                      SS
REMOTE STATION:      RCHSX499      STATION ADDRESS:      01
PACKET SIZE . . . . . 256
PACKET WINDOW . . . . . 07
PROTOCOL . . . . . Q
VIRTUAL CIRCUIT TYPE . . . . . SVC
TARIFF TOTALS ACCUMULATION . . . . . N
REMOTE NETWORK ADDRESS . . . . . 00000499
CALL DIRECTION . . . . . I
REVERSE CHARGE . . . . . N
CLOSED USER GROUP ID . . . . .
UNIQUE NETWORK FACILITIES . . . . .
=====

```

Figure 14. Printout of System/36 X.25 Virtual Circuit Configuration

Configurations on System/38 258

The following configurations are created on System/38 258 to allow it to communicate with the AS/400 system 499 through the X.25 network.

First, the network attributes are changed as follows:

```

CHGNETA  ALRSTS(*ON)  ALRCTLU(CACFS338)  SYSNAM(RCH38258)
          ALRFOCPNT(*YES)  MSGQ(QSYSOPR.QSYS)  OUTQ(QPRINT.QGPL)
          JOBACN(*FILE)  MAXHOP(16)  DDMACC(*OBJAUT)

```

The following information was obtained by the system administrator for the network subscription purchased for System/38 258. Remember that this information describes the interface between the System/38 DTE and the network DCE to which it is directly attached:

- DCE clocking rate (line speed) is 9600 bps.
- DTE local network address is 00000258.
- Logical channel configuration:

001-004

Currently unassigned PVCs

005-008

SVCs handling incoming calls from the network

009-00C

SVCs handling both incoming and outgoing calls

00D-010

SVCs handling outgoing calls from System/38 258

- Network address of the remote DTE:

00000499

AS/400 system 499

- Physical interface supplied is CCITT Recommendation X.21 bis V.24.
- HDLC link level modulus is 8.
- Packet level modulus is 8.
- Maximum packet size supported is 512.
- HDLC link level maximum send and receive window size is 7.
- Packet level maximum send and receive window size is 7.

- Maximum DCE processing overhead is 0.5 second (0 increase delay is assumed).
- Good quality lines to the network are used.
- The network allows the DTE to insert its network address into call request and accept packets.

Using the above network subscription information, the line description for System/38 258 is created on that system using the following command:

```
CRTLIND LIND(LX2505E) LINNBR(5E) TYPE(*X25) CNN(*PP) RATE(009600)
WIRE(4) DCEGRP(*A) IDLETIME(0015) RETRY(0002)
EXCHID(02200258) X25NETTYPE(0111) LCLNETADR(00000258)
DFTPKTSIZE(512) DFTWDWSIZE(7) NETMAXPIU(521)
LGLCHLE((0 01 *PVC) (0 02 *PVC) (0 03 *PVC) (0 04 *PVC)
(0 05 *SVCIN) (0 06 *SVCIN) (0 07 *SVCIN) (0 08 *SVCIN)
(0 09 *SVCBOTH) (0 0A *SVCBOTH) (0 0B *SVCBOTH)
(0 0C *SVCBOTH) (0 0D *SVCOUT) (0 0E *SVCOUT)
(0 0F *SVCOUT) (0 10 *SVCOUT))
```

Figure 15. Create Line Description for System/38 258

The controller and device descriptions representing the remote AS/400 system 499 are created on the System/38 using the following commands:

```
CRTCUD CUD(CX25S499S) TYPE(*PEER) MODEL(0) CTLADR(0000)
SWITCHED(*YES) TELNBR(00000499) INLCNN(*CALL)
EXCHID(05600499) LINLST(LX2505E) MAXLENPIU(521)
LINKTYPE(*X25LLS) CODE(*EBCDIC) X25ADR(000000)

CRTDEVD DEVD(DX25S499S) DEVADR(000000) DEVTYPE(*PEER) MODEL(0)
CTLU(CX25S499S) LCLLU(RCH38258) RMTLU(RCHSX499)
NETDEVADR(02000000)

ADDDEVMODE DEVD(DX25S499S) MODE(*BLANK) MAXSSN(50) PREBNDSSN(0)
MAXSRCSSN(25) MAXCNV(50) INPACING(3) OUTPACING(3)
```

Note: The mode *BLANK is associated with the device so that communications between the System/38 and the remote AS/400 system 499 can occur using the default mode of BLANK on the AS/400 system. (The mode name of *BLANK on the System/38 is changed to BLANK on the AS/400 system.)

Configurations for 5394 Controller and 5251 Display Station

The remote 5394 controller is configured by the system administrator in the following manner to allow it to communicate with the AS/400 system 499 through the X.25 network.

The following information was obtained by the system administrator for the network subscription purchased for the 5394 controller. Remember that this information describes the interface between the 5394 DTE and the network DCE to which it is directly attached:

- DCE clocking rate (line speed) is 9600 bps.
- DTE local network address is 00005394.
- Logical channel configuration:
 - 001** Currently unassigned PVC
 - 002** SVC handling both incoming and outgoing calls
- Network address of the remote DTE:

0000499

AS/400 system 499

- Physical interface supplied is CCITT Recommendation X.21 bis/V.24.
- HDLC link level modulus is 8.
- Packet level modulus is 8.
- Maximum packet size supported is 256.
- HDLC link level maximum send and receive window size is 7.
- Packet level maximum send and receive window size is 7.
- Maximum DCE processing overhead is 0.5 second (0 increase delay is assumed).
- Good quality lines to the network are used.
- The network allows the DTE to insert its network address into call request and accept packets.

The following display shows, on an attached 5251 display station, the configuration of the 5394 that allows it to communicate with AS/400 system 499. This display is shown as a result of turning on the 5394 controller with its Normal/Test mode switch set to Test mode and then pressing the Cmd and Backspace keys on the 5251 display.

```
0      1      2      3      4      5      6
-----
0/  D      .      P      .      .      .      .
1/  .      .      .      .      .      .      .
2/  .      .      .      .      .      .      .
3/  .      .      .      .      .      .      .

AA-> 1    BB-> 0
1-> 00    2-> 01    4-> 0 7 7    5-> 1 0 0 1 0    6-> 0 0 1 0 0 0 0 0
7-> 0A 03
P-> _ _
```

In this display, the following fields are significant to X.25 communications. The D indicates a display station is located at address 0 (top row). This display station is associated with port 0 (side column). The P indicates a printer is located at address 2, port 0.

Additional fields at the bottom of the display pertain to X.25 communications as follows:

- Field 1 indicates the country of origin for the keyboard used — 00 = United States and Canada.
- Field 2 indicates the X.25 station address of the controller.
- Field 4 indicates the modulus, packet window size, and link window size.
- Fields 5 and 6 indicate communications configuration information including whether you are using SVCs or PVCs, LLC selection, and reverse charging.

After the 5394 controller is configured as shown in the previous display, the controller must be turned off, its Normal/Test mode switch set to Normal, and then turned back on. Then, on the 5251 display station, the Shift and Sys Req keys must be pressed. After that, if the data shown in the following display is entered on the 5251, a call (with reverse charging requested) will be placed to the AS/400 system 499.

```
c,n00000499-00005394,1002,r
```

This display requires the user to indicate several pieces of information. The `c` indicates a call is being placed. The `n00000499` indicates the host system (in this case, the AS/400 system) network address. The `-00005394` causes the 5394 to insert this address into the local network address field of the call request packet. The `1002` indicates the hexadecimal value of the logical channel, and the `r` indicates reverse charging is requested.

Configurations for 3274 Controller and 3279 Display Station

The remote 3274 controller is configured by the system administrator in the following manner to allow it to communicate with AS/400 system 499 through the X.25 network.

The following information was obtained by the system administrator for the network subscription purchased for the 3274 controller. Remember that this information describes the interface between the 3274 DTE and the network DCE to which it is directly attached:

- DCE clocking rate (line speed) is 9600 bps.
- DTE local network address is 00003274.
- Logical channel configuration:
 - 001** Currently unassigned PVCs
 - 002** SVC handling both incoming and outgoing calls
- Network address of the remote DTE:
 - 00000499**
AS/400 system 499
- Physical interface supplied is CCITT Recommendation X.21 bis/V.24.
- HDLC link level modulus is 8.
- Packet level modulus is 8.
- Maximum packet size supported is 256.
- HDLC link level maximum send and receive window size is 7.
- Packet level maximum send and receive window size is 7.
- Maximum DCE processing overhead is 0.5 second (0 increase delay is assumed).
- Good quality lines to the network are used.
- The network allows the DTE to insert its network address into call request and accept packets.

For more information on 3274 configuration customizing, see the *IBM 3270 Information Display System: 3274 Control Unit Customization Guide*.

The following figures show the 3274 configuration displays that result in the desired configuration, particularly the last display in the sequence, which shows the X.25-related configuration characteristics.

Insert the X.25 PVC or SVC system diskette for the 3274 model 51C and press the IML key. The following displays are shown:

```
001
1234567890ABCDEF 34

011
0

021
0

031
0
```

These displays require the user to supply the necessary values. Display 001 requires keyboard validation, the first string of characters, and the validation number, which in this case is 34. Displays 011 through 031 require information on printer and diskette specifications in the field where the 0 is located. (You can press the Enter key to move to the next display if you do not have the printer and diskette specifications.)

```
999

111 - 00    112 - 08    113 - DC    114 - 0    115 - 0    116 - 0
121 - 01    125 - 00100000    127 - 0 0
136 - 0 0 0    137 - 0 0 0 0    138 - 0    139 - 0
141 - A            151 - 51C
160 - 1    161 - 1    165 - 0    166 - B
170 - 0    173 - 00000000    175 - 000000
213 - 0    215 - 000C1            220 - 0
302 - C1
311 - 0
331 - 2            343 - 00

900 - 0
```

The previous display shows the following fields which contain information needed to communicate with the AS/400 system:

- Field 215 is the physical unit identification (PUID). This is a 5-character code that identifies the 3274 Control Unit to the AS/400 system in response to an SDLC XID command. Each controller on the network must have a unique PUID.
- Field 302 is the X.25 secondary address. This is a 2-digit hexadecimal number of the 3274 Control Unit as identified at the logical link control level.
- After making the necessary changes, change the 900 - 0 to 900 - 1.

332

C1/51C/X25

```
400 - 00    401 - 4    402 - 0002  403 - 1
410 - 00000499 /    411 - 00003274 /
420 - 00000100    421 - 00000100
430 - 2    431 - 0    432 - 02    433 - 2
434 - 2    435 - 02
440 - A    441 - NN    442 - NNNN  443 - 10100000
450 - 0120    451 - 02    452 - 3274 /

908 - 0
```

Note: The slashes (/) shown in the display above indicate the end of the input areas for the fields shown to the left of them.

Display 332 is the X.25 Customization Panel. Several fields on this panel have information that must be matched to the AS/400 system. These fields include the following:

- Field 400 indicates the type of network. For this example, 00 (ITU-T recommended network) was selected.
- Field 401 indicates the type of circuit the 3274 is operating on. Options include PVC, SVC incoming, SVC outgoing, or SVC two way.
- Field 402 indicates the logical channel identifier.
- Field 410 indicates the host DTE address.
- Field 411 indicates the 3274 DTE address.
- Field 420 indicates the incoming call options.
- Field 421 indicates the outgoing call options.
- Field 452 indicates the connection identifier password.

With the 3274 controller configured as shown in the displays above, a call can be placed to the AS/400 system 499 by the 3274 dial-out procedures. On the 3274 keyboard, the sequence is:

```
<Alt>
<Eof>
<1>
<Enter>
```

For more information, see the *IBM 3270 Information Display System: X.25 Operation* manual.

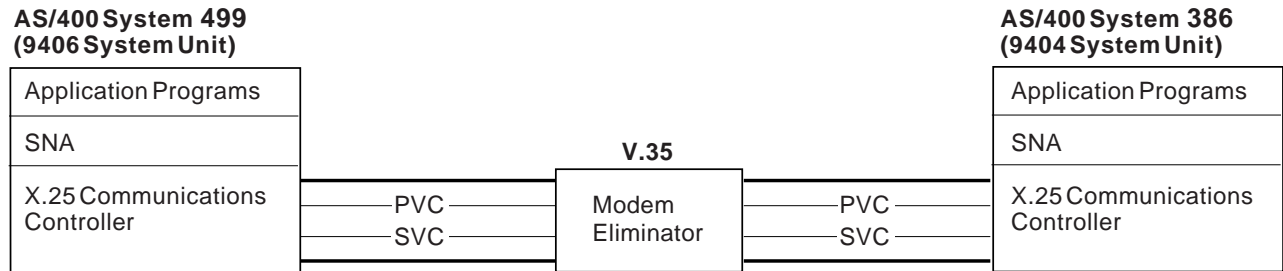
Example 2: AS/400 System-to-AS/400 System X.25 Non-PSDN Configuration

In this example, the system administrator connects the AS/400 system 499 (9406 System Unit), acting as a DCE, through a V.35 modem eliminator to another AS/400 system 386 (9404 System Unit) acting as a DTE. The modem eliminator is operating at 56 000 bps. The administrator needs two virtual circuits defined between the systems for various APPC applications. One of the virtual circuits is an SVC to be used for testing purposes.

Since no network-imposed restrictions exist on the maximum packet and window sizes, the best performance is achieved by using a packet level modulus of 128 and by using the largest window and packet sizes of 15 and 1024, respectively.

Note: If SVC circuits are not expressly required when communicating using a modem eliminator, it is recommended that PVC circuits be defined instead, since SVCs have more overhead than PVCs for establishing the connection.

Figure 16 shows the connection of the AS/400 system 499 DCE through a V.35 modem eliminator to the AS/400 system 386 DTE.



PVC=Permanent Virtual Circuit
SVC=Switched Virtual Circuit

RV2P132-0

Figure 16. Example 2: Two AS/400 Systems Connected Using X.25 without a PSDN Network

Configurations on AS/400 System 499

The following configurations are created by the system administrator on system 499 to allow communications with system 386 through a modem eliminator.

First, the network attributes are changed as follows:

```
CHGNETA SYSNAME(RCHSX499) LCLNETID(RPC) LCLCPNAME(RCHSX499)
LCLLOCNAME(RCHSX499) NODETYPE(*NETNODE)
```

The following command was used to create the line description on system 499.

Notice that the DCE support is selected by means of the X25DCE parameter. Selection of *LOCAL for the CNNINIT parameter in the DCE line description causes system 499 to continuously attempt to establish an HDLC link to system 386.

```
CRTLINX25 LIND(LX25021) RSRNAME(LIN021) LGLCHLE((001 *PVC)
(002 *SVCBOTH)) NETADR(00000499) CNNINIT(*LOCAL)
INTERFACE(*X21BISV35) LINESPEED(56000) EXCHID(05600499)
DFTPFSIZE(1024) MODULUS(128) DFTWDSIZE(15) X25DCE(*YES)
```

The PVC controller description and device description representing system 386 are created on system 499 using the following commands:

```
CRTCTLAPPC CTLD(CX25S386P) LINKTYPE(*X25) APPN(*NO) LINE(LX25021)
EXCHID(05600499) NETLVL(1984) LGLCHLID(001)
```

```
CRTDEVAPPC DEVD(DX25S386P) RMTLOCNAME(X25S386P)
LCLLOCNAME(X25S499P) CTL(CX25S386P) APPN(*NO)
```

The SVC controller description and device description representing system 386 are created on system 499 using the following commands:


```
CRTCTLAPPC CTLD(CX25S386S) LINKTYPE(*X25) SWITCHED(*YES)
  APPN(*NO) SWTLINLST(LX25021) EXCHID(05600499)
  CNNNBR(00000386) NETLVL(1984)
```

```
CRTDEVAPPC DEVD(DX25S386S) RMTLOCNAME(X25S386S) LCLLOCNAME(X25S499S)
  CTL(CX25S386S) APPN(*NO)
```

For an example of creating line, controller, and device descriptions using displays, see “Configurations on Local AS/400 System 499” on page 69.

Configurations on AS/400 System 386

The following configurations are created on system 386 to allow communications with system 499.

First, the network attributes are changed as follows:

```
CHGNETA SYSNAME(RCHSX386) LCLNETID(RPC) LCLCPNAME(RCHSX386)
  LCLLOCNAME(RCHSX386) NODETYPE(*ENDNODE)
  NETSERVER((RPC RCHSX119))
```

The following command is used to create the line description on system 386. Selection of *WAIT for the CNNINIT parameter in the DTE line description causes system 386 to wait indefinitely for system 499 to establish an HDLC link connection.

```
CRTLINX25 LIND(LX25071) RSRNAME(LIN071) LGLCHLE((001 *PVC)
  (002 *SVCBOTH)) NETADR(00000386) CNNINIT(*WAIT)
  INTERFACE(*X21BISV35) LINESPEED(56000) EXCHID(05600386)
  DFTPKTSIZE(1024) MODULUS(128) DFTWDWSIZE(15)
```

The PVC controller description and device description representing system 499 are created on system 386 using the following commands:

```
CRTCTLAPPC CTLD(CX25S499P) LINKTYPE(*X25) APPN(*NO) LINE(LX25071)
  EXCHID(05600499) NETLVL(1984) LGLCHLID(001)

CRTDEVAPPC DEVD(DX25S499P) RMTLOCNAME(X25S499P) LCLLOCNAME(X25S386P)
  CTL(CX25S499P) APPN(*NO)
```

The SVC controller description and device description representing system 499 are created on system 386 using the following commands:

```
CRTCTLAPPC CTLD(CX25S499S) LINKTYPE(*X25) SWITCHED(*YES) APPN(*NO)
  SWTLINLST(LX25071) EXCHID(05600499) INLCNN(*ANS)
  CNNNBR(00000499) NETLVL(1984)

CRTDEVAPPC DEVD(DX25S499S) RMTLOCNAME(X25S499S) LCLLOCNAME(X25S386S)
  CTL(CX25S499S) APPN(*NO)
```

Note: The SVC controller has the initial connection (INLCNN) parameter set to *ANS as recommended in “Connecting Systems without an X.25 Network (DTE-to-DTE)” on page 20.

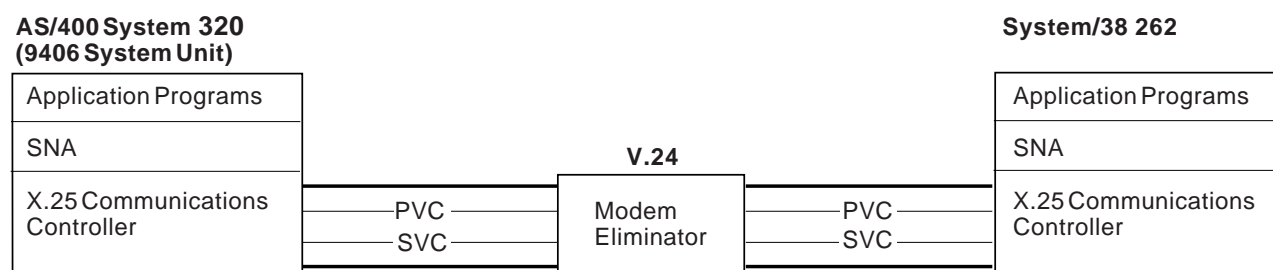
For an example of creating line, controller, and device descriptions using displays, see “Configurations on Local AS/400 System 499” on page 69.

Example 3: AS/400 System-to-System/38 X.25 Non-PSDN Configuration

In this example, the system administrator connects the AS/400 system 320 (9406 System Unit), acting as the DCE, through a V.24 modem eliminator to a System/38 262 acting as the DTE. The modem eliminator is operating at 19 200 bps. The administrator needs two virtual circuits defined between the systems for various APPC applications. One of the virtual circuits is an SVC to be used for testing purposes.

Note: If SVC circuits are not expressly required when communicating using a modem eliminator, it is recommended that PVC circuits be defined instead, because SVCs have more overhead than PVCs for establishing the connection.

Figure 17 shows the connection of the AS/400 system 320 DCE through a V.24 modem eliminator to the System/38 262 DTE.



PVC = Permanent Virtual Circuit
SVC = Switched Virtual Circuit

RV2P129-0

Figure 17. Example 3: An AS/400 System Connected to a System/38 Using X.25 without a PSDN Network

Configurations on the AS/400 System 320

The following configurations are created by the system administrator on system 320 to allow communications with system 262 through a modem eliminator.

The following command was used to create the line description on system 320. Notice that the DCE support is selected with the X25DCE parameter. Selection of *LOCAL for the CNNINIT parameter in the DCE line description causes system 320 to continuously attempt to establish an HDLC link to system 262.

```
CRTLINX25 LIND(LX25041) RSRNAME(LIN041) LGLCHLE((001 *PVC)
(002 *SVCBOTH)) NETADR(00000320) CNNINIT(*LOCAL)
LINESPEED(19200) EXCHID(05600320) DFTPFSIZE(512)
MODULUS(8) DFTWDSIZE(7) X25DCE(*YES) LINKSPEED(19200)
```

The PVC controller description and device description representing system 262 are created on system 320 using the following commands:

```
CRTCTLAPPC CTLD(CX25S262P) LINKTYPE(*X25) APPN(*NO) LINE(LX25041)
ROLE(*SEC) NETLVL(1980) LGLCHLID(001)
```

```
CRTDEVAPPC DEVD(DX25S262P) RMTLOCNAME(RCH38262)
LCLLOCNAME(RCHAS320) CTL(CX25S262P) APPN(*NO)
```

The SVC controller description and device description representing system 262 are created on system 320 using the following commands:

```
CRTCTLAPPC CTLD(CX25S262S) LINKTYPE(*X25) SWITCHED(*YES)
  APPN(*NO) SWTLINLST(LX25041) EXCHID(02200262)
  CNNNBR(00000262) ROLE(*SEC) NETLVL(1980)
```

```
CRTDEVAPPC DEVD(DX25S262S) RMTLOCNAME(RCH38262) LCLLOCNAME(RCHAS320)
  CTL(CX25S262S) APPN(*NO)
```

For an example of creating line, controller, and device descriptions using displays, see “Configurations on Local AS/400 System 499” on page 69.

Configurations on System/38 262

The following configurations are created on system 262 to allow communications with system 320.

The following command is used to create the line description on system 262. Selection of 0121 for the X25NETTYPE parameter in the DTE line description causes system 262 to wait indefinitely for system 320 to establish an HDLC link connection.

```
CRTLIND LIND(LX2505E) LINNBR(5E) TYPE(*X25) CNN(*PP)
  RATE(19200) WIRE(4) DCEGRP(*A)
  IDLETIME(0015) RETRY(0002) EXCHID(02200262)
  X25NETTYPE(0121) LCLNETADR(00000262)
  DFTPFSIZE(512) DFTWDSIZE(7) LGLCHLE((0 01 *PVC)
  (0 02 *SVCBOTH))
```

The PVC controller description, device description, and mode description representing system 320 are created on system 262 using the following commands:

```
CRTCUD CUD(CX25S320P) TYPE(*PEER) MODEL(0) CTLADR(0000)
  LINE(LX2505E) EXCHID(05600320) LINKTYPE(*X25LLP)
  CODE(*EBCDIC) X25ADR(00015E)
```

```
CRTDEV DEV(DX25S320P) DEVADR(000000) DEVTYPE(*PEER) MODEL(0)
  CTLU(CX25S320P) LCLLU(RCH38262) RMTLU(RCHAS320)
  NETDEVADR(0000015E)
```

```
ADDDEVMODE DEV(DX25S320P) MODE(*BLANK) MAXSSN(8)
  PREBNDSSN(0) MAXSRCSSN(4) MAXCNV(8)
  INPACING(3) OUTPACING(3)
```

The SVC controller description, device description, and mode description representing system 320 are created on system 262 using the following commands:

```
CRTCUD CUD(CX25S320S) TYPE(*PEER) MODEL(0)
  CTLADR(0000) SWITCHED(*YES)
  TELNBR(00000320) INLCNN(*ANS)
  EXCHID(05600320) LINLST(LX2505E)
  LNKTYPE(*X25LLP) CODE(*EBCDIC) X25ADR(000000)
```

```
CRTDEV DEV(DX25S320S) DEVADR(000000) DEVTYPE(*PEER)
  MODEL(0) CTLD(CX25S320S) LCLLU(RCH38262)
  RMTLU(RCHAS320)
```

```
ADDDEVMODE DEV(DX25S320S) MODE(*BLANK) MAXSSN(8)
  PREBNDSSN(0) MAXSRCSSN(4) MAXCNV(8)
  INPACING(3) OUTPACING(3)
```

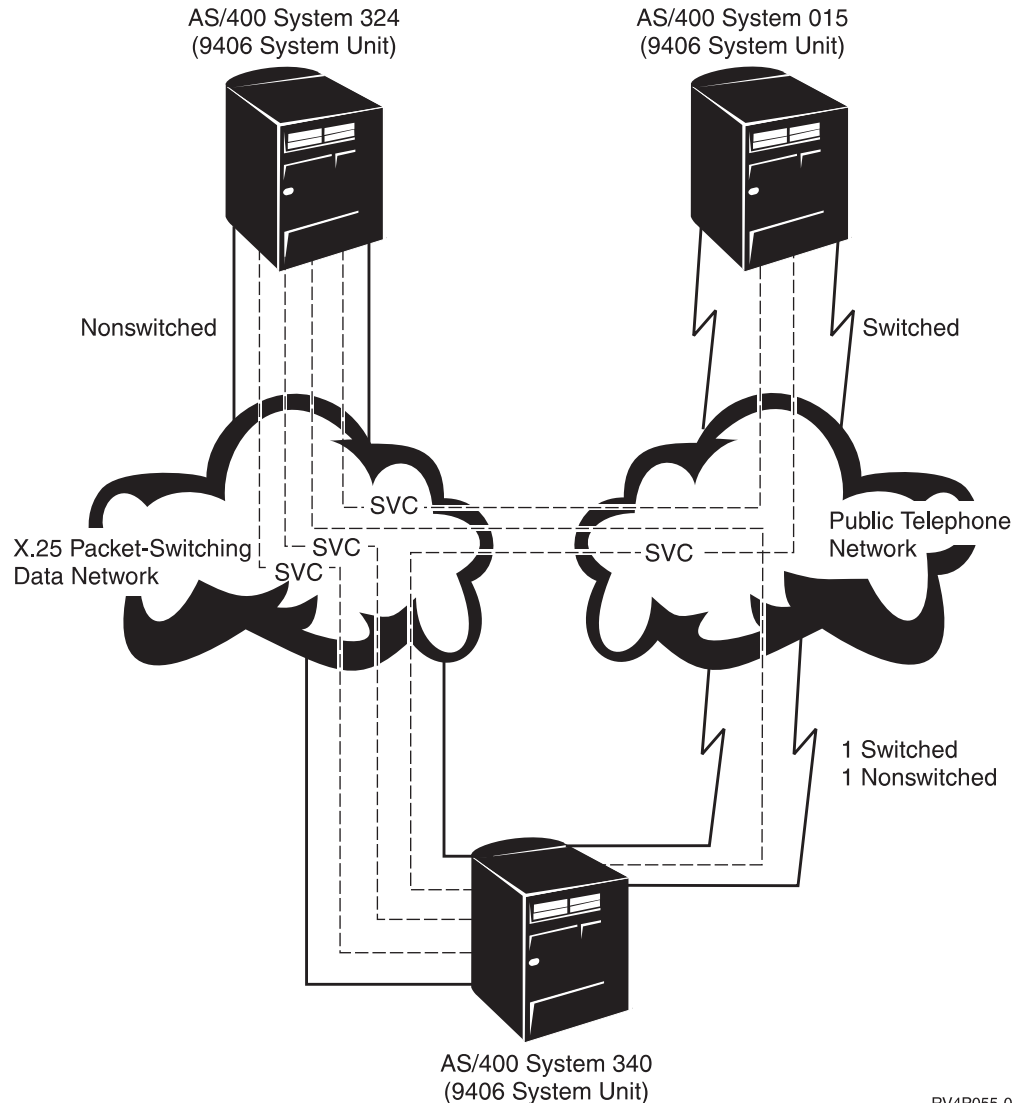
Note: The SVC controller has the initial connection (INLCNN) parameter set to *ANS as recommended in the topic “Connecting Systems without an X.25 Network (DTE-to-DTE)” on page 20.

Example 4: AS/400 System-to-AS/400 System X.25 PSDN Switched Line Configuration

In this example, a system administrator at the local AS/400 system wishes to connect to two other remote AS/400 systems through a X.25 packet-switching data network (PSDN). The local AS/400 system is identified as AS/400 System 340. Switched virtual circuits (SVC) will be used for all communications.

The PSDN in this example supports dialing to the data terminal equipment (DTE). Therefore, the DTE can call a remote DTE or answer any calls on a switched line connection.

In this example, APPC controllers are used for X.25 communications. The following example shows the commands that are used to configure for the AS/400 Systems.



RV4P055-0

Figure 18. X.25 PSDN Switched and Nonswitched Line Configuration

Configuring System 340

The following commands are used:

```

CRTLINX25 LIND(DPNX32) RSRNAME(CMN41) +
  LGLCHLE((001 *SVCBOTH)(002 *SVCBOTH)(003 *SVCBOTH) +
  (004 *SVCBOTH)(005 *SVCBOTH)(006 *SVCBOTH)(007 *SVCBOTH) +
  (008 *SVCBOTH)(009 *SVCBOTH)(00A *SVCBOTH)(00B *SVCBOTH) +
  (00C *SVCBOTH)) NETADR(10250701) INTERFACE(*RS232V24) +
  CNNINIT(*CALLER) CNN(*SWTPP) LINESPEED(19200) +
  EXCHID(05602515) ADRINSERT(*NO) CNNBR('2528) +
  AUTODIAL(*YES) DIALCMD(*V25BIS) DIALRTY(0) +
  SWTDSCTMR(120 30) LINKSPEED(9600) +
  USRDFN1(25) USRDFN2(25) USRDFN3(25) CMNRCYLMT(0 5) +
  TEXT('Switched X.25 line for System/340')
CRTCLAPPCTLD(DPN324) LINKTYPE(*X25) SWITCHED(*YES) MAXFRAME(1024) +
  RMTNETID(USIBMZP3) RMTCPNAME(SYS324) EXCHID(05601301) +
  CNNBR('10251301') DSCTMR(60 30) CNNPWD('COMM340') +
  DFTWDWSIZE(*LIND *LIND) CPSSN(*NO) TMSGPNBR(9) +
  AUTODLDEV(*NO) CMNRCYLMT(0 5) +
  TEXT('X.32 controller on X25')

```

```

CRTCTLAPPC CTLD(DPN015) LINKTYPE(*X25) SWITCHED(*YES) MAXFRAME(1024) +
RMTNETID(USIBMZP3) RMTCPNAME(SYS015) EXCHID(05601304) +
CNNBR('10251304') DSCTMR(60 30) DFTWDWSIZE(*LIND *LIND) +
CPSSN(*NO) TMSGRPBR(9) AUTODLTDEV(*NO) CMNRCYLMT(0 5) +
TEXT('X.32 controller on X25')
CRTCTLAPPC CTLD(DPNVRT) LINKTYPE(*VRTAPPN) AUTODLTDEV(10000) +
TEXT('Vrt ctl for X25 traffic')
CRTDEVAPPC DEVD(DPN015) RMTLOCNAME(SYS015) ONLINE(*NO) +
LCLLOCNAME(RCHAS567) CTL(DPNVRT) +
MODE(X25) MSGQ(*LIBL/QSYSOPR) TEXT('APPN Device on X25')
CHGCTLAPPC CTLD(DPN324) SWTLINLST(DPNX32)
CHGCTLAPPC CTLD(DPN015) SWTLINLST(DPNX32)

```

Configuring System 324

The following commands are used:

```

CRTLINX25 LIND(DPNX25) RSRNAME(CMN105) +
LGLCHLE((001 *SVCBOTH)(002 *SVCBOTH)(003 *SVCBOTH) +
(004 *SVCBOTH)(005 *SVCBOTH)(006 *SVCBOTH)(007 *SVCBOTH) +
(008 *SVCBOTH)(009 *SVCBOTH)(00A *SVCBOTH)(00B *SVCBOTH) +
(00C *SVCBOTH)) NETADR(10251301) CNNINIT(*LOCAL) +
INTERFACE(*X21BISV35) LINESPEED(64000) EXCHID(05601301) +
LINKSPEED(48000) USRDFN1(25) USRDFN2(25) USRDFN3(25) DSRDRPTMR(6) +
TEXT('X.25 Line')
CRTCTLAPPC CTLD(DPN015) LINKTYPE(*X25) SWITCHED(*YES) MAXFRAME(1024) +
RMTNETID(USIBMZP3) RMTCPNAME(SYS015) EXCHID(05601304) +
CNNBR('10251304') DSCTMR(60 30) DFTWDWSIZE(*LIND *LIND) +
CPSSN(*NO) TMSGRPBR(9) AUTODLTDEV(*NO) CMNRCYLMT(2 5) +
TEXT('X25 APPN controller to SYS015')
CRTCTLAPPC CTLD(DPNVRT) LINKTYPE(*VRTAPPN) ONLINE(*YES) +
AUTODLTDEV(10000) TEXT('DPN X25 Virtual controller')
CRTCTLAPPC CTLD(DPNX25PC) LINKTYPE(*X25) SWITCHED(*YES) MAXFRAME(1024) +
RMTCPNAME(DPNX25PC) CNNBR('10250702') DSCTMR(60 30) +
DFTWDWSIZE(*LIND *LIND) CPSSN(*NO) +
NODETYPE(*LENNODE) HPR(*NO) TMSGRPBR(9) +
CMNRCYLMT(2 5) TEXT('X25 controller for DPNX25PC')
CRTCTLAPPC CTLD(DPN340) LINKTYPE(*X25) SWITCHED(*YES) MAXFRAME(1024) +
RMTCPNAME(SYS340) EXCHID(05602515) CNNBR('10250701') +
DSCTMR(60 30) CNNPWD('COMM340') DFTWDWSIZE(*LIND *LIND) +
NODETYPE(*NETNODE) TMSGRPBR(9) CMNRCYLMT(2 5) +
TEXT('X25 controller for SYS340')
CRTDEVAPPC DEVD(DPN015) RMTLOCNAME(SYS015) ONLINE(*YES) +
CTL(DPN015) MODE(X25) MSGQ(*LIBL/QSYSOPR) +
TEXT('X.25 Device for SYS015 on X25')
CRTDEVAPPC DEVD(DPN340) RMTLOCNAME(SYS340) ONLINE(*YES) +
LCLLOCNAME(SYS324) CTL(DPNVRT) MODE(X25) MSGQ(*LIBL/QSYSOPR) +
TEXT('APPN device for SYS340 on X.25')
CHGLINX25 LIND(DPNX25)
CHGCTLAPPC CTLD(DPN015) SWTLINLST(DPNX25)
CHGCTLAPPC CTLD(DPNX25PC) SWTLINLST(DPNX25)
CHGCTLAPPC CTLD(DPN340) SWTLINLST(DPNX25)

```

Configuring System 015

The following commands are used:

```

CRTLINX25 LIND(DPNX25) RSRNAME(CMN05) +
LGLCHLE((001 *SVCBOTH)(002 *SVCBOTH)(003 *SVCBOTH) +
(004 *SVCBOTH)(005 *SVCBOTH)(006 *SVCBOTH)(007 *SVCBOTH) +
(008 *SVCBOTH)(009 *SVCBOTH)(00A *SVCBOTH)(00B *SVCBOTH) +
(00C *SVCBOTH)) NETADR(10251304) CNNINIT(*LOCAL) +
INTERFACE(*X21BISV35) LINESPEED(64000) EXCHID(05601304) +
LINKSPEED(48000) USRDFN1(25) +
USRDFN2(25) USRDFN3(25) DSRDRPTMR(6) +

```

```

|
|      TEXT('X.25 Line to DPN')
| CRTCTLAPP CTLD(DPN324) LINKTYPE(*X25) SWITCHED(*YES) MAXFRAME(1024) +
|           RMTNETID(USIBMZP3) RMTCPNAME(SYS324) EXCHID(05601301) +
|           CNNBR('10251301') DSCTMR(60 30) DFTWDWSIZE(*LIND *LIND) +
|           CPSSN(*NO) TMSGRPBR(9) AUTODLTDEV(*NO) CMNRCYLMT(2 5) +
|           TEXT('APPN X.25 controller to SYS015')
| CRTCTLAPP CTLD(DPN340) LINKTYPE(*X25) SWITCHED(*YES) MAXFRAME(1024) +
|           RMTCPNAME(SYS340) EXCHID(05602515) CNNBR('10250701') DSCTMR(60 30) +
|           CNPND('COMM340') DFTWDWSIZE(*LIND *LIND) CPSSN(*NO) TMSGRPBR(9) +
|           CMNRCYLMT(2 5) TEXT('APPN X25 controller for SYS340')
| CRTDEVAPP DEVD(DPN324) RMTLOCNAME(SYS324) +
|           LCLLOCNAME(SYS015) RMTNETID(USIBMZP3) +
|           CTL(DPN324) MODE(X25) MSGQ(*LIBL/QSYSOPR) +
|           TEXT('APPN device on X.25 for SYS324')
| CRTDEVAPP DEVD(DPN340) RMTLOCNAME(SYS340) LCLLOCNAME(SYS015) +
|           CTL(DPN340) MODE(X25) MSGQ(*LIBL/QSYSOPR) +
|           TEXT('APPN Device on X25 for SYS340')
| CHGCTLAPP CTLD(DPN324) SWTLINLST(DPNX25)
| CHGCTLAPP CTLD(DPN340) SWTLINLST(DPNX25)

```

Chapter 9. Connecting Personal Computers with X.3 Network PAD and Client Access

This chapter describes the connectivity that enables Systems Network Architecture (SNA) personal computers (PCs) to attach to the AS/400 using X.3 Network PADs (Packet assembler/disassembler). This type of connectivity allows full SNA session support and enables Client Access/400 connection to an AS/400 system.

A X.3 PAD allows an asynchronous DTE to access a X.25 network. The X.3 PAD provides a protocol conversion that allows asynchronous characters to be sent and received within X.25 packets. X.3 PADs provide an ideal method of connecting a large number of geographically diverse asynchronous devices to a central X.25 server. These devices are all multiplexed through one or more X.25 lines to the server DTE. The X.3 PAD handles calls from each of the ASCII devices. The X.3 PAD uses X.25 virtual circuit services to establish a connection to the central server for each device.

There are several advantages in using a X.3 PAD connectivity to provide SNA sessions:

- The connection is less expensive because each PC connects over a X.25 network without the need for a X.25 co-processor card and a X.25 network subscription.
- A single X.25 subscription at the AS/400 server DTE handles all virtual calls from multiple PCs eliminating the need for a large bank of modems to handle the calls from each PC.
- Virtual circuit connections containing a variety of different transport protocols can be multiplexed on a single X.25 link to the AS/400 server.
- Many of the X.25 networking advantages are gained by accessing the network through a X.3 PAD without the need for a X.25 subscription for each of the client PCs.

For large scale networks, the service charges for X.25 PAD connections is often more cost-effective than networking through a X.3 PAD.

Note: See *Asynchronous Communications Programming* for more information about AS/400 X.25 PAD emulation support.

System Requirements

The following system requirements are needed to allow for SNA connectivity for PCs using X.3 network PADs.

- An AS/400 system with OS/400 Version 3 Release 6 or later
- One or more 2666, 2699, 2720, or 2721 high-speed communications adapters configured for a X.25 network
- A X.25 network subscription for each 2666, 2699, 2720, or 2721 adapter
- A PC running Client Access/400 version V3R1.1 or later.

Note: For information on PC Configuration for X.3 PAD support, see *Client Access for Windows 3.1 - Setup* book.

- A X.3 PAD dial access for PCs. See "Network Configuration" on page 110 for more information about X.25 network requirements.
- A PC equipped with a modem used to dial the X.3 PAD.

Topology

Figure 19 depicts an AS/400 to PC topology. This topology has the following characteristics:

- Each remote PC is connected to the network through serial port modem
- Each AS/400 connection consists of one or more X.25 lines
- The AS/400 only answers calls and does not send X.25 calls to PCs through X.3 PADs
- A X.25 virtual call to the AS/400 is initiated when the X.3 PAD initiates a call for the PC over the public telephone network.

Note: In this topology, the X.3 PAD function is shown as an integrated part of the X.25 network. The X.3 PAD may also be a separate device with a X.25 connection.

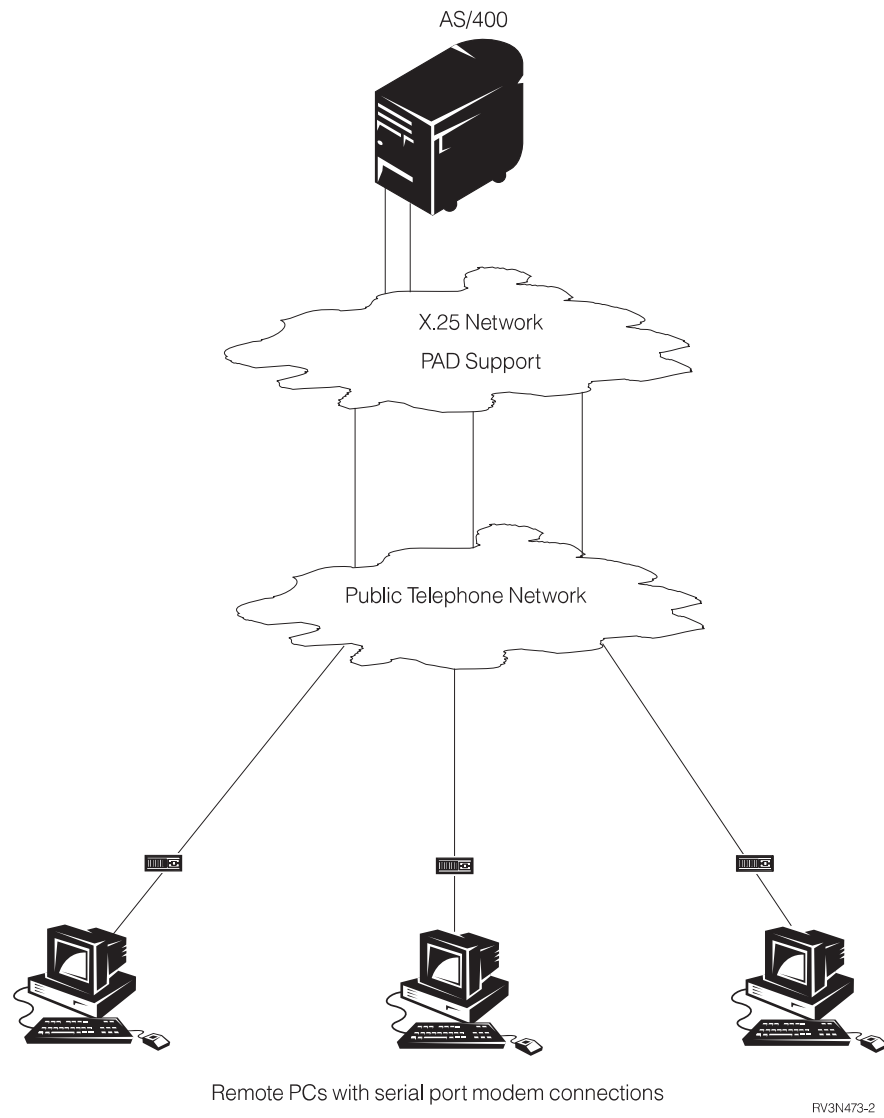


Figure 19. AS/400 to PC topology

Asynchronous and X.25 Considerations

A reliable data link is required to provide SNA session support on X.3 PAD connections. By using special framing techniques for an asynchronous connection and a data link control protocol, a reliable data link is obtained.

Fundamentals of SNA and Asynchronous Connections

By using asynchronous framing techniques (AFT), SNA session data is transported over an asynchronous start and stop connection. (AFTs are described in *SDLC Concepts, GA27-3093*. AFTs are also defined by International Standards ISO/IEC 8885, ISO/IEC 7809, ISO/IEC 3309, and ISO/IEC 4335.) AFT allows any type of *HDLC-like* protocol, including SDLC and SNA, to be transported over asynchronous connections.

The AFTs require that an HDLC and asynchronous frame be identical to the existing definition of an HDLC frame except for *bit-stuffing*. Bit-stuffing is replaced with the concept of *character-stuffing*. During character-stuffing, all data bytes (octets) are sent as ASCII characters. An HDLC and asynchronous frame starts and ends with a flag character of X'7E'. To send, the X'7E' flag character becomes transparent by replacing it with two characters; X'7D5E' (a control escape character followed by the data with one specific bit flipped). To send a data byte that has a value of X'7D', the data byte is made transparent by replacing it with X'7D5D'. Sending data bytes by making them transparent is known as *Basic Character Transparency*.

Logical Link Control Protocol

The logical link control used for SNA connections over asynchronous X.3 PADs is called logical link control-2 (LLC2). The LLC2 protocol is based on the enhanced logical link control (ELLC) protocol. The programming interfaces provided for the LLC2 protocol are identical to the QLLC and ELLC protocols interfaces, such as ICF and CPIC. The LLC2 programming interfaces include the ability to support SNA applications, such as Client Access/400.

Note: The LLC2 protocol does not perform all the functions of the ELLC protocol. For example, the LLC2 does not perform transparent recovery from virtual circuit resets and transparent recovery from virtual circuit clears.

Call User Data Format

A X.3 PAD places restrictions on the call user data (CUD) field of an incoming call packet. For example, a PC cannot cause a X.3 PAD, that strictly adheres to ITU-T recommendations, to send a protocol identifier other than the value of X'01 00 00 00'. This value is reserved for the X.3 PADs.

A new call user data field format has been implemented to support asynchronous X.3 PAD applications that connect with an AS/400. The type of PAD calls are distinguished from each other through the use of the call user data field. The call user data field allows calls directed to different X.3 PAD connections to co-exist on the same X.25 line. There are two types of PAD connections:

- Asynchronous controllers (CRTCTLASC)
- APPC controllers (CRTCTLAPPC with LINKPCL(*LLC2))

Calls that use the asynchronous framing techniques and the LLC2 logical link control protocol must contain a call user data field defined for SNA and asynchronous connections. Figure 20 shows the call user data formats for these two different types of X.3 PAD connections:

PAD Protocol Identifier			
1	1	3	4
01	01	00	00

Call User Data field of INCOMING call packet intended for asynchronous PAD controller

PAD Protocol Identifier				Identification				Connection Password (CNNPWD)							
1	2	3	4	5	6	7	8	9	10	11	12	13	14	15	16
01	00	00	00	44		00	00								

Call User Data field of INCOMING call packet intended for SNA/asynchronous (16 Bytes)

RV3N472-0

Figure 20. Data formats for X.3 PAD connections

The call user data field is contained in the X.25 incoming call packet. This is the call packet that is received by the AS/400. The PC client is required to communicate with the X.25 PAD to set the call user data field as shown above. The individual fields in the call user data are defined as follows:

Bytes 1 to 4

- The X.25 PAD sets these bytes to the value of X'01 00 00 00'. These bytes cannot be altered for X.25 PAD calls.

Byte 5

- This byte, when set to X'44', identifies the protocol identifier and indicates that this X.25 call is intended for a X.25 Controller with LINKPCL(*LLC2).

Byte 6

- This byte indicates whether a password is present in the connection password field (bytes 9-16).
 - The value X'01' indicates that the password is present.
 - The value X'00' indicates that the password is not present.

If this field indicates that a password is present, then the AS/400 checks the contents of the connection password field before choosing an APPC controller description for the call.

Byte 7-8

- These bytes are reserved and should be set to 00 00

Byte 9-16

- These bytes indicate the connection password. If Byte 6 is set to zero, then this field is ignored. Otherwise, these bytes contain the password that is compared to the connection password (CNNPWD) in the APPC controller description on the AS/400. A value of all blanks (X'40') is accepted as a default password.

Initializing a Session

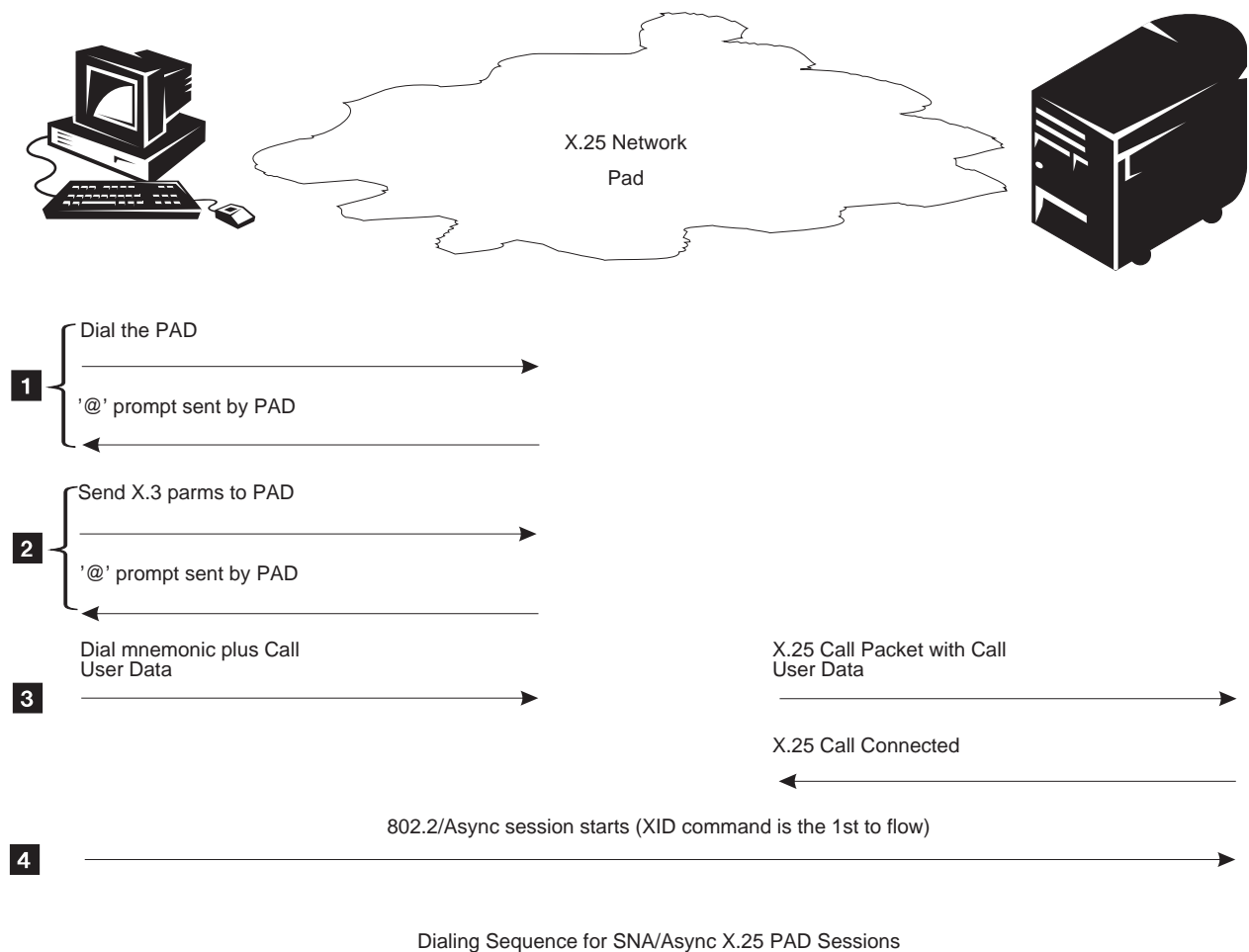
Session initialization under the control of the client PC consists of the following:

1. Establishing a connection from the PC to the X.3 PAD
2. Selecting the proper X.3 PAD parameters

Refer to Client Access/400 online help for information on selecting the X.3 PAD parameters. The exact format of the exchange with the PAD and the number of exchanges will depend on the X.25 network provider.

3. Directing the X.3 PAD to send a call packet to the AS/400
4. Bringing up the 802.2 LLC layer once the virtual circuit has been established

Figure 21 depicts session initialization.



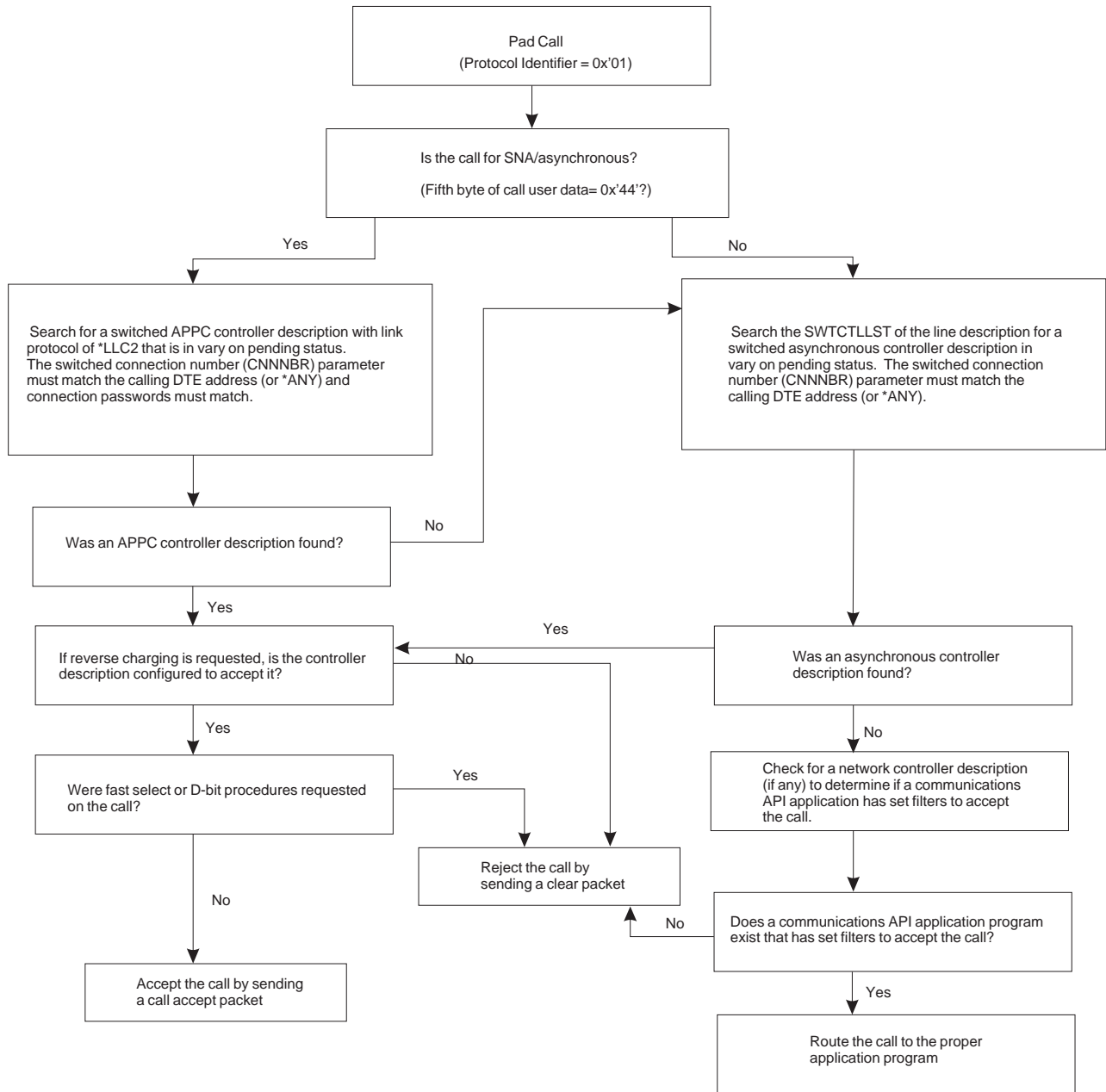
RV3N471-0

Figure 21. Initializing a Session Example

Call Processing

With the introduction of the LLC2 protocol for an asynchronous X.3 PAD connection, a call from a X.3 PAD received by the AS/400 can either be an asynchronous connection or a LLC2 connection. Figure 22 on page 106 shows the

flow of how asynchronous X.3 PAD calls (calls with protocol identifier X'01') are processed by the AS/400 system.



Call answering algorithm for X.3 PAD calls

RV3N474-0

Figure 22. Flow diagram of asynchronous X.3 PAD calls

Performance Considerations

The Asynchronous Framing Techniques, used by LLC2 controllers, is a byte oriented protocol that requires intensive processing within the 2666 IOP. When using LLC2 controllers, the line utilization for the 2666 IOP is limited to 256kbps. Although the physical interface can be set to a rate faster than 256kbps, the actual data throughput realized, will not exceed 256kbps.

Note: Since X.25 is a full-duplex protocol, the line utilization is measured as a sum of the transmit line utilization and receive line utilization. Therefore, 256kbps indicates a rate of 128kbps for transmitted data and 128kbps for received data. The actual line utilization achieved may vary slightly.

The overall line utilization can be influenced by the following:

- A larger packet size may improve line utilization.
- A larger packet window size may improve line utilization.
- A uni-directional user application (e.g. sending large portions of data in one direction) will experience an overall line utilization lower than a bi-directional user application. This is due to X.25's full-duplex characteristics is not being fully utilized.
- A X.25 line with a mix of controller types (e.g. *QLLC, network controllers, asynchronous controllers) may experience better overall line utilization than a X.25 line description with only LLC2 controllers. The line utilization achieved will vary based on the mix of controller types and the load placed on each type. The non-LLC2 controller types do not require the same IOP processing as do the byte-oriented LLC2 controllers. This would be an instance where using a physical interface set higher than 256kbps would be preferred. Due to the mix of protocols, the user may experience data throughput in excess of 256kbps.

AS/400 Configuration

To configure an AS/400 for SNA connectivity for PCs using X.3 network PADs, the following is required:

- One or more X.25 line descriptions (depending on the number of X.25 lines installed on each system).
- APPC controller descriptions representing the total number of possible simultaneous APPC PC client connections. It is recommended that some small surplus of these controllers be created to account for those controllers that switch to a recovery pending (RCYPND) state if any X.25 protocol errors occur. Although the RCYPND is a rare condition, providing a few more controllers decreases the chance that a caller is rejected because a controller description is not found in the correct state. These controllers must be configured so that devices can be automatically created. No APPC device descriptions need to be configured.

Line Description

Only incoming calls are allowed for LLC2 controllers. Logical channels must set the LGLCHLE entry in the X.25 line description to *SVCIN. Only LLC controllers are restricted to *SVCIN for the LGLCHLE field. a X.25 line that has a mix of controller types may use *PVC, *SVCIN, *SVCBOTH, or *SVCOUT for those controllers.

High Speed Communications Adapter: The LLC2 function is supported through the 2666, 2699, 2720, and 2721 IOAs or IOPs.

Controller Description (CRTCTLAPPC)

An APPC controller description (CRTCTLAPPC) is used for these connections. The following sections describe CRTCTLAPPC parameters and how they apply to LLC2 controllers.

Link Protocol (LINKPCL): The link protocol (LINKPCL) parameter has an option of *LLC2. This parameter is located on the CRTCTLAPPC command. The value of

*LLC2 indicates that this controller description is using SNA and asynchronous PAD type connections. When *LLC2 is specified, the AS/400 uses this controller description to answer incoming call packets with the value of X'01 00 00 00 CE'. This value is contained in the first five bytes of call user data.

Initial Connection (INLCNN): Since a call out function is not included in this design, the initial connection parameter must be set to *ANS for each controller description.

Remote Control Point (RMTCPNAME): The RMTCPNAME parameter is configured with a value of *ANY to allow multiple controllers to answer calls for a large number of remote PC clients. This parameter causes APPN support to retrieve the control point name from the information that the remote PC sends in its exchange identification.

Remote Network Identifier (RMTNETID): The RMTNETID parameter is configured with a value of *ANY to allow multiple controllers to answer calls for a large number of PC clients. This parameter will cause APPN support to retrieve the network identifier from the information that the remote PC sends in its exchange identification.

Exchange Identifier (EXCHID): The EXCHID parameter should be left blank.

Maximum Frame Size (MAXFRAME): When *LINKTYPE is specified, the MAXFRAME parameter is assigned a value of 1024 for *LLC2 controllers.

Answer Number (ANSNBR): The ANSNBR parameter is configured with a value of *ANY so that the AS/400 is not able to screen incoming calls based on the calling network address.

Connection Password (CNNPWD): The password that is used when connecting to a personal computer.

The password for each controller can consist of any alphanumeric characters that are represented by the hexadecimal range from 40 through FF. When less than 8 bytes are specified, the end of the password field is padded with blanks. All incoming call requests must match this password to establish a connection. A password of all blanks is valid.

When configuring the PC, the password specified in the call user data field must match CNNPWD. The PC may generate ASCII characters in the password field. In this case, the CNNPWD must be configured with hexadecimal digits. For information about configuring a call user data field on the PC, see the appropriate Client Access book listed in the "Bibliography" on page 117.

It is recommended that a connection password be specified for all controller descriptions that are configured with LINKPCL(*LLC2). The password may be the same for all PCs in the network. Configuring a password allows for future growth in your X.25 network without requiring configuration changes to the X.3 PAD client access connections.

Autodelete Device (AUTODLTDEV): The value of the AUTODLTDEV parameter is based on the frequency of calls and the number of clients that are dialing the AS/400 system.

Device Description (CRTDEVAPPC)

There are no changes required for device descriptions. APPN automatically creates and deletes these devices as they are needed. The active state for these devices is based on a timer that is configured in each controller description.

Mode Description (CRTMODD)

There are no changes required for mode descriptions. However, since this new link protocol has protocol headers that are different in length than QLLC or ELLC, the calculation of maximum length of request unit must be changed when LINKPCL = *LLC2.

Maximum Length of Request Unit (MAXLENRU): Currently, the AS/400 system calculates the optimum request unit value when a user specifies MAXLENRU(*CALC). The user is still be able to configure a MAXLENRU value of choice. Table 16 illustrates the protocol header sizes and the MAXLENRU values that are calculate for the different combinations of protocols and frame sizes.

Table 16. APPC MAXLENRU. Values calculated for *CALC option.

MAXFRAME	4096	2048	1024	512	256
QLLC	4087	2039	1015	503	257
ELLC	4081	2033	1009	497	241
LLC2	4064	2016	992	480	224

Because the QLLC requires no protocol header bytes and 9 bytes of SNA headers, the MAXLENRU value is set to MAXFRAME less the length of these headers (9 bytes). Because the ELLC requires 6 protocol header bytes and 9 SNA header bytes, 15 bytes are required for the ELLC headers. Because the LLC2 requires 23 protocol header bytes and 9 SNA header bytes, 32 bytes are required for the LLC2 headers.

APPN Configuration List (CRTCFGL)

When conversation level security can be controlled, it may be necessary to modify some of the session level and conversation level configuration parameters. These parameters are modified through the use of APPN configuration lists.

Conversation Level Security: Both the CPIC and ICF programming interface defaults do not support the conversation level security option. If conversation level security is required, then the option can be controlled through the use of configuration lists. CPIC and ICF use either the conversation level security of *NONE (no security) or the conversation level security of *SAME. The user should use the identical conversational security level as the remote APPN node uses. Since PCs are a single-user system, they normally operate without any conversation level security. There are no changes required when there is no security.

Communication Trace

The communication trace formatting function provided by the AS/400 is for the LLC2 SNA and Asynchronous function. The user is not be able to format the SNA headers. Communication traces can be started, ended, deleted, and formatted.

However, due to the number of headers added, SNA formatting is not fully supported. This restriction does not apply to non-LLC2 SNA and Asynchronous controllers.

When using the following command, the default FMTSNA(*NO) must be used.
 PRTCMNTRC CFGOBJ(LLC2LIN1) CFGTYPE(*LIN) FMTSNA(*NO)

PC Configuration

For information on PC Configuration for X.3 PAD support, see *Client Access for Windows 3.1 - Setup* book.

Network Configuration

PAD Configuration

- The PAD-forwarding character X"0D" will be used to ensure all packets received by the AS/400 will contain portions of only 1 LLC2 frame.
- Must be configured to send CUD (Call User Data) from the PC Client to the AS/400 in the X.25 Call Packet. See "Call User Data Format" on page 103 for specific information.
- Must have the X.3 parameters properly set. The values for that X.3 PAD parameters are shown in Table 17.

Table 17. While X.3 PAD is in a data transfer state, these are the X.3 PAD parameter values required for SNA through X.25 PADs.

Parm Num	Parameter Description	Value	PAD Parameter Meaning	Comment
1	PAD recall using a character	0	Not Possible	
2	Echo	0	No echo	
3	Selection of data forwarding character(s)	2	Character CR	See Note 1
4	Selection of idle timer delay	0	Value of idle timer in twentieths of a second	See Note 1
5	Auxiliary device control	0	No use of XON (DC1) and XOFF (DC3)	
6	Control of PAD service signals and PAD command signals	5	PAD service signals and the prompt PAD service signal are transmitted in the standard format.	
7	Selection of operation of the PAD on receipt of brake signals from the start-stop mode DTE.	0	Nothing	See Note 1
8	Discard Output	0	Normal data delivery	
9	Padding after carriage return (CR)	0	No padding after CR	
10	Line folding	0	No line folding	
11	Binary speed of start-stop mode DTE		Indicate speed of DTE	Read only
12	Flow control of the PAD	0	No use of XON (DC1) and XOFF (DC3) for flow control	

Table 17. While X.3 PAD is in a data transfer state, these are the X.3 PAD parameter values required for SNA through X.25 PADs. (continued)

Parm Num	Parameter Description	Value	PAD Parameter Meaning	Comment
13	Line feed insertion after carriage return	0	No line feed insertion	
14	Paddling after line feed	0	No paddling after line feed	
15	Editing	0	No use of editing in the data transfer state	See Note 2
16	Character delete	127	Character 7/15 (DEL)	See Note 2
17	Line delete	24	Character 1/8 (CAN)	See Note 2
18	Line display	18	Character 1/2 (DC2)	See Note 2
19	Editing PAD service signals	0	No editing PAD service signals	See Note 1 See Note 2
20	Echo mask	0	No echo mask (all characters echoed)	See Note 3
21	Parity treatment	0	No parity checking or generation	
22	Page wait	0	Page wait disabled	

Note:

1. This PAD value is different from the CCITT X.28 Transparent Standard Profile.
2. The editing function is always provided during the PAD command state.
3. This PAD parameter does not apply when parameter 2 is set to zero.

Note: Refer to your X.3 PAD documentation or your X.3 PAD provider to determine the specific method for setting the X.3 parameters.

Also, byte 5 of the call user data must be set to X'44'.

X.25 Subscription Configuration

There are no unique requirements for the X.25 network subscription.

Example Configuration

AS/400 Configuration

Line Description

Only incoming calls are allowed for LLC2 controllers. Therefore, logical channels must set the LGLCHLE entry in the X.25 Line Description to *SVCIN. It is recommended to configure multiple logical channels in the LGLCHLE field of the X.25 line description.

Example Line Description:

```
CRTLINX25 LIND(LLC2LIN1) RSRNAME(LIN101) LGLCHLE((001 *SVCIN) (002 +
*SVCIN) (003 *SVCIN) (004 *SVCIN) (005 *SVCIN) +
(006 *SVCIN) (007 *SVCIN) (008 *SVCIN) (009 +
*SVCIN) (00A *SVCIN) (00B *SVCIN) (00C *SVCIN) +
(00D *SVCIN) (00E *SVCIN) (00F *SVCIN) (010 +
*SVCIN) (011 *SVCIN) (012 *SVCIN) (013 *SVCIN) +
```

```

(014 *SVCIN) (015 *SVCIN) (016 *SVCIN) (017 +
*SVCIN) (018 *SVCIN) (019 *SVCIN) (01A *SVCIN) +
(01B *SVCIN) (01C *SVCIN) (01D *SVCIN) (01E +
*SVCIN) (01F *SVCIN) (020 *SVCIN) (021 *SVCIN) +
(022 *SVCIN) (023 *SVCIN) (024 *SVCIN) (025 +
*SVCIN) (026 *SVCIN) (027 *SVCIN) (028 *SVCIN) +
(029 *SVCIN) (02A *SVCIN) (02B *SVCIN) (02C +
*SVCIN) (02D *SVCIN) (02E *SVCIN) (02F *SVCIN) +
(030 *SVCIN) (031 *SVCIN) (032 *SVCIN) (033 +
*SVCIN) (034 *SVCIN) (035 *SVCIN) (036 *SVCIN) +
(037 *SVCIN) (038 *SVCIN) (039 *SVCIN) (03A +
*SVCIN) (03B *SVCIN) (03C *SVCIN) (03D *SVCIN) +
(03E *SVCIN) (03F *SVCIN) (040 *SVCIN)) +
NETADR(1234567890) CNNINIT(*LOCAL) ONLINE(*NO) +
INTERFACE(*RS449V36) LINESPEED(256000) +
EXCHID(05600001) DFTPFSIZE(256) DFTWDSIZE(3) +
LINKSPEED(256000) + TEXT('LLC2 Line 1')

```

Controller Description (CRTCTLAPPC)

An APPC controller description (CRTCTLAPPC) is used for these connections. The following controller description configuration example creates an APPC controller that connects to a PC that is running Client Access/400.

It is recommended to create these controller descriptions with APPN(*YES). This allows the controllers to be created with RMTNETID(*ANY), RMTCPNAME(*ANY), and CNNNBR(*ANY). In large network configurations, setting APPN(*YES) provides the following benefits:

- Reduces the number of APPC controllers that need to be configured
- Allows a single controller description to be used to answer a call from any PC that is using *LLC2.

It is also recommended that the number of controllers that are created to support the APPC controller descriptions exceed the number of PCs that have simultaneous active connections to the AS/400 system. Providing extra controllers reduce the likelihood of a call from a PC being rejected because all controllers are in use or are in a recovery pending state.

```

CRTCTLAPPC CTLD(CCCC) LINKTYPE(*X25) ONLINE(*NO) +
SWITCHED(*YES) APPN(*YES) SWTLINLST(LLC2LIN1)+
MAXFRAME(*LINKTYPE) RMTNETID(*ANY) +
RMTCPNAME(*ANY) INLCNN(*ANS) CNNNBR(*ANY) +
ROLE(*PRI) NETLVL(1980) LINKPCL(*LLC2) +
X25RSPTMR(2000) X25ACKTMR(2) X25INACTMR(2500)
TEXT('LLC2 Ctrlr1') SWTDC(*NO) +

```

For this example, the X.25 network attached to the AS/400 is subscribed to use the following:

- Packet Size = 256 bytes
- Packet Window Size = 3

Notices

This information was developed for products and services offered in the U.S.A. IBM may not offer the products, services, or features discussed in this document in other countries. Consult your local IBM representative for information on the products and services currently available in your area. Any reference to an IBM product, program, or service is not intended to state or imply that only that IBM product, program, or service may be used. Any functionally equivalent product, program, or service that does not infringe any IBM intellectual property right may be used instead. However, it is the user's responsibility to evaluate and verify the operation of any non-IBM product, program, or service.

IBM may have patents or pending patent applications covering subject matter described in this document. The furnishing of this document does not give you any license to these patents. You can send license inquiries, in writing, to:

IBM Director of Licensing
IBM Corporation
500 Columbus Avenue
Thornwood, NY 10594
U.S.A.

For license inquiries regarding double-byte (DBCS) information, contact the IBM Intellectual Property Department in your country or send inquiries, in writing, to:

IBM World Trade Asia Corporation
Licensing
2-31 Roppongi 3-chome, Minato-ku
Tokyo 106, Japan

The following paragraph does not apply to the United Kingdom or any other country where such provisions are inconsistent with local law:

INTERNATIONAL BUSINESS MACHINES CORPORATION PROVIDES THIS PUBLICATION "AS IS" WITHOUT WARRANTY OF ANY KIND, EITHER EXPRESS OR IMPLIED, INCLUDING, BUT NOT LIMITED TO, THE IMPLIED WARRANTIES OF NON-INFRINGEMENT, MERCHANTABILITY OR FITNESS FOR A PARTICULAR PURPOSE. Some states do not allow disclaimer of express or implied warranties in certain transactions, therefore, this statement may not apply to you.

This information could include technical inaccuracies or typographical errors. Changes are periodically made to the information herein; these changes will be incorporated in new editions of the publication. IBM may make improvements and/or changes in the product(s) and/or the program(s) described in this publication at any time without notice.

Any references in this information to non-IBM Web sites are provided for convenience only and do not in any manner serve as an endorsement of those Web sites. The materials at those Web sites are not part of the materials for this IBM product and use of those Web sites is at your own risk.

Licensees of this program who wish to have information about it for the purpose of enabling: (i) the exchange of information between independently created programs and other programs (including this one) and (ii) the mutual use of the information which has been exchanged, should contact:

IBM Corporation

Software Interoperability Coordinator
3605 Highway 52 N
Rochester, MN 55901-7829
U.S.A.

Such information may be available, subject to appropriate terms and conditions, including in some cases, payment of a fee.

The licensed program described in this information and all licensed material available for it are provided by IBM under terms of the IBM Customer Agreement, IBM International Program License Agreement, or any equivalent agreement between us.

Any performance data contained herein was determined in a controlled environment. Therefore, the results obtained in other operating environments may vary significantly. Some measurements may have been made on development-level systems and there is no guarantee that these measurements will be the same on generally available systems. Furthermore, some measurement may have been estimated through extrapolation. Actual results may vary. Users of this document should verify the applicable data for their specific environment.

Information concerning non-IBM products was obtained from the suppliers of those products, their published announcements or other publicly available sources. IBM has not tested those products and cannot confirm the accuracy of performance, compatibility or any other claims related to non-IBM products. Questions on the capabilities of non-IBM products should be addressed to the suppliers of those products.

All statements regarding IBM's future direction or intent are subject to change or withdrawal without notice, and represent goals and objectives only.

This information is for planning purposes only. The information herein is subject to change before the products described become available.

This information contains examples of data and reports used in daily business operations. To illustrate them as completely as possible, the examples include the names of individuals, companies, brands, and products. All of these names are fictitious and any similarity to the names and addresses used by an actual business enterprise is entirely coincidental.

COPYRIGHT LICENSE:

This information contains sample application programs in source language, which illustrates programming techniques on various operating platforms. You may copy, modify, and distribute these sample programs in any form without payment to IBM, for the purposes of developing, using, marketing or distributing application programs conforming to the application programming interface for the operating platform for which the sample programs are written. These examples have not been thoroughly tested under all conditions. IBM, therefore, cannot guarantee or imply reliability, serviceability, or function of these programs. You may copy, modify, and distribute these sample programs in any form without payment to IBM for the purposes of developing, using, marketing, or distributing application programs conforming to IBM's application programming interfaces.

If you are viewing this information softcopy, the photographs and color illustrations may not appear.

Programming Interface Information

This publication is intended to help you to use X.25 network support. This publication documents General-Use Programming Interface and Associated Guidance Information provided by X.25 network support.

General-Use programming interfaces allow the customer to write programs that obtain the services of X.25 network support.

Trademarks

The following terms are trademarks of International Business Machines Corporation in the United States, or other countries, or both:

Advanced 36	IBM
Advanced Peer-toPeer Networking	Operating System/400
Application System/400	OS/400
APPN	System/36
AS/400	System/370
AS/400e	System/38
CICS	VTAM
Client Access	400

C-bus is a trademark of Corollary, Inc.

Microsoft, Windows, Windows NT, and the Windows 95 logo are registered trademarks of Microsoft Corporation.

Java and HotJava are trademarks of Sun Microsystems, Inc.

UNIX is a registered trademark in the United States and other countries licensed exclusively through X/Open Company Limited.

PC Direct is a registered trademark of Ziff Communications Company and is used by IBM Corporation under license.

Other company, product, and service names may be trademarks or service marks of others.

Bibliography

The following publications provide additional information about topics described or referred to in this book.

AS/400 Publications

- *APPN Support*, SC41-5407, provides the application programmer with information about the advanced peer-to-peer networking (APPN) support provided by the AS/400 system. This guide provides information for configuring an APPN network and presents considerations to apply when using APPN.
- *Asynchronous Communications Programming*, SC41-5444, provides information on developing asynchronous communications applications programs that use the OS/400 intersystem communications function (OS/400-ICF).
- *ICF Programming*, SC41-5442, provides information needed to write application programs that use AS/400 communications and the OS/400 intersystem communications function (OS/400-ICF). This guide also contains information on keywords, system-supplied formats, return codes, file transfer support, and program examples.
- *Communications Management*, SC41-5406, provides the system operator with communications work management information, error handling information, communications status information, and communications performance information.
- *Communications Configuration*, SC41-5401, provides the application programmer with information on configuring line, controller, and device descriptions to communicate within a network. Additional configuration considerations are discussed.
- *OSI CS/400 Configuration*, SC41-3425, provides the system administrator and application programmer with information about using OSI Communications when configuring the AS/400 system for use over an X.25 network.
- *Client Access Enhanced for Windows 3.1 - Setup*, SC41-5534, provides the information on how to set up the Client Access Enhanced for Window 3.1 licensed program using the various supported connectivity types.
- *Client Access for Windows 95/NT - Setup*, SC41-3512, provides an introduction to the Windows 95 client and information about how to install Client Access for Windows 95.
- *CL Reference (Abridged)*, SC41-5722, provides the application programmer with a description of the AS/400 control language (CL) and its commands.
- *System API Reference*, SC41-5801, provides the information necessary to define and use user-defined communications.
- *TCP/IP Configuration and Reference*, SC41-5420, provides information for configuring the applications contained in the TCP/IP Connectivity Utilities/400 licensed program. Applications include TELNET, File Transfer Protocol (FTP), Simple Mail Transfer Protocol (SMTP), and line printer requester (LPR) and line printer daemon (LPD). Programming to TCP/IP application program interface is also discussed.
- *Internetwork Packet Exchange (IPX) Support*, SC41-5400, contains information on configuring and using the Internetwork Packet Exchange (IPX) support on AS/400 business computing systems.

Non-AS/400 Publications

- *IBM 3270 Information Display System: X.25 Operation*, GA23-0204
- *IBM 3270 Information Display System: 3274 Control Unit Customization Guide*, GA23-0065
- *IBM 3270 Information Display System: 3274 Control Unit Description and Programmer's Guide*, GA23-0061
- *Using S/36 Communications Guide* , SC21-9082

Index

Numerics

- 3274 controller configuration example
 - 3279 display station 68
 - remote 76
 - X.25 network 89
- 3279 display station configuration example 89
- 5394 controller configuration example 68, 87
- 5394 controller remote configuration 75
- 9404 System Unit
 - example connection 67
- 9406 System Unit
 - system unit configuration example 69, 77

A

- address insert (ADRINSERT) parameter 21
- adjacent logical link station
 - definition 34
- ADRINSERT (address insert) parameter 21
- advanced peer-to-peer networking (APPN)
 - AS/400 link 67
 - definition 29
- AFT (Asynchronous Framing Techniques) 103
- ANSNBR (answer number) parameter 29
- ANSNBR (Answer Number) parameter 108
- answer number (ANSNBR) parameter 29
- Answer Number (ANSNBR) parameter 108
- API (application programming interface)
 - definition 42
- APPC Controller Description (CRTCTLAPPC) 107
- application programming interface (API)
 - definition 42
- APPN (advanced peer-to-peer networking)
 - AS/400 link 67
 - definition 29
- APPN Configuration List (CRTCGFL) 109
- APPN links to AS/400 system 68
- AS/400 system
 - cause codes 49
 - configuration examples 92, 93
 - example
 - remote configuration 77
 - incoming calls 30
 - network illustration
 - virtual circuit to remote DTE 69
 - non-PSDN configuration 92, 94
 - PSDN configuration 68
 - remote configuration example 77
 - support
 - diagnostic codes 46
 - error messages 49
 - PSDN configuration example 67
 - SVC outgoing calls 31
 - virtual circuit protocols 33
 - System/38 configuration example 94
- AS/400 system links to APPN 68

- AS/400-to-AS/400 system
 - PSDN configuration example 96
 - X.25
 - capabilities 14
 - diagnostic codes 53
 - support 13
- asynchronous communications 40
 - controller information 16
 - generic switched controllers 40
 - X.25 network 40
- Asynchronous Framing Techniques (AFT) 103
- AUTOCALL (automatic call) parameter 19
- Autodelete Device (AUTODLTDEV) parameter 108
- AUTODIAL (automatic dial) parameter 19
- AUTODLTDEV (Auto Delete Device) parameter 108
- automatic call (AUTOCALL) parameter 19
- automatic dial (AUTODIAL) parameter 19

B

- B-channel
 - definition 8
- bandwidth
 - performance 43
- basic information unit (BIU)
 - dividing 39
- bibliography 117
- billing intention 23
- BIU (basic information unit)
 - dividing 39

C

- call
 - ITU-T 1980 level 50
 - ITU-T 1984 level 50
 - SVC incoming 27
 - SVC outgoing 31
- call control
 - algorithm 28
- call direction
 - system and network 32
- call immediate (CALLIMMED) parameter 19
- call packet 4
- call request packet 89
- call unit
 - automatic 19
- CALLIMMED (call immediate) parameter 19
- calling information
 - DTE 32
- cause and diagnostic code 49
- cause code
 - AS/400 system-generated 49
 - definition 49
 - finding X.25 on AS/400 46
 - ISO-8208 50
 - ITU-T X.25 50
 - meaning 46

- cause code (*continued*)
 - user-defined 45, 47
 - X.25 49, 50
- CCITT (International Telegraph and Telephone Consultative Committee)
 - diagnostic codes 63
 - level of support 35
 - recommendations 3, 13
 - support levels 49
 - X.25 cause codes 50
- CCITT 1980
 - calls rejected by DTE 50
- Change Line Description (X.25) (CHGLINX25)
 - command 28
- Change Network Attributes (CHGNETA) command
 - refreshing system 69
- changing system attributes 69
- CHGLINX25 (Change X.25 Line) command 28
- CHGNETA (Change Network Attributes) command
 - refreshing system 69
- Client Access
 - X.3 Network PAD 101
- clocking rate
 - DCE 17
- CNNINIT (connection initiation) parameter 21
- CNNNBR (connection number) parameter 19
- CNNPWD (Connection Password) parameter 108
- code
 - ISO-8208 cause 50
 - ITU-T X.25 cause 50
 - SNA diagnostic 60
 - X.25 cause 50
- command, CL
 - CHGLINX25 (Change Line Description) (X.25) 28
 - CHGNETA (Change Network Attributes) 69
 - CRTCTLAPPC (Create Controller Description) (APPC) 72
 - CRTLINX25 (Create Line Description) (X.25)
 - logical channel entry 28
 - X.25 line description displays 70
 - CRTMODD (Create Mode Description) 38
 - DSPCNNSTS (Display Connection Status) 30, 33
 - DSPCTLD (Display Controller Description) 30, 33
 - DSPLIND (Display Line Description) 33
 - VRYCFG (Vary Configuration) 46
 - WRKCFGSTS (Work with Configuration Status) 32
- communications
 - user-defined 42
 - cause codes 47
- configuration
 - 3274 controller 68
 - 5394 controller 87
 - 5394 controller example 68
 - 9406 system unit 77
 - APPN examples 67
 - AS/400 system-to-AS/400 system 91
 - AS/400-to-PSDN example 67
 - end-to-end interface 23
 - host System/370 78
 - local AS/400 system example 69
 - logical channel entry 17
 - configuration (*continued*)
 - logical channels 24
 - non-PSDN example 91
 - PSDN 68
 - remote AS/400 system 93, 95
 - remote host System/370 73
 - remote System/36 75
 - remote System/38 75
 - status 32
 - subscription considerations 16
 - System/36 80
 - System/36 example 68
 - System/36 in X.25 network 83
 - System/36 remote 75
 - System/370 host 68, 78
 - System/38 example 68
 - System/38 remote 75
 - using modem eliminator 20
 - X.25 examples 67
 - X.25 line description 16
 - configuration example
 - 3274 controller
 - remote 76
 - 3279 display station 89
 - 5394 controller 75, 87
 - AS/400 system
 - remote 77
 - AS/400 system-to-System/38 94
 - AS/400-to-X.25 PSDN 67
 - controller
 - 3274 76
 - in X.25 network 86
 - line member
 - System/36 80
 - local AS/400 system 69
 - non-PSDN 91, 94
 - remote 75
 - remote 3274 controller 76
 - remote AS/400 system 77
 - remote host 73
 - System/36 example 75
 - System/36 in X.25 network 83
 - System/36 line member 80
 - System/370 73
 - System/38 example 75
 - X.25 virtual circuit 85
 - configuring generic asynchronous controller 41
 - configuring generic asynchronous device 41
 - connection
 - data link control 4
 - display status 30
 - initiation prompt 21
 - negotiating characteristics 7
 - physical 3
 - connection initiation (CNNINIT) parameter 21
 - connection number (CNNNBR) parameter 19
 - Connection Password (CNNPWD) parameter 108
 - connectivity
 - end-to-end 23
 - controller
 - 3274 configuration 68

- controller (*continued*)
 - 5394 configuration 68
 - 5394 remote configuration example 75
 - configuring remote 5394 75
 - maximum data rates 14
 - maximum frame sizes 14
 - maximum packet sizes 14
 - parameter description 23
 - performance capacity 44
 - remote 3274 configuration 76
 - controller description
 - X.25 values 23
 - Create APPC Controller (CRTCTLAPPC) command 72
 - Create Mode Description (CRTMODD) command 38
 - Create X.25 Line (CRTLINX25) command
 - display example 70
 - LGLCHLE parameter 28
 - CRTCGFL (APPN Configuration List) 109
 - CRTCTLAPPC (APPC Controller Description) 107
 - CRTDEVAPPC (Device Description) 108
 - CRTMODD (Mode Description) 109
- D**
- D-channel
 - definition 8
 - data circuit-terminating equipment (DCE)
 - clock speed 43
 - clocking rate 17
 - configuration 16
 - definition 1
 - diagnostic codes 56
 - DTE interface 2
 - processing maximum 77
 - X.25 support 20, 92
 - data link control layer
 - definition 1
 - using 4
 - data rate
 - maximum for X.25 line 14
 - data terminal equipment (DTE)
 - asynchronous 6
 - calling information 32
 - configuration 16
 - connectivity 2, 5
 - DCE interface 2
 - definition 1
 - diagnostic codes 63
 - ITU-T X.25 support 35
 - local network address 17
 - network address 32
 - non-X.25 6
 - SNA diagnostic codes 60
 - DCE (data circuit-terminating equipment)
 - clock speed 43
 - clocking rate 17
 - configuration 16
 - definition 1
 - diagnostic codes 56
 - DTE interface 2
 - processing maximum 77
 - X.25 support 20, 92
 - delivery-bit 5
 - Device Description (CRTDEVAPPC) 108
 - diagnostic code
 - AS/400 generated 53
 - definition 49
 - DTE generated 60
 - finding X.25 on AS/400 46
 - ISO-8208 63
 - ISO generated 63
 - ITU-T X.25 63
 - meaning 46
 - user-defined 45, 47
 - X.25 53
 - X.25 generated 57
 - X.25 hexadecimal 53
 - dial
 - automatic 19
 - manual 19
 - Display Connection Status (DSPCNNSTS) command 30, 33
 - Display Controller Description (DSPCTLD) command 30, 33
 - Display Line Description (DSPLIND) command 33
 - DSPCNNSTS (Display Connection Status) command 30
 - DSPCTLD (Display Controller Description) command 30, 33
 - DSPLIND (Display Line Description) command 33
 - DTE (data terminal equipment)
 - asynchronous 6
 - calling information 32
 - configuration 16
 - connectivity 2, 5
 - DCE interface 2
 - definition 1
 - diagnostic codes 63
 - ITU-T X.25 support 35
 - local network address 17
 - network address 32
 - non-X.25 6
 - SNA diagnostic codes 60
 - DTE-to-DCE interface
 - example configuration 70, 77
 - network considerations 16
 - network subscription 2
 - network supplier restrictions 43
 - DTE-to-DTE interface
 - connectivity 6
 - time delay 37
 - without an X.25 network 20
- E**
- efficiency of protocols 43
 - end-to-end interface
 - acknowledgment 7
 - communications 33
 - configuration 23
 - illustration 34
 - SNA communications 33
 - TCP/IP 41

- end-to-end interface (*continued*)
 - X.25 network 40
- error
 - cause codes 46
 - code meaning 46
 - diagnostic codes
 - AS/400 generated 53
 - description 49
 - finding 46
 - DTE-generated messages 60
 - HDLC 45
 - ISO-generated messages 63
 - ITU-T generated messages 63
 - physical interface 45
 - recovering 45
 - X.25 generated messages 57
 - X.25 packet-layer 45
- error recovery
 - on X.25 network 45
- example
 - 3274 controller configuration 68, 89
 - 3279 display station 89
 - 5251 display station configuration 87
 - 5394 controller configuration 68, 87
 - 9406 system unit configuration 67, 69, 77
 - AS/400 Configuration 111
 - Controller Description 112
 - Line Description 111
 - AS/400 remote configuration 77
 - AS/400 system configuration 92
 - AS/400 system-to-AS/400 system configuration 91
 - AS/400-to-AS/400 system configuration
 - PSDN switched line 96
 - configuration
 - host System/370 78
 - logical channel 83
 - remote 3274 controller 76
 - remote AS/400 77
 - remote System/36 75
 - remote System/38 75
 - System/36 line member 80
 - System/36 subsystem member 82
 - System/370 78
 - System/38 86
 - X.25 virtual circuit 85
 - DTE-to-DCE interface 70, 77
 - logical channel configuration 83
 - non-PSDN configuration 91
 - remote 3274 configuration example 76
 - remote AS/400 configuration 77
 - remote AS/400 system 67, 93
 - remote AS/400 system configuration 73
 - remote AS/400 system-to-System/38 configuration
 - example 94
 - remote host System/370 configuration 73
 - System/36
 - remote configuration 75
 - System/36 configuration 68, 80
 - System/36 line member configuration 80
 - System/36 subsystem member configuration 82
 - System/36 X.25 configuration 83

- example (*continued*)
 - System/370 host 78
 - System/370 host link 68
 - System/38
 - remote configuration 75
 - System/38 configuration 68
 - X.25 configuration 67
 - X.25 virtual circuit configuration 85
- exchange identifier
 - remote DTE 36
- Exchange Identifier (EXCHID) parameter 108
- EXCHID (Exchange Identifier) parameter 108

F

- facility
 - X.25 5
- frame
 - definition 4
 - maximum sizes 14

G

- gateway
 - definition 13
- generic asynchronous controller configuration 41
- generic asynchronous device configuration 41

H

- HDLC (high-level data link control)
 - errors 45
 - link-level modulus 17
 - window size 17
- hexadecimal cause code
 - in RESET INDICATION packets 51
 - in RESTART INDICATION packets 51
- hexadecimal diagnostic code 57
- high-layer protocol 6
- high-level data link control (HDLC)
 - errors 45
 - link-level modulus 17
 - window size 17
- host system
 - definition 13
 - System/370 configuration example 78

I

- idle timer (IDLTMR) value 18
- illustration
 - call control algorithm 28
 - call request packet 26
 - DTE-to-DCE interface 2
 - non-PSDN configuration 92, 94
 - PSDN configuration 68
 - virtual circuits 34
- immediate calling 19
- incoming call
 - function
 - for asynchronous 28

- incoming call (*continued*)
 - function (*continued*)
 - for SNA 28
 - other protocols 30
 - SVC 24, 27
- INCOMING CALL packet 25
- information integrity 7
- Initial Connection (INLCNN) parameter 108
- INLCNN (Initial Connection) parameter 108
- integrated services digital network (ISDN)
 - circuit mode DTE-to-DCE interface 9
 - defined with X.25 4
 - packet mode DTE-to-DCE interface 9
 - terminal equipment (TE) 10
 - with X.25 transmission 8
 - X.31 circuit mode 8
 - X.31 packet mode 9
 - X.31 Recommendation 4
- interface
 - DTE-to-DCE 2
 - DTE-to-DCE example 70
 - physical 4
 - physical errors 45
 - X.25 three-layer 1
- International Standards Organization (ISO)
 - 8208 cause codes 50
 - diagnostic codes 63
 - standards 13
- International Telecommunications Union - Telecommunications Standardization Sector (ITU-T) 1
- International Telegraph and Telephone Consultative Committee (CCITT)
 - diagnostic codes 63
 - level of support 35
 - recommendations 3, 13
 - support levels 49
 - X.25 cause codes 50
- Internetwork Packet Exchange (IPX) 41
- IPX on X.25 network 41
- ISDN (integrated services digital network)
 - circuit mode DTE-to-DCE interface 9
 - defined with X.25 4
 - packet mode DTE-to-DCE interface 9
 - terminal equipment (TE) 10
 - with X.25 transmission 8
 - X.31 circuit mode 8
 - X.31 packet mode 9
 - X.31 Recommendation 4
- ISO (International Standards Organization)
 - 8208 cause codes 50
 - diagnostic codes 63
 - standards 13
- ISO-8208 cause code 50
- ITU-T (International Telecommunications Union - Telecommunications Standardization Sector) 1
- ITU-T X.25 cause code 50

L

- LAPB (link access protocol-balanced)
 - definition 4
- LAPD (link access procedure-D-channel)
 - definition 4
- layer
 - data link control 1, 4
 - packet 1, 4
 - packet errors 45
 - physical 1, 3
 - X.25 1, 6
- line description
 - configuration 16
 - physical interface 17
- line member
 - configuration example 80
 - System/36 80
- line speed 43
 - definition 43
- line to network
 - quality 18
- link access procedure-D-channel (LAPD)
 - definition 4
- link access protocol-balanced (LAPB)
 - definition 4
- link level
 - definition 40
 - modulus 17
- link protocol (LINKPCL) parameter 25
- Link Protocol (LINKPCL) parameter 107
- LINKPCL (link protocol) parameter 25
- LINKPCL (Link Protocol) parameter 107
- LLC (logical link control)
 - enhanced 34, 36
 - enhanced parameters 38
 - LLC2 (logical link control-2) 103
 - logical link control-2 (LLC2) 103
 - parameters 36
 - protocol types 36
 - protocols 43
 - qualified 34, 36
 - SNA X.25 parameter use 16
- load
 - processing 44
- local AS/400 system 92
- local network address
 - DTE 17
 - insertion 18
- logical channel
 - configuration 17
 - configuring PVC 24
 - definition 5
 - description 33
 - entry 17
 - sequence requirement types 21
 - tables 21
 - types 17
- logical channel entry (LGLCHLE) parameter 28
- logical data link role for SNA DTEs 36
- logical link 33
- logical link control (LLC)
 - enhanced 34, 36
 - enhanced parameters 38
 - LLC2 (logical link control-2) 103
 - logical link control-2 (LLC2) 103
 - parameters 36

logical link control (LLC) (*continued*)
 protocol types 36
 protocols 43
 qualified 34, 36
 SNA X.25 parameter use 16

M

MAXFRAME (Maximum Frame Size) parameter 108
Maximum Frame Size (MAXFRAME) parameter 108
Maximum Length of Request Unit (MAXLENRU)
 parameter 109
maximum line PDU for SNA DTE 35
maximum packet size
 DTE restrictions 43
maximum RU size (MAXLENRU) parameter 38
MAXLENRU (Maximum Length of Request Unit)
 parameter 109
MAXLENRU (maximum RU size) parameter 38
member definition
 configuring for System/36 80
message queue 31
Mode Description (CRTMODD) 109
modem eliminator
 configuration 91
 connection 20
modem eliminator configuration 20
modulus
 packet-level 18
multiplexing
 X.25 6
 X.25 advantages 6

N

negotiation
 X.25 characteristics 7
NETUSRID (network user identification) parameter 20
network
 DTE-to-DCE 2
 non-X.25 DTE support 6
 PSDN configuration example 67
 X.25 1
network address
 connected DTE 32
 inserting 21
network layer
 data link control 4
 packet 4
 physical 3
network subscription
 available network support 18
 DCE clocking rate 17
 DCE processing overhead 18
 delay of medium to network 18
 DTE local network address 17
 HDLC link-level modulus 17
 HDLC link-level window size 17
 line quality 18
 local network address insertion 18
 logical channel configuration 17

network subscription (*continued*)
 packet-level modulus 18
 packet size 17
 physical interface 17
 window size 18
network support 18
network user identification (NETUSRID) parameter 20
network user identification (NUI)
 encoding 24
 use 20
networking
 X.25 advantages 6
non-network
 configuration example 91
 connections 20
 modem eliminator 91, 94
non-PSDN
 configuration example 92
notification class
 types 10
NUI (network user identification)
 encoding 24
 use 20

O

open systems interconnection (OSI)
 connections 16
 paths 13
OSI (open systems interconnection)
 connections 16
 paths 13
OSI on X.25 network 41
outgoing call
 SVC 31

P

packet
 disassembly 39
 maximum sizes 14
 processing capacity 43
packet assembler/disassembler (PAD)
 asynchronous controllers 16
 definition 6
packet error
 X.25 network 45
packet layer
 definition 1
 errors 45
 using 4
packet level
 default window size 18
 modulus 18
 receive window size 18
 send window size 18
packet-mode DTE 2
packet size
 default 17
 maximum 17
 negotiation 29

- packet size (*continued*)
 - restrictions 43
- packet-switching data network (PSDN)
 - 3274 controller 68
 - 9406 configuration 77
 - configuration 67, 68
 - configuration examples 69
 - connections 13, 23
 - definition 1
 - illustration 34
 - switched line example 96
 - System/36 example 68
 - System/370 host configurations 68
 - System/38 example 68
 - using networks 16
- PAD (Packet Assembler and Disassembler)
 - X.3 Network 101
- PAD (packet assembler/disassembler)
 - asynchronous controllers 16
 - definition 6
- parameter
 - address insert (ADRINSERT) 21
 - answer number (ANSNBR) 29
 - automatic call (AUTOCALL) 19
 - automatic dial (AUTODIAL) 19
 - call immediate (CALLIMMED) 19
 - connection initiation (CNNINIT) 21
 - connection number (CNNNBR) 19
 - controller description 23
 - ELLC protocol 36
 - link protocol (LINKPCL) 25
 - logical channel entry (LGLCHLE) 28
 - logical link control 36
 - network user identification (NETUSRID) 20, 24
 - QLLC protocol 36
 - switched disconnect (SWTDSC) 19
 - switched line list (SWTLINLST) 28
 - switched line selection (SWTLINSLCT) 31
 - X.25 acknowledgment timer (X25ACKTMR) 38
 - X.25 connection retry (X25CNNRTY) 37
 - X.25 connection timer (X25CNNTMR) 37
 - X.25 DCE support (X25DCE) 20
 - X.25 delayed connection timer (X25DLYTMR) 37
 - X.25 frame retry (X25FRMRTY) 36
 - X.25 inactivity timer (X25INACTMR) 38
 - X.25 response timer (X25RSPTMR parameter) 37
- password security 26
- PDU (protocol data unit)
 - definition 34
 - maximum link 35
 - supported length 36
- performance
 - bandwidth 43
 - efficiency 43
 - throughput 43
 - X.25 43
- permanent virtual circuit (PVC)
 - definition 5
 - functions 24
 - logical channel 17, 21
 - remote DTE 23
- permanent virtual circuit (PVC) (*continued*)
 - support 13
 - use with X.25 24
- physical interface error 45
- physical layer
 - definition 1
 - using 3
- physically switched medium
 - necessary capabilities 3
- polling
 - definition 4
- problem isolation
 - diagnostic codes 46
 - DTE-generated messages 60
 - in X.25 network 45
 - ISO-generated messages 63
 - X.25 generated messages 57
- processing capacity 43
- processing load limitations 44
- protocol
 - AS/400-supported 33
 - efficiency 43
 - ELLC description 36
 - ELLC parameters 38
 - link prompt 36
 - linking 25
 - logical link control 36
 - QLLC description 36
 - virtual circuit 33
 - X.25 high-layer 7
 - X.28 6
- protocol data unit (PDU)
 - definition 34
 - maximum link 35
 - supported length 36
- protocol identifier 25
- PSDN (packet-switching data network)
 - 3274 controller 68
 - 9406 configuration 77
 - configuration 67, 68
 - configuration examples 69
 - connections 13, 23
 - definition 1
 - illustration 34
 - switched line example 96
 - System/36 example 68
 - System/370 host configurations 68
 - System/38 example 68
 - using networks 16
- PVC (permanent virtual circuit)
 - definition 5
 - functions 24
 - logical channel 17, 21
 - remote DTE 23
 - support 13
 - use with X.25 24

Q

- QSYSOPR (system operator) message queue
 - definition 45

R

- recommendation
 - ITU-T 3
 - X.21 4, 77
 - X.25 13
 - X.29 6
 - X.31 4
 - X.32 3
- recovery from X.25 error 45
- refreshing system
 - after CHGNETA command 69
- rejected calls to remote DTE 50
- remote AS/400 system configuration example 93, 94
- remote AS/400 system-to-System/38 94
- remote configuration
 - AS/400 system 73
 - example 75
- remote configuration example
 - 3274 controller 76
 - 5394 controller 75
 - AS/400 system 77
 - controller
 - 3274 76
 - System/36 75
 - System/38 75
- Remote Control Point (RMTCPNAME) parameter 108
- remote DTE
 - address extension 32
 - closed user group identifier 23
 - example configuration 67
 - exchange identifier 36
 - PVC 23
 - PVC configuration 24
 - rejecting calls 50
 - SNA connection 32
 - SVC 23
 - SVC functions 24
 - values 23
 - X.25 23
- remote host
 - System/370 configuration example 73
- Remote Network Identifier (RMTNETID) parameter 108
- request unit (RU)
 - packet disassembly 39
 - size 39
- request unit sizes 38
- requesting facility 23
- reverse charging
 - definition 23
- RMTCPNAME (Remote Control Point) parameter 108
- RMTNETID (Remote Network Identifier) parameter 108
- RU (request unit)
 - packet disassembly 39
 - size 39

S

- SDLC (synchronous data link control)
 - function 34
 - SNA network 33
- security
 - billing 3
 - password 26
 - user data field contents 26
- sequence requirement
 - logical channels 21
- service charge
 - X.25 7
- session
 - SNA 13
 - virtual circuits 34
- SNA (Systems Network Architecture)
 - controller description 16, 29
 - diagnostic codes 60
 - PDU links 35
 - received user data illustration 39
 - remote DTE connection 32
 - sent user data illustration 39
 - user data map illustration 39
 - X.25 network implementation 33
- SNA DTE
 - logical data link role 36
- status information 32
- subscription fee 7
- support line 13
- SVC (switched virtual circuit)
 - charges for X.25 7
 - definition 5
 - functions 24
 - incoming call function 27
 - logical channel 17, 21
 - outgoing call function 31
 - remote DTE 23
 - support 13
 - type
 - incoming and outgoing call 24
 - incoming call 24
 - outgoing call 24
 - vary-on operation 46
 - with X.25 24
- switched disconnect (SWTDSC) parameter 19
- switched line
 - definition 13
 - disconnecting 19
 - X.25 19
- switched line selection (SWTLINSLCT) parameter 31
- switched virtual circuit (SVC)
 - charges for X.25 7
 - definition 5
 - functions 24
 - incoming call function 27
 - logical channel 17, 21
 - outgoing call function 31
 - remote DTE 23
 - support 13
 - type
 - incoming and outgoing call 24

- switched virtual circuit (SVC) (*continued*)
 - type (*continued*)
 - incoming call 24
 - outgoing call 24
 - vary-on operation 46
 - with X.25 24
- SWTDSC (switched disconnect) parameter 19
- SWTLINSLCT (switched line selection) parameter 31
- synchronous data link control (SDLC)
 - function 34
 - SNA network 33
- System/36
 - configuration example
 - APPN link 68
 - in X.25 network 83
 - remote 75
 - subsystem member 82
 - in X.25 network 80
 - member definitions
 - configuring 80
 - subsystem member configuration example 82
- System/370
 - configuration example
 - NCP 78
 - remote host configuration example 73
 - with 3725 controller 68
- System/38
 - configuration example
 - AS/400 system-to-System/38 94
 - in X.25 network 86
 - low-end networking node 68
 - non-PSDN 94
 - remote 75
- system connection
 - without an X.25 network 20
- system operator (QSYSOPR) message queue
 - definition 45
- Systems Network Architecture (SNA)
 - controller description 16, 29
 - diagnostic codes 60
 - PDU links 35
 - received user data illustration 39
 - remote DTE connection 32
 - sent user data illustration 39
 - user data map illustration 39
 - X.25 network implementation 33

T

- tariff 7
- TCP/IP (Transmission Control Protocol/Internet Protocol)
 - end-to-end interface 41
- TCP/IP on X.25 network 41
- TE (terminal equipment)
 - definition 10
- terminal equipment (TE)
 - definition 10
- throughput
 - definition 43
 - limitations with virtual circuits 43
 - performance 43

- time delay 37
- timer
 - acknowledgment 38
 - delayed connection 37
 - X.25 connection 37
 - X.25 inactivity 38
- Transmission Control Protocol/Internet Protocol (TCP/IP)
 - end-to-end interface 41

U

- user data
 - receiving on X.25 line illustration 39
 - sending on X.25 line illustration 39
- user-defined communications 42
- user facility
 - additional 23

V

- Vary Configuration (VRYCFG) command 46
- virtual circuit
 - 9406 System Unit 67
 - AS/400-supported protocols 33
 - configuration example in X.25 network 85
 - description 34
 - identifying 33
 - illustration 34
 - AS/400 system to remote DTE 69
 - sequence requirements 21
 - sessions 34
 - throughput limitations 43
 - type 23
 - X.25 support 13
- VRYCFG (Vary Configuration) command 46

W

- window size
 - default 18
 - maximum 17
 - packet-level receive 18
 - packet-level send 18
- window size negotiation 30
- Work with Configuration Status (WRKCFGSTS)
 - command 32
- WRKCFGSTS (Work with Configuration Status)
 - command 32

X

- X.25
 - acknowledgment timing 38
 - advantages 6
 - call control algorithm 28
 - capabilities
 - data rates 14
 - logical channel allocation 14
 - cause code 49
 - communications controller 44

- X.25 (continued)
 - configuration
 - connection 20
 - example 67
 - line description 16
 - configuration examples 67
 - connection timing 37
 - controller description values 23
 - data link control layer 4
 - definition 1
 - delayed connection timing 37
 - diagnostic codes 53, 57
 - DTE-to-DCE configuration 16
 - DTE-to-DTE connections 20
 - error recovery 45
 - facilities 5
 - frame retrying 36
 - illustration
 - virtual circuit between AS/400 system and remote DTE 69
 - inactivity timing 38
 - introduction 1
 - ITU-T cause codes 50
 - line speed 43
 - link connection 21
 - on an ISDN 8
 - packet layer 4
 - performance 43
 - physical layer 3
 - problem isolation 46
 - PSDN example 67
 - remote DTE 23
 - response timing 37
 - retry a connection 37
 - security
 - incoming calls 25
 - password use 26
 - service charges 7
 - SNA user data illustration 39
 - supported protocols 7
 - switched line 19
 - throughput limits 43
 - virtual circuits 13
- X.25 acknowledgment timer (X25ACKTMR) parameter 38
- X.25 connection retry (X25CNNRTY) parameter 37
- X.25 connection timer (X25CNNTMR) parameter 37
- X.25 DCE support (X25DCE) parameter 20
- X.25 delayed connection timer (X25DLYTMR) parameter 37
- X.25 frame retry (X25FRMRTY) parameter 36
- X.25 inactivity timer (X25INACTMR) parameter 38
- X.25 line
 - maximum data rates 14
 - SNA user data map illustration 39
- X.25 response timer (X25RSPTMR) parameter 37
- X.28
 - protocol 6
- X.3 Network (Packet Assembler and Disassembler (PAD) 101
 - X.3 Network PAD
 - Client Access 101
 - X.3 Network PAD (Packet Assembler and Disassembler) 101
 - X.3 PAD 101
 - PAD connectors 103
 - topology 102
 - X.31
 - case A connectivity illustration 9
 - case B connectivity illustration 9
 - circuit mode 8
 - DTE-to-DTE Interface 2
 - packet mode 9
 - X.32
 - definition 19
 - using switched X.25 19
 - X25ACKTMR (X.25 acknowledgment timer) parameter 38
 - X25CNNRTY (X.25 connection retry) parameter 37
 - X25CNNTMR (X.25 connection timer) parameter 37
 - X25DCE (X.25 DCE support) parameter 20
 - X25DLYTMR (X.25 delayed connection timer) parameter 37
 - X25FRMRTY (X.25 frame retry) parameter 36
 - X25INACTMR (inactivity timer) parameter 38
 - X25RSPTMR (X.25 response timer) parameter 37

Readers' Comments — We'd Like to Hear from You

AS/400e series
X.25 Network Support
Version 4

Publication No. SC41-5405-01

Overall, how satisfied are you with the information in this book?

	Very Satisfied	Satisfied	Neutral	Dissatisfied	Very Dissatisfied
Overall satisfaction	<input type="checkbox"/>	<input type="checkbox"/>	<input type="checkbox"/>	<input type="checkbox"/>	<input type="checkbox"/>

How satisfied are you that the information in this book is:

	Very Satisfied	Satisfied	Neutral	Dissatisfied	Very Dissatisfied
Accurate	<input type="checkbox"/>	<input type="checkbox"/>	<input type="checkbox"/>	<input type="checkbox"/>	<input type="checkbox"/>
Complete	<input type="checkbox"/>	<input type="checkbox"/>	<input type="checkbox"/>	<input type="checkbox"/>	<input type="checkbox"/>
Easy to find	<input type="checkbox"/>	<input type="checkbox"/>	<input type="checkbox"/>	<input type="checkbox"/>	<input type="checkbox"/>
Easy to understand	<input type="checkbox"/>	<input type="checkbox"/>	<input type="checkbox"/>	<input type="checkbox"/>	<input type="checkbox"/>
Well organized	<input type="checkbox"/>	<input type="checkbox"/>	<input type="checkbox"/>	<input type="checkbox"/>	<input type="checkbox"/>
Applicable to your tasks	<input type="checkbox"/>	<input type="checkbox"/>	<input type="checkbox"/>	<input type="checkbox"/>	<input type="checkbox"/>

Please tell us how we can improve this book:

Thank you for your responses. May we contact you? Yes No

When you send comments to IBM, you grant IBM a nonexclusive right to use or distribute your comments in any way it believes appropriate without incurring any obligation to you.

Name

Address

Company or Organization

Phone No.



Fold and Tape

Please do not staple

Fold and Tape



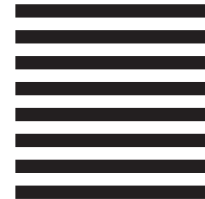
NO POSTAGE
NECESSARY
IF MAILED IN THE
UNITED STATES

BUSINESS REPLY MAIL

FIRST-CLASS MAIL PERMIT NO. 40 ARMONK, NEW YORK

POSTAGE WILL BE PAID BY ADDRESSEE

IBM CORPORATION
ATTN DEPT 542 IDCLERK
3605 HWY 52 N
ROCHESTER MN 55901-7829



Fold and Tape

Please do not staple

Fold and Tape



Printed in the United States of America
on recycled paper containing 10%
recovered post-consumer fiber.

SC41-5405-01



Spine information:



AS/400e series

OS/400 X.25 Network Support V4R3

Version 4

SC41-5405-01