



iSeries

820, 825, 5075, 5095 and 0595
Power Supply and Air Moving Device
Installation Instruction

Version 5





@server

iSeries

820, 825, 5075, 5095 and 0595

Power Supply and Air Moving Device
Installation Instruction

Version 5

Chapter 1. Install power supply and air moving devices

You will be installing the new power supply and air moving device with the unit powered on.

Before you begin

This feature is customer installable. You can elect not to do this installation yourself. You may contact IBM® or an authorized dealer to make arrangements for them to perform the feature installation for a fee.

You need to allow additional time to complete your jobs, back up your system, perform an initial program load (IPL) of your system, and verify your hardware configuration.

When you use these instructions, you may do some of the following:

- Remove the system unit covers.
- Install your new hardware.
- Install covers.
- Perform an IPL of your operating system.
- Verify your new hardware configuration.

Some of the figures in these instructions may not look exactly like the system unit that you have. However, the steps to perform the task are the same.

- ___ 1. Ensure that you have a current backup of your system (including operating systems, licensed programs, and data).
- ___ 2. Ensure that you take a few minutes to become familiar with these instructions.
- ___ 3. If there are incorrect, missing, or visibly damaged parts, contact one of the following:
 - Your authorized dealer
 - IBM Rochester Manufacturing Automated Information Line (R-MAIL)
 - 1-800-300-8751 (United States)
 - 1-507-253-5242 (worldwide)
- ___ 4. If you encounter difficulties during the installation, contact your authorized service provider or your authorized dealer.
- ___ 5. Determine if there are any existing PTF prerequisites before you install your new feature. Go to the following Web site:
<http://www-912.ibm.com/supporthome.nsf/document/10000051>
 - a. Select **All Documents**.
 - b. Select **Collapse**.
 - c. Select **General Information**.
 - d. Select **Offerings**.
 - e. Select **Feature Prerequisites**.
 - f. Select **Customer Install Features Prerequisites**.
 - g. Locate your feature number and OS/400® release, and check the prerequisites.

Install the power supply first and then the air moving device:

- Chapter 2, "Install power supplies" on page 3
- Chapter 3, "Install the air moving device" on page 5

Chapter 2. Install power supplies

You install the power supply with the unit powered on.

- ___ 1. Is your system unit an iSeries 825?
 - ___ **No:** Continue with the next step.
 - ___ **Yes:** Go to “iSeries 825 power supply” on page 4.
- ___ 2. Remove the back cover. Refer to “Remove the side and back cover” on page 9.
- ___ 3. Remove the left side cover (viewed from back).
- ___ 4. Locate the power supply area. Refer to “Locations” on page 13.
- ___ 5. You will install the power supply into the next available area.

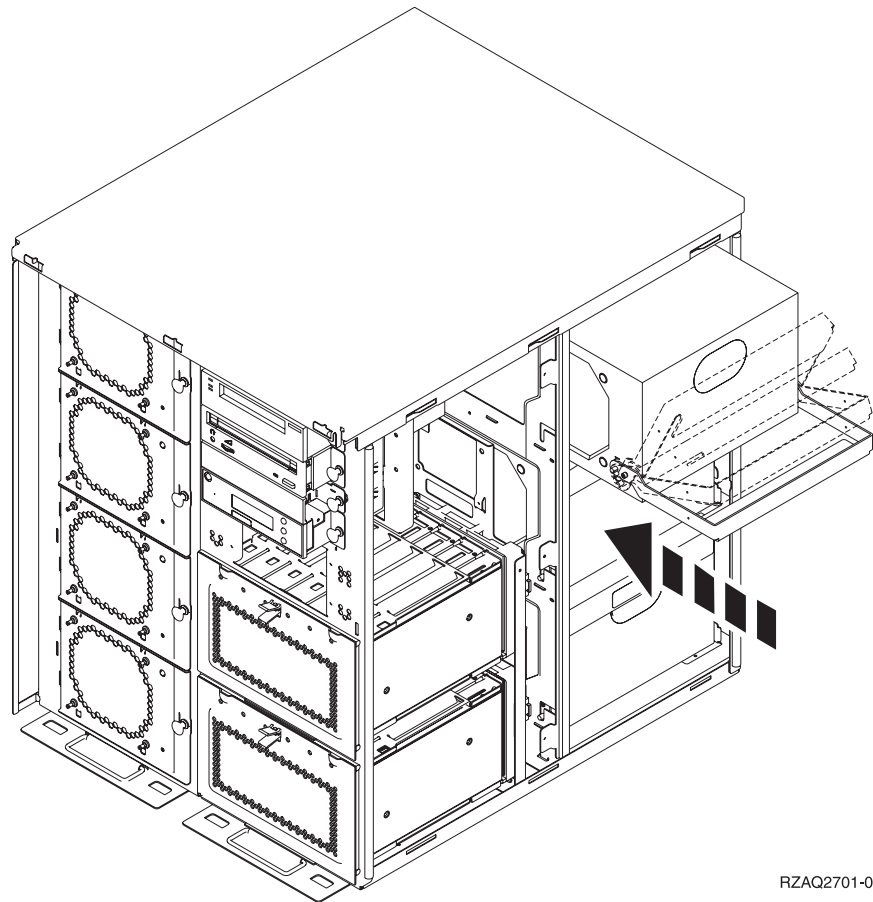
820 System Unit:

- Remove the power supply filler plate from position **P03** before installing the power supply. Pull the latch to remove the filler plate.

5075, 5095 or 0595 Expansion Unit:

- Install the power supply in position **P02**.
- ___ 6. Pull the handle down on the power supply.

Note: The following figure is a power supply shown on an iSeries model 820. The power supply for the 5075 expansion unit is the same.





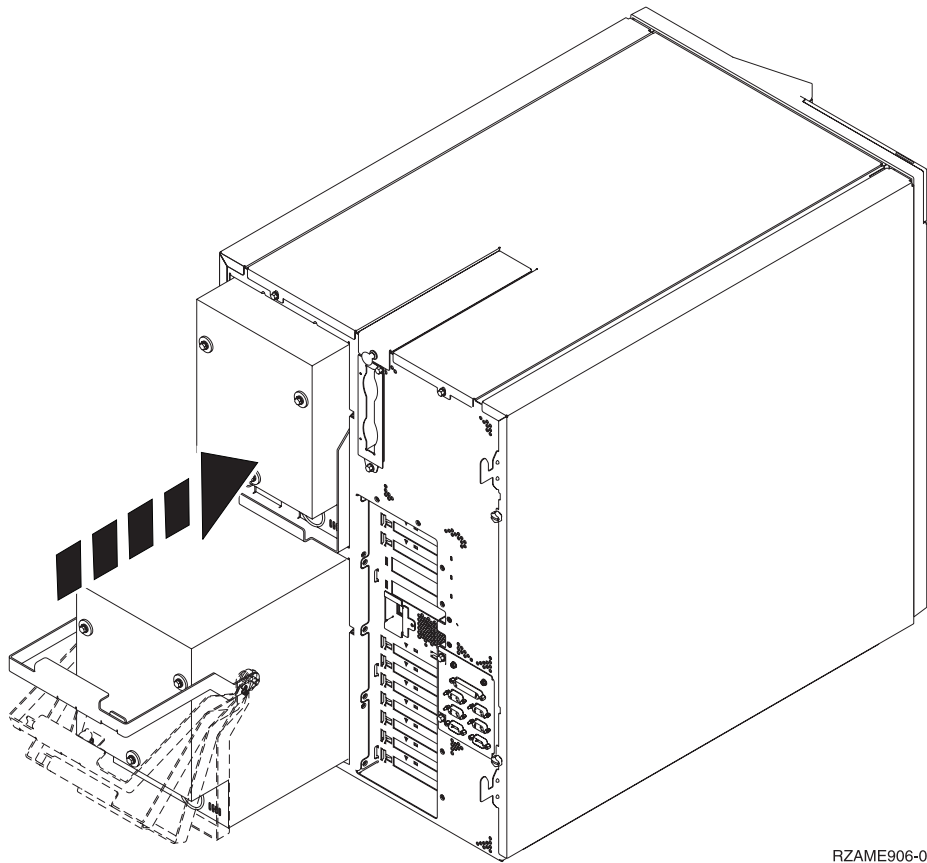
RZAQ2701-0

- ___ 7. Slide the power supply into the system unit.
- ___ 8. Move the handle up to lock in place.
- ___ 9. Look at the back of the system unit. A green light on the power supply indicates that power is powered on.
- ___ 10. Install side cover.
- ___ 11. Install back cover.

iSeries 825 power supply

You install the power supply with the unit powered on.

- ___ 1. Remove the back cover. Refer to “Remove the back cover” on page 11.
- ___ 2. Locate the power supply area. Refer to “Locations” on page 13.
- ___ 3. Remove the power supply filler plate from position **P02** before installing the power supply. Pull the latch to remove the filler plate.  View video.
- ___ 4. Lift up the handle on the power supply.  View video.



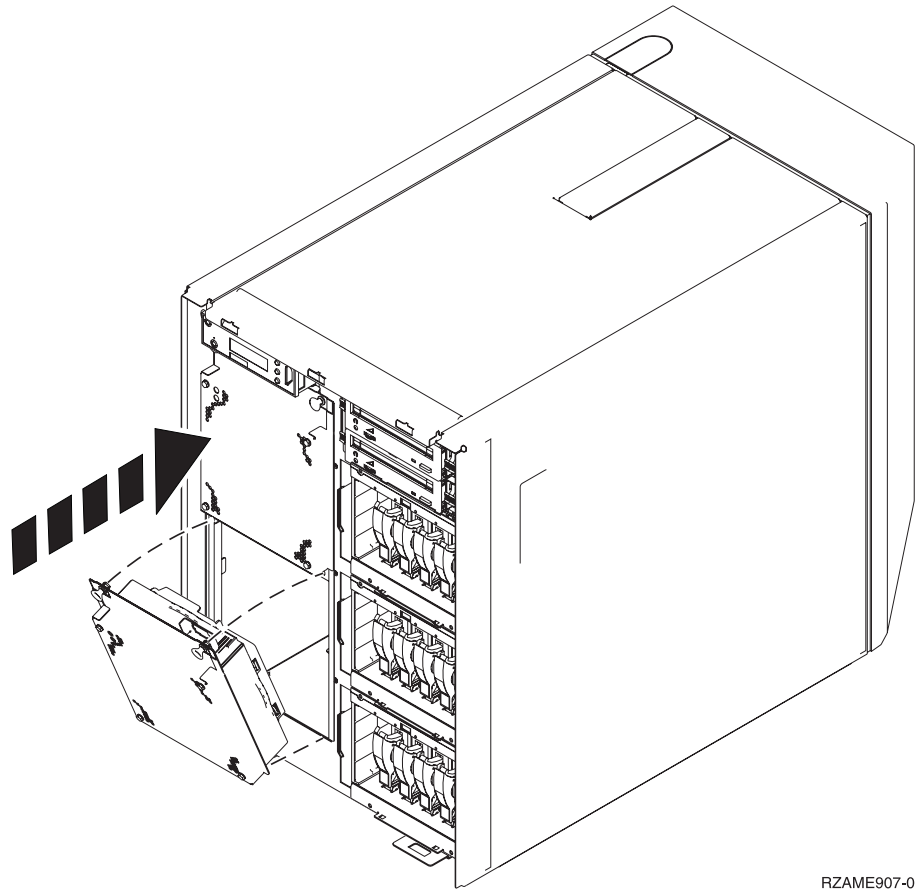
RZAME906-0

- ___ 5. Slide the power supply into the system unit.
- ___ 6. Move the handle down to lock in place.
- ___ 7. Push in the latch.
- ___ 8. Plug the power cord into the power supply and into the outlet.
- ___ 9. Install back cover.

Chapter 3. Install the air moving device

You install the air moving devices with the unit powered on.

- ___ 1. Remove the front cover. Refer to “Remove the front cover” on page 7.
- ___ 2. Locate the air moving devices (AMD) on the front of the machine. Refer to “Locations” on page 13.
- ___ 3. Pull the latch to remove the air-moving-device filler plates.
- ___ 4. Install the air moving device assembly in the next available position (B02).
 - ☐ View video. Refer to “Locations” on page 13.



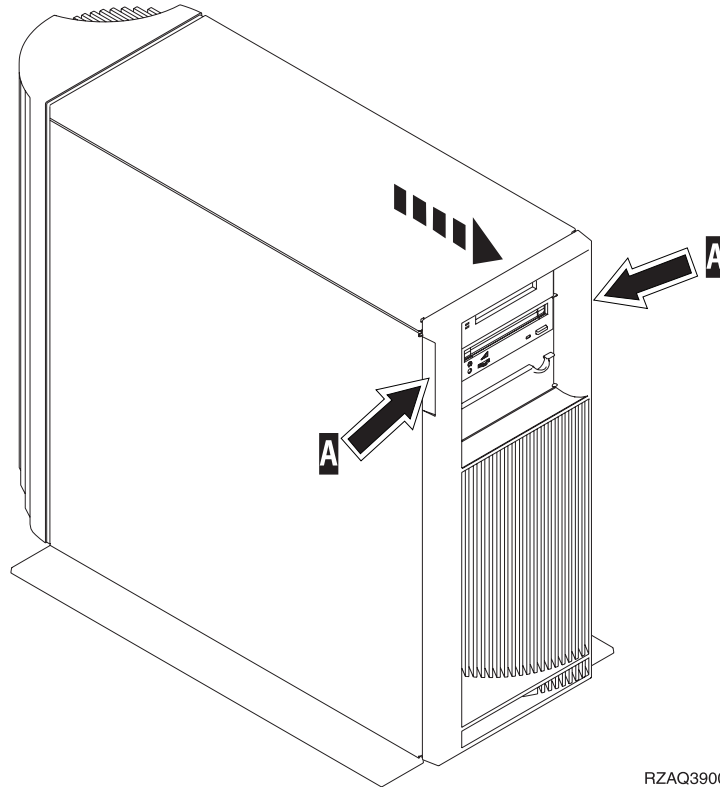
RZAME907-0

- ___ 5. Push in the latches.
- ___ 6. The air moving device is running, but the green light will not light until the next power off and power on of the system.
- ___ 7. If you have another air moving device assembly, install it in the next available position (B04).
- ___ 8. Push in the latch.
- ___ 9. The air moving device is running, but the green light will not light until the next power off and power on of the system.
- ___ 10. Install the front cover.
- ___ 11. Place the air-moving-device filler plates in a safe place for future use. If the air moving devices are removed, install the air-moving-device filler plate.

Remove the front cover

820, 5075, or 5095 front cover

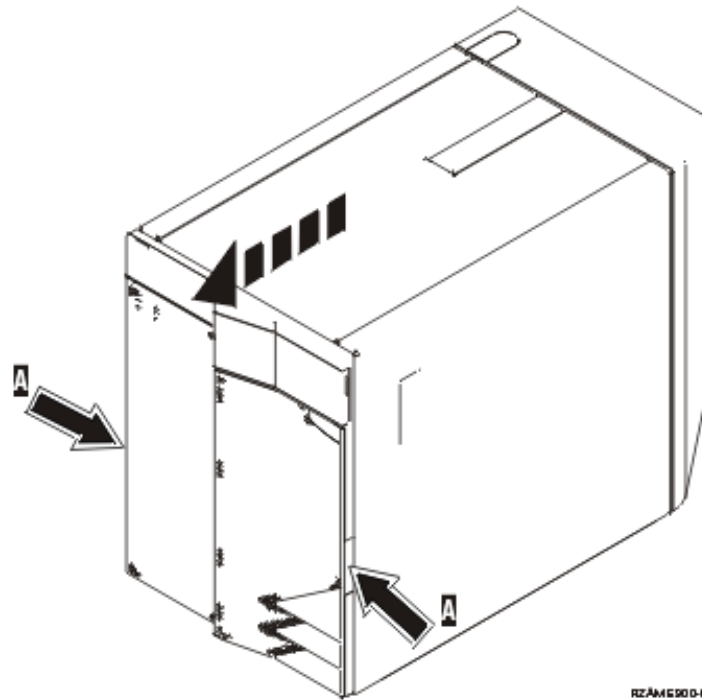
Remove the system unit or expansion unit front cover by gripping the sides of the cover **A** and pulling the cover toward you.



RZAQ3900-0

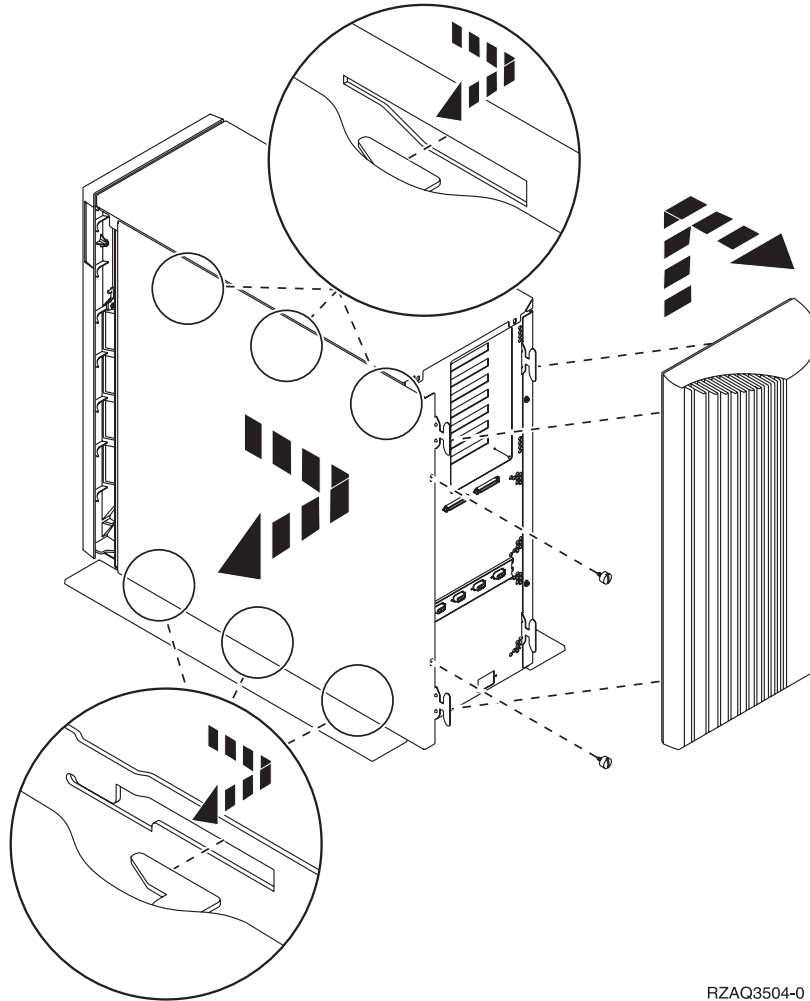
825 front cover

Remove the system unit front cover by gripping the sides of the cover **A** and pulling the cover toward you.



Remove the side and back cover

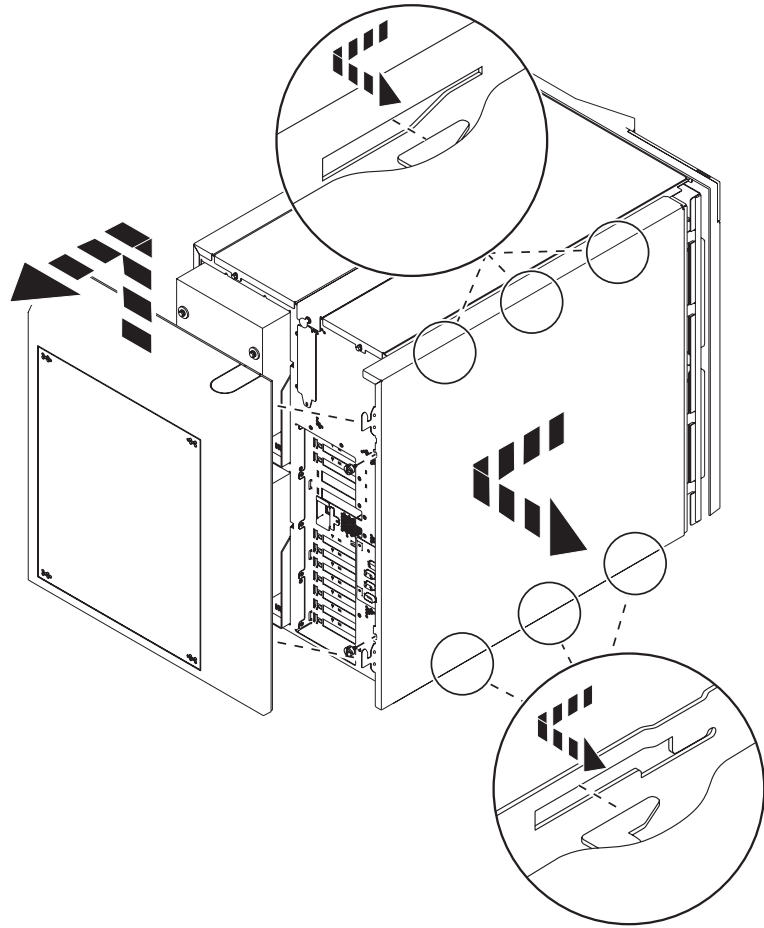
- ___ 1. Place your hand near the bottom of the back cover and lift up and out.
- ___ 2. Remove the left side cover (view from back) by loosening the thumbscrews and sliding the cover from front to back until it stops.
- ___ 3. Pull the cover out.



RZAQ3504-0

Remove the back cover

Remove the back cover only. Place your hand near the bottom of the back cover and lift up and out.



RZAME601-0

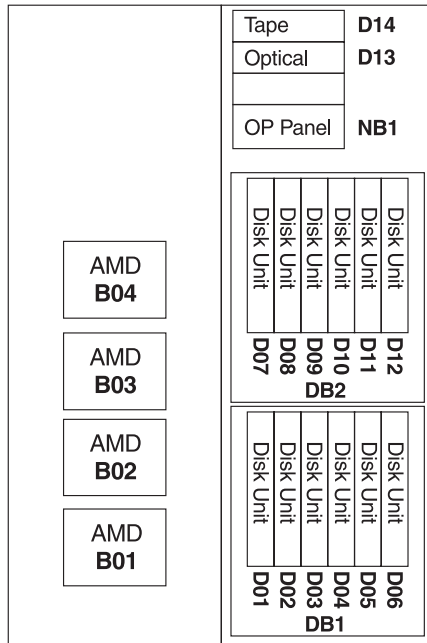
Locations

Locate your unit:

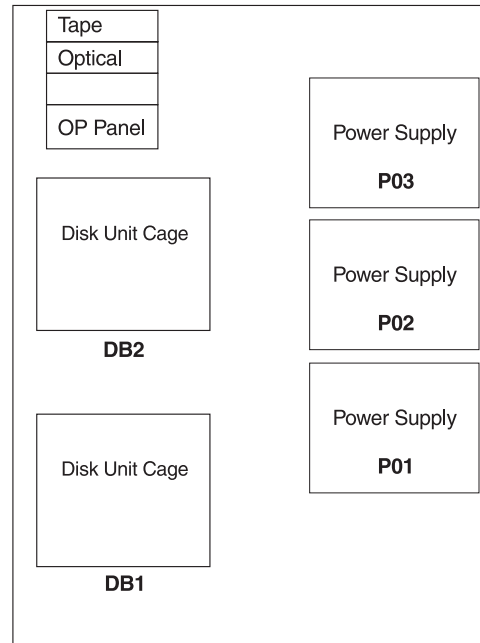
- “820 air moving device (AMD) and power supply location”
- “5075, 5095 or 0595 air moving device (AMD) and power supply location” on page 15

820 air moving device (AMD) and power supply location

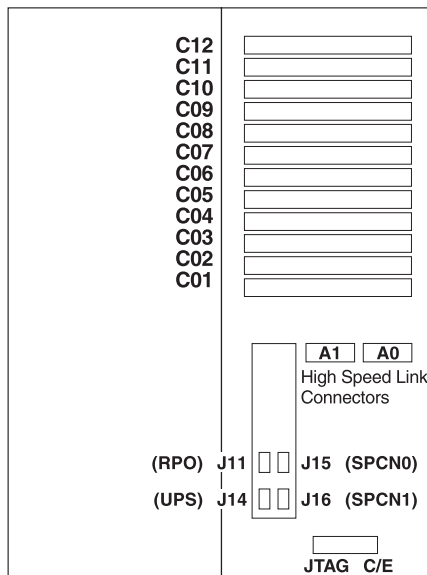
- Remove the power supply filler plate from position **P03** before installing the power supply. Pull the latch to remove the filler plate.
- Install air moving devices in position **B02** first, then **B04**.



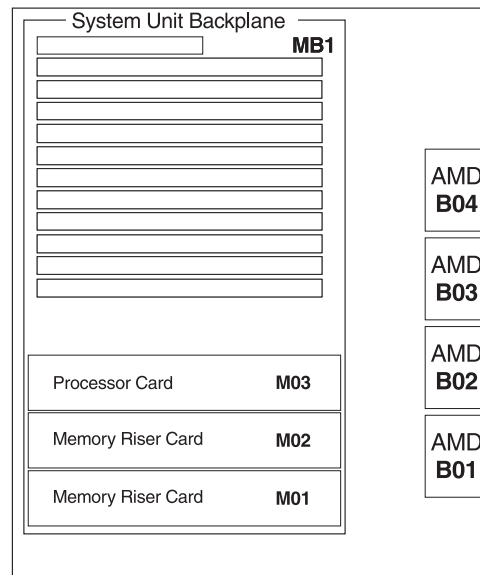
Front



Right



Back

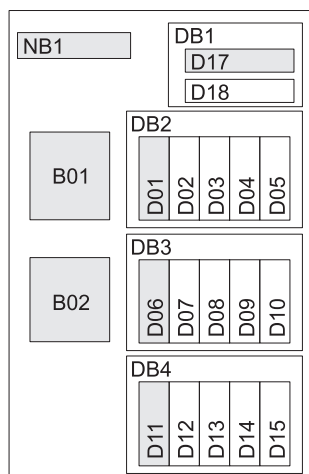


Left

RZAQ2503-6

825 air moving device (AMD) and power supply location

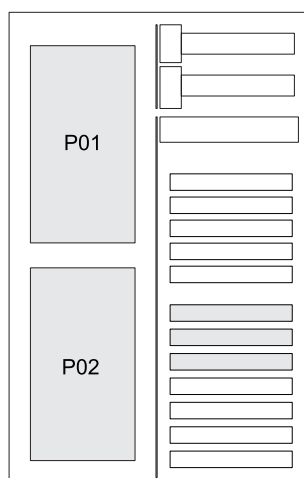
- Remove the power supply filler plate from position P02 before installing the power supply. Pull the latch to remove the filler plate.
- Install air moving devices in position B02.



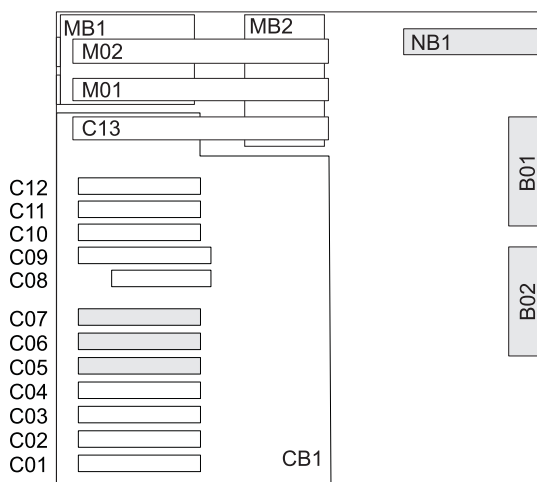
Front



Right



Back

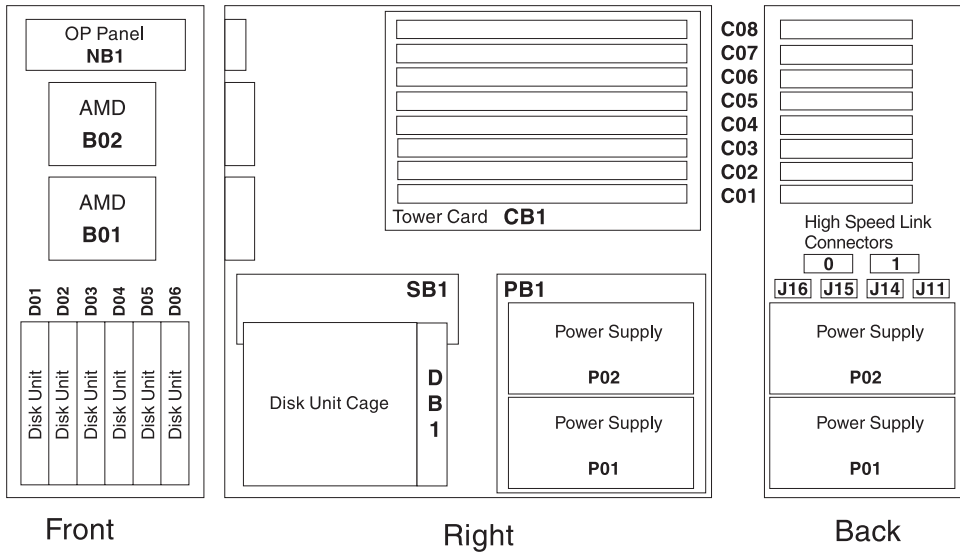


Left

RZAR6800-2

5075, 5095 or 0595 air moving device (AMD) and power supply location

- Install the power supply in position **P02**.
- Install the air moving device in position **B01**.



RZAQ2500-4



Printed in U.S.A.