

IBM PowerHA SystemMirror for AIX

Enterprise Edition

Version 7.2

*Storage-based high availability and
disaster recovery*

IBM

IBM PowerHA SystemMirror for AIX

Enterprise Edition

Version 7.2

*Storage-based high availability and
disaster recovery*

IBM

Note

Before using this information and the product it supports, read the information in "Notices" on page 159.

This edition applies to IBM PowerHA SystemMirror 7.2 Enterprise Edition for AIX and to all subsequent releases and modifications until otherwise indicated in new editions.

© **Copyright IBM Corporation 2015, 2018.**

US Government Users Restricted Rights – Use, duplication or disclosure restricted by GSA ADP Schedule Contract with IBM Corp.

Contents

About this document	v
Highlighting	v
Case-sensitivity in AIX	v
ISO 9000.	v
Related information	v

Storage-based high availability and disaster recovery for PowerHA SystemMirror Enterprise Edition 1

What's new in Storage-based high availability and disaster recovery for PowerHA SystemMirror Enterprise Edition for AIX	1
DS8000 PPRC replication resources	1
Metro Mirror	1
Global Mirror.	72
SVC replication resources.	79
Overview of SVC management.	79
Planning for SVC management.	80
Installing PowerHA SystemMirror Enterprise Edition Metro Mirror for SVC	86
Configuring PowerHA SystemMirror Enterprise Edition Metro Mirror for SVC	87
Changing an PowerHA SystemMirror Enterprise Edition for Metro Mirror SVC configuration	92
Troubleshooting PowerHA SystemMirror Enterprise Edition for Metro Mirror for SVC	95
Disaster recovery management with EMC SRDF replication.	97
EMC SRDF concepts	98
Planning for SRDF replication	100
Installing SRDF filesets	103
Configuring SRDF replicated resources	104
Changing SRDF replicated resources	106
Removing a SRDF replicated resource	107
Hitachi Truecopy/HUR replication resources	107

Overview of Truecopy/HUR Management	107
Planning for Truecopy/HUR Management	108
Configuring volume groups and filesystems on Truecopy/HUR protected disks	110
Installing Truecopy management filesets	112
Configuring Truecopy/HUR resources	113
Changing Truecopy/HUR-Managed replicated resource	115
Removing Truecopy/HUR-Managed replicated resource	115
XIV Remote Mirror replication resources	116
XIV Remote Mirror concepts	116
Planning for XIV Remote Mirror	117
Installing XIV Remote Mirror	118
Configuring XIV Remote Mirror	118
HyperSwap for PowerHA SystemMirror	124
HyperSwap for PowerHA SystemMirror concepts	124
Planning for HyperSwap for PowerHA SystemMirror	137
Installing HyperSwap for PowerHA SystemMirror	140
Configuring HyperSwap for PowerHA SystemMirror	140
Managing mirror groups for HyperSwap	151
Troubleshooting HyperSwap configurations	155
Configuring Fibre Channel disks	157
Troubleshooting manual recovery for storage subsystems	158

Notices 159

Privacy policy considerations	161
Trademarks	161

Index 163

About this document

This document describes the steps that are required to plan, install, and configure different types of replicated recourses to work in your environment with PowerHA[®] SystemMirror[®] Enterprise Edition for AIX[®].

Highlighting

The following highlighting conventions are used in this document:

Bold	Identifies commands, subroutines, keywords, files, structures, directories, and other items whose names are predefined by the system. Also identifies graphical objects such as buttons, labels, and icons that the user selects.
<i>Italics</i>	Identifies parameters whose actual names or values are to be supplied by the user.
Monospace	Identifies examples of specific data values, examples of text similar to what you might see displayed, examples of portions of program code similar to what you might write as a programmer, messages from the system, or information you should actually type.

Case-sensitivity in AIX

Everything in the AIX operating system is case-sensitive, which means that it distinguishes between uppercase and lowercase letters. For example, you can use the **ls** command to list files. If you type **LS**, the system responds that the command is not found. Likewise, **FILEA**, **FiLea**, and **filea** are three distinct file names, even if they reside in the same directory. To avoid causing undesirable actions to be performed, always ensure that you use the correct case.

ISO 9000

ISO 9000 registered quality systems were used in the development and manufacturing of this product.

Related information

- The PowerHA SystemMirror PDF documents are available in the PowerHA SystemMirror 7.2 PDFs topic.
- The PowerHA SystemMirror release notes are available in the PowerHA SystemMirror 7.2 release notes topic.

Storage-based high availability and disaster recovery for PowerHA SystemMirror Enterprise Edition

This information describes the necessary steps to plan, install, configure, and maintain Metro Mirror, Global Mirror, SRDF management replicated resources, HyperSwap[®], and Hitachi Truecopy/HUR management.

What's new in Storage-based high availability and disaster recovery for PowerHA SystemMirror Enterprise Edition for AIX

Read about new or significantly changed information for the storage-based high availability disaster recovery topic collection.

How to see what's new or changed

In this PDF file, you might see revision bars (|) in the left margin that identify new and changed information.

January 2018

Added a note in the Installing the XCLI topic.

December 2016

Added information that the `/opt/ibm/dscli/profile/dscli.profile` file must not contain the DSCLI password in the PowerHA SystemMirror implementation for Global Mirroring topic.

DS8000 PPRC replication resources

DS8000[®] series of products belong to IBM[®] System Storage[®] (DS) Family Storage Solutions. System Storage family products provide for an a robust, highly scalable storage solution. These products provide for rich set of storage management functions and additionally support both data mirroring for both shorter distances (100 to 200 KMs) and longer distances (1000's of KMs).

Shorter distance mirroring is typically performed synchronously and is called Metro mirroring. Longer distance mirroring is performed asynchronously and is called Global Mirror. For the DS8000 storage family you can use mirroring with PowerHA SystemMirror Enterprise Edition to provide High Availability and Disaster Recovery Solution across sites.

Metro Mirror

Review the following information provides to plan, install, configure, and maintain the PowerHA SystemMirror Enterprise Edition for Metro Mirror (previously known as Synchronous PPRC).

Overview of PowerHA SystemMirror Enterprise Edition for Metro Mirror

PowerHA SystemMirror Enterprise Edition for synchronous Peer-to-Peer Remote Copy (PPRC), now known as and referred to as Metro Mirror increases data availability for IBM TotalStorage volumes that use to copy data to a remote site for disaster recovery purposes.

PowerHA SystemMirror Enterprise Edition for Metro Mirror takes advantage of the following components to reduce downtime and recovery time during disaster recovery:

- PowerHA SystemMirror cluster management

- PPRC fallover and fallback functions
- Optional components:
 - DSCLI PPRC support
 - SAN Volume Controller (SVC) PPRC support

Prerequisites

Before using PowerHA SystemMirror Enterprise Edition for Metro Mirror documentation, you should be familiar with:

- PowerHA SystemMirror installation and administration
- General background and Metro Mirror support for the type of implementation you intend to configure:
 - Direct management PPRC (ESS systems)
 - DSCLI PPRC (ESS or DS systems)
 - San Volume Controller (SVC) PPRC

PowerHA SystemMirror Enterprise Edition for Metro Mirror features:

PowerHA SystemMirror Enterprise Edition for Metro Mirror extends PowerHA SystemMirror cluster management for highly available applications and servers to support the disaster recovery mechanism supplied by PPRC.

PPRC is a hardware mirroring technique that the IBM TotalStorage Enterprise Storage Server[®] uses to replicate data. It allows mirroring to be suspended and restarted without affecting data integrity.

For all types of Metro Mirror support, PowerHA SystemMirror helps to manage PPRC instances. Direct management PPRC is the longest-running type of support through PowerHA SystemMirror Enterprise Edition, designed to provide basic PPRC management for ESS systems. In response to demand for simpler management interfaces, PowerHA SystemMirror also provides more automated PPRC management (notably in the area of path and instance (pair) creation) via the following configurations:

- DSCLI management for PowerHA SystemMirror Enterprise Edition Metro Mirror allows additional flexibility by supporting both ESS and DS storage subsystems with the same interface.
- SAN Volume Controller (SVC) Management for PowerHA SystemMirror Enterprise Edition Metro Mirror provides storage virtualization and an additional layer of disaster recovery via the SVC cluster and hardware configuration.

In general, the styles of Metro Mirror support mentioned above (DSCLI and SVC) are intended to make Metro Mirror management easier to install and manage. Direct management PPRC has the advantage of *not* having "middle man" software and hardware to maintain, but, in exchange, there is a relatively heavy amount of configuration and maintenance tasks for the administrator.

High Availability and Disaster Recovery Support Features

PowerHA SystemMirror Enterprise Edition for Metro Mirror provides high availability and disaster recovery with:

- Automatic fallover of PPRC-protected volume pairs between nodes within a site
- Automatic fallover of PPRC-protected volume pairs between sites
- Automatic recovery/reintegration of PPRC-protected volume pairs between sites
- Support for user-defined policy-based resource groups
- Support for the following Inter-Site Management Policies for resource groups:
 - Prefer Primary Site
 - Online on Either Site
- Support for the Subsystem Device Driver Path Control Module (SDDPCM).

- Support for cluster verification and synchronization
- Support for C-SPOC for cluster administration.

PPRC mirroring:

PPRC is a mirroring technique used to maintain consistent copies of data across two ESS systems that are at different locations. It mirrors at the disk subsystem level, making it transparent to hosts. PPRC is also called Remote Copy and Mirror.

The three types of remote copy and mirror are:

- **Metro Mirror**
Synchronous mirroring
- **Global Mirror**
Asynchronous mirroring
- **Global Copy**
Extended Distance mirroring

In this topic collection, the term PPRC is synonymous with synchronous mirroring.

Disk subsystems:

IBM TotalStorage Disk subsystems (Enterprise Storage System - ESS, or DS) are large disk subsystems that are typically configured to provide RAID-5 and RAID-10 volumes. They contain two System p servers connected to the system backplane to manage and monitor the system.

The disk drives are configured to provide groups of logical disks that are divided into partitions. A data partition in a disk group is referred to as a volume. Each volume is associated with a logical unit number (LUN) that is a subdivision of the physical disk on a storage system.

The disk subsystems have connections to:

- System p (or other) host servers over SCSI or Fibre Channel links
- Other disk subsystems over ESCON or Fibre Channel links. (PPRC uses these physical links to mirror data.)
- ESSNet, the local management Ethernet network for the ESS
Commands sent over this network configure and manage PPRC through ESS Copy Services.
- Nodes that access stored data.

Note: PowerHA SystemMirror Enterprise Edition for Metro Mirror requires that inter-storage links be available to carry data in both directions at the same time. If ESCON links are used, a minimum of two ESCON links is required because each link can carry data in only one direction at a time. You should have at least four links to improve throughput and to provide redundancy of the ESCON cables and adapters.

PPRC overview:

When PPRC is activated, it establishes a mirror between specified volumes on two storage systems. The PPRC mirrored volumes are referred to as a *PPRC pair*, *instance*, or as a *PPRC-protected volume*.

PPRC can mirror data in one of two ways:

- Synchronous mirroring provides concurrent copy over ESCON links. This is supported by PowerHA SystemMirror Enterprise Edition .
Note that ESCON links transmit data in one direction and have distance limitations.

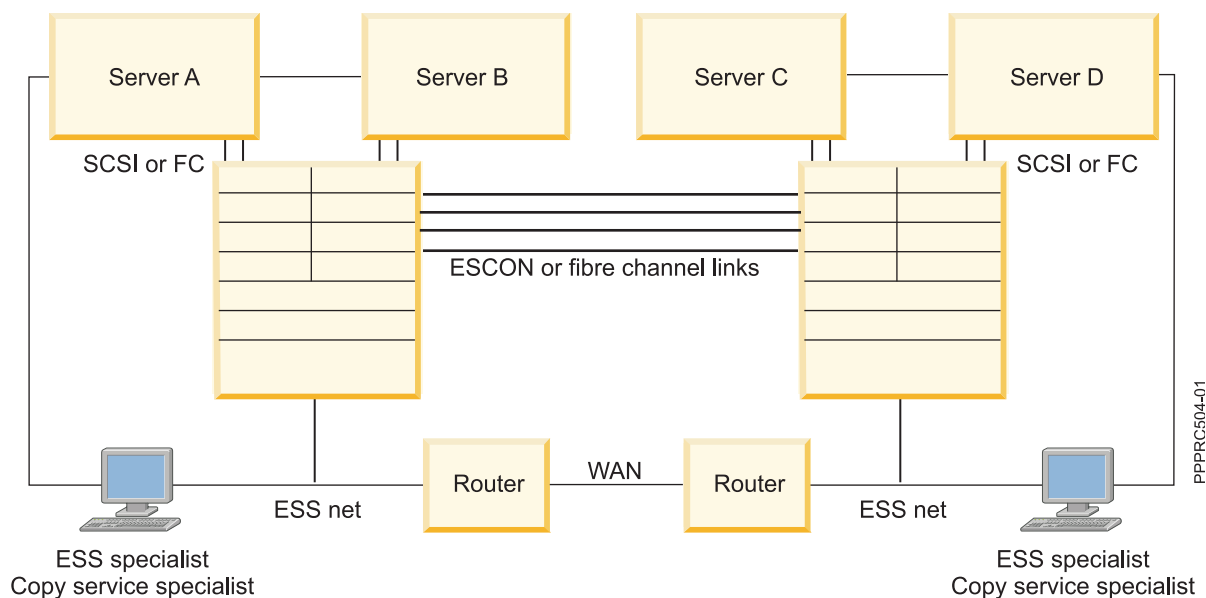
- Non-synchronous mirroring, also called Global Mirror mirroring, provides copying over longer distances. Extended distance mirroring ensures that volumes are consistent with each other at a point-in-time. This method is not supported in PowerHA SystemMirror Enterprise Edition.

Note: FlashCopy® is an optional feature on the ESS. It is an instant (point-in-time) copy of the data.

Hardware configuration for PPRC mirroring

The following illustrations show sample hardware configurations that support PPRC-mirroring. The illustrations also show the connections from the ESS to:

- Nodes over SCSI or Fibre Channel connections
- Fibre channel or ESCON links that connect the two ESS systems to mirror data
- The ESS Specialist and ESS Copy Services Specialist over ESSNet and a wide-area network (WAN) that joins the two ESSNets.



Optional Metro Mirror configurations:

These topics are a light overview of each of the optional PowerHA SystemMirror Enterprise Edition for Metro Mirror configurations available.

DSCLI management:

DSCLI management is one type of optional configuration of PowerHA SystemMirror Enterprise Edition for Metro Mirror. It provides a simplified PPRC interface for both the ESS and DS storage hardware.

The DSCLI interface provides simplified management of PPRC paths and instances in the following manners:

- Provides a simplified interface to IBM TotalStorage PPRC services on ESS or DS storage systems in order to allow management and reporting on PPRC instances and paths.
- Monitors the status of PPRC relationships and consistency groups between the volumes being mirrored. It reports any change in status, such as a volume moving to an offline state.

The DSCLI client software interfaces with the ESSNI server on the HMC, SMC or controller connected to the storage to which the DSCLI client is connected.

The following list highlights a few of the specific types of functions that you can perform with the DS command-line interface:

- Check and verify your storage unit configuration.
- Check the current Copy Services configuration that is used by the storage unit.
- Create new logical storage and Copy Services configuration settings.
- Modify or delete logical storage and Copy Services configuration settings.

For more information on DSCLI configuration, refer to the current DSCLI online or otherwise published documentation:

(http://publib.boulder.ibm.com/infocenter/dsichelp/ds8000ic/index.jsp?topic=/com.ibm.storage.ssic.help.doc/f2c_cliesscli_1kx2so.html)

Related concepts:

“PowerHA SystemMirror Enterprise Edition for Metro Mirror with DSCLI management” on page 38
These topics describe the planning, installation and configuration tasks for PowerHA SystemMirror Enterprise Edition for Metro Mirror with DSCLI management, from here on referred to as DSCLI management. DSCLI management simplifies how you manage PPRC replicated resources on IBM TotalStorage systems and how you can integrate PPRC replicated resources into an PowerHA SystemMirror configuration.

Related information:

dscli command

SVC management:

SVC management is another optional configuration of PowerHA SystemMirror Enterprise Edition for Metro Mirror.

SVC provides both storage virtualization and PPRC management services in the following ways:

- Provides virtualized storage that interfaces with the TotalStorage PPRC services to provide management services and reporting for PPRC relationships (instances,) and consistency groups.
- Monitors the status of PPRC relationships and consistency groups between the volumes being mirrored. It reports any change in status, such as a volume moving to an offline state.
- Responds to a site failure (or possible site failure), by suspending all mirroring, and, if necessary, activating the mirror copy at the backup site for host access. All data changes are tracked until the mirrors can be synchronized again.
- Synchronizes the volumes.

Related concepts:

“SVC replication resources” on page 79

These topics present information for planning, installing, and configuring an PowerHA SystemMirror Enterprise Edition Metro Mirror for SAN Volume Controller (SVC) cluster.

PowerHA SystemMirror Enterprise Edition for Metro Mirror in an PowerHA SystemMirror cluster:

PowerHA SystemMirror Enterprise Edition for Metro Mirror allows you to include PPRC-mirrored volumes in an PowerHA SystemMirror cluster.

This requires two PowerHA SystemMirror sites—an PowerHA SystemMirror component to which you assign nodes. Cluster nodes access the same shared volume groups, but the nodes at each site access them from different physical volumes—the two volumes in a single PPRC pair. This is different from a single-site PowerHA SystemMirror environment, in which all cluster nodes sharing volume groups have physical connections to the same set of disks.

PPRC replicated resources:

A PPRC replicated resource is an PowerHA SystemMirror resource that manages a PPRC pair (has a primary and secondary instance that is copied from one site to another). The managing resource group definition includes the volume groups and filesystems built on top of the volume groups defined to a PPRC replicated resource.

PowerHA SystemMirror Enterprise Edition for Metro Mirror supports three types of replicated resources:

- *Direct management PPRC replicated resources.* A PPRC replicated resource is a PPRC pair associated with an PowerHA SystemMirror site that is included in an PowerHA SystemMirror cluster. The definition for a PPRC replicated resource contains a volume identifier and the name of the associated ESS. PowerHA SystemMirror has knowledge of which volumes are mirrors of each other for each PPRC replicated resource. Synchronous mirroring is supported.
- *DSCLI-managed PPRC replicated resources.* A DSCLI-managed PPRC replicated resource is a definition of a set of volume pairs and the paths needed to communicate between them. The resource group definition includes the volume groups built on top of the PPRC replicated volumes. Synchronous mirroring is supported.
- *SVC-managed PPRC replicated resources.* An SVC-managed PPRC replicated resource contains the SVC virtual disk (vDisk) volume pair information combined with the SVC Cluster name bundled in PPRC relationships and consistency group. Synchronous mirroring is supported.

Resource groups that include PPRC replicated resources:

An PowerHA SystemMirror resource group is a collection of resources that comprise the operating environment for an application. Applications, as resources in a resource group, are made highly available.

Resource group management policies direct which node hosts the resource group during normal operation and when the host node fails or goes offline. With PowerHA SystemMirror Enterprise Edition for Metro Mirror, resource group configuration is the same as for other resource groups. In addition, the resource group includes

- A shared volume group and the PPRC replicated resources associated with the individual volumes in the volume group
- An intersite management policy to handle a resource group during site recovery.

Limitations and restrictions on resource groups that include PPRC replicated resources

Refer to the section for the PowerHA SystemMirror Enterprise Edition Metro Mirror configuration you are implementing for additional Limitations lists. In general, the following restrictions apply to PowerHA SystemMirror resource groups that will manage PPRC replicated resources because of the way that PPRC instances are managed (i.e. source site nodes will have I/O access, target site nodes will not.) The outcome of this is that any PowerHA SystemMirror policy that allows a resource group to come online on more than one site at a time is not supported:

- Inter-Site Management Policy **Online Both Sides** is not supported.
- Startup Policies of **Online Using Distribution Policy** and **Online on All Available Nodes** are not supported.
- Fallover Policy **Fallover Using Dynamic Node Priority** is not supported.

Related information:

Planning guide

PowerHA SystemMirror sites:

PowerHA SystemMirror Enterprise Edition for Metro Mirror support requires the use of sites. PowerHA SystemMirror supports two sites. The primary site is the active site, and the secondary site is the standby site.

The Inter-Site Management Policy for a resource group directs how a resource group and its resources fall over in response to an outage, and how they fall back if configured to do so. For each resource group, one site is an active production site and the other a backup site. If the nodes at the active production site become unavailable, the backup site becomes the active production site.

For non direct-management types of PowerHA SystemMirror Enterprise Edition for Metro Mirror support (DSCLI, SVC PPRC), each site contains at least one storage system and the nodes attached to it. For PowerHA SystemMirror Enterprise Edition Direct management environments, each site contains only one ESS.

Resource groups have two types of management policies:

- Resource group management policies determine fallover behavior if a node becomes unavailable.
- Site management policies determine fallover behavior if all of the nodes at a site are *not* available.

Related tasks:

“Configuring PowerHA SystemMirror Enterprise Edition for MetroMirror using DSCLI management” on page 47

These topics explain how to configure the DSCLI management with PowerHA SystemMirror.

Fallover and fallback:

PowerHA SystemMirror Enterprise Edition for Metro Mirror handles the automation of fallover from one site to another in response to an outage at a production site, minimizing recovery time. When a site fails, the resource group configuration determines whether source volumes are accessible from the secondary site.

PowerHA SystemMirror automates application recovery by managing replicated resources defined to PowerHA SystemMirror resource groups in the following manner:

- The fallover of nodes within a site based on node priority (as identified in the nodelist for a resource group)
- The fallover between sites (as specified by the site management policy for a resource group)
- The fallback of a resource group or site as configured.

When an application is running on an active production site:

- Updates to the application data are made to the disks associated with the active production site.
- Data is mirrored using PPRC to the backup disks.

If the node or the disks at the production site become unavailable:

- The application moves to a server at the backup site.
- The application continues operation using the mirrored copy of the data.

When the initial production site becomes active again, resource group and site management policies determine whether or not the application moves back to the previous site:

- The direction of mirroring may be reversed.
- The application may be stopped and restarted on another node.
- Manual intervention may be required to bring the application back to a nominal functioning state.

Related information:

Planning guide

PowerHA SystemMirror Enterprise Edition for Metro Mirror general planning

These topics describe planning tasks required for all the types of PowerHA SystemMirror Enterprise Edition Metro Mirror support.

PowerHA SystemMirror Enterprise Edition for Metro Mirror management types:

PowerHA SystemMirror Enterprise Edition for Metro Mirror supports both synchronous and extended-distance PPRC mirrored volumes. The method used to manage PPRC depends on the hardware configuration available.

Using the table below, you can decide what type of PPRC configuration you will need to manage your cluster.

Mirror type	Hardware Type	PPRC is managed by	How PowerHA SystemMirror manages PPRC pairs
Synchronous	ESS 800, etc.	Copy Services Server (CSS, on storage controller)	Directly manages the fallover and resynchronization of the PPRC pairs by issuing commands directly to the ESS systems. In this book, this is referred to as Direct management. In general, it refers to PPRC between ESS storage systems.
Synchronous	ESS (800) or DS (8000, 6000) or intermix of any of these	DSCLI management, via ESSNI Server on either storage controller or Hardware Management Console (HMC)	Relies on the ESSNI server to manage PPRC pairs. Directly manages the fallover and resynchronization of the PPRC pairs by issuing commands directly to the storage systems. In this book, this is referred to as DSCLI management.
Synchronous	vDisks as provided by SAN Volume Controller. (Hardware as supported by SVC services)	SVC management of PPRC services on SVC-specific hardware	Relies on the Copy Services Server in order to manage PPRC function. Directly manages the fallover and resynchronization of the PPRC pairs by issuing commands directly to the Copy Services Server. In this book, this is referred to as PPRC SVC management.

Coexistence of two solutions

PowerHA SystemMirror Enterprise Edition for Metro Mirror solutions can coexist on the same PowerHA SystemMirror cluster only if the PPRC pairs are managed by one of the PPRC solutions at a time. Please refer to the latest support information for which PPRC solutions can successfully coexist on a single PowerHA SystemMirror cluster.

Planning overview:

Once you have decided what type of PowerHA SystemMirror Enterprise Edition for Metro Mirror implementation to set up, you can begin planning the configuration.

At this stage, you should be familiar with the planning tasks for base PowerHA SystemMirror.

The following planning is required for all PowerHA SystemMirror Enterprise Edition for Metro Mirror implementations:

- Identify sites for PowerHA SystemMirror Enterprise Edition for Metro Mirror.
- Identify the resource groups needed to manage the PPRC replicated resources (*optional* at this point, can be done at a later stage).
- Identify storage systems to be used in the configuration.
- Plan for connections to the storage units.
- Plan the PowerHA SystemMirror Enterprise Edition for Metro Mirror configuration.

Identify the type of PowerHA SystemMirror Enterprise Edition for Metro Mirror support to be used.

Related information:

Planning guide

Planning PowerHA SystemMirror sites:

Within a resource group, the nodes at one site may handle the PPRC replicated resource differently than the nodes at the other site, especially in cases where the states of the volumes (suspended or full duplex) are different at the two sites.

PowerHA SystemMirror Enterprise Edition for Metro Mirror requires two PowerHA SystemMirror sites for use within a resource group to control which volume in a PPRC pair a node can access. Although nodes at both sites can access a volume group, access is permitted to only one volume in a PPRC pair at a time - the source volume. This prevents nodes at different sites from accessing the same volume group at the same time. Typically, a number of volumes are mirrored through PPRC from one site to the other.

Planning PowerHA SystemMirror Enterprise Edition for Metro Mirror resource groups:

In addition to basic resource group planning, you need to plan for resource group attribute such as sites and PPRC replicated resources.

Note: An PowerHA SystemMirror resource group can contain multiple volume groups, file systems, PPRC replicated resources, applications, etc.

When configuring a resource group to use a PPRC replicated resource, the resource group includes nodes in both cluster sites. For the resource group to manage nodes and resources across sites, you assign one of the following inter-site management policies:

- **Prefer Primary Site** . In a two-site configuration, replicated resources at startup are on the site with the highest priority, fall over to the other site, and then fall back to the site with the highest priority.
- **Online on Either Site** . Replicated resources are on either site at startup, fall over to the other site and remain on that site after failover. This selection simplifies resource group takeover rules, which is helpful if you have a number of resource groups.

Note: Each PPRC pair will be included in a resource group whose home node is located at the site that is primary for that PPRC pair.

If you want to set up a mutual recovery configuration for ESS volumes, you configure one resource group in which one site is the active site and another resource group in which the other site is the active site. For an example of a mutual recovery configuration, see *Sample configuration for Direct management*.

Resource group limitations

In PowerHA SystemMirror Enterprise Edition for Metro Mirror configurations, all volume groups in a resource group must contain only PPRC-protected disks.

If PowerHA SystemMirror Enterprise Edition for Metro Mirror is not being used, all volume groups in a resource group must contain only non-PPRC-protected disks.

Each PPRC pair will be included in a resource group whose home node is located at the site that is primary for that PPRC pair.

Related reference:

“Sample configuration for Direct management” on page 18

You can set up a mutual recovery configuration in which each site acts as a production site with the other site acting as an associated backup site.

Related information:

Planning resource groups

Installing PowerHA SystemMirror Enterprise Edition for Metro Mirror

These topics describe how to install base PowerHA SystemMirror Enterprise Edition filesets. Details for installing filesets and prerequisites for specific types of PPRC support are contained in subsequent sections.

Note: At runtime, make sure you have at least 9 MB of free space in the `/tmp` directory. PPRC commands use this directory.

PowerHA SystemMirror Enterprise Edition for Metro Mirror is installed in addition to the PowerHA SystemMirror base filesets.

In order to install PowerHA SystemMirror Enterprise Edition for Metro Mirror, you must install the `cluster.xd.license` fileset in addition to the base PowerHA SystemMirror `cluster.license` fileset.

Related information:

Installation guide

Installation prerequisites for PowerHA SystemMirror Enterprise Edition Metro Mirror:

Before installing PowerHA SystemMirror Enterprise Edition Metro Mirror, be sure to have the necessary base PowerHA SystemMirror filesets installed.

PowerHA SystemMirror Enterprise Edition requires base PowerHA SystemMirror. Base PowerHA SystemMirror can be installed at the same time as PowerHA SystemMirror Enterprise Edition. Installation requisites will ensure the proper version(s) of base PowerHA SystemMirror filesets are installed before installing PowerHA SystemMirror Enterprise Edition.

At least the following base PowerHA SystemMirror filesets should be installed on all cluster nodes:

Note: Fileset versions must reflect the version of PowerHA SystemMirror you are installing.

In addition, refer to the following table for a list of filesets to install for each type of PPRC management support:

PPRC management type	Filesets to install
Direct management	<code>cluster.es.pprc.cmds</code> <code>cluster.es.pprc.rte</code> <code>cluster.msg.en_US.pprc</code> (and other appropriate language message sets)
DSCLI	<code>cluster.es.pprc.cmds</code> <code>cluster.es.pprc.rte</code> <code>cluster.es.spprc.cmds</code> <code>cluster.es.spprc.rte</code> <code>cluster.msg.en_US.pprc</code> (and other appropriate language message sets)
SAN Volume Controller (SVC)	<code>cluster.es.svcpprc.cmds</code> <code>cluster.es.svcpprc.rte</code> <code>cluster.msg.en_US.svcpprc</code> (and other appropriate language message sets)

Since each type of PPRC management has different prerequisites, information on installing the particular filesets for specific support types (for example, `cluster.es.pprc` filesets) is deferred to the section specific to that PPRC management type.

Note: For the latest information about PowerHA SystemMirror Enterprise Edition software, see the Release Notes in the /usr/es/sbin/cluster/release_notes_xd file.

Related concepts:

“PowerHA SystemMirror Enterprise Edition for Metro Mirror with Direct management” on page 17
These topics describe the planning, installation, and configuration tasks for setting up PowerHA SystemMirror Enterprise Edition for Metro Mirror with Direct management. Using this method, PowerHA SystemMirror directly manages PPRC pairs by communicating with the ESS Copy Services Server.

“PowerHA SystemMirror Enterprise Edition for Metro Mirror with DSCLI management” on page 38
These topics describe the planning, installation and configuration tasks for PowerHA SystemMirror Enterprise Edition for Metro Mirror with DSCLI management, from here on referred to as DSCLI management. DSCLI management simplifies how you manage PPRC replicated resources on IBM TotalStorage systems and how you can integrate PPRC replicated resources into an PowerHA SystemMirror configuration.

“SVC replication resources” on page 79

These topics present information for planning, installing, and configuring an PowerHA SystemMirror Enterprise Edition Metro Mirror for SAN Volume Controller (SVC) cluster.

Contents of the installation media:

The PowerHA SystemMirror Enterprise Edition for Metro Mirror installation media provides the images for installation on each node in the cluster that can take over a PPRC mirrored volume group.

These images include:

Filesets for base install

- **cluster.es.pprc**
- **cluster.es.spprc**
- **cluster.es.svcpprc**

Direct management and DSCLI message sets

- **cluster.msg.ja_JP.pprc**
- **cluster.msg.en_US.pprc**
- **cluster.msg.Ja_JP.pprc**
- **cluster.msg.En_US.pprc**

SVC PPRC message sets

- **cluster.msg.ja_JP.svcpprc**
- **cluster.msg.en_US.svcpprc**
- **cluster.msg.Ja_JP.svcpprc**
- **cluster.msg.En_US.svcpprc**

User Documentation for all Management Types

- **cluster.doc.en_US.pprc**

PowerHA SystemMirror Enterprise Edition for Metro Mirror installation choices:

Install the PowerHA SystemMirror Enterprise Edition for Metro Mirror software on each cluster node (server).

Installing from an installation server:

To install the PowerHA SystemMirror Enterprise Edition for Metro Mirror software in a cluster environment, you can create an PowerHA SystemMirror Enterprise Edition for Metro Mirror installation server (containing the PowerHA SystemMirror Enterprise Edition for Metro Mirror software images for installation) on one node and then load the images onto the remaining cluster nodes. This is the fastest way to install PowerHA SystemMirror Enterprise Edition for Metro Mirror.

PowerHA SystemMirror Enterprise Edition for Metro Mirror supports the Network Installation Management program and Alternate Disk Migration.

Related information:

AIX installation and migration

Network installation management

Installing from a hard disk:

To install PowerHA SystemMirror Enterprise Edition for Metro Mirror software from your hard disk, you copy the software from the installation media to the hard disk prior to installation.

To copy the PowerHA SystemMirror Enterprise Edition for Metro Mirror software to your hard disk:

1. Place the PowerHA SystemMirror Enterprise Edition for Metro Mirror CD into the CD-ROM drive.
2. Enter `smit bffcreate`

The **Copy Software to Hard Disk for Future Installation** panel appears.

3. Enter the name of the CD-ROM drive in the **INPUT device / directory for software** field and press Enter.

If you are unsure of the input device name, press F4 to list available devices. Select the correct drive and press Enter. That drive name appears in the **INPUT device / directory** field as the valid input device.

4. Press Enter to display the **Copy Software to Hard Disk for Future Installation** panel.
5. Enter field values as follows:

Table 1. Copy Software to Hard Disk for Future Installation fields

Field	Value
SOFTWARE name	Press F4 for a software listing. Install the images for PowerHA SystemMirror Enterprise Edition for Metro Mirror. For a list of the PowerHA SystemMirror Enterprise Edition for Metro Mirror images, see the section Contents of the installation media.
DIRECTORY for storing software	Change the value to the storage directory that all nodes using PowerHA SystemMirror Enterprise Edition for Metro Mirror can access.

6. Enter values for the other fields as appropriate for your site.
7. When you are satisfied with the entries, press Enter.
SMIT responds: **Are you sure?**
8. Press Enter again to copy the software.

Installing PowerHA SystemMirror Enterprise Edition for Metro Mirror from the Hard Disk

After the PowerHA SystemMirror Enterprise Edition for Metro Mirror software is on your system, follow the instructions in the section Installing the software from the installation media to install the software.

Related tasks:

“Installing the software from the installation media” on page 13

If you install the PowerHA SystemMirror Enterprise Edition for Metro Mirror software from the CD-ROM, install the software directly onto each cluster node.

Related reference:

“Contents of the installation media” on page 11

The PowerHA SystemMirror Enterprise Edition for Metro Mirror installation media provides the images for installation on each node in the cluster that can take over a PPRC mirrored volume group.

Installing the software from the installation media:

If you install the PowerHA SystemMirror Enterprise Edition for Metro Mirror software from the CD-ROM, install the software directly onto each cluster node.

To install the PowerHA SystemMirror Enterprise Edition for Metro Mirror software on a server node:

1. If you are installing directly from the installation media, insert the CD into the CD-ROM drive.
2. Enter `smit install_all`
SMIT displays the first **Install and Update from ALL Available Software** panel.
3. Enter the device name of the installation media or install directory in the **INPUT device / directory for software** field and press Enter.
If you are unsure about the input device name or about the install directory, press F4 to list the available devices. Then select the correct device or directory and press Enter. The correct value is entered into the **INPUT device / directory** field as the valid input device.
4. Enter field values as follows. Press F1 for help on any field.

Note: You should use F4 to list the software before proceeding with the installation. This way you can install either the English or the Japanese message catalogs.

Table 2. INPUT device / directory fields

Field	Value
INPUT device / directory for software	This field shows the device or directory you specified earlier.
SOFTWARE to install	Press F4 for a software listing. In the software list, use the arrow keys to locate all software filesets associated with an image. Next press F7 to select either an image or a fileset. Then press Enter after making all selections. Your selections appear in this field.
PREVIEW only?	If set to yes , the preview option checks and verifies that installation prerequisites are met, for instance that required software is installed and sufficient disk space is available. Press F1 for details. When you are ready to perform the actual installation, set this field to no .
COMMIT software updates?	This field applies only when you install software updates (PTFs). See the F1 help for details.
SAVE replaced files?	This field applies only when you install software updates (PTFs). If you select no in response to commit software updates? select yes for this field. See F1 help for details.
AUTOMATICALLY install requisite software	Set this field to no if the prerequisite software for the latest version is already installed or if the OVERWRITE same or newer versions? field is set to yes ; otherwise, set this field to yes to install required software. See F1 help for details.
EXTEND filesystems if space needed?	Select yes if you have adequate hard disk space, no if you have limited space. See F1 help for details.
OVERWRITE same or newer versions?	For new installations, leave this field set to no . Set it to yes if you are reinstalling the software. If you set this field to yes , set the Automatically install requisite software field to no . See the F1 help for details.

Table 2. INPUT device / directory fields (continued)

Field	Value
VERIFY install and check file sizes?	Select yes if you want the system to perform some checks on the software you installed. See F1 help for details.
DETAILED output?	Select yes if you want a detailed log of all installation messages.
Process multiple volumes?	Select this option if you want to enable the processing of multiple-volume CDs. See F1 for information.
ACCEPT new license agreements?	Select yes for this item to proceed with installation. If you choose no , installation may stop with a warning that one or more filesets require software license agreements. You accept the license agreement only once for each node.
Preview new license agreements?	Select yes to view the text of the license agreements. The text appears in the current window in the language defined on your system.

5. When you are satisfied with the entries, press Enter.
SMIT responds **Are you sure?**
6. Press Enter to install the software.
7. After you install the software on a node, reboot that node.

Read the PowerHA SystemMirror Enterprise Edition for Metro Mirror Release Notes in the /usr/es/sbin/cluster/release_notes_xd file for information that does not appear in the product documentation.

After you successfully install the software on each cluster node, you are ready to configure PowerHA SystemMirror Enterprise Edition for Metro Mirror for one of the following management types:

- Direct management
- DSCLI
- SVC PPRC

Related concepts:

“PowerHA SystemMirror Enterprise Edition for Metro Mirror with Direct management” on page 17
These topics describe the planning, installation, and configuration tasks for setting up PowerHA SystemMirror Enterprise Edition for Metro Mirror with Direct management. Using this method, PowerHA SystemMirror directly manages PPRC pairs by communicating with the ESS Copy Services Server.

“PowerHA SystemMirror Enterprise Edition for Metro Mirror with DSCLI management” on page 38
These topics describe the planning, installation and configuration tasks for PowerHA SystemMirror Enterprise Edition for Metro Mirror with DSCLI management, from here on referred to as DSCLI management. DSCLI management simplifies how you manage PPRC replicated resources on IBM TotalStorage systems and how you can integrate PPRC replicated resources into an PowerHA SystemMirror configuration.

“SVC replication resources” on page 79

These topics present information for planning, installing, and configuring an PowerHA SystemMirror Enterprise Edition Metro Mirror for SAN Volume Controller (SVC) cluster.

Related reference:

“Contents of the installation media” on page 11

The PowerHA SystemMirror Enterprise Edition for Metro Mirror installation media provides the images for installation on each node in the cluster that can take over a PPRC mirrored volume group.

Upgrading to latest release of PowerHA SystemMirror Enterprise Edition:

These topics discuss how to upgrade to the latest release of the PowerHA SystemMirror Enterprise Edition for Metro Mirror software.

Upgrading the PowerHA SystemMirror Enterprise Edition software:

Before you upgrade to a new release of PowerHA SystemMirror Enterprise Edition for Metro Mirror, make sure you are familiar with the process for installing and configuring PowerHA SystemMirror Enterprise Edition.

See the section Installing the software from the installation media.

- Make sure that your system meets the installation prerequisites. See the section Installation prerequisites for PowerHA SystemMirror Enterprise Edition Metro Mirror.
- Ensure that each cluster node has its own PowerHA SystemMirror Enterprise Edition license.
- The PowerHA SystemMirror Enterprise Edition software uses 1 MB of disk space.
- Perform the installation process as the root user.

Before upgrading your cluster:

1. Archive any localized script and configuration files to prevent losing them during an upgrade.
2. Commit the installation (if it is applied but *not* committed) so that the PowerHA SystemMirror software can be installed over the existing version. To see if your configuration is already committed, enter: `lslpp -h cluster.*`
3. If the word COMMIT is displayed under the Action header, continue to the next step.
If not, run the `smit install_commit` utility before installing the latest version software. SMIT displays the **Commit Applied Software Updates (Remove Saved Files)** panel.
4. Enter field values as follows:

Table 3. Commit Applied Software Updates (Remove Saved Files) fields

Field	Value
SOFTWARE name	Press F4 for a software listing, and select all of the cluster.* filesets.
COMMIT old version if above version used it?	Set this field to yes .
EXTEND filesystem if space needed?	Set this field to yes .

5. Make a **mksysb** backup of each node's configuration.
If you restore a **mksysb** backup onto your system, you need to reset the SCSI IDs on the system.
6. Save any customized event information.

Note: When upgrading do *not* leave the cluster at mixed versions for long periods. Mixed versions of the software in the cluster can impact availability within the cluster.

For information about installing the latest software, see the section Installing the software from the installation media. The PPRC filesets must be upgraded at the same time as the other cluster filesets.

Related tasks:

“Installing the software from the installation media” on page 13

If you install the PowerHA SystemMirror Enterprise Edition for Metro Mirror software from the CD-ROM, install the software directly onto each cluster node.

Related reference:

“Installation prerequisites for PowerHA SystemMirror Enterprise Edition Metro Mirror” on page 10

Before installing PowerHA SystemMirror Enterprise Edition Metro Mirror, be sure to have the necessary base PowerHA SystemMirror filesets installed.

Verifying the upgraded cluster definition:

After the PowerHA SystemMirror Enterprise Edition for Metro Mirror software is installed on all nodes, and all nodes have been rebooted, you should verify the configuration. Verification provides errors or warnings to ensure that the cluster definition is the same on all nodes.

To verify the cluster:

1. From the command line, enter `smit sysmirror`.
2. From the SMIT interface, select **Cluster applications and resources > Verify and synchronise cluster configurations**, and press Enter.

Verification verifies both PowerHA SystemMirror and PowerHA SystemMirror Enterprise Edition for Metro Mirror configuration.

Note: You cannot synchronize a mixed-version cluster. New functionality is available only when all nodes have been upgraded and the cluster has been synchronized. Do not expect commands like `clfindres` to supply correct information in a mixed cluster.

Recovering from a failed installation:

When you install PowerHA SystemMirror Enterprise Edition, the `cl_convert` command runs automatically to convert the PowerHA SystemMirror configuration database from a previous release to that of the current release. If the installation fails, run `cl_convert` from the command line to convert the database.

In a failed conversion, run `cl_convert` using the `-F` flag.

To run a conversion utility requires:

- Root user privileges
- PowerHA SystemMirror Enterprise Edition version from which you are converting

The `cl_convert` utility logs conversion progress to the `/tmp/clconvert.log` file so that you can gauge conversion success. This log file is regenerated each time `cl_convert` or `clconvert_snapshot` runs.

Related information:

PowerHA SystemMirror commands

Modifying previous cluster snapshots:

After you upgrade your PowerHA SystemMirror Enterprise Edition software to the latest version, you may want to restore one or more of the previous version cluster snapshots you created using the Cluster Snapshot utility.

The default directory path for storage and retrieval of a snapshot is `/usr/es/sbin/cluster/snapshots`; however, you may have specified an alternate path using the `SNAPSHOTPATH` environment variable. Check in these locations before using the `/usr/es/sbin/cluster/conversion/clconvert_snapshot` utility to convert the snapshot.

The snapshot is based on your full PowerHA SystemMirror configuration - including the configuration to include PPRC replicated resources in a cluster. The `clconvert_snapshot` utility updates PowerHA SystemMirror configuration data with new information for the latest version.

To convert and apply a cluster snapshot, enter:

```
clconvert_snapshot -v version# -s snapshot_file_name
```


Where the **-s** flag is used with the snapshot file name you want to update or apply, and the **-v** flag is used with the version of the saved snapshot.

Related information:

Saving and restoring cluster configurations

Addressing problems during the installation:

If you experience problems during the installation, the installation program usually performs a cleanup process automatically.

If, for some reason, the cleanup is *not* performed after an unsuccessful installation:

1. Enter `smit install` to display the Installation and Maintenance menu.
2. Select **Install and Update Software**.
3. Select **Clean Up After a Interrupted Installation**.
4. Review the SMIT output (or examine the `/smit.log` file) for the cause of the interruption.
5. Fix any problems and repeat the installation process.

PowerHA SystemMirror Enterprise Edition for Metro Mirror with Direct management

These topics describe the planning, installation, and configuration tasks for setting up PowerHA SystemMirror Enterprise Edition for Metro Mirror with Direct management. Using this method, PowerHA SystemMirror directly manages PPRC pairs by communicating with the ESS Copy Services Server.

PowerHA SystemMirror Enterprise Edition for Metro Mirror with Direct management is the oldest type of PPRC support PowerHA SystemMirror provides. It has the simplest hardware configuration, but requires more work on the administrator's part to set up.

Briefly, PowerHA SystemMirror provides support for direct management of ESS PPRC by managing specified pair and path tasks as defined by the user on their ESS storage systems Copy Services Server (CSS). PowerHA SystemMirror provides monitoring, failover and fallback support for PPRC by issuing commands directly to the CSS via the ESS CLI interface.

Direct management can be used to support PPRC between ESS 800 storage systems.

Planning for Direct management:

You should be familiar with the planning tasks for PowerHA SystemMirror.

You should have completed the planning steps in Metro Mirror general planning for PowerHA SystemMirror sites, at least.

To continue the plan for an PowerHA SystemMirror Enterprise Edition for Metro Mirror with Direct management environment:

- Plan for connections to the ESS
- Plan for ESS Copy Services
- Plan the PowerHA SystemMirror Enterprise Edition for Metro Mirror configuration:
 - Identify ESS systems to be included
 - Identify which resource groups will contain the PPRC replicated resources
- Identify PPRC replicated resources and provide information about the associated volumes
- (*Optional*) Plan for any user-specific PPRC tasks.

Related concepts:

“PowerHA SystemMirror Enterprise Edition for Metro Mirror general planning” on page 7
These topics describe planning tasks required for all the types of PowerHA SystemMirror Enterprise Edition Metro Mirror support.

Related information:

Planning guide

Planning prerequisites for Direct management:

PowerHA SystemMirror Enterprise Edition PPRC with Direct management manages PPRC resources by communicating with the Copy Services Server (CSS) on ESS systems via the ESS CLI.

Accordingly, prior to configuring Direct management, ensure the following:

- The version of the ESS CLI shipped with the microcode for your storage system has been installed on all PowerHA SystemMirror cluster nodes.
- You have access to the ESS Copy Services Web Interface for the storage systems involved in your configuration.

You can only use enhanced concurrent volume groups with PPRC.

The ESS Copy Services Web Interface provides a configuration interface for setting up Direct management PPRC.

Related reference:

“Installation prerequisites for Direct management” on page 24
There are some installation prerequisites for Direct management.

Related information:

 IBM TotalStorage Enterprise Storage Server: Web Interface User's Guide

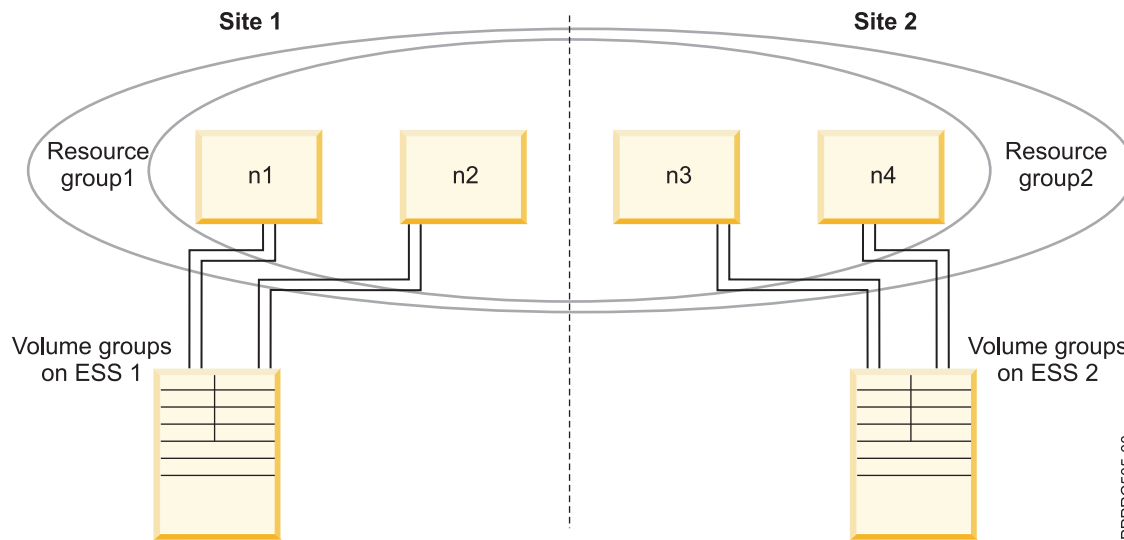
Sample configuration for Direct management:

You can set up a mutual recovery configuration in which each site acts as a production site with the other site acting as an associated backup site.

Implementing a mutual recovery configuration requires:

- Two PowerHA SystemMirror sites (the same as for a single recovery configuration)
- Two resource groups.

The following figure shows a mutual recovery configuration with two resource groups in which Site_2 is the production site with Site_1 as the recovery site for Resource Group 2, and Site_1 is the production site with Site_2 as the recovery site for Resource Group 1. In Resource Group 1 the nodes n1 and n2 have a higher priority, and in Resource Group 2 the nodes n3 and n4 have a higher priority. The volume groups in both resource groups are included in PPRC replicated resources.



The order of the nodes in each resource group's nodelist indicates which site is considered to be the production site and which site is considered to be the backup site for that resource group. The site that includes the nodes with the highest priority is considered the production site for the resource group.

In the preceding example, the configuration for resource group 1 would be:

Table 4. Sample configuration for resource group 1

Field	Value
Ordered sitelist	Site_1, Site_2
Primary volume	volume100@ESS_1 (mirrored volume on ESS_1)
Secondary volume	volume200@ESS_2 (mirrored volume on ESS_2)
Ordered nodelist	n1, n2, n3, n4

In the preceding example, the configuration for resource group 2 would be:

Table 5. Sample configuration for resource group 2

Field	Value
Ordered sitelist	Site_2, Site_1
Primary volume	volume210@ESS_2 (mirrored volume on ESS_2)
Secondary volume	volume110@ESS_1 (mirrored volume on ESS_1)
Ordered nodelist	n3, n4, n1, n2

Planning integration with PPRC:

Before you configure PowerHA SystemMirror Enterprise Edition for Metro Mirror, you configure PPRC on the ESS.

To configure PPRC, you set up:

- *PPRC paths*, ESCON links that transfer mirrored data from one ESS to another
- *PPRC pairs*, volumes mirrored from one ESS to another.

The PPRC paths connect PPRC pairs.

Related information:

Planning connections to the ESS:

PowerHA SystemMirror Enterprise Edition for Metro Mirror communication with the ESS requires connections to each of the ESS subsystems through the ESSNet administrative network. This access lets PowerHA SystemMirror Enterprise Edition for Metro Mirror use the ESS Command Line Interface (CLI) to control the ESS subsystems during event processing.

Commands are sent to the ESS Copy Services Server software that runs on one of the ESS subsystems in the environment.

The PowerHA SystemMirror cluster nodes can either connect directly to the ESSNet or connect over a router or bridge. The interfaces that communicate with the ESSNet can be defined to PowerHA SystemMirror, but IP address takeover (IPAT) should *not* be used on those interfaces. If the interfaces are defined to PowerHA SystemMirror, *ensure that the nodes can gain access to ESSNet* at any time.

Note: The reliability of the connection between a node and the ESSNet directly affects the performance of PowerHA SystemMirror Enterprise Edition for Metro Mirror. A slow or unreliable network connection to ESSNet results in commands to initiate a failover being processed slowly or unreliably.

Planning Copy Services Server on ESS:

Considerations for using Copy Service Server differ depending on the PPRC version.

PPRC Versions before 2.2

When you set up ESS Copy Services, you define one ESS cluster processor complex as the active Copy Services Server and one ESS cluster processor complex on another ESS as the backup Copy Services Server.

If the active Copy Services Server fails, a notification message is sent. Because PPRC versions prior to 2.2 do not support dual active Copy Services Servers, you manually reset the Copy Services Server to make the backup server assume the active role. *PowerHA SystemMirror cannot restart the Copy Services Server.*

Set up the active Copy Services Server at the recovery site.

PPRC Version 2.2 or later

When you set up ESS Copy Services, you define one ESS cluster processor complex in each ESS as a Copy Services Server. Because both Copy Services Servers are active at all times, you do not need to manually restart a Copy Service Server if one fails.

Configuring PPRC paths:

When configuring PPRC paths that connect PPRC pairs to be included in a PPRC replicated resource, keep in mind that each ESCON link can carry up to 64 paths at the same time. It also carries data in one direction at a time.

PowerHA SystemMirror Enterprise Edition for Metro Mirror requires that ESCON links be available to carry data in both directions at the same time; therefore, you need a minimum of two physical links. To improve throughput and to provide redundancy for the ESCON cables and adapters, you should have at least four links. Note that the ESS manages the paths.

Planning for PPRC replicated resources:

PPRC pairs are defined so that one volume in the pair resides on the ESS at one site, and the other volume in the pair resides on the ESS at the other site. In a PPRC pair, the volume that data is being written to is the source volume, and the volume that contains a mirrored copy of the data is the *target* volume.

The definition for a PPRC replicated resource contains the volume identifier and the name of the ESS for the source and the target volumes. PowerHA SystemMirror has knowledge of which volumes are mirrors of each other for each PPRC replicated resource.

To plan PPRC replicated resources for PowerHA SystemMirror Enterprise Edition for Metro Mirror, you should have a good understanding of the volume groups and volumes involved.

The terms primary and secondary are specific to each pair of PPRC-mirrored volumes as determined by the pair definition. In configurations that designate one site as a production site and the other as a backup site, the production site holds the primary volumes for the PPRC pairs, and the backup site holds the secondary volumes. Each PPRC pair is included in a resource group whose home node is located at the site that is primary for the PPRC pair.

In a mutual recovery configuration, in which nodes from both sites are active, each site contains primary volumes for some PPRC pairs and secondary volumes for others.

Note: PPRC copies the volume information, including the PVID, from one volume in a PPRC pair to the other. The volumes at both sites contain the same logical volumes and must therefore be imported with the same volume group name. This also allows single-name entries in a resource group definition.

Use ESS Copy Services to obtain information about the ESS configuration and the PPRC pairs that have been established.

Related information:



IBM TotalStorage Enterprise Storage Server: Web Interface User's Guide

Identifying volume groups:

You use the volume group name when configuring PPRC tasks in ESS Copy Services and when you identify the volume group to an PowerHA SystemMirror node.

The volume group and logical volume names must be the same on all nodes in each site where the volume group can be brought online.

To identify volume group information on the ESS, complete the following steps:

1. Run the **lspv** command to view which volume group is associated with which hdisk.
2. Run the **rsList2105.sh** command to see which hdisks are associated with which serial numbers. Or, if you are using vpaths (as provided by an SDD driver) run the **lsvpcfg** command to see the information.

Related tasks:

“Importing mirrored volume groups at the secondary site” on page 29

If you have already created volume groups and are sure that volumes are mirroring correctly, skip this section. If you have not created the volume groups, complete the procedure in this section.

Planning tasks for the ESS:

Tasks are a set of actions to be executed on an ESS. They allow you to automate a series of steps that otherwise would be performed through the ESS Copy Services Web Interface.

In a direct management environment, PowerHA SystemMirror Enterprise Edition for Metro Mirror relies on PPRC tasks for managing PPRC volume pairs and the associated PPRC paths. These tasks are used to establish and terminate PPRC pairs during fallover and fallback of volumes. To access these tasks, nodes in an PowerHA SystemMirror cluster that supports PowerHA SystemMirror Enterprise Edition for Metro Mirror require access to ESSNet to execute commands.

Using user-specific task names:

User-specific task names can be up to 16 characters long. If possible, base the task name on the naming conventions described in the Understanding task names topic.

Unless you have a configuration conflict (for example if you already have a task named with one of the recommended task names), you should name these tasks as listed in the section Configuring PPRC tasks.

Note: When you specify a user-specific task name for any task, you need to specify task names for all of the tasks (whether or not they are different from the recommended names) for each volume group.

You configure these tasks in ESS Copy Services and define them to PowerHA SystemMirror Enterprise Edition for Metro Mirror. For information about defining a group of user-specific task names to PowerHA SystemMirror, see the section Defining PPRC Tasks to PowerHA SystemMirror Enterprise Edition for Metro Mirror for Direct management.

Note: You should use the recommended task names, unless there is a very strong reason to do otherwise. If you do change names, ensure that the names are entered correctly in ESS Copy Services and in PowerHA SystemMirror Enterprise Edition.

Related tasks:

“Configuring PPRC tasks” on page 26

You create 24 PPRC tasks for each PPRC-protected volume group in the cluster. This section lists each of these tasks and lists the options in ESS Remote Copy Services that you use to set up the task.

Related reference:

“Understanding task names”

The recommended names for the PPRC tasks specify the volume group and PPRC tasks to manipulate the volume pairs in the volume group.

“Defining the PPRC tasks to PowerHA SystemMirror Enterprise Edition for Metro Mirror for Direct management” on page 32

You define PPRC tasks to PowerHA SystemMirror Enterprise Edition for Metro Mirror *only in cases where you named the PPRC tasks differently* than recommended. If you used the recommended naming convention, you can skip this section.

Understanding task names:

The recommended names for the PPRC tasks specify the volume group and PPRC tasks to manipulate the volume pairs in the volume group.

The recommended task names use the following naming conventions:

volume_group_action_object_direction_modifier_system

A task name may contain some or all of the components listed in the preceding syntax line.

The following table shows the values for the parts of the task name:

Table 6. Task names

Task name	Short value	Full value
<i>volume_group</i>	The name of the volume group (less than 7 characters long)	
<i>_action</i>	The action to be executed:	
	Est Sus Ter Del	Establish Suspend Terminate Delete
<i>_object</i>	The pair or path for the volume group:	
	Pr Pt	Pair Path
<i>_direction</i>	The direction of the operation:	
	PS SP	Primary to secondary Secondary to primary
<i>_modifier</i>	The type of copy:	
	NC FC SC FO FB F	No copy Full copy Sync changes Failover Failback Forced (only for the delete action)
<i>_system</i>	The type of system on which the action is being executed:	
	P S	Primary Secondary

Planning a PPRC resource group:

If you have not done so, plan your resource groups.

Related concepts:

“PowerHA SystemMirror Enterprise Edition for Metro Mirror general planning” on page 7

These topics describe planning tasks required for all the types of PowerHA SystemMirror Enterprise Edition Metro Mirror support.

Related information:

Planning resource groups

Installing PowerHA SystemMirror Enterprise Edition for Metro Mirror for Direct management:

These topics describe how to install PowerHA SystemMirror Enterprise Edition for Metro Mirror for Direct management.

Details for installing base PowerHA SystemMirror Enterprise Edition from the installation media are included in Installing PowerHA SystemMirror Enterprise Edition for Metro Mirror.

Note: At run time, make sure you have at least 9 MB of free space in the PowerHA SystemMirror log directory. PPRC commands use this directory.

Related reference:

“Installing PowerHA SystemMirror Enterprise Edition for Metro Mirror” on page 10

These topics describe how to install base PowerHA SystemMirror Enterprise Edition filesets. Details for installing filesets and prerequisites for specific types of PPRC support are contained in subsequent

sections.

Installation prerequisites for Direct management:

There are some installation prerequisites for Direct management.

Before you install PowerHA SystemMirror Enterprise Edition Metro Mirror for Direct management, make sure that the following is true for each cluster node:

- The PowerHA SystemMirror Enterprise Edition software uses 1 MB of disk space in the `/usr` filesystem.
- You have root access to each node.

Related reference:

“Planning prerequisites for Direct management” on page 18

PowerHA SystemMirror Enterprise Edition PPRC with Direct management manages PPRC resources by communicating with the Copy Services Server (CSS) on ESS systems via the ESS CLI.

Software requirements for Direct management:

There are some software requirements for PowerHA SystemMirror Enterprise Edition Metro Mirror.

The following software is required:

- AIX level as stated in the support flash
- Minimum PowerHA SystemMirror version plus all current APARs
- Java™ Runtime Environment version appropriate for the ESS CLI version installed. (This will be tied to and should be available with the microcode level on the ESS systems.)
- ESS CLI as appropriate for your storage microcode (LIC) level:

The ESS Copy Services CLI software is closely tied to the ESS microcode level. CLI code is found on the MegaCDR that is included in the Customer Software packet.

- IBM 2105 Command Line Interface (**ibm2105cli.rte**)

or

- IBM 2105 Command Line Interface (**ibm2105esscli.rte**) (also included on the MegaCDR).

Depending on which version of the **ibm2105esscli** fileset ships with your level of ESS microcode, the files will be installed in one of three locations:

1. `/usr/opt/ibm2105cli`
2. `/usr/opt/ibm/ibm2105cli`
3. `/opt/ibm/ESScli`

PowerHA SystemMirror Enterprise Edition assumes a default directory for the ESS CLI executables. Therefore, once the CLI executables are installed in one of the directories listed, you must create the following link:

`/usr/opt/ibm2105cli` -> < ESS cli installation location >

so that PowerHA SystemMirror Enterprise Edition can find the executables.

- (Optional but recommended) ESS microcode level `vrnf 2.4.x.x`. This version provides support for a dual active Copy Services Server.

Note: Install microcode `vrnf 2.4.x.x` on the ESS system to make support for a dual active Copy Services Server available. Otherwise, the Copy Services Server must be manually started on a backup Copy Services Server if the primary Copy Services Server is unavailable.

Related information:

 [Support for Copy Services CLI \(Command Line Interface\)](#)

Installing filesets for Direct management:

You need to install the necessary filesets for Direct management.

If you have not already done so, install the filesets listed in Contents of the installation media for Direct management.

Related reference:

“Contents of the installation media” on page 11

The PowerHA SystemMirror Enterprise Edition for Metro Mirror installation media provides the images for installation on each node in the cluster that can take over a PPRC mirrored volume group.

Addressing problems during the installation:

If you experience problems during the installation, the installation program usually performs a cleanup process automatically. If, for some reason, the cleanup is *not* performed after an unsuccessful installation, there are some steps that you can take.

These steps include:

1. Enter `smit install` to display the Installation and Maintenance menu.
2. Select **Install and Update Software**.
3. Select **Clean Up After an Interrupted Installation**.
4. Review the SMIT output (or examine the `/smit.log` file) for the cause of the interruption.
5. Fix any problems and repeat the installation process.

Configuring in a Direct management environment:

These topics describe how to configure the ESS system to support PowerHA SystemMirror Enterprise Edition for Metro Mirror, and how to configure an PowerHA SystemMirror Enterprise Edition direct management (ESS CLI) environment.

Configuration prerequisites for Direct management:

Before configuring Direct management, there are some prerequisite steps you need to take.

Before configuring PowerHA SystemMirror Enterprise Edition for Metro Mirror, ensure that:

- PPRC is configured and running on the ESS systems.
PowerHA SystemMirror Enterprise Edition for Metro Mirror supports System p servers that can support ESS systems.
- You have a good understanding of PowerHA SystemMirror sites for PPRC replicated resources. For more information about sites, see the section PowerHA SystemMirror sites.
- The PowerHA SystemMirror Enterprise Edition for Metro Mirror software is installed on each cluster node that will support PowerHA SystemMirror Enterprise Edition for Metro Mirror.
For information about installing PowerHA SystemMirror Enterprise Edition for Metro Mirror, see Installing PowerHA SystemMirror Enterprise Edition for Metro Mirror.
- The PowerHA SystemMirror cluster is configured for:
 - Nodes
 - Networks and network interfaces
 - Service labels
 - Initial resource groups.

You can modify the attributes for a resource group later to accommodate PPRC replicated resources.

Related reference:

“PowerHA SystemMirror sites” on page 6

PowerHA SystemMirror Enterprise Edition for Metro Mirror support requires the use of sites. PowerHA SystemMirror supports two sites. The primary site is the active site, and the secondary site is the standby site.

“Installing PowerHA SystemMirror Enterprise Edition for Metro Mirror” on page 10

These topics describe how to install base PowerHA SystemMirror Enterprise Edition filesets. Details for installing filesets and prerequisites for specific types of PPRC support are contained in subsequent sections.

Configuration overview:

Once you have installed PowerHA SystemMirror Enterprise Edition for Metro Mirror, you need to set up configuration.

To set up an PowerHA SystemMirror Enterprise Edition for Metro Mirror configuration:

1. On the ESS, configure PPRC support for PowerHA SystemMirror Enterprise Edition for Metro Mirror:
 - a. Configure PPRC tasks in ESS Copy Services
 - b. Import the volume groups on the nodes at the secondary site.
2. On cluster nodes, configure support for PowerHA SystemMirror Enterprise Edition for Metro Mirror:
 - a. Define PowerHA SystemMirror sites for PowerHA SystemMirror Enterprise Edition for Metro Mirror.
 - b. Define ESS systems to be included.
 - c. Define PPRC replicated resources.
 - d. Configure resource groups to include PPRC replicated resources.
 - e. (*Optional*) If user-specific task names are used, define them to PowerHA SystemMirror.
 - f. (*Optional*) If your cluster has a large number of volume groups, create LUN ID mapping files before startup as described in Improving the performance of volume groups.

Related reference:

“Improving the performance of volume groups” on page 34

During resource acquisition, PPRC automatically creates LUN ID mappings. If your cluster contains a large number of volume groups, you can save time by creating these mapping files manually before bringing up the cluster.

Configuring PowerHA SystemMirror Enterprise Edition for Metro Mirror for Direct management support:

Direct management configuration relies on *tasks* configured through ESS Copy Services and activated on the ESS system.

For information about tasks, see the section Planning tasks for the ESS.

Configure the ESS system in preparation for PowerHA SystemMirror Enterprise Edition for Metro Mirror before making configuration changes in PowerHA SystemMirror Enterprise Edition for Metro Mirror.

Related reference:

“Planning tasks for the ESS” on page 21

Tasks are a set of actions to be executed on an ESS. They allow you to automate a series of steps that otherwise would be performed through the ESS Copy Services Web Interface.

Configuring PPRC tasks:

You create 24 PPRC tasks for each PPRC-protected volume group in the cluster. This section lists each of these tasks and lists the options in ESS Remote Copy Services that you use to set up the task.

When you create tasks, use the ESS Copy Services Web Interface. In this interface, serial numbers identify volumes. You select disks by serial number, and then create tasks that start with the volume group name.

Note: Use the task names recommended, unless there is a very strong reason to do otherwise. If you do change names, ensure that these names are entered correctly in ESS Copy Services and in PowerHA SystemMirror Enterprise Edition for Metro Mirror.

If you name a task other than the recommended name, see the section PPRC Tasks to PowerHA SystemMirror Enterprise Edition for Metro Mirror for Direct management.

Note: Enter the task names carefully. Direct management does *not* work if any of the task names are inaccurate.

To configure tasks for a volume group to use PowerHA SystemMirror Enterprise Edition for Metro Mirror:

1. Log into ESS Copy Services as a user with administrative privileges.
2. Use the ESS Copy Services Web Interface to define the ESS tasks needed to manage the paths (ESCON links) that PPRC uses for the volume group.

Create the tasks as shown in the following list. Use the task names shown here, substituting the name of the volume group for *\$vgname*. This name can be up to seven characters long, for example vg1.

Note: Task names are case-sensitive.

For more information about volume group names, see (Identifying Volume Groups).

Task Name	Action	Option in ESS Copy Services to Define Task
<i>\$vgname</i> EstPtPS	Establish path(s) from the Logical Subsystem (LSS) in the primary ESS to the LSS in the secondary ESS.	Do not establish paths if they already exist
<i>\$vgname</i> DelPtPSF	Remove paths from the LSS in the primary ESS to the LSS in the secondary ESS.	Force removal of PPRC path even if pairs exist
<i>\$vgname</i> DelPtPS	Remove paths from the LSS in the primary ESS to the LSS in the secondary ESS.	
<i>\$vgname</i> EstPtSP	Establish paths from the LSS in the secondary ESS to the LSS in the primary ESS.	Do not establish paths if they already exist
<i>\$vgname</i> DelPtSP	Remove paths from the LSS in the secondary ESS to the LSS in the primary ESS.	
<i>\$vgname</i> DelPtSPF	Remove paths from the LSS in the secondary ESS to the LSS in the primary ESS.	Force removal of PPRC path even if pairs exist

3. Use the ESS Copy Services Web Interface to define the tasks needed to manage the pairs of volumes that are PPRC-protected.

If you define multiple volumes in the volume group, you can use the **Multiple Selection** option on the ESS Copy Services Web Interface to define a single set of tasks to manage the entire volume group.

Create the tasks as shown in the following list. Use the task names shown here, substituting the name of the volume group for *\$vgname*. For more information about volume group names, see Identifying volume groups.

Task Name	Action	Option in ESS Copy Services to Define Task
<i>\$vgname</i> EstPrPSFC	Establish a PPRC relationship from the source volume(s) in the primary ESS to the target volume(s) in the secondary ESS.	Copy Entire Volume Permit Read from Secondary
<i>\$vgname</i> EstPrPSNC	Establish a PPRC relationship from the source volume(s) in the primary ESS to the target volume(s) in the secondary ESS.	Do Not Copy Volume Permit Read from Secondary
<i>\$vgname</i> EstPrPSSC	Establish a PPRC relationship from the source volume(s) in the primary ESS to the target volume(s) in the secondary ESS.	Copy Out-of-Sync Cylinders Only Permit Read from Secondary
<i>\$vgname</i> EstPrPSFO	Establish a PPRC relationship from the target volume(s) in the primary ESS to the source volume(s) in the secondary ESS.	PPRC Failover á
<i>\$vgname</i> EstPrPSFB	Establish a PPRC relationship from the target volume(s) in the primary ESS to the source volume(s) in the secondary ESS.	PPRC Failback Permit Read from Secondary
<i>\$vgname</i> SusPrPSP	Suspend a PPRC relationship between the source volume in the primary ESS and the target volume in the secondary ESS. This task is executed on the primary ESS.	
<i>\$vgname</i> SusPrPSS	Suspend a PPRC relationship between the source volume in the primary ESS and the target volume in the secondary ESS. This task is executed on the secondary ESS.	
<i>\$vgname</i> TerPrPSP	Terminate a PPRC relationship from the source volume in the primary ESS to the target volume in the secondary ESS. This task is executed on the primary ESS.	
<i>\$vgname</i> TerPrPSS	Terminate a PPRC relationship from the source volume in the primary ESS to the target volume in the secondary ESS. This task is executed on the secondary ESS.	
<i>\$vgname</i> EstPrSPFC	Establish a PPRC relationship from the source volume(s) in the secondary ESS to the target volume(s) in the primary ESS.	Copy Entire Volume Permit Read from Secondary
<i>\$vgname</i> EstPrSPNC	Establish a PPRC relationship from the source volume(s) in the secondary ESS to the target volume(s) in the primary ESS.	Do Not Copy Volume Permit Read from Secondary
<i>\$vgname</i> EstPrSPSC	Establish a PPRC relationship from the source volume(s) in the secondary ESS to the target volume(s) in the primary ESS.	Copy Out-of-Sync Cylinders Only Permit Read from Secondary
<i>\$vgname</i> EstPrSPFO	Establish a PPRC relationship from the target volume(s) in the secondary ESS to the source volume(s) in the primary ESS.	PPRC Failover
<i>\$vgname</i> EstPrSPFB	Establish a PPRC relationship from the target volume(s) in the secondary ESS to the source volume(s) in the primary ESS.	PPRC Failback Permit Read from Secondary
<i>\$vgname</i> TerPrSPS	Terminate a PPRC relationship from the source volume(s) in the secondary ESS to the target volume(s) in the primary ESS. This task is executed on the secondary ESS.	
<i>\$vgname</i> TerPrSPP	Terminate a PPRC relationship from the source volume(s) in the secondary ESS to the target volume(s) in the primary ESS. This task is executed on the primary ESS.	

Task Name	Action	Option in ESS Copy Services to Define Task
<i>\$vgname</i> SusPrSPS	Suspend a PPRC relationship between the source volume in the secondary ESS and the target volume in the primary ESS. This task is executed on the secondary ESS.	
<i>\$vgname</i> SusPrSPP	Suspend a PPRC relationship between the source volume in the secondary ESS and the target volume in the primary ESS. This task is executed on the primary ESS.	

4. Run the ESS **rsExecuteTask.sh** command to verify that you can execute the tasks created in the previous step. Note that the command name is case-sensitive.

The **rsExecuteTask.sh** command should return to a command prompt. If it does *not*, PowerHA SystemMirror Enterprise Edition for Metro Mirror does *not* work.

If the command does *not* return to a command prompt:

- Review task configuration and make corrections as needed.
- Run the **rsExecuteTask.sh** command again.

Note: A host server IP address *not* being defined to the ESS causes a known configuration problem with the ESS. If this is present, the **rsExecuteTask.sh** command executes the ESS task, but the program does *not* return.

5. Repeat steps 1 - 4 for each volume group that will use PowerHA SystemMirror Enterprise Edition for Metro Mirror.

Related tasks:

“Identifying volume groups” on page 21

You use the volume group name when configuring PPRC tasks in ESS Copy Services and when you identify the volume group to an PowerHA SystemMirror node.

Related reference:

“Defining the PPRC tasks to PowerHA SystemMirror Enterprise Edition for Metro Mirror for Direct management” on page 32

You define PPRC tasks to PowerHA SystemMirror Enterprise Edition for Metro Mirror *only in cases where you named the PPRC tasks differently* than recommended. If you used the recommended naming convention, you can skip this section.

Importing mirrored volume groups at the secondary site:

If you have already created volume groups and are sure that volumes are mirroring correctly, skip this section. If you have not created the volume groups, complete the procedure in this section.

The secondary volume in a PPRC pair is not visible to the nodes at the secondary site when the PPRC relationship is active. As a result, use the following procedure to define the disks and volume groups for PowerHA SystemMirror.

To define disks and volume groups to PowerHA SystemMirror:

1. Log into ESS Copy Services as a user with administrative privileges.
2. Run the *\$vgname* **EstPtPS** task, where *\$vgname* is the name of the volume group.
This establishes the path(s) from the primary volume to the secondary volume.
3. Run the *\$vgname* **EstPrPSFC** task, where *\$vgname* is the name of the volume group.
This establishes the PPRC pair(s) from the primary volume to the secondary volume and synchronizes the two copies. This may take awhile.

4. Create the volume group using the AIX Logical Volume Manager (LVM) on nodes on the active site.
5. Run the *\$vgname* **TerPrPSP** task, where *\$vgname* is the name of the volume group.
This terminates the PPRC pair(s).
6. Run the *\$vgname* **DelPtPS** task, where *\$vgname* is the name of the volume group.
This terminates the path(s).
7. Run Configuration Manager (**cfgmgr**) on the backup host server to move ESS hdisks to the available state.
8. Import the volume group to all nodes on the secondary site.

The volume group can now be defined to PowerHA SystemMirror Enterprise Edition for Metro Mirror.

Configuring the PowerHA SystemMirror Enterprise Edition Metro Mirror Cluster for Direct management:

Configure PowerHA SystemMirror Enterprise Edition for Metro Mirror after you configure tasks for PPRC on the ESS systems and define sites to support PPRC replicated resources in PowerHA SystemMirror.

Defining PPRC replicated resources:

Most of the configuration options for PowerHA SystemMirror Enterprise Edition for Metro Mirror are available from the **Define PPRC Replicated Resources** panel.

To define PPRC replicated resources:

1. From the command line, enter `smit sysmirror`.
2. In SMIT, select **Cluster Applications and Resources > Resources > PPRC-Managed Replicated Resources Configuration > ESSCLI-Managed PPRC Replicated Resource Configuration**, and press Enter.

From this panel you can:

- Define ESS disk subsystems.
- Define a PPRC replicated resource.
- Define PPRC tasks.
- Synchronize the PPRC configuration.
- Verify the PPRC configuration.

Defining the ESS Disk Subsystems to PowerHA SystemMirror:

You define the ESS subsystems included in the sites that support PowerHA SystemMirror Enterprise Edition for Metro Mirror to enable PowerHA SystemMirror to process failovers for PPRC replicated resources.

To define an ESS system to PowerHA SystemMirror:

1. From the command line, enter `smit sysmirror`.
2. In SMIT, select **Cluster Applications and Resources > Resources > PPRC-Managed Replicated Resources Configuration > ESSCLI-Managed PPRC Replicated Resource Configuration > ESS Disk Subsystem Configuration > Add an ESS Disk Subsystem**, and press Enter.
3. In the **Add an ESS Disk Subsystem** panel, enter field values as follows:

Table 7. Add an ESS Disk Subsystem fields

Field	Value
ESS Subsystem Name	The name that identifies the ESS subsystem to PowerHA SystemMirror. The name may consist of up to 32 alphanumeric characters, and may include underscores.
ESS site name	The name of the site where the ESS resides. The site is already defined in PowerHA SystemMirror for the site name to be available from the picklist.
ESS IP Address	The IP address, in dotted decimal notation, that the Copy Services Server for an ESS uses. Note: The IP address specified here is the ESSNet address of the ESS at this site.
ESS User ID	The user ID used to authenticate logging into the ESS.
ESS password	The password associated with the specified ESS User ID .

4. Press Enter.
5. Review the settings for the ESS subsystem.
From the **Define ESS Disk Subsystem** panel, select **Change/Show an ESS Disk Subsystem** and select an ESS system.
6. Make changes to the configuration settings as needed.

Defining the PPRC pairs to PowerHA SystemMirror:

You define the PPRC pairs, the primary volume to secondary volume mappings, to allow the PowerHA SystemMirror Enterprise Edition for Metro Mirror to manage them.

You must define one PPRC pair for each mirrored volume in the volume group.

To define a PPRC Pair to PowerHA SystemMirror Enterprise Edition for Metro Mirror:

1. From the command line, enter `smit sysmirror`.
2. In SMIT, select **Cluster Applications and Resources > Resources > PPRC-Managed Replicated Resources Configurations**, and press Enter.
3. In the **Add a PPRC Resource** panel, enter field values as follows:

Table 8. Add a PPRC Resource fields

Field	Value
PPRC Resource Name	The name of the PPRC volume pair. The name may consist of up to 32 alphanumeric characters, and may include underscores. For example, a PPRC replicated resource could be named <code>pprc4.1</code> , with <code>pprc</code> signifying the type of replicated resource, <code>4</code> identifying the volume group to which the PPRC-protected volume belongs, and <code>1</code> enumerating a PPRC-protected volume in the volume group. Another PPRC replicated resource that includes a different volume in the same volume group could be named <code>pprc4.2</code> .
PowerHA SystemMirror Sites	The two PowerHA SystemMirror sites, with the primary site for this PPRC pair listed first. The sites are already defined in PowerHA SystemMirror.
Primary Site ESS Info	The identifier for the volume in the primary ESS in the form: <i>volume_id @ ESS_name</i> where <i>volume_id</i> is the ESS volume ID of the disk, and <i>ess_name</i> is the name of the ESS subsystem containing this volume. The primary ESS is the ESS at the site that you chose as primary for this PPRC replicated resource.

Table 8. Add a PPRC Resource fields (continued)

Field	Value
Secondary Site ESS Info	<p>The identifier for a volume in the secondary ESS in the form:</p> <p><i>volume_id @ ESS_name</i></p> <p>where <i>volume_id</i> is the ESS volume ID of the disk, and <i>ess_name</i> is the name of the ESS subsystem containing this volume.</p> <p>The secondary ESS is the ESS at the site that you chose as secondary for this PPRC replicated resource.</p>

4. Press Enter.
5. Review the settings for the PPRC pairs. From the **Define a PPRC Replicated Resource** panel, select **Change/Show a PPRC Resource** and select a PPRC pair.
6. Make changes to the configuration settings as needed.

Related tasks:

“Configuring PPRC tasks” on page 26

You create 24 PPRC tasks for each PPRC-protected volume group in the cluster. This section lists each of these tasks and lists the options in ESS Remote Copy Services that you use to set up the task.

Defining the PPRC tasks to PowerHA SystemMirror Enterprise Edition for Metro Mirror for Direct management:

You define PPRC tasks to PowerHA SystemMirror Enterprise Edition for Metro Mirror *only in cases where you named the PPRC tasks differently* than recommended. If you used the recommended naming convention, you can skip this section.

See Configuring PPRC tasks.

Related tasks:

“Configuring PPRC tasks” on page 26

You create 24 PPRC tasks for each PPRC-protected volume group in the cluster. This section lists each of these tasks and lists the options in ESS Remote Copy Services that you use to set up the task.

Defining PPRC path tasks:

If you specified another name for a PPRC path task in ESS Remote Copy Services, identify that task to PowerHA SystemMirror Enterprise Edition for Metro Mirror.

To define a user-specific PPRC path task name to PowerHA SystemMirror Enterprise Edition for Metro Mirror:

1. From the command line, enter `smit sysmirror`.
2. In SMIT, select **Cluster Applications and Resources > Resources > PPRC-Managed Replicated Resources Configuration > ESSCLI-Managed PPRC Replicated Resource Configuration > Define PPRC Tasks > Define PPRC Path Tasks > Add a Group of PPRC Path Tasks**, and press Enter.
3. In the **Add a Group of PPRC Path Tasks** panel, enter field values as follows:

Table 9. Add a Group of PPRC Path Tasks fields

Field	Value
Volume Group Name	The name of the volume group associated with the PPRC path task.
Establish Path Pri - Sec	The name of the task that establishes a PPRC path from the primary ESS to the secondary ESS as defined in ESS Copy Services.
Delete Path Pri - Sec	The name of the task that deletes a PPRC path from the primary ESS to the secondary ESS as defined in ESS Copy Services.
Delete Path Pri - Sec FORCED	The name of the task that deletes a PPRC path from the primary ESS to the secondary ESS with the Forced option as defined in ESS Copy Services.
Establish Path Sec - Pri	The name of the task that establishes a PPRC path from the secondary ESS to the primary ESS as defined in ESS Copy Services.
Delete Path Sec - Pri	The name of the task that deletes a PPRC path from the secondary ESS to the primary ESS as defined in ESS Copy Services.
Delete Path Sec - Pri FORCED	The name of the task that deletes a PPRC path from the secondary ESS to the primary ESS with the Forced option as defined in ESS Copy Services.

4. Press Enter.
5. Review the settings for the PPRC path tasks, from the **Define PPRC Path Tasks** panel, select **Change/Show a Group of PPRC Path Tasks** .
6. Make changes to the configuration settings as needed.

Defining PPRC pair tasks:

If you specified another name for a PPRC pair task in ESS Remote Copy Services, identify that task to PowerHA SystemMirror Enterprise Edition for Metro Mirror.

Note: When you specify a user-specific task name, specify task names for all eighteen tasks (whether or not they are different from the recommended names) for each volume group.

To define a group of user-specific PPRC pair task names to PowerHA SystemMirror Enterprise Edition for Metro Mirror:

1. From the command line, enter `smit sysmirror`.
2. In SMIT, select **Cluster Applications and Resources > Resources > PPRC-Managed Replicated Resources Configuration > ESSCLI-Managed PPRC Replicated Resource Configuration > Define PPRC Tasks > Define PPRC Pair Tasks > Add a Group of PPRC Pair Tasks**, and press Enter.
3. In the **Add a Group of PPRC Pair Tasks** panel, enter field values as follows:

Table 10. Add a Group of PPRC Pair Tasks fields

Field	Value
Volume Group Name	The name of the volume group associated with the PPRC pair task.
Direction of the operation: Primary to Secondary	
Establish Pair Pri - Sec NO COPY	The name of the task that establishes a PPRC pair from the primary ESS to the secondary ESS with the No Copy option set as defined in ESS Copy Services.
Establish Pair Pri - Sec FULL COPY	The name of the task that establishes a PPRC pair from the primary ESS to the secondary ESS with the Full Copy option set as defined in ESS Copy Services.
Establish Pair Pri - Sec RESYNC	The name of the task that establishes a PPRC pair from the primary ESS to the secondary ESS with the Copy Out-of-sync Cylinders Only option set as defined in ESS Copy Services.
Establish Pair Pri - Sec FAILOVER	The name of the task that establishes a PPRC pair from the primary ESS to the secondary ESS with the Failover option set as defined in ESS Copy Services.
Establish Pair Pri - Sec FAILBACK	The name of the task that establishes a PPRC pair from the primary ESS to the secondary ESS with the Failback option set as defined in ESS Copy Services.
Suspend Pair Pri - Sec on Pri	The name of the task executed on the primary ESS that suspends PPRC mirroring from the primary ESS to the secondary ESS as defined in ESS Copy Services.

Table 10. Add a Group of PPRC Pair Tasks fields (continued)

Field	Value
Suspend Pair Pri - Sec on Sec	The name of the task executed on the secondary ESS that suspends PPRC mirroring from the primary ESS to the secondary ESS as defined in ESS Copy Services.
Terminate Pair Pri - Sec on Pri	The name of the task executed on the primary ESS that ends PPRC mirroring from primary ESS to secondary ESS as defined in ESS Copy Services.
Terminate Pair Pri - Sec on Sec	The name of the task executed on the secondary ESS that ends PPRC mirroring from primary ESS to secondary ESS as defined in ESS Copy Services.
Direction of the operation: Secondary to Primary	
Establish Pair Sec - Pri NO COPY	The name of the task that establishes a PPRC pair from the secondary ESS to the primary ESS with the No Copy option set as defined in ESS Copy Services.
Establish Pair Sec - Pri FULL COPY	The name of the task that establishes a PPRC pair from the secondary ESS to the primary ESS with the Full Copy option set as defined in ESS Copy Services.
Establish Pair Sec - Pri RESYNC	The name of the task that establishes a PPRC pair from the secondary ESS to the primary ESS with the Copy Out-of-sync Cylinders Only option set as defined in ESS Copy Services.
Establish Pair Sec - Pri FAILOVER	The name of the task that establishes a PPRC pair from the secondary ESS to the primary ESS with the Failover option set as defined in ESS Copy Services.
Establish Pair Sec - Pri FAILBACK	The name of the task that establishes a PPRC pair from the secondary ESS to the primary ESS with the Failback option set as defined in ESS Copy Services.
Suspend Pair Sec - Pri on Sec	The name of the task executed on the secondary ESS that suspends PPRC mirroring from the secondary ESS to the primary ESS as defined in ESS Copy Services.
Suspend Pair Sec - Pri on Pri	The name of the task executed on the primary ESS that suspends PPRC mirroring from the secondary ESS to the primary ESS as defined in ESS Copy Services.
Terminate Pair Sec - Pri on Sec	The name of the task executed on the secondary ESS that ends PPRC mirroring from the secondary ESS to the primary ESS as defined in ESS Copy Services.
Terminate Pair Sec - Pri on Pri	The name of the task executed on the primary ESS that ends PPRC mirroring from the secondary ESS to the primary ESS as defined in ESS Copy Services.

4. Press Enter.
5. Review the settings for the PPRC pair tasks, from the **Define PPRC Pair Tasks** panel, select **Change/Show a Group of PPRC Pair Tasks**.
6. Make changes to the configuration settings as needed.

Improving the performance of volume groups:

During resource acquisition, PPRC automatically creates LUN ID mappings. If your cluster contains a large number of volume groups, you can save time by creating these mapping files manually before bringing up the cluster.

To create these mapping files, run the `/usr/es/sbin/cluster/pprc/utlis/cl_store_LUNPairs` command on each cluster node, and pass the names of your volume groups as parameters as shown in the following example:

```
cl_store_LUNPairs MyVg1 MyVg2 MyVg3
```

This populates the `/tmp` directory with files named **VolumePairs.VolumeGroupName**, where *VolumeGroupName* corresponds with the volume group names you specified as parameters (for example, MyVg1, MyVg2, and so on). Each file contains pairs of LUN IDs that resemble the following:

Table 11. LUN IDs

PRIMARY_LUN_ID	SECONDARY_LUN_ID
50122221	50122225
50222221	50222225

Verifying and synchronizing the PPRC configuration:

The configuration changes that you have completed to this point need to be synchronized to the other cluster nodes.

Verifying configuration for PPRC replicated resources checks the configuration and reports on the following issues:

- PowerHA SystemMirror Enterprise Edition for Metro Mirror classes in the PowerHA SystemMirror Configuration Database are identical on all nodes.
- The PPRC Command Line Interface is installed correctly on each node.
- The PPRC volume groups are not defined in the **Concurrent Volume Groups** field for a resource group that spans on nodes across sites.
- Sites defined in the PowerHA SystemMirror disk subsystem exist in an PowerHA SystemMirror site.
- The IP addresses of the ESS systems exist and are reachable.
- The ESS systems for the PPRC replicated resources are defined as ESS disk subsystems to PowerHA SystemMirror.
- The two volumes of a PPRC pair are on different ESS systems and on different PowerHA SystemMirror sites.
- The volume IDs correspond to physical volumes defined to PowerHA SystemMirror cluster nodes.
- The PVIDs of the disks in a volume group at each end of a pair are the same.

Typically, you synchronize the PowerHA SystemMirror Enterprise Edition or Metro Mirror configuration with PowerHA SystemMirror cluster configuration.

You can also verify and synchronize only PowerHA SystemMirror Enterprise Edition for Metro Mirror configuration.

To verify and synchronize PowerHA SystemMirror Enterprise Edition for Metro Mirror configuration:

1. From the command line, enter `smit sysmirror`.
2. In SMIT, select **Cluster Applications and Resources > Resources > PPRC-Managed Replicated Resources Configuration**, and press Enter.
3. Select the type of PPRC resource.
4. Select **Verify PPRC Configuration**, and press Enter.

To synchronize PowerHA SystemMirror Enterprise Edition for Metro Mirror changes from the command line interface, you can use the `cl_sync_pprc_config` command.

To verify PowerHA SystemMirror Enterprise Edition for Metro Mirror changes from the command line interface, you can use the `cl_verify_pprc_config` command.

Related information:

Verifying and synchronizing a PowerHA SystemMirror cluster

Configuring resource groups:

After defining PPRC replicated resources, you can add them to a resource group.

When you configure a resource group ensure that:

- The site policy is set to **Prefer Primary Site** or **Online on Either Site**.
- A **Startup** policy other than **Online on All Available Nodes** is specified.
- The **Resource Group Processing Ordering** is set to serial.

To add a PPRC replicated resource to a resource group:

1. From the command line, enter `smit sysmirror`.
2. In SMIT, select **Cluster applications and resources > Resource groups > Change/Show resources and attributes for a resource group**, and press Enter.
3. In the **Change/Show resources and attributes for a resource group** panel specify:
 - The name of the PPRC replicated resource in the **PPRC Replicated Resources** field.
 - The volume groups associated with the individual PPRC replicated resources.
4. Verify and synchronize the cluster.

Related information:

Configuring PowerHA SystemMirror resource groups (extended)

Verifying and synchronizing a PowerHA SystemMirror cluster

Planning resource groups

Starting the cluster:

After verifying and synchronizing the PowerHA SystemMirror Enterprise Edition for Metro Mirror configuration changes, start the PowerHA SystemMirror cluster.

All PPRC pairs must be in a **simplex-none-simplex-none** state at the initial cluster startup. This means that no relationship exists between the disk volumes at cluster startup. To view and modify the state of the PPRC pairs, use ESS Copy Services.

Related information:



IBM TotalStorage Enterprise Storage Server: Web Interface User's Guide

Changing PPRC replicated resources configuration:

Use SMIT to change configuration for PPRC replicated resources.

Note: Changing resource configuration requires that PowerHA SystemMirror services be stopped on all nodes at both sites in the cluster.

Any configuration changes you make to any of the following components effects the others listed:

- Sites
- PPRC replicated resources
- Volumes
- Resource groups.

After you make a configuration change, verify and synchronize the configuration.

Changing the configuration for sites:

You can change the configuration for sites.

To change site configuration in PowerHA SystemMirror:

1. From the command line, enter `smit sysmirror`.
2. From the SMIT interface, select **Cluster Nodes and Networks > Manage Sites > Change/Show a Site in Stretched Cluster**, and press Enter.

Related reference:

“Configuring the PowerHA SystemMirror Enterprise Edition Metro Mirror Cluster for Direct management” on page 30

Configure PowerHA SystemMirror Enterprise Edition for Metro Mirror after you configure tasks for PPRC on the ESS systems and define sites to support PPRC replicated resources in PowerHA SystemMirror.

Changing the configuration for PPRC replicated resources:

You can change the configuration for PPRC replicated resources.

To change the configuration for PPRC replicated resources:

1. From the command line, enter `smit sysmirror`.
2. In SMIT, select **Cluster Applications and Resources > Resources > PPRC-Managed Replicated Resources Configuration**, and press Enter.

From this panel, select:

- **Define ESS Disk Subsystem**

For information about field values, see the section Defining the ESS Disk Subsystems to PowerHA SystemMirror.

- **Define a PPRC Replicated Resource**

For information about field values, see the section Defining the PPRC pairs to PowerHA SystemMirror.

- **Define PPRC Tasks**

For information about field values, see the section Defining the PPRC Tasks to PowerHA SystemMirror Enterprise Edition for Metro Mirror for Direct management.

- **Synchronize PPRC Configuration**

- **Verify PPRC Configuration**

3. After selecting a configuration option, select the **Change/Show** option for the value you want to change.

Related tasks:

“Defining the PPRC pairs to PowerHA SystemMirror” on page 31

You define the PPRC pairs, the primary volume to secondary volume mappings, to allow the PowerHA SystemMirror Enterprise Edition for Metro Mirror to manage them.

“Defining the ESS Disk Subsystems to PowerHA SystemMirror” on page 30

You define the ESS subsystems included in the sites that support PowerHA SystemMirror Enterprise Edition for Metro Mirror to enable PowerHA SystemMirror to process failovers for PPRC replicated resources.

Related reference:

“Defining the PPRC tasks to PowerHA SystemMirror Enterprise Edition for Metro Mirror for Direct management” on page 32

You define PPRC tasks to PowerHA SystemMirror Enterprise Edition for Metro Mirror *only in cases where you named the PPRC tasks differently* than recommended. If you used the recommended naming convention, you can skip this section.

PowerHA SystemMirror Enterprise Edition for Metro Mirror with DSCLI management

These topics describe the planning, installation and configuration tasks for PowerHA SystemMirror Enterprise Edition for Metro Mirror with DSCLI management, from here on referred to as DSCLI management. DSCLI management simplifies how you manage PPRC replicated resources on IBM TotalStorage systems and how you can integrate PPRC replicated resources into an PowerHA SystemMirror configuration.

You are not required to define tasks on the ESS Web Interface when you use this management system.

Plan which resource groups will contain the DSCLI-managed PPRC replicated resources.

Overview of the DSCLI management system:

DSCLI management provides the ability to execute Copy Services operations directly without relying on previously saved GUI tasks. The software dynamically manages DSCLI PPRC-controlled disks, providing a fully automated, highly available disaster recovery management solution.

The PowerHA SystemMirror interface is designed to communicate with the DSCLI so that once the basic PPRC environment is configured, PPRC relationships are created automatically and there is no need for manual access to the DSCLI.

Integration of DSCLI and PowerHA SystemMirror provides:

- Support for either **Prefer Primary Site** or **Online on Either Site** inter-site management policies.
- Flexible user-customizable resource group policies.
- Support for cluster verification and synchronization.
- Limited support for the PowerHA SystemMirror Cluster Single Point Of Control (C-SPOC). See *Installing the DSCLI management for PPRC Filesets*.
- Automatic failover/reintegration of server nodes attached to pairs of PPRC-protected disk subsystem within and across sites. See *Installing the DSCLI management for PPRC Filesets*.
- Management of PPRC for:
 - Failover/failback of PPRC paths and instances for automatic movement of PPRC-protected disks between PowerHA SystemMirror sites.
 - Automatic failover of PPRC-protected volume groups between nodes within a site. See *Installing the DSCLI management for PPRC Filesets*.

Using DSCLI allows PowerHA SystemMirror to:

- Automatically set up PPRC paths and instances that PowerHA SystemMirror will manage.
- Manage switching the direction of the PPRC relationships when a site failure occurs, so that the backup site is able to take control of the PowerHA SystemMirror-managed resource groups from the primary site.

Related reference:

“Installing the DSCLI management for PPRC filesets” on page 45

These topics describe how to install DSCLI management for PPRC filesets. You must be logged in as root to perform installation tasks.

Planning for DSCLI management:

You should be familiar with the planning tasks for PowerHA SystemMirror.

Your environment must meet the following requirements:

- PowerHA SystemMirror sites have been planned.

- Basic DSCLI (and ESS CLI, if required for ESS storage,) support has been completely configured. Refer to the appropriate documentation on how to install and configure each.

To plan for a DSCLI management in an PowerHA SystemMirror cluster, complete the following tasks:

- Identify the Copy Services Servers (CSS) to be used.
- Identify the disk subsystems to be used in the cluster.
- Identify the vpaths to be used in the configuration, including the volume IDs for each that corresponds to the storage unit and LUN.
- Identify the PPRC Replicated Resources to be used
- Identify the Port Pairs to be used for PPRC Paths
- Identify Volume Pairs (LUNs)
- Identify the volume groups to be managed by PPRC Replicated Resources
- Plan which resource groups will contain the DSCLI-managed PPRC replicated resources (if not already done in the General Planning section).

Related information:

Planning guide

Limitations and restrictions for DSCLI management:

The current release of PowerHA SystemMirror Enterprise Edition for Metro Mirror with DSCLI management has some limitations and restrictions.

Check the IBM Web site for the latest information on TotalStorage models and PowerHA SystemMirror support.

<http://www.ibm.com/servers/storage/disk/index.html>

Refer to the README packaged with the DSCLI management filesets for the most up-to-date Limitations and Restrictions.

Volume group limitations

- A volume group must have the same volume major number across all cluster nodes. (It has been known to cause problems during cluster function time, and it is not guaranteed to be fixed during cluster verification.)
- Resource groups to be managed by PowerHA SystemMirror cannot contain volume groups with both PPRC-protected and non PPRC-protected disks. For example:
 - VALID: RG1 contains VG1 and VG2, both PPRC-protected disks.
 - INVALID: RG2 contains VG3 and VG4, VG3 is PPRC-protected, and VG4 is not protected.
 - INVALID: RG3 contains VG5, which includes both PPRC-protected and non-protected disks within the same volume group.

Managed resource limitations

Resource groups cannot manage both DSCLI and Direct management (ESS CLI)-managed PPRC resources simultaneously:

Note: ESS Storage resources (LSS and LUNs) are considered DSCLI PPRC Resources in this type of configuration because they are managed via the DSCLI interface and not the ESS CLI.

IBM TotalStorage Copy Services functions limitations

Only IBM TotalStorage Copy Services function Synchronous PPRC (Metro Mirror) is supported (No Global Copy or Global Mirror).

C-SPOC limitations

C-SPOC operations on nodes at the same site as the source volumes successfully perform all tasks supported in PowerHA SystemMirror.

C-SPOC operations will not succeed on nodes at the remote site (that contain the target volumes) for the following LVM operations:

- Creating or extending a volume group
- Operations that require nodes at the target site to write to the target volumes (for example, changing filesystem size, changing mount point, adding LVM mirrors) cause an error message in CSPOC. However, nodes on the same site as the source volumes can successfully perform these tasks. The changes are subsequently propagated to the other site via lazy update.
- For C-SPOC operations to work on all other LVM operations, it is highly recommended that you perform all C-SPOC operations when the cluster is active on all PowerHA SystemMirror nodes and the underlying SVC consistency groups are in a **consistent_synchronized** state.

Related information:

 [IBM Disk Storage Systems](#)

Sample configuration for DSCLI management:

You can set up a mutual recovery configuration in which each site acts as a production site with the other site acting as an associated backup site.

Implementing a mutual recovery configuration requires:

- Two PowerHA SystemMirror sites (the same as a single recovery configuration)
- Two resource groups.

A standard configuration includes two PowerHA SystemMirror sites, each comprised of nodes attached to two PPRC-managed groups of ESSes spread across both sites.

A CLI client (ESSNI client) must be installed on the PowerHA SystemMirror hosts. The ESSNI client is the interface between the application that intends to invoke PPRC commands and the ESSNI or HMC; it must be installed on all the ESSNI server nodes. PPRC services are invoked using the DSCLI within the ESSNI clients. The ESSNI client communicates with the ESSNI server.

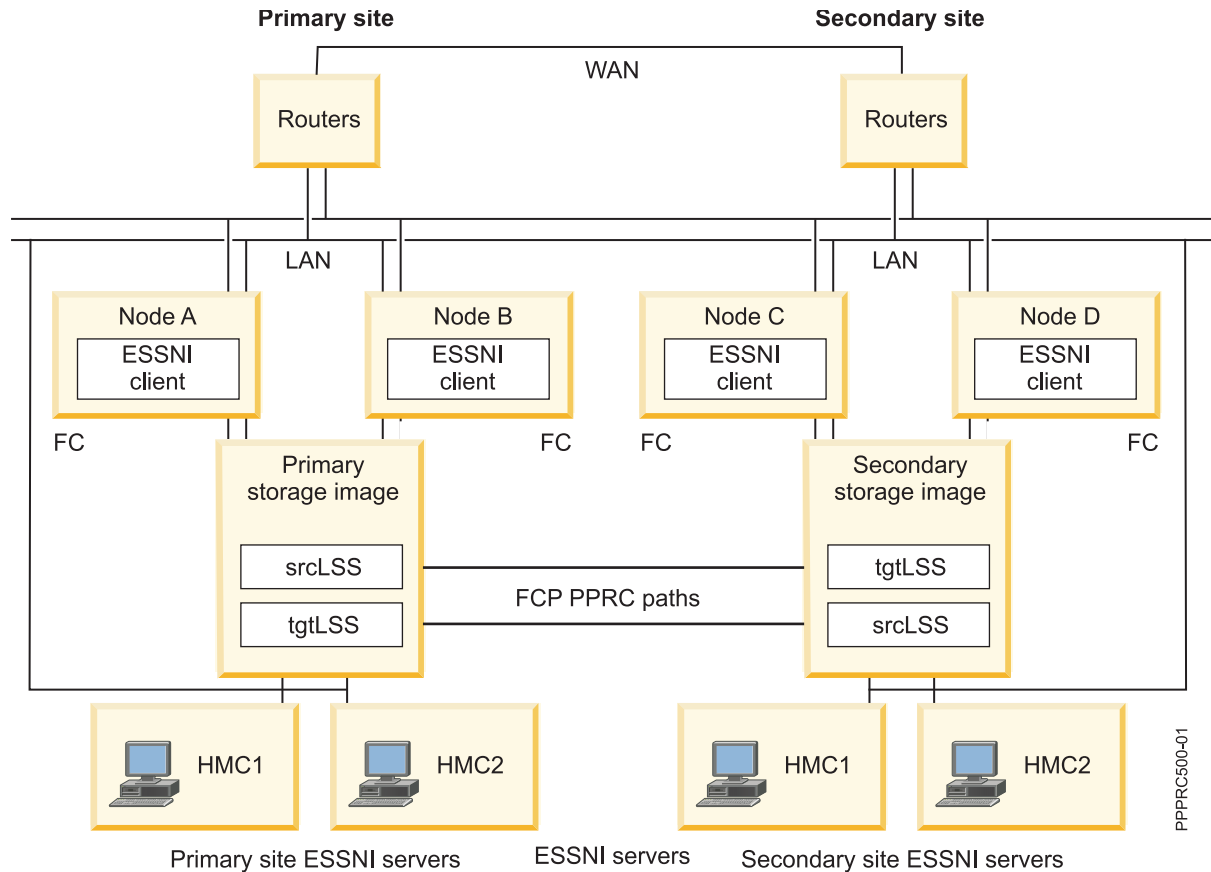
The ESSNI Server runs in an HMC for the ESS 2107 and on the management server for ESS 1750. It runs directly on the ESS clusters for the 2105. The ESS Server, in turn, communicates the CLI commands to the ESS disk controllers.

A PPRC replicated resource contains the ESS disk volume pairs information. The PowerHA SystemMirror resource group definition includes the volume groups built on top of the PPRC replicated volumes. PowerHA SystemMirror manages PPRC processing by dynamically executing the DSCLI commands. You no longer have to define tasks on the ESS Web Interface.

The example shows a typical implementation of two ESS model 2107s with PPRC in a four-node PowerHA SystemMirror geographic cluster. The cluster consists of four System p nodes. Each ESS is connected to each node (server) via a SCSI or Fibre Channel connection. Two PPRC links (ESCON or FC) between the ESSes provide the basic level of redundancy.

One link carries data from the source Logical Subsystem (LSS) on the Primary site to the target LSS on the Secondary site, and the other link carries data in the other direction (source is on the Secondary site, target is on the Primary site).

The configuration also includes point-to-point networks for heartbeating to connect the cluster nodes.



Example listing for DSCLI-managed configuration for mutual takeover:

Here is an example of the configuration information for a DSCLI-managed mutual takeover configuration.

DS Subsystems

m222:

Cluster1 IP: 9.22.22.22
 Cluster2 IP: 9.44.44.44
 ESS Storage ID: IBM.2107-2222222
 Associated CS Server: m222h

m555:

Cluster1 IP: 9.55.55.55
 Cluster2 IP: 9.77.77.77
 ESS Storage ID: IBM.2107-5555555
 Associated CS Server: m555h

Copy Services Servers

m222h: IP address 9.112.112.2
 m555h: IP address 9.115.115.2

Available IO ports

```
-----  
m222: I0002, I0012  
m555: I0005, I0015
```

Volumes (LUNs) to be used

```
-----  
m222: 1200, 1201  
m555: 1200, 1201
```

LSS to be used

```
-----  
m222: 12    m555: 12
```

DSCLI-managed PPRC Replicated Resource for

Resource Group RG1

```
-----  
PPRC Resource Name:  sample_res1  
PowerHA SystemMirror Sites:      SiteA SiteB  
Volume Pairs:        1200->1200  
ESS Pair:            m222 m555  
LSS Pair:            12 12  
PPRC Type:           mmir  
PRI-SEC PortPairIDs 0002->I0005  
SEC-PRI PortPairIDs I0015->I0012  
PPRC Link Type:      fcp  
Volume Group         sample_VG1
```

DSCLI-managed PPRC Replicated Resource for

Resource Group RG2

```
-----  
PPRC Resource Name:  sample_res2  
PowerHA SystemMirror Sites:      SiteB SiteA  
Volume Pairs:        1201->1201  
ESS Pair:            m555 m222  
LSS Pair:            12 12  
PPRC Type:           mmir  
PRI-SEC PortPairIDs I0005->I0002  
SEC-PRI PortPairIDs I0012->I0015  
PPRC Link Type:      fcp  
Volume Group         sample_VG2
```

Note that the definitions for RG2 of volume pairs, ESS Pair, LSS Pair and the PortPairIDs are listed in reference to the source of the PPRC instance that will be used by the resource: RG2 is intended to come ONLINE with the PowerHA SystemMirror secondary site as the "source." RG1 is intended to come ONLINE with the PowerHA SystemMirror primary site as "source."

From this point, resource groups RG1 and RG2 will be configured to include the DSCLI-managed PPRC Replicated Resources sample_res1 and sample_res2 respectively.

Setting up volume groups and file systems on DSCLI-protected disks:

Although *not* required, you should complete these steps prior to planning. These steps must be completed prior to the initial PowerHA SystemMirror verification to avoid verification errors.

1. Make sure that the hdisks and corresponding vpaths made available to your nodes are visible at those nodes. If they are *not*, and you can verify that the nodes have been cabled and configured correctly to make the vpaths available, reboot the node and run **cfgmgr** to make the disks viewable.
2. Based on the LUNs you have selected for a given PPRC relationship, determine which vpaths and hdisks correspond. Use the following utility on a node at both the primary and backup PowerHA SystemMirror sites:

```
/usr/sbin/lsvpcfg
```

Note: It is likely (although *not* required) that the LUNS will be different at each site, and it is also likely (although *not* required) that the vpaths will be different on each node in each site.

The output will look something like this: (this output would be from an PowerHA SystemMirror node in siteA of the example configuration. Assume more than one type of storage unit is connected to this node.)

```
smithers) /usr/sbin/lsvpcfg
vpath12 (Avail ) 13AABKK1602 = hdisk14 (Avail ) hdisk44 (Avail )
hdisk74 (Avail ) hdisk104 (Avail )
vpath13 (Avail ) 13AABKK1603 = hdisk15 (Avail ) hdisk45 (Avail )
hdisk75 (Avail ) hdisk105 (Avail )
vpath14 (Avail ) 13AABKK1604 = hdisk16 (Avail ) hdisk46 (Avail )
hdisk76 (Avail ) hdisk106 (Avail )
vpath15 (Avail ) 2222221100 = hdisk17 (Avail ) hdisk47 (Avail )
hdisk77 (Avail ) hdisk107 (Avail )
vpath16 (Avail pv sample_VG1) 2222221200 = hdisk18 (Avail )
hdisk48 (Avail ) hdisk78 (Avail ) hdisk108 (Avail )
vpath17 (Avail pv sample_VG2) 2222221201 = hdisk19 (Avail )
hdisk49 (Avail ) hdisk79 (Avail ) hdisk109 (Avail )pilot> lshostvol.sh
```

The third column in this output corresponds to the storage system ID and LUN associated with the vpath listed in column one.

Examples

vpath12 above (which has no volume group created on it yet) is on storage system IBM.XXXX-13AABKK, LSS 16, LUN 002.

vpath17 (which has volume group sample_VG2 created on it) is on the same system, with a different LSS/LUN: IBM.XXXX-222222, LSS 12, LUN 001.

To fill in the 'XXXX' from the system ID above: either from your own documentation, or use

```
lsdev -Ccdisk | grep <hdisk associated with the vpath in question>
```

to display the underlying disk type: IBM FC 1750 or IBM FC 2107.

Example:

```
smithers) /usr/sbin/lsdev -Ccdisk | grep hdisk14
hdisk14 Available 2A-08-02 IBM FC 1750
```

You see that vpath12 is on IBM.1750-13AABKK, LSS 16, LUN 002.

3. Create volume groups and file systems at the Primary PowerHA SystemMirror site.
 - a. On one of the nodes at the Primary PowerHA SystemMirror site, on the Vpaths) that correspond to the volume pairs for a given PPRC Relationship, set up the volume group(s) and file system(s) to be managed by PowerHA SystemMirror. Ensure that the Volume Major Numbers for the volume groups can be used on all PowerHA SystemMirror cluster nodes, and that the physical volume name for the filesystem can also be used across all PowerHA SystemMirror cluster nodes.

Note: Use the `/usr/sbin/lvlsstmajor` command on each node in the cluster to list the available volume major numbers and select a free number on all nodes.

- b. After successfully creating all necessary volume groups and file systems on the first node, import the data to all other nodes at the same site.
4. Use PPRC to mirror disk to the backup PowerHA SystemMirror site
5. Create a temporary PPRC relationship in order to copy the volume group/file set information to the remote disk.

Run these commands to set up the PPRC path and instance, and to copy over the local disk information (refer to the DSCLI documentation, or run `dscli help <command>` for more details):

a. `mkpprcpath`

```
/opt/ibm/dscli/dscli -user <userid> -passwd <password> -hmc1
<local hmc name> mkpprcpath -dev <local storage device ID> -remotedev
<remote storage device ID> -srclss -tgtlss -remotewwnn
<WWNN> <local port>:<remote port>
```

Example, where IBM.2107-2222222 is at the Primary PowerHA SystemMirror site, IBM.2107-5555555 is at the Backup PowerHA SystemMirror site:

```
/opt/ibm/dscli/dscli -user sluggo -passwd batterup -hmc1
m222h mkpprcpath -dev IBM.2107-2222222 -remotedev IBM.2107-5555555
-src1ss 12 -tgt1ss 13 -remotewwnn 6005076303FFC354 I0002:I0005
```

b. mkpprc

```
/opt/ibm/dscli/dscli -user <userid> -passwd <password> -hmc1
<local hmc name> mkpprc -dev <local storage device ID> -remotedev
<remote storage device ID> -type <mmir| -mode full <local LUN>:<remote LUN>
```

Example:

```
/opt/ibm/dscli/dscli -user sluggo -passwd batterup -hmc1
m222h mkpprc -dev IBM.2107-2222222 -remotedev
IBM.2107-5555555 -type mmir -mode full 1002:1002
```

At this point, you should have a PPRC instance available, and in a copying state:

```
/opt/ibm/dscli/dscli -user <userid> -passwd <password> -hmc1
<local hmc name> lsprrc -dev <local storage device ID> -remotedev
<remote storage device ID> <local LUN>:<remote LUN>
```

c. rmprrc

Once the PPRC relationship has completed copying, delete the relationship (if you do *not*, then the Backup PowerHA SystemMirror site nodes will *not* have write access to the LUNs, and so you will *not* be able to import the new volume group(s):

```
/opt/ibm/dscli/dscli -user <userid> -passwd <password> -hmc1
<local hmc name> rmprrc -quiet -dev <local storage device ID>
-remotedev <remote storage device ID> <local LUN>:<remote LUN>
```

This step is necessary in order for the next LVM operations to complete successfully.

- d. Using SMIT or the command line on the backup PowerHA SystemMirror site (the site that is connected to the remote disk subsystem), import the volume group(s) created in step b.)

At this point, the volume groups and filesystems necessary to configure PowerHA SystemMirror have been created.

Related tasks:

“Configuring a PowerHA SystemMirror node to use in-band communication for traditional Metro Mirror PPRC” on page 142

After you configured a storage system to use in-band communication for, you must configure each node in the cluster to use in-band communication for traditional Metro Mirror Peer-to-Peer Remote Copy (PPRC).

Planning Primary and Secondary site layout for resource groups:

In order for a resource group to come ONLINE correctly at cluster startup time, the definition of the Primary site must be the same for the PPRC replicated resource and the resource group that contains that resource.

Defining the Primary Site for a DSCLI-managed PPRC replicated resource

The order that data is entered into the SMIT panel fields when defining a PPRC Replicated Resource indicates which site will be primary. The following entries are order-sensitive. In all cases (unless otherwise specified), the first entry corresponds to information for the primary site.

- PowerHA SystemMirror Sites
- PPRC Volume Pairs

Example for a resource with multiple volume pairs:

```
[1200->1300 1201->1301]
```

Primary site LUNS are 1200 and 1201. Secondary site LUNS are 1300 and 1301

- ESS Pair
- LSS Pair
- Pri-Sec Port Pair IDs

For both Pri-Sec and Sec-Pri, the following format is correct when entering data in the SMIT panels:

```
[I0022->I0052 I0023->I0053]
```

where I0022 and I0023 correspond to Ports on the storage system directly connected to the site that will be primary for the PPRC Replicated Resource, and I0052 and I0053 are Ports on the storage system directly connected to the secondary site.

- Sec-Pri Port Pair IDs

If you were going to use the same Port pairs as in the example above, the Sec-Pri listing would look like this:

```
[I0052->I0022 I0053->I0023]
```

where the Ports are on the same systems as described above.

Defining the Primary Site for an PowerHA SystemMirror resource group

When defining the Primary and Secondary site nodes on creating an PowerHA SystemMirror resource group, select nodes from the site where you want the resource group to come ONLINE during cluster startup as the Primary Site nodes.

Note that combining the **Online on Either Site** inter-site management policy with the **Online on First Available Node** startup policy will allow the resource group to come ONLINE on a node other than those defined as belonging to its defined Primary site.

Example:

```
PowerHA SystemMirror Site 1: node11, node12
```

```
PowerHA SystemMirror Site 2: node21, node22
```

To define an PowerHA SystemMirror Resource Group that will come up on Site 1:

```
Participating Nodes from Primary Site [node11, node12]
```

```
Participating Nodes from Secondary Site[node21,node22]
```

To define an PowerHA SystemMirror Resource Group that will come up on Site 2:

```
Participating Nodes from Primary Site [node21, node22]
```

```
Participating Nodes from Secondary Site[node11,node12]
```

Related reference:

“Sample configuration for DSCLI management” on page 40

You can set up a mutual recovery configuration in which each site acts as a production site with the other site acting as an associated backup site.

Installing the DSCLI management for PPRC filesets:

These topics describe how to install DSCLI management for PPRC filesets. You must be logged in as root to perform installation tasks.

Related reference:

“Installing PowerHA SystemMirror Enterprise Edition for Metro Mirror” on page 10

These topics describe how to install base PowerHA SystemMirror Enterprise Edition filesets. Details for installing filesets and prerequisites for specific types of PPRC support are contained in subsequent sections.

Installing prerequisite software:

Before installing PowerHA SystemMirror Enterprise Edition DSCLI management for PPRC (spprc filesets), the prerequisite software must be installed on cluster nodes.

Note: Check the README for updates on versions supported after the first release of this software.

1. The latest PowerHA SystemMirror Enterprise Edition version. (Refer to Installing PowerHA SystemMirror Enterprise Edition for Metro Mirror for more information)
2. IBM Subsystem Device Driver (SDD) for the storage system you are using. Check the documentation and website for the currently approved SDD version to use with a given microcode version. Make sure the following filesets are installed:
 - a. `devices.fcp.disk.ibm.rte (1.0.0.0)`

Note: It may *not* be clear during installation of the SDD filesets that this first fileset is necessary, but it is critical for correct failover behavior.

- b. `devices.sdd.**.rte (latest version)`
- c. `devices.ibm2105.rte (latest version)`

Note: This fileset provides connection scripts for all of the ESS and DS disk types, including ESS 800, DS 8000 and DS 6000.

3. DSCLI client software and other configuration specific prerequisites, as shipped with the microcode for the storage systems to be used in this cluster. Refer to the DSCLI documentation for more information on how to install and configure this software.
4. (*Optional*) If ESS storage systems are going to be included in your cluster) ESS CLI software is shipped with the microcode for the storage hardware. DSCLI management code expects the ESS CLI to be installed in the following (non-standard) directory

`/opt/ibm/ibm2105cli`

so you may have to create a link from the actual installation location to this location. Be mindful of this, as it will cause problems during both the verification and run-time for your cluster.

Related reference:

“Installing PowerHA SystemMirror Enterprise Edition for Metro Mirror” on page 10

These topics describe how to install base PowerHA SystemMirror Enterprise Edition filesets. Details for installing filesets and prerequisites for specific types of PPRC support are contained in subsequent sections.

Installing the DSCLI management filesets:

You need to install the necessary filesets for DSCLI management.

If you have not already done so, install the filesets listed in Contents of the installation media for DSCLI management.

Related reference:

“Contents of the installation media” on page 11

The PowerHA SystemMirror Enterprise Edition for Metro Mirror installation media provides the images for installation on each node in the cluster that can take over a PPRC mirrored volume group.

Installation directories:

All PowerHA SystemMirror-PPRC programs and scripts are located in specific directory and sub-directories.

These include:

```
/usr/es/sbin/cluster/pprc  
/usr/es/sbin/cluster/pprc/spprc
```

All DSCLI programs and scripts are located in the following directory and sub-directories:

```
/opt/ibm/dscli
```

All ESSCLI programs and scripts are expected to be located in the following directory:

```
/opt/ibm/ibm2105cli
```

Upgrading to the latest version of PowerHA SystemMirror Enterprise Edition for Metro Mirror:

When upgrading from a previous version of PowerHA SystemMirror Enterprise Edition for Metro Mirror, you can choose to upgrade the base **pprc** filesets only, or you can add the **cluster.es.spprc** filesets (to add DSCLI management).

Note: Currently there is no migration path from eRCMF management or SVC management to DSCLI management. The statements here apply only to Direct management.

You can install the **cluster.es.spprc** filesets in your current base (Direct management) PPRC environment and continue to operate the current environment. This is possible because the base **pprc** and **spprc** configuration information is stored in different configuration databases (ODMs).

The **spprc** filesets are installed automatically if you already have a previous version of them on your system when you install via `smitty update_all`.

Configuring PowerHA SystemMirror Enterprise Edition for MetroMirror using DSCLI management:

These topics explain how to configure the DSCLI management with PowerHA SystemMirror.

Configuration requirements

Before configuring PowerHA SystemMirror Enterprise Edition for Metro Mirror with the DSCLI management interface, ensure that:

- PPRC is configured and running on the storage systems.
- ESSNI client and server software is installed (DSCLI software on all PowerHA SystemMirror cluster nodes, for example).
- You have a good understanding of PowerHA SystemMirror sites for PPRC replicated resources. For more information about sites, see the section PowerHA SystemMirror Sites.
- Both the base PowerHA SystemMirror Enterprise Edition for Metro Mirror and DSCLI management filesets are installed on each cluster node.
- The PowerHA SystemMirror cluster is configured for:
 - Nodes
 - Sites
 - Networks and network interfaces
 - Service labels, application monitors, etc.
 - Initial resource groups

You can modify the attributes for a resource group later to accommodate PPRC replicated resources.

Steps for setting up the DSCLI management interface:

1. Configure PPRC-Managed Replicated Resources (use the SMIT panels at the bottom of the main PowerHA SystemMirror PPRC-Managed Replicated Resources menu):
 - a. Configure Copy Services Servers
 - b. Configure disk systems to be included
 - c. Configure DSCLI-managed PPRC replicated resources
2. Configure PowerHA SystemMirror resource groups to include PPRC-Managed replicated resources.

Configuring DSCLI-managed PPRC replicated resources:

You should configure DSCLI-managed PPRC replicated resources using SMIT panel.

To define DSCLI-managed PPRC replicated resources:

1. From the command line, enter `smit sysmirror`.
2. In SMIT, select **Cluster Applications and Resources > Resources > PPRC-Managed Replication Resources Configuration > DSCLI-managed PPRC Replicated Resource Configuration**, and press Enter.

From this panel you can:

- Configure Copy Services Server
- Configure DS ESS disk subsystems
- Configure DSCLI-managed PPRC replicated resources.

Configuring Copy Services Server:

Configure Copy Service Server using the SMIT panel.

To configure the Copy Services Server:

1. From the command line, enter `smit sysmirror`.
2. In SMIT, select **Cluster Applications and Resources > Resources > PPRC-Managed Replication Resources Configuration > DSCLI-managed PPRC Replicated Resource Configuration > Copy Services Server Configuration > Add a Copy Services Server**, and press Enter.
3. In the **Add a Copy Services Server** panel, enter field values as follows:

Table 12. Add a Copy Services Server fields

Field	Value
CSS Subsystem Name	Name that identifies the Copy Service Server. The name may consist of up to 64 alphanumeric characters, and may include underscores.
CSS site name	Name of the PowerHA SystemMirror site where the CSS resides. The site must already be defined in PowerHA SystemMirror for the site name to be available from the picklist.
CLI Type	Select DSCLI if you are using the ESS 2107. Select ESSCLI if you are using the ESS 2105.
CSS IP Address	IP address, in dotted decimal notation, that the Copy Services Server uses. (This is different from the ESS IP address.)
CSS User ID	User ID used to authenticate logging into the CSS.
CSS password	Password associated with the specified CSS User ID .

4. Press Enter.
5. Repeat these steps for the CSS on the other site.

Defining the DS ESS Disk Subsystems to PowerHA SystemMirror:

You define the DS ESS subsystems included in the sites that support PowerHA SystemMirror Enterprise Edition for MetroMirror to enable PowerHA SystemMirror to process failovers for PPRC replicated resources.

To define a DS ESS system to PowerHA SystemMirror:

1. From the command line, enter `smit sysmirror`.
2. In SMIT, select **Cluster Applications and Resources > Resources > PPRC-Managed Replication Resources Configuration > DSCLI-managed PPRC Replicated Resource Configuration > DS ESS Disk Subsystem Configuration > Add an ESS Disk Subsystem**, and press Enter.
3. In the **Add an ESS Disk Subsystem** panel, enter field values as follows:

Table 13. Add an ESS Disk Subsystem fields

Field	Value
ESS Subsystem Name	Name that identifies the ESS subsystem to PowerHA SystemMirror. The name may consist of up to 64 alphanumeric characters, and may include underscores.
ESS site name	Name of the site where the ESS resides. The site is already defined in PowerHA SystemMirror for the site name to be available from the picklist.
ESS Cluster 1 IP Address	IP address, in dotted decimal notation of the ESS or DS disk subsystem in cluster 1. Note: The IP address specified here is the IP address of the DS/ESS at this site.
ESS Cluster 2 IP Address	IP address, in dotted decimal notation of the ESS or DS disk subsystem in cluster 2. Note: The IP address specified here is the IP address of the DS/ESS at this site.
ESS User ID	User ID used to authenticate logging into the ESS, if available.
ESS password	Password associated with the specified ESS User ID , if available.
Full ESS Storage ID	Enter the fully qualified ESS storage image ID. This includes the manufacturer, device type, model and serial numbers (MTMS). The format is: manufacture.type-model-serial number. For example: IBM.2107-921-75FA120
List of CS Servers	From the list, select the CSS that will manage the PPRC of this Disk Subsystem.

4. Press Enter.
5. Review the settings for the ESS subsystem.
From the **Configure an ESS Disk Subsystem** panel, select **Change/Show an ESS Disk Subsystem** and select an ESS system to view. Make changes if necessary and press Enter.
6. Repeat these steps to enter the information for the DS ESS at the second site.

Adding a DSCLI-managed PPRC replicated resource:

You can add a DSCLI-managed PPRC replicated resource to your configuration.

To add a PPRC replicated resource:

1. From the command line, enter `smit sysmirror`.
2. In SMIT, select **Cluster Applications and Resources > Resources > PPRC-Managed Replication Resources Configuration > DSCLI-managed PPRC Replicated Resource Configuration > DSCLI-managed PPRC Replicated Resource Configuration > Add a PPRC Replicated Resource**, and press Enter.
3. In the **Add a Replicated Resource** panel, enter field values as follows:

Table 14. Add a Replicated Resource fields

Field	Value
PPRC Resource Name	Enter a name of the set of PPRC volume pairs that make up the PPRC replicated resource. Use no more than 64 alphanumeric characters and underscores.
PowerHA SystemMirror Sites	Enter the names of the PowerHA SystemMirror sites (already defined to PowerHA SystemMirror). Enter the name of the primary site followed by the secondary site.
PPRC Volume Pairs	List of PPRC volume pairs that are contained in this PPRC replicated resource. The format is: Primary Volume ID:Secondary Volume ID <ul style="list-style-type: none"> All PPRC volume pairs in a PPRC replicated resource consist of volumes from the same LSS pair. Volumes in a PPRC replicated resource must be from the same volume group. A volume group can span more than one LSS. A volume group can span more than one ESS disk subsystem.
ESS pair	Set of ESSs associated with this PPRC resource. The first name in the list is the primary ESS and the second is the secondary ESS.
LSS Pair	Set of LSSs associated with this PPRC resource. The first name in the list is the primary LSS and the second is the secondary LSS.
PPRC Type	Indicates whether the PPRC volume relationships will be Metro Mirror mmir or Global Copy gcp relationships. <ul style="list-style-type: none"> Metro Mirror maintains the PPRC relationship in a consistent manner. I/O write completion status is returned to the application once the updates are committed to the target ESS. Global Copy maintains the PPRC relationship in a non-synchronous manner. I/O write completion status is returned to the application once the updates are committed to the source ESS. Updates to the target volume are performed at a later point in time. The original order of updates is not strictly maintained.
Pri-Sec Port Pair ID	List of PPRC Path Port Pair IDs of PPRC Links between a primary LSS and secondary LSS. The source and target port must be a Fibre Channel / ESCON I/O port that is configured for point-to-point or switch fabric topology. <p>A PPRC Path Port Pair ID consists of two Port IDs, one designated as the source port and the other as the target port for a PPRC path. The first Port ID is the designated source Port. The second LSS ID is the designated target Port. Separate the two Port IDs of a PPRC Path Port Pair ID with a colon and no whitespace.</p> <p>You can have up to 8 PPRC Path Port Pair IDs defined for each pair of LSSs. Use a white space to separate multiple PPRC Path Port Pair IDs.</p> <p>Example of three Port pairs:</p> <p>I1A10:I2A20<space>I1A11:I2A21<space>I1A12:I2A22</p>
Sec-Pri Port Pair IDs	Same as above. The example here shows the reverse source and target order of the pri-sec pair IDs (12 > 11 instead of 11 > 12): <p>I2A10:I1A20<space>I2A11:I1A21<space>I2A12:I1A22</p>
PPRC Link Type	Select ESCON or FCP depending on the connection you are using for the PPRC path.
PPRC Critical Mode	This option is used to write-protect the source volume. If the last path fails between the pairs, resulting in the inability to send information to the target, the source becomes write-protected. Current updates and subsequent attempts to update the source will fail, with a unit check on S/390® or a check condition on SCSI. Values are ON (set critmod) or OFF (do not set critmod). <p>The default is OFF.</p>
Volume Group	Volume group that contains the PPRC volume pairs included in this PPRC replicated resource. The volume group can include volumes pairs from different LSSes as well as from different ESSes.

4. Press Enter.

5. Repeat as necessary to define more DSCLI-managed PPRC replicated resources.

Configuring resource groups:

After defining PPRC replicated resources, you can add them to a resource group.

When you configure a resource group ensure that:

- The site policy is set to **Prefer Primary Site** or **Online on Either Site**.
- A **Startup** policy other than **Online on All Available Nodes** is specified.

To add a PPRC replicated resource to a resource group:

1. From the command line, enter `smit sysmirror`.
2. In SMIT, select **Cluster Applications and Resources > Resource Groups > Change/Show Resources and Attributes for a Resource Group**, and press Enter.
3. In the **Change/Show Resources and Attributes for a Resource Group** panel specify:
 - The name of the PPRC replicated resource in the **PPRC Replicated Resources** field.
 - The volume groups associated with the individual PPRC replicated resources.
The PPRC Replicated Resources entry is a picklist that displays the resource names created in the previous step. Make sure that the volume groups selected on the Resource Group configuration screen match the volume groups used in the PPRC Replicated Resource.
4. You must verify before synchronizing the cluster.

Related tasks:

“Verifying the DSCLI-managed PPRC configuration”

Verifying the configuration for DSCLI-managed PPRC replicated resources checks the configuration.

Related information:

Configuring PowerHA SystemMirror resource groups (extended)

Planning resource groups

Verifying the DSCLI-managed PPRC configuration:

Verifying the configuration for DSCLI-managed PPRC replicated resources checks the configuration.

It also reports on the following issues:

- SPPRC information in the PowerHA SystemMirror Configuration Database (ODM) is identical on all nodes.
- The DSCLI Command Line Interface is installed correctly on each node.
- The PPRC volume groups are not defined in the **Concurrent Volume Groups** field for a resource group that spans on nodes across sites.
- Sites are properly defined for the PowerHA SystemMirror and PPRC configuration.
- The IP addresses of the ESS systems exist and are reachable.
- The ESS systems for the PPRC replicated resources are defined as ESS disk subsystems to PowerHA SystemMirror.
- The two volumes of a PPRC pair are on different ESS systems and on different PowerHA SystemMirror sites.
- The volume IDs correspond to physical volumes defined to PowerHA SystemMirror cluster nodes.
- The PVIDs of the disks in a volume group at each end of a pair are the same.
- All PPRC volumes pairs in a PPRC replicated resource can only consist of volumes from the same LSS pair.
- Volumes in a PPRC replicated resource must be from the same volume group
- Correct PPRC links and their Port IDs have been defined
- The defined CLI path and the ESSNI client jar file exist on all the PowerHA SystemMirror servers

- The volume pairs have volumes that do exist on the ESSs defined to PowerHA SystemMirror.

To verify the PowerHA SystemMirror Enterprise Edition DSCLI-managed PPRC configuration:

1. From the command line, enter `smit sysmirr`.
2. In SMIT, select **Cluster Applications and Resources > Resources > Verify and Synchronize Cluster Configuration** and press Enter.

Since the cluster is inactive, the following options appear. Make sure to select **Verify** in the first field (not **both**, you do not synchronize the configuration yet):

Table 15. Verification and Synchronization fields

Field	Value
Verify Synchronize or Both	Select Verify only.
Automatically correct errors found during verification?	<p>No is the default. PowerHA SystemMirror performs corrective actions without prompting you to perform any action.</p> <p>If you select Interactively, during verification you will be prompted when PowerHA SystemMirror finds a problem it can correct related to the following, for example:</p> <ul style="list-style-type: none"> • Importing a volume group • Exporting and re-importing shared volume groups (mount points and filesystems issues) You then choose to have the action taken or not.
Force synchronization if verification fails?	No is the default. If you select Yes , cluster verification runs but verification errors are ignored and the cluster is synchronized. Use the default.
Verify changes only?	No is the default. (Run the full check on resource and topology configuration.) Use the default.
Logging	Standard is the default. You can also select Verbose . Verification messages are logged to <code>/var/hacmp/clverify/clverify.log</code> .

3. Press Enter. The verification output appears in the SMIT Command Status window.
4. If any error messages appear, make the necessary changes and run the verification procedure again. You may see Warnings if the configuration has a limitation on its availability; for example, only one interface per node per network is configured.

Related information:

Verifying and synchronizing a PowerHA SystemMirror cluster

Synchronizing the cluster:

Typically, you synchronize the PowerHA SystemMirror Enterprise Edition for Metro Mirror configuration with PowerHA SystemMirror cluster configuration.

To synchronize the PowerHA SystemMirror Enterprise Edition DSCLI-managed PPRC configuration:

1. From the command line, enter `smit sysmirr`.
2. In SMIT, select **Cluster Applications and Resources > Resources > Verify and Synchronize Cluster Configuration**, and press Enter.
3. The PowerHA SystemMirror Verification and Synchronization panel appears. Select either **both** or **Synchronize** in the first field and press Enter.

The cluster is synchronized.

Starting the cluster:

Verification runs automatically at cluster startup unless you turn this option off. After completing the steps above that set volume groups to show up only as vpaths, cluster verification will fail. To avoid this issue, set the **ignore verification errors?** field to **true** on the **Start Cluster Services** SMIT panel.

1. From the command line, enter `smit cl_admin`.
2. In SMIT, select **PowerHA SystemMirror Services > Start Cluster Services**, and press Enter.
3. Make the selections for the fields on this panel, setting the field **Ignore verification errors?** to **true**.
4. Press Enter to start cluster services.

PowerHA SystemMirror will start up and manage the PPRC resources.

Related information:

Starting and stopping cluster services

Changing the configuration for sites:

Use SMIT to change configuration for PPRC replicated resources.

Note: Changing resource configuration requires that PowerHA SystemMirror services be stopped on all nodes at both sites in the cluster.

Configuration changes you make to any of the following components affects the others listed:

- Sites
- PPRC replicated resources
- Volumes
- Resource groups.

After you make a configuration change, verify and synchronize the configuration.

To change site configuration in PowerHA SystemMirror:

1. From the command line, enter `smit sysmirror`.
2. In SMIT, select **Cluster Nodes and Networks > Manage Sites > Change/Show a Site in a Stretched Cluster**, and press Enter.

For information about field values, see the section Changing the configuration of DSCLI-managed PPRC replicated resources.

Related tasks:

“Changing the configuration of DSCLI-managed PPRC replicated resources”

You can change the configuration of DSCLI-managed PPRC replicated resources using the SMIT panel.

Changing the configuration of DSCLI-managed PPRC replicated resources:

You can change the configuration of DSCLI-managed PPRC replicated resources using the SMIT panel.

To change or remove the configuration for DSCLI-managed PPRC replicated resources:

1. From the command line, enter `smit sysmirror`.
2. In SMIT, select **Cluster Applications and Resources > Resources > PPRC-Managed Replication Resources Configuration > DSCLI-managed PPRC Replicated Resource Configuration**, and press Enter.

From this panel, select:

Table 16. Configure PPRC Replicated Resources fields

Field	Description
Configure Copy Services Server	For information about field values, see the section Configuring Copy Services Server.
Configure DS ESS Disk Subsystem	For information about field values, see the section Defining the DS ESS Disk Subsystems to PowerHA SystemMirror.
Configure a DSCLI-managed PPRC Replicated Resource	For information about field values, see the section Adding a DSCLI-managed PPRC Replicated Resource.

- After selecting a configuration option, select the **Change/Show** option for the value you want to change, or the **Remove** option for the value you want to remove.

Related tasks:

“Configuring Copy Services Server” on page 48

Configure Copy Service Server using the SMIT panel.

“Defining the DS ESS Disk Subsystems to PowerHA SystemMirror” on page 49

You define the DS ESS subsystems included in the sites that support PowerHA SystemMirror Enterprise Edition for MetroMirror to enable PowerHA SystemMirror to process failovers for PPRC replicated resources.

“Adding a DSCLI-managed PPRC replicated resource” on page 49

You can add a DSCLI-managed PPRC replicated resource to your configuration.

Configuring PPRC consistency groups with PowerHA SystemMirror Enterprise Edition for Metro Mirror with DSCLI management:

These topics describe the planning, installation, and configuration tasks for maintaining the consistency of disk volumes as PPRC consistency groups within PowerHA SystemMirror resource groups.

Related reference:

“Installation prerequisites for PowerHA SystemMirror Enterprise Edition Metro Mirror” on page 10

Before installing PowerHA SystemMirror Enterprise Edition Metro Mirror, be sure to have the necessary base PowerHA SystemMirror filesets installed.

Overview of consistency groups:

When applications have one write that is dependent on the completion of another write, these applications are said to have dependent writes. Using dependent writes, these applications can manage the consistency of their data, so that a consistent state of the application data on disk is maintained if a failure occurs in the host machine, software, or the storage subsystem.

Common examples of application dependent writes are databases and their associated log files. Database data sets are related, with values and pointers from indexes to data. Databases have pointers inside the data sets, the catalog and directory data sets, and in the logs. Therefore, data integrity must always be kept across these components of the database.

In disaster situations, it is unlikely that the entire complex will fail at the same moment. Failures tend to be intermittent and gradual, and disaster can occur over many seconds, even minutes. Because some data might have been processed, and other data lost in this transition, data integrity on the secondary volumes is exposed. The mirrored data at the recovery site must be managed so that data consistency across all the volumes is preserved during an intermittent or gradual failure. For example, the situation where a fire starts in the data center. As the fire spreads, perhaps the adapters or the connectivity that is responsible for mirroring some of the data is damaged. If the storage system is able to continue operating, some transactions can continue mirroring while others cannot. This situation becomes a serious issue where dependent writes are concerned.

To maintain the consistency of data across multiple disk volumes at a backup location, the IBM TotalStorage disk subsystem Peer-to-Peer Remote Copy function supports the concept of a PPRC consistency group. Disk volumes in a PPRC relationship that are configured into a PPRC Consistency Group are maintained to ensure that a group of dependent updates made to the disk volumes at the primary location are made together as a unit on the disk volumes at the backup location to maintain data consistency. The PPRC Consistency Group attribute changes the behavior of volume pairs when an error occurs that affects any of the volumes in the group. Without the PPRC Consistency Group option, the DSS causes the volumes where the error is detected to enter a suspended state, which means that PPRC mirroring is suspended. This still allows updates to that volume. If the PPRC Consistency Group option is activated, the volume becomes suspended and additionally enters a "long busy" state, where updates are not possible in that state.

Rather than depending solely on the affected volume that remains in long busy state, the PowerHA SystemMirror Enterprise Edition initiates the freeze function to quickly suspend all mirroring between all volume pairs within the Consistency Group that is protected by the freeze. As a result, if you place all mirrored pairs into the same Consistency Group, the consistency of dependent writes is protected on all volumes, LSSs, and disk systems.

As a result, if some disk volumes at the backup location cannot be updated, all are barred from update.

PowerHA SystemMirror Enterprise Edition for Metro Mirror provides support for the configuration of disk volumes as PPRC consistency groups within PowerHA SystemMirror resource groups.

For more information on PPRC consistency groups refer to:

- IBM TotalStorage Enterprise Storage Server Implementing ESS Copy Services in Open Environments ITSO Redbook SG24-5757 (section 4.6)

Planning for PPRC consistency groups:

You should be familiar with the planning tasks for PowerHA SystemMirror.

To use PowerHA SystemMirror Enterprise Edition for Metro Mirror with TotalStorage disk volumes with the PPRC consistency group option, you define two PowerHA SystemMirror sites, each comprised of a number of AIX servers attached to a group of PPRC-managed disk subsystems spread across both sites. PowerHA SystemMirror PPRC replicated resources are defined in the usual way to contain the ESS/DS disk volume pairs. Volume Groups are built on top of the PPRC-managed disk volumes and added to PowerHA SystemMirror Resource Groups. In addition, PPRC consistency groups are defined to consist of Logical Subsystem (LSS) disk pairs and the corresponding PPRC path information. All PPRC replicated resources that are part of a consistency group are required to be part of the same PowerHA SystemMirror resource group. This means that the PPRC volumes in a consistency group cannot span more than one PowerHA SystemMirror resource group. However, an PowerHA SystemMirror resource group can contain one or more PPRC consistency groups.

PowerHA SystemMirror maintains a common state of all consistency groups in a resource group - either all (or none) of them replicate data to the backup site. Cluster Administrators will most likely find the most convenient configuration where all the volume groups in a resource group are part of the same consistency group. Multiple consistency groups in the same resource group are appropriate when the configuration of paths and LSSes do not allow everything to be placed in the same consistency group. See the explanation associated with Figure 2 in Sample Configuration for an example of this.

The following prerequisites are required:

- PowerHA SystemMirror sites have been planned.
- Basic DSCLI support has been completely configured. Refer to the appropriate documentation on how to install and configure each.

- DSCLI management in an PowerHA SystemMirror cluster has been planned and the following tasks are completed:
 - Identify the Copy Services Servers (CSS) to be used.
 - Identify the disk subsystems to be used in the cluster.
 - Identify the vpaths (for configurations using SDD) to be used in the configuration, including the volume IDs for each that correspond to the storage unit and LUN.
 - Identify the PPRC Replicated Resources to be used.
 - Identify the Port Pairs to be used for PPRC Paths.
 - Identify Volume Pairs (LUNs).
 - Identify the volume groups to be managed by PPRC Replicated Resources.
- Plan PowerHA SystemMirror Resource Groups.
- Identify consistency groups that will be managed in a Resource Group.

Related reference:

“Sample consistency group configuration”

These illustration display sample consistency group configuration.

Related information:

Planning guide

Planning a resource group for PPRC consistency group:

You need to plan your resource groups. In addition to basic resource group planning, it is assumed that resource group attributes, as well as the inter-site management policies for site support, has been planned.

You must also identify the following:

- The PPRC replicated resources to be added to the Resource Group.
- The Consistency Group that will be managed by the Resource Group.

Note: The freeze action is directed to all Consistency Groups in a Resource Group. Therefore, you should ensure that all consistency groups in a resource group have dependencies. Since the PPRC "freeze" action is performed at a resource group level, all disk resources in the same resource group are frozen if there is total loss of the PPRC link between one or two PPRC pairs in a resource group. This ensures that data of dependent applications are not mirrored to the remote site when data of one or two applications in the same resource group cannot be mirrored to the remote site.

If an application depends on more than one volume group, the volume groups might be defined to be part of the same consistency group or different consistency groups. However, it is recommended that they both be added to the same PowerHA SystemMirror Resource Group.

Related information:

Planning resource groups

Sample consistency group configuration:

These illustration display sample consistency group configuration.

Figure 1 illustrates a four-node, two site cluster on which PowerHA SystemMirror Enterprise Edition for Metro Mirror has been configured to provide a high availability disaster recovery solution. Site A and Site B are two geographically separated sites. Each site includes two nodes and a disk storage subsystem (labeled DSS A and DSS B). The DSS units are connected by redundant FCP links and use PPRC to replicate data from one storage unit to the other.

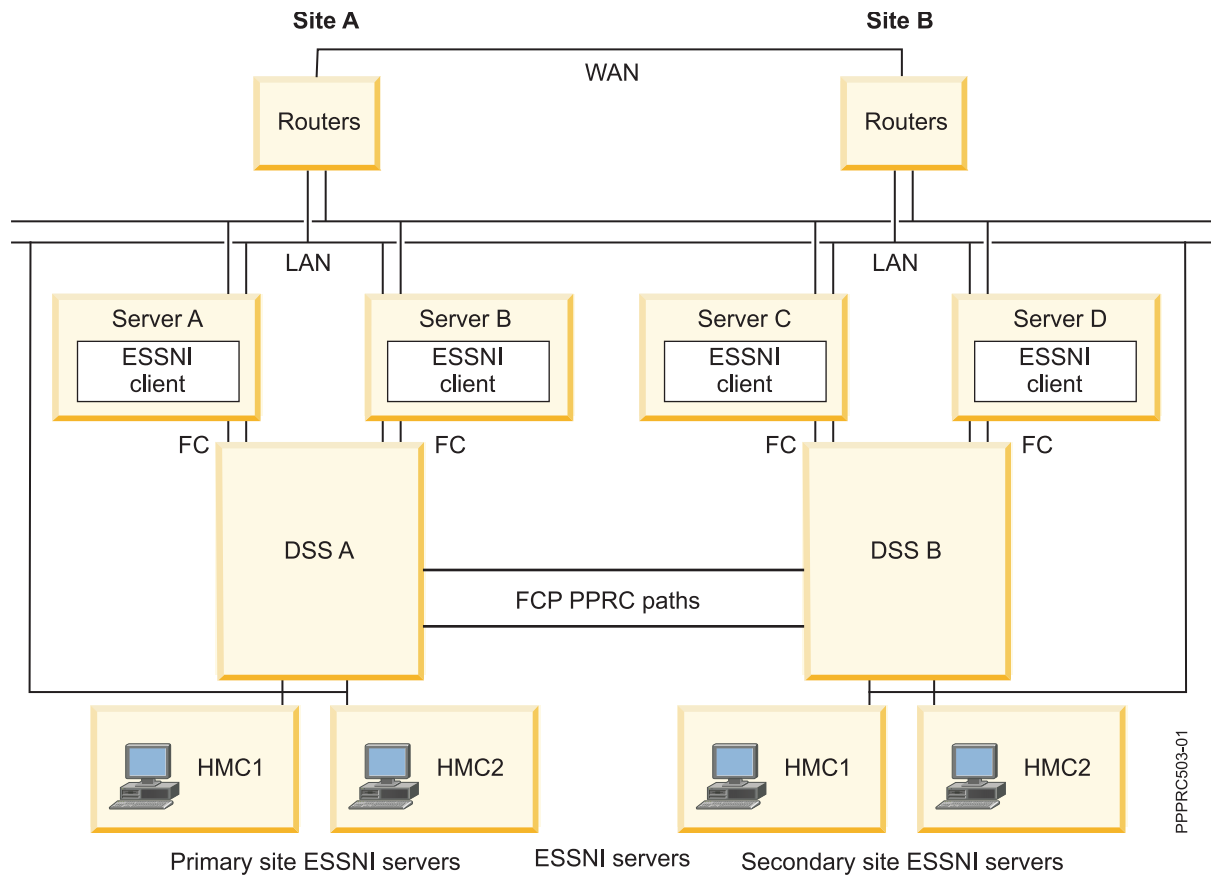
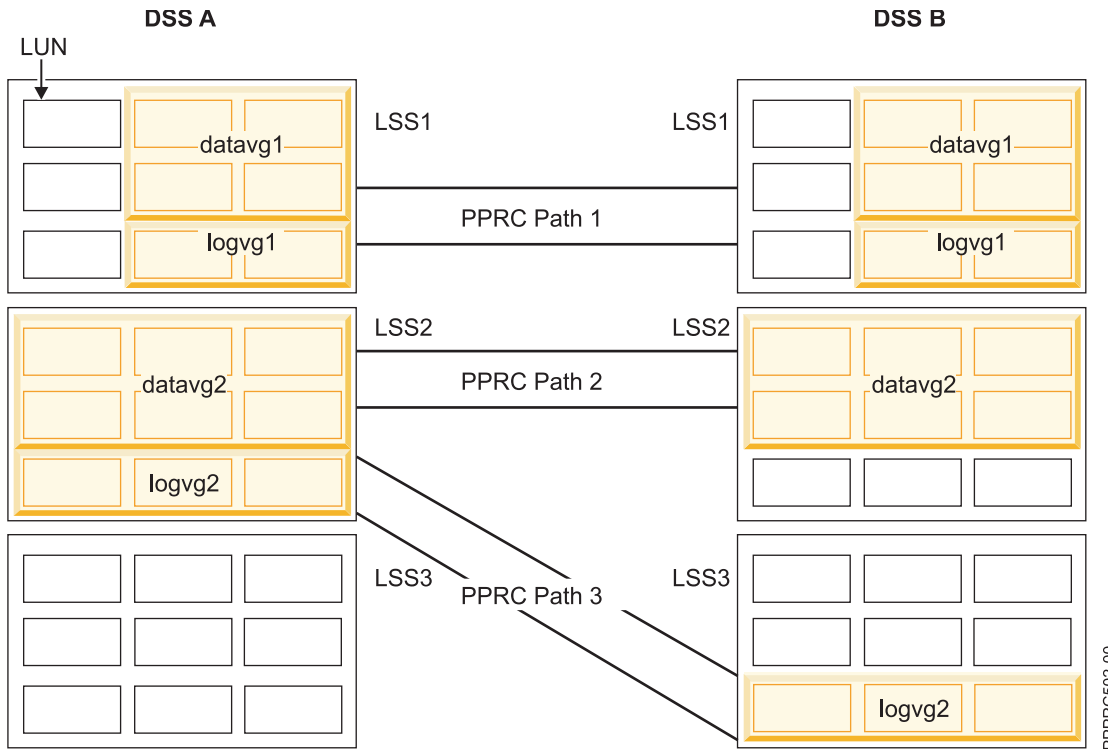


Figure 2 shows a cross-section of two disk subsystems, DSS A and DSS B, located at two geographically separated sites, siteA and siteB. As an example, 3 logical PPRC paths Path1, Path2 and Path3 have defined between the logical subsystems LSS1 on DSS A and LSS1 on DSS B.

A typical configuration, using Database as an example, would require the definition of two volume groups: one for the application data and the other for the log data. In this configuration, it would be required that both the application data (datavg1) and the log data (logvg1) be managed together in a consistency group. For example, a Volume Group (datavg1) that consists of four LUNs, carved from LSS1, on DSS A and a corresponding target Volume Group datavg1 with four LUNs from LSS1 on DSS B, has been defined. A set of four PPRC replicated resources (datapair1, datapair2, datapair3 and datapair4) needs to be defined over the four LUN pairs. Similarly, logvg1 has been defined with source LUNs from LSS1 on DSS A and target LUNs from LSS1 on DSS B and the corresponding PPRC pair logpair1 defined over the LUN pairs.

To manage all the four PPRC pairs together in a consistency group, a consistency group CG1, is defined for the LSS pairs LSS1 on DSS A and LSS1 on DSS B over the PPRC path Path 1. Using Path1 as the path for this consistency group, whenever the path is established with the consistency group option enabled, all the PPRC pairs that are established between the source volumes of datavg1 and the target volumes of datavg1 are automatically put into a consistency group and associated with Path1. Therefore, all PPRC relationships in datavg1 and logvg1 are all part of the same PPRC consistency group.



On the other hand, CG2 and CG3 are created with the same source LSS (LSS2) but different target LSSes. The application data (datavg2) and log data (logvg2) both have their source volumes in the same LSS but have their target volumes in different LSSes. While datavg2 is associated with Path2, logvg2 is associated with Path3. They are, therefore, not part of the same PPRC consistency group. If an application depends on datavg2 and logvg2, they might be defined to be part of the same consistency group or different consistency group. However, it is recommended that they both be added to the same PowerHA SystemMirror Resource Group because the PPRC "freeze" action is performed at a resource group level. All disk resources in the same resource group are frozen if there is total loss of the PPRC link between any of the PPRC pairs in a resource group. This ensures that data of dependent applications are not mirrored to the remote site when data of one or two applications in the same resource group can not also be mirrored to the remote site.

Example configuration of consistency group CG1 described above:

```

Add a PPRC Consistency Group

Type or select values in entry fields.
Press Enter AFTER making all desired changes.

                                [Entry Fields]
* PPRC Consistency Group Name    [CG1]
* LSS Pair                       [01@DSS_A 01@DSS_B]
* Primary - Secondary Port Pair IDs [I000->I0101]
* Secondary - Primary Port Pair IDs [I0101-I000]
* Resource Group                 RG1

F1=Help   F2=Refresh   F3=Cancel   F4=List
F5=Reset  F6=Command   F7=Edit     F8=Image
F9=Shell  F10=Exit      Enter=Do

```

Installing PowerHA SystemMirror Enterprise Edition for Metro Mirror consistency groups filesets:

If you have not already done so, install the filesets according to instructions listed in the Installing PowerHA SystemMirror Enterprise Edition for Metro Mirror topic.

cluster.es.cgpprc.cmds

PowerHA SystemMirror Enterprise Edition for Metro Mirror Consistency Group commands

cluster.es.cgpprc.rte

PowerHA SystemMirror Enterprise Edition for Metro Mirror Consistency Group runtime commands

cluster.msg.en_US.cgpprc

PowerHA SystemMirror Enterprise Edition for Metro Mirror Consistency Group messages

Note: You can install the appropriate message set for your local.

Configuring PowerHA SystemMirror Enterprise Edition for Metro Mirror consistency groups:

Configuration of Consistency Groups with PowerHA SystemMirror Enterprise Edition for Metro Mirror with DSCLI management is accomplished in three steps.

The disk storage configuration steps are accomplished through either WebSM or line mode commands. The PowerHA SystemMirror configuration steps are accomplished through a series of SMIT panels.

Configure the disk storage units to issue SNMP traps:

The storage units must be configured to send traps to one or more of the nodes configured to receive them. You do this by using WebSM.

The precise method is hardware dependent; consult the publications associated with the storage subsystem.

Configure PowerHA SystemMirror to receive and handle SNMP traps:

Before using the following procedure to enable SNMP Traps, you should ensure that any other consumer of SNMP traps - such as Netview or Tivoli® or other network management software - is not already running. Otherwise the PowerHA SystemMirror Cluster Information Daemon (clinfo) is not able to receive traps. Conversely, if PowerHA SystemMirror is configured to receive SNMP traps, no other management software is able to receive them.

PowerHA SystemMirror supports the receiving and handling of the following SNMP trap messages:

Generic Type = 6

Specific Types:

- 100 link degraded
- 101 link down
- 102 link up
- 200 LSS pair-consistency group error
- 201 Session consistency group error
- 202 LSS is suspended

PowerHA SystemMirror tests each SNMP trap received to ensure:

- It is from a valid storage unit (check by storage unit ID).
- It is from a storage unit that has been defined to PowerHA SystemMirror.
- It is from an LSS that has been previously configured into a PPRC Resource Group.

If PowerHA SystemMirror receives an SNMP trap that does not meet the above criteria, it is logged, but otherwise ignored.

To enable SNMP Traps in PowerHA SystemMirror you must start the Cluster Information Daemon with SNMP Traps enabled, which provides Consistency Groups support. (If clinfo is already running, you must first stop it before using the following steps to restart it.) You do this on the Start Cluster Services SMIT panel (fast path: clstart):

```

Start Cluster Services

Type or select values in entry fields.

Press Enter AFTER making all desired changes.

                                     [Entry Fields]

* Start now, on system restart or both      now          +
  Start Cluster Services on these nodes     [A2]         +
* Manage Resource Groups                    Automatically +
  BROADCAST message at startup?            true         +
  Startup Cluster Information Daemon?       false       +
  Ignore verification errors?              false       +
  Automatically correct errors found during Interactively +
  cluster start?

F1=Help   F2=Refresh  F3=Cancel  F4=List
F5=Reset  F6=Command  F7=Edit   F8=Image
F9=Shell  F10=Exit   Enter=Do

```

Place the cursor on the Startup Cluster Information Daemon? field and hit F4. This gives the following options:

Start Cluster Services

Type or select values in entry fields.
Press Enter AFTER making all desired changes.

```
[Entry Fields]
* Start now, on system restart or both      now      +
Start Cluster Services on these nodes      [A2]     +
BROADCAST message at startup?             true      +
Startup Cluster Information Daemon?        false     +
Ignore verification errors?               false     +
```

```
-----
Startup Cluster Information Daemon?
Move cursor to desired item and press Enter.

false
true
true with consistency group support

F1=Help      F2=Refresh   F3=Cancel
F5=Image     F10=Exit    Enter=Do
F9=/=Find    n=Find Next
-----
```

The options are:

- false - do not start cluster services
- true - start cluster services
- true with consistency group support - start cluster services with SNMP traps enabled

Select true with consistency group support and press Enter.

Configure PowerHA SystemMirror consistency group(s):

Before configuring a Consistency Group, you should have performed all the steps required to configure all the PPRC Replicated Resources that will be added to the consistency groups. The PPRC Replicated Resources should also be added to a Resource Group. After defining a PPRC replicated resources and added to a Resource Group, you can add them to a PPRC consistency Group.

To configure a PPRC consistency Group:

1. From the command line, enter `smit sysmirror`.
2. In SMIT, select **Cluster Applications and Resources > Resources > PPRC-Managed Replicated Resources Configuration > DSCLI-managed PPRC Replicated Resource Configuration > PPRC Consistency Groups Configuration**, and press Enter.

The PPRC Consistency Groups Configuration SMIT panel can also be accessed directly with the SMIT fast path: `def_consistgrp`.

3. In the Add a PPRC Consistency Group panel, enter the field values as follows:

```

DSCSI-managed Replicated Resource Configuration

Move cursor to desired item and press Enter.

Copy Services Server Configuration
DS ESS Disk Subsystem Configuration
DSCSI-managed PPRC Replicated Resource Configuration
PPRC Consistency Groups Configuration
Verify PPRC Configuration

F1=Help   F2=Refresh   F3=Cancel   F8=Image
F9=Shell  F10=Exit    Enter=Do

```

4. Select the PPRC Consistency Groups Configuration field to bring up the PPRC Consistency Groups Configuration SMIT panel (fast path: def_consistgrp):

```

PPRC Consistency Groups Configuration

Move cursor to desired item and press Enter.

Add a PPRC Consistency Group
Change/Show a PPRC Consistency Group
Remove a PPRC Consistency Group

F1=Help   F2=Refresh   F3=Cancel   F8=Image
F9=Shell  F10=Exit    Enter=Do

```

5. Select Add a PPRC Consistency Group to bring up the Add a PPRC Consistency Group SMIT panel (fast path: claddconsistgrp.cmdhdr):

```

Add a PPRC Consistency Group

Type or select values in entry fields.
Press Enter AFTER making all desired changes.

                                [Entry Fields]
* PPRC Consistency Group Name   []
* LSS Pair                       []      +
* Primary - Secondary Port Pair IDs []
* Secondary - Primary Port Pair IDs []
* Resource Group                 []      +

F1=Help   F2=Refresh   F3=Cancel   F4=List
F5=Reset  F6=Command   F7=Edit    F8=Image
F9=Shell  F10=Exit    Enter=Do

```

6. Fill in the fields as follows:

Table 17. Add a PPRC Consistency Group fields

Field	Value
PPRC Consistency Group Name	Enter the name of the PPRC consistency group. PPRC Consistency Group is an alphanumeric string, up to 32 characters long. The name can be freely chosen and has no other restrictions.
LSS Pair	Enter the IDs of the LSS pair. This is the set of LSSs associated with this PPRC Consistency Group separated by a space. The first ID in the list is the LSS in the primary ESS/DSS, and the second is the LSS in the secondary ESS/DSS. Entries are of the format <code>lss_ID@ess_name</code> , where: <code>lss_ID</code> is the LSS ID and <code>ess_name</code> is the name of the ESS/DSS Disk Subsystem containing this LSS as listed in the disk subsystem definition. In smitty, you can use the F4 option to list the available LSSs on each disk subsystem. The selection screen is there only to aid you with this information. You must verify that any selections made through the F4 pick list are listed in the correct order and in the proper format.
Primary - Secondary Port Pair IDs	Enter the port pair IDs for establishing path(s) between the Primary and Secondary LSS. The primary port ID is listed first, followed by the secondary with the string "->" between them. You can list additional port pairs as a space separated list. These should match the port pairs in the resource group definition.
Secondary - Primary Port Pair IDs	Enter the port pair IDs for establishing path(s) between the Secondary and Primary LSS. The secondary port ID is listed first, followed by the primary with the string "->" between them. You can list additional port pairs as a space separated list. These should match the port pairs in the resource group definition.
Resource Group	Select the Resource Group that has PPRC replicated resources associated with this Consistency Group. This Resource Group must be defined and contain the PPRC replicated resources defined from this LSS pair. The resource group must be selected through the F4 pick list in SMIT.

7. Press Enter to apply the configuration settings.

Changing the configuration of a PPRC consistency group:

You can change the configuration of a PPRC consistency group using SMIT.

To change or remove the configuration of an existing PPRC Consistency Group:

1. From the command line, enter `smit symmirror`.
2. In SMIT, select **Cluster Applications and Resources Configuration > Resources Configuration > Configure PPRC-Managed Replicated Resources > DSCLI-managed PPRC Replicated Resource > PPRC Consistency Groups Configuration > Change/Show a PPRC Consistency Group** and press Enter.
3. Select the PPRC consistency group you want to change or view.

PPRC Consistency Groups Configuration

Move cursor to desired item and press Enter.

Add a PPRC Consistency Group
 Change/Show a PPRC Consistency Group
 Remove a PPRC Consistency Group

```

-----
Select the PPRC Consistency Group to show or change

Move cursor to desired item and press Enter.

  CG1
  CG2

F1=Help      F2=Refresh   F3=Cancel
F8=Image     F10=Exit     Enter=Do
F1  /=Find    n=Find Next
F9 -----
  
```

4. Position the cursor to the consistency group to show or change and then press Enter to bring up the following SMIT panel:

Change / Show a PPRC Consistency Group

Type or select values in entry fields.
 Press Enter AFTER making all desired changes.

	[Entry Fields]	
* PPRC Consistency Group Name	CG1	
New PPRC Consistency Group Name	[]	
* LSS Pair	[00@mtc111h 01@stand]	+
* Primary - Secondary Port Pair IDs	[I0233->I0002]	
* Secondary - Primary Port Pair IDs	[I0002->I0233]	
Resource Group	RG1	+

F1=Help	F2=Refresh	F3=Cancel	F4=List
F5=Reset	F6=Command	F7=Edit	F8=Image
F9=Shell	F10=Exit	Enter=Do	

- 5. Make the desired changes and then press Enter.
- 6. To remove a previously configured consistency group, select **Remove a PPRC Consistency Group** to bring up an inset panel from which to select the consistency group to remove:


```

PPRC Consistency Groups Configuration

Move cursor to desired item and press Enter.

Add a PPRC Consistency Group
Change/Show a PPRC Consistency Group
Remove a PPRC Consistency Group

-----
Remove a PPRC Consistency Group

Move cursor to desired item and press Enter.

CG1
CG2

F1=Help      F2=Refresh   F3=Cancel
F8=Image     F10=Exit    Enter=Do
F1  /|=Find   n=Find Next
F9
-----

```

7. Position the cursor to the consistency group to remove and then press Enter to bring up the following confirmation:

```

PPRC Consistency Groups Configuration

Move cursor to desired item and press Enter.

Add a PPRC Consistency Group
Change/Show a PPRC Consistency Group
Remove a PPRC Consistency Group

-----
ARE YOU SURE?

Continuing may delete information you may want
to keep. This is your last chance to stop
before continuing.
Press Enter to continue.
Press Cancel to return to the application.

F1=Help      F2=Refresh   F3=Cancel
F8=Image     F10=Exit    Enter=Do
F1
F9
-----

```

8. Press Enter to confirm the removal of the PPRC consistency group.

Verifying the PowerHA SystemMirror Enterprise Edition for Metro Mirror consistency groups configuration:

The configuration of SNMP Traps and Consistency Groups is verified during PowerHA SystemMirror cluster verification.

You can also verify the Consistency Group configuration through the Verify PPRC Configuration option in the main DSCLI-managed Replication Resource Configuration SMIT Panel (fast path: `pprc_ds`), that appears as follows:

Verify PPRC Configuration

Type or select values in entry fields.
Press Enter AFTER making all desired changes.

[Entry Fields]

Verify PPRC

F1=Help	F2=Refresh	F3=Cancel	F4=List
F5=Reset	F6=Command	F7=Edit	F8=Image
F9=Shell	F10=Exit	Enter=Do	

Press Enter to begin PPRC configuration verification. Verify first checks the Copy Services Server, DS ESS Disk Subsystem and PPRC Replicated Resources configuration. Upon successful verification and the existence of Consistency Group configuration, verification of Consistency Groups takes place. Verification checks the following for each Consistency Group definition:

- LSS Pair: for both the source and target (LSS@Disk_Subsys) verify that the LSS exists on the DS ESS Disk Subsystem.
- Resource Group: verify that the specified Resource Group is a valid resource.
- Port Pair IDs: for both the primary and secondary list of Port Pair IDs, verify that each port exists on the respective primary and secondary disk subsystems.

Troubleshooting PPRC consistency groups:

Use these tips to troubleshoot your PPRC consistency groups.

The following is an example of an Error Log entry made for an SNMP Trap:

```
LABEL:OPMSG
IDENTIFIER:    AA8AB241

Date/Time:Mon Jun 25 12:20:04 2007
Sequence Number: 16480
Machine Id:    0025A45C4C00
Node Id:    regaa07
Class: 0
Type: TEMP
Resource Name:  SNMP_TRAP_NOTIF
```

Description
OPERATOR NOTIFICATION

User Causes
ERRLOGGER COMMAND

Recommended Actions
REVIEW DETAILED DATA

```
Detail Data
MESSAGE FROM ERRLOGGER COMMAND
2007/06/25 10:17:53 PDT
PPRC Links Up
UNIT: Mnf Type-Mod SerialNm LS
PRI:  IBM 2107-922 75-16231 00
SEC:  IBM 1750-511 13-AA44A 00
Path: Type PP  PLink SP  SLink RC
1:    FIBRE 0101 XXXXXX 0001 XXXXXX OK
2007/06/25 13:10:17 EDT
PPRC Links Up
```

```

UNIT: Mnf Type-Mod SerialNm LS
PRI:  IBM 2105-800 13-22012 10
SEC:  XXX 2105-XXX XX-16231 FD
Path: Type PP  PLink SP  SLink RC
1:    FIBRE 0004 XXXXXX 0101 XXXXXX OK

```

The following steps should be followed when an PowerHA SystemMirror cluster does not appear to exercise consistency group operations:

1. Check that the storage unit HMC is configured to send the SNMP traps to the IP address(es) of the PowerHA SystemMirror cluster node(s) that processes them. Normal best practice is to have the HMC configured to send SNMP traps to all PowerHA SystemMirror nodes. If that is not possible, at a minimum, it should send SNMP traps to two nodes, one at each site.
2. Check that the IP address of the copy services server that controls the storage subsystems is configured to PowerHA SystemMirror. This can be checked by doing `smitty pprc_def > DSCLI-managed PPRC Replicated Resource Configuration > Copy Services Server Configuration > Change / Show a Copy Services Server`.
3. Before starting `clinfo` with consistency group support, verify that there is no other consumer of SNMP traps running on the PowerHA SystemMirror nodes that process them. Run the following command:

```
Netstat -an | grep 162
```

There should not be any output from the command. If there is, it will look like the following:

```
udp40      0  *.162 *.*

```

Programs cannot share access to port 162.
4. Try pinging the nodes that are to receive the SNMP traps from the storage subsystem HMC, using the IP address configured in that HMC for the SNMP trap destination.
5. Try pinging the storage subsystem HMC, using the IP address defined for the copy services server, from the PowerHA SystemMirror cluster nodes that are to process SNMP traps.
6. Check the error log using `errpt -a` and see if there are any SNMP trap entries from the storage subsystem. An example of such an entry is:

```

LABEL:OPMSG
IDENTIFIER:      AA8AB241

Date/Time:Mon Jun 25 12:20:04 2007
Sequence Number: 16480
Machine Id:      0025A45C4C00
Node Id:  regaa07
Class: 0
Type:  TEMP
Resource Name:   SNMP_TRAP_NOTIF

```

```

Description
OPERATOR NOTIFICATION

```

```

User Causes
ERRLOGGER COMMAND

```

```

Recommended Actions
REVIEW DETAILED DATA

```

```

Detail Data
MESSAGE FROM ERRLOGGER COMMAND
2007/06/25 10:17:53 PDT
PPRC Links Up
UNIT: Mnf Type-Mod SerialNm LS
PRI:  IBM 2107-922 75-16231 00
SEC:  IBM 1750-511 13-AAY4A 00
Path: Type PP  PLink SP  SLink RC
1:    FIBRE 0101 XXXXXX 0001 XXXXXX OK
2007/06/25 13:10:17 EDT
PPRC Links Up

```


From C-SPOC, you cannot modify the configuration on nodes connected to target volumes for a PPRC pair.

Restarting ESS Copy Services Server on the backup CSS:

An ESS system with a microcode level less than vrmf 2.2.x.x does not support dual active Copy Services Servers.

If the primary ESS Copy Services Server fails, you manually start the backup Copy Services Server as the active Copy Services Server for the ESS. You do this through the using the ESS Web Interface.

Related reference:

“Planning Copy Services Server on ESS” on page 20

Considerations for using Copy Service Server differ depending on the PPRC version.

Related information:



IBM TotalStorage Enterprise Storage Server: Web Interface User's Guide

Detecting ESS failures:

There is no simple way to detect the failure of an ESS subsystem in a direct management environment.

You can check for the loss of quorum for all the volume groups indicated by a LVM_SA_QUORCLOSE error. These errors are written to the AIX error log. PowerHA SystemMirror checks whether the LVM_SA_QUORCLOSE error appeared in the AIX error log file and if so, informs the Cluster Manager to selectively move the affected resource group. This PowerHA SystemMirror function is called selective fallover for volume group loss.

Note: If fallover does not occur, check that the LVM_SA_QUORCLOSE error appeared in the AIX error log. When the AIX error log buffer is full, new entries are discarded until space becomes available in the buffer and an error log entry informs you of this problem..

Certain storage subsystems have been found to generate large amounts of error log entries when they are experiencing problems. If the error log is not large enough, these error log entries can overrun the error log causing the LVM_SA_QUORCLOSE to be lost. To avoid this problem, configure the error log to have adequate space using the following command:

```
errdemon -B 1048576 -s 10485760
```

This sets the error log buffer size to 1MB and the log size to 10 MB.

Related information:

Administration guide

Troubleshooting DSCLI-managed clusters:

This section provides information that may help with troubleshooting DSCLI management clusters.

When a DSCLI management PowerHA SystemMirror Cluster is in a less than optimal functioning state, check the `/tmp/hacmp.out` file for any obvious issues, and then, if necessary, check the states of the PPRC instances and paths that underlay the volume groups to make sure they are write-accessible. Use the commands listed below to discover what the PPRC instances states are, as this will be a major indicator of the health of your volume groups.

If you encounter problems with your cluster that are *not* covered in this section or are *not* easily remedied, contact your IBM Service Representative.

Common cluster startup problems:

This section discusses some common cluster startup problems.

1. If a resource group will *not* stabilize on its primary node and site, it is probable that the PPRC Replicated Resource and Resource Group are defined to be primary on different sites. Refer to the Planning Primary and Secondary Site Layout for DSCLI-managed PPRC Replicated Resources in PowerHA SystemMirror Resource Groups. Make sure all the appropriate entries in the PPRC replicated resource are aligned in the correct direction, as described in this and the Sample Configuration section.
2. Another reason a resource group may *not* come ONLINE, may be unstable, or go into ERROR state is if there is trouble with the PPRC instance or path that the volume group and PPRC replicated resource being managed requires. See the descriptions below for commands to use to display PPRC instance states and a description of normal working states.
3. Keep in mind the limitation that a volume group needs to have the same volume major number across all cluster nodes. This has been known to cause instability in a resource group when it initially comes online.
4. If the Pri-Sec and Sec-Pri port pairs are *not* declared correctly, this will lead to errors in creating the initial PPRC paths, which will keep the cluster from coming up correctly. In the `/tmp/hacmp.out` file, there will be an error message returned from the `mkpprcpath` call for the PPRC replicated resource associated with the resource group that will *not* come ONLINE.
5. In certain instances, disk reserves can be left on vpaths or hdisks, that DSCLI management is *not* able to break. These will keep a resource group from being able to come ONLINE because the disk that has a reserve on it will never be write accessible. See Other Handy AIX Commands below for ideas on how to break disk reserves.

Handy DSCLI commands to know:

Refer to the DSCLI documentation to become familiar with these management commands. Ideally you will *not* have to use the DSCLI interface except in troubleshooting situations.

In that case, however, the following commands are useful (all run through the `/opt/ibm/dscli/dscli` command):

- `lspprc`: list the current state of the PPRC instances (see below for valid and common operational states).
- `lspprcpath`: list the current state of the PPRC paths configured.
- `lsavailpprcport`: list the available PPRC port pairs between two storage systems.
- `failoverpprc`, `failbackpprc`: switch the direction of PPRC instances.
- `rmpprc`: remove an existing PPRC instance.
- `rmpmkpprc`: create a new PPRC instances.
- `mkpprcpath`: create a new PPRC path.

Refer to the DSCLI documentation for detailed descriptions of these commands, and of others that will allow you to view details of the connected storage systems.

PPRC instance states:

PPRC instance states exist during normal operation.

The states are described in pairs because if you poll the DSCLI at the primary site and the secondary site you will get different state information which reflects the I/O accessibility of the disk at that site, as well as the state of the PPRC instance.

Normal Working State

Primary state: Full Duplex

Secondary state: Target Full Duplex

This is the normal working state for a PPRC instance. In this state, the Primary is accessible for read and write I/O but the Secondary is *not* accessible for either.

Suspended State

Primary state: Full Duplex

Secondary state: Suspended

In this state, the Primary is accessible for read and write I/O and the Secondary is as well. Data integrity between the two sides of the PPRC instance is *not* ensured in this state.

In the context of PowerHA SystemMirror clusters, this PPRC instance state occurs when there has been a failure on the PowerHA SystemMirror site connected to the primary site, causing a failover to the secondary state.

Copy State

Primary and secondary state: Copy Pending

In this state, there is a full disk copy in process between one side of the PPRC instance and the other.

Handy AIX commands:

This section discusses some commonly used AIX commands.

Refer to the AIX documentation for more details on the following commands:

To discover whether a disk reserve exists on a given disk:

```
lquerypr -Vh /dev/<disk name>
```

To clear a disk reserve that exists on a given disk:

```
lquerypr -ch /dev/<disk name>
```

To list the existing vpath to storage volume ID (LUN + storage ID) mapping:

```
lsvpcfg
```

To list the existing vpaths on your system, which will display the volume group mapping:

```
lspv | grep vpath
```

To list the existing volume groups on your system:

```
lsvg
```

To list the existing file systems on your system:

```
lsfs
```

To list the available volume major numbers on your system:

```
lvlstmajor
```

Global Mirror

You can use Global Mirror on the IBM DS8700 to implement asynchronous mirroring into your PowerHA SystemMirror configuration.

To implement an asynchronous PowerHA SystemMirror configuration with Global Mirror on DS8700 complete the following steps:

1. Plan for the deployment of DS8700 storage across two sites. This step involves understanding your application and middleware requirements and ensuring that you have those requirements covered in the context of a high availability PowerHA SystemMirror solution.
2. Set up and configure the DS8700 storage system.
3. Plan for the PowerHA SystemMirror implementation. This includes designing resource groups, policies, and scripts around your applications and mirrored storage resources.
4. Install and configure PowerHA SystemMirror to implement the settings you planned for in Step 3.
5. Test and verify the configuration is working correctly.

Note: This documentation focuses on Steps 3 and 4, but will mention and discuss the other steps at a high level.

Overview of Global Mirror

The IBM DS8700 storage subsystem provides asynchronous mirroring using the Global Mirror feature. Global Mirror is implemented through a combination of FlashCopy functions, Global-Copy functions, and Sessions functions to achieve consistency in the context of asynchronous replication.

FlashCopy

A technology offered by all enterprise storage systems that allows users to create near-instantaneous copy of a physical volume. The instantaneous copy is handled by copying data in the background while allowing the source and target volumes to be read and written. While the background copying is in progress, all writes to the source volume are handled by the storage system by first copying the old block to the target volume. This process only occurs if the corresponding block on the target has not already been modified. Once the background copying completes, both source and target volumes, are exact copies of the last time the FlashCopy command was issued.

Global Copy

A DS8000 technology that allows data to be mirrored to another storage unit in an asynchronous manner, without giving any guarantees about the order of data replication. Data can appear on the recovery site out-of-order. This is a good option for any application that wants to handle disaster recovery, but can tolerate out-of-order data.

Sessions

A mechanism by which a DS8000 Series storage system coordinates the replication process with the storage systems on the recovery site. When the Sessions function is used with the FlashCopy function and the Global Copy function you can achieve asynchronous replication while maintaining consistency properties.

Related information:

DS8000 documentation

 [IBM DS8700 Storage Systems Redbook](#)

Planning for Global Mirror

To correctly implement Global Mirror you must plan correctly.

The following restrictions and limitations apply to Global Mirror:

- You must be using the IBM DS8700 storage system. Global Mirror is not supported on earlier models of the DS8000 storage systems.

- If the volumes being replicated span across multiple IBM DS8700 Logical Sub System, then the same Global Mirror Session Identifier must be used for all of them. The same Global Mirror Session Identifier must be used on both PowerHA SystemMirror sites.
- The Hardware Management Console (HMC) associated with the IBM DS8700 storage system that is used with PowerHA SystemMirror, must be accessible using TCP/IP on all PowerHA SystemMirror nodes and both sites.
- The DS8000 configuration can not be changed using DARE, even though the DS8000 Global Mirror Replicated Resources or Mirror Groups can be included and excluded from a PowerHA SystemMirror Resource Group using DARE.
- PowerHA SystemMirror does not handle SNMP events in the context of DS8700 Global Mirror function. If there is a failure in the PPRC path, then in some cases, this can put the corresponding (active) Global Mirror session in a fatal state and PowerHA SystemMirror mirror would not know about it. To fix this problem, you must correct the PPRC path and then restart the corresponding resource groups on the appropriate nodes.

Planning the deployment of the IBM DS8700 across two sites:

The application data that you want to mirror using Global Mirror must already reside on a DS8700 Storage System.

If you do not have any application data, then follow the migration recommendations and steps described in the DS8700 migration documentation.

To plan for the deployment of the IBM DS8700 across two sites, complete the following steps:

1. Identify your production site for the application. A production site is the location where your application and its data would primarily reside and function.
2. Identify the volumes on the DS8700 Storage System that contain the application data that you want to be Highly Available with Disaster Recovery.
3. Identify the storage unit(s) and AIX hosts that will be running on the recovery site.
4. Ensure that there are sufficient number of volumes and Fiber Channel ports available on the storage systems for the production site and recovery site. This allows a mirror path or PPRC path to be created between the storage units.
5. Verify that there is a FlashCopy relationship established for each volume that resides on the production site and recovery site.

Planning the PowerHA SystemMirror implementation:

To successfully implement PowerHA SystemMirror you must plan accordingly.

Before you implement PowerHA SystemMirror you must complete the following:

- Collect the following information for all the HMCs in your environment:
 - IP addresses
 - Login names and passwords
 - Associations with various storage units
- Verify that the `/opt/ibm/dscli/profile/dscli.profile` file does not contain the DSCCLI password. If the DSCCLI password is in the `/opt/ibm/dscli/profile/dscli.profile` file, any commands that are run by PowerHA SystemMirror fail.
- Verify that all the data volumes that need to be mirrored are visible to all relevant AIX hosts. The DS8700 volumes should be appropriately zoned so that the FlashCopy volumes are not visible to the PowerHA SystemMirror nodes.
- Ensure all HMCs are accessible using the TCP/IP network for all PowerHA SystemMirror nodes where you want to run Global Mirror.

Installing Global Mirror

PowerHA SystemMirror Enterprise Edition for AIX file sets must be installed on all the AIX nodes that you intend to run your PowerHA SystemMirror cluster.

Installation Prerequisites

Before installing PowerHA SystemMirror Enterprise Edition for AIX for Global Mirror, make sure the following is true for each node in your cluster:

- You have root access to each node.

Software Requirements

The following software is required for PowerHA SystemMirror Enterprise Edition for AIX Enterprise Edition for Global Mirror:

- Global Mirror functionality works with all the AIX levels that are supported by PowerHA SystemMirror Standard Edition.
- PowerHA SystemMirror Enterprise Edition for AIX 6.1, or later, with the APARs stated in the support flash and README.
- IBM DS8700 microcode bundle must be 75.1.145.0, or later.
- Latest DS8000 DSCLI client interface must be installed on each PowerHA SystemMirror node.
- Add the pathname for the dscli client into the PATH for the root user on each PowerHA SystemMirror node.

Installation Steps

To install Global Mirror, complete the following steps:

1. Insert the PowerHA SystemMirror Enterprise Edition for AIX installation media into the CD or DVD drive.
2. From the command line, enter `smitty install`.
3. From SMIT, select **Install and Update Software > Install Software**.
4. Select the following filesets from the list, `cluster.es.genxd.rte`, `cluster.es.genxd.cmds`, and `cluster.msg.genxd.xx_XX` where `xx_XX` is the message fileset for your language, and press Enter.

Configuring Global Mirror

After you have planned and installed Global Mirror you can start to configure it. You must ensure that the data volumes on both sites are exact replica of each other, otherwise you will not be able to import the volume group on the remote site.

Configuring the IBM DS8700 to use Global Mirror:

Before you can configure the IBM DS8700 to use Global Mirror, data must already exist on the the IBM DS8700.

To configuring the IBM DS8700 to use Global Mirror, complete the following steps:

1. For each data volume that will participate in the Global Mirror on the production site, complete the following steps:
 - a. Identify a volume that will serve as its Global Copy Peer. This volume must reside on a DS8700 storage unit on the recovery site.
 - b. Depending on the DS8700 Logical Sub System (LSS) of the source and target volumes for the Global Copy, you want to create a PPRC path between the source and target LSS. A Global Copy path is a logical path created between two LSS that belong to different DS8700 Storage Systems. Global Copy paths are unidirectional, therefore a path must be created in both directions.

- Note:** Each logical path between a given LSS pair, must be created on a different physical link. For redundancy and bandwidth, you should create multiple paths in the same direction.
- c. Establish a Global Copy relationship between the volume on the production site storage system and its mirror volume on the recovery site.
 - d. On the production site for each Global Copy source volume, establish a persistent FlashCopy relationship with the FlashCopy source being the Global Copy volume.
 - e. On the recovery site for each Global Copy target volume, establish a persistent FlashCopy relationship with the FlashCopy source being the Global Copy volume.
2. On the production site, complete the following steps:
 - a. For each LSS that contains one or more volumes that are participating in the Global Copy relationships, create a Global Mirror Session. Verify that the Global Mirror Session Identifier matches for all the LSSs.
 - b. Add all the Global Copy volumes into the Global Mirror Session.
 3. Repeat Steps 2 for the recovery site. You must use the same Global Mirror Session Identifier that was used on the production site for the recovery site.
 4. If the application has data volumes that are spread across multiple storage units on the production site, you must use the same Global Mirror Session Identifier on all the storage units.

Configuring PowerHA SystemMirror Enterprise Edition for Global Mirror:

Once you have the IBM DS8700 configured correctly, you can configure PowerHA SystemMirror Enterprise Edition for Global Mirror.

Before you start configuring PowerHA SystemMirror Enterprise Edition for Global Mirror, your environment must meet the following requirements:

- All PowerHA SystemMirror clusters are defined.
- All PowerHA SystemMirror nodes are defined.
- All PowerHA SystemMirror sites are defined.
- All PowerHA SystemMirror resource groups and associated resources are configured and working.

Configuring a Storage Agent:

A Storage Agent is a generic name given by PowerHA SystemMirror for an entity such as the IBM DS8000 Hardware Management Console (HMC). Storage Agents typically provide a one-point coordination point and often use TCP/IP as their transport for communication.

You must provide the IP address and authentication information that will be used to communicate with the HMC.

Adding a Storage Agent:

To add a Storage Agent, complete the following steps:

1. From the command line enter, `smit sysmirror`.
2. From the SMIT interface, select **Cluster Applications and Resources > Resources > Configure DS8000 Global Mirror Resources > Configure Storage Agents > Add a Storage Agent** and press Enter.
3. Complete the following fields:

Table 18. Adding a Storage Agent fields

Fields	Values
Storage Agent Name	Enter the PowerHA SystemMirror name for this HMC.
IP Addresses	Select list of IP addresses for the HMC.
User ID	Enter the User ID that can access the HMC.
Password	Enter the password for the User ID that can access the HMC.

4. Verify all fields are correct and press Enter.

Changing an existing Storage Agent:

To change an existing Storage Agent, complete the following steps:

1. From the command line enter, `smit sysmirror`.
2. From the SMIT interface, select **Cluster Applications and Resources > Resources > Configure DS8000 Global Mirror Resources > Configure Storage Agents > Change/Show Storage Agent** and press Enter.
3. From the list select the name of the Storage Agent that you want to change and press Enter.
4. Specify the changes you want to make in the fields.
5. Verify the changes are correct and press Enter.

Removing a Storage Agent:

To remove a Storage Agent, complete the following steps:

1. From the command line enter, `smit sysmirror`.
2. From the SMIT interface, select **Cluster Applications and Resources > Resources > Configure DS8000 Global Mirror Resources > Configure Storage Agents > Remove Storage Agent** and press Enter.
3. From the list of Storage Agents select the name of the Storage Agent you want to remove and press Enter.
4. Press Enter to confirm the selected Storage Agent is the one you want to remove.

Configure a Storage System:

A Storage System is a generic name given by PowerHA SystemMirror for an entity such as a DS8700 Storage Unit.

When using Global Mirror, you must associate one Storage Agent with each Storage System. You must provide the IBM DS8700 system identifier for the Storage System. For example, IBM.2107-75ABTV1 is an storage identifier for a DS8000 Storage System.

Adding a Storage System:

To add a Storage System, complete the following steps:

1. From the command line enter, `smit sysmirror`.
2. From the SMIT interface, select **Cluster Applications and Resources > Resources > Configure DS8000 Global Mirror Resources > Configure Storage Systems > Add a Storage System** and press Enter.
3. Complete the following fields:

Table 19. Adding a Storage System fields

Fields	Values
Storage System Name	Enter the PowerHA SystemMirror name for the storage system. This name must be unique within the cluster definition.
Site Association	Enter the PowerHA SystemMirror site name.
Vendor Specific Identification	Enter the vendor specified unique identifies for the storage system.
WWNN	The World Wide Node Name for this storage system. Every storage system that supports FCP has a unique name.
Storage Agent Name	Press F4 to select the Name(s) of the Storage Agent that manage this Storage System from a list.

4. Verify all fields are correct and press Enter.

Changing a Storage System:

To change a Storage System, complete the following steps:

1. From the command line enter, `smit sysmirror`.
2. From the SMIT interface, select **Cluster Applications and Resources > Resources > Configure DS8000 Global Mirror Resources > Configure Storage Systems > Change/Show Storage System** and press Enter.
3. From the list select the name of the Storage System that you want to change and press Enter.
4. Specify the changes you want to make in the fields.
5. Verify the changes are correct and press Enter.

Removing a Storage System:

To remove a Storage System, complete the following steps:

1. From the command line enter, `smit sysmirror`.
2. From the SMIT interface, select **Cluster Applications and Resources > Resources > Configure DS8000 Global Mirror Resources > Configure Storage Systems > Remove Storage System** and press Enter.
3. From the list of Storage Systems select the name of the Storage System you want to remove and press Enter.
4. Press Enter to confirm the selected Storage System is the one you want to remove.

Configuring Mirror Group:

A Mirror Group is a generic name given by PowerHA SystemMirror for a logical collection of volumes that have to be mirrored to another Storage System that resides on a remote site. A Global Mirror Session represents a Mirror Group.

Adding a Mirror Group:

To add a Mirror Group, complete the following steps:

1. From the command line enter, `smit sysmirror`.
2. From the SMIT interface, select **Cluster Applications and Resources > Resources > Configure DS8000 Global Mirror Resources > Configure Mirror Groups > Add Mirror Group**, and press Enter.
3. Complete the following fields:

Table 20. Adding a Mirror Group fields

Fields	Values
Mirror Group Name	Enter the PowerHA SystemMirror for the replicated resource. This is what will be included into a PowerHA SystemMirror Resource Group.
Storage System Names	From the list select the Storage Systems on the production site that have data volumes forming this Mirror Group.
Vendor Specific Identifier	Enter the Global Mirror Sessions Identifier.
Maximum Coordination Time	Enter the maximum amount of time (in seconds) that the DS8700 can hold an I/O issued from the host for the purpose of Global Mirror operations.
Maximum Drain Time	Enter the maximum amount of time (in seconds) allowed for data to be drained before failing the current consistency group.
Consistency Group Interval Time	Enter the time (in seconds) to wait between the formation of two consistency groups.

4. Verify all fields are correct and press Enter.

Changing a Mirror Group:

To change a mirror group, complete the following steps:

1. From the command line enter, `smit sysmirror`.
2. From the SMIT interface, select **Cluster Applications and Resources > Resources > Configure DS8000 Global Mirror Resources > Configure Mirror Groups > Configure Mirror Groups > Change/Show Mirror Group**, and press Enter.
3. From the list select the name of the Mirror Group that you want to change and press Enter.
4. Specify the changes you want to make in the fields.
5. Verify the changes are correct and press Enter.

Removing a Mirror Group:

To remove a Mirror Group, complete the following steps:

1. From the command line enter, `smit sysmirror`.
2. From the SMIT interface, select **Cluster Applications and Resources > Resources > Configure DS8000 Global Mirror Resources > Configure Mirror Groups > Configure Mirror Groups > Remove Mirror Group**, and press Enter.
3. From the list of Mirror Groups select the name of the Mirror Group you want to remove and press Enter.
4. Press Enter to confirm the selected Mirror Group is the one you want to remove.

Configuring Resource Groups:

After configuring the Mirror Group, include the Mirror Group into the desired PowerHA SystemMirror Resource Group.

Configure resource groups following the procedures in the Configuring PowerHA SystemMirror resource groups topic. Make sure that you understand site support for PowerHA SystemMirror resource groups.

When you configure a resource group you must meet the following requirements:

- The site policy is set to Prefer Primary Site or Online on Either Site.
- A startup policy other than Online on All Available Nodes is specified.
- The Resource Group Processing Ordering is set to Serial.

To add a Global Mirror replicated resource to a resource group, complete the following steps:

1. From the command line enter, `smit sysmirror`.
2. From the SMIT interface, select **Cluster Applications and Resources > Resources Groups > Change/Show Resources and Attributes for a Resource Group**, and press Enter.
3. Enter the following:
 - a. The name of the mirror groups in the Global Mirror Replicated Resources field.
 - b. The name of the volume groups associated with the individual Global Mirror replicated resources in the Volume Groups field.

Note: The volume group names must be listed in the same order as the DS8700 mirror group names.

4. Verify and synchronize the cluster.

Related information:

Planning resource groups

Verifying and synchronizing a cluster configuration

SVC replication resources

These topics present information for planning, installing, and configuring an PowerHA SystemMirror Enterprise Edition Metro Mirror for SAN Volume Controller (SVC) cluster.

SVC virtualizes storage, assists in managing Peer-to-Peer Remote Copy (PPRC) services on TotalStorage systems, and simplifies how you can integrate PPRC replicated resources into an PowerHA SystemMirror configuration. SVC management allows SVC PPRC resources to be managed by PowerHA SystemMirror with a minimum of user configuration.

Related information:



IBM System Storage SAN Volume Controller

Overview of SVC management

The IBM TotalStorage SAN Volume Controller (SVC) is a virtualization appliance solution that maps virtualized volumes visible to hosts and applications to physical volumes on storage devices.

It is an in-band implementation that minimizes the dependency on unique hardware and software, telecopying the storage functions expected in a SAN environment from the storage subsystems and managing storage resources. In addition, it provides advanced copy services for data migration and business continuity similar to the Peer to Peer Remote Copy function in the ESS and DS4000® (formerly named the FAS*t*T) Storage subsystems. Since the copy services operate on the virtual volumes, dramatically simpler replication configurations can be created using the SAN Volume Controller, rather than replicating each physical volume in the managed storage pool.

PowerHA SystemMirror Enterprise Edition for Metro Mirror with SVC management enhances PPRC's ability to provide a fully automated, highly available disaster recovery management solution by taking advantage of SVC's ability to provide virtual disks derived from varied disk subsystems. The PowerHA SystemMirror interface is designed so that once the basic SVC environment is configured, PPRC relationships are created automatically; no additional access to the SVC interface is needed.

PowerHA SystemMirror configuration information required for SVC PPRC resource management is simple; it is easily acquired from the existing SVC configuration.

The integration of PowerHA SystemMirror and SVC PPRC provides:

- PowerHA SystemMirror management of SVC PPRC for automatic failover/reintegration of SVC PPRC-protected virtual disks between PowerHA SystemMirror sites

- Support for user-defined policy-based resource groups
- Support for the following Inter-Site Management Policies for resource groups:
 - Prefer Primary Site
 - Online on Either Site.
- Support for the Subsystem Device Driver (SDD) (for the 2145 (SVC) system)
- Support for cluster verification and synchronization
- Flexible user-customizable resource group movement policies
- Limited support for C-SPOC (PowerHA SystemMirror Single Point of Control utility)
- Automatic failover/reintegration of server nodes attached to SVC-provided virtual disk pairs within sites
- Management of automatic failover of PPRC-protected volume groups between nodes within a site
- SVC management to switch the SVC PPRC relationships over so that the backup site can take control of the PowerHA SystemMirror-managed resource groups from the primary site in case of a site failure
- SVC PPRC Command Line Interface or GUI to manually manage SVC PPRC consistency groups and relationships.

It is important to understand how the terms master and auxiliary are used in the PowerHA SystemMirror Enterprise Edition Metro Mirror for the SVC environment. In general, master and auxiliary refer to the SVC virtual disks that are on either end of a SVC PPRC link. Primary and secondary refer to the PowerHA SystemMirror sites that host the resource groups that manage the SVC PPRC replicated resources that contain those SVC PPRC links.

The terms master and auxiliary can also refer to the SVC clusters themselves. In general, the master SVC cluster is connected to the PowerHA SystemMirror production site, and the auxiliary SVC cluster is connected to the PowerHA SystemMirror backup and recovery site.

Related concepts:

“Overview of PowerHA SystemMirror Enterprise Edition for Metro Mirror” on page 1
 PowerHA SystemMirror Enterprise Edition for synchronous Peer-to-Peer Remote Copy (PPRC), now known as and referred to as Metro Mirror increases data availability for IBM TotalStorage volumes that use to copy data to a remote site for disaster recovery purposes.

Related information:

Installation guide

Planning for SVC management

You should be familiar with the planning tasks for PowerHA SystemMirror.

- PowerHA SystemMirror sites have been planned.
- Basic SVC and SVC PPRC support has been completely configured. Refer to the SVC documentation on how to install and configure SVC and SVC PPRC support.
- SVC Clusters and native PPRC support on those SVC Clusters has already been configured.

To plan for SVC-managed PPRC replicated resources in an PowerHA SystemMirror cluster, complete the following planning tasks:

- Identify the SVC Clusters and which PowerHA SystemMirror sites they belong to.
- Identify SVC relationships.
- Identify the volume groups associated with SVC virtual disks (VDisks) to be used in the relationships.
- Identify SVC consistency groups.
- Identify the relationships to be used in the consistency groups.

Note: The term 'Consistency Group Name' can be, in this instance, interchanged with the term 'PPRC Replicated Resource Name.' In the context of SVC, they are the same.

- Plan which resource groups will contain the SVC-managed PPRC replicated resources.

Related information:

Planning guide

Limitations and restrictions for PowerHA SystemMirror Enterprise Edition Metro Mirror for SVC

The current release of PowerHA SystemMirror Enterprise Edition SVC PPRC has some limitations and restrictions.

These include:

- Although SVC Host Name Aliases are arbitrary, for PowerHA SystemMirror Enterprise Edition SVC PPRC, they must match the node names. This ensures that the **ssh** commands used to execute SVC tasks are completed for the correct nodes.
- PowerHA SystemMirror uses commands to communicate with the SVC PPRC cluster that require **ssh**. Therefore, some version of **ssh** must be installed and configured on all SVC PPRC cluster nodes.
- Resource Groups to be managed by PowerHA SystemMirror cannot contain volume groups with both SVC PPRC-protected and non SVC-PPRC protected disks.

For example:

- VALID: RG1 contains VG1 and VG2, both PPRC-protected disks.
- INVALID: RG2 contains VG3 and VG4, VG3 is PPRC-protected, and VG4 is not.
- INVALID: RG3 contains VG5, which includes both PPRC-protected and non-protected disks within the same volume group.
- The Host Aliases on your SVC Clusters must match the node names (short names) used in PowerHA SystemMirror to define each cluster node.
- SVC PPRC does not support concurrent resource groups that are configured with a startup policy of Online on All Available Nodes (OOAN).
- You cannot use C-SPOC for the following LVM operations to configure nodes at the remote site (that contain the target volumes):
 - Creating or extending a volume group
 - Operations that require nodes at the target site to write to the target volumes (for example, changing filesystem size, changing mount point, adding LVM mirrors) cause an error message in CSPOC. This includes functions such as changing filesystem size, changing mount points, and adding LVM mirrors. However, nodes on the same site as the source volumes can successfully perform these tasks. The changes are subsequently propagated to the other site via lazy update.

For C-SPOC operations to work on all other LVM operations, it is highly recommended that you perform all C-SPOC operations when the cluster is active on all PowerHA SystemMirror nodes and the underlying SVC consistency groups are in a *consistent_synchronized* state.

Sample configuration for SVC management

You can set up a mutual recovery configuration in which each site acts as a production site with the other site acting as an associated backup site.

PowerHA SystemMirror support the SVC feature Change Volumes for Global Mirror. If you want to use this feature, you must configure and manage it outside of PowerHA SystemMirror. For more information about the SVC feature Change Volumes for Global Mirror, see Low Bandwidth Global Mirror (SVC & V7000).

Implementing a mutual recovery configuration requires:

- Two PowerHA SystemMirror sites (the same as a single recovery configuration)
- At least two resource groups.

Basic SVC PPRC cluster configuration and operation:

The infrastructure we consider here is a wide-area cluster system whereby the set of local cluster nodes are directly attached to local storage systems but with no access to the geographically separated remote storage systems.

In a typical setup with AIX server nodes in a wide-area PowerHA SystemMirror cluster configuration, the server nodes at each PowerHA SystemMirror cluster site are connected directly to the local SVC Clusters. Two or more inter-cluster links are required between the two SVC clusters. The PowerHA SystemMirror nodes at the same geographical site access the same shared volume groups, but the nodes at each site access them from different physical volumes.

The SVC PPRC maintains separate identical local copies of the application data on two separate back end storage subsystems. Several virtual disks are mirrored via master SVC cluster PPRC from the primary site to the standby site. When node or site failure occurs, access to disk resources are *not* passed from one node to another. Instead, all highly available applications are restarted at the standby site using data copy on secondary volumes. Under normal operation, the application is active on a server at the production site, and all updates to the application data are automatically replicated to the backup disk subsystem by the SVC PPRC framework. PPRC protects the backup copy from inadvertent modification. When a total site failure occurs, the application is restarted on a backup server at the remote site.

Prior to restarting the application, which, in this context, means *not* only the application that end users interact with, but also all dependent data base software or other middleware, PowerHA SystemMirror Enterprise Edition initiates SVC actions to ensure that the backup disk volumes are in the appropriate state to allow application access.

PowerHA SystemMirror support for geographic clustering is based on the concept of *replicated resources* . These are defined as a resource type that has a primary and secondary instance, corresponding to the source and target of data copies that are replicated across two locations. In SVC PPRC, a PPRC consistency group, comprised of a list of SVC relationships defined to SVC and associated with an PowerHA SystemMirror geographically separated cluster definition and defined to PowerHA SystemMirror is referred to as an *SVC PPRC replicated resource* . The definition for an SVC PPRC replicated resource contains the VDisk name and the PowerHA SystemMirror volume groups associated with the VDisk pairs. SVC recognizes which volumes mirror each other for each PPRC replicated resource.

In the example shown here, the PowerHA SystemMirror production site includes:

- Server A and Server B
- The ESS labeled Primary ESS
- A SAN Volume Controller connected by Fibre Channel PPRC links to the SVC at the secondary site and two connections to the Primary ESS.

The PowerHA SystemMirror recovery site includes:

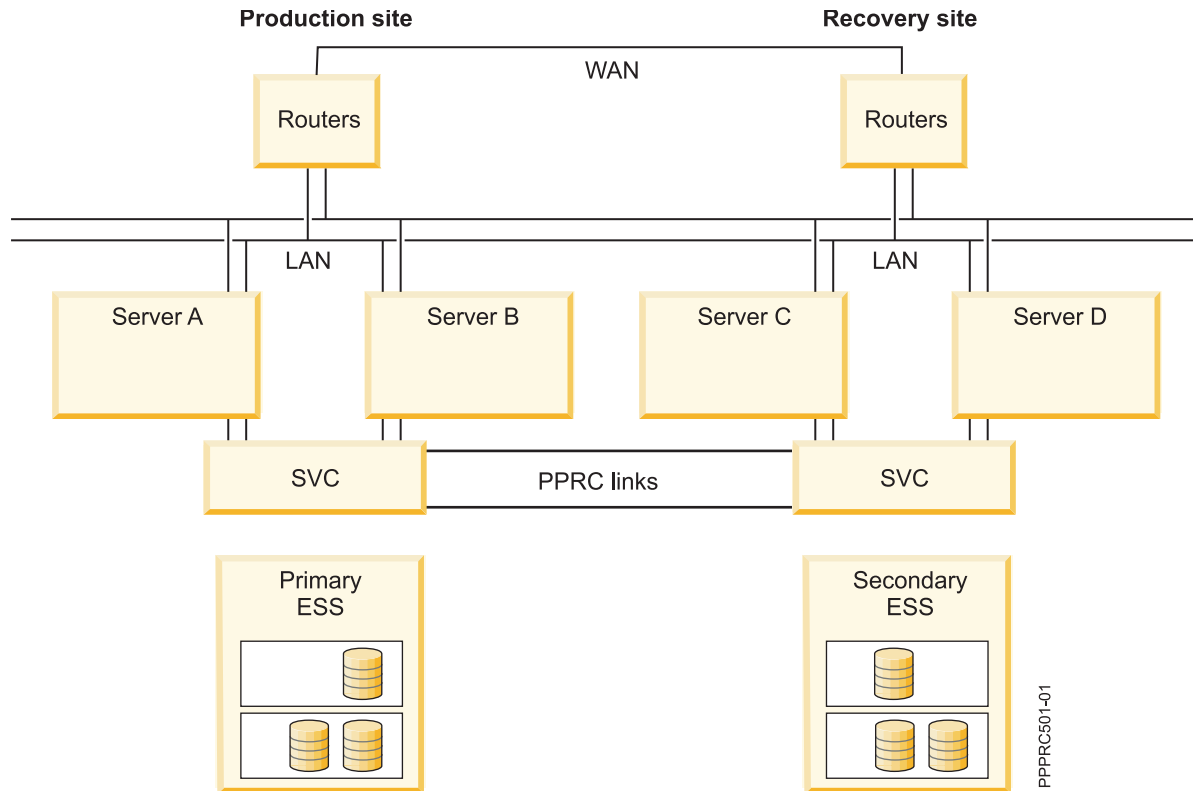
- Server C and Server D
- The ESS labeled Secondary ESS
- A SAN Volume Controller connected by Fibre Channel PPRC links to the SVC at the primary site and two connections to the Primary ESS.

The PowerHA SystemMirror resource group contains:

- The four server nodes
- IP networks to connect the server nodes
- One or more shared volume groups
- The PPRC replicated resource associated with the volumes in the volume group.

The configuration also includes point-to-point networks for heartbeating to connect the cluster nodes.

Note that all nodes also require connections to the SVC. At least one storage controller is connected to each SVC cluster via a SCSI or Fiber Channel connection.



Example PowerHA SystemMirror Enterprise Edition Metro Mirror for SVC mutual takeover configuration:

This example lists the information for a two-node SVC PPRC cluster configured for mutual takeover.

SVC Clusters

 svc_C11, svc_C12

SVC PPRC Relationships Configuration

 Relationship Name = sample_rel1
 Master Vdisk info = volume_id1@svc_C11
 Auxiliary Vdisk info = volume_id2@svc_C12

SVC PPRC Relationships Configuration

 Relationship Name = sample_rel2
 Master Vdisk info = volume_id3@svc_C11
 Auxiliary Vdisk info = volume_id4@svc_C12
 SVC PPRC-Replicated Resource Configuration
 for Resource Group RG1

 SVC PPRC Consistency Group Name = CG1
 Master SVC Cluster Name = svc_C11
 Auxiliary SVC Cluster Name = svc_C12
 List of Relationships = sample_rel1, sample_rel2

```

**
SVC PPRC Relationships Configuration
for Consistency Group CG3
-----
Relationship Name = sample_rel3
Master Vdisk info = volume_id5@svc_C12
Auxiliary Vdisk info = volume_id6@svc_C11

SVC PPRC-Replicated Resource Configuration
for Resource Group RG2
-----
SVC PPRC Consistency Group Name = CG1
Master SVC Cluster Name = svc_C12
Auxiliary SVC Cluster Name = svc_C11
List of Relationships = sample_rel3

```

From this point, resource groups RG1 and RG2 are configured to include the SVC PPRC-Replicated Resources CG1 and CG2 respectively.

Note: Since nodes located at each site treat the pairs differently in some situations, using PPRC pairs in resource groups that have no site preference could lead to unpredictable results.

Planning PPRC-SVC management support

Before you configure SVC management option, you configure SVC itself to manage PPRC mirrored volumes.

Verify that your SVC configuration meets the following requirements:

- Makes a consistent point-in-time copy of data available at all times
- Has virtual disks (VDisks) made available from both SVC Clusters to be used in the PowerHA SystemMirror configuration.

For information about configuring SVC, see the appropriate SVC documentation. See also the Limitations and Restrictions for PowerHA SystemMirror Enterprise Edition Metro Mirror for SVC for any naming convention restrictions.

Related reference:

“Limitations and restrictions for PowerHA SystemMirror Enterprise Edition Metro Mirror for SVC” on page 81
The current release of PowerHA SystemMirror Enterprise Edition SVC PPRC has some limitations and restrictions.

Setting up volume groups and filesets on SVC PPRC-protected disks

As part of planning your PPRC SVC environment, decide what vDisks will be used to support volume groups and file systems on the PowerHA SystemMirror cluster nodes.

Regardless of whether you simply plan the vDisks at this time or perform the steps listed below, you must complete these steps prior to the initial PowerHA SystemMirror SVC PPRC verification step. That step creates the final SVC PPRC relationships.

This procedure assumes that the hdisks and corresponding vpaths made available to your nodes are visible at those nodes. If they are *not*, and you can verify that SVC has been configured correctly to make the virtual disks (vDisks) available, reboot the node and run **cfgmgr** to make the disks viewable.

Discover AIX vpaths associated with SVC vDisks:

You can use SVC vDisks to discover AIX vpaths.

1. Select vDisks from your SVC configuration to be used in SVC PPRC relationships (that will be grouped in consistency groups) that will be managed by PowerHA SystemMirror.

2. Based on the vDisks you have chosen to use in a given SVC PPRC relationship, find out which vpaths and hdisks correspond.

- a. On an PowerHA SystemMirror node, run:

```
lsdev -Ccdisk | more
```

From this output, you can discover which hdisks are associated with the SAN Volume Controller:

```
HAnode1> lspv
```

```
...
```

```
hdisk32 Available 81-08-02      SAN Volume Controller Device
hdisk33 Available 81-08-02      SAN Volume Controller Device
hdisk34 Available 81-08-02      SAN Volume Controller Device
hdisk35 Available 81-08-02      SAN Volume Controller Device
hdisk36 Available 81-08-02      SAN Volume Controller Device
hdisk37 Available 81-08-02      SAN Volume Controller Device
vpath0 Available      Data Path Optimizer Pseudo Device Driver
vpath1 Available      Data Path Optimizer Pseudo Device Driver
vpath2 Available      Data Path Optimizer Pseudo Device Driver
vpath3 Available      Data Path Optimizer Pseudo Device Driver
```

In the example listing above, hdisk32 - hdisk37 are all SAN Volume Controller Devices.

- b. Then run one of the following commands:

'lsvpcfg | grep <hdisk>', to list the vpath for a specific hdisk

'lsvpcfg | grep vpath', to list information for all vpaths.

SVC-related vpaths have an output similar to this:

```
[HAnode1][usr/es/sbin/cluster/svcpprc/utlis]> lsvpcfg | grep vpath
```

```
vpath2 (Avail pv ) 60050768018980099800000000000012A = hdisk4 (Avail )
hdisk11 (Avail ) hdisk24 (Avail ) hdisk31 (Avail )
```

```
vpath3 (Avail pv ) 600507680189800998000000000000129 = hdisk5 (Avail )
hdisk12 (Avail ) hdisk25 (Avail ) hdisk32 (Avail )
```

- c. Using the volume ID number from **lsvpcfg**:

(ie: 60050768018980099800000000000012A)

Run the following command to get any associated vDisk value. (If there is doubt as to the output, run the command without the trailing '**grep**' and '**cut**'):

```
ssh admin@<SVC Cluster IP address> svcinfo lshostvdiskmap -delim : |
grep <SVC volume ID value> | cut -f5 -d":"
```

Example:

```
HAnode1> ssh admin@9.22.22.22 svcinfo lshostvdiskmap -delim : |grep
60050768018980099800000000000012C |cut -f5 -d":"
```

```
vDisk1
```

```
HAnode1>
```

The value returned should be the name given to the vDisk during its creation on the SVC system.

Setting up volume group and filesystem for PowerHA SystemMirror management:

On the vpath(s) that corresponds to the master vDisk(s) for a given SVC PPRC Relationship, set up the volume group and filesystem to be managed by PowerHA SystemMirror. Ensure that the Volume Major Number for the volume group can be used on all PowerHA SystemMirror cluster nodes, and that the physical volume name for the file system can also be used across all PowerHA SystemMirror cluster nodes.

1. Use the **lvlstmajor** command on each cluster node to display the available Volume Major Numbers.
2. Vary off (using **varyoffvg**) the newly created volume group and import it to all nodes in the local PowerHA SystemMirror site.

3. Create a temporary SVC PPRC relationship to copy the volume group/file set information to the auxiliary vDisk. Run the following commands. (Refer to the SVC CLI documentation for more details.)

```
ssh admin@<master SVC Cluster IP> svctask mkrcrelationship -master
<vDisk_name>-aux <vDisk_name> -cluster <Aux Cluster name> -name
<relationship name>
```

```
ssh admin@<master SVC Cluster IP> svctask startrcrelationship
<relationship name>
```

At this point, wait until the relationship moves from inconsistent_copying to consistent_synchronised state. Check the state by running:

```
ssh admin@master<master SVC Cluster IP> svcinfo lsrcrelationship
[relationship name]
```

4. Once the SVC PPRC relationship has completed copying, delete the relationship: ssh admin@<master SVC Cluster IP> svctask rmrcrelationship <relationship name>

This step is necessary in order for the next LVM operations to complete successfully.

5. Using SMIT or the command line on the Backup PowerHA SystemMirror site (the site that is connected to the Auxiliary SVC Cluster,) import the volume group(s) created in step 2c.
6. Ensure that on ALL cluster nodes, the AUTO VARYON feature for volume groups is set to NO: On each node run: chvg -a 'n' -Q 'y' <volume group name>
PowerHA SystemMirror will attempt to auto-correct this during verification but will *not* be able to do so in the case of remote PPRC. (If done at this point, it will save you time later.)

At this point, the volume groups and file systems necessary to configure PowerHA SystemMirror have been created.

Installing PowerHA SystemMirror Enterprise Edition Metro Mirror for SVC

This section describes how to install PowerHA SystemMirror Enterprise Edition Metro Mirror for SVC. You must be logged in as root to perform installation tasks.

Installing prerequisite software

Before installing PowerHA SystemMirror Enterprise Edition Metro Mirror for SVC, the following software must be installed on cluster nodes:

1. openssh version 4.6.1 or higher (+ license), for access to the SVC interface.
2. Base PowerHA SystemMirror Enterprise Edition at required minimum level (cluster.es.server.rte) or higher.
3. IBM 2145 Subsystem Device Driver (SDD). Check the SVC documentation and website for the currently approved SDD version to use with a given SVC version. Make sure the recommended versions of the following filesets are installed:
 - a. devices.fcp.disk.ibm.rte (1.0.0.0)
 - b. devices.sdd.**.rte ()
 - c. devices.ibm2105.rte (latest version)

Note: devices.fcp.disk.ibm2145.rte the SVC fcp device driver was the original fileset listed for SVC PPRC support. The device listed above in c. has since been named as its successor.

It may *not* be clear during installation of the **sdd** filesets that this first fileset is necessary, but it is critical in order to ensure that failover works correctly.

Installing PowerHA SystemMirror Enterprise Edition Metro Mirror for SVC filesets

You need to install the necessary filesets for SVC management.

If you have not already done so, install the filesets listed in Contents of the installation media for SVC management.

Related reference:

“Contents of the installation media” on page 11

The PowerHA SystemMirror Enterprise Edition for Metro Mirror installation media provides the images for installation on each node in the cluster that can take over a PPRC mirrored volume group.

Configuring PowerHA SystemMirror Enterprise Edition Metro Mirror for SVC

After you install SVC following the procedures outlined in its documentation, follow the steps to configure the cluster.

These steps include:

1. Check SVC and PowerHA SystemMirror configuration requirements.
2. Configure PowerHA SystemMirror and SVC PPRC.
3. Verify the PowerHA SystemMirror and SVC PPRC configuration.
4. Synchronize the cluster.
5. Start the cluster.

SVC and PowerHA SystemMirror configuration requirements

Make sure the configuration requirements are met.

These requirements include:

1. Configure **ssh** for each node that will communicate with the SVC Clusters. Public/private key pairs must be created on the nodes and distributed to the SVC clusters in order for PowerHA SystemMirror Enterprise Edition Metro Mirror for SVC to function. (See the prerequisite list above for fileset name and version.)

The SVC PPRC replicated methods used with PowerHA SystemMirror Enterprise Edition rely heavily on remote commands executed using **ssh**. It must be possible for example, to remotely execute a command via **ssh** on all cluster nodes that are part of a resource group that contains a PPRC replicated resource. Private/public key pairs must be installed on both the nodes that will access the SVC clusters, and the SVC clusters themselves in order for the SVC PPRC commands to work correctly.

See the SVC documentation for directions on how to complete this task.

2. Make sure the Host Aliases on your SVC Clusters match the node names (short names) used in PowerHA SystemMirror. To get a list of the current host to vDisk maps on the master and auxiliary SVC clusters, use the SVC CLI commands:

```
ssh admin@<ip_for_MASTER_SVC_Cluster> svcinfo lshostvdiskmap | more
ssh admin@<ip_for_AUXILIARY_SVC_Cluster> svcinfo lshostvdiskmap | more
```

Check the host names listed there against your PowerHA SystemMirror node names. If they differ, then refer to the SVC documentation on how to change the names to match, either via the SVC CLI or GUI interface.

Adding an SVC cluster configuration

You can use the SMIT interface to add an SVC cluster configuration.

To add an SVC cluster configuration, complete the following steps:

1. From the command line, enter `smit sysmirror`.
2. In SMIT, select **Cluster Applications and Resources > Resources > Configure SVC PPRC-Replicated Resources > SVC Clusters Definition to PowerHA SystemMirror > Add an SVC Cluster**, and press Enter:

3. Enter field values as follows:

Table 21. Add an SVC Cluster fields

Field	Value
SVC Cluster Name	Enter the same name used by SVC. This name cannot be more than 20 alphanumeric characters and underscores.
SVC Cluster Role	Select Master or Auxiliary .
PowerHA SystemMirror site	Select the PowerHA SystemMirror site associated with this SVC cluster.
SVC Cluster IP Address	IP address of this cluster
SVC Cluster Second IP Address	If you are using SVC 5.1, or later, you can enter a second IP address for this cluster. If the IP address that is specified in the SVC Cluster IP Address field is not available, the IP address you specify in this field is used.
Remote SVC Partner	Name of the SVC Cluster that is hosting vDisks from the other side of the SVC PPRC link

4. Press Enter.

Adding SVC PPRC relationships

After you add an SVC cluster, you can add an SVC PPRC relationship.

To add an SVC PPRC relationship, complete the following steps:

1. From the command line, enter `smit sysmirror`.
2. Select **Cluster Applications and Resources > Resources > Configure SVC PPRC-Replicated Resources > SVC PPRC Relationships Definition > Add an SVC PPRC Relationship**, and press Enter.
3. Enter field values as follows:

Table 22. Add an SVC PPRC Relationship fields

Field	Value
Relationship Name	The name used by both SVC and PowerHA SystemMirror for configuration of SVC PPRC Relationships. Use no more than 20 alphanumeric characters and underscores.
Master VDisk Info	The Master and Auxiliary VDisk names use the format: <code>vdisk_name@svc_cluster_name</code> See the section (PPRC-protected disks) for steps on how to discover what virtual disks (VDisks) correspond to the vpaths used for your configuration. The Master VDisk is the disk that resides at the primary site for the resource group the SVC PPRC Relationship will be a part of.
Auxiliary VDisk Info	The Auxiliary VDisk is the disk at the backup site for the resource group the SVC PPRC Relationship will be a part of.

4. Press Enter when you have finished the definition.
5. Create as many SVC PPRC Relationships that are required to manage all the vpaths used for volume groups.

Related reference:

“Setting up volume groups and filesets on SVC PPRC-protected disks” on page 84

As part of planning your PPRC SVC environment, decide what vDisks will be used to support volume groups and file systems on the PowerHA SystemMirror cluster nodes.

Adding SVC PPRC replicated resources

You can use the SMIT interface to add SVC PPRC replicated resources.

To add an SVC PPRC replicated resource, complete the following steps:

1. From the command line, enter `smit sysmirror`.
2. From the SMIT interface, select **Cluster Applications and Resources > Resources > Configure SVC PPRC-Replicated Resources > SVC PPRC-Replicated Resource Configuration > Add an SVC PPRC Resource**, and press Enter.
3. Enter field values as follows:

Table 23. Add an SVC PPRC Resource fields

Field	Value
SVC PPRC Consistency Group Name	The name to be used by SVC and also to be used in the resource group configuration. Use no more than 20 alphanumeric characters and underscores.
Master SVC Cluster Name	Name of the Master cluster is the SVC Cluster connected to the PowerHA SystemMirror Primary Site
Auxiliary SVC Cluster Name	Name of the SVC Cluster connected to the PowerHA SystemMirror Backup/Recovery Site
List of Relationships	List of names of the SVC PPRC relationships
Copy Type	Global Mirror processing provides a long-distance remote copy solution across two sites by using asynchronous technology. To use Global Mirroring, select GLOBAL . Metro Mirror functions offer a synchronous remote copy option that constantly updates a secondary copy of a volume to match changes that are made to a source volume. To use Metro Mirroring, select METRO .
PowerHA SystemMirror Recovery Action	If a site fallover occurs, specify the recovery policy that is used by PowerHA SystemMirror. Select AUTOMATED to automatically use the recovery policy. Select MANUAL to use manual intervention when a site fallover occurs.

4. Press Enter.

Adding SVC PPRC consistency groups to PowerHA SystemMirror resource groups

Add the SVC PPRC Consistency Groups created in the previous step to PowerHA SystemMirror resource groups.

1. From the command line, enter `smit sysmirror`.
2. From the SMIT interface, select **Cluster Applications and Resources > Resource Groups**, and press Enter.

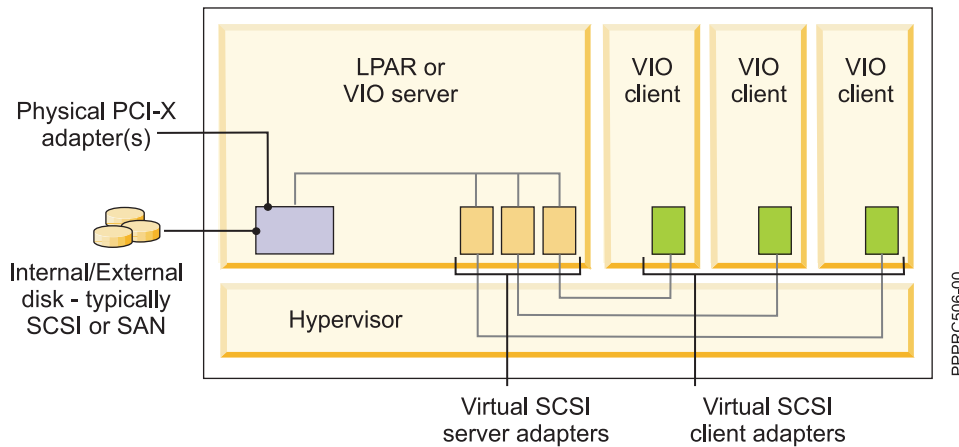
Select **Change/Show** or **Add a Resource Group** depending on whether you are working with an existing resource group or creating a new resource group.

The **SVC PPRC Replicated Resources** entry appears at the bottom of the page in SMIT. This entry is a picklist that displays the resource names created in the previous step. Make sure that the volume groups selected on the Resource Group configuration screen match the vDisks used for the SVC PPRC Replicated Resource.

3. Press Enter.

Setting up PowerHA SystemMirror Enterprise Edition for SVC Metro Mirror on AIX Virtual I/O clients

Virtual I/O Server allows a machine to be divided into LPARs, with each LPAR running a different OS image allowing the sharing of physical resources between the LPARs including virtual SCSI and virtual networking. The VIO Server owns real PCI adapters (Ethernet, SCSI, or SAN), but lets other LPARs share them remotely using the built-in Hypervisor services. These other LPARs are called Virtual I/O client partitions or VIO clients. And because they don't need real physical disks or real physical Ethernet adapters to run, they can be created quickly and inexpensively.



As an example, in Figure 1 above, the VIO Server has a few disks that could be SCSI or fiber channel storage area network (SAN) disks. The VIO clients use the VIO client device driver just as they would a regular local device disk to communicate with the matching server VIO device driver, then the VIO Server actually does the disk transfers on behalf of the VIO client.

When PowerHA SystemMirror Enterprise Edition for SVC Metro Mirror is configured on VIO clients the SVC clusters are not directly attached to the VIO clients, therefore the normally SCSI query commands can not be used to extract the necessary SVC vdisk information. Even though no special configuration steps are required to define the SVC PPRC resource to PowerHA SystemMirror Enterprise Edition, it is required that the following procedures have been performed already before verification can succeed. If this has not been done perform the following actions before proceeding to perform the usual SVC PPRC configuration steps.

These steps assume that the disks subsystems have already been physically attached to the SVC clusters. All the necessary SCSI server adapters have been created on the servers and virtual client SCSI adapters have been mapped to client partitions.

1. On the SVC clusters, perform these actions:
 - a. Identify the managed disks MDisks using the **svcinfolsmdisk** command
 - b. Identify or create the managed disk groups MDiskgrp using **svcinfolsmdiskgrp** or the **svctask mkmdiskgrp** command
 - c. Identify or Create the Virtual Disks using the **svcinfolsvdisk** or the **svctask mkvdisk** command
 - d. Map the VDisks to the VIO Servers as hosts using the **svctask mkvdiskhostmap**.

2. On the VIO servers, perform these actions

To get access to the regular AIX command line interface on the VIO server it is recommended that you run **oem_setup_env**.

- a. Run **cfgmgr**
- b. Use **odmget -q "id=unique_id" CuAt** to identify the hdisks/vpaths mapped to the SVC vdisks on the servers
- c. Select the disk to export by running **lsdev** to show the virtual SCSI server adapters that could be used for mapping with a physical disk
- d. Run the **mkvdev** command using the appropriate hdisk#s respectively to create the Virtual Target Device (this commands maps the LUNs to the virtual I/O clients:


```
$ mkvdev -vdev hdisk# -vadapter vhost# -dev vdisk#
```
- e. Map the VDisks to the VIO Servers as hosts using the **svctask mkvdiskhostmap**.

3. On the VIO clients

After the `mkvdev` command runs successfully on the VIO server, the LUNs will be exported to the VIO clients.

- a. Run `lsdev -Cc disk` to identify the LUN info on the client
- b. Run `cl_vpath_to_vdisk` command to identify the SVC vdisk – LUN mapping on the VIO clients.

Verifying and synchronizing the PowerHA SystemMirror Enterprise Edition cluster

At this point, provided you have configured all the other aspects of your resource group (volume groups being the most important), verify the cluster and SVC PPRC configuration.

Take the following steps:

1. Verify the PowerHA SystemMirror cluster configuration (using SMIT).
2. Verify the SVC PPRC configuration (using CLI).
3. Synchronize the PowerHA SystemMirror Cluster configuration (using SMIT).

Verifying the PowerHA SystemMirror cluster configuration:

You can verify the PowerHA SystemMirror cluster configuration using SMIT.

Be careful to run verification only. You must use the **Cluster Applications and Resources** SMIT path to get the correct menu.

1. From the command line, enter `smit sysmirror`.
2. Select **Cluster Applications and Resources > Resources > Verify and Synchronize Cluster Configuration** and press Enter.

Enter the field values as follows:

Table 24. Verification and Synchronization fields

Field	Value
Verify Synchronize or Both	Select Verify .
Automatically correct errors found during verification?	Select Yes .
Force synchronization if verification fails?	Select No (the default.)
Verify changes only?	Select no to run all verification checks that apply to the current cluster configuration.
Logging	Standard is the default. You can also select Verbose . Verification messages are logged to <code>/var/hacmp/clverify/clverify.log</code> .

3. Press Enter. The output from the verification is displayed in the SMIT Command Status window.
4. If you receive error messages, make the necessary changes and run the verification procedure again. You may see Warnings if the configuration has a limitation on its availability; for example, only one interface per node per network is configured.

Verifying the SVC PPRC configuration:

You can verify the SVC PPRC configuration using the CLI.

To run the SVC PPRC verification, execute the following command:

```
/usr/es/sbin/cluster/svcpprc/utlils/cl_verify_svcpprc_config
```

If any configuration errors appear, go back into the PowerHA SystemMirror SMIT panels and correct the errors, then re-run this script.

All the SVC PPRC Relationships and Consistency Groups named in the previous steps are created during this step. If there were any errors during execution of this script, the SVC PPRC consistency groups and relationship may *not* be created.

To verify that the configuration exists, run the following two commands against either of the SVC clusters:

```
ssh admin@<SVC Cluster IP> svcinfo lsrelationship
```

```
ssh admin@<SVC Cluster IP> svcinfo lsccconsistgrp
```

Synchronizing the PowerHA SystemMirror cluster configuration:

You can propagate the new SVC PPRC configuration information (and possibly PowerHA SystemMirror site information) across your PowerHA SystemMirror cluster.

Follow these steps:

1. From the command line, enter `smit sysmirror`.
2. Select **Cluster Applications and Resources > Verify can Synchronize Cluster Configuration**, and press Enter.

Enter the field values as follows:

Table 25. Verification and Synchronization fields

Field	Value
Verify Synchronize or Both	Select Synchronize .
Automatically correct errors found during verification?	Select No (the default.)
Force synchronization if verification fails?	Select No (the default.)
Verify changes only?	Select no to run all verification checks that apply to the current cluster configuration.
Logging	Standard is the default. You can also select Verbose . Verification messages are logged to <code>/var/hacmp/clverify/clverify.log</code> .

3. Press Enter. The cluster is synchronized. The output is displayed in the SMIT Command Status window.

Starting the PowerHA SystemMirror Enterprise Edition SVC PPRC cluster

Your PowerHA SystemMirror cluster is now ready to be started.

PowerHA SystemMirror will manage the SVC PPRC replicated resources you have just defined. PowerHA SystemMirror starts these SVC PPRC resources automatically, so there should be no need to manually manage the SVC resources from this point, under normal PowerHA SystemMirror cluster operation.

Changing an PowerHA SystemMirror Enterprise Edition for Metro Mirror SVC configuration

Using SMIT, you can change, show, or remove cluster configurations, PPRC relationships, and resources.

Be sure to update the PowerHA SystemMirror resource group information and synchronize the cluster after making changes.

Changing an SVC cluster configuration

You can use the SMIT interface to the change an SVC cluster configuration.

To change the SVC cluster, complete the following steps:

1. From the command line, enter `smit sysmirror`.
2. In SMIT, select **Cluster Applications and Resources > Resources > Configure SVC-PPRC Replicated Resources > SVC Clusters Definition to PowerHA SystemMirror > Change/Show an SVC Cluster**, and press Enter.
3. Select the SVC cluster to change from the picklist, and press Enter.

4. Enter field values as follows:

Table 26. Change/Show an SVC Cluster fields

Field	Value
SVC Cluster Name	The current name of the SVC cluster.
New SVC Cluster Name	Enter the name of the SVC Cluster Use no more than 20 characters.
SVC Cluster Role	Select Master or Auxiliary .
PowerHA SystemMirror site	Select the PowerHA SystemMirror site associated with this SVC cluster. The site must already be defined in PowerHA SystemMirror.
SVC Cluster IP Address	IP address of this cluster.
SVC Cluster Second IP Address	If you are using SVC 5.1, or later, you can enter a second IP address for this cluster. If the IP address that is specified in the SVC Cluster IP Address field is not available, the IP address you specify in this field is used.
Remote SVC Partner	The name of the SVC Cluster that is hosting vDisks from the other side of the SVC PPRC link.

5. Press Enter.

Removing an SVC cluster configuration

You can remove an SVC cluster configuration.

To remove the SVC cluster definition:

1. From the command line, enter `smit sysmirror`.
2. In SMIT, select **Cluster Applications and Resources > Resources > Configure SVC-PPRC Replicated Resources > SVC Clusters Definition to PowerHA SystemMirror > Remove an SVC Cluster**, and press Enter:
3. Select the SVC cluster to remove from the picklist and press Enter.
4. Confirm that you want to remove this SVC cluster definition by pressing Enter again.

Changing SVC PPRC relationships

After you define an SVC PPRC relationship, you can change it.

To change the SVC PPRC relationships:

1. From the command line, enter `smit sysmirror`.
2. Select **Cluster Applications and Resources > Resources > Configure SVC-PPRC Replicated Resources > SVC PPRC Relationships Definition > Change/Show an SVC PPRC Relationship**, and press Enter.
3. Select the SVC PPRC relationship to change and press Enter.
4. Enter field values as follows:

Table 27. Change/Show an SVC PPRC Relationship fields

Field	Value
Relationship Name	The current relationship name displays here.
New Relationship Name	The new name to be used by both SVC and PowerHA SystemMirror for configuration of SVC PPRC Relationships. Use no more than 20 characters.
Master VDisk Info	The Master and Auxiliary VDisk names use the format: <code>vdisk_name@svc_cluster_name</code> See the section <i>Setting up volume groups and filesets on SVC PPRC-protected disks</i> for steps on how to discover what virtual disks (VDisks) correspond to the vpaths used for your configuration. The Master VDisk is the disk that resides at the primary site for the resource group the SVC PPRC Relationship will be a part of.
Auxiliary VDisk Info	The Auxiliary VDisk is the disk at the backup site for the resource group the SVC PPRC Relationship will be a part of.

5. Press Enter when you have finished the definition.

6. Create as many SVC PPRC Relationships as will be necessary to manage all the vpaths used for volume groups that will be managed by HAMCP.

Related reference:

“Setting up volume groups and filesets on SVC PPRC-protected disks” on page 84

As part of planning your PPRC SVC environment, decide what vDisks will be used to support volume groups and file systems on the PowerHA SystemMirror cluster nodes.

Removing SVC PPRC relationships

You can remove an SVC PPRC relationship.

To remove the SVC PPRC relationships:

1. From the command line, enter `smit sysmirror`.
2. Select **Cluster Applications and Resources > Resources > Configure SVC-PPRC Replicated Resources > SVC PPRC Relationships Definition > Remove an SVC PPRC Relationship**, and press Enter.
3. Select the SVC PPRC relationship to remove and press Enter.
4. Confirm that you want to remove this SVC PPRC relationship by pressing Enter again.

Changing SVC PPRC resources

You can use the SMIT interface to change existing SVC PPRC resources.

To change the SVC PPRC resources, complete the following steps:

1. From the command line, enter `smit sysmirror`.
2. Select **Cluster Applications and Resources > Resources > Configure SVC-PPRC Replicated Resources > SVC PPRC-Replicated Resource Configuration > Change/Show an SVC PPRC Resource**, and press Enter.
3. Select the SVC PPRC resource to change and press Enter.
4. Enter field values as follows:

Table 28. Change/Show an SVC PPRC Resource fields

Field	Value
SVC PPRC Consistency Group Name	The current name that is used by SVC and also used in the Resource Group Configuration.
New SVC PPRC Consistency Group Name	The new name that is used by SVC and also to be used in the Resource Group Configuration.
Master SVC Cluster Name	The name of the Master cluster is the SVC Cluster connected to the PowerHA SystemMirror Primary Site.
Auxiliary SVC Cluster Name	The name of the SVC Cluster connected to the PowerHA SystemMirror Backup/Recovery Site.
List of Relationships	A list of names of the SVC PPRC relationships.
Copy Type	Global Mirror processing provides a long-distance remote copy solution across two sites by using asynchronous technology. To use Global Mirroring, select GLOBAL . Metro Mirror functions offer a synchronous remote copy option that constantly updates a secondary copy of a volume to match changes that are made to a source volume. To use Metro Mirroring, select METRO .
PowerHA SystemMirror Recovery Action	If a site fallover occurs, specify the recovery policy that is used by PowerHA SystemMirror. Select AUTOMATED to automatically use the recovery policy. Select MANUAL to use manual intervention when a site fallover occurs.

5. Press Enter.

Removing SVC PPRC resources

You can remove SVC PPRC resources.

To remove the SVC PPRC resources:

1. From the command line, enter `smit sysmirror`.
2. Select **Cluster Applications and Resources > Resources > Configure SVC-PPRC Replicated Resources > SVC PPRC-Replicated Resource Configuration > Remove an SVC PPRC Resource**, and press Enter.
3. Select the SVC PPRC resource to remove and press Enter.
4. Press Enter again to confirm this action.

Troubleshooting PowerHA SystemMirror Enterprise Edition for Metro Mirror for SVC

These topics provide information that might help you with troubleshooting SVC PPRC clusters.

SVC PPRC states

The following PPRC Volume states are possible, for either Consistency Groups or PPRC Relationships:

- `inconsistent_stopped`
In this state, the Primary is accessible for read and write I/O but the Secondary is *not* accessible for either. A copy process needs to be started to make the Secondary Consistent.
- `inconsistent_copying`
In this state, the Primary is accessible for read and write I/O but the Secondary is *not* accessible for either. This state is entered after a Start command is issued to an InconsistentStopped Relationship or Consistency Group. It is also entered when a Forced Start is issued to an Idling or ConsistentStopped Relationship or Consistency Group. A background copy process will run which will copy data from the Primary to the Secondary virtual disk.
- `consistent_stopped`
In this state, the Secondary contains a Consistent image but it might be out-of-date with respect to the Primary.
- `consistent_synchronized`
In this state, the Primary VDisk is accessible for read and write I/O. The Secondary VDisk is accessible for read-only I/O. Writes that are sent to the Primary VDisk are sent to both Primary and Secondary VDIs. Either good completion must be received for both writes, or the write must be failed to the host, or a state transition out of ConsistentSynchronized must take place before a write is completed to the host.
- `idling`
Both Master and Auxiliary disks are operating in the Primary role. Consequently both are accessible for write I/O. In this state the Relationship or Consistency Group will accept a 'Start' command. Remote Copy maintains a record of regions on each disk which have received write I/O while Idling. This will be used to determine what areas need to be copied following a 'Start' command.
- `idling_disconnected`
The Virtual Disk(s) in this half of the Relationship or Consistency Group are all in the Primary role and will accept read or write I/O. No configuration activity is possible (except for deletes or stops) until the Relationship becomes connected again. At that point, the Relationship will transition to a Connected state.
- `inconsistent_disconnected`
The Virtual Disks in this half of the Relationship or Consistency Group are all in the Secondary role and will *not* accept read or write I/O. No configuration activity except for deletes is permitted until the Relationship becomes connected again.

- consistent_disconnected

The VDisks in this half of the Relationship or Consistency Group are all in the Secondary role and will accept read I/O but *not* write I/O. This state is entered from ConsistentSynchronized or ConsistentStopped when the Secondary side of a Relationship becomes disconnected.

- empty

This state only applies to Consistency Groups. It is the state of a Consistency Group which has no Relationships and hence no other state information to show. It is entered when a Consistency Group is first created. It is exited when the first Relationship is added to the Consistency Group at which point the state of the Relationship becomes the state of the Consistency Group.

Viewing the state of consistency groups

To view the current state of the consistency groups PowerHA SystemMirror is managing (via the configured resource groups) execute the following command on any of the PowerHA SystemMirror cluster nodes:

```
ssh admin@<SVC cluster IP address> svcinfo lsrconsistgrp
```

where <SVC Cluster IP Address> is for either SVC cluster being used by PowerHA SystemMirror.

Viewing SVC clusters

You can use commands to view information about SVC clusters.

These commands are stored in the /usr/es/sbin/cluster/svcpprc/cmds directory.

c11ssvc command:

List SVC cluster information.

```
c11ssvc [-n < svccluster_name >] [-c]
```

The command lists information about all SVC clusters in the PowerHA SystemMirror configuration or a specific SVC cluster. If no SVC is specified, all SVC clusters defined will be listed. If a specific SVC cluster is provided via the **-n** flag, information about this SVC only will be displayed. The **-c** flag displays information in a colon-delimited format.

Sample output

```
[/usr/es/sbin/cluster/svcpprc/cmds]> c11ssvc
svc9A
svc78
```

```
[/usr/es/sbin/cluster/svcpprc/cmds]> c11ssvc -n svc9A
svccluster_name svccluster_role sitename cluster_ip r_partner
svc9A AuxiliaryVancouver 9.114.230.93 svc78
```

```
[/usr/es/sbin/cluster/svcpprc/cmds]> c11ssvc -n svc9A -c
#SVCNAME:ROLE:SITENAME:IPADDR:RPARTNER
svc9A:Auxiliary:Vancouver:9.114.230.93:svc78
```

c11ssvcpprc command:

List information about all SVC PPRC resources or a specific SVC PPRC resource.

```
c11ssvcpprc [-n < svcpprc_consistencygrp >] [-c] [-a] [-h]
```

If no resource name is specified, the names of all PPRC resources defined will be listed. If the **-a** flag is provided, full information about all PPRC resources is displayed. If a specific resource is provided via the **-n** flag, information about this resource only will be displayed. The **-c** flag displays information in a colon-delimited format. The **-h** flag turns off the display of column headers.

Sample output

```
[/usr/es/sbin/cluster/svcpprc/cmds]> cllssvcpprc<
HASVC1
```

```
[/usr/es/sbin/cluster/svcpprc/cmds]> cllssvcpprc -n HASVC1
svcpprc_consistencygrp MasterCluster AuxiliaryCluster relationships
HASVC1      svc78 svc9A svcre11
```

```
[/usr/es/sbin/cluster/svcpprc/cmds]> cllssvcpprc -n HASVC1 -ca
#NAME:MASTER:AUXILIARY:RELATIONSHIPS
HASVC1:svc78:svc9A:svcre11
```

cllsrelationship command:

List information about all SVC PPRC relationships or a specific PPRC relationship.

```
cllsrelationship [-n <relationship_name>] [-c] [-a] [-h]
```

If no resource name is specified, the names of all PPRC resources defined will be listed. If the **-a** flag is provided, full information about all PPRC relationship is displayed. If a specific relationship is provided via the **-n** flag, information about this relationship only will be displayed. The **-c** flag displays information in a colon-delimited format. The **-h** flag turns off the display of column headers.

Sample output

```
[/usr/es/sbin/cluster/svcpprc/cmds]> cllsrelationship
svcre11
```

```
[/usr/es/sbin/cluster/svcpprc/cmds]> cllsrelationship -n svcre11
relationship_name MasterVdisk_info AuxiliaryVdisk_info
svcre11 c48f1rp06_075@svc78 c48f2rp08_095@svc9A
```

```
[/usr/es/sbin/cluster/svcpprc/cmds]> cllsrelationship -n svcre11 -c
#RELATIONSHIP:MASTERVDISK:AUXVDISK
svcre11:c48f1rp06_075@svc78:c48f2rp08_095@svc9A
```

cl_verify_svcpprc_config command:

Verifies the SVC definition in the PowerHA SystemMirror configuration.

After the successful verification of the SVC configurations, it establishes all the SVC relationships defined to PowerHA SystemMirror on the SVC clusters and adds them to the corresponding consistency groups.

Disaster recovery management with EMC SRDF replication

PowerHA SystemMirror implements disaster recovery with SRDF storage devices by using the EMC supplied Symmetrix command-line interface (SYMCLI).

PowerHA SystemMirror uses SYMCLI to automatically manage and monitor the status of SRDF devices and SRDF links. PowerHA SystemMirror can also use SYMCLI to automatically manage the switching of the direction for the SRDF relationships when a site failover occurs. If a primary site fails, the backup site is able to take control of the resource that PowerHA SystemMirror manages from the primary site.

PowerHA SystemMirror uses SYMCLI to discover the SRDF deployment and capture any missing replication-related information from the administrator. Using this information, PowerHA SystemMirror manages the replicated devices as part of the highly available environment for the applications and resource groups.

To enable the PowerHA SystemMirror for HADR of EMC storage devices, complete the following steps:

1. Plan the storage deployment and mirroring functions that are necessary for your environment. This step is related to the applications and middleware that are deployed in the environment, that is managed by PowerHA SystemMirror.
2. Use the EMC tools to configure and deploy the storage devices.

Note: Verify whether the gatekeeper devices are mapped and masked to a single host and are not shared for concurrent I/O across hosts. For more information about gatekeeper devices, go to the EMC Enterprise Single Sign-on web page (<http://support.emc.com>) and search for *emc25597*.

3. Use PowerHA SystemMirror interfaces to discover the storage devices that are deployed.
4. Define PowerHA SystemMirror policies for the applications or resource groups that are using the mirrored storage devices.

Note: Complete steps 1 and step 2 before you configure PowerHA SystemMirror for HADR management of EMC storage devices.

EMC SRDF concepts

PowerHA SystemMirror implements disaster recovery with SRDF storage devices by using an EMC-supplied Symmetrix command-line interface (SYMCLI).

PowerHA SystemMirror uses SYMCLI to automatically manage SRDF links and to switch the direction of the SRDF relationships when a site failover occurs. If a primary site fails, the backup site controls the PowerHA SystemMirror managed resource groups from the primary site.

PowerHA SystemMirror uses these interfaces to discover and integrate the replicated storage from an EMC storage device into the High Availability and Disaster Recovery (HADR) framework of PowerHA SystemMirror. You can use this configuration to manage the HADR framework of your applications that are using the mirrored storage devices.

Integration of SRDF and PowerHA SystemMirror provides the following benefits:

- Support for either Prefer Primary Site or Online on Either Site inter-site management policies.
- Flexible user-customizable resource group policies.
- Support for cluster verification and synchronization.
- Limited support for the PowerHA SystemMirror Cluster Single Point Of Control (C-SPOC).
- Automatic failover and reintegration of server nodes that are attached to pairs of SRDF disk subsystems within sites and across sites.

EMC SRDF modes

PowerHA SystemMirror supports SRDF replicated resources in synchronous mode (SDRF/S) and in asynchronous mode (SRDF/A).

SRDF synchronous replication

In the synchronous mode, the EMC storage device responds to the host that issued a write operation to the source of the composite group after the EMC storage, which contains the target of the composite group, acknowledges that it has received and checked the data.

SRDF asynchronous replication

In the asynchronous mode, the EMC storage device provides a consistent point-in-time image on the target of the composite group, which is a short period of time behind the source of the composite group. Asynchronous mode is managed in sessions. Asynchronous mode transfers data in predefined timed cycles or in delta sets to ensure that data at the remote target of the composite group site is in the dependent write consistent state.

Related tasks:

“Adding an SRDF replicated resource” on page 105

You must add an SRDF replicated resource before you can add a them to a resource group.

EMC SRDF consistency groups

All Symmetrix Remote Data Facility (SRDF) operations in PowerHA SystemMirror Enterprise Edition clusters are performed on a composite group and not on individual device groups. The composite group that is enabled for consistency is known as the *consistency group*.

The consistency groups operate in unison to preserve the integrity and dependent write consistency of a database distributed across multiple arrays. Consistency for a SRDF replicated resource is maintained at the composite group level on the EMC storage device.

The following table displays the valid states for a composite group.

Table 29. Valid composite group states

State	Description
SyncInProgress	A synchronization is currently in progress between the source of the composite group and the target of the composite group. There are existing invalid tracks between the two pairs and the logical link between both sides of an RDF pair is up.
Synchronized	This state is applicable only to the synchronous mirroring mode. The source of the composite group and the target of the composite group are currently in a synchronized state. The same content exists on the target of the composite group as the source of the composite group. There are no invalid tracks between the two pairs.
Split	The source of the composite group and the target of the composite group are currently Ready to their hosts, but the link is Not Ready or Write Disabled.
Failed Over	The source of the composite group is currently Not Ready or Write Disabled and operations are failed over to the target of the composite group.
R1 Updated	The source of the composite group is currently Not Ready or Write Disabled to the host, there are no local invalid tracks on the source of the composite group side, and the link is Ready or Write Disabled.
R1 UpdInProgress	The source of the composite group is currently Not Ready or Write Disabled to the host, there are invalid local tracks on the source side, and the link is Ready or Write Disabled.
Suspended	The RDF links have been suspended and are Not Ready or Write Disabled. If the source of the composite group is Ready while the links are suspended, any I/O will accumulate as invalid tracks owed to the target of the composite group.
Partitioned	The SYMAPI is currently unable to communicate through the corresponding RDF path to the remote Symmetrix.
Mixed	A composite SYMAPI device group that is in an RDF pair state. Different SRDF pair states exist within a device group.
Invalid	This is the default state when no other SRDF state applies. The combination of the source of the composite group, the target of the composite group, and RDF link states and statuses do not match any other pair state. This state might occur if there is a problem at the disk director level.
Consistent	The target source of the composite group for the SRDF/A capable devices are in a consistent state. Consistent state signifies the normal state of operation for device pairs that are operating in asynchronous mode. This state is applicable only to asynchronous mirroring.
Transmit Idle	This state is applicable only to asynchronous mirroring. The SRDF/A session cannot move data in the transmit cycle across the link because the link is not available.

Related tasks:

“Adding an SRDF replicated resource” on page 105

You must add an SRDF replicated resource before you can add a them to a resource group.

Planning for SRDF replication

Before you use SRDF replication for disaster recovery, you must plan to implement SRDF management within an PowerHA SystemMirror environment.

Review the following information before you implement SDRF replication in your environment:

- Configure PowerHA SystemMirror Enterprise Edition 7.1.2, or later, across all sites.
- Identify SRDF mirroring relationships between storage devices.
- Configure the EMC Solution Enabler software on all nodes in the cluster.
- Export the consistency groups from nodes that are configured correctly and import the configuration to other nodes in the cluster.
- Configure the various mirroring relationships by using the EMC Solution Enabler software.

Note: Disks are grouped together as necessary for consistency device groups, or composite groups are configured, and SRDF pairs are created. You cannot use PowerHA SystemMirror to create SRDF pairs.

Review the following information to plan for SRDF replicated resources in an PowerHA SystemMirror cluster:

- Identify the composite groups or device groups that must be included in the PowerHA SystemMirror resource groups.
- Identify the SRDF pairs and establish the SRDF relationship in PowerHA SystemMirror.
- Identify the volume sets, associated volume groups, and the volume group associations with the applications and middleware software that you are deploying.
- Identify associations between applications and the resource groups.
- Identify which resource groups contain the SRDF replicated resources.

Related information:



Overview of Groups in EMC Symmetrix and Solution Enabler Environments

Limitations and restrictions of SRDF management

Before you implement SRDF management, you must be aware of the limitations and restrictions.

PowerHA SystemMirror Enterprise Edition for mirroring with SRDF has the following limitations and restrictions:

- Multi-Hop configuration is not supported.
- Mirroring to BCV devices is not supported.
- Concurrent RDF configuration is not supported.
- PowerHA SystemMirror Enterprise Edition does not support EMC storages that are indirectly connected to the AIX host system through a host computer.
- PowerHA SystemMirror does not trap SNMP notification events for VMAX storage. If the SRDF link goes down when the cluster is up, and then the link is repaired, you must manually resync the pairs.
- The SRDF pair must be created outside of the cluster control. You must create the SRDF pairs before you start cluster services.
- EMC PowerPath disks are not supported for use as a tiebreaker disk.
- PowerHA SystemMirror Enterprise Edition does not correct the SRDF pairs or resynchronize the pairs if the pair states are in the invalid state.

Note: A pair in an invalid state might lead to data corruption if PowerHA SystemMirror Enterprise Edition tries to recover the state. A pair can be in an invalid state if there is a problem at the disk director level.

- Resource groups that are managed by PowerHA SystemMirror cannot contain volume groups with disks that are SRDF-protected and disks that are not SRDF-protected.

For example:

- Correct example: RG1 contains VG1 and VG2, VG1 and VG2 are both SRDF-protected disks.
- Incorrect example: RG2 contains VG3 and VG4, where VG3 is an SRDF-protected disk, and VG4 is not an SRDF-protected disk.
- Use C-SPOC for the following LVM operations to configure nodes at the remote site that contain the target volumes:
 - Creating a volume group.
 - Operations that require nodes at the target site to write to the target volumes (for example, changing file system size, changing the mount point, and adding LVM mirrors) cause an error message in C-SPOC. However, nodes on the same site as the source volumes can successfully perform these tasks. The changes are then propagated to the other site by using the lazy update function.

Note: For C-SPOC operations to work on all other LVM operations, you must perform all C-SPOC operations when the cluster is active on all PowerHA SystemMirror nodes, and the underlying SRDF pairs are in a synchronized state.

Example configuration for SRDF management

This example assumes that your environment consists of a mutual recovery configuration in which a production site stores different applications and services, and a recovery site acts as an associated backup site.

The following configuration is required to implement a mutual recovery configuration:

- Two PowerHA SystemMirror sites, which are the same as a single recovery configuration
- Two resource groups, with each resource group configured to use mirrored storage

In PowerHA SystemMirror, you can configure two sites and a resource group that includes nodes, SRDF-managed replicated resources, and the volume groups that are associated with the replicated resources.

The SYMCLI client is installed on the PowerHA SystemMirror hosts and on each of the PowerHA SystemMirror managed nodes. The EMC SRDF operations are completed by using the SYMCLI software on a AIX server. You can use the SYMCLI software on the AIX server to display EMC SRDF information and run SRDF operations from the command line or with a script file.

An SRDF replicated resource contains the EMC disk volume pairs (composite group) information. The PowerHA SystemMirror resource group definition includes the volume groups that are built on SRDF replicated volumes. PowerHA SystemMirror manages SRDF processing by dynamically running the SYMCLI commands.

The following image displays a typical implementation of two EMC VMAX storage with SRDF in a four-node PowerHA SystemMirror geographic cluster. The cluster consists of four IBM Power Systems™ servers. Each storage device is connected to a node (Server A, Server B, Server C, and Server D) through SCSI or Fibre Channel links. The SRDF links are established between the Primary storage and the Secondary storage. The configuration also includes point-to-point networks for heartbeating to connect the cluster nodes together.

The order of the nodes in each resource group's node list indicates which site is considered as the production site and which site is considered as the backup site for that resource group.

In the following figure the configuration for resource group 1 is as follows:

Ordered site list

Production site, Recovery site

Ordered node list

Server A, Server B, Server C, and Server D

The data mirroring goes from Primary storage, which is owned by the Production site, to the Secondary storage, which is owned by the Secondary site.

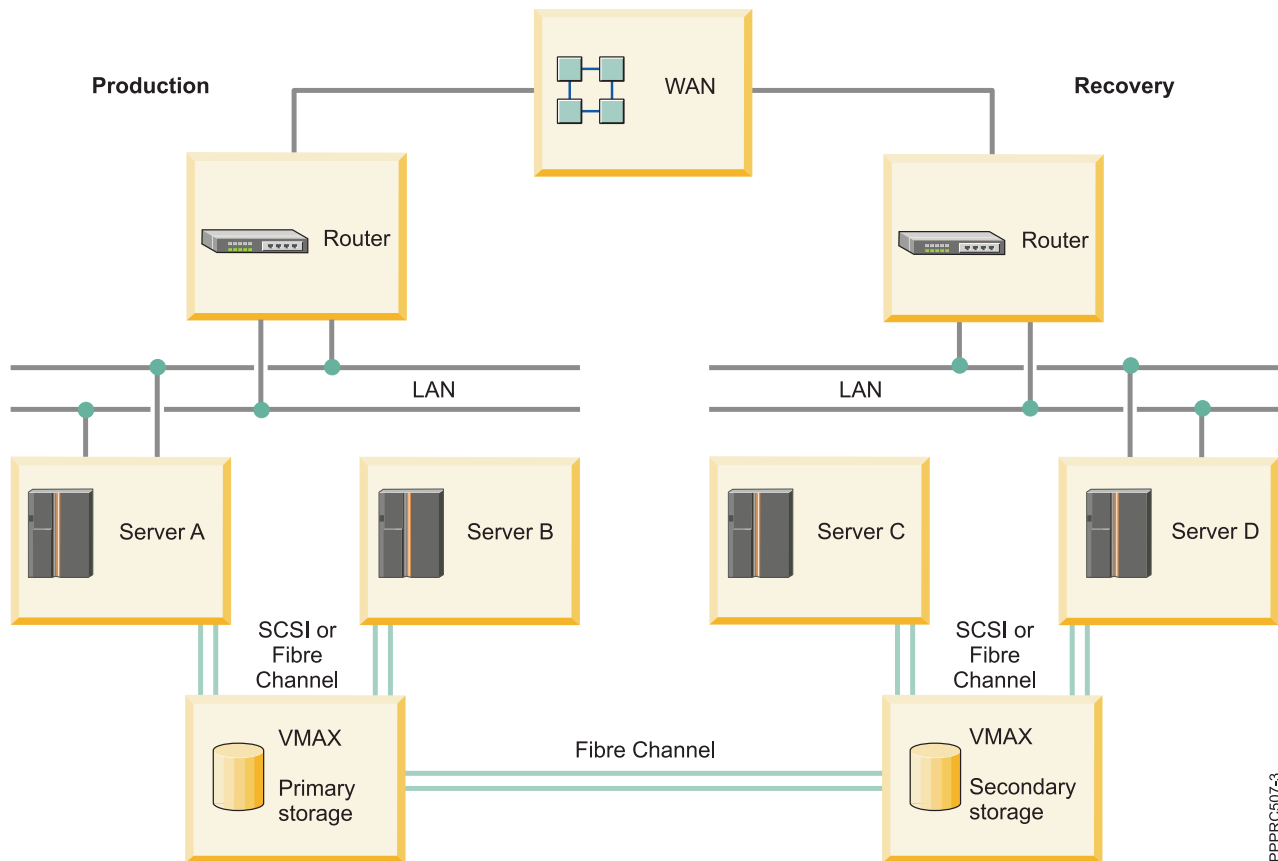


Figure 1. Sample configuration of resource groups for SRDF-managed replicated resources

Setting up volume groups and file systems on SRDF protected disks

As part of planning your PowerHA SystemMirror Enterprise Edition SRDF environment, you must decide what disks are used to support volume groups and file systems on the PowerHA SystemMirror cluster nodes.

Note: If EMC hdisks are not available to your nodes, you can verify that EMC storage is configured correctly to make the EMC disks available by rebooting the node and by running the `cfgmgr` command to make the disks viewable.

You cannot use PowerHA SystemMirror Enterprise Edition to create SRDF replication pairs. You must use the EMC Solution Enabler interfaces to create the SRDF pairs before you can use PowerHA SystemMirror Enterprise Edition.

To discover composite groups, devices groups, and AIX disks that are associated with EMC storage devices, complete the following steps:

1. From the command line, enter the following command to list all host-visible Symmetrix devices:

```
# symdev list pd
```

Example of the output follows:

```
Symmetrix ID: 000190100304
```

Device Name		Directors			Device		
Sym	Physical	SA	:P DA	:IT Config	Attribute	Sts	Cap (MB)
0026	/dev/rhdiskpower48	04A:1	16D:D5	RDF1+Mir	Grp'd	RW	4314
0027	/dev/rhdiskpower49	04A:1	01D:D4	RDF1+Mir	Grp'd	RW	4314
0028	/dev/rhdiskpower50	04A:1	01A:C8	RDF1+Mir	Grp'd	RW	4314
0029	/dev/rhdiskpower51	04A:1	16A:C9	RDF1+Mir	Grp'd	RW	4314
002A	/dev/rhdiskpower52	04A:1	01C:C6	RDF1+Mir	N/Grp'd	RW	4314
002B	/dev/rhdiskpower53	04A:1	16C:C7	RDF1+Mir	N/Grp'd	RW	4314
0F5C	/dev/rhdisk56	04A:1	01C:CA	2-Way Mir	N/Grp'd	VCM RW	6
0F9A	/dev/rhdiskpower0	04A:1	16C:CB	2-Way Mir	N/Grp'd	RW	6
0F9B	/dev/rhdiskpower1	04A:1	16A:CB	2-Way Mir	N/Grp'd	RW	6

- From the list, select the devices that stores the application data.
- Identify the AIX disks for the Symmetrix device you selected by running the following command:

```
# powermt display dev=Symmetrix_device_name  
Pseudo name=Symmetrix_device_name
```

In the following example, the Symmetrix device maps to hard disks hdisk105, hdisk50, hdisk120, and hdisk175 through the two I/O paths, fscsi1 and fscsi0:

```
Symmetrix ID=000190100304  
Logical device ID=0026  
state=alive; policy=SymmOpt; priority=0; queued-I/Os=0  
=====
```

###	Host	HW Path	I/O Paths	Stor - Interf.	-- I/O Path - Mode	-- Stats - State	Q-I/Os	Errors
1	fscsi1		hdisk105	FA 13aB	active	alive	0	0
0	fscsi0		hdisk120	FA 4aB	active	alive	0	0
0	fscsi0		hdisk175	FA 13aB	active	alive	0	0
1	fscsi1		hdisk50	FA 4aB	active	alive	0	0

- Create a volume group with the physical volumes of the Symmetrix device. For example, when you create these volume groups you are creating file systems and logical volumes. You must configure volume groups by using Logical Volume Manager (LVM) on the primary site.
- Create composite groups and device groups on the EMC storage and add Symmetrix devices to these groups.
- Establish full mirroring between the SRDF pairs so that the entire LVM metadata and other data are copied over to the mirrored volumes.
- Configure the SRDF replicated resources in PowerHA SystemMirror Enterprise Edition.
- Split the SRDF by using the **split** command to access the mirrored data on the secondary site.
- Import the volume groups on the secondary site by specifying the same volume groups name and major number that is used on the primary site for the mirrored storage device.
- Varyon the volume groups and mount the file systems.

Installing SRDF filesets

To perform any installation task, you must be logged in to the system as a root user.

Software prerequisite

Before you install SRDF filesets, the following software must be installed on all nodes in the cluster:

- Your environment must have one of the following version of the AIX operating system installed:

- IBM AIX 6.1 with Technology Level 8, or later
- IBM AIX 7.1 with Technology Level 2, or later
- PowerHA SystemMirror Enterprise Edition Version 7.1.2, or later.
- EMC Solution Enabler for AIX software.
- SYMCLI software for AIX. The fileset level for SYMCLI.SYMCLI.rte must be 7.0.0.0, or later.

Installing SRDF filesets

The following filesets are included on the PowerHA SystemMirror Enterprise Edition media and must be installed for SRDF management to work:

cluster.es.sr.cmds

PowerHA SystemMirror Enterprise Edition for SRDF commands

cluster.es.sr.rte

PowerHA SystemMirror Enterprise Edition for SRDF runtime commands

cluster.msg.en_US.sr

PowerHA SystemMirror Enterprise Edition for SRDF English messages

Complete the following steps to install the PowerHA SystemMirror SRDF filesets:

1. From the command line, enter `smit install`.
2. From the SMIT interface, select **Install and Update Software > Install Software** and press Enter.
3. Enter the path to the SRDF filesets that you want to install.

Note: All PowerHA SystemMirror SRDF filesets are installed in the `/usr/es/sbin/cluster/emcsrdf` directory.

Configuring SRDF replicated resources

After you install SYMCLI you must configure the cluster.

SRDF and PowerHA SystemMirror configuration requirements

You must verify that your environment meets specific requirements before you can configure PowerHA SystemMirror Enterprise Edition to work with the SRDF.

Before configuring PowerHA SystemMirror Enterprise Edition to work with SRDF, verify that the following criteria is implemented in your environment:

- The SRDF is configured and running on the storage systems.
- The SYMCLI software is installed.
- You have a good understanding of how PowerHA SystemMirror sites and SRDF replicated resources work.
- The base PowerHA SystemMirror Enterprise Edition for Metro Mirror and SRDF management filesets are installed on each node in the cluster.
- The PowerHA SystemMirror cluster has the following functions configured:
 - Nodes
 - Sites
 - Networks and network interfaces
 - Service labels and application monitors
 - Initial resource groups

Note: You can modify the attributes for a resource group later to accommodate SRDF replicated resources.

Adding an SRDF replicated resource

You must add an SRDF replicated resource before you can add a them to a resource group.

To add an SRDF replicated resource, complete the following steps:

Note: A device group configuration, without a composite group definition, is only supported in PowerHA SystemMirror 7.1.3, or later.

1. From the command line, enter `smit sysmirror`.
2. From the SMIT interface, select **Cluster Applications and Resources > Resources > Configure EMC SRDF Replicated Resources > Add EMC SRDF Replicated Resource**, and press Enter.
3. Enter values for each of the following fields and press Enter:

EMC SRDF Replicated Resource Name

The name of the SRDF replicated resource that is defined to PowerHA SystemMirror as a composite group or a device group on the EMC storage device. You can choose an existing composite group or device group. You can also define a new group by listing the device groups that are included in the composite group or by listing the device group in the replicated resource.

EMC SRDF Mode

The SRDF mirroring mode. You can enter **SYNC** (synchronous mirroring) or **ASYNC** (asynchronous mirroring).

Device Groups

A list of device groups that is included in the preceding composite group or a device group in the replicated resource.

Recovery Action

If a site failover occurs, specify the disaster recovery policy that is used by the PowerHA SystemMirror resource group. Enter **Manual** if you want manual intervention when site failover occurs. Enter **Automated** if you do not want manual intervention when site failover occurs.

Note: If you specify **Manual**, it does not indicate that a manual intervention is required for all failover scenarios. There are some conditions, such as cluster partition, in which an automatic failover from one site to another, can cause potential data divergence and integrity issues. If PowerHA SystemMirror detects the potential issue for such a case, and if the recovery action associated with the mirror group is set to **Manual**, PowerHA SystemMirror does not run an automatic failover.

Resync Action

If a site failover occurs, specify how you want to resynchronize the data between the sites after the failed site is brought back online. Enter **AUTO** if you want to automatically resynchronize the data between the sites as soon as the failed site is online. Enter **MANUAL** if you want to manually resynchronize the data between the sites. The default value for this field is **AUTO**.

Consistency Enabled

Enter **Yes** to enable consistency for the SRDF replicated resource, which is defined as the composite group on the EMC storage device. Enter **No** to disable consistency for the SRDF replicated resource.

SRDF Group Type

If devices are managed as a composite group, select **CompGroup**. If devices are managed as a device group, select **DevGroup**.

Related concepts:

“EMC SRDF modes” on page 98

PowerHA SystemMirror supports SRDF replicated resources in synchronous mode (SDRF/S) and in

asynchronous mode (SRDF/A).

“EMC SRDF consistency groups” on page 99

All Symmetrix Remote Data Facility (SRDF) operations in PowerHA SystemMirror Enterprise Edition clusters are performed on a composite group and not on individual device groups. The composite group that is enabled for consistency is known as the *consistency group*.

Adding a SRDF replicated resource to a PowerHA SystemMirror resource group

The SRDF replicated resources must be added to a resource group before they can be managed by PowerHA SystemMirror.

To add a SRDF replicated resource to a PowerHA SystemMirror resource group, complete the following steps:

1. From the command line, enter `smit sysmirror`.
2. From the SMIT interface, select **Cluster Applications and Resources > Resource Groups > Change/Show Resources and Attributes for a Resource Group**, and press Enter.
3. In the **EMC SRDF Replicated Resource** field select the SRDF replicated resource, and press Enter.

Note: The resource group that you select must be the same resource group you used when you created the SRDF replicated resource.

4. Verify and synchronize the cluster.

Verifying the SRDF configuration

You must verify the SRDF configuration from the command-line interface.

To verify the SRDF configuration, complete the following steps:

1. From the command line, run the `/usr/es/sbin/cluster/sr/utlils/cl_verify_sr_config` command.
2. If the verification is successful, the following message is displayed:
PowerHA SystemMirror support for EMC SRDF configuration verified successfully. Status=0
If the verification is not successful, fix any error messages and run the `cl_verify_sr_config` command again.

Starting the SRDF cluster

After you configure and synchronize SRDF replicated resources, you can start the PowerHA SystemMirror Enterprise Edition cluster. PowerHA SystemMirror Enterprise Edition automatically manages the SRDF replicated resources that you defined. Therefore, you do not have to manually manage the SRDF replicated resources.

To start the PowerHA SystemMirror Enterprise Edition cluster, complete the following steps:

1. From the command line, enter `smit cl_admin`.
2. From the C-SPOC interface, select **PowerHA SystemMirror Services > Start Cluster Services**.
3. Complete all fields, and press **Enter** to start the cluster services.

Note: Verification runs automatically at cluster startup. You can turn off this option, but it is not recommended.

Changing SRDF replicated resources

You can change the SRDF replicated resources by using the SMIT interface.

Complete the following steps to change the SRDF replicated resources:

1. From the command line, enter `smit sysmirror`.
2. From the SMIT interface, select **Cluster Applications and Resources > Resources > Configure EMC SRDF-replicated resources > Change/Show EMC SRDF replicated resource**, and press Enter.

3. Select the SRDF replicated resource that you want to change from the list and press Enter.
4. Make your changes to the fields, and press Enter.
5. Verify and synchronize the cluster.

Removing a SRDF replicated resource

You can remove a SRDF replicated resource by using the SMIT interface.

To remove a SRDF replicated resource, complete the following steps:

1. From the command line, enter `smit sysmirror`.
2. From the SMIT interface, select **Cluster Applications and Resources > Resources > Configure EMC SRDF-replicated resources > Remove EMC SRDF replicated resource**, and press Enter.
3. Select the SRDF replicated resource that you want to remove from the list and press Enter.
4. Confirm that you want to remove this SRDF replicated resources and press Enter.
5. Verify and synchronize the cluster.

Hitachi Truecopy/HUR replication resources

PowerHA SystemMirror Enterprise Edition Version 7.1.2 with Service Pack 2, or later, supports High Availability Disaster Recovery support for third-party vendor storage from Hitachi.

Hitachi Storage system supports short distance replication and long-distance replication through Truecopy synchronous and asynchronous replication with Hitachi Universal Replicator (HUR) technologies. PowerHA SystemMirror Enterprise Edition enables integrated discovery and management of mirrored resources for management of Highly Available (HA) resource groups.

PowerHA SystemMirror Enterprise Edition enablement for High-Availability and Disaster Recovery (HADR) of Hitachi mirrored storage involves the following steps:

1. Plan the storage deployment and replication necessary for your environment. This process is related to the applications and middleware being deployed in the environment which would eventually be HA managed by PowerHA SystemMirror Enterprise Edition.
2. Use the provided storage configuration tools provide by Hitachi to configure the storage devices you defined in step 1 and deploy them.
3. Use PowerHA SystemMirror Enterprise Edition interfaces to discover the deployed storage devices and define the HA policies for the applications or resource groups that are consuming the mirrored storage.

Overview of Truecopy/HUR Management

Hitachi Truecopy/HUR storage management uses Command Control Interface (CCI) operations from the AIX operating system and PowerHA SystemMirror Enterprise Edition environment.

PowerHA SystemMirror Enterprise Edition uses these interfaces to discover and integrate the Hitachi Storage replicated storage into the HADR framework of PowerHA SystemMirror Enterprise Edition. This integration enables you to manage HADR for applications consuming the mirrored storage.

Integration of Truecopy/HUR and PowerHA SystemMirror Enterprise Edition provides the following:

- Support for Prefer Primary Site or Online on Either Site inter-site management policies.
- Flexible user-customizable resource group policies.
- Support for cluster verification and synchronization.
- Limited support for the PowerHA SystemMirror Enterprise Edition Cluster Single Point Of Control (C-SPOC).

- Automatic failover and reintegration of server nodes attached to pairs of Truecopy/HUR disk subsystem within sites and across sites.
- Automatic management for Truecopy/HUR links.
- Management for switching the direction of the Truecopy/HUR relationships when a site failure occurs. This process allows the backup site to take control of the PowerHA SystemMirror Enterprise Edition managed resource groups from the primary site.

Planning for Truecopy/HUR Management

To successfully use Truecopy/HUR Management, you must correctly plan for its implementation.

Before you continue, your environment must meet the following requirements:

- PowerHA SystemMirror Enterprise Edition sites are already correctly configured.
- Truecopy/HUR support is already correctly configured.

Related information:



Hitachi Command Control Interface (CCI) User and Reference Guide

Limitations for Truecopy/HUR Management

To implement Truecopy/HUR Management correctly, you must know its limitations.

PowerHA SystemMirror Enterprise Edition for mirroring with Truecopy/HUR has the following limitations:

- Only fence level NEVER is supported for synchronous mirroring.
- Only HUR is supported for asynchronous mirroring.
- The dev_name must map to a logical devices and the dev_group should be defined under HORCM_LDEV section in the horcm.conf file.
- The PowerHA SystemMirror Enterprise Edition Truecopy/HUR solution uses dev_group for any basic operation. For example, pairresync/pairevwait/horctakeover. If there are several dev_names in a dev_group, the dev_group must be consistency enabled.
- PowerHA SystemMirror Enterprise Edition does not trap SNMP notification events for Truecopy/HUR storage. If a Truecopy link goes down when the cluster is up and later the link is repaired you need to manually resync the pairs.
- The creation of pairs is done outside the cluster control. You must create the pairs before starting cluster services.
- Resource groups that are managed by PowerHA SystemMirror Enterprise Edition cannot contain volume groups with both Truecopy/HUR-protected and non-Truecopy/HUR-protected disks. A Resource group must have either a Truecopy protected disk or a HUR protected disk.
- All nodes in the PowerHA SystemMirror Enterprise Edition cluster must use same horcm instance.
- You cannot use C-SPOC for the following LVM operations to configure nodes at the remote site that contain the target volume:
 - Creating a volume group.
 - Operations that require nodes at the target site to write to the target volumes. For example, changing file system size, changing mount point, or adding LVM mirrors cause an error message in CSPOC. However, nodes on the same site as the source volumes can successfully perform these tasks. The changes are then propagated to the other site using lazy update.

Note: For C-SPOC operations to work on all other LVM operations, it is highly recommended that you perform all C-SPOC operations when the cluster is active on all PowerHA SystemMirror Enterprise Edition nodes and the underlying Truecopy/HUR PAIRs are in a PAIR state.

Example Truecopy/HUR Management configuration

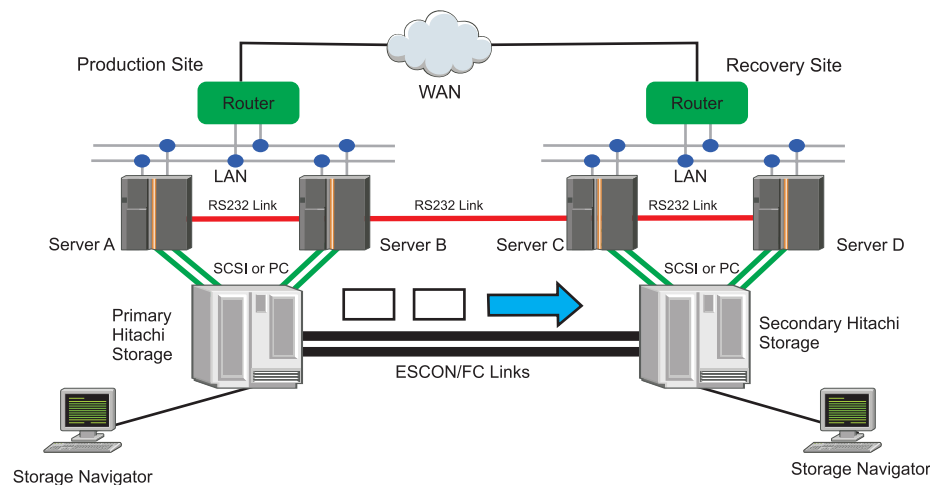
You can set up a mutual recovery configuration in which each site acts as a production site, for different applications and services, with the other site acting as an associated backup site.

To implement a mutual recovery configuration you must have the following:

- Two PowerHA SystemMirror Enterprise Edition sites (the same as a single recovery configuration)
- Two resource groups

In PowerHA SystemMirror Enterprise Edition you can configure two sites and a resource group that includes nodes, Truecopy/HUR-managed replicated resources, and the volume groups associated with the replicated resources. A Truecopy/HUR replicated resource contains the Hitachi disk volume pairs (dev_group) information. The PowerHA SystemMirror Enterprise Edition resource group definition includes the volume groups built on top of the Truecopy/HUR replicated volumes. PowerHA SystemMirror Enterprise Edition manages Truecopy/HUR processing by dynamically executing the Command Control Interface (CCI) commands.

The following image shows a typical implementation of two Hitachi Storage devices with Truecopy/HUR in a four-node PowerHA SystemMirror Enterprise Edition geographic cluster. The cluster consists of four nodes. Each storage device is connected to each node using a SCSI or Fibre Channel connection. Truecopy/HUR links are set between Primary Hitachi Storage and Secondary Hitachi Storage. The configuration also includes point-to-point networks for heartbeating to connect the cluster nodes.



Planning worksheets for Truecopy/HUR Management

You can use planning worksheets to start planning for your Truecopy/HUR Management implementation.

Sample Truecopy/HUR Replicate Resource Worksheet

For information about configuring Truecopy/HUR, see the Truecopy/HUR Configuration Guide that is maintained by Hitachi.

The following are definitions to help you complete the worksheet:

Truecopy/HUR Resource Name

The name of the Hitachi Truecopy/HUR Resource. A Resource Name is a user-defined name that can have one or more device groups with the same fence level and copy mode. The name can include up to 128 alphanumeric characters and underscores.

Truecopy/HUR Mode

Defines the Truecopy/HUR relationship mode. For synchronous Truecopy only NEVER fence

level is supported. If the dev_groups is managed by Truecopy, the mode is SYNC. If the dev_group is managed by HUR, the mode is ASYNC.

Device Groups

One or more dev_groups that are defined in the configuration file. The dev_group with the same COPY mode can be merged together as device groups.

Horctakeover Timeout Value

The -t option for the **horctakeover** command. Use a 3short timeout for horctakeover of TrueCopy Synchronous. A short timeout or long timeout can be used for horctakeover of the Hitachi Universal Replicator (HUR). It is your decision what timeout option you want to use. For example, if returning to production is more important to you than having the most current data in a failure use a short timeout. If ensuring that you lose as little data as possible in a disaster, even if that means the recovery time is elongated, use a long timeout.

Horcm Instance

The horcm instance that you used. For example, you use the horcm0.conf file then the value is **horcm0**. If you use the horcm.conf file then the value is **horcm**. All nodes in the PowerHA SystemMirror Enterprise Edition cluster must use same horcm instance. For example, if node1 uses the horcm0.conf file then the same instance (horcm0.conf) must be used by all other nodes in the cluster.

Pairevwait Timeout Value

The -t option for the **pairevwait** command. Specifies the interval of monitoring a status specified using the -s option and the time-out period in units of 1 second. Use along timeout for any pairevwait monitoring a pairresync. The default value is 3600 seconds.

Use the following worksheet to record the Truecopy/HUR replicated resources that go in the PowerHA SystemMirror Enterprise Edition resource groups:

Table 30. SYNCHRONOUS Truecopy

Truecopy Resource Name	Truecopy Mode	Device Groups	Horctakeover Timeout Value	Horcm Instance	Pairevwait Timeout Value
TRU_RES1	SYNC	Oradb1 Oradb2 Oradb3	300	horcm0	3600
TRU_RES2	SYNC	Oradb5 Oradb6	300	horcm0	3600

Table 31. ASYNCHRONOUS HUR

Truecopy Resource Name	Truecopy Mode	Device Groups	Horctakeover Timeout Value	Horcm Instance	Pairevwait Timeout Value
TRU_RES3	ASYNC	Oradb11 Oradb12 Oradb13	3600	horcm0	3600
TRU_RES3	ASYNC	Oradb15 Oradb16	3600	horcm0	3600

Table 32. Blank worksheet

Truecopy Resource Name	Truecopy Mode	Device Groups	Horctakeover Timeout Value	Horcm Instance	Pairevwait Timeout Value

Configuring volume groups and filesystems on Truecopy/HUR protected disks

As part of planning your PowerHA SystemMirror Enterprise Edition Truecopy/HUR environment, decide what disks will be used to support volume groups and file systems on the PowerHA SystemMirror Enterprise Edition cluster nodes.

You must make sure that the Hitachi hdisks are made available to your nodes before you continue the configuration process. If the Hitachi hdisk are not available to your nodes you can reboot the nodes and run the **cfgmgr** command.

Note: PowerHA SystemMirror Enterprise Edition does not create replication pairs using the Hitachi interfaces. You must use the Hitachi Storage interfaces to create the same replicated pairs before using PowerHA SystemMirror Enterprise Edition to achieve HA/DR solution. For information about setting up Truecopy/HUR pairs, see the Hitachi Command Control Interface (CCI) User and Reference Guide that is maintained by Hitachi.

Discovering dev_groups and AIX disks associated with Hitachi storage

You need to identify the correct mapping between the Hitachi device groups and the corresponding AIX hdisks.

Complete the following step to discover dev_groups and AIX disks associated with Hitachi storage:

1. On the PowerHA SystemMirror Enterprise Edition nodes select the disks that are Hitachi disks and will be used in Truecopy/HUR relationships by running the **lsdev** command. In the following example, hdisk4 and hdisk5 are the Hitachi disks.

```
# lsdev -C -c disk | grep hdisk | inqraid
hdisk4 -> [SQ] CL2-A Ser = 45306 LDEV = 256 [Hitachi ] [OPEN-V]
        HORC = S-VOL HOMRCF[MU#0 = SMPL MU#1 = SMPL MU#2 = SMPL]
hdisk5 -> [SQ] CL2-A Ser = 45306 LDEV = 257 [Hitachi ] [OPEN-V]
        HORC = S-VOL HOMRCF[MU#0 = SMPL MU#1 = SMPL MU#2 = SMPL]
```

2. On the PowerHA SystemMirror Enterprise Edition nodes find the hdisk that will be managed by the RG (Resource Group) and get the LDEV mapping by running the **lsdev** command. In the following example, hdisk4 and hdisk5 need to be managed by a HA/DR solution, and the LDEV numbers are 256 for hdisk4 and 257 for hdisk5.

```
# lsdev -C -c disk | grep hdisk | raidscan -find
DEVICE_FILE      UID      S/F  PORT  TARG      LUN  SERIAL      LDEV  PRODUCT_ID
hdisk4           0        F    CL2-A  0         0    45306      256   OPEN-V
hdisk5           0        F    CL2-A  0         1    45306      257   OPEN-V
```

3. Use the **HORCM LDEV** section in the horcm2.conf file to identify the dev_group that will be managed by PowerHA SystemMirror Enterprise Edition. For example if hdisk4 and hdisk5 will be part of the resource group then identify the dev_group from the Horcm configuration file. In the following example, dev_group VG01 (LDEV 256) and VG02 (LDEV 257) need to be managed by the PowerHA SystemMirror Enterprise Edition Truecopy/HUR solution.

```
HORCM_LDEV
#dev_group      dev_name      Serial#      CU:LDEV(LDEV#)      MU#
VG01            oradb1        45306        256                  0
VG02            oradb2        45306        257                  0
```

4. Verify that the PAIRs are established by running the **pairvolchk** command or the **pairdisplay** command on the dev_group.

```
# pairvolchk -g VG01 -IH2
pairvolchk : Volstat is P-VOL.[status = PAIR fence = NEVER MINAP = 3 ]
```

Note: If pairs are not yet established, you must create the pairs. For instructions about creating pairs, see the CCI/Storage Navigator documentation that is maintained by Hitachi. The following example is displayed when pairs are not created.

```
# pairvolchk -g VG02 -IH2
pairvolchk : Volstat is SMPL.[status = SMPL]
```

5. Verify that dev_group is consistency enabled by running the **pairvolchk** command and CTGID is in the output. You can also verify if the dev_group is managed by Truecopy SYNC or HUR. If the fence value is NEVER, the dev_group is managed by Truecopy SYNC. If the fence value is ASYNC, the dev_group is managed by HUR.

```
# pairvolchk -g VG01 -IH2
pairvolchk : Volstat is P-VOL.[status = PAIR fence = NEVER MINAP = 3 CTGID = 2]
```

Setting up volume groups and filesystems on Truecopy/HUR-protected disks

After you have identified the hdisks and dev_groups that will be managed by PowerHA SystemMirror Enterprise Edition you need to set up the volume groups and filesystems.

Complete the following steps to set up volume groups and filesystems on Truecopy/HUR-protected disks:

1. On the hdisks that corresponds to the dev_group, set up the volume group and file system to be managed by PowerHA SystemMirror Enterprise Edition. Verify that the Volume Major Number for the volume group can be used on all PowerHA SystemMirror Enterprise Edition cluster nodes by running the **lvlstmajor** command on each cluster node. You must also verify that the physical volume name for the filesystem can also be used across all PowerHA SystemMirror Enterprise Edition cluster nodes.

2. Vary off the newly created volume group by running the **varyoffvg** command, and import it to all nodes in the local PowerHA SystemMirror Enterprise Edition site.

3. Run the **pairresync** command on the local disks and make sure that they are in the PAIR state. This process verifies that the local disk information has been copied to the remote storage.

```
#pairresync -g VG01 -IH2  
#pairresync -g VG02 -IH2
```

4. Once the Truecopy relationship has completed copying, run the **pairsplit** command to SPLIT the relationship. If you do not complete this step future LVM operations will not complete successfully.
5. On the node at the backup PowerHA SystemMirror Enterprise Edition site, remove the paired Hitachi hdisk by running the **rmdev** command. For example, the hdisk4 at primary site is paired with hdisks9 at remote site and hdisks5 is paired with hdisk10.

```
#rmdev -d -l hdisk9  
#rmdev -d -l hdisk10
```

6. Run the **cfgmgr** on the backup node.

```
#cfgmgr
```

7. Using SMIT or the command line on the backup PowerHA SystemMirror Enterprise Edition site (the site that is connected to the secondary Hitachi Storage) import the volume groups that you created in step 1.

8. Resync the pairs you split steps 4 by running the **pairresync** command.

```
#pairresync -g VG01 -IH2  
#pairresync -g VG02 -IH2
```

9. Verify that on all cluster nodes, the AUTO VARYON feature for volume groups is set to NO by running the **chvg** command.

```
chvg -a 'n' -Q 'y' <volume group name here>
```

Note: PowerHA SystemMirror Enterprise Edition attempts to automatically set the AUTO VARYON to NO during verification, except in the case of remote Truecopy/HUR.

Installing Truecopy management filesets

You must be logged in as root to perform installation tasks. You must verify that the base filesets are installed on cluster nodes.

For instructions about installing the base fileset, see “Installing PowerHA SystemMirror Enterprise Edition for Metro Mirror” on page 10.

Installing prerequisite software

Before installing PowerHA SystemMirror Enterprise Edition: Truecopy/HUR Management, the following software must be installed on cluster nodes:

- You must have one of the following operating system levels installed:
 - IBM AIX 6.1 with Technology Level 8 with Service Pack 1, or later.

- IBM AIX 7.1 with Technology Level 2 with Service Pack 1, or later.
- PowerHA SystemMirror Enterprise Edition Version 7.1.2 with Service Pack 2, or later.
- Command Control Interface (CCI) software for AIX. For more information about CCI, see Hitachi Command Control Interface (CCI) User and Reference Guide that is maintained by Hitachi.

Installing Truecopy/HUR Management filesets

The `cluster.es.tc` fileset is included on the PowerHA SystemMirror Enterprise Edition media and need to be installed for Truecopy Management. You also must select the message fileset for your locales. For example, if you wanted to install the US English fileset you would select the following:

```
cluster.msg.en_US.tc POWERHA TRUECOPY/HUR Messages - U.S. English
```

All PowerHA SystemMirror Enterprise Edition Truecopy/HUR filesets are installed in the `/usr/es/sbin/cluster/tc` directory.

Configuring Truecopy/HUR resources

After you install Truecopy/HUR you can configure the cluster resources.

Checking Truecopy/HUR and PowerHA SystemMirror Enterprise Edition configuration requirements

Before you can configure PowerHA SystemMirror Enterprise Edition for Truecopy/HUR interfaces, you must verify that all your environment settings are correct.

The following criteria must be met before can configure PowerHA SystemMirror Enterprise Edition for Truecopy/HUR interfaces:

1. Truecopy/HUR is configured and running on the storage system
2. Command Control Interface (CCI) software is installed. For example, CCI software is installed on PowerHA SystemMirror Enterprise Edition cluster nodes.
3. Both the base PowerHA SystemMirror Enterprise Edition for Metro Mirror and Truecopy/HUR Management filesets are installed on each cluster node.
4. The PowerHA SystemMirror Enterprise Edition cluster is configured for nodes, sites, networks, network interfaces, service labels, and application monitors.

Note: You can modify the attributes for a resource group later to accommodate Truecopy/HUR replicated resources.

Configuring Truecopy/HUR-Managed replicated resource

You must define Truecopy/HUR-managed replicated resources before adding them to resource groups.

To define a Truecopy/HUR-managed replicated resource, complete the following steps:

1. From the command line, enter `smit sysmirror`.
2. In SMIT select, **Cluster Applications and Resources > Resources > Configure Hitachi Truecopy Replicated Resources > Add Hitachi Truecopy/HUR Replicated Resource**, and press Enter.
3. Complete the available fields, and press Enter.

Repeat the steps as necessary to define additional Truecopy/HUR-Managed replicated resources.

Adding Truecopy/HUR replicated resources to PowerHA SystemMirror Enterprise Edition resource groups

After you have configured the Truecopy/HUR replicated resources you must add them to the PowerHA SystemMirror Enterprise Edition resource groups.

To add a Truecopy replicated resource to a PowerHA SystemMirror Enterprise Edition resource group, complete the following steps:

1. From the command line, enter `smit sysmirror`.
2. In SMIT select, **Cluster Applications and Resources > Resource Groups**. Depending on whether you are working with an existing resource group or creating a resource group. Make sure that the volume groups selected on the Resource Group configuration screen match the volume groups used in the Truecopy/HUR Replicated Resource.
 - a. If you are creating a resource group select, **Change/Show Resources and Attributes for a Resource Group**.
 - b. If you are adding a resource group select, **Add a Resource Group**.
3. In the **Truecopy Replicated Resources** field verify that the volume group you specify is the same volume group that you specified on the Resource Group configuration panel.
4. Press Enter.

Next you must verify the cluster.

Verifying the PowerHA SystemMirror Enterprise Edition cluster configuration

You can use the SMIT interface to verify the configuration of a PowerHA SystemMirror Enterprise Edition cluster.

To run the verification process for the cluster configuration, complete the following steps:

1. From the command line, enter `smit sysmirror`.
2. In SMIT select, **Custom Cluster Configuration > Verify and Synchronize Cluster Configuration (Advanced)** and press Enter.
3. Enter the following values for the available fields:

Table 33. Verify and Synchronize Cluster Configuration

Fields	Values
Verify Synchronize or Both	Verify
Include custom verification library checks	Yes
Automatically correct errors found during verification?	Yes
Force synchronization if verification fails?	No
Verify changes only?	No
Logging	Standard Note: Verification messages are logged to the <code>/var/hacmp/clverify/clverify.log</code> file.

4. Press Enter. The output from the verification process is displayed in the SMIT Command Status window.

Note: If you receive error messages, make the necessary changes and run the verification procedure again. You might see warning messages if the configuration has a limitation on its availability. For example, only one interface per node per network is currently configured.

Verifying the Truecopy/HUR configuration

Before you can synchronize the newly created cluster, you must verify the Truecopy/HUR configuration.

To complete Truecopy/HUR verification run the following command:

```
/usr/es/sbin/cluster/tc/utlils/cl_verify_tc_config
```

Correct any configuration errors that appear, then run the script again.

Synchronizing the PowerHA SystemMirror Enterprise Edition cluster configuration

You must verify the PowerHA SystemMirror Enterprise Edition cluster and the Truecopy/HUR configuration before you can synchronize the cluster.

To propagate the new Truecopy/HUR configuration information and possibly PowerHA SystemMirror Enterprise Edition site information across your PowerHA SystemMirror Enterprise Edition cluster, complete the following steps:

1. From the command line, enter `smit sysmirror`.
2. In SMIT select, **Custom Cluster Configuration > Verify and Synchronize Cluster Configuration (Advanced)** and press Enter.
3. In the Verify Synchronize or Both field, enter **Synchronize**.
4. In the Automatically correct errors found during verification field, enter **No**.
5. Press Enter. The output is displayed in the SMIT Command Status window.

Starting the PowerHA SystemMirror Enterprise Edition Truecopy/HUR cluster

PowerHA SystemMirror Enterprise Edition manages the Truecopy/HUR replicated resources you have defined for the cluster.

PowerHA SystemMirror Enterprise Edition manages these Truecopy/HUR resources automatically, so there is no need to manually manage the Truecopy/HUR resources.

To start a Truecopy/HUR cluster services, complete the following steps:

Note: Perform the following only after configuring and synchronizing a cluster.

1. From the command line, enter `smit cl_admin`.
2. From SMIT, select **Manage Services > Start Cluster Services**, and press Enter.
3. Complete all fields, and press **Enter** to start the cluster services.

Changing Truecopy/HUR-Managed replicated resource

Using SMIT you can change Truecopy/HUR replicated resources.

To change Truecopy/HUR Replicated Resources, complete the following steps:

1. From the command line, enter `smit sysmirror`.
2. In SMIT select, **Cluster Applications and Resources > Resources > Configure Hitachi Truecopy/HUR Replicated Resources > Change/Show Hitachi Truecopy/HUR Replicated Resources**, and press Enter.
3. Update the PowerHA SystemMirror Enterprise Edition resource group information and synchronize the cluster.

Removing Truecopy/HUR-Managed replicated resource

Using SMIT you can remove Truecopy/HUR replicated resources.

To remove Truecopy/HUR Replicated Resources, complete the following steps:

1. From the command line, enter `smit sysmirror`.
2. In SMIT, select **Cluster Applications and Resources > Resources > Configure Hitachi Truecopy/HUR Replicated Resources > Remove Hitachi Truecopy/HUR Replicated Resources**, and press Enter.
3. Update the PowerHA SystemMirror Enterprise Edition resource group information and synchronize the cluster.

XIV Remote Mirror replication resources

To use mirroring with the XIV[®] Remote Mirror management, you must be running PowerHA SystemMirror Enterprise Edition 7.1.2, or later in your environment. By using the XIV Remote Mirror management, you can deploy your PowerHA SystemMirror cluster to be integrated with XIV Remote Mirror replicated resources.

PowerHA SystemMirror discovers the XIV deployment, and captures any missing replication-related information from the administrator. By using this captured information, PowerHA SystemMirror manages the XIV replicated storage as part of the High Availability management environment for the applications and resource groups.

PowerHA SystemMirror supports high availability disaster recovery (HADR) for storage from the IBM XIV Storage Systems. XIV Storage Systems that are capable of replication, support short distance and long-distance mirroring through synchronous and asynchronous mirroring functions.

PowerHA SystemMirror enables integrated discovery and management of mirrored storage resources for the high availability management of resource groups.

To use PowerHA SystemMirror for HADR of XIV mirrored storage, you must complete the following steps:

1. Plan for the deployment of XIV storage across two sites. You must understand your application and middleware requirements and verify that these requirements are covered in the context of a high availability PowerHA SystemMirror solution.
2. Use the following XIV configuration tools to set up and configure the XIV Storage System:
 - XIV Storage System command-line interface (XCLI)
 - XIV Storage Management GUI (XIVGUI)
3. Plan for the PowerHA SystemMirror implementation. You should design resource groups, policies, and scripts around your applications and mirrored storage resources.
4. Install and configure PowerHA SystemMirror to implement the settings that you planned for in Step 3.
5. Test and verify that the configuration is working correctly.

Note: This documentation focuses on step 3 and step 4, but does mention and discuss the other steps at a high level. You must complete step 1 and step 2 before configuring PowerHA SystemMirror for HADR management of XIV storage.

Related information:

IBM XIV Storage System documentation

 [PowerHA SystemMirror Enterprise Edition with XIV replication failover demo](#)

XIV Remote Mirror concepts

The XIV Remote Mirror function of the IBM XIV Storage System enables a real-time copy between two or more storage systems over Fibre Channel or iSCSI links. This function provides a method to protect data from site failures.

The purpose of mirroring is to create a set of consistent data that can be used by production applications during problems with production volumes or for other purposes. XIV remote mirroring is application and operating system independent, and does not require server processor cycle usage. XIV remote mirroring can be a synchronous copy or an asynchronous copy.

Mirroring, whether synchronous or asynchronous, requires two or more XIV systems. The source and target of the asynchronous mirroring can reside on the same site and form a local mirroring, or the source and target can reside on different sites and enable a disaster recovery plan.

A peer volume or a peer consistency group is assigned either a master or a slave role when the mirror is defined. By default, in a new mirror definition, the location of the master designates the primary system, and the slave designates the secondary system. A mirror must have one primary system and one secondary system. The actual function of the peer is based on its role.

XIV enables a set of remote mirrors to be grouped into a consistency group. When using synchronous mirroring or asynchronous mirroring, the consistency groups handle many remote mirror pairs as a group to make mirrored volumes consistent. Consistency groups simplify the handling of many remote volume pairs because you do not have to manage the remote volume pairs individually.

Planning for XIV Remote Mirror

Before you start using the XIV Remote Mirror management, you must plan to implement the XIV Remote Mirror management within a PowerHA SystemMirror environment.

The following restrictions and limitations apply to Remote Mirror:

- Remote mirror is only supported on IBM XIV Storage Systems 1.2.0, or later.
- The XIV configuration cannot be changed by using dynamic automatic reconfiguration (DARE), even though the XIV Remote Mirror replicated resources or mirror groups can be included and excluded from a PowerHA SystemMirror resource group by using DARE.
- PowerHA SystemMirror does not handle Simple Network Management Protocol (SNMP) events in the context of the XIV Remote Mirror function. If there is a failure in the XIV links, in some cases, this can put the corresponding Remote Mirror in a failed state and PowerHA SystemMirror might not be notified. To fix this problem, you must correct the links and then restart the corresponding resource groups on the appropriate nodes.

Related tasks:

“Modifying a mirror group” on page 123

You can make changes to any of the properties of an existing mirror group that you have already added to your environment.

Planning the IBM XIV Storage System deployment

Before you can deploy an IBM XIV Storage System, you must plan accordingly.

To plan for the deployment of the IBM XIV across two sites, complete the following steps:

1. Identify your production site for the application. A production site is the location where your application and its data primarily reside and function.
2. Identify the volumes on the XIV Storage System that contain the application data that you want to be high availability disaster recovery (HADR).
3. Identify the storage units and the AIX hosts that will be running on the recovery site.
4. Verify that there are sufficient number of volumes and Fiber Channel ports that are available on the storage systems for the production site and recovery site. You can create mirror links between the storage units.

Planning the PowerHA SystemMirror implementation

To successfully implement PowerHA SystemMirror within your IBM XIV Storage Systems environment, you must plan accordingly.

Before you implement PowerHA SystemMirror within your IBM XIV Storage Systems environment, you must complete the following tasks:

- Collect the following information for all the XIVs in your environment:
 - IP addresses
 - Login names and their corresponding passwords
 - Associations with various storage units

- Verify that all data volumes that need to be mirrored are visible to all relevant AIX hosts.
- Verify that all XIV's are accessible by using the TCP/IP network for all PowerHA SystemMirror nodes where you want to run XIV Remote Mirror.

Related information:

Initial PowerHA SystemMirror cluster planning

Installing XIV Remote Mirror

PowerHA SystemMirror Enterprise Edition for AIX file sets must be installed on all the AIX nodes on which you run PowerHA SystemMirror clusters.

Software requirements

You must have the following software installed to use XIV Remote Mirror:

- PowerHA SystemMirror Enterprise Edition for AIX 7.1.2, or later, and the required version of the AIX operating system and Reliable Scalable Cluster Technology (RSCT).
- IBM XIV microcode bundle 10.2.4, or later.
- IBM XIV command-line interface (XCLI) for AIX 2.4.4, or later, on each PowerHA SystemMirror node. The (XCLI) provides a mechanism for issuing commands to manage and maintain the XIV systems.

Note: Before you install XCLI, you must have the appropriate AIX operating system release installed.

Installing XIV Remote Mirror

You must have root access to each node before installing PowerHA SystemMirror Enterprise Edition support for XIV Remote Mirror.

To install XIV Remote Mirror, complete the following steps:

1. Insert the PowerHA SystemMirror Enterprise Edition for AIX media into the DVD or CD-ROM drive.
2. From the command line, enter `smitty install`.
3. From SMIT, select **Install and Update Software > Install**.
4. Select the following file sets from the list:
 - `cluster.es.genxd.rte`
 - `cluster.es.genxd.cmds`
 - `cluster.msg.genxd.xx_XX`, where, `xx_XX` is the message fileset for your language
5. Press Enter to complete the installation.

Installing the XCLI

For the installation requirements to install XCLI and a list of available packages, see *XCLI Release Notes*.

To download and install the IBM XIV Storage System command-line interface (XCLI) on the XCLI client system, see *Installing the XCLI in the IBM XIV Storage System Information Center*.

Note: PowerHA SystemMirror uses the XCLI commands from the `/opt/xiv/XIVGUI/xcli` directory. Hence you must install the XCLI in the same path, otherwise PowerHA SystemMirror throws error.

Related information:

IBM XIV Storage System documentation

Configuring XIV Remote Mirror

After you have planned and installed XIV Remote Mirror you can start to configure it. You must verify that the data volumes on both sites are an exact replica of each other, otherwise you cannot import the volume groups on the remote site.

Configuring XIV to use Remote Mirror

Before you can configure the IBM XIV to use Remote Mirror, data must already exist on the IBM XIV system.

To configure the IBM XIV to use Remote Mirror, complete the following steps:

1. Define the XIV mirroring target.

To connect two XIV systems for remote mirroring, each system must be defined to be a mirroring target of the other. An XIV mirroring target is an XIV system with volumes that receive data copied through XIV remote mirroring. To define an XIV mirroring target for an XIV system, name the target and specify whether Fibre Channel or iSCSI protocol is used to copy the data.

2. Set the maximum initialization and synchronization rates.

With the XIV system you can specify a user specific maximum rate (in MBps) for remote mirroring coupling initialization, and a different user specific maximum rate for resynchronization.

The initialization rate and resynchronization rate are specified for each mirroring target. The maximum initialization rate must be less than or equal to the maximum synchronization job rate (asynchronous mirroring only), which must be less than or equal to the maximum resynchronization rate.

The default settings follow:

- Maximum initialization rate: 100 MBps
- Maximum synchronization job: 300 MBps
- Maximum resynchronization rate: 300 MBps

3. Connect the XIV mirroring ports.

After you define the remote mirroring targets, you must make one-to-one connections (iSCSI or Fibre Channel) between ports on each XIV system.

4. Define the XIV Volume mirror coupling and peers.

After the mirroring targets are defined, a coupling or mirror might be defined, which creates a mirroring relationship between two peers.

For each data volume that participates in the Remote Mirror on the production site, you must identify a volume that serves as its Remote Mirror Peer. This volume must reside on an XIV storage unit at the recovery site.

5. Activate XIV mirror couplings.

When an XIV mirror coupling is activated, all actual data existing on the master is copied to the slave. This process is referred to as initialization. XIV Remote Mirroring copies volume identification information (that is, physical volume ID or PVID) and any actual data on the volumes. Space that has not been used is not copied.

6. Create and add the volume mirror couplings to consistency group mirror coupling.

When an XIV consistency group mirror coupling is created, the volumes included in the consistency group must not have any application data on them so that there is no data movement and the initialization process is fast.

After a volume mirror coupling has completed the initialization, the master volume can be added to a mirrored consistency group in the same storage pool. With each mirroring type there are certain additional constraints, such as same role, target, and schedule. The slave volume is automatically added to the consistency group on the remote XIV system. One or more additional mirrored volumes can be added to a mirrored consistency group at a later time in the same way.

Note: In a consistency group all volumes have the same role. Consistency groups are handled as a single entity. For example, in asynchronous mirroring, a delay in replicating a single volume affects the status of the entire consistency group.

Configuring a storage agent

A *storage agent* is a generic name given by PowerHA SystemMirror for an entity that provides a coordination point for storage management and often uses TCP/IP as the communication interface.

For PowerHA SystemMirror to manage the XIV remote mirrors, a storage agent must be defined. This is the XIV management interface, which resides in the XIV controller. You must provide the IP address and authentication information that is used to communicate with the XIV storage agent.

Adding a storage agent:

Before you can use a storage agent, you must add it to your environment.

To add a storage agent, complete the following steps:

1. From the command line, enter `smitty sysmirror`.
2. From the SMIT interface, select **Cluster Applications and Resources > Resources > Configure XIV Remote Mirror Resources > Configure Storage Agents > Add a Storage Agent**, and press Enter.
3. Enter the following information for the fields:

Table 34. Add a Storage Agent SMIT fields

Fields	Values
Storage Agent Name	Enter the PowerHA SystemMirror name for the storage agent. This name must be unique within the cluster definition.
IP Addresses	Select the IP address for the Storage Agent from the list.
User ID	Enter the User ID that can assess the XIV system.
Password	Enter the password for the User ID that can access the XIV system.

4. Verify all fields are correct and press Enter.

Modifying an existing storage agent:

You can make changes to any of the properties of an existing storage agent that you have already added to your environment.

To modify any of the properties for a storage agent, complete the following steps:

1. From the command line, enter `smitty sysmirror`.
2. From the SMIT interface, select **Cluster Applications and Resources > Resources > Configure XIV Remote Mirror Resources > Configure Storage Agents > Change/Show Storage Agent**, and press Enter.
3. From the list select the name of the storage agent that you want to change and press Enter.
4. Enter the changes you want to make in the fields.
5. Verify the changes are correct and press Enter.

Removing a storage agent:

If you do not want a storage agent to be included in your environment, you can remove it.

To remove a storage system, complete the following steps:

1. From the command line, enter `smitty sysmirror`.
2. From the SMIT interface, select **Cluster Applications and Resources > Resources > Configure XIV Remote Mirror Resources > Configure Storage Agents > Remove a Storage Agent**, and press Enter.
3. From the list of storage agents select the name of the storage agent that you want to remove and press Enter.

4. Press Enter to confirm that the selected storage system is the one you want to remove.

Configuring a storage system

A *storage system* is a generic term that is used by PowerHA SystemMirror for an entity such as a DS8000 storage unit.

When using XIV Remote Mirror, you must provide the IBM XIV system identifier for the Storage System. For example, MX90012 is a storage identifier for an XIV Storage System. This information can be added, changed, or removed through the Add, Change, or Remove a Storage System SMIT menus.

Adding a storage system:

Before you can start using your storage system, you must add it to your environment.

To add a storage system, complete the following steps:

1. From the command line, enter `smitty sysmirror`.
2. From the SMIT interface, select **Cluster Applications and Resources > Resources > Configure XIV Remote Mirror Resources > Configure Storage Systems > Add a Storage System**, and press Enter.
3. Enter the following information for the fields:

Table 35. Add a Storage System fields

Fields	Values
Storage System Name	Enter the PowerHA SystemMirror name for the storage system. This name must be unique within the cluster definition.
Storage Agent Name	Enter the name for the storage agent that manage this storage system.
Site Association	Enter the vendor specific unique identifier for the storage system.
Vendor Specific Identification	Enter the unique vendor specific ID for this storage system. For example, MX90012.
User ID	Enter the user ID that can access the XIV system.
Password	Enter the password for the user ID that can access the XIV system.

4. Verify that all fields are correct and press Enter.

Modifying a storage system:

You can make changes to any of the properties of an existing storage system that you have already added to your environment.

To modify the properties for a storage system, complete the following steps:

1. From the command line, enter `smitty sysmirror`.
2. From the SMIT interface, select **Cluster Applications and Resources > Resources > Configure XIV Remote Mirror Resources > Configure Storage Systems > Change/Show Storage System**, and press Enter.
3. From the list select the name of the storage system that you want to change and press Enter.
4. Enter the changes you want to make in the fields.
5. Verify that the changes are correct and press Enter.

Removing a storage system:

If you do not want a storage system to be included in your environment, you can remove it.

To remove a storage system, complete the following steps:

1. From the command line, enter `smitty sysmirror`.
2. From the SMIT interface, select **Cluster Applications and Resources > Resources > Configure XIV Remote Mirror Resources > Configure Storage Systems > Remove Storage System**, and press Enter.
3. From the list of storage systems, select the name of the storage system that you want to remove and press Enter.
4. Press Enter to confirm that the selected storage system is the one you want to remove.

Configuring mirror groups

A *mirror group* is a generic name given by PowerHA SystemMirror for a logical collection of volumes that have to be mirrored to another storage system that resides on a remote site. An XIV consistency group represents a mirror group.

Adding a mirror group:

Before you can start using your mirror group, you must add it to your environment.

To add a mirror group, complete the following steps:

1. From the command line, enter `smitty sysmirror`.
2. From the SMIT interface, select **Cluster Applications and Resources > Resources > Configure XIV Remote Mirror Resources > Configure Mirror Groups > Add Mirror Group**, and press Enter.
3. Enter the following information for the fields:

Table 36. Add Mirror Group SMIT fields

Fields	Values
Mirror Group Name	Enter the PowerHA SystemMirror name for the replicated resource. This name is included in a PowerHA SystemMirror resource group.
Storage System Name	From the list, select the storage system on the production site that have data volumes, which forms the mirror group.
Vendor Specific Identifier	Enter the XIV consistency group identifier.
Recovery Action	<p>If a site fail over occurs, specify the disaster recovery policy that will be taken by the PowerHA SystemMirror resource group.</p> <p>Enter Manual if you want manual intervention when site failover occurs.</p> <p>Enter Automated if you do not want manual intervention when site failover occurs.</p> <p>Note: If you specify Manual, that does not indicate that a manual intervention is required for all failover scenarios. There are some conditions, such as cluster partition, in which doing an automatic failover from one site to another, can cause potential data divergence and integrity issues. If PowerHA SystemMirror detects the potential for such a case, and if the recovery action associated with the mirror group is set to Manual, PowerHA SystemMirror does not execute an automatic failover.</p>

4. Verify that all fields are correct and press Enter.

Modifying a mirror group:

You can make changes to any of the properties of an existing mirror group that you have already added to your environment.

To modify any of the properties for a mirror group, complete the following steps:

1. From the command line, enter `smitty sysmirror`.
2. From the SMIT interface, select **Cluster Applications and Resources > Resources > Configure XIV Remote Mirror Resources > Configure Mirror Groups > Change/Show a Mirror Groups**, and press Enter.
3. From the list, select the name of the mirror group that you want to change and press Enter.
4. Enter the changes that you want to make in the fields.
5. Verify that the changes are correct and press Enter.

Related concepts:

“Planning for XIV Remote Mirror” on page 117

Before you start using the XIV Remote Mirror management, you must plan to implement the XIV Remote Mirror management within a PowerHA SystemMirror environment.

Removing a mirror group:

If you do not want a mirror group to be included in your environment, you can remove it.

To remove a mirror group, complete the following steps:

1. From the command line, enter `smitty sysmirror`.
2. From the SMIT interface, select **Cluster Applications and Resources > Resources > Configure XIV Remote Mirror Resources > Configure Mirror Groups > Remove Mirror Groups**, and press Enter.
3. From the list, of mirror groups select the name of the mirror group that you want to remove and press Enter.
4. Press Enter to confirm the selected mirror group is the one you want to remove.

Configuring resource groups

After you configure the mirror group, you should include the mirror group into the desired PowerHA SystemMirror resource group.

Before you configure resource groups, you must have a basic understanding of site support for PowerHA SystemMirror resource groups. For more information about site support for PowerHA SystemMirror resource groups, see Planning resource groups.

When you configure a resource group you must meet the following requirements:

- Set the site policy to **Prefer Primary Site** or **Online on Either Site**.
- Specify a startup policy other than **Online on All Available Nodes**.
- Set the **Resource Group Processing Ordering** field to **Serial**.

Adding a remote mirror to a resource group:

Before you can start using your remote mirror, you must add it to an existing resource group in your environment.

To add a remote mirror resource that is replicated to a resource group, complete the following steps:

1. From the command line, enter `smitty sysmirror`.
2. From the SMIT interface, select **Cluster Applications and Resources > Resource Groups > Change/Show Resources and Attributes for a Resource Group** and press Enter.

3. Enter the name of the mirror groups in the **DS8000(GM)/XIV Replicated Resources** field.
4. Enter the name of the volume groups associated with the individual remote mirror resources that are replicated in the **Volume Groups** field.

Note: The volume group names must be listed in the same order as the XIV mirror group names.

5. Verify and synchronize the cluster.

Related information:

Configuring PowerHA SystemMirror resource groups

Planning resource groups

Verifying and synchronizing a PowerHA SystemMirror cluster

HyperSwap for PowerHA SystemMirror

The HyperSwap function in PowerHA SystemMirror Enterprise Edition 7.1.2, or later, provides for continuous availability against storage errors. HyperSwap is based on storage-based synchronous replication. HyperSwap technology enables the host to transparently switch an applications I/O operation to the auxiliary volumes, provided physical connectivity exists between the host and the auxiliary storage subsystem.

The HyperSwap function in PowerHA SystemMirror supports the following capabilities within your environment:

- Eliminates primary disk subsystems as the single point of failure.
- Provides maintenance for storage devices without any application downtime.
- Provides migration from an old storage device to a new storage system.

HyperSwap for PowerHA SystemMirror concepts

The HyperSwap function in PowerHA SystemMirror Enterprise Edition 7.1.2, or later, enhances application availability for storage errors by using IBM DS8000 metro mirroring. If you use the HyperSwap function in your environment, your applications stay online even if errors occur on the primary storage because PowerHA SystemMirror 7.1.2, or later, transparently routes the application I/O to an auxiliary storage system.

The HyperSwap function uses a model of communication, which is called in-band, that sends the control commands to a storage system through the same communication channel as the I/O for the disk. The HyperSwap function supports the following types of configurations:

Traditional Metro Mirror Peer-to-Peer Remote Copy (PPRC)

The primary volume group is only visible in the primary site and the auxiliary volume group is only visible in the auxiliary site.

HyperSwap

The primary and auxiliary volume group are visible from the same node in the cluster.

You typically configure the HyperSwap function to be used in the following environments:

Single node environment

A single compute node is connected to two storage systems that are in two sites. This HyperSwap configuration is ideal to protect your environment against simple storage failures in your environment.

Multiple site environment

A cluster has multiple nodes that are spread across two sites. This HyperSwap configuration provides high availability and disaster recovery for your environment.

Mirror groups in HyperSwap for PowerHA SystemMirror represent a container of disks and have the following characteristics:

- Mirror group contain information about the disk pairs across the site. This information is used to configure mirroring between the sites.
- Mirror groups can contact a set of logical volume manager (LVM) volume groups and a set of raw disks that are not managed by the AIX operating system.
- All the disks devices that are associated with the LVM volume groups and raw disks that are part of a mirror group are configured for consistency. For example, the IBM DS8800 views a mirror group as one entity regarding consistency management during replication.
- The following types of mirror groups are supported:

User mirror group

Represents the middleware-related disk devices. The HyperSwap function is prioritized internally by PowerHA SystemMirror and is considered low priority.

System mirror group

Represents critical set of disks for system operation, such as, rootvg disks and paging space disks. These types of mirror groups are used for mirroring a copy of data that is not used by any other node or site other than the node that host these disks.

Repository mirror group

Represents the cluster repository disks of that are used by Cluster Aware AIX (CAA).

Swap timeout for HyperSwap

Swap time is the amount of I/O delay time in seconds that PowerHA SystemMirror causes while performing a HyperSwap operation on a mirror group. The swap timeout value is specific for each mirror group in a cluster.

There are different swap timeout values for planned HyperSwap and unplanned HyperSwap. The swap timeout value for a planned HyperSwap is 120 seconds, and it cannot be changed. The swap timeout value for an unplanned HyperSwap is 0 - 180 seconds.

To determine the swap timeout value to use for an unplanned HyperSwap, consider the following factors about your environment:

1. Number of nodes where the application is hosted. The greater the number of nodes means that more information is being shared.
2. Network latency and application network usage.
3. Number of disks that are used by the application.
4. I/O response time requirements for the application.

Planned HyperSwap for PowerHA SystemMirror

A planned HyperSwap occurs when you initiate a HyperSwap from the primary storage subsystem to the auxiliary storage subsystem.

During a planned HyperSwap, I/O activity for an application stops after coordination occurs across the host in the cluster. The application I/O is switched to the auxiliary storage subsystem and the application I/O activity continues to function as normal.

A planned HyperSwap is ideal when you perform maintenance on the primary storage subsystem, or when you migrate from an old storage subsystem to a new storage subsystem.

The following figure shows a cluster configuration using PowerHA SystemMirror Enterprise Edition for AIX that has the following characteristics:

- Two sites called Site A and Site B.
- Two nodes for each site for a total of four nodes.

- A concurrent application, for example a DB2® application that is active on Node 1 and Node 2.
- Application disks are replicated by using IBM DS8800 metro mirroring.
- All four nodes can access both instances of the application disks that are being replicated.

The following figure shows the changes in your environment when a failure occurs and your sites are configured for a planned HyperSwap. The primary storage system on Site A is changed to the auxiliary storage system because the application is running on Node 1 and Node 2 can access the storage system on Site B as shown in following figure. Therefore, the application that is running on Site A now stores data on the primary storage system at Site B.

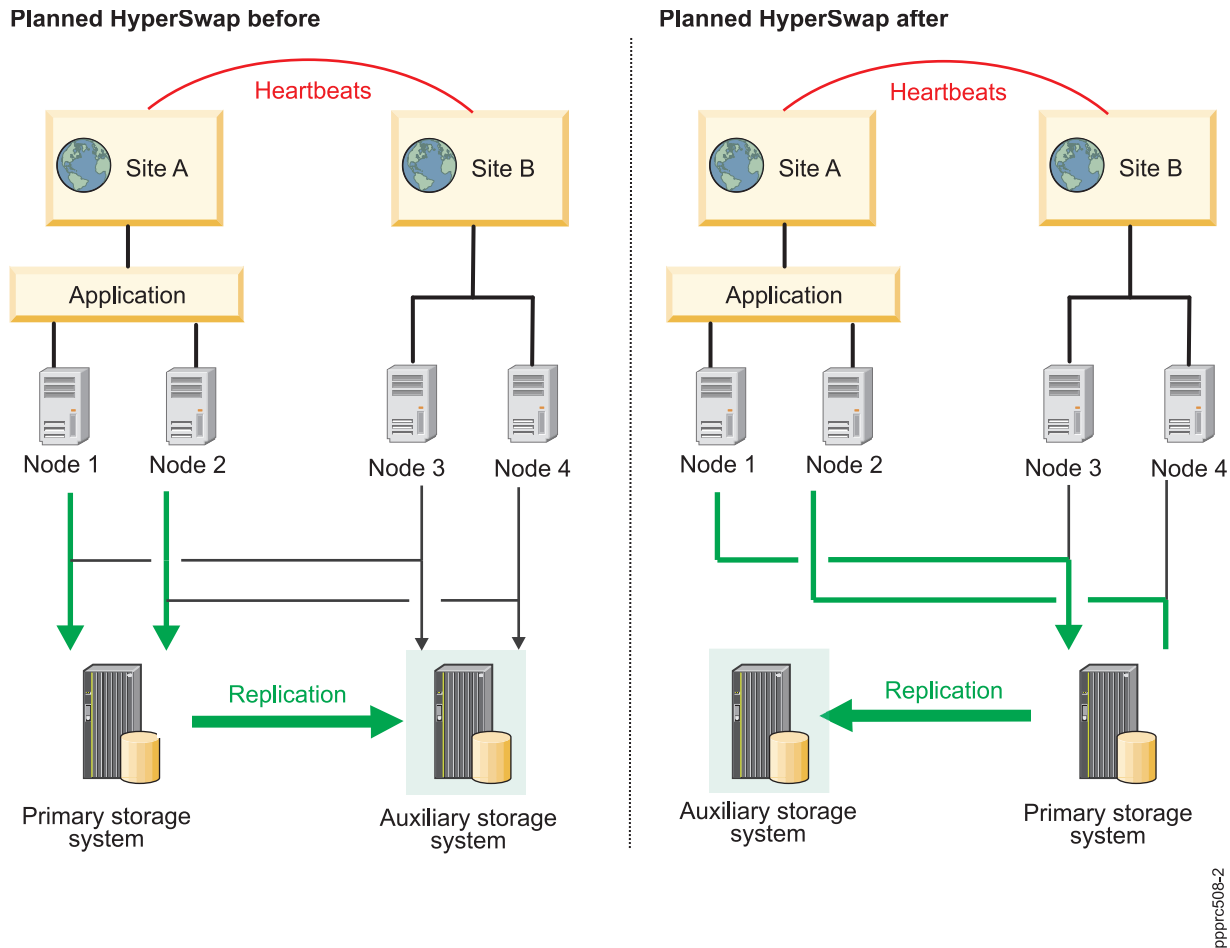


Figure 2. Planned HyperSwap configuration

Unplanned HyperSwap for PowerHA SystemMirror

An unplanned HyperSwap occurs when a primary storage system fails, and the operating system detects and reacts by performing a failover. During the failover, the application I/O on the primary storage system is transparently redirected to a auxiliary storage system and the application I/O continues to run.

During the HyperSwap process, when the applications are being redirected to an auxiliary storage system, the application I/O is temporarily suspended.

If an unplanned HyperSwap does not complete successfully, the application I/O fails and a resource group failover event starts based on the site policy. You cannot define a failover event in a site policy for concurrent resource groups.

There are multiple scenarios when an unplanned HyperSwap can occur.

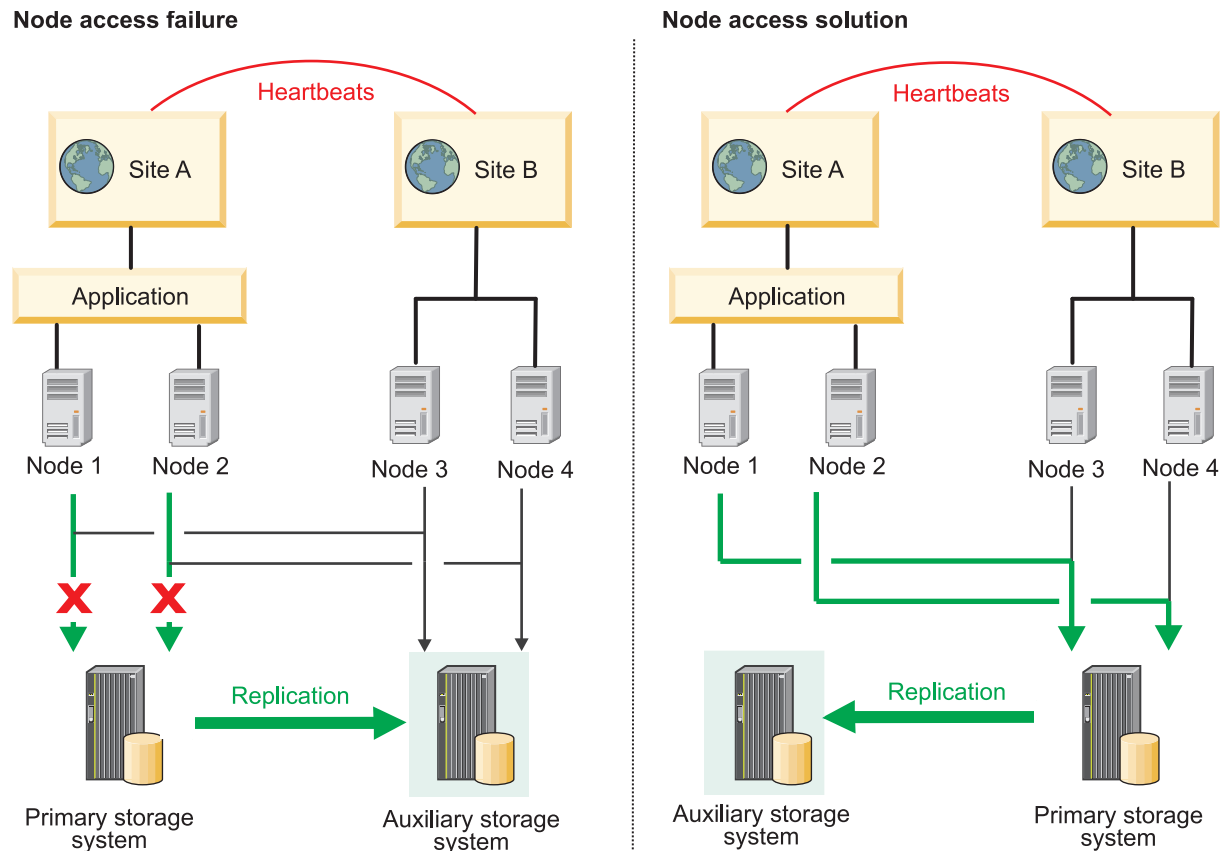
Scenario: Unplanned HyperSwap configuration for node access failure:

In this scenario, a node loses access to the primary storage system and the redirects application I/O to an auxiliary storage system.

The following figure shows a cluster configuration in the PowerHA SystemMirror Enterprise Edition for AIX environment with the following characteristics:

- Two sites called Site A and Site B.
- Two nodes for each site, which amounts to a total of four nodes. Node 1 and Node 2 have access to each storage system at Site A and Site B.
- A concurrent application, for example a DB2 application that is active on Node 1 and Node 2.
- Application disks that are replicated by using IBM DS8800 metro mirroring.

In the following figure Node 1 and Node 2 lose access to the primary storage system on Site A, and an unplanned HyperSwap occurs. To correct this problem, PowerHA SystemMirror validates whether the nodes that host the application (Node 1 and Node 2) can access the auxiliary storage system on Site B. The HyperSwap function automatically redirects the application I/O from Node 1 and Node 2 to the storage system on Site B. The storage system on Site B becomes the primary storage system.



ppprc509-2

Figure 3. Unplanned HyperSwap configuration for node access failure

Scenario: Unplanned HyperSwap configuration for site partition failure:

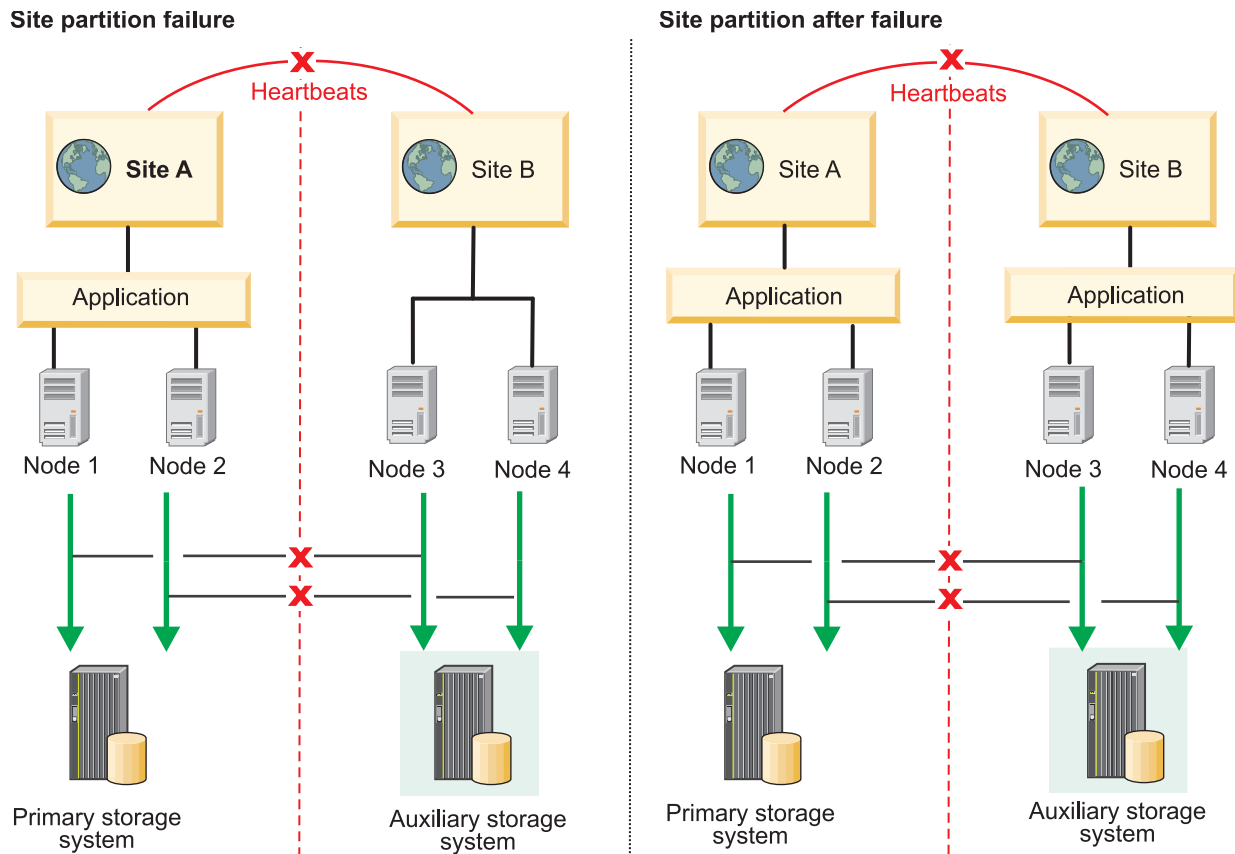
In this scenario, the heartbeat connection between two sites fails. Replication between both sites does not occur until the heartbeat connection is fixed and working again.

The following figure is for a cluster configuration in the PowerHA SystemMirror Enterprise Edition for AIX environment with the following characteristics:

- Two sites called Site A and Site B.
- Two nodes for each site for a total of four nodes. All nodes have access to each storage system at Site A and Site B.
- A concurrent application, for example a DB2 application that is active on Node 1 and Node 2.
- Application disks are replicated by using IBM DS8800 metro mirroring.

The following figure describes the effect of an automated failover for applications in a site partition. The nodes for the cluster in this scenario cannot communicate with each other.

Node 1 and Node 2 can communicate with each other, but they cannot communicate with Node 3 and Node 4. Therefore, Node 1 and Node 2 consider Node 3 and Node 4 to be offline (and vice versa). The application running on Node 1 and Node 2 is configured for automated failover, and the nodes at each Site A and Site B attempt to bring the application online. The application is now running independently on both sites and can cause complex problems, such as data corruption between the two sites.



ppprc510-2

Figure 4. Unplanned HyperSwap configuration for site failure

You can use the following configuration options in your environment to minimize or eliminate unplanned site failure:

Use split and merge policies

If a failover occurs, you can specify the type of policy you want PowerHA SystemMirror to implement. The policies can reduce site partition during a failover. The policies that are combined with the HyperSwap function can reduce the possibility of data corruption. Thus, if your cluster uses the HyperSwap function you should configure split and merge policies, so that you can automatically recover data during a failover. The following types of policies are supported by the HyperSwap function:

- Split policy
- Merge policy
- Split and merge policy

Recovery action

You can configure your cluster to use either the automatic or manual options for mirror group recovery during a failover.

Starting resource groups and mirror groups

When you use PowerHA SystemMirror to start resource groups and mirror groups, you must verify that the selected resource or mirror group is in the auxiliary storage system. If you select the auxiliary storage system, the mirror group or resource group does not start and goes into an error state because the primary storage system cannot be accessed. Selecting the correct resource and mirror group minimizes data corruption if your cluster splits during a failover.

Swapping resource groups and mirror groups

When a failure occurs on the primary volume group, an automatic swap occurs. However, the swap does not depend on a cluster split or a recovery option. The swapping process ensures that the storage systems that contain the resource groups and mirror groups are accessible, so that a swap can occur.

Fallover process for resource groups and mirror groups

When failover occurs for a node or site that contains resource groups and mirror groups, PowerHA SystemMirror identifies if another node or site is accessible. If the node or site is not accessible, the resource groups and mirror groups is not started on the auxiliary storage system unless the cluster is configured with a split or merge policy.

Scenario: Unplanned HyperSwap configuration for suspended storage systems:

In this scenario, the storage systems on both sites are not synchronizing and replication is not occurring.

The following figure is for a cluster configuration in the PowerHA SystemMirror Enterprise Edition for AIX environment with the following characteristics:

- Two sites called Site A and Site B.
- Two nodes for each site for a total of four nodes. All nodes have access to each storage system at Site A and Site B.
- The storage systems for both sites are in a suspended state.
- Application disks are replicated by using IBM DS8800 metro mirroring.

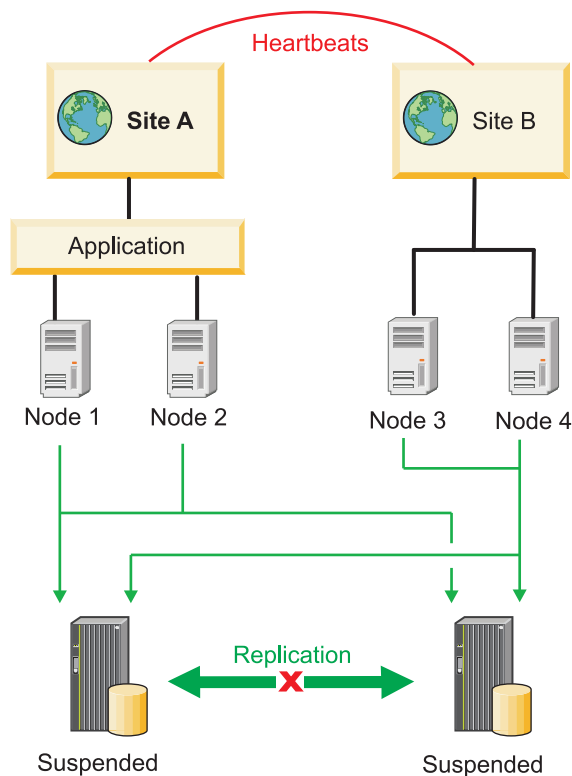
In the following figure, the storage systems for Site A and Site B are in a suspended state. HyperSwap for PowerHA SystemMirror cannot determine where the latest data is available because the storage systems are in a suspended state. There is no automatic recovery solution to fix the problem.

To correct the problem identified in this scenario, complete the following steps:

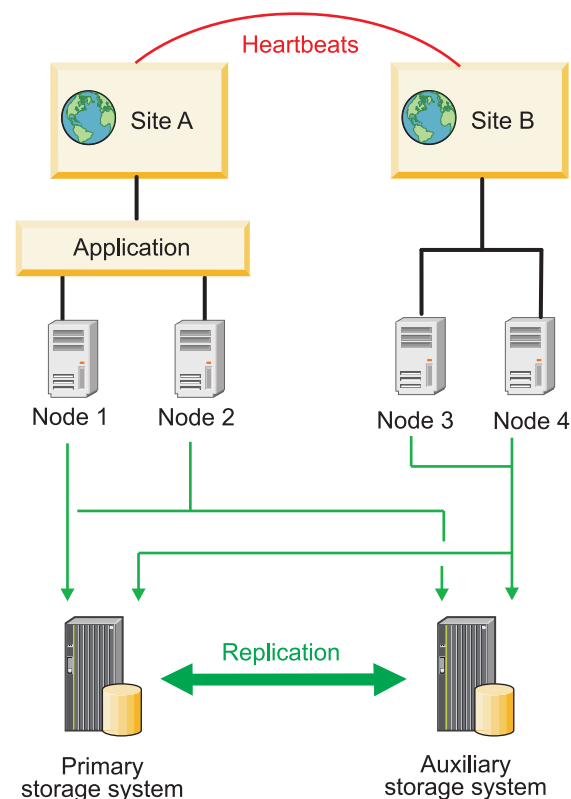
1. Perform a failback recovery operation on the storage system.
2. From the command line, enter `smit sysmirror`.

- From the SMIT interface, select **System Management (C-SPOC) > Resource Group and Applications > Bring Resource Group Online**, and press Enter.

Suspended storage system failure



Suspended storage system solution



ppprc512-2

Figure 5. Unplanned HyperSwap configuration for suspended storage systems

HyperSwap configuration for a system mirror group

In a HyperSwap configuration for a system mirror group, only one node can access the rootvg disk that is being mirrored to both the primary storage system and auxiliary storage system. The rootvg disk contains all the information about booting, configuring, and the file system that is specific to a node.

In the following figure, the rootvg disk is mirrored from the primary storage system to the auxiliary storage system. A node must not have access to another node's rootvg disk. For example, Node 2 cannot have access to the rootvg disk for Node 1. You must set up zoning correctly in your network environment to verify that a node does not have access to another node's rootvg disk.

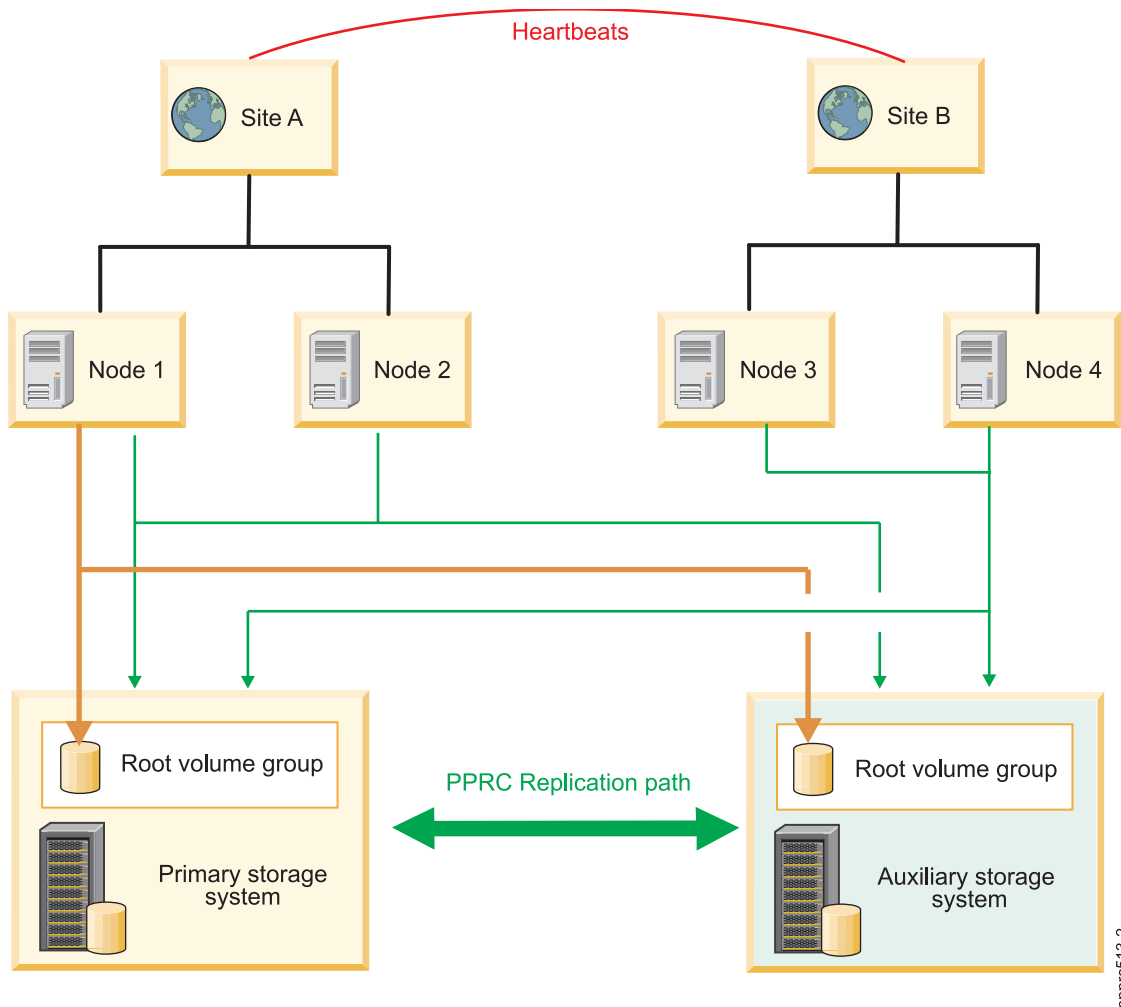


Figure 6. HyperSwap configuration for a system mirror group

HyperSwap configuration for a repository disk

For linked clusters, repository disks are shared by nodes that are at the same site, and each site has its own repository disk. Sites based on a stretched cluster share a common repository disk with all the nodes in the cluster.

In the following figure, Node 1 and Node 2 can access the repository disk on Site A and the replicated repository disk on Site B. If any type of failure occurs where Node 1 and Node 2 cannot access the repository disk in the primary storage system, the nodes can access the repository disk in the auxiliary storage system. You must configure your network zone correctly to ensure that only nodes for a specific site have access the repository disk that belongs to that site. For example, Node 3 and Node 4 on Site B do not have access to the repository disk in either storage system because it belongs to Node 1 and Node 2, which are part of Site A.

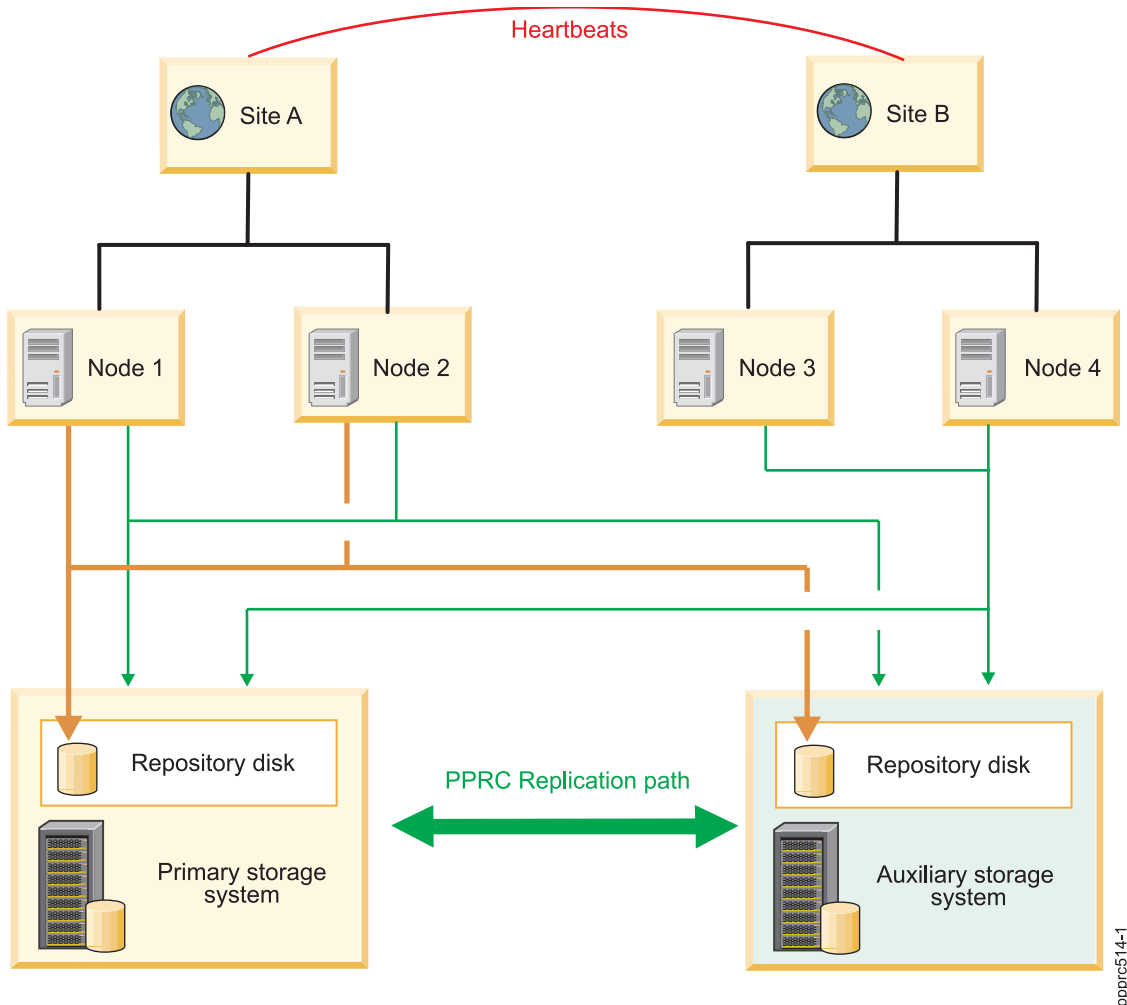


Figure 7. HyperSwap configuration for a repository disk

HyperSwap configuration for active-active workloads

A PowerHA SystemMirror cluster that has two sites with specific applications (parallel database) and uses the HyperSwap function can operate concurrently with a shared disk.

Your application workloads in this cluster configuration can be balanced between two clusters with access to shared data, while application data integrity is maintained across the sites through Metro Mirror and HyperSwap functions. If a cluster failure or site failure occurs, the application workloads can establish a connection to access the data by using a different site. This function is called active-active. Thus, the HyperSwap function extends the capability to build an active-active data center solution.

Active-active workloads across sites:

In an active-active configuration that supports application workloads across sites, all nodes have applications that are online and that perform I/O functions concurrently to a storage system. In this configuration, PowerHA SystemMirror performs swap and resync functions.

The following figure shows an active-active configuration that supports application workloads across sites that have the following characteristics:

- Two sites that are called Site A and Site B.
- Two nodes at each site, which amounts to a total of four nodes.

- All nodes have mirror groups that are configured to use the HyperSwap function.
- All nodes have application workloads that are online and can access the Primary storage system.

In the following figure, if a failover occurs for the primary storage system at Site A, the I/O for the storage subsystem moves to the auxiliary storage system at Site B. The auxiliary storage system becomes the primary storage system. When the storage system at Site A recovers and is brought back online, it automatically becomes the auxiliary storage system.

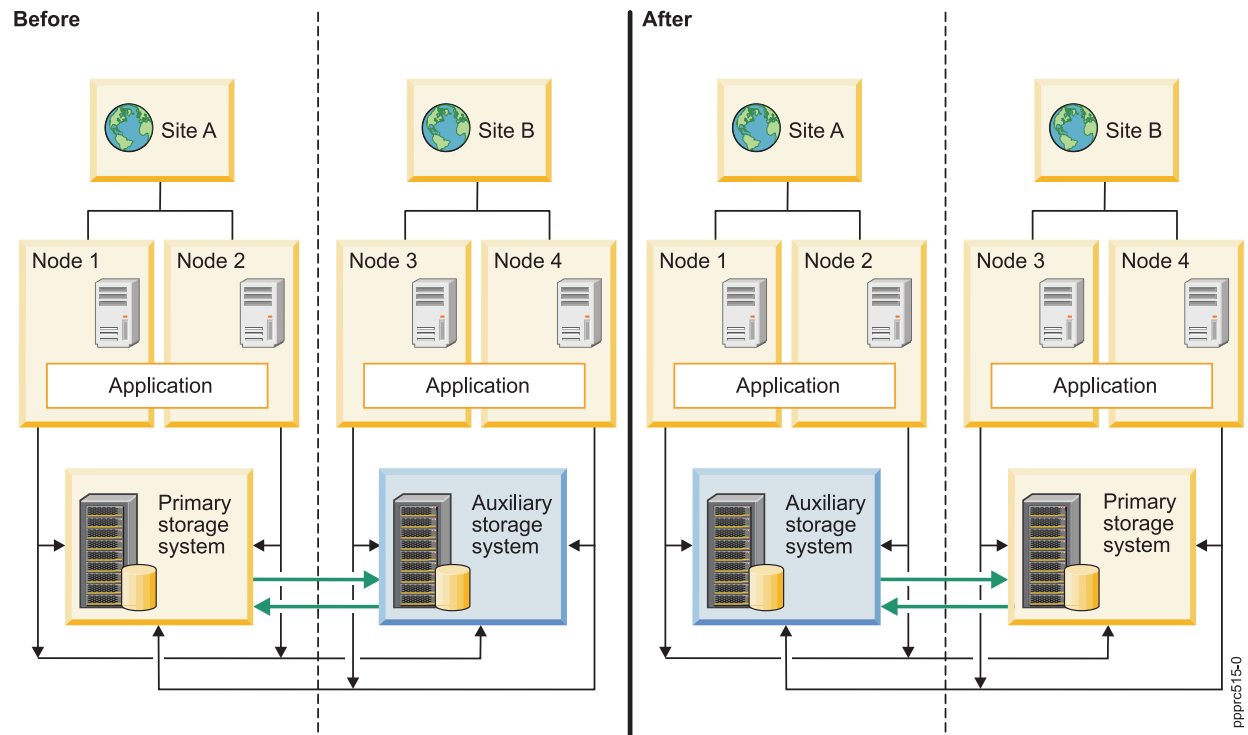


Figure 8. Active-active configuration across sites

Active-active workloads within a site:

In an active-active configuration that supports application workloads within a site, all nodes in a specific site can have applications that are online and that perform I/O concurrently to a storage system. In this configuration, PowerHA SystemMirror performs swap and resync functions.

The following figure shows an active-active configuration that supports application workloads that has a site with the following characteristics:

- Two sites that are called Site A and Site B.
- Two nodes at each site, which amounts to a total of four nodes.
- All nodes have mirror groups that are configured to use the HyperSwap function or the traditional in-band Metro Mirror function.
- The application is operating only on Node 1 and Node 2.

In the following figure, the application workload moves from Site A to Site B if failure occurs at both Node 1 and Node 2. If Node 1 fails, the application continues to operate on Node 2 and vice versa. If both Node 1 and Node 2 fail, the application workload is moved to Node 3 and Node 4 at Site B. Also, the auxiliary storage system at Side B becomes the primary storage system. When the storage system at Site A recovers and is brought back online, it automatically becomes the auxiliary storage system.

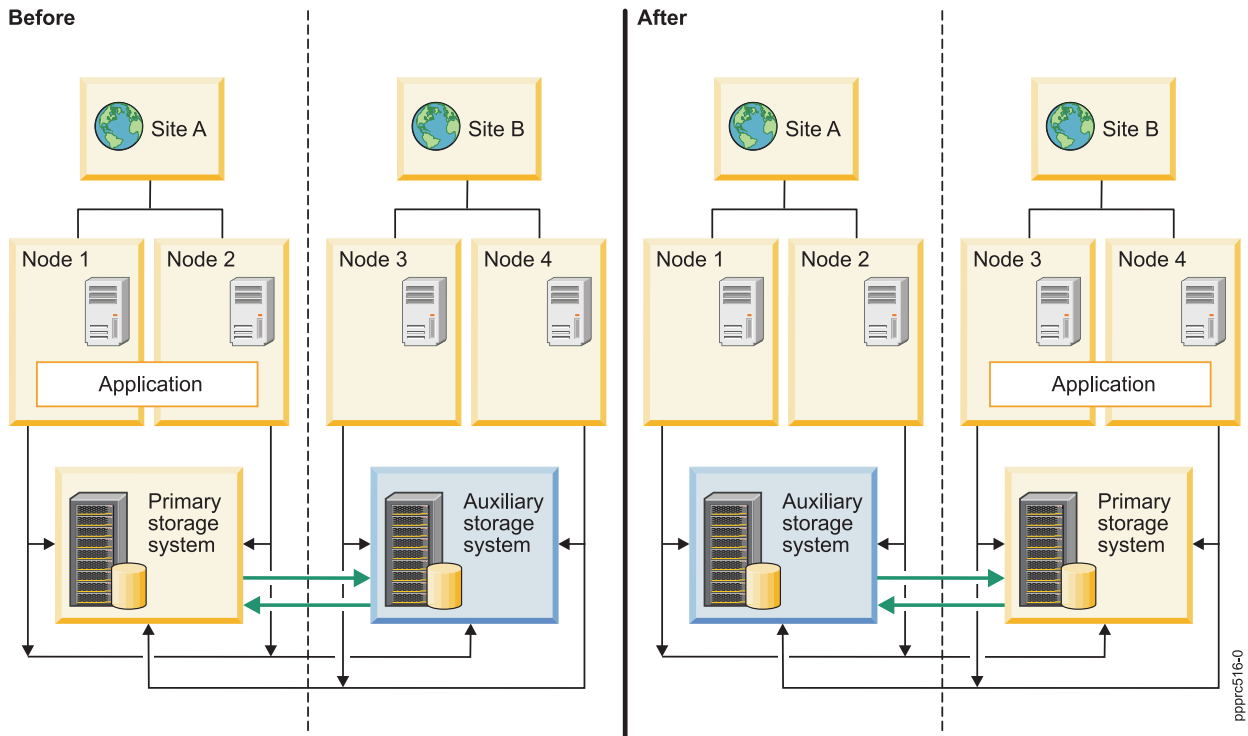


Figure 9. Active-active configuration within a site

HyperSwap resync function

PowerHA SystemMirror attempts to automatically resync cluster data during a failover for Peer-to-Peer Remote Copy (PPRC) replication technologies.

In PowerHA SystemMirror 7.1.3, or later, if failover occurs for a mirror group, you can use the HyperSwap function to automatically resync data without distributing applications when the mirror group is brought back online. If failover occurs for your replication paths between storage systems, the HyperSwap function can automatically re-create the replication path before the storage systems are brought online.

In the following figure, the primary storage system has a failure and is offline. The application I/O from Node 1 and Node 2 cannot access the primary storage system.

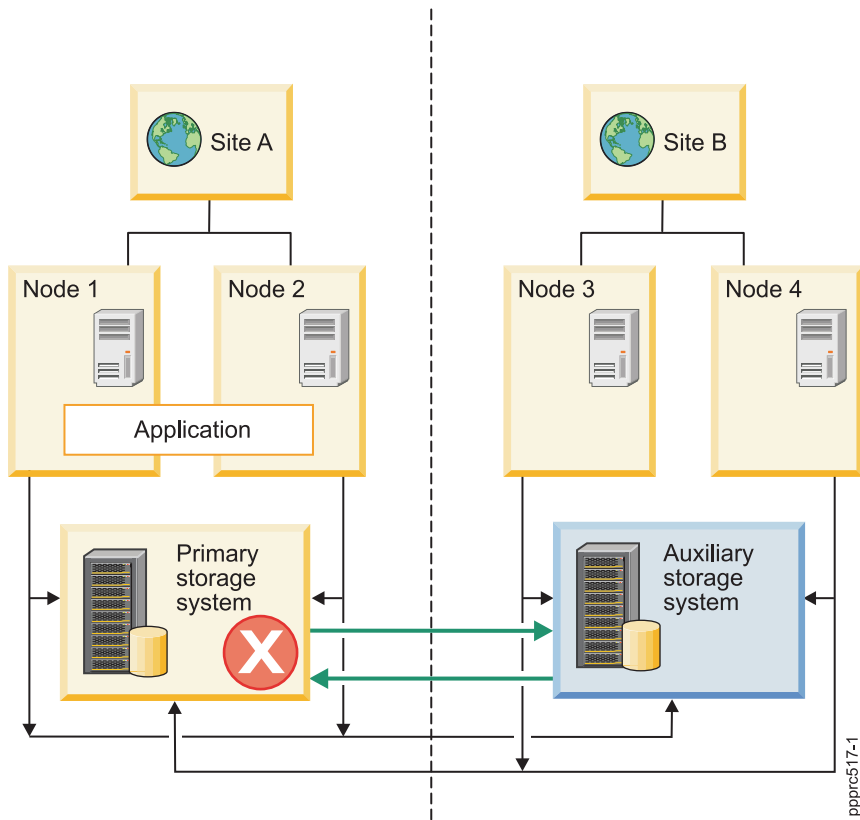


Figure 10. Primary storage system is offline

In the following figure, the application I/O resumes on the auxiliary storage system. The auxiliary storage system at Site B becomes the primary storage system. The previously primary storage system at Site A is in a suspended state. The replication paths between Site A and Site B are broken.

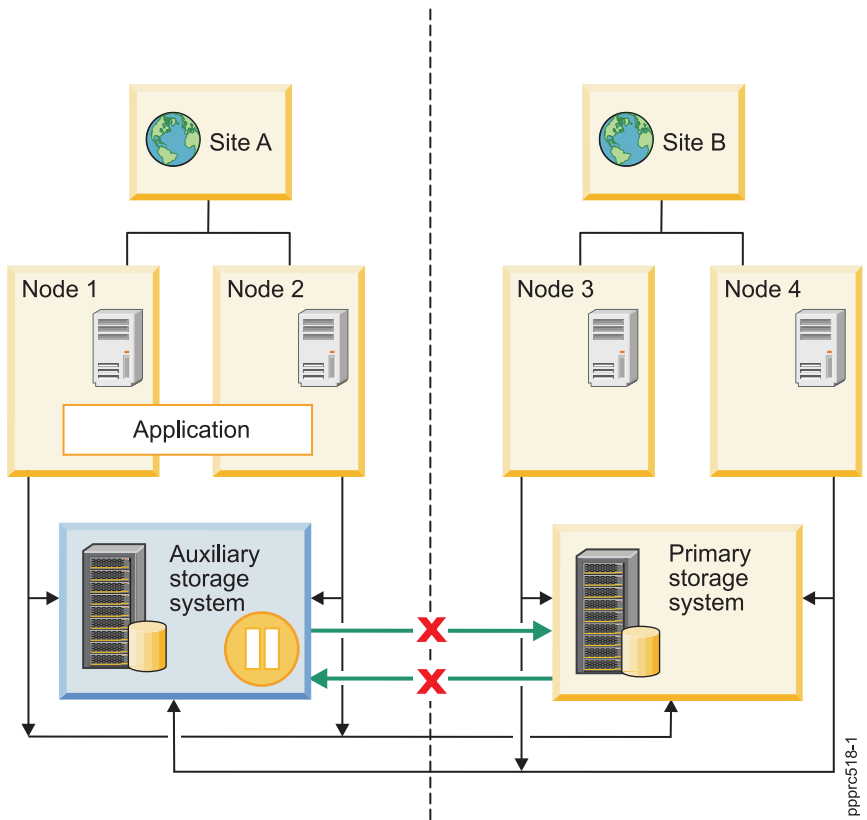


Figure 11. Replication paths are broken

In the following figure, the auxiliary storage system recovers and is brought back online. The HyperSwap function automatically establishes the replication paths between the primary and auxiliary storage systems. The mirroring process between both Site A and Site B resumes.

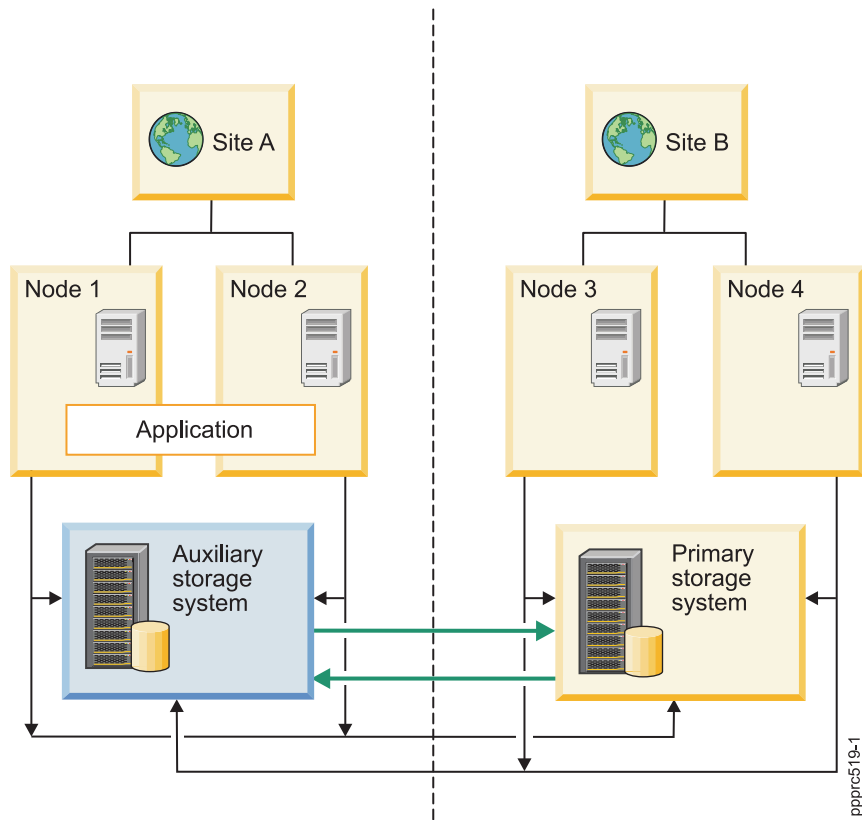


Figure 12. Mirroring resumes between Site A and Site B

Planning for HyperSwap for PowerHA SystemMirror

Before you can install HyperSwap for PowerHA SystemMirror, you must verify that your environment is working correctly.

To correctly plan for a HyperSwap configuration, review the following information:

- Storage level Peer-to-Peer Remote Copy (PPRC) relationships and PPRC paths must be defined before you configure HyperSwap for PowerHA SystemMirror or In-band PPRC Metro Mirror for PowerHA SystemMirror.
- HyperSwap for PowerHA SystemMirror is only supported on IBM DS8800, or later, storage systems.
- Concurrent workloads across sites, such as Oracle Real Application Clusters (RAC), and concurrent resource groups are supported in stretched clusters and linked clusters that are using HyperSwap enabled mirror groups. PowerHA SystemMirror does not support concurrent resource groups for other PPRC replications solutions.
- You can configure HyperSwap enabled mirror groups for automatic resynchronization when a replication failure occurs. Error logs are created when the replication failure occurs, and the log file can be used to identify the cause of the failure.
- To maintain consistency group schematics, suspended operations on a storage device must function on the entire logical subsystem (LSS). For example, if a single IBM DS8800 LSS contains PPRC volumes from more than one application and if one of the replication connections breaks, all PPRC paths are removed. If the applications are not managed by PowerHA SystemMirror, the PPRC paths must be manually re-created or refreshed after the replication connection is reestablished.

- Refresh a mirror group in the cluster after any storage-level PPRC configuration changes or if a PPRC path is broken. When you refresh a mirror group, you are re-creating the paths for the mirror group and refreshing any existing configuration changes. Do not run any HyperSwap functions when you are refreshing a mirror group.
- To add a node to a mirror group, you must perform configuration operations from a node where all disks are accessible.
- Metro Mirror (in-band) functions, including HyperSwap, are supported in Virtual I/O Server (VIOS) configurations by the N-Port ID Virtualization (NPIV) method of disk management.
- Metro Mirror (in-band) functions, including HyperSwap, are not supported by the virtual SCSI (VSCSI) method of disk management.
- To use Live Partition Mobility (LPM), you must bring the resource group that contains the mirror group into an unmanaged state by using the C-SPOC utility to stop cluster services with the **Unmanage Resource Groups** option. After you complete the LPM configuration process, you must bring the resource group back online by using SMIT. This process brings all mirror groups and resource groups back online.
- Disk replication relationships must adhere to a one-to-one relationship between the underlying LSS. An LSS that is already part of a mirror group, cannot be part of another mirror group.
- Repository disks require that you specify an alternate disk or a disk that is not configured to use the HyperSwap function when you set HyperSwap property to **Disable**.
- SCSI reservations are not supported for devices that use the HyperSwap function.
- You must verify and synchronize the cluster when you change the cluster configuration. If you change the mirror group configuration while cluster services are active (DARE), those changes might be interpreted as failures, which result in unwanted cluster events. You must disable the HyperSwap function before you change any settings in an active cluster environment.
- A node in an unmanaged state does not respond or perform any swap or resync functions. However, the I/O to the node continues. Thus, having a node in an unmanaged state is ideal for performing LPM on the node. After you complete the LPM process, you can move the node from unmanaged to online state by using SMIT. If an unplanned event occurs while the node is in an unmanaged state, the node is moved to a halt state.

Fileset requirements

To run HyperSwap for PowerHA SystemMirror, you must install the following filesets on all nodes in the cluster:

Table 37. HyperSwap fileset requirements for PowerHA SystemMirror

Fileset name	Minimum fileset level for AIX Version 7.1	Minimum fileset level for AIX Version 6.1
cluster.es.genxd.cmds	7.1.2.0	6.1.8.0
devices.common.IBM.storfworke.rte	7.1.2.0	6.1.8.0
devices.common.IBM.mpio.rte	7.1.2.0	6.1.8.0
devices.fcp.disk.rte	7.1.2.0	6.1.8.0

HyperSwap support for DS8800 Metro Mirroring

IBM DS8800 provides Metro Mirror (in-band) communication capabilities, which allow PowerHA SystemMirror to manage DS8800 replication without using the Hardware Management Console (HMC).

Using the Inband communication model, PowerHA SystemMirror can send replication commands with specific Small Computer System Interface (SCSI) commands. The SCSI commands are sent through the same Fibre Channel that is used to send I/O requests to the storage device. This process greatly reduces the configuration complexities and failover times.

Related information:

HyperSwap support for raw disks

Some applications, such as DB2, do not require a file system because they perform functions like logging, tracking data, and caching. These types of applications perform better when using raw disk I/O instead of using file I/O.

Normally, any raw disks that PowerHA SystemMirror manages require a physical volume ID (PVID). However, with HyperSwap for PowerHA SystemMirror you can add raw disks without defining a PVID. This support includes raw disks that are shared in a single configuration or raw disks that replicate across sites.

HyperSwap configuration settings PowerHA SystemMirror 7.1 Enterprise Edition for AIX

Before you configure HyperSwap, you must know the optimal settings to use.

The following table displays the optimal settings to use for a HyperSwap configuration.

Table 38. HyperSwap configuration settings

Name	Component	Value	Description
dyntrk	Protocol driver (fscsi)	Enabled	Provides transparent I/O recovery if the N_port ID for a device is changed. For example, if the Fibre Channel moves from one switch port to another port. This option is handled at the host bus adapter (HBA) level.
fc_err_recov	Protocol driver (fscsi)	fast_fail	Detects Fibre Channel problems between the switch and the storage device.
hcheck_interval	Disk driver (hdisk)	60	Sets the time interval when a health check request is sent to the storage device. The default setting is 60 seconds.

HyperSwap zoning requirements

To use the HyperSwap function in your cluster, you must configure zones correctly for system mirror groups, repository mirror groups, and user mirror groups.

The zoning requirements for specific types of mirror groups follow:

System mirror group

System mirror groups are local to a specific node. Therefore, the Peer-to-Peer Remote Copy (PPRC) disks that are associated with a system mirror group are only visible to the single node in the cluster. For example, if there are two sites (Site A and Site B) with one node at each site (Node A and Node B), you can create a system mirror group in Node A at Site A. In this example, you must verify that the disks in the system mirror group are only visible to Node A. The PPRC peers for these disks are only visible to Node A in Site A, even though the PPRC peer disk is in Site B.

Repository mirror group

The disks in a repository mirror group are accessible by the nodes that are listed in the associated site property list for the repository mirror group. You must verify that the HyperSwap disk associated with the repository mirror group is accessible to all the nodes that are specified in the site property list.

User mirror group that is enabled for the HyperSwap function

User mirror groups are associated to a set of one or more nodes in the cluster. The associated nodes can span across sites, and can have primary disks and auxiliary disks visible to each node in the cluster.

User mirror group for traditional Metro Mirror PPRC with in-band communication

These user mirror groups are not configured to use the HyperSwap function. The associated nodes can span across sites, and can have primary disks visible to primary site nodes and auxiliary disks visible to auxiliary site nodes.

Installing HyperSwap for PowerHA SystemMirror

Before installing HyperSwap for PowerHA SystemMirror, you must verify that each user has root access to each node in the cluster. Your systems must also be running IBM AIX 6.1 with Technology Level 8, or later, or IBM AIX 7.1 with Technology Level 2, or later.

To install HyperSwap for PowerHA SystemMirror, complete the following steps:

1. Insert the *PowerHA SystemMirror Enterprise Edition for AIX* DVD into the DVD drive.
2. From the command line, enter `smit installp`.
3. From the System Management Interface Tool (SMIT) interface, select **Install and Update Software > Install Software**, and press Enter.
4. Select the `cluster.es.genxd.cmds` fileset and press Enter.

Configuring HyperSwap for PowerHA SystemMirror

Before you can configure HyperSwap for PowerHA SystemMirror, your IBM DS8800 must be configured correctly.

Verify that your environment meets the following requirements before you configure HyperSwap for PowerHA SystemMirror:

- A PowerHA SystemMirror cluster is defined.
- All PowerHA SystemMirror nodes are defined.
- All PowerHA SystemMirror sites are defined.
- All PowerHA SystemMirror resource groups and associated resources are configured and working properly.

Configuring a storage system for HyperSwap

A *storage system* is a generic term that is used by PowerHA SystemMirror for an entity such as an IBM DS8800 storage unit.

Configuring a storage system to use in-band communication for HyperSwap:

To use the HyperSwap function, your storage system must use in-band communication. You might have to use the DS command-line interface (DSCLI) or the graphical management interface to configure a storage system to use in-band communication through a SCSI connection.

To configure a storage system for in-band communication, you must create a host profile on each storage system and associate the host profile with all PowerHA SystemMirror nodes in the cluster.

To configure a storage system to use in-band communication, complete the following steps:

1. Verify that the primary disk and auxiliary disk in the storage systems are correctly zoned to all PowerHA SystemMirror nodes.
2. Identify the host connection identifier that is associated with PowerHA SystemMirror nodes by entering the following command:
`lshostconnect -dev storage system ID`

3. For each node in the cluster, enter the following command to change the host profile to *IBM pSeries - AIX with Powerswap support*:

```
chhostconect -profile "IBM pSeries - AIX with Powerswap support" host connection ID
```

4. Define Peer-to-Peer Remote Copy (PPRC) paths and PPRC relationships for each disk that is part of the storage system that is used as a replicated resource.

The PPRC paths are bidirectional. Thus, PPRC paths must be created from both directions. For example, there must be a PPRC path from site A to site B and from site B to site A. You must have configured PPRC paths before you start the mirror group.

5. Enter the following command to verify that both the primary and auxiliary disks are replicating correctly:

```
lsprrc -l primary volume ID
```

Note: The command displays various fields. The **State** field of the primary disk must display **Full-Duplex**. The value for the **Out-of-Sync Tracks** field must be **0**.

Related information:

chhostconnect command

lshostconnect command

lsprrc command

Configuring a PowerHA SystemMirror node to use in-band communication for HyperSwap:

After you configured a storage system to use in-band communication for, you must configure each node in the cluster to use in-band communication for HyperSwap.

To configure a PowerHA SystemMirror cluster to use in-band communication, complete the following steps on each node in the cluster:

1. Enter the following command to configure all disks that are part of the storage system to use the AIX Path Control Module (PCM) driver:

```
manage_disk_drivers -d device -o AIX_AAPCM
```

2. Restart the node by entering the **shutdown -r** command.

3. SCSI reservations are not supported for disks that are used in a HyperSwap mirror group. Enter the following command to verify that no disk reservations are set:

```
devrsrv -c query -l hdisk_name
```

The command returns the following information:

```
ODM Reservation Policy      : NO RESERVE
Device Reservation State    : NO RESERVE
```

4. Enter the following command to change the disk reservation policy to *no_reserve*:

```
chdev -a reserve_policy=no_reserve -l hdisk_number
```

5. Enter the following command to transform a disk that is associated with the primary disk to transparently route its I/O to the auxiliary disk:

```
chdev -a san_rep_cfg=migrate_disk -l hdisk_name -U
```

For example, if the primary disk is *hdisk1* and the auxiliary disk is *hdisk2*, you would run the following command:

```
chdev -a san_rep_cfg=migrate_disk -l hdisk1 -U
```

When you run this command the auxiliary disk *hdisk2* moves to a Defined state and all application I/O for *hdisk1* is transparently routed to the auxiliary disk.

Note: Enter the following command to rollback *hdisk1* from being enabled by using the HyperSwap function:

```
chdev -a san_rep_cfg=revert_disk -l hdisk1 -U
```

After you enter this command, both the primary and secondary disks are displayed for the node.

6. Enter the following command to verify that the disks for the storage system are configured correctly:

```
lsattr -E0 -a san_rep_cfg,san_rep_device,reserve_policy -l hdisk_number
```

The command returns following information:

```
#san_rep_cfg:san_rep_device:reserve_policy  
migrate_disk:yes:no_reserve
```

Note: The value for `san_rep_cfg` attribute might be displayed as `none`, which is acceptable. However, the value for the `san_rep_device` attribute must be set to `yes`.

7. Use the SMIT interface to import volume groups on all PowerHA SystemMirror nodes by completing the following steps:
 - a. From the command line, enter `smit sysmirror`.
 - b. From SMIT interface, select **System Managemnet (C-SPOC) > Storage > Volume Groups > Import a Volume Group**, and press Enter.
 - c. From the list, select the volume group that you want to import, and press Enter.

Related information:

`chdev` command

`devrsrv` command

`lsattr` command

`manage_disk_drivers` command

`shutdown` command

Configuring a PowerHA SystemMirror node to use in-band communication for traditional Metro Mirror PPRC:

After you configured a storage system to use in-band communication for, you must configure each node in the cluster to use in-band communication for traditional Metro Mirror Peer-to-Peer Remote Copy (PPRC).

To configure a PowerHA SystemMirror cluster to use in-band communication for traditional Metro Mirror PPRC, complete the following steps on each node in the cluster:

1. Enter the following command to configure all disks that are part of the storage system to use the AIX Path Control Module (PCM) driver:

```
manage_disk_drivers -d device -o AIX_AAPCM
```

2. Restart the node by entering the **shutdown -r** command.
3. SCSI reservations are not supported for disks that are used in a HyperSwap mirror group. Enter the following command to verify that no disk reservations are set:

```
devrsrv -c query -l hdisk_name
```

The command returns the following information:

```
ODM Reservation Policy      : NO RESERVE  
Device Reservation State    : NO RESERVE
```

4. Enter the following command to change the disk reservation policy to `no_reserve`:

```
chdev -a reserve_policy=no_reserve -l hdisk_number
```
5. Enter the following command to change the attributes of the primary disk for all nodes in the primary site:

```
chdev -a san_rep_cfg=migrate_disk -l hdisk_name -U
```

Where *hdisk_name* is the name of the primary disk.

6. Enter the following command to change the attributes of the auxiliary disk for all nodes in the auxiliary site:

```
chdev -a san_rep_cfg=migrate_disk -l hdisk_name -U
```

Where *hdisk_name* is the name of the auxiliary disk.

7. Enter the following command to verify that the disks in the storage system are configured correctly:

```
lsattr -E0 -a san_rep_cfg,san_rep_device,reserve_policy -l hdisk_number
```

The command returns the following information:

```
#san_rep_cfg:san_rep_device:reserve_policy  
migrate_disk:detected:no_reserve
```

Note: The value for *san_rep_cfg* might display *none*, which is acceptable. However, the *san_rep_device* value must be detected or *yes*.

Related tasks:

“Setting up volume groups and file systems on DSCLI-protected disks” on page 42

Although *not* required, you should complete these steps prior to planning. These steps must be completed prior to the initial PowerHA SystemMirror verification to avoid verification errors.

Adding a storage system for HyperSwap:

Before you can start using your storage system, you must add it to your environment.

To add a storage system, complete the following steps:

1. From the command line, enter `smit sysmirror`.
2. From the SMIT interface, select **Cluster Application and Resources > Resources > Configure DS8800-Metro Mirror (In-band) Resources > Configure Storage Systems > Add a Storage System**, and press Enter.
3. Enter the following information for the fields:

Table 39. Add storage system fields

Field	Description
Storage system name	Enter the PowerHA SystemMirror name for the storage system. This name must be unique within the cluster definition, and cannot be more than 32 characters.
Site association	Press F4 to select an available site name from the list.
Vendor specific identifier	Press F4 to select the vendor-specific identifier from the list of storage systems that are connected to the local node.
WWNN	Press F4 to select the worldwide node name from a list of storage systems that are connected to the local node.

4. Verify that all fields are correct and press Enter.

Changing a storage system for HyperSwap:

You can change any of the properties of an existing storage system that you already added to your environment.

To change a storage system, complete the following steps:

1. From the command line, enter `smit sysmirror`.
2. From the SMIT interface, select **Cluster Application and Resources > Resources > Configure DS8800-Metro Mirror (In-band) Resources > Configure Storage Systems > Change/Show a Storage System**, and press Enter.

- From the list, select the name of the storage system that you want to change and press Enter.
- Enter the following information for the fields:

Table 40. Change storage system fields

Field	Description
Storage system name	Displays the current name for the PowerHA SystemMirror storage system. You cannot change this field.
New storage system name	Enter the new name for the PowerHA SystemMirror storage system. This name must be unique within the cluster definition. You cannot change this field in dynamic automatic reconfiguration (DARE) or when the underlying mirror group is being used. The name can have a maximum of 32 characters.
Site association	Press F4 to select an available site name from a list. You cannot change this field in DARE or when the underlying mirror group is being used. This field automatically discovers the changed site name from the PowerHA SystemMirror
Vendors identifier	Enter the unique vendor-specific ID for this storage system. For example, IBM.2107-75ABTV1 is a storage identifier for a DS8800 storage system. Press F4 to display a list of the storage systems that are connected to the local node. You cannot change this field in DARE or when the underlying mirror group is being used.
WWNN	Press F4 to select the worldwide node name from a list of storage systems that are connected to the local node. You cannot change this field in DARE or when the underlying mirror group is being used.

- Verify that all fields are correct and press Enter.

Removing a storage system for HyperSwap:

If you do not want a storage system to be included in your environment, you can remove it.

To remove a storage system, complete the following steps:

- From the command line, enter `smit sysmirror`.
- From the SMIT interface, select **Cluster Application and Resources > Resources > Configure DS8800-Metro Mirror (In-band) Resources > Configure Storage Systems > Remove a Storage System**, and press Enter.
- Enter the storage system name you want to remove, and press Enter.
- Press Enter to confirm that the selected storage system is the one you want to remove.

Configuring user mirror groups for HyperSwap

You can add and change user mirror groups by using HyperSwap functions.

Adding a user mirror group for HyperSwap:

Before you can start using a user mirror group, you must add it to your environment.

Review the following information if you are adding a user mirror group to a single node configuration that uses the HyperSwap function:

- You cannot create a user mirror group if the HyperSwap field is set to **Disable**.
- You cannot change the HyperSwap field after the mirror group is added.
- The resource group must contain a single node in the node list. Otherwise, the cluster verification process fails.
- The **Recovery action** field must be set to **Manual**.
- You should use the tie breaker option for the split and merge policies.

- You can have up to 64 volume groups in a mirror group.
- You can have up to 1024 raw disks in a mirror group.

To add a user mirror group, complete the following steps:

1. From the command line, enter `smit sysmirror`.
2. From the SMIT interface, select **Cluster Application and Resources > Resources > Configure DS8800-Metro Mirror (In-band) Resources > Configure Mirror Groups > Add a Mirror Group > User**, and press Enter.
3. Enter the following information for the fields:

Table 41. Adding user mirror group fields

Fields	Description
Mirror group name	Enter the name for the mirror group.
Volume groups	Select the volume groups that you want to include in the mirror group.
Raw disks	Select the raw disks that you want to include in the mirror group.
HyperSwap	Select Enable to use HyperSwap for the mirror group. Select Disable , the default value, to not use HyperSwap for the mirror group and to use a traditional Metro Mirror PPRC with in-band communication. Verify that your environment has the correct zoning configurations before you change this field from Enable to Disable or from Disable to Enable . You cannot change this field in dynamic automatic reconfiguration (DARE).
Consistency group	Select Enable , the default, to use the consistency group property for the mirror group. Select Disable to not use the consistency group property for the mirror group.
Unplanned HyperSwap timeout (in seconds)	Enter the timeout value for unplanned HyperSwap. This value represents how long a connection remains unavailable before an unplanned HyperSwap site failover occurs. The default value is 60.
HyperSwap priority	Select Low , Medium , or High as the HyperSwap priority. The default setting is Medium .
Recovery action	Specify the disaster recovery policy that PowerHA SystemMirror will use in case of a node or site failover. Select Automatic to use a split or merge policy that will automatically resync the node or site. Select Manual if you do not want use a policy and to use the recommend action displayed in the <code>/var/hacmp/log/hacmp.out</code> file to correct the failover.
Re-sync action	Select Automatic to automatically resynchronize the node or site if the replicated volumes or network paths recover from the failover. Select Manual to display the recommended action for HyperSwap enabled mirror groups by using the <code>errpt</code> command, and for HyperSwap disabled mirror groups the recommended action is displayed in the <code>/var/hacmp/log/hacmp.out</code> file.

4. Verify that all fields are correct and press Enter.

Related tasks:

“Managing user mirror groups for HyperSwap” on page 151

User mirror groups contain disks that are used for PowerHA SystemMirror application workloads. User mirror groups are only active on a node if the corresponding resource group is also active.

“Configuring a single node to use the HyperSwap function” on page 151

You can configure a single node to use the HyperSwap function in a PowerHA SystemMirror cluster.

Changing a user mirror group for HyperSwap:

You can change any of the properties of an existing user mirror group that you already added to your environment.

If you change settings during dynamic reconfiguration (DARE), you must verify and synchronize the cluster. If a failure occurs during the verification and synchronization process, you must manually change the settings back to the previous values and run the verification and synchronization process again.

To change a user mirror group, complete the following steps:

1. From the command line, enter `smit sysmirror`.
2. From the SMIT interface, select **Cluster Application and Resources > Resources > Configure DS8800-Metro Mirror (In-band) Resources > Configure Mirror Groups > Change/Show a Mirror Group > User**, and press Enter.
3. Enter the following information for the fields:

Table 42. Changing user mirror group fields

Field	Description
Mirror group name	Enter the name for the mirror group.
New mirror group name	Enter the new name that you want to use for the mirror group. This new name can have a maximum of 32 characters.
Volume groups	Select the volume groups that you want to include in the mirror group.
Raw disks	Select the raw disks that you want to include in the mirror group.
Associated storage systems	Displays the name of the underlying storage systems on which the mirror group exists. You cannot edit this field because the displayed information is automatically discovered based on the disks and volume groups that are added to the mirror group.
HyperSwap	Select Enable to use HyperSwap for the mirror group. Select Disable , the default value, to not use HyperSwap for the mirror group and to use a traditional Metro Mirror PPRC with in-band communication. Verify that your environment has the correct zoning configurations before you change this field from Enable to Disable or from Disable to Enable . You cannot change this field in dynamic automatic reconfiguration (DARE).
Consistency group	Select Enable , the default, to use the consistency group property for the mirror group. Select Disable to not use the consistency group property for the mirror group.
Unplanned HyperSwap timeout (in seconds)	Enter the timeout value for unplanned HyperSwap. This value represents how long a connection remains unavailable before an unplanned HyperSwap site failover occurs. The default value is 60.
HyperSwap priority	Select Low , Medium , or High as the HyperSwap priority. The default setting is Medium .
Recovery action	Specify the disaster recovery policy that PowerHA SystemMirror will use in case of a node or site failover. Select Automatic to use a split or merge policy that will automatically resync the node or site. Select Manual if you do not want use a policy and to use the recommend action displayed in the <code>/var/hacmp/log/hacmp.out</code> file to correct the failover.
Re-sync action	Select Automatic to automatically resynchronize the node or site if the replicated volumes or network paths recover from the failover. Select Manual to display the recommended action for HyperSwap enabled mirror groups by using the <code>errpt</code> command, and for HyperSwap disabled mirror groups the recommended action is displayed in the <code>/var/hacmp/log/hacmp.out</code> file.

4. Verify that all fields are correct and press Enter.

Related tasks:

“Managing user mirror groups for HyperSwap” on page 151

User mirror groups contain disks that are used for PowerHA SystemMirror application workloads. User mirror groups are only active on a node if the corresponding resource group is also active.

Configuring a system mirror group for HyperSwap

You can add or change a system mirror group by using HyperSwap functions.

Adding a system mirror group for HyperSwap:

Before you can start using a system mirror group, you must add it to your environment.

To add a system mirror group, complete the following steps:

1. From the command line, enter `smit sysmirror`.
2. From the SMIT interface, select **Cluster Application and Resources > Resources > Configure DS8800-Metro Mirror (In-band) Resources > Configure Mirror Groups > Add a Mirror Group > System**, and press Enter.
3. Enter the following information for the fields:

Table 43. Adding system mirror group fields

Field	Description
Mirror group name	Enter the name for the mirror group.
Volume groups	Select the volume groups that you want to include in the mirror group.
Raw disks	Select the raw disks that you want to include in the mirror group.
Node name	Displays the name of the local node. This field is automatically populated and cannot be changed.
HyperSwap	This field must be set to Enabled .
Consistency group	This field must be set to Enabled .
Unplanned HyperSwap timeout (in seconds)	Enter the timeout value for unplanned HyperSwap. This value represents how long a connection remains unavailable before an unplanned HyperSwap site failover occurs. The default value is 60.
HyperSwap priority	Select Low , Medium , or High as the HyperSwap priority. The default setting is High .

4. Verify that all fields are correct and press Enter.

Note: The resynchronization function occurs automatically for system mirror groups.

Related tasks:

“Managing system mirror groups for HyperSwap” on page 152

System mirror groups are a group of disks and volume groups that are critical to a single node that is running the AIX operating system. An example of a system mirror group is a rootvg mirror group or a mirror group that contains the paging space.

Changing a system mirror group for HyperSwap:

You can change the properties of an existing system mirror group that you already added to your environment.

To change a system mirror group, complete the following steps:

1. From the command line, enter `smit sysmirror`.

- From the SMIT interface, select **Cluster Application and Resources > Resources > Configure DS8800-Metro Mirror (In-band) Resources > Configure Mirror Groups > Change/Show a Mirror Group > System**, and press Enter.
- Enter the following information for the fields:

Table 44. Changing system mirror group

Fields	Description
Mirror group name	Enter the name for the mirror group.
New mirror group name	Enter the new name that you want to use for the mirror group. This new name can have a maximum of 32 characters.
Volume groups	Select the volume groups that you want to include in the mirror group.
Raw disks	Select the raw disks that you want to include in the mirror group.
Associated storage systems	Displays the name of the underlying storage systems on which the mirror group exists. You cannot edit this field because the displayed information is automatically discovered based on the disks and volume groups that are added to the mirror group.
Node name	Displays the name of the local node. This field is automatically populated and cannot be changed.
HyperSwap	You cannot change this field.
Consistency group	You cannot change this field.
Unplanned HyperSwap timeout (in seconds)	Enter the timeout value for unplanned HyperSwap. This value represents how long a connection remains unavailable before an unplanned HyperSwap site failover occurs. The default value is 60.
HyperSwap priority	Select Low , Medium , or High as the HyperSwap priority. The default setting is High .

- Verify that all fields are correct and press Enter.

Related tasks:

“Managing system mirror groups for HyperSwap” on page 152

System mirror groups are a group of disks and volume groups that are critical to a single node that is running the AIX operating system. An example of a system mirror group is a rootvg mirror group or a mirror group that contains the paging space.

Configuring a cluster repository mirror group for HyperSwap

You can add or change a cluster repository mirror group by using HyperSwap functions.

Adding a cluster repository mirror group for HyperSwap:

Before you can start using a cluster repository mirror group, you must add it to your environment.

PowerHA SystemMirror implements the HyperSwap function by using Cluster Aware AIX (CAA). CAA requires that a repository disk is defined in your environment to create a cluster across multiple sites. You must first configure the cluster to function across multiple sites before you implement the HyperSwap function.

To configure the HyperSwap function with a repository disk, you must identify a new disk pair that uses the HyperSwap function.

To add a cluster repository mirror group, complete the following steps:

- From the command line, enter `smi t sysmirror`.

- From the SMIT interface, select **Cluster Application and Resources > Resources > Configure DS8800-Metro Mirror (In-band) Resources > Configure Mirror Groups > Add a Mirror Group > Cluster Repository**, and press Enter.
- Enter the following information for the fields:

Table 45. Adding cluster repository mirror group fields

Field	Description
Mirror group name	Enter the name for the mirror group.
Site name	Select the site that is used as the cluster repository disk and contains the mirror group. If you select a stretched cluster, both site names are displayed. If you select a linked cluster, the local site name is displayed.
Non-HyperSwap disk	Select the name of the non-HyperSwap disk that is used as the cluster repository disk and contains the mirror group. If the repository disk is on a non-HyperSwap disk select that disk. This field is optional if the repository disk is already on the HyperSwap enabled disk.
HyperSwap disk	Select the name of the Peer-to-Peer Remote Copy (PPRC) disk that is used as the cluster repository and contains the mirror group.
HyperSwap	This field must be set to Enabled .
Consistency group	This field must be set to Enabled .
Unplanned HyperSwap timeout (in seconds)	Enter the timeout value for unplanned HyperSwap. This value represents how long a connection remains unavailable before an unplanned HyperSwap site failover occurs. The default value is 60.
HyperSwap priority	Select Low , Medium , or High as the HyperSwap priority. The default setting is High .
Re-sync action	Select Automatic to automatically resynchronize the node or site if the replicated volumes or network paths recover from the failover. Select Manual to display the recommended action for HyperSwap enabled mirror groups by using the errpt command, and for HyperSwap disabled mirror groups the recommended action is displayed in the <code>/var/hacmp/log/hacmp.out</code> file.

- Verify that all fields are correct and press Enter.

Note: During the cluster verification and synchronization process, if a repository disk is not configured to use the HyperSwap function it moves to a disk that is configured to use the HyperSwap function.

Related tasks:

“Managing cluster repository mirror groups for HyperSwap” on page 153

Cluster repository mirror groups contain disks that are used for the Cluster Aware AIX (CAA) cluster repository. These disks are shared between multiple nodes, but they cannot be shared across sites.

Changing a cluster repository mirror group for HyperSwap:

You can change any of the properties of an existing cluster repository mirror group that you already added to your environment.

To change a cluster repository mirror group, complete the following steps:

- From the command line, enter `smit sysmirror`.
- From the SMIT interface, select **Cluster Application and Resources > Resources > Configure DS8800-Metro Mirror (In-band) Resources > Configure Mirror Groups > Change/Show a Mirror Group > Cluster Repository**, and press Enter.
- Enter the following information for the fields:

Table 46. Changing cluster repository mirror group fields

Field	Description
Mirror group name	Enter the name for the mirror group.
New mirror group name	Enter the new name that you want to use for the mirror group. This new name can have a maximum of 32 characters.
Site name	Select the site that is used as the cluster repository disk and contains the mirror group. If you select a stretched cluster, both site names are displayed. If you select a linked cluster, the local site name is displayed.
Non-HyperSwap disk	Select the name of the non-HyperSwap disk that is used as the cluster repository disk and contains the mirror group. If the repository disk is on a non-HyperSwap disk select that disk. This field is optional if the repository disk is already on the HyperSwap enabled disk.
HyperSwap disk	Select the name of the Peer-to-Peer Remote Copy (PPRC) disk that is used as the cluster repository and contains the mirror group.
Associated storage systems	Displays the name of the underlying storage systems on which the mirror group exists. You cannot edit this field because the displayed information is automatically discovered based on the disks and volume groups that are added to the mirror group.
HyperSwap	You cannot change this field.
Consistency group	You cannot change this field.
Unplanned HyperSwap timeout (in seconds)	Enter the timeout value for unplanned HyperSwap. This value represents how long a connection remains unavailable before an unplanned HyperSwap site failover occurs. The default value is 60.
HyperSwap priority	Select Low , Medium , or High as the HyperSwap priority. The default setting is High .
Re-sync action	Select Automatic to automatically resynchronize the node or site if the replicated volumes or network paths recover from the failover. Select Manual to display the recommended action for HyperSwap enabled mirror groups by using the errpt command, and for HyperSwap disabled mirror groups the recommended action is displayed in the <code>/var/hacmp/log/hacmp.out</code> file.

4. Verify that all fields are correct and press Enter.

Related tasks:

“Managing cluster repository mirror groups for HyperSwap” on page 153

Cluster repository mirror groups contain disks that are used for the Cluster Aware AIX (CAA) cluster repository. These disks are shared between multiple nodes, but they cannot be shared across sites.

Removing a mirror group for HyperSwap

You can remove a user, system, or cluster repository mirror group by using SMIT.

To remove a user, system, or cluster repository mirror group, complete the following steps:

1. From the command line, enter `smit sysmirror`.
2. From the SMIT interface, select **Cluster Application and Resources > Resources > Configure DS8800-Metro Mirror (In-band) Resources > Configure Mirror Groups > Remove a Mirror Group**, and press Enter.
3. Select the mirror group you want to remove and press Enter.
4. Press Enter to confirm that the selected mirror group is the one you want to remove.

Note: After you remove a mirror group, the HyperSwap configuration for the storage systems or volume groups is also removed from the PowerHA SystemMirror database.

Configuring a single node to use the HyperSwap function

You can configure a single node to use the HyperSwap function in a PowerHA SystemMirror cluster.

You can use the HyperSwap function in a single node configuration by using a minimal amount of hardware. However, your environment must have a primary storage system and an auxiliary storage system.

In a single node configuration that uses the HyperSwap function, you can only have one mirror group for the associated node. To create a mirror group in this configuration, your cluster cannot be configured to use multiple sites. You can use the HyperSwap function to change a mirror group that is associated with a single node.

To configure a single node to use the HyperSwap function, complete the following steps:

1. From the command line, enter `smit sysmirror`.
2. From the SMIT interface, select **Cluster Application and Resources > Resources > Configure DS8800-Metro Mirror (In-band) Resources > Cluster Wide HyperSwap Policies**, and press Enter.
3. From **Single node HyperSwap** list, select **Enabled**.
4. Verify that all fields are correct and press Enter.

Note: You cannot convert the single node configuration that uses the HyperSwap function to a multisite configuration. If you want to create a cluster with multiple sites, you must first remove the existing single node configuration from the cluster.

Related tasks:

“Adding a user mirror group for HyperSwap” on page 144

Before you can start using a user mirror group, you must add it to your environment.

Managing mirror groups for HyperSwap

After you add a mirror group to the cluster, you can manage it by using the **System Management (C-SPOC)** panel in SMIT.

Managing user mirror groups for HyperSwap

User mirror groups contain disks that are used for PowerHA SystemMirror application workloads. User mirror groups are only active on a node if the corresponding resource group is also active.

To manage user mirror groups, complete the following steps:

1. From the command line, enter `smit cspoc`.
2. From the SMIT interface, select **Storage > Manage Mirror Groups > User Mirror Groups**, and press Enter.
3. Complete the following fields, and press Enter.

Table 47. User mirror group fields

Field	Description
Mirror groups	Enter the name or names of one or more mirror groups for which you want to change the type of operation.

Table 47. User mirror group fields (continued)

Field	Description
Operation	<p>Press F4 and select from the following options:</p> <p>Swap Select this option to perform a planned HyperSwap on the selected mirror group. You can use this option only if the mirror group is enabled for HyperSwap and the mirror group is part of a resource group that is currently online.</p> <p>Refresh Select this option to rediscover the latest replication path from the underlying storage for the selected mirror group.</p> <p>Show Active Path Select this option to display the currently active site and storage system for the selected mirror group. You can use this option only if the mirror group is enabled for HyperSwap and the mirror group is part of a resource group that is currently online.</p>

4. Verify that all fields are correct and press Enter.

Related tasks:

“Adding a user mirror group for HyperSwap” on page 144

Before you can start using a user mirror group, you must add it to your environment.

“Changing a user mirror group for HyperSwap” on page 146

You can change any of the properties of an existing user mirror group that you already added to your environment.

Managing system mirror groups for HyperSwap

System mirror groups are a group of disks and volume groups that are critical to a single node that is running the AIX operating system. An example of a system mirror group is a rootvg mirror group or a mirror group that contains the paging space.

A system mirror group is only active on a single node; therefore, any HyperSwap request does not require any coordination with other nodes in the cluster.

To manage a system mirror group, complete the following steps:

1. From the command line, enter **smit cs poc**.
2. From the SMIT interface, select **Storage > Manage Mirror Groups > System Mirror Group**, and press Enter.
3. Complete the following fields, and press Enter.

Table 48. System mirror group fields

Field	Description
Mirror groups	Enter the name or names of one or more mirror groups for which you want to change the type of operation.
Node name	Enter the name of one or more nodes that you want to change to a different storage system.

Table 48. System mirror group fields (continued)

Field	Description
Operation	<p>Press F4 and select from the following options:</p> <p>Swap Select this option to perform a planned HyperSwap on the selected mirror group. You can use this option only if the mirror group is enabled for HyperSwap and the mirror group is part of a resource group that is currently online.</p> <p>Refresh Select this option to rediscover the latest replication path from the underlying storage for the selected mirror group.</p> <p>Show Active Path Select this option to display the currently active site and storage system for the selected mirror group. You can use this option only if the mirror group is enabled for HyperSwap and the mirror group is part of a resource group that is currently online.</p>

4. Verify that all fields are correct and press Enter.

Related tasks:

“Adding a system mirror group for HyperSwap” on page 147

Before you can start using a system mirror group, you must add it to your environment.

“Changing a system mirror group for HyperSwap” on page 147

You can change the properties of an existing system mirror group that you already added to your environment.

Managing cluster repository mirror groups for HyperSwap

Cluster repository mirror groups contain disks that are used for the Cluster Aware AIX (CAA) cluster repository. These disks are shared between multiple nodes, but they cannot be shared across sites.

To manage a cluster repository mirror group, complete the following steps:

1. From the command line, enter **smit cspoc**.
2. From the SMIT interface, select **Storage > Manage Mirror Groups > Cluster Repository Mirror Group**, and press Enter.
3. Complete the following fields, and press Enter.

Table 49. Cluster repository mirror group fields

Field	Description
Mirror groups	Enter the name or names of one or more mirror groups for which you want to change the type of operation.
Operation	<p>Press F4 and select from the following options:</p> <p>Swap Select this option to perform a planned HyperSwap on the selected mirror group. You can use this option only if the mirror group is enabled for HyperSwap and the mirror group is part of a resource group that is currently online.</p> <p>Refresh Select this option to rediscover the latest replication path from the underlying storage for the selected mirror group.</p> <p>Show Active Path Select this option to display the currently active site and storage system for the selected mirror group. You can use this option only if the mirror group is enabled for HyperSwap and the mirror group is part of a resource group that is currently online.</p>

4. Verify that all fields are correct and press Enter.

Related tasks:

“Adding a cluster repository mirror group for HyperSwap” on page 148

Before you can start using a cluster repository mirror group, you must add it to your environment.

“Changing a cluster repository mirror group for HyperSwap” on page 149

You can change any of the properties of an existing cluster repository mirror group that you already added to your environment.

Managing mirror groups by nodes for HyperSwap

You can manage mirrors groups that belong to different nodes in the cluster.

To manage mirror groups that belong to different nodes, complete the following steps:

1. From the command line, enter **smit cspoc**.
2. From the SMIT interface, select **Storage > Manage Mirror Groups > Manage Mirror Groups by Nodes**, and press Enter.
3. Complete the following fields, and press Enter.

Table 50. Mirror groups by nodes fields

Field	Description
Node name	Enter the name of one or more nodes that you want to change to a different storage system.
Include system mirror groups	Select yes to include system mirror groups. If you select yes , the system mirror groups must be active on the selected nodes. Select no to not include system mirror groups.
Operation	Press F4 and select from the following options: Swap Select this option to perform a planned HyperSwap on the selected mirror group. You can use this option only if the mirror group is enabled for HyperSwap and the mirror group is part of a resource group that is currently online. Refresh Select this option to rediscover the latest replication path from the underlying storage for the selected mirror group. Show Active Path Select this option to display the currently active site and storage system for the selected mirror group. You can use this option only if the mirror group is enabled for HyperSwap and the mirror group is part of a resource group that is currently online.

4. Verify that all fields are correct and press Enter.

Managing mirror groups by site for HyperSwap

You can manage all mirrors groups that belong to a site.

To manage user mirror groups that belong to a site, complete the following steps:

1. From the command line, enter **smit cspoc**.
2. From the SMIT interface, select **Storage > Manage Mirror Groups > Manage Mirror Groups by Sites**, and press Enter.
3. Complete the following fields, and press Enter.

Table 51. Mirror groups by nodes fields

Field	Description
Site name	Enter the site name for the mirror groups you want manage. If you want to manage a stretched cluster, you must enter more than one site name. If you want to manage a linked cluster, you must manage each site separately.
Include system mirror groups	Select yes to include system mirror groups. If you select yes , the system mirror groups must be active on the selected site. Select no to not include system mirror groups.
Include cluster repository mirror groups	Select yes to include cluster repository mirror groups. If you select yes , the cluster repository mirror groups must be active on the selected site. Select no to not include cluster repository mirror groups.
Operation	<p>Press F4 and select from the following options:</p> <p>Swap Select this option to perform a planned HyperSwap on the selected mirror group. You can use this option only if the mirror group is enabled for HyperSwap and the mirror group is part of a resource group that is currently online.</p> <p>Refresh Select this option to rediscover the latest replication path from the underlying storage for the selected mirror group.</p> <p>Show Active Path Select this option to display the currently active site and storage system for the selected mirror group. You can use this option only if the mirror group is enabled for HyperSwap and the mirror group is part of a resource group that is currently online.</p>

4. Verify that all fields are correct and press Enter.

Troubleshooting HyperSwap configurations

To successfully troubleshoot a HyperSwap configuration, you must know where the log files are located and the commands that you can use to fix common problems.

HyperSwap log files

The following table identifies the different log files that you can use to troubleshoot various HyperSwap problems.

Table 52. Log files to troubleshoot HyperSwap problems

Name	Location	Description
hacmp.out	/var/hacmp/log/hacmp.out	Displays messages that are related to detection, migration, termination, and execution of a PowerHA SystemMirror cluster for an application.
clutils.log	/var/hacmp/log/clutils.log	Displays the results of the automatic verification that runs on a specified PowerHA SystemMirror cluster node every 24 hours.
clxd_debug.log	/var/hacmp/xd/log/clxd_debug.log	Displays information about the clxd daemon.

HyperSwap configurations use kernel extension. Thus, you can view error or warning messages from this kernel extensions by using the **errpt** command. The following example shows HyperSwap configuration when you run the **errpt** command:

```
# errpt
IDENTIFIER  TIMESTAMP  T C RESOURCE_NAME DESCRIPTION
F6D1B11B   0705061213 P S phake     PROGRAM INTERRUPT
F6D1B11B   0705061213 P S phake     PROGRAM INTERRUPT
F6D1B11B   0705061213 P S phake     PROGRAM INTERRUPT
F6D1B11B   0705061213 P S phake     PROGRAM INTERRUPT
F6D1B11B   0705061213 P S phake     PROGRAM INTERRUPT
F6D1B11B   0705061213 P S phake     PROGRAM INTERRUPT
F6D1B11B   0705061213 P S phake     PROGRAM INTERRUPT
63B1A1E6   0705061213 I H pha_1065458178 PPRC Replication Path Recovered
DCB47997   0705060813 T H hdisk71    DISK OPERATION ERROR
4BD7BBF6   0705060813 T H pha_1065458178 PPRC Replication Path Failed
BFCFD000   0705060813 T H hdisk71    PPRC Device Suspended
```

You can also configure kernel extension to create debug logs in the `/etc/syslog.conf` file by completing the following steps:

1. In the `/etc/syslog.conf` file, add the following line:
`kern.debug /var/hacmp/xd/log/syslog.phake rotate size 500k files 7`
2. Create a file that is called `syslog.phake` in the `/var/hacmp/xd/log` directory.
3. Refresh the **syslogd** daemon.

Note: The debug logs are also logged in the console.

Troubleshooting common problems

The following common problems might occur when are configuring the HyperSwap function:

- After a system restarts, the **clxd** daemon is not operating. To troubleshoot this problem, you must start the **clxd** daemon by completing the following steps:

1. From the command, run the following command:
`lssrc -s clxd`
2. From the command line, run the following command:
`tail -f /var/hacmp/xd/log/clxd_debug.log`
3. From the command line, run the following command:
`lsprrc -Ao`
4. From the command line, run the following command:
`startsrc -s clxd`

If the **clxd** daemon is still not starting, contact IBM support.

- The following error message is displayed when you are creating a mirror group:

```
Failed to changed XD Mirror Group 'User_RD_MG2'. errno=22 msg=No Storage System name added
OR PPRC path not established properly
OR Hyperswap is not enabled for disks. Check clxd_debug.log for details
```

This message means that you did not correctly configure the disks that you are using for the mirror group that uses the HyperSwap function. To troubleshoot this problem, review the information in the “Configuring a storage system for HyperSwap” on page 140 topic.

- The following error message is displayed when you are configuring a repository mirror group and HyperSwap moves the mirror group to a disk that is configured to use the HyperSwap function:

```
ERROR: Failed to run 'chrepos'.
Follow recommended user actions to recover from here
(if needed in case caavg_private has not been seen in some or all nodes).
```

To troubleshoot this problem, you can use the **chrepos -r** command on the disk.

- The disks for the mirror group are in a halt state. You can run the **lspprc -A** command to display the status of your disks. The following example output is displayed when you run the **lspprc -A** command:

#	hdisk#	PPRC state	Primary path group ID	Secondary path group ID	Primary Storage WWNN	Secondary Storage WWNN
	hdisk104	Active	-1	0	500507630affc16b	5005076308ffc6d4
	hdisk14	Halt	0(s)	1	500507630affc16b	5005076308ffc6d4
	hdisk15	Halt	0(s)	1	500507630affc16b	5005076308ffc6d4
	hdisk16	Active	0(s)	-1	500507630affc16b	5005076308ffc6d4
	hdisk17	Active	0(s)	-1	500507630affc16b	5005076308ffc6d4
	hdisk18	Active	0(s)	1	500507630affc16b	5005076308ffc6d4

To move a disk from the halt state to an active state, you must reboot the node or bring the resource group for the associated disk online.

Configuring Fibre Channel disks

The `fc_err_recov` parameter has a default value of `delayed_fail` that causes extensive retries in response to problems caused while communicating with the storage subsystem. For the `fc_err_recov` parameter, you can specify the delay in the response time by a value of 10 minute increments before an unrecoverable error is recognized. You can use the `delayed_fail` value if there are not any alternative communication paths to the storage subsystem, or if the storage subsystem holds a rootvg disk, a paging space disk, or other system critical information.

The `fast_fail` value for the `fc_err_recov` parameter causes fewer retries and more timely recognition of an unrecoverable error by the system than the `delayed_fail` value. Depending on the problem, the `fast_fail` value allows the AIX MPIO device driver, the AIX Logical Volume Manager (LVM), or PowerHA SystemMirror to react quickly to a communication problem with the storage subsystem. You can use the `fast_fail` value if the configuration is likely to experience solid failures, such as severing of the Fibre Channel links or loss of power to the storage subsystem.

Before you change the values for the `fc_err_recov` parameter, you must determine the appropriate Fibre Channel SCSI device or devices by completing the following steps:

- To list all the disk and the owning volume groups that are known to the subsystem, run the **lspp** command. The names of the disks in the volume groups on the storage subsystem are managed by PowerHA SystemMirror.
- To determine the name of the Fibre Channel SCSI adapter that is used to communicate with the devices, run the **lsdev -C -l <disk_name> -F parent** command for each disk.

To change the values for the `fc_err_recov` parameter by using the SMIT interface, complete the following steps:

- From the command line, enter `smit devices`.
- From the SMIT interface, select **FC adapter > FC SCSI protocol device > Change/Show characteristics of an FC SCSI device**, and press Enter.
- Select the Fibre Channel SCSI device that you want to change.
- Change the **FC Fabric Event Error RECOVERY Policy** field to the desired value, and press Enter.
- In the **Apply change to DATABASE only** field, enter **yes** .
- Reboot the node.

Troubleshooting manual recovery for storage subsystems

PowerHA SystemMirror Enterprise Edition Version 7.1.2, or later, supports various storage subsystems that provide high availability for applications and services by monitoring for failures and implementing an automatic recovery for the failure. The storage subsystems use various replication technologies to manage the replication of data between a primary and auxiliary data center.

If the storage subsystem is online and available, PowerHA SystemMirror Enterprise Edition 7.1.2, or later, can automatically manage the replicated data during the fallover and fallback. However, the following scenarios explain in what circumstances PowerHA SystemMirror Enterprise Edition does not automatically manage the replicated data and when manual intervention is required:

- PowerHA SystemMirror Enterprise Edition cannot determine the status of the storage subsystem, storage links, or device groups. In this scenario, PowerHA SystemMirror Enterprise Edition stops the cluster event processing and displays the corrective actions in the `/var/hacmp/log/hacmp.out` log file. To troubleshoot storage subsystem problems, review the information in the RECOMMENDED USER ACTIONS section in the `/var/hacmp/log/hacmp.out` log file.

When the storage subsystem is brought back online, you must manually resume cluster event processing by selecting **Problem Determination Tools > Recover PowerHA SystemMirror From Script Failure** from the SMIT interface.

- A fallover occurs for a partitioned cluster across different sites. The primary and auxiliary partitions begin to write data to a local storage subsystem. When the primary partition recovers and the storage links are brought back online, you must determine whether the data from the two sites can be merged or if one site's data can replace the other site's data. In this scenario, you do not want PowerHA SystemMirror Enterprise Edition to use the automatic recovery function.

To configure PowerHA SystemMirror Enterprise Edition to use manual recovery, complete the following steps:

1. From the command line, enter `smit sysmirror`.
2. In the SMIT interface, select **Cluster Applications and Resources > Resources**.
3. Select the storage subsystem that you want to configure for manual recovery.
4. From the **Recovery Action** field, select **MANUAL**.

Notices

This information was developed for products and services offered in the US.

IBM may not offer the products, services, or features discussed in this document in other countries. Consult your local IBM representative for information on the products and services currently available in your area. Any reference to an IBM product, program, or service is not intended to state or imply that only that IBM product, program, or service may be used. Any functionally equivalent product, program, or service that does not infringe any IBM intellectual property right may be used instead. However, it is the user's responsibility to evaluate and verify the operation of any non-IBM product, program, or service.

IBM may have patents or pending patent applications covering subject matter described in this document. The furnishing of this document does not grant you any license to these patents. You can send license inquiries, in writing, to:

*IBM Director of Licensing
IBM Corporation
North Castle Drive, MD-NC119
Armonk, NY 10504-1785
US*

For license inquiries regarding double-byte character set (DBCS) information, contact the IBM Intellectual Property Department in your country or send inquiries, in writing, to:

*Intellectual Property Licensing
Legal and Intellectual Property Law
IBM Japan Ltd.
19-21, Nihonbashi-Hakozakicho, Chuo-ku
Tokyo 103-8510, Japan*

INTERNATIONAL BUSINESS MACHINES CORPORATION PROVIDES THIS PUBLICATION "AS IS" WITHOUT WARRANTY OF ANY KIND, EITHER EXPRESS OR IMPLIED, INCLUDING, BUT NOT LIMITED TO, THE IMPLIED WARRANTIES OF NON-INFRINGEMENT, MERCHANTABILITY OR FITNESS FOR A PARTICULAR PURPOSE. Some jurisdictions do not allow disclaimer of express or implied warranties in certain transactions, therefore, this statement may not apply to you.

This information could include technical inaccuracies or typographical errors. Changes are periodically made to the information herein; these changes will be incorporated in new editions of the publication. IBM may make improvements and/or changes in the product(s) and/or the program(s) described in this publication at any time without notice.

Any references in this information to non-IBM websites are provided for convenience only and do not in any manner serve as an endorsement of those websites. The materials at those websites are not part of the materials for this IBM product and use of those websites is at your own risk.

IBM may use or distribute any of the information you provide in any way it believes appropriate without incurring any obligation to you.

Licenseses of this program who wish to have information about it for the purpose of enabling: (i) the exchange of information between independently created programs and other programs (including this one) and (ii) the mutual use of the information which has been exchanged, should contact:

*IBM Director of Licensing
IBM Corporation
North Castle Drive, MD-NC119
Armonk, NY 10504-1785
US*

Such information may be available, subject to appropriate terms and conditions, including in some cases, payment of a fee.

The licensed program described in this document and all licensed material available for it are provided by IBM under terms of the IBM Customer Agreement, IBM International Program License Agreement or any equivalent agreement between us.

The performance data and client examples cited are presented for illustrative purposes only. Actual performance results may vary depending on specific configurations and operating conditions.

Information concerning non-IBM products was obtained from the suppliers of those products, their published announcements or other publicly available sources. IBM has not tested those products and cannot confirm the accuracy of performance, compatibility or any other claims related to non-IBM products. Questions on the capabilities of non-IBM products should be addressed to the suppliers of those products.

Statements regarding IBM's future direction or intent are subject to change or withdrawal without notice, and represent goals and objectives only.

All IBM prices shown are IBM's suggested retail prices, are current and are subject to change without notice. Dealer prices may vary.

This information is for planning purposes only. The information herein is subject to change before the products described become available.

This information contains examples of data and reports used in daily business operations. To illustrate them as completely as possible, the examples include the names of individuals, companies, brands, and products. All of these names are fictitious and any similarity to actual people or business enterprises is entirely coincidental.

COPYRIGHT LICENSE:

This information contains sample application programs in source language, which illustrate programming techniques on various operating platforms. You may copy, modify, and distribute these sample programs in any form without payment to IBM, for the purposes of developing, using, marketing or distributing application programs conforming to the application programming interface for the operating platform for which the sample programs are written. These examples have not been thoroughly tested under all conditions. IBM, therefore, cannot guarantee or imply reliability, serviceability, or function of these programs. The sample programs are provided "AS IS", without warranty of any kind. IBM shall not be liable for any damages arising out of your use of the sample programs.

Each copy or any portion of these sample programs or any derivative work must include a copyright notice as follows:

© (your company name) (year).

Portions of this code are derived from IBM Corp. Sample Programs.

© Copyright IBM Corp. _enter the year or years_.

Privacy policy considerations

IBM Software products, including software as a service solutions, (“Software Offerings”) may use cookies or other technologies to collect product usage information, to help improve the end user experience, to tailor interactions with the end user or for other purposes. In many cases no personally identifiable information is collected by the Software Offerings. Some of our Software Offerings can help enable you to collect personally identifiable information. If this Software Offering uses cookies to collect personally identifiable information, specific information about this offering’s use of cookies is set forth below.

This Software Offering does not use cookies or other technologies to collect personally identifiable information.

If the configurations deployed for this Software Offering provide you as the customer the ability to collect personally identifiable information from end users via cookies and other technologies, you should seek your own legal advice about any laws applicable to such data collection, including any requirements for notice and consent.

For more information about the use of various technologies, including cookies, for these purposes, see IBM’s Privacy Policy at <http://www.ibm.com/privacy> and IBM’s Online Privacy Statement at <http://www.ibm.com/privacy/details> the section entitled “Cookies, Web Beacons and Other Technologies” and the “IBM Software Products and Software-as-a-Service Privacy Statement” at <http://www.ibm.com/software/info/product-privacy>.

Trademarks

IBM, the IBM logo, and [ibm.com](http://www.ibm.com) are trademarks or registered trademarks of International Business Machines Corp., registered in many jurisdictions worldwide. Other product and service names might be trademarks of IBM or other companies. A current list of IBM trademarks is available on the web at www.ibm.com/legal/copytrade.shtml.

Java and all Java-based trademarks and logos are trademarks or registered trademarks of Oracle and/or its affiliates.

Index

A

- adding
 - DSCLI management
 - replicated resource 49

C

- CD-ROM 13
- changing
 - consistency group
 - site configuration 63
 - Direct management
 - replicated resource configuration 36, 37
 - site configuration 37
 - DSCLI management
 - replicated resource configuration 53
 - site configuration 53
 - SVC management
 - relationships 93
 - resources 94
- cl_verify_svcpprc_config command
 - SVC management 97
- clrelationship command
 - SVC management 97
- clssvc command
 - SVC management 96
- clssvcpprc command
 - SVC management 96
- cluster
 - configuring
 - Direct Management 30
 - SVC Management 87
 - PowerHA SystemMirror Enterprise Edition for AIX for Metro Mirror 5
 - starting
 - Direct management 36
 - DSCLI management 53
 - SVC management 92
 - SVC management
 - viewing 96
- configuring
 - consistency group 59
 - Direct management 25
 - cluster 30
 - overview 26
 - PPRC paths 20
 - PPRC tasks 27
 - prerequisites 25
 - resource groups 36
 - support 26
 - DSCLI management 47
 - replicated resource 48
 - resource groups 51
 - SVC management 87
 - cluster 87
- consistency group
 - changing
 - site configuration 63
 - configuring 59
 - installing 59

- consistency group (*continued*)
 - overview 54
 - planning 55
 - planning resource group 56
 - sample configuration 56
 - troubleshooting
 - configuration 66
 - verifying
 - configuration 65
- Copy Services Server
 - defining
 - DSCLI managing 48
 - planning for Direct management 20

D

- defining
 - Direct management
 - ESS disk subsystems 30
 - PPRC pairs 31
 - PPRC tasks 32
 - replicated resource 30
 - DSCLI management
 - Copy Services Server 48
 - ESS disk subsystems 49
 - SVC management
 - replicated resource configuration 88
- Direct management
 - changing replicated resource configuration 36, 37
 - changing site configuration 37
 - configuration overview 26
 - configuring 25
 - configuring cluster 30
 - configuring PPRC paths 20
 - configuring PPRC tasks 27
 - configuring prerequisites 25
 - configuring resource groups 36
 - configuring support 26
 - defining ESS disk subsystems 30
 - defining PPRC pair 31
 - defining PPRC task 32
 - defining replicated resource 30
 - improving volume group performance 34
 - installation troubleshooting 25
 - installing 23
 - installing prerequisites 24
 - installing software requirements 24
 - planning 17
 - planning connections 20
 - planning Copy Services Server 20
 - planning integration 19
 - planning PPRC replicated resource 21
 - planning PPRC resource group 23
 - planning prerequisites 18
 - planning tasks for ESS 22
 - PowerHA SystemMirror Enterprise Edition for AIX for Metro Mirror 17
 - sample configuration 18
 - starting the cluster 36
 - synchronizing PPRC configuration 35
 - verifying PPRC configuration 35

- Direct management *(continued)*
 - volume groups 21
- disk subsystem 3
- DSCSI management
 - adding replicated resource 49
 - changing replicated resource configuration 53
 - changing site configuration 53
 - consistency group 63
 - configuring 47, 87
 - configuring replicated resource 48
 - configuring resource groups 51
 - consistency group
 - configuring 59
 - defining Copy Services Server 48
 - defining ESS disk subsystems 49
 - installation directories 47
 - installing 45
 - installing consistency group 59
 - installing software requirements 46
 - overview 4, 38
 - consistency group 54
 - planning 38
 - consistency groups 55
 - planning prerequisites 39
 - planning resource group 44
 - consistency group 56
 - PowerHA SystemMirror Enterprise Edition for AIX for Metro Mirror 38
 - sample configuration 40
 - consistency group 56
 - starting the cluster 53
 - synchronizing PPRC configuration 52
 - troubleshooting
 - consistency group configuration 66
 - upgrading 47
 - verifying configuration
 - consistency group 65
 - verifying PPRC configuration 51
 - volume groups 42

E

- ESS
 - planning for Direct management 22
- ESS disk subsystems
 - defining
 - Direct managing 30
 - DSCSI managing 49

F

- fallback 7
- fallover 7

H

- hard disk 12
- HyperSwap
 - active-active workloads 132
 - active-active workloads across sites 132
 - active-active workloads within a site 133
 - configuration settings 139
 - Configuring 140
 - Configuring a cluster repository mirror group 148
 - configuring a single node 151
 - Configuring a storage system 140

HyperSwap *(continued)*

- Configuring system mirror groups 147
- Configuring user mirror groups 144
- in-band communication 140, 141
- Installing 140
- Managing cluster repository mirror groups 153
- Managing mirror groups by nodes 154
- Managing mirror groups by sites 154
- Managing system mirror groups 152
- Managing user mirror groups 151
- Planned 125
- Planning 137
- PowerHA SystemMirror 124
- Removing a mirror group 150
- resync function 134
- support for DS8800 138
- support for raw disks 139
- timeout 125
- troubleshooting 155
- Unplanned 126
- zoning requirements 139

I

- improving
 - Direct management
 - volume group performance 34
- installation directories
 - DSCSI management 47
- installation server 12
- installing
 - CD-ROM 13
 - consistency group 59
 - Direct management 23
 - prerequisites 24
 - software requirements 24
 - troubleshooting 25
 - DSCSI management 45
 - directories 47
 - software requirements 46
 - hard disk 12
 - installation media 11
 - installation server 12
 - PowerHA SystemMirror Enterprise Edition for AIX for Metro Mirror 10
 - prerequisites for PowerHA SystemMirror Enterprise Edition for AIX for Metro Mirror 10
 - recovering from failed installation 16
 - SVC management 86
 - troubleshoot 17

M

- maintaining
 - PowerHA SystemMirror Enterprise Edition for AIX for Metro Mirror 68
- Metro Mirror PPRC
 - in-band communication 142
- mirroring 3
- modifying
 - previous snapshots 16

O

- overview 1
 - consistency group 54

- overview (*continued*)
 - Direct management
 - configuration 26
 - DSCLI management 38
 - planning 8
 - pprc 3
 - SVC management 79

P

- planning
 - consistency group
 - resource group 56
 - consistency groups 55
 - Direct management 17
 - connections 20
 - Copy Services Server 20
 - integration 19
 - PPRC replicated resource 21
 - PPRC resource group 23
 - prerequisites 18
 - sample configuration 18
 - tasks for ESS 22
 - volume groups 21
 - DSCLI management 38
 - prerequisites 39
 - resource group 44
 - sample configuration 40
 - volume groups 42
 - overview for PowerHA SystemMirror Enterprise Edition for AIX for Metro Mirror 8
 - PowerHA SystemMirror Enterprise Edition for AIX for Metro Mirror 8
 - resource group 9
 - site 9
 - SVC management 80
 - prerequisites 81
 - sample configuration 81
 - support 84
 - volume groups 84
- PowerHA SystemMirror
 - HyperSwap 124
- PowerHA SystemMirror Enterprise Edition for AIX for Metro Mirror
 - cluster 5
 - Direct management 17
 - DSCLI management 38
 - overview 38
 - fallback 7
 - fallover 7
 - installation media 11
 - installing 10
 - installing from CD-ROM 13
 - installing from hard disk 12
 - installing from installation server 12
 - installing prerequisites 10
 - maintaining 68
 - management types 8
 - planning 8
 - planning overview 8
 - SVC management
 - overview 79
 - troubleshooting 69
 - upgrading 15
 - upgrading software 15
 - verifying upgrade 16

- PowerHA SystemMirror for Metro Mirror
 - recovering from failed installation 16
- PPRC pair
 - defining
 - Direct management 31
- PPRC paths
 - configuring for Direct management 20
- PPRC replicated resource 6
 - planning for Direct management 21
- PPRC resource group
 - planning for Direct management 23
- PPRC task
 - defining
 - Direct management 32
- PPRC tasks
 - configuring for Direct management 27
- prerequisites 1

R

- recovering
 - from failed installation 16
- relationship
 - SVC management
 - changing 93
 - removing 94
- removing
 - SVC management 93
 - relationships 94
 - resources 95
- replicated resource
 - adding
 - DSCLI management 49
 - changing configuration
 - Direct management 36, 37
 - DSCLI management 53
 - configuring
 - DSCLI management 48
 - defining
 - Direct management 30
 - defining configuration
 - SVC management 88
 - Direct management 6
 - DSCLI-managed 6
 - SVC-managed 6
- resource
 - SVC management
 - changing 94
 - removing 95
- resource group 6
 - configuring
 - Direct management 36
 - DSCLI management 51
 - planning 9
 - planning for consistency group 56
 - planning for DSCLI management 44

S

- sample configuration
 - consistency group 56
 - Direct management 18
 - DSCLI management 40
 - SVC management 81

- site
 - changing configuration
 - consistency group 63
 - Direct management 37
 - DSCLI management 53
 - planning 9
- snapshots
 - modifying previous 16
- software requirements
 - Direct management 24
 - DSCLI management 46
- starting
 - Direct management
 - cluster 36
 - DSCLI management
 - cluster 53
 - SVC management
 - cluster 92
- SVC management
 - changing
 - relationships 93
 - resources 94
 - cl_verify_svcpprc_config command 97
 - clrelationship command 97
 - clssvc command 96
 - clssvcpprc command 96
 - configuring cluster 87
 - defining replicated resource configuration 88
 - installing 86
 - overview 5, 79
 - planning 80
 - support 84
 - volume groups 84
 - planning prerequisites 81
 - removing 93
 - relationships 94
 - resources 95
 - sample configuration 81
 - starting the cluster 92
 - synchronizing PPRC configuration 91
 - troubleshooting 95
 - verifying PPRC configuration 91
 - viewing
 - clusters 96
- synchronizing
 - Direct management
 - PPRC configuration 35
 - DSCLI management
 - PPRC configuration 52
 - SVC management
 - PPRC configuration 91

T

- troubleshooting
 - consistency group 66
 - Direct management installation 25
 - installation 17
 - PowerHA SystemMirror Enterprise Edition for AIX for Metro Mirror 69
 - SVC management 95

U

- upgrading
 - DSCLI management 47

- upgrading (*continued*)
 - PowerHA SystemMirror Enterprise Edition for AIX for Metro Mirror 15
 - software for PowerHA SystemMirror Enterprise Edition for AIX for Metro Mirror 15
 - verifying 16

V

- verifying
 - consistency group
 - configuration 65
 - Direct management
 - PPRC configuration 35
 - DSCLI management
 - PPRC configuration 51
 - SVC management
 - PPRC configuration 91
 - upgrade 16
- viewing
 - SVC management
 - clusters 96
- volume group
 - Direct management 21
 - DSCLI management 42
 - improving
 - Direct management 34
 - SVC management 84



Printed in USA