

*IBM Power System AC922 (8335-GTX)  
Quick Install Guide*



This 2021-12-02 edition applies to IBM® Power Systems servers that contain the POWER9™ processor and to all associated models.

© **Copyright International Business Machines Corporation 2018, 2020.**

US Government Users Restricted Rights – Use, duplication or disclosure restricted by GSA ADP Schedule Contract with IBM Corp.

---

# IBM Power<sup>®</sup> System AC922 (8335-GTX) Quick Install Guide

Read all precautions and instructions before you start working on the system and its parts.

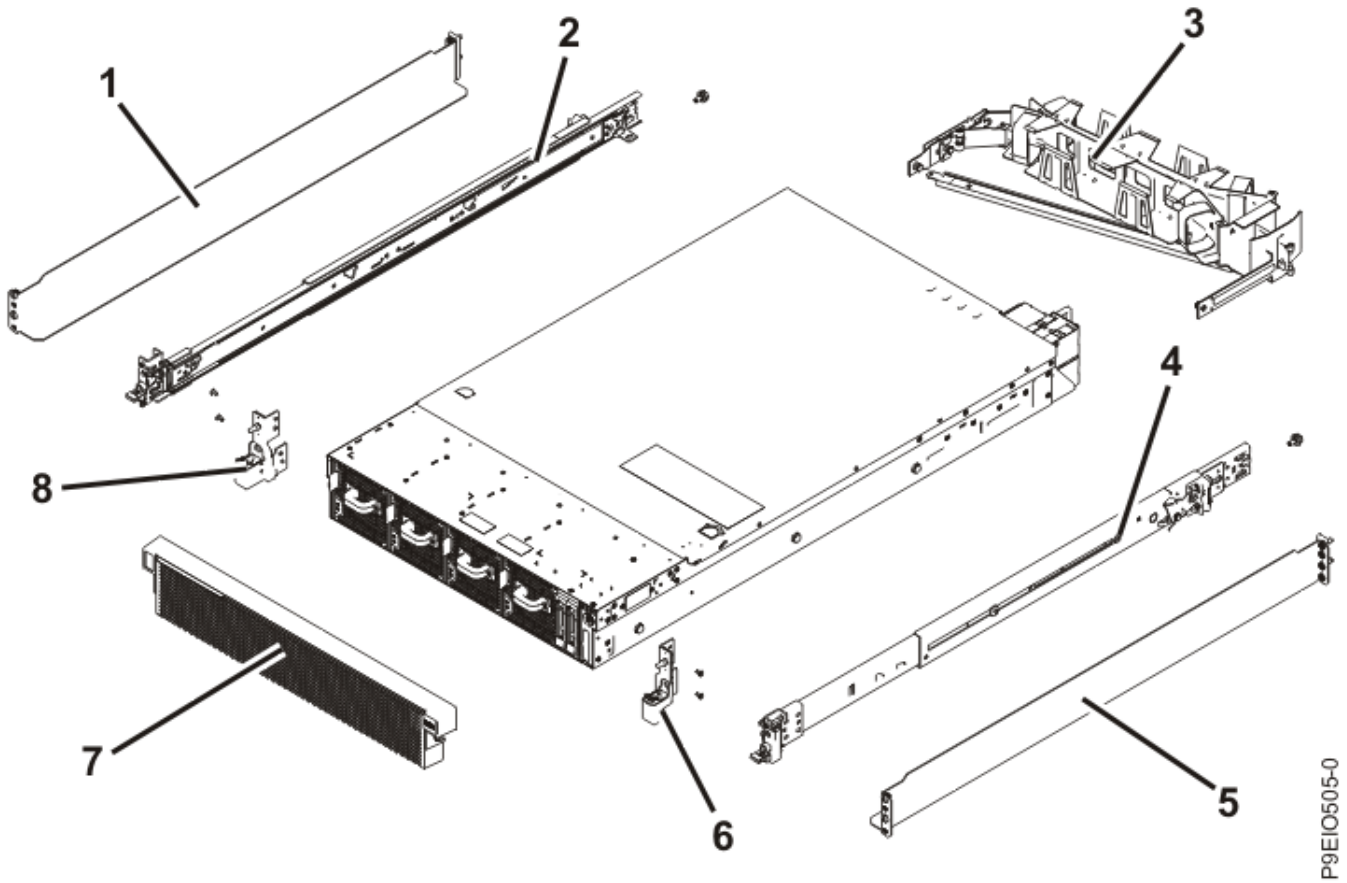
Use normal electrostatic discharge (ESD) procedures when working on the system and parts. IBM recommends wearing gloves and an ESD wrist strap to avoid possible damage to the equipment.

The information about the 8335-GTX system is available online in the IBM Knowledge Center. <http://www.ibm.com/support/knowledgecenter/8335-GTX>



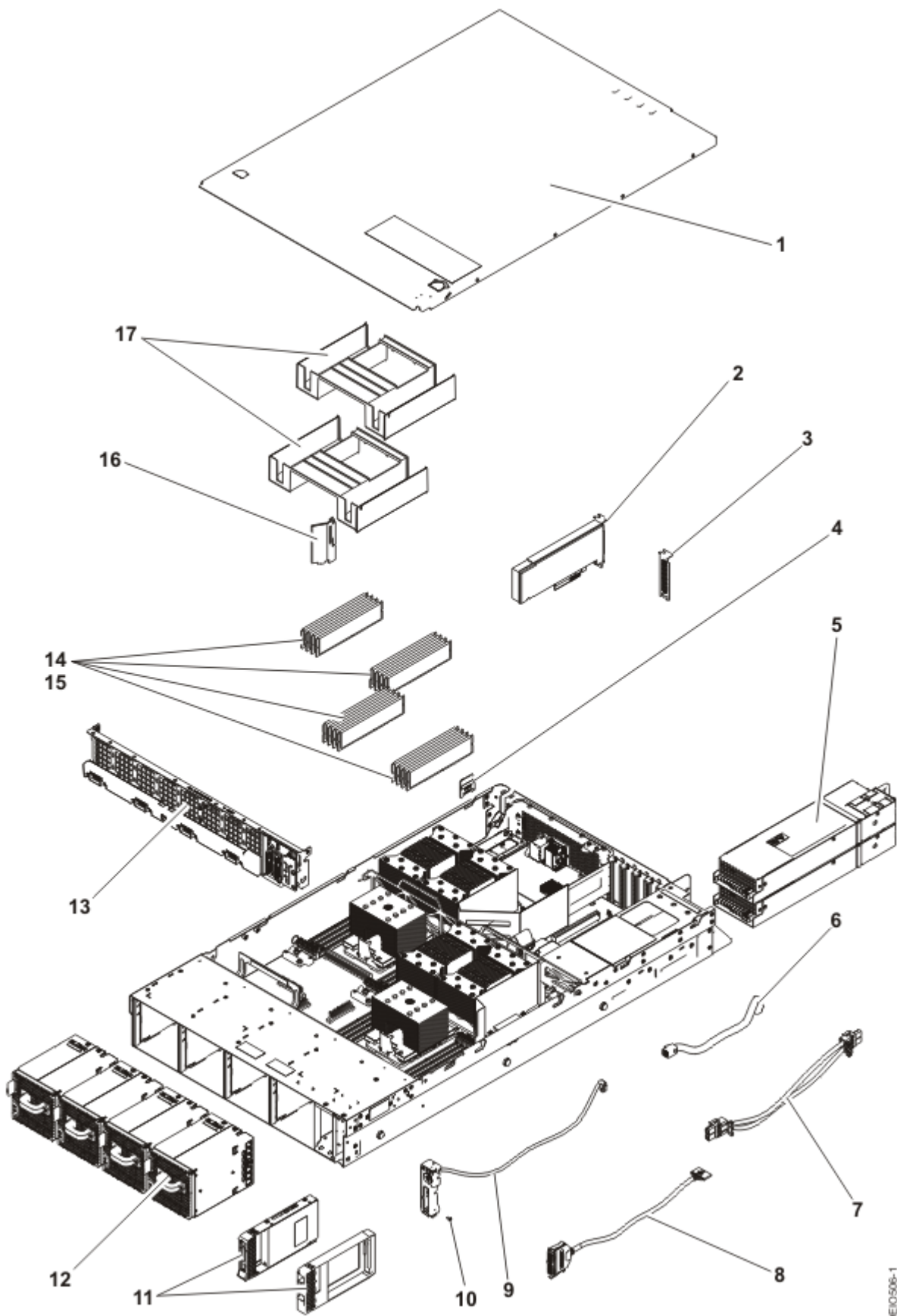
# Parts

Use this information to find the field-replaceable unit (FRU) part numbers.



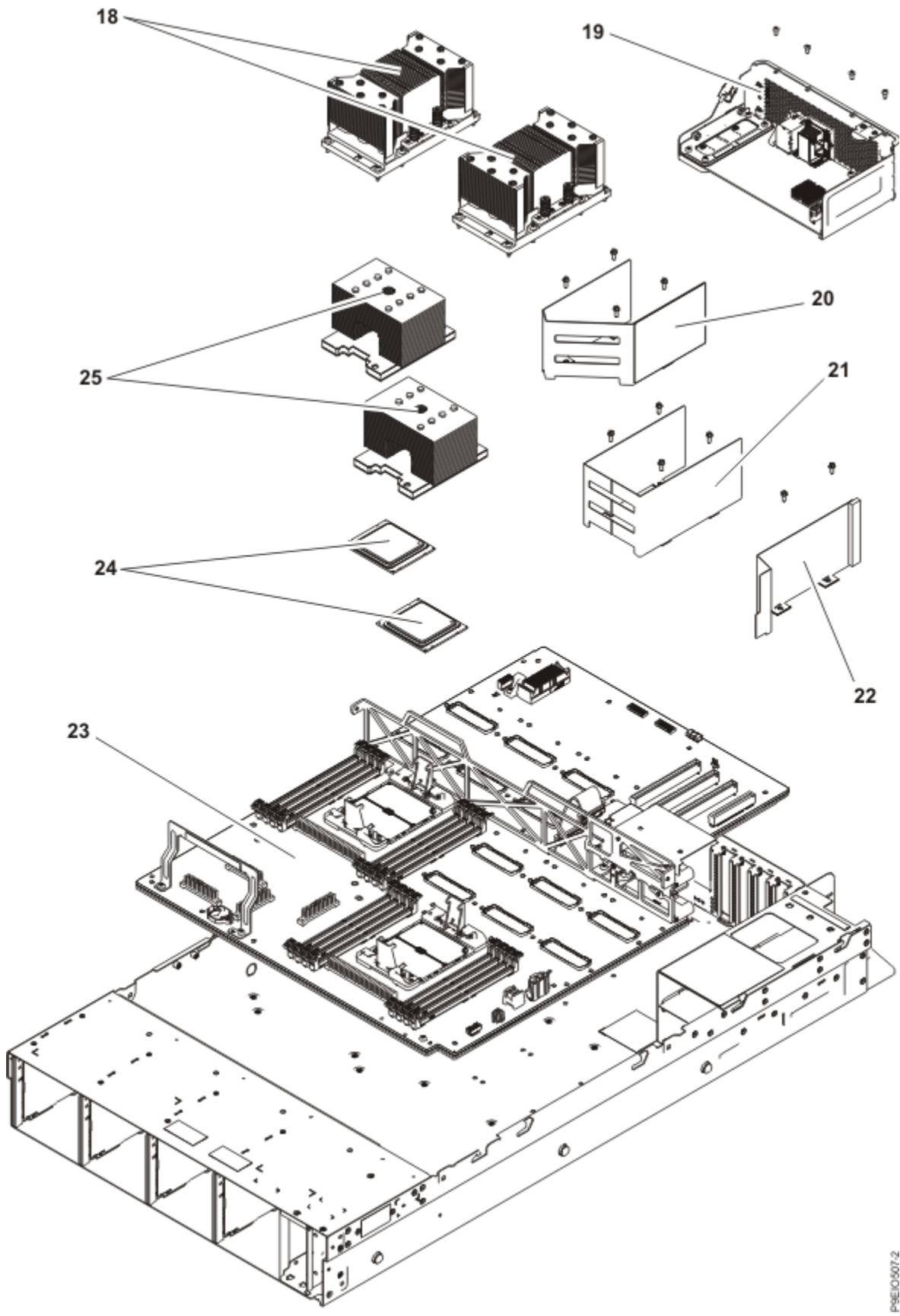
P9EIO505-0

Figure 1. Rack final assembly



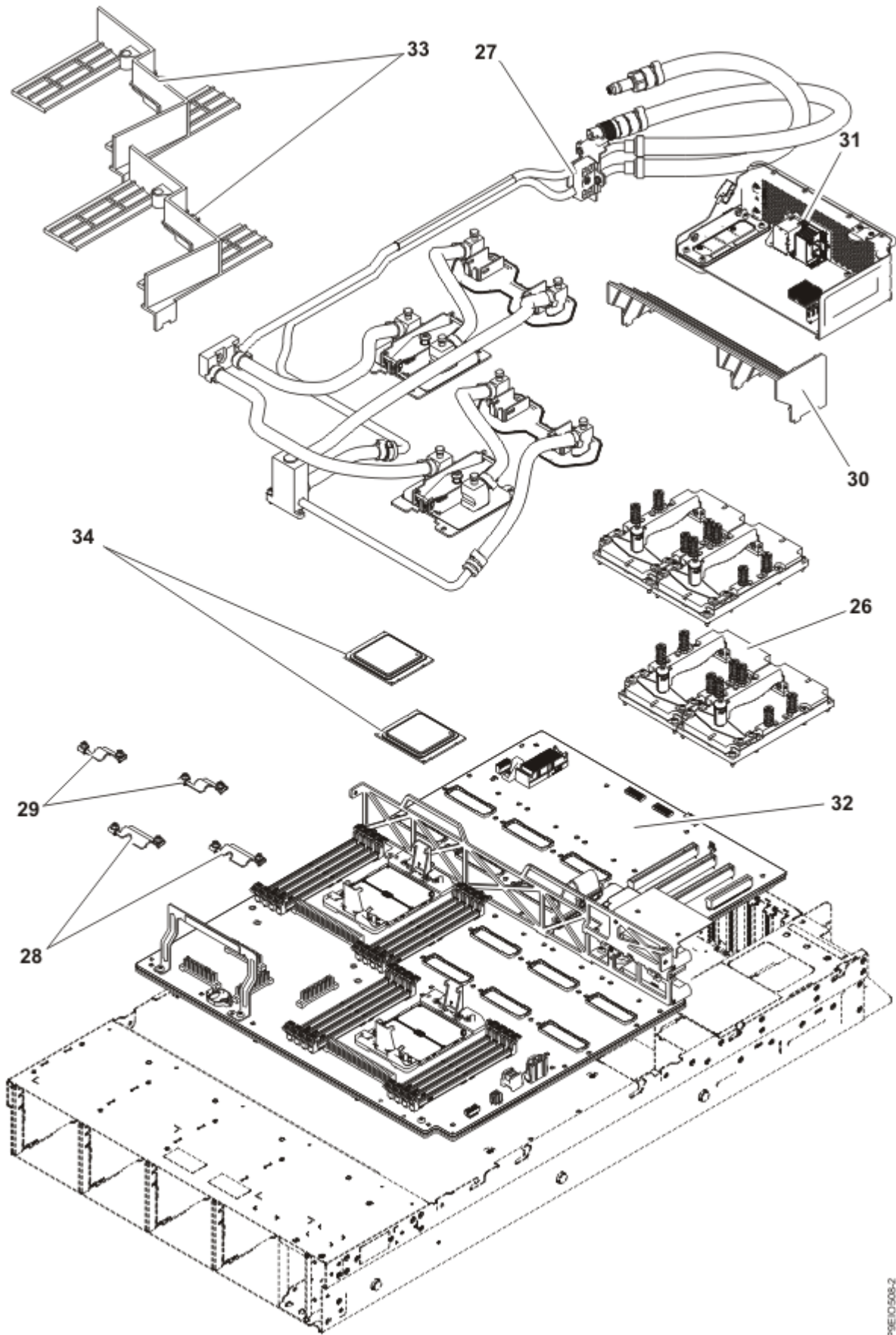
P9E10506-1

Figure 2. System parts



PSE/0507/2

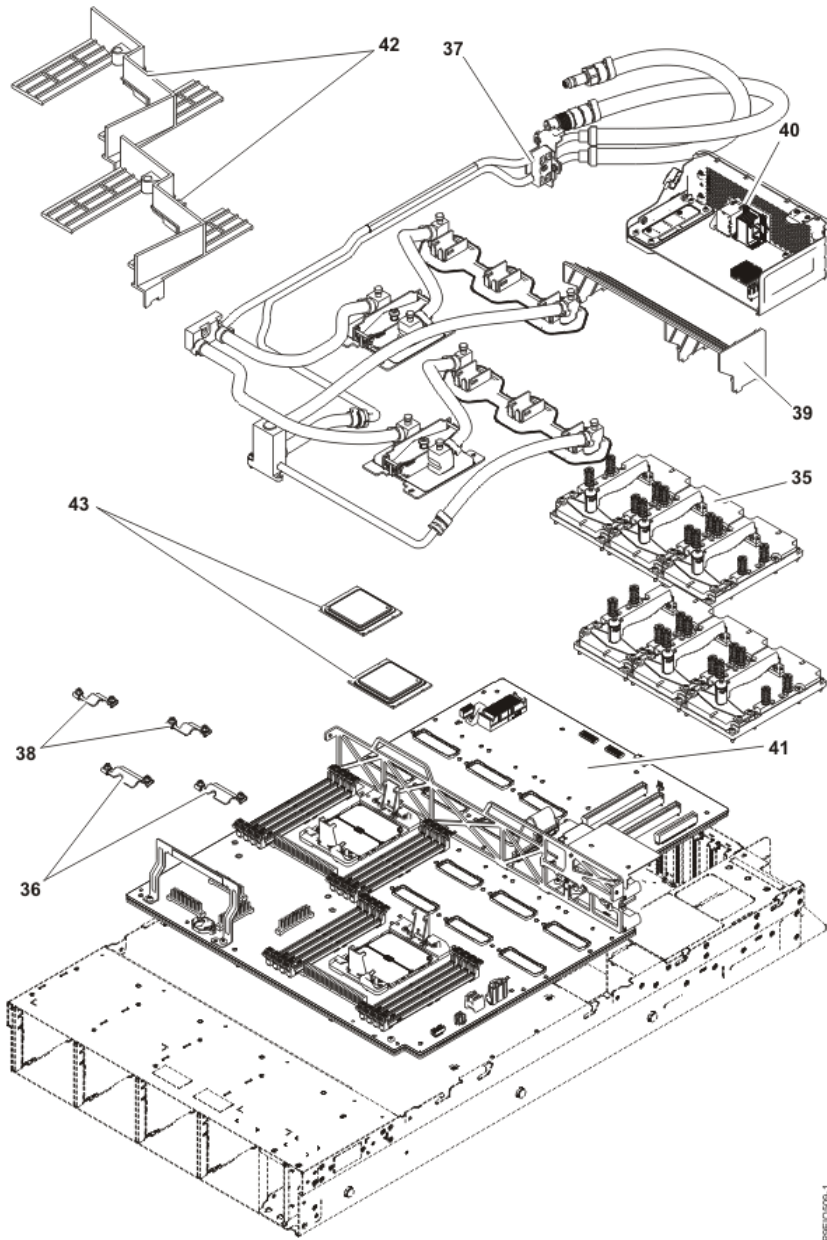
Figure 3. Additional system parts (8335-GTC, 8335-GTG, or 8335-GTH air-cooled system)



PREIO508-2

Figure 4. Additional system parts (8335-GTW or 8335-GTX water-cooled system with 4 GPUs)





PRE0009-1

Figure 5. Additional system parts (8335-GTW or 8335-GTX water-cooled system with 6 GPUs)



## Rear ports

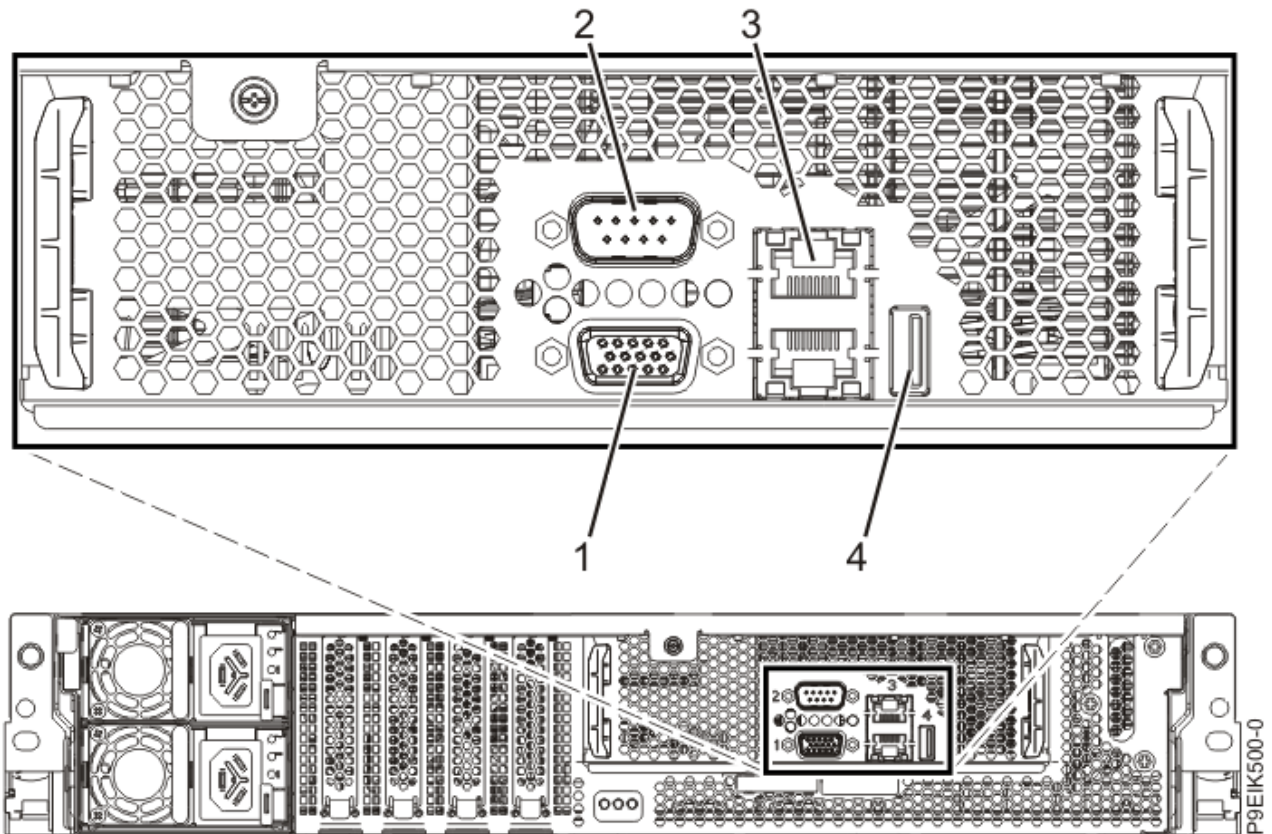


Figure 6. Rear view of the system with ports displayed

Identifier	Description
1	Video Graphics Array (VGA)
2	Intelligent Platform Management Interface (IPMI) serial
3	Ethernet. Use the top Ethernet port for the BMC/ IPMI interface (as PHY0). Use the bottom Ethernet port for any direct operating system usage (as PHY1).
4	USB 3.0



# Installing and removing IBM Power System AC922 (8335-GTX) parts

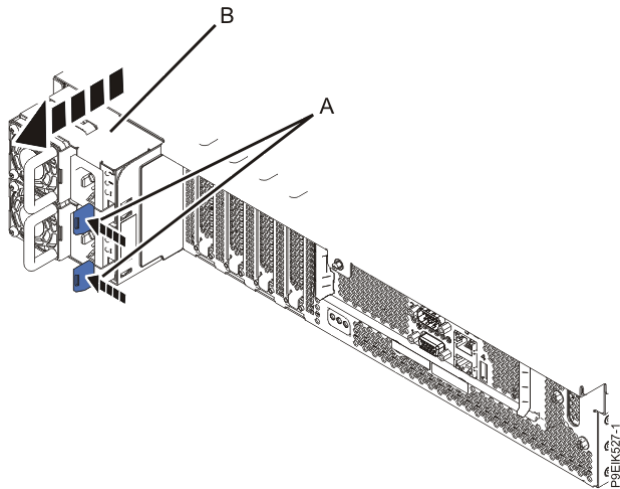


Figure 7. Removing the power supplies from the system

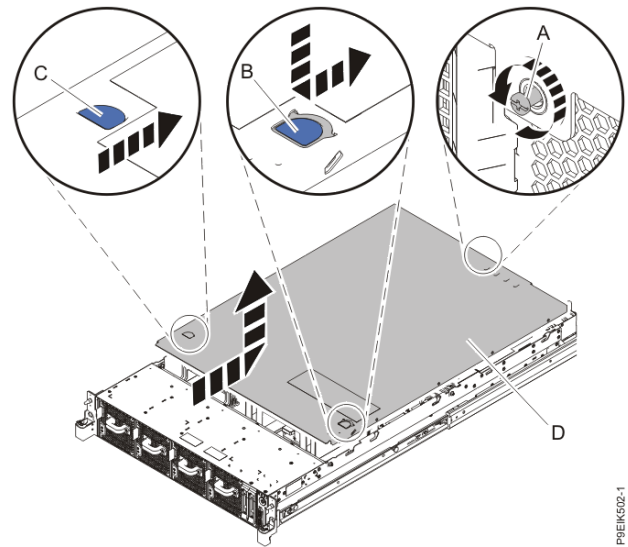


Figure 8. Removing the cover

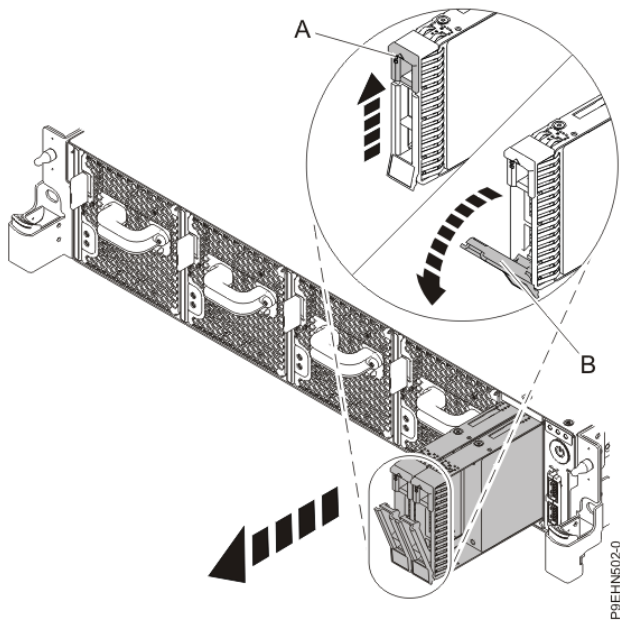


Figure 9. Disk drive lock detail

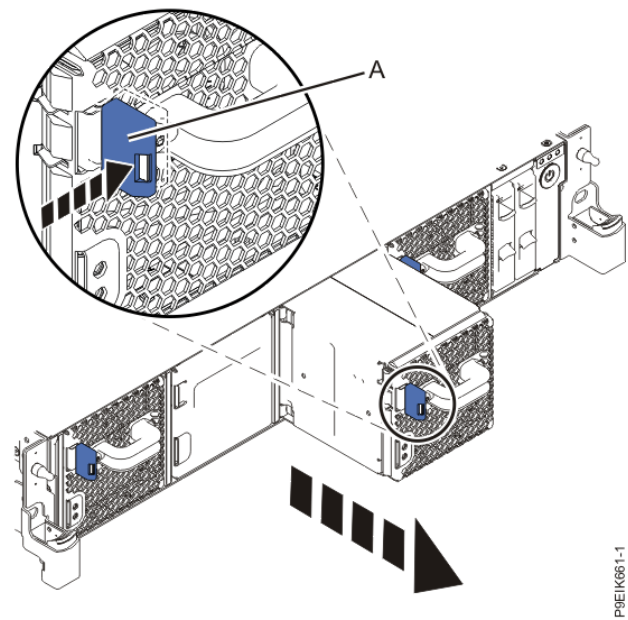


Figure 10. Removing a fan from the system

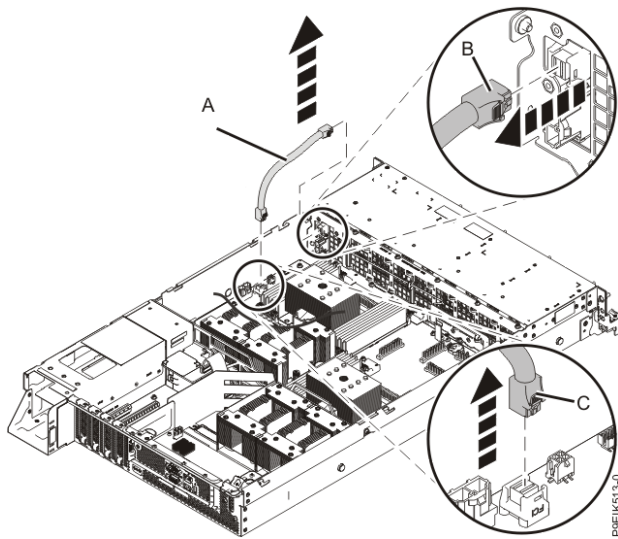


Figure 11. Removing the disk and fan signal cable

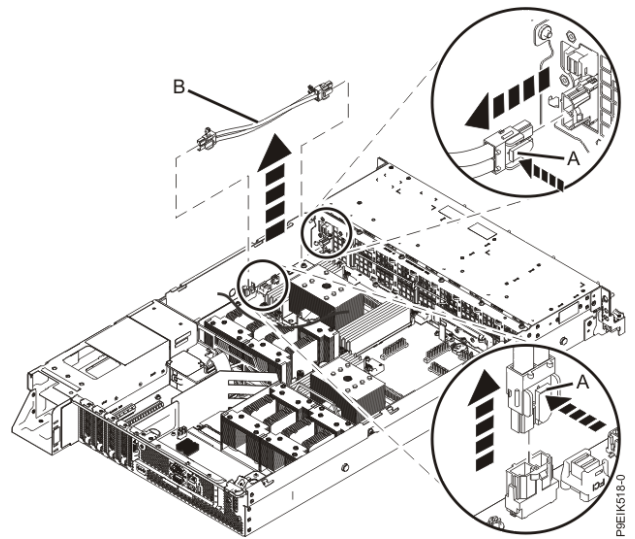


Figure 12. Removing the fan power cable from the system

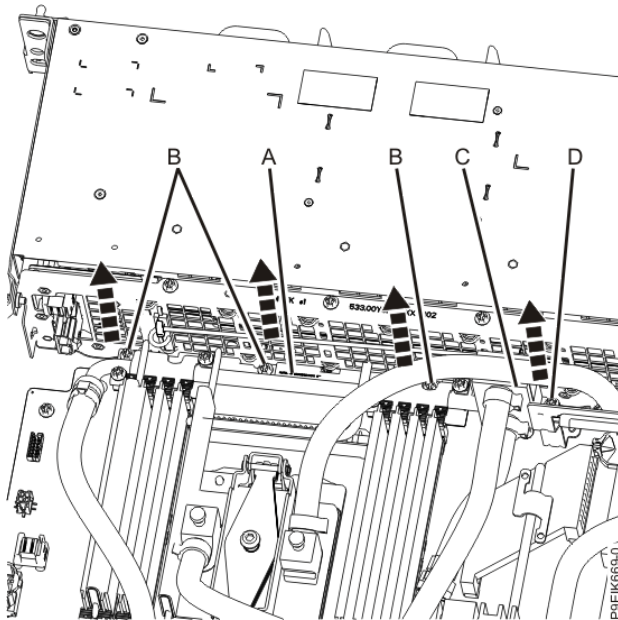


Figure 13. Removing the front pipe holder



Figure 14. Moving the front pipe away

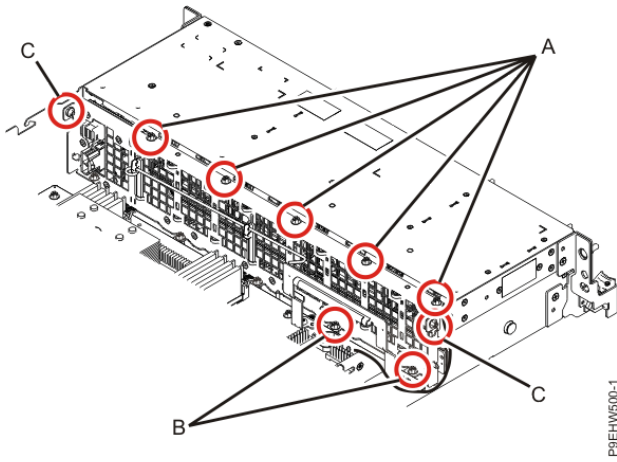


Figure 15. Screw locations for the disk drive and fan card

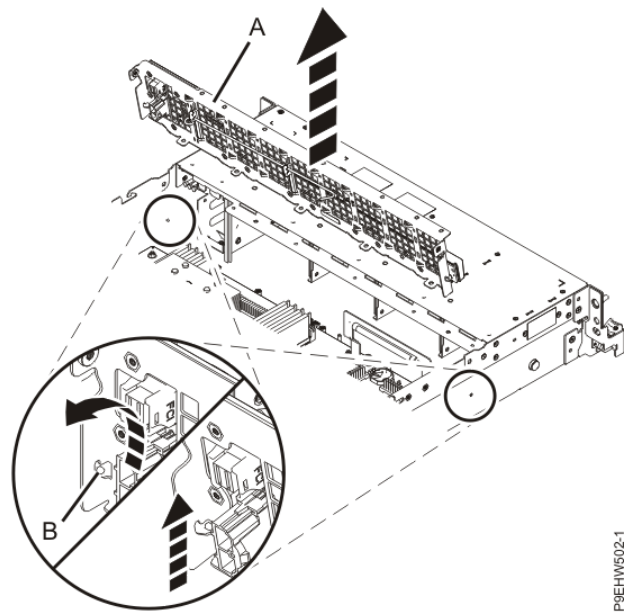


Figure 16. Removing the disk drive and fan card

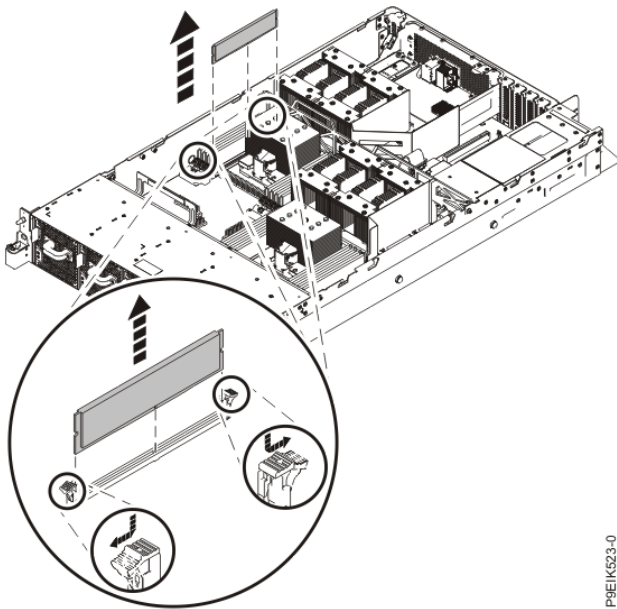


Figure 17. Removing a memory module

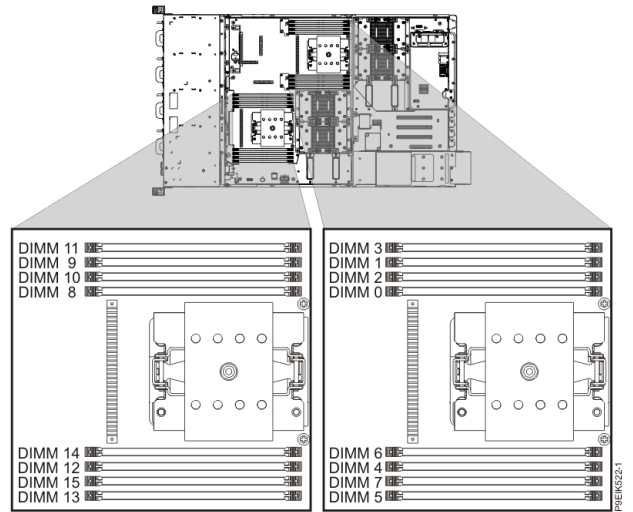
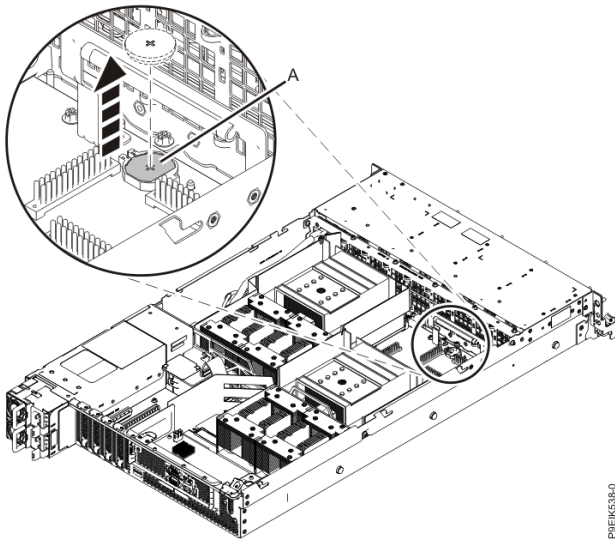
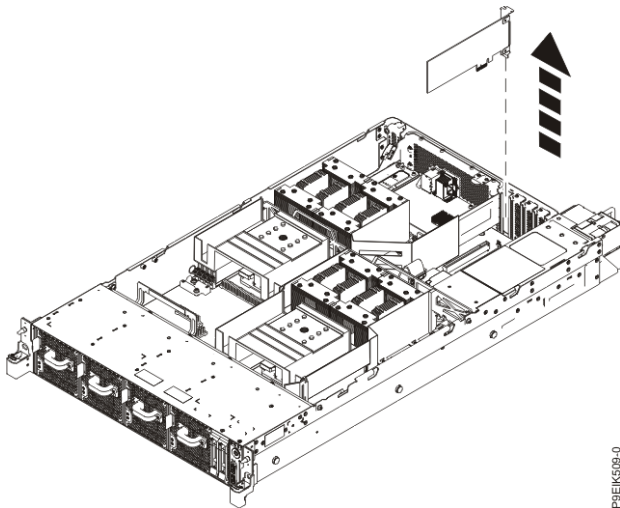


Figure 18. Location of the memory modules



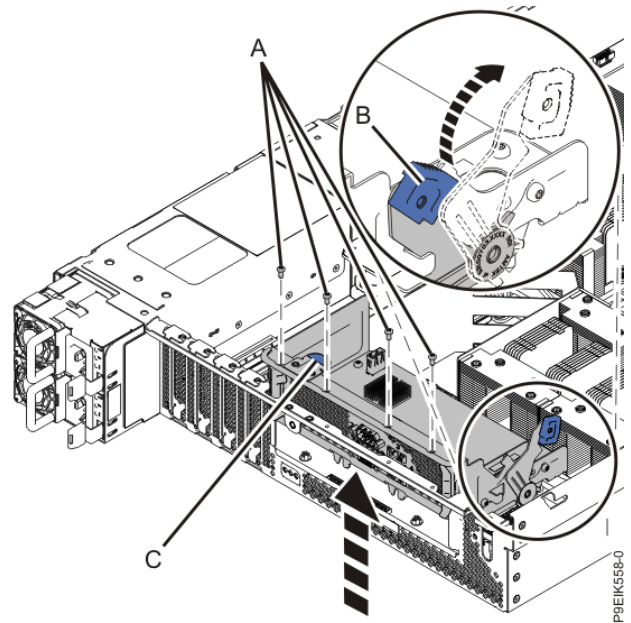
P9EIK538-0

Figure 19. Removing the time-of-day battery from the system backplane



P9EIK509-0

Figure 20. Removing a PCIe adapter



P9EIK558-0

Figure 21. Removing the BMC card



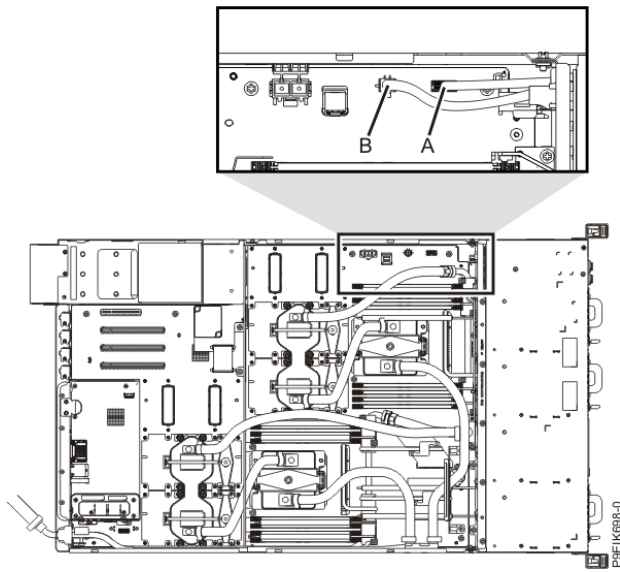


Figure 22. Location of the connectors for the USB cable and connector and the power switch and cable

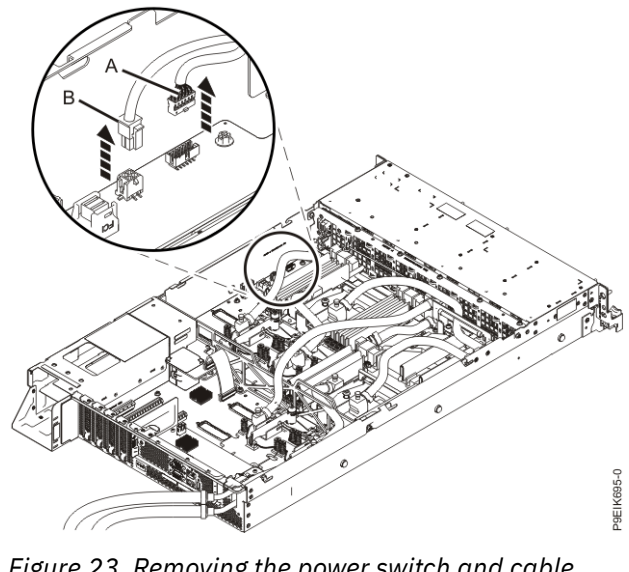


Figure 23. Removing the power switch and cable from the system backplane

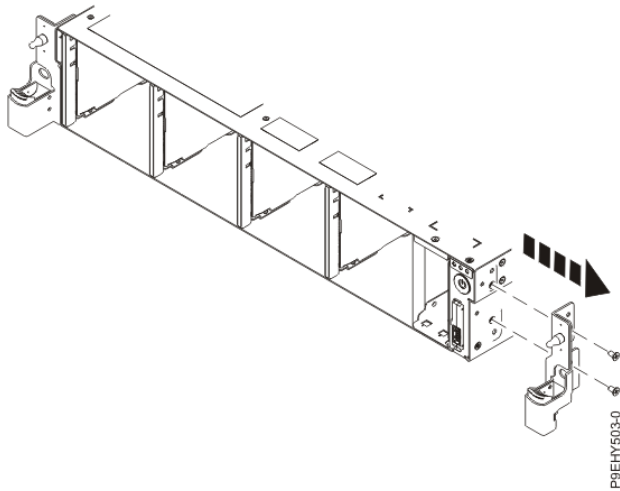


Figure 24. Removing the rack installation support

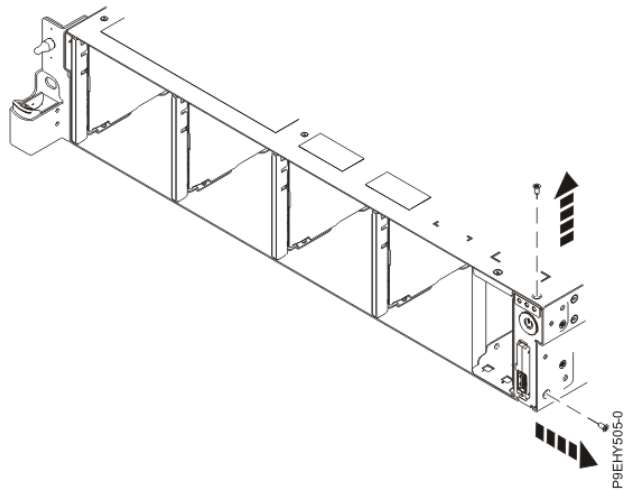


Figure 25. Remove the top and side screws

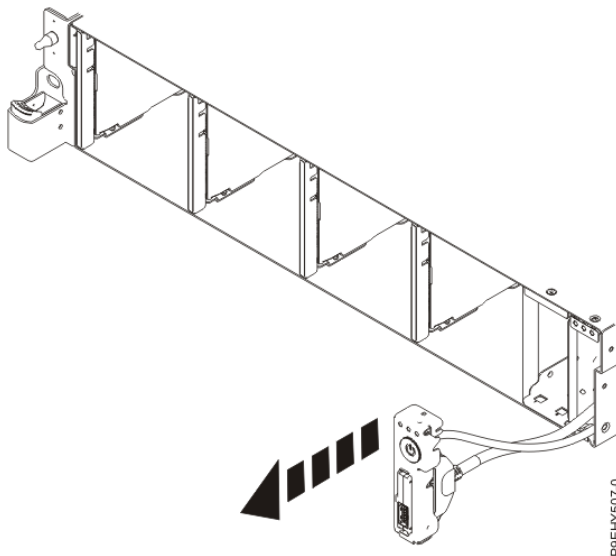


Figure 26. Pull out the power switch and cable

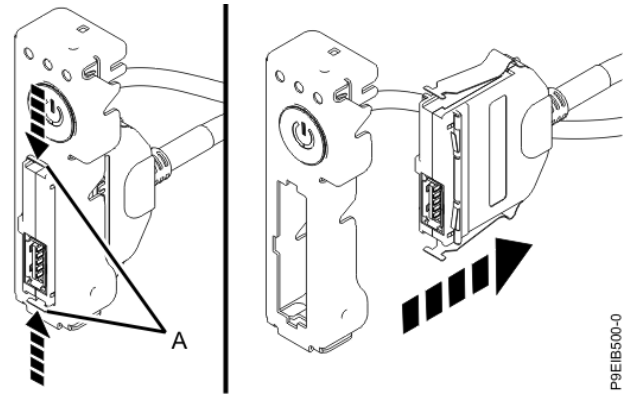


Figure 27. Removing USB cable and connector from the power switch

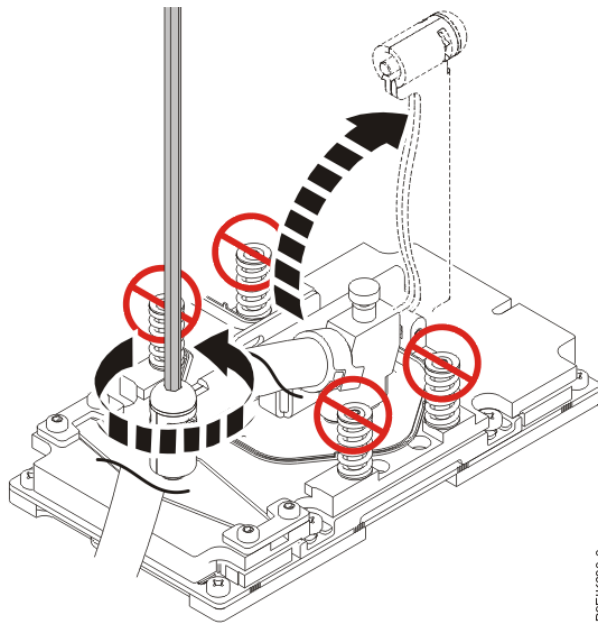


Figure 28. Open the cold plate retainer

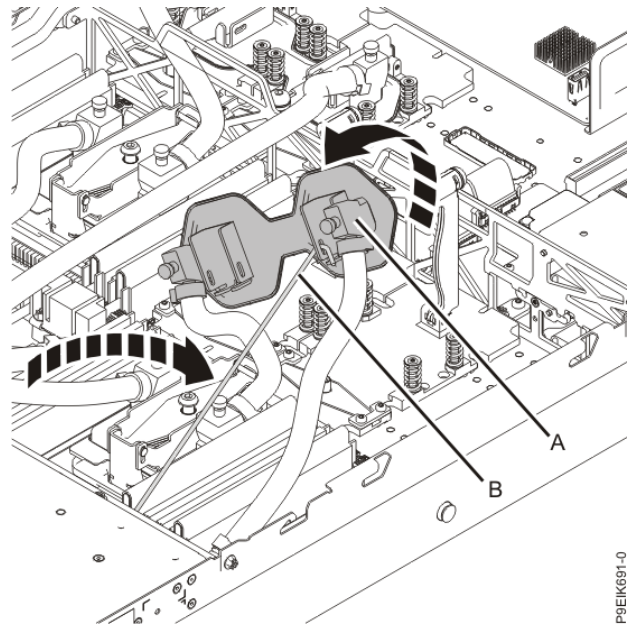


Figure 29. Remove the cold plate; attach to clip

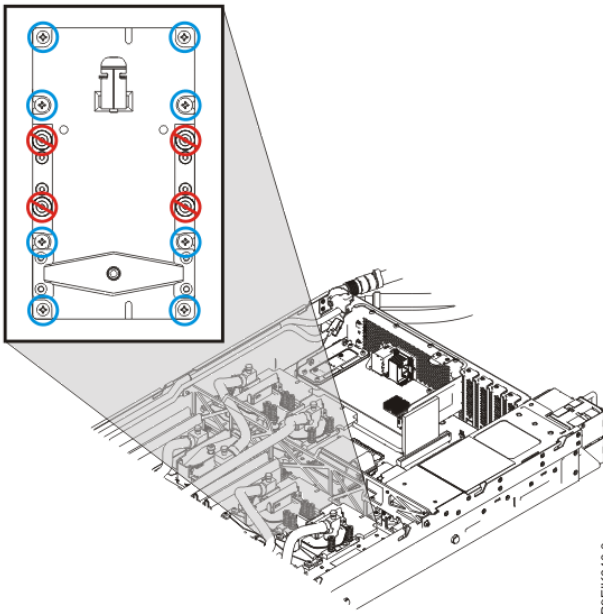


Figure 30. Remove eight GPU screws per GPU; do not loosen the four spring-loaded screws

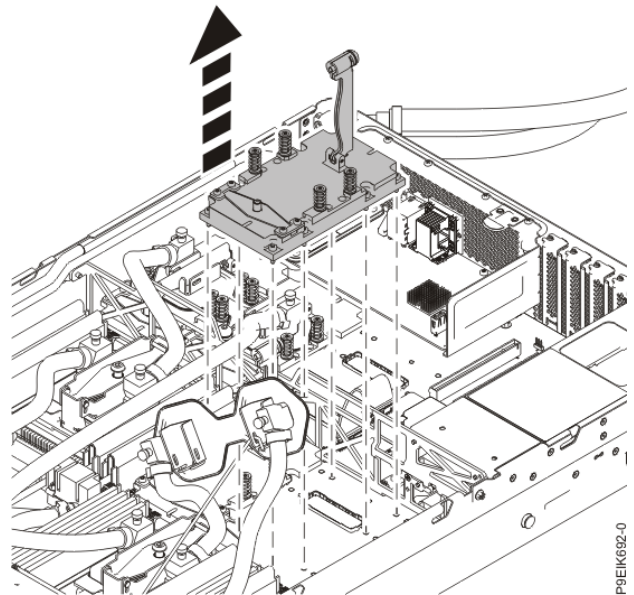


Figure 31. Remove GPU

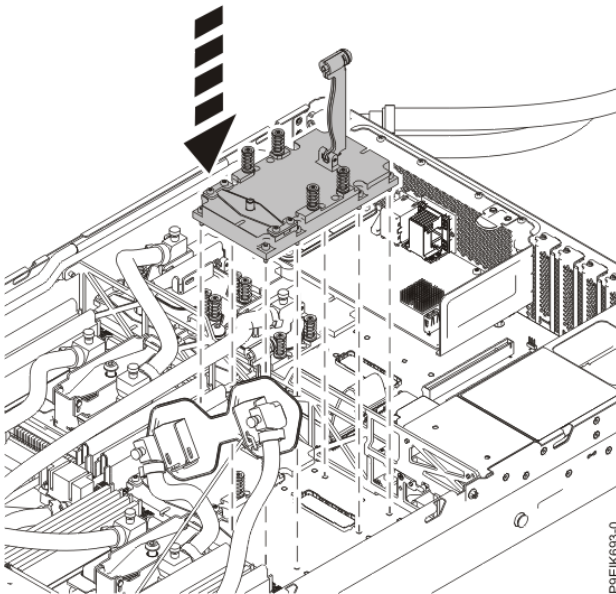


Figure 32. Replace GPU

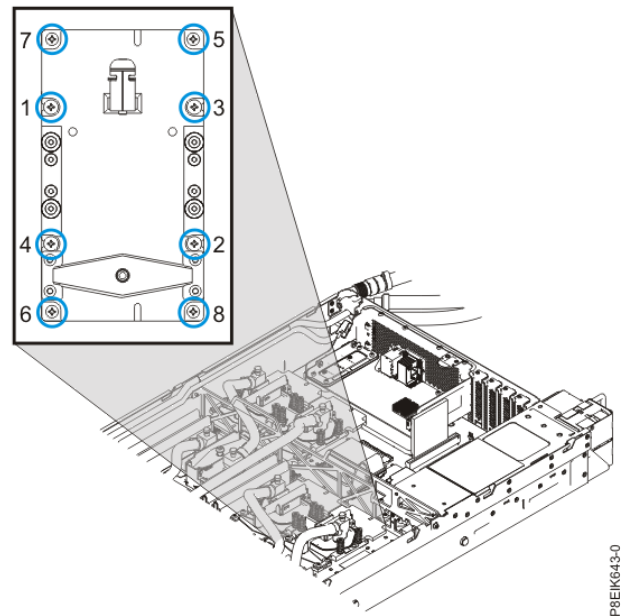


Figure 33. Replacing the GPU assembly into GPU socket

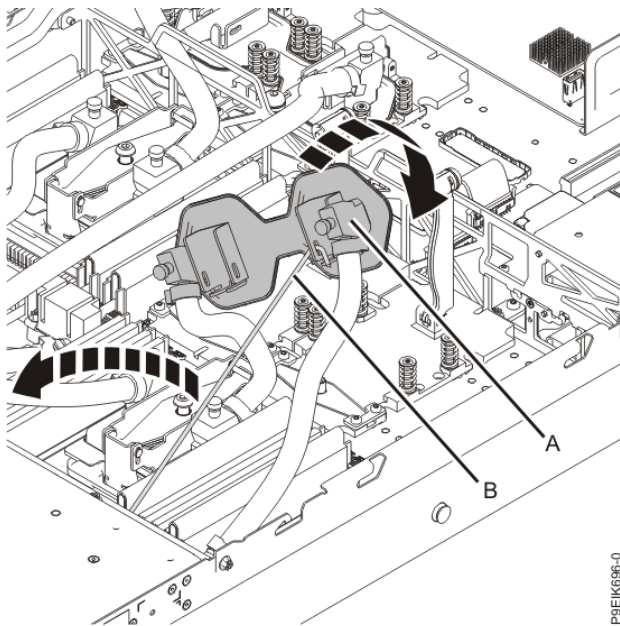


Figure 34. Aligning the cold plate on the GPUs

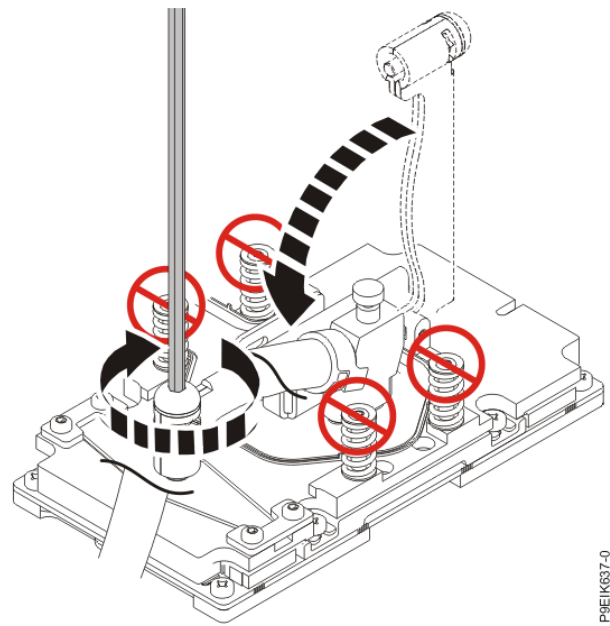


Figure 35. Secure the cold plate retainer screw

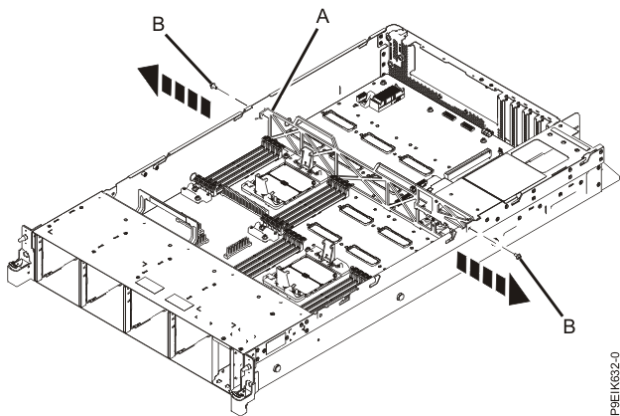


Figure 36. Remove the middle support side screws

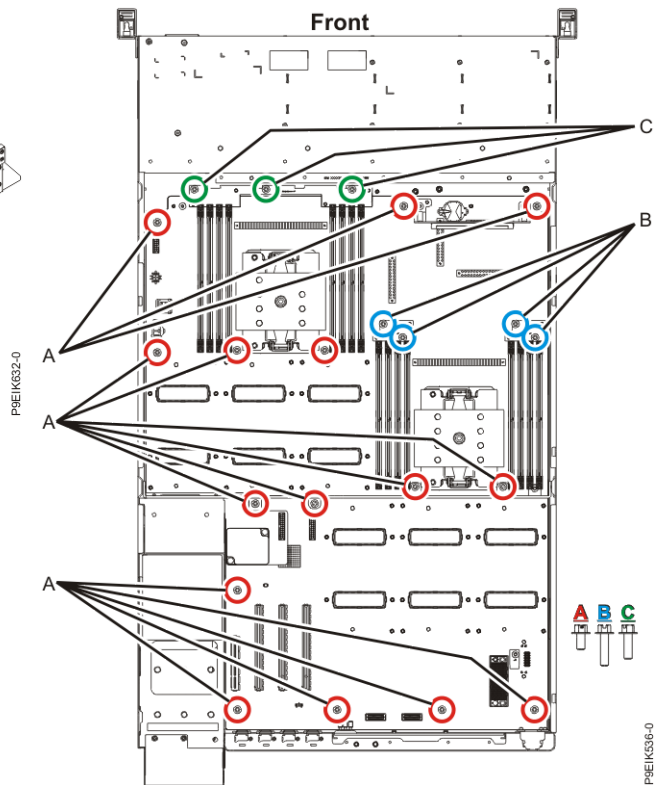
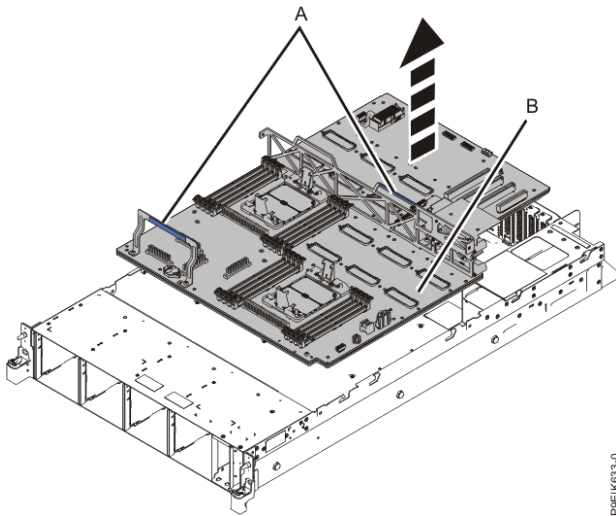
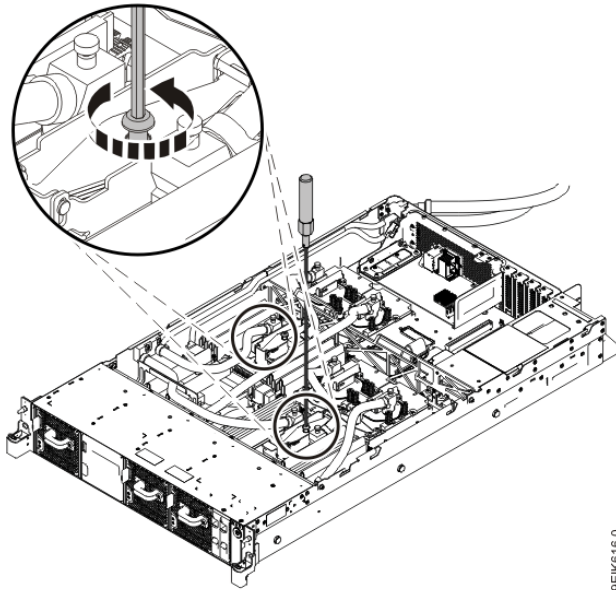


Figure 37. System backplane screw locations



P9EIK633-0

Figure 38. Lifting out the system backplane



P9EIK616-0

Figure 39. Loosening the cold plate retainer screw

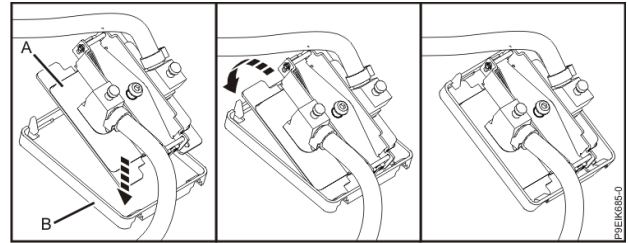


Figure 40. Removing the cold plate and attaching the protective cover

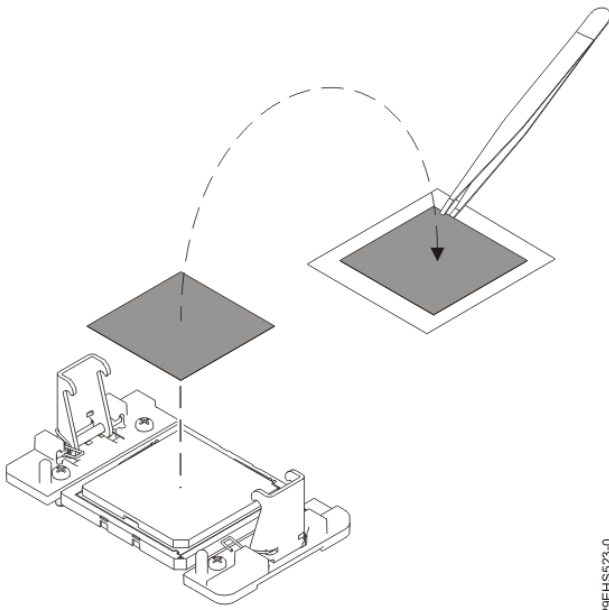


Figure 41. Removing the TIM from the system processor module

P9EHS523-0

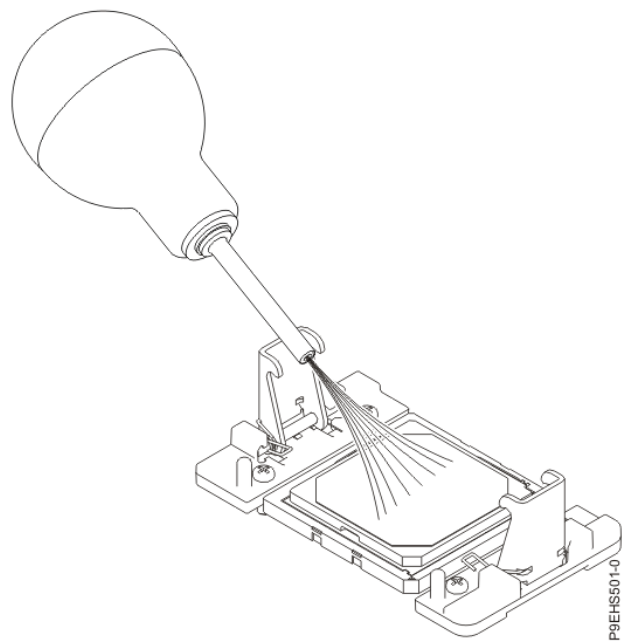


Figure 42. Removing dust and debris from the system processor module area

P9EHS501-0

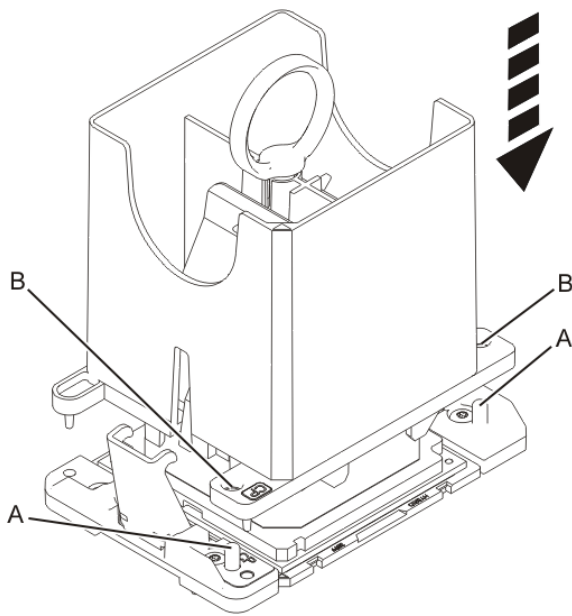


Figure 43. Lowering the removal tool onto the system processor module

P9EIK583-0

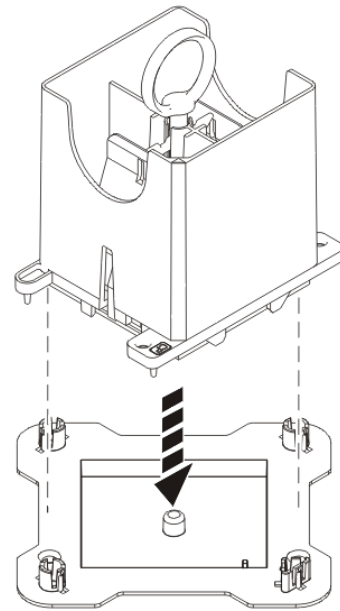


Figure 44. Placing the tool at an angle on the top cover of the packaging

P9EIK588-0

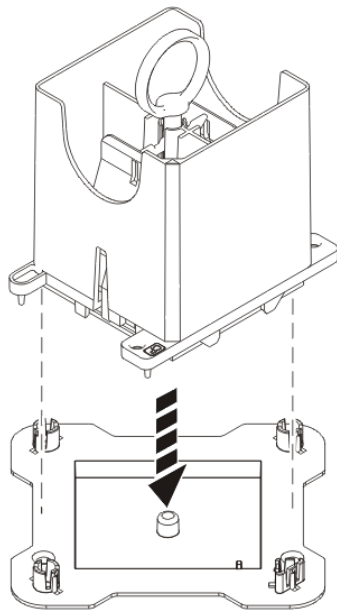


Figure 45. Placing the tool at an angle on the top cover of the packaging

P8EIK568-0

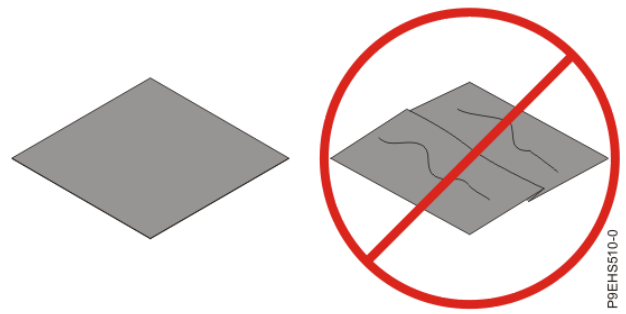


Figure 46. Inspecting the thermal interface material

P8EHS510-0

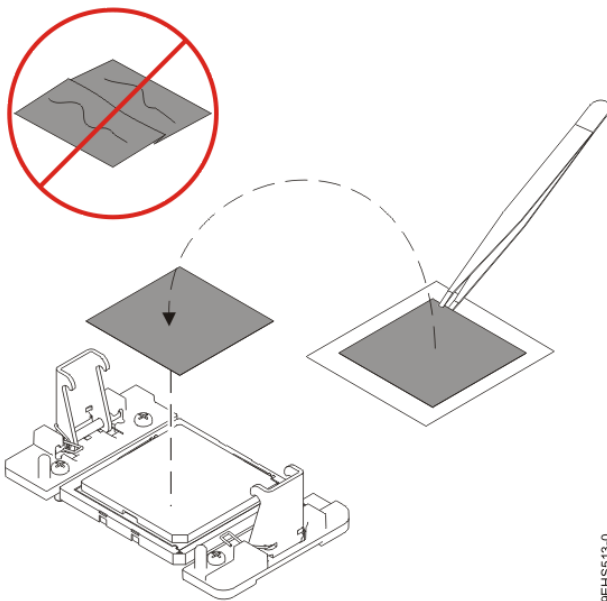


Figure 47. Installing a new TIM onto the system processor module

P8EHS513-0

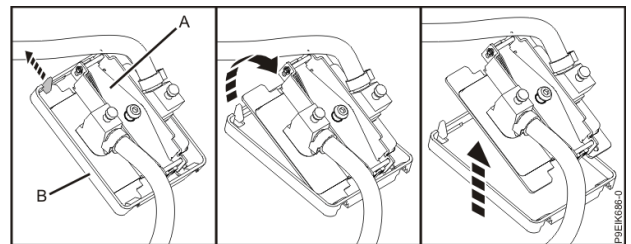
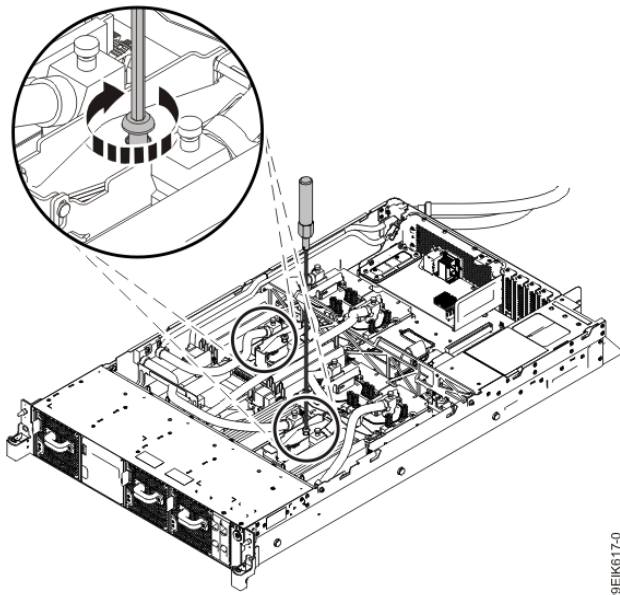


Figure 48. Removing the protective cover from the cold plate

P8EIK686-0



P9EIK617-0

*Figure 49. Tightening the cold plate retainer screw*





