

Power Systems

*NVMe M.2 carrier cards and flash
modules for the 9009-41A, 9009-42A, or
9223-42H*



Note

Before using this information and the product it supports, read the information in [“Safety notices” on page v](#), [“Notices” on page 77](#), the *IBM Systems Safety Notices* manual, G229-9054, and the *IBM Environmental Notices and User Guide*, Z125-5823.

This edition applies to IBM® Power Systems servers that contain the POWER9™ processor and to all associated models.

© **Copyright International Business Machines Corporation 2018, 2020.**

US Government Users Restricted Rights – Use, duplication or disclosure restricted by GSA ADP Schedule Contract with IBM Corp.

Contents

- Safety notices.....V**

- NVMe M.2 carrier card and flash modules..... 1**
 - Installing an NVMe M.2 carrier card and flash module.....1
 - Preparing the system.....1
 - Installing an NVMe M.2 carrier card and flash module..... 8
 - Preparing the system for operation..... 18
 - Removing and replacing an NVMe M.2 carrier card and flash module.....24
 - Preparing the system..... 24
 - Removing an NVMe M.2 carrier card and flash module..... 31
 - Replacing an NVMe M.2 carrier card and flash module..... 39
 - Preparing the system for operation..... 45
 - Permanently removing an NVMe M.2 carrier card and flash module..... 51
 - Preparing the system..... 51
 - Permanently removing an NVMe M.2 carrier card and flash module..... 58
 - Preparing the system for operation..... 69
 - Related procedures.....75
 - Checking the amount of remaining life in NVMe devices..... 75
 - Removing an operational NVMe device from an IBM i logical partition.....75

- Notices.....77**
 - Privacy policy considerations 78
 - Trademarks..... 78
 - Electronic emission notices.....78
 - Class A Notices..... 78
 - Class B Notices..... 82
 - Terms and conditions.....84

Safety notices

Safety notices may be printed throughout this guide:

- **DANGER** notices call attention to a situation that is potentially lethal or extremely hazardous to people.
- **CAUTION** notices call attention to a situation that is potentially hazardous to people because of some existing condition.
- **Attention** notices call attention to the possibility of damage to a program, device, system, or data.

World Trade safety information

Several countries require the safety information contained in product publications to be presented in their national languages. If this requirement applies to your country, safety information documentation is included in the publications package (such as in printed documentation, on DVD, or as part of the product) shipped with the product. The documentation contains the safety information in your national language with references to the U.S. English source. Before using a U.S. English publication to install, operate, or service this product, you must first become familiar with the related safety information documentation. You should also refer to the safety information documentation any time you do not clearly understand any safety information in the U.S. English publications.

Replacement or additional copies of safety information documentation can be obtained by calling the IBM Hotline at 1-800-300-8751.

German safety information

Das Produkt ist nicht für den Einsatz an Bildschirmarbeitsplätzen im Sinne § 2 der Bildschirmarbeitsverordnung geeignet.

Laser safety information

IBM servers can use I/O cards or features that are fiber-optic based and that utilize lasers or LEDs.

Laser compliance

IBM servers may be installed inside or outside of an IT equipment rack.



DANGER: When working on or around the system, observe the following precautions:

Electrical voltage and current from power, telephone, and communication cables are hazardous. To avoid a shock hazard: If IBM supplied the power cord(s), connect power to this unit only with the IBM provided power cord. Do not use the IBM provided power cord for any other product. Do not open or service any power supply assembly. Do not connect or disconnect any cables or perform installation, maintenance, or reconfiguration of this product during an electrical storm.



- The product might be equipped with multiple power cords. To remove all hazardous voltages, disconnect all power cords. For AC power, disconnect all power cords from their AC power source. For racks with a DC power distribution panel (PDP), disconnect the customer's DC power source to the PDP.
- When connecting power to the product ensure all power cables are properly connected. For racks with AC power, connect all power cords to a properly wired and grounded electrical outlet. Ensure that the outlet supplies proper voltage and phase rotation according to the system rating plate. For racks with a DC power distribution panel (PDP), connect the customer's DC power source to the PDP. Ensure that the proper polarity is used when attaching the DC power and DC power return wiring.
- Connect any equipment that will be attached to this product to properly wired outlets.

- When possible, use one hand only to connect or disconnect signal cables.
- Never turn on any equipment when there is evidence of fire, water, or structural damage.
- Do not attempt to switch on power to the machine until all possible unsafe conditions are corrected.
- When performing a machine inspection: Assume that an electrical safety hazard is present. Perform all continuity, grounding, and power checks specified during the subsystem installation procedures to ensure that the machine meets safety requirements. Do not attempt to switch power to the machine until all possible unsafe conditions are corrected. Before you open the device covers, unless instructed otherwise in the installation and configuration procedures: Disconnect the attached AC power cords, turn off the applicable circuit breakers located in the rack power distribution panel (PDP), and disconnect any telecommunications systems, networks, and modems.
- Connect and disconnect cables as described in the following procedures when installing, moving, or opening covers on this product or attached devices.

To Disconnect: 1) Turn off everything (unless instructed otherwise). 2) For AC power, remove the power cords from the outlets. 3) For racks with a DC power distribution panel (PDP), turn off the circuit breakers located in the PDP and remove the power from the Customer's DC power source. 4) Remove the signal cables from the connectors. 5) Remove all cables from the devices.

To Connect: 1) Turn off everything (unless instructed otherwise). 2) Attach all cables to the devices. 3) Attach the signal cables to the connectors. 4) For AC power, attach the power cords to the outlets. 5) For racks with a DC power distribution panel (PDP), restore the power from the Customer's DC power source and turn on the circuit breakers located in the PDP. 6) Turn on the devices.



- Sharp edges, corners and joints may be present in and around the system. Use care when handling equipment to avoid cuts, scrapes and pinching. (D005)

(R001 part 1 of 2):



DANGER: Observe the following precautions when working on or around your IT rack system:

- Heavy equipment—personal injury or equipment damage might result if mishandled.
- Always lower the leveling pads on the rack cabinet.
- Always install stabilizer brackets on the rack cabinet if provided, unless the earthquake option is to be installed.
- To avoid hazardous conditions due to uneven mechanical loading, always install the heaviest devices in the bottom of the rack cabinet. Always install servers and optional devices starting from the bottom of the rack cabinet.
- Rack-mounted devices are not to be used as shelves or work spaces. Do not place objects on top of rack-mounted devices. In addition, do not lean on rack mounted devices and do not use them to stabilize your body position (for example, when working from a ladder).



- Stability hazard:
 - The rack may tip over causing serious personal injury.
 - Before extending the rack to the installation position, read the installation instructions.
 - Do not put any load on the slide-rail mounted equipment mounted in the installation position.
 - Do not leave the slide-rail mounted equipment in the installation position.
- Each rack cabinet might have more than one power cord.
 - For AC powered racks, be sure to disconnect all power cords in the rack cabinet when directed to disconnect power during servicing.

- For racks with a DC power distribution panel (PDP), turn off the circuit breaker that controls the power to the system unit(s), or disconnect the customer’s DC power source, when directed to disconnect power during servicing.
- Connect all devices installed in a rack cabinet to power devices installed in the same rack cabinet. Do not plug a power cord from a device installed in one rack cabinet into a power device installed in a different rack cabinet.
- An electrical outlet that is not correctly wired could place hazardous voltage on the metal parts of the system or the devices that attach to the system. It is the responsibility of the customer to ensure that the outlet is correctly wired and grounded to prevent an electrical shock. (R001 part 1 of 2)

(R001 part 2 of 2):



CAUTION:

- Do not install a unit in a rack where the internal rack ambient temperatures will exceed the manufacturer's recommended ambient temperature for all your rack-mounted devices.
- Do not install a unit in a rack where the air flow is compromised. Ensure that air flow is not blocked or reduced on any side, front, or back of a unit used for air flow through the unit.
- Consideration should be given to the connection of the equipment to the supply circuit so that overloading of the circuits does not compromise the supply wiring or overcurrent protection. To provide the correct power connection to a rack, refer to the rating labels located on the equipment in the rack to determine the total power requirement of the supply circuit.
- *(For sliding drawers.)* Do not pull out or install any drawer or feature if the rack stabilizer brackets are not attached to the rack or if the rack is not bolted to the floor. Do not pull out more than one drawer at a time. The rack might become unstable if you pull out more than one drawer at a time.



- *(For fixed drawers.)* This drawer is a fixed drawer and must not be moved for servicing unless specified by the manufacturer. Attempting to move the drawer partially or completely out of the rack might cause the rack to become unstable or cause the drawer to fall out of the rack. (R001 part 2 of 2)



CAUTION: Removing components from the upper positions in the rack cabinet improves rack stability during relocation. Follow these general guidelines whenever you relocate a populated rack cabinet within a room or building.

- Reduce the weight of the rack cabinet by removing equipment starting at the top of the rack cabinet. When possible, restore the rack cabinet to the configuration of the rack cabinet as you received it. If this configuration is not known, you must observe the following precautions:
 - Remove all devices in the 32U position and above.
 - Ensure that the heaviest devices are installed in the bottom of the rack cabinet.

- Ensure that there are little-to-no empty U-levels between devices installed in the rack cabinet below the 32U level, unless the received configuration specifically allowed it.
- If the rack cabinet you are relocating is part of a suite of rack cabinets, detach the rack cabinet from the suite.
- If the rack cabinet you are relocating was supplied with removable outriggers they must be reinstalled before the cabinet is relocated.
- Inspect the route that you plan to take to eliminate potential hazards.
- Verify that the route that you choose can support the weight of the loaded rack cabinet. Refer to the documentation that comes with your rack cabinet for the weight of a loaded rack cabinet.
- Verify that all door openings are at least 760 x 2083 mm (30 x 82 in.).
- Ensure that all devices, shelves, drawers, doors, and cables are secure.
- Ensure that the four leveling pads are raised to their highest position.
- Ensure that there is no stabilizer bracket installed on the rack cabinet during movement.
- Do not use a ramp inclined at more than 10 degrees.
- When the rack cabinet is in the new location, complete the following steps:
 - Lower the four leveling pads.
 - Install stabilizer brackets on the rack cabinet or in an earthquake environment bolt the rack to the floor.
 - If you removed any devices from the rack cabinet, repopulate the rack cabinet from the lowest position to the highest position.
- If a long-distance relocation is required, restore the rack cabinet to the configuration of the rack cabinet as you received it. Pack the rack cabinet in the original packaging material, or equivalent. Also lower the leveling pads to raise the casters off of the pallet and bolt the rack cabinet to the pallet.

(R002)

(L001)



DANGER: Hazardous voltage, current, or energy levels are present inside any component that has this label attached. Do not open any cover or barrier that contains this label. (L001)

(L002)



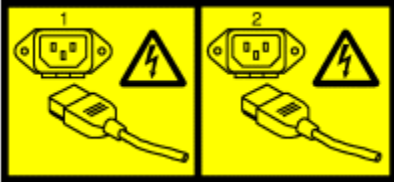
DANGER: Rack-mounted devices are not to be used as shelves or work spaces. Do not place objects on top of rack-mounted devices. In addition, do not lean on rack-mounted devices and do not use them to stabilize your body position (for example, when working from a ladder). Stability hazard:

- The rack may tip over causing serious personal injury.
- Before extending the rack to the installation position, read the installation instructions.

- Do not put any load on the slide-rail mounted equipment mounted in the installation position.
- Do not leave the slide-rail mounted equipment in the installation position.

(L002)

(L003)



or



or

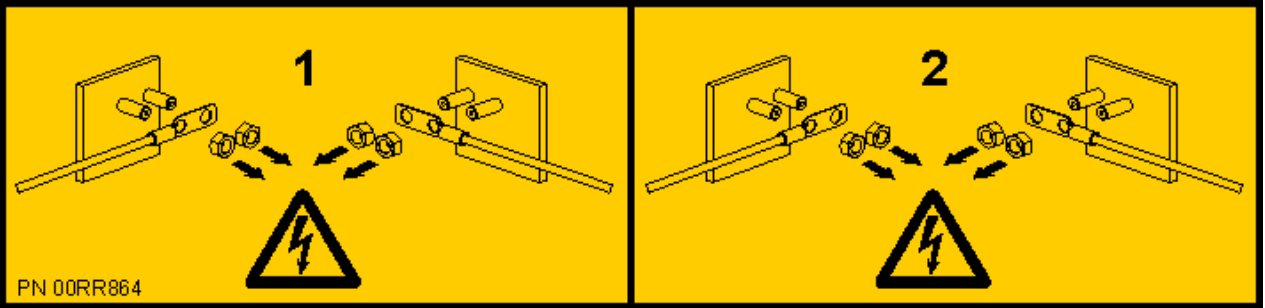



or



or






 **DANGER:** Multiple power cords. The product might be equipped with multiple AC power cords or multiple DC power cables. To remove all hazardous voltages, disconnect all power cords and power cables. (L003)


(L007)




 **CAUTION:** A hot surface nearby. (L007)

(L008)



 **CAUTION:** Hazardous moving parts nearby. (L008)

All lasers are certified in the U.S. to conform to the requirements of DHHS 21 CFR Subchapter J for class 1 laser products. Outside the U.S., they are certified to be in compliance with IEC 60825 as a class 1 laser product. Consult the label on each part for laser certification numbers and approval information.

 **CAUTION:** This product might contain one or more of the following devices: CD-ROM drive, DVD-ROM drive, DVD-RAM drive, or laser module, which are Class 1 laser products. Note the following information:

- Do not remove the covers. Removing the covers of the laser product could result in exposure to hazardous laser radiation. There are no serviceable parts inside the device.
- Use of the controls or adjustments or performance of procedures other than those specified herein might result in hazardous radiation exposure.

(C026)



CAUTION: Data processing environments can contain equipment transmitting on system links with laser modules that operate at greater than Class 1 power levels. For this reason, never look into the end of an optical fiber cable or open receptacle. Although shining light into one end and looking into the other end of a disconnected optical fiber to verify the continuity of optic fibers may not injure the eye, this procedure is potentially dangerous. Therefore, verifying the continuity of optical fibers by shining light into one end and looking at the other end is not recommended. To verify continuity of a fiber optic cable, use an optical light source and power meter. (C027)



CAUTION: This product contains a Class 1M laser. Do not view directly with optical instruments. (C028)



CAUTION: Some laser products contain an embedded Class 3A or Class 3B laser diode. Note the following information:

- Laser radiation when open.
- Do not stare into the beam, do not view directly with optical instruments, and avoid direct exposure to the beam. (C030)

(C030)



CAUTION: The battery contains lithium. To avoid possible explosion, do not burn or charge the battery.

Do Not:

- Throw or immerse into water
- Heat to more than 100 degrees C (212 degrees F)
- Repair or disassemble

Exchange only with the IBM-approved part. Recycle or discard the battery as instructed by local regulations. In the United States, IBM has a process for the collection of this battery. For information, call 1-800-426-4333. Have the IBM part number for the battery unit available when you call. (C003)



CAUTION: Regarding IBM provided VENDOR LIFT TOOL:

- Operation of LIFT TOOL by authorized personnel only.
- LIFT TOOL intended for use to assist, lift, install, remove units (load) up into rack elevations. It is not to be used loaded transporting over major ramps nor as a replacement for such designated tools like pallet jacks, walkies, fork trucks and such related relocation practices. When this is not practicable, specially trained persons or services must be used (for instance, riggers or movers).
- Read and completely understand the contents of LIFT TOOL operator's manual before using. Failure to read, understand, obey safety rules, and follow instructions may result in property damage and/or personal injury. If there are questions, contact the vendor's service and support. Local paper manual must remain with machine in provided storage sleeve area. Latest revision manual available on vendor's web site.
- Test verify stabilizer brake function before each use. Do not over-force moving or rolling the LIFT TOOL with stabilizer brake engaged.
- Do not raise, lower or slide platform load shelf unless stabilizer (brake pedal jack) is fully engaged. Keep stabilizer brake engaged when not in use or motion.
- Do not move LIFT TOOL while platform is raised, except for minor positioning.
- Do not exceed rated load capacity. See LOAD CAPACITY CHART regarding maximum loads at center versus edge of extended platform.
- Only raise load if properly centered on platform. Do not place more than 200 lb (91 kg) on edge of sliding platform shelf also considering the load's center of mass/gravity (CoG).
- Do not corner load the platforms, tilt riser, angled unit install wedge or other such accessory options. Secure such platforms -- riser tilt, wedge, etc options to main lift shelf or forks in all four (4x or all other provisioned mounting) locations with provided hardware only, prior to use. Load objects are designed to slide on/off smooth platforms without appreciable force, so take care not

to push or lean. Keep riser tilt [adjustable angling platform] option flat at all times except for final minor angle adjustment when needed.

- Do not stand under overhanging load.
- Do not use on uneven surface, incline or decline (major ramps).
- Do not stack loads.
- Do not operate while under the influence of drugs or alcohol.
- Do not support ladder against LIFT TOOL (unless the specific allowance is provided for one following qualified procedures for working at elevations with this TOOL).
- Tipping hazard. Do not push or lean against load with raised platform.
- Do not use as a personnel lifting platform or step. No riders.
- Do not stand on any part of lift. Not a step.
- Do not climb on mast.
- Do not operate a damaged or malfunctioning LIFT TOOL machine.
- Crush and pinch point hazard below platform. Only lower load in areas clear of personnel and obstructions. Keep hands and feet clear during operation.
- No Forks. Never lift or move bare LIFT TOOL MACHINE with pallet truck, jack or fork lift.
- Mast extends higher than platform. Be aware of ceiling height, cable trays, sprinklers, lights, and other overhead objects.
- Do not leave LIFT TOOL machine unattended with an elevated load.
- Watch and keep hands, fingers, and clothing clear when equipment is in motion.
- Turn Winch with hand power only. If winch handle cannot be cranked easily with one hand, it is probably over-loaded. Do not continue to turn winch past top or bottom of platform travel. Excessive unwinding will detach handle and damage cable. Always hold handle when lowering, unwinding. Always assure self that winch is holding load before releasing winch handle.
- A winch accident could cause serious injury. Not for moving humans. Make certain clicking sound is heard as the equipment is being raised. Be sure winch is locked in position before releasing handle. Read instruction page before operating this winch. Never allow winch to unwind freely. Freewheeling will cause uneven cable wrapping around winch drum, damage cable, and may cause serious injury.
- This TOOL must be maintained correctly for IBM Service personnel to use it. IBM shall inspect condition and verify maintenance history before operation. Personnel reserve the right not to use TOOL if inadequate. (C048)

Power and cabling information for NEBS (Network Equipment-Building System) GR-1089-CORE

The following comments apply to the IBM servers that have been designated as conforming to NEBS (Network Equipment-Building System) GR-1089-CORE:

The equipment is suitable for installation in the following:

- Network telecommunications facilities
- Locations where the NEC (National Electrical Code) applies

The intrabuilding ports of this equipment are suitable for connection to intrabuilding or unexposed wiring or cabling only. The intrabuilding ports of this equipment *must not* be metallically connected to the interfaces that connect to the OSP (outside plant) or its wiring. These interfaces are designed for use as intrabuilding interfaces only (Type 2 or Type 4 ports as described in GR-1089-CORE) and require isolation from the exposed OSP cabling. The addition of primary protectors is not sufficient protection to connect these interfaces metallically to OSP wiring.

Note: All Ethernet cables must be shielded and grounded at both ends.

The ac-powered system does not require the use of an external surge protection device (SPD).

The dc-powered system employs an isolated DC return (DC-I) design. The DC battery return terminal *shall not* be connected to the chassis or frame ground.

The dc-powered system is intended to be installed in a common bonding network (CBN) as described in GR-1089-CORE.

NVMe M.2 carrier card and flash modules for the 9009-41A, 9009-42A, or 9223-42H

Find information about installing, removing, and replacing an NVMe M.2 carrier card and flash module in the IBM Power® System S914 (9009-41A), IBM Power System S924 (9009-42A), or IBM Power System H924 (9223-42H) server.

Installing an NVMe M.2 carrier card and flash module in the 9009-41A, 9009-42A, or 9223-42H system

Find information about installing an NVMe M.2 carrier card and flash module in the IBM Power System S914 (9009-41A), IBM Power System S924 (9009-42A), or IBM Power System H924 (9223-42H) server.

About this task

Note: Installing this feature is a customer task. You can complete this task yourself, or contact a service provider to complete the task for you. You might be charged a fee by the service provider for this service.

If your system is managed by the Hardware Management Console (HMC), use the HMC to install the part in the system. For instructions, see [Installing a part by using the HMC \(www.ibm.com/support/knowledgecenter/POWER9/p9haj/hmcinstall.htm\)](http://www.ibm.com/support/knowledgecenter/POWER9/p9haj/hmcinstall.htm).

If you do not have an HMC, complete the steps in the following procedures to install an NVMe M.2 carrier card and flash module.

Preparing the 9009-41A, 9009-42A, or 9223-42H system to install an NVMe M.2 carrier card and flash module

To prepare the system to install an NVMe M.2 carrier card and flash module, complete the steps in this procedure.

Procedure

1. Identify the part and the system that you are working on. For instructions, see [Identifying a part \(www.ibm.com/support/knowledgecenter/POWER9/p9haj/sal.htm\)](http://www.ibm.com/support/knowledgecenter/POWER9/p9haj/sal.htm).
Use the blue identify LED on the enclosure to locate the system. Ensure that the serial number of the system matches the serial number to be serviced.
2. Stop the system. For instructions, see [Stopping a system \(www.ibm.com/support/knowledgecenter/POWER9/p9haj/crustopsys.htm\)](http://www.ibm.com/support/knowledgecenter/POWER9/p9haj/crustopsys.htm).
3. Label and disconnect the power cords from the system unit.
See [Figure 1 on page 2](#) or [Figure 2 on page 3](#).

Notes:

- This system might be equipped with two or more power supplies. If the removing and replacing procedures require the system power to be turned off, ensure that all the power sources to the system are disconnected.
- The power cord **(B)** is fastened to the system with hook-and-loop fastener **(A)**. If you are placing the system in a service position after you disconnect the power cords, ensure that you unstrap the fastener.

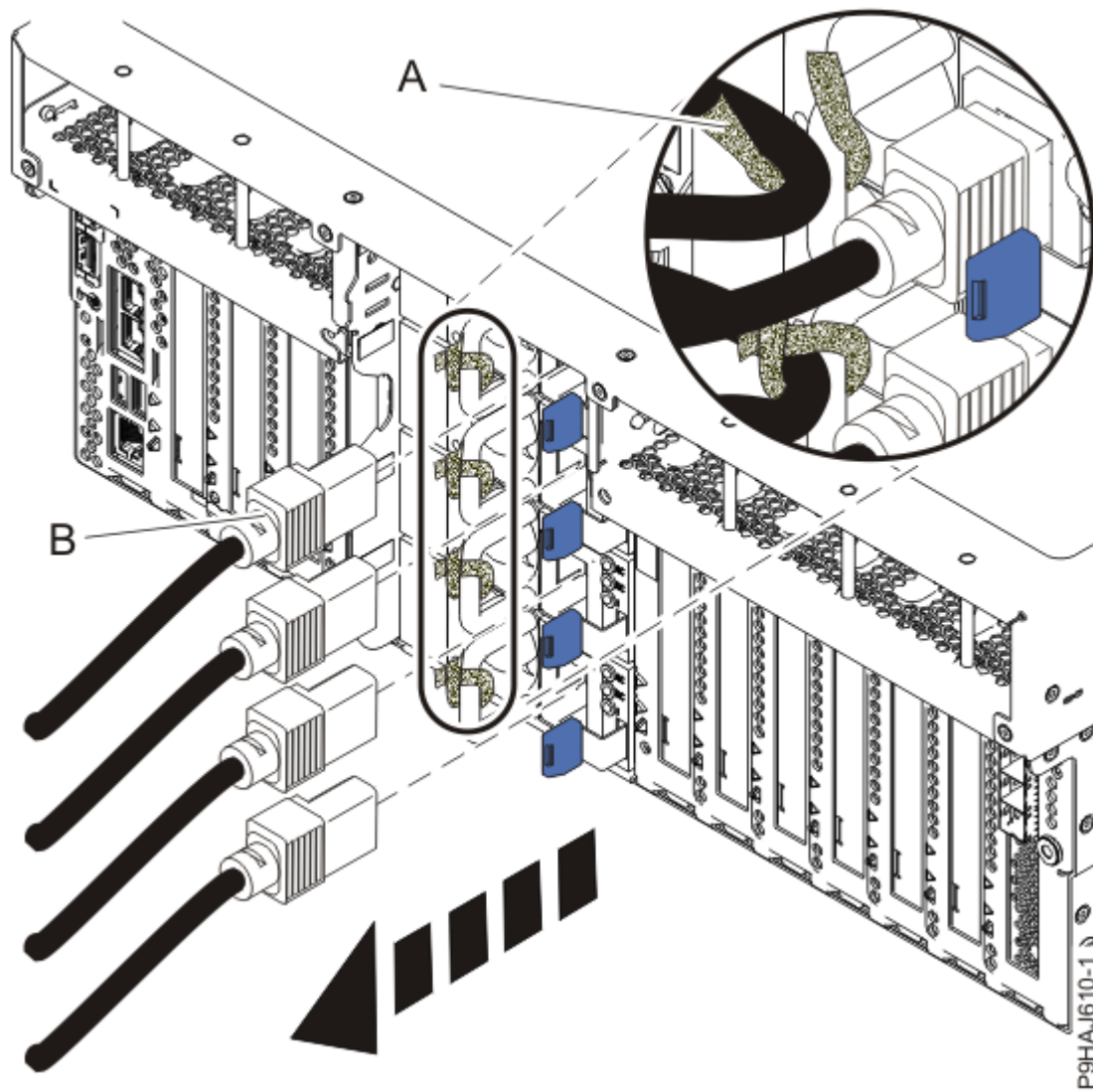


Figure 1. Removing the power cords from a rack-mounted server

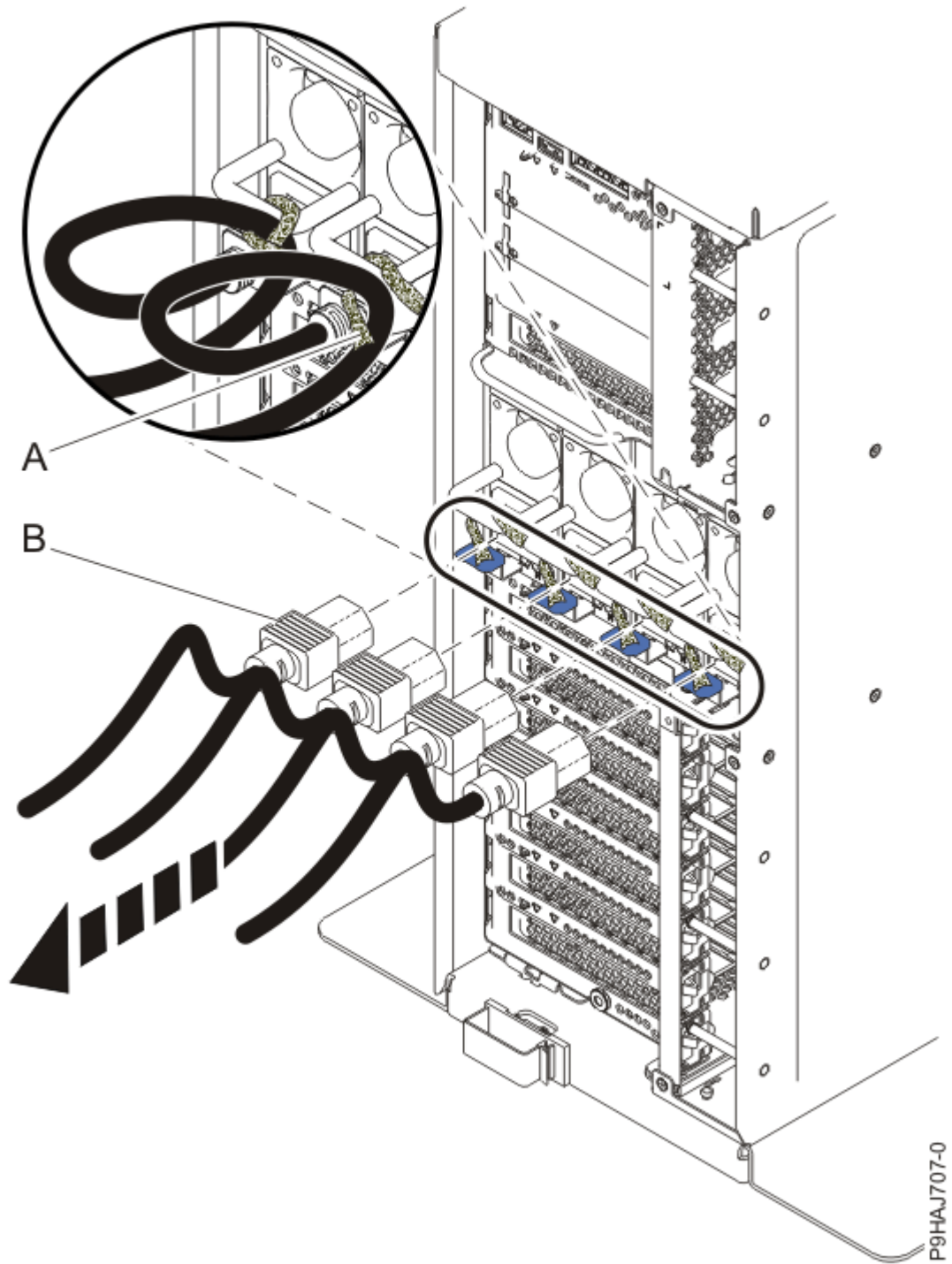
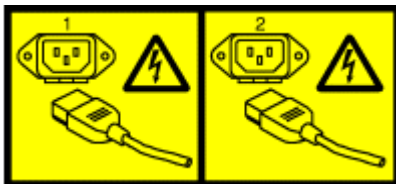


Figure 2. Removing the power cords from a stand-alone server

(L003)



or



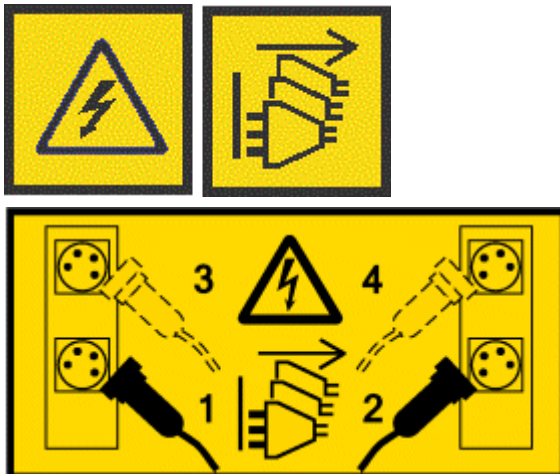
or

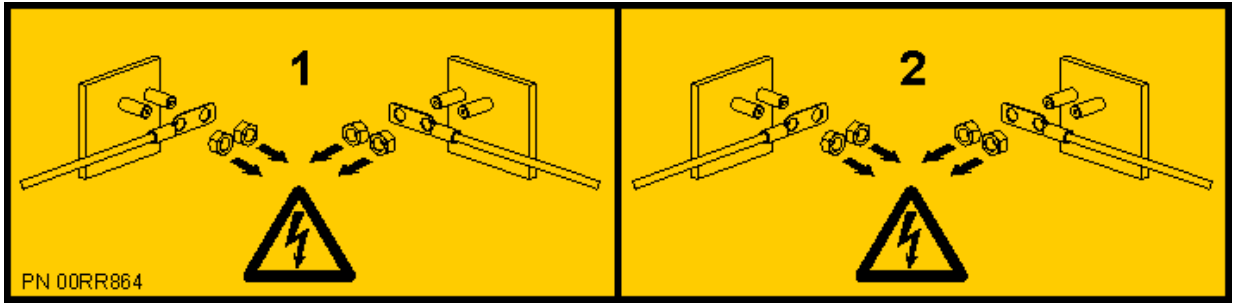


or



or





DANGER: Multiple power cords. The product might be equipped with multiple AC power cords or multiple DC power cables. To remove all hazardous voltages, disconnect all power cords and power cables. (L003)

4. For a rack-mounted system, open the side latches (**A**) and pull the latches to slide the system unit fully into the service position until the slides click and hold the system unit securely. Ensure that the screws inside the latches are not secured to the rack.

See the following figure.

Remove the hook-and-loop fasteners that secure the cable management arms. Ensure that the cable management arms can move freely. Ensure that the cables at the rear of the system do not catch or bind as you pull the system unit into the service position.

Do not pull out or install any drawer or feature if the rack stabilizer brackets are not attached to the rack. Do not pull out more than one drawer at a time. The rack might become unstable if you pull out more than one drawer at a time.



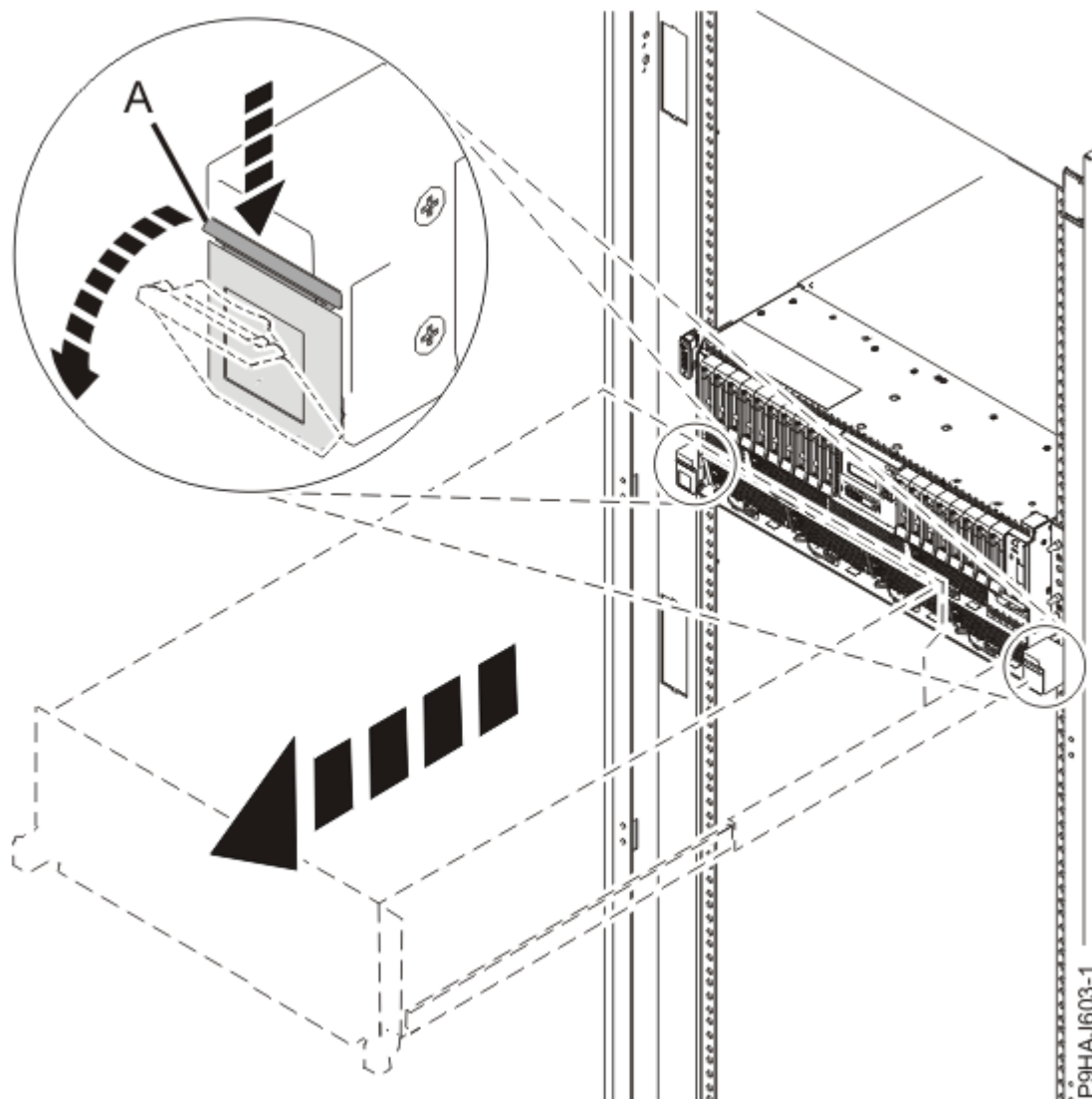


Figure 3. Releasing the side latches

5. Attach the electrostatic discharge (ESD) wrist strap.

The ESD wrist strap must be connected to an unpainted metal surface until the service procedure is completed, and if applicable, until the service access cover is replaced.




Attention:

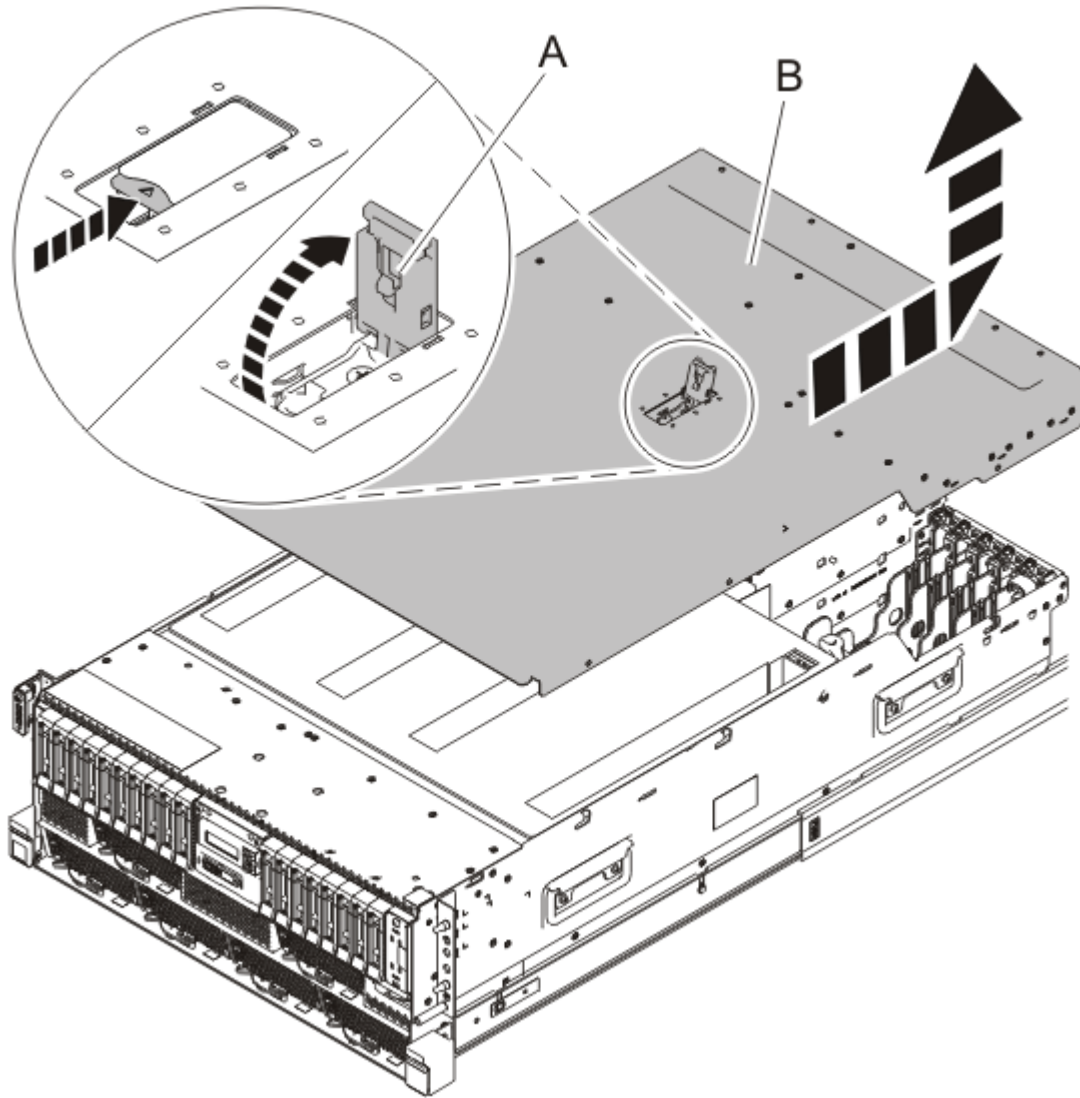
- Attach an electrostatic discharge (ESD) wrist strap to the front ESD jack, to the rear ESD jack, or to an unpainted metal surface of your hardware to prevent the electrostatic discharge from damaging your hardware.
- When you use an ESD wrist strap, follow all electrical safety procedures. An ESD wrist strap is used for static control. It does not increase or decrease your risk of receiving electric shock when using or working on electrical equipment.
- If you do not have an ESD wrist strap, just prior to removing the product from ESD packaging and installing or replacing hardware, touch an unpainted metal surface of the system for a minimum of 5 seconds. If at any point in this service process you move away from the system, it is important to again discharge yourself by touching an unpainted metal surface for at least 5 seconds before you continue with the service process.

6. Remove the service access cover.

For a rack-mounted system, complete the following steps. Refer to [Figure 4](#) on page 7.

 **Attention:** Operating the system without the service access cover on for more than 10 minutes when the system power is turned on might damage the system components.


- a. Release the service cover latch by pushing the release latch **(A)** in the direction shown.
- b. Slide the cover **(B)** off the system unit. When the front of the service access cover clears the upper frame ledge, lift the cover up and off the system unit.



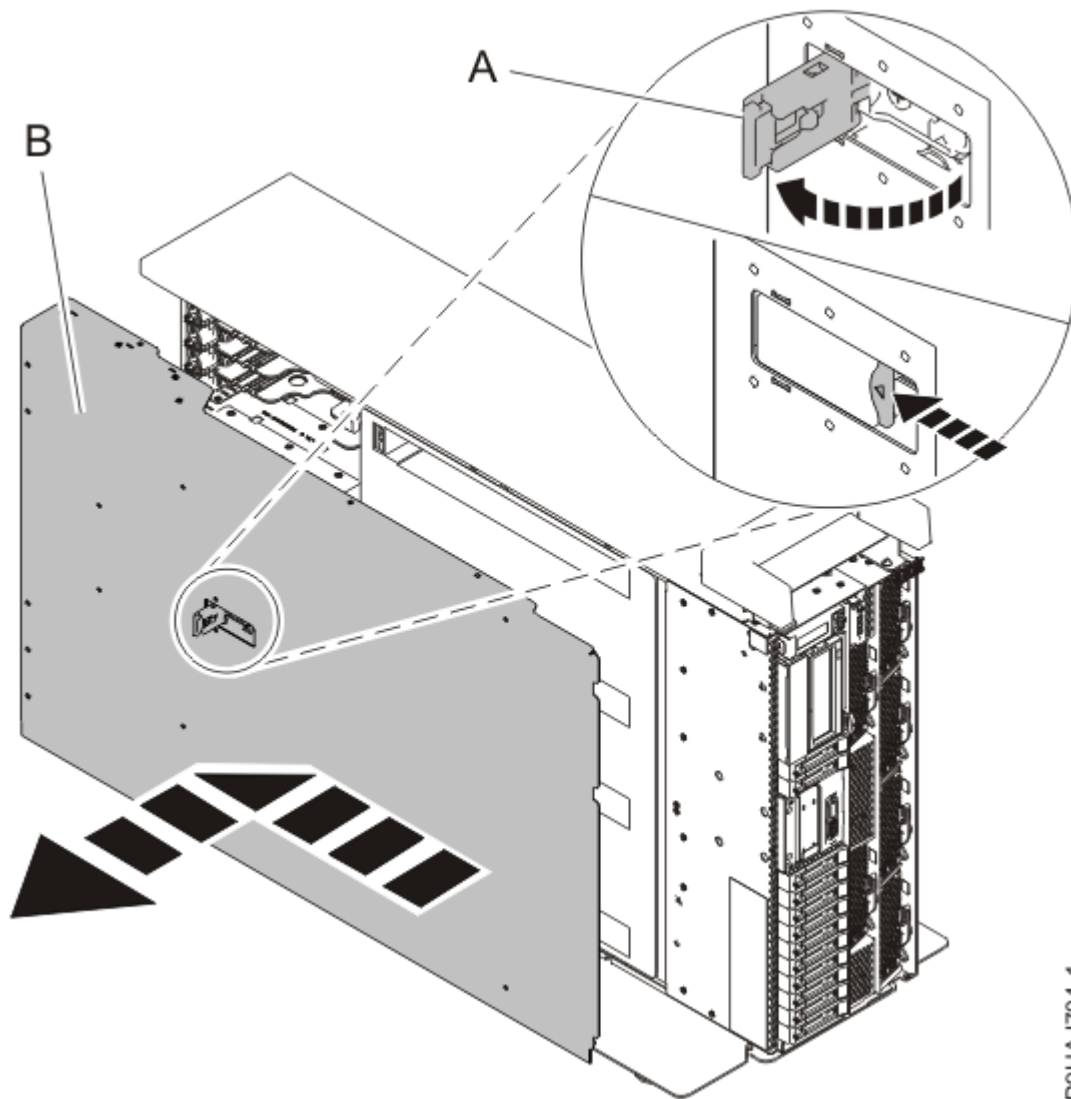
P9HAJ605-2

Figure 4. Removing the service access cover from a rack-mounted system

For a stand-alone system, complete the following steps. Refer to [Figure 5 on page 8](#).

 **Attention:** Operating the system without the service access cover on for more than 10 minutes when the system power is turned on might damage the system components.

- a. Release the latch by pushing the release latch **(A)** in the direction shown.
- b. Slide the cover **(B)** off the system unit. When the front of the service access cover has cleared the upper frame ledge, lift the cover up and off the system unit.



P9HAJ704-1

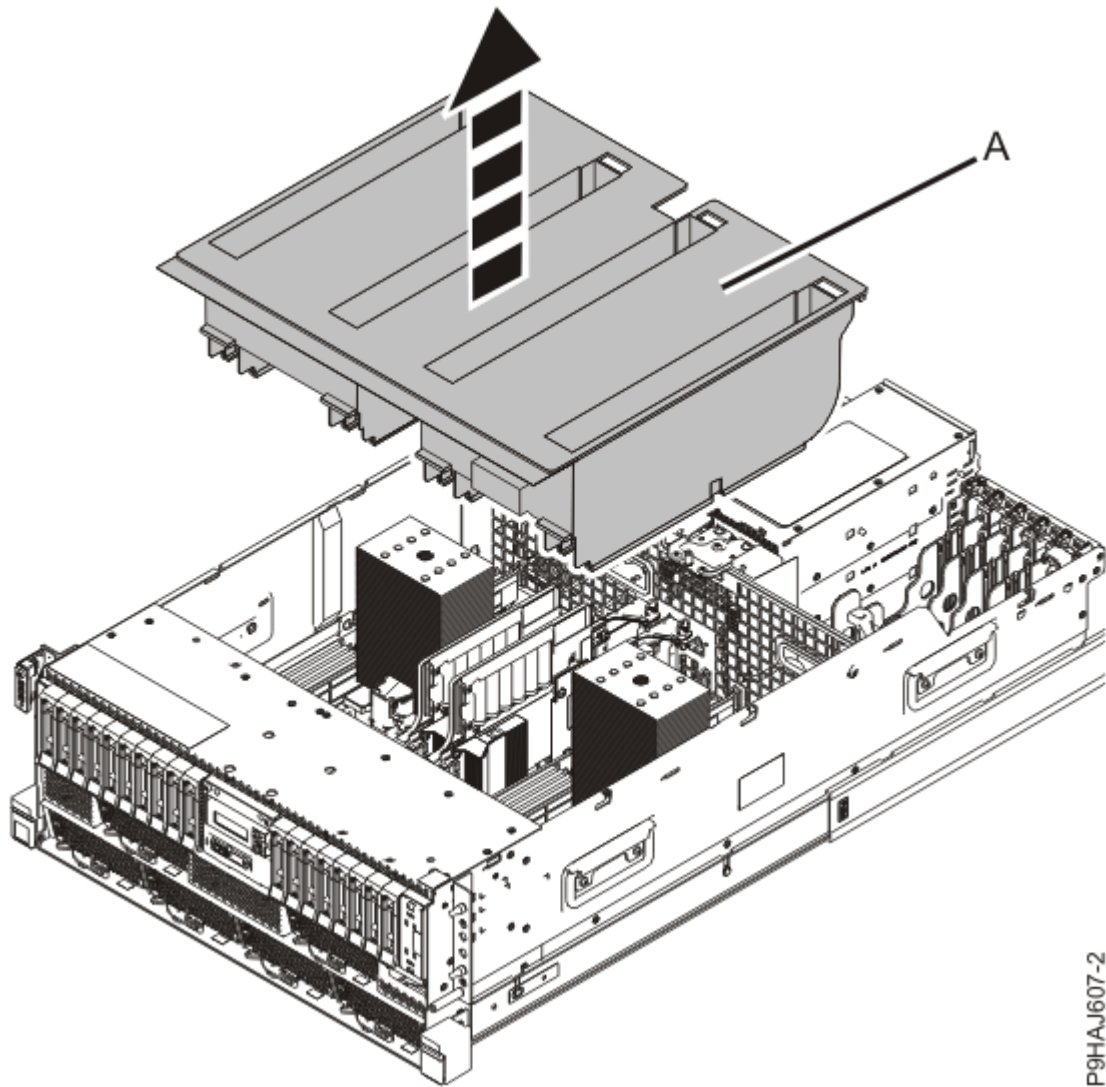
Figure 5. Removing the service access cover

Installing an NVMe M.2 carrier card and flash module in the 9009-41A, 9009-42A, or 9223-42H system

To install an NVMe M.2 carrier card and flash module in the system, complete the steps in this procedure.

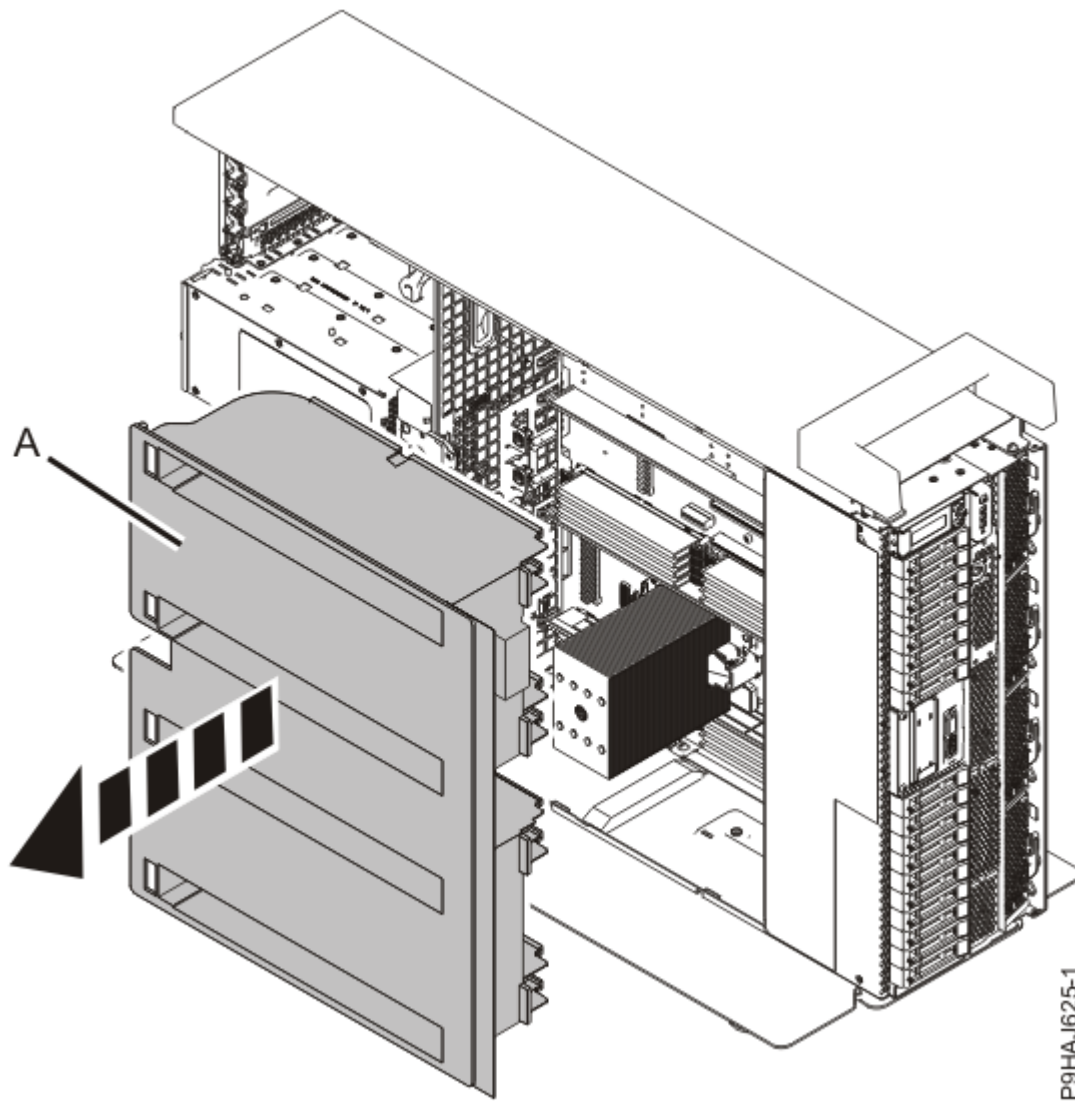
Procedure

1. Ensure that you have the electrostatic discharge (ESD) wrist strap on and that the ESD clip is plugged into a ground jack or connected to an unpainted metal surface. If not, do so now.
2. For a rack-mounted system, lift the air baffle **(A)** straight up as shown in [Figure 6 on page 9](#).
For a stand-alone system, remove the air baffle **(A)** straight out as shown in [Figure 7 on page 10](#).
Place the air baffle upside down on a clean area.



P9HAJ607-2

Figure 6. Removing the air baffle from a rack-mounted system



P9HAJ625-1

Figure 7. Removing the air baffle from a stand-alone system

3. Remove the clip-in filler and air divider by completing the following steps.
 - a) Rotate the top of the clip-in filler until the bottom hook unclasp from the air screen.
 - b) Lift the clip-in filler out of the system.

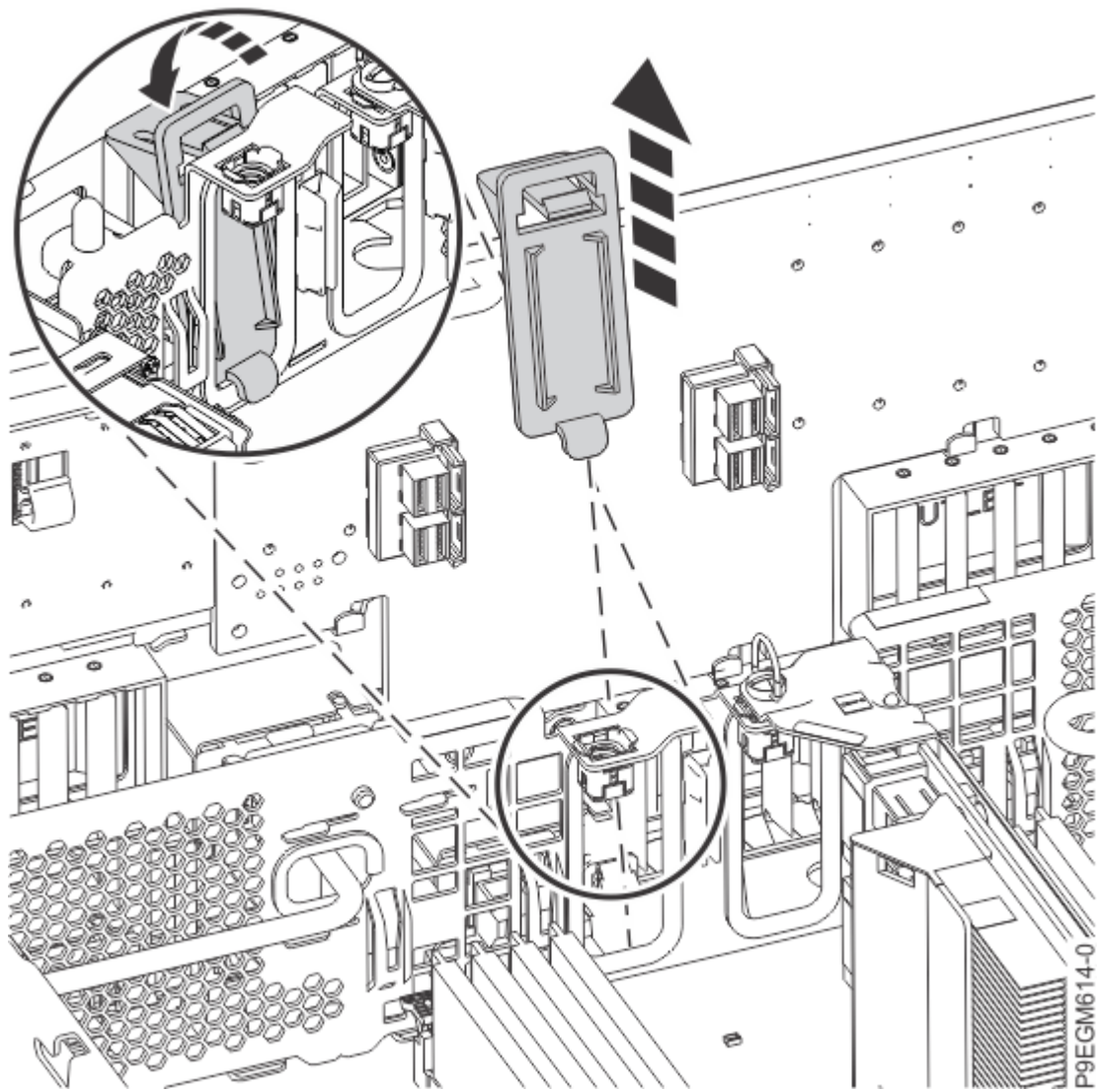


Figure 8. Removing the air divider

c) Lift the air divider up as shown in the following figure.

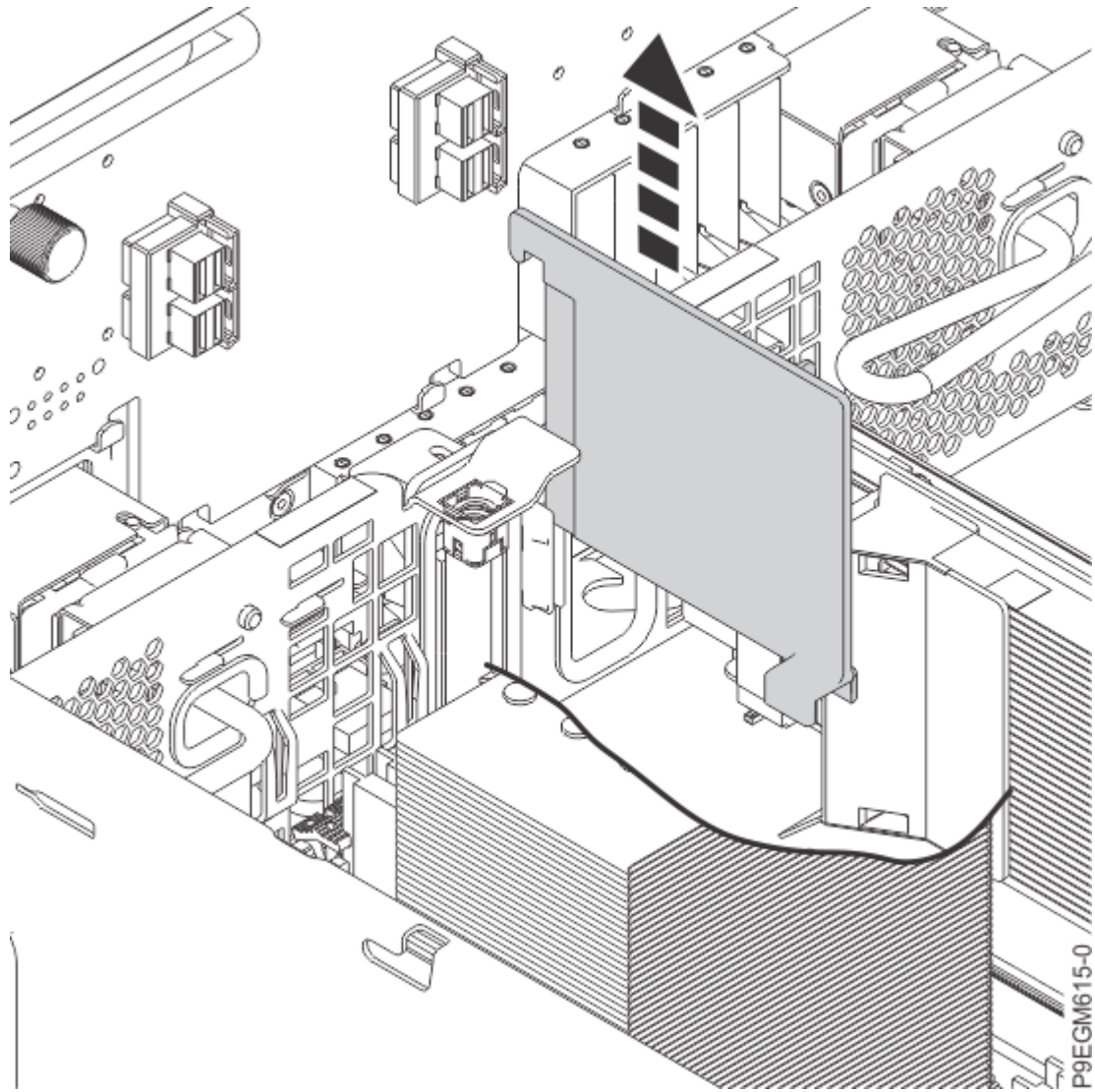


Figure 9. Removing the air divider

- d) Save the clip-in filler and air divider for a future use.
4. Slide one of the new NVMe M.2 flash modules into the NVMe M.2 carrier card socket. See [Figure 10](#) on page 13.

Note: There is no plugging sequence when installing two NVMe M.2 flash modules.

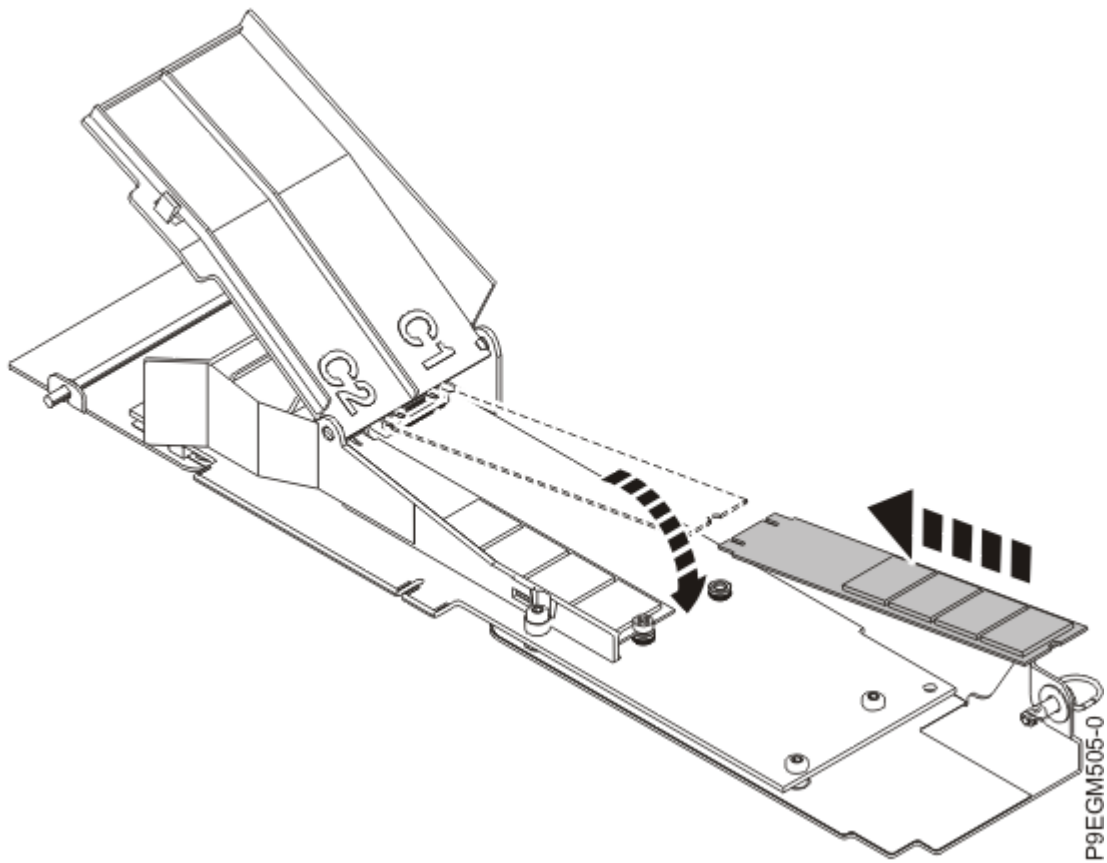


Figure 10. Installing an NVMe M.2 flash module

5. Using a Phillips screwdriver, secure the flash module onto the NVMe M.2 carrier card. See [Figure 11](#) on page 14.

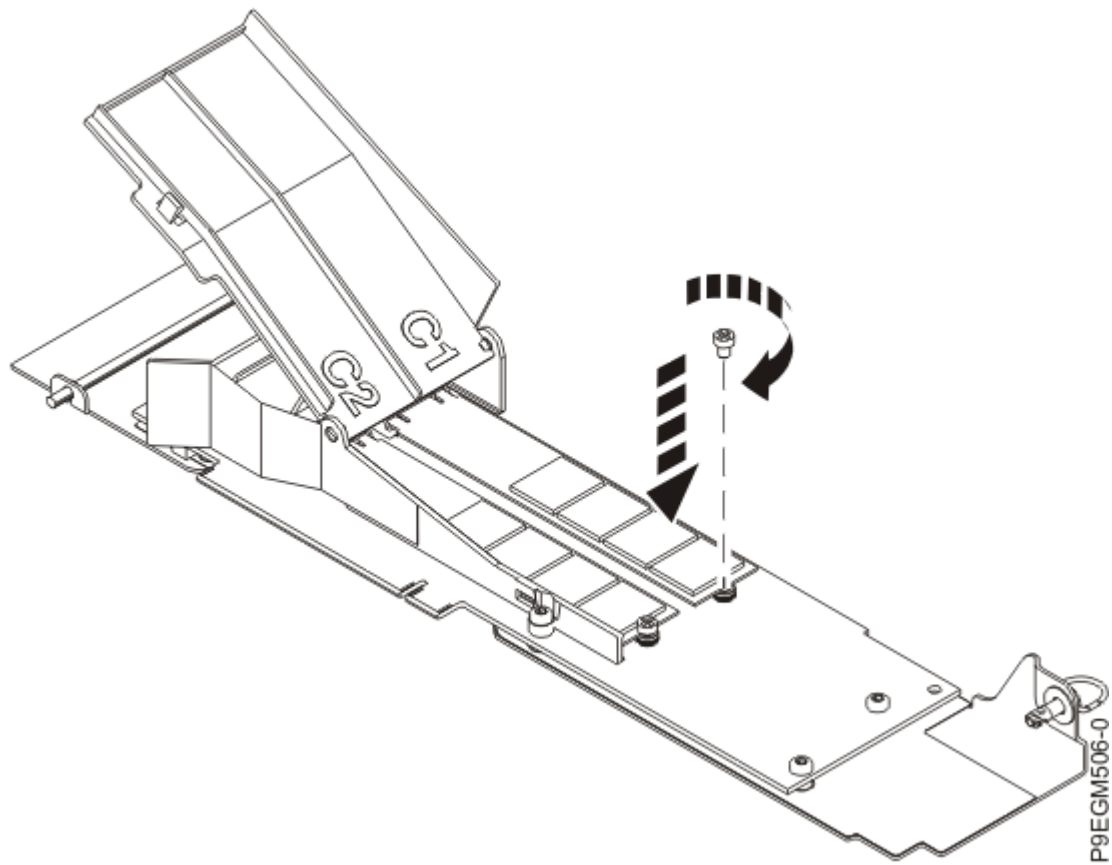


Figure 11. Securing the NVMe M.2 flash module onto the carrier card

6. Repeat steps **3** and **4** for the other NVMe M.2 flash module, if needed.
7. Close the black cover on the NVMe M.2 carrier card.

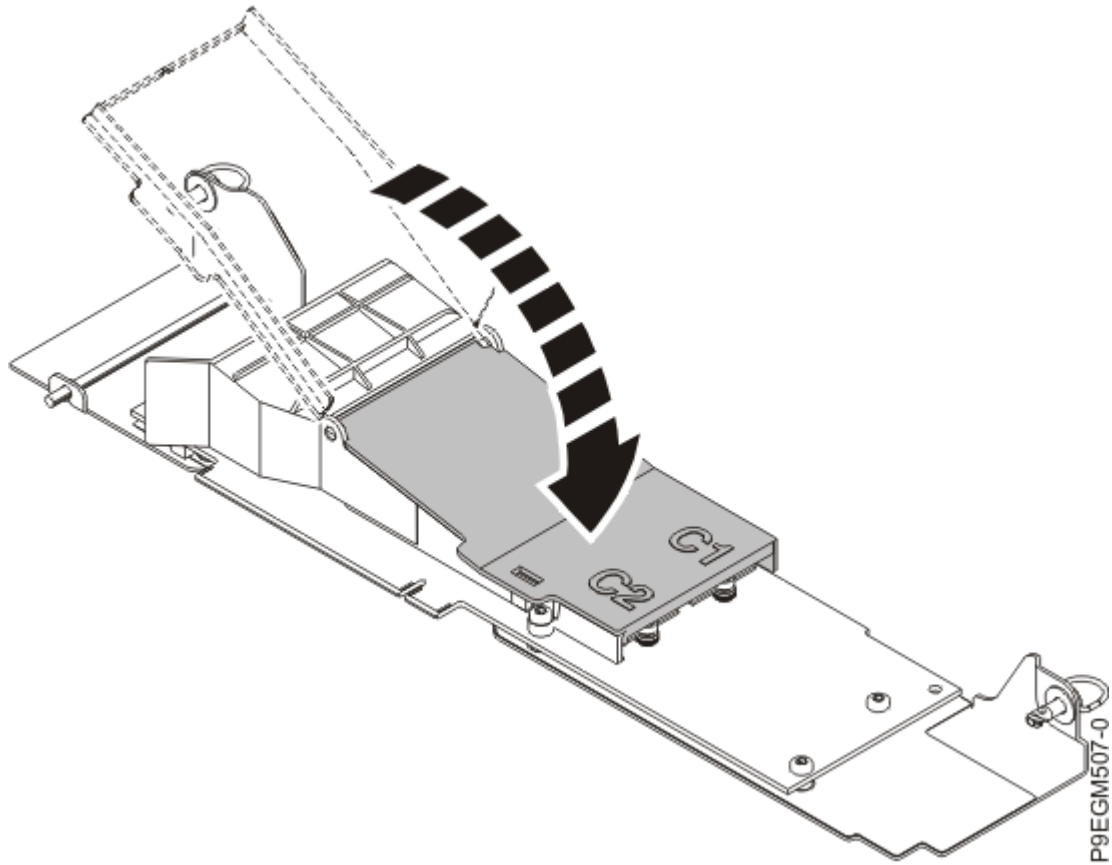


Figure 12. Closing the black cover on the NVMe M.2 carrier card

8. Lower the NVMe M.2 carrier card down into the slot.
9. Push in and twist the screws **(A)** clockwise to fully seat the NVMe M.2 carrier card. See [Figure 13 on page 16](#).

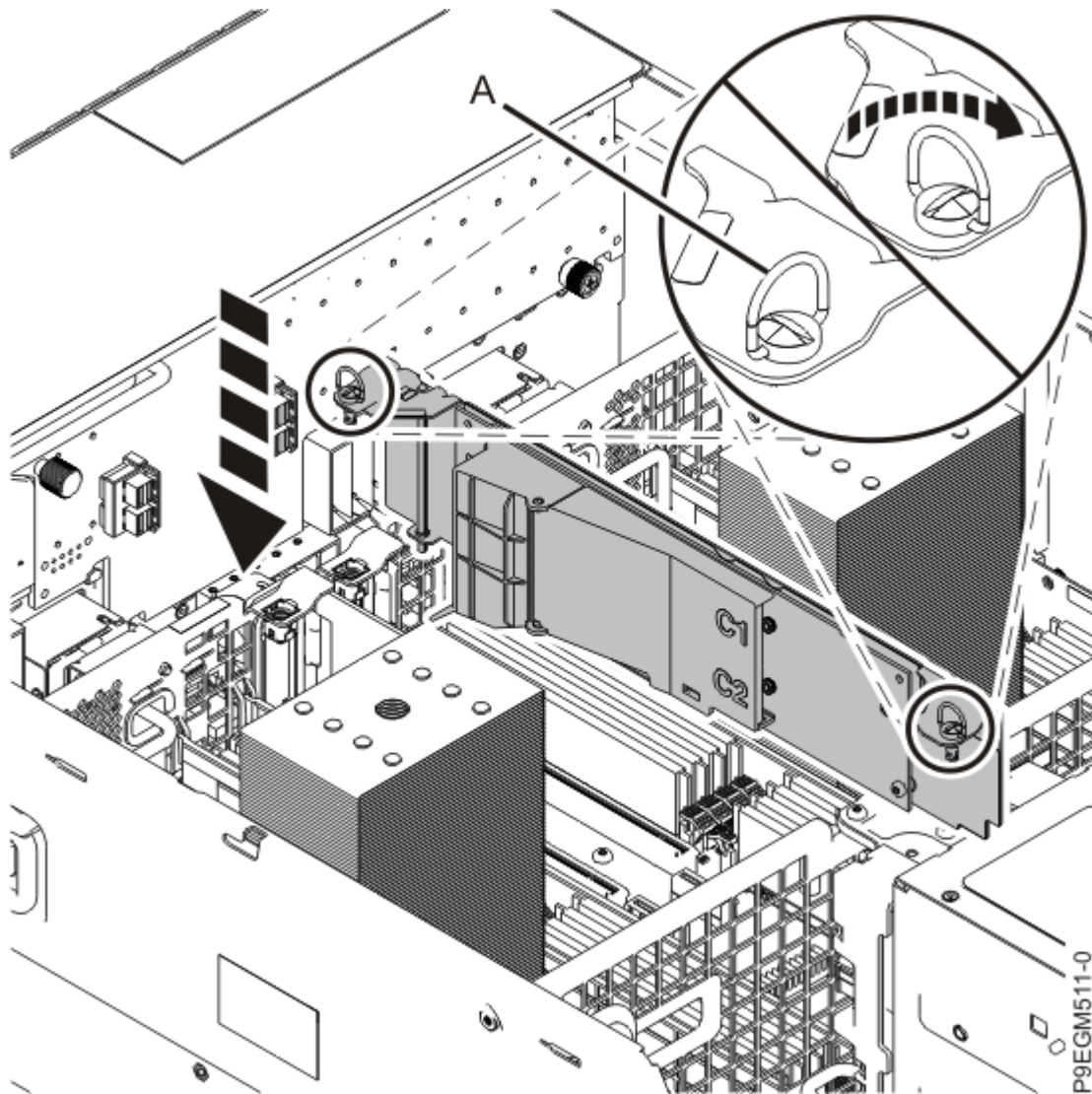
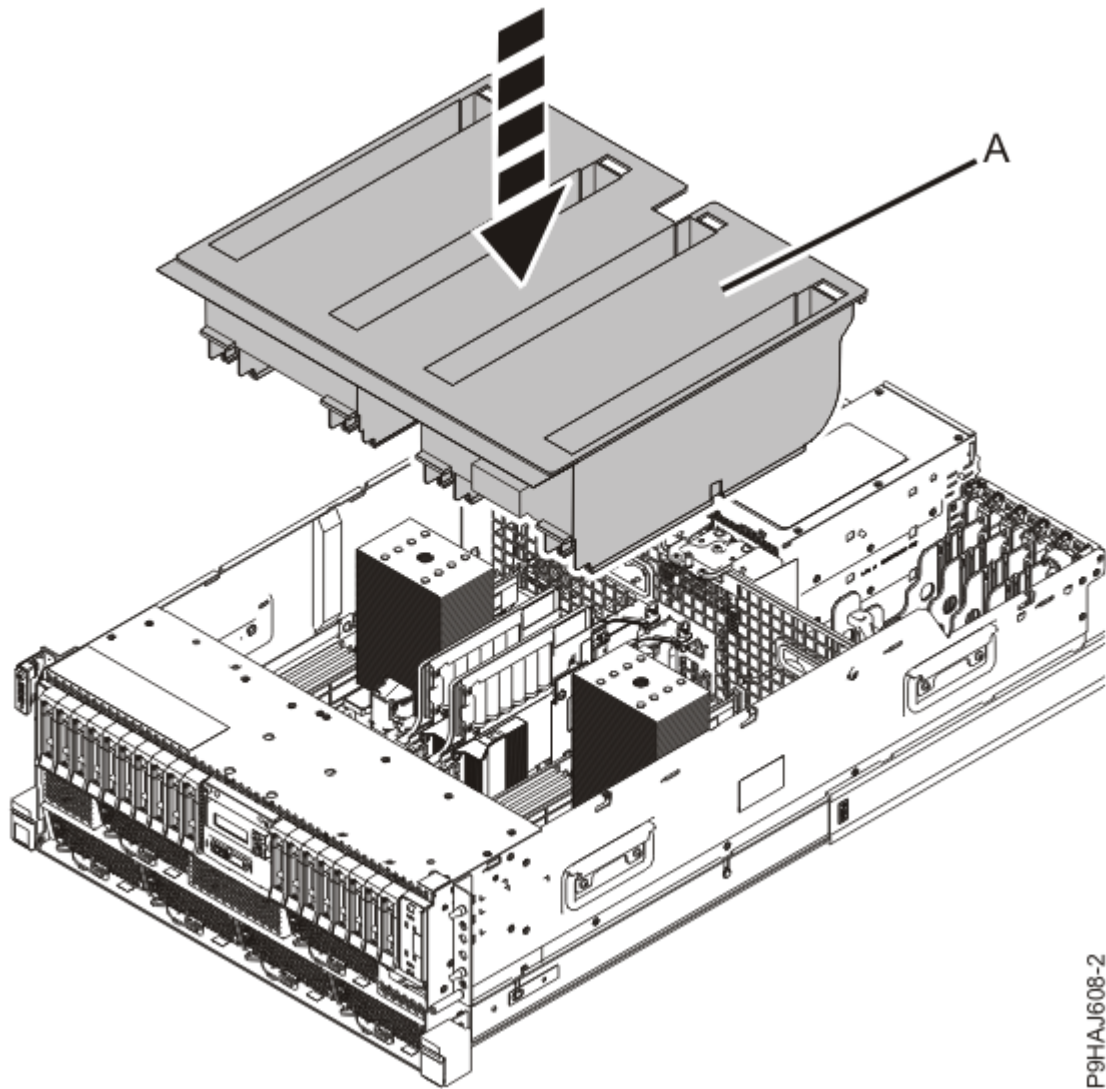


Figure 13. Seating the NVMe M.2 carrier card

10. For a rack-mounted system, replace the air baffle **(A)** straight down into the chassis as shown in [Figure 14](#) on page 17.

For a stand-alone system, replace the air baffle **(A)** straight into the side of the chassis as shown in [Figure 15](#) on page 18.

Ensure that the front flap tucks under the front chassis.



P9HAJ608-2

Figure 14. Replacing the air baffle in a rack-mounted system

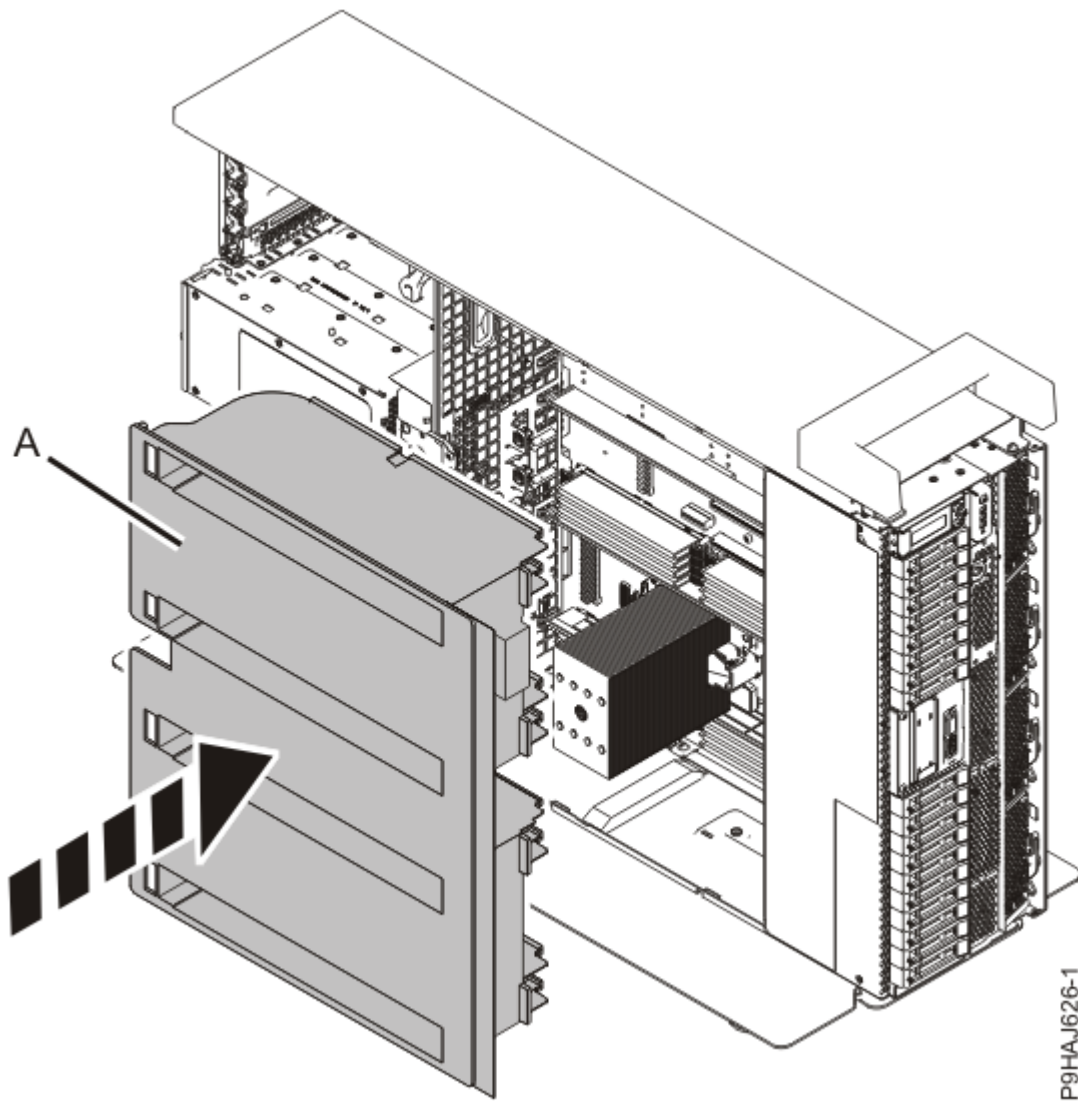


Figure 15. Replacing the air baffle in a stand-alone system

Preparing the 9009-41A, 9009-42A, or 9223-42H system for operation after installing an NVMe M.2 carrier card and flash module

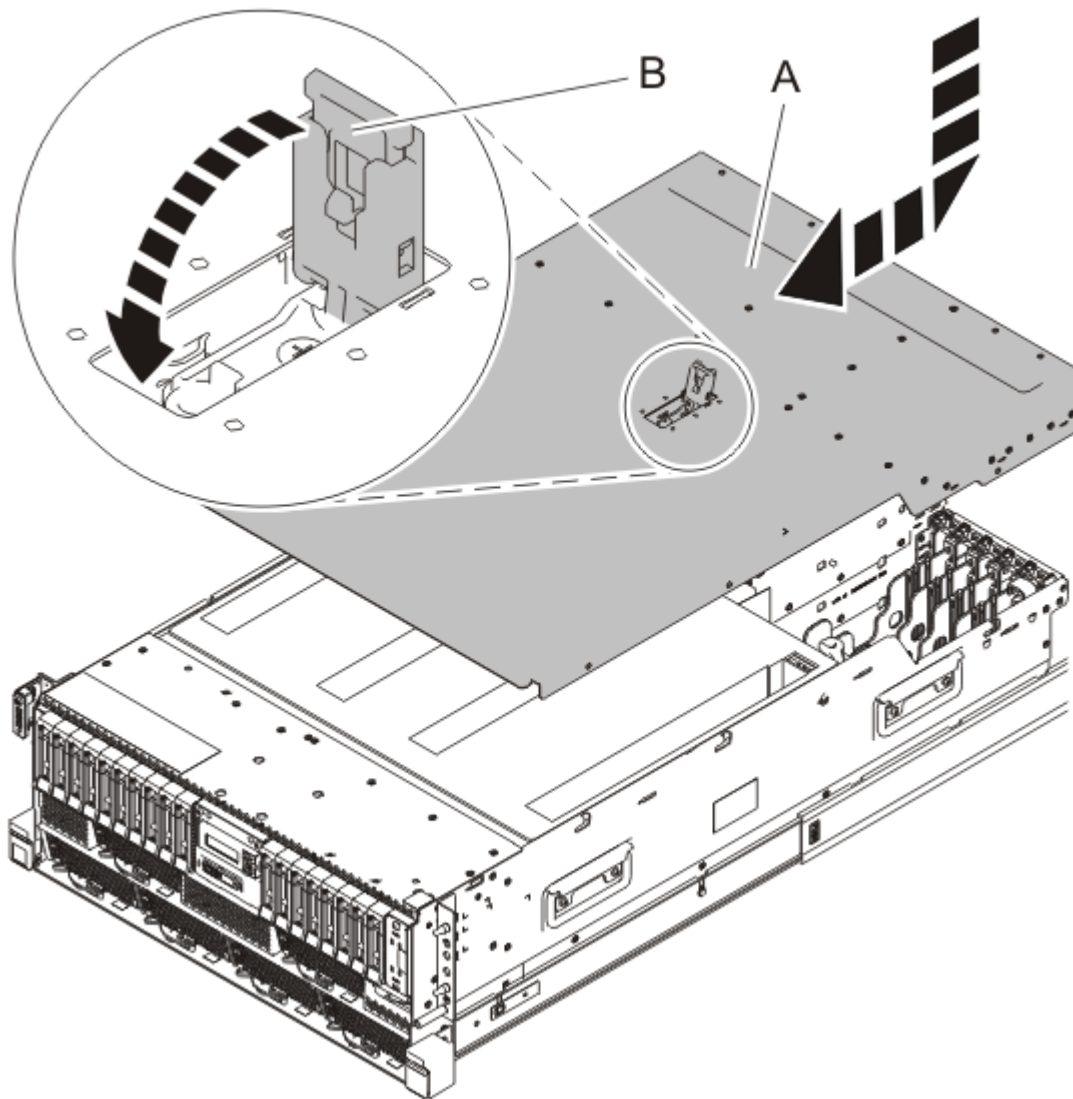
To prepare the system for operation after installing an NVMe M.2 carrier card and flash module, complete the steps in this procedure.

Procedure

1. Ensure that you have the electrostatic discharge (ESD) wrist strap on and that the ESD clip is plugged into a ground jack or connected to an unpainted metal surface. If not, do so now.
2. Replace the service access cover.

For a rack-mounted system, complete the following steps. Refer to [Figure 16 on page 19](#).

- a. Slide the cover **(A)** onto the system unit.
- b. Close the release latch **(B)** by pushing it in the direction shown.

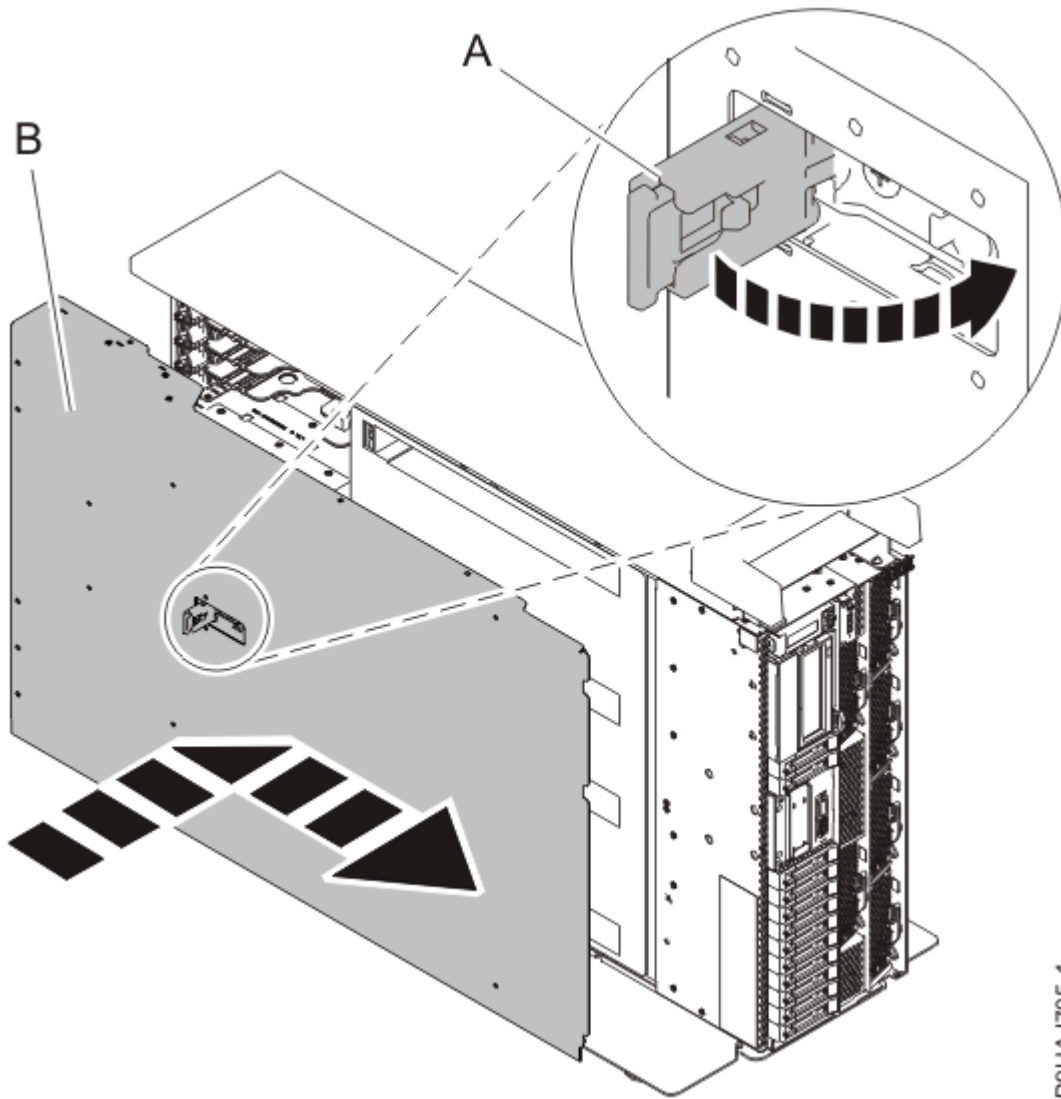


P9HAJ606-2

Figure 16. Installing the service access cover

For a stand-alone system, complete the following steps. Refer to [Figure 17 on page 20](#).

- a. Slide the cover (**B**) on to the system unit as shown.
- b. Close the latch release (**A**) by pushing it in the direction shown.



P9HAJ705-1

Figure 17. Installing the service access cover

3. For a rack-mounted system, unlock the blue rail safety latches (**A**) as shown in [Figure 18 on page 21](#) by pushing them inward.

Ensure that the cable management arms can move freely. Ensure that the cables at the rear of the unit do not catch or bind as you push the unit into the operating position.

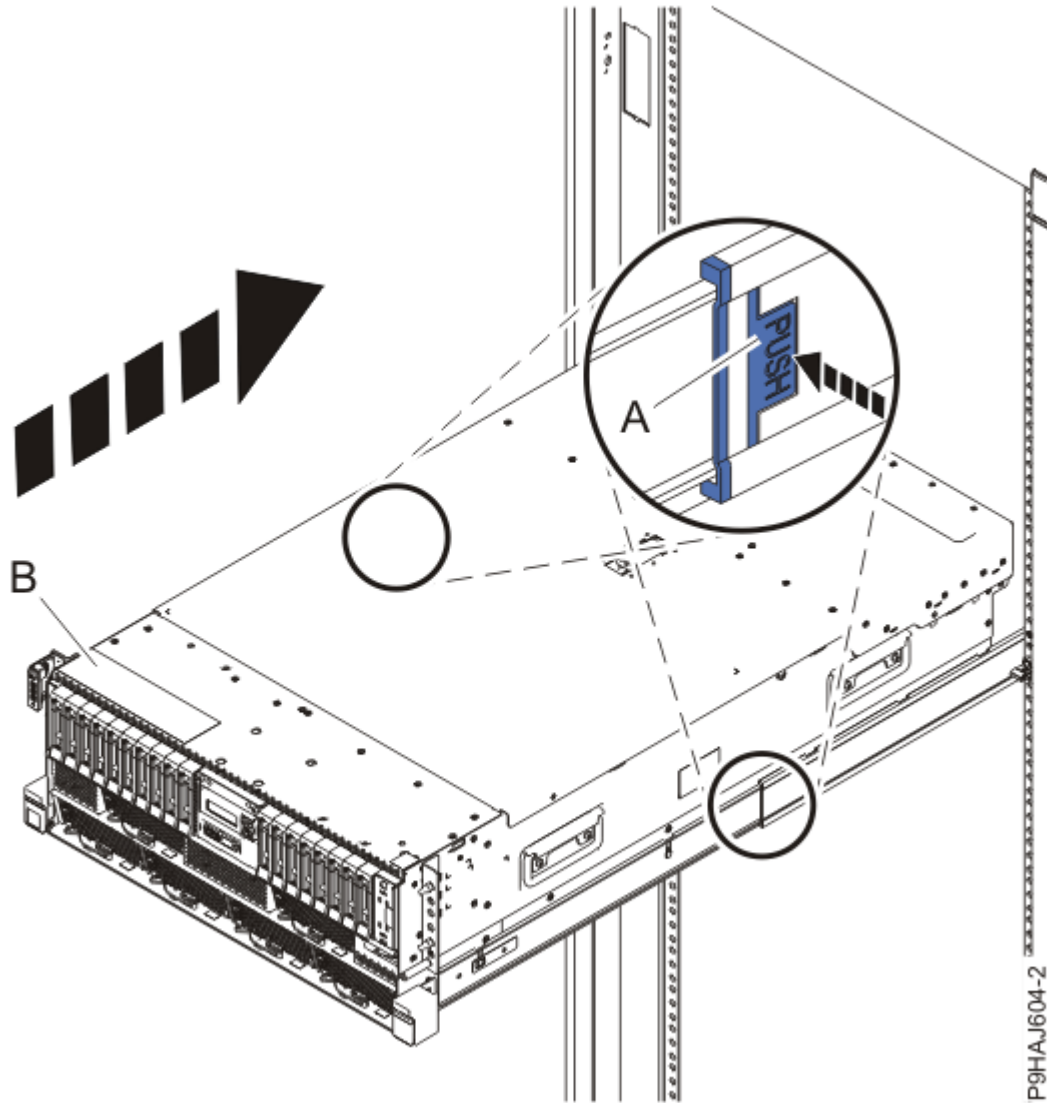


Figure 18. Placing the system into the operating position

4. For a rack-mounted system, push the system unit **(B)** as shown in the previous figure back into the rack until both release latches lock the system into position.

Secure the cable management arm with hook-and-loop fasteners around the back side of the cable management arm, but not around the cables.

5. Using your labels, reconnect the power cords **(A)** to the system unit.

Fasten the power cords **(A)** to the system using the hook-and-loop fasteners **(B)** as shown in [Figure 19 on page 22](#) or [Figure 20 on page 23](#).

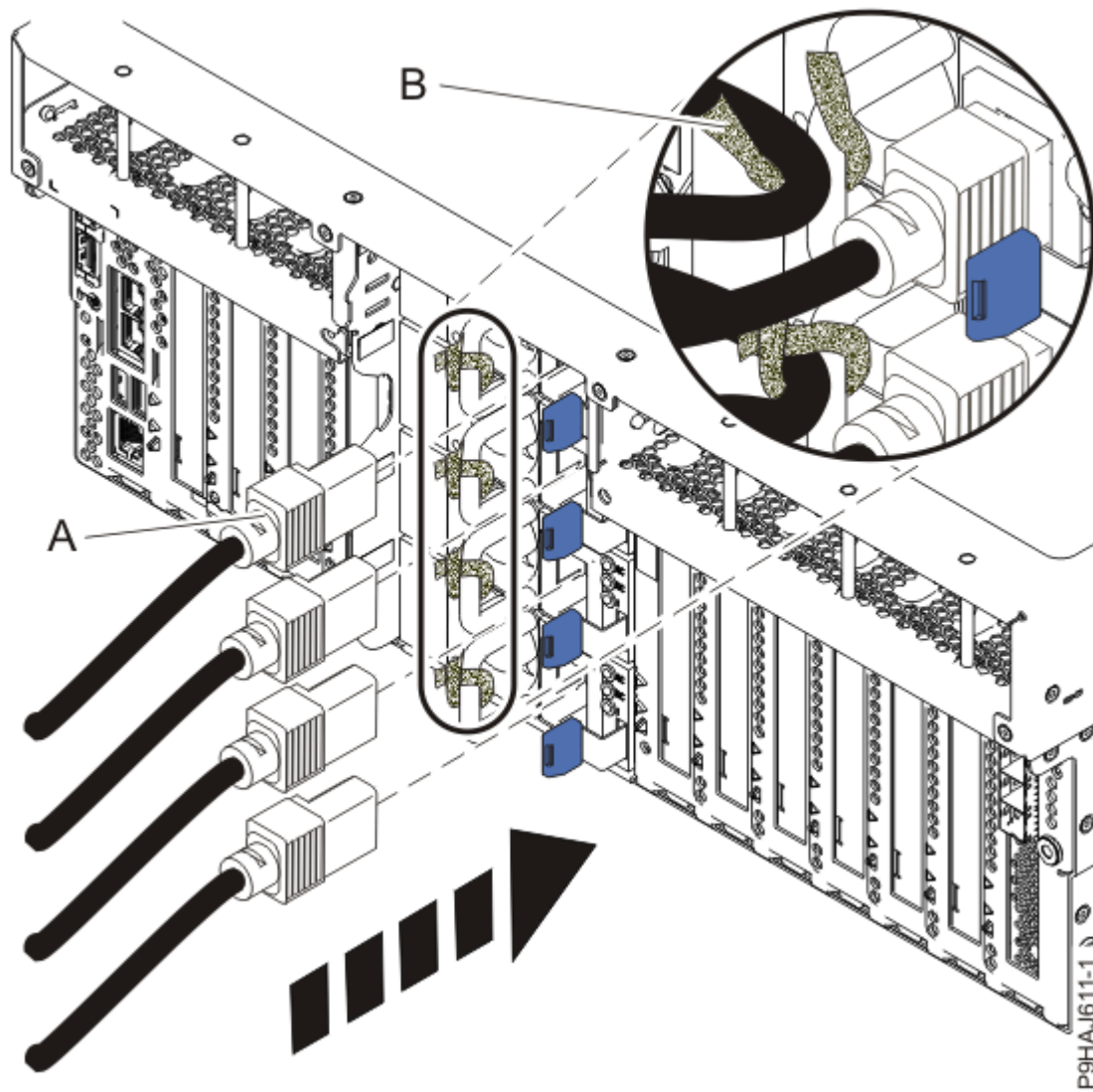


Figure 19. Connecting the power cords to a rack-mounted system

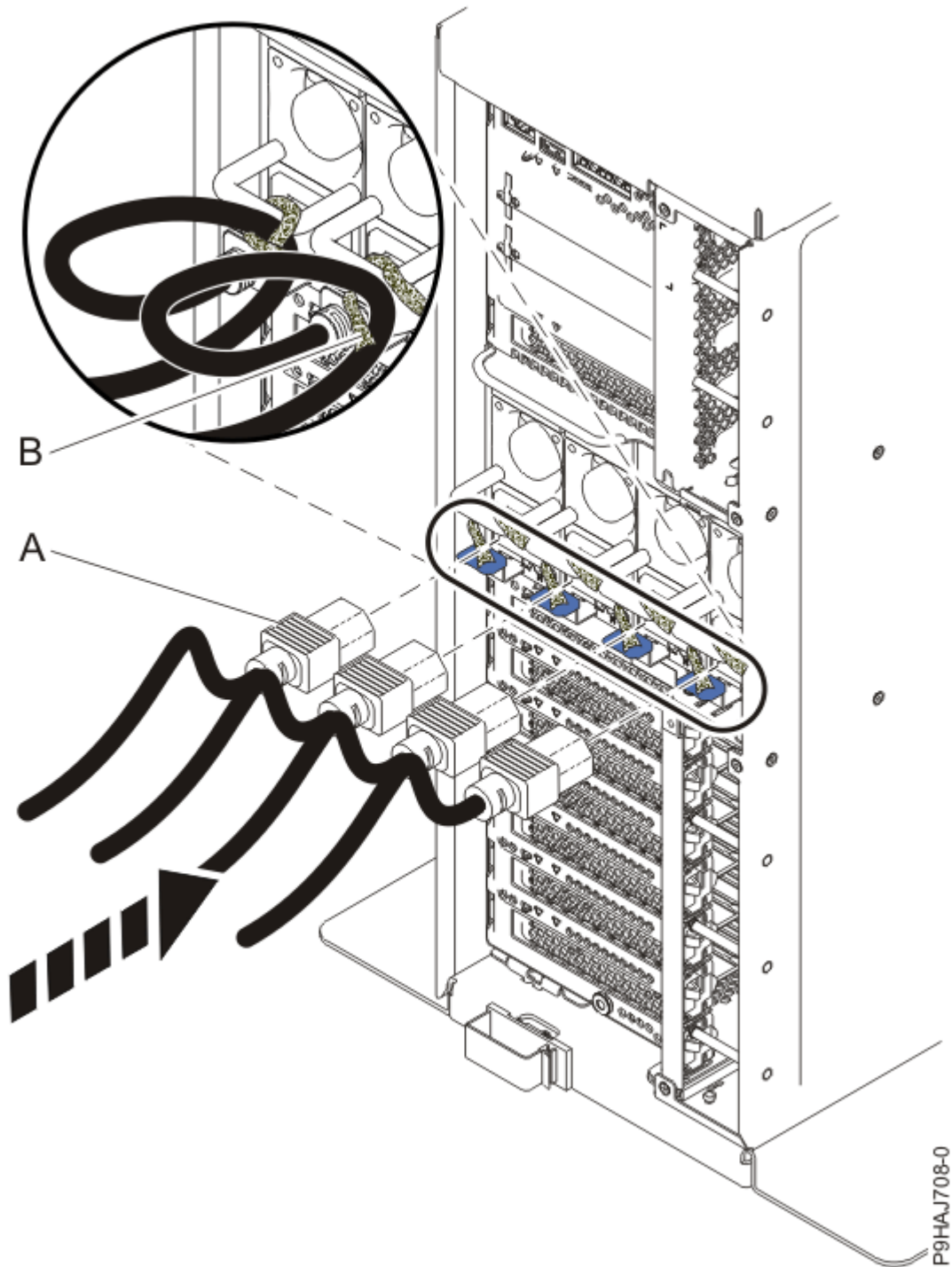


Figure 20. Connecting the power cords to a stand-alone system

6. Start the system. For instructions, see [Starting a system](http://www.ibm.com/support/knowledgecenter/POWER9/p9haj/crustartsys.htm) (www.ibm.com/support/knowledgecenter/POWER9/p9haj/crustartsys.htm).
7. Turn off the identify LED. For instructions, see [Deactivating an identify LED](http://www.ibm.com/support/knowledgecenter/POWER9/p9haj/p9haj_turn_off_identify_led.htm) (www.ibm.com/support/knowledgecenter/POWER9/p9haj/p9haj_turn_off_identify_led.htm).
8. Verify the installed part.
 - If you replaced the part because of a service action, verify the installed part. For instructions, see [Verifying a repair](http://www.ibm.com/support/knowledgecenter/POWER9/p9ect/pxect_verifyrepair.htm) (www.ibm.com/support/knowledgecenter/POWER9/p9ect/pxect_verifyrepair.htm).
 - If you installed the part for any other reason, verify the installed part. For instructions, see [Verifying the installed part](http://www.ibm.com/support/knowledgecenter/POWER9/p9haj/pxhaj_hsmverify.htm) (www.ibm.com/support/knowledgecenter/POWER9/p9haj/pxhaj_hsmverify.htm).

Removing and replacing an NVMe M.2 carrier card and flash module in the 9009-41A, 9009-42A, or 9223-42H system

Find information about removing and replacing an NVMe M.2 carrier card and flash module in the IBM Power System S914 (9009-41A), IBM Power System S924 (9009-42A), or IBM Power System H924 (9223-42H) server.

About this task

Note: Installing this feature is a customer task. You can complete this task yourself, or contact a service provider to complete the task for you. You might be charged a fee by the service provider for this service.

If your system is managed by the Hardware Management Console (HMC), use the HMC to repair a part in the system. For instructions, see [Repairing a part by using the HMC \(www.ibm.com/support/knowledgecenter/POWER9/p9haj/p9haj_hmc_repair.htm\)](http://www.ibm.com/support/knowledgecenter/POWER9/p9haj/p9haj_hmc_repair.htm).

If you do not have an HMC, complete the steps in the following procedures to remove and replace an NVMe M.2 carrier card and flash module.

Preparing the 9009-41A, 9009-42A, or 9223-42H system to remove and replace an NVMe M.2 carrier card and flash module

To prepare the system to remove and replace an NVMe M.2 carrier card and flash module, complete the steps in this procedure.

Procedure

1. Identify the part and the system that you are working on. For instructions, see [Identifying a part \(www.ibm.com/support/knowledgecenter/POWER9/p9haj/sal.htm\)](http://www.ibm.com/support/knowledgecenter/POWER9/p9haj/sal.htm).

Use the blue identify LED on the enclosure to locate the system. Ensure that the serial number of the system matches the serial number to be serviced.

2. Stop the system. For instructions, see [Stopping a system \(www.ibm.com/support/knowledgecenter/POWER9/p9haj/crustopsys.htm\)](http://www.ibm.com/support/knowledgecenter/POWER9/p9haj/crustopsys.htm).
3. Label and disconnect the power cords from the system unit.

See [Figure 21 on page 25](#) or [Figure 22 on page 26](#).

Notes:

- This system might be equipped with two or more power supplies. If the removing and replacing procedures require the system power to be turned off, ensure that all the power sources to the system are disconnected.
- The power cord **(B)** is fastened to the system with hook-and-loop fastener **(A)**. If you are placing the system in a service position after you disconnect the power cords, ensure that you unstrap the fastener.

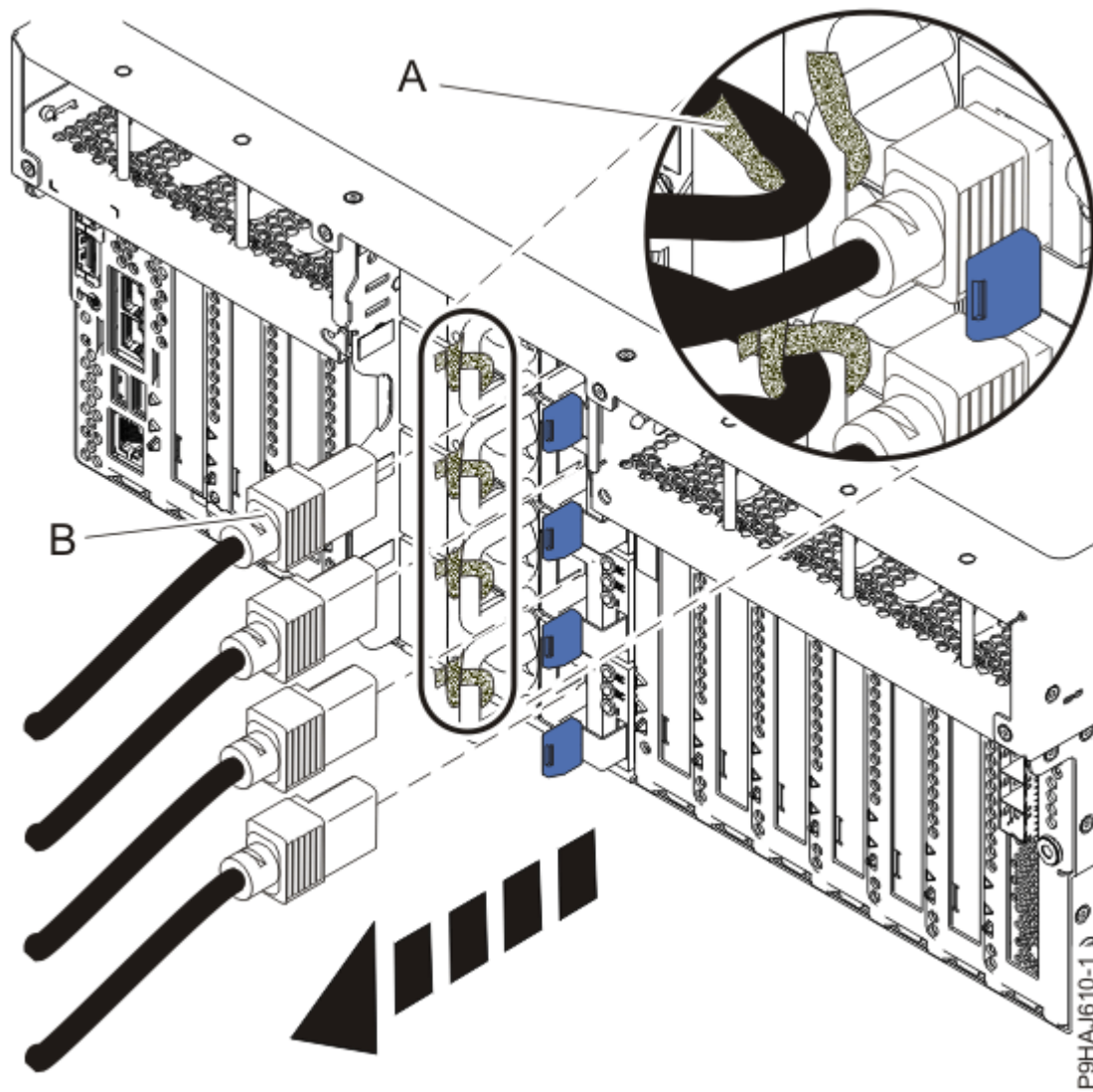


Figure 21. Removing the power cords from a rack-mounted server

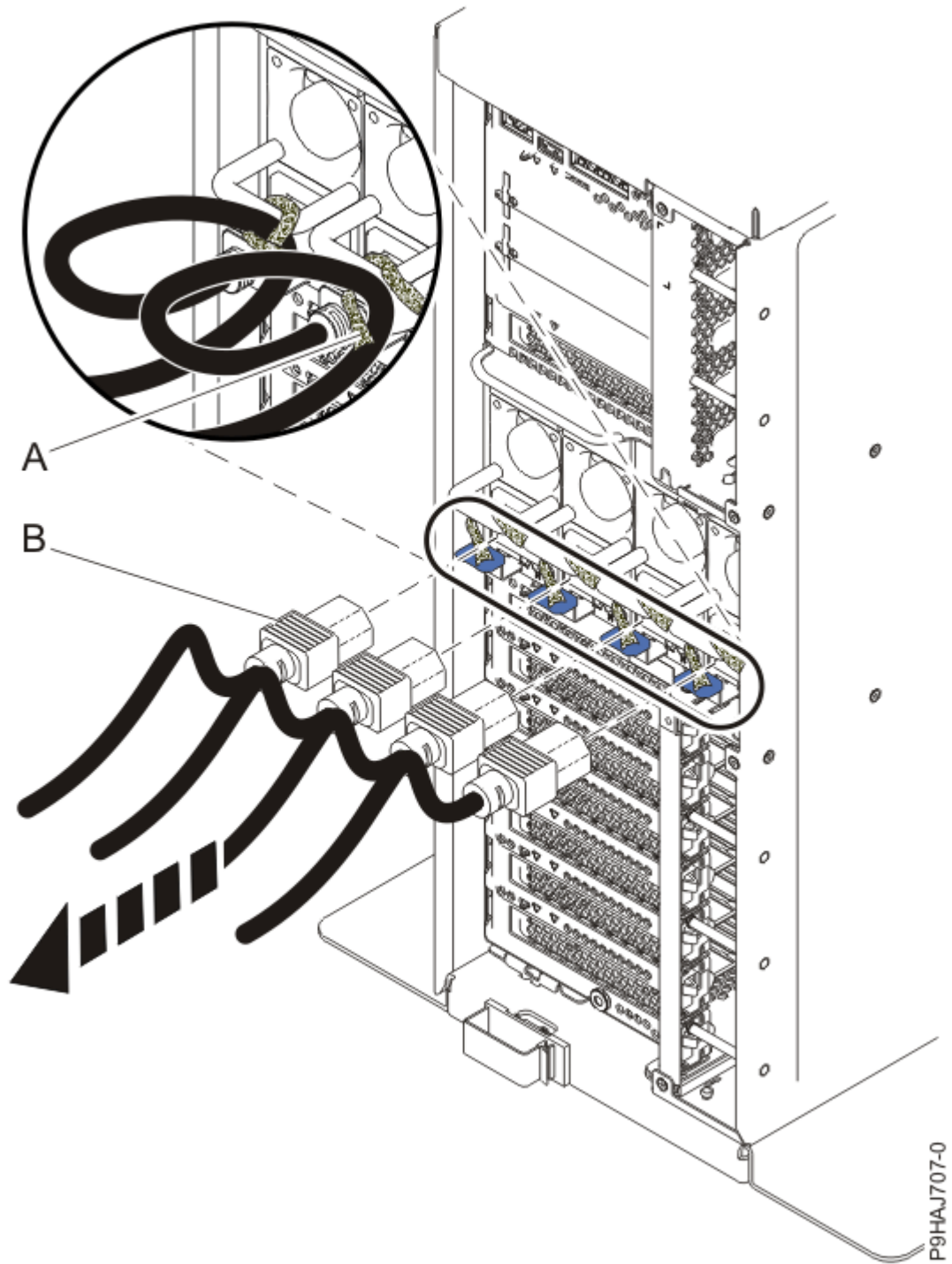
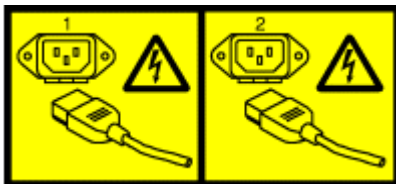


Figure 22. Removing the power cords from a stand-alone server

(L003)



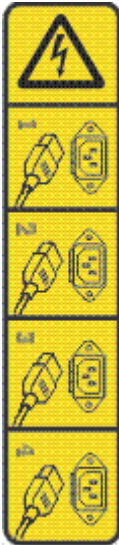
or



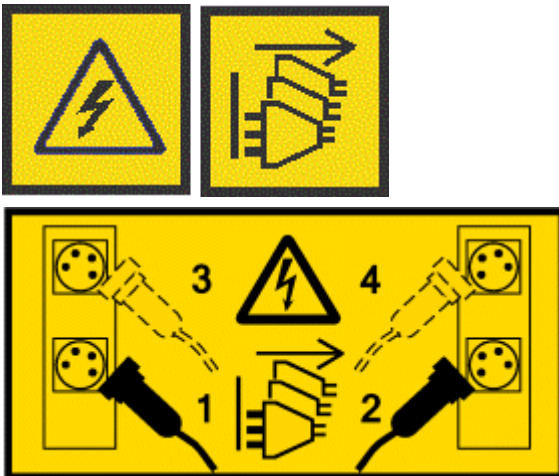
or

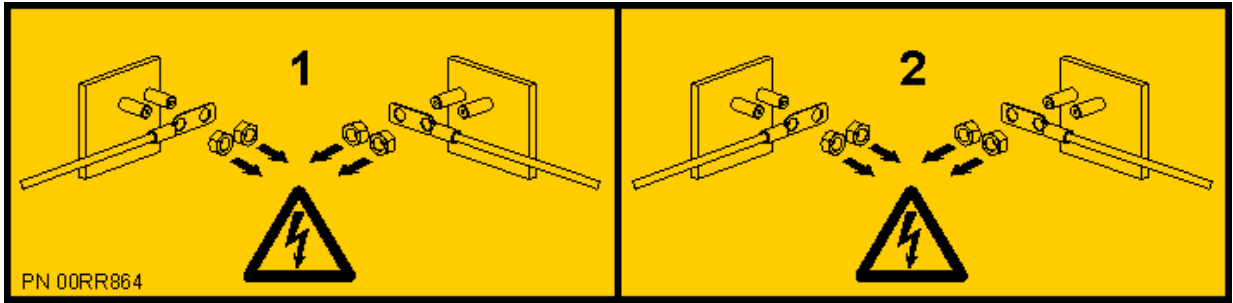


or



or





DANGER: Multiple power cords. The product might be equipped with multiple AC power cords or multiple DC power cables. To remove all hazardous voltages, disconnect all power cords and power cables. (L003)

4. For a rack-mounted system, open the side latches (**A**) and pull the latches to slide the system unit fully into the service position until the slides click and hold the system unit securely. Ensure that the screws inside the latches are not secured to the rack.

See the following figure.

Remove the hook-and-loop fasteners that secure the cable management arms. Ensure that the cable management arms can move freely. Ensure that the cables at the rear of the system do not catch or bind as you pull the system unit into the service position.

Do not pull out or install any drawer or feature if the rack stabilizer brackets are not attached to the rack. Do not pull out more than one drawer at a time. The rack might become unstable if you pull out more than one drawer at a time.



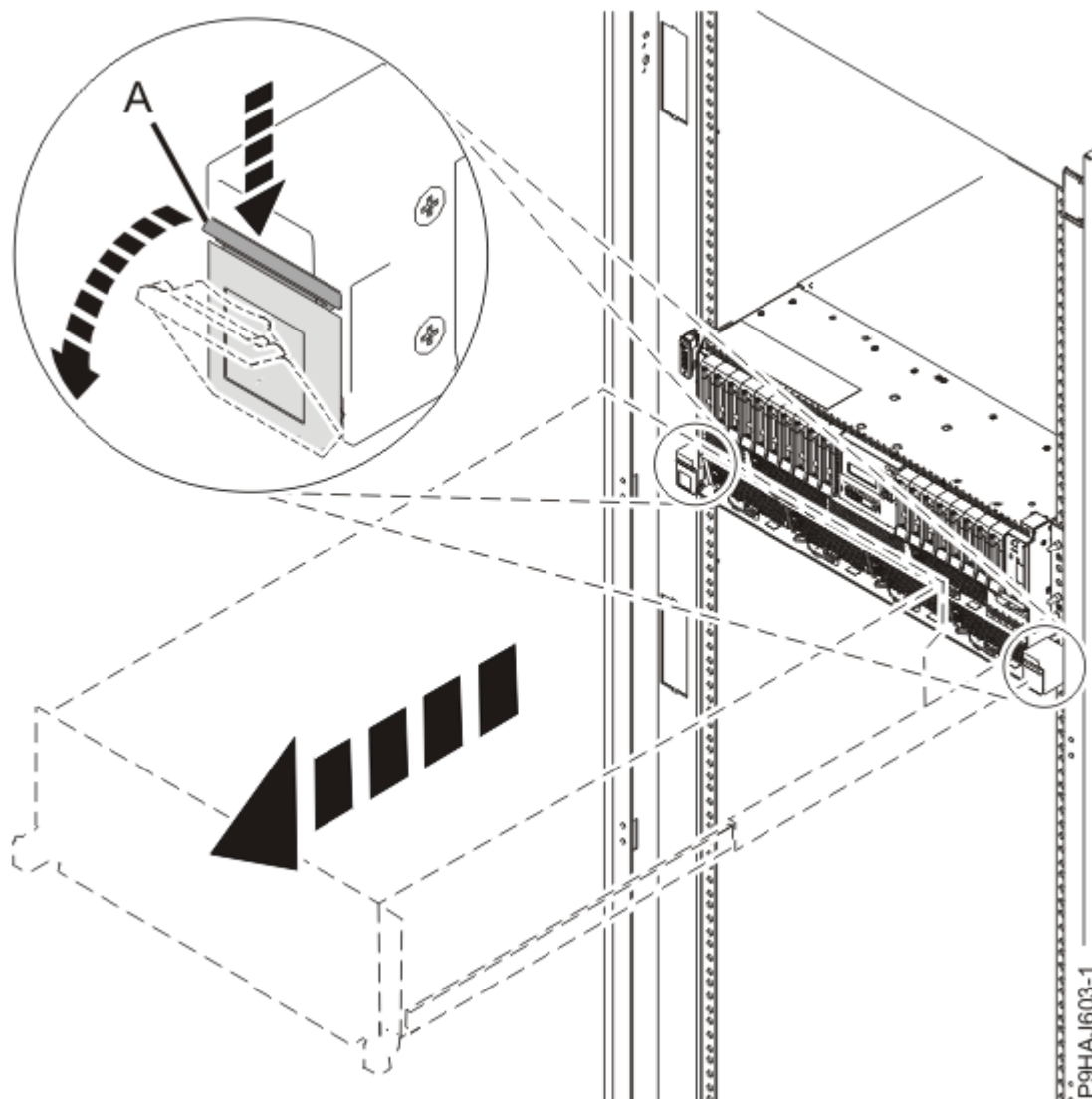


Figure 23. Releasing the side latches

5. Attach the electrostatic discharge (ESD) wrist strap.

The ESD wrist strap must be connected to an unpainted metal surface until the service procedure is completed, and if applicable, until the service access cover is replaced.




Attention:

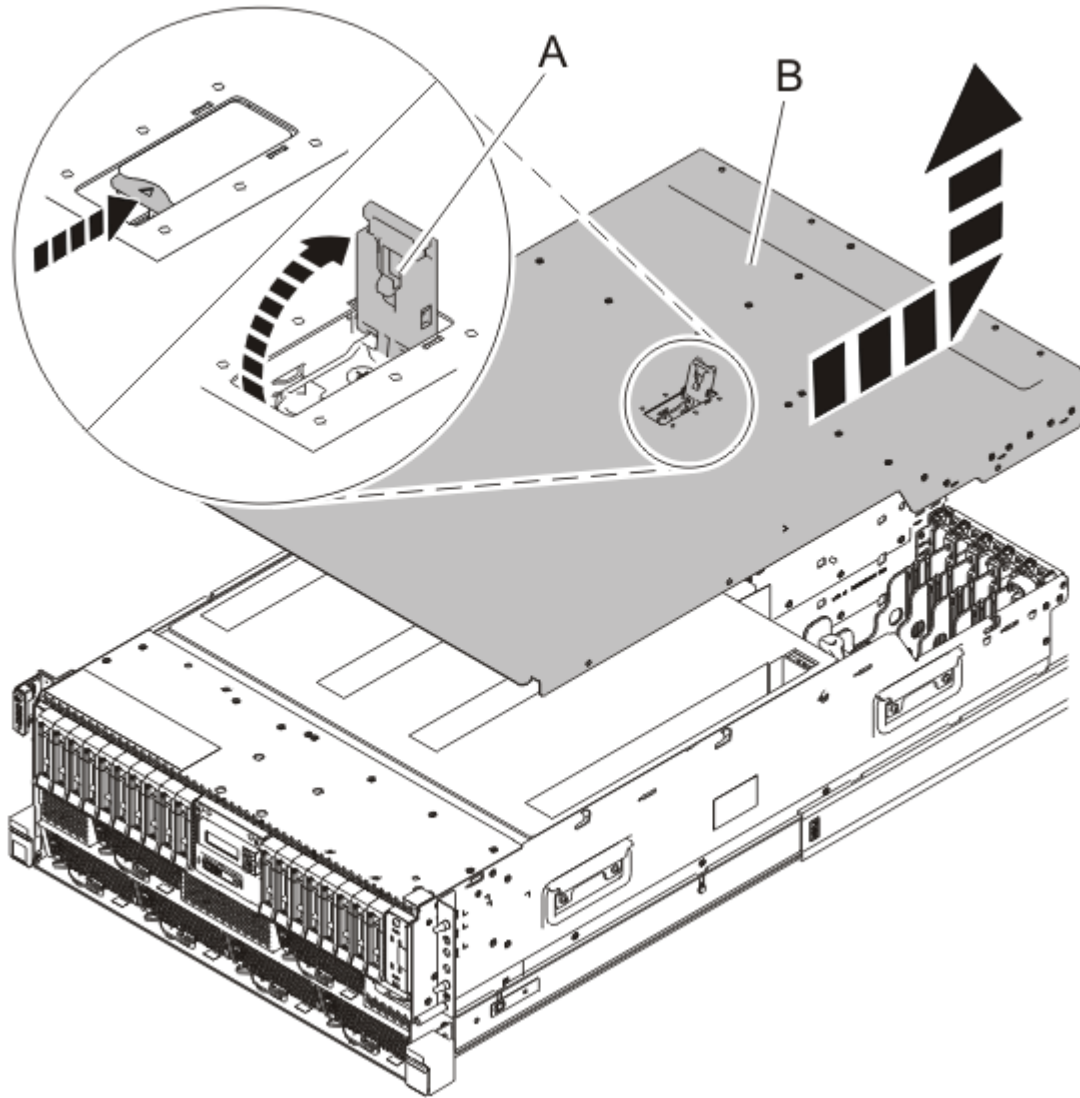
- Attach an electrostatic discharge (ESD) wrist strap to the front ESD jack, to the rear ESD jack, or to an unpainted metal surface of your hardware to prevent the electrostatic discharge from damaging your hardware.
- When you use an ESD wrist strap, follow all electrical safety procedures. An ESD wrist strap is used for static control. It does not increase or decrease your risk of receiving electric shock when using or working on electrical equipment.
- If you do not have an ESD wrist strap, just prior to removing the product from ESD packaging and installing or replacing hardware, touch an unpainted metal surface of the system for a minimum of 5 seconds. If at any point in this service process you move away from the system, it is important to again discharge yourself by touching an unpainted metal surface for at least 5 seconds before you continue with the service process.

6. Remove the service access cover.

For a rack-mounted system, complete the following steps. Refer to [Figure 24](#) on page 30.

 **Attention:** Operating the system without the service access cover on for more than 10 minutes when the system power is turned on might damage the system components.


- a. Release the service cover latch by pushing the release latch **(A)** in the direction shown.
- b. Slide the cover **(B)** off the system unit. When the front of the service access cover clears the upper frame ledge, lift the cover up and off the system unit.



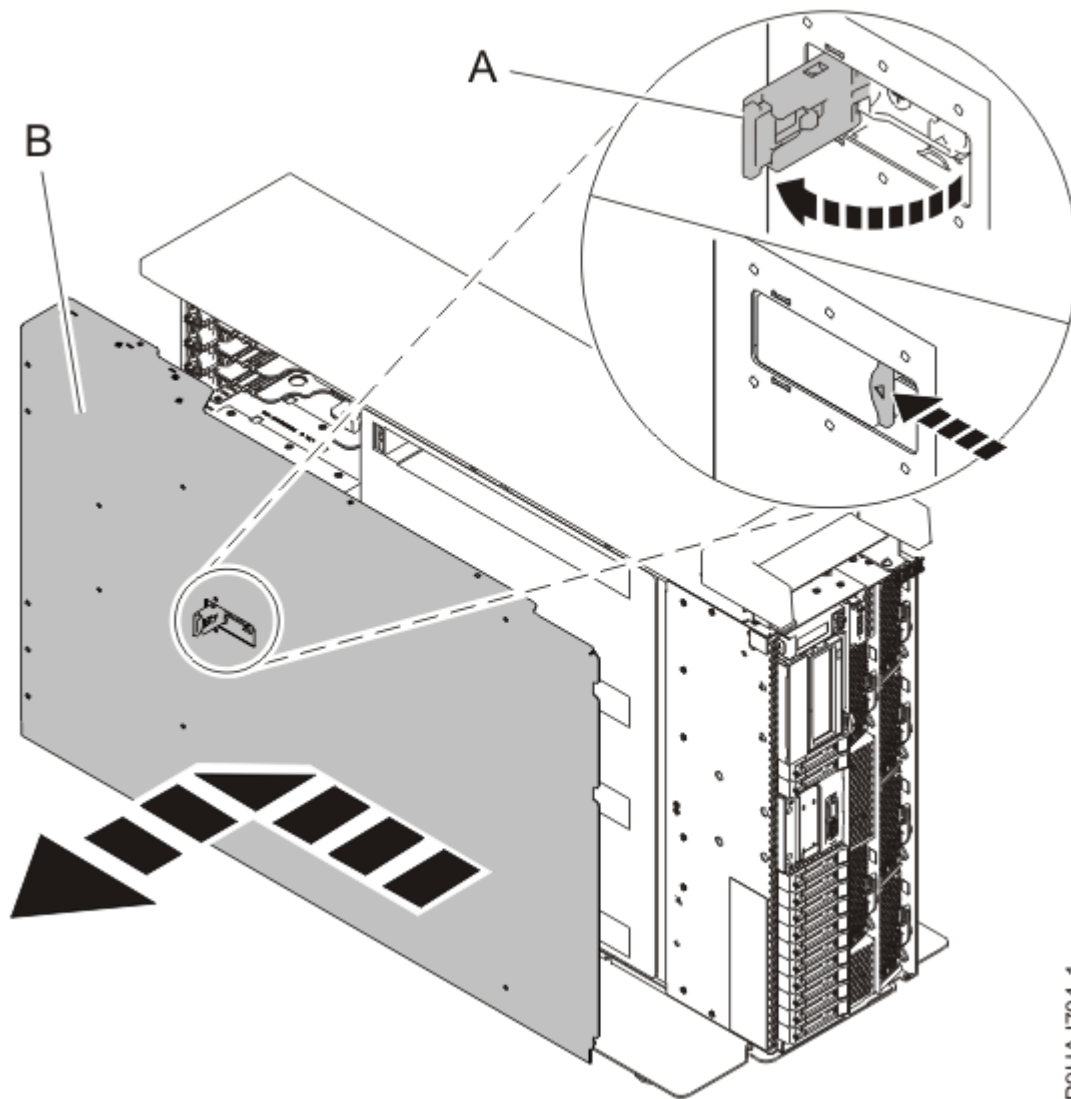
P9HAJ605-2

Figure 24. Removing the service access cover from a rack-mounted system

For a stand-alone system, complete the following steps. Refer to [Figure 25 on page 31](#).

 **Attention:** Operating the system without the service access cover on for more than 10 minutes when the system power is turned on might damage the system components.

- a. Release the latch by pushing the release latch **(A)** in the direction shown.
- b. Slide the cover **(B)** off the system unit. When the front of the service access cover has cleared the upper frame ledge, lift the cover up and off the system unit.



P9HAJ704-1

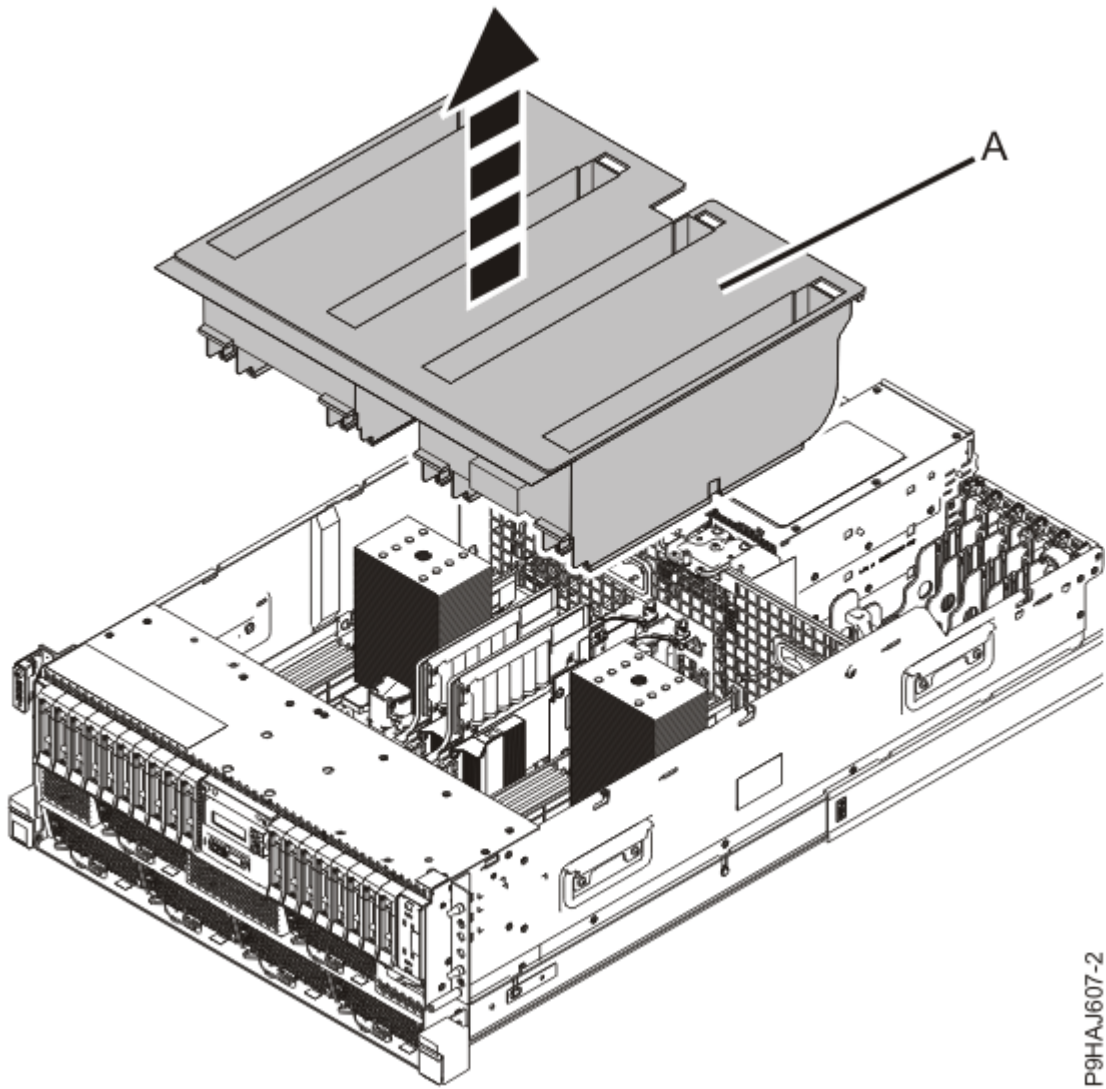
Figure 25. Removing the service access cover

Removing an NVMe M.2 carrier card and flash module from the 9009-41A, 9009-42A, or 9223-42H system

To remove an NVMe M.2 carrier card and flash module from the system, complete the steps in this procedure.

Procedure

1. Ensure that you have the electrostatic discharge (ESD) wrist strap on and that the ESD clip is plugged into a ground jack or connected to an unpainted metal surface. If not, do so now.
2. For a rack-mounted system, lift the air baffle **(A)** straight up as shown in [Figure 26 on page 32](#). For a stand-alone system, remove the air baffle **(A)** straight out as shown in [Figure 27 on page 33](#). Place the air baffle upside down on a clean area.



P9HAJ607-2

Figure 26. Removing the air baffle from a rack-mounted system

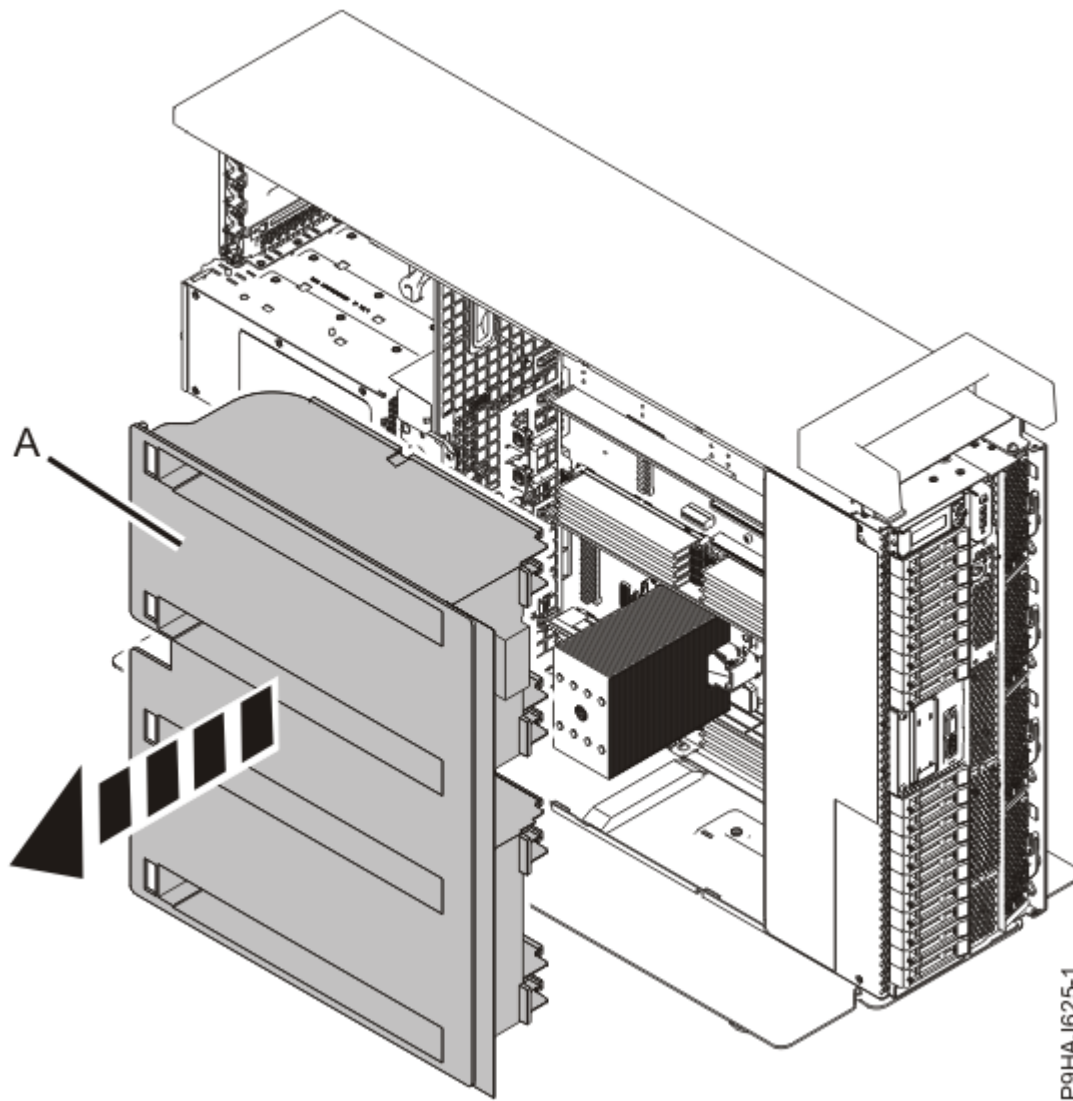


Figure 27. Removing the air baffle from a stand-alone system

3. Twist the screws **(A)** counterclockwise to release the NVMe M.2 carrier card.
4. Lift the NVMe M.2 carrier card out of the slot as shown in [Figure 28](#) on page 34.

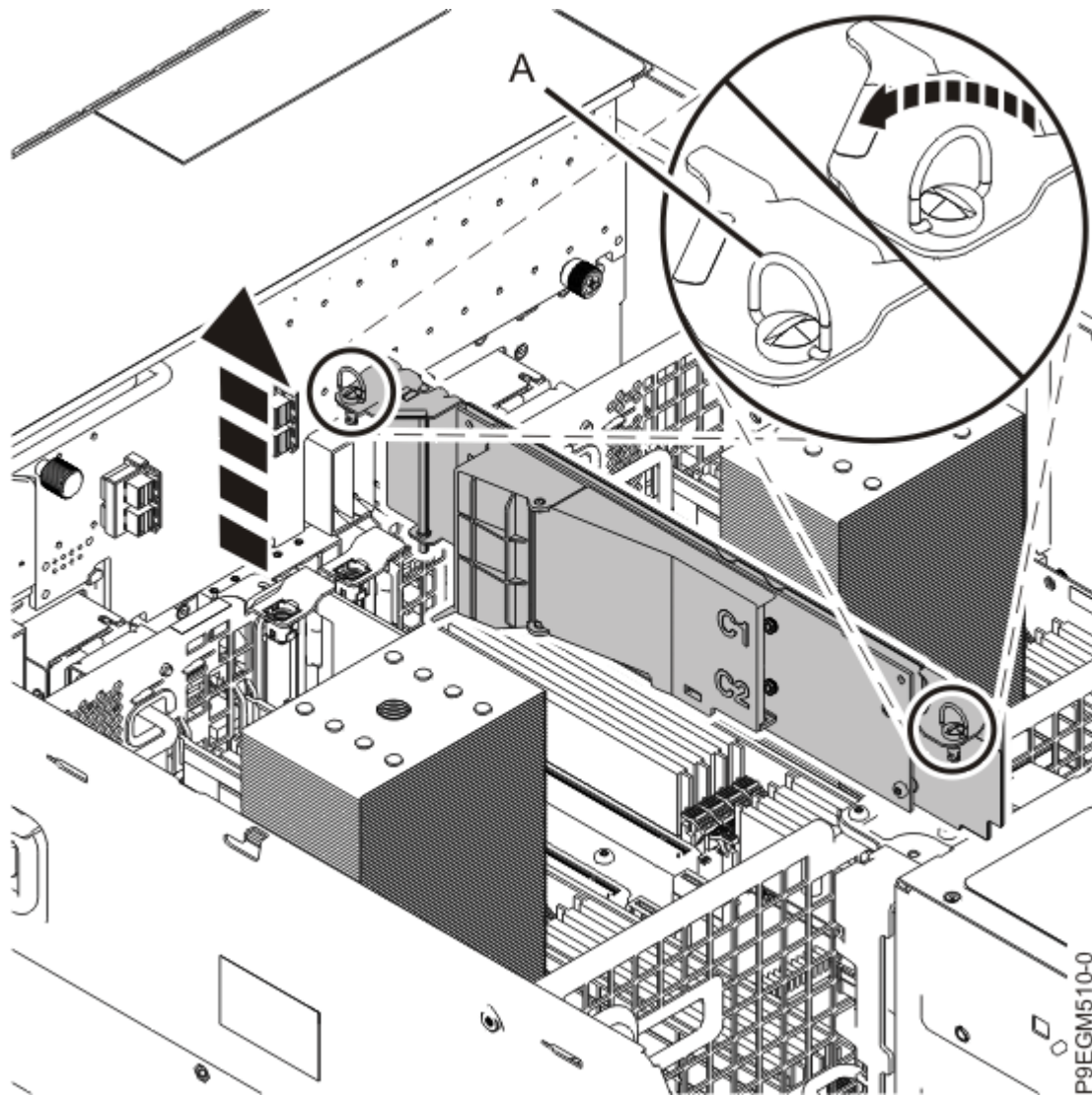


Figure 28. Removing the NVMe M.2 carrier card

5. Place the NVMe M.2 carrier card on an appropriate ESD surface.
6. To remove the NVMe M.2 carrier card flash module, complete the following steps:
 - a) Lift the black cover on the NVMe M.2 carrier card by pulling up near the pull tab as shown in [Figure 29](#) on page 35.

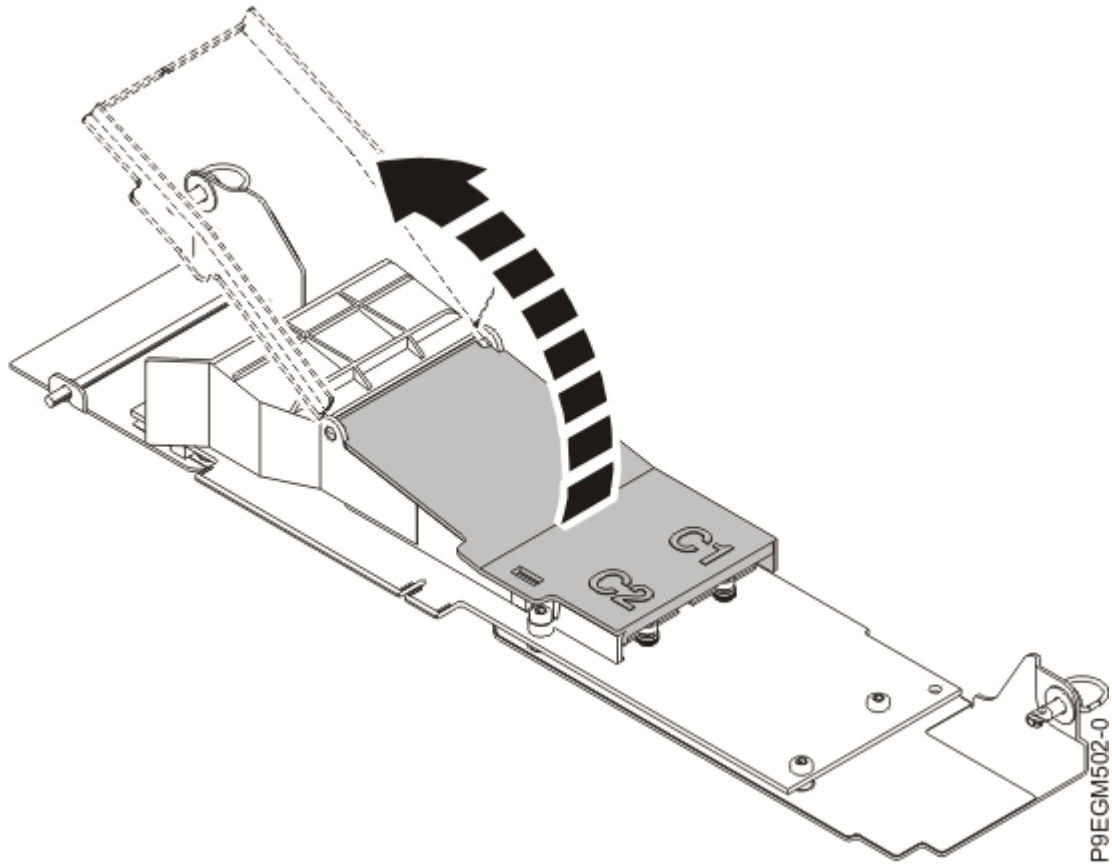


Figure 29. Lifting the NVMe M.2 carrier card cover

- b) Using a Phillips screwdriver, unscrew the screw on the NVMe M.2 flash module. See [Figure 30](#) on [page 36](#).

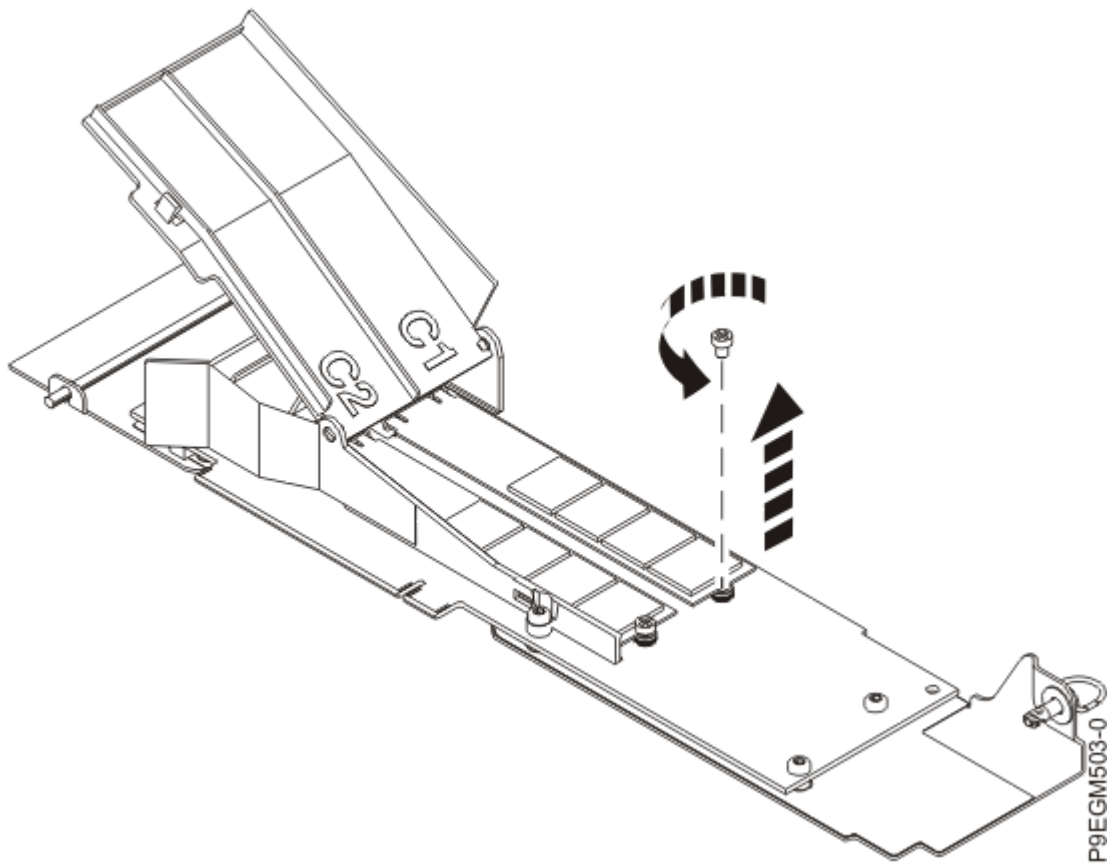


Figure 30. Unscrewing the NVMe M.2 carrier card flash module

- c) Remove the NVMe M.2 flash module by lifting and rotating it as shown in [Figure 31 on page 37](#).
- d) Repeat these steps for the other flash module, if needed.

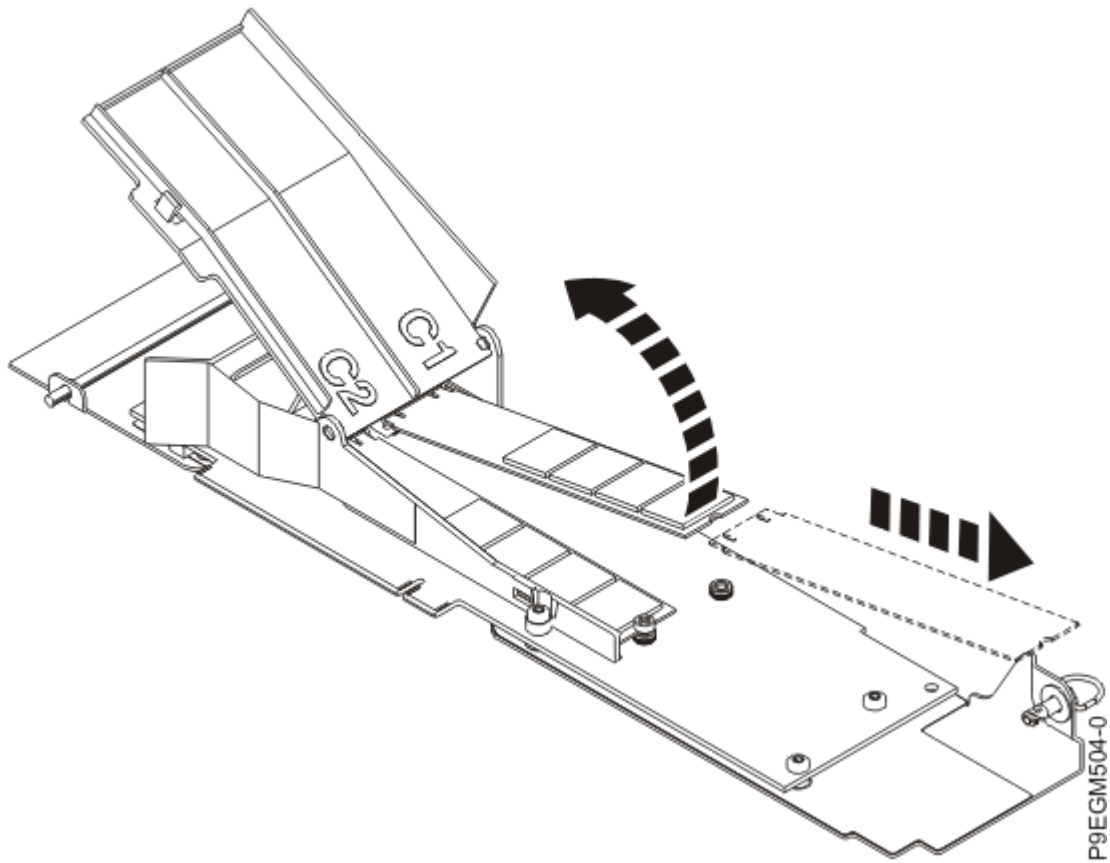


Figure 31. Removing the NVMe M.2 carrier card flash module

7. If you permanently removed an NVMe M.2 carrier card, install a clip-in filler and air divider.
 - a) Align the clip-in filler over the empty SAS slot.
 - b) Rotate the top of the clip-in filler until the bottom hook clips onto the air screen.

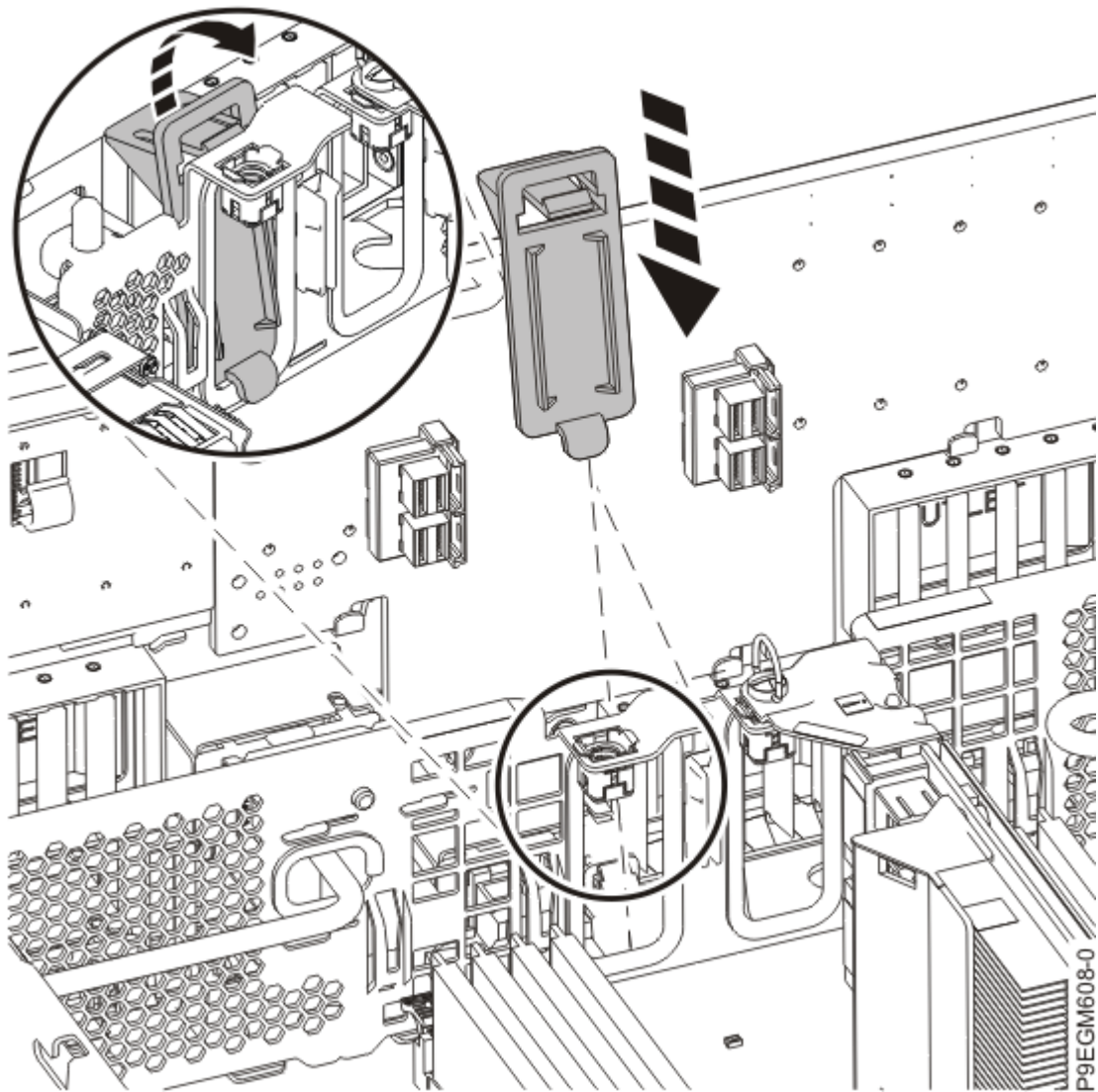


Figure 32. Installing the clip-in filler

c) Lower the air divider into place as shown in [Figure 33 on page 39](#).

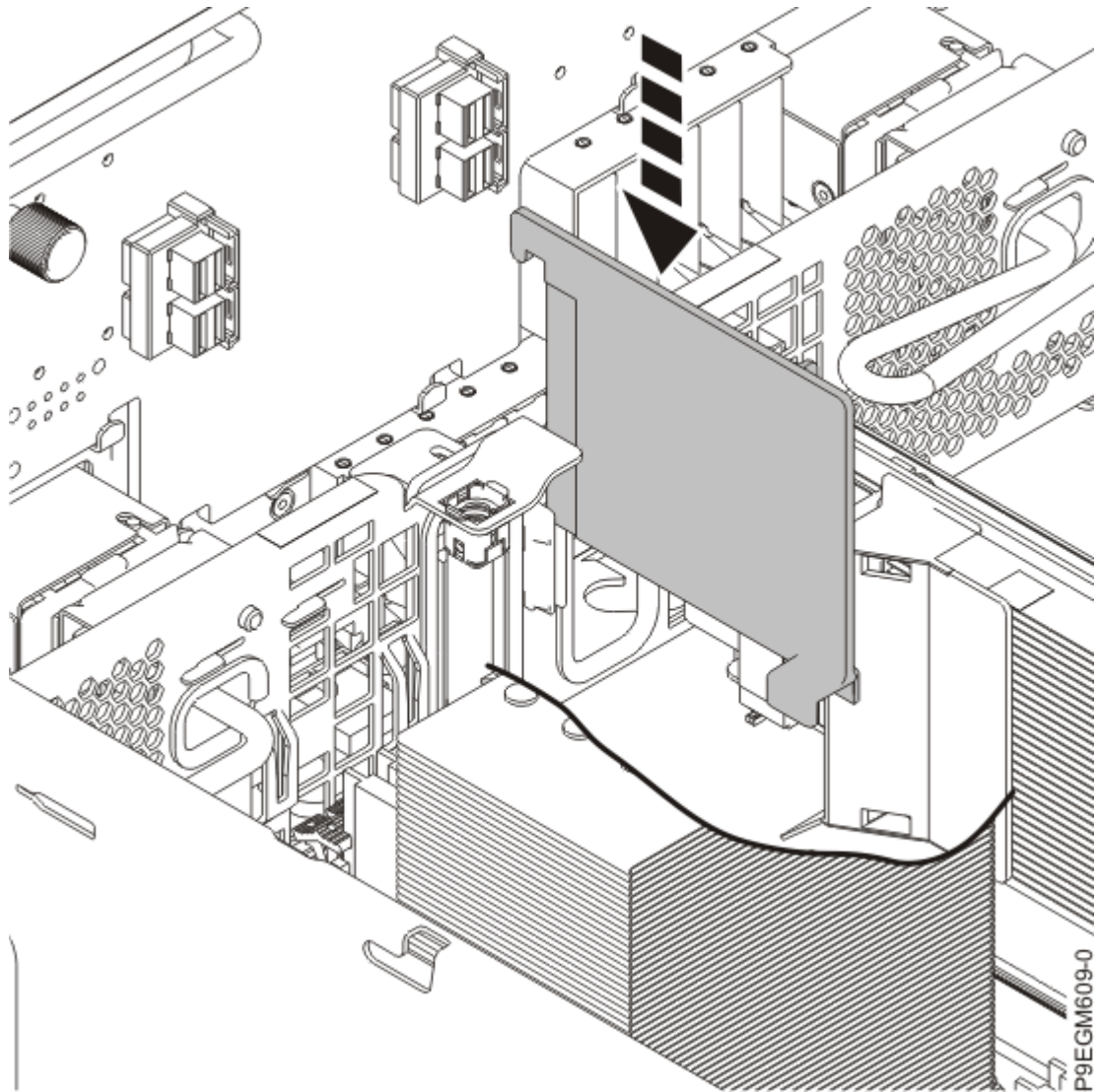


Figure 33. Installing the air divider

Replacing an NVMe M.2 carrier card and flash module in the 9009-41A, 9009-42A, or 9223-42H system

To replace an NVMe M.2 carrier card and flash module in the system, complete the steps in this procedure.

Procedure

1. Ensure that you have the electrostatic discharge (ESD) wrist strap on and that the ESD clip is plugged into a ground jack or connected to an unpainted metal surface. If not, do so now.
2. Slide one of the new NVMe M.2 flash modules into the NVMe M.2 carrier card socket. See [Figure 34 on page 40](#).

Note: There is no plugging sequence when installing two NVMe M.2 flash modules.

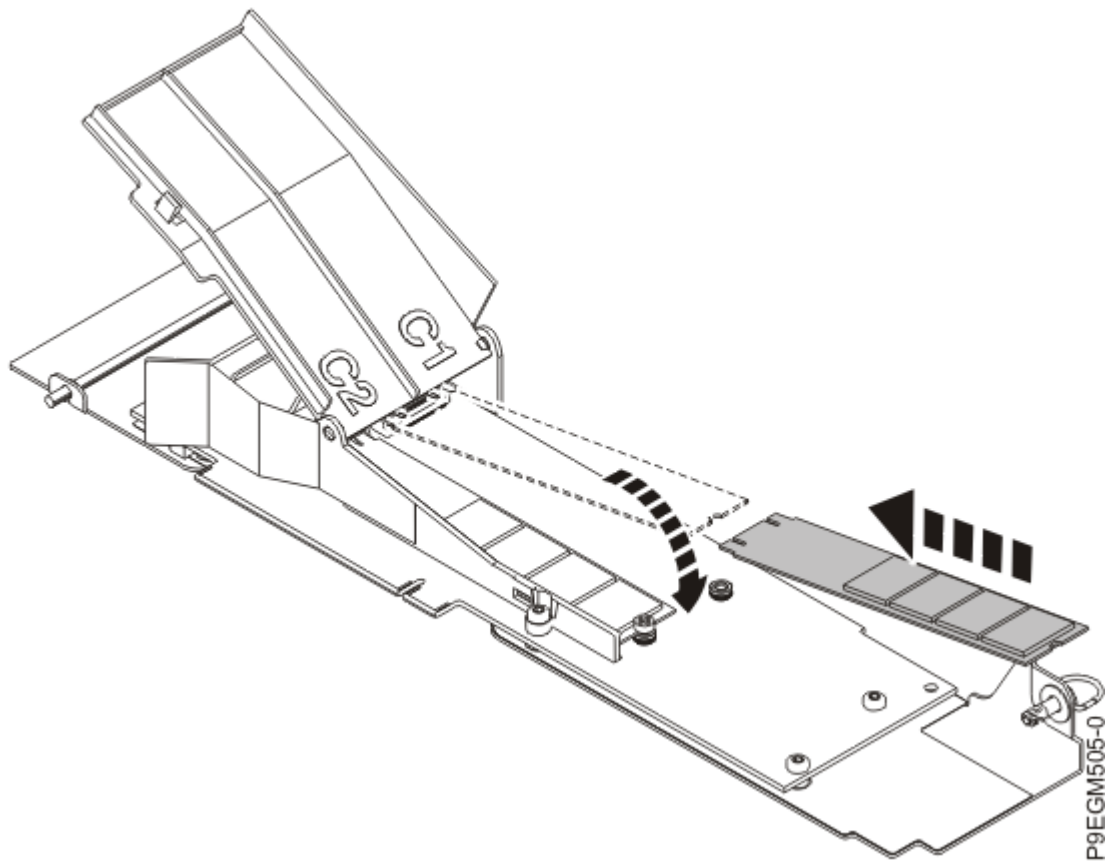


Figure 34. Installing an NVMe M.2 flash module

3. Using a Phillips screwdriver, secure the flash module onto the NVMe M.2 carrier card. See [Figure 35](#) on [page 41](#).

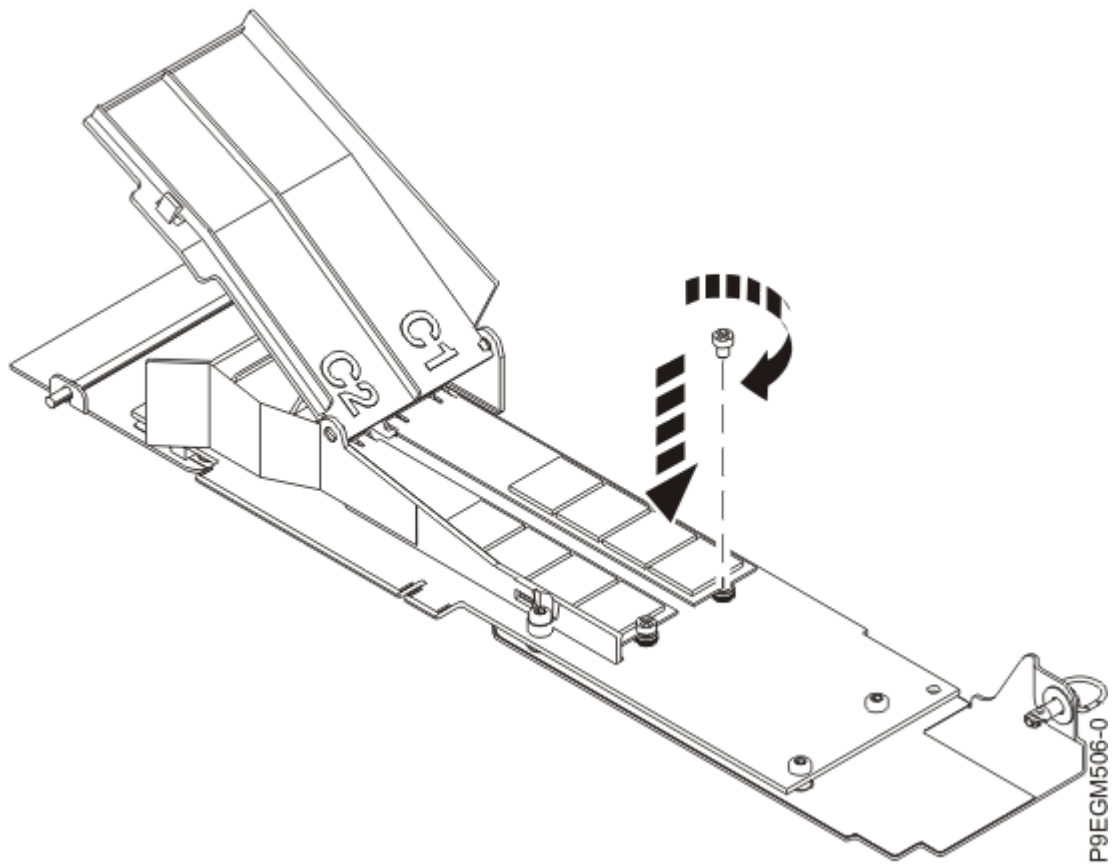


Figure 35. Securing the NVMe M.2 flash module onto the carrier card

4. Repeat steps **3** and **4** for the other NVMe M.2 flash module, if needed.
5. Close the black cover on the NVMe M.2 carrier card.

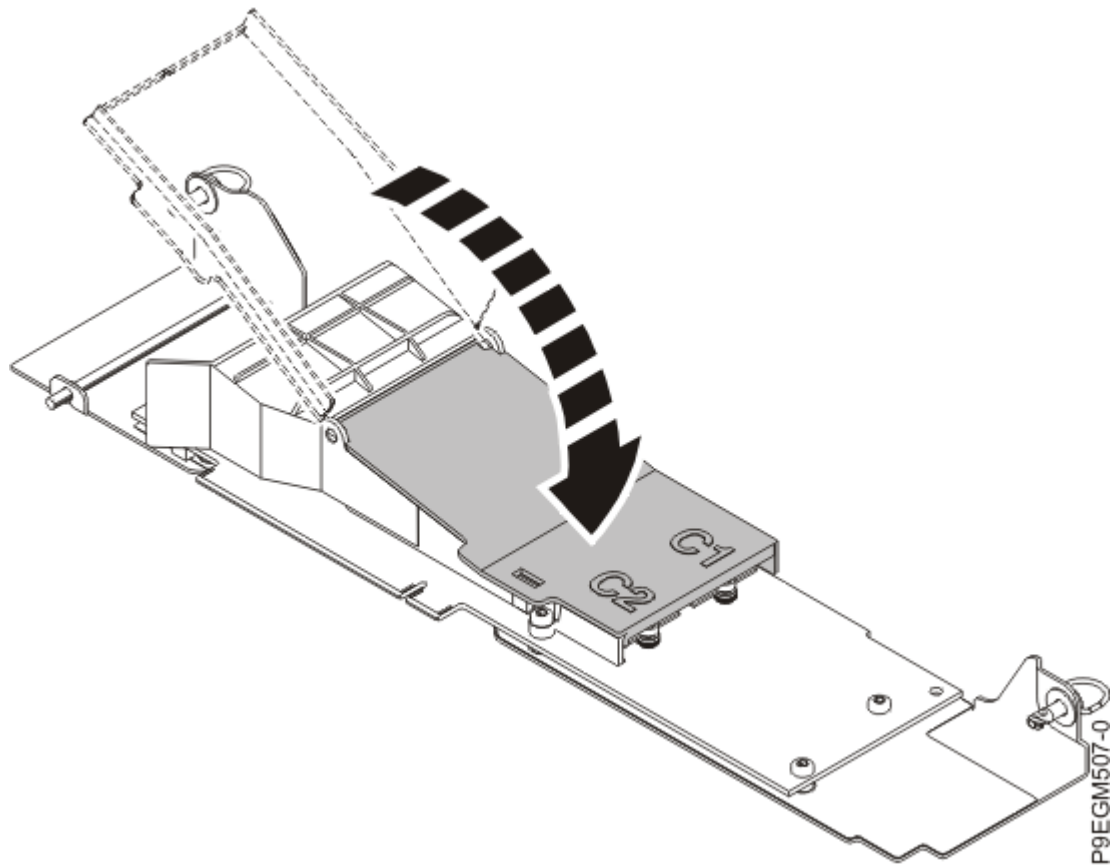


Figure 36. Closing the black cover on the NVMe M.2 carrier card

6. Lower the NVMe M.2 carrier card down into the slot.
7. Push in and twist the screws **(A)** clockwise to fully seat the NVMe M.2 carrier card. See [Figure 37 on page 43](#).

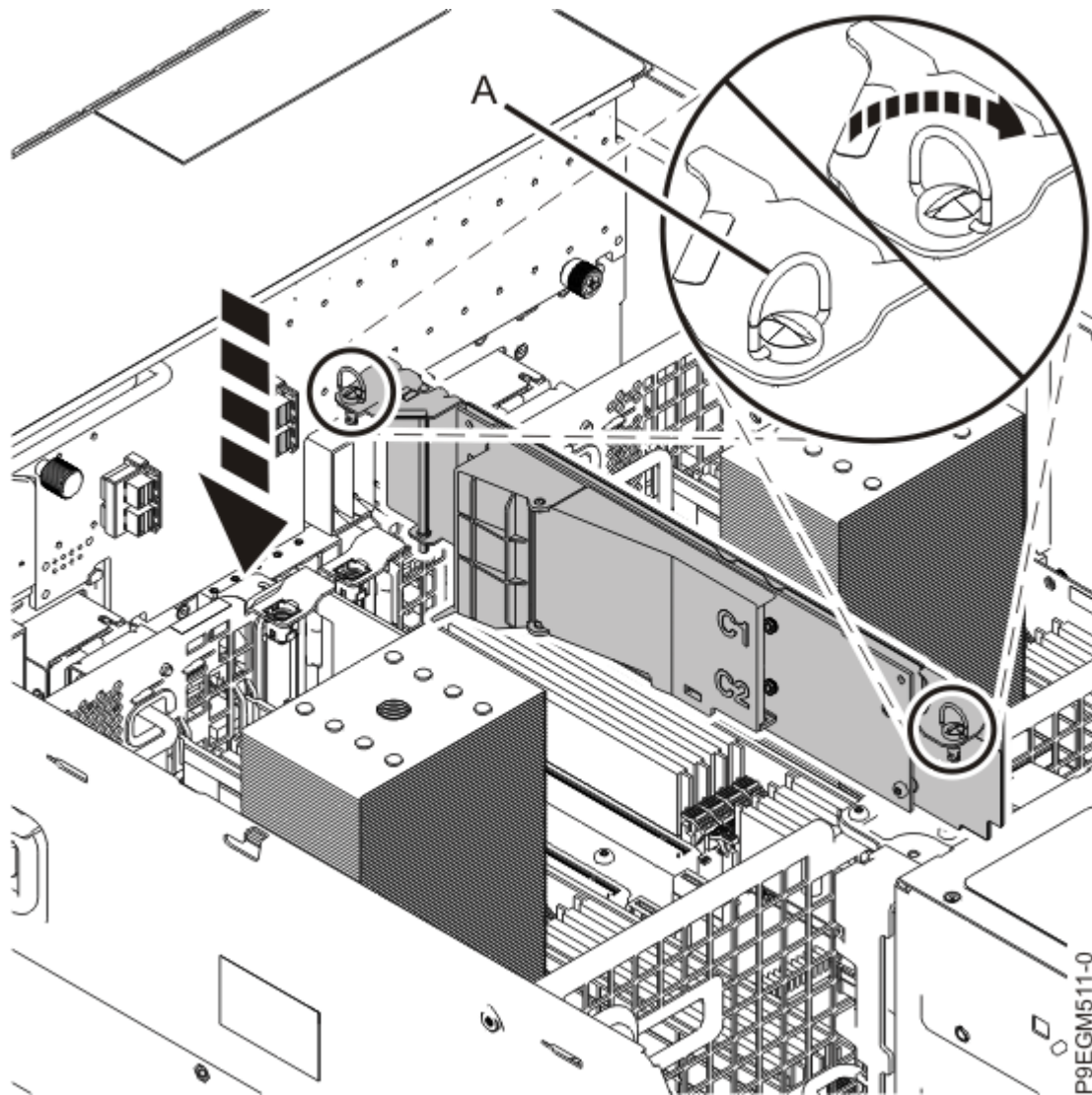
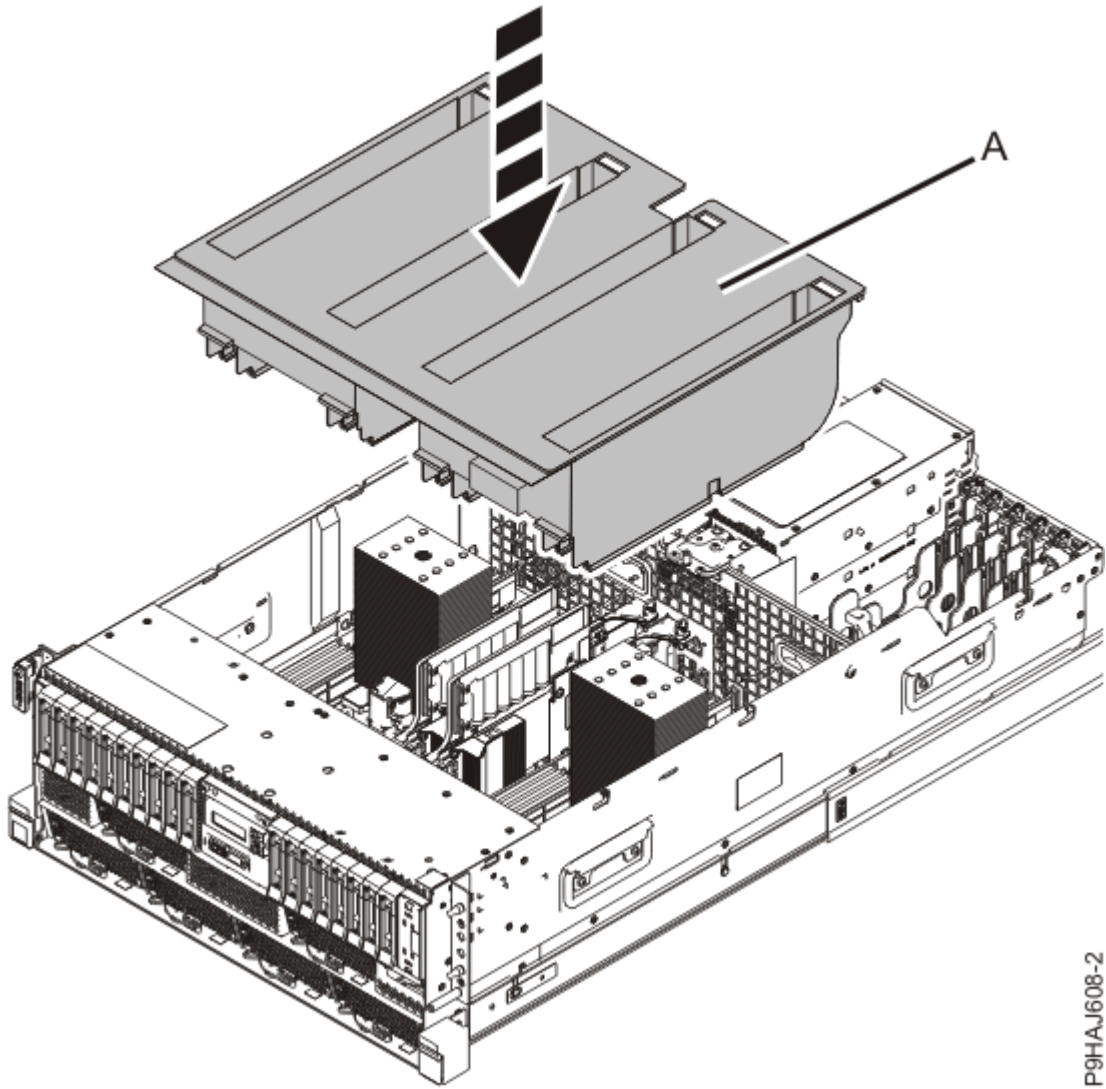


Figure 37. Seating the NVMe. M.2 carrier card

8. For a rack-mounted system, replace the air baffle **(A)** straight down into the chassis as shown in [Figure 38](#) on page 44.

For a stand-alone system, replace the air baffle **(A)** straight into the side of the chassis as shown in [Figure 39](#) on page 45.

Ensure that the front flap tucks under the front chassis.



P9HAJ608-2

Figure 38. Replacing the air baffle in a rack-mounted system

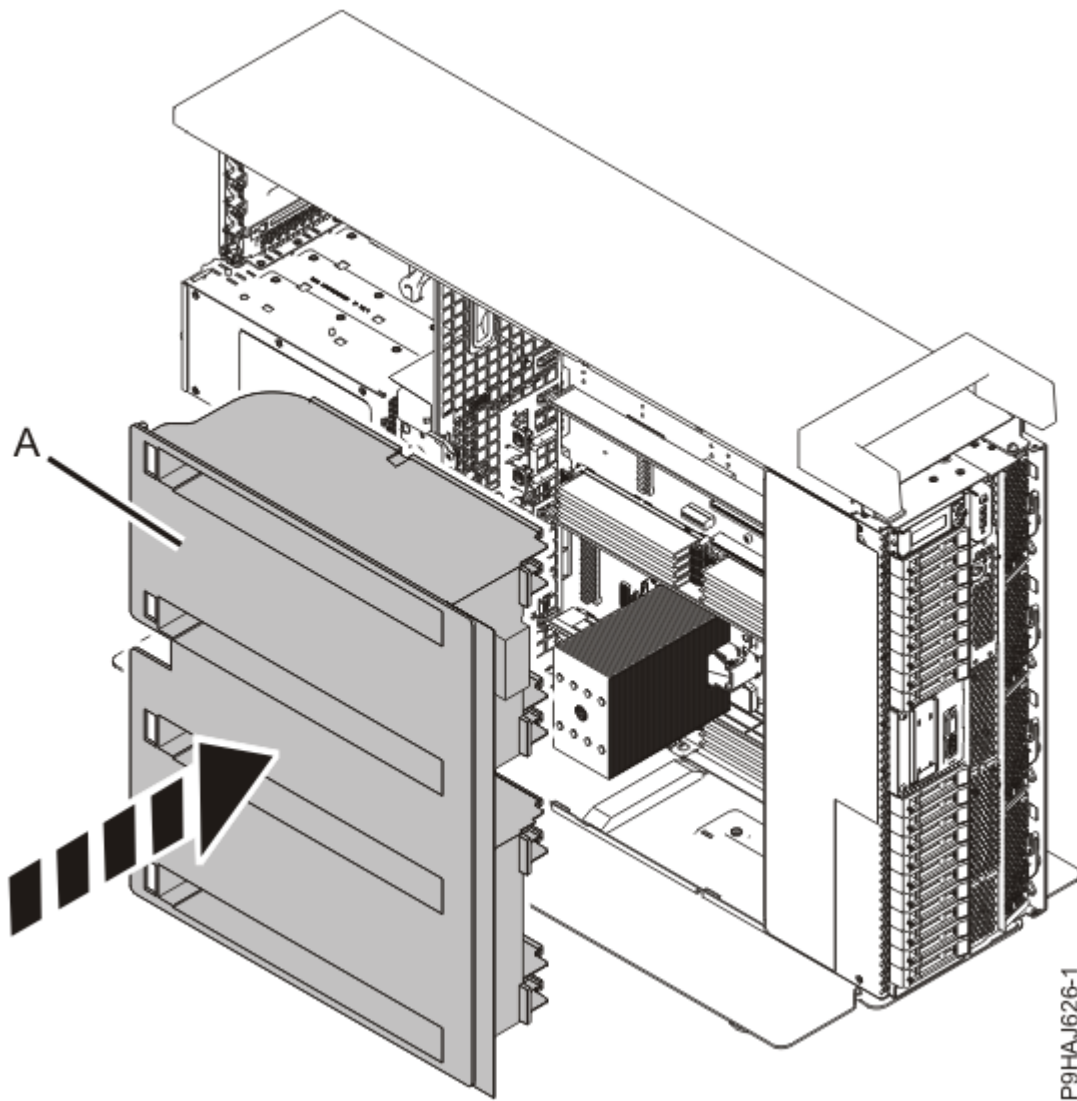


Figure 39. Replacing the air baffle in a stand-alone system

Preparing the 9009-41A, 9009-42A, or 9223-42H system for operation after removing and replacing an NVMe M.2 carrier card and flash module

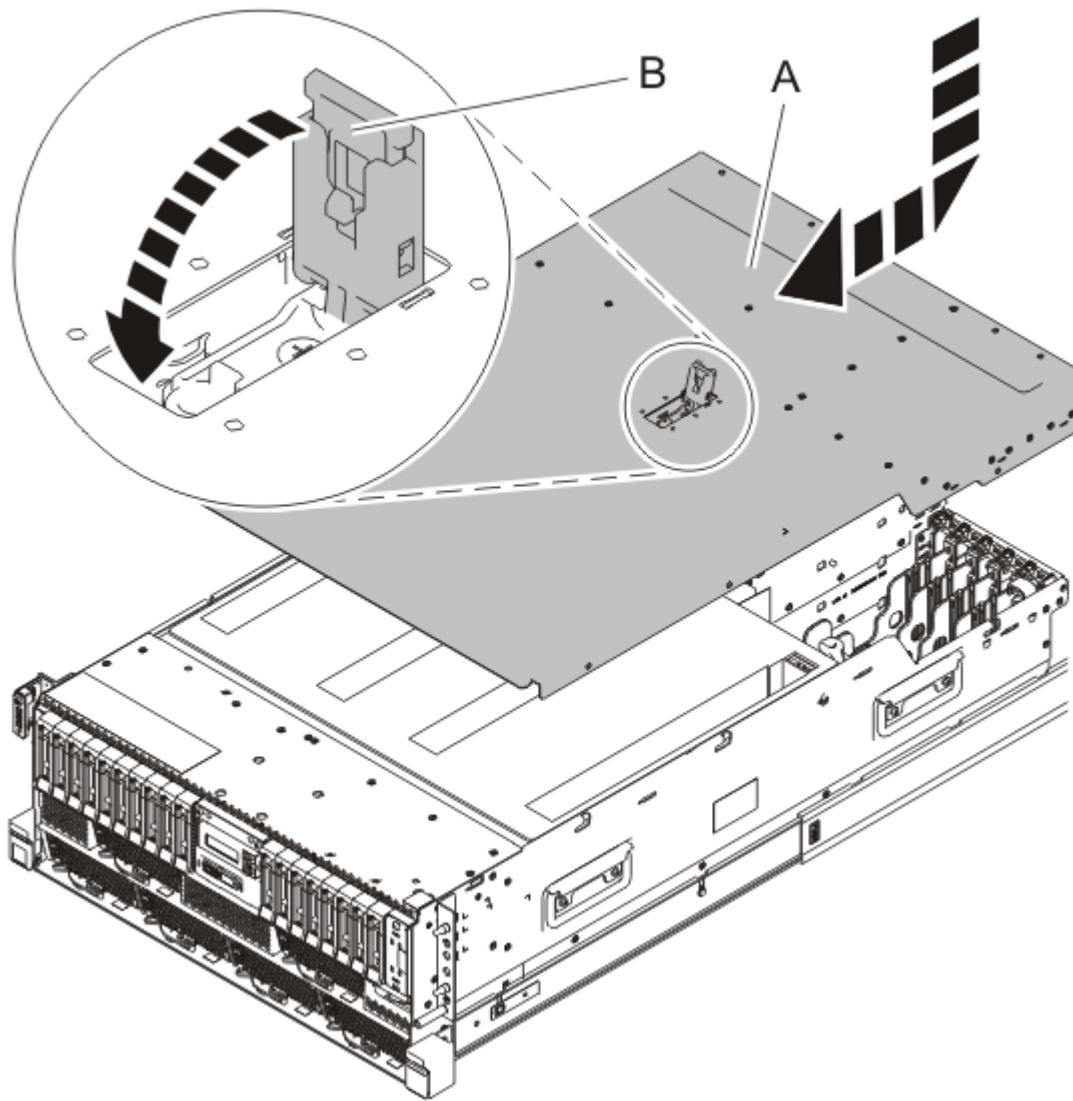
To prepare the system for operation after removing and replacing an NVMe M.2 carrier card and flash module, complete the steps in this procedure.

Procedure

1. Ensure that you have the electrostatic discharge (ESD) wrist strap on and that the ESD clip is plugged into a ground jack or connected to an unpainted metal surface. If not, do so now.
2. Replace the service access cover.

For a rack-mounted system, complete the following steps. Refer to [Figure 40](#) on page 46.

- a. Slide the cover **(A)** onto the system unit.
- b. Close the release latch **(B)** by pushing it in the direction shown.

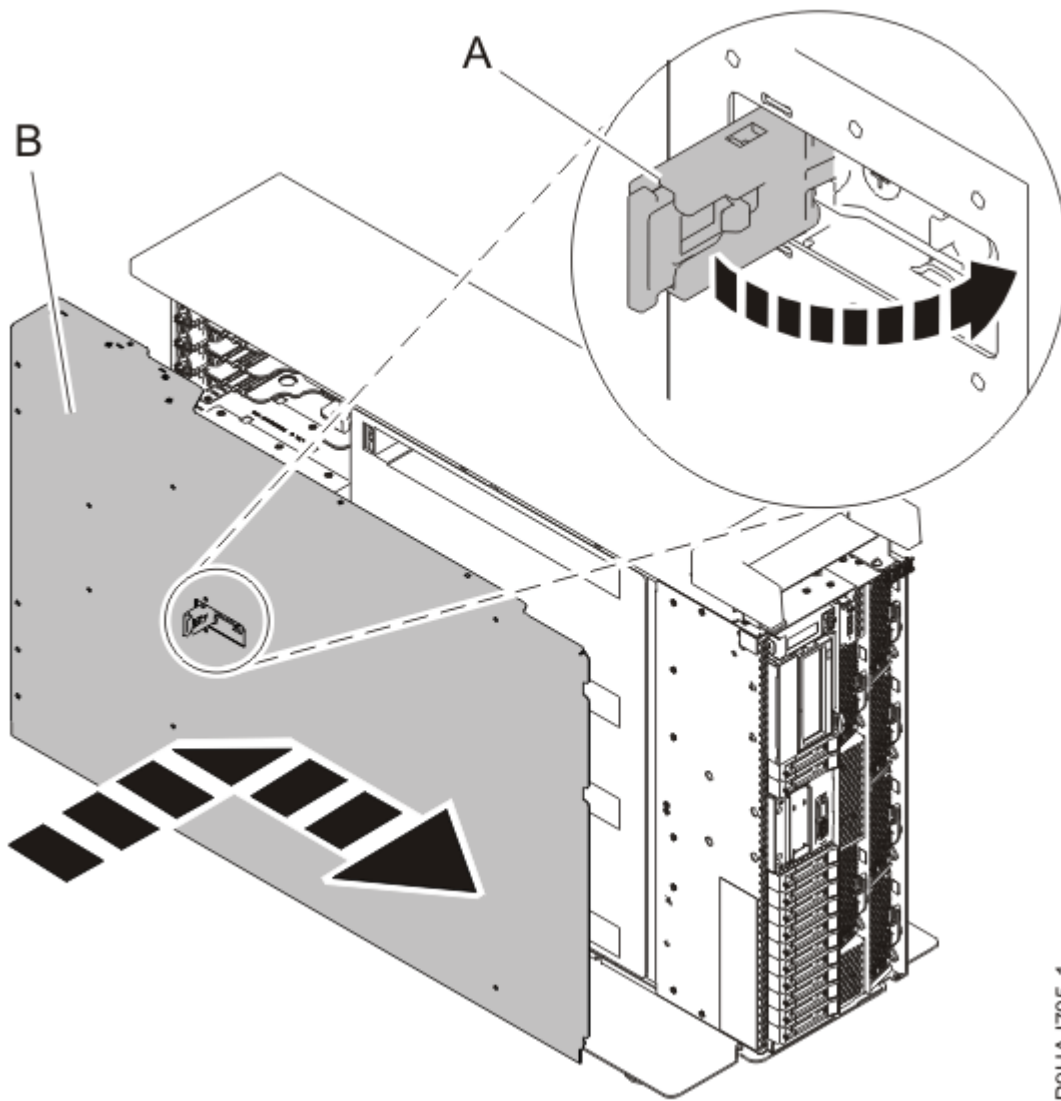


P9HAJ606-2

Figure 40. Installing the service access cover

For a stand-alone system, complete the following steps. Refer to [Figure 41](#) on page 47.

- a. Slide the cover (**B**) on to the system unit as shown.
- b. Close the latch release (**A**) by pushing it in the direction shown.



P9HAJ705-1

Figure 41. Installing the service access cover

3. For a rack-mounted system, unlock the blue rail safety latches (**A**) as shown in [Figure 42 on page 48](#) by pushing them inward.

Ensure that the cable management arms can move freely. Ensure that the cables at the rear of the unit do not catch or bind as you push the unit into the operating position.

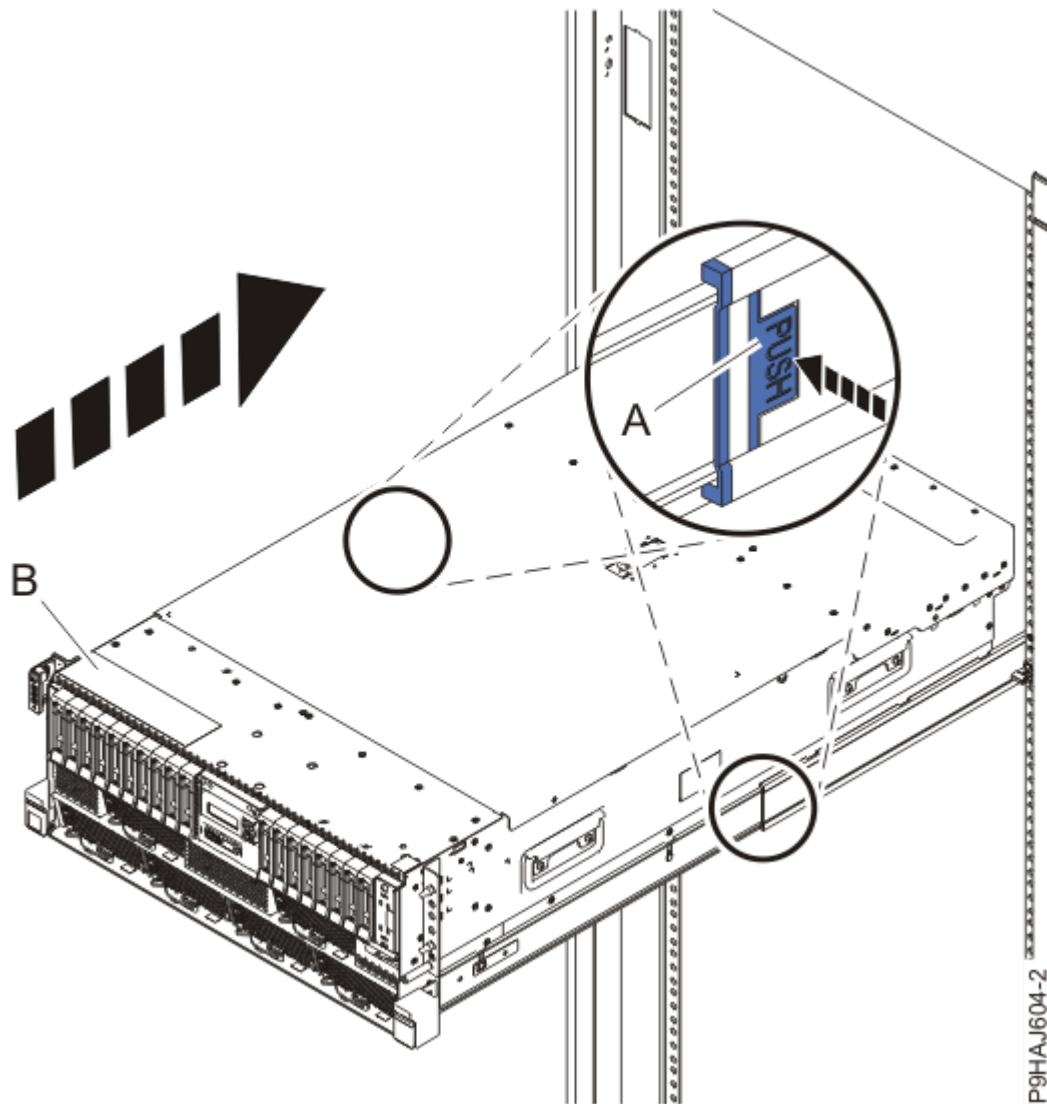


Figure 42. Placing the system into the operating position

4. For a rack-mounted system, push the system unit **(B)** as shown in the previous figure back into the rack until both release latches lock the system into position.

Secure the cable management arm with hook-and-loop fasteners around the back side of the cable management arm, but not around the cables.

5. Using your labels, reconnect the power cords **(A)** to the system unit.

Fasten the power cords **(A)** to the system using the hook-and-loop fasteners **(B)** as shown in [Figure 43](#) on page 49 or [Figure 44](#) on page 50.

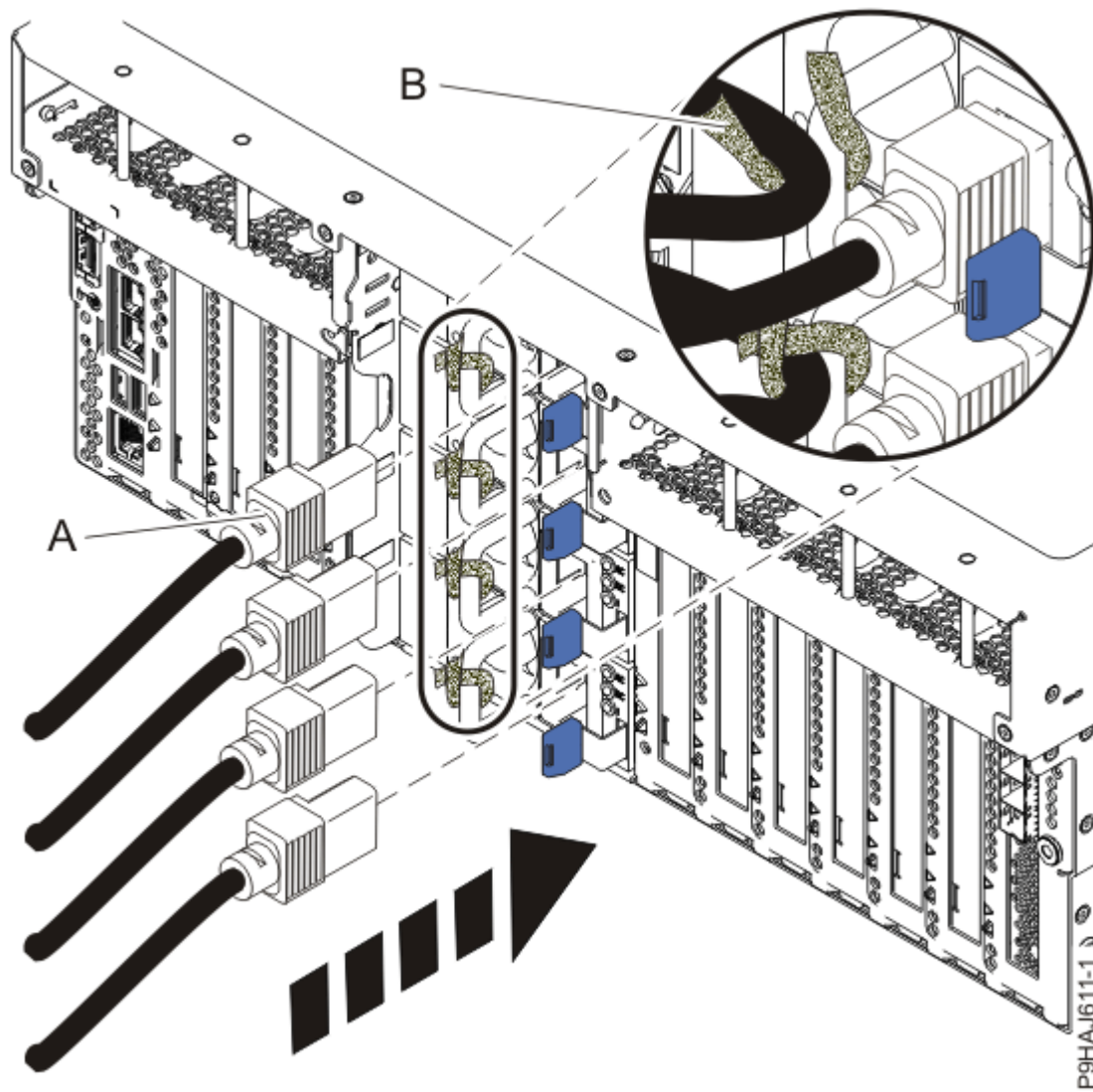


Figure 43. Connecting the power cords to a rack-mounted system

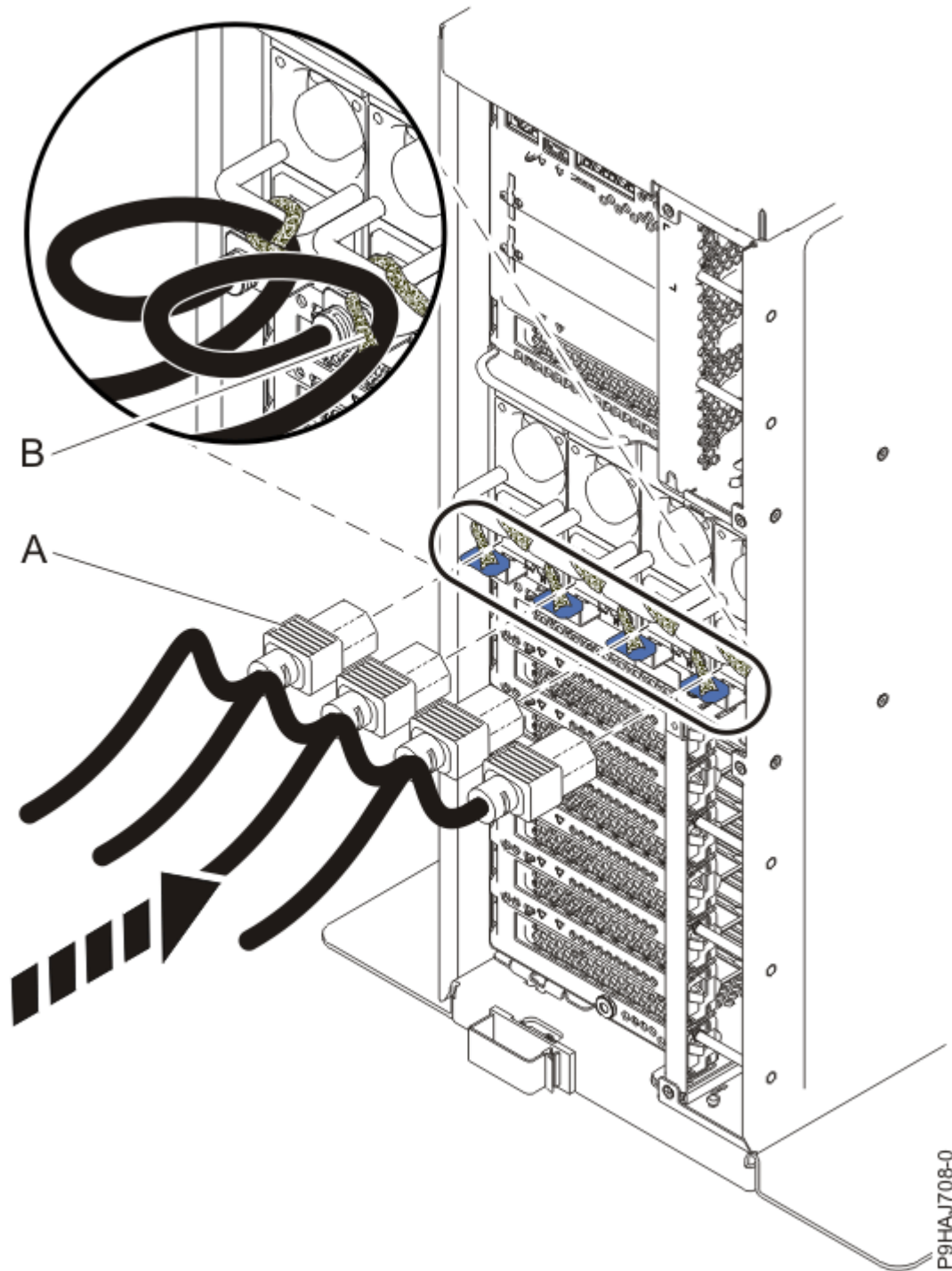


Figure 44. Connecting the power cords to a stand-alone system

6. Start the system. For instructions, see [Starting a system](http://www.ibm.com/support/knowledgecenter/POWER9/p9haj/crustartsys.htm) (www.ibm.com/support/knowledgecenter/POWER9/p9haj/crustartsys.htm).
7. Turn off the identify LED. For instructions, see [Deactivating an identify LED](http://www.ibm.com/support/knowledgecenter/POWER9/p9haj/p9haj_turn_off_identify_led.htm) (www.ibm.com/support/knowledgecenter/POWER9/p9haj/p9haj_turn_off_identify_led.htm).
8. Verify the installed part.
 - If you replaced the part because of a service action, verify the installed part. For instructions, see [Verifying a repair](http://www.ibm.com/support/knowledgecenter/POWER9/p9ect/pxect_verifyrepair.htm) (www.ibm.com/support/knowledgecenter/POWER9/p9ect/pxect_verifyrepair.htm).
 - If you installed the part for any other reason, verify the installed part. For instructions, see [Verifying the installed part](http://www.ibm.com/support/knowledgecenter/POWER9/p9haj/pxhaj_hsmverify.htm) (www.ibm.com/support/knowledgecenter/POWER9/p9haj/pxhaj_hsmverify.htm).

Permanently removing an NVMe M.2 carrier card and flash module from the 9009-41A, 9009-42A, or 9223-42H system

Find information about permanently removing an NVMe M.2 carrier card and flash module from the IBM Power System S914 (9009-41A), IBM Power System S924 (9009-42A), or IBM Power System H924 (9223-42H) server.

About this task

Note: Installing this feature is a customer task. You can complete this task yourself, or contact a service provider to complete the task for you. You might be charged a fee by the service provider for this service.

If your system is managed by the Hardware Management Console (HMC), use the HMC to repair a part in the system. For instructions, see [Repairing a part by using the HMC \(www.ibm.com/support/knowledgecenter/POWER9/p9haj/p9haj_hmc_repair.htm\)](http://www.ibm.com/support/knowledgecenter/POWER9/p9haj/p9haj_hmc_repair.htm).

If you do not have an HMC, complete the steps in the following procedures to permanently remove an NVMe M.2 carrier card and flash module.

Preparing the 9009-41A, 9009-42A, or 9223-42H system to permanently remove an NVMe M.2 carrier card and flash module

To prepare the system to permanently remove an NVMe M.2 carrier card and flash module, complete the steps in this procedure.

Procedure

1. Identify the part and the system that you are working on. For instructions, see [Identifying a part \(www.ibm.com/support/knowledgecenter/POWER9/p9haj/sal.htm\)](http://www.ibm.com/support/knowledgecenter/POWER9/p9haj/sal.htm).

Use the blue identify LED on the enclosure to locate the system. Ensure that the serial number of the system matches the serial number to be serviced.

2. Stop the system. For instructions, see [Stopping a system \(www.ibm.com/support/knowledgecenter/POWER9/p9haj/crustopsys.htm\)](http://www.ibm.com/support/knowledgecenter/POWER9/p9haj/crustopsys.htm).
3. Label and disconnect the power cords from the system unit.

See [Figure 45 on page 52](#) or [Figure 46 on page 53](#).

Notes:

- This system might be equipped with two or more power supplies. If the removing and replacing procedures require the system power to be turned off, ensure that all the power sources to the system are disconnected.
- The power cord **(B)** is fastened to the system with hook-and-loop fastener **(A)**. If you are placing the system in a service position after you disconnect the power cords, ensure that you unstrap the fastener.

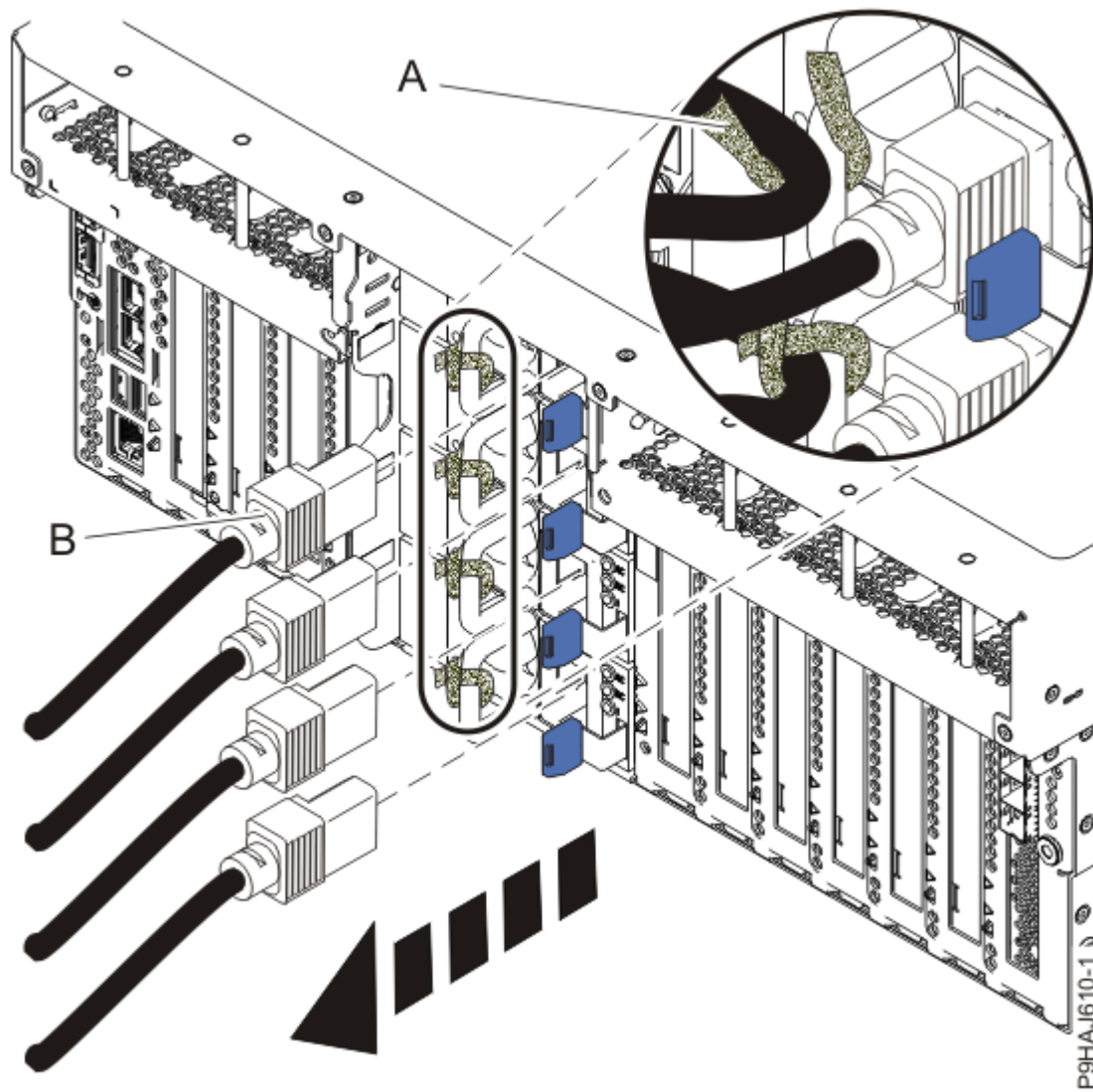


Figure 45. Removing the power cords from a rack-mounted server

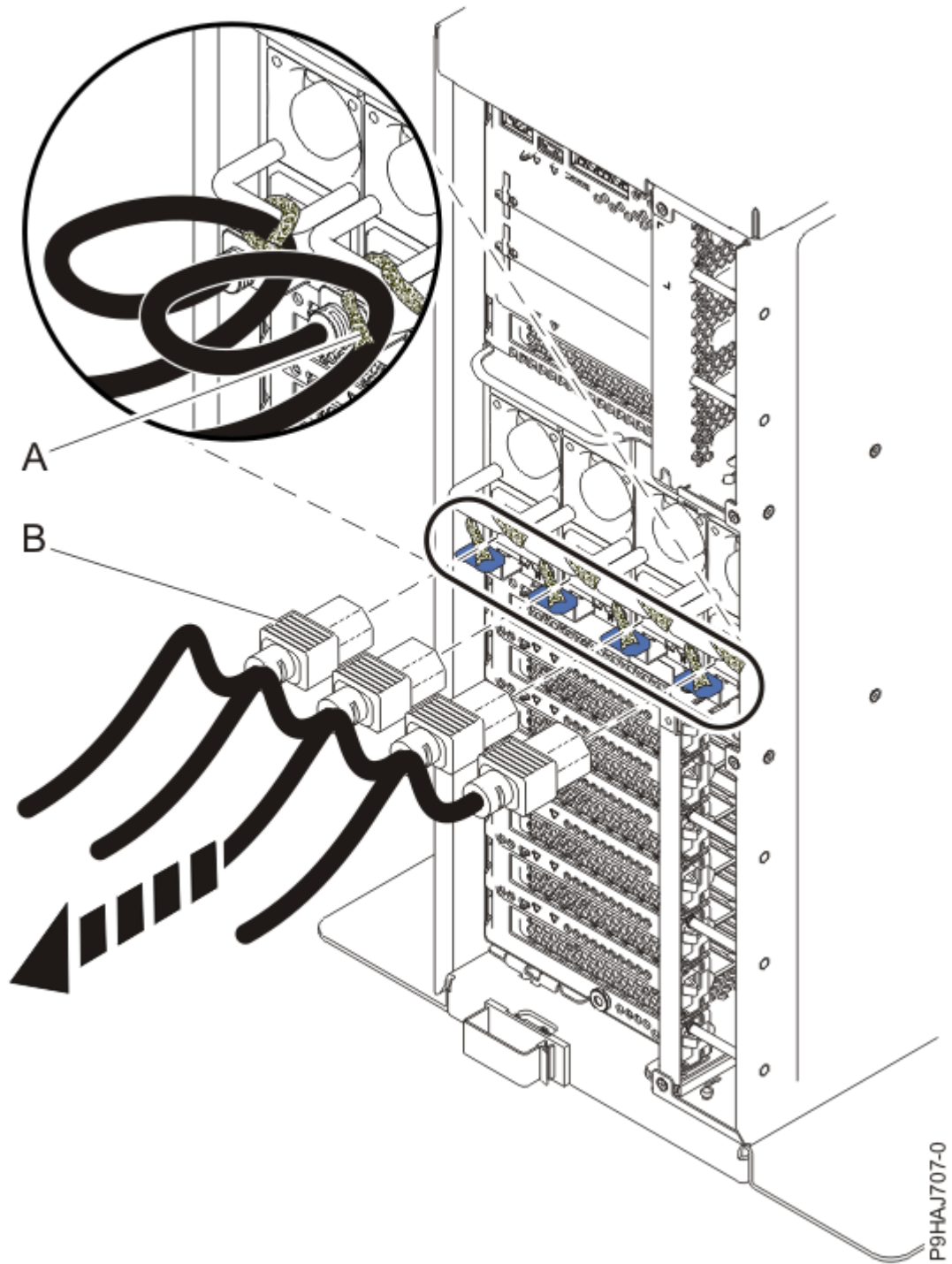
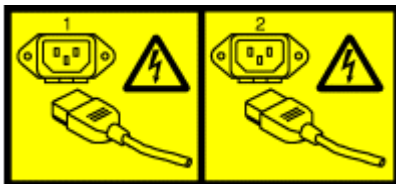


Figure 46. Removing the power cords from a stand-alone server

(L003)



or



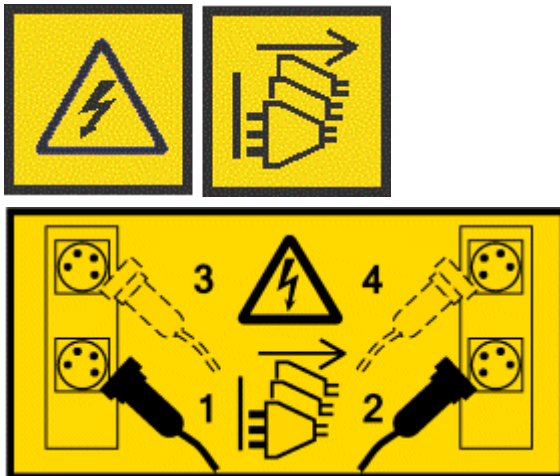
or

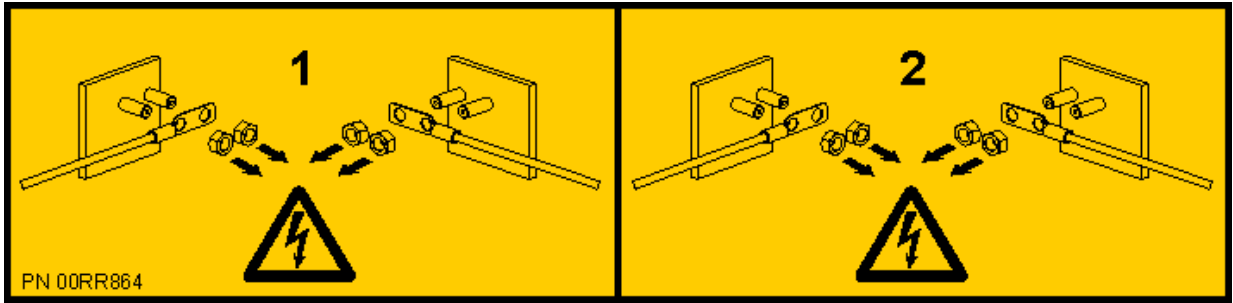


or



or





DANGER: Multiple power cords. The product might be equipped with multiple AC power cords or multiple DC power cables. To remove all hazardous voltages, disconnect all power cords and power cables. (L003)

4. For a rack-mounted system, open the side latches (**A**) and pull the latches to slide the system unit fully into the service position until the slides click and hold the system unit securely. Ensure that the screws inside the latches are not secured to the rack.

See the following figure.

Remove the hook-and-loop fasteners that secure the cable management arms. Ensure that the cable management arms can move freely. Ensure that the cables at the rear of the system do not catch or bind as you pull the system unit into the service position.

Do not pull out or install any drawer or feature if the rack stabilizer brackets are not attached to the rack. Do not pull out more than one drawer at a time. The rack might become unstable if you pull out more than one drawer at a time.



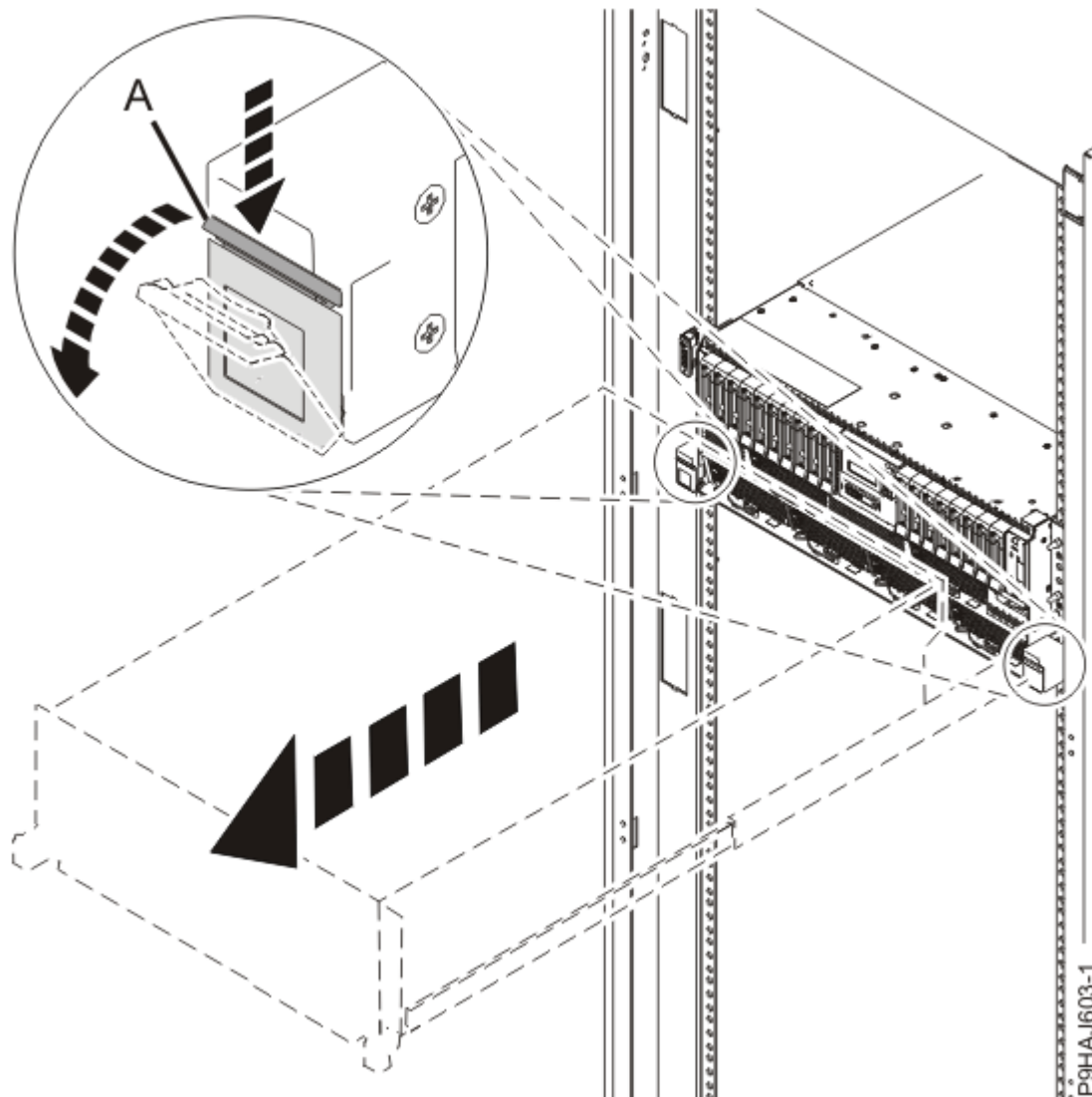


Figure 47. Releasing the side latches

5. Attach the electrostatic discharge (ESD) wrist strap.

The ESD wrist strap must be connected to an unpainted metal surface until the service procedure is completed, and if applicable, until the service access cover is replaced.




Attention:

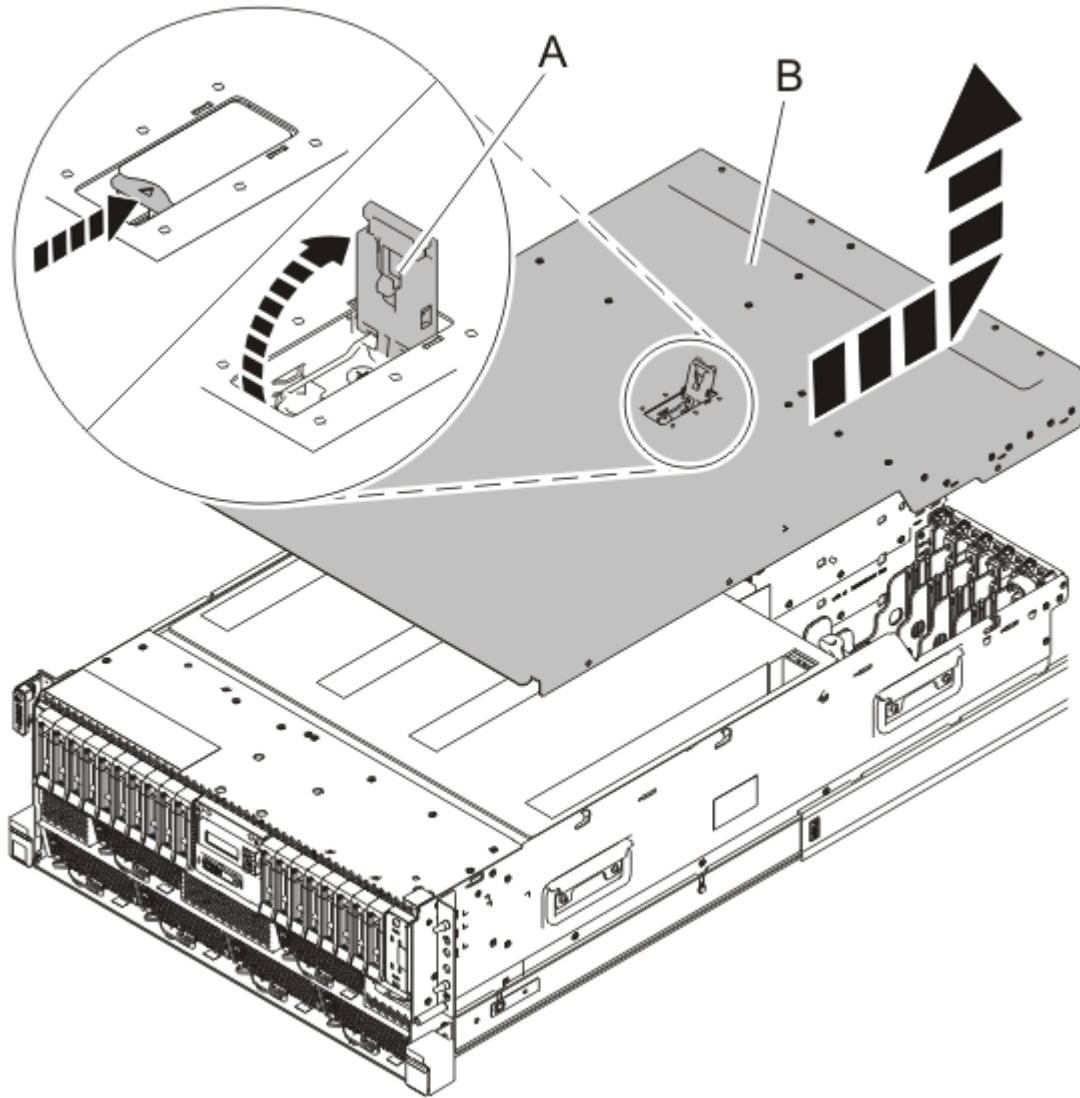
- Attach an electrostatic discharge (ESD) wrist strap to the front ESD jack, to the rear ESD jack, or to an unpainted metal surface of your hardware to prevent the electrostatic discharge from damaging your hardware.
- When you use an ESD wrist strap, follow all electrical safety procedures. An ESD wrist strap is used for static control. It does not increase or decrease your risk of receiving electric shock when using or working on electrical equipment.
- If you do not have an ESD wrist strap, just prior to removing the product from ESD packaging and installing or replacing hardware, touch an unpainted metal surface of the system for a minimum of 5 seconds. If at any point in this service process you move away from the system, it is important to again discharge yourself by touching an unpainted metal surface for at least 5 seconds before you continue with the service process.

6. Remove the service access cover.

For a rack-mounted system, complete the following steps. Refer to [Figure 48](#) on page 57.

 **Attention:** Operating the system without the service access cover on for more than 10 minutes when the system power is turned on might damage the system components.


- a. Release the service cover latch by pushing the release latch **(A)** in the direction shown.
- b. Slide the cover **(B)** off the system unit. When the front of the service access cover clears the upper frame ledge, lift the cover up and off the system unit.



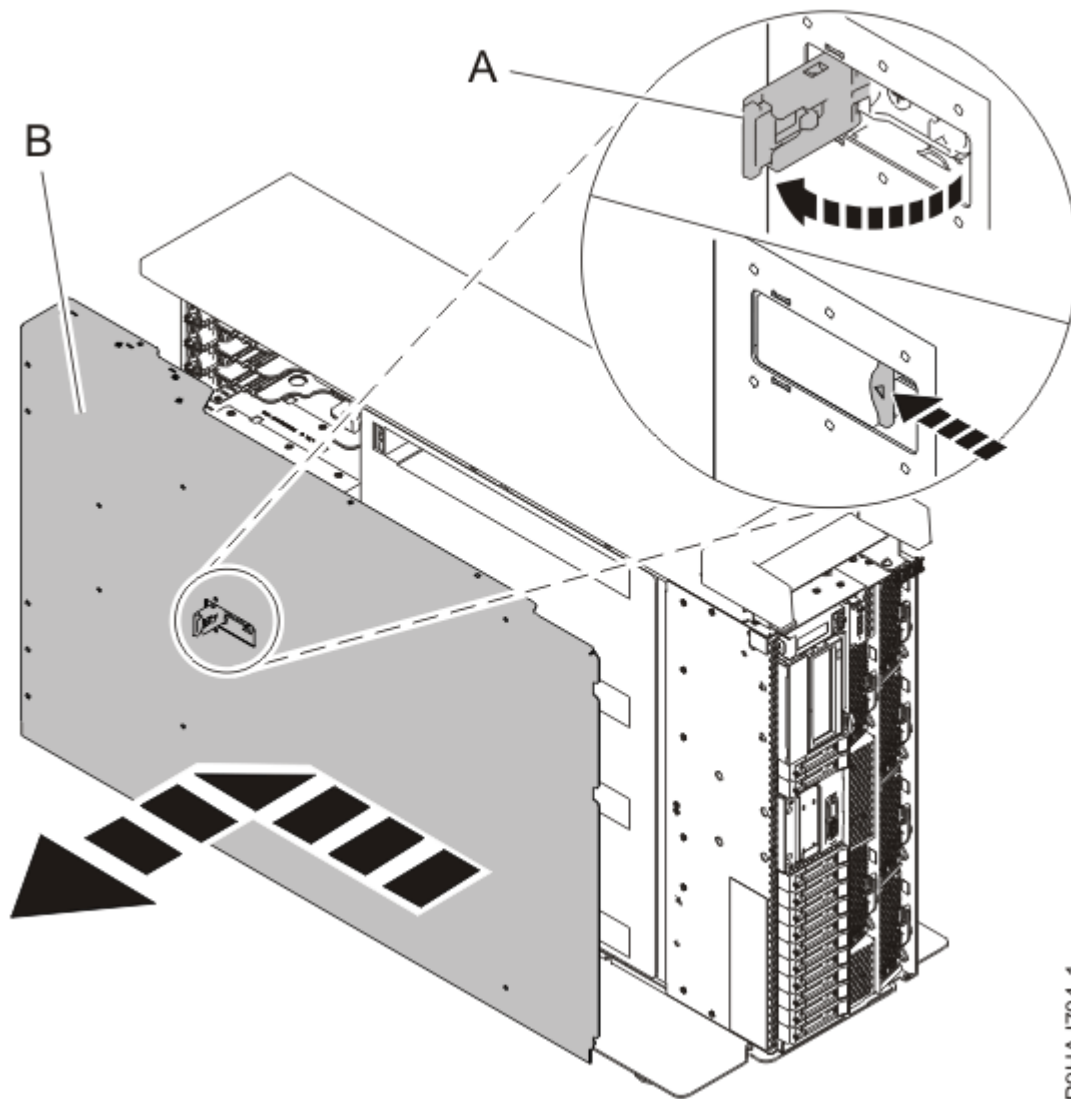
P9HAJ605-2

Figure 48. Removing the service access cover from a rack-mounted system

For a stand-alone system, complete the following steps. Refer to [Figure 49](#) on page 58.

 **Attention:** Operating the system without the service access cover on for more than 10 minutes when the system power is turned on might damage the system components.

- a. Release the latch by pushing the release latch **(A)** in the direction shown.
- b. Slide the cover **(B)** off the system unit. When the front of the service access cover has cleared the upper frame ledge, lift the cover up and off the system unit.



P9HAJ704-1

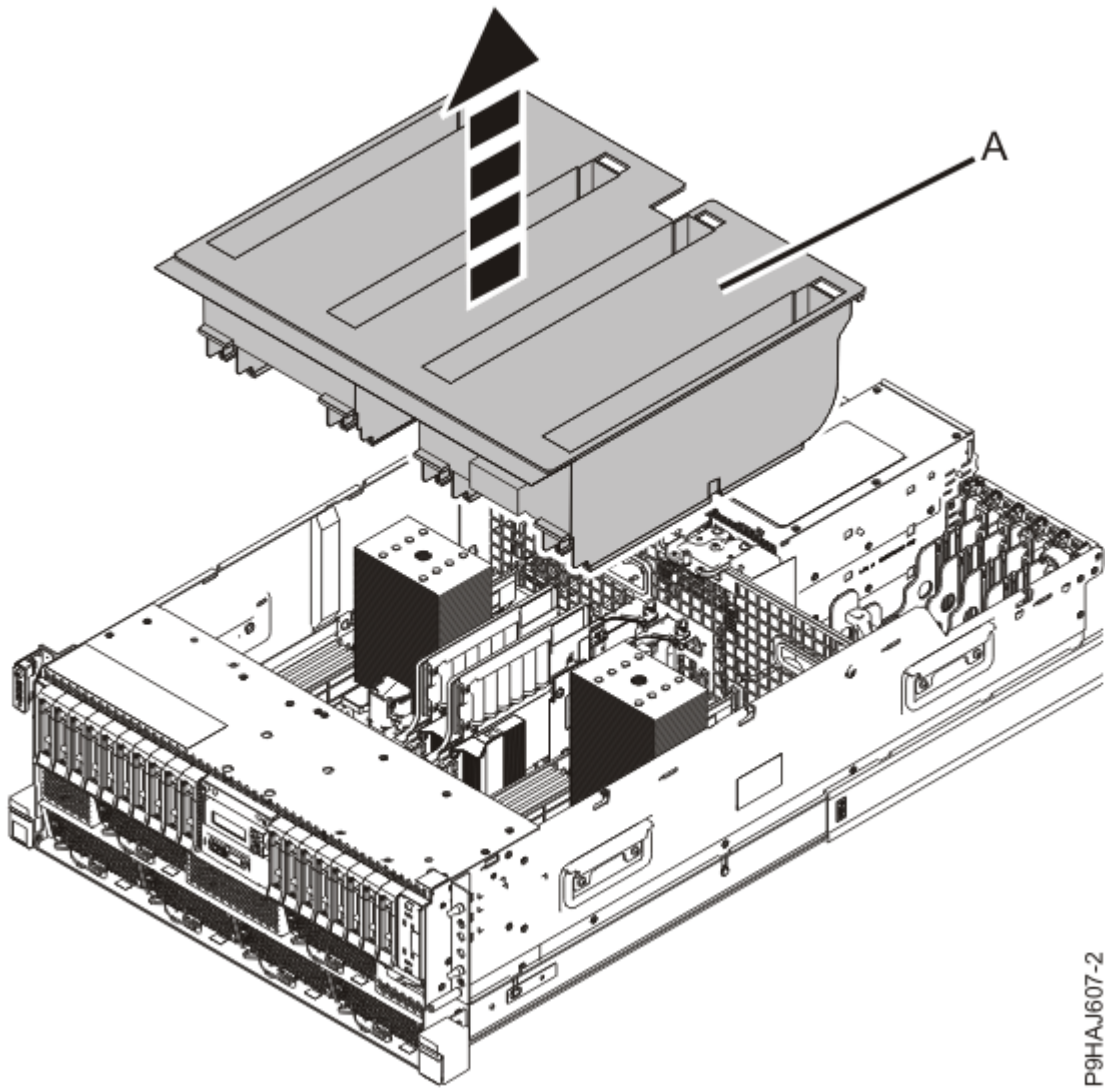
Figure 49. Removing the service access cover

Permanently removing an NVMe M.2 carrier card and flash module from the 9009-41A, 9009-42A, or 9223-42H system

To permanently remove an NVMe M.2 carrier card and flash module from the system, complete the steps in this procedure.

Procedure

1. Ensure that you have the electrostatic discharge (ESD) wrist strap on and that the ESD clip is plugged into a ground jack or connected to an unpainted metal surface. If not, do so now.
2. For a rack-mounted system, lift the air baffle **(A)** straight up as shown in [Figure 50 on page 59](#). For a stand-alone system, remove the air baffle **(A)** straight out as shown in [Figure 51 on page 60](#). Place the air baffle upside down on a clean area.



P9HAJ607-2

Figure 50. Removing the air baffle from a rack-mounted system

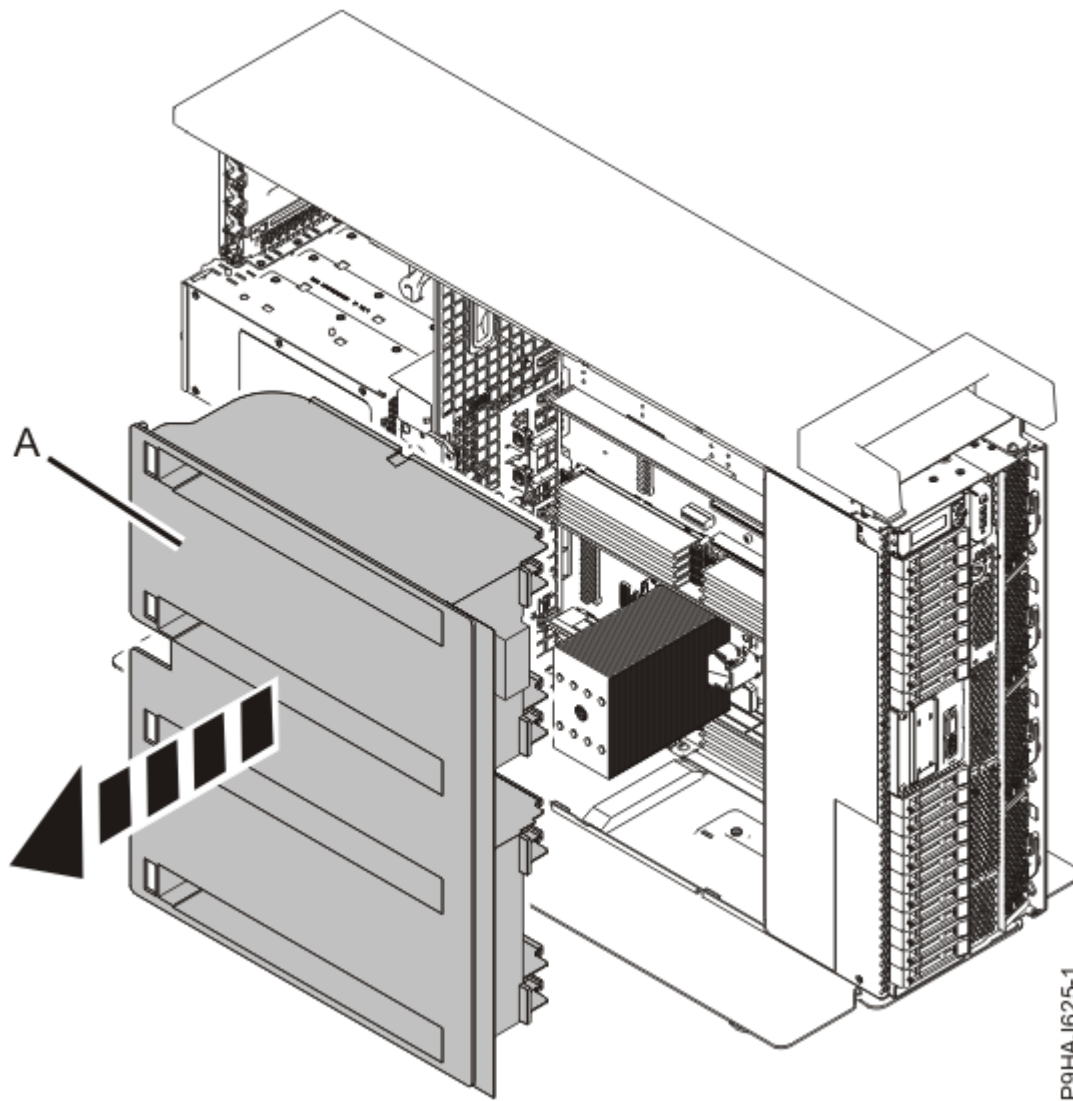


Figure 51. Removing the air baffle from a stand-alone system

3. Twist the screws **(A)** counterclockwise to release the NVMe M.2 carrier card.
4. Lift the NVMe M.2 carrier card out of the slot as shown in [Figure 52 on page 61](#).

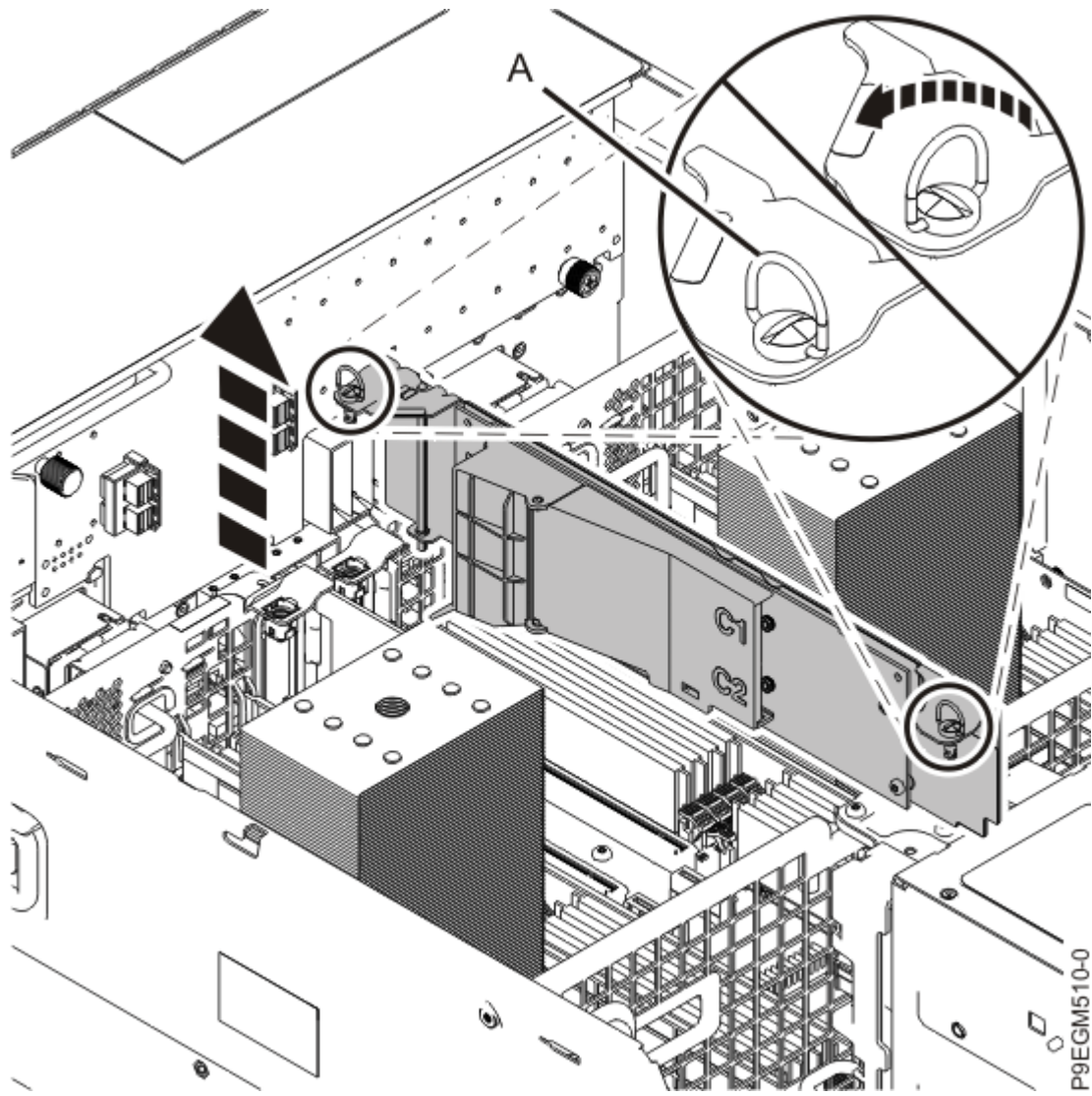


Figure 52. Removing the NVMe M.2 carrier card

5. Lift the NVMe M.2 carrier card out of the slot as shown in [Figure 52](#) on page 61.

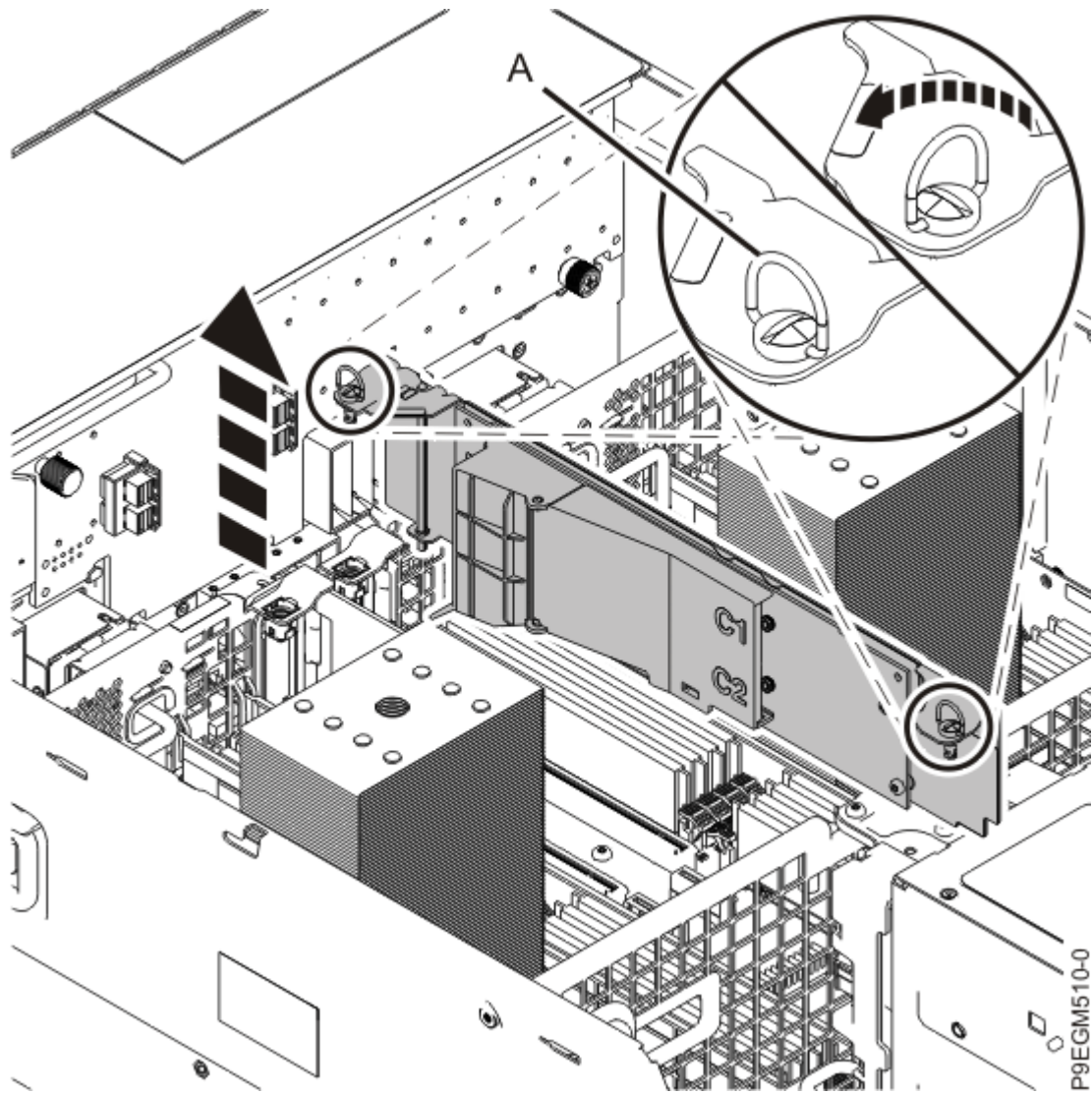


Figure 53. Removing the NVMe M.2 carrier card

6. Place the NVMe M.2 carrier card on an appropriate ESD surface.
7. To remove the NVMe M.2 carrier card flash module, complete the following steps:
 - a) Lift the black cover on the NVMe M.2 carrier card by pulling up near the pull tab as shown in [Figure 54](#) on page 63.

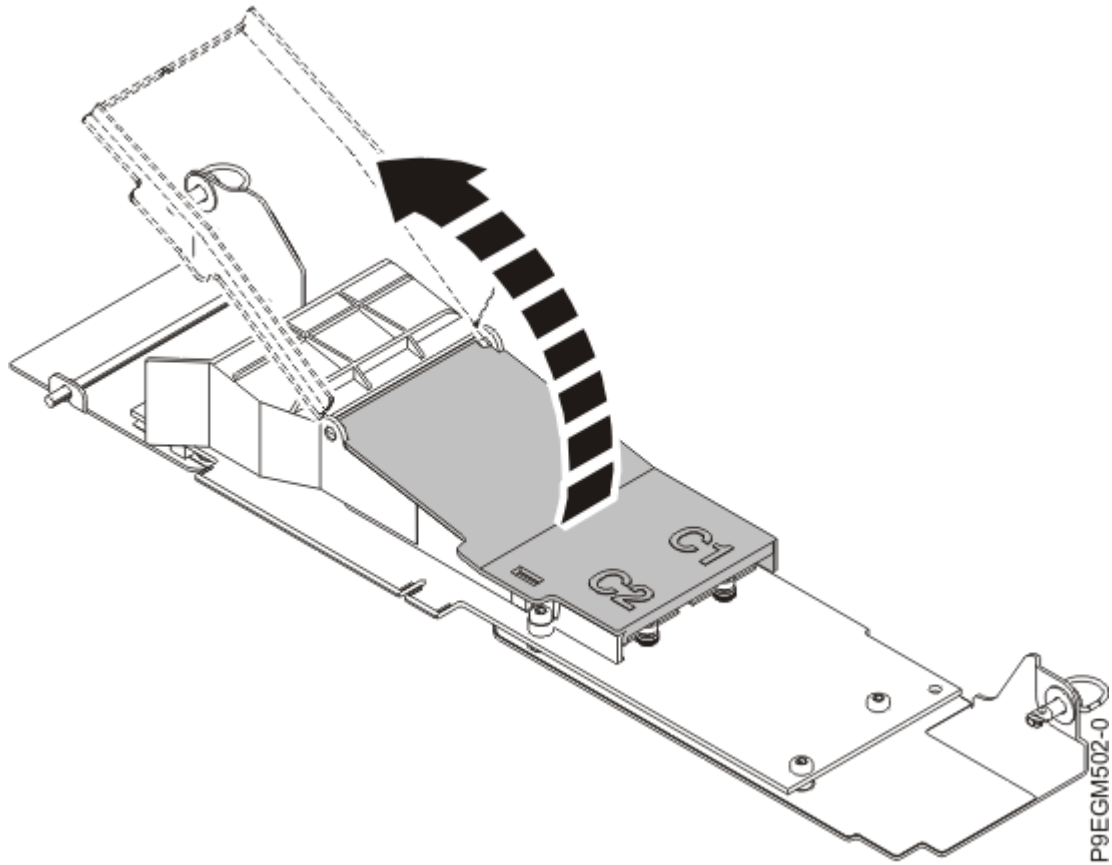


Figure 54. Lifting the NVMe M.2 carrier card cover

- b) Using a Phillips screwdriver, unscrew the screw on the NVMe M.2 flash module. See [Figure 55 on page 64](#).

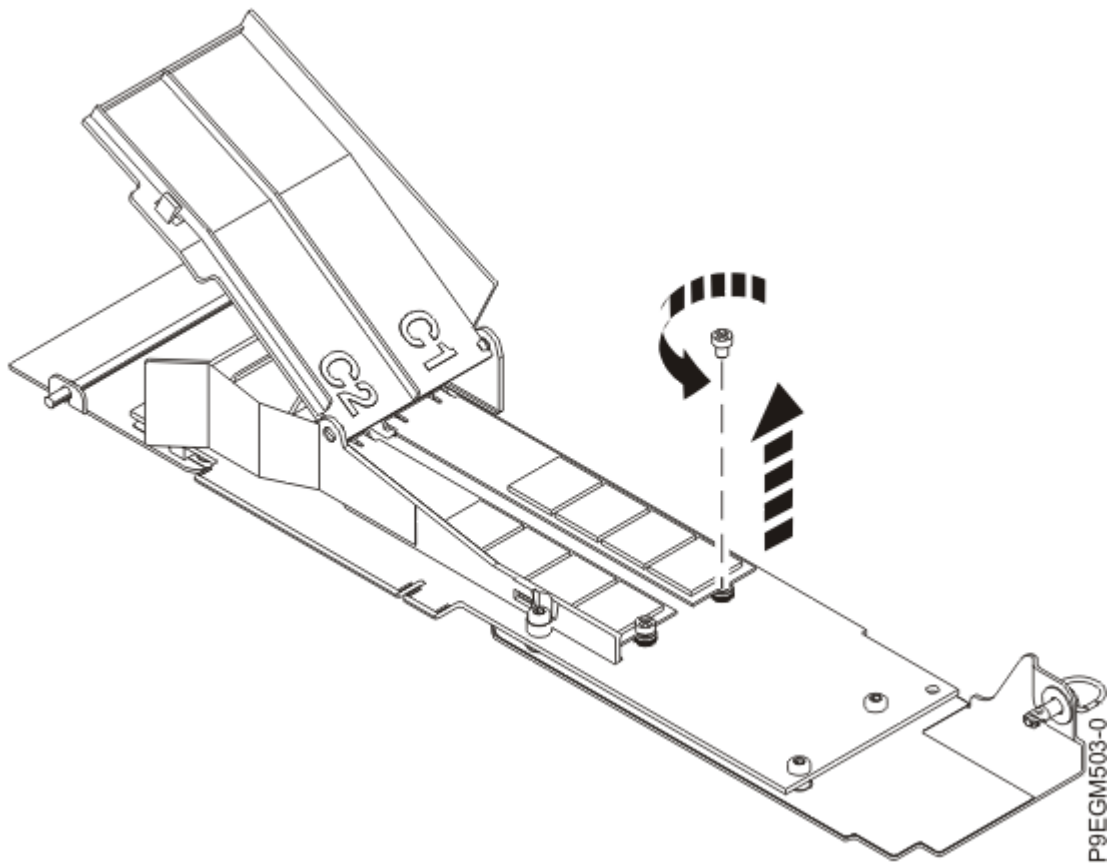


Figure 55. Unscrewing the NVMe M.2 carrier card flash module

- c) Remove the NVMe M.2 flash module by lifting and rotating it as shown in [Figure 56 on page 65](#).
- d) Repeat these steps for the other flash module, if needed.

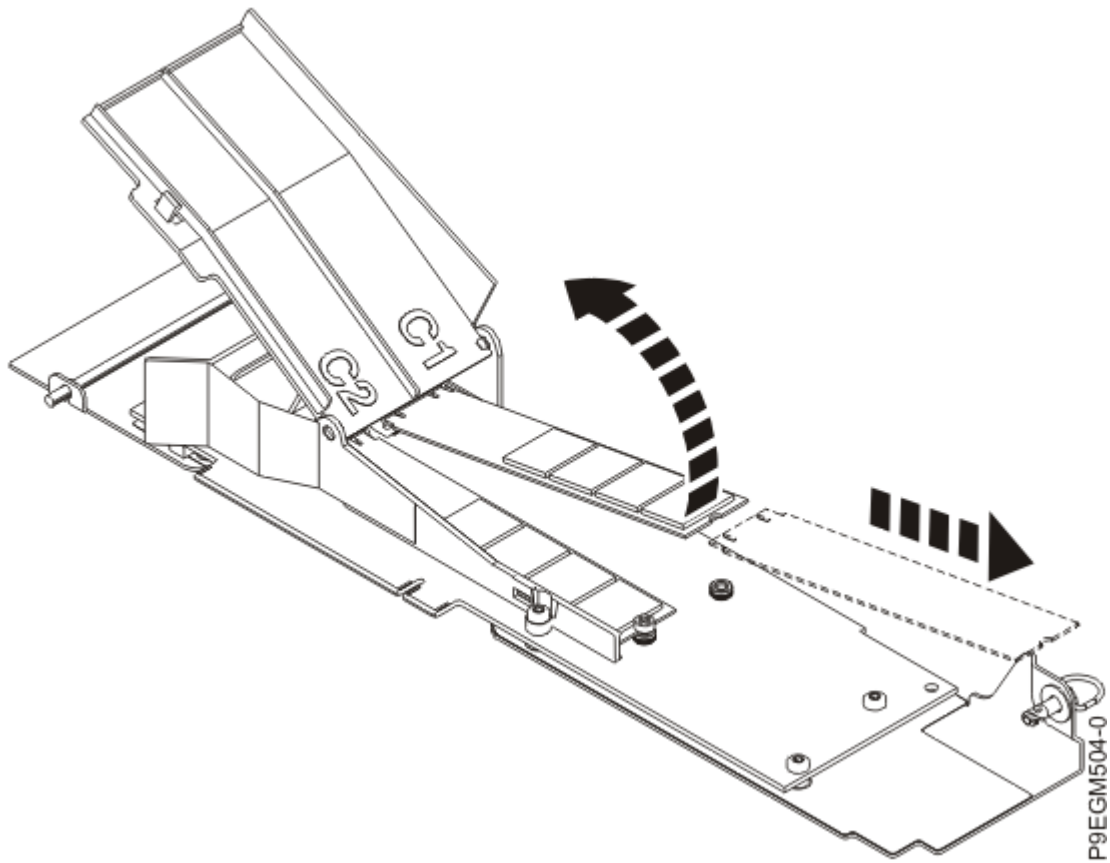


Figure 56. Removing the NVMe M.2 carrier card flash module

8. To ensure proper airflow, you must install a clip-in filler and air divider.

- a) Align the clip-in filler over the empty SAS slot.
- b) Rotate the top of the clip-in filler until the bottom hook clips onto the air screen.

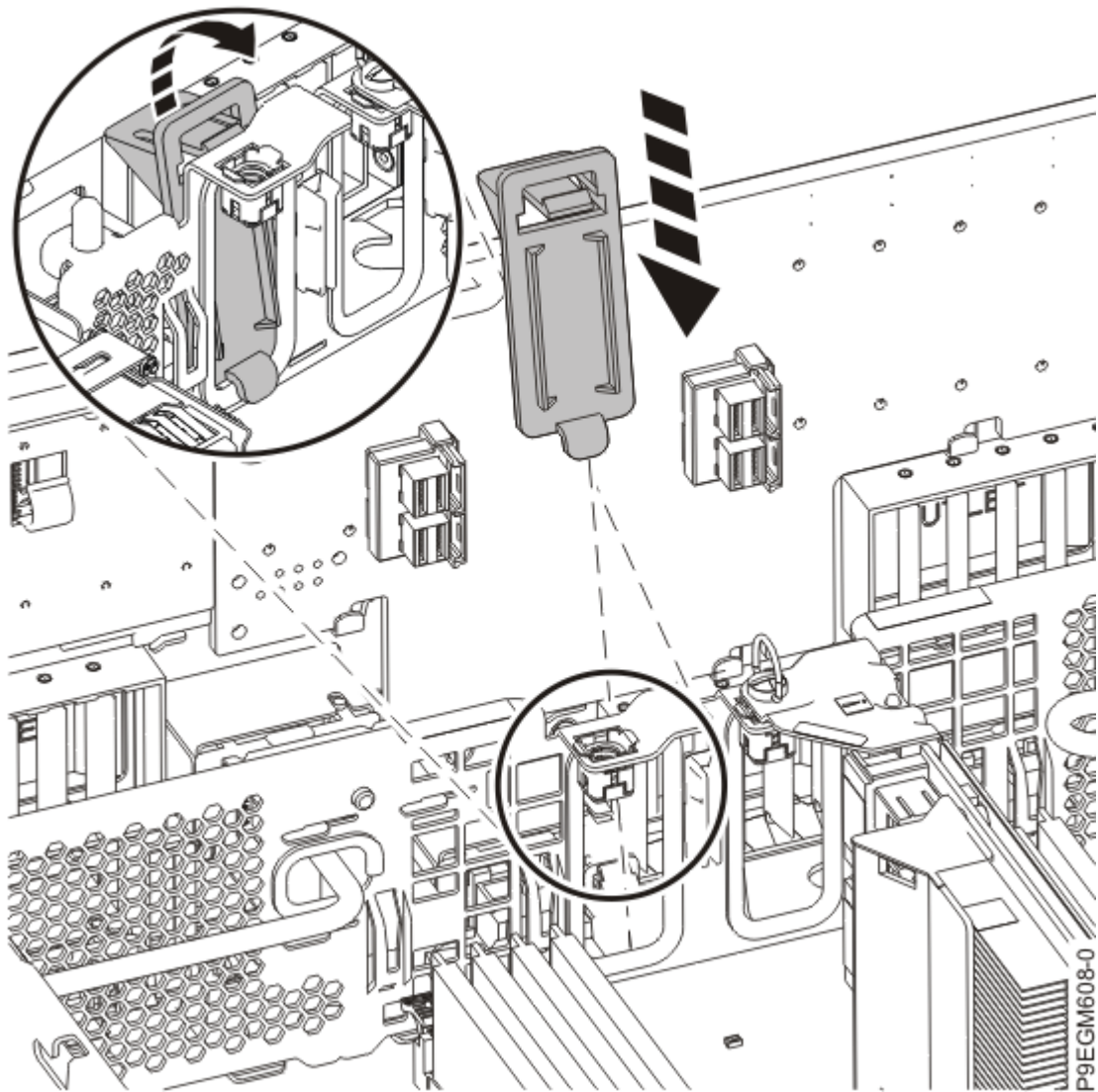
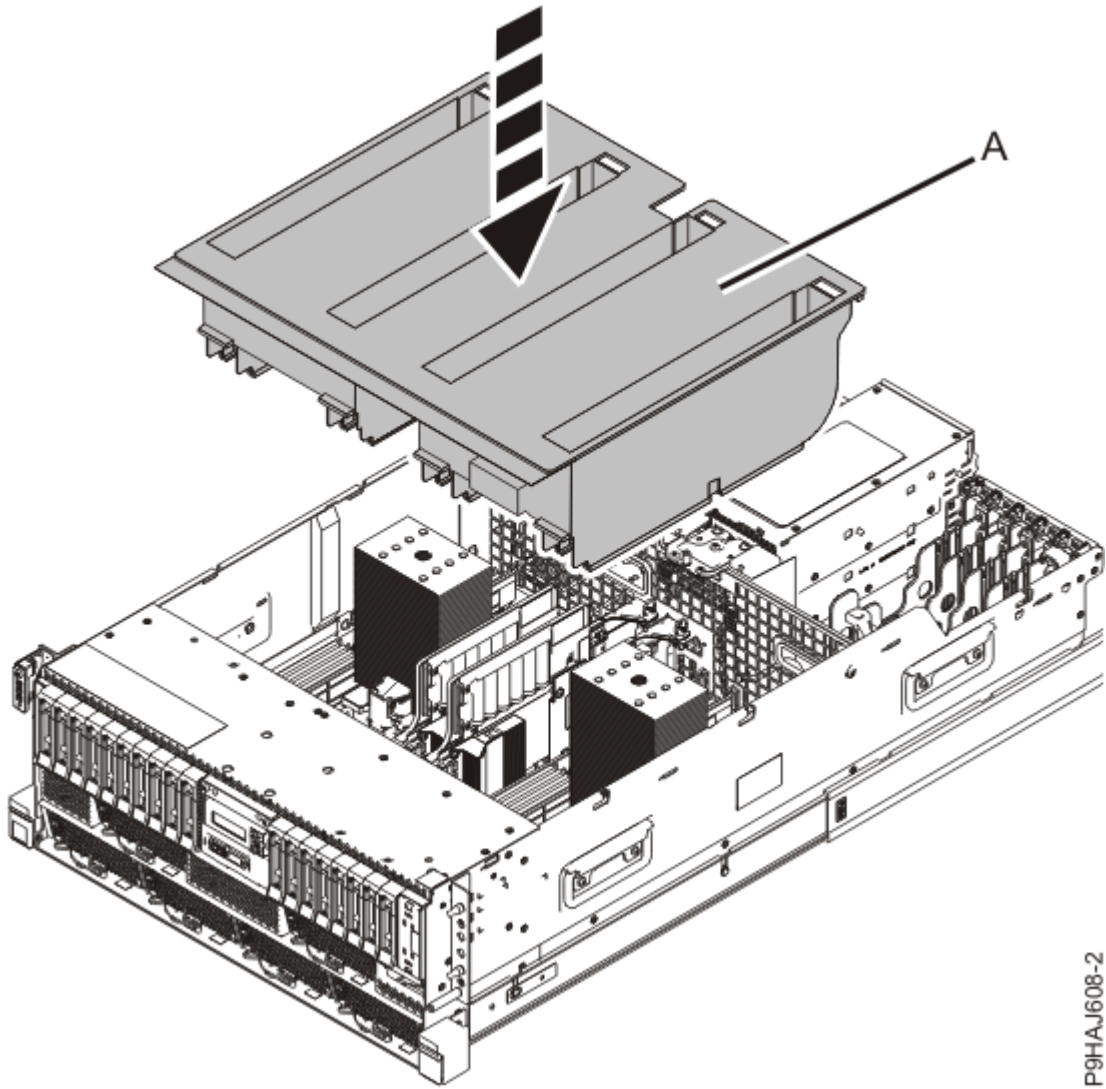


Figure 57. Installing the clip-in filler

c) Lower the air divider into place as shown in [Figure 58 on page 67](#).



P9HAJ608-2

Figure 59. Replacing the air baffle in a rack-mounted system

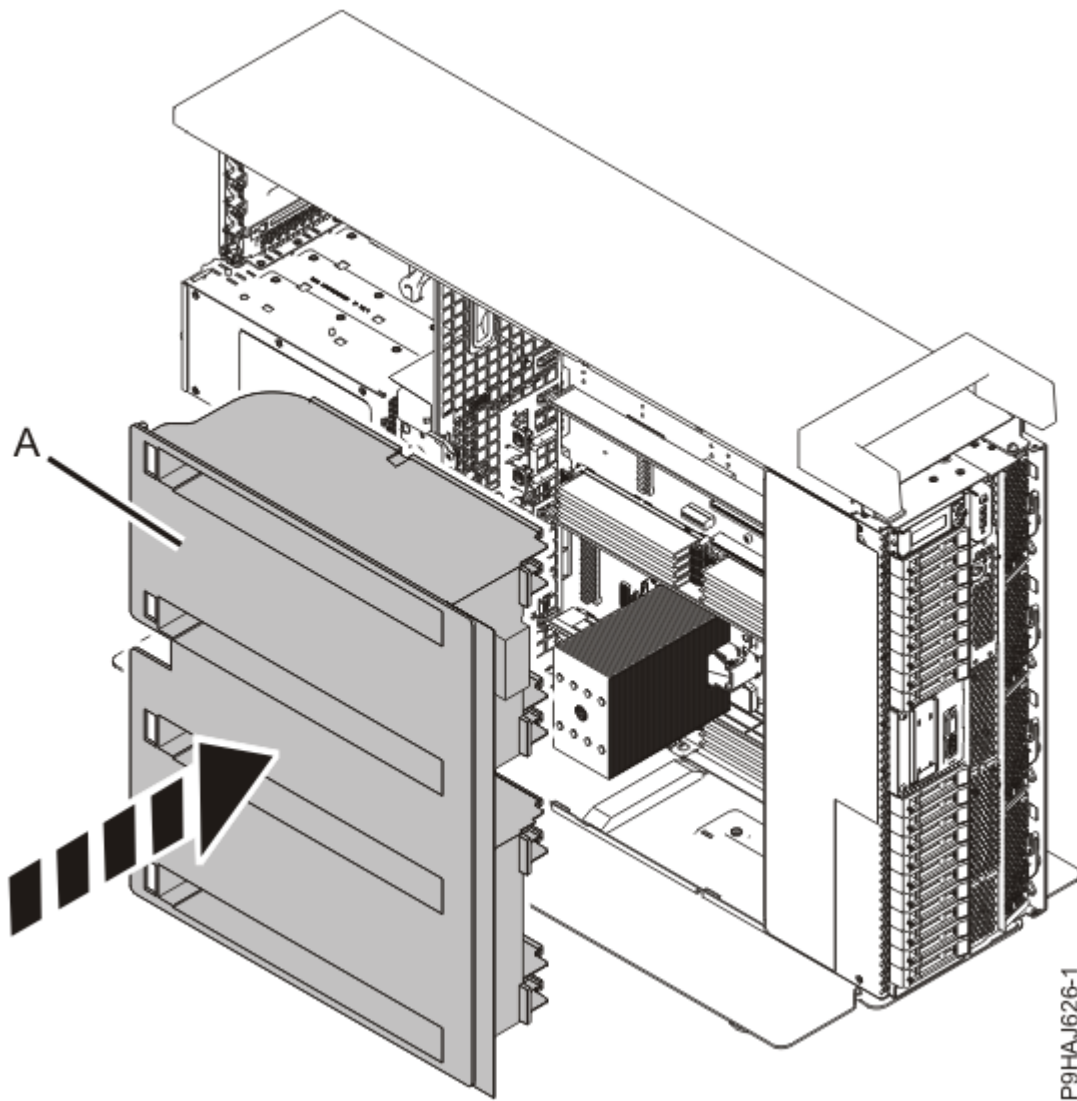


Figure 60. Replacing the air baffle in a stand-alone system

Preparing the 9009-41A, 9009-42A, or 9223-42H system for operation after permanently removing an NVMe M.2 carrier card and flash module

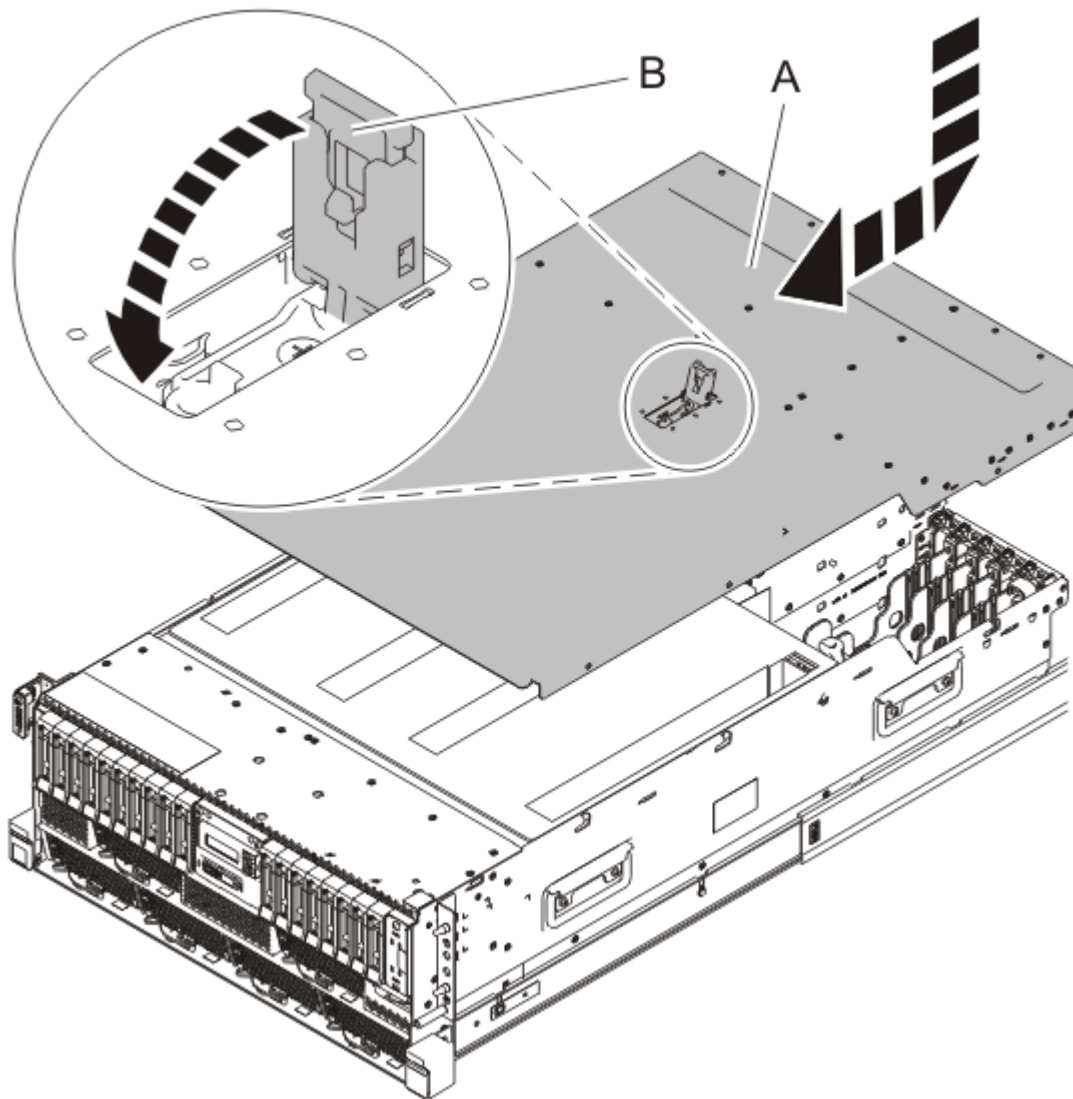
To prepare the system for operation after permanently removing an NVMe M.2 carrier card and flash module, complete the steps in this procedure.

Procedure

1. Ensure that you have the electrostatic discharge (ESD) wrist strap on and that the ESD clip is plugged into a ground jack or connected to an unpainted metal surface. If not, do so now.
2. Replace the service access cover.

For a rack-mounted system, complete the following steps. Refer to [Figure 61 on page 70](#).

- a. Slide the cover **(A)** onto the system unit.
- b. Close the release latch **(B)** by pushing it in the direction shown.

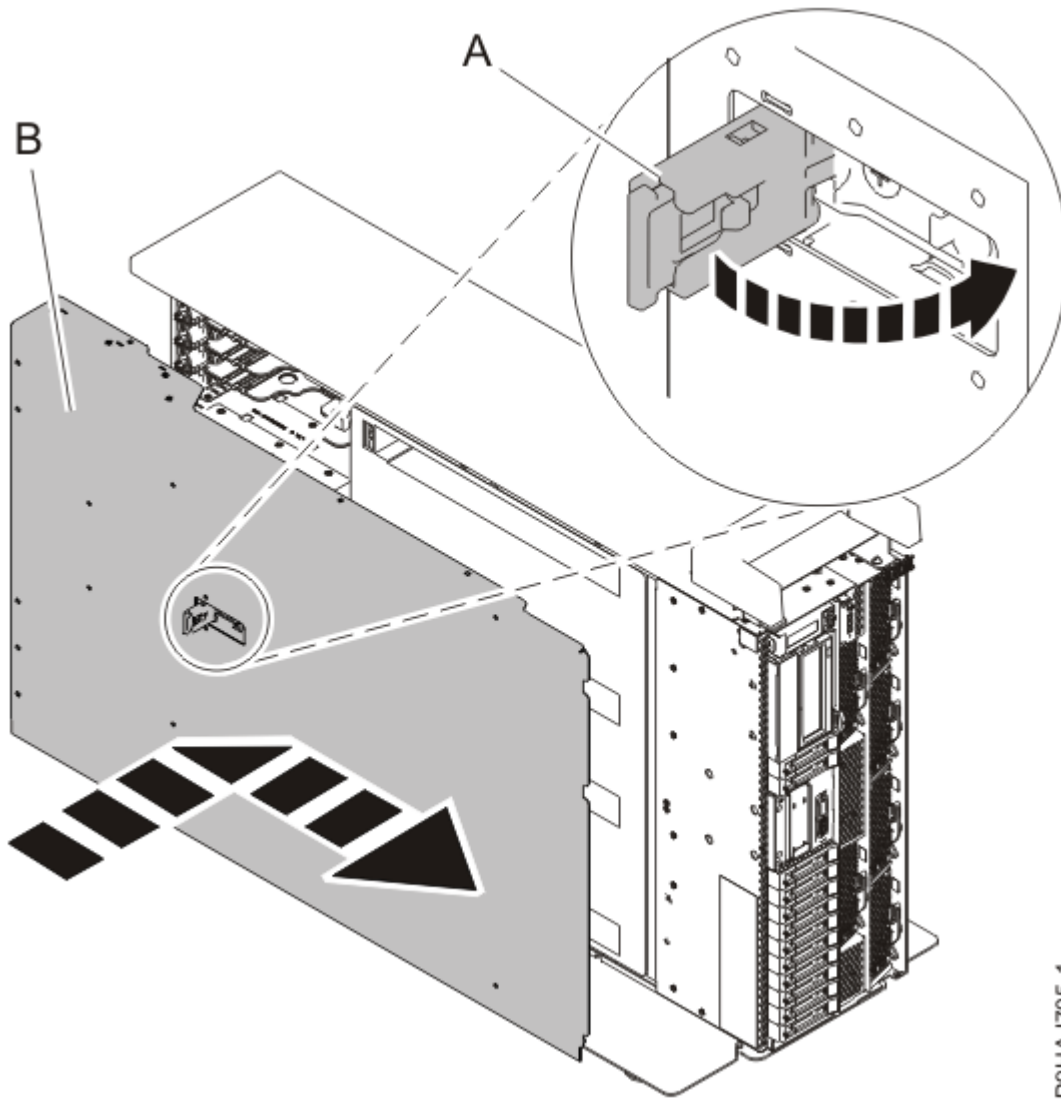


P9HAJ606-2

Figure 61. Installing the service access cover

For a stand-alone system, complete the following steps. Refer to [Figure 62 on page 71](#).

- a. Slide the cover (**B**) on to the system unit as shown.
- b. Close the latch release (**A**) by pushing it in the direction shown.



P9HAJ705-1

Figure 62. Installing the service access cover

3. For a rack-mounted system, unlock the blue rail safety latches (**A**) as shown in [Figure 63 on page 72](#) by pushing them inward.

Ensure that the cable management arms can move freely. Ensure that the cables at the rear of the unit do not catch or bind as you push the unit into the operating position.

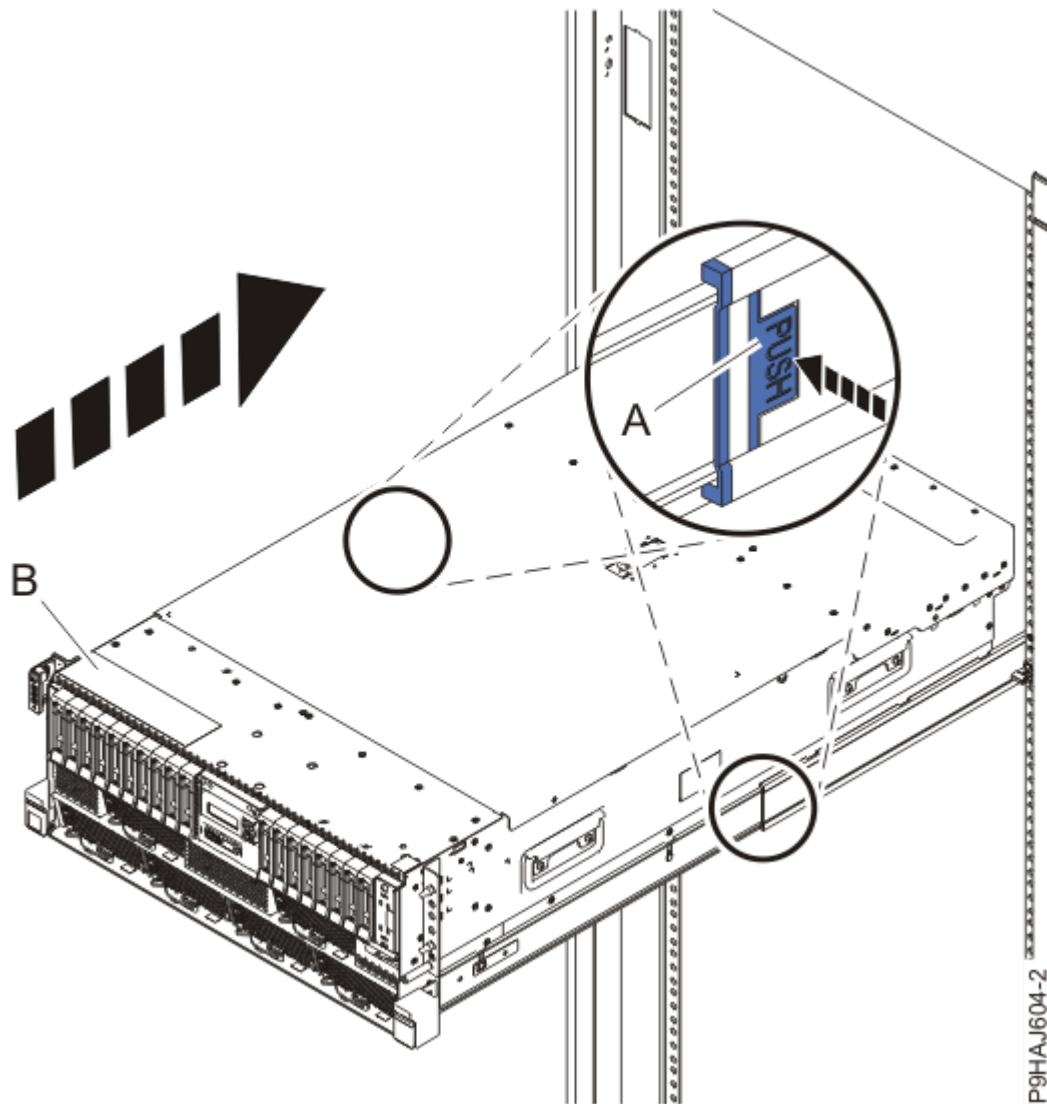


Figure 63. Placing the system into the operating position

4. For a rack-mounted system, push the system unit **(B)** as shown in the previous figure back into the rack until both release latches lock the system into position.

Secure the cable management arm with hook-and-loop fasteners around the back side of the cable management arm, but not around the cables.

5. Using your labels, reconnect the power cords **(A)** to the system unit.

Fasten the power cords **(A)** to the system using the hook-and-loop fasteners **(B)** as shown in [Figure 64](#) on page 73 or [Figure 65](#) on page 74.

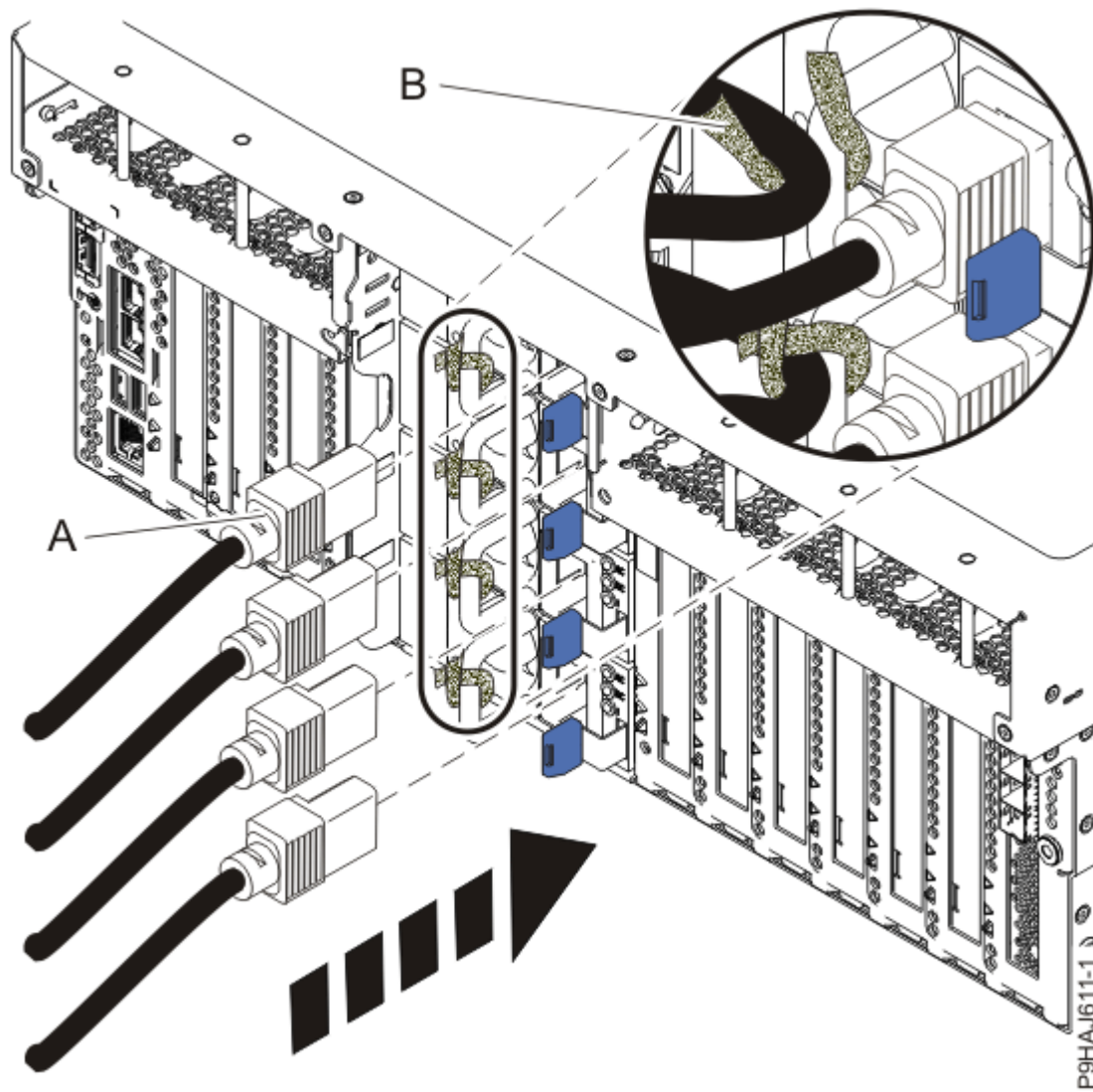


Figure 64. Connecting the power cords to a rack-mounted system

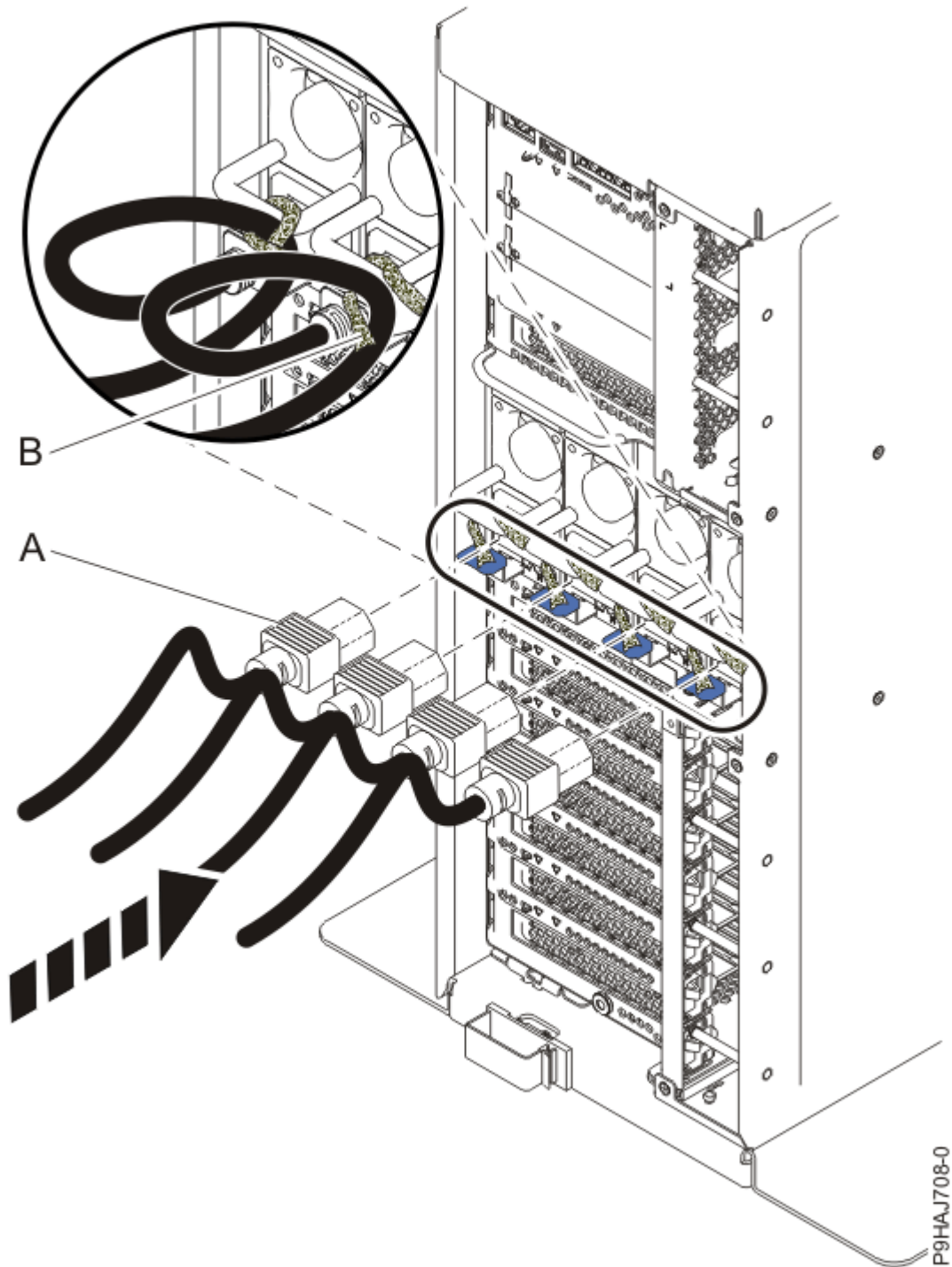


Figure 65. Connecting the power cords to a stand-alone system

6. Start the system. For instructions, see [Starting a system](http://www.ibm.com/support/knowledgecenter/POWER9/p9haj/crustartsys.htm) (www.ibm.com/support/knowledgecenter/POWER9/p9haj/crustartsys.htm).
7. Turn off the identify LED. For instructions, see [Deactivating an identify LED](http://www.ibm.com/support/knowledgecenter/POWER9/p9haj/p9haj_turn_off_identify_led.htm) (www.ibm.com/support/knowledgecenter/POWER9/p9haj/p9haj_turn_off_identify_led.htm).
8. Verify the installed part.
 - If you replaced the part because of a service action, verify the installed part. For instructions, see [Verifying a repair](http://www.ibm.com/support/knowledgecenter/POWER9/p9ect/pxect_verifyrepair.htm) (www.ibm.com/support/knowledgecenter/POWER9/p9ect/pxect_verifyrepair.htm).
 - If you installed the part for any other reason, verify the installed part. For instructions, see [Verifying the installed part](http://www.ibm.com/support/knowledgecenter/POWER9/p9haj/pxhaj_hsmverify.htm) (www.ibm.com/support/knowledgecenter/POWER9/p9haj/pxhaj_hsmverify.htm).

Related procedures for installing, removing, and replacing NVMe devices

About this task

Find procedures that are related to installing, removing, and replacing NVMe devices.

Checking the amount of remaining life in NVMe devices

Learn how to use operating system commands to find the amount of remaining life in an NVMe device.

The AIX®, IBM i, and Linux® operating systems have commands that you can use to determine the amount of life that is remaining in an NVMe device.

For more information, see the following procedures:

- [Running the AIX command to check the amount of remaining life in NVMe devices](http://www.ibm.com/support/knowledgecenter/POWER9/p9hak/pxhak_nvme_remaining_life_aix.htm) (www.ibm.com/support/knowledgecenter/POWER9/p9hak/pxhak_nvme_remaining_life_aix.htm)
- [Running the IBM i command to check the amount of remaining life in NVMe devices](http://www.ibm.com/support/knowledgecenter/POWER9/p9hak/pxhak_nvme_remaining_life_ibmi.htm) (www.ibm.com/support/knowledgecenter/POWER9/p9hak/pxhak_nvme_remaining_life_ibmi.htm)
- [Running the Linux command to check the amount of remaining life in NVMe devices](http://www.ibm.com/support/knowledgecenter/POWER9/p9hak/pxhak_nvme_remaining_life_linux.htm) (www.ibm.com/support/knowledgecenter/POWER9/p9hak/pxhak_nvme_remaining_life_linux.htm)

Related information

[“Removing an operational NVMe device from an IBM i logical partition” on page 75](#)

Learn how to remove an operational NVMe device from an IBM i logical partition.

Removing an operational NVMe device from an IBM i logical partition

Learn how to remove an operational NVMe device from an IBM i logical partition.

The IBM i operating system provides commands that you can use to remove an operational NVMe device.

For details, see [Removing an operational NVMe device from a partition](#) in the IBM i Knowledge Center.

Note: To navigate to the page in the IBM i 7.4 Knowledge Center, select **Systems management > Disk management > Disk management checklist > Removing an operational NVMe device from a partition**.

Notices

This information was developed for products and services offered in the US.

IBM may not offer the products, services, or features discussed in this document in other countries. Consult your local IBM representative for information on the products and services currently available in your area. Any reference to an IBM product, program, or service is not intended to state or imply that only that IBM product, program, or service may be used. Any functionally equivalent product, program, or service that does not infringe any IBM intellectual property right may be used instead. However, it is the user's responsibility to evaluate and verify the operation of any non-IBM product, program, or service.

IBM may have patents or pending patent applications covering subject matter described in this document. The furnishing of this document does not grant you any license to these patents. You can send license inquiries, in writing, to:

IBM Director of Licensing
IBM Corporation
North Castle Drive, MD-NC119
Armonk, NY 10504-1785
US

INTERNATIONAL BUSINESS MACHINES CORPORATION PROVIDES THIS PUBLICATION "AS IS" WITHOUT WARRANTY OF ANY KIND, EITHER EXPRESS OR IMPLIED, INCLUDING, BUT NOT LIMITED TO, THE IMPLIED WARRANTIES OF NON-INFRINGEMENT, MERCHANTABILITY OR FITNESS FOR A PARTICULAR PURPOSE. Some jurisdictions do not allow disclaimer of express or implied warranties in certain transactions, therefore, this statement may not apply to you.

This information could include technical inaccuracies or typographical errors. Changes are periodically made to the information herein; these changes will be incorporated in new editions of the publication. IBM may make improvements and/or changes in the product(s) and/or the program(s) described in this publication at any time without notice.

Any references in this information to non-IBM websites are provided for convenience only and do not in any manner serve as an endorsement of those websites. The materials at those websites are not part of the materials for this IBM product and use of those websites is at your own risk.

IBM may use or distribute any of the information you provide in any way it believes appropriate without incurring any obligation to you.

The performance data and client examples cited are presented for illustrative purposes only. Actual performance results may vary depending on specific configurations and operating conditions.

Information concerning non-IBM products was obtained from the suppliers of those products, their published announcements or other publicly available sources. IBM has not tested those products and cannot confirm the accuracy of performance, compatibility or any other claims related to non-IBM products. Questions on the capabilities of non-IBM products should be addressed to the suppliers of those products.

Statements regarding IBM's future direction or intent are subject to change or withdrawal without notice, and represent goals and objectives only.

All IBM prices shown are IBM's suggested retail prices, are current and are subject to change without notice. Dealer prices may vary.

This information is for planning purposes only. The information herein is subject to change before the products described become available.

This information contains examples of data and reports used in daily business operations. To illustrate them as completely as possible, the examples include the names of individuals, companies, brands, and products. All of these names are fictitious and any similarity to actual people or business enterprises is entirely coincidental.

If you are viewing this information in softcopy, the photographs and color illustrations may not appear.

The drawings and specifications contained herein shall not be reproduced in whole or in part without the written permission of IBM.

IBM has prepared this information for use with the specific machines indicated. IBM makes no representations that it is suitable for any other purpose.

IBM's computer systems contain mechanisms designed to reduce the possibility of undetected data corruption or loss. This risk, however, cannot be eliminated. Users who experience unplanned outages, system failures, power fluctuations or outages, or component failures must verify the accuracy of operations performed and data saved or transmitted by the system at or near the time of the outage or failure. In addition, users must establish procedures to ensure that there is independent data verification before relying on such data in sensitive or critical operations. Users should periodically check IBM's support websites for updated information and fixes applicable to the system and related software.

Homologation statement

This product may not be certified in your country for connection by any means whatsoever to interfaces of public telecommunications networks. Further certification may be required by law prior to making any such connection. Contact an IBM representative or reseller for any questions.

Privacy policy considerations

IBM Software products, including software as a service solutions, (“Software Offerings”) may use cookies or other technologies to collect product usage information, to help improve the end user experience, to tailor interactions with the end user, or for other purposes. In many cases no personally identifiable information is collected by the Software Offerings. Some of our Software Offerings can help enable you to collect personally identifiable information. If this Software Offering uses cookies to collect personally identifiable information, specific information about this offering’s use of cookies is set forth below.

This Software Offering does not use cookies or other technologies to collect personally identifiable information.

If the configurations deployed for this Software Offering provide you as the customer the ability to collect personally identifiable information from end users via cookies and other technologies, you should seek your own legal advice about any laws applicable to such data collection, including any requirements for notice and consent.

For more information about the use of various technologies, including cookies, for these purposes, see IBM’s Privacy Policy at <http://www.ibm.com/privacy> and IBM’s Online Privacy Statement at <http://www.ibm.com/privacy/details/us/en/> in the section entitled “Cookies, Web Beacons and Other Technologies”.

Trademarks

IBM, the IBM logo, and [ibm.com](http://www.ibm.com)® are trademarks or registered trademarks of International Business Machines Corp., registered in many jurisdictions worldwide. Other product and service names might be trademarks of IBM or other companies. A current list of IBM trademarks is available on the web at [Copyright and trademark information](#).

The registered trademark Linux is used pursuant to a sublicense from the Linux Foundation, the exclusive licensee of Linus Torvalds, owner of the mark on a worldwide basis.

Electronic emission notices

Class A Notices

The following Class A statements apply to the IBM servers that contain the POWER9 processor and its features unless designated as electromagnetic compatibility (EMC) Class B in the feature information.

When attaching a monitor to the equipment, you must use the designated monitor cable and any interference suppression devices supplied with the monitor.

Canada Notice

CAN ICES-3 (A)/NMB-3(A)

European Community and Morocco Notice

This product is in conformity with the protection requirements of Directive 2014/30/EU of the European Parliament and of the Council on the harmonization of the laws of the Member States relating to electromagnetic compatibility. IBM cannot accept responsibility for any failure to satisfy the protection requirements resulting from a non-recommended modification of the product, including the fitting of non-IBM option cards.

This product may cause interference if used in residential areas. Such use must be avoided unless the user takes special measures to reduce electromagnetic emissions to prevent interference to the reception of radio and television broadcasts.

Warning: This equipment is compliant with Class A of CISPR 32. In a residential environment this equipment may cause radio interference.

Germany Notice

Deutschsprachiger EU Hinweis: Hinweis für Geräte der Klasse A EU-Richtlinie zur Elektromagnetischen Verträglichkeit

Dieses Produkt entspricht den Schutzanforderungen der EU-Richtlinie 2014/30/EU zur Angleichung der Rechtsvorschriften über die elektromagnetische Verträglichkeit in den EU-Mitgliedsstaaten und hält die Grenzwerte der EN 55022 / EN 55032 Klasse A ein.

Um dieses sicherzustellen, sind die Geräte wie in den Handbüchern beschrieben zu installieren und zu betreiben. Des Weiteren dürfen auch nur von der IBM empfohlene Kabel angeschlossen werden. IBM übernimmt keine Verantwortung für die Einhaltung der Schutzanforderungen, wenn das Produkt ohne Zustimmung von IBM verändert bzw. wenn Erweiterungskomponenten von Fremdherstellern ohne Empfehlung von IBM gesteckt/eingebaut werden.

EN 55032 Klasse A Geräte müssen mit folgendem Warnhinweis versehen werden:

"Warnung: Dieses ist eine Einrichtung der Klasse A. Diese Einrichtung kann im Wohnbereich Funk-Störungen verursachen; in diesem Fall kann vom Betreiber verlangt werden, angemessene Maßnahmen zu ergreifen und dafür aufzukommen."

Deutschland: Einhaltung des Gesetzes über die elektromagnetische Verträglichkeit von Geräten

Dieses Produkt entspricht dem "Gesetz über die elektromagnetische Verträglichkeit von Geräten (EMVG)". Dies ist die Umsetzung der EU-Richtlinie 2014/30/EU in der Bundesrepublik Deutschland.

Zulassungsbescheinigung laut dem Deutschen Gesetz über die elektromagnetische Verträglichkeit von Geräten (EMVG) (bzw. der EMC Richtlinie 2014/30/EU) für Geräte der Klasse A

Dieses Gerät ist berechtigt, in Übereinstimmung mit dem Deutschen EMVG das EG-Konformitätszeichen - CE - zu führen.

Verantwortlich für die Einhaltung der EMV Vorschriften ist der Hersteller:
International Business Machines Corp.
New Orchard Road
Armonk, New York 10504
Tel: 914-499-1900

Der verantwortliche Ansprechpartner des Herstellers in der EU ist:
IBM Deutschland GmbH
Technical Relations Europe, Abteilung M456

IBM-Allee 1, 71139 Ehningen, Germany
Tel: +49 (0) 800 225 5426
email: HalloIBM@de.ibm.com

Generelle Informationen:

Das Gerät erfüllt die Schutzanforderungen nach EN 55024 und EN 55022 / EN 55032 Klasse A.

Japan Electronics and Information Technology Industries Association (JEITA) Notice

(一社) 電子情報技術産業協会 高調波電流抑制対策実施
要領に基づく定格入力電力値： Knowledge Centerの各製品の
仕様ページ参照

This statement applies to products less than or equal to 20 A per phase.

高調波電流規格 JIS C 61000-3-2 適合品

This statement applies to products greater than 20 A, single phase.

高調波電流規格 JIS C 61000-3-2 準用品

本装置は、「高圧又は特別高圧で受電する需要家の高調波抑制対策ガイドライン」対象機器（高調波発生機器）です。

- 回路分類：6（単相、PFC回路付）
- 換算係数：0

This statement applies to products greater than 20 A per phase, three-phase.

高調波電流規格 JIS C 61000-3-2 準用品

本装置は、「高圧又は特別高圧で受電する需要家の高調波抑制対策ガイドライン」対象機器（高調波発生機器）です。

- 回路分類：5（3相、PFC回路付）
- 換算係数：0

Japan Voluntary Control Council for Interference (VCCI) Notice

この装置は、クラスA 情報技術装置です。この装置を家庭環境で使用すると電波妨害を引き起こすことがあります。この場合には使用者が適切な対策を講ずるよう要求されることがあります。

VCCI-A

Korea Notice

이 기기는 업무용 환경에서 사용할 목적으로 적합성평가를 받은 기기로서 가정용 환경에서 사용하는 경우 전파간섭의 우려가 있습니다.

People's Republic of China Notice

声 明

此为 A 级产品,在生活环境中,
该产品可能会造成无线电干扰。
在这种情况下,可能需要用户对其
干扰采取切实可行的措施。

Russia Notice

ВНИМАНИЕ! Настоящее изделие относится к классу А.
В жилых помещениях оно может создавать
радиопомехи, для снижения которых необходимы
дополнительные меры

Taiwan Notice

警告使用者：

此為甲類資訊技術設備，
於居住環境中使用時，可
能會造成射頻擾動，在此
種情況下，使用者會被要
求採取某些適當的對策。

IBM Taiwan Contact Information:

台灣IBM 產品服務聯絡方式：
台灣國際商業機器股份有限公司
台北市松仁路7號3樓
電話：0800-016-888

United States Federal Communications Commission (FCC) Notice

This equipment has been tested and found to comply with the limits for a Class A digital device, pursuant to Part 15 of the FCC Rules. These limits are designed to provide reasonable protection against harmful interference when the equipment is operated in a commercial environment. This equipment generates, uses, and can radiate radio frequency energy and, if not installed and used in accordance with the instruction manual, may cause harmful interference to radio communications. Operation of this equipment in a residential area is likely to cause harmful interference, in which case the user will be required to correct the interference at his own expense.

Properly shielded and grounded cables and connectors must be used in order to meet FCC emission limits. Proper cables and connectors are available from IBM-authorized dealers. IBM is not responsible for any radio or television interference caused by using other than recommended cables and connectors or by unauthorized changes or modifications to this equipment. Unauthorized changes or modifications could void the user's authority to operate the equipment.

This device complies with Part 15 of the FCC rules. Operation is subject to the following two conditions: (1) this device may not cause harmful interference, and (2) this device must accept any interference received, including interference that may cause undesired operation.

Responsible Party:
International Business Machines Corporation
New Orchard Road
Armonk, NY 10504
Contact for FCC compliance information only: fccinfo@us.ibm.com

Class B Notices

The following Class B statements apply to features designated as electromagnetic compatibility (EMC) Class B in the feature installation information.

When attaching a monitor to the equipment, you must use the designated monitor cable and any interference suppression devices supplied with the monitor.

Canada Notice

CAN ICES-3 (B)/NMB-3(B)

European Community and Morocco Notice

This product is in conformity with the protection requirements of Directive 2014/30/EU of the European Parliament and of the Council on the harmonization of the laws of the Member States relating to electromagnetic compatibility. IBM cannot accept responsibility for any failure to satisfy the protection requirements resulting from a non-recommended modification of the product, including the fitting of non-IBM option cards.

German Notice

Deutschsprachiger EU Hinweis: Hinweis für Geräte der Klasse B EU-Richtlinie zur Elektromagnetischen Verträglichkeit

Dieses Produkt entspricht den Schutzanforderungen der EU-Richtlinie 2014/30/EU zur Angleichung der Rechtsvorschriften über die elektromagnetische Verträglichkeit in den EU-Mitgliedsstaaten und hält die Grenzwerte der EN 55022/ EN 55032 Klasse B ein.

Um dieses sicherzustellen, sind die Geräte wie in den Handbüchern beschrieben zu installieren und zu betreiben. Des Weiteren dürfen auch nur von der IBM empfohlene Kabel angeschlossen werden. IBM übernimmt keine Verantwortung für die Einhaltung der Schutzanforderungen, wenn das Produkt ohne Zustimmung von IBM verändert bzw. wenn Erweiterungskomponenten von Fremdherstellern ohne Empfehlung von IBM gesteckt/eingebaut werden.

Deutschland: Einhaltung des Gesetzes über die elektromagnetische Verträglichkeit von Geräten

Dieses Produkt entspricht dem "Gesetz über die elektromagnetische Verträglichkeit von Geräten (EMVG)". Dies ist die Umsetzung der EU-Richtlinie 2014/30/EU in der Bundesrepublik Deutschland.

Zulassungsbescheinigung laut dem Deutschen Gesetz über die elektromagnetische Verträglichkeit von Geräten (EMVG) (bzw. der EMC Richtlinie 2014/30/EU) für Geräte der Klasse B

Dieses Gerät ist berechtigt, in Übereinstimmung mit dem Deutschen EMVG das EG-Konformitätszeichen - CE - zu führen.

Verantwortlich für die Einhaltung der EMV Vorschriften ist der Hersteller:
International Business Machines Corp.
New Orchard Road
Armonk, New York 10504
Tel: 914-499-1900

Der verantwortliche Ansprechpartner des Herstellers in der EU ist:
IBM Deutschland GmbH
Technical Relations Europe, Abteilung M456
IBM-Allee 1, 71139 Ehningen, Germany

Tel: +49 (0) 800 225 5426
email: HalloIBM@de.ibm.com

Generelle Informationen:

Das Gerät erfüllt die Schutzanforderungen nach EN 55024 und EN 55032 Klasse B

Japan Electronics and Information Technology Industries Association (JEITA) Notice

(一社) 電子情報技術産業協会 高調波電流抑制対策実施
要領に基づく定格入力電力値： Knowledge Centerの各製品の
仕様ページ参照

This statement applies to products less than or equal to 20 A per phase.

高調波電流規格 JIS C 61000-3-2 適合品

This statement applies to products greater than 20 A, single phase.

高調波電流規格 JIS C 61000-3-2 準用品

本装置は、「高圧又は特別高圧で受電する需要家の高調波抑制対策ガイドライン」対象機器（高調波発生機器）です。

- 回路分類：6（単相、PFC回路付）
- 換算係数：0

This statement applies to products greater than 20 A per phase, three-phase.

高調波電流規格 JIS C 61000-3-2 準用品

本装置は、「高圧又は特別高圧で受電する需要家の高調波抑制対策ガイドライン」対象機器（高調波発生機器）です。

- 回路分類：5（3相、PFC回路付）
- 換算係数：0

Japan Voluntary Control Council for Interference (VCCI) Notice

この装置は、クラスB情報技術装置です。この装置は、家庭環境で使用することを目的としていますが、この装置がラジオやテレビジョン受信機に近接して使用されると、受信障害を引き起こすことがあります。

取扱説明書に従って正しい取り扱いをして下さい。

VCCI-B

Taiwan Notice

台灣IBM 產品服務聯絡方式：
台灣國際商業機器股份有限公司
台北市松仁路7號3樓
電話：0800-016-888

United States Federal Communications Commission (FCC) Notice

This equipment has been tested and found to comply with the limits for a Class B digital device, pursuant to Part 15 of the FCC Rules. These limits are designed to provide reasonable protection against harmful interference in a residential installation. This equipment generates, uses, and can radiate radio frequency energy and, if not installed and used in accordance with the instructions, may cause harmful interference to radio communications. However, there is no guarantee that interference will not occur in a particular installation. If this equipment does cause harmful interference to radio or television reception, which can be determined by turning the equipment off and on, the user is encouraged to try to correct the interference by one or more of the following measures:

- Reorient or relocate the receiving antenna.
- Increase the separation between the equipment and receiver.
- Connect the equipment into an outlet on a circuit different from that to which the receiver is connected.
- Consult an IBM-authorized dealer or service representative for help.

Properly shielded and grounded cables and connectors must be used in order to meet FCC emission limits. Proper cables and connectors are available from IBM-authorized dealers. IBM is not responsible for any radio or television interference caused by using other than recommended cables and connectors or by unauthorized changes or modifications to this equipment. Unauthorized changes or modifications could void the user's authority to operate the equipment.

This device complies with Part 15 of the FCC rules. Operation is subject to the following two conditions:

(1) this device may not cause harmful interference, and (2) this device must accept any interference received, including interference that may cause undesired operation.

Responsible Party:

International Business Machines Corporation
New Orchard Road
Armonk, New York 10504
Contact for FCC compliance information only: fccinfo@us.ibm.com

Terms and conditions

Permissions for the use of these publications are granted subject to the following terms and conditions.

Applicability: These terms and conditions are in addition to any terms of use for the IBM website.

Personal Use: You may reproduce these publications for your personal, noncommercial use provided that all proprietary notices are preserved. You may not distribute, display or make derivative works of these publications, or any portion thereof, without the express consent of IBM.

Commercial Use: You may reproduce, distribute and display these publications solely within your enterprise provided that all proprietary notices are preserved. You may not make derivative works of these publications, or reproduce, distribute or display these publications or any portion thereof outside your enterprise, without the express consent of IBM.

Rights: Except as expressly granted in this permission, no other permissions, licenses or rights are granted, either express or implied, to the publications or any information, data, software or other intellectual property contained therein.

IBM reserves the right to withdraw the permissions granted herein whenever, in its discretion, the use of the publications is detrimental to its interest or, as determined by IBM, the above instructions are not being properly followed.

You may not download, export or re-export this information except in full compliance with all applicable laws and regulations, including all United States export laws and regulations.

IBM MAKES NO GUARANTEE ABOUT THE CONTENT OF THESE PUBLICATIONS. THE PUBLICATIONS ARE PROVIDED "AS-IS" AND WITHOUT WARRANTY OF ANY KIND, EITHER EXPRESSED OR IMPLIED, INCLUDING BUT NOT LIMITED TO IMPLIED WARRANTIES OF MERCHANTABILITY, NON-INFRINGEMENT, AND FITNESS FOR A PARTICULAR PURPOSE.

