

Power Systems

Power Supply

IBM

Power Systems

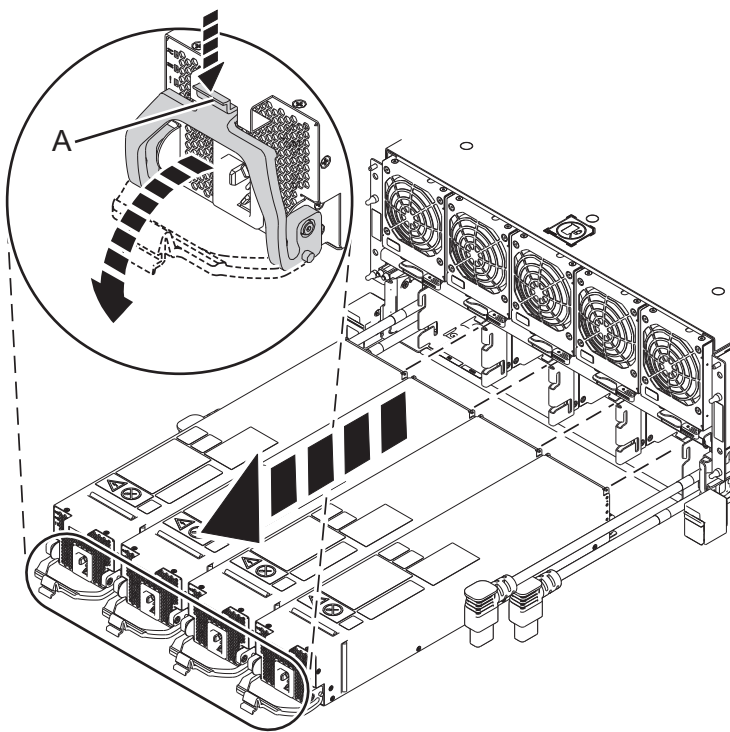
Power Supply

IBM

Remove Power Supply

To remove a power supply, complete the following steps:

1. Perform the following procedure on **ONLY THE FRU(s) BEING SERVICED**. The following images are generic and do not represent the literal location being serviced.
2. Modifying FRU locations which are not called out for service can have adverse effects on the system, **INCLUDING SYSTEM OUTAGE AND LOSS OF DATA**.
1. If not already done, disconnect the power cord from the power supply unit being serviced.
2. Push tab (A) down of the power supply being serviced and pull it towards the direction of the arrow shown. Keep pulling until the power supply unit slides out from the slot.

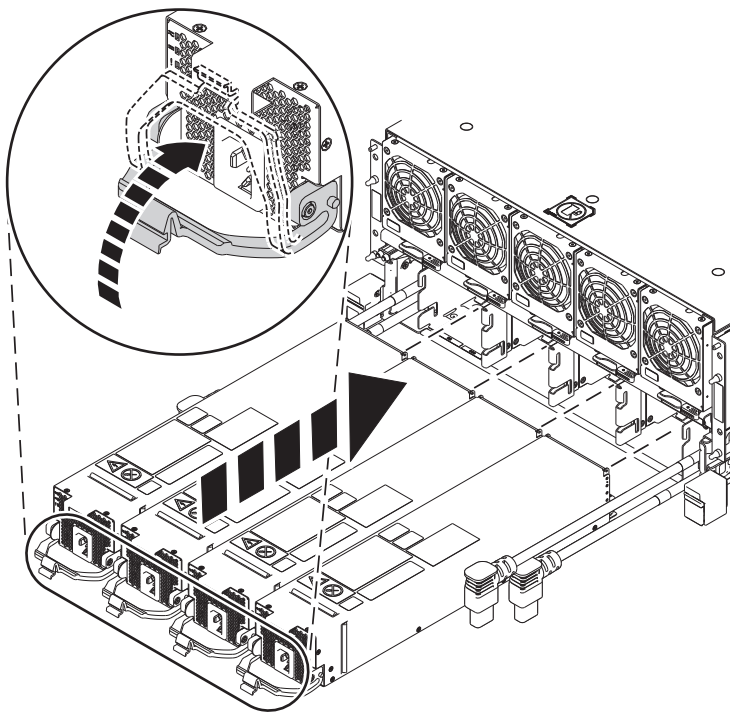


If performing this procedure from a management console, close this web page to continue with the procedure.

Install Power Supply

To install a power supply, complete the following steps:

1. Perform the following procedure on **ONLY THE FRU(s) BEING SERVICED**. The following images are generic and do not represent the literal location being serviced.
2. Modifying FRU locations which are not called out for service can have adverse effects on the system, **INCLUDING SYSTEM OUTAGE AND LOSS OF DATA**.
 1. Align the power supply **being serviced** with the slot and push the new power supply all the way in.
 2. Pull the latch down and ensure the pins on the latch go into the grooves in the chassis.
 3. Push the latch up to lock in place.



4. Connect the power cord to the power supply unit being serviced.
5. Tuck the line cord channel (or line cord conduit) bulk wire under the lip of the sheet metal after plugging it in.

If performing this procedure from a management console, close this web page to continue with the procedure.



Printed in USA