

Power Systems

VPD

IBM

Power Systems

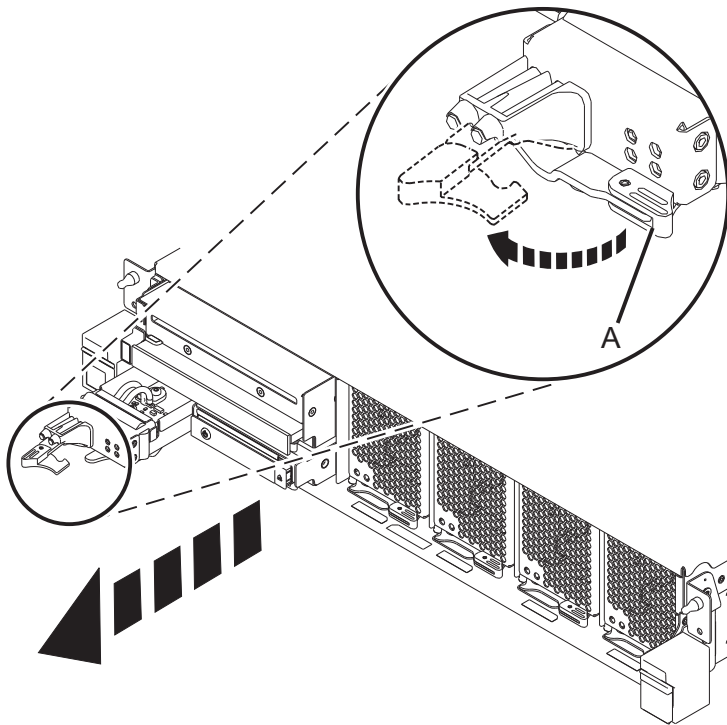
VPD

IBM

Remove VPD Card

To remove the VPD card, complete the following steps:

1. Perform the following procedure on ONLY THE FRU(s) BEING SERVICED. The following images are generic and do not represent the literal location being serviced.
2. Modifying FRU locations which are not called out for service can have adverse effects on the system, INCLUDING SYSTEM OUTAGE AND LOSS OF DATA.
 1. Move the latch (A) from right to left to unlock the unit.
 2. Remove the VPD card from the slot.

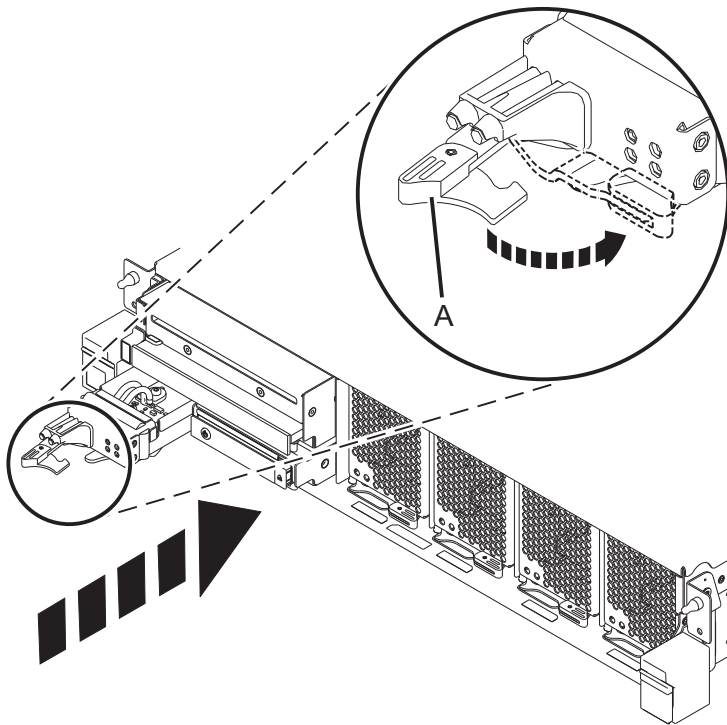


If performing this procedure from a management console, close this web page to continue with the procedure.

Install VPD Card

To install a VPD card, complete the following steps:

1. Perform the following procedure on **ONLY THE FRU(s) BEING SERVICED**. The following images are generic and do not represent the literal location being serviced.
2. Modifying FRU locations which are not called out for service can have adverse effects on the system, **INCLUDING SYSTEM OUTAGE AND LOSS OF DATA**.
 1. Insert the VPD card in the slot.
 2. Move the latch (A) from left to right to lock the unit.



If performing this procedure from a management console, close this web page to continue with the procedure.



Printed in USA