

Power Systems

UPIC Cable

IBM

Power Systems

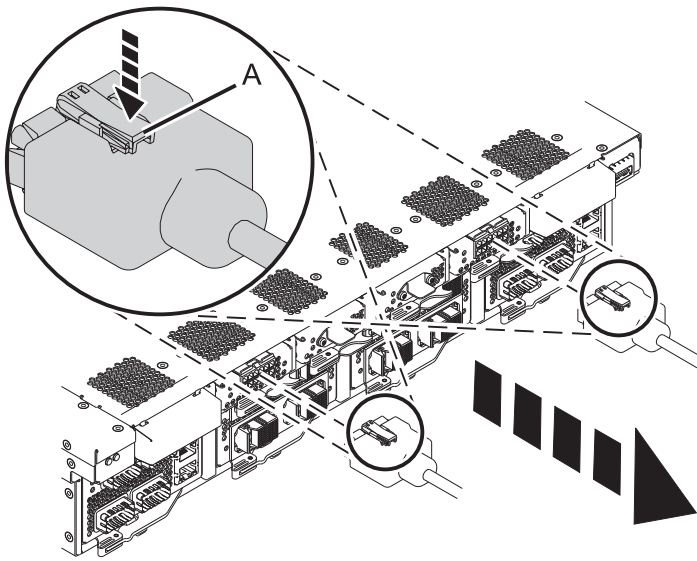
UPIC Cable

IBM

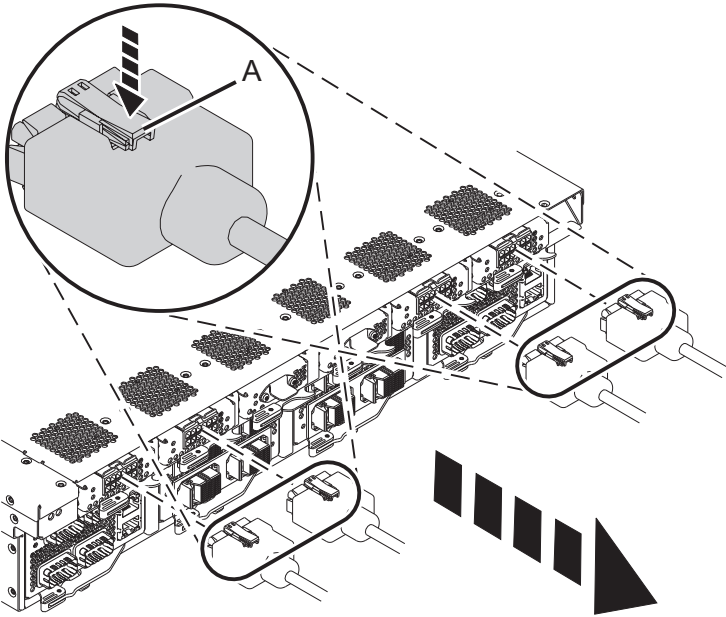
Remove UPIC Cable

To remove a UPIC cable, complete the following steps:

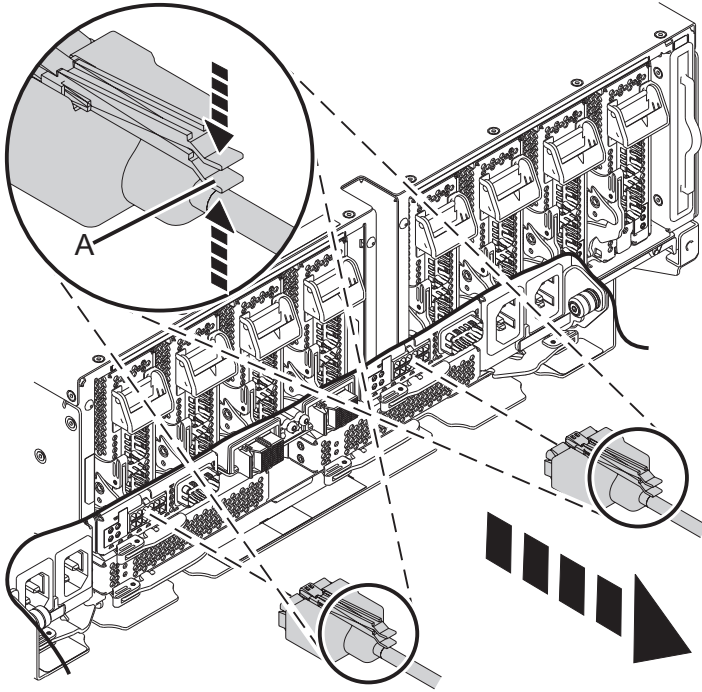
1. Perform the following procedure on ONLY THE FRU(s) BEING SERVICED. The following images are generic and do not represent the literal location being serviced.
2. Modifying FRU locations which are not called out for service can have adverse effects on the system, INCLUDING SYSTEM OUTAGE AND LOSS OF DATA.
 1. Note the Power Card configuration of your System Control Unit.
 2. If your Power Card configuration contains two Power Cards, use the following image for reference:



3. If your Power Card configuration contains four Power Cards, use the following image for reference:



4. Label the cables as needed so you can install them into the same location at the end of the procedure.
5. If present, pull the sliding latch lock out from under the cable latch.
6. Push down on the latch (**A**) and pull out the UPIC cable from the System Control Unit.
7. Follow the cable to the other end.
8. If present, pull the sliding latch lock out from under the cable latch.
9. Push down on the latch (**A**) and pull out the UPIC cable from the system node. Loosen the hook-and-loop fastener securing the cable to the rack.

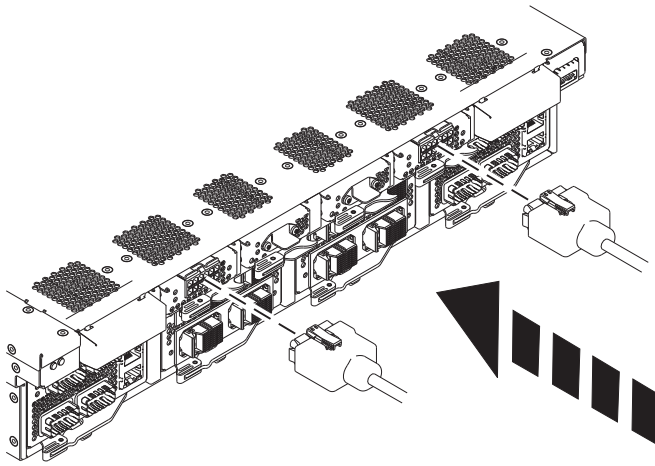


If performing this procedure from a management console, close this web page to continue with the procedure.

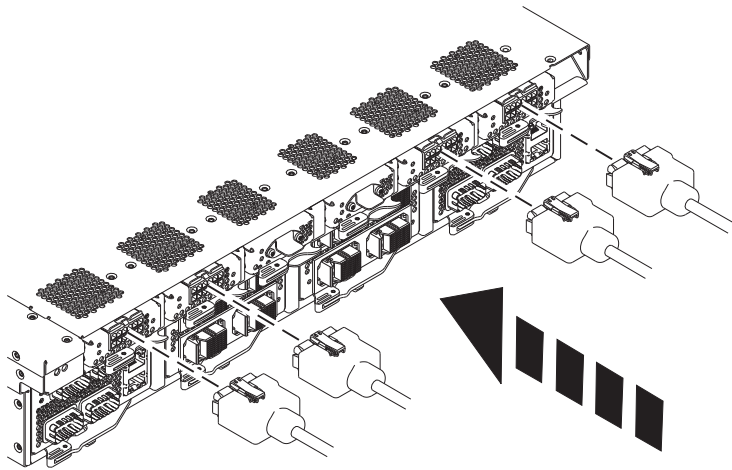
Install UPIC Cable

To install a UPIC cable, complete the following steps:

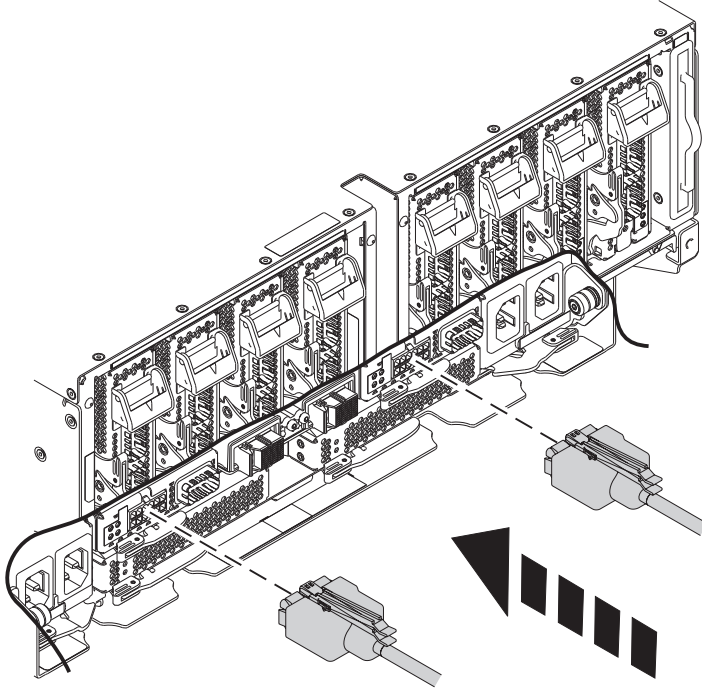
1. Perform the following procedure on ONLY THE FRU(s) BEING SERVICED. The following images are generic and do not represent the literal location being serviced.
2. Modifying FRU locations which are not called out for service can have adverse effects on the system, INCLUDING SYSTEM OUTAGE AND LOSS OF DATA.
 1. Note the Power Card configuration of your System Control Unit.
 2. If your Power Card configuration contains two Power Cards, use the following image for reference:



3. If your Power Card configuration contains four Power Cards, use the following image for reference:



4. Reconnect the new UPIC cable to the system control unit.
5. If present, push the sliding latch lock under the cable latch to prevent the cable from being accidentally removed.
6. Reconnect the new UPIC cable to the system node, and secure it to the side of the rack with the hook-and-loop fastener if it is present.
7. If present, push the sliding latch lock under the cable latch to prevent the cable from being accidentally removed.



If performing this procedure from a management console, close this web page to continue with the procedure.



Printed in USA