

Power Systems

*FSP Cables*

**IBM**



Power Systems

*FSP Cables*

**IBM**

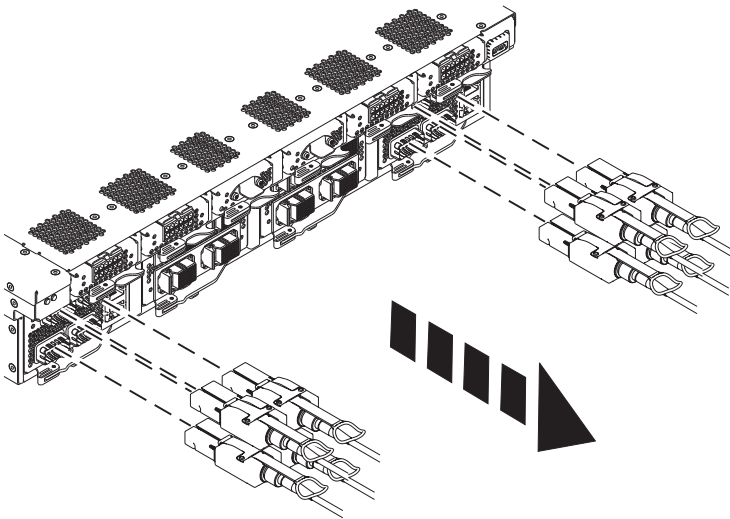


---

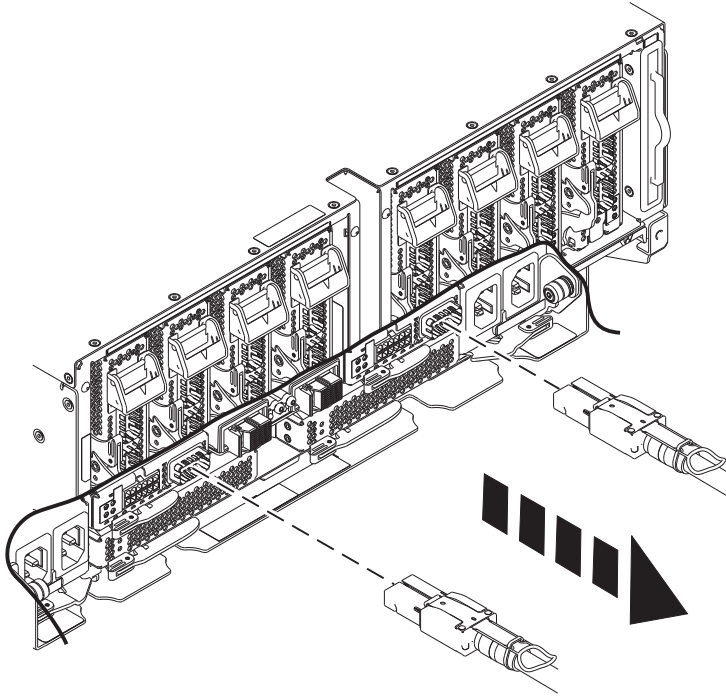
## Remove FSP Cable

To remove a FSP cable, complete the following steps:

1. Perform the following procedure on **ONLY THE FRU(s) BEING SERVICED**. The following images are generic and do not represent the literal location being serviced.
2. Modifying FRU locations which are not called out for service can have adverse effects on the system, **INCLUDING SYSTEM OUTAGE AND LOSS OF DATA**.
1. Unplug the FSP cable **being serviced** from the system control unit using the pull tab attached to the connector.



2. Unplug the other end of the FSP cable **being serviced** from the system node using the pull tab attached to the connector.



3. Loosen the hook-and-loop fastener securing the cable to the rack.

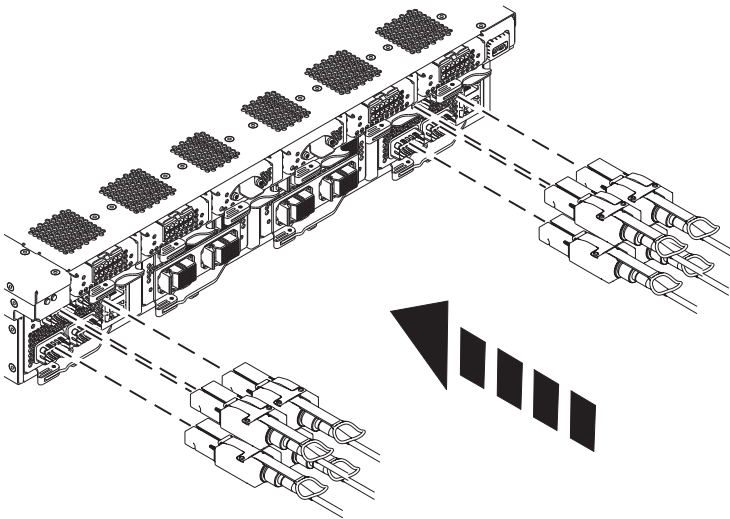
If performing this procedure from a management console, close this web page to continue with the procedure.

---

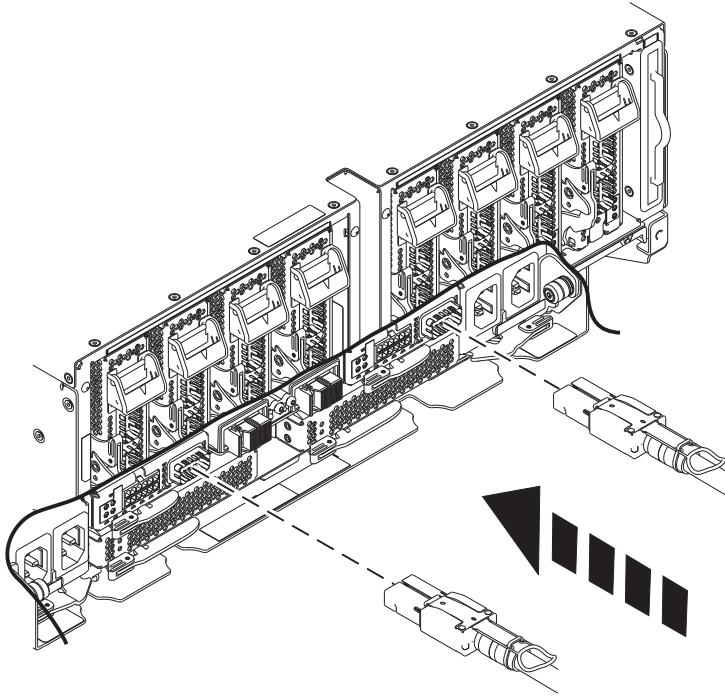
## Install FSP Cable

To install a FSP cable, complete the following steps:

1. Perform the following procedure on ONLY THE FRU(s) BEING SERVICED. The following images are generic and do not represent the literal location being serviced.
2. Modifying FRU locations which are not called out for service can have adverse effects on the system, INCLUDING SYSTEM OUTAGE AND LOSS OF DATA.
1. Plug the FSP cable **being serviced** into the system control unit by inserting the cable into the connector until it locks into place.



2. Plug the other end of the FSP cable into the system node by inserting the cable into the connector until it locks into place.



3. Lightly pull on the FSP cables from both attachment points to ensure it is locked into place. The cables should be firmly attached to the system.

**Note:** Pull gently on the cable backshell to make sure it is plugged in. Do not pull on the bulk wire.

4. Secure the cable to the side of the rack with the hook-and-loop fastener if it is present.

If performing this procedure from a management console, close this web page to continue with the procedure.







Printed in USA