

Power Systems

DVD

IBM

Power Systems

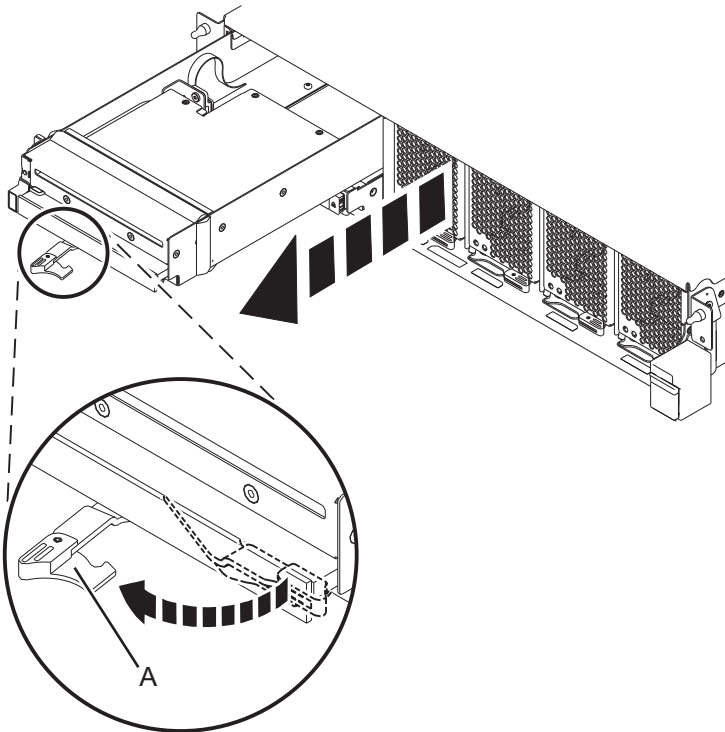
DVD

IBM

Remove DVD Assembly

To remove a DVD assembly, complete the following steps:

1. Perform the following procedure on **ONLY THE FRU(s) BEING SERVICED**. The following images are generic and do not represent the literal location being serviced.
2. Modifying FRU locations which are not called out for service can have adverse effects on the system, **INCLUDING SYSTEM OUTAGE AND LOSS OF DATA**.
 1. If present, remove the service procedure manual from the slot above the DVD drive.
 2. Unplug the USB cable from the back of the system control unit at P1-C11-T1.
 3. Move the latch (A) from right to left to unlock the unit.



4. Remove the DVD assembly from the slot.

If performing this procedure from a management console, close this web page to continue with the procedure.

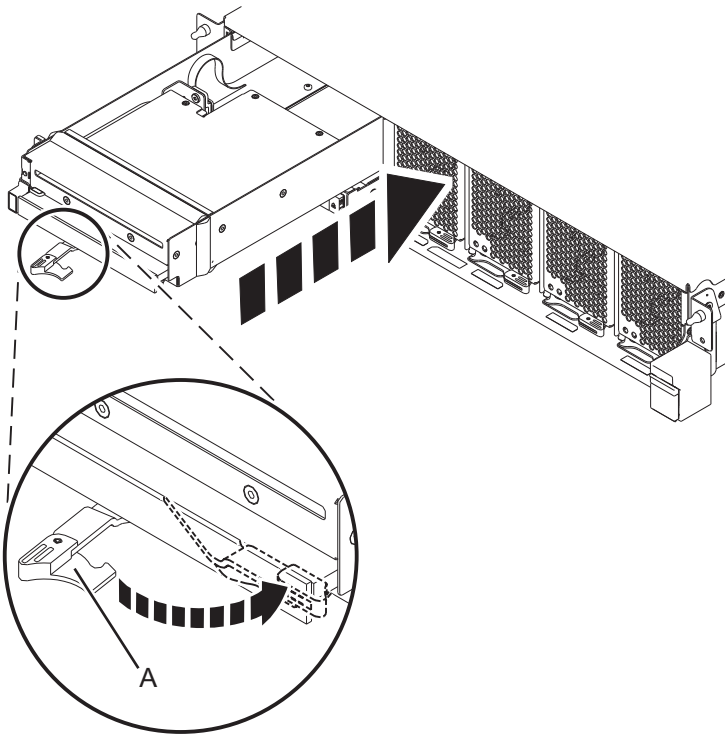
Install DVD Assembly

To install a DVD assembly, complete the following steps:

1. Perform the following procedure on ONLY THE FRU(s) BEING SERVICED. The following images are generic and do not represent the literal location being serviced.
2. Modifying FRU locations which are not called out for service can have adverse effects on the system, INCLUDING SYSTEM OUTAGE AND LOSS OF DATA.
1. Install the DVD assembly into the slot.

Note: The DVD assembly must be properly aligned with the guide pins during insertion.

2. Move the latch (A) from left to right to lock the unit.



3. Plug in the USB cable on the back of the system control unit at P1-C11-T1.
4. If present, put the service procedure manual into the slot above the DVD drive.

If performing this procedure from a management console, close this web page to continue with the procedure.



Printed in USA