

Power Systems

*PCI adapters for the
8412-EAD, 9117-MMB, 9117-MMC,
9117-MMD, 9179-MHB, 9179-MHC, or
9179-MHD*

IBM

Power Systems

*PCI adapters for the
8412-EAD, 9117-MMB, 9117-MMC,
9117-MMD, 9179-MHB, 9179-MHC, or
9179-MHD*

IBM

Note

Before using this information and the product it supports, read the information in "Safety notices" on page vii, "Notices" on page 249, the *IBM Systems Safety Notices* manual, G229-9054, and the *IBM Environmental Notices and User Guide*, Z125-5823.

This edition applies to IBM Power Systems servers that contain the POWER7 processor and to all associated models.

© Copyright IBM Corporation 2010, 2019.

US Government Users Restricted Rights – Use, duplication or disclosure restricted by GSA ADP Schedule Contract with IBM Corp.

Contents

Safety notices	vii
-----------------------	------------

Installing, removing, and replacing PCI adapters	1
---	----------

Model 8412-EAD, 9117-MMB, 9117-MMC, 9117-MMD, 9179-MHB, 9179-MHC, or 9179-MHD PCI adapters	1
Installing a PCI adapter contained in a cassette	1
Installing a PCI adapter contained in a cassette with the power off	1
Installing a PCI adapter contained in a cassette with the power on in the AIX environment	2
Installing a PCI adapter contained in a cassette with the power on in the IBM i environment	4
Installing a PCI adapter contained in a cassette with the power on in the Linux environment	7
Removing a PCI adapter contained in a cassette from the system	12
Removing a PCI adapter contained in a cassette from the system with the power off	12
Removing a PCI adapter contained in a cassette from the system with the power on in the AIX environment	13
Removing a PCI adapter contained in a cassette from the system with the power on in the IBM i environment	15
Removing a PCI adapter contained in a cassette from the system with the power on in the Linux environment	17
Replacing a PCI adapter contained in a cassette in the system	18
Replacing a PCI adapter contained in a cassette in the system with the power off	19
Removing and replacing a PCI adapter contained in a cassette in the system with the power on in the AIX environment	20
Replacing a PCI adapter contained in a cassette in the system with the power on in the IBM i environment	25
Replacing a PCI adapter contained in a cassette in the system with the power on in the Linux environment	26
PCI adapter single-width, fourth generation cassette	28
Placing a PCI adapter in a single-width, fourth generation cassette	28
Removing an adapter from the PCI adapter single-width, fourth generation cassette	32
PCI adapter single-width, third generation cassette	37
Placing a PCI adapter in a single-width, third generation cassette	37
Placing a 4-Port USB PCI Express Adapter in a single-width, third generation cassette	44
Removing an adapter from the PCI adapter single-width, third generation cassette	47
PCI adapter single-width, first and second generation cassettes	50
Placing a PCI adapter in a single-width, first or second generation cassette	51
Removing an adapter from the PCI adapter single-width, first or second generation cassette	57
PCI adapter double-wide cassette	63
Removing an adapter from the PCI adapter double-wide cassette	63
Placing an adapter in the PCI adapter double-wide cassette	66
PCI adapter double-wide cassette, generation 2.5 cassette	70
Placing a PCI adapter in a double-wide, generation 2.5 cassette	70
Removing a PCI adapter from a double-wide, generation 2.5 cassette	79
Model 5796 expansion units, PCI adapters and cassettes	87
Installing a PCI adapter contained in a cassette	88
Installing a PCI adapter contained in a cassette with the power off	88
Installing a PCI adapter contained in a cassette with the power on in the AIX environment	93
Installing a PCI adapter contained in a cassette with the power on in the IBM i environment	97
Installing a PCI adapter contained in a cassette with the power on in the Linux environment	102
Removing a PCI adapter contained in a cassette from the system	106
Removing a PCI adapter contained in a cassette from the system with the power off	106
Removing a PCI adapter contained in a cassette from the system with the power on in the AIX environment	108
Removing a PCI adapter contained in a cassette from the system with the power on in the IBM i environment	111
Removing a PCI adapter contained in a cassette from the system with the power on in the Linux environment	114
Replacing a PCI adapter contained in a cassette in the system	116
Replacing a PCI adapter contained in a cassette in the system with the power off	117

Removing and replacing a PCI adapter contained in a cassette in the system with the power on in the AIX environment	120
Replacing a PCI adapter contained in a cassette in the system with the power on in the IBM i environment	124
Replacing a PCI adapter contained in a cassette in the system with the power on in the Linux environment	126
PCI adapter single-width, third generation cassette	129
Placing a PCI adapter in a single-width, third generation cassette	129
Placing a 4-Port USB PCI Express Adapter in a single-width, third generation cassette	135
Removing an adapter from the PCI adapter single-width, third generation cassette	138
PCI adapter double-wide cassette	141
Removing an adapter from the PCI adapter double-wide cassette	141
Placing an adapter in the PCI adapter double-wide cassette	144
Model 5802 and 5877 expansion units, PCI adapters, and cassettes	148
Preparing to install, remove, or replace a PCI adapter cassette	148
Installing a PCI adapter contained in a cassette	149
Installing a PCI adapter cassette with the power off	149
Installing a PCI adapter cassette	149
Installing a PCI adapter contained in a cassette with the power on in the AIX environment	151
Installing a PCI adapter contained in a cassette with the power on in the IBM i environment	152
Installing a PCI adapter contained in a cassette with the power on in the Linux environment	153
Removing a PCI adapter contained in a cassette from the expansion unit	154
Removing a PCI adapter contained in a cassette from the expansion unit with the system power off	154
Removing a PCI adapter cassette from the expansion unit	154
Removing a PCI adapter contained in a cassette from the expansion unit with the power on in AIX	156
Removing a PCI adapter contained in a cassette from the expansion unit with the power on in IBM i	157
Removing a PCI adapter contained in a cassette from the expansion unit with the power on in Linux	158
Replacing a PCI adapter contained in a cassette from the expansion unit	158
Replacing a PCI adapter contained in a cassette from the expansion unit with the power off	158
Replacing a PCI adapter contained in a cassette from the expansion unit with the power on in AIX	159
Replacing a PCI adapter contained in a cassette from the expansion unit with the power on in IBM i	161
Replacing a PCI adapter contained in a cassette from the expansion unit with the power on in Linux	161
PCI adapter single-width and double-width cassettes	162
Removing an adapter from the PCI adapter single-width cassette	162
Placing a PCI adapter in a single-width cassette	164
Removing an adapter from the PCI adapter double-wide cassette	171
Placing an adapter in the PCI adapter double-wide cassette	174
Related procedures for installing and removing PCI adapters	179
Avoiding electric shock	179
Handling static-sensitive devices	180
Updating the worldwide port name for a new 5735 or 5774 IOA	181
Installing or replacing a PCI adapter with the system power on in Virtual I/O Server	181
Getting started	181
Installing a PCI adapter	182
Replacing a PCI adapter	182
Unconfiguring storage adapters	182
Preparing the client logical partitions	183
Shutting down logical partitions	184
PCI hot-plug manager access for AIX	185
Accessing hot-plug management functions	185
PCI hot-plug manager menu	185
Component LEDs	186
Resetting the LEDs in AIX	187
Prerequisites for hot-plugging PCI adapters in Linux	187
Verifying that the hot-plug PCI tools are installed for Linux	187
PCI-X double-wide, quad-channel Ultra320 SCSI RAID Controller (FC 5739, 5778, 5781, 5782; CCIN 571F, 575B)	188
PCI-X DDR 1.5 GB cache SAS RAID Adapter (FC 5904, 5906, 5908; CCIN 572F and 575C)	192

Common procedures for installable features 197

Before you begin	197
Removing a part by using the HMC	199
Installing a part by using the HMC	199

Replacing a part by using the HMC	200
Removing a part by using the SDMC	200
Installing a part by using the SDMC.	201
Replacing a part by using the SDMC	201
Identifying a part	202
Control panel LEDs	202
Identifying a failing part in an AIX system or logical partition	203
Locating a failing part in an AIX system or logical partition	203
Activating the indicator light for the failing part.	203
Deactivating the failing-part indicator light	204
Identifying a failing part in an IBM i system or logical partition	204
Activating the failing-part indicator light	204
Deactivating the failing-part indicator light	205
Identifying a failing part in a Linux system or logical partition	205
Locating a failing part in a Linux system or logical partition	205
Finding the location code of a failing part in a Linux system or logical partition	206
Activating the indicator light for the failing part.	206
Deactivating the failing-part indicator light	206
Locating a failing part in a Virtual I/O Server system or logical partition	207
Identifying a part by using the Virtual I/O Server	207
Stopping a system or logical partition	207
Stopping a system that is not managed by an HMC or an SDMC	207
Stopping a system by using the HMC	209
Stopping a system by using the SDMC	209
Starting the system or logical partition	210
Starting a system that is not managed by an HMC or an SDMC	210
Starting a system or logical partition by using the HMC	212
Starting a system or virtual server by using the SDMC	212
Verifying a repair	212
Verifying the repair in AIX	213
Verifying a repair by using an IBM i system or logical partition	217
Verifying the repair in Linux	218
Verifying the repair from the management console	219
Verifying the installed part	220
Verifying an installed feature or replaced part in an AIX system or logical partition	220
Verifying the installed part in an IBM i system or logical partition.	222
Deactivating the failing-part indicator light	223
Verifying the installed part in a Linux system or logical partition	224
Verifying an installed part by using stand-alone diagnostics	224
Verifying the installed part by using the HMC	225
Activating and deactivating LEDs by using the HMC	226
Deactivating a system attention LED or partition LED by using the HMC	226
Activating or deactivating an identify LED by using the HMC	226
Viewing serviceable events by using the HMC	227
Verifying the installed part by using the SDMC	227
Activating and deactivating LEDs by using the SDMC	228
Deactivating a system attention LED or partition LED by using the SDMC	228
Activating or deactivating an identify LED by using the SDMC	228
Viewing serviceable events by using the SDMC	229
Verifying an installed part or replaced part on a system or logical partition by using Virtual I/O Server tools	229
Verifying the installed part by using VIOS.	229
Verify the replacement part by using VIOS	229
Closing a service call	231
Closing a service call by using AIX or Linux	236
Closing a service call by using Integrated Virtualization Manager	240
Activating and deactivating LEDs	244
Deactivating a system attention LED or partition LED by using the management console	245
Activating or deactivating an identify LED by using the management console.	245
Deactivating a system attention LED or logical partition LED by using the Advanced System Management Interface	246
Activating or deactivating an identify LED by using the Advanced System Management Interface	247

Notices	249
Trademarks	250
Electronic emission notices	250
Class A Notices.	250
Class B Notices.	254
Terms and conditions.	257

Safety notices

Safety notices may be printed throughout this guide:

- **DANGER** notices call attention to a situation that is potentially lethal or extremely hazardous to people.
- **CAUTION** notices call attention to a situation that is potentially hazardous to people because of some existing condition.
- **Attention** notices call attention to the possibility of damage to a program, device, system, or data.

World Trade safety information

Several countries require the safety information contained in product publications to be presented in their national languages. If this requirement applies to your country, safety information documentation is included in the publications package (such as in printed documentation, on DVD, or as part of the product) shipped with the product. The documentation contains the safety information in your national language with references to the U.S. English source. Before using a U.S. English publication to install, operate, or service this product, you must first become familiar with the related safety information documentation. You should also refer to the safety information documentation any time you do not clearly understand any safety information in the U.S. English publications.

Replacement or additional copies of safety information documentation can be obtained by calling the IBM Hotline at 1-800-300-8751.

German safety information

Das Produkt ist nicht für den Einsatz an Bildschirmarbeitsplätzen im Sinne § 2 der Bildschirmarbeitsverordnung geeignet.

Laser safety information

IBM® servers can use I/O cards or features that are fiber-optic based and that utilize lasers or LEDs.

Laser compliance

IBM servers may be installed inside or outside of an IT equipment rack.

DANGER

When working on or around the system, observe the following precautions:

Electrical voltage and current from power, telephone, and communication cables are hazardous. To avoid a shock hazard:

- Connect power to this unit only with the IBM provided power cord. Do not use the IBM provided power cord for any other product.
- Do not open or service any power supply assembly.
- Do not connect or disconnect any cables or perform installation, maintenance, or reconfiguration of this product during an electrical storm.
- The product might be equipped with multiple power cords. To remove all hazardous voltages, disconnect all power cords.
- Connect all power cords to a properly wired and grounded electrical outlet. Ensure that the outlet supplies proper voltage and phase rotation according to the system rating plate.
- Connect any equipment that will be attached to this product to properly wired outlets.
- When possible, use one hand only to connect or disconnect signal cables.
- Never turn on any equipment when there is evidence of fire, water, or structural damage.
- Disconnect the attached power cords, telecommunications systems, networks, and modems before you open the device covers, unless instructed otherwise in the installation and configuration procedures.
- Connect and disconnect cables as described in the following procedures when installing, moving, or opening covers on this product or attached devices.

To Disconnect:

1. Turn off everything (unless instructed otherwise).
2. Remove the power cords from the outlets.
3. Remove the signal cables from the connectors.
4. Remove all cables from the devices.

To Connect:

1. Turn off everything (unless instructed otherwise).
2. Attach all cables to the devices.
3. Attach the signal cables to the connectors.
4. Attach the power cords to the outlets.
5. Turn on the devices.

(D005)

DANGER

Observe the following precautions when working on or around your IT rack system:

- Heavy equipment—personal injury or equipment damage might result if mishandled.
- Always lower the leveling pads on the rack cabinet.
- Always install stabilizer brackets on the rack cabinet.
- To avoid hazardous conditions due to uneven mechanical loading, always install the heaviest devices in the bottom of the rack cabinet. Always install servers and optional devices starting from the bottom of the rack cabinet.
- Rack-mounted devices are not to be used as shelves or work spaces. Do not place objects on top of rack-mounted devices.



- Each rack cabinet might have more than one power cord. Be sure to disconnect all power cords in the rack cabinet when directed to disconnect power during servicing.
- Connect all devices installed in a rack cabinet to power devices installed in the same rack cabinet. Do not plug a power cord from a device installed in one rack cabinet into a power device installed in a different rack cabinet.
- An electrical outlet that is not correctly wired could place hazardous voltage on the metal parts of the system or the devices that attach to the system. It is the responsibility of the customer to ensure that the outlet is correctly wired and grounded to prevent an electrical shock.

CAUTION

- Do not install a unit in a rack where the internal rack ambient temperatures will exceed the manufacturer's recommended ambient temperature for all your rack-mounted devices.
- Do not install a unit in a rack where the air flow is compromised. Ensure that air flow is not blocked or reduced on any side, front, or back of a unit used for air flow through the unit.
- Consideration should be given to the connection of the equipment to the supply circuit so that overloading of the circuits does not compromise the supply wiring or overcurrent protection. To provide the correct power connection to a rack, refer to the rating labels located on the equipment in the rack to determine the total power requirement of the supply circuit.
- *(For sliding drawers.)* Do not pull out or install any drawer or feature if the rack stabilizer brackets are not attached to the rack. Do not pull out more than one drawer at a time. The rack might become unstable if you pull out more than one drawer at a time.
- *(For fixed drawers.)* This drawer is a fixed drawer and must not be moved for servicing unless specified by the manufacturer. Attempting to move the drawer partially or completely out of the rack might cause the rack to become unstable or cause the drawer to fall out of the rack.

(R001)

CAUTION:

Removing components from the upper positions in the rack cabinet improves rack stability during relocation. Follow these general guidelines whenever you relocate a populated rack cabinet within a room or building:

- Reduce the weight of the rack cabinet by removing equipment starting at the top of the rack cabinet. When possible, restore the rack cabinet to the configuration of the rack cabinet as you received it. If this configuration is not known, you must observe the following precautions:
 - Remove all devices in the 32U position and above.
 - Ensure that the heaviest devices are installed in the bottom of the rack cabinet.
 - Ensure that there are no empty U-levels between devices installed in the rack cabinet below the 32U level.
- If the rack cabinet you are relocating is part of a suite of rack cabinets, detach the rack cabinet from the suite.
- Inspect the route that you plan to take to eliminate potential hazards.
- Verify that the route that you choose can support the weight of the loaded rack cabinet. Refer to the documentation that comes with your rack cabinet for the weight of a loaded rack cabinet.
- Verify that all door openings are at least 760 x 230 mm (30 x 80 in.).
- Ensure that all devices, shelves, drawers, doors, and cables are secure.
- Ensure that the four leveling pads are raised to their highest position.
- Ensure that there is no stabilizer bracket installed on the rack cabinet during movement.
- Do not use a ramp inclined at more than 10 degrees.
- When the rack cabinet is in the new location, complete the following steps:
 - Lower the four leveling pads.
 - Install stabilizer brackets on the rack cabinet.
 - If you removed any devices from the rack cabinet, repopulate the rack cabinet from the lowest position to the highest position.
- If a long-distance relocation is required, restore the rack cabinet to the configuration of the rack cabinet as you received it. Pack the rack cabinet in the original packaging material, or equivalent. Also lower the leveling pads to raise the casters off of the pallet and bolt the rack cabinet to the pallet.

(R002)

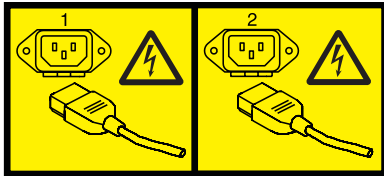
(L001)



(L002)



(L003)



or



All lasers are certified in the U.S. to conform to the requirements of DHHS 21 CFR Subchapter J for class 1 laser products. Outside the U.S., they are certified to be in compliance with IEC 60825 as a class 1 laser product. Consult the label on each part for laser certification numbers and approval information.

CAUTION:

This product might contain one or more of the following devices: CD-ROM drive, DVD-ROM drive, DVD-RAM drive, or laser module, which are Class 1 laser products. Note the following information:

- Do not remove the covers. Removing the covers of the laser product could result in exposure to hazardous laser radiation. There are no serviceable parts inside the device.
- Use of the controls or adjustments or performance of procedures other than those specified herein might result in hazardous radiation exposure.

(C026)

CAUTION:

Data processing environments can contain equipment transmitting on system links with laser modules that operate at greater than Class 1 power levels. For this reason, never look into the end of an optical fiber cable or open receptacle. (C027)

CAUTION:

This product contains a Class 1M laser. Do not view directly with optical instruments. (C028)

CAUTION:

Some laser products contain an embedded Class 3A or Class 3B laser diode. Note the following information: laser radiation when open. Do not stare into the beam, do not view directly with optical instruments, and avoid direct exposure to the beam. (C030)

CAUTION:

The battery contains lithium. To avoid possible explosion, do not burn or charge the battery.

Do Not:

- ___ Throw or immerse into water
- ___ Heat to more than 100°C (212°F)
- ___ Repair or disassemble

Exchange only with the IBM-approved part. Recycle or discard the battery as instructed by local regulations. In the United States, IBM has a process for the collection of this battery. For information, call 1-800-426-4333. Have the IBM part number for the battery unit available when you call. (C003)

Power and cabling information for NEBS (Network Equipment-Building System) GR-1089-CORE

The following comments apply to the IBM servers that have been designated as conforming to NEBS (Network Equipment-Building System) GR-1089-CORE:

The equipment is suitable for installation in the following:

- Network telecommunications facilities
- Locations where the NEC (National Electrical Code) applies

The intrabuilding ports of this equipment are suitable for connection to intrabuilding or unexposed wiring or cabling only. The intrabuilding ports of this equipment *must not* be metallically connected to the interfaces that connect to the OSP (outside plant) or its wiring. These interfaces are designed for use as intrabuilding interfaces only (Type 2 or Type 4 ports as described in GR-1089-CORE) and require isolation from the exposed OSP cabling. The addition of primary protectors is not sufficient protection to connect these interfaces metallically to OSP wiring.

Note: All Ethernet cables must be shielded and grounded at both ends.

The ac-powered system does not require the use of an external surge protection device (SPD).

The dc-powered system employs an isolated DC return (DC-I) design. The DC battery return terminal *shall not* be connected to the chassis or frame ground.

Installing, removing, and replacing PCI adapters

Learn about installing, removing, and replacing Peripheral Component Interconnect (PCI), PCI-X, and PCI Express (PCIe) adapters.

Model 8412-EAD, 9117-MMB, 9117-MMC, 9117-MMD, 9179-MHB, 9179-MHC, or 9179-MHD PCI adapters

You can remove, replace, or install PCI adapter cassettes.

Installing a PCI adapter contained in a cassette

You can install a PCI adapter.

Installing a PCI adapter contained in a cassette with the power off

You can install a PCI adapter.

If your system is managed by an HMC, use the HMC to complete the steps for installing the part in the system. For instructions, see “Installing a part by using the HMC” on page 199.

Notes:

- If the system is partitioned, you must determine the partition owning the I/O slot. Once the adapter is installed, the I/O slot must be powered on in the operating system.
- If an I/O slot on a partitioned system is not owned by a partition, then the I/O slot cannot be powered on.
- Adding an I/O slot to a partition using dynamic logical partitioning (DLPAR) will power on the I/O slot as part of the DLPAR add. For information about DLPAR, see Dynamic Logical Partitioning.
- To learn more about working in a partitioned environment, see Logical partitioning.
- If a PCI adapter with CCIN 577D is installed in location P1-C4 of a 5802 or 5877 expansion unit, do not complete the install procedure for the PCI adapter in location P1-C5 with the system power on. The install action with the power on might cause the PCI adapter in location P1-C4 to fail.
- If a PCI adapter with CCIN 577D is installed in location P1-C4 of a 5802 or 5877 expansion unit, you can complete the remove and replace procedures for the PCI adapter in location P1-C5 with the system power on. The remove action and the replace action of the PCI adapter in location P1-C5 with the power on does not cause the PCI adapter in location P1-C4 to fail.

If you do not have an HMC, complete this procedure to install a PCI adapter with the power off:

1. Complete the prerequisite tasks that are described in “Before you begin” on page 197.
2. Take appropriate precautions for avoiding electric shock and handling static-sensitive devices. For information, see “Avoiding electric shock” on page 179 and “Handling static-sensitive devices” on page 180.
3. To determine in which slot to place the PCI adapter, refer to the placement information regarding slot restrictions for the adapters that can be used in this system. See the PCI adapter placement.
4. Stop the system or logical partition. For instructions, see “Stopping a system or logical partition” on page 207.
5. Disconnect the power source from the system by unplugging the system.
6. If you are installing a PCI adapter in a rack-mounted system or expansion unit, follow these steps:
 - a. Open the rear rack door.
 - b. Remove the units cover or covers if applicable.

7. Determine the location of PCI adapter in the system.
8. Install the adapter into the PCI adapter cassette. See the following topics:
 - “PCI adapter single-width, fourth generation cassette” on page 28
 - “PCI adapter single-width, third generation cassette” on page 37
 - “PCI adapter double-wide cassette” on page 63
9. Slide the cassette into the cassette slot as shown in the following figure.

Attention: Ensure proper alignment when you insert a PCI adapter cassette into the system.
10. When the cassette is fully inserted into the system, firmly press cassette handle (A) to lock the adapter in its connector.

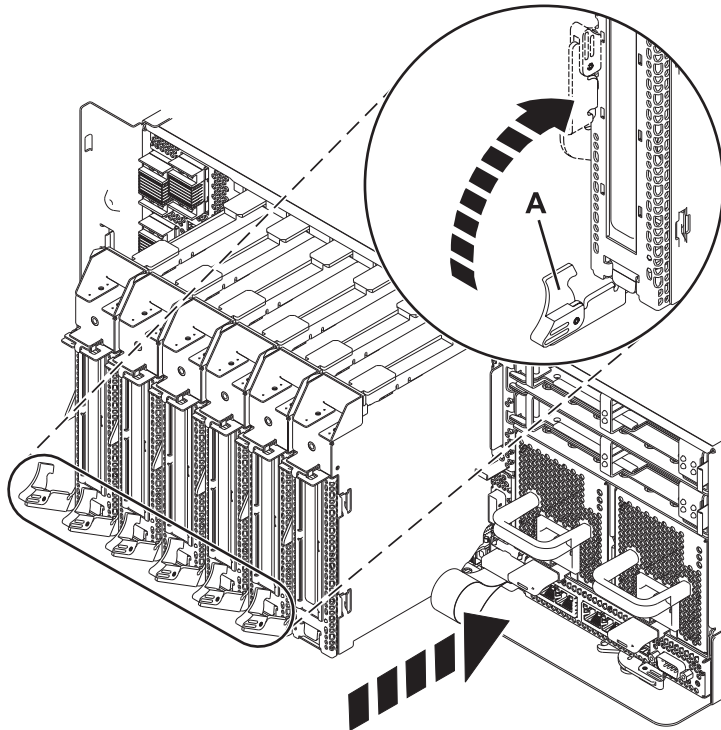


Figure 1. PCI adapter cassette installed in the system unit

11. Start the system or logical partition. For instructions, see “Starting the system or logical partition” on page 210.
12. Verify the installed part.
 - If you replaced the part because of a service action, verify the installed part. For instructions, see Verifying a repair.
 - If you installed the part for any other reason, verify the installed part. For instructions, see Verifying the installed part.

Installing a PCI adapter contained in a cassette with the power on in the AIX environment

You can install a PCI adapter with the power on in the AIX® environment.

If your system is managed by an HMC, use the HMC to complete the steps for installing the part in the system. For instructions, see “Installing a part by using the HMC” on page 199.

Notes:

- If the system is partitioned, you must determine the partition owning the I/O slot. Once the adapter is installed, the I/O slot must be powered on in the operating system.
- If an I/O slot on a partitioned system is not owned by a partition, then the I/O slot cannot be powered on.
- Adding an I/O slot to a partition using dynamic logical partitioning (DLPAR) will power on the I/O slot as part of the DLPAR add. For information about DLPAR, see Dynamic Logical Partitioning.
- To learn more about working in a partitioned environment, see Logical partitioning.
- If a PCI adapter with CCIN 577D is installed in location P1-C4 of a 5802 or 5877 expansion unit, do not complete the install procedure for the PCI adapter in location P1-C5 with the system power on. The install action with the power on might cause the PCI adapter in location P1-C4 to fail.
- If a PCI adapter with CCIN 577D is installed in location P1-C4 of a 5802 or 5877 expansion unit, you can complete the remove and replace procedures for the PCI adapter in location P1-C5 with the system power on. The remove action and the replace action of the PCI adapter in location P1-C5 with the power on does not cause the PCI adapter in location P1-C4 to fail.

If you do not have an HMC, complete the following steps to install a PCI adapter with the system power on in the AIX environment:

1. Complete the prerequisite tasks that are described in “Before you begin” on page 197.
2. Take appropriate precautions for avoiding electric shock and handling static-sensitive devices. For information, see “Avoiding electric shock” on page 179 and “Handling static-sensitive devices” on page 180.
3. To determine in which slot to place the PCI adapter, refer to the placement information regarding slot restrictions for the adapters that can be used in this system. See the PCI adapter placement.
4. If you are installing a PCI adapter in a rack-mounted system or expansion unit, follow these steps:
 - a. Open the rear rack door.
 - b. Remove the units cover or covers if applicable.
5. Refer to “PCI hot-plug manager access for AIX” on page 185, and follow the steps in the access procedure to select **PCI Hot Plug Manager**. Then return here to continue.
6. From the PCI Hot-Plug Manager menu, select **Add a PCI Hot-Plug Adapter** and press Enter. The Add a Hot-Plug Adapter window displays.
7. Select the appropriate PCI slot from the ones listed on the screen, and press Enter.
8. Locate the PCI adapter slot and cassette you want to use.
9. If the cassette you want to use does not contain a PCI adapter, continue to the next step. If the cassette you want to use does contain an active PCI adapter, see “Removing a PCI adapter contained in a cassette from the system with the power on in the AIX environment” on page 13.
10. Install the adapter into the PCI adapter cassette. See the following topics:
 - “PCI adapter single-width, fourth generation cassette” on page 28
 - “PCI adapter single-width, third generation cassette” on page 37
 - “PCI adapter double-wide cassette” on page 63
11. Slide the cassette into the cassette slot as shown in the following figure.

Attention: Ensure proper alignment when you insert a PCI adapter cassette into the system.
12. When the cassette is fully inserted into the system, firmly press cassette handle (A) to lock the adapter in its connector.

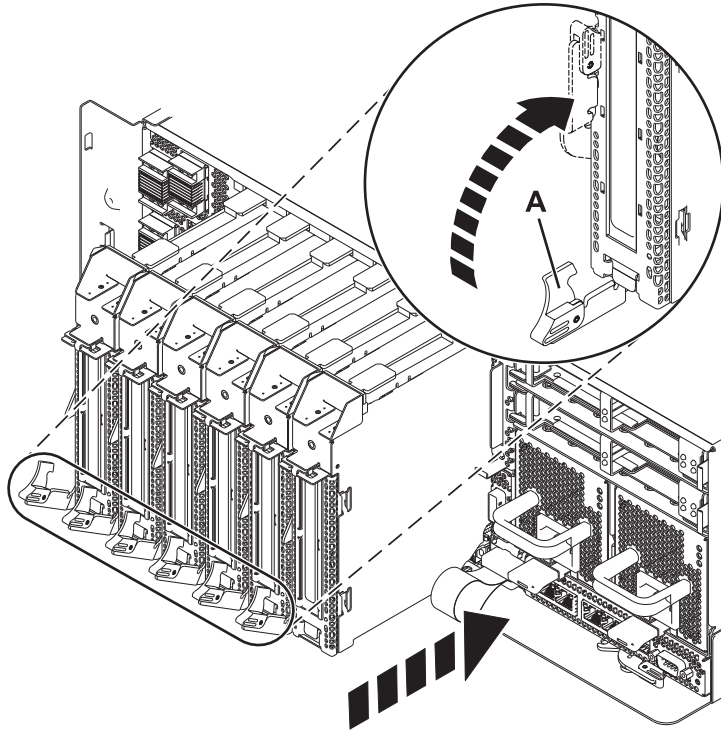


Figure 2. PCI adapter cassette installed in the system unit

13. Enter `cfgmgr` to configure the adapter.
14. Verify the installed part.
 - If you replaced the part because of a service action, verify the installed part. For instructions, see *Verifying a repair*.
 - If you installed the part for any other reason, verify the installed part. For instructions, see *Verifying the installed part*.

Installing a PCI adapter contained in a cassette with the power on in the IBM i environment

You can install a PCI adapter with the power on in the IBM i environment.

If your system is managed by an HMC, use the HMC to complete the steps for installing the part in the system. For instructions, see “Installing a part by using the HMC” on page 199.

Notes:

- If the system is partitioned, you must determine the partition owning the I/O slot. Once the adapter is installed, the I/O slot must be powered on in the operating system.
- If an I/O slot on a partitioned system is not owned by a partition, then the I/O slot cannot be powered on.
- Adding an I/O slot to a partition using dynamic logical partitioning (DLPAR) will power on the I/O slot as part of the DLPAR add. For information about DLPAR, see *Dynamic Logical Partitioning*.
- To learn more about working in a partitioned environment, see *Logical partitioning*.
- If a PCI adapter with CCIN 577D is installed in location P1-C4 of a 5802 or 5877 expansion unit, do not complete the install procedure for the PCI adapter in location P1-C5 with the system power on. The install action with the power on might cause the PCI adapter in location P1-C4 to fail.
- If a PCI adapter with CCIN 577D is installed in location P1-C4 of a 5802 or 5877 expansion unit, you can complete the remove and replace procedures for the PCI adapter in location P1-C5 with the system

power on. The remove action and the replace action of the PCI adapter in location P1-C5 with the power on does not cause the PCI adapter in location P1-C4 to fail.

Important:

- If you are removing, installing or replacing a PCI-X double-wide, quad-channel Ultra320 SCSI RAID controller, note the following concurrent maintenance information before proceeding with the instructions provided here. Concurrent maintenance of this double-wide adapter is not supported through the HMC. Concurrent maintenance must be done from within the partition operating system. In IBM i, the Hardware Service Manager (HSM) of the system or owning partition will automatically power off or on both PCI slots when either slot is selected. In AIX or Linux, you must manually power off and on each slot separately.

Note:

- Both PCI slots must be powered off when installing or removing this adapter with the system power on.
- If this adapter is the load source IOA, or any other storage IOA with critical storage devices attached to the system, this concurrent maintenance procedure should be performed by a qualified service provider.
- If you are removing, installing or replacing a PCI-X DDR 1.5 GB cache SAS RAID Adapter, note the following concurrent maintenance information before proceeding with the instructions provided here. Concurrent maintenance of this adapter is not supported through the HMC. Concurrent maintenance must be done from within the partition operating system. In IBM i, the Hardware Service Manager (HSM) of the system or owning partition will automatically power off or on both PCI slots when either slot is selected. In AIX or Linux, you must manually power off and on each slot separately.

Note:

- Both PCI slots must be powered off when installing or removing this adapter with the system power on.
- If this adapter is the load source IOA, or any other storage IOA with critical storage devices attached to the system, this concurrent maintenance procedure should be performed by a qualified service provider.
- Fibre Channel Adapters (5735 or 5774) installed in IBM i OS logical partitions will post errors at initial program load (IPL) if there is no device or wrap plug attached to each of the adapter's ports. Make sure that every Fibre Channel Adapter (5735 or 5774) that is installed in IBM i OS logical partition has either a wrap plug or a device attached to each of the adapter's ports. If you are exchanging a 5735 or 5774 Fibre Channel IOA, the external storage subsystem must be updated to use the worldwide port name of the new 5735 or 5774 IOA. For instructions, see "Updating the worldwide port name for a new 5735 or 5774 IOA." on page 181
- If you are replacing a 2748, 2757, 2763, 2767, 2778, 2780, 2782, 5702, 5709, or 570B storage IOA, take note of the following: Depending on the configuration of the system, the storage IOA cache might have been disabled to allow the attachment of OEM storage that emulates a load source drive. If you are replacing a storage IOA that has its cache disabled, configure the replacement IOA the same way as the IOA that you removed. If you remove hardware from the replacement IOA, return that hardware with the failed IOA.

If you do not have an HMC, complete the following steps to install a PCI adapter with the system power on in the IBM i environment:

1. Complete the prerequisite tasks that are described in "Before you begin" on page 197.
2. Take appropriate precautions for avoiding electric shock and handling static-sensitive devices. For information, see "Avoiding electric shock" on page 179 and "Handling static-sensitive devices" on page 180.
3. To determine in which slot to place the PCI adapter, refer to PCI adapter placement for information regarding slot restrictions for the adapters that can be used in this system.

4. If you are installing a PCI adapter in a rack-mounted system or expansion unit, follow these steps:
 - a. Open the rear rack door.
 - b. Remove the units cover or covers if applicable.
5. Type **strsst** on the command line of the Main Menu and then press Enter.
6. Type your service tools user ID and service tools password on the System Service Tools (SST) Sign On display. Press Enter.
7. Select **Start a service tool** from the System Service Tools (SST) display and press Enter.
8. Select **Hardware service manager** from the Start a Service Tool display and press Enter.
9. Select **Packaging hardware resources (system, frames, cards)** from the Hardware Service Manager display. Press Enter.
10. Type **9** (Hardware contained within package) in the *System Unit* or *Expansion Unit* field of the unit where you are replacing the card. Press Enter.
11. Select the option to **Include empty positions**.
12. Select **Concurrent Maintenance** on the card position where you want to replace the card and then press Enter.
13. Select the option to **Toggle LED blink off/on**. A light-emitting diode (LED) blinks identifying the position you chose. Physically verify that this is the slot where you want to install the adapter.
14. Select the option to **Toggle LED blink off/on** to stop the blinking LED.
15. Locate the PCI adapter slot and cassette you want to use.
16. If the cassette you want to use does not contain a PCI adapter, continue to the next step. If the cassette you want to use does contain an active PCI adapter, see “Removing a PCI adapter contained in a cassette from the system with the power on in the IBM i environment” on page 15.
17. Install the adapter into the PCI adapter cassette. See the following topics:
 - “PCI adapter single-width, fourth generation cassette” on page 28
 - “PCI adapter single-width, third generation cassette” on page 37
 - “PCI adapter double-wide cassette” on page 63
18. Slide the cassette into the cassette slot as shown in the following figure.

Attention: Ensure proper alignment when you insert a PCI adapter cassette into the system.
19. When the cassette is fully inserted into the system, firmly press cassette handle **(A)** to lock the adapter in its connector.

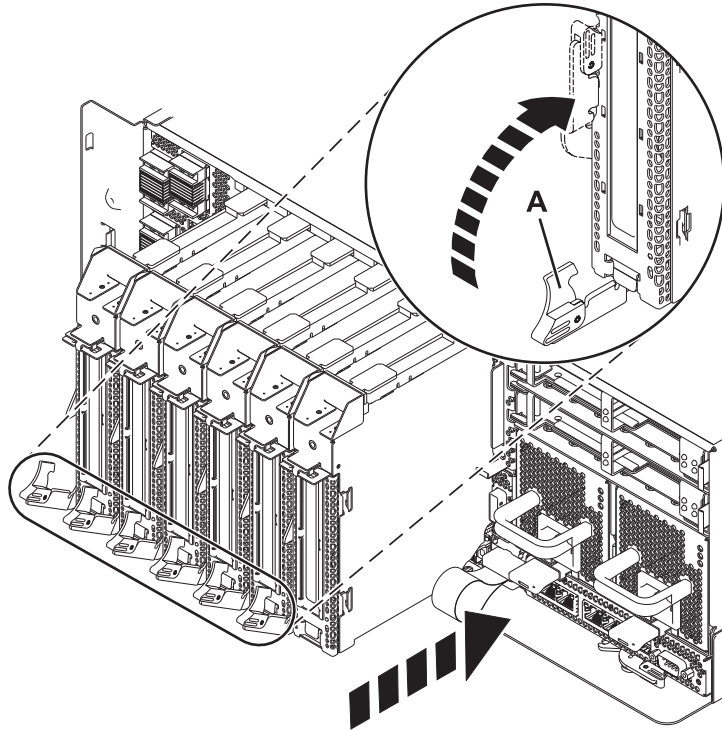


Figure 3. PCI adapter cassette installed in the system unit

20. Attach any cables that should be attached the adapter.
21. Select **Power on domain** on the Hardware Resource Concurrent Maintenance display and press Enter.
22. Select **Assign to** on the resource that has an asterisk (*) on the Work with Controlling Resource display. Press Enter.
23. Wait for the Hardware Resource Concurrent Maintenance display to appear with this message:
Power on complete
24. Verify the installed part.
 - If you replaced the part because of a service action, verify the installed part. For instructions, see Verifying a repair.
 - If you installed the part for any other reason, verify the installed part. For instructions, see Verifying the installed part.

Installing a PCI adapter contained in a cassette with the power on in the Linux environment

You can install a PCI adapter with the power on in the Linux environment.

If your system is managed by an HMC, use the HMC to complete the steps for installing the part in the system. For instructions, see “Installing a part by using the HMC” on page 199.

Notes:

- If the system is partitioned, you must determine the partition owning the I/O slot. Once the adapter is installed, the I/O slot must be powered on in the operating system.
- If an I/O slot on a partitioned system is not owned by a partition, then the I/O slot cannot be powered on.
- Adding an I/O slot to a partition using dynamic logical partitioning (DLPAR) will power on the I/O slot as part of the DLPAR add. For information about DLPAR, see Dynamic Logical Partitioning.

- To learn more about working in a partitioned environment, see Logical partitioning.
- If a PCI adapter with CCIN 577D is installed in location P1-C4 of a 5802 or 5877 expansion unit, do not complete the install procedure for the PCI adapter in location P1-C5 with the system power on. The install action with the power on might cause the PCI adapter in location P1-C4 to fail.
- If a PCI adapter with CCIN 577D is installed in location P1-C4 of a 5802 or 5877 expansion unit, you can complete the remove and replace procedures for the PCI adapter in location P1-C5 with the system power on. The remove action and the replace action of the PCI adapter in location P1-C5 with the power on does not cause the PCI adapter in location P1-C4 to fail.

If you do not have an HMC, complete the following steps to install a PCI adapter with the system power on in the Linux environment:

1. Complete the prerequisite tasks that are described in “Before you begin” on page 197.
2. Take appropriate precautions for avoiding electric shock and handling static-sensitive devices. For information, see “Avoiding electric shock” on page 179 and “Handling static-sensitive devices” on page 180.
3. To determine in which slot to place the PCI adapter, refer to the placement information regarding slot restrictions for the adapters that can be used in this system. See the PCI adapter placement.
4. Log in to the system console as the root user.
5. Use the lsslot tool to list the hot-plug PCI slots that are available in the server or partition:

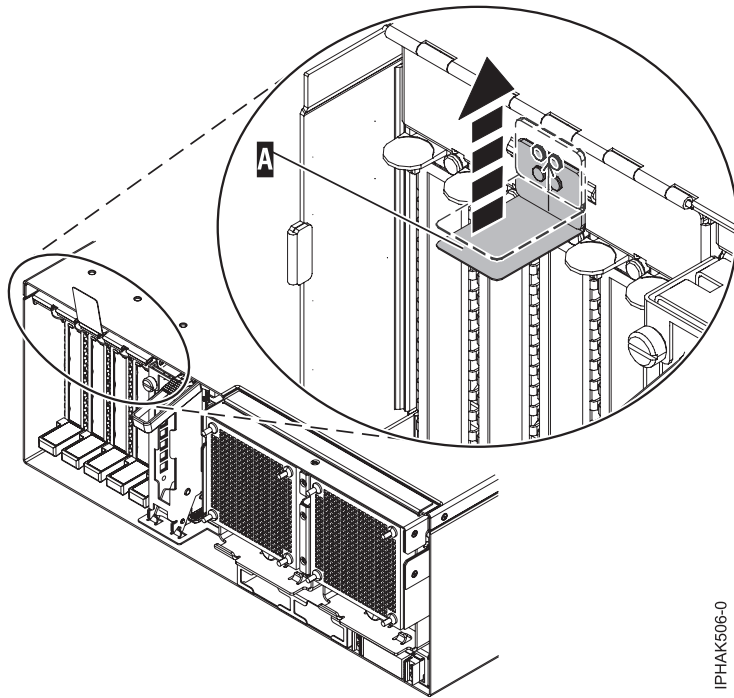
```
lsslot -c pci -a
```

The following is an example of the information displayed by this command:

```
# Slot      Description      Device(s)
U7879.001.DQD014E-P1-C1 PCI-X capable, 64 bit, 133MHz slot Empty
U7879.001.DQD014E-P1-C4 PCI-X capable, 64 bit, 133MHz slot Empty
U7879.001.DQD014E-P1-C5 PCI-X capable, 64 bit, 133MHz slot Empty
```

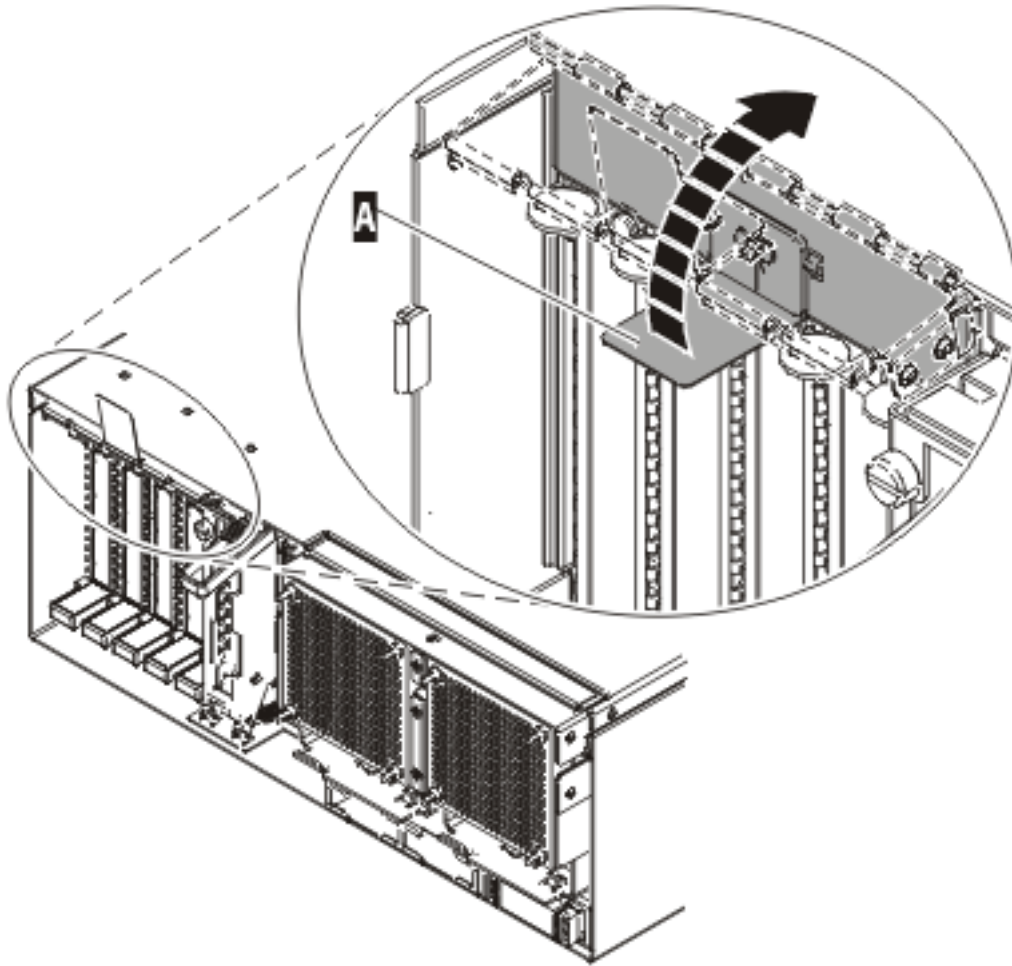
Select the appropriate empty PCI slot from the ones listed by the command.

6. Lift up the PCI adapter EMC shield (**A**) as shown in Figure 4 on page 9 and then rotate it up and away from the cassette as shown in Figure 5 on page 10.



IPHAK506-0

Figure 4. Lift up the EMC shield



IPHAK907-0

Figure 5. Rotate the EMC shield into the open position

7. Remove the cassette. Press downward on the lower cassette handle (A) as shown in the following figure. Pull the PCI cassette out of the system.

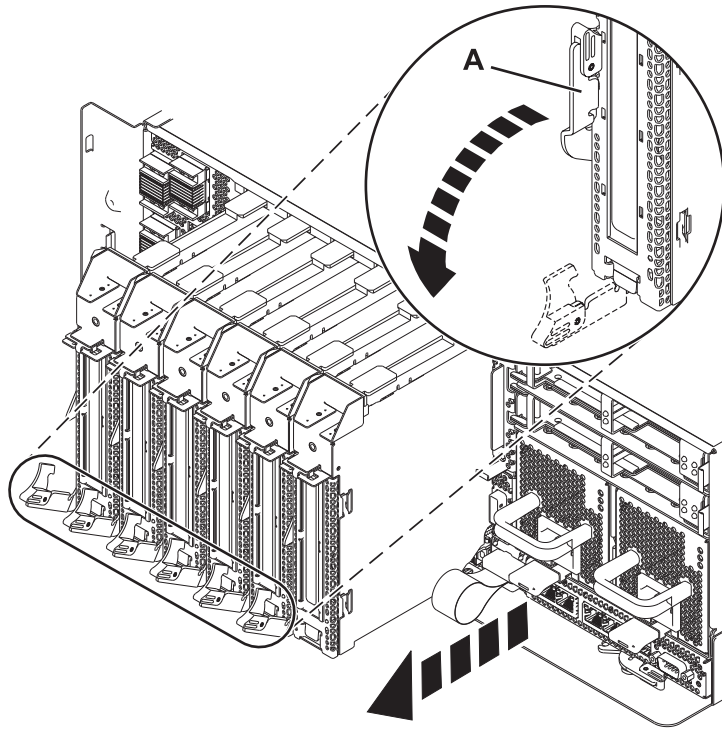


Figure 6. PCI adapter cassette removed from the system unit

8. Install the adapter into the PCI adapter cassette. See the following topics:
 - “PCI adapter single-width, fourth generation cassette” on page 28
 - “PCI adapter single-width, third generation cassette” on page 37
 - “PCI adapter double-wide cassette” on page 63
9. Ensure the lower cassette handle is pressed up toward the retainer clip. This places the adapter in the correct position to be locked in the system.
10. Run the **drmgr** command to enable an adapter to be installed.
 For example, to install an adapter in slot U7879.001.DQD014E-P1-C3, run:

```
drmgr -c pci -r -s locationcode
```

The following displays:

The visual indicator for the specified PCI slot has been set to the identify state. Press Enter to continue or enter x to exit.

11. Press Enter.

The following displays:

The visual indicator for the specified PCI slot has been set to the action state. Insert the PCI card into the identified slot, connect any devices to be configured and press Enter to continue. Enter x to exit.

12. Slide the cassette into the cassette slot as shown in the following figure.

Attention: Ensure proper alignment when you insert a PCI adapter cassette into the system.

13. When the cassette is fully inserted into the system, firmly press cassette handle (A) to lock the adapter in its connector.

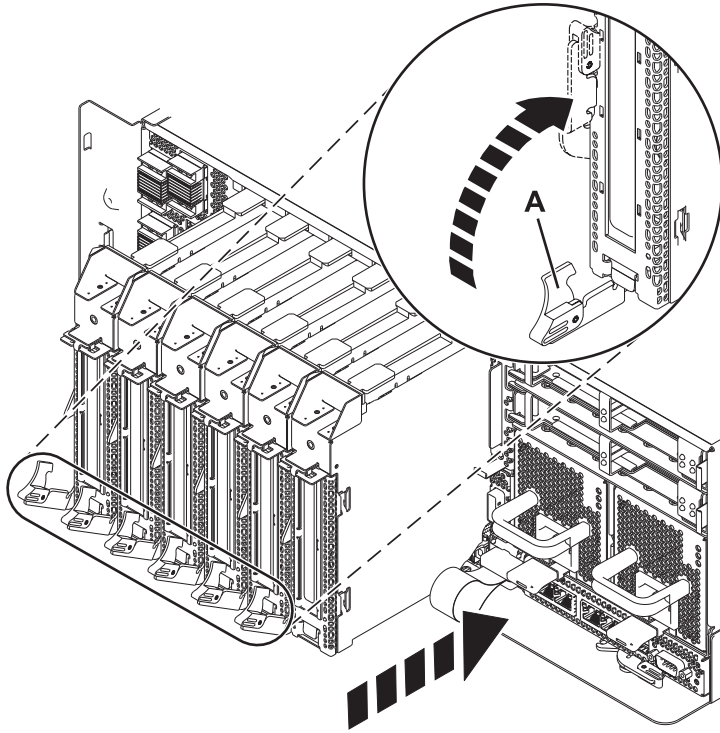


Figure 7. PCI adapter cassette installed in the system unit

14. Use the `lsslot` command to verify that U7879.001.DQD014E-P1-C3 is occupied.

Enter `lsslot -c pci -s U7879.001.DQD014E-P1-C3`

The following is an example of the information displayed by this command:

```
# Slot      Description      Device(s)
U7879.001.DQD014E-P1-C3 PCI-X capable, 64 bit, 133MHz slot 0001:40:01.0
```

Removing a PCI adapter contained in a cassette from the system

You can remove a PCI adapter.

Removing a PCI adapter contained in a cassette from the system with the power off

You can remove a PCI adapter with the system power off.

If your system is managed by a HMC, use the HMC to complete the steps for removing a part from the system. For instructions, see “Removing a part by using the HMC” on page 199.

If you do not have an HMC, complete the following steps to remove a PCI adapter with the system power off:

1. Complete the prerequisite tasks that are described in “Before you begin” on page 197.
2. Take appropriate precautions for avoiding electric shock and handling static-sensitive devices. For information, see “Avoiding electric shock” on page 179 and “Handling static-sensitive devices” on page 180.
3. Stop the system or logical partition. For instructions, see “Stopping a system or logical partition” on page 207.
4. Disconnect the power source from the system by unplugging the system.
5. If you are removing a PCI adapter in a rack-mounted system or expansion unit, follow these steps:
 - a. Open the rear rack door.

- b. Remove the units cover or covers if applicable.
6. Determine the location of PCI adapter in the system.
7. Pull down the cassette handle (A) as shown in the following figure. Pull the PCI cassette out of the system.

Attention: A cassette containing either a PCI adapter or filler panel must be placed in the PCI adapter slot of the system unit for proper air flow and cooling.

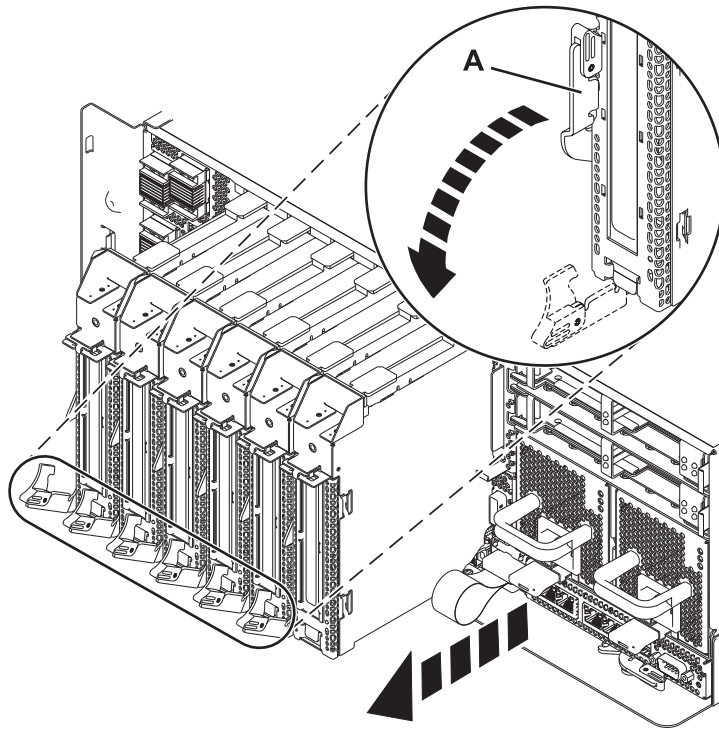


Figure 8. PCI adapter cassette removed from the system unit

8. Place the cassette with the cover facing up on an approved ESD surface.

Note: The cover will have a label on it.

9. To remove the adapter from the cassette, refer to “Removing an adapter from the PCI adapter single-width, fourth generation cassette” on page 32.

Removing a PCI adapter contained in a cassette from the system with the power on in the AIX environment

You can remove a PCI adapter with the system power on in the AIX environment.

If your system is managed by a HMC, use the HMC to complete the steps for removing a part from the system. For instructions, see “Removing a part by using the HMC” on page 199.

Read the following notes to determine if this is the correct procedure for the task to be performed.

Notes:

1. Use this procedure to remove a PCI adapter and leave the slot in the system unit empty.
2. If the adapter that is removed will be placed into a different slot or system, complete this removal procedure, and then install the adapter as described in “Installing a PCI adapter contained in a cassette with the power on in the AIX environment” on page 2.

3. Procedures performed on a PCI adapter with the system power on in AIX, also known as hot-plug procedures, require the system administrator to take the PCI adapter offline prior to performing the operation. Before taking an adapter offline, the devices attached to the adapter must be taken offline as well. This action prevents a service representative or user from causing an unexpected outage for system users.

If you do not have an HMC, complete the following steps to remove a PCI adapter with the system power on in the AIX environment:

1. Complete the prerequisite tasks that are described in “Before you begin” on page 197.
2. If you are removing a PCI adapter in a rack-mounted system or expansion unit, follow these steps:
 - a. Open the rear rack door.
 - b. Remove the units cover or covers if applicable.
3. Determine the location of PCI adapter in the system.
4. Record the slot number and location of each adapter being removed.

Note: Adapter slots are numbered on the rear of the system unit.

5. Ensure that any processes or applications that might use the adapter are stopped.
6. Enter the system diagnostics by logging in as root user or as the celogin user, type **diag** at AIX command line.
7. When the DIAGNOSTIC OPERATING INSTRUCTIONS menu displays, press Enter.
8. At the FUNCTION SELECTION menu, select **Task Selection**, and then press enter.
9. At the Task Selection list, select **PCI Hot Plug Manager**.
10. Select **Unconfigure a Device**, and then press Enter.
11. Press F4 (or Esc +4) to display the **Device Names** menu.
12. Select the adapter you are removing in the **Device Names** menu.
13. Use the Tab key to answer N0 to **Keep Definition**. Use the Tab key again to answer YES to **Unconfigure Child Devices**, and then press Enter. The **ARE YOU SURE** screen displays.
14. Press Enter to verify the information. Successful unconfiguration is indicated by the OK message displayed next to the Command field at the top of the screen.
15. Press F4 (or Esc +4) twice to return to the **Hot Plug Manager** menu.
16. Select **replace/remove PCI Hot Plug adapter**.
17. Select the slot that has the device to be removed from the system.
18. Select **remove**. A fast-blinking amber LED located at the back of the machine near the adapter indicates that the slot has been identified.
19. Label all cables attached to the adapter you plan to remove.
20. Press Enter. This places the adapter in the action state, meaning it is ready to be removed from the system.
21. Disconnect all cables attached to the adapter you plan to remove.
22. Before handling any PCI adapter, see “Handling static-sensitive devices” on page 180.
23. Pull down the cassette handle (**A**) as shown in the following figure. Pull the PCI cassette out of the system.

Attention: A cassette containing either a PCI adapter or filler panel must be placed in the PCI adapter slot of the system unit for proper air flow and cooling.

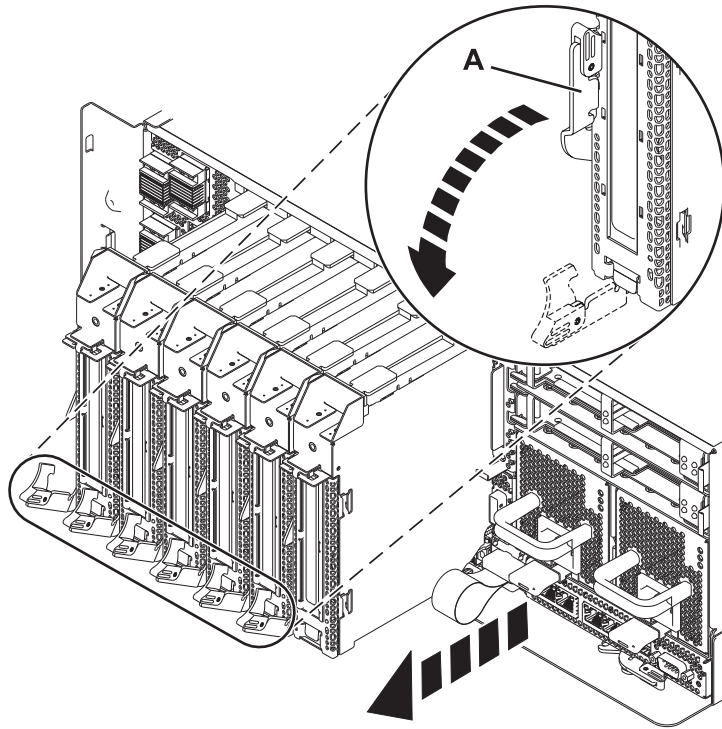


Figure 9. PCI adapter cassette removed from the system unit

24. Place the cassette with the cover facing up on an approved ESD surface.

Note: The cover will have a label on it.

25. Continue to follow the screen instructions until you receive a message that the adapter removal is successful. Successful removal is indicated by the OK message displayed next to the Command field at the top of the screen.

26. If you have other adapters to remove, press the F3 key to return to the PCI Hot-Plug Manager menu and then return to step 21 on page 14.

or

If you do not have other adapters to remove, continue with the next step.

27. Press F10 to exit the Hot-Plug Manager.

28. Run the **diag -a** command. If the system responds with a menu or prompt, follow the instructions to complete the device configuration.

29. Place an empty cassette into the unused PCI slot for proper air flow.

- To remove the adapter from the PCI adapter cassette, see “Removing an adapter from the PCI adapter single-width, fourth generation cassette” on page 32.
- To install an adapter in the system, see “Installing a PCI adapter contained in a cassette with the power on in the AIX environment” on page 2.

Removing a PCI adapter contained in a cassette from the system with the power on in the IBM i environment

You can remove a PCI adapter with the system power on in the IBM i environment.

If your system is managed by a HMC, use the HMC to complete the steps for removing a part from the system. For instructions, see “Removing a part by using the HMC” on page 199.

If you do not have an HMC, complete the following steps to remove a PCI adapter with the system power on in the IBM i environment:

1. Complete the prerequisite tasks that are described in “Before you begin” on page 197.
2. Take appropriate precautions for avoiding electric shock and handling static-sensitive devices. For information, see “Avoiding electric shock” on page 179 and “Handling static-sensitive devices” on page 180.
3. If you are removing a PCI adapter in a rack-mounted system or expansion unit, follow these steps:
 - a. Open the rear rack door.
 - b. Remove the units cover or covers if applicable.
4. If you are removing a failing PCI adapter, see Identifying a failing part. If you are removing the PCI adapter for other reasons, continue to the next step.
5. Determine the location of the PCI adapter in the system.
6. Type **strsst** on the command line of the Main Menu and then press Enter.
7. Type your service tools user ID and service tools password on the System Service Tools (SST) Sign On display and press Enter.
8. Select **Start a service tool** from the System Service Tools display and press Enter.
9. Select **Hardware service manager** from the Start a Service Tool display and press Enter.
10. Select **Packaging hardware resources (system, frames, cards)** from the Hardware Service Manager display. Press Enter.
11. Type **9** (Hardware contained within package) in the **System Unit** or **Expansion Unit** field of the unit where you are removing the card. Press Enter.
12. Select option **F7** (Include empty positions and not owned positions) on the unit where you are removing the card.
13. Select **Concurrent Maintenance** on the card position where you want to remove the card and then press Enter.
14. Select the option to **Toggle LED blink off/on**. A light-emitting diode (LED) blinks identifying the position you chose. Physically verify that this is the slot where you want to install the adapter.
15. Select the option to **Toggle LED blink off/on** to stop the blinking LED.
16. Select the option to **Power off domain** on the Hardware Resource Concurrent Maintenance display and press Enter.
17. Wait for the Hardware Resource Concurrent Maintenance display to appear with this message:
Power off complete
18. Pull down the cassette handle (**A**) as shown in the following figure. Pull the PCI cassette out of the system.
Attention: A cassette containing either a PCI adapter or filler panel must be placed in the PCI adapter slot of the system unit for proper air flow and cooling.

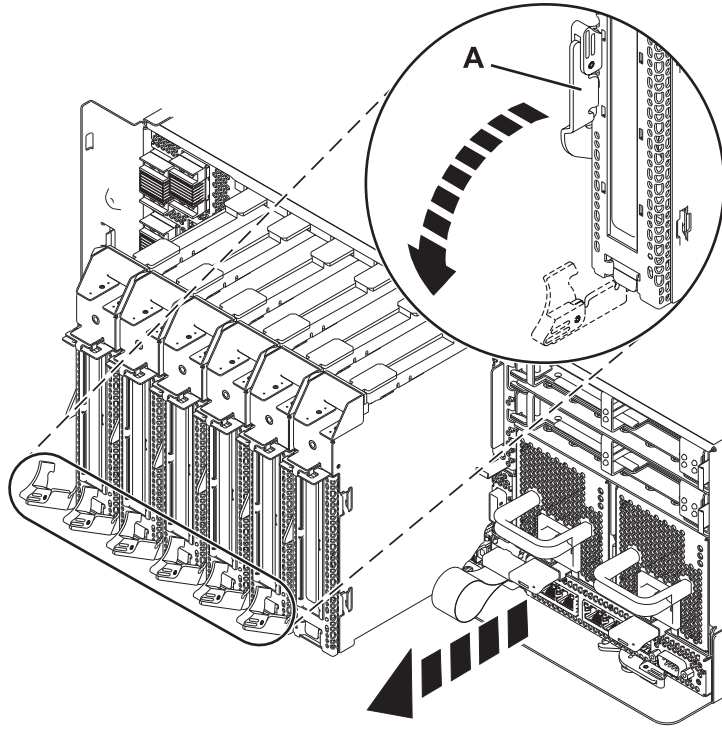


Figure 10. PCI adapter cassette removed from the system unit

19. Place the cassette with the cover facing up on an approved ESD surface.

Note: The cover will have a label on it.

20. To remove the adapter from the PCI adapter cassette, see “Removing an adapter from the PCI adapter single-width, fourth generation cassette” on page 32.

To replace the adapter in the system, see “Replacing a PCI adapter contained in a cassette in the system” on page 18.

Removing a PCI adapter contained in a cassette from the system with the power on in the Linux environment

You can remove a PCI adapter with the system power on in the Linux environment.

If your system is managed by a HMC, use the HMC to complete the steps for removing a part from the system. For instructions, see “Removing a part by using the HMC” on page 199.

If you do not have an HMC, complete the following steps to remove a PCI adapter with the system power on in the Linux environment:

1. Ensure that the system meets the “Prerequisites for hot-plugging PCI adapters in Linux” on page 187.
2. Verify that the Linux, hot-plug PCI tools are installed. See “Verifying that the hot-plug PCI tools are installed for Linux” on page 187.
3. Complete the prerequisite tasks that are described in “Before you begin” on page 197.
4. Take appropriate precautions for avoiding electric shock and handling static-sensitive devices. For information, see “Avoiding electric shock” on page 179 and “Handling static-sensitive devices” on page 180.
5. If you are removing a PCI adapter in a rack-mounted system or expansion unit, follow these steps:
 - a. Open the rear rack door.

- b. Remove the units cover or covers if applicable.
 6. Determine the location of PCI adapter in the system.
 7. Label, and then disconnect all cables attached to the adapter you plan to remove.
 8. Run the **drmgr** command to enable an adapter to be removed:
For example, to remove the PCI adapter in slot U7879.001.DQD014E-P1-C3 run this command:
`drmgr -c pci -r -s locationcode`
Follow the instructions on the display to complete the task.
 9. Pull down the cassette handle (A) as shown in the following figure. Pull the PCI cassette out of the system.
- Attention:** A cassette containing either a PCI adapter or filler panel must be placed in the PCI adapter slot of the system unit for proper air flow and cooling.

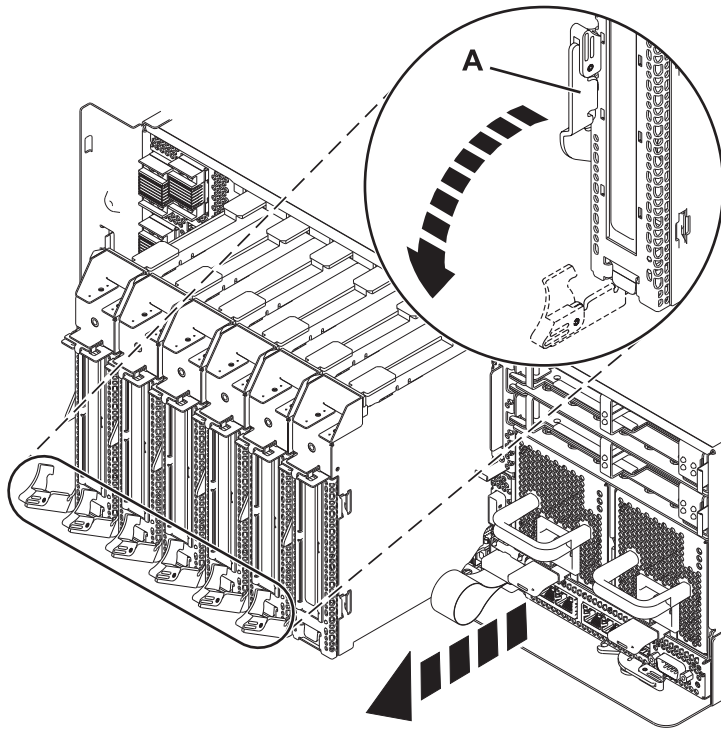


Figure 11. PCI adapter cassette removed from the system unit

10. Place the cassette with the cover facing up on an approved ESD surface.

Note: The cover will have a label on it.

11. To remove an adapter from the PCI adapter cassette, refer to “Removing an adapter from the PCI adapter single-width, fourth generation cassette” on page 32.

To replace the adapter in the system, see “Replacing a PCI adapter contained in a cassette in the system with the power on in the Linux environment” on page 26.

Replacing a PCI adapter contained in a cassette in the system

You can replace a PCI adapter.

Important:

- If you are removing, installing or replacing a PCI-X double-wide, quad-channel Ultra320 SCSI RAID controller, note the following concurrent maintenance information before proceeding with the

instructions provided here. Concurrent maintenance of this double-wide adapter is not supported through the HMC. Concurrent maintenance must be done from within the partition operating system. In IBM i, the Hardware Service Manager (HSM) of the system or owning partition will automatically power off or on both PCI slots when either slot is selected. In AIX or Linux, you must manually power off and on each slot separately.

Note:

- Both PCI slots must be powered off when installing or removing this adapter with the system power on.
- If this adapter is the load source IOA, or any other storage IOA with critical storage devices attached to the system, this concurrent maintenance procedure should be performed by a qualified service provider.
- If you are removing, installing or replacing a PCI-X DDR 1.5 GB cache SAS RAID Adapter, note the following concurrent maintenance information before proceeding with the instructions provided here. Concurrent maintenance of this adapter is not supported through the HMC. Concurrent maintenance must be done from within the partition operating system. In IBM i, the Hardware Service Manager (HSM) of the system or owning partition will automatically power off or on both PCI slots when either slot is selected. In AIX or Linux, you must manually power off and on each slot separately.

Note:

- Both PCI slots must be powered off when installing or removing this adapter with the system power on.
- If this adapter is the load source IOA, or any other storage IOA with critical storage devices attached to the system, this concurrent maintenance procedure should be performed by a qualified service provider.
- Fibre Channel Adapters (5735 or 5774) installed in IBM i OS logical partitions will post errors at initial program load (IPL) if there is no device or wrap plug attached to each of the adapter's ports. Make sure that every Fibre Channel Adapter (5735 or 5774) that is installed in IBM i OS logical partition has either a wrap plug or a device attached to each of the adapter's ports. If you are exchanging a 5735 or 5774 Fibre Channel IOA, the external storage subsystem must be updated to use the worldwide port name of the new 5735 or 5774 IOA. For instructions, see "Updating the worldwide port name for a new 5735 or 5774 IOA." on page 181
- If you are replacing a 2748, 2757, 2763, 2767, 2778, 2780, 2782, 5702, 5709, or 570B storage IOA, take note of the following: Depending on the configuration of the system, the storage IOA cache might have been disabled to allow the attachment of OEM storage that emulates a load source drive. If you are replacing a storage IOA that has its cache disabled, configure the replacement IOA the same way as the IOA that you removed. If you remove hardware from the replacement IOA, return that hardware with the failed IOA.

Replacing a PCI adapter contained in a cassette in the system with the power off

You can replace a PCI adapter with the system power off.

Attention: You must have already completed the procedure "Removing a PCI adapter contained in a cassette from the system with the power off" on page 12 in order to have the slot powered off.

If your system is managed by an HMC, use the HMC to complete the steps for replacing the part in the system. For instructions, see "Replacing a part by using the HMC" on page 200.

If you do not have an HMC, complete the following steps to replace a PCI adapter with the system power off:

1. Complete the prerequisite tasks that are described in "Before you begin" on page 197.
2. Take appropriate precautions for avoiding electric shock and handling static-sensitive devices. For information, see "Avoiding electric shock" on page 179 and "Handling static-sensitive devices" on page 180.

3. If the adapter needs to be placed in a PCI adapter cassette, see one of the following topics:
 - “PCI adapter single-width, fourth generation cassette” on page 28
 - “PCI adapter single-width, third generation cassette” on page 37
 - “PCI adapter double-wide cassette” on page 63
4. At the back of the system, lift the cassette cover flap and identify the cassette slot you want to use.
5. Ensure the lower cassette handle is pressed up toward the retainer clip. This places the adapter in the correct position to be docked in the system.
6. Slide the cassette into the cassette slot as shown in the following figure.

Attention: Ensure proper alignment when you insert a PCI adapter cassette into the system.
7. When the cassette is fully inserted into the system, firmly press cassette handle (A) to lock the adapter in its connector.

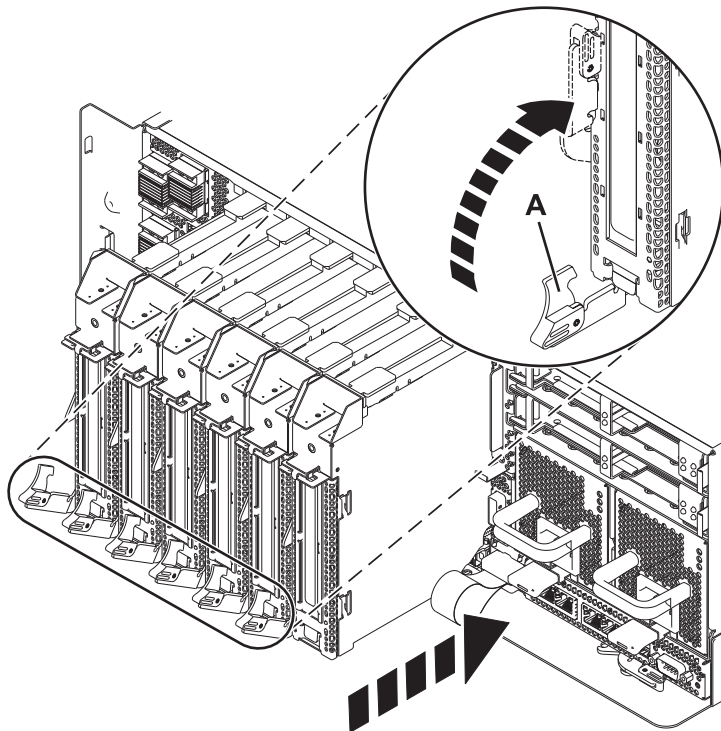


Figure 12. PCI adapter cassette installed in the system unit

8. Reconnect the system to the power source.
9. Start the system or logical partition. For instructions, see “Starting the system or logical partition” on page 210.
10. Verify the installed part.
 - If you replaced the part because of a service action, verify the installed part. For instructions, see Verifying a repair.
 - If you installed the part for any other reason, verify the installed part. For instructions, see Verifying the installed part.

Removing and replacing a PCI adapter contained in a cassette in the system with the power on in the AIX environment

You can replace a PCI adapter with the system power on in the AIX environment.

If your system is managed by a HMC, use the HMC to complete the steps for removing a part from the system. For instructions, see “Removing a part by using the HMC” on page 199.

Important:

1. Use this procedure if you intend to remove a failing PCI adapter and replace it with the same type of adapter.
2. If you plan to remove a failing adapter and leave the slot empty, see “Removing a PCI adapter contained in a cassette from the system with the power on in the AIX environment” on page 13.
3. This procedure should not be used to remove an existing adapter and install a different type of adapter. To install a different adapter, remove the existing adapter as described in “Removing a PCI adapter contained in a cassette from the system with the power on in the AIX environment” on page 13, and then install the new adapter as described in “Installing a PCI adapter contained in a cassette with the power on in the AIX environment” on page 2.
4. Procedures performed on a PCI adapter with the system power on in AIX, also known as hot-plug procedures, require the system administrator to take the PCI adapter offline prior to performing the operation. Before taking an adapter offline, the devices attached to the adapter must be taken offline as well. This action prevents a service representative or user from causing an unexpected outage for system users.

If you do not have an HMC, complete the following steps to replace a PCI adapter with the system power on in the AIX environment:

1. Complete the prerequisite tasks that are described in “Before you begin” on page 197.
2. Take appropriate precautions for avoiding electric shock and handling static-sensitive devices. For information, see “Avoiding electric shock” on page 179 and “Handling static-sensitive devices” on page 180.
3. If you are removing and replacing a PCI adapter in a rack-mounted system or expansion unit, follow these steps:
 - a. Open the rear rack door.
 - b. Remove the units cover or covers if applicable.
4. Determine the location of the PCI adapter in the system.
5. Record the slot number and location of each adapter being removed.

Note: Adapter slots are numbered on the rear of the system unit.

6. Ensure that any processes or applications that might use the adapter are stopped.
7. Follow these steps to replace a PCI adapter using the PCI Hot-Plug Manager menu in the AIX Diagnostic tools:
 - a. Enter the system diagnostics by logging in as root user or as the celogin user, type **diag** at the AIX command line.
 - b. When the DIAGNOSTIC OPERATING INSTRUCTIONS menu displays, press Enter.
 - c. At the FUNCTION SELECTION menu, select **Task Selection**, then press Enter.
 - d. At the Task Selection list, select **PCI Hot Plug Manager**.
 - e. Select **Unconfigure a Device**, then press Enter.
 - f. Press F4 (or Esc +4) to display the **Device Names** menu.
 - g. Select the adapter you are removing in the **Device Names** menu.
 - h. Use the Tab key to answer YES to **Keep Definition**. Use the Tab key again to answer YES to **Unconfigure Child Devices**, then press Enter. The ARE YOU SURE window displays.
 - i. Press Enter to verify the information. Successful unconfiguration is indicated by the OK message displayed next to the Command field at the top of the screen.
 - j. Press F3 (or Esc +3) twice to return to the Hot Plug Manager menu.
 - k. Select **Replace/remove PCI Hot Plug adapter**.
 - l. Select the slot that has the device to be removed from the system.

- m. Select **Replace**. A fast-blinking amber LED located at the back of the machine near the adapter indicates that the slot has been identified.
 - n. Press Enter. This places the adapter in the action state, meaning it is ready to be removed from the system.
8. Label, and then disconnect all cables attached to the adapter you plan to remove.
 9. Slide the cassette into the cassette slot as shown in the following figure.

Attention: Ensure proper alignment when you insert a PCI adapter cassette into the system.
 10. When the cassette is fully inserted into the system, firmly press cassette handle **(A)** to lock the adapter in its connector.

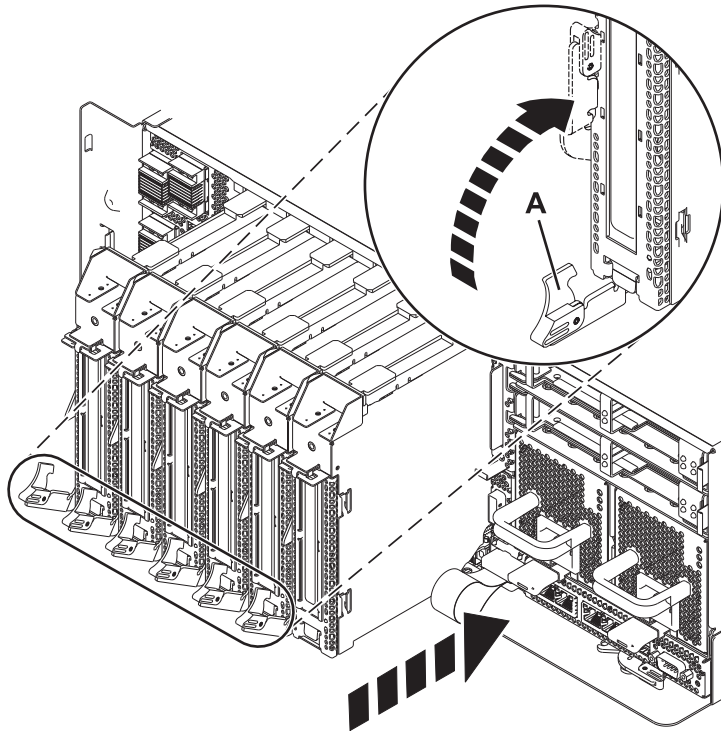


Figure 13. PCI adapter cassette installed in the system unit

11. Place the cassette with the cover facing up on an approved ESD surface.

Note: The cover will have a label on it.
12. Install the adapter into the PCI adapter cassette. See the following topics:
 - “PCI adapter single-width, fourth generation cassette” on page 28
 - “PCI adapter single-width, third generation cassette” on page 37
 - “PCI adapter double-wide cassette” on page 63
13. At the back of the system, lift the cassette cover flap and identify the cassette slot you want to use.
14. Ensure the lower cassette handle is pressed up toward the retainer clip. This places the adapter in the correct position to be docked in the system.
15. Lift and hold the PCI adapter EMC shield in the open position.
16. Slide the cassette into the cassette slot as shown in the following figure.

Attention: Ensure proper alignment when you insert a PCI adapter cassette into the system.
17. When the cassette is fully inserted into the system, pull upward on the lower cassette handle **(A)** to lock the adapter in its connector.

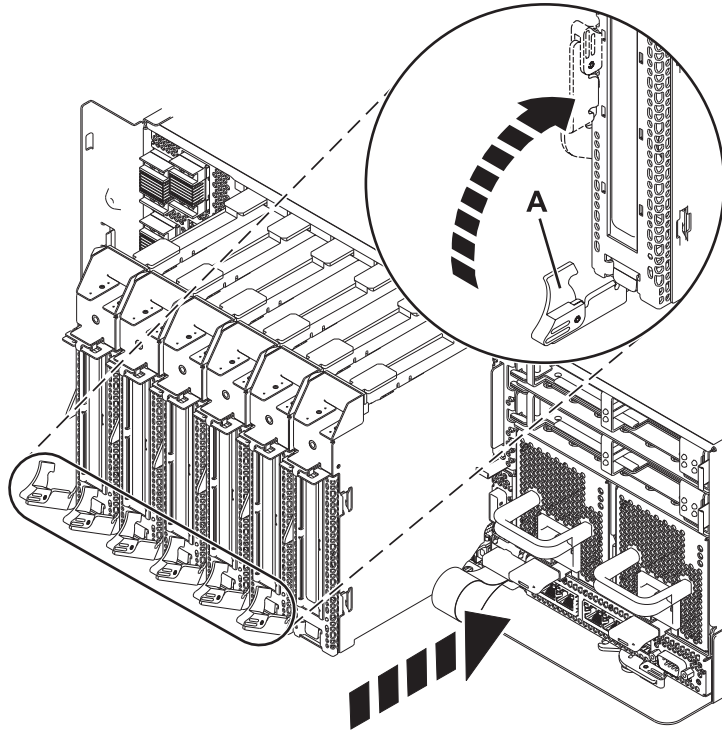
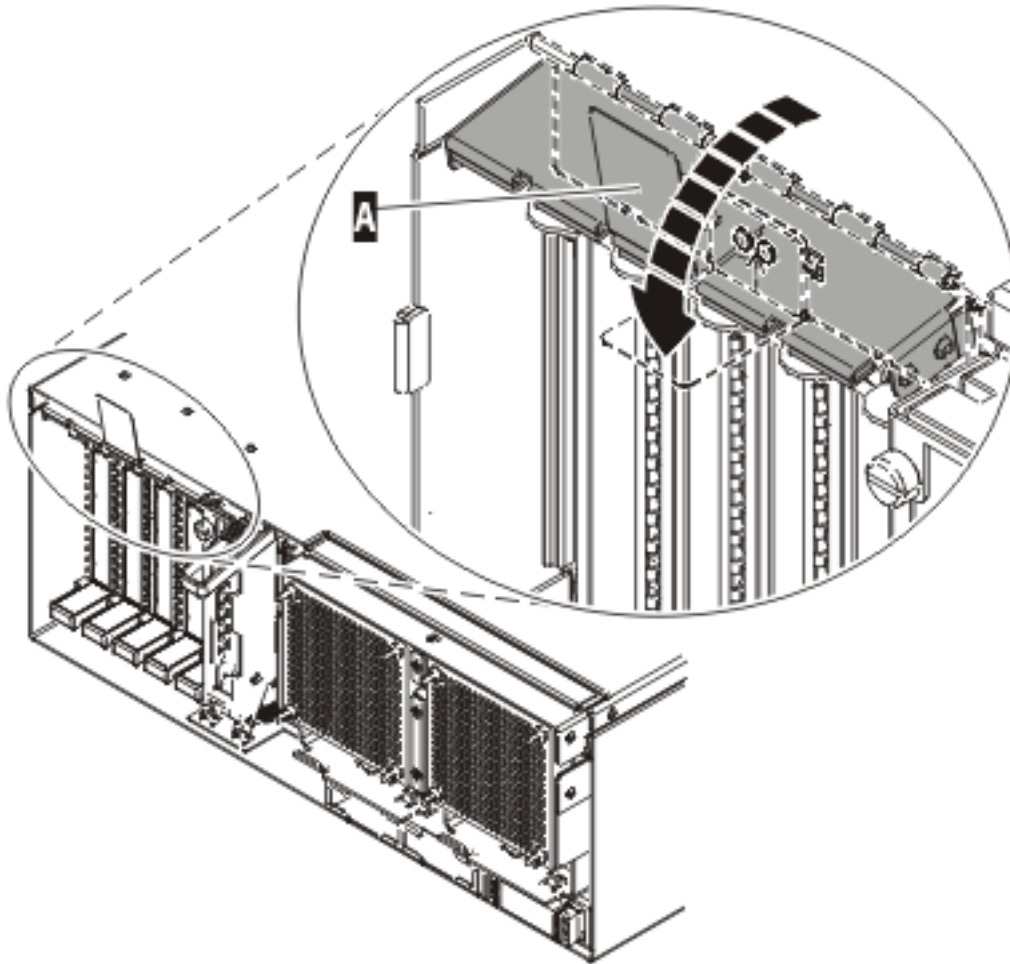


Figure 14. PCI adapter cassette removed from the system unit

18. Connect the adapter cables.
19. Lower the PCI adapter EMC shield (A) into the closed position, close the shield latch, and then close the rear rack door.



IPHAKF08-0

Figure 15. PCI adapter EMC shield in the closed position

20. Press Enter and continue to follow the screen instructions until you receive a message that the replacement is successful. Successful replacement is indicated by the OK message displayed next to the **Command** field at the top of the screen.
21. Press the F3 (or Esc+3) key to return to the **PCI Hot-Plug Manager** menu.
22. Press the F3 (or Esc+3) key to return to the **TASK** selection list.
23. Select **Log Repair Action**.
24. Select the resource just replaced, press Enter, press Commit (F7 or ESC 7), and then press Enter.
25. Press F3 (or Esc+3) to return to **TASK Selection List**.
26. Select **Hot Plug Task**, press enter.
27. Select **PCI Hot Plug Manager**, and then select **Configure a defined device**, and then press Enter.
28. Select the device just replaced from the list, and then press Enter. The device is now configured.
29. Press the F10 key to exit the diagnostic program.
30. Verify the PCI adapter by using the following instructions:
 - a. Did you replace the adapter with the system power on?
 - Yes - Go to the next step.
 - No - Load the diagnostic program by doing the following:
 - If AIX is available, boot AIX, log in as root or CELOGIN, and then enter the **diag** command.
 - b. Type the **diag** command if you are not already displaying the diagnostic menus

- c. Select **Advance Diagnostic Routines**, and then select **Problem Determination**.
 - d. Select the name of the resource just replaced from the menu. If the resource just replaced is not shown, choose the resource associated with it. Press Enter, and then press **Commit** ((F7 or Esc+7)).
 - e. Did the Problem Determination identify any problems?
 - No: Continue to the next step.
 - Yes: A problem is identified
 - If you are a customer, record the error information, and then contact your service provider.
 - If you are an authorized service provider, return to map 210-5.
31. Press the F10 key to exit the diagnostic program.

Replacing a PCI adapter contained in a cassette in the system with the power on in the IBM i environment

You can replace a PCI adapter with the system power on in the IBM i environment.

If your system is managed by an HMC, use the HMC to complete the steps for replacing the part in the system. For instructions, see “Replacing a part by using the HMC” on page 200.

Attention: You must have already completed the procedure “Removing a PCI adapter contained in a cassette from the system with the power on in the IBM i environment” on page 15 in order to have the slot powered off.

If you do not have an HMC, complete the following steps to replace a PCI adapter with the system power on in the IBM i environment:

1. Complete the prerequisite tasks that are described in “Before you begin” on page 197.
2. Take appropriate precautions for avoiding electric shock and handling static-sensitive devices. For information, see “Avoiding electric shock” on page 179 and “Handling static-sensitive devices” on page 180.
3. If the adapter needs to be placed in the PCI adapter cassette, see “Placing a PCI adapter in a single-width, fourth generation cassette” on page 28.
4. At the back of the system, lift the cassette cover flap and identify the cassette slot you want to use.
5. Ensure the lower cassette handle is pressed up toward the retainer clip. This places the adapter in the correct position to be docked in the system.
6. Slide the cassette into the cassette slot as shown in the following figure.

Attention: Ensure proper alignment when you insert a PCI adapter cassette into the system.
7. When the cassette is fully inserted into the system, firmly press cassette handle **(A)** to lock the adapter in its connector.

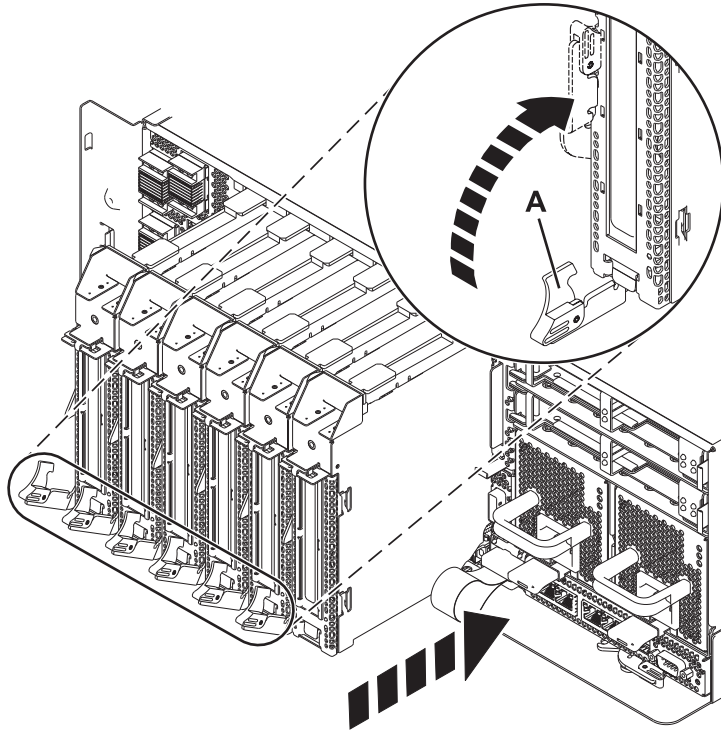


Figure 16. PCI adapter cassette installed in the system unit

8. Select **Power on domain** on the Hardware Resource Concurrent Maintenance display and press Enter.
9. Select **Assign to** on the resource that has an asterisk (*) on the Work with Controlling Resource display. Press Enter.
10. Wait for the Hardware Resource Concurrent Maintenance display to appear with this message:
Power on complete
11. Verify the installed part.
 - If you replaced the part because of a service action, verify the installed part. For instructions, see Verifying a repair.
 - If you installed the part for any other reason, verify the installed part. For instructions, see Verifying the installed part.

Replacing a PCI adapter contained in a cassette in the system with the power on in the Linux environment

You can replace a PCI adapter.

If your system is managed by an HMC, use the HMC to complete the steps for replacing the part in the system. For instructions, see “Replacing a part by using the HMC” on page 200.

You must have already completed the procedure “Removing a PCI adapter contained in a cassette from the system with the power on in the Linux environment” on page 17 in order to have the slot powered off.

Note: Use this procedure only when you are replacing an adapter with an identical adapter. If you are replacing an adapter with an adapter that is not identical to the adapter removed, go to “Removing a PCI adapter contained in a cassette from the system with the power on in the Linux environment” on page 17 and “Installing a PCI adapter contained in a cassette with the power on in the Linux environment” on page 7.

If you do not have an HMC, complete the following steps to replace a PCI adapter with the system power on in the Linux environment:

1. Complete the prerequisite tasks that are described in “Before you begin” on page 197.
2. Take appropriate precautions for avoiding electric shock and handling static-sensitive devices. For information, see “Avoiding electric shock” on page 179 and “Handling static-sensitive devices” on page 180.
3. If the adapter needs to be placed in the PCI adapter cassette, see “Placing a PCI adapter in a single-width, fourth generation cassette” on page 28.
4. At the back of the system, lift the cassette cover flap and identify the cassette slot you want to use.
5. Ensure the lower cassette handle is pressed up toward the retainer clip. This places the adapter in the correct position to be docked in the system.
6. Run the `drmgr` command to enable an adapter to be replaced:
For example, to replace the PCI adapter in slot U7879.001.DQD014E-P1-C3 run this command:
`drmgr -c pci -r -s locationcode`
Follow the instructions on the display to complete the task.
7. Slide the cassette into the cassette slot as shown in the following figure.
Attention: Ensure proper alignment when you insert a PCI adapter cassette into the system.
8. When the cassette is fully inserted into the system, firmly press cassette handle (A) to lock the adapter in its connector.

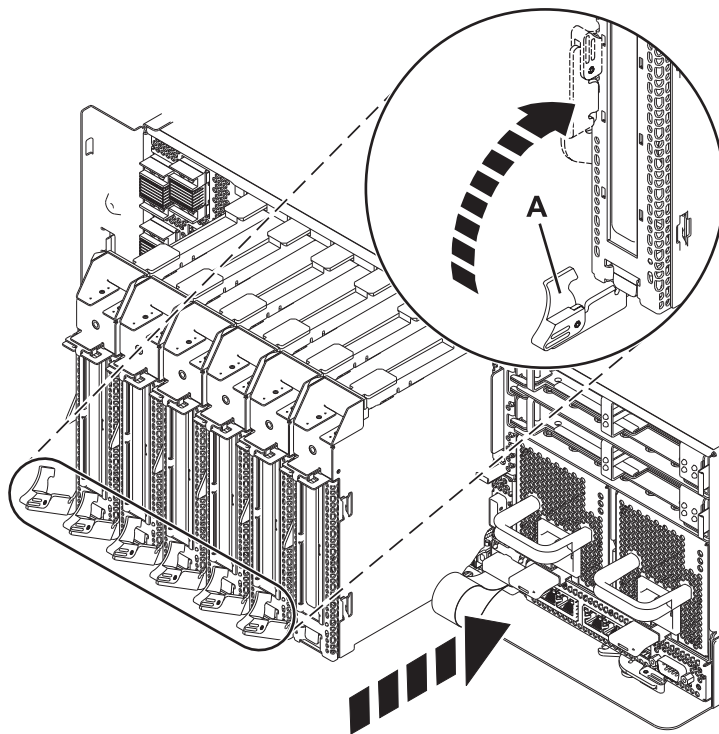


Figure 17. PCI adapter cassette installed in the system unit

9. Run the `lsslot` command to verify that the slot is occupied.
For example, Enter `lsslot -c pci -s U7879.001.DQD014E-P1-C3`
The following is an example of the information displayed by this command:

# Slot	Description	Device(s)
U7879.001.DQD014E-P1-C3	PCI-X capable, 64 bit, 133MHz slot	0001:40:01.0

PCI adapter single-width, fourth generation cassette

You might need to remove, replace, or install PCI adapters in a single-width cassette. Use the procedures in this section to perform these tasks.

Placing a PCI adapter in a single-width, fourth generation cassette

You can place a PCI adapter in a single-width cassette.

To place a PCI adapter in a cassette, do the following steps:

1. Complete the prerequisite tasks that are described in “Before you begin” on page 197.
2. Take appropriate precautions for avoiding electric shock and handling static-sensitive devices. For information, see “Avoiding electric shock” on page 179 and “Handling static-sensitive devices” on page 180.
3. Remove any shipping handles or brackets attached to the adapter.
4. Unlock the cassette guide rail.
 - a. Lift the retaining lock of the guide rail.
 - b. Push the guide rail as shown in the following figure.

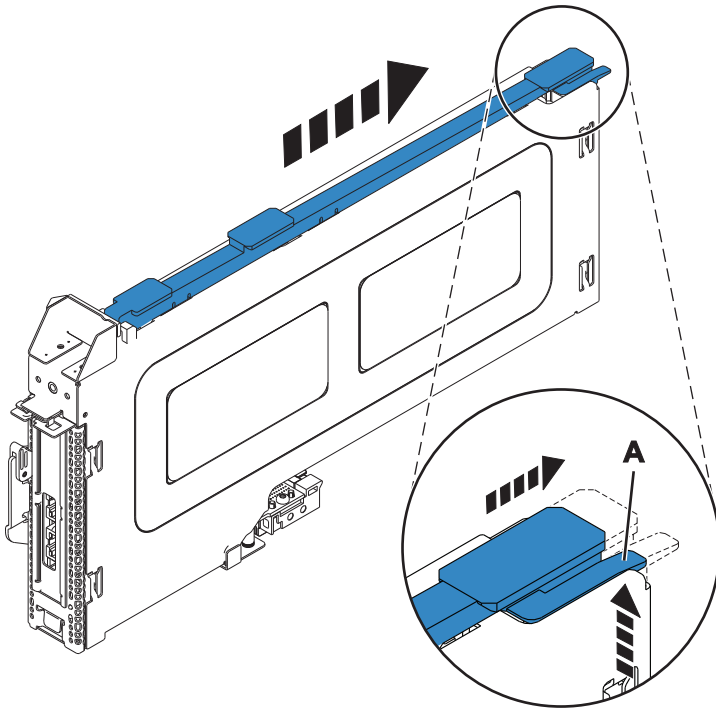


Figure 18. PCI adapter cassette guide rail removed

5. Remove the cassette cover by doing the following:
 - a. Slide the cover out of the grooves on the cassette.
 - b. Lift the cover off the cassette.

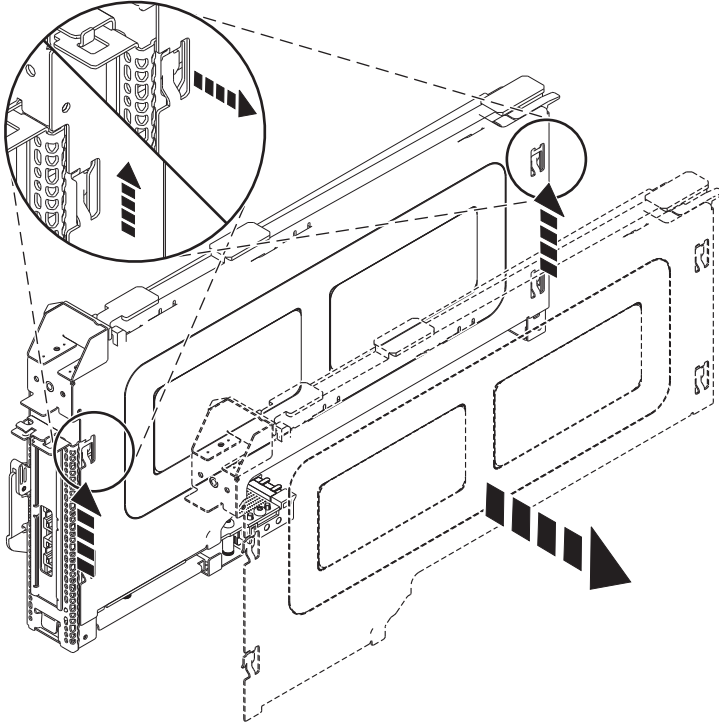


Figure 19. PCI adapter cassette cover removed

6. Ensure the cassette is prepared to receive an adapter by doing the following:
 - a. Ensure the cassette is empty by doing one of the following:
 - “Removing an adapter from the PCI adapter single-width, fourth generation cassette” on page 32.
 - Remove the adapter filler panel from the cassette.
 - b. Ensure that all of the adapter retainers (A) have been pushed out to the edges of the cassette, into the open position, to allow the placement of the adapter.
7. Place the adapter in the cassette by doing the following:
 - a. Insert the adapter into the cassette and align the tailstock with the tailstock retaining channel.
 - b. Slid the adapter into the connector ensuring that the tailstock is in the channel.
 - c. To lock in position, press down on the top of the tailstock adapter (A).
 - d. Position the adapter retainers clips to support the adapter, and then rotate the retainer clip into the closed position (B).

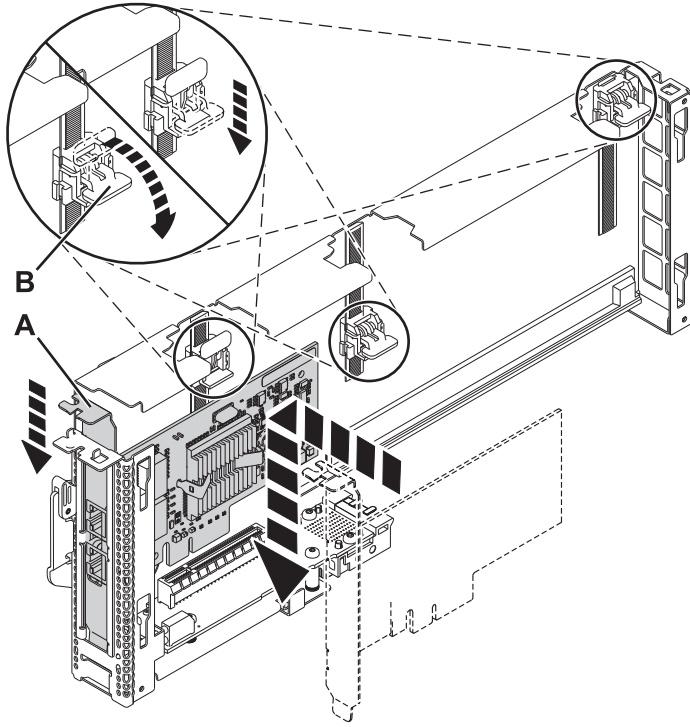


Figure 20. Adapter installed into the PCI adapter single-width cassette

8. Replace the cassette cover by doing the following:
 - a. Slide the cover into the grooves (A) on the cassette.
 - b. Ensure the locating tab (B) is installed inside of the cassette.
 - c. Push the cover down to lock the cover into place.

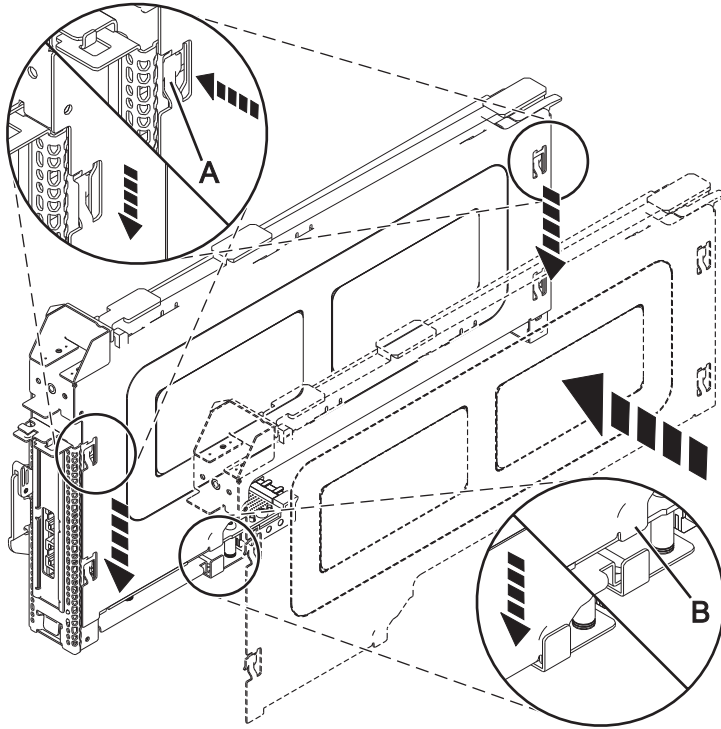


Figure 21. PCI adapter cassette cover replaced

9. Lock the cassette guide rail by doing the following:
 - a. Push the retaining lock into the guide rail.
 - b. Slide the guide rail as shown in the following figure.

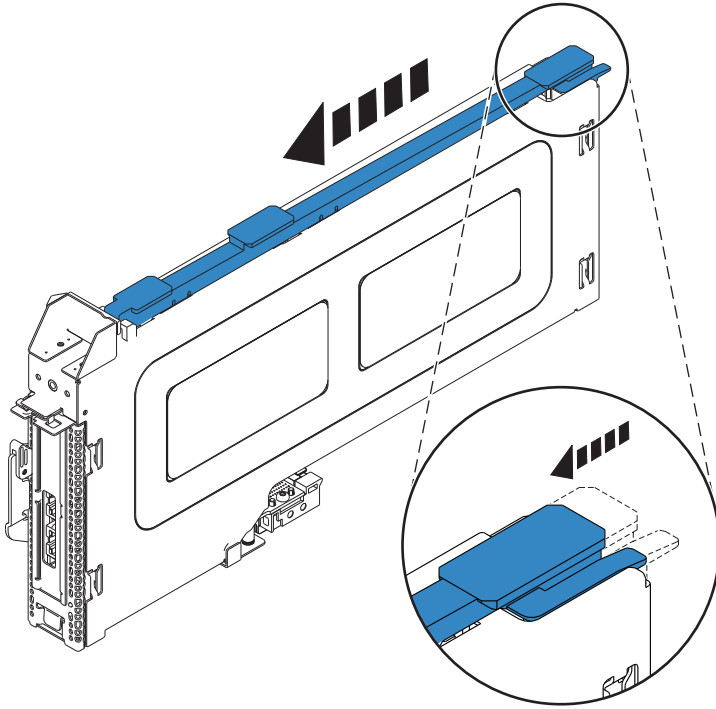


Figure 22. PCI adapter cassette guide rail locked

Removing an adapter from the PCI adapter single-width, fourth generation cassette

You can remove a PCI adapter from a single-width cassette.

To remove an adapter from the single-width cassette, do the following steps:

1. Complete the prerequisite tasks that are described in “Before you begin” on page 197.
2. Take appropriate precautions for avoiding electric shock and handling static-sensitive devices. For information, see “Avoiding electric shock” on page 179 and “Handling static-sensitive devices” on page 180.
3. Remove the cassette from the system.
4. Unlock the cassette guide rail.
 - a. Lift the retaining lock of the guide rail.
 - b. Push the guide rail as shown in the following figure.

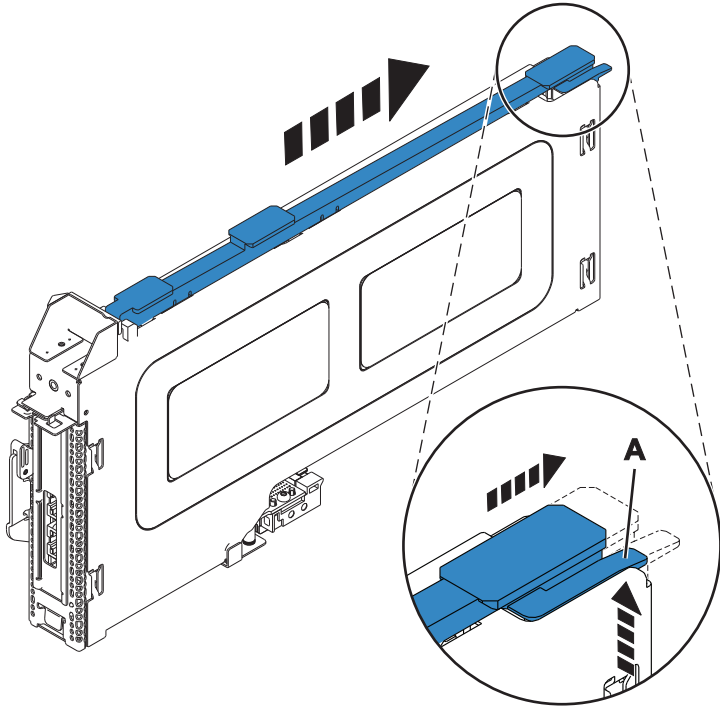


Figure 23. PCI adapter cassette guide rail removed

5. Remove the cassette cover by doing the following:
 - a. Slide the cover out of the grooves on the cassette.
 - b. Lift the cover off the cassette.

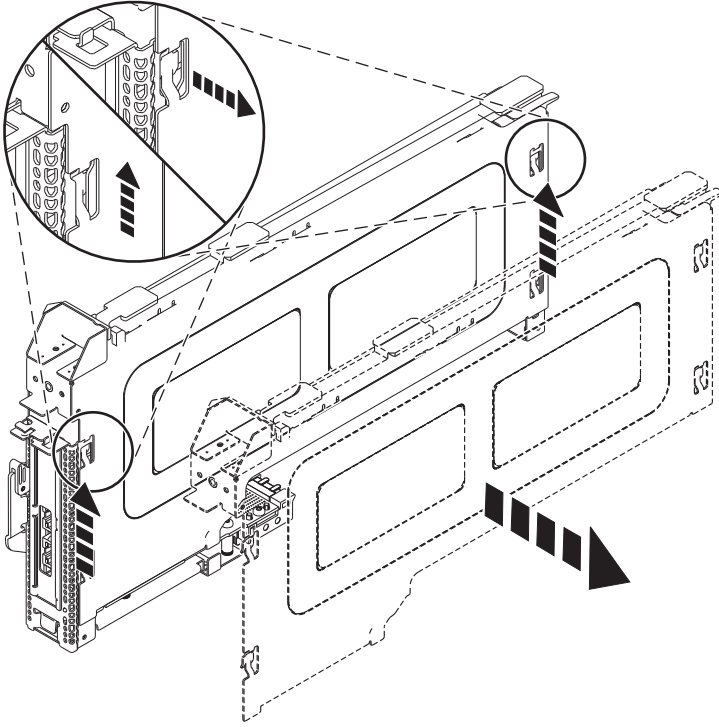


Figure 24. PCI adapter cassette cover removed

6. Remove the adapter from the cassette by doing the following:
 - a. Unlock the adapter retainers by rotating the retainer clips (A) into the horizontal position. See Figure 25 on page 35.

Notes:

- 1) The edge of the adapter located at the end of the cassette that contains the cassette handles is called the adapter **tailstock (C)**.
 - 2) Two retainers clips (A) are located at the top of the cassette, along the top edge of the adapter. Slid the adapter retainers clips away from the adapter..
 - 3) When the retainer clip is in the horizontal position, the retainers clips are unlocked and can slide away from the card.
 - 4) If the corner support retainer clip is used, unlock it, and then slide the corner support retainer clip away from the card.
- b. Remove the adapter out of the cassette by grasping the edge of the adapter opposite the tailstock, and then lift the adapter away from the bottom of the cassette. Slid the adapter out of the tailstock retaining channel (B).

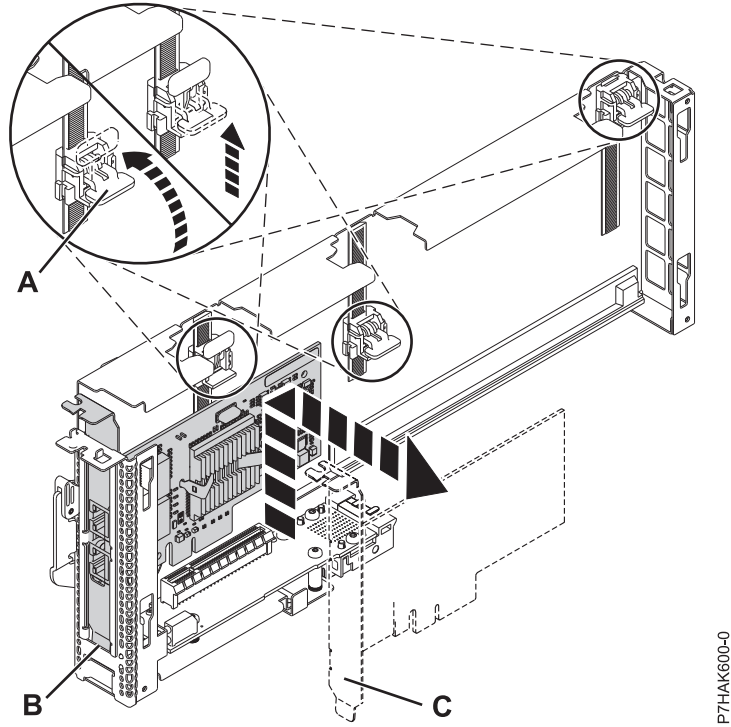


Figure 25. Adapter removed from the PCI adapter cassette

- c. Put the adapter in a safe place.
 - Attention:** A cassette containing either a PCI adapter or filler panel must be placed in the PCI adapter slot of the system unit for proper air flow and cooling.
7. Place a PCI adapter or filler panel in the cassette. See “Placing a PCI adapter in a single-width, fourth generation cassette” on page 28.
8. Replace the cassette cover by doing the following:
 - a. Slide the cover into the grooves (A) on the cassette.
 - b. Ensure the locating tab (B) is installed inside of the cassette.
 - c. Push the cover down to lock the cover into place.

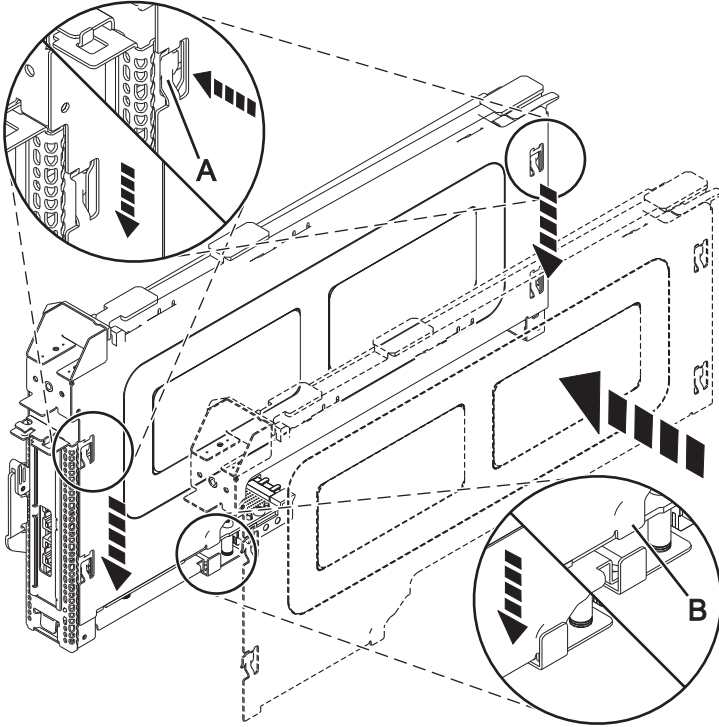


Figure 26. PCI adapter cassette cover replaced

9. Lock the cassette guide rail by doing the following:
 - a. Push the retaining lock into the guide rail.
 - b. Slide the guide rail as shown in the following figure.

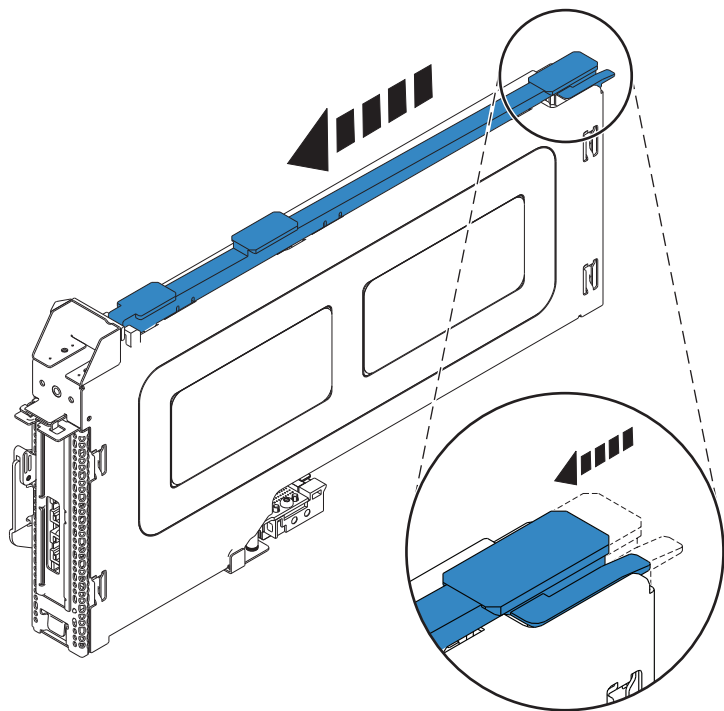


Figure 27. PCI adapter cassette guide rail locked

PCI adapter single-width, third generation cassette

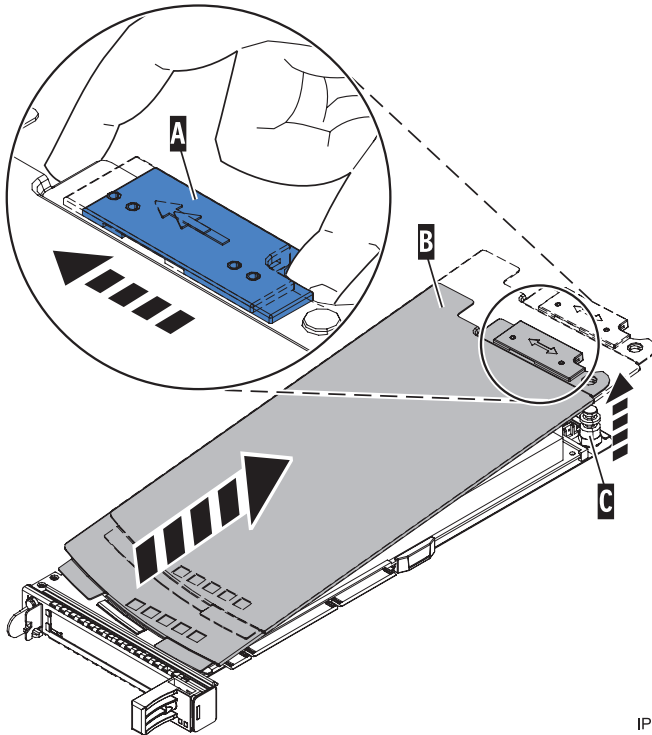
You might need to remove, replace, or install PCI adapters in a single-width cassette. Use the procedures in this section to perform these tasks.

Placing a PCI adapter in a single-width, third generation cassette

You can place a PCI adapter in a single-width cassette.

To place a PCI adapter in a cassette, do the following steps:

1. Complete the prerequisite tasks that are described in “Before you begin” on page 197.
2. Take appropriate precautions for avoiding electric shock and handling static-sensitive devices. For information, see “Avoiding electric shock” on page 179 and “Handling static-sensitive devices” on page 180.
3. Remove any shipping handles or brackets attached to the adapter.
4. Remove the cassette cover by completing the following steps:
 - a. Slide the cover latch (**A**) to disengage it from the pivot pin (**C**) as shown in Figure 28 on page 38.
 - b. Lift the cover (**B**) off of the pivot pin.
 - c. Slide the cover off of the cassette.



IPHAK520-0

Figure 28. PCI adapter single-width cassette cover removed

5. Ensure the cassette is prepared to receive an adapter by doing the following actions:
 - a. Ensure the cassette is empty by doing one of the following action:
 - “Removing an adapter from the PCI adapter single-width, third generation cassette” on page 47.
 - Remove the adapter filler panel from the cassette.
 - b. Ensure that all of the adapter retainers (A) have been pushed out to the edges of the cassette to allow the placement of the adapter. See Figure 29 on page 39.

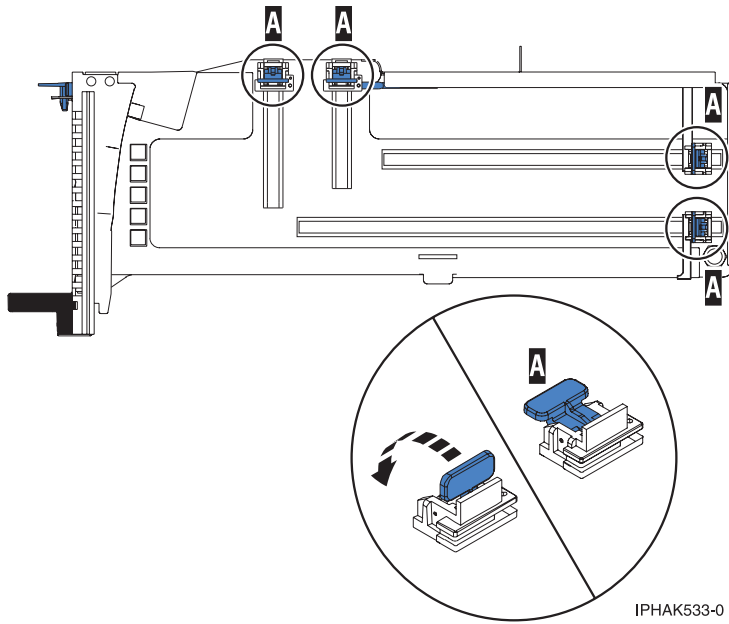


Figure 29. Adapter retainers

- c. Rotate the tailstock clamp into the open position.

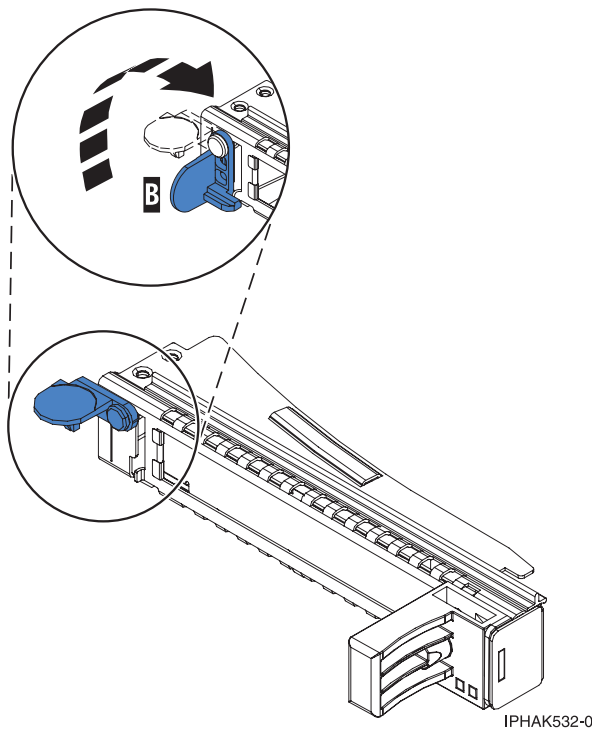
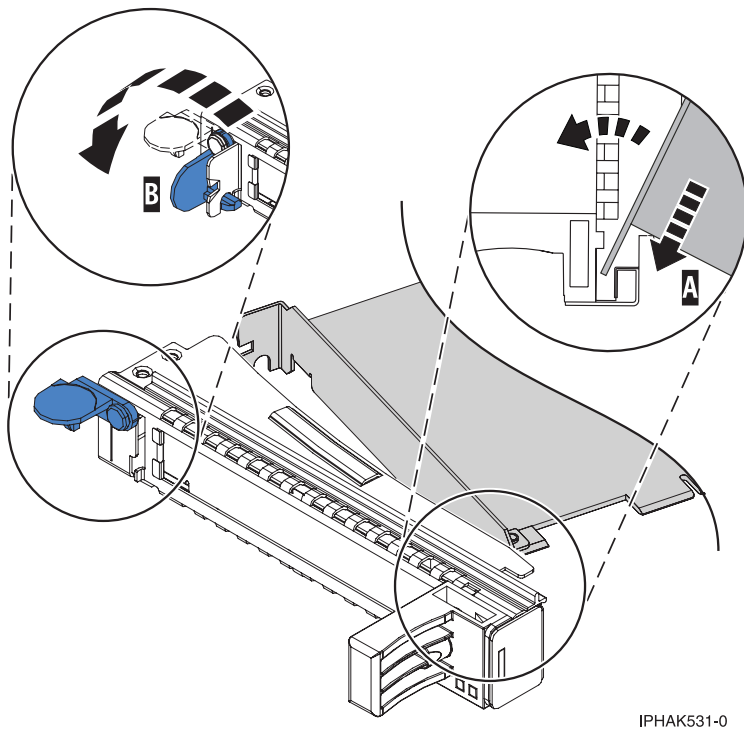


Figure 30. Tailstock clamp in the open position

6. Place the adapter in the cassette by completing the following steps:
 - a. With the tailstock clamp in the open position, insert the adapter firmly into the tailstock retaining channel (A). See Figure 31 on page 40.
 - b. Rotate the adapter toward the top of the cassette and into place.

c. Close the tailstock clamp (B). See Figure 31.



IPHAK531-0

Figure 31. Adapter removed from the PCI adapter single-width cassette

d. Position the adapter retainers to support the adapter, and then rotate the retainer clip into the closed position.

Notes:

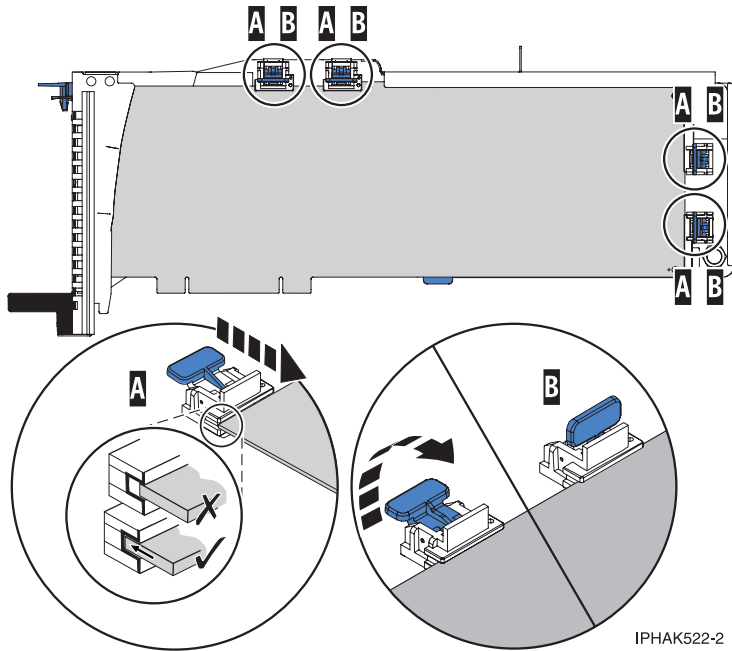
- 1) Two retainers are located at the top of the cassette, along the top edge of the adapter. Two more retainers are located at the edge of the cassette opposite of the adapter tailstock.
- 2) When the adapter retainer clip is in the horizontal position, the adapter retainers are unlocked and can slide toward the adapter.
- 3) Place the retainers on the adapter according to the length of the adapter being used. Select the appropriate instructions:

Adapter-cassette retainer placement for large adapters

- a) Place and lock the retainers (B). See Figure 32 on page 41.

Attention: Use of the lower corner support retainer might interfere with the docking of the PCI card when positioned within the system. Ensure the retainer does not interfere with the adapter connectors on the system backplane.

- b) Ensure the adapter edge is seated in each retainer groove (A). If the shape of the adapter or the presence of a connector will not allow the adapter edge to be seated into the retainer groove, ensure the retainer is still locked firmly against that edge or connector.

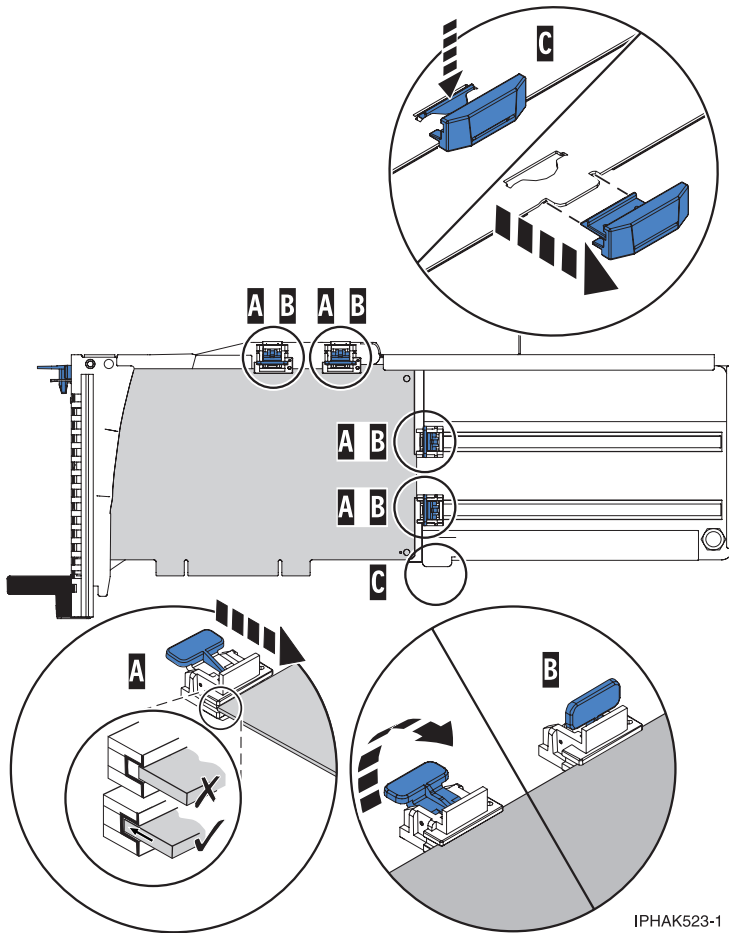


IPHA522-2

Figure 32. Large adapter in the PCI adapter cassette with the supports and stabilizer in place

Adapter-cassette retainer placement for medium-length adapters

- a) Remove the adapter stabilizer (C). See Figure 33 on page 42.
- b) Place and lock the retainers (B).
- c) Ensure the adapter edge is seated in each retainer groove (A). If the shape of the adapter or the presence of a connector will not allow the adapter edge to be seated into the retainer groove, ensure the retainer is still locked firmly against that edge or connector.



IPHAK523-1

Figure 33. Medium-length adapter in the PCI adapter cassette with the supports in place

Adapter-cassette retainer placement for small adapters

- a) Remove the adapter stabilizer (C). See Figure 34 on page 43.
- b) Place the hookarm (D) into the hole in the corner of the adapter. This supports the card when it is undocked from the connector on the system backplane.
- c) Place and lock the retainers (B).
- d) Ensure the adapter edge is seated in each retainer groove (A). If the shape of the adapter or the presence of a connector will not allow the adapter edge to be seated into the retainer groove, ensure the retainer is still locked firmly against that edge or connector.

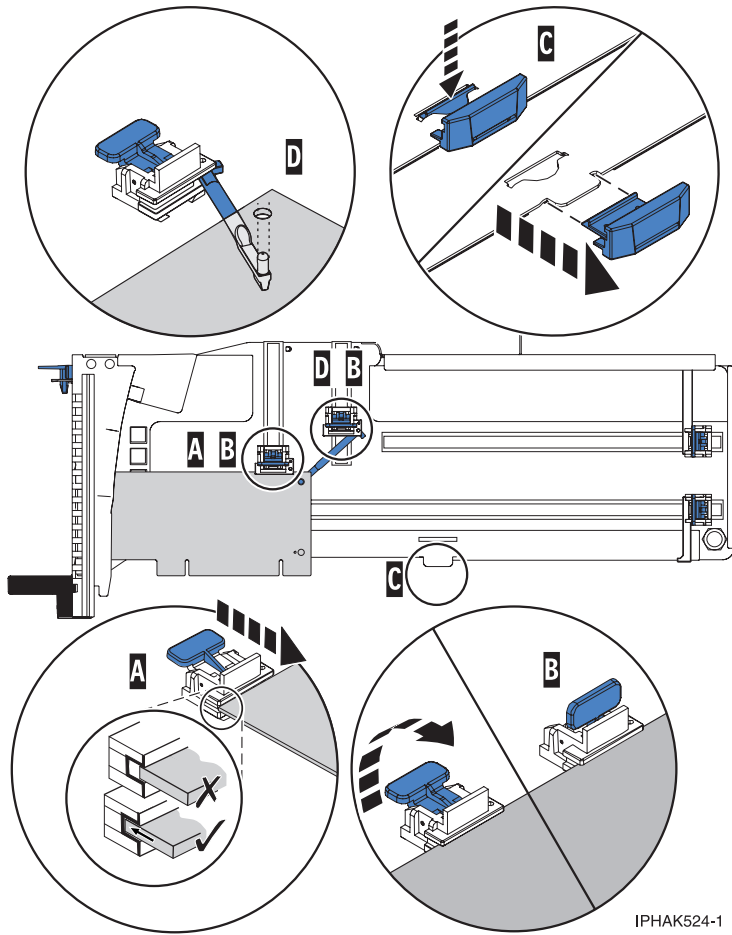
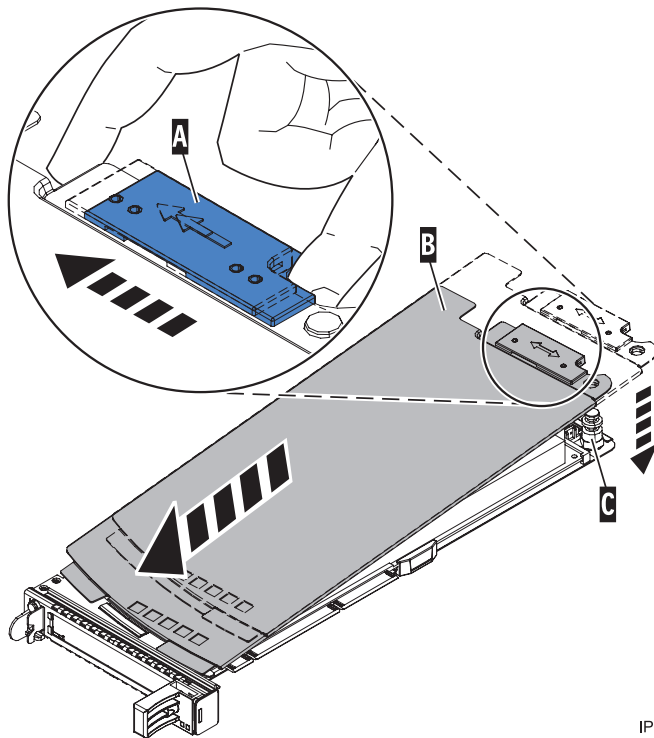


Figure 34. Small adapter in the PCI adapter cassette with the supports and the hookarm in place

7. Replace the cassette cover by doing the following:
 - a. Slide the cover (B) into position on the cassette as shown in the following figure.
 - b. While holding the cover latch (A) in the open position, place the cover over the pivot pin (C).
 - c. Release the cover latch to lock the cover into place.



IPHAK530-0

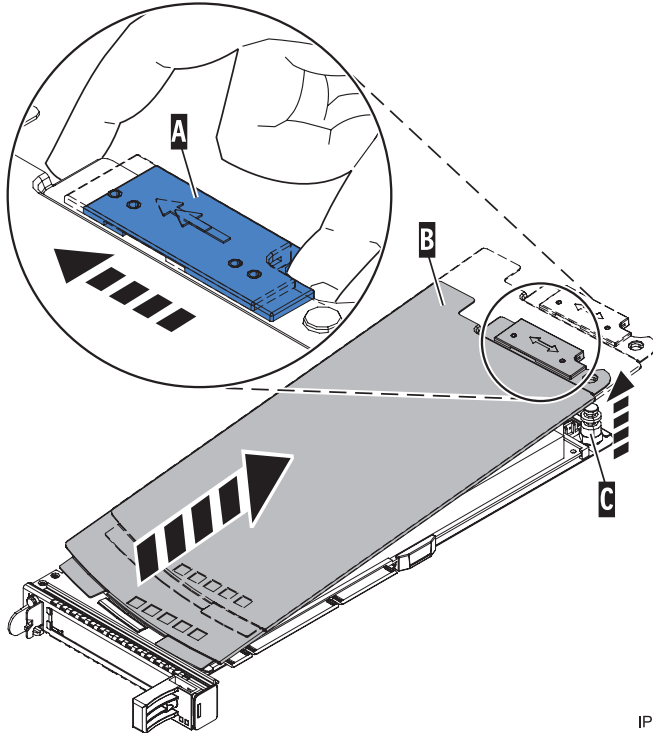
Figure 35. PCI adapter cassette cover replaced

Placing a 4-Port USB PCI Express Adapter in a single-width, third generation cassette

You can place a 4-Port USB PCI Express Adapter (FC 2728; CCIN 57D1) in a single-width cassette.

To place a PCI adapter in a cassette, do the following steps:

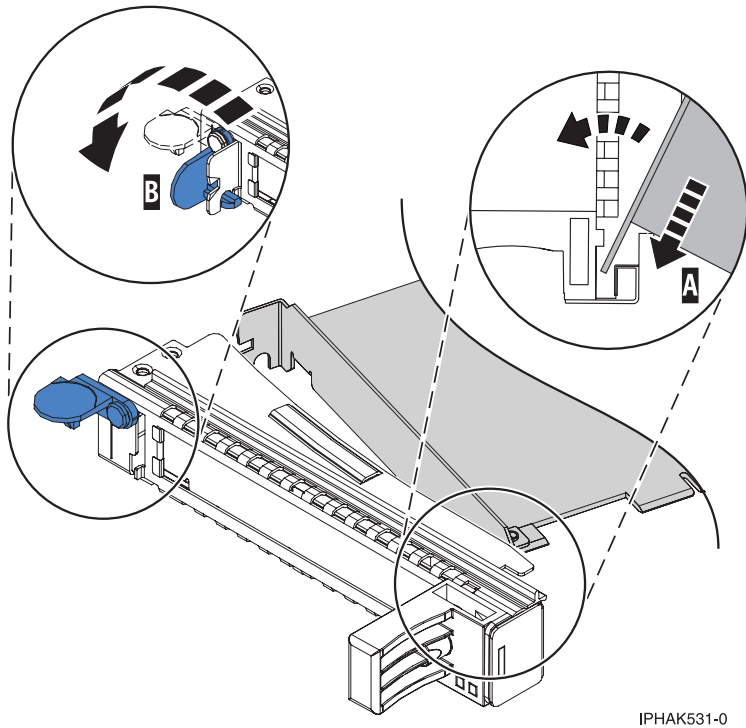
1. Complete the prerequisite tasks that are described in "Before you begin" on page 197.
2. Take appropriate precautions for avoiding electric shock and handling static-sensitive devices. For information, see "Avoiding electric shock" on page 179 and "Handling static-sensitive devices" on page 180.
3. Remove the cassette from the system.
4. Remove the cassette cover by doing the following steps:
 - a. Slide the cover latch (A) to disengage it from the pivot pin (C) as shown in the following figure.
 - b. Lift the cover (B) off of the pivot pin.
 - c. Slide the cover off of the cassette.



IPHAK520-0

Figure 36. PCI adapter single-width cassette cover removed

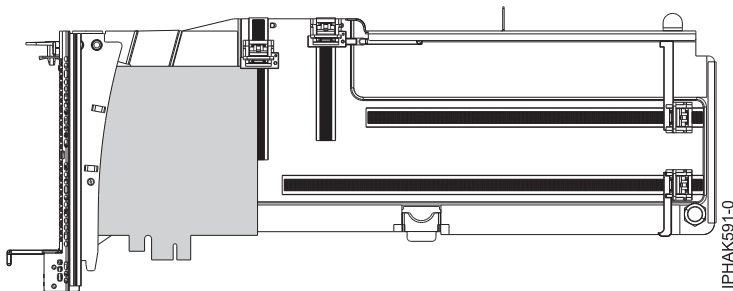
5. Ensure that the cassette is empty.
6. Place the adapter in the cassette by doing the following steps:
 - a. With the tailstock clamp in the open position, insert the adapter firmly into the tailstock retaining channel **(A)**. See Figure 37 on page 46.
 - b. Rotate the adapter toward the top of the cassette and into place.
 - c. Close the tailstock clamp **(B)**. See Figure 37 on page 46.



IPHAK531-0

Figure 37. Placing the PCI adapter single-width cassette

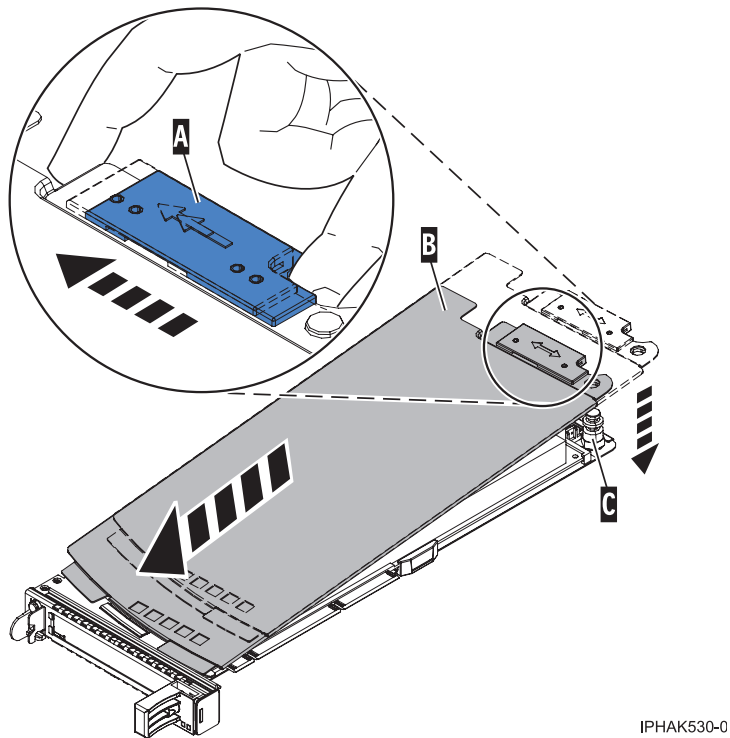
- d. Position the adapter retainer to support the adapter.



IPHAK591-0

Figure 38. Side view of adapter in cassette

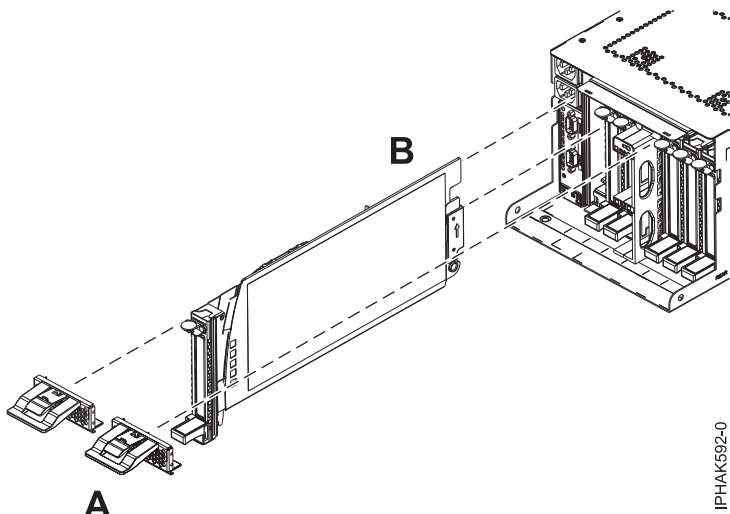
7. Replace the cassette cover by doing the following steps:
 - a. Slide the cover **(B)** into position on the cassette as shown in the following figure.
 - b. While holding the cover latch **(A)** in the open position, place the cover over the pivot pin **(C)**.
 - c. Release the cover latch to lock the cover into place.



IPHAK530-0

Figure 39. PCI adapter cassette cover replaced

8. Replace the PCI adapter cassette (B) in the system. See the following figure.
9. Install the EMC grill (A).



IPHAK592-0

Figure 40. Replace the cassette and install the EMC grill

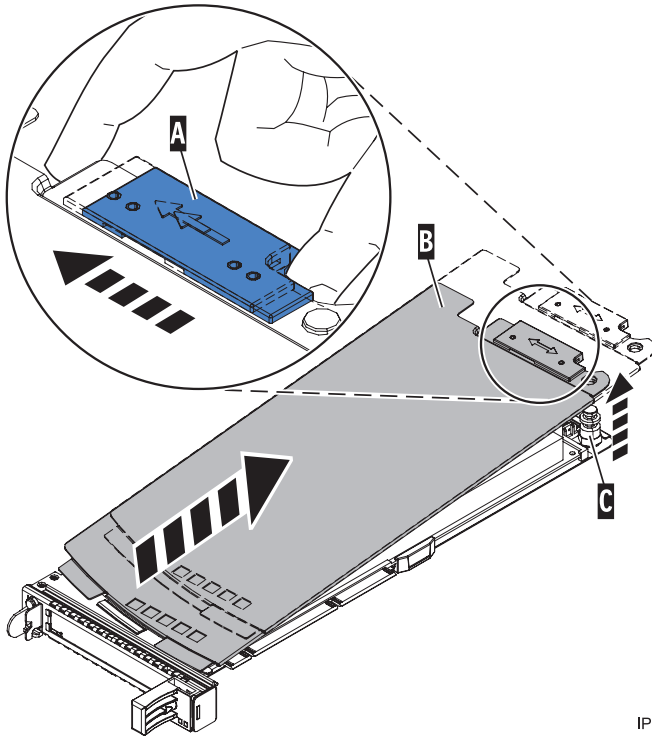
Removing an adapter from the PCI adapter single-width, third generation cassette

You can remove a PCI adapter from a single-width cassette.

To remove an adapter from the single-width cassette, do the following steps:

1. Complete the prerequisite tasks that are described in “Before you begin” on page 197.
2. Take appropriate precautions for avoiding electric shock and handling static-sensitive devices. For information, see “Avoiding electric shock” on page 179 and “Handling static-sensitive devices” on page 180.

3. Remove the cassette from the system.
4. Remove the cassette cover by doing the following:
 - a. Slide the cover latch (A) to disengage it from the pivot pin (C) as shown in the following figure.
 - b. Lift the cover (B) off the pivot pin.
 - c. Slide the cover off the cassette.



IPHAK520-0

Figure 41. PCI adapter cassette cover removed

5. Remove the adapter from the cassette by completing the following steps:
 - a. Unlock the adapter retainers by rotating the retainer clip (A) into the horizontal position. See Figure 42 on page 49.

Notes:

- 1) The edge of the adapter located at the end of the cassette that contains the cassette handles is called the adapter **tailstock**.
 - 2) Two retainers are located at the top of the cassette, along the top edge of the adapter. Two more retainers are located at the edge of the cassette opposite of the adapter tailstock.
 - 3) When the retainer clip is in the horizontal position, the adapter retainers are unlocked and can slide away from the card.
 - 4) If the corner support retainer is used, unlock it, and then slide the corner support retainer away from the card.
- b. Push the adapter retainers (B) away from the adapter.
 - c. Unlock the adapter tailstock clamp (C).
 - d. Rotate the adapter out of the cassette by grasping the edge of the adapter opposite the tailstock, and then firmly rotate the adapter toward the bottom of the cassette.
 - e. Lift the adapter out of the tailstock retaining channel.

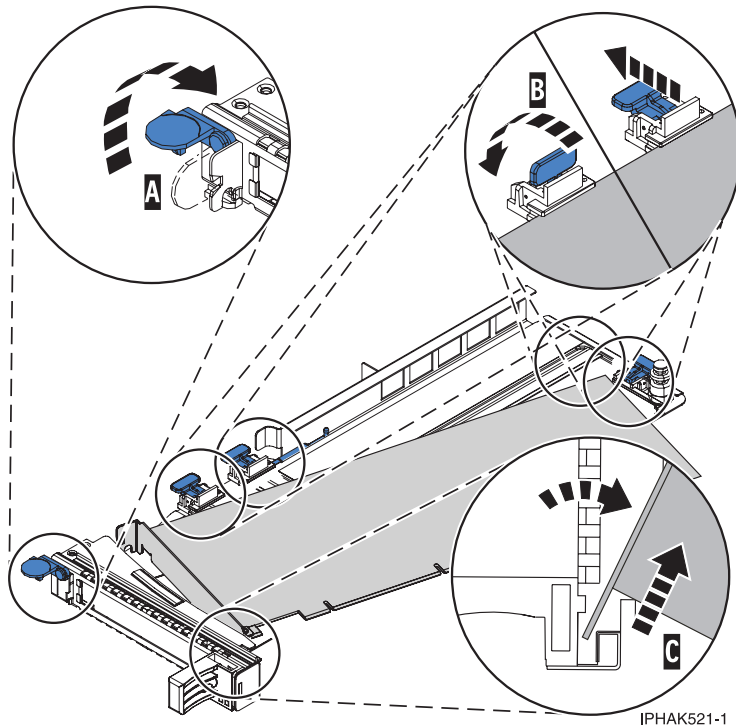


Figure 42. Adapter removed from the PCI adapter cassette

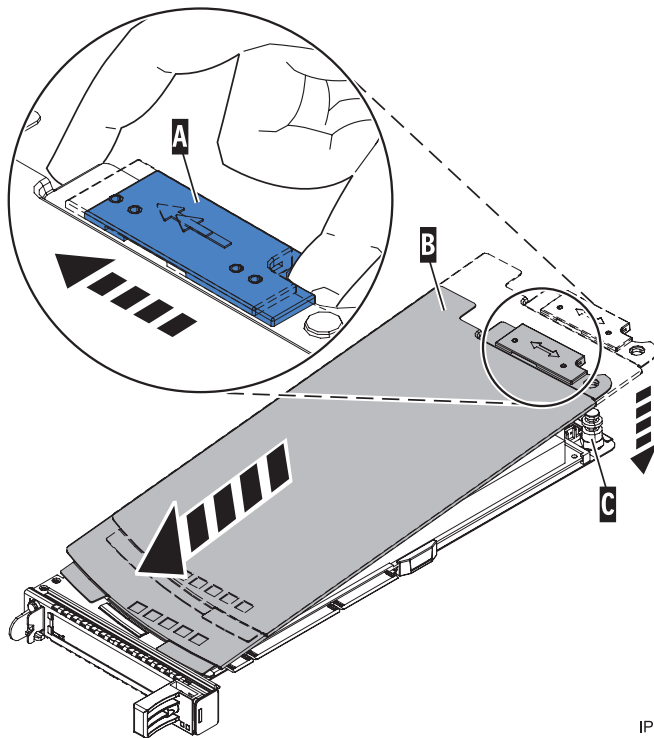
f. Put the adapter in a safe place.

Attention: A cassette containing either a PCI adapter or filler panel must be placed in the PCI adapter slot of the system unit for proper air flow and cooling.

g. Place a PCI adapter or filler panel in the cassette. See “Placing a PCI adapter in a single-width, third generation cassette” on page 37.

h. Replace the cassette cover by completing the following steps:

- 1) Slide the cover **(B)** into position on the cassette.
- 2) While you hold the cover latch **(A)** in the open position, place the cover over the pivot pin **(C)**.
- 3) Release the cover latch to lock the cover into place.



IPHAK530-0

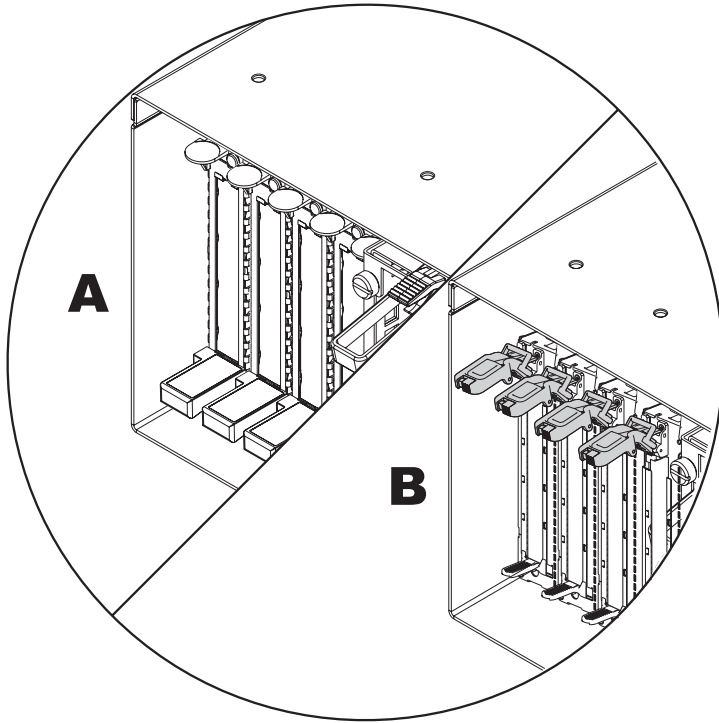
Figure 43. PCI adapter cassette cover replaced

PCI adapter single-width, first and second generation cassettes

You might need to remove, replace, or install PCI adapters in a single-width, generation 1, generation 2, or generation 2.5 cassette.

If your system is managed by an HMC, use the HMC to complete the steps for replacing the part in the system. For instructions, see “Replacing a part by using the HMC” on page 200.

Use the following graphic to determine your PCI cassette generation.



- A** Generation 3 or higher. Use the procedures in the topic “PCI adapter single-width, third generation cassette” on page 37.
- B** Generation 2.5 or earlier. Use the following procedures.

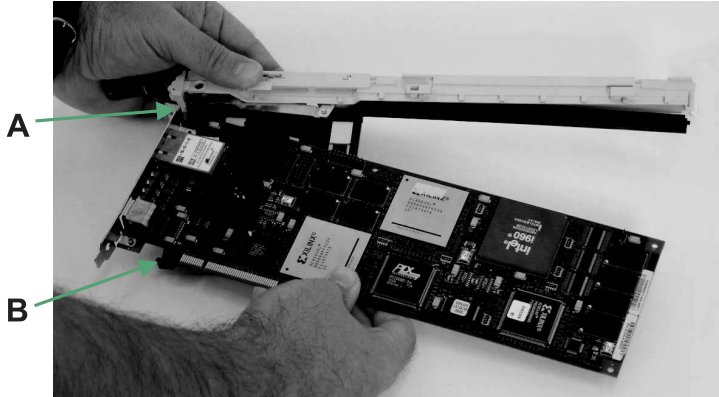
Placing a PCI adapter in a single-width, first or second generation cassette

You can place a PCI adapter in a single-width, generation 1, generation 2, or generation 2.5 cassette. Use the procedure in this topic to perform this task.

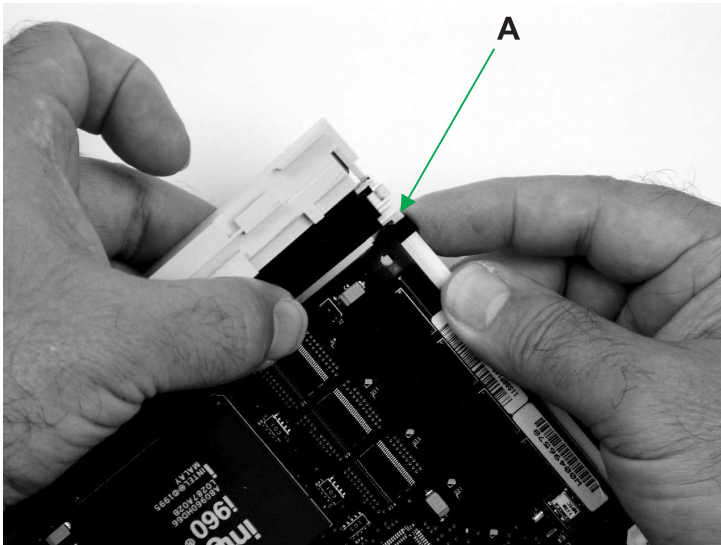
Prerequisite: This procedure begins where “Removing an adapter from the PCI adapter single-width, first or second generation cassette” on page 57 ends.

To place an adapter in a single-width cassette, do the following steps:

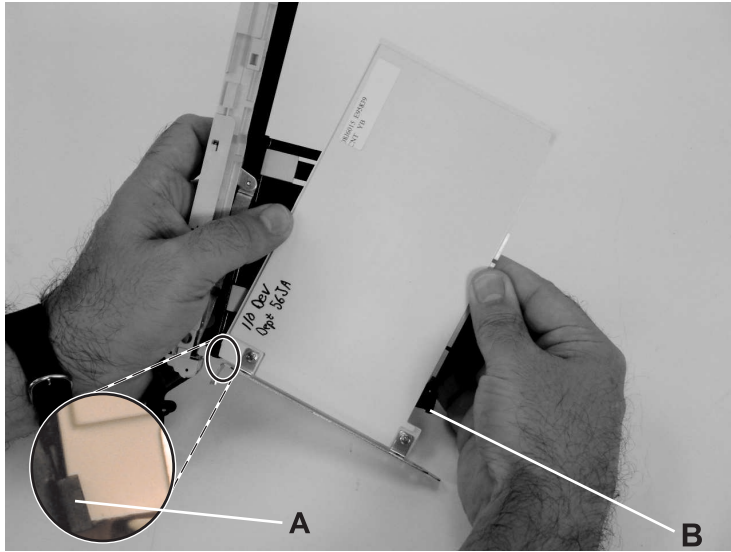
1. Select the PCI adapter type:
 - If you are placing a large adapter, go to step 2.
 - If you are placing a small adapter, go to step 4 on page 52.
2. Install a large adapter in the cassette.



- a. Place the adapter into the cassette so that the upper-left corner of the adapter engages the adjustable top adapter retaining clip (A).
- b. Rotate the adapter so that the adapter engages the slot in the bottom adapter retaining clip (B) and the top corner of the adapter is seated into the adjustable top adapter retaining clip.
If the adapter is not a full-height adapter, you must slide the adjustable top adapter-retaining clip downward until the lower edge of the adapter is seated into the slot on the bottom adapter-retaining clip.
3. Slide the adapter arms toward the large adapter.



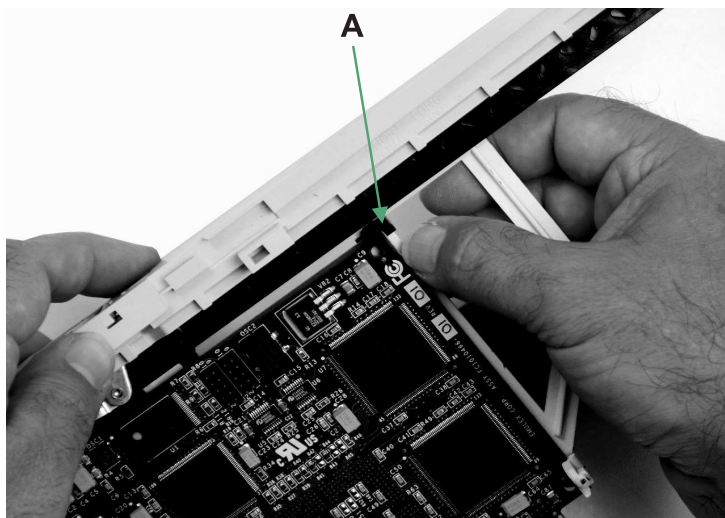
- a. Slide the large adapter retaining arm (A) toward the adapter on the cassette linkage rail.
- b. Make sure that the top adapter retaining clip holds the upper-right corner of the adapter.
- c. Make sure that the bottom adapter retaining clip holds the lower-right corner of the adapter.
It might be necessary to apply pressure to engage and hold the bottom of the adapter.
- d. To ensure that the adapter is secure, slide the large adapter retaining arm closer to the adapter (as needed), until the adapter is firmly held in place.
- e. Go to step 6 on page 53.
4. Install a small adapter in the cassette.



- a. Place the adapter into the cassette so that the upper-left corner of the adapter engages the adjustable top adapter retaining clip **(A)**.
- b. Rotate the adapter so that the adapter engages the slot in the bottom adapter retaining clip **(B)** and the top corner of the adapter is seated into the adjustable top adapter retaining clip.

If the adapter is not a full-height adapter, you must slide the adjustable top adapter-retaining clip downward until the lower edge of the adapter is seated into the slot on the bottom adapter-retaining clip.

5. Slide the adapter arms toward the small adapter.



- a. Slide the small adapter retaining arm **(A)** toward the adapter on the cassette linkage rail.
- b. Make sure that the top adapter retaining clip holds the upper right corner of the adapter.
- c. Make sure that the bottom adapter retaining clip holds the lower right corner of the adapter.

It might be necessary to apply pressure to engage and hold the bottom of the adapter.

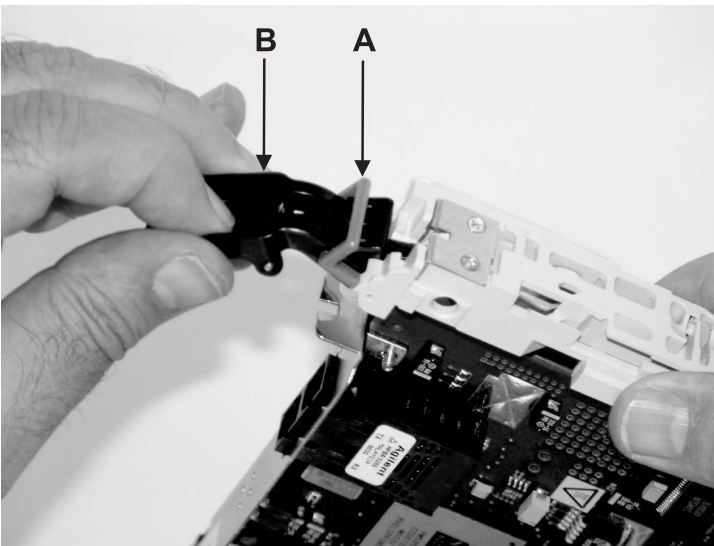
- d. To ensure that the adapter is secure, slide the small adapter retaining arm closer to the adapter (as needed), until the adapter is firmly held in place.

6. Install the EMC shield.



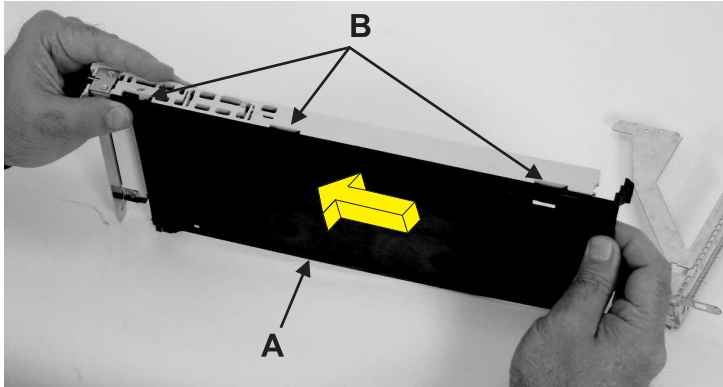
Install the metal EMC shield (A) to the top of the tailstock.

7. Lock the handle.



- a. Lower the lever (B) on the cassette linkage assembly until it moves into the down position (the adapter or blank filler should move up into the cassette assembly).
- b. Push on both sides of the gray plastic locking bar (A) to ensure that the handle is pushed into the locked position.

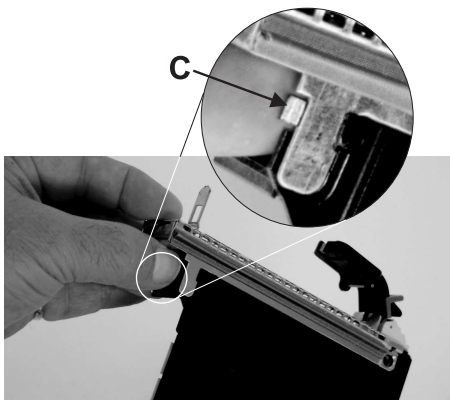
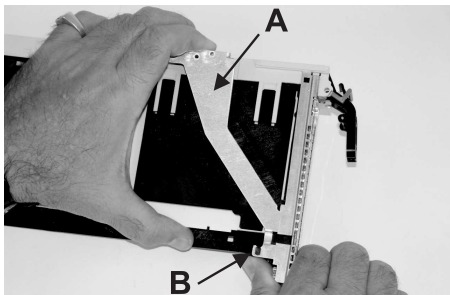
8. Install the cover.



- a. Position the adapter and cassette assembly with the handle on the left (in the down position) and the top facing away from you.
- b. Place the cover (A) on the cassette assembly and align the tabs on the cover with the holes (B) in the assembly.
- c. Slide the cover toward the handle until the hole in the cover aligns with the hole in the cassette assembly.

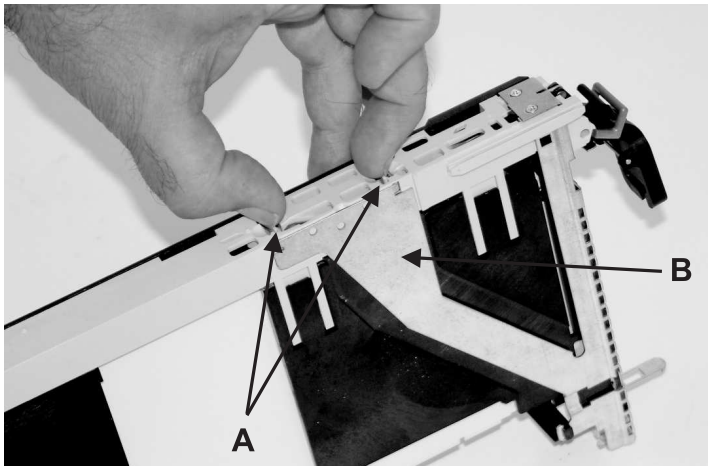
The cover might be difficult to slide. If you grasp the left end (handle end) of the cassette and the right end of the cover, you can use enough force to push the cover onto the PCI adapter cassette assembly.

9. Slide on the bezel and latch it.



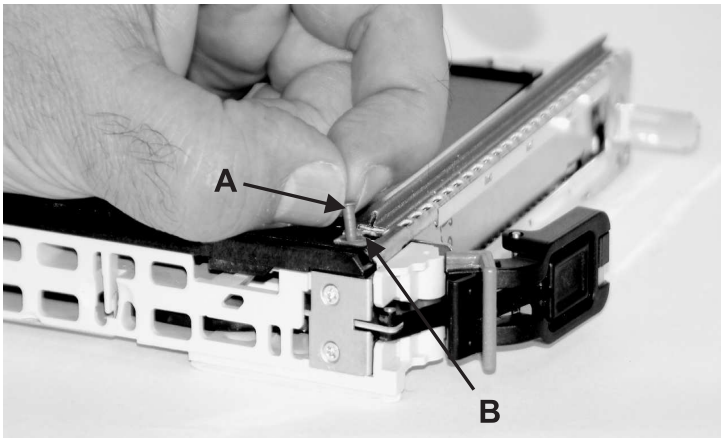
- a. Turn over the cassette so the cover side is down.
- b. While holding the bezel extension (A) out, slide the bezel onto the cassette assembly.
- c. Push the plastic cover arm latch (B) in the bezel hook.
- d. Turn over the cassette so the cover side is facing up.
- e. Push the cover tab (C) up to ensure that it is holding the bezel to the cover.

10. Lock the bezel.



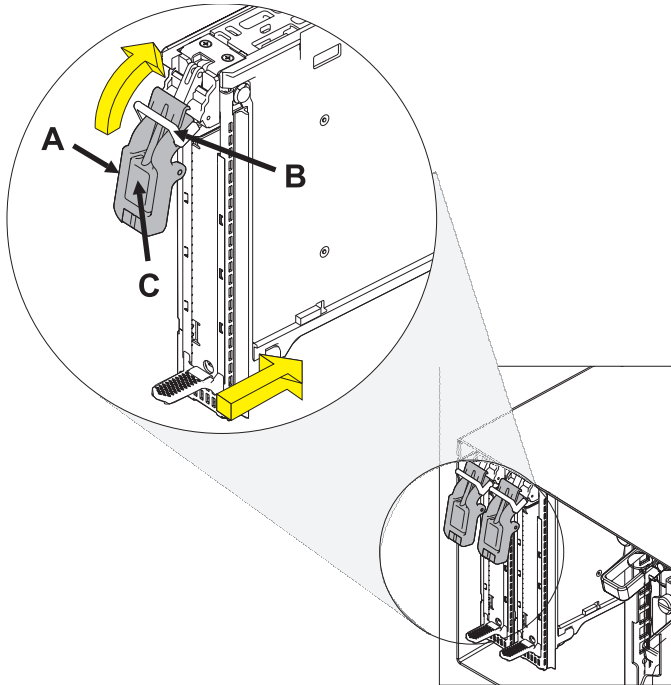
- a. Push the top part of the bezel extension **(B)** down until the metal tabs lock into the slots in the PCI adapter cassette assembly.
- b. Make sure that the extension arm engages the pins **(A)** on the cassette assembly. (You should be able to see the pins in the holes in the arm).

11. Install the bushing-lock pin and bushing.



- a. Turn over the cassette so the cover side is up and the top of the adapter is facing you.
- b. Install the bushing **(B)** in the PCI adapter cassette assembly by pressing it into the cassette assembly hole.
- c. Install the lock pin **(A)** in the bushing by pressing it into the hole in the bushing.

12. Install the PCI adapter cassette.



- a. Before installing the PCI adapter cassette, make sure the lever (A) is down.
- b. Push the locking bar (B) upward into the locked position.
- c. Slide the PCI adapter cassette all the way into the assembly.
- d. Press the tab (C) to unlock the locking bar.
- e. Rotate the lever (A) up to install it in the slot.

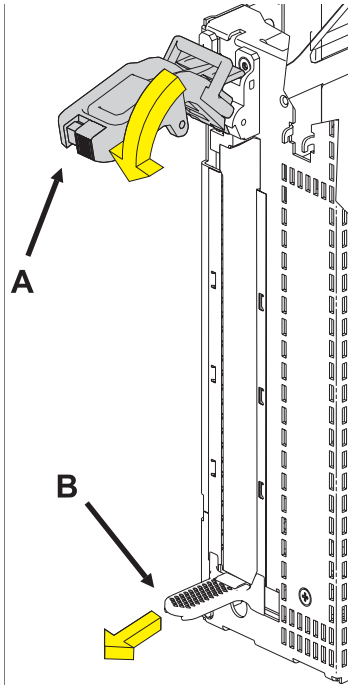
Removing an adapter from the PCI adapter single-width, first or second generation cassette

You can remove a PCI adapter in a single-width, generation 1, generation 2, or generation 2.5 cassette. Use the procedure in this topic to perform this task.

If your system is managed by a HMC, use the HMC to complete the steps for removing a part from the system. For instructions, see “Removing a part by using the HMC” on page 199.

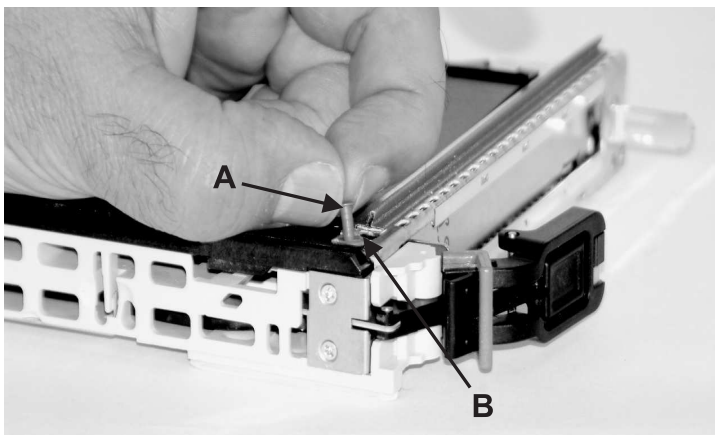
If you do not have an HMC, complete the following steps to remove a PCI adapter:

1. Remove the cassette from the system unit.



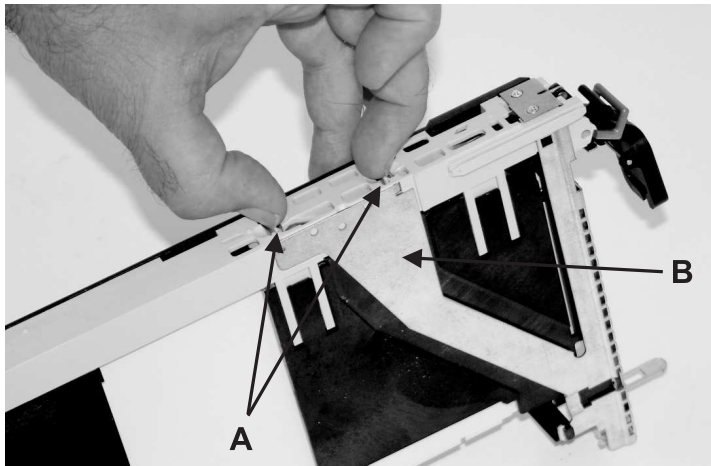
Follow these steps:

- a. Complete the prerequisite tasks described in “Before you begin” on page 197.
 - b. Take appropriate precautions for avoiding electric shock and handling static-sensitive devices. For information, see “Avoiding electric shock” on page 179 and “Handling static-sensitive devices” on page 180.
 - c. Push the lever **(A)** down to unlock the PCI adapter cassette.
 - d. Lift the lower tab **(B)** and pull the PCI adapter cassette out of the assembly.
 - e. Set the cassette aside with the cover facing up.
2. Remove the bushing-lock pin and bushing.

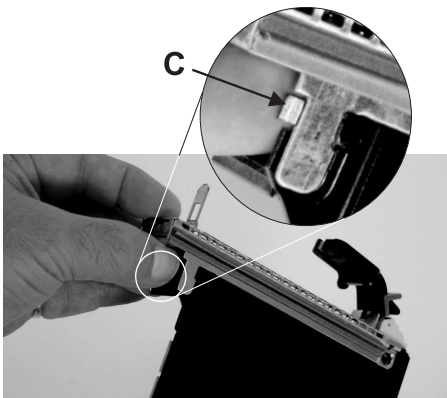
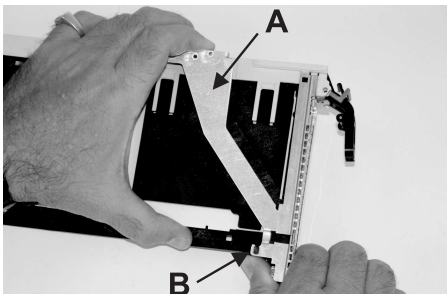


- a. Place the PCI adapter cassette assembly on a flat work surface with the cover facing up and the top of the adapter facing you.
- b. Using two fingers, remove the bushing-lock pin **A** from the bushing. The pin can be removed by pulling it out of the bushing with your fingernails, tweezers, or a similar tool.
- c. Remove the bushing **B**. The bushing can be removed by pulling it out of the PCI adapter cassette assembly with your fingernails, tweezers, or a similar tool.

3. Unlock the bezel.



- a. Turn the PCI adapter cassette assembly over so that the cover side is down.
 - b. Locate the plastic latch fingers **A** in the top part of the cassette.
 - c. Using one hand, pinch the plastic latch fingers, and, with your other hand, carefully lift the top part of the bezel extension **B** out until the tabs clear the slots in the PCI adapter cassette assembly.
4. Unlatch the bezel and slide off.



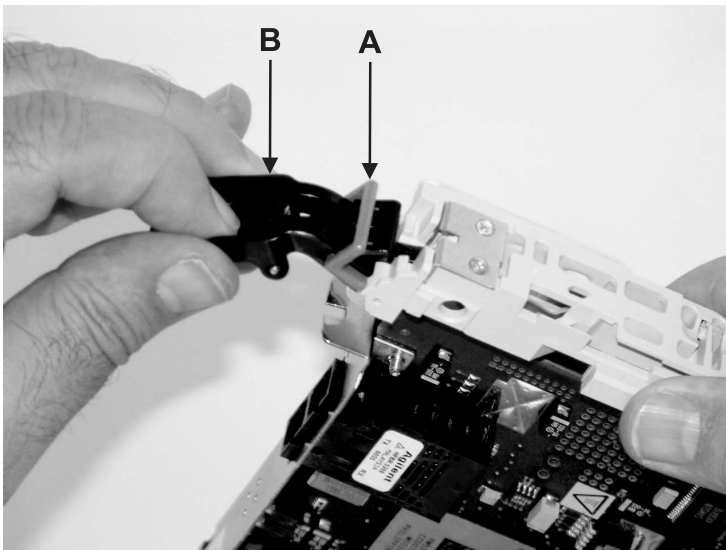
Follow these steps:

- a. While holding up the bezel extension **A**, push the plastic cover latch **B** out of the bezel hook.
- b. Turn the cassette assembly over so that the cover side is up.
- c. Push down on the cover tab **C** to release the bezel.
- d. Turn the cassette assembly over so that the cover side is down.

- e. Carefully slide the bezel off of the cassette assembly and set it aside.
5. Remove the cover.



- a. Turn over the cassette assembly so that the cover side is up.
 - b. Slide the cover **A**, until it releases from the cassette assembly.
The cover might be tight and difficult to slide. If you grasp the left end (handle end) of the cassette and the right end of the cover, you can use enough force to pull the cover off of the PCI adapter cassette assembly.
 - c. Lift the cover off the assembly, and set it aside.
6. Unlock the handle.

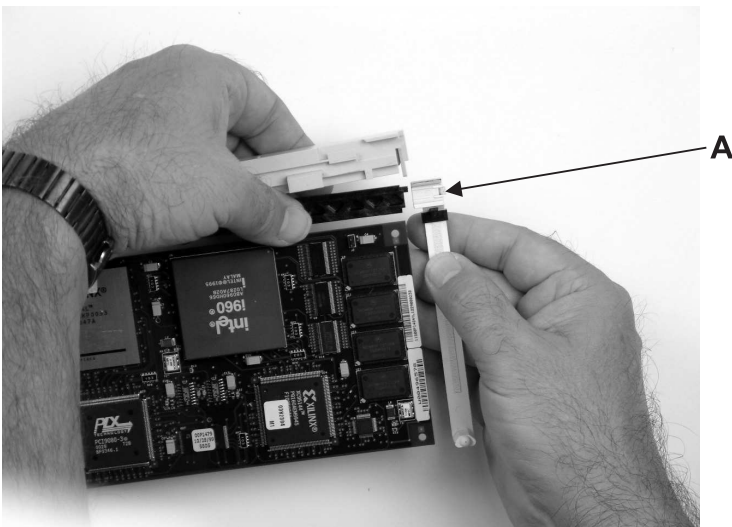


- a. Ensure that the handle is pulled into the unlocked position by pulling on both sides of the gray plastic locking bar **A** which is located on the lever **B**.
 - b. Raise the handle on the cassette linkage assembly until it moves into the up position (the blank filler or adapter moves downward).
7. Remove the electromagnetic compatibility (EMC) shield.



Remove the metal EMC shield **A** from the top of the tailstock.

8. Select the PCI adapter type:
 - If you are removing a large adapter, go to step 9.
 - If you are removing a small adapter, go to step 12 on page 62.
9. Slide the large adapter off the cassette assembly.



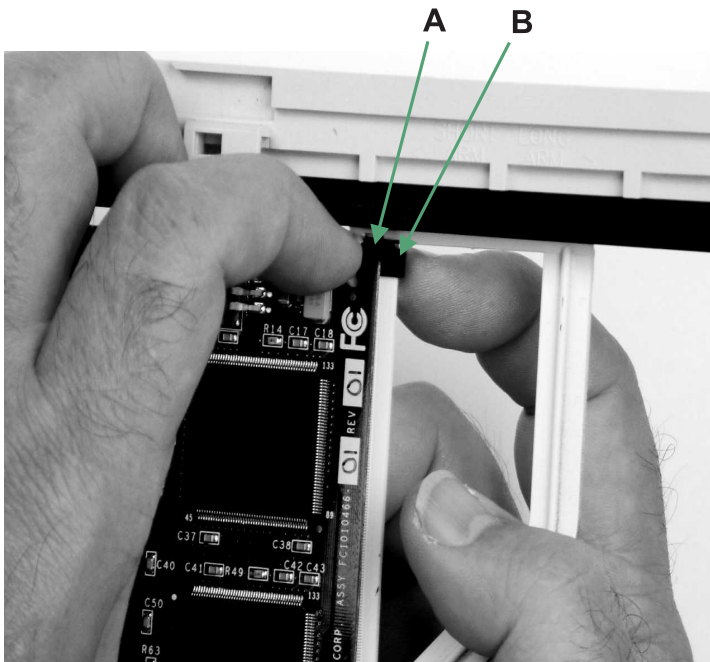
Each adapter arm has a release tab **A** that allows the arm to be moved away from the adapter in the cassette assembly. Use your fingernail to lift the tab, which allows the arm to be moved away from the adapter. Lift the release tab on the large adapter arm, and slide it off the cassette linkage assembly.

10. Remove the large adapter from the cassette.



Remove the adapter from the cassette linkage assembly by rotating the bottom of the tailstock **A** out as shown in the illustration. Store the adapter in a safe place.

11. Go to step 14 on page 63.
12. Slide the adapter arms away from the small adapter.

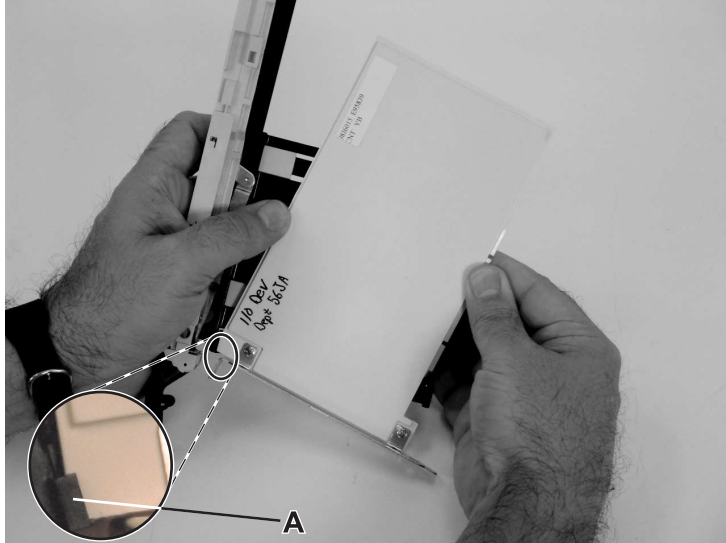


- a. Each adapter arm has a release tab **A** that allows the arm to be moved away from the adapter or blank filler in the cassette assembly. Use your fingernail to lift the tab, which allows each arm to be moved away from the adapter. Lift the release tab on the small adapter arm, and push on the slotted tab **B** to release the end of the blank filler.

Leave the large adapter arm on the cassette linkage assembly.

- b. Slide the large and small adapter arms away from the adapter.

13. Remove the small adapter from the cassette.



Remove the adapter or blank filler from the cassette linkage assembly by rotating the bottom of the tailstock **A** out, as shown in the illustration. Store the adapter or blank filler in a safe place.

14. Install a new adapter as described in “Placing a PCI adapter in a single-width, first or second generation cassette” on page 51.

PCI adapter double-wide cassette

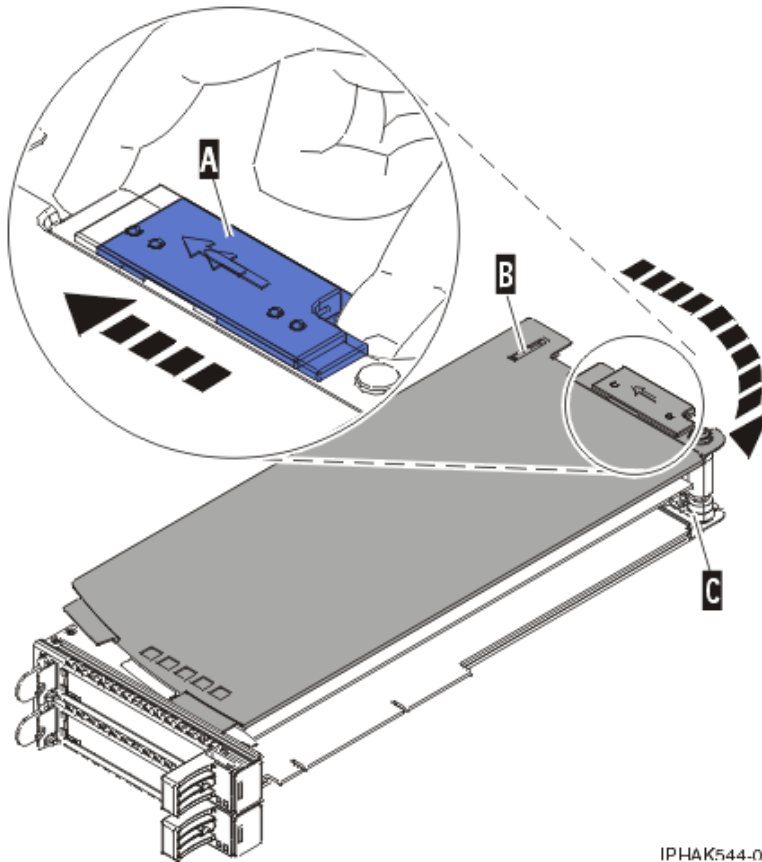
You might need to remove, replace, or install PCI adapters in a double-wide cassette. Use the procedures in this section to perform these tasks.

Removing an adapter from the PCI adapter double-wide cassette

You might need to remove a PCI adapter from a double-wide cassette.

To remove an adapter from the cassette, do the following:

1. Complete the prerequisite tasks that are described in “Before you begin” on page 197.
2. Take appropriate precautions for avoiding electric shock and handling static-sensitive devices. For information, see “Avoiding electric shock” on page 179 and “Handling static-sensitive devices” on page 180.
3. Remove the PCI adapter contained in a cassette from the system.
4. Remove any shipping handles or brackets attached to the adapter.
5. Remove the cassette cover by doing the following:
 - a. Slide the cover latch **A** to disengage it from the pivot pin **C** as shown in the following figure.
 - b. Lift the cover **B** off of the pivot pin.
 - c. Slide the cover off of the cassette.



IPHAK544-0

Figure 44. PCI adapter cassette cover removed

- d. Unscrew pivot pin C and put it in a safe place
6. Remove the adapter from the cassette by doing the following:
 - a. Unlock the adapter retainers by rotating the retainer clip A into the horizontal position. See Figure 45 on page 65.

Notes:

- 1) The edge of the adapter located at the end of the cassette that contains the cassette handles is called the adapter *tailstock*.
 - 2) Two retainers are located at the top of the cassette, along the top edge of the adapter. Two more retainers are located at the edge of the cassette opposite of the adapter tailstock.
 - 3) When the retainer clip is in the horizontal position, the adapter retainers are unlocked and can slide away from the card.
 - 4) If the corner support retainer is used, unlock it, and then slide the corner support retainer away from the card.
- b. Push the adapter retainers B away from the adapter.
 - c. Unlock the adapter tailstock clamp C.
 - d. Rotate the adapter out of the cassette by grasping the edge of the adapter opposite the tailstock and then firmly rotating the adapter toward the bottom of the cassette.
 - e. Lift the adapter out of the tailstock retaining channel.

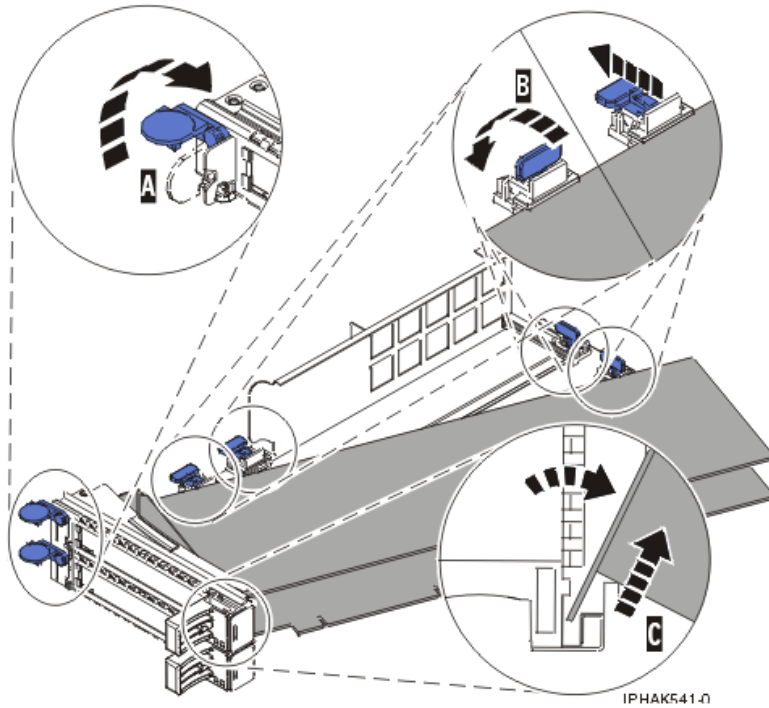


Figure 45. Adapter removed from the PCI adapter cassette

f. Put the adapter in a safe place.

Attention: A cassette containing either a PCI adapter or filler panel must be placed in the PCI adapter slot of the system unit for proper air flow and cooling.

g. Place the adapter in the PCI adapter double-wide cassette. For information, see “Placing an adapter in the PCI adapter double-wide cassette” on page 66.

Note: If the cassette is not going to contain a PCI adapter, use this same procedure to place an adapter filler panel in the cassette.

h. Replace the cassette cover by doing the following:

- 1) Screw pivot pin **C** into place.
- 2) Slide the cover **B** into position on the cassette.
- 3) While holding the cover latch **A** in the open position, place the cover over the pivot pin **C**.
- 4) Release the cover latch to lock the cover into place.

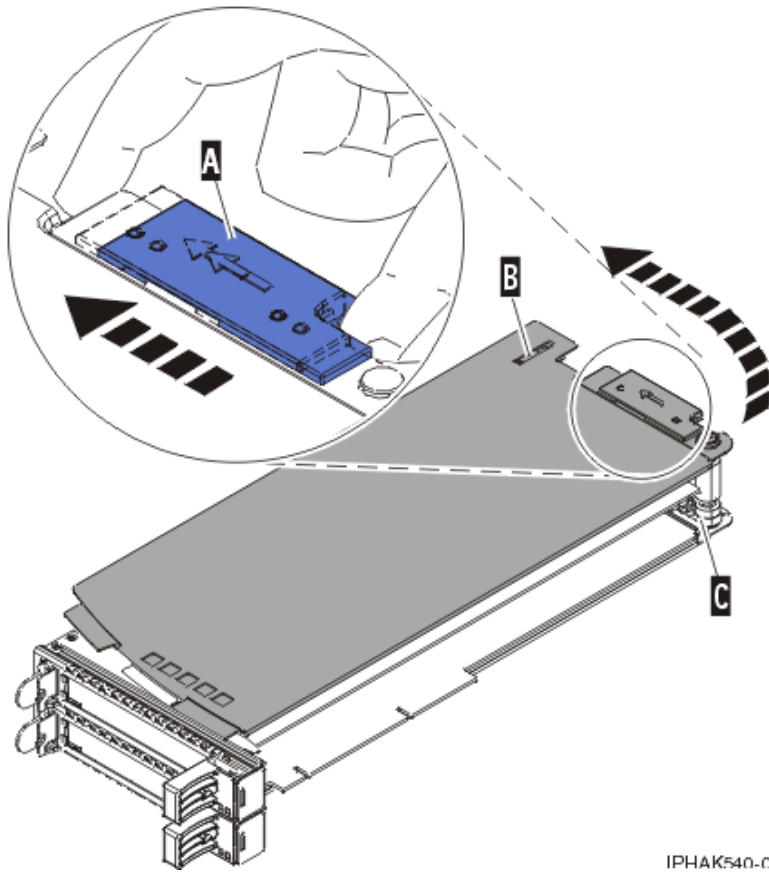


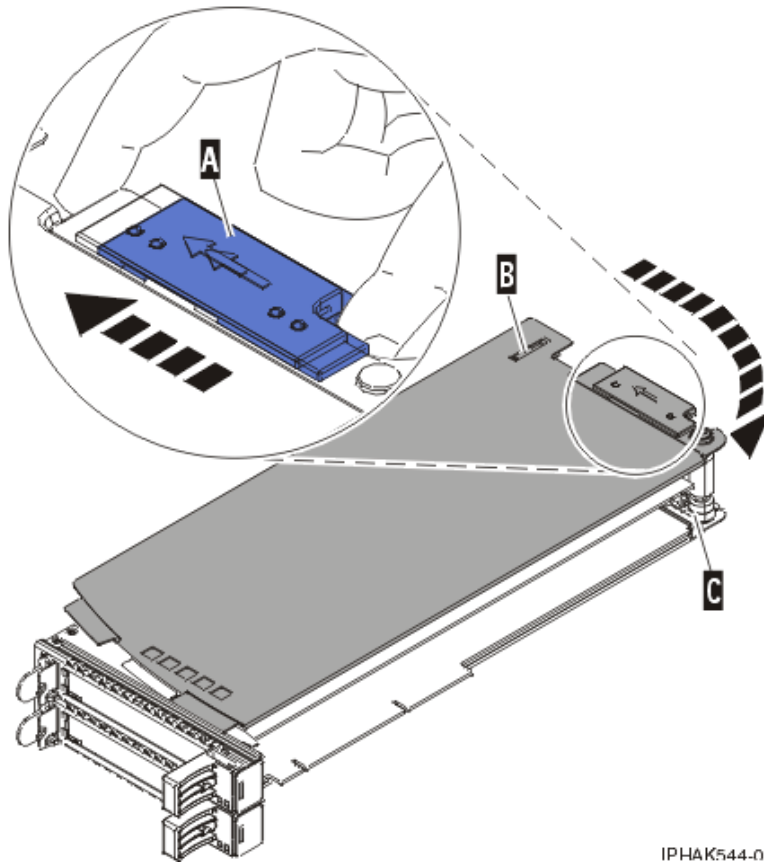
Figure 46. PCI adapter cassette cover replaced

Placing an adapter in the PCI adapter double-wide cassette

You might need to place a PCI adapter in a double-wide cassette.

To place an adapter in a cassette, perform the following steps:

1. Complete the prerequisite tasks that are described in “Before you begin” on page 197.
2. Remove the PCI adapter contained in a cassette from the system.
3. Remove the cassette cover by doing the following:
 - a. Slide the cover latch **A** to disengage it from the pivot pin **C** as shown in the following figure.
 - b. Lift the cover **B** off of the pivot pin.
 - c. Slide the cover off of the cassette.



IPHAK544-0

Figure 47. PCI adapter cassette cover removed

- d. Unscrew pivot pin C and put it in a safe place
4. Ensure the cassette is prepared to receive an adapter by doing the following:
 - a. Ensure the cassette is empty by doing one of the following:
 - Remove the adapter from the PCI adapter double-wide cassette. For information, see “Removing an adapter from the PCI adapter double-wide cassette” on page 63.
 - Remove the adapter filler panel from the cassette.
 - b. Ensure that all of the adapter retainers have been pushed out to the edges of the cassette to allow the placement of the adapter.
 - c. Place the tailstock clamp in the open position by pressing the cassette handle towards the retainer clip.
5. Place the adapter in the cassette by doing the following:
 - a. With the tailstock clamp in the open position, insert the adapter firmly into the tailstock retaining channel A. See Figure 48 on page 68.
 - b. Rotate the adapter toward the top of the cassette and into place.
 - c. Close the tailstock clamp.

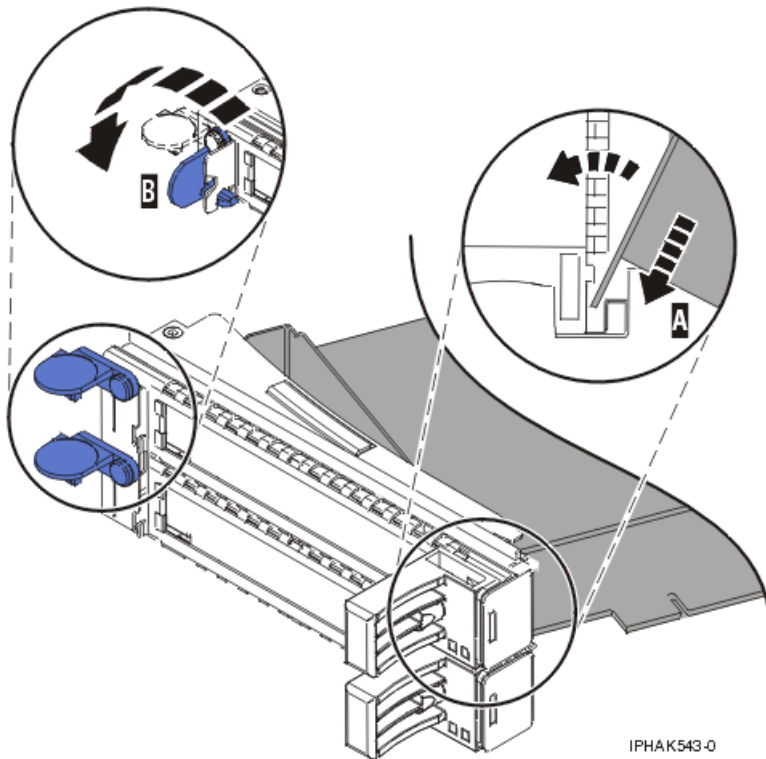


Figure 48. Adapter replaced in the PCI adapter cassette

- d. Position the adapter retainers to support the adapter, and then rotate the retainer clip **B** into the closed position. See Figure 48.

Notes:

- 1) Two retainers are located at the top of the cassette, along the top edge of the adapter. Two more retainers are located at the edge of the cassette opposite of the adapter tailstock.
- 2) When the adapter retainer clip is in the horizontal position, the adapter retainers are unlocked and can slide toward the adapter.
- 3) Place and lock the retainers **B**. See Figure 49 on page 69.

Attention: Use of the lower corner support retainer might interfere with the docking of the PCI card when positioned within the system. Ensure the retainer does not interfere with the adapter connectors on the system backplane.

- 4) Ensure the adapter edge is seated in each retainer groove **A**. If the shape of the adapter or the presence of a connector will not allow the adapter edge to be seated into the retainer groove, ensure the retainer is still locked firmly against that edge or connector.

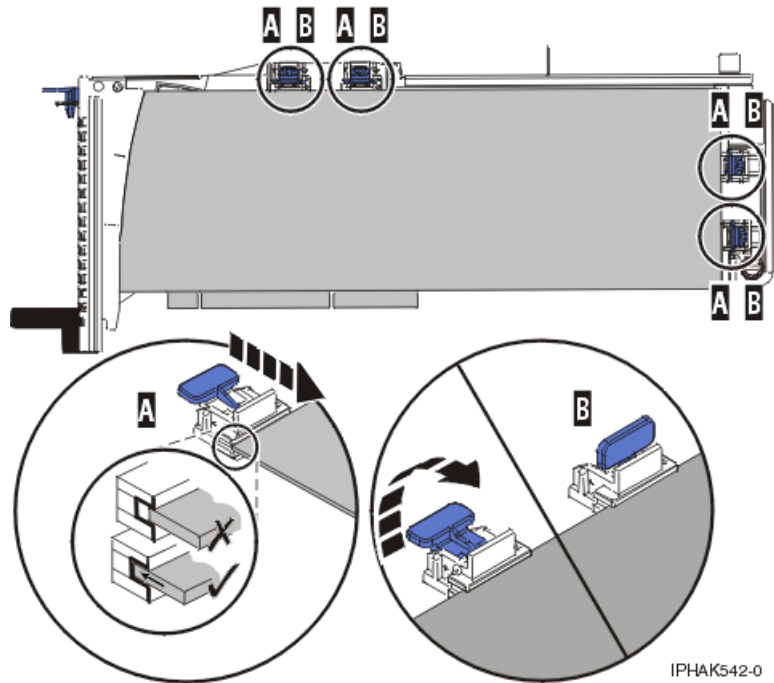


Figure 49. Long adapter in the PCI adapter cassette with the supports and stabilizer in place

6. After the retainers are placed, replace the cassette cover by doing the following:
 - a. Screw pivot pin **C** into place.
 - b. Slide the cover **B** into position on the cassette as shown in the following figure.
 - c. While holding the cover latch **A** in the open position, place the cover over the pivot pin **C**.
 - d. Release the cover latch to lock the cover into place.

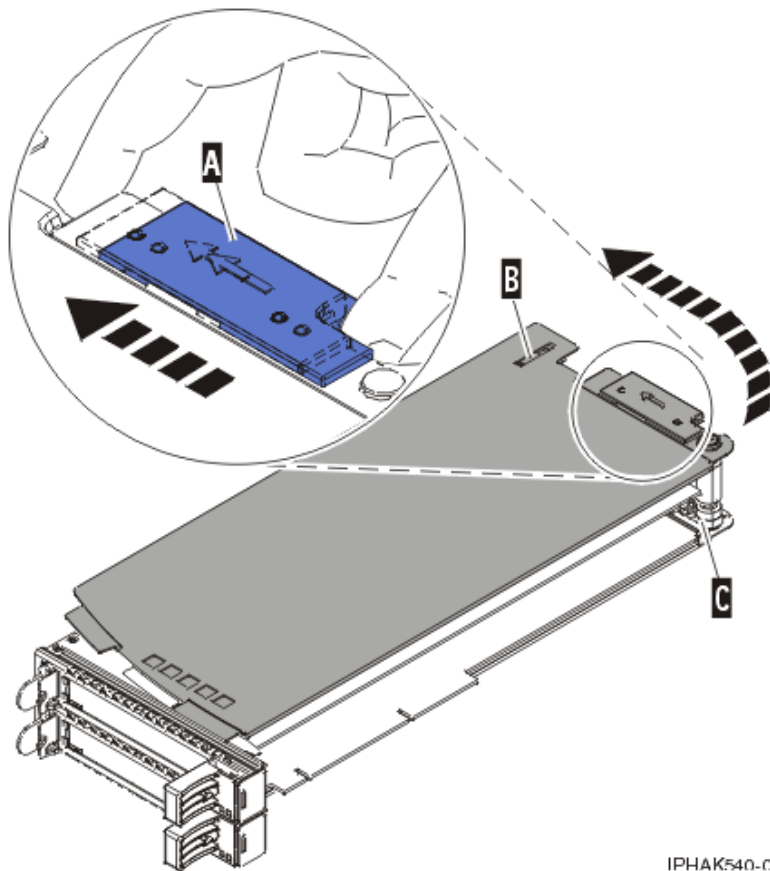


Figure 50. PCI adapter cassette cover replaced

7. Replace the PCI adapter contained in a cassette in the system.

Attention: A cassette containing either a PCI adapter or filler panel must be placed in the PCI adapter slot of the system unit for proper air flow and cooling.

PCI adapter double-wide cassette, generation 2.5 cassette

You can remove or place a PCI-X double-wide, quad-channel Ultra320 SCSI RAID Controller in a generation 2.5, double-wide cassette.

Placing a PCI adapter in a double-wide, generation 2.5 cassette

You can place a PCI-X double-wide, quad-channel Ultra320 SCSI RAID Controller or PCI-X DDR 1.5 GB cache SAS RAID Adapter in a generation 2.5, double-wide cassette. Use the procedure in this topic to perform this task.

This procedure is for use by service providers.

Attention: Do not touch exposed electronic components on the adapter during this procedure or short them with any type of metal object.

Before you begin: Ensure that you have the following tools and parts:

- Phillips screwdriver
- Needle-nose pliers
- Complete cassette-assembly, FRU 44V5205*
 - The cassette assembly contains extra screws or clips. Some of these parts are left over after the assembly.

- One of the following double-wide adapters:
 - PCI-X double-wide, quad-channel Ultra320 SCSI RAID Controller, FRU 42R6578*, or later.
 - PCI-X DDR 1.5 GB cache SAS RAID Adapter, FRU 44V5193*, or later.

The cassette assembly can also be ordered with the double-wide adapter already installed using one of the following FRUs:

- PCI-X double-wide, quad-channel Ultra320 SCSI RAID Controller, FRU 44V4608*, or later.
- PCI-X DDR 1.5 GB cache SAS RAID Adapter, FRU 44V7627*, or later.

*Designed to comply with RoHS requirement

Figure 51 shows the PCI-X double-wide, quad-channel Ultra320 SCSI RAID Controller and the main parts that make up the cassette assembly. The PCI-X DDR 1.5 GB cache SAS RAID Adapter looks similar and the same illustrations are used for both adapters.

Some steps refer to the adapter tail stock, which is the front end of the adapter with the external connectors. The other end of the adapter is referred to in the steps as the rear of the adapter.

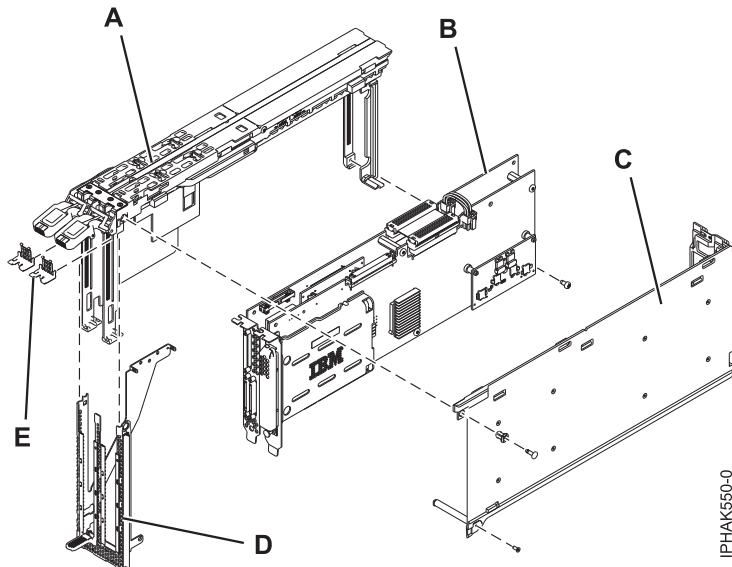
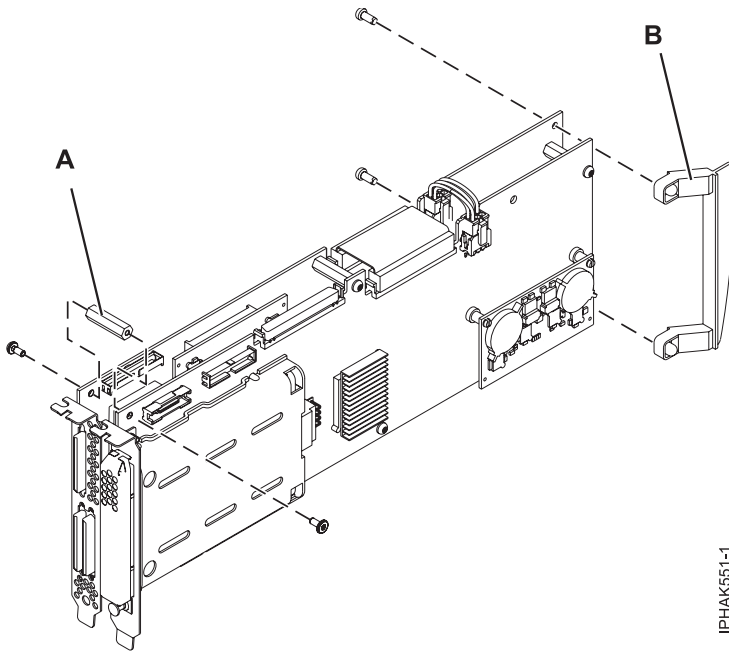


Figure 51. PCI-X double-wide, quad-channel Ultra320 SCSI RAID Controller and the main parts that make up the cassette assembly

- (A) Cassette assembly
- (B) Double-wide adapter
- (C) Cover
- (D) Face plate
- (E) Metal clips

To place the double-wide adapter in the cassette assembly, do the following steps:

1. Remove the adapter handle (B) and the spacer (A) between the two halves of the adapter. Optionally, you can also remove the cache battery cover. See Figure 52 on page 72.

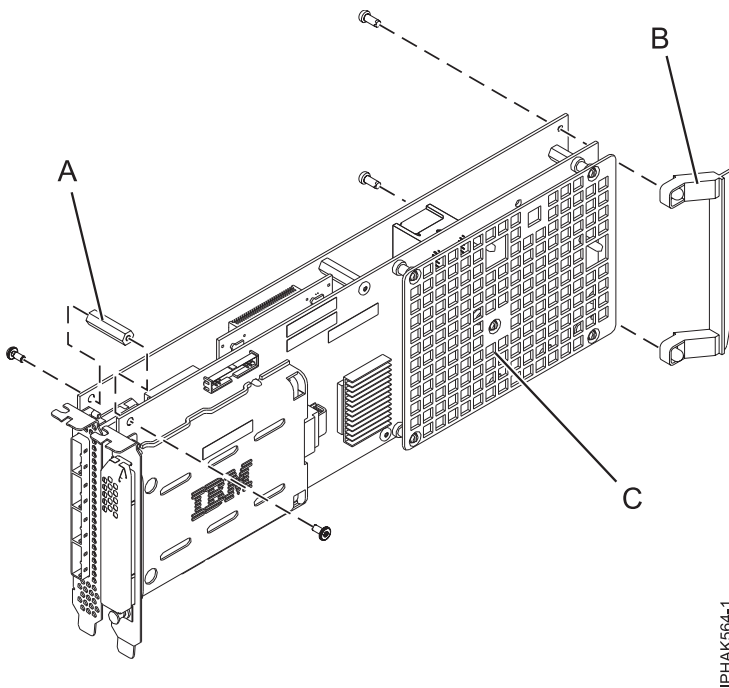


IPHAK551-1

Figure 52. Removing the adapter handle and spacer

2. On a PCI-X DDR 1.5 GB cache SAS RAID Adapter, remove the plastic grid (C) from the plastic standoffs, but leave the standoffs in place. See Figure 53.

Attention: Do not touch exposed electronic components on the adapter during this procedure or short them with any type of metal object.



IPHAK564-1

Figure 53. Removing the plastic grid from a PCI-X DDR 1.5 GB cache SAS RAID Adapter

3. Align the double-wide adapter with the cassette assembly so that the spacer (A) on the cassette assembly fits between the two sides of the double-wide adapter. Place the cassette onto the adapter.

See Figure 54.

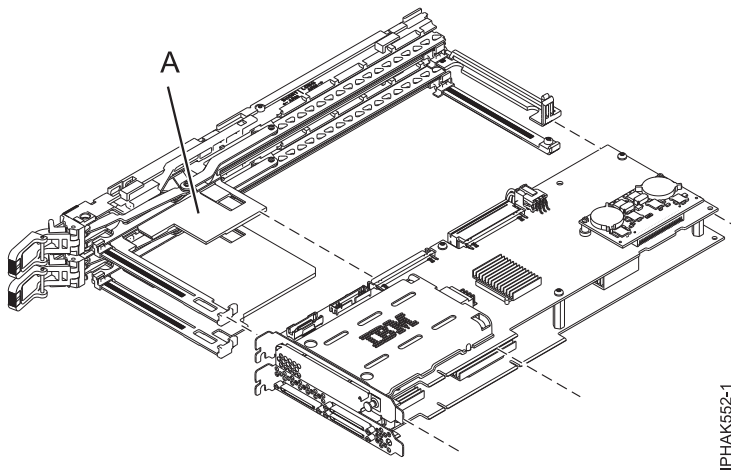


Figure 54. Placing the double-wide adapter in the cassette assembly

4. With the levers on the cassette assembly fully extended out, attach all four corners of the cassette assembly to the double-wide adapter as described in the following substeps:
 - a. Insert the top of the double-wide adapter tail stock into the notches in the cassette assembly, and then secure the bottom of the double-wide adapter tail stock to the cassette assembly. See Figure 55.

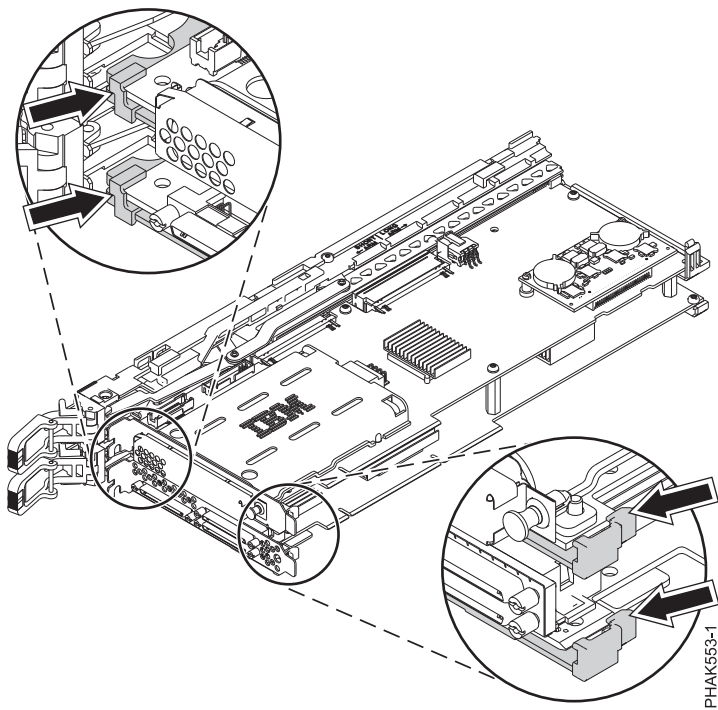


Figure 55. Placing the double-wide adapter in the cassette assembly

- b. Attach the notches of the rear arms of the cassette assembly at the rear end of the double-wide adapter. See Figure 56 on page 74. When you attach the upper, right part of the cassette assembly to the adapter, you might need to adjust the slider to set it in place.

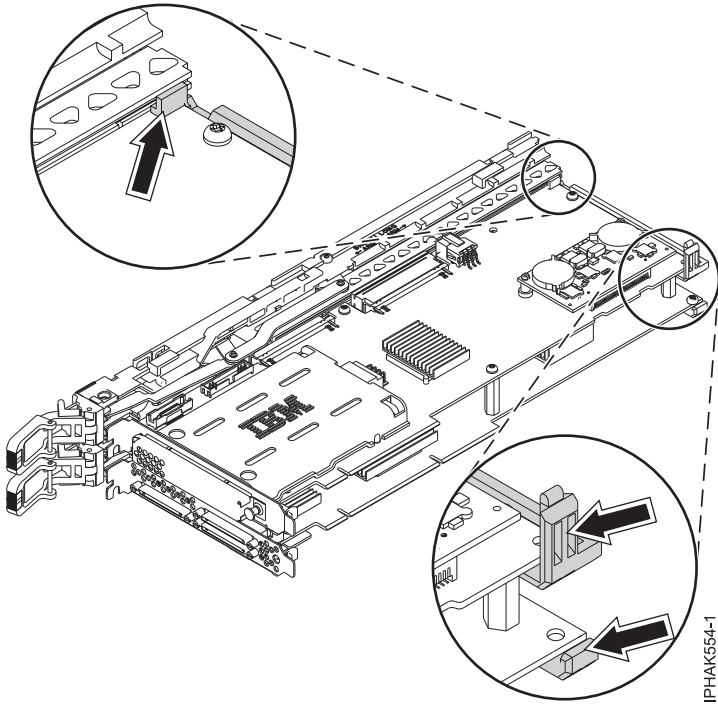


Figure 56. Placing the double-wide adapter in the cassette assembly

5. Secure the lower, rear arm of the cassette assembly to the rear end of the double-wide adapter using the small screw. See Figure 57.

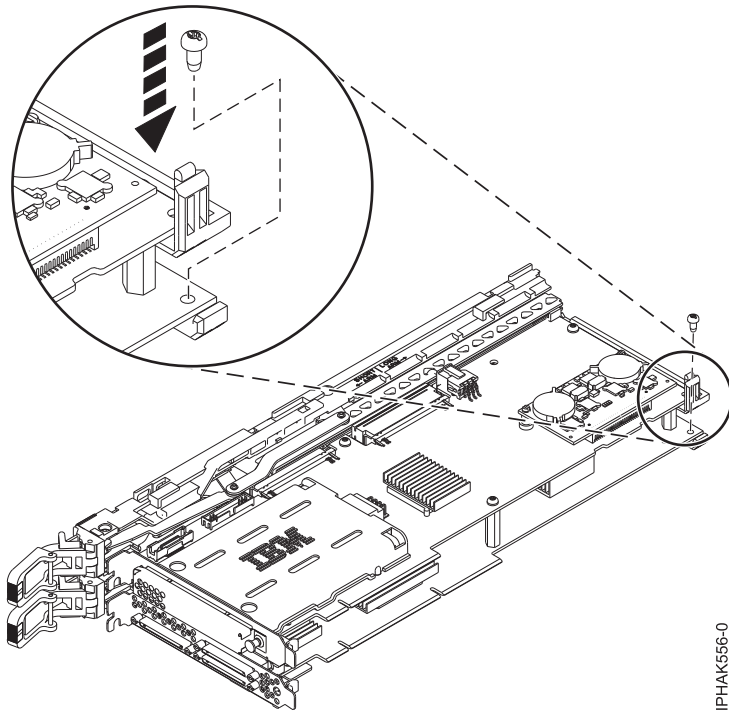


Figure 57. Securing the lower, rear arm of the cassette assembly

6. Install the cover: See Figure 58 on page 75.

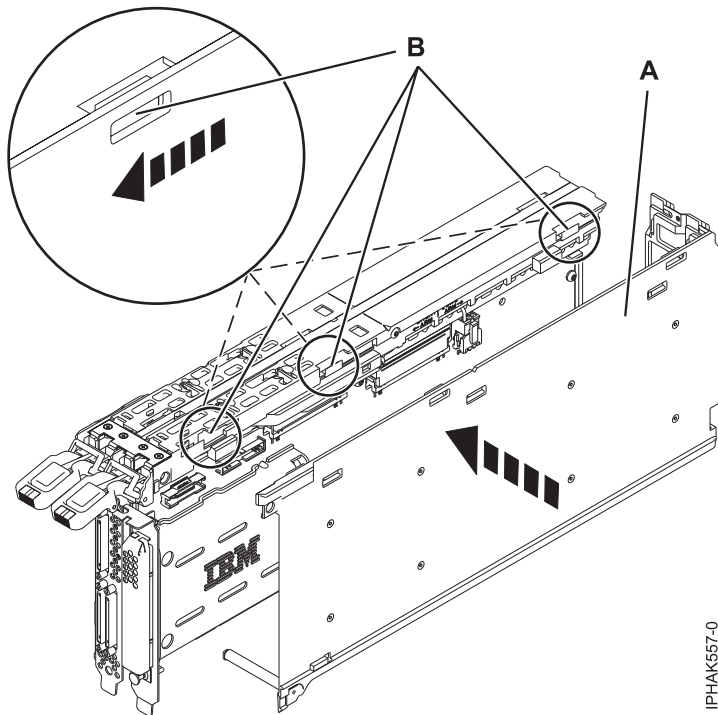


Figure 58. Installing the cover

- a. Place the cover (**A**) on the cassette assembly and align the hole on the cover with the tabs (**B**) on the assembly.
 - b. Slide the cover toward the locking arms until the holes and tabs click into place.
The cover might be difficult to slide. If you grasp the left end of the cassette assembly and the right end of the cover, you can use enough force to press the cover onto the cassette assembly.
7. Attach the face plate to the front of the cassette assembly as shown in Figure 59 on page 76. Then, insert the tab at the bottom of the cassette cover assembly into the notch on the face plate as shown in Figure 60 on page 76.

Tips:

- Starting at the bottom, slide the face plate up into the double-wide cassette assembly.
- Spread the openings in the face late as you slide it on.
- Be sure to align the bottom tabs (**B**) on the adapter tail stock with the cutouts (**C**) in the bottom of the face plate.
- Ensure that the top of the face plate inserts into the notches on both the front and sides of the cassette assembly.
- When you attach the face plate to notch (**A**), adjust the cassette cover to make room for the face place to connect.

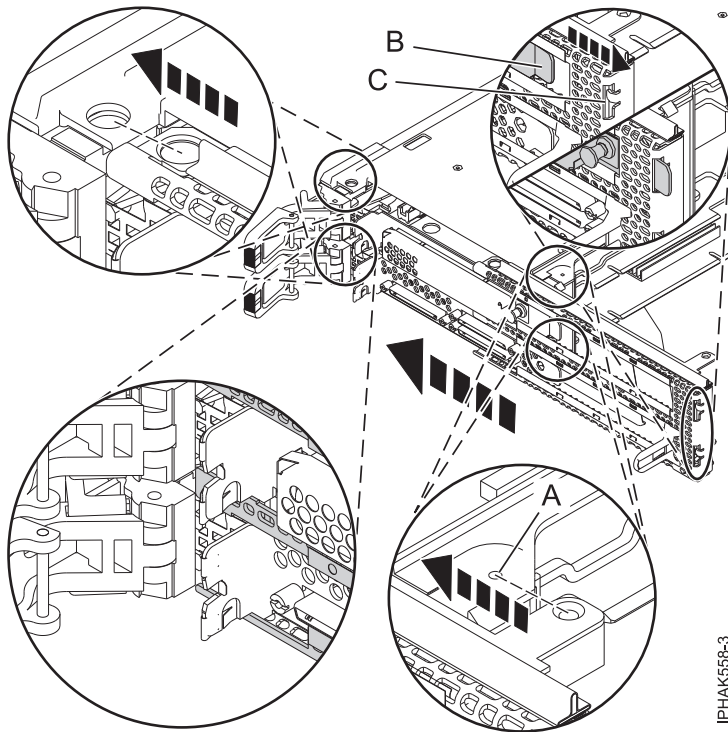


Figure 59. Attaching the face plate

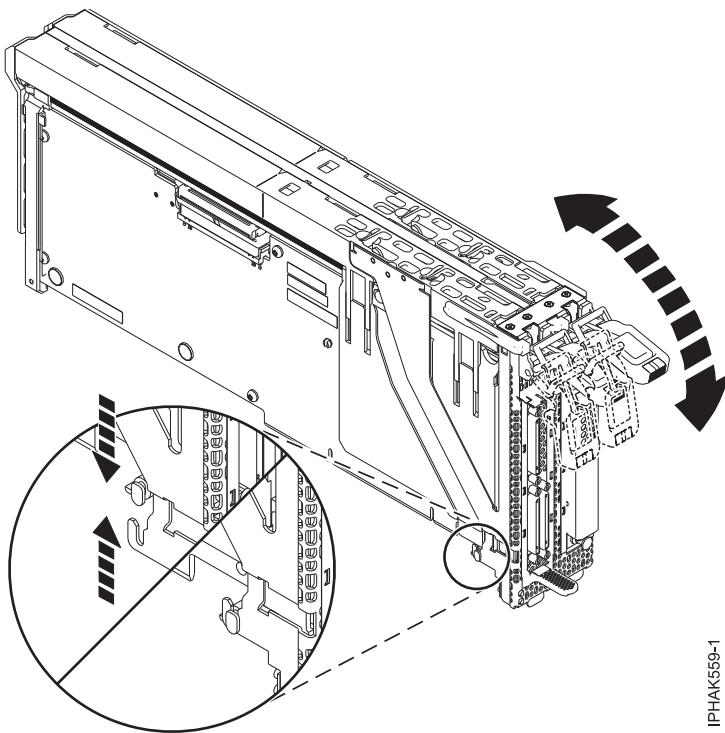


Figure 60. Attaching the face plate

8. Press the outer arms of the face plate assembly into place. See Figure 61 on page 77.

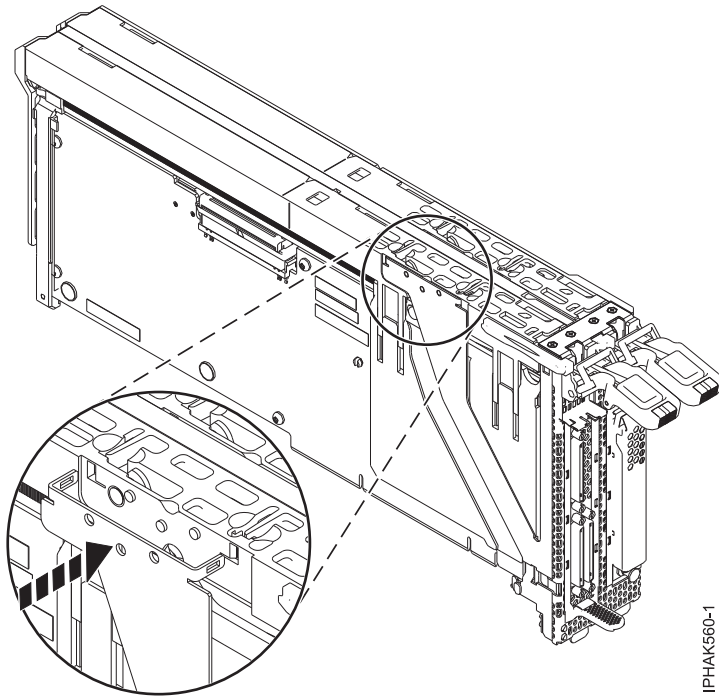


Figure 61. Attaching the face plate

9. Attach the push pin (A) to the top of cassette assembly by the tail stock and press into place. See Figure 62.
10. Secure the small, Phillips screw (B) into the bottom of the tail stock. See Figure 62.
11. Secure the small, Phillips screw (C) at the rear of the cassette assembly. See Figure 62.

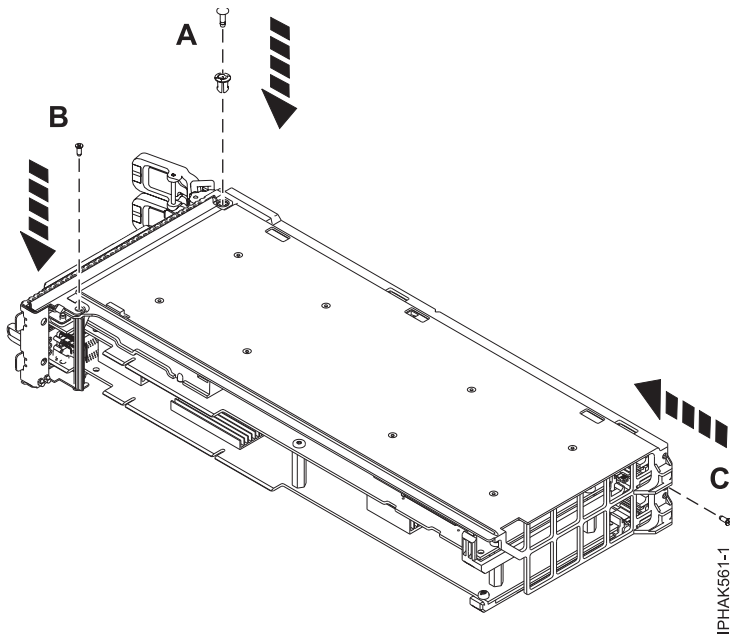


Figure 62. Attaching the push pin and screws

12. Raise the locking arms and insert the two metal clips into the front of the assembly as described in these substeps:

- a. Insert the top of the clips first in behind the two small metal tabs just below each lever assembly.
- b. Press the bottom of the clips onto the adapter tail stock tabs.
- c. Ensure that the locking arms move without obstructions.

See Figure 63.

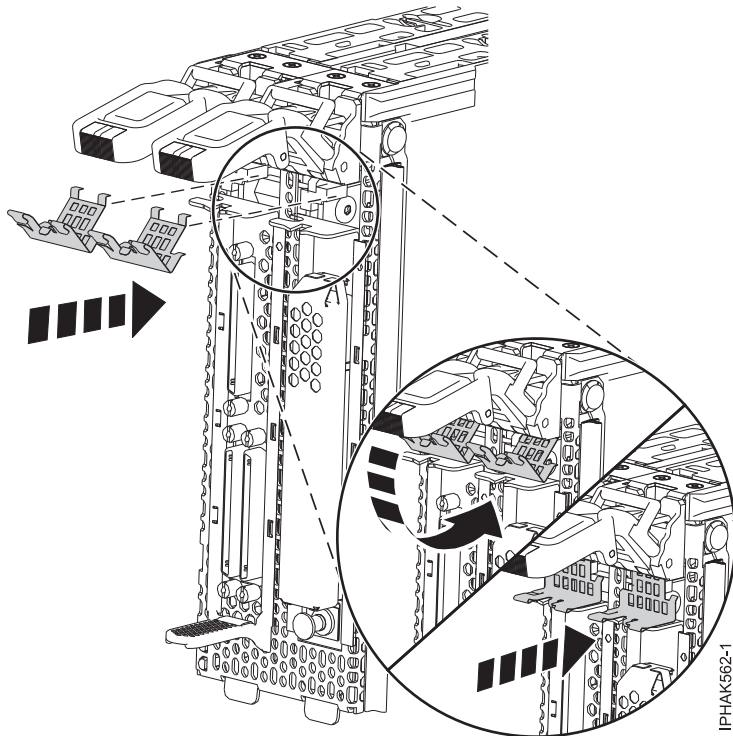


Figure 63. Inserting the two metal clips into the front of the assembly

13. If you removed the cache-battery cover in step 1 on page 71 (optional) and you have not already done so, put the cover back on.
14. Install the cassette assembly into the I/O expansion unit as described in the following substeps:
 - a. Ensure the locking arms **(A)** are down.
 - b. Carefully slide the cassette assembly all the way into the I/O expansion unit. As you slide the cassette assembly in, keep applying downward pressure to the locking arms to tilt the back of the assembly upward as it is going in.
 - c. Ensure that the cassetted adapter is positioned in the I/O expansion unit so that the bottom of the tail stock goes through the openings in the chassis. If they are not aligned, the adapter cannot not plug into the PCI connector.
 - d. Secure the cassette assembly by rotating the locking arms up.
 - e. Press down on the top of the tail stock brackets to dock the back part of the adapter into the PCI connector on the chassis.

See Figure 64 on page 79.

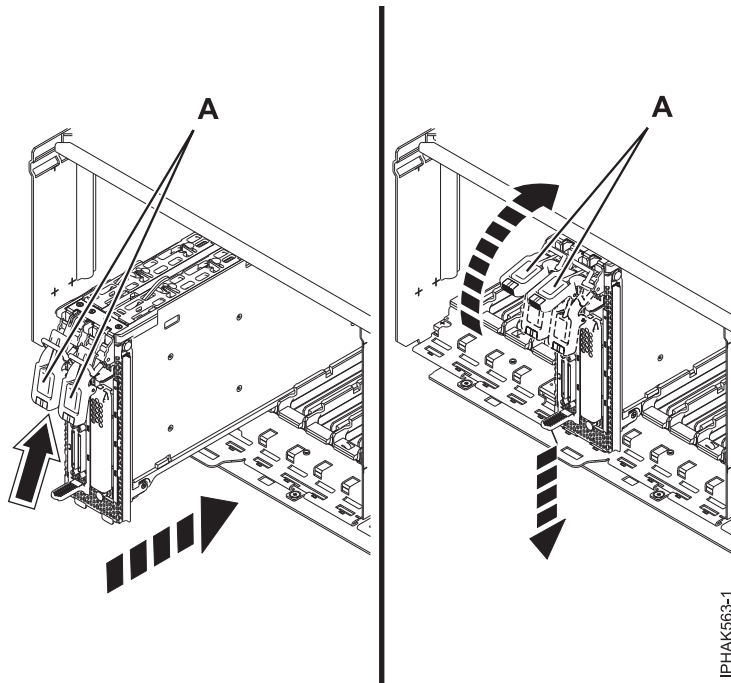


Figure 64. Installing the cassette assembly into the I/O expansion unit

Removing a PCI adapter from a double-wide, generation 2.5 cassette

You can remove a PCI-X double-wide, quad-channel Ultra320 SCSI RAID Controller or PCI-X DDR 1.5 GB cache SAS RAID Adapter from a generation 2.5, double-wide cassette.

This procedure is for use by service providers.

Attention: Do not touch exposed electronic components on the adapter during this procedure or short them with any type of metal object.

Before you begin: Ensure that you have the following tools and parts:

- Phillips screwdriver
- Needle-nose pliers
- Complete cassette-assembly, FRU 44V5205*
 - The cassette assembly contains extra screws or clips. Some of these parts are left over after the assembly.
- One of the following double-wide adapters:
 - PCI-X double-wide, quad-channel Ultra320 SCSI RAID Controller, FRU 42R6578*, or later.
 - PCI-X DDR 1.5 GB cache SAS RAID Adapter, FRU 44V5193*, or later.

The cassette assembly can also be ordered with the double-wide adapter already installed using one of the following FRUs:

- PCI-X double-wide, quad-channel Ultra320 SCSI RAID Controller, FRU 44V4608*, or later.
- PCI-X DDR 1.5 GB cache SAS RAID Adapter, FRU 44V7627*, or later.

*Designed to comply with RoHS requirement

Tip: If you are reassembling an adapter into the cassette, pay close attention to how the pieces come apart.

The following figure shows the PCI-X double-wide, quad-channel Ultra320 SCSI RAID Controller and the main parts that make up the cassette assembly. The PCI-X DDR 1.5 GB cache SAS RAID Adapter looks similar and the same illustrations are used for both adapters. Some steps refer to the adapter tail stock, which is the front end of the adapter with the external connectors. The other end of the adapter is referred to in the steps as the rear of the adapter.

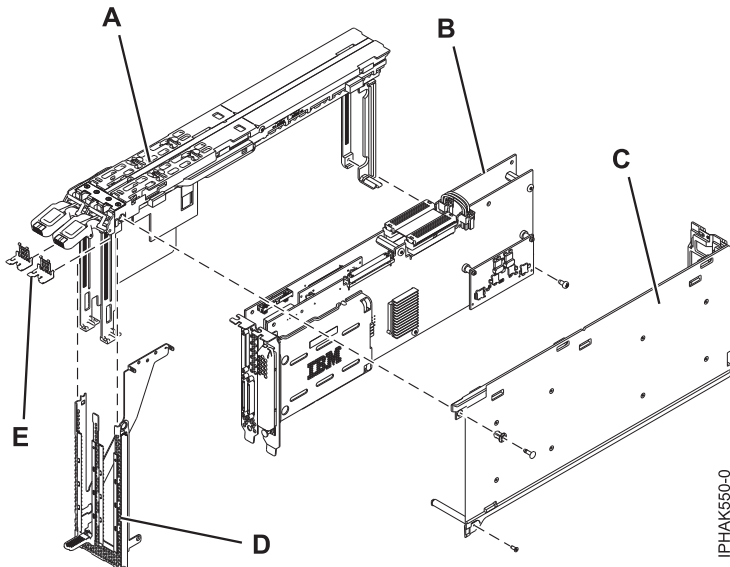


Figure 65. PCI-X double-wide, quad-channel Ultra320 SCSI RAID Controller and the main parts that make up the cassette assembly.

- (A) Cassette assembly
- (B) Double-wide adapter
- (C) Cover
- (D) Face plate
- (E) Metal clips

To remove the double-wide adapter from the cassette assembly, do the following steps:

1. Remove the cassette assembly from the I/O expansion unit:
 - a. Ensure that the locking arms **(A)** are down as shown in Figure 66 on page 81.
 - b. Lift on the top of the tail stock brackets to undock the back part of the adapter from the PCI connector on the chassis and detach the tail stock from the openings in the chassis.
 - c. Carefully slide the cassette assembly all the way out of the I/O expansion unit. See Figure 66 on page 81.

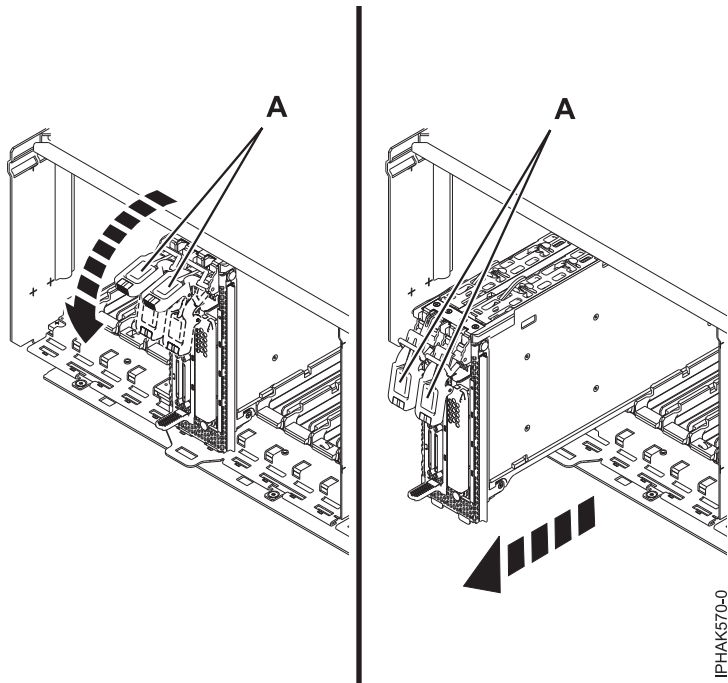


Figure 66. Removing the cassette assembly from the I/O expansion unit

2. Raise the locking arms to the full up position and remove the two metal clips from the front of the assembly. See Figure 67

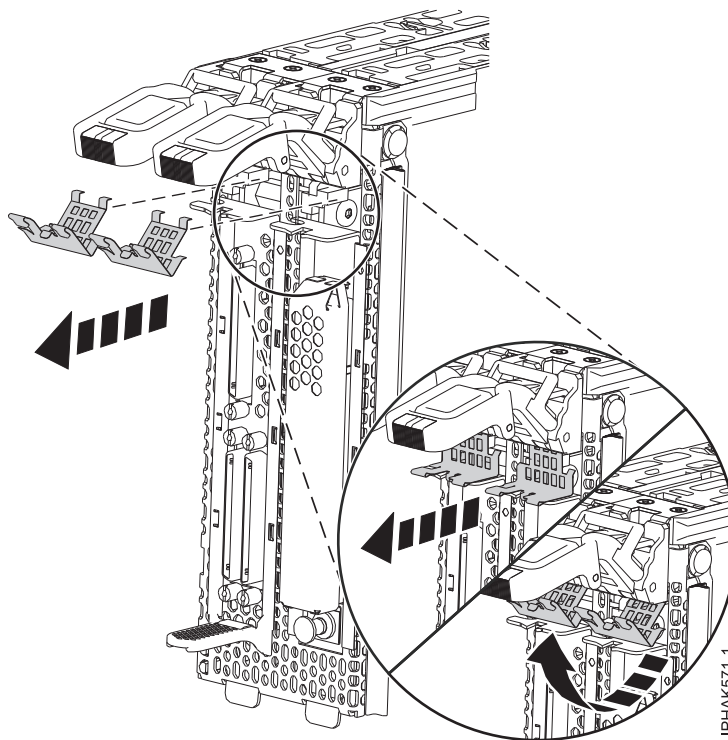


Figure 67. Removing the two metal clips into the front of the assembly

3. Remove the push pin (A) from the top of cassette assembly by the tail stock. See Figure 68 on page 82.

4. Remove the screw (B) from the bottom of the tail stock. See Figure 68.
5. Remove the screw (C) from the rear of the cassette assembly. See Figure 68.

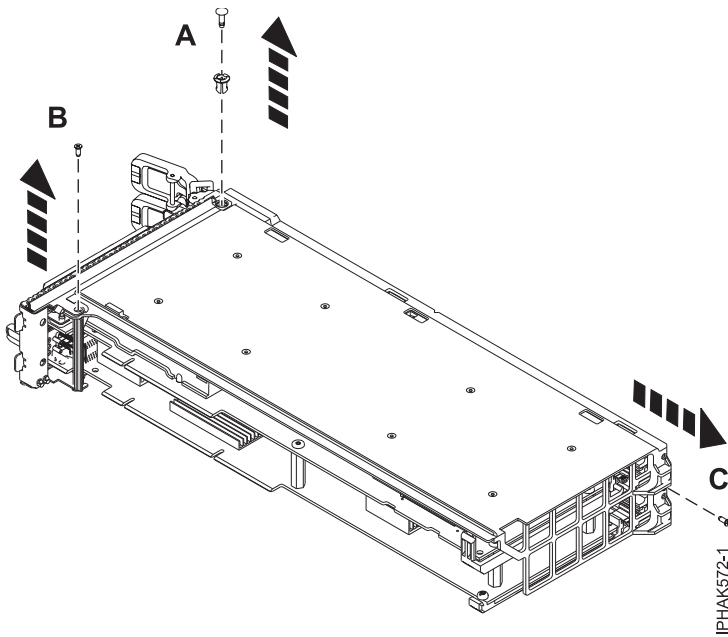


Figure 68. Removing the push pin and screws

6. Detach the outer arms of the face plate assembly by releasing the plastic locking tabs (A). See Figure 69.

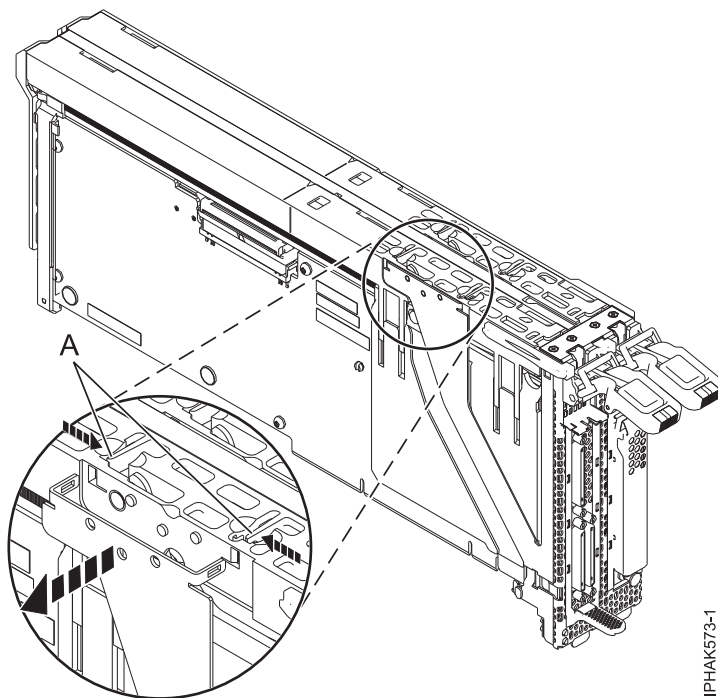


Figure 69. Detaching the face plate

7. Ensure that the locking arms are lowered at the start of this step. Then, detach the tab at the bottom of the cassette assembly from the notches on the face plate and lift on the locking arms. See

Figure 70. Use care not to damage the plastic tab.

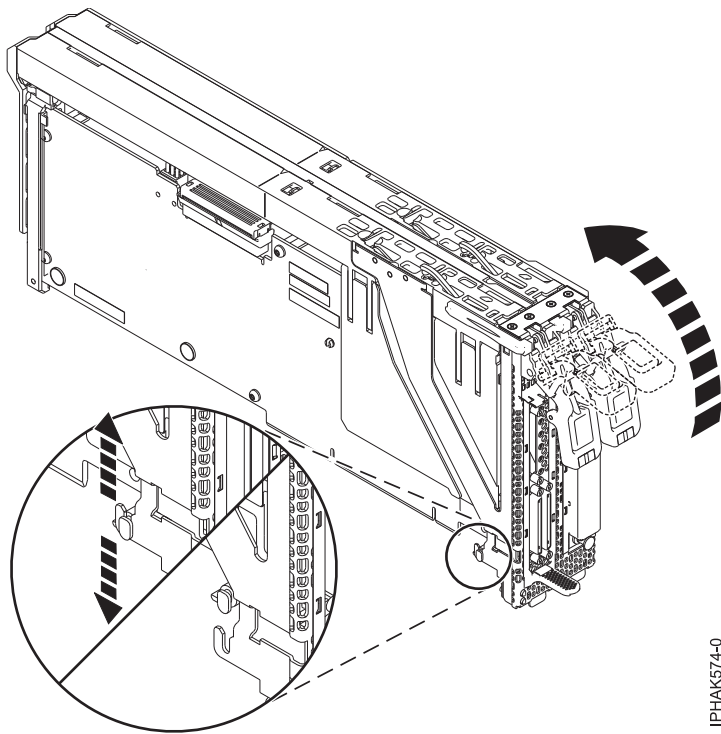


Figure 70. Detaching the face plate

8. Remove the face plate from the front of the cassette assembly by sliding it down. Ensure that the top of the face plate detaches from the notches on both the front and sides of the cassette assembly. See Figure 71 on page 84.

Important:

- Press in on the black tab (A) to release the metal, bottom, side tab of the face plate. This tab is the same location where you removed a screw in step 4 on page 82
- While sliding the face plate downwards, you might need to manipulate the top center rail of the face plate for it to continue to slide freely.

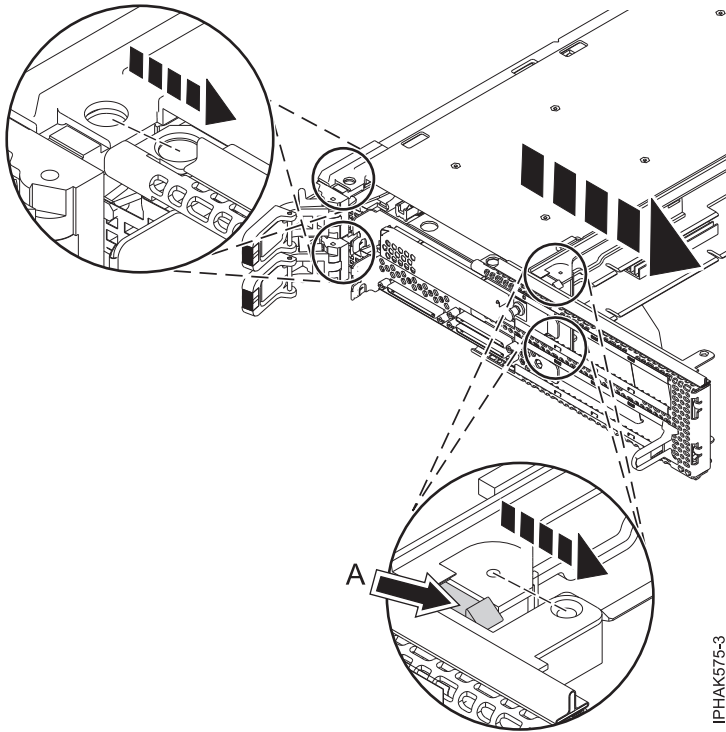
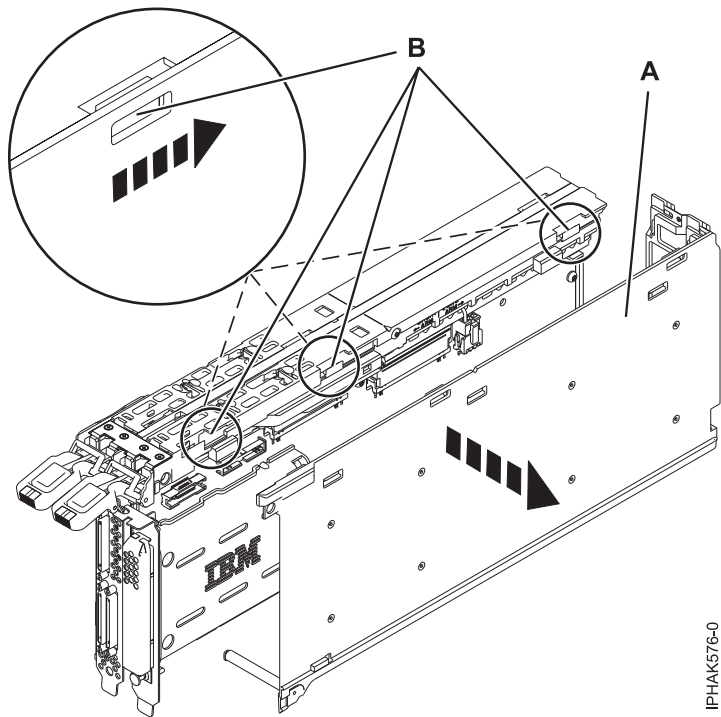


Figure 71. Detaching the face plate

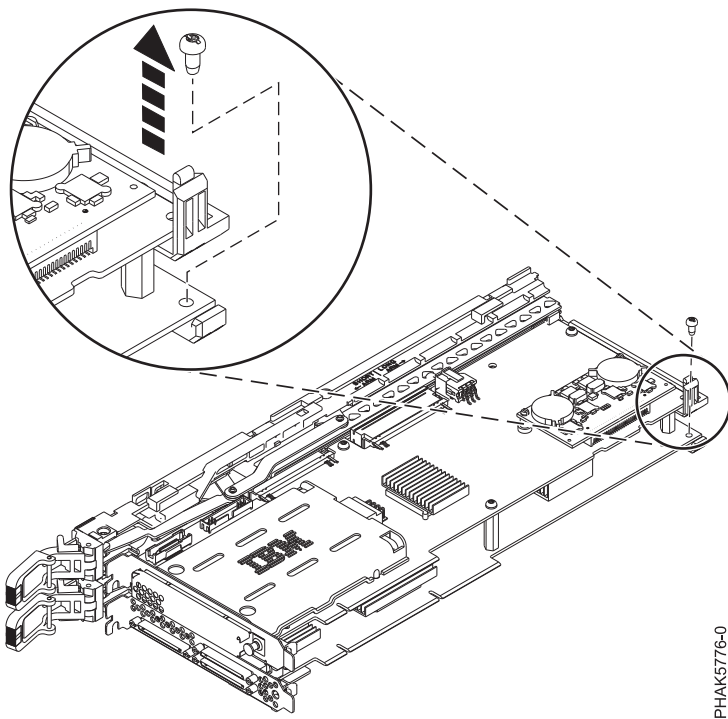
9. Remove the cover:
 - a. Slide the cover away from the locking arms until the holes and corresponding tabs detach (**B**). See Figure 72 on page 85.
 - b. Pull the cover away from the adapter (**A**). See Figure 72 on page 85.



IPHAK576-0

Figure 72. Removing the cover

10. Remove the small screw that secures the lower, rear arm of the cassette assembly from the rear end of the double-wide adapter. See Figure 73.



IPHAK5776-0

Figure 73. Removing the lower, rear arm of the cassette assembly

11. With the levers on the cassette assembly fully extended out, detach all four corners of the cassette assembly from the double-wide adapter:

- a. Remove the top corner of the double-wide adapter tail stock from the notches in the cassette assembly. Then move the double-wide adapter tail stock up to free the bottom of the double-wide adapter tail stock from the cassette assembly. See Figure 74.

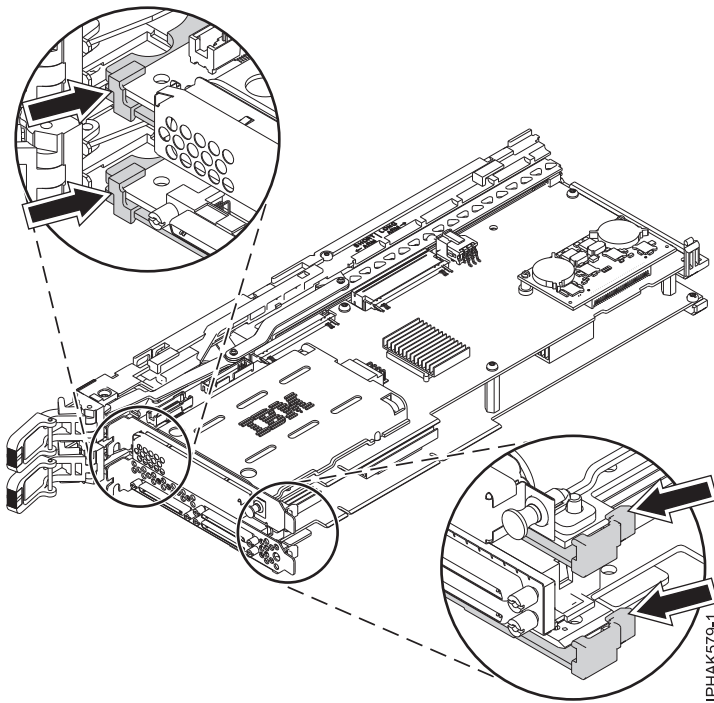


Figure 74. Detaching the corners of the cassette assembly

- b. Detach the rear arms of the cassette assembly from the bottom corners of the double-wide adapter. See Figure 75 on page 87.

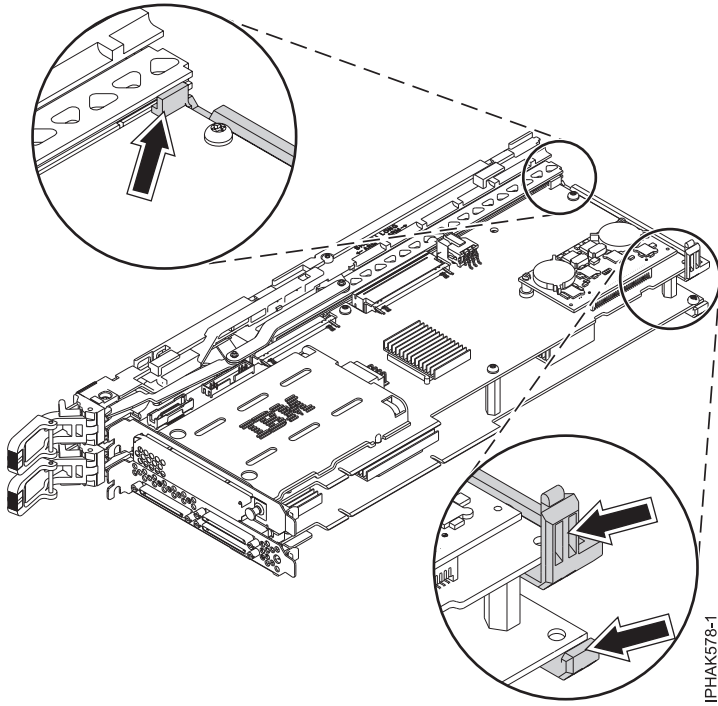


Figure 75. Detaching the rear arms of the cassette assembly

12. Pull the double-wide adapter away from the cassette assembly and carefully place it on an ESD protective surface. See Figure 76.

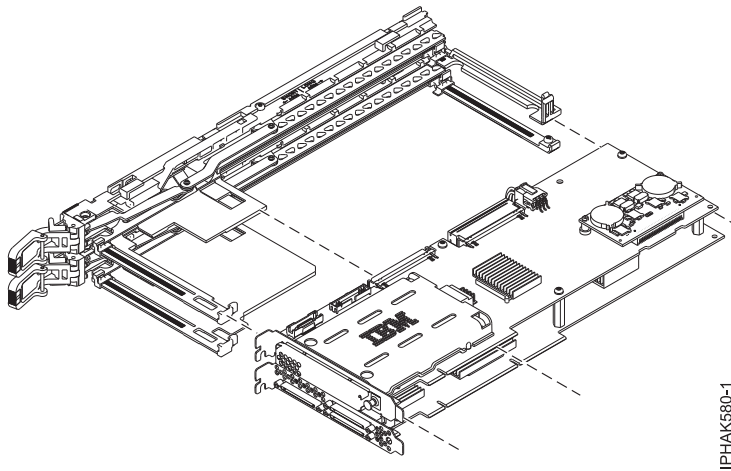


Figure 76. Pulling the double-wide adapter away from the cassette assembly

Model 5796 expansion units, PCI adapters and cassettes

You can remove, replace, or install PCI adapter cassettes.

Important:

- If you are removing, installing or replacing a PCI-X double-wide, quad-channel Ultra320 SCSI RAID controller, note the following concurrent maintenance information before proceeding with the instructions provided here. Concurrent maintenance of this double-wide adapter is not supported through the HMC. Concurrent maintenance must be done from within the partition operating system.

In IBM i, the Hardware Service Manager (HSM) of the system or owning partition will automatically power off or on both PCI slots when either slot is selected. In AIX or Linux, you must manually power off and on each slot separately.

Note:

- Both PCI slots must be powered off when installing or removing this adapter with the system power on.
- If this adapter is the load source IOA, or any other storage IOA with critical storage devices attached to the system, this concurrent maintenance procedure should be performed by a qualified service provider.
- If you are removing, installing or replacing a PCI-X DDR 1.5 GB cache SAS RAID Adapter, note the following concurrent maintenance information before proceeding with the instructions provided here. Concurrent maintenance of this adapter is not supported through the HMC. Concurrent maintenance must be done from within the partition operating system. In IBM i, the Hardware Service Manager (HSM) of the system or owning partition will automatically power off or on both PCI slots when either slot is selected. In AIX or Linux, you must manually power off and on each slot separately.

Note:

- Both PCI slots must be powered off when installing or removing this adapter with the system power on.
- If this adapter is the load source IOA, or any other storage IOA with critical storage devices attached to the system, this concurrent maintenance procedure should be performed by a qualified service provider.
- Fibre Channel Adapters (5735 or 5774) installed in IBM i OS logical partitions will post errors at initial program load (IPL) if there is no device or wrap plug attached to each of the adapter's ports. Make sure that every Fibre Channel Adapter (5735 or 5774) that is installed in IBM i OS logical partition has either a wrap plug or a device attached to each of the adapter's ports. If you are exchanging a 5735 or 5774 Fibre Channel IOA, the external storage subsystem must be updated to use the worldwide port name of the new 5735 or 5774 IOA. For instructions, see "Updating the worldwide port name for a new 5735 or 5774 IOA." on page 181
- If you are replacing a 2748, 2757, 2763, 2767, 2778, 2780, 2782, 5702, 5709, or 570B storage IOA, take note of the following: Depending on the configuration of the system, the storage IOA cache might have been disabled to allow the attachment of OEM storage that emulates a load source drive. If you are replacing a storage IOA that has its cache disabled, configure the replacement IOA the same way as the IOA that you removed. If you remove hardware from the replacement IOA, return that hardware with the failed IOA.

Installing a PCI adapter contained in a cassette

You can install a PCI adapter.

Installing a PCI adapter contained in a cassette with the power off

You can install a PCI adapter.

If you are installing a new feature, ensure that you have the software that is required to support the new feature and that you determine whether there are any prerequisites. To check for the prerequisites, see IBM Prerequisite website (www-912.ibm.com/e_dir/eServerPrereq.nsf). If the required software is not installed, see the following websites to download it, and then install it before continuing:

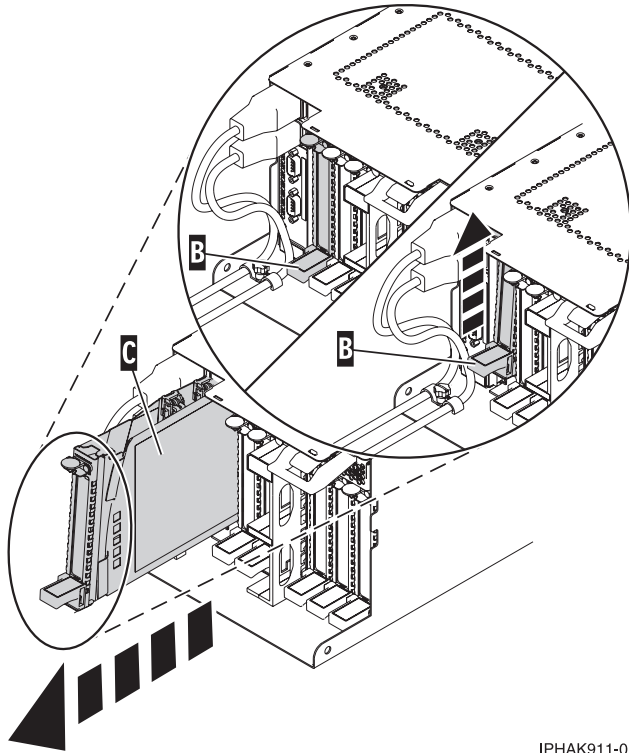
- To download firmware and software updates and fixes, see the Fix Central (www.ibm.com/support/fixcentral).
- To download Hardware Management Console (HMC) updates and fixes, see Hardware Management Console Support and downloads (<http://www14.software.ibm.com/webapp/set2/sas/f/hmcl/home.html>).

Notes:

- If the system is partitioned, you must determine the partition owning the I/O slot. Once the adapter is installed, the I/O slot must be powered on in the operating system.
- If an I/O slot on a partitioned system is not owned by a partition, then the I/O slot cannot be powered on.
- Adding an I/O slot to a partition using dynamic logical partitioning (DLPAR) will power on the I/O slot as part of the DLPAR add. For information about DLPAR, see Dynamic Logical Partitioning.
- To learn more about working in a partitioned environment, see Logical partitioning.
- If a PCI adapter with CCIN 577D is installed in location P1-C4 of a 5802 or 5877 expansion unit, do not complete the install procedure for the PCI adapter in location P1-C5 with the system power on. The install action with the power on might cause the PCI adapter in location P1-C4 to fail.
- If a PCI adapter with CCIN 577D is installed in location P1-C4 of a 5802 or 5877 expansion unit, you can complete the remove and replace procedures for the PCI adapter in location P1-C5 with the system power on. The remove action and the replace action of the PCI adapter in location P1-C5 with the power on does not cause the PCI adapter in location P1-C4 to fail.

If you do not have an HMC, complete this procedure to install a PCI adapter, complete the following steps to install a PCI adapter with the system power off:

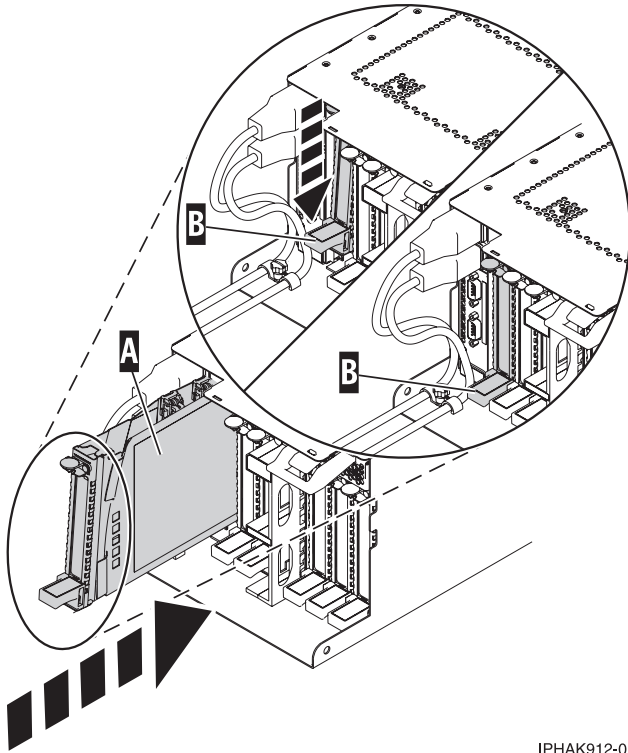
1. Complete the prerequisite tasks that are described in “Before you begin” on page 197.
2. Take appropriate precautions for avoiding electric shock and handling static-sensitive devices. For information, see “Avoiding electric shock” on page 179 and “Handling static-sensitive devices” on page 180.
3. To determine in which slot to place the PCI adapter, refer to the placement guide for information regarding slot restrictions for the adapters that can be used in this system.
4. Stop the system or logical partition. For instructions, see “Stopping a system or logical partition” on page 207.
5. Disconnect the power source from the system by unplugging the system.
6. Determine the location of PCI adapter in the system.
7. Remove the PCI adapter cassette by completing the following steps.
 - a. Remove the PCI adapter EMC shield (**A**) as shown in Figure 77 on page 90.



IPHAK911-0

Figure 78. PCI adapter cassette removed from the system unit

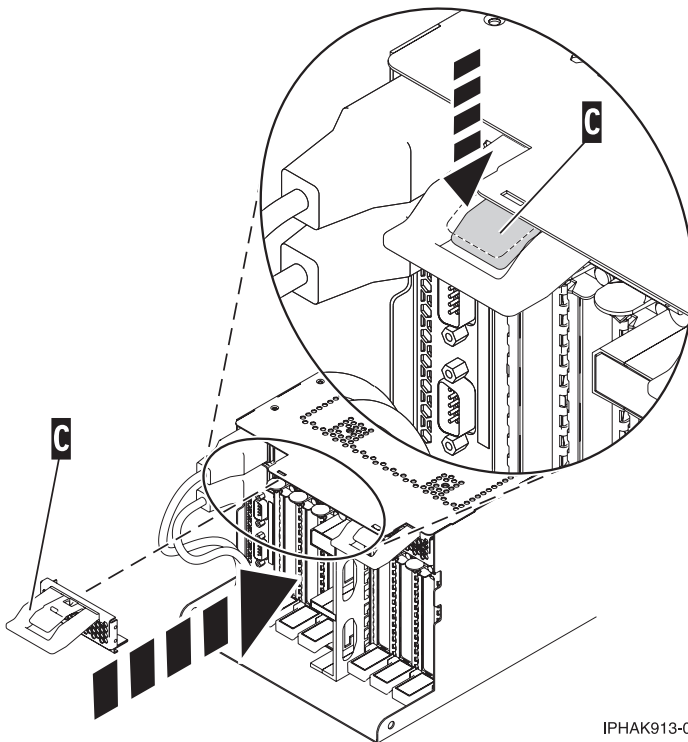
8. Install the adapter into the PCI adapter cassette. See the following topics:
 - “PCI adapter single-width, third generation cassette” on page 37
 - “PCI adapter double-wide cassette” on page 63
9. Ensure the lower cassette handle is pressed up toward the retainer clip. This places the adapter in the correct position to be locked in the system.
10. Install the PCI adapter cassette by completing the following steps:
 - a. Slide the cassette (**B**) into the cassette slot as shown in Figure 79 on page 92. When the cassette is fully inserted into the system, firmly press downward on the lower cassette handle (**B**) to lock the adapter in its connector.



IPHAK912-0

Figure 79. PCI adapter cassette installed in the system unit

- b. Replace the EMC shield (C) as shown in Figure 80.



IPHAK913-0

Figure 80. PCI adapter EMC shield in the closed position

11. Start the system or logical partition. For instructions, see “Starting the system or logical partition” on page 210.
12. Verify the installed part.
 - If you replaced the part because of a service action, verify the installed part. For instructions, see Verifying a repair.
 - If you installed the part for any other reason, verify the installed part. For instructions, see Verifying the installed part.

Installing a PCI adapter contained in a cassette with the power on in the AIX environment

You can install a PCI adapter with the power on in the AIX environment.

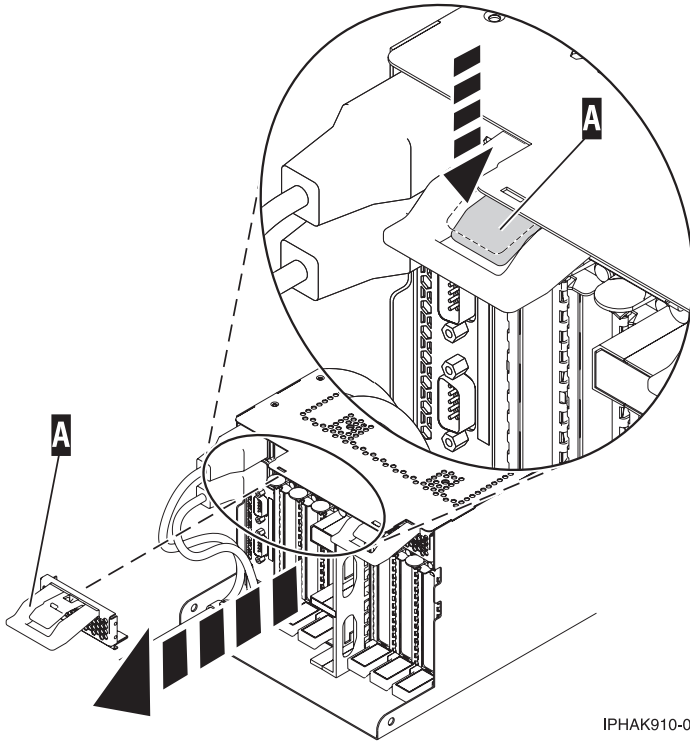
If your system is managed by an HMC, use the HMC to complete the steps for installing the part in the system. For instructions, see “Installing a part by using the HMC” on page 199.

Notes:

- If the system is partitioned, you must determine the partition owning the I/O slot. Once the adapter is installed, the I/O slot must be powered on in the operating system.
- If an I/O slot on a partitioned system is not owned by a partition, then the I/O slot cannot be powered on.
- Adding an I/O slot to a partition using dynamic logical partitioning (DLPAR) will power on the I/O slot as part of the DLPAR add. For information about DLPAR, see Dynamic Logical Partitioning.
- To learn more about working in a partitioned environment, see Logical partitioning.
- If a PCI adapter with CCIN 577D is installed in location P1-C4 of a 5802 or 5877 expansion unit, do not complete the install procedure for the PCI adapter in location P1-C5 with the system power on. The install action with the power on might cause the PCI adapter in location P1-C4 to fail.
- If a PCI adapter with CCIN 577D is installed in location P1-C4 of a 5802 or 5877 expansion unit, you can complete the remove and replace procedures for the PCI adapter in location P1-C5 with the system power on. The remove action and the replace action of the PCI adapter in location P1-C5 with the power on does not cause the PCI adapter in location P1-C4 to fail.

If you do not have an HMC, complete the following steps to install a PCI adapter with the system power on in the AIX environment:

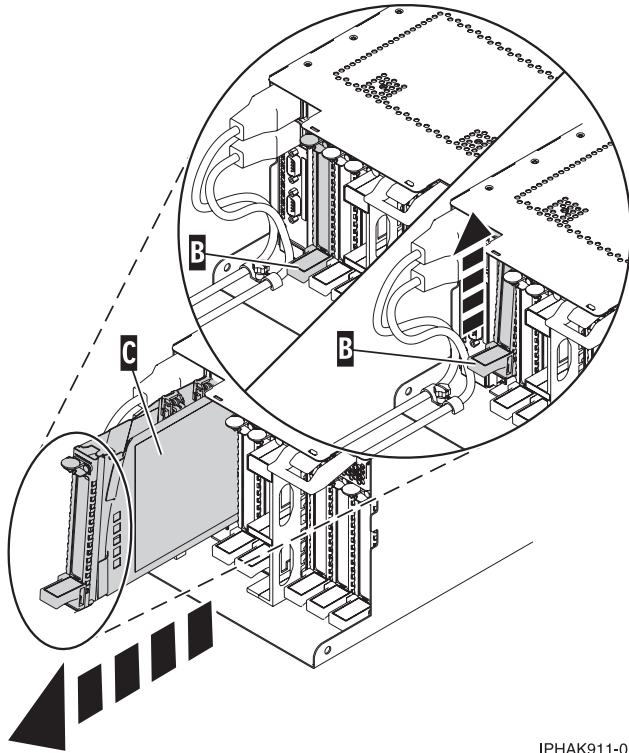
1. Complete the prerequisite tasks that are described in “Before you begin” on page 197.
2. Take appropriate precautions for avoiding electric shock and handling static-sensitive devices. For information, see “Avoiding electric shock” on page 179 and “Handling static-sensitive devices” on page 180.
3. To determine in which slot to place the PCI adapter, refer to the placement guide for information regarding slot restrictions for the adapters that can be used in this system.
4. Refer to “PCI hot-plug manager access for AIX” on page 185, and follow the steps in the access procedure to select **PCI Hot Plug Manager**. Then return here to continue.
5. From the PCI Hot-Plug Manager menu, select **Add a PCI Hot-Plug Adapter** and press Enter. The Add a Hot-Plug Adapter window displays.
6. Select the appropriate PCI slot from the ones listed on the screen, and press Enter.
7. Locate the PCI adapter slot and cassette you want to use.
8. If the cassette you want to use does not contain a PCI adapter, continue to the next step. If the cassette you want to use does contain an active PCI adapter, see “Removing a PCI adapter contained in a cassette from the system with the power on in the AIX environment” on page 108.
9. Remove the PCI adapter cassette by completing the following steps.
 - a. Remove the PCI adapter EMC shield (**A**) as shown in Figure 81 on page 94.



IPHAK910-0

Figure 81. Remove the EMC shield

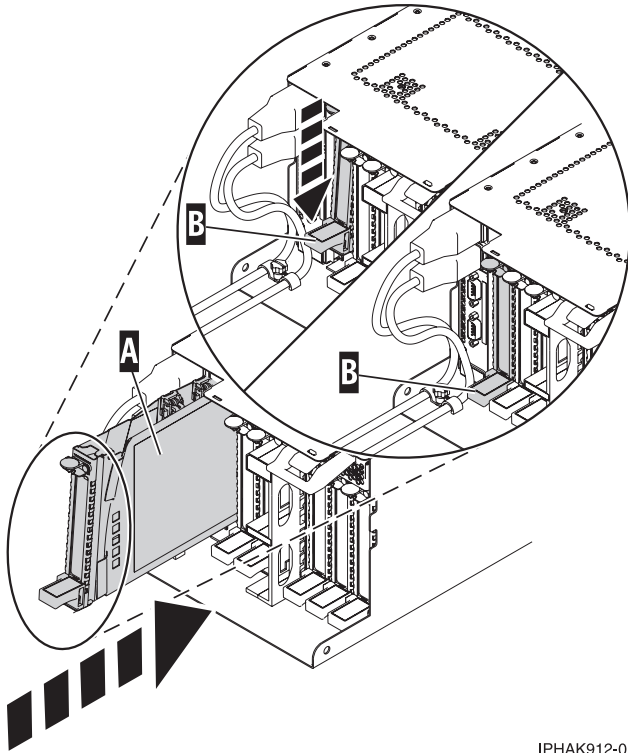
- b. Lift up the lower cassette handle (B) as shown in Figure 82 on page 95. Pull the PCI cassette (C) out of the system.



IPHAK911-0

Figure 82. PCI adapter cassette removed from the system unit

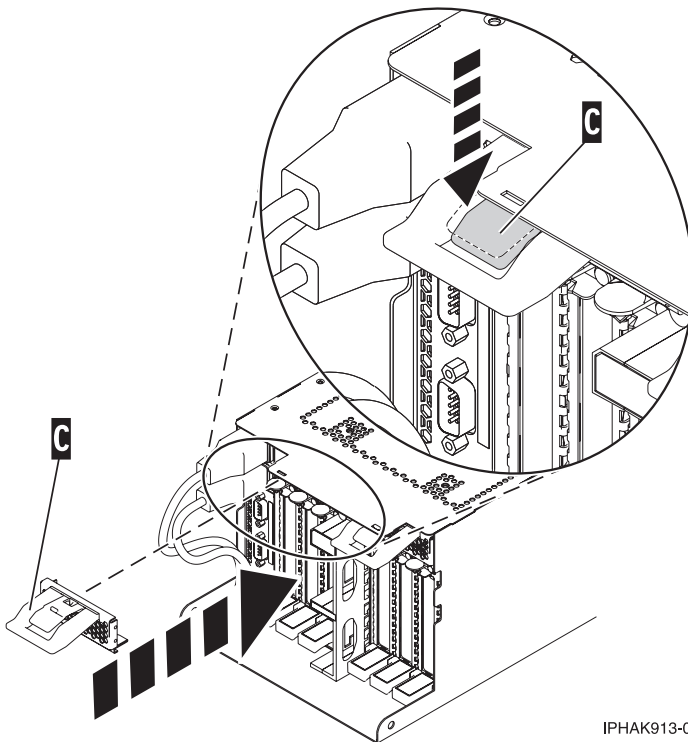
10. Install the adapter into the PCI adapter cassette. See the following topics:
 - “PCI adapter single-width, third generation cassette” on page 37
 - “PCI adapter double-wide cassette” on page 63
11. Ensure the lower cassette handle is pressed up toward the retainer clip. This places the adapter in the correct position to be docked in the system.
12. Install the PCI adapter cassette by completing the following steps:
 - a. Slide the cassette (**B**) into the cassette slot as shown in Figure 83 on page 96. When the cassette is fully inserted into the system, firmly press downward on the lower cassette handle (**B**) to lock the adapter in its connector.



IPHAK912-0

Figure 83. PCI adapter cassette installed in the system unit

- b. Replace the EMC shield (C) as shown in Figure 84.



IPHAK913-0

Figure 84. PCI adapter EMC shield in the closed position

13. Enter `cfgmgr` to configure the adapter.
14. Verify the installed part.
 - If you replaced the part because of a service action, verify the installed part. For instructions, see *Verifying a repair*.
 - If you installed the part for any other reason, verify the installed part. For instructions, see *Verifying the installed part*.

Installing a PCI adapter contained in a cassette with the power on in the IBM i environment

You can install a PCI adapter with the power on in the IBM i environment.

If your system is managed by an HMC, use the HMC to complete the steps for installing the part in the system. For instructions, see “Installing a part by using the HMC” on page 199.

Notes:

- If the system is partitioned, you must determine the partition owning the I/O slot. Once the adapter is installed, the I/O slot must be powered on in the operating system.
- If an I/O slot on a partitioned system is not owned by a partition, then the I/O slot cannot be powered on.
- Adding an I/O slot to a partition using dynamic logical partitioning (DLPAR) will power on the I/O slot as part of the DLPAR add. For information about DLPAR, see *Dynamic Logical Partitioning*.
- To learn more about working in a partitioned environment, see *Logical partitioning*.
- If a PCI adapter with CCIN 577D is installed in location P1-C4 of a 5802 or 5877 expansion unit, do not complete the install procedure for the PCI adapter in location P1-C5 with the system power on. The install action with the power on might cause the PCI adapter in location P1-C4 to fail.
- If a PCI adapter with CCIN 577D is installed in location P1-C4 of a 5802 or 5877 expansion unit, you can complete the remove and replace procedures for the PCI adapter in location P1-C5 with the system power on. The remove action and the replace action of the PCI adapter in location P1-C5 with the power on does not cause the PCI adapter in location P1-C4 to fail.

Important:

- If you are removing, installing or replacing a PCI-X double-wide, quad-channel Ultra320 SCSI RAID controller, note the following concurrent maintenance information before proceeding with the instructions provided here. Concurrent maintenance of this double-wide adapter is not supported through the HMC. Concurrent maintenance must be done from within the partition operating system. In IBM i, the Hardware Service Manager (HSM) of the system or owning partition will automatically power off or on both PCI slots when either slot is selected. In AIX or Linux, you must manually power off and on each slot separately.

Note:

- Both PCI slots must be powered off when installing or removing this adapter with the system power on.
- If this adapter is the load source IOA, or any other storage IOA with critical storage devices attached to the system, this concurrent maintenance procedure should be performed by a qualified service provider.
- If you are removing, installing or replacing a PCI-X DDR 1.5 GB cache SAS RAID Adapter, note the following concurrent maintenance information before proceeding with the instructions provided here. Concurrent maintenance of this adapter is not supported through the HMC. Concurrent maintenance must be done from within the partition operating system. In IBM i, the Hardware Service Manager (HSM) of the system or owning partition will automatically power off or on both PCI slots when either slot is selected. In AIX or Linux, you must manually power off and on each slot separately.

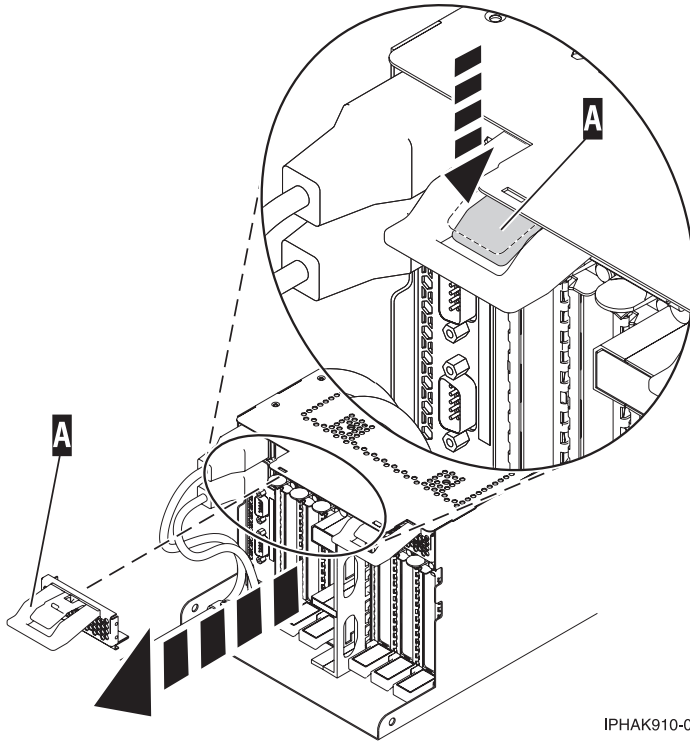
Note:

- Both PCI slots must be powered off when installing or removing this adapter with the system power on.
- If this adapter is the load source IOA, or any other storage IOA with critical storage devices attached to the system, this concurrent maintenance procedure should be performed by a qualified service provider.
- Fibre Channel Adapters (5735 or 5774) installed in IBM i OS logical partitions will post errors at initial program load (IPL) if there is no device or wrap plug attached to each of the adapter's ports. Make sure that every Fibre Channel Adapter (5735 or 5774) that is installed in IBM i OS logical partition has either a wrap plug or a device attached to each of the adapter's ports. If you are exchanging a 5735 or 5774 Fibre Channel IOA, the external storage subsystem must be updated to use the worldwide port name of the new 5735 or 5774 IOA. For instructions, see "Updating the worldwide port name for a new 5735 or 5774 IOA." on page 181
- If you are replacing a 2748, 2757, 2763, 2767, 2778, 2780, 2782, 5702, 5709, or 570B storage IOA, take note of the following: Depending on the configuration of the system, the storage IOA cache might have been disabled to allow the attachment of OEM storage that emulates a load source drive. If you are replacing a storage IOA that has its cache disabled, configure the replacement IOA the same way as the IOA that you removed. If you remove hardware from the replacement IOA, return that hardware with the failed IOA.

If you do not have an HMC, complete the following steps to install a PCI adapter with the system power on in the IBM i environment:

1. Complete the prerequisite tasks that are described in "Before you begin" on page 197.
2. Take appropriate precautions for avoiding electric shock and handling static-sensitive devices. For information, see "Avoiding electric shock" on page 179 and "Handling static-sensitive devices" on page 180.
3. To determine in which slot to place the PCI adapter, refer to the placement guide.
4. Access the concurrent maintenance procedures using the IBM i Hardware service manager (HSM) tools:
 - a. Type **strsst** on the command line of the Main Menu and press Enter.
 - b. Type your service tools user ID and service tools password on the System Service Tools (SST) Sign On display. Press Enter.
 - c. Select **Start a service tool** from the System Service Tools (SST) display. Press Enter.
 - d. Select **Hardware service manager** from the Start a Service Tool display and press Enter.
 - e. Select **Packaging hardware resources (system, frames, cards)** from the Hardware Service Manager display. Press Enter.
 - f. Select option **9** (Hardware contained within package) in the **System Unit** or **Expansion Unit** field of the unit where you are removing the card, and then press Enter.
 - g. Select function **F7** (Include empty positions and not owned positions) on the unit where you are removing the card.
 - h. Select **Concurrent Maintenance** on the card position where you want to remove the card and then press Enter.
 - i. Select **Toggle LED blink off/on**. A light-emitting diode (LED) blinks identifying the position you chose. Physically verify that this is the slot where you want to remove the adapter.
 - j. Select **Toggle LED blink off/on** to stop the blinking LED.
 - k. Select function **F9** (Power off domain), and when complete then ensure that the PCI-e card slot power LED is not lit.
5. Locate the PCI adapter slot and cassette you want to use.
6. If the cassette you want to use does not contain a PCI adapter, continue to the next step. If the cassette you want to use does contain an active PCI adapter, see "Removing a PCI adapter contained in a cassette from the system with the power on in the IBM i environment" on page 111.
7. Remove the PCI adapter cassette by completing the following steps. If not, go to step 8 on page 100.

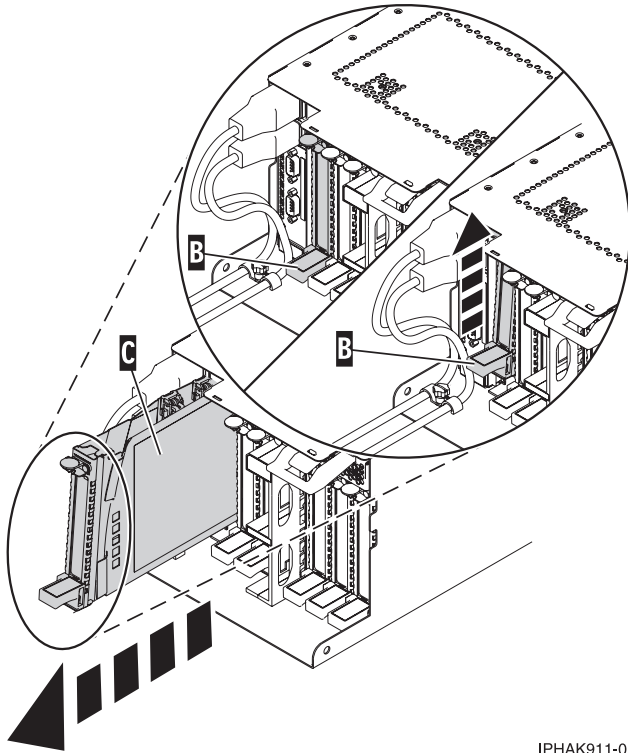
- a. Remove the PCI adapter EMC shield (A) as shown in Figure 85.



IPHAK910-0

Figure 85. Remove the EMC shield

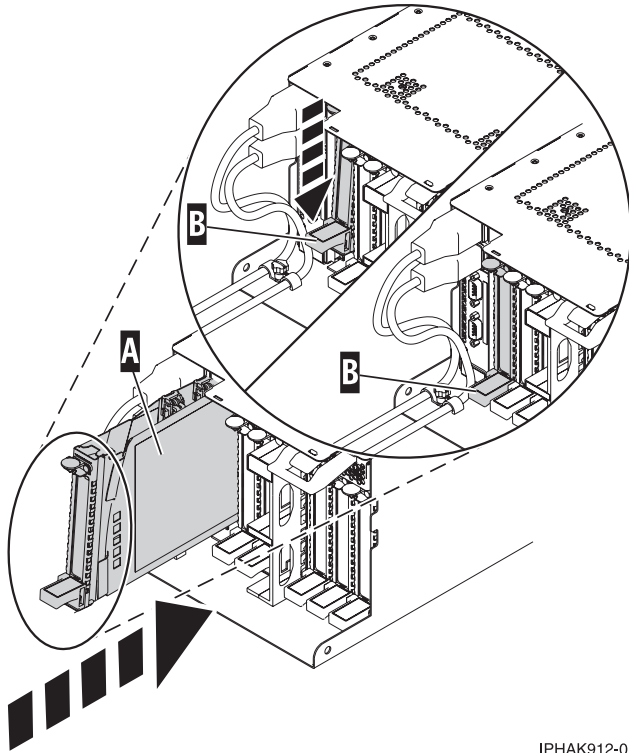
- b. Lift up the lower cassette handle (B) as shown in Figure 86 on page 100. Pull the PCI cassette (C) out of the system.



IPHAK911-0

Figure 86. PCI adapter cassette removed from the system unit

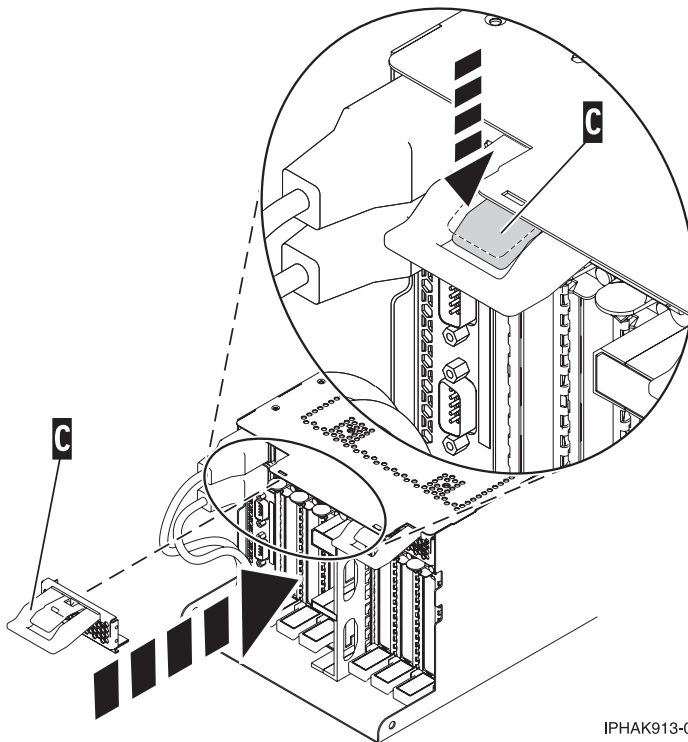
8. Install the adapter into the PCI adapter cassette. See the following topics:
 - “PCI adapter single-width, third generation cassette” on page 37
 - “PCI adapter double-wide cassette” on page 63
9. Ensure the lower cassette handle is pressed up toward the retainer clip. This places the adapter in the correct position to be docked in the system.
10. Install the PCI adapter cassette by completing the following steps: If not, skip to step 11 on page 102
 - a. Slide the cassette (**B**) into the cassette slot as shown in Figure 87 on page 101. When the cassette is fully inserted into the system, firmly press downward on the lower cassette handle (**B**) to lock the adapter in its connector.



IPHAK912-0

Figure 87. PCI adapter cassette installed in the system unit

- b. Replace the EMC shield (C) as shown in Figure 88.



IPHAK913-0

Figure 88. PCI adapter EMC shield in the closed position

11. Attach any cables that should be attached the adapter.
12. From the Hardware Resource Concurrent Maintenance display, complete the following steps:
 - a. Select **Power on domain** and press Enter.
 - b. Select **Assign to** on the resource that has an asterisk (*) on the Work with Controlling Resource display. Press Enter.
 - c. Wait for the Hardware Resource Concurrent Maintenance display to appear with this message:
Power on complete
13. Verify the installed part.
 - If you replaced the part because of a service action, verify the installed part. For instructions, see Verifying a repair.
 - If you installed the part for any other reason, verify the installed part. For instructions, see Verifying the installed part.

Installing a PCI adapter contained in a cassette with the power on in the Linux environment

You can install a PCI adapter with the power on in the Linux environment.

If your system is managed by an HMC, use the HMC to complete the steps for installing the part in the system. For instructions, see “Installing a part by using the HMC” on page 199.

Notes:

- If the system is partitioned, you must determine the partition owning the I/O slot. Once the adapter is installed, the I/O slot must be powered on in the operating system.
- If an I/O slot on a partitioned system is not owned by a partition, then the I/O slot cannot be powered on.
- Adding an I/O slot to a partition using dynamic logical partitioning (DLPAR) will power on the I/O slot as part of the DLPAR add. For information about DLPAR, see Dynamic Logical Partitioning.
- To learn more about working in a partitioned environment, see Logical partitioning.
- If a PCI adapter with CCIN 577D is installed in location P1-C4 of a 5802 or 5877 expansion unit, do not complete the install procedure for the PCI adapter in location P1-C5 with the system power on. The install action with the power on might cause the PCI adapter in location P1-C4 to fail.
- If a PCI adapter with CCIN 577D is installed in location P1-C4 of a 5802 or 5877 expansion unit, you can complete the remove and replace procedures for the PCI adapter in location P1-C5 with the system power on. The remove action and the replace action of the PCI adapter in location P1-C5 with the power on does not cause the PCI adapter in location P1-C4 to fail.

If you do not have an HMC, complete the following steps to install a PCI adapter with the system power on in the Linux environment:

1. Complete the prerequisite tasks that are described in “Before you begin” on page 197.
2. Take appropriate precautions for avoiding electric shock and handling static-sensitive devices. For information, see “Avoiding electric shock” on page 179 and “Handling static-sensitive devices” on page 180.
3. To determine in which slot to place the PCI adapter, refer to the placement guide for information regarding slot restrictions for the adapters that can be used in this system.
4. Log in to the system console as the root user.
5. Use the lsslot tool to list the hot-plug PCI slots that are available in the server or partition:

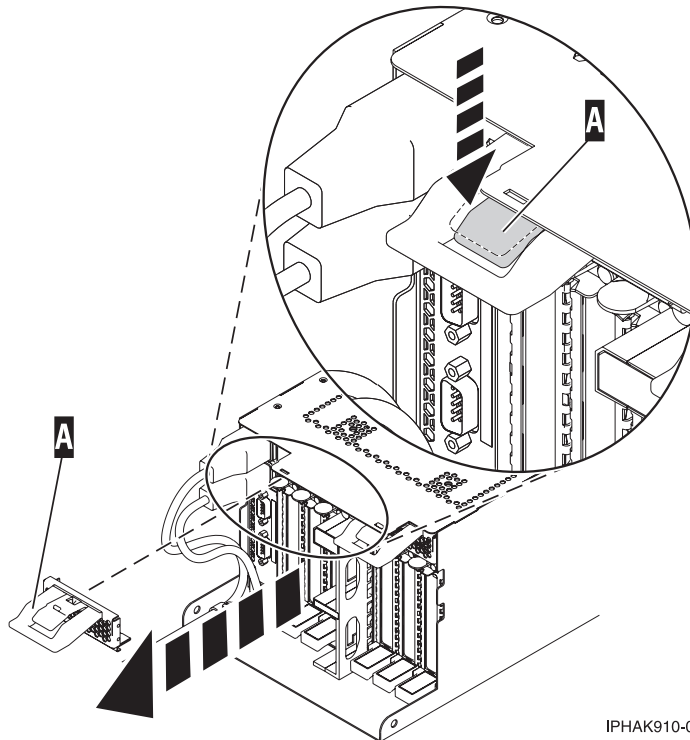
```
lsslot -c pci -a
```

The following is an example of the information displayed by this command:

# Slot	Description	Device(s)
U7879.001.DQD014E-P1-C1	PCI-X capable, 64 bit, 133MHz slot	Empty
U7879.001.DQD014E-P1-C4	PCI-X capable, 64 bit, 133MHz slot	Empty
U7879.001.DQD014E-P1-C5	PCI-X capable, 64 bit, 133MHz slot	Empty

Select the appropriate empty PCI slot from the ones listed by the command.

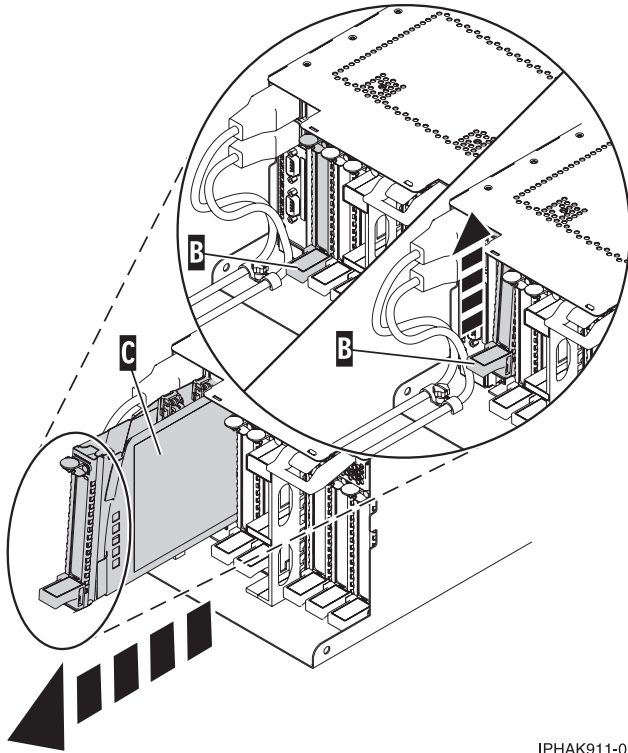
6. Remove the PCI adapter cassette by completing the following steps.
 - a. Remove the PCI adapter EMC shield (**A**) as shown in Figure 89.



IPHAK910-0

Figure 89. Remove the EMC shield

- b. Lift up the lower cassette handle (**B**) as shown in Figure 90 on page 104. Pull the PCI cassette (**C**) out of the system.



IPHAK911-0

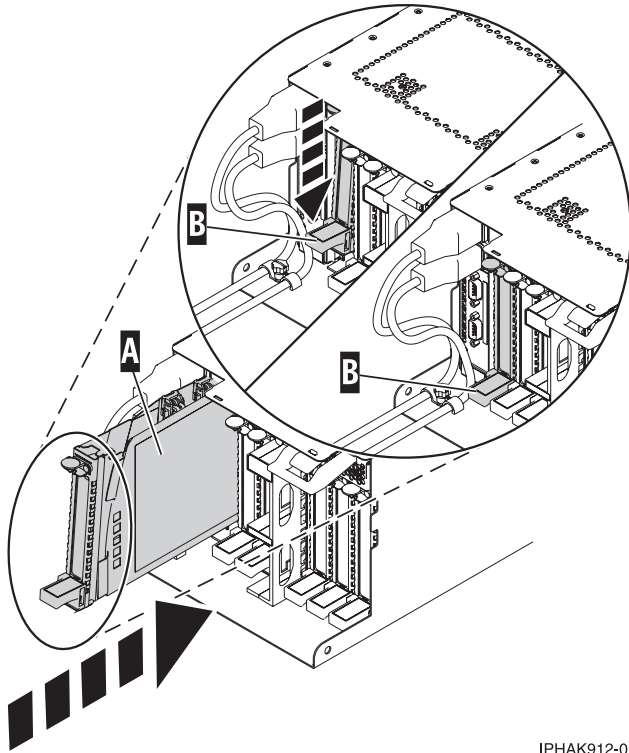
Figure 90. PCI adapter cassette removed from the system unit

7. Install the adapter into the PCI adapter cassette. See the following topics:
 - “PCI adapter single-width, third generation cassette” on page 37
 - “PCI adapter double-wide cassette” on page 63
8. Ensure the lower cassette handle is pressed up toward the retainer clip. This places the adapter in the correct position to be locked in the system.
9. Run the **drmgr** command to enable an adapter to be installed.
For example, to install an adapter in slot U7879.001.DQD014E-P1-C3, run:
`drmgr -c pci -r -s locationcode`

The following displays:

The visual indicator for the specified PCI slot has been set to the identify state. Press Enter to continue or enter x to exit.

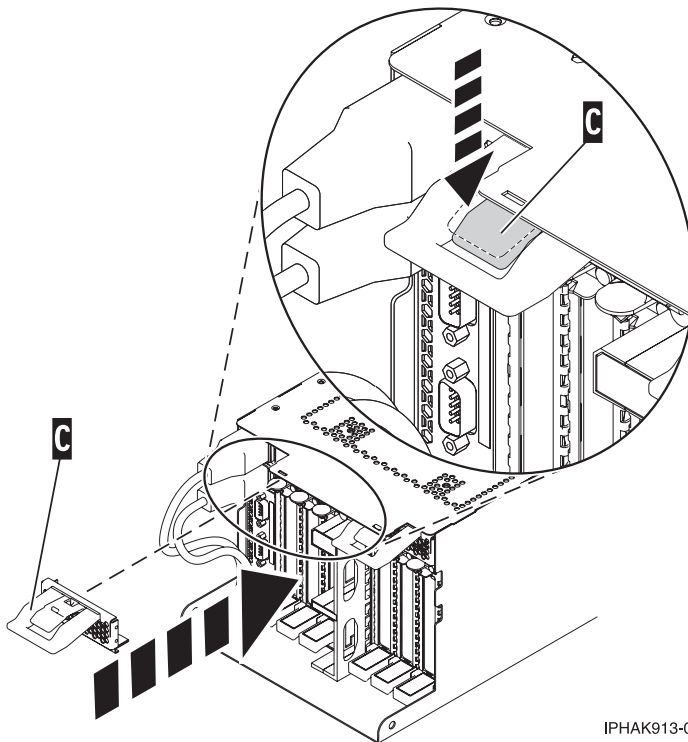
10. Press Enter.
The following displays:
The visual indicator for the specified PCI slot has been set to the action state. Insert the PCI card into the identified slot, connect any devices to be configured and press Enter to continue. Enter x to exit.
11. Install the PCI adapter cassette by completing the following steps: If not, skip to step 12 on page 106.
 - a. Slide the cassette (**B**) into the cassette slot as shown in Figure 91 on page 105. When the cassette is fully inserted into the system, firmly press downward on the lower cassette handle (**B**) to lock the adapter in its connector.



IPHAK912-0

Figure 91. PCI adapter cassette installed in the system unit

- b. Replace the EMC shield (C) as shown in Figure 92.



IPHAK913-0

Figure 92. PCI adapter EMC shield in the closed position

12. Use the `lsslot` command to verify that U7879.001.DQD014E-P1-C3 is occupied.

Enter `lsslot -c pci -s U7879.001.DQD014E-P1-C3`

The following is an example of the information displayed by this command:

# Slot	Description	Device(s)
U7879.001.DQD014E-P1-C3	PCI-X capable, 64 bit, 133MHz slot	0001:40:01.0

Removing a PCI adapter contained in a cassette from the system

You can remove a PCI adapter.

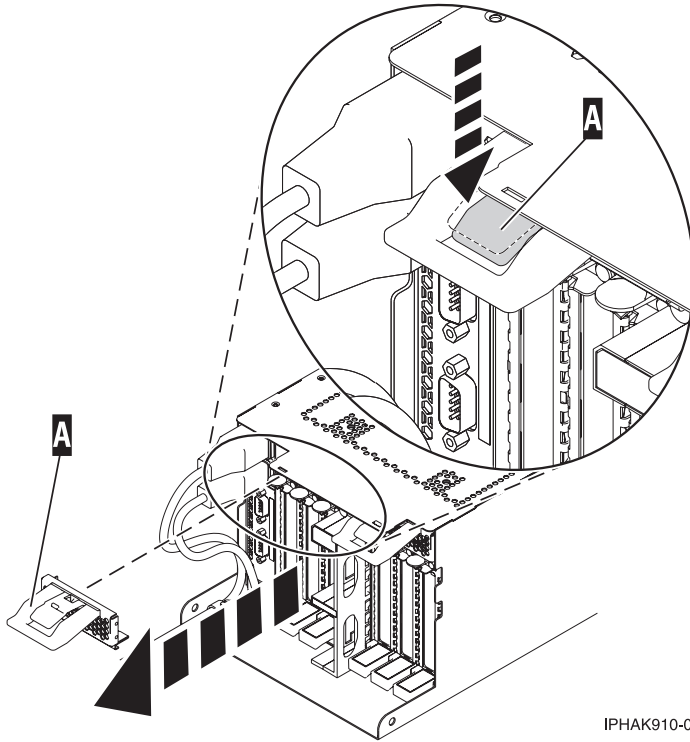
Removing a PCI adapter contained in a cassette from the system with the power off

You can remove a PCI adapter with the system power off.

If your system is managed by a HMC, use the HMC to complete the steps for removing a part from the system. For instructions, see “Removing a part by using the HMC” on page 199.

If you do not have an HMC, complete the following steps to remove a PCI adapter with the system power off:

1. Complete the prerequisite tasks that are described in “Before you begin” on page 197.
2. Take appropriate precautions for avoiding electric shock and handling static-sensitive devices. For information, see “Avoiding electric shock” on page 179 and “Handling static-sensitive devices” on page 180.
3. Stop the system or logical partition. For instructions, see “Stopping a system or logical partition” on page 207.
4. Disconnect the power source from the system by unplugging the system.
5. Determine the location of PCI adapter in the system.
6. Remove the PCI adapter cassette from the system by completing the following steps:
 - a. Remove the PCI adapter EMC shield (**A**) as shown in Figure 93 on page 107.



IPHAK910-0

Figure 93. Remove the EMC shield

- b. Lift up the lower cassette handle (B) as shown in Figure 94 on page 108. Pull the PCI cassette (C) out of the system.

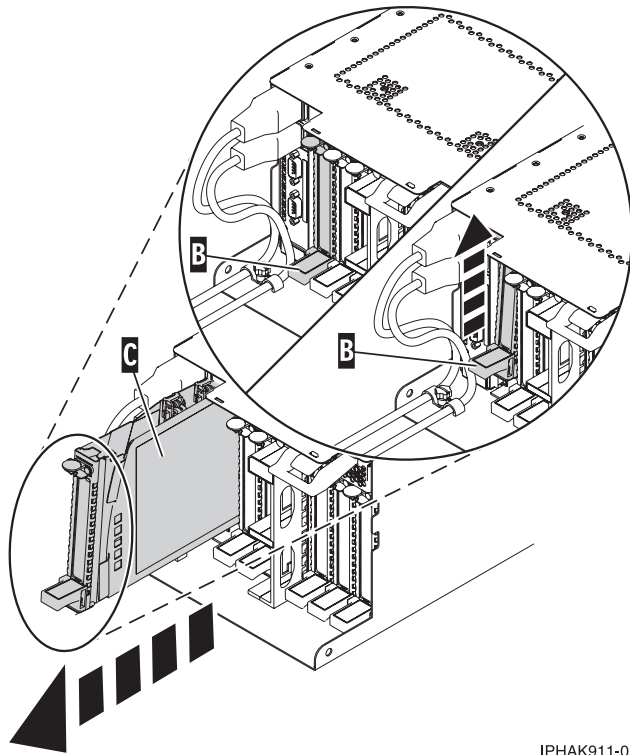


Figure 94. PCI adapter cassette removed from the system unit

7. Place the cassette with the cover facing up on an approved ESD surface.

Note: The cover will have a label on it.

8. To remove the adapter from the cassette, refer to “PCI adapter single-width and double-width cassettes” on page 162.

Removing a PCI adapter contained in a cassette from the system with the power on in the AIX environment

You can remove a PCI adapter with the system power on in the AIX environment.

Notes:

1. Use this procedure to remove a PCI adapter and leave the slot in the system unit empty.
2. If the adapter that is removed will be placed into a different slot or system, complete this removal procedure, then install the adapter as described in “Installing a PCI adapter contained in a cassette with the power on in the AIX environment” on page 93.
3. Procedures performed on a PCI adapter with the system power on in AIX, also known as hot-plug procedures, require the system administrator to take the PCI adapter offline prior to performing the operation. Before taking an adapter offline, the devices attached to the adapter must be taken offline as well. This action prevents a service representative or user from causing an unexpected outage for system users.

If your system is managed by a HMC, use the HMC to complete the steps for removing a part from the system. For instructions, see “Removing a part by using the HMC” on page 199.

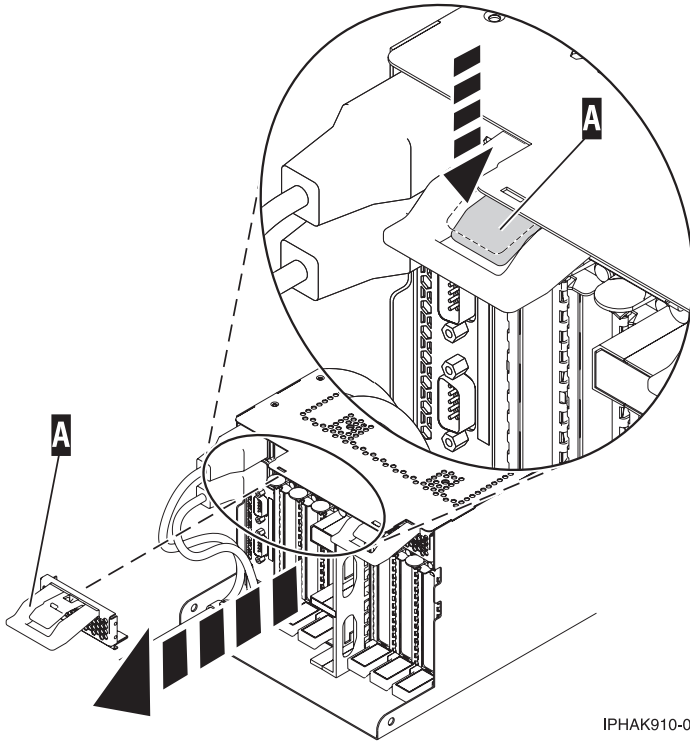
If you do not have an HMC, complete the following steps to remove a PCI adapter with the system power on in the AIX environment:

1. Complete the prerequisite tasks that are described in “Before you begin” on page 197.

2. Determine the location of PCI adapter in the system.
3. Record the slot number and location of each adapter being removed.

Note: Adapter slots are numbered on the rear of the system unit.

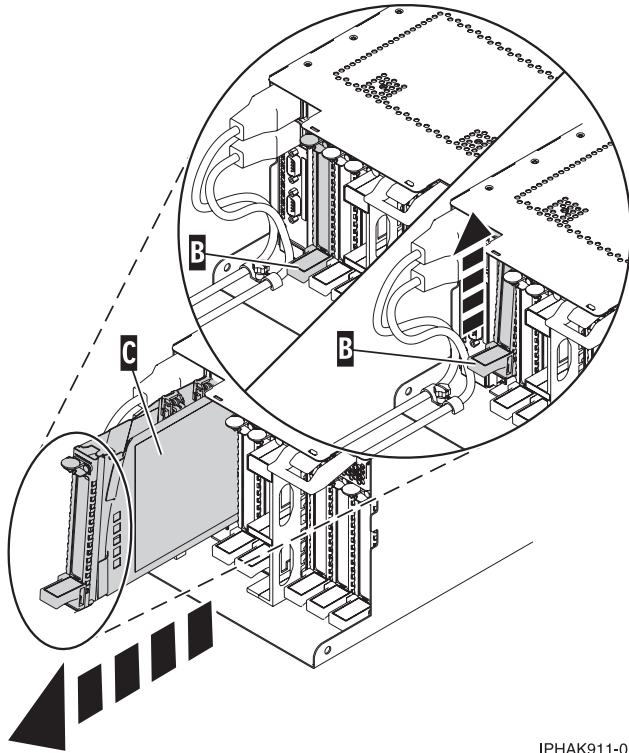
4. Ensure that any processes or applications that might use the adapter are stopped.
5. Follow these steps to remove a PCI adapter using the PCI Hot-Plug Manager menu in the AIX Diagnostic tools:
 - a. Enter the system diagnostics by logging in as root user or as the celogin user, type **diag** at the AIX command line.
 - b. When the DIAGNOSTIC OPERATING INSTRUCTIONS menu displays, press Enter.
 - c. At the FUNCTION SELECTION menu, select **Task Selection**, then press Enter.
 - d. At the Task Selection list, select **PCI Hot Plug Manager**.
 - e. Select **Unconfigure a Device**, then press Enter.
 - f. Press F4 (or Esc +4) to display the **Device Names** menu.
 - g. Select the adapter you are removing in the **Device Names** menu.
 - h. Use the Tab key to answer NO to **Keep Definition**. Use the Tab key again to answer YES to **Unconfigure Child Devices**, then press Enter. The ARE YOU SURE window displays.
 - i. Press Enter to verify the information. Successful unconfiguration is indicated by the OK message displayed next to the Command field at the top of the screen.
 - j. Press F4 (or Esc +4) twice to return to the Hot Plug Manager menu.
 - k. Select **Replace/remove PCI Hot Plug adapter**.
 - l. Select the slot that has the device to be removed from the system.
 - m. Select **remove**. A fast-blinking amber LED located at the back of the machine near the adapter indicates that the slot has been identified.
 - n. Press Enter. This places the adapter in the action state, meaning it is ready to be removed from the system.
6. Label, and then disconnect all cables attached to the adapter you plan to remove.
7. Before handling any PCI adapter, see "Handling static-sensitive devices" on page 180.
8. Remove the PCI adapter cassette from the system. Follow these substeps:
 - a. Remove the PCI adapter EMC shield (**A**) as shown in Figure 95 on page 110.



IPHAK910-0

Figure 95. Remove the EMC shield

- b. Lift up the lower cassette handle (B) as shown in Figure 96 on page 111. Pull the PCI cassette (C) out of the system.



IPHAK911-0

Figure 96. PCI adapter cassette removed from the system unit

9. Place the cassette with the cover facing up on an approved ESD surface.

Note: The cover will have a label on it.

10. Continue to follow the screen instructions until you receive a message that the adapter removal is successful. Successful removal is indicated by the OK message displayed next to the Command field at the top of the screen.
11. If you have other adapters to remove, press the F3 key to return to the PCI Hot-Plug Manager menu and then return to step 6 on page 109.
or
If you do not have other adapters to remove, continue with the next step.
12. Press F10 to exit the Hot-Plug Manager.
13. Run the **diag -a** command. If the system responds with a menu or prompt, follow the instructions to complete the device configuration.
14. Place an empty cassette into the unused PCI slot for proper air flow. The procedure is complete.
 - To install an adapter in the system, see “Installing a PCI adapter contained in a cassette with the power on in the AIX environment” on page 93.

Removing a PCI adapter contained in a cassette from the system with the power on in the IBM i environment

You can remove a PCI adapter with the system power on in the IBM i environment.

If your system is managed by an HMC, use the HMC to complete the steps for installing the part in the system. For instructions, see “Installing a part by using the HMC” on page 199.

Important:

- If the adapter is the load source I/O adapter (IOA) or the load source I/O processor (IOP), or any other storage IOA or IOP with critical disk storage attached for the system or partition, follow the

on-screen instructions when you use HSM to power down the IOP or IOA. Instructions to use functions 68 and 69 on the control panel will be included.

- If the adapter is the console IOA or the console IOP for the system or partition, you must perform the maintenance from an IBM i operating system session connected through a different IOA or IOP, or you must power down the partition to perform maintenance.
- If you are removing, installing or replacing a PCI-X double-wide, quad-channel Ultra320 SCSI RAID controller, note the following concurrent maintenance information before proceeding with the instructions provided here. Concurrent maintenance of this double-wide adapter is not supported through the HMC. Concurrent maintenance must be done from within the partition operating system. In IBM i, the Hardware Service Manager (HSM) of the system or owning partition will automatically power off or on both PCI slots when either slot is selected. In AIX or Linux, you must manually power off and on each slot separately.

Note:

- Both PCI slots must be powered off when installing or removing this adapter with the system power on.
- If this adapter is the load source IOA, or any other storage IOA with critical storage devices attached to the system, this concurrent maintenance procedure should be performed by a qualified service provider.
- If you are removing, installing or replacing a PCI-X DDR 1.5 GB cache SAS RAID Adapter, note the following concurrent maintenance information before proceeding with the instructions provided here. Concurrent maintenance of this adapter is not supported through the HMC. Concurrent maintenance must be done from within the partition operating system. In IBM i, the Hardware Service Manager (HSM) of the system or owning partition will automatically power off or on both PCI slots when either slot is selected. In AIX or Linux, you must manually power off and on each slot separately.

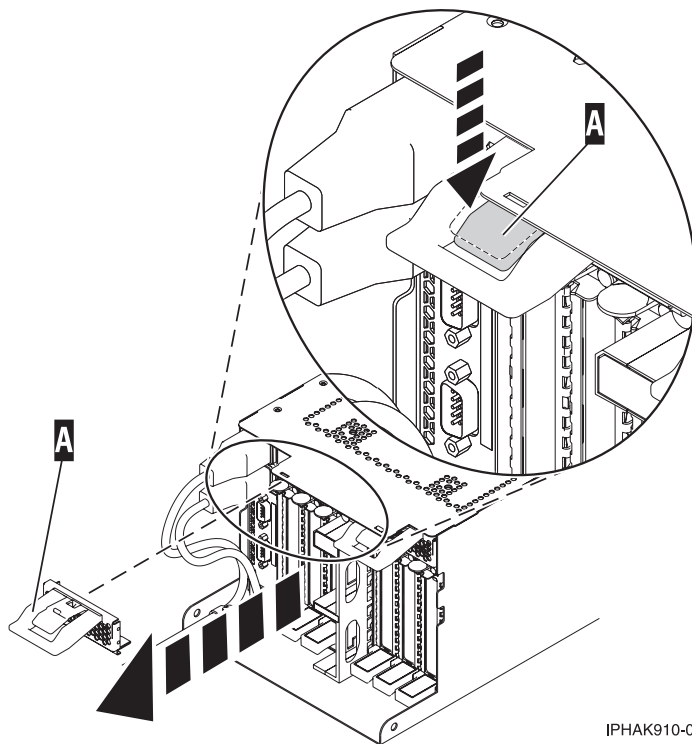
Note:

- Both PCI slots must be powered off when installing or removing this adapter with the system power on.
- If this adapter is the load source IOA, or any other storage IOA with critical storage devices attached to the system, this concurrent maintenance procedure should be performed by a qualified service provider.
- Fibre Channel Adapters (5735 or 5774) installed in IBM i OS logical partitions will post errors at initial program load (IPL) if there is no device or wrap plug attached to each of the adapter's ports. Make sure that every Fibre Channel Adapter (5735 or 5774) that is installed in IBM i OS logical partition has either a wrap plug or a device attached to each of the adapter's ports. If you are exchanging a 5735 or 5774 Fibre Channel IOA, the external storage subsystem must be updated to use the worldwide port name of the new 5735 or 5774 IOA. For instructions, see "Updating the worldwide port name for a new 5735 or 5774 IOA." on page 181
- If you are replacing a 2748, 2757, 2763, 2767, 2778, 2780, 2782, 5702, 5709, or 570B storage IOA, take note of the following: Depending on the configuration of the system, the storage IOA cache might have been disabled to allow the attachment of OEM storage that emulates a load source drive. If you are replacing a storage IOA that has its cache disabled, configure the replacement IOA the same way as the IOA that you removed. If you remove hardware from the replacement IOA, return that hardware with the failed IOA.

If you do not have an HMC, complete the following steps to remove a PCI adapter with the system power on in the IBM i environment:

1. Complete the prerequisite tasks that are described in "Before you begin" on page 197.
2. Take appropriate precautions for avoiding electric shock and handling static-sensitive devices. For information, see "Avoiding electric shock" on page 179 and "Handling static-sensitive devices" on page 180.

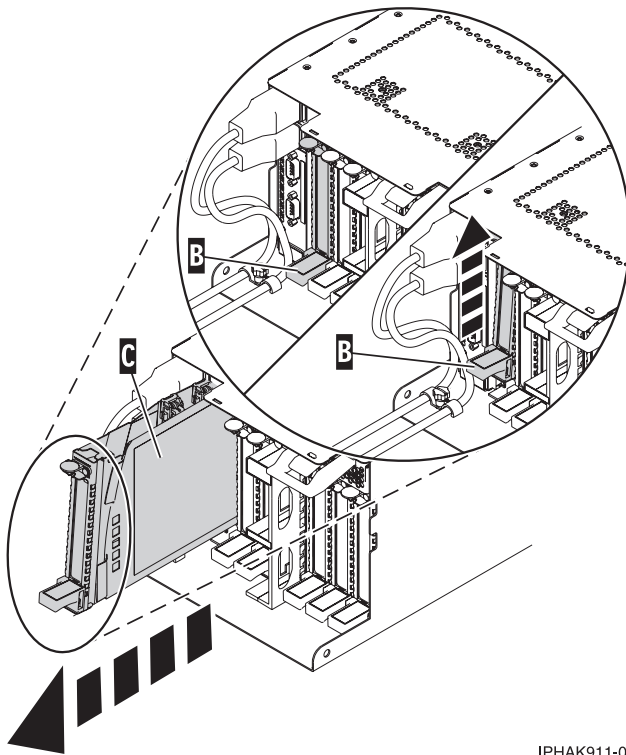
3. If you are removing a failing PCI adapter, see Identifying a failing part. If you are removing the PCI adapter for other reasons, continue to the next step.
4. Determine the location of PCI adapter in the system.
5. Access the concurrent maintenance procedures using the IBM i Hardware service manager (HSM) tools:
 - a. Type **strsst** on the command line of the Main Menu and press Enter.
 - b. Type your service tools user ID and service tools password on the System Service Tools (SST) Sign On display. Press Enter.
 - c. Select **Start a service tool** from the System Service Tools (SST) display. Press Enter.
 - d. Select **Hardware service manager** from the Start a Service Tool display and press Enter.
 - e. Select **Packaging hardware resources (system, frames, cards)** from the Hardware Service Manager display. Press Enter.
 - f. Select option **9** (Hardware contained within package) in the **System Unit** or **Expansion Unit** field of the unit where you are removing the card, and then press Enter.
 - g. Select function **F7** (Include empty positions and not owned positions) on the unit where you are removing the card.
 - h. Select **Concurrent Maintenance** on the card position where you want to remove the card and then press Enter.
 - i. Select **Toggle LED blink off/on**. A light-emitting diode (LED) blinks identifying the position you chose. Physically verify that this is the slot where you want to remove the adapter.
 - j. Select **Toggle LED blink off/on** to stop the blinking LED.
 - k. Select function **F9** (Power off domain), and when complete then ensure that the PCI-e card slot power LED is not lit.
6. Remove the PCI adapter cassette from the system. Follow these substeps:
 - a. Remove the PCI adapter EMC shield (**A**) as shown in Figure 97.



IPHAK910-0

Figure 97. Remove the EMC shield

- b. Lift up the lower cassette handle (B) as shown in Figure 98. Pull the PCI cassette (C) out of the system.



IPHAK911-0

Figure 98. PCI adapter cassette removed from the system unit

7. Place the cassette with the cover facing up on an approved ESD surface.

Note: The cover will have a label on it.

8. Remove the adapter from the PCI adapter cassette.

To replace the adapter in the system, see “Replacing a PCI adapter contained in a cassette in the system” on page 116.

Removing a PCI adapter contained in a cassette from the system with the power on in the Linux environment

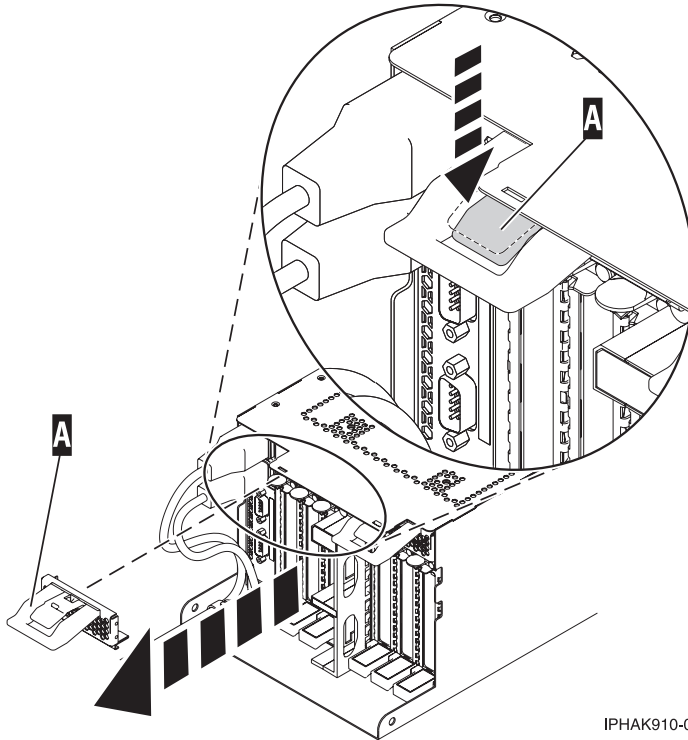
You can remove a PCI adapter with the system power on in the Linux environment.

If your system is managed by a HMC, use the HMC to complete the steps for removing a part from the system. For instructions, see “Removing a part by using the HMC” on page 199.

If you do not have an HMC, complete the following steps to remove a PCI adapter with the system power on in the Linux environment:

1. Ensure that the system meets the “Prerequisites for hot-plugging PCI adapters in Linux” on page 187.
2. Verify that the Linux, hot-plug PCI tools are installed. See “Verifying that the hot-plug PCI tools are installed for Linux” on page 187.
3. Complete the prerequisite tasks that are described in “Before you begin” on page 197.
4. Take appropriate precautions for avoiding electric shock and handling static-sensitive devices. For information, see “Avoiding electric shock” on page 179 and “Handling static-sensitive devices” on page 180.

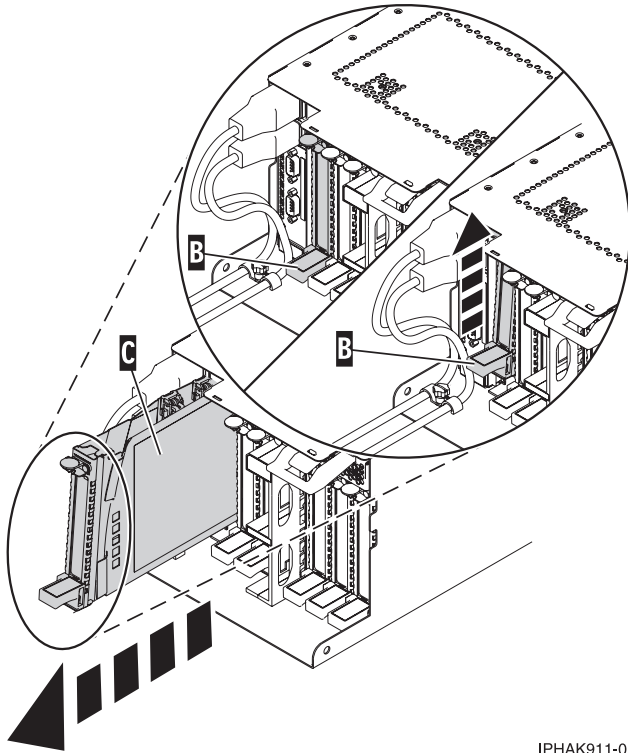
5. Determine the location of PCI adapter in the system.
6. Label, and then disconnect all cables attached to the adapter you plan to remove.
7. Run the **drmgr** command to enable an adapter to be removed:
For example, to remove the PCI adapter in slot U7879.001.DQD014E-P1-C3 run this command:
`drmgr -c pci -r -s locationcode`
Follow the instructions on the display to complete the task.
8. Remove the PCI adapter cassette from the system. Follow these steps:
 - a. Remove the PCI adapter EMC shield (**A**) as shown in Figure 99.



IPHA910-0

Figure 99. Remove the EMC shield

- b. Lift up the lower cassette handle (**B**) as shown in Figure 100 on page 116. Pull the PCI cassette (**C**) out of the system.



IPHAK911-0

Figure 100. PCI adapter cassette removed from the system unit

9. Place the cassette with the cover facing up on an approved ESD surface.

Note: The cover will have a label on it.

10. Remove the adapter from the PCI adapter cassette.

To replace the adapter in the system, see “Replacing a PCI adapter contained in a cassette in the system with the power on in the Linux environment” on page 126.

Replacing a PCI adapter contained in a cassette in the system

You can replace a PCI adapter.

Important:

- If you are removing, installing or replacing a PCI-X double-wide, quad-channel Ultra320 SCSI RAID controller, note the following concurrent maintenance information before proceeding with the instructions provided here. Concurrent maintenance of this double-wide adapter is not supported through the HMC. Concurrent maintenance must be done from within the partition operating system. In IBM i, the Hardware Service Manager (HSM) of the system or owning partition will automatically power off or on both PCI slots when either slot is selected. In AIX or Linux, you must manually power off and on each slot separately.

Note:

- Both PCI slots must be powered off when installing or removing this adapter with the system power on.
- If this adapter is the load source IOA, or any other storage IOA with critical storage devices attached to the system, this concurrent maintenance procedure should be performed by a qualified service provider.

- If you are removing, installing or replacing a PCI-X DDR 1.5 GB cache SAS RAID Adapter, note the following concurrent maintenance information before proceeding with the instructions provided here. Concurrent maintenance of this adapter is not supported through the HMC. Concurrent maintenance must be done from within the partition operating system. In IBM i, the Hardware Service Manager (HSM) of the system or owning partition will automatically power off or on both PCI slots when either slot is selected. In AIX or Linux, you must manually power off and on each slot separately.

Note:

- Both PCI slots must be powered off when installing or removing this adapter with the system power on.
- If this adapter is the load source IOA, or any other storage IOA with critical storage devices attached to the system, this concurrent maintenance procedure should be performed by a qualified service provider.
- Fibre Channel Adapters (5735 or 5774) installed in IBM i OS logical partitions will post errors at initial program load (IPL) if there is no device or wrap plug attached to each of the adapter's ports. Make sure that every Fibre Channel Adapter (5735 or 5774) that is installed in IBM i OS logical partition has either a wrap plug or a device attached to each of the adapter's ports. If you are exchanging a 5735 or 5774 Fibre Channel IOA, the external storage subsystem must be updated to use the worldwide port name of the new 5735 or 5774 IOA. For instructions, see "Updating the worldwide port name for a new 5735 or 5774 IOA." on page 181
- If you are replacing a 2748, 2757, 2763, 2767, 2778, 2780, 2782, 5702, 5709, or 570B storage IOA, take note of the following: Depending on the configuration of the system, the storage IOA cache might have been disabled to allow the attachment of OEM storage that emulates a load source drive. If you are replacing a storage IOA that has its cache disabled, configure the replacement IOA the same way as the IOA that you removed. If you remove hardware from the replacement IOA, return that hardware with the failed IOA.

Replacing a PCI adapter contained in a cassette in the system with the power off

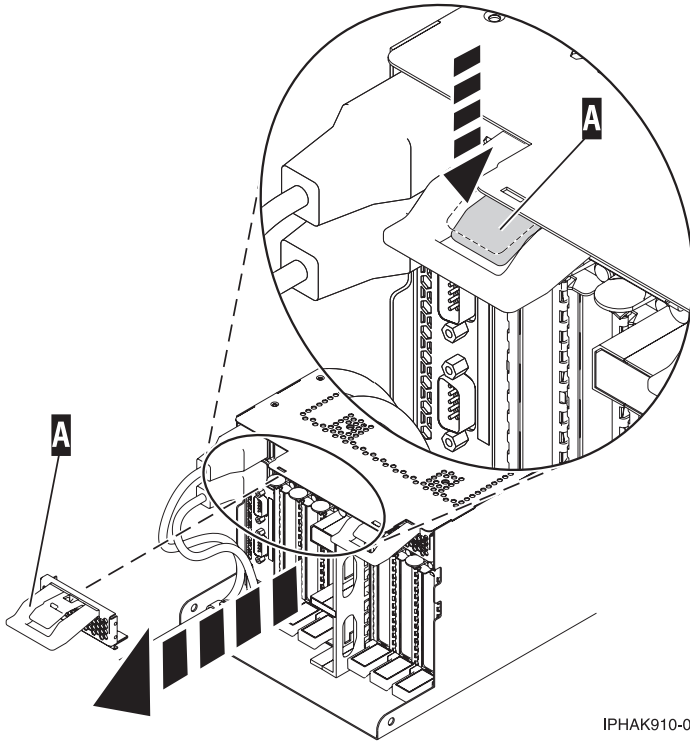
You can replace a PCI adapter with the system power off.

Attention: You must have already completed the procedure "Removing a PCI adapter contained in a cassette from the system with the power off" on page 106 in order to have the slot powered off.

If your system is managed by an HMC, use the HMC to complete the steps for replacing the part in the system. For instructions, see "Replacing a part by using the HMC" on page 200.

If you do not have an HMC, complete the following steps to replace a PCI adapter with the system power off:

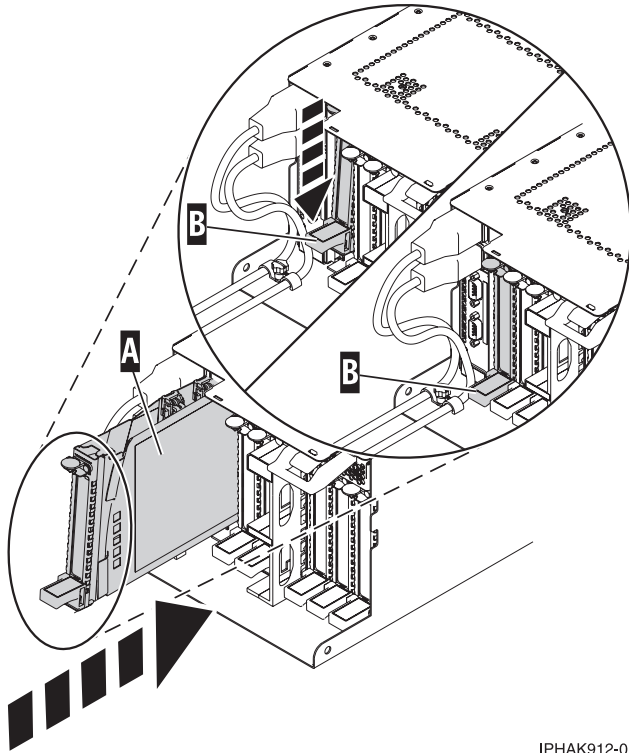
1. Complete the prerequisite tasks that are described in "Before you begin" on page 197.
2. Take appropriate precautions for avoiding electric shock and handling static-sensitive devices. For information, see "Avoiding electric shock" on page 179 and "Handling static-sensitive devices" on page 180.
3. If the adapter needs to be placed in a PCI adapter cassette, see one of the following topics:
 - "PCI adapter single-width, third generation cassette" on page 37
 - "PCI adapter double-wide cassette" on page 63
4. At the rear of the system, identify the cassette slot you want to use.
5. Ensure the lower cassette handle is pressed up toward the retainer clip. This places the adapter in the correct position to be docked in the system.
6. Replace the PCI adapter cassette in the system by completing the following steps:
 - a. Remove the PCI adapter EMC shield (A) as shown in Figure 101 on page 118.



IPHAK910-0

Figure 101. Remove the EMC shield

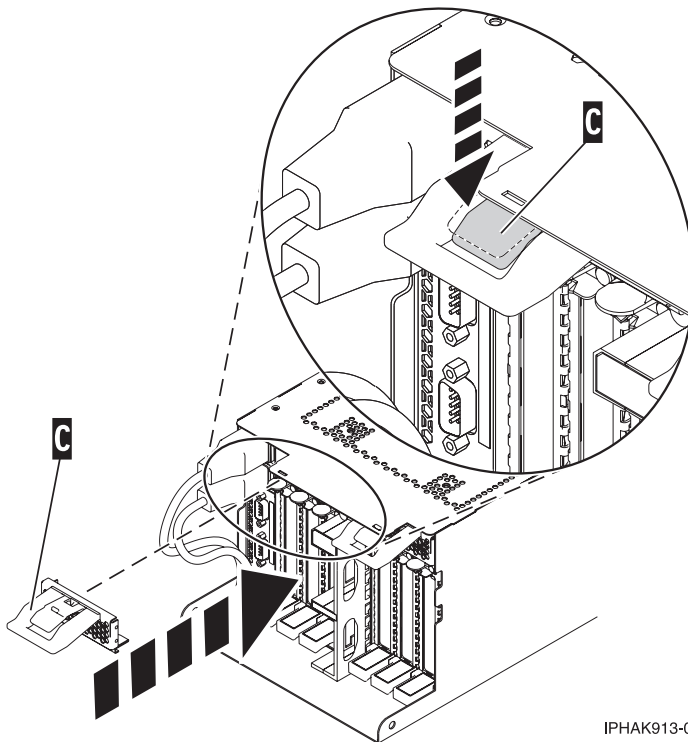
- b. Slide the cassette (**B**) into the cassette slot as shown in Figure 102 on page 119. When the cassette is fully inserted into the system, firmly press downward on the lower cassette handle (**B**) to lock the adapter in its connector.



IPHAK912-0

Figure 102. PCI adapter cassette installed in the system

c. Replace the EMC shield (C) as shown in Figure 103.



IPHAK913-0

Figure 103. PCI adapter EMC shield in the closed position

7. Reconnect the system to the power source.
8. Start the system or logical partition. For instructions, see “Starting the system or logical partition” on page 210.
9. Verify the installed part.
 - If you replaced the part because of a service action, verify the installed part. For instructions, see Verifying a repair.
 - If you installed the part for any other reason, verify the installed part. For instructions, see Verifying the installed part.

Removing and replacing a PCI adapter contained in a cassette in the system with the power on in the AIX environment

You can replace a PCI adapter with the system power on in the AIX environment.

Important:

1. Use this procedure if you intend to remove a failing PCI adapter and replace it with the same type of adapter.
2. If you plan to remove a failing adapter and leave the slot empty, see “Removing a PCI adapter contained in a cassette from the system with the power on in the AIX environment” on page 108.
3. This procedure should not be used to remove an existing adapter and install a different type of adapter. To install a different adapter, remove the existing adapter as described in “Removing a PCI adapter contained in a cassette from the system with the power on in the AIX environment” on page 108, and then install the new adapter as described in “Installing a PCI adapter contained in a cassette with the power on in the AIX environment” on page 93.
4. Procedures performed on a PCI adapter with the system power on in AIX, also known as hot-plug procedures, require the system administrator to take the PCI adapter offline prior to performing the operation. Before taking an adapter offline, the devices attached to the adapter must be taken offline as well. This action prevents a service representative or user from causing an unexpected outage for system users.

If your system is managed by an HMC, use the HMC to complete the steps for replacing the part in the system. For instructions, see “Replacing a part by using the HMC” on page 200.

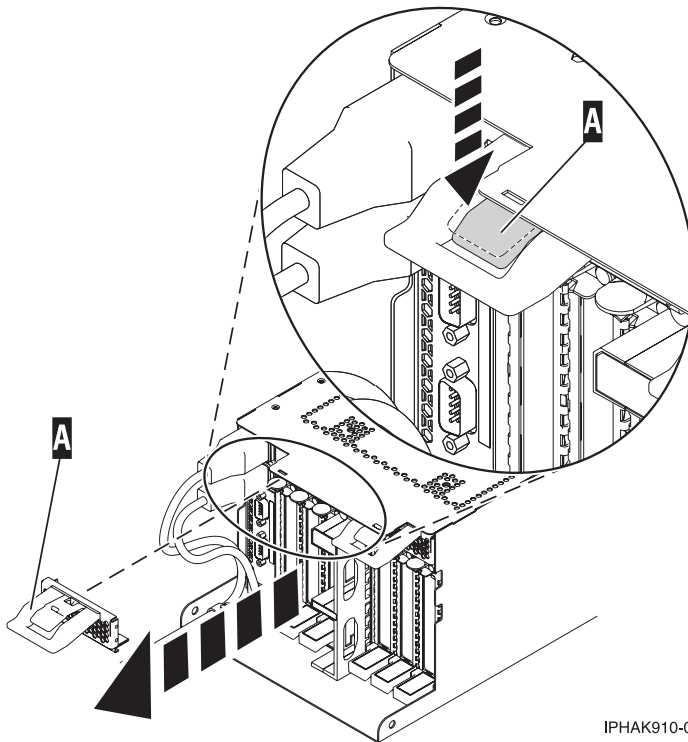
If you do not have an HMC, complete the following steps to replace a PCI adapter with the system power on in the AIX environment:

1. Complete the prerequisite tasks that are described in “Before you begin” on page 197.
2. Take appropriate precautions for avoiding electric shock and handling static-sensitive devices. For information, see “Avoiding electric shock” on page 179 and “Handling static-sensitive devices” on page 180.
3. Determine the location of the PCI adapter in the system.
4. Record the slot number and location of each adapter being removed.

Note: Adapter slots are numbered on the rear of the system unit.

5. Ensure that any processes or applications that might use the adapter are stopped.
6. Follow these steps to replace a PCI adapter using the PCI Hot-Plug Manager menu in the AIX Diagnostic tools:
 - a. Enter the system diagnostics by logging in as root user or as the celogin user, type **diag** at the AIX command line.
 - b. When the DIAGNOSTIC OPERATING INSTRUCTIONS menu displays, press Enter.
 - c. At the FUNCTION SELECTION menu, select **Task Selection**, then press Enter.
 - d. At the Task Selection list, select **PCI Hot Plug Manager**.
 - e. Select **Unconfigure a Device**, then press Enter.

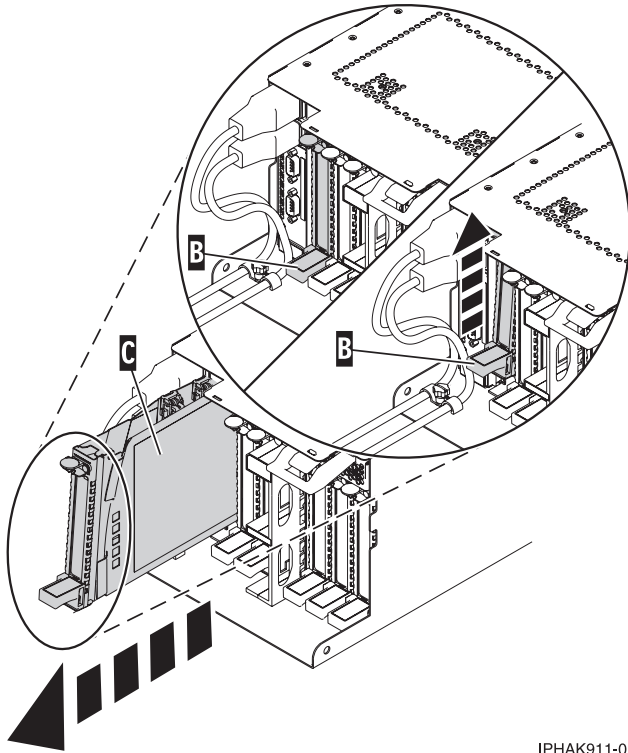
- f. Press F4 (or Esc +4) to display the **Device Names** menu.
 - g. Select the adapter you are removing in the **Device Names** menu.
 - h. Use the Tab key to answer YES to **Keep Definition**. Use the Tab key again to answer YES to **Unconfigure Child Devices**, then press Enter. The ARE YOU SURE window displays.
 - i. Press Enter to verify the information. Successful unconfiguration is indicated by the OK message displayed next to the Command field at the top of the screen.
 - j. Press F3 (or Esc +3) twice to return to the Hot Plug Manager menu.
 - k. Select **Replace/remove PCI Hot Plug adapter**.
 - l. Select the slot that has the device to be removed from the system.
 - m. Select **Replace**. A fast-blinking amber LED located at the back of the machine near the adapter indicates that the slot has been identified.
 - n. Press Enter. This places the adapter in the action state, meaning it is ready to be removed from the system.
7. Label, and then disconnect all cables attached to the adapter you plan to remove.
 8. Remove the PCI adapter cassette from the system. Follow these substeps:
 - a. Remove the PCI adapter EMC shield (**A**) as shown in Figure 104.



IPHAK910-0

Figure 104. Remove the EMC shield

- b. Lift up the lower cassette handle (**B**) as shown in Figure 105 on page 122. Pull the PCI cassette (**C**) out of the system.



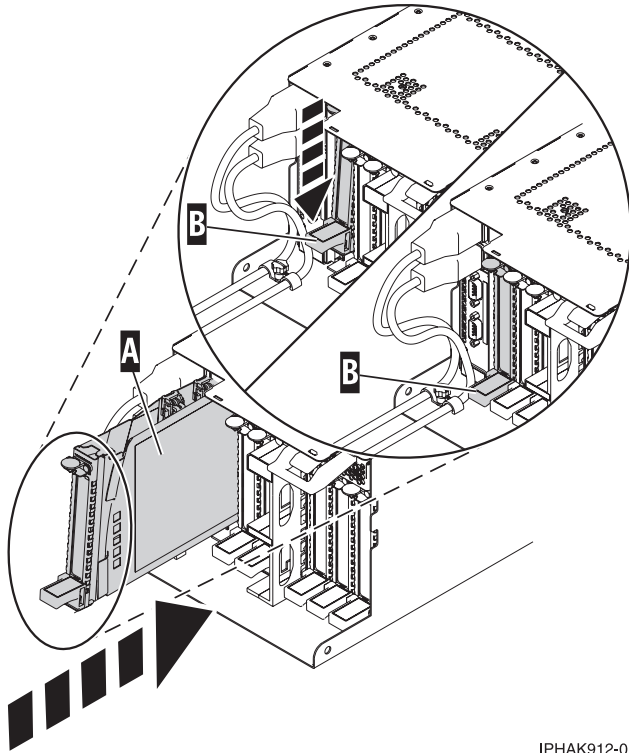
IPHAK911-0

Figure 105. PCI adapter cassette removed from the system unit

9. Place the cassette with the cover facing up on an approved ESD surface.

Note: The cover will have a label on it.

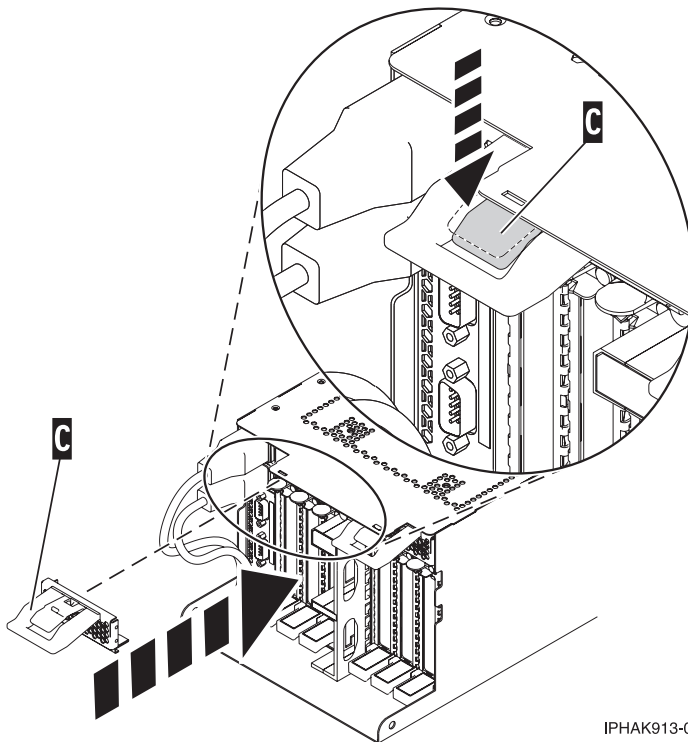
10. Install the adapter into the PCI adapter cassette. See the following topics:
 - “PCI adapter single-width, third generation cassette” on page 37
 - “PCI adapter double-wide cassette” on page 63
11. At the back of the system, lift the cassette cover flap and identify the cassette slot you want to use.
12. Ensure the lower cassette handle is pressed up toward the retainer clip. This places the adapter in the correct position to be docked in the system.
13. Install the PCI adapter cassette by completing the following steps:
 - a. Slide the cassette (**B**) into the cassette slot as shown in Figure 106 on page 123. When the cassette is fully inserted into the system, firmly press downward on the lower cassette handle (**B**) to lock the adapter in its connector.



IPHAK912-0

Figure 106. PCI adapter cassette installed in the system unit

- b. Replace the EMC shield (C) as shown in Figure 107.



IPHAK913-0

Figure 107. PCI adapter EMC shield in the closed position

14. Follow these steps to complete the PCI Hot Plug menus in the AIX Diagnostic tools and configure the device:
 - a. Press enter and continue to follow the instructions in the system diagnostics until you receive a message that the replacement is successful. Successful replacement is indicated by the OK message displayed next to the **Command** field at the top of the menu.
 - b. Press the F3 (or Esc+3) key to return to the **PCI Hot-Plug Manager** menu.
 - c. Press the F3 (or Esc+3) key to return to the **TASK** selection list.
 - d. Select **Log Repair Action**.
 - e. Select the resource just replaced, press Enter, press Commit (F7 or ESC 7), then press Enter.
 - f. Press F3 (or Esc+3) to return to **TASK Selection List**.
 - g. Select **Hot Plug Task**, press enter.
 - h. Select **PCI Hot Plug Manager**, then select **Configure a defined device**, then press Enter.
 - i. Select the device just replaced from the list, then press Enter. The device is now configured.
 - j. Press the F10 key to exit the diagnostic program.

Note: If you are running the stand-alone diagnostics, do not exit the program completely.

15. Verify the PCI adapter by using the following instructions:
 - a. Did you replace the adapter with the system power on?
 - Yes - Go to the next step.
 - No - Load the diagnostic program by doing the following:
 - If AIX is available, boot AIX, log in as root or CELOGIN, and then enter the **diag** command.
 - b. Type the **diag** command if you are not already displaying the diagnostic menus
 - c. Select **Advance Diagnostic Routines**, and then select **Problem Determination**.
 - d. Select the name of the resource just replaced from the menu. If the resource just replaced is not shown, choose the resource associated with it. Press Enter, and then press **Commit** ((F7 or Esc+7)).
 - e. Did the Problem Determination identify any problems?
 - No: Continue to the next step.
 - Yes: A problem is identified
 - If you are a customer, record the error information, and then contact your service provider.
 - If you are an authorized service provider, return to map 210-5.
16. Press the F10 key to exit the diagnostic program.

Replacing a PCI adapter contained in a cassette in the system with the power on in the IBM i environment

You can replace a PCI adapter with the system power on in the IBM i environment.

If your system is managed by an HMC, use the HMC to complete the steps for replacing the part in the system. For instructions, see “Replacing a part by using the HMC” on page 200.

Attention: You must have already completed the procedure “Removing a PCI adapter contained in a cassette from the system with the power on in the IBM i environment” on page 111 to have the slot powered off.

Important:

- If the adapter is the load source I/O adapter (IOA) or the load source I/O processor (IOP), or any other storage IOA or IOP with critical disk storage attached for the system or partition, follow the on-screen instructions when you use HSM to power down the IOP or IOA. Instructions to use functions 68 and 69 on the control panel will be included.

- If the adapter is the console IOA or the console IOP for the system or partition, you must perform the maintenance from an IBM i operating system session connected through a different IOA or IOP, or you must power down the partition to perform maintenance.
- If you are removing, installing or replacing a PCI-X double-wide, quad-channel Ultra320 SCSI RAID controller, note the following concurrent maintenance information before proceeding with the instructions provided here. Concurrent maintenance of this double-wide adapter is not supported through the HMC. Concurrent maintenance must be done from within the partition operating system. In IBM i, the Hardware Service Manager (HSM) of the system or owning partition will automatically power off or on both PCI slots when either slot is selected. In AIX or Linux, you must manually power off and on each slot separately.

Note:

- Both PCI slots must be powered off when installing or removing this adapter with the system power on.
- If this adapter is the load source IOA, or any other storage IOA with critical storage devices attached to the system, this concurrent maintenance procedure should be performed by a qualified service provider.
- If you are removing, installing or replacing a PCI-X DDR 1.5 GB cache SAS RAID Adapter, note the following concurrent maintenance information before proceeding with the instructions provided here. Concurrent maintenance of this adapter is not supported through the HMC. Concurrent maintenance must be done from within the partition operating system. In IBM i, the Hardware Service Manager (HSM) of the system or owning partition will automatically power off or on both PCI slots when either slot is selected. In AIX or Linux, you must manually power off and on each slot separately.

Note:

- Both PCI slots must be powered off when installing or removing this adapter with the system power on.
- If this adapter is the load source IOA, or any other storage IOA with critical storage devices attached to the system, this concurrent maintenance procedure should be performed by a qualified service provider.
- Fibre Channel Adapters (5735 or 5774) installed in IBM i OS logical partitions will post errors at initial program load (IPL) if there is no device or wrap plug attached to each of the adapter's ports. Make sure that every Fibre Channel Adapter (5735 or 5774) that is installed in IBM i OS logical partition has either a wrap plug or a device attached to each of the adapter's ports. If you are exchanging a 5735 or 5774 Fibre Channel IOA, the external storage subsystem must be updated to use the worldwide port name of the new 5735 or 5774 IOA. For instructions, see "Updating the worldwide port name for a new 5735 or 5774 IOA." on page 181
- If you are replacing a 2748, 2757, 2763, 2767, 2778, 2780, 2782, 5702, 5709, or 570B storage IOA, take note of the following: Depending on the configuration of the system, the storage IOA cache might have been disabled to allow the attachment of OEM storage that emulates a load source drive. If you are replacing a storage IOA that has its cache disabled, configure the replacement IOA the same way as the IOA that you removed. If you remove hardware from the replacement IOA, return that hardware with the failed IOA.

If you do not have an HMC, complete the following steps to replace a PCI adapter with the system power on in the IBM i environment:

1. Complete the prerequisite tasks that are described in "Before you begin" on page 197.
2. Take appropriate precautions for avoiding electric shock and handling static-sensitive devices. For information, see "Avoiding electric shock" on page 179 and "Handling static-sensitive devices" on page 180.
3. If the adapter needs to be placed in the PCI adapter cassette, see "PCI adapter single-width and double-width cassettes" on page 162.
4. At the back of the system, lift the cassette cover flap and identify the cassette slot you want to use.

5. Ensure the lower cassette handle is pressed up toward the retainer clip. This places the adapter in the correct position to be docked in the system.
6. Remove the PCI adapter cassette from the system.
7. From the Hardware Resource Concurrent Maintenance display, complete the following steps:
 - a. Select **Power on domain** and press Enter.
 - b. Select **Assign to** on the resource that has an asterisk (*) on the Work with Controlling Resource display. Press Enter.
 - c. Wait for the Hardware Resource Concurrent Maintenance display to appear with this message:
Power on complete
8. Verify the installed part.
 - If you replaced the part because of a service action, verify the installed part. For instructions, see Verifying a repair.
 - If you installed the part for any other reason, verify the installed part. For instructions, see Verifying the installed part.

Replacing a PCI adapter contained in a cassette in the system with the power on in the Linux environment

You can replace a PCI adapter.

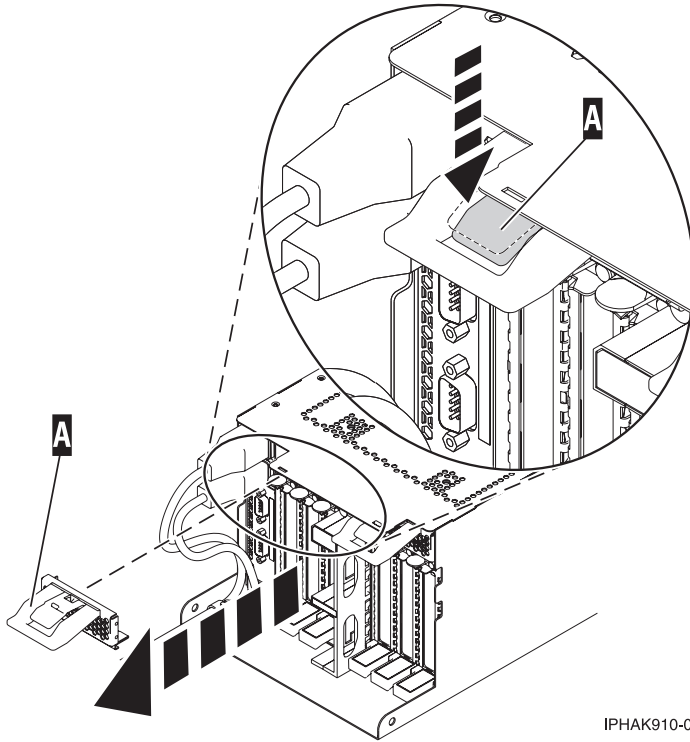
You must have already completed the procedure “Removing a PCI adapter contained in a cassette from the system with the power on in the Linux environment” on page 114 in order to have the slot powered off.

Note: Use this procedure only when you are replacing an adapter with an identical adapter. If you are replacing an adapter with an adapter that is not identical to the adapter removed, go to “Removing a PCI adapter contained in a cassette from the system with the power on in the Linux environment” on page 114 and “Installing a PCI adapter contained in a cassette with the power on in the Linux environment” on page 102.

If your system is managed by an HMC, use the HMC to complete the steps for replacing the part in the system. For instructions, see “Replacing a part by using the HMC” on page 200.

If you do not have an HMC, complete the following steps to replace a PCI adapter with the system power on in the Linux environment:

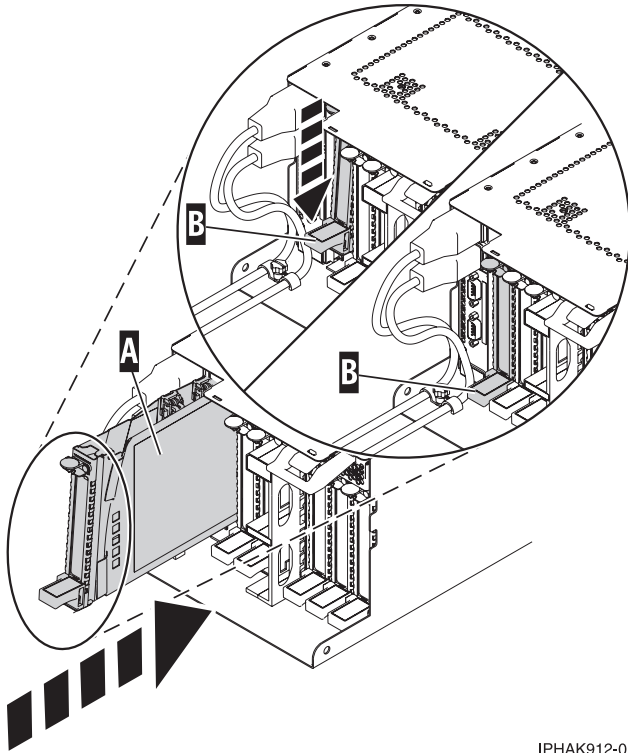
1. Complete the prerequisite tasks that are described in “Before you begin” on page 197.
2. Take appropriate precautions for avoiding electric shock and handling static-sensitive devices. For information, see “Avoiding electric shock” on page 179 and “Handling static-sensitive devices” on page 180.
3. If the adapter needs to be placed in the PCI adapter cassette, see “PCI adapter single-width and double-width cassettes” on page 162.
4. At the back of the system, lift the cassette cover flap and identify the cassette slot you want to use.
5. Ensure the lower cassette handle is pressed up toward the retainer clip. This places the adapter in the correct position to be docked in the system.
6. Run the **drmgr** command to enable an adapter to be replaced:
For example, to replace the PCI adapter in slot U7879.001.DQD014E-P1-C3 run this command:
`drmgr -c pci -r -s locationcode`
Follow the instructions on the display to complete the task.
7. Remove the PCI adapter cassette from the system. Follow these substeps.
 - a. Remove the PCI adapter EMC shield (A) as shown in Figure 108 on page 127.



IPHAK910-0

Figure 108. Remove the EMC shield

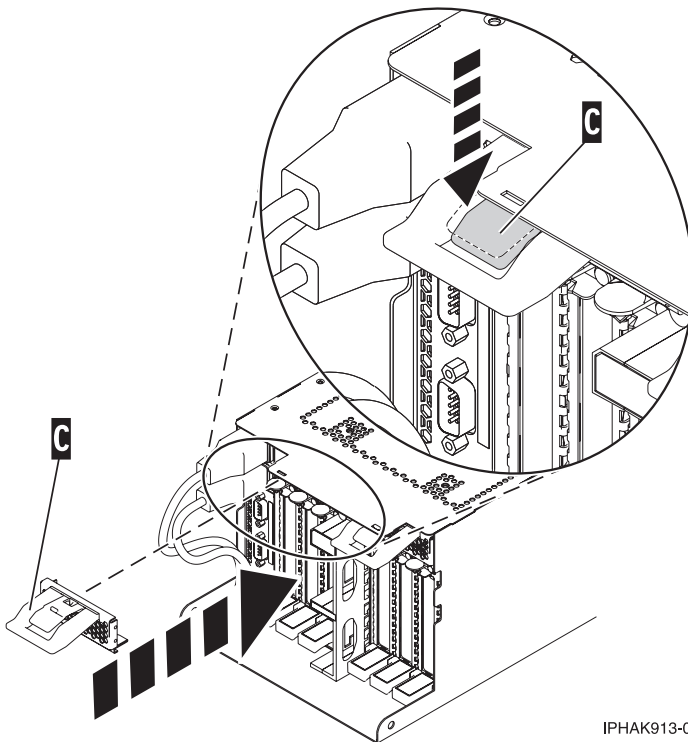
- b. Slide the cassette (**B**) into the cassette slot as shown in Figure 109 on page 128. When the cassette is fully inserted into the system, firmly press downward on the lower cassette handle (**B**) to lock the adapter in its connector.



IPHAK912-0

Figure 109. PCI adapter cassette installed in the system

c. Replace the EMC shield (C) as shown in Figure 110.



IPHAK913-0

Figure 110. PCI adapter EMC shield in the closed position

8. Run the lsslot command to verify that the slot is occupied.

For example, Enter `lsslot -c pci -s U7879.001.DQD014E-P1-C3`

The following is an example of the information displayed by this command:

```
# Slot      Description      Device(s)
U7879.001.DQD014E-P1-C3 PCI-X capable, 64 bit, 133MHz slot 0001:40:01.0
```

PCI adapter single-width, third generation cassette

You might need to remove, replace, or install PCI adapters in a single-width cassette. Use the procedures in this section to perform these tasks.

Placing a PCI adapter in a single-width, third generation cassette

You can place a PCI adapter in a single-width cassette.

To place a PCI adapter in a cassette, do the following steps:

1. Complete the prerequisite tasks that are described in “Before you begin” on page 197.
2. Take appropriate precautions for avoiding electric shock and handling static-sensitive devices. For information, see “Avoiding electric shock” on page 179 and “Handling static-sensitive devices” on page 180.
3. Remove any shipping handles or brackets attached to the adapter.
4. Remove the cassette cover by completing the following steps:
 - a. Slide the cover latch (A) to disengage it from the pivot pin (C) as shown in Figure 28 on page 38.
 - b. Lift the cover (B) off of the pivot pin.
 - c. Slide the cover off of the cassette.

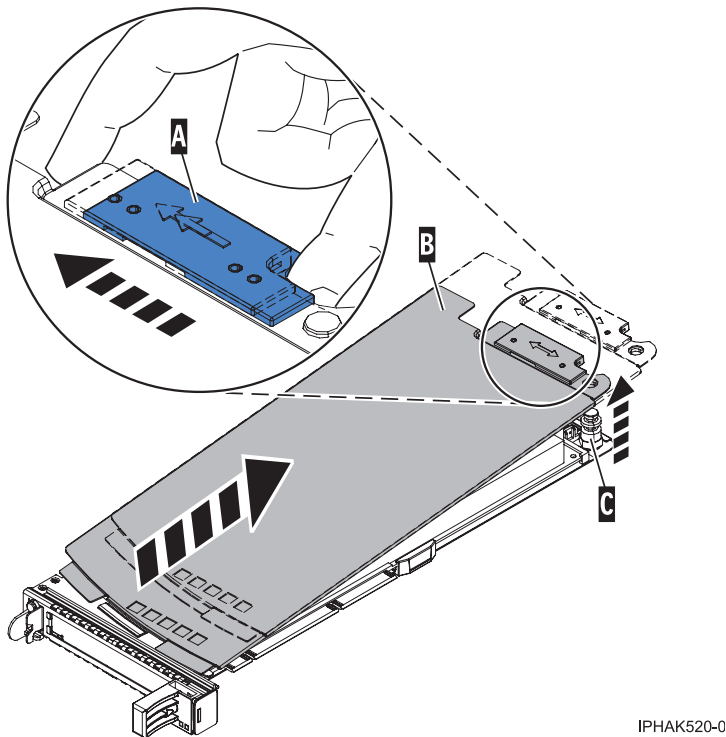


Figure 111. PCI adapter single-width cassette cover removed

5. Ensure the cassette is prepared to receive an adapter by doing the following actions:
 - a. Ensure the cassette is empty by doing one of the following action:
 - “Removing an adapter from the PCI adapter single-width, third generation cassette” on page 47.

- Remove the adapter filler panel from the cassette.
- Ensure that all of the adapter retainers (A) have been pushed out to the edges of the cassette to allow the placement of the adapter. See Figure 29 on page 39.

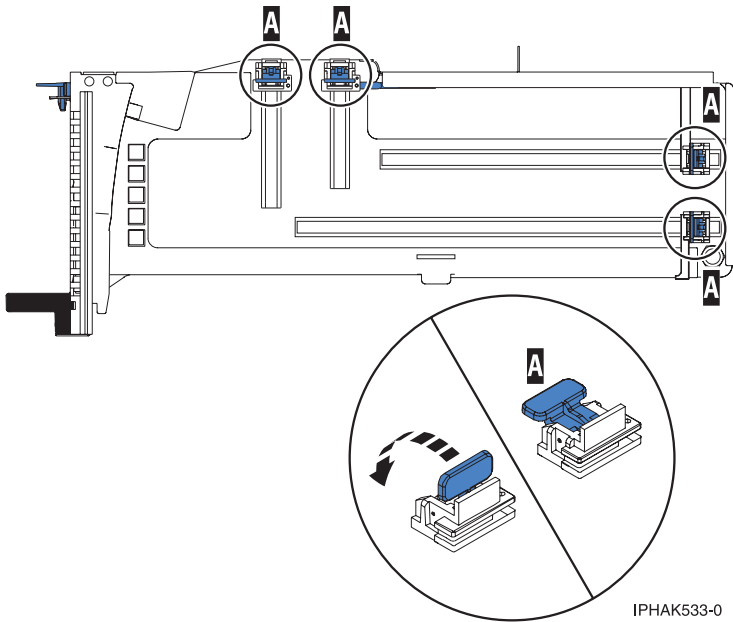


Figure 112. Adapter retainers

- Rotate the tailstock clamp into the open position.

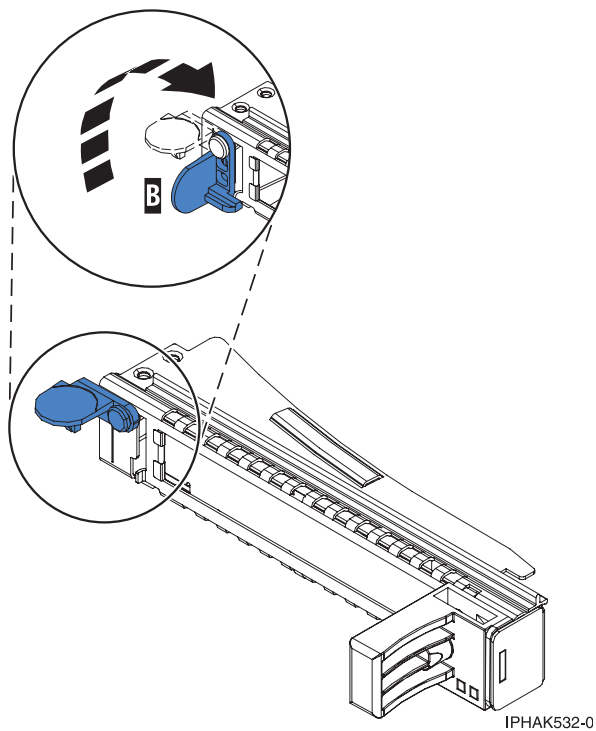
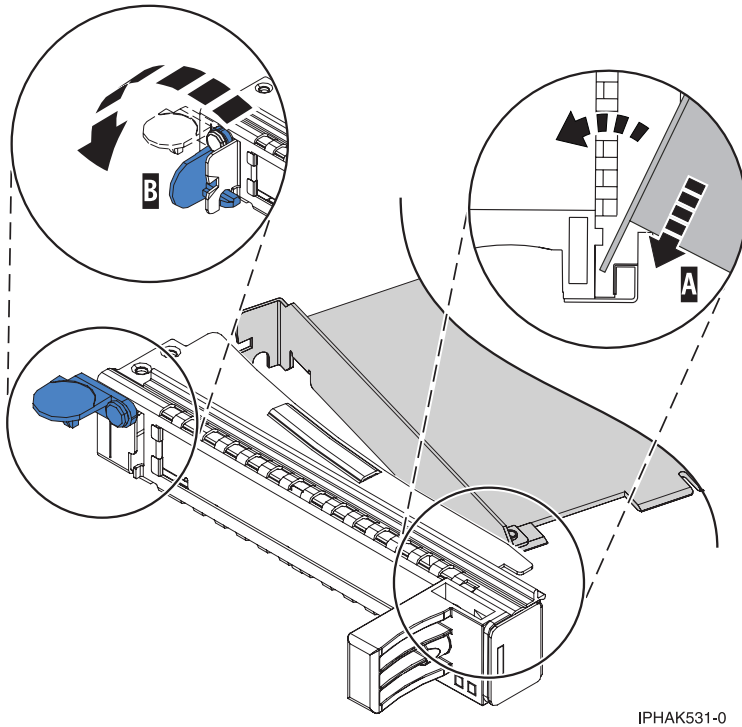


Figure 113. Tailstock clamp in the open position

- Place the adapter in the cassette by completing the following steps:

- a. With the tailstock clamp in the open position, insert the adapter firmly into the tailstock retaining channel (A). See Figure 31 on page 40.
- b. Rotate the adapter toward the top of the cassette and into place.
- c. Close the tailstock clamp (B). See Figure 31 on page 40.



IPHA531-0

Figure 114. Adapter removed from the PCI adapter single-width cassette

- d. Position the adapter retainers to support the adapter, and then rotate the retainer clip into the closed position.

Notes:

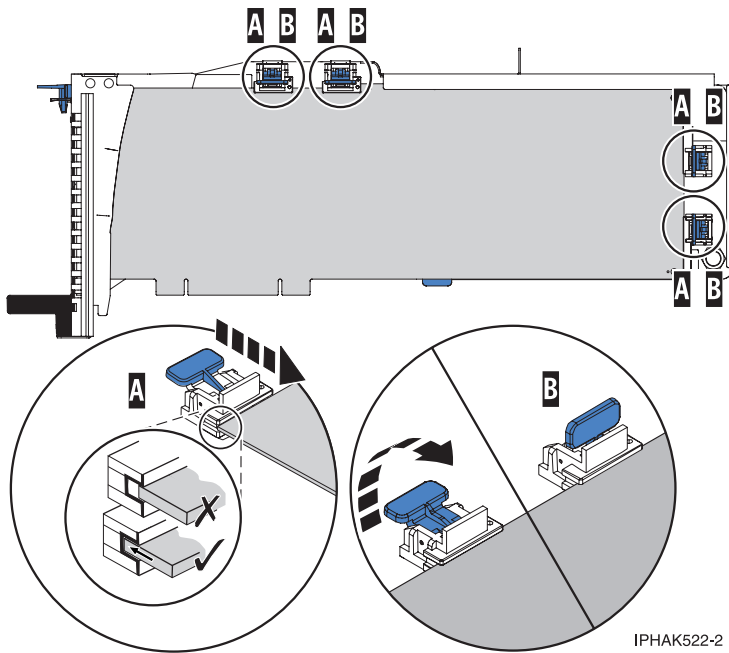
- 1) Two retainers are located at the top of the cassette, along the top edge of the adapter. Two more retainers are located at the edge of the cassette opposite of the adapter tailstock.
- 2) When the adapter retainer clip is in the horizontal position, the adapter retainers are unlocked and can slide toward the adapter.
- 3) Place the retainers on the adapter according to the length of the adapter being used. Select the appropriate instructions:

Adapter-cassette retainer placement for large adapters

- a) Place and lock the retainers (B). See Figure 32 on page 41.

Attention: Use of the lower corner support retainer might interfere with the docking of the PCI card when positioned within the system. Ensure the retainer does not interfere with the adapter connectors on the system backplane.

- b) Ensure the adapter edge is seated in each retainer groove (A). If the shape of the adapter or the presence of a connector will not allow the adapter edge to be seated into the retainer groove, ensure the retainer is still locked firmly against that edge or connector.

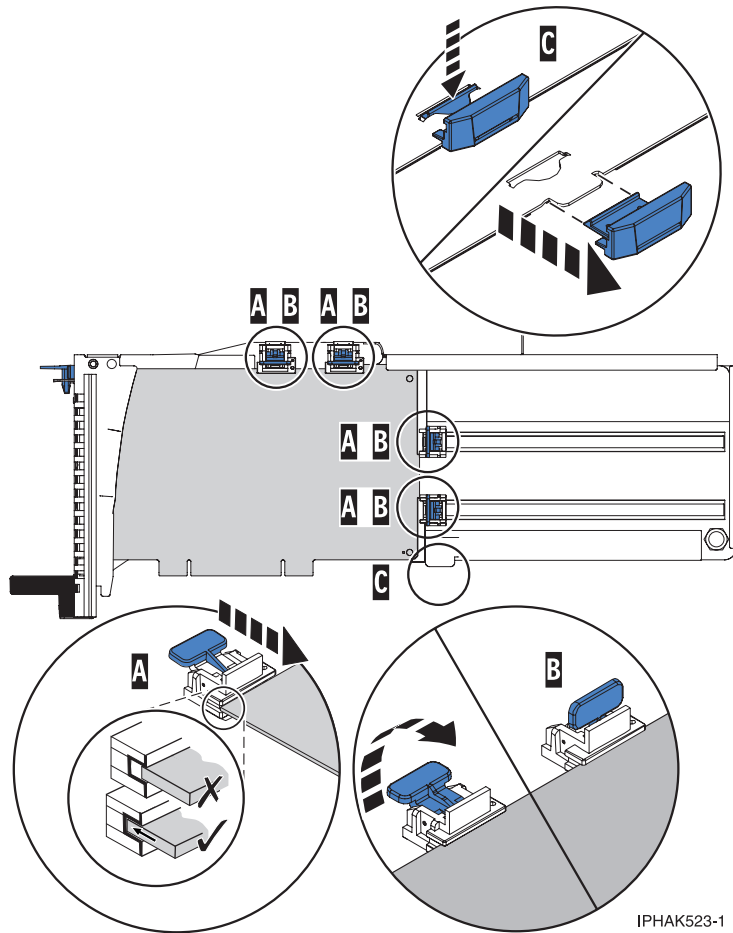


IPHA522-2

Figure 115. Large adapter in the PCI adapter cassette with the supports and stabilizer in place

Adapter-cassette retainer placement for medium-length adapters

- a) Remove the adapter stabilizer (C). See Figure 33 on page 42.
- b) Place and lock the retainers (B).
- c) Ensure the adapter edge is seated in each retainer groove (A). If the shape of the adapter or the presence of a connector will not allow the adapter edge to be seated into the retainer groove, ensure the retainer is still locked firmly against that edge or connector.

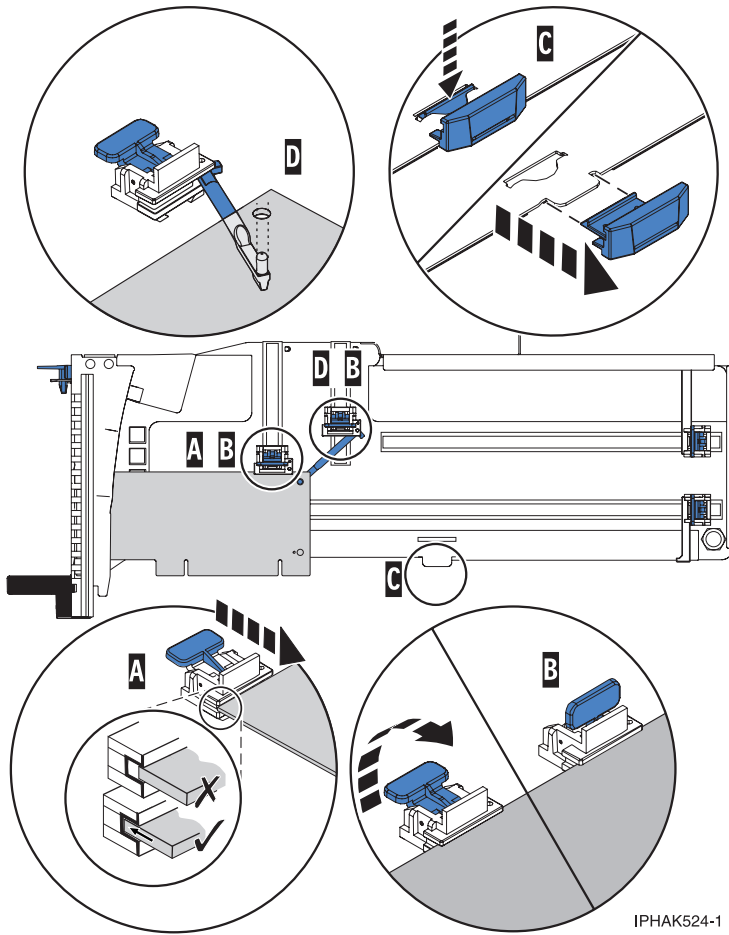


IPHAK523-1

Figure 116. Medium-length adapter in the PCI adapter cassette with the supports in place

Adapter-cassette retainer placement for small adapters

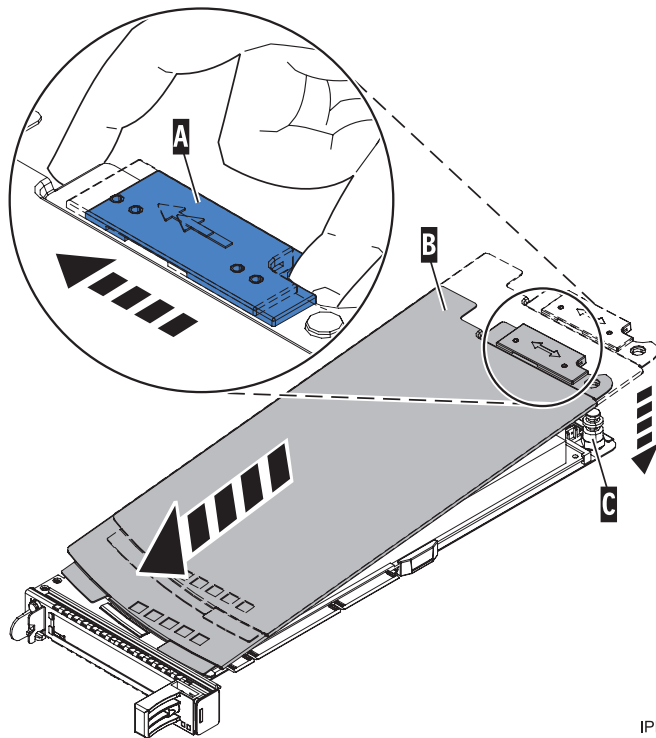
- Remove the adapter stabilizer (C). See Figure 34 on page 43.
- Place the hookarm (D) into the hole in the corner of the adapter. This supports the card when it is undocked from the connector on the system backplane.
- Place and lock the retainers (B).
- Ensure the adapter edge is seated in each retainer groove (A). If the shape of the adapter or the presence of a connector will not allow the adapter edge to be seated into the retainer groove, ensure the retainer is still locked firmly against that edge or connector.



IPHA524-1

Figure 117. Small adapter in the PCI adapter cassette with the supports and the hookarm in place

7. Replace the cassette cover by doing the following:
 - a. Slide the cover (B) into position on the cassette as shown in the following figure.
 - b. While holding the cover latch (A) in the open position, place the cover over the pivot pin (C).
 - c. Release the cover latch to lock the cover into place.



IPHA530-0

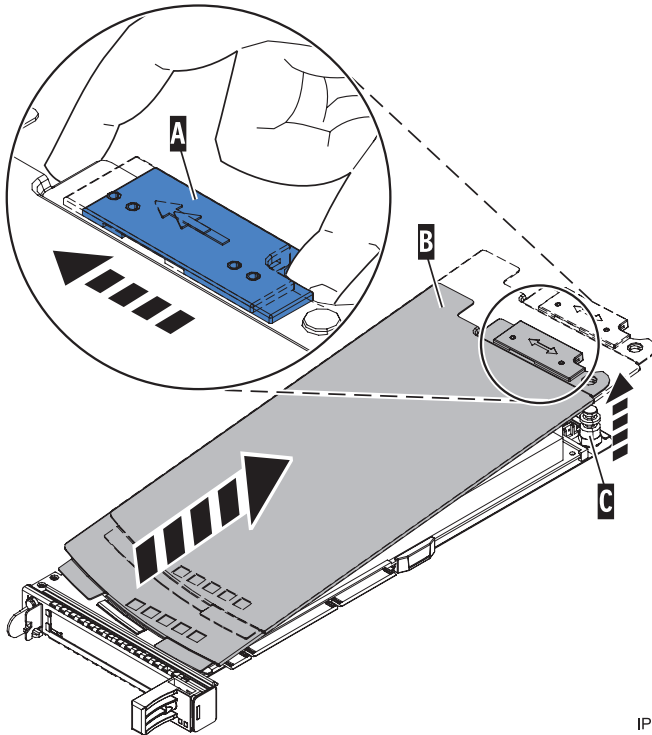
Figure 118. PCI adapter cassette cover replaced

Placing a 4-Port USB PCI Express Adapter in a single-width, third generation cassette

You can place a 4-Port USB PCI Express Adapter (FC 2728; CCIN 57D1) in a single-width cassette.

To place a PCI adapter in a cassette, do the following steps:

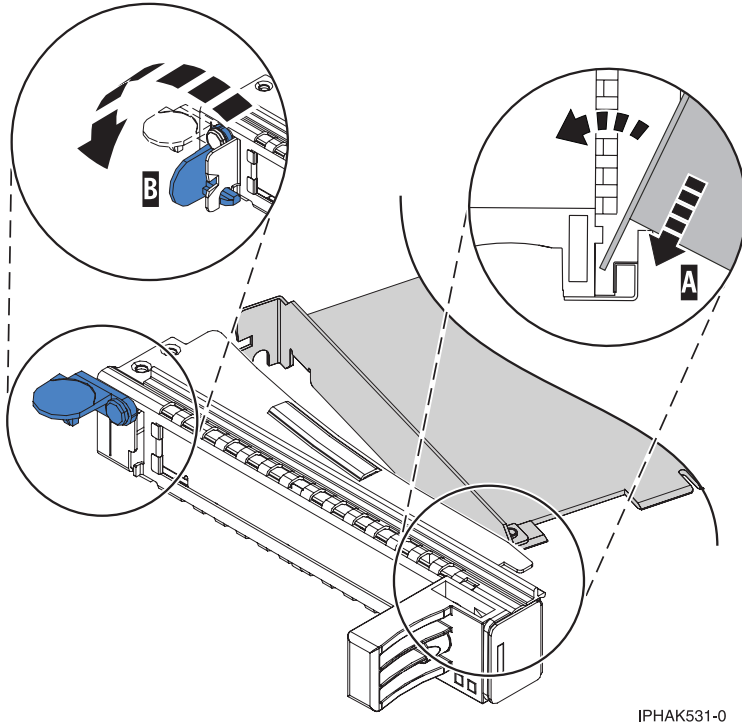
1. Complete the prerequisite tasks that are described in “Before you begin” on page 197.
2. Take appropriate precautions for avoiding electric shock and handling static-sensitive devices. For information, see “Avoiding electric shock” on page 179 and “Handling static-sensitive devices” on page 180.
3. Remove the cassette from the system.
4. Remove the cassette cover by doing the following steps:
 - a. Slide the cover latch (A) to disengage it from the pivot pin (C) as shown in the following figure.
 - b. Lift the cover (B) off of the pivot pin.
 - c. Slide the cover off of the cassette.



IPHAK520-0

Figure 119. PCI adapter single-width cassette cover removed

5. Ensure that the cassette is empty.
6. Place the adapter in the cassette by doing the following steps:
 - a. With the tailstock clamp in the open position, insert the adapter firmly into the tailstock retaining channel **(A)**. See Figure 37 on page 46.
 - b. Rotate the adapter toward the top of the cassette and into place.
 - c. Close the tailstock clamp **(B)**. See Figure 37 on page 46.



IPHAK531-0

Figure 120. Placing the PCI adapter single-width cassette

- d. Position the adapter retainer to support the adapter.

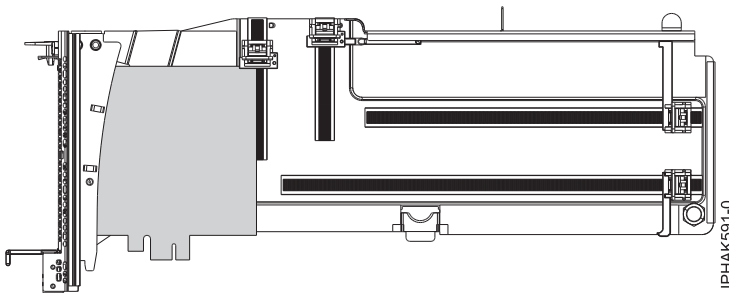


Figure 121. Side view of adapter in cassette

7. Replace the cassette cover by doing the following steps:
 - a. Slide the cover **(B)** into position on the cassette as shown in the following figure.
 - b. While holding the cover latch **(A)** in the open position, place the cover over the pivot pin **(C)**.
 - c. Release the cover latch to lock the cover into place.

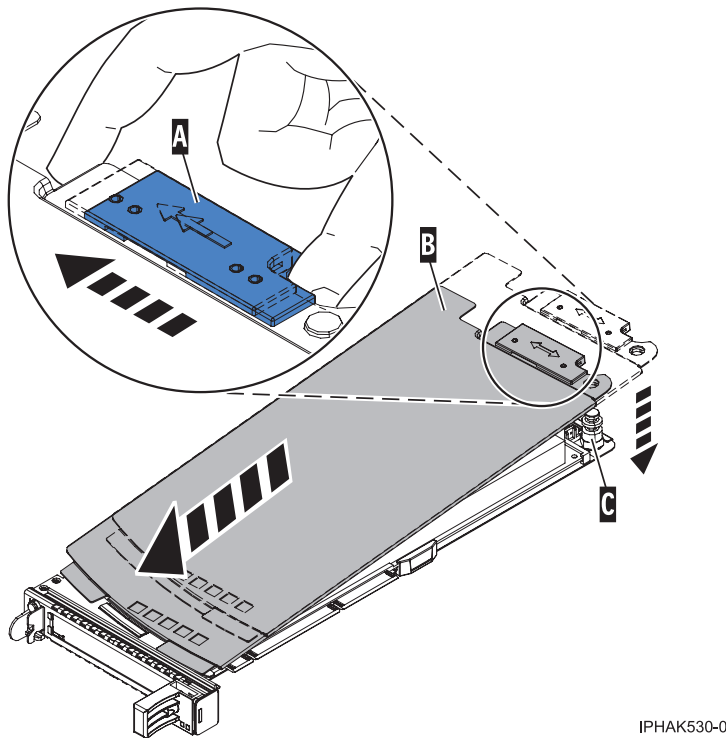


Figure 122. PCI adapter cassette cover replaced

8. Replace the PCI adapter cassette (B) in the system. See the following figure.
9. Install the EMC grill (A).

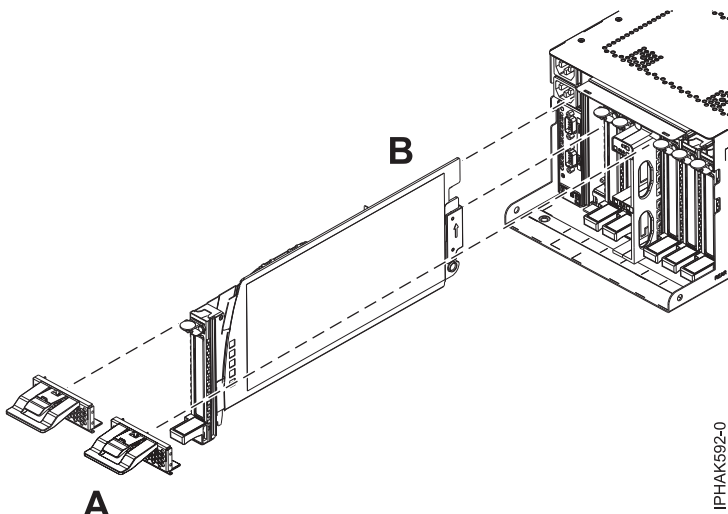


Figure 123. Replace the cassette and install the EMC grill

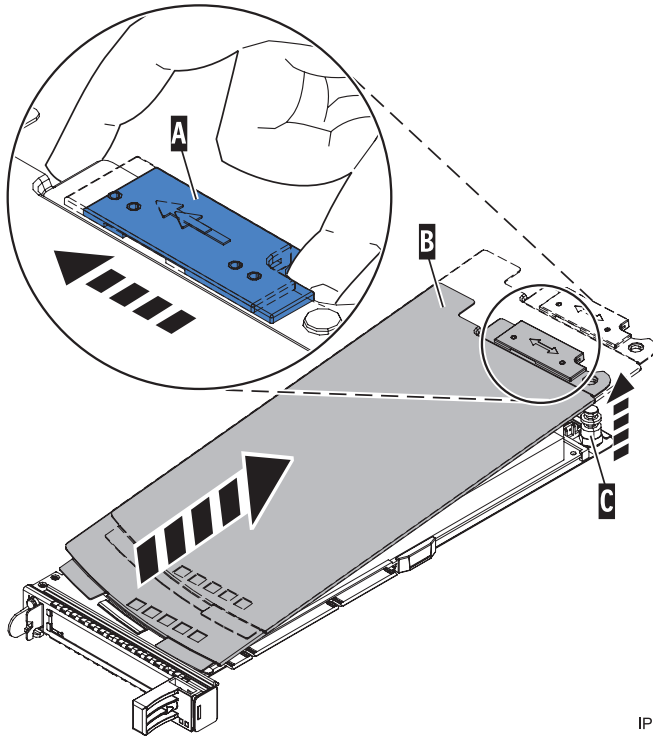
Removing an adapter from the PCI adapter single-width, third generation cassette

You can remove a PCI adapter from a single-width cassette.

To remove an adapter from the single-width cassette, do the following steps:

1. Complete the prerequisite tasks that are described in “Before you begin” on page 197.
2. Take appropriate precautions for avoiding electric shock and handling static-sensitive devices. For information, see “Avoiding electric shock” on page 179 and “Handling static-sensitive devices” on page 180.

3. Remove the cassette from the system.
4. Remove the cassette cover by doing the following:
 - a. Slide the cover latch (A) to disengage it from the pivot pin (C) as shown in the following figure.
 - b. Lift the cover (B) off the pivot pin.
 - c. Slide the cover off the cassette.



IPHA520-0

Figure 124. PCI adapter cassette cover removed

5. Remove the adapter from the cassette by completing the following steps:
 - a. Unlock the adapter retainers by rotating the retainer clip (A) into the horizontal position. See Figure 42 on page 49.

Notes:

- 1) The edge of the adapter located at the end of the cassette that contains the cassette handles is called the adapter **tailstock**.
 - 2) Two retainers are located at the top of the cassette, along the top edge of the adapter. Two more retainers are located at the edge of the cassette opposite of the adapter tailstock.
 - 3) When the retainer clip is in the horizontal position, the adapter retainers are unlocked and can slide away from the card.
 - 4) If the corner support retainer is used, unlock it, and then slide the corner support retainer away from the card.
- b. Push the adapter retainers (B) away from the adapter.
 - c. Unlock the adapter tailstock clamp (C).
 - d. Rotate the adapter out of the cassette by grasping the edge of the adapter opposite the tailstock, and then firmly rotate the adapter toward the bottom of the cassette.
 - e. Lift the adapter out of the tailstock retaining channel.

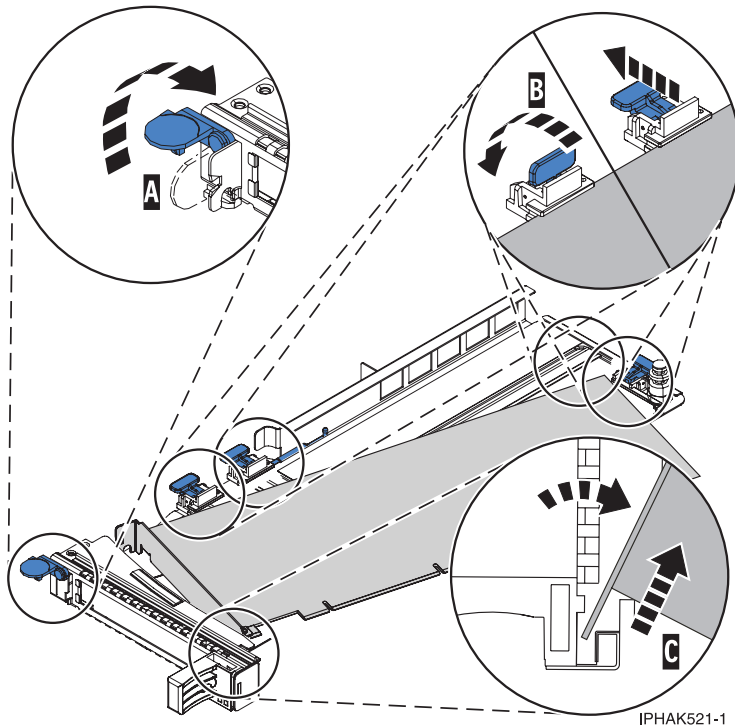


Figure 125. Adapter removed from the PCI adapter cassette

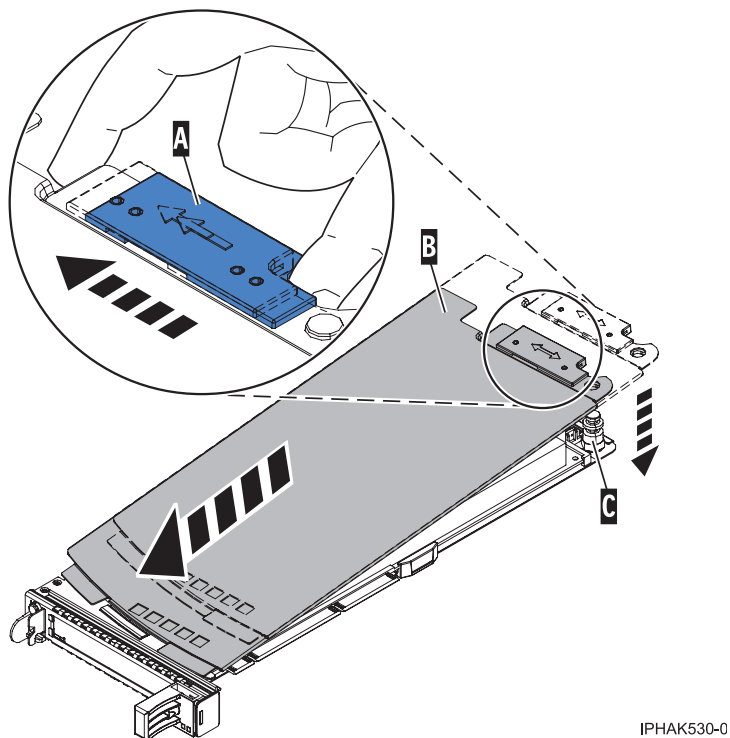
f. Put the adapter in a safe place.

Attention: A cassette containing either a PCI adapter or filler panel must be placed in the PCI adapter slot of the system unit for proper air flow and cooling.

g. Place a PCI adapter or filler panel in the cassette. See “Placing a PCI adapter in a single-width, third generation cassette” on page 37.

h. Replace the cassette cover by completing the following steps:

- 1) Slide the cover **(B)** into position on the cassette.
- 2) While you hold the cover latch **(A)** in the open position, place the cover over the pivot pin **(C)**.
- 3) Release the cover latch to lock the cover into place.



IPHAK530-0

Figure 126. PCI adapter cassette cover replaced

PCI adapter double-wide cassette

You might need to remove, replace, or install PCI adapters in a double-wide cassette. Use the procedures in this section to perform these tasks.

Removing an adapter from the PCI adapter double-wide cassette

You might need to remove a PCI adapter from a double-wide cassette.

To remove an adapter from the cassette, do the following:

1. Complete the prerequisite tasks that are described in “Before you begin” on page 197.
2. Take appropriate precautions for avoiding electric shock and handling static-sensitive devices. For information, see “Avoiding electric shock” on page 179 and “Handling static-sensitive devices” on page 180.
3. Remove the PCI adapter contained in a cassette from the system.
4. Remove any shipping handles or brackets attached to the adapter.
5. Remove the cassette cover by doing the following:
 - a. Slide the cover latch **A** to disengage it from the pivot pin **C** as shown in the following figure.
 - b. Lift the cover **B** off of the pivot pin.
 - c. Slide the cover off of the cassette.

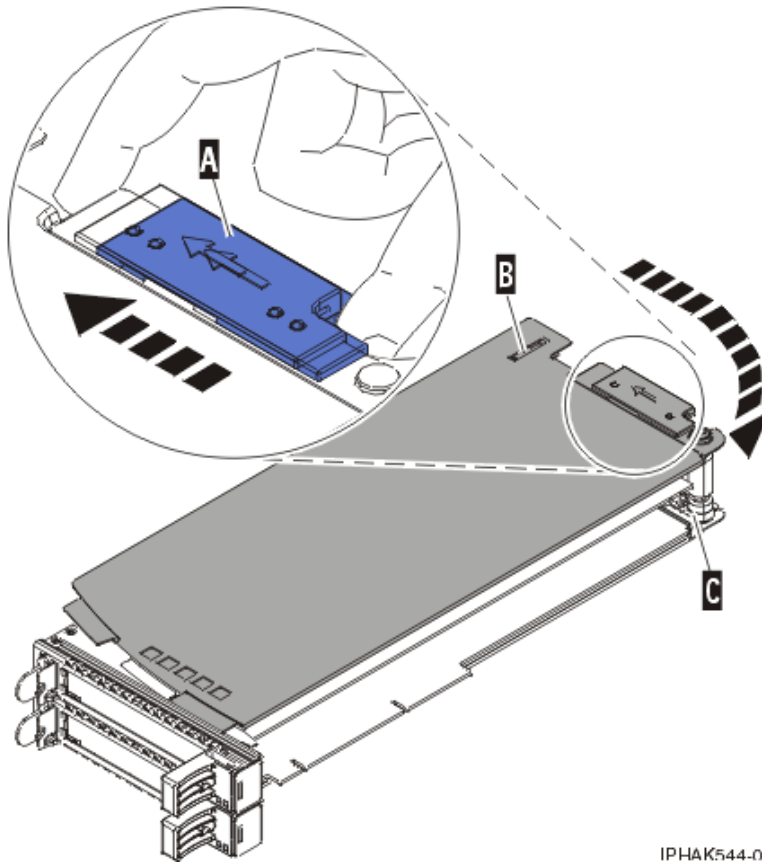


Figure 127. PCI adapter cassette cover removed

- d. Unscrew pivot pin C and put it in a safe place
6. Remove the adapter from the cassette by doing the following:
 - a. Unlock the adapter retainers by rotating the retainer clip A into the horizontal position. See Figure 45 on page 65.

Notes:

- 1) The edge of the adapter located at the end of the cassette that contains the cassette handles is called the adapter *tailstock*.
 - 2) Two retainers are located at the top of the cassette, along the top edge of the adapter. Two more retainers are located at the edge of the cassette opposite of the adapter tailstock.
 - 3) When the retainer clip is in the horizontal position, the adapter retainers are unlocked and can slide away from the card.
 - 4) If the corner support retainer is used, unlock it, and then slide the corner support retainer away from the card.
- b. Push the adapter retainers B away from the adapter.
 - c. Unlock the adapter tailstock clamp C.
 - d. Rotate the adapter out of the cassette by grasping the edge of the adapter opposite the tailstock and then firmly rotating the adapter toward the bottom of the cassette.
 - e. Lift the adapter out of the tailstock retaining channel.

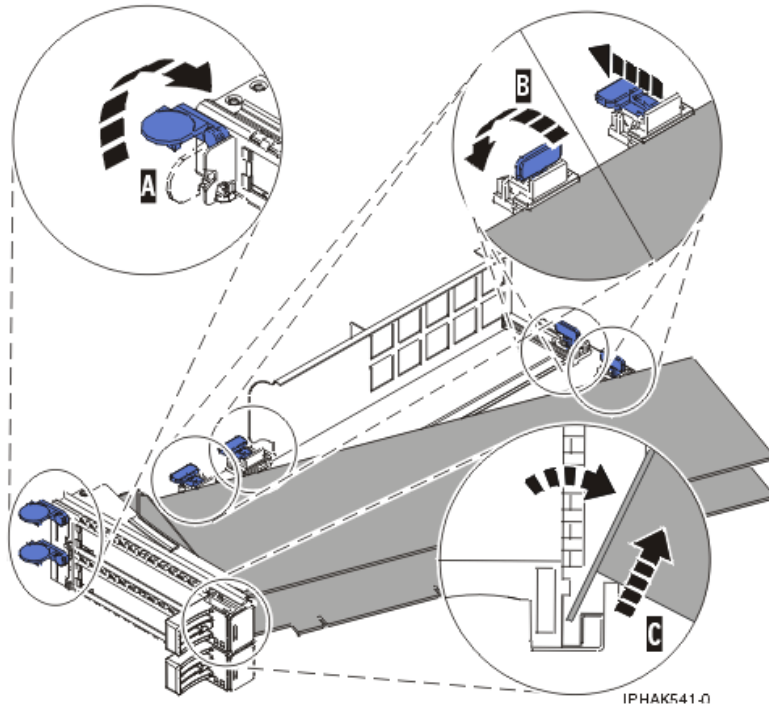


Figure 128. Adapter removed from the PCI adapter cassette

- f. Put the adapter in a safe place.

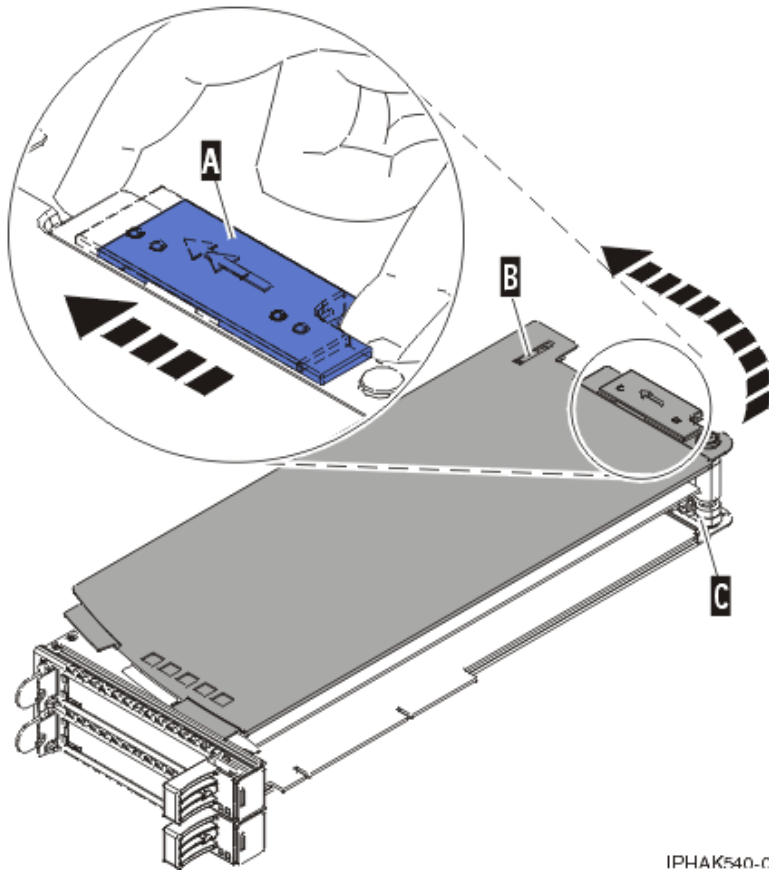
Attention: A cassette containing either a PCI adapter or filler panel must be placed in the PCI adapter slot of the system unit for proper air flow and cooling.

- g. Place the adapter in the PCI adapter double-wide cassette. For information, see “Placing an adapter in the PCI adapter double-wide cassette” on page 66.

Note: If the cassette is not going to contain a PCI adapter, use this same procedure to place an adapter filler panel in the cassette.

- h. Replace the cassette cover by doing the following:

- 1) Screw pivot pin **C** into place.
- 2) Slide the cover **B** into position on the cassette.
- 3) While holding the cover latch **A** in the open position, place the cover over the pivot pin **C**.
- 4) Release the cover latch to lock the cover into place.



IPHAK540-c

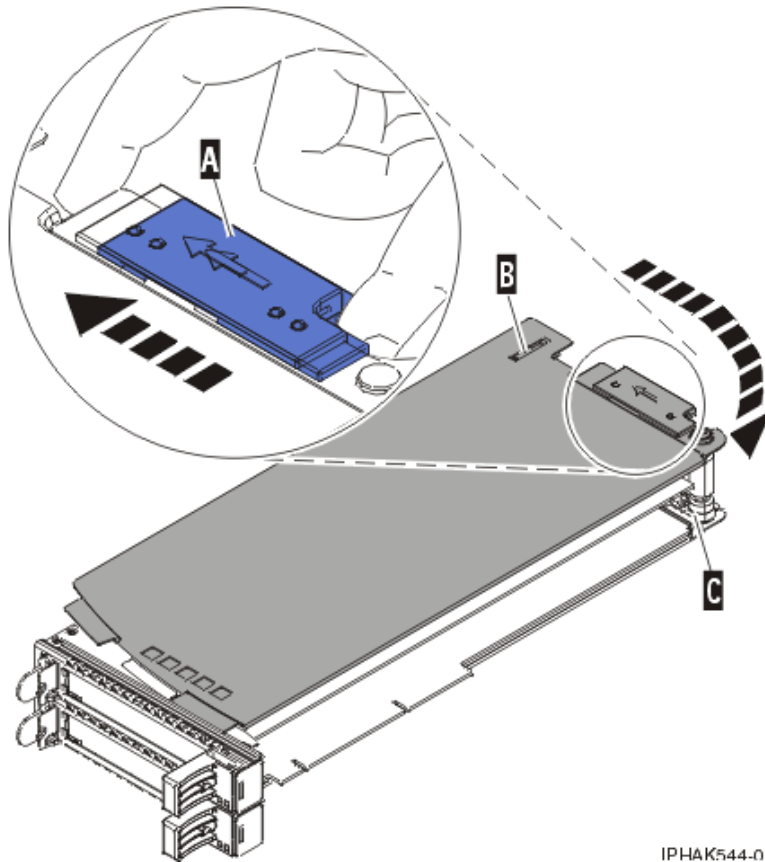
Figure 129. PCI adapter cassette cover replaced

Placing an adapter in the PCI adapter double-wide cassette

You might need to place a PCI adapter in a double-wide cassette.

To place an adapter in a cassette, perform the following steps:

1. Complete the prerequisite tasks that are described in “Before you begin” on page 197.
2. Remove the PCI adapter contained in a cassette from the system.
3. Remove the cassette cover by doing the following:
 - a. Slide the cover latch **A** to disengage it from the pivot pin **C** as shown in the following figure.
 - b. Lift the cover **B** off of the pivot pin.
 - c. Slide the cover off of the cassette.



IPHAK544-0

Figure 130. PCI adapter cassette cover removed

- d. Unscrew pivot pin C and put it in a safe place
4. Ensure the cassette is prepared to receive an adapter by doing the following:
 - a. Ensure the cassette is empty by doing one of the following:
 - Remove the adapter from the PCI adapter double-wide cassette. For information, see “Removing an adapter from the PCI adapter double-wide cassette” on page 63.
 - Remove the adapter filler panel from the cassette.
 - b. Ensure that all of the adapter retainers have been pushed out to the edges of the cassette to allow the placement of the adapter.
 - c. Place the tailstock clamp in the open position by pressing the cassette handle towards the retainer clip.
5. Place the adapter in the cassette by doing the following:
 - a. With the tailstock clamp in the open position, insert the adapter firmly into the tailstock retaining channel A. See Figure 48 on page 68.
 - b. Rotate the adapter toward the top of the cassette and into place.
 - c. Close the tailstock clamp.

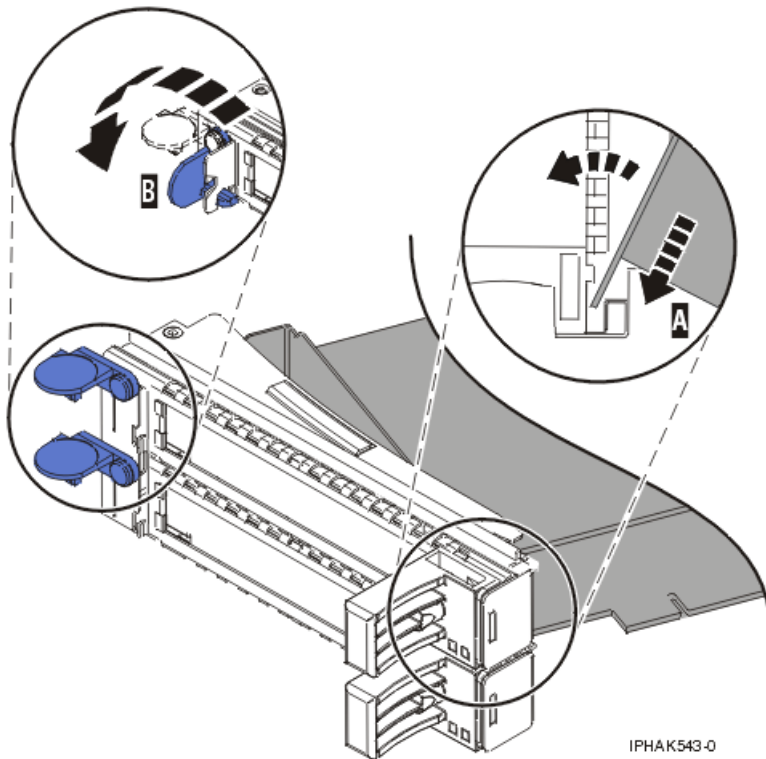


Figure 131. Adapter replaced in the PCI adapter cassette

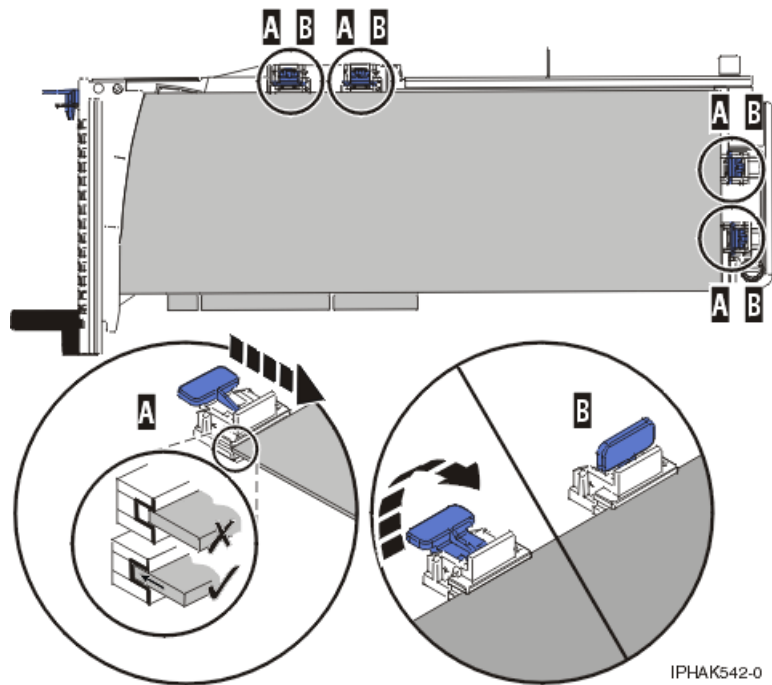
- d. Position the adapter retainers to support the adapter, and then rotate the retainer clip **B** into the closed position. See Figure 48 on page 68.

Notes:

- 1) Two retainers are located at the top of the cassette, along the top edge of the adapter. Two more retainers are located at the edge of the cassette opposite of the adapter tailstock.
- 2) When the adapter retainer clip is in the horizontal position, the adapter retainers are unlocked and can slide toward the adapter.
- 3) Place and lock the retainers **B**. See Figure 49 on page 69.

Attention: Use of the lower corner support retainer might interfere with the docking of the PCI card when positioned within the system. Ensure the retainer does not interfere with the adapter connectors on the system backplane.

- 4) Ensure the adapter edge is seated in each retainer groove **A**. If the shape of the adapter or the presence of a connector will not allow the adapter edge to be seated into the retainer groove, ensure the retainer is still locked firmly against that edge or connector.



IPHAK542-0

Figure 132. Long adapter in the PCI adapter cassette with the supports and stabilizer in place

6. After the retainers are placed, replace the cassette cover by doing the following:
 - a. Screw pivot pin **C** into place.
 - b. Slide the cover **B** into position on the cassette as shown in the following figure.
 - c. While holding the cover latch **A** in the open position, place the cover over the pivot pin **C**.
 - d. Release the cover latch to lock the cover into place.

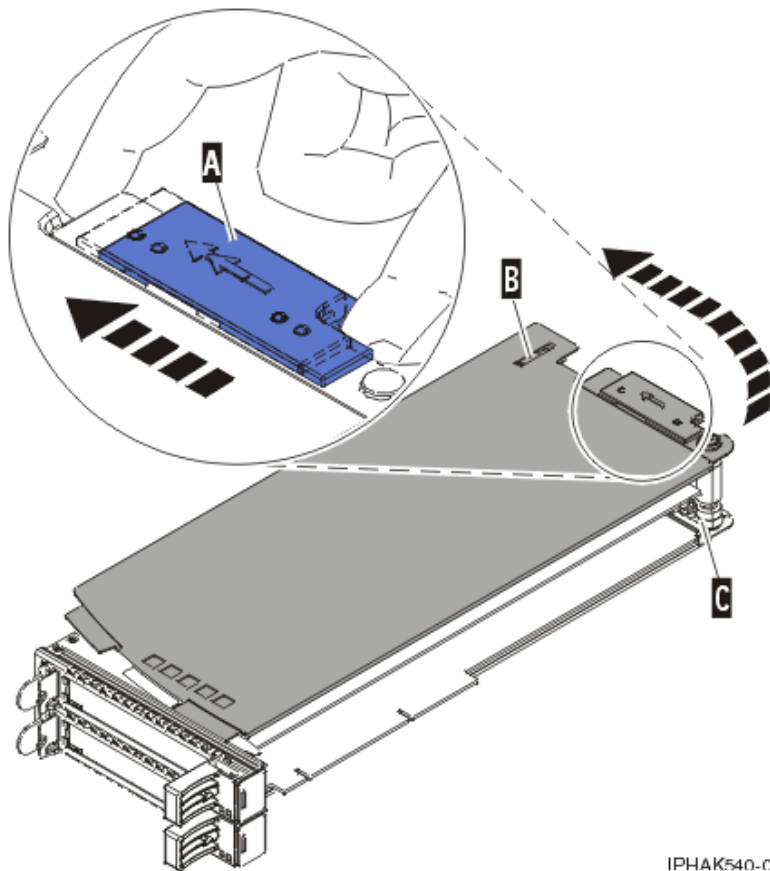


Figure 133. PCI adapter cassette cover replaced

7. Replace the PCI adapter contained in a cassette in the system.

Attention: A cassette containing either a PCI adapter or filler panel must be placed in the PCI adapter slot of the system unit for proper air flow and cooling.

Model 5802 and 5877 expansion units, PCI adapters, and cassettes

You can install, remove, replace PCI adapter cassettes in the 5802 and 5877 expansion units.

Preparing to install, remove, or replace a PCI adapter cassette

Learn about steps you must do before you install, remove, or replace a PCI adapter cassette in a 5802 or 5877 expansion unit.

If your system is managed by an HMC, use the HMC to complete the steps for installing the part in the system. For instructions, see "Installing a part by using the HMC" on page 199.

Notes:

- If the system is partitioned, you must determine the partition owning the I/O slot. Once the adapter is installed, the I/O slot must be powered on in the operating system.
- If an I/O slot on a partitioned system is not owned by a partition, then the I/O slot cannot be powered on.
- Adding an I/O slot to a partition using dynamic logical partitioning (DLPAR) will power on the I/O slot as part of the DLPAR add. For information about DLPAR, see Dynamic Logical Partitioning.
- To learn more about working in a partitioned environment, see Logical partitioning.

- If a PCI adapter with CCIN 577D is installed in location P1-C4 of a 5802 or 5877 expansion unit, do not complete the install procedure for the PCI adapter in location P1-C5 with the system power on. The install action with the power on might cause the PCI adapter in location P1-C4 to fail.
- If a PCI adapter with CCIN 577D is installed in location P1-C4 of a 5802 or 5877 expansion unit, you can complete the remove and replace procedures for the PCI adapter in location P1-C5 with the system power on. The remove action and the replace action of the PCI adapter in location P1-C5 with the power on does not cause the PCI adapter in location P1-C4 to fail.

If you do not have an HMC, complete the following steps to install, remove or replace a PCI adapter:

1. Complete the prerequisite tasks that are described in “Before you begin” on page 197.
2. Take appropriate precautions for avoiding electric shock and handling static-sensitive devices. For information, see “Avoiding electric shock” on page 179 and “Handling static-sensitive devices” on page 180.
3. If you are installing a new adapter, determine in which slot to place the new adapter. See the PCI adapter placement.
4. If you are removing a failing PCI adapter, see Identifying a failing part.
5. If you are installing a PCI adapter in a rack-mounted system or expansion unit, open the rear rack door.
6. Determine the location of PCI adapter cassette in the system.

Installing a PCI adapter contained in a cassette

You can install a PCI adapter cassette in a 5802 or 5877 expansion unit.

Installing a PCI adapter cassette with the power off

You can install a PCI adapter cassette in a 5802 or 5877 expansion unit with the power off.

Before you begin: Prepare to install a PCI adapter cassette. See “Preparing to install, remove, or replace a PCI adapter cassette” on page 148.

To install an adapter with the system power off, do the following steps:

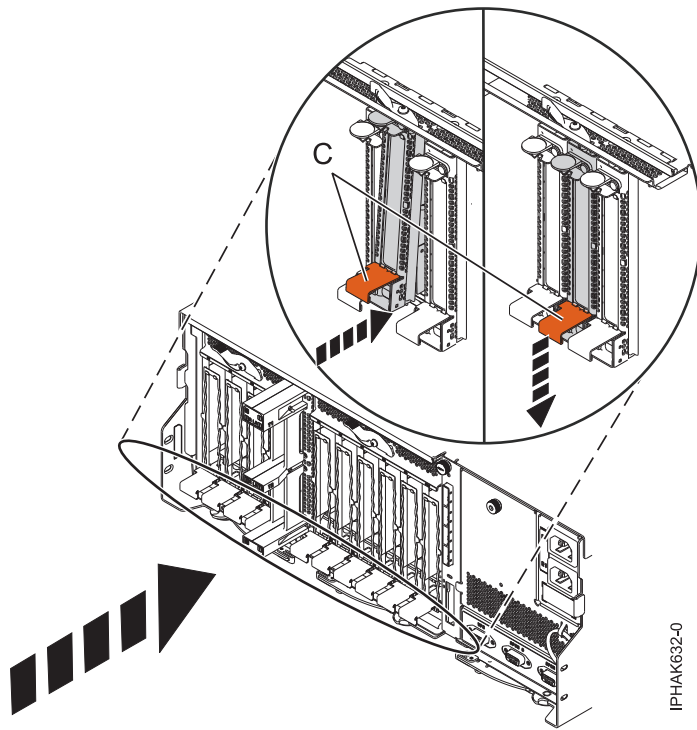
1. Stop the system or logical partition. For instructions, see “Stopping a system or logical partition” on page 207.
2. Disconnect the power source from the system by unplugging the system.
3. Remove the PCI adapter cassette from the system. Refer to “Removing a PCI adapter cassette from the expansion unit” on page 154.
4. Install the adapter into the PCI adapter cassette. Refer to “PCI adapter single-width and double-width cassettes” on page 162.
5. Install the PCI adapter cassette in the system. Refer to “Installing a PCI adapter contained in a cassette.”
6. Start the system or logical partition. For instructions, see “Starting the system or logical partition” on page 210.
7. Verify the installed part.
 - If you replaced the part because of a service action, verify the installed part. For instructions, see Verifying a repair.
 - If you installed the part for any other reason, verify the installed part. For instructions, see Verifying the installed part.

Installing a PCI adapter cassette

You can install a PCI adapter cassette in a 5802 or 5877 expansion unit.

1. Ensure that the lower cassette handle (C) is pressed up toward the retainer clip as shown in Figure 134 on page 150. This places the adapter in the correct position to be docked in the system.

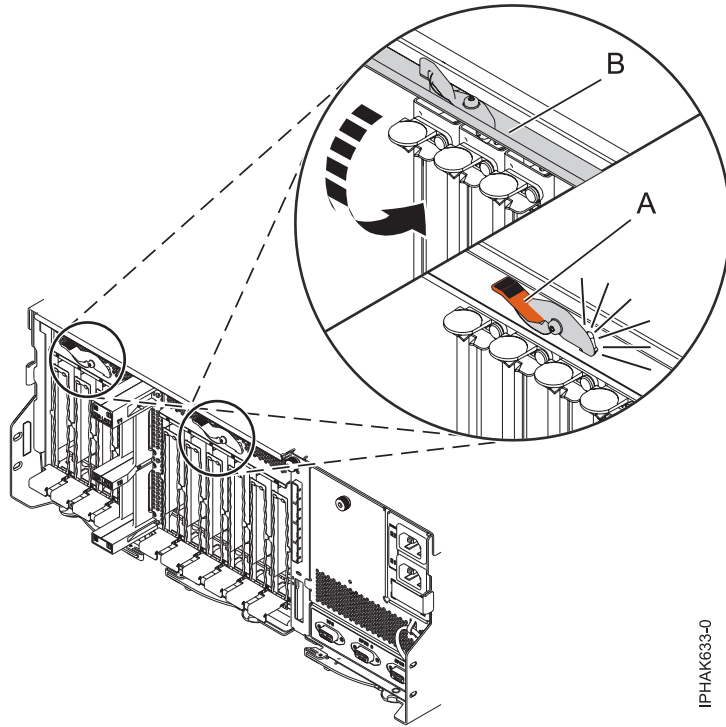
2. Slide the cassette into the cassette slot.
3. When the cassette is fully inserted into the system, firmly press downward on the lower cassette handle (C) to lock the adapter in its connector.



IPHAK632-0

Figure 134. Installing the PCI adapter cassette

4. Lower the access door (B) into the closed position. Latch (A) automatically latches to hold the access door closed.



IPHAK633-0

Figure 135. Closing the access door

5. Return to the procedure that sent you here.

Installing a PCI adapter contained in a cassette with the power on in the AIX environment

You can install a PCI adapter cassette in a 5802 or 5877 expansion unit that is running the AIX environment with the system power on.

Before you begin: Prepare to install a PCI adapter cassette. See “Preparing to install, remove, or replace a PCI adapter cassette” on page 148.

To install an adapter with the system power on in the AIX environment, do the following steps:

1. Refer to “PCI hot-plug manager access for AIX” on page 185, and follow the steps in the access procedure to select **PCI Hot Plug Manager**. Then return here to continue.
2. From the PCI Hot-Plug Manager menu, select **Add a PCI Hot-Plug Adapter** and press Enter. The Add a Hot-Plug Adapter window displays.
3. Select the appropriate PCI slot from the ones listed on the screen, and press Enter.
4. Locate the PCI adapter slot and cassette you want to use.
5. If the cassette you want to use does not contain a PCI adapter, continue to the next step. If the cassette you want to use does contain an active PCI adapter, see “Removing a PCI adapter contained in a cassette from the expansion unit with the power on in AIX” on page 156.
6. Remove the PCI adapter cassette from the system. Refer to “Removing a PCI adapter cassette from the expansion unit” on page 154.
7. Install the adapter into the PCI adapter cassette. Refer to “PCI adapter single-width and double-width cassettes” on page 162.
8. Follow the instructions on the screen to install the adapter until the LED for the specified PCI slot is set to the Action state. See “Component LEDs” on page 186.
9. Install the PCI adapter cassette in the system. Refer to “Installing a PCI adapter contained in a cassette” on page 149.

10. Enter `cfgmgr` to configure the adapter.
11. Verify the installed part.
 - If you replaced the part because of a service action, verify the installed part. For instructions, see *Verifying a repair*.
 - If you installed the part for any other reason, verify the installed part. For instructions, see *Verifying the installed part*.

Installing a PCI adapter contained in a cassette with the power on in the IBM i environment

You can install a PCI adapter cassette in a 5802 or 5877 expansion unit that is running the IBM i environment with the system power on.

Before you begin: Prepare to install a PCI adapter cassette. See “Preparing to install, remove, or replace a PCI adapter cassette” on page 148.

To install an adapter with the system power on in the i operating system, do the following steps:

1. Access the concurrent maintenance procedures using the IBM i Hardware service manager (HSM) tools:
 - a. Type **strsst** on the command line of the Main Menu and press Enter.
 - b. Type your service tools user ID and service tools password on the System Service Tools (SST) Sign On display. Press Enter.
 - c. Select **Start a service tool** from the System Service Tools (SST) display. Press Enter.
 - d. Select **Hardware service manager** from the Start a Service Tool display and press Enter.
 - e. Select **Packaging hardware resources (system, frames, cards)** from the Hardware Service Manager display. Press Enter.
 - f. Select option **9** (Hardware contained within package) in the **System Unit** or **Expansion Unit** field of the unit where you are removing the card, and then press Enter.
 - g. Select function **F7** (Include empty positions and not owned positions) on the unit where you are removing the card.
 - h. Select **Concurrent Maintenance** on the card position where you want to remove the card and then press Enter.
 - i. Select **Toggle LED blink off/on**. A light-emitting diode (LED) blinks identifying the position you chose. Physically verify that this is the slot where you want to remove the adapter.
 - j. Select **Toggle LED blink off/on** to stop the blinking LED.
 - k. Select function **F9** (Power off domain), and when complete then ensure that the PCI-e card slot power LED is not lit.
2. Locate the PCI adapter slot and cassette you want to use.
3. If the cassette you want to use does not contain a PCI adapter, continue to the next step. If the cassette you want to use does contain an active PCI adapter, see “Removing a PCI adapter contained in a cassette from the expansion unit with the power on in IBM i” on page 157.
4. Remove the PCI adapter cassette from the system. Refer to “Removing a PCI adapter cassette from the expansion unit” on page 154.
5. Install the adapter into the PCI adapter cassette. Refer to “PCI adapter single-width and double-width cassettes” on page 162.
6. Install the PCI adapter cassette in the system. Refer to “Installing a PCI adapter contained in a cassette” on page 149.
7. From the Hardware Resource Concurrent Maintenance display, complete the following steps:
 - a. Select **Power on domain** and press Enter.
 - b. Select **Assign to** on the resource that has an asterisk (*) on the Work with Controlling Resource display. Press Enter.

- c. Wait for the Hardware Resource Concurrent Maintenance display to appear with this message:
Power on complete
8. Verify the installed part.
 - If you replaced the part because of a service action, verify the installed part. For instructions, see Verifying a repair.
 - If you installed the part for any other reason, verify the installed part. For instructions, see Verifying the installed part.

Installing a PCI adapter contained in a cassette with the power on in the Linux environment

You can install a PCI adapter cassette in a 5802 or 5877 expansion unit that is running the Linux environment with the system power on.

Before you begin: Prepare to install a PCI adapter cassette. See “Preparing to install, remove, or replace a PCI adapter cassette” on page 148.

To install an adapter with the system power on in the Linux environment, do the following steps:

1. Log in to the system console as the root user.
2. Use the `lsslot` tool to list the hot-plug PCI slots that are available in the server or logical partition:

```
lsslot -c pci -a
```

The following is an example of the information displayed by this command:

Slot	Description	Devices
U7879.001.DQD014E-P1-C1	PCI-X capable, 64 bit, 133MHz slot	Empty
U7879.001.DQD014E-P1-C4	PCI-X capable, 64 bit, 133MHz slot	Empty
U7879.001.DQD014E-P1-C5	PCI-X capable, 64 bit, 133MHz slot	Empty

Select the appropriate empty PCI slot from the ones listed by the command.

3. Remove the PCI adapter cassette from the system. Refer to “Removing a PCI adapter cassette from the expansion unit” on page 154.
4. Install the adapter into the PCI adapter cassette. Refer to “PCI adapter single-width and double-width cassettes” on page 162.
5. Ensure the lower cassette handle is pressed up toward the retainer clip. This places the adapter in the correct position to be locked in the system.
6. Enter `drmgr` to enable an adapter to be installed.

For example, to install an adapter in slot U7879.001.DQD014E-P1-C3, enter:

```
drmgr -c pci -r -s locationcode
```

The following displays:

```
The visual indicator for the specified PCI slot has been set to the
identify state. Press Enter to continue or enter x to exit.
```

7. Press Enter.

The following displays:

```
The visual indicator for the specified PCI slot has been set to the
action state. Insert the PCI card into the identified slot, connect any
devices to be configured and press Enter to continue. Enter x to exit.
```

8. Install the PCI adapter cassette in the system. Refer to “Installing a PCI adapter contained in a cassette” on page 149.
9. Use the `lsslot` command to verify that U7879.001.DQD014E-P1-C3 is occupied.

```
Enter lsslot -c pci -s U7879.001.DQD014E-P1-C3
```

The following is an example of the information displayed by this command:

Slot	Description	Devices
U7879.001.DQD014E-P1-C3	PCI-X capable, 64 bit, 133MHz slot	0001:40:01.0

Removing a PCI adapter contained in a cassette from the expansion unit

You can remove a PCI adapter cassette from the 5802 or 5877 expansion unit.

Removing a PCI adapter contained in a cassette from the expansion unit with the system power off

You can remove a PCI adapter cassette from the 5802 or 5877 expansion unit with the system power off.

Before you begin: Prepare to remove a PCI adapter cassette. See “Preparing to install, remove, or replace a PCI adapter cassette” on page 148.

To remove an adapter, do the following steps:

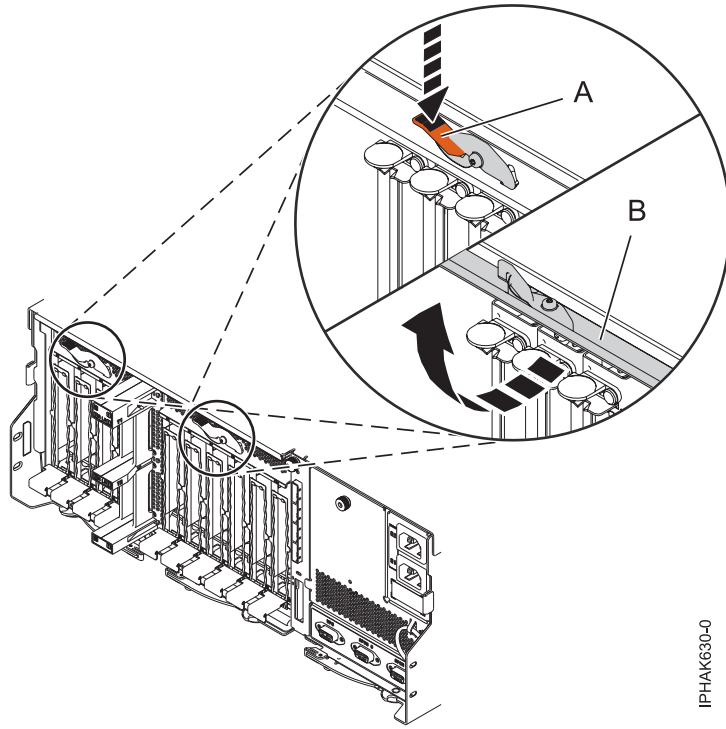
1. Stop the system or logical partition. For instructions, see “Stopping a system or logical partition” on page 207.
2. Disconnect the power source from the system by unplugging the system.
3. Determine the location of PCI adapter in the system.
4. Remove the PCI adapter cassette from the system. Refer to “Removing a PCI adapter cassette from the expansion unit.”
5. Place the cassette with the cover facing up on an approved ESD surface.
6. To remove the adapter from the cassette, refer to “PCI adapter single-width and double-width cassettes” on page 162.

Removing a PCI adapter cassette from the expansion unit

You can remove a PCI adapter cassette from the 5802 or 5877 expansion unit.

To remove a PCI adapter cassette, do the following steps:

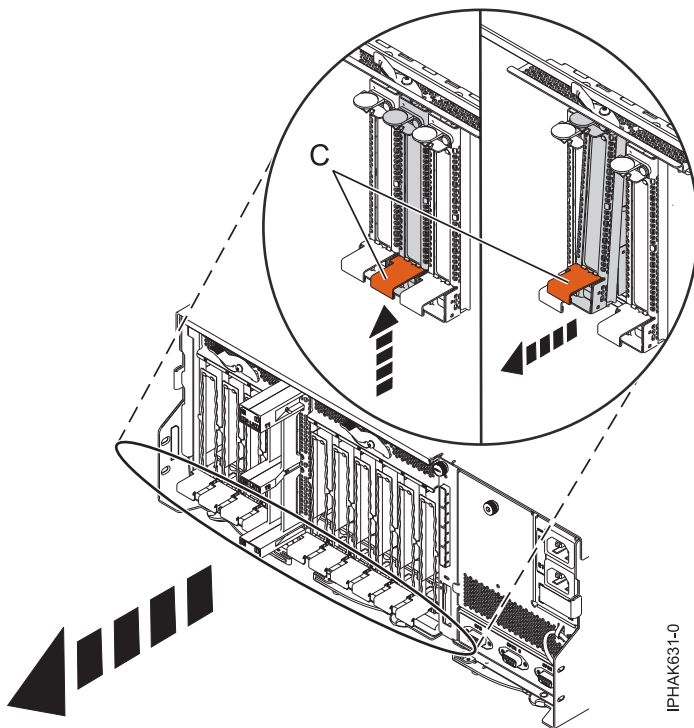
1. Press down on latch **(A)** to release the access door. The access door is spring loaded, which causes it to rotate up into the open position **(B)**.



IPHAK630-0

Figure 136. Opening the access door

2. Lift up the lower cassette handle (C) and pull the cassette out of the unit.



IPHAK631-0

Figure 137. Removing a PCI adapter cassette

Attention: A cassette that contains either a PCI adapter or filler panel must be placed in the PCI adapter slot of the system unit for proper air flow and cooling.

3. Return to the procedure that sent you here.

Removing a PCI adapter contained in a cassette from the expansion unit with the power on in AIX

You can remove or replace a PCI adapter cassette from the 5802 or 5877 expansion unit that is running the AIX operating system with the system power on.

Before you begin: Prepare to remove a PCI adapter cassette. See “Preparing to install, remove, or replace a PCI adapter cassette” on page 148.

Notes:

1. Use this procedure to remove a PCI adapter and leave the slot in the system unit empty.
2. If the adapter that is removed will be placed into a different slot or system, complete this removal procedure, and then install the adapter as described in “Installing a PCI adapter contained in a cassette with the power on in the AIX environment” on page 151.
3. Procedures performed on a PCI adapter with the system power on in AIX, also known as hot-plug procedures, require the system administrator to take the PCI adapter offline prior to performing the operation. Before taking an adapter offline, the devices attached to the adapter must be taken offline as well. This action prevents a service representative or user from causing an unexpected outage for system users.

To remove an adapter, do the following steps:

1. If you are removing a failing PCI adapter, see “Identifying a part” on page 202. If you are removing the PCI adapter for other reasons, continue to the next step.
2. Determine the location of PCI adapter in the system.
3. Record the slot number and location of each adapter being removed.

Note: Adapter slots are numbered on the rear of the system unit.

4. Ensure that any processes or applications that might use the adapter are stopped.
5. Follow these steps to remove a PCI adapter using the PCI Hot-Plug Manager menu in the AIX Diagnostic tools:
 - a. Enter the system diagnostics by logging in as root user or as the celogin user, type **diag** at the AIX command line.
 - b. When the DIAGNOSTIC OPERATING INSTRUCTIONS menu displays, press Enter.
 - c. At the FUNCTION SELECTION menu, select **Task Selection**, then press Enter.
 - d. At the Task Selection list, select **PCI Hot Plug Manager**.
 - e. Select **Unconfigure a Device**, then press Enter.
 - f. Press F4 (or Esc +4) to display the **Device Names** menu.
 - g. Select the adapter you are removing in the **Device Names** menu.
 - h. Use the Tab key to answer NO to **Keep Definition**. Use the Tab key again to answer YES to **Unconfigure Child Devices**, then press Enter. The ARE YOU SURE window displays.
 - i. Press Enter to verify the information. Successful unconfiguration is indicated by the OK message displayed next to the Command field at the top of the screen.
 - j. Press F4 (or Esc +4) twice to return to the Hot Plug Manager menu.
 - k. Select **Replace/remove PCI Hot Plug adapter**.
 - l. Select the slot that has the device to be removed from the system.
 - m. Select **remove**. A fast-blinking amber LED located at the back of the machine near the adapter indicates that the slot has been identified.

- n. Press Enter. This places the adapter in the action state, meaning it is ready to be removed from the system.
6. Label, and then disconnect all cables attached to the adapter you plan to remove.
7. Remove the PCI adapter cassette from the system. Refer to “Removing a PCI adapter cassette from the expansion unit” on page 154.
8. Place the cassette with the cover facing up on an approved ESD surface.
9. Continue to follow the screen instructions until you receive a message that the adapter removal is successful. Successful removal is indicated by the message OK, which is displayed next to the **Command** field at the top of the screen.
10. If you have other adapters to remove, press the F3 key to return to the PCI Hot-Plug Manager menu, and then return to step 6.
If you do not have other adapters to remove, continue with the next step.
11. Press F10 to exit the Hot-Plug Manager.
12. Enter **diag -a**. If the system responds with a menu or prompt, follow the instructions to complete the device configuration.
13. To remove the adapter from the cassette, see “PCI adapter single-width and double-width cassettes” on page 162.
14. Place an empty cassette into the unused PCI slot for proper air flow.

Removing a PCI adapter contained in a cassette from the expansion unit with the power on in IBM i

You can remove a PCI adapter cassette from the 5802 or 5877 expansion unit that is running the IBM i operating system with the system power on.

Before you begin: Prepare to remove a PCI adapter cassette. See “Preparing to install, remove, or replace a PCI adapter cassette” on page 148.

To remove an adapter, do the following steps:

1. Determine the location of PCI adapter in the system.
2. Access the concurrent maintenance procedures using the IBM i Hardware service manager (HSM) tools:
 - a. Type **strsst** on the command line of the Main Menu and press Enter.
 - b. Type your service tools user ID and service tools password on the System Service Tools (SST) Sign On display. Press Enter.
 - c. Select **Start a service tool** from the System Service Tools (SST) display. Press Enter.
 - d. Select **Hardware service manager** from the Start a Service Tool display and press Enter.
 - e. Select **Packaging hardware resources (system, frames, cards)** from the Hardware Service Manager display. Press Enter.
 - f. Select option **9** (Hardware contained within package) in the **System Unit** or **Expansion Unit** field of the unit where you are removing the card, and then press Enter.
 - g. Select function **F7** (Include empty positions and not owned positions) on the unit where you are removing the card.
 - h. Select **Concurrent Maintenance** on the card position where you want to remove the card and then press Enter.
 - i. Select **Toggle LED blink off/on**. A light-emitting diode (LED) blinks identifying the position you chose. Physically verify that this is the slot where you want to remove the adapter.
 - j. Select **Toggle LED blink off/on** to stop the blinking LED.
 - k. Select function **F9** (Power off domain), and when complete then ensure that the PCI-e card slot power LED is not lit.
3. Label, and then disconnect all cables attached to the adapter you plan to remove.

4. Remove the PCI adapter cassette from the system. Refer to “Removing a PCI adapter cassette from the expansion unit” on page 154.
5. Place the cassette with the cover facing up on an approved ESD surface.
6. To remove the adapter from the cassette, see “PCI adapter single-width and double-width cassettes” on page 162.

Removing a PCI adapter contained in a cassette from the expansion unit with the power on in Linux

You can remove a PCI adapter cassette from the 5802 or 5877 expansion unit that is running the Linux operating system with the system power on.

Do the following actions before beginning the procedure:

- Follow the steps in “Preparing to install, remove, or replace a PCI adapter cassette” on page 148.
- Ensure that the system meets the “Prerequisites for hot-plugging PCI adapters in Linux” on page 187.
- Verify that the Linux, hot-plug PCI tools are installed. See “Verifying that the hot-plug PCI tools are installed for Linux” on page 187

To remove an adapter, do the following steps:

1. Determine the location of the PCI adapter in the system.
2. Label and then disconnect all cables attached to the adapter you plan to remove.
3. Enter `drmgr` to enable an adapter to be removed:
For example, to remove the PCI adapter in slot U7879.001.DQD014E-P1-C3 enter:

```
drmgr -c pci -r -s locationcode
```

Follow the instructions on the display to complete the task.
4. Remove the PCI adapter cassette from the system. Refer to “Removing a PCI adapter cassette from the expansion unit” on page 154.
5. Place the cassette with the cover facing up on an approved ESD surface.
6. To remove an adapter from the cassette, refer to “PCI adapter single-width and double-width cassettes” on page 162.

Replacing a PCI adapter contained in a cassette from the expansion unit

You can replace a PCI adapter cassette from the 5802 or 5877 expansion unit.

Replacing a PCI adapter contained in a cassette from the expansion unit with the power off

You can replace a PCI adapter cassette from the 5802 or 5877 expansion unit with the system power off.

You must have already completed the procedure “Removing a PCI adapter contained in a cassette from the expansion unit with the system power off” on page 154 to have the slot powered off.

To replace an adapter with the system power off, do the following steps:

1. If the adapter needs to be placed in a PCI adapter cassette, see “PCI adapter single-width and double-width cassettes” on page 162.
2. At the back of the system, lift the cassette cover flap and identify the cassette slot you want to use.
3. Ensure the lower cassette handle is pressed up toward the retainer clip. This places the adapter in the correct position to be docked in the system.
4. Install the PCI adapter cassette in the system. Refer to “Installing a PCI adapter contained in a cassette” on page 149.
5. Reconnect the system to the power source.

6. Start the system or logical partition. For instructions, see “Starting the system or logical partition” on page 210.
7. Verify the installed part.
 - If you replaced the part because of a service action, verify the installed part. For instructions, see Verifying a repair.
 - If you installed the part for any other reason, verify the installed part. For instructions, see Verifying the installed part.

Replacing a PCI adapter contained in a cassette from the expansion unit with the power on in AIX

You can remove or replace a PCI adapter cassette from the 5802 or 5877 expansion unit that is running the AIX operating system with the system power on.

Before you begin: Prepare to replace a PCI adapter cassette. See “Preparing to install, remove, or replace a PCI adapter cassette” on page 148.

Important:

- Use this procedure if you intend to remove a failing PCI adapter and replace it with the same type of adapter. If you plan to remove a failing adapter and leave the slot empty, see “Removing a PCI adapter contained in a cassette from the expansion unit with the power on in AIX” on page 156.
- Do not use this procedure to remove an existing adapter and install a different type of adapter. To install a different adapter, remove the existing adapter as described in “Removing a PCI adapter contained in a cassette from the expansion unit with the power on in AIX” on page 156, and then install the new adapter as described in “Installing a PCI adapter contained in a cassette with the power on in the AIX environment” on page 151.
- Procedures performed on a PCI adapter with the system power on in AIX, also known as hot-plug procedures, require the system administrator to take the PCI adapter offline prior to performing the operation. Before taking an adapter offline, the devices attached to the adapter must be taken offline as well. This action prevents a service representative or user from causing an unexpected outage for system users.

To replace an adapter, do the following steps:

1. Determine the location of the PCI adapter in the system.
2. Record the slot number and location of each adapter being removed.

Note: Adapter slots are numbered on the rear of the system unit.

3. Ensure that any processes or applications that might use the adapter are stopped.
4. Follow these steps to replace a PCI adapter using the PCI Hot-Plug Manager menu in the AIX Diagnostic tools:
 - a. Enter the system diagnostics by logging in as root user or as the celogin user, type **diag** at the AIX command line.
 - b. When the DIAGNOSTIC OPERATING INSTRUCTIONS menu displays, press Enter.
 - c. At the FUNCTION SELECTION menu, select **Task Selection**, then press Enter.
 - d. At the Task Selection list, select **PCI Hot Plug Manager**.
 - e. Select **Unconfigure a Device**, then press Enter.
 - f. Press F4 (or Esc +4) to display the **Device Names** menu.
 - g. Select the adapter you are removing in the **Device Names** menu.
 - h. Use the Tab key to answer YES to **Keep Definition**. Use the Tab key again to answer YES to **Unconfigure Child Devices**, then press Enter. The ARE YOU SURE window displays.
 - i. Press Enter to verify the information. Successful unconfiguration is indicated by the OK message displayed next to the Command field at the top of the screen.

- j. Press F3 (or Esc +3) twice to return to the Hot Plug Manager menu.
 - k. Select **Replace/remove PCI Hot Plug adapter**.
 - l. Select the slot that has the device to be removed from the system.
 - m. Select **Replace**. A fast-blinking amber LED located at the back of the machine near the adapter indicates that the slot has been identified.
 - n. Press Enter. This places the adapter in the action state, meaning it is ready to be removed from the system.
5. Label, and then disconnect all cables attached to the adapter you plan to remove.
 6. Remove the PCI adapter cassette from the system. Refer to “Removing a PCI adapter cassette from the expansion unit” on page 154.
 7. Place the cassette with the cover facing up on an approved ESD surface.
 8. Install the adapter into the PCI adapter cassette. Refer to “PCI adapter single-width and double-width cassettes” on page 162.
 9. At the back of the system, lift the cassette cover flap and identify the cassette slot you want to use.
 10. Ensure the lower cassette handle is pressed up toward the retainer clip. This places the adapter in the correct position to be docked in the system.
 11. Install the PCI adapter cassette in the system. Refer to “Installing a PCI adapter contained in a cassette” on page 149.
 12. Follow these steps to complete the PCI Hot Plug menus in the AIX Diagnostic tools and configure the device:
 - a. Press enter and continue to follow the instructions in the system diagnostics until you receive a message that the replacement is successful. Successful replacement is indicated by the OK message displayed next to the **Command** field at the top of the menu.
 - b. Press the F3 (or Esc+3) key to return to the **PCI Hot-Plug Manager** menu.
 - c. Press the F3 (or Esc+3) key to return to the **TASK** selection list.
 - d. Select **Log Repair Action**.
 - e. Select the resource just replaced, press Enter, press Commit (F7 or ESC 7), then press Enter.
 - f. Press F3 (or Esc+3) to return to **TASK Selection List**.
 - g. Select **Hot Plug Task**, press enter.
 - h. Select **PCI Hot Plug Manager**, then select **Configure a defined device**, then press Enter.
 - i. Select the device just replaced from the list, then press Enter. The device is now configured.
 - j. Press the F10 key to exit the diagnostic program.

Note: If you are running the stand-alone diagnostics, do not exit the program completely.

13. Verify the PCI adapter by using the following instructions:
 - a. Did you replace the adapter with the system power on?
 - Yes: Go to the next step.
 - No: Load the diagnostic program by doing the following steps:
 - If AIX is available, boot AIX, log in as root or CELOGIN, and then enter the **diag** command.
 - b. Enter **diag** if you are not already displaying the diagnostic menus.
 - c. Select **Advance Diagnostic Routines**, and then select **Problem Determination**.
 - d. Select the name of the resource just replaced from the menu. If the resource just replaced is not shown, choose the resource associated with it. Press Enter, and then press **Commit** (F7 or Esc+7).
 - e. Did the Problem Determination identify any problems?
 - No: Continue to the next step.
 - Yes: A problem is identified
 - If you are a customer, record the error information, and then contact your service provider.

- If you are an authorized service provider, return to map 210-5.
14. Press the F10 key to exit the diagnostic program.

Replacing a PCI adapter contained in a cassette from the expansion unit with the power on in IBM i

You can replace a PCI adapter cassette from the 5802 or 5877 expansion unit that is running the IBM i operating system with the system power on.

You must have already completed the procedure “Removing a PCI adapter contained in a cassette from the expansion unit with the power on in IBM i” on page 157 to have the slot powered off.

To replace an adapter, do the following steps:

1. If the adapter needs to be placed in the PCI adapter cassette, see “PCI adapter single-width and double-width cassettes” on page 162.
2. At the back of the system, lift the cassette cover flap and identify the cassette slot you want to use.
3. Install the PCI adapter cassette in the system. Refer to “Installing a PCI adapter contained in a cassette” on page 149.
4. Select **Power on domain** on the Hardware Resource Concurrent Maintenance display and press Enter.
5. Select **Assign to** on the resource that has an asterisk (*) on the Work with Controlling Resource display. Press Enter.
6. Wait for the Hardware Resource Concurrent Maintenance display to appear with this message:
Power on complete
7. Verify the installed part.
 - If you replaced the part because of a service action, verify the installed part. For instructions, see Verifying a repair.
 - If you installed the part for any other reason, verify the installed part. For instructions, see Verifying the installed part.

Replacing a PCI adapter contained in a cassette from the expansion unit with the power on in Linux

You can replace a PCI adapter cassette from the 5802 or 5877 expansion unit that is running the Linux operating system with the system power on.

You must have already completed the procedure “Removing a PCI adapter contained in a cassette from the expansion unit with the power on in Linux” on page 158 to have the slot powered off.

Note: Use this procedure only when you are replacing an adapter with an identical adapter. If you are replacing an adapter with an adapter that is not identical to the adapter removed, follow the steps in “Installing a PCI adapter contained in a cassette with the power on in the Linux environment” on page 153.

To replace an adapter with the power on in Linux, do the following steps:

1. If the adapter needs to be placed in the PCI adapter cassette, see “PCI adapter single-width and double-width cassettes” on page 162.
2. At the back of the system, lift the cassette cover flap and identify the cassette slot you want to use.
3. Ensure the lower cassette handle is pressed up toward the retainer clip. This places the adapter in the correct position to be docked in the system.
4. Enter `drmgr` to enable an adapter to be replaced:
For example, to replace the PCI adapter in slot U7879.001.DQD014E-P1-C3 enter:
`drmgr -c pci -r -s locationcode`
5. Follow the instructions on the display to complete the task. When you are instructed to insert the adapter in the adapter slot, see “Installing a PCI adapter cassette” on page 149.

6. Enter `lsslot` to verify that the slot is occupied.

For example, Enter `lsslot -c pci -s U7879.001.DQD014E-P1-C3`

The following is an example of the information displayed by this command:

Slot	Description	Devices
U7879.001.DQD014E-P1-C3	PCI-X capable, 64 bit, 133MHz slot	0001:40:01.0

PCI adapter single-width and double-width cassettes

You can remove, replace, or install PCI adapters in a cassette.

Removing an adapter from the PCI adapter single-width cassette

You can remove a PCI adapter from a single-width cassette.

To remove an adapter from the single-width cassette, do the following steps:

1. Complete the prerequisite tasks that are described in “Before you begin” on page 197.
2. Take appropriate precautions for avoiding electric shock and handling static-sensitive devices. For information, see “Avoiding electric shock” on page 179 and “Handling static-sensitive devices” on page 180.
3. Remove the cassette from the system.
4. Remove the cassette cover by doing the following steps:
 - a. Slide the cover latch (A) to disengage the lug and pivot pin (C) as shown in the following figure.
 - b. Lift the cover (B) off the pivot pin.
 - c. Slide the cover off the cassette.

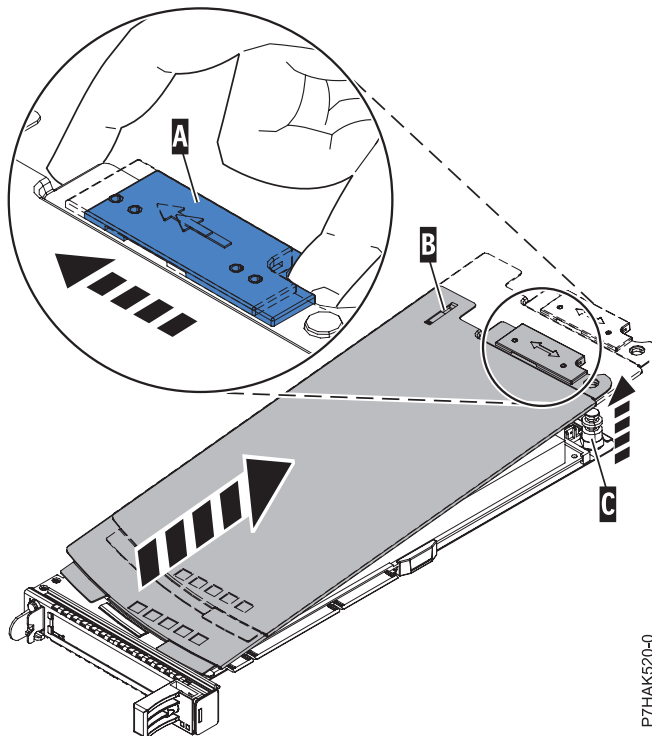


Figure 138. PCI adapter cassette cover removed

5. Remove the adapter from the cassette by doing the following steps:
 - a. Unlock the adapter retainers by rotating the retainer clip (A) into the horizontal position. See Figure 139 on page 163.

Notes:

- 1) The edge of the adapter located at the end of the cassette that contains the cassette handles is called the adapter **tailstock**.
 - 2) Two retainers are located at the top of the cassette, along the top edge of the adapter. Two more retainers are located at the edge of the cassette opposite of the adapter tailstock.
 - 3) When the retainer clip is in the horizontal position, the adapter retainers are unlocked and can slide away from the card.
 - 4) If the corner support retainer is used, unlock it, and then slide the corner support retainer away from the card.
- b. Push the adapter retainers (**B**) away from the adapter.
 - c. Unlock the adapter tailstock clamp (**C**).
 - d. Rotate the adapter out of the cassette by grasping the edge of the adapter opposite the tailstock, and then firmly rotate the adapter toward the bottom of the cassette.
 - e. Lift the adapter out of the tailstock retaining channel.

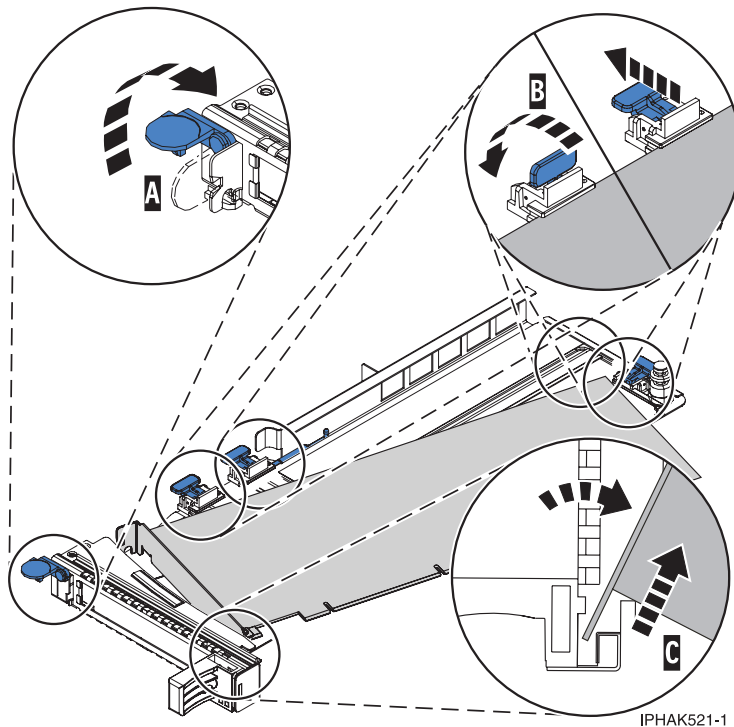
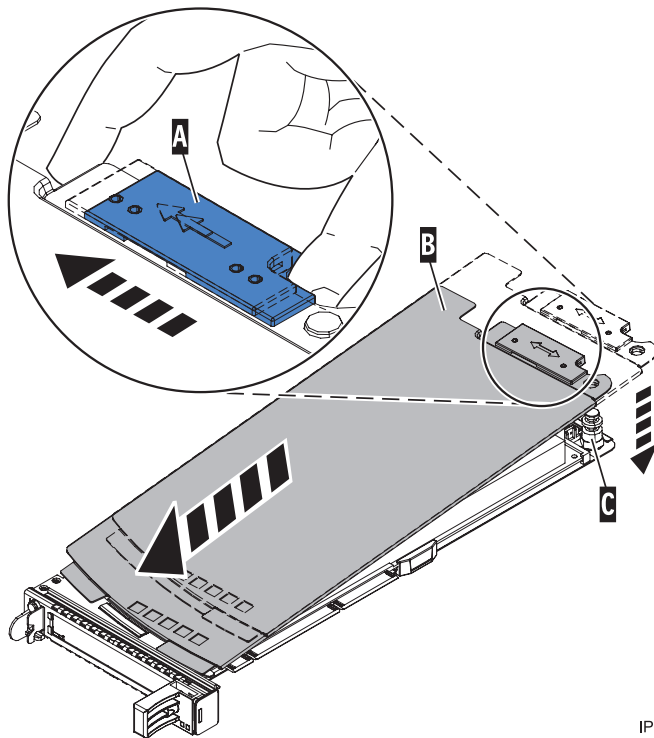


Figure 139. Adapter removed from the PCI adapter cassette

- f. Put the adapter in a safe place.
Attention: A cassette containing either a PCI adapter or filler panel must be placed in the PCI adapter slot of the system unit for proper air flow and cooling.
- g. Place a PCI adapter or filler panel in the cassette. See “Placing a PCI adapter in a single-width cassette” on page 164.
- h. Replace the cassette cover by doing the following steps:
 - 1) Slide the cover (**B**) into position on the cassette.
 - 2) While holding the cover latch (**A**) in the open position, place the cover over the pivot pin (**C**).
 - 3) Release the cover latch to lock the cover into place.



IPHA530-0

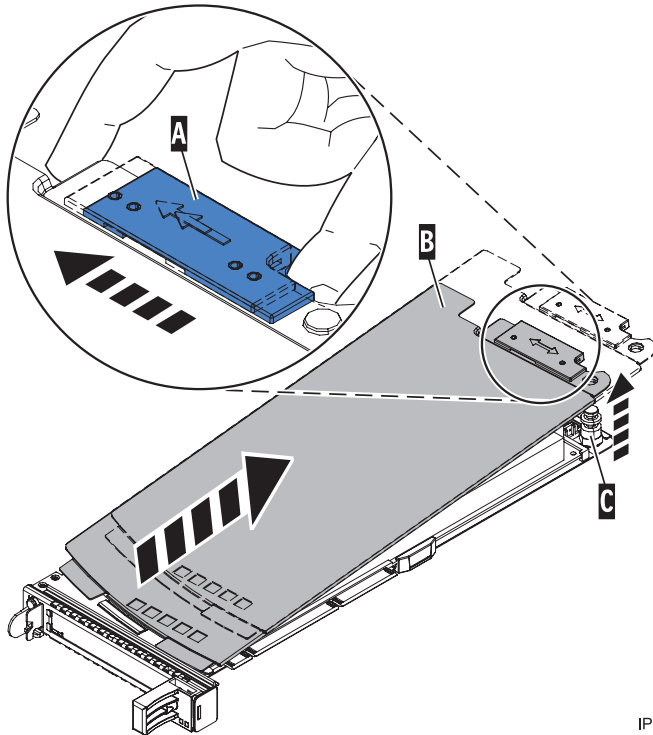
Figure 140. PCI adapter cassette cover replaced

Placing a PCI adapter in a single-width cassette

You can place a PCI adapter in a single-width cassette.

To place a PCI adapter in a cassette, do the following steps:

1. Complete the prerequisite tasks that are described in “Before you begin” on page 197.
2. Take appropriate precautions for avoiding electric shock and handling static-sensitive devices. For information, see “Avoiding electric shock” on page 179 and “Handling static-sensitive devices” on page 180.
3. Remove any shipping handles or brackets attached to the adapter.
4. Remove the cassette cover by doing the following steps:
 - a. Slide the cover latch (A) to disengage the lug and pivot pin (C) as shown in the following figure.
 - b. Lift the cover (B) off of the pivot pin.
 - c. Slide the cover off of the cassette.



IPHAK520-0

Figure 141. PCI adapter single-width cassette cover removed

5. Ensure the cassette is prepared to receive an adapter by doing the following steps:
 - a. Ensure the cassette is empty by doing one of the following steps:
 - “Removing an adapter from the PCI adapter single-width cassette” on page 162.
 - Remove the adapter filler panel from the cassette.
 - b. Ensure that all of the adapter retainers (A) have been pushed out to the edges of the cassette to allow the placement of the adapter. See Figure 142 on page 166.

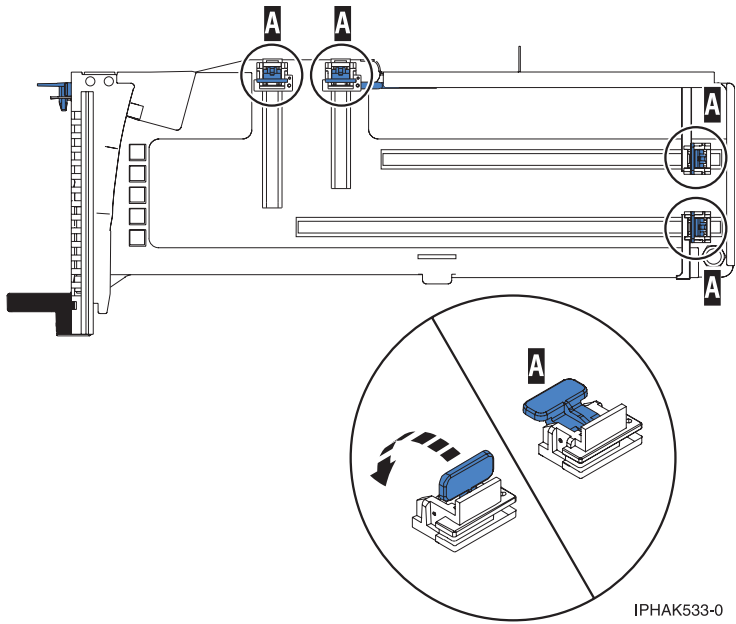


Figure 142. Adapter retainers

- c. Rotate the tailstock clamp into the open position.

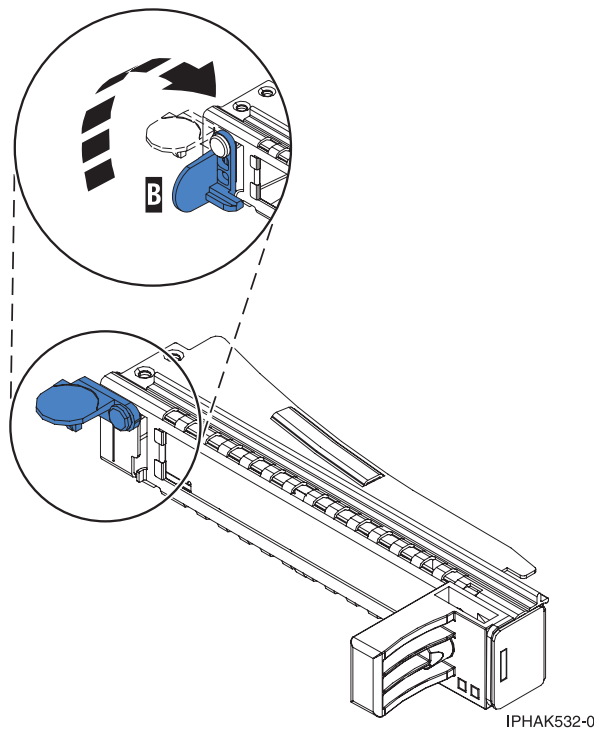
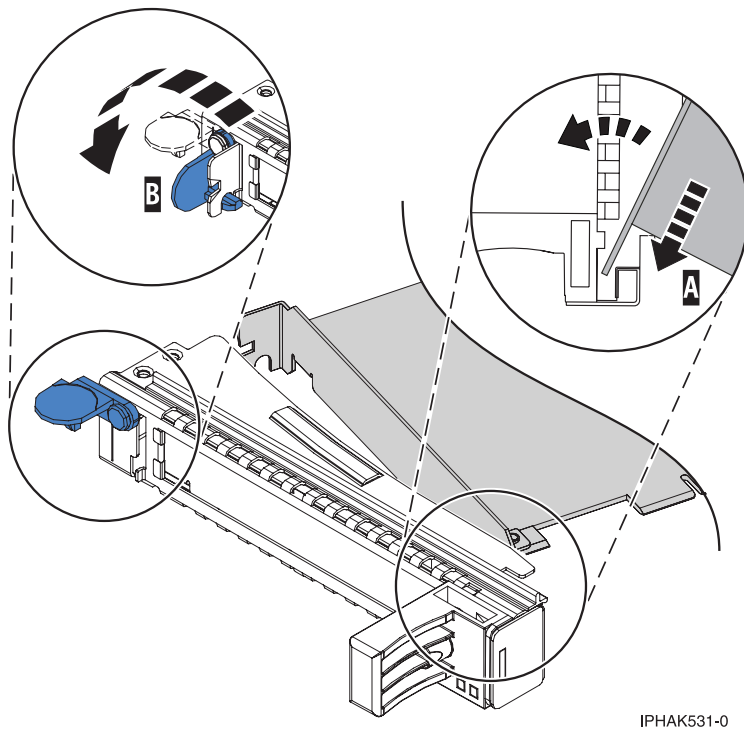


Figure 143. Tailstock clamp in the open position

6. Place the adapter in the cassette by doing the following steps:
 - a. With the tailstock clamp in the open position, insert the adapter firmly into the tailstock retaining channel (A). See Figure 144 on page 167.
 - b. Rotate the adapter toward the top of the cassette and into place.

c. Close the tailstock clamp (B). See Figure 144.



IPHAK531-0

Figure 144. Adapter removed from the PCI adapter single-width cassette

d. Position the adapter retainers to support the adapter, and then rotate the retainer clip into the closed position.

Notes:

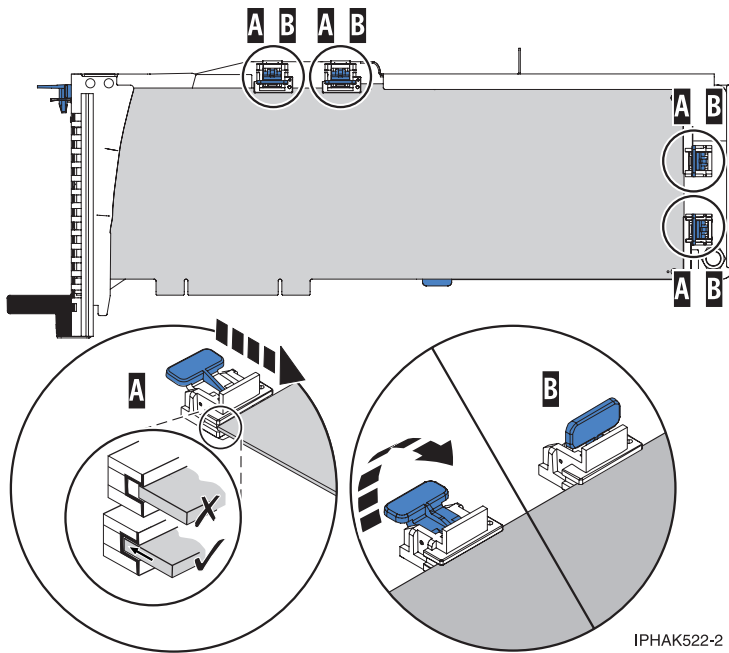
- 1) Two retainers are located at the top of the cassette, along the top edge of the adapter. Two more retainers are located at the edge of the cassette opposite of the adapter tailstock.
- 2) When the adapter retainer clip is in the horizontal position, the adapter retainers are unlocked and can slide toward the adapter.
- 3) Place the retainers on the adapter according to the length of the adapter being used. Select the appropriate instructions:

Adapter-cassette retainer placement for large adapters

- a) Place and lock the retainers (B). See Figure 145 on page 168.

Attention: Use of the lower corner support retainer might interfere with the docking of the PCI card when positioned within the system. Ensure the retainer does not interfere with the adapter connectors on the system backplane.

- b) Ensure the adapter edge is seated in each retainer groove (A). If the shape of the adapter or the presence of a connector will not allow the adapter edge to be seated into the retainer groove, ensure the retainer is still locked firmly against that edge or connector.



IPHA522-2

Figure 145. Large adapter in the PCI adapter cassette with the supports and stabilizer in place

Adapter-cassette retainer placement for medium-length adapters

- a) Remove the adapter stabilizer (C). See Figure 146 on page 169.
- b) Place and lock the retainers (B).
- c) Ensure the adapter edge is seated in each retainer groove (A). If the shape of the adapter or the presence of a connector will not allow the adapter edge to be seated into the retainer groove, ensure the retainer is still locked firmly against that edge or connector.

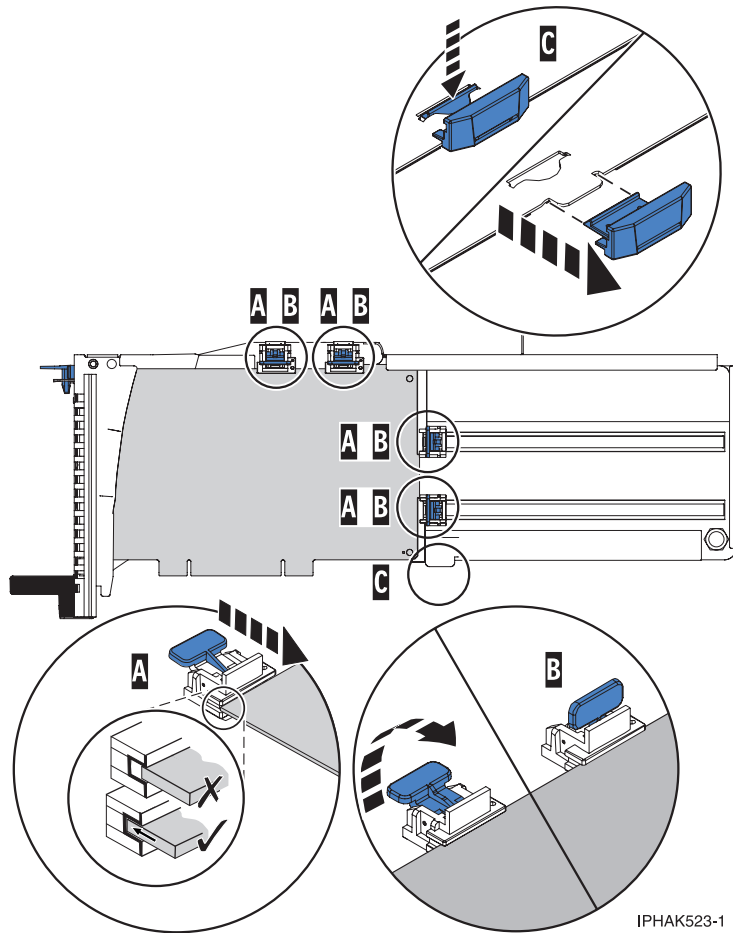
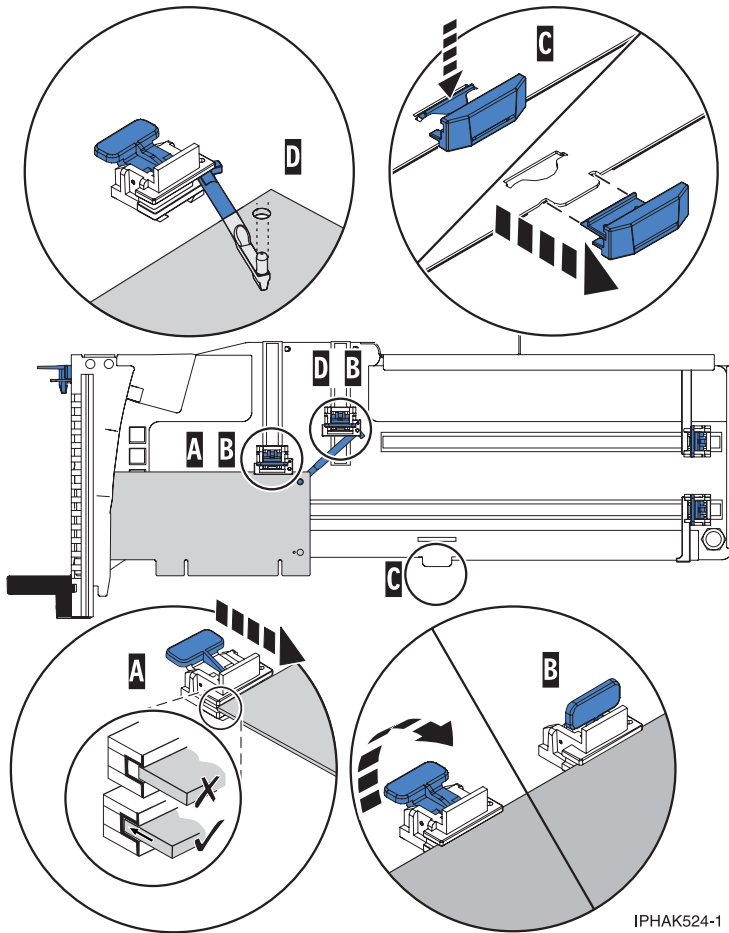


Figure 146. Medium-length adapter in the PCI adapter cassette with the supports in place

Adapter-cassette retainer placement for small adapters

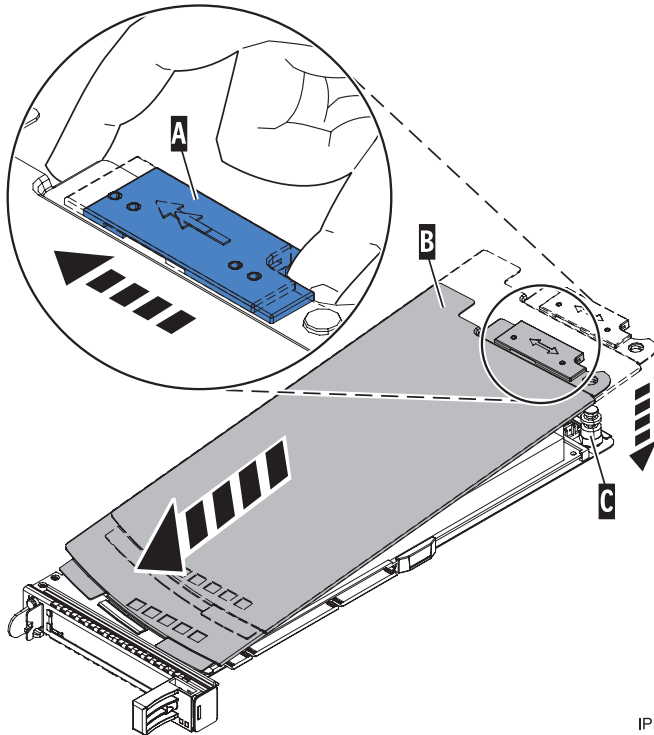
- a) Remove the adapter stabilizer (C). See Figure 147 on page 170.
- b) Place the hookarm (D) into the hole in the corner of the adapter. This supports the card when it is undocked from the connector on the system backplane.
- c) Place and lock the retainers (B).
- d) Ensure the adapter edge is seated in each retainer groove (A). If the shape of the adapter or the presence of a connector will not allow the adapter edge to be seated into the retainer groove, ensure the retainer is still locked firmly against that edge or connector.



IPHA524-1

Figure 147. Small adapter in the PCI adapter cassette with the supports and the hookarm in place

7. Replace the cassette cover by doing the following steps:
 - a. Slide the cover (B) into position on the cassette as shown in the following figure.
 - b. While holding the cover latch (A) in the open position, place the cover over the pivot pin (C).
 - c. Release the cover latch to lock the cover into place.



IPHAK530-0

Figure 148. PCI adapter cassette cover replaced

Removing an adapter from the PCI adapter double-wide cassette

You can remove a PCI adapter from a double-wide cassette.

To remove an adapter from the cassette, do the following steps:

1. Complete the prerequisite tasks that are described in “Before you begin” on page 197.
2. Take appropriate precautions for avoiding electric shock and handling static-sensitive devices. For information, see “Avoiding electric shock” on page 179 and “Handling static-sensitive devices” on page 180.
3. Remove the PCI adapter contained in a cassette from the system.
4. Remove any shipping handles or brackets attached to the adapter.
5. Remove the cassette cover by doing the following steps:
 - a. Slide the cover latch (A) to disengage it from the pivot pin (C) as shown in the following figure.
 - b. Lift the cover (B) off of the pivot pin.
 - c. Slide the cover off of the cassette.

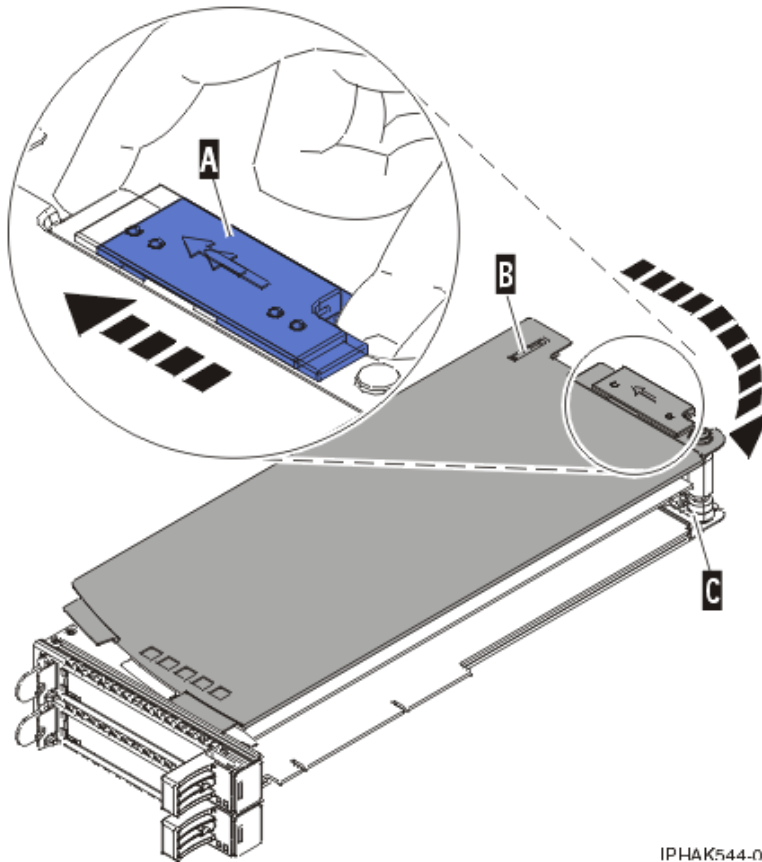


Figure 149. PCI adapter cassette cover removed

- d. Unscrew pivot pin (C) and put it in a safe place
6. Remove the adapter from the cassette by doing the following steps:
 - a. Unlock the adapter retainers (B) by rotating the retainer clips (A) into the horizontal position. See Figure 150 on page 173. If you are removing a PCIe RAID and SSD SAS adapter, see Figure 151 on page 173.

Notes:

- 1) The edge of the adapter located at the end of the cassette that contains the cassette handles is called the adapter *tailstock*.
 - 2) Two retainers are located at the top of the cassette, along the top edge of the adapter. Two more retainers are located at the edge of the cassette opposite of the adapter tailstock.
 - 3) When the retainer clip is in the horizontal position, the adapter retainers are unlocked and can slide away from the card.
 - 4) If the corner support retainer is used, unlock it, and then slide the corner support retainer away from the card.
- b. Push the adapter retainers (B) away from the adapter.
 - c. Unlock the adapter tailstock clamp (A).
 - d. Rotate the adapter out of the cassette by grasping the edge of the adapter opposite the tailstock, and then firmly rotate the adapter toward the bottom of the cassette.
 - e. Lift the adapter out of the tailstock retaining channel (C).

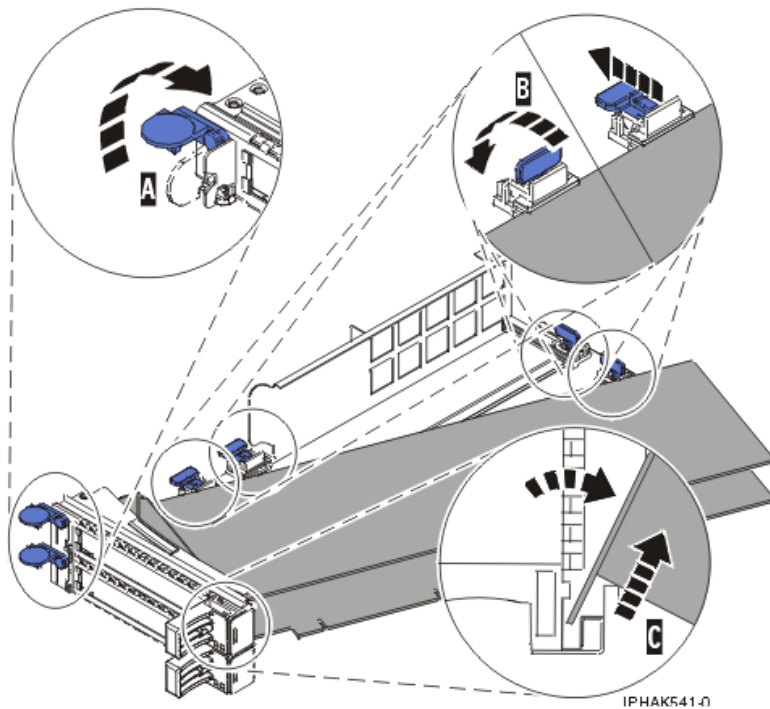


Figure 150. Adapter removed from the PCI adapter cassette

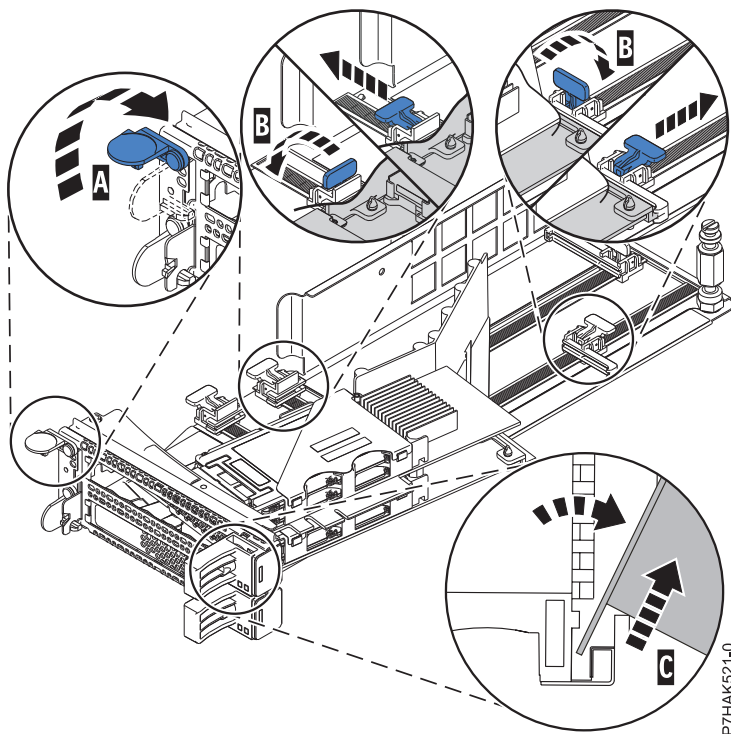


Figure 151. PCIe RAID and SSD SAS adapter removed from the PCI adapter cassette

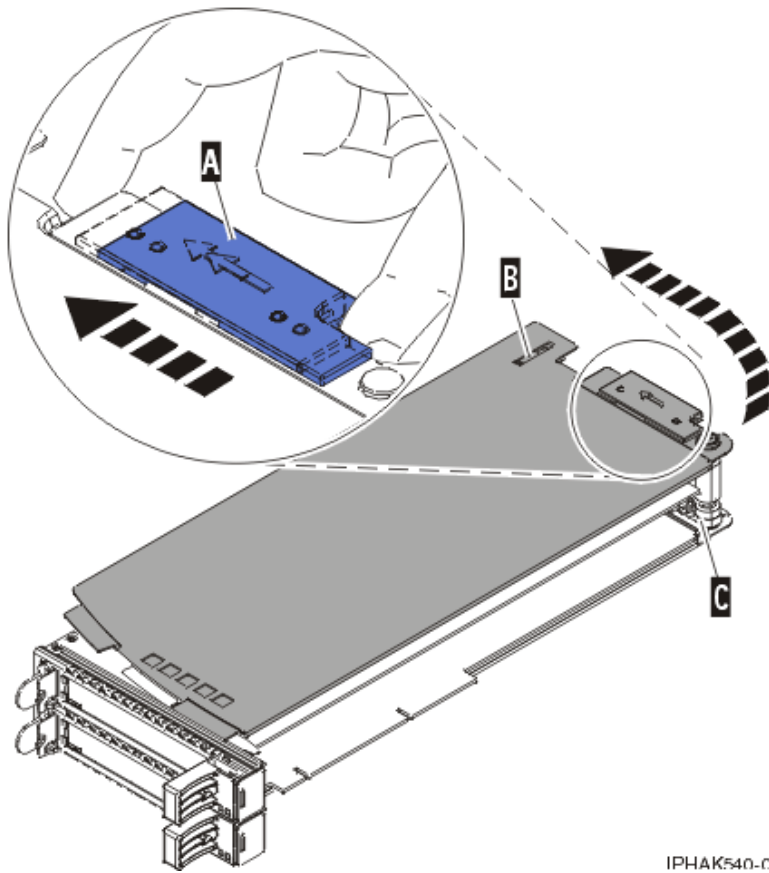
- f. Put the adapter in a safe place.

Attention: A cassette containing either a PCI adapter or filler panel must be placed in the PCI adapter slot of the system unit for proper air flow and cooling.

- g. Place the adapter in the PCI adapter double-wide cassette. For information, see “Placing an adapter in the PCI adapter double-wide cassette.”

Note: If the cassette is not going to contain a PCI adapter, use this same procedure to place an adapter filler panel in the cassette.

- h. Replace the cassette cover by doing the following steps:
 - 1) Screw pivot pin (C) into place.
 - 2) Slide the cover (B) into position on the cassette.
 - 3) While holding the cover latch (A) in the open position, place the cover over the pivot pin (C).
 - 4) Release the cover latch to lock the cover into place.



IPHAk540-c

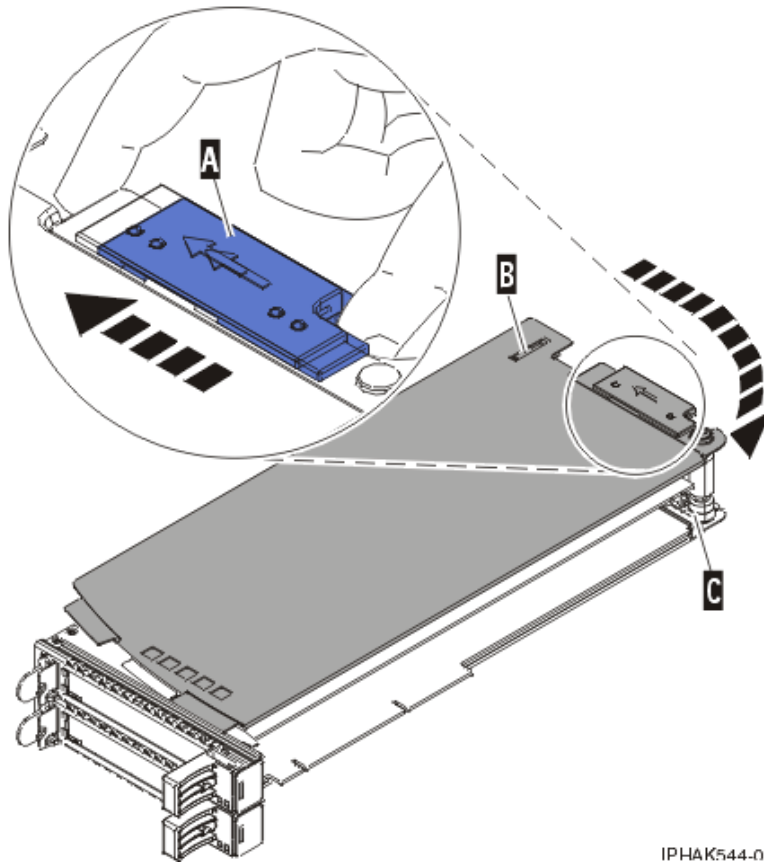
Figure 152. PCI adapter cassette cover replaced

Placing an adapter in the PCI adapter double-wide cassette

You can place a PCI adapter in a double-wide cassette.

To place an adapter in a cassette, do the following steps:

1. Complete the prerequisite tasks that are described in “Before you begin” on page 197.
2. Remove the PCI adapter contained in a cassette from the system.
3. Remove the cassette cover by doing the following steps:
 - a. Slide the cover latch (A) to disengage it from the pivot pin (C) as shown in the following figure.
 - b. Lift the cover (B) off of the pivot pin.
 - c. Slide the cover off of the cassette.



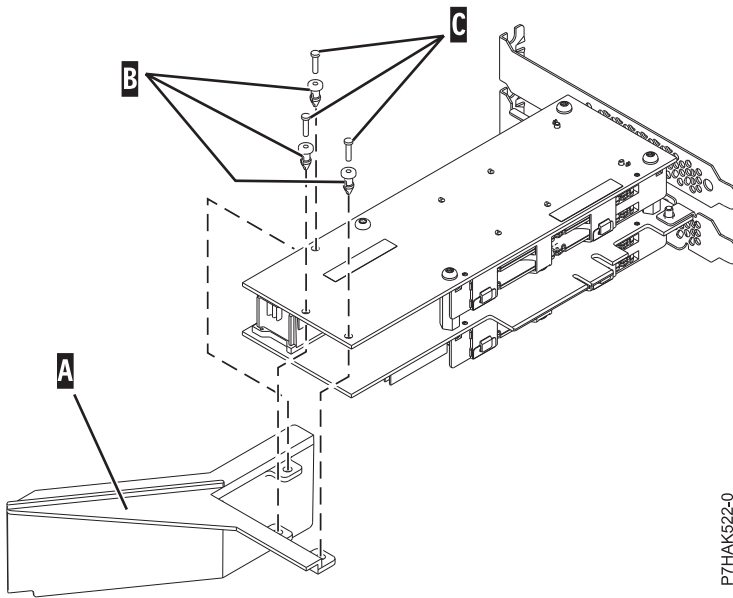
IPHAK544-0

Figure 153. PCI adapter cassette cover removed

- d. Unscrew pivot pin (C) and put it in a safe place.
4. Ensure the cassette is prepared to receive an adapter by doing the following steps:
 - a. Ensure the cassette is empty by doing one of the following steps:
 - Remove the adapter from the PCI adapter double-wide cassette. For information, see “Removing an adapter from the PCI adapter double-wide cassette” on page 171.
 - Remove the adapter filler panel from the cassette.
 - b. Ensure that all of the adapter retainers have been pushed out to the edges of the cassette to allow the placement of the adapter.
 - c. Place the tailstock clamp in the open position by pressing the cassette handle towards the retainer clip.
5. If necessary, remove the new adapter from the antistatic package.

Attention: Avoid touching the components and gold connectors on the adapter.

6. Place the new adapter, component-side up, on a flat, static-protective surface.
7. For PCIe RAID and SSD SAS adapters, install the new air dam onto the new adapter.
 - a. Slide the air dam (A) between the two cards and align the three holes in the air dam with the three holes on the card edges. See the following figure.
 - b. Insert the three plastic rivets (B) into the card and air dam holes.
 - c. Insert the three plastic push pins (C) into the three plastic rivets.
 - d. Label the location of each solid state disk (SSD) while you transfer the SSDs from the replaced adapter to the same location on the new adapter you are installing. For information about replacing SSDs, see Replacing an SSD module on the PCIe RAID and SSD SAS adapter. Repeat this step for each SSD.



P7HAK522-0

Figure 154. Installing an air dam onto the new PCIe RAID and SSD SAS adapter

8. Place the adapter in the cassette by doing the following steps:
 - a. With the tailstock clamp in the open position, insert the adapter firmly into the tailstock retaining channel (A). For a typical PCI adapter, see Figure 155 on page 177. For a PCIe RAID and SSD SAS adapter, see Figure 156 on page 177.
 - b. Rotate the adapter toward the top of the cassette and into place.
 - c. Close the tailstock clamp (C).

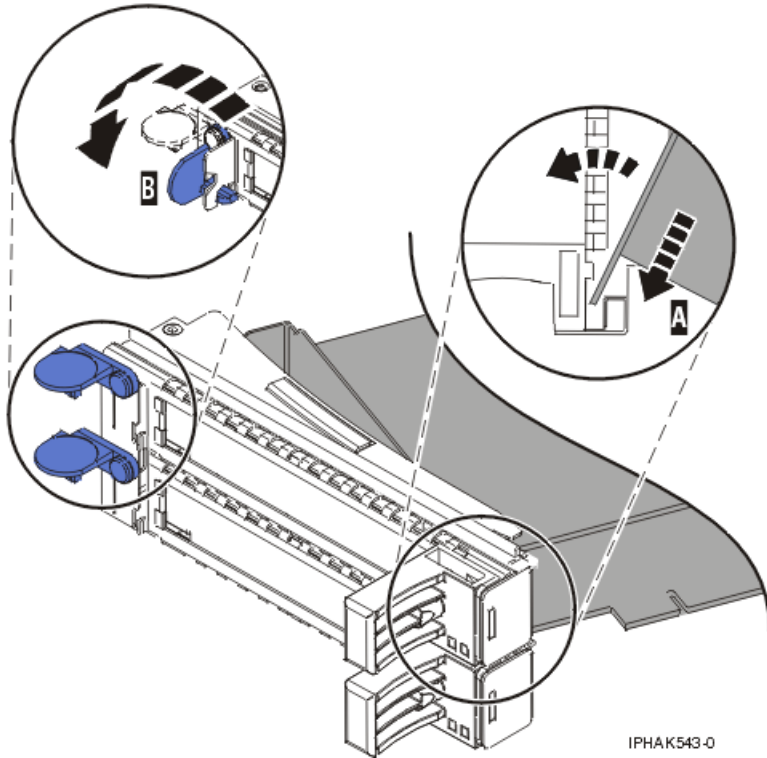


Figure 155. Adapter replaced in the PCI adapter cassette

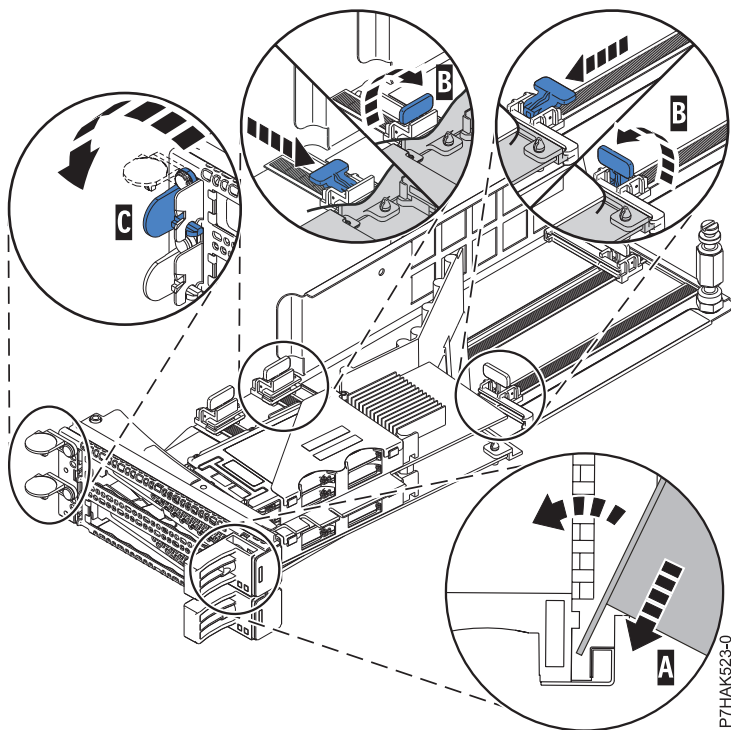


Figure 156. Replacing a PCIe RAID and SSD SAS adapter into the PCI adapter cassette

- d. Position the adapter retainers to support the adapter, and then rotate the retainer clip **(B)** into the closed position.

Notes:

- 1) Two retainers are located at the top of the cassette, along the top edge of the adapter. Two more retainers are located at the edge of the cassette opposite of the adapter tailstock.
- 2) When the adapter retainer clip is in the horizontal position, the adapter retainers are unlocked and can slide toward the adapter.
- 3) Place and lock the retainers (**B**). See Figure 157.

Attention: Use of the lower corner support retainer might interfere with the docking of the PCI card when positioned within the system. Ensure the retainer does not interfere with the adapter connectors on the system backplane.

- 4) Ensure the adapter edge is seated in each retainer groove (**A**). If the shape of the adapter or the presence of a connector will not allow the adapter edge to be seated into the retainer groove, ensure the retainer is still locked firmly against that edge or connector.

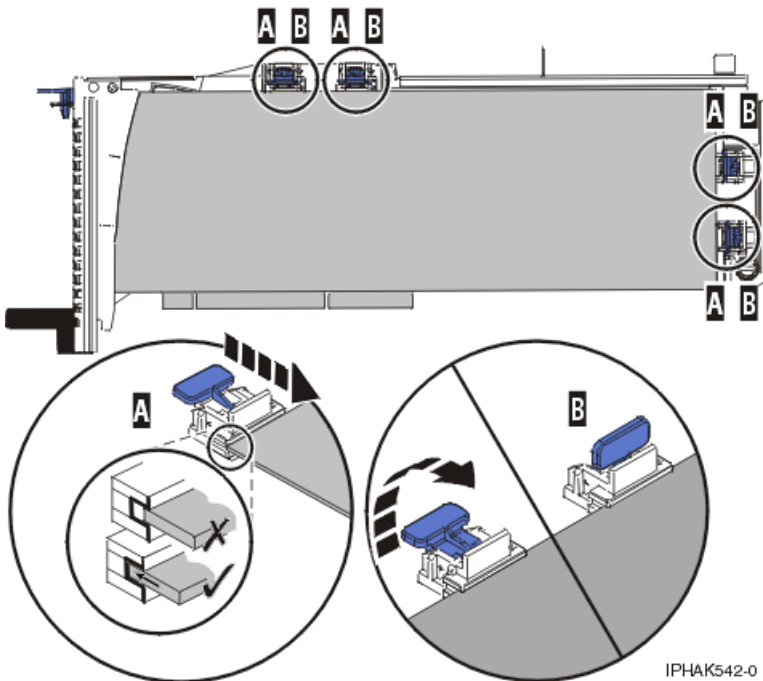


Figure 157. Long adapter in the PCI adapter cassette with the supports and stabilizer in place

9. After the retainers are placed, replace the cassette cover by doing the following steps:
 - a. Screw pivot pin (**C**) into place.
 - b. Slide the cover (**B**) into position on the cassette as shown in the following figure.
 - c. While holding the cover latch (**A**) in the open position, place the cover over the pivot pin (**C**).
 - d. Release the cover latch to lock the cover into place.

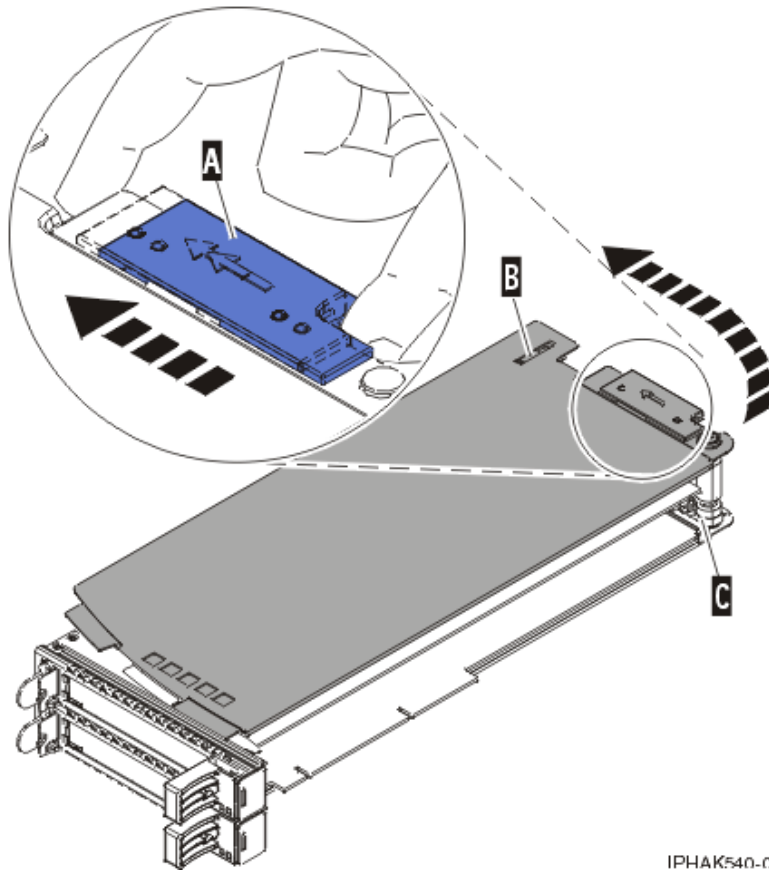


Figure 158. PCI adapter cassette cover replaced

10. Replace the PCI adapter contained in a cassette in the system.

Attention: A cassette containing either a PCI adapter or filler panel must be placed in the PCI adapter slot of the system unit for proper air flow and cooling.

Related procedures for installing and removing PCI adapters

These procedures are related to installing and removing PCI adapters.

Avoiding electric shock

Learn about precautions you should take to avoid electric shock when working on our around a computer system.

DANGER

When working on or around the system, observe the following precautions:

Electrical voltage and current from power, telephone, and communication cables are hazardous. To avoid a shock hazard:

- Connect power to this unit only with the IBM provided power cord. Do not use the IBM provided power cord for any other product.
- Do not open or service any power supply assembly.
- Do not connect or disconnect any cables or perform installation, maintenance, or reconfiguration of this product during an electrical storm.
- The product might be equipped with multiple power cords. To remove all hazardous voltages, disconnect all power cords.
- Connect all power cords to a properly wired and grounded electrical outlet. Ensure that the outlet supplies proper voltage and phase rotation according to the system rating plate.
- Connect any equipment that will be attached to this product to properly wired outlets.
- When possible, use one hand only to connect or disconnect signal cables.
- Never turn on any equipment when there is evidence of fire, water, or structural damage.
- Disconnect the attached power cords, telecommunications systems, networks, and modems before you open the device covers, unless instructed otherwise in the installation and configuration procedures.
- Connect and disconnect cables as described in the following procedures when installing, moving, or opening covers on this product or attached devices.

To Disconnect:

1. Turn off everything (unless instructed otherwise).
2. Remove the power cords from the outlets.
3. Remove the signal cables from the connectors.
4. Remove all cables from the devices.

To Connect:

1. Turn off everything (unless instructed otherwise).
2. Attach all cables to the devices.
3. Attach the signal cables to the connectors.
4. Attach the power cords to the outlets.
5. Turn on the devices.

(D005)

Handling static-sensitive devices

Learn about precautions you should take to prevent damage to electronic components from static electricity discharge.

Electronic boards, adapters, media drives, and disk drives are sensitive to static electricity discharge. These devices are wrapped in antistatic bags to prevent this damage. Take the following precautions to prevent damage to these devices from static electricity discharge.

- Attach a wrist strap to an unpainted metal surface of your hardware to prevent electrostatic discharge from damaging your hardware.
- When using a wrist strap, follow all electrical safety procedures. A wrist strap is for static control. It does not increase or decrease your risk of receiving electric shock when using or working on electrical equipment.
- If you do not have a wrist strap, just before removing the product from ESD packaging and installing or replacing hardware, touch an unpainted metal surface of the system for a minimum of 5 seconds.
- Do not remove the device from the antistatic bag until you are ready to install the device in the system.
- With the device still in its antistatic bag, touch it to the metal frame of the system.

- Grasp cards and boards by the edges. Avoid touching the components and gold connectors on the adapter.
- If you need to lay the device down while it is out of the antistatic bag, lay it on the antistatic bag. Before picking it up again, touch the antistatic bag and the metal frame of the system at the same time.
- Handle the devices carefully to prevent permanent damage.

Updating the worldwide port name for a new 5735 or 5774 IOA.

If you have exchanged a 5735 or 5774 Fibre Channel Input/Output Adapter (IOA), the IBM external storage subsystem must be updated to use the worldwide port name (WWPN) of the new 5735 or 5774 IOA. Any SAN hardware using WWPN zoning might also need updating.

For instructions on how to update the external storage subsystem or SAN hardware configurations, see the documentation for those systems.

The WWPN for the Fibre Channel IOA can be found using the Hardware Service Manager in SST or DST. Display detail on the 5735 or 5774 IOA Logical Hardware Resource information, and use the port worldwide name field.

The 16-digit WWPN can also be determined by appending the digits 1000 to the beginning of the 12-digit IEEE address found on the tailstock label of the Fibre Channel IOA.

Installing or replacing a PCI adapter with the system power on in Virtual I/O Server

You can install or replace a PCI adapter in the Virtual I/O Server logical partition or in the Integrated Virtualization Manager management partition.

The Virtual I/O Server includes a PCI Hot Plug Manager that is similar to the PCI Hot Plug Manager in the AIX operating system. The PCI Hot Plug Manager allows you to hot plug PCI adapters into the server and then activate them for the logical partition without having to reboot the system. Use the PCI Hot Plug Manager for adding, identifying, or replacing PCI adapters in the system that are currently assigned to the Virtual I/O Server.

Getting started

Prerequisites:

- If you are installing a new adapter, an empty system slot must be assigned to the Virtual I/O Server logical partition. This task can be done through dynamic logical partitioning (DLPAR) operations.
 - If you are using a Hardware Management Console (HMC), you must also update the logical partition profile of the Virtual I/O Server so that the new adapter is configured to the Virtual I/O Server after you restart the system.
 - If you are using the Integrated Virtualization Manager, an empty slot is probably already assigned to the Virtual I/O Server logical partition because all slots are assigned to the Virtual I/O Server by default. You only need to assign an empty slot to the Virtual I/O Server logical partition if you previously assigned all empty slots to other logical partitions.
- If you are installing a new adapter, ensure that you have the software required to support the new adapter and determine whether there are any existing PTF prerequisites to install. To do this, use the IBM Prerequisite website at http://www-912.ibm.com/e_dir/eServerPrereq.nsf
- If you need help determining the PCI slot in which to place a PCI adapter, see the PCI adapter placement.

Follow these steps to access the Virtual I/O Server, PCI Hot Plug Manager:

1. If you are using the Integrated Virtualization Manager, connect to the command-line interface.

2. Use the **diagmenu** command to open the Virtual I/O Server diagnostic menu. The menus are similar to the AIX diagnostic menus.
3. Select **Task Selection**, then press Enter.
4. At the Task Selection list, select **PCI Hot Plug Manager**.

Installing a PCI adapter

To install a PCI adapter with the system power on in Virtual I/O Server, do the following steps:

1. From the PCI Hot Plug Manager, select **Add a PCI Hot Plug Adapter**, then press Enter. The Add a Hot-Plug Adapter window is displayed.
2. Select the appropriate empty PCI slot from those listed, and press Enter. A fast-blinking amber LED located at the back of the server near the adapter indicates that the slot has been identified.
3. Follow the instructions on the screen to install the adapter until the LED for the specified PCI slot is set to the Action state.
 - a. Set the adapter LED to the action state so that the indicator light for the adapter slot flashes
 - b. Physically install the adapter
 - c. Finish the adapter installation task in **diagmenu**.
4. Enter **cfgdev** to configure the device for the Virtual I/O Server.

If you are installing a PCI, Fibre Channel adapter, it is now ready to be attached to a SAN and have LUNs assigned to the Virtual I/O Server for virtualization.

Replacing a PCI adapter

Prerequisite: Before you can remove or replace a storage adapter, you must unconfigure that adapter. See “Unconfiguring storage adapters” for instructions.

To replace a PCI adapter with the system power on in Virtual I/O Server, do the following steps:

1. From the PCI Hot Plug Manager, select **Unconfigure a Device**, then press Enter.
2. Press F4 (or Esc +4) to display the **Device Names** menu.
3. Select the adapter you are removing in the **Device Names** menu.
4. In the **Keep Definition** field, use the Tab key to answer Yes. In the **Unconfigure Child Devices** field, use the Tab key again to answer YES, then press Enter.
5. Press Enter to verify the information on the **ARE YOU SURE** screen. Successful unconfiguration is indicated by the OK message displayed next to the Command field at the top of the screen.
6. Press F4 (or Esc +4) twice to return to the Hot Plug Manager.
7. Select **replace/remove PCI Hot Plug adapter**.
8. Select the slot that has the device to be removed from the system.
9. Select **replace**. A fast-blinking amber LED located at the back of the machine near the adapter indicates that the slot has been identified.
10. Press Enter which places the adapter in the action state, meaning it is ready to be removed from the system.

Unconfiguring storage adapters

Before you can remove or replace a storage adapter, you must unconfigure that adapter. Storage adapters are generally parent devices to media devices, such as disk drives or tape drives. Removing the parent requires that all attached child devices either be removed or placed in the define state.

Unconfiguring a storage adapter involves the following tasks:

- Closing all applications that are using the adapter you are removing, replacing, or moving
- Unmounting file systems
- Ensuring that all devices connected to the adapter are identified and stopped

- Listing all slots that are currently in use or a slot that is occupied by a specific adapter
- Identifying the adapter's slot location
- Making parent and child devices unavailable
- Making the adapter unavailable

If the adapter supports physical volumes that are in use by a client logical partition, then You can perform steps on the client logical partition before unconfiguring the storage adapter. For instructions, see “Preparing the client logical partitions.” For example, the adapter might be in use because the physical volume was used to create a virtual target device, or it might be part of a volume group used to create a virtual target device.

Follow these steps to unconfigure SCSI, SSA, and Fibre Channel storage adapters:

1. Connect to the Virtual I/O Server command-line interface.
2. Enter `oem_setup_env` to close all applications that are using the adapter you are unconfiguring.
3. Type `lsslot-c pci` to list all the hot plug slots in the system unit and display their characteristics.
4. Type `lsdev -C` to list the current state of all the devices in the system unit.
5. Type `umount` to unmount previously mounted file systems, directories, or files using this adapter.
6. Type `rmdev -l adapter -R` to make the adapter unavailable.

Attention: Do not use the `-d` flag with the `rmdev` command for hot plug operations because this action removes your configuration.

Preparing the client logical partitions

If the virtual target devices of the client logical partitions are not available, the client logical partitions can fail or they might be unable to perform I/O operations for a particular application. If you use the HMC to manage the system, you might have redundant Virtual I/O Server logical partitions, which allow for Virtual I/O Server maintenance and avoid downtime for client logical partitions. If you are replacing an adapter on the Virtual I/O Server and your client logical partition is dependent on one or more of the physical volumes accessed by that adapter, then You can take action on the client before you unconfigure the adapter.

The virtual target devices must be in the define state before the Virtual I/O Server adapter can be replaced. Do not remove the virtual devices permanently.

To prepare the client logical partitions so that you can unconfigure an adapter, complete the following steps depending on your situation.

Table 1. Situations and steps for preparing the client logical partitions

Situation	Steps
You have redundant hardware on the Virtual I/O Server for the adapter.	No action is required on the client logical partition.
HMC-managed systems only: You have redundant Virtual I/O Server logical partitions that, in conjunction with virtual client adapters, provide multiple paths to the physical volume on the client logical partition.	No action is required on the client logical partition. However, path errors might be logged on the client logical partition.
HMC-managed systems only: You have redundant Virtual I/O Server logical partitions that, in conjunction with virtual client adapters, provide multiple physical volumes that are used to mirror a volume group.	See the procedures for your client operating system. For example, for AIX, see Replacing a disk on the Virtual I/O Server in the IBM System p Advanced POWER® Virtualization Best Practices Redpaper. The procedure for Linux is similar to this procedure for AIX.

Table 1. Situations and steps for preparing the client logical partitions (continued)

Situation	Steps
<p>You do not have redundant Virtual I/O Server logical partitions.</p>	<p>Shut down the client logical partition.</p> <p>For instructions, see the following topics about shutting down logical partitions:</p> <ul style="list-style-type: none"> • For systems that are managed by the HMC, see “Shutting down AIX logical partitions using the HMC”, “Shutting down IBM i logical partitions using the HMC”, and “Shutting down Linux logical partitions using the HMC” in the Logical partitioning.¹ • For systems that are managed by the Integrated Virtualization Manager, see Shutting down logical partitions.
<p>¹The Logical partitioning can be found on the Hardware Information website at http://publib.boulder.ibm.com/infocenter/systems/scope/hw/topic/p7hdx/power_systems.htm.</p>	

Shutting down logical partitions

You can use the Integrated Virtualization Manager to shut down the logical partitions or to shut down the entire managed system.

Use any role other than View Only to perform this task.

The Integrated Virtualization Manager provides the following types of shutdown options for logical partitions:

- Operating System (recommended)
- Delayed
- Immediate

The recommended shutdown method is to use the client operating systems shutdown command. Use the immediate shutdown method only as a last resort because using this method causes an abnormal shutdown which might result in data loss.

If you choose the Delayed shutdown method, then be aware of the following considerations:

- Shutting down the logical partitions is equivalent to pressing and holding the white control-panel power button on a server that is not partitioned.
- Use this procedure only if you cannot successfully shut down the logical partitions through operating system commands. When you use this procedure to shut down the selected logical partitions, the logical partitions wait a predetermined amount of time to shut down. This allows the logical partitions time to end jobs and write data to disks. If the logical partition is unable to shut down within the predetermined amount of time, it ends abnormally, and the next restart might take a long time.

If you plan to shut down the entire managed system, shut down each client logical partition, then shut down the Virtual I/O Server management partition.

To shut down a logical partition, complete the following steps in the Integrated Virtualization Manager:

1. In the navigation area, select **View/Modify Partitions** under **Partition Management**. The View/Modify Partitions page is displayed.
2. Select the logical partition that you want to shut down.
3. From the Tasks menu, click **Shutdown**. The Shutdown Partitions page is displayed.
4. Select the shutdown type.

5. Optional: Select **Restart after shutdown completes** if you want the logical partition to start immediately after it shuts down.
6. Click **OK** to shut down the partition. The View/Modify Partitions page is displayed, and the logical partition state has a value of shutdown.

PCI hot-plug manager access for AIX

You might need to service PCI adapters with the system power on in AIX. Use the procedures in this section to perform this task.

The instructions for servicing PCI adapters with the system power on in AIX refer you to these procedures when it is appropriate to perform them.

Note: For an adapter to be serviced with the system power on, both the adapter and the system unit must support hot-plug procedures. To identify adapters that are hot-pluggable in the system you are servicing, refer to the following placement information: PCI adapter placement.

Accessing hot-plug management functions

You can use PCI Hot Plug Manager to service PCI adapters with the system power on in AIX. Use the procedures in this section to perform this task.

Note: Procedures performed on a PCI adapter with the system power on in AIX, also known as hot-plug procedures, require the system administrator to take the PCI adapter offline prior to performing the operation. Before taking an adapter offline, the devices attached to the adapter must be taken offline as well. This action prevents a service representative or user from causing an unexpected outage for system users.

To access the hot-plug menus, do the following:

1. Log in as root user.
2. At the command line, type `smitty`.
3. Select **Devices**.
4. Select **PCI Hot Plug Manager** and press Enter.
5. The PCI Hot-Plug Manager menu displays. Return to the procedure that directed you here. The following section describes the menu options.

PCI hot-plug manager menu

You can use PCI Hot Plug Manager to service PCI adapters with the system power on in AIX. The following options are available from the PCI Hot Plug Manager menu.

Note: For information about the PCI slot LED states, see “Component LEDs” on page 186.

List PCI hot-plug slots

Provides a descriptive list of all slots that support PCI hot-plug capability. If the listing for a slot indicates it holds an unknown device, select the **Install/configure Devices added after IPL** to configure the adapter in that slot.

Add a PCI hot-plug adapter

Allows the user to add a new PCI hot-plug-capable adapter to the slot with the system turned on. You will be asked to identify the PCI slot that you have selected prior to the actual operation. The selected PCI slot will go into the Action state and finally into the On state.

Note: The system will indicate the slot holds an unknown device until you perform the **Install/configure devices added after IPL** option to configure the adapter.

Replace/remove a PCI hot-plug adapter

Allows the user to remove an existing adapter, or replace an existing adapter with an identical one. For this option to work, the adapter must be in the Defined state (see the “Unconfigure a Device” option).

You will be asked to identify the PCI slot prior to the actual operation. The selected PCI slot will go into the Action state.

Identify a PCI hot-plug slot

Allows the user to identify a PCI slot. The selected PCI slot will go into the Identify state. See “Component LEDs.”

Unconfigure a device

Allows the user to put an existing PCI adapter into the Defined state if the device is no longer in use.

This step must be completed successfully before starting any removal or replacement operation. If this step fails, the customer must take action to release the device.

Configure a defined device

Allows a new PCI adapter to be configured into the system if software support is already available for the adapter. The selected PCI slot will go into the On state.

Install/configure devices added after IPL

The system attempts to configure any new devices and tries to find and install any required software from a user-selected source.

The add, remove, and replace functions return information to the user indicating whether the operation was successful. If additional instructions are provided on the screen, complete the recommended actions. If the instructions do not resolve the problem, do the following:

- If the adapter is listed as Unknown, perform the **Install/configure devices Added After IPL** option to configure the adapter.
- If you receive a warning indicating that needed device packages are not installed, the system administrator must install the specified packages before you can configure or diagnose the adapter.
- If you receive a failure message indicating a hardware error, the problem might be either the adapter or the PCI slot. Isolate the problem by retrying the operation in a different PCI slot, or trying a different adapter in the slot. If you determine that you have failing hardware, call your service representative.
- *Do not* use **Install/configure devices added after IPL** if your system is set up to run HACMP™ clustering. Consult with your system administrator or software support to determine the correct method to configure the replacement device.

Component LEDs

Individual LEDs are located on or near the failing components. Use the information in this section to interpret the LEDs.

The LEDs are located either on the component itself or on the carrier of the component (for example, memory card, fan, memory module, or processor). LEDs are either green or amber.

Green LEDs indicate either of the following:

- Electrical power is present.
- Activity is occurring on a link. (The system could be sending or receiving information.)

Amber LEDs indicate a fault or identify condition. If your system or one of the components on your system has an amber LED turned on or blinking, identify the problem and take the appropriate action to restore the system to normal.

Resetting the LEDs in AIX:

Individual LEDs are located on or near the failing components. You can use this procedure to reset the LEDs after you have completed a repair action.

After the repair action is completed, do the following:

1. Log in as root user.
2. At the command line, type `diag`.
3. Select **Task Selection**.
4. Select **Log Repair Action**.
5. Select the device that was repaired.
6. Press F10 to exit diagnostics.

If the Attention LED remains on after you have completed the repair action and reset the LEDs, call for service support.

Prerequisites for hot-plugging PCI adapters in Linux

In the course of installing, removing, or replacing a PCI adapter with the system powered on in a Linux operating system, you might need to complete some prerequisite tasks. Use the information in this section to identify those prerequisites.

The Linux system administrator needs to take the PCI adapter offline prior to removing, replacing, or installing a PCI adapter with the system power on (hot-plugging). Before taking an adapter offline, the devices attached to the adapter must be taken offline as well. This action prevents a service representative or user from causing an unexpected outage for system users.

Before hot-plugging adapters for storage devices, ensure that the file systems on those devices are unmounted. After hot-plugging adapters for storage devices, ensure that the file systems on those devices are remounted.

Before hot-plugging an adapter, ensure that the server or partition is at the correct level of the Linux operating system (Linux 2.6 or later).

Install the POWER Linux Service Aids. These service aids enable system serviceability, as well to improve system management.

If you are using a Linux on POWER distribution with Linux kernel version 2.6 or later, you can install the Service Aids that gives you access to more capabilities, which can help you diagnose problems on your system.

This software is available at the Service and productivity tools for Linux on POWER Web site (<http://www14.software.ibm.com/webapp/set2/sas/f/lopdiags/home.html>).

Verifying that the hot-plug PCI tools are installed for Linux

In the course of installing, removing, or replacing a PCI adapter with the system power on in Linux operating system you might need use the hot-plug PCI tools. Use the procedure in this section to verify that you have the hot-plug PCI tools installed.

1. Enter the following command to verify that the hot-plug PCI tools are installed:

```
rpm -aq | grep rpa-pci-hotplug
```

If the command does not list any rpa-pci-hotplug packages, the PCI Hot Plug tools are not installed.

2. Enter the following command to ensure that the rpaphp driver is loaded:

```
ls -l /sys/bus/pci/slots/
```

The directory should contain data. If the directory is empty, the driver is not loaded or the system does not contain hot-plug PCI slots. The following is an example of the information displayed by this command:

```
drwxr-xr-x 15 root root 0 Feb 16 23:31 .
drwxr-xr-x  5 root root 0 Feb 16 23:31 ..
drwxr-xr-x  2 root root 0 Feb 16 23:31 0000:00:02.0
drwxr-xr-x  2 root root 0 Feb 16 23:31 0000:00:02.2
drwxr-xr-x  2 root root 0 Feb 16 23:31 0000:00:02.4
drwxr-xr-x  2 root root 0 Feb 16 23:31 0001:00:02.0
drwxr-xr-x  2 root root 0 Feb 16 23:31 0001:00:02.2
drwxr-xr-x  2 root root 0 Feb 16 23:31 0001:00:02.4
drwxr-xr-x  2 root root 0 Feb 16 23:31 0001:00:02.6
drwxr-xr-x  2 root root 0 Feb 16 23:31 0002:00:02.0
drwxr-xr-x  2 root root 0 Feb 16 23:31 0002:00:02.2
drwxr-xr-x  2 root root 0 Feb 16 23:31 0002:00:02.4
drwxr-xr-x  2 root root 0 Feb 16 23:31 0002:00:02.6
```

If the directory does not exist, run the following command to mount the filesystem:

```
mount -t sysfs sysfs /sys
```

3. Ensure the following tools are available in the /usr/sbin directory.
 - lsslot
 - drmgr -c pci
4. Return to the procedure that sent you here.

PCI-X double-wide, quad-channel Ultra320 SCSI RAID Controller (FC 5739, 5778, 5781, 5782; CCIN 571F, 575B)

Learn about the features, specifications, and installation notes for the PCI-X double-wide, quad-channel Ultra320 SCSI RAID Controller.

The PCI-X double-wide, quad-channel Ultra320 SCSI RAID Controller is a high-performance SCSI adapter combined with an auxiliary-write cache adapter to form a double-wide, adapter pair. The two adapters are screwed together. This topic contains the following sections:

- “Features”
- “Specifications” on page 189
- “Placement information” on page 190
- “Logical partitioning” on page 190
- “Placing the adapter in a double-wide cassette” on page 190
- “Installing a cassette that contains an adapter in a system” on page 191
- “Placing the double-wide adapter in a system that does not use cassettes” on page 191
- “Power LED” on page 191
- “Concurrent maintenance procedure” on page 191

Features

- 3 external U320 SCSI ports
- 1 internal U320 SCSI port dedicated to connecting the controller to the auxiliary-write cache adapter
- Up to 36 direct access storage devices (DASD) can be externally attached per adapter
- 320 MB data rate per SCSI bus
- Supports low voltage differential (LVD) disk devices only
- Supports RAID 5 and 6 (3–18 drive sets)

- 390 MB/1.5 GB compressed write cache
- 415 MB/1.6 GB compressed read cache
- PCI-X DDR support (storage adapter side)
- IOP or IOPless (5739 requires an IOP. 5778 does not.)

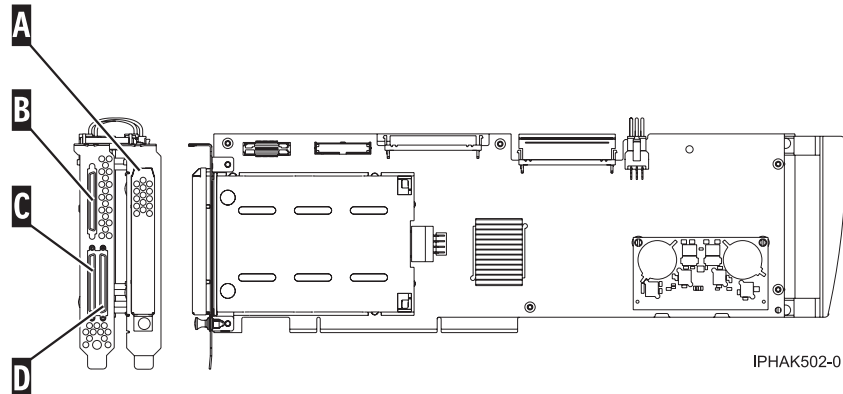


Figure 159. Adapter

- (A) Battery cover
- (B) SCSI port 2
- (C) SCSI port 0
- (D) SCSI port 1

Specifications

Item	Description
Adapter FRU number	42R6578
Cache battery FRU number	42R3965
Unit description	<ul style="list-style-type: none"> • 64 bit, 133 MHz, 3.3 V • PCI-X 2.0 compliant • Double-wide adapter, requires 2, adjacent, long slots. The SCSI controller side of the adapter pair requires a 64-bit slot. (The controller side is the side with the external SCSI connectors.) • The auxiliary-write cache adapter contains a dual, concurrently maintainable, cache-battery pack, which maintains cache memory on both adapters in the event of an abnormal termination.
Operating system or partition requirements	<ul style="list-style-type: none"> • IBM i V5R3, V5R3M5, and V5R4 with PTFs. • AIX 5L™ Version 5.2 with the 5200-10 Technology Level, or later • AIX 5L Version 5.3 with the 5300-06 Technology Level, or later • Red Hat Enterprise Linux version 4 U4, or later • SUSE Linux Enterprise Server 10, or later <p>Check the IBM Prerequisite website at http://www-912.ibm.com/e_dir/eServerPrereq.nsf for further details and updates.</p>
Maximum number	See “Placement information” on page 190.

Placement information

See the following topics for the placement rules if the adapter is supported on that system:

- PCI adapter placement rules and slot priorities in the 8202-E4B, 8202-E4C, 8202-E4D, 8205-E6B, 8205-E6C, or 8205-E6D
- PCI adapter placement rules and slot priorities in the 8231-E2B, 8231-E1C, 8231-E1D, 8231-E2C, 8231-E2D, or 8268-E1D
- PCI adapter placement rules and slot priorities in the 8233-E8B
- PCI adapter placement rules and slot priorities in the 8236-E8C
- PCI adapter placement rules and slot priorities in the 9117-MMB, 9117-MMC, or 9117-MMD
- PCI adapter placement rules and slot priorities in the 9179-MHB, 9179-MHC, or 9179-MHD

Logical partitioning

When used in a logical partition (LPAR) environment, this double-wide adapter must have both slots of the adapter assigned to the same logical partition. When implementing dynamic logical partitioning (DLPAR), both slots of the adapter must be managed together.

Placing the adapter in a double-wide cassette

To place this double-wide adapter in a double-wide cassette, first remove the adapter handle (B), and the two plastic covers from the SCSI jumper cable (A), as shown in the following figure. (The two plastic covers are only found on adapters made before August 2008.) Then follow the general procedures to place a double-wide adapter in a double-wide cassette. See *Placing an adapter in the PCI adapter double-wide cassette*.

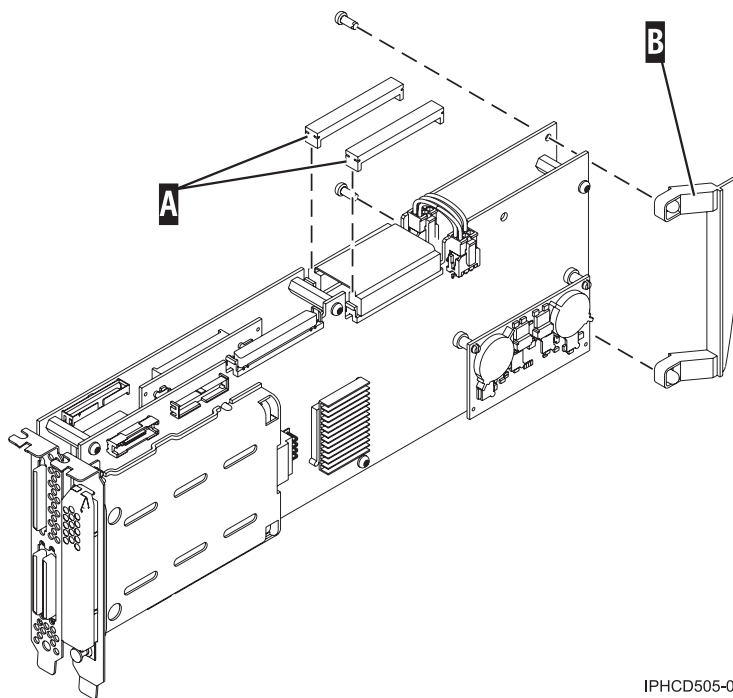


Figure 160. Preparing the adapter for placement in a cassette

Installing a cassette that contains an adapter in a system

To install a cassette that contains an adapter into a system unit or expansion unit, follow the procedures in 5796 and 7314-G30 expansion units, Removing and replacing a PCI adapter contained in a cassette. For instructions, see PCI adapters.

Placing the double-wide adapter in a system that does not use cassettes

If you are installing the double-wide adapter in the internal PCI slots, remove the lower, right standoff shown in Figure 161.

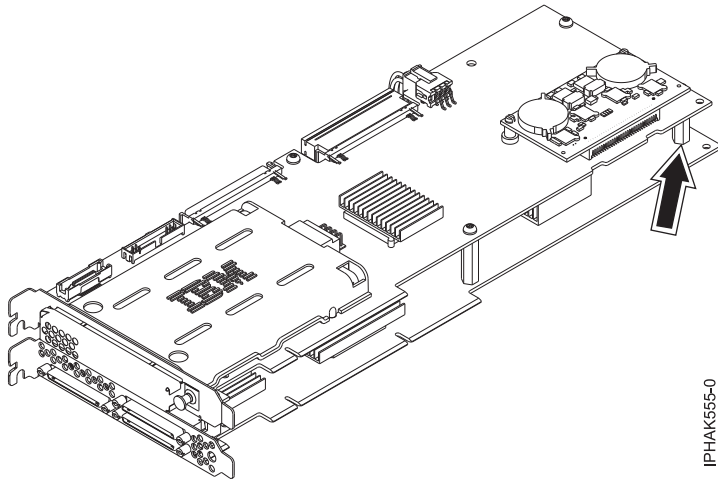


Figure 161. Removing the standoff

Power LED

For a double-wide adapter, there is only one power LED visible for both slots.

Concurrent maintenance procedure

Concurrent maintenance of this double-wide adapter is only supported if you are using the IBM i operating system. It is not supported through the Hardware Management Console (HMC). Concurrent maintenance must be done from the Hardware Service Manager (HSM) of the system or owning partition. The HSM automatically powers off and on both PCI slots when either slot is selected. If you are using the AIX or Linux operating system you must manually power off and on each slot separately.

Important:

- Both PCI slots must be powered off when installing or removing this adapter with the system power on.
- If the adapter is the load source IOA, or under the load source IOP, or any other storage IOA/IOP with critical DASD attached for the system, have a qualified service provider perform the concurrent maintenance procedure. At step 12 on page 192, the HSM directs you to use control panel functions 68 and 69 to power off the domain.

The following steps are a general concurrent maintenance procedure for installing, removing, or replacing an adapter in a system that is running the IBM i operating system. If you were sent here by another procedure, additional specific instructions for removing and replacing a PCI adapter can be found in that procedure.

1. Start an IBM i session for the system or partition that contains the adapter and sign on to the system or partition.

2. Type **strsst** on the command line of the Main menu and then press Enter.
3. Type your service tools user ID and service tools password on the System Service Tools (SST) Sign On display and press Enter.
4. Select **Start a service tool** from the System Service Tools (SST) display and press Enter.
5. Select **Hardware service manager** from the Start a Service Tools display and press Enter.
6. Select **Logical hardware resources (system, frames, cards)** from the Hardware Service Manager display and press Enter.
7. Select **System bus resources** and press Enter. The display changes to the Logical Hardware Resources on System Bus display.
8. Page down and locate the **IOP** that controls the IOA to be serviced.
If you are installing a new IOPless adapter in an empty slot, the IOP is not shown.
9. Enter 9 in the Opt field for the **IOP** to be serviced.
10. Locate the **Storage IOA** resource for the adapter to be serviced and enter 8 in the Opt field for that resource.
11. Enter 3 for **Concurrent maintenance** in the Opt field for the **Storage IOA** resource to be serviced. The display changes to the Hardware Resource Concurrent Maintenance display.
12. Press F9 to power off the domain.
In some cases, the card slots are already powered off if empty.
13. Press Enter to start power off. The display changes to the Hardware Resource Concurrent Maintenance Status display, which shows the status of the power off.
When the power off is complete, the display returns to the Hardware Resource Concurrent Maintenance display. The display shows that the **Power Status** is off for **Storage IOA**. Leave this display on the HSM while you install, remove, or replace the adapter.
14. Check the slot power LED state for the slot in which the adapter resides to verify that the adapter is powered off.
For a double-wide adapter, there is only one power LED visible for both slots.
15. Install, remove, or replace the adapter. Follow the procedures in 5796 and 7314-G30 expansion units, Removing and replacing a PCI adapter contained in a cassette. For instructions, see PCI adapters.
16. After the replacement is complete, return to the Hardware Resource Concurrent Maintenance display on the HSM.
17. If you were previously instructed to use operator panel function 69 to power on the adapter, do so now. Then go to step Installing PCI adapters, otherwise continue with next step.
18. Enter F10 to power the adapter on.
19. Press Enter to begin power on.
20. If the Work with Controlling Resource display is displayed, enter 7 in the Opt field for the **IOP** to assign the IOA to.
The Hardware Resource Concurrent Maintenance Status display shows the status of the power on.
21. When the power on is complete, the display returns to the Hardware Resource Concurrent Maintenance display. The display shows that the **Power Status** is on for the **Storage IOA**.
22. Check the LED status to verify that the adapter is powered on.
For a double-wide adapter, there is only one power LED visible for both slots.
23. Return to the procedure that sent you here.

PCI-X DDR 1.5 GB cache SAS RAID Adapter (FC 5904, 5906, 5908; CCIN 572F and 575C)

Learn about the specifications and operating system requirements for the 5904, 5906, and 5908 adapter.

Overview

The PCI-X DDR 1.5 GB cache SAS RAID Adapter is a SAS disk controller with a maximum of 1.5 GB compressed write cache and a maximum 1.6 GB compressed read cache. Auxiliary write cache and concurrent battery maintenance are provided. The controller is implemented by using two physical adapters that are securely connected to form a double-wide adapter. The double-wide adapter requires two adjacent Peripheral Component Interconnect-X (PCI-X) slots. The auxiliary write cache side of the double-wide adapter contains a dual, concurrently maintainable cache battery pack which maintains cache memory on both adapters in the event of an abnormal termination.

When used in a logical partition (LPAR) environment, this double-wide adapter must have both slots of the adapter assigned to the same logical partition. When implementing dynamic LPAR (DLPAR), both slots of the adapter must be managed together.

Feature 5904, 5906, and 5908 are all feature codes that represent the same PCI-X DDR 1.5 GB cache SAS RAID Adapter. Different feature codes indicate whether a blind swap cassette is used and its type:

- Feature 5904 indicates no blind swap cassette. The feature is used in enclosures that do not use blind swap cassettes.
- Feature 5906 indicates a gen-2.5 blind swap cassette. The feature is used in the 5797 and 5798 enclosures.
- Feature 5908 indicates a gen-3 blind swap cassette. This feature is used in the 5790 and 5796 enclosures.

572F is the CCIN number on the RAID adapter side of the double-wide adapter pair. 575C is the CCIN number on the write-cache adapter.

The adapter provides RAID 0, RAID 5, RAID 6, and RAID 10 for the AIX and Linux operating systems. Under the IBM i operating system, mirroring and data spreading are provided by the operating system, and RAID 5 and RAID 6 are provided by the adapter. ¹

The adapter provides three mini-SAS 4x connectors for the attachment of SAS drives in 5886 EXP 12S Expansion Drawers. The adapter supports a maximum of five 5886 EXP 12S Expansion Drawers.¹ With correct cabling and configuration, multiple wide ports are used to provide redundant paths to each dual port SAS drive. The adapter manages SAS path redundancy and path switching if a SAS failure occurs.

With the optional pairing of adapter sets, an even higher level of protection is provided by using a dual controller I/O configuration¹ to protect against the failure of an entire adapter set. In such a high availability I/O configuration, SAS X cables are used to attach 5886 EXP 12S Expansion Drawers. The fourth mini-SAS connector on each card set is used to directly connect the card sets by using a SAS AA cable.

Important: For more information and important considerations for multi-initiator and high availability or dual storage IOA configurations, see the SAS RAID controllers for AIX, SAS RAID controllers for Linux, or SAS RAID controllers for IBM i topics.

The following figure shows the adapter.

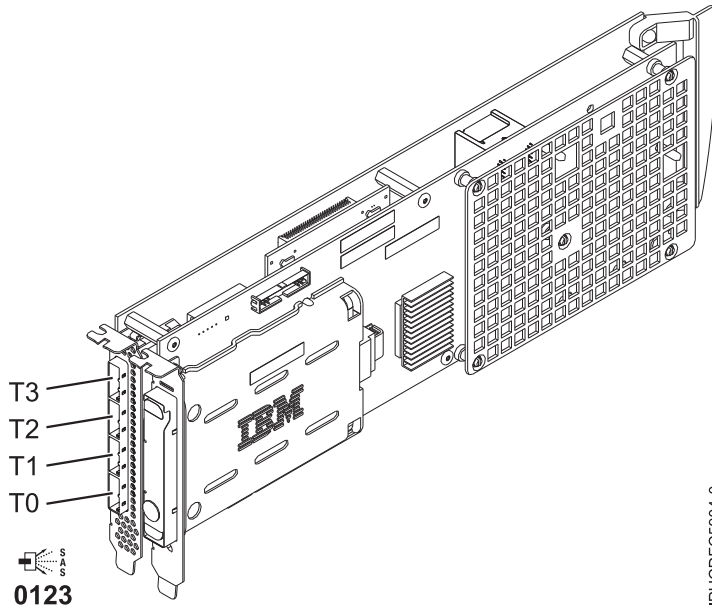


Figure 162. PCI-X DDR 1.5GB cache SAS RAID Adapter

Note: Port T3 does not support any device attachment. T3 is only used in dual controller I/O configurations for adapter to adapter communication.

Specifications

Item Description

Adapter FRU number

44V8622 (Adapter only - Designed to comply with RoHS requirement.)

42R4008 (Gen-3 blind swap cassette only)

44V7627 (Adapter in gen-2.5 blind swap cassette)

Battery FRU number

42R3965 or 74Y5665 (Designed to comply with RoHS requirement.)

I/O bus architecture

PCI-X

Slot requirement

Two, long, adjacent PCI-X slots.

Cables

SAS device attachment requires specific cables that are provided with the subsystem or device features that are being attached. Special cabling is required for multi-initiator and high availability configurations. See Serial-attached SCSI cable planning

Voltage

3.3V

Form factor

Long

Maximum number

See PCI adapter placement.

Attributes

- SAS speed: 3 Gbps
- SAS, SAS Serial SCSI Protocol (SSP), and Serial Management Protocol (SMP) supported
- Single controller supported with SAS y cables (3692, 3693, 3694)
- Dual controller supported with SAS x cables (3661, 3662, 3663) and SAS 2:6 cable (3681, 3682)
- Single controller supports mirrored write cache data with auxiliary cache

- Dual controller supports mirrored-write cache data and mirrored-RAID parity footprints between card sets
- Removable media devices are not supported

Operating system or partition requirements

This adapter is supported for the following operating systems:

- AIX:
 - AIX 5L Version 5.3 with the 5300-07 Technology Level and Service Pack 8, or later
 - AIX 5L Version 5.3 with the 5300-08 Technology Level and Service Pack 6, or later
 - AIX 5L Version 5.3 with the 5300-09 Technology Level and Service Pack 2, or later
 - AIX 5L Version 5.3 with the 5300-10 Technology Level, or later
 - AIX 6.1 and Service Pack 8, or later
 - AIX Version 6.1 with the 6100-01 Technology Level and Service Pack 4, or later
 - AIX 6.1 with the 6100-02 Technology Level and Service Pack 3, or later
 - AIX 6.1 with the 6100-03 Technology Level, or later
- Linux:
 - Red Hat Enterprise Linux version 4, with update 7, or later
 - Red Hat Enterprise Linux version 5, with update 2, or later
 - SUSE Linux Enterprise Server 10, with service pack 2, or later
- IBM i
 - IBM i V5R4M5 and Resave F, or later
 - IBM i 6.1 and Resave F, or later

This adapter requires the following device drivers:

- AIX: devices.pci.1410bd02 device driver package
- Linux:
 - iprutils version 2.4.1 and ipr driver version 2.0.11.6 (or newer) for RHEL4 kernels
 - iprutils version 2.4.1 and ipr driver version 2.2.0.2 (or newer) for RHEL5 kernels
 - iprutils version 2.4.1 and ipr driver version 2.2.0.2 (or newer) for SLES10 kernels

If you are installing a new feature, ensure that you have the software that is required to support the new feature and that you determine whether there are any prerequisites for this feature and attaching devices. To check for the prerequisites, see IBM Prerequisite website (www-912.ibm.com/e_dir/eServerPrereq.nsf).

Concurrent maintenance procedure

Concurrent maintenance of this double-wide adapter is not supported through the Hardware Management Console (HMC). Concurrent maintenance must be done from within the partition operating system. In IBM i, the Hardware Service Manager (HSM) of the system or owning partition will automatically power off or on both PCI slots when either slot is selected. In AIX or Linux, you must manually power off and on each slot separately.

Important:

- Both PCI slots must be powered off when installing or removing this adapter with the system power on.
- If this adapter is the load source IOA, or any other storage IOA with critical DASD attached for the system, this concurrent maintenance procedure should be performed by a qualified service provider.

Common procedures for installable features

Use these procedures to help you remove and replace PCI adapters.

Before you begin

Observe these precautions when you are installing, removing, or replacing features and parts.

These precautions are intended to create a safe environment to service your system and do not provide steps for servicing your system. The installation, removal, and replacement procedures provide the step-by-step processes required to service your system.

DANGER

When working on or around the system, observe the following precautions:

Electrical voltage and current from power, telephone, and communication cables are hazardous. To avoid a shock hazard:

- Connect power to this unit only with the IBM provided power cord. Do not use the IBM provided power cord for any other product.
- Do not open or service any power supply assembly.
- Do not connect or disconnect any cables or perform installation, maintenance, or reconfiguration of this product during an electrical storm.
- The product might be equipped with multiple power cords. To remove all hazardous voltages, disconnect all power cords.
- Connect all power cords to a properly wired and grounded electrical outlet. Ensure that the outlet supplies proper voltage and phase rotation according to the system rating plate.
- Connect any equipment that will be attached to this product to properly wired outlets.
- When possible, use one hand only to connect or disconnect signal cables.
- Never turn on any equipment when there is evidence of fire, water, or structural damage.
- Disconnect the attached power cords, telecommunications systems, networks, and modems before you open the device covers, unless instructed otherwise in the installation and configuration procedures.
- Connect and disconnect cables as described in the following procedures when installing, moving, or opening covers on this product or attached devices.

To Disconnect:

1. Turn off everything (unless instructed otherwise).
2. Remove the power cords from the outlets.
3. Remove the signal cables from the connectors.
4. Remove all cables from the devices.

To Connect:

1. Turn off everything (unless instructed otherwise).
2. Attach all cables to the devices.
3. Attach the signal cables to the connectors.
4. Attach the power cords to the outlets.
5. Turn on the devices.

(D005)

DANGER

Observe the following precautions when working on or around your IT rack system:

- Heavy equipment—personal injury or equipment damage might result if mishandled.
- Always lower the leveling pads on the rack cabinet.
- Always install stabilizer brackets on the rack cabinet.
- To avoid hazardous conditions due to uneven mechanical loading, always install the heaviest devices in the bottom of the rack cabinet. Always install servers and optional devices starting from the bottom of the rack cabinet.
- Rack-mounted devices are not to be used as shelves or work spaces. Do not place objects on top of rack-mounted devices.



- Each rack cabinet might have more than one power cord. Be sure to disconnect all power cords in the rack cabinet when directed to disconnect power during servicing.
- Connect all devices installed in a rack cabinet to power devices installed in the same rack cabinet. Do not plug a power cord from a device installed in one rack cabinet into a power device installed in a different rack cabinet.
- An electrical outlet that is not correctly wired could place hazardous voltage on the metal parts of the system or the devices that attach to the system. It is the responsibility of the customer to ensure that the outlet is correctly wired and grounded to prevent an electrical shock.

CAUTION

- Do not install a unit in a rack where the internal rack ambient temperatures will exceed the manufacturer's recommended ambient temperature for all your rack-mounted devices.
- Do not install a unit in a rack where the air flow is compromised. Ensure that air flow is not blocked or reduced on any side, front, or back of a unit used for air flow through the unit.
- Consideration should be given to the connection of the equipment to the supply circuit so that overloading of the circuits does not compromise the supply wiring or overcurrent protection. To provide the correct power connection to a rack, refer to the rating labels located on the equipment in the rack to determine the total power requirement of the supply circuit.
- *(For sliding drawers.)* Do not pull out or install any drawer or feature if the rack stabilizer brackets are not attached to the rack. Do not pull out more than one drawer at a time. The rack might become unstable if you pull out more than one drawer at a time.
- *(For fixed drawers.)* This drawer is a fixed drawer and must not be moved for servicing unless specified by the manufacturer. Attempting to move the drawer partially or completely out of the rack might cause the rack to become unstable or cause the drawer to fall out of the rack.

(R001)

Before you begin a replacement or installation procedure, perform these tasks:

1. If you are installing a new feature, ensure that you have the software required to support the new feature. See IBM Prerequisite.
2. If you are performing an installation or replacement procedure that might put your data at risk, ensure, wherever possible, that you have a current backup of your system or logical partition (including operating systems, licensed programs, and data).
3. Review the installation or replacement procedure for the feature or part.
4. Note the significance of color on your system.

Blue or terra-cotta on a part of the hardware indicates a touch point where you can grip the hardware to remove it from or install it in the system, open or close a latch, and so on. Terra-cotta might also indicate that the part can be removed and replaced with the system or logical partition power on.

5. Ensure that you have access to a medium flat-blade screwdriver, a Phillips screwdriver, and a pair of scissors.
6. If parts are incorrect, missing, or visibly damaged, do the following:
 - If you are replacing a part, contact the provider of your parts or next level of support.
 - If you are installing a feature, contact one of the following service organizations:
 - The provider of your parts or next level of support.
 - In the United States, the IBM Rochester Manufacturing Automated Information Line (R-MAIL) at 1-800-300-8751.

In countries and regions outside of the United States, use the following website to locate your service and support telephone numbers:

<http://www.ibm.com/planetwide>

7. If you encounter difficulties during the installation, contact your service provider, your IBM reseller, or your next level of support.
8. If you are installing new hardware in a logical partition, you need to understand and plan for the implications of partitioning your system. For information, see Logical Partitioning.

Removing a part by using the HMC

You can use the Hardware Management Console (HMC) to perform many service actions, including the removal of a field replaceable unit (FRU) or part.

To remove a part in a system or expansion unit that is managed by HMC Version 7, or later, complete the following steps:

1. In the navigation area, expand **Systems Management > Servers**.
2. Select the managed system from which you are removing a part.
3. In the **Tasks** area, expand **Serviceability > Hardware > MES Tasks > Remove FRU**
4. In the Add/Install/Remove Hardware - Remove FRU, Select FRU Type window, select the system or enclosure from which you are removing the part.
5. Select the type of part that you are removing, and click **Next**.
6. Select the location of the part that you are removing, and click **Add**.
7. After the part is listed in the **Pending Actions** section, click **Launch Procedure** and follow the instructions to remove the part.

Note: The HMC might open the information center instructions for removing the part. If so, follow those instructions to remove the part.

Installing a part by using the HMC

You can use the Hardware Management Console (HMC) to perform many service actions, including the installation of a new feature or part.

To install a feature or part into a system or expansion unit that is managed by HMC Version 7, or later, complete the following steps:

1. In the navigation area, expand **Systems Management > Servers**.
2. Select the managed system on which you will install the part.

Note: If your part is in a miscellaneous equipment specification (MES), continue with step 3. If your part is contained in the install done by the system services representative (SSR) or in a ship group, go to step 8.

3. In the Tasks area, expand **Serviceability > Hardware > MES Tasks > Open MES**.
4. Click **Add MES Order Number**.
5. Enter the number, and click **OK**.
6. Click the newly created order number, and click **Next**. The details of the order number are displayed.
7. Click **Cancel** to close the window.
8. In the Tasks area, expand **Serviceability > Hardware > MES Tasks**.
9. Select **Add FRU** (field replaceable unit).
10. In the Add/Install/Remove Hardware-Add FRU, Select FRU Type window, select the system or enclosure into which you are installing the feature.
11. Select the type of feature you are installing, and click **Next**.
12. Select the location code where you will install the feature, and click **Add**.
13. After the part is listed in the **Pending Actions** section, click **Launch Procedure** and follow the instructions to install the feature.

Note: The HMC might open external instructions for installing the feature. If so, follow those instructions to install the feature.

Replacing a part by using the HMC

You can use the Hardware Management Console (HMC) to perform many service actions, including exchanging a field replaceable unit (FRU) or part.

If you are exchanging a part to repair a serviceable event, follow those instructions. If you are exchanging a part as a part of any other procedure by using HMC Version 7, or later, complete the following steps:

1. In the navigation area, expand **Systems Management > Servers**.
2. Select the managed system in which you are exchanging a part.
3. In the **Tasks** area, expand **Serviceability > Hardware > Exchange FRU**.
4. Select the system or enclosure from which you want to exchange the part.
5. In the Replace Hardware - Replace FRU, Select FRU Type window, select the type of part that you will exchange from the menu, and click **Next**.
6. Select the location code of the part that you will exchange, and click **Add**.
7. After the part is listed in the **Pending Actions** section, click **Launch Procedure** and follow the instructions to exchange the part.

Note: The HMC might open external instructions for replacing the part. If so, follow those instructions to replace the part.

Removing a part by using the SDMC

You can use the IBM Systems Director Management Console (SDMC) to perform many service actions, including the removal of a field-replaceable unit (FRU) or part.

To remove a part in a system or expansion unit that is managed by an SDMC, complete the following steps:

1. In the Power Systems Resources area, select the managed system from which you are removing a part.
2. From the **Actions** menu, expand **Service and Support > Hardware > MES Tasks > Remove FRU**.

3. On the Remove FRU page, select the enclosure from which you want to remove the part from the **Installed Enclosures** list.
4. Select the type of the part that you are removing, and click **Next**.
5. Select the location of the part that you are removing, and click **Add**.
6. After the part is listed in the **Pending Actions** section, click **Launch Procedure** and follow the instructions to remove the part.

Note: The SDMC might open external instructions for removing the part. If so, follow those instructions to remove the part.

Installing a part by using the SDMC

You can use the IBM Systems Director Management Console (SDMC) to perform many service actions, including the installation of a new field-replaceable unit (FRU) or part.

To install a part into a system or expansion unit that is managed by an SDMC, complete the following steps:

1. In the Power Systems Resources area, select the system on which you want to install a part.
2. From the **Actions** menu, expand **Service and Support > Hardware > MES Tasks > Add FRU**.
3. On the Add FRU page, select the system or enclosure type from the **Enclosure type** list.
4. Select the FRU type that you are installing, and click **Next**.
5. Select the location code for the location to install, and click **Add**.
6. After the part is placed in the **Pending Actions** section, click **Launch Procedure** and follow the instructions to install the part.

Note: The SDMC might open external instructions for installing the feature. If so, follow those instructions to install the part.

Replacing a part by using the SDMC

You can use the IBM Systems Director Management Console (SDMC) to perform many service actions, including exchanging a field-replaceable unit (FRU) or part.

To replace a part by using the SDMC, complete the following steps:

1. In the Power Systems Resource area, select the managed system in which you are exchanging a part.
2. Select one of the following options:
 - If you are replacing a part that is not part of a serviceable event from the **Actions** menu, expand **Service and Support > Hardware > Exchange FRU**.
 - If you are exchanging a part to repair a serviceable event, see Starting a repair action.
3. On the Exchange FRU page, select the enclosure from which you want to replace the part from the **Installed Enclosure Types** list.
4. Select the type of part that you want to exchange, and click **Next**.
5. Select the location code of the part that you want to exchange, and click **Add**.
6. After the part is listed in the **Pending Actions** section, click **Launch Procedure** and follow the instructions to exchange the part.

Note: The SDMC might open external instructions for replacing the part. If so, follow those instructions to replace the part.

Identifying a part

Use these instructions to learn how to identify the location of a failed part, the location of a part to be removed, or the location to install a new part on your system or expansion unit using the appropriate method for your system.

For IBM Power Systems™ servers that contain the POWER7® processor, the light-emitting diodes (LEDs) can be used to identify or verify the location of a part that you are removing, servicing, or installing.

The combination identify and fault LED (amber color) shows the location of a field replaceable unit (FRU). When removing a FRU, first verify whether you are working on the correct FRU by using the identify function in the management console or other user interface. When removing a FRU by using the hardware management console, the identify function is activated and deactivated automatically at the correct times.

The identify function causes the amber LED to flash. When you turn off the identify function, the LED returns to the state it was previously. For parts that have a blue service button, the identify function sets LED information for the service button so that when the button is pressed, the correct LEDs on that part flash.

If you need to use the identify function, use the following procedures.

Control panel LEDs

Use this information as a guide to the control panel LEDs and buttons.

The control panel has LEDs that indicate various system status.

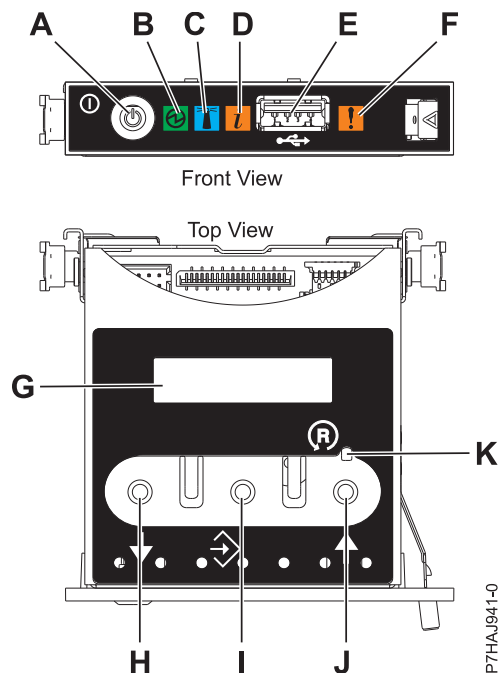


Figure 163. Control panel

- **A:** Power-on button
- **B:** Power LED
 - A constant light indicates full system power to the unit.

- A flashing light indicates standby power to the unit.

Note: There is approximately a 30-second transition period from the time the power-on button is pressed to when the power LED goes from flashing to solid. During the transition period, the LED might flash faster.

- **C:** Enclosure identify light
 - A constant light indicates the identify state, which is used to identify a part.
 - No light indicates that the system is operating normally.
- **D:** System information light
 - No light indicates that the system is operating normally.
 - Light on indicates that the system requires attention.
- **E:** USB port
- **F:** Enclosure fault roll-up light
 - A constant light indicates a fault in the system unit.
 - No light indicates that the system is operating normally.
- **G:** Function/Data display
- **H:** Decrement button
- **I:** Enter button
- **J:** Increment button
- **K:** Pinhole reset button

Related concepts:

Identifying a failing part

Use these instructions to learn how to locate and identify a failing part on your system or expansion unit using the appropriate method for your system.

Identifying a failing part in an AIX system or logical partition

Use these instructions to learn how to locate a failing part, and then activate the indicator light for that part on a system or logical partition running the AIX operating system.

Locating a failing part in an AIX system or logical partition

You might need to use AIX tools, before activating the indicator light, to locate a part that is failing.

1. Log in as root user or celogin-.
2. At the command line, type `diag` and press Enter.
3. From the Function Selection menu, select **Task Selection** and press Enter.
4. Select **Display Previous Diagnostic Results** and press Enter.
5. From the Display Previous Diagnostic Results display, select **Display Diagnostic Log Summary**. The Display Diagnostic Log display shows a chronological list of events.
6. Look in the **T** column for the most recent **S** entry. Select this row in the table and press Enter.
7. Select **Commit**. The details of this log entry are shown.
8. Record the location information and the SRN value shown near the end of the entry.
9. Exit to the command line.

Use the location information for the failing part to activate the indicator light that identifies the failing part. See “Activating the indicator light for the failing part.”

Activating the indicator light for the failing part

Use these instructions to help physically identify the location of a part you are servicing.

To activate the indicator light for a failing part, complete the following steps:

1. Log in as root user.
2. At the command line, type `diag` and press Enter.
3. From the **Function Selection** menu, select **Task Selection** and press Enter.
4. From the **Task Selection** menu, select **Identify and Attention Indicators** and press Enter.
5. From the list of lights, select the location code for the failing part and press Enter.
6. Select **Commit**. This turns on the system attention and indicator light for the failing part.
7. Exit to the command line.

Deactivating the failing-part indicator light

Use this procedure to turn off any indicator light that you turned on as a part of a service action.

To deactivate the indicator light, complete the following steps:

1. Log in as root user.
2. At the command line, type `diag` and press Enter.
3. From the **Function Selection** menu, select **Task Selection** and press Enter.
4. From the **Task Selection** menu, select **Identify and Attention Indicators** and press Enter.
5. From the list of lights, select the location code for the failing part and press Enter. When a light is activated for a failing part, an I character precedes the location code.
6. Select **Commit**. This turns off the system attention and indicator light for the failing part.
7. Exit to the command line.

Identifying a failing part in an IBM i system or logical partition

You can activate or deactivate the indicator light by using IBM i to assist in locating a failing part.

Activating the failing-part indicator light

You can search the service action log for an entry that matches the time, reference code, or resource of a problem, and then activate the indicator light for a failing part.

1. Sign on to an IBM i session, **with at least service level authority**.
2. On the command line of the session, type `strsst` and press Enter.

Note: If you cannot get to the System Service Tools display, use function 21 from the control panel. Alternatively, if the system is managed by a Hardware Management Console (HMC), use the Service Focal Point utilities to get to the Dedicated Service Tools (DST) display.

3. Type your service tools user ID and service tools password on the System Service Tools (SST) Sign On display and press Enter.

Remember: The service tools password is case-sensitive.

4. Select **Start a service tool** from the System Service Tools (SST) display and press Enter.
5. Select **Hardware service manager** from the Start a Service Tool display and press Enter.
6. Select **Work with service action log** from the Hardware Service Manager display and press Enter.
7. On the Select Timeframe display, change the **From: Date and Time** field to a date and time prior to when the problem occurred.
8. Search for an entry that matches one or more conditions of the problem:
 - System reference code
 - Resource
 - Date and time
 - Failing item list
9. Select option 2 (Display failing item information) to display the service action log entry.

10. Select option 2 (Display details) to display location information for the failing part to be replaced. The information displayed in the date and time fields is the date and time for the first occurrence of the specific system reference code for the resource displayed during the time range selected.
11. If location information is available, select option 6 (Indicator on) to turn on the failing part's indicator light.

Tip: If the failing part does not contain a physical indicator light, a higher-level indicator light is activated. For example, the indicator light for the backplane or unit that contains the failing part might be lit. In this case, use the location information to locate the actual failing part.

12. Look for the enclosure indicator light to locate the enclosure that contains the failing part.

Deactivating the failing-part indicator light

Use this procedure to turn off any indicator light that you turned on as a part of a service action.

To deactivate the indicator light, follow these steps:

1. Sign on to an IBM i session, **with at least service level authority**.
2. On the command line of the session, type `strsst` and press Enter.

Note: If you cannot get to the System Service Tools display, use function 21 from the control panel. Alternatively, if the system is managed by a Hardware Management Console (HMC), use the Service Focal Point utilities to get to the Dedicated Service Tools (DST) display.

3. Type your service tools user ID and service tools password on the System Service Tools (SST) Sign On display and press Enter.

Remember: The service tools password is case-sensitive.

4. Select **Start a service tool** from the System Service Tools (SST) display and press Enter.
5. Select **Hardware service manager** from the Start a Service Tool display and press Enter.
6. Select **Work with service action log** from the Hardware Service Manager display and press Enter.
7. On the Select Timeframe display, change the **From: Date and Time** field to a date and time prior to when the problem occurred.
8. Search for an entry that matches one or more conditions of the problem:
 - System reference code
 - Resource
 - Date and time
 - Failing item list
9. Select option 2 (Display failing item information) to display the service action log entry.
10. Select option 2 (Display details) to display location information for the failing part to be replaced. The information displayed in the date and time fields is the date and time for the first occurrence of the specific system reference code for the resource displayed during the time range selected.
11. Select option 7 (Indicator off) to turn off the indicator light.
12. Select the **Acknowledge all errors** function at the bottom of the Service Action Log display, if all problems have been resolved.
13. Close the log entry by selecting option 8 (Close new entry) on the Service Action Log Report display.

Identifying a failing part in a Linux system or logical partition

If the service aids have been installed on a system or logical partition, you can activate or deactivate the indicator lights to locate a part or complete a service action.


Locating a failing part in a Linux system or logical partition

If the service aids have been installed on a system or logical partition, you need to activate the indicator lights to locate a part.

To activate the indicator light, follow these steps:

1. Log in as root user.
2. At the command line, type `/usr/sbin/usysident -s identify -l location_code` and press Enter.
3. Look for the system attention light to identify the enclosure that contains the failing part.

Related information:

 Service and productivity tools for PowerLinux servers from IBM

IBM provides hardware diagnostic aids and productivity tools, and installation aids for Linux operating systems on IBM Power Systems servers.


Finding the location code of a failing part in a Linux system or logical partition

To retrieve the location code of the failing part, if you do not know the location code, use the procedure in this topic.

To locate the failing part in a system or logical partition, follow these steps:

1. Log in as root user.
2. At the command line, type `grep diagela /var/log/platform` and press Enter.
3. Look for the most recent entry that contains a system reference code (SRC).
4. Record the location information.

Related information:

 Service and productivity tools for PowerLinux servers from IBM

IBM provides hardware diagnostic aids and productivity tools, and installation aids for Linux operating systems on IBM Power Systems servers.


Activating the indicator light for the failing part

If you know the location code of the failing part, activate the indicator light to help you locate which part to replace.

To activate the indicator light, follow these steps:

1. Log in as root user.
2. At the command line, type `/usr/sbin/usysident -s identify -l location_code` and press Enter.
3. Look for the system attention light to identify the enclosure that contains the failing part.

Related information:

 Service and productivity tools for PowerLinux servers from IBM

IBM provides hardware diagnostic aids and productivity tools, and installation aids for Linux operating systems on IBM Power Systems servers.


Deactivating the failing-part indicator light

After you complete a removal and replacement procedure, you must deactivate the failing-part indicator light.

To deactivate the indicator light, follow these steps:

1. Log in as root user.
2. At the command line, type `/usr/sbin/usysident -s normal -l location_code` and press Enter.

Related information:

 Service and productivity tools for PowerLinux servers from IBM

IBM provides hardware diagnostic aids and productivity tools, and installation aids for Linux operating systems on IBM Power Systems servers.

Locating a failing part in a Virtual I/O Server system or logical partition

You can use Virtual I/O Server (VIOS) tools, before activating the indicator light, to locate a part that is failing.

To locate the failing part, follow these steps:

1. Log in as root user or celogin-.
2. At the command line, type `diagmenu` and press Enter.
3. From the **Function Selection** menu, select **Task Selection** and press Enter.
4. Select **Display Previous Diagnostic Results** and press Enter.
5. From the **Display Previous Diagnostic Results** display, select **Display Diagnostic Log Summary**. A **Display Diagnostic Log** display appears. This display contains a chronological list of events.
6. Look in the **T** column for the most recent **S** entry. Select this row in the table and press Enter.
7. Choose **Commit**. The details of this log entry are shown.
8. Record the location information and the SRN value shown near the end of the entry.
9. Exit to the command line.

Use the location information for the failing part to activate the indicator light that identifies the failing part. For instructions, see “Identifying a part by using the Virtual I/O Server.”

Identifying a part by using the Virtual I/O Server

You can use Virtual I/O Server (VIOS) tools to physically locate a part.

To turn on the indicator light for identifying a part, follow these steps:

1. Log in as root user.
2. At the command line, type `diagmenu` and press Enter.
3. From the **Function Selection** menu, select **Task Selection** and press Enter.
4. From the **Task Selection** menu, select **Identify and Attention Indicators** and press Enter.
5. From the list of lights, select the location code for the failing part and press Enter.
6. Select **Commit**. This turns on the system attention and indicator light for the failing part.
7. Exit to the command line.

Stopping a system or logical partition

Learn how to stop a system or logical partition as a part of a system upgrade or service action.

Attention: Using either the power-on button on the control panel or entering commands at the Hardware Management Console (HMC) to stop the system can cause unpredictable results in the data files. Also, the next time you start the system, it might take longer if all applications are not ended before stopping the system.

To stop the system or logical partition, select the appropriate procedure.

Stopping a system that is not managed by an HMC or an SDMC

You might need to stop the system to perform another task. If your system is not managed by the Hardware Management Console (HMC) or the IBM Systems Director Management Console (SDMC), use these instructions to stop the system by using the power button or the Advanced System Management Interface (ASMI).

Before you stop the system, follow these steps:

1. If an Integrated xSeries Adapter (IXA) is present on the system, shut it down using IBM i options.

2. Ensure that all jobs are completed and end all applications.
3. Ensure that the operating system is stopped.
Attention: Failure to do so can result in the loss of data.
4. If a Virtual I/O Server (VIOS) logical partition is running, ensure that all clients are shut down or that the clients have access to their devices by using an alternate method.

The following procedure describes how to stop a system that is not managed by the HMC or the SDMC.

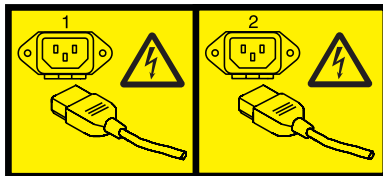
1. Log in to the system as a user with the authority to run the **shutdown** or **pwrdownsys** (Power Down System) command.
2. At the command line, enter one of the following commands:
 - If your system is running the AIX operating system, type **shutdown**.
 - If your system is running the Linux operating system, type **shutdown -h now**.
 - If your system is running the IBM i operating system, type **PWRDOWNSYS**. If your system is partitioned, use the **PWRDOWNSYS** command to power down each of the secondary partitions. Then, use the **PWRDOWNSYS** command to power down the primary partition.

The command stops the operating system. The system power turns off, the power-on light begins to slowly flash, and the system goes into a standby state.

3. At the Linux command line, type **shutdown -h now**.
The command stops the operating system. The system power turns off, the power-on light begins to slowly flash, and the system goes into a standby state.
4. Record the IPL type and the IPL mode from the control panel display to help you return the system to this state when the installation or replacement procedure is completed.
5. Set the power switches of any devices connected to the system to off.
6. Unplug any power cables that are attached to the peripheral devices, such as printers and expansion units.

Important: The system may be equipped with a second power supply. Before continuing with this procedure, ensure that all power sources to the system have been disconnected.

(L003)



or



Stopping a system by using the HMC

You can use the Hardware Management Console (HMC) to stop the system or a logical partition.

By default, the managed system is set to power off automatically when you shut down the last running logical partition on the managed system. If you set the managed system properties on the HMC so that the managed system does not power off automatically, you must use this procedure to power off your managed system.

Attention: If possible, shut down the running logical partitions on the managed system before powering off the managed system. Powering off the managed system without shutting down the logical partitions first causes the logical partitions to shut down abnormally and can cause data loss. If you use a Virtual I/O Server (VIOS) logical partition, ensure that all clients are shut down or that the clients have access to their devices using an alternate method.

To power off a managed system, you must be a member of one of the following roles:

- Super administrator
- Service representative
- Operator
- Product engineer

Use the following steps to stop the system by using the HMC:

1. In the navigation area, expand the **Systems Management** folder.
2. Click the **Servers** icon.
3. In the Contents area, select the managed system.
4. Select **Tasks > Operations > Power Off**.
5. Select the appropriate power-off mode and click **OK**.

Related information:

Shutting down and restarting logical partitions

Stopping a system by using the SDMC

You can use the IBM Systems Director Management Console (SDMC) to stop the system or a virtual server.

By default, the managed system is set to power off automatically when you shut down the last running virtual server on the managed system. If you set the managed system properties on the SDMC so that the managed system does not power off automatically, you must use this procedure to power off your managed system.

Attention: If possible, shut down the running virtual servers on the managed system before powering off the managed system. Powering off the managed system without shutting down the virtual servers first causes the virtual servers to shut down abnormally and can cause data loss. If you use a Virtual I/O Server (VIOS) logical partition, ensure that all clients are shut down or that the clients have access to their devices with an alternate method.

To power off a managed system, you must be a member of one of the following roles:

- Super administrator
- Service representative
- Operator
- Product engineer

Use the following steps to stop the system by using the SDMC.

1. In the Power Systems Resource area, select the managed system you want to power off.
2. From the **Actions** menu, select **Operations > Power Off**.
3. Select the appropriate power-off mode and click **OK**.

Starting the system or logical partition

Learn how to start a system or logical partition after performing a service action or system upgrade.

Starting a system that is not managed by an HMC or an SDMC

You can use the power button or the Advanced System Management Interface (ASMI) to start a system that is not managed by a Hardware Management Console (HMC) or an IBM Systems Director Management Console (SDMC).

To start a system that is not managed by a HMC or SDMC, follow these steps:

1. Open the front rack door, if necessary.
2. Before you press the power button on the control panel, ensure that power is connected to the system unit as follows:
 - All system power cables are connected to a power source.
 - The power LED, as shown in the following figure, is slowly flashing.
 - The top of the display, as shown in the following figure, shows 01 V=F.
3. Press the power button (**A**), as shown in the following figure, on the control panel.

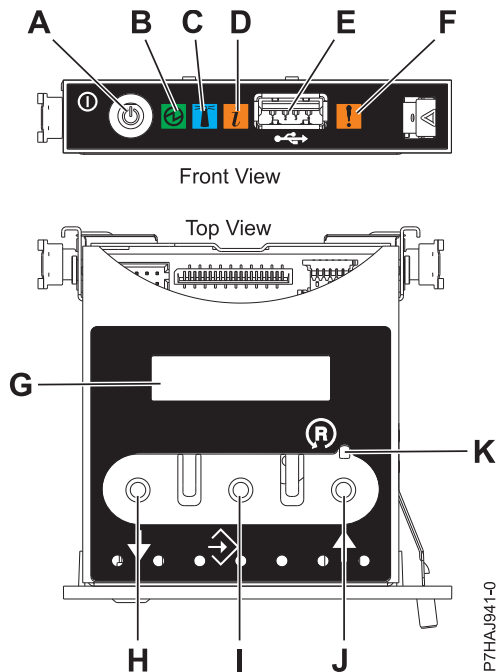


Figure 164. Control panel

- **A:** Power-on button
- **B:** Power LED
 - A constant light indicates full system power to the unit.
 - A flashing light indicates standby power to the unit.
- **C:** Enclosure identify light
 - A constant light indicates the identify state for the enclosure or for a resource within the enclosure.
 - No light indicates that no resources in the enclosure are being identified.
- **D:** Attention light
 - No light indicates that the system is operating normally.
 - A solid light indicates that the system requires attention.
- **E:** USB port
- **F:** Enclosure fault roll-up light
 - A constant light indicates a fault indicator active in the system.
 - No light indicates that the system is operating normally.
- **G:** Function/Data display
- **H:** Decrement button
- **I:** Enter button
- **J:** Increment button
- **K:** Pinhole reset button

4. Observe the following aspects after pressing the power button:
 - The power-on light begins to flash faster.

- The system cooling fans are activated after approximately 30 seconds and begin to accelerate to operating speed.
- Progress indicators, also referred to as checkpoints, appear on the control panel display while the system is being started. The power-on light on the control panel stops flashing and remains on, indicating that the system power is on.

Tip: If pressing the power button does not start the system, do the following steps to start the system by using the Advanced System Management Interface (ASMI):

1. Access the ASMI. For instructions, see *Accessing the ASMI without an HMC*.
2. Start the system by using the ASMI. For instructions, see *Powering the system on and off*.

Starting a system or logical partition by using the HMC

You can use the Hardware Management Console (HMC) to start the system or logical partition after the required cables are installed and the power cables are connected to a power source.

For instructions on working with the HMC, see *Managing the Hardware Management Console*. For instructions on starting a logical partition, see *Logical partitioning*. For instructions on starting the system, see *Powering on the managed system*.

Progress indicators, also referred to as checkpoints, appear on the control panel display while the system is being started. When the power-on light on the control panel stops blinking and remains on, the system power is on.

Starting a system or virtual server by using the SDMC

You can use the IBM Systems Director Management Console (SDMC) to start the system or virtual server after the required cables are installed and the power cables are connected to a power source.

For instructions on working with the SDMC, see *Managing and configuring the SDMC*. For instructions on starting a virtual server, see *Managing virtual servers*. For instructions on shutting down and restarting virtual servers, see *Shutting down and restarting virtual servers*.

Progress indicators, also known as checkpoints, display on the control panel while the system is being started. When the power-on light on the control panel stops flashing and remains on, the system power is on.

Verifying a repair

Use these procedures to verify hardware operation after making repairs to the system.

Choose from the following options:

- To verify the repair of a system that is currently powered off, go to step 1.
 - To verify the repair of a system that is currently powered on with no operating system loaded, go to step 3 on page 213.
 - To verify the repair of a system that is currently powered on and that has an operating system loaded, go to step 5 on page 213.
1. Power on the server and all attached I/O enclosures.

Did all the enclosures power on?

Yes: Go to step 3 on page 213. ↓ Go to step 3 on page 213.

No: Continue with the next step.

2. Choose from the following options:

- If the original problem was that an enclosure would not power on and you have another FRU to replace, locate and replace the next field-replaceable unit (FRU).
 - If the next FRU in the FRU list is an isolation procedure, perform the isolation procedure.
 - If the original problem was that an enclosure would not power on and you have an isolation procedure to complete, perform the isolation procedure.
 - If the original problem was that an enclosure would not power on and there are no more FRUs or isolation procedures in the FRU list, contact your next level of support.
 - If you have a new problem, perform problem analysis and repair the new problem.
-

3. Load the operating system.

Did the operating system load successfully?

Yes: Go to step 5.

No: Continue with the next step.

4. Choose from the following options:

- If the original problem was a failing disk drive that contained the operating system software, go to step 5.
 - If the original problem was that the operating system would not load and you have another FRU to replace, go to your FRU locations section to locate the next FRU.
 - If the next FRU in the FRU list is an isolation procedure, perform the isolation procedure.
 - If the original problem was that the operating system would not load and you have an isolation procedure to complete, perform the isolation procedure.
 - If the original problem was that the operating system would not load and there are no more FRUs or isolation procedures in the FRU list, contact your next level of support.
 - If you have a new problem, perform problem analysis and repair the new problem.
-

5. Choose from the following options:

- “Verifying the repair in AIX”
- “Verifying the repair in Linux” on page 218
- “Verifying a repair by using an IBM i system or logical partition” on page 217

Verifying the repair in AIX

You can use this procedure to verify that a repair is complete using the AIX operating system.

Use this maintenance analysis procedure (MAP) to check out the server after a repair is completed.

1. Did you replace a disk drive in the root volume group?

No Go to step 3 on page 214.

Yes Continue with the next step.

2. Run stand-alone diagnostics either from a CD or from a Network Installation Management (NIM) server.

Did you encounter any problems?

No Reinstall the operating system and continue with step 5.

Yes If the original problem still exists, replace the field-replaceable unit (FRU) or perform the isolation procedure that is next in the FRU list. If you have reached the end of the FRU list, contact your next level of support.

If a new problem has occurred, go to Beginning problem analysis.

3. Did you replace a FRU with the power turned on and concurrently with system operations?

No Go to step 5.

Yes Continue with the next step.

4. Did you use an AIX diagnostics service aid hot-swap operation to change the FRU?

Yes Go to step 6.

No Go to step 7.

Note: The AIX diagnostic service aid was used if a resource was removed by using the **Hot Plug** task.

5. If any FRUs have been removed that should be reinstalled, reinstall them now:

1. If the system is not powered on, power it on now.

2. Perform a slow boot.

3. Wait until the AIX operating system login prompt is displayed or until system activity on the operator panel or display has stopped.

4. Did you encounter any problems?

No Continue at step 6.

Yes If the original problem still exists, replace the FRU or perform the isolation procedure that is next in the FRU list. If you have reached the end of the FRU list, contact your next level of support.

If a new problem occurs, go to Beginning problem analysis.

6. If the Resource Repair Action menu is already displayed, go to step 9 on page 215; otherwise, perform the following steps:

1. Log into the operating system either with root authority (if needed, ask the customer to enter the password) or use the CE login.

2. Enter `diag -a` command and check for missing resources. Follow any instructions that are displayed. If an SRN displays, suspect a loose card or connection. If no instructions are displayed, no resources were detected as missing. Continue with the next step.

7. Perform the following steps:

1. Enter **diag** at the command prompt.
2. Press **Enter**.
3. Select the **Diagnostics Routines** option.
4. When the Diagnostic Mode Selection menu is displayed, select **System verification**.
5. When the Diagnostic Selection menu is displayed, select the **All Resources** option or test the FRUs you exchanged and any devices that are attached to the FRUs you exchanged by selecting the diagnostics for the individual FRU.

Did the Resource Repair Action menu (801015) display?

No Continue with the next step.

Yes Go to step 9.

8. Did the TESTING COMPLETE, no trouble was found menu (801010) display?

Yes Use the **Log Repair Action** option, if not previously logged, in the TASK SELECTION menu to update the AIX error log. If the repair action was reseating a cable or adapter, select the resource associated with that repair action.

If the resource associated with your action is not displayed on the resource list, select **sysplanar0**.

Note: If the system attention indicator is on, this action will set it back to the normal state.

Go to step 11 on page 216.

No If the original problem still exists, replace the FRU or perform the isolation procedure that is next in the FRU list. If you have reached the end of the FRU list, contact your next level of support.

If a new problem occurs go to Beginning problem analysis.

9. When a test is run on a resource in system verification mode, that resource has an entry in the AIX error log. If the test on that resource was successful, the Resource Repair Action menu is displayed. After replacing a FRU, you must select the resource for that FRU from the Resource Repair Action menu. This updates the AIX error log to indicate that a system-detectable FRU has been replaced.

Note: If the system attention indicator is on, this action will set it back to the normal state.

Perform the following steps:

1. Select the resource that has been replaced from the Resource Repair Action menu. If the repair action was reseating a cable or adapter, select the resource associated with that repair action. If the resource associated with your action is not displayed on the resource list, select **sysplanar0**.
2. Press **Commit** after you make your selections.

Did another Resource Repair Action (801015) display?

No If the No Trouble Found menu displays, go to step 11 on page 216.

Yes Continue with the next step.

10. The parent or child of the resource you just replaced might also require that you run the Resource Repair Action service aid on it.

When a test is run on a resource in system verification mode, that resource has an entry in the AIX error log. If the test on the resource was successful, the Resource Repair Action menu displays. After replacing that FRU, you must select the resource for that FRU from the Resource Repair Action menu. This updates the AIX error log to indicate that a system-detectable FRU has been replaced.

Note: If the system attention indicator is on, this action will set it back to the normal state.

Perform the following steps:

1. From the RESOURCE REPAIR ACTION menu, select the parent or child of the resource that has been replaced. If the repair action was reseating a cable or adapter, select the resource associated with that repair action. If the resource associated with your action is not displayed on the resource list, select **sysplanar0**.
 2. Press COMMIT after you make your selections.
 3. If the No Trouble Found menu is displayed, continue with the next step.
-

11. If you changed the service processor or network settings, as instructed in previous MAPs, restore the settings to the value they had prior to servicing the system. If you ran stand-alone diagnostics from CD-ROM, remove the stand-alone diagnostics CD-ROM from the system.

Did you perform service on a RAID subsystem that involved changing of the PCI RAID adapter cache card or changing the configuration?

Note: This information does not apply to the PCI-X RAID adapter or cache.

No Go to the close of call procedure.

Yes Continue with the next step.

12. Use the **Recover Options** selection to resolve the RAID configuration. To do this, perform the following steps:

1. On the PCI SCSI Disk Array Manager display, select **Recovery options**.
 2. If a previous configuration exists on the replacement adapter, this must be cleared. Select **Clear PCI SCSI Adapter Configuration** and press F3.
 3. On the Recovery Options screen, select **Resolve PCI SCSI RAID Adapter Configuration**.
 4. On the Resolve PCI SCSI RAID Adapter Configuration screen, select **Accept Configuration on Drives**.
 5. On the PCI SCSI RAID Adapter selections menu, select the adapter that you changed.
 6. On the next screen, press Enter.
 7. When you see the Are You Sure selection menu, press Enter to continue.
 8. If you see a Failed status message, verify that you selected the correct adapter, and then repeat this procedure. When the recovery is complete, exit the operating system.
 9. Go to the Closing a service call procedure.
-

Verifying a repair by using an IBM i system or logical partition

Use this procedure to verify a repair by using the IBM i operating system.

1. Was the system powered off during the repair?
Yes: Continue with the next step.
No: Continue with step 3.
2. Perform the following tasks:
 - a. Verify that the power cable is plugged into the power outlet.
 - b. Verify that power is available at the customer's power outlet.
3. Was the partition powered off during the repair?
Yes: Continue with the next step.
No: Continue with step 6.
4. Select the IPL type and mode for the system or logical partition that the customer uses (see IPL type mode and speed options in the Service functions).
5. Start an IPL by powering on the system or partition (see Powering on and powering off). Did the system complete the IPL?
Yes: Continue with the next step.
No: This might be a new problem. Go to the Starting a repair action. **This ends the procedure.**
6. Did the system or partition remain running throughout the repair, and was the I/O processor, I/O adapter, or storage device replaced?
Yes: Continue with step 10.
No: Continue with the next step.
7. Use the service action log or serviceable event view (if the system is managed by an HMC) to look for any reference codes that are related to this IPL (see Searching the service action log). Are there any reference codes that are related to this IPL?
Yes: Continue with the next step.
No: If the problem was related to removable media or communications, perform the verification procedures in the Service functions to verify that the problem is corrected. Then return the system to the customer and have the customer verify the system date and time. **This ends the procedure.**
8. Is the new reference code the same as the original reference code?
Yes: Continue with the next step.
No: A new symptom might have occurred. Go to the Start of call procedure. **This ends the procedure.**
9. Are there any other failing items that remain to be replaced?
Yes: Replace the next failing item listed for this reference code. **This ends the procedure.**
No: Contact your next level of support for assistance. **This ends the procedure.**
10. Was concurrent maintenance performed on an optical storage unit?
Yes: The product activity log and service action log, in most cases, contain a reference code for the optical storage unit when concurrent maintenance is performed. You can ignore this reference code. Perform the following:
 - Perform the verification procedures in the Service functions topic to verify that the problem is corrected.
 - Return the system to the customer and have the customer verify the system date and time. **This ends the procedure.****No:** Continue with the next step.
11. Use the service action log to look for any new reference codes (see Using the Service Action Log). Are there any new reference codes?

Yes: Continue with the next step.

No: Go to step 14.

12. Is the new reference code the same as the original reference code?

Yes: Continue with the next step.

No: A new symptom might have occurred. Go to the Start of call procedure to determine the cause of the problem. **This ends the procedure.**

13. Are there any other failing items that need to be replaced?

Yes: Replace the next failing item listed for the reference code. **This ends the procedure..**

No: Contact your next level of support for assistance. **This ends the procedure.**

14. Are you working with a tape device?

Yes: Perform the verification procedures in the Service functions to verify that the problem is corrected. After the verification test is complete, the tape device description will be set to the failed state because a resource change was detected. Perform the following tasks:

- Vary the tape device description off and then on.

- Return the system to the customer and have the customer verify the system date and time. Then go to Verifying the repair from the HMC. **This ends the procedure.**

No: Continue with the next step.

15. Are you working with an IOP or an IOA?

Yes: Use the display hardware configuration service function to check for any missing or failed hardware:

- On the command line, enter the STRSST (Start System Service Tools command). If you cannot get to SST, select DST. Do not IPL the system or partition to get to DST.

- On the Start Service Tools Sign On display, enter the user ID with the service authority and password.

- Select **Start a service tool > Hardware service manager > Logical hardware resources > System bus resources.**

- Select the function key for **Include nonreporting resources.**

- If the IOP and IOA that you just replaced is a failed or nonreporting resource, the problem has not been fixed. Continue to the next failing item in the failing item list. **This ends the procedure.**

No: Perform the verification procedures in the Service functions topics to verify that the problem is corrected. Resources that usually vary on automatically during an IPL, or that were previously varied on manually, might need to be varied on again after the verification procedures are complete. Return the system to the customer and have the customer verify the system date and time. **This ends the procedure.**

Verifying the repair in Linux

You can use this procedure to verify that a repair is complete by using the Linux operating system.

1. Run stand-alone diagnostics from either a CD or from a Network Installation Management (NIM) server. See Running the stand-alone diagnostics from CD-ROM.

Did you encounter any problems?

No Reboot the operating system and continue with the close of call procedure.

Yes If the original problem still exists, replace the field-replaceable unit (FRU) or perform the isolation procedure that is next in the FRU list. If you have reached the end of the FRU list, contact your next level of support.

If a new problem has occurs go to Beginning problem analysis and repair the new problem.

Verifying the repair from the management console

Perform these procedures to close problem numbers, clear hardware messages, and prepare the server to return to the customer by using the management console.

Follow this checklist before performing the procedures:

- You return the server to the state that the customer normally uses, such as IPL type, IPL mode, and the way the system is configured or partitioned.

Attention: Before returning the system to the customer, remove the system from service mode. If the system is left in service mode, it automatically places a call for service every 2 hours.

- While you were performing the problem analysis on the original serviceable event, other serviceable-event numbers might have been opened. Close all serviceable events that were opened as a result of your service activity.
- Server verification has been performed and there are no problems that require additional service actions.
- If the repair was done by using the HMC online repair procedures, ensure that the original serviceable event is now closed.

1. Is a management console used to manage the server that you are servicing?

- **Yes:** Continue with the next step.
 - **No:** Return to the “Verifying a repair” on page 212. **This ends the procedure.**
-

2. Are you closing a service event that was a repair on the management console personal computer?

- **Yes:** Continue with the next step.
 - **No:** Go to step 4.
-

3. Power on the management console. Did the power-on process complete without errors?

- **Yes:** Ensure that the management console can be used to perform server management tasks, and return the management console to normal operations. Go to “Closing a service call” on page 231. **This ends the procedure.**
 - **No:** Go to the *HMC isolation procedures*. **This ends the procedure.**
-

4. Log into the management console as the service representative. If invalid user or invalid password is displayed, get the correct login information from the system administrator.

1. If logged into the System Manager, select **Exit from the Console**, located in the System Manager window.
 2. Log in to the System Manager with the following:
 - User identification - `service`
 - Password - `service mode`
-

5. View Serviceable Event Details.

1. In the navigation area, click **Service Applications**.
 2. In the navigation area, click **Service Focal Point**.
 3. In the Contents area, click **Manage Serviceable Events**.
 4. Designate the set of Serviceable Events you want to view. When you are finished, click **OK**. The **Service Event Overview** window opens.
-

Note: Only the events that match all of the criteria you specify are shown.

6. Close open or delayed events.

1. Select the problem to close in the Service Event Overview window.
 2. Select the **Selected** menu, located on the menu bar.
 3. Click **Close Event**.
 4. Enter your comments in the **Serviceable Event Comments** window, and click **Close Event**.
 5. Close all events associated with the problem on which you were working.
-
7. Did the Service Event Overview window contain the event or events on which you were working?
 - **Yes:** Return the HMC to normal operations. Go to “Closing a service call” on page 231. **This ends the procedure.**
 - **No:** Go to Detecting problems. **This ends the procedure.**
-

Verifying the installed part

You can verify a newly installed or replaced part on your system, logical partition, or expansion unit by using the operating system, stand-alone diagnostics, or the Hardware Management Console (HMC).

Verifying an installed feature or replaced part in an AIX system or logical partition

If you installed feature or replaced a part, you might want to use the tools in the AIX operating system to verify that the feature or part is recognized by the system or logical partition.

To verify the operation of a newly installed feature or replacement part, select the appropriate procedure:

- Verify the installed feature using AIX
- Verifying the replaced part using AIX

Verify the installed feature by using the AIX operating system:

1. Log in as root user.
2. At the command line, type `diag` and press Enter.
3. Select **Advanced Diagnostics Routines** and press Enter.
4. From the **Diagnostic Mode Selection** menu, select **System Verification** and press Enter.
5. When the **Advanced Diagnostic Selection** menu appears, do one of the following:
 - To test a single resource, select the resource that you just installed from the list of resources and press Enter.
 - To test all the resources available to the operating system, select **All Resources** and press Enter.
6. Select **Commit**, and wait until the diagnostic programs run to completion, responding to any prompts that appear.
7. Did the diagnostics run to completion and display the message No trouble was found?
 - **No:** If a service request number (SRN) or other reference code is displayed, suspect a loose adapter or cable connection. Review the installation procedures to ensure that the new feature is installed correctly. If you cannot correct the problem, collect all SRNs or any other reference code information that you see. If the system is running in logical partitioning (LPAR) mode, note the logical partition in which you installed the feature. Contact your service provider for assistance.
 - **Yes:** The new device is installed correctly. Exit the diagnostic programs and return the system to normal operations.

Verify the replacement part by using the AIX operating system:

To verify the operation of a newly installed feature or replacement part, follow these steps:

1. Did you use either the AIX operating system or the online diagnostics service aid concurrent (hot-swap) service to replace the part?
 - No:** Go to step 2.
 - Yes:** Go to step 5.
2. Is the system powered off?
 - No:** Go to step 4.
 - Yes:** Continue with the next step.
3. Start the system and wait until the AIX operating system login prompt is displayed or until apparent system activity on the operator panel or display has stopped.

Did the AIX login prompt display?

 - **No:** If a service request number (SRN) or other reference code is displayed, suspect a loose adapter or cable connection. Review the procedures for the part that you replaced to ensure that the new part is installed correctly. If you cannot correct the problem, collect all SRNs or any other reference code information that you see. If the system does not start or you have no login prompt, see: Problems with loading and starting the operating system.

If the system is partitioned, note the logical partition in which you replaced the part. Contact your service provider for assistance.
 - **Yes:** Go to step 4.
4. At the command prompt, type `diag -a` and press Enter to check for missing resources. If you see a command prompt, go to step 5.

If the **Diagnostic selection** menu is shown with **M** appearing next to any resource, follow these steps:

 - a. Select the resource and press Enter.
 - b. Select **Commit**.
 - c. Follow any instructions that are shown.
 - d. If the *Do you want to review the previously displayed error?* message is shown, select **Yes** and press Enter.
 - e. If an SRN is shown, suspect a loose card or connection. If no obvious problem is shown, record the SRN and contact your service provider for assistance.
 - f. If no SRN is shown, go to step 5.
5. Test the part by doing the following steps:
 - a. At the command line, type `diag` and press Enter.
 - b. From the **Function Selection** menu, select **Advanced Diagnostics Routines** and press Enter.
 - c. From the **Diagnostic Mode Selection** menu, select **System Verification** and press Enter.
 - d. Select **All Resources**, or select the diagnostics for the individual part to test only the part you replaced and any devices that are attached to the part you replaced and press Enter.

Did the **Resource Repair Action** menu appear?

 - No:** Go to step 6.
 - Yes:** Go to step 7 on page 222.
6. Did the *Testing Complete, No trouble was found* message appear?
 - **No:** There is still a problem. Contact your service provider. **This ends the procedure.**
 - **Yes:** Select **Log Repair Action**, if not previously logged, from the **Task Selection** menu to update the AIX error log. If the repair action was reseating a cable or adapter, select the resource associated with that repair action. If the resource associated with your action is not displayed on the resource list, select `sysplanar0` and press Enter.

Tip: This action changes the indicator light for the part from the fault state to the normal state. Go to step 9 on page 222.

7. Select the resource for the replaced part from the **Resource Repair Action** menu. When a test is run on a resource in system verification mode, and that resource has an entry in the AIX error log, if the test on the resource was successful, the **Resource Repair Action** menu appears. Complete the following steps to update the AIX error log to indicate that a system-detectable part has been replaced.

Note: On systems with an indicator light for the failing part, this action changes the indicator light to the normal state.

- a. Select the resource that has been replaced from the **Resource Repair Action** menu. If the repair action was reseating a cable or adapter, select the resource associated with that repair action. If the resource associated with your action does not appear on the resource list, select **sysplanar0** and press Enter.

- b. Select **Commit** after you make your selections. Did another **Resource Repair Action** display appear?

No: If the **No Trouble Found** display appears, go to step 9

Yes: Go to step 8.

8. Select the parent or child of the resource for the replaced part from the **Resource Repair Action** menu if necessary. When a test is run on a resource in system verification mode, and that resource has an entry in the AIX error log, if the test on the resource was successful, the **Resource Repair Action** menu appears. Complete the following steps to update the AIX error log to indicate that a system-detectable part has been replaced.

Note: This action changes the indicator light for the part from the fault state to the normal state.

- a. From the **Resource Repair Action** menu, select the parent or child of the resource that has been replaced. If the repair action was to reseat a cable or adapter, select the resource associated with that repair action. If the resource associated with your action does not appear on the resource list, select **sysplanar0** and press Enter.

- b. Select **Commit** after you make your selections.

- c. If the **No Trouble Found** display appears, go to step 9.

9. If you changed the service processor or network settings, as instructed in previous procedures, restore the settings to the values they had prior to servicing the system.

10. Did you do any hot-plug procedures before doing this procedure?

No: Go to step 11.

Yes: Go to step 12.

11. Start the operating system, with the system or logical partition in normal mode. Were you able to start the operating system?

No: Contact your service provider. **This ends the procedure.**

Yes: Go to step 12.

12. Are the indicator lights still on?

- **No. This ends the procedure.**

- **Yes.** Turn off the lights. See the following for instructions: Changing service indicators.

Verifying the installed part in an IBM i system or logical partition

If you have installed a new feature or part, verify that the system recognizes the feature or part by using the IBM i system service tools.

To verify the installed part, follow these steps:

1. Deactivate the failing item indicator light. For instructions, see “Deactivating the failing-part indicator light” on page 205.
2. Sign on **with at least service level authority.**

3. On the command line of the IBM i session, type `strsst` and press Enter.

Note: If you cannot get to the System Service Tools display, use function 21 from the control panel. Alternatively, if the system is managed by Hardware Management Console (HMC), use the Service Focal Point Utilities to get to the Dedicated Service Tools (DST) display.

4. Type your service tools user ID and service tools password on the System Service Tools (SST) Sign On display and press Enter.

Note: The service tools password is case-sensitive.

5. Select **Start a service tool** from the System Service Tools (SST) display and press Enter.
6. Select **Hardware service manager** from the Start a Service Tool display and press Enter.
7. Select **Logical hardware resources (buses, IOPs, controllers)** from the Hardware Service Manager display and press Enter. This option allows you to display and work with logical resources. Logical hardware resources are the functional resources of the system used by the operating system.

With the Logical Hardware Resources display, you can show logical hardware resource status or information, and associated packaging hardware resources. Use the online Help information to better understand specific functions, fields, or symbols.

Deactivating the failing-part indicator light

Use this procedure to turn off any indicator light that you turned on as a part of a service action.

To deactivate the indicator light, follow these steps:

1. Sign on to an IBM i session, **with at least service level authority**.
2. On the command line of the session, type `strsst` and press Enter.

Note: If you cannot get to the System Service Tools display, use function 21 from the control panel. Alternatively, if the system is managed by a Hardware Management Console (HMC), use the Service Focal Point utilities to get to the Dedicated Service Tools (DST) display.

3. Type your service tools user ID and service tools password on the System Service Tools (SST) Sign On display and press Enter.

Remember: The service tools password is case-sensitive.

4. Select **Start a service tool** from the System Service Tools (SST) display and press Enter.
5. Select **Hardware service manager** from the Start a Service Tool display and press Enter.
6. Select **Work with service action log** from the Hardware Service Manager display and press Enter.
7. On the Select Timeframe display, change the **From: Date and Time** field to a date and time prior to when the problem occurred.
8. Search for an entry that matches one or more conditions of the problem:
 - System reference code
 - Resource
 - Date and time
 - Failing item list
9. Select option 2 (Display failing item information) to display the service action log entry.
10. Select option 2 (Display details) to display location information for the failing part to be replaced. The information displayed in the date and time fields is the date and time for the first occurrence of the specific system reference code for the resource displayed during the time range selected.
11. Select option 7 (Indicator off) to turn off the indicator light.
12. Select the **Acknowledge all errors** function at the bottom of the Service Action Log display, if all problems have been resolved.
13. Close the log entry by selecting option 8 (Close new entry) on the Service Action Log Report display.

Verifying the installed part in a Linux system or logical partition

If you have installed a new part, learn how to verify that the system recognizes the part.

To verify the newly installed or replaced part, continue with “Verifying an installed part by using stand-alone diagnostics.”

Verifying an installed part by using stand-alone diagnostics

If you have installed or replaced a part, verify that the system recognizes the new part. You can use stand-alone diagnostics to verify an installed part in an AIX or Linux system, expansion unit, or logical partition.

- If this server is directly attached to another server or attached to a network, ensure communications with the other servers have stopped.
- The stand-alone diagnostics require use of all of the logical partition resources. No other activity can be running on the logical partition.
- The stand-alone diagnostics require access to the system console.

You access these diagnostics from a CD-ROM or from the Network Installation Management (NIM) server. This procedure describes how to use the diagnostics from a CD-ROM. For information on running diagnostics from the NIM server, see *Running stand-alone diagnostics from a Network Installation Management server*.

To use stand-alone diagnostics, follow these steps:

1. Stop all jobs and applications and then stop the operating system on the system or logical partition.
2. Remove all tapes, diskettes, and CD-ROM.
3. Turn off the system unit power. The next step boots the server or logical partition from the stand-alone diagnostics CD-ROM. If the optical drive is not available as a boot device on the server or logical partition on which you are working, follow these steps:
 - a. Access the ASMI. For information on using the ASMI, see *Accessing the ASMI*.
 - b. On the ASMI main menu, click **Power/Restart Control**.
 - c. Click **Power On/Off System**.
 - d. Select the **Service mode boot from default boot list** option in the AIX or Linux logical partition mode boot drop-down menu.
 - e. Click **Save settings and power on**. When the optical drive is powered on, insert the stand-alone diagnostic CD-ROM.
 - f. Go to step 5.
4. Turn on the system unit power and immediately insert the diagnostics CD-ROM into the optical drive.
5. After the **keyboard** POST indicator displays on the system console and before the last POST indicator (**speaker**) displays, press the numeric 5 key on the system console to indicate that a service mode boot must be initiated by using the default-service mode boot list.
6. Enter any requested password.
7. At the **Diagnostic Operating Instructions** display, press Enter.

Tip: If a service request number (SRN) or other reference code is displayed, suspect a loose adapter or cable connection.

Note: If you received an SRN or any other reference code when you attempted to start the system, contact your service provider for assistance.

8. If the terminal type is requested, select the **Initialize Terminal** option on the Function Selection menu to initialize the operating system.

9. From the Function Selection menu, select **Advanced Diagnostics Routines** and press Enter.
10. From the Diagnostic Mode Selection menu, select **System Verification** and press Enter.
11. When the Advanced Diagnostic Selection menu appears, select **All Resources**, or test only the part you replaced, and any devices that are attached to the part you replaced, by selecting the diagnostics for the individual part and press Enter.
12. Did the Testing Complete, No trouble was found message appear?
 - **No:** There is still a problem. Contact your service provider.
 - **Yes:** Go to step 13.
13. If you changed the service processor or network settings, as instructed in previous procedures, restore the settings to the value they had prior to servicing the system.
14. If the indicator lights are still on, follow these steps:
 - a. Select **Identify and Attention Indicators** from the Task Selection menu to turn off the system attention and indicator lights and press Enter.
 - b. Select **Set System Attention Indicator to NORMAL** and press Enter.
 - c. Select **Set All Identify Indicators to NORMAL** and press Enter.
 - d. Choose **Commit**.

Note: This changes the system attention and identify indicators from the *Fault* state to the *Normal* state.

 - e. Exit to the command line.

Verifying the installed part by using the HMC

If you have installed or replaced a part, use the Hardware Management Console (HMC) to update your HMC records after you have completed a service action on your server. If you have reference codes, symptoms, or location codes that you used during the service action, locate the records for use during this procedure.

To verify the installed part, complete these steps:

1. At the HMC, examine the service action event log for any open service action events. See “Viewing serviceable events by using the HMC” on page 227 for details.
2. Are there any service action events that are open?
 - No:** If the system attention LED is still on, use the HMC to turn off the LED. See “Activating and deactivating LEDs by using the HMC” on page 226. **This ends the procedure.**
 - Yes:** Continue with the next step.
3. Record the list of open service action events.
4. Examine the details of the open service action event. Is the error code associated with this service action event the same as you gathered earlier.
 - **No:** Select one of the following options:
 - Review the other serviceable events, find one that does match, and continue with the next step.
 - If the log does not match what you had gathered earlier, contact your service provider.
 - **Yes:** Continue with the next step.
5. Select and highlight the service action event from the Error Associated With This Serviceable Event window.
6. Click **Close Event**.
7. Add comments for the serviceable event. Include any unique additional information. Click **OK**.
8. Did you replace, add, or modify a field replaceable unit (FRU) of the open service action event?
 - **No:** Select the **No FRU Replaced for this Serviceable Event** option, and click **OK** to close the service action event.

- **Yes:** Perform the following steps:
 - a. From the FRU list, select a FRU that you need to update.
 - b. Double-click the FRU and update the FRU information.
 - c. Click **OK** to close the service action event.
- 9. If you continue to have problems, contact your service provider.

Activating and deactivating LEDs by using the HMC

Use this procedure to activate or deactivate LEDs by using Service Focal Point from the Hardware Management Console (HMC).

Deactivating a system attention LED or partition LED by using the HMC:

You can deactivate the attention LED for a system or logical partition if you decide that a problem is not a high priority and you decide to repair the problem at a later time. The deactivation also allows the LED to be activated again when another problem occurs.

To deactivate a system attention LED by using HMC, complete the following steps:

1. In the navigation area, open **Systems Management**.
2. Open **Servers** and select the required system.
3. In the content area, select the required partition.
4. Select **Tasks > Operations > Deactivate Attention LED**. A confirmation window is displayed with an indication that there still might be open problems with the system.
5. Click **OK** to continue with the deactivation. A window is displayed that provides the details of the system or partition, and a confirmation that the system or logical partition attention LED was deactivated.

Activating or deactivating an identify LED by using the HMC:

The system provides several LEDs that help identify various components, such as enclosures or field replaceable units (FRUs), in the system. For this reason, they are called *identify LEDs*.

You can activate or deactivate the following types of identify LEDs:

- **Identify LED for an enclosure** If you want to add an adapter to a specific drawer (enclosure), you need to know the machine type, model, and serial number (MTMS) of the drawer. To determine whether you have the correct MTMS for the drawer that needs the new adapter, you can activate the LED for a drawer and verify that the MTMS corresponds to the drawer that requires the new adapter.
- **Identify LED for a FRU associated with a specified enclosure** If you want to hook up a cable to a specific I/O adapter, you can activate the LED for the adapter which is a field replaceable unit (FRU), and then physically check to see where you should hook up the cable. This is especially useful when you have several adapters with open ports.

To activate or deactivate an identify LED for an enclosure or FRU, follow these steps:

1. In the navigation area, open **Systems Management**.
2. Select **Servers**.
3. In the content area, check the box for the appropriate System.
4. Select **Tasks > Operations > LED Status > Identify LED**.
5. To activate or deactivate an identify LED for an enclosure, select an enclosure from the table, and click either **Activate LED** or **Deactivate LED**. The associated LED is either turned on or off.
6. To activate or deactivate an identify LED for a FRU, select an enclosure from the table and click **List FRUs**.
7. Select one or more FRUs from the table, and click either **Activate LED** or **Deactivate LED**. The associated LED is either turned on or off.

Viewing serviceable events by using the HMC

Use this procedure to view a serviceable event, including details, comments, and service history.

To view serviceable events and other information about the events, you must be a member of one of the following roles:

- Super administrator
- Service representative
- Operator
- Product engineer
- Viewer

To view serviceable events, follow these steps:

1. In the navigation area, select **Service Management**.
2. Select **Manage Serviceable Events**.
3. Select the criteria for the serviceable events that you want to view, and click **OK**. The Serviceable Event Overview window opens. The list shows all serviceable events that match your selection criteria. You can use the menu options to perform actions on the serviceable events.
4. Select a line in the Serviceable Event Overview window, and select **Selected > View Details**. The Serviceable Event Details window opens, showing detailed information about the serviceable event. The upper table shows information, such as problem number and reference code. The lower table shows the field replaceable units (FRUs) associated with this event.
5. Select the error for which you want to view comments and history, and follow these steps:
 - a. Select **Actions > View Comments**.
 - b. When you are finished viewing the comments, click **Close**.
 - c. Select **Actions > View Service History**. The Service History window opens, showing service history associated with the selected error.
 - d. When you are finished viewing the service history, click **Close**.
6. When you are finished, click **Cancel** twice to close the Serviceable Event Details window and the Serviceable Event Overview window.

Verifying the installed part by using the SDMC

If you installed or replaced a part, use the IBM Systems Director Management Console (SDMC) to update your SDMC records after you have completed a service action on your server. If you have reference codes, symptoms, or location codes that you used during the service action, locate the records for use during this procedure.

To verify the installed part, complete these steps:

1. From the SDMC, examine the service action event log for any open service action events. See “Viewing serviceable events by using the SDMC” on page 229 for details.
2. Are there any service action events that are open?
 - No:** If the system attention LED is still on, use the SDMC to turn off the LED. See “Activating and deactivating LEDs by using the SDMC” on page 228. **This ends the procedure.**
 - Yes:** Continue with the next step.
3. Record the list of open service action events.
4. Examine the details of the open service action event. Is the error code associated with this service action event the same as you gathered earlier.
 - **No:** Select one of the following options:
 - Review the other serviceable events, find one that does match, and continue with the next step.
 - If the log does not match what you had gathered earlier, contact your service provider.

- **Yes:** Continue with the next step.
5. Select and highlight the service action event from the Error Associated With This Serviceable Event window.
 6. Click **Delete** or **Ignore**.

Note: These options are only available from the problem event log.

Activating and deactivating LEDs by using the SDMC

Use this procedure to activate or deactivate LEDs by using the IBM Systems Director Management Console (SDMC).

Deactivating a system attention LED or partition LED by using the SDMC:

You can deactivate a system attention LED or a logical partition LED. For example, you might determine that a problem is not a high priority and decide to repair the problem at a later time. However, you want to be alerted if another problem occurs, so you must deactivate the system attention LED so that it can be activated again if another problem occurs.

To deactivate the system attention LED, complete the following steps:

1. On the Resources tab, select the appropriate host or virtual server.
2. Select **Actions > Service and Support > Hardware > System Attention LED**.
3. Select **Deactivate System Attention LED**. A confirmation window is displayed that provides the following information:
 - A verification that the system attention LED was deactivated.
 - An indication that there still might be open problems within the system.
 - An indication that you cannot activate the system attention LED.
4. Select one of the virtual servers, and select **Deactivate System Attention LED**. A confirmation window is displayed that provides the following information:
 - A verification that the system attention LED was deactivated.
 - An indication that there still might be open problems within the logical partition.
 - An indication that you cannot activate the virtual server LED.

Activating or deactivating an identify LED by using the SDMC:

The system provides several LEDs that help identify various components, such as enclosures or field replaceable units (FRUs). For this reason, they are called *identify LEDs*.

You can activate or deactivate the following types of identify LEDs:

- **Identify LED for an enclosure** If you want to add an adapter to a specific drawer (enclosure), you need to know the machine type, model, and serial number (MTMS) of the drawer. To determine whether you have the correct MTMS for the drawer that needs the new adapter, you can activate the LED for a drawer and verify that the MTMS corresponds to the drawer that requires the new adapter.
- **Identify LED for a FRU associated with a specified enclosure** If you want to hook up a cable to a specific I/O adapter, you can activate the LED for the adapter which is a field replaceable unit (FRU), and then physically check to see where you should hook up the cable. This is especially useful when you have several adapters with open ports.

To activate or deactivate an identify LED for an enclosure or FRU, follow these steps:

1. On the Resources tab, select the appropriate host or virtual server.
2. Select **Actions > Service and Support > Hardware > Identify LED**.
3. In the Identify LED, Select Enclosure window, select the system unit or enclosure.
4. To activate or deactivate an identify LED, click either **Activate LED** or **Deactivate LED**. The associated LED is either turned on or off.

5. To activate or deactivate an identify LED for a FRU, select a system or enclosure from the table, and then click **List FRUs**.
6. Select one or more FRUs from the table, and click either **Activate LED** or **Deactivate LED**. The associated LED is either turned on or off.

Viewing serviceable events by using the SDMC

Use this procedure to view a serviceable event, including details, comments, and service history.

To view serviceable events, follow these steps:

1. On the Resources tab, select the appropriate host or virtual server.
2. Select **Actions > System Status and Health > Event Log**.
3. Optional: You can narrow the event criteria by using the Event filter menu.
4. Select a line in the Events window, and select **Actions > Properties**. The Properties window opens, showing detailed information about the serviceable event. The table shows information, such as problem number, reference code, and the field replaceable units (FRUs) associated with this event.

Verifying an installed part or replaced part on a system or logical partition by using Virtual I/O Server tools

If you installed or replaced a part, you might want to use the tools in Virtual I/O Server (VIOS) to verify that the part is recognized by the system or logical partition.

Verifying the installed part by using VIOS

You can verify the operation of a newly installed part or a replacement part.

Perform the following steps to verify an installed or replaced part:

1. Log in as root user.
2. At the command line, type `diagmenu` and press Enter.
3. Select **Advanced Diagnostics Routines** and press Enter.
4. From the **Diagnostic Mode Selection** menu, select **System Verification** and press Enter.
5. When the **Advanced Diagnostic Selection** menu appears, do one of the following steps:
 - To test a single resource, select the resource that you just installed from the list of resources and press Enter.
 - To test all the resources available to the operating system, select **All Resources** and press Enter.
6. Select **Commit**, and wait until the diagnostic programs run to completion, responding to any prompts that appear.
7. Did the diagnostics run to completion and display the message No trouble was found?
 - **No:** If a service request number (SRN) or other reference code is displayed, suspect a loose adapter or cable connection. Review the installation procedures to ensure that the new part is installed correctly. If you cannot correct the problem, collect all SRNs or any other reference code information that you see. If the system is running in LPAR mode, note the logical partition in which you installed the part. Contact your service provider for assistance.
 - **Yes:** The new device is installed correctly. Exit the diagnostic programs and return the system to normal operations.

Verify the replacement part by using VIOS

To verify the operation of a newly installed part or replacement part, complete the following steps:

1. Did you replace the part by using either VIOS or the online diagnostics service aid's concurrent (hot-swap) service operation?
 - **No:** Go to step 2 on page 230.
 - **Yes:** Go to step 5 on page 230.

2. Is the system powered off?
 - **No:** Go to step 4.
 - **Yes:** If the system supports slow boot, set the system to perform a slow boot. For information, see *Performing a slow boot*.
3. Start the system and wait until the VIOS operating system login prompt displays or until apparent system activity on the operator panel or display has stopped. Did the VIOS login prompt display?
 - **No:** If an SRN or other reference code is displayed, suspect a loose adapter or cable connection. Review the procedures for the part that you replaced to ensure that the new part is installed correctly. If you cannot correct the problem, collect all SRNs or any other reference code information that you see. If the system does not start or you have no login prompt, see *Problems with loading and starting the operating system*.
If the system is partitioned, note the logical partition in which you replaced the part. Contact your service provider for assistance.
 - **Yes:** Go to step 4.
4. At the command prompt, type `diag -a` and press Enter to check for missing resources. If you see a command prompt, go to step 5.
If the **Diagnostic selection** menu is shown with **M** appearing next to any resource, follow these steps:
 - a. Select the resource and press Enter.
 - b. Select **Commit**.
 - c. Follow any instructions that are shown.
 - d. If a *Do you want to review the previously displayed error?* message is shown, select **Yes** and press Enter.
 - e. If an SRN is shown, suspect a loose card or connection. If no obvious problem is shown, record the SRN and contact your service provider for assistance.
 - f. If no SRN is shown, go to 5.
5. Test the part by doing the following:
 - a. At the command line, type `diagmenu` and press Enter.
 - b. From the **Function Selection** menu, select **Advanced Diagnostics Routines** and press Enter.
 - c. From the **Diagnostic Mode Selection** menu, select **System Verification** and press Enter.
 - d. Select **All Resources**, or select the diagnostics for the individual part to test only the part you replaced, and any devices that are attached to the part you replaced and press Enter.
Did the **Resource Repair Action** menu appear?
 - **No:** Go to step 6.
 - **Yes:** Go to step 7.
6. Did the *Testing Complete, No trouble was found* message appear?
 - **No:** There is still a problem. Contact your service provider. **This ends the procedure.**
 - **Yes:** Select **Log Repair Action**, if not previously logged, from the **Task Selection** menu to update the error log. If the repair action was reseating a cable or adapter, select the resource associated with that repair action. If the resource associated with your action is not displayed on the Resource List, select `sysplanar0` and press Enter.

Tip: This action changes the indicator light for the part from the fault state to the normal state. Go to step 9 on page 231.
7. Select the resource for the replaced part from the **Resource Repair Action** menu. When a test is run on a resource in system verification mode, and that resource has an entry in the error log, if the test on the resource was successful, the **Resource Repair Action** menu appears. Complete the following steps to update the error log to indicate that a system-detectable part has been replaced. On systems with a indicator light for the failing part, this changes the indicator light to the normal state.

- a. Select the resource that has been replaced from the **Resource Repair Action** menu. If the repair action was reseating a cable or adapter, select the resource associated with that repair action. If the resource associated with your action does not appear on the Resource List, select **sysplanar0**. Press Enter.
 - b. Select **Commit** after you make your selections. Did another **Resource Repair Action** display appear?
 - **No:** If the **No Trouble Found** display appears, go to step 9.
 - **Yes:** Go to step 8.
8. Select the parent or child of the resource for the replaced part from the **Resource Repair Action** menu if necessary. When a test is run on a resource in system verification mode, and that resource has an entry in the error log, if the test on the resource was successful, the **Resource Repair Action** menu appears. Complete the following steps to update the error log to indicate that a system-detectable part has been replaced. This changes the indicator light for the part from the fault state to the normal state.
- a. From the **Resource Repair Action** menu, select the parent or child of the resource that has been replaced. If the repair action was to reseat a cable or adapter, select the resource associated with that repair action. If the resource associated with your action does not appear on the Resource List, select **sysplanar0**. Press Enter.
 - b. Select **Commit** after you make your selections.
 - a. If the **No Trouble Found** display appears, go to step 9.
9. If you changed the service processor or network settings, as instructed in previous procedures, restore the settings to the values they had prior to servicing the system.
10. Did you do any hot-plug procedures before doing this procedure?
- **No:** Go to step 11.
 - **Yes:** Go to step 12.
11. Start the operating system, with the system or logical partition in normal mode. Were you able to start the operating system?
- **No:** Contact your service provider. **This ends the procedure.**
 - **Yes:** Go to step 12.
12. Are the indicator lights still on?
- **No:** This ends the procedure.
 - **Yes.** Turn off the lights. For instructions, see Changing service indicators.

Closing a service call

Perform these procedures to close serviceable events, clear hardware messages, and prepare the server to return to the customer.

Follow this checklist before performing the procedure:

- Return the server to the state that the customer normally uses such as IPL type, IPL mode, and the way the system is configured or partitioned.

Attention: Before returning the system to the customer, remove the system from service mode. If the system is left in service mode, it automatically places a call for service every two hours.
- While you were performing the problem analysis on the original serviceable event, other serviceable events might have been opened. Close all serviceable events that were opened as a result of your service activity.
- Ensure that server verification has been performed and no problems require additional service actions.
- If the repair was done using the management console online repair procedures, ensure that the original serviceable event is now closed.

1. Record the system reference code (SRC), or symptom, and the location code of the field-replaceable unit (FRU) you replaced, for future reference. Is the server managed by a management console?

- **Yes:** Continue with the next step.
 - **No:** Do one of the following steps:
 - If the server is managed by Integrated Virtualization Manager (IVM), go to “Closing a service call by using Integrated Virtualization Manager” on page 240.
 - If the server is not partitioned and is running the AIX or Linux operating system, go to “Closing a service call by using AIX or Linux” on page 236.
-

2. On the Hardware Management Console (HMC), open **Manage Serviceable Events** and examine the service action event log for any open service action events.

3. Are any service action events open?

- **Yes:** Continue with the next step.
 - **No:** If the system attention LED is still on, turn off the LED as described in “Activating and deactivating LEDs” on page 244. Return the system to the customer. **This completes the repair.**
-

4. Record the list of open service action events.

5. From the list of serviceable events recorded in step 4, complete the following steps 6 - step 32 on page 235 for each open service action event.

6. Determine the error class of the serviceable event. Record for future use.

7. Examine the details of the open service action event.

Is the error code that is associated with this service action event the same as recorded in step 1?

- **Yes:** Go to step 11 on page 233.
 - **No:** Continue with the next step.
-

8. Examine the FRU list of the service action event. Are any FRUs listed for the service action event?

- **Yes:** Continue with the next step.
 - **No:** Go to step 11 on page 233.
-

9. Is the FRU list identical that is, the same FRUs, same number of FRUs, and same order of FRUs) to the FRU list of the error code recorded in step 1?

- **Yes:** Go to step 11 on page 233.
 - **No:** Continue with the next step.
-

10. The FRU list is different. Is the FRU you replaced and recorded in step 1 in the list of FRUs for this service action event?

- **Yes:** Continue with the next step.
 - **No:** Go to step 32 on page 235.
Note: Some service action events will remain open when you leave this MAP. Further service actions might be required to complete the repair.
-

11. Examine the details of this service action event, and record the partitions involved in this service action event for use in a later step.

12. Is the error code associated with this service action event of the form A11-xxx or A01-xxx?

- **Yes:** Continue with the next step.
 - **No:** Go to step 17.
-

13. Have you begun a list of *Axx* partitions from prior service action events that you processed in this MAP?

- **Yes:** Go to step 15.
 - **No:** Continue with the next step.
-

14. Begin a new list of *Axx* partitions by copying the list of partitions obtained in step 11. Go to step 16.

15. Add the partition list obtained in step 11 to the existing list of *Axx* partitions obtained from processing previous service action events in this maintenance analysis procedure (MAP).

16. Remove all entries in the list of all partitions you recorded in step 11. If you are referred to the list of partitions obtained in step 11 in future steps, the list is empty. Go to step 17.

17. Select and highlight the service action event from the Error Associated With This Serviceable Event window.

18. Click **Close Event**.

19. Add comments for the serviceable event. Include any unique additional information. Click **OK**. The following steps will add or update FRU information.

20. Did you replace, add, or modify a FRU of the open service action event?

- **Yes:** Continue with the next step.
 - **No:** Go to step 22 on page 234.
-

21. From the FRU list, select a FRU that you need to update. Double-click the FRU, and update the FRU information. Go to step 23.

22. Select the **No FRU Replaced for this Serviceable Event** option.

23. Click **OK** to close the service action event.

24. Is the list of all partitions you recorded in step 11 on page 233 empty?

- **Yes:** Go to step 32 on page 235.
 - **No:** Continue with the next step.
-

25. Does the list of all partitions you recorded in step 11 on page 233 contain more than one entry?

- **Yes:** Continue with the next step.
 - **No:** Go to step 32 on page 235.
-

26. Is the error class recorded in step 25 AIX?

- **Yes:** Continue with the next step.
 - **No:** Go to step 32 on page 235.
-

27. Perform all the following steps for each entry in the list of all partitions you recorded in step 11 on page 233, except for the partition you were using to debug the original problem.

28. From the list of all partitions, open the HMC virtual terminal window of a partition, and then type `diag` at the AIX command prompt.

29. When the diagnostic operating instructions are displayed, complete the following steps:

1. Press Enter.
2. Select the **Task Selection** option.
3. Select the **Log Repair** option.
4. Select the resource associated with the repair action:
 - If the repair action was reseating a cable or adapter, select the resource associated with that repair action.
 - If the resource associated with your repair action is not displayed on the Resource List, select **sysplanar0**.
5. Click **Commit** after you make your selection.

Note: If the terminal type is not defined, you are prompted to define it before you can proceed.

30. Exit from diagnostics in this partition and return to the AIX command prompt.

31. Have all the partitions in the list of all the partitions you recorded in step 11 on page 233 been processed?

- **Yes:** Continue with the next step.
 - **No:** Go to step 24 on page 234 to process the next partition in the list you recorded in step 11 on page 233.
-

32. Have all the serviceable events recorded in step 4 on page 232 been processed?

- **Yes:** Continue with the next step.
 - **No:** Go to step 5 on page 232 and process the next service action event in the list of serviceable events recorded in step 4 on page 232.
-

33. While processing all service action events, were you directed to step 14 on page 233?

- **Yes:** Continue with the next step.
 - **No:** If the system attention LED is still on, turn off the LED as described in “Activating and deactivating LEDs” on page 244. Return the system to the customer. **This completes the repair.**
Note: If, during the processing of the list of open service action events, some service action events remained open, further service actions might be required to complete the repair.
-

34. Perform all the following steps for each entry in the list of Axx partitions you began recording in step 14 on page 233, except for the partition you were using to debug the original problem.

35. From the list of Axx partitions, open the management console virtual terminal window of a partition , and then type diag at the AIX command prompt.

36. When the diagnostic operating instructions are displayed, complete the following steps:

1. Press Enter.
 2. Select the **Task Selection** option.
Note: If the terminal type is not defined, you are prompted to define it before you can proceed.
 3. Select the resource associated with the repair action:
 - If the repair action was reseating a cable or adapter, select the resource associated with that repair action.
 - If the resource associated with your repair action is not displayed on the Resource List, select **sysplanar0**.
 4. Click **Commit** after you make your selection.
-

37. Exit from diagnostics in this partition and return to the AIX command prompt.

38. Have all the partitions in the list of Axx partitions you began recording in step 14 on page 233 been processed?

- **Yes:** Continue with the next step.
 - **No:** Go to step 34 to process the next partition in the list you recorded in step 14 on page 233.
-

39. If the system attention LED is still on, turn off the LED as described in “Activating and deactivating LEDs” on page 244. **This completes the repair.** Return the system to the customer.

Note: If, during the processing of the list of open service action events, some service action events remained open, further service actions might be required to complete the repair.

Closing a service call by using AIX or Linux

If the server is not connected to a management console and not using Integrated Virtualization Manager (IVM), perform these procedures to close serviceable events, clear hardware messages, and prepare the server to return to the customer.

Follow this checklist before performing the procedure:

- Return the server to the state that the customer normally uses, such as IPL type, IPL mode, and the way the system is configured or partitioned.

Attention: Before returning the system to the customer, remove the system from service mode. If the system is left in service mode, it automatically places a call for service every two hours.

- While you were performing the problem analysis on the original serviceable event, other serviceable-event numbers might have been opened. Close all serviceable events that were opened as a result of your service activity.
- Ensure that server verification has been performed and that no problems require additional service actions.
- If the repair was done by using the IVM online repair procedures, ensure that the original serviceable event is now closed.

1. Did you use a hot-swap operation by using an AIX diagnostics service aid to change the FRU?

- **Yes:** Go to step 4
 - **No:** Continue with the next step.
-

2. Do you have any field-replaceable units (FRUs) (for example cards, adapters, cables, or devices) that were removed during problem analysis that you want to put back into the system?

Note: If the system backplane or battery has been replaced and you are loading diagnostics from a server over a network, it might be necessary for the customer to set the network boot information for this system before diagnostics can be loaded. Also, set the system time and date information after the repair is completed.

- **Yes:** Reinstall all of the FRUs that were removed during problem analysis. Go to step 3
 - **No:** Continue with the next step.
-

3. Is the system or logical partition that you are performing a repair action on running the AIX operating system?

- **Yes:** Continue with the next step.
 - **No:** Go to step 5 on page 237.
-

4. Does the system or logical partition you are performing a repair action on have the AIX operating system installed?

Note: If you have just replaced a hard disk in the root volume group, answer no to this question.

- **Yes:** Go to step 7 on page 237.
 - **No:** Continue with the next step.
-

5. Run stand-alone diagnostics in problem determination mode from either a CD-ROM or from a Network Installation Management (NIM) server.

Note: For instructions about running stand-alone diagnostics from a CD and not by using an HMC, go to Running the stand-alone diagnostics from CD on a server without an HMC attached.

For instructions about running stand-alone diagnostics from a NIM server, go to Running the stand-alone diagnostics from a Network Installation Management server.

Did you encounter any problems?

- **Yes:** Go to Problem analysis.
 - **No:** Continue with the next step.
-

6. The system hardware is functioning correctly.

If the system attention LED is still on, turn off the LED as described in “Activating and deactivating LEDs” on page 244.

This completes the repair.

Note: If, during the processing of the list of open service action events, some service action events remained open, further service actions might be required to complete the repair.

Return the server to the state that the customer normally uses, such as IPL type, IPL mode, and the way the system is configured or partitioned. This might require you to reboot the operating system.

Attention: Before returning the system to the customer, remove the system from service mode. If the system is left in service mode, it automatically places a call for service every two hours.

7. Complete the following steps:

1. If the system supports, do a slow boot on the system. For instructions, see Performing a slow boot. If the system does not support a slow boot, do a normal boot.
2. Power on the system.
3. Wait until the AIX operating system login prompt is displayed or until system activity on the operator panel or display has stopped.

Did the AIX Login Prompt display?

- **Yes:** Continue with the next step.
 - **No:** Go to Problem analysis.
-

8. If the Resource Repair Action menu is already displayed, go to 12 on page 238; otherwise, complete the following steps:

1. Log into the operating system, either with root authority (if needed, ask the customer to enter the password) or use the CE login.
 2. Enter the `diag -a` command and check for missing resources. Follow any instructions that are displayed. If a system request number (SRN) is displayed, suspect a loose card or connection. If no instructions are displayed, no resources were detected as missing. Continue with step 9.
-

9. Complete the following steps:

1. Enter `diag` at the command prompt and press **Enter**.
2. Select the **Diagnostics Routines** option.
3. When the Diagnostic Mode Selection menu is displayed, select **Problem determination**.
4. When the Advanced Diagnostic Selection menu is displayed, select the **All Resources** option. Alternatively, test the FRUs you exchanged and any devices that are attached to the FRUs you exchanged by selecting the diagnostics for the individual FRU.

Did the Resource Repair Action menu (801015) display?

- **Yes:** Go to step 13 on page 239.
 - **No:** Continue with the next step.
-

10. Did the TESTING COMPLETE, no trouble was found menu (801010) display?

- **Yes:** Continue with the next step.
 - **No:** There is still a problem. Go to Problem analysis.
-

11. Select the **Log Repair Action** option, if not previously logged, in the TASK SELECTION menu to update the AIX error log. If the repair action was reseating a cable or adapter, select the resource associated with that repair action.

If the resource associated with your action is not displayed on the resource list, select **sysplanar0**.

Note: If the system attention indicator is on, this will set it back to the normal state. Go to step 14 on page 239.

12. Run a test on a resource that has an entry in the AIX error log, in the system verification mode. If the test on the resource was successful, the Resource Repair Action menu is displayed.

After replacing a FRU, select the resource for that FRU from the Resource Repair Action menu. This updates the AIX error log to indicate that a system-detectable FRU has been replaced.

Note: If the system attention indicator is on, this action will set it back to the normal state.

To select the resource for the replaced FRU, complete the following steps:

1. Select the resource associated with the repair action:
 - If the repair action was reseating a cable or adapter, select the resource associated with that repair action.
 - If the resource associated with your repair action is not displayed on the Resource List, select **sysplanar0**.
2. Click **Commit** after you make your selection.

Did another Resource Repair Action (801015) display?

- **Yes:** Continue with the next step.
 - **No:** If the No Trouble Found menu is displayed, go to step 14.
-

13.

Run a test on a resource that has an entry in the AIX error log, in the system verification mode. If the test on the resource was successful, the Resource Repair Action menu is displayed.

Note: The parent or child of the resource you just replaced might also require that you run the Resource Repair Action service aid on it.

After replacing that FRU, select the resource for that FRU from the Resource Repair Action menu. This updates the AIX error log to indicate that a system-detectable FRU has been replaced.

Note: If the system attention indicator is on, this action will set it back to the normal state.

To select the resource for the replaced FRU, complete the following steps:

1. Select the resource associated with the repair action:
 - If the repair action was reseating a cable or adapter, select the resource associated with that repair action.
 - If the resource associated with your repair action is not displayed on the Resource List, select **sysplanar0**.
2. Click **Commit** after you make your selection.

Did the No Trouble Found menu display?

- **Yes:** Continue with the next step.
 - **No:** Go to Problem analysis.
-

14. If you changed the service processor or network settings, as instructed in previous MAPs, restore the settings to the value they had prior to servicing the system. If you ran stand-alone diagnostics from CD-ROM, remove the stand-alone diagnostics CD-ROM from the system.

Did you perform service on a RAID subsystem that involved changing the PCI RAID adapter cache card or changing the configuration?

Note: This does not refer to the PCI-X RAID adapter or cache.

- **Yes:** Continue with the next step.
 - **No:** Go to step 16 on page 240.
-

15. Use the **Recover Options** selection to resolve the RAID configuration. To do this, complete the following steps:

1. On the PCI SCSI Disk Array Manager dialog, select **Recovery options**.
 2. Select **Clear PCI SCSI Adapter Configuration** and press F3 to clear any previous configuration data that exists on the replacement adapter.
 3. On the Recovery Options dialog, select **Resolve PCI SCSI RAID Adapter Configuration**.
 4. On the Resolve PCI SCSI RAID Adapter Configuration dialog, select **Accept Configuration on Drives**.
 5. On the PCI SCSI RAID Adapter selections menu, select the adapter that you changed.
 6. On the next dialog, press Enter.
 7. When you see the Are You Sure selection menu, press Enter to continue. When the recovery action is complete, the status message of **OK** is shown.
 8. If you receive a status message of **Failed**, verify that you selected the correct adapter, and then repeat this procedure. When recovery is complete, exit the operating system.
 9. Go to step 16.
-

16. The system hardware is functioning correctly. Return the server to the state that the customer normally uses, such as IPL type, IPL mode, and the way the system is configured or partitioned.

Attention: Before returning the system to the customer, remove the system from service mode. If the system is left in service mode, it automatically places a call for service every two hours.

Closing a service call by using Integrated Virtualization Manager

Perform these procedures to close serviceable events, clear hardware messages, and prepare the server to return to the customer.

Follow this checklist before performing the procedure:

- Return the server to the state that the customer normally uses, such as IPL type, IPL mode, and the way the system is configured or partitioned.

Attention: Before returning the system to the customer, remove the system from service mode. If the system is left in service mode, it automatically places a call for service every two hours.

- While you were performing the problem analysis on the original serviceable event, other serviceable-event numbers might have been opened. Close all serviceable events that were opened as a result of your service activity.
 - Ensure that server verification has been performed and there are no problems that require additional service actions.
 - If the repair was done by using the Integrated Virtualization Manager (IVM) online repair procedures, ensure that the original serviceable event is now closed.
 1. Record the system reference code (SRC), or symptom, and the location code of the field-replaceable unit (FRU) you replaced for future reference.
-

2. On the IVM, open **Manage Serviceable Events** and look at existing serviceable events.
-

3. Are there any service action events that are open?

- **Yes:** Continue with the next step.
 - **No:** If the system attention LED is still on, turn off the LED as described in “Activating and deactivating LEDs” on page 244. Return the system to the customer. **This completes the repair.**
-

4. Record the list of open service action events.

5. From the list of serviceable events recorded in step 4 on page 240, complete steps 6 - 30 on page 243 for each open service action event.

6. Determine the error class of the serviceable event. Record it for future use.

7. Examine the details of the open service action event.

Is the error code associated with this service action event the same as recorded in step 1 on page 240?

- **Yes:** Go to step 11.
 - **No:** Continue with the next step.
-

8. Examine the FRU list of the service action event. Are any FRUs listed for the service action event?

- **Yes:** Continue with the next step.
 - **No:** Go to step 11.
-

9. Is the FRU list identical that is, the same FRUs, same number of FRUs, and same order of FRUs) to the FRU list of the error code recorded in step 1 on page 240?

- **Yes:** Go to step 11.
 - **No:** Continue with the next step.
-

10. Is the FRU you replaced and recorded in step 1 on page 240 in the list of FRUs for this service action event?

- **Yes:** Continue with the next step.
- **No:** Go to step 30 on page 243.

Note: Some service action events remain open when you leave this MAP. Further service actions might be required to complete the repair.

11. Examine the details of this service action event, and record the partitions involved in this service action event for use in a later step.

12. Is the error code associated with this service action event of the form A11-xxx or A01-xxx?

- **Yes:** Continue with the next step.
 - **No:** Go to step 17 on page 242.
-

13. Have you begun a list of Axx partitions from prior service action events that you processed in this maintenance analysis procedure (MAP)?

- **Yes:** Go to step 15 on page 242.
 - **No:** Continue with the next step.
-

14. Begin a new list of Axx partitions by copying the list of partitions obtained in step 11 on page 241. Go to step 16.

15. Add the partition list obtained in step 11 on page 241 to the existing list of Axx partitions obtained from processing previous service action events in this MAP.

16. Remove all entries in the list of all partitions you recorded in step 11 on page 241. If you are referred to the list of partitions obtained in step 11 on page 241 in future steps, the list is empty. Go to step 17.

17. Select and highlight the service action event from the Manage Serviceable Events window.

18. Click **Close Event**.

19. Add comments for the serviceable event. Include any unique additional information. Click **OK**.

20. Add or update the FRU information:

Did you replace, add, or modify a FRU of the open service action event?

- **Yes:** Continue with the next step.
 - **No:** Go to step 22.
-

21. Click **OK** to close the service action event.

22. Is the list of all partitions you recorded in step 11 on page 241 empty?

- **Yes:** Go to step 30 on page 243.
 - **No:** Continue with the next step.
-

23. Does the list of all partitions you recorded in step 11 on page 241 contain more than one entry?

- **Yes:** Continue with the next step.
 - **No:** Go to step 30 on page 243.
-

24. Is the error class recorded in step 23?

- **Yes:** Continue with the next step.
 - **No:** Go to step 30 on page 243.
-

25. Perform all the following steps for each entry in the list of all partitions you recorded in step 11 on page 241, except for the partition you were using to debug the original problem.

26. From the list of all partitions, open the IVM virtual terminal window of a partition, and then type `diag` at the AIX command prompt.

27. When the diagnostic operating instructions are displayed, complete the following steps:

1. Press Enter.
2. Select the **Task Selection** option.
3. Select the **Log Repair** option.
4. Select the resource associated with the repair action:
 - If the repair action was reseating a cable or adapter, select the resource associated with that repair action.
 - If the resource associated with your repair action is not displayed on the Resource List, select **sysplanar0**.
5. Click **Commit** after you make your selection.

Note: If the terminal type is not defined, you are prompted to define it before you can proceed.

28. Exit from diagnostics in this partition and return to the AIX command prompt.

29. Have all the partitions in the list of all partitions you recorded in step 11 on page 241 been processed?

- **Yes:** Continue with the next step.
 - **No:** Go to step 25 to process the next partition in the list you recorded in step 11 on page 241.
-

30. Have all the serviceable events recorded in step 4 on page 240 been processed?

- **Yes:** Continue with the next step.
 - **No:** Go to step 5 on page 241 and process the next service action event in the list of serviceable events recorded in step 4 on page 240.
-

31. While processing all service action events, were you directed to step 14 on page 242?

- **Yes:** Continue with the next step.
 - **No:** If the system attention LED is still on, turn off the LED as described in “Activating and deactivating LEDs” on page 244. Return the system to the customer. **This completes the repair.**
Note: If during the processing of the list of open service action events, some service action events remained open, further service actions might be required to complete the repair.
-

32. Complete all the following steps for each entry in the list of Axx partitions you began recording in step 14 on page 242, except for the partition you were using to debug the original problem.

33. From the list of Axx partitions, open the management console virtual terminal window of a partition , and then type `diag` at the AIX command prompt.

34. When the diagnostic operating instructions are displayed, complete the following steps:

1. Press Enter.
 2. Select the **Task Selection** option.
Note: If the terminal type is not defined, you are prompted to define it before you can proceed.
 3. Select the **Log Repair** option.
 4. Select the resource associated with the repair action:
 - If the repair action was reseating a cable or adapter, select the resource associated with that repair action.
 - If the resource associated with your repair action is not displayed on the Resource List, select **sysplanar0**.
 5. Click **Commit** after you make your selection.
-

35. Exit from diagnostics in this partition and return to the AIX command prompt.

36. Have all the partitions in the list of Axx partitions you began recording in step 14 on page 242 been processed?

- **Yes:** Continue with the next step.
 - **No:** Go to step 32 on page 243 to process the next partition in the list you recorded in step 14 on page 242.
-

37. If the system attention LED is still on, turn off the LED as described in “Activating and deactivating LEDs.” **This completes the repair.** Return the system to the customer.

Note: If, during the processing of the list of open service action events, some service action events remained open, further service actions might be required to complete the repair.

Activating and deactivating LEDs

You can use these procedures to activate or deactivate light-emitting diodes (LEDs) by using the management console or the Advanced System Management Interface (ASMI).

The system attention LED is activated when an error that requires a service action is detected, but a fault LED is not activated. Such errors can include errors that generate a system reference code (SRC) or a service request number (SRN). On systems that support fault LEDs, a fault LED is activated for many problems that can be isolated to a specific hardware component. However, for some problems that require a service action, a fault LED might not be activated even if a problem can be isolated to a specific hardware component. For those problems, the system attention LED is activated instead.

For IBM Power Systems servers that contain the POWER7 processor, the LEDs can be used to identify or verify a part that you are servicing. The error and identify function (amber) LED indicates an error and corresponds to the location code in the system reference code (SRC). The LED is activated and deactivated automatically.

Additionally, the following procedures can also be used to activate and deactivate LEDs.

- “Deactivating a system attention LED or partition LED by using the management console” on page 245
- “Activating or deactivating an identify LED by using the management console” on page 245
- “Deactivating a system attention LED or logical partition LED by using the Advanced System Management Interface” on page 246

- “Activating or deactivating an identify LED by using the Advanced System Management Interface” on page 247

Deactivating a system attention LED or partition LED by using the management console

You can deactivate a system attention LED or a logical partition LED if you decide that a problem is not a high priority and you decide to repair the problem at a later time. You can do this task from the Hardware Management Console (HMC) or the IBM Systems Director Management Console (SDMC).

If you want to be alerted if another problem occurs, you must deactivate the system attention LED so that it can be activated again if another problem occurs.

To deactivate a system attention LED by using the HMC, complete the following steps:

1. In the navigation area, open **Systems management**.
2. Select the server that you are working on.
3. Open **Operations > LED Status**.
4. Select **View System Attention**. The System attention LED window opens. The selected system and its LED state are displayed in the upper part of the window. The logical partition and its LED state are displayed in the lower part of the window. From the system attention LED window, you can deactivate both the System attention LED and the logical partition LED.
5. Select **Deactivate System Attention LED** from the **Action** menu. A confirmation window is displayed that provides the following information:
 - A verification that the system attention LED was deactivated.
 - An indication that there still might be open problems within the system.
 - An indication that you cannot activate the system attention LED.
6. Select one of the logical partitions in the lower table, and select **Deactivate partition LED** from the **Partition Operations** menu. A confirmation window is displayed that provides the following information:
 - A verification that the logical partition LED was deactivated.
 - An indication that there still might be open problems within the logical partition.
 - An indication that you cannot activate the logical partition LED.

To deactivate a system attention LED by using the SDMC, complete the following steps:

1. On the **Welcome** page, under the **Resources** tab, select the server.
2. Click **Actions > Service and Support > Hardware > System Attention LED**.
3. Click **OK**.

Activating or deactivating an identify LED by using the management console

You can activate or deactivate an identify LED for components attached to the system from the Hardware Management Console (HMC) or from the IBM Systems Director Management Console (SDMC).

The system provides several LEDs that help identify various components in the system, such as enclosures or field-replaceable units (FRUs). For this reason, the LEDs are called *identify LEDs*.

You can activate or deactivate the following types of identify LEDs:

- **Identify LED for an enclosure.** If you want to add an adapter to a specific drawer (enclosure), you need to know the machine type, model, and serial number (MTMS) of the drawer. To determine whether you have the correct MTMS for the drawer that needs the new adapter, you can activate the LED for a drawer and verify that the MTMS corresponds to the drawer that requires the new adapter.

- **Identify LED for a FRU associated with a specified enclosure.** If you want to hook up a cable to a specific I/O adapter, you can activate the LED for the adapter, which is a field replaceable unit (FRU), and then physically check to see where you should connect the cable. This is especially useful when you have several adapters with open ports.

To activate or deactivate an identify LED for an enclosure or FRU by using the HMC, follow these steps:

1. In the navigation area, open **Systems management**.
2. Select the server you are working on.
3. Click **Operations > LED Status > Identify LED**. The Identify LED, Select Enclosure window opens.
4. To activate or deactivate an identify LED for an enclosure, select an enclosure from the table, and click either **Activate LED** or **Deactivate LED**. The associated LED is either turned on or off.
5. To activate or deactivate an identify LED for a FRU, select an enclosure from the table, and then select **Selected > List FRUs**.
6. Select one or more FRUs from the table, and click either **Activate LED** or **Deactivate LED**. The associated LED is either turned on or off.

To activate or deactivate an identify LED for an enclosure or FRU by using the SDMC, complete these steps:

1. On the **Welcome** page, under the **Resources** tab, select the server.
2. Click **Actions > Service and Support > Hardware > Identify LED**.
3. To activate or deactivate an identify LED for an enclosure, select an enclosure from the table, and click either **Activate LED** or **Deactivate LED**. The associated LED is either turned on or off.
4. To activate or deactivate an identify LED for a FRU, select an enclosure from the table, and then click **List FRUs**.
5. Select one or more FRUs from the table, and then click either **Activate LED** or **Deactivate LED**. The associated LED is either turned on or off.

Deactivating a system attention LED or logical partition LED by using the Advanced System Management Interface

You can deactivate a system attention LED or a logical partition LED by using the Advanced System Management Interface (ASMI).

The system attention indicator provides a visual signal that the system as a whole requires attention or service. Each system has a single system attention indicator. When an event occurs that either needs your intervention or that of service and support, the system attention indicator lights continuously. The system attention indicator is turned on when an entry is made in the service processor error log. The error entry is transmitted to the system error log and to the operating system error log.

To perform this operation, your authority level must be one of the following levels:

- Administrator
- Authorized service provider

To turn off the system attention indicator, do the following steps:

1. In the ASMI Welcome pane, specify your user ID and password, and click **Log In**.
2. In the navigation area, expand **System Configuration > Service Indicators > System Attention Indicator**.
3. In the right pane, click **Turn off system attention indicator**. If the attempt is unsuccessful, an error message is displayed.

Activating or deactivating an identify LED by using the Advanced System Management Interface

You can activate or deactivate an identify LED by using the Advanced System Management Interface (ASMI).

You can specify the location code of any indicator to view or modify its current state. If you provide the wrong location code, the advanced system manager attempts to go to the next higher level of the location code.

The next level is the base-level location code for that field replaceable unit (FRU). For example, a user types the location code for the FRU located on the second I/O slot of the third enclosure in the system. If the location code for the second I/O slot is incorrect (the FRU does not exist at this location), an attempt to set the indicator for the third enclosure is initiated. This process continues until a FRU is located or no other level is available.

To perform this operation, your authority level must be one of the following levels:

- Administrator
- Authorized service provider

To change the current state of an indicator, do the following steps:

1. On the ASMI Welcome pane, specify your user ID and password, and click **Log In**.
2. In the navigation area, expand **System Configuration > Service Indicators > Indicators by Location code**.
3. In the right pane, enter the location code of the FRU and click **Continue**.
4. Select the preferred state from the list.
5. Click **Save settings**.

Notices

This information was developed for products and services offered in the U.S.A.

The manufacturer may not offer the products, services, or features discussed in this document in other countries. Consult the manufacturer's representative for information on the products and services currently available in your area. Any reference to the manufacturer's product, program, or service is not intended to state or imply that only that product, program, or service may be used. Any functionally equivalent product, program, or service that does not infringe any intellectual property right of the manufacturer may be used instead. However, it is the user's responsibility to evaluate and verify the operation of any product, program, or service.

The manufacturer may have patents or pending patent applications covering subject matter described in this document. The furnishing of this document does not grant you any license to these patents. You can send license inquiries, in writing, to the manufacturer.

The following paragraph does not apply to the United Kingdom or any other country where such provisions are inconsistent with local law: THIS PUBLICATION IS PROVIDED "AS IS" WITHOUT WARRANTY OF ANY KIND, EITHER EXPRESS OR IMPLIED, INCLUDING, BUT NOT LIMITED TO, THE IMPLIED WARRANTIES OF NON-INFRINGEMENT, MERCHANTABILITY OR FITNESS FOR A PARTICULAR PURPOSE. Some states do not allow disclaimer of express or implied warranties in certain transactions, therefore, this statement may not apply to you.

This information could include technical inaccuracies or typographical errors. Changes are periodically made to the information herein; these changes will be incorporated in new editions of the publication. The manufacturer may make improvements and/or changes in the product(s) and/or the program(s) described in this publication at any time without notice.

Any references in this information to websites not owned by the manufacturer are provided for convenience only and do not in any manner serve as an endorsement of those websites. The materials at those websites are not part of the materials for this product and use of those websites is at your own risk.

The manufacturer may use or distribute any of the information you supply in any way it believes appropriate without incurring any obligation to you.

Any performance data contained herein was determined in a controlled environment. Therefore, the results obtained in other operating environments may vary significantly. Some measurements may have been made on development-level systems and there is no guarantee that these measurements will be the same on generally available systems. Furthermore, some measurements may have been estimated through extrapolation. Actual results may vary. Users of this document should verify the applicable data for their specific environment.

Information concerning products not produced by this manufacturer was obtained from the suppliers of those products, their published announcements or other publicly available sources. This manufacturer has not tested those products and cannot confirm the accuracy of performance, compatibility or any other claims related to products not produced by this manufacturer. Questions on the capabilities of products not produced by this manufacturer should be addressed to the suppliers of those products.

All statements regarding the manufacturer's future direction or intent are subject to change or withdrawal without notice, and represent goals and objectives only.

The manufacturer's prices shown are the manufacturer's suggested retail prices, are current and are subject to change without notice. Dealer prices may vary.

This information is for planning purposes only. The information herein is subject to change before the products described become available.

This information contains examples of data and reports used in daily business operations. To illustrate them as completely as possible, the examples include the names of individuals, companies, brands, and products. All of these names are fictitious and any similarity to the names and addresses used by an actual business enterprise is entirely coincidental.

If you are viewing this information in softcopy, the photographs and color illustrations may not appear.

The drawings and specifications contained herein shall not be reproduced in whole or in part without the written permission of the manufacturer.

The manufacturer has prepared this information for use with the specific machines indicated. The manufacturer makes no representations that it is suitable for any other purpose.

The manufacturer's computer systems contain mechanisms designed to reduce the possibility of undetected data corruption or loss. This risk, however, cannot be eliminated. Users who experience unplanned outages, system failures, power fluctuations or outages, or component failures must verify the accuracy of operations performed and data saved or transmitted by the system at or near the time of the outage or failure. In addition, users must establish procedures to ensure that there is independent data verification before relying on such data in sensitive or critical operations. Users should periodically check the manufacturer's support websites for updated information and fixes applicable to the system and related software.

Homologation statement

This product may not be certified in your country for connection by any means whatsoever to interfaces of public telecommunications networks. Further certification may be required by law prior to making any such connection. Contact an IBM representative or reseller for any questions.

Trademarks

IBM, the IBM logo, and ibm.com are trademarks or registered trademarks of International Business Machines Corp., registered in many jurisdictions worldwide. Other product and service names might be trademarks of IBM or other companies. A current list of IBM trademarks is available on the web at www.ibm.com/legal/copytrade.shtml.

Linux is a registered trademark of Linus Torvalds in the United States, other countries, or both.

Red Hat, the Red Hat "Shadow Man" logo, and all Red Hat-based trademarks and logos are trademarks or registered trademarks of Red Hat, Inc., in the United States and other countries.

Electronic emission notices

When attaching a monitor to the equipment, you must use the designated monitor cable and any interference suppression devices supplied with the monitor.

Class A Notices

The following Class A statements apply to the IBM servers that contain the POWER7 processor and its features unless designated as electromagnetic compatibility (EMC) Class B in the feature information.

Federal Communications Commission (FCC) statement

Note: This equipment has been tested and found to comply with the limits for a Class A digital device, pursuant to Part 15 of the FCC Rules. These limits are designed to provide reasonable protection against harmful interference when the equipment is operated in a commercial environment. This equipment generates, uses, and can radiate radio frequency energy and, if not installed and used in accordance with the instruction manual, may cause harmful interference to radio communications. Operation of this equipment in a residential area is likely to cause harmful interference, in which case the user will be required to correct the interference at his own expense.

Properly shielded and grounded cables and connectors must be used in order to meet FCC emission limits. IBM is not responsible for any radio or television interference caused by using other than recommended cables and connectors or by unauthorized changes or modifications to this equipment. Unauthorized changes or modifications could void the user's authority to operate the equipment.

This device complies with Part 15 of the FCC rules. Operation is subject to the following two conditions: (1) this device may not cause harmful interference, and (2) this device must accept any interference received, including interference that may cause undesired operation.

Industry Canada Compliance Statement

This Class A digital apparatus complies with Canadian ICES-003.

Avis de conformité à la réglementation d'Industrie Canada

Cet appareil numérique de la classe A est conforme à la norme NMB-003 du Canada.

European Community Compliance Statement

This product is in conformity with the protection requirements of EU Council Directive 2004/108/EC on the approximation of the laws of the Member States relating to electromagnetic compatibility. IBM cannot accept responsibility for any failure to satisfy the protection requirements resulting from a non-recommended modification of the product, including the fitting of non-IBM option cards.

This product has been tested and found to comply with the limits for Class A Information Technology Equipment according to European Standard EN 55022. The limits for Class A equipment were derived for commercial and industrial environments to provide reasonable protection against interference with licensed communication equipment.

European Community contact:
IBM Deutschland GmbH
Technical Regulations, Department M372
IBM-Allee 1, 71139 Ehningen, Germany
Tele: +49 7032 15 2941
email: lugi@de.ibm.com

Warning: This is a Class A product. In a domestic environment, this product may cause radio interference, in which case the user may be required to take adequate measures.

VCCI Statement - Japan

この装置は、クラスA 情報技術装置です。この装置を家庭環境で使用すると電波妨害を引き起こすことがあります。この場合には使用者が適切な対策を講ずるよう要求されることがあります。

VCCI-A

The following is a summary of the VCCI Japanese statement in the box above:

This is a Class A product based on the standard of the VCCI Council. If this equipment is used in a domestic environment, radio interference may occur, in which case, the user may be required to take corrective actions.

Japanese Electronics and Information Technology Industries Association (JEITA) Confirmed Harmonics Guideline (products less than or equal to 20 A per phase)

高調波ガイドライン適合品

Japanese Electronics and Information Technology Industries Association (JEITA) Confirmed Harmonics Guideline with Modifications (products greater than 20 A per phase)

高調波ガイドライン準用品

Electromagnetic Interference (EMI) Statement - People's Republic of China

声 明

此为 A 级产品, 在生活环境中, 该产品可能会造成无线电干扰。在这种情况下, 可能需要用户对其干扰采取切实可行的措施。

Declaration: This is a Class A product. In a domestic environment this product may cause radio interference in which case the user may need to perform practical action.

Electromagnetic Interference (EMI) Statement - Taiwan

警告使用者：
這是甲類的資訊產品，在居住的環境中使用時，可能會造成射頻干擾，在這種情況下，使用者會被要求採取某些適當的對策。

The following is a summary of the EMI Taiwan statement above.

Warning: This is a Class A product. In a domestic environment this product may cause radio interference in which case the user will be required to take adequate measures.

IBM Taiwan Contact Information:

台灣IBM 產品服務聯絡方式：
台灣國際商業機器股份有限公司
台北市松仁路7號3樓
電話：0800-016-888

Electromagnetic Interference (EMI) Statement - Korea

이 기기는 업무용(A급)으로 전자파적합기기로서 판매자 또는 사용자는 이 점을 주의하시기 바라며, 가정외의 지역에서 사용하는 것을 목적으로 합니다.

Germany Compliance Statement

Deutschsprachiger EU Hinweis: Hinweis für Geräte der Klasse A EU-Richtlinie zur Elektromagnetischen Verträglichkeit

Dieses Produkt entspricht den Schutzanforderungen der EU-Richtlinie 2004/108/EG zur Angleichung der Rechtsvorschriften über die elektromagnetische Verträglichkeit in den EU-Mitgliedsstaaten und hält die Grenzwerte der EN 55022 Klasse A ein.

Um dieses sicherzustellen, sind die Geräte wie in den Handbüchern beschrieben zu installieren und zu betreiben. Des Weiteren dürfen auch nur von der IBM empfohlene Kabel angeschlossen werden. IBM übernimmt keine Verantwortung für die Einhaltung der Schutzanforderungen, wenn das Produkt ohne Zustimmung von IBM verändert bzw. wenn Erweiterungskomponenten von Fremdherstellern ohne Empfehlung von IBM gesteckt/eingebaut werden.

EN 55022 Klasse A Geräte müssen mit folgendem Warnhinweis versehen werden:
"Warnung: Dieses ist eine Einrichtung der Klasse A. Diese Einrichtung kann im Wohnbereich Funk-Störungen verursachen; in diesem Fall kann vom Betreiber verlangt werden, angemessene Maßnahmen zu ergreifen und dafür aufzukommen."

Deutschland: Einhaltung des Gesetzes über die elektromagnetische Verträglichkeit von Geräten

Dieses Produkt entspricht dem "Gesetz über die elektromagnetische Verträglichkeit von Geräten (EMVG)". Dies ist die Umsetzung der EU-Richtlinie 2004/108/EG in der Bundesrepublik Deutschland.

Zulassungsbescheinigung laut dem Deutschen Gesetz über die elektromagnetische Verträglichkeit von Geräten (EMVG) (bzw. der EMC EG Richtlinie 2004/108/EG) für Geräte der Klasse A

Dieses Gerät ist berechtigt, in Übereinstimmung mit dem Deutschen EMVG das EG-Konformitätszeichen - CE - zu führen.

Verantwortlich für die Einhaltung der EMV Vorschriften ist der Hersteller:
International Business Machines Corp.
New Orchard Road
Armonk, New York 10504
Tel: 914-499-1900

Der verantwortliche Ansprechpartner des Herstellers in der EU ist:
IBM Deutschland GmbH
Technical Regulations, Abteilung M372
IBM-Allee 1, 71139 Ehningen, Germany
Tel: +49 7032 15 2941
email: lugi@de.ibm.com

Generelle Informationen:

Das Gerät erfüllt die Schutzanforderungen nach EN 55024 und EN 55022 Klasse A.

Electromagnetic Interference (EMI) Statement - Russia

ВНИМАНИЕ! Настоящее изделие относится к классу А.
В жилых помещениях оно может создавать радиопомехи, для снижения которых необходимы дополнительные меры

Class B Notices

The following Class B statements apply to features designated as electromagnetic compatibility (EMC) Class B in the feature installation information.

Federal Communications Commission (FCC) statement

This equipment has been tested and found to comply with the limits for a Class B digital device, pursuant to Part 15 of the FCC Rules. These limits are designed to provide reasonable protection against harmful interference in a residential installation.

This equipment generates, uses, and can radiate radio frequency energy and, if not installed and used in accordance with the instructions, may cause harmful interference to radio communications. However, there is no guarantee that interference will not occur in a particular installation.

If this equipment does cause harmful interference to radio or television reception, which can be determined by turning the equipment off and on, the user is encouraged to try to correct the interference by one or more of the following measures:

- Reorient or relocate the receiving antenna.
- Increase the separation between the equipment and receiver.
- Connect the equipment into an outlet on a circuit different from that to which the receiver is connected.
- Consult an IBM-authorized dealer or service representative for help.

Properly shielded and grounded cables and connectors must be used in order to meet FCC emission limits. Proper cables and connectors are available from IBM-authorized dealers. IBM is not responsible for any radio or television interference caused by unauthorized changes or modifications to this equipment. Unauthorized changes or modifications could void the user's authority to operate this equipment.

This device complies with Part 15 of the FCC rules. Operation is subject to the following two conditions: (1) this device may not cause harmful interference, and (2) this device must accept any interference received, including interference that may cause undesired operation.

Industry Canada Compliance Statement

This Class B digital apparatus complies with Canadian ICES-003.

Avis de conformité à la réglementation d'Industrie Canada

Cet appareil numérique de la classe B est conforme à la norme NMB-003 du Canada.

European Community Compliance Statement

This product is in conformity with the protection requirements of EU Council Directive 2004/108/EC on the approximation of the laws of the Member States relating to electromagnetic compatibility. IBM cannot accept responsibility for any failure to satisfy the protection requirements resulting from a non-recommended modification of the product, including the fitting of non-IBM option cards.

This product has been tested and found to comply with the limits for Class B Information Technology Equipment according to European Standard EN 55022. The limits for Class B equipment were derived for typical residential environments to provide reasonable protection against interference with licensed communication equipment.

European Community contact:
IBM Deutschland GmbH
Technical Regulations, Department M372
IBM-Allee 1, 71139 Ehningen, Germany
Tele: +49 7032 15 2941
email: lugi@de.ibm.com

VCCI Statement - Japan

この装置は、クラスB情報技術装置です。この装置は、家庭環境で使用することを目的としていますが、この装置がラジオやテレビジョン受信機に近接して使用されると、受信障害を引き起こすことがあります。

取扱説明書に従って正しい取り扱いをして下さい。 VCCI-B

Japanese Electronics and Information Technology Industries Association (JEITA) Confirmed Harmonics Guideline (products less than or equal to 20 A per phase)

高調波ガイドライン適合品

Japanese Electronics and Information Technology Industries Association (JEITA) Confirmed Harmonics Guideline with Modifications (products greater than 20 A per phase)

高調波ガイドライン準用品

IBM Taiwan Contact Information

台灣IBM 產品服務聯絡方式：
台灣國際商業機器股份有限公司
台北市松仁路7號3樓
電話：0800-016-888

Electromagnetic Interference (EMI) Statement - Korea

이 기기는 가정용(B급)으로 전자과적합기기로
서 주로 가정에서 사용하는 것을 목적으로 하
며, 모든 지역에서 사용할 수 있습니다.

Germany Compliance Statement

Deutschsprachiger EU Hinweis: Hinweis für Geräte der Klasse B EU-Richtlinie zur
Elektromagnetischen Verträglichkeit

Dieses Produkt entspricht den Schutzanforderungen der EU-Richtlinie 2004/108/EG zur Angleichung der Rechtsvorschriften über die elektromagnetische Verträglichkeit in den EU-Mitgliedsstaaten und hält die Grenzwerte der EN 55022 Klasse B ein.

Um dieses sicherzustellen, sind die Geräte wie in den Handbüchern beschrieben zu installieren und zu betreiben. Des Weiteren dürfen auch nur von der IBM empfohlene Kabel angeschlossen werden. IBM übernimmt keine Verantwortung für die Einhaltung der Schutzanforderungen, wenn das Produkt ohne Zustimmung von IBM verändert bzw. wenn Erweiterungskomponenten von Fremdherstellern ohne Empfehlung von IBM gesteckt/eingebaut werden.

Deutschland: Einhaltung des Gesetzes über die elektromagnetische Verträglichkeit von Geräten

Dieses Produkt entspricht dem "Gesetz über die elektromagnetische Verträglichkeit von Geräten (EMVG)". Dies ist die Umsetzung der EU-Richtlinie 2004/108/EG in der Bundesrepublik Deutschland.

Zulassungsbescheinigung laut dem Deutschen Gesetz über die elektromagnetische Verträglichkeit von Geräten (EMVG) (bzw. der EMC EG Richtlinie 2004/108/EG) für Geräte der Klasse B

Dieses Gerät ist berechtigt, in Übereinstimmung mit dem Deutschen EMVG das EG-Konformitätszeichen - CE - zu führen.

Verantwortlich für die Einhaltung der EMV Vorschriften ist der Hersteller:
International Business Machines Corp.
New Orchard Road
Armonk, New York 10504
Tel: 914-499-1900

Der verantwortliche Ansprechpartner des Herstellers in der EU ist:
IBM Deutschland GmbH
Technical Regulations, Abteilung M372
IBM-Allee 1, 71139 Ehningen, Germany
Tel: +49 7032 15 2941
email: lugi@de.ibm.com

Generelle Informationen:

Das Gerät erfüllt die Schutzanforderungen nach EN 55024 und EN 55022 Klasse B.

Terms and conditions

Permissions for the use of these publications are granted subject to the following terms and conditions.

Applicability: These terms and conditions are in addition to any terms of use for the IBM website.

Personal Use: You may reproduce these publications for your personal, noncommercial use provided that all proprietary notices are preserved. You may not distribute, display or make derivative works of these publications, or any portion thereof, without the express consent of IBM.

Commercial Use: You may reproduce, distribute and display these publications solely within your enterprise provided that all proprietary notices are preserved. You may not make derivative works of these publications, or reproduce, distribute or display these publications or any portion thereof outside your enterprise, without the express consent of IBM.

Rights: Except as expressly granted in this permission, no other permissions, licenses or rights are granted, either express or implied, to the Publications or any information, data, software or other intellectual property contained therein.

IBM reserves the right to withdraw the permissions granted herein whenever, in its discretion, the use of the publications is detrimental to its interest or, as determined by IBM, the above instructions are not being properly followed.

You may not download, export or re-export this information except in full compliance with all applicable laws and regulations, including all United States export laws and regulations.

IBM MAKES NO GUARANTEE ABOUT THE CONTENT OF THESE PUBLICATIONS. THE PUBLICATIONS ARE PROVIDED "AS-IS" AND WITHOUT WARRANTY OF ANY KIND, EITHER EXPRESSED OR IMPLIED, INCLUDING BUT NOT LIMITED TO IMPLIED WARRANTIES OF MERCHANTABILITY, NON-INFRINGEMENT, AND FITNESS FOR A PARTICULAR PURPOSE.



Printed in USA