

POWER & AIX User Group Meeting - Switzerland

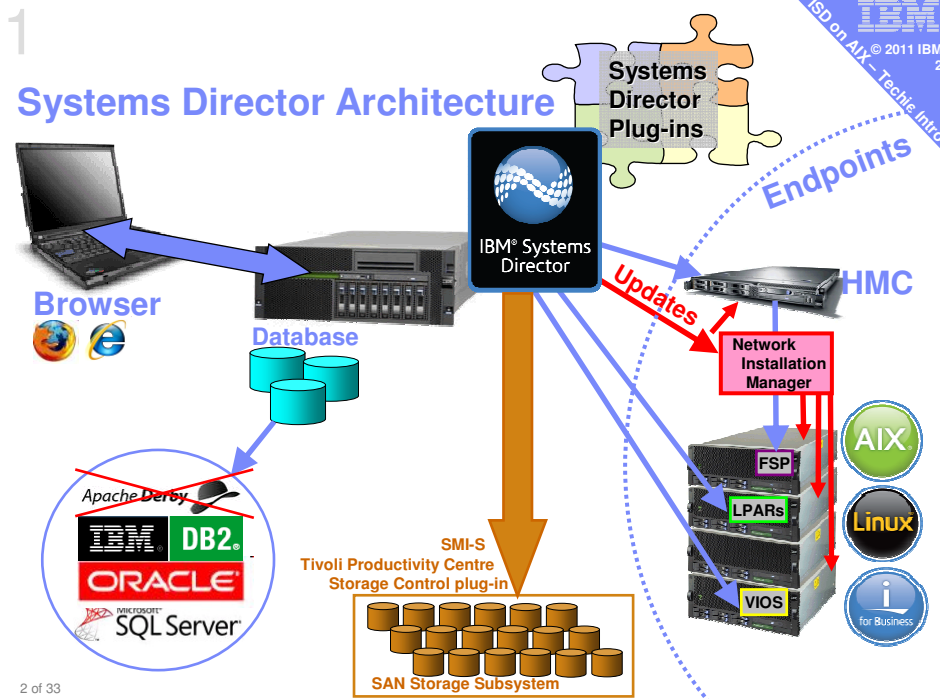
Licensed Materials - Property of IBM Corp. © IBM Corporation and other(s) 2008, 2011. IBM is a registered trademark of the IBM Corporation, in the United States, other countries, or both.

Systems Director 6.3 for Power + AIX Technical Introduction

- Starter for Ten
 - Architecture
 - Sizing
 - Components
 - Editions
 - Feature Rich
 - Does not do ...
 - Top features for AIX
 - Want to learn more?
 - Pricing
 - Adoption Plan
- Advanced Topics
 - Estimator
 - Perf Tuning Guide
 - SAN Disk List
 - Oops! VMC Fixes
 - Solution Assurance
 - History
 - Hierarchical +
 - Min. support levels
 - AIXpert Blog tips
 - Licenses
 - "Interesting!" Areas



Nigel Griffiths
 IBM Power Systems
 Advanced Technology Support, Europe v22



2 of 33

2 **Systems Director 6 Platform Resources**

IBM © 2011 IBM 3
ISD on AIX - Techie Intro

POWER 5/6/7 **2 CPU**
Shared + Uncapped

6-8 GB
Paging space

50GB+
Many Disks = database

AIX 6.1 TL7+sp
7.1 TL1+sp

**Download Director 6.3+
=1.9GB file! → ulimit
+ Plug-ins**

3 of 33

3 <http://www.ibm.com/systems/software/director>

IBM © 2011 IBM 4
ISD on AIX - Techie Intro

United States [change]

Home Solutions Services Products Support & downloads My IBM Welcome [IBM Sign in] [Register]

IBM Systems Director

Systems Director Editions
Active Energy Manager
Network Control
VMControl
Storage Control
Service & Support Manager
Downloads

**Reduces complexity and costs,
increases efficiency**

→ Read more on new Systems Director announcements

Downloads

- Overview
- Management servers
- Agents
- Plug-ins
- Partner integration

Product documentation

Redbooks, papers and briefs

Forums / Wikis

Education / Demos

Services and training

We're here to help

Call us at 1-866-883-8901
Priority code: 600AA17W

E-mail IBM

Find a Business Partner

Pulse 2012 Customer Story

BC Jindal Group CIO discusses IBM System Director

Watch video (00:03:2...)

Announcing IBM PowerLinux

Optimized to securely control x86 server sprawl

→ Learn more about PowerLinux

Explore IBM Systems Director

Later: to download software you will need an IBM id & password

It takes just a few minutes to register

Management Servers

Five options for the ISD Server:

- POWER – AIX
- POWER – Linux
- IBM x86 – Linux
- Mainframe – Linux
- IBM x86 – Windows

Compatibility considerations
There are compatibility considerations for IBM Systems Director Server 6.3 and its supported plug-ins. See the [plug-ins](#) download page for details on the compatibility requirements for each plug-in.

Pre-installation and sizing tools
Use the following resources to assist you before you install, and to help you with sizing, scaling, and performance tuning for IBM Systems Director 6.3:

- [IBM Systems Director Pre-Installation Utility](#)
Performs prerequisite checks to ensure that your environment satisfies the requirements for installing IBM Systems Director.
- [IBM Systems Director Sizing Tool](#)
Web-based sizing tool which can be used to size a new system, to size an upgrade to an existing system, or to size a consolidation of several systems.

5 of 33

Downloads

Overview | **Management servers** | Agents | Plug-ins | Partner integration

The management server is the system on which IBM® Systems Director Server is installed. It provides a central point of control for aggregating and managing discovered systems.

IBM Systems Director 6.3

IBM Systems Director Server 6.3 is the latest release of IBM Systems Director. IBM Systems Director Server 6.3 can be installed on management servers running Windows®, AIX®, Linux® on x86, Linux on Power Systems, and Linux on System z.

Beginning with IBM Systems Director 6.3, the following plug-ins are packaged and installed with the installation of IBM Systems Director management server: Active Energy Manager, Service and Support Manager, VMControl.

- ▶ **Compatibility considerations**
- ▶ **Pre-installation and sizing tools**

Downloads

There are two types of download packages available for you to use to install IBM Systems Director Server.

- **Installation package**
You can install this release using the installation package files. Additional information and installation instructions are in a readme file that is included in each stand-alone installation package.
- **DVD image**
You can create a DVD that you can use to install IBM Systems Director Server 6.3.

Server installation	Release date	Operating systems
⚡ IBM Systems Director Server 6.3 (Power)	Dec 2011	AIX, Linux on Power Systems
⚡ IBM Systems Director Server 6.3 (System x)	Dec 2011	Linux for IBM x86, Windows

Note: For System z, IBM Systems Director Server 6.3 is available in the *IBM Systems Director Standard Edition for Linux on System z* package only. See the [Software Announcement for Standard Edition for Linux on System z](#).

Common Agents (CA)

HMC, IVM, VIOS & AIX
all come with Common Agent
already installed for the
past 3 years

If old or you want to upgrade
Download it from here

Remote Deploy is getting ISD
to install it

I prefer the Manual install
- smitty installp

Also here CA for IBM i, Linux, Windows

6 of 33

Downloads

Overview | Management servers | **Agents** | Plug-ins | Partner integration

The operating system agents serve as the control point for accessing operating system and host information. These agents run on operating system-based and hardware-based systems that can be discovered and managed by IBM® Systems Director. The level of system management depends on the agent that is installed on the system: Common Agent or Platform Agent.

Common Agent provides a rich set of security and deployment function, including discovering systems, monitoring health, managing alerts, managing power, and others. [Learn more.](#)

Platform Agent provides a subset of the function provided by Common Agent and is well suited to environments that require a smaller footprint without sacrificing manageability. [Learn more.](#)

Remote deployment using Agent Installation wizard (recommended)
Import Common or Platform Agents into IBM Systems Director Server and use the IBM Systems Director Agent Installation wizard to install.

Select the agent version that matches the IBM Systems Director Server version running on your management server:

- ⚡ [Download Version 6.3.x](#) [Power Systems | System x | System z]
- ⚡ [Download Version 6.2.x](#)
- ⚡ [Download Version 6.1.x](#)

Manual installation

Install Common or Platform Agents manually, directly onto the managed system.

Select the agent version that matches the IBM Systems Director Server version running on your management server:

- ⚡ [Download Version 6.3.x](#) [Power Systems | System x | System z]
- ⚡ [Download Version 6.2.x](#)
- ⚡ [Download Version 6.1.x](#)

Plug-ins

Has links to download:
Active Energy Manager
Service & Support Manager
VMControl
AIX WPAR Manager

Network Control
Storage Control
PowerHA SystemMirror

Transition Manager for
HP Systems Insight
Migration Tool (ISD 5)

7 of 33

Downloads

Overview | Management servers | Agents | **Plug-ins** | Partner
Integration

You can add plug-ins to IBM® Systems Director that provide advanced function or function tailored to a particular environment.

NOTE: Beginning with IBM Systems Director 6.3, the following plug-ins are packaged and installed with the installation of IBM Systems Director management server:

- IBM Systems Director Active Energy Manager
- IBM Systems Director Service and Support Manager
- IBM Systems Director VMControl

• • •

IBM PowerVM Workload Partitions Manager for AIX

Manages the complete lifecycle of workload partitions (WPARs) across a collection of managed systems running AIX 6 and AIX 7. Provides advanced capabilities such as live application mobility and a policy based relocation engine to automate relocation of WPARs based on system utilization. Includes 60-day trial for V2.2.1 and earlier, 90-day trial for V2.3 and later.

Version	Release date	Compatible with	Download
2.3	Dec 2011	IBM Systems Director 6.3	⬇️ Version 2.3
2.2.1	Sep 2010	IBM Systems Director 6.2, 6.2.1	⬇️ Version 2.2.1
2.1	Nov 2009	IBM Systems Director 6.1.2.x	⬇️ Version 2.1

• • •

IBM Systems Director PowerHA SystemMirror

Provides the management interface for PowerHA™ SystemMirror product. Provides both setup and management of your data center high availability

Partners + Integration

Has links to download:

- Tivoli® Management Framework
- Tivoli NetView®
- HP OpenView
- ISD Active Energy Manager plug-in for VMware vSphere
- CA™ Unicenter®
- IBM Hardware Management Packs for Microsoft System Center Operations Manager 2007

- Blade Networks Technologies
- Cisco
- QLogic

Either exciting or dull as dish water!

8 of 33

Downloads

Overview | Management servers | Agents | **Plug-ins** | **Partner**
Integration

IBM® System Director's open design point and support for industry standards helps management vendors offer customers comprehensive systems management solutions that work together in a seamless, complementary fashion. The result is more choice and more capability from a consistent, single interface.

Upward integration modules

IBM Systems Director upward integration modules (UIMs) and management packs enable your workgroup and enterprise-management products to interpret and display data that is provided by Common Agents and Platform Agents. These modules provide enhancements to the enterprise-management products that you can use to collect inventory data, view IBM Systems Director event notifications, and for some UIMs, distribute IBM Systems Director software packages.

IBM Systems Director enables you to make the most of your existing enterprise management structure by upwardly integrating with these management software solutions:

- Tivoli® Management Framework
- Tivoli NetView® 7.1x (Windows and Linux)
- HP OpenView NNM 7.0.1 and 7.5.1 (Windows and Linux)
- HP OpenView Operations for Windows 7.5x (Windows)
- IBM Systems Director Active Energy Manager plug-in for VMware vSphere
- CA™ Unicenter® NSM 3.1 and r11 (Windows)
- IBM Hardware Management Packs for Microsoft System Center Operations Manager 2007

⬇️ Download upward integration modules

Partner plug-ins

In addition to IBM® plug-ins, IBM Systems Director plug-ins developed by partners are also available for customers who want to do more and do it from a familiar, consistent, single point of management – the IBM Systems Director interface. These tools complement IBM Systems Director's capabilities and provide more choice on how best to tackle the challenge of managing IT assets.

Blade Network Technologies

⬇️ Configuration plug-in supporting BladeCenter and RackSwitch devices

Cisco

⬇️ Configuration plug-in for Cisco Nexus 4001 Switch Module

QLogic

⬇️ Configuration plug-in supporting BladeCenter devices

What do I Download?

- Systems Director 6.3.1 for AIX 1900MB
 - Includes Active Energy Manger
 - Includes VMControl
- Common Agent AIX and VIOS latest installp 220MB
 - Also if you have it Linux on Power and IBM i
- AIX WPAR Manager and Agent 110MB
- I also run PowerSC AIX Profile Manager Plugin
 - This needed to the purchase first



33

Enterprise

- **Standard+**
- VMControl System Pools
- IBM Tivoli Monitoring +Capacity **ITM**
- Tivoli Application Discovery **TADDM**

Standard

- **Express+ AEM**
- **VMControl Image Mgr**
- **Network Control**

Express

- **Support + VMControl Express**
- **Service & Support Mgr**
- **Transition from HP Insight**

Systems Director Editions

4

5

Systems Director is very Feature Rich

Too many to cover in even 24 hours

System Management is a large area these → are the classic SM topics

	Systems Director Base	Systems Director Edition
1. Portal	✓	
2. Topology	✓	
3. Sign-on	✓	
4. Update	✓	
5. Inventory	✓	✓=Enterprise
6. Config monitor	✓	✓=Enterprise
7. Compliance	✓	✓=Enterprise
8. OS Deploy	✓	✓=Standard
9. Energy	✓	
10. Storage	✓	✓=StorageControl
11. Automation	✓	
12. Cluster Load Balance	✓	✓=Enterprise
13. Network	✓	✓=Standard
14. Health only	✓	
15. Performance	✓	✓=Enterprise
16. Capacity	✓	✓=Enterprise

Note:

Systems Director is platform level focused

– For Power = HMC, Machines, LPARs, AIX, VIOS ✓ Limited Supported

11 of 33



6

Systems Director is ... NOT

Not focused on applications, data or user service level

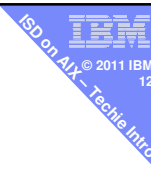
No interest in:

- Backup
- Application Rollout
- Application User Control
- Usage & Accounting
- Printing
- Problem Tracking

Performance Monitoring → Systems Director Enterprise Edition

- Includes IBM Tivoli Monitoring (ITM)
- = good full featured monitoring at LPAR & machine levels
- + plus Capacity Planning module for longer term trends

12 of 33



7

Highlights for AIX System Admin

Hot feature list from ATS experience

1. One Hour Install
 2. **Update Manager**
 3. Whole Machine Performance View
 4. LPAR direct operations
 5. Active Energy Manager (very easy)
 6. VMControl Image Manager (advanced)
 7. Workload Partitions (with WPAR relocation)
 8. **Alerts & Automation Plans**
 9. Topology Views
 10. Remote Access
 11. VMControl System Pools
- } Plug-ins

13 of 33 First 8 in a 12 minute [How Systems Director Saves Me Time movie](http://tinyurl.com/AIXmovies) <http://tinyurl.com/AIXmovies>

8

What to know more?

Getting Started

- Systems Director Website, Overview, Editions, Downloads & Docs
 - <http://www.ibm.com/systems/management/director/>

Movies

- <http://tinyurl.com/AIXmovies> 19 Hands-on techie videos
- <http://tinyurl.com/SDnewwiki> 25 Overview videos
- <http://youtube.com> → "IBM Systems Director" = 28 videos

Detailed

- Systems Director Info-Center Documentation

- <http://tinyurl.com/SDinfocenter>

Redwiki

- <http://tinyurl.com/SDnewwiki> Updates to Redbook + hints and tips take "Power Systems" link

- Supported SAN Disks + Switches

- <http://tinyurl.com/SDdisks>

Performance Tuning/Scaling

<http://tinyurl.com/SDperformance>

Within Systems Director itself

- Dynamic Graphical Browser Application

- includes lots of online help, Welcome page tutorials & Intro movies

Also Hands-On Education is available + Lab services to get a flying start

14 of 33



9 For each box controlled by Systems Director
Year 1 = License + Support then just support
Prices = per core per year*

£

Editions	Director Express	Director Standard	Director Enterprise
Small machine Power 750 & below	Year1 £22 Year2 £19	Year1 £125 Year2 £ 21	Year1 £315 Year2 £ 54
Medium machine p570 / Power 770	Year1 £54 Year2 £46	Year1 £315 Year2 £ 54	Year1 £788 Year2 £134
Large machine p595 / Power 780/795	Year1 £108 Year2 £ 92	Year1 £630 Year2 £107	Year1 £1575 Year2 £ 267

Systems Director Yearly Support

Standard S
200 cores @ 19
Total £3,800

Enterprise M
100 cores @ 134
Total £13,400

Enterprise L
50 cores @ 267
Total £13,350

Grand Total
£30,550

Base Director is a free download, but you need to purchase support

Download + 60 day trial
Then have to purchase license & support

Storage Control year 1 £780
(not per core) year 2 £136

*Based on 3 years pre-paid s/w maintenance
UK Sterling LIST Prices ex-VAT and valid 30 days from Jan 24 2011

IBM © 2011 IBM 15
ISD on AIX - Techie Intro

9 For each box controlled by Systems Director
Year 1 = license + support then just support*
Prices = per core per year*

\$

Editions	Director Express	Director Standard	Director Enterprise
Small machine Power 750 & below	Year1 \$25 Year2 \$21	Year1 \$ 145 Year2 \$25	Year1 \$363 Year2 \$62
Medium machine p570 / Power 770	Year1 \$63 Year2 \$54	Year1 \$363 Year2 \$62	Year1 \$908 Year2 \$155
Large machine p595 / Power 780/795	Year1 \$125 Year2 \$107	Year1 \$725 Year2 \$123	Year1 \$1815 Year2 \$308

Systems Director Yearly Support

Standard S
200 cores @ 21
Total \$4,200

Enterprise M
100 cores @ 155
Total \$15,500

Enterprise L
50 cores @ 308
Total \$15,400

Grand Total
\$35,100

Base Director is a free download, but you need to purchase support

Download + 60 day trial
Then have to purchase license & support

*Based on 3 years pre-paid s/w maintenance
US\$ List Prices ex-VAT and valid 30 days from Jan 24 2011

IBM © 2011 IBM 16
ISD on AIX - Techie Intro

9 For each box controlled by Systems Director
Year 1 = license + support then just support*
Prices = per core per year*

€

Editions	Director Express	Director Standard	Director Enterprise
Small machine Power 750 & below	Year1 €25 Year2 €21	Year1 €145 Year2 €25	Year1 €363 Year2 €62
Medium machine p570 / Power 770	Year1 €63 Year2 €54	Year1 €363 Year2 €62	Year1 €908 Year2 €155
Large machine p595 / Power 780/795	Year1 €125 Year2 €107	Year1 €725 Year2 €123	Year1 €1815 Year2 €308

Systems Director Yearly Support

Standard S
200 cores @ 21
Total €4,200

Enterprise M
100 cores @ 155
Total €15,500

Enterprise L
50 cores @ 308
Total €15,400

Grand Total € 35,100

Base Director is a free download, but you need to purchase support

Download + 60 day trial Then have to purchase license & support

*Based on 3 years pre-paid s/w maintenance
€ euro List Prices ex-VAT and valid 30 days from Jan 24 2011

17 of 33

eConfig is confusing

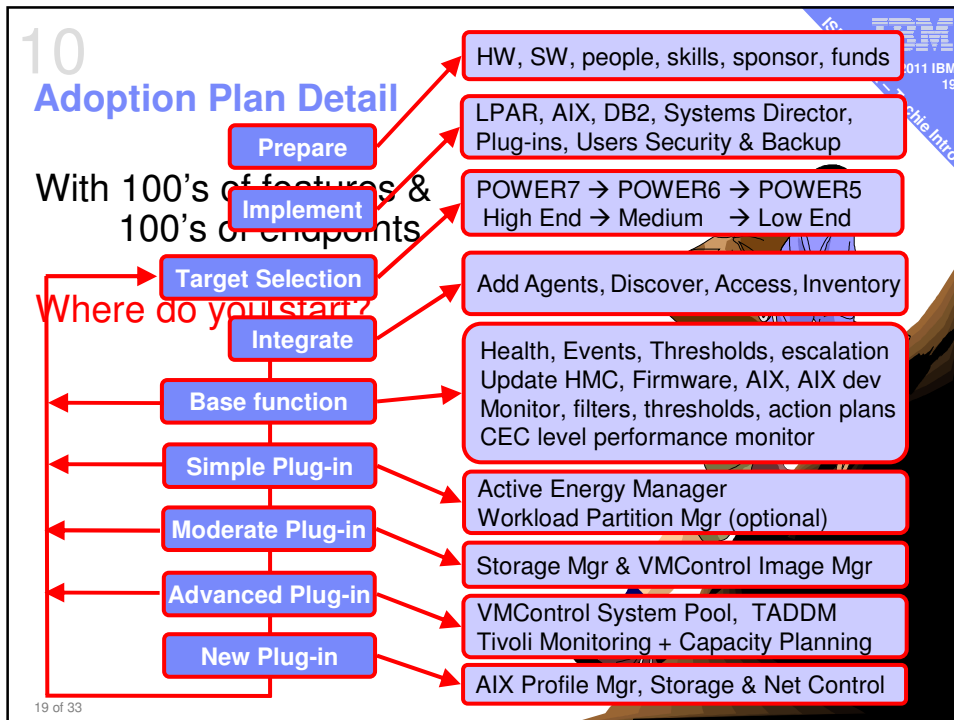
The eConfig output for ISD includes 2 items

- Licence + 1 years support - £1006/8=£125
- 3 year support → actually years 2 & 3 - £340/8/2=£21

5662-SEP	IBM Systems Director Standard Edition for Power Systems SW Maint 3 Yr Reg	1	N/C	
TOMAC4	Per Proc Small 3 Year SWMA Reg P7	8	340.24	OTC B
	Serial: N/A	Total	GBP340.24	OTC
5765-SEP	IBM Systems Director Standard Edition for Power Systems	1	N/C	
P7MG21	Standard Edition - Per Proc w 1Yr SW Maint Small P7	8	1,006.88	B OTC
	Serial: N/A	Total	GBP1,006.88	OTC

■ Doh!

18 of 33



Five Ways to Improve your Virtualized Data Centre Management

1. Monitor Resources & Alerts
2. Automate Your Reactions
3. Update painlessly HMC, Firmware & AIX
4. Optimize Energy Use
5. Visualize physical & virtual relationships

11 WLE Sizing your Systems Director Server

Workload selection Questionnaire Selected system Help/Tutorials

→ IBM Systems Director 6.3

Save this questionnaire Reset this questionnaire Continue Back

→ Import saved answers Edit questionnaire name

1. What platform will IBM Systems Director be running on?

2. IBM Systems Director database location:

3. What platform will the database be running on?

4. Will Active Energy Manager be used?

Back Continue

1. What operating system will the Director Server run on?

2. How many physical systems will be managed?

3. How many operating systems will be managed?

4. How many consoles will be active at the same time?

DiskPage

1. What disk technology will IBM Systems Director be installed onto?

2. What storage protection will be used for the Director disks?

3. What disk technology will be used for the database data?

4. What storage protection will be used for the database disks?

Immediate Solution

Available ISDDs #1
ISD #1

100
90
80
70
60
50
40
30
20
10
0

-67%
-1%
-33%

Generate SPT file

Model/Feature:	720-E202-E40 EPC5 3000
Number of Systems:	1
rPerf:	45.13
Activated Cores:	4
CPU Utilization:	33% of 4 cores
Operating System:	AIX - 7.1
Memory (GB):	7 of 128
Ext. Disk Systems (DS):	1 system(s)
Ext. Disk Ports:	8 port(s)
Ext. Disk Drives (arms):	12 drive(s)
Int. Disk Drives (arms):	2 of 8
Storage Capacity (GB):	Int:42 Ext:15
Offering Family:	IBM Power Systems
Processor:	IBM® POWER7
Clock Speed:	3000 Mhz



of 33

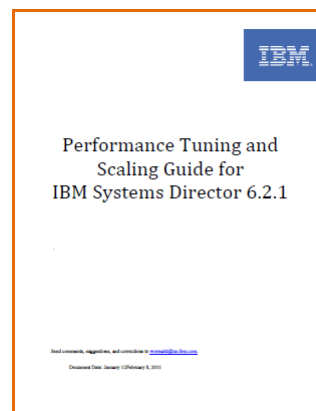
Note: Only 33% of a Power 720C 4 way + 7GB RAM

12

Performance Tuning & Scaling Guide

for Systems Director 6.2.1

- 50 pages aimed at 1000 Operating Systems
- Many good tuning tips
- <http://tinyurl.com/SDperformance>



of 33

13

Supported SAN Disk Subsystems & Switches

<http://tinyurl.com/SDdisks>

Massive support table & SW needed to use them

- Storage Control
 - DS8000, SVC,
 - Storewize V7000
- LSI via SMI-S
 - DS3xxx,
 - DS4xxx,
 - DS5xxx,
 - DS6xxx,
 - Nxxxx

14

Classic SM tool “leap frog” game?



- Systems Director has to wait for official HMC,VIO,OS release BEFORE they test it and support it in the next ISD release
- Not good if you demand “bleeding edge” release support
- Most users are 6 month to 6 years behind so OK
- Social Media can warn you of issues and fixes
 - mr_nmon and NicoletteMcF and others



NicoletteMcF Nicolette McFadden
Required Fix Levels for **VMControl** 2.3.1 Dependencies <http://ibm.co/c1bApT>
2 Mar ☆ Favorite ↻ Undo Retweet ↻ Reply

Systems Director 6.2 Solutions Assurance

<http://w3-03.ibm.com/support/assure/assur30i.nsf/WebIndex/SA924>

- Internal Doc for IBM & BP use
- Good safety net to reduce issues

Contents

- Pre-Sales
 - Environment Review & Product Selection 17
 - Education 5
- Pre-Installation
 - Customer Requirements & Expectations 4
 - Installation Plans 3
 - Hardware 4
 - Software 10
 - Network 6
 - Advanced Managers 4
 - Upward Enterprise Fit 3
 - Backup / Change 4
 - Service & Support 4

IBM Systems Director 6.2
Master Solution Assurance Checklist

Version 1.1
Revised: Tuesday, June 15, 2010

Document Owner:
Craig Elliott
elliottc@us.ibm.com

Abstract: This document is meant to assist the IBM Quality Practitioner or Business Partner in preparing for an IBM Systems Director Technical and Delivery Assessment. All Solution Assurance documentation is maintained on the IBM Solution Assurance website (<http://w3.ibm.com/support/assure>) and the Business Partner PartnerWorld Solutions Assurance website (<http://partners.boulder.ibm.com/src/assur30i.nsf/Web/SA>).

Special Notice to Business Partners: The Solution Assurance information, tools and documentation (herein referred to as "Materials") are being provided to IBM Business Partners for use in connection with customer proposals and installations. Such Materials remain the property of IBM. This document is intended for use by IBM and IBM Business Partner personnel involved in the Solution Assurance process and is provided by IBM on a "best effort" basis. IBM makes no representations or warranties regarding these Materials and does not provide any guarantee or assurance that the use of such Materials will result in a successful proposal or customer installation. These Materials may only be used by IBM Business Partners for proposals and installation of IBM products and otherwise in compliance with the IBM Business Partner Agreement.



26 of 33

Systems Director for AIX Releases

Release 6

1. May 2008 → 6.1 Beta versions
2. Nov 2008 → original 6.1
3. May 2009 → fix pack 6.1.1 + WPAR Manager
4. Nov 2009 → fix pack 6.1.2 + VMControl
5. May 2010 → 6.2 → demo-able
 - Systems Director Server + Active Energy Manager 4.3
 - VMControl 2.3 - Image Mgr & System Pools, WPAR Manager 2.2
6. Nov 2010 → Update 6.2.1 + service pack
 - Speed up + New Plug-in Storage Control for managing SAN disks
7. May 2011 – very small Fix pack
8. Dec 2011 – ISD 6.3 “the big one”
 1. Simplified Usability from watching users
 2. Trial periods 60 → 90 days
 3. Improved scalability & performance
 4. Default embedded DB2 + can migrate from 6.2 on Derby
 5. New install includes 3 plug-ins, activate when ready

Time



ISD 6.3.1 Summary for Power Systems & AIX

1. GA 16th Dec 2011
2. No big new function for Power/AIX (mostly internal changes)
3. Easier to use, looks prettier, nice icons, hints about what to do 1st
4. Slightly faster
5. Reworked the confusing bits - user feedback to focus on areas that were not clear
6. Some RAS (hard to prove)
7. **No High Availability = mistake in the announcement**
8. Default database is now embedded DB2 - internal change really but a good idea, faster, scales, uses less RAM, better recovery can migrate Derby to DB2
9. Base Systems Director install includes AEM, VMControl and Service and Support Mgr
10. Most plug-ins are 90 day trials (was 60)
11. AEM - allow power saving down to LPAR level (dedicated CPU only)
12. VMControl
 - No change: Only with IBM disks and San switches and no SAN team control
 - Did not fix function hole in Appliance Editing (has to be the same CPU, RAM etc.)
 - Still can't adopt running VM/LPAR into the System Pool (you need to capture and redeploy the VM)
 - Now does NPIV and more than one disk in Appliance!
 - Clone IBM i & Red Hat 6 on x86 under KVM
13. AIX/VIOS Common Agent 6.3 is now a service - startsrc -s cas_agent
14. Service & Support Mgr = HMC less machines HMC! - pointless for most POWER
15. WPAR Mgr - support for Versioned WPAR for AIX 5.3, CLI to script across all WPARs
16. AIX Profile Manager 1.1 - Now available, a new & good function (from AIX developers)

17

Simple Setup - Power/AIX focus

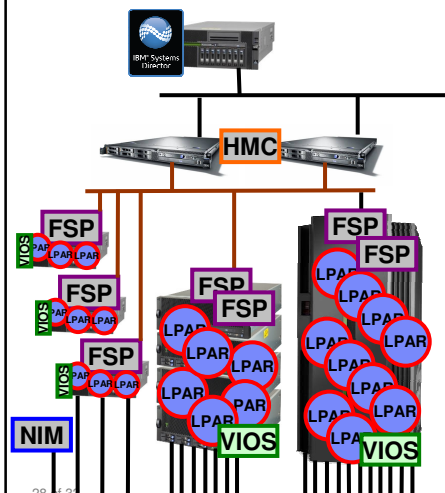
Systems Director is interested in **endpoints**:

No re-inventing the wheel:

- to update AIX, it uses NIM
- to change an LPAR or LPM, it uses your HMC
- to create virtual network or disk it uses your VIOS
- to change a JFS size it uses the Common Agent/pConsole on AIX

Director speak:
Virtual Server = LPAR

Virtual Appliance (VA)
= mksysb + info



18

You can't cheat the versions



HMC 7.3.4+
VIOS 2.1.2+



AIX 5.3 ... TL06 ← No
AIX 5.3 TL07 ..TL12 ← Install
AIX 6.1 TL03...TL06 ← Yes or Update

Always with the latest service pack

NIM

NIM Server AIX 7.1 TL latest

Director & VMControl can share it

Can be the Systems Director Server (not recommended)



of 33

19

AIXpert Blog

<http://tinyurl.com/AIXpert>

The screenshot shows the AIXpert Blog website. The main content area displays a list of blog posts. The first post is titled "Hints & Tips for Systems Director 8.2x for AIX on POWER (Part 1)" and is dated Tuesday, 2:40 PM. The post content includes a list of prerequisites and instructions for installing Systems Director. A red arrow points from the Twitter tweet below to the first post in the blog list.

1) Try to get Systems Director for the first time!

- Use the very latest Systems Director version with all service packs and update the Common Agents on AIX/VIOS to the latest version.
- Don't run last years version with now fixed bugs!

2) Know and check the pre-requisites - no rule bending as it will not work

- From my list (that might be a little out of date):
- HMC 7.3.4+ - I am on 7.7.2
- VIOS 2.1.2+ - I am on 2.1.2.0.2.0.4 sp1.
- AIX 5.3 up to TL06 - will never work with Systems Director and I would update the TL any way!
- AIX 5.3 TL07..TL12 - install the latest Common Agent manually (code TL12 is the last one now)
- AIX 6.1 TL03..TL06 - will never work with Systems Director and I would update the TL any way!
- AIX 6.1 TL03..TL06 - good but update to the latest Common Agent with Systems Director Update Manager
- Always use the latest AIX service packs - a fever of mine to Common Agent bugs.

3) Do you know AIX? If not why are you reading this?

- Run the Systems Director server on AIX using spare "free" Power CPU cycles you have in the shared CPU Pool.
- Don't by Systems Director on your first ever Linux on POWER virtual server - HISS.

4) Allocate plenty of resources for the Systems Director server

- Let's have a quick success before we try to run "team and mean".
- This avoids many self-inflicted problems - sorry but I have no sympathy.
- CPU POWER5.6? two shared CPUs, unaccepted and virtual CPU=4, SMT=maximum.
- Memory 6 to 8 GB RAM and if you have it switch on AME.
- Disk: 64 GB of disk space on four or more spindles.
- Network: 1 Gbps - virtual Ethernet is fine.
- OS: AIX 6.1 TL05 or later or AIX 7.1 + all service packs

5) ROMBS

twitter: mr_nmon

mr_nmon Nigel Griffiths
#Systemsdirector on #AIX on #Power. My top 22 Hint&Tips for early success, saving time & removing pain points. <http://tinyurl.com/5SDHints1>
2 minutes ago ☆ Favorite ↻ Reply 🗑 Delete



of 33

20

Systems Director Licence Control



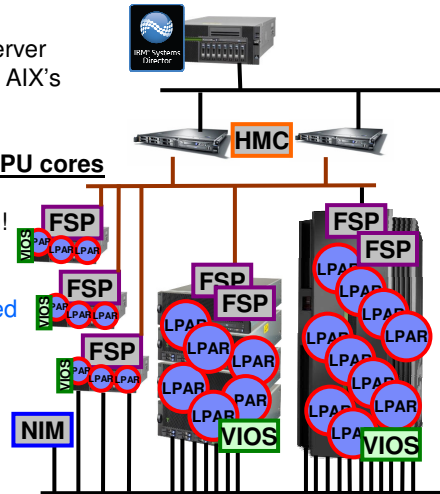
Systems Director & plug-ins installed once
but Common Agent every where

VMControl Image Agent on NIM server
WPAR Manager Agent on Global AIX's

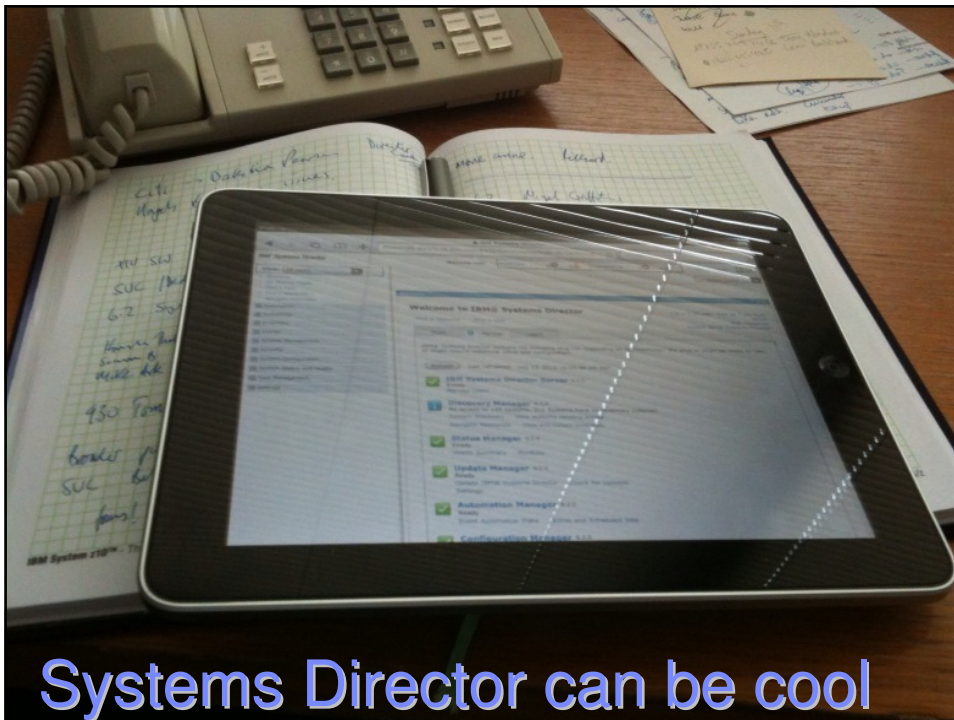
Licence + SWMA required for
All Controlled Machines and all their CPU cores

There is no GUI to count licences yet – Doh!

See AIXpert Blog for scripts to list the
machines which you need to have licensed



31 of 33



Systems Director can be cool