

WebSphere Business Integration
Server and Server Express



Adapter for SWIFT User Guide

Adapter Version 1.9.x

WebSphere Business Integration
Server and Server Express



Adapter for SWIFT User Guide

Adapter Version 1.9.x

Note!

Before using this information and the product it supports, read the information in "Notices" on page 113.

21September2005

This edition of this document applies to IBM WebSphere Business Integration Server Express adapter for SWIFT (5724-H08), version 1.9.x.

To send us your comments about this document, email doc-comments@us.ibm.com. We look forward to hearing from you.

When you send information to IBM, you grant IBM a nonexclusive right to use or distribute the information in any way it believes appropriate without incurring any obligation to you.

© **Copyright International Business Machines Corporation 2004, 2005. All rights reserved.**

US Government Users Restricted Rights – Use, duplication or disclosure restricted by GSA ADP Schedule Contract with IBM Corp.

Contents

About this document	v
Audience	v
Prerequisites for this document	v
Related documents	v
Typographic conventions	v
New in this release	vii
New in release 1.9.x	vii
Chapter 1. Overview	1
Adapter environment	1
Connector architecture	2
Application-connector communication method	4
Event handling	6
Guaranteed event delivery	9
Business object requests	10
Message processing	10
Error handling	14
Tracing	15
Chapter 2. Installing and configuring the connector	17
Overview of installation tasks	17
Installed file structure	17
Connector configuration	19
Standard connector properties	20
Connector-specific properties	20
Queue Uniform Resource Identifiers (URI)	25
Meta-object attributes configuration	26
Startup file configuration	36
Creating multiple connector instances	37
Starting the connector	38
Stopping the connector	40
Chapter 3. Business objects	41
Connector business object requirements	41
Overview of SWIFT message structure	45
Overview of business objects for SWIFT	45
SWIFT message and business object data mapping	47
Chapter 4. SWIFT Data Handler	63
Configuring the SWIFT data handler	63
Business object requirements	64
Converting business objects to SWIFT messages	64
Converting SWIFT messages to business objects	65
Chapter 5. Troubleshooting	67
Startup problems	67
Event processing	67
Appendix A. Standard configuration properties for connectors	69
New properties	69
Standard connector properties overview	69
Standard properties quick-reference	71
Standard properties	75

Appendix B. Connector Configurator Express	89
Overview of Connector Configurator Express	89
Starting Connector Configurator Express	90
Running Configurator from System Manager	90
Creating a connector-specific property template	91
Creating a new configuration file	93
Using an existing file	95
Completing a configuration file.	96
Setting the configuration file properties	96
Saving your configuration file	103
Changing a configuration file	103
Completing the configuration	103
Using Connector Configurator Express in a globalized environment	104
Appendix C. SWIFT message structure	105
SWIFT message types	105
SWIFT field structure.	105
SWIFT message block structure	107
Notices	113
Programming interface information	114
Trademarks and service marks.	115

About this document

The IBM^(R) WebSphere^(R) Business Integration Server Express and IBM^(R) WebSphere^(R) Business Integration Server Express Plus are made up of the following components: InterChange Server Express, the associated Toolset Express, Collaboration-Foundation, and a set of software integration adapters. The tools in Toolset Express help you to create, modify, and manage business processes. You can choose from among the prepackaged adapters for your business processes that span applications. The standard processes template--CollaborationFoundation--allows you to quickly create customized processes.

This document describes the installation, configuration, business object development, and troubleshooting for the IBM WebSphere Business Integration Server Express adapter for SWIFT.

Except where noted, all the information in this guide applies to both IBM WebSphere Business Integration Server Express and Express Plus. The term "WebSphere Business Integration Server Express" and its variants refer to both products.

Audience

This document is for consultants, developers, and system administrators who support and manage the WebSphere business integration system at customer sites.

Prerequisites for this document

Users of this document should be familiar with

- the WebSphere Business Integration Server Express system
- business object development
- the WebSphere MQ application
- the SWIFT product suite and protocol

Related documents

The complete set of documentation available with this product describes features and components common to all WebSphere adapter installations, and includes reference material on specific components.

You can download, install, and view the documentation from the following site:
<http://www.ibm.com/webspherewbi/serverexpress/infocenter>

Typographic conventions

This document uses the following conventions:

<code>courier font</code>	Indicates a literal value, such as a command name, file name, information that you type, or information that the system prints on the screen.
bold	Indicates a new term the first time that it appears.
<i>italic, italic</i>	Indicates a variable name or a cross-reference.

<i>blue outline</i>	Blue outline, which is visible only when you view the manual online, indicates a cross-reference hyperlink. Click inside the outline to jump to the object of the reference.
/,\	In this document backslashes (\) are used as the convention for directory paths. For Linux and i5/OS installations substitute slashes (/) for backslashes. All WebSphere Business Integration Server Express product pathnames are relative to the directory where the product is installed on your system.
<i>ProductDir</i>	Represents the directory where the WebSphere Business Integration Server Express Adapters product is installed. The default product directory for each platform is as follows: Windows: IBM\WebSphereServer i5/OS: /QIBM/ProdData/WBIServer44/product Linux: /home/\${username}/IBM/WebSphereServer
{ }	In a syntax line, curly braces surround a set of options from which you must choose one and only one.
	In a syntax line, a pipe separates a set of options from which you must choose one and only one.
[]	In a syntax line, square brackets surround an optional parameter.
...	In a syntax line, ellipses indicate a repetition of the previous parameter. For example, <code>option[,...]</code> means that you can enter multiple, comma-separated options.
< >	Angle brackets surround individual elements of a name to distinguish them from each other, as in <code><server_name><connector_name>tmp.log</code> .

New in this release

New in release 1.9.x

The adapter for SWIFT has been updated to comply with SWIFT Standards Release Guide 2003 (SRG2003). The adapter now supports user-to-user messages (MT categories 1-9) SWIFT FIN SRG2003. Accordingly, the internal mapping engine that correlated business object ISO 7775-15022 mapping for SWIFT messages is no longer a component of the adapter.

The business object definition of the SWIFT application header has been enhanced.

Two connector-specific properties have been added: `EnableMessageProducerCache` and `SessionPoolSizeForRequests`. For further information, see “Connector-specific properties” on page 20.

When processing a response message to a synchronous request, the connector interprets the feedback code `MQFB_NONE` (the default feedback code if none is set) as `VALCHANGE`. For further information, see “Synchronous acknowledgment” on page 10.

As of version 1.9.x, the adapter is not supported on Solaris 7, so references to that platform version have been deleted from this guide.

Chapter 1. Overview

- “Adapter environment”
- “Connector architecture” on page 2
- “Application-connector communication method” on page 4
- “Event handling” on page 6
- “Guaranteed event delivery” on page 9
- “Business object requests” on page 10
- “Message processing” on page 10
- “Error handling” on page 14
- “Tracing” on page 15

The connector for SWIFT is a runtime component of the WebSphere Business Integration Server Express Adapter for SWIFT. The connector allows the WebSphere integration broker to exchange business objects with SWIFT-enabled business processes.

Note: Throughout this document, SWIFT messages denote SWIFT FIN messages unless otherwise explicitly noted.

Connectors consist of an application-specific component and the connector framework. The application-specific component contains code tailored to a particular application. The connector framework, whose code is common to all connectors, acts as an intermediary between the integration broker and the application-specific component. The connector framework provides the following services between the integration broker and the application-specific component:

- Receives and sends business objects
- Manages the exchange of startup and administrative messages

This document contains information about the application-specific component and connector framework. It refers to both of these components as the connector.

For more information about the relationship of the integration broker to the connector, see the *System Administration Guide* or *System Implementation Guide*.

All WebSphere Business Integration Server Express adapters operate with an integration broker. The connector for SWIFT operates with the InterChange Server Express integration broker.

The connector for SWIFT allows InterChange Server Express to exchange business objects with applications that send or receive data in the form of SWIFT messages.

Adapter environment

Before installing, configuring, and using the adapter, you must understand its environment requirements.

- “Adapter standards” on page 2
- “Adapter platforms” on page 2

Adapter standards

The adapter supports the following standards.

SWIFTAlliance Access

The SWIFTAlliance Access gateway is a window through which SWIFT messages flow to and from remote financial applications over IP or WebSphere MQ. The connector supports SWIFTAlliance Access 5.0.

Adapter platforms

The adapter runs on the following platforms:

- Windows 2003
- IBM i5/OS V5R3 and V5R2

Note: i5/OS refers to OS/400 and i5/OS unless explicitly stated.

- Linux:
 - RedHat Enterprise Linux WS/AS/ES 3.0 Update 2, Intel (IA32)
 - SuSE Linux ES 8.1 SP3, Intel (IA32)
 - SuSE Linux ES 9.0, Intel (IA32)

Connector architecture

The connector allows WebSphere business processes to asynchronously exchange business objects with applications that issue or receive SWIFT messages when changes to data occur. (The connector also supports synchronous acknowledgment.)

SWIFT stands for Society for Worldwide Interbank Financial Telecommunications. It is a United Nations-sanctioned International Standards Organization (ISO) for the creation and maintenance of financial messaging standards.

As shown in Figure 1, the connector interacts with several components (WebSphere Business Integration Server Express) components are shown in **bold**) whose collective purpose is to bridge the world of business objects with that of SWIFT messages.

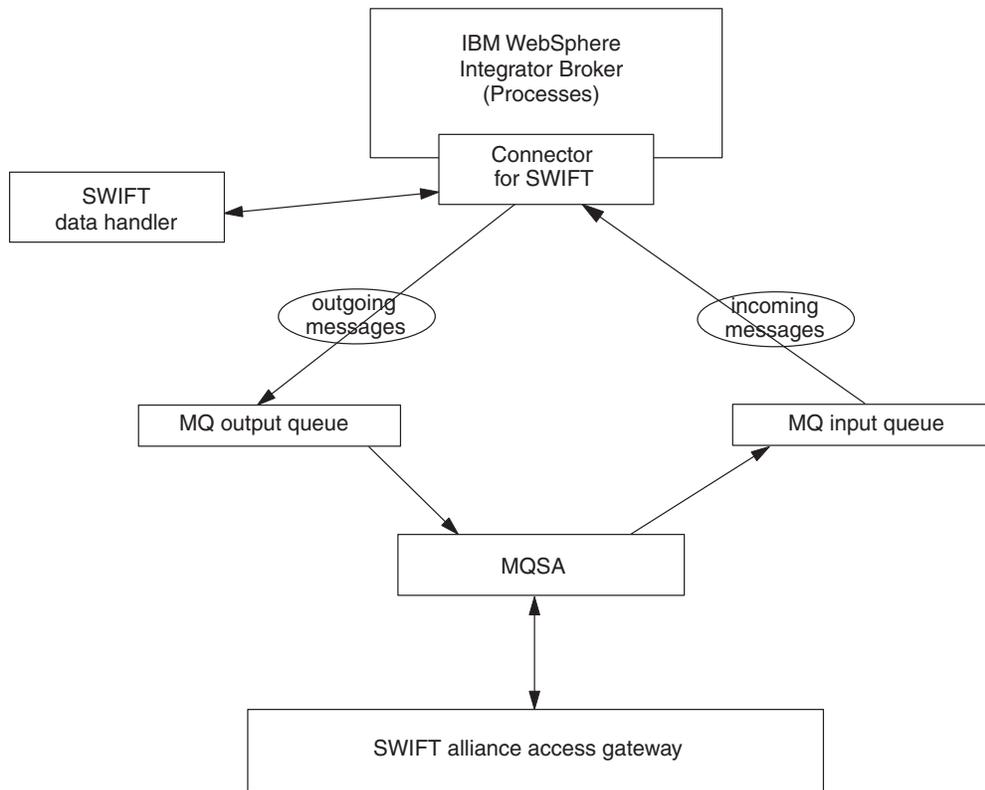


Figure 1. Connector for SWIFT architecture

The SWIFT environment is made up of various components that are described below.

Connector for SWIFT

The connector for SWIFT is metadata-driven. Message routing and format conversion are initiated by an event polling technique. The connector retrieves WebSphere MQ messages from queues, calls the SWIFT data handler to convert messages to their corresponding business objects, and then delivers the objects to the corresponding business processes. In the opposite direction, the connector receives business objects from the integration broker, converts them into SWIFT messages using the same data handler, and then delivers the messages to an WebSphere MQ queue.

The type of business object and verb used in processing a message are based on the metadata in the Format field of the WebSphere MQ message header. You construct a meta-object to store the business object name and verb to associate with the WebSphere MQ message header Format field text.

You can optionally construct a dynamic meta-object that is added as a child to the business object passed to the connector. The child meta-object values override those specified in the static meta-object that is specified for the connector as a whole. If the child meta-object is not defined or does not define a required conversion property, the connector, by default, examines the static meta-object for the value. You can specify one or more dynamic child meta-objects instead of, or to supplement, a single static connector meta-object.

The connector can poll multiple input queues, polling each in a round-robin manner and retrieving a configurable number of messages from each queue. For each message retrieved during polling, the connector adds a dynamic child meta-object (if specified in the business object). The child meta-object values can direct the connector to populate attributes with the format of the message as well as with the name of the input queue from which the message was retrieved.

When a message is retrieved from the input queue, the connector looks up the business object name associated with the `FORMAT` text field. The message, along with the business object name, is then passed to the data handler. If a business object is successfully populated with message content, the connector checks to see if a collaboration subscribes to it, and then delivers it to the integration broker using the `gotAppEvents()` method.

SWIFT data handler and mapping engine

The connector calls the SWIFT data handler to convert business objects into SWIFT messages and vice versa. For more on the SWIFT data handler, see Chapter 4, “SWIFT Data Handler,” on page 63.

WebSphere MQ

The connector for SWIFT uses an MQ implementation of the Java™ Message Service (JMS), an API for accessing enterprise-messaging systems. This makes possible interaction with incoming and outgoing WebSphere MQ event queues.

MQSA

The WebSphere MQ event queues exchange messages with the WebSphere MQ Interface for SWIFTAlliance (MQSA). The MQSA software integrates WebSphere MQ messaging capabilities with SWIFT message types, performing delivery, acknowledgement, queue management, timestamping, and other functions.

SWIFTAlliance Access

The SWIFTAlliance Access gateway is a window through which SWIFT messages flow to and from remote financial applications over IP or WebSphere MQ. The connector supports SWIFTAlliance Access 5.0.

Application-connector communication method

The connector makes use of IBM’s WebSphere MQ implementation of the Java Message Service (JMS). The JMS is an open-standard API for accessing enterprise-messaging systems. It is designed to allow business applications to asynchronously send and receive business data and events.

Message request

Figure 2 illustrates a message request communication.

1. The connector framework receives a business object representing a SWIFT message from an integration broker.
2. The connector passes the business object to the data handler.
3. The data handler converts the business object to a SWIFT message.
4. The connector dispatches the SWIFT message to the WebSphere MQ output queue.

- The JMS layer makes the appropriate calls to open a queue session and routes the message to the MQSA, which issues the message to the SWIFT Alliance Gateway.

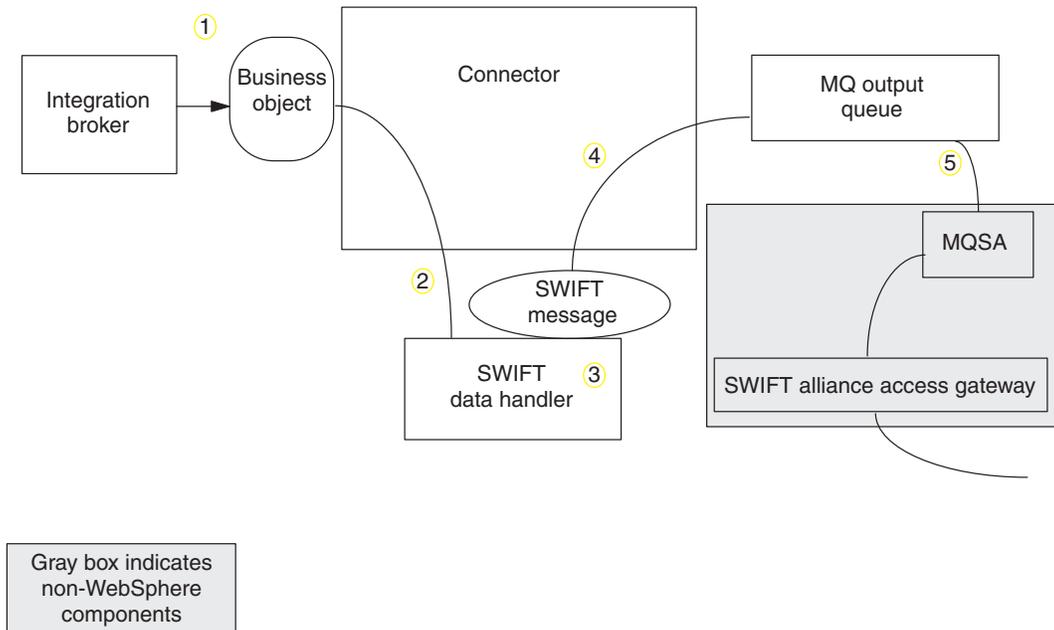


Figure 2. Application-connector communication method: Message request

Event delivery

Figure 3 illustrates the message return communication.

- The polling method retrieves the next applicable SWIFT message from the WebSphere MQ input queue.
- The message is staged in the in-progress queue, where it remains until processing is complete.
- The connector passes the SWIFT message to the data handler.
- The data handler converts the message into a business object.
- The connector then determines whether the business object is subscribed to by the integration broker. If so, the connector framework delivers the business object to the integration broker, and the message is removed from the in-progress queue.

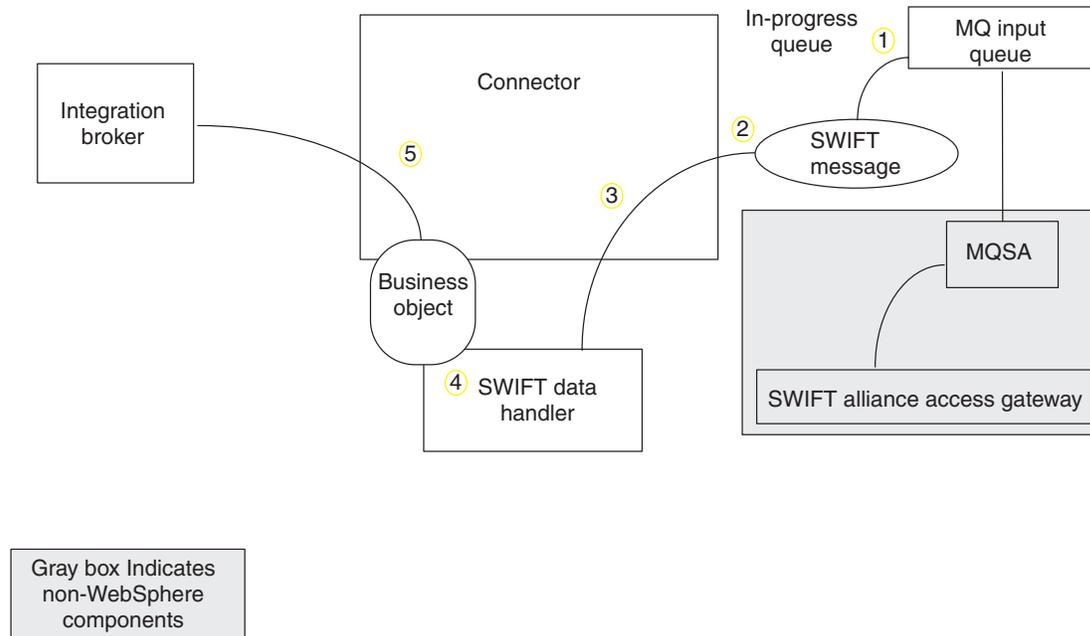


Figure 3. Application-connector communication method: Event delivery

Event handling

For event notification, the connector detects an event written to a queue by an application rather than by a database trigger. An event occurs when SWIFTAlliance generates SWIFT messages and stores them on the WebSphere MQ queue.

Retrieval

The connector uses a polling method to poll the WebSphere MQ input queue at regular intervals for messages. When the connector finds a message, it retrieves it from the WebSphere MQ input queue and examines it to determine its format. If the format has been defined in the connector's static or child meta-objects, the connector uses the data handler to generate an appropriate business object with a verb.

In-progress queue

The connector processes messages by first opening a transactional session to the WebSphere MQ queue. This transactional approach allows for a small chance that a business object could be delivered to a business process twice due to the connector successfully submitting the business object but failing to commit the transaction in the queue. To avoid this problem, the connector moves all messages to an in-progress queue. There, the message is held until processing is complete. If the connector shuts down unexpectedly during processing, the message remains in the in-progress queue instead of being reinstated to the original WebSphere MQ queue.

Note: Transactional sessions with a JMS service provider require that every requested action on a queue be performed and committed before events are removed from the queue. Accordingly, when the connector retrieves a message from the queue, it does not commit to the retrieval until: 1) The

message has been converted to a business object; 2) the business object is delivered to the integration broker, and 3) a return value is received.

Synchronous acknowledgment

To support applications that require feedback on the requests they issue, the connector for SWIFT can issue report messages to the applications detailing the outcome of their requests once they have been processed.

To achieve this, the connector posts the business data for such requests synchronously to the integration broker. If the business object is successfully processed, the connector sends a report back to the requesting application including the return code from the integration broker and any business object changes. If the connector or the integration broker fails to process the business object, the connector sends a report containing the appropriate error code and error message.

In either case, an application that sends a request to the connector for SWIFT is notified of its outcome.

If the connector for SWIFT receives any messages requesting positive or negative acknowledgment reports (PAN or NAN), it posts the content of the message synchronously to the integration broker and then incorporates the return code and modified business data in to a report message that is sent back to the requesting application.

Table 1 shows the required structure of messages sent to the connector to be processed synchronously.

Table 1. Required structure of synchronous WebSphere MQ messages

MQMD Field (message descriptor)	Description	Supported values (multiple values should be OR'd)
MessageType Report	Message type Options for report message requested	DATAGRAM You can specify one or both of the following: <ul style="list-style-type: none"> • MQRO_PAN The connector sends a report message if the business object can be successfully processed. • MQRO_NAN The connector sends a report message if an error occurred while processing the business object. You can specify one of the following to control how the correlation ID of the report message is to be set: <ul style="list-style-type: none"> • MQRO_COPY_MSG_ID_TO_CORREL_ID The connector copies the message ID of the request message to the correlation ID of the report. This is the default action. • MQRO_PASS_CORREL_ID The connector copies the correlation ID of the request message to the correlation ID of the report.
ReplyToQueue	Name of reply queue	The name of the queue to which the report message should be sent.
ReplyToQueueManager	Name of queue manager	The name of the queue manager to which the report message should be sent.

Table 1. Required structure of synchronous WebSphere MQ messages (continued)

MQMD Field (message descriptor)	Description	Supported values (multiple values should be OR'd)
Message Body		A serialized business object in a format compatible with the data handler configured for the connector.

Upon receipt of a message as described in Table 1, the connector:

1. Reconstructs the business object in the message body using the configured data handler.
2. Looks up the business process specified for the business object and verb in the static metadata object.
3. Posts the business object synchronously to the specified process.
4. Generates a report encapsulating the result of the processing and any business object changes or error messages.
5. Sends the report to the queue specified in the `replyToQueue` and `replyToQueueManager` fields of the request.

Table 2 shows the structure of the report that is sent to the requesting application from the connector.

Table 2. Structure of the report returned to the requesting application

MQMD field	Description	Supported values (multiple values should be OR'd)
MessageType	Message type	REPORT
feedback	Type of report	One of the following: <ul style="list-style-type: none"> • MQRO_PAN If the business object is successfully processed. • MQRO_NAN If the connector or the integration broker encountered an error while processing the request.
Message Body		If the business object is successfully processed, the connector populates the message body with the business object returned by the integration broker. This default behavior can be overridden by setting the <code>DoNotReportBusObj</code> property to true in the static metadata object. If the request could not be processed, the connector populates the message body with the error message generated by the connector or the integration broker.

Recovery

Upon initialization, the connector checks the in-progress queue for messages that have not been completely processed, presumably due to a connector shutdown. The connector configuration property `InDoubtEvents` allows you to specify one of four options for handling recovery of such messages: fail on startup, reprocess, ignore, or log error.

Fail on startup

With the fail on startup option, if the connector finds messages in the in-progress queue during initialization, it logs an error and immediately shuts down. It is the responsibility of the user or system administrator to examine the message and take appropriate action, either to delete these messages entirely or move them to a different queue.

Reprocess

With the reprocessing option, if the connector finds any messages in the in-progress queue during initialization, it processes these messages first during subsequent polls. When all messages in the in-progress queue have been processed, the connector begins processing messages from the input queue.

Ignore

With the ignore option, if the connector finds any messages in the in-progress queue during initialization, the connector ignores them but does not shut down.

Log error

With the log error option, if the connector finds any messages in the in-progress queue during initialization, it logs an error but does not shut down.

Archiving

If the connector property `ArchiveQueue` is specified and identifies a valid queue, the connector places copies of all successfully processed messages in the archive queue. If `ArchiveQueue` is undefined, messages are discarded after processing.

Guaranteed event delivery

The guaranteed-event-delivery feature enables the connector framework to ensure that events are never lost and never sent twice between the connector's event store, the JMS event store, and the destination's JMS queue. To become JMS-enabled, you must configure the `connectorDeliveryTransport` standard property to JMS. Thus configured, the connector uses the JMS transport and all subsequent communication between the connector and the integration broker occurs through this transport. The JMS transport ensures that the messages are eventually delivered to their destination. Its role is to ensure that once a transactional queue session starts, the messages are cached there until a commit is issued; if a failure occurs or a rollback is issued, the messages are discarded.

Note: Without use of the guaranteed-event-delivery feature, a small window of possible failure exists between the time that the connector publishes an event (when the connector calls the `gotAppEvent()` method within its `pollForEvents()` method) and the time it updates the event store by deleting the event record (or perhaps updating it with an "event posted" status). If a failure occurs in this window, the event has been sent but its event record remains in the event store with an "in progress" status. When the connector restarts, it finds this event record still in the event store and sends it, resulting in the event being sent twice.

You can configure the guaranteed-event-delivery feature for a JMS-enabled connector with, or without, a JMS event store.

If connector framework cannot deliver the business object to the InterChange Server Express integration broker, then the object is placed on a `FaultQueue`

(instead of UnsubscribedQueue and ErrorQueue) and generates a status indicator and a description of the problem. FaultQueue messages are written in MQRFH2 format.

Business object requests

Business object requests are processed when the integration broker issues a business object. Using the SWIFT data handler, the connector can convert the business object to a SWIFT message.

Message processing

The connector processes business objects passed to it by an integration broker based on the verb for each business object. The connector uses business object handlers to process the business objects that the connector supports. The business object handlers contain methods that interact with an application and that transform business object requests into application operations.

The connector supports the following business object verbs:

- Create
- Retrieve

Create

Processing of business objects with create depends on whether the objects are issued asynchronously or synchronously.

Asynchronous delivery

This is the default delivery mode for business objects with Create verbs. A message is created from the business object using a data handler and then written to the output queue. If the message is delivered, the connector returns BON_SUCCESS, else BON_FAIL.

Note: The connector has no way of verifying whether the message is received or if action has been taken.

Synchronous acknowledgment

If a replyToQueue has been defined in the connector properties and a responseTimeout exists in the conversion properties for the business object, the connector issues a request in synchronous mode. The connector then waits for a response to verify that appropriate action was taken by the receiving application.

For WebSphere MQ, the connector initially issues a message with a header as shown in Table 3.

Table 3. Request Message Descriptor Header (MQMD)

Field	Description	Value
Format	Format name	Output format as defined in the conversion properties and truncated to 8 characters to meet IBM requirements (example: MQSTR).
MessageType	Message type	MQMT_DATAGRAM ^a

Table 3. Request Message Descriptor Header (MQMD) (continued)

Field	Description	Value
Report	Options for report message requested.	When a response message is expected, this field is populated as follows: MQRO_PAN ^a to indicate that a positive-action report is required if processing is successful. MQRO_NAN ^a to indicate that a negative-action report is required if processing fails. MQRO_COPY_MSG_ID_TO_CORREL_ID ^a to indicate that the correlation ID of the report generated should equal the message ID of the request originally issued.
ReplyToQueue	Name of reply queue	When a response message is expected, this field is populated with the value of connector property ReplyToQueue.
Persistence	Message persistence	MQPER_PERSISTENT ^a
Expiry	Message lifetime	MQEI_UNLIMITED ^a

^a Indicates constant defined by IBM.

The message header described in Table 3 is followed by the message body. The message body is a business object that has been serialized using the data handler.

The Report field is set to indicate that both positive and negative action reports are expected from the receiving application. The thread that issued the message waits for a response message that indicates whether the receiving application was able to process the request.

When an application receives a synchronous request from the connector, it processes the business object and issues a report message as described in Table 4, Table 5, and Table 6.

Table 4. Response Message Descriptor Header (MQMD)

Field	Description	Value
Format	Format name	Input format of busObj as defined in the conversion properties.
MessageType	Message type	MQMT_REPORT ^a

^a Indicates constant defined by IBM.

Table 5. Population of response message

Verb	Feedback field	Message body
Create	SUCCESS VALCHANGE	(Optional) A serialized business object reflecting changes.
	VALDUPES FAIL	(Optional) An error message.

Table 6. Feedback codes and response values

WebSphere MQ feedback code	Equivalent WebSphere business integration system response ^a
MQFB_NONE (this is the default if no feedback code is specified)	VALCHANGE
MQFB_PAN or MQFB_APPL_FIRST	SUCCESS
MQFB_NAN or MQFB_APPL_FIRST + 1	FAIL
MQFB_APPL_FIRST + 2	VALCHANGE
MQFB_APPL_FIRST + 3	VALDUPES

Table 6. Feedback codes and response values (continued)

WebSphere MQ feedback code	Equivalent WebSphere business integration system response ^a
MQFB_APPL_FIRST + 4	MULTIPLE_HITS
MQFB_APPL_FIRST + 5	Not applicable
MQFB_APPL_FIRST + 6	Not applicable
MQFB_APPL_FIRST + 7	UNABLE_TO_LOGIN
MQFB_APPL_FIRST + 8	APP_RESPONSE_TIMEOUT (results in immediate termination of connector)
MQFB_NONE	What the connector receives if no feedback code is specified in the response message

If the business object can be processed, the application creates a report message with the feedback field set to MQFB_PAN (or a specific WebSphere business integration system value). Optionally the application populates the message body with a serialized business object containing any changes. If the business object cannot be processed, the application creates a report message with the feedback field set to MQFB_NAN (or a specific WebSphere business integration system value) and then optionally includes an error message in the message body. In either case, the application sets the correlationID field of the message to the messageID of the connector message and issues it to the queue specified by the ReplyTo field.

Upon retrieval of a response message, the connector by default matches the correlationID of the response to the messageID of a request message. The connector then notifies the thread that issued the request. Depending on the feedback field of the response, the connector either expects a business object or an error message in the message body. If the feedback code is MQFB_NONE (the default value if no feedback code is specified), the connector by default considers the return code to be VALCHANGE. If a business object was expected but the message body is not populated, the connector simply returns the same business object that was originally issued by the integration broker for the Request operation. If an error message was expected but the message body is not populated, a generic error message is returned to the integration broker along with the response code. However, you can also use a message selector to identify, filter and otherwise control how the adapter identifies the response message for a given request. This message selector capability is a JMS feature. It applies to synchronous request processing only and is described below.

Filtering response messages using a message selector: Upon receiving a business object for synchronous request processing, the connector checks for the presence of a response_selector string in the application-specific information of the verb. If the response_selector is undefined, the connector identifies response messages using the correlation ID as described above.

If response_selector is defined, the connector expects a name-value pair with the following syntax:

```
response_selector=JMScorrelationID LIKE 'selectorstring'
```

The message selectorstring must uniquely identify a response and its values be enclosed in single quotes as shown in the example below:

```
response_selector=JMScorrelationID LIKE 'Oshkosh'
```

In the above example, after issuing the request message, the adapter would monitor the ReplyToQueue for a response message with a correlationID equal to "Oshkosh." The adapter would retrieve the first message that matches this message selector and then dispatch it as the response.

Optionally, the adapter performs run-time substitutions enabling you to generate unique message selectors for each request. Instead of a message selector, you specify a placeholder in the form of an integer surrounded by curly braces, for example: '{1}'. You then follow with a colon and a list of comma-separated attributes to use for the substitution. The integer in the placeholder acts as an index to the attribute to use for the substitution. For example, the following message selector:

```
response_selector=JMSCorrelationID LIKE '{1}': MyDynamicMO.CorrelationID
```

would inform the adapter to replace {1} with the value of the first attribute following the selector (in this case the attribute named CorrelationId of the child-object named MyDynamicMO. If attribute CorrelationID had a value of 123ABC, the adapter would generate and use a message selector created with the following criteria:

```
JMSCorrelation LIKE '123ABC'
```

to identify the response message.

You can also specify multiple substitutions such as the following:

```
response_selector=PrimaryId LIKE '{1}' AND AddressId LIKE '{2}' :  
PrimaryId, Address[4].AddressId
```

In this example, the adapter would substitute {1} with the value of attribute PrimaryId from the top-level business object and {2} with the value of AddressId from the 5th position of child container object Address. With this approach, you can reference any attribute in the business object and meta-object in the response message selector. For more information on how deep retrieval is performed using Address[4].AddressId, see JCDK API manual (getAttribute method)

An error is reported at run-time when any of the following occurs:

- If you specify a non-integer value between the '{}' symbols
- If you specify an index for which no attribute is defined
- If the attribute specified does not exist in the business or meta-object
- If the syntax of the attribute path is incorrect

For example, if you include the literal value '{' or '}' in the message selector, you can use '{{' or '' respectively. You can also place these characters in the attribute value, in which case the first "" is not needed. Consider the following example using the escape character: response_selector=JMSCorrelation LIKE '{1}' and CompanyName='A{P': MyDynamicMO.CorrelationID

The connector would resolve this message selector as follows:

```
JMSCorrelationID LIKE '123ABC' and CompanyName='A{P'
```

When the connector encounters special characters such as '{', '}', ':', or ';' in attribute values, they are inserted directly into the query string. This allows you to include special characters in a query string that also serve as application-specific information delimiters.

The next example illustrates how a literal string substitution is extracted from the attribute value:

```
response_selector=JMSCorrelation LIKE '{1}' and CompanyName='A{P':
MyDynamicMO.CorrelationID
```

If MyDynamicMO.CorrelationID contained the value {A:B}C;D, the connector would resolve the message selector as follows: JMSCorrelationID LIKE '{A:B}C;D' and CompanyName='A{P'

For more information on the response selector code, see JMS 1.0.1 specifications.

Creating custom feedback codes: You can extend the WebSphere MQ feedback codes to override default interpretations shown in Table 6 by specifying the connector property FeedbackCodeMappingMO. This property allows you to create a meta-object in which all WebSphere business integration system-specific return status values are mapped to the WebSphere MQ feedback codes. The return status assigned (using the meta-object) to a feedback code is passed to the integration broker. For more information, see “FeedbackCodeMappingMO” on page 23.

Retrieve

Business objects with the Retrieve verb support synchronous delivery only. The connector processes business objects with this verb as it does for the synchronous delivery defined for create. However, when using a Retrieve verb, the responseTimeout and replyToQueue are required. Furthermore, the message body must be populated with a serialized business object to complete the transaction.

Table 7 shows the response messages for these verbs.

Table 7. Population of response message

Verb	Feedback field	Message body
Retrieve	FAIL	(Optional) An error message.
	FAIL_RETRIEVE_BY_CONTENT	
	MULTIPLE_HITS SUCCESS	A serialized business object.

Error handling

All error messages generated by the connector are stored in a message file named SWIFTConnector.txt. (The name of the file is determined by the LogFileName standard connector configuration property.) Each error has an error number followed by the error message:

Message number

Message text

The connector handles specific errors as described in the following sections.

Application timeout

The error message ABON_APPRESPONSETIMEOUT is returned when:

- The connector cannot establish a connection to the JMS service provider during message retrieval.
- The connector successfully converts a business object to a message but cannot deliver it to the outgoing queue due to connection loss.
- The connector issues a message but times out waiting for a response from a business object whose conversion property `TimeoutFatal` is equal to `True`.
- The connector receives a response message with a return code equal to `APP_RESPONSE_TIMEOUT` or `UNABLE_TO_LOGIN`.

Unsubscribed business object

The connector delivers a message to the queue specified by the `UnsubscribedQueue` property if:

- The connector retrieves a message that is associated with an unsubscribed business object.
- The connector retrieves a message but cannot associate the text in the `Format` field with a business object name.

Note: If the `UnsubscribedQueue` is not defined, unsubscribed messages are discarded.

Data handler conversion

If the data handler fails to convert a message to a business object, or if a processing error occurs that is specific to the business object (as opposed to the JMS provider), the message is delivered to the queue specified by `ErrorQueue`. If `ErrorQueue` is not defined, messages that cannot be processed due to errors are discarded.

If the data handler fails to convert a business object to a message, `BON_FAIL` is returned.

Tracing

Tracing is an optional debugging feature you can turn on to closely follow connector behavior. Trace messages, by default, are written to `STDOUT`. See the connector configuration properties in Chapter 2, “Installing and configuring the connector,” on page 17, for more on configuring trace messages.

What follows is recommended content for connector trace messages.

Level 0	This level is used for trace messages that identify the connector version.
Level 1	Use this level for trace messages that provide key information on each business object processed or record each time a polling thread detects a new message in an input queue.
Level 2	Use this level for trace messages that log each time a business object is posted to the integration broker, either from <code>gotAppEvent()</code> or <code>executeCollaboration()</code> .
Level 3	Use this level for trace messages that provide information regarding message-to-business-object and business-object-to-message conversions or provide information about the delivery of the message to the output queue.

- Level 4 Use this level for trace messages that identify when the connector enters or exits a function.
- Level 5 Use this level for trace messages that indicate connector initialization, represent statements executed in the application, indicate whenever a message is taken off of or put onto a queue, or record business object dumps.

Chapter 2. Installing and configuring the connector

- “Overview of installation tasks”
- “Installed file structure”
- “Connector configuration” on page 19
- “Queue Uniform Resource Identifiers (URI)” on page 25
- “Meta-object attributes configuration” on page 26
- “Startup file configuration” on page 36
- “Creating multiple connector instances” on page 37
- “Starting the connector” on page 38
- “Stopping the connector” on page 40

This chapter describes how to install and configure the connector and how to configure the message queues to work with the connector.

Overview of installation tasks

To install the connector for SWIFT, you must perform the following tasks.

Confirm adapter prerequisites

Before you install the adapter, confirm that all the environment prerequisites for installing and running the adapter are on your system. For details, see “Adapter environment” on page 1.

Install the integration broker

Installing the integration broker, a task that includes installing the WebSphere business integration system and starting the broker, is described in the documentation for your broker.

For details about installing the broker, see the *System Implementation Guide*.

Install the adapter for SWIFT and related files

For information on installing WebSphere Business Integration Server Express adapter products, refer to the WebSphere Business Integration Server Express installation guide for Windows, for Linux, or for i5/OS. The guide is located in the WebSphere Business Integration Server Express Adapters Infocenter at the following site: <http://www.ibm.com/websphere/wbiserverexpress/infocenter>.

Installed file structure

The following subsections describe the installed file structure on Linux, i5/OS, and Windows systems.

Installed Linux files

Table 8 describes the Linux file structure used by the connector.

Table 8. Installed Linux file structure for the connector

Subdirectory of <i>ProductDir</i>	Description
connectors/SWIFT /BIA_SWIFTConnector.jar	Connector jar file

Table 8. Installed Linux file structure for the connector (continued)

Subdirectory of ProductDir	Description
connectors/SWIFT/start_SWIFT.sh	The startup script for the connector. The script is called from the generic connector manager script. When you click Install from Connector Configurator Express with InterChange Server Express as the integration broker, the installer creates a customized wrapper for this connector manager script. When the connector works with InterChange Server Express, use this customized wrapper only to start and stop the connector.
connectors/messages /BIA_SWIFTConnector.txt	Connector message file
connectors/SWIFT/samples/ Sample_SWIFT_MO_Config.txt	Sample configuration object.
bin/Data/App/SWIFT /BIA_SWIFTConnectorTemplate	Connector definition
connectors/SWIFT /BIA_SWIFTDataHandler.jar	The SWIFT data handler jar
repository/DataHandlers /MO_DataHandler_SWIFT.txt	Meta-object for SWIFT data handler
repository/DataHandlers /MO_DataHandler_Default.txt	Data handler default object
connectors/SWIFT/samples /BIA_SWIFT_MO_Sample.zip	Zipped file containing meta-object for SWIFT data handler (repository/DataHandlers /MO_DataHandler_SWIFT.xsd) and a sample configuration meta-object (connectors/SWIFT/samples /Sample_SWIFT_MO_Config.xsd)
connectors/SWIFT/samples /BO_Definitions/ BIA_SWIFT_objects.zip	Zipped file containing business object definitions or all supported SWIFT messages. in xsd format (connectors/SWIFT/samples/BO_Definitions/ SWIFT_objects.xsd)

For more information on installing the connector component, refer to the *WebSphere Business Integration Server Express Installation Guide for Linux*.

Installing Windows files

Table 9 describes the Windows file structure used by the connector.

Note: If you are installing a Web release of this connector, see the Release Notes for installation instructions.

Table 9. Installed Windows file structure for the connector

Subdirectory of ProductDir	Description
connectors\SWIFT \BIA_SWIFTConnector.jar	Connector jar file
connectors\SWIFT\start_SWIFT.bat	The startup file for the connector.
connectors\SWIFT \start_SWIFT_service.bat	The startup script for the connector service.
connectors\messages \BIA_SWIFTConnector.txt	Connector message file
bin\Data\App \BIA_SWIFTConnectorTemplate	Connector definition
connectors\SWIFT \BIA_SWIFTDataHandler.jar	The SWIFT data handler jar file
connectors\SWIFT\samples \BIA_SWIFT_MO_Sample.zip	Zipped file containing meta-object for SWIFT data handler (repository\DataHandlers \MO_DataHandler_SWIFT.xsd) and a sample configuration meta-object (connectors\ SWIFT\samples\Sample_SWIFT_MO_Config.xsd)

Table 9. Installed Windows file structure for the connector (continued)

Subdirectory of ProductDir	Description
connectors\SWIFT\samples \BO_Definitions \BIA_SWIFT_objects.zip	Zipped file containing business object definitions for all supported SWIFT messages. in xsd format (connectors/SWIFT/samples /BO_Definitions/SWIFT_objects.xsd)

For more information on installing the connector component, refer to the *WebSphere Business Integration Server Express Installation Guide for Windows*

Installed i5/OS files

Table 8 describes the i5/OS file structure used by the connector.

Table 10. Installed i5/OS file structure for the connector

Subdirectory of ProductDir	Description
connectors/SWIFT/BIA_SWIFTConnector.jar	Connector jar file
connectors/SWIFT/start_SWIFT.sh	The startup script for the connector. The script is called from the generic connector manager script. When you click Install from Connector Configurator Express with InterChange Server Express as the integration broker, the installer creates a customized wrapper for this connector manager script. When the connector works with InterChange Server Express, use this customized wrapper only to start and stop the connector.
connectors/messages/BIA_SWIFTConnector.txt	Connector message file
connectors/SWIFT/BIA_SWIFTDataHandler.jar	The SWIFT data handler jar
connectors/SWIFT/samples /BIA_SWIFT_MO_Sample.zip	Zipped file containing meta-object for SWIFT data handler (repository/DataHandlers/ MO_DataHandler_SWIFT.xsd) and a sample configuration meta-object (connectors /SWIFT/samples/Sample_SWIFT_MO_Config.xsd)
connectors/SWIFT/samples/BO_Definitions/ BIA_SWIFT_objects.zip	Zipped file containing business object definitions for all supported SWIFT messages. in xsd format (connectors/SWIFT/samples/BO_Definitions/ SWIFT_objects.xsd)

For more information on installing the connector component, refer to one of the following guides, depending on the integration broker you are using: *WebSphere Business Integration Server Express Installation Guide for i5/OS*.

Connector configuration

Connectors have two types of configuration properties: standard configuration properties and adapter-specific configuration properties. You must set the values of these properties before running the adapter.

You use Connector Configurator Express to configure connector properties:

- For a description of Connector Configurator Express and step-by-step procedures, see Appendix B, “Connector Configurator Express,” on page 89.
- For a description of standard connector properties, see “Standard connector properties” on page 20 and then Appendix A, “Standard configuration properties for connectors,” on page 69.

- For a description of connector-specific properties, see “Connector-specific properties.”

A connector obtains its configuration values at startup. During a runtime session, you may want to change the values of one or more connector properties. Changes to some connector configuration properties, such as `AgentTraceLevel`, take effect immediately. Changes to other connector properties require component restart or system restart after a change. To determine whether a property is dynamic (taking effect immediately) or static (requiring either connector component restart or system restart), refer to the Update Method column in the Connector Properties window of Connector Configurator Express.

Standard connector properties

Standard configuration properties provide information that all connectors use. See Appendix A, “Standard configuration properties for connectors,” on page 69 for documentation of these properties.

Note: When you set configuration properties in Connector Configurator Express, you specify your broker using the `BrokerType` property. Once this is set, the properties relevant to your broker will appear in the Connector Configurator Express window.

Connector-specific properties

Connector-specific configuration properties provide information needed by the connector at runtime. Connector-specific properties also provide a way of changing static information or logic within the connector without having to recode and rebuild the agent.

Note: Always check the values WebSphere MQ provides because they may be incorrect or unknown. If the provided values are incorrect, specify them explicitly.

Table 11 lists the connector-specific configuration properties for the connector for SWIFT. See the sections that follow for explanations of the properties.

Table 11. Connector-specific configuration properties

Name	Possible values	Default value	Required
“ApplicationPassword” on page 21	<i>Login password</i>		No
“ApplicationUserID” on page 21	<i>Login user ID</i>		No
“ArchiveQueue” on page 22	<i>Queue to which copies of successfully processed messages are sent</i>	<code>queue://CrossWorlds.Queue.Manager/MQCONN.ARCHIVE</code>	No
“Channel” on page 22	<i>MQ server connector channel</i>		Yes
“ConfigurationMetaObject” on page 22	<i>Name of configuration meta-object</i>		Yes
“DataHandlerClassName” on page 22	<i>Data handler class name</i>	<code>com.crossworlds.DataHandlers.swift.SwiftDataHandler</code>	No
“DataHandlerConfigMO” on page 22	<i>Data handler meta-object</i>	<code>MO_DataHandler_Default</code>	Yes
“DataHandlerMimeType” on page 22	<i>MIME type of file</i>	<code>swift</code>	No

Table 11. Connector-specific configuration properties (continued)

Name	Possible values	Default value	Required
"DefaultVerb" on page 22	Any verb supported by the connector.	Create	
"EnableMessageProducerCache" on page 22	true or false	true	No
"ErrorQueue" on page 22	Queue for unprocessed messages	queue://crossworlds.Queue.manager/MQCONN.ERROR	No
"FeedbackCodeMappingMO" on page 23	Feedback code meta-object		No
"HostName" on page 23	WebSphere MQ server		No
"InDoubtEvents" on page 23	FailOnStartup Reprocess Ignore LogError	Reprocess	No
"InputQueue" on page 24	Poll queues	queue://CrossWorlds.Queue.Manager/MQCONN.IN	Yes
"InProgressQueue" on page 24	In-progress event queue	queue://CrossWorlds.Queue.Manager/MQCONN.IN_PROGRESS	No
"PollQuantity" on page 24	Number of messages to retrieve from each queue specified in the InputQueue property	1	No
"Port" on page 25	Port established for the WebSphere MQ listener		No
"ReplyToQueue" on page 25	Queue to which response messages are delivered when the connector issues requests	queue://CrossWorlds.Queue.Manager/MQCONN.REPLYTO	No
"SessionPoolSizeForRequests" on page 25	Maximum pool size for caching the sessions used during request processing	10	No
"UnsubscribedQueue" on page 25	Queue to which unsubscribed messages are sent	queue://CrossWorlds.QueueManager/MQCONN.UNSUBSCRIBE	No
"UseDefaults" on page 25	true or false	false	

ApplicationPassword

Password used with the ApplicationUserID to log in to WebSphere MQ.

Default = None.

If the ApplicationPassword is left blank or removed, the connector uses the default password provided by WebSphere MQ.

ApplicationUserID

User ID used with the ApplicationPassword to log in to WebSphere MQ.

Default=None.

If the ApplicationUserID is left blank or removed, the connector uses the default user ID provided by WebSphere MQ.

ArchiveQueue

Queue to which copies of successfully processed messages are sent.

Default = `queue://crossworlds.Queue.manager/MQCONN.ARCHIVE`

Channel

MQ server connector channel through which the connector communicates with WebSphere MQ.

Default=None.

If the value of Channel is left blank or the property is removed, the connector uses the default server channel provided by WebSphere MQ.

ConfigurationMetaObject

Name of static meta-object containing configuration information for the connector.

Default = none.

DataHandlerClassName

Data handler class to use when converting messages to and from business objects.

Default = `com.crossworlds.DataHandlers.swift.SwiftDataHandler`

DataHandlerConfigMO

Meta-object passed to data handler to provide configuration information.

Default = `MO_DataHandler_Default`

DataHandlerMimeType

Allows you to request a data handler based on a particular MIME type.

Default = `swift`

DefaultVerb

Specifies the verb to be set within an incoming business object, if it has not been set by the data handler during polling.

Default= `Create`

EnableMessageProducerCache

Boolean property to specify that the adapter should enable a message producer cache for sending request messages.

Default= `true`

ErrorQueue

Queue to which messages that could not be processed are sent.

Default = `queue://crossworlds.Queue.manager/MQCONN.ERROR`

FeedbackCodeMappingMO

Allows you to override and reassign the default feedback codes used to synchronously acknowledge receipt of messages to the integration broker. This property enables you to specify a meta-object in which each attribute name is understood to represent a feedback code. The corresponding value of the feedback code is the return status that is passed to the integration broker. For a listing of the default feedback codes, see “Synchronous acknowledgment” on page 7. The connector accepts the following attribute values representing WebSphere MQ-specific feedback codes:

- MQFB_APPL_FIRST
- MQFB_APPL_FIRST_OFFSET_N where N is an integer (interpreted as the value of MQFB_APPL_FIRST + N)

The connector accepts the following WebSphere business integration system-specific status codes as attribute values in the meta-object:

- SUCCESS
- FAIL
- APP_RESPONSE_TIMEOUT
- MULTIPLE_HITS
- UNABLE_TO_LOGIN
- VALCHANGE
- VALDUPES

Table 12 shows a sample meta-object.

Table 12. Sample feedback code meta-object attributes

Attribute Name	Default Value
MQFB_APPL_FIRST	SUCCESS
MQFB_APPL_FIRST + 1	FAIL
MQFB_APPL_FIRST + 2	UNABLE_TO_LOGIN

Default = none.

HostName

The name of the server hosting WebSphere MQ.

Default=None.

If the HostName is left blank or removed, the connector allows WebSphere MQ to determine the host.

InDoubtEvents

Specifies how to handle in-progress events that are not fully processed due to unexpected connector shutdown. Choose one of four actions to take if events are found in the in-progress queue during initialization:

- FailOnStartup. Log an error and immediately shut down.
- Reprocess. Process the remaining events first, then process messages in the input queue.
- Ignore. Disregard any messages in the in-progress queue.

- `LogError`. Log an error but do not shut down.

Default = `Reprocess`.

InputQueue

Specifies the message queues that the connector polls for new messages. See the MQSA documentation to configure the WebSphere MQ queues for routing to SWIFTAlliance gateways.

The connector accepts multiple semicolon-delimited queue names. For example, to poll the queues `MyQueueA`, `MyQueueB`, and `MyQueueC`, the value for connector configuration property `InputQueue` is: `MyQueueA;MyQueueB;MyQueueC`.

The connector polls the queues in a round-robin manner and retrieves up to `pollQuantity` number of messages from each queue. For example, `pollQuantity` equals 2, and `MyQueueA` contains 2 messages, `MyQueueB` contains 1 message and `MyQueueC` contains 5 messages.

With `pollQuantity` set to 2, the connector retrieves at most 2 messages from each queue per call to `pollForEvents`. For the first cycle (1 of 2), the connector retrieves the first message from each of `MyQueueA`, `MyQueueB`, and `MyQueueC`. That completes the first round of polling. The connector starts a second round of polling (2 of 2) and retrieves one message each from `MyQueueA` and `MyQueueC`—it skips `MyQueueB` because that queue is now empty. After polling all queues twice, the call to the method `pollForEvents` is complete. The sequence of message retrieval is:

1. 1 message from `MyQueueA`
2. 1 message from `MyQueueB`
3. 1 message from `MyQueueC`
4. 1 message from `MyQueueA`
5. Skip `MyQueueB` because it is empty
6. 1 message from `MyQueueC`

Default = `queue://crossworlds.Queue.manager/MQCONN.IN`

InProgressQueue

Message queue where messages are held during processing. You can configure the connector to operate without this queue by using System Manager to remove the default `InProgressQueue` name from the connector-specific properties. Doing so prompts a warning at startup that event delivery may be compromised if the connector is shut down while are events pending.

Default= `queue://crossworlds.Queue.manager/MQCONN.IN_PROGRESS`

PollQuantity

Number of messages to retrieve from each queue specified in the `InputQueue` property during a `pollForEvents` scan.

Default =1

Port

Port established for the WebSphere MQ listener.

Default=None.

If the value of Port is left blank or the property is removed, the connector allows WebSphere MQ to determine the correct port.

ReplyToQueue

Queue to which response messages are delivered when the connector issues requests.

Default = `queue://crossworlds.Queue.manager/MQCONN.REPLYTO`

SessionPoolSizeForRequests

Maximum pool size for caching the sessions used during request processing.

Default = 10

UnsubscribedQueue

Queue to which messages about business objects that are not subscribed to are sent.

Default = `queue://crossworlds.Queue.manager/MQCONN.UNSUBSCRIBED`

UseDefaults

On a Create operation, if UseDefaults is set to true, the connector checks whether a valid value or a default value is provided for each isRequired business object attribute. If a value is provided, the Create operation succeeds. If the parameter is set to false, the connector checks only for a valid value and causes the Create operation to fail if it is not provided. The default is false.

Queue Uniform Resource Identifiers (URI)

A URI uniquely identifies a queue. A URI for a queue begins with the sequence `queue://` followed by:

- The name of the queue manager on which the queue resides
- A forward slash (/)
- The name of the queue
- Optionally, a list of name-value pairs to set the remaining queue properties.

For example, the following URI connects to queue IN on queue manager `crossworlds.queue.manager` and causes all messages to be sent as SWIFT messages with priority 5.

`queue://crossworlds.Queue.manager/MQCONN.IN?targetClient=1&priority=5`

Table 13 shows property names for queue URIs.

Table 13. SWIFT-specific connector property names for queue URIs

Property name	Description	Values
expiry	Lifetime of the message in milliseconds.	0 = unlimited.
priority	Priority of the message.	positive integers = timeout (in ms). 0-9, where 1 is the highest priority. A value of -1 means that the property is determined by the configuration of the queue. A value of -2 means that the connector can use its own default value.
persistence	Whether the message should be retained in persistent memory.	1 = non-persistent 2 = persistent
CCSID ¹	Character set of the destination.	A value of -1 means that the property is determined by the configuration of the queue. A value of -2 means that the connector uses its own default value. Integers - valid values listed in base WebSphere MQ documentation.
targetClient	Whether the receiving application is JMS compliant or not.	1 = MQ (MQMD header only) This value must be set to 1 for SWIFTAlliance.
encoding	How to represent numeric fields.	An integer value as described in the base WebSphere MQ documentation.

Notes:

1. The connector has no control over the character set (CCSID) or encoding attributes of data in MQMessages. For the connector to work properly, WebSphere MQ queues require an ASCII character set, and must be configured accordingly in MQSA. Because data conversion is applied as the data is retrieved from or delivered to the message buffer, the connector relies on the IBM WebSphere MQ implementation of JMS to convert data (see the IBM WebSphere MQ Java client library documentation). Accordingly, these conversions should be bi-directionally equivalent to those performed by the native WebSphere MQ API using option MQGMO_CONVERT. The connector has no control over differences or failures in the conversion process. It can retrieve message data of any CCSID or encoding supported by WebSphere MQ without additional modifications (such as those imposed by MQSA). To deliver a message of a specific CCSID or encoding, the output queue must be a fully qualified URI and specify values for CCSID and encoding. The connector passes this information to WebSphere MQ, which (via the JMS API) uses the information when encoding data for MQMessage delivery. Often, lack of support for CCSID and encoding can be resolved by downloading the most recent version of the IBM WebSphere MQ Java client library from the IBM website. For further information on MQSA requirements, see MQSA documentation. If problems specific to CCSID and encoding persist, contact IBM Technical Support to discuss the possibility of using another Java Virtual Machine to run the connector.

Meta-object attributes configuration

The connector for SWIFT can recognize and read two kinds of meta-objects:

- Static connector meta-object
- Dynamic child meta-object

The attribute values of the dynamic child meta-object duplicate and override those of the static meta-object.

Static meta-object

The static meta-object consists of a list of conversion properties defined for different business objects. To define the conversion properties for a business object, first create a string attribute and name it using the syntax busObj_verb. For example, to define the conversion properties for a Customer object with the verb

Create, create an attribute named `Swift_MT502_Create`. In the application-specific text of the attribute, you specify the actual conversion properties.

Additionally, a reserved attribute named `Default` can be defined in the meta-object. When this attribute is present, its properties act as default values for all business object conversion properties.

Note: If a static meta-object is not specified, the connector cannot map a given message format to a specific business object type during polling. When this is the case, the connector passes the message text to the configured data handler without specifying a business object. If the data handler cannot create a business object based on the text alone, the connector reports an error indicating that this message format is unrecognized.

Table 14 describes the meta-object properties.

Table 14. Static meta-object properties

Property name	Description
<code>CollaborationName</code>	<p>The collaboration name must be specified in the application-specific text of the attribute for the business object/verb combination. For example, if you expect to handle synchronous events for the business object <code>Customer</code> with the <code>Create</code> verb, the static metadata object must contain an attribute named <code>Swift_MTnnn_Verb</code>, where nnn is the Swift message type, for example, <code>Swift_MT502_Create</code>. The <code>Swift_MT502_Create</code> attribute must contain application-specific text that includes a name-value pair. For example, <code>CollaborationName=MyCustomerProcessingCollab</code>. See the “Application-specific information” on page 28 section for syntax details. Failure to do this results in runtime errors when the connector attempts to synchronously process a request involving the <code>Customer</code> business object.</p> <p>Note: This property is available only for synchronous requests.</p>
<code>DoNotReportBusObj</code>	<p>Optionally, you can include the <code>DoNotReportBusObj</code> property. By setting this property to <code>true</code>, all PAN report messages issued have a blank message body. This is recommended when you want to confirm that a request has been successfully processed but does not need notification of changes to the business object. This does not affect NAN reports. If this property is not found in the static meta-object, the connector defaults to <code>false</code> and populates the message report with the business object.</p> <p>Note: This property is available only for synchronous requests.</p>
<code>InputFormat</code>	<p>The input format is the message format to associate with the given business object. When a message is retrieved and is in this format, it is converted to the given business object if possible. If this format is not specified for a business object, the connector does not handle subscription deliveries for the given business object.</p> <p>In the static MO, the <code>InputQueue</code> property and the <code>InputFormat</code> property can serve as criteria for the adapter to map a given message to a specific business object. This feature is not used by the adapter for the SWIFT protocol.</p>

Table 14. Static meta-object properties (continued)

Property name	Description
OutputFormat	The output format is set on messages created from the given business object. If a value for the OutputFormat property is not specified, the input format is used, if available. An OutputFormat property value defined in a dynamic child meta-object overrides the value defined in the static meta-object.
InputQueue	The input queue that the connector polls to detect new messages. The InputQueue property in the connector-specific properties defines which queues the adapter polls. This is the only property that the adapter uses to determine which queues to poll. In the static MO, the InputQueue property and the InputFormat property can serve as criteria for the adapter to map a given message to a specific business object. This feature is not used by the adapter for the SWIFT protocol.
OutputQueue	The output queue is the queue to which messages derived from the given business object are delivered. An OutputQueue property value defined in a dynamic child meta-object overrides the value defined in the static meta-object.
ResponseTimeout	The length of time in milliseconds to wait for a response before timing out. The connector returns SUCCESS immediately without waiting for a response if this property is undefined or has a value less than zero. A ResponseTimeout property value defined in a dynamic child meta-object overrides the value defined in the static meta-object.
TimeoutFatal	If this property is defined and has a value of true, the connector returns APP_RESPONSE_TIMEOUT when a response is not received within the time specified by ResponseTimeout. All other threads waiting for response messages immediately return APP_RESPONSE_TIMEOUT to the integration broker. This causes the integration broker to terminate the connection to the connector. A TimeoutFatal property defined in a dynamic child meta-object overrides the value defined in the static meta-object.

Note: The InputQueue property in the connector-specific properties defines which queues the adapter polls. This is the only property that the adapter uses to determine which queues to poll. In the static MO, the InputQueue property and the InputFormat property can serve as criteria for the adapter to map a given message to a specific business object. For the adapter for SWIFT, do not use this feature.

Application-specific information

The application-specific information is structured in name-value pair format, separated by semicolons. For example:

```
InputFormat=ORDER_IN;OutputFormat=ORDER_OUT
```

You can use application-specific information to map a data handler to an input queue.

Mapping data handlers to InputQueues

You can use the `InputQueue` property in the application-specific information of the static meta-object to associate a data handler with an input queue. This feature is useful when dealing with multiple trading partners who have different formats and conversion requirements. To do so you must:

1. Use connector-specific properties (see “`InputQueue`” on page 24) to configure one or more input queues.
2. For each input queue, specify the queue manager and input queue name as well as data handler class name and mime type in the application-specific information.

For example, the following attribute in a static meta-object associates a data handler with an `InputQueue` named `CompReceipts`:

```
[Attribute]
Name = Swift_MT502_Create
Type = String
Cardinality = 1
MaxLength = 1
IsKey = false
IsForeignKey = false
IsRequired = false
AppSpecificInfo = InputQueue=//queue.manager/CompReceipts;
                  DataHandlerClassName=com.crossworlds.
                  DataHandlers.swift.disposition_notification;
                  DataHandlerMimeType=message/
                  disposition_notification
IsRequiredServerBound = false
[End]
```

Overloading input formats

When retrieving a message, the connector normally matches the input format to one specific business object and verb combination. The connector then passes the business object name and the contents of the message to the data handler. This allows the data handler to verify that the message contents correspond to the business object that the user expects.

If, however, the same input format is defined for more than one business object, the connector cannot determine which business object the data represents before passing it to the data handler. In such cases, the connector passes the message contents only to the data handler and then looks up conversion properties based on the business object that is generated. Accordingly, the data handler must determine the business object based on the message content alone.

If the verb on the generated business object is not set, the connector searches for conversion properties defined for this business object with any verb. If only one set of conversion properties is found, the connector assigns the specified verb. If more properties are found, the connector fails the message because it is unable to distinguish among the verbs.

Dynamic child meta-object

If it is difficult or unfeasible to specify the necessary metadata through a static meta-object, the connector can optionally accept metadata specified at runtime for each business object instance.

The connector recognizes and reads conversion properties from a dynamic meta-object that is added as a child to the top-level business object passed to the

connector. The attribute values of the dynamic child meta-object duplicate the conversion properties that you can specify via the static meta-object that is used to configure the connector.

Because dynamic child meta-object properties override those found in static meta-objects, if you specify a dynamic child meta-object, you need not include a connector property that specifies the static meta-object. Accordingly, you can use either a dynamic child meta-object or a static meta-object, or both.

Table 15 shows sample static meta-object properties for business object `Swift_MT502_Create`. Note that the application-specific text consists of semicolon-delimited name-value pairs

Table 15. Static meta-object structure for Swift_MT502_Create

Attribute name	Application-specific text
Swift_MT502_Create	InputFormat=ORDER_IN; OutputFormat=ORDER_OUT; OutputQueue=QueueA; ResponseTimeout=10000; TimeoutFatal=False

Table 16 shows a sample dynamic child meta-object for business object `Swift_MT_Create`.

Table 16. Dynamic child meta-object Structure for Swift_MT502_Create

Property name	Value
OutputFormat	ORDER_OUT
OutputQueue	QueueA
ResponseTimeout	10000
TimeoutFatal	False

The connector checks the application-specific text of the top-level business object received to determine whether tag `cw_mo_conn` specifies a child meta-object. If so, the dynamic child meta-object values override those specified in the static meta-object.

Population of the dynamic child meta-object during polling

In order to provide the integration broker with more information regarding messages retrieved during polling, the connector populates specific attributes of the dynamic meta-object, if already defined for the business object created.

Table 17 shows how a dynamic child meta-object might be structured for polling.

Table 17. JMS dynamic child meta-object structure for polling

Property name	Sample value
InputFormat	ORDER_IN
InputQueue	MYInputQueue
OutputFormat	CxIgnore

Table 17. JMS dynamic child meta-object structure for polling (continued)

Property name	Sample value
OutputQueue	CxIgnore
ResponseTimeout	CxIgnore
TimeoutFatal	CxIgnore

As shown in Table 17, you can define an additional property, InputQueue, in a dynamic child meta-object. This property contains the name of the queue from which a given message has been retrieved. If this property is not defined in the child meta-object, it will not be populated.

Example scenario:

- The connector retrieves a message with the format ORDER_IN from the queue WebSphere MQ queue.
- The connector converts this message to an order business object and checks the application-specific text to determine if a meta-object is defined.
- If so, the connector creates an instance of this meta-object and populates the InputQueue and InputFormat properties accordingly, then publishes the business object to available processes.

JMS headers, SWIFT message properties, and dynamic child meta-object attributes

You can add attributes to a dynamic meta-object to gain more information about, and more control over, the message transport. Adding such attributes allows you to modify JMS properties, to control the ReplyToQueue on a per-request basis (rather than using the default ReplyToQueue specified in the adapter properties), and to re-target a message CorrelationID. This section describes these attributes and how they affect event notification and request processing in both synchronous and asynchronous modes.

The following attributes, which reflect JMS and SWIFT header properties, are recognized in the dynamic meta-object.

Table 18. Dynamic meta-object header attributes

Header attribute name	Mode	Corresponding JMS header
CorrelationID	Read/Write	JMSCorrelationID
ReplyToQueue	Read/Write	JMSReplyTo
DeliveryMode	Read/Write	JMSDeliveryMode
Priority	Read/Write	JMSPriority
Destination	Read	JMSDestination
Expiration	Read	JMSExpiration
MessageID	Read	JMSMessageID
Redelivered	Read	JMSRedelivered
TimeStamp	Read	JMSTimeStamp
Type	Read	JMSType
UserID	Read	JMSXUserID
AppID	Read	JMSXAppID
DeliveryCount	Read	JMSXDeliveryCount
GroupID	Read	JMSXGroupID

Table 18. Dynamic meta-object header attributes (continued)

Header attribute name	Mode	Corresponding JMS header
GroupSeq	Read	JMSXGroupSeq
JMSProperties	Read/Write	

Read-only attributes are read from a message header during event notification and written to the dynamic meta-object. These properties also populate the dynamic MO when a response message is issued during request processing. Read/write attributes are set on message headers created during request processing. During event notification, read/write attributes are read from message headers to populate the dynamic meta-object.

The interpretation and use of these attributes are described in the sections below.

Note: None of the above attributes are required. You may add any attributes to the dynamic meta-object that relate to your business process.

JMS Properties: Unlike other attributes in the dynamic meta-object, `JMSProperties` must define a single-cardinality child object. Every attribute in this child object must define a single property to be read/written in the variable portion of the JMS message header as follows:

1. The name of the attribute has no semantic value.
2. The type of the attribute should always be `String` regardless of the JMS property type.
3. The application-specific information of the attribute must contain two name-value pairs defining the name and format of the JMS message property to which the attribute maps.

The table below shows application-specific information properties that you must define for attributes in the `JMSProperties` object.

Table 19. Application-specific information for JMS property attributes

Name	Possible values	Comments
Name	Any valid JMS property name	This is the name of the JMS property. Some vendors reserve certain properties to provide extended functionality. In general, users should not define custom properties that begin with JMS unless they are seeking access to these vendor-specific features.

Table 19. Application-specific information for JMS property attributes (continued)

Name	Possible values	Comments
Type	String, Int, Boolean, Float, Double, Long, Short	This is the type of the JMS property. The JMS API provides a number of methods for setting values in the JMS Message: setIntProperty, setLongProperty, setStringProperty, etc. The type of the JMS property specified here dictates which of these methods is used for setting the property value in the message.

The figure below shows attribute `JMSProperties` in the dynamic meta-object and definitions for four properties in the JMS message header: `ID`, `GID`, `RESPONSE` and `RESPONSE_PERSIST`. The application-specific information of the attributes defines the name and type of each. For example, attribute `ID` maps to JMS property `ID` of type `String`).

	Pos	Name	Type	Key	Req'd	Card	App Spec Info
1	1	JMSProperties	TeamCenter_JMS_Properties	<input type="checkbox"/>	<input type="checkbox"/>	1	
1.1	1.1	ID	String	<input checked="" type="checkbox"/>	<input checked="" type="checkbox"/>		name=ID;type=String
1.2	1.2	GID	String	<input type="checkbox"/>	<input checked="" type="checkbox"/>		name=GID;type=String
1.3	1.3	RESPONSE	String	<input type="checkbox"/>	<input checked="" type="checkbox"/>		name=RESPONSE;type=Boolean
1.4	1.4	RESP_PERSIST	String	<input type="checkbox"/>	<input checked="" type="checkbox"/>		name=RESPONSE_PERSIST;type=Boolean
1.5	1.5	ObjectEventId	String				
2	2	OrderFormat	String	<input checked="" type="checkbox"/>	<input type="checkbox"/>		

Figure 4. JMS properties attribute in a dynamic meta-object

Asynchronous event notification: If a dynamic meta-object with header attributes is present in the event business object, the connector performs the following steps (in addition to populating the meta-object with transport-related data):

1. Populates the `CorrelationId` attribute of the meta-object with the value specified in the `JMSCorrelationID` header field of the message.
2. Populates the `ReplyToQueue` attribute of the meta-object with the queue specified in the `JMSReplyTo` header field of the message. Since this header field is represented by a Java object in the message, the attribute is populated with the name of the queue (often a URI).
3. Populates the `DeliveryMode` attribute of the meta-object with the value specified in the `JMSDeliveryMode` header field of the message.
4. Populates the `Priority` attribute of the meta-object with the `JMSPriority` header field of the message.
5. Populates the `Destination` attribute of the meta-object with the name of the `JMSDestination` header field of the message. Since the `Destination` is represented by an object, the attribute is populated with the name of the `Destination` object.
6. Populates the `Expiration` attribute of the meta-object with the value of the `JMSExpiration` header field of the message.
7. Populates the `MessageID` attribute of the meta-object with the value of the `JMSMessageID` header field of the message.

8. Populates the Redelivered attribute of the meta-object with the value of the JMSRedelivered header field of the message.
9. Populates the TimeStamp attribute of the meta-object with the value of the JMSTimeStamp header field of the message.
10. Populates the Type attribute of the meta-object with the value of the JMSType header field of the message.
11. Populates the UserID attribute of the meta-object with the value of the JMSXUserID property field of the message.
12. Populates the AppID attribute of the meta-object with the value of the JMSXAppID property field of the message.
13. Populates the DeliveryCount attribute of the meta-object with the value of the JMSXDeliveryCount property field of the message.
14. Populates the GroupID attribute of the meta-object with the value of the JMSXGroupID property field of the message.
15. Populates the GroupSeq attribute of the meta-object with the value of the JMSXGroupSeq property field of the message.
16. Examines the object defined for the JMSProperties attribute of the meta-object. The adapter populates each attribute of this object with the value of the corresponding property in the message. If a specific property is undefined in the message, the adapter sets the value of the attribute to CxBlank.

Synchronous event notification: For synchronous event processing, the adapter posts an event and waits for a response from the integration broker before sending a response message back to the application. Any changes to the business data are reflected in the response message returned. Before posting the event, the adapter populates the dynamic meta-object just as described for asynchronous event notification. The values set in the dynamic meta-object are reflected in the response-issued header as described below (all other read-only header attributes in the dynamic meta-object are ignored.):

- **CorrelationID** If the dynamic meta-object includes the attribute CorrelationID, you must set it to the value expected by the originating application. The application uses the CorrelationID to match a message returned from the connector to the original request. Unexpected or invalid values for a CorrelationID will cause problems. It is helpful to determine how the application handles correlating request and response messages before using this attribute. You have four options for populating the CorrelationID in a synchronous request.
 1. Leave the value unchanged. The CorrelationID of the response message will be the same as the CorrelationID of the request message. This is equivalent to the WebSphere MQ option MQRO_PASS_CORREL_ID.
 2. Change the value to CxIgnore. The connector by default copies the message ID of the request to the CorrelationID of the response. This is equivalent to the WebSphere MQ option MQRO_COPY_MSG_ID_TO_CORREL_ID.
 3. Change the value to CxBlank. The connector will not set the CorrelationID on the response message.
 4. Change the value to a custom value. This requires that the application processing the response recognize the custom value.

If you do not define attribute CorrelationID in the meta-object, the connector handles the CorrelationID automatically.

- **ReplyToQueue** If you update the dynamic meta-object by specifying a different queue for attribute ReplyToQueue, the connector sends the response message to the queue you specify. This is not recommended. Having the connector send

response messages to different queues may interfere with communication because an application that sets a specific reply queue in a request message is assumed to be waiting for a response on that queue.

- **JMS properties** The values set for the JMS Properties attribute in the dynamic meta-object when the updated business object is returned to the connector are set in the response message.

Asynchronous request processing: The connector uses the dynamic meta-object, if present, to populate the request message prior to issuing it. The connector performs the following steps before sending a request message:

1. If attribute `CorrelationID` is present in the dynamic meta-object, the connector sets the `CorrelationID` of the outbound request message to this value.
2. If attribute `ReplyToQueue` is specified in the dynamic meta-object, the connector passes this queue via the request message and waits on this queue for a response. This allows you to override the `ReplyToQueue` value specified in the connector configuration properties. If you additionally specify a negative `ResponseTimeout` (meaning that the connector should not wait for a response), the `ReplyToQueue` is set in the response message, even though the connector does not actually wait for a response.
3. If attribute `DeliveryMode` is set to 2, the message is sent persistently. If `DeliveryMode` is set to 1, the message is not sent persistently. Any other value may fail the connector. If `DeliveryMode` is not specified in the MO, then the JMS provider establishes the persistence setting.
4. If attribute `Priority` is specified, the connector sets the value in the outgoing request. The `Priority` attribute can take values 0 through 9; any other value may cause the connector to terminate.
5. If attribute `JMSProperties` is specified in the dynamic meta-object, the corresponding JMS properties specified in the child dynamic meta-object are set in the outbound message sent by the connector.

Note: If header attributes in the dynamic meta-object are undefined or specify `CxIgnore`, the connector follows its default settings.

Synchronous request processing: The connector uses the dynamic meta-object, if present, to populate the request message prior to issuing it. If the dynamic meta-object contains header attributes, the connector populates it with corresponding new values found in the response message. The connector performs the following steps (in addition to populating the meta-object with transport-related data) after receiving a response message:

1. If attribute `CorrelationID` is present in the dynamic meta-object, the adapter updates this attribute with the `JMSCorrelationID` specified in the response message.
2. If attribute `ReplyToQueue` is defined in the dynamic meta-object, the adapter updates this attribute with the name of the `JMSReplyTo` specified in the response message.
3. If attribute `DeliveryMode` is present in the dynamic meta-object, the adapter updates this attribute with the value of the `JMSDeliveryMode` header field of the message.
4. If attribute `Priority` is present in the dynamic meta-object, the adapter updates this attribute with the value of the `JMSPriority` header field of the message.

5. If attribute `Destination` is defined in the dynamic meta-object, the adapter updates this attribute with the name of the `JMSDestination` specified in the response message.
6. If attribute `Expiration` is present in the dynamic meta-object, the adapter updates this attribute with the value of the `JMSEExpiration` header field of the message.
7. If attribute `MessageID` is present in the dynamic meta-object, the adapter updates this attribute with the value of the `JMSMessageID` header field of the message.
8. If attribute `Redelivered` is present in the dynamic meta-object, the adapter updates this attribute with the value of the `JMSRedelivered` header field of the message.
9. If attribute `TimeStamp` is present in the dynamic meta-object, the adapter updates this attribute with the value of the `JMSTimeStamp` header field of the message.
10. If attribute `Type` is present in the dynamic meta-object, the adapter updates this attribute with the value of the `JMSType` header field of the message.
11. If attribute `UserID` is present in the dynamic meta-object, the adapter updates this attribute with the value of the `JMSXUserID` header field of the message.
12. If attribute `AppID` is present in the dynamic meta-object, the adapter updates this attribute with the value of the `JMSXAppID` property field of the message.
13. If attribute `DeliveryCount` is present in the dynamic meta-object, the adapter updates this attribute with the value of the `JMSXDeliveryCount` header field of the message.
14. If attribute `GroupID` is present in the dynamic meta-object, the adapter updates this attribute with the value of the `JMSXGroupID` header field of the message.
15. If attribute `GroupSeq` is present in the dynamic meta-object, the adapter updates this attribute with the value of the `JMSXGroupSeq` header field of the message.
16. If attribute `JMSProperties` is defined in the dynamic meta-object, the adapter updates any properties defined in the child object with the values found in the response message. If a property defined in the child object does not exist in the message, the value is set to `CxBlank`.

Note: Using the dynamic meta-object to change the `CorrelationID` set in the request message does not affect the way the adapter identifies the response message—the adapter by default expects that the `CorrelationID` of any response message equals the message ID of the request sent by the adapter.

Error handling: If a JMS property cannot be read from or written to a message, the connector logs an error and the request or event fails. If a user-specified `ReplyToQueue` does not exist or cannot be accessed, the connector logs an error and the request fails. If a `CorrelationID` is invalid or cannot be set, the connector logs an error and the request fails. In all cases, the message logged is from the connector message file.

Startup file configuration

Before you start the connector for SWIFT, you must configure the startup file. The section below describe how to do this for Windows and Linux systems.

Windows

To complete the configuration of the connector for Windows platforms, you must modify the `start_SWIFT.bat` file:

1. Open the `start_SWIFT.bat` file.
2. Scroll to the section beginning with “Set the directory containing your MQ Java client libraries,” and specify the location of your MQ Java client libraries.

Creating multiple connector instances

Creating multiple instances of a connector is in many ways the same as creating a custom connector. You can set your system up to create and run multiple instances of a connector by following the steps below. You must:

- Create a new directory for the connector instance
- Make sure you have the requisite business object definitions
- Create a new connector definition file
- Create a new start-up script

Create a new directory

- **For Windows Platforms:**

`ProductDir\connectors\connectorInstance`

If the connector has any connector-specific meta-objects, you must create a meta-object for the connector instance. If you save the meta-object as a file, create this directory and store the file here:

`ProductDir\Repository\connectorInstance`

where *connectorInstance* uniquely identifies the connector instance.

You can specify the InterChange Server Express server name as a parameter of `startup.bat`; an example is: `start_SWIFT.bat connName serverName`.

- **For i5/OS Platforms:**

`/QIBM/UserData/WBIServer44/WebSphereICSName/connectors/connectorInstance`

where *connectorInstance* uniquely identifies the connector instance and where *WebSphereICSName* is the name of the Interchange Server Express instance with which the connector runs.

If the connector has any connector-specific meta-objects, you must create a meta-object for the connector instance. If you save the meta-object as a file, create this directory and store the file here:

`/QIBM/UserData/WBIServer44/WebSphereICSName`

`/Repository/connectorInstance` where *WebSphereICSName* is the name of the Interchange Server Express instance with which the connector runs.

- **For Linux Platforms:**

`ProductDir/connectors/connectorInstance` where *connectorInstance* uniquely identifies the connector instance. If the connector has any connector-specific meta-objects, you must create a meta-object for the connector instance. If you save the meta-object as a file, create this directory and store the file here:

`ProductDir/Repository/connectorInstance`. You can specify the InterChange

Server Express servername as a parameter of `connector_manager`; an example is `connector_manager -start connName WebSphereICSName [-cConfigFile]`.

Create business object definitions

If the business object definitions for each connector instance do not already exist within the project, you must create them.

1. If you need to modify business object definitions that are associated with the initial connector, copy the appropriate files and use Business Object Designer Express to import them. You can copy any of the files for the initial connector. Just rename them if you make changes to them.
2. Files for the initial connector should reside in the following directory:
`ProductDir\repository\initialConnectorInstance`

Any additional files you create should be in the appropriate connectorInstance subdirectory of `ProductDir\repository`.

Create a connector definition

You create a configuration file (connector definition) for the connector instance in Connector Configurator Express. To do so:

1. Copy the initial connector's configuration file (connector definition) and rename it.
2. Make sure each connector instance correctly lists its supported business objects (and any associated meta-objects).
3. Customize any connector properties as appropriate.

Create a start-up script

To create a startup script:

1. Copy the initial connector's startup script and name it to include the name of the connector directory:
`dirname`
2. Put this startup script in the connector directory you created in "Create business object definitions."
3. (For Windows only.) Create a startup script shortcut.
4. (For Windows only.) Copy the initial connector's shortcut text and change the name of the initial connector (in the command line) to match the name of the new connector instance.
5. (For i5/OS only.) Create a job description for the connector using the information below:
`CRTDUPOBJ(QWBISWIFTC) FROMLIB(QWBISVR44)OBJTYPE(*JOB)TOLIB(QWBISVR44) NEWOBJ(newswiftname) where newswiftname is a 10-character name that you use for the job description for your new connector.`
6. (For i5/OS only.) Add the new connector to the WebSphere Business Integration Server Express Console. For information about the WebSphere Business Integration Server Express Console, refer to the online help provided with the Console.

Starting the connector

A connector must be explicitly started using its **connector start-up script**. On Windows systems the startup script should reside in the connector's runtime directory:`ProductDir\connectors\connName` where `connName` identifies the connector.

On Linux systems the startup script should reside in the `ProductDir/bin` directory.

On i5/OS systems the startup script should reside in the /QIBM/UserData/WBIServer44/<instance>/connectors/<ConnInstance/ with which the connector runs.

The name of the startup script depends on the operating-system platform, as Table 20 shows.

Table 20. Startup scripts for a connector

Operating system	Startup script
Linux	connector_manager
i5/OS	start_connName.sh
Windows	start_connName.bat

When the startup script runs, it expects by default to find the configuration file in the *Productdir* (see the commands below). This is where you place your configuration file.

Note: You need a local configuration file if the adapter is using JMS transport.

- **Starting the connector on a Windows system:**

- From the **Start** menu, select **Programs>IBM WebSphere Business Integration Server Express>Adapters>Connectors**. By default, the program name is “IBM WebSphere Business Integration Server Express”. However, it can be customized. Alternatively, you can create a desktop shortcut to your connector.
- From the Windows command line: `start_connName connName brokerName {-configFile}`.
- On Windows systems, you can configure the connector to start as a Windows service. In this case, the connector starts when the Windows system boots (for an Auto service) or when you start the service through the Windows Services window (for a Manual service).

- **Starting the connector on a Linux system:**

- From the command line type:
`connector_manager -start connName brokerName [-configFile]`

where *connName* is the name of the connector and *brokerName* identifies your integration broker.

- For InterChange Server Express, specify for *brokerName* the name of the InterChange Server Express instance.

- **Starting the connector on an i5/OS system:**

- From the Windows system where the WebSphere Business Integrations Server Express Console is installed, select **IBM WebSphere Business Integration Server Express>Toolset Express>Administrative>Console**. Then specify the OS/400 or i5/OS system name or IP address and a user profile and password that has *JOBCTL special authority. Select the connector from the list of connectors, and click Start
- To automatically start the adapter using the Console, use the `submit_adapter.sh` script. This is the only way the adapter will start using the subsystem within the autostart job entry for the server.
- In Batch mode, from the i5/OS command line, you need to run the CL command QSH and from the QSHELL environment. Run `/QIBM/ProdData/WBIServer44/bin/submit_adapter.sh connName WebSphereICSName pathToConnNameStartScript jobDescriptionName`, where

connName is the connector name, *WebSphereICSName* is the Interchange Server Express server name (default is QWBIDFT44), *pathToConnNameStartScript* is the full path to the connector start script, *jobDescriptionName* is the name of the job description to use in the QWBISVR44 library.

- In interactive mode, you need to run the CL command QSH and from the QSHELL environment. Run
`/QIBM/UserData/WBIServer44/WebSphereICSName/connectors/connName/start_connName.sh connNameWebSphereICSName [-cConfigFile]` where *connName* is the name of your connector and *WebSphereICSName* is the name of the InterChange Server Express instance.

For more information on how to start a connector, including the command-line startup options, refer to the *System Administration Guide*.

Stopping the connector

The way to stop a connector depends on the way that the connector was started.

- **Windows:**

- You can invoke the startup script which creates a separate “console” window for the connector. In this window, type “q” and press Enter to stop the connector.
- You can configure the connector to start as a Windows service. In this case, the connector stops when the Windows system shuts down.

- **Linux:**

Connectors run in the background so they have no separate window. Instead, run the following command to stop the connector:

```
connector_manager -stop connName
```

where *connName* is the name of the connector.

- **i5/OS:**

- If you started the connector using the Console, or using the “submit_adapter.sh” script in QSHELL, then you can use one of two methods to stop the connector:
- From the Windows system where the WebSphere Business Integration Server Express Console is installed, select **IBM WebSphere Business Integration Express> Toolset Express>Administrative>Console**. Then specify the OS/400 or i5/OS system name or IP address and a user profile and password that has *JOBCTL special authority. Select the Swift adapter from the list and select the Stop button. Use the CL Command WRKSBMJOB to display the jobs of current user. Scroll the list to find the job with the jobname that matches the job description for the connector. For example, for the Swift connector the jobname is QWBISWIFTC. Select Option 4 on this job, and press F4 to get the prompt for the ENDJOB command. Then specify *IMMED for the Option parameter and press enter.

Note: The connector will end when the QWBISVR44 subsystem has ended.

- If you used the start_connName.sh script to start the adapter from QSHELL, press F3 to end the connector. You can also stop the agent, by using a script named *stop_adapter.sh* located in the /QIBM/ProdData/WBIServer44/bin directory.

Chapter 3. Business objects

- “Connector business object requirements”
- “Overview of SWIFT message structure” on page 45
- “Overview of business objects for SWIFT” on page 45
- “SWIFT message and business object data mapping” on page 47

The connector for SWIFT is a metadata-driven connector. In WebSphere business objects, metadata is data about the application’s data, which is stored in a business object definition and which helps the connector interact with an application. A metadata-driven connector handles each business object that it supports based on metadata encoded in the business object definition rather than on instructions hard-coded in the connector.

Business object metadata includes the structure of a business object, the settings of its attribute properties, and the content of its application-specific text. Because the connector is metadata-driven, it can handle new or modified business objects without requiring modifications to the connector code. However, the connector’s configured data handler makes assumptions about the structure of its business objects, object cardinality, the format of the application-specific text, and the database representation of the business object. Therefore, when you create or modify a business object for SWIFT, your modifications must conform to the rules the connector is designed to follow, or the connector cannot process new or modified business objects correctly.

This chapter describes how the connector processes business objects and describes the assumptions the connector makes. You can use this information as a guide to implementing new business objects.

Connector business object requirements

The business object requirements for the connector reflect the way the SWIFT data handler converts a SWIFT message into a WebSphere business object, and vice versa

The sections below discuss the requirements for WebSphere business objects as well as the SWIFT message structure. For a step-by-step description of how the SWIFT data handler interacts with WebSphere business objects and SWIFT messages, see Chapter 4, “SWIFT Data Handler,” on page 63.

A review of the following WebSphere Business Integration Server Express documents is strongly recommended:

- *System Implementation Guide*
- *Business Object Development Guide*

Business object hierarchy

WebSphere business objects can be flat or hierarchical. All the attributes of a **flat** business object are **simple** (that is, each attribute represents a single value, such as a String or Integer or Date).

In addition to containing simple attributes, a **hierarchical** business object has attributes that represent a child business object, an array of child business objects,

or a combination of both. In turn, each child business object can contain a child business object or an array of business objects, and so on.

Important: A business object array can contain data whose type is a business object. It cannot contain data of any other type, such as String or Integer.

There are two types of relationships between parent and child business objects:

- **Single-cardinality**—When an attribute in a parent business object represents a single child business object. The attribute is of the same type as the child business object.
- **Multiple-cardinality**—When an attribute in the parent business object represents an array of child business objects. The attribute is an array of the same type as the child business objects.

WebSphere uses the following terms when describing business objects:

- **hierarchical**—Refers to a complete business object, including the top-level business object and its the child business objects at any level.
- **parent**—Refers to a business object that contains at least one child business object. A top-level business object is also a parent.
- **individual**—Refers to a single business object, independent of any child business objects it might contain or that contain it.
- **top-level**—Refers to the individual business object at the top of the hierarchy, which does not itself have a parent business object.
- **wrapper**—Refers to a top-level business object that contains information used to process its child business objects. For example, the XML connector requires the wrapper business object to contain information that determines the format of its child data business objects and routes the children.

Business object attribute properties

Business object architecture defines various properties that apply to attributes. This section describes how the connector interprets several of these properties. For further information on these properties, see *Business Object Attributes and Attribute Properties* in Chapter 2 of the *Business Object Development Guide*.

Name property

Each business object attribute must have a unique name within the business object. The name should describe the data that the attribute contains.

For an application-specific business object, check the connector or data handler guide for specific naming requirements.

The name can be up to 80 alphanumeric characters and underscores. It cannot contain spaces, punctuation, or special characters.

Type property

The Type property defines the data type of the attribute:

- For a simple attribute, the supported types are Boolean, Integer, Float, Double, String, Date, and LongText.
- If the attribute represents a child business object, specify the type as the name of the child business object definition (for example, Type = MT502A) and specify the cardinality as 1.

- If the attribute represents an array of child business objects, specify the type as the name of the child business object definition and specify the cardinality as *n*.

Note: All attributes that represent child business objects also have a `ContainedObjectVersion` property (which specifies the child's version number) and a `Relationship` property (which specifies the value Containment).

Cardinality property

Each simple attribute has cardinality 1. Each business object attribute that represents a child or array of child business objects has cardinality 1 or *n*, respectively.

Note: When specified for a required attribute, cardinality 1 indicates a child business object must exist, and cardinality *n* indicates zero to many instances of a child business object.

Key property

At least one attribute in each business object must be specified as the key. To define an attribute as a key, set this property to true.

When you specify as key an attribute that represents a child business object, the key is the concatenation of the keys in the child business object. When you specify as key an attribute that represents an array of child business objects, the key is the concatenation of the keys in the child business object at location 0 in the array.

Note: Key information is not available in the collaboration mapping process (relevant only when InterChange Server Express is the integration broker).

Foreign key property

The Foreign Key property is typically used in application-specific business objects to specify that the value of an attribute holds the primary key of another business object, serving as a means of linking the two business objects. The attribute that holds the primary key of another business object is called a **foreign key**. Define the Foreign Key property as true for each attribute that represents a foreign key.

You can also use the Foreign Key property for other processing instructions. For example, this property can be used to specify what kind of foreign key lookup the connector performs. In this case, you might set Foreign Key to true to indicate that the connector checks for the existence of the entity in the database and creates the relationship only if the record for the entity exists.

Required property

The Required property specifies whether an attribute must contain a value. If a particular attribute in the business object that you are creating must contain a value, set the Required property for the attribute to true.

For information on enforcing the Required property for attributes, see the section on `initAndValidateAttributes()` in *Connector Reference: C++ Class Library* and *Connector Reference: Java Class Library*.

AppSpecificInfo

The `AppSpecificInfo` property is a String no longer than 255 characters that is specified primarily for an application-specific business object.

Note: Application-specific text is not available in the collaboration mapping process (relevant only when InterChange Server Express is the integration broker).

Max length property

The Max Length property is set to the number of bytes that a String-type attribute can contain. Although this value is not enforced by the WebSphere system, specific connectors or data handlers may use this value. Check the guide for the connector or data handler that will process the business object to determine minimum and maximum allowed lengths.

Note: The Max Length property is very important when you use a fixed width data handler. Attribute length is not available in the collaboration mapping process (relevant only when InterChange Server Express is the integration broker).

Default value property

The Default Value property can specify a default value for an attribute.

If this property is specified for an application-specific business object, and the UseDefaults connector configuration property is set to true, the connector can use the default values specified in the business object definition to provide values for attributes that have no values at runtime.

For more information on how the Default Value property is used, see the section on `initAndValidateAttributes()` in *Connector Reference: C++ Class Library* and *Connector Reference: Java Class Library*.

Comments property

The Comments property allows you to specify a human-readable comment for an attribute. Unlike the AppSpecificInfo property, which is used to process a business object, the Comments property provides only documentation information.

Special attribute value

Simple attributes in business object can have the special value, CxIgnore. When it receives a business object from an integration broker, the connector ignores all attributes with a value of CxIgnore. It is as if those attributes were invisible to the connector.

If no value is required, the connector sets the value of that attribute to CxIgnore by default.

Application-specific text at the attribute level

Note: Business object level application-specific text is not used by the connector.

For business object attributes, the application-specific text format consists of name-value parameters. Each name-value parameter includes the parameter name and its value. The format of attribute application-specific text is as follows:

```
name=value[:name_n=value_n][...]
```

Each parameter set is separated from the next by a colon (:) delimiter.

Table 21 describes the name-value parameters for attribute application-specific text.

Table 21. Name-value parameters in *AppSpecificText* for attributes

Parameter	Required	Description
block	Yes for top-level object only	The number of the block in the SWIFT message. Values range from 0-5. For information on the SWIFT message blocks, see “Overview of SWIFT message structure” on page 45.
parse	Yes for attributes of the top-level object only	Describes whether, and how, to parse the SWIFT message block. Values are: <code>fixlen</code> —parse as fixed length <code>delim</code> —parse as delimited text field—Block 4 only <code>no</code> —Do not parse; treat as a single string.
tag	Yes for attributes of type tag business object	The tag number of the field. For more on SWIFT message tags, see Appendix C, “SWIFT message structure,” on page 105. For further information on sequence and field business objects, see “Block 4 business object structure” on page 52.
letter= <i>a</i>	Yes for each attribute that points to a tag business object	One or more supported letters appended to the tag in the SWIFT message format. For example 20A or [A B NULL] (A or B or null). Note that NULL must be specified for tags where no letter is a possibility, or for tags that do not have a letter option at all. For example, tag 59.
content	No	The qualifier in the SWIFT message format. For example, in a SWIFT message MT502, tag20C, the qualifier = SEME.

Overview of SWIFT message structure

SWIFT messages consist of five blocks of data. In addition, the MQSA component adds two blocks that are used for queue management. The high-level structure of a SWIFT message is as follows:

MQSA UUID

- SWIFT 1: Basic Header Block
- SWIFT 2: Application Header Block
- SWIFT 3: User Header Block
- SWIFT 4: Text Block
- SWIFT 5: Trailer

MQSA S Block

Note: The MQSA component adds the UUID (User Unique Message Identifier) and S blocks. Neither are parsed by the SWIFT data handler. The S block has the same structure as SWIFT block 5, except that field tags consist of three char strings. For example, {S:{COP:P}}.

For further information on SWIFT message structure, see Appendix C, “SWIFT message structure,” on page 105, and *All Things SWIFT: the SWIFT User Handbook*.

Overview of business objects for SWIFT

As shown in Figure 5 there are five kinds of business objects for SWIFT:

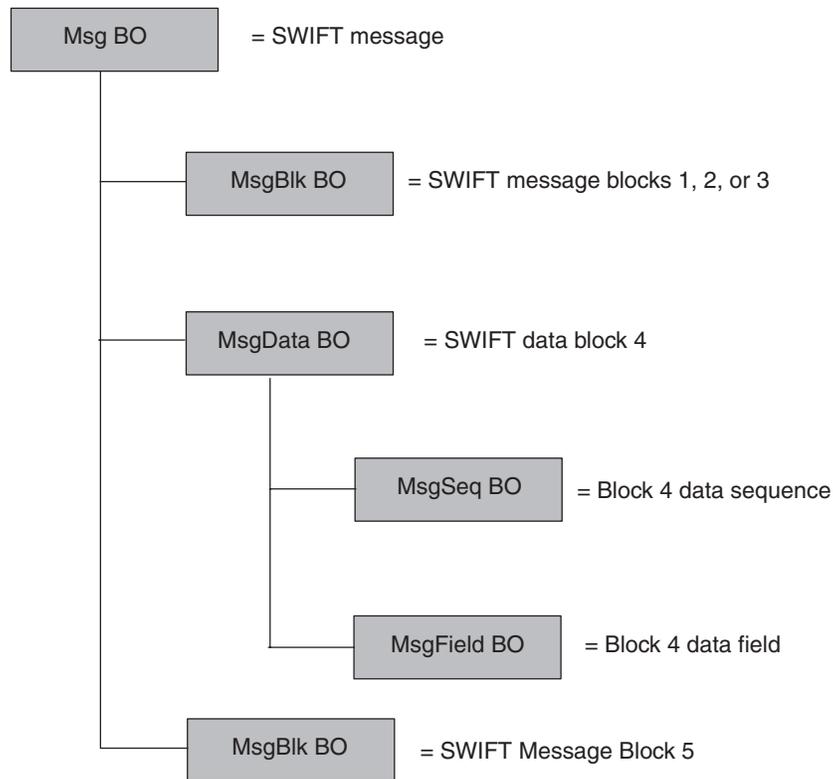


Figure 5. Business objects map to SWIFT message components

- **Message business object (Msg BO)** This is the top-level business object whose attributes correspond to the blocks in a SWIFT message. For further information, see “Top-level business object structure” on page 47.
- **Message block business object (MsgBlk BO)** A child object of the Msg BO that can represent blocks 1, 2, 3, or 5 in a SWIFT message. For further information, see “Block 1 business object structure” on page 49.
- **Message data business object (MsgData BO)** A child object of the Msg BO that represents block 4 of the SWIFT message. For further information, see “Block 4 business object structure” on page 52.
- **Message sequence business object (MsgSeq BO)** A child object of a MsgData BO or of another MsgSeq BO. A MsgSeq BO represents a sequence of fields occurring in block 4 of the SWIFT message. For further information, see “Sequence business object structure” on page 57.
- **Message field business object (MsgField BO)** A child object of the MsgData BO or of a MsgSeq BO that contains the content of a field. Fields correspond to tags in SWIFT messages. For further information, see “Field business object definitions” on page 58.

Each of these business objects consist of the following:

- **Name** The name of the business object consists of a SWIFT Message name, a SWIFT message sequence name, or a SWIFT field name. More detailed naming conventions, if any, are provided in the sections for each kind of business object listed below. For example:
 - `Swift_MT502` is the name of the Msg BO. For further information, see “Top-level business object structure” on page 47.

- Swift_ApplicationHeader is the name of a MsgBlk BO. For further information, see “Block 1 business object structure” on page 49, “Block 2 business object structure” on page 50, and “Block 3 business object structure” on page 51.
- Swift_MT502Data is the name of a MsgData BO. For further information, see “Block 4 business object structure” on page 52.
- Swift_MT502_B1 is the name of a MsgSeq BO. For further information, see “Sequence business object structure” on page 57.
- Swift_Tag_22 is the name of a MsgField BO. For further information, see “Field business object definitions” on page 58.
- **Version** The version of the business object is set to 1.1.0. For example:
Version = 1.1.0
- **Attributes** Each business object contains one or more attributes. For more information see “Business object attribute properties” on page 42 and the sections below on each kind of business object.
- **Verbs** Each business object supports the following standard verbs:
 - Create
 - Retrieve

SWIFT message and business object data mapping

The adapter for SWIFT supports one kind of mapping:

- **SWIFT-message-to-WebSphere-business-object** The sections below describe the data mapping that occurs between SWIFT messages and WebSphere business objects.

Top-level business object structure

The structure of the top-level business object for a SWIFT message, or Msg BO, reflects that of the SWIFT message. WebSphere requires a business object for each SWIFT block. As shown in Table 22, the top-level business object must have at least 5 attributes, one for each SWIFT block.

Note: Only attribute properties of consequence are shown in Table 22.

Table 22. Top-level business object structure

Name	Type	Key	Required	Application specific info
UUID (MQSA prepended)	String	Yes	No	block=0;parse=no
Swift_01Header	Swift_BasicHeader	No	Yes	block=1; parse=fixlen
Swift_02Header	Swift_Application Header	No	No	block=2; parse=fixlen
Swift_03Header	Swift_UserHeader	No	No	block=3; parse=delim
Swift_Data	Swift_Text	No	No	block=4;parse=field
Swift_05Trailer	String	No	No	block=5;parse=no
Swift_BlockS (MQSA appended)	String	No	No	block=6;parse=no

The following rules apply to the top-level business object:

- The name of the top-level object must be constructed in the following way:

BOPrefix_MTMessageType

where:

BOPrefix = an attribute of the meta-object (MO). For further information on the meta-object, see “Static meta-object” on page 26.

_MT = a constant string.

MessageType = an attribute of block 2 of the SWIFT message. For further information, see *All Things SWIFT: the SWIFT User Handbook*

An example of a top-level business object name is *Swift_MT502*.

- UUID, prepended to the message by the MQSA, is represented with a String attribute
- Blocks 1-4 are represented with single-cardinality containers
- Block 5 is a string attribute, and is not extracted from the message by the SWIFT data handler.

Note: It is possible to create business objects for block 5 and block 6 using block 3 as a template.

See Table 21 for the attribute application-specific information.

Figure 6 shows a business object definition for a top-level business object of a SWIFT message. This Msg BO definition was created in the WebSphere development environment.

The application-specific information contains the block number and parsing parameters for each attribute. For further information on attribute application-specific text, see Table 21. The *Swift_* attributes correspond to child business objects discussed in the following sections. Of special note is the type for the data block attribute, *Swift_MT502Data*, which indicates SWIFT message type 502, an order to buy or sell. This attribute corresponds to a child object of the top-level Msg BO that represents block 4 of the SWIFT message. The child object is a message data business object (MsgData BO).

All SWIFT top-level business object definitions are identical to that shown in Figure 6 with one exception: Block 4, shown as *Swift_MT502Data*, reflects the actual data definition of a specific SWIFT message.

Name	Type	Key	Required	Application-Specific...
UUID	String	Yes	No	block=0;parse=no
Swift_01Header	Swift_BasicHeader	No	Yes	block=1;parse=fixlen
Swift_02Header	Swift_ApplicationHeader	No	No	block=2;parse=fixlen
Swift_03Header	Swift_UserHeader	No	No	block=3;parse=delim
Swift_MT502Data	Swift_MT502Data	No	No	block=4;parse=field
Swift_05Trailer	String	No	No	block=5;parse=no
Swift_Block6	String	No	No	block=6;parse=no
ObjectEventId	String	No	No	

Figure 6. Definition for top-level business object of a SWIFT message

Note: To create a top-level business object definition for a SWIFT message, you must start Business Object Designer Express and then create all the child objects first.

Block 1 business object structure

The MsgBlck BO, Swift_BasicHeader, has the format and attributes shown in Table 23. The SWIFT data handler converts each of the SWIFT fields in this block into attributes in the Swift_BasicHeader business object. Note that there is no attribute application-specific information for this business object.

Note: Only attribute properties of consequence are shown in Table 23.

Table 23. Block 1 business object structure

Name	Type	Key	Foreign key	Required	Cardinality	Default	Max length
BlockIdentifier	String	Yes	No	Yes	1	1: ^a	2
ApplicationIdentifier	String	No	No	Yes	1		1
ServiceIdentifier	String	No	No	Yes	1		2
LTIdentifier	String	No	No	Yes	1		12
SessionNumber	String	No	No	Yes	1		4
SequenceNumber	String	No	No	No	1		4

^a The BlockIdentifier attribute includes the delimiter ":" as in "1:".

See Table 21 for the attribute application-specific information.

Figure 7 shows a block 1 business object definition that has been manually created in a WebSphere development environment. Each attribute name (ApplicationIdentifier, ServiceIdentifier, and so on) corresponds to a field in this SWIFT message block. For further information on this SWIFT message block, see Appendix C, "SWIFT message structure," on page 105, and *All Things SWIFT: the SWIFT User Handbook. Specify Type String for each named attribute.* Note that there is no attribute application-specific information for the components of this business object.

Note: Be sure to specify the correct MaxLength values for the attribute names in this fixed-length block business definition.

	Pos	Name	Type	Key	Reqd	Card	Max L	App Spec Info	Comments
2	2	Swift_01Header	Swift_BasicHeader	<input type="checkbox"/>	<input type="checkbox"/>	1		block=1;parse=fixle	
2.1	2.1	BlockIdentifier	String	<input checked="" type="checkbox"/>	<input checked="" type="checkbox"/>		2		
2.2	2.2	ApplicationIdentifie	String	<input type="checkbox"/>	<input checked="" type="checkbox"/>		1		
2.3	2.3	ServiceIdentifier	String	<input type="checkbox"/>	<input checked="" type="checkbox"/>		2		
2.4	2.4	LTIdentifier	String	<input type="checkbox"/>	<input checked="" type="checkbox"/>		12		
2.5	2.5	SessionNumber	String	<input type="checkbox"/>	<input checked="" type="checkbox"/>		4		
2.6	2.6	SequenceNumber	String	<input type="checkbox"/>	<input type="checkbox"/>		6		
2.7	2.7	ObjectEventId	String						

Figure 7. Block 1 business object definition

Note: To create a block 1 business object definition for a SWIFT message, start Business Object Designer Express and then enter values for the attributes shown in Table 23 and Figure 7.

Block 2 business object structure

The block 2 MsgBlk BO, `Swift_ApplicationHeader`, has the format and attributes shown in Table 24. This application header is mapped to a business object, `Swift_ApplicationHeader`, that has two child objects. One child business object represents the group of input fields and the other child object represents the group of output fields. Note that there is no attribute application-specific information for these business objects.

Note: Only attribute properties of consequence are shown in Table 24.

Table 24. Block 2 business object structure

Name	Type	Key	Required	Cardinality	Default	Max length
Swift_02Header_IO						
Block Identifier	String	Yes	Yes	1	2: ^a	2
IOIdentifier	String	No	Yes	1	0	1
MessageType	String	No	Yes	1		3
Swift_02Header_Output						
InputTime	String	Yes	Yes			4
MessageInputReference	String	No	Yes			28
OutputDate	String	No	Yes			6
OutputTime	String	No	Yes			4
OutputMessagePriority	String	No	Yes			1
Swift_02Header_Input						
ReceiverAddress	String	Yes	Yes	1		12
MessagePriority	String	No	Yes			1
DeliveryMonitoring	String	No	No			1
ObsolescencePeriod	String	No	No			3

^a The BlockIdentifier attribute includes the delimiter ":" as in "2:".

Attributes in the `Swift_02Header_Input` are populated during SWIFT-to-business-object conversion. Attributes in the `Swift_02Header_Output` are populated in business-object-to-SWIFT conversions. The `CxIgnore` property must be set for business-object-to-SWIFT conversions.

See Table 21 for the attribute application-specific information.

Figure 8 shows a block 2 business object definition that has been manually created in a WebSphere development environment. Each attribute name corresponds to a field in this SWIFT message block. For further information on this SWIFT message block, see Appendix C, "SWIFT message structure," on page 105, and *All Things SWIFT: the SWIFT User Handbook*. Specify `typeString` for each named attribute. Note that there is no attribute application-specific information for the components of this business object.

Note: Be sure to specify the correct `MaxLength` values for the attribute names in this fixed-length block business definition.

Pos	Name	Type	Key	Foreign	Required	Cardinality	Max length	Default value	Application Specific Information
1	UID	String	☑	☐	☐	255			block=parseemo
2	Swift_03Header	Swift_03Header	☐	☐	☐	1			block=parsefield
3	Swift_03Header	Swift_ApplicationHeader	☐	☐	☐	1			block=parsefield
3.1	BlockIdentifier	String	☑	☐	☑	2	2		block=parsefield
3.2	BlockIdentifier	String	☐	☐	☑	1	0		
3.3	MessageType	String	☐	☐	☑	3			
3.4	Swift_03Header_03	Swift_ApplicationHeader_03	☐	☐	☐	1			
3.4.1	Swift_03Header_03Input	Swift_ApplicationHeader_03Input	☑	☐	☐	1			
3.4.1	InputTime	String	☑	☐	☑	4			
3.4.1	MessagepadReference	String	☐	☐	☑	20			
3.4.1	OutputData	String	☐	☐	☑	6			
3.4.1	OutputTime	String	☐	☐	☑	4			
3.4.1	OutputMessagePriority	String	☐	☐	☑	1			
3.4.1	ObjectEvents	String	☐	☐	☐				
3.4.2	Swift_03Header_03Input	Swift_ApplicationHeader_03Input	☐	☐	☐	1			
3.4.2	ReceiverAddress	String	☑	☐	☑	12			
3.4.2	MessagePriority	String	☐	☐	☑	1			
3.4.2	DeliveryMonitoring	String	☐	☐	☐	1			
3.4.2	ObsolescencePeriod	String	☐	☐	☐	3			
3.4.2	ObjectEvents	String	☐	☐	☐				
3.4.2	ObjectEvents	String	☐	☐	☐				
3.4.2	ObjectEvents	String	☐	☐	☐				
4	Swift_03Header	Swift_UserHeader	☐	☐	☐	1			block=parseidm
5	Swift_MF54Data	Swift_MF54Data	☐	☐	☐	1			block=parsefield
6	Swift_Trailer	String	☐	☐	☐	1			block=parseemo
7	Swift_Basic	String	☐	☐	☐	1			block=parseemo
8	ObjectEvents	String	☐	☐	☐				

Figure 8. Block 2 business object definition

Note: To create a block 2 business object definition for a SWIFT message, start Business Object Designer Express and then enter values for the attributes shown in Table 24 on page 50 and Figure 8.

Block 3 business object structure

The block 3 MsgBlk BO, Swift_UserHeader, has the format and attributes shown in Table 25. Note that there is attribute application-specific information for this business object: the Tag parameter. For Tag parameters see Table 21.

Note: Only attribute properties of consequence are shown in Table 25.

Table 25. Block 3 business object structure

Name	Type	Key	Foreign	Required	Cardinality	Application specific information	Max length
Tag103	String	Yes	No	No	1	Tag=103	6
Tag113	String	No	No	No	1	Tag=113	6
Tag108	String	No	No	No	1	Tag=108	6
Tag119	String	No	No	No	1	Tag=119	6
Tag115	String	No	No	No	1	Tag=115	6

Figure 9 shows a block 3 business object definition that has been manually created in a WebSphere development environment. Each attribute name (Tag103, Tag113, and so on,) corresponds to a field in this SWIFT message block. For further information on this SWIFT message block, see Appendix C, “SWIFT message structure,” on page 105, and *All Things SWIFT: the SWIFT User Handbook. Specify*

type String for each named attribute. Note that the application-specific information for the components of this business object are SWIFT tags.

	Pos	Name	Type	Key	Reqd	Card	Max L	App Spec Info
1	1	UUID	String	<input checked="" type="checkbox"/>	<input type="checkbox"/>		255	
2	2	Swift_01Header	Swift_BasicHeader	<input type="checkbox"/>	<input type="checkbox"/>	1		block=1;parse=fixle
3	3	Swift_02Header	Swift_ApplicationHe	<input type="checkbox"/>	<input type="checkbox"/>	1		block=2;parse=fixle
4	4	Swift_03Header	Swift_UserHeader	<input type="checkbox"/>	<input type="checkbox"/>	1		block=3;parse=deli
4.1	4.1	Tag103	String	<input checked="" type="checkbox"/>	<input type="checkbox"/>		255	Tag=103
4.2	4.2	Tag113	String	<input type="checkbox"/>	<input type="checkbox"/>		255	Tag=113
4.3	4.3	Tag108	String	<input type="checkbox"/>	<input type="checkbox"/>		255	Tag=108
4.4	4.4	Tag119	String	<input type="checkbox"/>	<input type="checkbox"/>		255	Tag=119
4.5	4.5	Tag115	String	<input type="checkbox"/>	<input type="checkbox"/>		255	Tag=115
4.6	4.6	ObjectEventId	String					

Figure 9. Block 3 business object definition

Note: To create a block 3 business object definition for a SWIFT message, start Business Object Designer Express and then enter values for the attributes shown in Table 25 on page 51 and Figure 9.

Block 4 business object structure

SWIFT block 4 contains the body of the SWIFT message. Block 4 is made up of fields of message tags and their contents on the one hand, and on the other, of sequences of message tags. This data content makes the block 4 business object structure unlike that of blocks 1, 2, and 3. The block 4 business object is the message data business object (MsgData BO).

Every tag and sequence in a SWIFT message is modeled as a child business object of the MsgData BO. Accordingly, a MsgData BO has child objects of two types: field business objects (MsgField BO) and sequence business objects (MsgSeq BO). These business objects reflect how the SWIFT data is formatted in block 4. More specifically, attributes in these business objects model the content (message tags and their content) and order (sequence) that is specified in a SWIFT message format specification. The sequence of the message tags is crucial if the business object definition is to faithfully represent the SWIFT message. For further information on MsgField BOs and MsgSeq BOs, see “Sequence and field business objects” on page 56.

As an example, view the format specification from the *SWIFT Standards Release Guide* for MT502, an order to buy or sell. Figure 10 below shows the portion of a business object definition that corresponds to MT502. The business object definition reflects the structure of the message tags and sequences in the SWIFT message:

- The Status—M (mandatory) or O (optional)—field in the SWIFT message is mapped to the Required property in the business object definition. For example, the status of SWIFT Tag 98a (shown in Figure 10) is O or optional; Figure 10 shows the corresponding business object attribute, Preparation_DateTime (of type Swift_Tag_98), for which the Required property is not checked.
- The Tag, Qualifier, and Content/Options fields from the SWIFT message are mapped as attribute application-specific text in the business object definition. For example, in the SWIFT message shown in Figure 10 Start of Block is Tag16R with

Content of GENL. The corresponding entry shown in Figure 10 is the attribute Start_Of_Block of type Swift_Tag_16 with application-specific information property parameters that identify the Tag, the Tag's letter, and Content (Tag=16;Letter=R;Content=GENL).

- Data formats are often indicated in the Content/Options field in a SWIFT message. For example, Figure 10 shows the sender's reference for "Mandatory Sequence A General Information" as Tag20C, with a SEME qualifier and Content consisting of data format instructions (:4!c[/4!c]). Figure 10 shows the corresponding attribute application-specific text: only the Tag and Letter are shown in the AppSpecInfo field (Tag=20;Letter=C). The SWIFT data handler also parses the field's data content—the formatting information (:4!c[/4!c]) is included in the business object definition.
- Repeating sequences in SWIFT messages are indicated by "---->" in the SWIFT Format Specifications as shown in Figure 10. Non-repeating sequences are marked "-----|". In the business object definition, a repeating sequence is assigned cardinality n. For example, the repeating sequence Tag22F shown in Figure 10 is mapped to the attribute Indicator of type Swift_Tag_22 with a cardinality property of n.

Pos	Name	Type	Key	Reqd	Card	Max L	App Spec Info	Cor
5	Swift_MT502Data	Swift_MT502Data	<input type="checkbox"/>	<input type="checkbox"/>	1		block=4;parse=field	
5.1	Swift_MT502_A_General_Information	Swift_MT502_A_General_Information	<input checked="" type="checkbox"/>	<input checked="" type="checkbox"/>	1			
5.1.1	Start_Of_Block	Swift_Tag_16	<input checked="" type="checkbox"/>	<input checked="" type="checkbox"/>	1		Tag=16;Letter=R;Content=GENL	
5.1.2	Senders_Reference	Swift_Tag_20	<input type="checkbox"/>	<input checked="" type="checkbox"/>	1		Tag=20;Letter=C	
5.1.2.1	Letter	String	<input checked="" type="checkbox"/>	<input type="checkbox"/>		255		
5.1.2.2	Qualifier	String	<input type="checkbox"/>	<input type="checkbox"/>		255		
5.1.2.3	IC	String	<input type="checkbox"/>	<input type="checkbox"/>		255		
5.1.2.4	Data	String	<input type="checkbox"/>	<input type="checkbox"/>		255		
5.1.2.5	ObjectEventId	String						
5.1.3	Function_Of_The_Message	Swift_Tag_23	<input type="checkbox"/>	<input checked="" type="checkbox"/>	1		Tag=23;Letter=D	
5.1.4	Preparation_DateTime	Swift_Tag_98	<input type="checkbox"/>	<input type="checkbox"/>	1		Tag=98;Letter=A C	
5.1.5	Indicator	Swift_Tag_22	<input type="checkbox"/>	<input checked="" type="checkbox"/>	n		Tag=22;Letter=F	
5.1.6	Swift_MT502_A1_Linkages	Swift_MT502_A1_Linkages	<input type="checkbox"/>	<input type="checkbox"/>	n			
5.1.7	End_Of_Block	Swift_Tag_16	<input type="checkbox"/>	<input checked="" type="checkbox"/>	1		Tag=16;Letter=S;Content=	
5.1.8	ObjectEventId	String						
5.2	Swift_MT502_B_Order_Details	Swift_MT502_B_Order_Details	<input type="checkbox"/>	<input type="checkbox"/>	n			

Figure 10. Partial block 4 business object definition

MsgData BO format

The format of a MsgData BO is summarized in the sections below.

MsgData BO name: The naming convention for the MsgData BO representing block 4 of a SWIFT message is as follows:

Swift_MT<message_type>Data

For example:

Name = Swift_MT502Data

MsgData BO attribute names: Each attribute of the MsgData BO represents one of the following:

- a MsgSeq BO
- a MsgField BO

Accordingly, the attribute names are the same as those for MsgSeq BOs and MsgField BOs. The naming convention for MsgField BO attributes is as follows:

```
Swift_<tag_number>_<position_in_the_SWIFT_message>
```

For example:

```
Name = Swift_94_1
```

The naming convention for MsgSeq BO attributes is as follows:

```
Swift_MT<message_type>_<SWIFT_sequence_name>
```

For example:

```
Name = Swift_MT502_B
```

For further information see “Sequence business object structure” on page 57 and “Field business object definitions” on page 58.

MsgData BO attribute types: The type for MsgData attributes is as follows:

For MsgField BO attributes:

```
Swift_Tag_<tag_number>
```

For example:

```
Type = Swift_Tag_94
```

For MsgSeq BO attributes:

```
Swift_MT<message_type>_<SWIFT_sequence_name>
```

For example:

```
Type = Swift_MT502_B
```

MsgData BO attribute ContainedObjectVersion: The contained object version for the MsgData BO as well as for the its MsgSeq BO attributes is 1.1.0. For example:

```
[Attribute]
Name = Swift_MT502_B
Type = Swift_MT502_B
...
ContainedObjectVersion = 1.1.0
...
[End]
```

Note: MsgField BO attributes are simple, and have no ContainedObjectVersion.

MsgData BO attribute relationship: The relationship attribute property for MsgData BO and its MsgSeq BO attributes is Containment. For example:

```
[Attribute]
Name = Swift_MT502Data
Type = Swift_MT502Data
```

...
Relationship = Containment

...
[End]

MsgData BO attribute cardinality: The MsgData BO and its MsgSeq BO attributes have a cardinality property of n. MsgField BO attributes that represent repeating fields also have cardinality n. All others attributes have cardinality 1. For example:

```
[Attribute]
Name = Swift_16_1
Type = Swift_Tag_16
```

...
Cardinality = n

...
[End]

MsgData BO attribute IsKey: Each MsgData BO definition must contain at least one attribute defined as the key attribute (IsKey = true). The rule is that the first single cardinality attribute in each BO definition must be defined as key attribute.

For example:

```
[Attribute]
Name = Swift_16.1
Type = Swift_Tag_16
```

...
Cardinality = 1

IsKey = true

[End]

MsgData BO attribute AppSpecificInfo: In MsgData BO definitions, only MsgField BO attributes have application-specific information; this property is always null for MsgSeq BO attributes. The convention for application-specific information for MsgField BO attributes is as follows:

```
Tag=nn;Letter=xx;Content=string
```

where nn is the SWIFT tag number of the field, xx is one or a list of supported letter options for the tag, and string is the value of the qualifier for a non-generic field as described in Table 21 on page 45. For example:

```
[Attribute]
Name = Swift_16_22
Type = Swift_Tag_16
```

...
AppSpecificInfo = Tag=16;Letter=S;Content=OTHRPTY

...
[End]

When MsgField BO attributes appear in MsgSeq BOs and the application specific information indicates:

```
...;Union=True
```

The MsgField child object—a TagUnion business object and its child objects, TagLetterOption objects—will be populated instead of the DataField attribute. For information on TagUnion business objects, see “Field business object definitions” on page 58.

Sequence and field business objects

As noted above, the connector models sequences and tags in SWIFT messages as sequence business objects (MsgSeq BO) and field business objects (MsgField BO), respectively. Figure 11 illustrates the hierarchical relationship of these business objects.

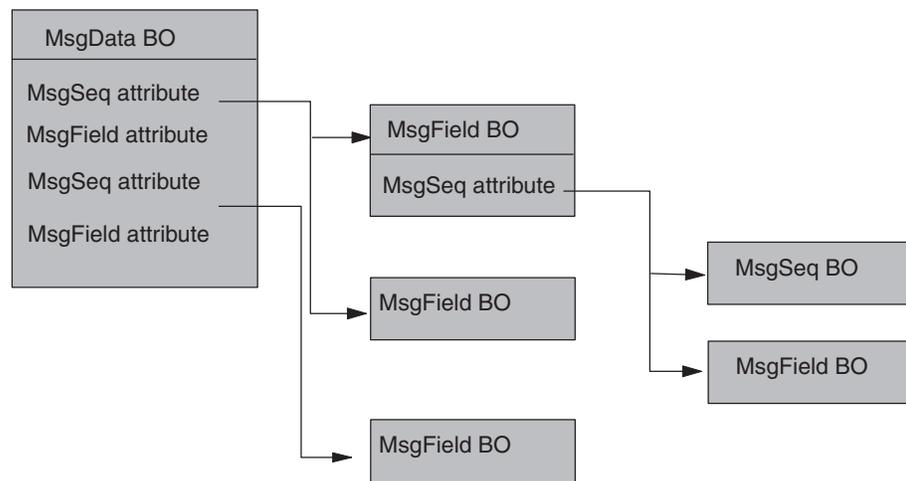


Figure 11. Field and sequence business objects in the (block 4) MsgData BO

Figure 12 shows part of a definition for a SWIFT message (MT502) that illustrates a sequence containing field and sequence attributes. The sequence attribute Swift_MT02_B_Order_Details not only includes several attributes of type Tag (for example, Swift_Tag_16, Swift_Tag_94), but also the subsequence Swift_MT502_B1_Price. This subsequence is a repeating optional sequence, and its properties reflect this (Required= no; Cardinality=n). Note that the sequences contain no application-specific information.

Swift_MT502A									
General		Attributes							
	Pos	Name	Type	Key	Reqd	Card	Max L	App Spec Info	
5.1.	5.1.7	End_Of_Block	Swift_Tag_16	<input type="checkbox"/>	<input checked="" type="checkbox"/>	1		Tag=16;Letter=S;Co	
5.1.	5.1.8	ObjectEventId	String						
5.2.	5.2.	Swift_MT502_B_Order_Details	Swift_MT502_B_Order_Details	<input type="checkbox"/>	<input type="checkbox"/>	n			
5.2.	5.2.1	Start_Of_Block	Swift_Tag_16	<input checked="" type="checkbox"/>	<input checked="" type="checkbox"/>	1		Tag=16;Letter=R;Co	
5.2.	5.2.2	Place_Of_Trade	Swift_Tag_94	<input type="checkbox"/>	<input type="checkbox"/>	1		Tag=94;Letter=B	
5.2.	5.2.3	Swift_MT502_B1_Price	Swift_MT502_B1_Price	<input type="checkbox"/>	<input type="checkbox"/>	n			
5.2.	5.2.3.	Start_Of_Block	Swift_Tag_16	<input checked="" type="checkbox"/>	<input checked="" type="checkbox"/>	1		Tag=16;Letter=R;Co	
5.2.	5.2.3.	Price	Swift_Tag_90	<input type="checkbox"/>	<input checked="" type="checkbox"/>	1		Tag=90;Letter=A B	
5.2.	5.2.3.	Type_Of_Price	Swift_Tag_22	<input type="checkbox"/>	<input type="checkbox"/>	1		Tag=22;Letter=F	
5.2.	5.2.3.	End_Of_Block	Swift_Tag_16	<input type="checkbox"/>	<input checked="" type="checkbox"/>	1		Tag=16;Letter=S;Co	

Figure 12. A Sequence containing tag and subsequence attributes

Sequence business object structure

As shown in Figure 13, each sequence business object (MsgSeq BO) attribute indicates one of the following:

- another MsgSeq BO, or subsequence
- a MsgField BO

There is no limit to the number of subsequences that a MsgSeq BO can nest.

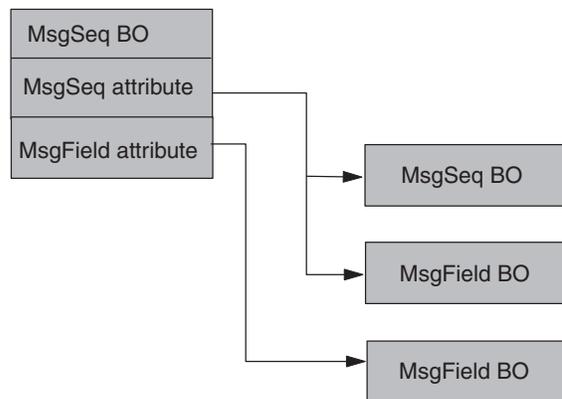


Figure 13. Field and Subsequence Business Objects in the MsgSeq BO

Figure 14 shows another excerpt of a MsgSeq BO. In this excerpt, the Swift_Tag_ attributes represent MsgField BOs. The Swift_MT502_A1_Linkages attribute is for a child object that is a subsequence MsgSeq BO.

Swift_MT502_A_General_Information - Business Object Definitions									
General Attributes									
Name	Type	Key	F..	Req...	C...	Default...	Application-Spe...	Max ...	
Start_Of_Block	Swift_Tag_16	Yes	No	Yes	1		16~R~~GENL~	1	
R	String	Yes	No	No				255	
S	String	No	No	No				255	
ObjectEventId	String	No	No	No				255	
Senders_Reference	Swift_Tag_20	No	No	Yes	1		20~C~SEME~~	1	
C	String	Yes	No	Yes				255	
ObjectEventId	String	No	No	No				255	
Function_Of_The_Message	Swift_Tag_23	No	No	Yes	1		23~G~~~	1	
Preparation_DateTime	Swift_Tag_98	No	No	No	1		98~A C~PREP~~	1	
A	String	Yes	No	Yes				255	
B	String	No	No	No				255	
C	String	No	No	No				255	
ObjectEventId	String	No	No	No				255	
Indicator	Swift_Tag_22	No	No	Yes	n		22~F~~~	1	
Swift_MT502_A1_Linkages	Swift_MT502_A1_Linkages	No	No	No	n			1	
End_Of_Block	Swift_Tag_16	No	No	Yes	1		16~S~~GENL~	1	
ObjectEventId	String	No	No	No				255	

Figure 14. Excerpt from a sequence business object (MsgSeq BO)

The following rules apply to sequence business objects:

- A subsequence business object is an attribute of a particular sequence business object type.
- A collection of more than one repeating field is treated as a subsequence.
- The application-specific information of a sequence attribute is always NULL.

MsgSeq BO format

Like a MsgData BO, a MsgSeq BO consists of attributes that are either MsgSeq BOs or MsgField BOs. For information on the format of these attributes, see “MsgData BO format” on page 53.

Field business object definitions

WebSphere represents every SWIFT tag as a field business object (MsgField BO). Each MsgField BO is modeled using the SWIFT generic field structure, even if the field is non-generic. WebSphere uses two additional business object models to represent the combination of letters and options used to represent and combine SWIFT message components as subfields in business objects:

- **Tag union business object (TagUnion BO)** This is a child object of the MsgField BO. A TagUnion BO contains all possible letter options for a specific tag, and is not specific to a particular message type.
- **Tag letter option business object (TagLetterOption BO)** This is a letter option child object of the TagUnion BO that defines the content of the subfield as well as its format including delimiters.

MsgField BO format

As shown in Figure 15, each MsgField BO contains five attributes, including one and only one TagUnion BO, with the data type shown in parentheses () below:

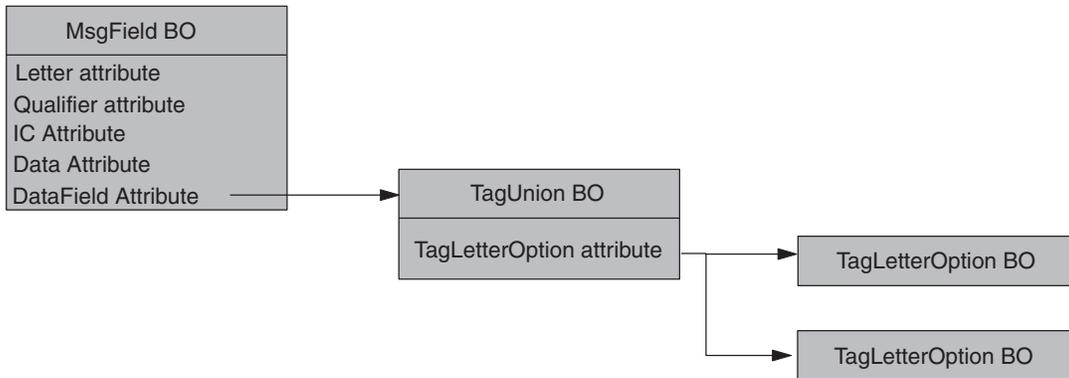


Figure 15. Attributes and business objects in the MsgField BO

The content and order of all subfields other than the SWIFT Qualifier and Issuer Code (IC) are captured in the child object of DataField, which is the TagUnion BO and its child objects, TagLetterOption BOs. The attributes and business objects shown in Figure 15 are discussed in the section below.

MsgField BO, TagUnion BO, and TagLetterOption BO names: The naming convention for a MsgField BO is as follows:

Swift_Tag_<N>

where N stands for the message number. For example:

Name = Swift_Tag_22

The naming convention for a TagUnion BO is as follows:

Swift_Tag_Union_<tag_number>

where tag_number is the numeric representation of tag number. For example:

Name = Swift_Tag_Union_20

The naming convention for a TagLetterOption BO is as follows:

Swift_Tag_Union_<tag_number>_Opt_ [<letter_option>]

where tag_number is the numeric representation of tag number and [<letter_option>] is the letter option when a tag is associated with a letter. If the tag has no letter associated with it, then the name ends at Opt. For example:

Name = Swift_Tag_Union_20_Opt_C

MsgField BO, TagUnion BO, and TagLetter BO Attribute names: The names of the five attributes in a MsgField BO are as follows:

- Letter
- Qualifier
- IC
- Data
- DataField

The names of attributes in TagUnion BOs are as follows:

Swift_<tag_number>_ [<letter_option>]

where tag_number is the numeric representation of the tag number and the square brackets signify that the letter is appended only when it is associated with the tag. For example:

```
Swift_20_C
```

The name of the attribute in TagLetterOption BOs is the concatenation of words in the subfield name shown in the SWIFT format specification table. The first letter of each word in the concatenated string is always capitalized, with subsequent letters in the word appearing in lowercase, regardless of how the words are spelled in the SWIFT format specification. Spaces and non-alphabetic symbols are left out of the concatenated name. If a field has no subfield, the word Subfield is used as an attribute name. For example, for the subfield “Proprietary Code” in 95R, the corresponding attribute name in the definition of TagLetterOption BO Swift_Tag_Union_95_Opt_R is as follows:

```
Name = ProprietaryCode
```

MsgField BO, TagUnion BO, and TagLetterOption BO attribute types: The type for MsgField attributes is as follows:

- Letter (String)
- Qualifier (String)
- Issuer Code (String)
- Data (String)
- DataField (*TagUnion_BO*)

For example, in a MsgField BO definition, the type for a Swift_Tag_20 attribute would be listed as follows:

```
[Attribute]
Name = DataField
Type = Swift_Tag_Union_20
```

The type for attributes in the TagUnion BO is the name of the TagLetterOption BO child object. For example, in a TagUnion BO definition for Swift_Tag_Union_20, the type for the TagLetterOption attribute is as follows:

```
[Attribute]
Name = Swift_20_C
Type = Swift_Tag_Union_20_Opt_C
```

The type for attributes in TagLetterOption BOs is always String.

MsgField BO, TagUnion BO, and TagLetterOption BO ContainedObjectVersion: The contained object version for the MsgField BO, the TagUnion BO, and the TagLetterOption BO is 1.1.0. For example:

as well as for the its MsgSeq BO attributes is 1.1.0. For example:

```
[Attribute]
Name = Swift_20_C
Type = Swift_Tag_Union_20_Opt_C
```

```
...
```

```
ContainedObjectVersion = 1.1.0
```

```
...
```

```
[End]
```

Note: MsgField BO attributes are simple, and have no ContainedObjectVersion.

MsgField BO, TagUnion BO, and TagLetterOption BO attribute cardinality: The cardinality of attributes in TagUnion BOs and TagLetterOption BOs is always set to 1. For example:

```
[Attribute]
Name = Swift_20_C
Type = Swift_Tag_Union_20_Opt_C
...
Cardinality = 1
...
[End]
```

MsgField BO, TagUnion BO, and TagLetterOption BO attribute IsKey: In each MsgField BO, the attribute Letter must be defined as the key attribute.

For example:

```
[Attribute]

Name = Letter
Type = String
IsKey = true
...
[End]
```

The first attribute of a TagUnionBO is defined as key.

The first attribute of TagLetterOption BO is defined as key.

TagLetterOption BO attribute AppSpecificInfo: The AppSpecificInfo attribute definition of a TagLetterOption BO provides crucial SWIFT message formatting information for business object subfields. The AppSpecificInfo attribute must contain the following information:

```
Format=***;Delim=$$$
```

where

*** stands for the SWIFT subfield format specification, which excludes delimiter information

\$\$\$ stands for one or more letters that constitute the delimiter between the current subfield and the next subfield.

When the delimiters are CrLf, the symbol string CrLf specifies that a carriage return is immediately followed by a line feed.

For example, the AppSpecificInfo attribute for a TagLetterOption BO, Swift_Tag_Union_95_Opt_C, might appear as follows:

```
[Attribute]

Name = CountryCode
Type = String
...
AppSpecificInfo = Format=2!a;Delim=/
```

...

[End]

Chapter 4. SWIFT Data Handler

- “Configuring the SWIFT data handler”
- “Configuring the data handler child meta-object”
- “Converting business objects to SWIFT messages” on page 64
- “Converting SWIFT messages to business objects” on page 65

The SWIFT data handler is a data-conversion module whose primary roles are to convert business objects into SWIFT messages and SWIFT messages into business objects. Both default top-level data-handler meta-objects (connector and server) support the `swift` MIME type and therefore support use of the SWIFT data handler.

This chapter describes how the SWIFT data handler processes SWIFT messages. It also discusses how to configure the SWIFT data handler.

Configuring the SWIFT data handler

To configure a SWIFT data handler for use with the connector, you must do the following:

- Make sure that the class name of the SWIFT data handler is specified in the connector properties.
- Enter the appropriate values for the attributes of the SWIFT data handler child meta-object.

Note: For the SWIFT data handler to function properly, you must also create or modify business object definitions so that they support the data handler. For more information, see “SWIFT field structure” on page 105.

Configuring the connector meta-object

To configure the connector to interact with the SWIFT data handler, make sure that the connector-specific property `DataHandlerClassName` has the value `com.crossworlds.DataHandlers.swift.SwiftDataHandler`.

You must set the value of this property before running the connector. Doing so will enable the connector to access the SWIFT data handler when converting SWIFT messages to business objects and vice versa. For further information, see “Connector-specific properties” on page 20.

Configuring the data handler child meta-object

For the SWIFT data handler, WebSphere delivers the default meta-object `MO_DataHandler_Default`. This meta-object specifies a child attribute of type `MO_DataHandler_Swift`. Table 26 describes the attributes in the child meta-object, `MO_DataHandler_SWIFT`.

Table 26. Child Meta-Object Attributes for the SWIFT Data Handler

Attribute Name	Description	Delivered Default Value
BOPrefix	Prefix used by the default NameHandler class to build business object names. The default value must be changed to match the type of the business object. The attribute value is case-sensitive.	Swift
DefaultVerb	The verb used when creating business objects.	Create
ClassName	Name of the data handler class to load for use with the specified MIME type. The top-level data-handler meta-object has an attribute whose name matches the specified MIME type and whose type is the SWIFT child meta-object.	com.crossworlds. DataHandlers.swift. SwiftDataHandler
DummyKey	Key attribute; not used by the data handler but required by the integration broker.	1

The Delivered Default Value column in Table 26 lists the value that WebSphere provides for the default value of the associated meta-object attribute. You must ensure that all attributes in this child meta-object have a default value that is appropriate for your system and your SWIFT message type. Also, make sure that at least the ClassName and BOPrefix attributes have default values.

Note: Use Business Object Designer Express to assign default values to attributes in this meta-object.

Business object requirements

The SWIFT data handler uses business object definitions when it converts business objects or SWIFT messages. It performs the conversion using the structure of the business object and its application-specific text. To ensure that business object definitions conform to the requirements of the SWIFT data handler, follow the guidelines described in Chapter 3, “Business objects,” on page 41.

Converting business objects to SWIFT messages

To convert a business object to a SWIFT message, the SWIFT data handler loops through the attributes in the top-level business object in sequential order. It generates populated blocks of a SWIFT message recursively based on the order in which attributes appear in the business object and its children.

Attributes without a block number, or with values unrecognized by the parser properties, are ignored. Also ignored is block 0, the UUID header that is added by the MQSA.

The parse=value application-specific information property is used to determine how to format strings. This property parses the business object as follows:

- parse=no; The attribute MUST be of type String and is formatted as {block number:attribute value}The block number is the value of the block=block value application-specific text property.
- parse=fixlen; The attribute must be a single cardinality container. It is formatted as {block number:attr0 value attr1 value...attrn value}where attrn value is the attribute value of the nth attribute. All CxIgnore and CxBlank attributes are IGNORED.
- parse=delim; The attribute must be a single cardinality container. It is formatted as {block number:[Tag:attr1 data]...[Tag:attr1 data]}where: Tag is the value of the Tag property of attribute application-specific text attrn data is the value of the attribute. All CxIgnore and CxBlank attributes are IGNORED.

- `parse=field`; This setting can be used only on Block 4 messages. Fields are printed out in loop through `non-CxIgnore` and `non-CxBlank` attributes of the business object.
 - If `appText == NULL` and the attribute is a container, call `printB0(childB0)`. Handle multiple cardinality if required.
 - If `appText != NULL`, call `printFieldObj()`, which handles multiple cardinality and calls `printFieldB0()` to write out a tag.
- All fields are formatted as generic or non-generic fields. The tag number is determined by the value of the Tag business object attribute. All `non-CxIgnore` attributes of the tag business object are printed out. For more on generic or non-generic fields, see Appendix C, “SWIFT message structure,” on page 105.

Converting SWIFT messages to business objects

All SWIFT messages as well as compliance with SWIFT formats and syntax, are validated by SWIFT before being processed by the SWIFT data handler. The SWIFT data handler performs validation of business object structure and compliance only.

The SWIFT data handler extracts data from a SWIFT message and sets corresponding attributes in a business object as follows:

1. The SWIFT parser is called to extract the first 4 blocks (UUID + blocks 1 through 3). For block 2, the SWIFT application header, only the input attributes are extracted.
2. The SWIFT data handler is called to extract the name of the business object from block 2 of the SWIFT message.
3. The SWIFT data handler creates an instance of the top-level object.
4. Based on the application-specific information parameters, the data handler processes SWIFT message blocks. The blocks are parsed in one of four different ways
 - `parse=no`; The block data is treated as type `String` and not parsed out.
 - `parse=fixlen`; The block data is parsed as a fixed-length structure, based on the values of the maximum length attributes of the block business object.
 - `parse=delim`; The block data is parsed as `{n:data}` delimited format.
 - `parse=field`; This setting is used only on block 4 data. Fields are parsed as generic and non-generic.
5. For block 4 data (`parse=field`;) the data handler either matches the field returned from the parser to a tag business object attribute, or finds the sequence business object that the field belongs to.
 - a. If the application specific information of the attribute is `NULL`, the child business object is a sequence. The data handler checks if the first required attribute of the child business object matches the field:
 - If it does match, the data handler assigns the attribute multiple cardinality and populates the sequence for the child business object.
 - If it does not match, the data handler skips to the next attribute of the parent business object.
 - b. If application-specific information is not `NULL`, the child is a tag business object. If the field matches the application-specific information, it is handled with the multiple cardinality and extracted, with the data handler setting the letter and data attributes of the tag business object.
6. If a non-`NULL` field is returned, the field is written to a log and an exception is thrown.

7. The data handler parses block 5 of the SWIFT message. The application-specific information for this block is always block=5; parse=no and is of type String. Block 5 is treated as a single string.

Chapter 5. Troubleshooting

This chapter describes problems that you may encounter when starting up or running the connector.

Startup problems

Problem

The connector shuts down unexpectedly during initialization and the following message is reported:
Exception in thread "main"
java.lang.NoClassDefFoundError:
javax/jms/JMSEException...

The connector shuts down unexpectedly during initialization and the following message is reported:
Exception in thread "main"
java.lang.NoClassDefFoundError:
com.ibm/mq/jms/MQConnectionFactory...

The connector shuts down unexpectedly during initialization and the following message is reported:
Exception in thread "main"
java.lang.NoClassDefFoundError:
javax/naming/Referenceable...

The connector reports MQJMS2005: failed to create MQQueueManager for ':'

Potential solution / explanation

Connector cannot find file `jms.jar` from the IBM WebSphere MQ Java client libraries. Ensure that variable `MQSERIES_JAVA_LIB` in `start_connector.bat` points to the IBM WebSphere MQ Java client library folder.

Connector cannot find file `com.ibm.mqjms.jar` in the IBM WebSphere MQ Java client libraries. Ensure that variable `MQSERIES_JAVA_LIB` in `start_connector.bat` points to the IBM WebSphere MQ Java client library folder.

Connector cannot find file `jndi.jar` from the IBM WebSphere MQ Java client libraries. Ensure that variable `MQSERIES_JAVA_LIB` in `start_connector.bat` points to the IBM WebSphere MQ Java client library folder.

Explicitly set values for the following properties: `HostName`, `Channel`, and `Port`.

Event processing

Problem

The connector delivers all messages with an `MQRFH2` header.

The connector truncates all message formats to 8 characters upon delivery regardless of how the format has been defined in the connector meta-object.

Potential solution / explanation

To deliver messages with only the MQMD WebSphere MQ header, append `?targetClient=1` to the name of output queue URI. For example, if you output messages to queue `queue://my.queue.manager/OUT`, change the URI to `queue://my.queue.manager/OUT?targetClient=1`. See Chapter 2, "Installing and configuring the connector," on page 17 for more information.

This is a limitation of the WebSphere MQ MQMD message header and not the connector.

Appendix A. Standard configuration properties for connectors

This appendix describes the standard configuration properties for the connector component of WebSphere Business Integration Server Express adapters. The information covers InterChange Server Express.

For information about properties specific to this connector, see the relevant section in this guide.

New properties

These standard properties have been added in this release:

- AdapterHelpName
- ControllerEventSequencing
- jms.ListenerConcurrency
- jms.TransportOptimized
- TivoliTransactionMonitorPerformance

Standard connector properties overview

Connectors have two types of configuration properties:

- Standard configuration properties, which are used by the framework
- Application, or connector-specific, configuration properties, which are used by the agent

These properties determine the adapter framework and the agent run-time behavior.

This section describes how to start Connector Configurator Express and describes characteristics common to all properties. For information on configuration properties specific to a connector, see its adapter user guide.

Starting Connector Configurator Express

You configure connector properties from Connector Configurator Express, which you access from System Manager. For more information on using Connector Configurator Express, refer to the sections on Connector Configurator Express in this guide.

Connector Configurator Express and System Manager run only on the Windows system. If you are running the connector on a Linux system, you must have a Windows machine with these tools installed.

To set connector properties for a connector that runs on Linux, you must start up System Manager on the Windows machine, connect to the Linux integration broker, and bring up Connector Configurator Express for the connector.

Configuration property values overview

The connector uses the following order to determine a property's value:

1. Default

2. Repository for InterChange Server Express integration broker.
3. Local configuration file
4. Command line

The default length of a property field is 255 characters. There is no limit on the length of a STRING property type. The length of an INTEGER type is determined by the server on which the adapter is running.

A connector obtains its configuration values at startup. If you change the value of one or more connector properties during a run-time session, the property's update method determines how the change takes effect.

The update characteristics of a property, that is, how and when a change to the connector properties takes effect, depend on the nature of the property.

There are four update methods for standard connector properties:

- **Dynamic**
The new value takes effect immediately after the change is saved in System Manager. However, if the connector is in stand-alone mode (independently of System Manager).
- **Agent restart (InterChange Server Express only)**
The new value takes effect only after you stop and restart the connector agent.
- **Component restart**
The new value takes effect only after the connector is stopped and then restarted in System Manager. You do not need to stop and restart the agent or the server process.
- **System restart**
The new value takes effect only after you stop and restart the connector agent and the server.

To determine how a specific property is updated, refer to the **Update Method** column in the Connector Configurator Express window, or see the Update Method column in Table 27 on page 71.

There are three locations in which a standard property can reside. Some properties can reside in more than one location.

- **ReposController**
The property resides in the connector controller and is effective only there. If you change the value on the agent side, it does not affect the controller.
- **ReposAgent**
The property resides in the agent and is effective only there. A local configuration can override this value, depending on the property.
- **LocalConfig**
The property resides in the configuration file for the connector and can act only through the configuration file. The controller cannot change the value of the property, and is not aware of changes made to the configuration file unless the system is redeployed to update the controller explicitly.

Standard properties quick-reference

Table 27 provides a quick-reference to the standard connector configuration properties. Not all connectors require all of these properties, and property settings may differ. .

See the section following the table for a description of each property.

Note: In the Notes column in Table 27, the phrase “RepositoryDirectory is set to <REMOTE>” indicates that the broker is InterChange Server Express.

Table 27. Summary of standard configuration properties

Property name	Possible values	Default value	Update method	Notes
AdapterHelpName	One of the valid subdirectories in <ProductDir>\bin\Data\App\Help that has a valid <Regional Setting> directory	Template name, if valid, or blank field	Component restart	Supported regional settings. Include chs_chn, cht_twn, deu_deu, esn_esp, fra_fra, ita_ita, jpn_jpn, kor_kor, ptb_bra, and enu_usa (default).
AdminInQueue	Valid JMS queue name	<CONNECTORNAME>/ADMININQUEUE	Component restart	This property is valid only when the value of DeliveryTransport is JMS
AdminOutQueue	Valid JMS queue name	<CONNECTORNAME>/ADMINOUTQUEUE	Component restart	This property is valid only when the value of DeliveryTransport is JMS
AgentConnections	1 through 4	1	Component restart	This property is valid only when the value of DeliveryTransport is MQ or IDL, the value of Repository Directory is set to <REMOTE> and the value of BrokerType is ICS.
AgentTraceLevel	0 through 5	0	Dynamic for ICS; otherwise Component restart	
ApplicationName	Application name	The value specified for the connector application name	Component restart	
BrokerType	ICS	ICS	Component restart	
CharacterEncoding	Any supported code. The list shows this subset: ascii7, ascii8, SJIS, Cp949, GBK, Big5, Cp297, Cp273, Cp280, Cp284, Cp037, Cp437 .	ascii7	Component restart	This property is valid only for C++ connectors.
CommonEventInfrastructure	true or false	false	Component restart	

Table 27. Summary of standard configuration properties (continued)

Property name	Possible values	Default value	Update method	Notes
CommonEventInfrastructureURL	A URL string, for example, corbaloc:iiop:host:2809.	No default value.	Component restart	This property is valid only if the value of CommonEventInfrastructure is true.
ConcurrentEventTriggeredFlows	1 through 32,767	1	Component restart	This property is valid only if the value of RepositoryDirectory is set to <REMOTE> and the value of BrokerType is ICS.
ContainerManagedEvents	Blank or JMS	Blank	Component restart	This property is valid only when the value of Delivery Transport is JMS.
ControllerEventSequencing	true or false	true	Dynamic	This property is valid only if the value of Repository Directory is set to <REMOTE> and the value of BrokerType is ICS.
ControllerStoreAndForwardMode	true or false	true	Dynamic	This property is valid only if the value of Repository Directory is set to <REMOTE> and the value of BrokerType is ICS.
ControllerTraceLevel	0 through 5	0	Dynamic	This property is valid only if the value of RepositoryDirectory is set to <REMOTE> and the value of BrokerType is ICS.
DeliveryQueue	Any valid JMS queue name	<CONNECTORNAME>/DELIVERYQUEUE	Component restart	This property is valid only when the value of Delivery Transport is JMS.
DeliveryTransport	IDL or JMS	IDL when the value of RepositoryDirectory is <REMOTE>, otherwise JMS	Component restart	If the value of RepositoryDirectory is not <REMOTE>, the only valid value for this property is JMS.
DuplicateEventElimination	true or false	false	Component restart	This property is valid only if the value of DeliveryTransport is JMS.
EnableOidForFlowMonitoring	true or false	false	Component restart	This property is valid only if the value of BrokerType is ICS.
FaultQueue	Any valid queue name.	<CONNECTORNAME>/FAULTQUEUE	Component restart	This property is valid only if the value of DeliveryTransport is JMS.
jms.FactoryClassName	CxCommon.Messaging.jms.IBMMQSeriesFactory, CxCommon.Messaging.jms.SonicMQFactory, or any Java class name	CxCommon.Messaging.jms.IBMMQSeriesFactory	Component restart	This property is valid only if the value of DeliveryTransport is JMS.

Table 27. Summary of standard configuration properties (continued)

Property name	Possible values	Default value	Update method	Notes
jms.ListenerConcurrency	1 through 32767	1	Component restart	This property is valid only if the value of <code>jms.TransportOptimized</code> is true.
jms.MessageBrokerName	If the value of <code>jms.FactoryClassName</code> is IBM, use <code>crossworlds.queue.manager</code> .	<code>crossworlds.queue.manager</code>	Component restart	This property is valid only if the value of <code>DeliveryTransport</code> is JMS.
jms.NumConcurrent Requests	Positive integer	10	Component restart	This property is valid only if the value of <code>DeliveryTransport</code> is JMS.
jms.Password	Any valid password		Component restart	This property is valid only if the value of <code>DeliveryTransport</code> is JMS.
jms.TransportOptimized	true or false	false	Component restart	This property is valid only if the value of <code>DeliveryTransport</code> is JMS and the value of <code>BrokerType</code> is ICS.
jms.UserName	Any valid name		Component restart	This property is valid only if the value of <code>DeliveryTransport</code> is JMS.
JvmMaxHeapSize	Heap size in megabytes	128m	Component restart	This property is valid only if the value of <code>RepositoryDirectory</code> is set to <REMOTE> and the value of <code>BrokerType</code> is ICS.
JvmMaxNativeStackSize	Size of stack in kilobytes	128k	Component restart	This property is valid only if the value of <code>RepositoryDirectory</code> is set to <REMOTE> and the value of <code>BrokerType</code> is ICS.
JvmMinHeapSize	Heap size in megabytes	1m	Component restart	This property is valid only if the value of <code>RepositoryDirectory</code> is set to <REMOTE> and the value of <code>BrokerType</code> is ICS.
ListenerConcurrency	1 through 100	1	Component restart	This property is valid only if the value of <code>DeliveryTransport</code> is MQ.
Locale	This is a subset of the supported locales: en_US, ja_JP, ko_KR, zh_CN, zh_TW, fr_FR, de_DE, it_IT, es_ES, pt_BR	en_US	Component restart	

Table 27. Summary of standard configuration properties (continued)

Property name	Possible values	Default value	Update method	Notes
LogAtInterchangeEnd	true or false	false	Component restart	This property is valid only if the value of Repository Directory is set to <REMOTE> and the value of BrokerType is ICS.
MaxEventCapacity	1 through 2147483647	2147483647	Dynamic	This property is valid only if the value of Repository Directory is set to <REMOTE> and the value of BrokerType is ICS.
MessageFileName	Valid file name	InterchangeSystem.txt	Component restart	
MonitorQueue	Any valid queue name	<CONNECTORNAME> /MONITORQUEUE	Component restart	This property is valid only if the value of DuplicateEventElimination is true and ContainerManagedEvents has no value.
OADAutoRestartAgent	true or false	false	Dynamic	This property is valid only if the value of Repository Directory is set to <REMOTE> and the value of BrokerType is ICS.
OADMaxNumRetry	A positive integer	1000	Dynamic	This property is valid only if the value of Repository Directory is set to <REMOTE> and the value of BrokerType is ICS.
OADRetryTimeInterval	A positive integer in minutes	10	Dynamic	This property is valid only if the value of Repository Directory is set to <REMOTE> and the value of BrokerType is ICS.
PollEndTime	HH = 0 through 23 MM = 0 through 59	HH:MM	Component restart	
PollFrequency	A positive integer (in milliseconds)	10000	Dynamic if broker is ICS; otherwise Component restart	
PollQuantity	1 through 500	1	Agent restart	This property is valid only if the value of ContainerManagedEvents is JMS.
PollStartTime	HH = 0 through 23 MM = 0 through 59	HH:MM	Component restart	
RepositoryDirectory	<REMOTE> if the broker is ICS; otherwise any valid local directory.	For ICS, the value is set to <REMOTE>	Agent restart	
RequestQueue	Valid JMS queue name	<CONNECTORNAME> /REQUESTQUEUE	Component restart	This property is valid only if the value of DeliveryTransport is JMS

Table 27. Summary of standard configuration properties (continued)

Property name	Possible values	Default value	Update method	Notes
ResponseQueue	Valid JMS queue name	<CONNECTORNAME>/RESPONSEQUEUE	Component restart	This property is valid only if the value of DeliveryTransport is JMS.
RestartRetryCount	0 through 99	3	Dynamic if ICS; otherwise Component restart	
RestartRetryInterval	A value in minutes from 1 through 2147483647	1	Dynamic if ICS; otherwise Component restart	
RHF2MessageDomain	mrm or xml	mrm	Component restart	This property is valid only if the value of DeliveryTransport is JMS and the value of WireFormat is CwXML.
SourceQueue	Any valid WebSphere MQ queue name	<CONNECTORNAME>/SOURCEQUEUE	Agent restart	This property is valid only if the value of ContainerManagedEvents is JMS.
SynchronousRequest Queue	Any valid queue name.	<CONNECTORNAME>/SYNCHRONOUSREQUEST QUEUE	Component restart	This property is valid only if the value of DeliveryTransport is JMS.
SynchronousRequest Timeout	0 to any number (milliseconds)	0	Component restart	This property is valid only if the value of DeliveryTransport is JMS.
SynchronousResponse Queue	Any valid queue name	<CONNECTORNAME>/SYNCHRONOUSRESPONSE QUEUE	Component restart	This property is valid only if the value of DeliveryTransport is JMS.
TivoliMonitorTransaction Performance	true or false	false	Component restart	
WireFormat	CwXML or CwB0	CwXML	Agent restart	The value of this property must be CwXML if the value of RepositoryDirectory is not set to <REMOTE>. The value must be CwB0 if the value of RepositoryDirectory is set to <REMOTE>.
WsifSynchronousRequest Timeout	0 to any number (milliseconds)	0	Component restart	This property is not valid if the value of BrokerType is ICS..
XMLNameSpaceFormat	short or long	short	Agent restart	This property is not valid if the value of BrokerType is ICS.

Standard properties

This section describes the standard connector configuration properties.

AdapterHelpName

The AdapterHelpName property is the name of a directory in which connector-specific extended help files are located. The directory must be located in `<ProductDir>\bin\Data\App\Help` and must contain at least the language directory `enu_usa`. It may contain other directories according to locale.

The default value is the template name if it is valid, or it is blank.

AdminInQueue

The AdminInQueue property specifies the queue that is used by the integration broker to send administrative messages to the connector.

The default value is `<CONNECTORNAME>/ADMININQUEUE`

AdminOutQueue

The AdminOutQueue property specifies the queue that is used by the connector to send administrative messages to the integration broker.

The default value is `<CONNECTORNAME>/ADMINOUTQUEUE`

AgentConnections

The AgentConnections property controls the number of ORB (Object Request Broker) connections opened when the ORB initializes.

The default value of this property is 1.

AgentTraceLevel

The AgentTraceLevel property sets the level of trace messages for the application-specific component. The connector delivers all trace messages applicable at the tracing level set and lower.

The default value is 0.

ApplicationName

The ApplicationName property uniquely identifies the name of the connector application. This name is used by the system administrator to monitor the integration environment. This property must have a value before you can run the connector.

The default is the name of the connector.

BrokerType

The BrokerType property identifies the integration broker type that you are using. The value is `ICS`.

CharacterEncoding

The CharacterEncoding property specifies the character code set used to map from a character (such as a letter of the alphabet, a numeric representation, or a punctuation mark) to a numeric value.

Note: Java-based connectors do not use this property. C++ connectors use the value `ascii7` for this property.

By default, only a subset of supported character encodings is displayed. To add other supported values to the list, you must manually modify the `\Data\Std\stdConnProps.xml` file in the product directory (`<ProductDir>`). For more information, see the Connector Configurator Express appendix in this guide.

ConcurrentEventTriggeredFlows

The `ConcurrentEventTriggeredFlows` property determines how many business objects can be concurrently processed by the connector for event delivery. You set the value of this attribute to the number of business objects that are mapped and delivered concurrently. For example, if you set the value of this property to 5, five business objects are processed concurrently.

Setting this property to a value greater than 1 allows a connector for a source application to map multiple event business objects at the same time and deliver them to multiple collaboration instances simultaneously. This speeds delivery of business objects to the integration broker, particularly if the business objects use complex maps. Increasing the arrival rate of business objects to collaborations can improve overall performance in the system.

To implement concurrent processing for an entire flow (from a source application to a destination application), the following properties must be configured:

- The collaboration must be configured to use multiple threads by setting its `Maximum number of concurrent events` property high enough to use multiple threads.
- The destination application's application-specific component must be configured to process requests concurrently.

The `ConcurrentEventTriggeredFlows` property has no effect on connector polling, which is single-threaded and is performed serially.

This property is valid only if the value of the `RepositoryDirectory` property is set to `<REMOTE>`.

The default value is 1.

ContainerManagedEvents

The `ContainerManagedEvents` property allows a JMS-enabled connector with a JMS event store to provide guaranteed event delivery, in which an event is removed from the source queue and placed on the destination queue as one JMS transaction.

When this property is set to JMS, the following properties must also be set to enable guaranteed event delivery:

- `PollQuantity` = 1 to 500
- `SourceQueue` = `/SOURCEQUEUE`

You must also configure a data handler with the `MimeType` and `DHClass` (data handler class) properties. You can also add `DataHandlerConfigMOName` (the meta-object name, which is optional). To set those values, use the **Data Handler** tab in Connector Configurator Express.

Although these properties are adapter-specific, here are some example values:

- `MimeType` = `text/xml`

- DHClass = com.crossworlds.DataHandlers.text.xml
- DataHandlerConfigMOName = MO_DataHandler_Default

The fields for these values in the **Data Handler** tab are displayed only if you have set the ContainerManagedEvents property to the value JMS.

Note: When ContainerManagedEvents is set to JMS, the connector does not call its pollForEvents() method, thereby disabling that method's functionality.

The ContainerManagedEvents property is valid only if the value of the DeliveryTransport property is set to JMS.

There is no default value.

ControllerEventSequencing

The ControllerEventSequencing property enables event sequencing in the connector controller.

This property is valid only if the value of the RepositoryDirectory property is set to set to <REMOTE> (BrokerType is ICS).

The default value is true.

ControllerStoreAndForwardMode

The ControllerStoreAndForwardMode property sets the behavior of the connector controller after it detects that the destination application-specific component is unavailable.

If this property is set to true and the destination application-specific component is unavailable when an event reaches InterChange Server Express (ICS), the connector controller blocks the request to the application-specific component. When the application-specific component becomes operational, the controller forwards the request to it.

However, if the destination application's application-specific component becomes unavailable after the connector controller forwards a service call request to it, the connector controller fails the request.

If this property is set to false, the connector controller begins failing all service call requests as soon as it detects that the destination application-specific component is unavailable.

This property is valid only if the value of the RepositoryDirectory property is set to <REMOTE> (the value of the BrokerType property is ICS).

The default value is true.

ControllerTraceLevel

The ControllerTraceLevel property sets the level of trace messages for the connector controller.

This property is valid only if the value of the RepositoryDirectory property is set to set to <REMOTE>.

The default value is 0.

DeliveryQueue

The DeliveryQueue property defines the queue that is used by the connector to send business objects to the integration broker.

This property is valid only if the value of the DeliveryTransport property is set to JMS.

The default value is <CONNECTORNAME>/DELIVERYQUEUE.

DeliveryTransport

The DeliveryTransport property specifies the transport mechanism for the delivery of events. For Java Messaging Service, the value is JMS.

- If the value of the RepositoryDirectory property is set to <REMOTE>, the value of the DeliveryTransport property can be IDL or JMS, and the default is IDL.
- If the value of the RepositoryDirectory property is a local directory, the value can be only JMS.

The connector sends service-call requests and administrative messages over CORBA IIOP if the value of the RepositoryDirectory property is IDL.

The default value is JMS.

JMS

The JMS transport mechanism enables communication between the connector and client connector framework using Java Messaging Service (JMS).

If you select JMS as the delivery transport, additional JMS properties such as `jms.MessageBrokerName`, `jms.FactoryClassName`, `jms.Password`, and `jms.UserName` are listed in Connector Configurator Express. The properties `jms.MessageBrokerName` and `jms.FactoryClassName` are required for this transport.

There may be a memory limitation if you use the JMS transport mechanism for a connector in the following environment when InterChange Server Express (ICS) is the integration broker.

In this environment, you may experience difficulty starting both the connector controller (on the server side) and the connector (on the client side) due to memory use within the WebSphere MQ client. If your installation uses less than 768MB of process heap size, set the following variable and property:

- Set the LDR_CNTRL environment variable in the CWSharedEnv.sh script.

This script is located in the `\bin` directory below the product directory (<ProductDir>). Using a text editor, add the following line as the first line in the CWSharedEnv.sh script:

```
export LDR_CNTRL=MAXDATA=0x30000000
```

This line restricts heap memory usage to a maximum of 768 MB (3 segments * 256 MB). If the process memory grows larger than this limit, page swapping can occur, which can adversely affect the performance of your system.

- Set the value of the IPCCBaseAddress property to 11 or 12. For more information on this property, see the *WebSphere Business Integration Server Express Installation Guide for Windows, for Linux, or for i5/OS*.

DuplicateEventElimination

When the value of this property is true, a JMS-enabled connector can ensure that duplicate events are not delivered to the delivery queue. To use this feature, during connector development, the connector must have a unique event identifier set as the business object `ObjectEventId` attribute in the application-specific code.

Note: When the value of this property is true, the `MonitorQueue` property must be enabled to provide guaranteed event delivery.

The default value is false.

EnableOidForFlowMonitoring

When the value of this property is true, the adapter runtime will mark the incoming `ObjectEventID` as a foreign key for flow monitoring.

This property is only valid if the `BrokerType` property is set to ICS.

The default value is false.

FaultQueue

If the connector experiences an error while processing a message, it moves the message (and a status indicator and description of the problem) to the queue specified in the `FaultQueue` property.

The default value is `<CONNECTORNAME>/FAULTQUEUE`.

jms.FactoryClassName

The `jms.FactoryClassName` property specifies the class name to instantiate for a JMS provider. This property must be set if the value of the `DeliveryTransport` property is JMS.

The default is `CxCommon.Messaging.jms.IBMMQSeriesFactory`.

jms.ListenerConcurrency

The `jms.ListenerConcurrency` property specifies the number of concurrent listeners for the JMS controller. It specifies the number of threads that fetch and process messages concurrently within a controller.

This property is valid only if the value of the `jms.OptimizedTransport` property is true.

The default value is 1.

jms.MessageBrokerName

The `jms.MessageBrokerName` specifies the broker name to use for the JMS provider. You must set this connector property if you specify JMS as the delivery transport mechanism (in the `DeliveryTransport` property).

When you connect to a remote message broker, this property requires the following values:

QueueMgrName:Channel:HostName:PortNumber

where:

QueueMgrName is the name of the queue manager.

Channel is the channel used by the client.
HostName is the name of the machine where the queue manager is to reside.
PortNumber is the port number used by the queue manager for listening

For example:

```
jms.MessageBrokerName = WBIMB.Queue.Manager:CHANNEL1:RemoteMachine:1456
```

The default value is `crossworlds.queue.manager`. Use the default when connecting to a local message broker.

jms.NumConcurrentRequests

The `jms.NumConcurrentRequests` property specifies the maximum number of concurrent service call requests that can be sent to a connector at the same time. Once that maximum is reached, new service calls are blocked and must wait for another request to complete before proceeding.

The default value is 10.

jms.Password

The `jms.Password` property specifies the password for the JMS provider. A value for this property is optional.

There is no default value.

jms.TransportOptimized

The `jms.TransportOptimized` property determines if the WIP (work in progress) is optimized. You must have a WebSphere MQ provider to optimize the WIP. For optimized WIP to operate, the messaging provider must be able to:

1. Read a message without taking it off the queue
2. Delete a message with a specific ID without transferring the entire message to the receiver's memory space
3. Read a message by using a specific ID (needed for recovery purposes)
4. Track the point at which events that have not been read appear.

The JMS APIs cannot be used for optimized WIP because they do not meet conditions 2 and 4 above, but the MQ Java APIs meet all four conditions, and hence are required for optimized WIP.

This property is valid only if the value of `DeliveryTransport` is `JMS` and the value of `BrokerType` is `ICS`.

The default value is `false`.

jms.UserName

the `jms.UserName` property specifies the user name for the JMS provider. A value for this property is optional.

There is no default value.

JvmMaxHeapSize

The `JvmMaxHeapSize` property specifies the maximum heap size for the agent (in megabytes).

This property is valid only if the value for the RepositoryDirectory property is set to <REMOTE>.

The default value is 128m.

JvmMaxNativeStackSize

The JvmMaxNativeStackSize property specifies the maximum native stack size for the agent (in kilobytes).

This property is valid only if the value for the RepositoryDirectory property is set to <REMOTE>.

The default value is 128k.

JvmMinHeapSize

The JvmMinHeapSize property specifies the minimum heap size for the agent (in megabytes).

This property is valid only if the value for the RepositoryDirectory property is set to <REMOTE>.

The default value is 1m.

ListenerConcurrency

The ListenerConcurrency property supports multithreading in WebSphere MQ Listener when ICS is the integration broker. It enables batch writing of multiple events to the database, thereby improving system performance.

This property is valid only with connectors that use MQ transport. The value of the DeliveryTransport property must be MQ.

The default value is 1.

Locale

The Locale property specifies the language code, country or territory, and, optionally, the associated character code set. The value of this property determines cultural conventions such as collation and sort order of data, date and time formats, and the symbols used in monetary specifications.

A locale name has the following format:

ll_TT.codeset

where:

ll is a two-character language code (in lowercase letters)

TT is a two-letter country or territory code (in uppercase letters)

codeset is the name of the associated character code set (may be optional).

By default, only a subset of supported locales are listed. To add other supported values to the list, you modify the \Data\Std\stdConnProps.xml file in the <ProductDir>\bin directory. For more information, refer to the Connector Configurator Express appendix in this guide.

If the connector has not been internationalized, the only valid value for this property is en_US. To determine whether a specific connector has been globalized, refer to the user guide for that adapter.

The default value is en_US.

LogAtInterchangeEnd

The LogAtInterchangeEnd property specifies whether to log errors to the log destination of the integration broker.

Logging to the log destination also turns on e-mail notification, which generates e-mail messages for the recipient specified as the value of MESSAGE_RECIPIENT in the InterchangeSystem.cfg file when errors or fatal errors occur. For example, when a connector loses its connection to the application, if the value of LogAtInterChangeEnd is true, an e-mail message is sent to the specified message recipient.

This property is valid only if the value of the RespositoryDirectory property is set to <REMOTE> (the value of BrokerType is ICS).

The default value is false.

MaxEventCapacity

The MaxEventCapacity property specifies maximum number of events in the controller buffer. This property is used by the flow control feature.

This property is valid only if the value of the RespositoryDirectory property is set to <REMOTE> (the value of BrokerType is ICS).

The value can be a positive integer between 1 and 2147483647.

The default value is 2147483647.

MessageFileName

The MessageFileName property specifies the name of the connector message file. The standard location for the message file is \connectors\messages in the product directory. Specify the message file name in an absolute path if the message file is not located in the standard location.

If a connector message file does not exist, the connector uses InterchangeSystem.txt as the message file. This file is located in the product directory.

Note: To determine whether a connector has its own message file, see the individual adapter user guide.

The default value is InterchangeSystem.txt.

MonitorQueue

The MonitorQueue property specifies the logical queue that the connector uses to monitor duplicate events.

It is valid only if the value of the DeliveryTransport property is JMS and the value of the DuplicateEventElimination is true.

The default value is <CONNECTORNAME>/MONITORQUEUE

OADAutoRestartAgent

the OADAutoRestartAgent property specifies whether the connector uses the automatic and remote restart feature. This feature uses the WebSphere MQ-triggered Object Activation Daemon (OAD) to restart the connector after an abnormal shutdown, or to start a remote connector from System Monitor.

This property must be set to true to enable the automatic and remote restart feature. For information on how to configure the WebSphere MQ-triggered OAD feature, see the *WebSphere Business Integration Server Express Installation Guide for Windows, for Linux or for i5/OS*.

This property is valid only if the value of the RespositoryDirectory property is set to <REMOTE> (the value of BrokerType is ICS).

The default value is false.

OADMaxNumRetry

The OADMaxNumRetry property specifies the maximum number of times that the WebSphere MQ-triggered Object Activation Daemon (OAD) automatically attempts to restart the connector after an abnormal shutdown. The OADAutoRestartAgent property must be set to true for this property to take effect.

This property is valid only if the value of the RespositoryDirectory property is set to <REMOTE> (the value of BrokerType is ICS).

The default value is 1000.

OADRetryTimeInterval

The OADRetryTimeInterval property specifies the number of minutes in the retry-time interval for the WebSphere MQ-triggered Object Activation Daemon (OAD). If the connector agent does not restart within this retry-time interval, the connector controller asks the OAD to restart the connector agent again. The OAD repeats this retry process as many times as specified by the OADMaxNumRetry property. The OADAutoRestartAgent property must be set to true for this property to take effect.

This property is valid only if the value of the RespositoryDirectory property is set to <REMOTE> (the value of BrokerType is ICS).

The default value is 10.

PollEndTime

The PollEndTime property specifies the time to stop polling the event queue. The format is *HH:MM*, where *HH* is 0 through 23 hours, and *MM* represents 0 through 59 minutes.

You must provide a valid value for this property. The default value is HH:MM without a value, and it must be changed.

If the adapter runtime detects:

- PollStartTime set and PollEndTime not set, or

- PollEndTime set and PollStartTime not set

it will poll using the value configured for the PollFrequency property.

PollFrequency

The PollFrequency property specifies the amount of time (in milliseconds) between the end of one polling action and the start of the next polling action. This is not the interval between polling actions. Rather, the logic is as follows:

- Poll to obtain the number of objects specified by the value of the PollQuantity property.
- Process these objects. For some connectors, this may be partly done on separate threads, which execute asynchronously to the next polling action.
- Delay for the interval specified by the PollFrequency property.
- Repeat the cycle.

The following values are valid for this property:

- The number of milliseconds between polling actions (a positive integer).
- The word `no`, which causes the connector not to poll. Enter the word in lowercase.
- The word `key`, which causes the connector to poll only when you type the letter `p` in the connector Command Prompt window. Enter the word in lowercase.

The default is 10000.

Important: Some connectors have restrictions on the use of this property. Where they exist, these restrictions are documented in the chapter on installing and configuring the adapter.

PollQuantity

The PollQuantity property designates the number of items from the application that the connector polls for. If the adapter has a connector-specific property for setting the poll quantity, the value set in the connector-specific property overrides the standard property value.

This property is valid only if the value of the `DeliveryTransport` property is `JMS`, and the `ContainerManagedEvents` property has a value.

An e-mail message is also considered an event. The connector actions are as follows when it is polled for e-mail.

- When it is polled once, the connector detects the body of the message, which it reads as an attachment. Since no data handler was specified for this mime type, it will then ignore the message.
- The connector processes the first BO attachment. The data handler is available for this MIME type, so it sends the business object to Visual Test Connector.
- When it is polled for the second time, the connector processes the second BO attachment. The data handler is available for this MIME type, so it sends the business object to Visual Test Connector.
- Once it is accepted, the third BO attachment should be transmitted.

PollStartTime

The PollStartTime property specifies the time to start polling the event queue. The format is *HH:MM*, where *HH* is 0 through 23 hours, and *MM* represents 0 through 59 minutes.

You must provide a valid value for this property. The default value is *HH:MM* without a value, and it must be changed.

If the adapter runtime detects:

- PollStartTime set and PollEndTime not set, or
- PollEndTime set and PollStartTime not set

it will poll using the value configured for the PollFrequency property.

RepositoryDirectory

The RepositoryDirectory property is the location of the repository from which the connector reads the XML schema documents that store the metadata for business object definitions.

If the integration broker is ICS, this value must be set to set to `<REMOTE>` because the connector obtains this information from the InterChange Server Express repository.

When the integration broker is a WebSphere message broker or WAS, this value is set to `<ProductDir>\repository` by default. However, it may be set to any valid directory name.

RequestQueue

The RequestQueue property specifies the queue that is used by the integration broker to send business objects to the connector.

This property is valid only if the value of the DeliveryTransport property is JMS.

The default value is `<CONNECTORNAME>/REQUESTQUEUE`.

ResponseQueue

The ResponseQueue property specifies the JMS response queue, which delivers a response message from the connector framework to the integration broker. When the integration broker is InterChange Server Express (ICS), the server sends the request and waits for a response message in the JMS response queue.

This property is valid only if the value of the DeliveryTransport property is JMS.

The default value is `<CONNECTORNAME>/RESPONSEQUEUE`.

RestartRetryCount

The RestartRetryCount property specifies the number of times the connector attempts to restart itself. When this property is used for a connector that is connected in parallel, it specifies the number of times the master connector application-specific component attempts to restart the client connector application-specific component.

The default value is 3.

RestartRetryInterval

The RestartRetryInterval property specifies the interval in minutes at which the connector attempts to restart itself. When this property is used for a connector that is linked in parallel, it specifies the interval at which the master connector application-specific component attempts to restart the client connector application-specific component.

Possible values for the property range from 1 through 2147483647.

The default value is 1.

RHF2MessageDomain

The RHF2MessageDomain property allows you to configure the value of the field domain name in the JMS header. When data is sent to a WebSphere message broker over JMS transport, the adapter framework writes JMS header information, with a domain name and a fixed value of `mrm`. A configurable domain name lets you track how the WebSphere message broker processes the message data.

This is an example header:

```
<mcd><Msd>mrm</Msd><Set>3</Set><Type>
Retek_POPhyDesc</Type><Fmt>CwXML</Fmt></mcd>
```

This property is not valid if the value of BrokerType is ICS. Also, it is valid only if the value of the DeliveryTransport property is JMS, and the value of the WireFormat property is CwXML.

Possible values are `mrm` and `xml`. The default value is `mrm`.

SourceQueue

The SourceQueue property designates the JMS source queue for the connector framework in support of guaranteed event delivery for JMS-enabled connectors that use a JMS event store. For further information, see “ContainerManagedEvents” on page 77.

This property is valid only if the value of DeliveryTransport is JMS, and a value for ContainerManagedEvents is specified.

The default value is `<CONNECTORNAME>/SOURCEQUEUE`.

SynchronousRequestQueue

The SynchronousRequestQueue property delivers request messages that require a synchronous response from the connector framework to the broker. This queue is necessary only if the connector uses synchronous execution. With synchronous execution, the connector framework sends a message to the synchronous request queue and waits for a response from the broker on the synchronous response queue. The response message sent to the connector has a correlation ID that matches the ID of the original message.

This property is valid only if the value of DeliveryTransport is JMS.

The default value is `<CONNECTORNAME>/SYNCHRONOUSREQUESTQUEUE`

SynchronousRequestTimeout

The SynchronousRequestTimeout property specifies the time in milliseconds that the connector waits for a response to a synchronous request. If the response is not received within the specified time, the connector moves the original synchronous request message (and error message) to the fault queue.

This property is valid only if the value of DeliveryTransport is JMS.

The default value is 0.

SynchronousResponseQueue

The SynchronousResponseQueue property delivers response messages in reply to a synchronous request from the broker to the connector framework. This queue is necessary only if the connector uses synchronous execution.

This property is valid only if the value of DeliveryTransport is JMS.

The default is <CONNECTORNAME>/SYNCHRONOUSRESPONSEQUEUE

TivoliMonitorTransactionPerformance

The TivoliMonitorTransactionPerformance property specifies whether IBM Tivoli Monitoring for Transaction Performance (ITMTP) is invoked at run time.

The default value is false.

WireFormat

The WireFormat property specifies the message format on the transport:

- If the value of the RepositoryDirectory property is a local directory, the value is CwXML.
- If the value of the RepositoryDirectory property is a remote directory, the value is CwB0.

Appendix B. Connector Configurator Express

This appendix describes how to use Connector Configurator Express to set configuration property values for your adapter.

You use Connector Configurator Express to:

- Create a connector-specific property template for configuring your connector
- Create a configuration file
- Set properties in a configuration file

The topics covered in this appendix are:

- “Overview of Connector Configurator Express”
- “Creating a connector-specific property template” on page 91
- “Creating a new configuration file” on page 93
- “Setting the configuration file properties” on page 96

Overview of Connector Configurator Express

Connector Configurator Express allows you to configure the connector component of your adapter for use with the InterChange Server Express integration broker.

You use Connector Configurator Express to:

- Create a **connector-specific property template** for configuring your connector.
- Create a **connector configuration file**; you must create one configuration file for each connector you install.
- Set properties in a configuration file.

You may need to modify the default values that are set for properties in the connector templates. You must also designate supported business object definitions and, with InterChange Server Express, maps for use with collaborations as well as specify messaging, logging and tracing, and data handler parameters, as required.

Connector configuration properties include both standard configuration properties (the properties that all connectors have) and connector-specific properties (properties that are needed by the connector for a specific application or technology).

Because **standard properties** are used by all connectors, you do not need to define those properties from scratch; Connector Configurator Express incorporates them into your configuration file as soon as you create the file. However, you do need to set the value of each standard property in Connector Configurator Express.

The range of standard properties may not be the same for all brokers and all configurations. Some properties are available only if other properties are given a specific value. The Standard Properties window in Connector Configurator Express will show the properties available for your particular configuration.

For **connector-specific properties**, however, you need first to define the properties and then set their values. You do this by creating a connector-specific property template for your particular adapter. There may already be a template set up in

your system, in which case, you simply use that. If not, follow the steps in “Creating a new template” on page 91 to set up a new one.

Running connectors on Linux

Connector Configurator Express runs only in a Windows environment. If you are running the connector in a Linux environment, use Connector Configurator Express in Windows to modify the configuration file and then copy the file to your Linux environment.

Some properties in the Connector Configurator Express use directory paths, which default to the Windows convention for directory paths. If you use the configuration file in a Linux environment, revise the directory paths to match the Linux convention for these paths. Select the target operating system in the toolbar drop-list so that the correct operating system rules are used for extended validation.

Starting Connector Configurator Express

You can start and run Connector Configurator Express in either of two modes:

- Independently, in stand-alone mode
- From System Manager

Running Configurator in stand-alone mode

You can run Connector Configurator Express without running System Manager and work with connector configuration files, irrespective of your broker.

To do so:

- **Start>All Programs**, click **IBM WebSphere Business Integration Express>Toolset Express>Development>Connector Configurator Express**.
- Select **File>New>Connector Configuration**.

You may choose to run Connector Configurator Express independently to generate the file, and then connect to System Manager to save it in a System Manager project (see “Completing a configuration file” on page 96.)

Running Configurator from System Manager

You can run Connector Configurator Express from System Manager.

To run Connector Configurator Express:

1. Open the System Manager.
2. In the System Manager window, expand the **Integration Component Libraries** icon and highlight **Connectors**.
3. From the System Manager menu bar, click **Tools>Connector Configurator Express**. The Connector Configurator Express window opens and displays a **New Connector** dialog box.
4. When you click the pull-down menu next to **System Connectivity Integration Broker**, you can select ICS.

To edit an existing configuration file:

- In the System Manager window, select any of the configuration files listed in the Connector folder and right-click on it. Connector Configurator Express opens and displays the configuration file with the integration broker type and file name at the top.
- From Connector Configurator Express, select **File>Open**. Select the name of the connector configuration file from a project or from the directory in which it is stored.
- Click the Standard Properties tab to see which properties are included in this configuration file.

Creating a connector-specific property template

To create a configuration file for your connector, you need a connector-specific property template as well as the system-supplied standard properties.

You can create a brand-new template for the connector-specific properties of your connector, or you can use an existing connector definition as the template.

- To create a new template, see “Creating a new template” on page 91.
- To use an existing file, simply modify an existing template and save it under the new name. You can find existing templates in your `\ProductDir\bin\Data\App` directory.

Creating a new template

This section describes how you create properties in the template, define general characteristics and values for those properties, and specify any dependencies between the properties. Then you save the template and use it as the base for creating a new connector configuration file.

To create a template in Connector Configurator Express:

1. Click **File>New>Connector-Specific Property Template**.
2. The **Connector-Specific Property Template** dialog box appears.
 - Enter a name for the new template in the **Name** field below **Input a New Template Name**. You will see this name again when you open the dialog box for creating a new configuration file from a template.
 - To see the connector-specific property definitions in any template, select that template’s name in the **Template Name** display. A list of the property definitions contained in that template appears in the **Template Preview** display.
3. You can use an existing template whose property definitions are similar to those required by your connector as a starting point for your template. If you do not see any template that displays the connector-specific properties used by your connector, you will need to create one.
 - If you are planning to modify an existing template, select the name of the template from the list in the **Template Name** table below **Select the Existing Template to Modify: Find Template**.
 - This table displays the names of all currently available templates. You can also search for a template.

Specifying general characteristics

When you click **Next** to select a template, the **Properties - Connector-Specific Property Template** dialog box appears. The dialog box has tabs for General characteristics of the defined properties and for Value restrictions. The General display has the following fields:

- **General:**
 - Property Type
 - Property Subtype
 - Updated Method
 - Description
- **Flags**
 - Standard flags
- **Custom Flag**
 - Flag

The **Property Subtype** can be selected when **Property Type** is a String. It is an optional value which provides syntax checking when you save the configuration file. The default is a blank space, and means that the property has not been subtyped.

After you have made selections for the general characteristics of the property, click the **Value** tab.

Specifying values

The **Value** tab enables you to set the maximum length, the maximum multiple values, a default value, or a value range for the property. It also allows editable values. To do so:

1. Click the **Value** tab. The display panel for Value replaces the display panel for General.
2. Select the name of the property in the **Edit properties** display.
3. In the fields for **Max Length** and **Max Multiple Values**, enter your values.

To create a new property value:

1. Right-click on the square to the left of the Value column heading.
2. From the pop-up menu, select **Add** to display the Property Value dialog box. Depending on the property type, the dialog box allows you to enter either a value, or both a value and a range.
3. Enter the new property value and click OK. The value appears in the **Value** panel on the right.

The **Value** panel displays a table with three columns:

The **Value** column shows the value that you entered in the **Property Value** dialog box, and any previous values that you created.

The **Default Value** column allows you to designate any of the values as the default.

The **Value Range** shows the range that you entered in the **Property Value** dialog box.

After a value has been created and appears in the grid, it can be edited from within the table display.

To make a change in an existing value in the table, select an entire row by clicking on the row number. Then right-click in the **Value** field and click **Edit Value**.

Setting dependencies

When you have made your changes to the **General** and **Value** tabs, click **Next**. The **Dependencies - Connector-Specific Property Template** dialog box appears.

A dependent property is a property that is included in the template and used in the configuration file *only if* the value of another property meets a specific condition. For example, `PollQuantity` appears in the template only if `JMS` is the transport mechanism and `DuplicateEventElimination` is set to `True`.

To designate a property as dependent and to set the condition upon which it depends, do this:

1. In the **Available Properties** display, select the property that will be made dependent.
2. In the **Select Property** field, use the drop-down menu to select the property that will hold the conditional value.
3. In the **Condition Operator** field, select one of the following:
 - `==` (equal to)
 - `!=` (not equal to)
 - `>` (greater than)
 - `<` (less than)
 - `>=` (greater than or equal to)
 - `<=` (less than or equal to)
4. In the **Conditional Value** field, enter the value that is required in order for the dependent property to be included in the template.
5. With the dependent property highlighted in the **Available Properties** display, click an arrow to move it to the **Dependent Property** display.
6. Click **Finish**. Connector Configurator Express stores the information you have entered as an XML document, under `\data\app` in the `\bin` directory where you have installed Connector Configurator Express.

Setting pathnames

Some general rules for setting pathnames are:

- The maximum length of a filename in Windows and Linux is 255 characters.
- In Windows, the absolute pathname must follow the format `[Drive:][Directory]\filename:` for example, `C:\WebSphereAdapters\bin\Data\Std\StdConnProps.xml`
In Linux the first character should be `/`.
- Queue names may not have leading or embedded spaces.

Creating a new configuration file

When you create a new configuration file, you must name it and select an integration broker.

You also select an operating system for extended validation on the file. The toolbar has a droplist called **Target System** that allows you to select the target operating system for extended validation of the properties. The available options are: `Windows`, `Linux`, and `i5/OS`, `Other` (if not `Windows` or `Linux`), and `None`-no extended validation (switches off extended validation). The default on startup is `Windows`.

To start Connector Configurator Express:

- In the System Manager window, select **Connector Configurator Express** from the **Tools** menu. Connector Configurator Express opens.
- In stand-alone mode, launch Connector Configurator Express.

To set the operating system for extended validation of the configuration file:

- Pull down the **Target System:** droplist on the menu bar.
- Select the operating system you are running on.

Then select **File>New>Connector Configuration**. In the New Connector window, enter the name of the new connector.

You also need to select an integration broker. The broker you select determines the properties that will appear in the configuration file. To select a broker:

- In the **Integration Broker** field, select ICS.
- Complete the remaining fields in the **New Connector** window, as described later in this chapter.

Creating a configuration file from a connector-specific template

Once a connector-specific template has been created, you can use it to create a configuration file:

1. Set the operating system for extended validation of the configuration file using the **Target System:** droplist on the menu bar (see “Creating a new configuration file” above).
2. Click **File>New>Connector Configuration**.
3. The **New Connector** dialog box appears, with the following fields:

- **Name**

Enter the name of the connector. Names are case-sensitive. The name you enter must be unique, and must be consistent with the file name for a connector that is installed on the system.

Important: Connector Configurator Express does not check the spelling of the name that you enter. You must ensure that the name is correct.

- **System Connectivity**

Click ICS.

- **Select Connector-Specific Property Template**

Type the name of the template that has been designed for your connector. The available templates are shown in the **Template Name** display. When you select a name in the Template Name display, the **Property Template Preview** display shows the connector-specific properties that have been defined in that template.

Select the template you want to use and click **OK**.

4. A configuration screen appears for the connector that you are configuring. The title bar shows the integration broker and connector name. You can fill in all the field values to complete the definition now, or you can save the file and complete the fields later.
5. To save the file, click **File>Save>To File** or **File>Save>To Project**. To save to a project, System Manager must be running. If you save as a file, the **Save File Connector** dialog box appears. Choose *.cfg as the file type, verify in the File Name field that the name is spelled correctly and has the correct case, navigate

to the directory where you want to locate the file, and click **Save**. The status display in the message panel of Connector Configurator Express indicates that the configuration file was successfully created.

Important: The directory path and name that you establish here must match the connector configuration file path and name that you supply in the startup file for the connector.

6. To complete the connector definition, enter values in the fields for each of the tabs of the Connector Configurator Express window, as described later in this chapter.

Using an existing file

You may have an existing file available in one or more of the following formats:

- A connector definition file. This is a text file that lists properties and applicable default values for a specific connector. Some connectors include such a file in a `\repository` directory in their delivery package (the file typically has the extension `.txt`; for example, `CN_JMS.txt` for the JMS connector).
- An ICS repository file. Definitions used in a previous ICS implementation of the connector may be available to you in a repository file that was used in the configuration of that connector. Such a file typically has the extension `.in` or `.out`.
- A previous configuration file for the connector. Such a file typically has the extension `*.cfg`.

Although any of these file sources may contain most or all of the connector-specific properties for your connector, the connector configuration file will not be complete until you have opened the file and set properties, as described later in this chapter.

To use an existing file to configure a connector, you must open the file in Connector Configurator Express, revise the configuration, and then resave the file.

Follow these steps to open a `*.txt`, `*.cfg`, or `*.in` file from a directory:

1. In Connector Configurator Express, click **File>Open>From File**.
2. In the **Open File Connector** dialog box, select one of the following file types to see the available files:
 - Configuration (`*.cfg`)
 - ICS Repository (`*.in`, `*.out`)
Choose this option if a repository file was used to configure the connector in an ICS environment. A repository file may include multiple connector definitions, all of which will appear when you open the file.
 - All files (`*.*`)
Choose this option if a `*.txt` file was delivered in the adapter package for the connector, or if a definition file is available under another extension.
3. In the directory display, navigate to the appropriate connector definition file, select it, and click **Open**.

Follow these steps to open a connector configuration from a System Manager project:

1. Start System Manager. A configuration can be opened from or saved to System Manager only if System Manager has been started.
2. Start Connector Configurator Express.

3. Click **File>Open>From Project**.

Completing a configuration file

When you open a configuration file or a connector from a project, the Connector Configurator Express window displays the configuration screen, with the current attributes and values.

The title of the configuration screen displays the integration broker and connector name as specified in the file. Make sure you have the correct broker. If not, change the broker value before you configure the connector. To do so:

1. Under the **Standard Properties** tab, select the value field for the **BrokerType** property. In the drop-down menu, select the value **ICS**.
2. The **Standard Properties** tab will display the connector properties associated with the selected broker. The table shows **Property name**, **Value**, **Type**, **Subtype** (if the Type is a string), **Description**, and **Update Method**.
3. You can save the file now or complete the remaining configuration fields, as described in “Specifying supported business object definitions” on page 99..
4. When you have finished your configuration, click **File>Save>To Project** or **File>Save>To File**.

If you are saving to file, select *.cfg as the extension, select the correct location for the file and click **Save**.

If multiple connector configurations are open, click **Save All to File** to save all of the configurations to file, or click **Save All to Project** to save all connector configurations to a System Manager project.

Before you created the configuration file, you used the **Target System** droplist that allows you to select the target operating system for extended validation of the properties.

Before it saves the file, Connector Configurator Express checks that values have been set for all required standard properties. If a required standard property is missing a value, Connector Configurator Express displays a message that the validation failed. You must supply a value for the property in order to save the configuration file.

If you have elected to use the extended validation feature by selecting a value of **Windows**, **Linux**, and **i5/OS**, or **Other** from the **Target System** droplist, the system will validate the property subtype as well as the type, and it displays a warning message if the validation fails.

Setting the configuration file properties

When you create and name a new connector configuration file, or when you open an existing connector configuration file, Connector Configurator Express displays a configuration screen with tabs for the categories of required configuration values.

Connector Configurator Express requires values for properties in these categories for connectors running on all brokers:

- Standard Properties
- Connector-specific Properties
- Supported Business Objects
- Trace/Log File values
- Data Handler (applicable for connectors that use JMS messaging with guaranteed event delivery)

Note: For connectors that use JMS messaging, an additional category may display, for configuration of data handlers that convert the data to business objects.

For connectors running on InterChange Server Express, values for these properties are also required:

- Associated Maps
- Security

Important: Connector Configurator Express accepts property values in either English or non-English character sets. However, the names of both standard and connector-specific properties, and the names of supported business objects, must use the English character set only.

Standard properties differ from connector-specific properties as follows:

- Standard properties of a connector are shared by both the application-specific component of a connector and its broker component. All connectors have the same set of standard properties. These properties are described in Appendix A of each adapter guide. You can change some but not all of these values.
- Application-specific properties apply only to the application-specific component of a connector, that is, the component that interacts directly with the application. Each connector has application-specific properties that are unique to its application. Some of these properties provide default values and some do not; you can modify some of the default values. The installation and configuration chapters of each adapter guide describe the application-specific properties and the recommended values.

The fields for **Standard Properties** and **Connector-Specific Properties** are color-coded to show which are configurable:

- A field with a grey background indicates a standard property. You can change the value but cannot change the name or remove the property.
- A field with a white background indicates an application-specific property. These properties vary according to the specific needs of the application or connector. You can change the value and delete these properties.
- Value fields are configurable.
- The **Update Method** field is displayed for each property. It indicates whether a component or agent restart is necessary to activate changed values. You cannot configure this setting.

Setting standard connector properties

To change the value of a standard property:

1. Click in the field whose value you want to set.
2. Either enter a value, or select one from the drop-down menu if it appears.

Note: If the property has a Type of String, it may have a subtype value in the Subtype column. This subtype is used for extended validation of the property.

3. After entering all the values for the standard properties, you can do one of the following:
 - To discard the changes, preserve the original values, and exit Connector Configurator Express, click **File>Exit** (or close the window), and click **No** when prompted to save changes.

- To enter values for other categories in Connector Configurator Express, select the tab for the category. The values you enter for **Standard Properties** (or any other category) are retained when you move to the next category. When you close the window, you are prompted to either save or discard the values that you entered in all the categories as a whole.
- To save the revised values, click **File>Exit** (or close the window) and click **Yes** when prompted to save changes. Alternatively, click **Save>To File** from either the File menu or the toolbar.

To get more information on a particular standard property, left-click the entry in the Description column for that property in the Standard Properties tabbed sheet. If you have Extended Help installed, an arrow button will appear on the right. When you click on the button, a Help window will open and display details of the standard property.

Note: If the hot button does not appear, no Extended Help was found for that property.

If installed, the Extended Help files are located in
`<ProductDir>\bin\Data\Std\Help\<RegionalSetting>\.`

Setting connector-specific configuration properties

For connector-specific configuration properties, you can add or change property names, configure values, delete a property, and encrypt a property. The default property length is 255 characters.

1. Right-click in the top left portion of the grid. A pop-up menu bar will appear. Click **Add** to add a property. To add a child property, right-click on the parent row number and click **Add child**.
2. Enter a value for the property or child property.

Note: If the property has a Type of String, you can select a subtype from the Subtype droplist. This subtype is used for extended validation of the property.

3. To encrypt a property, select the **Encrypt** box.
4. To get more information on a particular property, left-click the entry in the Description column for that property. If you have Extended Help installed, a hot button will appear. When you click on the hot button, a Help window will open and display details of the standard property.

Note: If the hot button does not appear, no Extended Help was found for that property.

5. Choose to save or discard changes, as described for “Setting standard connector properties” on page 97.

If the Extended Help files are installed and the AdapterHelpName property is blank, Connector Configurator Express will point to the adapter-specific Extended Help files located in `<ProductDir>\bin\Data\App\Help\<RegionalSetting>\.` Otherwise, Connector Configurator Express will point to the adapter-specific Extended Help files located in `<ProductDir>\bin\Data\App\Help\<AdapterHelpName>\<RegionalSetting>\.` See the AdapterHelpName property described in the Standard Properties appendix.

The Update Method displayed for each property indicates whether a component or agent restart is necessary to activate changed values.

Important: Changing a preset application-specific connector property name may cause a connector to fail. Certain property names may be needed by the connector to connect to an application or to run properly.

Encryption for connector properties

Application-specific properties can be encrypted by selecting the **Encrypt** check box in the Connector-specific Properties window. To decrypt a value, click to clear the **Encrypt** check box, enter the correct value in the **Verification** dialog box, and click **OK**. If the entered value is correct, the value is decrypted and displays.

The adapter user guide for each connector contains a list and description of each property and its default value.

If a property has multiple values, the **Encrypt** check box will appear for the first value of the property. When you select **Encrypt**, all values of the property will be encrypted. To decrypt multiple values of a property, click to clear the **Encrypt** check box for the first value of the property, and then enter the new value in the **Verification** dialog box. If the input value is a match, all multiple values will decrypt.

Update method

Refer to the descriptions of update methods found in the Standard Properties appendix, under "Standard connector properties overview" Appendix A, "Standard configuration properties for connectors," on page 69.

Specifying supported business object definitions

Use the **Supported Business Objects** tab in Connector Configurator Express to specify the business objects that the connector will use. You must specify both generic business objects and application-specific business objects, and you must specify associations for the maps between the business objects.

Note: Some connectors require that certain business objects be specified as supported in order to perform event notification or additional configuration (using meta-objects) with their applications.

InterChange Server Express as your broker

To specify that a business object definition is supported by the connector, or to change the support settings for an existing business object definition, click the **Supported Business Objects** tab and use the following fields.

Business object name: To designate that a business object definition is supported by the connector, with System Manager running:

1. Click an empty field in the **Business Object Name** list. A drop list displays, showing all the business object definitions that exist in the System Manager project.
2. Click on a business object to add it.
3. Set the **Agent Support** (described below) for the business object.
4. In the File menu of the Connector Configurator Express window, click **Save to Project**. The revised connector definition, including designated support for the added business object definition, is saved to an ICL (Integration Component Library) project in System Manager.

To delete a business object from the supported list:

1. To select a business object field, click the number to the left of the business object.

2. From the **Edit** menu of the Connector Configurator Express window, click **Delete Row**. The business object is removed from the list display.
3. From the **File** menu, click **Save to Project**.

Deleting a business object from the supported list changes the connector definition and makes the deleted business object unavailable for use in this implementation of this connector. It does not affect the connector code, nor does it remove the business object definition itself from System Manager.

Agent support: If a business object has Agent Support, the system will attempt to use that business object for delivering data to an application via the connector agent.

Typically, application-specific business objects for a connector are supported by that connector's agent, but generic business objects are not.

To indicate that the business object is supported by the connector agent, check the **Agent Support** box. The Connector Configurator Express window does not validate your Agent Support selections.

Maximum transaction level: The maximum transaction level for a connector is the highest transaction level that the connector supports.

For most connectors, Best Effort is the only possible choice.

You must restart the server for changes in transaction level to take effect.

Associated maps

Each connector supports a list of business object definitions and their associated maps that are currently active in InterChange Server Express. This list appears when you select the **Associated Maps** tab.

The list of business objects contains the application-specific business object which the agent supports and the corresponding generic object that the controller sends to the subscribing collaboration. The association of a map determines which map will be used to transform the application-specific business object to the generic business object or the generic business object to the application-specific business object.

If you are using maps that are uniquely defined for specific source and destination business objects, the maps will already be associated with their appropriate business objects when you open the display, and you will not need (or be able) to change them.

If more than one map is available for use by a supported business object, you will need to explicitly bind the business object with the map that it should use.

The **Associated Maps** tab displays the following fields:

- **Business Object Name**

These are the business objects supported by this connector, as designated in the **Supported Business Objects** tab. If you designate additional business objects under the Supported Business Objects tab, they will be reflected in this list after you save the changes by choosing **Save to Project** from the **File** menu of the Connector Configurator Express window.

- **Associated Maps**

The display shows all the maps that have been installed to the system for use with the supported business objects of the connector. The source business object for each map is shown to the left of the map name, in the **Business Object Name** display.

- **Explicit Binding**

In some cases, you may need to explicitly bind an associated map.

Explicit binding is required only when more than one map exists for a particular supported business object. When InterChange Server Express boots, it tries to automatically bind a map to each supported business object for each connector. If more than one map takes as its input the same business object, the server attempts to locate and bind one map that is the superset of the others.

If there is no map that is the superset of the others, the server will not be able to bind the business object to a single map, and you will need to set the binding explicitly.

To explicitly bind a map:

1. In the **Explicit** column, place a check in the check box for the map you want to bind.
2. Select the map that you intend to associate with the business object.
3. In the **File** menu of the Connector Configurator Express window, click **Save to Project**.
4. Deploy the project to InterChange Server Express.
5. Reboot the server for the changes to take effect.

Security

You can use the **Security** tab in Connector Configurator Express to set various privacy levels for a message. You can only use this feature when the `DeliveryTransport` property is set to JMS.

By default, Privacy is turned off. Check the **Privacy** box to enable it.

The **Keystore Target System Absolute Pathname** is:

- For Windows:
<ProductDir>\connectors\security\<connectorname>.jks
- For Linux and i5/OS:
/ProductDir/connectors/security/<connectorname>.jks

This path and file should be on the system where you plan to start the connector, that is, the target system.

You can use the Browse button at the right only if the target system is the one currently running. It is greyed out unless **Privacy** is enabled and the **Target System** in the menu bar is set to Windows.

The **Message Privacy Level** may be set as follows for the three messages categories (All Messages, All Administrative Messages, and All Business Object Messages):

- `""`: is the default; used when no privacy levels for a message category have been set.
- `none`: Not the same as the default: use this to deliberately set a privacy level of none for a message category.
- `integrity`
- `privacy`

- integrity_plus_privacy

The **Key Maintenance** feature lets you generate, import and export public keys for the server and adapter.

- When you select **Generate Keys**, the Generate Keys dialog box appears with the defaults for the keytool that will generate the keys.
- The keystore value defaults to the value you entered in **Keystore Target System Absolute Pathname** on the Security tab.
- When you select OK, the entries are validated, the key certificate is generated and the output is sent to the Connector Configurator Express log window.

Before you can import a certificate into the adapter keystore, you must export it from the server keystore. When you select **Export Adapter Public Key**, the Export Adapter Public Key dialog box appears.

- The export certificate defaults to the same value as the keystore, except that the file extension is <filename>.cer.

When you select **Import Server Public Key**, the Import Server Public Key dialog box appears.

- The import certificate defaults to <ProductDir>\bin\ics.cer (if the file exists on the system).
- The import Certificate Association should be the server name. If a server is registered, you can select it from the droplist.

The **Adapter Access Control** feature is enabled only when the value of DeliveryTransport is IDL. By default, the adapter logs in with the guest identity. If the **Use guest identity** box is not checked, the **Adapter Identity** and **Adapter Password** fields are enabled.

Setting trace/log file values

When you open a connector configuration file or a connector definition file, Connector Configurator Express uses the logging and tracing values of that file as default values. You can change those values in Connector Configurator Express.

To change the logging and tracing values:

1. Click the **Trace/Log Files** tab.
2. For either logging or tracing, you can choose to write messages to one or both of the following:
 - To console (STDOUT): Writes logging or tracing messages to the STDOUT display.

Note: You can only use the STDOUT option from the **Trace/Log Files** tab for connectors running on the Windows platform.

- To File: Writes logging or tracing messages to a file that you specify. To specify the file, click the directory button (ellipsis), navigate to the preferred location, provide a file name, and click **Save**. Logging or tracing message are written to the file and location that you specify.

Note: Both logging and tracing files are simple text files. You can use the file extension that you prefer when you set their file names. For tracing files, however, it is advisable to use the extension .trace rather than .trc, to avoid confusion with other files that might reside on the system. For logging files, .log and .txt are typical file extensions.

Data handlers

The data handlers section is available for configuration only if you have designated a value of JMS for DeliveryTransport and a value of JMS for ContainerManagedEvents. Not all adapters make use of data handlers.

See the descriptions under ContainerManagedEvents in Appendix A, Standard Properties, for values to use for these properties.

Saving your configuration file

When you have finished configuring your connector, save the connector configuration file. Connector Configurator Express saves the file in the broker mode that you selected during configuration. The title bar of Connector Configurator Express always displays the broker mode that InterChange Server Express is currently using.

The file is saved as an XML document. You can save the XML document in three ways:

- From System Manager, as a file with a *.con extension in an Integration Component Library, or
- In a directory that you specify.
- In stand-alone mode, as a file with a *.cfg extension in a directory folder. By default, the file is saved to \WebSphereAdapters\bin\Data\App.

For details about using projects in System Manager, and for further information about deployment, see the System Implementation Guide.

Changing a configuration file

You can change the integration broker setting for an existing configuration file. This enables you to use the file as a template for creating a new configuration file, which can be used with a different broker.

Note: You will need to change other configuration properties as well as the broker mode property if you switch integration brokers.

To change your broker selection within an existing configuration file (optional):

- Open the existing configuration file in Connector Configurator Express.
- Select the **Standard Properties** tab.
- In the **BrokerType** field of the Standard Properties tab, select the value that is appropriate for your broker. When you change the current value, the available tabs and field selections in the properties window will immediately change, to show only those tabs and fields that pertain to the new broker you have selected.

Completing the configuration

After you have created a configuration file for a connector and modified it, make sure that the connector can locate the configuration file when the connector starts up.

To do so, open the startup file used for the connector, and verify that the location and file name used for the connector configuration file match exactly the name you have given the file and the directory or path where you have placed it.

Using Connector Configurator Express in a globalized environment

Connector Configurator Express is globalized and can handle character conversion between the configuration file and the integration broker. Connector Configurator Express uses native encoding. When it writes to the configuration file, it uses UTF-8 encoding.

Connector Configurator Express supports non-English characters in:

- All value fields
- Log file and trace file path (specified in the **Trace/Log files** tab)

The drop list for the CharacterEncoding and Locale standard configuration properties displays only a subset of supported values. To add other values to the drop list, you must manually modify the `\Data\Std\stdConnProps.xml` file in the product directory.

For example, to add the locale `en_GB` to the list of values for the `Locale` property, open the `stdConnProps.xml` file and add the line in boldface type below:

```
<Property name="Locale"
isRequired="true"
updateMethod="component restart">
  <ValidType>String</ValidType>
  <ValidValues>
    <Value>ja_JP</Value>
    <Value>ko_KR</Value>
    <Value>zh_CN</Value>
    <Value>zh_TW</Value>
    <Value>fr_FR</Value>
    <Value>de_DE</Value>
    <Value>it_IT</Value>
    <Value>es_ES</Value>
    <Value>pt_BR</Value>
    <Value>en_US</Value>
    <Value>en_GB</Value>
  <DefaultValue>en_US</DefaultValue>
</ValidValues>
</Property>
```

Appendix C. SWIFT message structure

- “SWIFT message types”
- “SWIFT field structure”
- “SWIFT message block structure” on page 107

This appendix describes SWIFT message structure.

SWIFT message types

SWIFT messages consist of five blocks of data including three headers, message content, and a trailer. Message types are crucial to identifying content.

All SWIFT messages include the literal “MT” (Message Type). This is followed by a 3-digit number that denotes the message type, category, and group. Consider the following example, which is an order to buy or sell via a third party:

MT502

The first digit (5) represents the category. A category denotes messages that relate to particular financial instruments or services such as Precious Metals, Syndications, or Travelers Checks. The category denoted by 5 is Securities Markets.

The second digit (0) represents a group of related parts in a transaction life cycle. The group indicated by 0 is a Financial Institution Transfer.

The third digit (2) is the type that denotes the specific message. There are several hundred message types across the categories. The type represented by 2 is a Third-Party Transfer.

Each message is assigned unique identifiers. A 4-digit session number is assigned each time the user logs in. Each message is then assigned a 6-digit sequence number. These are then combined to form an ISN (Input Sequence Number) from the user’s computer to SWIFT or an OSN (Output Sequence Number) from SWIFT to the user’s computer. It is important to remember that terminology is always from the perspective of SWIFT and not the user.

The Logical Terminal Address (12 character BIC), Day, Session and Sequence numbers combine to form the MIR (Message Input Reference) and MOR (Message Output Reference), respectively.

For a full list of SWIFT message types, see *All Things SWIFT: the SWIFT User Handbook*.

SWIFT field structure

This section discusses the SWIFT field structure. A field is a logical subdivision of a message block A, which consists of a sequence of components with a starting field tag and delimiters.

A field is always prefaced by a field tag that consists of two digits followed, optionally, by an alphabetic character. The alphabetic character is referred to as an option. For example, 16R is a tag (16) with an option (R) that indicates the start of

a block; 16S is a tag (16) with an option (S) that indicates the end of a block. A field is always terminated by a field delimiter. The delimiter depends on the type of field used in a message block.

There are two types of fields used in SWIFT messages: generic and non-generic. The type of field used in a SWIFT message block is determined by the Message Type. What follows is a discussion of these SWIFT field structures. For more on generic and non-generic fields and how to distinguish between them, see Part III, Chapter 3 of the *SWIFT User Handbook*

Note: The symbol CRLF shown below is a control character and represents carriage return/line feed (0D0A in ASCII hex, 0D25 in EBCDIC hex).

Non-generic fields

The structure of non-generic fields in SWIFT message blocks is as follows:

`:2!n[1a]: data content<CRLF>`

where:

`:` = mandatory colon

`2!n` = numeric character, fixed length

`[1a]` = one optional alphabetic character, letter option

`:` = mandatory colon

`data content` = the data content, which is defined separately for every tag

`<CRLF>` = field delimiter

The following is an example of a non-generic field:

`:20:1234<CRLF> :32A:...<CRLF>`

Note: In some cases (such as with the tag 15A...n), the data content is optional.

Generic fields

The structure of generic fields in SWIFT messages is as follows:

`:2!n1a::4!c'/'[8c] '/'data content`

where

`:2!n1a:` = same format as non-generic fields, except that 1a is mandatory

`:` = mandatory second colon (required in all generic fields)

`4!c` = qualifier

`'/'` = first delimiter

`[8c]` = issuer code or Data Source Scheme (DSS)

`'/'` = second delimiter

data content = See Part III, Chapter 3 of the *SWIFT User Handbook* for the format definition

Note: Non-generic fields and generic fields cannot share the same field tag letter option letter. In order to distinguish between them easily, a colon is defined as the first character of the column Component Sequence. Generic fields are defined in the same section (Part III, Chapter 3 of the *SWIFT User Handbook*) as the non-generic fields.

The following character restrictions apply to generic field data content:

- Second and subsequent lines within the data content must start with the delimiter CRLF.
- Second and subsequent lines within the data content must never start with a colon (:) or a hyphen (-).
- The data content must end with the delimiter CRLF.

SWIFT message block structure

The connector supports SWIFT Financial Application (FIN) messages. They have the following structure:

{1: *Basic Header Block*} {2: *Application Header Block*} {3: *User Header Block*} {4: *Text Block or body*} {5: *Trailer Block*}

These five SWIFT message blocks include header information, the body of the message, and a trailer. All blocks have the same basic format:

{*n*:...}

The curly braces ({}) indicate the beginning and end of a block. *n* is the block identifier, in this case a single integer between 1 and 5. Each block identifier is associated with a particular part of the message. There is no carriage return or line feed (CRLF) between blocks.

Blocks 3, 4, and 5 may contain sub-blocks or fields delimited by field tags. Block 3 is optional. Many applications, however, populate block 3 with a reference number so that when SWIFT returns the acknowledgement, it can be used for reconciliation purposes.

Note: For further information on SWIFT message blocks, see Chapter 2 of the *SWIFT User Handbook FIN System Messages Document*.

{1: Basic Header Block}

The basic header block is fixed-length and continuous with no field delimiters. It has the following format:

```
{1:   F   01  BANKBEBB  2222  123456}
(a)  (b) (c)    (d)    (e)    (f)
```

a) 1: = Block ID (always 1)

b) Application ID as follows:

- F = FIN (financial application)
- A = GPA (general purpose application)
- L = GPA (for logins, and so on)

- c) Service ID as follows:
 - 01 = FIN/GPA
 - 21 = ACK/NAK
- d) BANKBEBB = Logical terminal (LT) address. It is fixed at 12 characters; it must not have X in position 9.
- e) 2222 = Session number. It is generated by the user's computer and is padded with zeros.
- f) 123456 = Sequence number that is generated by the user's computer. It is padded with zeros.

{2: Application Header Block}

There are two types of application headers: Input and Output. Both are fixed-length and continuous with no field delimiters.

The input (to SWIFT) structure is as follows:

```
{2:  I    100  BANKDEFFXXX  U    3    003}
(a) (b)   (c)   (d)         (e)   (f)   (g)
```

- a) 2: = Block ID (always 2)
- b) I = Input
- c) 100 = Message type
- d) BANKDEFFXXX = Receiver's address with X in position 9/ It is padded with Xs if no branch is required.
- e) U = the message priority as follows:
 - S = System
 - N = Normal
 - U = Urgent
- f) 3 = Delivery monitoring field is as follows:
 - 1 = Non delivery warning (MT010)
 - 2 = Delivery notification (MT011)
 - 3 = Both valid = U1 or U3, N2 or N
- g) 003 = Obsolescence period. It specifies when a non-delivery notification is generated as follows:
 - Valid for U = 003 (15 minutes)
 - Valid for N = 020 (100 minutes)

The output (from SWIFT) structure is as follows:

```
{2:  0    100  1200  970103BANKBEBBXXX2222123456  970103  1201  N}
(a) (b)   (c)   (d)   (e)                   (f)   (g)   (h)
```

- a) 2: = Block ID (always 2)
- b) 0 = Output
- c) 100 = Message type
- d) 1200 = Input time with respect to the sender
- e) The Message Input Reference (MIR), including input date, with Sender's address
- f) 970103 = Output date with respect to Receiver

- g) 1201 = Output time with respect to Receiver
- h) N = Message priority as follows:
 - S = System
 - N = Normal
 - U = Urgent

{3: User Header Block}

This is an optional block and has the following structure:

```
{3: {113:xxxx} {108:abcdefgh12345678} }
(a)      (b)          ( c)
```

- a) 3: = Block ID (always 3)
- b) 113:xxxx = Optional banking priority code
- c) This is the Message User Reference (MUR) used by applications for reconciliation with ACK.

Note: Other tags exist for this block. They include tags (such as 119, which can contain the code ISITC on an MT521) that may force additional code word and formatting rules to validate the body of the message as laid down by ISITC (Industry Standardization for Institutional Trade Communication). For further information, see *All Things SWIFT: the SWIFT User Handbook*.

{4: Text Block or body}

This block is where the actual message content is specified and is what most users see. Generally the other blocks are stripped off before presentation. The format, which is variable length and requires use of CRLF as a field delimiter, is as follows:

```
{4:CRLF
:20:PAYREFTB54302 CRLF
:32A:970103BEF1000000,CRLF
:50:CUSTOMER NAME CRLF
AND ADDRESS CRLF
:59:/123-456-789 CRLF
BENEFICIARY NAME CRLF
AND ADDRESS CRLF
-}
```

The symbol CRLF is a mandatory delimiter in block 4.

The example above is of type MT100 (Customer Transfer) with only the mandatory fields completed. It is an example of the format of an ISO 7775 message structure. Block 4 fields must be in the order specified for the message type in the appropriate volume of the *SWIFT User Handbook*.

The content of the text block is a collection of fields. For more on SWIFT fields, see “SWIFT field structure” on page 105. Sometimes, the fields are logically grouped into sequences. Sequences can be mandatory or optional, and can repeat. Sequences also can be divided into subsequences. In addition, single fields and groups of consecutive fields can repeat. For example, sequences such as those in the SWIFT Tags 16R and 16S may have beginning and ending fields. Other sequences, such as Tag 15, have only a beginning field. In yet other message types, no specific tags mark the start or end of a field sequence.

The format of block 4 field tags is:

:nna:

nn = Numbers

a = Optional letter, which may be present on selected tags

For example:

:20: = Transaction reference number

:58A: = Beneficiary bank

The length of a field is as follows:

nn = Maximum length

nn! = Fixed-length

nn-nn = Minimum and maximum length

*nn * nn* = Maximum number of lines times maximum line length

The format of the data is as follows:

n = Digits

d = Digits with decimal comma

h = Uppercase hexadecimal

a = Uppercase letters

c = Uppercase alphanumeric

e = Space

x = SWIFT character set

y = Uppercase level A ISO 9735 characters

z = SWIFT extended character set

Some fields are defined as optional. If optional fields are not required in a specific message, do not include them because blank fields are not allowed in the message.

/,word = Characters "as is"

[...] = Brackets indicate an optional element

For example:

4!c[/30x] This is a fixed 4 uppercase alphanumeric, optionally followed by a slash and up to 30 SWIFT characters.

ISIN1!e12!c This is a code word followed by a space and a 12 fixed uppercase alphanumeric.

Note: In some message types, certain fields are defined as conditional. For example, when a certain field is present, another field may change from optional to mandatory or forbidden. Certain fields may contain sub-fields, in which case there is no CRLF between them. Validation is not supported.

Certain fields have different formats that depend on the option that is chosen. The option is designated by a letter after the tag number, for example:

:32A:000718GBP1000000,00 Value Date, ISO Currency, and Amount
:32B:GBP1000000,00 ISO Currency and Amount

Note: The SWIFT standards for amount formats are: no thousand separators are allowed (10,000 is not allowed, but 10000 is allowed); use a comma (not a decimal point) for a decimal separator (1000,45 = one thousand and forty-five hundredths).

:58A:NWBKGB2L Beneficiary SWIFT address
:58D:NatWest Bank Beneficiary full name and address
Head Office
London

{5: Trailer Block}

A message always ends in a trailer with the following format:

{5: {MAC:12345678}{CHK:123456789ABC}}

This block is for SWIFT system use and contains a number of fields that are denoted by keywords such as the following:

- MAC Message Authentication Code calculated based on the entire contents of the message using a key that has been exchanged with the destination and a secret algorithm. Found on message categories 1,2,4,5,7,8, most 6s and 304.
- CHK Checksum calculated for all message types.
- PDE Possible Duplicate Emission added if user thinks the same message was sent previously
- DLM Added by SWIFT if an urgent message (U) has not been delivered within 15 minutes, or a normal message (N) within 100 minutes.

Notices

This information was developed for products and services offered in the U.S.A. IBM may not offer the products, services, or features discussed in this document in other countries. Consult your local IBM representative for information on the products and services currently available in your area. Any reference to an IBM product, program, or service is not intended to state or imply that only that IBM product, program, or service may be used. Any functionally equivalent product, program, or service that does not infringe any IBM intellectual property right may be used instead. However, it is the user's responsibility to evaluate and verify the operation of any non-IBM product, program, or service. IBM may have patents or pending patent applications covering subject matter described in this document. The furnishing of this document does not grant you any license to these patents. You can send license inquiries, in writing, to:

*IBM Director of Licensing
IBM Corporation
North Castle Drive
Armonk, NY 10504-1785
U.S.A.*

For license inquiries regarding double-byte (DBCS) information, contact the IBM Intellectual Property Department in your country or send inquiries, in writing, to:

*IBM World Trade Asia Corporation Licensing
2-31 Roppongi 3-chome, Minato-ku
Tokyo 106-0032, Japan*

The following paragraph does not apply to the United Kingdom or any other country where such provisions are inconsistent with local law: INTERNATIONAL BUSINESS MACHINES CORPORATION PROVIDES THIS PUBLICATION "AS IS" WITHOUT WARRANTY OF ANY KIND, EITHER EXPRESS OR IMPLIED, INCLUDING, BUT NOT LIMITED TO, THE IMPLIED WARRANTIES OF NON-INFRINGEMENT, MERCHANTABILITY OR FITNESS FOR A PARTICULAR PURPOSE. Some states do not allow disclaimer of express or implied warranties in certain transactions, therefore, this statement may not apply to you. This information could include technical inaccuracies or typographical errors. Changes are periodically made to the information herein; these changes will be incorporated in new editions of the publication. IBM may make improvements and/or changes in the product(s) and/or the program(s) described in this publication at any time without notice. Any references in this information to non-IBM Web sites are provided for convenience only and do not in any manner serve as an endorsement of those Web sites. The materials at those Web sites are not part of the materials for this IBM product and use of those Web sites is at your own risk. IBM may use or distribute any of the information you supply in any way it believes appropriate without incurring any obligation to you. Licensees of this program who wish to have information about it for the purpose of enabling: (i) the exchange of information between independently created programs and other programs (including this one) and (ii) the mutual use of the information which has been exchanged, should contact:

*IBM Corporation
577 Airport Blvd., Suite 800
Burlingame, CA 94010
U.S.A*

Such information may be available, subject to appropriate terms and conditions, including in some cases, payment of a fee. The licensed program described in this document and all licensed material available for it are provided by IBM under terms of the IBM Customer Agreement, IBM International Program License Agreement or any equivalent agreement between us. Any performance data contained herein was determined in a controlled environment. Therefore, the results obtained in other operating environments may vary significantly. Some measurements may have been made on development-level systems and there is no guarantee that these measurements will be the same on generally available systems. Furthermore, some measurements may have been estimated through extrapolation. Actual results may vary. Users of this document should verify the applicable data for their specific environment. Information concerning non-IBM products was obtained from the suppliers of those products, their published announcements or other publicly available sources. IBM has not tested those products and cannot confirm the accuracy of performance, compatibility or any other claims related to non-IBM products. Questions on the capabilities of non-IBM products should be addressed to the suppliers of those products. All statements regarding IBM's future direction or intent are subject to change or withdrawal without notice, and represent goals and objectives only. This information contains examples of data and reports used in daily business operations. To illustrate them as completely as possible, the examples include the names of individuals, companies, brands, and products. All of these names are fictitious and any similarity to the names and addresses used by an actual business enterprise is entirely coincidental. COPYRIGHT LICENSE: This information contains sample application programs in source language, which illustrate programming techniques on various operating platforms. You may copy, modify, and distribute these sample programs in any form without payment to IBM, for the purposes of developing, using, marketing or distributing application programs conforming to the application programming interface for the operating platform for which the sample programs are written. These examples have not been thoroughly tested under all conditions. IBM, therefore, cannot guarantee or imply reliability, serviceability, or function of these programs. If you are viewing this information softcopy, the photographs and color illustrations may not appear.

Programming interface information

Programming interface information, if provided, is intended to help you create application software using this program.

General-use programming interfaces allow you to write application software that obtain the services of this program's tools.

However, this information may also contain diagnosis, modification, and tuning information. Diagnosis, modification and tuning information is provided to help you debug your application software.

Warning: Do not use this diagnosis, modification, and tuning information as a programming interface because it is subject to change.

Trademarks and service marks

The following terms are trademarks or registered trademarks of International Business Machines Corporation in the United States or other countries, or both:

i5/OS
IBM
the IBM logo
AIX
CICS
CrossWorlds
DB2
DB2 Universal Database
Domino
IMS
Informix
iSeries
Lotus
Lotus Notes
MQIntegrator
MQSeries
MVS
OS/400
Passport Advantage
SupportPac
WebSphere
z/OS

Microsoft, Windows, Windows NT, and the Windows logo are trademarks of Microsoft Corporation in the United States, other countries, or both. MMX, Pentium, and ProShare are trademarks or registered trademarks of Intel Corporation in the United States, other countries, or both. Java and all Java-based trademarks are trademarks of Sun Microsystems, Inc. in the United States, other countries, or both. Linux is a trademark of Linus Torvalds in the United States, other countries, or both. Other company, product or service names may be trademarks or service marks of others.

WebSphere Business Integration Server Express and Express Plus include software developed by the Eclipse Project
(<http://www.eclipse.org/>)



Web Sphere Business Integration Server Express, Version 4.4, and WebSphere Business Integration Server Express Plus, Version 4.4



Printed in USA