

# **PQ76061 Enhancements Enhancement details**

Document Number PQ76061 Enhancement Details

Formatted: August 11, 2003 1:42 p.m.

Authors: File Manager Change Team

**Unclassified**



---

# Contents

<b>1.0 PQ76061 Enhancements</b>	5
1.1 Summary of enhancements	5
1.2 Segment, Layout, and Field Selection Enhancements	6
1.2.1 Toggle Command for View: Segment Selection Panel	6
1.2.2 SELECT ALL Primary Command	6
1.2.3 GE Primary Command	7
1.3 TABL mode enhancement for SHOW support	7
1.3.1 SHOW primary command	7
1.4 CHILD parameter enhancement	9
1.4.1 CHILD primary command	9
1.5 KEY Primary Command	10
1.5.1 KEY	10
1.6 NEXT and PREVIOUS Primary Commands	10
1.6.1 NEXT	11
1.6.2 PREVIOUS	12
1.6.3 Using NEXT/PREVIOUS in Different Display Formats	13
1.6.3.1 TABL Format	13
1.6.3.2 SNGL Format	14
1.6.3.3 CHAR/HEX/LHEX Format	14
1.7 LOCATE Primary Command	15
1.7.1 LOCATE	16
1.7.2 Using LOCATE in TABL Format	17
1.7.3 Using LOCATE in SNGL Format	18
1.8 FORMAT Primary and Line Commands	19
1.8.1 In display formats other than SNGL	19
1.8.2 In SNGL display format	19
1.9 Keylist Changes	20
1.9.1 Using the FS Line Command on a Shadow Line	20
1.10 Edit/Browse Options	21
<b>Index</b>	<b>23</b>



---

## 1.0 PQ76061 Enhancements

---

### 1.1 Summary of enhancements

#### FM/IMS enhancements

1. The Database Positioning panel now highlights segments that are selected in the view.
2. The GE primary command has been added to the Database Positioning panel to specify that the positioning logic is to use a Greater than or Equal to search for the specified key values. Now when the Enter key is pressed, FM/IMS does an equal to search for the specified key values.
3. The Cmd fields on the 'Database Positioning' and 'View : Segment Selection' panels have been made 3 characters wide.
4. The SELECT ALL primary command has been added to the 'View : Segment Selection', the 'View : Segment Layout Selection' and the 'View : Segment Layout' panels, allowing the user to select or deselect all segment types, segment layouts or fields respectively.
5. The Snn, S\* and SS line commands have been added to the 'View : Segment Selection' panel allowing the user to toggle the selected/deselected settings of blocks of segments.
6. Support for the SHOW SUP ON command in TABL display mode.
7. SHOW SUP option has been added to the 'Edit/Browse Options' panel allowing the user to specify the initial edit/browse session setting for the SHOW SUP command.
8. The current SHOW SUP setting is now displayed on edit/browse data panels.
9. The NEXT, PREV and KEY primary commands have been enhanced. They now allow the specification of a segment name.
10. The syntax for the CHILD command has changed. Now the keyword SEGment is not required when a segment name is specified.
11. The LOCATE command has been enhanced to provide support for locating fields in formatted displays.
12. The FORMAT primary command and the FT, FS, FC, FH and FL line commands have been added to simplify changing display formats.
13. Function key assignments have been updated to make the FORMAT and GE commands readily available.

#### FM/Base enhancements

1. SELECT ALL command has been added to the Field Selection/ Edit panel allowing users to select or deselect all fields in the record.
2. The LOCATE command has been enhanced to provide support for locating fields in formatted displays.
3. The FORMAT primary command and the FT, FS, FC, FH and FL line commands have been added to simplify changing display formats.

### FM/DB2 enhancements

1. The LOCATE command has been enhanced to provide support for locating fields in formatted displays.
2. The FORMAT primary command and the FT and FS line commands have been added to simplify changing display formats.

---

## 1.2 Segment, Layout, and Field Selection Enhancements

A number of changes have been implemented to enhance the selection/deselection of segments, layouts, and fields when using a view to edit/browse a database. These enhancements and those provided by PQ76195 address the following Marketing Field Requirements:

- MR120202328
- MR120302172

### 1.2.1 Toggle Command for View: Segment Selection Panel

The View: Segment Selection panel has been enhanced to allow the user to toggle the selected/deselected setting for each of the segments in the database.

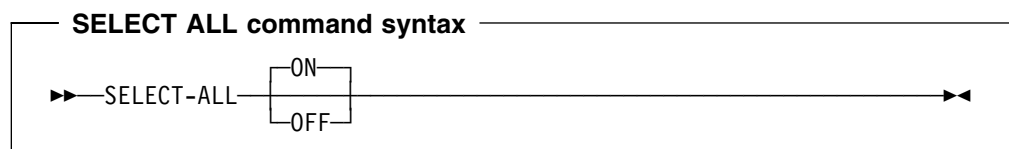
The line command field on the View: Segment Selection panel has been expanded to 3 characters to provide support for the following new line commands:

- Snn**      Select *nn* segments for processing or, if any of these segments are already selected for processing, deselect them.
- S\***        Select all segments from the current segment to the end of the list or, if any of these segments are already selected for processing, deselect them.
- SS**        Select a block of segments for processing or, if any of these segments are already selected for processing, deselect them.

### 1.2.2 SELECT ALL Primary Command

In **File Manager IMS**, the SELECT ALL primary command has been added to the 'View Segment Selection', the 'View : Segment Layout Selection' and the 'View : Segment Layout' panels, allowing the user to select or deselect all segment types , segment layouts or fields respectively. PQ76195 will provide this on the Database Positioning panel.

In **File Manager Base**, the SELECT ALL primary command has been added to the Field Selection/Edit panel allowing users to select or deselect all fields in the record.



#### ON

Selects all segments, layouts or fields for processing.

**OFF**

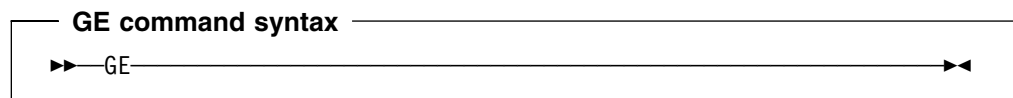
Deselects all segments, layouts or fields for processing.

**Notes:**

1. If all fields are deselected on the 'View: Segment Layout panel' or the 'Field Selection/Edit panel', then File Manager acts in the default way. That is it regards all elementary items to be selected.

### 1.2.3 GE Primary Command

A new primary command has been added to specify that the positioning logic is to use a Greater than or Equal to search for the specified key values. Just pressing enter from the database positioning panel attempts an equal key search. Note that for HDAM databases, the root key value is **always** searched for in equals mode. The keylist for the positioning panel has been modified to associate function key 5 with the GE command.



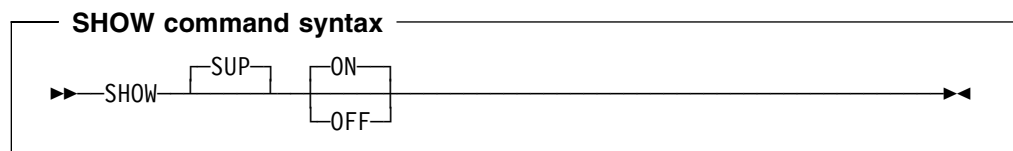
## 1.3 TABL mode enhancement for SHOW support

An enhancement has been provided to support the usage of the SHOW SUP ON command in TABL mode. Those segments that can not be formatted by the current layout in use by TABL, are represented by a line denoting the key value of the segment represented. These lines appear in the uneditable browse color. This approach eliminates the inconsistency of the SHOW command being affected by changes to the display mode, allowing the SHOW setting to remain as specified until modified as desired by the user. The SHOW setting is now set in the profile so that settings remain across browse/edit sessions. Note that issuing the SHOW command does not update the profile, the editor options panel (menu 0.7) should be used for this setting. (See also 1.10, "Edit/Browse Options" on page 21).

### 1.3.1 SHOW primary command

The SHOW command is only applicable when a view is being used with the database. The command controls the grouping of segment data that is not of the currently formatted segment and layout type. These are referred to as suppressed segments.

By default, these segments are grouped by layout and represented as shadow lines.



**SUP**

Pertains to suppressed segments.

**OFF**

Groups the segments in a shadow line.

**ON**

Does not group the segments in a shadow line, making the segments available as part of the current scope for data manipulation commands. In modes other than TABL, the segment data becomes directly editable. For TABL mode, the data is not directly editable, instead the segment key value (if any) is displayed.

Entering SHOW by itself is the same as entering SHOW SUP ON.

**Examples:**

1) Using IVP database DJ1G and starting on a SHIRE segment with a key value of DENMARK in TABL display format and then issuing the SHOW SUP ON command

```

Process  Options  Help
-----
FM/IMS                               Edit : IMS Database DJ1G                               Scroll CSR
Command ==> show sup on                                     Format TABL

Cmd Level Segment  SHIRE-NAME          SHIRE-TYPE SHIRE-ID SHIRE-CODE1
#3                AN 1:20             AN 21:1    AN 21:1    ZD 22:3
<-----1-----> - - - - -
**** Top of window ****
 1 SHIRE DENMARK 1 1 610
 2 SHIRENP 1 segment
 2 SHRLSUB Key=BOW BRIDGE
 3 SUBLSTR 7 segments
 2 SHRLSUB Key=DENMARK
 3 SUBLSTR 254 segments
 2 SHRLSUB Key=DENMARK SHIRE
 3 SUBLSTR 73 segments
 2 SHRLSUB 2 segments
 3 SUBLSTR 2 segments
 2 SHRLSUB Key=HAZELVALE
 3 SUBLSTR 5 segments
F1=Help  F2=Format  F3=Exit  F4=CRetriev  F5=RFind  F6=RChange
F7=Up    F8=Down    F9=Swap  F10=Left    F11=Right F12=Cancel
    
```

```

Process  Options  Help
-----
FM/IMS                               Edit : IMS Database DJ1G                               Scroll CSR
Command ==>                                     Format TABL

Cmd Level Segment  SHIRE-NAME          SHIRE-TYPE SHIRE-ID SHIRE-CODE1
#3                AN 1:20             AN 21:1    AN 21:1    ZD 22:3
<-----1-----> - - - - -
**** Top of window ****
 1 SHIRE DENMARK 1 1 610
=SU 2 SHIRENP Key=No key
=SU 2 SHRLSUB Key=BOW BRIDGE
=SU 3 SUBLSTR Key=BANDIT RD
=SU 3 SUBLSTR Key=DINGO FLAT RD
=SU 3 SUBLSTR Key=NORTH HAZELVALE RD
=SU 3 SUBLSTR Key=PEACEFUL BAY RD
=SU 3 SUBLSTR Key=SOUTH COAST HWY
=SU 3 SUBLSTR Key=TINGLEDALE RD
=SU 3 SUBLSTR Key=VALLEY OF THE GIANTS RD
=SU 2 SHRLSUB Key=DENMARK
=SU 3 SUBLSTR Key=ABERNETHY CT
F1=Help  F2=Format  F3=Exit  F4=CRetriev  F5=RFind  F6=RChange
F7=Up    F8=Down    F9=Swap  F10=Left    F11=Right F12=Cancel
    
```

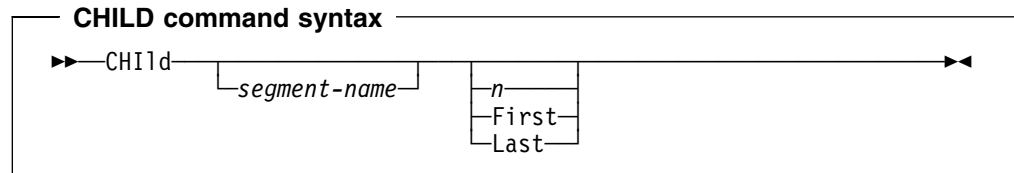


## 1.4 CHILD parameter enhancement

The CHILD command is not specifically enhanced. However, specifying the *segment-name* parameter is simpler, thus avoiding unnecessary keystrokes. (The existing SEGment() keyword is removed).

### 1.4.1 CHILD primary command

The CHILD command scrolls the current position to the first, last or *n*th occurrence of a segment that is a hierarchical dependent of the current segment.



#### Parameters

##### *segment-name*

The name of the segment you want to scroll to. The segment type must be one of the segment types defined in the DBD to be a hierarchical dependent of the current segment. Alternatively it may be specified as \*, which has the same meaning as not specifying it.

If *segment name* is not specified (or is specified as \*), scrolling is restricted to the first hierarchical child segment type under the current segment.

*n* must be a positive integer which is used to request scrolling to the *n*th occurrence of the specified dependant segment type. An error message is displayed if there are less than *n* occurrences of the specified segment under the current segment.

##### **First**

requests scrolling to the first occurrence of the specified dependent segment type.

##### **Last**

requests scrolling to the last occurrence of the specified dependent segment type.

If the CHILD command is entered without operands, the scroll request is to the first hierarchically dependent child segment.

When using a view, the child command only operates on those segments that the view has made available. If the specified segment is found, then the current layout is changed to match the new current segment.

If the specified segment is not found, a message is issued and the CHILD command has no effect.

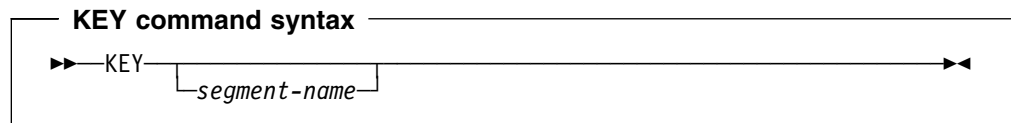
## 1.5 KEY Primary Command

The File Manager IMS browse/edit KEY primary command has been enhanced to allow the user to specify a segment name to be used for entering key values to reposition the starting point of the browse/edit session. This enhancement avoids the previous need to either return to the database positioning panel, or scroll in some manner to the desired segment type in the current browse/edit session before entering the KEY primary command.

This enhancement to the KEY command helps address the following Marketing Field Requirements:

- MR1121022759
- MR1202025135

### 1.5.1 KEY



#### *segment-name*

Use the segment type *segment-name* for entering key values to start the edit session. This is similar to returning to the database positioning panel and entering the K line command against the entered *segment-name*.

The Key Specification panel displays key values based on the current hierarchical path and segment position (the current path and segment may be overridden by use of the *segment-name* parameter). The panel is initialized with the key values for the segments in the hierarchical path. You can modify the key values for those segments in the hierarchical path. If a view is in use and the specified or current segment contains multiple layouts, an intermediate screen is displayed such that the desired layout for entering key values may be chosen.

Once processing of the Key Specification panel is complete, File Manager IMS redisplay the Browse/Edit data panel where the KEY command was entered. The segment that satisfies the key values entered on the Key Specification panel becomes the current start segment.

## 1.6 NEXT and PREVIOUS Primary Commands

The File Manager IMS browse/edit NEXT and PREVIOUS primary commands have been enhanced to allow the user to specify a target segment for a position scroll within a database and, if using a view for formatted display, make the new segment type the currently formatted segment. The NEXT and PREVIOUS primary commands are supported in all formats of unformatted and formatted display mode.

The NEXT and PREVIOUS commands let users scroll their current position in the database by moving to a segment that may be across a hierarchical boundary. This improves navigation, especially for those users who understand the data stored in each segment type but are not certain of the hierarchical structure of the database records.

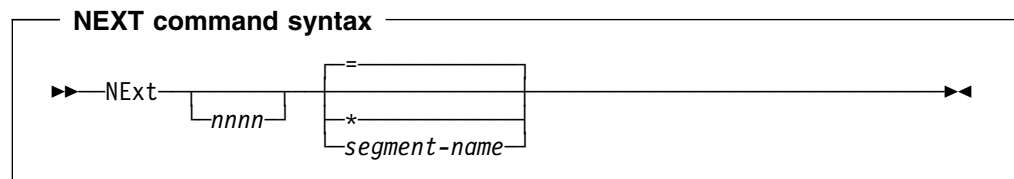
With these changes, the NEXT and PREVIOUS commands provide functionality similar to that of the ISPF LOCATE command. Users can now issue a primary command to move their position in the database to a particular segment type and avoid potentially having to issue many scroll commands to find the segment type in question.

These enhancements to the NEXT and PREVIOUS commands address the following Marketing Field Requirements:

- MR1121022759
- MR120202328
- MR1202025135
- MR1203024817

## 1.6.1 NEXT

The NEXT primary command uses the parameters supplied to scroll the current database position to the next occurrence of a segment type.



*nnnn*

Scroll forward *nnnn* segment occurrences. The default for *nnnn* is 1.

= Behavior depends on the current SHOW command settings.

If the current setting is **SHOW SUP OFF**, scrolls forward to the *nnnth* occurrence of the same segment and layout type from the current database position ( ie. the currently formatted segment and layout type).

If the current setting is **SHOW SUP ON**, scrolls forward *nnnn* segment occurrences irrespective of their segment or layout type.

### Notes:

1. This is the previous behavior of the NEXT command in SNGL format.
2. = is the default unless the option:
 

**"Use \* (any segment type) as default on NEXT and PREVIOUS commands"**

has been selected on the Edit/Browse Options panel (see 1.10, "Edit/Browse Options" on page 21).
- \* Ignore the current SHOW command settings and move forward *nnnn* segment occurrences irrespective of segment type.

**Note:** This can be made the default behavior by selecting:

**"Use \* (any segment type) as default on NEXT and PREVIOUS commands"** on the Edit/Browse Options panel (see 1.10, "Edit/Browse Options" on page 21).

*segment-name*

Move forward to the *nnnth* occurrence of segment type *segment-name* from the current database position.

**Notes:**

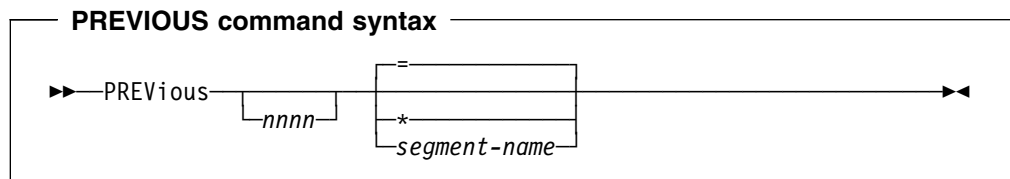
1. If the specified segment occurrence is not found the current database position is unchanged and the following message is displayed:

**End of Data**

2. Issuing a NEXT command may in some cases cause the top of the sliding window to move down (towards the bottom of the database).

## 1.6.2 PREVIOUS

The PREVIOUS primary command uses the parameters supplied to scroll the current database position to the previous occurrence of a segment type.

*nnnn*

Move back *nnnn* segment occurrences. The default for *nnnn* is 1.

- = Behavior depends on the current SHOW command settings.

If the current setting is **SHOW SUP OFF**, scrolls back to the *nnnth* occurrence of the same segment and layout type from the current database position ( ie. the currently formatted segment and layout type).

If the current setting is **SHOW SUP ON**, scrolls back *nnnn* segment occurrences irrespective of the segment and layout types.

**Notes:**

1. This is the previous behavior of the PREVIOUS command in SNGL format.
2. = is the default unless the option:
  - "Use \* (any segment type) as default on NEXT and PREVIOUS commands"** is selected on the Edit/Browse Options panel (see 1.10, "Edit/Browse Options" on page 21).
- \* Ignore the current SHOW command settings and scroll back *nnnn* segment occurrences irrespective of segment and layout type.
 

**Note:** This can be made the default behavior by selecting: **"Use \* (any segment type) as default on NEXT and PREVIOUS commands"** on the Edit/Browse Options panel (see 1.10, "Edit/Browse Options" on page 21).

*segment-name*

Scroll back to the *nnnth* occurrence of segment type *segment-name* from the current database position.

**Notes:**

1. If the specified segment occurrence is not found the current database position is unchanged.
2. If a sliding window has been used for the edit/browse display, the current top of the window is the limit to which the PREVIOUS command can move the database position.

### 1.6.3 Using NEXT/PREVIOUS in Different Display Formats

The following sections provide examples showing the effect of using the NEXT and PREVIOUS primary commands in the various edit/browse display formats supported by File Manager IMS.

#### 1.6.3.1 TABL Format

The following screens show the effect of the NEXT primary command when using a TABL formatted display. These examples are using the IVP database DJ1G.

```

Process  Options  Help
-----
FM/IMS                               Edit : IMS Database DJ1G
Command ==> next 2 shr1sub           Scroll CSR
                                       Format TABL
Cmd Level Segment                    SHIRE-NAME          SHIRE-TYPE SHIRE-CODE1 SHIRE-CODE2
#3 #4 #5 #6
AN 1:20 <-----]-----> AN 21:1 ZD 22:3 ZD 25:5
<-----]-----> <---> <--->
--- 1 SHIRE BROOME 1 410 111
--- 2 SHIRENP 1 segment
--- 2 SHRLSUB Key=BROOME
--- 3 SUBLSTR 233 segments
--- 2 SHRLSUB Key=BROOME SHIRE
--- 3 SUBLSTR 3 segments
--- 1 SHIRE DENMARK 1 610 211
--- 2 SHIRENP 1 segment
--- 2 SHRLSUB Key=BOW BRIDGE
--- 3 SUBLSTR 7 segments
--- 2 SHRLSUB Key=DENMARK
--- 3 SUBLSTR 254 segments
--- 2 SHRLSUB Key=DENMARK SHIRE
F1=Help F2=Format F3=Exit F4=CRetriev F5=RFind F6=RChange
F7=Up F8=Down F9=Swap F10=Left F11=Right F12=Cancel
    
```

```

Process  Options  Help
-----
FM/IMS                               Edit : IMS Database DJ1G
Command ==>                           Scroll CSR
                                       Format TABL
Cmd Level Segment                    SHIRE-SUB-KEY      SUBURB-NAME POST-CODE SUBURB-TYP
#2 #3 #4 #5
AN 1:18 <-----]-----> AN 19:18 ZD 37:4 AN 41:1
<-----]-----> <-----]-----> <---> -
=LG 2 SHRLSUB BROOME SHIRE BROOME SHIRE 0
--- 3 SUBLSTR 3 segments
--- 1 SHIRE Key=DENMARK Layout=SHIRE
--- 2 SHIRENP 1 segment
=LG 2 SHRLSUB BOW BRIDGE BOW BRIDGE 6333
--- 3 SUBLSTR 7 segments
=LG 2 SHRLSUB DENMARK DENMARK 6333
--- 3 SUBLSTR 254 segments
=LG 2 SHRLSUB DENMARK SHIRE DENMARK SHIRE 0
--- 3 SUBLSTR 73 segments
=LG 2 SHRLSUB EOW BRIDGE EOW BRIDGE 0
=LG 2 SHRLSUB GOLDEN HILL GOLDEN HILL 6333
--- 3 SUBLSTR 2 segments
F1=Help F2=Format F3=Exit F4=CRetriev F5=RFind F6=RChange
F7=Up F8=Down F9=Swap F10=Left F11=Right F12=Cancel
    
```

### 1.6.3.2 SNGL Format

The following screens show the effect of the PREVIOUS primary command when using a SNGL formatted display.

```

Process  Options  Help
-----
FM/IMS                               Edit : IMS Database DJ1G           Length error
Command ==> prev shirenp              SHOW SUP OFF                       Scroll CSR
                                         Format SNGL
Segment  SHRLSUB  Testing KF21405  Level: 2
Concatenated key value: BROOME          BROOME SHIRE
Current type is SHIRE-LINK-SUBURB      Top Field is 1   of 12
Ref Rdf Field          Typ  Len  Data
#2  SHIRE-SUB-KEY      AN   18 K BROOME SHIRE
#3  SUBURB-NAME        AN   18   BROOME SHIRE
#4  POST-CODE          ZD    4     0
#5  SUBURB-TYPE        AN    1
#6  PUBLIC-PHONE       AN    4   B652
#7  DISTANCE-2-PERTH  ZD    4   137
#8  CLOSEST-CENTRE    AN   14
#9  DISTANCE-2-CENTRE ZD    3    55
#11 LATITUDE-DEGREE    ZD    2    34
#12 LATITUDE-MINUTE    ZD    2    56
#13 LONGITUDE-DEGREE  ZD    3   117
#14 LONGITUDE-MINUTE  ZD    2    54
**** End of record ****
F1=Help      F2=Format  F3=Exit    F4=CRetriev F5=RFind    F6=RChange
F7=Up        F8=Down    F9=Swap    F10=Previous F11=Next    F12=Cancel
    
```

```

Process  Options  Help
-----
FM/IMS                               Edit : IMS Database DJ1G           Scroll CSR
Command ==>                          SHOW SUP OFF                       Format SNGL
                                         Level: 2
Segment  SHIRENP                               Level: 2
Concatenated key value: BROOME
Current type is SHIRE-NON-PUBLIC      Top Field is 1   of 3
Ref Rdf Field          Typ  Len  Data
#3  PREFIX             BI    4  444444450
#4  NOFIX              BI    4  10295
#5  SUFFIX             PD    3  460.00
**** End of record ****

F1=Help      F2=Format  F3=Exit    F4=CRetriev F5=RFind    F6=RChange
F7=Up        F8=Down    F9=Swap    F10=Previous F11=Next    F12=Cancel
    
```

### 1.6.3.3 CHAR/HEX/LHEX Format

The following screens show the effect of the NEXT primary command when using a CHAR unformatted display. The same effect applies when using a HEX or LHEX unformatted display.

```

Process  Options  Help
-----
FM/IMS                               Edit : IMS Database DJ1G
Command ==> next 2 shr|sub           Scroll CSR.
                                   Show Sup OFF   Col 1   Format CHAR
Cmd Level Segment  -----1-----2-----3-----4-----5-----
--- 2 SHIRENP      .'.
--- 2 SHRLSUB     Key=BROOME
--- 3 SUBLSTR     233 segments
--- 2 SHRLSUB     Key=BROOME SHIRE
--- 3 SUBLSTR     3 segments
--- 1 SHIRE       Key=DENMARK                               Layout=SHIRE
--- 2 SHIRENP     .'.
--- 2 SHRLSUB     Key=BOW BRIDGE
--- 3 SUBLSTR     7 segments
--- 2 SHRLSUB     Key=DENMARK
--- 3 SUBLSTR     254 segments
--- 2 SHRLSUB     Key=DENMARK SHIRE
--- 3 SUBLSTR     73 segments
--- 2 SHRLSUB     2 segments
--- 3 SUBLSTR     2 segments
--- 2 SHRLSUB     Key=HAZELVALE
F1=Help  F2=Format  F3=Exit   F4=CRetriev  F5=RFind   F6=RChange
F7=Up    F8=Down    F9=Swap   F10=Left    F11=Right  F12=Cancel
    
```

```

Process  Options  Help
-----
FM/IMS                               Edit : IMS Database DJ1G
Command ==>
                                   Show Sup OFF   Col 1   Format CHAR
Cmd Level Segment  -----1-----2-----3-----4-----5-----
=LG 2 SHRLSUB     BROOME SHIRE   BROOME SHIRE   0000 B6520137
--- 3 SUBLSTR     3 segments
--- 1 SHIRE       Key=DENMARK                               Layout=SHIRE
--- 2 SHIRENP     1 segment
=LG 2 SHRLSUB     BOW BRIDGE    BOW BRIDGE     6333 B1630000
--- 3 SUBLSTR     7 segments
=LG 2 SHRLSUB     DENMARK       DENMARK        6333 D5620364ALBANY
--- 3 SUBLSTR     254 segments
=LG 2 SHRLSUB     DENMARK SHIRE DENMARK SHIRE  0000 D5620526
--- 3 SUBLSTR     73 segments
=LG 2 SHRLSUB     EOW BRIDGE    EOW BRIDGE     0000 0000
=LG 2 SHRLSUB     GOLDEN HILL   GOLDEN HILL    6333 G4350000
--- 3 SUBLSTR     2 segments
=LG 2 SHRLSUB     HAZELVALE    HAZELVALE     6333 H2410000
--- 3 SUBLSTR     5 segments
=LG 2 SHRLSUB     KENT RIVER    KENT RIVER     6333 K5360000
F1=Help  F2=Format  F3=Exit   F4=CRetriev  F5=RFind   F6=RChange
F7=Up    F8=Down    F9=Swap   F10=Left    F11=Right  F12=Cancel
    
```

## 1.7 LOCATE Primary Command

A new LOCATE primary command has been provided in the edit and browse functions of File Manager. The LOCATE primary command is available when using a formatted display.

When using SNGL format, LOCATE allows the user to position the top of the display at a particular field name without having to use the SCROLL DOWN command to find that field.

When using TABL format, LOCATE allows the user to place a field column at the left of the display without having to use the SCROLL LEFT or SCROLL RIGHT commands to find that field.

The LOCATE command helps in processing formatted data comprising many fields, where the data is displayed over a number of scrollable areas.

The LOCATE command addresses the following Marketing Field Requirements:

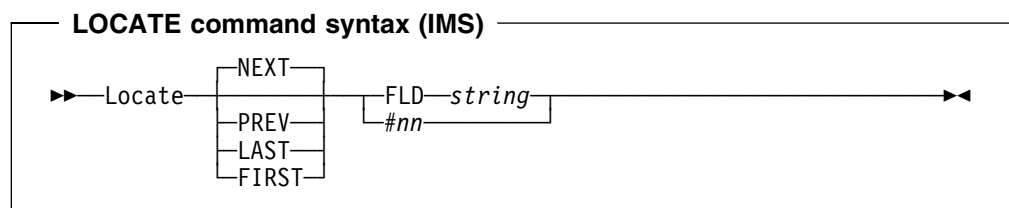
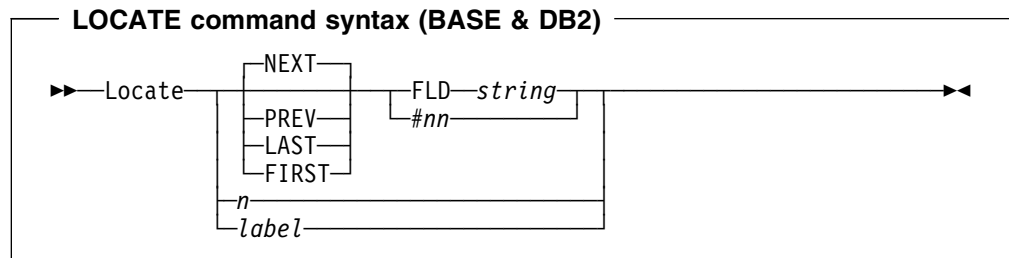
- MR1202025135
- MR0826024450

## 1.7.1 LOCATE

The LOCATE primary command positions a scrollable formatted display at the field that matches the supplied *field-name*. The display is positioned on the field that contains the supplied string.

In SNGL format, the display is scrolled down such that the matching field is the first field displayed in the scrollable area.

In TABL format, the display is scrolled right such that the matching field is the left-most field displayed in the scrollable area.



### NEXT

Instructs File Manager to search from the next field forwards.

### PREV

Instructs File Manager to search from the previous field backwards.

### FIRST

Instructs File Manager to search from the first field forwards.

### LAST

Instructs File Manager to search from the last field backwards.

### FLD

This keyword instruct File Manager to treat the next parameter as a string. This allows the field name to contain a '#' character.

### *string*

This is the string searched for within the file names.

### *#nn*

A field reference number.

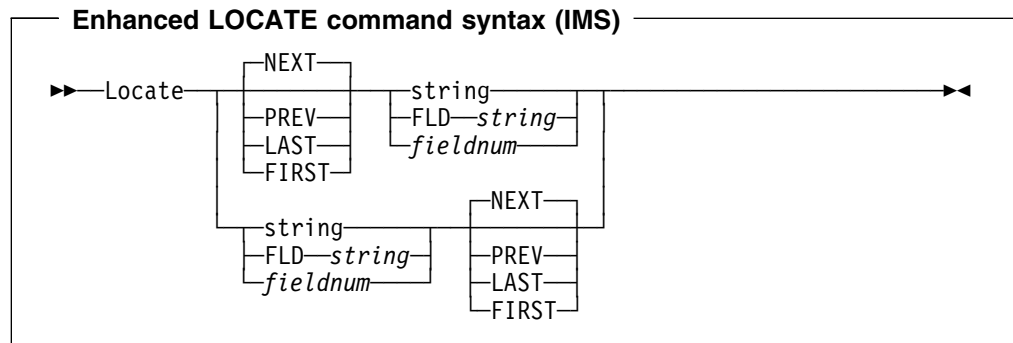
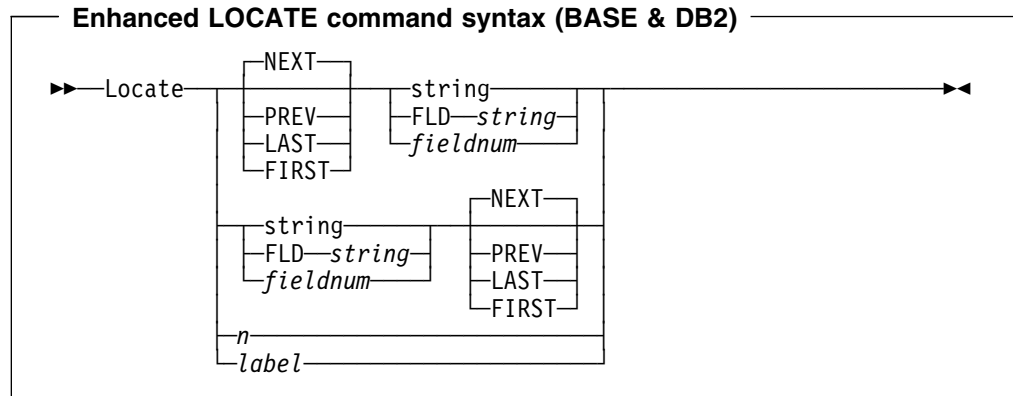
*n* A record number.

### *label*

A record label.

Please note that PQ75951 enhances the LOCATE command:





*fieldnum*

The number assigned to the field from the view. These are displayed as a # sign in the SNGL and TABL field headings.

## 1.7.2 Using LOCATE in TABL Format

The following screens show how the LOCATE primary command works with a TABL formatted display.

```

Process  Options  Help
-----
FM/IMS                               Edit : IMS Database DJIG
Command ==> 1 tude-min
                                         Show Sup OFF      Scroll CSR
                                         POST-CODE SUBURB-TYP  Format TABL
Cmd Level Segment  SHIRE-SUB-KEY  SUBURB-NAME  #2 #3 #4 #5
AN 1:18         AN 19:18         ZD 37:4 AN 41:1
<-----1-----> <-----1-----> <----> -
=LG 2  SHRLSUB  BROOME SHIRE  BROOME SHIRE  0
   3  SUBLSTR  3 segments
   1  SHIRE    Key=DENMARK                               Layout=SHIRE
   2  SHIRENP  1 segment
=LG 2  SHRLSUB  BOW BRIDGE    BOW BRIDGE    6333
   3  SUBLSTR  7 segments
=LG 2  SHRLSUB  DENMARK      DENMARK        6333
   3  SUBLSTR  254 segments
=LG 2  SHRLSUB  DENMARK SHIRE  DENMARK SHIRE  0
   3  SUBLSTR  73 segments
=LG 2  SHRLSUB  EOW BRIDGE    EOW BRIDGE    0
=LG 2  SHRLSUB  GOLDEN HILL  GOLDEN HILL    6333
   3  SUBLSTR  2 segments
F1=Help  F2=Format  F3=Exit  F4=CRetriev  F5=RFind  F6=RChange
F7=Up    F8=Down   F9=Swap  F10=Left   F11=Right  F12=Cancel
    
```

```

Process  Options  Help
-----
FM/IMS                               Edit : IMS Database DJ1G                               Scroll CSR
Command ==>> _____                               Format TABL
                               Show Sup OFF
                               LATITUDE-MINUTE LONGITUDE-DEGREE LONGITUDE-MINUTE
Cmd Level Segment                               #12                               #13                               #14
                               ZD 69:2                               ZD 71:3                               ZD 74:2
                               <->                               <->                               <->
=LG 2  SHRLSUB                               56                               117                               54
--- 3  SUBLSTR                               3 segments
--- 1  SHIRE                               Key=DENMARK                               Layout=SHIRE
--- 2  SHIRENP                               1 segment
=LG 2  SHRLSUB                               58                               116                               57
--- 3  SUBLSTR                               7 segments
=LG 2  SHRLSUB                               58                               117                               21
--- 3  SUBLSTR                               254 segments
=LG 2  SHRLSUB                               28                               117                               52
--- 3  SUBLSTR                               73 segments
=LG 2  SHRLSUB                               0                               0                               0
=LG 2  SHRLSUB                               0                               0                               0
--- 3  SUBLSTR                               2 segments
F1=Help  F2=Format  F3=Exit  F4=CRetriev  F5=RFind  F6=RChange
F7=Up    F8=Down   F9=Swap  F10=Left    F11=Right F12=Cancel
    
```

### 1.7.3 Using LOCATE in SNGL Format

The following screens show how the LOCATE primary command works with a SNGL formatted display.

```

Process  Options  Help
-----
FM/IMS                               Edit : IMS Database DJ1G                               Length error
Command ==>> 1 phone _____                               Scroll CSR
                               SHOW SUP OFF                               Format SNGL
Segment SHRLSUB  Testing KF21405  Level: 2
Concatenated key value: BROOME                               BROOME SHIRE
Current type is SHIRE-LINK-SUBURB                               Top Field is 10  of 12
Ref Rdf Field                               Typ Len Data
#12  LATITUDE-MINUTE  ZD  2  56
#13  LONGITUDE-DEGREE  ZD  3  117
#14  LONGITUDE-MINUTE  ZD  2  54
**** End of record ****

F1=Help  F2=Format  F3=Exit  F4=CRetriev  F5=RFind  F6=RChange
F7=Up    F8=Down   F9=Swap  F10=Previous F11=Next   F12=Cancel
    
```

```

Process  Options  Help
-----
FM/IMS                               Edit : IMS Database DJ1G                               Field not found
Command ==>> 1 prev phone _____                               Scroll CSR
                               SHOW SUP OFF                               Format SNGL
Segment SHRLSUB  Testing KF21405  Level: 2
Concatenated key value: BROOME                               BROOME SHIRE
Current type is SHIRE-LINK-SUBURB                               Top Field is 10  of 12
Ref Rdf Field                               Typ Len Data
#12  LATITUDE-MINUTE  ZD  2  56
#13  LONGITUDE-DEGREE  ZD  3  117
#14  LONGITUDE-MINUTE  ZD  2  54
**** End of record ****

F1=Help  F2=Format  F3=Exit  F4=CRetriev  F5=RFind  F6=RChange
F7=Up    F8=Down   F9=Swap  F10=Previous F11=Next   F12=Cancel
    
```



**Tabl, FT**

Change format to TABL format. Only available if a view has been used.

**Sngl, FS**

Change format to SNGL format. Only available if a view has been used.

**Char, FC**

Change format to CHAR format. (Not applicable for DB2)

**Hex, FH**

Change format to HEX format. (Not applicable for DB2)

**Lhex, FL**

Change format to LHEX format. (Not applicable for DB2)

The abbreviated forms of the FORMAT primary command are also available as line commands. The default value for the target format depends on the current display format. If in SNGL format, the default will be TABL format. If in TABL format, the default will be SNGL format. In other display formats, there is no default and a error message will be issued.

Using one of the above as a line command against a displayed segment occurrence is effectively be the same as scrolling that segment to the top of the display, issuing a view for that line (if it is other than the current layout) and changing format.

These line commands address the following Marketing Field Requirement:

- MR1121022328

---

## 1.9 Keylist Changes

Keylists associated with data display panels are updated to replace the ZOOM pfkey with the command FORMAT. This allows the type of format desired to be entered on the command line and the pfkey used to switch formats to a non-default format.

### 1.9.1 Using the FS Line Command on a Shadow Line

The following screens show how the FS line command can be used on a TABL formatted display to display the data for a segment represented by a shadow line. In this case the shadow line is for a group of 3 SUBLSTR segments. The data for the first of the 3 SUBLSTR segments is displayed on the SNGL panel.

```

Process  Options  Help
-----
FM/IMS                               Edit : IMS Database DJ1G                               Scroll CSR.
Command ==>>                               Show Sup OFF                               Col 1                               Format CHAR
-----
Cmd Level Segment  -----1-----2-----3-----4-----5-----
=LG 2  SHRLSUB  BROOME SHIRE  BROOME SHIRE  0000 B6520137
fs_ 3  SUBLSTR  3 segments
  1  SHIRE  Key=DENMARK  Layout=SHIRE
  2  SHIRENP 1 segment
=LG 2  SHRLSUB  BOW BRIDGE  BOW BRIDGE  6333 B1630000
  3  SUBLSTR  7 segments
=LG 2  SHRLSUB  DENMARK  DENMARK  6333 D5620364ALBANY
  3  SUBLSTR  254 segments
=LG 2  SHRLSUB  DENMARK SHIRE  DENMARK SHIRE  0000 D5620526
  3  SUBLSTR  73 segments
=LG 2  SHRLSUB  EOW BRIDGE  EOW BRIDGE  0000 0000
=LG 2  SHRLSUB  GOLDEN HILL  GOLDEN HILL  6333 G4350000
  3  SUBLSTR  2 segments
=LG 2  SHRLSUB  HAZELVALE  HAZELVALE  6333 H2410000
  3  SUBLSTR  5 segments
=LG 2  SHRLSUB  KENT RIVER  KENT RIVER  6333 K5360000
F1=Help  F2=Format  F3=Exit  F4=CRetriev  F5=RFind  F6=RChange
F7=Up    F8=Down   F9=Swap  F10=Left    F11=Right F12=Cancel

```

```

Process  Options  Help
-----
FM/IMS                               Edit : IMS Database DJ1G                               Length error
Command ==>>                               SHOW SUP OFF                               Scroll CSR
-----
Segment SUBLSTR                               Level: 3                               Format SNGL
Concatenated key value: BROOME  BROOME SHIRE  EIGHTY MILE
Current type is SUBURB-LINK-STREET  Top Field is 1 of 7
Ref Rdf Field  Typ Len Data
#3  SUB-STREET-NAME  AN 18 K EIGHTY MILE BEACH
#4  SUFFIX  AN 4 K
#5  DIRECTION  AN 1 K
#7  STREET  AN 18 RD EIGHTY MILE B
#8  SUFFIX  AN 4 EACH
#9  DIRECTION  AN 1
#10 EMERGENCY-PHONE  AN 4
**** End of record ****

F1=Help  F2=Format  F3=Exit  F4=CRetriev  F5=RFind  F6=RChange
F7=Up    F8=Down   F9=Swap  F10=Previous F11=Next   F12=Cancel

```

## 1.10 Edit/Browse Options

Two new options have been added to the Edit/Browse Options panel allowing the user to configure the default behavior for the NEXT and PREVIOUS commands and the user preference for the SHOW command setting. The following screen shows the new options.

```

Process  Options  Help
-----
FM/IMS                               Edit/Browse Options
Command ==>>
-----
Enter "/" to select option
  Translate data in data area to uppercase on input
  / Show field reference number of SNGL display
  / Show field type and length values on SNGL display
  Use * (any segment type) as default on NEXT and PREVIOUS commands
  Set SHOW SUP ON, exposing suppressed groups as default

F1=Help  F2=Split  F3=Exit  F4=CRetriev  F7=Backward  F8=Forward
F9=Swap  F10=Actions  F12=Cancel

```

The new option

**"Use \* (any segment type) as default on NEXT and PREVIOUS primary commands"**

allows the user to set the default for the NEXT and PREVIOUS commands such that they ignore the SHOW command settings and move the current database position irrespective of the segment type for the currently formatted segment.

For more information on the NEXT command see 1.6.1, "NEXT" on page 11.

For more information on the PREVIOUS command see 1.6.2, "PREVIOUS" on page 12.

---

## Index

**B**

Browse Options 21—22  
 Browse Primary Commands  
   CHILD 9  
   LOCATE 15—17  
     examples 17—19  
   NEXT 11—12  
     examples 13—15  
   PREVIOUS 12—13  
     examples 13—15

**C**

Child command 9

**D**

Database Positioning  
 examples 7

**E**

Edit Line Commands  
 examples 20  
 Edit Options 21—22  
 Edit Primary Commands  
   LOCATE 15—17  
     examples 17  
   NEXT 11—12  
     examples 13—15  
   PREVIOUS 12—13  
     examples 13—15  
   SHOW  
     examples 8  
   VEDIT  
   XKEYS

**F**

Format line commands 19—20  
 Format primary command 19—20

**K**

Key command 10

**M**

Marketing Field Requirements  
 MR0826024450 15  
 MR1121022759 10, 11  
 MR120202328 6, 11  
 MR1202025135 10, 11, 15

Marketing Field Requirements (*continued*)

MR120302172 6, 20  
 MR1203024817 11

**S**

Show Command support 7  
 suppressed lines 7

**V**

View: Segment Selection 6