

Performance Data Reference Prospect® 8.0 for Motorola CDMA/AMPS/EVDO R22/ S19/R8



Copyright © International Business Machines Corporation 2008. All rights reserved.

This information was developed for products and services offered in the U.S.A. IBM may not offer the products, services, or features discussed in this document in other countries. Consult your local IBM representative for information on the products and services currently available in your area. Any reference to an IBM product, program, or service is not intended to state or imply that only that IBM product, program, or service may be used. Any functionally equivalent product, program, or service that does not infringe any IBM intellectual property right may be used instead. However, it is the user's responsibility to evaluate and verify the operation of any non-IBM product, program, or service.

IBM may have patents or pending patent applications covering subject matter described in this document. The furnishing of this document does not give you any license to these patents. You can send license inquiries, in writing, to:

IBM Director of Licensing
IBM Corporation
North Castle Drive
Armonk, NY 10504-1785, U.S.A.

For license inquiries regarding double-byte (DBCS) information, contact the IBM^(R) Intellectual Property Department in your country or send inquiries, in writing, to:

IBM World Trade Asia Corporation
Licensing
2-31 Roppongi 3-chome, Minato-ku
Tokyo 106, Japan

The following paragraph does not apply to the United Kingdom or any other country where such provisions are inconsistent with local law:

INTERNATIONAL BUSINESS MACHINES CORPORATION PROVIDES THIS PUBLICATION "AS IS" WITHOUT WARRANTY OF ANY KIND, EITHER EXPRESS OR IMPLIED, INCLUDING, BUT NOT LIMITED TO, THE IMPLIED WARRANTIES OF NON-INFRINGEMENT, MERCHANTABILITY OR FITNESS FOR A PARTICULAR PURPOSE.

Some states do not allow disclaimer of express or implied warranties in certain transactions, therefore, this statement might not apply to you.

This information could include technical inaccuracies or typographical errors. Changes are periodically made to the information herein; these changes will be incorporated in new editions of the publication. IBM may make improvements and/or changes in the product(s) and/or the program(s) described in this publication at any time without notice.

Any references in this information to non-IBM Web sites are provided for convenience only and do not in any manner serve as an endorsement of those Web sites. The materials at those Web sites are not part of the materials for this IBM product and use of those Web sites is at your own risk.

IBM may use or distribute any of the information you supply in any way it believes appropriate without incurring any obligation to you.

Licensees of this program who wish to have information about it for the purpose of enabling: (i) the exchange of information between independently created programs and other programs (including this one) and (ii) the mutual use of the information which has been exchanged, should contact:

IBM Corporation
2Z4A/101
11400 Burnet Road
Austin, TX 78758 U.S.A.

Such information may be available, subject to appropriate terms and conditions, including in some cases, payment of a fee.

The licensed program described in this document and all licensed material available for it are provided by IBM under terms of the IBM Customer Agreement, IBM International Program License Agreement or any equivalent agreement between us.

Any performance data contained herein was determined in a controlled environment. Therefore, the results obtained in other operating environments may vary significantly. Some measurements may have been made on development-level systems and there is no guarantee that these measurements will be the same on generally available systems. Furthermore, some measurement may have been estimated through extrapolation. Actual results may vary. Users of this document should verify the applicable data for their specific environment.

Information concerning non-IBM products was obtained from the suppliers of those products, their published announcements or other publicly available sources. IBM has not tested those products and cannot confirm the accuracy of performance, compatibility or any other claims related to non-IBM products. Questions on the capabilities of non-IBM products should be addressed to the suppliers of those products.

This information contains examples of data and reports used in daily business operations. To illustrate them as completely as possible, the examples include the names of individuals, companies, brands, and products. All of these names are fictitious and any similarity to the names and addresses used by an actual business enterprise is entirely coincidental.

Trademarks:

The following terms are trademarks of the IBM^(R) Corporation in the United States or other countries or both:

AIX
DB2
DB2 Universal Database
eServer
i5/OS
IBM
The IBM logo
iSeries
Lotus
Passport Advantage
pSeries
Rational
Redbooks
Tivoli
Virtualization Engine
z/VM
zSeries

Vallent, the Vallent logo, Vallent Control, Vallent Design, Vallent Pilot, Virtuo, Prospect, Metrica Performance Manager, ServiceAssure, NetworkAssure and BusinessAssure are either registered trademarks or trademarks of Vallent and/or its subsidiaries in the United States and/or other countries.

Intel^(R), Itanium, the Intel Inside^(R) logos, and Pentium^(R) are trademarks of Intel Corporation in the United States, other countries, or both.

Java^(TM) and all Java-based trademarks and logos are trademarks or registered trademarks of Sun Microsystems, Inc. in the U.S., and other countries.



Linux^(R) is a trademark of Linus Torvalds in the United States, other countries, or both.

Microsoft^(R) and Windows^(R) are registered trademarks of Microsoft Corporation in the U.S. and other countries.

UNIX^(R) is a registered trademark of The Open Group in the United States and other countries.

PERFORMANCE DATA REFERENCE
Prospect® 8.0 for Motorola CDMA/AMPS/EVDO R22/S19/R8

Other company, product, and service names may be trademarks or service marks of others.

PERFORMANCE DATA REFERENCE
Prospect® 8.0 for Motorola CDMA/AMPS/EVDO R22/S19/R8

Table of Contents

| | |
|--|-----|
| 1 About This Documentation | 127 |
| Audience | 127 |
| Required Skills and Knowledge | 127 |
| Document Conventions | 128 |
| User Publications | 129 |
| Viewing the Desktop Client Help Publications | 129 |
| Viewing the Publications in PDF | 130 |
| 2 Introduction | 131 |
| 3 BSCDO Entities | 133 |
| 4 BSCDO Fields | 135 |
| APC Primitive Calculations | 135 |
| AuthorizationDenialRate | 135 |
| AuthorizationDeniedANResources | 135 |
| AuthorizationDeniedATError | 135 |
| AuthorizationDeniedPermissions | 135 |
| BackgroundFwdRLPflowsPercentage | 136 |
| BackgroundRvsRLPflowsPercentage | 136 |
| CardKindName | 136 |
| ConversationalFwdRLPflowsPercentage | 136 |
| ConversationalRvsRLPflowsPercentage | 136 |
| GrphMullLnSeptr | 136 |
| InteractiveFwdRLPflowsPercentage | 137 |
| InteractiveRvsRLPflowsPercentage | 137 |
| InterBSCAnchorTransferSuccess% | 137 |
| IntraBSCAnchorTransferSuccess% | 137 |
| MFPABkgdRLPflowsRetransPercentage | 137 |
| MFPACnvRLPflowsRetransPercentage | 137 |
| MFPAINtrRLPflowsRetransPercentage | 138 |
| MFPAStrmRLPflowsRetransPercentage | 138 |
| NUMDAYS | 138 |
| NUMHOURS | 138 |
| OpenBlockedRate | 138 |
| PDSNQoSChangeFailureRate | 138 |
| PersonalitySwitchFailuresToRev0 | 138 |
| PersonalitySwitchFailuresToRevA | 139 |
| QoSModificationFailureRate | 139 |
| StreamingFwdRLPflowsPercentage | 139 |
| StreamingRvsRLPflowsPercentage | 139 |
| TotalFailedPDSNQoSChanges | 139 |
| TotalSuccessfulPDSNQoSChanges | 139 |
| APC Peg Counts | 140 |
| ActiveFwdRLPFlows | 140 |
| ActiveRvsRLPFlows | 140 |

PERFORMANCE DATA REFERENCE
 Prospect® 8.0 for Motorola CDMA/AMPS/EVDO R22/S19/R8

| | |
|-------------------------------------|-----|
| APCUsageMin | 140 |
| ATOriginatedTCHSetupAbortions | 141 |
| ATOriginatedTCHSetupDisconnections | 141 |
| AvgFwdActiveReservationDurationBkgd | 141 |
| AvgFwdActiveReservationDurationConv | 142 |
| AvgFwdActiveReservationDurationIntr | 142 |
| AvgFwdActiveReservationDurationStrm | 142 |
| AvgFwdHigherLayerPacketSizeBkgd | 143 |
| AvgFwdHigherLayerPacketSizeConv | 143 |
| AvgFwdHigherLayerPacketSizeIntr | 143 |
| AvgFwdHigherLayerPacketSizeStrm | 144 |
| AvgFwdLinkRate | 144 |
| AvgFwdMaxOpenReservationsBkgd | 144 |
| AvgFwdMaxOpenReservationsConv | 145 |
| AvgFwdMaxOpenReservationsIntr | 145 |
| AvgFwdMaxOpenReservationsStrm | 145 |
| AvgFwdRLPNewBytesBkgd | 146 |
| AvgFwdRLPNewBytesConv | 146 |
| AvgFwdRLPNewBytesIntr | 146 |
| AvgFwdRLPNewBytesStrm | 147 |
| AvgFwdRLPRetransBytesBkgd | 147 |
| AvgFwdRLPRetransBytesConv | 147 |
| AvgFwdRLPRetransBytesIntr | 147 |
| AvgFwdRLPRetransBytesStrm | 148 |
| AvgRLPDataRate | 148 |
| AvgRvsActiveReservationDurationBkgd | 148 |
| AvgRvsActiveReservationDurationConv | 149 |
| AvgRvsActiveReservationDurationIntr | 149 |
| AvgRvsActiveReservationDurationStrm | 149 |
| AvgRvsHigherLayerPacketSizeBkgd | 150 |
| AvgRvsHigherLayerPacketSizeConv | 150 |
| AvgRvsHigherLayerPacketSizeIntr | 150 |
| AvgRvsHigherLayerPacketSizeStrm | 151 |
| AvgRvsMaxOpenReservationsBkgd | 151 |
| AvgRvsMaxOpenReservationsConv | 151 |
| AvgRvsMaxOpenReservationsIntr | 152 |
| AvgRvsMaxOpenReservationsStrm | 152 |
| AvgRvsRLPRetransDelay | 152 |
| AvgStarvationRate | 153 |
| BytesNAKedToBeReceived | 153 |
| BytesNAKedToBeSent | 153 |
| CardKind | 154 |
| CFC15000 | 154 |
| CFC15001 | 154 |
| CFC15002 | 154 |
| CFC15003 | 155 |
| CFC15004 | 155 |
| CFC15005 | 155 |
| CFC15006 | 156 |
| CFC15007 | 156 |
| CFC15008 | 156 |

PERFORMANCE DATA REFERENCE
 Prospect® 8.0 for Motorola CDMA/AMPS/EVDO R22/S19/R8

| | |
|------------------------------------|-----|
| CFC15009 | 157 |
| CFC15010 | 157 |
| CFC15011 | 157 |
| CFC15012 | 158 |
| CFC15013 | 158 |
| CollectionPeriod_PM | 158 |
| CPUUseRateOfAPC_AVG | 158 |
| CPUUseRateOfAPC_MAX | 159 |
| DisconnectedCallsDueToRFLoss | 159 |
| DSCChannelCompletes | 159 |
| DSCChannelDelay_AVG | 160 |
| DSCChannelFailures | 160 |
| FirstTransmittedFwdBytes | 160 |
| FwdAirBytesAPC | 161 |
| FwdAirThroughputAPC_AVG | 161 |
| FwdAirThroughputAPC_MAX | 161 |
| FwdAirUsageMinAPC | 162 |
| FwdIPFlowAuthGrantedTCBkgd | 162 |
| FwdIPFlowAuthGrantedTCConv | 162 |
| FwdIPFlowAuthGrantedTCIntr | 163 |
| FwdIPFlowAuthGrantedTCStrm | 163 |
| FwdIPFlowAuthTotalDenied | 163 |
| FwdIPFlowAuthTotalGranted | 164 |
| FwdMaxOpenReservationsBkgd | 164 |
| FwdMaxOpenReservationsConv | 164 |
| FwdMaxOpenReservationsIntr | 165 |
| FwdMaxOpenReservationsStrm | 165 |
| FwdRetransmitRequestBytes | 165 |
| FwdRscTCBkgdRsvOpen | 166 |
| FwdRscTCConvRsvOpen | 166 |
| FwdRscTCIntrRsvOpen | 166 |
| FwdRscTCStrmRsvOpen | 167 |
| FwdStreamBytesAPC | 167 |
| FwdStreamPacketsAPC | 167 |
| FwdStreamThroughputAPC_AVG | 168 |
| FwdStreamThroughputAPC_MAX | 168 |
| HOAddFailLackResourcesTargetAPC | 168 |
| HOAddFailNoResponseTargetAPC | 169 |
| HODropFailTCHCompleteReceptionFail | 169 |
| InterAPCHardHOFailures | 169 |
| InterAPCHardHOSuccesses | 170 |
| InterBSCAnchorTransferAttempt | 170 |
| InterBSCAnchorTransferFailure | 170 |
| InterBSCAnchorTransferSuccess | 170 |
| InterBSCHardHOFailures | 171 |
| InterBSCHardHOSuccesses | 171 |
| InterBSCHORRequests | 171 |
| IntraBSCAnchorTransferAttempt | 172 |
| IntraBSCAnchorTransferFailure | 172 |
| IntraBSCAnchorTransferSuccess | 172 |
| IntraBSCHardHOFailures | 173 |

PERFORMANCE DATA REFERENCE
 Prospect® 8.0 for Motorola CDMA/AMPS/EVDO R22/S19/R8

| | |
|---------------------------------------|-----|
| IntraBSCHardHOSuccesses | 173 |
| IPAuthAnchorTransQoSModDenied | 173 |
| IPAuthATModQoSDenied | 174 |
| IPAuthATModQoSGranted | 174 |
| IPAuthDeniedRANCommError | 174 |
| IPAuthModQoSDeniedRANCommError | 175 |
| IPAuthQoSRequestInvalidFormat | 175 |
| IPAuthQoSRequestVerbose | 175 |
| IPAuthResvLegQoSModDenied | 176 |
| IPAuthUserProfileModQoSDenied | 176 |
| IPAuthUserProfileModQoSGranted | 176 |
| IPFlowAuthDeniedMainFlowRequest | 176 |
| IPFlowAuthDeniedMaxMCCDOAPxFlowCnt | 177 |
| IPFlowAuthDeniedMaxUserFlowCnt | 177 |
| IPFlowAuthDeniedNoA8Flow | 177 |
| IPFlowAuthDeniedNoAPCResv | 178 |
| IPFlowAuthDeniedNoAPCRLPFlow | 178 |
| IPFlowAuthDeniedNoRLPFlow | 178 |
| IPFlowAuthDeniedNotLicensed | 179 |
| IPFlowAuthDeniedNotSupported | 179 |
| IPFlowAuthDeniedNoUserPxFlow | 179 |
| IPFlowAuthDeniedRLPIDAssignFailure | 180 |
| IPFlowAuthDeniedRLPMapNotDone | 180 |
| IPFlowAuthDeniedUserNotAuth | 180 |
| IPFlowAuthMappedMainRLPFlow | 181 |
| IPFlowAuthNoRLPMapMod | 181 |
| IPFlowAuthTCBkgdMappedExistingRLPFlow | 181 |
| IPFlowAuthTCBkgdMappedNewRLPFlow | 182 |
| IPFlowAuthTCConvMappedExistingRLPFlow | 182 |
| IPFlowAuthTCConvMappedNewRLPFlow | 182 |
| IPFlowAuthTCIntrMappedExistingRLPFlow | 183 |
| IPFlowAuthTCIntrMappedNewRLPFlow | 183 |
| IPFlowAuthTCStrmMappedExistingRLPFlow | 183 |
| IPFlowAuthTCStrmMappedNewRLPFlow | 184 |
| LocationNotificationReceives | 184 |
| LocationRequestAttempts | 184 |
| LocationRequestSuccesses | 185 |
| LocationRequestTimeout | 185 |
| MemoryUseRateOfAPC_AVG | 185 |
| MemoryUseRateOfAPC_MAX | 186 |
| Modem01MCCDOID | 186 |
| Modem02MCCDOID | 186 |
| Modem03MCCDOID | 187 |
| Modem04MCCDOID | 187 |
| Modem05MCCDOID | 187 |
| Modem06MCCDOID | 188 |
| Modem07MCCDOID | 188 |
| Modem08MCCDOID | 188 |
| Modem09MCCDOID | 188 |
| Modem10MCCDOID | 189 |
| Modem11MCCDOID | 189 |

PERFORMANCE DATA REFERENCE
 Prospect® 8.0 for Motorola CDMA/AMPS/EVDO R22/S19/R8

| | |
|-------------------------------------|-----|
| Modem12MCCDOID | 189 |
| Modem13MCCDOID | 190 |
| Modem14MCCDOID | 190 |
| Modem15MCCDOID | 190 |
| Modem16MCCDOID | 191 |
| Modem17MCCDOID | 191 |
| Modem18MCCDOID | 191 |
| MulticastBytesByDSCSwitchTriggerAF1 | 192 |
| MulticastBytesByDSCSwitchTriggerAF2 | 192 |
| MulticastBytesByDSCSwitchTriggerBE | 192 |
| MulticastBytesByDSCSwitchTriggerEF1 | 193 |
| MulticastBytesByDSCSwitchTriggerEF2 | 193 |
| NewRLPBytesReceived | 193 |
| NewRLPBytesSent | 194 |
| NormallyTerminateCallsAccumulation | 194 |
| NumberOfAbort | 194 |
| NumberOfNAKsReceived | 195 |
| NumberOfNAKsSent | 195 |
| NumberOfRLPReset | 195 |
| OpenBlockedRate_Bundled | 195 |
| PersonalitySwitchAttemptsToRev0 | 196 |
| PersonalitySwitchAttemptsToRevA | 196 |
| PersonalitySwitchHandupFail | 196 |
| PersonalitySwitchHandupSuccess | 197 |
| PersonalitySwitchSuccessesToRev0 | 197 |
| PersonalitySwitchSuccessesToRevA | 197 |
| PreemptAdmissionFlag | 198 |
| PreemptDSCDRCSwitch | 198 |
| PreemptForInactivity | 198 |
| PreemptRedundantCardSwitch | 199 |
| PresentConnections_AVG | 199 |
| PresentConnections_MAX | 199 |
| ReceivedRouteUpdateFrOthrAPC | 199 |
| RequestsForInterAPCHO | 200 |
| RequestsForIntraAPCHO | 200 |
| RequestsForSofterHO | 200 |
| RequestsForSoftHO | 201 |
| ResourceQoSReleasedByATFailed | 201 |
| RetransmittedFwdBytes | 201 |
| RetransmittedRLPBytesRecv | 202 |
| RetransmittedRLPBytesSent | 202 |
| RevIPFlowAuthGrantedTCBkgd | 202 |
| RevIPFlowAuthGrantedTCConv | 203 |
| RevIPFlowAuthGrantedTCIntr | 203 |
| RevIPFlowAuthGrantedTCStrm | 203 |
| RevIPFlowAuthTotalDenied | 204 |
| RevIPFlowAuthTotalGranted | 204 |
| RevRscTCBkgdRsvOpen | 204 |
| RevRscTCConvRsvOpen | 205 |
| RevRscTCIntrRsvOpen | 205 |
| RevRscTCStrmRsvOpen | 205 |

Updated: 2008-11-20

PERFORMANCE DATA REFERENCE
 Prospect® 8.0 for Motorola CDMA/AMPS/EVDO R22/S19/R8

| | |
|--|-----|
| RscPDSNUpDownRejected | 206 |
| RscQoSPDSNUgradeDeniedHandoff | 206 |
| RscQoSPDSNUgradeDeniedProfileID | 206 |
| RscQoSPDSNUgradeDeniedProfileIDMisMat | 207 |
| RscQoSReleasedByAT | 207 |
| RscQoSReleasedByPDSNDown | 207 |
| RscQoSUpgradeByPDSN | 208 |
| RscRsvBlockedQoSStateMismatched | 208 |
| RscRsvBlockedQoSStateMismatched_Bundled | 208 |
| RscRsvFailureWithAN | 209 |
| RscRsvFailureWithAN_Bundled | 209 |
| RscRsvOpen_Bundled | 209 |
| RscRsvOpenBlockedExceedMaxRsv | 210 |
| RscRsvOpenBlockedExceedMaxRsv_Bundled | 210 |
| RscRsvOpenBlockedNoSecMAPCMemory | 210 |
| RscRsvOpenBlockedNoSecMAPCMemory_Bundled | 211 |
| RvsAirBytesAPC | 211 |
| RvsAirThroughputAPC_AVG | 211 |
| RvsAirThroughputAPC_MAX | 212 |
| RvsAirUsageMinAPC | 212 |
| RvsGoodPacketsAfterSelectFrame | 212 |
| RvsMaxOpenReservationsBkgd | 213 |
| RvsMaxOpenReservationsConv | 213 |
| RvsMaxOpenReservationsIntr | 213 |
| RvsMaxOpenReservationsStrm | 214 |
| RvsNGPacketsAfterSelectFrame | 214 |
| RvsStreamBytesAPC | 214 |
| RvsStreamPacketsAPC | 215 |
| RvsStreamThroughputAPC_AVG | 215 |
| RvsStreamThroughputAPC_MAX | 215 |
| SessionSetupCount | 216 |
| SuspectFlag | 216 |
| TCHDisconnectionsAllOthers | 216 |
| TCHDisconnectionsForcedDisconnection | 217 |
| TCHDisconnectionsNormalRelease | 217 |
| TotalAccRFConnections | 217 |
| TotalFwdRLPflows | 218 |
| TotalFwdRLPFlowsServed | 218 |
| TotalInitRFConnections | 218 |
| TotalLastRFConnections | 218 |
| TotalNumberOfFwdRlpFlowsBkgd | 219 |
| TotalNumberOfFwdRlpFlowsConv | 219 |
| TotalNumberOfFwdRlpFlowsIntr | 219 |
| TotalNumberOfFwdRlpFlowsStrm | 220 |
| TotalNumberOfRvsRlpFlowsBkgd | 220 |
| TotalNumberOfRvsRlpFlowsConv | 220 |
| TotalNumberOfRvsRlpFlowsIntr | 221 |
| TotalNumberOfRvsRlpFlowsStrm | 221 |
| TotalOriginationCalls | 221 |
| TotalRvsRLPflows | 222 |
| TotalRvsRLPFlowsServed | 222 |

PERFORMANCE DATA REFERENCE
 Prospect® 8.0 for Motorola CDMA/AMPS/EVDO R22/S19/R8

| | |
|----------------------------------|-----|
| TotalTerminationCalls | 222 |
| APC_MCC Primitive Calculations | 222 |
| FwdBHTotalPreemptedBW | 223 |
| FwdBHTotalPreemptedRsvCnt | 223 |
| GRAPHmultiLineSeparator | 223 |
| NUMDAYS | 223 |
| NUMHOURS | 223 |
| RevBHTotalPreemptedBW | 223 |
| RevBHTotalPreemptedRsvCnt | 223 |
| APC_MCC Peg Counts | 224 |
| AvgUsgofMainpoolBkhlBwdFwd | 224 |
| AvgUsgofMainpoolBkhlBwdRvs | 224 |
| AvgUsgofSubpoolBkhlBwdFwd | 224 |
| AvgUsgofSubpoolBkhlBwdRvs | 225 |
| BTSID | 225 |
| CollectionPeriod_PM | 225 |
| MainPoolThreshExcdSecFwd | 226 |
| MainPoolThreshExcdSecRvs | 226 |
| MCCDOID | 226 |
| NodeKind | 227 |
| PeakUsgofMainpoolBkhlBwdFwd | 227 |
| PeakUsgofMainpoolBkhlBwdRvs | 227 |
| PeakUsgofSubpoolBkhlBwdFwd | 228 |
| PeakUsgofSubpoolBkhlBwdRvs | 228 |
| PhysicalDeviceID | 228 |
| PreemptedBkhlBwdFwdConv | 229 |
| PreemptedBkhlBwdFwdIntr | 229 |
| PreemptedBkhlBwdFwdStrm | 229 |
| PreemptedBkhlBwdRvsConv | 230 |
| PreemptedBkhlBwdRvsIntr | 230 |
| PreemptedBkhlBwdRvsStrm | 230 |
| PreemptedRsvbyBcklBwdFwdConv | 231 |
| PreemptedRsvbyBcklBwdFwdIntr | 231 |
| PreemptedRsvbyBcklBwdFwdStrm | 231 |
| PreemptedRsvbyBcklBwdRvsConv | 232 |
| PreemptedRsvbyBcklBwdRvsIntr | 232 |
| PreemptedRsvbyBcklBwdRvsStrm | 232 |
| RscLackofMainpoolBkhaulBwdFwd | 233 |
| RscLackofMainpoolBkhaulBwdRvs | 233 |
| RscLackofSubpoolBkhaulBwdFwd | 233 |
| RscLackofSubpoolBkhaulBwdRvs | 234 |
| SubPoolThreshExcdSecFwd | 234 |
| SubPoolThreshExcdSecRvs | 234 |
| SuspectFlag | 235 |
| APC_Modem Primitive Calculations | 235 |
| CardKind | 235 |
| CardKindName | 235 |
| ConnectFailureCall% | 235 |
| DisconnectedCallsDueToRFLoss% | 235 |
| FastConnectSuccess% | 236 |

Updated: 2008-11-20

PERFORMANCE DATA REFERENCE
 Prospect® 8.0 for Motorola CDMA/AMPS/EVDO R22/S19/R8

| | |
|--|-----|
| FwdLinkTotalFlowCntPreemptedRsvCnt | 236 |
| FwdLinkTotalPreemptedBW | 236 |
| FwdLinkTotalPreemptedRsvCnt | 236 |
| InterAPCHardHOFailure% | 236 |
| InterAPCHOFailure% | 236 |
| InterBSCHardHOFailure% | 237 |
| InterBSCHOFailure% | 237 |
| IntraBSCHardHOFailures% | 237 |
| NUMDAYS | 237 |
| NUMHOURS | 237 |
| Paging1stFailures | 237 |
| Paging2ndFailures | 238 |
| Paging3rdFailures | 238 |
| PagingFailureMODEM% | 238 |
| RevRNRTotalPreemptedLvl | 238 |
| RevRNRTotalPreemptedRsvCnt | 238 |
| RTDHHISuccessPercentage | 238 |
| RTDHHOSuccessPercentageAllAttempts | 238 |
| RTDHHOSuccessPercentageTCAOnly | 239 |
| SofterHOFailure% | 239 |
| SofterHOSuccess | 239 |
| SoftHOFailure% | 239 |
| SoftHOSuccess | 239 |
| TotalHardHOFailure% | 239 |
| TotalHardHOSuccess | 240 |
| TotalRTDHHOAttemptsWithTCA | 240 |
| TotalRTDHHOFailuresNoResources | 240 |
| TotalRTDHHOFailuresRF | 240 |
| TotalRTDHHOSuccesses | 240 |
| TotalRTDHHOTriggers | 240 |
| APC_Modem Peg Counts | 241 |
| AOriginatedTCHSetupAbortions | 241 |
| AOriginatedTCHSetupDisconnections | 241 |
| AvgFwdLinkAirBwd | 241 |
| AvgRNRLvl | 242 |
| BandClass | 242 |
| BlockingRateMODEM_AVG | 242 |
| BlockingRateMODEM_MAX | 243 |
| BlockingTimeMODEM | 243 |
| ChannelNumber | 243 |
| CollectionPeriod_PM | 244 |
| ConnectCompletedCalls | 244 |
| ConnectFailureCallsReasonAir | 244 |
| ConnectFailureCallsReasonBSCDOorPDSN | 245 |
| ConnectFailureCallsReasonMODEMResource | 245 |
| ConnectionRequestAccessDenials | 245 |
| ConnectionsMODEM_AVG | 246 |
| ConnectionsMODEM_MAX | 246 |
| DisconnectedCallsDueToRFLoss | 246 |
| FastConnectFailures | 247 |
| FastConnectSuccesses | 247 |

PERFORMANCE DATA REFERENCE
 Prospect® 8.0 for Motorola CDMA/AMPS/EVDO R22/S19/R8

| | |
|--------------------------------|-----|
| FiveWaySoftHOStateDuration | 247 |
| FourWaySoftHOStateDuration | 248 |
| FwdLnkAirThreshExcdSec | 248 |
| InterAPCHardHOFailure | 248 |
| InterAPCHardHOSuccess | 249 |
| InterAPCHOAddFailure | 249 |
| InterAPCHOAddSuccess | 249 |
| InterAPCHODropFailure | 249 |
| InterAPCHODropSuccess | 250 |
| InterBSCHardHOFailure | 250 |
| InterBSCHardHOSuccess | 250 |
| InterBSCHOAddFailure | 251 |
| InterBSCHOAddSuccess | 251 |
| InterBSCHODropFailure | 251 |
| InterBSCHODropSuccess | 252 |
| InterBSCHOREquest | 252 |
| IntraAPCHOAddFailure | 252 |
| IntraAPCHOAddSuccess | 253 |
| IntraAPCHODropFailure | 253 |
| IntraAPCHODropSuccess | 253 |
| IntraBSCHardHOFailures | 253 |
| IntraBSCHardHOSuccesses | 254 |
| MCCDOID | 254 |
| MCCModemFDN | 254 |
| NodeKind | 255 |
| NormallyTerminateCalls | 255 |
| NumberOfHighCapacityFlow | 255 |
| NumberOfLowLatencyFlow | 256 |
| OneWaySoftHOStateDuration | 256 |
| Paging1stAttempts | 256 |
| Paging1stSuccesses | 257 |
| Paging2ndAttempts | 257 |
| Paging2ndSuccesses | 257 |
| Paging3rdAttempts | 257 |
| Paging3rdSuccesses | 258 |
| PagingAttemptMODEM | 258 |
| PagingFailureMODEM | 258 |
| PeakFwdLnkAirBwd | 259 |
| PeakFwdLnkRsvCountBkgd | 259 |
| PeakFwdLnkRsvCountConv | 259 |
| PeakFwdLnkRsvCountIntr | 260 |
| PeakFwdLnkRsvCountStrm | 260 |
| PeakRNRLvl | 260 |
| PhysicalDeviceID | 261 |
| PreemptedFwdLnkAirBwdConv | 261 |
| PreemptedFwdLnkAirBwdIntr | 261 |
| PreemptedFwdLnkAirBwdStrm | 262 |
| PreemptedRNRLvlConv | 262 |
| PreemptedRNRLvlIntr | 262 |
| PreemptedRNRLvlStrm | 263 |
| PreemptedRsvbyFwdLnkAirBwdConv | 263 |

Updated: 2008-11-20

PERFORMANCE DATA REFERENCE
 Prospect® 8.0 for Motorola CDMA/AMPS/EVDO R22/S19/R8

| | |
|----------------------------------|-----|
| PreemptedRsvbyFwdLnkAirBwdIntr | 263 |
| PreemptedRsvbyFwdLnkAirBwdStrm | 264 |
| PreemptedRsvbyFwdLnkRsvCountBkgd | 264 |
| PreemptedRsvbyFwdLnkRsvCountConv | 264 |
| PreemptedRsvbyFwdLnkRsvCountIntr | 265 |
| PreemptedRsvbyFwdLnkRsvCountStrm | 265 |
| PreemptedRsvbyRNRLvlConv | 265 |
| PreemptedRsvbyRNRLvlIntr | 266 |
| PreemptedRsvbyRNRLvlStrm | 266 |
| ReceivedRouteUpdate | 266 |
| Redirect | 267 |
| RequestForInterAPCHO | 267 |
| RequestForIntraAPCHO | 267 |
| RequestsForSofterHO | 268 |
| RequestsForSoftHO | 268 |
| ResourceBusyDueToLicenselimit | 268 |
| RetransmittedFwdBytesMODEM | 269 |
| RNRPrmLvlSec | 269 |
| RscLackoffFwdLnkBwdConv | 269 |
| RscLackoffFwdLnkBwdIntr | 270 |
| RscLackoffFwdLnkBwdStrm | 270 |
| RscLackoffFwdLnkRsvCountBkgd | 270 |
| RscLackoffFwdLnkRsvCountConv | 271 |
| RscLackoffFwdLnkRsvCountIntr | 271 |
| RscLackoffFwdLnkRsvCountStrm | 271 |
| RscLackofRNRLvlPrmConv | 272 |
| RscLackofRNRLvlPrmIntr | 272 |
| RscLackofRNRLvlPrmStrm | 272 |
| RTD1wayHHOAttempts | 273 |
| RTD1WayHHOFailNoResources | 273 |
| RTD1wayHHOFailures | 273 |
| RTD1wayHHOSuccesses | 274 |
| RTD2wayHHOAttempts | 274 |
| RTD2WayHHOFailNoResources | 274 |
| RTD2wayHHOFailures | 275 |
| RTD2wayHHOSuccesses | 275 |
| RTD3wayHHOAttempts | 275 |
| RTD3WayHHOFailNoResources | 276 |
| RTD3wayHHOFailures | 276 |
| RTD3wayHHOSuccesses | 276 |
| RTD4wayHHOAttempts | 277 |
| RTD4WayHHOFailNoResources | 277 |
| RTD4wayHHOFailures | 277 |
| RTD4wayHHOSuccesses | 278 |
| RTDHHIAttempts | 278 |
| RTDHHIFailNoResources | 278 |
| RTDHHIFailNoReverseLink | 279 |
| RTDHHISuccesses | 279 |
| SectorCarriedErlangs_Int | 279 |
| SectorNumber | 280 |
| SessionSetupCount | 280 |

PERFORMANCE DATA REFERENCE
 Prospect® 8.0 for Motorola CDMA/AMPS/EVDO R22/S19/R8

| | |
|--------------------------------------|-----|
| SixWaySoftHOStateDuration | 280 |
| SlotCycle1Count | 281 |
| SlotCycle2Count | 281 |
| SlotCycle3Count | 281 |
| SofterHOAddFailures | 282 |
| SofterHOAddSuccesses | 282 |
| SofterHODropFailures | 282 |
| SofterHODropSuccesses | 283 |
| SoftHOAddFailures | 283 |
| SoftHOAddSuccesses | 283 |
| SoftHODropFailures | 284 |
| SoftHODropSuccesses | 284 |
| SuspectFlag | 284 |
| TCHDisconnectionsAllOthers | 284 |
| TCHDisconnectionsForcedDisconnection | 285 |
| TCHDisconnectionsNormalRelease | 285 |
| ThreeWaySoftHOStateDuration | 285 |
| TotalAccRFConnections | 286 |
| TotalInitRFConnections | 286 |
| TotalLastRFConnections | 286 |
| TrafficChannelUsageTimeMODEM | 287 |
| TwoWaySoftHOStateDuration | 287 |
| UATIRequestAccessDenials | 287 |
| BSC_DO Primitive Calculations | 288 |
| AbnormalSessionRelease% | 288 |
| AN_AAA_AuthCompleted% | 288 |
| AN_AAA_AuthFailure% | 288 |
| CFC_0_1_NC | 288 |
| CFC_0_109_SRN | 289 |
| CFC_0_11_UFR | 289 |
| CFC_0_12_SCF | 289 |
| CFC_0_13_SCU | 289 |
| CFC_0_176_SCF | 289 |
| CFC_0_177_SRN | 289 |
| CFC_0_214_SRD | 289 |
| CFC_0_215_SRD | 290 |
| CFC_0_216_SRD | 290 |
| CFC_0_3_NC | 290 |
| CFC_0_4_NC | 290 |
| CFC_0_7_NC | 290 |
| CFC_0_8_SRA | 290 |
| CFC_1_176_SCF | 290 |
| CFC_1_182_NCC | 291 |
| CFC_13_0_NC | 291 |
| CFC_14_8_SCF | 291 |
| CFC_2_0_SRA | 291 |
| CFC_2_176_SCF | 291 |
| CFC_24_0_UFAR | 291 |
| CFC_3_120_UFH | 291 |
| CFC_7_102_SCC | 292 |
| CompletedCallConnWithBSCDO_InitConn% | 292 |

Updated: 2008-11-20

PERFORMANCE DATA REFERENCE
 Prospect® 8.0 for Motorola CDMA/AMPS/EVDO R22/S19/R8

| | |
|--|-----|
| CompletedCallConnWithBSCDO_Reconn% | 292 |
| DroppedFwdBytesPDSNToBSCDO% | 292 |
| EndUserConnSetupFailureSansA12AFR% | 292 |
| EndUserNormalConnClose% | 293 |
| GRAPHmultiLineSeparator | 293 |
| NormalSessionRelease% | 293 |
| NUMDAYS | 293 |
| NUMHOURS | 293 |
| PagingAttemptsScheme1 | 293 |
| PagingFailure% | 293 |
| PagingFailuresScheme1 | 294 |
| PagingReactivationSuccess% | 294 |
| ReconnectnSuccessWithoutSessNeg% | 294 |
| SessionConfigCompleted% | 294 |
| SessionConfigFailure% | 294 |
| TotalRvsDOSDropBytes | 294 |
| TotalRvsDOSDropBytes% | 294 |
| TotalRvsDOSDropPackets | 295 |
| TotalRvsDOSDropPackets% | 295 |
| UATIAssignmentFailureRATI% | 295 |
| UATIAssignmentSuccessRATI% | 295 |
| BSC_DO Peg Counts | 295 |
| BlockingRatePCFResrc_AVG | 295 |
| BlockingRatePCFResrc_MAX | 296 |
| BlockRate_AVG | 296 |
| BlockRate_MAX | 296 |
| BSCDOUsageMin | 297 |
| CallConnFailuresCausedByBSCDO_InitConn | 297 |
| CallConnFailuresCausedByBSCDO_Reconn | 297 |
| CallConnFailWithBSCDOPCFResrc | 298 |
| CallProcessingRate_AVG | 298 |
| CallProcessingRate_MAX | 298 |
| CFC_0_101_NC | 299 |
| CFC_0_102_NC | 299 |
| CFC_0_103_NC | 299 |
| CFC_0_105_NC | 300 |
| CFC_0_108_NC | 300 |
| CFC_0_113_NC | 300 |
| CFC_0_115_NC | 300 |
| CFC_0_116_NC | 301 |
| CFC_0_117_NC | 301 |
| CFC_0_119_NC | 301 |
| CFC_0_120_UFH | 302 |
| CFC_0_125_NC | 302 |
| CFC_0_131_NC | 302 |
| CFC_0_144_UFH | 303 |
| CFC_0_146_NC | 303 |
| CFC_0_147_NC | 303 |
| CFC_0_149_NC | 304 |
| CFC_0_15_STF | 304 |
| CFC_0_151_NC | 304 |

PERFORMANCE DATA REFERENCE
Prospect® 8.0 for Motorola CDMA/AMPS/EVDO R22/S19/R8

| | |
|-------------------------------------|-----|
| CFC_0_16_STF | 305 |
| CFC_0_184_NC | 305 |
| CFC_0_185_NC | 305 |
| CFC_0_186_NC | 305 |
| CFC_0_187_NC | 306 |
| CFC_0_189_NC | 306 |
| CFC_0_19_STF | 306 |
| CFC_0_191_NC | 307 |
| CFC_0_196_NC | 307 |
| CFC_0_197_NC | 307 |
| CFC_0_198_SRA | 308 |
| CFC_0_20_STF | 308 |
| CFC_0_202_NC | 308 |
| CFC_0_203_NC | 309 |
| CFC_0_204_NC | 309 |
| CFC_0_208_SRA | 309 |
| CFC_0_209_SRN | 309 |
| CFC_0_21_NC | 310 |
| CFC_0_210_NC | 310 |
| CFC_0_211_NC | 310 |
| CFC_1_0_NC | 311 |
| CFC_10_0_NC | 311 |
| CFC_11_0_NC | 311 |
| CFC_12_0_NC | 312 |
| CFC_14_0_SCF | 312 |
| CFC_14_7_SCF | 312 |
| CFC_16_0_SCF | 313 |
| CFC_2_8_SRA | 313 |
| CFC_20_0_NC | 313 |
| CFC_21_0_NC | 313 |
| CFC_21_21_NC | 314 |
| CFC_22_0_NC | 314 |
| CFC_23_0_UAR | 314 |
| CFC_23_11_UFR | 315 |
| CFC_25_10_UFR | 315 |
| CFC_26_0_NC | 315 |
| CFC_3_0_NC | 316 |
| CFC_30_0_NC | 316 |
| CFC_31_0_NC | 316 |
| CFC_35_0_NC | 317 |
| CFC_36_0_NC | 317 |
| CFC_4_0_NC | 317 |
| CFC_4_21_NC | 318 |
| CFC_6_0_NC | 318 |
| CFC_7_0_SCC | 318 |
| CFC_7_13_SCC | 318 |
| CFC_9_0_NC | 319 |
| CollectionPeriod_PM | 319 |
| CompletedCallConnWithBSCDO_InitConn | 319 |
| CompletedCallConnWithBSCDO_Reconn | 320 |
| DroppedFwdBytesPDSNToBSCDO | 320 |

Updated: 2008-11-20

PERFORMANCE DATA REFERENCE
Prospect® 8.0 for Motorola CDMA/AMPS/EVDO R22/S19/R8

| | |
|-------------------------------------|-----|
| FwdAirUsageMinBSCDO | 320 |
| FwdBytesBSCDOToMODEM | 321 |
| FwdBytesPDSNToBSCDO | 321 |
| FwdPacketsBSCDOToMODEM | 321 |
| FwdPacketsPDSNToBSCDO | 322 |
| FwdThroughputBSCDOToModem_AVG | 322 |
| FwdThroughputBSCDOToModem_MAX | 322 |
| FwdThroughputPDSNToBSCDO_AVG | 323 |
| FwdThroughputPDSNToBSCDO_MAX | 323 |
| HOTO1xCount | 323 |
| HRPDSsessRelKeepAliveTimrExpire | 324 |
| MarketID | 324 |
| MFPAUsersPercentage_Int | 324 |
| PagingAttempts | 325 |
| PagingAttemptsForReactivation | 325 |
| PagingAttemptsScheme2 | 325 |
| PagingFailurePercentage_AVG | 326 |
| PagingFailurePercentage_MAX | 326 |
| PagingFailures | 326 |
| PagingFailuresForReactivation | 327 |
| PagingFailuresScheme2 | 327 |
| PresentConnections_AVG | 327 |
| PresentConnections_MAX | 328 |
| PresentSessions_AVG | 328 |
| PresentSessions_MAX | 328 |
| ReconnctnFailureWithoutSessNeg | 329 |
| ReconnctnRequestWithoutSessNeg | 329 |
| ReconnctnSuccessWithoutSessNeg | 329 |
| RequestedCallConnWithBSCDO_InitConn | 329 |
| RequestedCallConnWithBSCDO_Reconn | 330 |
| RvsAirUsageMinBSCDO | 330 |
| RvsBytesBSCDOToPDSN | 330 |
| RvsBytesMODEMTToBSCDO | 331 |
| RvsPacketsBSCDOToPDSN | 331 |
| RvsPacketsMODEMTToBSCDO | 331 |
| RvsThroughputBSCDOToPDSN_AVG | 332 |
| RvsThroughputBSCDOToPDSN_MAX | 332 |
| RvsThroughputModemToBSCDO_AVG | 332 |
| RvsThroughputModemToBSCDO_MAX | 333 |
| SuspectFlag | 333 |
| TotalScaSessionUtil_AVG | 333 |
| TrafficChannelUsageTimeBSC | 334 |
| UFC_A12AC | 334 |
| UFC_CRB | 334 |
| UFC_SCC | 335 |
| UFC_SCF | 335 |
| UFC_SCU | 335 |
| UFC_SRA | 336 |
| UFC_SRD | 336 |
| UFC_SRN | 336 |
| UFC_SRR | 336 |

PERFORMANCE DATA REFERENCE
 Prospect® 8.0 for Motorola CDMA/AMPS/EVDO R22/S19/R8

| | |
|------------------------------------|-----|
| UFC_STF | 337 |
| UFC_UAR | 337 |
| UFC_UFAR | 337 |
| UFC_UFH | 338 |
| UFC_UFR | 338 |
| BSC_DO_Cage Primitive Calculations | 338 |
| GRAPHmultiLineSeparator | 338 |
| NUMDAYS | 339 |
| NUMHOURS | 339 |
| BSC_DO_Card Primitive Calculations | 339 |
| BlockingTimeofBSCDOCard% | 339 |
| GrphMulLnSeptr | 339 |
| NUMDAYS | 339 |
| NUMHOURS | 339 |
| BSC_DO_Card Peg Counts | 339 |
| BlockingTimeofBSCDOCard | 340 |
| BufferUseRateOfTC_AVG | 340 |
| BufferUseRateOfTC_MAX | 340 |
| CollectionPeriod_PM | 340 |
| CPUUseRate_AVG | 341 |
| CPUUseRate_MAX | 341 |
| MemoryUseRate_AVG | 341 |
| MemoryUseRate_MAX | 342 |
| SuspectFlag | 342 |
| BTS_DO Primitive Calculations | 342 |
| GrphMulLnSeptr | 342 |
| NUMDAYS | 343 |
| NUMHOURS | 343 |
| BTS_DO Peg Counts | 343 |
| PreemptForSpanOOS | 343 |
| RscRsvOpenBlockedNoBHBW | 343 |
| RscRsvOpenBlockedNoBHBW_Bundled | 344 |
| CC Primitive Calculations | 344 |
| BlockingTimeOfCC% | 344 |
| CardKindName | 344 |
| GrphMulLnSeptr | 344 |
| InterBSCDormantHOSuccessHOOut | 344 |
| NUMDAYS | 345 |
| NUMHOURS | 345 |
| CC Peg Counts | 345 |
| ActiveMFPAUsers | 345 |
| ActiveMFPAUsersPercentage_Int | 345 |
| BlockingTimeOfCC | 345 |
| CardKind | 346 |
| CollectionPeriod_PM | 346 |
| CPUUseRate_AVG | 346 |
| CPUUseRate_MAX | 347 |
| CurrentAuxConnection | 347 |
| DOSRvsDropBytes | 347 |
| DOSRvsDropPackets | 348 |

Updated: 2008-11-20

PERFORMANCE DATA REFERENCE
 Prospect® 8.0 for Motorola CDMA/AMPS/EVDO R22/S19/R8

| | |
|---------------------------------|-----|
| HandoffFrom1xToDO | 348 |
| InterBSCActiveHOFailureHOIn | 348 |
| InterBSCActiveHOFailureHOOut | 348 |
| InterBSCActiveHOSuccessHOIn | 349 |
| InterBSCActiveHOSuccessHOOut | 349 |
| InterBSCDormantHOFailureHOIn | 349 |
| InterBSCDormantHOFailureHOOut | 350 |
| InterBSCDormantHOSuccessHOIn | 350 |
| MemoryUseRate_AVG | 350 |
| MemoryUseRate_MAX | 351 |
| SuspectFlag | 351 |
| TotalCalls | 351 |
| TotalHandoffCalls | 352 |
| TotalInitialCalls | 352 |
| TotalMFPAUsers | 352 |
| TotalMFPAUsersServed | 352 |
| EMH_Core Primitive Calculations | 353 |
| GRAPHmultiLineSeparator | 353 |
| NUMDAYS | 353 |
| NUMHOURS | 353 |
| EMH_Core Peg Counts | 353 |
| CpuUseRate_AVG | 353 |
| CpuUseRate_MAX | 354 |
| DiskUseRate_AVG | 354 |
| DiskUseRate_MAX | 354 |
| GranularityPeriod | 355 |
| MemUseRate_AVG | 355 |
| MemUseRate_MAX | 355 |
| NodeKind | 355 |
| SuspectFlag | 356 |
| EMH_Med Primitive Calculations | 356 |
| GRAPHmultiLineSeparator | 356 |
| NUMDAYS | 356 |
| NUMHOURS | 356 |
| EMH_Med Peg Counts | 357 |
| CpuUseRate_AVG | 357 |
| CpuUseRate_MAX | 357 |
| DiskUseRate_AVG | 357 |
| DiskUseRate_MAX | 358 |
| GranularityPeriod | 358 |
| MemUseRate_AVG | 358 |
| MemUseRate_MAX | 358 |
| NodeKind | 359 |
| SuspectFlag | 359 |
| EMHBLADE Primitive Calculations | 359 |
| GRAPHmultiLineSeparator | 359 |
| NUMDAYS | 360 |
| NUMHOURS | 360 |
| EMHBLADE Peg Counts | 360 |
| CpuUseRate_AVG | 360 |

PERFORMANCE DATA REFERENCE
 Prospect® 8.0 for Motorola CDMA/AMPS/EVDO R22/S19/R8

| | |
|-------------------------------|-----|
| CpuUseRate_MAX | 360 |
| DiskUseRate_AVG | 361 |
| DiskUseRate_MAX | 361 |
| GranularityPeriod | 361 |
| MemUseRate_AVG | 361 |
| MemUseRate_MAX | 362 |
| NodeKind | 362 |
| SuspectFlag | 362 |
| MCC_DO Primitive Calculations | 363 |
| GrphMulLnSeptr | 363 |
| NUMDAYS | 363 |
| NUMHOURS | 363 |
| RevBundleAvgPktSize | 363 |
| RevBundlebps | 363 |
| RevBundlebpsBkgd | 363 |
| RevBundlebpsConv | 364 |
| RevBundlebpsIntr | 364 |
| RevBundlebpsStrm | 364 |
| RevBundleDroppedPPS | 364 |
| RevBundleDroppedPPSBkgd | 364 |
| RevBundleDroppedPPSConv | 364 |
| RevBundleDroppedPPSIntr | 364 |
| RevBundleDroppedPPSStrm | 365 |
| RevBundlePPS | 365 |
| RevBundlePPSBkgd | 365 |
| RevBundlePPSConv | 365 |
| RevBundlePPSIntr | 365 |
| RevBundlePPSStrm | 365 |
| MCC_DO Peg Counts | 365 |
| AckLackforBcklBwdRpt | 366 |
| AvgPxFlowPerUser | 366 |
| AvgPxFlowResUtil | 366 |
| AvgUserResUtil | 366 |
| BTSID | 367 |
| BundleFailureSec | 367 |
| ChangingofMLPPPBundleBwd | 367 |
| CollectionPeriod_PM | 368 |
| CPUUseRateOfMain_AVG | 368 |
| CPUUseRateOfMain_MAX | 368 |
| DegradedSecAlarmSpan1 | 369 |
| DegradedSecAlarmSpan2 | 369 |
| DegradedSecAlarmSpan3 | 369 |
| DegradedSecAlarmSpan4 | 370 |
| DegradedSecWarningSpan1 | 370 |
| DegradedSecWarningSpan2 | 370 |
| DegradedSecWarningSpan3 | 371 |
| DegradedSecWarningSpan4 | 371 |
| DroppedAF1DataByScheduler | 371 |
| DroppedAF2DataByScheduler | 372 |
| DroppedBEDataByScheduler | 372 |
| DroppedBytesOfModem | 372 |

Updated: 2008-11-20

PERFORMANCE DATA REFERENCE
 Prospect® 8.0 for Motorola CDMA/AMPS/EVDO R22/S19/R8

| | |
|----------------------------|-----|
| DroppedEF1DataByScheduler | 373 |
| DroppedEF2DataByScheduler | 373 |
| DroppedPacketsOfFwdLine | 373 |
| DroppedPacketsOfRevLine | 374 |
| ErroredSecondsLineSpan1 | 374 |
| ErroredSecondsLineSpan2 | 374 |
| ErroredSecondsLineSpan3 | 374 |
| ErroredSecondsLineSpan4 | 375 |
| ErroredSecondsPathSpan1 | 375 |
| ErroredSecondsPathSpan2 | 375 |
| ErroredSecondsPathSpan3 | 376 |
| ErroredSecondsPathSpan4 | 376 |
| FwdLineUseRate_AVG | 376 |
| FwdLineUseRate_MAX | 377 |
| LineCodeViolationSpan1 | 377 |
| LineCodeViolationSpan2 | 377 |
| LineCodeViolationSpan3 | 378 |
| LineCodeViolationSpan4 | 378 |
| MemoryUseRateOfMain_AVG | 378 |
| MemoryUseRateOfMain_MAX | 378 |
| MinMLPPBundleBHBW | 379 |
| NodeKind | 379 |
| PathCodeViolationSpan1 | 379 |
| PathCodeViolationSpan2 | 380 |
| PathCodeViolationSpan3 | 380 |
| PathCodeViolationSpan4 | 380 |
| PERLEN | 381 |
| PxFlowAttBlockRate | 381 |
| PxFlowAttempts | 381 |
| PxFlowLimit | 382 |
| PxFlowTotalUsage | 382 |
| PxFlowTotFails | 382 |
| RevACapacityLicenseState | 382 |
| RevBundleBytes | 383 |
| RevBundleBytesBkgd | 383 |
| RevBundleBytesConv | 383 |
| RevBundleBytesIntr | 384 |
| RevBundleBytesStrm | 384 |
| RevBundleDroppedPktsBkgd | 385 |
| RevBundleDroppedPktsConv | 385 |
| RevBundleDroppedPktsFTP | 385 |
| RevBundleDroppedPktsIntr | 386 |
| RevBundleDroppedPktsSNMP | 386 |
| RevBundleDroppedPktsStrm | 386 |
| RevBundleDroppedPktsTELNET | 387 |
| RevBundlePkts | 387 |
| RevBundlePktsBkgd | 387 |
| RevBundlePktsConv | 388 |
| RevBundlePktsIntr | 388 |
| RevBundlePktsStrm | 388 |
| RvsLineUseRate_AVG | 389 |

PERFORMANCE DATA REFERENCE
 Prospect® 8.0 for Motorola CDMA/AMPS/EVDO R22/S19/R8

| | |
|--------------------------------------|-----|
| RvsLineUseRate_MAX | 389 |
| SeverelyErroredSecondsLineSpan1 | 389 |
| SeverelyErroredSecondsLineSpan2 | 389 |
| SeverelyErroredSecondsLineSpan3 | 390 |
| SeverelyErroredSecondsLineSpan4 | 390 |
| SeverelyErroredSecondsPathSpan1 | 390 |
| SeverelyErroredSecondsPathSpan2 | 391 |
| SeverelyErroredSecondsPathSpan3 | 391 |
| SeverelyErroredSecondsPathSpan4 | 391 |
| SuspectFlag | 392 |
| UDPPortUtilizationOverBackhaulPort1 | 392 |
| UDPPortUtilizationOverBackhaulPort2 | 392 |
| UDPPortUtilizationOverBackhaulPort3 | 393 |
| UDPPortUtilizationOverBackhaulPort4 | 393 |
| UDPPortUtilizationOverBackhaulPort5 | 393 |
| UDPPortUtilizationOverBackhaulPort6 | 394 |
| UDPPortUtilizationOverBackhaulPort7 | 394 |
| UDPPortUtilizationOverBackhaulPort8 | 394 |
| UnavailableSecSpan1 | 395 |
| UnavailableSecSpan2 | 395 |
| UnavailableSecSpan3 | 395 |
| UnavailableSecSpan4 | 396 |
| UserAttBlockRate | 396 |
| UserAttBlockRateResLmt | 396 |
| UserErlangs | 396 |
| UserFailuresFlowRes | 397 |
| UserFailuresUserRes | 397 |
| UserLimit | 397 |
| UserTotalAttempts | 398 |
| UserTotalUsage | 398 |
| ZeroBwdOccured | 398 |
| MCC_DO_Modem Primitive Calculations | 399 |
| NUMDAYS | 399 |
| NUMHOURS | 399 |
| MCC_DO_Modem Peg Counts | 399 |
| AccessChannelOccupancyRate_AVG | 399 |
| AccessChannelOccupancyRate_MAX | 399 |
| APCModemFDN | 400 |
| AveAF1PacketsperMultiUserPackets_AVG | 400 |
| AveAF2PacketsperMultiUserPackets_AVG | 400 |
| AveBEPacketsperMultiUserPackets_AVG | 401 |
| AveDRCinAF1PacketsTransmission_AVG | 401 |
| AveDRCinAF2PacketsTransmission_AVG | 401 |
| AveDRCinBEPacketsTransmission_AVG | 402 |
| AveDRCinEF1PacketsTransmission_AVG | 402 |
| AveDRCinEF2PacketsTransmission_AVG | 402 |
| AveEF1PacketsperMultiUserPackets_AVG | 403 |
| AveEF2PacketsperMultiUserPackets_AVG | 403 |
| AveForwardThroughputOfAF1Flows_AVG | 403 |
| AveForwardThroughputOfAF2Flows_AVG | 404 |
| AveForwardThroughputOfBEFlows_AVG | 404 |

Updated: 2008-11-20

PERFORMANCE DATA REFERENCE
 Prospect® 8.0 for Motorola CDMA/AMPS/EVDO R22/S19/R8

| | |
|---|-----|
| AveForwardThroughputOfEF1Flows_AVG | 404 |
| AveForwardThroughputOfEF2Flows_AVG | 405 |
| AverageFwdTransmissionWaitTime | 405 |
| AverageRequestedDRC | 405 |
| AveReverseThroughputOfAF1Flows_AVG | 406 |
| AveReverseThroughputOfAF2Flows_AVG | 406 |
| AveReverseThroughputOfBEFlows_AVG | 406 |
| AveReverseThroughputOfEF1Flows_AVG | 407 |
| AveReverseThroughputOfEF2Flows_AVG | 407 |
| AveReverseThroughputOfHiCapFlows_AVG | 407 |
| AveReverseThroughputOfLoLatFlows_AVG | 407 |
| AveSchedulingDelayOfAF1Flows_AVG | 408 |
| AveSchedulingDelayOfAF2Flows_AVG | 408 |
| AveSchedulingDelayOfBEFlows_AVG | 408 |
| AveSchedulingDelayOfEF1Flows_AVG | 409 |
| AveSchedulingDelayOfEF2Flows_AVG | 409 |
| AveUserPacketsperMultiUserPackets_AVG | 409 |
| BandClass | 410 |
| BTSID | 410 |
| CCAsyncMsgs_Discarded_At_CCAsyncQueue | 410 |
| CCAsyncMsgs_Discarded_At_SchedulerQueue | 411 |
| ChannelNumber | 411 |
| CollectionPeriod_PM | 411 |
| FailedLARQSubPackets | 412 |
| ForwardControlChannelOccupancy_AVG | 412 |
| ForwardControlChannelOccupancy_MAX | 412 |
| ForwardLinkPEREstimation_AVG | 413 |
| ForwardLinkPEREstimation_MAX | 413 |
| FwdAirBytesMODEM | 413 |
| FwdAirThroughputMODEM_AVG | 414 |
| FwdAirThroughputMODEM_MAX | 414 |
| FwdLink1228_8kAssignmentCount | 414 |
| FwdLink153_6kAssignmentCount | 415 |
| FwdLink1536kAssignmentCount | 415 |
| FwdLink1843_2kAssignmentCount | 415 |
| FwdLink19_2kAssignmentCount | 416 |
| FwdLink2457_6kAssignmentCount | 416 |
| FwdLink307_2kAssignmentCount | 416 |
| FwdLink3072kAssignmentCount | 417 |
| FwdLink38_4kAssignmentCount | 417 |
| FwdLink4_8kAssignmentCount | 417 |
| FwdLink614_4kAssignmentCount | 417 |
| FwdLink76_8kAssignmentCount | 418 |
| FwdLink9_6kAssignmentCount | 418 |
| FwdLink921_6kAssignmentCount | 418 |
| LARQSubPacketOfHiCap | 419 |
| LARQSubPacketOfLoLat | 419 |
| NodeKind | 419 |
| PeakForwardThroughputOfAF1Flows_MAX | 420 |
| PeakForwardThroughputOfAF2Flows_MAX | 420 |
| PeakForwardThroughputOfBEFlows_MAX | 420 |

PERFORMANCE DATA REFERENCE
 Prospect® 8.0 for Motorola CDMA/AMPS/EVDO R22/S19/R8

| | |
|---------------------------------------|-----|
| PeakForwardThroughputOfEF1Flows_MAX | 421 |
| PeakForwardThroughputOfEF2Flows_MAX | 421 |
| PeakFwdLinkSectorThroughput_AVG | 421 |
| PeakFwdLinkSectorThroughput_MAX | 422 |
| PeakReverseThroughputOfAF1Flows_MAX | 422 |
| PeakReverseThroughputOfAF2Flows_MAX | 422 |
| PeakReverseThroughputOfBEFlows_MAX | 423 |
| PeakReverseThroughputOfEF1Flows_MAX | 423 |
| PeakReverseThroughputOfEF2Flows_MAX | 423 |
| PeakReverseThroughputOfHiCapFlows_MAX | 423 |
| PeakReverseThroughputOfLoLatFlows_MAX | 424 |
| PeakRvsLinkSectorThroughput_AVG | 424 |
| PeakRvsLinkSectorThroughput_MAX | 424 |
| RABBusyRatio_AVG | 425 |
| RABBusyRatio_MAX | 425 |
| RatioOfDRCIndex0x0_AVG | 425 |
| RatioOfDRCIndex0x1_AVG | 426 |
| RatioOfDRCIndex0x2_AVG | 426 |
| RatioOfDRCIndex0x3_AVG | 426 |
| RatioOfDRCIndex0x4_AVG | 427 |
| RatioOfDRCIndex0x5_AVG | 427 |
| RatioOfDRCIndex0x6_AVG | 427 |
| RatioOfDRCIndex0x7_AVG | 428 |
| RatioOfDRCIndex0x8_AVG | 428 |
| RatioOfDRCIndex0x9_AVG | 428 |
| RatioOfDRCIndex0xa_AVG | 429 |
| RatioOfDRCIndex0xb_AVG | 429 |
| RatioOfDRCIndex0xc_AVG | 429 |
| RatioOfDRCIndex0xd_AVG | 430 |
| RatioOfDRCIndex0xe_AVG | 430 |
| Received1stSubPacketOfHiCap | 430 |
| Received1stSubPacketOfLoLat | 431 |
| Received2ndSubPacketOfHiCap | 431 |
| Received2ndSubPacketOfLoLat | 431 |
| Received3rdSubPacketOfHiCap | 432 |
| Received3rdSubPacketOfLoLat | 432 |
| ReceivedACPacketsBy19_2kbps | 432 |
| ReceivedACPacketsBy38_4kbps | 433 |
| ReceivedACPacketsBy9_6kbps | 433 |
| ReceivedPowerRSSIAnt0_AVG | 433 |
| ReceivedPowerRSSIAnt0_MAX | 434 |
| ReceivedPowerRSSIAnt0_MIN | 434 |
| ReceivedPowerRSSIAnt1_AVG | 434 |
| ReceivedPowerRSSIAnt1_MAX | 434 |
| ReceivedPowerRSSIAnt1_MIN | 435 |
| ReverseNoiseRiseAnt0_AVG | 435 |
| ReverseNoiseRiseAnt0_MAX | 435 |
| ReverseNoiseRiseAnt0_MIN | 436 |
| ReverseNoiseRiseAnt1_AVG | 436 |
| ReverseNoiseRiseAnt1_MAX | 436 |
| ReverseNoiseRiseAnt1_MIN | 437 |

Updated: 2008-11-20

PERFORMANCE DATA REFERENCE
 Prospect® 8.0 for Motorola CDMA/AMPS/EVDO R22/S19/R8

| | |
|-----------------------------------|-----|
| RvsAirBytesMODEM | 437 |
| RvsAirPERMODEM_AVG | 437 |
| RvsAirPERMODEM_MAX | 438 |
| RvsAirThroughputMODEM_AVG | 438 |
| RvsAirThroughputMODEM_MAX | 438 |
| RvsLink115_2kPacketReceptionCount | 439 |
| RvsLink153_6kPacketReceptionCount | 439 |
| RvsLink19_2kPacketReceptionCount | 439 |
| RvsLink230_4kPacketReceptionCount | 440 |
| RvsLink28_8kPacketReceptionCount | 440 |
| RvsLink307_2kPacketReceptionCount | 440 |
| RvsLink38_4kPacketReceptionCount | 441 |
| RvsLink4_8kPacketReceptionCount | 441 |
| RvsLink460_8kPacketReceptionCount | 441 |
| RvsLink57_6kPacketReceptionCount | 441 |
| RvsLink76_8kPacketReceptionCount | 442 |
| RvsLink9_6kPacketReceptionCount | 442 |
| SlotsUsageForAsyncChannel_AVG | 442 |
| SlotsUsageForSubsyncChannel_AVG | 443 |
| SlotsUsageForSyncChannel_AVG | 443 |
| SlotUsageOfAF1Flows_AVG | 443 |
| SlotUsageOfAF2Flows_AVG | 444 |
| SlotUsageOfBEFlows_AVG | 444 |
| SlotUsageOfEF1Flows_AVG | 444 |
| SlotUsageOfEF2Flows_AVG | 445 |
| SuspectFlag | 445 |
| TransmittedCCPacketsBy19_2kbps | 445 |
| TransmittedCCPacketsBy38_4kbps | 446 |
| TransmittedCCPacketsBy76_8kbps | 446 |
| TransmittedFTCPacketSize1024bits | 446 |
| TransmittedFTCPacketSize128bits | 447 |
| TransmittedFTCPacketSize2048bits | 447 |
| TransmittedFTCPacketSize256bits | 447 |
| TransmittedFTCPacketSize3072bits | 448 |
| TransmittedFTCPacketSize4096bits | 448 |
| TransmittedFTCPacketSize5120bits | 448 |
| TransmittedFTCPacketSize512bits | 449 |
| UserSlotAssignmentRate_AVG | 449 |
| UserSlotAssignmentRate_MAX | 449 |
| SCA Primitive Calculations | 450 |
| GRAPHmultiLineSeparator | 450 |
| NUMDAYS | 450 |
| NUMHOURS | 450 |
| SCA Peg Counts | 450 |
| CpuUseRate_AVG | 450 |
| CpuUseRate_MAX | 450 |
| GranularityPeriod | 451 |
| MemUseRate_AVG | 451 |
| MemUseRate_MAX | 451 |
| SuspectFlag | 452 |

PERFORMANCE DATA REFERENCE
 Prospect® 8.0 for Motorola CDMA/AMPS/EVDO R22/S19/R8

| | |
|---|-----|
| Sector_DO Primitive Calculations | 452 |
| GRAPHmultiLineSeparator | 452 |
| NUMDAYS | 452 |
| NUMHOURS | 452 |
| Sector_DO Peg Counts | 452 |
| RscRsvOpenBlockedNoFLBW | 453 |
| RscRsvOpenBlockedNoFLBW_Bundled | 453 |
| RscRsvOpenBlockedNoFLFlowCnt | 453 |
| RscRsvOpenBlockedNoFLFlowCnt_Bundled | 454 |
| RscRsvOpenBlockedNoRNR | 454 |
| RscRsvOpenBlockedNoRNR_Bundled | 454 |
| SectorCarrier_DO Primitive Calculations | 455 |
| CFC_26_102_DC | 455 |
| CFC_26_179_DC | 455 |
| ConnectionRequestDenied% | 455 |
| EndUserConnSetupFailure% | 455 |
| EndUserDroppedConn% | 455 |
| GRAPHmultiLineSeparator | 455 |
| NUMDAYS | 456 |
| NUMHOURS | 456 |
| UATIRequestDeniedRATI% | 456 |
| SectorCarrier_DO Peg Counts | 456 |
| CFC_1_101_NCC | 456 |
| CFC_1_102_NCC | 456 |
| CFC_1_179_NCC | 457 |
| CFC_1_7_NCC | 457 |
| CFC_10_105_CF | 457 |
| CFC_10_105_DC | 458 |
| CFC_11_102_NCC | 458 |
| CFC_11_105_NCC | 458 |
| CFC_12_113_CF | 459 |
| CFC_12_114_CF | 459 |
| CFC_2_101_DC | 459 |
| CFC_20_105_CF | 459 |
| CFC_20_180_CF | 460 |
| CFC_20_183_CF | 460 |
| CFC_22_105_CF | 460 |
| CFC_22_105_DC | 461 |
| CFC_22_7_CF | 461 |
| CFC_26_7_CF | 461 |
| CFC_27_102_DC | 462 |
| CFC_27_7_CF | 462 |
| CFC_3_103_NCC | 462 |
| CFC_3_119_NCC | 463 |
| CFC_3_188_NCC | 463 |
| CFC_3_199_DC | 463 |
| CFC_3_202_NCC | 464 |
| CFC_3_204_NCC | 464 |
| CFC_3_210_NCC | 464 |
| CFC_30_1_CF | 465 |

Updated: 2008-11-20

PERFORMANCE DATA REFERENCE
 Prospect® 8.0 for Motorola CDMA/AMPS/EVDO R22/S19/R8

| | |
|-------------------------------------|-----|
| CFC_30_3_CF | 465 |
| CFC_30_4_CF | 465 |
| CFC_36_102_CF | 465 |
| CFC_36_102_DC | 466 |
| CFC_36_105_CF | 466 |
| CFC_36_105_DC | 466 |
| CFC_4_113_CF | 467 |
| CFC_4_115_CF | 467 |
| CFC_4_117_CF | 467 |
| CFC_4_119_CF | 468 |
| CFC_4_151_CF | 468 |
| CFC_4_162_CF | 468 |
| CFC_4_163_CF | 469 |
| CFC_4_201_CF | 469 |
| CFC_4_206_CF | 469 |
| CFC_6_102_NCC | 469 |
| CFC_9_102_CF | 470 |
| CFC_9_102_DC | 470 |
| CFC_9_105_CF | 470 |
| CFC_9_105_DC | 471 |
| CFC_9_183_CF | 471 |
| CFC_9_7_CF | 471 |
| NumOfSilentRetry | 472 |
| UFC_A12AF | 472 |
| UFC_A12AR | 472 |
| UFC_A12RF | 473 |
| UFC_A12RR | 473 |
| UFC_CF | 473 |
| UFC_CRD | 474 |
| UFC_DC | 474 |
| UFC_NCC | 474 |
| UFC_UAR | 474 |
| UFC_UFAR | 475 |
| UFC_UFR | 475 |
| UFC_URDR | 475 |
| SSC Primitive Calculations | 476 |
| GRAPHmultiLineSeparator | 476 |
| NUMDAYS | 476 |
| NUMHOURS | 476 |
| SSC Peg Counts | 476 |
| CpuUseRate_AVG | 476 |
| CpuUseRate_MAX | 477 |
| DiskUseRate_AVG | 477 |
| DiskUseRate_MAX | 477 |
| GranularityPeriod | 477 |
| MemUseRate_AVG | 478 |
| MemUseRate_MAX | 478 |
| NodeKind | 478 |
| SuspectFlag | 479 |
| System Primitive Calculations | 479 |

PERFORMANCE DATA REFERENCE
 Prospect® 8.0 for Motorola CDMA/AMPS/EVDO R22/S19/R8

| | |
|---|-----|
| GRAPHmultiLineSeparator | 479 |
| NUMDAYS | 479 |
| NUMHOURS | 479 |
| TC Primitive Calculations | 479 |
| AveA10FlowControlTime_AVG | 480 |
| BlockingTimeOfTC% | 480 |
| CardKindName | 480 |
| GrphMulLnSeptr | 480 |
| NUMDAYS | 480 |
| NUMHOURS | 480 |
| TC Peg Counts | 480 |
| A10FlowControlConnection | 480 |
| A10FlowControlTime | 481 |
| BlockingTimeOfTC | 481 |
| BufferUseRateOfTC_AVG | 481 |
| BufferUseRateOfTC_MAX | 482 |
| CardKind | 482 |
| CollectionPeriod_PM | 482 |
| CPUUseRate_AVG | 483 |
| CPUUseRate_MAX | 483 |
| DOSFwdBytes | 483 |
| DOSFwdDropBytes | 484 |
| DOSFwdDropPackets | 484 |
| DOSFwdPackets | 484 |
| DOSRvsBytes | 484 |
| DOSRvsDropBytes | 485 |
| DOSRvsDropPackets | 485 |
| DOSRvsPackets | 485 |
| DroppedBytesUncertainDirection | 486 |
| DroppedFwdPacketsBufferFailure | 486 |
| DroppedFwdPacketsDisconnectedCall | 486 |
| DroppedFwdPacketsIllegalPacketReception | 487 |
| DroppedFwdPacketsStateInconsistency | 487 |
| DroppedFwdPacketsTimeout | 487 |
| DroppedPacketsUncertainDirection | 488 |
| MemoryUseRate_AVG | 488 |
| MemoryUseRate_MAX | 488 |
| PresentActiveUsersOfTC_AVG | 489 |
| PresentActiveUsersOfTC_MAX | 489 |
| PresentUsersofTC_AVG | 489 |
| PresentUsersofTC_MAX | 490 |
| SuspectFlag | 490 |
| TotalActiveTimePerTerminal | 490 |
| TotalCalls | 490 |
| TRA Primitive Calculations | 491 |
| A12AuthenticationAttemptRate | 491 |
| A12AuthenticationSuccesses | 491 |
| A12AuthenticationSuccessRate | 491 |
| BlockingTimeofTRA% | 491 |
| CardKindName | 492 |

Updated: 2008-11-20

| | |
|---|------------|
| GrphMullnSeptr | 492 |
| NUMDAYS | 492 |
| NUMHOURS | 492 |
| TRA Peg Counts | 492 |
| A12AuthenticationAttempts | 492 |
| A12AuthenticationFailures | 492 |
| BlockingTimeofTRA | 493 |
| CardKind | 493 |
| CollectionPeriod_PM | 493 |
| CPUUseRate_AVG | 494 |
| CPUUseRate_MAX | 494 |
| HomeSubscriberPerCHAPResponse | 494 |
| InvalidCHAPResponseFromAT | 495 |
| LCPNegotiationFailures | 495 |
| MemoryUseRate_AVG | 495 |
| MemoryUseRate_MAX | 496 |
| NoCHAPResponseFromAT | 496 |
| SuspectFlag | 496 |
| 5 ConsolidatedRouter_Do Entities | 499 |
| 6 ConsolidatedRouter_Do Fields | 501 |
| System Primitive Calculations | 501 |
| GRAPHmultiLineSeparator | 501 |
| NUMDAYS | 501 |
| NUMHOURS | 501 |
| 7 MSC Entities | 503 |
| 8 MSC Fields | 509 |
| AccChan Primitive Calculations | 509 |
| AcceptReg | 509 |
| AchCallSuAtt | 509 |
| ADDSPgAckAccChan | 509 |
| ADDSTrnsfAccChan | 509 |
| AvgBytesLocSrvcMsgACH | 510 |
| AvgBytesSMS_MsgACH | 510 |
| DistRegNonSlot | 510 |
| DistRegSlot | 510 |
| FailReg | 510 |
| GRAPHmultiLineSeparator | 510 |
| MiscRegNonSlot | 510 |
| MiscRegNonSlot_R161 | 511 |
| MiscRegSlot | 511 |
| MiscRegSlot_R161 | 511 |
| NnSlotPgAck | 511 |
| nonSlottedPageAcknowledge | 511 |
| NUMDAYS | 511 |
| NUMHOURS | 511 |
| OrderedRegNonSlot | 511 |
| OrderedRegSlot | 512 |
| OrigAsgnAttAccChan | 512 |
| OrigAsgnAttAccChanTerckt | 512 |

PERFORMANCE DATA REFERENCE
 Prospect® 8.0 for Motorola CDMA/AMPS/EVDO R22/S19/R8

| | |
|------------------------------|-----|
| OrigAsgnAttFailRF | 512 |
| OrigAsgnCompAccChan | 512 |
| OrigAttAccChan | 512 |
| OrigAttFailNtwrk | 512 |
| ParamChgRegNonSlot | 513 |
| ParamChgRegSlot | 513 |
| PgAck | 513 |
| pOrigComp | 513 |
| pTermComp | 513 |
| PwrDnRegNonSlot | 513 |
| PwrDnRegSlot | 513 |
| PwrUpRegNonSlot | 514 |
| PwrUpRegSlot | 514 |
| SlotPgAck | 514 |
| slottedPageAcknowledge | 514 |
| TermAsgnAttAccChan | 514 |
| TermAsgnAttFailRF | 514 |
| TermAsgnCompAccChan | 514 |
| TermAtt | 515 |
| TermAttFailNtwrk | 515 |
| TimerRegNonSlot | 515 |
| TimerRegSlot | 515 |
| TotNnSlotReg | 515 |
| TotPgAck | 515 |
| TotSlotReg | 515 |
| UnknownEnterpriseField | 516 |
| ZoneRegNonSlot | 516 |
| ZoneRegSlot | 516 |
| AccChan Peg Counts | 516 |
| AuthentChalRespMsgACH | 516 |
| DataBurstMsgsACH | 516 |
| ExtendStatRespMsgACH | 517 |
| InvalidCapsulesACH | 517 |
| LocSrvMsgsACH | 517 |
| numAccessChannels | 518 |
| NumDevInfoMsgRecvdRCSCH | 518 |
| NumSDBDiscardRCSCH | 518 |
| NumSDBRecvdRCSCH | 519 |
| NumSecurModeReqMsgRecvdRCSCH | 519 |
| OrderMsgsACH | 519 |
| OrigMsgs_SO22_ACH | 520 |
| OrigMsgs_SO23_ACH | 520 |
| OrigMsgs_SO24_ACH | 520 |
| OrigMsgs_SO25_ACH | 521 |
| OrigMsgs_SO33_ACH | 521 |
| OrigMsgsACH | 521 |
| PACACancelMsgACH | 522 |
| PageRespMsg_SO22_ACH | 522 |
| PageRespMsg_SO23_ACH | 522 |
| PageRespMsg_SO24_ACH | 523 |
| PageRespMsg_SO25_ACH | 523 |

Updated: 2008-11-20

PERFORMANCE DATA REFERENCE
 Prospect® 8.0 for Motorola CDMA/AMPS/EVDO R22/S19/R8

| | |
|--------------------------------------|-----|
| PageRespMsg_SO33_ACH | 523 |
| PageRespMsgsACH | 524 |
| PageRespMsgsSMS_PCH | 524 |
| PkValidCapsulesACH | 524 |
| RegMsgsACH | 525 |
| slotSize | 525 |
| SMS_MsgsACH | 525 |
| StatusRespMsgACH | 526 |
| TMSIAssignCompMsgACH | 526 |
| TotalByteSDBRecvdRCSCH | 526 |
| totalNumberOfSlotsOccupied | 527 |
| TotBytesDataBrstMsgsACH | 527 |
| TotBytesLocSrvcMsgsACH | 527 |
| TotBytesSMS_MsgsACH | 528 |
| ValidCapsulesACH | 528 |
| BackHaul Primitive Calculations | 528 |
| GRAPHmultiLineSeparator | 528 |
| NUMDAYS | 528 |
| NUMHOURS | 529 |
| UnknownEnterpriseField | 529 |
| BackHaul_Slot Primitive Calculations | 529 |
| GRAPHmultiLineSeparator | 529 |
| NUMDAYS | 529 |
| NUMHOURS | 529 |
| UnknownEnterpriseField | 529 |
| BBX Primitive Calculations | 529 |
| AvgInterfCancel | 530 |
| GRAPHmultiLineSeparator | 530 |
| InterfCancel2ndHigh | 530 |
| InterfCancel3rdHigh | 530 |
| InterfCancel4thHigh | 530 |
| InterfCancelHigh | 530 |
| NUMDAYS | 530 |
| NUMHOURS | 531 |
| PadActivation | 531 |
| pAvgInterfCanc | 531 |
| pIC2Highest | 531 |
| pIC3Highest | 531 |
| pIC4Highest | 531 |
| pICHighest | 531 |
| PkInterfSigAmp | 531 |
| PkInterfSigAmp2ndHigh | 532 |
| PkInterfSigAmp3rdHigh | 532 |
| PkInterfSigAmp4thHigh | 532 |
| PkInterfSigAmpHigh | 532 |
| pPadActv | 532 |
| UnknownEnterpriseField | 532 |
| BSC Available Data Fields | 532 |
| CDF_AvailableDataPct | 533 |
| PM_AvailableDataPct | 533 |

PERFORMANCE DATA REFERENCE
 Prospect® 8.0 for Motorola CDMA/AMPS/EVDO R22/S19/R8

| | |
|---|-----|
| BSC Primitive Calculations | 533 |
| accessFailureNoSilentRetryPercent | 533 |
| AchCallSuAtt | 533 |
| AchOrigAsgnComp | 533 |
| AchTermAsgnComp | 533 |
| ADDSPgAck | 534 |
| ADDSTrnsfr | 534 |
| AllMCCceBusyTimeSec | 534 |
| AuthAck | 534 |
| AuthReq | 534 |
| AvgLngBrdcstADDSPgSMS | 534 |
| CtoAHrdHoAttMM | 534 |
| CtoC_HrdHoAttHandAcr | 535 |
| CtoC_HrdHoAttHndDwn | 535 |
| CtoC_HrdHoAttHndUp | 535 |
| CtoC_HrdHoCompHndAcr | 535 |
| CtoC_HrdHoReqHndAcr | 535 |
| CtoCExtHfrComp | 535 |
| CtoCExtHfrFail | 535 |
| CtoCExtHfrReq | 536 |
| CtoCHHo%CompMM | 536 |
| CtoCHHoAttMM | 536 |
| CtoCHrdHoAttMM | 536 |
| DtoAExtHandfComp | 536 |
| DtoAExtHandfFail | 537 |
| DtoAExtHandfReq | 537 |
| DtoDExtHandfComp | 537 |
| DtoDExtHandfFail | 537 |
| DtoDExtHandfReq | 537 |
| EdgSensHHO_Atts | 537 |
| goodCallPercent | 537 |
| GRAPHmultiLineSeparator | 538 |
| HandtoAttHndAcr | 538 |
| HandtoAttHndDwn | 538 |
| HandtoAttHndUp | 538 |
| HSPDCSUPSuppAddAtt | 538 |
| HSPDHoAtt | 538 |
| icbscHighSpeedPacketDataHandoffAttempts | 538 |
| icbscHighSpeedPacketDataHandoffCompletes | 539 |
| icbscHighSpeedPacketDataHandoffFailures | 539 |
| icbscHighSpeedPacketDataHandoffRequests | 539 |
| icbscTnHighSpeedPacketDataHandoffAttempts | 539 |
| icbscTnHighSpeedPacketDataHandoffFails | 539 |
| icbscTnHighSpeedPacketDataHandoffRequests | 539 |
| InterBandHHO_BndDnAttTgtMM | 540 |
| InterBandHHO_BndUpAttTgtMM | 540 |
| InterBandHIFail | 540 |
| IntraBandHHO_AttTgtMM | 540 |
| IntraBandHHO_CompTgtMM | 540 |
| IntraBandHHO_FailTgtMM | 540 |
| IS2000PktDataHoAtt | 541 |

Updated: 2008-11-20

PERFORMANCE DATA REFERENCE
 Prospect® 8.0 for Motorola CDMA/AMPS/EVDO R22/S19/R8

| | |
|--|-----|
| IWayHHInAtts | 541 |
| MCC_UsqMin | 541 |
| MCCceICBSCGrpUsq | 541 |
| MCCceMemEquip | 541 |
| MCCceOOS_TimeSec | 541 |
| mmEVRCB_PrclId_XC_Tckt | 541 |
| mmEVRCB2NonEVRCB_HHO_SrcMM | 542 |
| mmEVRCB2NonEVRCB_HHO_TgtXC | 542 |
| mobileOriginatedDormantReconnectPacketDataCalls | 542 |
| networkOriginatedDormantReconnectPacketDataCalls | 542 |
| NnSlotPg | 542 |
| NnSlotPgAck | 542 |
| NnSlotPgNoAck | 542 |
| NumA1RadMeasForPosReqs | 543 |
| NumA1RadMeasForPosResp_CauseIE | 543 |
| NumA1RadMeasForPosResp_SOWDIE | 543 |
| NUMDAYS | 543 |
| NUMHOURS | 543 |
| NwayHHInAtts | 543 |
| pAchCallSuComp | 544 |
| Pages | 544 |
| pAllMCCceBusyTime | 544 |
| pCtoAHRdHoCompMM | 544 |
| pCtoCHrdHoCompMM | 544 |
| PercentOfCallsFromTransToTrFO | 545 |
| PercentOfCallsFromTrFOToTrans | 545 |
| pExtHandfComp | 545 |
| pExtHandfDenied | 545 |
| pExtHandfFail | 545 |
| pExtHandtoComp | 545 |
| pExtHandtoFail | 546 |
| PgAck | 546 |
| PgNoAck | 546 |
| pIneffMSCAtt | 546 |
| pIneffRFAtt | 547 |
| pOOS_Time | 547 |
| pSftSftrAddCompTrgt | 547 |
| pSftSftrAddDenTrgt | 547 |
| pSftSftrAddFailTrgt | 547 |
| pSftSftrDropFailTrgt | 548 |
| PwrDnProc | 548 |
| ranDirectedIntraCBSCHardHandOffAttempts | 548 |
| SecinMeasPeriod | 548 |
| SftNwayAddAttMM | 548 |
| SftNwayDropAttMM | 548 |
| SftrNwayAddAttMM | 549 |
| SftrNwayDropAttMM | 549 |
| SftrNwayHODropAtts | 549 |
| SftSftrAddAttTrgt | 549 |
| SftSftrAddReqSrc | 549 |
| SftSftrDropAttTrgt | 549 |

PERFORMANCE DATA REFERENCE
 Prospect® 8.0 for Motorola CDMA/AMPS/EVDO R22/S19/R8

| | |
|---------------------------------------|-----|
| SlotPg | 550 |
| SlotPgAck | 550 |
| SlotPgNoAck | 550 |
| SSDUpdateAck | 550 |
| SSDUpdateReq | 550 |
| tchAuthAcknowledgement | 550 |
| tchAuthRequest | 550 |
| tchSsdUpdateAck | 551 |
| tchSsdUpdateRequest | 551 |
| totalCall | 551 |
| TotalCallAttemptMM | 551 |
| totalDuplicateCfc27CountWithTrueESN | 551 |
| TotBrdestPgAck | 551 |
| TotCellIDAuthReq | 551 |
| TotCellIdenPg | 552 |
| TotExtHandfAtt | 552 |
| TotExtHandfReq | 552 |
| TotExtHandtoAtt | 552 |
| TotHandtoAtt | 552 |
| TotHandtoComp | 552 |
| TotHrdHoAttMM | 553 |
| TotHrdHoCompMM | 553 |
| TotHrdHoReqMM | 553 |
| TotLocAreaAuthReq | 553 |
| TotNnSlotReg | 553 |
| TotNwayAddAttMM | 553 |
| TotNwayAddCompMM | 554 |
| TotNwayAddFailMM | 554 |
| TotNwayAddProcMM | 554 |
| TotNwayAddRequests | 554 |
| TotNwayDropAttMM | 554 |
| TotNwayDropCompMM | 554 |
| TotNwayDropFailMM | 554 |
| TotPg | 555 |
| TotPgAck | 555 |
| TotPktDataCall | 555 |
| TotSlotReg | 555 |
| TotVocdByUnbypReq | 555 |
| TtoLocAreaSSDUpdateReq | 555 |
| UnknownEnterpriseField | 556 |
| BSC Peg Counts | 556 |
| A1pInterfaceUptime_Eth3onMMActiveNode | 556 |
| A1pInterfaceUptime_Eth5onMMActiveNode | 556 |
| A2pCallsTransNotSupported | 556 |
| A2pCallsTransSupportedButNotPerformed | 557 |
| accessFailure | 557 |
| accessFailureCalls | 557 |
| accessFailureNoSilentRetry | 558 |
| activeCalls | 558 |
| ADDSDelAck | 558 |
| ADDSDelBStoMSC | 559 |

Updated: 2008-11-20

PERFORMANCE DATA REFERENCE
 Prospect® 8.0 for Motorola CDMA/AMPS/EVDO R22/S19/R8

| | |
|-----------------------------------|-----|
| ADDSDelMSCtoBS | 559 |
| ADDSPage | 559 |
| AddsPgSMSBrdcst | 559 |
| AddsPgSMSPtoP | 560 |
| AverageA1pDownlinkThroughput | 560 |
| AverageA1pUplinkThroughput | 560 |
| averageCallLength | 560 |
| averageCallLength_1XData | 561 |
| averageCallLength_1XVoice | 561 |
| averageCallLength_Data | 561 |
| averageCallLength_Fax | 562 |
| averageCallLength_IS95PacketData | 562 |
| averageCallLength_IS95Voice | 562 |
| averageCallLength_Markov | 563 |
| averageCallLength_Other | 563 |
| averageCallLength_SMS | 563 |
| averageCallLength_Unknown | 563 |
| averageCallLength_Voice | 564 |
| AvgA2pVocoderResourceLoading | 564 |
| AvgCallSUTimeIS2000Data_woSync | 564 |
| AvgCallSUTimeIS2000DatawSync | 565 |
| AvgCallSUTimeIS95B_Data | 565 |
| AvgCallSUTimeVoice | 565 |
| AvgMSC_Setup | 565 |
| AvgNumBearerFormatTransitionReq | 566 |
| AvgNumBearerFormatTransitionsSucc | 566 |
| AvgPCF_AllocActv | 566 |
| AvgPCF_AllocReActv | 567 |
| AvgXC_Setup | 567 |
| blockedCalls_1XData | 567 |
| blockedCalls_1XVoice | 567 |
| blockedCalls_Data | 568 |
| blockedCalls_Fax | 568 |
| blockedCalls_IS95PacketData | 568 |
| blockedCalls_IS95Voice | 569 |
| blockedCalls_Markov | 569 |
| blockedCalls_Other | 569 |
| blockedCalls_SMS | 570 |
| blockedCalls_Unknown | 570 |
| blockedCalls_Voice | 570 |
| BrdcstAuthReq | 570 |
| BrdcstPages | 571 |
| BrdcstSSDUpdReq | 571 |
| BrdctAdsPgSMSBr | 571 |
| BrdctAdsPgSMSLg | 571 |
| BrdctAdsPgSMSP | 572 |
| C2C_HHO_Fail_MS_Rej | 572 |
| callCCS | 572 |
| CallQualInitHHO_Completes | 573 |
| CallQualInitHHO_Failures | 573 |
| CallQualInitHHO_Requests | 573 |

PERFORMANCE DATA REFERENCE
 Prospect® 8.0 for Motorola CDMA/AMPS/EVDO R22/S19/R8

| | |
|---------------------------|-----|
| CPU_Util_Avg | 574 |
| CPU_Util_Max | 574 |
| CtoAExtHfrComp | 574 |
| CtoAExtHfrFail | 574 |
| CtoAExtHfrReq | 575 |
| CtoC_HandAcrHandfromComp | 575 |
| CtoC_HandAcrHandfromReq | 575 |
| CtoC_HanddownHandfromComp | 575 |
| CtoC_HanddownHandfromFail | 575 |
| CtoC_HanddownHandfromReq | 576 |
| CtoC_HandfromFailHandAcr | 576 |
| CtoC_HandupHandfromComp | 576 |
| CtoC_HandupHandfromFail | 576 |
| CtoC_HandupHandfromReq | 577 |
| data1xCalls | 577 |
| DataX1Calls | 577 |
| dormantCalls | 577 |
| droppedCall | 578 |
| droppedCalls | 578 |
| droppedCalls_1XData | 578 |
| droppedCalls_1XVoice | 579 |
| droppedCalls_CFC3_HOS1111 | 579 |
| droppedCalls_CFC3_HOS1112 | 579 |
| droppedCalls_CFC3_HOS1113 | 580 |
| droppedCalls_CFC3_HOS1121 | 580 |
| droppedCalls_CFC3_HOS1122 | 580 |
| droppedCalls_CFC3_HOS1123 | 581 |
| droppedCalls_CFC3_HOS1131 | 581 |
| droppedCalls_CFC3_HOS1132 | 581 |
| droppedCalls_CFC3_HOS1133 | 581 |
| droppedCalls_CFC3_HOS1141 | 582 |
| droppedCalls_CFC3_HOS1142 | 582 |
| droppedCalls_CFC3_HOS1143 | 582 |
| droppedCalls_CFC3_HOS1151 | 583 |
| droppedCalls_CFC3_HOS1152 | 583 |
| droppedCalls_CFC3_HOS1153 | 583 |
| droppedCalls_CFC3_HOS1161 | 584 |
| droppedCalls_CFC3_HOS1162 | 584 |
| droppedCalls_CFC3_HOS1163 | 584 |
| droppedCalls_CFC3_HOS1211 | 585 |
| droppedCalls_CFC3_HOS1212 | 585 |
| droppedCalls_CFC3_HOS1213 | 585 |
| droppedCalls_CFC3_HOS1221 | 585 |
| droppedCalls_CFC3_HOS1222 | 586 |
| droppedCalls_CFC3_HOS1223 | 586 |
| droppedCalls_CFC3_HOS1231 | 586 |
| droppedCalls_CFC3_HOS1232 | 587 |
| droppedCalls_CFC3_HOS1233 | 587 |
| droppedCalls_CFC3_HOS1241 | 587 |
| droppedCalls_CFC3_HOS1242 | 588 |
| droppedCalls_CFC3_HOS1243 | 588 |

Updated: 2008-11-20

PERFORMANCE DATA REFERENCE
Prospect® 8.0 for Motorola CDMA/AMPS/EVDO R22/S19/R8

| | |
|---------------------------|-----|
| droppedCalls_CFC3_HOS1251 | 588 |
| droppedCalls_CFC3_HOS1252 | 589 |
| droppedCalls_CFC3_HOS1253 | 589 |
| droppedCalls_CFC3_HOS1261 | 589 |
| droppedCalls_CFC3_HOS1262 | 589 |
| droppedCalls_CFC3_HOS1263 | 590 |
| droppedCalls_CFC3_HOS1311 | 590 |
| droppedCalls_CFC3_HOS1312 | 590 |
| droppedCalls_CFC3_HOS1313 | 591 |
| droppedCalls_CFC3_HOS2111 | 591 |
| droppedCalls_CFC3_HOS2112 | 591 |
| droppedCalls_CFC3_HOS2113 | 592 |
| droppedCalls_CFC3_HOS2121 | 592 |
| droppedCalls_CFC3_HOS2122 | 592 |
| droppedCalls_CFC3_HOS2123 | 593 |
| droppedCalls_CFC3_HOS2131 | 593 |
| droppedCalls_CFC3_HOS2132 | 593 |
| droppedCalls_CFC3_HOS2133 | 593 |
| droppedCalls_CFC3_HOS2141 | 594 |
| droppedCalls_CFC3_HOS2142 | 594 |
| droppedCalls_CFC3_HOS2143 | 594 |
| droppedCalls_CFC3_HOS2151 | 595 |
| droppedCalls_CFC3_HOS2152 | 595 |
| droppedCalls_CFC3_HOS2153 | 595 |
| droppedCalls_CFC3_HOS2161 | 596 |
| droppedCalls_CFC3_HOS2162 | 596 |
| droppedCalls_CFC3_HOS2163 | 596 |
| droppedCalls_CFC3_HOS2211 | 597 |
| droppedCalls_CFC3_HOS2212 | 597 |
| droppedCalls_CFC3_HOS2213 | 597 |
| droppedCalls_CFC3_HOS2221 | 597 |
| droppedCalls_CFC3_HOS2222 | 598 |
| droppedCalls_CFC3_HOS2223 | 598 |
| droppedCalls_CFC3_HOS2231 | 598 |
| droppedCalls_CFC3_HOS2232 | 599 |
| droppedCalls_CFC3_HOS2233 | 599 |
| droppedCalls_CFC3_HOS2241 | 599 |
| droppedCalls_CFC3_HOS2242 | 600 |
| droppedCalls_CFC3_HOS2243 | 600 |
| droppedCalls_CFC3_HOS2251 | 600 |
| droppedCalls_CFC3_HOS2252 | 601 |
| droppedCalls_CFC3_HOS2253 | 601 |
| droppedCalls_CFC3_HOS2261 | 601 |
| droppedCalls_CFC3_HOS2262 | 601 |
| droppedCalls_CFC3_HOS2263 | 602 |
| droppedCalls_CFC3_HOS2311 | 602 |
| droppedCalls_CFC3_HOS2312 | 602 |
| droppedCalls_CFC3_HOS2313 | 603 |
| droppedCalls_CFC3_HOS3111 | 603 |
| droppedCalls_CFC3_HOS3112 | 603 |
| droppedCalls_CFC3_HOS3113 | 604 |

PERFORMANCE DATA REFERENCE
Prospect® 8.0 for Motorola CDMA/AMPS/EVDO R22/S19/R8

| | |
|---------------------------|-----|
| droppedCalls_CFC3_HOS3121 | 604 |
| droppedCalls_CFC3_HOS3122 | 604 |
| droppedCalls_CFC3_HOS3123 | 605 |
| droppedCalls_CFC3_HOS3131 | 605 |
| droppedCalls_CFC3_HOS3132 | 605 |
| droppedCalls_CFC3_HOS3133 | 605 |
| droppedCalls_CFC3_HOS3141 | 606 |
| droppedCalls_CFC3_HOS3142 | 606 |
| droppedCalls_CFC3_HOS3143 | 606 |
| droppedCalls_CFC3_HOS3151 | 607 |
| droppedCalls_CFC3_HOS3152 | 607 |
| droppedCalls_CFC3_HOS3153 | 607 |
| droppedCalls_CFC3_HOS3161 | 608 |
| droppedCalls_CFC3_HOS3162 | 608 |
| droppedCalls_CFC3_HOS3163 | 608 |
| droppedCalls_CFC3_HOS3211 | 609 |
| droppedCalls_CFC3_HOS3212 | 609 |
| droppedCalls_CFC3_HOS3213 | 609 |
| droppedCalls_CFC3_HOS3221 | 609 |
| droppedCalls_CFC3_HOS3222 | 610 |
| droppedCalls_CFC3_HOS3223 | 610 |
| droppedCalls_CFC3_HOS3231 | 610 |
| droppedCalls_CFC3_HOS3232 | 611 |
| droppedCalls_CFC3_HOS3233 | 611 |
| droppedCalls_CFC3_HOS3241 | 611 |
| droppedCalls_CFC3_HOS3242 | 612 |
| droppedCalls_CFC3_HOS3243 | 612 |
| droppedCalls_CFC3_HOS3251 | 612 |
| droppedCalls_CFC3_HOS3252 | 613 |
| droppedCalls_CFC3_HOS3253 | 613 |
| droppedCalls_CFC3_HOS3261 | 613 |
| droppedCalls_CFC3_HOS3262 | 613 |
| droppedCalls_CFC3_HOS3263 | 614 |
| droppedCalls_CFC3_HOS3311 | 614 |
| droppedCalls_CFC3_HOS3312 | 614 |
| droppedCalls_CFC3_HOS3313 | 615 |
| droppedCalls_CFC3_HOS4111 | 615 |
| droppedCalls_CFC3_HOS4112 | 615 |
| droppedCalls_CFC3_HOS4113 | 616 |
| droppedCalls_CFC3_HOS4121 | 616 |
| droppedCalls_CFC3_HOS4122 | 616 |
| droppedCalls_CFC3_HOS4123 | 617 |
| droppedCalls_CFC3_HOS4131 | 617 |
| droppedCalls_CFC3_HOS4132 | 617 |
| droppedCalls_CFC3_HOS4133 | 617 |
| droppedCalls_CFC3_HOS4141 | 618 |
| droppedCalls_CFC3_HOS4142 | 618 |
| droppedCalls_CFC3_HOS4143 | 618 |
| droppedCalls_CFC3_HOS4151 | 619 |
| droppedCalls_CFC3_HOS4152 | 619 |
| droppedCalls_CFC3_HOS4153 | 619 |

Updated: 2008-11-20

PERFORMANCE DATA REFERENCE
Prospect® 8.0 for Motorola CDMA/AMPS/EVDO R22/S19/R8

| | |
|---------------------------|-----|
| droppedCalls_CFC3_HOS4161 | 620 |
| droppedCalls_CFC3_HOS4162 | 620 |
| droppedCalls_CFC3_HOS4163 | 620 |
| droppedCalls_CFC3_HOS4211 | 621 |
| droppedCalls_CFC3_HOS4212 | 621 |
| droppedCalls_CFC3_HOS4213 | 621 |
| droppedCalls_CFC3_HOS4221 | 621 |
| droppedCalls_CFC3_HOS4222 | 622 |
| droppedCalls_CFC3_HOS4223 | 622 |
| droppedCalls_CFC3_HOS4231 | 622 |
| droppedCalls_CFC3_HOS4232 | 623 |
| droppedCalls_CFC3_HOS4233 | 623 |
| droppedCalls_CFC3_HOS4241 | 623 |
| droppedCalls_CFC3_HOS4242 | 624 |
| droppedCalls_CFC3_HOS4243 | 624 |
| droppedCalls_CFC3_HOS4251 | 624 |
| droppedCalls_CFC3_HOS4252 | 625 |
| droppedCalls_CFC3_HOS4253 | 625 |
| droppedCalls_CFC3_HOS4261 | 625 |
| droppedCalls_CFC3_HOS4262 | 625 |
| droppedCalls_CFC3_HOS4263 | 626 |
| droppedCalls_CFC3_HOS4311 | 626 |
| droppedCalls_CFC3_HOS4312 | 626 |
| droppedCalls_CFC3_HOS4313 | 627 |
| droppedCalls_CFC3_HOS5111 | 627 |
| droppedCalls_CFC3_HOS5112 | 627 |
| droppedCalls_CFC3_HOS5113 | 628 |
| droppedCalls_CFC3_HOS5121 | 628 |
| droppedCalls_CFC3_HOS5122 | 628 |
| droppedCalls_CFC3_HOS5123 | 629 |
| droppedCalls_CFC3_HOS5131 | 629 |
| droppedCalls_CFC3_HOS5132 | 629 |
| droppedCalls_CFC3_HOS5133 | 629 |
| droppedCalls_CFC3_HOS5141 | 630 |
| droppedCalls_CFC3_HOS5142 | 630 |
| droppedCalls_CFC3_HOS5143 | 630 |
| droppedCalls_CFC3_HOS5151 | 631 |
| droppedCalls_CFC3_HOS5152 | 631 |
| droppedCalls_CFC3_HOS5153 | 631 |
| droppedCalls_CFC3_HOS5161 | 632 |
| droppedCalls_CFC3_HOS5162 | 632 |
| droppedCalls_CFC3_HOS5163 | 632 |
| droppedCalls_CFC3_HOS5211 | 633 |
| droppedCalls_CFC3_HOS5212 | 633 |
| droppedCalls_CFC3_HOS5213 | 633 |
| droppedCalls_CFC3_HOS5221 | 633 |
| droppedCalls_CFC3_HOS5222 | 634 |
| droppedCalls_CFC3_HOS5223 | 634 |
| droppedCalls_CFC3_HOS5231 | 634 |
| droppedCalls_CFC3_HOS5232 | 635 |
| droppedCalls_CFC3_HOS5233 | 635 |

PERFORMANCE DATA REFERENCE
Prospect® 8.0 for Motorola CDMA/AMPS/EVDO R22/S19/R8

| | |
|---------------------------|-----|
| droppedCalls_CFC3_HOS5241 | 635 |
| droppedCalls_CFC3_HOS5242 | 636 |
| droppedCalls_CFC3_HOS5243 | 636 |
| droppedCalls_CFC3_HOS5251 | 636 |
| droppedCalls_CFC3_HOS5252 | 637 |
| droppedCalls_CFC3_HOS5253 | 637 |
| droppedCalls_CFC3_HOS5261 | 637 |
| droppedCalls_CFC3_HOS5262 | 637 |
| droppedCalls_CFC3_HOS5263 | 638 |
| droppedCalls_CFC3_HOS5311 | 638 |
| droppedCalls_CFC3_HOS5312 | 638 |
| droppedCalls_CFC3_HOS5313 | 639 |
| droppedCalls_CFC3_HOS6111 | 639 |
| droppedCalls_CFC3_HOS6112 | 639 |
| droppedCalls_CFC3_HOS6113 | 640 |
| droppedCalls_CFC3_HOS6121 | 640 |
| droppedCalls_CFC3_HOS6122 | 640 |
| droppedCalls_CFC3_HOS6123 | 641 |
| droppedCalls_CFC3_HOS6131 | 641 |
| droppedCalls_CFC3_HOS6132 | 641 |
| droppedCalls_CFC3_HOS6133 | 641 |
| droppedCalls_CFC3_HOS6141 | 642 |
| droppedCalls_CFC3_HOS6142 | 642 |
| droppedCalls_CFC3_HOS6143 | 642 |
| droppedCalls_CFC3_HOS6151 | 643 |
| droppedCalls_CFC3_HOS6152 | 643 |
| droppedCalls_CFC3_HOS6153 | 643 |
| droppedCalls_CFC3_HOS6161 | 644 |
| droppedCalls_CFC3_HOS6162 | 644 |
| droppedCalls_CFC3_HOS6163 | 644 |
| droppedCalls_CFC3_HOS6211 | 645 |
| droppedCalls_CFC3_HOS6212 | 645 |
| droppedCalls_CFC3_HOS6213 | 645 |
| droppedCalls_CFC3_HOS6221 | 645 |
| droppedCalls_CFC3_HOS6222 | 646 |
| droppedCalls_CFC3_HOS6223 | 646 |
| droppedCalls_CFC3_HOS6231 | 646 |
| droppedCalls_CFC3_HOS6232 | 647 |
| droppedCalls_CFC3_HOS6233 | 647 |
| droppedCalls_CFC3_HOS6241 | 647 |
| droppedCalls_CFC3_HOS6242 | 648 |
| droppedCalls_CFC3_HOS6243 | 648 |
| droppedCalls_CFC3_HOS6251 | 648 |
| droppedCalls_CFC3_HOS6252 | 649 |
| droppedCalls_CFC3_HOS6253 | 649 |
| droppedCalls_CFC3_HOS6261 | 649 |
| droppedCalls_CFC3_HOS6262 | 649 |
| droppedCalls_CFC3_HOS6263 | 650 |
| droppedCalls_CFC3_HOS6311 | 650 |
| droppedCalls_CFC3_HOS6312 | 650 |
| droppedCalls_CFC3_HOS6313 | 651 |

Updated: 2008-11-20

PERFORMANCE DATA REFERENCE
Prospect® 8.0 for Motorola CDMA/AMPS/EVDO R22/S19/R8

| | |
|---------------------------|-----|
| droppedCalls_CFC4_HOS1111 | 651 |
| droppedCalls_CFC4_HOS1112 | 651 |
| droppedCalls_CFC4_HOS1113 | 652 |
| droppedCalls_CFC4_HOS1121 | 652 |
| droppedCalls_CFC4_HOS1122 | 652 |
| droppedCalls_CFC4_HOS1123 | 653 |
| droppedCalls_CFC4_HOS1131 | 653 |
| droppedCalls_CFC4_HOS1132 | 653 |
| droppedCalls_CFC4_HOS1133 | 653 |
| droppedCalls_CFC4_HOS1141 | 654 |
| droppedCalls_CFC4_HOS1142 | 654 |
| droppedCalls_CFC4_HOS1143 | 654 |
| droppedCalls_CFC4_HOS1151 | 655 |
| droppedCalls_CFC4_HOS1152 | 655 |
| droppedCalls_CFC4_HOS1153 | 655 |
| droppedCalls_CFC4_HOS1161 | 656 |
| droppedCalls_CFC4_HOS1162 | 656 |
| droppedCalls_CFC4_HOS1163 | 656 |
| droppedCalls_CFC4_HOS1211 | 657 |
| droppedCalls_CFC4_HOS1212 | 657 |
| droppedCalls_CFC4_HOS1213 | 657 |
| droppedCalls_CFC4_HOS1221 | 657 |
| droppedCalls_CFC4_HOS1222 | 658 |
| droppedCalls_CFC4_HOS1223 | 658 |
| droppedCalls_CFC4_HOS1231 | 658 |
| droppedCalls_CFC4_HOS1232 | 659 |
| droppedCalls_CFC4_HOS1233 | 659 |
| droppedCalls_CFC4_HOS1241 | 659 |
| droppedCalls_CFC4_HOS1242 | 660 |
| droppedCalls_CFC4_HOS1243 | 660 |
| droppedCalls_CFC4_HOS1251 | 660 |
| droppedCalls_CFC4_HOS1252 | 661 |
| droppedCalls_CFC4_HOS1253 | 661 |
| droppedCalls_CFC4_HOS1261 | 661 |
| droppedCalls_CFC4_HOS1262 | 661 |
| droppedCalls_CFC4_HOS1263 | 662 |
| droppedCalls_CFC4_HOS1311 | 662 |
| droppedCalls_CFC4_HOS1312 | 662 |
| droppedCalls_CFC4_HOS1313 | 663 |
| droppedCalls_CFC4_HOS2111 | 663 |
| droppedCalls_CFC4_HOS2112 | 663 |
| droppedCalls_CFC4_HOS2113 | 664 |
| droppedCalls_CFC4_HOS2121 | 664 |
| droppedCalls_CFC4_HOS2122 | 664 |
| droppedCalls_CFC4_HOS2123 | 665 |
| droppedCalls_CFC4_HOS2131 | 665 |
| droppedCalls_CFC4_HOS2132 | 665 |
| droppedCalls_CFC4_HOS2133 | 665 |
| droppedCalls_CFC4_HOS2141 | 666 |
| droppedCalls_CFC4_HOS2142 | 666 |
| droppedCalls_CFC4_HOS2143 | 666 |

PERFORMANCE DATA REFERENCE
Prospect® 8.0 for Motorola CDMA/AMPS/EVDO R22/S19/R8

| | |
|---------------------------------|-----|
| droppedCalls_CFC4_HOS2151 | 667 |
| droppedCalls_CFC4_HOS2152 | 667 |
| droppedCalls_CFC4_HOS2153 | 667 |
| droppedCalls_CFC4_HOS2161 | 668 |
| droppedCalls_CFC4_HOS2162 | 668 |
| droppedCalls_CFC4_HOS2163 | 668 |
| droppedCalls_CFC4_HOS2211 | 669 |
| droppedCalls_CFC4_HOS2212 | 669 |
| droppedCalls_CFC4_HOS2213 | 669 |
| droppedCalls_CFC4_HOS2221 | 669 |
| droppedCalls_CFC4_HOS2222 | 670 |
| droppedCalls_CFC4_HOS2223 | 670 |
| droppedCalls_CFC4_HOS2231 | 670 |
| droppedCalls_CFC4_HOS2232 | 671 |
| droppedCalls_CFC4_HOS2233 | 671 |
| droppedCalls_CFC4_HOS2241 | 671 |
| droppedCalls_CFC4_HOS2242 | 672 |
| droppedCalls_CFC4_HOS2243 | 672 |
| droppedCalls_CFC4_HOS2251 | 672 |
| droppedCalls_CFC4_HOS2252 | 673 |
| droppedCalls_CFC4_HOS2253 | 673 |
| droppedCalls_CFC4_HOS2261 | 673 |
| droppedCalls_CFC4_HOS2262 | 673 |
| droppedCalls_CFC4_HOS2263 | 674 |
| droppedCalls_CFC4_HOS2311 | 674 |
| droppedCalls_CFC4_HOS2312 | 674 |
| droppedCalls_CFC4_HOS2313 | 675 |
| droppedCalls_CFC4_HOS3111 | 675 |
| droppedCalls_CFC4_HOS3112 | 675 |
| droppedCalls_CFC4_HOS3113 | 676 |
| droppedCalls_CFC4_HOS3121 | 676 |
| droppedCalls_CFC4_HOS3122 | 676 |
| droppedCalls_CFC4_HOS3123 | 677 |
| droppedCalls_CFC4_HOS3131 | 677 |
| droppedCalls_CFC4_HOS3132 | 677 |
| droppedCalls_CFC4_HOS3133 | 677 |
| droppedCalls_CFC4_HOS3141 | 678 |
| droppedCalls_CFC4_HOS3142 | 678 |
| droppedCalls_CFC4_HOS3143 | 678 |
| droppedCalls_CFC4_HOS3151 | 679 |
| droppedCalls_CFC4_HOS3152 | 679 |
| droppedCalls_CFC4_HOS3153 | 679 |
| droppedCalls_CFC4_HOS3161 | 680 |
| droppedCalls_CFC4_HOS3162 | 680 |
| droppedCalls_CFC4_HOS3163 | 680 |
| droppedCalls_CFC4_HOS3211 | 681 |
| droppedCalls_CFC4_HOS3212 | 681 |
| droppedCalls_CFC4_HOS3213 | 681 |
| droppedCalls_CFC4_HOS3221 | 681 |
| droppedCalls_CFC4_HOS3222 | 682 |
| droppedCalls_CFC4_HOS3223 | 682 |

Updated: 2008-11-20

PERFORMANCE DATA REFERENCE
Prospect® 8.0 for Motorola CDMA/AMPS/EVDO R22/S19/R8

| | |
|---------------------------|-----|
| droppedCalls_CFC4_HOS3231 | 682 |
| droppedCalls_CFC4_HOS3232 | 683 |
| droppedCalls_CFC4_HOS3233 | 683 |
| droppedCalls_CFC4_HOS3241 | 683 |
| droppedCalls_CFC4_HOS3242 | 684 |
| droppedCalls_CFC4_HOS3243 | 684 |
| droppedCalls_CFC4_HOS3251 | 684 |
| droppedCalls_CFC4_HOS3252 | 685 |
| droppedCalls_CFC4_HOS3253 | 685 |
| droppedCalls_CFC4_HOS3261 | 685 |
| droppedCalls_CFC4_HOS3262 | 685 |
| droppedCalls_CFC4_HOS3263 | 686 |
| droppedCalls_CFC4_HOS3311 | 686 |
| droppedCalls_CFC4_HOS3312 | 686 |
| droppedCalls_CFC4_HOS3313 | 687 |
| droppedCalls_CFC4_HOS4111 | 687 |
| droppedCalls_CFC4_HOS4112 | 687 |
| droppedCalls_CFC4_HOS4113 | 688 |
| droppedCalls_CFC4_HOS4121 | 688 |
| droppedCalls_CFC4_HOS4122 | 688 |
| droppedCalls_CFC4_HOS4123 | 689 |
| droppedCalls_CFC4_HOS4131 | 689 |
| droppedCalls_CFC4_HOS4132 | 689 |
| droppedCalls_CFC4_HOS4133 | 689 |
| droppedCalls_CFC4_HOS4141 | 690 |
| droppedCalls_CFC4_HOS4142 | 690 |
| droppedCalls_CFC4_HOS4143 | 690 |
| droppedCalls_CFC4_HOS4151 | 691 |
| droppedCalls_CFC4_HOS4152 | 691 |
| droppedCalls_CFC4_HOS4153 | 691 |
| droppedCalls_CFC4_HOS4161 | 692 |
| droppedCalls_CFC4_HOS4162 | 692 |
| droppedCalls_CFC4_HOS4163 | 692 |
| droppedCalls_CFC4_HOS4211 | 693 |
| droppedCalls_CFC4_HOS4212 | 693 |
| droppedCalls_CFC4_HOS4213 | 693 |
| droppedCalls_CFC4_HOS4221 | 693 |
| droppedCalls_CFC4_HOS4222 | 694 |
| droppedCalls_CFC4_HOS4223 | 694 |
| droppedCalls_CFC4_HOS4231 | 694 |
| droppedCalls_CFC4_HOS4232 | 695 |
| droppedCalls_CFC4_HOS4233 | 695 |
| droppedCalls_CFC4_HOS4241 | 695 |
| droppedCalls_CFC4_HOS4242 | 696 |
| droppedCalls_CFC4_HOS4243 | 696 |
| droppedCalls_CFC4_HOS4251 | 696 |
| droppedCalls_CFC4_HOS4252 | 697 |
| droppedCalls_CFC4_HOS4253 | 697 |
| droppedCalls_CFC4_HOS4261 | 697 |
| droppedCalls_CFC4_HOS4262 | 697 |
| droppedCalls_CFC4_HOS4263 | 698 |

PERFORMANCE DATA REFERENCE
Prospect® 8.0 for Motorola CDMA/AMPS/EVDO R22/S19/R8

| | |
|---------------------------|-----|
| droppedCalls_CFC4_HOS4311 | 698 |
| droppedCalls_CFC4_HOS4312 | 698 |
| droppedCalls_CFC4_HOS4313 | 699 |
| droppedCalls_CFC4_HOS5111 | 699 |
| droppedCalls_CFC4_HOS5112 | 699 |
| droppedCalls_CFC4_HOS5113 | 700 |
| droppedCalls_CFC4_HOS5121 | 700 |
| droppedCalls_CFC4_HOS5122 | 700 |
| droppedCalls_CFC4_HOS5123 | 701 |
| droppedCalls_CFC4_HOS5131 | 701 |
| droppedCalls_CFC4_HOS5132 | 701 |
| droppedCalls_CFC4_HOS5133 | 701 |
| droppedCalls_CFC4_HOS5141 | 702 |
| droppedCalls_CFC4_HOS5142 | 702 |
| droppedCalls_CFC4_HOS5143 | 702 |
| droppedCalls_CFC4_HOS5151 | 703 |
| droppedCalls_CFC4_HOS5152 | 703 |
| droppedCalls_CFC4_HOS5153 | 703 |
| droppedCalls_CFC4_HOS5161 | 704 |
| droppedCalls_CFC4_HOS5162 | 704 |
| droppedCalls_CFC4_HOS5163 | 704 |
| droppedCalls_CFC4_HOS5211 | 705 |
| droppedCalls_CFC4_HOS5212 | 705 |
| droppedCalls_CFC4_HOS5213 | 705 |
| droppedCalls_CFC4_HOS5221 | 705 |
| droppedCalls_CFC4_HOS5222 | 706 |
| droppedCalls_CFC4_HOS5223 | 706 |
| droppedCalls_CFC4_HOS5231 | 706 |
| droppedCalls_CFC4_HOS5232 | 707 |
| droppedCalls_CFC4_HOS5233 | 707 |
| droppedCalls_CFC4_HOS5241 | 707 |
| droppedCalls_CFC4_HOS5242 | 708 |
| droppedCalls_CFC4_HOS5243 | 708 |
| droppedCalls_CFC4_HOS5251 | 708 |
| droppedCalls_CFC4_HOS5252 | 709 |
| droppedCalls_CFC4_HOS5253 | 709 |
| droppedCalls_CFC4_HOS5261 | 709 |
| droppedCalls_CFC4_HOS5262 | 709 |
| droppedCalls_CFC4_HOS5263 | 710 |
| droppedCalls_CFC4_HOS5311 | 710 |
| droppedCalls_CFC4_HOS5312 | 710 |
| droppedCalls_CFC4_HOS5313 | 711 |
| droppedCalls_CFC4_HOS6111 | 711 |
| droppedCalls_CFC4_HOS6112 | 711 |
| droppedCalls_CFC4_HOS6113 | 712 |
| droppedCalls_CFC4_HOS6121 | 712 |
| droppedCalls_CFC4_HOS6122 | 712 |
| droppedCalls_CFC4_HOS6123 | 713 |
| droppedCalls_CFC4_HOS6131 | 713 |
| droppedCalls_CFC4_HOS6132 | 713 |
| droppedCalls_CFC4_HOS6133 | 713 |

Updated: 2008-11-20

PERFORMANCE DATA REFERENCE
Prospect® 8.0 for Motorola CDMA/AMPS/EVDO R22/S19/R8

| | |
|-----------------------------|-----|
| droppedCalls_CFC4_HOS6141 | 714 |
| droppedCalls_CFC4_HOS6142 | 714 |
| droppedCalls_CFC4_HOS6143 | 714 |
| droppedCalls_CFC4_HOS6151 | 715 |
| droppedCalls_CFC4_HOS6152 | 715 |
| droppedCalls_CFC4_HOS6153 | 715 |
| droppedCalls_CFC4_HOS6161 | 716 |
| droppedCalls_CFC4_HOS6162 | 716 |
| droppedCalls_CFC4_HOS6163 | 716 |
| droppedCalls_CFC4_HOS6211 | 717 |
| droppedCalls_CFC4_HOS6212 | 717 |
| droppedCalls_CFC4_HOS6213 | 717 |
| droppedCalls_CFC4_HOS6221 | 717 |
| droppedCalls_CFC4_HOS6222 | 718 |
| droppedCalls_CFC4_HOS6223 | 718 |
| droppedCalls_CFC4_HOS6231 | 718 |
| droppedCalls_CFC4_HOS6232 | 719 |
| droppedCalls_CFC4_HOS6233 | 719 |
| droppedCalls_CFC4_HOS6241 | 719 |
| droppedCalls_CFC4_HOS6242 | 720 |
| droppedCalls_CFC4_HOS6243 | 720 |
| droppedCalls_CFC4_HOS6251 | 720 |
| droppedCalls_CFC4_HOS6252 | 721 |
| droppedCalls_CFC4_HOS6253 | 721 |
| droppedCalls_CFC4_HOS6261 | 721 |
| droppedCalls_CFC4_HOS6262 | 721 |
| droppedCalls_CFC4_HOS6263 | 722 |
| droppedCalls_CFC4_HOS6311 | 722 |
| droppedCalls_CFC4_HOS6312 | 722 |
| droppedCalls_CFC4_HOS6313 | 723 |
| droppedCalls_Data | 723 |
| droppedCalls_Fax | 723 |
| droppedCalls_IS95PacketData | 724 |
| droppedCalls_IS95Voice | 724 |
| droppedCalls_Markov | 724 |
| droppedCalls_Other | 725 |
| droppedCalls_SMS | 725 |
| droppedCalls_Unknown | 725 |
| droppedCalls_Voice | 725 |
| droppedCallsCFC1 | 726 |
| droppedCallsCFC10 | 726 |
| droppedCallsCFC100 | 726 |
| droppedCallsCFC101 | 727 |
| droppedCallsCFC102 | 727 |
| droppedCallsCFC103 | 727 |
| droppedCallsCFC104 | 728 |
| droppedCallsCFC105 | 728 |
| droppedCallsCFC106 | 728 |
| droppedCallsCFC107 | 729 |
| droppedCallsCFC108 | 729 |
| droppedCallsCFC109 | 729 |

PERFORMANCE DATA REFERENCE
Prospect® 8.0 for Motorola CDMA/AMPS/EVDO R22/S19/R8

| | |
|--------------------|-----|
| droppedCallsCFC11 | 729 |
| droppedCallsCFC111 | 730 |
| droppedCallsCFC112 | 730 |
| droppedCallsCFC113 | 730 |
| droppedCallsCFC114 | 731 |
| droppedCallsCFC12 | 731 |
| droppedCallsCFC13 | 731 |
| droppedCallsCFC130 | 732 |
| droppedCallsCFC131 | 732 |
| droppedCallsCFC132 | 732 |
| droppedCallsCFC133 | 733 |
| droppedCallsCFC138 | 733 |
| droppedCallsCFC139 | 733 |
| droppedCallsCFC14 | 733 |
| droppedCallsCFC140 | 734 |
| droppedCallsCFC142 | 734 |
| droppedCallsCFC143 | 734 |
| droppedCallsCFC146 | 735 |
| droppedCallsCFC147 | 735 |
| droppedCallsCFC148 | 735 |
| droppedCallsCFC149 | 736 |
| droppedCallsCFC15 | 736 |
| droppedCallsCFC150 | 736 |
| droppedCallsCFC151 | 737 |
| droppedCallsCFC152 | 737 |
| droppedCallsCFC156 | 737 |
| droppedCallsCFC157 | 737 |
| droppedCallsCFC158 | 738 |
| droppedCallsCFC16 | 738 |
| droppedCallsCFC18 | 738 |
| droppedCallsCFC19 | 739 |
| droppedCallsCFC2 | 739 |
| droppedCallsCFC20 | 739 |
| droppedCallsCFC21 | 740 |
| droppedCallsCFC22 | 740 |
| droppedCallsCFC23 | 740 |
| droppedCallsCFC24 | 741 |
| droppedCallsCFC25 | 741 |
| droppedCallsCFC255 | 741 |
| droppedCallsCFC26 | 741 |
| droppedCallsCFC27 | 742 |
| droppedCallsCFC28 | 742 |
| droppedCallsCFC29 | 742 |
| droppedCallsCFC30 | 743 |
| droppedCallsCFC31 | 743 |
| droppedCallsCFC32 | 743 |
| droppedCallsCFC33 | 744 |
| droppedCallsCFC34 | 744 |
| droppedCallsCFC35 | 744 |
| droppedCallsCFC36 | 745 |
| droppedCallsCFC37 | 745 |

Updated: 2008-11-20

PERFORMANCE DATA REFERENCE

Prospect® 8.0 for Motorola CDMA/AMPS/EVDO R22/S19/R8

| | |
|-------------------------------|-----|
| droppedCallsCFC40 | 745 |
| droppedCallsCFC5 | 745 |
| droppedCallsCFC50 | 746 |
| droppedCallsCFC51 | 746 |
| droppedCallsCFC52 | 746 |
| droppedCallsCFC53 | 747 |
| droppedCallsCFC54 | 747 |
| droppedCallsCFC6 | 747 |
| droppedCallsCFC60 | 748 |
| droppedCallsCFC61 | 748 |
| droppedCallsCFC62 | 748 |
| droppedCallsCFC63 | 749 |
| droppedCallsCFC7 | 749 |
| droppedCallsCFC8 | 749 |
| droppedCallsCFC80 | 749 |
| droppedCallsCFC81 | 750 |
| droppedCallsCFC82 | 750 |
| droppedCallsCFC83 | 750 |
| droppedCallsCFC9 | 751 |
| EdgSensHHO_Comps | 751 |
| EdgSensHHO_Fails | 751 |
| EdgSensHHO_Reqs | 752 |
| Elapsed_Time_SAR | 752 |
| FeatNot | 752 |
| FeatNotfcnAck | 752 |
| FtIntVocUBypsRq | 753 |
| goodCall | 753 |
| goodCalls_1XData | 753 |
| goodCalls_1XVoice | 754 |
| goodCalls_Data | 754 |
| goodCalls_Fax | 754 |
| goodCalls_IS95PacketData | 754 |
| goodCalls_IS95Voice | 755 |
| goodCalls_Markov | 755 |
| goodCalls_Other | 755 |
| goodCalls_SMS | 756 |
| goodCalls_Unknown | 756 |
| goodCalls_Voice | 756 |
| goodCFC26Calls_1XData | 757 |
| goodCFC26Calls_1XVoice | 757 |
| goodCFC26Calls_Data | 757 |
| goodCFC26Calls_Fax | 758 |
| goodCFC26Calls_IS95PacketData | 758 |
| goodCFC26Calls_IS95Voice | 758 |
| goodCFC26Calls_Markov | 758 |
| goodCFC26Calls_Other | 759 |
| goodCFC26Calls_SMS | 759 |
| goodCFC26Calls_Unknown | 759 |
| goodCFC26Calls_Voice | 760 |
| HandtoCompHandAcross | 760 |
| HandtoCompHandDown | 760 |

PERFORMANCE DATA REFERENCE
 Prospect® 8.0 for Motorola CDMA/AMPS/EVDO R22/S19/R8

| | |
|---|-----|
| HandtoCompHandUp | 760 |
| HandtoFailHandAcross | 761 |
| HandtoFailHandDown | 761 |
| HandtoFailHandUp | 761 |
| HrdHtRscAlloc_Att1xtoIS95_TechChng | 761 |
| HrdHtRscAllocAtt_IS95to1x_TechChng | 762 |
| hsdpdCalls | 762 |
| HSPDCSUSpAddComp | 762 |
| HSPDCSUSpAddFail | 763 |
| laCBSCHSPDHOCComp | 763 |
| laCBSCHSPDHOFail | 763 |
| laCBSCHSPDHOReq | 763 |
| lBndHHO_BndDnComp_TgtMM | 764 |
| lBndHHO_BndDnFail_TgtMM | 764 |
| lBndHHO_BndUpComp_TgtMM | 764 |
| lBndHHO_BndUpFail_TgtMM | 765 |
| lCBSCHoRFLsAncCBSC | 765 |
| IntBandHandinAtts | 765 |
| interBandActiveDataHardHandoffBandDownCompletes | 765 |
| interBandActiveDataHardHandoffBandDownFailure | 766 |
| interBandActiveDataHardHandoffBandUpCompletes | 766 |
| interBandActiveDataHardHandoffBandUpFailure | 766 |
| interbandAdhhoBandDownCompletionsTargetMm | 767 |
| interbandAdhhoBandDownFailuresTargetMm | 767 |
| interbandAdhhoBandUpCompletionsTargetMm | 767 |
| interbandAdhhoBandUpFailuresTargetMm | 768 |
| InterCBSC_IS2000PktDataHoAttTN_Trgt | 768 |
| InterCBSC_IS2000PktDataHoAttTrgt | 768 |
| InterCBSC_IS2000PktDataHoFailTN_Trgt | 769 |
| InterCBSC_IS2000PktDataHoFailTrgt | 769 |
| InterCBSC_IS2000PktDataHoReqTN_Trgt | 769 |
| InterCBSC_IS2000PktDataHoReqTrgt | 769 |
| interCbscActiveHardHandoffFailuresForPacketDataCallsTargetMm | 770 |
| interCbscActiveHardHandoffSuccessesForPacketDataCallsTargetMm | 770 |
| InterCbscHardHOFailTgtMM | 770 |
| InterCbscHardHOSuccTgtMM | 771 |
| IntraCBSC_IS2000PktDataHoComp | 771 |
| IntraCBSC_IS2000PktDataHoFail | 771 |
| IntraCBSC_IS2000PktDataHoReq | 771 |
| IntraCBSCHoComp | 772 |
| IntraCBSCHoFail | 772 |
| IntraCBSCHoReq | 772 |
| InvalidMSRes_SmartSMSpage | 772 |
| IS2000ChangeInPktZone | 773 |
| IS2000ServNegNotReq | 773 |
| IS95DataCalls | 773 |
| IS95VoiceCalls | 773 |
| lXTrueESNCount | 774 |
| LocalAltPCF_RedCntPCF_RAResOvf | 774 |
| LocalAltPCF_RedCompPCF_RAResOvf | 774 |
| LocalAltPCF_RedFailPCF_RAResOvf | 775 |

Updated: 2008-11-20

PERFORMANCE DATA REFERENCE
 Prospect® 8.0 for Motorola CDMA/AMPS/EVDO R22/S19/R8

| | |
|-----------------------------------|-----|
| Logical_Name | 775 |
| Logical_Number | 775 |
| lspdCalls | 775 |
| lwayHHInComps | 776 |
| lwayHHInFails | 776 |
| MAHHOInitHHI_Completes | 776 |
| MAHHOInitHHI_Failures | 777 |
| MAHHOInitHHO_Completes | 777 |
| MAHHOInitHHO_Failures | 777 |
| MAHHOInitHHO_Requests | 778 |
| MaxCallSUTimeIS2000Data_woSync | 778 |
| MaxCallSUTimeIS2000Data_wSync | 778 |
| MaxCallSUTimeIS95B_Data | 778 |
| MaxCallSUTimeVoice | 779 |
| MaxMSC_Setup | 779 |
| MaxPCF_AllocActv | 779 |
| MaxPCF_AllocReActv | 779 |
| MaxXC_Setup | 780 |
| MMSoHoAddComp | 780 |
| MMSoHoAddFail | 780 |
| MMSoHoAddReq | 780 |
| MMSoHoDrpCmp | 781 |
| MMSoHoDrpFl | 781 |
| MMSrHoAddCmp | 781 |
| MMSrHoAddFl | 781 |
| MMSrHoAddRq | 781 |
| MMSrHoDrpCmp | 782 |
| MMSrHoDrpFl | 782 |
| MscFlash | 782 |
| MSCFlashAck | 782 |
| Node_Number | 783 |
| NonBrdcstPgAck | 783 |
| NslotAuthReq | 783 |
| NslotSSDUpdReq | 783 |
| numberOfAIBlockAckReceived | 784 |
| numberOfAIBlockSent | 784 |
| numberOfAIResetCktAckReceived | 784 |
| numberOfAIResetCktAckSent | 784 |
| numberOfAIResetCktReceived | 785 |
| numberOfAIResetCktSent | 785 |
| numberOfAIUnblockAckReceived | 785 |
| numberOfAIUnblockSent | 786 |
| NumberOfPagesWithoutBandClassInfo | 786 |
| NumCandFreqSrch | 786 |
| numFlowControlInvoked | 787 |
| numFlowControlSuccess | 787 |
| NumSDBDiscardMM | 787 |
| NumSDBSuccSentToPCF | 787 |
| numXoffGrePktRetrans | 788 |
| numXonGrePktRetrans | 788 |
| NwayHHInComps | 788 |

PERFORMANCE DATA REFERENCE
 Prospect® 8.0 for Motorola CDMA/AMPS/EVDO R22/S19/R8

| | |
|---|-----|
| NwayHHInFails | 789 |
| NwayHrdHt_RscAllocTryNewCarr | 789 |
| OMC_Number | 789 |
| PacketsDroppedOnA1pInterfaceDueToInvalidNetmaskorPort | 789 |
| PacketsDroppedOnA1pInterfaceDueToInvalidProtocol | 790 |
| PageReqs_SMS_Brdcst | 790 |
| PeakA1pDownlinkThroughput | 790 |
| PeakA1pUplinkThroughput | 791 |
| PeakA2pVocoderResourceLoading | 791 |
| PgRestoMSCNoTag | 791 |
| PkNumBearerFormatTransitionReq | 792 |
| PkNumBearerFormatTransitionsSucc | 792 |
| PktDtBSSvReq | 792 |
| PktDtBSSvResFl | 793 |
| PktDtBSSvResSuc | 793 |
| PktDtPPPEst | 793 |
| plcmCollisionAvoided | 793 |
| PwrDnRel | 794 |
| ranDirectedIntraCBSCHardHandOffCompletions | 794 |
| ranDirectedIntraCBSCHardHandOffFailures | 794 |
| RefCellHoPrf | 795 |
| RsrcAllocAltCarr | 795 |
| RsrcAllocAltOffSet | 795 |
| RsrcAllocAltRadTech | 795 |
| sessionCalls | 795 |
| setupFailureCalls_1XData | 796 |
| setupFailureCalls_1XVoice | 796 |
| setupFailureCalls_Data | 796 |
| setupFailureCalls_Fax | 797 |
| setupFailureCalls_IS95PacketData | 797 |
| setupFailureCalls_IS95Voice | 797 |
| setupFailureCalls_Markov | 798 |
| setupFailureCalls_Other | 798 |
| setupFailureCalls_SMS | 798 |
| setupFailureCalls_Unknown | 799 |
| setupFailureCalls_Voice | 799 |
| setupFailureOriginations | 799 |
| setupFailureTerminations | 799 |
| SlotAuthReq | 800 |
| SlotSSDUpdReq | 800 |
| SmartSMS_MSLocSrchAtt | 800 |
| SmartSMS_PayldDlvryAtt | 801 |
| SmartSMSA1_ADDSpagMsgShed | 801 |
| SmartSMSDlvrySucc_Lyr2Ack | 801 |
| SmartSMSDlvrySucc_Lyr3Ack | 801 |
| SmartSMSPayld_InvalidMSDlvry | 802 |
| smsCalls | 802 |
| SMV_PrclD_XC_Tckt | 802 |
| SMV2NonSMV_HHO_TgtXC | 802 |
| statusRequestConnectionless | 803 |
| statusRequestConnectionlessWithoutRerInfo | 803 |

Updated: 2008-11-20

PERFORMANCE DATA REFERENCE
 Prospect® 8.0 for Motorola CDMA/AMPS/EVDO R22/S19/R8

| | |
|--|-----|
| statusRequestConnectionOriented | 803 |
| statusResponseConnectionless | 804 |
| statusResponseConnectionOriented | 804 |
| SuccIntBandMAHHOcarr | 804 |
| SuccIntBandNonMAHHOcarr | 805 |
| SysNnSltPg | 805 |
| SysSltPg | 805 |
| TotalA2pCalls | 805 |
| totalBlockedCalls | 806 |
| totalCalls_1XData | 806 |
| totalCalls_1XVoice | 806 |
| totalCalls_Data | 807 |
| totalCalls_Fax | 807 |
| totalCalls_IS95PacketData | 807 |
| totalCalls_IS95Voice | 808 |
| totalCalls_Markov | 808 |
| totalCalls_Other | 808 |
| totalCalls_SMS | 808 |
| totalCalls_Unknown | 809 |
| totalCalls_Voice | 809 |
| totalCalls114 | 809 |
| totalCalls116 | 810 |
| totalCallsWithoutHHO_Sms | 810 |
| totalCdlS | 810 |
| totalCDLs_1XData | 811 |
| totalCDLs_1XVoice | 811 |
| totalCDLs_Data | 811 |
| totalCDLs_Fax | 812 |
| totalCDLs_IS95PacketData | 812 |
| totalCDLs_IS95Voice | 812 |
| totalCDLs_Markov | 812 |
| totalCDLs_Other | 813 |
| totalCDLs_SMS | 813 |
| totalCDLs_Unknown | 813 |
| totalCDLs_Voice | 814 |
| totalDataCalls | 814 |
| totalGoodCalls | 814 |
| totalGoodCfc26Count | 815 |
| totalGoodSmsCalls | 815 |
| totalHhoCalls | 815 |
| TotalNumOfCallsEVRC | 816 |
| TotalNumOfCallsEVRC0 | 816 |
| TotalNumOfCallsEVRCB | 816 |
| TotalNumOfCallsEVRCB0 | 816 |
| TotalNumOfCallsPCM | 817 |
| totalOriginations | 817 |
| totalShoCalls | 817 |
| totalSilentRetryCalls | 818 |
| totalSmsCalls | 818 |
| totalTerminations | 818 |
| totalUniqueUsers | 819 |

PERFORMANCE DATA REFERENCE
 Prospect® 8.0 for Motorola CDMA/AMPS/EVDO R22/S19/R8

| | |
|---|-----|
| totalUsageHours | 819 |
| unique1XUsers_1XData | 819 |
| unique1XUsers_1XVoice | 820 |
| unique1XUsers_Data | 820 |
| unique1XUsers_Fax | 820 |
| unique1XUsers_IS95PacketData | 820 |
| unique1XUsers_IS95Voice | 821 |
| unique1XUsers_Markov | 821 |
| unique1XUsers_Other | 821 |
| unique1XUsers_SMS | 822 |
| unique1XUsers_Unknown | 822 |
| unique1XUsers_Voice | 822 |
| uniqueUsers_1XData | 823 |
| uniqueUsers_1XVoice | 823 |
| uniqueUsers_Data | 823 |
| uniqueUsers_Fax | 824 |
| uniqueUsers_IS95PacketData | 824 |
| uniqueUsers_IS95Voice | 824 |
| uniqueUsers_Markov | 824 |
| uniqueUsers_Other | 825 |
| uniqueUsers_SMS | 825 |
| uniqueUsers_Unknown | 825 |
| uniqueUsers_Voice | 826 |
| usageHours_1XData | 826 |
| usageHours_1XVoice | 826 |
| usageHours_Data | 827 |
| usageHours_Fax | 827 |
| usageHours_IS95PacketData | 827 |
| usageHours_IS95Voice | 828 |
| usageHours_Markov | 828 |
| usageHours_Other | 828 |
| usageHours_SMS | 828 |
| usageHours_Unknown | 829 |
| usageHours_Voice | 829 |
| VcdrBypReq | 829 |
| VocReqSuccAck | 830 |
| voice1xCalls | 830 |
| voiceCalls | 830 |
| VoiceX1Calls | 831 |
| BSC_LocationArea Primitive Calculations | 831 |
| AvgLngLocArADDSPgSMS | 831 |
| BandClassNumber | 831 |
| GRAPHmultiLineSeparator | 831 |
| NUMDAYS | 831 |
| NUMHOURS | 832 |
| TotLocAreaPg | 832 |
| UnknownEnterpriseField | 832 |
| BSC_LocationArea Peg Counts | 832 |
| acceptedRegistrations | 832 |
| addsSmsArrived | 832 |
| addsSmsTransmitted | 833 |

Updated: 2008-11-20

PERFORMANCE DATA REFERENCE
 Prospect® 8.0 for Motorola CDMA/AMPS/EVDO R22/S19/R8

| | |
|---|-----|
| averagePchLoad | 833 |
| broadcastSmsArrived | 833 |
| broadcastSmsTransmitted | 833 |
| distanceBasedRegistrationsNonSlotted | 833 |
| distanceBasedRegistrationsSlotted | 834 |
| featureNotificationArrived | 834 |
| featureNotificationTransmitted | 834 |
| LocAreaADDSPgSMSBrdest | 834 |
| LocAreaADDSPgSMSLength | 835 |
| LocAreaADDSPgSMSP2P | 835 |
| LocAreaAuthReq | 835 |
| LocAreaPg | 835 |
| LocAreaSSDUpdReq | 836 |
| numberOfCarriersInLac | 836 |
| numberOfGeneralPageRequestMessagesSentForSmartSmsLocationArea | 836 |
| numberOfSectorsInLac | 836 |
| orderedRegistrationsNonSlotted | 837 |
| orderedRegistrationsSlotted | 837 |
| pageArrived | 837 |
| PageReqMsgsSMS_LocArea | 837 |
| pageTransmitted | 838 |
| parameterChangeRegistrationsNonSlotted | 838 |
| parameterChangeRegistrationsSlotted | 838 |
| powerDownRegistrationsNonSlotted | 838 |
| powerDownRegistrationsSlotted | 839 |
| powerUpRegistrationsNonSlotted | 839 |
| powerUpRegistrationsSlotted | 839 |
| timerBasedRegistrationsNonSlotted | 839 |
| timerBasedRegistrationsSlotted | 840 |
| totalNonSlottedRegistrations | 840 |
| totalSlottedRegistrations | 840 |
| zoneBasedRegistrationsNonSlotted | 840 |
| zoneBasedRegistrationsSlotted | 840 |
| BSC_PCF Peg Counts | 841 |
| callCCS | 841 |
| BSC_ServiceMode Primitive Calculations | 841 |
| GRAPHmultiLineSeparator | 841 |
| NUMDAYS | 841 |
| NUMHOURS | 841 |
| BSC_ServiceMode_RC Primitive Calculations | 842 |
| GRAPHmultiLineSeparator | 842 |
| NUMDAYS | 842 |
| NUMHOURS | 842 |
| BSC_ServiceMode_RC Peg Counts | 842 |
| ForwardLinkDuration | 842 |
| ForwardLinkFER | 843 |
| ReverseLinkFER | 843 |
| ReverseLinkFullRateActivity | 843 |
| ReverseLinkFullRateFER | 844 |
| BSC_ServiceOption Primitive Calculations | 844 |

PERFORMANCE DATA REFERENCE
 Prospect® 8.0 for Motorola CDMA/AMPS/EVDO R22/S19/R8

| | |
|---|-----|
| GRAPHmultiLineSeparator | 844 |
| NUMDAYS | 844 |
| NUMHOURS | 844 |
| BSC_ServiceOption Peg Counts | 844 |
| automaticInterBandRedirectionSuccessesForOriginations | 844 |
| automaticInterBandRedirectionSuccessesForTermination | 845 |
| BSC_SS7Link Primitive Calculations | 845 |
| GRAPHmultiLineSeparator | 845 |
| NUMDAYS | 845 |
| NUMHOURS | 845 |
| BSC_SS7Link Peg Counts | 846 |
| congestionCount | 846 |
| congestionPerSecondAverage | 846 |
| congestionPerSecondMaximum | 846 |
| msuCount | 847 |
| msuDiscarded | 847 |
| msuPerSecond | 847 |
| msuRetransmitted | 847 |
| rxByteCount | 848 |
| rxLoadAverage | 848 |
| rxLoadMaximum | 848 |
| txByteCount | 849 |
| txLoadAverage | 849 |
| txLoadMaximum | 849 |
| BTS Primitive Calculations | 850 |
| GRAPHmultiLineSeparator | 850 |
| NUMHOURS | 850 |
| UnknownEnterpriseField | 850 |
| BTS Peg Counts | 850 |
| AvgIncomingBWUtilBTS | 850 |
| AvgIncomingPktRateBTS | 850 |
| AvgOutgoingBWUtilBTS | 851 |
| AvgOutgoingPktRateBTS | 851 |
| MaxIncomingBWUtilBTS | 851 |
| MaxIncomingPktRateBTS | 851 |
| MaxiOutgoingPktRateBTS | 852 |
| MaxOutgoingBWUtilBTS | 852 |
| BTS_Cell Primitive Calculations | 852 |
| BTS_SignalTypeDesc | 852 |
| FwdSCH_ResrcAllocFailNoBckBW | 852 |
| FwdSCH_ResrcAllocFailNoCapRF | 852 |
| FwdSCH_ResrcAllocFailNoCE | 853 |
| FwdSCH_ResrcAllocFailNoWC | 853 |
| FwdSCH_ResrcReq | 853 |
| GRAPHmultiLineSeparator | 853 |
| ICBSCSoHoAddCompTrgtBTS | 853 |
| ICBSCSoHoDrpCompTrgtBTS | 853 |
| ICBSCSrHoAddCompTrgtBTS | 853 |
| ICBSCSrHoDrpCompTrgtBTS | 854 |
| NUMDAYS | 854 |

PERFORMANCE DATA REFERENCE

Prospect® 8.0 for Motorola CDMA/AMPS/EVDO R22/S19/R8

| | |
|--------------------------------------|-----|
| NUMHOURS | 854 |
| RvsSCH_ResrcAllocFailNoBckBW | 854 |
| RvsSCH_ResrcAllocFailNoCapRF | 854 |
| RvsSCH_ResrcAllocFailNoCE | 854 |
| RvsSCH_ReSrcReq | 854 |
| Site_Name | 855 |
| UnknownEnterpriseField | 855 |
| BTS_Cell Peg Counts | 855 |
| BTS_SignalType | 855 |
| btsBandClass | 855 |
| btsBandClass2 | 855 |
| BTSFwdSCH_ResrcAllocFailCPU_OvrlD | 856 |
| BTSFwdSCH_ResrcRespFailNoComnTsIice | 856 |
| BTSFwdSCH_ResrcRespFailTimerExp | 856 |
| BTSRvsSCH_ResrcAllocFailCPU_OvrlD | 856 |
| BTSRvsSCH_ResrcRespFailNoComnTsIice | 857 |
| BTSRvsSCH_ResrcRespFailTimerExp | 857 |
| CallDuration | 857 |
| FwdNumberTS1X | 858 |
| FwdTSDuration1X | 858 |
| HSPDHOChanAsgnBTS | 858 |
| HSPDHORadioCERelBTS | 858 |
| HSPDHOStateChngBTS | 858 |
| HSPDHOSuppChanAsgnBTS | 859 |
| ICBSC_SftHoAddAttTN_TrgtBTS | 859 |
| ICBSC_SftHoAddFailTN_TrgtBTS | 859 |
| ICBSC_SftHoAddReqTN_TrgtBTS | 859 |
| ICBSC_SftHoDropAttTN_TrgtBTS | 860 |
| ICBSC_SftHoDropFailTN_TrgtBTS | 860 |
| ICBSC_SftrHoAddAttTN_TrgtBTS | 860 |
| ICBSC_SftrHoAddFailTN_TrgtBTS | 860 |
| ICBSC_SftrHoAddReqTN_TrgtBTS | 861 |
| ICBSC_SftrHoDropAttTN_TrgtBTS | 861 |
| ICBSC_SftrHoDropFailTN_TrgtBTS | 861 |
| ICBSCSoHoAddAttTrgtBTS | 861 |
| ICBSCSoHoAddFailTrgtBTS | 862 |
| ICBSCSoHoAddReqTrgtBTS | 862 |
| ICBSCSoHoDrpAttTrgtBTS | 862 |
| ICBSCSoHoDrpFailTrgtBTS | 862 |
| ICBSCSrHoAddAttTrgtBTS | 863 |
| ICBSCSrHoAddFailTrgtBTS | 863 |
| ICBSCSrHoAddReqTrgtBTS | 863 |
| ICBSCSrHoDrpAttTrgtBTS | 863 |
| ICBSCSrHoDrpFailTrgtBTS | 864 |
| IS2000PktDataSftAddOperCompTrgtBTS | 864 |
| IS2000PktDataSftAddOperFailTrgtBTS | 864 |
| IS2000PktDataSftDropOperCompTrgtBTS | 864 |
| IS2000PktDataSftDropOperFailTrgtBTS | 865 |
| IS2000PktDataSftrAddOperCompTrgtBTS | 865 |
| IS2000PktDataSftrAddOperFailTrgtBTS | 865 |
| IS2000PktDataSftrDropOperCompTrgtBTS | 865 |

PERFORMANCE DATA REFERENCE
 Prospect® 8.0 for Motorola CDMA/AMPS/EVDO R22/S19/R8

| | |
|--------------------------------------|-----|
| IS2000PktDataSftrDropOperFailTrgtBTS | 866 |
| RvsNumberTS1X | 866 |
| RvsTSDuration1X | 866 |
| SiteType | 866 |
| SoHoAddCompTrgtBTS | 867 |
| SoHoAddFailTrgtBTS | 867 |
| SoHoAddReqTrgtBTS | 867 |
| SoHoDrpCompTrgtBTS | 867 |
| SoHoDrpFailTrgtBTS | 868 |
| SrHoAddCompTrgtBTS | 868 |
| SrHoAddFailTrgtBTS | 868 |
| SrHoAddReqTrgtBTS | 868 |
| SrHoDrpCompTrgtBTS | 868 |
| SrHoDrpFailTrgtBTS | 869 |
| TotalCalls | 869 |
| TotRadio_ChnMesgGenMM | 869 |
| TotSTCH_AsgnMesgGenMM | 870 |
| TotSTCH_AsgnMesgGenXC | 870 |
| TotTCH_DesMesgGenMM | 870 |
| TotTCH_DesMesgGenSDU | 870 |
| ubsIndicator | 871 |
| BTS_DataRate Primitive Calculations | 871 |
| DataRate_Kbps | 871 |
| FwdAvg3G_ThruPut | 871 |
| FwdSCH_AllocSuccTot | 871 |
| FwdSCH_EffctvUseSecs | 871 |
| FwdSCH_ReqNotCancelTot | 871 |
| FwdSCH_TotSuccAtt | 872 |
| FwdTotalUsage_Kbits | 872 |
| FwdTotalUsage_Secs | 872 |
| FwdUsageSecs_DataRate_1 | 872 |
| FwdUsageSecs_DataRate_16 | 872 |
| FwdUsageSecs_DataRate_2 | 872 |
| FwdUsageSecs_DataRate_4 | 873 |
| FwdUsageSecs_DataRate_8 | 873 |
| GRAPHmultiLineSeparator | 873 |
| NUMDAYS | 873 |
| NUMHOURS | 873 |
| pFwdSCH_AllocSuccMDR | 873 |
| pRvsSCH_AllocSuccMDR | 873 |
| RvsAvg3G_ThruPut | 874 |
| RvsSCH_AllocSuccTot | 874 |
| RvsSCH_EffctvUseSecs | 874 |
| RvsSCH_ReqNotCancelTot | 874 |
| RvsSCH_TotSuccAtt | 874 |
| RvsTotalUsage_Kbits | 874 |
| RvsTotalUsage_Secs | 875 |
| RvsUsageSecs_DataRate_1 | 875 |
| RvsUsageSecs_DataRate_16 | 875 |
| RvsUsageSecs_DataRate_2 | 875 |
| RvsUsageSecs_DataRate_4 | 875 |

Updated: 2008-11-20

PERFORMANCE DATA REFERENCE
 Prospect® 8.0 for Motorola CDMA/AMPS/EVDO R22/S19/R8

| | |
|--|-----|
| RvsUsageSecs_DataRate_8 | 875 |
| TotalAvg3G_ThruPut | 875 |
| UnknownEnterpriseField | 876 |
| BTS_DataRate Peg Counts | 876 |
| FwdSCH_AsgnCancel | 876 |
| FwdSCH_BTS_RateChngNewRate | 876 |
| FwdSCH_BTS_RateChngOldRate | 876 |
| FwdSCH_BTS_RespFailNoCapRF | 877 |
| FwdSCH_BTS_RespFailNoWC | 877 |
| FwdSCH_MultpBTS_Req | 877 |
| FwdSCH_MultpBTS_ReqCancel | 877 |
| FwdSCH_SDU_CommitLowerRate | 877 |
| FwdSCH_SDU_CommitSameRate | 878 |
| FwdSCH_SingleBTS_Req | 878 |
| FwdSCH_SingleBTS_ReqCancel | 878 |
| FwdSCH_SingleBTS_RespLowerRate | 878 |
| FwdSCH_SingleBTS_RespSameRate | 879 |
| RvsSCH_AsgnCancel | 879 |
| RvsSCH_BTS_RateChngNewRate | 879 |
| RvsSCH_BTS_RateChngOldRate | 879 |
| RvsSCH_BTS_RespFailNoCapRF | 880 |
| RvsSCH_MultpBTS_Req | 880 |
| RvsSCH_MultpBTS_ReqCancel | 880 |
| RvsSCH_SDU_CommitLowerRate | 880 |
| RvsSCH_SDU_CommitSameRate | 881 |
| RvsSCH_SingleBTS_Req | 881 |
| RvsSCH_SingleBTS_ReqCancel | 881 |
| RvsSCH_SingleBTS_RespLowerRate | 881 |
| RvsSCH_SingleBTS_RespSameRate | 882 |
| BTS_RadioConfig Primitive Calculations | 882 |
| FwdFCH1W_SHO_MCC_CCS | 882 |
| FwdFCH2W_SHO_MCC_CCS | 882 |
| FwdFCH3W_SHO_MCC_CCS | 882 |
| GRAPHmultiLineSeparator | 883 |
| NUMDAYS | 883 |
| NUMHOURS | 883 |
| ServiceModeName | 883 |
| BTS_RadioConfig Peg Counts | 883 |
| FwdFCH1W_SHO_MCC_Secs | 883 |
| FwdFCH2W_SHO_MCC_Secs | 884 |
| FwdFCH3W_SHO_MCC_Secs | 884 |
| BTS_RateSet Primitive Calculations | 884 |
| DataSet_Kbps | 884 |
| GRAPHmultiLineSeparator | 884 |
| NUMDAYS | 885 |
| NUMHOURS | 885 |
| UnknownEnterpriseField | 885 |
| BTS_ServiceOption Primitive Calculations | 885 |
| AsyncDat2VocTogAtt | 885 |
| AsyncDat2VocTogProcFail | 885 |

PERFORMANCE DATA REFERENCE
 Prospect® 8.0 for Motorola CDMA/AMPS/EVDO R22/S19/R8

| | |
|-----------------------------------|-----|
| EffAsyncDat2VocTog | 885 |
| EffServTogCBSCInit | 886 |
| EffVoc2AsyncDatTog | 886 |
| EffVoc2FaxTog | 886 |
| GRAPHmultiLineSeparator | 886 |
| NUMDAYS | 886 |
| NUMHOURS | 886 |
| ServOptAccAtt | 886 |
| ServOptAvgHldTime | 887 |
| TotServTogAgFailCBSCInit | 887 |
| TotServTogAttCBSCInit | 887 |
| TotServTogAttMSInit | 887 |
| TotServTogProcFailCBSCInit | 887 |
| TotServTogReqCBSCInit | 887 |
| TotServTogSuccCBSCInit | 888 |
| UnknownEnterpriseField | 888 |
| Voc2AsyncDatTogAtt | 888 |
| Voc2AsyncDatTogProcFail | 888 |
| Voc2FaxTogAtt | 888 |
| Voc2FaxTogProcFail | 888 |
| BTS_ServiceOption Peg Counts | 889 |
| AsyncDat2VocTogAgreeFail | 889 |
| AsyncDat2VocTogAgreeReq | 889 |
| AsyncDat2VocTogAgreeSucc | 889 |
| serviceOptionId | 889 |
| SrvOptAccSucc | 890 |
| SrvOptGrpUsg | 890 |
| TotServTogAgFailMobInit | 890 |
| TotServTogAgReqMobInit | 890 |
| TotServTogAgSuccMobInit | 890 |
| Voc2AsyncDatTogAgreeFail | 891 |
| Voc2AsyncDatTogAgreeReq | 891 |
| Voc2AsyncDatTogAgreeSucc | 891 |
| Voc2FaxTogAgreeFail | 891 |
| Voc2FaxTogReq | 892 |
| Voc2FaxTogSucc | 892 |
| BTSCON_BGF Primitive Calculations | 892 |
| GRAPHmultiLineSeparator | 892 |
| NUMDAYS | 892 |
| NUMHOURS | 892 |
| BTSCON_BGF Peg Counts | 893 |
| BGF_ID | 893 |
| SVU_ID | 893 |
| TotalBkhaulRecvBytes | 893 |
| TotalBkhaulRecvPkts | 894 |
| TotalBkhaulTransBytes | 894 |
| TotalBkhaulTransPkts | 894 |
| TotalErrBytes | 895 |
| TotalFcsErrPkts | 895 |
| TotalMruErrPkts | 895 |

Updated: 2008-11-20

PERFORMANCE DATA REFERENCE
 Prospect® 8.0 for Motorola CDMA/AMPS/EVDO R22/S19/R8

| | |
|--|-----|
| TotalPidErrPkts | 896 |
| BTSMLPPP Primitive Calculations | 896 |
| BestEffortDroppedPacketPercentageReverse | 896 |
| GRAPHmultiLineSeparator | 896 |
| NUMDAYS | 896 |
| NUMHOURS | 897 |
| QoSBearerDroppedPacketPercentageReverse | 897 |
| RevBundleAvgPktSize | 897 |
| RevBundlebps | 897 |
| RevBundlebpsBkgd | 897 |
| RevBundlebpsConv | 897 |
| RevBundlebpsDefault | 897 |
| RevBundlebpsStrmIntr | 898 |
| RevBundleDroppedPPS | 898 |
| RevBundleDroppedPPSBkgd | 898 |
| RevBundleDroppedPPSConv | 898 |
| RevBundleDroppedPPSDefault | 898 |
| RevBundleDroppedPPSStrmIntr | 898 |
| RevBundlePPS | 898 |
| RevBundlePPSBkgd | 899 |
| RevBundlePPSConv | 899 |
| RevBundlePPSDefault | 899 |
| RevBundlePPSStrmIntr | 899 |
| BTSMLPPP Peg Counts | 899 |
| BundleCarrierType | 899 |
| BundleFailureSec | 900 |
| ChangingofMLPPPBundleBwd | 900 |
| DroppedPacketsOfFwdLine | 900 |
| DroppedPacketsOfRvsLine | 900 |
| MinMLPPPBundleBHBW | 901 |
| RevBundleBytes | 901 |
| RevBundleBytesBkgd | 901 |
| RevBundleBytesConv | 902 |
| RevBundleBytesDefault | 902 |
| RevBundleBytesStrmIntr | 902 |
| RevBundleDroppedPktsBkgd | 903 |
| RevBundleDroppedPktsConv | 903 |
| RevBundleDroppedPktsDefault | 903 |
| RevBundleDroppedPktsStrmIntr | 904 |
| RevBundlePkts | 904 |
| RevBundlePktsBkgd | 904 |
| RevBundlePktsConv | 904 |
| RevBundlePktsDefault | 905 |
| RevBundlePktsStrmIntr | 905 |
| ZeroBwdOccurred | 905 |
| BTSMLPPP_BGF Primitive Calculations | 906 |
| AvgPktBkhaulUtilizationPct | 906 |
| GRAPHmultiLineSeparator | 906 |
| MaxPktBkhaulUtilizationPct | 906 |
| NUMDAYS | 906 |

PERFORMANCE DATA REFERENCE
 Prospect® 8.0 for Motorola CDMA/AMPS/EVDO R22/S19/R8

| | |
|--|-----|
| NUMHOURS | 906 |
| BTSMLPPP_BGF Peg Counts | 906 |
| AvgFwdThroughput | 907 |
| AvgRvsThroughput | 907 |
| BGF_ID | 907 |
| CurrentBandwidth | 907 |
| DiscardedPkts | 908 |
| MaxFwdThroughput | 908 |
| MaxRvsThroughput | 908 |
| SeqErrDroppedPkts | 909 |
| SVU_ID | 909 |
| Carrier_DataRate Primitive Calculations | 909 |
| GRAPHmultiLineSeparator | 909 |
| NUMDAYS | 910 |
| NUMHOURS | 910 |
| Carrier_DataRate Peg Counts | 910 |
| FwdSCHDataburstAsgnLowerRate | 910 |
| FwdSCHDataburstAsgnRate | 910 |
| FwdSCHDataburstCancRate | 911 |
| FwdSCHDataburstDndRate | 911 |
| NewRLPFrameFwdSCH | 911 |
| NewRLPFrameRvsSCH | 912 |
| RLPRetransmFwdSCH | 912 |
| RLPRetransmissionsSentOnFwdSCHSegmentedRLPframes | 912 |
| RLPRetransmissionsSentOnRvsSCHSegmentedRLPframes | 913 |
| RLPRetransRvsSCH | 913 |
| RvsSCHDataburstAsgnLowerRate | 913 |
| RvsSCHDataburstAsgnRate | 914 |
| RvsSCHDataburstCancRate | 914 |
| RvsSCHDataburstDndRate | 914 |
| Carrier_LogcDataRate Primitive Calculations | 914 |
| GRAPHmultiLineSeparator | 915 |
| NUMDAYS | 915 |
| NUMHOURS | 915 |
| Carrier_LogcDataRate_RC Primitive Calculations | 915 |
| GRAPHmultiLineSeparator | 915 |
| NUMDAYS | 915 |
| NUMHOURS | 915 |
| Carrier_LogcDataRate_RC Peg Counts | 915 |
| averageRlpRetransmissionsonForwardSupplemental | 916 |
| averageRlpRetransmissionsonReverseSupplemental | 916 |
| AvgPwrdBmUsedFwdSCH | 916 |
| newRlpFramesonForwardSupplemental | 917 |
| newRlpFramesonReverseSupplemental | 917 |
| rlpRetransmissionsonForwardSupplemental | 917 |
| rlpRetransmissionsonReverseSupplemental | 917 |
| Carrier_RadioConfig Primitive Calculations | 918 |
| CodingTypeName | 918 |
| FwdSCH1W_SHO_MCC_CCS | 918 |
| FwdSCH1W_SrHO_WC_CCS | 918 |

Updated: 2008-11-20

PERFORMANCE DATA REFERENCE
 Prospect® 8.0 for Motorola CDMA/AMPS/EVDO R22/S19/R8

| | |
|---|-----|
| FwdSCH2W_SHO_MCC_CCS | 918 |
| FwdSCH2W_SrHO_WC_CCS | 919 |
| FwdSCH3W_SHO_MCC_CCS | 919 |
| FwdSCH3W_SrHO_WC_CCS | 919 |
| FwdSCH4W_SrHO_WC_CCS | 919 |
| FwdSCH5W_SrHO_WC_CCS | 919 |
| FwdSCH6W_SrHO_WC_CCS | 919 |
| GRAPHmultiLineSeparator | 920 |
| NUMDAYS | 920 |
| NUMHOURS | 920 |
| RvsSCH1W_SHO_MCC_CCS | 920 |
| RvsSCH2W_SHO_MCC_CCS | 920 |
| RvsSCH3W_SHO_MCC_CCS | 920 |
| Carrier_RadioConfig Peg Counts | 920 |
| FwdSCH_BurstAsgn_DR1 | 921 |
| FwdSCH_BurstAsgn_DR16 | 921 |
| FwdSCH_BurstAsgn_DR2 | 921 |
| FwdSCH_BurstAsgn_DR32 | 922 |
| FwdSCH_BurstAsgn_DR4 | 922 |
| FwdSCH_BurstAsgn_DR8 | 922 |
| FwdSCH_BurstAsgnLwrRate | 923 |
| FwdSCH_BurstDenied | 923 |
| FwdSCH_BurstInterptd | 923 |
| FwdSCH1W_SHO_MCC_Secs | 924 |
| FwdSCH1W_SrHO_WC_Secs | 924 |
| FwdSCH2W_SHO_MCC_Secs | 924 |
| FwdSCH2W_SrHO_WC_Secs | 925 |
| FwdSCH3W_SHO_MCC_Secs | 925 |
| FwdSCH3W_SrHO_WC_Secs | 925 |
| FwdSCH4W_SrHO_WC_Secs | 926 |
| FwdSCH5W_SrHO_WC_Secs | 926 |
| FwdSCH6W_SrHO_WC_Secs | 926 |
| RvsSCH_BurstAsgn_DR1 | 927 |
| RvsSCH_BurstAsgn_DR16 | 927 |
| RvsSCH_BurstAsgn_DR2 | 927 |
| RvsSCH_BurstAsgn_DR4 | 928 |
| RvsSCH_BurstAsgn_DR8 | 928 |
| RvsSCH_BurstDenied | 928 |
| RvsSCH_BurstInterptd | 929 |
| RvsSCH1W_SHO_MCC_Secs | 929 |
| RvsSCH2W_SHO_MCC_Secs | 929 |
| RvsSCH3W_SHO_MCC_Secs | 930 |
| Carrier_ServiceMode Primitive Calculations | 930 |
| GRAPHmultiLineSeparator | 930 |
| NUMDAYS | 930 |
| NUMHOURS | 930 |
| Carrier_ServiceMode_RC Primitive Calculations | 930 |
| AvgWalshCodeUsqSecs | 930 |
| GRAPHmultiLineSeparator | 931 |
| NUMDAYS | 931 |

PERFORMANCE DATA REFERENCE
 Prospect® 8.0 for Motorola CDMA/AMPS/EVDO R22/S19/R8

| | |
|--|-----|
| NUMHOURS | 931 |
| Carrier_ServiceMode_RC Peg Counts | 931 |
| AvgPwrdBmUsedFwdFCH | 931 |
| FCH1wyWlshCdUsgSecs | 931 |
| FCH2wyWlshCdUsgSecs | 932 |
| FCH3wyWlshCdUsgSecs | 932 |
| FCH4wyWlshCdUsgSecs | 932 |
| FCH5wyWlshCdUsgSecs | 933 |
| FCH6wyWlshCdUsgSecs | 933 |
| numberOfDroppedCalls_RfFailures | 933 |
| CarrierServiceModeRCInd Primitive Calculations | 934 |
| GRAPHmultiLineSeparator | 934 |
| NUMDAYS | 934 |
| NUMHOURS | 934 |
| CarrierServiceModeRCInd Peg Counts | 934 |
| Forward_NumberOfForwardFERAbove10%Threshold | 934 |
| ForwardFER | 935 |
| ForwardFERDuration | 935 |
| NumberOfForwardFER | 935 |
| NumberOfReverseFER | 936 |
| Reverse_NumberOfReverseFERAbove10%Threshold | 936 |
| ReverseFER | 936 |
| ReverseFRFrameCount | 937 |
| CBSC_Carrier Primitive Calculations | 937 |
| GRAPHmultiLineSeparator | 937 |
| NUMDAYS | 937 |
| NUMHOURS | 937 |
| UnknownEnterpriseField | 937 |
| CBSC_CFC Primitive Calculations | 938 |
| GRAPHmultiLineSeparator | 938 |
| NUMDAYS | 938 |
| NUMHOURS | 938 |
| UnknownEnterpriseField | 938 |
| CBSC_HoContr Primitive Calculations | 938 |
| AggActSetStrMMBn4 | 938 |
| AggActSetStrXCBn4 | 938 |
| GRAPHmultiLineSeparator | 939 |
| NUMDAYS | 939 |
| NUMHOURS | 939 |
| UnknownEnterpriseField | 939 |
| CBSC_HoContr Peg Counts | 939 |
| ActSetStrMMBn1 | 939 |
| ActSetStrMMBn2 | 939 |
| ActSetStrMMBn3 | 940 |
| ActSetStrXCBn1 | 940 |
| ActSetStrXCBn2 | 940 |
| ActSetStrXCBn3 | 940 |
| BTSShflCmp | 941 |
| BTSShflFailTyp1 | 941 |
| BTSShflFailTyp2 | 941 |

Updated: 2008-11-20

| | |
|-----------------------------|-----|
| BTSShflInt | 941 |
| PSMM | 941 |
| PSMMFltrd | 942 |
| PSMMHgActSetStr | 942 |
| PSMMLwActSetStr | 942 |
| SoShflCmp | 942 |
| SoShflFITy1 | 943 |
| SoShflFITy2 | 943 |
| SoShflInt | 943 |
| SrShfailFITyp1 | 943 |
| SrShfailFITyp2 | 944 |
| SrShflCmp | 944 |
| SrShflInt | 944 |
| CDP Primitive Calculations | 944 |
| GRAPHmultiLineSeparator | 944 |
| NUMDAYS | 945 |
| NUMHOURS | 945 |
| CDP Peg Counts | 945 |
| CPU_Util_Avg | 945 |
| CPU_Util_Max | 945 |
| Cell Primitive Calculations | 946 |
| CellName | 946 |
| GRAPHmultiLineSeparator | 946 |
| NUMDAYS | 946 |
| NUMHOURS | 946 |
| UnknownEnterpriseField | 946 |
| Cell Peg Counts | 946 |
| AntChngs | 946 |
| CallHndld | 947 |
| CellL_M_Comp | 947 |
| CellM_L_Att | 947 |
| CellM_L_Comp | 947 |
| CellM_M_Att | 947 |
| CellM_M_Comp | 948 |
| CellMateNum | 948 |
| CellOOSTime | 948 |
| CellReg | 948 |
| CellType | 949 |
| Chc1Ho_OK | 949 |
| Chc2HO_OK | 949 |
| Chc3HO_OK | 949 |
| CommPckgMsgAddrErr | 950 |
| CommPckgProcErr | 950 |
| CommPckgRevErr | 950 |
| CommPckgSqncErr | 950 |
| CommPckgTrnsErr | 950 |
| CROAckFail | 951 |
| DirRetrIn | 951 |
| DirRetrOut | 951 |
| FailtoRchOrg | 951 |

PERFORMANCE DATA REFERENCE
 Prospect® 8.0 for Motorola CDMA/AMPS/EVDO R22/S19/R8

| | |
|---|-----|
| FailtoRchTrm | 952 |
| HoNotOK | 952 |
| IEMXHOMeasResp | 952 |
| MobCarrLoss | 952 |
| OneMeasResp | 953 |
| PageDscrd | 953 |
| ScanRpt | 953 |
| ScndReuseGrpAsgn | 953 |
| TwoMeasResp | 953 |
| ZeroMeasResp | 954 |
| Cell_Sector Primitive Calculations | 954 |
| averageAddsPageSmartSmsLengthSector | 954 |
| AvgLenCellIdenADDSPgSMS | 954 |
| GRAPHmultiLineSeparator | 954 |
| IneffOrigAtt | 954 |
| IneffTermAtt | 955 |
| NUMDAYS | 955 |
| NUMHOURS | 955 |
| OrigAsgnAttFailTercktOrA2p | 955 |
| OrigAsgnAttRF | 955 |
| OrigAsgnAttTerCktOrA2pAck | 955 |
| OrigAsgnComplete | 956 |
| OrigAttFailIPPKtNetwork | 956 |
| OrigAttFailMSC | 956 |
| OrigAttFailNtwrk | 956 |
| OrigAttFailRF | 956 |
| originationAssignmentFailuresCarrierLoad | 956 |
| originationAssignmentFailuresChannelElement | 957 |
| OriginationAttempts | 957 |
| Rtd1xWithoutServiceOptionChangeToIS95AB | 957 |
| SrcBand_InterBandRedrcts | 957 |
| TermAsgnAttRF | 957 |
| TermAsgnAttTerCktOrA2pAck | 957 |
| TermAsgnFailRF | 957 |
| TermAttAPHO | 958 |
| TermAttAPHOICBSCHO | 958 |
| TermAttFailMSC | 958 |
| TermAttFailNtwrk | 958 |
| TermAttFailRF | 958 |
| TermAttFailTercktOrA2p | 958 |
| TermAttICBSCTCH | 959 |
| TermAttISTCH | 959 |
| TermAttPgACHO | 959 |
| TermiAsgnFailWalshCode | 959 |
| TermiAttFail_IPPKt_Ntwrk | 959 |
| TermiProbesNonSlotted | 959 |
| TermiProbesSlotted | 960 |
| TermProbes | 960 |
| totalCdmaInterBandRedirectionAttemptsFromBandAAutomatic | 960 |
| totalCdmaInterBandRedirectionAttemptsFromBandBAutomatic | 960 |
| TotCallRedirect | 960 |

Updated: 2008-11-20

PERFORMANCE DATA REFERENCE
 Prospect® 8.0 for Motorola CDMA/AMPS/EVDO R22/S19/R8

| | |
|---|-----|
| TotChannelElementOverflows | 960 |
| UnknownEnterpriseField | 960 |
| Cell_Sector Peg Counts | 961 |
| addsPageSmartSmsLengthSector | 961 |
| averagePchLoad | 961 |
| averagePchLoad_Max | 961 |
| averagePchLoad_Min | 961 |
| CellIdenADDS_PgSMS_Brdcst | 962 |
| CellIdenADDS_PgSMS_Length | 962 |
| CellIdenADDS_PgSMS_P2P | 962 |
| CellIdenAuthReq | 962 |
| CellIdenPg | 963 |
| cumulativeHoldTimeInQueueForAllWPSCalls | 963 |
| ETCADisabledDuration | 963 |
| IS95AB_CarrSelOvfPrimCarrLst | 964 |
| IS95ABCarrSelFinalOvf | 964 |
| IS95ABCarrSelOvfAltSO_Grp | 964 |
| lxCarrSelFinalOvf | 964 |
| lxCarrSelOvfAltSO_Grp | 965 |
| lxCarrSelOvfPrimCarrLst | 965 |
| lxRTD_SO_ChngIS95AB | 965 |
| numberOfCarriersInTheSector | 965 |
| numOfTimesETCADisabled | 966 |
| numWPSCallsQueuedAtMSC | 966 |
| OrigAttFailMSCSect | 966 |
| OrigAttFailPCF_PSI | 966 |
| OrigAttFailPDSN | 967 |
| OrigAttIP_PktData | 967 |
| smartSmsPayloadDeliveryAttempts | 967 |
| TermAttFailCarrLoad | 968 |
| TermAttFailMSCSect | 968 |
| TermAttFailPCF_PSI | 968 |
| TermAttFailPDSN | 968 |
| TermAttIP_PktData | 969 |
| TrgBand_InterBandRedrcs | 969 |
| WPSNonVoiceCallAttemptsMO | 969 |
| WPSNonVoiceCallAttemptsMT | 969 |
| WPSNonVoiceCallSuccessesMO | 970 |
| WPSNonVoiceCallSuccessesMT | 970 |
| WPSVoiceCallAttemptsMO | 970 |
| WPSVoiceCallAttemptsMT | 971 |
| WPSVoiceCallSuccessesMO | 971 |
| WPSVoiceCallSuccessesMT | 971 |
| Channel Primitive Calculations | 972 |
| GRAPHmultiLineSeparator | 972 |
| NUMDAYS | 972 |
| NUMHOURS | 972 |
| UnknownEnterpriseField | 972 |
| Channel Peg Counts | 972 |
| ChanDwnLnkRFLs | 972 |

PERFORMANCE DATA REFERENCE
 Prospect® 8.0 for Motorola CDMA/AMPS/EVDO R22/S19/R8

| | |
|-------------------------------------|-----|
| ChanOOSTime | 972 |
| ChanUpLnkRFLs | 973 |
| ChanUsgTime | 973 |
| DwnLnkCIEvnt | 973 |
| HoCompSrcChan | 973 |
| HoCompTrgtChan | 974 |
| HoFlSrcChan | 974 |
| HoReqSrcChan | 974 |
| Seizures | 974 |
| T0tHoFail | 975 |
| TotFlsRls | 975 |
| TotRlsAdt | 975 |
| UpLnkCIEvnt | 975 |
| CircuitGroup Primitive Calculations | 976 |
| GRAPHmultiLineSeparator | 976 |
| NUMDAYS | 976 |
| NUMHOURS | 976 |
| UnknownEnterpriseField | 976 |
| CircuitGroup Peg Counts | 976 |
| DTMF_AttBlk | 976 |
| DTMF_UsgTime | 976 |
| MF_AttBlk | 977 |
| MF_UsgTime | 977 |
| SendrAttBlk | 977 |
| SendrUsgTime | 977 |
| TPC_AttBlk | 978 |
| TPCUsgTime | 978 |
| CodingType Primitive Calculations | 978 |
| CodingTypeName | 978 |
| GRAPHmultiLineSeparator | 978 |
| NUMDAYS | 978 |
| NUMHOURS | 979 |
| CPP Primitive Calculations | 979 |
| GRAPHmultiLineSeparator | 979 |
| NUMDAYS | 979 |
| NUMHOURS | 979 |
| UnknownEnterpriseField | 979 |
| CPP Peg Counts | 979 |
| callCCS | 979 |
| totalCalls | 980 |
| CPP_CPU Primitive Calculations | 980 |
| GRAPHmultiLineSeparator | 980 |
| NUMDAYS | 980 |
| NUMHOURS | 980 |
| CPP_CPU Peg Counts | 980 |
| CPU_Util_Avg | 981 |
| CPU_Util_Max | 981 |
| CSM_EMAXX Primitive Calculations | 981 |
| CallSUAsnAtt | 981 |
| GRAPHmultiLineSeparator | 981 |

Updated: 2008-11-20

PERFORMANCE DATA REFERENCE
 Prospect® 8.0 for Motorola CDMA/AMPS/EVDO R22/S19/R8

| | |
|--|-----|
| IxForwardTchChannelElementsUsageTimeforForwardSchSec | 982 |
| IxReverseTchChannelElementsUsageTimeforReverseSchSec | 982 |
| NUMDAYS | 982 |
| NUMHOURS | 982 |
| TfMCCceOrgAsgnSucc | 982 |
| TfMCCceTrmAsgnSucc | 982 |
| UnknownEnterpriseField | 982 |
| CSM_EMAXX Peg Counts | 983 |
| ICBSCTfMCCceUsg_p | 983 |
| IS2000CE_UsageTime_p | 983 |
| IxForwardTchChannelElementsUsageTimeforForwardSch | 983 |
| IxReverseTchChannelElementsUsageTimeforReverseSch | 984 |
| OnewHoRFLstTCH_p | 984 |
| PDFundCEUsage_p | 984 |
| PDSuppCEUsage_p | 984 |
| TfMCCce_EquippBTS_p | 985 |
| TfMCCceOOS_p | 985 |
| TfMCCceOrgAsgnComp_p | 985 |
| TfMCCceOrigAsgnAtt_p | 985 |
| TfMCCceOrigAssgFail_p | 986 |
| TfMCCceTermAsgnAtt_p | 986 |
| TfMCCceTermAsgnComp_p | 986 |
| TfMCCceTermAssgFail_p | 986 |
| TfMCCceUsg_p | 987 |
| ThreewpHoRFLstTCH_p | 987 |
| TwowHoRFLstTCH_p | 987 |
| DPC Primitive Calculations | 987 |
| GRAPHmultiLineSeparator | 987 |
| NUMDAYS | 988 |
| NUMHOURS | 988 |
| UnknownEnterpriseField | 988 |
| DPC Peg Counts | 988 |
| AdjSPInaccessbl | 988 |
| DurAdjSPInaccessbl | 988 |
| DurRtSetUnavail2DPC | 989 |
| UnavailRtSet | 989 |
| EntryType Primitive Calculations | 989 |
| GRAPHmultiLineSeparator | 989 |
| NUMDAYS | 989 |
| NUMHOURS | 989 |
| UnknownEnterpriseField | 989 |
| EntryType Peg Counts | 990 |
| blockedCalls | 990 |
| droppedCalls | 990 |
| goodCalls | 990 |
| goodCfc26_Calls | 991 |
| setupFailureCalls | 991 |
| smsCalls | 991 |
| totalCalls | 992 |
| totalCdl | 992 |

PERFORMANCE DATA REFERENCE
 Prospect® 8.0 for Motorola CDMA/AMPS/EVDO R22/S19/R8

| | |
|---|------|
| uniqueUsers | 992 |
| usageHours | 992 |
| Ext_Sector_Carrier Primitive Calculations | 993 |
| GRAPHmultiLineSeparator | 993 |
| NUMDAYS | 993 |
| NUMHOURS | 993 |
| UnknownEnterpriseField | 993 |
| FEP Primitive Calculations | 993 |
| GRAPHmultiLineSeparator | 993 |
| NUMDAYS | 994 |
| NUMHOURS | 994 |
| UnknownEnterpriseField | 994 |
| FEP_CPU Primitive Calculations | 994 |
| GRAPHmultiLineSeparator | 994 |
| NUMDAYS | 994 |
| NUMHOURS | 994 |
| FEP_CPU Peg Counts | 994 |
| CPU_Util_Avg | 995 |
| CPU_Util_Max | 995 |
| FEPR Primitive Calculations | 995 |
| GRAPHmultiLineSeparator | 995 |
| NUMDAYS | 995 |
| NUMHOURS | 996 |
| FEPR Peg Counts | 996 |
| CPU_Util_Avg | 996 |
| CPU_Util_Max | 996 |
| GPROC Primitive Calculations | 996 |
| GRAPHmultiLineSeparator | 997 |
| NUMDAYS | 997 |
| NUMHOURS | 997 |
| GPROC Peg Counts | 997 |
| CPU_Util_Avg | 997 |
| CPU_Util_Max | 997 |
| HoTarget Primitive Calculations | 998 |
| GRAPHmultiLineSeparator | 998 |
| NUMDAYS | 998 |
| NUMHOURS | 998 |
| UnknownEnterpriseField | 998 |
| HoTarget Peg Counts | 998 |
| HoComp | 998 |
| HoFail | 999 |
| IC_BackHaul Primitive Calculations | 999 |
| GRAPHmultiLineSeparator | 999 |
| NUMHOURS | 999 |
| UnknownEnterpriseField | 999 |
| IC_DS0 Primitive Calculations | 999 |
| GRAPHmultiLineSeparator | 999 |
| UnknownEnterpriseField | 1000 |
| IC_SubrateChan Primitive Calculations | 1000 |
| GRAPHmultiLineSeparator | 1000 |

Updated: 2008-11-20

PERFORMANCE DATA REFERENCE
 Prospect® 8.0 for Motorola CDMA/AMPS/EVDO R22/S19/R8

| | |
|---|------|
| NUMDAYS | 1000 |
| NUMHOURS | 1000 |
| UnknownEnterpriseField | 1000 |
| IC_SubrateChan Peg Counts | 1000 |
| ICBSCSbrtChanAsn | 1000 |
| ICBSCSbrtChanGlr | 1001 |
| ICBSCSbrtChanOOS | 1001 |
| ICBSCSbrtChanUsg | 1001 |
| ICTrunkGroup Primitive Calculations | 1001 |
| AncGrpAsgn | 1002 |
| AncGrpUsg | 1002 |
| DeniedProc | 1002 |
| DeniedProcedure | 1002 |
| EngCapB | 1002 |
| EngCapP | 1002 |
| GOS | 1002 |
| GRAPHmultiLineSeparator | 1003 |
| ICBSC_HSPD_HoComp | 1003 |
| ICBSC_IS2000HoComp | 1003 |
| ICBSC_IS2000PktDHoCompTN_Src | 1003 |
| ICBSC_SHO_AncHHoAtt | 1003 |
| ICBSC_SHO_CarrSeamHHoAtt | 1003 |
| ICBSC_SHO_CtoA_HHoAtt | 1004 |
| ICBSC_SHO_ExtCBSC_HHoAtt | 1004 |
| ICBSC_HSPDHoComp | 1004 |
| ICBSCSHOAncHoAtt | 1004 |
| icbscShoAnchorActiveDataHardHandoffAttempts | 1004 |
| icbscShoAnchorActiveDataHardHandoffAttemptsTnSource | 1004 |
| ICBSCSHOC2AHoAtt | 1005 |
| icbscShoCarrierSeamActiveDataHardHandoffAttempts | 1005 |
| icbscShoCarrierSeamActiveDataHardHandoffAttemptsTnSource | 1005 |
| ICBSCSHOCarrSmHoAtt | 1005 |
| ICBSCSHOExtCBSCHoAtt | 1005 |
| icbscShoExternalCbscActiveDataHardHandoffAttempts | 1005 |
| icbscShoExternalCbscActiveDataHardHandoffAttemptsTnSource | 1006 |
| InitSftAddComp | 1006 |
| InitSoftAddComp | 1006 |
| IntermSftDropComp | 1006 |
| IntermSftrDropComp | 1006 |
| LastSftDropComp | 1006 |
| LstSftDropComp | 1007 |
| NUMDAYS | 1007 |
| NUMHOURS | 1007 |
| OffCapE | 1007 |
| OffCapP | 1007 |
| SbqntSftAddComp | 1007 |
| SbqntSftrAddComp | 1007 |
| SubsqntSftAddComp | 1008 |
| SubsqntSftrAddComp | 1008 |
| TotAddFail | 1008 |
| TotAddProc | 1008 |

PERFORMANCE DATA REFERENCE
 Prospect® 8.0 for Motorola CDMA/AMPS/EVDO R22/S19/R8

| | |
|-------------------------------|------|
| TotAddProcedure | 1008 |
| TotDropFail | 1008 |
| TotDropProc | 1009 |
| TotDropProcedure | 1009 |
| TotGrpAsgn | 1009 |
| TotGrpUsgMin | 1009 |
| TotICBSC_SHO_HHoAtt | 1009 |
| TotICBSC_SHO_HHoReq | 1009 |
| TotICBSC_SHOHHoComp | 1010 |
| TotICBSCSHOHoAtt | 1010 |
| TotICBSCSHOHoComp | 1010 |
| TotICBSCSHOHoReq | 1010 |
| TotOOSTimeMin | 1010 |
| TrgtGrpAsgn | 1010 |
| TrgtGrpAtt | 1011 |
| TrgtGrpOvf | 1011 |
| TrgtGrpUsg | 1011 |
| UnknownEnterpriseField | 1011 |
| ICTrunkGroup Peg Counts | 1011 |
| AncICBSCSbrtChanAtt | 1011 |
| AncICBSCSbrtChanOvf | 1012 |
| AnICBSCSbrtChanUsg | 1012 |
| CICFdCHAsgRFResConMsgMMRec_TN | 1012 |
| CICFdCHAsgRFResConMsgMMSnd_TN | 1012 |
| CICFwdBrdstCChAsgnMMRecViaTG | 1013 |
| CICFwdBrdstCChAsgnMMSendViaTG | 1013 |
| CICFwdChReqMMRecViaTG | 1013 |
| CICFwdChReqMMRecvViaTN | 1013 |
| CICFwdChReqMMReqViaTG | 1014 |
| CICFwdChReqMMSendViaTN | 1014 |
| CICFwdPgResMMRecviaTG | 1014 |
| CICFwdPgResMMRecvViaTN | 1014 |
| CICFwdPgResMMSendviaTG | 1015 |
| CICFwdPgResMMSendviaTN | 1015 |
| CICUpdResMMRecvViaTN | 1015 |
| CICUpdResMMSendViaTN | 1015 |
| CICUpdResrcMMRecViaTG | 1016 |
| CICUpdResrcMMSendViaTG | 1016 |
| ConlssMesgMMRecViaTG | 1016 |
| ConlssMesgMMRecViaTN | 1016 |
| ConlssMesgMMSendViaTG | 1017 |
| ConlssMesgMMSendViaTN | 1017 |
| CUnSucAsgnRFResRvkMMRecvViaTN | 1017 |
| CUnSucAsgnRFResRvkMMSendViaTN | 1017 |
| CUSuccAsgnMMRecViaTG | 1018 |
| CUSuccAsgnMMSendViaTG | 1018 |
| ICBSC_CtoA_HoCompTN_Src | 1018 |
| ICBSC_CtoA_HoFailTN_Src | 1018 |
| ICBSC_CtoA_HoReqTN_Src | 1019 |
| ICBSC_HSPD_HoAttTN_Src | 1019 |
| ICBSC_HSPD_HoFailTN_Src | 1019 |

Updated: 2008-11-20

PERFORMANCE DATA REFERENCE

Prospect® 8.0 for Motorola CDMA/AMPS/EVDO R22/S19/R8

| | |
|--|------|
| ICBSC_HSPD_HoReqTN_Src | 1019 |
| ICBSC_InitSftHoAddAttTN_Src | 1020 |
| ICBSC_InitSftHoAddFailTN_Src | 1020 |
| ICBSC_InitSftHoAddReqTN_Src | 1020 |
| ICBSC_IntermSftHoDpAttTN_Src | 1020 |
| ICBSC_IntermSftHoDpFailTN_Src | 1021 |
| ICBSC_IntermSftrHoDropAttTN_Src | 1021 |
| ICBSC_IntermSftrHoDropFailTN_Src | 1021 |
| ICBSC_IS2000PktDataHoAttAnTrkGrp | 1021 |
| ICBSC_IS2000PktDataHoFailAnTrkGrp | 1022 |
| ICBSC_IS2000PktDataHoReqAnTrkGrp | 1022 |
| ICBSC_IS2000PktDHoAttTN_Src | 1022 |
| ICBSC_IS2000PktDHoFailTN_Src | 1022 |
| ICBSC_IS2000PktDHoReqTN_Src | 1023 |
| ICBSC_LstHoDropAttTN_Src | 1023 |
| ICBSC_LstHoDropFailTN_Src | 1023 |
| ICBSC_SHO_AncHHoCompTN_Src | 1023 |
| ICBSC_SHO_AncHHoFailTN_Src | 1024 |
| ICBSC_SHO_AncHHoReqTN_Src | 1024 |
| ICBSC_SHO_CarrSeamHHoCompTN_Src | 1024 |
| ICBSC_SHO_CarrSeamHHoFailTN_Src | 1024 |
| ICBSC_SHO_CarrSeamHHoReqTN_Src | 1025 |
| ICBSC_SHO_ExtCBSCHHoCompTN_Src | 1025 |
| ICBSC_SHO_ExtCBSCHHoFailTN_Src | 1025 |
| ICBSC_SHO_ExtCBSCHHoReqTN_Src | 1025 |
| ICBSC_SHO_TN_TrkGrp | 1026 |
| ICBSC_SubSftHoAddAttTN_Src | 1026 |
| ICBSC_SubSftHoAddFailTN_Src | 1026 |
| ICBSC_SubSftHoAddReqTN_Src | 1026 |
| ICBSC_SubSftrHoAddAttTN_Src | 1027 |
| ICBSC_SubSftrHoAddFailTN_Src | 1027 |
| ICBSC_SubSftrHoAddReqTN_Src | 1027 |
| ICBSCAllSbrtChanBsyTm | 1027 |
| ICBSCBSCHSPDHOAttAnTG | 1028 |
| ICBSCBSCHSPDHOFlAnTG | 1028 |
| ICBSCBSCHSPDHOReqAnTG | 1028 |
| ICBSCInitSoHoAddAttAncTG | 1028 |
| ICBSCInitSoHoAddFailAnTG | 1029 |
| ICBSCInitSoHoAddReqAncTG | 1029 |
| ICBSCInSoHoDrpAtAnTG | 1029 |
| ICBSCInSoHoDrpFlAnTG | 1029 |
| ICBSCInSrHoDrpAttAnTG | 1030 |
| ICBSCInSrHoDrpFlAnTG | 1030 |
| ICBSCLSHoHoDrpAtAnTG | 1030 |
| ICBSCLSHoHoDrpFlAnTG | 1030 |
| ICBSCSbrtChanGlr | 1031 |
| ICBSCSbrtChanGlrRtryAtt | 1031 |
| ICBSCSbrtChanGlrRtrySucc | 1031 |
| ICBSCSbrtChanMemEquip | 1031 |
| ICBSCSbrtChanOOSTm | 1031 |
| icbscShoAnchorActiveDataHardHandoffCompletions | 1032 |

PERFORMANCE DATA REFERENCE
 Prospect® 8.0 for Motorola CDMA/AMPS/EVDO R22/S19/R8

| | |
|--|------|
| icbScShoAnchorActiveDataHardHandoffCompletionsTnSource | 1032 |
| icbScShoAnchorActiveDataHardHandoffFailures | 1032 |
| icbScShoAnchorActiveDataHardHandoffFailuresTnSource | 1033 |
| ICBSCSHOAnHHOCompAnTG | 1033 |
| ICBSCSHOAnHHOFailAnTG | 1033 |
| ICBSCSHOAnHHOReqAnTG | 1034 |
| icbScShoCarrierSeamActiveDataHardHandoffCompletions | 1034 |
| icbScShoCarrierSeamActiveDataHardHandoffCompletionsTnSource | 1034 |
| icbScShoCarrierSeamActiveDataHardHandoffFailures | 1034 |
| icbScShoCarrierSeamActiveDataHardHandoffFailuresTnSource | 1035 |
| ICBSCSHOCrSmHHOCpAnTG | 1035 |
| ICBSCSHOCrSmHHOFIAnTG | 1035 |
| ICBSCSHOCrSmHHORqAnTG | 1036 |
| ICBSCSHOtoAHOCompAnTG | 1036 |
| ICBSCSHOtoAHOFIAnTG | 1036 |
| ICBSCSHOtoAHOReqAnTG | 1036 |
| ICBSCSHOExtCHHOCompAnTG | 1037 |
| ICBSCSHOExtCHHOFailAnTG | 1037 |
| ICBSCSHOExtCHHOReqAnTG | 1037 |
| icbScShoExternalCbscActiveDataHardHandoffCompletions | 1037 |
| icbScShoExternalCbscActiveDataHardHandoffCompletionsTnSource | 1038 |
| icbScShoExternalCbscActiveDataHardHandoffFailuresTnSource | 1038 |
| icbScShoExternalCbscActiveDataHardHandoffFailures | 1038 |
| ICBSCSSoHoAddAtrAncTG | 1039 |
| ICBSCSSoHoAddFailAncTG | 1039 |
| ICBSCSSrHoAddAtAnTG | 1039 |
| ICBSCSSrHoAddFIAnTG | 1039 |
| ICBSCSSrHoAddReqAnTG | 1040 |
| ICBSCSubSoHoAddReqAncTG | 1040 |
| SmartSMSMsg_MMrcvdViaTG | 1040 |
| SmartSMSMsg_MMrcvdViaTN | 1040 |
| SmartSMSMsg_MMsendViaTG | 1041 |
| SmartSMSMsg_MMsendViaTN | 1041 |
| TotICBSCSbrtChanAtt | 1041 |
| TotICBSCSbrtChanOvf | 1041 |
| TotICSbrtChUsg | 1042 |
| IWU Primitive Calculations | 1042 |
| GRAPHmultiLineSeparator | 1042 |
| GrpUsg | 1042 |
| NUMDAYS | 1042 |
| NUMHOURS | 1042 |
| UnknownEnterpriseField | 1043 |
| IWU Peg Counts | 1043 |
| IWUResGrpAtt | 1043 |
| IWUResGrpOvf | 1043 |
| IWUresGrpUsg | 1043 |
| LocationArea Primitive Calculations | 1044 |
| GRAPHmultiLineSeparator | 1044 |
| NUMDAYS | 1044 |
| NUMHOURS | 1044 |

Updated: 2008-11-20

PERFORMANCE DATA REFERENCE
 Prospect® 8.0 for Motorola CDMA/AMPS/EVDO R22/S19/R8

| | |
|---------------------------------------|------|
| UnknownEnterpriseField | 1044 |
| LocationArea Peg Counts | 1044 |
| BrdcstAtt | 1044 |
| BrdcstAvgSize | 1044 |
| BrdcstThrotlBlk | 1045 |
| CCS_Page | 1045 |
| CCS_RePage | 1045 |
| LKPA_Page | 1045 |
| LKPA_RePage | 1046 |
| MaxPagesSnt | 1046 |
| MobAck2CCS_Page | 1046 |
| MobAck2CCS_RePage | 1046 |
| MobAck2NeibrPRP | 1047 |
| MobAck2Page | 1047 |
| MobAck2RePage | 1047 |
| NeibrPRP | 1047 |
| Num2WordPages | 1047 |
| PktDataPg | 1048 |
| SMS_PgAtt | 1048 |
| SMS_PgAvgSize | 1048 |
| SMS_PgThrotlBlk | 1048 |
| SMS_TfChPg | 1049 |
| SMS_TfChRePg | 1049 |
| UnsolicPageAck | 1049 |
| UnsolicPageAckRcv | 1049 |
| UnsolicPageAckWoOrg | 1050 |
| MCC Primitive Calculations | 1050 |
| GRAPHmultiLineSeparator | 1050 |
| ICBSCTfMCCceUsg | 1050 |
| IS2000CE_UsageTime | 1050 |
| MCC1XFwdSCH_AvgSchTS_BitUsgKbps | 1050 |
| MCC1XFwdSCH_AvgSchTS_ThPtKbps | 1051 |
| MCC1XFwdSCH_MaxSchTS_BitUsgKbps | 1051 |
| MCC1XFwdSCH_MaxSchTS_ThPtKbps | 1051 |
| MCC1XFwdSCH_MinSchTS_BitUsgKbps | 1051 |
| MCC1XFwdSCH_MinSchTS_ThPtKbps | 1051 |
| MCC1XFwdSCH_TotSch_BitUsgMb | 1051 |
| MCC1XFwdUsgCommits_CCS | 1052 |
| MCC1XFwdUsgCommits_Secs | 1052 |
| MCC1XFwdUsgXmits_CCS | 1052 |
| MCC1XFwdUsgXmits_Secs | 1052 |
| MCC1XRvsSCH_AvgSchTS_BitUsgKbps | 1052 |
| MCC1XRvsSCH_AvgSchTS_ThPtKbps | 1053 |
| MCC1XRvsSCH_MaxSchTS_BitUsgKbps | 1053 |
| MCC1XRvsSCH_MaxSchTS_ThPtKbps | 1053 |
| MCC1XRvsSCH_MinSchTS_BitUsgKbps | 1053 |
| MCC1XRvsSCH_MinSchTS_ThPtKbps | 1053 |
| MCC1XRvsSCH_TotSch_BitUsgMb | 1053 |
| MCC1XRvsUsgCommits_CCS | 1054 |
| MCC1XRvsUsgCommits_Secs | 1054 |
| MCC1XRvsUsgXmits_CCS | 1054 |

PERFORMANCE DATA REFERENCE
 Prospect® 8.0 for Motorola CDMA/AMPS/EVDO R22/S19/R8

| | |
|-------------------------------------|------|
| MCC1XRvsUsgXmits_Secs | 1054 |
| NUMDAYS | 1054 |
| NUMHOURS | 1054 |
| OnewHoRFLstTCH | 1055 |
| PDFundCEUsage | 1055 |
| PDSuppCEUsage | 1055 |
| PktPipeFwdSCH_MaxSchTS_Trghput | 1055 |
| PktPipeFwdSCH_MinSchTS_Trghput | 1055 |
| PktPipeRvsSCH_MaxSchTS_Trghput | 1055 |
| PktPipeRvsSCH_MinSchTS_Trghput | 1056 |
| TfMCCceOOS | 1056 |
| TfMCCceOrgAsgnComp | 1056 |
| TfMCCceOrigAsgnAtt | 1056 |
| TfMCCceOrigAssgFail | 1056 |
| TfMCCceTermAsgnAtt | 1056 |
| TfMCCceTermAsgnComp | 1057 |
| TfMCCceTermAssgFail | 1057 |
| TfMCCceUsg | 1057 |
| ThreewpHoRFLstTCH | 1057 |
| TwowHoRFLstTCH | 1057 |
| UnknownEnterpriseField | 1057 |
| MCC Peg Counts | 1057 |
| MCC1XFwdSCH_MaxSchTS_Trghput | 1058 |
| MCC1XFwdSCH_MinSchTS_Trghput | 1058 |
| MCC1XRvsSCH_MaxSchTS_Trghput | 1058 |
| MCC1XRvsSCH_MinSchTS_Trghput | 1058 |
| PkFwdSCH_inUse | 1059 |
| PkRvsSCH_inUse | 1059 |
| totalCalls | 1059 |
| MCC_DataRate Primitive Calculations | 1059 |
| DataRate_Kbps | 1060 |
| GRAPHmultiLineSeparator | 1060 |
| NUMDAYS | 1060 |
| NUMHOURS | 1060 |
| PktPipeFwdSCH_ExpectTrans | 1060 |
| PktPipeFwdSCH_ReqFailNoBckBW | 1060 |
| PktPipeFwdSCH_ReqFailNoCE | 1060 |
| PktPipeFwdSCH_ResrcReq | 1061 |
| PktPipeRvsSCH_ExpectTrans | 1061 |
| PktPipeRvsSCH_ReqFailNoBckBW | 1061 |
| PktPipeRvsSCH_ReqFailNoCE | 1061 |
| PktPipeRvsSCH_ResrcReq | 1061 |
| UnknownEnterpriseField | 1061 |
| MCC_DataRate Peg Counts | 1061 |
| MCC1XFwdSCH_ExpectTrans | 1062 |
| MCC1XFwdSCH_ReqFailNoBckBW | 1062 |
| MCC1XFwdSCH_ReqFailNoCE | 1062 |
| MCC1XFwdSCH_ResrcReq | 1062 |
| MCC1XRvsSCH_ExpectTrans | 1063 |
| MCC1XRvsSCH_ReqFailNoBckBW | 1063 |

Updated: 2008-11-20

| | |
|------------------------------------|------|
| MCC1XRvsSCH_ReqFailNoCE | 1063 |
| MCC1XRvsSCH_ResrcReq | 1063 |
| MCC_RateSet Primitive Calculations | 1064 |
| DataSet_Factor | 1064 |
| GRAPHmultiLineSeparator | 1064 |
| NUMHOURS | 1064 |
| UnknownEnterpriseField | 1064 |
| MCCce Primitive Calculations | 1064 |
| CallSUAsnAtt | 1064 |
| CallSUAsnCmp | 1064 |
| GRAPHmultiLineSeparator | 1065 |
| NUMDAYS | 1065 |
| NUMHOURS | 1065 |
| TfMCCceOrgAsgnSucc | 1065 |
| TfMCCceTrmAsgnSucc | 1065 |
| TotRFLstCH | 1065 |
| UnknownEnterpriseField | 1065 |
| MCCce Peg Counts | 1066 |
| ICBSCTfMCCceUsg | 1066 |
| IS2000CE_UsageTime | 1066 |
| OnewHoRFLstTCH | 1066 |
| PDFundCEUsage | 1066 |
| PDSuppCEUsage | 1067 |
| TfMCCceOOS | 1067 |
| TfMCCceOrgAsgnComp | 1067 |
| TfMCCceOrigAsgnAtt | 1067 |
| TfMCCceOrigAssgFail | 1068 |
| TfMCCceTermAsgnAtt | 1068 |
| TfMCCceTermAsgnComp | 1068 |
| TfMCCceTermAssgFail | 1068 |
| TfMCCceUsg | 1069 |
| ThreewpHoRFLstTCH | 1069 |
| TwowHoRFLstTCH | 1069 |
| MCCce_Type Primitive Calculations | 1069 |
| GRAPHmultiLineSeparator | 1069 |
| NUMDAYS | 1070 |
| NUMHOURS | 1070 |
| UnknownEnterpriseField | 1070 |
| MSC Available Data Fields | 1070 |
| CFG_AvailableDataPct | 1070 |
| CPU_AvailableDataPct | 1070 |
| TMM_AvailableDataPct | 1070 |
| MSC Primitive Calculations | 1070 |
| CFC111Cnt | 1070 |
| CFC112Cnt | 1070 |
| CFC113Cnt | 1071 |
| CFC172Cnt | 1071 |
| CFC173Cnt | 1071 |
| CFC1Cnt | 1071 |
| CFC34Cnt | 1071 |

PERFORMANCE DATA REFERENCE
 Prospect® 8.0 for Motorola CDMA/AMPS/EVDO R22/S19/R8

| | |
|-------------------------|------|
| CFC43Cnt | 1071 |
| CFC4Cnt | 1071 |
| CFC73Cnt | 1072 |
| GRAPHmultiLineSeparator | 1072 |
| NUMDAYS | 1072 |
| NUMHOURS | 1072 |
| UnknownEnterpriseField | 1072 |
| MSC Peg Counts | 1072 |
| AttActvtMRSorVRS | 1072 |
| AttDeActvtMRSorVRS | 1073 |
| AURWrtn | 1073 |
| BsyTrnsfCall | 1073 |
| CallAttExcd | 1073 |
| CallBlkd | 1074 |
| CallFwd | 1074 |
| CallFwdMin1 | 1074 |
| CallTrmMobDeReg | 1074 |
| CallWtngCall | 1074 |
| CCSPgBlkd | 1075 |
| CCSPgSnt | 1075 |
| CDRBfrEntrWrtn | 1075 |
| CDRWrtn | 1075 |
| DwnLnkRFLs | 1076 |
| HoComp | 1076 |
| HoReq | 1076 |
| HTSUMWrtn | 1076 |
| ICellHoComp | 1077 |
| ICellHoFail | 1077 |
| IcellHoReq | 1077 |
| IntraCellHoComp | 1077 |
| IntraCellHoFail | 1077 |
| IntraCellHoReq | 1078 |
| ISwHoChanAlcn | 1078 |
| ISwHoCompSrc | 1078 |
| ISwHoCompTrgt | 1078 |
| ISwHoFaillSrc | 1079 |
| L_M_Att | 1079 |
| L_M_Att_Home | 1079 |
| L_M_Att_Roam | 1079 |
| L_M_Comp | 1080 |
| L_M_Comp_Home | 1080 |
| L_M_Comp_Roam | 1080 |
| LrgstCDRSz | 1080 |
| M_L_Att | 1080 |
| M_L_Att_Home | 1081 |
| M_L_Att_Roam | 1081 |
| M_L_Comp | 1081 |
| M_L_Comp_Home | 1081 |
| M_L_Comp_Roam | 1082 |
| M_M_Att | 1082 |
| M_M_Att_Home | 1082 |

Updated: 2008-11-20

PERFORMANCE DATA REFERENCE
Prospect® 8.0 for Motorola CDMA/AMPS/EVDO R22/S19/R8

| | |
|------------------------|------|
| M_M_Att_Roam | 1082 |
| M_M_Comp | 1083 |
| M_M_Comp_Home | 1083 |
| M_M_Comp_Roam | 1083 |
| MSAWrtn | 1083 |
| NoAnsTrnsfCall | 1083 |
| NumClIsns | 1084 |
| OrgAccAtt | 1084 |
| PgAck | 1084 |
| Prty3ConfCall | 1084 |
| Reg | 1085 |
| RegRcvActMob | 1085 |
| SCDRWrtn | 1085 |
| SubActReg | 1085 |
| SuccAttActvtMRSorVRS | 1086 |
| SuccAttDeActvtMRSorVRS | 1086 |
| SuccRepgs | 1086 |
| TrmMobSysAtt | 1086 |
| TrmMobSysBlk | 1086 |
| UpLnkRFLs | 1087 |
| ValReqSw0 | 1087 |
| ValReqSw1 | 1087 |
| ValReqSw10 | 1087 |
| ValReqSw11 | 1088 |
| ValReqSw12 | 1088 |
| ValReqSw13 | 1088 |
| ValReqSw14 | 1088 |
| ValReqSw15 | 1089 |
| ValReqSw16 | 1089 |
| ValReqSw17 | 1089 |
| ValReqSw18 | 1089 |
| ValReqSw19 | 1089 |
| ValReqSw2 | 1090 |
| ValReqSw20 | 1090 |
| ValReqSw21 | 1090 |
| ValReqSw22 | 1090 |
| ValReqSw23 | 1091 |
| ValReqSw24 | 1091 |
| ValReqSw25 | 1091 |
| ValReqSw26 | 1091 |
| ValReqSw27 | 1092 |
| ValReqSw28 | 1092 |
| ValReqSw29 | 1092 |
| ValReqSw3 | 1092 |
| ValReqSw30 | 1092 |
| ValReqSw31 | 1093 |
| ValReqSw4 | 1093 |
| ValReqSw5 | 1093 |
| ValReqSw6 | 1093 |
| ValReqSw7 | 1094 |
| ValReqSw8 | 1094 |

| | |
|--|------|
| ValReqSw9 | 1094 |
| MSC_CFC Primitive Calculations | 1094 |
| GRAPHmultiLineSeparator | 1094 |
| NUMDAYS | 1095 |
| NUMHOURS | 1095 |
| UnknownEnterpriseField | 1095 |
| MSC_CFC Peg Counts | 1095 |
| CFC_COUNT | 1095 |
| Neg_ServiceOption Primitive Calculations | 1095 |
| GRAPHmultiLineSeparator | 1095 |
| NUMDAYS | 1095 |
| NUMHOURS | 1096 |
| UnknownEnterpriseField | 1096 |
| OMP Primitive Calculations | 1096 |
| GRAPHmultiLineSeparator | 1096 |
| NUMDAYS | 1096 |
| NUMHOURS | 1096 |
| OMP Peg Counts | 1096 |
| CPU_Util_Avg | 1096 |
| CPU_Util_Max | 1097 |
| PagingChan Primitive Calculations | 1097 |
| AvgBytesLocServMsgPCH | 1097 |
| AvgBytesSMS_MsgPCH | 1097 |
| GRAPHmultiLineSeparator | 1097 |
| NumberOfMSIAddressesSentPerGPM | 1098 |
| NUMDAYS | 1098 |
| NUMHOURS | 1098 |
| pagingConcatenationUsagePercent | 1098 |
| UnknownEnterpriseField | 1098 |
| PagingChan Peg Counts | 1098 |
| AccParamMsgPCH | 1098 |
| AuthChalngeMsgPCH | 1099 |
| CAM_ECAMInitAtt | 1099 |
| CAM_ECAMSent1Retries | 1099 |
| CAM_ECAMSent2Retries | 1099 |
| CAM_ECAMSent3Retries | 1100 |
| CAM_ECAMSent4Retries | 1100 |
| CDMA_ChanListMsgPCH | 1100 |
| ChanAssgnMsgPCH | 1101 |
| DataBurstMsgsPCH | 1101 |
| ExtndCDMA_ChanListMsgPCH | 1101 |
| ExtndChanAssgnMsgPCH | 1102 |
| ExtndGloblServRedirMsgPCh | 1102 |
| ExtndNborListMsgPCH | 1102 |
| ExtndSysParamMsgPCH | 1103 |
| FeatNotMsgPCH | 1103 |
| GenNborListMsgPCH | 1103 |
| GenPageMsg_SO22_PCH | 1104 |
| GenPageMsg_SO23_PCH | 1104 |
| GenPageMsg_SO24_PCH | 1104 |

PERFORMANCE DATA REFERENCE
 Prospect® 8.0 for Motorola CDMA/AMPS/EVDO R22/S19/R8

| | |
|---|------|
| GenPageMsg_SO25_PCH | 1105 |
| GenPageMsg_SO33_PCH | 1105 |
| GenPageMsgPCH | 1105 |
| GloblServRedirMsgPCH | 1106 |
| HiPriNSlotMsgDelayPCH | 1106 |
| HiPriNSlotMsgDiscrdPCH | 1106 |
| HiPriNSlotMsgPCH | 1107 |
| HiPriSlotMsgDelayPCH | 1107 |
| HiPriSlotMsgDiscrdPCH | 1107 |
| HiPriSlotMsgPCH | 1108 |
| LocServMsgPCH | 1108 |
| LoPriNSlotMsgDelayPCH | 1108 |
| LoPriNSlotMsgDiscrdPCH | 1109 |
| LoPriNSlotMsgPCH | 1109 |
| LoPriSlotMsgDelayPCH | 1109 |
| LoPriSlotMsgDiscrdPCH | 1110 |
| LoPriSlotMsgPCH | 1110 |
| MSI_AddrMsgPCH | 1110 |
| NborListMsgPCH | 1111 |
| Num2PgRecGPMsSentFCCCH | 1111 |
| NumANSI41RANDMsgSentFBCCH | 1111 |
| NumANSI41SysParamMsgSentFBCCH | 1112 |
| numberOf2PageRecordInGpmSentOnPch | 1112 |
| numberOfConcatenatedPagesIn2HalfFramesSentOnPch | 1112 |
| numberOfGpmsSentOnPch | 1113 |
| NumberOfHalfFramesOccupiedByAllGPMsSentOnPCH | 1113 |
| NumEnhcAccParamMsgSntFBCCH | 1113 |
| NumFrgmntSentFCCCH | 1114 |
| NumHlfFrmesOvrhMsg_128cS | 1114 |
| NumMC_RRParamMsgSentFBCCH | 1114 |
| NumSubSlTsentFBCCH | 1115 |
| NumUnivrsNbrListMsgSentFBCCH | 1115 |
| NumUnivrsPgMsgSentFCCCH | 1115 |
| OrderMsgPCH | 1116 |
| PACA_MsgPCH | 1116 |
| PkFrgmntSentFCCCH | 1116 |
| PkHlfFrmesPCH | 1116 |
| PkSubSlTsentFBCCH | 1117 |
| PrivNborListMsgPCH | 1117 |
| SecurModeCmdMsgPCH | 1117 |
| ServRedirMsgPch | 1118 |
| SMS_MsgPCH | 1118 |
| SSD_UpdateMsgPCH | 1118 |
| StatusReqMsgPCH | 1119 |
| SynchrHlfFrmesNOvrhdMsgPCH | 1119 |
| SynchrHlfFrmesPCH | 1119 |
| SysParamMsgPCH | 1120 |
| TMSI_AssgnMsgPCH | 1120 |
| TotalADDsArrivdFCsCh | 1120 |
| TotalFeaNotifArrivdFCsCh | 1121 |
| TotalPageArrivdFCsCh | 1121 |

PERFORMANCE DATA REFERENCE
 Prospect® 8.0 for Motorola CDMA/AMPS/EVDO R22/S19/R8

| | |
|---------------------------------------|------|
| TotBytesFeatNotMsgPCH | 1121 |
| TotBytesHiPriNSlotMsgPCH | 1122 |
| TotBytesHiPriSlotMsgPCH | 1122 |
| TotBytesLocServMsgPCH | 1122 |
| TotBytesLoPriNSlotMsgPCH | 1123 |
| TotBytesLoPriSlotMsgPCH | 1123 |
| TotBytesMSI_AddrMsgPCH | 1123 |
| TotBytesSMS_MsgPCH | 1124 |
| TotSizeDataBurstMsgPCH | 1124 |
| UserZoneID_MsgPCH | 1124 |
| UserZoneRejctMsgPCH | 1125 |
| PaTrnkGrp Primitive Calculations | 1125 |
| AvgPowOutReadSC_PA | 1125 |
| GRAPHmultiLineSeparator | 1125 |
| NUMDAYS | 1126 |
| NUMHOURS | 1126 |
| PaTrnkGrp Peg Counts | 1126 |
| AllPowModsInsTimePA | 1126 |
| averagePowerCapacityUtilizationPa_Int | 1126 |
| NumEquipPowModsPA | 1127 |
| NumEquipSecCarrsPA | 1127 |
| peakPowerCapacityUtilizationPa_Int | 1127 |
| PkPowOutReadPA | 1128 |
| RatPowOfPowModsPA | 1128 |
| PaTrnkGrp_SC Primitive Calculations | 1128 |
| AvgPowCapUtilPA_SC | 1128 |
| GRAPHmultiLineSeparator | 1128 |
| NUMDAYS | 1129 |
| NUMHOURS | 1129 |
| PkPowCapUtilPA_SC | 1129 |
| PaTrnkGrp_SC Peg Counts | 1129 |
| AllPowModsInsTimePA_SC | 1129 |
| CarrierTypeIndicator | 1129 |
| CumPowOutReadPA_SC | 1130 |
| NumEquipPowModsPA_SC | 1130 |
| NumEquipSecCarrsPA_SC | 1130 |
| NumPowSampRecPA_SC | 1131 |
| PkPowOutReadPA_SC | 1131 |
| RatPowOfPowModsPA_SC | 1131 |
| PBTSSPAN Primitive Calculations | 1132 |
| BundleCarrierType | 1132 |
| GRAPHmultiLineSeparator | 1132 |
| NUMDAYS | 1132 |
| NUMHOURS | 1132 |
| PBTSSPAN Peg Counts | 1132 |
| ControlledSlipSeconds | 1132 |
| DegradedSecAlarm | 1133 |
| DegradedSecWarning | 1133 |
| ErroredSecondsLine | 1133 |
| ErroredSecondsPath | 1134 |

Updated: 2008-11-20

| | |
|---------------------------------|------|
| FwdLineUseRate | 1134 |
| LineCodeViolation | 1134 |
| PathCodeViolation | 1135 |
| RvsLineUseRate | 1135 |
| SeverelyErroredSecondsLine | 1135 |
| SeverelyErroredSecondsPath | 1136 |
| SpanType | 1136 |
| SuspectFlag | 1136 |
| UnavailableSec | 1136 |
| PCF Primitive Calculations | 1137 |
| GRAPHmultiLineSeparator | 1137 |
| NUMDAYS | 1137 |
| NUMHOURS | 1137 |
| UnknownEnterpriseField | 1137 |
| PCF_PDSN Primitive Calculations | 1137 |
| GRAPHmultiLineSeparator | 1137 |
| NUMDAYS | 1138 |
| NUMHOURS | 1138 |
| UnknownEnterpriseField | 1138 |
| PCF_RA Primitive Calculations | 1138 |
| GRAPHmultiLineSeparator | 1138 |
| NUMDAYS | 1138 |
| NUMHOURS | 1138 |
| PCF_E_ActvCallAtt | 1138 |
| PCF_E_ReactvCallAttMM_Req | 1139 |
| PCF_E_ReactvCallAttPCF_Qry | 1139 |
| PCF_RAMaxDormCallAllow | 1139 |
| pSuccCallReactvPrent | 1139 |
| UnknownEnterpriseField | 1139 |
| PCF_RA Peg Counts | 1139 |
| NumSuccPDSNAccessPktDataXC | 1140 |
| PCF_E_ActvCallAllocFailNoPDSN | 1140 |
| PCF_E_ActvCallOvf | 1140 |
| PCF_E_ActvCallOvrl | 1140 |
| PCF_E_ActvCallSucc | 1141 |
| PCF_E_FoundAllocRemote | 1141 |
| PCF_E_PktDropCallBuffLim | 1141 |
| PCF_E_PktDropNoMem | 1141 |
| PCF_E_ReactvCallOvfMMReq | 1142 |
| PCF_E_ReactvCallOvfPCF_Qry | 1142 |
| PCF_E_ReactvCallOvrlMMReq | 1142 |
| PCF_E_ReactvCallOvrlPCF_Qry | 1142 |
| PCF_E_ReactvCallSuccMMReq | 1142 |
| PCF_E_ReactvCallSuccPCF_Qry | 1143 |
| PCF_E_ReqRespTypeMismatch | 1143 |
| PCF_QryBlk | 1143 |
| PCF_QryRecvd | 1143 |
| PCF_QrySent | 1144 |
| PCF_RA_DormntCallOvf | 1144 |
| PCF_RA_MaxActvCallAllow | 1144 |

PERFORMANCE DATA REFERENCE
 Prospect® 8.0 for Motorola CDMA/AMPS/EVDO R22/S19/R8

| | |
|--------------------------------------|------|
| PCF_RA_MaxTotCallAllow | 1144 |
| PCF_RA_UsgActvCall | 1145 |
| PCF_RA_UsgDormntCall | 1145 |
| ResrcReqRecvd | 1145 |
| TotalUserDataFwdXC | 1145 |
| TotalUserDataRvsXC | 1146 |
| TotPSI_PCF_OOSTime | 1146 |
| PKTIF Primitive Calculations | 1146 |
| GRAPHmultiLineSeparator | 1146 |
| NUMDAYS | 1146 |
| NUMHOURS | 1146 |
| PKTIF Peg Counts | 1147 |
| CPU_Util_Avg | 1147 |
| CPU_Util_Max | 1147 |
| PKTPCF Primitive Calculations | 1147 |
| GRAPHmultiLineSeparator | 1147 |
| NUMDAYS | 1148 |
| NUMHOURS | 1148 |
| PKTPCF Peg Counts | 1148 |
| CPU_Util_Avg | 1148 |
| CPU_Util_Max | 1148 |
| PKTSEL Primitive Calculations | 1149 |
| GRAPHmultiLineSeparator | 1149 |
| NUMDAYS | 1149 |
| NUMHOURS | 1149 |
| PKTSEL Peg Counts | 1149 |
| CPU_Util_Avg | 1149 |
| CPU_Util_Max | 1149 |
| Proc Primitive Calculations | 1150 |
| GRAPHmultiLineSeparator | 1150 |
| NUMDAYS | 1150 |
| NUMHOURS | 1150 |
| UnknownEnterpriseField | 1150 |
| Proc Peg Counts | 1150 |
| ID | 1150 |
| ProcPair Primitive Calculations | 1151 |
| GRAPHmultiLineSeparator | 1151 |
| NUMDAYS | 1151 |
| NUMHOURS | 1151 |
| UnknownEnterpriseField | 1151 |
| ProcPair Peg Counts | 1151 |
| CPU_UsgPercent | 1151 |
| PriorityLevel | 1151 |
| ReportInterval | 1152 |
| Status | 1152 |
| ProcSubsystem Primitive Calculations | 1152 |
| GRAPHmultiLineSeparator | 1152 |
| NUMDAYS | 1152 |
| NUMHOURS | 1152 |
| UnknownEnterpriseField | 1152 |

Updated: 2008-11-20

| | |
|--|------|
| ProcSubsystemPair Primitive Calculations | 1152 |
| GRAPHmultiLineSeparator | 1153 |
| NUMDAYS | 1153 |
| NUMHOURS | 1153 |
| UnknownEnterpriseField | 1153 |
| ProcSubsystemPair Peg Counts | 1153 |
| CPU_UsgPercent | 1153 |
| PriorityLevel | 1153 |
| ReportInterval | 1153 |
| Status | 1154 |
| PSI_CE_Grp Primitive Calculations | 1154 |
| GRAPHmultiLineSeparator | 1154 |
| NUMDAYS | 1154 |
| NUMHOURS | 1154 |
| PSI_CE_AsgnFail | 1154 |
| PSI_CE_GrpPktTot | 1154 |
| TotPSI_CE_IdleTime | 1155 |
| UnknownEnterpriseField | 1155 |
| PSI_CE_Grp Peg Counts | 1155 |
| AllPSI_CE_NonIdleTime | 1155 |
| PSI_CE_AsgnAtt | 1155 |
| PSI_CE_AsgnComp | 1155 |
| PSI_CE_Equip | 1156 |
| PSI_CE_GrpDropPkt | 1156 |
| PSI_CE_GrpValidPkt | 1156 |
| TotPSI_CE_OOSTime | 1156 |
| TotPSI_CE_UsgTime | 1157 |
| PSI_SDU Primitive Calculations | 1157 |
| GRAPHmultiLineSeparator | 1157 |
| NUMDAYS | 1157 |
| NUMHOURS | 1157 |
| UnknownEnterpriseField | 1157 |
| PSI_SDU Peg Counts | 1157 |
| callCCS | 1157 |
| QuickPCH_Rate Primitive Calculations | 1158 |
| GRAPHmultiLineSeparator | 1158 |
| NUMDAYS | 1158 |
| NUMHOURS | 1158 |
| pAvgQPCH_Occup | 1158 |
| QPCH_Rate | 1158 |
| QuickPCH_Rate Peg Counts | 1159 |
| ConfigChngIndsQPCH | 1159 |
| PkQkPageChanIndsQPCH | 1159 |
| QkPageChanIndsQPCH | 1159 |
| QuickPgChan Primitive Calculations | 1160 |
| GRAPHmultiLineSeparator | 1160 |
| NUMDAYS | 1160 |
| NUMHOURS | 1160 |
| RadioChanConfig Primitive Calculations | 1160 |
| GRAPHmultiLineSeparator | 1160 |

PERFORMANCE DATA REFERENCE
 Prospect® 8.0 for Motorola CDMA/AMPS/EVDO R22/S19/R8

| | |
|--|------|
| NUMDAYS | 1160 |
| NUMHOURS | 1160 |
| UnknownEnterpriseField | 1161 |
| Req_SCH_GrpType Primitive Calculations | 1161 |
| forwardSchGroupAllocateSuccessCommit | 1161 |
| FwdSCH_GrpAllocSuccResrv | 1161 |
| GRAPHmultiLineSeparator | 1161 |
| NUMDAYS | 1161 |
| NUMHOURS | 1161 |
| reverseSchGroupAllocateSuccessCommit | 1161 |
| RvsSCH_GrpAllocSuccResrv | 1162 |
| UnknownEnterpriseField | 1162 |
| Req_SCH_GrpType Peg Counts | 1162 |
| SCH_GrpFwdAllocAtt | 1162 |
| SCH_GrpFwdAllocFailNoIdleMem | 1162 |
| SCH_GrpFwdTransm | 1162 |
| SCH_GrpRvsAllocAtt | 1163 |
| SCH_GrpRvsAllocFailNoIdleMem | 1163 |
| SCH_GrpRvsTransm | 1163 |
| Req_ServiceOption Primitive Calculations | 1163 |
| GRAPHmultiLineSeparator | 1164 |
| NUMDAYS | 1164 |
| NUMHOURS | 1164 |
| UnknownEnterpriseField | 1164 |
| Req_ServiceOption Peg Counts | 1164 |
| totalCalls | 1164 |
| RouterPair Primitive Calculations | 1164 |
| GRAPHmultiLineSeparator | 1165 |
| NUMDAYS | 1165 |
| NUMHOURS | 1165 |
| UnknownEnterpriseField | 1165 |
| RouterPair Peg Counts | 1165 |
| PktBhlLnkOvrlDCallLgShd_p | 1165 |
| PktBhlHHI_SftAddTimeBlk_p | 1165 |
| PktBhlHHISftAddAdmAtt_p | 1166 |
| PktBhlHHISftAddAdmDen_p | 1166 |
| PktBhlLnkOvrlDCon_p | 1166 |
| PktBhlOrig_TermTimeBlk_p | 1166 |
| PktBhlOrigTermAdmAtt_p | 1167 |
| PktBhlOrigTermAdmDen_p | 1167 |
| SC_PaTrnkGrp Primitive Calculations | 1167 |
| AvgPowOutReadSC_PA | 1167 |
| GRAPHmultiLineSeparator | 1167 |
| NUMDAYS | 1168 |
| NUMHOURS | 1168 |
| SC_PaTrnkGrp Peg Counts | 1168 |
| CumPowOutReadSC_PA | 1168 |
| NumPowSampRecSC_PA | 1168 |
| SCH_GrpType Primitive Calculations | 1169 |
| FwdSCH_GrpEffecCE_UseCommit | 1169 |

Updated: 2008-11-20

| | |
|---|------|
| FwdSCH_GrpEffecCE_UseTransmit | 1169 |
| GRAPHmultiLineSeparator | 1169 |
| MCC1XFwd_ChEl_Equipd | 1169 |
| MCC1XRvs_ChEl_Equipd | 1169 |
| NUMDAYS | 1169 |
| NUMHOURS | 1170 |
| pFwdSCH_GrpAllocFailNoIdMem | 1170 |
| pRvsSCH_GrpAllocFailNoIdMem | 1170 |
| RvsSCH_GrpEffecCE_UseCommit | 1170 |
| RvsSCH_GrpEffecCE_UseTransmit | 1170 |
| SCH_CE_Grp | 1170 |
| UnknownEnterpriseField | 1170 |
| SCH_GrpType Peg Counts | 1171 |
| averageSchGroupForwardMembersConfigured | 1171 |
| averageSchGroupReverseMembersConfigured | 1171 |
| SCH_GrpFwdMemEquip | 1171 |
| SCH_GrpRvsMemEquip | 1172 |
| SCIP_Link Primitive Calculations | 1172 |
| GRAPHmultiLineSeparator | 1172 |
| NUMDAYS | 1172 |
| NUMHOURS | 1172 |
| UnknownEnterpriseField | 1172 |
| SCIP_Link Peg Counts | 1173 |
| BusyCond | 1173 |
| ErrorRec | 1173 |
| FrameTrans | 1173 |
| InboundBusyTime | 1173 |
| LostFrames | 1174 |
| OutboundBusyTime | 1174 |
| PkLinkInit | 1174 |
| T1TosNumRejFrameRec | 1174 |
| TotRawDataRec | 1174 |
| TotRawDataSent | 1175 |
| VldFrameRec | 1175 |
| SCSI_DiskCopy Primitive Calculations | 1175 |
| GRAPHmultiLineSeparator | 1175 |
| NUMDAYS | 1175 |
| NUMHOURS | 1176 |
| UnknownEnterpriseField | 1176 |
| SCSI_DiskCopy Peg Counts | 1176 |
| AlterExcpErr | 1176 |
| AvgDiskAccTimeLSW | 1176 |
| AvgDiskAccTimeMSW | 1176 |
| AvgDskAccTimeDIA_3LSW | 1177 |
| AvgDskAccTimeDIA_3MSW | 1177 |
| BusyNotSetShouldBe | 1177 |
| BusySelBitBothSet | 1177 |
| CmndAbort | 1177 |
| CmndExcpErr | 1178 |
| CmndIncomp | 1178 |

PERFORMANCE DATA REFERENCE
 Prospect® 8.0 for Motorola CDMA/AMPS/EVDO R22/S19/R8

| | |
|---------------------------------------|------|
| CondSucc | 1178 |
| DevTimeout | 1178 |
| DIA_3AppearInsane | 1179 |
| DIA_3BusyBitSet | 1179 |
| DIA_3CSR_AccBusTO | 1179 |
| DIA_3MemAccBusTO | 1179 |
| DIA_3NotRel | 1180 |
| DiskCmndReject | 1180 |
| IntactvReqErr | 1180 |
| InvalidTabCode | 1180 |
| MachExcpErr | 1180 |
| MaxDIA_3AccTime | 1181 |
| MaxSingleSecReadAccTime | 1181 |
| MessMicroExcpErr | 1181 |
| MinDIA_3AccTime | 1181 |
| MinSingleSecReadAccTime | 1182 |
| MissedDiskIntrpt | 1182 |
| NotFindCorrRespPkt | 1182 |
| PktID_Mismatch | 1182 |
| ReadyBitSetSelBitClear | 1183 |
| SuccComp | 1183 |
| TotAvgWindow | 1183 |
| TotAvgWindowDIA_3 | 1183 |
| TotHW_RecovErr | 1183 |
| TotIPI_PSEUDO_Cmnd | 1184 |
| TotSW_RecovErr | 1184 |
| TotUnrecovErr | 1184 |
| SDF_BSC Primitive Calculations | 1184 |
| GRAPHmultiLineSeparator | 1185 |
| NUMDAYS | 1185 |
| NUMHOURS | 1185 |
| UnknownEnterpriseField | 1185 |
| SDF_BSC Peg Counts | 1185 |
| callCount | 1185 |
| SDU_PCF_RA_BSC Primitive Calculations | 1185 |
| GRAPHmultiLineSeparator | 1186 |
| NUMDAYS | 1186 |
| NUMHOURS | 1186 |
| UnknownEnterpriseField | 1186 |
| SDU_PCF_RA_BSC Peg Counts | 1186 |
| ActCallAllocSuccM | 1186 |
| NumResrcReqRecvd_SDUPCF | 1186 |
| SDUPCF_FoundAllocRemo | 1187 |
| SDUPCF_ReactvCallOvrIM | 1187 |
| SDUPCF_ReactvCallSucc_ExtPCFM | 1187 |
| SDUPCF_ReactvCallSucc_NewPCFM | 1187 |
| SDUPCF_ReqRespTypeMis | 1188 |
| SDUPCFActCallAllocF | 1188 |
| SDUPCFActvCallAllocFO | 1188 |
| Sector Primitive Calculations | 1188 |

Updated: 2008-11-20

PERFORMANCE DATA REFERENCE
 Prospect® 8.0 for Motorola CDMA/AMPS/EVDO R22/S19/R8

| | |
|-------------------------|------|
| AccComp | 1189 |
| GRAPHmultiLineSeparator | 1189 |
| LostCall | 1189 |
| NUMDAYS | 1189 |
| NUMHOURS | 1189 |
| OrgTrmAsgnAtt | 1189 |
| OrgTrmAtt | 1189 |
| OrgTrmDenied | 1189 |
| pAccBlk | 1190 |
| pAccFail | 1190 |
| pHandOutsPerTotHo | 1190 |
| pLostCall | 1190 |
| pOrgTrmDenied | 1190 |
| pPoorSigPerAtt | 1190 |
| pRFLsPerComp | 1191 |
| RFLsPerUsgErlg | 1191 |
| RFLsQty | 1191 |
| UnknownEnterpriseField | 1191 |
| UsgErlg | 1191 |
| Sector Peg Counts | 1191 |
| AccAtt | 1191 |
| AccOvf | 1192 |
| AccThrshBlk | 1192 |
| ChanAsgnAtt | 1192 |
| ChanAsgnAttBlk | 1192 |
| DirRetryCand | 1193 |
| DirRetryIn | 1193 |
| DirRetryOut | 1193 |
| DwnLnkCIEvnt | 1193 |
| DwnLnkCIHoComp | 1193 |
| DwnLnkCIHoFail | 1194 |
| DwnLnkRFLsRecSec | 1194 |
| EmrgHoComp | 1194 |
| EmrgHoFail | 1194 |
| EmrgHoReq | 1195 |
| ExtendBandAtt | 1195 |
| ExtendBandOvf | 1195 |
| FalseVOXRel | 1195 |
| FstSpdHoReq | 1196 |
| IcellHoCompSrc | 1196 |
| IcellHoCompTrgt | 1196 |
| IcellHoFail | 1196 |
| IcellHoFailTrgt | 1196 |
| IcellHoReq | 1197 |
| IEMXHoCompSrc | 1197 |
| IEMXHoCompTrgt | 1197 |
| IEMXHoMeasReq | 1197 |
| InterCellHoCompSrc | 1198 |
| InterCellHoCompTrgt | 1198 |
| InterCellHoReq | 1198 |
| InterEMXHoCompSrc | 1198 |

PERFORMANCE DATA REFERENCE
 Prospect® 8.0 for Motorola CDMA/AMPS/EVDO R22/S19/R8

| | |
|---------------------------------------|------|
| InterEMXHoCompTrgt | 1199 |
| InterTierHoComp | 1199 |
| InterTierHoFail | 1199 |
| IntraSecHoComp | 1199 |
| IntraSecHoFailSrc | 1199 |
| IntraSecHoFailTrgt | 1200 |
| IntraSecHoReq | 1200 |
| ISecHoCompSrc | 1200 |
| ISecHoCompTrgt | 1200 |
| ISecHoFailSrc | 1201 |
| ISecHoFailTrgt | 1201 |
| ISecHoReq | 1201 |
| ISwHoChanAlctnTrgt | 1201 |
| ISwHoFailSrc | 1202 |
| ISwHrdHoChanAlc | 1202 |
| IswHrdHoComp | 1202 |
| MaxChanSmltDsbl | 1202 |
| PortChngHoCompTrgt | 1202 |
| PortChngHoReq | 1203 |
| RcvAntUsg | 1203 |
| SecAntAtt | 1203 |
| TimeChanRsrvHoSt | 1203 |
| TotFalseRel | 1204 |
| TotHoFail | 1204 |
| TotRelsAdtd | 1204 |
| UpLnkCIEvnt | 1204 |
| UpLnkCIHoComp | 1205 |
| UplnkCIHoFail | 1205 |
| UpLnkRFLsRecSec | 1205 |
| VOXRelsAdtd | 1205 |
| Sector_Carrier Primitive Calculations | 1206 |
| AccAtt | 1206 |
| AccessAtt | 1206 |
| accessFailure3G1xDataPercent | 1206 |
| accessFailure3G1xVoicePercent | 1206 |
| accessFailurePercent | 1206 |
| AccessOvf | 1206 |
| AccOvf | 1207 |
| AddAtt | 1207 |
| ADDS_SMS_OvfSecCarr | 1207 |
| AncInitNwAddComp | 1207 |
| AncIntermNwayDropComp | 1207 |
| AncLstNwayDropComp | 1207 |
| AncSubsNwayAddComp | 1207 |
| AncTotNwayAddFail | 1208 |
| AncTotNwayAddProc | 1208 |
| AncTotNwayDenProc | 1208 |
| AncTotNwayDropFail | 1208 |
| AncTotNwayDropProc | 1208 |
| AuthAck | 1208 |
| AvgWCde128_inUse | 1209 |

Updated: 2008-11-20

PERFORMANCE DATA REFERENCE
 Prospect® 8.0 for Motorola CDMA/AMPS/EVDO R22/S19/R8

| | |
|---------------------------------------|------|
| AvgWCde128_inUse_c | 1209 |
| AvgWCde16_inUse | 1209 |
| AvgWCde32_inUse | 1209 |
| AvgWCde4_inUse | 1209 |
| AvgWCde64_inUse | 1209 |
| AvgWCde64_inUse_c | 1210 |
| AvgWCde8_inUse | 1210 |
| BandClassNumber | 1210 |
| BrdcstSMS_OvfSecCarr | 1211 |
| callDropTotal | 1211 |
| CallRedCarrLoadLmt | 1211 |
| CallRedWlshCdOvfl | 1211 |
| camEcamSentInitialAttempts | 1211 |
| cdmaToAmpsExternalHandFromAttempts | 1212 |
| cdmaToAmpsExternalHandFromCompletes | 1212 |
| cdmaToAmpsExternalHandFromFailures | 1212 |
| cdmaToAmpsExternalHandFromRequests | 1212 |
| cdmaToCdmaHandAcrossHandFromCompletes | 1212 |
| cdmaToCdmaHandAcrossHandFromFailures | 1212 |
| cdmaToCdmaHandAcrossHandFromRequests | 1213 |
| cdmaToCdmaHandDownHandFromAttempts | 1213 |
| cdmaToCdmaHandDownHandFromCompletes | 1213 |
| cdmaToCdmaHandDownHandFromFailures | 1213 |
| cdmaToCdmaHandDownHandFromRequests | 1213 |
| cdmaToCdmaHandUpHandFromCompletes | 1213 |
| cdmaToCdmaHandUpHandFromFailures | 1214 |
| cdmaToCdmaHandUpHandFromRequests | 1214 |
| CktDataSO_Usg | 1214 |
| CtoC_HHoAttHandAcr | 1214 |
| CtoC_HHoAttHanddown | 1214 |
| CtoC_HHoCompHandAcr | 1214 |
| CtoC_HHoReqHandAcr | 1215 |
| CtoCHardHoAtt | 1215 |
| droppedCall3G1xDataPercent | 1215 |
| droppedCall3G1xVoicePercent | 1215 |
| droppedCallPercent | 1215 |
| ExtHndAcrHndToAtt | 1215 |
| ExtHtCompSec | 1215 |
| ExtHtFailSec | 1216 |
| FailAttOrigTotPN | 1216 |
| FailAttTermTotPN | 1216 |
| FeatNotfcnOvfSecCarr | 1216 |
| GRAPHmultiLineSeparator | 1216 |
| GrpUsgMinICBSCWCUsg | 1216 |
| GrpUsgMinWCUsg | 1217 |
| handAcrossHandtoCompletes | 1217 |
| handAcrossHandtoFailures | 1217 |
| HandOverInAsgn | 1217 |
| HndDownHndToAtt | 1217 |
| HndUpHndToAtt | 1217 |
| HSPDataSO_USg | 1217 |

PERFORMANCE DATA REFERENCE
 Prospect® 8.0 for Motorola CDMA/AMPS/EVDO R22/S19/R8

| | |
|--|------|
| ICBSCCWlshCdUsg | 1218 |
| ICBSCGrpAsgn | 1218 |
| ICBSCWlshCdAt | 1218 |
| ICBSCWlshCdOvf | 1218 |
| interBandActiveDataHardHandoffBandDownAttemptsTargetSector | 1218 |
| interBandActiveDataHardHandoffBandUpAttemptsTargetSector | 1218 |
| interBandHardHandoffBandDownAttemptsTargetSector | 1218 |
| interBandHardHandoffBandUpAttemptsTargetSector | 1219 |
| LimTimeSlfCalLPA_Ovrlid | 1219 |
| LPA_OvrlidProfTimeSlfCalibLimMin | 1219 |
| LSPD_SO_Usg | 1219 |
| lxPktDataFCHWlshCd128UseSecs | 1219 |
| lxPktDataSO_Usg | 1219 |
| MaxMembEquip | 1220 |
| numberConcatenatedPagesIn3HalfFramesSentOnPch | 1220 |
| numberOfMSIAddressesSentOnPch | 1220 |
| NUMDAYS | 1220 |
| NUMHOURS | 1220 |
| NwayAddAttSrc | 1220 |
| NwayAddAttTrgt | 1220 |
| NwayDropAttSrc | 1221 |
| NwayDropAttTrgt | 1221 |
| OrgAsgnAttTerktOrA2pCarrSec | 1221 |
| OrigAssgnTotPN | 1221 |
| originationAssignmentAttemptFailuresUserAbandon | 1221 |
| originationAssignmentFailuresWalshCode | 1221 |
| OrigTermAsgn | 1222 |
| pAccOvf | 1222 |
| pAddFail | 1222 |
| PageOvfSecCarr | 1222 |
| pagingConcatenationUsagePercent | 1222 |
| PDWlshCdUsage | 1222 |
| PDWlshCdUsageMin | 1222 |
| pRFLoss | 1223 |
| RFLossTotal | 1223 |
| setupFailureTotal | 1223 |
| SftSftrAddAsgn | 1223 |
| SHOPProblemTotal | 1223 |
| SoSrHoAddCompTrgtSec | 1223 |
| SoSrHoAddFailTrgtSec | 1224 |
| SoSrHoDropCompTrgtSec | 1224 |
| SoSrHoDropFailTrgtSec | 1224 |
| SSDUpdateAck | 1224 |
| TermAsgnAttTerktOrA2pCarrSec | 1224 |
| TermAssgnTotPN | 1224 |
| totalInterBandRedirectionAttemptsAutomatic | 1225 |
| TotGrpAsgn | 1225 |
| TotHardHoAtt | 1225 |
| TotHardHoComp | 1225 |
| TotHardHoReq | 1225 |
| TotInterBandRedrctAtt | 1225 |

Updated: 2008-11-20

PERFORMANCE DATA REFERENCE
 Prospect® 8.0 for Motorola CDMA/AMPS/EVDO R22/S19/R8

| | |
|------------------------------------|------|
| TotInterBandRedrctAtt_CrrThrshExcd | 1226 |
| TotInterBandRedrctAtt_InsufEqpRsrc | 1226 |
| TotInterBandRedrctAtt_MSReject | 1226 |
| TotInterBandRedrctAttOrg | 1226 |
| TotInterBandRedrctAttTrm | 1226 |
| TotWalshCodeOvf | 1226 |
| TrgtHardHoAtt | 1227 |
| TrgtInitNwayAddComp | 1227 |
| TrgtIntermNwayDropComp | 1227 |
| TrgtLstNwayDropComp | 1227 |
| TrgtSubsNwayAddComp | 1227 |
| TrgtTotNwayAddFail | 1227 |
| TrgtTotNwayAddProc | 1227 |
| TrgtTotNwayDenProc | 1228 |
| TrgtTotNwayDropFail | 1228 |
| TrgtTotNwayDropProc | 1228 |
| UnablAcqMobOrig | 1228 |
| UnablAcqMobTerm | 1228 |
| UnknownEnterpriseField | 1228 |
| VoiceSO_Usg | 1228 |
| WCde128Use_CCS | 1229 |
| WCde16Use_CCS | 1229 |
| WCde32Use_CCS | 1229 |
| WCde4Use_CCS | 1229 |
| WCde64Use_CCS | 1229 |
| WCde8Use_CCS | 1229 |
| weightedHHIAtts_Total | 1230 |
| weightedOrigAtts_Total | 1230 |
| weightedShoAddAtts_Total | 1230 |
| weightedTermAtts_Total | 1230 |
| weightedTotalRelease_Total | 1230 |
| WlsCdAvgHoldTimeSec | 1231 |
| WlshCdAtt | 1231 |
| WlshCdEquip | 1231 |
| WlshCdOvf | 1231 |
| WlshCdUsg | 1231 |
| Sector_Carrier Peg Counts | 1231 |
| accessFailure | 1232 |
| accessFailure3G1xData | 1232 |
| accessFailure3G1xVoice | 1232 |
| AccProbeHoAttNb1 | 1233 |
| AccProbeHoAttNb2 | 1233 |
| AccProbeHoAttNb3 | 1233 |
| AccProbeHoAttNb4 | 1233 |
| AccProbeHoAttNb5 | 1234 |
| AccProbeHoAttOth | 1234 |
| AccProbeHoEnabNb1 | 1234 |
| AccProbeHoEnabNb2 | 1234 |
| AccProbeHoEnabNb3 | 1235 |
| AccProbeHoEnabNb4 | 1235 |
| AccProbeHoEnabNb5 | 1235 |

PERFORMANCE DATA REFERENCE
Prospect® 8.0 for Motorola CDMA/AMPS/EVDO R22/S19/R8

| | |
|------------------------|------|
| AccProbeHoEnabNbOth | 1235 |
| AccProbeHoHandIn | 1236 |
| AccProbeHoHandOut | 1236 |
| ADDS_SMS_Arriv_CarrSec | 1236 |
| ADDS_SMS_TransSecCarr | 1236 |
| ADHHOMSRejectReason_6 | 1236 |
| AllocTCHOrig | 1237 |
| AllocTCHTerm | 1237 |
| avgEC_IOR | 1237 |
| avgFwdAttempt | 1238 |
| avgReverseRise | 1238 |
| BrdstSMS_Arriv_CarrSec | 1238 |
| BrdstSMS_TransSecCarr | 1238 |
| callCount_CFC_1 | 1239 |
| callCount_CFC_10 | 1239 |
| callCount_CFC_100 | 1239 |
| callCount_CFC_101 | 1240 |
| callCount_CFC_102 | 1240 |
| callCount_CFC_103 | 1240 |
| callCount_CFC_104 | 1240 |
| callCount_CFC_105 | 1241 |
| callCount_CFC_106 | 1241 |
| callCount_CFC_107 | 1241 |
| callCount_CFC_108 | 1242 |
| callCount_CFC_109 | 1242 |
| callCount_CFC_11 | 1242 |
| callCount_CFC_111 | 1243 |
| callCount_CFC_112 | 1243 |
| callCount_CFC_113 | 1243 |
| callCount_CFC_114 | 1244 |
| callCount_CFC_12 | 1244 |
| callCount_CFC_13 | 1244 |
| callCount_CFC_130 | 1244 |
| callCount_CFC_131 | 1245 |
| callCount_CFC_132 | 1245 |
| callCount_CFC_133 | 1245 |
| callCount_CFC_138 | 1246 |
| callCount_CFC_139 | 1246 |
| callCount_CFC_14 | 1246 |
| callCount_CFC_140 | 1247 |
| callCount_CFC_142 | 1247 |
| callCount_CFC_143 | 1247 |
| callCount_CFC_146 | 1248 |
| callCount_CFC_147 | 1248 |
| callCount_CFC_148 | 1248 |
| callCount_CFC_149 | 1248 |
| callCount_CFC_15 | 1249 |
| callCount_CFC_150 | 1249 |
| callCount_CFC_151 | 1249 |
| callCount_CFC_152 | 1250 |
| callCount_CFC_156 | 1250 |

Updated: 2008-11-20

PERFORMANCE DATA REFERENCE

Prospect® 8.0 for Motorola CDMA/AMPS/EVDO R22/S19/R8

| | |
|------------------------------|------|
| callCount_CFC_157 | 1250 |
| callCount_CFC_158 | 1251 |
| callCount_CFC_16 | 1251 |
| callCount_CFC_18 | 1251 |
| callCount_CFC_19 | 1252 |
| callCount_CFC_2 | 1252 |
| callCount_CFC_20 | 1252 |
| callCount_CFC_21 | 1252 |
| callCount_CFC_22 | 1253 |
| callCount_CFC_23 | 1253 |
| callCount_CFC_24 | 1253 |
| callCount_CFC_25 | 1254 |
| callCount_CFC_255 | 1254 |
| callCount_CFC_26 | 1254 |
| callCount_CFC_27 | 1255 |
| callCount_CFC_28 | 1255 |
| callCount_CFC_29 | 1255 |
| callCount_CFC_3 | 1256 |
| callCount_CFC_30 | 1256 |
| callCount_CFC_31 | 1256 |
| callCount_CFC_32 | 1256 |
| callCount_CFC_33 | 1257 |
| callCount_CFC_34 | 1257 |
| callCount_CFC_35 | 1257 |
| callCount_CFC_36 | 1258 |
| callCount_CFC_37 | 1258 |
| callCount_CFC_4 | 1258 |
| callCount_CFC_40 | 1259 |
| callCount_CFC_5 | 1259 |
| callCount_CFC_50 | 1259 |
| callCount_CFC_51 | 1260 |
| callCount_CFC_52 | 1260 |
| callCount_CFC_53 | 1260 |
| callCount_CFC_54 | 1260 |
| callCount_CFC_6 | 1261 |
| callCount_CFC_60 | 1261 |
| callCount_CFC_61 | 1261 |
| callCount_CFC_62 | 1262 |
| callCount_CFC_63 | 1262 |
| callCount_CFC_7 | 1262 |
| callCount_CFC_8 | 1263 |
| callCount_CFC_80 | 1263 |
| callCount_CFC_81 | 1263 |
| callCount_CFC_82 | 1264 |
| callCount_CFC_83 | 1264 |
| callCount_CFC_9 | 1264 |
| callDropCoverage | 1264 |
| callDropEquipFailure | 1265 |
| callDropIncorrectParams | 1265 |
| callDropInsufficientCapacity | 1265 |
| callDropInterference | 1266 |

PERFORMANCE DATA REFERENCE
 Prospect® 8.0 for Motorola CDMA/AMPS/EVDO R22/S19/R8

| | |
|---------------------------------|------|
| callDropUndefined | 1266 |
| CallRed1stSec | 1266 |
| CarrAttFwdLnkCarrPwrLmtOrig | 1267 |
| CarrAttFwdLnkCarrPwrLmtTerm | 1267 |
| CarrAttLPA_OvrldProtctn | 1267 |
| CarrAttLPA_OvrldProtSlfCalibLim | 1267 |
| CarrAttRevLnkCarrPwrLmtOrig | 1268 |
| CarrAttRevLnkCarrPwrLmtTerm | 1268 |
| CarrOvfFwdLnkCarrPwrLmtOrig | 1268 |
| CarrOvfFwdLnkCarrPwrLmtTerm | 1268 |
| CarrOvfLPA_OvrldProtctn | 1269 |
| CarrOvfLPA_OvrldProtSlfCalibLim | 1269 |
| CarrOvfRevLnkCarrPwrLmtOrig | 1269 |
| CarrOvfRevLnkCarrPwrLmtTerm | 1269 |
| cf3 | 1270 |
| cf4 | 1270 |
| cf5 | 1270 |
| cf6 | 1270 |
| cf7 | 1271 |
| cf8 | 1271 |
| CSEC_FwdSCH_Req | 1271 |
| CSEC_FwdSCH_RespFailNoCapRF | 1272 |
| CSEC_FwdSCH_RespFailNoWC | 1272 |
| CSEC_RvsSCH_Req | 1272 |
| CSEC_RvsSCH_RespFailNoCapRF | 1272 |
| CtoCExtHfCompSec | 1273 |
| CtoCExtHfFailSec | 1273 |
| CtoCExtHfReqSec | 1273 |
| DataThroughputFwdFCH_Int | 1273 |
| DataThroughputRvsFCH_Int | 1274 |
| droppedCall | 1274 |
| droppedCall3G1xData | 1274 |
| droppedCall3G1xVoice | 1275 |
| FailAttOrig1PN | 1275 |
| FailAttOrig2PN | 1275 |
| FailAttOrig3PN | 1275 |
| FailAttOrig4PN | 1276 |
| FailAttOrig5PN | 1276 |
| FailAttOrig6PN | 1276 |
| FailAttTerm1PN | 1276 |
| FailAttTerm2PN | 1277 |
| FailAttTerm3PN | 1277 |
| FailAttTerm4PN | 1277 |
| FailAttTerm5PN | 1277 |
| FailAttTerm6PN | 1277 |
| FeatNotfcn_TransSecCarr | 1278 |
| FeatNotfcnArriv_CarrSec | 1278 |
| FiveWayHoRFLsSec | 1278 |
| FourWayHoRFLsSec | 1278 |
| FwdCarrPwrLmtTimeOrig | 1279 |
| FwdCarrPwrLmtTimeTerm | 1279 |

Updated: 2008-11-20

PERFORMANCE DATA REFERENCE
 Prospect® 8.0 for Motorola CDMA/AMPS/EVDO R22/S19/R8

| | |
|---|------|
| FwdFCHThroughput_Int | 1279 |
| FwdSCHPeakThroughput_Int | 1279 |
| FwdSCHThroughput_Int | 1280 |
| goodCall | 1280 |
| goodCall3G1xData | 1280 |
| goodCall3G1xVoice | 1281 |
| HandDownHandtoCompSec | 1281 |
| HandDownHandtoFailSec | 1281 |
| HandUpHandtoCompSec | 1281 |
| HandUpHandtoFailSec | 1282 |
| HardHndinDenialTgt | 1282 |
| IBSCCHoRFLsSec | 1282 |
| ICInNwSSrHoDrpAttAnCarrSec | 1283 |
| ICInNwSSrHoDrpAttTgCarrSec | 1283 |
| ICInNwSSrHoDrpFailAnCarrSec | 1283 |
| ICInNwSSrHoDrpFailTgCarrSec | 1283 |
| ICInwSHoAddAttAnCarrSec | 1284 |
| ICInwSHoAddAttTgCarrSec | 1284 |
| ICInwSHoAddFailAnCarrSec | 1284 |
| ICInwSHoAddFailTgCarrSec | 1284 |
| ICInwSHoAddReqAnCarrSec | 1285 |
| ICInwSHoAddReqTgCarrSec | 1285 |
| ICLsNwSoHoDrpAttAnCarrSec | 1285 |
| ICLsNwSoHoDrpAttTgCarrSec | 1285 |
| ICLsNwSoHoDrpFailAnCarrSec | 1286 |
| ICLsNwSoHoDrpFailTgCarrSec | 1286 |
| ICSNwSsrHoAddAttAnCarrSec | 1286 |
| ICSNwSsrHoAddAttTgCarrSec | 1286 |
| ICSNwSsrHoAddFailAnCarrSec | 1287 |
| ICSNwSsrHoAddFailTgCarrSec | 1287 |
| ICSNwSsrHoAddReqAnCarrSec | 1287 |
| ICSNwSsrHoAddReqTgCarrSec | 1287 |
| interBandActiveDataHardHandoffBandDownCompletesSector | 1288 |
| interBandActiveDataHardHandoffBandDownCompletionsTargetSector | 1288 |
| interBandActiveDataHardHandoffBandDownFailuresSector | 1288 |
| interBandActiveDataHardHandoffBandDownFailuresTargetSector | 1288 |
| interBandActiveDataHardHandoffBandUpCompletesSector | 1289 |
| interBandActiveDataHardHandoffBandUpCompletionsTargetSector | 1289 |
| interBandActiveDataHardHandoffBandUpFailuresSector | 1289 |
| interBandActiveDataHardHandoffBandUpFailuresTargetSector | 1290 |
| interBandHardHandoffBandDownCompletions | 1290 |
| interBandHardHandoffBandDownFailures | 1290 |
| interBandHardHandoffBandUpCompletions | 1291 |
| interBandHardHandoffBandUpFailures | 1291 |
| interBandRedirectionAttemptsForOriginationAutomatic | 1291 |
| interBandRedirectionAttemptsForTerminationAutomatic | 1292 |
| interBandRedirectionEclorAndRNRExceeded | 1292 |
| interBandRedirectionEclorExceeded | 1292 |
| interBandRedirectionEclorMixRNRExceeded | 1293 |
| interBandRedirectionRNRExceeded | 1293 |
| InterBandRedrct_MultiRdrctReturn | 1293 |

PERFORMANCE DATA REFERENCE
 Prospect® 8.0 for Motorola CDMA/AMPS/EVDO R22/S19/R8

| | |
|------------------------------------|------|
| InterBandRedrctAttOrg_CrrThrshExcd | 1293 |
| InterBandRedrctAttOrg_InsufEqpRsrc | 1294 |
| InterBandRedrctAttTrm_CrrThrshExcd | 1294 |
| InterBandRedrctAttTrm_InsufEqpRsrc | 1294 |
| InterBandRedrctOrg_MSRejct | 1294 |
| InterBandRedrctTrm_MSRejct | 1295 |
| InterCbscSftHoDenialTgt | 1295 |
| InterCbscSftHoFailSrc | 1295 |
| InterCbscSftHoFailTgt | 1296 |
| InterCbscSftHoSuccSrc | 1296 |
| InterCbscSftHoSuccTgt | 1296 |
| InterCbscSftrHoDenialTgt | 1296 |
| InterCbscSftrHoFailSrc | 1297 |
| InterCbscSftrHoFailTgt | 1297 |
| InterCbscSftrHoSuccSrc | 1297 |
| InterCbscSftrHoSuccTgt | 1298 |
| IntraCbscSftHoDenialTgt | 1298 |
| IntraCbscSftHoFailSrc | 1298 |
| IntraCbscSftHoFailTgt | 1299 |
| IntraCbscSftHoSuccSrc | 1299 |
| IntraCbscSftHoSuccTgt | 1299 |
| IntraCbscSftrHoDenialTgt | 1300 |
| IntraCbscSftrHoFailSrc | 1300 |
| IntraCbscSftrHoFailTgt | 1300 |
| IntraCbscSftrHoSuccSrc | 1300 |
| IntraCbscSftrHoSuccTgt | 1301 |
| LPA_OvrlDProtctnTimeFixLmt | 1301 |
| LPA_OvrlDProfTimeSlfCalibLim | 1301 |
| lXpktDataOrigAsgnAttAbdnProc | 1302 |
| lXpktDataOrigAttCarrSec | 1302 |
| lXpktDataOrigAttFailRFResrc | 1302 |
| lXpktDataTermAsgnAttAbdnProc | 1303 |
| lXpktDataTermAttCarrSec | 1303 |
| lXpktDataTermAttFailRFResrc | 1303 |
| MaxRLPPayldByteFwdSCH | 1304 |
| MaxRLPPayldByteRvsSCH | 1304 |
| MessageRateFwdFCH_Int | 1304 |
| MessageRateRvsFCH_Int | 1305 |
| NewRLPFrameFwdFCH | 1305 |
| NewRLPFrameRvsFCH | 1305 |
| NwyInterCarrHardHdinHdacrosFailTgt | 1305 |
| NwyInterCarrHardHdinHdacrosSuccTgt | 1306 |
| NwyInterCarrHardHdinHdownFailTgt | 1306 |
| NwyInterCarrHardHdinHdownSuccTgt | 1306 |
| NwyInterCarrHardHdinHdupFailTgt | 1307 |
| NwyInterCarrHardHdinHdupSuccTgt | 1307 |
| NwyIntraCarrHardHdinHdacrosFailTgt | 1307 |
| NwyIntraCarrHardHdinHdacrosSuccTgt | 1308 |
| NwyIntraCarrHardHdinHdownFailTgt | 1308 |
| NwyIntraCarrHardHdinHdownSuccTgt | 1308 |
| NwyIntraCarrHardHdinHdupFailTgt | 1309 |

Updated: 2008-11-20

PERFORMANCE DATA REFERENCE
 Prospect® 8.0 for Motorola CDMA/AMPS/EVDO R22/S19/R8

| | |
|---|------|
| NwyIntraCarrHardHdinHdupSuccTgt | 1309 |
| OneWayHoRFLsSec | 1309 |
| oneWayInterCarrHardHdinHdacrosFailTgt | 1309 |
| oneWayInterCarrHardHdinHdacrosSuccTgt | 1310 |
| oneWayInterCarrHardHdinHdownFailTgt | 1310 |
| oneWayInterCarrHardHdinHdownSuccTgt | 1310 |
| oneWayInterCarrHardHdinHdupFailTgt | 1311 |
| oneWayInterCarrHardHdinHdupSuccTgt | 1311 |
| oneWayIntraCarrHardHdinHdacrosFailTgt | 1311 |
| oneWayIntraCarrHardHdinHdacrosSuccTgt | 1312 |
| oneWayIntraCarrHardHdinHdownFailTgt | 1312 |
| oneWayIntraCarrHardHdinHdownSuccTgt | 1312 |
| oneWayIntraCarrHardHdinHdupFailTgt | 1312 |
| oneWayIntraCarrHardHdinHdupSuccTgt | 1313 |
| Org2GAsgnd3G_Rsrc | 1313 |
| Org3GAsgnd2G_Rsrc | 1313 |
| OrgAsgnAttRFResrc | 1314 |
| OrgAsgnCompCarrSec | 1314 |
| OrgAttAccProbeHO | 1314 |
| OrgAttAccProbeHoICBSCHO | 1314 |
| OrgAttCarrSec | 1315 |
| OrgAttFailRFResrc | 1315 |
| OrgAttICBSCTCHAsgn | 1315 |
| OrgAttInterSecTCHAsgn | 1315 |
| OrgAttPgAccChHO | 1316 |
| OrgXCarrAsgnFwdRF_PwrLmt | 1316 |
| OrgXCarrAsgnLPA_FxPwrLmt | 1316 |
| OrgXCarrAsgnLPA_SClbPwrLmt | 1317 |
| OrgXCarrAsgnNoRadRsrc | 1317 |
| OrgXCarrAsgnOther | 1317 |
| OrgXCarrAsgnRvsRF_PwrLmt | 1318 |
| OrigAsgnAttMSCAck | 1318 |
| OrigAssgn1PN | 1318 |
| OrigAssgn2PN | 1318 |
| OrigAssgn3PN | 1319 |
| OrigAssgn4PN | 1319 |
| OrigAssgn5PN | 1319 |
| OrigAssgn6PN | 1319 |
| Page_Arriv_CarrSec | 1320 |
| PageTranSecCarr | 1320 |
| pecOriginationAttempt | 1320 |
| pecOriginationRequestDeniedUnavailabilityOfChannelElement | 1320 |
| pecSuccessfulCallSetup | 1321 |
| pecTerminationAttempt | 1321 |
| pecTerminationRequestDeniedUnavailabilityOfChannelElement | 1321 |
| PkNrmlzdWCde_inUse | 1322 |
| PkNrmlzdWCde_inUse_c | 1322 |
| PkWCde128_inUse | 1322 |
| PkWCde128_inUse_c | 1323 |
| PkWCde16_inUse | 1323 |
| PkWCde32_inUse | 1323 |

PERFORMANCE DATA REFERENCE
Prospect® 8.0 for Motorola CDMA/AMPS/EVDO R22/S19/R8

| | |
|--|------|
| PkWCde4_inUse | 1324 |
| PkWCde64_inUse | 1324 |
| PkWCde64_inUse_c | 1324 |
| PkWCde8_inUse | 1325 |
| PowerPerErlangs_Int | 1325 |
| requested128bitWCandAllocated128bitWC | 1326 |
| requested64bitWCandAllocated128bitWC | 1326 |
| requested64bitWCandAllocated64bitWC | 1326 |
| requested64bitWCAttempted128bitWCandFailed | 1327 |
| ResMaxPayldByte | 1327 |
| RevCarrPwrLmtTimeOrig | 1327 |
| RevCarrPwrLmtTimeTerm | 1328 |
| RFLossCoverage | 1328 |
| RFLossInterference | 1328 |
| RLPRetransmFwdFCH | 1329 |
| rlpRetransmissionsOnForwardFchSegmentedRlpFrames | 1329 |
| RLPRetransmissionsOnReverseFCHSegmentedRLPframes | 1329 |
| RLPRetransmRvsFCH | 1330 |
| RvsFCHThroughput_Int | 1330 |
| RvsSCHPeakThroughput_Int | 1330 |
| RvsSCHThroughput_Int | 1330 |
| setupFailureCoverage | 1331 |
| setupFailureEquipFailure | 1331 |
| setupFailureIncorrectParams | 1331 |
| setupFailureInsufficientCapacity | 1332 |
| setupFailureInterference | 1332 |
| setupFailureUndefined | 1332 |
| SftAddOperCompTrgtSec | 1333 |
| SftAddOperFailTrgtSec | 1333 |
| SftDropOperCompTrgtSec | 1333 |
| SftDropOperFailTrgtSec | 1333 |
| SftrAddOperCompTrgtSec | 1334 |
| SftrAddOperFailTrgtSec | 1334 |
| SftrDropOperCompTrgtSec | 1334 |
| SftrDropOperFailTrgtSec | 1334 |
| SHOProblemCoverage | 1334 |
| SHOProblemEquipFailure | 1335 |
| SHOProblemIncorrectParams | 1335 |
| SHOProblemInsufficientCapacity | 1335 |
| SHOProblemInterference | 1336 |
| SHOProblemUndefined | 1336 |
| SilentReOrig | 1336 |
| SixWayHoRFLsSec | 1337 |
| SMSCountFwdTCH | 1337 |
| SMSCountRvsTCH | 1337 |
| SoSrHoAddCompSrcSec | 1338 |
| SoSrHoAddFailSrcSec | 1338 |
| SoSrHoAddReqSrcSec | 1338 |
| SoSrHoAddReqTrgtSec | 1338 |
| SoSrHoDropCompSrcSec | 1339 |
| SoSrHoDrpFISrcS | 1339 |

Updated: 2008-11-20

PERFORMANCE DATA REFERENCE
 Prospect® 8.0 for Motorola CDMA/AMPS/EVDO R22/S19/R8

| | |
|----------------------------|------|
| TermAsgnAttFlAbdProc | 1339 |
| TermAsgnAttMSCAck | 1339 |
| TermAsgnAttRFResrc | 1340 |
| TermAsgnCompCarrSec | 1340 |
| TermAssgn1PN | 1340 |
| TermAssgn2PN | 1340 |
| TermAssgn3PN | 1340 |
| TermAssgn4PN | 1341 |
| TermAssgn5PN | 1341 |
| TermAssgn6PN | 1341 |
| TermAttAccProbeHO | 1341 |
| TermAttAccProbeHOICBSCHO | 1342 |
| TermAttCarrSec | 1342 |
| TermAttFailRFResrc | 1342 |
| TermAttFailWlshCd | 1342 |
| TermAttICBSCTCHAsgn | 1343 |
| TermAttInterSecTCHAsgn | 1343 |
| TermAttPgAccChHO | 1343 |
| ThreeWayHoRFLsSec | 1343 |
| TotalRLPPayldByteFwdFCH | 1344 |
| TotalRLPPayLdByteFwdSCH | 1344 |
| TotalRLPPayldByteRvsFCH | 1344 |
| TotalRLPPayldByteRvsSCH | 1345 |
| totalSizeOfSmsSentOnFwdTch | 1345 |
| TotalSizeSMSRecevRvsTCH | 1345 |
| TotFCHWlshCd128UseSecs_p | 1346 |
| Trm2GAsgnd3G_Rsrc | 1346 |
| Trm3GAsgnd2G_Rsrc | 1346 |
| TrmXCarrAsgnFwdRF_PwrLmt | 1347 |
| TrmXCarrAsgnLPA_FxPwrLmt | 1347 |
| TrmXCarrAsgnLPA_SC1bPwrLmt | 1347 |
| TrmXCarrAsgnNoRadRsrc | 1348 |
| TrmXCarrAsgnOther | 1348 |
| TrmXCarrAsgnRvsRF_PwrLmt | 1348 |
| TWCde128Use_Secs_c | 1349 |
| TwoWayHoRFLsSec | 1349 |
| WCde128_AllocFail | 1349 |
| WCde128_AllocFail_c | 1350 |
| WCde128_Atts | 1350 |
| WCde128_Atts_c | 1350 |
| WCde128Use_Secs | 1351 |
| WCde16_AllocFail | 1351 |
| WCde16_Atts | 1351 |
| WCde16Use_Secs | 1352 |
| WCde32_AllocFail | 1352 |
| WCde32_Atts | 1352 |
| WCde32Use_Secs | 1353 |
| WCde4_AllocFail | 1353 |
| WCde4_Atts | 1353 |
| WCde4Use_Secs | 1354 |
| WCde64_AllocFail | 1354 |

PERFORMANCE DATA REFERENCE
Prospect® 8.0 for Motorola CDMA/AMPS/EVDO R22/S19/R8

| | |
|-------------------------------|------|
| WCde64_Atts | 1354 |
| WCde64Use_Secs | 1355 |
| WCde8_AllocFail | 1355 |
| WCde8_Atts | 1355 |
| WCde8Use_Secs | 1356 |
| weightedHHIAtts_1XData | 1356 |
| weightedHHIAtts_1XVoice | 1356 |
| weightedHHIAtts_Fax | 1357 |
| weightedHHIAtts_IS95Data | 1357 |
| weightedHHIAtts_IS95HS | 1357 |
| weightedHHIAtts_IS95LS | 1357 |
| weightedHHIAtts_IS95Voice | 1358 |
| weightedHHIAtts_Markov | 1358 |
| weightedHHIAtts_Other | 1358 |
| weightedHHIAtts_SMS | 1359 |
| weightedOrigAtts_1XData | 1359 |
| weightedOrigAtts_1XVoice | 1359 |
| weightedOrigAtts_Fax | 1360 |
| weightedOrigAtts_IS95Data | 1360 |
| weightedOrigAtts_IS95HS | 1360 |
| weightedOrigAtts_IS95LS | 1361 |
| weightedOrigAtts_IS95Voice | 1361 |
| weightedOrigAtts_Markov | 1361 |
| weightedOrigAtts_Other | 1361 |
| weightedOrigAtts_SMS | 1362 |
| weightedShoAddAtts_1XData | 1362 |
| weightedShoAddAtts_1XVoice | 1362 |
| weightedShoAddAtts_Fax | 1363 |
| weightedShoAddAtts_IS95Data | 1363 |
| weightedShoAddAtts_IS95HS | 1363 |
| weightedShoAddAtts_IS95LS | 1364 |
| weightedShoAddAtts_IS95Voice | 1364 |
| weightedShoAddAtts_Markov | 1364 |
| weightedShoAddAtts_Other | 1365 |
| weightedShoAddAtts_SMS | 1365 |
| weightedTermAtts_1XData | 1365 |
| weightedTermAtts_1XVoice | 1365 |
| weightedTermAtts_Fax | 1366 |
| weightedTermAtts_IS95Data | 1366 |
| weightedTermAtts_IS95HS | 1366 |
| weightedTermAtts_IS95LS | 1367 |
| weightedTermAtts_IS95Voice | 1367 |
| weightedTermAtts_Markov | 1367 |
| weightedTermAtts_Other | 1368 |
| weightedTermAtts_SMS | 1368 |
| weightedTotalRelease_1XData | 1368 |
| weightedTotalRelease_1XVoice | 1369 |
| weightedTotalRelease_Fax | 1369 |
| weightedTotalRelease_IS95Data | 1369 |
| weightedTotalRelease_IS95HS | 1369 |
| weightedTotalRelease_IS95LS | 1370 |

Updated: 2008-11-20

PERFORMANCE DATA REFERENCE
 Prospect® 8.0 for Motorola CDMA/AMPS/EVDO R22/S19/R8

| | |
|--|------|
| weightedTotalRelease_IS95Voice | 1370 |
| weightedTotalRelease_Markov | 1370 |
| weightedTotalRelease_Other | 1371 |
| weightedTotalRelease_SMS | 1371 |
| Sector_MCCceGrp Primitive Calculations | 1371 |
| CallRedCEOvfl | 1371 |
| CarrS1_1xNonPkgDataAsgn | 1372 |
| CarrS1_1xPktDataAsgn | 1372 |
| CarrS1TotGrpAsgnPktData | 1372 |
| CarrS1TotGrpAsgnVcNonPkt | 1372 |
| CarrS1TotGrpAttNonPkt | 1372 |
| CarrS1TotGrpAttPktData | 1372 |
| CarrS1TotGrpFailNonPktDNoOffset | 1373 |
| CarrS1TotGrpFailNonPktDNoResrc | 1373 |
| CarrS1TotGrpFailPktDNoOffset | 1373 |
| CarrS1TotGrpFailPktDNoResrc | 1373 |
| CarrS2_1xPktDataAsgn | 1373 |
| CarrS2TotGrpAsgnNonPkt | 1373 |
| CarrS2TotGrpAsgnPktData | 1374 |
| CarrS2TotGrpAttNonPkt | 1374 |
| CarrS2TotGrpAttPktData | 1374 |
| CarrS2TotGrpFailNonPktDNoOffset | 1374 |
| CarrS2TotGrpFailNonPktDNoResrc | 1374 |
| CarrS2TotGrpFailPktDNoOffset | 1374 |
| CarrS2TotGrpFailPktDNoResrc | 1375 |
| CarrS2TrfTS1xNonPktDAsgn | 1375 |
| GRAPHmultiLineSeparator | 1375 |
| ICBSC_TfTimeslotAsgn | 1375 |
| ICBSC_TfTimeslotAtt | 1375 |
| ICBSC_TfTimeslotFailNoOS | 1375 |
| ICBSC_TfTimeslotFailNoRes | 1376 |
| ICBSCGrpAsgn | 1376 |
| ICBSCGrpAtt | 1376 |
| ICBSCGrpOvf | 1376 |
| ICBSCTfMCCceAtt | 1376 |
| ICBSCTfMCCceOvf | 1376 |
| ICBSCTrfMCCCEFailNoFrmeOffset | 1376 |
| lxIS95ABOvfTo1xNonPktCE_PoolCarrS2 | 1377 |
| lxIS95ABOvfTo1xNonPktCEPoolCarrS1 | 1377 |
| lxIS95ABOvfTo1xPktCE_PoolCarrS1 | 1377 |
| lxIS95ABOvfTo1xPktCE_PoolCarrS2 | 1377 |
| lxNonPktDataAttCarrS1 | 1377 |
| lxNonPktDataAttCarrS2 | 1377 |
| lxNonPktDFailCarrS1 | 1378 |
| lxNonPktDFailCarrS1NoResrc | 1378 |
| lxNonPktDFailCarrS2 | 1378 |
| lxNonPktDFailCarrS2NoResrc | 1378 |
| lxNonPktDOvfTo1xPktD_CEPoolCarrS1 | 1378 |
| lxNonPktOvfTo1xPktD_CEPoolCarrS2 | 1378 |
| lxPktDataAttCarrS1 | 1379 |
| lxPktDataAttCarrS2 | 1379 |

PERFORMANCE DATA REFERENCE
 Prospect® 8.0 for Motorola CDMA/AMPS/EVDO R22/S19/R8

| | |
|--|------|
| 1xPktDFailCarrS1NoOffset | 1379 |
| 1xPktDFailCarrS1NoResrc | 1379 |
| 1xPktDFailCarrS2NoOffset | 1379 |
| 1xPktDFailCarrS2NoResrc | 1379 |
| NUMDAYS | 1380 |
| NUMHOURS | 1380 |
| OrigAttFailCE | 1380 |
| TermAttFailCE | 1380 |
| TfMCCceAtt | 1380 |
| TfMCCceOvf | 1380 |
| TfTimeslotAsgn | 1380 |
| TfTimeslotAtt | 1381 |
| TfTimeslotFailNoOS | 1381 |
| TfTimeslotFailNoRes | 1381 |
| TotGrpAsgn | 1381 |
| TotGrpAtt | 1381 |
| TotGrpOvf | 1381 |
| TrfMCCCEFailNoFrmeOffset | 1381 |
| UnknownEnterpriseField | 1382 |
| Sector_MCCceGrp Peg Counts | 1382 |
| CallSetupAttBlk%1xCERSrsvdEncrochCarrSet1_p | 1382 |
| CallSetupAttBlk%1xCERSrsvdEncrochCarrSet2_p | 1382 |
| 1xPktDataSetupFailNoRsrcCarrSet1_p | 1383 |
| 1xPktDataSetupFailNoRsrcCarrSet2_p | 1383 |
| 1xPktDataSftAddFailNoRsrcCarrSet1_p | 1383 |
| 1xPktDataSftAddFailNoRsrcCarrSet2_p | 1384 |
| Non 1xPktDataHinAtt%1xCERSrsvdEncrochCarrSet1_p | 1384 |
| Non 1xPktDataHinAtt%1xCERSrsvdEncrochCarrSet2_p | 1384 |
| Non 1xPktDataMOFail%1xCERSrsvdEncrochCarrSet1_p | 1385 |
| Non 1xPktDataMOFail%1xCERSrsvdEncrochCarrSet2_p | 1385 |
| Non 1xPktDataMTFail%1xCERSrsvdEncrochCarrSet1_p | 1385 |
| Non 1xPktDataMTFail%1xCERSrsvdEncrochCarrSet2_p | 1386 |
| Non 1xPktDataSftAdd%1xCERSrsvdEncrochCarrSet2_p | 1386 |
| Non 1xPktDataSftAddAtt%1xCERSrsvdEncrochCarrSet1_p | 1386 |
| SectorHoContr Primitive Calculations | 1387 |
| AggActSetStrMMBn4CarrSec | 1387 |
| AggActSetStrXCBn4CarrSec | 1387 |
| GRAPHmultiLineSeparator | 1387 |
| NUMDAYS | 1387 |
| NUMHOURS | 1387 |
| UnknownEnterpriseField | 1387 |
| SectorHoContr Peg Counts | 1387 |
| ActStStrMMBn1CarrSec | 1388 |
| ActStStrMMBn2CarrSec | 1388 |
| ActStStrMMBn3CarrSec | 1388 |
| ActStStrXCBn1CarrSec | 1388 |
| ActStStrXCBn2CarrSec | 1388 |
| ActStStrXCBn3CarrSec | 1389 |
| BTSShflCmpCarrSec | 1389 |
| BTSShflFITy1CarrSec | 1389 |

PERFORMANCE DATA REFERENCE
 Prospect® 8.0 for Motorola CDMA/AMPS/EVDO R22/S19/R8

| | |
|---|------|
| BTSShflFITy2CarrSec | 1389 |
| BTSShflIntCarrSec | 1390 |
| PSMMCarrSec | 1390 |
| PSMMFtrCarrSec | 1390 |
| PSMMHgActStStrCarrSec | 1390 |
| PSMMLwActStStrCarrSec | 1391 |
| SoShflCmpCarrSec | 1391 |
| SoShflFITy1CarrSec | 1391 |
| SoShflFITy2CarrSec | 1391 |
| SoShflIntCarrSec | 1391 |
| SrShflCmpCarrSec | 1392 |
| SrShflFITy1CarrSec | 1392 |
| SrShflFITy2CarrSec | 1392 |
| SrShflIntCarrSec | 1392 |
| ServiceMode Primitive Calculations | 1393 |
| GRAPHmultiLineSeparator | 1393 |
| NUMDAYS | 1393 |
| NUMHOURS | 1393 |
| ServiceModeName | 1393 |
| Site_MCCceGrp Primitive Calculations | 1393 |
| AllChNonIdleTime | 1393 |
| AllTfMCCceBsy | 1394 |
| AvgCEinUse3G_DCCH | 1394 |
| AvgCEinUse3G_FCH | 1394 |
| AvgIncomingBWUtilBTSEndDevice | 1394 |
| AvgOutgoingBWUtilBTSEndDevice | 1394 |
| CarrierA | 1394 |
| CarrierB | 1394 |
| CarrierC | 1395 |
| CarrierD | 1395 |
| CarrierE | 1395 |
| CarrierF | 1395 |
| CarrierG | 1395 |
| CarrierH | 1395 |
| CarrierI | 1395 |
| CarrierJ | 1396 |
| CarrierK | 1396 |
| CarrierL | 1396 |
| carrierSet11xFTchCesUsageTimeSharedForFSchSec | 1396 |
| CarrierSet1ListCarrA | 1396 |
| CarrierSet1ListCarrB | 1396 |
| CarrierSet1ListCarrC | 1396 |
| CarrierSet1ListCarrD | 1397 |
| CarrierSet1ListCarrE | 1397 |
| CarrierSet1ListCarrF | 1397 |
| carrierSet21xFTchCesUsageTimeSharedForFSchSec | 1397 |
| CarrierSet2ListCarrA | 1397 |
| CarrierSet2ListCarrB | 1397 |
| CarrierSet2ListCarrC | 1397 |
| CarrierSet2ListCarrD | 1398 |
| CarrierSet2ListCarrE | 1398 |

PERFORMANCE DATA REFERENCE
 Prospect® 8.0 for Motorola CDMA/AMPS/EVDO R22/S19/R8

| | |
|---|------|
| CarrierSet2ListCarrF | 1398 |
| CarrS1_1xPktDataUsgTime | 1398 |
| CarrS11xNonPktCapBlkTime | 1398 |
| CarrS1IntraCBSCUsgTime | 1398 |
| CarrS1TotGrpAsgnNonPkt | 1399 |
| CarrS1TotGrpAsgnPktData | 1399 |
| CarrS1TotGrpAsgnVcNonPkt | 1399 |
| CarrS1TotGrpAttNonPkt | 1399 |
| CarrS1TotGrpAttPktData | 1400 |
| CarrS1TotGrpFailNonPktDNoOffset | 1400 |
| CarrS1TotGrpFailNonPktDNoResrc | 1400 |
| CarrS1TotGrpFailPktDNoOffset | 1400 |
| CarrS1TotGrpFailPktDNoResrc | 1400 |
| CarrS2_1xPktDataUsgTime | 1400 |
| CarrS21xNonPktCapBlkTime | 1401 |
| CarrS2IntraCBSCUsgTime | 1401 |
| CarrS2TotGrpAsgnNonPkt | 1401 |
| CarrS2TotGrpAsgnPktData | 1401 |
| CarrS2TotGrpAttNonPkt | 1402 |
| CarrS2TotGrpAttPktData | 1402 |
| CarrS2TotGrpFailNonPktDNoOffset | 1402 |
| CarrS2TotGrpFailNonPktDNoResrc | 1402 |
| CarrS2TotGrpFailPktDNoOffset | 1402 |
| CarrS2TotGrpFailPktDNoResrc | 1402 |
| GRAPHmultiLineSeparator | 1403 |
| GrpOOSTime | 1403 |
| GrpUsg | 1403 |
| ICBSCGrpAsgn | 1403 |
| ICBSCGrpAtt | 1403 |
| ICBSCGrpOvf | 1403 |
| ICBSCGrpUsg | 1404 |
| ICBSCTfMCCceUsg | 1404 |
| lxCE_EquipCarrS1 | 1404 |
| lxCE_EquipCarrS2 | 1404 |
| lxCE_GroupUsgCarrS1 | 1404 |
| lxCE_GroupUsgCarrS2 | 1404 |
| lxCE_GroupUsgCarrS2Min | 1404 |
| lxCE_Grp1xPD_UsgCarrS1 | 1405 |
| lxCE_Grp1xPD_UsgCarrS1Min | 1405 |
| lxCE_Grp1xPD_UsgCarrS2 | 1405 |
| lxCE_Grp1xPD_UsgCarrS2Min | 1405 |
| lxCE_GrpICBSC_UsgCarrS1 | 1405 |
| lxCE_GrpICBSC_UsgCarrS1Min | 1405 |
| lxCE_GrpICBSC_UsgCarrS2 | 1406 |
| lxCE_GrpICBSC_UsgCarrS2Min | 1406 |
| lxCE_GrpIS95AB_NonPD_UsgCarrS1 | 1406 |
| lxCE_GrpIS95AB_NonPD_UsgCarrS1Min | 1406 |
| lxCE_GrpIS95AB_NonPD_UsgCarrS2 | 1406 |
| lxCE_GrpIS95AB_NonPD_UsgCarrS2Min | 1406 |
| lxCE_GrpIS95B_PDFUsgCarrS1 | 1407 |
| lxCE_GrpIS95B_PDFUsgCarrS1Min | 1407 |

Updated: 2008-11-20

PERFORMANCE DATA REFERENCE
 Prospect® 8.0 for Motorola CDMA/AMPS/EVDO R22/S19/R8

| | |
|--------------------------------------|------|
| lxCE_GrpIS95B_PDFUsgCarrS2 | 1407 |
| lxCE_GrpIS95B_PDFUsgCarrS2Min | 1407 |
| lxCE_GrpIS95B_PDS_UsgCarrS1 | 1407 |
| lxCE_GrpIS95B_PDS_UsgCarrS1Min | 1407 |
| lxCE_GrpIS95B_PDS_UsgCarrS2 | 1408 |
| lxCE_GrpIS95B_PDS_UsgCarrS2Min | 1408 |
| lxCE_GrpUsgCarrS1Min | 1408 |
| lxCE_OOSTimeCarrS1 | 1408 |
| lxCE_OOSTimeCarrS1Min | 1408 |
| lxCE_OOSTimeCarrS2 | 1408 |
| lxCE_OOSTimeCarrS2Min | 1409 |
| lxCE_ResrvdFor1xPktDataUsgCarSet1%_p | 1409 |
| lxCE_ResrvdFor1xPktDataUsgCarSet2%_p | 1409 |
| lxNonPktCapCE_BlkJTimeCarrS1 | 1409 |
| lxNonPktCapCE_BlkJTimeCarrS2 | 1409 |
| lxNonPktCapCE_BlkJTimeCarrS2Min | 1409 |
| lxPktCapCE_BlkJTimeCarrS1 | 1410 |
| lxPktCapCE_BlkJTimeCarrS2 | 1410 |
| lxPktCapCE_BlkJTimeCarrS2Min | 1410 |
| MaxIncomingBWUtilBTSEndDevice | 1410 |
| MaxOutgoingBWUtilBTSEndDevice | 1410 |
| NUMDAYS | 1410 |
| NUMHOURS | 1411 |
| NumOverheadResrcActivated | 1411 |
| OneXNonOverhdResActv | 1411 |
| pAllMCCceBusyTime | 1411 |
| PkCEinUse2G_FCH | 1411 |
| PkCEinUse2G_SCCH | 1411 |
| PkCEinUse3G_DCCH | 1411 |
| PkCEinUse3G_FCH | 1412 |
| PktDFndGrpUsg | 1412 |
| PktDFndMCCceGrpUsg | 1412 |
| PktDSupGrpUsg | 1412 |
| PktDSupMCCceGrpUsg | 1412 |
| pOOS_Time | 1412 |
| SecinMeasPeriod | 1413 |
| TfMCCceEquip | 1413 |
| TfMCCceOOS | 1413 |
| TfMCCceUsg | 1413 |
| TotCE_Use3G_DCCH_CCS | 1413 |
| TotCE_Use3G_DCCH_Secs | 1413 |
| TotCE_Use3G_FCH_CCS | 1413 |
| TotCE_Use3G_FCH_Secs | 1414 |
| TotGrpAsgn | 1414 |
| TotGrpAtt | 1414 |
| TotGrpOvf | 1414 |
| TotTfMCCceEquip | 1414 |
| UnknownEnterpriseField | 1414 |
| Site_MCCceGrp Peg Counts | 1415 |
| AvgIncomingPktThroughputBTSIWF | 1415 |
| AvgIncomingThroughputBTSIWF | 1415 |

PERFORMANCE DATA REFERENCE
 Prospect® 8.0 for Motorola CDMA/AMPS/EVDO R22/S19/R8

| | |
|--|------|
| AvgOutgoingPktThroughputBTSIWF | 1415 |
| AvgOutgoingThroughputBTSIWF | 1415 |
| carrierSet1xFTchCesUsageTimeSharedForFSch | 1416 |
| carrierSet21xFTchCesUsageTimeSharedForFSch | 1416 |
| forwardSCHResourceAllocationFailureCPUOverload | 1416 |
| lxCE_ResrvdFor1xPktDataCarrSet1_p | 1417 |
| lxCE_ResrvdFor1xPktDataCarrSet2_p | 1417 |
| lxCE_ResrvdFor1xPktDataHinEnbleInd_p | 1417 |
| lxCE_ResrvdFor1xPktDataUsgCarrSet1_p | 1418 |
| lxCE_ResrvdFor1xPktDataUsgCarrSet2_p | 1418 |
| lxFCHAvailable_p | 1418 |
| MaxIncomingPktThroughputBTSIWF | 1419 |
| MaxIncomingThroughputBTSIWF | 1419 |
| MaxOutgoingPktThroughputBTSIWF | 1419 |
| MaxOutgoingThroughputBTSIWF | 1419 |
| nonPecCallsReleasedOnCbtsToMaintainPriorityCes | 1420 |
| nonPecCallsReleasedToMaintainPriorityCesPbts | 1420 |
| originationAttemptFailureCPUOverload | 1420 |
| PkCEinUse2G_FCH_c | 1421 |
| PkCEinUse2G_FCH_p | 1421 |
| PkCEinUse2G_SCCH_c | 1421 |
| PkCEinUse2G_SCCH_p | 1422 |
| PkCEinUse3G_DCCH_c | 1422 |
| PkCEinUse3G_DCCH_p | 1422 |
| PkCEinUse3G_FCH_c | 1423 |
| PkCEinUse3G_FCH_p | 1423 |
| reverseSCHResourceAllocationFailureCPUOverload | 1423 |
| terminationAttemptFailureCPUOverload | 1424 |
| TotCEUse3G_DCCH_Secs_c | 1424 |
| TotCEUse3G_DCCH_Secs_p | 1424 |
| TotCEUse3G_FCH_Secs_c | 1425 |
| TotCEUse3G_FCH_Secs_p | 1425 |
| SS7Link Primitive Calculations | 1425 |
| GRAPHmultiLineSeparator | 1425 |
| NUMDAYS | 1426 |
| NUMHOURS | 1426 |
| UnknownEnterpriseField | 1426 |
| SS7Link Peg Counts | 1426 |
| AutoChgback | 1426 |
| AutoChgovr | 1426 |
| DurLnkCong | 1426 |
| DurLnkInSvc | 1427 |
| DurLnkUnavail | 1427 |
| NumCongEvtntLossMSU | 1427 |
| NumMSU_Rec | 1427 |
| NumMSU_Tran | 1428 |
| NumMSUDiscLnkCong | 1428 |
| NumNAK_Rec | 1428 |
| NumSIF_SIO_OctetsRec | 1428 |
| NumSIF_SIO_OctetTrans | 1429 |
| NumSU_RecErr | 1429 |

Updated: 2008-11-20

PERFORMANCE DATA REFERENCE
Prospect® 8.0 for Motorola CDMA/AMPS/EVDO R22/S19/R8

| | |
|-----------------------------------|------|
| SigLnkCongInd | 1429 |
| SigLnkFailRsn | 1429 |
| SS7LinkSet Primitive Calculations | 1430 |
| GRAPHmultiLineSeparator | 1430 |
| NUMDAYS | 1430 |
| NUMHOURS | 1430 |
| UnknownEnterpriseField | 1430 |
| SS7LinkSet Peg Counts | 1430 |
| DurInacesbl | 1430 |
| LnkSetInacesbl | 1430 |
| Subcell Primitive Calculations | 1431 |
| GRAPHmultiLineSeparator | 1431 |
| NUMDAYS | 1431 |
| NUMHOURS | 1431 |
| UnknownEnterpriseField | 1431 |
| Subcell Peg Counts | 1431 |
| AccFailtoRchTrgt | 1431 |
| AltSecAtt | 1432 |
| CellAtt | 1432 |
| CellOvf | 1432 |
| ChanEquip | 1432 |
| CI_Att | 1433 |
| CI_Blkl | 1433 |
| GrpAtt | 1433 |
| GrpBusyTime | 1433 |
| GrpOvf | 1433 |
| GrpUsgTime | 1434 |
| IntraGrpAsgn | 1434 |
| LowRSSIAsgn | 1434 |
| Reuse2GrpAsgn | 1434 |
| System Primitive Calculations | 1435 |
| GRAPHmultiLineSeparator | 1435 |
| NUMDAYS | 1435 |
| NUMHOURS | 1435 |
| UnknownEnterpriseField | 1435 |
| TargetMSC Primitive Calculations | 1435 |
| GRAPHmultiLineSeparator | 1435 |
| NUMDAYS | 1435 |
| NUMHOURS | 1436 |
| UnknownEnterpriseField | 1436 |
| TargetMSC Peg Counts | 1436 |
| CallCompPg | 1436 |
| CallCompPgAck | 1436 |
| DataRec | 1436 |
| DataSent | 1437 |
| LatePgAck | 1437 |
| NonOrigPgAtt | 1437 |
| OrigPgAtt | 1437 |
| SrchReq | 1438 |
| SuccPgAck | 1438 |

PERFORMANCE DATA REFERENCE
 Prospect® 8.0 for Motorola CDMA/AMPS/EVDO R22/S19/R8

| | |
|-----------------------------------|------|
| SuccSrchReq | 1438 |
| TndmDataRec | 1438 |
| TndmDataSent | 1438 |
| TndmMsgRec | 1439 |
| TndmMsgSent | 1439 |
| TotMsgRec | 1439 |
| TotMsgSent | 1439 |
| TG_HoContr Primitive Calculations | 1440 |
| AggActSetStrMMBn4ICTrk | 1440 |
| AggActSetStrXCBn4ICTrk | 1440 |
| GRAPHmultiLineSeparator | 1440 |
| NUMDAYS | 1440 |
| NUMHOURS | 1440 |
| UnknownEnterpriseField | 1440 |
| TG_HoContr Peg Counts | 1441 |
| ActStStrMMBn1ICTrk | 1441 |
| ActStStrMMBn2ICTrk | 1441 |
| ActStStrMMBn3ICTrk | 1441 |
| ActStStrXCBn1ICTrk | 1441 |
| ActStStrXCBn2ICTrk | 1442 |
| ActStStrXCBn3ICTrk | 1442 |
| BTSShflCmpICTrk | 1442 |
| BTSShflFITy1ICTrk | 1442 |
| BTSShflFITy2ICTrk | 1442 |
| BTSShflIntICTrk | 1443 |
| PSMMFltrICTrk | 1443 |
| PSMMHgActStStrICTrk | 1443 |
| PSMMICTrk | 1443 |
| PSMMLwActStStrICTrk | 1444 |
| SoShflCmpICTrk | 1444 |
| SoShflFITy1ICTrk | 1444 |
| SoShflFITy2ICTrk | 1444 |
| SoShflIntICTrk | 1445 |
| SrShflCmpICTrk | 1445 |
| SrShflFITy1ICTrk | 1445 |
| SrShflFITy2ICTrk | 1445 |
| SrShflIntICTrk | 1445 |
| Trunk Primitive Calculations | 1446 |
| GRAPHmultiLineSeparator | 1446 |
| NUMDAYS | 1446 |
| NUMHOURS | 1446 |
| UnknownEnterpriseField | 1446 |
| Trunk Peg Counts | 1446 |
| LandOrgAtt | 1446 |
| LandOrgComp | 1447 |
| LandTrmAtt | 1447 |
| LandTrmComp | 1447 |
| OutGoingSigProtFail | 1447 |
| TransitTkHoAtt | 1448 |
| TransitTkOrgAtt | 1448 |

Updated: 2008-11-20

PERFORMANCE DATA REFERENCE
 Prospect® 8.0 for Motorola CDMA/AMPS/EVDO R22/S19/R8

| | |
|-----------------------------------|------|
| TransitTkTrmAtt | 1448 |
| TrkOOS_Time | 1448 |
| TrkUsgTime | 1448 |
| TrunkGroup Primitive Calculations | 1449 |
| AvgTrkHoldSec | 1449 |
| EngCapB | 1449 |
| EngCapP | 1449 |
| GOS | 1449 |
| GRAPHmultiLineSeparator | 1449 |
| NUMDAYS | 1449 |
| NUMHOURS | 1450 |
| OffCapE | 1450 |
| OffCapP | 1450 |
| pL_M_Comp | 1450 |
| pM_L_Comp | 1450 |
| pTotTrkCallComp | 1450 |
| pTrkOvf | 1450 |
| TotTrkCallAtt | 1451 |
| TotTrkCallComp | 1451 |
| TotTrkCallFail | 1451 |
| TrkGrpBusyMin | 1451 |
| TrkGrpUsgErlg | 1451 |
| TrunkName | 1451 |
| UnknownEnterpriseField | 1451 |
| TrunkGroup Peg Counts | 1452 |
| AllTrkBusyCnt | 1452 |
| AlternGrpAtt | 1452 |
| AlternGrpOvf | 1452 |
| OrgAtt | 1452 |
| OrgComp | 1453 |
| OutwardAttOvf | 1453 |
| PrimGrpAtt | 1453 |
| PrimGrpOvf | 1453 |
| TrkEquip | 1453 |
| TrkGrpBusyTime | 1454 |
| TrkGrpOG_SigProtFail | 1454 |
| TrkGrpTime | 1454 |
| TrkGrpTrnstTrkHoAtt | 1454 |
| TrkGrpTrnstTrkOG_HoAtt | 1455 |
| TrkGrpTrnstTrkOrgAtt | 1455 |
| TrkGrpTrnstTrkTrmAtt | 1455 |
| TrmAtt | 1455 |
| TrmComp | 1456 |
| VPU_BSC Primitive Calculations | 1456 |
| GRAPHmultiLineSeparator | 1456 |
| NUMDAYS | 1456 |
| NUMHOURS | 1456 |
| TotVPF_RsrcAllocFailMM | 1456 |
| TotVPF_RsrcAllocReqMM | 1456 |
| TotVPF_RsrcAllocSuccMM | 1457 |

PERFORMANCE DATA REFERENCE
 Prospect® 8.0 for Motorola CDMA/AMPS/EVDO R22/S19/R8

| | |
|-------------------------------|------|
| TotVPF_RsrcUsageMinsMM | 1457 |
| UnknownEnterpriseField | 1457 |
| VPF_CktIWAllocFail | 1457 |
| VPF_CktIWUsageMins | 1457 |
| VPF_ISLPFrmAllocFail | 1457 |
| VPF_ISLPFrmUsageMins | 1457 |
| VPF_VcdrAllocFail | 1458 |
| VPF_VcdrUsageMins | 1458 |
| VPU_BSC Peg Counts | 1458 |
| AverageA2pPacketDelay | 1458 |
| PeakA2pPacketDelay | 1458 |
| totalCalls | 1459 |
| VPF_CktIWAllocReq | 1459 |
| VPF_CktIWAllocSucc | 1459 |
| VPF_CktIWUsageSecs | 1459 |
| VPF_ISLPFrmAllocReq | 1460 |
| VPF_ISLPFrmAllocSucc | 1460 |
| VPF_ISLPFrmUsageSecs | 1460 |
| VPF_VcdrAllocReq | 1461 |
| VPF_VcdrAllocSucc | 1461 |
| VPF_VcdrUsageSecs | 1461 |
| XC Primitive Calculations | 1462 |
| GRAPHmultiLineSeparator | 1462 |
| NUMDAYS | 1462 |
| NUMHOURS | 1462 |
| UnknownEnterpriseField | 1462 |
| XC Peg Counts | 1462 |
| AvgA8A9SU_TimeDataActvXC | 1462 |
| AvgA8A9SU_TimeDataReActvXC | 1463 |
| AvgBS_ServReqSU_XC | 1463 |
| callCCS | 1463 |
| MaxA8A9SU_TimeDataActvXC | 1463 |
| MaxA8A9SU_TimeDataReActvXC | 1464 |
| MaxBS_ServReqSU_XC | 1464 |
| MaxBuffOvrflw_Time1 | 1464 |
| MaxBuffOvrflw_Time2 | 1464 |
| MaxBuffOvrflw_Time3 | 1465 |
| MaxBuffOvrflw_Time4 | 1465 |
| MaxBuffOvrflw_Time5 | 1465 |
| MaxBuffOvrflw_Time6 | 1466 |
| MaxParallelA10A11SessXC | 1466 |
| XC_Bin Primitive Calculations | 1466 |
| GRAPHmultiLineSeparator | 1466 |
| NUMDAYS | 1466 |
| NUMHOURS | 1467 |
| UnknownEnterpriseField | 1467 |
| XCBinID | 1467 |
| XC_Bin Peg Counts | 1467 |
| BIT_BinMax | 1467 |
| BIT_BinMin | 1467 |

Updated: 2008-11-20

PERFORMANCE DATA REFERENCE
 Prospect® 8.0 for Motorola CDMA/AMPS/EVDO R22/S19/R8

| | |
|-----------------------------|------|
| BR_BinMax | 1467 |
| BR_BinMin | 1468 |
| FBD_BinMax | 1468 |
| FBD_BinMin | 1468 |
| FBS_BinMax | 1468 |
| FBS_BinMin | 1469 |
| FwdBurstDurtn | 1469 |
| FwdBurstInterArrTime | 1469 |
| FwdBurstRate | 1469 |
| FwdBurstSize | 1470 |
| PDSN_FwdPktSizeBinCnt | 1470 |
| PDSN_RvsPktSizeBinCnt | 1470 |
| PPS_BinMax | 1470 |
| PPS_BinMin | 1471 |
| RBD_BinMax | 1471 |
| RBD_BinMin | 1471 |
| RBS_BinMax | 1471 |
| RBS_BinMin | 1472 |
| RvsBurstDur | 1472 |
| RvsBurstInterArrTime | 1472 |
| RvsBurstRate | 1472 |
| RvsBurstSize | 1473 |
| SA_BinMax | 1473 |
| SA_BinMin | 1473 |
| SB_BinMax | 1473 |
| SB_BinMin | 1474 |
| SBC_BinMax | 1474 |
| SBC_BinMin | 1474 |
| SD_BinMax | 1474 |
| SD_BinMin | 1474 |
| SessActvDurtn | 1475 |
| SessDormntDurtn | 1475 |
| SessDurtn | 1475 |
| SessFwdBurstCnt | 1475 |
| SessFwdByte | 1476 |
| SessMS_ReActvn | 1476 |
| SessNetwrkReActvn | 1476 |
| SessOvrflwXC_PCF | 1476 |
| SessRvsBurstCnt | 1477 |
| SessRvsByte | 1477 |
| XCBufferOvrflwBinMax | 1477 |
| XCBufferOvrflwBinMin | 1478 |
| XCDR Primitive Calculations | 1478 |
| GRAPHmultiLineSeparator | 1478 |
| NUMDAYS | 1478 |
| NUMHOURS | 1478 |
| UnknownEnterpriseField | 1478 |
| XCDR Peg Counts | 1478 |
| callCCS | 1478 |
| totalCalls | 1479 |

| | |
|---|-------------|
| XCDR_Slot Primitive Calculations | 1479 |
| GRAPHmultiLineSeparator | 1479 |
| NUMDAYS | 1479 |
| NUMHOURS | 1479 |
| UnknownEnterpriseField | 1480 |
| XcdrChanGrp Primitive Calculations | 1480 |
| GRAPHmultiLineSeparator | 1480 |
| GrpAsgn | 1480 |
| NUMDAYS | 1480 |
| NUMHOURS | 1480 |
| UnknownEnterpriseField | 1480 |
| XcdrChanGrp Peg Counts | 1480 |
| XcdrChGrp | 1481 |
| XcdrChGrpOvf | 1481 |
| XcdrChGrpUsg | 1481 |
| XMI Primitive Calculations | 1481 |
| averageInterferenceCancellationPercentagePbts | 1481 |
| GRAPHmultiLineSeparator | 1481 |
| interferenceCancellationFourthHighestPercentagePbts | 1482 |
| interferenceCancellationHighestPercentagePbts | 1482 |
| interferenceCancellationSecondHighestPercentagePbts | 1482 |
| interferenceCancellationThirdHighestPercentagePbts | 1482 |
| NUMDAYS | 1482 |
| NUMHOURS | 1482 |
| padActivationPercentagePbts | 1482 |
| XMI Peg Counts | 1483 |
| averageInterferenceCancellationPbts | 1483 |
| interferenceCancellationFourthHighestPbts | 1483 |
| interferenceCancellationHighestPbts | 1483 |
| interferenceCancellationSecondHighestPbts | 1484 |
| interferenceCancellationThirdHighestPbts | 1484 |
| padActivationPbts | 1484 |
| peakInterferingSignalAmplitudeFourthHighestPbts | 1485 |
| peakInterferingSignalAmplitudeHighestPbts | 1485 |
| peakInterferingSignalAmplitudePbts | 1485 |
| peakInterferingSignalAmplitudeSecondHighestPbts | 1486 |
| peakInterferingSignalAmplitudeThirdHighestPbts | 1486 |
| 9 OMCR Entities | 1487 |
| 10 OMCR Fields | 1489 |
| BGF Primitive Calculations | 1489 |
| AvgCpuUtilizationPct | 1489 |
| AvgPktThroughput | 1489 |
| GRAPHmultiLineSeparator | 1489 |
| MaxCpuUtilizationPct | 1489 |
| MaxPktThroughput | 1489 |
| NUMDAYS | 1490 |
| NUMHOURS | 1490 |
| BGF DSP Primitive Calculations | 1490 |
| GRAPHmultiLineSeparator | 1490 |

PERFORMANCE DATA REFERENCE
 Prospect® 8.0 for Motorola CDMA/AMPS/EVDO R22/S19/R8

| | |
|--|------|
| NUMDAYS | 1490 |
| NUMHOURS | 1490 |
| BGFDSP Peg Counts | 1490 |
| AvgCpuUtilizationPct | 1490 |
| AvgPktThroughput | 1491 |
| MaxCpuUtilizationPct | 1491 |
| MaxPktThroughput | 1491 |
| SVU_ID | 1492 |
| MLPPP Primitive Calculations | 1492 |
| FwdBundleAvgPktSize | 1492 |
| FwdBundlebps | 1492 |
| FwdBundlebpsBkgd | 1492 |
| FwdBundlebpsConv | 1492 |
| FwdBundlebpsDefault | 1493 |
| FwdBundlebpsStrmIntr | 1493 |
| FwdBundleBytes | 1493 |
| FwdBundleDroppedPPSBkgd | 1493 |
| FwdBundleDroppedPPSConv | 1493 |
| FwdBundleDroppedPPSDefault | 1493 |
| FwdBundleDroppedPPSStrmIntr | 1493 |
| FwdBundlePkts | 1494 |
| FwdBundlePPS | 1494 |
| FwdBundlePPSBkgd | 1494 |
| FwdBundlePPSConv | 1494 |
| FwdBundlePPSDefault | 1494 |
| FwdBundlePPStrmIntr | 1494 |
| GRAPHmultiLineSeparator | 1494 |
| NUMDAYS | 1495 |
| NUMHOURS | 1495 |
| MLPPP Peg Counts | 1495 |
| FwdBundleBytesBkgd | 1495 |
| FwdBundleBytesConv | 1495 |
| FwdBundleBytesDefault | 1496 |
| FwdBundleBytesDroppedBkgd | 1496 |
| FwdBundleBytesDroppedConv | 1496 |
| FwdBundleBytesDroppedDefault | 1497 |
| FwdBundleBytesDroppedStrmIntr | 1497 |
| FwdBundleBytesStrmIntr | 1497 |
| FwdBundleDroppedPkts | 1498 |
| FwdBundlePktsBkgd | 1498 |
| FwdBundlePktsConv | 1498 |
| FwdBundlePktsDefault | 1499 |
| FwdBundlePktsDroppedBkgd | 1499 |
| FwdBundlePktsDroppedConv | 1499 |
| FwdBundlePktsDroppedDefault | 1500 |
| FwdBundlePktsDroppedStrmIntr | 1500 |
| FwdBundlePktsStrmIntr | 1500 |
| FwdBundleSequenceErrors | 1501 |
| PERLEN | 1501 |
| MLS_OTI_CON Primitive Calculations | 1501 |

PERFORMANCE DATA REFERENCE
 Prospect® 8.0 for Motorola CDMA/AMPS/EVDO R22/S19/R8

| | |
|--|------|
| GRAPHmultiLineSeparator | 1501 |
| NUMDAYS | 1501 |
| NUMHOURS | 1502 |
| MLS_OTI_CON Peg Counts | 1502 |
| AvgIncomingBWUtilMLS_OTI_CON | 1502 |
| AvgIncomingPktRateMLS_OTI_CON | 1502 |
| AvgOutgoingBWUtilMLS_OTI_CON | 1502 |
| AvgOutgoingPktRateMLS_OTI_CON | 1503 |
| MaxIncomingBWUtilMLS_OTI_CON | 1503 |
| MaxIncomingPktRateMLS_OTI_CON | 1503 |
| MaxOutgoingBWUtilMLS_OTI_CON | 1503 |
| MaxOutgoingPktRateMLS_OTI_CON | 1504 |
| Network_Component Primitive Calculations | 1504 |
| GRAPHmultiLineSeparator | 1504 |
| NUMDAYS | 1504 |
| NUMHOURS | 1504 |
| Network_Component Peg Counts | 1504 |
| CPU_Util_Avg | 1504 |
| CPU_Util_Max | 1505 |
| Elapsed_Time_SAR | 1505 |
| Logical_Name | 1505 |
| Logical_Number | 1505 |
| Node_Number | 1506 |
| OMC_Number | 1506 |
| Shelf_RG_ID | 1506 |
| Slot_Number | 1506 |
| OMCR Primitive Calculations | 1507 |
| GRAPHmultiLineSeparator | 1507 |
| NUMDAYS | 1507 |
| NUMHOURS | 1507 |
| UnknownEnterpriseField | 1507 |
| OMCR Peg Counts | 1507 |
| CPU_Util_Avg | 1507 |
| CPU_Util_Max | 1508 |
| Elapsed_Time_SAR | 1508 |
| Logical_Name | 1508 |
| Logical_Number | 1508 |
| Node_Number | 1509 |
| OMC_Number | 1509 |
| OMCR_AGNode Primitive Calculations | 1509 |
| GRAPHmultiLineSeparator | 1509 |
| NUMDAYS | 1509 |
| NUMHOURS | 1509 |
| OMCR_AN Primitive Calculations | 1509 |
| GRAPHmultiLineSeparator | 1510 |
| NUMDAYS | 1510 |
| NUMHOURS | 1510 |
| OMCR_CONNECTION Primitive Calculations | 1510 |
| GRAPHmultiLineSeparator | 1510 |
| NUMDAYS | 1510 |

Updated: 2008-11-20

| | |
|---|------|
| NUMHOURS | 1510 |
| OMCR_CONNECTION Peg Counts | 1510 |
| FwdSpanBytes | 1510 |
| FwdSpanFCSErrors | 1511 |
| FwdSpanMRUErrors | 1511 |
| FwdSpanPkts | 1511 |
| FwdSpanReceivedErrorBytes | 1512 |
| FwdSpanUnrecognizedPIDErrors | 1512 |
| PERLEN | 1512 |
| SpanIndicator | 1513 |
| OMCR_MLPPP Primitive Calculations | 1513 |
| AvgPktBkhaulUtil | 1513 |
| GRAPHmultiLineSeparator | 1513 |
| MaxPktBkhaulUtil | 1513 |
| NUMDAYS | 1514 |
| NUMHOURS | 1514 |
| OMCR_MLPPP Peg Counts | 1514 |
| AvgFwdThruput | 1514 |
| AvgRvsThruput | 1514 |
| InterfaceSpeed | 1514 |
| MaxFwdThruput | 1515 |
| MaxFwdThruput_Sum | 1515 |
| maximumPacketBackhaulUtilization_Int | 1515 |
| MaxRvsThruput | 1516 |
| MaxRvsThruput_Sum | 1516 |
| OMCR_MLS Primitive Calculations | 1516 |
| GRAPHmultiLineSeparator | 1516 |
| totalCoreRouterPacketsPerSec | 1516 |
| OMCR_MLS Peg Counts | 1516 |
| averageCoreRouterCpuUtilization | 1516 |
| averageIncomingPacketThroughput | 1517 |
| averageOutgoingPacketThroughput | 1517 |
| maximumCoreRouterCpuUtilization | 1517 |
| maximumIncomingPacketThroughput | 1518 |
| maximumOutgoingPacketThroughput | 1518 |
| OMCR_MLSModule Primitive Calculations | 1518 |
| GRAPHmultiLineSeparator | 1518 |
| OMCR_MLSPort Primitive Calculations | 1519 |
| averagePortPacketSize | 1519 |
| GRAPHmultiLineSeparator | 1519 |
| maximumPortPacketSize | 1519 |
| NUMDAYS | 1519 |
| NUMHOURS | 1519 |
| OMCR_MLSPort Peg Counts | 1520 |
| averageIncomingPacketThroughput | 1520 |
| averageIncomingThroughput | 1520 |
| averageOutgoingPacketThroughput | 1520 |
| averageOutgoingThroughput | 1521 |
| AvgIncomingBroadcastPktThroughput | 1521 |
| AvgIncomingMulticastPktThroughput | 1521 |

PERFORMANCE DATA REFERENCE
Prospect® 8.0 for Motorola CDMA/AMPS/EVDO R22/S19/R8

| | |
|---------------------------------------|------|
| AvgOutgoingBroadcastPktThroughput | 1522 |
| AvgOutgoingMulticastPktThroughput | 1522 |
| interfaceSpeed | 1522 |
| maximumIncomingPacketThroughput | 1523 |
| maximumIncomingThroughput | 1523 |
| maximumOutgoingPacketThroughput | 1523 |
| maximumOutgoingThroughput | 1524 |
| MaxIncomingBroadcastPktThroughput | 1524 |
| MaxIncomingMulticastPktThroughput | 1524 |
| MaxOutgoingBroadcastPktThroughput | 1525 |
| MaxOutgoingMulticastPktThroughput | 1525 |
| OMCR_RPM Primitive Calculations | 1525 |
| AvgRPMPktSize | 1525 |
| GRAPHmultiLineSeparator | 1526 |
| MaxAvgRPMPktSize | 1526 |
| NUMDAYS | 1526 |
| NUMHOURS | 1526 |
| TotAvgPktThruput | 1526 |
| TotMaxPktThruput | 1526 |
| OMCR_RPM Peg Counts | 1526 |
| AvgFwdPktThruput | 1526 |
| AvgRPM_CPU_Util | 1527 |
| AvgRvsPktThruput | 1527 |
| MaxFwdPktThruput | 1527 |
| MaxFwdPktThruput_Sum | 1528 |
| MaxRPM_CPU_Util | 1528 |
| MaxRvsPktThruput | 1528 |
| MaxRvsPktThruput_Sum | 1528 |
| OMCR_RPM_BTS Primitive Calculations | 1529 |
| GRAPHmultiLineSeparator | 1529 |
| NUMDAYS | 1529 |
| NUMHOURS | 1529 |
| OMCR_RPM_XF Primitive Calculations | 1529 |
| GRAPHmultiLineSeparator | 1529 |
| NUMDAYS | 1529 |
| NUMHOURS | 1529 |
| OMCR_WANModule Primitive Calculations | 1529 |
| GRAPHmultiLineSeparator | 1530 |
| OMCR_WANPort Primitive Calculations | 1530 |
| averageInterMtsoWanLinkPacketSize | 1530 |
| GRAPHmultiLineSeparator | 1530 |
| maximumInterMtsoWanLinkPacketSize | 1530 |
| NUMDAYS | 1530 |
| NUMHOURS | 1530 |
| OMCR_WANPort Peg Counts | 1531 |
| averageIncomingPacketThroughput | 1531 |
| averageIncomingThroughput | 1531 |
| averageOutgoingPacketThroughput | 1531 |
| averageOutgoingThroughput | 1532 |
| interfaceSpeed | 1532 |

Updated: 2008-11-20

| | |
|---|-------------|
| maximumIncomingPacketThroughput | 1532 |
| maximumIncomingThroughput | 1533 |
| maximumOutgoingPacketThroughput | 1533 |
| maximumOutgoingThroughput | 1533 |
| OMCR_WANRouter Primitive Calculations | 1534 |
| GRAPHmultiLineSeparator | 1534 |
| NUMDAYS | 1534 |
| NUMHOURS | 1534 |
| SPAN Primitive Calculations | 1534 |
| GRAPHmultiLineSeparator | 1534 |
| NUMDAYS | 1534 |
| NUMHOURS | 1534 |
| System Primitive Calculations | 1535 |
| GRAPHmultiLineSeparator | 1535 |
| NUMDAYS | 1535 |
| NUMHOURS | 1535 |
| UnknownEnterpriseField | 1535 |
| 11 PDSN Entities | 1537 |
| 12 PDSN Fields | 1539 |
| PDSN Primitive Calculations | 1539 |
| NUMDAYS | 1539 |
| NUMHOURS | 1539 |
| UnknownEnterpriseField | 1539 |
| PDSN_BSC Primitive Calculations | 1539 |
| NUMDAYS | 1539 |
| NUMHOURS | 1540 |
| UnknownEnterpriseField | 1540 |
| System Primitive Calculations | 1540 |
| GRAPHmultiLineSeparator | 1540 |
| NUMDAYS | 1540 |
| NUMHOURS | 1540 |
| UnknownEnterpriseField | 1540 |
| 13 SDU Entities | 1541 |
| 14 SDU Fields | 1543 |
| SDF Primitive Calculations | 1543 |
| NUMDAYS | 1543 |
| NUMHOURS | 1543 |
| UnknownEnterpriseField | 1543 |
| SDF_Slot Primitive Calculations | 1543 |
| GRAPHmultiLineSeparator | 1543 |
| NUMDAYS | 1544 |
| NUMHOURS | 1544 |
| SDF_Slot Peg Counts | 1544 |
| CPU_Util_Avg | 1544 |
| CPU_Util_Max | 1544 |
| Elapsed_Time_SAR | 1544 |
| Logical_Name | 1545 |
| Logical_Number | 1545 |

PERFORMANCE DATA REFERENCE
 Prospect® 8.0 for Motorola CDMA/AMPS/EVDO R22/S19/R8

| | |
|-------------------------------------|------|
| Node_Number | 1545 |
| OMC_Number | 1545 |
| Shelf_RG_ID | 1546 |
| Slot_Number | 1546 |
| SDU Available Data Fields | 1546 |
| SDU_AvailableDataPct | 1546 |
| SDU Primitive Calculations | 1546 |
| ActCallAllocSuccM | 1546 |
| NUMDAYS | 1546 |
| NUMHOURS | 1547 |
| NumResrcReqRecvd_SDUPCF | 1547 |
| SDUPCF_FoundAllocRemo | 1547 |
| SDUPCF_ReactvCallOvrIM | 1547 |
| SDUPCF_ReactvCallSucc_ExtPCFM | 1547 |
| SDUPCF_ReactvCallSucc_NewPCFM | 1547 |
| SDUPCF_ReqRespTypeMis | 1548 |
| SDUPCFActCallAllocF | 1548 |
| SDUPCFActvCallAllocFO | 1548 |
| UnknownEnterpriseField | 1548 |
| SDU Peg Counts | 1548 |
| CPU_Util_Avg | 1548 |
| CPU_Util_Max | 1549 |
| Elapsed_Time_SAR | 1549 |
| Logical_Name | 1549 |
| Logical_Number | 1549 |
| Node_Number | 1550 |
| OMC_Number | 1550 |
| SDU_Bin_OMCR Primitive Calculations | 1550 |
| ForwardBurstInterArrivalTimeSduPcf | 1550 |
| NUMDAYS | 1550 |
| NUMHOURS | 1550 |
| ReverseBurstInterArrivalTimeSduPcf | 1551 |
| SDUBinID | 1551 |
| UnknownEnterpriseField | 1551 |
| SDU_Bin_OMCR Peg Counts | 1551 |
| BurstInterArrTimeBinMax | 1551 |
| BurstInterArrTimeBinMin | 1551 |
| BurstRateBinMax | 1551 |
| BurstRateBinMin | 1551 |
| FwdBR | 1551 |
| FwdBurstDur | 1552 |
| FwdBurstDurBinMax | 1552 |
| FwdBurstDurBinMin | 1552 |
| FwdBurstSize | 1552 |
| FwdBurstSizeBinMax | 1552 |
| FwdBurstSizeBinMin | 1552 |
| PDSNFwdPSBinCnt | 1553 |
| PDSNPktSizeBinMax | 1553 |
| PDSNPktSizeBinMin | 1553 |
| PDSNRvsPktDataSizeBinCnt | 1553 |

Updated: 2008-11-20

PERFORMANCE DATA REFERENCE
 Prospect® 8.0 for Motorola CDMA/AMPS/EVDO R22/S19/R8

| | |
|--|------|
| RvsBR | 1553 |
| RvsBurstDur | 1553 |
| RvsBurstDurBinMax | 1554 |
| RvsBurstDurBinMin | 1554 |
| RvsBurstSize | 1554 |
| RvsBurstSizeBinMax | 1554 |
| RvsBurstSizeBinMin | 1554 |
| SessActvDurtn | 1554 |
| SessBurstCntBinMax | 1555 |
| SessBurstCntBinMin | 1555 |
| SessByteBinMax | 1555 |
| SessByteBinMin | 1555 |
| SessDormntDurtn | 1555 |
| SessDurtn | 1555 |
| SessDurtnBinMax | 1555 |
| SessDurtnBinMin | 1555 |
| SessFwdBurstCnt | 1556 |
| SessFwdByte | 1556 |
| SessMSReActv | 1556 |
| SessNetwrkReActv | 1556 |
| SessOvrflwBinMaxSDU_PCF | 1557 |
| SessOvrflwBinMinSDU_PCF | 1557 |
| SessOvrflwSDU_PCF | 1557 |
| SessReActvBinMax | 1558 |
| SessReActvBinMin | 1558 |
| SessRvsBurstCnt | 1558 |
| SessRvsByte | 1558 |
| SDU_OMCR Primitive Calculations | 1558 |
| ActCallAllocSuccM | 1558 |
| averageA8A9SetupTimeDataActivationSduPcf | 1559 |
| averageA8A9SetupTimeDataReactivationSduPcf | 1559 |
| maximumA8A9SetupTimeActivationSduPcf | 1559 |
| maximumA8A9SetupTimeReactivationSduPcf | 1559 |
| numberOfSipInviteMessagesReceivedSdu | 1559 |
| NUMDAYS | 1559 |
| NUMHOURS | 1560 |
| NumResrcReqRecvd_SDUPCF | 1560 |
| pPeakSdfResourceUtilization | 1560 |
| pSDFResrcOOS | 1560 |
| pSDFResUtil | 1560 |
| pSDUPCFResrcOOS | 1560 |
| pSDUPCFResUtl | 1560 |
| SDF_RAGrpUsgMins | 1561 |
| SDFAllocAtts | 1561 |
| SDUPCF_FoundAllocRemo | 1561 |
| SDUPCF_ReactvCallOvrIM | 1561 |
| SDUPCF_ReactvCallSucc_ExtPCFM | 1561 |
| SDUPCF_ReactvCallSucc_NewPCFM | 1561 |
| SDUPCF_ReqRespTypeMis | 1562 |
| sduPcfActiveCallAllocationFailureNoPdsnSdu | 1562 |
| sduPcfActiveCallAllocationFailureOverloadSdu | 1562 |

PERFORMANCE DATA REFERENCE
 Prospect® 8.0 for Motorola CDMA/AMPS/EVDO R22/S19/R8

| | |
|--|------|
| sduPcfPacketDroppedNoMemory | 1562 |
| sduPcfPacketDroppedPerCallBufferLimit | 1562 |
| totalSduPcfOosTime | 1562 |
| TotSDF_OOSMins | 1562 |
| TotSDF_RABlkMins | 1563 |
| TotSDFCardEqpMins | 1563 |
| UnknownEnterpriseField | 1563 |
| SDU_OMCR Peg Counts | 1563 |
| AvgA9BSServReqSU | 1563 |
| MaxA9BSServReqSU | 1563 |
| MaxBuffOvrflw_Time1 | 1564 |
| MaxBuffOvrflw_Time2 | 1564 |
| MaxBuffOvrflw_Time3 | 1564 |
| MaxBuffOvrflw_Time4 | 1565 |
| MaxBuffOvrflw_Time5 | 1565 |
| MaxBuffOvrflw_Time6 | 1565 |
| maximumNumberOfParallelActiveA10A11SessionsSdu | 1566 |
| maximumNumberOfParallelDormantA10A11SessionsSdu | 1566 |
| MaxNumParallelA10A11SessSDU | 1566 |
| numberOfInterPcfActiveDataHardHandoffAttempts | 1567 |
| numberOfInterPcfActiveDataHardHandoffSuccessfulCompletions | 1567 |
| numberOfIntraPcfActiveDataHardHandoffAttempts | 1567 |
| numberOfIntraPcfActiveDataHardHandoffSuccessfulCompletions | 1568 |
| numberOfSip200OkMessagesSentSdu | 1568 |
| numberOfSip486BusyMessagesSentSdu | 1568 |
| numberOfSipInviteMessagesReceivedForBargeCallsSdu | 1569 |
| numberOfSipInviteMessagesReceivedForGroupsCallsSdu | 1569 |
| NumSDBA11RegSuccRespRecevd | 1569 |
| NumSDBDiscardAtPCF | 1570 |
| NumSDBSuccSentToPDSN | 1570 |
| NumSuccPDSNAccessPktDataSDU | 1570 |
| PCF_QryBlk | 1571 |
| PCF_QryRec | 1571 |
| PCF_QrySent | 1571 |
| peakSdfResourceUtilization | 1572 |
| SDF_RAGrpUsq | 1572 |
| SDFRA_ResAllocFOver | 1572 |
| SDFRA_ResAllocSucc | 1572 |
| SDFResOOS | 1573 |
| SDFResUtl | 1573 |
| SDU_PCF_RADorCallOvf | 1573 |
| SDU_PCF_ReactvCallOvfP | 1573 |
| SDU_PCF_ReactvCallSuccP | 1573 |
| SDUPCF_RAUsq_Act | 1574 |
| SDUPCF_RAUsq_Dor | 1574 |
| SDUPCFRes | 1574 |
| SDUPCFResUtl | 1574 |
| TotalUserDataFwdSDU | 1575 |
| TotalUserDataRvsSDU | 1575 |
| TotlPCFcardEquTime | 1575 |
| TotlSDFCardEquiTime | 1576 |

Updated: 2008-11-20

| | |
|-------------------------------------|-------------|
| TotlSDFOOSTime | 1576 |
| TotlSDFRABlkTime | 1576 |
| TotSDuPCF_RABlkTime | 1576 |
| SDU_PCF Primitive Calculations | 1577 |
| GRAPHmultiLineSeparator | 1577 |
| NUMDAYS | 1577 |
| NUMHOURS | 1577 |
| SDU_PCF_Slot Primitive Calculations | 1577 |
| GRAPHmultiLineSeparator | 1577 |
| NUMDAYS | 1577 |
| NUMHOURS | 1577 |
| SDU_PCF_Slot Peg Counts | 1577 |
| CPU_Util_Avg | 1578 |
| CPU_Util_Max | 1578 |
| Elapsed_Time_SAR | 1578 |
| Logical_Name | 1578 |
| Logical_Number | 1579 |
| Node_Number | 1579 |
| OMC_Number | 1579 |
| Shelf_RG_ID | 1579 |
| Slot_Number | 1579 |
| System Primitive Calculations | 1580 |
| GRAPHmultiLineSeparator | 1580 |
| NUMDAYS | 1580 |
| NUMHOURS | 1580 |
| UnknownEnterpriseField | 1580 |
| 15 VPU Entities | 1581 |
| 16 VPU Fields | 1583 |
| System Primitive Calculations | 1583 |
| GRAPHmultiLineSeparator | 1583 |
| NUMDAYS | 1583 |
| NUMHOURS | 1583 |
| UnknownEnterpriseField | 1583 |
| VPF Primitive Calculations | 1583 |
| GRAPHmultiLineSeparator | 1584 |
| NUMDAYS | 1584 |
| NUMHOURS | 1584 |
| VPF_Slot Primitive Calculations | 1584 |
| GRAPHmultiLineSeparator | 1584 |
| NUMDAYS | 1584 |
| NUMHOURS | 1584 |
| VPF_Slot Peg Counts | 1584 |
| CPU_Util_Avg | 1584 |
| CPU_Util_Max | 1585 |
| Elapsed_Time_SAR | 1585 |
| Logical_Name | 1585 |
| Logical_Number | 1585 |
| Node_Number | 1586 |
| OMC_Number | 1586 |

PERFORMANCE DATA REFERENCE
 Prospect® 8.0 for Motorola CDMA/AMPS/EVDO R22/S19/R8

| | |
|--|------|
| Shelf_RG_ID | 1586 |
| Slot_Number | 1586 |
| VPU Available Data Fields | 1587 |
| VPU_AvailableDataPct | 1587 |
| VPU Primitive Calculations | 1587 |
| GrphMulLnSeptr | 1587 |
| NUMDAYS | 1587 |
| NUMHOURS | 1587 |
| TotVPF_RAGroupUsageMins | 1587 |
| TotVPF_RsrcAllocFail | 1587 |
| TotVPF_RsrcAllocReq | 1588 |
| TotVPF_RsrcAllocSucc | 1588 |
| UnknownEnterpriseField | 1588 |
| VPU Peg Counts | 1588 |
| CPU_Util_Avg | 1588 |
| CPU_Util_Max | 1588 |
| Elapsed_Time_SAR | 1589 |
| Logical_Name | 1589 |
| Logical_Number | 1589 |
| Node_Number | 1589 |
| OMC_Number | 1590 |
| VPU_OMCR Primitive Calculations | 1590 |
| GrphMulLnSeptr | 1590 |
| NUMDAYS | 1590 |
| NUMHOURS | 1590 |
| pVPF_RsrcOOS | 1590 |
| pVPF_RsrcUtil | 1590 |
| TotVPF_RABlkgMins | 1591 |
| TotVPF_RAGroupUsageMins | 1591 |
| TotVPF_RsrcAllocFail | 1591 |
| TotVPF_RsrcAllocReq | 1591 |
| TotVPF_RsrcAllocSucc | 1591 |
| TotVPU_PayldEqpMins | 1591 |
| TotVPU_PyldCrdOOSMins | 1592 |
| UnknownEnterpriseField | 1592 |
| vpuEVRCB2NonEVRCB_VPU_Thresh | 1592 |
| VPU_OMCR Peg Counts | 1592 |
| A2pDiscardedPktRatioInvalidDestIPAddr | 1592 |
| A2pDiscardedPktRatioInvalidDestUDPPort | 1593 |
| AvgIPTrafficCP1UtilInbound | 1593 |
| AvgIPTrafficCP1UtilOutbound | 1593 |
| AvgIPTrafficUtilDownlink | 1594 |
| AvgIPTrafficUtilUplink | 1594 |
| PeakIPTrafficCP1UtilInbound | 1594 |
| PeakIPTrafficCP1UtilOutbound | 1594 |
| PeakIPTrafficUtilDownlink | 1595 |
| PeakIPTrafficUtilUplink | 1595 |
| TotVPF_RABlkgSecs | 1595 |
| TotVPU_PayldEqpSecs | 1596 |
| TotVPU_PyldCrdOOSSecs | 1596 |

Updated: 2008-11-20

PERFORMANCE DATA REFERENCE
Prospect® 8.0 for Motorola CDMA/AMPS/EVDO R22/S19/R8

| | |
|---------------------------|-------------|
| VPF_RAAllocOvldRels | 1596 |
| VPF_RsrcAllocFIOvld | 1597 |
| VPF_RsrcOOS | 1597 |
| VPF_RsrcUtil | 1597 |
| Index | 1599 |

1 About This Documentation

The *Performance Data Reference* provides a reference of performance data and fields to use in Prospect® software to create reports. This guide is customized to support Prospect 8.0 (Release 8.0.5) for Motorola CDMA/AMPS/EVDO R22/S19/R8 (Release Point 4.2).

This guide was last updated 20 November 2008.

Please see the current release notes on this product for a list of revision dates for all Prospect publications.

Audience

This guide is intended for technicians and engineers who use the Prospect software to manage and analyze the performance of a telecommunication network.

Required Skills and Knowledge

This guide is intended for users who have knowledge and skills in the following:

- Basics of Windows
- Features and functions of Microsoft Excel
- High school level mathematics
- Basic statistics
- The network from which Prospect software receives data

Document Conventions

This document uses the typographical conventions shown in the following table:

Table 1: General Document Conventions

| <i>Format</i> | <i>Examples</i> | <i>Description</i> |
|---------------------|---|---|
| ALL UPPERCASE | <ul style="list-style-type: none"> • GPS • NULL • MYWEBSERVER | Acronyms, device names, logical operators, registry keys, and some data structures. |
| <u>Underscore</u> | See Document Conventions | For links within a document or to the Internet. Note that TOC and index links are not underscored. Color of text is determined by browser settings. |
| Bold | <ul style="list-style-type: none"> • Note: The busy hour determiner is... | Heading text for Notes, Tips, and Warnings. |
| Small Caps | <ul style="list-style-type: none"> • The STORED SQL dialog box... • ...click VIEW... • In the main GUI window, select the FILE menu, point to NEW, and then select TRAFFIC TEMPLATE. | Any text that appears on the GUI. |
| <i>Italic</i> | <ul style="list-style-type: none"> • <i>A busy hour</i> is... • A web server <i>must</i> be installed... • <i>See the User Guide</i> | New terms, emphasis, and book titles. |
| Monospace | <ul style="list-style-type: none"> • <code>./wminstall</code> • <code>\$ cd /cdrom/cdrom0</code> • <code>/xml/dict</code> • <code>http://java.sun.com/products/</code> • <code>addmnc.sh</code> • <code>core.spec</code> • <code>Type OK to continue.</code> | Code text, command line text, paths, scripts, and file names. Text written in the body of a paragraph that the user is expected to enter. |
| Monospace Bold | <pre>[root] # pkginfo grep -i perl system Perl5 On-Line Manual Pages system Perl 5.6.1 (POD Documenta- tion) system Perl 5.6.1</pre> | For contrast in a code example to show lines the user is expected to enter. |
| <Monospace italics> | <code># cd <oracle_setup></code> | Used in code examples: command-line variables that you replace with a real name or value. These are always marked with arrow brackets. |
| [square bracket] | <code>log-archiver.sh [-i] [-w] [-t]</code> | Used in code examples: indicates options. |

User Publications

Prospect software provides the following user publications in HTML or Adobe Portable Document Format (PDF) formats.

Table 2: Prospect User Documentation

| <i>Document</i> | <i>Description</i> |
|---|---|
| <i>Administration Guide</i> | Helps an administrator configure and support Prospect core server software to analyze network performance and perform other network or database management tasks. |
| <i>Administrator's Quick Reference Card</i> | Presents the principal tasks of a Prospect core server administrator in an easy-to-use format. |
| <i>Expressions Technical Reference</i> | Provides detailed information about expressions used in special calculations for reports. |
| <i>Installation Guide</i> | Instructions for installing and configuring the Prospect software. |
| <i>Open Interface API Guide</i> | Describes how the Open Interface tool enhances your access to information about database peg counts and scenarios. |
| <i>Performance Data Reference</i> | Provides detailed information including entity hierarchies, peg counts, primitive calculations, and forecast expressions specific to your organization. |
| <i>Release Notes</i> | Provides technology-specific and late-breaking information about a given Prospect release and important details about installation and operation. |
| <i>Server Preparation Guide</i> | Provides instructions for installing and setting up Solaris and Oracle software before you install Prospect software. |
| <i>Server Sizing Tool Guide</i> | Helps an administrator use the sizing tool to calculate the system space needed for the Prospect software and database. |
| <i>User Guide</i> | Provides conceptual information and procedures for using Prospect software for performance and trending analysis. |

Viewing the Desktop Client Help Publications

To view the desktop client Help publications, select a guide from the HELP menu of the Prospect graphical user interface or press F1 for context-sensitive Help. To update the Help files, click the HELP menu on the Prospect Explorer, and select UPDATE ALL HELP FILES.

When Help files are updated, they are downloaded automatically from the Prospect server to the Prospect client. A message box notifies you when this download occurs.

Viewing the Publications in PDF

All of the user publications are available in Adobe Portable Document Format (PDF). To open a PDF, you need the Adobe Acrobat Reader. You can download Adobe Acrobat Reader free of charge from the Adobe Web site. For more details about the Acrobat Reader, see the Adobe Web site <http://www.adobe.com/>.

2 Introduction

This reference contains detailed technical information about Prospect®. The information included in this document includes the following:

- Entity descriptions and reporting hierarchy
- System-defined fields
- Reference of possible Prospect Expressions in primitive calculations

This reference lists most fields that you can include in reports. The fields listed in this reference are system-defined fields and do not reflect the complete list of available fields. Additional fields, such as User-Defined Calculations (UDCs) or External fields, may also be available.

The following table describes the field types in this reference.

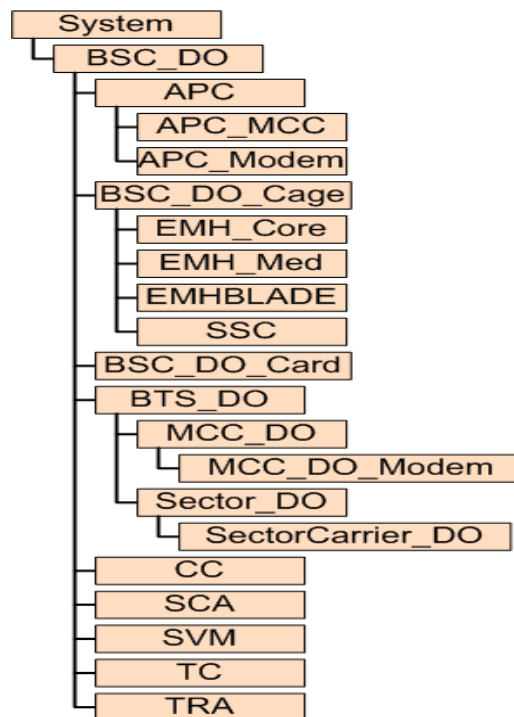
Table 1: Field Types

| <i>Field Type</i> | <i>Description</i> |
|-----------------------|---|
| Data availability | Data availability fields are automatically created for each data file type that is loaded. |
| Peg count | A performance metric gathered from the wireless network. |
| Primitive calculation | A performance metric whose value is determined by a set calculation. Some primitive calculations use Prospect expressions. For more information on Prospect expressions, see the <i>Expressions Technical Reference</i> . |
| Roll-up field | Roll-up fields provide aggregated information about a field defined at a child entity level. |

3 BSCDO Entities

The following figure shows the Prospect reporting hierarchy for BSCDO Traffic entities.

Figure 1: Reporting Hierarchy



4 BSCDO Fields

The following is a list of available BSCDO Traffic performance data fields.

APC Primitive Calculations

The following is a list of primitive calculations for the APC entity.

AuthorizationDenialRate

IP flow authorization denial rate

Calculation

```
100.0 * ( vsum (FwdIPFlowAuthTotalDenied, RevIPFlowAuthTotalDenied) / vsum  
(FwdIPFlowAuthTotalDenied, RevIPFlowAuthTotalDenied, FwdIPFlowAuthTotal-  
Granted, RevIPFlowAuthTotalGranted))
```

AuthorizationDeniedANResources

Number of IP flow authorizations denied due to AN related errors

Calculation

```
vsum (IPFlowAuthDeniedNoRLPFlow, IPFlowAuthDeniedMaxMCCDOAPxFlowCnt,  
IPFlowAuthDeniedNoA8Flow, IPFlowAuthDeniedRLPIDAssignFailure)
```

AuthorizationDeniedATError

Number of IP flow authorizations denied due to AT errors

Calculation

```
vsum (IPFlowAuthDeniedMaxUserFlowCnt, IPAuthQoSRequestInvalidFormat, IPAu-  
thQoSRequestVerbose, IPFlowAuthDeniedMainFlowRequest)
```

AuthorizationDeniedPermissions

Number of IP flow authorizations denied due to permission related errors

Calculation

vsum (IPFlowAuthDeniedNotLicensed, IPFlowAuthDeniedUserNotAuth, IPFlowAuthDeniedNotSupported)

BackgroundFwdRLPflowsPercentage

Rate of RLP flow utilization for MFPA best-effort traffic in forward direction

Calculation

100.0 * (TotalNumberOfFwdRlpFlowsBkgd / vsum(TotalNumberOfFwdRlpFlowsBkgd, TotalNumberOfFwdRlpFlowsConv, TotalNumberOfFwdRlpFlowsIntr, TotalNumberOfFwdRlpFlowsStrm))

BackgroundRvsRLPflowsPercentage

Rate of RLP flow utilization for MFPA best-effort traffic in reverse direction

Calculation

100.0 * (TotalNumberOfRvsRlpFlowsBkgd / vsum (TotalNumberOfRvsRlpFlowsBkgd, TotalNumberOfRvsRlpFlowsConv, TotalNumberOfRvsRlpFlowsIntr, TotalNumberOfRvsRlpFlowsStrm))

CardKindName

Type of the card, as textual name; example values are: 690 and 6190 for CardKind of 0 and 1.

Calculation

decode (CardKind, 0, "690", 1, "6190")

ConversationalFwdRLPflowsPercentage

Rate of RLP flow utilization for MFPA conversational traffic in forward direction

Calculation

100.0 * (TotalNumberOfFwdRlpFlowsConv / vsum (TotalNumberOfFwdRlpFlowsBkgd, TotalNumberOfFwdRlpFlowsConv, TotalNumberOfFwdRlpFlowsIntr, TotalNumberOfFwdRlpFlowsStrm))

ConversationalRvsRLPflowsPercentage

Rate of RLP flow utilization for MFPA conversational traffic in reverse direction

Calculation

100.0 * (TotalNumberOfRvsRlpFlowsConv / vsum (TotalNumberOfRvsRlpFlowsBkgd, TotalNumberOfRvsRlpFlowsConv, TotalNumberOfRvsRlpFlowsIntr, TotalNumberOfRvsRlpFlowsStrm))

GrphMulLnSeptr

Special Control Field for Multi-Line Graphs

Calculation

""

InteractiveFwdRLPflowsPercentage

Rate of RLP flow utilization for MFPA interactive traffic in forward direction

Calculation

$100.0 * (\text{TotalNumberOfFwdRlpFlowsIntr} / \text{vsum}(\text{TotalNumberOfFwdRlpFlowsBkgd}, \text{TotalNumberOfFwdRlpFlowsConv}, \text{TotalNumberOfFwdRlpFlowsIntr}, \text{TotalNumberOfFwdRlpFlowsStrm}))$

InteractiveRvsRLPflowsPercentage

Rate of RLP flow utilization for MFPA interactive traffic in reverse direction

Calculation

$100.0 * (\text{TotalNumberOfRvsRlpFlowsIntr} / \text{vsum}(\text{TotalNumberOfRvsRlpFlowsBkgd}, \text{TotalNumberOfRvsRlpFlowsConv}, \text{TotalNumberOfRvsRlpFlowsIntr}, \text{TotalNumberOfRvsRlpFlowsStrm}))$

InterBSCAnchorTransferSuccess%

Percentage of the success attempts for Inter BSC anchor transfer

Calculation

$100.0 * \text{InterBSCAnchorTransferSuccess} / \text{InterBSCAnchorTransferAttempt}$

IntraBSCAnchorTransferSuccess%

Percentage of success attempts for Intra BSC anchor transfer

Calculation

$100.0 * \text{IntraBSCAnchorTransferSuccess} / \text{IntraBSCAnchorTransferAttempt}$

MFPABkgdRLPflowsRetransPercentage

Percentage of retransmissions for best-effort traffic

Calculation

$100.0 * (\text{AvgFwdRLPRetransBytesBkgd} / \text{vsum}(\text{AvgFwdRLPRetransBytesBkgd}, \text{AvgFwdRLPNewBytesBkgd}))$

MFPACnvRLPflowsRetransPercentage

Percentage of retransmissions for conversational traffic

Calculation

$100.0 * (\text{AvgFwdRLPReTransBytesConv} / \text{vsum} (\text{AvgFwdRLPReTransBytesConv}, \text{AvgFwdRLPNewBytesConv}))$

MFPAINtrRLPflowsRetransPercentage

Percentage of retransmissions for interactive traffic

Calculation

$100.0 * (\text{AvgFwdRLPReTransBytesIntr} / \text{vsum} (\text{AvgFwdRLPReTransBytesIntr}, \text{AvgFwdRLPNewBytesIntr}))$

MFPAStrmRLPflowsRetransPercentage

Percentage of retransmissions for streaming traffic

Calculation

$100.0 * (\text{AvgFwdRLPReTransBytesStrm} / \text{vsum} (\text{AvgFwdRLPReTransBytesStrm}, \text{AvgFwdRLPNewBytesStrm}))$

NUMDAYS

of days in Report

Calculation

DAYSINREPORT ()

NUMHOURS

of hours in Summation Data

OpenBlockedRate

Rate at which reservations are blocked because resources are not available

Calculation

$100.0 * (\text{CFC15008} / \text{vsum} (\text{CFC15008}, \text{CFC15006}))$

PDSNQoSChangeFailureRate

Percentage of PDSN QoS change attempts that resulted in failure

Calculation

$100.0 * (\text{TotalFailedPDSNQoSChanges} / \text{vsum} (\text{TotalSuccessfulPDSNQoSChanges}, \text{TotalFailedPDSNQoSChanges}))$

PersonalitySwitchFailuresToRev0

The number of failed times switching Personality form Rev.A to Rev.0

Calculation

```
vsum( PersonalitySwitchAttemptsToRev0 , -1 *  
PersonalitySwitchSuccessesToRev0 )
```

PersonalitySwitchFailuresToRevA

The number of failed times switching Personality form Rev.A/Rev.0 to Rev.A

Calculation

```
vsum( PersonalitySwitchAttemptsToRevA , -1 * PersonalitySwitchSuccessesToRevA )
```

QoSModificationFailureRate

Rate of failure to grant QoS modification requests

Calculation

```
100.0 * (CFC15004 / vsum ( CFC15004, CFC15001))
```

StreamingFwdRlpFlowsPercentage

Rate of RLP flow utilization for MFPA streaming traffic in forward direction

Calculation

```
100.0 * (TotalNumberOfFwdRlpFlowsStrm / vsum (TotalNumberOfFwdRlpFlowsBkgd,  
TotalNumberOfFwdRlpFlowsConv, TotalNumberOfFwdRlpFlowsIntr, TotalNumber-  
OfFwdRlpFlowsStrm))
```

StreamingRvsRlpFlowsPercentage

Rate of RLP flow utilization for MFPA streaming traffic in reverse direction

Calculation

```
100.0 * (TotalNumberOfRvsRlpFlowsStrm / vsum (TotalNumberOfRvsRlpFlowsBkgd,  
TotalNumberOfRvsRlpFlowsConv, TotalNumberOfRvsRlpFlowsIntr, TotalNumber-  
OfRvsRlpFlowsStrm))
```

TotalFailedPDSNQoSChanges

Total number of failed PDSN QoS changes

Calculation

```
vsum (RscPDSNUpDownRejected, RscQoSPPDSNUgradeDeniedProfileID, RscQoSPPDSNU-  
gradeDeniedHandoff, RscQoSPPDSNUgradeDeniedProfileIDMisMat)
```

TotalSuccessfulPDSNQoSChanges

Total number of successful PDSN QoS changes

Calculation

vsum (RscQoSUpgradeByPDSN, RscQoSReleasedByPDSNDown)

APC Peg Counts

The following is a list of peg counts for the APC entity.

ActiveFwdRLPFlows

Active number of forward RLP flows

Data Source

BSCDO PM

Source Field

Active number of forward RLP flows

Source Section

APC

ActiveRvsRLPFlows

Active number of reverse RLP flows

Data Source

BSCDO PM

Source Field

Active number of reverse RLP flows

Source Section

APC

APCUsageMin

APC card's usage in minutes is calculated by taking the max of forward and reversion Air usage in the wireless section

Source Field

Max of (FwdAirUsageMinAPC, RevAirUsageMinAPC)

Source Section

APC Node

Data Source

BSCDO PM

ATOriginatedTCHSetupAbortions

Number of normal TCH release that were abandoned by the user before the TCH was established

Data Source

BSCDO PM

Source Section

APC Card

Source Field

AT originated TCH set up abortions

ATOriginatedTCHSetupDisconnections

Number of normal TCH release that were abandoned by the user after the TCH was established

Data Source

BSCDO PM

Source Section

APC Card

Source Field

AT originated TCH set up disconnections

AvgFwdActiveReservationDurationBkgd

Average active duration of the RLP flows in forward direction for background traffic class when there was at least one open Reservation over the RLP flow

Data Source

aemsC Files

Source Field

aemsC601_PC45

Source Section

aemsC601

AvgFwdActiveReservationDurationConv

Average active duration of the RLP flows in forward direction for conversational traffic class when there was at least one open Reservation over the RLP flow

Data Source

aemsC Files

Source Field

aemsC601_PC9

Source Section

aemsC601

AvgFwdActiveReservationDurationIntr

Average active duration of the RLP flows in forward direction for interactive traffic class when there was at least one open Reservation over the RLP flow

Data Source

aemsC Files

Source Field

aemsC601_PC33

Source Section

aemsC601

AvgFwdActiveReservationDurationStrm

Average active duration of the RLP flows in forward direction for streaming traffic class when there was at least one open Reservation over the RLP flow

Data Source

aemsC Files

Source Field

aemsC601_PC21

Source Section

aemsC601

AvgFwdHigherLayerPacketSizeBkgd

Average higher layer packet size in forward direction for background traffic class.

Data Source

aemsC Files

Source Field

aemsC601_PC41

Source Section

aemsC601

AvgFwdHigherLayerPacketSizeConv

Average higher layer packet size in forward direction for conversational traffic class.

Data Source

aemsC Files

Source Field

aemsC601_PC5

Source Section

aemsC601

AvgFwdHigherLayerPacketSizeIntr

Average higher layer packet size in forward direction for interactive traffic class.

Data Source

aemsC Files

Source Field

aemsC601_PC29

Source Section

aemsC601

AvgFwdHigherLayerPacketSizeStrm

Average higher layer packet size in forward direction for streaming traffic class.

Data Source

aemsC Files

Source Field

aemsC601_PC17

Source Section

aemsC601

AvgFwdLinkRate

Average DRC for MCC-DO-A (only) HW, averaged only over that time when there is data to be sent

Data Source

aemsC Files

Source Field

aemsC602_PC2

Source Section

aemsC602

AvgFwdMaxOpenReservationsBkgd

The average of maximum number of reservations associated with the RLP Flows in forward direction for background traffic class

Data Source

aemsC Files

Source Field

aemsC601_PC39

Source Section

aemsC601

AvgFwdMaxOpenReservationsConv

The average of maximum number of reservations associated with the RLP Flows in forward direction for conversational traffic class

Data Source

aemsC Files

Source Field

aemsC601_PC3

Source Section

aemsC601

AvgFwdMaxOpenReservationsIntr

The average of maximum number of reservations associated with the RLP Flows in forward direction for interactive traffic class

Data Source

aemsC Files

Source Field

aemsC601_PC27

Source Section

aemsC601

AvgFwdMaxOpenReservationsStrm

The average of maximum number of reservations associated with the RLP Flows in forward direction for streaming traffic class

Data Source

aemsC Files

Source Field

aemsC601_PC15

Source Section

aemsC601

AvgFwdRLPNewBytesBkgd

Average number of new RLP bytes in forward direction for background traffic class

Data Source

aemsC Files

Source Field

aemsC601_PC43

Source Section

aemsC601

AvgFwdRLPNewBytesConv

Average number of new RLP bytes in forward direction for conversational traffic class

Data Source

aemsC Files

Source Field

aemsC601_PC7

Source Section

aemsC601

AvgFwdRLPNewBytesIntr

Average number of new RLP bytes in forward direction for interactive traffic class

Data Source

aemsC Files

Source Field

aemsC601_PC31

Source Section

aemsC601

AvgFwdRLPNewBytesStrm

Average number of new RLP bytes in forward direction for streaming traffic class

Data Source

aemsC Files

Source Field

aemsC601_PC19

Source Section

aemsC601

AvgFwdRLPRetransBytesBkgd

Average number of retransmitted RLP bytes in forward direction for background traffic class

Data Source

aemsC Files

Source Field

aemsC601_PC44

Source Section

aemsC601

AvgFwdRLPRetransBytesConv

Average number of retransmitted RLP bytes in forward direction for conversational traffic class

Data Source

aemsC Files

Source Field

aemsC601_PC8

Source Section

aemsC601

AvgFwdRLPRetransBytesIntr

Average number of retransmitted RLP bytes in forward direction for interactive traffic class

Data Source

aemsC Files

Source Field

aemsC601_PC32

Source Section

aemsC601

AvgFwdRLPRetransBytesStrm

Average number of retransmitted RLP bytes in forward direction for streaming traffic class

Data Source

aemsC Files

Source Field

aemsC601_PC20

Source Section

aemsC601

AvgRLPDataRate

Average data rate, at the RLP/application layer, excluding RLP re-transmission bytes, and averaged only over that time when there is data to be sent.

Data Source

aemsC Files

Source Field

aemsC602_PC1

Source Section

aemsC602

AvgRvsActiveReservationDurationBkgd

Average active duration of the RLP flows in reverse direction for background traffic class when there was at least one open Reservation over the RLP flow

Data Source

aemsC Files

Source Field

aemsC601_PC46

Source Section

aemsC601

AvgRvsActiveReservationDurationConv

Average active duration of the RLP flows in reverse direction for conversational traffic class when there was at least one open Reservation over the RLP flow

Data Source

aemsC Files

Source Field

aemsC601_PC10

Source Section

aemsC601

AvgRvsActiveReservationDurationIntr

Average active duration of the RLP flows in reverse direction for interactive traffic class when there was at least one open Reservation over the RLP flow

Data Source

aemsC Files

Source Field

aemsC601_PC34

Source Section

aemsC601

AvgRvsActiveReservationDurationStrm

Average active duration of the RLP flows in reverse direction for streaming traffic class when there was at least one open Reservation over the RLP flow

Data Source

aemsC Files

Source Field

aemsC601_PC22

Source Section

aemsC601

AvgRvsHigherLayerPacketSizeBkgd

Average higher layer packet size in reverse direction for background traffic class

Data Source

aemsC Files

Source Field

aemsC601_PC42

Source Section

aemsC601

AvgRvsHigherLayerPacketSizeConv

Average higher layer packet size in reverse direction for conversational traffic class

Data Source

aemsC Files

Source Field

aemsC601_PC6

Source Section

aemsC601

AvgRvsHigherLayerPacketSizeIntr

Average higher layer packet size in reverse direction for interactive traffic class

Data Source

aemsC Files

Source Field

aemsC601_PC30

Source Section

aemsC601

AvgRvsHigherLayerPacketSizeStrm

Average higher layer packet size in reverse direction for streaming traffic class

Data Source

aemsC Files

Source Field

aemsC601_PC18

Source Section

aemsC601

AvgRvsMaxOpenReservationsBkgd

The average of maximum number of reservations associated with the RLP Flows in reverse direction for background traffic class

Data Source

aemsC Files

Source Field

aemsC601_PC40

Source Section

aemsC601

AvgRvsMaxOpenReservationsConv

The average of maximum number of reservations associated with the RLP Flows in reverse direction for conversational traffic class

Data Source

aemsC Files

Source Field

aemsC601_PC4

Source Section

aemsC601

AvgRvsMaxOpenReservationsIntr

The average of maximum number of reservations associated with the RLP Flows in reverse direction for interactive traffic class

Data Source

aemsC Files

Source Field

aemsC601_PC28

Source Section

aemsC601

AvgRvsMaxOpenReservationsStrm

The average of maximum number of reservations associated with the RLP Flows in reverse direction for streaming traffic class

Data Source

aemsC Files

Source Field

aemsC601_PC16

Source Section

aemsC601

AvgRvsRLPRetransDelay

Average time from emitting NAK to receiving the retransmitted packet

Data Source

BSCDO PM

Source Field

Average RLP retransmission delay (reverse only)

Source Section

APC

AvgStarvationRate

The percent of times (frequency) the user was kept idle

Data Source

aemsC Files

Source Field

aemsC602_PC3

Source Section

aemsC602

BytesNAKedToBeReceived

The number of bytes of all received NAK.

Data Source

BSCDO PM

Source Field

Number of bytes NAKed to be received

Source Section

APC

BytesNAKedToBeSent

The number of bytes of all sent NAK.

Data Source

BSCDO PM

Source Field

Number of bytes NAKed to be sent

Source Section

APC

CardKind

Type of the card; example values are: 0 and 1 for 690 and 6190

Source Field

CardKind

Data Source

BSCDO PM

CFC15000

The number of times the CFC 15000 occurred.

Data Source

aemsC Files

Source Field

aemsC602_PC48

Source Section

aemsC602

CFC15001

The number of times the CFC 15001 occurred.

Data Source

aemsC Files

Source Field

aemsC602_PC49

Source Section

aemsC602

CFC15002

The number of times the CFC 15002 occurred

Data Source

aemsC Files

Source Field

aemsC602_PC50

Source Section

aemsC602

CFC15003

The number of times the CFC 15003 occurred

Data Source

aemsC Files

Source Field

aemsC602_PC51

Source Section

aemsC602

CFC15004

The number of times the CFC 15004 occurred

Data Source

aemsC Files

Source Field

aemsC602_PC52

Source Section

aemsC602

CFC15005

The number of times the CFC 15005 occurred.

Data Source

aemsC Files

Source Field

aemsC602_PC53

Source Section

aemsC602

CFC15006

The number of times the CFC 15006 occurred.

Data Source

aemsC Files

Source Field

aemsC602_PC54

Source Section

aemsC602

CFC15007

The number of times the CFC 15007 occurred.

Data Source

aemsC Files

Source Field

aemsC602_PC55

Source Section

aemsC602

CFC15008

The number of times the CFC 15008 occurred.

Data Source

aemsC Files

Source Field

aemsC602_PC56

Source Section

aemsC602

CFC15009

The number of times the CFC 15009 occurred.

Data Source

aemsC Files

Source Field

aemsC602_PC57

Source Section

aemsC602

CFC15010

The number of times the CFC 15010 occurred.

Data Source

aemsC Files

Source Field

aemsC602_PC58

Source Section

aemsC602

CFC15011

The number of times the CFC 15011 occurred

Source Field

aemsC602_PC83

Data Source

aemsC Files

Source Section

aemsC602

CFC15012

The number of times the CFC 15012 occurred

Source Field

aemsC602_PC84

Data Source

aemsC Files

Source Section

aemsC602

CFC15013

The number of times the CFC 15013 occurred

Source Field

aemsC602_PC85

Data Source

aemsC Files

Source Section

aemsC602

CollectionPeriod_PM

EVDO PM Collection period in minutes.

Data Source

BSCDO PM

Source Field

Collection Period (Min)

Source Section

TRA, CC, SVM, TC, APC Card

CPUUseRateOfAPC_AVG

Average of two 5-min raw data for the CPU usage in % of the PRO(APC) card

Source Field

CPU use rate of APC

Source Section

APC Card

Data Source

BSCDO PM

CPUUseRateOfAPC_MAX

Max of two 5-min raw data for the CPU usage in % of the PRO(APC) card

Source Field

CPU use rate of APC

Source Section

APC Card

Data Source

BSCDO PM

DisconnectedCallsDueToRFLoss

Number of calls that have performed TCH release processing because of non-synchronization of the reverse link

Data Source

BSCDO PM

Source Section

APC Card

Source Field

Disconnected calls due to RF Loss

DSCChannelCompletes

Times of switching the DSC successfully. Success means that AN detects the DRC switch after detecting DSC switch on soft handoff condition.

Data Source

BSCDO PM

Source Field

DSC channel Completes

Source Section

APC

DSCChannelDelay_AVG

The delay time between the DSC switch and beginning of multicasting.

Data Source

BSCDO PM

Source Field

DSC channel delay_A

Source Section

APC

DSCChannelFailures

Times of switching the DSC not successfully. Failure means that AN detects the DRC switch without detecting DSC switch on soft handoff condition.

Data Source

BSCDO PM

Source Field

DSC channel Failures

Source Section

APC

FirstTransmittedFwdBytes

Number of forward data bytes which are non-retransmitted

Data Source

BSCDO PM

Source Section

APC Card

Source Field

First transmitted fwd bytes

FwdAirBytesAPC

Number of bytes sent in the physical layer per APC

Source Field

Fwd air bytes/APC

Source Section

APC Card

Data Source

BSCDO PM

FwdAirThroughputAPC_AVG

Average of two 5-min raw data for the throughput in kbit/s sent in the physical layer per APC

Source Field

Fwd air throughput/APC

Source Section

APC Card (ANC Function)

Data Source

BSCDO PM

FwdAirThroughputAPC_MAX

Max of two 5-min raw data for the throughput in kbit/s sent in the physical layer per APC

Source Field

Fwd air throughput/APC

Source Section

APC Card (ANC Function)

Data Source

BSCDO PM

FwdAirUsageMinAPC

APC card's forward Air usage in minutes is calculated by based on the number of bytes and data throughput in forward direction of wireless section.

Source Field

(Fwd Air Bytes/APC) / (Fwd Air Throughput/APC)

Source Section

APC Node

Data Source

BSCDO PM

FwdIPFlowAuthGrantedTCBkgd

Number of times the IPFlow Authorisation is granted for the Background traffic class in the Forward direction.

Data Source

aemsC Files

Source Field

aemsC602_PC12

Source Section

aemsC602

FwdIPFlowAuthGrantedTCConv

Number of times the IPFlow Authorisation is granted for the Conversational traffic class in the Forward direction.

Data Source

aemsC Files

Source Field

aemsC602_PC9

Source Section

aemsC602

FwdIPFlowAuthGrantedTCIntr

Number of times the IPFlow Authorisation is granted for the Interactive traffic class in the Forward direction.

Data Source

aemsC Files

Source Field

aemsC602_PC11

Source Section

aemsC602

FwdIPFlowAuthGrantedTCStrm

Number of times the IPFlow Authorisation is granted for the Streaming traffic class in the Forward direction.

Data Source

aemsC Files

Source Field

aemsC602_PC10

Source Section

aemsC602

FwdIPFlowAuthTotalDenied

Total number of requests denied in the forward direction.

Data Source

aemsC Files

Source Field

aemsC602_PC19

Source Section

aemsC602

FwdIPFlowAuthTotalGranted

Total number of requests granted in the Forward direction.

Data Source

aemsC Files

Source Field

aemsC602_PC17

Source Section

aemsC602

FwdMaxOpenReservationsBkgd

The maximum number of reservations associated with the RLP Flows in forward direction for background traffic class

Data Source

aemsC Files

Source Field

aemsC601_PC37

Source Section

aemsC601

FwdMaxOpenReservationsConv

The maximum number of reservations associated with the RLP Flows in forward direction for conversational traffic class

Data Source

aemsC Files

Source Field

aemsC601_PC1

Source Section

aemsC601

FwdMaxOpenReservationsIntr

The maximum number of reservations associated with the RLP Flows in forward direction for interactive traffic class

Data Source

aemsC Files

Source Field

aemsC601_PC25

Source Section

aemsC601

FwdMaxOpenReservationsStrm

The maximum number of reservations associated with the RLP Flows in forward direction for streaming traffic class

Data Source

aemsC Files

Source Field

aemsC601_PC13

Source Section

aemsC601

FwdRetransmitRequestBytes

Number of forward traffic data bytes which were requested to be re-sent by the AT

Data Source

BSCDO PM

Source Section

APC Card

Source Field

Fwd Re-transmit request bytes

FwdRscTCBkgdRsvOpen

The number of times that a reservation was opened for the Background traffic class in the forward direction.

Data Source

aemsC Files

Source Field

aemsC602_PC75

Source Section

aemsC602

FwdRscTCConvRsvOpen

The number of times that a reservation was opened for the Conversational traffic class in the forward direction

Data Source

aemsC Files

Source Field

aemsC602_PC72

Source Section

aemsC602

FwdRscTCIntrRsvOpen

The number of times that a reservation was opened for the Interactive traffic class in the forward direction.

Data Source

aemsC Files

Source Field

aemsC602_PC74

Source Section

aemsC602

FwdRscTCStrmRsvOpen

The number of times that a reservation was opened for the Streaming traffic class in the forward direction

Data Source

aemsC Files

Source Field

aemsC602_PC73

Source Section

aemsC602

FwdStreamBytesAPC

Number of bytes sent in the application layer per APC

Source Field

Fwd stream bytes/APC

Source Section

APC Card

Data Source

BSCDO PM

FwdStreamPacketsAPC

Number of bytes sent in the application layer per APC

Source Field

Fwd stream packets/APC

Source Section

APC Card

Data Source

BSCDO PM

FwdStreamThroughputAPC_AVG

Average of two 5-min raw data for the throughput in kbit/s sent in the application layer per APC

Source Field

Fwd stream throughput/APC

Source Section

APC Card

Data Source

BSCDO PM

FwdStreamThroughputAPC_MAX

Max of two 5-min raw data for the throughput in kbit/s sent in the application layer per APC

Source Field

Fwd stream throughput/APC

Source Section

APC Card

Data Source

BSCDO PM

HOAddFailLackResourcesTargetAPC

Handoff addition failed due to lack of resource in target APC

Data Source

BSCDO PM

Source Field

HO failures(lack of resource in target APC)

Source Section

APC

HOAddFailNoResponseTargetAPC

Handoff addition failed due to no response from target APC

Data Source

BSCDO PM

Source Field

HO failures(no response from target APC)

Source Section

APC

HODropFailTCHCompleteReceptionFail

Handoff deletion failed due to TrafficChannlComplete reception fail

Data Source

BSCDO PM

Source Field

HO failures(TCC not received)

Source Section

APC

InterAPCHardHOFailures

Number of inter-APC hard handoff failures

Data Source

BSCDO PM

Source Field

Inter APC-hard-H.O. failures

Source Section

APC Card

InterAPCHardHOSuccesses

Number of inter-APC hard handoff success

Data Source

BSCDO PM

Source Field

Inter APC-hard-H.O. successes

Source Section

APC Card

InterBSCAnchorTransferAttempt

Number of attempts for Inter BSC anchor transfer

Source Field

Inter BSC anchor transfer attempts

Source Section

APC Card

Data Source

BSCDO PM

InterBSCAnchorTransferFailure

Number of failure attempts for Inter BSC anchor transfer

Source Field

Inter BSC anchor transfer failures

Source Section

APC Card

Data Source

BSCDO PM

InterBSCAnchorTransferSuccess

Number of success attempts for Inter BSC anchor transfer

Source Field

Inter BSC anchor transfer successes

Source Section

APC Card

Data Source

BSCDO PM

InterBSCHardHOFailures

Number of inter BSC hard handoff failures.

Data Source

BSCDO PM

Source Field

Inter BSC-hard-H.O. failures

Source Section

APC Card

InterBSCHardHOSuccesses

Number of inter BSC hard handoff success

Data Source

BSCDO PM

Source Field

Inter BSC-hard-H.O. successes

Source Section

APC Card

InterBSCHORRequests

The number of inter BSC requests

Data Source

BSCDO PM

Source Field

Inter BSC-H.O. requests

Source Section

APC Card

IntraBSCAnchorTransferAttempt

Number of attempts for Intra BSC anchor transfer

Source Field

Intra BSC anchor transfer attempts

Source Section

APC Card

Data Source

BSCDO PM

IntraBSCAnchorTransferFailure

Number of failure attempts for Intra BSC anchor transfer

Source Field

Intra BSC anchor transfer failures

Source Section

APC Card

Data Source

BSCDO PM

IntraBSCAnchorTransferSuccess

Number of success attempts for Intra BSC anchor transfer

Source Field

Intra BSC anchor transfer successes

Source Section

APC Card

Data Source

BSCDO PM

IntraBSCHardHOFailures

Number of intra-BSC hard handoff failure

Data Source

BSCDO PM

Source Section

APC Card

Source Field

Intra BSC-hard-H.O. failures

IntraBSCHardHOSuccesses

Number of intra-BSC hard handoff success

Data Source

BSCDO PM

Source Section

APC Card

Source Field

Intra BSC-hard-H.O. successes

IPAuthAnchorTransQoSModDenied

Number of times authorization was denied for an anchor transfer.

Source Field

aemsC602_PC86

Data Source

aemsC Files

Source Section

aemsC602

IPAuthATModQoSDenied

The number of times that the QoS modification is denied.

Data Source

aemsC Files

Source Field

aemsC602_PC66

Source Section

aemsC602

IPAuthATModQoSGranted

The number of times that the AT requested QoS modification was accepted.

Data Source

aemsC Files

Source Field

aemsC602_PC64

Source Section

aemsC602

IPAuthDeniedRANCommError

Number of IP flow authorizations denied due to RAN communication errors

Source Field

aemsC602_PC43

Data Source

aemsC Files

Source Section

aemsC602

IPAuthModQoSDeniedRANCommError

Number of IP flow authorizations for QoS modification denied due to RAN communication errors

Source Field

aemsC602_PC91

Data Source

aemsC Files

Source Section

aemsC602

IPAuthQoSRequestInvalidFormat

The number of QoS requests received in an invalid format.

Data Source

aemsC Files

Source Field

aemsC602_PC62

Source Section

aemsC602

IPAuthQoSRequestVerbose

The number of QoS requests received in verbose mode format

Data Source

aemsC Files

Source Field

aemsC602_PC63

Source Section

aemsC602

IPAuthResvLegQoSModDenied

Number of times authorization was denied when adding a reservation leg.

Source Field

aemsC602_PC87

Data Source

aemsC Files

Source Section

aemsC602

IPAuthUserProfileModQoSDenied

The number of times that the modification due to an updated user profile fails.

Data Source

aemsC Files

Source Field

aemsC602_PC70

Source Section

aemsC602

IPAuthUserProfileModQoSGranted

The number of times that the QoS modified due to receipt of user QoS profile.

Data Source

aemsC Files

Source Field

aemsC602_PC65

Source Section

aemsC602

IPFlowAuthDeniedMainFlowRequest

Number of times authorization is denied because it is being requested for the main IP flow.

Data Source

aemsC Files

Source Field

aemsC602_PC24

Source Section

aemsC602

IPFlowAuthDeniedMaxMCCDOAPxFlowCnt

Number of times authorization is denied because the MCC-DO-A has exceeded its max Px flow count..

Data Source

aemsC Files

Source Field

aemsC602_PC25

Source Section

aemsC602

IPFlowAuthDeniedMaxUserFlowCnt

Number of times authorization is denied because the user has exceeded his max IP flow count..

Data Source

aemsC Files

Source Field

aemsC602_PC32

Source Section

aemsC602

IPFlowAuthDeniedNoA8Flow

Number of times authorization was denied due to there being no A8 flow to assign.

Source Field

aemsC602_PC82

Data Source

aemsC Files

Source Section

aemsC602

IPFlowAuthDeniedNoAPCResv

Number of times authorization was denied due to no reservation resources on the APC.

Data Source

aemsC Files

Source Field

aemsC602_PC27

Source Section

aemsC602

IPFlowAuthDeniedNoAPCRLPFlow

Number of times authorization was denied due to no RLP resources on the APC.

Data Source

aemsC Files

Source Field

aemsC602_PC28

Source Section

aemsC602

IPFlowAuthDeniedNoRLPFlow

Number of times authorization is denied because there was no RLP flow available for mapping of the IP Flow.

Data Source

aemsC Files

Source Field

aemsC602_PC31

Source Section

aemsC602

IPFlowAuthDeniedNotLicensed

Number of times Authorization denied because AN is not licensed for the traffic class

Data Source

aemsC Files

Source Field

aemsC602_PC21

Source Section

aemsC602

IPFlowAuthDeniedNotSupported

Number of times the authorization is denied because AN does not support the requested ProfileID

Data Source

aemsC Files

Source Field

aemsC602_PC22

Source Section

aemsC602

IPFlowAuthDeniedNoUserPxFlow

Number of times authorization was denied due to no user Px flow resources.

Data Source

aemsC Files

Source Field

aemsC602_PC29

Source Section

aemsC602

IPFlowAuthDeniedRLPIDAssignFailure

Number of times authorization was denied due to an error in assigning the RLPID

Source Field

aemsC602_PC81

Data Source

aemsC Files

Source Section

aemsC602

IPFlowAuthDeniedRLPMapNotDone

Number of times authorization was denied due to an error in a multiple request GAUP message.

Data Source

aemsC Files

Source Field

aemsC602_PC30

Source Section

aemsC602

IPFlowAuthDeniedUserNotAuth

Number of times authorization is denied because the user is not authorized for the requested ProfileID

Data Source

aemsC Files

Source Field

aemsC602_PC23

Source Section

aemsC602

IPFlowAuthMappedMainRLPFlow

The number of times that a granted IP flow is mapped to the main RLP flow.

Data Source

aemsC Files

Source Field

aemsC602_PC41

Source Section

aemsC602

IPFlowAuthNoRLPMapMod

Number of times authorization request does not result in a change to the RLP mapping.

Data Source

aemsC Files

Source Field

aemsC602_PC26

Source Section

aemsC602

IPFlowAuthTCBkgdMappedExistingRLPFlow

The number of times that a granted IP flow is mapped to an existing RLP flow for the Background traffic class.

Data Source

aemsC Files

Source Field

aemsC602_PC36

Source Section

aemsC602

IPFlowAuthTCBkgdMappedNewRLPFlow

The number of times that a granted IP flow is mapped to a new RLP flow for the Background traffic class.

Data Source

aemsC Files

Source Field

aemsC602_PC40

Source Section

aemsC602

IPFlowAuthTCConvMappedExistingRLPFlow

The number of times that a granted IP flow is mapped to an existing RLP flow for the Conversational traffic class.

Data Source

aemsC Files

Source Field

aemsC602_PC33

Source Section

aemsC602

IPFlowAuthTCConvMappedNewRLPFlow

The number of times that a granted IP flow is mapped to a new RLP flow for the Conversational traffic class.

Data Source

aemsC Files

Source Field

aemsC602_PC37

Source Section

aemsC602

IPFlowAuthTCIntrMappedExistingRLPFlow

The number of times that a granted IP flow is mapped to an existing RLP flow for the Interactive traffic class.

Data Source

aemsC Files

Source Field

aemsC602_PC35

Source Section

aemsC602

IPFlowAuthTCIntrMappedNewRLPFlow

The number of times that a granted IP flow is mapped to a new RLP flow for the Interactive traffic class.

Data Source

aemsC Files

Source Field

aemsC602_PC39

Source Section

aemsC602

IPFlowAuthTCStrmMappedExistingRLPFlow

The number of times that a granted IP flow is mapped to an existing RLP flow for the Streaming traffic class.

Data Source

aemsC Files

Source Field

aemsC602_PC34

Source Section

aemsC602

IPFlowAuthTCStrmMappedNewRLPFlow

The number of times that a granted IP flow is mapped to a new RLP flow for the Streaming traffic class.

Data Source

aemsC Files

Source Field

aemsC602_PC38

Source Section

aemsC602

LocationNotificationRecieves

Number of times that AT sends Location notification message for both solicited and unsolicited message.

Data Source

BSCDO PM

Source Section

APC Card

Source Field

Location notification recieves

LocationRequestAttempts

Number of Location request message that were sent to AT

Data Source

BSCDO PM

Source Section

APC Card

Source Field

Location request attempts

LocationRequestSuccesses

Number of successful Location request message that were received by AT

Data Source

BSCDO PM

Source Section

APC Card

Source Field

Location request successes

LocationRequestTimeout

Number of times the Location request message is retried more than the retry counter

Data Source

BSCDO PM

Source Section

APC Card

Source Field

Location request time out

MemoryUseRateOfAPC_AVG

Average of two 5-min raw data for the memory usage in % of the PRO(APC) card

Source Field

Memory use rate of APC

Source Section

APC Card

Data Source

BSCDO PM

MemoryUseRateOfAPC_MAX

Max of two 5-min raw data for the memory usage in % of the PRO(APC) card

Source Field

Memory use rate of APC

Source Section

APC Card

Data Source

BSCDO PM

Modem01MCCDOID

ID of MCCDO to which the modem 01 of this APC connects to

Source Field

Modem01_MCCDOID

Source Section

APC Card

Data Source

BSCDO PM

Modem02MCCDOID

ID of MCCDO to which the modem 02 of this APC connects to

Source Field

Modem02_MCCDOID

Source Section

APC Card

Data Source

BSCDO PM

Modem03MCCDOID

ID of MCCDO to which the modem 03 of this APC connects to

Source Field

Modem03_MCCDOID

Source Section

APC Card

Data Source

BSCDO PM

Modem04MCCDOID

ID of MCCDO to which the modem 04 of this APC connects to

Source Field

Modem04_MCCDOID

Source Section

APC Card

Data Source

BSCDO PM

Modem05MCCDOID

ID of MCCDO to which the modem 05 of this APC connects to

Source Field

Modem05_MCCDOID

Source Section

APC Card

Data Source

BSCDO PM

Modem06MCCDOID

ID of MCCDO to which the modem 06 of this APC connects to

Source Field

Modem06_MCCDOID

Source Section

APC Card

Data Source

BSCDO PM

Modem07MCCDOID

ID of MCCDO to which the modem 07 of this APC connects to

Source Field

Modem07_MCCDOID

Source Section

APC Card

Data Source

BSCDO PM

Modem08MCCDOID

ID of MCCDO to which the modem 08 of this APC connects to

Source Field

Modem08_MCCDOID

Source Section

APC Card

Data Source

BSCDO PM

Modem09MCCDOID

ID of MCCDO to which the modem 09 of this APC connects to

Source Field

Modem09_MCCDOID

Source Section

APC Card

Data Source

BSCDO PM

Modem10MCCDOID

ID of MCCDO to which the modem 10 of this APC connects to

Source Field

Modem10_MCCDOID

Source Section

APC Card

Data Source

BSCDO PM

Modem11MCCDOID

ID of MCCDO to which the modem 11 of this APC connects to

Source Field

Modem11_MCCDOID

Source Section

APC Card

Data Source

BSCDO PM

Modem12MCCDOID

ID of MCCDO to which the modem 12 of this APC connects to

Source Field

Modem12_MCCDOID

Source Section

APC Card

Data Source

BSCDO PM

Modem13MCCDOID

ID of MCCDO to which the modem 13 of this APC connects to

Source Field

Modem13_MCCDOID

Source Section

APC Card

Data Source

BSCDO PM

Modem14MCCDOID

ID of MCCDO to which the modem 14 of this APC connects to

Source Field

Modem14_MCCDOID

Source Section

APC Card

Data Source

BSCDO PM

Modem15MCCDOID

ID of MCCDO to which the modem 15 of this APC connects to

Source Field

Modem15_MCCDOID

Source Section

APC Card

Data Source

BSCDO PM

Modem16MCCDOID

ID of MCCDO to which the modem 16 of this APC connects to

Source Field

Modem16_MCCDOID

Source Section

APC Card

Data Source

BSCDO PM

Modem17MCCDOID

ID of MCCDO to which the modem 17 of this APC connects to

Source Field

Modem17_MCCDOID

Source Section

APC Card

Data Source

BSCDO PM

Modem18MCCDOID

ID of MCCDO to which the modem 18 of this APC connects to

Source Field

Modem18_MCCDOID

Source Section

APC Card

Data Source

BSCDO PM

MulticastBytesByDSCSwitchTriggerAF1

The number of bytes when APC multicasts the data to MCC-DO-As by trigger of DSC switch of AF1 Flows

Data Source

BSCDO PM

Source Field

The number of multicast bytes by trigger of DSC switch of AF1 flows

Source Section

APC

MulticastBytesByDSCSwitchTriggerAF2

The number of bytes when APC multicasts the data to MCC-DO-As by trigger of DSC switch of AF2 Flows

Data Source

BSCDO PM

Source Field

The number of multicast bytes by trigger of DSC switch of AF2 flows

Source Section

APC

MulticastBytesByDSCSwitchTriggerBE

The number of bytes when APC multicasts the data to MCC-DO-As by trigger of DSC switch of BE Flows

Data Source

BSCDO PM

Source Field

The number of multicast bytes by trigger of DSC switch of BE flows

Source Section

APC

MulticastBytesByDSCSwitchTriggerEF1

The number of bytes when APC multicasts the data to MCC-DO-As by trigger of DSC switch of EF1 Flows

Data Source

BSCDO PM

Source Field

The number of multicast bytes by trigger of DSC switch of EF1 flows

Source Section

APC

MulticastBytesByDSCSwitchTriggerEF2

The number of bytes when APC multicasts the data to MCC-DO-As by trigger of DSC switch of EF2 Flows

Data Source

BSCDO PM

Source Field

The number of multicast bytes by trigger of DSC switch of EF2 flows

Source Section

APC

NewRLPBytesReceived

Number of new RLP bytes received

Data Source

BSCDO PM

Source Field

Number of new RLP bytes received

Source Section

APC

NewRLPBytesSent

Number of new RLP bytes sent

Data Source

BSCDO PM

Source Field

Number of new RLP bytes sent

Source Section

APC

NormallyTerminateCallsAccumulation

Number of connections released due to normal release reason(e.g. dormant timer expiration, APC receives ConnectionClose from AT).

Data Source

BSCDO PM

Source Section

APC Card

Source Field

Normally terminate calls(Accumulation)

NumberOfAbort

The number of Abort occurred.

Data Source

BSCDO PM

Source Field

Number of Abort

Source Section

APC

NumberOfNAKsReceived

The number of received NAK messages

Data Source

BSCDO PM

Source Field

Number of NAKs received

Source Section

APC

NumberOfNAKsSent

The number of sent NAK messages

Data Source

BSCDO PM

Source Field

Number of NAKs sent

Source Section

APC

NumberOfRLPReset

The number of the initiated RLP Reset and received RLP Reset.

Data Source

BSCDO PM

Source Field

Number of RLP Reset

Source Section

APC

OpenBlockedRate_Bundled

The percent of reservation Open requests that are blocked in a bundled message

Source Field

aemsC602_PC99

Data Source

aemsC Files

Source Section

aemsC602

PersonalitySwitchAttemptsToRev0

The number of attempt times switching Personality form Rev.A to Rev.0

Data Source

BSCDO PM

Source Field

Total number of attempts of personality switches to Rev 0

Source Section

APC

PersonalitySwitchAttemptsToRevA

The number of attempt times switching Personality form Rev.A/Rev.0 to Rev.A

Data Source

BSCDO PM

Source Field

Total number of attempt of personality switches to Rev A

Source Section

APC

PersonalitySwitchHandupFail

The number of failed handup personality switches.

Source Field

aemsC602_PC90

Data Source

aemsC Files

Source Section

aemsC602

PersonalitySwitchHandupSuccess

The number of successful handup personality switches.

Source Field

aemsC602_PC89

Data Source

aemsC Files

Source Section

aemsC602

PersonalitySwitchSuccessesToRev0

The number of success times switching Personality form Rev.A to Rev.0

Data Source

BSCDO PM

Source Field

Total number of successes of personality switches to Rev 0

Source Section

APC

PersonalitySwitchSuccessesToRevA

The number of success times switching Personality form Rev.A/Rev.0 to Rev.A

Data Source

BSCDO PM

Source Field

Total number of successes of personality switches to Rev A

Source Section

APC

PreemptAdmissionFlag

The number of reservations closed to pre-empt for changing the state of the admission flag.

Data Source

aemsC Files

Source Field

aemsC602_PC59

Source Section

aemsC602

PreemptDSCDRCSwitch

The number of reservations closed to pre-empt for DSC/DRC switch.

Source Field

aemsC602_PC88

Data Source

aemsC Files

Source Section

aemsC602

PreemptForInactivity

The number of reservations closed to pre-empt for span outage

Data Source

aemsC Files

Source Field

aemsC602_PC61

Source Section

aemsC602

PreemptRedundantCardSwitch

The number of reservations closed to pre-empt due to switching to the redundant TBD card.

Data Source

aemsC Files

Source Field

aemsC602_PC60

Source Section

aemsC602

PresentConnections_AVG

Average of two 5-min raw data for the number of connections being managed by the APC

Source Field

Present connections

Source Section

APC Card

Data Source

BSCDO PM

PresentConnections_MAX

Max of two 5-min raw data for the number of connections being managed by the APC

Source Field

Present connections

Source Section

APC Card

Data Source

BSCDO PM

ReceivedRouteUpdateFrOthrAPC

Number of RouteUpdate message received from other APC during Inter BSC

Source Field

Received RouteUpdates from other APC

Source Section

APC Card

Data Source

BSCDO PM

RequestsForInterAPCHO

Number of inter-APC handoff requests

Data Source

BSCDO PM

Source Section

APC Card

Source Field

Requests for interAPC-H.O.

RequestsForIntraAPCHO

Number of intra-APC handoff requests

Data Source

BSCDO PM

Source Section

APC Card

Source Field

Requests for intraAPC-H.O.

RequestsForSofterHO

Number of requests for softer hand-off

Data Source

BSCDO PM

Source Section

APC Card

Source Field

Requests for softer-H.O.

RequestsForSoftHO

Number of requests for soft hand-off

Data Source

BSCDO PM

Source Section

APC Card

Source Field

Requests for soft-H.O.

ResourceQoSReleasedByATFailed

The number of times that the the release of QoS by the AT fails.

Data Source

aemsC Files

Source Field

aemsC602_PC71

Source Section

aemsC602

RetransmittedFwdBytes

Number of forward data bytes that were retransmitted by APC

Data Source

BSCDO PM

Source Section

APC Card

Source Field

Re-transmitted fwd bytes

RetransmittedRLPBytesRecv

Number of retransmitted RLP bytes received

Data Source

BSCDO PM

Source Field

Number of retransmitted RLP bytes received

Source Section

APC

RetransmittedRLPBytesSent

Number of retransmitted RLP bytes sent

Data Source

BSCDO PM

Source Field

Number of retransmitted RLP bytes sent

Source Section

APC

RevIPFlowAuthGrantedTCBkgd

Number of times the IPFlow Authorisation is granted for the Background traffic class in the Reverse direction.

Data Source

aemsC Files

Source Field

aemsC602_PC16

Source Section

aemsC602

RevIPFlowAuthGrantedTCCnv

Number of times the IPFlow Authorisation is granted for the Conversational traffic class in the Reverse direction.

Data Source

aemsC Files

Source Field

aemsC602_PC13

Source Section

aemsC602

RevIPFlowAuthGrantedTCIntr

Number of times the IPFlow Authorisation is granted for the Interactive traffic class in the Reverse direction.

Data Source

aemsC Files

Source Field

aemsC602_PC15

Source Section

aemsC602

RevIPFlowAuthGrantedTCStrm

Number of times the IPFlow Authorisation is granted for the Streaming traffic class in the Reverse direction.

Data Source

aemsC Files

Source Field

aemsC602_PC14

Source Section

aemsC602

RevIPFlowAuthTotalDenied

Total number of requests denied in the reverse direction.

Data Source

aemsC Files

Source Field

aemsC602_PC20

Source Section

aemsC602

RevIPFlowAuthTotalGranted

Total number of requests granted in the reverse direction.

Data Source

aemsC Files

Source Field

aemsC602_PC18

Source Section

aemsC602

RevRscTCBkgdRsvOpen

The number of times that a reservation was opened for the Background traffic class in the reverse direction. .

Data Source

aemsC Files

Source Field

aemsC602_PC79

Source Section

aemsC602

RevRscTCConvRsvOpen

The number of times that a reservation was opened for the Conversational traffic class in the reverse direction.

Data Source

aemsC Files

Source Field

aemsC602_PC76

Source Section

aemsC602

RevRscTCIntrRsvOpen

The number of times that a reservation was opened for the Interactive traffic class in the reverse direction. .

Data Source

aemsC Files

Source Field

aemsC602_PC78

Source Section

aemsC602

RevRscTCStrmRsvOpen

The number of times that a reservation was opened for the Streaming traffic class in the reverse direction.

Data Source

aemsC Files

Source Field

aemsC602_PC77

Source Section

aemsC602

RscPDSNUpDownRejected

The number of times that the updated QoS Sub Blob from the PDSN was rejected by the AN

Data Source

aemsC Files

Source Field

aemsC602_PC46

Source Section

aemsC602

RscQoS PDSN Upgrade Denied Handoff

The number of times that an upgrade request by the PDSN has been denied because the ProfileID is in handoff.

Data Source

aemsC Files

Source Field

aemsC602_PC68

Source Section

aemsC602

RscQoS PDSN Upgrade Denied ProfileID

The number of times that an upgrade request by the PDSN has been denied because the ProfileID is not supported by the AN.

Data Source

aemsC Files

Source Field

aemsC602_PC67

Source Section

aemsC602

RscQoS PDSN Upgrade Denied Profile ID Mis Mat

The number of times that an upgrade request by the PDSN has been denied because the RLP mapping failed.

Data Source

aemsC Files

Source Field

aemsC602_PC69

Source Section

aemsC602

RscQoS Released By AT

The number of times that the QoS has been released at the request of the AT

Data Source

aemsC Files

Source Field

aemsC602_PC42

Source Section

aemsC602

RscQoS Released By PDSN Down

The number of times that the QoS has been downgraded at the request of the PDSN.

Data Source

aemsC Files

Source Field

aemsC602_PC44

Source Section

aemsC602

RscQoSUpgradeByPDSN

The number of times that the QoS has been upgraded at the request of the PDSN.

Data Source

aemsC Files

Source Field

aemsC602_PC45

Source Section

aemsC602

RscRsvBlockedQoSStateMismatched

Number of reservation Open requests that were blocked due to QoS in denied or Null state

Source Field

aemsC602_PC95

Data Source

aemsC Files

Source Section

aemsC602

RscRsvBlockedQoSStateMismatched_Bundled

Number of reservation Open requests that were blocked due to QoS in denied or Null state in a bundled message

Source Field

aemsC602_PC96

Data Source

aemsC Files

Source Section

aemsC602

RscRsvFailureWithAN

Number of reservation open requests with message failure with AN

Source Field

aemsC602_PC97

Data Source

aemsC Files

Source Section

aemsC602

RscRsvFailureWithAN_Bundled

Number of reservation open requests with message failure with AN in a bundled message

Source Field

aemsC602_PC98

Data Source

aemsC Files

Source Section

aemsC602

RscRsvOpen_Bundled

Number of successful reservation Open requests in a bundled message

Source Field

aemsC602_PC92

Data Source

aemsC Files

Source Section

aemsC602

RscRsvOpenBlockedExceedMaxRsv

The number of times that the opening of a reservation was blocked because the number of reservation exceeded the maximum.

Data Source

aemsC Files

Source Field

aemsC602_PC47

Source Section

aemsC602

RscRsvOpenBlockedExceedMaxRsv_Bundled

Number of reservation Open requests that were blocked due to the maximum active reservations for the user being exceeded in a bundled message

Source Field

aemsC602_PC93

Data Source

aemsC Files

Source Section

aemsC602

RscRsvOpenBlockedNoSecMAPCMemory

The number of times that a reservation open was blocked due to insufficient memory in SecMAPC.

Data Source

aemsC Files

Source Field

aemsC602_PC80

Source Section

aemsC602

RscRsvOpenBlockedNoSecMAPCMemory_Bundled

Number of reservation Open requests that were blocked due to insufficient APC memory resource.in a bundled message

Source Field

aemsC602_PC94

Data Source

aemsC Files

Source Section

aemsC602

RvsAirBytesAPC

Throughput received in the physical layer per APC

Source Field

Rvs air bytes/APC

Source Section

APC Card

Data Source

BSCDO PM

RvsAirThroughputAPC_AVG

Average of two 5-min raw data for the throughput in kbit/s received in the physical layer per APC

Source Field

Rvs air throughput/APC

Source Section

APC Card

Data Source

BSCDO PM

RvsAirThroughputAPC_MAX

Max of two 5-min raw data for the throughput in kbit/s received in the physical layer per APC

Source Field

Rvs air throughput/APC

Source Section

APC Card

Data Source

BSCDO PM

RvsAirUsageMinAPC

APC card's reverse air usage in minutes is calculated by based on the number of bytes and data throughput in reverse direction of wireless section.

Source Field

(Rev Air Bytes/APC) / (Rev Air Throughput/APC)

Source Section

APC Node

Data Source

BSCDO PM

RvsGoodPacketsAfterSelectFrame

Number of received good packets after selecting and combining the frames in the reverse link

Data Source

BSCDO PM

Source Section

APC Card

Source Field

Rvs good packets after select frame

RvsMaxOpenReservationsBkgd

The maximum number of reservations associated with the RLP Flows in reverse direction for background traffic class

Data Source

aemsC Files

Source Field

aemsC601_PC38

Source Section

aemsC601

RvsMaxOpenReservationsConv

The maximum number of reservations associated with the RLP Flows in reverse direction for conversational traffic class

Data Source

aemsC Files

Source Field

aemsC601_PC2

Source Section

aemsC601

RvsMaxOpenReservationsIntr

The maximum number of reservations associated with the RLP Flows in reverse direction for interactive traffic class

Data Source

aemsC Files

Source Field

aemsC601_PC26

Source Section

aemsC601

RvsMaxOpenReservationsStrm

The maximum number of reservations associated with the RLP Flows in reverse direction for streaming traffic class

Data Source

aemsC Files

Source Field

aemsC601_PC14

Source Section

aemsC601

RvsNGPacketsAfterSelectFrame

Number of received non-good packets after selecting and combining the frames in the reverse link

Data Source

BSCDO PM

Source Section

APC Card

Source Field

Rvs NG packets after select frame

RvsStreamBytesAPC

Number of bytes received in the application layer per APC

Source Field

Rvs stream bytes/APC

Source Section

APC Card

Data Source

BSCDO PM

RvsStreamPacketsAPC

Number of packets received in the application layer per APC

Source Field

Rvs stream packets/APC

Source Section

APC Card

Data Source

BSCDO PM

RvsStreamThroughputAPC_AVG

Average of the 5-min raw data for the throughput in kbit/s received in the application layer per APC

Source Field

Rvs stream throughput/APC

Source Section

APC Card

Data Source

BSCDO PM

RvsStreamThroughputAPC_MAX

Max of the 5-min raw data for the throughput in kbit/s received in the application layer per APC

Source Field

Rvs stream throughput/APC

Source Section

APC Card

Data Source

BSCDO PM

SessionSetupCount

Number of sessions that were established successfully

Data Source

BSCDO PM

Source Section

APC Card

Source Field

Session set up count

SuspectFlag

Data suspect flag. Set to 1 if quality of data is suspected, otherwise 0

Data Source

BSCDO PM

Source Field

** is detected in data value

Source Section

TRA, CC, SVM, TC, APC Card

TCHDisconnectionsAllOthers

Market ID

Data Source

BSCDO PM

Source Section

APC Card

Source Field

TCH disconnections(all others)

TCHDisconnectionsForcedDisconnection

Number of TCH that were disconnected by infrastructure because of system error or capacity overload

Data Source

BSCDO PM

Source Section

APC Card

Source Field

TCH disconnections(forced disconnection)

TCHDisconnectionsNormalRelease

Number of TCH that were released due to normal release

Data Source

BSCDO PM

Source Section

APC Card

Source Field

TCH disconnections(normal release)

TotalAccRFConnections

Number of times this APC Card recieved Connection Request message

Data Source

aemsC Files

Source Field

aemsC602_PC5

Source Section

aemsC602

TotalFwdRLPflows

Total number of forward RLP flows

Data Source

BSCDO PM

Source Field

Total number of forward RLP flows

Source Section

APC

TotalFwdRLPFlowsServed

Total number of forward RLP flows served

Data Source

BSCDO PM

Source Field

Total number of forward RLP flows served

Source Section

APC

TotalInitRFConnections

Number of times this APC Card sent TCA message

Data Source

aemsC Files

Source Field

aemsC602_PC4

Source Section

aemsC602

TotalLastRFConnections

Number of times this APC Card was involved in Call Disconnection

Data Source

aemsC Files

Source Field

aemsC602_PC6

Source Section

aemsC602

TotalNumberOfFwdRlpFlowsBkgd

Total number of RLP flows in forward direction for background traffic class

Data Source

aemsC Files

Source Field

aemsC601_PC47

Source Section

aemsC601

TotalNumberOfFwdRlpFlowsConv

Total number of RLP flows in forward direction for conversational traffic class

Data Source

aemsC Files

Source Field

aemsC601_PC11

Source Section

aemsC601

TotalNumberOfFwdRlpFlowsIntr

Total number of RLP flows in forward direction for interactive traffic class

Data Source

aemsC Files

Source Field

aemsC601_PC35

Source Section

aemsC601

TotalNumberOfFwdRlpFlowsStrm

Total number of RLP flows in forward direction for streaming traffic class

Data Source

aemsC Files

Source Field

aemsC601_PC23

Source Section

aemsC601

TotalNumberOfRvsRlpFlowsBkgd

Total number of RLP flows in reverse direction for background traffic class

Data Source

aemsC Files

Source Field

aemsC601_PC48

Source Section

aemsC601

TotalNumberOfRvsRlpFlowsConv

Total number of RLP flows in reverse direction for conversational traffic class

Data Source

aemsC Files

Source Field

aemsC601_PC12

Source Section

aemsC601

TotalNumberOfRvsRlpFlowsIntr

Total number of RLP flows in reverse direction for interactive traffic class

Data Source

aemsC Files

Source Field

aemsC601_PC36

Source Section

aemsC601

TotalNumberOfRvsRlpFlowsStrm

Total number of RLP flows in reverse direction for streaming traffic class

Data Source

aemsC Files

Source Field

aemsC601_PC24

Source Section

aemsC601

TotalOriginationCalls

Number of times call originated from this APC Card

Data Source

aemsC Files

Source Field

aemsC602_PC7

Source Section

aemsC602

TotalRvsRLPflows

Total number of reverse RLP flows

Data Source

BSCDO PM

Source Field

Total number of reverse RLP flows

Source Section

APC

TotalRvsRLPFlowsServed

Total number of reverse RLP flows served

Data Source

BSCDO PM

Source Field

Total number of reverse RLP flows served

Source Section

APC

TotalTerminationCalls

Number of times call terminated at this APC Card

Data Source

aemsC Files

Source Field

aemsC602_PC8

Source Section

aemsC602

APC_MCC Primitive Calculations

The following is a list of primitive calculations for the APC_MCC entity.

FwdBHTotalPreemptedBW

The total backhaul bandwidth pre-empted by turning Reservation to Open in the forward direction.

Calculation

```
vsum( PreemptedBkhlBwdFwdConv, PreemptedBkhlBwdFwdStrm, PreemptedBkhlBwdFwdIntr)
```

FwdBHTotalPreemptedRsvCnt

The total number of Reservation pre-empted by lack of backhaul bandwidth in the forward direction.

Calculation

```
vsum( PreemptedRsvbyBcklBwdFwdConv, PreemptedRsvbyBcklBwdFwdStrm, PreemptedRsvbyBcklBwdFwdIntr)
```

GRAPHmultiLineSeparator

Special Control Field for Multi-Line Graphs

Calculation

""

NUMDAYS

of days in Report

Calculation

```
DAYSINREPORT()
```

NUMHOURS

of hours in Summation Data

RevBHTotalPreemptedBW

The total backhaul bandwidth pre-empted by turning Reservation to Open in the reverse direction.

Calculation

```
vsum ( PreemptedBkhlBwdRvsConv, PreemptedBkhlBwdRvsStrm, PreemptedBkhlBwdRvsIntr)
```

RevBHTotalPreemptedRsvCnt

The total number of Reservation pre-empted by lack of backhaul bandwidth in the reverse direction.

Calculation

vsum (PreemptedRsvbyBcklBwdRvsConv, PreemptedRsvbyBcklBwdRvsStrm, Preempt-
edRsvbyBcklBwdRvsIntr)

APC_MCC Peg Counts

The following is a list of peg counts for the APC_MCC entity.

AvgUsgofMainpoolBkhlBwdFwd

The average usage of the main-pool backhaul bandwidth in Forward Direction

Data Source

BSCDO PM

Source Field

Average usage of main-pool backhaul bandwidth Fwd

Source Section

MCC-APC

AvgUsgofMainpoolBkhlBwdRvs

The average usage of the main-pool backhaul bandwidth in Reverse Direction

Data Source

BSCDO PM

Source Field

Average usage of main-pool backhaul bandwidth Rvs

Source Section

MCC-APC

AvgUsgofSubpoolBkhlBwdFwd

The average usage of the sub-pool backhaul bandwidth in the forward direction.

Data Source

BSCDO PM

Source Field

Average usage of sub-pool backhaul bandwidth Fwd

Source Section

MCC-APC

AvgUsgofSubpoolBkhlBwdRvs

The average usage of the sub-pool backhaul bandwidth in the reverse direction.

Data Source

BSCDO PM

Source Field

Average usage of sub-pool backhaul bandwidth Rvs

Source Section

MCC-APC

BTSID

BTS ID

Source Field

BTSID

Data Source

BSCDO PM

Source Section

APC MCC

CollectionPeriod_PM

EVDO PM Collection period in minutes.

Data Source

BSCDO PM

Source Field

Collection Period (Min)

Source Section

APC MCC

MainPoolThreshExcdSecFwd

The total time when the main pool backhaul bandwidth exceeds the congestion control threshold in the forward direction.

Data Source

BSCDO PM

Source Field

Seconds of main-pool backhaul bandwidth congestion threshold exceed Fwd

Source Section

MCC-APC

MainPoolThreshExcdSecRvs

The total time when the main pool backhaul bandwidth exceeds the congestion control threshold in the reverse direction.

Data Source

BSCDO PM

Source Field

Seconds of main-pool backhaul bandwidth congestion threshold exceed Rvs

Source Section

MCC-APC

MCCDOID

MCC DO ID

Source Field

MCCDOID

Data Source

BSCDO PM

Source Section

APC MCC

NodeKind

Determines whether this is an IP-BSC-DO or BSC-DO entity

Data Source

BSCDO PM

Source Field

NodeKind

Source Section

APCMCC

PeakUsgofMainpoolBkhlBwdFwd

The peak usage of the main-pool backhaul bandwidth in the forward direction.

Data Source

BSCDO PM

Source Field

Peak usage of main-pool backhaul bandwidth Fwd

Source Section

MCC-APC

PeakUsgofMainpoolBkhlBwdRvs

The peak usage of the main-pool backhaul bandwidth in the reverse direction.

Data Source

BSCDO PM

Source Field

Peak usage of main-pool backhaul bandwidth Rvs

Source Section

MCC-APC

PeakUsgofSubpoolBkhlBwdFwd

This measurement determines the peak usage of the sub pool backhaul bandwidth during the collection period in the forward direction.

Data Source

BSCDO PM

Source Field

Peak usage of sub-pool backhaul bandwidth Fwd

Source Section

MCC-APC

PeakUsgofSubpoolBkhlBwdRvs

This measurement determines the peak usage of the sub pool backhaul bandwidth during the collection period in the reverse direction.

Data Source

BSCDO PM

Source Field

Peak usage of sub-pool backhaul bandwidth Rvs

Source Section

MCC-APC

PhysicalDeviceID

Physical identifier

Data Source

BSCDO PM

Source Field

PhysicalDeviceID

Source Section

APCMCC

PreemptedBkhlBwdFwdConv

The total backhaul bandwidth pre-empted by turning Reservation to Open for the Conversation traffic in the Forward Direction

Data Source

BSCDO PM

Source Field

Preempted backhaul bandwidth Fwd Conv

Source Section

MCC-APC

PreemptedBkhlBwdFwdIntr

The total backhaul bandwidth pre-empted by turning Reservation to Open for the Interactive traffic in the forward direction.

Data Source

BSCDO PM

Source Field

Preempted backhaul bandwidth Fwd Intr

Source Section

MCC-APC

PreemptedBkhlBwdFwdStrm

The total backhaul bandwidth pre-empted by turning Reservation to Open for the Streaming traffic in the Forward Direction.

Data Source

BSCDO PM

Source Field

Preempted backhaul bandwidth Fwd Strm

Source Section

MCC-APC

PreemptedBkhlBwdRvsConv

The total backhaul bandwidth pre-empted by turning Reservation to Open for the Conversational traffic in the Reverse direction.

Data Source

BSCDO PM

Source Field

Preempted backhaul bandwidth Rvs Conv

Source Section

MCC-APC

PreemptedBkhlBwdRvsIntr

The total backhaul bandwidth pre-empted by turning Reservation to Open for the Interactive traffic in the Reverse direction.

Data Source

BSCDO PM

Source Field

Preempted backhaul bandwidth Rvs Intr

Source Section

MCC-APC

PreemptedBkhlBwdRvsStrm

The total backhaul bandwidth pre-empted by turning Reservation to Open for the Streaming traffic in the reverse direction.

Data Source

BSCDO PM

Source Field

Preempted backhaul bandwidth Rvs Strm

Source Section

MCC-APC

PreemptedRsvbyBcklBwdFwdConv

The total number of reservations preempted by Backhaul bandwidth for the Conversational traffic in the forward direction.

Data Source

BSCDO PM

Source Field

Preempted Reservations by backhaul bandwidth Fwd Conv

Source Section

MCC-APC

PreemptedRsvbyBcklBwdFwdIntr

The total number of reservations preempted by Backhaul bandwidth for the Interactive traffic in the forward direction

Data Source

BSCDO PM

Source Field

Preempted Reservations by backhaul bandwidth Fwd Intr

Source Section

MCC-APC

PreemptedRsvbyBcklBwdFwdStrm

The total number of reservations preempted by Backhaul bandwidth for the Streaming traffic in the forward direction

Data Source

BSCDO PM

Source Field

Preempted Reservations by backhaul bandwidth Fwd Strm

Source Section

MCC-APC

PreemptedRsvbyBcklBwdRvsConv

The total number of reservations preempted by Backhaul bandwidth for the Conversational traffic in the reverse direction

Data Source

BSCDO PM

Source Field

Preempted Reservations by backhaul bandwidth Rvs Conv

Source Section

MCC-APC

PreemptedRsvbyBcklBwdRvsIntr

The total number of reservations preempted by Backhaul bandwidth for the Interactive traffic in the reverse direction

Data Source

BSCDO PM

Source Field

Preempted Reservations by backhaul bandwidth Rvs Intr

Source Section

MCC-APC

PreemptedRsvbyBcklBwdRvsStrm

The total number of reservations preempted by Backhaul bandwidth for the Streaming traffic in the reverse direction

Data Source

BSCDO PM

Source Field

Preempted Reservations by backhaul bandwidth Rvs Strm

Source Section

MCC-APC

RscLackofMainpoolBkhaulBwdFwd

The number of occurrences where there was a lack of resource and there was a need for pre-emption of main-pool backhaul bandwidth in the forward direction.

Data Source

BSCDO PM

Source Field

Resource lack of main-pool backhaul bandwidth Fwd

Source Section

MCC-APC

RscLackofMainpoolBkhaulBwdRvs

The number of occurrences where there was a lack of resource and there was a need for pre-emption of main-pool backhaul bandwidth in the forward direction.

Data Source

BSCDO PM

Source Field

Resource lack of main-pool backhaul bandwidth Rvs

Source Section

MCC-APC

RscLackofSubpoolBkhaulBwdFwd

The number of occurrences where there was a lack of resource and there was a need for pre-emption of sub-pool backhaul bandwidth in the forward direction

Data Source

BSCDO PM

Source Field

Resource lack of sub-pool backhaul bandwidth Fwd

Source Section

MCC-APC

RscLackofSubpoolBkhaulBwdRvs

The number of occurrences where there was a lack of resource and there was a need for pre-emption of sub-pool backhaul bandwidth in the reverse direction.

Data Source

BSCDO PM

Source Field

Resource lack of sub-pool backhaul bandwidth Rvs

Source Section

MCC-APC

SubPoolThreshExcdSecFwd

The total time when the sub pool backhaul bandwidth exceeds the congestion control threshold in the forward direction.

Data Source

BSCDO PM

Source Field

Seconds of sub-pool backhaul bandwidth congestion threshold exceed Fwd

Source Section

MCC-APC

SubPoolThreshExcdSecRvs

The total time when the sub pool backhaul bandwidth exceeds the congestion control threshold in the reverse direction.

Data Source

BSCDO PM

Source Field

Seconds of sub-pool backhaul bandwidth congestion threshold exceed Rvs

Source Section

MCC-APC

SuspectFlag

Data suspect flag. Set to 1 if quality of data is suspected, otherwise 0

Data Source

BSCDO PM

Source Field

** is detected in data value

Source Section

APC MCC

APC_Modem Primitive Calculations

The following is a list of primitive calculations for the APC_Modem entity.

CardKind

Type of the card; example values are: 0 and 1 for 690 and 6190

Calculation

APC.CardKind

CardKindName

Type of the card of parent APC, as textual name; example values are: 690 and 6910 for CardKind of 0 and 1

Calculation

decode (APC.CardKind, 0, "690", 1, "6190")

ConnectFailureCall%

Percentage of call connection failures

Calculation

```
100.0 * vsum(ConnectFailureCallsReasonAir, ConnectFailureCallsReasonBSC-  
DOorPDSN, ConnectFailureCallsReasonMODEMResource, 0) / vsum(ConnectComple-  
tedCalls, ConnectFailureCallsReasonAir,  
ConnectFailureCallsReasonBSCDOorPDSN, ConnectFailureCallsReasonMODEMRe-  
source)
```

DisconnectedCallsDueToRFLoss%

Percentage of calls disconnected due to RF Loss

Calculation

$100.0 * \text{DisconnectedCallsDueToRFLoss} / \text{ConnectCompletedCalls}$

FastConnectSuccess%

This peg is defined as the percentage of successful FastConnect attempts

Calculation

$(100.0 * \text{FastConnectSuccesses}) / (1.0 * (\text{FastConnectSuccesses} + \text{FastConnectFailures}))$

FwdLinkTotalFlowCntPreemptedRsvCnt

The total number of Reservation pre-empted by lack of forward link Reservation count.

Calculation

$\text{vsum}(\text{PreemptedRsvbyFwdLnkRsvCountConv}, \text{PreemptedRsvbyFwdLnkRsvCountStrm}, \text{PreemptedRsvbyFwdLnkRsvCountIntr}, \text{PreemptedRsvbyFwdLnkRsvCountBkgd})$

FwdLinkTotalPreemptedBW

The total forward link air bandwidth pre-empted by turning Reservation to Open

Calculation

$\text{vsum}(\text{PreemptedFwdLnkAirBwdConv}, \text{PreemptedFwdLnkAirBwdStrm}, \text{PreemptedFwdLnkAirBwdIntr})$

FwdLinkTotalPreemptedRsvCnt

The total number of Reservation pre-empted by lack of forward link air bandwidth.

Calculation

$\text{vsum}(\text{PreemptedRsvbyFwdLnkAirBwdConv}, \text{PreemptedRsvbyFwdLnkAirBwdStrm}, \text{PreemptedRsvbyFwdLnkAirBwdIntr})$

InterAPCHardHOFailure%

Percentage of inter-APC hard handoff failure

Calculation

$100.0 * \text{InterAPCHardHOFailure} / \text{vsum}(\text{InterAPCHardHOSuccess}, \text{InterAPCHardHOFailure})$

InterAPCHOFailure%

Percentage of inter-APC handoff failures

Calculation

100.0 * vsum(InterAPCHOAddFailure, InterAPCHODropFailure) / vsum(InterAPCHOAddSuccess, InterAPCHODropSuccess, InterAPCHOAddFailure, InterAPCHODropFailure)

InterBSCHardHOFailure%

Percentage of inter-BSC hard handoff failure

Calculation

100.0 * InterBSCHardHOFailure / vsum(InterBSCHardHOSuccess, InterBSCHardHOFailure)

InterBSCHOFailure%

Percentage of inter-BSC handoff failures

Calculation

100.0 * vsum(InterBSCHOAddFailure, InterBSCHODropFailure) / vsum(InterBSCHOAddSuccess, InterBSCHODropSuccess, InterBSCHOAddFailure, InterBSCHODropFailure)

IntraBSCHardHOFailures%

Percentage of intra-BSC hard handoff failures

Calculation

100.0 * IntraBSCHardHOFailures / vsum(IntraBSCHardHOSuccesses, IntraBSCHardHOFailures)

NUMDAYS

of days in Report

Calculation

DAYSINREPORT ()

NUMHOURS

of hours in Summation Data

Paging1stFailures

The number of failures of 1st paging

Calculation

vsum(Paging1stAttempts, -1 * Paging1stSuccesses)

Paging2ndFailures

The number of failures of 2nd paging

Calculation

`vsum(Paging2ndAttempts, -1 * Paging2ndSuccesses)`

Paging3rdFailures

The number of failures of 3rd paging

Calculation

`vsum(Paging3rdAttempts, -1 * Paging3rdSuccesses)`

PagingFailureMODEM%

Percentage of failure paging attempt per Modem

Calculation

`100.0 * PagingFailureMODEM / PagingAttemptMODEM`

RevRNRTotalPreemptedLvl

The total Reverse Noise Ratio level pre-empted by turning Reservation to Open

Calculation

`vsum (PreemptedRNRLvlConv, PreemptedRNRLvlStrm, PreemptedRNRLvlIntr)`

RevRNRTotalPreemptedRsvCnt

The total number of reservations pre-empted by the Reverse Noise Ratio level for the all types of traffic.

Calculation

`vsum(PreemptedRsvbyRNRLvlConv, PreemptedRsvbyRNRLvlStrm, PreemptedRsvbyRNRLvlIntr)`

RTDHHISuccessPercentage

Percentage of RTD HHI successes

Calculation

`(100.0 * RTDHHISuccesses) / (1.0 * RTDHHIAttempts)`

RTDHHOSuccessPercentageAllAttempts

Percentage of RTD HHO successes. This is calculated taking all attempts, including those that didn't result in a TCA , into account.

Calculation

$$(100.0 * \text{TotalRTDHHOSuccesses}) / (1.0 * \text{TotalRTDHHOTriggers})$$

RTDHHOSuccessPercentageTCAOnly

Percentage of RTD HHO successes. This is calculated taking only those attempts which resulted in a TCA into account.

Calculation

$$(100.0 * \text{TotalRTDHHOSuccesses}) / (1.0 * \text{TotalRTDHHOAttemptsTCA})$$

SofterHOFailure%

Percentage of softer handoffs that have failed

Calculation

$$100.0 * \text{vsum}(\text{SofterHOAddFailures}, \text{SofterHODropFailures}) / \text{vsum}(\text{SofterHOAddSuccesses}, \text{SofterHODropSuccesses}, \text{SofterHOAddFailures}, \text{SofterHODropFailures})$$

SofterHOSuccess

Total softer handoff successes

Calculation

$$\text{vsum}(\text{SofterHOAddSuccesses}, \text{SofterHODropSuccesses})$$

SoftHOFailure%

Percentage of soft handoffs that have failed

Calculation

$$100.0 * \text{vsum}(\text{SoftHOAddFailures}, \text{SoftHODropFailures}) / \text{vsum}(\text{SoftHOAddSuccesses}, \text{SoftHODropSuccesses}, \text{SoftHOAddFailures}, \text{SoftHODropFailures})$$

SoftHOSuccess

Total soft handoff successes

Calculation

$$\text{vsum}(\text{SoftHOAddSuccesses}, \text{SoftHODropSuccesses})$$

TotalHardHOFailure%

Percentage of total hard handoff failures

Calculation

`100.0 * vsum(IntraBSCHardHOFailures, InterBSCHardHOFailure, InterAPCHardHOFailure) / vsum(TotalHardHOSuccess, IntraBSCHardHOFailures, InterBSCHardHOFailure, InterAPCHardHOFailure)`

TotalHardHOSuccess

Total hard handoff successes

Calculation

`vsum(IntraBSCHardHOSuccesses, InterBSCHardHOSuccess, InterAPCHardHOSuccess)`

TotalRTDHHOAttemptsWithTCA

Total number of times RTD HHO was triggered, and resulted in TCA being sent to AT

Calculation

`vsum(TotalRTDHHOSuccesses, TotalRTDHHOFailuresRF)`

TotalRTDHHOFailuresNoResources

Total number of times RTD HHO failed due to lack of resources

Calculation

`TotalRTDHHOFailuresNoResources`

TotalRTDHHOFailuresRF

Total number of times RTD HHO failed, that is, DRC did not point to target sector within specified time

Calculation

`vsum(RTD1wayHHOFailures, RTD2wayHHOFailures, RTD3wayHHOFailures, RTD4wayHHOFailures)`

TotalRTDHHOSuccesses

Total number of RTD HHO successes

Calculation

`vsum(RTD1wayHHOSuccesses, RTD2wayHHOSuccesses, RTD3wayHHOSuccesses, RTD4wayHHOSuccesses)`

TotalRTDHHOTriggers

Total number of times RTD HHO was triggered, including those attempts which resulted in no TCA due to resource failures.

Calculation

vsum (RTD1wayHHOAttempts, RTD2wayHHOAttempts, RTD3wayHHOAttempts,
RTD4wayHHOAttempts)

APC_Modem Peg Counts

The following is a list of peg counts for the APC_Modem entity.

ATOriginatedTCHSetupAbortions

Number of normal TCH release that were abandoned by the user before the TCH was established

Data Source

BSCDO PM

Source Section

APC Modem

Source Field

AT originated TCH set up abortions

ATOriginatedTCHSetupDisconnections

Number of normal TCH release that were abandoned by the user after the TCH was established

Data Source

BSCDO PM

Source Section

APC Modem

Source Field

AT originated TCH set up disconnections

AvgFwdLinkAirBwd

The average usage of the forward link air bandwidth. This bandwidth is allocated bandwidth by the SecMAPC(logical APC which manages sector/MCC-DOs resources).

Data Source

BSCDO PM

Source Field

Average usage of Forward link air bandwidth

Source Section

Modem-APC

AvgRNRLvl

The average usage of the total Reverse Noise Ratio level

Data Source

BSCDO PM

Source Field

Average usage of RNR level

Source Section

Modem-APC

BandClass

The band class of the sector carrier controlled by the APC Modem

Data Source

BSCDO PM

Source Field

BandClass

Source Section

Modem-APC

BlockingRateMODEM_AVG

Average of 5-min raw data for the rate of blocking handoff (%).

Source Field

Blocking rate

Source Section

APC Modem

Data Source

BSCDO PM

BlockingRateMODEM_MAX

Average of 5-min raw data for the rate of blocking handoff (%).

Source Field

Blocking rate

Source Section

APC Modem

Data Source

BSCDO PM

BlockingTimeMODEM

The Handoff Blocking time in seconds

Source Field

Blocking time

Source Section

APC Modem

Data Source

BSCDO PM

ChannelNumber

The channel number of the sector carrier controlled by this APC Modem

Data Source

BSCDO PM

Source Field

ChannelNumber

Source Section

Modem-APC

CollectionPeriod_PM

EVDO PM Collection period in minutes.

Data Source

BSCDO PM

Source Field

Collection Period (Min)

Source Section

APC Modem

ConnectCompletedCalls

Number of calls that have successfully completed call connection processing

Data Source

BSCDO PM

Source Field

Connect completed calls (Accumulation)

Source Section

APC Modem

ConnectFailureCallsReasonAir

Number of calls that have been unsuccessfully connected because of a problem related to the wireless span

Source Field

Connect failure calls [reason: air](Accumulation)

Source Section

APC Modem

Data Source

BSCDO PM

ConnectFailureCallsReasonBSCDOorPDSN

Number of calls that have failed to be connected because of the BSCDO/PDSN

Source Field

Connect failure calls [reason: BSC-DO/PDSN](Accumulation)

Source Section

APC Modem

Data Source

BSCDO PM

ConnectFailureCallsReasonMODEMResource

Number of calls that have failed to be connected because of insufficient ANTS resources (the number of Walsh codes)

Source Field

Connect failure calls [reason: MODEM resource](Accumulation)

Source Section

APC Modem

Data Source

BSCDO PM

ConnectionRequestAccessDenials

ConnectionRequest Access Denials

Source Field

ConnectionRequest access denials

Data Source

BSCDO PM

Source Section

APC Modem

ConnectionsMODEM_AVG

Average of two 5-min raw data for the number of connections managed by the modem

Source Field

Connections/MODEM

Source Section

APC Modem

Data Source

BSCDO PM

ConnectionsMODEM_MAX

Max of two 5-min raw data for the number of connections managed by the modem

Source Field

Connections/MODEM

Source Section

APC Modem

Data Source

BSCDO PM

DisconnectedCallsDueToRFLoss

Number of calls that have performed call disconnection processing because of non-synchronization of the reverse span

Source Field

Disconnected calls due to RF Loss

Source Section

APC Modem

Data Source

BSCDO PM

FastConnectFailures

This measurement is defined as number times RAN failed to perform the Fast Connect Operation.

Data Source

BSCDO PM

Source Field

FastConnectFailures

Source Section

APC Modem

FastConnectSuccesses

This measurement is defined as number times RAN is able successfully perform the Fast Connect Operation.

Data Source

BSCDO PM

Source Field

FastConnectSuccesses

Source Section

APC Modem

FiveWaySoftHOSStateDuration

This peg counts the number of seconds a MACIndex is in use for five way soft handoff soft handoff state at the sector-carrier level during PM data collection interval.

Data Source

BSCDO PM

Source Field

5-leg state

Source Section

APC Modem

FourWaySoftHOStateDuration

This peg counts the number of seconds a MACIndex is in use for four way soft handoff state at the sector-carrier level during PM data collection interval.

Data Source

BSCDO PM

Source Field

4-leg state

Source Section

APC Modem

FwdLnkAirThreshExcdSec

The total time when there is the congestion control threshold \leq Forward link air bandwidth

Data Source

BSCDO PM

Source Field

Seconds of Forward link air bandwidth congestion threshold exceed

Source Section

Modem-APC

InterAPCHardHOFailure

Inter-APC hard handoff failures

Source Field

InterAPC-hard-H.O. failures

Source Section

APC Modem

Data Source

BSCDO PM

InterAPCHardHOSuccess

Inter-APC hard handoff successes

Source Field

InterAPC-hard-H.O. successes

Source Section

APC Modem

Data Source

BSCDO PM

InterAPCHOAddFailure

The number of failure operation (Add) for inter APC-HO

Source Field

Inter APC -H.O. (Add) failures

Source Section

APC Modem

Data Source

BSCDO PM

InterAPCHOAddSuccess

The number of success operation (Add) for inter APC-HO

Source Field

Inter APC -H.O. (Add) successes

Source Section

APC Modem

Data Source

BSCDO PM

InterAPCHODropFailure

The number of failure operation (Drop) for inter APC-HO

Source Field

Inter APC -H.O. (Drop) failures

Source Section

APC Modem

Data Source

BSCDO PM

InterAPCHODropSuccess

The number of success operation (Drop) for inter APC-HO

Source Field

Inter APC -H.O. (Drop) successes

Source Section

APC Modem

Data Source

BSCDO PM

InterBSCHardHOFailure

Number of failure for inter BSC-hard Handoff

Source Field

Inter BSC-hard-H.O. failures

Source Section

APC Modem

Data Source

BSCDO PM

InterBSCHardHOSuccess

Number of success for inter BSC-hard Handoff

Source Field

Inter BSC-hard-H.O. successes

Source Section

APC Modem

Data Source

BSCDO PM

InterBSCHODropFailure

Number of failure (Drop operation) for inter BSC Handoff

Source Field

Inter BSC-H.O. (Drop) failures

Source Section

APC Modem

Data Source

BSCDO PM

InterBSCHODropSuccess

Number of success (Drop operation) for inter BSC Handoff

Source Field

Inter BSC-H.O. (Drop) successes

Source Section

APC Modem

Data Source

BSCDO PM

InterBSCHODropFailure

Number of failure (Drop operation) for inter BSC Handoff

Source Field

Inter BSC-H.O. (Drop) failures

Source Section

APC Modem

Data Source

BSCDO PM

InterBSCHODropSuccess

Number of success (Drop operation) for inter BSC Handoff

Source Field

Inter BSC-H.O. (Drop) successes

Source Section

APC Modem

Data Source

BSCDO PM

InterBSCHOREquest

Number of request for inter BSC Handoff

Source Field

Inter BSC-H.O. requests

Source Section

APC Modem

Data Source

BSCDO PM

IntraAPCHODropFailure

The number of failure operation (Add) for intra APC-HO

Source Field

Intra APC -H.O. (Add) failures

Source Section

APC Modem

Data Source

BSCDO PM

IntraAPCHOAddSuccess

The number of success operation (Add) for intra APC-HO

Source Field

Intra APC -H.O. (Add) successes

Source Section

APC Modem

Data Source

BSCDO PM

IntraAPCHODropFailure

The number of failure operation (Drop) for intra APC-HO

Source Field

Intra APC -H.O. (Drop) failures

Source Section

APC Modem

Data Source

BSCDO PM

IntraAPCHODropSuccess

The number of success operation (Drop) for intra APC-HO

Source Field

Intra APC -H.O. (Drop) successes

Source Section

APC Modem

Data Source

BSCDO PM

IntraBSCHardHOFailures

Number of calls that have unsuccessfully switched between frequencies, etc. in hard handoffs

Source Field

IntraBSC-hard-H.O. failures

Source Section

APC Modem

Data Source

BSCDO PM

IntraBSCHardHOSuccesses

Number of calls that have successfully switched between frequencies, etc. in hard handoffs

Source Field

IntraBSC-hard-H.O. successes

Source Section

APC Modem

Data Source

BSCDO PM

MCCDOID

MCCDO ID for this APC_Modem

Source Field

MCCDOID

Source Section

APC Modem

Data Source

BSCDO PM

MCCModemFDN

FDN of the corresponding MCCDO Modem

Data Source

BSCDO PM

Source Section

APC Modem

NodeKind

Determines whether this is an IP-BSC-DO or BSC-DO entity

Data Source

BSCDO PM

Source Field

NodeKind

Source Section

APC Modem

NormallyTerminateCalls

Number of calls that have successfully completed call disconnection processing

Data Source

BSCDO PM

Source Field

Normally terminate calls (Accumulation)

Source Section

APC Modem

NumberOfHighCapacityFlow

The number of flows belonging to High capacity mode

Data Source

BSCDO PM

Source Field

Number of High capacity flow

Source Section

APC Modem

NumberOfLowLatencyFlow

The number of flows belonging to Low latency mode

Data Source

BSCDO PM

Source Field

Number of Low latency flow

Source Section

APC Modem

OneWaySoftHOStateDuration

This peg counts the number of seconds a MACIndex is in use for one way soft handoff state at the sector-carrier level during PM data collection interval.

Data Source

BSCDO PM

Source Field

1-leg state

Source Section

APC Modem

Paging1stAttempts

The number of attempts of 1st paging

Data Source

BSCDO PM

Source Field

1st paging attempt

Source Section

APC Modem

Paging1stSuccesses

The number of successes of 1st paging

Data Source

BSCDO PM

Source Field

Paging successes of 1st paging

Source Section

APC Modem

Paging2ndAttempts

The number of attempts of 2nd paging

Data Source

BSCDO PM

Source Field

2nd paging attempt

Source Section

APC Modem

Paging2ndSuccesses

The number of successes of 2nd paging

Data Source

BSCDO PM

Source Field

Paging successes of 2nd paging

Source Section

APC Modem

Paging3rdAttempts

The number of attempts of 3rd paging

Data Source

BSCDO PM

Source Field

3rd paging attempt

Source Section

APC Modem

Paging3rdSuccesses

The number of successes of 3rd paging

Data Source

BSCDO PM

Source Field

Paging successes of 3rd paging

Source Section

APC Modem

PagingAttemptMODEM

Number of success paging attempt per Modem

Source Field

Paging attempts/MODEM

Source Section

APC Modem

Data Source

BSCDO PM

PagingFailureMODEM

Number of failure paging attempt per Modem

Source Field

Paging failures/MODEM

Source Section

APC Modem

Data Source

BSCDO PM

PeakFwdLinkAirBwd

The peak usage of the forward link air bandwidth. This bandwidth is allocated bandwidth by the SecMAPC.(logical APC which manages sector/MCC-DOs resources)

Data Source

BSCDO PM

Source Field

Peak usage of Forward link air bandwidth

Source Section

Modem-APC

PeakFwdLnkRsvCountBkgd

The peak usage of the forward link Reservation count for the Background traffic class.

Data Source

BSCDO PM

Source Field

Peak usage of Forward link Reservation count Bkgd

Source Section

Modem-APC

PeakFwdLnkRsvCountConv

The peak usage of the forward link Reservation count for the Conversational traffic Class

Data Source

BSCDO PM

Source Field

Peak usage of Forward link Reservation count Conv

Source Section

Modem-APC

PeakFwdLnkRsvCountIntr

The peak usage of the forward link Reservation count for the Interactive traffic Class

Data Source

BSCDO PM

Source Field

Peak usage of Forward link Reservation count Intr

Source Section

Modem-APC

PeakFwdLnkRsvCountStrm

The peak usage of the forward link Reservation count for Streaming traffic Class

Data Source

BSCDO PM

Source Field

Peak usage of Forward link Reservation count Strm

Source Section

Modem-APC

PeakRNRLvl

The peak usage of the total Reverse Noise Ratio level

Data Source

BSCDO PM

Source Field

Peak usage of RNR level

Source Section

Modem-APC

PhysicalDeviceID

Physical identifier

Data Source

BSCDO PM

Source Field

PhysicalDeviceID

Source Section

APC Modem

PreemptedFwdLnkAirBwdConv

The total forward link air bandwidth pre-empted by turning Reservation to Open for the Conversational traffic

Data Source

BSCDO PM

Source Field

Preempted Forward link air bandwidth Conv

Source Section

Modem-APC

PreemptedFwdLnkAirBwdIntr

The total forward link air bandwidth pre-empted by turning Reservation to Open for the Interactive traffic

Data Source

BSCDO PM

Source Field

Preempted Forward link air bandwidth Intr

Source Section

Modem-APC

PreemptedFwdLnkAirBwdStrm

The total forward link air bandwidth pre-empted by turning Reservation to Open for the Streaming traffic.

Data Source

BSCDO PM

Source Field

Preempted Forward link air bandwidth Strm

Source Section

Modem-APC

PreemptedRNRLvlConv

The total RNR level pre-empted by turning Reservation to Open for the Conversational traffic.

Data Source

BSCDO PM

Source Field

Preempted RNR Level Conv

Source Section

Modem-APC

PreemptedRNRLvlIntr

The total RNR level pre-empted by turning Reservation to Open for the Interactive traffic.

Data Source

BSCDO PM

Source Field

Preempted RNR Level Intr

Source Section

Modem-APC

PreemptedRNRLvlStrm

The total RNR level pre-empted by turning Reservation to Open for the Streaming traffic.

Data Source

BSCDO PM

Source Field

Preempted RNR Level Strm

Source Section

Modem-APC

PreemptedRsvbyFwdLnkAirBwdConv

The total number of reservations preempted by Forward link air bandwidth for the Conversational traffic

Data Source

BSCDO PM

Source Field

Preempted Reservations by Forward link air bandwidth Conv

Source Section

Modem-APC

PreemptedRsvbyFwdLnkAirBwdIntr

The total number of reservations preempted by Forward link air bandwidth for the Interactive traffic

Data Source

BSCDO PM

Source Field

Preempted Reservations by Forward link air bandwidth Intr

Source Section

Modem-APC

PreemptedRsvbyFwdLnkAirBwdStrm

The total number of reservations preempted by Forward link air bandwidth for the Streaming traffic

Data Source

BSCDO PM

Source Field

Preempted Reservations by Forward link air bandwidth Strm

Source Section

Modem-APC

PreemptedRsvbyFwdLnkRsvCountBkgd

The total number of reservations preempted by Forward link Reservation count for the Background traffic

Data Source

BSCDO PM

Source Field

Preempted Reservations by Forward link Reservation count Bkgd

Source Section

Modem-APC

PreemptedRsvbyFwdLnkRsvCountConv

The total number of reservations preempted by Forward link Reservation count for the Conversational traffic

Data Source

BSCDO PM

Source Field

Preempted Reservations by Forward link Reservation count Conv

Source Section

Modem-APC

PreemptedRsvbyFwdLnkRsvCountIntr

The total number of reservations preempted by Forward link Reservation count for the Interactive traffic

Data Source

BSCDO PM

Source Field

Preempted Reservations by Forward link Reservation count Intr

Source Section

Modem-APC

PreemptedRsvbyFwdLnkRsvCountStrm

The total number of reservations preempted by Forward link Reservation count for the Streaming traffic

Data Source

BSCDO PM

Source Field

Preempted Reservations by Forward link Reservation count Strm

Source Section

Modem-APC

PreemptedRsvbyRNRLvlConv

The total number of Reservations pre-empted by the Reverse Noise Ratio level for the Conversational traffic.

Data Source

BSCDO PM

Source Field

Preempted Reservations by RNR level Conv

Source Section

Modem-APC

PreemptedRsvbyRNRLvlIntr

The total number of Reservations pre-empted by the Reverse Noise Ratio level for the Interactive traffic.

Data Source

BSCDO PM

Source Field

Preempted Reservations by RNR level Intr

Source Section

Modem-APC

PreemptedRsvbyRNRLvlStrm

The total number of Reservations pre-empted by the Reverse Noise Ratio level for the Streaming traffic.

Data Source

BSCDO PM

Source Field

Preempted Reservations by RNR level Strm

Source Section

Modem-APC

ReceivedRouteUpdate

Number of RouteUpdate messages received

Source Field

Received RouteUpdates

Source Section

APC Modem

Data Source

BSCDO PM

Redirect

Number of times hard handoff (HHO) succeeded (i.e., DRC pointed to target sector within a certain time after sending TrafficChannelAssignment) in 4way HHO triggered by Round Trip Delay (RTD) based edge sensing

Data Source

BSCDO PM

Source Field

Redirect

Source Section

APC Modem

RequestForInterAPCHO

The number of requests for inter APCHO

Source Field

Requests for inter APC-H.O.

Source Section

APC Modem

Data Source

BSCDO PM

RequestForIntraAPCHO

The number of requests for intra APCHO

Source Field

Requests for intra APC-H.O.

Source Section

APC Modem

Data Source

BSCDO PM

RequestsForSofterHO

Number of softer handoff requests

Source Field

Requests for softer-H.O.

Source Section

APC Modem

Data Source

BSCDO PM

RequestsForSoftHO

Number of soft handoff requests

Source Field

Requests for soft-H.O.

Source Section

APC Modem

Data Source

BSCDO PM

ResourceBusyDueToLicenselimit

The number of RF resource allocation failure due to license limitation. When a call setup is rejected due to channel license limit, APC_CFC-20 (RF resource busy) will be recorded.

Data Source

BSCDO PM

Source Field

ResourceBusy due to License limit

Source Section

Modem-APC

RetransmittedFwdBytesMODEM

Volume of data that is resent

Source Field

Re-transmitted fwd bytes/MODEM

Source Section

APC Modem

Data Source

BSCDO PM

RNRPrmLvlSec

The total time when there is a lack of Reverse Noise Ratio Primary level

Data Source

BSCDO PM

Source Field

Seconds of Lack of RNR Level Primary

Source Section

Modem-APC

RscLackoffwdlnkBwdConv

The number of occurrence where there was a lack of resource and there was a need for pre-emption of forward link air bandwidth for the Conversational traffic

Data Source

BSCDO PM

Source Field

Resource lack of Forward Link bandwidth Conv

Source Section

Modem-APC

RscLackofFwdlnkBwdIntr

The number of occurrence where there was a lack of resource and there was a need for pre-emption of forward link air bandwidth for the Interactive traffic.

Data Source

BSCDO PM

Source Field

Resource lack of Forward Link bandwidth Intr

Source Section

Modem-APC

RscLackofFwdlnkBwdStrm

The number of occurrence where there was a lack of resource and there was a need for pre-emption of forward link air bandwidth for the Streaming traffic.

Data Source

BSCDO PM

Source Field

Resource lack of Forward Link bandwidth Strm

Source Section

Modem-APC

RscLackofFwdlnkRsvCountBkgd

The number of occurrence where there was a lack of resource and there was a need for pre-emption of forward link reservations for the background traffic.

Data Source

BSCDO PM

Source Field

Resource lack of Forward Link Reservation Count Bkgd

Source Section

Modem-APC

RscLackofFwdlnkRsvCountConv

The number of occurrence where there was a lack of resource and there was a need for pre-emption of forward link reservations for the Conversational traffic

Data Source

BSCDO PM

Source Field

Resource lack of Forward Link Reservation Count Conv

Source Section

Modem-APC

RscLackofFwdlnkRsvCountIntr

The number of occurrence where there was a lack of resource and there was a need for pre-emption of forward link reservations for the Interactive traffic.

Data Source

BSCDO PM

Source Field

Resource lack of Forward Link Reservation Count Intr

Source Section

Modem-APC

RscLackofFwdlnkRsvCountStrm

The number of occurrence where there was a lack of resource and there was a need for pre-emption of forward link reservations for the Streaming traffic

Data Source

BSCDO PM

Source Field

Resource lack of Forward Link Reservation Count Strm

Source Section

Modem-APC

RscLackofRNRLvlPrmConv

The number of acquisition failures caused when estimated RNR level exceeds Congestion Threshold but within the Maximum Threshold for the Conversational traffic class.

Data Source

BSCDO PM

Source Field

Resource lack of RNR Level Primary Conv

Source Section

Modem-APC

RscLackofRNRLvlPrmIntr

The number of acquisition failures caused when estimated RNR level exceeds Congestion

Data Source

BSCDO PM

Source Field

Resource lack of RNR Level Primary Intr

Source Section

Modem-APC

RscLackofRNRLvlPrmStrm

The number of acquisition failures caused when estimated RNR level exceeds Congestion Threshold but within the Maximum Threshold for the Streaming traffic class.

Data Source

BSCDO PM

Source Field

Resource lack of RNR Level Primary Strm

Source Section

Modem-APC

RTD1wayHHOAttempts

Number of times when 1way hard handoff (HHO) was triggered by Round Trip Delay (RTD) based edge sensing

Data Source

BSCDO PM

Source Field

1wayRTDHHOAttempts

Source Section

APC Modem

RTD1WayHHOFailNoResources

Number of times RF resources are not available for any of the legs in the target network in 1 way hard handoff triggered by Round Trip Delay (RTD) based edge sensing

Data Source

BSCDO PM

Source Field

1wayRTDHHOFail-No-Resources

Source Section

APC Modem

RTD1wayHHOFailures

Number of times hard handoff (HHO) failed (i.e., DRC didn't point to target sector within a certain time after sending TrafficChannelAssignment) in 1way HHO triggered by Round Trip Delay (RTD) based edge sensing

Data Source

BSCDO PM

Source Field

1wayRTDHHOFail

Source Section

APC Modem

RTD1wayHHOSuccesses

Number of times hard handoff (HHO) succeeded (i.e., DRC pointed to target sector within a certain time after sending TrafficChannelAssignment) in 1way HHO triggered by Round Trip Delay (RTD) based edge sensing

Data Source

BSCDO PM

Source Field

1wayRTDHHOSucceed

Source Section

APC Modem

RTD2wayHHOAttempts

Number of times when 2way hard handoff (HHO) was triggered by Round Trip Delay (RTD) based edge sensing

Data Source

BSCDO PM

Source Field

2wayRTDHHOAttempts

Source Section

APC Modem

RTD2WayHHOFailNoResources

Number of times RF resources are not available for any of the legs in the target network in 2way hard handoff triggered by Round Trip Delay (RTD) based edge sensing

Data Source

BSCDO PM

Source Field

2wayRTDHHOFail-No-Resources

Source Section

APC Modem

RTD2wayHHOFailures

Number of times hard handoff (HHO) failed (i.e., DRC didn't point to target sector within a certain time after sending TrafficChannelAssignment) in 2way HHO triggered by Round Trip Delay (RTD) based edge sensing

Data Source

BSCDO PM

Source Field

2wayRTDHHOFail

Source Section

APC Modem

RTD2wayHHOSuccesses

Number of times hard handoff (HHO) succeeded (i.e., DRC pointed to target sector within a certain time after sending TrafficChannelAssignment) in 2way HHO triggered by Round Trip Delay (RTD) based edge sensing

Data Source

BSCDO PM

Source Field

2wayRTDHHOSucceed

Source Section

APC Modem

RTD3wayHHOAttempts

Number of times when 3way hard handoff (HHO) was triggered by Round Trip Delay (RTD) based edge sensing

Data Source

BSCDO PM

Source Field

3wayRTDHHOAttempts

Source Section

APC Modem

RTD3WayHHOFailNoResources

Number of times RF resources are not available for any of the legs in the target network in 3way hard handoff triggered by Round Trip Delay (RTD) based edge sensing

Data Source

BSCDO PM

Source Field

3wayRTDHHOFail-No-Resources

Source Section

APC Modem

RTD3wayHHOFailures

Number of times hard handoff (HHO) failed (i.e., DRC didn't point to target sector within a certain time after sending TrafficChannelAssignment) in 3way HHO triggered by Round Trip Delay (RTD) based edge sensing

Data Source

BSCDO PM

Source Field

3wayRTDHHOFail

Source Section

APC Modem

RTD3wayHHOSuccesses

Number of times hard handoff (HHO) succeeded (i.e., DRC pointed to target sector within a certain time after sending TrafficChannelAssignment) in 3way HHO triggered by Round Trip Delay (RTD) based edge sensing

Data Source

BSCDO PM

Source Field

3wayRTDHHOSucceed

Source Section

APC Modem

RTD4wayHHOAttempts

Number of times when 4way hard handoff (HHO) was triggered by Round Trip Delay (RTD) based edge sensing

Data Source

BSCDO PM

Source Field

4wayRTDHHOAttempts

Source Section

APC Modem

RTD4WayHHOFailNoResources

Number of times RF resources are not available for any of the legs in the target network in 4way hard handoff triggered by Round Trip Delay (RTD) based edge sensing

Data Source

BSCDO PM

Source Field

4wayRTDHHOFail-No-Resources

Source Section

APC Modem

RTD4wayHHOFailures

Number of times hard handoff (HHO) failed (i.e., DRC didn't point to target sector within a certain time after sending TrafficChannelAssignment) in 4way HHO triggered by Round Trip Delay (RTD) based edge sensing

Data Source

BSCDO PM

Source Field

4wayRTDHHOFail

Source Section

APC Modem

RTD4wayHHOSuccesses

Number of times hard handoff (HHO) succeeded (i.e., DRC pointed to target sector within a certain time after sending trafficChannelAssignment) in 4way HHO triggered by Round Trip Delay (RTD) based edge sensing

Data Source

BSCDO PM

Source Field

4wayRTDHHOSucceed

Source Section

APC Modem

RTDHHIAttempts

Number of times RF resource request was received by the target sector-carrier in a hard handoff (HHO) triggered by Round Trip Delay (RTD)

Data Source

BSCDO PM

Source Field

RTDHHIAttempts

Source Section

APC Modem

RTDHHIFailNoResources

Number of times target sector could not allocate resources for a hard handin (HHI) request due to lack of resources

Data Source

BSCDO PM

Source Field

RTDHHIFail-No-Resources

Source Section

APC Modem

RTDHHIFailNoReverseLink

Number of times when a reverse link pilot could not be acquired within a certain time after a resource allocation in hard handin (HHI) triggered by Round Trip Delay (RTD) based edge sensing

Data Source

BSCDO PM

Source Field

RTDHHIFail-No-Reverse-Link

Source Section

APC Modem

RTDHHISuccesses

Number of times when a reverse link pilot could be acquired within a certain time after resource allocation in hard handin (HHI) triggered by Round Trip Delay (RTD) based edge sensing

Data Source

BSCDO PM

Source Field

RTDHHISucceed

Source Section

APC Modem

SectorCarriedErlangs_Int

Sector carried erlangs

Data Source

BSCDO PM

Source Field

TrafficChannelUsageTimeMODEM / 600.0

Source Section

TrafficChannelUsageTimeMODEM / 600.0

SectorNumber

The sector number of the sector carrier controlled by this APC Modem

Data Source

BSCDO PM

Source Field

SectorNumber

Source Section

Modem-APC

SessionSetupCount

Number of sessions that were established successfully

Data Source

BSCDO PM

Source Section

APC Modem

Source Field

Session set up count

SixWaySoftHOStateDuration

This peg counts the number of seconds a MACIndex is in use for six way soft handoff state at the sector-carrier level during PM data collection interval.

Data Source

BSCDO PM

Source Field

6-leg state

Source Section

APC Modem

SlotCycle1Count

The number of signaling messages sent by SlotCycle1

Data Source

BSCDO PM

Source Field

SlotCycle1Count

Source Section

Modem-APC

SlotCycle2Count

The number of signaling messages sent by SlotCycle2

Data Source

BSCDO PM

Source Field

SlotCycle2Count

Source Section

Modem-APC

SlotCycle3Count

The number of signaling messages sent by SlotCycle3

Data Source

BSCDO PM

Source Field

SlotCycle3Count

Source Section

Modem-APC

SofterHOAddFailures

Number of calls that have unsuccessfully added other sectors in softer handoffs

Source Field

Softer-H.O. (Add) failures

Source Section

APC Modem

Data Source

BSCDO PM

SofterHOAddSuccesses

Number of calls that have successfully added other sectors in softer handoffs

Source Field

Softer-H.O. (Add) successes

Source Section

APC Modem

Data Source

BSCDO PM

SofterHODropFailures

Number of calls that have unsuccessfully deleted other sectors in softer handoffs

Source Field

Softer-H.O. (Drop) failures

Source Section

APC Modem

Data Source

BSCDO PM

SofterHODropSuccesses

Number of calls that have successfully deleted other sectors in softer handoffs

Source Field

Softer-H.O. (Drop) successes

Source Section

APC Modem

Data Source

BSCDO PM

SoftHOAddFailures

Number of calls that have unsuccessfully added other MCC -Dos in soft handoffs

Source Field

Soft-H.O. (Add) failures

Source Section

APC Modem

Data Source

BSCDO PM

SoftHOAddSuccesses

Number of calls that have successfully added other MCC-DOs in soft handoffs

Source Field

Soft-H.O. (Add) successes

Source Section

APC Modem

Data Source

BSCDO PM

SoftHODropFailures

Number of calls that have unsuccessfully deleted other MCC-DOs in soft handoffs

Source Field

Soft-H.O. (Drop) failures

Source Section

APC Modem

Data Source

BSCDO PM

SoftHODropSuccesses

Number of calls that have successfully deleted other MCC-DOs in soft handoffs

Source Field

Soft-H.O. (Drop) successes

Source Section

APC Modem

Data Source

BSCDO PM

SuspectFlag

Data suspect flag. Set to 1 if quality of data is suspected, otherwise 0

Data Source

BSCDO PM

Source Field

** is detected in data value

Source Section

APC Modem

TCHDisconnectionsAllOthers

Number of TCH that were disconnected due to other reasons.

Data Source

BSCDO PM

Source Section

APC Modem

Source Field

TCH disconnections(all others)

TCHDisconnectionsForcedDisconnection

Number of TCH that were disconnected by infrastructure because of system error or capacity overload

Data Source

BSCDO PM

Source Section

APC Modem

Source Field

TCH disconnections(forced disconnection)

TCHDisconnectionsNormalRelease

Number of TCH that were released due to normal release

Data Source

BSCDO PM

Source Section

APC Modem

Source Field

TCH disconnections(normal release)

ThreeWaySoftHOStateDuration

This peg counts the number of seconds a MACIndex is in use for three way soft handoff state at the sector-carrier level during PM data collection interval.

Data Source

BSCDO PM

Source Field

3-leg state

Source Section

APC Modem

TotalAccRFConnections

Number of times the particular APCModem recieved Connection Request

Data Source

aemsC Files

Source Field

aemsC604_PC2

Source Section

aemsC604

TotalInitRFConnections

Number of times the particular APCModem sent the TCA message

Data Source

aemsC Files

Source Field

aemsC604_PC1

Source Section

aemsC604

TotalLastRFConnections

Number of times the particular APCModem is the lastModem during call Disconnection

Data Source

aemsC Files

Source Field

aemsC604_PC3

Source Section

aemsC604

TrafficChannelUsageTimeMODEM

Traffic channel usage time in seconds

Source Field

Traffic channel usage time

Source Section

APC Modem

Data Source

BSCDO PM

TwoWaySoftHOStateDuration

This peg counts the number of seconds a MACIndex is in use for two way soft handoff state at the sector-carrier level during PM data collection interval.

Data Source

BSCDO PM

Source Field

2-leg state

Source Section

APC Modem

UATIRequestAccessDenials

UATIRequest Access Denials

Source Field

UATIRequest access denials

Data Source

BSCDO PM

Source Section

APC Modem

BSC_DO Primitive Calculations

The following is a list of primitive calculations for the BSC_DO entity.

AbnormalSessionRelease%

Abnormal Session Release

Calculation

$100.0 * (\text{UFC_SRA} / \text{vsum}(\text{UFC_SRN}, \text{UFC_SRA}))$

AN_AAA_AuthCompleted%

AN-AAA Authentication Completed

Calculation

$100.0 * \text{UFC_A12AC} / \text{vsum}(\text{UFC_A12AC}, \text{SUM}(\text{BTS_DO.Sector_DO.SectorCarrier_DO}, \text{UFC_A12AF}), \text{SUM}(\text{BTS_DO.Sector_DO.SectorCarrier_DO}, \text{UFC_A12AR}), \text{SUM}(\text{BTS_DO.Sector_DO.SectorCarrier_DO}, \text{UFC_A12RF}), \text{SUM}(\text{BTS_DO.Sector_DO.SectorCarrier_DO}, \text{UFC_A12RR}))$

AN_AAA_AuthFailure%

AN-AAA Authentication Failure

Calculation

$100.0 * \text{vsum}(\text{SUM}(\text{BTS_DO.Sector_DO.SectorCarrier_DO}, \text{UFC_A12AF}), \text{SUM}(\text{BTS_DO.Sector_DO.SectorCarrier_DO}, \text{UFC_A12AR}), \text{SUM}(\text{BTS_DO.Sector_DO.SectorCarrier_DO}, \text{UFC_A12RF}), \text{SUM}(\text{BTS_DO.Sector_DO.SectorCarrier_DO}, \text{UFC_A12RR})) / \text{vsum}(\text{UFC_A12AC}, \text{SUM}(\text{BTS_DO.Sector_DO.SectorCarrier_DO}, \text{UFC_A12AF}), \text{SUM}(\text{BTS_DO.Sector_DO.SectorCarrier_DO}, \text{UFC_A12AR}), \text{SUM}(\text{BTS_DO.Sector_DO.SectorCarrier_DO}, \text{UFC_A12RF}), \text{SUM}(\text{BTS_DO.Sector_DO.SectorCarrier_DO}, \text{UFC_A12RR}))$

CFC_0_1_NC

Terminal Authentication Error - Access Rejected

Calculation

CFC_0_1_A12AF

CFC_0_109_SRN

Inter-BSC-DO handoff source side successful completion

Calculation

CFC_0_109_NC

CFC_0_11_UFR

Msg sequence error in BSC-DO (T14UATIAssign Timeout)

Calculation

CFC_0_11_SCF

CFC_0_12_SCF

UATI Release Timer Timeout

Calculation

CFC_0_12_SCC

CFC_0_13_SCU

A14 Session info update received

Calculation

CFC_0_13_STF

CFC_0_176_SCF

Session Close request Received from AT

Calculation

CFC_0_176_SRN

CFC_0_177_SRN

Session Close by PDSN During Dormant State

Calculation

CFC_0_177_NC

CFC_0_214_SRD

Session Release due to UATI Duplicate Assign

Calculation

CFC_0_214_NC

CFC_0_215_SRD

Session Release due to ESN Duplication

Calculation

CFC_0_215_NC

CFC_0_216_SRD

Session Release due to IMSI Duplication - Terminal Authentication is Enabled

Calculation

CFC_0_216_NC

CFC_0_3_NC

Terminal Authentication Error - LCP negotiation error

Calculation

CFC_0_3_A12AF

CFC_0_4_NC

Terminal Authentication Error - CHAP response error

Calculation

CFC_0_4_A12AF

CFC_0_7_NC

Terminal Authentication Error - APC authentication error

Calculation

CFC_0_7_A12AF

CFC_0_8_SRA

Terminal Authentication Error - Session released

Calculation

CFC_0_8_A12AF

CFC_1_176_SCF

Call released by AT, Session Close request is received from the AT (initiated by AT disconnecting a dialup session)

Calculation

CFC_1_176_SRN

CFC_1_182_NCC

Call released by AT, Transferred to Dormant by APC during reactivation

Calculation

CFC_1_182_NC

CFC_13_0_NC

CC does not respond to A14-Authentication Request

Calculation

CFC_13_0_A12AF

CFC_14_8_SCF

Configuration failure (Protocol Configuration failure), Session Released

Calculation

CFC_14_8_NC

CFC_2_0_SRA

Call released by AT (Connection error)

Calculation

CFC_2_0_NC

CFC_2_176_SCF

Call released by AT, Session Close request Received from AT

Calculation

CFC_2_176_SRN

CFC_24_0_UFAR

UATI Request Fails due to no response from CC

Calculation

CFC_24_0_UFR

CFC_3_120_UFH

Call released by CC, A14-UATI Compete not received - inter BSC active handoff

Calculation

CFC_3_120_NC

CFC_7_102_SCC

Call released by APC (Session Configuration complete), Dormant Status Transition Initiated by the APC

Calculation

CFC_7_102_NC

CompletedCallConnWithBSCDO_InitConn%

Percentage of completed call connections with BSC-DO (Initial connection)

Calculation

100.0 * CompletedCallConnWithBSCDO_InitConn /
RequestedCallConnWithBSCDO_InitConn

CompletedCallConnWithBSCDO_Reconn%

Percentage of completed call connections with BSC-DO (re-connection)

Calculation

100.0 * CompletedCallConnWithBSCDO_Reconn /
RequestedCallConnWithBSCDO_Reconn

DroppedFwdBytesPDSNToBSCDO%

Percentage of forward (PDSN->BSC-DO) bytes dropped

Calculation

100.0 * DroppedFwdBytesPDSNToBSCDO / FwdBytesPDSNToBSCDO

EndUserConnSetupFailureSansA12AFR%

End User Connection Setup Failure without A12 authentication failures and rejects

Calculation

100.0 * (vsum (sum(BTS_DO.Sector_DO.SectorCarrier_DO, UFC_CF), (-1.0 *
sum(BTS_DO.Sector_DO.SectorCarrier_DO, UFC_A12AF)), (-1.0 *
sum(BTS_DO.Sector_DO.SectorCarrier_DO, UFC_A12AR)), (-1.0 *
sum(BTS_DO.Sector_DO.SectorCarrier_DO, UFC_A12RF)), (-1.0 *
sum(BTS_DO.Sector_DO.SectorCarrier_DO, UFC_A12RR))) / vsum
(sum(BTS_DO.Sector_DO.SectorCarrier_DO,
UFC_NCC), sum(BTS_DO.Sector_DO.SectorCarrier_DO,
UFC_DC), sum(BTS_DO.Sector_DO.SectorCarrier_DO, UFC_CF), (-1.0 *
sum(BTS_DO.Sector_DO.SectorCarrier_DO, UFC_A12AF)), (-1.0 *
sum(BTS_DO.Sector_DO.SectorCarrier_DO, UFC_A12AR)), (-1.0 *
sum(BTS_DO.Sector_DO.SectorCarrier_DO, UFC_A12RF)), (-1.0 *
sum(BTS_DO.Sector_DO.SectorCarrier_DO, UFC_A12RR))))

EndUserNormalConnClose%

End User Normal Connection Close

Calculation

```
100.0 * (sum(BTS_DO.Sector_DO.SectorCarrier_DO, UFC_NCC) / vsum  
(sum(BTS_DO.Sector_DO.SectorCarrier_DO, UFC_NCC),  
sum(BTS_DO.Sector_DO.SectorCarrier_DO, UFC_DC),  
sum(BTS_DO.Sector_DO.SectorCarrier_DO, UFC_CF)))
```

GRAPHmultiLineSeparator

Special Control Field for Multi-Line Graphs

Calculation

""

NormalSessionRelease%

Normal Session Release

Calculation

```
100.0 * (UFC_SRN / vsum(UFC_SRN, UFC_SRA))
```

NUMDAYS

of days in Report

Calculation

```
DAYSINREPORT()
```

NUMHOURS

of hours in Summation Data

PagingAttemptsScheme1

Paging attempts for paging scheme 1

Calculation

```
vsum(PagingAttempts, -1.0 * PagingAttemptsScheme2)
```

PagingFailure%

Percentage of paging attempts has failed

Calculation

```
100.0 * PagingFailures / PagingAttempts
```

PagingFailuresScheme1

Paging failures for paging scheme 1

Calculation

$\text{vsum}(\text{PagingFailures}, -1.0 * \text{PagingFailuresScheme2})$

PagingReactivationSuccess%

This peg count defined as percentage of times a BSC-DO successfully paged an AT in order to perform reactivation.

Calculation

$(100.0 * \text{vsum}(\text{PagingAttemptsForReactivation}, -1.0 * \text{PagingFailuresForReactivation})) / (1.0 * \text{PagingAttemptsForReactivation})$

ReconnctnSuccessWithoutSessNeg%

Percentage of reconnection success without session negotiation

Calculation

$100.0 * \text{ReconnctnSuccessWithoutSessNeg} / \text{ReconnctnRequestWithoutSessNeg}$

SessionConfigCompleted%

Session Configuration Completed

Calculation

$100.0 * (\text{UFC_SCC} / \text{vsum}(\text{UFC_SCC}, \text{UFC_SCF}))$

SessionConfigFailure%

Session Configuration Failure

Calculation

$100.0 * (\text{UFC_SCF} / \text{vsum}(\text{UFC_SCC}, \text{UFC_SCF}))$

TotalRvsDOSDropBytes

Total number of reverse DOS bytes dropped by TC and CC cards

Calculation

$\text{vsum}(\text{sum}(\text{TC}, \text{DOSRvsDropBytes}), \text{sum}(\text{CC}, \text{DOSRvsDropBytes}))$

TotalRvsDOSDropBytes%

Percentage of reverse DOS bytes dropped by TC and CC cards

Calculation

$(100.0 * \text{TotalRvsDOSDropBytes}) / (1.0 * \text{sum} (\text{TC}, \text{DOSRvsBytes}))$

TotalRvsDOSDropPackets

Total number of reverse DOS packets dropped by TC and CC cards

Calculation

$\text{vsum} (\text{sum} (\text{TC}, \text{DOSRvsDropPackets}), \text{sum} (\text{CC}, \text{DOSRvsDropPackets}))$

TotalRvsDOSDropPackets%

Percentage of reverse DOS packets dropped by TC and CC cards

Calculation

$(100.0 * \text{TotalRvsDOSDropPackets}) / (1.0 * \text{sum} (\text{TC}, \text{DOSRvsPackets}))$

UATIAssignmentFailureRATI%

UATI Assignment Failure - RATI

Calculation

$100.0 * (\text{vsum} (\text{UFC_UFR}, \text{UFC_UFAR}) / \text{vsum} (\text{UFC_UAR}, \text{UFC_UFAR}))$

UATIAssignmentSuccessRATI%

UATI assignment successful - RATI

Calculation

$100.0 * (\text{vsum} (\text{UFC_UAR}, (-1 * \text{UFC_UFR}), 0) / \text{vsum} (\text{UFC_UAR}, \text{UFC_UFAR}))$

BSC_DO Peg Counts

The following is a list of peg counts for the BSC_DO entity.

BlockingRatePCFResrc_AVG

Average of 5-min raw data for the blocking rate in % at BSC-DO level due to lack of PCF resources.

Source Field

Blocking rate [reason: PCF resource]

Source Section

BSC-DO Node

Data Source

BSCDO PM

BlockingRatePCFResrc_MAX

Max of 5-min raw data for the blocking rate in % at BSC-DO level due to lack of PCF resources. Max of 5-min PM data in the reporting intervals.

Source Field

Blocking rate [reason: PCF resource]

Source Section

BSC-DO Node

Data Source

BSCDO PM

BlockRate_AVG

Average of two 5-min raw data for the ratio in % of events failing to accepted call connection requests per unit time (5 minutes)

Source Field

Block rate

Source Section

BSC-DO Node

Data Source

BSCDO PM

BlockRate_MAX

Max of two 5-min raw data for the ratio in % of events failing to accepted call connection requests per unit time (5 minutes)

Source Field

Block rate

Source Section

BSC-DO Node

Data Source

BSCDO PM

BSCDOUsageMin

BSC-DO usage in minutes is calculated by taking the max of forward and reversion Air usage in the wireless section

Source Field

Max of (FwdAirUsageMinBSCDO, RevAirUsageMinBSCDO)

Source Section

BSCDO Node

Data Source

BSCDO PM

CallConnFailuresCausedByBSCDO_InitConn

Call connection failures caused by BSC-DO (Initial connection)

Source Field

Call connection failures caused by BSC-DO (Initial connection)

Source Section

BSC-DO Node

Data Source

BSCDO PM

CallConnFailuresCausedByBSCDO_Reconn

Call connection failures caused by BSC-DO (re-connection)

Source Field

Call connection failures caused by BSC-DO (re-connection)

Source Section

BSC-DO Node

Data Source

BSCDO PM

CallConnFailWithBSCDOPCFResrc

Call connection failures at BSC level due to lack of TC/PCF resources.

Source Field

Call connection failures with BSC-DO [reason: PCF resource]

Source Section

BSC-DO Node

Data Source

BSCDO PM

CallProcessingRate_AVG

Average of two 5-min raw data for the [number of times call-connect processing is performed per unit time (one second)] / [number of times call release processing is performed] in Call/s

Source Field

Call processing rate

Source Section

BSC-DO Node

Data Source

BSCDO PM

CallProcessingRate_MAX

Max of two 5-min raw data for the [number of times call-connect processing is performed per unit time (one second)] / [number of times call release processing is performed] in Call/s

Source Field

Call processing rate

Source Section

BSC-DO Node

Data Source

BSCDO PM

CFC_0_101_NC

Normal Call release by BSC-DO or the AT

Data Source

aemsC Files

Source Field

aemsC605_PC51

Source Section

aemsC605

CFC_0_102_NC

Dormant State Transition (APC dormant timer expires)

Data Source

aemsC Files

Source Field

aemsC605_PC52

Source Section

aemsC605

CFC_0_103_NC

Dormant State Transition (PCF Timer expires)

Data Source

aemsC Files

Source Field

aemsC605_PC53

Source Section

aemsC605

CFC_0_105_NC

Dormant state transition by BSC-DO (Air Link Lost)

Data Source

aemsC Files

Source Field

aemsC605_PC54

Source Section

aemsC605

CFC_0_108_NC

Connection State Inconsistency After CC Switchover

Data Source

aemsC Files

Source Field

aemsC605_PC55

Source Section

aemsC605

CFC_0_113_NC

Tregreq timer expired during Call Setup

Source Field

aemsC605_PC57

Data Source

aemsC Files

Source Section

aemsC605

CFC_0_115_NC

Detection of TC failure

Data Source

aemsC Files

Source Field

aemsC605_PC58

Source Section

aemsC605

CFC_0_116_NC

ACPAC Authentication Failure During Call Reconnection

Data Source

aemsC Files

Source Field

aemsC605_PC59

Source Section

aemsC605

CFC_0_117_NC

Tregreq timeout during Call Reconnection

Data Source

aemsC Files

Source Field

aemsC605_PC60

Source Section

aemsC605

CFC_0_119_NC

Detection of State Inconsistency in APC

Data Source

aemsC Files

Source Field

aemsC605_PC61

Source Section

aemsC605

CFC_0_120_UFH

UATI Assignment Failure - T14UATIAssign timer expired during active handoff

Source Field

aemsC605_PC20

Data Source

aemsC Files

Source Section

aemsC605

CFC_0_125_NC

Dormant Terminal Authentication Error - No TRA Resolution Response

Data Source

aemsC Files

Source Field

aemsC605_PC62

Source Section

aemsC605

CFC_0_131_NC

Dormant Terminal Authentication Error - CC does not receive A14- Authentication Complete Ack

Data Source

aemsC Files

Source Field

aemsC605_PC63

Source Section

aemsC605

CFC_0_144_UFH

UATI Assignment Failure - T14UATIAssign timer expired during dormant handoff

Source Field

aemsC605_PC21

Data Source

aemsC Files

Source Section

aemsC605

CFC_0_146_NC

Paging Request Timeout

Data Source

aemsC Files

Source Field

aemsC605_PC64

Source Section

aemsC605

CFC_0_147_NC

No Response from AT to Page Message

Data Source

aemsC Files

Source Field

aemsC605_PC65

Source Section

aemsC605

CFC_0_149_NC

Session Close during HRPD Session Negotiation

Data Source

aemsC Files

Source Field

aemsC605_PC66

Source Section

aemsC605

CFC_0_15_STF

A13 session info request timeout during active handoff

Source Field

aemsC605_PC16

Data Source

aemsC Files

Source Section

aemsC605

CFC_0_151_NC

Call Setup failed due to PDSN being Down (Received A9-releae A8 Complete)

Data Source

aemsC Files

Source Field

aemsC605_PC67

Source Section

aemsC605

CFC_0_16_STF

A13 Session info request timeout during dormant handoff

Source Field

aemsC605_PC17

Data Source

aemsC Files

Source Section

aemsC605

CFC_0_184_NC

A11 Registration Request Timeout during Transition to Dormant

Data Source

aemsC Files

Source Field

aemsC605_PC69

Source Section

aemsC605

CFC_0_185_NC

A11 Registration Reply with Reject received during Dormant reactivation

Data Source

aemsC Files

Source Field

aemsC605_PC70

Source Section

aemsC605

CFC_0_186_NC

Transferring to Null during a transfer to Dormant

Data Source

aemsC Files

Source Field

aemsC605_PC71

Source Section

aemsC605

CFC_0_187_NC

Transfer to Null during Transfer to dormant

Data Source

aemsC Files

Source Field

aemsC605_PC72

Source Section

aemsC605

CFC_0_189_NC

Call Released by PDSN

Data Source

aemsC Files

Source Field

aemsC605_PC73

Source Section

aemsC605

CFC_0_19_STF

Inter-BSC-DO active hand-in failure

Source Field

aemsC605_PC18

Data Source

aemsC Files

Source Section

aemsC605

CFC_0_191_NC

Call Released by PDSN

Data Source

aemsC Files

Source Field

aemsC605_PC74

Source Section

aemsC605

CFC_0_196_NC

Call Released during Handoff

Data Source

aemsC Files

Source Field

aemsC605_PC75

Source Section

aemsC605

CFC_0_197_NC

Transferring to Null state due to inter BSC-DO handoff failure

Data Source

aemsC Files

Source Field

aemsC605_PC76

Source Section

aemsC605

CFC_0_198_SRA

Session released due to major congestion

Source Field

aemsC605_PC23

Data Source

aemsC Files

Source Section

aemsC605

CFC_0_20_STF

Inter-BSC-DO dormant hand-in failure

Source Field

aemsC605_PC19

Data Source

aemsC Files

Source Section

aemsC605

CFC_0_202_NC

APC/CC status mismatch

Data Source

aemsC Files

Source Field

aemsC605_PC77

Source Section

aemsC605

CFC_0_203_NC

Inter-APC Dormant Handoff - Air Link Lost - AT Re-connects

Data Source

aemsC Files

Source Field

aemsC605_PC78

Source Section

aemsC605

CFC_0_204_NC

Status mismatch between APC and CC

Data Source

aemsC Files

Source Field

aemsC605_PC79

Source Section

aemsC605

CFC_0_208_SRA

Paging Failures in Dormant State causes session release

Source Field

aemsC605_PC24

Data Source

aemsC Files

Source Section

aemsC605

CFC_0_209_SRN

Keep Alive Timer Timeout

Source Field

aemsC605_PC25

Data Source

aemsC Files

Source Section

aemsC605

CFC_0_21_NC

Connection Request failed due to invalid UATI

Data Source

aemsC Files

Source Field

aemsC605_PC50

Source Section

aemsC605

CFC_0_210_NC

Active AT Session transitions to NULL state by PDSN or dialup connection drop

Data Source

aemsC Files

Source Field

aemsC605_PC80

Source Section

aemsC605

CFC_0_211_NC

Dormant AT Session transitions to NULL state

Data Source

aemsC Files

Source Field

aemsC605_PC81

Source Section

aemsC605

CFC_1_0_NC

Call released by AT

Data Source

aemsC Files

Source Field

aemsC605_PC85

Source Section

aemsC605

CFC_10_0_NC

Connection Lost (TCC Receive Failure)

Data Source

aemsC Files

Source Field

aemsC605_PC96

Source Section

aemsC605

CFC_11_0_NC

DRC Unlock

Data Source

aemsC Files

Source Field

aemsC605_PC98

Source Section

aemsC605

CFC_12_0_NC

CC not responding (A9)

Data Source

aemsC Files

Source Field

aemsC605_PC99

Source Section

aemsC605

CFC_14_0_SCF

Configuration failure (Protocol Configuration failure - non-Session Configuration Protocol)

Source Field

aemsC605_PC31

Data Source

aemsC Files

Source Section

aemsC605

CFC_14_7_SCF

Configuration failure (Protocol Configuration fail-ure), A14 Authentication Failure

Source Field

aemsC605_PC117

Data Source

aemsC Files

Source Section

aemsC605

CFC_16_0_SCF

Session Configuration Failure (Configuration Timer Expiry)

Source Field

aemsC605_PC32

Data Source

aemsC Files

Source Section

aemsC605

CFC_2_8_SRA

Connection/Session Released by AT, Terminal Authentication Error

Source Field

aemsC605_PC27

Data Source

aemsC Files

Source Section

aemsC605

CFC_20_0_NC

Resource Busy

Data Source

aemsC Files

Source Field

aemsC605_PC102

Source Section

aemsC605

CFC_21_0_NC

Network Busy (Setup Failure Caused by No Response from CC)

Data Source

aemsC Files

Source Field

aemsC605_PC103

Source Section

aemsC605

CFC_21_21_NC

Network Busy (Setup Failure Caused by No Response from CC), Connection Request failed due to invalid UATI

Data Source

aemsC Files

Source Field

aemsC605_PC104

Source Section

aemsC605

CFC_22_0_NC

Connection Failed

Data Source

aemsC Files

Source Field

aemsC605_PC105

Source Section

aemsC605

CFC_23_0_UAR

UATI Assignment

Source Field

aemsC605_PC33

Data Source

aemsC Files

Source Section

aemsC605

CFC_23_11_UFR

UATI Assignment, Message sequence error in BSC-DO (T14UATIAssign Timeout)

Source Field

aemsC605_PC34

Data Source

aemsC Files

Source Section

aemsC605

CFC_25_10_UFR

UATI Assignment Failure

Source Field

aemsC605_PC36

Data Source

aemsC Files

Source Section

aemsC605

CFC_26_0_NC

Inter BSC-DO Dormant HO

Data Source

aemsC Files

Source Field

aemsC605_PC106

Source Section

aemsC605

CFC_3_0_NC

Call released by CC

Data Source

aemsC Files

Source Field

aemsC605_PC88

Source Section

aemsC605

CFC_30_0_NC

Call released by CC

Data Source

aemsC Files

Source Field

aemsC605_PC108

Source Section

aemsC605

CFC_31_0_NC

Modem Communication Error

Data Source

aemsC Files

Source Field

aemsC605_PC109

Source Section

aemsC605

CFC_35_0_NC

Call Rejected in Session Close state

Data Source

aemsC Files

Source Field

aemsC605_PC110

Source Section

aemsC605

CFC_36_0_NC

Call rejected due to no response from modem

Data Source

aemsC Files

Source Field

aemsC605_PC111

Source Section

aemsC605

CFC_4_0_NC

Call rejected by CC

Data Source

aemsC Files

Source Field

aemsC605_PC90

Source Section

aemsC605

CFC_4_21_NC

Call rejected by CC, Status mismatch between the APC and the CC

Data Source

aemsC Files

Source Field

aemsC605_PC91

Source Section

aemsC605

CFC_6_0_NC

Call released by APC (Dormant Timer Expiry)

Data Source

aemsC Files

Source Field

aemsC605_PC92

Source Section

aemsC605

CFC_7_0_SCC

Call released by APC (Session Configuration complete)

Source Field

aemsC605_PC29

Data Source

aemsC Files

Source Section

aemsC605

CFC_7_13_SCC

Call released by APC (Session Configuration complete), Session Info Update

Source Field

aemsC605_PC30

Data Source

aemsC Files

Source Section

aemsC605

CFC_9_0_NC

Connection Lost (Air link lost on the reverse link)

Data Source

aemsC Files

Source Field

aemsC605_PC94

Source Section

aemsC605

CollectionPeriod_PM

EVDO PM Collection period in minutes.

Data Source

BSCDO PM

Source Field

Collection Period (Min)

Source Section

BSC-DO Node

CompletedCallConnWithBSCDO_InitConn

Completed call connections with BSC-DO (Initial connection)

Source Field

Completed call connections with BSC-DO (Initial connection)

Source Section

BSC-DO Node

Data Source

BSCDO PM

CompletedCallConnWithBSCDO_Reconn

Completed call connections with BSC-DO (re-connection)

Source Field

Completed call connections with BSC-DO (re-connection)

Source Section

BSC-DO Node

Data Source

BSCDO PM

DroppedFwdBytesPDSNToBSCDO

Number of bytes dropped from PDSN to BSC-DO

Source Field

Dropped fwd bytes PDSN -> BSC-DO

Source Section

BSC-DO Node

Data Source

BSCDO PM

FwdAirUsageMinBSCDO

BSC_DO's forward air usage in minutes is calculated by based on the number of bytes and data throughput in forward direction of wireless section.

Source Field

$(8.0 * (\text{Fwd Bytes BSC-DO} \rightarrow \text{Modem}) / 1000 * (\text{Fwd Throughput BSC-DO} \rightarrow \text{Modem})) / 60.0$

Source Section

BSCDO Node

Data Source

BSCDO PM

FwdBytesBSCDOToMODEM

Number of bytes sent from BSC-DO to MODEM

Source Field

Fwd bytes BSC-DO -> MODEM

Source Section

BSC-DO Node

Data Source

BSCDO PM

FwdBytesPDSNToBSCDO

Number of bytes sent from PDSN to BSC-DO

Source Field

Fwd bytes PDSN -> BSC-DO

Source Section

BSC-DO Node

Data Source

BSCDO PM

FwdPacketsBSCDOToMODEM

Number of packets sent from BSC-DO to MODEM

Source Field

Fwd packets BSC-DO -> MODEM

Source Section

BSC-DO Node

Data Source

BSCDO PM

FwdPacketsPDSNToBSCDO

Number of packets sent from PDSN to BSC-DO

Source Field

Fwd packets PDSN -> BSC-DO

Source Section

BSC-DO Node

Data Source

BSCDO PM

FwdThroughputBSCDOToModem_AVG

Average of two 5-min raw data for the value of throughput in kbit/s sent from BSCDO to MODEM

Source Field

Fwd throughput BSC-DO -> MODEM

Source Section

BSC-DO Node

Data Source

BSCDO PM

FwdThroughputBSCDOToModem_MAX

Max of two 5-min raw data for the value of throughput in kbit/s sent from BSCDO to MODEM

Source Field

Fwd throughput BSC-DO -> MODEM

Source Section

BSC-DO Node

Data Source

BSCDO PM

FwdThroughputPDSNToBSCDO_AVG

Average of two 5-min raw data for the value of throughput in kbit/s sent from PDSN to BSC-DO

Source Field

Fwd throughput PDSN -> BSC-DO

Source Section

BSC-DO Node

Data Source

BSCDO PM

FwdThroughputPDSNToBSCDO_MAX

Max of two 5-min raw data for the value of throughput in kbit/s sent from PDSN to BSC-DO

Source Field

Fwd throughput PDSN -> BSC-DO

Source Section

BSC-DO Node

Data Source

BSCDO PM

H0to1xCount

The number of record reported as Connection failure due to tune away to 1X air-interface in ConnectionFailureReport.

Data Source

BSCDO PM

Source Field

H0to1xCount

Source Section

BSCDO Node

HRPDSessRelKeepAliveTimrExpire

HRPD session releases due to Keep Alive Timer expiration

Source Field

HRPD session releases due to Keep Alive Timer expiration

Source Section

BSC-DO Node

Data Source

BSCDO PM

MarketID

Market ID

Data Source

BSCDO PM

Source Section

BSC_DO Node

Source Field

MarketID

MFPAUsersPercentage_Int

Provides operator the information on the number of MFPA users in the system.

Data Source

BSCDO PM

Source Field

$100 * (\text{SUM}(\text{CC.TotalMFPAUsers}) / \text{PresentSessions_AVG})$

Source Section

$100 * (\text{SUM}(\text{CC.TotalMFPAUsers}) / \text{PresentSessions_AVG})$

PagingAttempts

Number of times paging has started

Source Field

Paging attempts

Source Section

BSC-DO Node

Data Source

BSCDO PM

PagingAttemptsForReactivation

This peg count defined as number of times BSC-DO attempted to page an AT in order to perform reactivation.

Data Source

BSCDO PM

Source Field

Paging attempts for reactivation

Source Section

BSCDO Node

PagingAttemptsScheme2

Paging attempts for paging scheme 2

Source Field

Paging attempts for Paging Scheme 2

Data Source

BSCDO PM

Source Section

BSC-DO Node

PagingFailurePercentage_AVG

Average of two 5-min raw data for the rate in % of paging failures

Source Field

Paging failure percentage

Source Section

BSC-DO Node

Data Source

BSCDO PM

PagingFailurePercentage_MAX

Max of two 5-min raw data for the rate in % of paging failures

Source Field

Paging failure percentage

Source Section

BSC-DO Node

Data Source

BSCDO PM

PagingFailures

Number of times paging has failed

Source Field

Paging failures

Source Section

BSC-DO Node

Data Source

BSCDO PM

PagingFailuresForReactivation

This peg count defined as number of times BSC-DO failed to successfully page an AT in order to perform reactivation.

Data Source

BSCDO PM

Source Field

Paging failures for reactivation

Source Section

BSCDO Node

PagingFailuresScheme2

Paging failures for paging scheme 2

Source Field

Paging failures for Paging Scheme 2

Data Source

BSCDO PM

Source Section

BSC-DO Node

PresentConnections_AVG

Average of two 5-min raw data for the number of connections arranged under the control of the BSC-DO

Source Field

Present connections

Source Section

BSC-DO Node

Data Source

BSCDO PM

PresentConnections_MAX

Max of two 5-min raw data for the number of connections arranged under the control of the BSC-DO

Source Field

Present connections

Source Section

BSC-DO Node

Data Source

BSCDO PM

PresentSessions_AVG

Average of two 5-min raw data for the number of sessions arranged under the control of the BSC-DO

Source Field

Present sessions

Source Section

BSC-DO Node

Data Source

BSCDO PM

PresentSessions_MAX

Max of two 5-min raw data for the number of sessions arranged under the control of the BSC-DO

Source Field

Present sessions

Source Section

BSC-DO Node

Data Source

BSCDO PM

ReconnectnFailureWithoutSessNeg

Reconnection failure without session negotiation

Source Field

Reconnection failure (without session negotiation)

Source Section

BSC-DO Node

Data Source

BSCDO PM

ReconnectnRequestWithoutSessNeg

Reconnection request without session negotiation

Source Field

Reconnection request (without session negotiation)

Source Section

BSC-DO Node

Data Source

BSCDO PM

ReconnectnSuccessWithoutSessNeg

Reconnection success without session negotiation

Source Field

Reconnection success (without session negotiation)

Source Section

BSC-DO Node

Data Source

BSCDO PM

RequestedCallConnWithBSCDO_InitConn

Requested call connections with BSC-DO (Initial connection)

Source Field

Requested call connections with BSC-DO (Initial connection)

Source Section

BSC-DO Node

Data Source

BSCDO PM

RequestedCallConnWithBSCDO_Reconn

Requested call connections with BSC-DO (re-connection)

Source Field

Requested call connections with BSC-DO (re-connection)

Source Section

BSC-DO Node

Data Source

BSCDO PM

RvsAirUsageMinBSCDO

BSC_DO's reverse air usage in minutes is calculated by based on the number of bytes and data throughput in reverse direction of wireless section.

Source Field

$(8.0 * (\text{Rvs Bytes Modem} \rightarrow \text{BSC-DO}) / 1000 * (\text{Rvs Throughput Modem} \rightarrow \text{BSC-DO})) / 60.0$

Source Section

BSCDO Node

Data Source

BSCDO PM

RvsBytesBSCDOToPDSN

Number of bytes sent from BSC-DO to PDSN

Source Field

Rvs bytes BSC-DO -> PDSN

Source Section

BSC-DO Node

Data Source

BSCDO PM

RvsBytesMODEMToBSCDO

Number of bytes sent from MODEM to BSC-DO

Source Field

Rvs bytes MODEM -> BSC-DO

Source Section

BSC-DO Node

Data Source

BSCDO PM

RvsPacketsBSCDOToPDSN

Number of packets sent from BSC-DO to PDSN

Source Field

Rvs packets BSC-DO -> PDSN

Source Section

BSC-DO Node

Data Source

BSCDO PM

RvsPacketsMODEMToBSCDO

Number of packets sent from MODEM to BSC-DO

Source Field

Rvs packets MODEM -> BSC-DO

Source Section

BSC-DO Node

Data Source

BSCDO PM

RvsThroughputBSCDOToPDSN_AVG

Average of two 5-min raw data for the value of throughput in kbit/s sent from BSCDO to PDSN

Source Field

Rvs throughput BSC-DO -> PDSN

Source Section

BSC-DO Node

Data Source

BSCDO PM

RvsThroughputBSCDOToPDSN_MAX

Max of two 5-min raw data for the value of throughput in kbit/s sent from BSCDO to PDSN

Source Field

Rvs throughput BSC-DO -> PDSN

Source Section

BSC-DO Node

Data Source

BSCDO PM

RvsThroughputModemToBSCDO_AVG

Average of two 5-min raw data for the value of throughput in kbit/s sent from MCCDO to BSC-DO

Source Field

Rvs throughput MODEM -> BSC-DO

Source Section

BSC-DO Node

Data Source

BSCDO PM

RvsThroughputModemToBSCDO_MAX

Max of two 5-min raw data for the value of throughput in kbit/s sent from MCCDO to BSC-DO

Source Field

Rvs throughput MODEM -> BSC-DO

Source Section

BSC-DO Node

Data Source

BSCDO PM

SuspectFlag

Data suspect flag. Set to 1 if quality of data is suspected, otherwise 0

Data Source

BSCDO PM

Source Field

** is detected in data value

Source Section

BSC-DO Node

TotalScaSessionUtil_AVG

SCA Session Utilization peg indicates the percentage of the total equipped SCA resources utilized during the collection interval. The resource utilization is averaged out over the collection interval.

Source Field

Total SCA Session Utilization

Data Source

BSCDO PM

Source Section

BSC-DO/IP-BSC-DO Node

TrafficChannelUsageTimeBSC

Seconds of traffic channel usage aggregated at BSC level.

Source Field

Traffic channel usage time/BSC

Source Section

BSC-DO Node

Data Source

BSCDO PM

UFC_A12AC

A12 Authentication Complete

Data Source

aemsC Files

Source Field

aemsC605_PC49

Source Section

aemsC605

UFC_CRB

Call Resource or CPU Busy

Source Field

aemsC605_PC115

Data Source

aemsC Files

Source Section

aemsC605

UFC_SCC

Session Configuration Completed

Data Source

aemsC Files

Source Field

aemsC605_PC40

Source Section

aemsC605

UFC_SCF

Session Configuration Failure

Data Source

aemsC Files

Source Field

aemsC605_PC41

Source Section

aemsC605

UFC_SCU

Session Configuration Updated

Source Field

aemsC605_PC112

Data Source

aemsC Files

Source Section

aemsC605

UFC_SRA

Abnormal Session Release

Data Source

aemsC Files

Source Field

aemsC605_PC44

Source Section

aemsC605

UFC_SRD

Session Released - Duplicate

Source Field

aemsC605_PC113

Data Source

aemsC Files

Source Section

aemsC605

UFC_SRN

Normal Session Release

Data Source

aemsC Files

Source Field

aemsC605_PC43

Source Section

aemsC605

UFC_SRR

Session Released - Reclaimed

Source Field

aemsC605_PC114

Data Source

aemsC Files

Source Section

aemsC605

UFC_STF

Session Transfer Failure

Data Source

aemsC Files

Source Field

aemsC605_PC42

Source Section

aemsC605

UFC_UAR

UATI Assgnment Attempt - RATI

Data Source

aemsC Files

Source Field

aemsC605_PC37

Source Section

aemsC605

UFC_UFAR

UATI Assignment Failed Attempt - RATI

Source Field

aemsC605_PC116

Data Source

aemsC Files

Source Section

aemsC605

UFC_UFH

UATI Assgnment Failure - Handoff

Data Source

aemsC Files

Source Field

aemsC605_PC39

Source Section

aemsC605

UFC_UFR

UATI Assgnment Failure - RATI

Data Source

aemsC Files

Source Field

aemsC605_PC38

Source Section

aemsC605

BSC_DO_Cage Primitive Calculations

The following is a list of primitive calculations for the BSC_DO_Cage entity.

GRAPHmultiLineSeparator

Special Control Field for Multi-Line Graphs

Calculation

""

NUMDAYS

of days in Report

Calculation

DAYSINREPORT ()

NUMHOURS

of hours in Summation Data

Calculation

BSC_DO_Card Primitive Calculations

The following is a list of primitive calculations for the BSC_DO_Card entity.

BlockingTimeofBSCDOCard%

Percentage of time a BSC Card is blocked

Calculation

100.0 * BlockingTimeofBSCDOCard / (CollectionPeriod_PM * 60.0)

GrphMulLnSeptr

Special Control Field for Multi-Line Graphs

Calculation

""

NUMDAYS

of days in Report

Calculation

DAYSINREPORT ()

NUMHOURS

of hours in Summation Data

BSC_DO_Card Peg Counts

The following is a list of peg counts for the BSC_DO_Card entity.

BlockingTimeofBSCDOCard

Blocking time of BSC Card in seconds

Source Field

Blocking time of <BSC Card>

Source Section

TC, CC, TRA Card

Data Source

BSCDO PM

BufferUseRateOfTC_AVG

Average of two 5-min raw data for the buffer usage in % of the PRO(TC) card

Source Field

Buffer use rate of TC

Source Section

TC Card

Data Source

BSCDO PM

BufferUseRateOfTC_MAX

Max of two 5-min raw data for the buffer usage in % of the PRO(TC) card

Source Field

Buffer use rate of TC

Source Section

TC Card

Data Source

BSCDO PM

CollectionPeriod_PM

EVDO PM Collection period in minutes.

Data Source

BSCDO PM

Source Field

Collection Period (Min)

Source Section

TRA, CC, SVM, TC, APC Card

CPUUseRate_AVG

Average of two 5-min raw data for the CPU usage in % of a BSC card

Source Field

CPU use rate of <BSC card>

Source Section

TRA, CC, SVM, TC, APC, SCA Card

Data Source

BSCDO PM

CPUUseRate_MAX

Max of two 5-min raw data for the CPU usage in % of a BSC card

Source Field

CPU use rate of <BSC card>

Source Section

TRA, CC, SVM, TC, APC, SCA Card

Data Source

BSCDO PM

MemoryUseRate_AVG

Average of two 5-min raw data for the memory usage in % of a BSC card

Source Field

Memory use rate of <BSC Card>

Source Section

TRA, CC, SVM, TC, APC, SCA Card

Data Source

BSCDO PM

MemoryUseRate_MAX

Max of two 5-min raw data for the memory usage in % of a BSC card

Source Field

Memory use rate of <BSC Card>

Source Section

TRA, CC, SVM, TC, APC, SCA Card

Data Source

BSCDO PM

SuspectFlag

Data suspect flag. Set to 1 if quality of data is suspected, otherwise 0

Data Source

BSCDO PM

Source Field

** is detected in data value

Source Section

TRA, CC, SVM, TC, APC Card

BTS_DO Primitive Calculations

The following is a list of primitive calculations for the BTS_DO entity.

GrphMulLnSeptr

Special Control Field for Multi-Line Graphs

Calculation

""

NUMDAYS

of days in Report

Calculation

DAYSINREPORT ()

NUMHOURS

of hours in Summation Data

BTS_DO Peg Counts

The following is a list of peg counts for the BTS_DO entity.

PreemptForSpanOOS

The number of reservations closed to pre-empt for span outage.

Data Source

aemsC Files

Source Field

aemsC606_PC2

Source Section

aemsC606

RscRsvOpenBlockedNoBHBW

The number of times that a reservation opened was blocked due to insufficient backhaul bandwidth.

Data Source

aemsC Files

Source Field

aemsC606_PC1

Source Section

aemsC606

RscRsvOpenBlockedNoBHBW_Bundled

Number of reservation Open requests that were blocked due to insufficient backhaul bandwidth resource in a bundled message

Source Field

aemsC606_PC3

Data Source

aemsC Files

Source Section

aemsC606

CC Primitive Calculations

The following is a list of primitive calculations for the CC entity.

BlockingTimeOfCC%

Percentage of time this CC card is blocked

Calculation

$100.0 * \text{BlockingTimeOfCC} / (\text{CollectionPeriod_PM} * 60.0)$

CardKindName

Type of the card, as textual name; example values are: 690 and 6190 for CardKind of 0 and 1

Calculation

`decode (CardKind, 0, "690", 1, "6190")`

GrphMulLnSeptr

Special Control Field for Multi-Line Graphs

Calculation

""

InterBSCDormantHOSuccessHOOOut

Number of successful for Inter BSC - dormant H.O (hand out).

Calculation

InterBSCDormantHOSuccesHOOOut

NUMDAYS

of days in Report

Calculation

DAYSINREPORT ()

NUMHOURS

of hours in Summation Data

CC Peg Counts

The following is a list of peg counts for the CC entity.

ActiveMFPAUsers

Active number of MFPA users

Data Source

BSCDO PM

Source Field

Active number of MFPA users

Source Section

CC

ActiveMFPAUsersPercentage_Int

Provides operator the information on the number of active MFPA users in the system.

Data Source

BSCDO PM

Source Field

$100 * (\text{ActiveMFPAUsers} / \text{TotalMFPAUsers})$

Source Section

$100 * (\text{ActiveMFPAUsers} / \text{TotalMFPAUsers})$

BlockingTimeOfCC

Blocking time of the CC in seconds

Source Field

Blocking time of CC

Source Section

CC Card

Data Source

BSCDO PM

CardKind

Type of the card; example values are: 0 and 1 for 690 and 6190

Source Field

CardKind

Data Source

BSCDO PM

CollectionPeriod_PM

EVDO PM Collection period in minutes.

Data Source

BSCDO PM

Source Field

Collection Period (Min)

Source Section

CC Card

CPUUseRate_AVG

Average of two 5-min raw data for the CPU usage in % of the PRO(CC) card

Source Field

CPU use rate of CC

Source Section

CC Card

Data Source

BSCDO PM

CPUUseRate_MAX

Max of two 5-min raw data for the CPU usage in % of the PRO(CC) card

Source Field

CPU use rate of CC

Source Section

CC Card

Data Source

BSCDO PM

CurrentAuxConnection

The number of current auxiliary connections under the CC card

Source Field

CurrentAuxConnection

Data Source

BSCDO PM

Source Section

CC

DOSRvsDropBytes

The number of reverse DOS bytes discarded on CC card

Data Source

BSCDO PM

Source Field

DOSRvsDropBytes of CC

Source Section

CC

DOSRvsDropPackets

The number of reverse DOS packets discarded on CC card

Data Source

BSCDO PM

Source Field

DOSRvsDropPackets of CC

Source Section

CC

HandoffFrom1xToDO

Number of handoffs from 1x to HRPD network.

Data Source

BSCDO PM

Source Section

CC Card

Source Field

Handoff from 1x to DO

InterBSCActiveHOFailureHOIn

Number of failure for Inter BSC-active H.O. (Hand in)

Source Field

Inter BSC-active H.O. failures (H.O. in)

Source Section

CC Card

Data Source

BSCDO PM

InterBSCActiveHOFailureHOOut

Number of failure for Inter BSC-active H.O. (Hand out)

Source Field

Inter BSC-active H.O. failures (H.O. out)

Source Section

CC Card

Data Source

BSCDO PM

InterBSCActiveHOSuccessHOIn

Number of successful for Inter BSC -active H.O (hand in).

Source Field

Inter BSC-active H.O. successes (H.O. in)

Source Section

CC Card

Data Source

BSCDO PM

InterBSCActiveHOSuccessHOOOut

Number of successful for Inter BSC -active H.O (handout).

Source Field

Inter BSC-active H.O. successes (H.O. out)

Source Section

CC Card

Data Source

BSCDO PM

InterBSCDormantHOFailureHOIn

Number of failure for Inter BSC-dormant H.O (hand in).

Source Field

Inter BSC-dormant H.O. failures (H.O. in)

Source Section

CC Card

Data Source

BSCDO PM

InterBSCDormantHOFailureHOOOut

Number of failure for Inter BSC-dormant H.O (hand out).

Source Field

Inter BSC-dormant H.O. failures (H.O. out)

Source Section

CC Card

Data Source

BSCDO PM

InterBSCDormantHOSuccessHOIn

Number of successful for Inter BSC - dormant H.O (hand in).

Source Field

Inter BSC-dormant H.O. successes (H.O. in)

Source Section

CC Card

Data Source

BSCDO PM

MemoryUseRate_AVG

Average of two 5-min raw data for the memory usage in % of the PRO(CC) card

Source Field

Memory use rate of CC

Source Section

CC Card

Data Source

BSCDO PM

MemoryUseRate_MAX

Max of two 5-min raw data for the memory usage in % of the PRO(CC) card

Source Field

Memory use rate of CC

Source Section

CC Card

Data Source

BSCDO PM

SuspectFlag

Data suspect flag. Set to 1 if quality of data is suspected otherwise 0

Data Source

BSCDO PM

Source Field

** is detected in data value

Source Section

CC Card

TotalCalls

Total number of calls, pegged to the CC

Data Source

aemsC Files

Source Field

aemsC607_PC1

Source Section

aemsC607

TotalHandoffCalls

Number of calls handed off from the CC Card

Data Source

aemsC Files

Source Field

aemsC607_PC3

Source Section

aemsC607

TotalInitialCalls

Number of calls initiated from the CC Card

Data Source

aemsC Files

Source Field

aemsC607_PC2

Source Section

aemsC607

TotalMFPAUsers

Total number of MFPA users.

Data Source

BSCDO PM

Source Field

Total number of MFPA users

Source Section

CC

TotalMFPAUsersServed

Total number of MFPA users served

Data Source

BSCDO PM

Source Field

Total number of MFPA users served

Source Section

CC

EMH_Core Primitive Calculations

The following is a list of primitive calculations for the EMH_Core entity.

GRAPHmultiLineSeparator

Special Control Field for Multi-Line Graphs

Calculation

""

NUMDAYS

of days in Report

Calculation

DAYSINREPORT ()

NUMHOURS

of hours in Summation Data

EMH_Core Peg Counts

The following is a list of peg counts for the EMH_Core entity.

CpuUseRate_AVG

Average CPU Use Rate of EMH Core Server Card.

Source Field

CPU use rate of EMH Core Server

Data Source

BSCDO PM

Source Section

EMHCORE

CpuUseRate_MAX

Peak CPU Use Rate of EMH Core Server Card.

Source Field

CPU use rate of EMH Core Server

Data Source

BSCDO PM

Source Section

EMHCORE

DiskUseRate_AVG

Average Disk Use Rate of EMH Core Server Card.

Source Field

Disk use rate of EMH Core Server

Data Source

BSCDO PM

Source Section

EMHCORE

DiskUseRate_MAX

Peak Disk Use Rate of EMH Core Server Card.

Source Field

Disk use rate of EMH Core Server

Data Source

BSCDO PM

Source Section

EMHCORE

GranularityPeriod

EVDO PM Collection period in minutes

Source Field

Collection Period (Min)

Data Source

BSCDO PM

Source Section

EMHCORE

MemUseRate_AVG

Average Memory Use Rate of EMH Core Server Card.

Source Field

Memory use rate of EMH Core Server

Data Source

BSCDO PM

Source Section

EMHCORE

MemUseRate_MAX

Peak Memory Use Rate of EMH Core Server Card.

Source Field

Memory use rate of EMH Core Server

Data Source

BSCDO PM

Source Section

EMHCORE

NodeKind

Determines whether this is an IP-BSC-DO or BSC-DO entity

Data Source

BSCDO PM

Source Field

NodeKind

Source Section

EMHCORE

SuspectFlag

Data suspect flag. Set to 1 if quality of data is suspected, otherwise 0

Source Field

** is detected in data value

Data Source

BSCDO PM

Source Section

EMHCORE

EMH_Med Primitive Calculations

The following is a list of primitive calculations for the EMH_Med entity.

GRAPHmultiLineSeparator

Special Control Field for Multi-Line Graphs

Calculation

""

NUMDAYS

of days in Report

Calculation

DAYSINREPORT ()

NUMHOURS

of hours in Summation Data

EMH_Med Peg Counts

The following is a list of peg counts for the EMH_Med entity.

CpuUseRate_AVG

Average CPU Use Rate of EMH Mediation Server Card.

Source Field

CPU use rate of EMH Mediation Server

Data Source

BSCDO PM

Source Section

EMHMED

CpuUseRate_MAX

Peak CPU Use Rate of EMH Mediation Server Card.

Source Field

CPU use rate of EMH Mediation Server

Data Source

BSCDO PM

Source Section

EMHMED

DiskUseRate_AVG

Average Disk Use Rate of EMH Mediation Server Card.

Source Field

Disk use rate of EMH Mediation Server

Data Source

BSCDO PM

Source Section

EMHMED

DiskUseRate_MAX

Peak Disk Use Rate of EMH Mediation Server Card.

Source Field

Disk use rate of EMH Mediation Server

Data Source

BSCDO PM

Source Section

EMHMED

GranularityPeriod

EVDO PM Collection period in minutes

Source Field

Collection Period (Min)

Data Source

BSCDO PM

Source Section

EMHMED

MemUseRate_AVG

Average Memory Use Rate of EMH Mediation Server Card.

Source Field

Memory use rate of EMH Mediation Server

Data Source

BSCDO PM

Source Section

EMHMED

MemUseRate_MAX

Peak Memory Use Rate of EMH Mediation Server Card.

Source Field

Memory use rate of EMH Mediation Server

Data Source

BSCDO PM

Source Section

EMHMED

NodeKind

Determines whether this is an IP-BSC-DO or BSC-DO entity

Data Source

BSCDO PM

Source Field

NodeKind

Source Section

EMHMED

SuspectFlag

Data suspect flag. Set to 1 if quality of data is suspected, otherwise 0

Source Field

** is detected in data value

Data Source

BSCDO PM

Source Section

EMHMED

EMHBLADE Primitive Calculations

The following is a list of primitive calculations for the EMHBLADE entity.

GRAPHmultiLineSeparator

Special Control Field for Multi-Line Graphs

Calculation

""

NUMDAYS

of days in Report

Calculation

DAYSINREPORT ()

NUMHOURS

of hours in Summation Data

EMHBLADE Peg Counts

The following is a list of peg counts for the EMHBLADE entity.

CpuUseRate_AVG

Average CPU use rate of EMH Blade

Source Field

CPU use rate of EMH Blade

Data Source

BSCDO PM

Source Section

EMHBLADE

CpuUseRate_MAX

Peak CPU use rate of EMH Blade

Source Field

CPU use rate of EMH Blade

Data Source

BSCDO PM

Source Section

EMHBLADE

DiskUseRate_AVG

Average Disk use rate of EMH Blade

Source Field

Disk use rate of EMH Blade

Data Source

BSCDO PM

Source Section

EMHBLADE

DiskUseRate_MAX

Peak Disk use rate of EMH Blade

Source Field

Disk use rate of EMH Blade

Data Source

BSCDO PM

Source Section

EMHBLADE

GranularityPeriod

EVDO PM Collection period in minutes

Source Field

Collection Period (Min)

Data Source

BSCDO PM

Source Section

EMHBLADE

MemUseRate_AVG

Average Memory use rate of EMH Blade

Source Field

Memory use rate of EMH Blade

Data Source

BSCDO PM

Source Section

EMHBLADE

MemUseRate_MAX

Peak Memory use rate of EMH Blade

Source Field

Memory use rate of EMH Blade

Data Source

BSCDO PM

Source Section

EMHBLADE

NodeKind

Determines whether this is an IP-BSC-DO or BSC-DO entity

Source Field

NodeKind

Data Source

BSCDO PM

Source Section

EMHBLADE

SuspectFlag

Data suspect flag. Set to 1 if quality of data is suspected, otherwise 0

Source Field

** is detected in data value

Data Source

BSCDO PM

Source Section

EMHBLADE

MCC_DO Primitive Calculations

The following is a list of primitive calculations for the MCC_DO entity.

GrphMulLnSeptr

Special Control Field for Multi-Line Graphs

Calculation

""

NUMDAYS

of days in Report

Calculation

DAYSINREPORT ()

NUMHOURS

of hours in Summation Data

RevBundleAvgPktSize

Average packet size for all traffic in the MLPPP bundle in the reverse direction.

Calculation

(1.0 * RevBundleBytes) / (1.0 * RevBundlePkts)

RevBundlebps

MLPPP Bundle bits per second rate in the reverse direction

Calculation

(1.0 * RevBundleBytes * 8.0) / PERLEN

RevBundlebpsBkgd

The bits per second rate for the Background traffic in the reverse direction

Calculation

$(1.0 * \text{RevBundleBytesBkgd} * 8.0) / \text{PERLEN}$

RevBundlebpsConv

The bits per second rate for the Conversational traffic in the reverse direction.

Calculation

$(1.0 * \text{RevBundleBytesConv} * 8.0) / \text{PERLEN}$

RevBundlebpsIntr

The bits per second rate for the Interactive traffic in the reverse direction

Calculation

$(1.0 * \text{RevBundleBytesIntr} * 8.0) / \text{PERLEN}$

RevBundlebpsStrm

The bits per second rate for the Streaming traffic in the reverse direction

Calculation

$(1.0 * \text{RevBundleBytesStrm} * 8.0) / \text{PERLEN}$

RevBundleDroppedPPS

The dropped packet per second rate for the bundle in the reverse direction

Calculation

$(1.0 * \text{vsum}(\text{RevBundleDroppedPktsConv}, \text{RevBundleDroppedPktsStrm}, \text{RevBun-} \\ \text{dleDroppedPktsIntr}, \text{RevBundleDroppedPktsBkgd})) / \text{PERLEN}$

RevBundleDroppedPPSBkgd

The dropped packet per second rate for the Background traffic in the reverse direction

Calculation

$(1.0 * \text{RevBundleDroppedPktsBkgd}) / \text{PERLEN}$

RevBundleDroppedPPSConv

The dropped packet per second rate for the Conversational traffic in the reverse direction

Calculation

$(1.0 * \text{RevBundleDroppedPktsConv}) / \text{PERLEN}$

RevBundleDroppedPPSIntr

The dropped packet per second rate for the Interactive traffic in the reverse direction

Calculation

$$(1.0 * RevBundleDroppedPktsIntr) / PERLEN$$

RevBundleDroppedPPSStrm

The dropped packet per second rate for the Streaming traffic in the reverse direction

Calculation

$$(1.0 * RevBundleDroppedPktsStrm) / PERLEN$$

RevBundlePPS

MLPPP Bundle Packet per second rate in the reverse direction.

Calculation

$$(1.0 * RevBundlePkts) / PERLEN$$

RevBundlePPSBkgd

The packet per second rate for the Background traffic class in the reverse direction.

Calculation

$$(1.0 * RevBundlePktsBkgd) / PERLEN$$

RevBundlePPSConv

The packet per second rate for the Conversational traffic class in the reverse direction.

Calculation

$$(1.0 * RevBundlePktsConv) / PERLEN$$

RevBundlePPSIntr

The packet per second rate for the Interactive traffic class in the reverse direction.

Calculation

$$(1.0 * RevBundlePktsIntr) / PERLEN$$

RevBundlePPSStrm

The packet per second rate for the Streaming traffic class in the reverse direction.

Calculation

$$(1.0 * RevBundlePktsStrm) / PERLEN$$

MCC_DO Peg Counts

The following is a list of peg counts for the MCC_DO entity.

AckLackforBcklBwdRpt

The number of occurrences of lack of acknowledge to report backhaul bandwidth.

Data Source

MCCDO PM

Source Field

Acknowledge lack for backhaul bandwidth report

Source Section

Node-MCC

AvgPxFlowPerUser

Avg number of PxFlows per User

Source Field

Avg number of PxFlows per User

Data Source

BSCDO PM

Source Section

APC MCC

AvgPxFlowResUtil

PxFlow average utilization

Source Field

PxFlow average utilization

Data Source

BSCDO PM

Source Section

APC MCC

AvgUserResUtil

User resource average utilization

Source Field

User resource average utilization

Data Source

BSCDO PM

Source Section

APC MCC

BTSID

BTS ID

Data Source

MCCDO PM

Source Section

MCC-DO

Source Field

BTSID

BundleFailureSec

The total time when the number of failure PPP is one or more.

Data Source

MCCDO PM

Source Field

Seconds of MLPPP bundle failure

Source Section

Node-MCC

ChangingofMLPPPBundleBwd

The number of occurrences of changing the backhaul bandwidth in the MLPPP bundle by changing the number of active PPP.

Data Source

MCCDO PM

Source Field

Changing of MLPPP bundle bandwidth

Source Section

Node-MCC

CollectionPeriod_PM

EVDO PM Collection period in minutes.

Data Source

MCCDO PM

Source Field

Collection Period (Min)

Source Section

MCC-DO Node

CPUUseRateOfMain_AVG

Average of two 5-min raw data for the main CPU usage in % of a MCC-DO card

Source Field

CPU use rate of Main

Source Section

MCC-DO Node

Data Source

MCCDO PM

CPUUseRateOfMain_MAX

Max of two 5-min raw data for the main CPU usage in % of a MCC-DO card

Source Field

CPU use rate of Main

Source Section

MCC-DO Node

Data Source

MCCDO PM

DegradedSecAlarmSpan1

The Degraded Seconds (DS) on MCC-DO-As span1.

Data Source

MCCDO PM

Source Field

Degraded Seconds Alarm (DSA) span1

Source Section

Node-MCC

DegradedSecAlarmSpan2

The Degraded Seconds (DS) on MCC-DO-As span2.

Data Source

MCCDO PM

Source Field

Degraded Seconds Alarm (DSA) span2

Source Section

Node-MCC

DegradedSecAlarmSpan3

The Degraded Seconds (DS) on MCC-DO-As span3.

Data Source

MCCDO PM

Source Field

Degraded Seconds Alarm (DSA) span3

Source Section

Node-MCC

DegradedSecAlarmSpan4

The Degraded Seconds (DS) on MCC-DO-As span4.

Data Source

MCCDO PM

Source Field

Degraded Seconds Alarm (DSA) span4

Source Section

Node-MCC

DegradedSecWarningSpan1

The Degraded Seconds (DS) on MCC-DO-As span1.

Data Source

MCCDO PM

Source Field

Degraded Seconds Warning (DSW) span1

Source Section

Node-MCC

DegradedSecWarningSpan2

The Degraded Seconds (DS) on MCC-DO-As span2.

Data Source

MCCDO PM

Source Field

Degraded Seconds Warning (DSW) span2

Source Section

Node-MCC

DegradedSecWarningSpan3

The Degraded Seconds (DS) on MCC-DO-As span3.

Data Source

MCCDO PM

Source Field

Degraded Seconds Warning (DSW) span3

Source Section

Node-MCC

DegradedSecWarningSpan4

The Degraded Seconds (DS) on MCC-DO-As span4.

Data Source

MCCDO PM

Source Field

Degraded Seconds Warning (DSW) span4

Source Section

Node-MCC

DroppedAF1DataByScheduler

The number of AF1 data dropped by scheduler function. Collecting or not is controlled by system parameter AvailablePMItemBit.

Data Source

MCCDO PM

Source Field

Dropped AF1 data by scheduler

Source Section

MCC-DO

DroppedAF2DataByScheduler

The number of AF2 data dropped by scheduler function. Collecting or not is controlled by system parameter AvailablePMItemBit.

Data Source

MCCDO PM

Source Field

Dropped AF2 data by scheduler

Source Section

MCC-DO

DroppedBEDataByScheduler

The number of BE data dropped by scheduler function. Collecting or not is controlled by system parameter AvailablePMItemBit.

Data Source

MCCDO PM

Source Field

Dropped BE data by scheduler

Source Section

MCC-DO

DroppedBytesOfModem

Number of traffic data bytes dropped by the MCC-DO in forward link because of buffer overflow

Data Source

MCCDO PM

Source Section

MCC-DO

Source Field

Dropped bytes of Modem

DroppedEF1DataByScheduler

The number of EF1 data dropped by scheduler function. Collecting or not is controlled by system parameter AvailablePMItemBit.

Data Source

MCCDO PM

Source Field

Dropped EF1 data by scheduler

Source Section

MCC-DO

DroppedEF2DataByScheduler

The number of EF2 data dropped by scheduler function. Collecting or not is controlled by system parameter AvailablePMItemBit.

Data Source

MCCDO PM

Source Field

Dropped EF2 data by scheduler

Source Section

MCC-DO

DroppedPacketsOfFwdLine

Number of CR -> MCC-DO (forward) packets received by the MCC-DO and then discarded

Source Field

Dropped packets of fwd line

Source Section

MCC-DO Node

Data Source

MCCDO PM

DroppedPacketsOfRevLine

Number of MCC-DO -> CR (reverse) packets received by the MCC-DO and then discarded

Source Field

Dropped packets of rev line

Source Section

MCC-DO Node

Data Source

MCCDO PM

ErroredSecondsLineSpan1

The Errored Seconds(ES) on MCC-DO-As span1.

Data Source

MCCDO PM

Source Field

Errored Seconds-Line (ES-L) span1

Source Section

Node-MCC

ErroredSecondsLineSpan2

The Errored Seconds(ES) on MCC-DO-As span2.

Data Source

MCCDO PM

Source Field

Errored Seconds-Line (ES-L) span2

Source Section

Node-MCC

ErroredSecondsLineSpan3

The Errored Seconds(ES) on MCC-DO-As span3.

Data Source

MCCDO PM

Source Field

Errored Seconds-Line (ES-L) span3

Source Section

Node-MCC

ErroredSecondsLineSpan4

The Errored Seconds(ES) on MCC-DO-As span4.

Data Source

MCCDO PM

Source Field

Errored Seconds-Line (ES-L) span4

Source Section

Node-MCC

ErroredSecondsPathSpan1

The Errored Seconds(ES) on MCC-DO-As span1.

Data Source

MCCDO PM

Source Field

Errored Seconds-Path (ES-P) span1

Source Section

Node-MCC

ErroredSecondsPathSpan2

The Errored Seconds(ES) on MCC-DO-As span2.

Data Source

MCCDO PM

Source Field

Errored Seconds-Path (ES-P) span2

Source Section

Node-MCC

ErroredSecondsPathSpan3

The Errored Seconds(ES) on MCC-DO-As span3.

Data Source

MCCDO PM

Source Field

Errored Seconds-Path (ES-P) span3

Source Section

Node-MCC

ErroredSecondsPathSpan4

The Errored Seconds(ES) on MCC-DO-As span4.

Data Source

MCCDO PM

Source Field

Errored Seconds-Path (ES-P) span4

Source Section

Node-MCC

FwdLineUseRate_AVG

Average of two 5-min raw data for the SPAN circuits forward usage in % (CR -> MCC-DO)

Source Field

Fwd line use rate

Source Section

MCC-DO Node

Data Source

MCCDO PM

FwdLineUseRate_MAX

Max of two 5-min raw data for the SPAN circuits forward usage in % (CR -> MCC-DO)

Source Field

Fwd line use rate

Source Section

MCC-DO Node

Data Source

MCCDO PM

LineCodeViolationSpan1

The Line Code Violation Count on MCC-DO-As span1.

Data Source

MCCDO PM

Source Field

Line Code Violation LCV (CV-L) span1

Source Section

Node-MCC

LineCodeViolationSpan2

The Line Code Violation Count on MCC-DO-As span2.

Data Source

MCCDO PM

Source Field

Line Code Violation LCV (CV-L) span2

Source Section

Node-MCC

LineCodeViolationSpan3

The Line Code Violation Count on MCC-DO-As span3.

Data Source

MCCDO PM

Source Field

Line Code Violation LCV (CV-L) span3

Source Section

Node-MCC

LineCodeViolationSpan4

The Line Code Violation Count on MCC-DO-As span4.

Data Source

MCCDO PM

Source Field

Line Code Violation LCV (CV-L) span4

Source Section

Node-MCC

MemoryUseRateOfMain_AVG

Average of two 5-min raw data for the main memory usage % of a MCC-DO card

Source Field

Memory use rate of Main

Source Section

MCC-DO Node

Data Source

MCCDO PM

MemoryUseRateOfMain_MAX

Max of two 5-min raw data for the main memory usage % of a MCC-DO card

Source Field

Memory use rate of Main

Source Section

MCC-DO Node

Data Source

MCCDO PM

MinMLPPBundleBHBW

The minimum backhaul bandwidth reported from MCC-DO-A.

Data Source

MCCDO PM

Source Field

Minimum MLPPP bundle backhaul bandwidth

Source Section

Node-MCC

NodeKind

Node kind

Data Source

MCCDO PM

Source Section

MCC-DO

Source Field

NodeKind

PathCodeViolationSpan1

The Path Code Violation Count on MCC-DO-As span1.

Data Source

MCCDO PM

Source Field

Path Code Violation PCV (CV-P) span1

Source Section

Node-MCC

PathCodeViolationSpan2

The Path Code Violation Count on MCC-DO-As span2.

Data Source

MCCDO PM

Source Field

Path Code Violation PCV (CV-P) span2

Source Section

Node-MCC

PathCodeViolationSpan3

The Path Code Violation Count on MCC-DO-As span3.

Data Source

MCCDO PM

Source Field

Path Code Violation PCV (CV-P) span3

Source Section

Node-MCC

PathCodeViolationSpan4

The Path Code Violation Count on MCC-DO-As span4.

Data Source

MCCDO PM

Source Field

Path Code Violation PCV (CV-P) span4

Source Section

Node-MCC

PERLEN

Period Length

Data Source

MCCDO PM

Source Field

PERLEN

Source Section

Period Length

PxFloWAttBlockRate

PxFloW attempt block rate

Source Field

PxFloW attempt block rate

Data Source

BSCDO PM

Source Section

APC MCC

PxFloWAttempts

PxFloW total attempts

Source Field

PxFloW total attempts

Data Source

BSCDO PM

Source Section

APC MCC

PxFlowLimit

PxFlow Limit

Source Field

PxFlow Limit

Data Source

BSCDO PM

Source Section

APC MCC

PxFlowTotalUsage

PxFlow total usage in seconds

Source Field

PxFlow total usage in seconds

Data Source

BSCDO PM

Source Section

APC MCC

PxFlowTotFails

PxFlow total failures

Data Source

BSCDO PM

Source Section

APC MCC

Source Field

PxFlow failures (blocks due to PxFlow resource limit)

RevACapacityLicenseState

Rev-A Capacity License state

Data Source

BSCDO PM

Source Section

APC MCC

Source Field

RevACapacityLicense

RevBundleBytes

The total bytes which are scheduled on MCC-DO-A backhaul

Data Source

MCCDO PM

Source Field

Byte counter per MLPPP bundle

Source Section

Node-MCC

RevBundleBytesBkgd

This measurement indicates the total number of bytes scheduled successfully on a DO backhaul scheduler for a Reverse traffic with traffic class background. This is measured

Data Source

MCCDO PM

Source Field

Reverse link backhaul scheduling success bytes Bkgd

Source Section

Node-MCC

RevBundleBytesConv

This measurement indicates the total number of bytes scheduled successfully on a DO backhaul scheduler for a Reverse traffic with traffic class conversation. This is measured

Data Source

MCCDO PM

Source Field

Reverse link backhaul scheduling success bytes Conv

Source Section

Node-MCC

RevBundleBytesIntr

This measurement indicates the total number of bytes scheduled successfully on a DO backhaul scheduler for a Reverse traffic with traffic class interactive. This is measured per MLPPP bundle.

Data Source

MCCDO PM

Source Field

Reverse link backhaul scheduling success bytes Intr

Source Section

Node-MCC

RevBundleBytesStrm

This measurement indicates the total number of bytes scheduled successfully on a DO backhaul scheduler for a Reverse traffic with traffic class Stream. This is measured per MLPPP bundle.

Data Source

MCCDO PM

Source Field

Reverse link backhaul scheduling success bytes Strm

Source Section

Node-MCC

RevBundleDroppedPktsBkgd

This measurement indicates the number of packets NOT scheduled successfully (dropped packets) on a DO backhaul scheduler for a Reverse traffic with traffic class background. This is measured per MLPPP bundle.

Data Source

MCCDO PM

Source Field

Reverse link backhaul scheduling failure packets Bkgd

Source Section

Node-MCC

RevBundleDroppedPktsConv

This measurement indicates the number of packets NOT scheduled successfully (dropped packets) on a DO backhaul scheduler for a Reverse traffic with traffic class conversation. This is measured per MLPPP bundle.

Data Source

MCCDO PM

Source Field

Reverse link backhaul scheduling failure packets Conv

Source Section

Node-MCC

RevBundleDroppedPktsFTP

The FTP packets which are not transmitted on MCC-DO-A

Data Source

MCCDO PM

Source Field

Dropped Packets Counter FTP shaping

Source Section

Node-MCC

RevBundleDroppedPktsIntr

This measurement indicates the number of packets NOT scheduled successfully (dropped packets) on a DO backhaul scheduler for a Reverse traffic with traffic class Interactive. This is measured per MLPPP bundle.

Data Source

MCCDO PM

Source Field

Reverse link backhaul scheduling failure packets Intr

Source Section

Node-MCC

RevBundleDroppedPktsSNMP

The SNMP packets which are not transmitted on MCC-DO-A

Data Source

MCCDO PM

Source Field

Dropped Packets Counter SNMP shaping

Source Section

Node-MCC

RevBundleDroppedPktsStrm

This measurement indicates the number of packets NOT scheduled successfully (dropped packets) on a DO backhaul scheduler for a Reverse traffic with traffic class stream. This is measured per MLPPP bundle.

Data Source

MCCDO PM

Source Field

Reverse link backhaul scheduling failure packets Strm

Source Section

Node-MCC

RevBundleDroppedPktsTELNET

The TELNET packets which are not transmitted on MCC-DO-A

Data Source

MCCDO PM

Source Field

Dropped Packets Counter TELNET shaping

Source Section

Node-MCC

RevBundlePkts

The total packets which are scheduled on MCC-DO-A backhaul

Data Source

MCCDO PM

Source Field

Packet counter per MLPPP bundle

Source Section

Node-MCC

RevBundlePktsBkgd

This measurement indicates the number of packets scheduled successfully on a DO backhaul scheduler for a Reverse traffic with traffic class background. This is measured

Data Source

MCCDO PM

Source Field

Reverse link backhaul scheduling success packets Bkgd

Source Section

Node-MCC

RevBundlePktsConv

This measurement indicates the number of packets scheduled successfully on a DO backhaul scheduler for a Reverse traffic with traffic class conversation. This is measured

Data Source

MCCDO PM

Source Field

Reverse link backhaul scheduling success packets Conv

Source Section

Node-MCC

RevBundlePktsIntr

This measurement indicates the number of packets scheduled successfully on a DO backhaul scheduler for a Reverse traffic with traffic class Interactive. This is measured per MLPPP bundle.

Data Source

MCCDO PM

Source Field

Reverse link backhaul scheduling success packets Intr

Source Section

Node-MCC

RevBundlePktsStrm

This measurement indicates the number of packets scheduled successfully on a DO backhaul scheduler for a Reverse traffic with traffic class stream. This is measured per MLPPP bundle.

Data Source

MCCDO PM

Source Field

Reverse link backhaul scheduling success packets Strm

Source Section

Node-MCC

RvsLineUseRate_AVG

Average of two 5-min raw data for SPAN circuits reverse usage % (MCCDO-> CR)

Source Field

Rvs line use rate

Source Section

MCC-DO Node

Data Source

MCCDO PM

RvsLineUseRate_MAX

Max of two 5-min raw data for SPAN circuits reverse usage % (MCCDO-> CR)

Source Field

Rvs line use rate

Source Section

MCC-DO Node

Data Source

MCCDO PM

SeverelyErroredSecondsLineSpan1

The Severely Errored Seconds (SES) on MCC-DO-As span1.

Data Source

MCCDO PM

Source Field

Severely Errored-Line (SES-L) Seconds span1

Source Section

Node-MCC

SeverelyErroredSecondsLineSpan2

The Severely Errored Seconds (SES) on MCC-DO-As span2.

Data Source

MCCDO PM

Source Field

Severely Errored-Line (SES-L) Seconds span2

Source Section

Node-MCC

SeverelyErroredSecondsLineSpan3

The Severely Errored Seconds (SES) on MCC-DO-As span3.

Data Source

MCCDO PM

Source Field

Severely Errored-Line (SES-L) Seconds span3

Source Section

Node-MCC

SeverelyErroredSecondsLineSpan4

The Severely Errored Seconds (SES) on MCC-DO-As span4.

Data Source

MCCDO PM

Source Field

Severely Errored-Line (SES-L) Seconds span4

Source Section

Node-MCC

SeverelyErroredSecondsPathSpan1

The Severely Errored Seconds (SES) on MCC-DO-As span1.

Data Source

MCCDO PM

Source Field

Severely Errored-Path Seconds (SES-P) span1

Source Section

Node-MCC

SeverelyErroredSecondsPathSpan2

The Severely Errored Seconds (SES) on MCC-DO-As span2.

Data Source

MCCDO PM

Source Field

Severely Errored-Path Seconds (SES-P) span2

Source Section

Node-MCC

SeverelyErroredSecondsPathSpan3

The Severely Errored Seconds (SES) on MCC-DO-As span3.

Data Source

MCCDO PM

Source Field

Severely Errored-Path Seconds (SES-P) span3

Source Section

Node-MCC

SeverelyErroredSecondsPathSpan4

The Severely Errored Seconds (SES) on MCC-DO-As span4.

Data Source

MCCDO PM

Source Field

Severely Errored-Path Seconds (SES-P) span4

Source Section

Node-MCC

SuspectFlag

Data suspect flag. Set to 1 if quality of data is suspected, otherwise 0

Data Source

MCCDO PM

Source Field

** is detected in data value

Source Section

MCC-DO Node

UDPPortUtilizationOverBackhaulPort1

UDP port utilization over the backhaul between MCC-DO-A and CR-DO. The number of collectable ports is 8.

Data Source

MCCDO PM

Source Field

Histogram of UDP port utilization over the backhaul port1

Source Section

MCC-DO

UDPPortUtilizationOverBackhaulPort2

UDP port utilization over the backhaul between MCC-DO-A and CR-DO. The number of collectable ports is 8.

Data Source

MCCDO PM

Source Field

Histogram of UDP port utilization over the backhaul port2

Source Section

MCC-DO

UDPPortUtilizationOverBackhaulPort3

UDP port utilization over the backhaul between MCC-DO-A and CR-DO. The number of collectable ports is 8.

Data Source

MCCDO PM

Source Field

Histogram of UDP port utilization over the backhaul port3

Source Section

MCC-DO

UDPPortUtilizationOverBackhaulPort4

UDP port utilization over the backhaul between MCC-DO-A and CR-DO. The number of collectable ports is 8.

Data Source

MCCDO PM

Source Field

Histogram of UDP port utilization over the backhaul port4

Source Section

MCC-DO

UDPPortUtilizationOverBackhaulPort5

UDP port utilization over the backhaul between MCC-DO-A and CR-DO. The number of collectable ports is 8.

Data Source

MCCDO PM

Source Field

Histogram of UDP port utilization over the backhaul port5

Source Section

MCC-DO

UDPPortUtilizationOverBackhaulPort6

UDP port utilization over the backhaul between MCC-DO-A and CR-DO. The number of collectable ports is 8.

Data Source

MCCDO PM

Source Field

Histogram of UDP port utilization over the backhaul port6

Source Section

MCC-DO

UDPPortUtilizationOverBackhaulPort7

UDP port utilization over the backhaul between MCC-DO-A and CR-DO. The number of collectable ports is 8.

Data Source

MCCDO PM

Source Field

Histogram of UDP port utilization over the backhaul port7

Source Section

MCC-DO

UDPPortUtilizationOverBackhaulPort8

UDP port utilization over the backhaul between MCC-DO-A and CR-DO. The number of collectable ports is 8.

Data Source

MCCDO PM

Source Field

Histogram of UDP port utilization over the backhaul port8

Source Section

MCC-DO

UnavailableSecSpan1

The Unavailable Seconds (US) on MCC-DO-As span1.

Data Source

MCCDO PM

Source Field

Unavailable Seconds (UAS-P) span1

Source Section

Node-MCC

UnavailableSecSpan2

The Unavailable Seconds (US) on MCC-DO-As span2.

Data Source

MCCDO PM

Source Field

Unavailable Seconds (UAS-P) span2

Source Section

Node-MCC

UnavailableSecSpan3

The Unavailable Seconds (US) on MCC-DO-As span3.

Data Source

MCCDO PM

Source Field

Unavailable Seconds (UAS-P) span3

Source Section

Node-MCC

UnavailableSecSpan4

The Unavailable Seconds (US) on MCC-DO-As span4.

Data Source

MCCDO PM

Source Field

Unavailable Seconds (UAS-P) span4

Source Section

Node-MCC

UserAttBlockRate

User attempt block rate - User resource limit

Source Field

User attempt block rate - User resource limit

Data Source

BSCDO PM

Source Section

APC MCC

UserAttBlockRateResLmt

User attempt block rate - User or Flow resource limit

Source Field

User attempt block rate - User or Flow resource limit

Data Source

BSCDO PM

Source Section

APC MCC

UserErlangs

User Erlangs

Source Field

User Erlangs

Data Source

BSCDO PM

Source Section

APC MCC

UserFailuresFlowRes

User failures (blocks due to PxFW resource limit)

Source Field

User failures (blocks due to PxFW resource limit)

Data Source

BSCDO PM

Source Section

APC MCC

UserFailuresUserRes

User failures (blocks due to User resource limit)

Source Field

User failures (blocks due to User resource limit)

Data Source

BSCDO PM

Source Section

APC MCC

UserLimit

User Limit

Source Field

User Limit

Data Source

BSCDO PM

Source Section

APC MCC

UserTotalAttempts

User total attempts

Source Field

User total attempts

Data Source

BSCDO PM

Source Section

APC MCC

UserTotalUsage

User total usage in seconds

Source Field

User resource total usage in seconds

Data Source

BSCDO PM

Source Section

APC MCC

ZeroBwdOccured

The number of occurrences of turning to zero backhaul bandwidth

Data Source

MCCDO PM

Source Field

Zero bandwidth occurred

Source Section

Node-MCC

MCC_DO_Modem Primitive Calculations

The following is a list of primitive calculations for the MCC_DO_Modem entity.

NUMDAYS

of days in Report

Calculation

DAYSINREPORT ()

NUMHOURS

of hours in Summation Data

MCC_DO_Modem Peg Counts

The following is a list of peg counts for the MCC_DO_Modem entity.

AccessChannelOccupancyRate_AVG

Access Channel occupancy rate in percent. Aggregation for this peg is average.

Data Source

MCCDO PM

Source Section

MCC-DO Modem

Source Field

Access Channel occupancy rate

AccessChannelOccupancyRate_MAX

Access Channel occupancy rate in percent. Aggregation for this peg is max.

Data Source

MCCDO PM

Source Section

MCC-DO Modem

Source Field

Access Channel occupancy rate

APCModemFDN

FDN of the corresponding APC Modem

Data Source

MCCDO PM

Source Section

MCC-DO Modem

AveAF1PacketsperMultiUserPackets_AVG

Average number of AF1 packets per transmitted multi-user multiplexed packet. Collecting or not is controlled by system parameter AvailablePMItemBit.

Data Source

MCCDO PM

Source Field

The averaged number of AF1 packets per transmitted multi-user packets

Source Section

MCCDO Modem

AveAF2PacketsperMultiUserPackets_AVG

Average number of AF2 packets per transmitted multi-user multiplexed packet. Collecting or not is controlled by system parameter AvailablePMItemBit.

Data Source

MCCDO PM

Source Field

The averaged number of AF2 packets per transmitted multi-user packets

Source Section

MCCDO Modem

AveBEPacketsperMultiUserPackets_AVG

Average number of BE packets per transmitted multi-user multiplexed packet. Collecting or not is controlled by system parameter AvailablePMItemBit.

Data Source

MCCDO PM

Source Field

The averaged number of BE packets per transmitted multi-user packets

Source Section

MCCDO Modem

AveDRCinAF1PacketsTransmission_AVG

Averaged DRC when AF1 packets are transmitted. Collecting or not is controlled by system parameter AvailablePMItemBit.

Data Source

MCCDO PM

Source Field

Averaged DRC in AF1 packets transmission

Source Section

MCCDO Modem

AveDRCinAF2PacketsTransmission_AVG

Averaged DRC when AF2 packets are transmitted. Collecting or not is controlled by system parameter AvailablePMItemBit.

Data Source

MCCDO PM

Source Field

Averaged DRC in AF2 packets transmission

Source Section

MCCDO Modem

AveDRCinBEPacketsTransmission_AVG

Averaged DRC when BE packets are transmitted. Collecting or not is controlled by system parameter AvailablePMItemBit.

Data Source

MCCDO PM

Source Field

Averaged DRC in BE packets transmission

Source Section

MCCDO Modem

AveDRCinEF1PacketsTransmission_AVG

Averaged DRC when EF1 packets are transmitted. Collecting or not is controlled by system parameter AvailablePMItemBit.

Data Source

MCCDO PM

Source Field

Averaged DRC in EF1 packets transmission

Source Section

MCCDO Modem

AveDRCinEF2PacketsTransmission_AVG

Averaged DRC when EF2 packets are transmitted. Collecting or not is controlled by system parameter AvailablePMItemBit.

Data Source

MCCDO PM

Source Field

Averaged DRC in EF2 packets transmission

Source Section

MCCDO Modem

AveEF1PacketsperMultiUserPackets_AVG

Average number of EF1 packets per transmitted multi-user multiplexed packet. Collecting or not is controlled by system parameter AvailablePMItemBit.

Data Source

MCCDO PM

Source Field

The averaged number of EF1 packets per transmitted multi-user packets

Source Section

MCCDO Modem

AveEF2PacketsperMultiUserPackets_AVG

Average number of EF2 packets per transmitted multi-user multiplexed packet. Collecting or not is controlled by system parameter AvailablePMItemBit.

Data Source

MCCDO PM

Source Field

The averaged number of EF2 packets per transmitted multi-user packets

Source Section

MCCDO Modem

AveForwardThroughputOfAF1Flows_AVG

The averaged throughput of flows classified as AF1 type. Collecting or not is controlled by system parameter AvailablePMItemBit.

Data Source

MCCDO PM

Source Field

Averaged forward throughput of AF1 flows

Source Section

MCCDO Modem

AveForwardThroughputOfAF2Flows_AVG

The averaged throughput of flows classified as AF2 type. Collecting or not is controlled by system parameter AvailablePMItemBit.

Data Source

MCCDO PM

Source Field

Averaged forward throughput of AF2 flows

Source Section

MCCDO Modem

AveForwardThroughputOfBEFlows_AVG

The averaged throughput of flows classified as BE type. Collecting or not is controlled by system parameter AvailablePMItemBit.

Data Source

MCCDO PM

Source Field

Averaged forward throughput of BE flows

Source Section

MCCDO Modem

AveForwardThroughputOfEF1Flows_AVG

The averaged throughput of flows classified as EF1 type. Collecting or not is controlled by system parameter AvailablePMItemBit.

Data Source

MCCDO PM

Source Field

Averaged forward throughput of EF1 flows

Source Section

MCCDO Modem

AveForwardThroughputOfEF2Flows_AVG

The averaged throughput of flows classified as EF2 type. Collecting or not is controlled by system parameter AvailablePMItemBit.

Data Source

MCCDO PM

Source Field

Averaged forward throughput of EF2 flows

Source Section

MCCDO Modem

AverageFwdTransmissionWaitTime

MODEM Average of scheduling delay values in mili-seconds at the modems all terminals

Source Field

Average fwd transmission-wait-time

Source Section

MCC-DO Modem

Data Source

MCCDO PM

AverageRequestedDRC

MODEM Average of request data rates in kbit/s at the modems all terminals

Source Field

Average requested DRC

Source Section

MCC-DO Modem

Data Source

MCCDO PM

AveReverseThroughputOfAF1Flows_AVG

The averaged throughput of flows classified as AF1 type.

Data Source

MCCDO PM

Source Field

Averaged reverse throughput of AF1 flows

Source Section

MCCDO Modem

AveReverseThroughputOfAF2Flows_AVG

The averaged throughput of flows classified as AF2 type.

Data Source

MCCDO PM

Source Field

Averaged reverse throughput of AF2 flows

Source Section

MCCDO Modem

AveReverseThroughputOfBEFlows_AVG

The averaged throughput of flows classified as BE type.

Data Source

MCCDO PM

Source Field

Averaged reverse throughput of BE flows

Source Section

MCCDO Modem

AveReverseThroughputOfEF1Flows_AVG

The averaged throughput of flows classified as EF1 type.

Data Source

MCCDO PM

Source Field

Averaged reverse throughput of EF1 flows

Source Section

MCCDO Modem

AveReverseThroughputOfEF2Flows_AVG

The averaged throughput of flows classified as EF2 type.

Data Source

MCCDO PM

Source Field

Averaged reverse throughput of EF2 flows

Source Section

MCCDO Modem

AveReverseThroughputOfHiCapFlows_AVG

The averaged throughput of HiCap MAC flows.

Data Source

MCCDO PM

Source Field

Averaged reverse throughput of HiCap MAC flows

Source Section

MCCDO Modem

AveReverseThroughputOfLoLatFlows_AVG

The averaged throughput of LoLat MAC flows.

Data Source

MCCDO PM

Source Field

Averaged reverse throughput of LoLat MAC flows

Source Section

MCCDO Modem

AveSchedulingDelayOfAF1Flows_AVG

The averaged scheduling delay in transmitting AF1 flow data. Collecting or not is controlled by system parameter AvailablePMItemBit.

Data Source

MCCDO PM

Source Field

Averaged scheduling delay of AF1 flows

Source Section

MCCDO Modem

AveSchedulingDelayOfAF2Flows_AVG

The averaged scheduling delay in transmitting AF2 flow data. Collecting or not is controlled by system parameter AvailablePMItemBit.

Data Source

MCCDO PM

Source Field

Averaged scheduling delay of AF2 flows

Source Section

MCCDO Modem

AveSchedulingDelayOfBEFlows_AVG

The averaged scheduling delay in transmitting BE flow data. Collecting or not is controlled by system parameter AvailablePMItemBit.

Data Source

MCCDO PM

Source Field

Averaged scheduling delay of BE flows

Source Section

MCCDO Modem

AveSchedulingDelayOfEF1Flows_AVG

The averaged scheduling delay in transmitting EF1 flow data. Collecting or not is controlled by system parameter AvailablePMItemBit.

Data Source

MCCDO PM

Source Field

Averaged scheduling delay of EF1 flows

Source Section

MCCDO Modem

AveSchedulingDelayOfEF2Flows_AVG

The averaged scheduling delay in transmitting EF2 flow data. Collecting or not is controlled by system parameter AvailablePMItemBit.

Data Source

MCCDO PM

Source Field

Averaged scheduling delay of EF2 flows

Source Section

MCCDO Modem

AveUserPacketsperMultiUserPackets_AVG

Average number of user packets per transmitted multi-user multiplexed packet. Collecting or not is controlled by system parameter AvailablePMItemBit.

Data Source

MCCDO PM

Source Field

The averaged number of user packets per transmitted multi-user packets

Source Section

MCCDO Modem

BandClass

Band Class

Data Source

MCCDO PM

Source Section

MCC-DO Modem

Source Field

Band Class

BTSID

BTS ID

Data Source

MCCDO PM

Source Section

MCC-DO Modem

Source Field

BTSID

CCAsyncMsgs_Discarded_At_CCAsyncQueue

Number of CCAsync messages discarded at the CCAsync queue, due to the filling-up of the CCAsync queue

Source Field

Number of messages discarded at CCAsync queue

Data Source

MCCDO PM

Source Section

MCC-DO-A Modem-CCAsync

CCAsyncMsgs_Discarded_At_SchedulerQueue

Number of CCAsync messages discarded at the scheduler queue, due to the filling-up of the queue

Source Field

Number of CCAsync messages discarded at scheduler queue

Data Source

MCCDO PM

Source Section

MCC-DO-A Modem-CCAsync

ChannelNumber

Channel Number

Data Source

MCCDO PM

Source Section

MCC-DO Modem

Source Field

Channel Number

CollectionPeriod_PM

EVDO PM Collection period in minutes.

Data Source

MCCDO PM

Source Field

Collection Period (Min)

Source Section

MCC-DO Modem

FailedLARQSubPackets

The number of L-ARQ subpackets which are failed to receive through 4 sub-frames on reverse traffic channel

Data Source

MCCDO PM

Source Field

The number of failed L-ARQ sub-packets

Source Section

MCCDO Modem

ForwardControlChannelOccupancy_AVG

Forward control channel is number of slots that are used for control channel compared to the total slot available. Aggregation for this peg is average.

Data Source

MCCDO PM

Source Section

MCC-DO Modem

Source Field

Forward Control Channel occupancy

ForwardControlChannelOccupancy_MAX

Forward control channel is number of slots that are used for control channel compared to the total slot available. Aggregation for this peg is max.

Data Source

MCCDO PM

Source Section

MCC-DO Modem

Source Field

Forward Control Channel occupancy

ForwardLinkPEREstimation_AVG

The ratio of number of bad packets to the sum of the forward link data rate count. Aggregation for this peg is average.

Data Source

MCCDO PM

Source Section

MCC-DO Modem

Source Field

Forward Link PER Estimation

ForwardLinkPEREstimation_MAX

The ratio of number of bad packets to the sum of the forward link data rate count. Aggregation for this peg is average. Aggregation for this peg is max.

Data Source

MCCDO PM

Source Section

MCC-DO Modem

Source Field

Forward Link PER Estimation

FwdAirBytesMODEM

Number of bytes sent in the wireless section

Source Field

Fwd air bytes/MODEM

Source Section

MCC-DO Modem

Data Source

MCCDO PM

FwdAirThroughputMODEM_AVG

Average of two 5-min raw data for the value of throughput in kbit/s sent in the wireless section

Source Field

Fwd air throughput/MODEM

Source Section

MCC-DO Modem

Data Source

MCCDO PM

FwdAirThroughputMODEM_MAX

Max of two 5-min raw data for the value of throughput in kbit/s sent in the wireless section

Source Field

Fwd air throughput/MODEM

Source Section

MCC-DO Modem

Data Source

MCCDO PM

FwdLink1228_8kAssignmentCount

Forward link 1228.8k assignment count

Data Source

MCCDO PM

Source Section

MCC-DO Modem

Source Field

Fwd link 1228.8k assignment count

FwdLink153_6kAssignmentCount

Forward link 153.6k assignment count

Data Source

MCCDO PM

Source Section

MCC-DO Modem

Source Field

Fwd link 153.6k assignment count

FwdLink1536kAssignmentCount

The number of transmitted FTC packets by 1536kbps

Data Source

MCCDO PM

Source Field

Fwd link 1536k assignment count

Source Section

MCCDO Modem

FwdLink1843_2kAssignmentCount

Forward link 1843.2k assignment count

Data Source

MCCDO PM

Source Section

MCC-DO Modem

Source Field

Fwd link 1843.2k assignment count

FwdLink19_2kAssignmentCount

The number of transmitted FTC packets by 19.2kbps

Data Source

MCCDO PM

Source Field

Fwd link 19.2k assignment count

Source Section

MCCDO Modem

FwdLink2457_6kAssignmentCount

Forward link 2457.6k assignment count

Data Source

MCCDO PM

Source Section

MCC-DO Modem

Source Field

Fwd link 2457.6k assignment count

FwdLink307_2kAssignmentCount

Forward link 307.2k assignment count

Data Source

MCCDO PM

Source Section

MCC-DO Modem

Source Field

Fwd link 307.2k assignment count

FwdLink3072kAssignmentCount

The number of transmitted FTC packets by 3072kbps

Data Source

MCCDO PM

Source Field

Fwd link 3072k assignment count

Source Section

MCCDO Modem

FwdLink38_4kAssignmentCount

Forward link 38.4k assignment count

Data Source

MCCDO PM

Source Section

MCC-DO Modem

Source Field

Fwd link 38.4k assignment count

FwdLink4_8kAssignmentCount

The number of transmitted FTC packets by 4.8kbps

Data Source

MCCDO PM

Source Field

Fwd link 4.8k assignment count

Source Section

MCCDO Modem

FwdLink614_4kAssignmentCount

Forward link 614.4k assignment count

Data Source

MCCDO PM

Source Section

MCC-DO Modem

Source Field

Fwd link 614.4k assignment count

FwdLink76_8kAssignmentCount

Forward link 76.8k assignment count

Data Source

MCCDO PM

Source Section

MCC-DO Modem

Source Field

Fwd link 76.8k assignment count

FwdLink9_6kAssignmentCount

The number of transmitted FTC packets by 9.6kbps

Data Source

MCCDO PM

Source Field

Fwd link 9.6k assignment count

Source Section

MCCDO Modem

FwdLink921_6kAssignmentCount

Forward link 921.6k assignment count

Data Source

MCCDO PM

Source Section

MCC-DO Modem

Source Field

Fwd link 921.6k assignment count

LARQSubPacketOfHiCap

The number of L-ARQ sub-packet on reverse traffic channel of High Capacity mode.

Data Source

MCCDO PM

Source Field

The number of L-ARQ sub-packet of HiCap

Source Section

MCCDO Modem

LARQSubPacketOfLoLat

The number of L-ARQ sub-packet on reverse traffic channel of Low Latency mode.

Data Source

MCCDO PM

Source Field

The number of L-ARQ sub-packet of LoLat

Source Section

MCCDO Modem

NodeKind

Node kind

Data Source

MCCDO PM

Source Section

MCC-DO Modem

Source Field

NodeKind

PeakForwardThroughputOfAF1Flows_MAX

The peak throughput of flows classified as AF1 type. Collecting or not is controlled by system parameter AvailablePMItemBit.

Data Source

MCCDO PM

Source Field

Peak forward throughput of AF1 flows

Source Section

MCCDO Modem

PeakForwardThroughputOfAF2Flows_MAX

The peak throughput of flows classified as AF2 type. Collecting or not is controlled by system parameter AvailablePMItemBit.

Data Source

MCCDO PM

Source Field

Peak forward throughput of AF2 flows

Source Section

MCCDO Modem

PeakForwardThroughputOfBEFlows_MAX

The peak throughput of flows classified as BE type. Collecting or not is controlled by system parameter AvailablePMItemBit.

Data Source

MCCDO PM

Source Field

Peak forward throughput of BE flows

Source Section

MCCDO Modem

PeakForwardThroughputOfEF1Flows_MAX

The peak throughput of flows classified as EF1 type. Collecting or not is controlled by system parameter AvailablePMItemBit.

Data Source

MCCDO PM

Source Field

Peak forward throughput of EF1 flows

Source Section

MCCDO Modem

PeakForwardThroughputOfEF2Flows_MAX

The peak throughput of flows classified as EF2 type. Collecting or not is controlled by system parameter AvailablePMItemBit.

Data Source

MCCDO PM

Source Field

Peak forward throughput of EF2 flows

Source Section

MCCDO Modem

PeakFwdLinkSectorThroughput_AVG

Peak forward link sector throughput. Aggregation for this peg is average.

Data Source

MCCDO PM

Source Section

MCC-DO Modem

Source Field

Peak fwd link sector throughput

PeakFwdLinkSectorThroughput_MAX

Peak forward link sector throughput. Aggregation for this peg is max.

Data Source

MCCDO PM

Source Section

MCC-DO Modem

Source Field

Peak fwd link sector throughput

PeakReverseThroughputOfAF1Flows_MAX

The peak throughput of flows classified as AF1 type.

Data Source

MCCDO PM

Source Field

Peak reverse throughput of AF1 flows

Source Section

MCCDO Modem

PeakReverseThroughputOfAF2Flows_MAX

The peak throughput of flows classified as AF2 type.

Data Source

MCCDO PM

Source Field

Peak reverse throughput of AF2 flows

Source Section

MCCDO Modem

PeakReverseThroughputOfBEFlows_MAX

The peak throughput of flows classified as BE type.

Data Source

MCCDO PM

Source Field

Peak reverse throughput of BE flows

Source Section

MCCDO Modem

PeakReverseThroughputOfEF1Flows_MAX

The peak throughput of flows classified as EF1 type.

Data Source

MCCDO PM

Source Field

Peak reverse throughput of EF1 flows

Source Section

MCCDO Modem

PeakReverseThroughputOfEF2Flows_MAX

The peak throughput of flows classified as EF2 type.

Data Source

MCCDO PM

Source Field

Peak reverse throughput of EF2 flows

Source Section

MCCDO Modem

PeakReverseThroughputOfHiCapFlows_MAX

The peak throughput of HiCap MAC flows.

Data Source

MCCDO PM

Source Field

Peak reverse throughput of HiCap MAC flows

Source Section

MCCDO Modem

PeakReverseThroughputOfLoLatFlows_MAX

The peak throughput of LoLat MAC flows.

Data Source

MCCDO PM

Source Field

Peak reverse throughput of LoLat MAC flows

Source Section

MCCDO Modem

PeakRvsLinkSectorThroughput_AVG

Peak reverse link sector throughput. Aggregation for this peg is average.

Data Source

MCCDO PM

Source Section

MCC-DO Modem

Source Field

Peak rvs link sector throughput

PeakRvsLinkSectorThroughput_MAX

Peak reverse link sector throughput. Aggregation for this peg is max.

Data Source

MCCDO PM

Source Section

MCC-DO Modem

Source Field

Peak rvs link sector throughput

RABBusyRatio_AVG

Average of two 5-min raw data for the RAB 1(Busy) Ratio in % of the time during which the RAB is 1 (busy)

Source Field

RAB Busy ratio

Source Section

MCC-DO Modem

Data Source

MCCDO PM

RABBusyRatio_MAX

Max of two 5-min raw data for the RAB 1(Busy) Ratio in % of the time during which the RAB is 1 (busy)

Source Field

RAB Busy ratio

Source Section

MCC-DO Modem

Data Source

MCCDO PM

RatioOfDRCIndex0x0_AVG

The ratio of received DRC index 0x0 (0kbps) over the total received DRCs. Collecting or not is controlled by system parameter AvailablePMItemBit.

Data Source

MCCDO PM

Source Field

The ratio of DRC index 0x0

Source Section

MCCDO Modem

RatioOfDRCIndex0x1_AVG

The ratio of received DRC index 0x1 (38.4kbps) over the total received DRCs. Collecting or not is controlled by system parameter AvailablePMItemBit.

Data Source

MCCDO PM

Source Field

The ratio of DRC index 0x1

Source Section

MCCDO Modem

RatioOfDRCIndex0x2_AVG

The ratio of received DRC index 0x2 (76.8kbps) over the total received DRCs. Collecting or not is controlled by system parameter AvailablePMItemBit.

Data Source

MCCDO PM

Source Field

The ratio of DRC index 0x2

Source Section

MCCDO Modem

RatioOfDRCIndex0x3_AVG

The ratio of received DRC index 0x3 (153.6kbps) over the total received DRCs. Collecting or not is controlled by system parameter AvailablePMItemBit.

Data Source

MCCDO PM

Source Field

The ratio of DRC index 0x3

Source Section

MCCDO Modem

RatioOfDRCIndex0x4_AVG

The ratio of received DRC index 0x4 (307.2kbps) over the total received DRCs. Collecting or not is controlled by system parameter AvailablePMItemBit.

Data Source

MCCDO PM

Source Field

The ratio of DRC index 0x4

Source Section

MCCDO Modem

RatioOfDRCIndex0x5_AVG

The ratio of received DRC index 0x5 (307.2kbps) over the total received DRCs. Collecting or not is controlled by system parameter AvailablePMItemBit.

Data Source

MCCDO PM

Source Field

The ratio of DRC index 0x5

Source Section

MCCDO Modem

RatioOfDRCIndex0x6_AVG

The ratio of received DRC index 0x6 (614.4kbps) over the total received DRCs. Collecting or not is controlled by system parameter AvailablePMItemBit.

Data Source

MCCDO PM

Source Field

The ratio of DRC index 0x6

Source Section

MCCDO Modem

RatioOfDRCIndex0x7_AVG

The ratio of received DRC index 0x7 (614.4kbps) over the total received DRCs. Collecting or not is controlled by system parameter AvailablePMItemBit.

Data Source

MCCDO PM

Source Field

The ratio of DRC index 0x7

Source Section

MCCDO Modem

RatioOfDRCIndex0x8_AVG

The ratio of received DRC index 0x8 (921.6kbps) over the total received DRCs. Collecting or not is controlled by system parameter AvailablePMItemBit.

Data Source

MCCDO PM

Source Field

The ratio of DRC index 0x8

Source Section

MCCDO Modem

RatioOfDRCIndex0x9_AVG

The ratio of received DRC index 0x9 (1228.8kbps) over the total received DRCs. Collecting or not is controlled by system parameter AvailablePMItemBit.

Data Source

MCCDO PM

Source Field

The ratio of DRC index 0x9

Source Section

MCCDO Modem

RatioOfDRCIndex0xa_AVG

The ratio of received DRC index 0xa (1228.8kbps) over the total received DRCs. Collecting or not is controlled by system parameter AvailablePMItemBit.

Data Source

MCCDO PM

Source Field

The ratio of DRC index 0xa

Source Section

MCCDO Modem

RatioOfDRCIndex0xb_AVG

The ratio of received DRC index 0xb (1843.2kbps) over the total received DRCs. Collecting or not is controlled by system parameter AvailablePMItemBit.

Data Source

MCCDO PM

Source Field

The ratio of DRC index 0xb

Source Section

MCCDO Modem

RatioOfDRCIndex0xc_AVG

The ratio of received DRC index 0xc (2457.6kbps) over the total received DRCs. Collecting or not is controlled by system parameter AvailablePMItemBit.

Data Source

MCCDO PM

Source Field

The ratio of DRC index 0xc

Source Section

MCCDO Modem

RatioOfDRCIndex0xd_AVG

The ratio of received DRC index 0xd (1536kbps) over the total received DRCs. Collecting or not is controlled by system parameter AvailablePMItemBit.

Data Source

MCCDO PM

Source Field

The ratio of DRC index 0xd

Source Section

MCCDO Modem

RatioOfDRCIndex0xe_AVG

The ratio of received DRC index 0xe (3072kbps) over the total received DRCs. Collecting or not is controlled by system parameter AvailablePMItemBit.

Data Source

MCCDO PM

Source Field

The ratio of DRC index 0xe

Source Section

MCCDO Modem

Received1stSubPacketOfHiCap

The number of received 1st sub-packet on reverse traffic channel of High Capacity mode.

Data Source

MCCDO PM

Source Field

The number of received 1st sub-packet of HiCap

Source Section

MCCDO Modem

Received1stSubPacketOfLoLat

The number of received 1st sub-packet on reverse traffic channel of Low Latency mode.

Data Source

MCCDO PM

Source Field

The number of received 1st sub-packet of LoLat

Source Section

MCCDO Modem

Received2ndSubPacketOfHiCap

The number of received 2nd sub-packet on reverse traffic channel of High Capacity mode.

Data Source

MCCDO PM

Source Field

The number of received 2nd sub-packet of HiCap

Source Section

MCCDO Modem

Received2ndSubPacketOfLoLat

The number of received 2nd sub-packet on reverse traffic channel of High Capacity Low Latency mode.

Data Source

MCCDO PM

Source Field

The number of received 2nd sub-packet of LoLat

Source Section

MCCDO Modem

Received3rdSubPacketOfHiCap

The number of received 3rd sub-packet on reverse traffic channel of High Capacity mode.

Data Source

MCCDO PM

Source Field

The number of received 3rd sub-packet of HiCap

Source Section

MCCDO Modem

Received3rdSubPacketOfLoLat

The number of received 3rd sub-packet on reverse traffic channel of Low Latency mode.

Data Source

MCCDO PM

Source Field

The number of received 3rd sub-packet of LoLat

Source Section

MCCDO Modem

ReceivedACPacketsBy19_2kbps

The number of received AC packets by 19.2kbps

Data Source

MCCDO PM

Source Field

The number of received AC packets by 19.2kbps

Source Section

MCCDO Modem

ReceivedACPacketsBy38_4kbps

The number of received AC packets by 38.4kbps

Data Source

MCCDO PM

Source Field

The number of received AC packets by 38.4kbps

Source Section

MCCDO Modem

ReceivedACPacketsBy9_6kbps

The number of received AC packets by 9.6kbps

Data Source

MCCDO PM

Source Field

The number of received AC packets by 9.6kbps

Source Section

MCCDO Modem

ReceivedPowerRSSIAnt0_AVG

Average of two 5-min raw data for the power in dBm received at antenna 0

Data Source

MCCDO PM

Source Field

Received power (RSSI)(Ant0)

Source Section

MCC-DO Modem

ReceivedPowerRSSIAnt0_MAX

Max of two 5-min raw data for the power in dBm received at antenna 0

Source Field

Received power (RSSI)(Ant0)

Source Section

MCC-DO Modem

Data Source

MCCDO PM

ReceivedPowerRSSIAnt0_MIN

Min of two 5-min raw data for the power in dBm received at antenna 0

Source Field

Received power (RSSI)(Ant0)

Source Section

MCC-DO Modem

Data Source

MCCDO PM

ReceivedPowerRSSIAnt1_AVG

Average of two 5-min raw data for the power in dBm received at antenna 1

Data Source

MCCDO PM

Source Field

Received power (RSSI)(Ant1)

Source Section

MCC-DO Modem

ReceivedPowerRSSIAnt1_MAX

Max of two 5-min raw data for the power in dBm received at antenna 1

Source Field

Received power (RSSI)(Ant1)

Source Section

MCC-DO Modem

Data Source

MCCDO PM

ReceivedPowerRSSIAnt1_MIN

Min of two 5-min raw data for the power in dBm received at antenna 1

Source Field

Received power (RSSI)(Ant1)

Source Section

MCC-DO Modem

Data Source

MCCDO PM

ReverseNoiseRiseAnt0_AVG

Average of two 5-min raw data for the total of the power in dB received at all terminals of antenna 0

Source Field

Reverse Noise Rise (Ant0)

Source Section

MCC-DO Modem

Data Source

MCCDO PM

ReverseNoiseRiseAnt0_MAX

Max of two 5-min raw data for the total of the power in dB received at all terminals of antenna 0

Source Field

Reverse Noise Rise (Ant0)

Source Section

MCC-DO Modem

Data Source

MCCDO PM

ReverseNoiseRiseAnt0_MIN

Min of two 5-min raw data for the total of the power in dB received at all terminals of antenna 0

Source Field

Reverse Noise Rise (Ant0)

Source Section

MCC-DO Modem

Data Source

MCCDO PM

ReverseNoiseRiseAnt1_AVG

Average of the 5-min raw data for total of the power in dB received at all terminals of antenna 1

Source Field

Reverse Noise Rise (Ant1)

Source Section

MCC-DO Modem

Data Source

MCCDO PM

ReverseNoiseRiseAnt1_MAX

Max of the 5-min raw data for total of the power in dB received at all terminals of antenna 1

Source Field

Reverse Noise Rise (Ant1)

Source Section

MCC-DO Modem

Data Source

MCCDO PM

ReverseNoiseRiseAnt1_MIN

Min of the 5-min raw data for total of the power in dB received at all terminals of antenna 1

Source Field

Reverse Noise Rise (Ant1)

Source Section

MCC-DO Modem

Data Source

MCCDO PM

RvsAirBytesMODEM

Number of bytes received in the wireless section

Source Field

Rvs air bytes/MODEM

Source Section

MCC-DO Modem

Data Source

MCCDO PM

RvsAirPERMODEM_AVG

Average of two 5-min raw data for the per-modem rate of packet errors in % received in the wireless section

Source Field

Rvs air PER/MODEM

Source Section

MCC-DO Modem

Data Source

MCCDO PM

RvsAirPERMODEM_MAX

Max of two 5-min raw data for the per-modem rate of packet errors in % received in the wireless section

Source Field

Rvs air PER/MODEM

Source Section

MCC-DO Modem

Data Source

MCCDO PM

RvsAirThroughputMODEM_AVG

Average of two 5-min raw data for the value of throughput in kbit/s received in the wireless section

Source Field

Rvs air throughput/MODEM

Source Section

MCC-DO Modem

Data Source

MCCDO PM

RvsAirThroughputMODEM_MAX

Max of two 5-min raw data for the value of throughput in kbit/s received in the wireless section

Source Field

Rvs air throughput/MODEM

Source Section

MCC-DO Modem

Data Source

MCCDO PM

RvsLink115_2kPacketReceptionCount

The number of received RTC packet by 115.2kbps

Data Source

MCCDO PM

Source Field

Rvs link 115.2k packet reception count

Source Section

MCCDO Modem

RvsLink153_6kPacketReceptionCount

Reverse link 153.6k packet reception count

Data Source

MCCDO PM

Source Section

MCC-DO Modem

Source Field

Rvs link 153.6k packet reception count

RvsLink19_2kPacketReceptionCount

Reverse link 19.2k packet reception count

Data Source

MCCDO PM

Source Section

MCC-DO Modem

Source Field

Rvs link 19.2k packet reception count

RvsLink230_4kPacketReceptionCount

The number of received RTC packets by 230.4kbps

Data Source

MCCDO PM

Source Field

Rvs link 230.4k packet reception count

Source Section

MCCDO Modem

RvsLink28_8kPacketReceptionCount

The number of received RTC packets by 28.8kbps

Data Source

MCCDO PM

Source Field

Rvs link 28.8k packet reception count

Source Section

MCCDO Modem

RvsLink307_2kPacketReceptionCount

The number of received RTC packets by 307.2kbps

Data Source

MCCDO PM

Source Field

Rvs link 307.2k packet reception count

Source Section

MCCDO Modem

RvsLink38_4kPacketReceptionCount

Reverse link 38.4k packet reception count

Data Source

MCCDO PM

Source Section

MCC-DO Modem

Source Field

Rvs link 38.4k packet reception count

RvsLink4_8kPacketReceptionCount

The number of received RTC packets by 4.8kbps

Data Source

MCCDO PM

Source Field

Rvs link 4.8k packet reception count

Source Section

MCCDO Modem

RvsLink460_8kPacketReceptionCount

The number of received RTC packets by 460.8kbps

Data Source

MCCDO PM

Source Field

Rvs link 460.8k packet reception count

Source Section

MCCDO Modem

RvsLink57_6kPacketReceptionCount

The number of received RTC packets by 57.6kbps

Data Source

MCCDO PM

Source Field

Rvs link 57.6k packet reception count

Source Section

MCCDO Modem

RvsLink76_8kPacketReceptionCount

Reverse link 76.8k packet reception count

Data Source

MCCDO PM

Source Section

MCC-DO Modem

Source Field

Rvs link 76.8k packet reception count

RvsLink9_6kPacketReceptionCount

Reverse link 9.6k packet reception count

Data Source

MCCDO PM

Source Section

MCC-DO Modem

Source Field

Rvs link 9.6k packet reception count

SlotsUsageForAsyncChannel_AVG

The usage ratio of asynchronous control channel packet over total transmitted control channel packets

Data Source

MCCDO PM

Source Field

Slots usage for Async channel

Source Section

MCCDO Modem

SlotsUsageForSubsyncChannel_AVG

The usage ratio of sub-synchronous control channel packet over total transmitted control channel packets

Data Source

MCCDO PM

Source Field

Slots usage for Subsync channel

Source Section

MCCDO Modem

SlotsUsageForSyncChannel_AVG

The usage ratio of synchronous control channel packet over total transmitted control channel packets

Data Source

MCCDO PM

Source Field

Slots usage for Sync channel

Source Section

MCCDO Modem

SlotUsageOfAF1Flows_AVG

The slot usage of flows classified as AF1 type. Collecting or not is controlled by system parameter AvailablePMItemBit.

Data Source

MCCDO PM

Source Field

Slot usage of AF1 flows

Source Section

MCCDO Modem

SlotUsageOfAF2Flows_AVG

The slot usage of flows classified as AF2 type. Collecting or not is controlled by system parameter AvailablePMItemBit.

Data Source

MCCDO PM

Source Field

Slot usage of AF2 flows

Source Section

MCCDO Modem

SlotUsageOfBEFlows_AVG

The slot usage of flows classified as BE type. Collecting or not is controlled by system parameter AvailablePMItemBit.

Data Source

MCCDO PM

Source Field

Slot usage of BE flows

Source Section

MCCDO Modem

SlotUsageOfEF1Flows_AVG

The slot usage of flows classified as EF1 type. Collecting or not is controlled by system parameter AvailablePMItemBit.

Data Source

MCCDO PM

Source Field

Slot usage of EF1 flows

Source Section

MCCDO Modem

SlotUsageOfEF2Flows_AVG

The slot usage of flows classified as EF2 type. Collecting or not is controlled by system parameter AvailablePMItemBit.

Data Source

MCCDO PM

Source Field

Slot usage of EF2 flows

Source Section

MCCDO Modem

SuspectFlag

Data suspect flag. Set to 1 if quality of data is suspected, otherwise 0

Data Source

MCCDO PM

Source Field

** is detected in data value

Source Section

MCC-DO Modem

TransmittedCCPacketsBy19_2kbps

The number of transmitted CC packets by 19.2kbps. This item includes the synchronous, asynchronous and sub-synchronous control channel packet.

Data Source

MCCDO PM

Source Field

The number of transmitted CC packets by 19.2kbps

Source Section

MCCDO Modem

TransmittedCCPacketsBy38_4kbps

The number of transmitted CC packets by 38.4kbps. This item includes the synchronous, asynchronous and sub-synchronous control channel packet.

Data Source

MCCDO PM

Source Field

The number of transmitted CC packets by 38.4kbps

Source Section

MCCDO Modem

TransmittedCCPacketsBy76_8kbps

The number of transmitted CC packets by 76.8kbps. This item includes the synchronous, asynchronous and sub-synchronous control channel packet.

Data Source

MCCDO PM

Source Field

The number of transmitted CC packets by 76.8kbps

Source Section

MCCDO Modem

TransmittedFTCPacketSize1024bits

The number of transmitted packets size of 1024bits

Data Source

MCCDO PM

Source Field

Transmitted FTC packet size 1024bits

Source Section

MCCDO Modem

TransmittedFTCPacketSize128bits

The number of transmitted packets size of 128bits

Data Source

MCCDO PM

Source Field

Transmitted FTC packet size 128bits

Source Section

MCCDO Modem

TransmittedFTCPacketSize2048bits

The number of transmitted packets size of 2048bits

Data Source

MCCDO PM

Source Field

Transmitted FTC packet size 2048bits

Source Section

MCCDO Modem

TransmittedFTCPacketSize256bits

The number of transmitted packets size of 256bits

Data Source

MCCDO PM

Source Field

Transmitted FTC packet size 256bits

Source Section

MCCDO Modem

TransmittedFTCPacketSize3072bits

The number of transmitted packets size of 3072bits

Data Source

MCCDO PM

Source Field

Transmitted FTC packet size 3072bits

Source Section

MCCDO Modem

TransmittedFTCPacketSize4096bits

The number of transmitted packets size of 4096bits

Data Source

MCCDO PM

Source Field

Transmitted FTC packet size 4096bits

Source Section

MCCDO Modem

TransmittedFTCPacketSize5120bits

The number of transmitted packets size of 5120bits

Data Source

MCCDO PM

Source Field

Transmitted FTC packet size 5120bits

Source Section

MCCDO Modem

TransmittedFTCPacketSize512bits

The number of transmitted packets size of 512bits

Data Source

MCCDO PM

Source Field

Transmitted FTC packet size 512bits

Source Section

MCCDO Modem

UserSlotAssignmentRate_AVG

Average of two 5-min raw data for the ratio in % of active slots to all slots

Source Field

User slot assignment rate

Source Section

MCC-DO Modem

Data Source

MCCDO PM

UserSlotAssignmentRate_MAX

Max of two 5-min raw data for the ratio in % of active slots to all slots

Source Field

User slot assignment rate

Source Section

MCC-DO Modem

Data Source

MCCDO PM

SCA Primitive Calculations

The following is a list of primitive calculations for the SCA entity.

GRAPHmultiLineSeparator

Special Control Field for Multi-Line Graphs

Calculation

""

NUMDAYS

of days in Report

Calculation

DAYSINREPORT ()

NUMHOURS

of hours in Summation Data

Calculation

SCA Peg Counts

The following is a list of peg counts for the SCA entity.

CpuUseRate_AVG

Average CPU Use Rate of SCA.

Source Field

CPU use rate of SCA

Data Source

BSCDO PM

Source Section

SCA

CpuUseRate_MAX

Peak CPU Use Rate of SCA.

Source Field

CPU use rate of SCA

Data Source

BSCDO PM

Source Section

SCA

GranularityPeriod

EVDO PM Collection period in minutes

Source Field

Collection Period (Min)

Data Source

BSCDO PM

Source Section

SCA

MemUseRate_AVG

Average Memory Use Rate of SCA.

Source Field

Memory use rate of SCA

Data Source

BSCDO PM

Source Section

SCA

MemUseRate_MAX

Peak Memory Use Rate of SCA.

Source Field

Memory use rate of SCA

Data Source

BSCDO PM

Source Section

SCA

SuspectFlag

Data suspect flag. Set to 1 if quality of data is suspected, otherwise 0

Source Field

** is detected in data value

Data Source

BSCDO PM

Source Section

SCA

Sector_DO Primitive Calculations

The following is a list of primitive calculations for the Sector_DO entity.

GRAPHmultiLineSeparator

Special Control Field for Multi-Line Graphs

Calculation

""

NUMDAYS

of days in Report

Calculation

DAYSINREPORT ()

NUMHOURS

of hours in Summation Data

Sector_DO Peg Counts

The following is a list of peg counts for the Sector_DO entity.

RscRsvOpenBlockedNoFLBW

The number of times that a reservation opened was blocked due to insufficient forward link bandwidth.

Data Source

aemsC Files

Source Field

aemsC603_PC1

Source Section

aemsC603

RscRsvOpenBlockedNoFLBW_Bundled

Number of reservation Open requests that were blocked due to insufficient forward link bandwidth resource in a bundled message

Source Field

aemsC603_PC4

Data Source

aemsC Files

Source Section

aemsC603

RscRsvOpenBlockedNoFLFlowCnt

The number of times that a reservation open was blocked due to insufficient forward link flow counts.

Data Source

aemsC Files

Source Field

aemsC603_PC2

Source Section

aemsC603

RscRsvOpenBlockedNoFLFlowCnt_Bundled

Number of reservation Open requests that were blocked due to insufficient forward link flow count resource in a bundled message

Source Field

aemsC603_PC5

Data Source

aemsC Files

Source Section

aemsC603

RscRsvOpenBlockedNoRNR

The number of times that a reservation opened was blocked due to insufficient RNR.

Data Source

aemsC Files

Source Field

aemsC603_PC3

Source Section

aemsC603

RscRsvOpenBlockedNoRNR_Bundled

Number of reservation Open requests that were blocked due to insufficient RNR level resource in a bundled message

Source Field

aemsC603_PC6

Data Source

aemsC Files

Source Section

aemsC603

SectorCarrier_DO Primitive Calculations

The following is a list of primitive calculations for the SectorCarrier_DO entity.

CFC_26_102_DC

Inter BSC-DO handoff, Normal Dormant Transition

Calculation

CFC_26_102_NCC

CFC_26_179_DC

Inter BSC-DO handoff, Transfer to dormant by APC during call setup

Calculation

CFC_26_179_NCC

ConnectionRequestDenied%

ConnectionRequest Denied %

Calculation

$100.0 * UFC_CRD / vsum(UFC_NCC, UFC_DC, UFC_CF, UFC_CRD)$

EndUserConnSetupFailure%

End user connection setup failure percentage without Silent Retry

Calculation

$100.0 * (vsum(UFC_CF, -1.0 * NumOfSilentRetry, -1.0 * UFC_A12AR, -1.0 * UFC_A12RR) / vsum(UFC_NCC, UFC_DC, UFC_CF, -1.0 * NumOfSilentRetry, -1.0 * UFC_A12AR, -1.0 * UFC_A12RR))$

EndUserDroppedConn%

End user dropped connection percentage

Calculation

$100.0 * (UFC_DC / vsum (UFC_NCC, UFC_DC))$

GRAPHmultiLineSeparator

Special Control Field for Multi-Line Graphs

Calculation

""

NUMDAYS

of days in Report

Calculation

DAYSINREPORT ()

NUMHOURS

of hours in Summation Data

UATIRequestDeniedRATI%

UATIRequest Denied - RATI %

Calculation

100.0 * UFC_URDR / vsum(UFC_UAR, UFC_UFAR, UFC_URDR)

SectorCarrier_DO Peg Counts

The following is a list of peg counts for the SectorCarrier_DO entity.

CFC_1_101_NCC

Call released by AT, Normal Call released by AT

Data Source

aemsC Files

Source Field

aemsC608_PC31

Source Section

aemsC608

CFC_1_102_NCC

Normal Call Release by AT and transition to Dormant

Data Source

aemsC Files

Source Field

aemsC608_PC32

Source Section

aemsC608

CFC_1_179_NCC

Call released by AT, Call transferred to dormant mode by APC during call setup

Data Source

aemsC Files

Source Field

aemsC608_PC33

Source Section

aemsC608

CFC_1_7_NCC

Connection/Session Released by AT;Terminal Authentication Error - A14-Authentication Failure

Source Field

aemsC608_PC53

Data Source

aemsC Files

Source Section

aemsC608

CFC_10_105_CF

Connection Lost (TCC Receive Failure), Dormant state transition due to air link lost

Data Source

aemsC Files

Source Field

aemsC608_PC13

Source Section

aemsC608

CFC_10_105_DC

Connection Lost (TCC Receive Failure), Dormant state transition due to air link lost

Data Source

aemsC Files

Source Field

aemsC608_PC27

Source Section

aemsC608

CFC_11_102_NCC

Dormancy Timeout with DRC Unlock

Data Source

aemsC Files

Source Field

aemsC608_PC41

Source Section

aemsC608

CFC_11_105_NCC

DRC Unlock, Dormant state transition due to air link lost

Data Source

aemsC Files

Source Field

aemsC608_PC42

Source Section

aemsC608

CFC_12_113_CF

CC not responding (A9) due to Tregreq Timeout

Data Source

aemsC Files

Source Field

aemsC608_PC14

Source Section

aemsC608

CFC_12_114_CF

CC not responding (A9), Message sequence error in BSC-DO (Msg timeout)

Data Source

aemsC Files

Source Field

aemsC608_PC15

Source Section

aemsC608

CFC_2_101_DC

Normal call released by the APC

Data Source

aemsC Files

Source Field

aemsC608_PC23

Source Section

aemsC608

CFC_20_105_CF

Resource Busy, Air link lost

Data Source

aemsC Files

Source Field

aemsC608_PC16

Source Section

aemsC608

CFC_20_180_CF

Resource Busy, Transferred to Dormant by APC during call setup

Data Source

aemsC Files

Source Field

aemsC608_PC17

Source Section

aemsC608

CFC_20_183_CF

Resource Busy, Transferred to Dormant by APC during reactivation

Data Source

aemsC Files

Source Field

aemsC608_PC18

Source Section

aemsC608

CFC_22_105_CF

Connection Failed, Dormant state transition failure due to Air Link Lost

Data Source

aemsC Files

Source Field

aemsC608_PC19

Source Section

aemsC608

CFC_22_105_DC

Connection Failed, Dormant state transition failure due to Air Link Lost

Data Source

aemsC Files

Source Field

aemsC608_PC28

Source Section

aemsC608

CFC_22_7_CF

Connection Failed;Terminal Authentication Error - A14-Authentication Failure

Source Field

aemsC608_PC55

Data Source

aemsC Files

Source Section

aemsC608

CFC_26_7_CF

Inter-BSC-DO Dormant Handoff of an Active Connection;Terminal Authentication Error - A14-Authentication Failure

Source Field

aemsC608_PC56

Data Source

aemsC Files

Source Section

aemsC608

CFC_27_102_DC

Dormant State Transition by APC due to detection of Message Sequence Error

Data Source

aemsC Files

Source Field

aemsC608_PC29

Source Section

aemsC608

CFC_27_7_CF

Call released by detecting message sequence error, Terminal Authentication Error (APC terminal authentication error)

Source Field

aemsC608_PC57

Data Source

aemsC Files

Source Section

aemsC608

CFC_3_103_NCC

Call released by CC, Dormant Status transition has occurred after the PCF's dormant timer has expired

Data Source

aemsC Files

Source Field

aemsC608_PC34

Source Section

aemsC608

CFC_3_119_NCC

Call released by CC, Call status mismatch between CC and APC

Data Source

aemsC Files

Source Field

aemsC608_PC35

Source Section

aemsC608

CFC_3_188_NCC

Call released by CC, Call released by PDSN

Data Source

aemsC Files

Source Field

aemsC608_PC36

Source Section

aemsC608

CFC_3_199_DC

Call released by CC, Session released due to major congestion

Data Source

aemsC Files

Source Field

aemsC608_PC24

Source Section

aemsC608

CFC_3_202_NCC

Call released by CC, Status unmatched between CC and APC

Data Source

aemsC Files

Source Field

aemsC608_PC37

Source Section

aemsC608

CFC_3_204_NCC

Call released by CC, A8 reverse data received from the APC

Data Source

aemsC Files

Source Field

aemsC608_PC38

Source Section

aemsC608

CFC_3_210_NCC

Call released by CC, Transition to NULL state by PDSN or dialup connection drop

Data Source

aemsC Files

Source Field

aemsC608_PC39

Source Section

aemsC608

CFC_30_1_CF

Connection Released by CC;Terminal Authentication Error - AN-AAA rejects access

Source Field

aemsC608_PC58

Data Source

aemsC Files

Source Section

aemsC608

CFC_30_3_CF

Connection Released by CC;Terminal Authentication Error - LCP Negotiation Error

Source Field

aemsC608_PC59

Data Source

aemsC Files

Source Section

aemsC608

CFC_30_4_CF

Connection Released by CC;Terminal Authentication Error - CHAP Response Error

Source Field

aemsC608_PC60

Data Source

aemsC Files

Source Section

aemsC608

CFC_36_102_CF

Call rejected by no response from modem, Dormant Status Transition Initiated by the APC

Data Source

aemsC Files

Source Field

aemsC608_PC20

Source Section

aemsC608

CFC_36_102_DC

Call rejected by no response from modem, Dormant Status Transition Initiated by the APC

Data Source

aemsC Files

Source Field

aemsC608_PC21

Source Section

aemsC608

CFC_36_105_CF

Call rejected by no response from modem, Dormant state transition from Air Link Lost

Data Source

aemsC Files

Source Field

aemsC608_PC22

Source Section

aemsC608

CFC_36_105_DC

Call rejected by no response from modem, Dormant state transition from Air Link Lost

Data Source

aemsC Files

Source Field

aemsC608_PC30

Source Section

aemsC608

CFC_4_113_CF

Call rejected by CC, Connection Failure Tregreq timeout Msg sequence error in BSC-DO

Data Source

aemsC Files

Source Field

aemsC608_PC1

Source Section

aemsC608

CFC_4_115_CF

Call rejected by CC, Detection of TC failure during call setup

Data Source

aemsC Files

Source Field

aemsC608_PC2

Source Section

aemsC608

CFC_4_117_CF

Call rejected by CC, Reconnection failure between TC and PDSN (Tregreq timeout)

Data Source

aemsC Files

Source Field

aemsC608_PC3

Source Section

aemsC608

CFC_4_119_CF

Call rejected by CC, APC State Inconsistency

Data Source

aemsC Files

Source Field

aemsC608_PC4

Source Section

aemsC608

CFC_4_151_CF

Call rejected by CC, Call Setup failed due to PDSN being Down

Data Source

aemsC Files

Source Field

aemsC608_PC5

Source Section

aemsC608

CFC_4_162_CF

Call rejected by CC, Call status mismatch during reactivation

Data Source

aemsC Files

Source Field

aemsC608_PC6

Source Section

aemsC608

CFC_4_163_CF

Call rejected by CC, A10 establishment failed by A11 Registration Reply

Data Source

aemsC Files

Source Field

aemsC608_PC7

Source Section

aemsC608

CFC_4_201_CF

Call rejected by CC, Reactivation failure due to TC congestion

Data Source

aemsC Files

Source Field

aemsC608_PC8

Source Section

aemsC608

CFC_4_206_CF

Call rejected by CC, Failed to reactivate due to OUS (out of service) of TC

Data Source

aemsC Files

Source Field

aemsC608_PC9

Source Section

aemsC608

CFC_6_102_NCC

Call released by APC (Dormant Timer Expiry), Dormant state transition by BSC-DO

Data Source

aemsC Files

Source Field

aemsC608_PC40

Source Section

aemsC608

CFC_9_102_CF

Connection Lost (Air link lost on the reverse link), Dormancy Failure due to RF loss

Data Source

aemsC Files

Source Field

aemsC608_PC10

Source Section

aemsC608

CFC_9_102_DC

Connection Lost (Air link lost on the reverse link), Dormancy Failure due to RF loss

Data Source

aemsC Files

Source Field

aemsC608_PC25

Source Section

aemsC608

CFC_9_105_CF

Connection Lost (Air link lost on the reverse link), Dormant state transition due to air link lost.

Data Source

aemsC Files

Source Field

aemsC608_PC11

Source Section

aemsC608

CFC_9_105_DC

Connection Lost (Air link lost on the reverse link), Dormant state transition due to air link lost.

Data Source

aemsC Files

Source Field

aemsC608_PC26

Source Section

aemsC608

CFC_9_183_CF

Connection Lost (Air link lost on the reverse link), Transferred to dormant during reactivation -
Airlink lost

Data Source

aemsC Files

Source Field

aemsC608_PC12

Source Section

aemsC608

CFC_9_7_CF

Connection Lost - Air Link Lost; Terminal Authentication Error - A14-Authentication Failure

Source Field

aemsC608_PC54

Data Source

aemsC Files

Source Section

aemsC608

NumOfSilentRetry

Number of Silent Retries

Source Field

aemsC608_PC61

Data Source

aemsC Files

Source Section

aemsC608

UFC_A12AF

A12 Authentication Failure

Source Field

aemsC608_PC64

Data Source

aemsC Files

Source Section

aemsC608

UFC_A12AR

A12 Authentication Rejected

Source Field

aemsC608_PC62

Data Source

aemsC Files

Source Section

aemsC608

UFC_A12RF

A12 Re-authentication Failure

Source Field

aemsC608_PC65

Data Source

aemsC Files

Source Section

aemsC608

UFC_A12RR

A12 Re-authentication Rejected

Source Field

aemsC608_PC63

Data Source

aemsC Files

Source Section

aemsC608

UFC_CF

Connection Setup Failure with Silent Retry

Source Field

aemsC608_PC46

Data Source

aemsC Files

Source Section

aemsC608

UFC_CRD

ConnectionRequest Access Denials

Source Field

aemsC608_PC49

Data Source

aemsC Files

Source Section

aemsC608

UFC_DC

Dropped Connection

Data Source

aemsC Files

Source Field

aemsC608_PC47

Source Section

aemsC608

UFC_NCC

Normal Connection Close

Data Source

aemsC Files

Source Field

aemsC608_PC45

Source Section

aemsC608

UFC_UAR

UATI Assignment Attempt - RATI

Source Field

aemsC608_PC50

Data Source

aemsC Files

Source Section

aemsC608

UFC_UFAR

UATI Assignment Failed Attempt - RATI

Source Field

aemsC608_PC52

Data Source

aemsC Files

Source Section

aemsC608

UFC_UFR

UATI Assignment Failure - RATI

Source Field

aemsC608_PC51

Data Source

aemsC Files

Source Section

aemsC608

UFC_URDR

UATIRequest Access Denials - RATI

Source Field

aemsC608_PC48

Data Source

aemsC Files

Source Section

aemsC608

SSC Primitive Calculations

The following is a list of primitive calculations for the SSC entity.

GRAPHmultiLineSeparator

Special Control Field for Multi-Line Graphs

Calculation

""

NUMDAYS

of days in Report

Calculation

DAYSINREPORT ()

NUMHOURS

of hours in Summation Data

SSC Peg Counts

The following is a list of peg counts for the SSC entity.

CpuUseRate_AVG

Average CPU Use Rate of SSC.

Source Field

CPU use rate of SSC

Data Source

BSCDO PM

Source Section

SSC

CpuUseRate_MAX

Peak CPU Use Rate of SSC.

Source Field

CPU use rate of SSC

Data Source

BSCDO PM

Source Section

SSC

DiskUseRate_AVG

Average Disk Use Rate of SSC.

Source Field

Disk use rate of SSC

Data Source

BSCDO PM

Source Section

SSC

DiskUseRate_MAX

Peak Disk Use Rate of SSC.

Source Field

Disk use rate of SSC

Data Source

BSCDO PM

Source Section

SSC

GranularityPeriod

EVDO PM Collection period in minutes

Source Field

Collection Period (Min)

Data Source

BSCDO PM

Source Section

SSC

MemUseRate_AVG

Average Memory Use Rate of SSC.

Source Field

Memory use rate of SSC

Data Source

BSCDO PM

Source Section

SSC

MemUseRate_MAX

Peak Memory Use Rate of SSC.

Source Field

Memory use rate of SSC

Data Source

BSCDO PM

Source Section

SSC

NodeKind

Determines whether this is an IP-BSC-DO or BSC-DO entity

Data Source

BSCDO PM

Source Field

NodeKind

Source Section

SSC

SuspectFlag

Data suspect flag. Set to 1 if quality of data is suspected, otherwise 0

Source Field

** is detected in data value

Data Source

BSCDO PM

Source Section

SSC

System Primitive Calculations

The following is a list of primitive calculations for the System entity.

GRAPHmultiLineSeparator

Special Control Field for Multi-Line Graphs

Calculation

""

NUMDAYS

of days in Report

Calculation

DAYSINREPORT ()

NUMHOURS

of hours in Summation Data

TC Primitive Calculations

The following is a list of primitive calculations for the TC entity.

AveA10FlowControlTime_AVG

This measurement reports the average duration for all user and all A10 connections that are under flow control.

Calculation

$(1000.0 * A10FlowControlTime) / (1.0 * A10FlowControlConnection)$

BlockingTimeOfTC%

Percentage of time this TC card is blocked

Calculation

$100.0 * BlockingTimeOfTC / (CollectionPeriod_PM * 60.0)$

CardKindName

Type of the card, as textual name; example values are: 690 and 6190 for CardKind of 0 and 1

Calculation

`decode (CardKind, 0, "690", 1, "6190")`

GrphMulLnSeptr

Special Control Field for Multi-Line Graphs

Calculation

""

NUMDAYS

of days in Report

Calculation

`DAYSINREPORT ()`

NUMHOURS

of hours in Summation Data

TC Peg Counts

The following is a list of peg counts for the TC entity.

A10FlowControlConnection

The number of A10 connection which had requested PDSN to stop transmitting forward data.

Data Source

BSCDO PM

Source Field

A10FlowControlConnection

Source Section

TC Card

A10FlowControlTime

This measurement calculates the duration between the PDSN stopping the transmitting of data and restarting the transmission of forward data . This measurement reports the cumulative duration for all user and all A10 connections that are under flow contro

Data Source

BSCDO PM

Source Field

A10FlowControlTime

Source Section

TC Card

BlockingTimeOfTC

Blocking time of TC in seconds

Source Field

Blocking time of TC

Source Section

TC Card

Data Source

BSCDO PM

BufferUseRateOfTC_AVG

Average of two 5-min raw data for the buffer usage in % of the PRO(TC) card

Source Field

Buffer use rate of TC

Source Section

TC Card

Data Source

BSCDO PM

BufferUseRateOfTC_MAX

Max of two 5-min raw data for the buffer usage in % of the PRO(TC) card

Source Field

Buffer use rate of TC

Source Section

TC Card

Data Source

BSCDO PM

CardKind

Type of the card; example values are: 0 and 1 for 690 and 6190

Source Field

CardKind

Data Source

BSCDO PM

CollectionPeriod_PM

EVDO PM Collection period in minutes.

Data Source

BSCDO PM

Source Field

Collection Period (Min)

Source Section

TC Card

CPUUseRate_AVG

Average of two 5-min raw data for the CPU usage in % of the PRO(TC) card

Source Field

CPU use rate of TC

Source Section

TC Card

Data Source

BSCDO PM

CPUUseRate_MAX

Max of two 5-min raw data for the CPU usage in % of the PRO(TC) card

Source Field

CPU use rate of TC

Source Section

TC Card

Data Source

BSCDO PM

DOSFwdBytes

The number of forward DOS bytes sent by TC card

Data Source

BSCDO PM

Source Field

DOSFwdBytes

Source Section

TC Card

DOSFwdDropBytes

The number of forward DOS bytes discarded on TC card

Data Source

BSCDO PM

Source Field

DOSFwdDropBytes

Source Section

TC Card

DOSFwdDropPackets

The number of forward DOS packets discarded on TC card

Data Source

BSCDO PM

Source Field

DOSFwdDropPackets

Source Section

TC Card

DOSFwdPackets

The number of forward DOS packets sent by TC card

Data Source

BSCDO PM

Source Field

DOSFwdPackets

Source Section

TC Card

DOSRvsBytes

The number of reverse DOS bytes sent by TC card

Data Source

BSCDO PM

Source Field

DOSRvsBytes

Source Section

TC Card

DOSRvsDropBytes

The number of reverse DOS bytes discarded on TC card

Data Source

BSCDO PM

Source Field

DOSRvsDropBytes of TC

Source Section

TC Card

DOSRvsDropPackets

The number of reverse DOS packets discarded on TC card

Data Source

BSCDO PM

Source Field

DOSRvsDropPackets of TC

Source Section

TC Card

DOSRvsPackets

The number of reverse DOS packets sent by TC card

Data Source

BSCDO PM

Source Field

DOSRvsPackets

Source Section

TC Card

DroppedBytesUncertainDirection

Number of bytes dropped due to receive illegal packets which can't be distinguish whether A8 packet or A10 packet. The dropped packets could be both in forward and reverse direction.

Data Source

BSCDO PM

Source Section

TC Card

Source Field

Dropped bytes (uncertain direction)

DroppedFwdPacketsBufferFailure

Number of packets that are dropped due to buffer shortage at TC card

Data Source

BSCDO PM

Source Section

TC Card

Source Field

Dropped fwd packets (buffer failure)

DroppedFwdPacketsDisconnectedCall

Number of packets that are dropped due to call release

Data Source

BSCDO PM

Source Section

TC Card

Source Field

Dropped fwd packets (disconnected call)

DroppedFwdPacketsIllegalPacketReception

Number of packets that are dropped due to invalid packets

Data Source

BSCDO PM

Source Section

TC Card

Source Field

Dropped fwd packets (illegal packet reception)

DroppedFwdPacketsStateInconsistency

Number of packets that are dropped due to status unmatched

Data Source

BSCDO PM

Source Section

TC Card

Source Field

Dropped fwd packets (state inconsistency)

DroppedFwdPacketsTimeout

Number of packets that are dropped due to paging failure

Data Source

BSCDO PM

Source Section

TC Card

Source Field

Dropped fwd packets (time out)

DroppedPacketsUncertainDirection

Number of packets dropped due to receive illegal packets which can't be distinguish whether A8 packet or A10 packet. The dropped packets could be both in forward and reverse direction.

Data Source

BSCDO PM

Source Section

TC Card

Source Field

Dropped packets (uncertain direction)

MemoryUseRate_AVG

Average of two 5-min raw data for the memory usage in % of the PRO(TC) card

Source Field

Memory use rate of TC

Source Section

TC Card

Data Source

BSCDO PM

MemoryUseRate_MAX

Max of two 5-min raw data for the memory usage in % of the PRO(TC) card

Source Field

Memory use rate of TC

Source Section

TC Card

Data Source

BSCDO PM

PresentActiveUsersOfTC_AVG

Average of 5-min raw data for the number of present active users of the TC

Source Field

Present active users of TC

Source Section

TC Card

Data Source

BSCDO PM

PresentActiveUsersOfTC_MAX

Max of 5-min raw data for number of present active users of the TC

Source Field

Present active users of TC

Source Section

TC Card

Data Source

BSCDO PM

PresentUsersofTC_AVG

Average of 5-min raw data for the number of present users of the TC.

Source Field

Present users of TC

Source Section

TC Card

Data Source

BSCDO PM

PresentUsersofTC_MAX

Max of 5-min raw data for the number of present users of the TC

Source Field

Present users of TC

Source Section

TC Card

Data Source

BSCDO PM

SuspectFlag

Data suspect flag. Set to 1 if quality of data is suspected, otherwise 0

Data Source

BSCDO PM

Source Field

** is detected in data value

Source Section

TC Card

TotalActiveTimePerTerminal

Aggregate usage in seconds of the A8 interface by each user.

Data Source

BSCDO PM

Source Section

TC Card

Source Field

Total active time per terminal

TotalCalls

Total number of calls, pegged to the TC

Data Source

aemsC Files

Source Field

aemsC609_PC1

Source Section

aemsC609

TRA Primitive Calculations

The following is a list of primitive calculations for the TRA entity.

A12AuthenticationAttemptRate

This peg gives the percentage of calls for which terminal authentication was performed

Calculation

```
100.0 * ( (A12AuthenticationAttempts) / vsum(A12AuthenticationAttempts,  
NoCHAPResponseFromAT, InvalidCHAPResponseFromAT, HomeSubscriberPerCHAPRe-  
sponse, LCPNegotiationFailures) )
```

A12AuthenticationSuccesses

This peg gives the number of ATs for which A12 Authentication succeeded

Calculation

```
vsum(A12AuthenticationAttempts, -1.0 * A12AuthenticationFailures)
```

A12AuthenticationSuccessRate

This peg gives the percentage of terminal authentications that were successful

Calculation

```
100.0 * vsum(A12AuthenticationAttempts, -1.0 * A12AuthenticationFailures) /  
(A12AuthenticationAttempts)
```

BlockingTimeofTRA%

Percentage of time this TRA card is blocked

Calculation

```
100.0 * BlockingTimeofTRA / (CollectionPeriod_PM * 60.0)
```

CardKindName

Type of the card, as textual name; example values are: 690 and 6190 for CardKind of 0 and 1

Calculation

```
decode ( CardKind, 0, "690", 1, "6190" )
```

GrphMulLnSeptr

Special Control Field for Multi-Line Graphs

Calculation

```
""
```

NUMDAYS

of days in Report

Calculation

```
DAYSINREPORT ( )
```

NUMHOURS

of hours in Summation Data

TRA Peg Counts

The following is a list of peg counts for the TRA entity.

A12AuthenticationAttempts

This peg gives the number of ATs for which A12 Authentication was attempted

Data Source

BSCDO PM

Source Field

A12 Authentication Attempts

Source Section

TRA Card

A12AuthenticationFailures

This peg gives the number of ATs for which A12 Authentication failed

Data Source

BSCDO PM

Source Field

A12 Authentication Failures

Source Section

TRA Card

BlockingTimeofTRA

Blocking time of TRA Card in seconds

Source Field

Blocking time of TRA

Source Section

TRA Card

Data Source

BSCDO PM

CardKind

Type of the card; example values are: 0 and 1 for 690 and 6190

Source Field

CardKind

Data Source

BSCDO PM

CollectionPeriod_PM

EVDO PM Collection period in minutes.

Data Source

BSCDO PM

Source Field

Collection Period (Min)

Source Section

TRA Card

CPUUseRate_AVG

Average of two 5-min raw data for the CPU usage in % of the PRO(TRA) card

Source Field

CPU use rate of TRA

Source Section

TRA Card

Data Source

BSCDO PM

CPUUseRate_MAX

Max of two 5-min raw data for the CPU usage in % of the PRO(TRA) card

Source Field

CPU use rate of TRA

Source Section

TRA Card

Data Source

BSCDO PM

HomeSubscriberPerCHAPResponse

This peg gives the number of ATs that belong to the home network operator which is identified from the CHAP Response for the CHAP Challenge sent after LCP negotiation

Data Source

BSCDO PM

Source Field

Home Subscriber per CHAP Response

Source Section

TRA Card

InvalidCHAPResponseFromAT

This peg gives the number of ATs that provided a CHAP Response which is invalid for the CHAP Challenge sent from the BSC-DO after LCP negotiation

Data Source

BSCDO PM

Source Field

Invalid CHAP Response from AT

Source Section

TRA Card

LCPNegotiationFailures

This peg shows the number of LCP negotiation failures.

Source Field

LCP_NEGOTIATION_FAILURES

Data Source

BSCDO PM

Source Section

TRA Card

MemoryUseRate_AVG

Average of two 5-min raw data for the memory usage in % of the PRO(TRA) card

Source Field

Memory use rate of TRA

Source Section

TRA Card

Data Source

BSCDO PM

MemoryUseRate_MAX

Max of two 5-min raw data for the memory usage in % of the PRO(TRA) card

Source Field

Memory use rate of TRA

Source Section

TRA Card

Data Source

BSCDO PM

NoCHAPResponseFromAT

This peg gives the number of ATs that did not respond to the CHAP Challenge sent from the BSC-DO after LCP negotiation even after CHAP Challenge is transmitted up to max number of times

Data Source

BSCDO PM

Source Field

No CHAP Response from AT

Source Section

TRA Card

SuspectFlag

Data suspect flag. Set to 1 if quality of data is suspected, otherwise 0

Data Source

BSCDO PM

Source Field

** is detected in data value

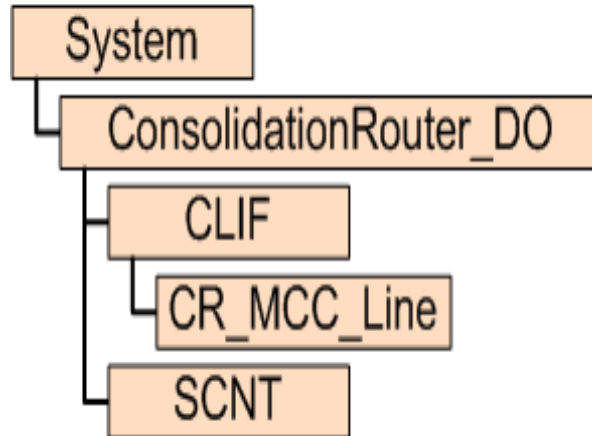
Source Section

TRA Card

5 ConsolidatedRouter_Do Entities

The following figure shows the Prospect reporting hierarchy for ConsolidatedRouter_Do Traffic entities.

Figure 2: Reporting Hierarchy



6 ConsolidatedRouter_Do Fields

The following is a list of available ConsolidatedRouter_Do Traffic performance data fields.

System Primitive Calculations

The following is a list of primitive calculations for the System entity.

GRAPHmultiLineSeparator

Special Control Field for Multi-Line Graphs

Calculation

""

NUMDAYS

of days in Report

Calculation

DAYSINREPORT ()

NUMHOURS

of hours in Summation Data

7 MSC Entities

The following figures show the Prospect reporting hierarchy for MSC Traffic entities.

Figure 3: Reporting Hierarchy

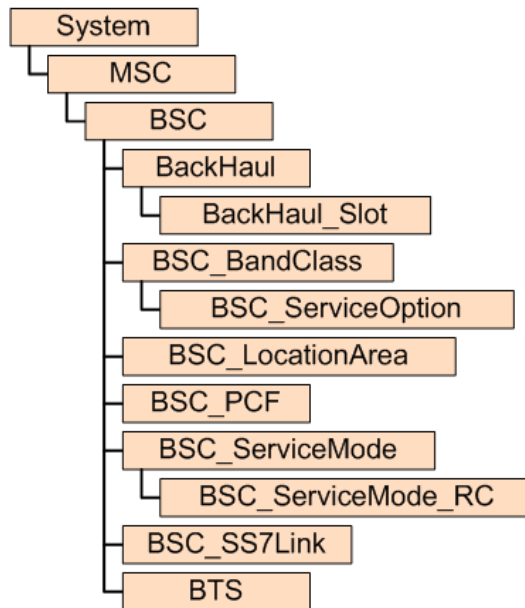


Figure 4: Reporting Hierarchy

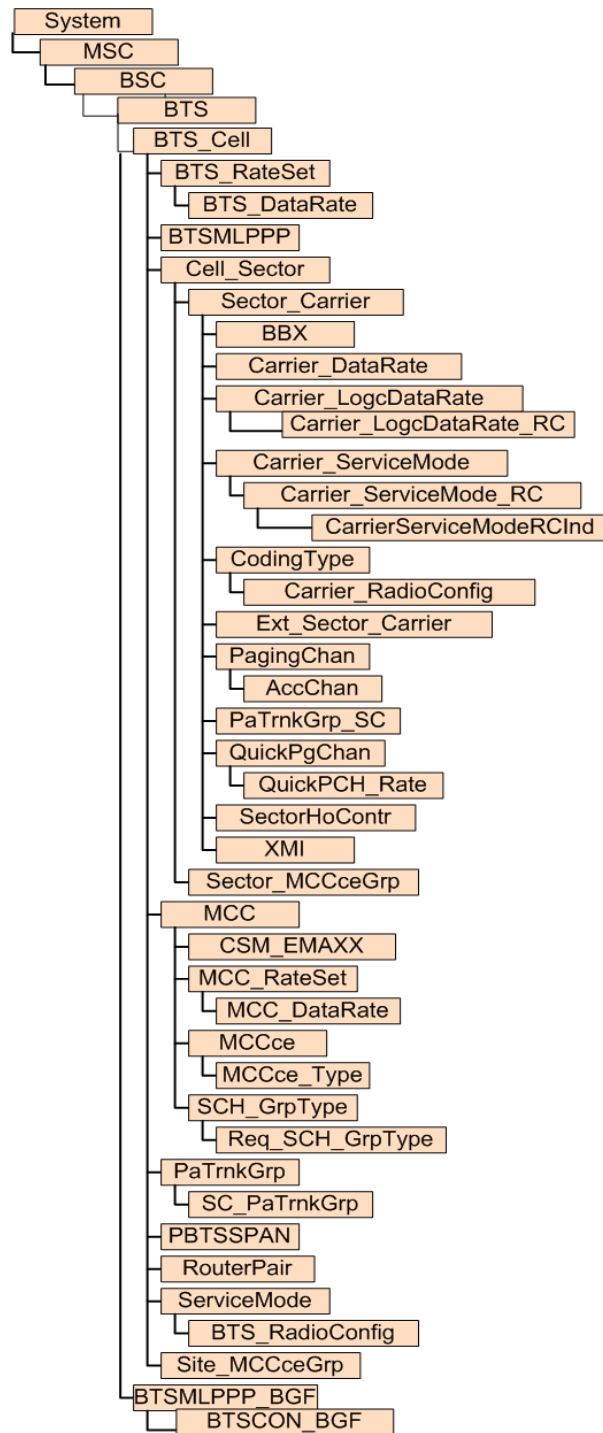


Figure 5: Reporting Hierarchy

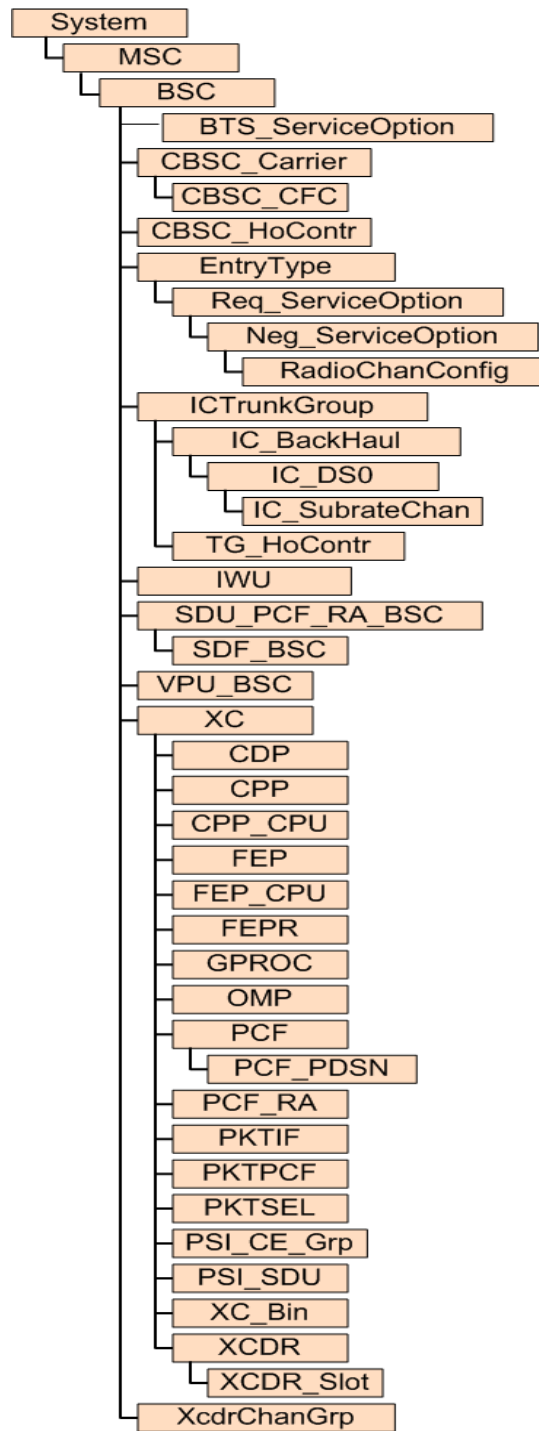
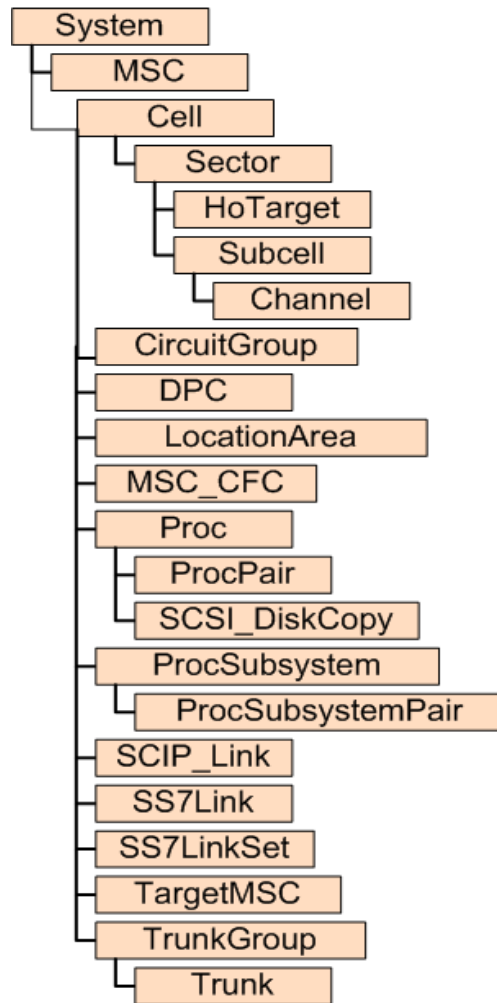


Figure 6: Reporting Hierarchy



8 MSC Fields

The following is a list of available MSC Traffic performance data fields.

AccChan Primitive Calculations

The following is a list of primitive calculations for the AccChan entity.

AcceptReg

Acc_Regs_BTS - Accepted Registrations cBTS + pBTS

Calculation

vsum(AcceptReg_p, AcceptReg_c)

AchCallSuAtt

Probes_ACH_BTS - Origination + Termination Probes - ACH cBTS + pBTS

Calculation

vsum(OrigAttAccChan,TermAttSlotAccChan,TermAttNonSlotAccChan)

ADDSPgAckAccChan

ADDSPgAck_ACH_BTS - ADDS Page ACK - ACH cBTS + pBTS

Calculation

vsum(ADDSPgAckAccChan_p, ADDSPgAckAccChan_c)

ADDSTrsfAccChan

ADDSPgAck_ACH_BTS - ADDS Transfer - ACH cBTS + pBTS

Calculation

vsum(ADDSTrsfAccChan_p, ADDSTrsfAccChan_c)

AvgBytesLocSrvcMsgACH

AVG_SIZE_MSG_RECV_LOC - Average Size of Location Service Messages Received on ACH

Calculation

$1.0 * \text{TotBytesLocSrvcMsgsACH} / \text{LocSrvcMsgsACH}$

AvgBytesSMS_MsgACH

AVG_SIZE_MSG_RECV_SMS - Average Size of SMS Messages Received

Calculation

$1.0 * \text{TotBytesSMS_MsgsACH} / \text{SMS_MsgsACH}$

DistRegNonSlot

Regs_Dist_Based_Non_Slot_BTS - Distance Based Registrations Non- Slotted cBTS + pBTS

Calculation

$\text{vsum}(\text{DistRegNonSlot_p}, \text{DistRegNonSlot_c})$

DistRegSlot

Regs_Dist_Based_Slot_BTS - Distance Based Registrations Slotted cBTS + pBTS

Calculation

$\text{vsum}(\text{DistRegSlot_p}, \text{DistRegSlot_c})$

FailReg

cBTS/pBTS Failed Registrations

Calculation

$\text{vsum}(\text{TotSlotReg}, \text{TotNnSlotReg}, -1 * \text{AcceptReg})$

GRAPHmultiLineSeparator

Special Control Field for Multi-Line Graphs

Calculation

""

MiscRegNonSlot

cBTS/pBTS Non-Slotted Miscellaneous Registration

Calculation

$\text{vsum}(\text{MiscRegNonSlot_R161}, \text{MiscRegNonSlot_c})$

MiscRegNonSlot_R161

cBTS/pBTS Non-Slotted Miscellan Registrat

Calculation

vsum (TimerRegNonSlot, ZoneRegNonSlot, DistRegNonSlot, OrderedRegNonSlot)

MiscRegSlot

cBTS/pBTS Slotted Miscellaneous Registrations

Calculation

vsum(MiscRegSlot_R161, MiscRegSlot_c)

MiscRegSlot_R161

cBTS/pBTS Slotted Miscellaneous Registrations

Calculation

vsum (TimerRegSlot, ZoneRegSlot, DistRegSlot, OrderedRegSlot)

NnSlotPgAck

Term_Probes_Non_Slot_ACH_BTS - Termination Probes Non-Slotted - ACH cBTS + pBTS

Calculation

vsum (TermAttNonSlotAccChan)

nonSlottedPageAcknowledge

Term_Probes_Non_Slot_ACH_BTS - Termination Probes Non-Slotted - ACH cBTS + pBTS

Calculation

TermAttNonSlotAccChan

NUMDAYS

of days in Report

Calculation

DAYSINREPORT ()

NUMHOURS

of hours in Summation Data

OrderedRegNonSlot

Regs_Ordered_Non_Slot_BTS - Ordered Registrations Non- Slotted cBTS + pBTS

Calculation

vsum(OrderedRegNonSlot_p, OrderedRegNonSlot_c)

OrderedRegSlot

Regs_Ordered_Slot_BTS - Ordered Registrations Slotted cBTS + pBTS

Calculation

vsum(OrderedRegSlot_p, OrderedRegSlot_c)

OrigAsgnAttAccChan

Obsolete Count in Release 16.1

Calculation

OrigAsgnAttAccChanTerckt

OrigAsgnAttAccChanTerckt

Obsolete Count in Release 16.1

Calculation

vsum(OrigAsgnAttAccChanTerckt_p, OrigAsgnAttAccChanTerckt_c)

OrigAsgnAttFailRF

Obsolete Count in Release 16.1

Calculation

vsum(OrigAsgnAttAccChanTerckt, -1 * OrigAsgnCompAccChan)

OrigAsgnCompAccChan

Obsolete Count in Release 16.1

Calculation

vsum(OrigAsgnCompAccChan_p, OrigAsgnCompAccChan_c)

OrigAttAccChan

Orig_Probes_ACH_BTS - Origination Probes - ACH cBTS + pBTS

Calculation

vsum(OrigAttAccChan_p, OrigAttAccChan_c)

OrigAttFailNtwrk

Obsolete Count in Release 16.1

Calculation

$\text{vsum}(\text{OrigAttAccChan}, -1 * \text{OrigAsgnAttAccChanTerckt})$

ParamChgRegNonSlot

Regs_Param_Non_Slot_BTS - Parameter Change Registrations Non- Slotted cBTS + pBTS

Calculation

$\text{vsum}(\text{ParamChgRegNonSlot}_p, \text{ParamChgRegNonSlot}_c)$

ParamChgRegSlot

Regs_Param_Slot_BTS - Parameter Change Registrations Slotted cBTS + pBTS

Calculation

$\text{vsum}(\text{ParamChgRegSlot}_p, \text{ParamChgRegSlot}_c)$

PgAck

Term_Probes_ACH_BTS - Termination Probes - ACH cBTS + pBTS

Calculation

$\text{vsum}(\text{TermAttSlotAccChan}, \text{TermAttNonSlotAccChan})$

pOrigComp

Obsolete Count in Release 16.1

Calculation

$100.0 * \text{OrigAsgnCompAccChan} / \text{OrigAttAccChan}$

pTermComp

Obsolete Count in Release 16.1

Calculation

$100.0 * \text{TermAsgnCompAccChan} / \text{vsum}(\text{TermAttSlotAccChan}, \text{TermAttNonSlotAccChan})$

PwrDnRegNonSlot

Regs_Pwr_Dw_Non_Slot_BTS - Power Down Registrations Non-Slotted cBTS + pBTS

Calculation

$\text{vsum}(\text{PwrDnRegNonSlot}_p, \text{PwrDnRegNonSlot}_c)$

PwrDnRegSlot

Regs_Pwr_Dw_Slot_BTS - Power Down Registrations Slotted cBTS + pBTS

Calculation

`vsum(PwrDnRegSlot_p, PwrDnRegSlot_c)`

PwrUpRegNonSlot

Regs_Pwr_Up_Non_Slot_BTS - Power Up Registrations Non-Slotted cBTS + pBTS

Calculation

`vsum(PwrUpRegNonSlot_p, PwrUpRegNonSlot_c)`

PwrUpRegSlot

Regs_Pwr_Up_Slot_BTS - Power Up Registrations Slotted cBTS + pBTS

Calculation

`vsum(PwrUpRegSlot_p, PwrUpRegSlot_c)`

SlotPgAck

Term_Probes_Slot_ACH_BTS - Termination Probes Slotted - ACH cBTS + pBTS

Calculation

`vsum(TermAttSlotAccChan)`

slottedPageAcknowledge

Term_Probes_Slot_ACH_BTS - Termination Probes Slotted - ACH cBTS + pBTS

Calculation

`TermAttSlotAccChan`

TermAsgnAttAccChan

Obsolete Count in Release 16.1

Calculation

`vsum(TermAsgnAttAccChan_p, TermAsgnAttAccChan_c)`

TermAsgnAttFailRF

Obsolete Count in Release 16.1

Calculation

`vsum(TermAsgnAttAccChan, -1 * TermAsgnCompAccChan)`

TermAsgnCompAccChan

Obsolete Count in Release 16.1

Calculation

vsum(TermAsgnCompAccChan_p, TermAsgnCompAccChan_c)

TermAtt

Term_Probes_ACH_BTS - Termination Probes - ACH cBTS + pBTS

Calculation

vsum(TermAttSlotAccChan, TermAttNonSlotAccChan)

TermAttFailNtwrk

Obsolete Count in Release 16.1

Calculation

vsum(TermAttSlotAccChan, TermAttNonSlotAccChan, -1 * TermAsgnAttAccChan)

TimerRegNonSlot

Regs_Time_Based_Non_Slot_BTS - Timer Based Registrations Non- Slotted cBTS + pBTS

Calculation

vsum(TimerRegNonSlot_p, TimerRegNonSlot_c)

TimerRegSlot

Regs_Time_Based_Slot_BTS - Timer Based Registrations Slotted cBTS + pBTS

Calculation

vsum(TimerRegSlot_p, TimerRegSlot_c)

TotNnSlotReg

cBTS/pBTS Total Non-Slotted Registrat

Calculation

vsum(PwrUpRegNonSlot, ParamChgRegNonSlot, PwrDnRegNonSlot, MiscRegNonSlot)

TotPgAck

Term_Probes_ACH_BTS - Termination Probes - ACH cBTS + pBTS

Calculation

vsum(TermAttSlotAccChan, TermAttNonSlotAccChan)

TotSlotReg

cBTS/pBTS Total Slotted Registrat

Calculation

vsum (PwrUpRegSlot, ParamChgRegSlot, PwrDnRegSlot, MiscRegSlot)

UnknownEnterpriseField

Unknown Field exported from Enterprise Server

Calculation

nullInt()

ZoneRegNonSlot

Regs_Zone_Based_Non_Slot_BTS - Zone Based Registrations Non- Slotted cBTS + pBTS

Calculation

vsum(ZoneRegNonSlot_p, ZoneRegNonSlot_c)

ZoneRegSlot

Regs_Zone_Based_Slot_BTS - Zone Based Registrations Slotted cBTS + pBTS

Calculation

vsum(ZoneRegSlot_p, ZoneRegSlot_c)

AccChan Peg Counts

The following is a list of peg counts for the AccChan entity.

AuthentChalRespMsgACH

PMC201_PC25: NUM_AUTH_CHLNG_RESP_MSG_RECV - of Authentication Challenge Response Messages Received

Data Source

OMCR

Source Field

PC25

Source Section

PMC201

DataBurstMsgsACH

PMC201_PC5: NUM_DATA_BURST_MSG_RECV - of Data Burst Messages Received

Data Source

OMCR

Source Field

PC5

Source Section

PMC201

ExtendStatRespMsgACH

PMC201_PC29: NUM_EXT_STAT_RESP_MSG_RECV - of Extended Status Response Messages Received

Data Source

OMCR

Source Field

PC29

Source Section

PMC201

InvalidCapsulesACH

PMC201_PC2: INVALID_MSG_RECV - of Invalid Messages Received

Data Source

OMCR

Source Field

PC2

Source Section

PMC201

LocSrvcMsgsACH

PMC201_PC11: NUM_LOC_SRVC_MSG_RECV - of Location Service Messages Received

Data Source

OMCR

Source Field

PC11

Source Section

PMC201

numAccessChannels

NUM_ACCESS_CHANNELS - Number of Access Channels

Data Source

PM

Source Field

pmC121_PC2

Source Section

pmC121

NumDevInfoMsgRecvdRCSCH

PMC201_PC30: NUM_DEV_INFO_MSG_RECV - of Device Information Messages Received

Data Source

PM

Source Field

PMC201_PC30

Source Section

PMC201

NumSDBDiscardRCSCH

PMC201_PC34: NUM_SDBS_DISCARDED_PBTS - Number of SDBs discarded-pBTS

Data Source

PM

Source Field

PMC201_PC34

Source Section

PMC201

NumSDBRecvdRCSCH

PMC201_PC32: NUM_SDBS_RECV - of SDBs Received

Data Source

PM

Source Field

PMC201_PC32

Source Section

PMC201

NumSecurModeReqMsgRecvdRCSCH

PMC201_PC31: NUM_SEC_MOD_REQ_MSG_RECV - of Security Mode Request Messages Received

Data Source

PM

Source Field

PMC201_PC31

Source Section

PMC201

OrderMsgsACH

PMC201_PC7: NUM_ORDER_MSG_RECV - Number of Order Messages Received

Data Source

PM

Source Field

PMC201_PC7

Source Section

PMC201

OrigMsgs_SO22_ACH

PMC201_PC13: NUM_ORIG_MSG_RECV_SO_22 - of Origination Messages w/SO 22
Received

Data Source

OMCR

Source Field

PC13

Source Section

PMC201

OrigMsgs_SO23_ACH

PMC201_PC14: NUM_ORIG_MSG_RECV_SO_23 - of Origination Messages w/SO 23
Received

Data Source

OMCR

Source Field

PC14

Source Section

PMC201

OrigMsgs_SO24_ACH

PMC201_PC15: NUM_ORIG_MSG_RECV_SO_24 - of Origination Messages w/SO 24
Received

Data Source

OMCR

Source Field

PC15

Source Section

PMC201

OrigMsgs_SO25_ACH

PMC201_PC16: NUM_ORIG_MSG_RECV_SO_25 - of Origination Messages w/SO 25
Received

Data Source

OMCR

Source Field

PC16

Source Section

PMC201

OrigMsgs_SO33_ACH

PMC201_PC17: NUM_ORIG_MSG_RECV_SO_33 - of Origination Messages w/SO 33
Received

Data Source

OMCR

Source Field

PC17

Source Section

PMC201

OrigMsgsACH

PMC201_PC12: NUM_ORIG_MSG_RECV - of Origination Messages Received

Data Source

OMCR

Source Field

PC12

Source Section

PMC201

PACACancelMsgACH

PMC201_PC28: NUM_PACA_CANCL_MSG_RECV - of PACA Cancel Messages Received

Data Source

OMCR

Source Field

PC28

Source Section

PMC201

PageRespMsg_SO22_ACH

PMC201_PC20: NUM_PGE_RESP_MSG_RECV_SO_22 - of Page Response Messages w/SO 22 Received

Data Source

OMCR

Source Field

PC20

Source Section

PMC201

PageRespMsg_SO23_ACH

PMC201_PC21: NUM_PGE_RESP_MSG_RECV_SO_23 - of Page Response Messages w/SO 23 Received

Data Source

OMCR

Source Field

PC21

Source Section

PMC201

PageRespMsg_SO24_ACH

PMC201_PC22: NUM_PGE_RESP_MSG_RECV_SO_24 - of Page Response Messages w/SO
24 Received

Data Source

OMCR

Source Field

PC22

Source Section

PMC201

PageRespMsg_SO25_ACH

PMC201_PC23: NUM_PGE_RESP_MSG_RECV_SO_25 - of Page Response Messages w/SO
25 Received

Data Source

OMCR

Source Field

PC23

Source Section

PMC201

PageRespMsg_SO33_ACH

PMC201_PC24: NUM_PGE_RESP_MSG_RECV_SO_33 - of Page Response Messages w/SO
33 Received

Data Source

OMCR

Source Field

PC24

Source Section

PMC201

PageRespMsgsACH

PMC201_PC18: NUM_PAGE_RESP_MSG_RECV - of Page Response Messages Received

Data Source

OMCR

Source Field

PC18

Source Section

PMC201

PageRespMsgsSMS_PCH

PMC201_PC19: NUM_PAGE_RESP_MSG_RECV_SMS - Number of Page Response Messages for Traffic Channel SMS

Data Source

OMCR

Source Field

PC19

Source Section

PMC201

PkValidCapsulesACH

PMC201_PC3: PK_VALID_MSG_RECV - Number of Valid Messages Received

Data Source

OMCR

Source Field

PC3

Source Section

PMC201

RegMsgsACH

PMC201_PC6: NUM_REG_MSG_RECV - of Registration Messages Received

Data Source

OMCR

Source Field

PC6

Source Section

PMC201

slotSize

ACCESS_CHANNEL_SLOT_SIZE - Access Channel Slot Size

Data Source

PM

Source Field

pmC121_PC3

Source Section

pmC121

SMS_MsgsACH

PMC201_PC9: NUM_SMS_MSG_RECV - of SMS Messages Received

Data Source

OMCR

Source Field

PC9

Source Section

PMC201

StatusRespMsgACH

PMC201_PC26: NUM_STAT_RESP_MSG_RECV - of Status Response Messages Received

Data Source

OMCR

Source Field

PC26

Source Section

PMC201

TMSIAssignCompMsgACH

PMC201_PC27: NUM_TMSI_ASSIGN_COMP_MSG_RECV - of TMSI Assignment Complete Messages Received

Data Source

OMCR

Source Field

PC27

Source Section

PMC201

TotalByteSDBRecvdRCSCH

PMC201_PC33: TOT_SIZE_SDBS_RECV - Size of SDBs Received

Data Source

PM

Source Field

PMC201_PC33

Source Section

PMC201

totalNumberOfSlotsOccupied

PMC201_PC35: TOT_NUM_SLOTS_OCCUPIED - Total Number of Slots Occupied - pBTS

Data Source

PM

Source Field

PMC201_PC35

Source Section

PMC201

TotBytesDataBrstMsgsACH

PMC201_PC4: DATA_BURST_OCT_RECV - Size of Data Burst Messages Received

Data Source

OMCR

Source Field

PC4

Source Section

PMC201

TotBytesLocSrvcMsgsACH

PMC201_PC10: TOT_SIZE_LOC_SRVC_MSG_RECV - Size of Location Service Messages Received

Data Source

OMCR

Source Field

PC10

Source Section

PMC201

TotBytesSMS_MsgsACH

PMC201_PC8: TOT_SIZE_SMS_MSG_RECV - Size of SMS Messages Received

Data Source

OMCR

Source Field

PC8

Source Section

PMC201

ValidCapsulesACH

PMC201_PC1: VALID_MSG_RECV - of Valid Messages Received

Data Source

OMCR

Source Field

PC1

Source Section

PMC201

BackHaul Primitive Calculations

The following is a list of primitive calculations for the BackHaul entity.

GRAPHmultiLineSeparator

Special Control Field for Multi-Line Graphs

Calculation

""

NUMDAYS

of days in Report

Calculation

DAYSINREPORT ()

NUMHOURS

of hours in Summation Data

UnknownEnterpriseField

Unknown Field exported from Enterprise Server

Calculation

nullInt ()

BackHaul_Slot Primitive Calculations

The following is a list of primitive calculations for the BackHaul_Slot entity.

GRAPHmultiLineSeparator

Special Control Field for Multi-Line Graphs

Calculation

""

NUMDAYS

of days in Report

Calculation

DAYSINREPORT ()

NUMHOURS

of hours in Summation Data

UnknownEnterpriseField

Unknown Field exported from Enterprise Server

Calculation

nullInt ()

BBX Primitive Calculations

The following is a list of primitive calculations for the BBX entity.

AvgInterfCancel

Avg_Interfer_Cancell_Pct - Average Interference Cancellation

Calculation

vsum(AvgInterfCancel_c, AvgInterfCancel_p)

GRAPHmultiLineSeparator

Special Control Field for Multi-Line Graphs

Calculation

""

InterfCancel2ndHigh

Interfer_Cancell_2nd_Highest_Pct - Interference Cancellation-Second Highest

Calculation

vsum(InterfCancel2ndHigh_c, InterfCancel2ndHigh_p)

InterfCancel3rdHigh

Interfer_Cancell_3rd_Highest_Pct - Interference Cancellation-Third Highest

Calculation

vsum(InterfCancel3rdHigh_c, InterfCancel3rdHigh_p)

InterfCancel4thHigh

Interfer_Cancell_4th_Highest_Pct - Interference Cancellation-Fourth Highest

Calculation

vsum(InterfCancel4thHigh_c, InterfCancel4thHigh_p)

InterfCancelHigh

Interfer_Cancell_Highest_Pct - Interference Cancellation-Highest

Calculation

vsum(InterfCancelHigh_c, InterfCancelHigh_p)

NUMDAYS

of days in Report

Calculation

DAYSINREPORT ()

NUMHOURS

of hours in Summation Data

PadActivation

Pad_Activan_Pct - Pad Activation

Calculation

vsum(PadActivation_c, PadActivation_p)

pAvgInterfCanc

Avg_Interfer_Cancell_Pct - Average Interference Cancellation-Percentage

Calculation

AvgInterfCancel * 20.0 / 255.0

pIC2Highest

Interfer_Cancell_2nd_Highest_Pct - Interference Cancellation-Second Highest Percentage

Calculation

InterfCancel2ndHigh * 20.0 / 255.0

pIC3Highest

Interfer_Cancell_3rd_Highest_Pct - Interference Cancellation-Third Highest Percentage

Calculation

InterfCancel3rdHigh * 20.0 / 255.0

pIC4Highest

Interfer_Cancell_4th_Highest_Pct - Interference Cancellation-Fourth Highest Percentage

Calculation

InterfCancel4thHigh * 20.0 / 255.0

pICHighest

Interfer_Cancell_Highest_Pct - Interference Cancellation-Highest Percentage

Calculation

InterfCancelHigh * 20.0 / 255.0

PkInterfSigAmp

Peak_Interfer_Sig_Ampltd - Peak Interfering Signal Amplitude

Calculation

`vsum(PkInterfSigAmp_c, PkInterfSigAmp_p)`

PkInterfSigAmp2ndHigh

Peak_Interfer_Sig_Ampltd_2nd_Highest - Peak Interfering Signal Amplitude-Second Highest

Calculation

`vsum(PkInterfSigAmp2ndHigh_c, PkInterfSigAmp2ndHigh_p)`

PkInterfSigAmp3rdHigh

Peak_Interfer_Sig_Ampltd_3rd_Highest - Peak Interfering Signal Amplitude-Third Highest

Calculation

`vsum(PkInterfSigAmp3rdHigh_c, PkInterfSigAmp3rdHigh_p)`

PkInterfSigAmp4thHigh

Peak_Interfer_Sig_Ampltd_4th_Highest - Peak Interfering Signal Amplitude-Fourth Highest

Calculation

`vsum(PkInterfSigAmp4thHigh_c, PkInterfSigAmp4thHigh_p)`

PkInterfSigAmpHigh

Peak_Interfer_Sig_Ampltd_Highest - Peak Interfering Signal Amplitude-Highest

Calculation

`vsum(PkInterfSigAmpHigh_c, PkInterfSigAmpHigh_p)`

pPadActv

Pad_Activan_Pct - Pad Activation-Percentage

Calculation

`PadActivation * 100.0 / 255.0`

UnknownEnterpriseField

Unknown Field exported from Enterprise Server

Calculation

`nullInt()`

BSC Available Data Fields

The following is a list of available data fields for the BSC entity.

CDF_AvailableDataPct

CDF Available Data Pct

PM_AvailableDataPct

PM Available Data Pct

BSC Primitive Calculations

The following is a list of primitive calculations for the BSC entity.

accessFailureNoSilentRetryPercent

Percentage of access failures with no silent retries

Calculation

```
100.0 * accessFailureNoSilentRetry / vsum(accessFailureNoSilentRetry,  
droppedCall, goodCall)
```

AchCallSuAtt

ACH CallSetup Attempts

Calculation

```
vsum(sum(BTS.BTS_Cell.Cell_Sector.Sector_Carrier.Pag-  
ingChan.AccChan,OrigAttAccChan),  
sum(BTS.BTS_Cell.Cell_Sector.Sector_Carrier.PagingChan.AccChan,TermAtt-  
SlotAccChan), sum(BTS.BTS_Cell.Cell_Sector.Sector_Carrier.Pag-  
ingChan.AccChan,TermAttNonSlotAccChan))
```

AchOrigAsgnComp

ACH Origination Assignment Complete

Calculation

```
vsum(sum(BTS.BTS_Cell.Cell_Sector.Sector_Carrier,OrgAsgnCompCarrSec), sum(B  
TS.BTS_Cell.Cell_Sector.Sector_Carrier.PagingChan.AccChan,OrigAsgnCompAc-  
cChan))
```

AchTermAsgnComp

ACH Termination Assignment Complete

Calculation

```
vsum(sum(BTS.BTS_Cell.Cell_Sector.Sector_Carrier,TermAsgnCompCarrSec), sum(  
BTS.BTS_Cell.Cell_Sector.Sector_Carrier.PagingChan.AccChan,TermAsgnCompAc-  
cChan))
```

ADDSPgAck

ADDSPgAck - ADDS Page ACK - ACH cBTS + pBTS

Calculation

(sum(BTS.BTS_Cell.Cell_Sector.Sector_Carrier.PagingChan.AccChan,ADDSPgAck-AccChan))

ADDSTransfr

ADDSTransfr - ADDS Transfer - ACH cBTS + pBTS

Calculation

(sum(BTS.BTS_Cell.Cell_Sector.Sector_Carrier.PagingChan.AccChan,ADDSTransfr-AccChan))

AllMCCceBusyTimeSec

AllMCCceBusyTimeSec - All Non-1x TCH MCCce Group Non-Idle Time cBTS + pBTS

Calculation

(sum(BTS.BTS_Cell.Site_MCCceGrp, AllTfMCCceBsy))

AuthAck

Auth Ack

Calculation

(sum(BTS.BTS_Cell.Cell_Sector.Sector_Carrier,AuthAck))

AuthReq

AuthReq - Authentication Request

Calculation

vsum(SlotAuthReq, NslotAuthReq)

AvgLngBrdcstADDSPgSMS

AvgLngBrdcstADDSPgSMS - Average Length Broadcast ADDS Page SMS

Calculation

1.0 * BrdctAdsPgSMSLg / vsum(BrdctAdsPgSMSPP, BrdctAdsPgSMSBr)

CtoAHrdHoAttMM

CtoAHrdHoAttMM - CDMA To AMPS External Handfrom Attempts

Calculation

vsum(CtoAExtHfrFail, CtoAExtHfrComp)

CtoC_HrdHoAttHandAcr

CDMA to CDMA Hard HO Att HandAcr

Calculation

vsum(CtoC_HandfromFailHandAcr, CtoC_HandAcrHandfromComp)

CtoC_HrdHoAttHndDwn

C2C_HndDwn_Hf_Att - CDMA To CDMA Handdown Handfrom Attempts

Calculation

vsum(CtoC_HanddownHandfromFail, CtoC_HanddownHandfromComp)

CtoC_HrdHoAttHndUp

C2C_HndUp_Hf_Att - CDMA To CDMA Handup Handfrom Attempts

Calculation

vsum(CtoC_HandupHandfromFail, CtoC_HandupHandfromComp)

CtoC_HrdHoCompHndAcr

PMC58_PC3: C2C_Hf_Comp_HndAcr - CDMA To CDMA Handacross Handfrom Completes

Calculation

CtoC_HandAcrHandfromComp

CtoC_HrdHoReqHndAcr

PMC58_PC1: C2C_HndAcr_Hf_Req - CDMA To CDMA Handacross Handfrom Requests

Calculation

CtoC_HandAcrHandfromReq

CtoCExtHfrComp

CDMA To CDMA External Handfrom Completes

Calculation

vsum(CtoC_HandAcrHandfromComp, CtoC_HandupHandfromComp, CtoC_HanddownHandfromComp)

CtoCExtHfrFail

CDMA To CDMA External Handfrom Failure

Calculation

```
vsum(CtoC_HandfromFailHandAcr,CtoC_HandupHandfromFail,CtoC_HanddownHandfromFail)
```

CtoCExtHfrReq

CDMA to CDMA External Handfrom Requests

Calculation

```
vsum(CtoC_HandAcrHandfromReq,CtoC_HandupHandfromReq,CtoC_HanddownHandfromReq)
```

CtoCHHo%CompMM

CDMA to CDMA Hard HO % Completion MM

Calculation

```
(( vsum (
CtoC_HandAcrHandfromComp,CtoC_HandupHandfromComp,CtoC_HanddownHandfromComp
))/
(vsum(CtoC_HandfromFailHandAcr,CtoC_HandAcrHandfromComp,CtoC_HandupHandfromFail,
CtoC_HandupHandfromComp,CtoC_HanddownHandfromFail,CtoC_HanddownHandfromComp))
)*100.0
```

CtoCHHoAttMM

CDMA to CDMA Hard HO Attempt MM

Calculation

```
vsum (
CtoC_HandfromFailHandAcr,CtoC_HandAcrHandfromComp,CtoC_HandupHandfromFail,
CtoC_HandupHandfromComp,CtoC_HanddownHandfromFail,CtoC_HanddownHandfromComp
)
```

CtoCHrdHoAttMM

CDMA to CDMA Hard HO Attempt MM

Calculation

```
vsum(CtoCExtHfrFail, CtoCExtHfrComp)
```

DtoAExtHandfComp

PMC52_PC6: C2A_Ext_Hf_Comp - To AMPS External Handfrom Completes

Calculation

```
CtoAExtHfrComp
```


DtoAExtHandfFail

PMC52_PC5: C2A_Ext_Hf_Fail - CDMA To AMPS External Handfrom Failures

Calculation

CtoAExtHfrFail

DtoAExtHandfReq

PMC52_PC4: C2A_Ext_Hf_Req - To AMPS External Handfrom Requests

Calculation

CtoAExtHfrReq

DtoDExtHandfComp

D To D External HF Completion

Calculation

CtoCEExtHfrComp

DtoDExtHandfFail

D To D External HF Fail

Calculation

CtoCEExtHfrFail

DtoDExtHandfReq

D To D External HF Requests

Calculation

CtoCEExtHfrReq

EdgSensHHO_Atts

EDGE_SENSE_HHO_ATT - Edge Sensing HHO Attempts

Calculation

vsum(EdgSensHHO_Comps, EdgSensHHO_Fails)

goodCallPercent

Percentage of good calls

Calculation

100.0 * droppedCall / vsum(goodCall, droppedCall)

GRAPHmultiLineSeparator

Special Control Field for Multi-Line Graphs

Calculation

""

HandtoAttHndAcr

HandTo_Attr_HandAcr - Handto Attempts_HandAcross

Calculation

vsum(HandtoFailHandAcross, HandtoCompHandAcross)

HandtoAttHndDwn

HandTo_Attr_HandDwn - Handto Attempts_HandDown

Calculation

vsum(HandtoFailHandDown, HandtoCompHandDown)

HandtoAttHndUp

HandTo_Attr_HandUp - Handto Attempts_HandUP

Calculation

vsum(HandtoFailHandUp, HandtoCompHandUp)

HSPDCSUSpAddAtt

HSPD_Call_Setup_Supp_Add_Atts - High Speed Packet Data Call Setup Supplemental Add Attempts

Calculation

vsum(HSPDCSUSpAddComp, HSPDCSUSpAddFail)

HSPDHoAtt

Intra_CBSC_HSPD_HO_Attr_MM - Intra-CBSC High Speed Packet Data HO Attempts - MM

Calculation

vsum(IaCBSCHSPDHOCmp, IaCBSCHSPDHOFail)

icbshighSpeedPacketDataHandoffAttempts

PMC56_PC17: ICBSC_HSPD_HO_Attr_TrgMM - Inter-CBSC High Speed Packet Data HO Attempts - Target MM

Calculation

ICBSCHSPDHOAttT

icbshighspeedpacketdatahandoffcompletes

ICBSC_HSPD_HO_Comp_TrgMM - Inter-CBSC High Speed Packet Data HO Completions - Target MM

Calculation

ICBSCHSPDHoComp

icbshighspeedpacketdatahandofffailures

PMC56_PC18: ICBSC_HSPD_HO_Fail_TrgMM - Inter-CBSC High Speed Packet Data HO Failures - Target MM

Calculation

ICBSCHSPDHOFailT

icbshighspeedpacketdatahandoffrequests

PMC56_PC16: ICBSC_HSPD_HO_Req_TrgMM - Inter-CBSC High Speed Packet Data HO Requests - Target MM

Calculation

ICBSCHSPDHOReqT

icbshighspeedpacketdatahandoffattempts

PMC56_PC26: ICBSC_HSPD_HO_Att_TN_TrgMM - Inter-CBSC High Speed Packet Data HO Attempts - TN Target MM

Calculation

InterCBSC_HSPD_HoAttTN_Trgt

icbshighspeedpacketdatahandofffails

PMC56_PC27: ICBSC_HSPD_HO_Fail_TN_TrgMM - Inter-CBSC High Speed Packet Data HO Failures - TN Target MM

Calculation

InterCBSC_HSPD_HoFailTN_Trgt

icbshighspeedpacketdatahandoffrequests

PMC56_PC25: ICBSC_HSPD_HO_Req_TN_TrgMM - Inter-CBSC High Speed Packet Data HO Requests - TN Target MM

Calculation

InterCBSC_HSPD_HoReqTN_Trgt

InterBandHHO_BndDnAttTgtMM

IB_HHO_BD_ATT_TGT_MM - Inter-band Hard Handoff BandDown Attempts - Target MM

Calculation

vsum(IBndHHO_BndDnComp_TgtMM, IBndHHO_BndDnFail_TgtMM)

InterBandHHO_BndUpAttTgtMM

IB_HHO_BU_ATT_TGT_MM - Inter-band Hard Handoff BandUp Attempts - Target MM

Calculation

vsum(IBndHHO_BndUpComp_TgtMM, IBndHHO_BndUpFail_TgtMM)

InterBandHIFail

Inter Band Hand In Failures

Calculation

vsum(IntBandHandinAtts, -1.0 * SuccIntBandMAHHCarr, -1.0 * SuccIntBandNon-
MAHHCarr)

IntraBandHHO_AttTgtMM

INTRA_BAND_HHO_ATT_TGT_MM - Intra-band Hard Handoff Attempts - Target MM

Calculation

vsum(IntraBandHHO_FailTgtMM, IntraBandHHO_CompTgtMM)

IntraBandHHO_CompTgtMM

Intra-band hard handoff completions - target MM

Calculation

vsum(HandtoCompHandAcross, HandtoCompHandDown, HandtoCompHandUp, -1.0 *
IBndHHO_BndUpComp_TgtMM, -1.0 * IBndHHO_BndDnComp_TgtMM)

IntraBandHHO_FailTgtMM

Intra-band hard handoff failures - target MM

Calculation

vsum(HandtoFailHandAcross, HandtoFailHandDown, HandtoFailHandUp, -1.0 *
IBndHHO_BndUpFail_TgtMM, -1.0 * IBndHHO_BndDnFail_TgtMM)

IS2000PktDataHoAtt

Intra_CBSC_IS2000_PD_HO_Att_MM - Intra-CBSC IS2000 Packet Data HO Attempts - MM

Calculation

vsum(IntraCBSC_IS2000PktDataHoComp, IntraCBSC_IS2000PktDataHoFail)

IWayHHInAtts

PMC52_PC73 + PMC52_PC74: One Way HHI Completions and Failures

Calculation

vsum(lwayHHInComps, lwayHHInFails)

MCC_UsgMin

TRAF_TSLOT_USG_BTS - Non-1x TCH MCCce Group Usage cBTS + pBTS (minutes)

Calculation

(sum(BTS.BTS_Cell.Site_MCCceGrp, TfmCCceUsg)) / 60.0

MCCceICBSCGrpUsg

TRAF_CE_USG_ICBSC_BTS - ICBSC Non-1x TCH MCCce Group Usage cBTS + pBTS

Calculation

(sum(BTS.BTS_Cell.Site_MCCceGrp, ICBSC_TfmCCceUsg))

MCCceMemEquip

TRAF_TSLOT_EQP_BTS - TCH MCCce Group Equipped cBTS + pBTS

Calculation

(sum(BTS.BTS_Cell.Site_MCCceGrp, TfmCCceEquip))

MCCceOOS_TimeSec

TRAF_TSLOT_OOS_BTS - Non-1x TCH MCCce Group OOS Time cBTS + pBTS

Calculation

(sum(BTS.BTS_Cell.Site_MCCceGrp, TfmCCceOOS))

mmEVRCB_Prclد_XC_Tckt

PMC52_PC71 : EVRCB_PRECLUDE_XC_TCKT - EVRCB Precluded - XC

Calculation

SMV_Prclد_XC_Tckt

mmEVRCB2NonEVRCB_HHO_SrcMM

PMC58_PC18 : EVRCB_TO_NONEVRCB_HHO_SRC_MM - EVRCB to Non-EVRCB Hard HandOff

Calculation

mm4gv2Non4gv_HHO_SrcMM

mmEVRCB2NonEVRCB_HHO_TgtXC

PMC52_PC72 : EVRCB_TO_NONEVRCB_HHO_TGT_XC_TCKT - EVRCB to Non EVRCB Hard Handoff - Target XC Terckt

Calculation

SMV2NonSMV_HHO_TgtXC

mobileOriginatedDormantReconnectPacketDataCalls

PMC52_PC37: Pkt_Data_MS_Dorm_Recon - Data Mobile Initiated Dormant Reconnect

Calculation

PktDtMobInDRcnt

networkOriginatedDormantReconnectPacketDataCalls

PMC52_PC38: Pkt_Data_Network_Dorm_Recon - Data Network Initiated Dormant Reconnect

Calculation

PktDtIWUInDRcnt

NnSlotPg

PMC52_PC2: Sys_Non_Slot_Pages - Non-Slotted Pages

Calculation

SysNnSltpg

NnSlotPgAck

Non-Slotted Page Acks

Calculation

sum(BTS.Cell.Sector.Carrier.PagingChan.AccChan, NnSlotPgAck)

NnSlotPgNoAck

PMC52_PC2: Sys_Non_Slot_Pages - Non-Slotted Pages No Ack

Calculation

`vsum(SysNnSltPg, -1 * NnSlotPgAck)`

NumA1RadMeasForPosReqs

PMC52_PC61 NUM_A1_RADIO_MEAS_FOR_POSITION_REQ The count of A1: Radio Measurement for Position Request messages received by the MM from the MSC

Calculation

`IntBandHandinAtts`

NumA1RadMeasForPosResp_CauseIE

PMC52_PC63 NUM_A1_RADIO_MEAS_POSITION_RESP_CAUSE_CNT The count of A1: Radio Measurement for Position Response messages with the Cause information indicative of the failure that is sent by the MM to the MSC

Calculation

`SuccIntBandNonMAHHCarr`

NumA1RadMeasForPosResp_SOWDIE

PMC52_PC62 NUM_A1_RADIO_MEAS_POSITION_RESP_SOWD_CNT The count of A1: Radio Measurement for Position Response messages with the SOWD measurement that is sent by the MM to the MSC

Calculation

`SuccIntBandMAHHCarr`

NUMDAYS

of days in Report

Calculation

`DAYSINREPORT ()`

NUMHOURS

of hours in Summation Data

NwayHHInAtts

PMC52_PC75 + PMC52_PC76: N Way HHI Completions and Failures

Calculation

`vsum(NwayHHInComps, NwayHHInFails)`

pAchCallSuComp

% ACH ClSet Cmpl

Calculation

```
(isNull(BTS.BTS_Cell.Cell_Sector.Sector_Carrier.OrgAttCarrSec)?(100.0 *
vsum(sum(BTS.BTS_Cell.Cell_Sector.Sector_Carrier.PagingChan.AccChan,OrigAsgnCompAccChan), sum(BTS.BTS_Cell.Cell_Sector.Sector_Carrier.PagingChan.AccChan,TermAsgnCompAccChan))):(100.0 * vsum ( sum (
BTS.BTS_Cell.Cell_Sector.Sector_Carrier,OrgAsgnCompCarrSec ) ,sum(
BTS.BTS_Cell.Cell_Sector.Sector_Carrier,TermAsgnCompCarrSec ) ) ) ) /
(isNull(BTS.BTS_Cell.Cell_Sector.Sector_Carrier.OrgAttCarrSec)?(vsum(sum(BTS.BTS_Cell.Cell_Sector.Sector_Carrier.PagingChan.AccChan,OrigAttAccChan), sum(BTS.BTS_Cell.Cell_Sector.Sector_Carrier.PagingChan.AccChan,TermAttSlotAccChan),
sum(BTS.BTS_Cell.Cell_Sector.Sector_Carrier.PagingChan.AccChan,TermAttNonSlotAccChan)) * 1.0):(vsum ( sum (
BTS.BTS_Cell.Cell_Sector.Sector_Carrier,OrgAttCarrSec ) ,sum (
BTS.BTS_Cell.Cell_Sector.Sector_Carrier,TermAttCarrSec ) ) * 1.0 ))
```

Pages

Pages

Calculation

```
vsum(SysSltPg, SysNnSltPg)
```

pAllMCCceBusyTime

TRAF_TSLOT_ACB_BTS - All Non-1x TCH MCCce Group Non-Idle Time cBTS + pBTS
(%)

Calculation

```
protect(100.0 * sum(BTS.BTS_Cell.Site_MCCceGrp, AllTfMCCceBsy) / (3600.0 *
NUMHOURS) )
```

pCtoAHrdHoCompMM

C2A_Ext_Hf_Att - CDMA To AMPS External Handfrom % Completion

Calculation

```
100.0 * CtoAExtHfrComp / vsum(CtoAExtHfrFail, CtoAExtHfrComp)
```

pCtoCHrdHoCompMM

CDMA to CDMA Hard HO % Completion MM

Calculation

```
100.0 * CtoCEExtHfrComp / vsum(CtoCEExtHfrFail, CtoCEExtHfrComp)
```


PercentOfCallsFromTransToTrFO

TRANS_TO_TRFO_PERCENT - Percentage of calls transitioned from transcoding to TrFO

Calculation

PercentOfCallsTransFromTransToTrFO

PercentOfCallsFromTrFOToTrans

TRFO_TO_TRANS_PERCENT - Percentage of calls transitioned from TrFO to transcoding

Calculation

PercentOfCallsTransFromTrFOToTrans

pExtHandfComp

%External HF Completion

Calculation

100.0 * vsum(CtoAExtHfrComp, CtoCEExtHfrComp) / vsum(CtoAExtHfrFail, CtoAExtHfrComp, CtoCEExtHfrFail, CtoCEExtHfrComp)

pExtHandfDenied

%External HF Denied

Calculation

100.0 * vsum(CtoAExtHfrReq, CtoCEExtHfrReq, -1 * CtoAExtHfrFail, -1 * CtoAExtHfrComp, -1 * CtoCEExtHfrFail, -1 * CtoCEExtHfrComp) / vsum(CtoAExtHfrReq, CtoCEExtHfrReq)

pExtHandfFail

%External HF Fail

Calculation

100.0 * vsum(CtoAExtHfrFail, CtoCEExtHfrFail) / vsum(CtoAExtHfrFail, CtoAExtHfrComp, CtoCEExtHfrFail, CtoCEExtHfrComp)

pExtHandtoComp

HandAcr_Ht_Att_Sec - HandAcross Handto Attempts - Sector

Calculation

100.0 * (sum(BTS.BTS_Cell.Cell_Sector.Sector_Carrier, HaHtCompSec)) / vsum(sum(BTS.BTS_Cell.Cell_Sector.Sector_Carrier, HaHtFailSec), sum(BTS.BTS_Cell.Cell_Sector.Sector_Carrier, HaHtCompSec))

pExtHandtoFail

HandAcr_Ht_Att_Sec - HandAcross Handto % Completions - Sector

Calculation

```
100.0 * (sum(BTS.BTS_Cell.Cell_Sector.Sector_Carrier, HaHtFailSec)) /  
vsum(sum(BTS.BTS_Cell.Cell_Sector.Sector_Carrier,HaHtFailSec),  
sum(BTS.BTS_Cell.Cell_Sector.Sector_Carrier,HaHtCompSec))
```

PgAck

Page Acks

Calculation

```
vsum(sum(BTS.BTS_Cell.Cell_Sector.Sector_Carrier.PagingChan.AccChan,  
PgAck))
```

PgNoAck

Page No Ack

Calculation

```
vsum(SlotPgNoAck, NnSlotPgNoAck)
```

pIneffMSCAtt

% lftv Attempts - MSC

Calculation

```
(isNull(BTS.BTS_Cell.Cell_Sector.Sector_Carrier.OrgAttCarrSec)?(100.0 *  
(vsum(sum(BTS.BTS_Cell.Cell_Sector.Sector_Carrier.Pag-  
ingChan.AccChan,OrigAttAccChan),  
sum(BTS.BTS_Cell.Cell_Sector.Sector_Carrier.PagingChan.AccChan,TermAtt-  
SlotAccChan), sum(BTS.BTS_Cell.Cell_Sector.Sector_Carrier.Pag-  
ingChan.AccChan,TermAttNonSlotAccChan), 0) -  
vsum(sum(BTS.BTS_Cell.Cell_Sector.Sector_Carrier.PagingChan.AccChan,Ori-  
gAsgnAttAccChanTerckt), sum(BTS.BTS_Cell.Cell_Sector.Sector_Carrier.Pag-  
ingChan.AccChan,TermAsgnAttAccChan), 0) -  
vsum(sum(BTS.BTS_Cell.Cell_Sector.Sector_Carrier,OrigAttFailWlshCd),  
sum(BTS.BTS_Cell.Cell_Sector.Sector_Carrier,TermAttFailWlshCd), 0)  
)): (100.0 * vsum ( vsum ( sum (  
BTS.BTS_Cell.Cell_Sector.Sector_Carrier,OrgAttCarrSec ) , sum (   
BTS.BTS_Cell.Cell_Sector.Sector_Carrier,TermAttCarrSec ) , 0 ) , - 1.0 * (   
vsum ( sum ( BTS.BTS_Cell.Cell_Sector.Sector_Carrier,OrigAsgnAttMSCAck )   
, sum ( BTS.BTS_Cell.Cell_Sector.Sector_Carrier,TermAsgnAttMSCAck ) , 0 ) )   
, - 1.0 * ( vsum ( sum ( BTS.BTS_Cell.Cell_Sector.Sector_Carrier,OrgAt-  
tFailRFResrc ) , sum ( BTS.BTS_Cell.Cell_Sector.Sector_Carrier,TermAttFailR-  
FResrc ) , 0 ) ) , 0 ) ) ) /  
(isNull(BTS.BTS_Cell.Cell_Sector.Sector_Carrier.OrgAttCarrSec)?vsum(sum(BT  
S.BTS_Cell.Cell_Sector.Sector_Carrier.PagingChan.AccChan,OrigAttAccChan),  
sum(BTS.BTS_Cell.Cell_Sector.Sector_Carrier.PagingChan.AccChan,TermAtt-  
SlotAccChan), sum(BTS.BTS_Cell.Cell_Sector.Sector_Carrier.Pag-
```

```
ingChan.AccChan,TermAttNonSlotAccChan), 0):vsum ( sum (
BTS.BTS_Cell.Cell_Sector.Sector_Carrier,OrgAttCarrSec ) , 1.0 * sum (
BTS.BTS_Cell.Cell_Sector.Sector_Carrier,TermAttCarrSec ) ,0 ) )
```

pIneffRFAtt

% lftv Attempts - RF

Calculation

```
(isNull(BTS.BTS_Cell.Cell_Sector.Sector_Carrier.OrgAttCarrSec)?(100.0 *
vsum(sum(BTS.BTS_Cell.Cell_Sector.Sector_Carrier,OrigAttFailWlshCd),
sum(BTS.BTS_Cell.Cell_Sector.Sector_Carrier,TermAttFailWlshCd))):(100.0 *
vsum ( sum ( BTS.BTS_Cell.Cell_Sector.Sector_Carrier,OrgAttFailRFResrc )
,sum ( BTS.BTS_Cell.Cell_Sector.Sector_Carrier,TermAttFailRFResrc ) ) ) ) /
(isNull(BTS.BTS_Cell.Cell_Sector.Sector_Carrier.OrgAttCarrSec)?vsum(sum(BT
S.BTS_Cell.Cell_Sector.Sector_Carrier.PagingChan.AccChan,OrigAttAccChan),
sum(BTS.BTS_Cell.Cell_Sector.Sector_Carrier.PagingChan.AccChan,TermAtt-
SlotAccChan), sum(BTS.BTS_Cell.Cell_Sector.Sector_Carrier.Pag-
ingChan.AccChan,TermAttNonSlotAccChan)):(vsum ( sum (
BTS.BTS_Cell.Cell_Sector.Sector_Carrier,OrgAttCarrSec ) ,sum (
BTS.BTS_Cell.Cell_Sector.Sector_Carrier,TermAttCarrSec ) ) * 1.0 ) )
```

pOOS_Time

TRAF_TSLOT_OOS_BTS - Non-1x TCH MCCce Group OOS Time cBTS + pBTS (%)

Calculation

```
protect(100.0 * sum(BTS.BTS_Cell.Site_MCCceGrp, TfMCCceOOS) / (3600.0 *
NUMHOURS) )
```

pSftSftrAddCompTrgt

Sft+Sftr_Drop_Oper_Comp_Trg_Sec - Drop Operation Completions - Target Sector (%)

Calculation

```
(100.0 * vsum(sum(BTS.BTS_Cell.Cell_Sector.Sector_Carrier,SftAddOper-
CompTrgtSec), sum(BTS.BTS_Cell.Cell_Sector.Sector_Carrier,SftrAddOper-
CompTrgtSec))) / (1.0 * SftSftrAddAttTrgt)
```

pSftSftrAddDenTrgt

% Soft/Softer Add Denid Target

Calculation

```
100.0 * vsum(SftSftrAddReqSrc, -1.0 * TotNwayAddCompMM, -1.0 * TotNwayAdd-
FailMM) / (1.0 * SftSftrAddReqSrc)
```

pSftSftrAddFailTrgt

Sft+Sftr_Drop_Oper_Fail_Trg_Sec - Drop Operation Failures - Target Sector (%)

Calculation

$(100.0 * \text{vsum}(\text{sum}(\text{BTS.BTS_Cell.Cell_Sector.Sector_Carrier}, \text{SftAddOperFail-TrgtSec}), \text{sum}(\text{BTS.BTS_Cell.Cell_Sector.Sector_Carrier}, \text{SftrAddOperFail-TrgtSec}))) / (1.0 * \text{SftSftrAddAttTrgt})$

pSftSftrDropFailTrgt

Sft+Sftr_Drop_Oper_Fail_Trg_Sec - Drop Operation Failures - Target Sector (%)

Calculation

$(100.0 * \text{TotNwayDropFailMM}) / (1.0 * \text{SftSftrDropAttTrgt})$

PwrDnProc

cBTS/pBTS Power Down Procedures

Calculation

$\text{vsum}(\text{PwrDnRel}, \text{sum}(\text{BTS.BTS_Cell.Cell_Sector.Sector_Carrier.PagingChan.AccChan}, \text{PwrDnRegSlot}), \text{sum}(\text{BTS.BTS_Cell.Cell_Sector.Sector_Carrier.PagingChan.AccChan}, \text{PwrDnRegNonSlot}))$

ranDirectedIntraCBSCHardHandOffAttempts

RAN_DIRECT_INTRA_CBSC_HHO_ATT - RAN Directed Intra-CBSC HHO Attempts

Calculation

$\text{ranDirectedIntraCBSCHardHandOffCompletions} + \text{ranDirectedIntraCBSCHardHandOffFailures}$

SecinMeasPeriod

Seconds in Measurement Period

Calculation

1800

SftNwayAddAttMM

Soft_Add_Oper_Att_Tar_BTS - Soft Add Operation Attempts - Target BTS

Calculation

$\text{vsum}(\text{sum}(\text{BTS.BTS_Cell.Cell_Sector.Sector_Carrier}, \text{SftAddOperCompTrgtSec}), \text{sum}(\text{BTS.BTS_Cell.Cell_Sector.Sector_Carrier}, \text{SftAddOperFailTrgtSec}))$

SftNwayDropAttMM

Soft_Drop_Oper_Att_Tar_BTS - Soft Drop Operations Attempts - Target BTS

Calculation

vsum(sum(BTS.BTS_Cell.Cell_Sector.Sector_Carrier,SftDropOperCompTrgtSec),
sum(BTS.BTS_Cell.Cell_Sector.Sector_Carrier,SftDropOperFailTrgtSec))

SftrNwayAddAttMM

Softer_Add_Oper_Att_Tar_BTS - Softer Add Operation Attempts - Target BTS

Calculation

vsum(sum(BTS.BTS_Cell.Cell_Sector.Sector_Carrier,SftrAddOperCompTrgtSec),
sum(BTS.BTS_Cell.Cell_Sector.Sector_Carrier,SftrAddOperFailTrgtSec))

SftrNwayDropAttMM

Softer Nway Drop Attempt MM

Calculation

vsum(MMSrHoDrpCmp, MMSrHoDrpFl)

SftrNwayHODropAtts

Softer_Drop_Oper_Att_Tar_BTS - Softer Drop Operations Attempts - Target BTS

Calculation

vsum(sum(BTS.BTS_Cell.Cell_Sector.Sector_Carrier,SftrDropOper-
CompTrgtSec), sum(BTS.BTS_Cell.Cell_Sector.Sector_Carrier,SftrDropOper-
FailTrgtSec))

SftSftrAddAttTrgt

Sft+Sftr_Add_Oper_Att_Trg_Sec - Add Operation Attempts - Target Sector

Calculation

vsum(SftNwayAddAttMM, SftrNwayAddAttMM)

SftSftrAddReqSrc

Soft/Softer Add Requests Source

Calculation

vsum(IaCBSCHSPDHReq, IntraCBSCHoReq, IntraCBSC_IS2000PktDataHoReq)

SftSftrDropAttTrgt

Sft+Sftr_Drop_Oper_Att_Trg_Sec - Drop Operation Attempts - Target Sector

Calculation

vsum(TotNwayDropCompMM, TotNwayDropFailMM)

SlotPg

PMC52_PC1: Sys_Slot_Pages - Slotted Pages

Calculation

SysSltpg

SlotPgAck

Slotted Page Acks

Calculation

sum(BTS.BTS_Cell.Cell_Sector.Sector_Carrier.PagingChan.AccChan, SlotPgAck)

SlotPgNoAck

PMC52_PC1: Sys_Slot_Pages - Slotted Pages No Ack

Calculation

vsum(SysSltpg, -1 * SlotPgAck)

SSDUpdateAck

SSD Update Acks

Calculation

(sum(BTS.BTS_Cell.Cell_Sector.Sector_Carrier, SSDUpdateAck))

SSDUpdateReq

SSD_UPD_REQ - SSD Update Request

Calculation

vsum(SlotSSDUpdReq, NslotSSDUpdReq)

tchAuthAcknowledgement

PMC52_PC26: TCH_AUTH_ACK - TCH Authentication Acknowledgment

Calculation

XCAuthAck

tchAuthRequest

PMC52_PC25: TCH_AUTH_REQ - Authentication Request

Calculation

XCAuthReq

tchSsdUpdateAck

PMC52_PC24: TCH_SSD_UPD_ACK - SSD Update Acknowledgment

Calculation

XDSSDUpdAck

tchSsdUpdateRequest

PMC52_PC23: TCH_SSD_UPD_REQ - SSD Update Request

Calculation

XCSSDUpdReq

totalCall

Total calls

Calculation

vsum(goodCall, droppedCall, accessFailure)

TotalCallAttemptMM

Total_Atts_Carr_Sec - Attempts - Carrier/Sector

Calculation

sum(BTS.BTS_Cell.Cell_Sector.Sector_Carrier, vsum(OrgAttCarrSec, TermAttCarrSec))

totalDuplicateCfc27CountWithTrueESN

aemsC114_PC7 Total Duplicate CFC27 Calls

Calculation

totalDuplicateCfc27Count

TotBrdcstPgAck

Total Broadcast Page Acks

Calculation

vsum(sum(BTS.BTS_Cell.Cell_Sector.Sector_Carrier.PagingChan.AccChan, TermAttSlotAccChan), sum(BTS.BTS_Cell.Cell_Sector.Sector_Carrier.PagingChan.AccChan, TermAttNonSlotAccChan), -1 * NonBrdcstPgAck)

TotCellIDAuthReq

PMC63_PC2: CELL_ID_AUTH_REQ - Cell Identity Authentication Request

Calculation

(sum(BTS.BTS_Cell.Cell_Sector, CellIdenAuthReq))

TotCellIdenPg

PMC63_PC1: Cell_ID_Pages - Cell Identity Pages

Calculation

(sum(BTS.BTS_Cell.Cell_Sector, CellIdenPg))

TotExtHandfAtt

Total External Handfrom Attempts

Calculation

vsum(CtoAExtHfrFail, CtoAExtHfrComp, CtoCEExtHfrFail, CtoCEExtHfrComp)

TotExtHandfReq

Hf_Req - Handfrom Requests

Calculation

vsum(CtoAExtHfrReq, CtoCEExtHfrReq)

TotExtHandtoAtt

HandAcr_Ht_Att_Sec - HandAcross Handto % Failures - Sector

Calculation

vsum(sum(BTS.BTS_Cell.Cell_Sector.Sector_Carrier, HaHtFailSec),
sum(BTS.BTS_Cell.Cell_Sector.Sector_Carrier, HaHtCompSec))

TotHandtoAtt

Total Handto Att

Calculation

vsum(HandtoFailHandAcross, HandtoCompHandAcross, HandtoFailHandDown, Hand-
toCompHandDown)

TotHandtoComp

Total Handto Compl

Calculation

vsum(HandtoCompHandAcross, HandtoCompHandDown, HandtoCompHandUp)

TotHrdHoAttMM

Total Hard HO Attempt MM

Calculation

```
vsum (
  CtoAExtHfrFail, CtoAExtHfrComp, CtoC_HandfromFailHandAcr, CtoC_HandAcrHandfro
  mComp, CtoC_HandupHandfromFail, CtoC_HandupHandfromComp, CtoC_HanddownHandfro
  mFail, CtoC_HanddownHandfromComp)
```

TotHrdHoCompMM

Hf_Comp - Handfrom Completes

Calculation

```
vsum ( CtoAExtH-
  frComp, CtoC_HandAcrHandfromComp, CtoC_HandupHandfromComp, CtoC_HanddownHandf
  romComp)
```

TotHrdHoReqMM

Hf_Req - Handfrom Requests

Calculation

```
vsum ( CtoAExtH-
  frReq, CtoC_HandAcrHandfromReq, CtoC_HandupHandfromReq, CtoC_HanddownHandfrom
  Req)
```

TotLocAreaAuthReq

PMC70_PC4: LOC_AREA_AUTH_REQ - Area Authentication Request

Calculation

```
(sum(BSC_LocationArea, LocAreaAuthReq))
```

TotNnSlotReg

Total NonSlotted Registration

Calculation

```
vsum (sum(BTS.BTS_Cell.Cell_Sector.Sector_Carrier.PagingChan.AccChan, Tot-
  NnSlotReg))
```

TotNwayAddAttMM

Total Nway Add Attempt MM

Calculation

```
vsum (TotNwayAddCompMM, TotNwayAddFailMM)
```

TotNwayAddCompMM

Total Nway Add Completion MM

Calculation

$vsum(IaCBSCCHSPDHOCmp, IntraCBSCHoComp, IntraCBSC_IS2000PktDataHoComp)$

TotNwayAddFailMM

Total Nway Add Fail MM

Calculation

$vsum(IaCBSCCHSPDHOFail, IntraCBSCHoFail, IntraCBSC_IS2000PktDataHoFail)$

TotNwayAddProcMM

Total Nway Add Proc MM

Calculation

$vsum(MMSoHoAddReq, MMSrHoAddRq)$

TotNwayAddRequests

Total Nway Add Requests

Calculation

$vsum(IaCBSCCHSPDHOReq, IntraCBSCHoReq, IntraCBSC_IS2000PktDataHoReq)$

TotNwayDropAttMM

Sft+Sftr_Drop_Oper_Att_Trg_Sec - Drop Operation Attempts - Target Sector

Calculation

$vsum(TotNwayDropCompMM, TotNwayDropFailMM)$

TotNwayDropCompMM

Sft+Sftr_Drop_Oper_Comp_Trg_Sec - Drop Operation Completions - Target Sector

Calculation

$vsum(\text{sum}(BTS.BTS_Cell.Cell_Sector.Sector_Carrier, SftDropOperCompTrgtSec), \text{sum}(BTS.BTS_Cell.Cell_Sector.Sector_Carrier, SftrDropOperCompTrgtSec))$

TotNwayDropFailMM

Sft+Sftr_Drop_Oper_Fail_Trg_Sec - Drop Operation Failures - Target Sector

Calculation

`vsum (sum (BTS.BTS_Cell.Cell_Sector.Sector_Carrier, SftDropOperFailTrgtSec) ,
sum (BTS.BTS_Cell.Cell_Sector.Sector_Carrier, SftrDropOperFailTrgtSec))`

TotPg

Total Pages

Calculation

`vsum (SysSltPg, SysNnSltPg)`

TotPgAck

Total Page Acks

Calculation

`vsum (sum (BTS.BTS_Cell.Cell_Sector.Sector_Carrier.PagingChan.AccChan, TotP-
gAck))`

TotPktDataCall

Total Packet Data Calls

Calculation

`vsum (PktDtPPPEst, PktDtMobInDRcnt, PktDtIWUInDRcnt)`

TotSlotReg

Total Slotted Registration

Calculation

`vsum (sum (BTS.BTS_Cell.Cell_Sector.Sector_Carrier.PagingChan.AccChan, Tot-
SlotReg))`

TotVocdByUnbypReq

TOT_VOCDER_BYPS_UNBYP_REQS - Total Vocoder Bypass and Unbypass Requests

Calculation

`vsum (VcdrBypsReq, FtIntVocUBypsRq)`

TtoLocAreaSSDUpdateReq

PMC70_PC3: LOC_AREA_SSD_UPD_REQ - Area SSD Update Request

Calculation

`(sum (BSC_LocationArea, LocAreaSSDUpdReq))`

UnknownEnterpriseField

Unknown Field exported from Enterprise Server

Calculation

`nullInt()`

BSC Peg Counts

The following is a list of peg counts for the BSC entity.

A1pInterfaceUptime_Eth3onMMActiveNode

Peg indicates the uptime of the Eth3 A1p interface on the MM Active node

Data Source

PM

Source Field

PMC52_PC115

Source Section

PMC52

A1pInterfaceUptime_Eth5onMMActiveNode

Peg indicates the uptime of the Eth5 A1p interface on the MM Active node

Data Source

PM

Source Field

PMC52_PC116

Source Section

PMC52

A2pCallsTransNotSupported

A2P_VOICE_CALL_TRANS_NOT_SUPPORT - A2p Voice Calls - Transcoding Not Supported

Data Source

PM

Source Field

pmC520_PC14

Source Section

PMC520

A2pCallsTransSupportedButNotPerformed

A2P_VOICE_CALL_TRANS_SUPPORTED_BUT_NOT_PERFORMED - A2p Voice Calls -
Transcoding Supported But Not Performed

Data Source

PM

Source Field

pmC520_PC15

Source Section

PMC520

accessFailure

Number of access failures

Source Field

aemsC112_PC11

Data Source

aemsC Files

Source Section

aemsC112

accessFailureCalls

Access Failure Calls

Data Source

aemsC Files

Source Field

aemsC114_PC18

Source Section

aemsC114

accessFailureNoSilentRetry

Number of access failures with no silent retries

Source Field

aemsC114_PC17

Data Source

aemsC Files

Source Section

aemsC114

activeCalls

Active Calls Count

Data Source

aemsC Files

Source Field

aemsC104_PC7

Source Section

aemsC104

ADDSDelAck

PMC52_PC22: ADDS_Dlvr_Ack - Deliver Ack

Source Field

PMC52_PC22

Source Section

PMC52

ADDSDelIBStoMSC

PMC52_PC11: ADDS_Deliver_BS_to_MSC - Deliver - BS -> MSC

Source Field

PMC52_PC11

Source Section

PMC52

ADDSDelMSCtoBS

PMC52_PC21: ADDS_Dlvr_MSC_to_BS - Deliver - MSC_to_BS

Source Field

PMC52_PC21

Source Section

PMC52

ADDSPage

PMC52_PC20: ADDS_Page - Page

Source Field

PMC52_PC20

Source Section

PMC52

AddsPgSMSBrdcst

PMC52_PC41: ADDS_Page_SMS_Bcast - Page SMS Broadcast

Source Field

PMC52_PC41

Source Section

PMC52

AddsPgSMSPToP

PMC52_PC40: ADDS_Page_SMS_P-P - Page SMS Point-to-Point

Source Field

PMC52_PC40

Source Section

PMC52

AverageA1pDownlinkThroughput

Peg indicates the average amount of traffic received on A1p interface in kbps

Data Source

PM

Source Field

PMC52_PC120

Source Section

PMC52

AverageA1pUplinkThroughput

Peg indicates the average amount of traffic sent on A1p interface in kbps

Data Source

PM

Source Field

PMC52_PC119

Source Section

PMC52

averageCallLength

Average Call Length

Data Source

aemsC Files

Source Field

aemsC114_PC19

Source Section

aemsC114

averageCallLength_1XData

Average Call Length - 1XData

Data Source

aemsC Files

Source Field

aemsC113_PC10

Source Section

aemsC113

averageCallLength_1XVoice

Average Call Length - 1XVoice

Data Source

aemsC Files

Source Field

aemsC113_PC10

Source Section

aemsC113

averageCallLength_Data

Average Call Length - Data

Data Source

aemsC Files

Source Field

aemsC113_PC10

Source Section

aemsC113

averageCallLength_Fax

Average Call Length - Fax

Data Source

aemsC Files

Source Field

aemsC113_PC10

Source Section

aemsC113

averageCallLength_IS95PacketData

Average Call Length - IS95PacketData

Data Source

aemsC Files

Source Field

aemsC113_PC10

Source Section

aemsC113

averageCallLength_IS95Voice

Average Call Length - IS95Voice

Data Source

aemsC Files

Source Field

aemsC113_PC10

Source Section

aemsC113

averageCallLength_Markov

Average Call Length - Markov

Data Source

aemsC Files

Source Field

aemsC113_PC10

Source Section

aemsC113

averageCallLength_Other

Average Call Length - Other

Data Source

aemsC Files

Source Field

aemsC113_PC10

Source Section

aemsC113

averageCallLength_SMS

Average Call Length - SMS

Data Source

aemsC Files

Source Field

aemsC113_PC10

Source Section

aemsC113

averageCallLength_Unknown

Average Call Length - Unknown

Data Source

aemsC Files

Source Field

aemsC113_PC10

Source Section

aemsC113

averageCallLength_Voice

Average Call Length - Voice

Data Source

aemsC Files

Source Field

aemsC113_PC10

Source Section

aemsC113

AvgA2pVocoderResourceLoading

AVG_A2P_VOC_RES_LOAD - Average A2p vocoder resource loading

Data Source

PM

Source Field

PMC52_PC113

Source Section

PMC52

AvgCallSUTimeIS2000Data_woSync

PMC50_PC3: Avg_MM_Call_Setup_Time_w/o_SYNC_ID - MM Call Setup Time IS2000
Data w/o SYNC_ID - MM

Source Field

PMC50_PC3

Source Section

PMC50

AvgCallSUTimeIS2000DatawSync

PMC50_PC1: Avg_MM_Call_Setup_Time_w/_SYNC_ID - MM Call Setup Time IS2000 Data w/ SYNC_ID - MM

Source Field

PMC50_PC1

Source Section

PMC50

AvgCallSUTimeIS95B_Data

PMC50_PC5: Avg_MM_Call_Setup_Time_IS95B - MM Call Setup Time IS95B Data - MM

Source Field

PMC50_PC5

Source Section

PMC50

AvgCallSUTimeVoice

PMC50_PC7: Avg_MM_Call_Setup_Time_Voice - MM Call Setup Time Voice - MM

Source Field

PMC50_PC7

Source Section

PMC50

AvgMSC_Setup

PMC50_PC13: Avg_MSC_Setup - MSC Setup - MM

Source Field

PMC50_PC13

Source Section

PMC50

AvgNumBearerFormatTransitionReq

AVG_BEARER_TRANSITION_REQUEST - Average number of bearer format transitions - requests

Data Source

PM

Source Field

PMC520_PC7

Source Section

PMC520

AvgNumBearerFormatTransitionsSucc

AVG_BEARER_TRANSITION_SUCCESS - Average number of bearer format transitions - successes

Data Source

PM

Source Field

PMC520_PC9

Source Section

PMC520

AvgPCF_AllocActv

PMC50_PC9: Avg_PCF_Allocation_Act - Average PCF Allocation Activation - MM

Source Field

PMC50_PC9

Source Section

PMC50

AvgPCF_AllocReActv

PMC50_PC11: Avg_PCF_Allocation_ReAct - Average PCF Allocation ReActivation - MM

Source Field

PMC50_PC11

Source Section

PMC50

AvgXC_Setup

PMC50_PC15: Avg_XC_SDU_Setup - XC/SDU Setup - MM

Source Field

PMC50_PC15

Source Section

PMC50

blockedCalls_1XData

Blocked Calls - 1XData

Data Source

aemsC Files

Source Field

aemsC113_PC4

Source Section

aemsC113

blockedCalls_1XVoice

Blocked Calls - 1XVoice

Data Source

aemsC Files

Source Field

aemsC113_PC4

Source Section

aemsC113

blockedCalls_Data

Blocked Calls - Data

Data Source

aemsC Files

Source Field

aemsC113_PC4

Source Section

aemsC113

blockedCalls_Fax

Blocked Calls - Fax

Data Source

aemsC Files

Source Field

aemsC113_PC4

Source Section

aemsC113

blockedCalls_IS95PacketData

Blocked Calls - IS95PacketData

Data Source

aemsC Files

Source Field

aemsC113_PC4

Source Section

aemsC113

blockedCalls_IS95Voice

Blocked Calls - IS95Voice

Data Source

aemsC Files

Source Field

aemsC113_PC4

Source Section

aemsC113

blockedCalls_Markov

Blocked Calls - Markov

Data Source

aemsC Files

Source Field

aemsC113_PC4

Source Section

aemsC113

blockedCalls_Other

Blocked Calls - Other

Data Source

aemsC Files

Source Field

aemsC113_PC4

Source Section

aemsC113

blockedCalls_SMS

Blocked Calls - SMS

Data Source

aemsC Files

Source Field

aemsC113_PC4

Source Section

aemsC113

blockedCalls_Unknown

Blocked Calls - Unknown

Data Source

aemsC Files

Source Field

aemsC113_PC4

Source Section

aemsC113

blockedCalls_Voice

Blocked Calls - Voice

Data Source

aemsC Files

Source Field

aemsC113_PC4

Source Section

aemsC113

BrdcstAuthReq

PMC52_PC32: BRDCST_AUTH_REQ - Authentication Request

Source Field

PMC52_PC32

Source Section

PMC52

BrdcstPages

PMC52_PC17: Brdcst_Pages - Pages

Source Field

PMC52_PC17

Source Section

PMC52

BrdcstSSDUpdReq

PMC52_PC31: BRDCST_SSD_UPD_REQ - SSD Update Request

Source Field

PMC52_PC31

Source Section

PMC52

BrdctAdsPgSMSBr

PMC52_PC43: Bcast_ADDS_Page_SMS_Bcast - ADDS Page SMS Broadcast

Source Field

PMC52_PC43

Source Section

PMC52

BrdctAdsPgSMSLg

PMC52_PC44: Bcast_ADDS_Page_SMS_Len - ADDS Page SMS Length

Source Field

PMC52_PC44

Source Section

PMC52

BrdctAdsPgSMSPP

PMC52_PC42: Bcast_ADDS_Page_SMS_P-P - ADDS Page SMS Point-to-Point

Source Field

PMC52_PC42

Source Section

PMC52

C2C_HHO_Fail_MS_Rej

PMC58_PC10: CDMA_TO_CDMA_HHO_FAIL_MS_REJ - CDMA to CDMA HHO Failure-MS Reject

Data Source

OMCR

Source Field

PC10

Source Section

PMC58

callCCS

Call usage in CCS

Source Field

aemsC112_PC6

Data Source

aemsC Files

Source Section

aemsC112

CallQualInitHHO_Completes

PMC58_PC23 CALL_QUAL_INIT_HHO_COMP Number of successful Hard Handoffs that were triggered based on Call Quality measurements

Data Source

PM

Source Field

PMC58_PC23

Source Section

PMC58

CallQualInitHHO_Failures

PMC58_PC24 CALL_QUAL_INIT_HHO_FAIL Number of failed Hard Handoffs that were triggered based on Call Quality measurements

Data Source

PM

Source Field

PMC58_PC24

Source Section

PMC58

CallQualInitHHO_Requests

PMC58_PC22 CALL_QUAL_INIT_HHO_REQ Number of Hard Handoffs that were initiated based on Call Quality measurements

Data Source

PM

Source Field

PMC58_PC22

Source Section

PMC58

CPU_Util_Avg

CPU Utilization in percentage calculated by averaging 10-min CPU Utilization values in OMC SAR

Data Source

OMC SAR

Source Field

CPU_Util

CPU_Util_Max

CPU Utilization in percentage calculated by picking the maximum of 10-min CPU Utilization values in OMC SAR

Data Source

OMC SAR

Source Field

CPU_Util

CtoAExtHfrComp

PMC52_PC6: C2A_Ext_Hf_Comp - To AMPS External Handfrom Completes

Source Field

PMC52_PC6

Source Section

PMC52

CtoAExtHfrFail

PMC52_PC5: C2A_Ext_Hf_Fail - CDMA To AMPS External Handfrom Failures

Source Field

PMC52_PC5

Source Section

PMC52

CtoAExtHfrReq

PMC52_PC4: C2A_Ext_Hf_Req - To AMPS External Handfrom Requests

Source Field

PMC52_PC4

Source Section

PMC52

CtoC_HandAcrHandfromComp

PMC58_PC3: C2C_Hf_Comp_HndAcr - CDMA To CDMA Handacross Handfrom Completes

Source Field

PMC58_PC3

Source Section

PMC58

CtoC_HandAcrHandfromReq

PMC58_PC1: C2C_HndAcr_Hf_Req - CDMA To CDMA Handacross Handfrom Requests

Source Field

PMC58_PC1

Source Section

PMC58

CtoC_HanddownHandfromComp

PMC58_PC9: C2C_HndDwn_Hf_Comp_ - To CDMA Handdown Handfrom Completes

Source Field

PMC58_PC9

Source Section

PMC58

CtoC_HanddownHandfromFail

PMC58_PC8: C2C_HndDwn_Hf_Fail - CDMA To CDMA Handdown Handfrom Failures

Source Field

PMC58_PC8

Source Section

PMC58

CtoC_HanddownHandfromReq

PMC58_PC7: C2C_HndDwn_Hf_Req_ - To CDMA Handdown Handfrom Requests

Source Field

PMC58_PC7

Source Section

PMC58

CtoC_HandfromFailHandAcr

PMC58_PC2: C2C_Hf_Fail_HndAcr - CDMA To CDMA Handfrom Failures - Handacross

Source Field

PMC58_PC2

Source Section

PMC58

CtoC_HandupHandfromComp

PMC58_PC6: C2C_HndUp_Hf_Comp - To CDMA Handup Handfrom Completes

Source Field

PMC58_PC6

Source Section

PMC58

CtoC_HandupHandfromFail

PMC58_PC5: C2C_HndUp_Hf_Fail - CDMA To CDMA Handup Handfrom Failures

Source Field

PMC58_PC5

Source Section

PMC58

CtoC_HandupHandfromReq

PMC58_PC4: C2C_HndUp_Hf_Req - To CDMA Handup Handfrom Requests

Source Field

PMC58_PC4

Source Section

PMC58

data1xCalls

1x Data Calls Count

Data Source

aemsC Files

Source Field

aemsC104_PC4

Source Section

aemsC104

DataX1Calls

DataX1 Calls

Data Source

aemsC Files

Source Field

aemsC116_PC3

Source Section

aemsC116

dormantCalls

Dormant Calls Count

Data Source

aemsC Files

Source Field

aemsC104_PC8

Source Section

aemsC104

droppedCall

Number of dropped calls

Source Field

aemsC112_PC3

Data Source

aemsC Files

Source Section

aemsC112

droppedCalls

Dropped Calls

Data Source

aemsC Files

Source Field

aemsC114_PC20

Source Section

aemsC114

droppedCalls_1XData

Dropped Calls - 1XData

Data Source

aemsC Files

Source Field

aemsC113_PC11

Source Section

aemsC113

droppedCalls_1XVoice

Dropped Calls - 1XVoice

Data Source

aemsC Files

Source Field

aemsC113_PC11

Source Section

aemsC113

droppedCalls_CFC3_HOS1111

Dropped Calls (RF Layer 2 Failure, Loc 1-CE 1-Way Ext 1-CE 1-Way)

Data Source

aemsC Files

Source Field

aemsC111_PC1

Source Section

aemsc111

droppedCalls_CFC3_HOS1112

Dropped Calls (RF Layer 2 Failure, Loc 2-CE 1-Way Ext 1-CE 1-Way)

Data Source

aemsC Files

Source Field

aemsC111_PC1

Source Section

aemsc111

droppedCalls_CFC3_HOS1113

Dropped Calls (RF Layer 2 Failure, Loc 3-CE 1-Way Ext 1-CE 1-Way)

Data Source

aemsc Files

Source Field

aemsc111_PC1

Source Section

aemsc111

droppedCalls_CFC3_HOS1121

Dropped Calls (RF Layer 2 Failure, Loc 1-CE 2-Way Ext 1-CE 1-Way)

Data Source

aemsc Files

Source Field

aemsc111_PC1

Source Section

aemsc111

droppedCalls_CFC3_HOS1122

Dropped Calls (RF Layer 2 Failure, Loc 2-CE 2-Way Ext 1-CE 1-Way)

Data Source

aemsc Files

Source Field

aemsc111_PC1

Source Section

aemsc111

droppedCalls_CFC3_HOS1123

Dropped Calls (RF Layer 2 Failure, Loc 3-CE 2-Way Ext 1-CE 1-Way)

Data Source

aemsC Files

Source Field

aemsC111_PC1

Source Section

aemsc111

droppedCalls_CFC3_HOS1131

Dropped Calls (RF Layer 2 Failure, Loc 1-CE 3-Way Ext 1-CE 1-Way)

Data Source

aemsC Files

Source Field

aemsC111_PC1

Source Section

aemsc111

droppedCalls_CFC3_HOS1132

Dropped Calls (RF Layer 2 Failure, Loc 2-CE 3-Way Ext 1-CE 1-Way)

Data Source

aemsC Files

Source Field

aemsC111_PC1

Source Section

aemsc111

droppedCalls_CFC3_HOS1133

Dropped Calls (RF Layer 2 Failure, Loc 3-CE 3-Way Ext 1-CE 1-Way)

Data Source

aemsC Files

Source Field

aemsC111_PC1

Source Section

aemsc111

droppedCalls_CFC3_HOS1141

Dropped Calls (RF Layer 2 Failure, Loc 1-CE 4-Way Ext 1-CE 1-Way)

Data Source

aemsC Files

Source Field

aemsC111_PC1

Source Section

aemsc111

droppedCalls_CFC3_HOS1142

Dropped Calls (RF Layer 2 Failure, Loc 2-CE 4-Way Ext 1-CE 1-Way)

Data Source

aemsC Files

Source Field

aemsC111_PC1

Source Section

aemsc111

droppedCalls_CFC3_HOS1143

Dropped Calls (RF Layer 2 Failure, Loc 3-CE 4-Way Ext 1-CE 1-Way)

Data Source

aemsC Files

Source Field

aemsC111_PC1

Source Section

aemsc111

droppedCalls_CFC3_HOS1151

Dropped Calls (RF Layer 2 Failure, Loc 1-CE 5-Way Ext 1-CE 1-Way)

Data Source

aemsC Files

Source Field

aemsC111_PC1

Source Section

aemsc111

droppedCalls_CFC3_HOS1152

Dropped Calls (RF Layer 2 Failure, Loc 2-CE 5-Way Ext 1-CE 1-Way)

Data Source

aemsC Files

Source Field

aemsC111_PC1

Source Section

aemsc111

droppedCalls_CFC3_HOS1153

Dropped Calls (RF Layer 2 Failure, Loc 3-CE 5-Way Ext 1-CE 1-Way)

Data Source

aemsC Files

Source Field

aemsC111_PC1

Source Section

aemsc111

droppedCalls_CFC3_HOS1161

Dropped Calls (RF Layer 2 Failure, Loc 1-CE 6-Way Ext 1-CE 1-Way)

Data Source

aemsC Files

Source Field

aemsC111_PC1

Source Section

aemsc111

droppedCalls_CFC3_HOS1162

Dropped Calls (RF Layer 2 Failure, Loc 2-CE 6-Way Ext 1-CE 1-Way)

Data Source

aemsC Files

Source Field

aemsC111_PC1

Source Section

aemsc111

droppedCalls_CFC3_HOS1163

Dropped Calls (RF Layer 2 Failure, Loc 3-CE 6-Way Ext 1-CE 1-Way)

Data Source

aemsC Files

Source Field

aemsC111_PC1

Source Section

aemsc111

droppedCalls_CFC3_HOS1211

Dropped Calls (RF Layer 2 Failure, Loc 1-CE 1-Way Ext 2-CE 1-Way)

Data Source

aemsC Files

Source Field

aemsC111_PC1

Source Section

aemsc111

droppedCalls_CFC3_HOS1212

Dropped Calls (RF Layer 2 Failure, Loc 2-CE 1-Way Ext 2-CE 1-Way)

Data Source

aemsC Files

Source Field

aemsC111_PC1

Source Section

aemsc111

droppedCalls_CFC3_HOS1213

Dropped Calls (RF Layer 2 Failure, Loc 3-CE 1-Way Ext 2-CE 1-Way)

Data Source

aemsC Files

Source Field

aemsC111_PC1

Source Section

aemsc111

droppedCalls_CFC3_HOS1221

Dropped Calls (RF Layer 2 Failure, Loc 1-CE 2-Way Ext 2-CE 1-Way)

Data Source

aemsC Files

Source Field

aemsC111_PC1

Source Section

aemsc111

droppedCalls_CFC3_HOS1222

Dropped Calls (RF Layer 2 Failure, Loc 2-CE 2-Way Ext 2-CE 1-Way)

Data Source

aemsC Files

Source Field

aemsC111_PC1

Source Section

aemsc111

droppedCalls_CFC3_HOS1223

Dropped Calls (RF Layer 2 Failure, Loc 3-CE 2-Way Ext 2-CE 1-Way)

Data Source

aemsC Files

Source Field

aemsC111_PC1

Source Section

aemsc111

droppedCalls_CFC3_HOS1231

Dropped Calls (RF Layer 2 Failure, Loc 1-CE 3-Way Ext 2-CE 1-Way)

Data Source

aemsC Files

Source Field

aemsC111_PC1

Source Section

aemsc111

droppedCalls_CFC3_HOS1232

Dropped Calls (RF Layer 2 Failure, Loc 2-CE 3-Way Ext 2-CE 1-Way)

Data Source

aemsC Files

Source Field

aemsC111_PC1

Source Section

aemsc111

droppedCalls_CFC3_HOS1233

Dropped Calls (RF Layer 2 Failure, Loc 3-CE 3-Way Ext 2-CE 1-Way)

Data Source

aemsC Files

Source Field

aemsC111_PC1

Source Section

aemsc111

droppedCalls_CFC3_HOS1241

Dropped Calls (RF Layer 2 Failure, Loc 1-CE 4-Way Ext 2-CE 1-Way)

Data Source

aemsC Files

Source Field

aemsC111_PC1

Source Section

aemsc111

droppedCalls_CFC3_HOS1242

Dropped Calls (RF Layer 2 Failure, Loc 2-CE 4-Way Ext 2-CE 1-Way)

Data Source

aemsc Files

Source Field

aemsc111_PC1

Source Section

aemsc111

droppedCalls_CFC3_HOS1243

Dropped Calls (RF Layer 2 Failure, Loc 3-CE 4-Way Ext 2-CE 1-Way)

Data Source

aemsc Files

Source Field

aemsc111_PC1

Source Section

aemsc111

droppedCalls_CFC3_HOS1251

Dropped Calls (RF Layer 2 Failure, Loc 1-CE 5-Way Ext 2-CE 1-Way)

Data Source

aemsc Files

Source Field

aemsc111_PC1

Source Section

aemsc111

droppedCalls_CFC3_HOS1252

Dropped Calls (RF Layer 2 Failure, Loc 2-CE 5-Way Ext 2-CE 1-Way)

Data Source

aemsC Files

Source Field

aemsC111_PC1

Source Section

aemsc111

droppedCalls_CFC3_HOS1253

Dropped Calls (RF Layer 2 Failure, Loc 3-CE 5-Way Ext 2-CE 1-Way)

Data Source

aemsC Files

Source Field

aemsC111_PC1

Source Section

aemsc111

droppedCalls_CFC3_HOS1261

Dropped Calls (RF Layer 2 Failure, Loc 1-CE 6-Way Ext 2-CE 1-Way)

Data Source

aemsC Files

Source Field

aemsC111_PC1

Source Section

aemsc111

droppedCalls_CFC3_HOS1262

Dropped Calls (RF Layer 2 Failure, Loc 2-CE 6-Way Ext 2-CE 1-Way)

Data Source

aemsC Files

Source Field

aemsC111_PC1

Source Section

aemsc111

droppedCalls_CFC3_HOS1263

Dropped Calls (RF Layer 2 Failure, Loc 3-CE 6-Way Ext 2-CE 1-Way)

Data Source

aemsC Files

Source Field

aemsC111_PC1

Source Section

aemsc111

droppedCalls_CFC3_HOS1311

Dropped Calls (RF Layer 2 Failure, Loc 1-CE 1-Way Ext 3-CE 1-Way)

Data Source

aemsC Files

Source Field

aemsC111_PC1

Source Section

aemsc111

droppedCalls_CFC3_HOS1312

Dropped Calls (RF Layer 2 Failure, Loc 2-CE 1-Way Ext 3-CE 1-Way)

Data Source

aemsC Files

Source Field

aemsC111_PC1

Source Section

aemsc111

droppedCalls_CFC3_HOS1313

Dropped Calls (RF Layer 2 Failure, Loc 3-CE 1-Way Ext 3-CE 1-Way)

Data Source

aemsC Files

Source Field

aemsC111_PC1

Source Section

aemsc111

droppedCalls_CFC3_HOS2111

Dropped Calls (RF Layer 2 Failure, Loc 1-CE 1-Way Ext 1-CE 2-Way)

Data Source

aemsC Files

Source Field

aemsC111_PC1

Source Section

aemsc111

droppedCalls_CFC3_HOS2112

Dropped Calls (RF Layer 2 Failure, Loc 2-CE 1-Way Ext 1-CE 2-Way)

Data Source

aemsC Files

Source Field

aemsC111_PC1

Source Section

aemsc111

droppedCalls_CFC3_HOS2113

Dropped Calls (RF Layer 2 Failure, Loc 3-CE 1-Way Ext 1-CE 2-Way)

Data Source

aemsC Files

Source Field

aemsC111_PC1

Source Section

aemsc111

droppedCalls_CFC3_HOS2121

Dropped Calls (RF Layer 2 Failure, Loc 1-CE 2-Way Ext 1-CE 2-Way)

Data Source

aemsC Files

Source Field

aemsC111_PC1

Source Section

aemsc111

droppedCalls_CFC3_HOS2122

Dropped Calls (RF Layer 2 Failure, Loc 2-CE 2-Way Ext 1-CE 2-Way)

Data Source

aemsC Files

Source Field

aemsC111_PC1

Source Section

aemsc111

droppedCalls_CFC3_HOS2123

Dropped Calls (RF Layer 2 Failure, Loc 3-CE 2-Way Ext 1-CE 2-Way)

Data Source

aemsC Files

Source Field

aemsC111_PC1

Source Section

aemsc111

droppedCalls_CFC3_HOS2131

Dropped Calls (RF Layer 2 Failure, Loc 1-CE 3-Way Ext 1-CE 2-Way)

Data Source

aemsC Files

Source Field

aemsC111_PC1

Source Section

aemsc111

droppedCalls_CFC3_HOS2132

Dropped Calls (RF Layer 2 Failure, Loc 2-CE 3-Way Ext 1-CE 2-Way)

Data Source

aemsC Files

Source Field

aemsC111_PC1

Source Section

aemsc111

droppedCalls_CFC3_HOS2133

Dropped Calls (RF Layer 2 Failure, Loc 3-CE 3-Way Ext 1-CE 2-Way)

Data Source

aemsC Files

Source Field

aemsC111_PC1

Source Section

aemsc111

droppedCalls_CFC3_HOS2141

Dropped Calls (RF Layer 2 Failure, Loc 1-CE 4-Way Ext 1-CE 2-Way)

Data Source

aemsC Files

Source Field

aemsC111_PC1

Source Section

aemsc111

droppedCalls_CFC3_HOS2142

Dropped Calls (RF Layer 2 Failure, Loc 2-CE 4-Way Ext 1-CE 2-Way)

Data Source

aemsC Files

Source Field

aemsC111_PC1

Source Section

aemsc111

droppedCalls_CFC3_HOS2143

Dropped Calls (RF Layer 2 Failure, Loc 3-CE 4-Way Ext 1-CE 2-Way)

Data Source

aemsC Files

Source Field

aemsC111_PC1

Source Section

aemsc111

droppedCalls_CFC3_HOS2151

Dropped Calls (RF Layer 2 Failure, Loc 1-CE 5-Way Ext 1-CE 2-Way)

Data Source

aemsC Files

Source Field

aemsC111_PC1

Source Section

aemsc111

droppedCalls_CFC3_HOS2152

Dropped Calls (RF Layer 2 Failure, Loc 2-CE 5-Way Ext 1-CE 2-Way)

Data Source

aemsC Files

Source Field

aemsC111_PC1

Source Section

aemsc111

droppedCalls_CFC3_HOS2153

Dropped Calls (RF Layer 2 Failure, Loc 3-CE 5-Way Ext 1-CE 2-Way)

Data Source

aemsC Files

Source Field

aemsC111_PC1

Source Section

aemsc111

droppedCalls_CFC3_HOS2161

Dropped Calls (RF Layer 2 Failure, Loc 1-CE 6-Way Ext 1-CE 2-Way)

Data Source

aemsc Files

Source Field

aemsc111_PC1

Source Section

aemsc111

droppedCalls_CFC3_HOS2162

Dropped Calls (RF Layer 2 Failure, Loc 2-CE 6-Way Ext 1-CE 2-Way)

Data Source

aemsc Files

Source Field

aemsc111_PC1

Source Section

aemsc111

droppedCalls_CFC3_HOS2163

Dropped Calls (RF Layer 2 Failure, Loc 3-CE 6-Way Ext 1-CE 2-Way)

Data Source

aemsc Files

Source Field

aemsc111_PC1

Source Section

aemsc111

droppedCalls_CFC3_HOS2211

Dropped Calls (RF Layer 2 Failure, Loc 1-CE 1-Way Ext 2-CE 2-Way)

Data Source

aemsC Files

Source Field

aemsC111_PC1

Source Section

aemsc111

droppedCalls_CFC3_HOS2212

Dropped Calls (RF Layer 2 Failure, Loc 2-CE 1-Way Ext 2-CE 2-Way)

Data Source

aemsC Files

Source Field

aemsC111_PC1

Source Section

aemsc111

droppedCalls_CFC3_HOS2213

Dropped Calls (RF Layer 2 Failure, Loc 3-CE 1-Way Ext 2-CE 2-Way)

Data Source

aemsC Files

Source Field

aemsC111_PC1

Source Section

aemsc111

droppedCalls_CFC3_HOS2221

Dropped Calls (RF Layer 2 Failure, Loc 1-CE 2-Way Ext 2-CE 2-Way)

Data Source

aemsC Files

Source Field

aemsC111_PC1

Source Section

aemsc111

droppedCalls_CFC3_HOS2222

Dropped Calls (RF Layer 2 Failure, Loc 2-CE 2-Way Ext 2-CE 2-Way)

Data Source

aemsC Files

Source Field

aemsC111_PC1

Source Section

aemsc111

droppedCalls_CFC3_HOS2223

Dropped Calls (RF Layer 2 Failure, Loc 3-CE 2-Way Ext 2-CE 2-Way)

Data Source

aemsC Files

Source Field

aemsC111_PC1

Source Section

aemsc111

droppedCalls_CFC3_HOS2231

Dropped Calls (RF Layer 2 Failure, Loc 1-CE 3-Way Ext 2-CE 2-Way)

Data Source

aemsC Files

Source Field

aemsC111_PC1

Source Section

aemsc111

droppedCalls_CFC3_HOS2232

Dropped Calls (RF Layer 2 Failure, Loc 2-CE 3-Way Ext 2-CE 2-Way)

Data Source

aemsC Files

Source Field

aemsC111_PC1

Source Section

aemsc111

droppedCalls_CFC3_HOS2233

Dropped Calls (RF Layer 2 Failure, Loc 3-CE 3-Way Ext 2-CE 2-Way)

Data Source

aemsC Files

Source Field

aemsC111_PC1

Source Section

aemsc111

droppedCalls_CFC3_HOS2241

Dropped Calls (RF Layer 2 Failure, Loc 1-CE 4-Way Ext 2-CE 2-Way)

Data Source

aemsC Files

Source Field

aemsC111_PC1

Source Section

aemsc111

droppedCalls_CFC3_HOS2242

Dropped Calls (RF Layer 2 Failure, Loc 2-CE 4-Way Ext 2-CE 2-Way)

Data Source

aemsc Files

Source Field

aemsc111_PC1

Source Section

aemsc111

droppedCalls_CFC3_HOS2243

Dropped Calls (RF Layer 2 Failure, Loc 3-CE 4-Way Ext 2-CE 2-Way)

Data Source

aemsc Files

Source Field

aemsc111_PC1

Source Section

aemsc111

droppedCalls_CFC3_HOS2251

Dropped Calls (RF Layer 2 Failure, Loc 1-CE 5-Way Ext 2-CE 2-Way)

Data Source

aemsc Files

Source Field

aemsc111_PC1

Source Section

aemsc111

droppedCalls_CFC3_HOS2252

Dropped Calls (RF Layer 2 Failure, Loc 2-CE 5-Way Ext 2-CE 2-Way)

Data Source

aemsC Files

Source Field

aemsC111_PC1

Source Section

aemsc111

droppedCalls_CFC3_HOS2253

Dropped Calls (RF Layer 2 Failure, Loc 3-CE 5-Way Ext 2-CE 2-Way)

Data Source

aemsC Files

Source Field

aemsC111_PC1

Source Section

aemsc111

droppedCalls_CFC3_HOS2261

Dropped Calls (RF Layer 2 Failure, Loc 1-CE 6-Way Ext 2-CE 2-Way)

Data Source

aemsC Files

Source Field

aemsC111_PC1

Source Section

aemsc111

droppedCalls_CFC3_HOS2262

Dropped Calls (RF Layer 2 Failure, Loc 2-CE 6-Way Ext 2-CE 2-Way)

Data Source

aemsC Files

Source Field

aemsC111_PC1

Source Section

aemsc111

droppedCalls_CFC3_HOS2263

Dropped Calls (RF Layer 2 Failure, Loc 3-CE 6-Way Ext 2-CE 2-Way)

Data Source

aemsC Files

Source Field

aemsC111_PC1

Source Section

aemsc111

droppedCalls_CFC3_HOS2311

Dropped Calls (RF Layer 2 Failure, Loc 1-CE 1-Way Ext 3-CE 2-Way)

Data Source

aemsC Files

Source Field

aemsC111_PC1

Source Section

aemsc111

droppedCalls_CFC3_HOS2312

Dropped Calls (RF Layer 2 Failure, Loc 2-CE 1-Way Ext 3-CE 2-Way)

Data Source

aemsC Files

Source Field

aemsC111_PC1

Source Section

aemsc111

droppedCalls_CFC3_HOS2313

Dropped Calls (RF Layer 2 Failure, Loc 3-CE 1-Way Ext 3-CE 2-Way)

Data Source

aemsC Files

Source Field

aemsC111_PC1

Source Section

aemsc111

droppedCalls_CFC3_HOS3111

Dropped Calls (RF Layer 2 Failure, Loc 1-CE 1-Way Ext 1-CE 3-Way)

Data Source

aemsC Files

Source Field

aemsC111_PC1

Source Section

aemsc111

droppedCalls_CFC3_HOS3112

Dropped Calls (RF Layer 2 Failure, Loc 2-CE 1-Way Ext 1-CE 3-Way)

Data Source

aemsC Files

Source Field

aemsC111_PC1

Source Section

aemsc111

droppedCalls_CFC3_HOS3113

Dropped Calls (RF Layer 2 Failure, Loc 3-CE 1-Way Ext 1-CE 3-Way)

Data Source

aemsc Files

Source Field

aemsc111_PC1

Source Section

aemsc111

droppedCalls_CFC3_HOS3121

Dropped Calls (RF Layer 2 Failure, Loc 1-CE 2-Way Ext 1-CE 3-Way)

Data Source

aemsc Files

Source Field

aemsc111_PC1

Source Section

aemsc111

droppedCalls_CFC3_HOS3122

Dropped Calls (RF Layer 2 Failure, Loc 2-CE 2-Way Ext 1-CE 3-Way)

Data Source

aemsc Files

Source Field

aemsc111_PC1

Source Section

aemsc111

droppedCalls_CFC3_HOS3123

Dropped Calls (RF Layer 2 Failure, Loc 3-CE 2-Way Ext 1-CE 3-Way)

Data Source

aemsC Files

Source Field

aemsC111_PC1

Source Section

aemsc111

droppedCalls_CFC3_HOS3131

Dropped Calls (RF Layer 2 Failure, Loc 1-CE 3-Way Ext 1-CE 3-Way)

Data Source

aemsC Files

Source Field

aemsC111_PC1

Source Section

aemsc111

droppedCalls_CFC3_HOS3132

Dropped Calls (RF Layer 2 Failure, Loc 2-CE 3-Way Ext 1-CE 3-Way)

Data Source

aemsC Files

Source Field

aemsC111_PC1

Source Section

aemsc111

droppedCalls_CFC3_HOS3133

Dropped Calls (RF Layer 2 Failure, Loc 3-CE 3-Way Ext 1-CE 3-Way)

Data Source

aemsC Files

Source Field

aemsC111_PC1

Source Section

aemsc111

droppedCalls_CFC3_HOS3141

Dropped Calls (RF Layer 2 Failure, Loc 1-CE 4-Way Ext 1-CE 3-Way)

Data Source

aemsC Files

Source Field

aemsC111_PC1

Source Section

aemsc111

droppedCalls_CFC3_HOS3142

Dropped Calls (RF Layer 2 Failure, Loc 2-CE 4-Way Ext 1-CE 3-Way)

Data Source

aemsC Files

Source Field

aemsC111_PC1

Source Section

aemsc111

droppedCalls_CFC3_HOS3143

Dropped Calls (RF Layer 2 Failure, Loc 3-CE 4-Way Ext 1-CE 3-Way)

Data Source

aemsC Files

Source Field

aemsC111_PC1

Source Section

aemsc111

droppedCalls_CFC3_HOS3151

Dropped Calls (RF Layer 2 Failure, Loc 1-CE 5-Way Ext 1-CE 3-Way)

Data Source

aemsC Files

Source Field

aemsC111_PC1

Source Section

aemsc111

droppedCalls_CFC3_HOS3152

Dropped Calls (RF Layer 2 Failure, Loc 2-CE 5-Way Ext 1-CE 3-Way)

Data Source

aemsC Files

Source Field

aemsC111_PC1

Source Section

aemsc111

droppedCalls_CFC3_HOS3153

Dropped Calls (RF Layer 2 Failure, Loc 3-CE 5-Way Ext 1-CE 3-Way)

Data Source

aemsC Files

Source Field

aemsC111_PC1

Source Section

aemsc111

droppedCalls_CFC3_HOS3161

Dropped Calls (RF Layer 2 Failure, Loc 1-CE 6-Way Ext 1-CE 3-Way)

Data Source

aemsc Files

Source Field

aemsc111_PC1

Source Section

aemsc111

droppedCalls_CFC3_HOS3162

Dropped Calls (RF Layer 2 Failure, Loc 2-CE 6-Way Ext 1-CE 3-Way)

Data Source

aemsc Files

Source Field

aemsc111_PC1

Source Section

aemsc111

droppedCalls_CFC3_HOS3163

Dropped Calls (RF Layer 2 Failure, Loc 3-CE 6-Way Ext 1-CE 3-Way)

Data Source

aemsc Files

Source Field

aemsc111_PC1

Source Section

aemsc111

droppedCalls_CFC3_HOS3211

Dropped Calls (RF Layer 2 Failure, Loc 1-CE 1-Way Ext 2-CE 3-Way)

Data Source

aemsC Files

Source Field

aemsC111_PC1

Source Section

aemsc111

droppedCalls_CFC3_HOS3212

Dropped Calls (RF Layer 2 Failure, Loc 2-CE 1-Way Ext 2-CE 3-Way)

Data Source

aemsC Files

Source Field

aemsC111_PC1

Source Section

aemsc111

droppedCalls_CFC3_HOS3213

Dropped Calls (RF Layer 2 Failure, Loc 3-CE 1-Way Ext 2-CE 3-Way)

Data Source

aemsC Files

Source Field

aemsC111_PC1

Source Section

aemsc111

droppedCalls_CFC3_HOS3221

Dropped Calls (RF Layer 2 Failure, Loc 1-CE 2-Way Ext 2-CE 3-Way)

Data Source

aemsC Files

Source Field

aemsC111_PC1

Source Section

aemsc111

droppedCalls_CFC3_HOS3222

Dropped Calls (RF Layer 2 Failure, Loc 2-CE 2-Way Ext 2-CE 3-Way)

Data Source

aemsC Files

Source Field

aemsC111_PC1

Source Section

aemsc111

droppedCalls_CFC3_HOS3223

Dropped Calls (RF Layer 2 Failure, Loc 3-CE 2-Way Ext 2-CE 3-Way)

Data Source

aemsC Files

Source Field

aemsC111_PC1

Source Section

aemsc111

droppedCalls_CFC3_HOS3231

Dropped Calls (RF Layer 2 Failure, Loc 1-CE 3-Way Ext 2-CE 3-Way)

Data Source

aemsC Files

Source Field

aemsC111_PC1

Source Section

aemsc111

droppedCalls_CFC3_HOS3232

Dropped Calls (RF Layer 2 Failure, Loc 2-CE 3-Way Ext 2-CE 3-Way)

Data Source

aemsC Files

Source Field

aemsC111_PC1

Source Section

aemsc111

droppedCalls_CFC3_HOS3233

Dropped Calls (RF Layer 2 Failure, Loc 3-CE 3-Way Ext 2-CE 3-Way)

Data Source

aemsC Files

Source Field

aemsC111_PC1

Source Section

aemsc111

droppedCalls_CFC3_HOS3241

Dropped Calls (RF Layer 2 Failure, Loc 1-CE 4-Way Ext 2-CE 3-Way)

Data Source

aemsC Files

Source Field

aemsC111_PC1

Source Section

aemsc111

droppedCalls_CFC3_HOS3242

Dropped Calls (RF Layer 2 Failure, Loc 2-CE 4-Way Ext 2-CE 3-Way)

Data Source

aemsc Files

Source Field

aemsc111_PC1

Source Section

aemsc111

droppedCalls_CFC3_HOS3243

Dropped Calls (RF Layer 2 Failure, Loc 3-CE 4-Way Ext 2-CE 3-Way)

Data Source

aemsc Files

Source Field

aemsc111_PC1

Source Section

aemsc111

droppedCalls_CFC3_HOS3251

Dropped Calls (RF Layer 2 Failure, Loc 1-CE 5-Way Ext 2-CE 3-Way)

Data Source

aemsc Files

Source Field

aemsc111_PC1

Source Section

aemsc111

droppedCalls_CFC3_HOS3252

Dropped Calls (RF Layer 2 Failure, Loc 2-CE 5-Way Ext 2-CE 3-Way)

Data Source

aemsC Files

Source Field

aemsC111_PC1

Source Section

aemsc111

droppedCalls_CFC3_HOS3253

Dropped Calls (RF Layer 2 Failure, Loc 3-CE 5-Way Ext 2-CE 3-Way)

Data Source

aemsC Files

Source Field

aemsC111_PC1

Source Section

aemsc111

droppedCalls_CFC3_HOS3261

Dropped Calls (RF Layer 2 Failure, Loc 1-CE 6-Way Ext 2-CE 3-Way)

Data Source

aemsC Files

Source Field

aemsC111_PC1

Source Section

aemsc111

droppedCalls_CFC3_HOS3262

Dropped Calls (RF Layer 2 Failure, Loc 2-CE 6-Way Ext 2-CE 3-Way)

Data Source

aemsC Files

Source Field

aemsC111_PC1

Source Section

aemsc111

droppedCalls_CFC3_HOS3263

Dropped Calls (RF Layer 2 Failure, Loc 3-CE 6-Way Ext 2-CE 3-Way)

Data Source

aemsC Files

Source Field

aemsC111_PC1

Source Section

aemsc111

droppedCalls_CFC3_HOS3311

Dropped Calls (RF Layer 2 Failure, Loc 1-CE 1-Way Ext 3-CE 3-Way)

Data Source

aemsC Files

Source Field

aemsC111_PC1

Source Section

aemsc111

droppedCalls_CFC3_HOS3312

Dropped Calls (RF Layer 2 Failure, Loc 2-CE 1-Way Ext 3-CE 3-Way)

Data Source

aemsC Files

Source Field

aemsC111_PC1

Source Section

aemsc111

droppedCalls_CFC3_HOS3313

Dropped Calls (RF Layer 2 Failure, Loc 3-CE 1-Way Ext 3-CE 3-Way)

Data Source

aemsC Files

Source Field

aemsC111_PC1

Source Section

aemsc111

droppedCalls_CFC3_HOS4111

Dropped Calls (RF Layer 2 Failure, Loc 1-CE 1-Way Ext 1-CE 4-Way)

Data Source

aemsC Files

Source Field

aemsC111_PC1

Source Section

aemsc111

droppedCalls_CFC3_HOS4112

Dropped Calls (RF Layer 2 Failure, Loc 2-CE 1-Way Ext 1-CE 4-Way)

Data Source

aemsC Files

Source Field

aemsC111_PC1

Source Section

aemsc111

droppedCalls_CFC3_HOS4113

Dropped Calls (RF Layer 2 Failure, Loc 3-CE 1-Way Ext 1-CE 4-Way)

Data Source

aemsc Files

Source Field

aemsc111_PC1

Source Section

aemsc111

droppedCalls_CFC3_HOS4121

Dropped Calls (RF Layer 2 Failure, Loc 1-CE 2-Way Ext 1-CE 4-Way)

Data Source

aemsc Files

Source Field

aemsc111_PC1

Source Section

aemsc111

droppedCalls_CFC3_HOS4122

Dropped Calls (RF Layer 2 Failure, Loc 2-CE 2-Way Ext 1-CE 4-Way)

Data Source

aemsc Files

Source Field

aemsc111_PC1

Source Section

aemsc111

droppedCalls_CFC3_HOS4123

Dropped Calls (RF Layer 2 Failure, Loc 3-CE 2-Way Ext 1-CE 4-Way)

Data Source

aemsC Files

Source Field

aemsC111_PC1

Source Section

aemsc111

droppedCalls_CFC3_HOS4131

Dropped Calls (RF Layer 2 Failure, Loc 1-CE 3-Way Ext 1-CE 4-Way)

Data Source

aemsC Files

Source Field

aemsC111_PC1

Source Section

aemsc111

droppedCalls_CFC3_HOS4132

Dropped Calls (RF Layer 2 Failure, Loc 2-CE 3-Way Ext 1-CE 4-Way)

Data Source

aemsC Files

Source Field

aemsC111_PC1

Source Section

aemsc111

droppedCalls_CFC3_HOS4133

Dropped Calls (RF Layer 2 Failure, Loc 3-CE 3-Way Ext 1-CE 4-Way)

Data Source

aemsC Files

Source Field

aemsC111_PC1

Source Section

aemsc111

droppedCalls_CFC3_HOS4141

Dropped Calls (RF Layer 2 Failure, Loc 1-CE 4-Way Ext 1-CE 4-Way)

Data Source

aemsC Files

Source Field

aemsC111_PC1

Source Section

aemsc111

droppedCalls_CFC3_HOS4142

Dropped Calls (RF Layer 2 Failure, Loc 2-CE 4-Way Ext 1-CE 4-Way)

Data Source

aemsC Files

Source Field

aemsC111_PC1

Source Section

aemsc111

droppedCalls_CFC3_HOS4143

Dropped Calls (RF Layer 2 Failure, Loc 3-CE 4-Way Ext 1-CE 4-Way)

Data Source

aemsC Files

Source Field

aemsC111_PC1

Source Section

aemsc111

droppedCalls_CFC3_HOS4151

Dropped Calls (RF Layer 2 Failure, Loc 1-CE 5-Way Ext 1-CE 4-Way)

Data Source

aemsC Files

Source Field

aemsC111_PC1

Source Section

aemsc111

droppedCalls_CFC3_HOS4152

Dropped Calls (RF Layer 2 Failure, Loc 2-CE 5-Way Ext 1-CE 4-Way)

Data Source

aemsC Files

Source Field

aemsC111_PC1

Source Section

aemsc111

droppedCalls_CFC3_HOS4153

Dropped Calls (RF Layer 2 Failure, Loc 3-CE 5-Way Ext 1-CE 4-Way)

Data Source

aemsC Files

Source Field

aemsC111_PC1

Source Section

aemsc111

droppedCalls_CFC3_HOS4161

Dropped Calls (RF Layer 2 Failure, Loc 1-CE 6-Way Ext 1-CE 4-Way)

Data Source

aemsc Files

Source Field

aemsc111_PC1

Source Section

aemsc111

droppedCalls_CFC3_HOS4162

Dropped Calls (RF Layer 2 Failure, Loc 2-CE 6-Way Ext 1-CE 4-Way)

Data Source

aemsc Files

Source Field

aemsc111_PC1

Source Section

aemsc111

droppedCalls_CFC3_HOS4163

Dropped Calls (RF Layer 2 Failure, Loc 3-CE 6-Way Ext 1-CE 4-Way)

Data Source

aemsc Files

Source Field

aemsc111_PC1

Source Section

aemsc111

droppedCalls_CFC3_HOS4211

Dropped Calls (RF Layer 2 Failure, Loc 1-CE 1-Way Ext 2-CE 4-Way)

Data Source

aemsC Files

Source Field

aemsC111_PC1

Source Section

aemsc111

droppedCalls_CFC3_HOS4212

Dropped Calls (RF Layer 2 Failure, Loc 2-CE 1-Way Ext 2-CE 4-Way)

Data Source

aemsC Files

Source Field

aemsC111_PC1

Source Section

aemsc111

droppedCalls_CFC3_HOS4213

Dropped Calls (RF Layer 2 Failure, Loc 3-CE 1-Way Ext 2-CE 4-Way)

Data Source

aemsC Files

Source Field

aemsC111_PC1

Source Section

aemsc111

droppedCalls_CFC3_HOS4221

Dropped Calls (RF Layer 2 Failure, Loc 1-CE 2-Way Ext 2-CE 4-Way)

Data Source

aemsC Files

Source Field

aemsC111_PC1

Source Section

aemsc111

droppedCalls_CFC3_HOS4222

Dropped Calls (RF Layer 2 Failure, Loc 2-CE 2-Way Ext 2-CE 4-Way)

Data Source

aemsC Files

Source Field

aemsC111_PC1

Source Section

aemsc111

droppedCalls_CFC3_HOS4223

Dropped Calls (RF Layer 2 Failure, Loc 3-CE 2-Way Ext 2-CE 4-Way)

Data Source

aemsC Files

Source Field

aemsC111_PC1

Source Section

aemsc111

droppedCalls_CFC3_HOS4231

Dropped Calls (RF Layer 2 Failure, Loc 1-CE 3-Way Ext 2-CE 4-Way)

Data Source

aemsC Files

Source Field

aemsC111_PC1

Source Section

aemsc111

droppedCalls_CFC3_HOS4232

Dropped Calls (RF Layer 2 Failure, Loc 2-CE 3-Way Ext 2-CE 4-Way)

Data Source

aemsC Files

Source Field

aemsC111_PC1

Source Section

aemsc111

droppedCalls_CFC3_HOS4233

Dropped Calls (RF Layer 2 Failure, Loc 3-CE 3-Way Ext 2-CE 4-Way)

Data Source

aemsC Files

Source Field

aemsC111_PC1

Source Section

aemsc111

droppedCalls_CFC3_HOS4241

Dropped Calls (RF Layer 2 Failure, Loc 1-CE 4-Way Ext 2-CE 4-Way)

Data Source

aemsC Files

Source Field

aemsC111_PC1

Source Section

aemsc111

droppedCalls_CFC3_HOS4242

Dropped Calls (RF Layer 2 Failure, Loc 2-CE 4-Way Ext 2-CE 4-Way)

Data Source

aemsC Files

Source Field

aemsC111_PC1

Source Section

aemsc111

droppedCalls_CFC3_HOS4243

Dropped Calls (RF Layer 2 Failure, Loc 3-CE 4-Way Ext 2-CE 4-Way)

Data Source

aemsC Files

Source Field

aemsC111_PC1

Source Section

aemsc111

droppedCalls_CFC3_HOS4251

Dropped Calls (RF Layer 2 Failure, Loc 1-CE 5-Way Ext 2-CE 4-Way)

Data Source

aemsC Files

Source Field

aemsC111_PC1

Source Section

aemsc111

droppedCalls_CFC3_HOS4252

Dropped Calls (RF Layer 2 Failure, Loc 2-CE 5-Way Ext 2-CE 4-Way)

Data Source

aemsC Files

Source Field

aemsC111_PC1

Source Section

aemsc111

droppedCalls_CFC3_HOS4253

Dropped Calls (RF Layer 2 Failure, Loc 3-CE 5-Way Ext 2-CE 4-Way)

Data Source

aemsC Files

Source Field

aemsC111_PC1

Source Section

aemsc111

droppedCalls_CFC3_HOS4261

Dropped Calls (RF Layer 2 Failure, Loc 1-CE 6-Way Ext 2-CE 4-Way)

Data Source

aemsC Files

Source Field

aemsC111_PC1

Source Section

aemsc111

droppedCalls_CFC3_HOS4262

Dropped Calls (RF Layer 2 Failure, Loc 2-CE 6-Way Ext 2-CE 4-Way)

Data Source

aemsC Files

Source Field

aemsC111_PC1

Source Section

aemsc111

droppedCalls_CFC3_HOS4263

Dropped Calls (RF Layer 2 Failure, Loc 3-CE 6-Way Ext 2-CE 4-Way)

Data Source

aemsC Files

Source Field

aemsC111_PC1

Source Section

aemsc111

droppedCalls_CFC3_HOS4311

Dropped Calls (RF Layer 2 Failure, Loc 1-CE 1-Way Ext 3-CE 4-Way)

Data Source

aemsC Files

Source Field

aemsC111_PC1

Source Section

aemsc111

droppedCalls_CFC3_HOS4312

Dropped Calls (RF Layer 2 Failure, Loc 2-CE 1-Way Ext 3-CE 4-Way)

Data Source

aemsC Files

Source Field

aemsC111_PC1

Source Section

aemsc111

droppedCalls_CFC3_HOS4313

Dropped Calls (RF Layer 2 Failure, Loc 3-CE 1-Way Ext 3-CE 4-Way)

Data Source

aemsC Files

Source Field

aemsC111_PC1

Source Section

aemsc111

droppedCalls_CFC3_HOS5111

Dropped Calls (RF Layer 2 Failure, Loc 1-CE 1-Way Ext 1-CE 5-Way)

Data Source

aemsC Files

Source Field

aemsC111_PC1

Source Section

aemsc111

droppedCalls_CFC3_HOS5112

Dropped Calls (RF Layer 2 Failure, Loc 2-CE 1-Way Ext 1-CE 5-Way)

Data Source

aemsC Files

Source Field

aemsC111_PC1

Source Section

aemsc111

droppedCalls_CFC3_HOS5113

Dropped Calls (RF Layer 2 Failure, Loc 3-CE 1-Way Ext 1-CE 5-Way)

Data Source

aemsc Files

Source Field

aemsc111_PC1

Source Section

aemsc111

droppedCalls_CFC3_HOS5121

Dropped Calls (RF Layer 2 Failure, Loc 1-CE 2-Way Ext 1-CE 5-Way)

Data Source

aemsc Files

Source Field

aemsc111_PC1

Source Section

aemsc111

droppedCalls_CFC3_HOS5122

Dropped Calls (RF Layer 2 Failure, Loc 2-CE 2-Way Ext 1-CE 5-Way)

Data Source

aemsc Files

Source Field

aemsc111_PC1

Source Section

aemsc111

droppedCalls_CFC3_HOS5123

Dropped Calls (RF Layer 2 Failure, Loc 3-CE 2-Way Ext 1-CE 5-Way)

Data Source

aemsC Files

Source Field

aemsC111_PC1

Source Section

aemsc111

droppedCalls_CFC3_HOS5131

Dropped Calls (RF Layer 2 Failure, Loc 1-CE 3-Way Ext 1-CE 5-Way)

Data Source

aemsC Files

Source Field

aemsC111_PC1

Source Section

aemsc111

droppedCalls_CFC3_HOS5132

Dropped Calls (RF Layer 2 Failure, Loc 2-CE 3-Way Ext 1-CE 5-Way)

Data Source

aemsC Files

Source Field

aemsC111_PC1

Source Section

aemsc111

droppedCalls_CFC3_HOS5133

Dropped Calls (RF Layer 2 Failure, Loc 3-CE 3-Way Ext 1-CE 5-Way)

Data Source

aemsC Files

Source Field

aemsC111_PC1

Source Section

aemsc111

droppedCalls_CFC3_HOS5141

Dropped Calls (RF Layer 2 Failure, Loc 1-CE 4-Way Ext 1-CE 5-Way)

Data Source

aemsC Files

Source Field

aemsC111_PC1

Source Section

aemsc111

droppedCalls_CFC3_HOS5142

Dropped Calls (RF Layer 2 Failure, Loc 2-CE 4-Way Ext 1-CE 5-Way)

Data Source

aemsC Files

Source Field

aemsC111_PC1

Source Section

aemsc111

droppedCalls_CFC3_HOS5143

Dropped Calls (RF Layer 2 Failure, Loc 3-CE 4-Way Ext 1-CE 5-Way)

Data Source

aemsC Files

Source Field

aemsC111_PC1

Source Section

aemsc111

droppedCalls_CFC3_HOS5151

Dropped Calls (RF Layer 2 Failure, Loc 1-CE 5-Way Ext 1-CE 5-Way)

Data Source

aemsC Files

Source Field

aemsC111_PC1

Source Section

aemsc111

droppedCalls_CFC3_HOS5152

Dropped Calls (RF Layer 2 Failure, Loc 2-CE 5-Way Ext 1-CE 5-Way)

Data Source

aemsC Files

Source Field

aemsC111_PC1

Source Section

aemsc111

droppedCalls_CFC3_HOS5153

Dropped Calls (RF Layer 2 Failure, Loc 3-CE 5-Way Ext 1-CE 5-Way)

Data Source

aemsC Files

Source Field

aemsC111_PC1

Source Section

aemsc111

droppedCalls_CFC3_HOS5161

Dropped Calls (RF Layer 2 Failure, Loc 1-CE 6-Way Ext 1-CE 5-Way)

Data Source

aemsc Files

Source Field

aemsc111_PC1

Source Section

aemsc111

droppedCalls_CFC3_HOS5162

Dropped Calls (RF Layer 2 Failure, Loc 2-CE 6-Way Ext 1-CE 5-Way)

Data Source

aemsc Files

Source Field

aemsc111_PC1

Source Section

aemsc111

droppedCalls_CFC3_HOS5163

Dropped Calls (RF Layer 2 Failure, Loc 3-CE 6-Way Ext 1-CE 5-Way)

Data Source

aemsc Files

Source Field

aemsc111_PC1

Source Section

aemsc111

droppedCalls_CFC3_HOS5211

Dropped Calls (RF Layer 2 Failure, Loc 1-CE 1-Way Ext 2-CE 5-Way)

Data Source

aemsC Files

Source Field

aemsC111_PC1

Source Section

aemsc111

droppedCalls_CFC3_HOS5212

Dropped Calls (RF Layer 2 Failure, Loc 2-CE 1-Way Ext 2-CE 5-Way)

Data Source

aemsC Files

Source Field

aemsC111_PC1

Source Section

aemsc111

droppedCalls_CFC3_HOS5213

Dropped Calls (RF Layer 2 Failure, Loc 3-CE 1-Way Ext 2-CE 5-Way)

Data Source

aemsC Files

Source Field

aemsC111_PC1

Source Section

aemsc111

droppedCalls_CFC3_HOS5221

Dropped Calls (RF Layer 2 Failure, Loc 1-CE 2-Way Ext 2-CE 5-Way)

Data Source

aemsC Files

Source Field

aemsC111_PC1

Source Section

aemsc111

droppedCalls_CFC3_HOS5222

Dropped Calls (RF Layer 2 Failure, Loc 2-CE 2-Way Ext 2-CE 5-Way)

Data Source

aemsC Files

Source Field

aemsC111_PC1

Source Section

aemsc111

droppedCalls_CFC3_HOS5223

Dropped Calls (RF Layer 2 Failure, Loc 3-CE 2-Way Ext 2-CE 5-Way)

Data Source

aemsC Files

Source Field

aemsC111_PC1

Source Section

aemsc111

droppedCalls_CFC3_HOS5231

Dropped Calls (RF Layer 2 Failure, Loc 1-CE 3-Way Ext 2-CE 5-Way)

Data Source

aemsC Files

Source Field

aemsC111_PC1

Source Section

aemsc111

droppedCalls_CFC3_HOS5232

Dropped Calls (RF Layer 2 Failure, Loc 2-CE 3-Way Ext 2-CE 5-Way)

Data Source

aemsC Files

Source Field

aemsC111_PC1

Source Section

aemsc111

droppedCalls_CFC3_HOS5233

Dropped Calls (RF Layer 2 Failure, Loc 3-CE 3-Way Ext 2-CE 5-Way)

Data Source

aemsC Files

Source Field

aemsC111_PC1

Source Section

aemsc111

droppedCalls_CFC3_HOS5241

Dropped Calls (RF Layer 2 Failure, Loc 1-CE 4-Way Ext 2-CE 5-Way)

Data Source

aemsC Files

Source Field

aemsC111_PC1

Source Section

aemsc111

droppedCalls_CFC3_HOS5242

Dropped Calls (RF Layer 2 Failure, Loc 2-CE 4-Way Ext 2-CE 5-Way)

Data Source

aemsC Files

Source Field

aemsC111_PC1

Source Section

aemsc111

droppedCalls_CFC3_HOS5243

Dropped Calls (RF Layer 2 Failure, Loc 3-CE 4-Way Ext 2-CE 5-Way)

Data Source

aemsC Files

Source Field

aemsC111_PC1

Source Section

aemsc111

droppedCalls_CFC3_HOS5251

Dropped Calls (RF Layer 2 Failure, Loc 1-CE 5-Way Ext 2-CE 5-Way)

Data Source

aemsC Files

Source Field

aemsC111_PC1

Source Section

aemsc111

droppedCalls_CFC3_HOS5252

Dropped Calls (RF Layer 2 Failure, Loc 2-CE 5-Way Ext 2-CE 5-Way)

Data Source

aemsC Files

Source Field

aemsC111_PC1

Source Section

aemsc111

droppedCalls_CFC3_HOS5253

Dropped Calls (RF Layer 2 Failure, Loc 3-CE 5-Way Ext 2-CE 5-Way)

Data Source

aemsC Files

Source Field

aemsC111_PC1

Source Section

aemsc111

droppedCalls_CFC3_HOS5261

Dropped Calls (RF Layer 2 Failure, Loc 1-CE 6-Way Ext 2-CE 5-Way)

Data Source

aemsC Files

Source Field

aemsC111_PC1

Source Section

aemsc111

droppedCalls_CFC3_HOS5262

Dropped Calls (RF Layer 2 Failure, Loc 2-CE 6-Way Ext 2-CE 5-Way)

Data Source

aemsC Files

Source Field

aemsC111_PC1

Source Section

aemsc111

droppedCalls_CFC3_HOS5263

Dropped Calls (RF Layer 2 Failure, Loc 3-CE 6-Way Ext 2-CE 5-Way)

Data Source

aemsC Files

Source Field

aemsC111_PC1

Source Section

aemsc111

droppedCalls_CFC3_HOS5311

Dropped Calls (RF Layer 2 Failure, Loc 1-CE 1-Way Ext 3-CE 5-Way)

Data Source

aemsC Files

Source Field

aemsC111_PC1

Source Section

aemsc111

droppedCalls_CFC3_HOS5312

Dropped Calls (RF Layer 2 Failure, Loc 2-CE 1-Way Ext 3-CE 5-Way)

Data Source

aemsC Files

Source Field

aemsC111_PC1

Source Section

aemsc111

droppedCalls_CFC3_HOS5313

Dropped Calls (RF Layer 2 Failure, Loc 3-CE 1-Way Ext 3-CE 5-Way)

Data Source

aemsC Files

Source Field

aemsC111_PC1

Source Section

aemsc111

droppedCalls_CFC3_HOS6111

Dropped Calls (RF Layer 2 Failure, Loc 1-CE 1-Way Ext 1-CE 6-Way)

Data Source

aemsC Files

Source Field

aemsC111_PC1

Source Section

aemsc111

droppedCalls_CFC3_HOS6112

Dropped Calls (RF Layer 2 Failure, Loc 2-CE 1-Way Ext 1-CE 6-Way)

Data Source

aemsC Files

Source Field

aemsC111_PC1

Source Section

aemsc111

droppedCalls_CFC3_HOS6113

Dropped Calls (RF Layer 2 Failure, Loc 3-CE 1-Way Ext 1-CE 6-Way)

Data Source

aemsC Files

Source Field

aemsC111_PC1

Source Section

aemsc111

droppedCalls_CFC3_HOS6121

Dropped Calls (RF Layer 2 Failure, Loc 1-CE 2-Way Ext 1-CE 6-Way)

Data Source

aemsC Files

Source Field

aemsC111_PC1

Source Section

aemsc111

droppedCalls_CFC3_HOS6122

Dropped Calls (RF Layer 2 Failure, Loc 2-CE 2-Way Ext 1-CE 6-Way)

Data Source

aemsC Files

Source Field

aemsC111_PC1

Source Section

aemsc111

droppedCalls_CFC3_HOS6123

Dropped Calls (RF Layer 2 Failure, Loc 3-CE 2-Way Ext 1-CE 6-Way)

Data Source

aemsC Files

Source Field

aemsC111_PC1

Source Section

aemsc111

droppedCalls_CFC3_HOS6131

Dropped Calls (RF Layer 2 Failure, Loc 1-CE 3-Way Ext 1-CE 6-Way)

Data Source

aemsC Files

Source Field

aemsC111_PC1

Source Section

aemsc111

droppedCalls_CFC3_HOS6132

Dropped Calls (RF Layer 2 Failure, Loc 2-CE 3-Way Ext 1-CE 6-Way)

Data Source

aemsC Files

Source Field

aemsC111_PC1

Source Section

aemsc111

droppedCalls_CFC3_HOS6133

Dropped Calls (RF Layer 2 Failure, Loc 3-CE 3-Way Ext 1-CE 6-Way)

Data Source

aemsC Files

Source Field

aemsC111_PC1

Source Section

aemsc111

droppedCalls_CFC3_HOS6141

Dropped Calls (RF Layer 2 Failure, Loc 1-CE 4-Way Ext 1-CE 6-Way)

Data Source

aemsC Files

Source Field

aemsC111_PC1

Source Section

aemsc111

droppedCalls_CFC3_HOS6142

Dropped Calls (RF Layer 2 Failure, Loc 2-CE 4-Way Ext 1-CE 6-Way)

Data Source

aemsC Files

Source Field

aemsC111_PC1

Source Section

aemsc111

droppedCalls_CFC3_HOS6143

Dropped Calls (RF Layer 2 Failure, Loc 3-CE 4-Way Ext 1-CE 6-Way)

Data Source

aemsC Files

Source Field

aemsC111_PC1

Source Section

aemsc111

droppedCalls_CFC3_HOS6151

Dropped Calls (RF Layer 2 Failure, Loc 1-CE 5-Way Ext 1-CE 6-Way)

Data Source

aemsC Files

Source Field

aemsC111_PC1

Source Section

aemsc111

droppedCalls_CFC3_HOS6152

Dropped Calls (RF Layer 2 Failure, Loc 2-CE 5-Way Ext 1-CE 6-Way)

Data Source

aemsC Files

Source Field

aemsC111_PC1

Source Section

aemsc111

droppedCalls_CFC3_HOS6153

Dropped Calls (RF Layer 2 Failure, Loc 3-CE 5-Way Ext 1-CE 6-Way)

Data Source

aemsC Files

Source Field

aemsC111_PC1

Source Section

aemsc111

droppedCalls_CFC3_HOS6161

Dropped Calls (RF Layer 2 Failure, Loc 1-CE 6-Way Ext 1-CE 6-Way)

Data Source

aemsc Files

Source Field

aemsc111_PC1

Source Section

aemsc111

droppedCalls_CFC3_HOS6162

Dropped Calls (RF Layer 2 Failure, Loc 2-CE 6-Way Ext 1-CE 6-Way)

Data Source

aemsc Files

Source Field

aemsc111_PC1

Source Section

aemsc111

droppedCalls_CFC3_HOS6163

Dropped Calls (RF Layer 2 Failure, Loc 3-CE 6-Way Ext 1-CE 6-Way)

Data Source

aemsc Files

Source Field

aemsc111_PC1

Source Section

aemsc111

droppedCalls_CFC3_HOS6211

Dropped Calls (RF Layer 2 Failure, Loc 1-CE 1-Way Ext 2-CE 6-Way)

Data Source

aemsC Files

Source Field

aemsC111_PC1

Source Section

aemsc111

droppedCalls_CFC3_HOS6212

Dropped Calls (RF Layer 2 Failure, Loc 2-CE 1-Way Ext 2-CE 6-Way)

Data Source

aemsC Files

Source Field

aemsC111_PC1

Source Section

aemsc111

droppedCalls_CFC3_HOS6213

Dropped Calls (RF Layer 2 Failure, Loc 3-CE 1-Way Ext 2-CE 6-Way)

Data Source

aemsC Files

Source Field

aemsC111_PC1

Source Section

aemsc111

droppedCalls_CFC3_HOS6221

Dropped Calls (RF Layer 2 Failure, Loc 1-CE 2-Way Ext 2-CE 6-Way)

Data Source

aemsC Files

Source Field

aemsC111_PC1

Source Section

aemsc111

droppedCalls_CFC3_HOS6222

Dropped Calls (RF Layer 2 Failure, Loc 2-CE 2-Way Ext 2-CE 6-Way)

Data Source

aemsC Files

Source Field

aemsC111_PC1

Source Section

aemsc111

droppedCalls_CFC3_HOS6223

Dropped Calls (RF Layer 2 Failure, Loc 3-CE 2-Way Ext 2-CE 6-Way)

Data Source

aemsC Files

Source Field

aemsC111_PC1

Source Section

aemsc111

droppedCalls_CFC3_HOS6231

Dropped Calls (RF Layer 2 Failure, Loc 1-CE 3-Way Ext 2-CE 6-Way)

Data Source

aemsC Files

Source Field

aemsC111_PC1

Source Section

aemsc111

droppedCalls_CFC3_HOS6232

Dropped Calls (RF Layer 2 Failure, Loc 2-CE 3-Way Ext 2-CE 6-Way)

Data Source

aemsC Files

Source Field

aemsC111_PC1

Source Section

aemsc111

droppedCalls_CFC3_HOS6233

Dropped Calls (RF Layer 2 Failure, Loc 3-CE 3-Way Ext 2-CE 6-Way)

Data Source

aemsC Files

Source Field

aemsC111_PC1

Source Section

aemsc111

droppedCalls_CFC3_HOS6241

Dropped Calls (RF Layer 2 Failure, Loc 1-CE 4-Way Ext 2-CE 6-Way)

Data Source

aemsC Files

Source Field

aemsC111_PC1

Source Section

aemsc111

droppedCalls_CFC3_HOS6242

Dropped Calls (RF Layer 2 Failure, Loc 2-CE 4-Way Ext 2-CE 6-Way)

Data Source

aemsc Files

Source Field

aemsc111_PC1

Source Section

aemsc111

droppedCalls_CFC3_HOS6243

Dropped Calls (RF Layer 2 Failure, Loc 3-CE 4-Way Ext 2-CE 6-Way)

Data Source

aemsc Files

Source Field

aemsc111_PC1

Source Section

aemsc111

droppedCalls_CFC3_HOS6251

Dropped Calls (RF Layer 2 Failure, Loc 1-CE 5-Way Ext 2-CE 6-Way)

Data Source

aemsc Files

Source Field

aemsc111_PC1

Source Section

aemsc111

droppedCalls_CFC3_HOS6252

Dropped Calls (RF Layer 2 Failure, Loc 2-CE 5-Way Ext 2-CE 6-Way)

Data Source

aemsC Files

Source Field

aemsC111_PC1

Source Section

aemsc111

droppedCalls_CFC3_HOS6253

Dropped Calls (RF Layer 2 Failure, Loc 3-CE 5-Way Ext 2-CE 6-Way)

Data Source

aemsC Files

Source Field

aemsC111_PC1

Source Section

aemsc111

droppedCalls_CFC3_HOS6261

Dropped Calls (RF Layer 2 Failure, Loc 1-CE 6-Way Ext 2-CE 6-Way)

Data Source

aemsC Files

Source Field

aemsC111_PC1

Source Section

aemsc111

droppedCalls_CFC3_HOS6262

Dropped Calls (RF Layer 2 Failure, Loc 2-CE 6-Way Ext 2-CE 6-Way)

Data Source

aemsC Files

Source Field

aemsC111_PC1

Source Section

aemsc111

droppedCalls_CFC3_HOS6263

Dropped Calls (RF Layer 2 Failure, Loc 3-CE 6-Way Ext 2-CE 6-Way)

Data Source

aemsC Files

Source Field

aemsC111_PC1

Source Section

aemsc111

droppedCalls_CFC3_HOS6311

Dropped Calls (RF Layer 2 Failure, Loc 1-CE 1-Way Ext 3-CE 6-Way)

Data Source

aemsC Files

Source Field

aemsC111_PC1

Source Section

aemsc111

droppedCalls_CFC3_HOS6312

Dropped Calls (RF Layer 2 Failure, Loc 2-CE 1-Way Ext 3-CE 6-Way)

Data Source

aemsC Files

Source Field

aemsC111_PC1

Source Section

aemsc111

droppedCalls_CFC3_HOS6313

Dropped Calls (RF Layer 2 Failure, Loc 3-CE 1-Way Ext 3-CE 6-Way)

Data Source

aemsC Files

Source Field

aemsC111_PC1

Source Section

aemsc111

droppedCalls_CFC4_HOS1111

Dropped Calls (RF Loss, Loc 1-CE 1-Way Ext 1-CE 1-Way)

Data Source

aemsC Files

Source Field

aemsC111_PC1

Source Section

aemsc111

droppedCalls_CFC4_HOS1112

Dropped Calls (RF Loss, Loc 2-CE 1-Way Ext 1-CE 1-Way)

Data Source

aemsC Files

Source Field

aemsC111_PC1

Source Section

aemsc111

droppedCalls_CFC4_HOS1113

Dropped Calls (RF Loss, Loc 3-CE 1-Way Ext 1-CE 1-Way)

Data Source

aemsC Files

Source Field

aemsC111_PC1

Source Section

aemsc111

droppedCalls_CFC4_HOS1121

Dropped Calls (RF Loss, Loc 1-CE 2-Way Ext 1-CE 1-Way)

Data Source

aemsC Files

Source Field

aemsC111_PC1

Source Section

aemsc111

droppedCalls_CFC4_HOS1122

Dropped Calls (RF Loss, Loc 2-CE 2-Way Ext 1-CE 1-Way)

Data Source

aemsC Files

Source Field

aemsC111_PC1

Source Section

aemsc111

droppedCalls_CFC4_HOS1123

Dropped Calls (RF Loss, Loc 3-CE 2-Way Ext 1-CE 1-Way)

Data Source

aemsC Files

Source Field

aemsC111_PC1

Source Section

aemsc111

droppedCalls_CFC4_HOS1131

Dropped Calls (RF Loss, Loc 1-CE 3-Way Ext 1-CE 1-Way)

Data Source

aemsC Files

Source Field

aemsC111_PC1

Source Section

aemsc111

droppedCalls_CFC4_HOS1132

Dropped Calls (RF Loss, Loc 2-CE 3-Way Ext 1-CE 1-Way)

Data Source

aemsC Files

Source Field

aemsC111_PC1

Source Section

aemsc111

droppedCalls_CFC4_HOS1133

Dropped Calls (RF Loss, Loc 3-CE 3-Way Ext 1-CE 1-Way)

Data Source

aemsC Files

Source Field

aemsC111_PC1

Source Section

aemsc111

droppedCalls_CFC4_HOS1141

Dropped Calls (RF Loss, Loc 1-CE 4-Way Ext 1-CE 1-Way)

Data Source

aemsC Files

Source Field

aemsC111_PC1

Source Section

aemsc111

droppedCalls_CFC4_HOS1142

Dropped Calls (RF Loss, Loc 2-CE 4-Way Ext 1-CE 1-Way)

Data Source

aemsC Files

Source Field

aemsC111_PC1

Source Section

aemsc111

droppedCalls_CFC4_HOS1143

Dropped Calls (RF Loss, Loc 3-CE 4-Way Ext 1-CE 1-Way)

Data Source

aemsC Files

Source Field

aemsC111_PC1

Source Section

aemsc111

droppedCalls_CFC4_HOS1151

Dropped Calls (RF Loss, Loc 1-CE 5-Way Ext 1-CE 1-Way)

Data Source

aemsC Files

Source Field

aemsC111_PC1

Source Section

aemsc111

droppedCalls_CFC4_HOS1152

Dropped Calls (RF Loss, Loc 2-CE 5-Way Ext 1-CE 1-Way)

Data Source

aemsC Files

Source Field

aemsC111_PC1

Source Section

aemsc111

droppedCalls_CFC4_HOS1153

Dropped Calls (RF Loss, Loc 3-CE 5-Way Ext 1-CE 1-Way)

Data Source

aemsC Files

Source Field

aemsC111_PC1

Source Section

aemsc111

droppedCalls_CFC4_HOS1161

Dropped Calls (RF Loss, Loc 1-CE 6-Way Ext 1-CE 1-Way)

Data Source

aemsC Files

Source Field

aemsC111_PC1

Source Section

aemsc111

droppedCalls_CFC4_HOS1162

Dropped Calls (RF Loss, Loc 2-CE 6-Way Ext 1-CE 1-Way)

Data Source

aemsC Files

Source Field

aemsC111_PC1

Source Section

aemsc111

droppedCalls_CFC4_HOS1163

Dropped Calls (RF Loss, Loc 3-CE 6-Way Ext 1-CE 1-Way)

Data Source

aemsC Files

Source Field

aemsC111_PC1

Source Section

aemsc111

droppedCalls_CFC4_HOS1211

Dropped Calls (RF Loss, Loc 1-CE 1-Way Ext 2-CE 1-Way)

Data Source

aemsC Files

Source Field

aemsC111_PC1

Source Section

aemsc111

droppedCalls_CFC4_HOS1212

Dropped Calls (RF Loss, Loc 2-CE 1-Way Ext 2-CE 1-Way)

Data Source

aemsC Files

Source Field

aemsC111_PC1

Source Section

aemsc111

droppedCalls_CFC4_HOS1213

Dropped Calls (RF Loss, Loc 3-CE 1-Way Ext 2-CE 1-Way)

Data Source

aemsC Files

Source Field

aemsC111_PC1

Source Section

aemsc111

droppedCalls_CFC4_HOS1221

Dropped Calls (RF Loss, Loc 1-CE 2-Way Ext 2-CE 1-Way)

Data Source

aemsC Files

Source Field

aemsC111_PC1

Source Section

aemsc111

droppedCalls_CFC4_HOS1222

Dropped Calls (RF Loss, Loc 2-CE 2-Way Ext 2-CE 1-Way)

Data Source

aemsC Files

Source Field

aemsC111_PC1

Source Section

aemsc111

droppedCalls_CFC4_HOS1223

Dropped Calls (RF Loss, Loc 3-CE 2-Way Ext 2-CE 1-Way)

Data Source

aemsC Files

Source Field

aemsC111_PC1

Source Section

aemsc111

droppedCalls_CFC4_HOS1231

Dropped Calls (RF Loss, Loc 1-CE 3-Way Ext 2-CE 1-Way)

Data Source

aemsC Files

Source Field

aemsC111_PC1

Source Section

aemsc111

droppedCalls_CFC4_HOS1232

Dropped Calls (RF Loss, Loc 2-CE 3-Way Ext 2-CE 1-Way)

Data Source

aemsC Files

Source Field

aemsC111_PC1

Source Section

aemsc111

droppedCalls_CFC4_HOS1233

Dropped Calls (RF Loss, Loc 3-CE 3-Way Ext 2-CE 1-Way)

Data Source

aemsC Files

Source Field

aemsC111_PC1

Source Section

aemsc111

droppedCalls_CFC4_HOS1241

Dropped Calls (RF Loss, Loc 1-CE 4-Way Ext 2-CE 1-Way)

Data Source

aemsC Files

Source Field

aemsC111_PC1

Source Section

aemsc111

droppedCalls_CFC4_HOS1242

Dropped Calls (RF Loss, Loc 2-CE 4-Way Ext 2-CE 1-Way)

Data Source

aemsC Files

Source Field

aemsC111_PC1

Source Section

aemsc111

droppedCalls_CFC4_HOS1243

Dropped Calls (RF Loss, Loc 3-CE 4-Way Ext 2-CE 1-Way)

Data Source

aemsC Files

Source Field

aemsC111_PC1

Source Section

aemsc111

droppedCalls_CFC4_HOS1251

Dropped Calls (RF Loss, Loc 1-CE 5-Way Ext 2-CE 1-Way)

Data Source

aemsC Files

Source Field

aemsC111_PC1

Source Section

aemsc111

droppedCalls_CFC4_HOS1252

Dropped Calls (RF Loss, Loc 2-CE 5-Way Ext 2-CE 1-Way)

Data Source

aemsC Files

Source Field

aemsC111_PC1

Source Section

aemsc111

droppedCalls_CFC4_HOS1253

Dropped Calls (RF Loss, Loc 3-CE 5-Way Ext 2-CE 1-Way)

Data Source

aemsC Files

Source Field

aemsC111_PC1

Source Section

aemsc111

droppedCalls_CFC4_HOS1261

Dropped Calls (RF Loss, Loc 1-CE 6-Way Ext 2-CE 1-Way)

Data Source

aemsC Files

Source Field

aemsC111_PC1

Source Section

aemsc111

droppedCalls_CFC4_HOS1262

Dropped Calls (RF Loss, Loc 2-CE 6-Way Ext 2-CE 1-Way)

Data Source

aemsC Files

Source Field

aemsC111_PC1

Source Section

aemsc111

droppedCalls_CFC4_HOS1263

Dropped Calls (RF Loss, Loc 3-CE 6-Way Ext 2-CE 1-Way)

Data Source

aemsC Files

Source Field

aemsC111_PC1

Source Section

aemsc111

droppedCalls_CFC4_HOS1311

Dropped Calls (RF Loss, Loc 1-CE 1-Way Ext 3-CE 1-Way)

Data Source

aemsC Files

Source Field

aemsC111_PC1

Source Section

aemsc111

droppedCalls_CFC4_HOS1312

Dropped Calls (RF Loss, Loc 2-CE 1-Way Ext 3-CE 1-Way)

Data Source

aemsC Files

Source Field

aemsC111_PC1

Source Section

aemsc111

droppedCalls_CFC4_HOS1313

Dropped Calls (RF Loss, Loc 3-CE 1-Way Ext 3-CE 1-Way)

Data Source

aemsC Files

Source Field

aemsC111_PC1

Source Section

aemsc111

droppedCalls_CFC4_HOS2111

Dropped Calls (RF Loss, Loc 1-CE 1-Way Ext 1-CE 2-Way)

Data Source

aemsC Files

Source Field

aemsC111_PC1

Source Section

aemsc111

droppedCalls_CFC4_HOS2112

Dropped Calls (RF Loss, Loc 2-CE 1-Way Ext 1-CE 2-Way)

Data Source

aemsC Files

Source Field

aemsC111_PC1

Source Section

aemsc111

droppedCalls_CFC4_HOS2113

Dropped Calls (RF Loss, Loc 3-CE 1-Way Ext 1-CE 2-Way)

Data Source

aemsC Files

Source Field

aemsC111_PC1

Source Section

aemsc111

droppedCalls_CFC4_HOS2121

Dropped Calls (RF Loss, Loc 1-CE 2-Way Ext 1-CE 2-Way)

Data Source

aemsC Files

Source Field

aemsC111_PC1

Source Section

aemsc111

droppedCalls_CFC4_HOS2122

Dropped Calls (RF Loss, Loc 2-CE 2-Way Ext 1-CE 2-Way)

Data Source

aemsC Files

Source Field

aemsC111_PC1

Source Section

aemsc111

droppedCalls_CFC4_HOS2123

Dropped Calls (RF Loss, Loc 3-CE 2-Way Ext 1-CE 2-Way)

Data Source

aemsC Files

Source Field

aemsC111_PC1

Source Section

aemsc111

droppedCalls_CFC4_HOS2131

Dropped Calls (RF Loss, Loc 1-CE 3-Way Ext 1-CE 2-Way)

Data Source

aemsC Files

Source Field

aemsC111_PC1

Source Section

aemsc111

droppedCalls_CFC4_HOS2132

Dropped Calls (RF Loss, Loc 2-CE 3-Way Ext 1-CE 2-Way)

Data Source

aemsC Files

Source Field

aemsC111_PC1

Source Section

aemsc111

droppedCalls_CFC4_HOS2133

Dropped Calls (RF Loss, Loc 3-CE 3-Way Ext 1-CE 2-Way)

Data Source

aemsC Files

Source Field

aemsC111_PC1

Source Section

aemsc111

droppedCalls_CFC4_HOS2141

Dropped Calls (RF Loss, Loc 1-CE 4-Way Ext 1-CE 2-Way)

Data Source

aemsC Files

Source Field

aemsC111_PC1

Source Section

aemsc111

droppedCalls_CFC4_HOS2142

Dropped Calls (RF Loss, Loc 2-CE 4-Way Ext 1-CE 2-Way)

Data Source

aemsC Files

Source Field

aemsC111_PC1

Source Section

aemsc111

droppedCalls_CFC4_HOS2143

Dropped Calls (RF Loss, Loc 3-CE 4-Way Ext 1-CE 2-Way)

Data Source

aemsC Files

Source Field

aemsC111_PC1

Source Section

aemsc111

droppedCalls_CFC4_HOS2151

Dropped Calls (RF Loss, Loc 1-CE 5-Way Ext 1-CE 2-Way)

Data Source

aemsC Files

Source Field

aemsC111_PC1

Source Section

aemsc111

droppedCalls_CFC4_HOS2152

Dropped Calls (RF Loss, Loc 2-CE 5-Way Ext 1-CE 2-Way)

Data Source

aemsC Files

Source Field

aemsC111_PC1

Source Section

aemsc111

droppedCalls_CFC4_HOS2153

Dropped Calls (RF Loss, Loc 3-CE 5-Way Ext 1-CE 2-Way)

Data Source

aemsC Files

Source Field

aemsC111_PC1

Source Section

aemsc111

droppedCalls_CFC4_HOS2161

Dropped Calls (RF Loss, Loc 1-CE 6-Way Ext 1-CE 2-Way)

Data Source

aemsC Files

Source Field

aemsC111_PC1

Source Section

aemsc111

droppedCalls_CFC4_HOS2162

Dropped Calls (RF Loss, Loc 2-CE 6-Way Ext 1-CE 2-Way)

Data Source

aemsC Files

Source Field

aemsC111_PC1

Source Section

aemsc111

droppedCalls_CFC4_HOS2163

Dropped Calls (RF Loss, Loc 3-CE 6-Way Ext 1-CE 2-Way)

Data Source

aemsC Files

Source Field

aemsC111_PC1

Source Section

aemsc111

droppedCalls_CFC4_HOS2211

Dropped Calls (RF Loss, Loc 1-CE 1-Way Ext 2-CE 2-Way)

Data Source

aemsC Files

Source Field

aemsC111_PC1

Source Section

aemsc111

droppedCalls_CFC4_HOS2212

Dropped Calls (RF Loss, Loc 2-CE 1-Way Ext 2-CE 2-Way)

Data Source

aemsC Files

Source Field

aemsC111_PC1

Source Section

aemsc111

droppedCalls_CFC4_HOS2213

Dropped Calls (RF Loss, Loc 3-CE 1-Way Ext 2-CE 2-Way)

Data Source

aemsC Files

Source Field

aemsC111_PC1

Source Section

aemsc111

droppedCalls_CFC4_HOS2221

Dropped Calls (RF Loss, Loc 1-CE 2-Way Ext 2-CE 2-Way)

Data Source

aemsC Files

Source Field

aemsC111_PC1

Source Section

aemsc111

droppedCalls_CFC4_HOS2222

Dropped Calls (RF Loss, Loc 2-CE 2-Way Ext 2-CE 2-Way)

Data Source

aemsC Files

Source Field

aemsC111_PC1

Source Section

aemsc111

droppedCalls_CFC4_HOS2223

Dropped Calls (RF Loss, Loc 3-CE 2-Way Ext 2-CE 2-Way)

Data Source

aemsC Files

Source Field

aemsC111_PC1

Source Section

aemsc111

droppedCalls_CFC4_HOS2231

Dropped Calls (RF Loss, Loc 1-CE 3-Way Ext 2-CE 2-Way)

Data Source

aemsC Files

Source Field

aemsC111_PC1

Source Section

aemsc111

droppedCalls_CFC4_HOS2232

Dropped Calls (RF Loss, Loc 2-CE 3-Way Ext 2-CE 2-Way)

Data Source

aemsC Files

Source Field

aemsC111_PC1

Source Section

aemsc111

droppedCalls_CFC4_HOS2233

Dropped Calls (RF Loss, Loc 3-CE 3-Way Ext 2-CE 2-Way)

Data Source

aemsC Files

Source Field

aemsC111_PC1

Source Section

aemsc111

droppedCalls_CFC4_HOS2241

Dropped Calls (RF Loss, Loc 1-CE 4-Way Ext 2-CE 2-Way)

Data Source

aemsC Files

Source Field

aemsC111_PC1

Source Section

aemsc111

droppedCalls_CFC4_HOS2242

Dropped Calls (RF Loss, Loc 2-CE 4-Way Ext 2-CE 2-Way)

Data Source

aemsC Files

Source Field

aemsC111_PC1

Source Section

aemsc111

droppedCalls_CFC4_HOS2243

Dropped Calls (RF Loss, Loc 3-CE 4-Way Ext 2-CE 2-Way)

Data Source

aemsC Files

Source Field

aemsC111_PC1

Source Section

aemsc111

droppedCalls_CFC4_HOS2251

Dropped Calls (RF Loss, Loc 1-CE 5-Way Ext 2-CE 2-Way)

Data Source

aemsC Files

Source Field

aemsC111_PC1

Source Section

aemsc111

droppedCalls_CFC4_HOS2252

Dropped Calls (RF Loss, Loc 2-CE 5-Way Ext 2-CE 2-Way)

Data Source

aemsC Files

Source Field

aemsC111_PC1

Source Section

aemsc111

droppedCalls_CFC4_HOS2253

Dropped Calls (RF Loss, Loc 3-CE 5-Way Ext 2-CE 2-Way)

Data Source

aemsC Files

Source Field

aemsC111_PC1

Source Section

aemsc111

droppedCalls_CFC4_HOS2261

Dropped Calls (RF Loss, Loc 1-CE 6-Way Ext 2-CE 2-Way)

Data Source

aemsC Files

Source Field

aemsC111_PC1

Source Section

aemsc111

droppedCalls_CFC4_HOS2262

Dropped Calls (RF Loss, Loc 2-CE 6-Way Ext 2-CE 2-Way)

Data Source

aemsC Files

Source Field

aemsC111_PC1

Source Section

aemsc111

droppedCalls_CFC4_HOS2263

Dropped Calls (RF Loss, Loc 3-CE 6-Way Ext 2-CE 2-Way)

Data Source

aemsC Files

Source Field

aemsC111_PC1

Source Section

aemsc111

droppedCalls_CFC4_HOS2311

Dropped Calls (RF Loss, Loc 1-CE 1-Way Ext 3-CE 2-Way)

Data Source

aemsC Files

Source Field

aemsC111_PC1

Source Section

aemsc111

droppedCalls_CFC4_HOS2312

Dropped Calls (RF Loss, Loc 2-CE 1-Way Ext 3-CE 2-Way)

Data Source

aemsC Files

Source Field

aemsC111_PC1

Source Section

aemsc111

droppedCalls_CFC4_HOS2313

Dropped Calls (RF Loss, Loc 3-CE 1-Way Ext 3-CE 2-Way)

Data Source

aemsC Files

Source Field

aemsC111_PC1

Source Section

aemsc111

droppedCalls_CFC4_HOS3111

Dropped Calls (RF Loss, Loc 1-CE 1-Way Ext 1-CE 3-Way)

Data Source

aemsC Files

Source Field

aemsC111_PC1

Source Section

aemsc111

droppedCalls_CFC4_HOS3112

Dropped Calls (RF Loss, Loc 2-CE 1-Way Ext 1-CE 3-Way)

Data Source

aemsC Files

Source Field

aemsC111_PC1

Source Section

aemsc111

droppedCalls_CFC4_HOS3113

Dropped Calls (RF Loss, Loc 3-CE 1-Way Ext 1-CE 3-Way)

Data Source

aemsC Files

Source Field

aemsC111_PC1

Source Section

aemsc111

droppedCalls_CFC4_HOS3121

Dropped Calls (RF Loss, Loc 1-CE 2-Way Ext 1-CE 3-Way)

Data Source

aemsC Files

Source Field

aemsC111_PC1

Source Section

aemsc111

droppedCalls_CFC4_HOS3122

Dropped Calls (RF Loss, Loc 2-CE 2-Way Ext 1-CE 3-Way)

Data Source

aemsC Files

Source Field

aemsC111_PC1

Source Section

aemsc111

droppedCalls_CFC4_HOS3123

Dropped Calls (RF Loss, Loc 3-CE 2-Way Ext 1-CE 3-Way)

Data Source

aemsC Files

Source Field

aemsC111_PC1

Source Section

aemsc111

droppedCalls_CFC4_HOS3131

Dropped Calls (RF Loss, Loc 1-CE 3-Way Ext 1-CE 3-Way)

Data Source

aemsC Files

Source Field

aemsC111_PC1

Source Section

aemsc111

droppedCalls_CFC4_HOS3132

Dropped Calls (RF Loss, Loc 2-CE 3-Way Ext 1-CE 3-Way)

Data Source

aemsC Files

Source Field

aemsC111_PC1

Source Section

aemsc111

droppedCalls_CFC4_HOS3133

Dropped Calls (RF Loss, Loc 3-CE 3-Way Ext 1-CE 3-Way)

Data Source

aemsC Files

Source Field

aemsC111_PC1

Source Section

aemsc111

droppedCalls_CFC4_HOS3141

Dropped Calls (RF Loss, Loc 1-CE 4-Way Ext 1-CE 3-Way)

Data Source

aemsC Files

Source Field

aemsC111_PC1

Source Section

aemsc111

droppedCalls_CFC4_HOS3142

Dropped Calls (RF Loss, Loc 2-CE 4-Way Ext 1-CE 3-Way)

Data Source

aemsC Files

Source Field

aemsC111_PC1

Source Section

aemsc111

droppedCalls_CFC4_HOS3143

Dropped Calls (RF Loss, Loc 3-CE 4-Way Ext 1-CE 3-Way)

Data Source

aemsC Files

Source Field

aemsC111_PC1

Source Section

aemsc111

droppedCalls_CFC4_HOS3151

Dropped Calls (RF Loss, Loc 1-CE 5-Way Ext 1-CE 3-Way)

Data Source

aemsC Files

Source Field

aemsC111_PC1

Source Section

aemsc111

droppedCalls_CFC4_HOS3152

Dropped Calls (RF Loss, Loc 2-CE 5-Way Ext 1-CE 3-Way)

Data Source

aemsC Files

Source Field

aemsC111_PC1

Source Section

aemsc111

droppedCalls_CFC4_HOS3153

Dropped Calls (RF Loss, Loc 3-CE 5-Way Ext 1-CE 3-Way)

Data Source

aemsC Files

Source Field

aemsC111_PC1

Source Section

aemsc111

droppedCalls_CFC4_HOS3161

Dropped Calls (RF Loss, Loc 1-CE 6-Way Ext 1-CE 3-Way)

Data Source

aemsC Files

Source Field

aemsC111_PC1

Source Section

aemsc111

droppedCalls_CFC4_HOS3162

Dropped Calls (RF Loss, Loc 2-CE 6-Way Ext 1-CE 3-Way)

Data Source

aemsC Files

Source Field

aemsC111_PC1

Source Section

aemsc111

droppedCalls_CFC4_HOS3163

Dropped Calls (RF Loss, Loc 3-CE 6-Way Ext 1-CE 3-Way)

Data Source

aemsC Files

Source Field

aemsC111_PC1

Source Section

aemsc111

droppedCalls_CFC4_HOS3211

Dropped Calls (RF Loss, Loc 1-CE 1-Way Ext 2-CE 3-Way)

Data Source

aemsC Files

Source Field

aemsC111_PC1

Source Section

aemsc111

droppedCalls_CFC4_HOS3212

Dropped Calls (RF Loss, Loc 2-CE 1-Way Ext 2-CE 3-Way)

Data Source

aemsC Files

Source Field

aemsC111_PC1

Source Section

aemsc111

droppedCalls_CFC4_HOS3213

Dropped Calls (RF Loss, Loc 3-CE 1-Way Ext 2-CE 3-Way)

Data Source

aemsC Files

Source Field

aemsC111_PC1

Source Section

aemsc111

droppedCalls_CFC4_HOS3221

Dropped Calls (RF Loss, Loc 1-CE 2-Way Ext 2-CE 3-Way)

Data Source

aemsC Files

Source Field

aemsC111_PC1

Source Section

aemsc111

droppedCalls_CFC4_HOS3222

Dropped Calls (RF Loss, Loc 2-CE 2-Way Ext 2-CE 3-Way)

Data Source

aemsC Files

Source Field

aemsC111_PC1

Source Section

aemsc111

droppedCalls_CFC4_HOS3223

Dropped Calls (RF Loss, Loc 3-CE 2-Way Ext 2-CE 3-Way)

Data Source

aemsC Files

Source Field

aemsC111_PC1

Source Section

aemsc111

droppedCalls_CFC4_HOS3231

Dropped Calls (RF Loss, Loc 1-CE 3-Way Ext 2-CE 3-Way)

Data Source

aemsC Files

Source Field

aemsC111_PC1

Source Section

aemsc111

droppedCalls_CFC4_HOS3232

Dropped Calls (RF Loss, Loc 2-CE 3-Way Ext 2-CE 3-Way)

Data Source

aemsC Files

Source Field

aemsC111_PC1

Source Section

aemsc111

droppedCalls_CFC4_HOS3233

Dropped Calls (RF Loss, Loc 3-CE 3-Way Ext 2-CE 3-Way)

Data Source

aemsC Files

Source Field

aemsC111_PC1

Source Section

aemsc111

droppedCalls_CFC4_HOS3241

Dropped Calls (RF Loss, Loc 1-CE 4-Way Ext 2-CE 3-Way)

Data Source

aemsC Files

Source Field

aemsC111_PC1

Source Section

aemsc111

droppedCalls_CFC4_HOS3242

Dropped Calls (RF Loss, Loc 2-CE 4-Way Ext 2-CE 3-Way)

Data Source

aemsC Files

Source Field

aemsC111_PC1

Source Section

aemsc111

droppedCalls_CFC4_HOS3243

Dropped Calls (RF Loss, Loc 3-CE 4-Way Ext 2-CE 3-Way)

Data Source

aemsC Files

Source Field

aemsC111_PC1

Source Section

aemsc111

droppedCalls_CFC4_HOS3251

Dropped Calls (RF Loss, Loc 1-CE 5-Way Ext 2-CE 3-Way)

Data Source

aemsC Files

Source Field

aemsC111_PC1

Source Section

aemsc111

droppedCalls_CFC4_HOS3252

Dropped Calls (RF Loss, Loc 2-CE 5-Way Ext 2-CE 3-Way)

Data Source

aemsC Files

Source Field

aemsC111_PC1

Source Section

aemsc111

droppedCalls_CFC4_HOS3253

Dropped Calls (RF Loss, Loc 3-CE 5-Way Ext 2-CE 3-Way)

Data Source

aemsC Files

Source Field

aemsC111_PC1

Source Section

aemsc111

droppedCalls_CFC4_HOS3261

Dropped Calls (RF Loss, Loc 1-CE 6-Way Ext 2-CE 3-Way)

Data Source

aemsC Files

Source Field

aemsC111_PC1

Source Section

aemsc111

droppedCalls_CFC4_HOS3262

Dropped Calls (RF Loss, Loc 2-CE 6-Way Ext 2-CE 3-Way)

Data Source

aemsC Files

Source Field

aemsC111_PC1

Source Section

aemsc111

droppedCalls_CFC4_HOS3263

Dropped Calls (RF Loss, Loc 3-CE 6-Way Ext 2-CE 3-Way)

Data Source

aemsC Files

Source Field

aemsC111_PC1

Source Section

aemsc111

droppedCalls_CFC4_HOS3311

Dropped Calls (RF Loss, Loc 1-CE 1-Way Ext 3-CE 3-Way)

Data Source

aemsC Files

Source Field

aemsC111_PC1

Source Section

aemsc111

droppedCalls_CFC4_HOS3312

Dropped Calls (RF Loss, Loc 2-CE 1-Way Ext 3-CE 3-Way)

Data Source

aemsC Files

Source Field

aemsC111_PC1

Source Section

aemsc111

droppedCalls_CFC4_HOS3313

Dropped Calls (RF Loss, Loc 3-CE 1-Way Ext 3-CE 3-Way)

Data Source

aemsC Files

Source Field

aemsC111_PC1

Source Section

aemsc111

droppedCalls_CFC4_HOS4111

Dropped Calls (RF Loss, Loc 1-CE 1-Way Ext 1-CE 4-Way)

Data Source

aemsC Files

Source Field

aemsC111_PC1

Source Section

aemsc111

droppedCalls_CFC4_HOS4112

Dropped Calls (RF Loss, Loc 2-CE 1-Way Ext 1-CE 4-Way)

Data Source

aemsC Files

Source Field

aemsC111_PC1

Source Section

aemsc111

droppedCalls_CFC4_HOS4113

Dropped Calls (RF Loss, Loc 3-CE 1-Way Ext 1-CE 4-Way)

Data Source

aemsC Files

Source Field

aemsC111_PC1

Source Section

aemsc111

droppedCalls_CFC4_HOS4121

Dropped Calls (RF Loss, Loc 1-CE 2-Way Ext 1-CE 4-Way)

Data Source

aemsC Files

Source Field

aemsC111_PC1

Source Section

aemsc111

droppedCalls_CFC4_HOS4122

Dropped Calls (RF Loss, Loc 2-CE 2-Way Ext 1-CE 4-Way)

Data Source

aemsC Files

Source Field

aemsC111_PC1

Source Section

aemsc111

droppedCalls_CFC4_HOS4123

Dropped Calls (RF Loss, Loc 3-CE 2-Way Ext 1-CE 4-Way)

Data Source

aemsC Files

Source Field

aemsC111_PC1

Source Section

aemsc111

droppedCalls_CFC4_HOS4131

Dropped Calls (RF Loss, Loc 1-CE 3-Way Ext 1-CE 4-Way)

Data Source

aemsC Files

Source Field

aemsC111_PC1

Source Section

aemsc111

droppedCalls_CFC4_HOS4132

Dropped Calls (RF Loss, Loc 2-CE 3-Way Ext 1-CE 4-Way)

Data Source

aemsC Files

Source Field

aemsC111_PC1

Source Section

aemsc111

droppedCalls_CFC4_HOS4133

Dropped Calls (RF Loss, Loc 3-CE 3-Way Ext 1-CE 4-Way)

Data Source

aemsC Files

Source Field

aemsC111_PC1

Source Section

aemsc111

droppedCalls_CFC4_HOS4141

Dropped Calls (RF Loss, Loc 1-CE 4-Way Ext 1-CE 4-Way)

Data Source

aemsC Files

Source Field

aemsC111_PC1

Source Section

aemsc111

droppedCalls_CFC4_HOS4142

Dropped Calls (RF Loss, Loc 2-CE 4-Way Ext 1-CE 4-Way)

Data Source

aemsC Files

Source Field

aemsC111_PC1

Source Section

aemsc111

droppedCalls_CFC4_HOS4143

Dropped Calls (RF Loss, Loc 3-CE 4-Way Ext 1-CE 4-Way)

Data Source

aemsC Files

Source Field

aemsC111_PC1

Source Section

aemsc111

droppedCalls_CFC4_HOS4151

Dropped Calls (RF Loss, Loc 1-CE 5-Way Ext 1-CE 4-Way)

Data Source

aemsC Files

Source Field

aemsC111_PC1

Source Section

aemsc111

droppedCalls_CFC4_HOS4152

Dropped Calls (RF Loss, Loc 2-CE 5-Way Ext 1-CE 4-Way)

Data Source

aemsC Files

Source Field

aemsC111_PC1

Source Section

aemsc111

droppedCalls_CFC4_HOS4153

Dropped Calls (RF Loss, Loc 3-CE 5-Way Ext 1-CE 4-Way)

Data Source

aemsC Files

Source Field

aemsC111_PC1

Source Section

aemsc111

droppedCalls_CFC4_HOS4161

Dropped Calls (RF Loss, Loc 1-CE 6-Way Ext 1-CE 4-Way)

Data Source

aemsC Files

Source Field

aemsC111_PC1

Source Section

aemsc111

droppedCalls_CFC4_HOS4162

Dropped Calls (RF Loss, Loc 2-CE 6-Way Ext 1-CE 4-Way)

Data Source

aemsC Files

Source Field

aemsC111_PC1

Source Section

aemsc111

droppedCalls_CFC4_HOS4163

Dropped Calls (RF Loss, Loc 3-CE 6-Way Ext 1-CE 4-Way)

Data Source

aemsC Files

Source Field

aemsC111_PC1

Source Section

aemsc111

droppedCalls_CFC4_HOS4211

Dropped Calls (RF Loss, Loc 1-CE 1-Way Ext 2-CE 4-Way)

Data Source

aemsC Files

Source Field

aemsC111_PC1

Source Section

aemsc111

droppedCalls_CFC4_HOS4212

Dropped Calls (RF Loss, Loc 2-CE 1-Way Ext 2-CE 4-Way)

Data Source

aemsC Files

Source Field

aemsC111_PC1

Source Section

aemsc111

droppedCalls_CFC4_HOS4213

Dropped Calls (RF Loss, Loc 3-CE 1-Way Ext 2-CE 4-Way)

Data Source

aemsC Files

Source Field

aemsC111_PC1

Source Section

aemsc111

droppedCalls_CFC4_HOS4221

Dropped Calls (RF Loss, Loc 1-CE 2-Way Ext 2-CE 4-Way)

Data Source

aemsC Files

Source Field

aemsC111_PC1

Source Section

aemsc111

droppedCalls_CFC4_HOS4222

Dropped Calls (RF Loss, Loc 2-CE 2-Way Ext 2-CE 4-Way)

Data Source

aemsC Files

Source Field

aemsC111_PC1

Source Section

aemsc111

droppedCalls_CFC4_HOS4223

Dropped Calls (RF Loss, Loc 3-CE 2-Way Ext 2-CE 4-Way)

Data Source

aemsC Files

Source Field

aemsC111_PC1

Source Section

aemsc111

droppedCalls_CFC4_HOS4231

Dropped Calls (RF Loss, Loc 1-CE 3-Way Ext 2-CE 4-Way)

Data Source

aemsC Files

Source Field

aemsC111_PC1

Source Section

aemsc111

droppedCalls_CFC4_HOS4232

Dropped Calls (RF Loss, Loc 2-CE 3-Way Ext 2-CE 4-Way)

Data Source

aemsC Files

Source Field

aemsC111_PC1

Source Section

aemsc111

droppedCalls_CFC4_HOS4233

Dropped Calls (RF Loss, Loc 3-CE 3-Way Ext 2-CE 4-Way)

Data Source

aemsC Files

Source Field

aemsC111_PC1

Source Section

aemsc111

droppedCalls_CFC4_HOS4241

Dropped Calls (RF Loss, Loc 1-CE 4-Way Ext 2-CE 4-Way)

Data Source

aemsC Files

Source Field

aemsC111_PC1

Source Section

aemsc111

droppedCalls_CFC4_HOS4242

Dropped Calls (RF Loss, Loc 2-CE 4-Way Ext 2-CE 4-Way)

Data Source

aemsC Files

Source Field

aemsC111_PC1

Source Section

aemsc111

droppedCalls_CFC4_HOS4243

Dropped Calls (RF Loss, Loc 3-CE 4-Way Ext 2-CE 4-Way)

Data Source

aemsC Files

Source Field

aemsC111_PC1

Source Section

aemsc111

droppedCalls_CFC4_HOS4251

Dropped Calls (RF Loss, Loc 1-CE 5-Way Ext 2-CE 4-Way)

Data Source

aemsC Files

Source Field

aemsC111_PC1

Source Section

aemsc111

droppedCalls_CFC4_HOS4252

Dropped Calls (RF Loss, Loc 2-CE 5-Way Ext 2-CE 4-Way)

Data Source

aemsC Files

Source Field

aemsC111_PC1

Source Section

aemsc111

droppedCalls_CFC4_HOS4253

Dropped Calls (RF Loss, Loc 3-CE 5-Way Ext 2-CE 4-Way)

Data Source

aemsC Files

Source Field

aemsC111_PC1

Source Section

aemsc111

droppedCalls_CFC4_HOS4261

Dropped Calls (RF Loss, Loc 1-CE 6-Way Ext 2-CE 4-Way)

Data Source

aemsC Files

Source Field

aemsC111_PC1

Source Section

aemsc111

droppedCalls_CFC4_HOS4262

Dropped Calls (RF Loss, Loc 2-CE 6-Way Ext 2-CE 4-Way)

Data Source

aemsC Files

Source Field

aemsC111_PC1

Source Section

aemsc111

droppedCalls_CFC4_HOS4263

Dropped Calls (RF Loss, Loc 3-CE 6-Way Ext 2-CE 4-Way)

Data Source

aemsC Files

Source Field

aemsC111_PC1

Source Section

aemsc111

droppedCalls_CFC4_HOS4311

Dropped Calls (RF Loss, Loc 1-CE 1-Way Ext 3-CE 4-Way)

Data Source

aemsC Files

Source Field

aemsC111_PC1

Source Section

aemsc111

droppedCalls_CFC4_HOS4312

Dropped Calls (RF Loss, Loc 2-CE 1-Way Ext 3-CE 4-Way)

Data Source

aemsC Files

Source Field

aemsC111_PC1

Source Section

aemsc111

droppedCalls_CFC4_HOS4313

Dropped Calls (RF Loss, Loc 3-CE 1-Way Ext 3-CE 4-Way)

Data Source

aemsC Files

Source Field

aemsC111_PC1

Source Section

aemsc111

droppedCalls_CFC4_HOS5111

Dropped Calls (RF Loss, Loc 1-CE 1-Way Ext 1-CE 5-Way)

Data Source

aemsC Files

Source Field

aemsC111_PC1

Source Section

aemsc111

droppedCalls_CFC4_HOS5112

Dropped Calls (RF Loss, Loc 2-CE 1-Way Ext 1-CE 5-Way)

Data Source

aemsC Files

Source Field

aemsC111_PC1

Source Section

aemsc111

droppedCalls_CFC4_HOS5113

Dropped Calls (RF Loss, Loc 3-CE 1-Way Ext 1-CE 5-Way)

Data Source

aemsC Files

Source Field

aemsC111_PC1

Source Section

aemsc111

droppedCalls_CFC4_HOS5121

Dropped Calls (RF Loss, Loc 1-CE 2-Way Ext 1-CE 5-Way)

Data Source

aemsC Files

Source Field

aemsC111_PC1

Source Section

aemsc111

droppedCalls_CFC4_HOS5122

Dropped Calls (RF Loss, Loc 2-CE 2-Way Ext 1-CE 5-Way)

Data Source

aemsC Files

Source Field

aemsC111_PC1

Source Section

aemsc111

droppedCalls_CFC4_HOS5123

Dropped Calls (RF Loss, Loc 3-CE 2-Way Ext 1-CE 5-Way)

Data Source

aemsC Files

Source Field

aemsC111_PC1

Source Section

aemsc111

droppedCalls_CFC4_HOS5131

Dropped Calls (RF Loss, Loc 1-CE 3-Way Ext 1-CE 5-Way)

Data Source

aemsC Files

Source Field

aemsC111_PC1

Source Section

aemsc111

droppedCalls_CFC4_HOS5132

Dropped Calls (RF Loss, Loc 2-CE 3-Way Ext 1-CE 5-Way)

Data Source

aemsC Files

Source Field

aemsC111_PC1

Source Section

aemsc111

droppedCalls_CFC4_HOS5133

Dropped Calls (RF Loss, Loc 3-CE 3-Way Ext 1-CE 5-Way)

Data Source

aemsC Files

Source Field

aemsC111_PC1

Source Section

aemsc111

droppedCalls_CFC4_HOS5141

Dropped Calls (RF Loss, Loc 1-CE 4-Way Ext 1-CE 5-Way)

Data Source

aemsC Files

Source Field

aemsC111_PC1

Source Section

aemsc111

droppedCalls_CFC4_HOS5142

Dropped Calls (RF Loss, Loc 2-CE 4-Way Ext 1-CE 5-Way)

Data Source

aemsC Files

Source Field

aemsC111_PC1

Source Section

aemsc111

droppedCalls_CFC4_HOS5143

Dropped Calls (RF Loss, Loc 3-CE 4-Way Ext 1-CE 5-Way)

Data Source

aemsC Files

Source Field

aemsC111_PC1

Source Section

aemsc111

droppedCalls_CFC4_HOS5151

Dropped Calls (RF Loss, Loc 1-CE 5-Way Ext 1-CE 5-Way)

Data Source

aemsC Files

Source Field

aemsC111_PC1

Source Section

aemsc111

droppedCalls_CFC4_HOS5152

Dropped Calls (RF Loss, Loc 2-CE 5-Way Ext 1-CE 5-Way)

Data Source

aemsC Files

Source Field

aemsC111_PC1

Source Section

aemsc111

droppedCalls_CFC4_HOS5153

Dropped Calls (RF Loss, Loc 3-CE 5-Way Ext 1-CE 5-Way)

Data Source

aemsC Files

Source Field

aemsC111_PC1

Source Section

aemsc111

droppedCalls_CFC4_HOS5161

Dropped Calls (RF Loss, Loc 1-CE 6-Way Ext 1-CE 5-Way)

Data Source

aemsC Files

Source Field

aemsC111_PC1

Source Section

aemsc111

droppedCalls_CFC4_HOS5162

Dropped Calls (RF Loss, Loc 2-CE 6-Way Ext 1-CE 5-Way)

Data Source

aemsC Files

Source Field

aemsC111_PC1

Source Section

aemsc111

droppedCalls_CFC4_HOS5163

Dropped Calls (RF Loss, Loc 3-CE 6-Way Ext 1-CE 5-Way)

Data Source

aemsC Files

Source Field

aemsC111_PC1

Source Section

aemsc111

droppedCalls_CFC4_HOS5211

Dropped Calls (RF Loss, Loc 1-CE 1-Way Ext 2-CE 5-Way)

Data Source

aemsC Files

Source Field

aemsC111_PC1

Source Section

aemsc111

droppedCalls_CFC4_HOS5212

Dropped Calls (RF Loss, Loc 2-CE 1-Way Ext 2-CE 5-Way)

Data Source

aemsC Files

Source Field

aemsC111_PC1

Source Section

aemsc111

droppedCalls_CFC4_HOS5213

Dropped Calls (RF Loss, Loc 3-CE 1-Way Ext 2-CE 5-Way)

Data Source

aemsC Files

Source Field

aemsC111_PC1

Source Section

aemsc111

droppedCalls_CFC4_HOS5221

Dropped Calls (RF Loss, Loc 1-CE 2-Way Ext 2-CE 5-Way)

Data Source

aemsC Files

Source Field

aemsC111_PC1

Source Section

aemsc111

droppedCalls_CFC4_HOS5222

Dropped Calls (RF Loss, Loc 2-CE 2-Way Ext 2-CE 5-Way)

Data Source

aemsC Files

Source Field

aemsC111_PC1

Source Section

aemsc111

droppedCalls_CFC4_HOS5223

Dropped Calls (RF Loss, Loc 3-CE 2-Way Ext 2-CE 5-Way)

Data Source

aemsC Files

Source Field

aemsC111_PC1

Source Section

aemsc111

droppedCalls_CFC4_HOS5231

Dropped Calls (RF Loss, Loc 1-CE 3-Way Ext 2-CE 5-Way)

Data Source

aemsC Files

Source Field

aemsC111_PC1

Source Section

aemsc111

droppedCalls_CFC4_HOS5232

Dropped Calls (RF Loss, Loc 2-CE 3-Way Ext 2-CE 5-Way)

Data Source

aemsC Files

Source Field

aemsC111_PC1

Source Section

aemsc111

droppedCalls_CFC4_HOS5233

Dropped Calls (RF Loss, Loc 3-CE 3-Way Ext 2-CE 5-Way)

Data Source

aemsC Files

Source Field

aemsC111_PC1

Source Section

aemsc111

droppedCalls_CFC4_HOS5241

Dropped Calls (RF Loss, Loc 1-CE 4-Way Ext 2-CE 5-Way)

Data Source

aemsC Files

Source Field

aemsC111_PC1

Source Section

aemsc111

droppedCalls_CFC4_HOS5242

Dropped Calls (RF Loss, Loc 2-CE 4-Way Ext 2-CE 5-Way)

Data Source

aemsC Files

Source Field

aemsC111_PC1

Source Section

aemsc111

droppedCalls_CFC4_HOS5243

Dropped Calls (RF Loss, Loc 3-CE 4-Way Ext 2-CE 5-Way)

Data Source

aemsC Files

Source Field

aemsC111_PC1

Source Section

aemsc111

droppedCalls_CFC4_HOS5251

Dropped Calls (RF Loss, Loc 1-CE 5-Way Ext 2-CE 5-Way)

Data Source

aemsC Files

Source Field

aemsC111_PC1

Source Section

aemsc111

droppedCalls_CFC4_HOS5252

Dropped Calls (RF Loss, Loc 2-CE 5-Way Ext 2-CE 5-Way)

Data Source

aemsC Files

Source Field

aemsC111_PC1

Source Section

aemsc111

droppedCalls_CFC4_HOS5253

Dropped Calls (RF Loss, Loc 3-CE 5-Way Ext 2-CE 5-Way)

Data Source

aemsC Files

Source Field

aemsC111_PC1

Source Section

aemsc111

droppedCalls_CFC4_HOS5261

Dropped Calls (RF Loss, Loc 1-CE 6-Way Ext 2-CE 5-Way)

Data Source

aemsC Files

Source Field

aemsC111_PC1

Source Section

aemsc111

droppedCalls_CFC4_HOS5262

Dropped Calls (RF Loss, Loc 2-CE 6-Way Ext 2-CE 5-Way)

Data Source

aemsC Files

Source Field

aemsC111_PC1

Source Section

aemsc111

droppedCalls_CFC4_HOS5263

Dropped Calls (RF Loss, Loc 3-CE 6-Way Ext 2-CE 5-Way)

Data Source

aemsC Files

Source Field

aemsC111_PC1

Source Section

aemsc111

droppedCalls_CFC4_HOS5311

Dropped Calls (RF Loss, Loc 1-CE 1-Way Ext 3-CE 5-Way)

Data Source

aemsC Files

Source Field

aemsC111_PC1

Source Section

aemsc111

droppedCalls_CFC4_HOS5312

Dropped Calls (RF Loss, Loc 2-CE 1-Way Ext 3-CE 5-Way)

Data Source

aemsC Files

Source Field

aemsC111_PC1

Source Section

aemsc111

droppedCalls_CFC4_HOS5313

Dropped Calls (RF Loss, Loc 3-CE 1-Way Ext 3-CE 5-Way)

Data Source

aemsC Files

Source Field

aemsC111_PC1

Source Section

aemsc111

droppedCalls_CFC4_HOS6111

Dropped Calls (RF Loss, Loc 1-CE 1-Way Ext 1-CE 6-Way)

Data Source

aemsC Files

Source Field

aemsC111_PC1

Source Section

aemsc111

droppedCalls_CFC4_HOS6112

Dropped Calls (RF Loss, Loc 2-CE 1-Way Ext 1-CE 6-Way)

Data Source

aemsC Files

Source Field

aemsC111_PC1

Source Section

aemsc111

droppedCalls_CFC4_HOS6113

Dropped Calls (RF Loss, Loc 3-CE 1-Way Ext 1-CE 6-Way)

Data Source

aemsC Files

Source Field

aemsC111_PC1

Source Section

aemsc111

droppedCalls_CFC4_HOS6121

Dropped Calls (RF Loss, Loc 1-CE 2-Way Ext 1-CE 6-Way)

Data Source

aemsC Files

Source Field

aemsC111_PC1

Source Section

aemsc111

droppedCalls_CFC4_HOS6122

Dropped Calls (RF Loss, Loc 2-CE 2-Way Ext 1-CE 6-Way)

Data Source

aemsC Files

Source Field

aemsC111_PC1

Source Section

aemsc111

droppedCalls_CFC4_HOS6123

Dropped Calls (RF Loss, Loc 3-CE 2-Way Ext 1-CE 6-Way)

Data Source

aemsC Files

Source Field

aemsC111_PC1

Source Section

aemsc111

droppedCalls_CFC4_HOS6131

Dropped Calls (RF Loss, Loc 1-CE 3-Way Ext 1-CE 6-Way)

Data Source

aemsC Files

Source Field

aemsC111_PC1

Source Section

aemsc111

droppedCalls_CFC4_HOS6132

Dropped Calls (RF Loss, Loc 2-CE 3-Way Ext 1-CE 6-Way)

Data Source

aemsC Files

Source Field

aemsC111_PC1

Source Section

aemsc111

droppedCalls_CFC4_HOS6133

Dropped Calls (RF Loss, Loc 3-CE 3-Way Ext 1-CE 6-Way)

Data Source

aemsC Files

Source Field

aemsC111_PC1

Source Section

aemsc111

droppedCalls_CFC4_HOS6141

Dropped Calls (RF Loss, Loc 1-CE 4-Way Ext 1-CE 6-Way)

Data Source

aemsC Files

Source Field

aemsC111_PC1

Source Section

aemsc111

droppedCalls_CFC4_HOS6142

Dropped Calls (RF Loss, Loc 2-CE 4-Way Ext 1-CE 6-Way)

Data Source

aemsC Files

Source Field

aemsC111_PC1

Source Section

aemsc111

droppedCalls_CFC4_HOS6143

Dropped Calls (RF Loss, Loc 3-CE 4-Way Ext 1-CE 6-Way)

Data Source

aemsC Files

Source Field

aemsC111_PC1

Source Section

aemsc111

droppedCalls_CFC4_HOS6151

Dropped Calls (RF Loss, Loc 1-CE 5-Way Ext 1-CE 6-Way)

Data Source

aemsC Files

Source Field

aemsC111_PC1

Source Section

aemsc111

droppedCalls_CFC4_HOS6152

Dropped Calls (RF Loss, Loc 2-CE 5-Way Ext 1-CE 6-Way)

Data Source

aemsC Files

Source Field

aemsC111_PC1

Source Section

aemsc111

droppedCalls_CFC4_HOS6153

Dropped Calls (RF Loss, Loc 3-CE 5-Way Ext 1-CE 6-Way)

Data Source

aemsC Files

Source Field

aemsC111_PC1

Source Section

aemsc111

droppedCalls_CFC4_HOS6161

Dropped Calls (RF Loss, Loc 1-CE 6-Way Ext 1-CE 6-Way)

Data Source

aemsC Files

Source Field

aemsC111_PC1

Source Section

aemsc111

droppedCalls_CFC4_HOS6162

Dropped Calls (RF Loss, Loc 2-CE 6-Way Ext 1-CE 6-Way)

Data Source

aemsC Files

Source Field

aemsC111_PC1

Source Section

aemsc111

droppedCalls_CFC4_HOS6163

Dropped Calls (RF Loss, Loc 3-CE 6-Way Ext 1-CE 6-Way)

Data Source

aemsC Files

Source Field

aemsC111_PC1

Source Section

aemsc111

droppedCalls_CFC4_HOS6211

Dropped Calls (RF Loss, Loc 1-CE 1-Way Ext 2-CE 6-Way)

Data Source

aemsC Files

Source Field

aemsC111_PC1

Source Section

aemsc111

droppedCalls_CFC4_HOS6212

Dropped Calls (RF Loss, Loc 2-CE 1-Way Ext 2-CE 6-Way)

Data Source

aemsC Files

Source Field

aemsC111_PC1

Source Section

aemsc111

droppedCalls_CFC4_HOS6213

Dropped Calls (RF Loss, Loc 3-CE 1-Way Ext 2-CE 6-Way)

Data Source

aemsC Files

Source Field

aemsC111_PC1

Source Section

aemsc111

droppedCalls_CFC4_HOS6221

Dropped Calls (RF Loss, Loc 1-CE 2-Way Ext 2-CE 6-Way)

Data Source

aemsC Files

Source Field

aemsC111_PC1

Source Section

aemsc111

droppedCalls_CFC4_HOS6222

Dropped Calls (RF Loss, Loc 2-CE 2-Way Ext 2-CE 6-Way)

Data Source

aemsC Files

Source Field

aemsC111_PC1

Source Section

aemsc111

droppedCalls_CFC4_HOS6223

Dropped Calls (RF Loss, Loc 3-CE 2-Way Ext 2-CE 6-Way)

Data Source

aemsC Files

Source Field

aemsC111_PC1

Source Section

aemsc111

droppedCalls_CFC4_HOS6231

Dropped Calls (RF Loss, Loc 1-CE 3-Way Ext 2-CE 6-Way)

Data Source

aemsC Files

Source Field

aemsC111_PC1

Source Section

aemsc111

droppedCalls_CFC4_HOS6232

Dropped Calls (RF Loss, Loc 2-CE 3-Way Ext 2-CE 6-Way)

Data Source

aemsC Files

Source Field

aemsC111_PC1

Source Section

aemsc111

droppedCalls_CFC4_HOS6233

Dropped Calls (RF Loss, Loc 3-CE 3-Way Ext 2-CE 6-Way)

Data Source

aemsC Files

Source Field

aemsC111_PC1

Source Section

aemsc111

droppedCalls_CFC4_HOS6241

Dropped Calls (RF Loss, Loc 1-CE 4-Way Ext 2-CE 6-Way)

Data Source

aemsC Files

Source Field

aemsC111_PC1

Source Section

aemsc111

droppedCalls_CFC4_HOS6242

Dropped Calls (RF Loss, Loc 2-CE 4-Way Ext 2-CE 6-Way)

Data Source

aemsC Files

Source Field

aemsC111_PC1

Source Section

aemsc111

droppedCalls_CFC4_HOS6243

Dropped Calls (RF Loss, Loc 3-CE 4-Way Ext 2-CE 6-Way)

Data Source

aemsC Files

Source Field

aemsC111_PC1

Source Section

aemsc111

droppedCalls_CFC4_HOS6251

Dropped Calls (RF Loss, Loc 1-CE 5-Way Ext 2-CE 6-Way)

Data Source

aemsC Files

Source Field

aemsC111_PC1

Source Section

aemsc111

droppedCalls_CFC4_HOS6252

Dropped Calls (RF Loss, Loc 2-CE 5-Way Ext 2-CE 6-Way)

Data Source

aemsC Files

Source Field

aemsC111_PC1

Source Section

aemsc111

droppedCalls_CFC4_HOS6253

Dropped Calls (RF Loss, Loc 3-CE 5-Way Ext 2-CE 6-Way)

Data Source

aemsC Files

Source Field

aemsC111_PC1

Source Section

aemsc111

droppedCalls_CFC4_HOS6261

Dropped Calls (RF Loss, Loc 1-CE 6-Way Ext 2-CE 6-Way)

Data Source

aemsC Files

Source Field

aemsC111_PC1

Source Section

aemsc111

droppedCalls_CFC4_HOS6262

Dropped Calls (RF Loss, Loc 2-CE 6-Way Ext 2-CE 6-Way)

Data Source

aemsC Files

Source Field

aemsC111_PC1

Source Section

aemsc111

droppedCalls_CFC4_HOS6263

Dropped Calls (RF Loss, Loc 3-CE 6-Way Ext 2-CE 6-Way)

Data Source

aemsC Files

Source Field

aemsC111_PC1

Source Section

aemsc111

droppedCalls_CFC4_HOS6311

Dropped Calls (RF Loss, Loc 1-CE 1-Way Ext 3-CE 6-Way)

Data Source

aemsC Files

Source Field

aemsC111_PC1

Source Section

aemsc111

droppedCalls_CFC4_HOS6312

Dropped Calls (RF Loss, Loc 2-CE 1-Way Ext 3-CE 6-Way)

Data Source

aemsC Files

Source Field

aemsC111_PC1

Source Section

aemsc111

droppedCalls_CFC4_HOS6313

Dropped Calls (RF Loss, Loc 3-CE 1-Way Ext 3-CE 6-Way)

Data Source

aemsC Files

Source Field

aemsC111_PC1

Source Section

aemsc111

droppedCalls_Data

Dropped Calls - Data

Data Source

aemsC Files

Source Field

aemsC113_PC11

Source Section

aemsC113

droppedCalls_Fax

Dropped Calls - Fax

Data Source

aemsC Files

Source Field

aemsC113_PC11

Source Section

aemsC113

droppedCalls_IS95PacketData

Dropped Calls - IS95PacketData

Data Source

aemsC Files

Source Field

aemsC113_PC11

Source Section

aemsC113

droppedCalls_IS95Voice

Dropped Calls - IS95Voice

Data Source

aemsC Files

Source Field

aemsC113_PC11

Source Section

aemsC113

droppedCalls_Markov

Dropped Calls - Markov

Data Source

aemsC Files

Source Field

aemsC113_PC11

Source Section

aemsC113

droppedCalls_Other

Dropped Calls - Other

Data Source

aemsC Files

Source Field

aemsC113_PC11

Source Section

aemsC113

droppedCalls_SMS

Dropped Calls - SMS

Data Source

aemsC Files

Source Field

aemsC113_PC11

Source Section

aemsC113

droppedCalls_Unknown

Dropped Calls - Unknown

Data Source

aemsC Files

Source Field

aemsC113_PC11

Source Section

aemsC113

droppedCalls_Voice

Dropped Calls - Voice

Data Source

aemsC Files

Source Field

aemsC113_PC11

Source Section

aemsC113

droppedCallsCFC1

Dropped Calls (Normal Network-initiated Call Termination)

Data Source

aemsC Files

Source Field

aemsC111_PC1

Source Section

aemsc111

droppedCallsCFC10

Dropped Calls (No Valid Speech from MS During Hand Handoff)

Data Source

aemsC Files

Source Field

aemsC111_PC1

Source Section

aemsc111

droppedCallsCFC100

Dropped Calls (Circuit-Oriented IWU T1.617 Setup Failure)

Data Source

aemsC Files

Source Field

aemsC111_PC1

Source Section

aemsc111

droppedCallsCFC101

Dropped Calls (Circuit-Oriented CDP T1.617 Setup Failure)

Data Source

aemsC Files

Source Field

aemsC111_PC1

Source Section

aemsc111

droppedCallsCFC102

Dropped Calls (Circuit-Oriented IWU T1.607 Setup Failure)

Data Source

aemsC Files

Source Field

aemsC111_PC1

Source Section

aemsc111

droppedCallsCFC103

Dropped Calls (Circuit-Oriented CDP T1.607 Setup Failure)

Data Source

aemsC Files

Source Field

aemsC111_PC1

Source Section

aemsc111

droppedCallsCFC104

Dropped Calls (Circuit-Oriented IWU T1.617 Initiated Disconnect of Stable Call)

Data Source

aemsC Files

Source Field

aemsC111_PC1

Source Section

aemsc111

droppedCallsCFC105

Dropped Calls (Circuit-Oriented CDP T1.617 Initiated Disconnect of Stable Call)

Data Source

aemsC Files

Source Field

aemsC111_PC1

Source Section

aemsc111

droppedCallsCFC106

Dropped Calls (Circuit-Oriented IWU T1.607 Initiated Disconnect of Stable Call)

Data Source

aemsC Files

Source Field

aemsC111_PC1

Source Section

aemsc111

droppedCallsCFC107

Dropped Calls (Circuit-Oriented CDP T1.607 Initiated Disconnect of Stable Call)

Data Source

aemsC Files

Source Field

aemsC111_PC1

Source Section

aemsc111

droppedCallsCFC108

Dropped Calls (Circuit-Oriented CPP Inactivity Timer Timeout)

Data Source

aemsC Files

Source Field

aemsC111_PC1

Source Section

aemsc111

droppedCallsCFC109

Dropped Calls (Circuit-Oriented Data Call Failure)

Data Source

aemsC Files

Source Field

aemsC111_PC1

Source Section

aemsc111

droppedCallsCFC11

Dropped Calls (Active Set Mismatch)

Data Source

aemsC Files

Source Field

aemsC111_PC1

Source Section

aemsc111

droppedCallsCFC111

Dropped Calls (Packet Oriented Data Call - Normal Release)

Data Source

aemsC Files

Source Field

aemsC111_PC1

Source Section

aemsc111

droppedCallsCFC112

Dropped Calls (Packet Oriented Data Call - Setup Failure)

Data Source

aemsC Files

Source Field

aemsC111_PC1

Source Section

aemsc111

droppedCallsCFC113

Dropped Calls (Packet Oriented Data Call - Protocol Violation)

Data Source

aemsC Files

Source Field

aemsC111_PC1

Source Section

aemsc111

droppedCallsCFC114

Dropped Calls (Packet Oriented Data Call - Unresolved IWU-initiated Release)

Data Source

aemsC Files

Source Field

aemsC111_PC1

Source Section

aemsc111

droppedCallsCFC12

Dropped Calls (CPP/SDU Call Setup Timeout)

Data Source

aemsC Files

Source Field

aemsC111_PC1

Source Section

aemsc111

droppedCallsCFC13

Dropped Calls (CP Timeout Awaiting Service Option Ack)

Data Source

aemsC Files

Source Field

aemsC111_PC1

Source Section

aemsc111

droppedCallsCFC130

Dropped Calls (Target XC Failure)

Data Source

aemsC Files

Source Field

aemsC111_PC1

Source Section

aemsc111

droppedCallsCFC131

Dropped Calls (O&M Intervention at Target BSC)

Data Source

aemsC Files

Source Field

aemsC111_PC1

Source Section

aemsc111

droppedCallsCFC132

Dropped Calls (Equipment Failure at Target BSC)

Data Source

aemsC Files

Source Field

aemsC111_PC1

Source Section

aemsc111

droppedCallsCFC133

Dropped Calls (Internal Target MM Failure)

Data Source

aemsC Files

Source Field

aemsC111_PC1

Source Section

aemsc111

droppedCallsCFC138

Dropped Calls (No PSI_SDU Available)

Data Source

aemsC Files

Source Field

aemsC111_PC1

Source Section

aemsc111

droppedCallsCFC139

Dropped Calls (No PSI-CE/PSI-TER Available)

Data Source

aemsC Files

Source Field

aemsC111_PC1

Source Section

aemsc111

droppedCallsCFC14

Dropped Calls (Not enough Mobile Status information received)

Data Source

aemsC Files

Source Field

aemsC111_PC1

Source Section

aemsc111

droppedCallsCFC140

Dropped Calls (No PSI-SIG Available)

Data Source

aemsC Files

Source Field

aemsC111_PC1

Source Section

aemsc111

droppedCallsCFC142

Dropped Calls (PDSN Resources not Available)

Data Source

aemsC Files

Source Field

aemsC111_PC1

Source Section

aemsc111

droppedCallsCFC143

Dropped Calls (PCF Resources not Available or Failure)

Data Source

aemsC Files

Source Field

aemsC111_PC1

Source Section

aemsc111

droppedCallsCFC146

Dropped Calls (A11 Registration Denied)

Data Source

aemsC Files

Source Field

aemsC111_PC1

Source Section

aemsc111

droppedCallsCFC147

Dropped Calls (TCH SMS Call)

Data Source

aemsC Files

Source Field

aemsC111_PC1

Source Section

aemsc111

droppedCallsCFC148

Dropped Calls (Incomplete Dialed Digits)

Data Source

aemsC Files

Source Field

aemsC111_PC1

Source Section

aemsc111

droppedCallsCFC149

Dropped Calls (No Backhaul Capacity)

Data Source

aemsC Files

Source Field

aemsC111_PC1

Source Section

aemsc111

droppedCallsCFC15

Dropped Calls (Negotiation Failure)

Data Source

aemsC Files

Source Field

aemsC111_PC1

Source Section

aemsc111

droppedCallsCFC150

Dropped Calls (No Radio Resource Available - Redirected to Alternate Band Class)

Data Source

aemsC Files

Source Field

aemsC111_PC1

Source Section

aemsc111

droppedCallsCFC151

Dropped Calls (RF Capacity Exceeded - Redirected to Alternate Band Class)

Data Source

aemsC Files

Source Field

aemsC111_PC1

Source Section

aemsc111

droppedCallsCFC152

Dropped Calls (Redirected to Analog after Attempted Redirect to Alternate Band Class)

Data Source

aemsC Files

Source Field

aemsC111_PC1

Source Section

aemsc111

droppedCallsCFC156

Dropped Calls (Stable In-Call Service Negotiation Failure)

Data Source

aemsC Files

Source Field

aemsC111_PC1

Source Section

aemsc111

droppedCallsCFC157

Dropped Calls (VTTS Sync Failure)

Data Source

aemsC Files

Source Field

aemsC111_PC1

Source Section

aemsc111

droppedCallsCFC158

Dropped Calls (In-Call SN and Hard Handoff Interaction Failure)

Data Source

aemsC Files

Source Field

aemsC111_PC1

Source Section

aemsc111

droppedCallsCFC16

Dropped Calls (No Bearer Frames Detected)

Data Source

aemsC Files

Source Field

aemsC111_PC1

Source Section

aemsc111

droppedCallsCFC18

Dropped Calls (No XCDR/Vocoder Circuit)

Data Source

aemsC Files

Source Field

aemsC111_PC1

Source Section

aemsc111

droppedCallsCFC19

Dropped Calls (No Data Resource)

Data Source

aemsC Files

Source Field

aemsC111_PC1

Source Section

aemsc111

droppedCallsCFC2

Dropped Calls (TCH Disabled)

Data Source

aemsC Files

Source Field

aemsC111_PC1

Source Section

aemsc111

droppedCallsCFC20

Dropped Calls (No Radio Resource Available)

Data Source

aemsC Files

Source Field

aemsC111_PC1

Source Section

aemsc111

droppedCallsCFC21

Dropped Calls (Requested Terrestrial Resource Unavailable)

Data Source

aemsc Files

Source Field

aemsc111_PC1

Source Section

aemsc111

droppedCallsCFC22

Dropped Calls (Terrestrial Circuit Already Allocated)

Data Source

aemsc Files

Source Field

aemsc111_PC1

Source Section

aemsc111

droppedCallsCFC23

Dropped Calls (Radio Interface Failure)

Data Source

aemsc Files

Source Field

aemsc111_PC1

Source Section

aemsc111

droppedCallsCFC24

Dropped Calls (Successful External Hard Handoff to CDMA)

Data Source

aemsC Files

Source Field

aemsC111_PC1

Source Section

aemsc111

droppedCallsCFC25

Dropped Calls (Successful External Hard Handoff to Analog)

Data Source

aemsC Files

Source Field

aemsC111_PC1

Source Section

aemsc111

droppedCallsCFC255

Dropped Calls (Unknown)

Data Source

aemsC Files

Source Field

aemsC111_PC1

Source Section

aemsc111

droppedCallsCFC26

Dropped Calls (Abnormal MSC Disconnect)

Data Source

aemsC Files

Source Field

aemsC111_PC1

Source Section

aemsc111

droppedCallsCFC27

Dropped Calls (MSC Disconnect with SCCP Connection Refused)

Data Source

aemsC Files

Source Field

aemsC111_PC1

Source Section

aemsc111

droppedCallsCFC28

Dropped Calls (MSC Disconnect with SCCP RLSD)

Data Source

aemsC Files

Source Field

aemsC111_PC1

Source Section

aemsc111

droppedCallsCFC29

Dropped Calls (Handoff Procedure Timeout)

Data Source

aemsC Files

Source Field

aemsC111_PC1

Source Section

aemsc111

droppedCallsCFC30

Dropped Calls (Successful Anchor Hard Handoff)

Data Source

aemsC Files

Source Field

aemsC111_PC1

Source Section

aemsc111

droppedCallsCFC31

Dropped Calls (Normal Mobile-initiated Call Termination)

Data Source

aemsC Files

Source Field

aemsC111_PC1

Source Section

aemsc111

droppedCallsCFC32

Dropped Calls (Disabled Service Option)

Data Source

aemsC Files

Source Field

aemsC111_PC1

Source Section

aemsc111

droppedCallsCFC33

Dropped Calls (No Radio Resource Available-Redirected to Analog)

Data Source

aemsc Files

Source Field

aemsc111_PC1

Source Section

aemsc111

droppedCallsCFC34

Dropped Calls (BTS Call Setup Timeout)

Data Source

aemsc Files

Source Field

aemsc111_PC1

Source Section

aemsc111

droppedCallsCFC35

Dropped Calls (Resource Allocation Timeout)

Data Source

aemsc Files

Source Field

aemsc111_PC1

Source Section

aemsc111

droppedCallsCFC36

Dropped Calls (No SDU Resources Available)

Data Source

aemsC Files

Source Field

aemsC111_PC1

Source Section

aemsc111

droppedCallsCFC37

Dropped Calls (HHI Failure Prior to Target Channel Ready)

Data Source

aemsC Files

Source Field

aemsC111_PC1

Source Section

aemsc111

droppedCallsCFC40

Dropped Calls (Target CBSC Call Setup Failure - Need to verify this one)

Data Source

aemsC Files

Source Field

aemsC111_PC1

Source Section

aemsc111

droppedCallsCFC5

Dropped Calls (No TCH Preamble Detected)

Data Source

aemsC Files

Source Field

aemsC111_PC1

Source Section

aemsc111

droppedCallsCFC50

Dropped Calls (O&M Intervention at BSC)

Data Source

aemsC Files

Source Field

aemsC111_PC1

Source Section

aemsc111

droppedCallsCFC51

Dropped Calls (O&M Intervention at MSC)

Data Source

aemsC Files

Source Field

aemsC111_PC1

Source Section

aemsc111

droppedCallsCFC52

Dropped Calls (Equipment Failure at RAN)

Data Source

aemsC Files

Source Field

aemsC111_PC1

Source Section

aemsc111

droppedCallsCFC53

Dropped Calls (Equipment Failure at MSC)

Data Source

aemsC Files

Source Field

aemsC111_PC1

Source Section

aemsc111

droppedCallsCFC54

Dropped Calls (Reset or Reset Circuit from MSC)

Data Source

aemsC Files

Source Field

aemsC111_PC1

Source Section

aemsc111

droppedCallsCFC6

Dropped Calls (No STRAU Synch)

Data Source

aemsC Files

Source Field

aemsC111_PC1

Source Section

aemsc111

droppedCallsCFC60

Dropped Calls (Protocol Error Between BSC and MSC)

Data Source

aemsc Files

Source Field

aemsc111_PC1

Source Section

aemsc111

droppedCallsCFC61

Dropped Calls (Protocol Error Between RAN Network Elements)

Data Source

aemsc Files

Source Field

aemsc111_PC1

Source Section

aemsc111

droppedCallsCFC62

Dropped Calls (XC/SDU Detected Error)

Data Source

aemsc Files

Source Field

aemsc111_PC1

Source Section

aemsc111

droppedCallsCFC63

Dropped Calls (VPF Detected Error)

Data Source

aemsC Files

Source Field

aemsC111_PC1

Source Section

aemsc111

droppedCallsCFC7

Dropped Calls (CP Timeout Awaiting MS Acquisition)

Data Source

aemsC Files

Source Field

aemsC111_PC1

Source Section

aemsc111

droppedCallsCFC8

Dropped Calls (MS Did Not Arrive On HHO Target Channel)

Data Source

aemsC Files

Source Field

aemsC111_PC1

Source Section

aemsc111

droppedCallsCFC80

Dropped Calls (MM Internal Errors)

Data Source

aemsC Files

Source Field

aemsC111_PC1

Source Section

aemsc111

droppedCallsCFC81

Dropped Calls (MM Database Error)

Data Source

aemsC Files

Source Field

aemsC111_PC1

Source Section

aemsc111

droppedCallsCFC82

Dropped Calls (BTS Internal Error)

Data Source

aemsC Files

Source Field

aemsC111_PC1

Source Section

aemsc111

droppedCallsCFC83

Dropped Calls (Lack of 1X Resources and Support for Downgrade Disabled)

Data Source

aemsC Files

Source Field

aemsC111_PC1

Source Section

aemsc111

droppedCallsCFC9

Dropped Calls (No Valid Speech from MS During Call Setup)

Data Source

aemsC Files

Source Field

aemsC111_PC1

Source Section

aemsc111

EdgSensHHO_Comps

PMC58_PC12: EDGE_SENSE_HHO_COMP - Sensing HHO Completes

Data Source

OMCR

Source Field

PC12

Source Section

PMC58

EdgSensHHO_Fails

PMC58_PC13: EDGE_SENSE_HHO_FAIL - Edge Sensing HHO Failures

Data Source

OMCR

Source Field

PC13

Source Section

PMC58

EdgSensHHO_Reqs

PMC58_PC11: EDGE_SENSE_HHO_REQ - Sensing HHO Requests

Data Source

OMCR

Source Field

PC11

Source Section

PMC58

Elapsed_Time_SAR

Elapsed Time in seconds

Data Source

OMC SAR

Source Field

Elapsed_Time

FeatNot

PMC52_PC18: Feat_Notif - Notification

Source Field

PMC52_PC18

Source Section

PMC52

FeatNotfcnAck

PMC52_PC65: Feat_Notif_Ack - Notification Ack

Source Field

PMC52_PC65

Source Section

PMC52

FtIntVocUBypsRq

PMC52_PC15: FEATURE_INTERACTN_VOCODER_UNBYPSS_REQS - Interaction
Vocoder Unbypass Requests

Source Field

PMC52_PC15

Source Section

PMC52

goodCall

Number of good calls

Source Field

aemsC112_PC2

Data Source

aemsC Files

Source Section

aemsC112

goodCalls_1XData

Good Calls - 1XData

Data Source

aemsC Files

Source Field

aemsC113_PC3

Source Section

aemsC113

goodCalls_1XVoice

Good Calls - 1XVoice

Data Source

aemsC Files

Source Field

aemsC113_PC3

Source Section

aemsC113

goodCalls_Data

Good Calls - Data

Data Source

aemsC Files

Source Field

aemsC113_PC3

Source Section

aemsC113

goodCalls_Fax

Good Calls - Fax

Data Source

aemsC Files

Source Field

aemsC113_PC3

Source Section

aemsC113

goodCalls_IS95PacketData

Good Calls - IS95PacketData

Data Source

aemsC Files

Source Field

aemsC113_PC3

Source Section

aemsC113

goodCalls_IS95Voice

Good Calls - IS95Voice

Data Source

aemsC Files

Source Field

aemsC113_PC3

Source Section

aemsC113

goodCalls_Markov

Good Calls - Markov

Data Source

aemsC Files

Source Field

aemsC113_PC3

Source Section

aemsC113

goodCalls_Other

Good Calls - Other

Data Source

aemsC Files

Source Field

aemsC113_PC3

Source Section

aemsC113

goodCalls_SMS

Good Calls - SMS

Data Source

aemsC Files

Source Field

aemsC113_PC3

Source Section

aemsC113

goodCalls_Unknown

Good Calls - Unknown

Data Source

aemsC Files

Source Field

aemsC113_PC3

Source Section

aemsC113

goodCalls_Voice

Good Calls - Voice

Data Source

aemsC Files

Source Field

aemsC113_PC3

Source Section

aemsC113

goodCFC26Calls_1XData

Good CFC26 Calls - 1XData

Data Source

aemsC Files

Source Field

aemsC113_PC6

Source Section

aemsC113

goodCFC26Calls_1XVoice

Good CFC26 Calls - 1XVoice

Data Source

aemsC Files

Source Field

aemsC113_PC6

Source Section

aemsC113

goodCFC26Calls_Data

Good CFC26 Calls - Data

Data Source

aemsC Files

Source Field

aemsC113_PC6

Source Section

aemsC113

goodCFC26Calls_Fax

Good CFC26 Calls - Fax

Data Source

aemsC Files

Source Field

aemsC113_PC6

Source Section

aemsC113

goodCFC26Calls_IS95PacketData

Good CFC26 Calls - IS95PacketData

Data Source

aemsC Files

Source Field

aemsC113_PC6

Source Section

aemsC113

goodCFC26Calls_IS95Voice

Good CFC26 Calls - IS95Voice

Data Source

aemsC Files

Source Field

aemsC113_PC6

Source Section

aemsC113

goodCFC26Calls_Markov

Good CFC26 Calls - Markov

Data Source

aemsC Files

Source Field

aemsC113_PC6

Source Section

aemsC113

goodCFC26Calls_Other

Good CFC26 Calls - Other

Data Source

aemsC Files

Source Field

aemsC113_PC6

Source Section

aemsC113

goodCFC26Calls_SMS

Good CFC26 Calls - SMS

Data Source

aemsC Files

Source Field

aemsC113_PC6

Source Section

aemsC113

goodCFC26Calls_Unknown

Good CFC26 Calls - Unknown

Data Source

aemsC Files

Source Field

aemsC113_PC6

Source Section

aemsC113

goodCFC26Calls_Voice

Good CFC26 Calls - Voice

Data Source

aemsC Files

Source Field

aemsC113_PC6

Source Section

aemsC113

HandtoCompHandAcross

PMC52_PC47: HandTo_Compl_HandAcr - Completes_HandAcross

Source Field

PMC52_PC47

Source Section

PMC52

HandtoCompHandDown

PMC52_PC52: HandTo_Compl_HandDwn - Completes_HandDown

Source Field

PMC52_PC52

Source Section

PMC52

HandtoCompHandUp

PMC52_PC54: HandTo_Compl_HandUp - Completes_HandUp

Source Field

PMC52_PC54

Source Section

PMC52

HandtoFailHandAcross

PMC52_PC46: HandTo_Fail_HandAcr - Handto Failures_HandAcross

Source Field

PMC52_PC46

Source Section

PMC52

HandtoFailHandDown

PMC52_PC51: HandTo_Fail_HandDwn - Failures_HandDown

Source Field

PMC52_PC51

Source Section

PMC52

HandtoFailHandUp

PMC52_PC53: HandTo_Fail_HandUp - Failures_HandUp

Source Field

PMC52_PC53

Source Section

PMC52

HrdHtRscAlloc_Att1xtoIS95_TechChng

PMC52_PC58: HHto_RA_Attempt-1X_to_IS95_Tech_Change - Handto Rsc Alloc Attempt - 1X to IS95 Technology Change

Source Field

PMC52_PC58

Source Section

PMC52

HrdHtRscAllocAtt_IS95to1x_TechChng

PMC52_PC59: HHto_RA_Attempt-IS95_to_1X_Tech_Change - Handto Rsc Alloc Attempt - IS95 to 1X Technology Change

Source Field

PMC52_PC59

Source Section

PMC52

hspdCalls

HSPD Calls Count

Data Source

aemsC Files

Source Field

aemsC104_PC5

Source Section

aemsC104

HSPDCSUSpAddComp

PMC56_PC14: HSPD_Call_Setup_Supp_Add_Cmpl - Speed Packet Data Call Setup Supplemental Add Completions

Source Field

PMC56_PC14

Source Section

PMC56

HSPDCSUSpAddFail

PMC56_PC15: HSPD_Call_Setup_Supp_Add_Fails - Speed Packet Data Call Setup Supplemental Add Failures

Source Field

PMC56_PC15

Source Section

PMC56

IaCBSCHSPDHOCmp

PMC56_PC12: Intra_CBSC_HSPD_HO_Cmpl_MM - High Speed Packet Data HO Completions - MM

Source Field

PMC56_PC12

Source Section

PMC56

IaCBSCHSPDHOFail

PMC56_PC13: Intra_CBSC_HSPD_HO_Fail_MM - High Speed Packet Data HO Failures - MM

Source Field

PMC56_PC13

Source Section

PMC56

IaCBSCHSPDHOReq

PMC56_PC11: Intra_CBSC_HSPD_HO_Req_MM - High Speed Packet Data HO Requests - MM

Source Field

PMC56_PC11

Source Section

PMC56

IBndHHO_BndDnComp_TgtMM

PMC52_PC79: IB_HHO_BD_COMP_TGT_MM - Hard Handoff BandDown Completions - Target MM

Data Source

OMCR

Source Field

PC79

Source Section

PMC52

IBndHHO_BndDnFail_TgtMM

PMC52_PC80: IB_HHO_BD_FAIL_TGT_MM - Hard Handoff BandDown Failures - Target MM

Data Source

OMCR

Source Field

PC80

Source Section

PMC52

IBndHHO_BndUpComp_TgtMM

PMC52_PC77: IB_HHO_BU_COMP_TGT_MM - Hard Handoff BandUp Completions - Target MM

Data Source

OMCR

Source Field

PC77

Source Section

PMC52

IBndHHO_BndUpFail_TgtMM

PMC52_PC78: IB_HHO_BU_FAIL_TGT_MM - Hard Handoff BandUp Failures - Target MM

Data Source

OMCR

Source Field

PC78

Source Section

PMC52

ICBSCHoRFLsAncCBSC

PMC52_PC45: ICBSC_HO_RF_Loss_MM - Handoff RF Loss - Anchor CBSC

Source Field

PMC52_PC45

Source Section

PMC52

IntBandHandinAtts

PMC52_PC61: Inter Band HandIn Attempts

Source Field

PMC52_PC61

Source Section

PMC52

interBandActiveDataHardHandoffBandDownCompletes

PMC58_PC16: IB_ADHHO_BD_Comp_Src - Inter Band Active Data Hard Handoff
BandDown Completes

Data Source

OMCR

Source Field

PC16

Source Section

PMC58

interBandActiveDataHardHandoffBandDownFailure

PMC58_PC17: IB_ADHHO_BD_Fail_Src - Inter Band Active Data Hard Handoff BandDown Failure

Data Source

OMCR

Source Field

PC17

Source Section

PMC58

interBandActiveDataHardHandoffBandUpCompletes

PMC58_PC14: IB_ADHHO_BU_Comp_Src - Inter Band Active Data Hard Handoff BandUp Completes

Data Source

OMCR

Source Field

PC14

Source Section

PMC58

interBandActiveDataHardHandoffBandUpFailure

PMC58_PC15: IB_ADHHO_BU_Fail_Src - Inter Band Active Data Hard Handoff BandUp Failure

Data Source

OMCR

Source Field

PC15

Source Section

PMC58

interbandAdhhoBandDownCompletionsTargetMm

PMC52_PC96: IB_ADHHO_BD_COMP_TGT_MM - Inter-band ADHHO BandDown Completions - Target MM

Data Source

PM

Source Field

PMC52_PC96

Source Section

PMC52

interbandAdhhoBandDownFailuresTargetMm

PMC52_PC97: IB_ADHHO_BD_FAIL_TGT_MM - Inter-band ADHHO BandDown Failures - Target MM

Data Source

PM

Source Field

PMC52_PC97

Source Section

PMC52

interbandAdhhoBandUpCompletionsTargetMm

PMC52_PC94: IB_ADHHO_BU_COMP_TGT_MM - Inter-band ADHHO BandUp Completions - Target MM

Data Source

PM

Source Field

PMC52_PC94

Source Section

PMC52

interbandAdhhoBandUpFailuresTargetMm

PMC52_PC95: IB_ADHHO_BU_FAIL_TGT_MM - Inter-band ADHHO BandUp Failures - Target MM

Data Source

PM

Source Field

PMC52_PC95

Source Section

PMC52

InterCBSC_IS2000PktDataHoAttTN_Trgrt

PMC56_PC32: ICBSC_IS2000_HO_Att_TrgrtMM - Inter-CBSC IS2000 Packet Data HO Attempts - TN Target MM

Source Field

PMC56_PC32

Source Section

PMC56

InterCBSC_IS2000PktDataHoAttTrgrt

PMC56_PC29: ICBSC_IS2000_HO_Att_TrgrtMM - Inter-CBSC IS2000 Packet Data HO Attempts - Target MM

Source Field

PMC56_PC29

Source Section

PMC56

InterCBSC_IS2000PktDataHoFailTN_Trgt

PMC56_PC33: ICBSC_IS2000_HO_Fail_TrgrMM - IS2000 Packet Data HO Failures - TN Target MM

Source Field

PMC56_PC33

Source Section

PMC56

InterCBSC_IS2000PktDataHoFailTrgt

PMC56_PC30: ICBSC_IS2000_HO_Fail_TrgrMM - Inter-CBSC IS2000 Packet Data HO Failures - Target MM

Source Field

PMC56_PC30

Source Section

PMC56

InterCBSC_IS2000PktDataHoReqTN_Trgt

PMC56_PC31: ICBSC_IS2000_HO_Req_TrgrMM - Inter-CBSC IS2000 Packet Data HO Requests - TN Target MM

Source Field

PMC56_PC31

Source Section

PMC56

InterCBSC_IS2000PktDataHoReqTrgt

PMC56_PC28: ICBSC_IS2000_HO_Req_TrgrMM - Inter-CBSC IS2000 Packet Data HO Requests - Target MM

Source Field

PMC56_PC28

Source Section

PMC56

interCbscActiveHardHandoffFailuresForPacketDataCallsTargetMm

PMC52_PC93: Int_CBSC_ADHHO_Failure - Inter CBSC Active Data Hard Handoff Failures - Target MM

Data Source

PM

Source Field

PMC52_PC93

Source Section

PMC52

interCbscActiveHardHandoffSuccessesForPacketDataCallsTargetMm

PMC52_PC92: Int_CBSC_ADHHO_Success - Inter CBSC Active Data Hard Handoff Successes - Target MM

Data Source

PM

Source Field

PMC52_PC92

Source Section

PMC52

InterCbscHardHOFailTgtMM

PMC52_PC91: Int_CBSC_HHO_Failure - Inter CBSC Hard Handoff Failures - Target MM

Data Source

PM

Source Field

PMC52_PC91

Source Section

PMC52

InterCbscHardHOSuccTgtMM

PMC52_PC90: Int_CBSC_HHO_Success - Inter CBSC Hard Handoff Successes - Target MM

Data Source

PM

Source Field

PMC52_PC90

Source Section

PMC52

IntraCBSC_IS2000PktDataHoComp

PMC56_PC23: Intra_CBSC_IS2000_PD_HO_Compl_MM - IS2000 Packet Data HO Completions - MM

Source Field

PMC56_PC23

Source Section

PMC56

IntraCBSC_IS2000PktDataHoFail

PMC56_PC24: Intra_CBSC_IS2000_PD_HO_Fail_MM - IS2000 Packet Data HO Failures - MM

Source Field

PMC56_PC24

Source Section

PMC56

IntraCBSC_IS2000PktDataHoReq

PMC56_PC22: Intra_CBSC_IS2000_PD_HO_Req_MM - IS2000 Packet Data HO Requests - MM

Source Field

PMC56_PC22

Source Section

PMC56

IntraCBSCHoComp

PMC56_PC20: Intra_Ho_Comp_MM - Handoff Completions - MM

Source Field

PMC56_PC20

Source Section

PMC56

IntraCBSCHoFail

PMC56_PC21: Intra_Ho_Fail_MM - Handoff Failures - MM

Source Field

PMC56_PC21

Source Section

PMC56

IntraCBSCHoReq

PMC56_PC19: Intra_Ho_Req_MM - Handoff Requests - MM

Source Field

PMC56_PC19

Source Section

PMC56

InvalidMSRes_SmartSMSpage

PMC52_PC86: NUM_OF_INVALID_MOBILES_RESPONDED_SMART_SMS - of Invalid mobiles responded to Smart SMS Page

Source Field

PMC52_PC86

Source Section

PMC52

IS2000ChangeInPktZone

PMC52_PC48: IS2000_Change_Pkt_Zone - Change in Packet Zone

Source Field

PMC52_PC48

Source Section

PMC52

IS2000ServNegNotReq

PMC52_PC50: IS2000_Serv_Neg_Not_Req - Service Negotiation not required

Source Field

PMC52_PC50

Source Section

PMC52

IS95DataCalls

IS95 Data Calls

Data Source

aemsC Files

Source Field

aemsC116_PC4

Source Section

aemsC116

IS95VoiceCalls

IS95 Voice Calls

Data Source

aemsC Files

Source Field

aemsC116_PC5

Source Section

aemsC116

IxTrueESNCount

aemsC106_PC8 1X True ESN Count

Data Source

aemsC Files

Source Field

aemsC106_PC8

Source Section

aemsC106

LocalAltPCF_RedCntPCF_RAResOvf

PMC52_PC55: MM_PCF_REDIR_COUNT - Local Alternative PCF Redirect Count - PCF-RA Resource Overflow

Source Field

PMC52_PC55

Source Section

PMC52

LocalAltPCF_RedCompPCF_RAResOvf

PMC52_PC56: MM_PCF_REDIR_COMPL - Alternative PCF Redirect Complete - PCF-RA Resource Overflow

Source Field

PMC52_PC56

Source Section

PMC52

LocalAltPCF_RedFailPCF_RAResOvf

PMC52_PC57: MM_PCF_REDIR_FAIL - Alternative PCF Redirect Failure - PCF-RA
Resource Overflow

Source Field

PMC52_PC57

Source Section

PMC52

Logical_Name

Logical Name

Data Source

OMC SAR

Source Field

Logical_Name

Logical_Number

Logical Number

Data Source

OMC SAR

Source Field

Logical_Number

lspdCalls

LSPD Calls Count

Data Source

aemsC Files

Source Field

aemsC104_PC6

Source Section

aemsC104

lwayHHInComps

PMC52_PC73: 1_WAY_HHI_COMP - HHI Completions

Data Source

OMCR

Source Field

PC73

Source Section

PMC52

lwayHHInFails

PMC52_PC74: 1_WAY_HHI_FAIL - HHI Failures

Data Source

OMCR

Source Field

PC74

Source Section

PMC52

MAHHOInitHHI_Completes

PMC52_PC103 MAHHO_INIT_HHI_COMP The number of times the target MM successfully completed a MAHHO triggered Hard Handin procedure.

Data Source

OMCR

Source Field

PMC52_PC103

Source Section

PMC52

MAHHOInitHHI_Failures

PMC52_PC104 MAHHO_INIT_HHI_FAIL The number of times the target MM failed to complete a MAHHO triggered Hard Handin procedure

Data Source

PM

Source Field

PMC52_PC104

Source Section

PMC52

MAHHOInitHHO_Completes

PMC58_PC20 MAHHO_INIT_HHO_COMP Number of successful Hard Handoffs that were triggered based on MAHHO measurements taken for MAHHO capable mobiles

Data Source

PM

Source Field

PMC58_PC20

Source Section

PMC58

MAHHOInitHHO_Failures

PMC58_PC21 MAHHO_INIT_HHO_FAIL Number of failed Hard Handoffs that were triggered based on MAHHO measurements taken for MAHHO capable mobiles

Data Source

PM

Source Field

PMC58_PC21

Source Section

PMC58

MAHHOInitHHO_Requests

PMC58_PC19 MAHHO_INIT_HHO_REQ Number of Hard Handoffs initiated due to a MAHHO capable mobile reporting candidate pilots that meet the hard handoff criteria

Data Source

PM

Source Field

PMC58_PC19

Source Section

PMC58

MaxCallSUTimeIS2000Data_woSync

PMC50_PC4: Max_MM_Call_Setup_Time_w/o_SYNC_ID - MM Call Setup Time IS2000 Data w/o SYNC_ID - MM

Source Field

PMC50_PC4

Source Section

PMC50

MaxCallSUTimeIS2000Data_wSync

PMC50_PC2: Max_MM_Call_Setup_Time_w/_SYNC_ID - MM Call Setup Time IS2000 Data w/ SYNC_ID - MM

Source Field

PMC50_PC2

Source Section

PMC50

MaxCallSUTimeIS95B_Data

PMC50_PC6: Max_MM_Call_Setup_Time_IS95B - MM Call Setup Time IS95B Data - MM

Source Field

PMC50_PC6

Source Section

PMC50

MaxCallsUTimeVoice

PMC50_PC8: Max_MM_Call_Setup_Time_Voice - MM Call Setup Time Voice - MM

Source Field

PMC50_PC8

Source Section

PMC50

MaxMSC_Setup

PMC50_PC14: Max_MSC_Setup_Time - MSC Setup - MM

Source Field

PMC50_PC14

Source Section

PMC50

MaxPCF_AllocActv

PMC50_PC10: Max_PCF_Allocation Act - Maximum PCF Allocation Act - MM

Source Field

PMC50_PC10

Source Section

PMC50

MaxPCF_AllocReActv

PMC50_PC12: Max_PCF_Allocation ReAct - Maximum PCF Allocation ReActivation - MM

Source Field

PMC50_PC12

Source Section

PMC50

MaxXC_Setup

PMC50_PC16: Max_XC_SDU_Setup_Time - XC/SDU Setup - MM

Source Field

PMC50_PC16

Source Section

PMC50

MMSoHoAddComp

PMC56_PC2: Peg Retired. Hard code to 0. Soft Handoff Add Completions - MM

Source Field

PMC56_PC2

Source Section

PMC56

MMSoHoAddFail

PMC56_PC3: Peg Retired. Hard code to 0. Soft Handoff Add Failures - MM

Source Field

PMC56_PC3

Source Section

PMC56

MMSoHoAddReq

PMC56_PC1: Peg Retired. Hard code to 0. Soft Handoff Add Request - MM

Source Field

PMC56_PC1

Source Section

PMC56

MMSoHoDrpCmp

PMC56_PC4: Peg Retired. Hard code to 0. Soft Handoff Drop Completions - MM

Source Field

PMC56_PC4

Source Section

PMC56

MMSoHoDrpFl

PMC56_PC5: Peg Retired. Hard code to 0. Soft Handoff Drop Failures - MM

Source Field

PMC56_PC5

Source Section

PMC56

MMSrHoAddCmp

PMC56_PC7: Peg Retired. Hard code to 0. Softer Handoff Add Completions - MM

Source Field

PMC56_PC7

Source Section

PMC56

MMSrHoAddFl

PMC56_PC8: Peg Retired. Hard code to 0. Softer Handoff Add Failures - MM

Source Field

PMC56_PC8

Source Section

PMC56

MMSrHoAddRq

PMC56_PC6: Peg Retired. Hard code to 0. Softer Handoff Add Request - MM

Source Field

PMC56_PC6

Source Section

PMC56

MMSrHoDrpCmp

PMC56_PC9: Peg Retired. Hard code to 0. Softer Handoff Drop Completions - MM

Source Field

PMC56_PC9

Source Section

PMC56

MMSrHoDrpFl

PMC56_PC10: Peg Retired. Hard code to 0. Softer Handoff Drop Failures - MM

Source Field

PMC56_PC10

Source Section

PMC56

MscFlash

PMC52_PC19: MSC_Flash - Flash

Source Field

PMC52_PC19

Source Section

PMC52

MSCFlashAck

PMC52_PC66: MSC_Flash_Ack - Flash Ack

Source Field

PMC52_PC66

Source Section

PMC52

Node_Number

Node (CBSC/SDU/VPU) Number

Data Source

OMC SAR

Source Field

Node_Number

NonBrdcstPgAck

PMC52_PC39: Non_Brdcst_Page_Acks - Broadcast Page Acknowledgments

Source Field

PMC52_PC39

Source Section

PMC52

NslotAuthReq

PMC52_PC30: NON-SLOT_AUTH_REQ - Authentication Request

Source Field

PMC52_PC30

Source Section

PMC52

NslotSSDUpdReq

PMC52_PC28: NON_SLOT_SSD_UPD_REQ - SSD Update Request

Source Field

PMC52_PC28

Source Section

PMC52

numberOfA1BlockAckReceived

NUM_A1_BLOCK_ACK_RECD

Data Source

PM

Source Field

PMC52_PC110

Source Section

PMC52

numberOfA1BlockSent

NUM_A1_BLOCK_SENT

Data Source

PM

Source Field

PMC52_PC109

Source Section

PMC52

numberOfA1ResetCktAckReceived

NUM_A1_RESET_CKT_ACK_RECD

Data Source

PM

Source Field

PMC52_PC108

Source Section

PMC52

numberOfA1ResetCktAckSent

NUM_A1_RESET_CKT_ACK_SENT

Data Source

PM

Source Field

PMC52_PC106

Source Section

PMC52

numberOfA1ResetCktReceived

NUM_A1_RESET_CKT_REC'D - Number of A1:Reset Circuit Received

Data Source

PM

Source Field

PMC52_PC105

Source Section

PMC52

numberOfA1ResetCktSent

NUM_A1_RESET_CKT_ACK_SENT

Data Source

PM

Source Field

PMC52_PC107

Source Section

PMC52

numberOfA1UnblockAckReceived

NUM_A1_UNBLOCK_ACK_REC'D

Data Source

PM

Source Field

PMC52_PC112

Source Section

PMC52

numberOfA1UnblockSent

NUM_A1_UNBLOCK_SENT

Data Source

PM

Source Field

PMC52_PC111

Source Section

PMC52

NumberOfPagesWithoutBandClassInfo

NUM_PAGES_WITHOUT_BANDCLASS - Number of Pages without BandClass

Source Field

PMC52_PC123

Source Section

PMC52

NumCandFreqSrch

PMC520_PC6 NUM_CAND_FREQ_SEARCH The number of Candidate Frequency Searches that were performed

Data Source

PM

Source Field

PMC520_PC6

Source Section

PMC520

numFlowControlInvoked

PMC52_PC7: TOTAL_A10_FLOW_CTRL_INVOKED - Number of times A10 Flow Control was invoked

Source Field

PMC52_PC7

Source Section

PMC52

numFlowControlSuccess

PMC52_PC8: TOTAL_A10_FLOW_CTRL_SUCCESSFUL - Numer of times A10 Flow Control was successful

Source Field

PMC52_PC8

Source Section

PMC52

NumSDBDiscardMM

PMC52_PC88: NUM_SDBS_DISCARDED_MM - of SDBs discarded-MM

Data Source

PM

Source Field

PMC52_PC88

Source Section

PMC52

NumSDBSuccSentToPCF

PMC52_PC89: NUM_SDBS_SUCCESSFULLY_SENT_TO_PCF - Number of SDBs successfully sent to PCF

Data Source

PM

Source Field

PMC52_PC89

Source Section

PMC52

numXoffGrePktRetrans

PMC52_PC9: TOTAL_A10_XOFF_GRE_RETRANS - Number of A10 XOFF GRE packet retransmissions

Source Field

PMC52_PC9

Source Section

PMC52

numXonGrePktRetrans

PMC52_PC10: TOTAL_A10_XON_GRE_RETRANS - Number of A10 XON GRE packet retransmissions

Source Field

PMC52_PC10

Source Section

PMC52

NwayHHInComps

PMC52_PC75: N_WAY_HHI_COMP - HHI Completions

Data Source

OMCR

Source Field

PC75

Source Section

PMC52

NwayHHInFails

PMC52_PC76: N_WAY_HHI_FAIL - HHI Failures

Data Source

OMCR

Source Field

PC76

Source Section

PMC52

NwayHrdHt_RscAllocTryNewCarr

PMC52_PC60: N-way_HHto_Rsc_Alloc_-Try_New_Carrier - Hard Handto Rsc Alloc - Try New Carrier

Source Field

PMC52_PC60

Source Section

PMC52

OMC_Number

OMC Number

Data Source

OMC SAR

Source Field

OMC_Number

PacketsDroppedOnA1pInterfaceDueToInvalidNetmaskorPort

Peg indicates the number of packets dropped on A1p interface due to an invalid netmask or invalid port number received in the packet

Data Source

PM

Source Field

PMC52_PC117

Source Section

PMC52

PacketsDroppedOnA1pInterfaceDueToInvalidProtocol

Peg indicates the number of packets dropped on A1p interface due to an invalid protocol

Data Source

PM

Source Field

PMC52_PC118

Source Section

PMC52

PageReqs_SMS_Brdcst

PMC52_PC67: NUM_GEN PAGE_REQ_MSG_SENT_SMS_BRDCST - of General Page Request Messages Sent for SMS - Broadcast

Data Source

OMCR

Source Field

PC67

Source Section

PMC52

PeakA1pDownlinkThroughput

Peg indicates the peak amount of traffic received on A1p interface in kbps

Data Source

PM

Source Field

PMC52_PC122

Source Section

PMC52

PeakA1pUplinkThroughput

Peg indicates the peak amount of traffic sent on A1p interface in kbps

Data Source

PM

Source Field

PMC52_PC121

Source Section

PMC52

PeakA2pVocoderResourceLoading

PEAK_A2P_VOC_RES_LOAD - Peak A2p vocoder resource loading

Data Source

PM

Source Field

PMC52_PC114

Source Section

PMC52

PgRestoMSCNoTag

PMC52_PC64: PAGE_RESP_TO_MSC_NO_TAG - Response to MSC - No Tag

Source Field

PMC52_PC64

Source Section

PMC52

PkNumBearerFormatTransitionReq

PEAK_BEARER_TRANSITION_REQUEST - Peak number of bearer format transitions - requests

Data Source

PM

Source Field

PMC520_PC8

Source Section

PMC520

PkNumBearerFormatTransitionsSucc

PEAK_BEARER_TRANSITION_SUCCESS - Peak number of bearer format transitions - successes

Data Source

PM

Source Field

PMC520_PC10

Source Section

PMC520

PktDtBSSvReq

PMC52_PC33: Pkt_Data_BS_Service_Req - Data BS Service Requests

Source Field

PMC52_PC33

Source Section

PMC52

PktDtBSSvResFl

PMC52_PC35: Pkt_Data_BS_Service_Resp_Fail - Data BS Service Response - Failure

Source Field

PMC52_PC35

Source Section

PMC52

PktDtBSSvResSuc

PMC52_PC34: Pkt_Data_BS_Service_Resp_Succ - Data BS Service Response - Success

Source Field

PMC52_PC34

Source Section

PMC52

PktDtPPPEst

PMC52_PC36: Pkt_Data_PPP_Est - Data PPP Establishment

Source Field

PMC52_PC36

Source Section

PMC52

plcmCollisionAvoided

PMC520_PC5: Number of calls in which PLCM collision/conflict was avoided and pESN collisions detected

Data Source

PM

Source Field

PMC520_PC5

Source Section

PMC520

PwrDnRel

PMC52_PC12: Pwr_Dw_Rels - Power Down Releases

Source Field

PMC52_PC12

Source Section

PMC52

ranDirectedIntraCBSCHardHandOffCompletions

PMC58_PC25: RAN_DIRECT_INTRA_CBSC_HHO_COMP - RAN Directed Intra-CBSC HHO Completions

Data Source

PM

Source Field

PMC58_PC25

Source Section

PMC58

ranDirectedIntraCBSCHardHandOffFailures

PMC58_PC26 : RAN_DIRECT_INTRA_CBSC_HHO_FAIL - RAN Directed Intra-CBSC HHO Failures

Data Source

PM

Source Field

PMC58_PC26

Source Section

PMC58

RefCellHoPrf

PMC52_PC13: REF_CELL_HO_PERF - Cell Handoff Performed

Source Field

PMC52_PC13

Source Section

PMC52

RsrcAllocAltCarr

PMC52_PC68: Res_All_Alt_Carr - Allocation Alternate Carrier

Source Field

PMC52_PC68

Source Section

PMC52

RsrcAllocAltOffSet

PMC52_PC69: Res_All_Alt_Fra_Off - Allocation Alternate Frame Offset

Source Field

PMC52_PC69

Source Section

PMC52

RsrcAllocAltRadTech

PMC52_PC70: Res_All_Alt_Rad_Tec - Allocation Alternate Radio Technology

Source Field

PMC52_PC70

Source Section

PMC52

sessionCalls

Session Calls Count

Data Source

aemsC Files

Source Field

aemsC104_PC9

Source Section

aemsC104

setupFailureCalls_1XData

Setup Failure Calls - 1XData

Data Source

aemsC Files

Source Field

aemsC113_PC5

Source Section

aemsC113

setupFailureCalls_1XVoice

Setup Failure Calls - 1XVoice

Data Source

aemsC Files

Source Field

aemsC113_PC5

Source Section

aemsC113

setupFailureCalls_Data

Setup Failure Calls - Data

Data Source

aemsC Files

Source Field

aemsC113_PC5

Source Section

aemsC113

setupFailureCalls_Fax

Setup Failure Calls - Fax

Data Source

aemsC Files

Source Field

aemsC113_PC5

Source Section

aemsC113

setupFailureCalls_IS95PacketData

Setup Failure Calls - IS95PacketData

Data Source

aemsC Files

Source Field

aemsC113_PC5

Source Section

aemsC113

setupFailureCalls_IS95Voice

Setup Failure Calls - IS95Voice

Data Source

aemsC Files

Source Field

aemsC113_PC5

Source Section

aemsC113

setupFailureCalls_Markov

Setup Failure Calls - Markov

Data Source

aemsC Files

Source Field

aemsC113_PC5

Source Section

aemsC113

setupFailureCalls_Other

Setup Failure Calls - Other

Data Source

aemsC Files

Source Field

aemsC113_PC5

Source Section

aemsC113

setupFailureCalls_SMS

Setup Failure Calls - SMS

Data Source

aemsC Files

Source Field

aemsC113_PC5

Source Section

aemsC113

setupFailureCalls_Unknown

Setup Failure Calls - Unknown

Data Source

aemsC Files

Source Field

aemsC113_PC5

Source Section

aemsC113

setupFailureCalls_Voice

Setup Failure Calls - Voice

Data Source

aemsC Files

Source Field

aemsC113_PC5

Source Section

aemsC113

setupFailureOriginations

Setup Failure Originations

Data Source

aemsC Files

Source Field

aemsC116_PC7

Source Section

aemsC116

setupFailureTerminations

Setup Failure Terminations

Data Source

aemsC Files

Source Field

aemsC116_PC8

Source Section

aemsC116

SlotAuthReq

PMC52_PC29: SLOT_AUTH_REQ - Authentication Request

Source Field

PMC52_PC29

Source Section

PMC52

SlotSSDUpdReq

PMC52_PC27: SLOT_SSD_UPD_REQ - SSD Update Request

Source Field

PMC52_PC27

Source Section

PMC52

SmartSMS_MSLocSrchAtt

PMC52_PC82: LOC_SEARCH_ATTEMPTS_FOR_SMART_SMS_DELIVERY - SMS MS
Location Search Attempts

Source Field

PMC52_PC82

Source Section

PMC52

SmartSMS_PayldDlvryAtt

PMC52_PC83: SMART_SMS_PAYLOAD_DELIVERY_ATTEMPTS - SMS Payload Delivery Attempts

Source Field

PMC52_PC83

Source Section

PMC52

SmartSMSA1_ADDSpageMsgShed

PMC52_PC81: NUM_OF_SMART_SMS_PAGES_SHED - of Smart SMS A1: ADDS Page Messages Shed

Source Field

PMC52_PC81

Source Section

PMC52

SmartSMSDlvrySucc_Lyr2Ack

PMC52_PC84: NUM_OF_L2_ACK_FOR_SMART_SMS_PAYLOAD_DELIVERY - SMS Delivery Success -Layer2 Ack

Source Field

PMC52_PC84

Source Section

PMC52

SmartSMSDlvrySucc_Lyr3Ack

PMC52_PC85: NUM_OF_LAYER3_ACK_FOR_SMART_SMS - SMS Delivery Success - Layer3 Ack

Source Field

PMC52_PC85

Source Section

PMC52

SmartSMSPayld_InvalidMSDlvry

PMC52_PC87: NUM_TIMES_SMART_SMS_SENT_TO_INVALID_MOBILES - of times
Smart SMS payload was sent to invalid mobile(s)

Source Field

PMC52_PC87

Source Section

PMC52

smsCalls

SMS Calls

Data Source

aemsC Files

Source Field

aemsC116_PC6

Source Section

aemsC116

SMV_Prcld_XC_Tckt

PMC52_PC71: SMV_PRECLUDE_XC_TCKT - SMV Precluded - XC terckt

Data Source

OMCR

Source Field

PC71

Source Section

PMC52

SMV2NonSMV_HHO_TgtXC

PMC52_PC72: SMV_TO_NONSMV_HHO_TGT_XC_TCKT - SMV to Non-SMV Hard
Handoff - Target XC Terckt

Data Source

OMCR

Source Field

PC72

Source Section

PMC52

statusRequestConnectionless

PMC52_PC99: Number of Connectionless Status Requests made by MSC

Data Source

PM

Source Field

PMC52_PC99

Source Section

PMC52

statusRequestConnectionlessWithoutRerInfo

PMC52_PC100: Number of Connectionless Status Requests made by MSC during Mobile Registration and the RER info for this mobile is not available at MM

Data Source

PM

Source Field

PMC52_PC100

Source Section

PMC52

statusRequestConnectionOriented

PMC52_PC98: Number of Connection Oriented Status Requests made by MSC

Data Source

PM

Source Field

PMC52_PC98

Source Section

PMC52

statusResponseConnectionless

PMC52_PC102: Number of Connectionless Status Response message sent to the MSC from the RAN in response to its request.

Data Source

PM

Source Field

PMC52_PC102

Source Section

PMC52

statusResponseConnectionOriented

PMC52_PC101: Number of Connection Oriented Status Response message sent to the MSC from the RAN in response to its request

Data Source

PM

Source Field

PMC52_PC101

Source Section

PMC52

SuccIntBandMAHHOcarr

PMC52_PC62: Successful Inter Band HandIn to MAHHO Carrier

Source Field

PMC52_PC62

Source Section

PMC52

SuccIntBandNonMAHHOcarr

PMC52_PC63: Successful Inter Band HandIn to NON MAHHO Carrier

Source Field

PMC52_PC63

Source Section

PMC52

SysNnSltpg

PMC52_PC2: Sys_Non_Slot_Pages - Non-Slotted Pages

Source Field

PMC52_PC2

Source Section

PMC52

SysSltpg

PMC52_PC1: Sys_Slot_Pages - Slotted Pages

Source Field

PMC52_PC1

Source Section

PMC52

TotalA2pCalls

TOTAL_A2P_CALLS - Total Number of A2p Voice Calls

Data Source

PM

Source Field

pmC520_PC13

Source Section

PMC520

totalBlockedCalls

Total Blocked Calls

Data Source

aemsC Files

Source Field

aemsC114_PC4

Source Section

aemsC114

totalCalls_1XData

Total Calls - 1XData

Data Source

aemsC Files

Source Field

aemsC113_PC1

Source Section

aemsC113

totalCalls_1XVoice

Total Calls - 1XVoice

Data Source

aemsC Files

Source Field

aemsC113_PC1

Source Section

aemsC113

totalCalls_Data

Total Calls - Data

Data Source

aemsC Files

Source Field

aemsC113_PC1

Source Section

aemsC113

totalCalls_Fax

Total Calls - Fax

Data Source

aemsC Files

Source Field

aemsC113_PC1

Source Section

aemsC113

totalCalls_IS95PacketData

Total Calls - IS95PacketData

Data Source

aemsC Files

Source Field

aemsC113_PC1

Source Section

aemsC113

totalCalls_IS95Voice

Total Calls - IS95Voice

Data Source

aemsC Files

Source Field

aemsC113_PC1

Source Section

aemsC113

totalCalls_Markov

Total Calls - Markov

Data Source

aemsC Files

Source Field

aemsC113_PC1

Source Section

aemsC113

totalCalls_Other

Total Calls - Other

Data Source

aemsC Files

Source Field

aemsC113_PC1

Source Section

aemsC113

totalCalls_SMS

Total Calls - SMS

Data Source

aemsC Files

Source Field

aemsC113_PC1

Source Section

aemsC113

totalCalls_Unknown

Total Calls - Unknown

Data Source

aemsC Files

Source Field

aemsC113_PC1

Source Section

aemsC113

totalCalls_Voice

Total Calls - Voice

Data Source

aemsC Files

Source Field

aemsC113_PC1

Source Section

aemsC113

totalCalls114

Total Calls

Data Source

aemsC Files

Source Field

aemsC114_PC1

Source Section

aemsC114

totalCalls116

Total Calls

Data Source

aemsC Files

Source Field

aemsC116_PC1

Source Section

aemsC116

totalCallsWithoutHHO_Sms

Total Calls without HHO SMS

Data Source

aemsC Files

Source Field

aemsC114_PC21

Source Section

aemsC114

totalCdls

Total CDLs

Data Source

aemsC Files

Source Field

aemsC114_PC2

Source Section

aemsC114

totalCDLs_1XData

Total CDLs - 1XData

Data Source

aemsC Files

Source Field

aemsC113_PC2

Source Section

aemsC113

totalCDLs_1XVoice

Total CDLs - 1XVoice

Data Source

aemsC Files

Source Field

aemsC113_PC2

Source Section

aemsC113

totalCDLs_Data

Total CDLs - Data

Data Source

aemsC Files

Source Field

aemsC113_PC2

Source Section

aemsC113

totalCDLs_Fax

Total CDLs - Fax

Data Source

aemsC Files

Source Field

aemsC113_PC2

Source Section

aemsC113

totalCDLs_IS95PacketData

Total CDLs - IS95PacketData

Data Source

aemsC Files

Source Field

aemsC113_PC2

Source Section

aemsC113

totalCDLs_IS95Voice

Total CDLs - IS95Voice

Data Source

aemsC Files

Source Field

aemsC113_PC2

Source Section

aemsC113

totalCDLs_Markov

Total CDLs - Markov

Data Source

aemsC Files

Source Field

aemsC113_PC2

Source Section

aemsC113

totalCDLs_Other

Total CDLs - Other

Data Source

aemsC Files

Source Field

aemsC113_PC2

Source Section

aemsC113

totalCDLs_SMS

Total CDLs - SMS

Data Source

aemsC Files

Source Field

aemsC113_PC2

Source Section

aemsC113

totalCDLs_Unknown

Total CDLs - Unknown

Data Source

aemsC Files

Source Field

aemsC113_PC2

Source Section

aemsC113

totalCDLs_Voice

Total CDLs - Voice

Data Source

aemsC Files

Source Field

aemsC113_PC2

Source Section

aemsC113

totalDataCalls

Total Calls Count

Data Source

aemsC Files

Source Field

aemsC104_PC1

Source Section

aemsC104

totalGoodCalls

Total Good Calls

Data Source

aemsC Files

Source Field

aemsC114_PC3

Source Section

aemsC114

totalGoodCfc26Count

Total Good CFC26 Calls

Data Source

aemsC Files

Source Field

aemsC114_PC6

Source Section

aemsC114

totalGoodSmsCalls

Total Good SMS Calls

Data Source

aemsC Files

Source Field

aemsC114_PC9

Source Section

aemsC114

totalHhoCalls

Total HHO Calls

Data Source

aemsC Files

Source Field

aemsC114_PC10

Source Section

aemsC114

TotalNumOfCallsEVRC

NUM_CALLS_EVRC - Total Number of Calls - EVRC

Data Source

PM

Source Field

PMC524_PC1

Source Section

PMC524

TotalNumOfCallsEVRC0

NUM_CALLS_EVRC0 - Total Number of Calls - EVRC0

Data Source

PM

Source Field

PMC524_PC2

Source Section

PMC524

TotalNumOfCallsEVRCB

NUM_CALLS_EVRC-B - Total Number of Calls - EVRC-B

Data Source

PM

Source Field

PMC524_PC3

Source Section

PMC524

TotalNumOfCallsEVRCB0

NUM_CALLS_EVRC-B0 - Total Number of Calls - EVRC-B0

Data Source

PM

Source Field

PMC524_PC4

Source Section

PMC524

TotalNumOfCallsPCM

NUM_CALLS_PCM - Total Number of Calls - PCM

Data Source

PM

Source Field

PMC524_PC5

Source Section

PMC524

totalOriginations

Total Origination Calls

Data Source

aemsC Files

Source Field

aemsC114_PC13

Source Section

aemsC114

totalShoCalls

Total SHO Calls

Data Source

aemsC Files

Source Field

aemsC114_PC11

Source Section

aemsC114

totalSilentRetryCalls

Total Silent Retry Calls

Data Source

aemsC Files

Source Field

aemsC114_PC12

Source Section

aemsC114

totalSmsCalls

Total SMS Calls

Data Source

aemsC Files

Source Field

aemsC114_PC8

Source Section

aemsC114

totalTerminations

Total Termination Calls

Data Source

aemsC Files

Source Field

aemsC114_PC14

Source Section

aemsC114

totalUniqueUsers

Total Unique Users

Data Source

aemsC Files

Source Field

aemsC114_PC16

Source Section

aemsC114

totalUsageHours

Total Usage Hours

Data Source

aemsC Files

Source Field

aemsC114_PC15

Source Section

aemsC114

unique1XUsers_1XData

Unique 1X Users - 1XData

Data Source

aemsC Files

Source Field

aemsC113_PC9

Source Section

aemsC113

unique1XUsers_1XVoice

Unique 1X Users - 1XVoice

Data Source

aemsC Files

Source Field

aemsC113_PC9

Source Section

aemsC113

unique1XUsers_Data

Unique 1X Users - Data

Data Source

aemsC Files

Source Field

aemsC113_PC9

Source Section

aemsC113

unique1XUsers_Fax

Unique 1X Users - Fax

Data Source

aemsC Files

Source Field

aemsC113_PC9

Source Section

aemsC113

unique1XUsers_IS95PacketData

Unique 1X Users - IS95PacketData

Data Source

aemsC Files

Source Field

aemsC113_PC9

Source Section

aemsC113

unique1XUsers_IS95Voice

Unique 1X Users - IS95Voice

Data Source

aemsC Files

Source Field

aemsC113_PC9

Source Section

aemsC113

unique1XUsers_Markov

Unique 1X Users - Markov

Data Source

aemsC Files

Source Field

aemsC113_PC9

Source Section

aemsC113

unique1XUsers_Other

Unique 1X Users - Other

Data Source

aemsC Files

Source Field

aemsC113_PC9

Source Section

aemsC113

unique1XUsers_SMS

Unique 1X Users - SMS

Data Source

aemsC Files

Source Field

aemsC113_PC9

Source Section

aemsC113

unique1XUsers_Unknown

Unique 1X Users - Unknown

Data Source

aemsC Files

Source Field

aemsC113_PC9

Source Section

aemsC113

unique1XUsers_Voice

Unique 1X Users - Voice

Data Source

aemsC Files

Source Field

aemsC113_PC9

Source Section

aemsC113

uniqueUsers_1XData

Unique Users - 1XData

Data Source

aemsC Files

Source Field

aemsC113_PC8

Source Section

aemsC113

uniqueUsers_1XVoice

Unique Users - 1XVoice

Data Source

aemsC Files

Source Field

aemsC113_PC8

Source Section

aemsC113

uniqueUsers_Data

Unique Users - Data

Data Source

aemsC Files

Source Field

aemsC113_PC8

Source Section

aemsC113

uniqueUsers_Fax

Unique Users - Fax

Data Source

aemsC Files

Source Field

aemsC113_PC8

Source Section

aemsC113

uniqueUsers_IS95PacketData

Unique Users - IS95PacketData

Data Source

aemsC Files

Source Field

aemsC113_PC8

Source Section

aemsC113

uniqueUsers_IS95Voice

Unique Users - IS95Voice

Data Source

aemsC Files

Source Field

aemsC113_PC8

Source Section

aemsC113

uniqueUsers_Markov

Unique Users - Markov

Data Source

aemsC Files

Source Field

aemsC113_PC8

Source Section

aemsC113

uniqueUsers_Other

Unique Users - Other

Data Source

aemsC Files

Source Field

aemsC113_PC8

Source Section

aemsC113

uniqueUsers_SMS

Unique Users - SMS

Data Source

aemsC Files

Source Field

aemsC113_PC8

Source Section

aemsC113

uniqueUsers_Unknown

Unique Users - Unknown

Data Source

aemsC Files

Source Field

aemsC113_PC8

Source Section

aemsC113

uniqueUsers_Voice

Unique Users - Voice

Data Source

aemsC Files

Source Field

aemsC113_PC8

Source Section

aemsC113

usageHours_1XData

Usage Hours - 1XData

Data Source

aemsC Files

Source Field

aemsC113_PC7

Source Section

aemsC113

usageHours_1XVoice

Usage Hours - 1XVoice

Data Source

aemsC Files

Source Field

aemsC113_PC7

Source Section

aemsC113

usageHours_Data

Usage Hours - Data

Data Source

aemsC Files

Source Field

aemsC113_PC7

Source Section

aemsC113

usageHours_Fax

Usage Hours - Fax

Data Source

aemsC Files

Source Field

aemsC113_PC7

Source Section

aemsC113

usageHours_IS95PacketData

Usage Hours - IS95PacketData

Data Source

aemsC Files

Source Field

aemsC113_PC7

Source Section

aemsC113

usageHours_IS95Voice

Usage Hours - IS95Voice

Data Source

aemsC Files

Source Field

aemsC113_PC7

Source Section

aemsC113

usageHours_Markov

Usage Hours - Markov

Data Source

aemsC Files

Source Field

aemsC113_PC7

Source Section

aemsC113

usageHours_Other

Usage Hours - Other

Data Source

aemsC Files

Source Field

aemsC113_PC7

Source Section

aemsC113

usageHours_SMS

Usage Hours - SMS

Data Source

aemsC Files

Source Field

aemsC113_PC7

Source Section

aemsC113

usageHours_Unknown

Usage Hours - Unknown

Data Source

aemsC Files

Source Field

aemsC113_PC7

Source Section

aemsC113

usageHours_Voice

Usage Hours - Voice

Data Source

aemsC Files

Source Field

aemsC113_PC7

Source Section

aemsC113

VcdrBypsReq

PMC52_PC14: VOCODER_BYPS_REQS - Bypass Requests

Source Field

PMC52_PC14

Source Section

PMC52

VocReqSuccAck

PMC52_PC16: VOCODER_REQ_SUCC_ACKS - Vocoder Request Successful Acknowledgments

Data Source

PM

Source Field

PMC52_PC16

Source Section

PMC52

voice1xCalls

1x Voice Calls Count

Data Source

aemsC Files

Source Field

aemsC104_PC3

Source Section

aemsC104

voiceCalls

Voice Calls Count

Data Source

aemsC Files

Source Field

aemsC104_PC2

Source Section

aemsC104

VoiceX1Calls

VoiceX1 Calls

Data Source

aemsC Files

Source Field

aemsC116_PC2

Source Section

aemsC116

BSC_LocationArea Primitive Calculations

The following is a list of primitive calculations for the BSC_LocationArea entity.

AvgLngLocArADDSPgSMS

AveLen_LocArea_ADDS_Page_SMS - Average Length Location Area ADDS Page SMS

Calculation

$(1.0 * \text{LocAreaADDSPgSMSLength}) / \text{vsum}(\text{LocAreaADDSPgSMS}2P, \text{LocAreaADDSPgSMS}Brdcst)$

BandClassNumber

Band Class(s) associated with the location area

Calculation

GRAPHmultiLineSeparator

Special Control Field for Multi-Line Graphs

Calculation

""

NUMDAYS

of days in Report

Calculation

DAYSINREPORT ()

NUMHOURS

of hours in Summation Data

TotLocAreaPg

PMC70_PC1: Loc_Area_Pages - Area Pages

Calculation

LocAreaPg

UnknownEnterpriseField

Unknown Field exported from Enterprise Server

Calculation

nullInt ()

BSC_LocationArea Peg Counts

The following is a list of peg counts for the BSC_LocationArea entity.

acceptedRegistrations

Accepted Registrations

Data Source

PM

Source Section

PMC63/121

addsSmsArrived

ADDS/SMS arrived

Data Source

PM

Source Section

PMC63/44

addsSmsTransmitted

ADDS/SMS messages transmitted

Data Source

PM

Source Section

PMC63/44

averagePchLoad

Average PCH Load

Data Source

PM

Source Section

PMC63/200

broadcastSmsArrived

Broadcast SMS messages arrived

Data Source

PM

Source Section

PMC63/44

broadcastSmsTransmitted

Broadcast SMS messages transmitted

Data Source

PM

Source Section

PMC63/44

distanceBasedRegistrationsNonSlotted

Distance based registrations non-slotted

Data Source

PM

Source Section

PMC63/121

distanceBasedRegistrationsSlotted

Distance based registrations slotted

Data Source

PM

Source Section

PMC63/121

featureNotificationArrived

Feature notification messages arrived

Data Source

PM

Source Section

PMC63/44

featureNotificationTransmitted

Feature notification messages transmitted

Data Source

PM

Source Section

PMC63/44

LocAreaADDSPgSMSBrdcst

PMC70_PC6: LocArea_ADDS_Page_SMS_Bcast - Area ADDS Page SMS Broadcast

Source Field

PMC70_PC6

Source Section

PMC70

LocAreaADDSPgSMSLength

PMC70_PC7: LocArea_ADDS_Page_SMS_Len - Area ADDS Page SMS Length

Source Field

PMC70_PC7

Source Section

PMC70

LocAreaADDSPgSMSP2P

PMC70_PC5: LocArea_ADDS_Page_SMS_P-P - Area ADDS Page SMS Point-to-Point

Source Field

PMC70_PC5

Source Section

PMC70

LocAreaAuthReq

PMC70_PC4: LOC_AREA_AUTH_REQ - Area Authentication Request

Source Field

PMC70_PC4

Source Section

PMC70

LocAreaPg

PMC70_PC1: Loc_Area_Pages - Area Pages

Source Field

PMC70_PC1

Source Section

PMC70

LocAreaSSDUpdReq

PMC70_PC3: LOC_AREA_SSD_UPD_REQ - Area SSD Update Request

Source Field

PMC70_PC3

Source Section

PMC70

numberOfCarriersInLac

Number of carriers in Location Area

Data Source

PM

Source Section

PMC63/200

numberOfGeneralPageRequestMessagesSentForSmartSmsLocationArea

PMC70_PC9: NUM_GEN_PAGE_REQ_MSG_SENT_SMART_SMS_LOC_AREA - Number of General Page Request Messages sent for Smart SMS - Location Area

Data Source

PM

Source Field

PMC70_PC9

Source Section

PMC70

numberOfSectorsInLac

Number of sectors in Location Area

Data Source

PM

Source Section

PMC63

orderedRegistrationsNonSlotted

Ordered registrations non-slotted

Data Source

PM

Source Section

PMC63/121

orderedRegistrationsSlotted

Ordered registrations slotted

Data Source

PM

Source Section

PMC63/121

pageArrived

Pages arrived in the Location Area

Data Source

PM

Source Section

PMC63/44

PageReqMsgsSMS_LocArea

PMC70_PC8: NUM_GEN_PAGE_REQ_MSG_SENT_SMS_LOC_AREA - of General Page Request Messages Sent for Traffic Channel SMS - Location Area

Data Source

OMCR

Source Field

PC8

Source Section

PMC70

pageTransmitted

Pages transmitted in the Location Area

Data Source

PM

Source Section

PMC63/44

parameterChangeRegistrationsNonSlotted

Parameter change registrations non-slotted

Data Source

PM

Source Section

PMC63/121

parameterChangeRegistrationsSlotted

Parameter change registrations slotted

Data Source

PM

Source Section

PMC63/121

powerDownRegistrationsNonSlotted

Power down registrations slotted

Data Source

PM

Source Section

PMC63/121

powerDownRegistrationsSlotted

Power down registrations slotted

Data Source

PM

Source Section

PMC63/121

powerUpRegistrationsNonSlotted

Power up registrations non-slotted

Data Source

PM

Source Section

PMC63/121

powerUpRegistrationsSlotted

Power up registrations slotted

Data Source

PM

Source Section

PMC63/121

timerBasedRegistrationsNonSlotted

Zone based registrations non-slotted

Data Source

PM

Source Section

PMC63/121

timerBasedRegistrationsSlotted

Timer based registrations slotted

Data Source

PM

Source Section

PMC63/121

totalNonSlottedRegistrations

Total non-slotted registrations

Data Source

PM

Source Section

PMC63/121

totalSlottedRegistrations

Total slotted registrations

Data Source

PM

Source Section

PMC63/121

zoneBasedRegistrationsNonSlotted

Zone based registrations non-slotted

Data Source

PM

Source Section

PMC63/121

zoneBasedRegistrationsSlotted

Zone based registrations slotted

Data Source

PM

Source Section

PMC63/121

BSC_PCF Peg Counts

The following is a list of peg counts for the BSC_PCF entity.

callCCS

Call usage in CCS

Data Source

aemsC Files

Source Field

aemsC121: PC6,PC1

Source Section

aemsC121

BSC_ServiceMode Primitive Calculations

The following is a list of primitive calculations for the BSC_ServiceMode entity.

GRAPHmultiLineSeparator

Special Control Field for Multi-Line Graphs

Calculation

""

NUMDAYS

of days in Report

Calculation

DAYSINREPORT ()

NUMHOURS

of hours in Summation Data

Calculation

BSC_ServiceMode_RC Primitive Calculations

The following is a list of primitive calculations for the BSC_ServiceMode_RC entity.

GRAPHmultiLineSeparator

Special Control Field for Multi-Line Graphs

Calculation

""

NUMDAYS

of days in Report

Calculation

DAYSINREPORT ()

NUMHOURS

of hours in Summation Data

Calculation

BSC_ServiceMode_RC Peg Counts

The following is a list of peg counts for the BSC_ServiceMode_RC entity.

ForwardLinkDuration

PMC521_PC5: FORWARD_LINK_DURATION - This measurement gives the duration at which the Forward Link FER is measured.

Data Source

PM

Source Field

PMC521_PC5

Source Section

PMC521

ForwardLinkFER

PMC521_PC4: FORWARD_LINK_FER - This measures the number of Forward Link FER during the collection interval.

Data Source

PM

Source Field

PMC521_PC4

Source Section

PMC521

ReverseLinkFER

PMC521_PC1: REVERSE_LINK_FER - This measures the number of Reverse Link FER during the collection interval.

Data Source

PM

Source Field

PMC521_PC1

Source Section

PMC521

ReverseLinkFullRateActivity

PMC521_PC3: REVERSE_LINK_FULL_RATE_ACTIVITY - This gives the activity factor at which the Reverse Link Full Rate FER was counted.

Data Source

PM

Source Field

PMC521_PC3

Source Section

PMC521

ReverseLinkFullRateFER

PMC521_PC2: REVERSE_LINK_FULL_RATE_FER - This measures the number of Reverse Link Full rate FER during the collection interval.

Data Source

PM

Source Field

PMC521_PC2

Source Section

PMC521

BSC_ServiceOption Primitive Calculations

The following is a list of primitive calculations for the BSC_ServiceOption entity.

GRAPHmultiLineSeparator

Special Control Field for Multi-Line Graphs

Calculation

""

NUMDAYS

of days in Report

Calculation

DAYSINREPORT ()

NUMHOURS

of hours in Summation Data

BSC_ServiceOption Peg Counts

The following is a list of peg counts for the BSC_ServiceOption entity.

automaticInterBandRedirectionSuccessesForOriginations

PMC513_PC1: Auto_IBR_Orig_Succ_SO - Automatic Inter-Band Redirection successes for Origination

Data Source

PM

Source Field

PMC513_PC1

Source Section

PMC513

automaticInterBandRedirectionSuccessesForTermination

PMC513_PC2: Automatic_IBR_Term_Succ_SO - Automatic Inter-Band Redirection successes for Termination

Data Source

PM

Source Field

PMC513_PC2

Source Section

PMC513

BSC_SS7Link Primitive Calculations

The following is a list of primitive calculations for the BSC_SS7Link entity.

GRAPHmultiLineSeparator

Special Control Field for Multi-Line Graphs

Calculation

""

NUMDAYS

of days in Report

Calculation

DAYSINREPORT ()

NUMHOURS

of hours in Summation Data

BSC_SS7Link Peg Counts

The following is a list of peg counts for the BSC_SS7Link entity.

congestionCount

PMC152_PC7: CONGES_COUNT - Congestion Count

Data Source

PM

Source Field

PMC152_PC7

Source Section

PMC152

congestionPerSecondAverage

PMC152_PC8: CONGES_PER_SEC - Congestion per Second (avg)

Data Source

PM

Source Field

PMC152_PC8

Source Section

PMC152

congestionPerSecondMaximum

PMC152_PC8: CONGES_PER_SEC - Congestion per Second (max)

Data Source

PM

Source Field

PMC152_PC8

Source Section

PMC152

msuCount

PMC152_PC4: MSU_COUNT_TX_RX - MSU Count - TX/RX

Data Source

PM

Source Field

PMC152_PC4

Source Section

PMC152

msuDiscarded

PMC152_PC5: MSU_DISCARD - MSU Discarded

Data Source

PM

Source Field

PMC152_PC5

Source Section

PMC152

msuPerSecond

PMC152_PC3: MSU_PER_SECOND - MSU Per Second

Data Source

PM

Source Field

PMC152_PC3

Source Section

PMC152

msuRetransmitted

PMC152_PC6: MSU_RETRANSMIT - MSU Retransmitted

Data Source

PM

Source Field

PMC152_PC6

Source Section

PMC152

rxByteCount

PMC152_PC1: RX_BYTE_COUNT - RX Byte Count

Data Source

PM

Source Field

PMC152_PC1

Source Section

PMC152

rxLoadAverage

PMC152_PC9: RX_LOAD_AVG - RX Load Average (avg)

Data Source

PM

Source Field

PMC152_PC9

Source Section

PMC152

rxLoadMaximum

PMC152_PC9: RX_LOAD_AVG - RX Load Average (max)

Data Source

PM

Source Field

PMC152_PC9

Source Section

PMC152

txByteCount

PMC152_PC2: TX_BYTE_COUNT - TX Byte Count

Data Source

PM

Source Field

PMC152_PC2

Source Section

PMC152

txLoadAverage

PMC152_PC10: TX_LOAD_AVG - TX Load Average (avg)

Data Source

PM

Source Field

PMC152_PC10

Source Section

PMC152

txLoadMaximum

PMC152_PC10: TX_LOAD_AVG - TX Load Average (max)

Data Source

PM

Source Field

PMC152_PC10

Source Section

PMC152

BTS Primitive Calculations

The following is a list of primitive calculations for the BTS entity.

GRAPHmultiLineSeparator

Special Control Field for Multi-Line Graphs

Calculation

""

NUMHOURS

of hours in Summation Data

Calculation

UnknownEnterpriseField

Unknown Field exported from Enterprise Server

Calculation

nullInt()

BTS Peg Counts

The following is a list of peg counts for the BTS entity.

AvgIncomingBWUtilBTS

AVG_IN_BW_UTIL_BTS - Average Incoming Bandwidth Utilization - BTS

Data Source

PM

Source Section

PMC86

AvgIncomingPktRateBTS

AVG_IN_PKT_RATE_BTS - Average Incoming Packet Rate - BTS

Data Source

PM

Source Section

PMC86

AvgOutgoingBWUtilBTS

AVG_OUT_BW_UTIL_BTS - Average Outgoing Bandwidth Utilization - BTS

Data Source

PM

Source Section

PMC86

AvgOutgoingPktRateBTS

AVG_OUT_PKT_RATE_BTS - Average Outgoing Packet Rate - BTS

Data Source

PM

Source Section

PMC86

MaxIncomingBWUtilBTS

MAX_IN_BW_UTIL_BTS - Maximum Incoming Bandwidth Utilization - BTS

Data Source

PM

Source Section

PMC86

MaxIncomingPktRateBTS

MAX_IN_PKT_RATE_BTS - Maximum Incoming Packet Rate - BTS

Data Source

PM

Source Section

PMC86

MaxiOutgoingPktRateBTS

MAX_OUT_PKT_RATE_BTS - Maximum Outgoing Packet Rate - BTS

Data Source

PM

Source Section

PMC86

MaxOutgoingBWUtilBTS

MAX_OUT_BW_UTIL_BTS - Maximum Outgoing Bandwidth Utilization - BTS

Data Source

PM

Source Section

PMC86

BTS_Cell Primitive Calculations

The following is a list of primitive calculations for the BTS_Cell entity.

BTS_SignalTypeDesc

BTS Signal Type Description

FwdSCH_ResrcAllocFailNoBckBW

PMC76_PC2: MCC1X_FWD_SCH_FLR_NO_BB - FWD SCH Request Failures - No Backhaul Bandwidth

Calculation

`sum(MCC.MCC_RateSet.MCC_DataRate,MCC1XFwdSCH_ReqFailNoBckBW)`

FwdSCH_ResrcAllocFailNoCapRF

PMC45_PC7: FWD_SCH_FLR-NO_RF - SCH BTS Responses - Failures - No RF Capacity

Calculation

`sum(BTS_RateSet.BTS_DataRate,FwdSCH_BTS_RespFailNoCapRF)`

FwdSCH_ResrcAllocFailNoCE

PMC76_PC3: MCC1X_FWD_SCH_FLR_NO_CE - MCC1X FWD SCH Request Failures - No Channel Elements

Calculation

sum(MCC.MCC_RateSet.MCC_DataRate,MCC1XFwdSCH_ReqFailNoCE)

FwdSCH_ResrcAllocFailNoWC

PMC45_PC8: FWD_SCH_FLR-NO_WC - SCH BTS Responses - Failures - No Walsh Codes

Calculation

sum(BTS_RateSet.BTS_DataRate,FwdSCH_BTS_RespFailNoWC)

FwdSCH_ResrcReq

PMC76_PC1: MCC1X_FWD_SCH_ATT - FWD SCH Resource Requests

Calculation

sum(MCC.MCC_RateSet.MCC_DataRate,MCC1XFwdSCH_ResrcReq)

GRAPHmultiLineSeparator

Special Control Field for Multi-Line Graphs

Calculation

""

ICBSCSoHoAddCompTrgtBTS

IC_Soft_Ho_Add_Comp_Tar_BTS - Soft Handoff Add Completions - Target BTS

Calculation

vsum(ICBSCSoHoAddAttTrgtBTS,-1 * ICBSCSoHoAddFailTrgtBTS)

ICBSCSoHoDrpCompTrgtBTS

IC_Soft_Ho_Drop_Comp_Tar_BTS - Soft Handoff Drop Completions - Target BTS

Calculation

vsum(ICBSCSoHoDrpAttTrgtBTS,-1 * ICBSCSoHoDrpFailTrgtBTS)

ICBSCSrHoAddCompTrgtBTS

IC_Softer_Ho_Add_Comp_Tar_BTS - Softer Handoff Add Completions - Target BTS

Calculation

vsum(ICBSCSrHoAddAttTrgtBTS,-1 * ICBSCSrHoAddFailTrgtBTS)

ICBSCSrHoDrpCompTrgtBTS

IC_Softer_Ho_Drop_Comp_Tar_BTS - Softer Handoff Drop Completions - Target BTS

Calculation

$\text{vsum}(\text{ICBSCSrHoDrpAttTrgtBTS}, -1 * \text{ICBSCSrHoDrpFailTrgtBTS})$

NUMDAYS

of days in Report

Calculation

$\text{DAYSINREPORT}()$

NUMHOURS

of hours in Summation Data

RvsSCH_ResrcAllocFailNoBckBW

PMC76_PC6: MCC1X_RVS_SCH_FLR_NO_BB - RVS SCH Request Failures - No Backhaul Bandwidth

Calculation

$\text{sum}(\text{MCC.MCC_RateSet.MCC_DataRate}, \text{MCC1XRvsSCH_ReqFailNoBckBW})$

RvsSCH_ResrcAllocFailNoCapRF

PMC45_PC20: RVS_SCH_FLR-NO_RF - SCH BTS Responses - Failures - No RF Capacity

Calculation

$\text{sum}(\text{BTS_RateSet.BTS_DataRate}, \text{RvsSCH_BTS_RespFailNoCapRF})$

RvsSCH_ResrcAllocFailNoCE

PMC76_PC7: MCC1X_RVS_SCH_FLR_NOBB - RVS SCH Request Failures - No Channel Elements

Calculation

$\text{sum}(\text{MCC.MCC_RateSet.MCC_DataRate}, \text{MCC1XRvsSCH_ReqFailNoCE})$

RvsSCH_ReSrcReq

PMC76_PC5: MCC1X_RVS_SCH_ATT - RVS SCH Resource Requests

Calculation

$\text{sum}(\text{MCC.MCC_RateSet.MCC_DataRate}, \text{MCC1XRvsSCH_ResrcReq})$

Site_Name

Name of the Site

UnknownEnterpriseField

Unknown Field exported from Enterprise Server

Calculation

`nullInt()`

BTS_Cell Peg Counts

The following is a list of peg counts for the BTS_Cell entity.

BTS_SignalType

PMC81_PC2: BTS Signal Type

Source Field

PMC81_PC2

Source Section

PMC81

btsBandClass

PMC81_PC3: BTS Band Class

Data Source

PM

Source Field

PMC81_PC3

Source Section

PMC81

btsBandClass2

PMC81_PC4 For BTSs supporting dual-band this is the Secondary band.

Data Source

PM

Source Field

PMC81_PC4

Source Section

PMC81

BTSFwdSCH_ResrcAllocFailCPU_Ovrld

PMC75_PC3: BTS_FWD_SCH_FLR_CPU - FWD SCH Resource Allocation Failures - CPU Overload

Source Field

PMC75_PC3

Source Section

PMC75

BTSFwdSCH_ResrcRespFailNoComnTslic

PMC75_PC1: BTS_FWD_SCH_FLR_NO_CTS - FWD SCH Resource Responses - Failures - No Common TimeSlice

Source Field

PMC75_PC1

Source Section

PMC75

BTSFwdSCH_ResrcRespFailTimerExp

PMC75_PC2: BTS_FWD_SCH_FLR_TEX - FWD SCH Resource Responses - Failures - Timer Expiry

Source Field

PMC75_PC2

Source Section

PMC75

BTSRvsSCH_ResrcAllocFailCPU_Ovrld

PMC75_PC6: BTS_RVS_SCH_FLR_CPU - RVS SCH Resource Allocation Failures - CPU Overload

Source Field

PMC75_PC6

Source Section

PMC75

BTSRvsSCH_ResrcRespFailNoComnTslice

PMC75_PC4: BTS_RVS_SCH_FLR_NO_TS - RVS SCH Resource Responses - Failures - No Common TimeSlice

Source Field

PMC75_PC4

Source Section

PMC75

BTSRvsSCH_ResrcRespFailTimerExp

PMC75_PC5: BTS_RVS_SCH_FLR_TEX - RVS SCH Resource Responses - Failures - Timer Expiry

Source Field

PMC75_PC5

Source Section

PMC75

CallDuration

All calls that have used this BTS

Data Source

aemsC Files

Source Field

aemsC151_PC2

Source Section

aemsC151

FwdNumberTS1X

PMC84_PC2: BTS_FwdNumberTS1x - FWD SCH Number of Timeslices

Source Field

PMC84_PC2

Source Section

PMC84

FwdTSDuration1X

PMC84_PC1: BTS_FwdTSDuration1x - FWD SCH Timeslice Duration

Source Field

PMC84_PC1

Source Section

PMC84

HSPDHOChanAsgnBTS

PMC89_PC11: HSPD_HO_Chan_Assgn_BTS - HO Channel Assignment - BTS

Source Field

PMC89_PC11

Source Section

PMC89

HSPDHoRadioCERelBTS

PMC89_PC13: HSPD_HO_Chan_Rls_BTS - HO Radio Channel Element Releases - BTS

Source Field

PMC89_PC13

Source Section

PMC89

HSPDHoStateChngBTS

PMC89_PC14: Obsolete Count in Release 16.1

Source Field

PMC89_PC14

Source Section

PMC89

HSPDHoSuppChanAsgnBTS

PMC89_PC12: HSPD_HO_Supp_Chan_Assgn_BTS - HO Supplemental Channel Assignment - BTS

Source Field

PMC89_PC12

Source Section

PMC89

ICBSC_SftHoAddAttTN_TrgtBTS

PMC89_PC24: IC_Soft_Add_Att_TN_Tar_BTS - Soft Handoff Add Attempts - TN Target BTS

Source Field

PMC89_PC24

Source Section

PMC89

ICBSC_SftHoAddFailTN_TrgtBTS

PMC89_PC25: IC_Soft_Add_Fail_TN_Tar_BTS - Soft Handoff Add Failures - TN Target BTS

Source Field

PMC89_PC25

Source Section

PMC89

ICBSC_SftHoAddReqTN_TrgtBTS

PMC89_PC23: IC_Soft_Add_Req_TN_Tar_BTS - Soft Handoff Add Requests - TN Target BTS

Source Field

PMC89_PC23

Source Section

PMC89

ICBSC_SftHoDropAttTN_TrgtBTS

PMC89_PC26: IC_Soft_Drop_Att_TN_Tar_BTS - Soft Handoff Drop Attempts - TN Target
BTS

Source Field

PMC89_PC26

Source Section

PMC89

ICBSC_SftHoDropFailTN_TrgtBTS

PMC89_PC27: IC_Soft_Drop_Fail_TN_Tar_BTS - Soft Handoff Drop Failures - TN Target
BTS

Source Field

PMC89_PC27

Source Section

PMC89

ICBSC_SftrHoAddAttTN_TrgtBTS

PMC89_PC29: IC_SrHo_Add_Att_TN_Tar_BTS - Softer Handoff Add Attempts - TN Target
BTS

Source Field

PMC89_PC29

Source Section

PMC89

ICBSC_SftrHoAddFailTN_TrgtBTS

PMC89_PC30: IC_SrHo_Add_Fail_TN_Tar_BTS - Softer Handoff Add Failures - TN Target
BTS

Source Field

PMC89_PC30

Source Section

PMC89

ICBSC_SftrHoAddReqTN_TrgtBTS

PMC89_PC28: IC_SrHo_Add_Req_TN_Tar_BTS - Softer Handoff Add Requests - TN Target
BTS

Source Field

PMC89_PC28

Source Section

PMC89

ICBSC_SftrHoDropAttTN_TrgtBTS

PMC89_PC31: IC_SrHo_Drop_Att_TN_Tar_BTS - Softer Handoff Drop Attempt - TN Target
BTS

Source Field

PMC89_PC31

Source Section

PMC89

ICBSC_SftrHoDropFailTN_TrgtBTS

PMC89_PC32: IC_SrHo_Drop_Fail_TN_Tar_BTS - Softer Handoff Drop Failures - TN Target
BTS

Source Field

PMC89_PC32

Source Section

PMC89

ICBSCSoHoAddAttTrgtBTS

PMC89_PC2: IC_Soft_Ho_Add_Att_Tar_BTS - Soft Handoff Add Attempts - Target BTS

Source Field

PMC89_PC2

Source Section

PMC89

ICBSCSoHoAddFailTrgtBTS

PMC89_PC3: IC_Soft_Ho_Add_Fail_Tar_BTS - Soft Handoff Add Failures - Target BTS

Source Field

PMC89_PC3

Source Section

PMC89

ICBSCSoHoAddReqTrgtBTS

PMC89_PC1: IC_Soft_Ho_Add_Req_Tar_BTS - Soft Handoff Add Requests - Target BTS

Source Field

PMC89_PC1

Source Section

PMC89

ICBSCSoHoDrpAttTrgtBTS

PMC89_PC4: IC_Soft_Ho_Drop_Att_Tar_BTS - Soft Handoff Drop Attempts - Target BTS

Source Field

PMC89_PC4

Source Section

PMC89

ICBSCSoHoDrpFailTrgtBTS

PMC89_PC5: IC_Soft_Ho_Drop_Fail_Tar_BTS - Soft Handoff Drop Failures - Target BTS

Source Field

PMC89_PC5

Source Section

PMC89

ICBSCSrHoAddAttTrgtBTS

PMC89_PC7: IC_Softer_Ho_Add_Att_Tar_BTS - Softer Handoff Add Attempts - Target BTS

Source Field

PMC89_PC7

Source Section

PMC89

ICBSCSrHoAddFailTrgtBTS

PMC89_PC8: IC_Softer_Ho_Add_Fail_Tar_BTS - Softer Handoff Add Failures - Target BTS

Source Field

PMC89_PC8

Source Section

PMC89

ICBSCSrHoAddReqTrgtBTS

PMC89_PC6: IC_Softer_Ho_Add_Req_Tar_BTS - Softer Handoff Add Requests - Target BTS

Source Field

PMC89_PC6

Source Section

PMC89

ICBSCSrHoDrpAttTrgtBTS

PMC89_PC9: IC_Softer_Ho_Drop_Att_Tar_BTS - Softer Handoff Drop Attempts - Target
BTS

Source Field

PMC89_PC9

Source Section

PMC89

ICBSCSrHoDrpFailTrgtBTS

PMC89_PC10: IC_Softer_Ho_Drop_Fail_Tar_BTS - Softer Handoff Drop Failures - Target
BTS

Source Field

PMC89_PC10

Source Section

PMC89

IS2000PktDataSftAddOperCompTrgtBTS

PMC89_PC15: IS2000_PD_Soft_Add_Oper_Comp_Tar_BTS - Packet Data Soft Add
Operation Completions - Target BTS

Source Field

PMC89_PC15

Source Section

PMC89

IS2000PktDataSftAddOperFailTrgtBTS

PMC89_PC16: IS2000_PD_Soft_Add_Oper_Fail_Tar_BTS - Packet Data Soft Add Operation
Failures - Target BTS

Source Field

PMC89_PC16

Source Section

PMC89

IS2000PktDataSftDropOperCompTrgtBTS

PMC89_PC19: IS2000_PD_Soft_Drop_Oper_Comp_Tar_BTS - Packet Data Soft Drop
Operation Completions - Target BTS

Source Field

PMC89_PC19

Source Section

PMC89

IS2000PktDataSftDropOperFailTrgtBTS

PMC89_PC20: IS2000_PD_Soft_Drop_Oper_Fail_Tar_BTS - Packet Data Soft Drop
Operation Failures - Target BTS

Source Field

PMC89_PC20

Source Section

PMC89

IS2000PktDataSftrAddOperCompTrgtBTS

PMC89_PC17: IS2000_PD_Softer_Add_Oper_Comp_Tar_BTS - Packet Data Softer Add
Operation Completions - Target BTS

Source Field

PMC89_PC17

Source Section

PMC89

IS2000PktDataSftrAddOperFailTrgtBTS

PMC89_PC18: IS2000_PD_Softer_Add_Oper_Fail_Tar_BTS - Packet Data Softer Add
Operation Failures - Target BTS

Source Field

PMC89_PC18

Source Section

PMC89

IS2000PktDataSftrDropOperCompTrgtBTS

PMC89_PC21: IS2000_PD_Softer_Drop_Oper_Comp_Tar_BTS - Packet Data Softer Drop
Operation Completions - Target BTS

Source Field

PMC89_PC21

Source Section

PMC89

IS2000PktDataSftrDropOperFailTrgtBTS

PMC89_PC22: IS2000_PD_Softer_Drop_Oper_Fail_Tar_BTS - Packet Data Softer Drop
Operation Failures - Target BTS

Source Field

PMC89_PC22

Source Section

PMC89

RvsNumberTS1X

PMC84_PC4: BTS_RevNumberTS1x - RVS SCH Number of Timeslices

Source Field

PMC84_PC4

Source Section

PMC84

RvsTSDuration1X

PMC84_PC3: BTS_RevTSDuration1x - RVS SCH Timeslice Duration

Source Field

PMC84_PC3

Source Section

PMC84

SiteType

PMC81_PC1: Site Type

Source Field

PMC81_PC1

Source Section

PMC81

SoHoAddCompTrgtBTS

PMC88_PC2: Peg Retired. Hard code to 0. Soft Ho Add Completions - Target BTS

Source Field

PMC88_PC2

Source Section

PMC88

SoHoAddFailTrgtBTS

PMC88_PC3: Peg Retired. Hard code to 0. Soft Handoff Add Failures - Target BTS

Source Field

PMC88_PC3

Source Section

PMC88

SoHoAddReqTrgtBTS

PMC88_PC1: Peg Retired. Hard code to 0. Soft Handoff Add Requests - Target BTS

Source Field

PMC88_PC1

Source Section

PMC88

SoHoDrpCompTrgtBTS

PMC88_PC4: Peg Retired. Hard code to 0. Soft Ho Drop Completions - Target BTS

Source Field

PMC88_PC4

Source Section

PMC88

SoHoDrpFailTrgtBTS

PMC88_PC5: Peg Retired. Hard code to 0. Soft Handoff Drop Failures - Target BTS

Source Field

PMC88_PC5

Source Section

PMC88

SrHoAddCompTrgtBTS

PMC88_PC7: Peg Retired. Hard code to 0. Softer Ho Add Comp - Target BTS

Source Field

PMC88_PC7

Source Section

PMC88

SrHoAddFailTrgtBTS

PMC88_PC8: Peg Retired. Hard code to 0. Softer Ho Add Failures - Target BTS

Source Field

PMC88_PC8

Source Section

PMC88

SrHoAddReqTrgtBTS

PMC88_PC6: Peg Retired. Hard code to 0. Softer Ho Add Requests - Target BTS

Source Field

PMC88_PC6

Source Section

PMC88

SrHoDrpCompTrgtBTS

PMC88_PC9: Peg Retired. Hard code to 0. Softer Ho Drop Comp - Target BTS

Source Field

PMC88_PC9

Source Section

PMC88

SrHoDrpFailTrgtBTS

PMC88_PC10: Peg Retired. Hard code to 0. Softer Ho Drop Failures - Target BTS

Source Field

PMC88_PC10

Source Section

PMC88

TotalCalls

Sum of All calls that have used this BTS

Data Source

aemsC Files

Source Field

aemsC151_PC1

Source Section

aemsC151

TotRadio_ChnMesgGenMM

PMC89_PC37: RELEASE_RADIO_CH_GEN_MM_CALL_SETUP - Release Radio Channel Messages Generated by MM - Call Setup

Source Field

PMC89_PC37

Source Section

PMC89

TotSTCH_AsgnMesgGenMM

PMC89_PC34: SUSPEND_GEN_MM - Suspend TCH Assignment Messages Generated by MM

Source Field

PMC89_PC34

Source Section

PMC89

TotSTCH_AsgnMesgGenXC

PMC89_PC36: SUSPEND_GEN_XC_SDU - Suspend TCH Assignment Messages Generated by XC/SDU

Source Field

PMC89_PC36

Source Section

PMC89

TotTCH_DesMesgGenMM

PMC89_PC33: TCH_DESIG_GEN_MM - TCH Designation Messages Generated by MM

Source Field

PMC89_PC33

Source Section

PMC89

TotTCH_DesMesgGenSDU

PMC89_PC35: TCH_DESIG_GEN_SDU - TCH Designation Messages Generated by SDU

Source Field

PMC89_PC35

Source Section

PMC89

ubsIndicator

PMC84_PC5: Indicates if the BTS Frame type is UBS. Set to NULL when BTS is of type Circuit or Packet

Source Field

PMC84_PC5

Source Section

PMC84

BTS_DataRate Primitive Calculations

The following is a list of primitive calculations for the BTS_DataRate entity.

DataRate_Kbps

Data Rate mapped to Kbps

Calculation

```
protect ( stringToInt (LocalKey) * BTS_RateSet.DataSet_Kbps )
```

FwdAvg3G_ThruPut

FWD_SCH_USG - FWD SCH average 3G through put in Kbps

Calculation

```
1.0 * FwdTotalUsage_Kbits / FwdTotalUsage_Secs
```

FwdSCH_AllocSuccTot

FWD_SCH_SUCC - FWD SCH Allocation Successes - Total

Calculation

```
vsum(FwdSCH_SingleBTS_RespSameRate, FwdSCH_SingleBTS_RespLowerRate,  
FwdSCH_SDU_CommitSameRate, FwdSCH_SDU_CommitLowerRate)
```

FwdSCH_EffctvUseSecs

FWD_SCH_USG - FWD SCH effective usage in seconds

Calculation

```
FwdSCH_EffctvUseSecs_Int
```

FwdSCH_ReqNotCancelTot

FWD_SCH_EFF_REQ - FWD SCH Requests Not Cancelled - Total

Calculation

```
vsum(FwdSCH_SingleBTS_Req, FwdSCH_MultpBTS_Req, -1 *  
FwdSCH_SingleBTS_ReqCancel, -1 * FwdSCH_MultpBTS_ReqCancel)
```

FwdSCH_TotSuccAtt

Forward supplemental channel total successful attempts

Calculation

```
vsum( FwdSCH_AllocSuccTot, FwdSCH_BTS_RateChngNewRate, -1.0 *  
FwdSCH_BTS_RateChngOldRate, -1.0 * FwdSCH_AsgnCancel)
```

FwdTotalUsage_Kbits

FWD_SCH_USG - FWD SCH Effective Usage (kilobits)

Calculation

```
protect (1.0 * FwdTotalUsage_Secs * DataRate_Kbps )
```

FwdTotalUsage_Secs

FWD_SCH_USG - FWD SCH Effective Usage (seconds)

Calculation

```
FwdSCH_EffctvUseSecs
```

FwdUsageSecs_DataRate_1

FWD_SCH_USG - FWD SCH usage in seconds at data rate 1

Calculation

```
stringToInt (LocalKey) = 1 ? protect ( FwdSCH_TotSuccAtt *  
(BTS_RateSet.BTS_Cell.FwdTSDuration1X) / 1000.0 ) : 0
```

FwdUsageSecs_DataRate_16

FWD_SCH_USG - FWD SCH usage in seconds at data rate 16

Calculation

```
stringToInt (LocalKey) = 16 ? protect ( FwdSCH_TotSuccAtt *  
(BTS_RateSet.BTS_Cell.FwdTSDuration1X) / 1000.0 ) : 0
```

FwdUsageSecs_DataRate_2

FWD_SCH_USG - FWD SCH usage in seconds at data rate 2

Calculation

```
stringToInt (LocalKey) = 2 ? protect ( FwdSCH_TotSuccAtt *  
(BTS_RateSet.BTS_Cell.FwdTSDuration1X) / 1000.0 ) : 0
```


FwdUsageSecs_DataRate_4

FWD_SCH_USG - FWD SCH usage in seconds at data rate 4

Calculation

```
stringToInt (LocalKey) = 4 ? protect ( FwdSCH_TotSuccAtt *  
(BTS_RateSet.BTS_Cell.FwdTSDuration1X) / 1000.0 ) : 0
```

FwdUsageSecs_DataRate_8

FWD_SCH_USG - FWD SCH usage in seconds at data rate 8

Calculation

```
stringToInt (LocalKey) = 8 ? protect ( FwdSCH_TotSuccAtt *  
(BTS_RateSet.BTS_Cell.FwdTSDuration1X) / 1000.0 ) : 0
```

GRAPHmultiLineSeparator

Special Control Field for Multi-Line Graphs

Calculation

""

NUMDAYS

of days in Report

Calculation

```
DAYSINREPORT ()
```

NUMHOURS

of hours in Summation Data

pFwdSCH_AllocSuccMDR

FWD_SCH_MATCH% - FWD SCH Allocation Successes - Matched Data Rate

Calculation

```
100.0 * vsum(FwdSCH_SingleBTS_RespSameRate, FwdSCH_SDU_CommitSameRate) /  
vsum(FwdSCH_SingleBTS_Req, FwdSCH_MultpBTS_Req, -1 *  
FwdSCH_SingleBTS_ReqCancel, -1 * FwdSCH_MultpBTS_ReqCancel)
```

pRvsSCH_AllocSuccMDR

RVS_SCH_MATCH% - RVS SCH Allocation Successes - Matched Data Rate

Calculation

$100.0 * \text{vsum}(\text{RvsSCH_SingleBTS_RespSameRate}, \text{RvsSCH_SDU_CommitSameRate}) /$
 $\text{vsum}(\text{RvsSCH_SingleBTS_Req}, \text{RvsSCH_MultpBTS_Req}, -1 *$
 $\text{RvsSCH_SingleBTS_ReqCancel}, -1 * \text{RvsSCH_MultpBTS_ReqCancel})$

RvsAvg3G_ThruPut

RVS_SCH_USG - RVS SCH average 3G through put in Kbps

Calculation

$1.0 * \text{RvsTotalUsage_Kbits} / \text{RvsTotalUsage_Secs}$

RvsSCH_AllocSuccTot

RVS_SCH_SUCC - RVS SCH Allocation Successes - Total

Calculation

$\text{vsum}(\text{RvsSCH_SingleBTS_RespSameRate}, \text{RvsSCH_SingleBTS_RespLowerRate},$
 $\text{RvsSCH_SDU_CommitSameRate}, \text{RvsSCH_SDU_CommitLowerRate})$

RvsSCH_EffctvUseSecs

RVS_SCH_USG - RVS SCH effective usage in seconds

Calculation

$\text{RvsSCH_EffctvUseSecs_Int}$

RvsSCH_ReqNotCancelTot

RVS_SCH_EFF_REQ - RVS SCH Requests Not Cancelled - Total

Calculation

$\text{vsum}(\text{RvsSCH_SingleBTS_Req}, \text{RvsSCH_MultpBTS_Req}, -1 *$
 $\text{RvsSCH_SingleBTS_ReqCancel}, -1 * \text{RvsSCH_MultpBTS_ReqCancel})$

RvsSCH_TotSuccAtt

Reverse supplemental channel total successful attempts

Calculation

$\text{vsum}(\text{RvsSCH_AllocSuccTot}, \text{RvsSCH_BTS_RateChngNewRate}, -1.0 *$
 $\text{RvsSCH_BTS_RateChngOldRate}, -1.0 * \text{RvsSCH_AsgnCancel})$

RvsTotalUsage_Kbits

RVS_SCH_USG - RVS SCH Total Usage (kilobits)

Calculation

$\text{protect} (1.0 * \text{RvsTotalUsage_Secs} * \text{DataRate_Kbps})$

RvsTotalUsage_Secs

RVS_SCH_USG - RVS SCH Total Usage (seconds)

Calculation

RvsSCH_EffctvUseSecs

RvsUsageSecs_DataRate_1

RVS_SCH_USG - RVS SCH usage in seconds at data rate 1

Calculation

stringToInt (LocalKey) = 1 ? protect (RvsSCH_TotSuccAtt * (BTS_RateSet.BTS_Cell.RvsTSDuration1X) / 1000.0) : 0

RvsUsageSecs_DataRate_16

RVS_SCH_USG - RVS SCH usage in seconds at data rate 16

Calculation

stringToInt (LocalKey) = 16 ? protect (RvsSCH_TotSuccAtt * (BTS_RateSet.BTS_Cell.RvsTSDuration1X) / 1000.0) : 0

RvsUsageSecs_DataRate_2

RVS_SCH_USG - RVS SCH usage in seconds at data rate 2

Calculation

stringToInt (LocalKey) = 2 ? protect (RvsSCH_TotSuccAtt * (BTS_RateSet.BTS_Cell.RvsTSDuration1X) / 1000.0) : 0

RvsUsageSecs_DataRate_4

RVS_SCH_USG - RVS SCH usage in seconds at data rate 4

Calculation

stringToInt (LocalKey) = 4 ? protect (RvsSCH_TotSuccAtt * (BTS_RateSet.BTS_Cell.RvsTSDuration1X) / 1000.0) : 0

RvsUsageSecs_DataRate_8

RVS_SCH_USG - RVS SCH usage in seconds at data rate 8

Calculation

stringToInt (LocalKey) = 8 ? protect (RvsSCH_TotSuccAtt * (BTS_RateSet.BTS_Cell.RvsTSDuration1X) / 1000.0) : 0

TotalAvg3G_ThruPut

Total average 3G through put in Kbps

Calculation

```
protect ( 1.0 * vsum( FwdTotalUsage_Kbits,RvsTotalUsage_Kbits) / vsum(
FwdTotalUsage_Secs, RvsTotalUsage_Secs ) )
```

UnknownEnterpriseField

Unknown Field exported from Enterprise Server

Calculation

```
nullInt()
```

BTS_DataRate Peg Counts

The following is a list of peg counts for the BTS_DataRate entity.

FwdSCH_AsgnCancel

PMC45_PC13: FWD_SCH_ASSGN_CNCL - SCH Assignments Cancelled

Source Field

PMC45_PC13

Source Section

PMC45

FwdSCH_BTS_RateChngNewRate

PMC45_PC10: FWD_SCH_RC-NEW - SCH BTS Rate Changes - new rate

Source Field

PMC45_PC10

Source Section

PMC45

FwdSCH_BTS_RateChngOldRate

PMC45_PC9: FWD_SCH_RC-OLD - SCH BTS Rate Changes - old rate

Source Field

PMC45_PC9

Source Section

PMC45

FwdSCH_BTS_RespFailNoCapRF

PMC45_PC7: FWD_SCH_FLR-NO_RF - SCH BTS Responses - Failures - No RF Capacity

Source Field

PMC45_PC7

Source Section

PMC45

FwdSCH_BTS_RespFailNoWC

PMC45_PC8: FWD_SCH_FLR-NO_WC - SCH BTS Responses - Failures - No Walsh Codes

Source Field

PMC45_PC8

Source Section

PMC45

FwdSCH_MultpBTS_Req

PMC45_PC2: FWD_SCH_M_BTS_REQ - SCH Multiple BTS Requests

Source Field

PMC45_PC2

Source Section

PMC45

FwdSCH_MultpBTS_ReqCancel

PMC45_PC12: FWD_SCH_M_REQ_CNCL - SCH Multiple BTS Requests Cancelled

Source Field

PMC45_PC12

Source Section

PMC45

FwdSCH_SDU_CommitLowerRate

PMC45_PC6: FWD_SCH_CMT-LT - SCH SDU Commits - data rate lower than requested

Source Field

PMC45_PC6

Source Section

PMC45

FwdSCH_SDU_CommitSameRate

PMC45_PC5: FWD_SCH_CMT-EQ - SCH SDU Commits - data rate same as requested

Source Field

PMC45_PC5

Source Section

PMC45

FwdSCH_SingleBTS_Req

PMC45_PC1: FWD_SCH_S_BTS_REQ - SCH Single BTS Requests

Source Field

PMC45_PC1

Source Section

PMC45

FwdSCH_SingleBTS_ReqCancel

PMC45_PC11: FWD_SCH_S_REQ_CNCL - SCH Single BTS Requests Cancelled

Source Field

PMC45_PC11

Source Section

PMC45

FwdSCH_SingleBTS_RespLowerRate

PMC45_PC4: FWD_SCH_S_BTS_RSP-LT - SCH Single BTS Responses - data rate lower than requested

Source Field

PMC45_PC4

Source Section

PMC45

FwdSCH_SingleBTS_RespSameRate

PMC45_PC3: FWD_SCH_S_BTS_RSP-EQ - SCH Single BTS Responses - data rate same as requested

Source Field

PMC45_PC3

Source Section

PMC45

RvsSCH_AsgnCancel

PMC45_PC25: RVS_SCH_ASSGN_CNCL - SCH Assignments Cancelled

Source Field

PMC45_PC25

Source Section

PMC45

RvsSCH_BTS_RateChngNewRate

PMC45_PC22: RVS_SCH_RC-NEW - SCH BTS Rate Changes - new rate

Source Field

PMC45_PC22

Source Section

PMC45

RvsSCH_BTS_RateChngOldRate

PMC45_PC21: RVS_SCH_RC-OLD - SCH BTS Rate Changes - old rate

Source Field

PMC45_PC21

Source Section

PMC45

RvsSCH_BTS_RespFailNoCapRF

PMC45_PC20: RVS_SCH_FLR-NO_RF - SCH BTS Responses - Failures - No RF Capacity

Source Field

PMC45_PC20

Source Section

PMC45

RvsSCH_MultpBTS_Req

PMC45_PC15: RVS_SCH_M_BTS_REQ - SCH Multiple BTS Requests

Source Field

PMC45_PC15

Source Section

PMC45

RvsSCH_MultpBTS_ReqCancel

PMC45_PC24: RVS_SCH_M_REQ_CNCL - SCH Multiple BTS Requests Cancelled

Source Field

PMC45_PC24

Source Section

PMC45

RvsSCH_SDU_CommitLowerRate

PMC45_PC19: RVS_SCH_CMT-LT - SCH SDU Commits - data rate lower than requested

Source Field

PMC45_PC19

Source Section

PMC45

RvsSCH_SDU_CommitSameRate

PMC45_PC18: RVS_SCH_CMT-EQ - SCH SDU Commits - data rate same as requested

Source Field

PMC45_PC18

Source Section

PMC45

RvsSCH_SingleBTS_Req

PMC45_PC14: RVS_SCH_S_BTS_REQ - RVS SCH Single BTS Requests

Data Source

PM

Source Field

PMC45_PC14

Source Section

PMC45

RvsSCH_SingleBTS_ReqCancel

PMC45_PC23: RVS_SCH_S_REQ_CNCL - SCH Single BTS Requests Cancelled

Source Field

PMC45_PC23

Source Section

PMC45

RvsSCH_SingleBTS_RespLowerRate

PMC45_PC17: RVS_SCH_S_BTS_RSP-LT - SCH Single BTS Responses - data rate lower than requested

Source Field

PMC45_PC17

Source Section

PMC45

RvsSCH_SingleBTS_RespSameRate

PMC45_PC16: RVS_SCH_S_BTS_RSP-EQ - SCH Single BTS Responses - data rate same as requested

Source Field

PMC45_PC16

Source Section

PMC45

BTS_RadioConfig Primitive Calculations

The following is a list of primitive calculations for the BTS_RadioConfig entity.

FwdFCH1W_SHO_MCC_CCS

PMC212_PC1: MCC_1_WAY_SHO_FWD_FCH_USGE - FCH 1-way Soft Handoff MCCce Usage (CCS)

Calculation

$\text{FwdFCH1W_SHO_MCC_Secs} / 100.0$

FwdFCH2W_SHO_MCC_CCS

PMC212_PC2: MCC_2_WAY_SHO_FWD_FCH_USGE - FCH 2-way Soft Handoff MCCce Usage (CCS)

Calculation

$\text{FwdFCH2W_SHO_MCC_Secs} / 100.0$

FwdFCH3W_SHO_MCC_CCS

PMC212_PC3: MCC_3_WAY_SHO_FWD_FCH_USGE - FCH 3-way Soft Handoff MCCce Usage (CCS)

Calculation

$\text{FwdFCH3W_SHO_MCC_Secs} / 100.0$

GRAPHmultiLineSeparator

Special Control Field for Multi-Line Graphs

Calculation

""

NUMDAYS

of days in Report

Calculation

DAYSINREPORT ()

NUMHOURS

of hours in Summation Data

ServiceModeName

Names for Service Mode values 0 - 7

Calculation

```
protect ( decode (
  stringToInt (ServiceMode.LocalKey) , 0, "Voice", 1, "Test", 2, "ADDS", 3, "ASYNCDATA",
  4, "FAX", 5, "LOSPKTDATA", 6, "HISPPKTDATA", 7, "PKT1XDATA" ) )
```

BTS_RadioConfig Peg Counts

The following is a list of peg counts for the BTS_RadioConfig entity.

FwdFCH1W_SHO_MCC_Secs

PMC212_PC1: MCC_1_WAY_SHO_FWD_FCH_USGE - FCH 1-way Soft Handoff MCCce Usage (seconds)

Data Source

OMCR

Source Field

PC1

Source Section

PMC212

FwdFCH2W_SHO_MCC_Secs

PMC212_PC2: MCC_2_WAY_SHO_FWD_FCH_USGE - FCH 2-way Soft Handoff MCCce Usage (seconds)

Data Source

OMCR

Source Field

PC2

Source Section

PMC212

FwdFCH3W_SHO_MCC_Secs

PMC212_PC3: MCC_3_WAY_SHO_FWD_FCH_USGE - FCH 3-way Soft Handoff MCCce Usage (seconds)

Data Source

OMCR

Source Field

PC3

Source Section

PMC212

BTS_RateSet Primitive Calculations

The following is a list of primitive calculations for the BTS_RateSet entity.

DataSet_Kbps

Data Rate Set mapped to rate in Kbps (1 = 9.6, 2 = 14.4)

Calculation

```
protect ( decode (stringToInt (LocalKey), 1, 9.6, 2, 14.4) )
```

GRAPHmultiLineSeparator

Special Control Field for Multi-Line Graphs

Calculation

""

NUMDAYS

of days in Report

Calculation

DAYSINREPORT ()

NUMHOURS

of hours in Summation Data

UnknownEnterpriseField

Unknown Field exported from Enterprise Server

Calculation

nullInt ()

BTS_ServiceOption Primitive Calculations

The following is a list of primitive calculations for the BTS_ServiceOption entity.

AsyncDat2VocTogAtt

Async Data To Voice Toggle Attempts

Calculation

vsum (AsyncDat2VocTogAgreeFail, AsyncDat2VocTogAgreeReq)

AsyncDat2VocTogProcFail

Async Data To Voice Toggle Process Failures

Calculation

vsum (AsyncDat2VocTogAgreeReq, AsyncDat2VocTogAgreeSucc)

EffAsyncDat2VocTog

Effective Async Data To Voice Toggle

Calculation

$(1.0 * \text{AsyncDat2VocTogAgreeSucc}) / \text{vsum}(\text{AsyncDat2VocTogAgreeFail}, \text{AsyncDat2VocTogAgreeReq})$

EffServTogCBSCInit

Effective Service Toggle CBSC Initiated

Calculation

$$(1.0 * \text{vsum}(\text{Voc2FaxTogSucc}, \text{Voc2AsyncDatTogAgreeSucc}, \text{AsyncDat2VocTogAgreeSucc}, \text{TotServTogAgSuccMobInit})) / \text{vsum}(\text{Voc2FaxTogReq}, \text{Voc2AsyncDatTogAgreeReq}, \text{AsyncDat2VocTogAgreeReq}, \text{TotServTogAgReqMobInit}, \text{Voc2FaxTogAgreeFail}, \text{Voc2AsyncDatTogAgreeFail}, \text{AsyncDat2VocTogAgreeFail}, \text{TotServTogAgFailMobInit})$$

EffVoc2AsyncDatTog

Effective Voice To Async Data Toggle

Calculation

$$(1.0 * \text{Voc2AsyncDatTogAgreeSucc}) / \text{vsum}(\text{Voc2AsyncDatTogAgreeFail}, \text{Voc2AsyncDatTogAgreeReq})$$

EffVoc2FaxTog

Effective Voice To Fax Toggle

Calculation

$$(1.0 * \text{Voc2FaxTogSucc}) / \text{vsum}(\text{Voc2FaxTogAgreeFail}, \text{Voc2FaxTogReq})$$

GRAPHmultiLineSeparator

Special Control Field for Multi-Line Graphs

Calculation

""

NUMDAYS

of days in Report

Calculation

DAYSINREPORT ()

NUMHOURS

of hours in Summation Data

ServOptAccAtt

Service Option Access Attempts

Calculation

vsum(SrvOptAccSucc, Voc2FaxTogAgreeFail, Voc2FaxTogReq,
Voc2AsyncDatTogAgreeFail, Voc2AsyncDatTogAgreeReq,
AsyncDat2VocTogAgreeFail, AsyncDat2VocTogAgreeReq)

ServOptAvgHldTime

Srvce_Opt_Avg_Hld_Time - Service Option Average Hold Time

Calculation

(1.0 * SrvOptGrpUsg) / SrvOptAccSucc

TotServTogAgFailCBSCInit

Total Service Toggle Agreement Failures CBSC Initiated

Calculation

vsum(Voc2FaxTogAgreeFail, Voc2AsyncDatTogAgreeFail,
AsyncDat2VocTogAgreeFail, TotServTogAgFailMobInit)

TotServTogAttCBSCInit

Total Service Toggle Attempts CBSC Initiated

Calculation

vsum(Voc2FaxTogReq, Voc2AsyncDatTogAgreeReq, AsyncDat2VocTogAgreeReq,
TotServTogAgReqMobInit, Voc2FaxTogAgreeFail, Voc2AsyncDatTogAgreeFail,
AsyncDat2VocTogAgreeFail, TotServTogAgFailMobInit)

TotServTogAttMSInit

Total Service Toggle Attempts MS Initiated

Calculation

vsum(TotServTogAgFailMobInit, TotServTogAgReqMobInit)

TotServTogProcFailCBSCInit

Total Service Toggle Process Failures CBSC Initiated

Calculation

vsum(Voc2FaxTogReq, Voc2AsyncDatTogAgreeReq, AsyncDat2VocTogAgreeReq,
TotServTogAgReqMobInit, Voc2FaxTogSucc, Voc2AsyncDatTogAgreeSucc,
AsyncDat2VocTogAgreeSucc, TotServTogAgSuccMobInit)

TotServTogReqCBSCInit

Total Service Toggle Requests CBSC Initiated

Calculation

`vsum(Voc2FaxTogReq, Voc2AsyncDatTogAgreeReq, AsyncDat2VocTogAgreeReq, TotServTogAgReqMobInit)`

TotServTogSuccCBSCInit

Total Service Toggle Successes CBSC Initiated

Calculation

`vsum(Voc2FaxTogSucc, Voc2AsyncDatTogAgreeSucc, AsyncDat2VocTogAgreeSucc, TotServTogAgSuccMobInit)`

UnknownEnterpriseField

Unknown Field exported from Enterprise Server

Calculation

`nullInt()`

Voc2AsyncDatTogAtt

Voice To Async Data Toggle Attempts

Calculation

`vsum(Voc2AsyncDatTogAgreeFail, Voc2AsyncDatTogAgreeReq)`

Voc2AsyncDatTogProcFail

Voice To Async Data Toggle Process Failures

Calculation

`vsum(Voc2AsyncDatTogAgreeReq, Voc2AsyncDatTogAgreeSucc)`

Voc2FaxTogAtt

Voice To Fax Toggle Attempts

Calculation

`vsum(Voc2FaxTogAgreeFail, Voc2FaxTogReq)`

Voc2FaxTogProcFail

Voice To Fax Toggle Process Failures

Calculation

`vsum(Voc2FaxTogReq, Voc2FaxTogSucc)`

BTS_ServiceOption Peg Counts

The following is a list of peg counts for the BTS_ServiceOption entity.

AsyncDat2VocTogAgreeFail

PMC51_PC9: Obsolete in 16.3 Async Data to Voice Toggle Agreement Failures

Source Field

PMC51_PC9

Source Section

PMC51

AsyncDat2VocTogAgreeReq

PMC51_PC10: Obsolete in 16.3 Async Data to Voice Toggle Requests

Source Field

PMC51_PC10

Source Section

PMC51

AsyncDat2VocTogAgreeSucc

PMC51_PC11: Obsolete in 16.3 Async Data to Voice Toggle Successes

Source Field

PMC51_PC11

Source Section

PMC51

serviceOptionId

PMC51_Subj_id_1: Service Option ID

Source Field

PMC51_Subj_id_1

Source Section

PMC51

SrvOptAccSucc

PMC51_PC1: Srvce_Opt_Acc_Succs - Service Option Access - Successes

Source Field

PMC51_PC1

Source Section

PMC51

SrvOptGrpUsg

PMC51_PC4: Srvce_Opt_Grp_Usge - Service Option Group Usage

Source Field

PMC51_PC4

Source Section

PMC51

TotServTogAgFailMobInit

PMC51_PC12: Total Service Toggle Agreement Failures-Mobile Initiated

Source Field

PMC51_PC12

Source Section

PMC51

TotServTogAgReqMobInit

PMC51_PC13: Total Service Toggle Agreement Requests-Mobile Initiated

Source Field

PMC51_PC13

Source Section

PMC51

TotServTogAgSuccMobInit

PMC51_PC14: Obsolete in 16.3 Total Service Toggle Agreement Successes-Mobile Initiated

Source Field

PMC51_PC14

Source Section

PMC51

Voc2AsyncDatTogAgreeFail

PMC51_PC6: Obsolete in 16.3 Voice to Async Data Toggle Agreement Failures

Source Field

PMC51_PC6

Source Section

PMC51

Voc2AsyncDatTogAgreeReq

PMC51_PC7: Obsolete in 16.3 Voice to Async Data Toggle Requests

Source Field

PMC51_PC7

Source Section

PMC51

Voc2AsyncDatTogAgreeSucc

PMC51_PC8: Voice to Async Data Toggle Successes

Source Field

PMC51_PC8

Source Section

PMC51

Voc2FaxTogAgreeFail

PMC51_PC2: Obsolete in 16.3 Voice to Fax Toggle Agreement Failures

Source Field

PMC51_PC2

Source Section

PMC51

Voc2FaxTogReq

PMC51_PC3: Obsolete in 16.3 Voice to Fax Toggle Requests

Source Field

PMC51_PC3

Source Section

PMC51

Voc2FaxTogSucc

PMC51_PC5: Obsolete in 16.3 Voice to Fax Toggle Successes

Source Field

PMC51_PC5

Source Section

PMC51

BTSCON_BGF Primitive Calculations

The following is a list of primitive calculations for the BTSCON_BGF entity.

GRAPHmultiLineSeparator

Special Control Field for Multi-Line Graphs

Calculation

""

NUMDAYS

of days in Report

Calculation

DAYSINREPORT ()

NUMHOURS

of hours in Summation Data

BTSCON_BGF Peg Counts

The following is a list of peg counts for the BTSCON_BGF entity.

BGF_ID

BGF ID

Data Source

PM

Source Field

PMC162_Info_Ele_2

Source Section

PMC162

SVU_ID

SVU ID

Data Source

PM

Source Field

PMC162_Info_Ele_1

Source Section

PMC162

TotalBkhaulRecvBytes

TOT_BYTES_RCVD_BKHL_BGF - Total number of bytes (payload + header) received on the backhaul in a collection interval

Data Source

PM

Source Field

PMC162_PC4

Source Section

PMC162

TotalBkhaulRecvPkts

TOT_PKTS_RCVD_BKHL_BGF - Total number of packets received on the backhaul in a collection interval

Data Source

PM

Source Field

PMC162_PC3

Source Section

PMC162

TotalBkhaulTransBytes

TOT_BYTES_TRANS_BKHL_BGF - Total number of bytes (payload + header) transmitted on the backhaul in a collection interval

Data Source

PM

Source Field

PMC162_PC2

Source Section

PMC162

TotalBkhaulTransPkts

TOT_PKTS_TRANS_BKHL_BGF - Total number of packets transmitted on the backhaul in a collection interval

Data Source

PM

Source Field

PMC162_PC1

Source Section

PMC162

TotalErrBytes

TOT_ERR_BYTES_BGF - Total number of error bytes received on span in a collection interval

Data Source

PM

Source Field

PMC162_PC8

Source Section

PMC162

TotalFcsErrPkts

TOT_ERR_PKT_FCS_BGF - Total number of error packets received due to FCS (Frame Check Sequence) error on span in a collection interval

Data Source

PM

Source Field

PMC162_PC6

Source Section

PMC162

TotalMruErrPkts

TOT_ERR_PKT_MRU_BGF - Total number of error packets received due to MRU (maximum Reception Unit) error on span in a collection interval

Data Source

PM

Source Field

PMC162_PC5

Source Section

PMC162

TotalPidErrPkts

TOT_ERR_PKT_PID_UNKNOWN_BGF - Total number of error packets received due to unknown protocol ID error on span in a collection interval

Data Source

PM

Source Field

PMC162_PC7

Source Section

PMC162

BTSMLPPP Primitive Calculations

The following is a list of primitive calculations for the BTSMLPPP entity.

BestEffortDroppedPacketPercentageReverse

This measurement is an Indicator of quality that BE users are receiving. Used to indicate need for additional resources.

Calculation

$100 * (\text{RevBundleDroppedPktsBkgd} / \text{vsum}(\text{RevBundleDroppedPktsBkgd}, \text{RevBundlePktsBkgd}))$

GRAPHmultiLineSeparator

Special Control Field for Multi-Line Graphs

Calculation

""

NUMDAYS

of days in Report

Calculation

DAYSINREPORT ()

NUMHOURS

of hours in Summation Data

QoSBearerDroppedPacketPercentageReverse

This measurement Indicates that the managed traffic is experiencing packet loss and Used as an indicator that more resources are needed or that optimization is required.

Calculation

$$100 * (\text{vsum}(\text{RevBundleDroppedPktsConv}, \text{RevBundleDroppedPktsStrmIntr}) / \text{vsum}(\text{RevBundleDroppedPktsConv}, \text{RevBundleDroppedPktsStrmIntr}, \text{RevBundlePktsConv}, \text{RevBundlePktsStrmIntr}))$$

RevBundleAvgPktSize

UBS_REV_MLPPP_Avg_Pkt_Size - Reverse link MLPPP bundle Average packet size

Calculation

$$(\text{RevBundleBytes} * 1024) / \text{RevBundlePkts}$$

RevBundlebps

UBS_REV_BKHL_BPS - Reverse link backhaul bits per second rate

Calculation

$$\text{RevBundlebps_Int}$$

RevBundlebpsBkgd

UBS_DO_REV_BKHL_BPS - Reverse link backhaul bits per second rate

Calculation

$$\text{RevBundlebpsBkgd_Int}$$

RevBundlebpsConv

UBS_DO_REV_BKHL_BPS - Reverse link backhaul bits per second rate

Calculation

$$\text{RevBundlebpsConv_Int}$$

RevBundlebpsDefault

UBS_DO_REV_BKHL_BPS - Reverse link backhaul bits per second rate

Calculation

$$\text{RevBundlebpsDefault_Int}$$

RevBundlebpsStrmIntr

UBS_DO_REV_BKHL_BPS - Reverse link backhaul bits per second rate

Calculation

RevBundlebpsStrmIntr_Int

RevBundleDroppedPPS

UBS_DO_REV_BKHL_DROP_PPS - Reverse link backhaul dropped packets per second rate

Calculation

RevBundleDroppedPPS_Int

RevBundleDroppedPPSBkgd

UBS_DO_REV_BKHL_DROP_PPS - Reverse link backhaul dropped packets per second rate

Calculation

RevBundleDroppedPPSBkgd_Int

RevBundleDroppedPPSConv

UBS_DO_REV_BKHL_DROP_PPS - Reverse link backhaul dropped packets per second rate

Calculation

RevBundleDroppedPPSConv_Int

RevBundleDroppedPPSDefault

UBS_DO_REV_BKHL_DROP_PPS - Reverse link backhaul dropped packets per second rate

Calculation

RevBundleDroppedPPSDefault_Int

RevBundleDroppedPPSStrmIntr

UBS_DO_REV_BKHL_DROP_PPS - Reverse link backhaul dropped packets per second rate

Calculation

RevBundleDroppedPPSStrmIntr_Int

RevBundlePPS

UBS_DO_REV_BKHL_PPS - Reverse link backhaul packet per second rate

Calculation

RevBundlePPS_Int

RevBundlePPSBkgd

UBS_DO_REV_MLPPP_PPS - Reverse link MLPPP bundle packets per second rate

Calculation

RevBundlePPSBkgd_Int

RevBundlePPSConv

UBS_DO_REV_MLPPP_PPS - Reverse link MLPPP bundle packets per second rate

Calculation

RevBundlePPSConv_Int

RevBundlePPSDefault

UBS_DO_REV_MLPPP_PPS - Reverse link MLPPP bundle packets per second rate

Calculation

RevBundlePPSDefault_Int

RevBundlePPSStrmIntr

UBS_DO_REV_MLPPP_PPS - Reverse link MLPPP bundle packets per second rate

Calculation

RevBundlePPSStrmIntr_Int

BTSMMLPPP Peg Counts

The following is a list of peg counts for the BTSMMLPPP entity.

BundleCarrierType

Type of Carrier for MLPPP Bundle - 0 for DO and 1 for 1X

Data Source

PM

Source Field

pmC172_subj_Id_3

Source Section

pmC172

BundleFailureSec

UBS_SEC_MLPPP_FAIL - Seconds of MLPPP bundle failure

Data Source

PM

Source Field

PMC172_PC4

Source Section

PMC172

ChangingofMLPPPBundleBwd

UBS_MLPPP_CHANGE_COUNT - Changing of MLPPP bundle bandwidth

Data Source

PM

Source Field

PMC172_PC5

Source Section

PMC172

DroppedPacketsOfFwdLine

UBS_DROPPED_PKTS_FWD - Dropped packets of fwd line

Data Source

PM

Source Field

PMC172_PC7

Source Section

PMC172

DroppedPacketsOfRvsLine

UBS_DROPPED_PKTS_RVS - Dropped packets of rvs line

Data Source

PM

Source Field

PMC172_PC8

Source Section

PMC172

MinMLPPPBundleBHBW

UBS_MIN_MLPPP_BANDWIDTH - Minimum MLPPP bundle backhaul bandwidth

Data Source

PM

Source Field

PMC172_PC3

Source Section

PMC172

RevBundleBytes

BYTES_COUNTER_RVS - Byte counter per MLPPP Bundle

Data Source

PM

Source Field

PMC172_PC2

Source Section

PMC172

RevBundleBytesBkgd

UBS_DO_TOT_BYTES_SCH_SUCC - Reverse link backhaul scheduling success bytes

Data Source

PM

Source Field

PMC170_PC2 subj_id_3=4

Source Section

PMC170

RevBundleBytesConv

UBS_DO_TOT_BYTES_SCH_SUCC - Reverse link backhaul scheduling success bytes

Data Source

PM

Source Field

PMC170_PC2 subj_id_3=2

Source Section

PMC170

RevBundleBytesDefault

UBS_DO_TOT_BYTES_SCH_SUCC - Reverse link backhaul scheduling success bytes

Data Source

PM

Source Field

PMC170_PC2 subj_id_3=1

Source Section

PMC170

RevBundleBytesStrmIntr

UBS_DO_TOT_BYTES_SCH_SUCC - Reverse link backhaul scheduling success bytes

Data Source

PM

Source Field

PMC170_PC2 subj_id_3=3

Source Section

PMC170

RevBundleDroppedPktsBkgd

UBS_DO_TOT_PKTS_SCH_FAILURE - Reverse link backhaul scheduling failure packets

Data Source

PM

Source Field

PMC170_PC3 subj_id_3=4

Source Section

PMC170

RevBundleDroppedPktsConv

UBS_DO_TOT_PKTS_SCH_FAILURE - Reverse link backhaul scheduling failure packets

Data Source

PM

Source Field

PMC170_PC3 subj_id_3=2

Source Section

PMC170

RevBundleDroppedPktsDefault

UBS_DO_TOT_PKTS_SCH_FAILURE - Reverse link backhaul scheduling failure packets

Data Source

PM

Source Field

PMC170_PC3 subj_id_3=1

Source Section

PMC170

RevBundleDroppedPktsStrmIntr

UBS_DO_TOT_PKTS_SCH_FAILURE - Reverse link backhaul scheduling failure packets

Data Source

PM

Source Field

PMC170_PC3 subj_id_3=3

Source Section

PMC170

RevBundlePkts

UBS_PKTS_COUNTER_RVS - Packet counter per MLPPP bundle

Data Source

PM

Source Field

PMC172_PC1

Source Section

PMC172

RevBundlePktsBkgd

UBS_DO_TOT_PKTS_SCH_SUCC - Reverse link backhaul scheduling success packets

Data Source

PM

Source Field

PMC170_PC1 subj_id_3=4

Source Section

PMC170

RevBundlePktsConv

UBS_DO_TOT_PKTS_SCH_SUCC - Reverse link backhaul scheduling success packets

Data Source

PM

Source Field

PMC170_PC1 subj_id_3=2

Source Section

PMC170

RevBundlePktsDefault

UBS_DO_TOT_PKTS_SCH_SUCC - Reverse link backhaul scheduling success packets

Data Source

PM

Source Field

PMC170_PC1 subj_id_3=1

Source Section

PMC170

RevBundlePktsStrmIntr

UBS_DO_TOT_PKTS_SCH_SUCC - Reverse link backhaul scheduling success packets

Data Source

PM

Source Field

PMC170_PC1 subj_id_3=3

Source Section

PMC170

ZeroBwdOccurred

UBS_ZERO_BANDWIDTH_COUNT - Zero bandwidth occurred

Data Source

PM

Source Field

PMC172_PC6

Source Section

PMC172

BTSMLPPP_BGF Primitive Calculations

The following is a list of primitive calculations for the BTSMLPPP_BGF entity.

AvgPktBkhaulUtilizationPct

AVG_PKT_BHL_UTIL_BGF - Average packet backhaul utilization percentage

Calculation

AvgPktBkhaulUtilizationPct_Int

GRAPHmultiLineSeparator

Special Control Field for Multi-Line Graphs

Calculation

""

MaxPktBkhaulUtilizationPct

MAX_PKT_BHL_UTIL_BGF - Maximum packet backhaul utilization percentage

Calculation

MaxPktBkhaulUtilizationPct_Int

NUMDAYS

of days in Report

Calculation

DAYSINREPORT ()

NUMHOURS

of hours in Summation Data

BTSMLPPP_BGF Peg Counts

The following is a list of peg counts for the BTSMLPPP_BGF entity.

AvgFwdThroughput

AVG_FWD_THRPUT_BGF - Average forward throughput in kbps

Data Source

PM

Source Field

PMC161_PC1

Source Section

PMC161

AvgRvsThroughput

AVG_RVS_THRPUT_BGF - Average reverse throughput in kbps

Data Source

PM

Source Field

PMC161_PC3

Source Section

PMC161

BGF_ID

BGF ID

Data Source

PM

Source Field

PMC161_Info_Ele_2

Source Section

PMC161

CurrentBandwidth

INT_SPEED_BGF - Current bandwidth in bits per second

Data Source

PM

Source Field

PMC161_PC5

Source Section

PMC161

DiscardedPkts

TOT_PKT_DISCARDED_BGF - Total number of packets discarded in a collection interval

Data Source

PM

Source Field

PMC161_PC7

Source Section

PMC161

MaxFwdThroughput

MAX_FWD_THRPUT_BGF - Maximum forward throughput in kbps

Data Source

PM

Source Field

PMC161_PC2

Source Section

PMC161

MaxRvsThroughput

MAX_RVS_THRPUT_BGF - Maximum reverse throughput in kbps

Data Source

PM

Source Field

PMC161_PC4

Source Section

PMC161

SeqErrDroppedPkts

TOT_DROP_PKT_SEQ_ERR_BGF - Total number of packets dropped due to sequence errors in a collection interval

Data Source

PM

Source Field

PMC161_PC6

Source Section

PMC161

SVU_ID

SVU ID

Data Source

PM

Source Field

PMC161_Info_Ele_1

Source Section

PMC161

Carrier_DataRate Primitive Calculations

The following is a list of primitive calculations for the Carrier_DataRate entity.

GRAPHmultiLineSeparator

Special Control Field for Multi-Line Graphs

Calculation

""

NUMDAYS

of days in Report

Calculation

DAYSINREPORT ()

NUMHOURS

of hours in Summation Data

Carrier_DataRate Peg Counts

The following is a list of peg counts for the Carrier_DataRate entity.

FwdSCHDataburstAsgnLowerRate

PMC570_PC7: FWD_SCH_DATABURST_ASSIGNED_LOWER_RATE - Fwd SCH
Databurst Assigned Lower Rate - Rate

Data Source

PM

Source Field

PMC570_PC7

Source Section

PMC570

FwdSCHDataburstAsgnRate

PMC570_PC1: FWD_SCH_DATABURST_ASSIGNED - Fwd SCH Databurst Assigned - Rate

Data Source

PM

Source Field

PMC570_PC1

Source Section

PMC570

FwdSCHDataburstCancRate

PMC570_PC3: FWD_SCH_DATABURST_CANCELLED - Fwd SCH Databurst Cancelled - Rate

Data Source

PM

Source Field

PMC570_PC3

Source Section

PMC570

FwdSCHDataburstDndRate

PMC570_PC5: FWD_SCH_DATBURST_DENIED - Fwd SCH Databurst Denied - Rate

Data Source

PM

Source Field

PMC570_PC5

Source Section

PMC570

NewRLPFrameFwdSCH

PMC570_PC9: NEW_RLP_FRAMES_FWD_SCH - New RLP Frames on fwd SCH

Data Source

PM

Source Field

PMC570_PC9

Source Section

PMC570

NewRLPFrameRvsSCH

PMC570_PC11: NEW_RLP_FRAMES_RVS_SCH - New RLP Frames on rvs SCH

Data Source

PM

Source Field

PMC570_PC11

Source Section

PMC570

RLPRetransmFwdSCH

PMC570_PC10: RLP_RETRANSMISSIONS_FWD_SCH - RLP Retransmissions sent on fwd SCH

Data Source

PM

Source Field

PMC570_PC10

Source Section

PMC570

RLPRetransmissionsSentOnFwdSCHSegmentedRLPframes

PMC570_PC13: RLP_RETRANSMISSIONS_FWD_SCH_SEG_FRM - RLP Retransmissions sent on fwd SCH - segmented RLP frames

Data Source

PM

Source Field

PMC570_PC13

Source Section

PMC570

RLPRetransmissionsSentOnRvsSCHSegmentedRLPFrames

PMC570_PC14: RLP_RETRANSMISSIONS_RVS_SCH_SEG_FRM - RLP Retransmissions on rvs SCH - segmented RLP frames

Data Source

PM

Source Field

PMC570_PC14

Source Section

PMC570

RLPRetransRvsSCH

PMC570_PC12: RLP_RETRANSMISSIONS_RVS_SCH - RLP Retransmissions on rvs SCH

Data Source

PM

Source Field

PMC570_PC12

Source Section

PMC570

RvsSCHDataburstAsgnLowerRate

PMC570_PC8: RVS_SCH_DATABURST_ASSIGNED_LOWER_RATE - RvsSCH Databurst Assigned Lower Rate - Rate

Data Source

PM

Source Field

PMC570_PC8

Source Section

PMC570

RvsSCHDataburstAsgnRate

PMC570_PC2: RVS_SCH_DATABURST_ASSIGNED - Rvs SCH Databurst Assigned - Rate

Data Source

PM

Source Field

PMC570_PC2

Source Section

PMC570

RvsSCHDataburstCancRate

PMC570_PC4: RVS_SCH_DATBURST_CANCELLED - Rvs SCH Databurst Cancelled - Rate

Data Source

PM

Source Field

PMC570_PC4

Source Section

PMC570

RvsSCHDataburstDndRate

PMC570_PC6: RVS_SCH_DATABURST_DENIED - Rvs SCH Databurst Denied - Rate

Data Source

PM

Source Field

PMC570_PC6

Source Section

PMC570

Carrier_LogcDataRate Primitive Calculations

The following is a list of primitive calculations for the Carrier_LogcDataRate entity.

GRAPHmultiLineSeparator

Special Control Field for Multi-Line Graphs

Calculation

""

NUMDAYS

of days in Report

Calculation

DAYSINREPORT ()

NUMHOURS

of hours in Summation Data

Carrier_LogcDataRate_RC Primitive Calculations

The following is a list of primitive calculations for the Carrier_LogcDataRate_RC entity.

GRAPHmultiLineSeparator

Special Control Field for Multi-Line Graphs

Calculation

""

NUMDAYS

of days in Report

Calculation

DAYSINREPORT ()

NUMHOURS

of hours in Summation Data

Carrier_LogcDataRate_RC Peg Counts

The following is a list of peg counts for the Carrier_LogcDataRate_RC entity.

averageRlpRetransmissionsonForwardSupplemental

PMC565_PC4:
AVERAGE_RLP_RETRANSMISSIONS_ON_FORWARD_SUPPLEMENTAL - RLP retransmissions on forward supplemental

Data Source

PM

Source Field

PMC565_PC4

Source Section

PMC565

averageRlpRetransmissionsonReverseSupplemental

PMC565_PC7: Average Number of RLP retransmissions on reverse supplemental channel

Data Source

PM

Source Field

PMC565_PC7

Source Section

PMC565

AvgPwrdBmUsedFwdSCH

PMC565_PC1: AVG_PWR_FWD_SCH - Avg power used on fwd SCH

Data Source

PM

Source Field

PMC_565_PC1

Source Section

PMC565

newRlpFramesonForwardSupplemental

PMC565_PC2: New RLP frames sent on forward supplemental channel

Data Source

PM

Source Field

PMC565_PC2

Source Section

PMC565

newRlpFramesonReverseSupplemental

PMC565_PC5: New RLP frames sent on reverse supplemental channel

Data Source

PM

Source Field

PMC565_PC5

Source Section

PMC565

rlpRetransmissionsonForwardSupplemental

PMC565_PC3: Number of RLP retransmissions on forward supplemental channel

Data Source

PM

Source Field

PMC565_PC3

Source Section

PMC565

rlpRetransmissionsonReverseSupplemental

PMC565_PC6: RLP_RETRANSMISSIONS_RVS_SCH - RLP Retransmissions on rvs SCH

Data Source

PM

Source Field

PMC565_PC6

Source Section

PMC565

Carrier_RadioConfig Primitive Calculations

The following is a list of primitive calculations for the Carrier_RadioConfig entity.

CodingTypeName

Names for Coding Type - 0 = Convolutional, 1 = Turbo

Calculation

```
protect ( decode ( stringToInt ( CodingType.LocalKey ), 0, "Convolutional", 1, "Turbo" ) )
```

FwdSCH1W_SHO_MCC_CCS

PMC213_PC7: F-SCH_MCC_USAGE_1WAY_SOFT - Fwd SCH 1-way Soft Handoff MCCce Usage (CCS)

Calculation

```
FwdSCH1W_SHO_MCC_Secs / 100.0
```

FwdSCH1W_SrHO_WC_CCS

PMC213_PC1: F-SCH_WC_USAGE_1WAY_SOFT - Fwd SCH 1-way Softer Handoff Walsh Code Usage (CCS)

Calculation

```
FwdSCH1W_SrHO_WC_Secs / 100.0
```

FwdSCH2W_SHO_MCC_CCS

PMC213_PC8: F-SCH_MCC_USAGE_2WAY_SOFT - Fwd SCH 2-way Soft Handoff MCCce Usage (CCS)

Calculation

```
FwdSCH2W_SHO_MCC_Secs / 100.0
```

FwdSCH2W_SrHO_WC_CCS

PMC213_PC2: F-SCH_WC_USAGE_2WAY_SOFT - Fwd SCH 2-way Softer Handoff Walsh Code Usage (CCS)

Calculation

$\text{FwdSCH2W_SrHO_WC_Secs} / 100.0$

FwdSCH3W_SHO_MCC_CCS

PMC213_PC9: F-SCH_MCC_USAGE_3WAY_SOFT - Fwd SCH 3-way Soft Handoff MCCce Usage (CCS)

Calculation

$\text{FwdSCH3W_SHO_MCC_Secs} / 100.0$

FwdSCH3W_SrHO_WC_CCS

PMC213_PC3: F-SCH_WC_USAGE_3WAY_SOFT - Fwd SCH 3-way Softer Handoff Walsh Code Usage (CCS)

Calculation

$\text{FwdSCH3W_SrHO_WC_Secs} / 100.0$

FwdSCH4W_SrHO_WC_CCS

PMC213_PC4: F-SCH_WC_USAGE_4WAY_SOFT - Fwd SCH 4-way Softer Handoff Walsh Code Usage (CCS)

Calculation

$\text{FwdSCH4W_SrHO_WC_Secs} / 100.0$

FwdSCH5W_SrHO_WC_CCS

PMC213_PC5: F-SCH_WC_USAGE_5WAY_SOFT - Fwd SCH 5-way Softer Handoff Walsh Code Usage (CCS)

Calculation

$\text{FwdSCH5W_SrHO_WC_Secs} / 100.0$

FwdSCH6W_SrHO_WC_CCS

PMC213_PC6: F-SCH_WC_USAGE_6WAY_SOFT - Fwd SCH 6-way Softer Handoff Walsh Code Usage (CCS)

Calculation

$\text{FwdSCH6W_SrHO_WC_Secs} / 100.0$

GRAPHmultiLineSeparator

Special Control Field for Multi-Line Graphs

Calculation

""

NUMDAYS

of days in Report

Calculation

DAYSINREPORT ()

NUMHOURS

of hours in Summation Data

RvsSCH1W_SHO_MCC_CCS

PMC213_PC19: RVS-SCH_MCC_USAGE_1WAY_SOFT - Rvs SCH 1-way Soft Handoff
MCCce Usage (CCS)

Calculation

RvsSCH1W_SHO_MCC_Secs / 100.0

RvsSCH2W_SHO_MCC_CCS

PMC213_PC20: RVS-SCH_MCC_USAGE_1WAY_SOFT - Rvs SCH 2-way Soft Handoff
MCCce Usage (CCS)

Calculation

RvsSCH2W_SHO_MCC_Secs / 100.0

RvsSCH3W_SHO_MCC_CCS

PMC213_PC21: RVS-SCH_MCC_USAGE_1WAY_SOFT - Rvs SCH 3-way Soft Handoff
MCCce Usage (CCS)

Calculation

RvsSCH3W_SHO_MCC_Secs / 100.0

Carrier_RadioConfig Peg Counts

The following is a list of peg counts for the Carrier_RadioConfig entity.

FwdSCH_BurstAsgn_DR1

PMC213_PC10: F-SCH_DATA_BURST_ASSIGN_9.6/14.4 - Fwd SCH Data Burst
Assignment - Rate 9.6/14.4 kbps

Data Source

OMCR

Source Field

PC10

Source Section

PMC213

FwdSCH_BurstAsgn_DR16

PMC213_PC14: F-SCH_DATA_BURST_ASSIGN_153.6/230.4 - Fwd SCH Data Burst
Assignment - Rate 153.6/230.4 kbps

Data Source

OMCR

Source Field

PC14

Source Section

PMC213

FwdSCH_BurstAsgn_DR2

PMC213_PC11: F-SCH_DATA_BURST_ASSIGN_19.2/28.8 - Fwd SCH Data Burst
Assignment - Rate 19.2/28.8 kbps

Data Source

OMCR

Source Field

PC11

Source Section

PMC213

FwdSCH_BurstAsgn_DR32

PMC213_PC15: F-SCH_DATA_BURST_ASSIGN_307.2 - Fwd SCH Data Burst Assignment - Rate 307.2 kbps

Data Source

OMCR

Source Field

PC15

Source Section

PMC213

FwdSCH_BurstAsgn_DR4

PMC213_PC12: F-SCH_DATA_BURST_ASSIGN_38.4/57.6 - Fwd SCH Data Burst Assignment - Rate 38.4/57.6 kbps

Data Source

OMCR

Source Field

PC12

Source Section

PMC213

FwdSCH_BurstAsgn_DR8

PMC213_PC13: F-SCH_DATA_BURST_ASSIGN_76.8/115.2 - Fwd SCH Data Burst Assignment - Rate 76.8/115.2 kbps

Data Source

OMCR

Source Field

PC13

Source Section

PMC213

FwdSCH_BurstAsgnLwrRate

PMC213_PC18: F-SCH_DATA_BURST_ASSIGN_LWR_RATE - Fwd SCH Data Burst Assigned a Lower Rate

Data Source

OMCR

Source Field

PC18

Source Section

PMC213

FwdSCH_BurstDenied

PMC213_PC17: F-SCH_DATA_BURST_DENIED - Fwd SCH Data Burst Denied

Data Source

OMCR

Source Field

PC17

Source Section

PMC213

FwdSCH_BurstInterptd

PMC213_PC16: F-SCH_DATA_BURST_INTERPT - Fwd SCH Data Burst Interrupted

Data Source

OMCR

Source Field

PC16

Source Section

PMC213

FwdSCH1W_SHO_MCC_Secs

PMC213_PC7: F-SCH_MCC_USAGE_1WAY_SOFT - Fwd SCH 1-way Soft Handoff MCCce Usage (seconds)

Data Source

OMCR

Source Field

PC7

Source Section

PMC213

FwdSCH1W_SrHO_WC_Secs

PMC213_PC1: F-SCH_WC_USAGE_1WAY_SOFT - Fwd SCH 1-way Softer Handoff Walsh Code Usage (seconds)

Data Source

OMCR

Source Field

PC1

Source Section

PMC213

FwdSCH2W_SHO_MCC_Secs

PMC213_PC8: F-SCH_MCC_USAGE_2WAY_SOFT - Fwd SCH 2-way Soft Handoff MCCce Usage (seconds)

Data Source

OMCR

Source Field

PC8

Source Section

PMC213

FwdSCH2W_SrHO_WC_Secs

PMC213_PC2: F-SCH_WC_USAGE_2WAY_SOFTEN - Fwd SCH 2-way Softer Handoff Walsh Code Usage (seconds)

Data Source

OMCR

Source Field

PC2

Source Section

PMC213

FwdSCH3W_SHO_MCC_Secs

PMC213_PC9: F-SCH_MCC_USAGE_3WAY_SOFT - Fwd SCH 3-way Soft Handoff MCCce Usage (seconds)

Data Source

OMCR

Source Field

PC9

Source Section

PMC213

FwdSCH3W_SrHO_WC_Secs

PMC213_PC3: F-SCH_WC_USAGE_3WAY_SOFTEN - Fwd SCH 3-way Softer Handoff Walsh Code Usage (seconds)

Data Source

OMCR

Source Field

PC3

Source Section

PMC213

FwdSCH4W_SrHO_WC_Secs

PMC213_PC4: F-SCH_WC_USAGE_4WAY_SOFTER - Fwd SCH 4-way Softer Handoff
Walsh Code Usage (seconds)

Data Source

OMCR

Source Field

PC4

Source Section

PMC213

FwdSCH5W_SrHO_WC_Secs

PMC213_PC5: F-SCH_WC_USAGE_5WAY_SOFTER - Fwd SCH 5-way Softer Handoff
Walsh Code Usage (seconds)

Data Source

OMCR

Source Field

PC5

Source Section

PMC213

FwdSCH6W_SrHO_WC_Secs

PMC213_PC6: F-SCH_WC_USAGE_6WAY_SOFTER - Fwd SCH 6-way Softer Handoff
Walsh Code Usage (seconds)

Data Source

OMCR

Source Field

PC6

Source Section

PMC213

RvsSCH_BurstAsgn_DR1

PMC213_PC22: RVS_SCH_DATA_BURST_ASSIGN_9.6/14.4 - Rvs SCH Data Burst
Assignment - Rate 9.6/14.4 kbps

Data Source

OMCR

Source Field

PC22

Source Section

PMC213

RvsSCH_BurstAsgn_DR16

PMC213_PC26: RVS_SCH_DATA_BURST_ASSIGN__153.6 - Rvs SCH Data Burst
Assignment - Rate 153.6/230.4 kbps

Data Source

OMCR

Source Field

PC26

Source Section

PMC213

RvsSCH_BurstAsgn_DR2

PMC213_PC23: RVS_SCH_DATA_BURST_ASSIGN_19.2 - Rvs SCH Data Burst
Assignment - Rate 19.2/28.8 kbps

Data Source

OMCR

Source Field

PC23

Source Section

PMC213

RvsSCH_BurstAsgn_DR4

PMC213_PC24: RVS_SCH_DATA_BURST_ASSIGN_38.4 - Rvs SCH Data Burst
Assignment - Rate 38.4/57.6 kbps

Data Source

OMCR

Source Field

PC24

Source Section

PMC213

RvsSCH_BurstAsgn_DR8

PMC213_PC25: RVS_SCH_DATA_BURST_ASSIGN_76.8 - Rvs SCH Data Burst
Assignment - Rate 76.8/115.2 kbps

Data Source

OMCR

Source Field

PC25

Source Section

PMC213

RvsSCH_BurstDenied

PMC213_PC28: RVS_SCH_DATA_BURST_DENIED - Rvs SCH Data Burst Denied

Data Source

OMCR

Source Field

PC28

Source Section

PMC213

RvsSCH_BurstInterptd

PMC213_PC27: RVS_SCH_DATA_BURST_INTERPT - Rvs SCH Data Burst Interrupted

Data Source

OMCR

Source Field

PC27

Source Section

PMC213

RvsSCH1W_SHO_MCC_Secs

PMC213_PC19: RVS-SCH_MCC_USAGE_1WAY_SOFT - Rvs SCH 1-way Soft Handoff
MCCce Usage (seconds)

Data Source

OMCR

Source Field

PC19

Source Section

PMC213

RvsSCH2W_SHO_MCC_Secs

PMC213_PC20: RVS-SCH_MCC_USAGE_1WAY_SOFT - Rvs SCH 2-way Soft Handoff
MCCce Usage (seconds)

Data Source

OMCR

Source Field

PC20

Source Section

PMC213

RvsSCH3W_SHO_MCC_Secs

PMC213_PC21: RVS-SCH_MCC_USAGE_1WAY_SOFT - Rvs SCH 3-way Soft Handoff
MCCce Usage (seconds)

Data Source

OMCR

Source Field

PC21

Source Section

PMC213

Carrier_ServiceMode Primitive Calculations

The following is a list of primitive calculations for the Carrier_ServiceMode entity.

GRAPHmultiLineSeparator

Special Control Field for Multi-Line Graphs

Calculation

""

NUMDAYS

of days in Report

Calculation

DAYSINREPORT ()

NUMHOURS

of hours in Summation Data

Carrier_ServiceMode_RC Primitive Calculations

The following is a list of primitive calculations for the Carrier_ServiceMode_RC entity.

AvgWalshCodeUsgSecs

The average Walsh Code Usage in units of seconds.

Calculation

$$\frac{\text{vsum}(\text{FCH1wyWlshCdUsgSecs}, 2 * \text{FCH2wyWlshCdUsgSecs}, 3 * \text{FCH3wyWlshCdUsgSecs}, 4 * \text{FCH4wyWlshCdUsgSecs}, 5 * \text{FCH5wyWlshCdUsgSecs}, 6 * \text{FCH6wyWlshCdUsgSecs})}{\text{vsum}(\text{FCH1wyWlshCdUsgSecs}, \text{FCH2wyWlshCdUsgSecs}, \text{FCH3wyWlshCdUsgSecs}, \text{FCH4wyWlshCdUsgSecs}, \text{FCH5wyWlshCdUsgSecs}, \text{FCH6wyWlshCdUsgSecs})}$$

GRAPHmultiLineSeparator

Special Control Field for Multi-Line Graphs

Calculation

""

NUMDAYS

of days in Report

Calculation

DAYSINREPORT ()

NUMHOURS

of hours in Summation Data

Carrier_ServiceMode_RC Peg Counts

The following is a list of peg counts for the Carrier_ServiceMode_RC entity.

AvgPwrBmUsedFwdFCH

PMC512_PC7: AVG_PWR_FWD_FCH - Avg power used on fwd FCH

Data Source

PM

Source Field

PMC512_PC7

Source Section

PMC512

FCH1wyWlshCdUsgSecs

PMC512_PC1: FCH_1-WAY_WALSH_CODE_USAGE - FCH 1-way Walsh Code Usage

Data Source

PM

Source Field

PMC512_PC1

Source Section

PMC512

FCH2wyWlshCdUsgSecs

PMC512_PC2: FCH_2-WAY_WALSH_CODE_USAGE - FCH 2-way Walsh Code Usage

Data Source

PM

Source Field

PMC512_PC2

Source Section

PMC512

FCH3wyWlshCdUsgSecs

PMC512_PC3: FCH_3-WAY_WALSH_CODE_USAGE - FCH 3-way Walsh Code Usage

Data Source

PM

Source Field

PMC512_PC3

Source Section

PMC512

FCH4wyWlshCdUsgSecs

PMC512_PC4: FCH_4-WAY_WALSH_CODE_USAGE - FCH 4-way Walsh Code Usage

Data Source

PM

Source Field

PMC512_PC4

Source Section

PMC512

FCH5wyWlshCdUsgSecs

PMC512_PC5: FCH_5-WAY_WALSH_CODE_USAGE - FCH 5-way Walsh Code Usage

Data Source

PM

Source Field

PMC512_PC5

Source Section

PMC512

FCH6wyWlshCdUsgSecs

PMC512_PC6: FCH_6-WAY_WALSH_CODE_USAGE - FCH 6-way Walsh Code Usage

Data Source

PM

Source Field

PMC512_PC6

Source Section

PMC512

numberOfDroppedCalls_RfFailures

PMC512_PC9: NUMBER_OF_DROPPED_CALLS_DUE_TO_RF_FAILURES

Data Source

PM

Source Field

PMC512_PC9

Source Section

PMC512

CarrierServiceModeRCInd Primitive Calculations

The following is a list of primitive calculations for the CarrierServiceModeRCInd entity.

GRAPHmultiLineSeparator

Special Control Field for Multi-Line Graphs

Calculation

""

NUMDAYS

of days in Report

Calculation

DAYSINREPORT ()

NUMHOURS

of hours in Summation Data

CarrierServiceModeRCInd Peg Counts

The following is a list of peg counts for the CarrierServiceModeRCInd entity.

Forward_NumberOfForwardFERAbove10%Threshold

PMC515_PC8: NUMBER_OF_FORWARD_FER_ABOVE_THRESHOLD - This measurement gives the Forward Link FER that have crossed the threshold level for the last PMRM received for the call.

Data Source

PM

Source Field

PMC515_PC8

Source Section

PMC515

ForwardFER

PMC515_PC5: FORWARD_FER - This measurement computes the average Forward Link FER for the last PMRM received for the call.

Data Source

PM

Source Field

PMC515_PC5

Source Section

PMC515

ForwardFERDuration

PMC515_PC6: FORWARD_FER_DURATION - This measurement gives the duration during which the Forward Link FER was measured for the last PMRM received for the call.

Data Source

PM

Source Field

PMC515_PC6

Source Section

PMC515

NumberOfForwardFER

PMC515_PC7: NUMBER_OF_FORWARD_FER - This measurement counts the number of Forward Link FER for the last PMRM received for the call.

Data Source

PM

Source Field

PMC515_PC7

Source Section

PMC515

NumberOfReverseFER

PMC515_PC3: NUMBER_OF_REVERSE_LINK_FER - This measurement pegs the number of Reverse Link FER for the 5 sec interval \geq 5 seconds before the end of the call.

Data Source

PM

Source Field

PMC515_PC3

Source Section

PMC515

Reverse_NumberOfReverseFERAbove10%Threshold

PMC515_PC4: NUMBER_OF_ABOVE_THRESHOLD_REVERSE_LINK_FER - This measurement counts the number of Reverse Link FER that has crossed the threshold value for the 5 sec interval \geq 5 seconds before the end of the call.

Data Source

PM

Source Field

PMC515_PC4

Source Section

PMC515

ReverseFER

PMC515_PC1: REVERSE_LINK_FER_EOC - This measurement pegs the total reverse link FER for the 5 sec interval \geq 5 seconds before the end of the call.

Data Source

PM

Source Field

PMC515_PC1

Source Section

PMC515

ReverseFRFrameCount

PMC515_PC2: REVERSE_LINK_FR_FRAME_COUNT - This measurement pegs the total reverse link full rate frames for the 5 sec interval \geq 5 seconds before the end of the call.

Data Source

PM

Source Field

PMC515_PC2

Source Section

PMC515

CBSC_Carrier Primitive Calculations

The following is a list of primitive calculations for the CBSC_Carrier entity.

GRAPHmultiLineSeparator

Special Control Field for Multi-Line Graphs

Calculation

""

NUMDAYS

of days in Report

Calculation

DAYSINREPORT ()

NUMHOURS

of hours in Summation Data

UnknownEnterpriseField

Unknown Field exported from Enterprise Server

Calculation

nullInt ()

CBSC_CFC Primitive Calculations

The following is a list of primitive calculations for the CBSC_CFC entity.

GRAPHmultiLineSeparator

Special Control Field for Multi-Line Graphs

Calculation

""

NUMDAYS

of days in Report

Calculation

DAYSINREPORT ()

NUMHOURS

of hours in Summation Data

UnknownEnterpriseField

Unknown Field exported from Enterprise Server

Calculation

nullInt ()

CBSC_HoContr Primitive Calculations

The following is a list of primitive calculations for the CBSC_HoContr entity.

AggActSetStrMMBn4

ActStr_MMBin4 - Active Set Strength MM Bin 4

Calculation

vsum(PSMM, -1 * PSMMFltrd, -1 * ActSetStrMMBn1, -1 * ActSetStrMMBn2, -1 * ActSetStrMMBn3)

AggActSetStrXCBn4

ActStr_XC_SDUBin4 - Set Strength XC/SDU Bin 4

Calculation

vsum(PSMM, -1 * ActSetStrXCBn1, -1 * ActSetStrXCBn2, -1 * ActSetStrXCBn3)

GRAPHmultiLineSeparator

Special Control Field for Multi-Line Graphs

Calculation

""

NUMDAYS

of days in Report

Calculation

DAYSINREPORT ()

NUMHOURS

of hours in Summation Data

UnknownEnterpriseField

Unknown Field exported from Enterprise Server

Calculation

nullInt ()

CBSC_HoContr Peg Counts

The following is a list of peg counts for the CBSC_HoContr entity.

ActSetStrMMBn1

PMC72_PC8: ActStr_MMBin1 - Set Strength MM Bin 1

Source Field

PMC72_PC8

Source Section

PMC72

ActSetStrMMBn2

PMC72_PC9: ActStr_MMBin2 - Set Strength MM Bin 2

Source Field

PMC72_PC9

Source Section

PMC72

ActSetStrMMBn3

PMC72_PC10: ActStr_MMBin3 - Set Strength MM Bin 3

Source Field

PMC72_PC10

Source Section

PMC72

ActSetStrXCBn1

PMC72_PC5: ActStr_XC_SDUBin1 - Set Strength XC/SDU Bin 1

Source Field

PMC72_PC5

Source Section

PMC72

ActSetStrXCBn2

PMC72_PC6: ActStr_XC_SDUBin2 - Set Strength XC/SDU Bin 2

Source Field

PMC72_PC6

Source Section

PMC72

ActSetStrXCBn3

PMC72_PC7: ActStr_XC_SDUBin3 - Set Strength XC/SDU Bin 3

Source Field

PMC72_PC7

Source Section

PMC72

BTSShflCmp

PMC72_PC21: BTS_Shuff_Comp - Shuffle Completions

Source Field

PMC72_PC21

Source Section

PMC72

BTSShflFailTyp1

PMC72_PC15: BTS_Shuff_Fail_Add - Shuffle Failures Add

Source Field

PMC72_PC15

Source Section

PMC72

BTSShflFailTyp2

PMC72_PC16: BTS_Shuff_Fail_Drop - Shuffle Failures Drop

Source Field

PMC72_PC16

Source Section

PMC72

BTSShflInt

PMC72_PC14: BTS_Shuff_Init - Shuffle Initiated

Source Field

PMC72_PC14

Source Section

PMC72

PSMM

PMC72_PC1: PSMMs -

Source Field

PMC72_PC1

Source Section

PMC72

PSMMFltrd

PMC72_PC4: PSMMs_Ftr - - Filtered

Source Field

PMC72_PC4

Source Section

PMC72

PSMMHgActSetStr

PMC72_PC3: PSMMs_Hi_Str - PSMMs - High Active Set Strength

Data Source

PM

Source Field

PMC72_PC3

Source Section

PMC72

PSMMLwActSetStr

PMC72_PC2: PSMMs_Low_Str - - Low Active Set Strength

Source Field

PMC72_PC2

Source Section

PMC72

SoShflCmp

PMC72_PC22: Soft_Shuff_Comp - Shuffle Completions

Source Field

PMC72_PC22

Source Section

PMC72

SoShflFITy1

PMC72_PC18: Soft_Shuff_Fail_Add - Shuffle Failures Add

Source Field

PMC72_PC18

Source Section

PMC72

SoShflFITy2

PMC72_PC19: Soft_Shuff_Fail_Drop - Shuffle Failures Drop

Source Field

PMC72_PC19

Source Section

PMC72

SoShflInt

PMC72_PC17: Soft_Shuff_Init - Shuffle Initiated

Source Field

PMC72_PC17

Source Section

PMC72

SrShfailFITyp1

PMC72_PC12: Sfr_Shuff_Fail_Add - Shuffle Failures Add

Source Field

PMC72_PC12

Source Section

PMC72

SrShfailFITyp2

PMC72_PC13: Sftr_Shuff_Fail_Drop - Shuffle Failures Drop

Source Field

PMC72_PC13

Source Section

PMC72

SrShflCmp

PMC72_PC20: Sftr_Shuff_Comp - Shuffle Completions

Source Field

PMC72_PC20

Source Section

PMC72

SrShflInt

PMC72_PC11: Sftr_Shuff_Ini - Shuffle Initiated

Source Field

PMC72_PC11

Source Section

PMC72

CDP Primitive Calculations

The following is a list of primitive calculations for the CDP entity.

GRAPHmultiLineSeparator

Special Control Field for Multi-Line Graphs

Calculation

""

NUMDAYS

of days in Report

Calculation

DAYSINREPORT ()

NUMHOURS

of hours in Summation Data

CDP Peg Counts

The following is a list of peg counts for the CDP entity.

CPU_Util_Avg

CDP CPU Utilization in percentage calculated by averaging 10-min CPU Utilization values in OMC SAR

Data Source

OMC SAR

Source Field

CPU_Util

Source Section

SAR

CPU_Util_Max

CDP CPU Utilization in percentage calculated by picking the maximum of 10-min CPU Utilization values in OMC SAR

Data Source

OMC SAR

Source Field

CPU_Util

Source Section

SAR

Cell Primitive Calculations

The following is a list of primitive calculations for the Cell entity.

CellName

Name of the Cell

GRAPHmultiLineSeparator

Special Control Field for Multi-Line Graphs

Calculation

""

NUMDAYS

of days in Report

Calculation

DAYSINREPORT ()

NUMHOURS

of hours in Summation Data

UnknownEnterpriseField

Unknown Field exported from Enterprise Server

Calculation

nullInt ()

Cell Peg Counts

The following is a list of peg counts for the Cell entity.

AntChngs

Antenna Changes

Source Field

CA49_PC1

Source Section

CA49

CallHndld

Calls Handled

Source Field

CA49_PC2

Source Section

CA49

CellL_M_Comp

Land to Mobile Completions

Source Field

CA4A_PC2

Source Section

CA4A

CellM_L_Att

Mobile to Land Attempts

Source Field

CA4A_PC3

Source Section

CA4A

CellM_L_Comp

Mobile to Land Completions

Source Field

CA4A_PC4

Source Section

CA4A

CellM_M_Att

Mobile to Mobile Attempts

Source Field

CA4A_PC5

Source Section

CA4A

CellM_M_Comp

Mobile to Mobile Completions

Source Field

CA4A_PC6

Source Section

CA4A

CellMateNum

Mate Cell Number

Source Field

CA4A_PC1

Source Section

CA4A

CellOOSTime

Cell OOS Time

Source Field

CA49_DT

Source Section

CA49_DT

CellReg

Registrations

Source Field

CA49_PC12

Source Section

CA49

CellType

Cell Type

Source Field

CA4A_Subject_ID

Source Section

CA4A_Subject_ID

Chc1Ho_OK

First Choice Handoff OK's

Source Field

CA49_PC3

Source Section

CA49

Chc2HO_OK

Second Choice Handoff OK's

Source Field

CA49_PC4

Source Section

CA49

Chc3HO_OK

Third Choice Handoff OK's

Source Field

CA49_PC5

Source Section

CA49

CommPckgMsgAddrErr

Comm. Package Message Addressing Errors

Source Field

CA48_PC10

Source Section

CA48

CommPckgProcErr

Comm. Package Processing Errors

Source Field

CA48_PC8

Source Section

CA48

CommPckgRcvErr

Comm. Package Receiver Errors

Source Field

CA48_PC7

Source Section

CA48

CommPckgSqncErr

Comm. Package Sequencing Errors

Source Field

CA48_PC11

Source Section

CA48

CommPckgTrnsErr

Comm. Package Transmitter Errors

Source Field

CA48_PC9

Source Section

CA48

CROAckFail

CRO Acknowledge Failure

Source Field

CA49_PC14

Source Section

CA49

DirRetrIn

Directed Retries In

Source Field

CA48_PC16

Source Section

CA48

DirRetrOut

Directed Retries Out

Source Field

CA48_PC15

Source Section

CA48

FailtoRchOrg

Failure to Reach On Originations

Source Field

CA49_PC15

Source Section

CA49

FailtoRchTrm

Failure to Reach On Termination

Source Field

CA49_PC16

Source Section

CA49

HoNotOK

Handoff NOT OK's

Source Field

CA49_PC6

Source Section

CA49

IEMXHOMeasResp

Inter-EMX Handoff Measurement Responses

Source Field

CA49_PC11

Source Section

CA49

MobCarrLoss

Mobile Carrier Loss

Source Field

CA49_PC10

Source Section

CA49

OneMeasResp

One Measurement Response

Source Field

CA49_PC8

Source Section

CA49

PageDscrd

Pages Discarded

Source Field

CA48_PC12

Source Section

CA48

ScanRpt

Scan Reports (Handoff Measurement Requests)

Source Field

CA48_PC13

Source Section

CA48

ScndReuseGrpAsgn

Secondary Reuse Group Assignments

Source Field

CA48_PC14

Source Section

CA48

TwoMeasResp

Two Measurement Responses

Source Field

CA49_PC9

Source Section

CA49

ZeroMeasResp

Zero Measurement Responses

Source Field

CA49_PC7

Source Section

CA49

Cell_Sector Primitive Calculations

The following is a list of primitive calculations for the Cell_Sector entity.

averageAddsPageSmartSmsLengthSector

AVG_ADDS_Page_Smart_SMS_Len - Average ADDS Page Smart SMS Length - Sector

Calculation

$(1.0 * \text{addsPageSmartSmsLengthSector}) / \text{smartSmsPayloadDeliveryAttempts}$

AvgLenCellIdenADDSPgSMS

AveLen_CellID_ADDS_Page_SMS - Average Length Cell Identity ADDS Page SMS

Calculation

$((1.0 * \text{CellIdenADDSPgSMS_Length}) / \text{vsum}(\text{CellIdenADDSPgSMS_P2P}, \text{CellIdenADDSPgSMS_Brdcst}))$

GRAPHmultiLineSeparator

Special Control Field for Multi-Line Graphs

Calculation

""

IneffOrigAtt

Ineffective Origination Attempts

Calculation

```
vsum(OriginationAttempts, -1 * OrigAsgnComplete, OrigAttFailPDSN, -1 *  
sum(Sector_Carrier, vsum(InterBandRedrctAttOrg_CrrThrshExcd,  
InterBandRedrctAttOrg_InsufEqpRsrc, interBandRedirectionAttemptsForOri-  
ginationAutomatic)))
```

IneffTermAtt

Ineffective Termination Attempts

Calculation

```
vsum(sum(Sector_Carrier, vsum(TermAttCarrSec, -1 * TermAsgnCompCarrSec, -1  
* InterBandRedrctAttTrm_CrrThrshExcd, -1 *  
InterBandRedrctAttTrm_InsufEqpRsrc, -1 * interBandRedirectionAttemptsForT-  
erminationAutomatic)), TermAttFailPDSN)
```

NUMDAYS

of days in Report

Calculation

```
DAYSINREPORT ()
```

NUMHOURS

of hours in Summation Data

OrigAsgnAttFailTercktOrA2p

Origination Assignment Attempt Failures-Terckt/A2p Level

Calculation

```
OrigAsgnAttFailTercktOrAp2
```

OrigAsgnAttRF

PMC25_PC55: Orig_Assign_Att_RF_Resrc - Assignment Attempts-RF Resource

Calculation

```
sum(Sector_Carrier, OrgAsgnAttRFResrc)
```

OrigAsgnAttTerCktOrA2pAck

Orig_Assgn_Atts_Terckt/_A2p-Ack - Origination Assignment Attempt Terckt/A2p Ack

Calculation

```
OrigAsgnAttTerCktAck
```

OrigAsgnComplete

The number of times the CBSC detected the successful arrival of a Mobile Station on the assigned TCH.

Calculation

```
sum(Sector_Carrier, OrgAsgnCompCarrSec)
```

OrigAttFailIPpktNetwork

Origination Attempt Failures- IP Pkt Network

Calculation

```
vsum(OrigAttFailPCF_PSI, OrigAttFailPDSN)
```

OrigAttFailMSC

Origination Attempt Failures-MSC

Calculation

```
isNull(OrigAttFailMSC-  
Sect)?(isNull(BTS_Cell.BTS_SignalType)?(OrigAttFailMSC_R160):(OrigAttFailM-  
SC_R161)):(OrigAttFailMSCSect)
```

OrigAttFailNtwrk

Origination Attempts Failures Network

Calculation

```
vsum(sum(Sector_Carrier, vsum(OrgAttCarrSec, -1 * OrgAsgnAttTerktCarrSec, -  
1 * InterBandRedrctAttOrg_CrrThrshExcd, -1 *  
InterBandRedrctAttOrg_InsufEqpRsrc, -1 * interBandRedirectionAttemptsForOr-  
iginationAutomatic)), -1 * OrigAttIP_PktData)
```

OrigAttFailRF

Origination Attempt Failures-RF

Calculation

```
isNull(BTS_Cell.BTS_SignalType)?(OrigAttFailRF_R160):(OrigAttFailRF_R161)
```

originationAssignmentFailuresCarrierLoad

PMC63_PC6: Orig_Assign_Fail_Carr_Load - Origination Assignment Failure-Carrier Load

Calculation

```
OrigAttFailCarrLoad
```

originationAssignmentFailuresChannelElement

Orig_Assign_Fail_CE BTS - Origination Assignment Failure-Channel Element cBTS + pBTS

Calculation

OrigAttFailCE

OriginationAttempts

The number of call origination attempts serviced by the network which are mapped to this sector.

Calculation

sum(Sector_Carrier, OrgAttCarrSec)

Rtd1xWithoutServiceOptionChangeToIS95AB

PMC63_PC23: 1X_RTD_NSO_IS95A/B - 1X RTD without Service Option change to IS-95A/B

Calculation

1xTRDwoSO_ChngISD551_95AB

SrcBand_InterBandRedrcs

Band Class(s) associated with the Sector

Calculation

TermAsgnAttRF

PMC25_PC56: Term_Assign_Att_RF_Resrc - Assignment Attempts-RF Resource

Calculation

sum(Sector_Carrier, TermAsgnAttRFResrc)

TermAsgnAttTerCktOrA2pAck

PMC63_PC14: Term_Assgn_Atts_Terckt_A2p-Ack - Termination Assignment Attempt Terckt/A2p Ack

Calculation

TermAsgnAttTerCktAck

TermAsgnFailRF

Term_Assign_Failure_RFSys - Termination Assignment Failure-RF System

Calculation

```
vsum(sum(Sector_MCCceGrp, TermAttFailCE), sum(Sector_Carrier, TermAttFail-  
WlshCd), TermAttFailCarrLoad)
```

TermAttAPHO

PMC25_PC51: Term_Att_APHO - Termination Attempts with Access Probe HO

Calculation

```
sum(Sector_Carrier, TermAttAccProbeHO)
```

TermAttAPHOICBSCHO

PMC25_PC52: Term_Att_APHO_ICBSC_HO - Termination Attempts with Access Probe HO -
ICBSC HO

Calculation

```
sum(Sector_Carrier, TermAttAccProbeHOICBSCHO)
```

TermAttFailMSC

Termination Attempt Failures - MSC

Calculation

```
isNull(TermAttFailMSC-  
Sect)?(isNull(BTS_Cell.BTS_SignalType)?(TermAttFailMSC_R160):(TermAttFailM  
SC_R161)):(TermAttFailMSCSect)
```

TermAttFailNtwrk

Termination Attempts Failures Network

Calculation

```
vsum(sum(Sector_Carrier, vsum(TermAttCarrSec, -1 * TermAsgnAttTercktCarrSec,  
-1 * InterBandRedrctAttTrm_CrrThrshExcd, -1 *  
InterBandRedrctAttTrm_InsufEqpRsrc, -1 * interBandRedirectionAttemptsForT-  
erminationAutomatic)), -1 * TermAttIP_PktData)
```

TermAttFailRF

Termination Attempt Failure - RF System

Calculation

```
isNull(BTS_Cell.BTS_SignalType)?(TermAttFailRF_R160):(TermAttFailRF_R161)
```

TermAttFailTercktOrA2p

Termination Attempt Failures-Terckt/A2p Level

Calculation

TermAttFailTerckt

TermAttICBSCTCH

PMC25_PC54: Term_Att_ICBSC_TCH_Assign - Termination Attempts with ICBSC TCH Assignment

Calculation

sum(Sector_Carrier, TermAttICBSCTCHAsgn)

TermAttISTCH

PMC25_PC53: Term_Att_Inter-Sec_TCH_Assign - Termination Attempts with Inter-Sector TCH Assignment

Calculation

sum(Sector_Carrier, TermAttInterSecTCHAsgn)

TermAttPgACHO

PMC25_PC50: Term_Att_PAC_HO - Termination Attempts with Page and Access Channel HO

Calculation

sum(Sector_Carrier, TermAttPgAccChHO)

TermiAsgnFailWalshCode

PMC25_PC13: Term_Assign_Fail_WC - Termination Assignment Failure-Walsh Code

Calculation

sum(Sector_Carrier, TermAttFailWlshCd)

TermiAttFail_IPPkt_Ntwrk

Termination Attempt Failures - IP Pkt Network

Calculation

vsum(TermAttFailPCF_PSI, TermAttFailPDSN)

TermiProbesNonSlotted

cBTS/pBTS Termination ProbesNon-slotted

Calculation

sum(Sector_Carrier.PagingChan.AccChan, TermAttNonSlotAccChan)

TermiProbesSlotted

cBTS/pBTS Termination Probes-slotted

Calculation

```
sum(Sector_Carrier.PagingChan.AccChan, TermAttSlotAccChan)
```

TermProbes

Termination Probes

Calculation

```
vsum(TermiProbesSlotted, TermiProbesNonSlotted)
```

totalCdmaInterBandRedirectionAttemptsFromBandAAutomatic

IBR_Attempts_Automatic - Inter-Band redirection attempts from Band A - Automatic

Calculation

```
inGroup(BTS_Cell.btsBandClass, 0, 2, 3) ? sum(Sector_Carrier,  
vsum(interBandRedirectionAttemptsForOriginationAutomatic,  
interBandRedirectionAttemptsForTerminationAutomatic)) : 0
```

totalCdmaInterBandRedirectionAttemptsFromBandBAutomatic

IBR_Attempts_Automatic - Inter-Band redirection attempts from Band B - Automatic

Calculation

```
inGroup(BTS_Cell.btsBandClass, 1, 6) ? sum(Sector_Carrier,  
vsum(interBandRedirectionAttemptsForOriginationAutomatic,  
interBandRedirectionAttemptsForTerminationAutomatic)) : 0
```

TotCallRedirect

Total Call Redirect

Calculation

```
vsum(TotCallRedirect_R160, sum(Sector_Carrier, CallRed1stSec))
```

TotChannelElementOverflows

Tot_Traf_MCCce_Ovf - Total Traffic MCC Channel Element Overflows

Calculation

```
vsum(sum(Sector_MCCceGrp, TfmCCceOvf), sum(Sector_MCCceGrp, TrfMCCCEFailNoF-  
rmeOffset))
```

UnknownEnterpriseField

Unknown Field exported from Enterprise Server

Calculation

nullInt()

Cell_Sector Peg Counts

The following is a list of peg counts for the Cell_Sector entity.

addsPageSmartSmsLengthSector

PMC63_PC27: ADDS_Page_Smart_SMS_Len - ADDS Page Smart SMS Length - Sector:

Data Source

PM

Source Field

PMC63_PC27

Source Section

PMC63

averagePchLoad

Average PCH Load

Data Source

PM

Source Section

PMC63/200

averagePchLoad_Max

Average PCH Load specifying Maximum Aggregation

Data Source

PM

Source Section

PMC63/200

averagePchLoad_Min

Average PCH Load specifying Minimum Aggregation

Data Source

PM

Source Section

PMC63/200

CellIdenADDs_PgSMS_Brdcst

PMC63_PC4: CellID_ADDS_Page_SMS_Bcast - Cell Identity ADDS Page SMS Broadcast

Source Field

PMC63_PC4

Source Section

PMC63

CellIdenADDs_PgSMS_Length

PMC63_PC5: CellID_ADDS_Page_SMS_Len - Identity ADDS Page SMS Length

Source Field

PMC63_PC5

Source Section

PMC63

CellIdenADDs_PgSMS_P2P

PMC63_PC3: CellID_ADDS_Page_SMS_P-P - Cell Identity ADDS Page SMS Point-to-Point

Source Field

PMC63_PC3

Source Section

PMC63

CellIdenAuthReq

PMC63_PC2: CELL_ID_AUTH_REQ - Cell Identity Authentication Request

Source Field

PMC63_PC2

Source Section

PMC63

CellIdenPg

PMC63_PC1: Cell_ID_Pages - Cell Identity Pages

Source Field

PMC63_PC1

Source Section

PMC63

cumulativeHoldTimeInQueueForAllWPSCalls

Cumulative_Hold_Time_In_Queue_For_All_WPS_Calls - Cumulative Hold Time in Queue for All WPS Calls (CentiSeconds)

Data Source

PM

Source Field

pmC63_PC41

Source Section

PMC63

ETCADisabledDuration

ETCA_Disabled_Duration - ETCA Disabled Duration (Seconds)

Data Source

PM

Source Field

pmC63_PC31

Source Section

PMC63

IS95AB_CarrSelOvfPrimCarrLst

PMC63_PC17: Obsolete in 16.3 IS-95A/B Carrier Selection - Overflow from Primary Carrier List cBTS

Source Field

PMC63_PC17

Source Section

PMC63

IS95ABCarrSelFinalOvf

PMC63_PC21: IS95AB_CARR_SEL_FLR - IS-95A/B Carrier Selection - Final Overflow

Source Field

PMC63_PC21

Source Section

PMC63

IS95ABCarrSelOvfAltSO_Grp

PMC63_PC19: Obsolete in 16.3 IS-95A/B Carrier Selection - Overflow to Alternate SO Group cBTS

Source Field

PMC63_PC19

Source Section

PMC63

1xCarrSelFinalOvf

PMC63_PC20: 1X_CARR_SEL_FLR - 1X Carrier Selection - Final Overflow

Source Field

PMC63_PC20

Source Section

PMC63

IxCarrSelOvfAltSO_Grp

PMC63_PC18: Obsolete in 16.3 1X Carrier Selection - Overflow to Alternate SO Group cBTS

Source Field

PMC63_PC18

Source Section

PMC63

IxCarrSelOvfPrimCarrLst

PMC63_PC16: Obsolete in 16.3 1X Carrier Selection - Overflow from Primary Carrier List cBTS

Source Field

PMC63_PC16

Source Section

PMC63

IxRTD_SO_ChngIS95AB

PMC63_PC22: 1X_RTD_SO_IS95A/B - 1X RTD with Service Option change to IS-95A/B

Source Field

PMC63_PC22

Source Section

PMC63

numberOfCarriersInTheSector

Number of carriers in the sector

Data Source

PM

Source Section

PMC63/PMC200

numOfTimesETCADisabled

Num_Of_Times_ETCA_Disabled - Number of Times ETCA Disabled

Data Source

PM

Source Field

pmC63_PC30

Source Section

PMC63

numWPSCallsQueuedAtMSC

Num_Calls_Queued_at_MSC - Number of WPS Call Queued at MSC

Data Source

PM

Source Field

pmC63_PC32

Source Section

PMC63

OrigAttFailMSCSect

PMC63_PC24: Orig_Att_Fail_MSC - Origination Attempt Failures-MSC

Source Field

PMC63_PC24

Source Section

PMC63

OrigAttFailPCF_PSI

PMC63_PC8: Orig_Att_Fail_SDF_PCF_PSI_VPF - Origination Attempt Failure - SDF/PCF/
PSI/VPF

Source Field

PMC63_PC8

Source Section

PMC63

OrigAttFailPDSN

PMC63_PC9: Orig_Att_Fail_PDSN - Origination Attempt Failure - PDSN

Source Field

PMC63_PC9

Source Section

PMC63

OrigAttIP_PktData

PMC63_PC11: Orig_Atts_IP_Pkt_Data - Origination Attempts - Pkt_Data

Source Field

PMC63_PC11

Source Section

PMC63

smartSmsPayloadDeliveryAttempts

PMC63_PC26: SMART_SMS_PAYLOAD_DELIVERY_ATTEMPTS_SECTOR - Smart SMS Payload Delivery Attempts - Sector

Data Source

PM

Source Field

PMC63_PC26

Source Section

PMC63

TermAttFailCarrLoad

PMC63_PC7: Term_Assign_Fail_Carr_Load - Termination Assignment Failure-Carrier Load

Source Field

PMC63_PC7

Source Section

PMC63

TermAttFailMSCSect

PMC63_PC25: Term_Att_Fail_MSC - Termination Attempt Failures-MSC

Source Field

PMC63_PC25

Source Section

PMC63

TermAttFailPCF_PSI

PMC63_PC12: Term_Att_Fail_SDF_PCF_PSI_VPF - Termination Attempt Failure - SDF/
PCF/PSI/VPF

Source Field

PMC63_PC12

Source Section

PMC63

TermAttFailPDSN

PMC63_PC13: Term_Att_Fail_PDSN - Termination Attempt Failure - PDSN

Source Field

PMC63_PC13

Source Section

PMC63

TermAttIP_PktData

PMC63_PC15: Term_Atts_IP_Pkt_Data - Termination Attempts - Pkt_Data

Source Field

PMC63_PC15

Source Section

PMC63

TrgBand_InterBandRedrcts

PMC63_PC28 Target Band During the Inter Band Redirections

Data Source

PM

Source Field

PMC63_PC28

Source Section

PMC63

WPSNonVoiceCallAttemptsMO

WPS_Non-Voice_Call_Attempts_MO - WPS Non-Voice Call Attempts - MO

Data Source

PM

Source Field

pmC63_PC35

Source Section

PMC63

WPSNonVoiceCallAttemptsMT

WPS_Non-Voice_Call_Attempts_MT - WPS Non-Voice Call Attempts - MT

Data Source

PM

Source Field

pmC63_PC36

Source Section

PMC63

WPSNonVoiceCallSuccessesMO

WPS_Non-Voice_Call-Successes_MO - WPS Non-Voice Call Successes - MO

Data Source

PM

Source Field

pmC63_PC39

Source Section

PMC63

WPSNonVoiceCallSuccessesMT

WPS_Non-Voice_Call_Successes_MT - WPS Non-Voice Call Successes - MT

Data Source

PM

Source Field

pmC63_PC40

Source Section

PMC63

WPSVoiceCallAttemptsMO

WPS_Voice_Call_Attempts_MO - WPS Voice Call Attempts - MO.

Data Source

PM

Source Field

pmC63_PC33

Source Section

PMC63

WPSVoiceCallAttemptsMT

WPS_Voice_Call_Attempts_MT - WPS Voice Call Attempts - MT

Data Source

PM

Source Field

pmC63_PC34

Source Section

PMC63

WPSVoiceCallSuccessesMO

WPS_Voice_Call_Successes_MO - WPS Voice Call Successes - MO

Data Source

PM

Source Field

pmC63_PC37

Source Section

PMC63

WPSVoiceCallSuccessesMT

WPS_Voice_Call_Successes_MT - WPS Voice Call Successes - MT

Data Source

PM

Source Field

pmC63_PC38

Source Section

PMC63

Channel Primitive Calculations

The following is a list of primitive calculations for the Channel entity.

GRAPHmultiLineSeparator

Special Control Field for Multi-Line Graphs

Calculation

""

NUMDAYS

of days in Report

Calculation

DAYSINREPORT ()

NUMHOURS

of hours in Summation Data

UnknownEnterpriseField

Unknown Field exported from Enterprise Server

Calculation

nullInt ()

Channel Peg Counts

The following is a list of peg counts for the Channel entity.

ChanDwnLnkRFLs

Downlink RF Losses on the channel

Source Field

CA40_PC11

Source Section

CA40

ChanOOSTime

Channel OOS Time

Source Field

CA40_BD

Source Section

CA40_BD

ChanUpLnkRFLs

Uplink RF Losses on the channel

Source Field

CA40_PC16

Source Section

CA40

ChanUsgTime

Channel Usage Time

Source Field

CA40_UT

Source Section

CA40_UT

DwnLnkCIEvnt

Downlink C/I Events

Source Field

CA40_PC4

Source Section

CA40

HoCompSrcChan

Handoff Completions (Source Channel)

Source Field

CA40_PC14

Source Section

CA40

HoCompTrgtChan

Handoff Completions (Target Channel)

Source Field

CA40_PC15

Source Section

CA40

HoFlSrcChan

Handoff Failures (Source Channel)

Source Field

CA40_PC10

Source Section

CA40

HoReqSrcChan

Handoff Requests (Source Channel)

Source Field

CA40_PC13

Source Section

CA40

Seizures

Seizures

Source Field

CA40_PC7

Source Section

CA40

T0tHoFail

Total Handoff Failures (Calls Dropped During a Handoff)

Source Field

CA40_PC9

Source Section

CA40

TotFlsRls

Total False Releases

Source Field

CA40_PC2

Source Section

CA40

TotRlsAdt

Total Releases Audited

Source Field

CA40_PC1

Source Section

CA40

UpLnkCIEvnt

Uplink C/I Events

Source Field

CA40_PC3

Source Section

CA40

CircuitGroup Primitive Calculations

The following is a list of primitive calculations for the CircuitGroup entity.

GRAPHmultiLineSeparator

Special Control Field for Multi-Line Graphs

Calculation

""

NUMDAYS

of days in Report

Calculation

DAYSINREPORT ()

NUMHOURS

of hours in Summation Data

UnknownEnterpriseField

Unknown Field exported from Enterprise Server

Calculation

nullInt ()

CircuitGroup Peg Counts

The following is a list of peg counts for the CircuitGroup entity.

DTMF_AttBlk

DTM Attempts Blocked

Source Field

CA32_PC11

Source Section

CA32

DTMF_UsgTime

DTFM Usage Time (in circuit minutes)

Source Field

CA32_UT

Source Section

CA32_UT

MF_AttBlk

MF Attempts Blocked

Source Field

CA31_PC11

Source Section

CA31

MF_UsgTime

MF Usage Time (in circuit minutes)

Source Field

CA31_UT

Source Section

CA31_UT

SendrAttBlk

Attempts Blocked 1/0 Sender Circuits

Source Field

CA35_PC11

Source Section

CA35

SendrUsgTime

Usage Time (in circuit minutes) - Sender Circuits

Source Field

CA35_UT

Source Section

CA35_UT

TPC_AttBlk

TPC Attempts Blocked

Source Field

CA30_PC11

Source Section

CA30

TPCUsqTime

TPC Group Usage Time

Source Field

CA30_UT

Source Section

CA30_UT

CodingType Primitive Calculations

The following is a list of primitive calculations for the CodingType entity.

CodingTypeName

Names for Coding Type - 0 = Convolutional, 1 = Turbo

Calculation

```
protect ( decode ( stringToInt(LocalKey),0,"Convolutional",1,"Turbo" ) )
```

GRAPHmultiLineSeparator

Special Control Field for Multi-Line Graphs

Calculation

```
""
```

NUMDAYS

of days in Report

Calculation

DAYSINREPORT ()

NUMHOURS

of hours in Summation Data

CPP Primitive Calculations

The following is a list of primitive calculations for the CPP entity.

GRAPHmultiLineSeparator

Special Control Field for Multi-Line Graphs

Calculation

""

NUMDAYS

of days in Report

Calculation

DAYSINREPORT ()

NUMHOURS

of hours in Summation Data

UnknownEnterpriseField

Unknown Field exported from Enterprise Server

Calculation

nullInt ()

CPP Peg Counts

The following is a list of peg counts for the CPP entity.

callCCS

Call usage in CCS

Source Field

aemsC117: PC6,PC1

Data Source

aemsC Files

Source Section

aemsC117

totalCalls

Total Calls

Data Source

aemsC Files

Source Field

aemsC206_PC1

Source Section

aemsC206

CPP_CPU Primitive Calculations

The following is a list of primitive calculations for the CPP_CPU entity.

GRAPHmultiLineSeparator

Special Control Field for Multi-Line Graphs

Calculation

""

NUMDAYS

of days in Report

Calculation

DAYSINREPORT ()

NUMHOURS

of hours in Summation Data

CPP_CPU Peg Counts

The following is a list of peg counts for the CPP_CPU entity.

CPU_Util_Avg

CPP CPU Utilization in percentage calculated by averaging 10-min CPU Utilization values in OMC SAR

Data Source

OMC SAR

Source Field

CPU_Util

Source Section

SAR

CPU_Util_Max

CPP CPU Utilization in percentage calculated by picking the maximum of 10-min CPU Utilization values in OMC SAR

Data Source

OMC SAR

Source Field

CPU_Util

Source Section

SAR

CSM_EMAXX Primitive Calculations

The following is a list of primitive calculations for the CSM_EMAXX entity.

CallSUAsnAtt

pBTS CallSetup Assignment Attempts

Calculation

```
vsum(TfMCCceOrigAsgnAtt_p,TfMCCceTermAsgnAtt_p)
```

GRAPHmultiLineSeparator

Special Control Field for Multi-Line Graphs

Calculation

""

lxFwdTchChnlElmntUsageTimeFwdSchSec

PMC116_PC19: 1X_FTCH_USAGE_SHARED_FSCH - 1X F-TCH CEs Usage Shared for F-SCH (seconds)

Calculation

$lxFwdTchChnlElmntUsageTimeFwdSch / 1000.0$

lXRevTchChnlElmntUsageTimeRevSchSec

PMC116_PC20: 1X_RTCH_USAGE_SHARED_RSCH - 1X R-TCH CEs Usage Shared for R-SCH (seconds)

Calculation

$lXRevTchChnlElmntUsageTimeRevSch / 1000.0$

NUMDAYS

of days in Report

Calculation

$DAYSINREPORT ()$

NUMHOURS

of hours in Summation Data

TfMCCceOrgAsgnSucc

MCCce_Orig_Assgn_Success_pBTS - Traffic MCC Channel Element Origination Assignment Successes pBTS

Calculation

$vsum(TfMCCceOrigAsgnAtt_p, -1 * TfMCCceOrigAssgFail_p)$

TfMCCceTrmAsgnSucc

MCCce_Term_Assgn_Success_pBTS - Traffic MCC Channel Element Termination Assignment Successes pBTS

Calculation

$vsum(TfMCCceTermAsgnAtt_p, -1 * TfMCCceTermAssgFail_p)$

UnknownEnterpriseField

Unknown Field exported from Enterprise Server

Calculation

nullInt()

CSM_EMAXX Peg Counts

The following is a list of peg counts for the CSM_EMAXX entity.

ICBSCTfMCCceUsg_p

PMC116_PC12: MCCce_Usage_Time_ICBSC_pBTS - ICBSC Traffic MCC Channel Element Usage Time pBTS

Source Field

PMC116_PC12

Source Section

PMC116

IS2000CE_UsageTime_p

PMC116_PC15: MCCce_Usage_Time_IS2000_pBTS - IS2000 Channel Element Usage Time pBTS

Source Field

PMC116_PC15

Source Section

PMC116

IxFowardTchChannelElementsUsageTimeforForwardSch

PMC116_PC19: 1X_FTCH_USAGE_SHARED_FSCH - 1X F-TCH CEs Usage Shared for F-SCH (milliseconds)

Data Source

PM

Source Field

PMC116_PC19

Source Section

PMC116

IxReverseTchChannelElementsUsageTimeforReverseSch

PMC116_PC20: 1X_RTCH_USAGE_SHARED_RSCH - 1X R-TCH CEs Usage Shared for R-SCH (milliseconds)

Data Source

PM

Source Field

PMC116_PC20

Source Section

PMC116

OnewHoRFLstTCH_p

PMC116_PC7: Ho_Rf_Loss_1_TCH_pBTS - 1-Way Handoff RF Loss - TCH pBTS

Source Field

PMC116_PC7

Source Section

PMC116

PDFundCEUsage_p

PMC116_PC13: MCCce_Usage_Time_PktData_Fund_pBTS - Packet Data Fundamental Channel Element Usage Time pBTS

Source Field

PMC116_PC13

Source Section

PMC116

PDSuppCEUsage_p

PMC116_PC14: MCCce_Usage_Time_PktData_Supp_pBTS - Packet Data Supplemental Channel Element Usage Time pBTS

Source Field

PMC116_PC14

Source Section

PMC116

TfMCCce_EquippBTS_p

PMC116_PC16: TRAF_MCC_CE_EQP_pBTS - Number of Traffic MCC Channel Element Equipped pBTS

Source Field

PMC116_PC16

Source Section

PMC116

TfMCCceOOS_p

PMC116_PC2: MCC_OOS_Time_pBTS - Traffic MCC Channel Element OOS Time pBTS

Source Field

PMC116_PC2

Source Section

PMC116

TfMCCceOrgAsgnComp_p

PMC116_PC4: Obsolete Count in Release 16.1

Source Field

PMC116_PC4

Source Section

PMC116

TfMCCceOrigAsgnAtt_p

PMC116_PC3: MCCce_Orig_Assgn_Atts_pBTS - Traffic MCC Channel Element Origination Assignment Attempts pBTS

Source Field

PMC116_PC3

Source Section

PMC116

TfMCCceOrigAssgFail_p

PMC116_PC17: MCCce_Orig_Assgn_Fail_pBTS - Traffic MCC Channel Element Origination Assignment Failures pBTS

Source Field

PMC116_PC17

Source Section

PMC116

TfMCCceTermAsgnAtt_p

PMC116_PC5: MCCce_Term_Assgn_Atts_pBTS - Traffic MCC Channel Element Termination Assignment Attempts pBTS

Source Field

PMC116_PC5

Source Section

PMC116

TfMCCceTermAsgnComp_p

PMC116_PC6: Obsolete Count in Release 16.1

Source Field

PMC116_PC6

Source Section

PMC116

TfMCCceTermAssgFail_p

PMC116_PC18: MCCce_Term_Assgn_Fail_pBTS - Traffic MCC Channel Element Termination Assignment Failures pBTS

Source Field

PMC116_PC18

Source Section

PMC116

TfMCCceUsg_p

PMC116_PC1: MCCce_Usage_Time_pBTS - Traffic MCC Channel Element Usage Time pBTS

Source Field

PMC116_PC1

Source Section

PMC116

ThreewpHoRFLstTCH_p

PMC116_PC9: Ho_Rf_Loss_3Plus_TCH pBTS - 3-way Plus Handoff RF Loss - TCH pBTS

Source Field

PMC116_PC9

Source Section

PMC116

TwowHoRFLstTCH_p

PMC116_PC8: Ho_Rf_Loss_2_TCH_pBTS - 2-Way Handoff RF Loss - TCH pBTS

Source Field

PMC116_PC8

Source Section

PMC116

DPC Primitive Calculations

The following is a list of primitive calculations for the DPC entity.

GRAPHmultiLineSeparator

Special Control Field for Multi-Line Graphs

Calculation

""

NUMDAYS

of days in Report

Calculation

DAYSINREPORT ()

NUMHOURS

of hours in Summation Data

UnknownEnterpriseField

Unknown Field exported from Enterprise Server

Calculation

nullInt ()

DPC Peg Counts

The following is a list of peg counts for the DPC entity.

AdjSPInaccessbl

Times Adjacent SP Inaccessible

Source Field

C086_02_PC1

Source Section

C086_02

DurAdjSPInaccessbl

Duration of Adjacent SP Inaccessible

Source Field

C086_02_PC2

Source Section

C086_02

DurRtSetUnavail2DPC

Duration of Route-Set Unavailability to DPC

Source Field

C088_02_PC2

Source Section

C088_02

UnavailRtSet

Unavailability of Route-Set

Source Field

C088_02_PC1

Source Section

C088_02

EntryType Primitive Calculations

The following is a list of primitive calculations for the EntryType entity.

GRAPHmultiLineSeparator

Special Control Field for Multi-Line Graphs

Calculation

""

NUMDAYS

of days in Report

Calculation

DAYSINREPORT ()

NUMHOURS

of hours in Summation Data

UnknownEnterpriseField

Unknown Field exported from Enterprise Server

Calculation

nullInt()

EntryType Peg Counts

The following is a list of peg counts for the EntryType entity.

blockedCalls

Blocked Calls

Data Source

aemsC Files

Source Field

aemsC112_PC4

Source Section

aemsC112

droppedCalls

Dropped Calls

Data Source

aemsC Files

Source Field

aemsC112_PC3

Source Section

aemsC112

goodCalls

Good Calls

Data Source

aemsC Files

Source Field

aemsC112_PC2

Source Section

aemsC112

goodCfc26_Calls

Good CFC26 Calls

Data Source

aemsC Files

Source Field

aemsC112_PC8

Source Section

aemsC112

setupFailureCalls

Setup Failure Calls

Data Source

aemsC Files

Source Field

aemsC112_PC7

Source Section

aemsC112

smsCalls

SMS Calls

Data Source

aemsC Files

Source Field

aemsC112_PC5

Source Section

aemsC112

totalCalls

Total Calls

Data Source

aemsC Files

Source Field

aemsC112_PC1

Source Section

aemsC112

totalCdl

Total CDLs

Data Source

aemsC Files

Source Field

aemsC112_PC9

Source Section

aemsC112

uniqueUsers

Unique Users

Data Source

aemsC Files

Source Field

aemsC112_PC10

Source Section

aemsC112

usageHours

Usage Hours

Data Source

aemsC Files

Source Field

aemsC112_PC6

Source Section

aemsC112

Ext_Sector_Carrier Primitive Calculations

The following is a list of primitive calculations for the Ext_Sector_Carrier entity.

GRAPHmultiLineSeparator

Special Control Field for Multi-Line Graphs

Calculation

""

NUMDAYS

of days in Report

Calculation

DAYSINREPORT ()

NUMHOURS

of hours in Summation Data

UnknownEnterpriseField

Unknown Field exported from Enterprise Server

Calculation

nullInt ()

FEP Primitive Calculations

The following is a list of primitive calculations for the FEP entity.

GRAPHmultiLineSeparator

Special Control Field for Multi-Line Graphs

Calculation

""

NUMDAYS

of days in Report

Calculation

DAYSINREPORT ()

NUMHOURS

of hours in Summation Data

UnknownEnterpriseField

Unknown Field exported from Enterprise Server

Calculation

nullInt ()

FEP_CPU Primitive Calculations

The following is a list of primitive calculations for the FEP_CPU entity.

GRAPHmultiLineSeparator

Special Control Field for Multi-Line Graphs

Calculation

""

NUMDAYS

of days in Report

Calculation

DAYSINREPORT ()

NUMHOURS

of hours in Summation Data

FEP_CPU Peg Counts

The following is a list of peg counts for the FEP_CPU entity.

CPU_Util_Avg

FEP CPU Utilization in percentage calculated by averaging 10-min CPU Utilization values in OMC SAR

Data Source

OMC SAR

Source Field

CPU_Util

Source Section

SAR

CPU_Util_Max

FEP CPU Utilization in percentage calculated by picking the maximum of 10-min CPU Utilization values in OMC SAR

Data Source

OMC SAR

Source Field

CPU_Util

Source Section

SAR

FEPR Primitive Calculations

The following is a list of primitive calculations for the FEPR entity.

GRAPHmultiLineSeparator

Special Control Field for Multi-Line Graphs

Calculation

""

NUMDAYS

of days in Report

Calculation

DAYSINREPORT ()

NUMHOURS

of hours in Summation Data

FEPR Peg Counts

The following is a list of peg counts for the FEPR entity.

CPU_Util_Avg

FEPR CPU Utilization in percentage calculated by averaging 10-min CPU Utilization values in OMC SAR

Data Source

OMC SAR

Source Field

CPU_Util

Source Section

SAR

CPU_Util_Max

FEPR CPU Utilization in percentage calculated by picking the maximum of 10-min CPU Utilization values in OMC SAR

Data Source

OMC SAR

Source Field

CPU_Util

Source Section

SAR

GPROC Primitive Calculations

The following is a list of primitive calculations for the GPROC entity.

GRAPHmultiLineSeparator

Special Control Field for Multi-Line Graphs

Calculation

""

NUMDAYS

of days in Report

Calculation

DAYSINREPORT ()

NUMHOURS

of hours in Summation Data

GPROC Peg Counts

The following is a list of peg counts for the GPROC entity.

CPU_Util_Avg

GPROC CPU Utilization in percentage calculated by averaging 10-min CPU Utilization values in OMC SAR

Data Source

OMC SAR

Source Field

CPU_Util

Source Section

SAR

CPU_Util_Max

GPROC CPU Utilization in percentage calculated by picking the maximum of 10-min CPU Utilization values in OMC SAR

Data Source

OMC SAR

Source Field

CPU_Util

Source Section

SAR

HoTarget Primitive Calculations

The following is a list of primitive calculations for the HoTarget entity.

GRAPHmultiLineSeparator

Special Control Field for Multi-Line Graphs

Calculation

""

NUMDAYS

of days in Report

Calculation

DAYSINREPORT ()

NUMHOURS

of hours in Summation Data

UnknownEnterpriseField

Unknown Field exported from Enterprise Server

Calculation

nullInt ()

HoTarget Peg Counts

The following is a list of peg counts for the HoTarget entity.

HoComp

Handoff Completions

Source Field

C04D_01_PC1

Source Section

C04D_01

HoFail

Handoff Failures

Source Field

C04D_01_PC2

Source Section

C04D_01

IC_BackHaul Primitive Calculations

The following is a list of primitive calculations for the IC_BackHaul entity.

GRAPHmultiLineSeparator

Special Control Field for Multi-Line Graphs

Calculation

""

NUMHOURS

of hours in Summation Data

Calculation

UnknownEnterpriseField

Unknown Field exported from Enterprise Server

Calculation

nullInt()

IC_DS0 Primitive Calculations

The following is a list of primitive calculations for the IC_DS0 entity.

GRAPHmultiLineSeparator

Special Control Field for Multi-Line Graphs

Calculation

""

UnknownEnterpriseField

Unknown Field exported from Enterprise Server

Calculation

nullInt()

IC_SubrateChan Primitive Calculations

The following is a list of primitive calculations for the IC_SubrateChan entity.

GRAPHmultiLineSeparator

Special Control Field for Multi-Line Graphs

Calculation

""

NUMDAYS

of days in Report

Calculation

DAYSINREPORT()

NUMHOURS

of hours in Summation Data

UnknownEnterpriseField

Unknown Field exported from Enterprise Server

Calculation

nullInt()

IC_SubrateChan Peg Counts

The following is a list of peg counts for the IC_SubrateChan entity.

ICBSCSbrtChanAsn

PMC54_PC3: ICSRCHAN_ASSGN - Subrate Channel Assignments - Subrate Channel

Source Field

PMC54_PC3

Source Section

PMC54

ICBSCSbrtChanGlr

PMC54_PC4: ICSRCHAN_GLARE - Subrate Channel Glare - Subrate Channel

Source Field

PMC54_PC4

Source Section

PMC54

ICBSCSbrtChanOOS

PMC54_PC2: ICSRCHAN_OOS - Subrate Channel OOS Time - Subrate Channel

Source Field

PMC54_PC2

Source Section

PMC54

ICBSCSbrtChanUsg

PMC54_PC1: ICSRCHAN_USG - Subrate Channel Usage Time - Subrate Channel

Source Field

PMC54_PC1

Source Section

PMC54

ICTrunkGroup Primitive Calculations

The following is a list of primitive calculations for the ICTrunkGroup entity.

AncGrpAsgn

ICSRCHAN_ANC_ASSGN - Anchor ICBSC Subrate Channel Assignments

Calculation

```
vsum(AncIBSCSbrtChanAtt, -1 * AncICBSCSbrtChanOvf, -1 * ICBSCSbrtChanGlr)
```

AncGrpUsg

PMC53_PC5: ICSRCHAN_ANC_USG - ICBSC Subrate Channel Usage (minutes)

Calculation

```
AnICBSCSbrtChanUsg / 60.0
```

DeniedProc

Total Add Procedures - Anchor TrunkGroup

Calculation

```
vsum(ICBSCInitSoHoAddReqAncTG, ICBSCSubSoHoAddReqAncTG, ICBSCSSrHoAddReqAncTG, -1 * ICBSCInitSoHoAddAttAncTG, -1 * ICBSCSSoHoAddAtrAncTG, -1 * ICBSCSSrHoAddAtAncTG)
```

DeniedProcedure

Denied Procedures TN Based

Calculation

```
vsum(ICBSC_InitSftHoAddReqTN_Src, ICBSC_SubSftHoAddReqTN_Src, ICBSC_SubSftrHoAddReqTN_Src, -1 * ICBSC_InitSftHoAddAttTN_Src, -1 * ICBSC_SubSftHoAddAttTN_Src, -1 * ICBSC_SubSftrHoAddAttTN_Src)
```

EngCapB

Engineering Capacity Erlang B

Calculation

```
capacityB(ICBSCSbrtChanMemEquip, GOS)
```

EngCapP

Engineering Capacity Poisson

Calculation

```
capacityP(ICBSCSbrtChanMemEquip, GOS)
```

GOS

Grade of Service

GRAPHmultiLineSeparator

Special Control Field for Multi-Line Graphs

Calculation

""

ICBSC_HSPD_HoComp

ICBSC_HSPD_HO_Comp_TN_Src - Inter-CBSC High Speed Packet Data HO Completions - TN Source

Calculation

$\text{vsum}(\text{ICBSC_HSPD_HoAttTN_Src}, -1 * \text{ICBSC_HSPD_HoFailTN_Src})$

ICBSC_IS2000HoComp

ICBSC_IS2000_HO_Comp_TrkGrp - Inter-CBSC IS2000 Packet Data HO Completions - Anchor Trunk Group

Calculation

$\text{vsum}(\text{ICBSC_IS2000PktDataHoAttAnTrkGrp}, -1 * \text{ICBSC_IS2000PktDataHoFailAnTrkGrp})$

ICBSC_IS2000PktDHoCompTN_Src

ICBSC_IS2000_HO_Comp_TN_Src - Inter-CBSC IS2000 Packet Data HO Completions - TN Source

Calculation

$\text{vsum}(\text{ICBSC_IS2000PktDHoAttTN_Src}, -1 * \text{ICBSC_IS2000PktDHoFailTN_Src})$

ICBSC_SHO_AncHHoAtt

IC_C2C_AncHO_Att_TN_Src - ICBSC SHO Anchor Hard Handoff Attempts - TN Source

Calculation

$\text{vsum}(\text{ICBSC_SHO_AncHHoFailTN_Src}, \text{ICBSC_SHO_AncHHoCompTN_Src})$

ICBSC_SHO_CarrSeamHHoAtt

IC_CSeam_HHO_Att_TN_Src - ICBSC SHO Carrier Seam Hard Handoff Attempts - TN Source

Calculation

$\text{vsum}(\text{ICBSC_SHO_CarrSeamHHoFailTN_Src}, \text{ICBSC_SHO_CarrSeamHHoCompTN_Src})$

ICBSC_SHO_CtoA_HHoAtt

IC_C2A_HHO_Att_TN_Src - ICBSC CDMA to Analog Handoff Attempts - TN Source

Calculation

vsum(ICBSC_CtoA_HoFailTN_Src, ICBSC_CtoA_HoCompTN_Src)

ICBSC_SHO_ExtCBSC_HHoAtt

IC_C2C_ExtCBSC_Att_TN_Src - ICBSC SHO External CBSC Hard Handoff Attempts - TN Source

Calculation

vsum(ICBSC_SHO_ExtCBSC_HoFailTN_Src, ICBSC_SHO_ExtCBSC_HoCompTN_Src)

ICBSC_HSPD_HoComp

ICBSC_HSPD_HO_Comp_TrkGrp - Inter-CBSC High Speed Packet Data HO Completions - Trunk Group

Calculation

vsum(ICBSCBSCHSPDHOAttAnTG, -1 * ICBSCBSCHSPDHOFlAnTG)

ICBSCSHOAnchorHoAtt

IC_C2C_AncHO_Att_AncTrkGrp - ICBSC SHO Anchor Hard Handoff Attempts - Anchor Trunk Group

Calculation

vsum(ICBSCSHOAnHHOFailAnTG, ICBSCSHOAnHHOCompAnTG)

icbScShoAnchorActiveDataHardHandoffAttempts

IC_C2C_Pkt_data_AncHO_Att_AncTrkGrp - ICBSC SHO Anchor Active Data Hard Handoff Attempts - Anchor Trunk Group

Calculation

vsum(icbScShoAnchorActiveDataHardHandoffFailures, icbScShoAnchorActiveDataHardHandoffCompletions)

icbScShoAnchorActiveDataHardHandoffAttemptsTnSource

IC_Pkt_data_C2C_AncHO_Att_TN_Src - ICBSC SHO Anchor Active Data Hard Handoff Attempts - TN Source

Calculation

vsum(icbScShoAnchorActiveDataHardHandoffFailuresTnSource, icbScShoAnchorActiveDataHardHandoffCompletionsTnSource)

ICBSCSHOC2AHOAtt

IC_C2A_HHO_Att_AncTrkGrp - SHO CDMA to Analog Handoff Attempts - Anchor Trunk Group

Calculation

vsum(ICBSCSHOCtoAHOF1AnTG, ICBSCSHOCtoAHOCmpAnTG)

icbScShoCarrierSeamActiveDataHardHandoffAttempts

IC_CSeam_ADHHO_Att_AncTrkGrp - ICBSC SHO Carrier Seam Active Data Hard Handoff Attempts - Anchor Trunk Group

Calculation

vsum(icbScShoCarrierSeamActiveDataHardHandoffFailures, icbScShoCarrierSeamActiveDataHardHandoffCompletions)

icbScShoCarrierSeamActiveDataHardHandoffAttemptsTnSource

IC_CSeam_ADHHO_Att_TN_Src - ICBSC SHO Carrier Seam Active Data Hard Handoff Attempts - TN Source

Calculation

vsum(icbScShoCarrierSeamActiveDataHardHandoffFailuresTnSource, icbScShoCarrierSeamActiveDataHardHandoffCompletionsTnSource)

ICBSCSHOCarrSmHOAtt

IC_CSeam_HHO_Att_AncTrkGrp - ICBSC SHO Carrier Seam Hard Handoff Attempts - Anchor Trunk Group

Calculation

vsum(ICBSCSHOCrSmHHOF1AnTG, ICBSCSHOCrSmHHOCpAnTG)

ICBSCSHOExtCBSCHOAtt

IC_C2C_ExtCBSC_Att_AncTrkGrp - ICBSC SHO External CBSC Hard Handoff Attempts - Anchor Trunk Group

Calculation

vsum(ICBSCSHOExtCHHOFailAnTG, ICBSCSHOExtCHHOCmpAnTG)

icbScShoExternalCbScActiveDataHardHandoffAttempts

IC_C2C_Pkt_data_ExtCBSC_Att_AncTrkGrp - ICBSC SHO External CBSC Active Data Hard Handoff Attempts - Anchor Trunk Group

Calculation

`vsum(icbScShoExternalCbScActiveDataHardHandoffFailures, icbScShoExternal-CbScActiveDataHardHandoffCompletions)`

icbScShoExternalCbScActiveDataHardHandoffAttemptsTnSource

IC_Pkt_data_C2C_ExtCBSC_Att_TN_Src - ICBSC SHO External CBSC Active Data Hard Handoff Attempts - TN Source

Calculation

`vsum(icbScShoExternalCbScActiveDataHardHandoffFailuresTnSource, icbScShoExternalCbScActiveDataHardHandoffCompletionsTnSource)`

InitSftAddComp

IC_Init_SHo_Add_Comp_Anc_TrkGrp - ICBSC Initial Soft Handoff Add Completions - Anchor Trunk Group

Calculation

`vsum(ICBSCInitSoHoAddAttAncTG, -1 * ICBSCInitSoHoAddFailAnTG)`

InitSoftAddComp

IC_Init_Sho_Add_Comp_Tn_Src - ICBSC Initial Soft Handoff Add Completions - TN Source

Calculation

`vsum(ICBSC_InitSftHoAddAttTN_Src, -1 * ICBSC_InitSftHoAddFailTN_Src)`

IntermSftDropComp

IC_Int_Sho_Drop_Comp_Tn_Src - ICBSC Intermediate Soft Handoff Drop Completions - TN Source

Calculation

`vsum(ICBSC_IntermSftHoDpAttTN_Src, -1 * ICBSC_IntermSftHoDpFailTN_Src)`

IntermSftrDropComp

IC_Int_SrHo_Drop_Comp_Tn_Src - ICBSC Intermediate Softer Handoff Drop Completions - TN Source

Calculation

`vsum(ICBSC_IntermSftrHoDropAttTN_Src, -1 * ICBSC_IntermSftrHoDropFailTN_Src)`

LastSftDropComp

IC_Last_Sho_Drop_Comp_Tn_Src - ICBSC Last Soft Handoff Drop Completions - TN Source

Calculation

$\text{vsum}(\text{ICBSC_LstHoDropAttTN_Src}, -1 * \text{ICBSC_LstHoDropFailTN_Src})$

LstSftDropComp

IC_Last_SHo_Drop_Comp_Anc_TrkGrp - ICBSC Last Soft Handoff Drop Completions - Anchor Trunk Group

Calculation

$\text{vsum}(\text{ICBSCSLsSoHoDrpAtAnTG}, -1 * \text{ICBSCSLsSoHoDrpFlAnTG})$

NUMDAYS

of days in Report

Calculation

$\text{DAYSINREPORT}()$

NUMHOURS

of hours in Summation Data

OffCapE

Offered Capacity Erlang B

Calculation

$(\text{capacity}(\text{ICBSCSbrtChanMemEquip}, \text{GOS}) / (1 - \text{GOS}))$

OffCapP

Offered Capacity Poisson

Calculation

$(\text{capacityP}(\text{ICBSCSbrtChanMemEquip}, \text{GOS}) / (1 - \text{GOS}))$

SbqntSftAddComp

IC_Sub_SHo_Add_Comp_Anc_TrkGrp - ICBSC Subsequent Soft Handoff Add Completions - Anchor Trunk Group

Calculation

$\text{vsum}(\text{ICBSCSSoHoAddAtrAncTG}, -1 * \text{ICBSCSSoHoAddFailAncTG})$

SbqntSftrAddComp

IC_Sub_SrHo_Add_Comp_Anc_TrkGrp - ICBSC Subsequent Softer Handoff Add Completions - Anchor Trunk Group

Calculation

$\text{vsum}(\text{ICBSCSSrHoAddAtAnTG}, -1 * \text{ICBSCSSrHoAddFlAnTG})$

SubsqntSftAddComp

IC_Sub_Sho_Add_Comp_Tn_Src - ICBSC Subsequent Soft Handoff Add Completions - TN Source

Calculation

$\text{vsum}(\text{ICBSC_SubsSftHoAddAttTN_Src}, -1 * \text{ICBSC_SubsSftHoAddFailTN_Src})$

SubsqntSftrAddComp

IC_Sub_SrHo_Add_Comp_Tn_Src - ICBSC Subsequent Softer Handoff Add Completions - TN Source

Calculation

$\text{vsum}(\text{ICBSC_SubsSftrHoAddAttTN_Src}, -1 * \text{ICBSC_SubsSftrHoAddFailTN_Src})$

TotAddFail

Total Add Failures - TN Source

Calculation

$\text{vsum}(\text{ICBSC_InitSftHoAddFailTN_Src}, \text{ICBSC_SubsSftHoAddFailTN_Src}, \text{ICBSC_SubsSftrHoAddFailTN_Src})$

TotAddProc

Total Add Procedures - Anchor TrunkGroup

Calculation

$\text{vsum}(\text{ICBSCInitSoHoAddReqAncTG}, \text{ICBSCSubSoHoAddReqAncTG}, \text{ICBSCSSrHoAddReqAncTG})$

TotAddProcedure

Total Add Procedures - TN Source

Calculation

$\text{vsum}(\text{ICBSC_InitSftHoAddReqTN_Src}, \text{ICBSC_SubsSftHoAddReqTN_Src}, \text{ICBSC_SubsSftrHoAddReqTN_Src})$

TotDropFail

Total Drop Failures - TN Source

Calculation

```
vsum(ICBSC_LstHoDropFailTN_Src, ICBSC_IntermSftHoDpFailTN_Src,  
ICBSC_IntermSftrHoDropFailTN_Src)
```

TotDropProc

Total Drop Procedures - Anchor TrunkGroup

Calculation

```
vsum(ICBSC_LsSoHoDrpAtAnTG, ICBSC_InSoHoDrpAtAnTG, ICBSC_InSrHoDrpAttAnTG)
```

TotDropProcedure

Total Drop Procedures - TN Source

Calculation

```
vsum(ICBSC_LstHoDropAttTN_Src, ICBSC_IntermSftHoDpAttTN_Src,  
ICBSC_IntermSftrHoDropAttTN_Src)
```

TotGrpAsgn

ICSRCHAN_TOT_ASSGN - Total ICBSC Subrate Channel Assignments

Calculation

```
vsum(TotICBSCSbrtChanAtt, -1 * TotICBSCSbrtChanOvf)
```

TotGrpUsgMin

PMC53_PC2: ICSRCHAN_TOT_USG - ICBSC Subrate Channel Usage (minutes)

Calculation

```
TotICSBrtChUsg / 60.0
```

TotICBSC_SHO_HHoAtt

Total ICBSC SHO Hard HO Attempts - TN Source

Calculation

```
vsum(ICBSC_SHO_CarrSeamHHoFailTN_Src, ICBSC_SHO_CarrSeamHHoCompTN_Src,  
ICBSC_CtoA_HoFailTN_Src, ICBSC_CtoA_HoCompTN_Src,  
ICBSC_SHO_AncHHoFailTN_Src, ICBSC_SHO_AncHHoCompTN_Src,  
ICBSC_SHO_ExtCBSCHHoFailTN_Src, ICBSC_SHO_ExtCBSCHHoCompTN_Src)
```

TotICBSC_SHO_HHoReq

Total ICBSC SHO Hard HO Requests - TN Source

Calculation

vsum(ICBSC_SHO_CarrSeamHHoReqTN_Src, ICBSC_CtoA_HoReqTN_Src,
ICBSC_SHO_AncHHoReqTN_Src, ICBSC_SHO_ExtCBSCHHoReqTN_Src)

TotICBSC_SHOHHoComp

Total ICBSC SHO Hard HO Completions - TN Source

Calculation

vsum(ICBSC_SHO_CarrSeamHHoCompTN_Src, ICBSC_CtoA_HoCompTN_Src,
ICBSC_SHO_AncHHoCompTN_Src, ICBSC_SHO_ExtCBSCHHoCompTN_Src)

TotICBSCSHOHoAtt

Total ICBSC SHO Hard HO Attempts - Anchor TrunkGroup

Calculation

vsum(ICBSCSHOCrSmHHOFlAnTG, ICBSCSHOCrSmHHOCpAnTG, ICBSCSHOctoAHOFlAnTG,
ICBSCSHOctoAHOCmpAnTG, ICBSCSHOAnHHOFailAnTG, ICBSCSHOAnHHOCmpAnTG, ICB-
SCSHOExtCHHOFailAnTG, ICBSCSHOExtCHHOCmpAnTG)

TotICBSCSHOHoComp

Total ICBSC SHO Hard HO Completes - Anchor TrunkGroup

Calculation

vsum(ICBSCSHOCrSmHHOCpAnTG, ICBSCSHOctoAHOCmpAnTG, ICBSCSHOAnHHOCmpAnTG,
ICBSCSHOExtCHHOCmpAnTG)

TotICBSCSHOHoReq

Total ICBSC SHO Hard HO Requests - Anchor TrunkGroup

Calculation

vsum(ICBSCSHOCrSmHHORqAnTG, ICBSCSHOctoAHORqAnTG, ICBSCSHOAnHHORqAnTG,
ICBSCSHOExtCHHORqAnTG)

TotOOSTimeMin

PMC53_PC8: ICSRCHAN_OOS - Subrate Channel OOS Time (minutes)

Calculation

ICBSCSbrtChanOOSTm / 60.0

TrgtGrpAsgn

ICSRCHAN_TAR_ASSGN - Target ICBSC Subrate Channel Assignments

Calculation

```
vsum(TotICBSCSbrtChanAtt, -1 * TotICBSCSbrtChanOvf, -1 * AncIBSCS-  
brtChanAtt, AncICBSCSbrtChanOvf, ICBSCSbrtChanGlr)
```

TrgtGrpAtt

ICSRCHAN_TAR_ATT - Target ICBSC Subrate Channel Attempts

Calculation

```
vsum(TotICBSCSbrtChanAtt, -1 * AncIBSCSbrtChanAtt)
```

TrgtGrpOvf

ICSRCHAN_TAR_OVF - Target ICBSC Subrate Channel Overflows

Calculation

```
vsum(TotICBSCSbrtChanOvf, -1 * AncICBSCSbrtChanOvf)
```

TrgtGrpUsg

ICSRCHAN_TAR_USG - Target ICBSC Subrate Channel Usage (minutes)

Calculation

```
vsum(TotICSbrtChUsg, -1 * AnICBSCSbrtChanUsg) / 60.0
```

UnknownEnterpriseField

Unknown Field exported from Enterprise Server

Calculation

```
nullInt()
```

ICTrunkGroup Peg Counts

The following is a list of peg counts for the ICTrunkGroup entity.

AncIBSCSbrtChanAtt

PMC53_PC6: ICSRCHAN_ANC_ATT - ICBSC Subrate Channel Attempts

Source Field

PMC53_PC6

Source Section

PMC53

AncICBSCSbrtChanOvf

PMC53_PC7: ICSRCHAN_ANC_OVF - ICBSC Subrate Channel Overflows

Source Field

PMC53_PC7

Source Section

PMC53

AnICBSCSbrtChanUsg

PMC53_PC5: ICSRCHAN_ANC_USG - ICBSC Subrate Channel Usage (seconds)

Source Field

PMC53_PC5

Source Section

PMC53

CICFdCHAsgRFResConMsgMMRec_TN

PMC57_PC42: IC_FWD_CH_ASSIGN_MM_RECV_TN - IC FWD with Channel Assigned and RF Resource Configure Messages - MM Receive via TN

Source Field

PMC57_PC42

Source Section

PMC57

CICFdCHAsgRFResConMsgMMSnd_TN

PMC57_PC41: IC_FWD_CH_ASSIGN_MM_SEND_TN - IC FWD with Channel Assigned and RF Resource Configure Messages - MM Send via TN

Source Field

PMC57_PC41

Source Section

PMC57

CICFwdBrdcstCChAsgnMMRecViaTG

PMC55_PC39: IC_FWD_CH_ASSIGN_MM_RECV_TG - IC FWD with Channel Assigned and RF Resource Configure Messages - MM Receive via TG

Source Field

PMC55_PC39

Source Section

PMC55

CICFwdBrdcstCChAsgnMMSendViaTG

PMC55_PC38: IC_FWD_CH_ASSIGN_MM_SEND_TG - IC FWD with Channel Assigned and RF Resource Configure Messages - MM Send via TG

Source Field

PMC55_PC38

Source Section

PMC55

CICFwdChReqMMRecViaTG

PMC55_PC37: IC_FWD_CH_REQRD_MM_RECV_TG - IC FWD Channel Required - MM Receive via TG

Source Field

PMC55_PC37

Source Section

PMC55

CICFwdChReqMMRecvViaTN

PMC57_PC40: IC_FWD_CH_REQRD_MM_RECV_TN - IC FWD Channel Required - MM Receive via TN

Source Field

PMC57_PC40

Source Section

PMC57

CICFwdChReqMMReqViaTG

PMC55_PC36: IC_FWD_CH_REQRD_MM_SEND_TG - IC FWD Channel Required - MM
Send via TG

Source Field

PMC55_PC36

Source Section

PMC55

CICFwdChReqMMSendViaTN

PMC57_PC39: IC_FWD_CH_REQRD_MM_SEND_TN - IC FWD Channel Required - MM
Send via TN

Source Field

PMC57_PC39

Source Section

PMC57

CICFwdPgResMMRecviaTG

PMC55_PC35: IC_FWD_PAGE_RESP_MM_RECV_TG - IC FWD Page Response - MM
Receive via TG

Source Field

PMC55_PC35

Source Section

PMC55

CICFwdPgResMMRecvViaTN

PMC57_PC38: IC_FWD_PAGE_RESP_MM_RECV_TN - IC FWD Page Response - MM
Receive via TN

Source Field

PMC57_PC38

Source Section

PMC57

CICFwdPgResMMSendviaTG

PMC55_PC34: IC_FWD_PAGE_RESP_MM_SEND_TG - IC FWD Page Response - MM
Send via TG

Source Field

PMC55_PC34

Source Section

PMC55

CICFwdPgResMMSendviaTN

PMC57_PC37: IC_FWD_PAGE_RESP_MM_SEND_TN - IC FWD Page Response - MM
Send via TN

Source Field

PMC57_PC37

Source Section

PMC57

CICUpdResMMRecvViaTN

PMC57_PC44: IC_UPDATE_RESOURCE_MM_RECV_TN - IC Update Resource - MM
Receive via TN

Source Field

PMC57_PC44

Source Section

PMC57

CICUpdResMMSendViaTN

PMC57_PC43: IC_UPDATE_RESOURCE_MM_SEND_TN - IC Update Resource - MM Send
via TN

Source Field

PMC57_PC43

Source Section

PMC57

CICUpdResrcMMRecViaTG

PMC55_PC41: IC_UPDATE_RESOURCE_MM_RECV_TG - IC Update Resource - MM Receive via TG

Source Field

PMC55_PC41

Source Section

PMC55

CICUpdResrcMMSendViaTG

PMC55_PC40: IC_UPDATE_RESOURCE_MM_SEND_TG - IC Update Resource - MM Send via TG

Source Field

PMC55_PC40

Source Section

PMC55

ConlssMesgMMRecViaTG

PMC55_PC45: CONNECTIONLESS_MM_RECV_TG - Messages - MM Receive via TG

Source Field

PMC55_PC45

Source Section

PMC55

ConlssMesgMMRecViaTN

PMC57_PC36: CONNECTIONLESS_MM_RECV_TN - Messages - MM Receive via TN

Source Field

PMC57_PC36

Source Section

PMC57

ConlssMesgMMSendViaTG

PMC55_PC44: CONNECTIONLESS_MM_SEND_TG - Messages - MM Send via TG

Source Field

PMC55_PC44

Source Section

PMC55

ConlssMesgMMSendViaTN

PMC57_PC35: CONNECTIONLESS_MM_SEND_TN - Messages - MM Send via TN

Source Field

PMC57_PC35

Source Section

PMC57

CUnSucAsgnRFResRvkMMRecvViaTN

PMC57_PC46: UNSUCCESS_ASSIGN_MM_RECV_TN - Unsuccessful Assignment and RF Resource Revoke Messages - MM Receive via TN

Source Field

PMC57_PC46

Source Section

PMC57

CUnSucAsgnRFResRvkMMSendViaTN

PMC57_PC45: UNSUCCESS_ASSIGN_MM_SEND_TN - Unsuccessful Assignment and RF Resource Revoke Messages - MM Send via TN

Source Field

PMC57_PC45

Source Section

PMC57

CUSuccAsgnMMRecViaTG

PMC55_PC43: UNSUCCESS_ASSIGN_MM_RECV_TG - Unsuccessful Assignment and RF Resource Revoke Messages - MM Receive via TG

Source Field

PMC55_PC43

Source Section

PMC55

CUSuccAsgnMMSendViaTG

PMC55_PC42: UNSUCCESS_ASSIGN_MM_SEND_TG - Unsuccessful Assignment and RF Resource Revoke Messages - MM Send via TG

Source Field

PMC55_PC42

Source Section

PMC55

ICBSC_CtoA_HoCompTN_Src

PMC57_PC24: IC_C2A_HHO_Comp_TN_Src - CDMA to Analog Handoff Completions - TN Source

Source Field

PMC57_PC24

Source Section

PMC57

ICBSC_CtoA_HoFailTN_Src

PMC57_PC23: IC_C2A_HHO_Fail_TN_Src - ICBSC CDMA to Analog Handoff Failures - TN Source

Source Field

PMC57_PC23

Source Section

PMC57

ICBSC_CtoA_HoReqTN_Src

PMC57_PC22: IC_C2A_HHO_Req_TN_Src - CDMA to Analog Handoff Requests - TN Source

Source Field

PMC57_PC22

Source Section

PMC57

ICBSC_HSPD_HoAttTN_Src

PMC57_PC17: ICBSC_HSPD_HO_Att_TN_Src - Inter-CBSC High Speed Packet Data HO Attempts - TN Source

Source Field

PMC57_PC17

Source Section

PMC57

ICBSC_HSPD_HoFailTN_Src

PMC57_PC18: ICBSC_HSPD_HO_Fail_TN_Src - Inter-CBSC High Speed Packet Data HO Failures - TN Source

Source Field

PMC57_PC18

Source Section

PMC57

ICBSC_HSPD_HoReqTN_Src

PMC57_PC16: ICBSC_HSPD_HO_Req_TN_Src - Inter-CBSC High Speed Packet Data HO Requests - TN Source

Source Field

PMC57_PC16

Source Section

PMC57

ICBSC_InitSftHoAddAttTN_Src

PMC57_PC2: IC_Init_Sho_Add_Att_Tn_Src - Initial Soft Handoff Add Attempts - TN Source

Source Field

PMC57_PC2

Source Section

PMC57

ICBSC_InitSftHoAddFailTN_Src

PMC57_PC3: IC_Init_Sho_Add_Fail_Tn_Src - Initial Soft Handoff Add Failures - TN Source

Source Field

PMC57_PC3

Source Section

PMC57

ICBSC_InitSftHoAddReqTN_Src

PMC57_PC1: IC_Init_Sho_Add_Req_Tn_Src - Initial Soft Handoff Add Requests - TN Source

Source Field

PMC57_PC1

Source Section

PMC57

ICBSC_IntermSftHoDpAttTN_Src

PMC57_PC12: IC_Int_Sho_Drop_Att_Tn_Src - Intermediate Soft Handoff Drop Attempts - TN Source

Source Field

PMC57_PC12

Source Section

PMC57

ICBSC_IntermSftHoDpFailTN_Src

PMC57_PC13: IC_Int_Sho_Drop_Fail_Tn_Src - Intermediate Soft Handoff Drop Failures - TN Source

Source Field

PMC57_PC13

Source Section

PMC57

ICBSC_IntermSftrHoDropAttTN_Src

PMC57_PC14: IC_Int_SrHo_Drop_Att_Tn_Src - ICBSC Intermediate Softer Handoff Drop Attempts - TN Source

Source Field

PMC57_PC14

Source Section

PMC57

ICBSC_IntermSftrHoDropFailTN_Src

PMC57_PC15: IC_Int_SrHo_Drop_Fail_Tn_Src - Intermediate Softer Handoff Drop Failures - TN Source

Source Field

PMC57_PC15

Source Section

PMC57

ICBSC_IS2000PktDataHoAttAnTrkGrp

PMC55_PC32: ICBSC_IS2000_HO_Att_TrkGrp - Inter-CBSC IS2000 Packet Data HO Attempts - Anchor Trunk Group

Source Field

PMC55_PC32

Source Section

PMC55

ICBSC_IS2000PktDataHoFailAnTrkGrp

PMC55_PC33: ICBSC_IS2000_HO_Fail_TrkGrp - Inter-CBSC IS2000 Packet Data HO Failures - Anchor Trunk Group

Source Field

PMC55_PC33

Source Section

PMC55

ICBSC_IS2000PktDataHoReqAnTrkGrp

PMC55_PC31: ICBSC_IS2000_HO_Req_TrkGrp - Inter-CBSC IS2000 Packet Data HO Requests - Anchor Trunk Group

Source Field

PMC55_PC31

Source Section

PMC55

ICBSC_IS2000PktDHoAttTN_Src

PMC57_PC32: ICBSC_IS2000_HO_Att_TN_Src - Inter-CBSC IS2000 Packet Data HO Attempts - TN Source

Source Field

PMC57_PC32

Source Section

PMC57

ICBSC_IS2000PktDHoFailTN_Src

PMC57_PC33: ICBSC_IS2000_HO_Fail_TN_Src - Inter-CBSC IS2000 Packet Data HO Failures - TN Source

Source Field

PMC57_PC33

Source Section

PMC57

ICBSC_IS2000PktDHoReqTN_Src

PMC57_PC31: ICBSC_IS2000_HO_Req_TN_Src - Inter-CBSC IS2000 Packet Data HO Requests - TN Source

Source Field

PMC57_PC31

Source Section

PMC57

ICBSC_LstHoDropAttTN_Src

PMC57_PC10: IC_Last_Sho_Drop_Att_Tn_Src - Last Soft Handoff Drop Attempts - TN Source

Source Field

PMC57_PC10

Source Section

PMC57

ICBSC_LstHoDropFailTN_Src

PMC57_PC11: IC_Last_Sho_Drop_Fail_Tn_Src - Last Soft Handoff Drop Failures - TN Source

Source Field

PMC57_PC11

Source Section

PMC57

ICBSC_SHO_AncHHoCompTN_Src

PMC57_PC27: IC_C2C_AncHO_Comp_TN_Src - SHO Anchor Hard Handoff Completions - TN Source

Source Field

PMC57_PC27

Source Section

PMC57

ICBSC_SHO_AncHHoFailTN_Src

PMC57_PC26: IC_C2C_AncHO_Fail_TN_Src - ICBSC SHO Anchor Hard Handoff Failures - TN Source

Source Field

PMC57_PC26

Source Section

PMC57

ICBSC_SHO_AncHHoReqTN_Src

PMC57_PC25: IC_C2C_AncHO_Req_TN_Src - SHO Anchor Hard Handoff Requests - TN Source

Source Field

PMC57_PC25

Source Section

PMC57

ICBSC_SHO_CarrSeamHHoCompTN_Src

PMC57_PC21: IC_CSeam_HHO_Comp_TN_Src - ICBSC SHO Carrier Seam Hard Handoff Completions - TN Source

Source Field

PMC57_PC21

Source Section

PMC57

ICBSC_SHO_CarrSeamHHoFailTN_Src

PMC57_PC20: IC_CSeam_HHO_Fail_TN_Src - ICBSC SHO Carrier Seam Hard Handoff Failures - TN Source

Source Field

PMC57_PC20

Source Section

PMC57

ICBSC_SHO_CarrSeamHHoReqTN_Src

PMC57_PC19: IC_CSeam_HHO_Req_TN_Src - ICBSC SHO Carrier Seam Hard Handoff Requests - TN Source

Source Field

PMC57_PC19

Source Section

PMC57

ICBSC_SHO_ExtCBSCHHoCompTN_Src

PMC57_PC30: IC_C2C_ExtCBSC_Comp_TN_Src - ICBSC SHO External CBSC Hard Handoff Completions - TN Source

Source Field

PMC57_PC30

Source Section

PMC57

ICBSC_SHO_ExtCBSCHHoFailTN_Src

PMC57_PC29: IC_C2C_ExtCBSC_Fail_TN_Src - ICBSC SHO External CBSC Hard Handoff Failures - TN Source

Source Field

PMC57_PC29

Source Section

PMC57

ICBSC_SHO_ExtCBSCHHoReqTN_Src

PMC57_PC28: IC_C2C_ExtCBSC_Req_TN_Src - ICBSC SHO External CBSC Hard Handoff Requests - TN Source

Source Field

PMC57_PC28

Source Section

PMC57

ICBSC_SHO_TN_TrkGrp

PMC57_PC34: IC_SHO_TrkGrp_Usage_Tn_Src - SHO TN Trunk Group Usage - TN Source

Source Field

PMC57_PC34

Source Section

PMC57

ICBSC_SubSftHoAddAttTN_Src

PMC57_PC5: IC_Sub_Sho_Add_Att_Tn_Src - Subsequent Soft Handoff Add Attempts - TN Source

Source Field

PMC57_PC5

Source Section

PMC57

ICBSC_SubSftHoAddFailTN_Src

PMC57_PC6: IC_Sub_Sho_Add_Fail_Tn_Src - Subsequent Soft Handoff Add Failures - TN Source

Source Field

PMC57_PC6

Source Section

PMC57

ICBSC_SubSftHoAddReqTN_Src

PMC57_PC4: IC_Sub_Sho_Add_Req_Tn_Src - Subsequent Soft Handoff Add Requests - TN Source

Source Field

PMC57_PC4

Source Section

PMC57

ICBSC_SubSftrHoAddAttTN_Src

PMC57_PC8: IC_Sub_SrHo_Add_Att_Tn_Src - Subsequent Softer Handoff Add Attempts - TN Source

Source Field

PMC57_PC8

Source Section

PMC57

ICBSC_SubSftrHoAddFailTN_Src

PMC57_PC9: IC_Sub_SrHo_Add_Fail_Tn_Src - Subsequent Softer Handoff Add Failures - TN Source

Source Field

PMC57_PC9

Source Section

PMC57

ICBSC_SubSftrHoAddReqTN_Src

PMC57_PC7: IC_Sub_SrHo_Add_Req_Tn_Src - Subsequent Softer Handoff Add Requests - TN Source

Source Field

PMC57_PC7

Source Section

PMC57

ICBSCAllSbrtChanBsyTm

PMC53_PC9: ICSRCHAN_ACB - All Subrate Channel Busy Time

Source Field

PMC53_PC9

Source Section

PMC53

ICBSCBSCHSPDHOAttAnTG

PMC55_PC17: ICBSC_HSPD_HO_Att_TrkGrp - Inter-CBSC High Speed Packet Data HO Attempts - Anchor Trunk Group

Source Field

PMC55_PC17

Source Section

PMC55

ICBSCBSCHSPDHOFIAnTG

PMC55_PC18: ICBSC_HSPD_HO_Fail_TrkGrp - Inter-CBSC High Speed Packet Data HO Failures - Anchor Trunk Group

Source Field

PMC55_PC18

Source Section

PMC55

ICBSCBSCHSPDHOReqAnTG

PMC55_PC16: ICBSC_HSPD_HO_Req_TrkGrp - Inter-CBSC High Speed Packet Data HO Requests- Anchor Trunk Group

Source Field

PMC55_PC16

Source Section

PMC55

ICBSCInitSoHoAddAttAncTG

PMC55_PC2: IC_Init_SHo_Add_Att_Anc_TrkGrp - Initial Soft Handoff Add Attempts - Anchor Trunk Group

Source Field

PMC55_PC2

Source Section

PMC55

ICBSCInitSoHoAddFailAnTG

PMC55_PC3: IC_Init_SHo_Add_Fail_Anc_TrkGrp - Initial Soft Handoff Add Failures - Anchor Trunk Group

Source Field

PMC55_PC3

Source Section

PMC55

ICBSCInitSoHoAddReqAncTG

PMC55_PC1: IC_Init_SHo_Add_Req_Anc_TrkGrp - Initial Soft Handoff Add Requests - Anchor Trunk Group

Source Field

PMC55_PC1

Source Section

PMC55

ICBSCInSoHoDrpAtAnTG

PMC55_PC12: IC_Int_SHo_Drop_Att_Anc_TrkGrp - Intermediate Soft Handoff Drop Attempts - Anchor Trunk Group

Source Field

PMC55_PC12

Source Section

PMC55

ICBSCInSoHoDrpFlAnTG

PMC55_PC13: IC_Int_SHo_Drop_Fail_Anc_TrkGrp - ICBSC Intermediate Soft Handoff Drop Failures - Anchor Trunk Group

Source Field

PMC55_PC13

Source Section

PMC55

ICBSCInSrHoDrpAttAnTG

PMC55_PC14: IC_Int_SrHo_Drop_Att_Anc_TrkGrp - Intermediate Softer Handoff Drop Attempts - Anchor Trunk Group

Source Field

PMC55_PC14

Source Section

PMC55

ICBSCInSrHoDrpFlAnTG

PMC55_PC15: IC_Int_SrHo_Drop_Fail_Anc_TrkGrp - Intermediate Softer Handoff Drop Failures - Anchor Trunk Group

Source Field

PMC55_PC15

Source Section

PMC55

ICBSCLsSoHoDrpAtAnTG

PMC55_PC10: IC_Last_SHo_Drop_Att_Anc_TrkGrp - Last Soft Handoff Drop Attempts - Anchor Trunk Group

Source Field

PMC55_PC10

Source Section

PMC55

ICBSCLsSoHoDrpFlAnTG

PMC55_PC11: IC_Last_SHo_Drop_Fail_Anc_TrkGrp - Last Soft Handoff Drop Failures - Anchor Trunk Group

Source Field

PMC55_PC11

Source Section

PMC55

ICBSCSbrtChanGlr

PMC53_PC10: ICSRCHAN_GLARE - Subrate Channel Glare

Source Field

PMC53_PC10

Source Section

PMC53

ICBSCSbrtChanGlrRtryAtt

PMC53_PC11: ICSRCHAN_GLARE_RATT - Subrate Channel Glare Retry Attempt

Source Field

PMC53_PC11

Source Section

PMC53

ICBSCSbrtChanGlrRtrySucc

PMC53_PC12: ICSRCHAN_GLARE_RSUC - Subrate Channel Glare Retry Success

Source Field

PMC53_PC12

Source Section

PMC53

ICBSCSbrtChanMemEquip

PMC53_PC1: ICSRCHAN_EQP - Subrate Channel Members Equipped

Source Field

PMC53_PC1

Source Section

PMC53

ICBSCSbrtChanOOSTm

PMC53_PC8: ICSRCHAN_OOS - Subrate Channel OOS Time (seconds)

Source Field

PMC53_PC8

Source Section

PMC53

icbScShoAnchorActiveDataHardHandoffCompletions

PMC55_PC49: IC_C2C_Pkt_data_AncHO_Comp_AncTrkGrp - ICBSC SHO Anchor Active Data Hard Handoff Completions - Anchor Trunk Group

Data Source

PM

Source Field

PMC55_PC49

Source Section

PMC55

icbScShoAnchorActiveDataHardHandoffCompletionsTnSource

PMC57_PC50: IC_Pkt_data_C2C_AncHO_Comp_TN_Src - ICBSC SHO Anchor Active Data Hard Handoff Completions - TN Source

Data Source

PM

Source Field

PMC57_PC50

Source Section

PMC57

icbScShoAnchorActiveDataHardHandoffFailures

PMC55_PC48: IC_C2C_Pkt_data_AncHO_Fail_AncTrkGrp - ICBSC SHO Anchor Active Data Hard Handoff Failures - Anchor Trunk Group

Data Source

PM

Source Field

PMC55_PC48

Source Section

PMC55

icbScShoAnchorActiveDataHardHandoffFailuresTNSource

PMC57_PC49: IC_Pkt_data_C2C_AncHO_Fail_TN_Src - ICBSC SHO Anchor Active Data
Hard Handoff Failures - TN Source

Data Source

PM

Source Field

PMC57_PC49

Source Section

PMC57

ICBSCSHOAnHHOCompAnTG

PMC55_PC27: IC_C2C_AncHO_Comp_AncTrkGrp - ICBSC SHO Anchor Hard Handoff
Completions - Anchor Trunk Group

Source Field

PMC55_PC27

Source Section

PMC55

ICBSCSHOAnHHOFailAnTG

PMC55_PC26: IC_C2C_AncHO_Fail_AncTrkGrp - ICBSC SHO Anchor Hard Handoff
Failures - Anchor Trunk Group

Source Field

PMC55_PC26

Source Section

PMC55

ICBSCSHOAnHHOReqAnTG

PMC55_PC25: IC_C2C_AncHO_Req_AncTrkGrp - ICBSC SHO Anchor Hard Handoff Requests - Anchor Trunk Group

Source Field

PMC55_PC25

Source Section

PMC55

icbscShoCarrierSeamActiveDataHardHandoffCompletions

PMC55_PC51: IC_CSeam_ADHHO_Comp_AncTrkGrp - ICBSC SHO Carrier Seam Active Data Hard Handoff Completions - Anchor Trunk Group

Data Source

PM

Source Field

PMC55_PC51

Source Section

PMC55

icbscShoCarrierSeamActiveDataHardHandoffCompletionsTnSource

PMC57_PC52: IC_CSeam_ADHHO_Comp_TN_Src - ICBSC SHO Carrier Seam Active Data Hard Handoff Completions - TN Source

Data Source

PM

Source Field

PMC57_PC52

Source Section

PMC57

icbscShoCarrierSeamActiveDataHardHandoffFailures

PMC55_PC50: IC_CSeam_ADHHO_Fail_AncTrkGrp - ICBSC SHO Carrier Seam Active Data Hard Handoff Failures - Anchor Trunk Group

Data Source

PM

Source Field

PMC55_PC50

Source Section

PMC55

icbScShoCarrierSeamActiveDataHardHandoffFailuresTnSource

PMC57_PC51: IC_CSeam_ADHHO_Fail_TN_Src - ICBSC SHO Carrier Seam Active Data
Hard Handoff Failures - TN Source

Data Source

PM

Source Field

PMC57_PC51

Source Section

PMC57

ICBSCSHOCrSmHHOCpAnTG

PMC55_PC21: IC_CSeam_HHO_Comp_AncTrkGrp - ICBSC SHO Carrier Seam Hard
Handoff Completions - Anchor Trunk Group:

Source Field

PMC55_PC21

Source Section

PMC55

ICBSCSHOCrSmHHOFIAnTG

PMC55_PC20: IC_CSeam_HHO_Fail_AncTrkGrp - ICBSC SHO Carrier Seam Hard Handoff
Failures - Anchor Trunk Group

Source Field

PMC55_PC20

Source Section

PMC55

ICBSCSHOCrSmHHORqAnTG

PMC55_PC19: IC_CSeam_HHO_Req_AncTrkGrp - ICBSC SHO Carrier Seam Hard Handoff Requests - Anchor Trunk Group:

Source Field

PMC55_PC19

Source Section

PMC55

ICBSCSHOCtoAHOCCompAnTG

PMC55_PC24: IC_C2A_HHO_Comp_AncTrkGrp - ICBSC SHO CDMA to Analog Handoff Completions - Anchor Trunk Group

Source Field

PMC55_PC24

Source Section

PMC55

ICBSCSHOCtoAHOFIAnTG

PMC55_PC23: IC_C2A_HHO_Fail_AncTrkGrp - ICBSC SHO CDMA to Analog Handoff Failures - Anchor Trunk Group

Source Field

PMC55_PC23

Source Section

PMC55

ICBSCSHOCtoAHOReqAnTG

PMC55_PC22: IC_C2A_HHO_AncTrkGrp - SHO CDMA to Analog Handoff Requests - Anchor Trunk Group

Source Field

PMC55_PC22

Source Section

PMC55

ICBSCSHOExtCHHOCCompAnTG

PMC55_PC30: IC_C2C_ExtCBSC_Comp_AncTrkGrp - ICBSC SHO External CBSC Hard Handoff Completions - Anchor Trunk Group

Source Field

PMC55_PC30

Source Section

PMC55

ICBSCSHOExtCHHOFailAnTG

PMC55_PC29: IC_C2C_ExtCBSC_Fail_AncTrkGrp - ICBSC SHO External CBSC Hard Handoff Failures - Anchor Trunk Group

Source Field

PMC55_PC29

Source Section

PMC55

ICBSCSHOExtCHHOREqAnTG

PMC55_PC28: IC_C2C_ExtCBSC_Req_AncTrkGrp - ICBSC SHO External CBSC Hard Handoff Requests - Anchor Trunk Group

Source Field

PMC55_PC28

Source Section

PMC55

icbscShoExternalCbscActiveDataHardHandoffCompletions

PMC55_PC53: IC_C2C_Pkt_data_ExtCBSC_Comp_AncTrkGrp - ICBSC SHO External CBSC Active Data Hard Handoff Completions - Anchor Trunk Group

Data Source

PM

Source Field

PMC55_PC53

Source Section

PMC55

icbScShoExternalCbScActiveDataHardHandoffCompletionsTnSource

PMC57_PC54: IC_Pkt_data_C2C_ExtCBSC_Comp_TN_Src - ICBSC SHO External CBSC
Active Data Hard Handoff Completions - TN Source

Data Source

PM

Source Field

PMC57_PC54

Source Section

PMC57

icbScShoExternalCbScActiveDataHardHandoffFailuresTnSource

PMC57_PC53: IC_Pkt_data_C2C_ExtCBSC_Fail_TN_Src - ICBSC SHO External CBSC
Active Data Hard Handoff Failures - TN Source

Data Source

PM

Source Field

PMC57_PC53

Source Section

PMC57

icbScShoExternalCbScActiveDataHardHandoffFailures

PMC55_PC52: IC_C2C_Pkt_data_ExtCBSC_Fail_AncTrkGrp - ICBSC SHO External CBSC
Active Data Hard Handoff Failures - Anchor Trunk Group

Data Source

PM

Source Field

PMC55_PC52

Source Section

PMC55

ICBSCSSoHoAddAtrAncTG

PMC55_PC5: IC_Sub_SHo_Add_Att_Anc_TrkGrp - Subsequent Soft Handoff Add Attempts - Anchor Trunk Group

Source Field

PMC55_PC5

Source Section

PMC55

ICBSCSSoHoAddFailAncTG

PMC55_PC6: IC_Sub_SHo_Add_Fail_Anc_TrkGrp - Subsequent Soft Handoff Add Failures - Anchor Trunk Group

Source Field

PMC55_PC6

Source Section

PMC55

ICBSCSSrHoAddAtAnTG

PMC55_PC8: IC_Sub_SrHo_Add_Att_Anc_TrkGrp - Subsequent Softer Handoff Add Attempts - Anchor Trunk Group

Source Field

PMC55_PC8

Source Section

PMC55

ICBSCSSrHoAddFIAnTG

PMC55_PC9: IC_Sub_SrHo_Add_Fail_Anc_TrkGrp - Subsequent Softer Handoff Add Failures - Anchor Trunk Group

Source Field

PMC55_PC9

Source Section

PMC55

ICBSCSSrHoAddReqAnTG

PMC55_PC7: IC_Sub_SrHo_Add_Req_Anc_TrkGrp - Subsequent Softer Handoff Add Requests - Anchor Trunk Group

Source Field

PMC55_PC7

Source Section

PMC55

ICBSCSubSoHoAddReqAncTG

PMC55_PC4: IC_Sub_SHo_Add_Req_Anc_TrkGrp - Subsequent Soft Handoff Add Requests - Anchor Trunk Group

Source Field

PMC55_PC4

Source Section

PMC55

SmartSMSMsg_MMrcvdViaTG

PMC55_PC47: SMART_SMS_MESSAGES_MM_RECV_TG - SMS Messages - MM Receive via TG

Source Field

PMC55_PC47

Source Section

PMC55

SmartSMSMsg_MMrcvdViaTN

PMC57_PC48: SMART_SMS_MESSAGES_MM_RECV_TN - SMS Messages - MM Receive via TN

Source Field

PMC57_PC48

Source Section

PMC57

SmartSMSMsg_MMSendViaTG

PMC55_PC46: SMART_SMS_MESSAGES_MM_SEND_TG - SMS Messages - MM Send via TG

Source Field

PMC55_PC46

Source Section

PMC55

SmartSMSMsg_MMSendViaTN

PMC57_PC47: SMART_SMS_MESSAGES_MM_SEND_TN - SMS Messages - MM Send via TN

Source Field

PMC57_PC47

Source Section

PMC57

TotICBSCSbrtChanAtt

PMC53_PC3: ICSRCHAN_TOT_ATT - ICBSC Subrate Channel Attempts

Source Field

PMC53_PC3

Source Section

PMC53

TotICBSCSbrtChanOvf

PMC53_PC4: ICSRCHAN_TOT_OVF - ICBSC Subrate Channel Overflows

Source Field

PMC53_PC4

Source Section

PMC53

TotICSbrtChUsg

PMC53_PC2: ICSRCHAN_TOT_USG - ICBSC Subrate Channel Usage (seconds)

Source Field

PMC53_PC2

Source Section

PMC53

IWU Primitive Calculations

The following is a list of primitive calculations for the IWU entity.

GRAPHmultiLineSeparator

Special Control Field for Multi-Line Graphs

Calculation

""

GrpUsg

PMC74_PC3: IWU_MDPRG_Usage - MDP Resource Group Usage Time (minutes)

Calculation

$IWUresGrpUsg / 60.0$

NUMDAYS

of days in Report

Calculation

DAYSINREPORT ()

NUMHOURS

of hours in Summation Data

UnknownEnterpriseField

Unknown Field exported from Enterprise Server

Calculation

 nullInt()

IWU Peg Counts

The following is a list of peg counts for the IWU entity.

IWUResGrpAtt

PMC74_PC1: IWU_MDPRG_Att - MDP Resource Group Attempts

Source Field

PMC74_PC1

Source Section

PMC74

IWUResGrpOvf

PMC74_PC2: IWU_MDPRG_Ovf - MDP Resource Group Overflows

Source Field

PMC74_PC2

Source Section

PMC74

IWUresGrpUsg

PMC74_PC3: IWU_MDPRG_Usage - MDP Resource Group Usage Time (seconds)

Source Field

PMC74_PC3

Source Section

PMC74

LocationArea Primitive Calculations

The following is a list of primitive calculations for the LocationArea entity.

GRAPHmultiLineSeparator

Special Control Field for Multi-Line Graphs

Calculation

""

NUMDAYS

of days in Report

Calculation

DAYSINREPORT ()

NUMHOURS

of hours in Summation Data

UnknownEnterpriseField

Unknown Field exported from Enterprise Server

Calculation

nullInt ()

LocationArea Peg Counts

The following is a list of peg counts for the LocationArea entity.

BrdcstAtt

Broadcast Attempts

Source Field

C096_05_PC1

Source Section

C096

BrdcstAvgSize

Broadcast Average Size

Source Field

C096_05_PC3

Source Section

C096

BrdstThrotlBlk

Broadcast Throttle Blocks

Source Field

C096_05_PC2

Source Section

C096

CCS_Page

CCS Pages

Source Field

CA96_PC5

Source Section

CA96

CCS_RePage

CCS Re-Pages

Source Field

CA96_PC6

Source Section

CA96

LKPA_Page

LKPA Pages

Source Field

CA96_PC1

Source Section

CA96

LKPA_RePage

LKPA Re-Pages

Source Field

CA96_PC2

Source Section

CA96

MaxPagesSnt

Maximum pages Sent (over 5 second interval)

Source Field

CA96_PC14

Source Section

CA96

MobAck2CCS_Page

Mobile Ack's to CCS Pages

Source Field

CA96_PC7

Source Section

CA96

MobAck2CCS_RePage

Mobile Ack's to CCS Re-Pages

Source Field

CA96_PC8

Source Section

CA96

MobAck2NeibrPRP

Mobile Ack's to Neighbor Pages and Re-Pages

Source Field

CA96_PC10

Source Section

CA96

MobAck2Page

Mobile Ack's to a Page

Source Field

CA96_PC3

Source Section

CA96

MobAck2RePage

Mobile Ack's to a Re-Page

Source Field

CA96_PC4

Source Section

CA96

NeibrPRP

Neighbor Pages + Re-Pages

Source Field

CA96_PC9

Source Section

CA96

Num2WordPages

Number of Two-Word pages

Source Field

CA96_PC15

Source Section

CA96

PktDataPg

Packet Data Page

Source Field

C096_04_PC1

Source Section

C096

SMS_PgAtt

SMS Page Attempts

Source Field

C096_03_PC1

Source Section

C096

SMS_PgAvgSize

SMS Page Average Size

Source Field

C096_03_PC3

Source Section

C096

SMS_PgThrotlBlk

SMS Page Throttle Blocks

Source Field

C096_03_PC2

Source Section

C096

SMS_TfChPg

SMS Traffic Channel Page

Source Field

C096_03_PC4

Source Section

C096

SMS_TfChRePg

SMS Traffic Channel RePage

Source Field

C096_03_PC5

Source Section

C096

UnsolicPageAck

Unsolicited Page Ack's

Source Field

CA96_PC11

Source Section

CA96

UnsolicPageAckRcv

Unsolicited Page Ack's Received

Source Field

CA96_PC13

Source Section

CA96

UnsolicPageAckWoOrg

Unsolicited Page Ack's With Out Originator

Source Field

CA96_PC12

Source Section

CA96

MCC Primitive Calculations

The following is a list of primitive calculations for the MCC entity.

GRAPHmultiLineSeparator

Special Control Field for Multi-Line Graphs

Calculation

""

ICBSCTfMCCceUsg

MCCce_Usage_Time_ICBSC_BTS - ICBSC Traffic MCC Channel Element Usage Time cBTS + pBTS

Calculation

```
vsum( sum(CSM_EMAXX,ICBSCTfMCCceUsg_p), sum(MCCce,ICBSCTfMCCceUsg) )
```

IS2000CE_UsageTime

MCCce_Usage_Time_IS2000_BTS - IS2000 Channel Element Usage Time cBTS + pBTS

Calculation

```
vsum( sum(CSM_EMAXX,IS2000CE_UsageTime_p), sum(MCCce,IS2000CE_UsageTime) )
```

MCC1XFwdSCH_AvgSchTS_BitUsgKbps

MCC1X_FWD_SCH_AVG_TS_USG - MCC1X FWD SCH Avg Scheduled Timeslice Bit Usage (kilobits)

Calculation

```
protect( (MCC1XFwdSCH_AvgSchTS_ThPtKbps * BTS_Cell.FwdTSDuration1X ) /  
1000.0 )
```

MCC1XFwdSCH_AvgSchTS_ThPtKbps

MCC1X_FWD_SCH_AVG_TS_BPS - MCC1X FWD SCH Avg Scheduled Timeslice Throughput (kbps)

Calculation

```
protect ( ( MCC_RateSet.MCC_DataRate.DataRate_Kbps *  
MCC_RateSet.MCC_DataRate.MCC1XFwdSCH_ExpectTrans ) / ( (1000 * (NUMHOURS *  
3600) ) / BTS_Cell.FwdTSDuration1X ) )
```

MCC1XFwdSCH_MaxSchTS_BitUsgKbps

MCC1X_FWD_SCH_MAX_TS_BUSG - MCC1X FWD SCH Max Scheduled Timeslice Bit Usage

Calculation

```
protect ( ( MCC1XFwdSCH_MaxSchTS_Trghput * BTS_Cell.FwdTSDuration1X ) /  
10000 )
```

MCC1XFwdSCH_MaxSchTS_ThPtKbps

PMC02_PC1: MCC1X_FWD_SCH_MAX_TS_BPS - FWD SCH Max Scheduled Timeslice Throughput (kbps)

Calculation

```
0.1 * MCC1XFwdSCH_MaxSchTS_Trghput
```

MCC1XFwdSCH_MinSchTS_BitUsgKbps

MCC1X_FWD_SCH_MIN_TS_BUSG - MCC1X FWD SCH Min Scheduled Timeslice Bit Usage

Calculation

```
protect( (MCC1XFwdSCH_MinSchTS_Trghput * BTS_Cell.FwdTSDuration1X ) /  
10000.0)
```

MCC1XFwdSCH_MinSchTS_ThPtKbps

PMC02_PC2: MCC1X_FWD_SCH_MIN_TS_BPS - FWD SCH Min Scheduled Timeslice Throughput (kbps)

Calculation

```
0.1 * MCC1XFwdSCH_MinSchTS_Trghput
```

MCC1XFwdSCH_TotSch_BitUsgMb

MCC1X_FWD_SCH_AVG_TS_USG - MCC1X FWD SCH Avg Scheduled Timeslice Bit Usage (megabits)

Calculation

protect ((MCC1XFwdSCH_AvgSchTS_ThPtKbps * (NUMHOURS * 3600)) / 1000)

MCC1XFwdUsgCommits_CCS

SCH_FWD_CE USG_COM - SCH Group FWD Usage - MCC1X (Commits) (CCS)

Calculation

protect ((SCH_GrpType.SCH_CE_Grp *
SCH_GrpType.Req_SCH_GrpType.SCH_GrpFwdAllocSucc * BTS_Cell.FwdTSDuration1X
) / 100000)

MCC1XFwdUsgCommits_Secs

SCH_FWD_CE USG_COM - SCH Group FWD Usage - MCC1X (Commits) (seconds)

Calculation

protect ((SCH_GrpType.SCH_CE_Grp *
SCH_GrpType.Req_SCH_GrpType.SCH_GrpFwdAllocSucc * BTS_Cell.FwdTSDuration1X
) / 1000)

MCC1XFwdUsgXmits_CCS

SCH_FWD_CE_USG_TRANS - SCH Group FWD Usage - MCC1X (Transmissions) (CCS)

Calculation

protect ((SCH_GrpType.SCH_CE_Grp *
SCH_GrpType.Req_SCH_GrpType.SCH_GrpFwdTransm * BTS_Cell.FwdTSDuration1X) /
100000)

MCC1XFwdUsgXmits_Secs

SCH_FWD_CE_USG_TRANS - SCH Group FWD Usage - MCC1X (Transmissions)
(seconds)

Calculation

protect ((SCH_GrpType.SCH_CE_Grp *
SCH_GrpType.Req_SCH_GrpType.SCH_GrpFwdTransm * BTS_Cell.FwdTSDuration1X) /
1000)

MCC1XRvsSCH_AvgSchTS_BitUsgKbps

MCC1X_RVS_SCH_AVG_TS_BUSG - MCC1X RVS SCH Avg Scheduled Timeslice Bit
Usage (kilobits)

Calculation

protect ((MCC1XRvsSCH_AvgSchTS_ThPtKbps * BTS_Cell.RvsTSDuration1X) /
1000)

MCC1XRvsSCH_AvgSchTS_ThPtKbps

MCC1X_RVS_SCH_AVG_TS_BPS - MCC1X RVS SCH Avg Scheduled Timeslice Throughput (kbps)

Calculation

```
protect ( ( MCC_RateSet.MCC_DataRate.DataRate_Kbps *  
MCC_RateSet.MCC_DataRate.MCC1XRvsSCH_ExpectTrans ) / ( (1000 * (NUMHOURS *  
3600) ) / BTS_Cell.RvsTSDuration1X ) )
```

MCC1XRvsSCH_MaxSchTS_BitUsgKbps

MCC1X_RVS_SCH_MAX_TS_BUSG - MCC1X RVS SCH Max Scheduled Timeslice Bit Usage

Calculation

```
protect ( ( MCC1XRvsSCH_MaxSchTS_Trghput * BTS_Cell.RvsTSDuration1X ) /  
10000 )
```

MCC1XRvsSCH_MaxSchTS_ThPtKbps

PMC02_PC3: MCC1X_RVS_SCH_MAX_TS_BPS - RVS SCH Max Scheduled Timeslice Throughput (kbps)

Calculation

```
0.1 * MCC1XRvsSCH_MaxSchTS_Trghput
```

MCC1XRvsSCH_MinSchTS_BitUsgKbps

MCC1X_RVS_SCH_MIN_TS_BUSG - MCC1X RVS SCH Min Scheduled Timeslice Bit Usage

Calculation

```
protect ( ( MCC1XRvsSCH_MinSchTS_Trghput * BTS_Cell.RvsTSDuration1X ) /  
10000 )
```

MCC1XRvsSCH_MinSchTS_ThPtKbps

PMC02_PC4: MCC1X_RVS_SCH_MIN_TS_BPS - RVS SCH Min Scheduled Timeslice Throughput (kbps)

Calculation

```
0.1 * MCC1XRvsSCH_MinSchTS_Trghput
```

MCC1XRvsSCH_TotSch_BitUsgMb

MCC1X_RVS_SCH_AVG_TS_BUSG - MCC1X RVS SCH Avg Scheduled Timeslice Bit Usage (megabits)

Calculation

protect ((MCC1XRvsSCH_AvgSchTS_ThPtKbps * (NUMHOURS * 3600)) / 1000)

MCC1XRvsUsgCommits_CCS

SCH_RVS_CE USG_COM - SCH Group RVS Usage - MCC1X (Commits) (CCS)

Calculation

protect ((SCH_GrpType.SCH_CE_Grp *
SCH_GrpType.Req_SCH_GrpType.SCH_GrpRvsAllocSucc * BTS_Cell.RvsTSDuration1X
) / 100000)

MCC1XRvsUsgCommits_Secs

SCH_RVS_CE USG_COM - SCH Group RVS Usage - MCC1X (Commits) (seconds)

Calculation

protect ((SCH_GrpType.SCH_CE_Grp *
SCH_GrpType.Req_SCH_GrpType.SCH_GrpRvsAllocSucc * BTS_Cell.RvsTSDuration1X
) / 1000)

MCC1XRvsUsgXmits_CCS

MCC1X reverse actual transmitted usage in CCS

Calculation

protect ((SCH_GrpType.SCH_CE_Grp *
SCH_GrpType.Req_SCH_GrpType.SCH_GrpRvsTransm * BTS_Cell.RvsTSDuration1X) /
100000)

MCC1XRvsUsgXmits_Secs

MCC1X reverse actual transmitted usage in seconds

Calculation

protect ((SCH_GrpType.SCH_CE_Grp *
SCH_GrpType.Req_SCH_GrpType.SCH_GrpRvsTransm * BTS_Cell.RvsTSDuration1X) /
1000)

NUMDAYS

of days in Report

Calculation

DAYSINREPORT ()

NUMHOURS

of hours in Summation Data

OnewHoRFLstTCH

Ho_Rf_Loss_1_TCH_BTS - 1-Way Handoff RF Loss - TCH cBTS + pBTS

Calculation

$\text{vsum}(\text{sum}(\text{CSM_EMAXX}, \text{OnewHoRFLstTCH_p}), \text{sum}(\text{MCCce}, \text{OnewHoRFLstTCH}))$

PDFundCEUsage

MCCce_Usage_Time_PktData_Fund_BTS - Packet Data Fundamental Channel Element Usage Time cBTS + pBTS

Calculation

$\text{vsum}(\text{sum}(\text{CSM_EMAXX}, \text{PDFundCEUsage_p}), \text{sum}(\text{MCCce}, \text{PDFundCEUsage}))$

PDSuppCEUsage

MCCce_Usage_Time_PktData_Supp_BTS - Packet Data Supplemental Channel Element Usage Time cBTS + pBTS

Calculation

$\text{vsum}(\text{sum}(\text{CSM_EMAXX}, \text{PDSuppCEUsage_p}), \text{sum}(\text{MCCce}, \text{PDSuppCEUsage}))$

PktPipeFwdSCH_MaxSchTS_Trghput

PMC02_PC1: MCC1X_FWD_SCH_MAX_TS_BPS - FWD SCH Max Scheduled Timeslice Throughput (kbps)

Calculation

MCC1XFwdSCH_MaxSchTS_Trghput

PktPipeFwdSCH_MinSchTS_Trghput

PMC02_PC2: MCC1X_FWD_SCH_MIN_TS_BPS - FWD SCH Min Scheduled Timeslice Throughput (kbps)

Calculation

MCC1XFwdSCH_MinSchTS_Trghput

PktPipeRvsSCH_MaxSchTS_Trghput

PMC02_PC3: MCC1X_RVS_SCH_MAX_TS_BPS - RVS SCH Max Scheduled Timeslice Throughput (kbps)

Calculation

MCC1XRvsSCH_MaxSchTS_Trghput

PktPipeRvsSCH_MinSchTS_Trghput

PMC02_PC4: MCC1X_RVS_SCH_MIN_TS_BPS - RVS SCH Min Scheduled Timeslice Throughput (kbps)

Calculation

MCC1XRvsSCH_MinSchTS_Trghput

TfMCCceOOS

MCC_OOS_Time_BTS - Traffic MCC Channel Element OOS Time cBTS + pBTS

Calculation

vsum(sum(CSM_EMAXX, TfMCCceOOS_p), sum(MCCce, TfMCCceOOS))

TfMCCceOrgAsgnComp

Obsolete Count in Release 16.1

Calculation

vsum(sum(CSM_EMAXX, TfMCCceOrgAsgnComp_p), sum(MCCce, TfMCCceOrgAsgnComp))

TfMCCceOrigAsgnAtt

MCCce_Orig_Assgn_Atts_BTS - Traffic MCC Channel Element Origination Assignment Attempts cBTS + pBTS

Calculation

vsum(sum(CSM_EMAXX, TfMCCceOrigAsgnAtt_p), sum(MCCce, TfMCCceOrigAsgnAtt))

TfMCCceOrigAssgFail

MCCce_Orig_Assgn_Fail_BTS - Traffic MCC Channel Element Origination Assignment Failures cBTS + pBTS

Calculation

vsum(sum(CSM_EMAXX, TfMCCceOrigAssgFail_p), sum(MCCce, TfMCCceOrigAssgFail))

TfMCCceTermAsgnAtt

MCCce_Term_Assgn_Atts_BTS - Traffic MCC Channel Element Termination Assignment Attempts cBTS + pBTS

Calculation

vsum(sum(CSM_EMAXX, TfMCCceTermAsgnAtt_p), sum(MCCce, TfMCCceTermAsgnAtt))

TfMCCceTermAsgnComp

Obsolete Count in Release 16.1

Calculation

```
vsum( sum(CSM_EMAXX, TfMCCceTermAsgnComp_p), sum(MCCce, TfMCCceTermAsgnComp) )
```

TfMCCceTermAssgFail

MCCce_Term_Assgn_Fail_BTS - Traffic MCC Channel Element Termination Assignment Failures cBTS + pBTS

Calculation

```
vsum( sum(CSM_EMAXX, TfMCCceTermAssgFail_p), sum(MCCce, TfMCCceTermAssgFail) )
```

TfMCCceUsg

MCCce_Usage_Time_BTS - Traffic MCC Channel Element Usage Time cBTS+pBTS

Calculation

```
vsum( sum(CSM_EMAXX, TfMCCceUsg_p), sum(MCCce, TfMCCceUsg) )
```

ThreewpHoRFLstTCH

Ho_Rf_Loss_3Plus_TCH BTS - 3-way Plus Handoff RF Loss - TCH cBTS + pBTS

Calculation

```
vsum( sum(CSM_EMAXX, ThreewpHoRFLstTCH_p), sum(MCCce, ThreewpHoRFLstTCH) )
```

TwowHoRFLstTCH

Ho_Rf_Loss_2_TCH_BTS - 2-Way Handoff RF Loss - TCH cBTS + pBTS

Calculation

```
vsum( sum(CSM_EMAXX, TwowHoRFLstTCH_p), sum(MCCce, TwowHoRFLstTCH) )
```

UnknownEnterpriseField

Unknown Field exported from Enterprise Server

Calculation

```
nullInt()
```

MCC Peg Counts

The following is a list of peg counts for the MCC entity.

MCC1XFwdSCH_MaxSchTS_Trghput

PMC02_PC1: MCC1X_FWD_SCH_MAX_TS_BPS - FWD SCH Max Scheduled Timeslice Throughput

Source Field

PMC02_PC1

Source Section

PMC02

MCC1XFwdSCH_MinSchTS_Trghput

PMC02_PC2: MCC1X_FWD_SCH_MIN_TS_BPS - FWD SCH Min Scheduled Timeslice Throughput

Source Field

PMC02_PC2

Source Section

PMC02

MCC1XRvsSCH_MaxSchTS_Trghput

PMC02_PC3: MCC1X_RVS_SCH_MAX_TS_BPS - RVS SCH Max Scheduled Timeslice Throughput

Source Field

PMC02_PC3

Source Section

PMC02

MCC1XRvsSCH_MinSchTS_Trghput

PMC02_PC4: MCC1X_RVS_SCH_MIN_TS_BPS - RVS SCH Min Scheduled Timeslice Throughput

Source Field

PMC02_PC4

Source Section

PMC02

PkFwdSCH_inUse

PMC02_PC7: PEAK_NUM_FWD_SCH_IN_USE - Number of Fwd SCH in Use

Data Source

OMCR

Source Field

PC7

Source Section

PMC02

PkRvsSCH_inUse

PMC02_PC8: PEAK_NUM_RVS_SCH_IN_USE - Number of Rvs SCH in Use

Data Source

OMCR

Source Field

PC8

Source Section

PMC02

totalCalls

Total Calls

Data Source

aemsC Files

Source Field

aemsC202_PC1

Source Section

aemsC202

MCC_DataRate Primitive Calculations

The following is a list of primitive calculations for the MCC_DataRate entity.

DataRate_Kbps

MCC1X Data rate in kilobits per second

Calculation

```
protect ( stringToInt ( LocalKey ) * MCC_RateSet.DataSet_Factor )
```

GRAPHmultiLineSeparator

Special Control Field for Multi-Line Graphs

Calculation

```
""
```

NUMDAYS

of days in Report

Calculation

```
DAYSINREPORT ()
```

NUMHOURS

of hours in Summation Data

PktPipeFwdSCH_ExpectTrans

PMC76_PC4: MCC1X_FWD_SCH_TRANS - FWD SCH Expected Transmissions

Calculation

```
MCC1xFwdSCH_ExpectTrans
```

PktPipeFwdSCH_ReqFailNoBckBW

PMC76_PC2: MCC1X_FWD_SCH_FLR_NO_BB - FWD SCH Request Failures - No Backhaul Bandwidth

Calculation

```
MCC1xFwdSCH_ReqFailNoBckBW
```

PktPipeFwdSCH_ReqFailNoCE

PMC76_PC3: MCC1X_FWD_SCH_FLR_NO_CE - MCC1X FWD SCH Request Failures - No Channel Elements

Calculation

```
MCC1xFwdSCH_ReqFailNoCE
```

PktPipeFwdSCH_ResrcReq

PMC76_PC1: MCC1X_FWD_SCH_ATT - FWD SCH Resource Requests

Calculation

MCC1XFwdSCH_ResrcReq

PktPipeRvsSCH_ExpectTrans

PMC76_PC8: MCC1X_RVS_SCH_TRANS - RVS SCH Expected Transmissions

Calculation

MCC1XRvsSCH_ExpectTrans

PktPipeRvsSCH_ReqFailNoBckBW

PMC76_PC6: MCC1X_RVS_SCH_FLR_NO_BB - RVS SCH Request Failures - No Backhaul Bandwidth

Calculation

MCC1XRvsSCH_ReqFailNoBckBW

PktPipeRvsSCH_ReqFailNoCE

PMC76_PC7: MCC1X_RVS_SCH_FLR_NOBB - RVS SCH Request Failures - No Channel Elements

Calculation

MCC1XRvsSCH_ReqFailNoCE

PktPipeRvsSCH_ResrcReq

PMC76_PC5: MCC1X_RVS_SCH_ATT - RVS SCH Resource Requests

Calculation

MCC1XRvsSCH_ResrcReq

UnknownEnterpriseField

Unknown Field exported from Enterprise Server

Calculation

nullInt()

MCC_DataRate Peg Counts

The following is a list of peg counts for the MCC_DataRate entity.

MCC1XFwdSCH_ExpectTrans

PMC76_PC4: MCC1X_FWD_SCH_TRANS - FWD SCH Expected Transmissions

Source Field

PMC76_PC4

Source Section

PMC76

MCC1XFwdSCH_ReqFailNoBckBW

PMC76_PC2: MCC1X_FWD_SCH_FLR_NO_BB - FWD SCH Request Failures - No Backhaul Bandwidth

Source Field

PMC76_PC2

Source Section

PMC76

MCC1XFwdSCH_ReqFailNoCE

PMC76_PC3: MCC1X_FWD_SCH_FLR_NO_CE - MCC1X FWD SCH Request Failures - No Channel Elements

Source Field

PMC76_PC3

Source Section

PMC76

MCC1XFwdSCH_ResrcReq

PMC76_PC1: MCC1X_FWD_SCH_ATT - FWD SCH Resource Requests

Source Field

PMC76_PC1

Source Section

PMC76

MCC1XRvsSCH_ExpectTrans

PMC76_PC8: MCC1X_RVS_SCH_TRANS - RVS SCH Expected Transmissions

Source Field

PMC76_PC8

Source Section

PMC76

MCC1XRvsSCH_ReqFailNoBckBW

PMC76_PC6: MCC1X_RVS_SCH_FLR_NO_BB - RVS SCH Request Failures - No Backhaul Bandwidth

Source Field

PMC76_PC6

Source Section

PMC76

MCC1XRvsSCH_ReqFailNoCE

PMC76_PC7: MCC1X_RVS_SCH_FLR_NOBB - RVS SCH Request Failures - No Channel Elements

Source Field

PMC76_PC7

Source Section

PMC76

MCC1XRvsSCH_ResrcReq

PMC76_PC5: MCC1X_RVS_SCH_ATT - RVS SCH Resource Requests

Source Field

PMC76_PC5

Source Section

PMC76

MCC_RateSet Primitive Calculations

The following is a list of primitive calculations for the MCC_RateSet entity.

DataSet_Factor

The MCC rate set in 9.6 or 14.4 kilobits

Calculation

```
protect ( decode ( stringToInt ( LocalKey ), 1, 9.6, 2, 14.4 ) )
```

GRAPHmultiLineSeparator

Special Control Field for Multi-Line Graphs

Calculation

```
""
```

NUMHOURS

of hours in Summation Data

UnknownEnterpriseField

Unknown Field exported from Enterprise Server

Calculation

```
nullInt()
```

MCCce Primitive Calculations

The following is a list of primitive calculations for the MCCce entity.

CallSUAsnAtt

MCCce_Assgn_Atts_cBTS - Traffic MCC Channel Element Origination
Assignment+Termination Attempts cBTS

Calculation

```
vsum (TfMCCceOrigAsgnAtt, TfMCCceTermAsgnAtt )
```

CallSUAsnCmp

Obsolete Count in Release 16.1

Calculation

```
vsum (TfMCCceOrgAsgnComp, TfMCCceTermAsgnComp)
```


GRAPHmultiLineSeparator

Special Control Field for Multi-Line Graphs

Calculation

""

NUMDAYS

of days in Report

Calculation

DAYSINREPORT ()

NUMHOURS

of hours in Summation Data

TfMCCceOrgAsgnSucc

MCCce_Orig_Assgn_Success_cBTS - Traffic MCC Channel Element Origination Assignment Successes cBTS

Calculation

vsum(TfMCCceOrigAsgnAtt, - 1 * TfMCCceOrigAssgFail)

TfMCCceTrmAsgnSucc

MCCce_Term_Assgn_Success_cBTS - Traffic MCC Channel Element Termination Assignment Successes cBTS

Calculation

vsum(TfMCCceTermAsgnAtt, - 1 * TfMCCceTermAssgFail)

TotRFLstCH

PMC01_PC9: Ho_Rf_Loss_TCH_cBTS - 1+2+3-way Plus Handoff RF Loss - TCH cBTS

Calculation

vsum(OnewHoRFLstTCH, TwowHoRFLstTCH, ThreewpHoRFLstTCH)

UnknownEnterpriseField

Unknown Field exported from Enterprise Server

Calculation

nullInt ()

MCCce Peg Counts

The following is a list of peg counts for the MCCce entity.

ICBSCTfMCCceUsg

PMC01_PC12: MCCce_Usage_Time_ICBSC_cBTS - ICBSC Traffic MCC Channel Element Usage Time cBTS

Source Field

PMC01_PC12

Source Section

PMC01

IS2000CE_UsageTime

PMC01_PC15: MCCce_Usage_Time_IS2000_cBTS - IS2000 Channel Element Usage Time cBTS

Source Field

PMC01_PC15

Source Section

PMC01

OnewHoRFLstTCH

PMC01_PC7: Ho_Rf_Loss_1_TCH_cBTS - 1-way Handoff RF Loss - TCH cBTS

Source Field

PMC01_PC7

Source Section

PMC01

PDFundCEUsage

PMC01_PC13: MCCce_Usage_Time_PktData_Fund_cBTS - Packet Data Fundamental Channel Element Usage Time cBTS

Source Field

PMC01_PC13

Source Section

PMC01

PDSuppCEUsage

PMC01_PC14: MCCce_Usage_Time_PktData_Supp_cBTS - Packet Data Supplemental Channel Element Usage Time cBTS

Source Field

PMC01_PC14

Source Section

PMC01

TfMCCceOOS

PMC01_PC2: MCC_OOS_Time_cBTS - Traffic MCC Channel Element OOS Time cBTS

Source Field

PMC01_PC2

Source Section

PMC01

TfMCCceOrgAsgnComp

PMC01_PC4: Obsolete Count in Release 16.1

Source Field

PMC01_PC4

Source Section

PMC01

TfMCCceOrigAsgnAtt

PMC01_PC3: MCCce_Orig_Assgn_Atts_cBTS - Traffic MCC Channel Element Origination Assignment Attempts cBTS

Source Field

PMC01_PC3

Source Section

PMC01

TfMCCceOrigAssgFail

PMC01_PC17: MCCce_Orig_Assgn_Fail_cBTS - Traffic MCC Channel Element Origination Assignment Failures cBTS

Source Field

PMC01_PC17

Source Section

PMC01

TfMCCceTermAsgnAtt

PMC01_PC5: MCCce_Term_Assgn_Atts_cBTS - Traffic MCC Channel Element Termination Assignment Attempts cBTS

Source Field

PMC01_PC5

Source Section

PMC01

TfMCCceTermAsgnComp

PMC01_PC6: Obsolete Count in Release 16.1

Source Field

PMC01_PC6

Source Section

PMC01

TfMCCceTermAssgFail

PMC01_PC18: MCCce_Term_Assgn_Fail_cBTS - Traffic MCC Channel Element Termination Assignment Failures cBTS

Source Field

PMC01_PC18

Source Section

PMC01

TfMCCceUsg

PMC01_PC1: MCCce_Usage_TIme_cBTS - Traffic MCC Channel Element Usage Time cBTS

Source Field

PMC01_PC1

Source Section

PMC01

ThreewpHoRFLstTCH

PMC01_PC9: Ho_Rf_Loss_3Plus_TCH_cBTS - 3-way Plus Handoff RF Loss - TCH cBTS

Source Field

PMC01_PC9

Source Section

PMC01

TwowHoRFLstTCH

PMC01_PC8: Ho_Rf_Loss_2_TCH_cBTS - 2-way Handoff RF Loss - TCH cBTS

Source Field

PMC01_PC8

Source Section

PMC01

MCCce_Type Primitive Calculations

The following is a list of primitive calculations for the MCCce_Type entity.

GRAPHmultiLineSeparator

Special Control Field for Multi-Line Graphs

Calculation

""

NUMDAYS

of days in Report

Calculation

DAYSINREPORT ()

NUMHOURS

of hours in Summation Data

UnknownEnterpriseField

Unknown Field exported from Enterprise Server

Calculation

nullInt ()

MSC Available Data Fields

The following is a list of available data fields for the MSC entity.

CFG_AvailableDataPct

CFG Available Data Pct

CPU_AvailableDataPct

CPU Available Data Pct

TMM_AvailableDataPct

TMM Available Data Pct

MSC Primitive Calculations

The following is a list of primitive calculations for the MSC entity.

CFC111Cnt

Access Failures

Calculation

MSC_CFC[stringToInt(LocalKey)=111].CFC_COUNT

CFC112Cnt

Uplink RF Loss-Originating Mobile-BSC Detected

Calculation

MSC_CFC[stringToInt(LocalKey)=112].CFC_COUNT

CFC113Cnt

Uplink RF Loss-Terminating Mobile-BSC Detected

Calculation

MSC_CFC[stringToInt(LocalKey)=113].CFC_COUNT

CFC172Cnt

Downlink RF Loss-Originating Mobile Detected

Calculation

MSC_CFC[stringToInt(LocalKey)=172].CFC_COUNT

CFC173Cnt

Downlink RF Loss-Terminating Mobile Detected

Calculation

MSC_CFC[stringToInt(LocalKey)=173].CFC_COUNT

CFC1Cnt

Answered Calls-Not Roamer

Calculation

MSC_CFC[stringToInt(LocalKey)=1].CFC_COUNT

CFC34Cnt

Handoff Failures

Calculation

MSC_CFC[stringToInt(LocalKey)=34].CFC_COUNT

CFC43Cnt

Dual Identification Calls

Calculation

MSC_CFC[stringToInt(LocalKey)=43].CFC_COUNT

CFC4Cnt

Answered Calls-Roamer Originated

Calculation

MSC_CFC[stringToInt(LocalKey)=4].CFC_COUNT

CFC73Cnt

Alert Ack Message not Received

Calculation

MSC_CFC[stringToInt(LocalKey)=73].CFC_COUNT

GRAPHmultiLineSeparator

Special Control Field for Multi-Line Graphs

Calculation

""

NUMDAYS

of days in Report

Calculation

DAYSINREPORT()

NUMHOURS

of hours in Summation Data

UnknownEnterpriseField

Unknown Field exported from Enterprise Server

Calculation

nullInt()

MSC Peg Counts

The following is a list of peg counts for the MSC entity.

AttActvtMRSorVRS

Attempts to Activate the MRS or VRS Feature

Source Field

CA90_PC1

Source Section

CA90

AttDeActvtMRSorVRS

Attempts to De-Activate the MRS or VRS Feature

Source Field

CA90_PC2

Source Section

CA90

AURWrtn

AURs Written

Source Field

C060_06_PC2

Source Section

C060_06

BsyTrnsfCall

Busy Transfer Calls

Source Field

CA53_PC6

Source Section

CA53

CallAttExcd

Calls Attempting to Exceed the Call Forwarding Limit

Source Field

CA53_PC11

Source Section

CA53

CallBlkd

Calls Blocked

Source Field

CA60_PC11

Source Section

CA60

CallFwd

Calls Forwarded

Source Field

CA53_PC5

Source Section

CA53

CallFwdMin1

Calls Forwarded at Least Once

Source Field

CA53_PC10

Source Section

CA53

CallTrmMobDeReg

Calls Where Terminating Mobile was De-Registered

Source Field

CAA0_PC3

Source Section

CAA0

CallWtngCall

Call Waiting Calls

Source Field

CA53_PC7

Source Section

CA53

CCSPgBlkd

CCS Pages Blocked

Source Field

CA90_PC8

Source Section

CA90

CCSPgSnt

CCS Pages Sent

Source Field

CA90_PC7

Source Section

CA90

CDRBfrEntrWrtn

CDR Buffer Entries Written

Source Field

C060_06_PC5

Source Section

C060_06

CDRWrtn

CDRs Written

Source Field

C060_06_PC4

Source Section

C060_06

DwnLnkRFLs

Downlink RF Losses

Source Field

CA60_UT

Source Section

CA60_UT

HoComp

Handoff Completions

Source Field

CA60_PC8

Source Section

CA60

HoReq

Handoff Requests

Source Field

CA60_PC7

Source Section

CA60

HTSUMWrtn

HTSUMs Written

Source Field

C060_06_PC1

Source Section

C060_06

ICellHoComp

Inter-Cell Handoff Completions

Source Field

C060_02_PC2

Source Section

C060_02

ICellHoFail

Inter-Cell Handoff Failures

Source Field

C060_02_PC3

Source Section

C060_02

IcellHoReq

Inter-Cell Handoff Requests

Source Field

C060_02_PC1

Source Section

C060_02

IntraCellHoComp

Intra-Cell Handoff Completions

Source Field

C060_04_PC2

Source Section

C060_04

IntraCellHoFail

Intra-Cell Handoff Failures

Source Field

C060_04_PC3

Source Section

C060_04

IntraCellHoReq

Intra-Cell Handoff Requests

Source Field

C060_04_PC1

Source Section

C060_04

ISwHoChanAlloc

Inter-Switch HO Channel Allocations (Target)

Source Field

C060_03_PC4

Source Section

C060_03

ISwHoCompSrc

Inter-Switch HO Completions (Source)

Source Field

C060_03_PC1

Source Section

C060_03

ISwHoCompTrgt

Inter-Switch HO Completions (Target)

Source Field

C060_03_PC3

Source Section

C060_03

ISwHoFailSrc

Inter-Switch HO Failures (Source)

Source Field

C060_03_PC2

Source Section

C060_03

L_M_Att

Land to Mobile Attempts

Source Field

C060_07_PC2

Source Section

C060_07

L_M_Att_Home

Land-to-Mobile Attempts by home subscribers

Source Field

CA50_PC1

Source Section

CA50

L_M_Att_Roam

Land-to-Mobile Attempts by roam subscribers

Source Field

CA51_PC1

Source Section

CA51

L_M_Comp

Land to Mobile Completions

Source Field

C060_07_PC3

Source Section

C060_07

L_M_Comp_Home

Land-to-Mobile Completions by home subscribers

Source Field

CA50_PC2

Source Section

CA50

L_M_Comp_Roam

Land-to-Mobile Completions by roam subscribers

Source Field

CA51_PC2

Source Section

CA51

LrgstCDRSz

Largest CDR Size

Source Field

C060_06_PC6

Source Section

C060_06

M_L_Att

Mobile to Land Attempts

Source Field

C060_07_PC4

Source Section

C060_07

M_L_Att_Home

Mobile-to-Land Attempts by home subscribers

Source Field

CA50_PC3

Source Section

CA50

M_L_Att_Roam

Mobile-to-Land Attempts by roam subscribers

Source Field

CA51_PC3

Source Section

CA51

M_L_Comp

Mobile to Land Completions

Source Field

C060_07_PC5

Source Section

C060_07

M_L_Comp_Home

Mobile-to-Land Completions by home subscribers

Source Field

CA50_PC4

Source Section

CA50

M_L_Comp_Roam

Mobile-to-Land Completions by roam subscribers

Source Field

CA51_PC4

Source Section

CA51

M_M_Att

Mobile to Mobile Attempts

Source Field

C060_07_PC6

Source Section

C060_07

M_M_Att_Home

Mobile-to-Mobile Attempts by home subscribers

Source Field

CA50_PC5

Source Section

CA50

M_M_Att_Roam

Mobile-to-Mobile Attempts by roam subscribers

Source Field

CA51_PC5

Source Section

CA51

M_M_Comp

Mobile to Mobile Completions

Source Field

C060_07_PC7

Source Section

C060_07

M_M_Comp_Home

Mobile-to-Mobile Completions by home subscribers

Source Field

CA50_PC6

Source Section

CA50

M_M_Comp_Roam

Mobile-to-Mobile Completions by roam subscribers

Source Field

CA51_PC6

Source Section

CA51

MSAWrtn

MSAs Written

Source Field

C060_06_PC3

Source Section

C060_06

NoAnsTrnsfCall

No-Answer Transfer Calls

Source Field

CA53_PC4

Source Section

CA53

NumClIsns

Number of Collisions

Source Field

C060_05_PC1

Source Section

C060_05

OrgAccAtt

Origination Access Attempts

Source Field

C060_07_PC8

Source Section

C060_07

PgAck

Page Acknowledgements

Source Field

C060_07_PC9

Source Section

C060_07

Prty3ConfCall

Three Party Conference Calls

Source Field

CA53_PC8

Source Section

CA53

Reg

Registrations

Source Field

C060_07_PC1

Source Section

C060_07

RegRcvActMob

Registrations Received from Active Mobiles

Source Field

CAA0_PC2

Source Section

CAA0

SCDRWrtn

S-CDRs Written

Source Field

C060_06_PC7

Source Section

C060_06

SubActReg

Subscribers Becoming Active through Registration

Source Field

CAA0_PC1

Source Section

CAA0

SuccAttActvtMRSorVRS

Successful Attempts to Activate the MRS or VRS Feature

Source Field

CA90_PC3

Source Section

CA90

SuccAttDeActvtMRSorVRS

Successful Attempts to De-Activate the MRS or VRS Feature

Source Field

CA90_PC4

Source Section

CA90

SuccRepgs

Successful Repages

Source Field

CA60_PC9

Source Section

CA60

TrmMobSysAtt

Terminating Mobile System Attempts

Source Field

CA60_DT

Source Section

CA60_DT

TrmMobSysBlk

Terminating Mobile System Blocks

Source Field

CA60_PC15

Source Section

CA60

UpLnkRFLs

Uplink RF Losses

Source Field

CA60_PC16

Source Section

CA60

ValReqSw0

Validation Requests (Switch 0)

Source Field

CAA1_PC1

Source Section

CAA1

ValReqSw1

Validation Requests (Switch 1)

Source Field

CAA1_PC2

Source Section

CAA1

ValReqSw10

Validation Requests (Switch 10)

Source Field

CAA1_PC11

Source Section

CAA1

ValReqSw11

Validation Requests (Switch 11)

Source Field

CAA1_PC12

Source Section

CAA1

ValReqSw12

Validation Requests (Switch 12)

Source Field

CAA1_PC13

Source Section

CAA1

ValReqSw13

Validation Requests (Switch 13)

Source Field

CAA1_PC14

Source Section

CAA1

ValReqSw14

Validation Requests (Switch 14)

Source Field

CAA1_PC15

Source Section

CAA1

ValReqSw15

Validation Requests (Switch 15)

Source Field

CAA1_PC16

Source Section

CAA1

ValReqSw16

Validation Requests (Switch 16)

Source Field

CAA2_PC1

Source Section

CAA2

ValReqSw17

Validation Requests (Switch 17)

Source Field

CAA2_PC2

Source Section

CAA2

ValReqSw18

Validation Requests (Switch 18)

Source Field

CAA2_PC3

Source Section

CAA2

ValReqSw19

Validation Requests (Switch 19)

Source Field

CAA2_PC4

Source Section

CAA2

ValReqSw2

Validation Requests (Switch 2)

Source Field

CAA1_PC3

Source Section

CAA1

ValReqSw20

Validation Requests (Switch 20)

Source Field

CAA2_PC5

Source Section

CAA2

ValReqSw21

Validation Requests (Switch 21)

Source Field

CAA2_PC6

Source Section

CAA2

ValReqSw22

Validation Requests (Switch 22)

Source Field

CAA2_PC7

Source Section

CAA2

ValReqSw23

Validation Requests (Switch 23)

Source Field

CAA2_PC8

Source Section

CAA2

ValReqSw24

Validation Requests (Switch 24)

Source Field

CAA2_PC9

Source Section

CAA2

ValReqSw25

Validation Requests (Switch 25)

Source Field

CAA2_PC10

Source Section

CAA2

ValReqSw26

Validation Requests (Switch 26)

Source Field

CAA2_PC11

Source Section

CAA2

ValReqSw27

Validation Requests (Switch 27)

Source Field

CAA2_PC12

Source Section

CAA2

ValReqSw28

Validation Requests (Switch 28)

Source Field

CAA2_PC13

Source Section

CAA2

ValReqSw29

Validation Requests (Switch 29)

Source Field

CAA2_PC14

Source Section

CAA2

ValReqSw3

Validation Requests (Switch 3)

Source Field

CAA1_PC4

Source Section

CAA1

ValReqSw30

Validation Requests (Switch 30)

Source Field

CAA2_PC15

Source Section

CAA2

ValReqSw31

Validation Requests (Switch 31)

Source Field

CAA2_PC16

Source Section

CAA2

ValReqSw4

Validation Requests (Switch 4)

Source Field

CAA1_PC5

Source Section

CAA1

ValReqSw5

Validation Requests (Switch 5)

Source Field

CAA1_PC6

Source Section

CAA1

ValReqSw6

Validation Requests (Switch 6)

Source Field

CAA1_PC7

Source Section

CAA1

ValReqSw7

Validation Requests (Switch 7)

Source Field

CAA1_PC8

Source Section

CAA1

ValReqSw8

Validation Requests (Switch 8)

Source Field

CAA1_PC9

Source Section

CAA1

ValReqSw9

Validation Requests (Switch 9)

Source Field

CAA1_PC10

Source Section

CAA1

MSC_CFC Primitive Calculations

The following is a list of primitive calculations for the MSC_CFC entity.

GRAPHmultiLineSeparator

Special Control Field for Multi-Line Graphs

Calculation

""

NUMDAYS

of days in Report

Calculation

DAYSINREPORT ()

NUMHOURS

of hours in Summation Data

UnknownEnterpriseField

Unknown Field exported from Enterprise Server

Calculation

nullInt ()

MSC_CFC Peg Counts

The following is a list of peg counts for the MSC_CFC entity.

CFC_COUNT

of times CFC ID was generated

Source Field

CA65_CFC_COUNT

Source Section

CA65_CFC_COUNT

Neg_ServiceOption Primitive Calculations

The following is a list of primitive calculations for the Neg_ServiceOption entity.

GRAPHmultiLineSeparator

Special Control Field for Multi-Line Graphs

Calculation

""

NUMDAYS

of days in Report

Calculation

DAYSINREPORT ()

NUMHOURS

of hours in Summation Data

UnknownEnterpriseField

Unknown Field exported from Enterprise Server

Calculation

nullInt ()

OMP Primitive Calculations

The following is a list of primitive calculations for the OMP entity.

GRAPHmultiLineSeparator

Special Control Field for Multi-Line Graphs

Calculation

""

NUMDAYS

of days in Report

Calculation

DAYSINREPORT ()

NUMHOURS

of hours in Summation Data

OMP Peg Counts

The following is a list of peg counts for the OMP entity.

CPU_Util_Avg

OMP CPU Utilization in percentage calculated by averaging 10-min CPU Utilization values in OMC SAR

Data Source

OMC SAR

Source Field

CPU_Util

Source Section

SAR

CPU_Util_Max

OMP CPU Utilization in percentage calculated by picking the maximum of 10-min CPU Utilization values in OMC SAR

Data Source

OMC SAR

Source Field

CPU_Util

Source Section

SAR

PagingChan Primitive Calculations

The following is a list of primitive calculations for the PagingChan entity.

AvgBytesLocServMsgPCH

The average size in bytes of location service messages sent on the paging channel

Calculation

$1.0 * \text{TotBytesLocServMsgPCH} / \text{LocServMsgPCH}$

AvgBytesSMS_MsgPCH

The average size in bytes of SMS messages sent on the paging channel

Calculation

$1.0 * \text{TotBytesSMS_MsgPCH} / \text{SMS_MsgPCH}$

GRAPHmultiLineSeparator

Special Control Field for Multi-Line Graphs

Calculation

""

NumberOfMSIAddressesSentPerGPM

Number of MSI Addresses sent per GPM

Calculation

$MSI_AddrMsgPCH / GenPageMsgPCH$

NUMDAYS

of days in Report

Calculation

$DAYSINREPORT ()$

NUMHOURS

of hours in Summation Data

pagingConcatenationUsagePercent

$PG_CONCAT_USG_%$ - Paging Concatenation Usage %

Calculation

$100.0 * (numberOf2PageRecordInGpmSentOnPch / numberOfGpmsSentOnPch)$

UnknownEnterpriseField

Unknown Field exported from Enterprise Server

Calculation

$nullInt ()$

PagingChan Peg Counts

The following is a list of peg counts for the PagingChan entity.

AccParamMsgPCH

PMC200_PC35: NUM_ACC_PARAM_MSG_SENT_PCH - Number of Access Parameter Messages Sent

Data Source

OMCR

Source Field

PC35

Source Section

PMC200

AuthChangeMsgPCH

PMC200_PC40: NUM_AUTH_CHLNG_MSG_SENT_f-csch - Number of Authentication Challenge Messages Sent

Data Source

OMCR

Source Field

PC40

Source Section

PMC200

CAM_ECAMInitAtt

PMC47_PC1: CAM_ECAM_SENT_INIT - CAM/ECAM Sent - Initial Attempts

Source Field

PMC47_PC1

Source Section

PMC47

CAM_ECAMSent1Retries

PMC47_PC2: CAM_ECAM_SENT_1_RETRIES - CAM/ECAM Sent - 1 Retries

Source Field

PMC47_PC2

Source Section

PMC47

CAM_ECAMSent2Retries

PMC47_PC3: CAM_ECAM_SENT_2_RETRIES - CAM/ECAM Sent - 2 Retries

Source Field

PMC47_PC3

Source Section

PMC47

CAM_ECAMSent3Retries

PMC47_PC4: CAM_ECAM_SENT_3_RETRIES - CAM/ECAM Sent - 3 Retries

Source Field

PMC47_PC4

Source Section

PMC47

CAM_ECAMSent4Retries

PMC47_PC5: CAM/ECAM Sent - 4 Retries

Source Field

PMC47_PC5

Source Section

PMC47

CDMA_ChanListMsgPCH

PMC200_PC37: NUM_CDMA_CHAN_LIST_MSG_SENT_PCH - Number of CDMA Channel List Messages Sent

Data Source

OMCR

Source Field

PC37

Source Section

PMC200

ChanAssgnMsgPCH

PMC200_PC39: NUM_CHAN_ASSIGN_MSG_SENT_PCH - Number of Channel Assignment Messages Sent

Data Source

OMCR

Source Field

PC39

Source Section

PMC200

DataBurstMsgsPCH

PMC200_PC28: NUM_DATA_BURST_MSG_SENT_f-csch - Number of Data Burst Messages Sent

Data Source

OMCR

Source Field

PC28

Source Section

PMC200

ExtndCDMA_ChanListMsgPCH

PMC200_PC53: NUM_EXT_CDMA_CHAN_LIST_MSG_SENT_f-csch - Number of Extended CDMA Channel List Messages Sent

Data Source

OMCR

Source Field

PC53

Source Section

PMC200

ExtndChanAssgnMsgPCH

PMC200_PC51: NUM_EXT_CHAN_ASSIGN_MSG_SENT_f-csch - Number of Extended Channel Assignment Messages Sent

Data Source

OMCR

Source Field

PC51

Source Section

PMC200

ExtndGloblServRedirMsgPCh

PMC200_PC54: NUM_EXT_GLOB_SERV_REDIR_MSG_SENT_f-csch - Number of Extended Global Service Redirection Messages Sent

Data Source

OMCR

Source Field

PC54

Source Section

PMC200

ExtndNborListMsgPCH

PMC200_PC44: NUM_EXT_NEIGH_LST_MSG_SENT_PCH - Number of Extended Neighbor List Messages Sent

Data Source

OMCR

Source Field

PC44

Source Section

PMC200

ExtndSysParamMsgPCH

PMC200_PC43: NUM_EXT_SYS_PARAM_MSG_SENT_PCH - Number of Extended System Parameter Messages Sent

Data Source

OMCR

Source Field

PC43

Source Section

PMC200

FeatNotMsgPCH

PMC200_PC42: NUM_FEAT_NOTIF_MSG_SENT_f-csch - Number of Feature Notification Messages Sent

Data Source

OMCR

Source Field

PC42

Source Section

PMC200

GenNborListMsgPCH

PMC200_PC52: NUM_GEN_NEIGH_LIST_MSG_SENT_PCH - Number of General Neighbor List Messages Sent

Data Source

OMCR

Source Field

PC52

Source Section

PMC200

GenPageMsg_SO22_PCH

PMC200_PC22: NUM_GEN_PAGE_MSG_SENT_SO_22_f-csch - Number of General Page Messages Sent w/ SO 22

Data Source

OMCR

Source Field

PC22

Source Section

PMC200

GenPageMsg_SO23_PCH

PMC200_PC23: NUM_GEN_PAGE_MSG_SENT_SO_23_f-csch - Number of General Page Messages Sent w/ SO 23

Data Source

OMCR

Source Field

PC23

Source Section

PMC200

GenPageMsg_SO24_PCH

PMC200_PC24: NUM_GEN_PAGE_MSG_SENT_SO_24_f-csch - Number of General Page Messages Sent w/ SO 24

Data Source

OMCR

Source Field

PC24

Source Section

PMC200

GenPageMsg_SO25_PCH

PMC200_PC25: NUM_GEN_PAGE_MSG_SENT_SO_25_f-csch - Number of General Page Messages Sent w/ SO 25

Data Source

OMCR

Source Field

PC25

Source Section

PMC200

GenPageMsg_SO33_PCH

PMC200_PC26: NUM_GEN_PAGE_MSG_SENT_SO_33_f-csch - Number of General Page Messages Sent w/ SO 33

Data Source

OMCR

Source Field

PC26

Source Section

PMC200

GenPageMsgPCH

PMC200_PC47: NUM_GEN_PAGE_MSG_SENT_f-csch - Number of General Page Messages Sent

Data Source

OMCR

Source Field

PC47

Source Section

PMC200

GloblServRedirMsgPCH

PMC200_PC48: NUM_GLOB_SERV_REDIR_MSG_SENT_PCH - Number of Global Service Redirection Messages Sent

Data Source

OMCR

Source Field

PC48

Source Section

PMC200

HiPriNSlotMsgDelayPCH

PMC200_PC3: HIGH_PRIOR_NON_SLOT_MSG_DELAY_f-csch - High Priority Non-Slotted Messages Delay

Data Source

OMCR

Source Field

PC3

Source Section

PMC200

HiPriNSlotMsgDiscrdPCH

PMC200_PC4: NUM_HIGH_PRIOR_NON_SLOT_MSG_DISCARD_f-csch - Number of High Priority Non-Slotted Messages Discarded

Data Source

OMCR

Source Field

PC4

Source Section

PMC200

HiPriNSlotMsgPCH

PMC200_PC2: NUM_HIGH_PRIOR_NON_SLOT_MSG_SENT_f-csch - Number of High Priority Non-Slotted Messages Sent

Data Source

OMCR

Source Field

PC2

Source Section

PMC200

HiPriSlotMsgDelayPCH

PMC200_PC7: HIGH_PRIOR_SLOT_MSG_DELAY_f-csch - High Priority Slotted Messages Delay

Data Source

OMCR

Source Field

PC7

Source Section

PMC200

HiPriSlotMsgDiscrdPCH

PMC200_PC8: NUM_HIGH_PRIOR_SLOT_MSG_DISCARD_f-csch - Number of High Priority Slotted Messages Discarded

Data Source

OMCR

Source Field

PC8

Source Section

PMC200

HiPriSlotMsgPCH

PMC200_PC6: NUM_HIGH_PRIOR_SLOT_MSG_SENT_f-csch - Number of High Priority Slotted Messages Sent

Data Source

OMCR

Source Field

PC6

Source Section

PMC200

LocServMsgPCH

PMC200_PC33: NUM_LOC_SERV_MSG_SENT_f-csch - Number of Location Service Messages Sent

Data Source

OMCR

Source Field

PC33

Source Section

PMC200

LoPriNSlotMsgDelayPCH

PMC200_PC11: LOW_PRIOR_NON_SLOT_MSG_DELAY_f-csch - Low Priority Non-Slotted Messages Delay

Data Source

OMCR

Source Field

PC11

Source Section

PMC200

LoPriNSlotMsgDiscrdPCH

PMC200_PC12: NUM_LOW_PRIOR_NON_SLOT_MSG_DISCARD_f-csch - Number of Low Priority Non-Slotted Messages Discarded

Data Source

OMCR

Source Field

PC12

Source Section

PMC200

LoPriNSlotMsgPCH

PMC200_PC10: NUM_LOW_PRIOR_NON_SLOT_MSG_SENT_f-csch - Number of Low Priority Non-Slotted Messages Sent

Data Source

OMCR

Source Field

PC10

Source Section

PMC200

LoPriSlotMsgDelayPCH

PMC200_PC15: LOW_PR_SLOT_MSG_DELAY_f-csch - Low Priority Slotted Messages Delay

Data Source

OMCR

Source Field

PC15

Source Section

PMC200

LoPriSlotMsgDiscrdPCH

PMC200_PC16: NUM_LOW_PR_SLOT_MSG_DISCARD_f-csch - Number of Low Priority Slotted Messages Discarded

Data Source

OMCR

Source Field

PC16

Source Section

PMC200

LoPriSlotMsgPCH

PMC200_PC14: NUM_LOW_PRIOR_SLOT_MSG_SENT_f-csch - Number of Low Priority Slotted Messages Sent

Data Source

OMCR

Source Field

PC14

Source Section

PMC200

MSI_AddrMsgPCH

PMC200_PC20: NUM_MSI_ADDR_MSG_SENT_f-csch - Number of MSI Address Messages Sent

Data Source

OMCR

Source Field

PC20

Source Section

PMC200

NborListMsgPCH

PMC200_PC36: NUM_NEIGH_LIST_MSG_SENT_PCH - Number of Neighbor List Messages Sent

Data Source

OMCR

Source Field

PC36

Source Section

PMC200

Num2PgRecGPMSentFCCCH

PMC200_PC62: NUM_2_PG_REC_GPM_SENT_f-csch - Number of 2 Page Record in GPM Sent

Data Source

PM

Source Field

PMC200_PC62

Source Section

PMC200

NumANSI41RANDMsgSentFBCCH

PMC200_PC66: NUM_ANSI_RAND_MSG_SENT_f-csch - Number of ANSI-41 RAND Messages Sent

Data Source

PM

Source Field

PMC200_PC66

Source Section

PMC200

NumANSI41SysParamMsgSentFBCCH

PMC200_PC65: NUM_ANSI_SYS_PARAM_MSG_SENT_f-esch - Number of ANSI-41 System Parameter Messages Sent

Data Source

PM

Source Field

PMC200_PC65

Source Section

PMC200

numberOf2PageRecordInGpmSentOnPch

PMC47_PC6: NUM_2_PG_REC_GPM_SENT_PCH - Number of 2 Page Record in GPM Sent on PCH

Data Source

PM

Source Field

PMC47_PC6

Source Section

PMC47

numberOfConcatenatedPagesIn2HalfFramesSentOnPch

PMC47_PC8: NUM_CONCAT_PG_2HF_SENT_PCH - Number of concatenated pages in 2 Half Frames sent on PCH

Data Source

PM

Source Field

PMC47_PC8

Source Section

PMC47

numberOfGpmsSentOnPch

PMC47_PC7: NUM_GPM_SENT_PCH - Number of GPMs Sent on PCH

Data Source

PM

Source Field

PMC47_PC7

Source Section

PMC47

NumberOfHalfFramesOccupiedByAllGPMsSentOnPCH

Number of Half Frames occupied by all GPMs sent on PCH

Data Source

PM

Source Field

PC74

Source Section

PMC200

NumEnhcAccParamMsgSntFBCCH

PMC200_PC69: NUM_EAPM_SENT_f-csch - Number of Enhanced Access Parameter Messages Sent

Data Source

PM

Source Field

PMC200_PC69

Source Section

PMC200

NumFrgmntSentFCCCH

PMC200_PC59: NUM_FRAGMNT_SENT_F-CCCH - Number of Fragments Sent

Data Source

PM

Source Field

PMC200_PC59

Source Section

PMC200

NumHlfFrmesOvrhMsg_128cS

PMC200_73 NUM_HFRAMES_TO_SEND_OVERHEAD_MSG_EVRY_1.28_SECONDS
No of Half Frames to send overhead messages once every 1.28 seconds

Data Source

PM

Source Field

PMC200_PC73

Source Section

PMC200

NumMC_RRParamMsgSentFBCCH

PMC200_PC68: NUM_MCRR_PARM_MSG_SENT_f-csch - Number of MC-RR Parameter Messages Sent

Data Source

PM

Source Field

PMC200_PC68

Source Section

PMC200

NumSubSltSentFBCCH

PMC200_PC63: NUM_SUBSLOT_SENT_F-BCCH - Number of Sub-Slots Sent

Data Source

PM

Source Field

PMC200_PC63

Source Section

PMC200

NumUnivrsNbrListMsgSentFBCCH

PMC200_PC67: NUM_UNI_NEIGH_LIST_MSG_SENT_f-csch - Number of Universal Neighbor List Messages Sent

Data Source

PM

Source Field

PMC200_PC67

Source Section

PMC200

NumUnivrsPgMsgSentFCCCH

PMC200_PC61: NUM_UNIV_PAGE_MSG_SENT_f-csch - Number of Universal Page Messages Sent

Data Source

PM

Source Field

PMC200_PC61

Source Section

PMC200

OrderMsgPCH

PMC200_PC38: NUM_ORDER_MSG_SENT_f-csch - Number of Order Messages Sent

Data Source

OMCR

Source Field

PC38

Source Section

PMC200

PACA_MsgPCH

PMC200_PC50: NUM_PACA_MSG_SENT_f-csch - Number of PACA Messages Sent

Data Source

OMCR

Source Field

PC50

Source Section

PMC200

PkFrgmntSentFCCCH

PMC200_PC60: PK_NUM_FRAGMNT_SENT_F-CCCH - Peak Number of Fragments Sent

Data Source

PM

Source Field

PMC200_PC60

Source Section

PMC200

PkHlfFrmesPCH

PMC200_PC19: PKNUM_HFRAME_SENT_PCH - Peak Number of Half-Frames Sent

Data Source

OMCR

Source Field

PC19

Source Section

PMC200

PkSubSltSentFBCCH

PMC200_PC64: PEAK_NUM_SUBSLOT_SENT_F-BCCH - Peak Number of Sub-Slots Sent

Data Source

PM

Source Field

PMC200_PC64

Source Section

PMC200

PrivNborListMsgPCH

PMC200_PC56: NUM_PRVT_NEIGH_LIST_MSG_SENT_f-csch - Number of Private Neighbor List Messages Sent

Data Source

OMCR

Source Field

PC56

Source Section

PMC200

SecurModeCmdMsgPCH

PMC200_PC58: NUM_SEC_MODE_CMD_MSG_SENT_f-csch - Number of Security Mode Command Messages Sent

Data Source

OMCR

Source Field

PC58

Source Section

PMC200

ServRedirMsgPCh

PMC200_PC46: NUM_SERV_REDIR_MSG_SENT_f-csch - Number of Service Redirection Messages Sent

Data Source

OMCR

Source Field

PC46

Source Section

PMC200

SMS_MsgPCH

PMC200_PC31: NUM_SMS_MSG_SENT_f-csch - Number of SMS Messages Sent

Data Source

OMCR

Source Field

PC31

Source Section

PMC200

SSD_UpdateMsgPCH

PMC200_PC41: NUM_SSD_UPDATE_MSG_SENT_f-csch - Number of SSD Update Messages Sent

Data Source

OMCR

Source Field

PC41

Source Section

PMC200

StatusReqMsgPCH

PMC200_PC45: NUM_STAT_REQ_MSG_SENT_f-csch - Number of Status Request Messages Sent

Data Source

OMCR

Source Field

PC45

Source Section

PMC200

SynchrHlfFrmesNOvrhdMsgPCH

PMC200_PC18: NUM_SYNCH_HFRAME_SENT_NON_OVHD_PCH - Number of Synchronous Half-Frames Sent for Non-Overhead Messages

Data Source

OMCR

Source Field

PC18

Source Section

PMC200

SynchrHlfFrmesPCH

PMC200_PC17: NUM_SYNCH_HFRAME_SENT_PCH - Number of Synchronous Half-Frames Sent

Data Source

OMCR

Source Field

PC17

Source Section

PMC200

SysParamMsgPCH

PMC200_PC34: NUM_SYS_PARAM_MSG_SENT_PCH - Number of System Parameter Messages Sent

Data Source

OMCR

Source Field

PC34

Source Section

PMC200

TMSI_AssgnMsgPCH

PMC200_PC49: NUM_TMSI_ASSIGN_MSG_SENT_f-csch - Number of TMSI Assignment Messages Sent

Data Source

OMCR

Source Field

PC49

Source Section

PMC200

TotalADDSArrivdFCSCH

PMC200_PC71: ADDS_ARRIVED_f-csch - ADDS Arrived

Data Source

PM

Source Field

PMC200_PC71

Source Section

PMC200

TotalFeaNotifArrivdFCSCH

PMC200_PC72: FNOTIF_ARRIVED_f-csch - Feature Notifications Arrived

Data Source

PM

Source Field

PMC200_PC72

Source Section

PMC200

TotalPageArrivdFCSCH

PMC200_PC70: PAGE_ARRIVED_f-csch - Pages Arrived

Data Source

PM

Source Field

PMC200_PC70

Source Section

PMC200

TotBytesFeatNotMsgPCH

PMC200_PC29: TOT_SIZE_FEAT_NOTIF_MSG_SENT_f-csch - Total Size of Feature Notification Messages Sent

Data Source

OMCR

Source Field

PC29

Source Section

PMC200

TotBytesHiPriNSlotMsgPCH

PMC200_PC1: TOT_SIZE_HIGH_PRIOR_NON_SLOT_MSG_SENT_f-csch - Total Size of High Priority Non-Slotted Messages Sent

Data Source

OMCR

Source Field

PC1

Source Section

PMC200

TotBytesHiPriSlotMsgPCH

PMC200_PC5: TOT_SIZE_HIGH_PRIOR_SLOT_MSG_SENT_f-csch - Total Size of High Priority Slotted Messages Sent

Data Source

OMCR

Source Field

PC5

Source Section

PMC200

TotBytesLocServMsgPCH

PMC200_PC32: TOT_SIZE_LOC_SERV_MSG_SENT_f-csch - Total Size of Location Service Messages Sent

Data Source

OMCR

Source Field

PC32

Source Section

PMC200

TotBytesLoPriNSlotMsgPCH

PMC200_PC9: TOT_SIZE_LOW_PRIOR_NON_SLOT_MSG_SENT_f-csch - Total Size of Low Priority Non-Slotted Messages Sent

Data Source

OMCR

Source Field

PC9

Source Section

PMC200

TotBytesLoPriSlotMsgPCH

PMC200_PC13: TOT_SIZE_LOW_PRIOR_SLOT_MSG_SENT_f-csch - Total Size of Low Priority Slotted Messages Sent

Data Source

OMCR

Source Field

PC13

Source Section

PMC200

TotBytesMSI_AddrMsgPCH

PMC200_PC21: TOT_SIZE_MSI_ADDR_MSG_SENT_f-csch - Total Size of MSI Address Messages Sent

Data Source

OMCR

Source Field

PC21

Source Section

PMC200

TotBytesSMS_MsgPCH

PMC200_PC30: TOT_SIZE_SMS_MSG_SENT_f-csch - Total Size of SMS Messages Sent

Data Source

OMCR

Source Field

PC30

Source Section

PMC200

TotSizeDataBurstMsgPCH

PMC200_PC27: TOT_SIZE_DATA_BURST_MSG_SENT_f-csch - Total Size of Data Burst Messages Sent

Data Source

OMCR

Source Field

PC27

Source Section

PMC200

UserZoneID_MsgPCH

PMC200_PC55: NUM_USR_ZONE_ID__MSG_SENT_f-csch - Number of User Zone Identification Messages Sent

Data Source

OMCR

Source Field

PC55

Source Section

PMC200

UserZoneRejctMsgPCH

PMC200_PC57: NUM_USR_ZONE_RJCT_MSG_SENT_f-csch - Number of User Zone Reject Messages Sent

Data Source

OMCR

Source Field

PC57

Source Section

PMC200

PaTrnkGrp Primitive Calculations

The following is a list of primitive calculations for the PaTrnkGrp entity.

AvgPowOutReadSC_PA

This measurement indicates the Average Tx Power Out reading(in mili Watts) at PA Trunk Group level during the collection period.

Calculation

AvgPowOutReadSC_PA_Int

GRAPHmultiLineSeparator

Special Control Field for Multi-Line Graphs

Calculation

""

NUMDAYS

of days in Report

Calculation

DAYSINREPORT ()

NUMHOURS

of hours in Summation Data

PaTrnkGrp Peg Counts

The following is a list of peg counts for the PaTrnkGrp entity.

AllPowModsInsTimePA

PMC22_PC5 ALL_PWR_MOD_INS_TIME Total time in seconds during which all of the Equipped Power Modules in the PA Trunk Group are INS

Data Source

PM

Source Field

PMC22_PC5

Source Section

PMC22

averagePowerCapacityUtilizationPa_Int

This measurement provides operator with Average Power Capacity Utilization

Data Source

PM

Source Field

$200.0 * (\text{Sum}(\text{SC_PaTrnkGrp}, \text{CumPowOutReadSC_PA} / \text{NumPowSampRecSC_PA}) * \text{Max}(\text{SC_PaTrnkGrp}, \text{NumPowSampRecSC_PA})) / (\text{AllPowModsInsTimePA} * \text{RatPowOfPowModsPA})$

Source Section

$100.0 * () / (\text{AllPowModsInsTimePA} * \text{RatPowOfPowModsPA})$

NumEquipPowModsPA

PMC22_PC2 NUM_EQP_PWR_MOD Number of Equipped power modules under the PA Trunk Group

Data Source

PM

Source Field

PMC22_PC2

Source Section

PMC22

NumEquipSecCarrsPA

PMC22_PC4 NUM_EQP_SEC_CARR Number of Equipped Sector-Carriers under the PA Trunk Group

Data Source

PM

Source Field

PMC22_PC4

Source Section

PMC22

peakPowerCapacityUtilizationPa_Int

This measurement provides operator with Peak Power Capacity Utilization

Data Source

PM

Source Field

$100.0 * (PkPowOutReadPA) / (NumEquipPowModsPA * RatPowOfPowModsPA)$

Source Section

$100.0 * (PkPowOutReadPA) / (NumEquipPowModsPA * RatPowOfPowModsPA)$

PkPowOutReadPA

PMC22_PC1 PEAK_PWR_READ_PA Peak Tx Power Out reading (in milli Watts) at PA Trunk Group level

Data Source

PM

Source Field

PMC22_PC1

Source Section

PMC22

RatPowOfPowModsPA

PMC22_PC3 PWR_RATE_PWR_MOD Rated power per PA module inside trunk group

Data Source

PM

Source Field

PMC22_PC3

Source Section

PMC22

PaTrnkGrp_SC Primitive Calculations

The following is a list of primitive calculations for the PaTrnkGrp_SC entity.

AvgPowCapUtilPA_SC

This measurement gives the Average Power Capacity Utilization percentage at Sector Carrier level.

Calculation

AvgPowCapUtilPA_SC_Int

GRAPHmultiLineSeparator

Special Control Field for Multi-Line Graphs

Calculation

""

NUMDAYS

of days in Report

Calculation

DAYSINREPORT ()

NUMHOURS

of hours in Summation Data

PkPowCapUtilPA_SC

This measurement gives the Peak Power Capacity Utilization percentage at Sector Carrier level.

Calculation

PkPowCapUtilPA_SC_Int

PaTrnkGrp_SC Peg Counts

The following is a list of peg counts for the PaTrnkGrp_SC entity.

AllPowModsInsTimePA_SC

PMC22_PC5 ALL_PWR_MOD_INS_TIME Total time in seconds during which all of the Equipped Power Modules in the PA Trunk Group are INS

Data Source

PM

Source Field

PMC22_PC5

Source Section

PMC22

CarrierTypeIndicator

Carrier Type Indicator

Data Source

PM

Source Field

Subj_Id_4

Source Section

PMC21

CumPowOutReadPA_SC

PMC21_PC1 CUM_PWR_READ_SEC_CARR Cumulative Power Out Reading - Sector Carrier

Data Source

PM

Source Field

PMC21_PC1

Source Section

PMC21

NumEquipPowModsPA_SC

PMC22_PC2 NUM_EQP_PWR_MOD Number of Equipped power modules under the PA Trunk Group

Data Source

PM

Source Field

PMC22_PC2

Source Section

PMC22

NumEquipSecCarrsPA_SC

PMC22_PC4 NUM_EQP_SEC_CARR Number of Equipped Sector-Carriers under the PA Trunk Group

Data Source

PM

Source Field

PMC22_PC4

Source Section

PMC22

NumPowSampRecPA_SC

PMC21_PC2 NUM_PWR_SAMPLES_RECD Number of Power Samples Received - Sector Carrier

Data Source

PM

Source Field

PMC21_PC2

Source Section

PMC21

PkPowOutReadPA_SC

PMC21_PC3 PEAK_PWR_READ_SEC_CARR Peak Power Out Reading - Sector Carrier

Data Source

PM

Source Field

PMC21_PC3

Source Section

PMC21

RatPowOfPowModsPA_SC

PMC22_PC3 PWR_RATE_PWR_MOD Rated power per PA module inside trunk group

Data Source

PM

Source Field

PMC22_PC3

Source Section

PMC22

PBTSSPAN Primitive Calculations

The following is a list of primitive calculations for the PBTSSPAN entity.

BundleCarrierType

Type of Carrier for MLPPP Bundle - 0 for DO and 1 for 1X

Calculation

```
nullValue(BundleCarrierType_pmC171,-1) > null-  
Value(BundleCarrierType_pmC173,-1) ? BundleCarrierType_pmC171 :  
BundleCarrierType_pmC173
```

GRAPHmultiLineSeparator

Special Control Field for Multi-Line Graphs

Calculation

""

NUMDAYS

of days in Report

Calculation

```
DAYSINREPORT ()
```

NUMHOURS

of hours in Summation Data

PBTSSPAN Peg Counts

The following is a list of peg counts for the PBTSSPAN entity.

ControlledSlipSeconds

UBS_CSS - Controlled Slip Seconds

Data Source

PM

Source Field

PMC171_PC10

Source Section

PMC171

DegradedSecAlarm

UBS_DSA - Degraded Seconds Alarm

Data Source

PM

Source Field

PMC171_PC8

Source Section

PMC171

DegradedSecWarning

UBS_DSW - Degraded Seconds Warning

Data Source

PM

Source Field

PMC171_PC7

Source Section

PMC171

ErroredSecondsLine

UBS_ERRORED_SEC_LINE - Errored Seconds-Line

Data Source

PM

Source Field

PMC171_PC1

Source Section

PMC171

ErroredSecondsPath

UBS_ERRORED_SEC_PATH - Errored Seconds-Path

Data Source

PM

Source Field

PMC171_PC2

Source Section

PMC171

FwdLineUseRate

UBS_FWD_LINE_USE_RATE - Fwd line use rate

Data Source

PM

Source Field

PMC173_PC1

Source Section

PMC173

LineCodeViolation

UBS_CV_L - Line Code Violations

Data Source

PM

Source Field

PMC171_PC5

Source Section

PMC171

PathCodeViolation

UBS_CV_P - Path Code Violations

Data Source

PM

Source Field

PMC171_PC6

Source Section

PMC171

RvsLineUseRate

UBS_RVS_LINE_USE_RATE - Rvs line use rate

Data Source

PM

Source Field

PMC173_PC2

Source Section

PMC173

SeverelyErroredSecondsLine

UBS_SEV_ERRORED_SEC_LINE - Severely Errored Seconds -Line

Data Source

PM

Source Field

PMC171_PC3

Source Section

PMC171

SeverelyErroredSecondsPath

UBS_SEV_ERRORED_SEC_PATH - Severely Errored Seconds -Path

Data Source

PM

Source Field

PMC171_PC4

Source Section

PMC171

SpanType

pmC_171_hr:Span type

Data Source

PM

Source Field

PMC171_Subj_Id_4

Source Section

PMC171

SuspectFlag

pmC_171_hr:Suspect Flag

Data Source

PM

Source Field

PMC171_Subj_Id_6

Source Section

PMC171

UnavailableSec

UBS_UAS - Unavailable Seconds

Data Source

PM

Source Field

PMC171_PC9

Source Section

PMC171

PCF Primitive Calculations

The following is a list of primitive calculations for the PCF entity.

GRAPHmultiLineSeparator

Special Control Field for Multi-Line Graphs

Calculation

""

NUMDAYS

of days in Report

Calculation

DAYSINREPORT ()

NUMHOURS

of hours in Summation Data

UnknownEnterpriseField

Unknown Field exported from Enterprise Server

Calculation

nullInt ()

PCF_PDSN Primitive Calculations

The following is a list of primitive calculations for the PCF_PDSN entity.

GRAPHmultiLineSeparator

Special Control Field for Multi-Line Graphs

Calculation

""

NUMDAYS

of days in Report

Calculation

DAYSINREPORT ()

NUMHOURS

of hours in Summation Data

UnknownEnterpriseField

Unknown Field exported from Enterprise Server

Calculation

nullInt ()

PCF_RA Primitive Calculations

The following is a list of primitive calculations for the PCF_RA entity.

GRAPHmultiLineSeparator

Special Control Field for Multi-Line Graphs

Calculation

""

NUMDAYS

of days in Report

Calculation

DAYSINREPORT ()

NUMHOURS

of hours in Summation Data

PCF_E_ActvCallAtt

PCF-E_ACT_ATT - PCF-E Active Call Attempts

Calculation

```
vsum(PCF_E_ActvCallOvf, PCF_E_ActvCallOvrl, PCF_E_ActvCallSucc,  
PCF_E_ActvCallAllocFailNoPDSN)
```

PCF_E_ReactivCallAttMM_Req

PCF-E_REACT_ATT_M - PCF-E Reactive Call Attempts - MM Request

Calculation

```
vsum(PCF_E_ReactivCallOvfMMReq, PCF_E_ReactivCallOvrlMMReq,  
PCF_E_ReactivCallSuccMMReq)
```

PCF_E_ReactivCallAttPCF_Qry

PCF-E_REACT_ATT_Q - PCF-E Reactive Call Attempts - PCF Query

Calculation

```
vsum(PCF_E_ReactivCallOvfPCF_Qry, PCF_E_ReactivCallOvrlPCF_Qry,  
PCF_E_ReactivCallSuccPCF_Qry)
```

PCF_RAMaxDormCallAllow

PCF-RA_Max_Dorm_Calls - PCF-RA Maximum Dormant Calls Allowed

Calculation

```
vsum(PCF_RA_MaxTotCallAllow, -1 * PCF_RA_MaxActvCallAllow)
```

pSuccCallReactivPrent

%_REC_FM_DORM - % of Reactive Call from Dormant

Calculation

```
100.0 * vsum(PCF_E_ReactivCallSuccMMReq, PCF_E_ReactivCallSuccPCF_Qry) /  
vsum(PCF_E_ReactivCallOvfMMReq, PCF_E_ReactivCallOvrlMMReq,  
PCF_E_ReactivCallSuccMMReq, PCF_E_ReactivCallOvfPCF_Qry,  
PCF_E_ReactivCallOvrlPCF_Qry, PCF_E_ReactivCallSuccPCF_Qry)
```

UnknownEnterpriseField

Unknown Field exported from Enterprise Server

Calculation

```
nullInt()
```

PCF_RA Peg Counts

The following is a list of peg counts for the PCF_RA entity.

NumSuccPDSNAccessPktDataXC

PMC18_PC25: Succ_PDSN_Access_Pkt_Data_XC - Number of successful PDSN Accesses for Packet Data Calls - XC

Data Source

PM

Source Field

PMC18_PC25

Source Section

PMC18

PCF_E_ActvCallAllocFailNoPDSN

PMC18_PC24: PCF-E_ACT_NO_PDSN - Active Call Allocation Failure - No PDSN

Source Field

PMC18_PC24

Source Section

PMC18

PCF_E_ActvCallOvf

PMC18_PC7: PCF-E_ACT_OVF - Active Call Overflows

Source Field

PMC18_PC7

Source Section

PMC18

PCF_E_ActvCallOvrld

PMC18_PC8: PCF-E_ACT_OVL - Active Call Overload

Source Field

PMC18_PC8

Source Section

PMC18

PCF_E_ActvCallSucc

PMC18_PC9: PCF-E_ACT_SUCC - Active Call Success

Source Field

PMC18_PC9

Source Section

PMC18

PCF_E_FoundAllocRemote

PMC18_PC20: PCF-E_FND_ALLOC_RMT - Found and Allocated Remotely

Source Field

PMC18_PC20

Source Section

PMC18

PCF_E_PktDropCallBuffLim

PMC18_PC22: PCF-E_PKT_DROP_BUF - Packet Dropped - Per Call Buffer Limit

Source Field

PMC18_PC22

Source Section

PMC18

PCF_E_PktDropNoMem

PMC18_PC23: PCF-E_PKT_DROP_MEM - Packet Dropped - No Memory

Source Field

PMC18_PC23

Source Section

PMC18

PCF_E_ReactvCallOvfMMReq

PMC18_PC10: PCF-E_REACT_OVF_M - Reactive Call Overflows - MM Request

Source Field

PMC18_PC10

Source Section

PMC18

PCF_E_ReactvCallOvfPCF_Qry

PMC18_PC13: PCF-E_REACT_OVF_Q - Reactive Call Overflows - PCF Query

Source Field

PMC18_PC13

Source Section

PMC18

PCF_E_ReactvCallOvrldMMReq

PMC18_PC11: PCF-E_REACT_OVL_M - Reactive Call Overload - MM Request

Source Field

PMC18_PC11

Source Section

PMC18

PCF_E_ReactvCallOvrldPCF_Qry

PMC18_PC14: PCF-E_REACT_OVL_Q - Reactive Call Overload - PCF Query

Source Field

PMC18_PC14

Source Section

PMC18

PCF_E_ReactvCallSuccMMReq

PMC18_PC12: PCF-E_REACT_SUCC_M - Reactive Call Success - MM Request

Source Field

PMC18_PC12

Source Section

PMC18

PCF_E_ReactvCallSuccPCF_Qry

PMC18_PC15: PCF-E_REACT_SUCC_Q - Reactive Call Success - PCF Query

Source Field

PMC18_PC15

Source Section

PMC18

PCF_E_ReqRespTypeMismatch

PMC18_PC21: PCF-E_REQ-RESP_MIS - Request / Response Type Mismatch

Source Field

PMC18_PC21

Source Section

PMC18

PCF_QryBlk

PMC18_PC19: PCF-E_PCF_QRY_BLK - of PCF Queries Blocked

Source Field

PMC18_PC19

Source Section

PMC18

PCF_QryRecvd

PMC18_PC17: PCF-E_PCF_QRY_RX - of PCF Queries Received

Source Field

PMC18_PC17

Source Section

PMC18

PCF_QrySent

PMC18_PC18: PCF-E_PCF_QRY_TX - of PCF Queries Sent

Source Field

PMC18_PC18

Source Section

PMC18

PCF_RA_DormntCallOvf

PMC18_PC6: PCF-RA_Dorm_OVF - Dormant Call Overflow

Source Field

PMC18_PC6

Source Section

PMC18

PCF_RA_MaxActvCallAllow

PMC18_PC1: PCF-RA_Max_Act_Calls - Maximum Active Calls Allowed

Source Field

PMC18_PC1

Source Section

PMC18

PCF_RA_MaxTotCallAllow

PMC18_PC2: PCF-RA_Max_Tot_Calls - Maximum Total Calls Allowed

Source Field

PMC18_PC2

Source Section

PMC18

PCF_RA_UsgActvCall

PMC18_PC3: PCF-RA_USG-ACT - Usage - Active Calls

Source Field

PMC18_PC3

Source Section

PMC18

PCF_RA_UsgDormntCall

PMC18_PC4: PCF-RA_USG-DORM - Usage - Dormant Calls

Source Field

PMC18_PC4

Source Section

PMC18

ResrcReqRecvd

PMC18_PC16: PCF-E_RES_REQ RX - of Resource Requests Received

Source Field

PMC18_PC16

Source Section

PMC18

TotalUserDataFwdXC

PMC18_PC26: Tot_GRE_Volume_Fwd_XC - User Data Volume in Forward Direction - XC

Data Source

PM

Source Field

PMC18_PC26

Source Section

PMC18

TotalUserDataRvsXC

PMC18_PC27: Tot_GRE_Volume_Rvs_XC - User Data Volume in Reverse Direction - XC

Data Source

PM

Source Field

PMC18_PC27

Source Section

PMC18

TotPSI_PCF_OOSTime

PMC18_PC5: PSI-PCF_Tot_OOS - PSI-PCF OOS Time

Source Field

PMC18_PC5

Source Section

PMC18

PKTIF Primitive Calculations

The following is a list of primitive calculations for the PKTIF entity.

GRAPHmultiLineSeparator

Special Control Field for Multi-Line Graphs

Calculation

""

NUMDAYS

of days in Report

Calculation

DAYSINREPORT ()

NUMHOURS

of hours in Summation Data

PKTIF Peg Counts

The following is a list of peg counts for the PKTIF entity.

CPU_Util_Avg

PKTIF CPU Utilization in percentage calculated by averaging 10-min CPU Utilization values in OMC SAR

Data Source

OMC SAR

Source Field

CPU_Util

Source Section

SAR

CPU_Util_Max

PKTIF CPU Utilization in percentage calculated by picking the maximum of 10-min CPU Utilization values in OMC SAR

Data Source

OMC SAR

Source Field

CPU_Util

Source Section

SAR

PKTPCF Primitive Calculations

The following is a list of primitive calculations for the PKTPCF entity.

GRAPHmultiLineSeparator

Special Control Field for Multi-Line Graphs

Calculation

""

NUMDAYS

of days in Report

Calculation

DAYSINREPORT ()

NUMHOURS

of hours in Summation Data

PKTPCF Peg Counts

The following is a list of peg counts for the PKTPCF entity.

CPU_Util_Avg

PKTPCF CPU Utilization in percentage calculated by averaging 10-min CPU Utilization values in OMC SAR

Data Source

OMC SAR

Source Field

CPU_Util

Source Section

SAR

CPU_Util_Max

PKTPCF CPU Utilization in percentage calculated by picking the maximum of 10-min CPU Utilization values in OMC SAR

Data Source

OMC SAR

Source Field

CPU_Util

Source Section

SAR

PKTSEL Primitive Calculations

The following is a list of primitive calculations for the PKTSEL entity.

GRAPHmultiLineSeparator

Special Control Field for Multi-Line Graphs

Calculation

""

NUMDAYS

of days in Report

Calculation

DAYSINREPORT ()

NUMHOURS

of hours in Summation Data

PKTSEL Peg Counts

The following is a list of peg counts for the PKTSEL entity.

CPU_Util_Avg

PKTSEL CPU Utilization in percentage calculated by averaging 10-min CPU Utilization values in OMC SAR

Data Source

OMC SAR

Source Field

CPU_Util

Source Section

SAR

CPU_Util_Max

PKTSEL CPU Utilization in percentage calculated by picking the maximum of 10-min CPU Utilization values in OMC SAR

Data Source

OMC SAR

Source Field

CPU_Util

Source Section

SAR

Proc Primitive Calculations

The following is a list of primitive calculations for the Proc entity.

GRAPHmultiLineSeparator

Special Control Field for Multi-Line Graphs

Calculation

""

NUMDAYS

of days in Report

Calculation

DAYSINREPORT ()

NUMHOURS

of hours in Summation Data

UnknownEnterpriseField

Unknown Field exported from Enterprise Server

Calculation

nullInt ()

Proc Peg Counts

The following is a list of peg counts for the Proc entity.

ID

ProcPair Primitive Calculations

The following is a list of primitive calculations for the ProcPair entity.

GRAPHmultiLineSeparator

Special Control Field for Multi-Line Graphs

Calculation

""

NUMDAYS

of days in Report

Calculation

DAYSINREPORT ()

NUMHOURS

of hours in Summation Data

UnknownEnterpriseField

Unknown Field exported from Enterprise Server

Calculation

nullInt ()

ProcPair Peg Counts

The following is a list of peg counts for the ProcPair entity.

CPU_UsgPercent

Processor Occupancy Percentage

Source Section

CPU

PriorityLevel

Internal Tasks Priority Level: Highest

Source Section

CPU

ReportInterval

Report Interval: Period in seconds for which CPU Usage is computed (5-120 sec)

Source Section

CPU

Status

If percentage not obtained: Not Equipped or Not Configured etc.

Source Section

CPU

ProcSubsystem Primitive Calculations

The following is a list of primitive calculations for the ProcSubsystem entity.

GRAPHmultiLineSeparator

Special Control Field for Multi-Line Graphs

Calculation

""

NUMDAYS

of days in Report

Calculation

DAYSINREPORT ()

NUMHOURS

of hours in Summation Data

UnknownEnterpriseField

Unknown Field exported from Enterprise Server

Calculation

nullInt ()

ProcSubsystemPair Primitive Calculations

The following is a list of primitive calculations for the ProcSubsystemPair entity.

GRAPHmultiLineSeparator

Special Control Field for Multi-Line Graphs

Calculation

""

NUMDAYS

of days in Report

Calculation

DAYSINREPORT ()

NUMHOURS

of hours in Summation Data

UnknownEnterpriseField

Unknown Field exported from Enterprise Server

Calculation

nullInt ()

ProcSubsystemPair Peg Counts

The following is a list of peg counts for the ProcSubsystemPair entity.

CPU_UsgPercent

Processor Occupancy Percentage

Source Section

CPU

PriorityLevel

Internal Tasks Priority Level: Highest

Source Section

CPU

ReportInterval

Report Interval: Period in seconds for which CPU Usage is computed (5-120 sec)

Source Section

CPU

Status

If percentage not obtained: Not Equipped or Not Configured etc.

Source Section

CPU

PSI_CE_Grp Primitive Calculations

The following is a list of primitive calculations for the PSI_CE_Grp entity.

GRAPHmultiLineSeparator

Special Control Field for Multi-Line Graphs

Calculation

""

NUMDAYS

of days in Report

Calculation

DAYSINREPORT ()

NUMHOURS

of hours in Summation Data

PSI_CE_AsgnFail

PSI-CE_Assgn_Fail - PSI-CE Assignment Failures

Calculation

vsum(PSI_CE_AsgnAtt, -1 * PSI_CE_AsgnComp)

PSI_CE_GrpPktTot

TOT_FRAME_REC-XC - Total Frames Received

Calculation

vsum(PSI_CE_GrpValidPkt, PSI_CE_GrpDropPkt)

TotPSI_CE_IdleTime

PSI_CE_IDLE - Total PSI-CE Idle Time (seconds)

Calculation

```
vsum(PSI_CE_Equip, -1 * TotPSI_CE_UsgTime, -1 * TotPSI_CE_OOSTime)
```

UnknownEnterpriseField

Unknown Field exported from Enterprise Server

Calculation

```
nullInt()
```

PSI_CE_Grp Peg Counts

The following is a list of peg counts for the PSI_CE_Grp entity.

AllPSI_CE_NonIdleTime

PMC17_PC4: PSI_CE_NONIDLE - PSI-CE Non-Idle Time

Source Field

PMC17_PC4

Source Section

PMC17

PSI_CE_AsgnAtt

PMC17_PC5: PSI-CE_Assgn_Atts - Assignment Attempts

Source Field

PMC17_PC5

Source Section

PMC17

PSI_CE_AsgnComp

PMC17_PC6: PSI-CE_Assgn_Compl - Assignment Completes

Source Field

PMC17_PC6

Source Section

PMC17

PSI_CE_Equip

PMC17_PC1: PSI_CE_EQP - PSI-CEs Equipped Time

Source Field

PMC17_PC1

Source Section

PMC17

PSI_CE_GrpDropPkt

PMC17_PC8: PSI-CE_NUM_DROP_PKTS - Group Dropped Packets

Source Field

PMC17_PC8

Source Section

PMC17

PSI_CE_GrpValidPkt

PMC17_PC7: PSI-CE_NUM_VLD PKTS - Group Valid Packets

Source Field

PMC17_PC7

Source Section

PMC17

TotPSI_CE_OOSTime

PMC17_PC3: PSI_CE_OOS - PSI-CE OOS Time

Source Field

PMC17_PC3

Source Section

PMC17

TotPSI_CE_UsgTime

PMC17_PC2: PSI_CE_USG - PSI-CE Usage Time

Source Field

PMC17_PC2

Source Section

PMC17

PSI_SDU Primitive Calculations

The following is a list of primitive calculations for the PSI_SDU entity.

GRAPHmultiLineSeparator

Special Control Field for Multi-Line Graphs

Calculation

""

NUMDAYS

of days in Report

Calculation

DAYSINREPORT ()

NUMHOURS

of hours in Summation Data

UnknownEnterpriseField

Unknown Field exported from Enterprise Server

Calculation

nullInt ()

PSI_SDU Peg Counts

The following is a list of peg counts for the PSI_SDU entity.

callCCS

Call usage in CCS

Source Field

aemsC120: PC6,PC1

Data Source

aemsC Files

Source Section

aemsC120

QuickPCH_Rate Primitive Calculations

The following is a list of primitive calculations for the QuickPCH_Rate entity.

GRAPHmultiLineSeparator

Special Control Field for Multi-Line Graphs

Calculation

""

NUMDAYS

of days in Report

Calculation

DAYSINREPORT ()

NUMHOURS

of hours in Summation Data

pAvgQPCH_Occup

AVE_QPCH_OCCU - QPCH Occupancy

Calculation

pAvgQPCH_Occup_Int

QPCH_Rate

Quick Paging Channel Rate (0 = 4800; 1 = 9600)

Calculation

protect (decode (stringToInt(LocalKey),0,4800,1,9600))

QuickPCH_Rate Peg Counts

The following is a list of peg counts for the QuickPCH_Rate entity.

ConfigChngIndsQPCH

PMC202_PC3: NUM_CONFIG_CHNG_IND - Number of Configuration Change Indicators Sent on QPCH

Data Source

OMCR

Source Field

PC3

Source Section

PMC202

PkQkPageChanIndsQPCH

PMC202_PC1: PEAK_QPCH_IND_SENT - Peak Number of Quick Paging Channel Indicators Sent on QPCH

Data Source

OMCR

Source Field

PC1

Source Section

PMC202

QkPageChanIndsQPCH

PMC202_PC2: TOTAL_QPCH_IND_SENT - Total Quick Paging Channel Indicators Sent on QPCH

Data Source

OMCR

Source Field

PC2

Source Section

PMC202

QuickPgChan Primitive Calculations

The following is a list of primitive calculations for the QuickPgChan entity.

GRAPHmultiLineSeparator

Special Control Field for Multi-Line Graphs

Calculation

""

NUMDAYS

of days in Report

Calculation

DAYSINREPORT ()

NUMHOURS

of hours in Summation Data

RadioChanConfig Primitive Calculations

The following is a list of primitive calculations for the RadioChanConfig entity.

GRAPHmultiLineSeparator

Special Control Field for Multi-Line Graphs

Calculation

""

NUMDAYS

of days in Report

Calculation

DAYSINREPORT ()

NUMHOURS

of hours in Summation Data

UnknownEnterpriseField

Unknown Field exported from Enterprise Server

Calculation

`nullInt()`

Req_SCH_GrpType Primitive Calculations

The following is a list of primitive calculations for the Req_SCH_GrpType entity.

forwardSchGroupAllocateSuccessCommit

PMC77_PC3: SCHGR_FWD_SUCC_COM - Group FWD Allocation Successes (Commits)

Calculation

`SCH_GrpFwdAllocSucc`

FwdSCH_GrpAllocSuccResrv

SCHGR_FWD_SUCC_RES - SCH Group FWD Allocation Successes (Reservations)

Calculation

`vsum(SCH_GrpFwdAllocAtt, -1 * SCH_GrpFwdAllocFailNoIdleMem)`

GRAPHmultiLineSeparator

Special Control Field for Multi-Line Graphs

Calculation

`""`

NUMDAYS

of days in Report

Calculation

`DAYSINREPORT()`

NUMHOURS

of hours in Summation Data

reverseSchGroupAllocateSuccessCommit

PMC77_PC7: SCHGR_RVS_SUCC_RES - SCH Group RVS Allocation Successes (Commits)

Calculation

SCH_GrpRvsAllocSucc

RvsSCH_GrpAllocSuccResrv

SCHGR_RVS_FLR_NOIM% - SCH Group RVS Allocation Failures - No Idle Members (%)

Calculation

vsum(SCH_GrpRvsAllocAtt, -1 * SCH_GrpRvsAllocFailNoIdleMem)

UnknownEnterpriseField

Unknown Field exported from Enterprise Server

Calculation

nullInt()

Req_SCH_GrpType Peg Counts

The following is a list of peg counts for the Req_SCH_GrpType entity.

SCH_GrpFwdAllocAtt

PMC77_PC1: SCHGR_FWD_ATT - Group FWD Allocation Attempts

Source Field

PMC77_PC1

Source Section

PMC77

SCH_GrpFwdAllocFailNoIdleMem

PMC77_PC2: SCHGR_FWD_FLR_NOIM - Group FWD Allocation Failures - No Idle Members

Source Field

PMC77_PC2

Source Section

PMC77

SCH_GrpFwdTransm

PMC77_PC4: SCHGR_FWD_TRANS - Group FWD Transmissions

Source Field

PMC77_PC4

Source Section

PMC77

SCH_GrpRvsAllocAtt

PMC77_PC5: SCHGR_RVS_ATT - Group RVS Allocation Attempts

Source Field

PMC77_PC5

Source Section

PMC77

SCH_GrpRvsAllocFailNoIdleMem

PMC77_PC6: SCHGR_RVS_FLR_NOIM - Group RVS Allocation Failures - No Idle Members

Source Field

PMC77_PC6

Source Section

PMC77

SCH_GrpRvsTransm

PMC77_PC8: SCHGR_RVS_TRANS - Group RVS Transmissions

Source Field

PMC77_PC8

Source Section

PMC77

Req_ServiceOption Primitive Calculations

The following is a list of primitive calculations for the Req_ServiceOption entity.

GRAPHmultiLineSeparator

Special Control Field for Multi-Line Graphs

Calculation

""

NUMDAYS

of days in Report

Calculation

DAYSINREPORT ()

NUMHOURS

of hours in Summation Data

UnknownEnterpriseField

Unknown Field exported from Enterprise Server

Calculation

nullInt ()

Req_ServiceOption Peg Counts

The following is a list of peg counts for the Req_ServiceOption entity.

totalCalls

Total Calls

Data Source

aemsC Files

Source Field

aemsC221_PC1

Source Section

aemsC221

RouterPair Primitive Calculations

The following is a list of primitive calculations for the RouterPair entity.

GRAPHmultiLineSeparator

Special Control Field for Multi-Line Graphs

Calculation

""

NUMDAYS

of days in Report

Calculation

DAYSINREPORT ()

NUMHOURS

of hours in Summation Data

UnknownEnterpriseField

Unknown Field exported from Enterprise Server

Calculation

nullInt ()

RouterPair Peg Counts

The following is a list of peg counts for the RouterPair entity.

PklBhlLnkOvrldCallLgShd_p

PMC120_PC6: PKT_BKHL_OVRLD_SHED - Backhaul Link Overload Call Legs Shed

Source Field

PMC120_PC6

Source Section

PMC120

PktBhlHHI_SftAddTimeBlk_p

PMC120_PC8: PKT_BKHL_HHI_SFTADD_TIME_BLK - Backhaul HHI/Softadd Time Blocked

Source Field

PMC120_PC8

Source Section

PMC120

PktBhlHHISftAddAdmAtt_p

PMC120_PC2: PKT_BKHL_HHI_SFT_ADD_ADM_ATT - Backhaul HHI and Softadd Admission Attempts

Source Field

PMC120_PC2

Source Section

PMC120

PktBhlHHISftAddAdmDen_p

PMC120_PC4: PKT_BKHL_HHI_SFT_ADD_ADM_DENY - Backhaul HHI and SoftAdd Admission Denials

Source Field

PMC120_PC4

Source Section

PMC120

PktBhlLnkOvrldCon_p

PMC120_PC5: PKT_BKHL_OVRLD_CND - Backhaul Link Overload Condition

Source Field

PMC120_PC5

Source Section

PMC120

PktBhlOrig_TermTimeBlk_p

PMC120_PC7: PKT_BKHL_ORIG_TERM_TIME_BLK - Backhaul Orig/Term Time Blocked

Source Field

PMC120_PC7

Source Section

PMC120

PktBhlOrigTermAdmAtt_p

PMC120_PC1: PKT_BKHL_ORIG_TERM_ADM_ATT - Backhaul Origination and Termination Admission Attempts

Source Field

PMC120_PC1

Source Section

PMC120

PktBhlOrigTermAdmDen_p

PMC120_PC3: PKT_BKHL_ORIG_TERM_ADM_DENY - Backhaul Origination and Termination Admission Denials

Source Field

PMC120_PC3

Source Section

PMC120

SC_PaTrnkGrp Primitive Calculations

The following is a list of primitive calculations for the SC_PaTrnkGrp entity.

AvgPowOutReadSC_PA

This measurement indicates the Average Tx Power Out reading(in mili Watts) at PA Trunk Group level during the collection period.

Calculation

$1.0 * \text{CumPowOutReadSC_PA} / \text{NumPowSampRecSC_PA}$

GRAPHmultiLineSeparator

Special Control Field for Multi-Line Graphs

Calculation

""

NUMDAYS

of days in Report

Calculation

DAYSINREPORT ()

NUMHOURS

of hours in Summation Data

SC_PaTrnkGrp Peg Counts

The following is a list of peg counts for the SC_PaTrnkGrp entity.

CumPowOutReadSC_PA

PMC21_PC1 CUM_PWR_READ_SEC_CARR Cumulative Power Out Reading - Sector Carrier

Data Source

PM

Source Field

PMC21_PC1

Source Section

PMC21

NumPowSampRecSC_PA

PMC21_PC2 NUM_PWR_SAMPLES_REC'D Number of Power Samples Received - Sector Carrier

Data Source

PM

Source Field

PMC21_PC2

Source Section

PMC21

SCH_GrpType Primitive Calculations

The following is a list of primitive calculations for the SCH_GrpType entity.

FwdSCH_GrpEffecCE_UseCommit

PMC77_PC3: SCHGR_FWD_SUCC_COM - Group FWD Allocation Successes (Commits)

Calculation

```
FwdSCH_GrpEffecCE_UseCommit_Int
```

FwdSCH_GrpEffecCE_UseTransmit

PMC77_PC4: SCHGR_FWD_TRANS - Group FWD Transmissions

Calculation

```
FwdSCH_GrpEffecCE_UseTransmit_Int
```

GRAPHmultiLineSeparator

Special Control Field for Multi-Line Graphs

Calculation

```
""
```

MCC1XFwd_ChEl_Equipd

MCC1X forward channel elements equipped

Calculation

```
protect( MCC.BTS_Cell.ubsIndicator = 1 ? SCH_GrpFwdMemEquip : SCH_CE_Grp *  
SCH_GrpFwdMemEquip )
```

MCC1XRvs_ChEl_Equipd

MCC1X reverse channel elements equipped

Calculation

```
protect( MCC.BTS_Cell.ubsIndicator = 1 ? SCH_GrpRvsMemEquip : SCH_CE_Grp  
* SCH_GrpRvsMemEquip )
```

NUMDAYS

of days in Report

Calculation

```
DAYSINREPORT ()
```

NUMHOURS

of hours in Summation Data

pFwdSCH_GrpAllocFailNoIdleMem

FWD SCH Group Allocation Failure No Idle Members%

Calculation

```
100.0 * aggr(Req_SCH_GrpType, SCH_GrpFwdAllocFailNoIdleMem) /  
aggr(Req_SCH_GrpType, SCH_GrpFwdAllocAtt)
```

pRvsSCH_GrpAllocFailNoIdleMem

RVS SCH Group Allocation Failure No Idle Members%

Calculation

```
100.0 * aggr(Req_SCH_GrpType, SCH_GrpRvsAllocFailNoIdleMem) /  
aggr(Req_SCH_GrpType, SCH_GrpRvsAllocAtt)
```

RvsSCH_GrpEffecCE_UseCommit

PMC77_PC7: SCHGR_RVS_SUCC_RES - SCH Group RVS Allocation Successes (Commits)

Calculation

```
RvsSCH_GrpEffecCE_UseCommit_Int
```

RvsSCH_GrpEffecCE_UseTransmit

PMC77_PC8: SCHGR_RVS_TRANS - Group RVS Transmissions

Calculation

```
RvsSCH_GrpEffecCE_UseTransmit_Int
```

SCH_CE_Grp

MCC1X SCH channel elements in groups of 1, 2, 4, 8, 16, 32 elements

Calculation

```
protect ( stringToInt ( LocalKey ) )
```

UnknownEnterpriseField

Unknown Field exported from Enterprise Server

Calculation

```
nullInt()
```

SCH_GrpType Peg Counts

The following is a list of peg counts for the SCH_GrpType entity.

averageSchGroupForwardMembersConfigured

PMC83_PC3: AVG_SCHGR_FWD_MEM_CONF - Average SCH Group FWD Members Configured

Data Source

PM

Source Field

PMC83_PC3

Source Section

PMC83

averageSchGroupReverseMembersConfigured

PMC83_PC4: AVG_SCHGR_RVS_MEM_CONF - Average SCH Group RVS Members Configured

Data Source

PM

Source Field

PMC83_PC4

Source Section

PMC83

SCH_GrpFwdMemEquip

PMC83_PC1: SCHGR_FWD_MEM_CONF - Static SCH Group FWD Members Configured

Data Source

PM

Source Field

PMC83_PC1

Source Section

PMC83

SCH_GrpRvsMemEquip

PMC83_PC2: SCHGR_RVS_MEM_CONF - Static SCH Group RVS Members Configured

Data Source

PM

Source Field

PMC83_PC2

Source Section

PMC83

SCIP_Link Primitive Calculations

The following is a list of primitive calculations for the SCIP_Link entity.

GRAPHmultiLineSeparator

Special Control Field for Multi-Line Graphs

Calculation

""

NUMDAYS

of days in Report

Calculation

DAYSINREPORT ()

NUMHOURS

of hours in Summation Data

UnknownEnterpriseField

Unknown Field exported from Enterprise Server

Calculation

nullInt ()

SCIP_Link Peg Counts

The following is a list of peg counts for the SCIP_Link entity.

BusyCond

Busy Conditions

Source Field

CA80_PC12

Source Section

CA80

ErrorRec

Errors Received

Source Field

CA80_PC10

Source Section

CA80

FrameTrans

Frames Transmitted

Source Field

CA80_PC1

Source Section

CA80

InboundBusyTime

Inbound Busy Time (percentage)

Source Field

CA80_PC15

Source Section

CA80

LostFrames

Lost Frames

Source Field

CA80_PC11

Source Section

CA80

OutboundBusyTime

Outbound Busy Time (percentage)

Source Field

CA80_PC14

Source Section

CA80

PkLinkInit

Peak Link Initializations

Source Field

CA80_PC13

Source Section

CA80

T1TOsNumRejFrameRec

T1 Timeouts and Number of Rejected Frames Received

Source Field

CA80_PC9

Source Section

CA80

TotRawDataRec

Total Raw Data Received (in 256 blocks)

Source Field

CA80_PC4

Source Section

CA80

TotRawDataSent

Total Raw Data Sent (in 256 blocks)

Source Field

CA80_PC3

Source Section

CA80

VldFrameRec

Valid Frames Received

Source Field

CA80_PC2

Source Section

CA80

SCSI_DiskCopy Primitive Calculations

The following is a list of primitive calculations for the SCSI_DiskCopy entity.

GRAPHmultiLineSeparator

Special Control Field for Multi-Line Graphs

Calculation

""

NUMDAYS

of days in Report

Calculation

DAYSINREPORT ()

NUMHOURS

of hours in Summation Data

UnknownEnterpriseField

Unknown Field exported from Enterprise Server

Calculation

`nullInt()`

SCSI_DiskCopy Peg Counts

The following is a list of peg counts for the SCSI_DiskCopy entity.

AlterExcpErr

Alternative Port Exception Error

Source Field

C0B1_02_PC4

Source Section

C0B1

AvgDiskAccTimeLSW

Average Disk Access Time - Least Significant Word

Source Field

C0B1_02_PC16

Source Section

C0B1

AvgDiskAccTimeMSW

Average Disk Access Time - Most Significant Word

Source Field

C0B1_02_PC15

Source Section

C0B1

AvgDskAccTimeDIA_3LSW

Average Disk Access Time DIA-3 - Least Significant Word

Source Field

C0B1_02_PC37

Source Section

C0B1

AvgDskAccTimeDIA_3MSW

Average Disk Access Time DIA-3 - Most Significant Word

Source Field

C0B1_02_PC36

Source Section

C0B1

BusyNotSetShouldBe

Busy Not Set But Should be

Source Field

C0B1_02_PC26

Source Section

C0B1

BusySelBitBothSet

Busy and Select Bits Both Set

Source Field

C0B1_02_PC22

Source Section

C0B1

CmndAbort

Command Aborted

Source Field

C0B1_02_PC9

Source Section

C0B1

CmndExcpErr

Command Exception Error

Source Field

C0B1_02_PC2

Source Section

C0B1

CmndIncomp

Command Incomplete

Source Field

C0B1_02_PC7

Source Section

C0B1

CondSucc

Conditional Success

Source Field

C0B1_02_PC8

Source Section

C0B1

DevTimeout

Device Timeout

Source Field

C0B1_02_PC25

Source Section

C0B1

DIA_3AppearInsane

DIA-3 Appears to be Insane

Source Field

C0B1_02_PC24

Source Section

C0B1

DIA_3BusyBitSet

DIA- 3 Busy Bit Set

Source Field

C0B1_02_PC30

Source Section

C0B1

DIA_3CSR_AccBusTO

DIA-3 CSR Access Bus Timeout

Source Field

C0B1_02_PC19

Source Section

C0B1

DIA_3MemAccBusTO

DIA-3 Memory Access Bus Timeout

Source Field

C0B1_02_PC23

Source Section

C0B1

DIA_3NotRel

DIA-3 Did not Release

Source Field

C0B1_02_PC33

Source Section

C0B1

DiskCmndReject

Disk Command Reject

Source Field

C0B1_02_PC29

Source Section

C0B1

IntactvReqErr

Interactive Required Error

Source Field

C0B1_02_PC5

Source Section

C0B1

InvalidTabCode

Invalid Table Codes

Source Field

C0B1_02_PC40

Source Section

C0B1

MachExcpErr

Machine Exception Error

Source Field

C0B1_02_PC3

Source Section

C0B1

MaxDIA_3AccTime

Max DIA-3 Access Time

Source Field

C0B1_02_PC38

Source Section

C0B1

MaxSingleSecReadAccTime

Max Single Sector Read Access Time

Source Field

C0B1_02_PC17

Source Section

C0B1

MessMicroExcpErr

Message/Microcode Exception Error

Source Field

C0B1_02_PC6

Source Section

C0B1

MinDIA_3AccTime

Min DIA-3 Access Time

Source Field

C0B1_02_PC39

Source Section

C0B1

MinSingleSecReadAccTime

Min Single Sector Read Access Time

Source Field

C0B1_02_PC18

Source Section

C0B1

MissedDiskIntrpt

Missed Disk (DIA) Interrupt

Source Field

C0B1_02_PC28

Source Section

C0B1

NotFindCorrRespPkt

Did not find Correct Response Packet

Source Field

C0B1_02_PC34

Source Section

C0B1

PktID_Mismatch

Packet ID Mismatch

Source Field

C0B1_02_PC27

Source Section

C0B1

ReadyBitSetSelBitClear

Ready Bit Set With Select Bit Cleared

Source Field

C0B1_02_PC20

Source Section

C0B1

SuccComp

Number Successful Completions

Source Field

C0B1_02_PC1

Source Section

C0B1

TotAvgWindow

Total-Average Window

Source Field

C0B1_02_PC14

Source Section

C0B1

TotAvgWindowDIA_3

Total-Average Window for DIA-3

Source Field

C0B1_02_PC35

Source Section

C0B1

TotHW_RecovErr

Total Hardware Recovered Errors

Source Field

C0B1_02_PC11

Source Section

C0B1

TotIPI_PSEUDO_Cmnd

Total IPI and PSEUDO Commands

Source Field

C0B1_02_PC10

Source Section

C0B1

TotSW_RecovErr

Total Software Recovered Errors

Source Field

C0B1_02_PC12

Source Section

C0B1

TotUnrecovErr

Total Unrecoverable Errors

Source Field

C0B1_02_PC13

Source Section

C0B1

SDF_BSC Primitive Calculations

The following is a list of primitive calculations for the SDF_BSC entity.

GRAPHmultiLineSeparator

Special Control Field for Multi-Line Graphs

Calculation

""

NUMDAYS

of days in Report

Calculation

DAYSINREPORT ()

NUMHOURS

of hours in Summation Data

UnknownEnterpriseField

Unknown Field exported from Enterprise Server

Calculation

nullInt ()

SDF_BSC Peg Counts

The following is a list of peg counts for the SDF_BSC entity.

callCount

Number of Calls

Data Source

aemsC Files

Source Field

aemsC203_PC1

Source Section

aemsC203

SDU_PCF_RA_BSC Primitive Calculations

The following is a list of primitive calculations for the SDU_PCF_RA_BSC entity.

GRAPHmultiLineSeparator

Special Control Field for Multi-Line Graphs

Calculation

""

NUMDAYS

of days in Report

Calculation

DAYSINREPORT ()

NUMHOURS

of hours in Summation Data

UnknownEnterpriseField

Unknown Field exported from Enterprise Server

Calculation

nullInt ()

SDU_PCF_RA_BSC Peg Counts

The following is a list of peg counts for the SDU_PCF_RA_BSC entity.

ActCallAllocSuccM

PMC113_PC2: SDU-PCF_ACT_ALLO_SUCC - SDU-PCF Active Call Allocation Success - MM Request

Source Field

PMC113_PC2

Source Section

PMC113

NumResrcReqRecvd_SDUPCF

PMC113_PC6: SDU_PCF_RA_RES_REQ_RX - Number of Resource Requests Received - SDU PCF-RA

Source Field

PMC113_PC6

Source Section

PMC113

SDUPCF_FoundAllocRemo

PMC113_PC7: SDU_PCF_FND_ALLOC_RMT - SDU PCF Found and Allocated Remotely

Source Field

PMC113_PC7

Source Section

PMC113

SDUPCF_ReactvCallOvrIM

PMC113_PC3: SDF_REACT_ALLO_FAIL_OVL - SDU PCF Reactive Call Overload - MM Request

Source Field

PMC113_PC3

Source Section

PMC113

SDUPCF_ReactvCallSucc_ExtPCFM

PMC113_PC4: SDU_PCF_REACT_SUCC_Exist_PCF_M - SDU-PCF Reactive Call Success_Existing PCF - MM Request

Source Field

PMC113_PC4

Source Section

PMC113

SDUPCF_ReactvCallSucc_NewPCFM

PMC113_PC5: SDU_PCF_REACT_SUCC_New_PCF_M - SDU-PCF Reactive Call Success_New PCF - MM Request

Source Field

PMC113_PC5

Source Section

PMC113

SDUPCF_ReqRespTypeMis

PMC113_PC8: SDU_PCF_REQ-RESP_MIS - SDU PCF Request / Response Type Mismatch

Source Field

PMC113_PC8

Source Section

PMC113

SDUPCFActCallAllocF

PMC113_PC9: SDU_PCF_ACT_NO_PDSN - SDU PCF Active Call Allocation Failure - No PDSN

Source Field

PMC113_PC9

Source Section

PMC113

SDUPCFActvCallAllocFO

PMC113_PC1: SDU-PCF_ACT_ALLO_FAIL_OVL - SDU PCF Active Call Allocation Failure - Overload

Source Field

PMC113_PC1

Source Section

PMC113

Sector Primitive Calculations

The following is a list of primitive calculations for the Sector entity.

AccComp

Access Completes

Calculation

$\text{vsum}(\text{AccAtt}, -1.0 * \text{AccOvf}, -1.0 * (\text{sum}(\text{Subcell}, \text{AccFailtoRchTrgt})))$

GRAPHmultiLineSeparator

Special Control Field for Multi-Line Graphs

Calculation

""

LostCall

Lost Calls

Calculation

$\text{vsum}(\text{DwnLnkRFLsRecSec}, \text{UpLnkRFLsRecSec}, \text{TotHoFail})$

NUMDAYS

of days in Report

Calculation

$\text{DAYSINREPORT}()$

NUMHOURS

of hours in Summation Data

OrgTrmAsgnAtt

Access Attempts assigned to a traffic channel

Calculation

$\text{vsum}(\text{AccAtt}, -1 * \text{AccOvf})$

OrgTrmAtt

Origination & Termination Attempts

Calculation

$\text{vsum}(\text{AccAtt}, \text{AccThrshBlk})$

OrgTrmDenied

Origination & Termination Denied

Calculation

$\text{vsum}(\text{AccThrshBlk}, \text{AccOvf}, \text{sum}(\text{Subcell}, \text{AccFailtoRchTrgt}))$

pAccBlk

Access Block%

Calculation

$100.0 * \text{AccOvf} / \text{AccAtt}$

pAccFail

Access Failures%

Calculation

$100.0 * (\text{sum}(\text{Subcell}, \text{AccFailtoRchTrgt})) / \text{vsum}(\text{AccAtt}, -1 * \text{AccOvf})$

pHandOutsPerTotHo

Handouts per Total Handoffs%

Calculation

$100.0 * \text{vsum}(\text{InterEMXHoCompSrc}, \text{InterCellHoCompSrc}) / \text{vsum}(\text{InterEMXHoCompSrc}, \text{InterEMXHoCompTrgt}, \text{InterCellHoCompSrc}, \text{InterCellHoCompTrgt})$

pLostCall

Lost Call per Completion%

Calculation

$100.0 * \text{vsum}(\text{DwnLnkRFLsRecSec}, \text{UpLnkRFLsRecSec}, \text{TotHoFail}) / \text{vsum}(\text{AccAtt}, -1 * \text{AccOvf}, -1 * (\text{sum}(\text{Subcell}, \text{AccFailtoRchTrgt})))$

pOrgTrmDenied

Origination & Termination Denied%

Calculation

$100.0 * \text{vsum}(\text{AccThrshBlk}, \text{AccOvf}, (\text{sum}(\text{Subcell}, \text{AccFailtoRchTrgt}))) / \text{vsum}(\text{AccAtt}, \text{AccThrshBlk})$

pPoorSigPerAtt

Poor Signal per Attempt%

Calculation

$100.0 * \text{AccThrshBlk} / \text{vsum}(\text{AccAtt}, \text{AccThrshBlk})$

pRFLsPerComp

RF Loss per Completion%

Calculation

$$100.0 * \text{vsum}(\text{DwnLnkRFLsRecSec}, \text{UpLnkRFLsRecSec}) / \text{vsum}(\text{AccAtt}, -1 * \text{AccOvf}, -1 * \text{sum}(\text{Subcell}, \text{AccFailtoRchTrgt}))$$

RFLsPerUsgErlg

RF Loss per Erlang of Usage

Calculation

$$(100.0 * \text{RFLsQty}) / \text{UsgErlg}$$

RFLsQty

RF Loss Quantity

Calculation

$$\text{vsum}(\text{DwnLnkRFLsRecSec}, \text{UpLnkRFLsRecSec})$$

UnknownEnterpriseField

Unknown Field exported from Enterprise Server

Calculation

$$\text{nullInt}()$$

UsgErlg

Usage Erlangs

Calculation

$$(\text{sum}(\text{Subcell}, \text{GrpUsgTime})) / 60.0$$

Sector Peg Counts

The following is a list of peg counts for the Sector entity.

AccAtt

Access Attempts

Source Field

CA45_AccAtt

Source Section

CA45_AccAtt

AccOvf

Access Overflows

Source Field

CA45_AccOvf

Source Section

CA45_AccOvf

AccThrshBlk

Access Threshold Blocks

Source Field

CA45_AccThrshBlk

Source Section

CA45_AccThrshBlk

ChanAsgnAtt

Channel Assignment Attempts

Source Field

CA92_ChanAsgnAtt

Source Section

CA92_ChanAsgnAtt

ChanAsgnAttBlk

Channel Assignment Attempt Blocks

Source Field

CA92_ChanAsgnAttBlk

Source Section

CA92_ChanAsgnAttBlk

DirRetryCand

Directed Retry Candidates

Source Field

C04B_02_PC1

Source Section

C04B_02

DirRetryIn

Directed Retries In

Source Field

C04B_02_PC3

Source Section

C04B_02

DirRetryOut

Directed Retries Out

Source Field

C04B_02_PC2

Source Section

C04B_02

DwnLnkCIEvnt

Downlink C/I Events- Rcv Sect

Source Field

CA4B_PC4

Source Section

CA4B

DwnLnkCIHoComp

Downlink C/I Handoff Completions

Source Field

C04B_10_PC1

Source Section

C04B_10

DwnLnkCIHoFail

Downlink C/I Handoff Failures

Source Field

C04B_10_PC2

Source Section

C04B_10

DwnLnkRFLsRecSec

Downlink RF Losses- Rcv Sect

Source Field

CA4B_PC11

Source Section

CA4B

EmrgHoComp

Emergency Handoff Completions

Source Field

C04B_09_PC2

Source Section

C04B_09

EmrgHoFail

Emergency Handoff Failures

Source Field

C04B_09_PC3

Source Section

C04B_09

EmrgHoReq

Emergency Handoff Requests

Source Field

C04B_09_PC1

Source Section

C04B_09

ExtendBandAtt

Extended Band Attempts

Source Field

CA47_ExtendBandAtt

Source Section

CA47_ExtendBandAtt

ExtendBandOvf

Extended Band Overflows

Source Field

CA47_ExtendBandOvf

Source Section

CA47_ExtendBandOvf

FalseVOXRel

False VOXing Releases

Source Field

C04B_03_PC4

Source Section

C04B_03

FstSpdHoReq

Fast Speed Handoff Requests

Source Field

C04B_11_PC1

Source Section

C04B_11

IcellHoCompSrc

Inter-Cell HO Completions (Source)

Source Field

C04B_04_PC2

Source Section

C04B_04

IcellHoCompTrgt

Inter-Cell HO Completions (Target)

Source Field

C04B_04_PC4

Source Section

C04B_04

ICellHoFail

Inter-Cell Handoff Failures (Source)

Source Field

C04B_04_PC3

Source Section

C04B_04

ICellHoFailTrgt

Inter-Cell Handoff Failures (Target)

Source Field

C04B_04_PC5

Source Section

C04B_04

IcellHoReq

Inter-Cell Handoff Requests

Source Field

C04B_04_PC1

Source Section

C04B_04

IEMXHoCompSrc

Inter-Switch HO Completions (Source)

Source Field

C04B_05_PC1

Source Section

C04B_05

IEMXHoCompTrgt

Inter-Switch HO Completions (Target)

Source Field

C04B_05_PC3

Source Section

C04B_05

IEMXHoMeasReq

Inter-EMX Handoff Measurement Requests- Rcv Sect

Source Field

CA4B_PC1

Source Section

CA4B

InterCellHoCompSrc

Number of inter-cell handoff completions when the sector was the source

Source Field

CA4B_PC14

Source Section

CA4B

InterCellHoCompTrgt

Number of inter-cell handoff completions when the sector was the target

Source Field

CA4B_PC15

Source Section

CA4B

InterCellHoReq

Number of inter-cell handoff requests when the sector was the source

Source Field

CA4B_PC13

Source Section

CA4B

InterEMXHoCompSrc

Inter-EMX Handoff Completions (Source Sector)

Source Field

CA4B_PC8

Source Section

CA4B

InterEMXHoCompTrgt

Inter-EMX Handoff Completions (Target Sector)

Source Field

CA4B_PC10

Source Section

CA4B

InterTierHoComp

Inter-Tier Handoff Completions

Source Field

C04B_08_PC1

Source Section

C04B_08

InterTierHoFail

Inter-Tier Handoff Failures

Source Field

C04B_08_PC2

Source Section

C04B_08

IntraSecHoComp

Intra-Sector Handoff Completions

Source Field

C04B_07_PC2

Source Section

C04B_07

IntraSecHoFailSrc

Intra-Sector Handoff Failures (Source)

Source Field

C04B_07_PC3

Source Section

C04B_07

IntraSecHoFailTrgt

Intra-Sector Handoff Failures (Target)

Source Field

C04B_07_PC4

Source Section

C04B_07

IntraSecHoReq

Intra-Sector Handoff Requests

Source Field

C04B_07_PC1

Source Section

C04B_07

ISecHoCompSrc

Inter-Sector Handoff Completions (Source)

Source Field

C04B_06_PC2

Source Section

C04B_06

ISecHoCompTrgt

Inter-Sector Handoff Completions (Target)

Source Field

C04B_06_PC4

Source Section

C04B_06

ISecHoFailSrc

Inter-Sector Handoff Failures (Source)

Source Field

C04B_06_PC3

Source Section

C04B_06

ISecHoFailTrgt

Inter-Sector Handoff Failures (Target)

Source Field

C04B_06_PC5

Source Section

C04B_06

ISecHoReq

Inter-Sector Handoff Requests

Source Field

C04B_06_PC1

Source Section

C04B_06

ISwHoChanAlctnTrgt

Inter-Switch HO Channel Allocations (Target)

Source Field

C04B_05_PC4

Source Section

C04B_05

ISwHoFailSrc

Inter-Switch HO Failures (Source)

Source Field

C04B_05_PC2

Source Section

C04B_05

ISwHrdHoChanAlc

Inter-Switch hard Handoff Channel Allocations

Source Field

C04B_12_PC2

Source Section

C04B_12

IswHrdHoComp

Inter-Switch Hard Handoff Completions

Source Field

C04B_12_PC1

Source Section

C04B_12

MaxChanSmltDsbl

Maximum Channels Simultaneously Disabled- Rcv Sect

Source Field

CA4B_PC12

Source Section

CA4B

PortChngHoCompTrgt

Port Change Handoff Completions (Target Sector) - Rcv Sect

Source Field

CA4B_PC6

Source Section

CA4B

PortChngHoReq

Port Change Handoff Requests- Rcv Sect

Source Field

CA4B_PC5

Source Section

CA4B

RcvAntUsg

Receive Antenna Usage- Rcv Sect

Source Field

CA4B_PC2

Source Section

CA4B

SecAntAtt

Sector Antenna Attempts

Source Field

CA48_SecAntAtt

Source Section

CA48_SecAntAtt

TimeChanRsrvHoSt

Time in Channels Reserved Handoff State

Source Field

CA92_TimeChanRsrvHoSt

Source Section

CA92_TimeChanRsrvHoSt

TotFalseRel

Total False Releases

Source Field

C04B_03_PC2

Source Section

C04B_03

TotHoFail

Total Handoff Failures (Calls Dropped During a Handoff) - Rcv Sect

Source Field

CA4B_PC9

Source Section

CA4B

TotRelsAdtd

Total Releases Audited

Source Field

C04B_03_PC1

Source Section

C04B_03

UpLnkCIEvnt

Uplink C/I Events- Rcv Sect

Source Field

CA4B_PC3

Source Section

CA4B

UpLnkCIHoComp

Uplink C/I Handoff Completions

Source Field

C04B_10_PC3

Source Section

C04B_10

UpLnkCIHoFail

Uplink C/I Handoff Failures

Source Field

C04B_10_PC4

Source Section

C04B_10

UpLnkRFLsRecSec

Uplink RF Losses - Rcv Sect

Source Field

CA4B_PC16

Source Section

CA4B

VOXRelsAdtd

VOXing Releases Audited

Source Field

C04B_03_PC3

Source Section

C04B_03

Sector_Carrier Primitive Calculations

The following is a list of primitive calculations for the Sector_Carrier entity.

AccAtt

Obsolete Count in Release 16.1

Calculation

```
vsum( AccAtt_p, AccAtt_c )
```

AccessAtt

Access Attempts

Calculation

```
vsum(AccessAtt,OrgAttCarrSec,TermAttCarrSec)
```

accessFailure3G1xDataPercent

Percentage of access failures for 3G1x data

Calculation

```
100.0 * accessFailure3G1xData / vsum(accessFailure3G1xData,  
goodCall3G1xData, droppedCall3G1xData)
```

accessFailure3G1xVoicePercent

Percentage of access failures for 3G1x voice

Calculation

```
100.0 * accessFailure3G1xVoice / vsum(accessFailure3G1xVoice,  
goodCall3G1xVoice, droppedCall3G1xVoice)
```

accessFailurePercent

Percentage of access failures

Calculation

```
100.0 * accessFailure / vsum(accessFailure, goodCall, droppedCall)
```

AccessOvf

Access Overflows

Calculation

```
vsum(AccessOvf,OrgAttFailRFResrc,TermAttFailRFResrc)
```

AccOvf

Obsolete Count in Release 16.1

Calculation

vsum(AccOvf_p, AccOvf_c)

AddAtt

Sft+Sftr_Add_Oper_Att_Trg_Sec - Add Operation Attempts - Target Sector

Calculation

vsum(SoSrHoAddCompTrgtSec, SoSrHoAddFailTrgtSec)

ADDS_SMS_OvfSecCarr

PMC44_PC2: ADDS/SMS_TRANS-BTS - ADDS/SMS Transmitted - Carrier per Sector

Calculation

ADDS_SMS_TransSecCarr

AncInitNwAddComp

IC_Init_NWay_SHo_Add_Comp_Anc_CSec - ICBSC Initial Nway Soft Handoff Add Completions - Anchor Carrier Sector

Calculation

vsum(ICINwSHoAddAttAnCarrSec, -1 * ICINwSHoAddFailAnCarrSec)

AncIntermNwayDropComp

IC_Int_NWay_SHo_Drop_Comp_Anc_CSec - ICBSC Intermediate Nway Soft /Softer Handoff Drop Completions - Anchor Carrier Sector

Calculation

vsum(ICInwSsrHoDrpAttAnCarrSec, -1 * ICInwSsrHoDrpFailAnCarrSec)

AncLstNwayDropComp

IC_Last_NWay_SHo_Drop_Comp_Anc_CSec - ICBSC Last Nway Soft Handoff Drop Completions - Anchor Carrier Sector

Calculation

vsum(ICLsNwSoHoDrpAttAnCarrSec, -1 * ICLsNwSoHoDrpFailAnCarrSec)

AncSubsNwayAddComp

IC_Sub_NWay_SHo_Add_Comp_Anc_CSec - ICBSC Subsequent Nway Soft /Softer Handoff Add Completions - Anchor Carrier Sector

Calculation

$vsum(ICSNwSsrHoAddAttAnCarrSec, -1 * ICSNwSsrHoAddFailAnCarrSec)$

AncTotNwayAddFail

IC_Init+Sub_NWay_SHo_Add_Fail_Anc_CSec - ICBSC Nway Soft Handoff Add Failures - Anchor Carrier Sector

Calculation

$vsum(ICINwSHoAddFailAnCarrSec, ICSNwSsrHoAddFailAnCarrSec)$

AncTotNwayAddProc

IC_Init+Sub_NWay_SHo_Add_Req_Anc_CSec - ICBSC Nway Soft Handoff Add Requests - Anchor Carrier Sector

Calculation

$vsum(ICINwSHoAddReqAnCarrSec, ICSNwSsrHoAddReqAnCarrSec)$

AncTotNwayDenProc

IC_Init+Sub_NWay_SHo_Add_Den_Anc_CSec - ICBSC Initial Nway Soft Handoff Add Requests Denied - Anchor Carrier Sector

Calculation

$vsum(ICINwSHoAddReqAnCarrSec, ICSNwSsrHoAddReqAnCarrSec, -1 * ICINwSHoAddAttAnCarrSec, -1 * ICSNwSsrHoAddAttAnCarrSec)$

AncTotNwayDropFail

IC_Last+Int_NWay_SHo_Drop_Fail_Anc_CSec - ICBSC Nway Soft Handoff Drop Failures - Anchor Carrier Sector

Calculation

$vsum(ICLsNwSoHoDrpFailAnCarrSec, ICINwSsrHoDrpFailAnCarrSec)$

AncTotNwayDropProc

IC_Last+Int_NWay_SHo_Drop_Att_Anc_CSec - ICBSC Nway Soft Handoff Drop Attempts - Anchor Carrier Sector

Calculation

$vsum(ICLsNwSoHoDrpAttAnCarrSec, ICINwSsrHoDrpAttAnCarrSec)$

AuthAck

AUTH_ACK_BTS - Authentication Acknowledgment cBTS + pBTS

Calculation

vsum(AuthAck_p, AuthAck_c)

AvgWCde128_inUse

PMC207_PC23: TOTAL_WC_USAGE_FOR_WC_LENGTH_128_BTS - Total Walsh Code Usage for Walsh Code Length 128 - BTS (avg)

Calculation

1.0 * protect (WCde128Use_Secs / (NUMHOURS * 3600))

AvgWCde128_inUse_c

PMC20_PC27: TOTAL_WC_USAGE_FOR_WC_LENGTH_128_MM - Total Walsh Code Usage for Walsh Code Length 128 - MM

Calculation

1.0 * TWCde128Use_Secs_c / (NUMHOURS * 3600)

AvgWCde16_inUse

PMC207_PC11: TOTAL_WC_USAGE_FOR_WC_LENGTH_16_BTS - Total Walsh Code Usage for Walsh Code Length 16 - BTS (avg)

Calculation

1.0 * protect (WCde16Use_Secs / (NUMHOURS * 3600))

AvgWCde32_inUse

PMC207_PC15: TOTAL_WC_USAGE_FOR_WC_LENGTH_32_BTS - Total Walsh Code Usage for Walsh Code Length 32 - BTS (avg)

Calculation

1.0 * protect (WCde32Use_Secs / (NUMHOURS * 3600))

AvgWCde4_inUse

PMC207_PC3: TOTAL_WC_USAGE_FOR_WC_LENGTH_4_BTS - Total Walsh Code Usage for Walsh Code Length 4 - BTS (avg)

Calculation

1.0 * protect (WCde4Use_Secs / (NUMHOURS * 3600))

AvgWCde64_inUse

PMC207_PC19: TOTAL_WC_USAGE_FOR_WC_LENGTH_64_BTS - Total Walsh Code Usage for Walsh Code Length 64 - BTS (avg)

Calculation

1.0 * protect (WCde64Use_Secs / (NUMHOURS * 3600))

AvgWCde64_inUse_c

cBTS Average number of Walsh Codes of length 64 in simultaneous use

Calculation

1.0 * protect (vsum(WlshCdUsq_c, -1.0 * TWCde128Use_Secs_c) / (NUMHOURS * 3600))

AvgWCde8_inUse

PMC207_PC7: TOTAL_WC_USAGE_FOR_WC_LENGTH_8_BTS - Total Walsh Code Usage for Walsh Code Length 8 - BTS (avg)

Calculation

1.0 * protect (WCde8Use_Secs / (NUMHOURS * 3600))

BandClassNumber

Band Class associated with the Sector Carrier

Calculation

(((nullValue (BandClassNumber_pmC5xx, -1) >= nullValue (BandClassNumber_PM, -1) ? nullValue (BandClassNumber_pmC5xx, -1) : nullValue (BandClassNumber_PM, -1)) >= (nullValue (BandClassNumber_aemsC4xx, -1) >= nullValue (BandClassNumber_aemsC1n3xx, -1) ? nullValue (BandClassNumber_aemsC4xx, -1) : nullValue (BandClassNumber_aemsC1n3xx, -1)) ? (nullValue (BandClassNumber_pmC5xx, -1) >= nullValue (BandClassNumber_PM, -1) ? nullValue (BandClassNumber_pmC5xx, -1) : nullValue (BandClassNumber_PM, -1)) : (nullValue (BandClassNumber_aemsC4xx, -1) >= nullValue (BandClassNumber_aemsC1n3xx, -1) ? nullValue (BandClassNumber_aemsC4xx, -1) : nullValue (BandClassNumber_aemsC1n3xx, -1))) >= nullValue (BandClassNumber_aemsC2xx, -1) ? ((nullValue (BandClassNumber_pmC5xx, -1) >= nullValue (BandClassNumber_PM, -1) ? nullValue (BandClassNumber_pmC5xx, -1) : nullValue (BandClassNumber_PM, -1)) >= (nullValue (BandClassNumber_aemsC4xx, -1) >= nullValue (BandClassNumber_aemsC1n3xx, -1) ? nullValue (BandClassNumber_aemsC4xx, -1) : nullValue (BandClassNumber_aemsC1n3xx, -1)) ? (nullValue (BandClassNumber_pmC5xx, -1) >= nullValue (BandClassNumber_PM, -1) ? nullValue (BandClassNumber_pmC5xx, -1) : nullValue (BandClassNumber_PM, -1)) : (nullValue (BandClassNumber_aemsC4xx, -1) >= nullValue (BandClassNumber_aemsC1n3xx, -1) ? nullValue (BandClassNumber_aemsC4xx, -1) : nullValue (BandClassNumber_aemsC1n3xx, -1))) : nullValue (BandClassNumber_aemsC2xx, -1)) == -1 ? nullInt() : (((nullValue (BandClassNumber_pmC5xx, -1) >= nullValue (BandClassNumber_PM, -1) ? nullValue (BandClassNumber_pmC5xx, -1) : nullValue (BandClassNumber_PM, -1)) >= (nullValue (BandClassNumber_aemsC4xx, -1) >= nullValue (BandClassNumber_aemsC1n3xx, -1) ? nullValue (BandClassNumber_aemsC4xx, -1) : nullValue (BandClassNumber_aemsC1n3xx, -1))) ? (nullValue (BandClassNumber_pmC5xx, -1) >= nullValue (BandClassNumber_PM, -1) ? null-

```
Value (BandClassNumber_pmC5xx, -1) : nullValue (BandClassNumber_PM, -1) ) :  
(nullValue (BandClassNumber_aemsC4xx, -1) >= nullValue  
(BandClassNumber_aemsC1n3xx, -1) ? nullValue (BandClassNumber_aemsC4xx, -1)  
: nullValue (BandClassNumber_aemsC1n3xx, -1) ) ) >= null-  
Value (BandClassNumber_aemsC2xx, -1) ? ( ( nullValue  
(BandClassNumber_pmC5xx, -1) >= nullValue (BandClassNumber_PM, -1) ? null-  
Value (BandClassNumber_pmC5xx, -1) : nullValue (BandClassNumber_PM, -1) )  
>= (nullValue (BandClassNumber_aemsC4xx, -1) >= nullValue  
(BandClassNumber_aemsC1n3xx, -1) ? nullValue (BandClassNumber_aemsC4xx, -1)  
: nullValue (BandClassNumber_aemsC1n3xx, -1) ) ? ( nullValue  
(BandClassNumber_pmC5xx, -1) >= nullValue (BandClassNumber_PM, -1) ? null-  
Value (BandClassNumber_pmC5xx, -1) : nullValue (BandClassNumber_PM, -1) ) :  
(nullValue (BandClassNumber_aemsC4xx, -1) >= nullValue  
(BandClassNumber_aemsC1n3xx, -1) ? nullValue (BandClassNumber_aemsC4xx, -1)  
: nullValue (BandClassNumber_aemsC1n3xx, -1) ) ) : null-  
Value (BandClassNumber_aemsC2xx, -1) )
```

BrdcstSMS_OvfSecCarr

PMC44_PC3: BCAST_SMS_TRANS-BTS - Broadcast SMS Transmitted - Carrier per Sector

Calculation

BrdcstSMS_TranSecCarr

callDropTotal

Call Drops Total

Calculation

```
vsum(callDropCoverage, callDropInterference, callDropInsufficientCapacity,  
callDropIncorrectParams, callDropEquipFailure, callDropUndefined)
```

CallRedCarrLoadLmt

Obsolete Count in Release 16.1

Calculation

```
vsum( CallRedCarrLoadLmt_p, CallRedCarrLoadLmt_c )
```

CallRedWlshCdOvfl

Obsolete Count in Release 16.1

Calculation

```
vsum( CallRedWlshCdOvfl_p, CallRedWlshCdOvfl_c )
```

camEcamSentInitialAttempts

PMC47_PC1: CAM_ECAM_SENT_INIT - CAM/ECAM Sent - Initial Attempts

Calculation

CAM_ECAMInitAtt

cdmaToAmpsExternalHandFromAttempts

C2A_Ext_Hf_Att_Sec - CDMA To AMPS External Handfrom Attempts - Sector

Calculation

CtoAHardHoAtt

cdmaToAmpsExternalHandFromCompletes

PMC26_PC3: C2A_Ext_Hf_Comp_Sec - CDMA To AMPS External Handfrom Completes - Sector

Calculation

CtoAExtHfCompSec

cdmaToAmpsExternalHandFromFailures

PMC26_PC2: C2A_Ext_Hf_Fail_Sec - CDMA To AMPS External Handfrom Failures - Sector

Calculation

CtoAExtHfFailSec

cdmaToAmpsExternalHandFromRequests

PMC26_PC1: C2A_Ext_Hf_Req_Sec - CDMA To AMPS External Handfrom Requests - Sector

Calculation

CtoAExtHfReqSec

cdmaToCdmaHandAcrossHandFromCompletes

PMC27_PC3: C2C_HndAcr_Hf_Comp_Sec - CDMA To CDMA Handacross Handfrom Completes - Sector

Calculation

CtoC_HandAcrHandfromCompSec

cdmaToCdmaHandAcrossHandFromFailures

PMC27_PC2: C2C_HndAcr_Hf_Fail_Sec - CDMA To CDMA Handacross Handfrom Failures - Sector

Calculation

CtoC_HandAcrHandfromFailSec

cdmaToCdmaHandAcrossHandFromRequests

PMC27_PC1: C2C_HndAcr_Hf_Req_Sec - CDMA To CDMA Handacross Handfrom Requests - Sector

Calculation

CtoC_HandAcrHandfromReqSec

cdmaToCdmaHandDownHandFromAttempts

C2C_HndDwn_Hf_Att_Sec - CDMA To CDMA Handdown Handfrom Attempts - Sector

Calculation

CtoC_HanddownHandfromAttSec

cdmaToCdmaHandDownHandFromCompletes

PMC27_PC9: C2C_HndDwn_Hf_Comp_Sec - CDMA To CDMA Handdown Handfrom Completes - Sector

Calculation

CtoC_HanddownHandfromCompSec

cdmaToCdmaHandDownHandFromFailures

PMC27_PC8: C2C_HndDwn_Hf_Fail_Sec - CDMA To CDMA Handdown Handfrom Failures - Sector

Calculation

CtoC_HanddownHandfromFailSec

cdmaToCdmaHandDownHandFromRequests

PMC27_PC7: C2C_HndDwn_Hf_Req_Sec - CDMA To CDMA Handdown Handfrom Requests - Sector

Calculation

CtoC_HanddownHandfromReqSec

cdmaToCdmaHandUpHandFromCompletes

PMC27_PC6: C2C_HndUp_Hf_Comp_Sec - CDMA To CDMA HandUp Handfrom Completes - Sector

Calculation

CtoC_HandupHandfromCompSec

cdmaToCdmaHandUpHandFromFailures

PMC27_PC5: C2C_HndUp_Hf_Fail_Sec - CDMA To CDMA Handup Handfrom Failures - Sector

Calculation

CtoC_HandupHandfromFailSec

cdmaToCdmaHandUpHandFromRequests

PMC27_PC4: C2C_HndUp_Hf_Req_Sec - CDMA To CDMA Handup Handfrom Requests - Sector

Calculation

CtoC_HandupHandfromReqSec

CktDataSO_Usg

Circuit_Data_Srvce_Opt_Usge_BTS - Circuit Data Service Option Usage cBTS + pBTS

Calculation

vsum(CktDataSO_Usg_p, CktDataSO_Usg_c)

CtoC_HHoAttHandAcr

CDMA to CDMA Hard HO Att HandAcr

Calculation

vsum(CtoCExtHfFailSec, CtoCExtHfCompSec, CtoC_HandAcrHandfromFailSec, CtoC_HandAcrHandfromCompSec)

CtoC_HHoAttHanddown

C2C_HndDwn_Hf_Att_Sec - CDMA To CDMA Handdown Handfrom Attempts - Sector

Calculation

vsum(CtoC_HanddownHandfromFailSec, CtoC_HanddownHandfromCompSec)

CtoC_HHoCompHandAcr

PMC27_PC3: C2C_HndAcr_Hf_Comp_Sec - CDMA To CDMA Handacross Handfrom Completes - Sector

Calculation

CtoC_HandAcrHandfromCompSec

CtoC_HHoReqHandAcr

PMC27_PC1: C2C_HndAcr_Hf_Req_Sec - CDMA To CDMA Handacross Handfrom Requests - Sector

Calculation

CtoC_HandAcrHandfromReqSec

CtoCHardHoAtt

CDMA to CDMA Hard HO Attempt

Calculation

vsum(CtoCExtHfFailSec, CtoCExtHfCompSec)

droppedCall3G1xDataPercent

Percentage of dropped calls for 3G1x Voice

Calculation

100.0 * droppedCall3G1xData / vsum(goodCall3G1xData, droppedCall3G1xData)

droppedCall3G1xVoicePercent

Percentage of dropped calls for 3G1x Voice

Calculation

100.0 * droppedCall3G1xVoice / vsum(goodCall3G1xVoice, droppedCall3G1xVoice)

droppedCallPercent

Percentage of dropped calls

Calculation

100.0 * droppedCall / vsum(goodCall, droppedCall)

ExtHndAcrHndToAtt

HandAcr_Ht_Att_Sec - HandAcross Handto Attempts - Sector

Calculation

vsum (HaHtFailSec, HaHtCompSec)

ExtHtCompSec

PMC26_PC8: HandAcr_Ht_Comp_Sec - HandAcross Handto Completes - Sector

Calculation

HaHtCompSec

ExtHtFailSec

PMC26_PC7: HandAcr_Ht_Fail_Sec - Handto Failures - Sector

Calculation

HaHtFailSec

FailAttOrigTotPN

Fail_Att_Orig_Tot_PN - Failed Attempts Origination Total PN

Calculation

vsum(FailAttOrig1PN, FailAttOrig2PN, FailAttOrig3PN, FailAttOrig4PN, FailAttOrig5PN, FailAttOrig6PN)

FailAttTermTotPN

Fail_Att_Term_Tot_PN - Failed Attempts Termination Total PN

Calculation

vsum(FailAttTerm1PN, FailAttTerm2PN, FailAttTerm3PN, FailAttTerm4PN, FailAttTerm5PN, FailAttTerm6PN)

FeatNotfcnOvfSecCarr

PMC44_PC4: FNOTIF_TRANS-BTS - Feature Notification Transmitted - Carrier per Sector

Calculation

FeatNotfcn_TranSecCarr

GRAPHmultiLineSeparator

Special Control Field for Multi-Line Graphs

Calculation

""

GrpUsgMinICBSCWCUsg

Walsh_Code_Usage_ICBSC_BTS - ICBSC Walsh Code Usage cBTS + pBTS (minutes)

Calculation

(ICBSCCW1shCdUsg * 1.0 / 60 * 1.0)

GrpUsgMinWCUsg

cBTS/pBTS Group Usage (Min)- Walsh Code Usage

Calculation

$(WlshCdUsg * 1.0 / 60 * 1.0)$

handAcrossHandtoCompletes

PMC26_PC8: HandAcr_Ht_Comp_Sec - HandAcross Handto Completes - Sector

Calculation

HaHtCompSec

handAcrossHandtoFailures

PMC26_PC7: HandAcr_Ht_Fail_Sec - Handto Failures - Sector

Calculation

HaHtFailSec

HandOverInAsgn

PMC26_PC8: HandAcr_Ht_Comp_Sec - HandAcross Handto Completes - Sector

Calculation

HaHtCompSec

HndDownHndToAtt

HandDwn_Ht_Att_Sec - HandDown Handto Attempts - Sector

Calculation

$vsum (HandDownHandtoFailSec, HandDownHandtoCompSec)$

HndUpHndToAtt

HandUp_Ht_Att_Sec - HandUp Handto Attempts - Sector

Calculation

$vsum (HandUpHandtoFailSec, HandUpHandtoCompSec)$

HSPDataSO_USg

HS_Pkt_Data_Srvce_Opt_Usge_BTS - High Speed Packet Data Service Option Usage cBTS + pBTS

Calculation

$vsum(HSPDataSO_USg_p, HSPDataSO_USg_c)$

ICBSCCWlshCdUsg

Walsh_Code_Usage_ICBSC_BTS - ICBSC Walsh Code Usage cBTS + pBTS

Calculation

vsum(ICBSCCWlshCdUsg_p, ICBSCCWlshCdUsg_c)

ICBSCGrpAsgn

Walsh_Code_ASS_ICBSC_BTS - ICBSC Walsh Code Assignments cBTS + pBTS

Calculation

vsum(ICBSCWlshCdAt, - 1 * ICBSCWlshCdOvf)

ICBSCWlshCdAt

Walsh_Code_ATT_ICBSC_BTS - ICBSC Walsh Code Attempt cBTS + pBTS

Calculation

vsum(ICBSCWlshCdAt_p, ICBSCWlshCdAt_c)

ICBSCWlshCdOvf

Walsh_Code_OVF_ICBSC_BTS - ICBSC Walsh Code Overflow cBTS + pBTS

Calculation

vsum(ICBSCWlshCdOvf_p, ICBSCWlshCdOvf_c)

interBandActiveDataHardHandoffBandDownAttemptsTargetSector

IB_ADHHO_BD_ATT_TGT_SEC - Inter-band Active Data Hard Handoff BandDown Attempts - Target Sector

Calculation

vsum(interBandActiveDataHardHandoffBandDownCompletionsTargetSector, inter-BandActiveDataHardHandoffBandDownFailuresTargetSector)

interBandActiveDataHardHandoffBandUpAttemptsTargetSector

IB_ADHHO_BU_ATT_TGT_SEC - Inter-band Active Data Hard Handoff BandUp Attempts - Target Sector

Calculation

vsum(interBandActiveDataHardHandoffBandUpCompletionsTargetSector, inter-BandActiveDataHardHandoffBandUpFailuresTargetSector)

interBandHardHandoffBandDownAttemptsTargetSector

IB_HHO_BD_ATT_TGT_SEC - Inter-band Hard Handoff BandDown Attempts - Target Sector

Calculation

vsum(interBandHardHandoffBandDownCompletions, interBandHardHandoffBandDownFailures)

interBandHardHandoffBandUpAttemptsTargetSector

IB_HHO_BU_ATT_TGT_SEC - Inter-band Hard Handoff BandUp Attempts - Target Sector

Calculation

vsum(interBandHardHandoffBandUpCompletions, interBandHardHandoffBandUpFailures)

LimTimeSlfCalLPA_Ovrd

PMC25_PC36: LPA_Ovld_Pro_Time_Self_Cal_Limit - LPA Overload Protection Time - Self Calibrating Limit (minutes)

Calculation

1.0 * LPA_OvrdProtTimeSlfCalibLim / 60.0

LPA_OvrdProtTimeSlfCalibLimMin

PMC25_PC36: LPA_Ovld_Pro_Time_Self_Cal_Limit - LPA Overload Protection Time - Self Calibrating Limit (minutes)

Calculation

LPA_OvrdProtTimeSlfCalibLim / 60.0

LSPD_SO_Usg

LS_Pkt_Data_Srvce_Opt_Usge_BTS - Low Speed Packet Data Service Option Usage cBTS + pBTS

Calculation

vsum(LSPD_SO_Usg_p, LSPD_SO_Usg_c)

1xPktDataFCHWlshCd128UseSecs

1X_Pkt_Data_FCH_WC_USAGE_FOR_WC_LENGTH_128_BTS - 1X Packet Data FCH Walsh Code Usage for Walsh Code Length 128 - cBTS + pBTS

Calculation

vsum(1xPktDataFCHWlshCd128UseSecs_c, 1xPktDataFCHWlshCd128UseSecs_p)

1xPktDataSO_Usg

1X_Pkt_Data_Srvce_Opt_Usge_BTS - 1X Packet Data Service Option Usage cBTS + pBTS

Calculation

vsum(1xPktDataSO_Usg_p, 1xPktDataSO_Usg_c)

MaxMembEquip

WAL EQP_BTS - Walsh Codes Equipped cBTS + pBTS

Calculation

WlshCdEquip

numberConcatenatedPagesIn3HalfFramesSentOnPch

NUM_CONCAT_PG_3HF_SENT_PCH - Number of concatenated pages in 3 Half Frames sent on PCH

Calculation

vsum(numberOf2PageRecordInGpmSentOnPch, -1 *
numberOfConcatenatedPagesIn2HalfFramesSentOnPch)

numberOfMSIAddressesSentOnPch

NUM_MSI_ADDR_SENT_PCH - Number of MSI Addresses sent on PCH

Calculation

vsum(numberOf2PageRecordInGpmSentOnPch, numberOfGpmsSentOnPch)

NUMDAYS

of days in Report

Calculation

DAYSINREPORT ()

NUMHOURS

of hours in Summation Data

NwayAddAttSrc

Obsolete Count in Release 16.0

Calculation

vsum(SoSrrHoAddCompSrcSec, SoSrrHoAddFailSrcSec)

NwayAddAttTrgt

Sft+Sftr_Add_Oper_Att_Trg_Sec - Add Operation Attempts - Target Sector

Calculation

`vsum(SoSrHoAddCompTrgtSec, SoSrHoAddFailTrgtSec)`

NwayDropAttSrc

Obsolete Count in Release 16.0

Calculation

`vsum(SoSrHoDropCompSrcSec, SoSrHoDrpFlSrcS)`

NwayDropAttTrgt

`Sft+Sftr_Drop_Oper_Att_Trg_Sec` - Drop Operation Attempts - Target Sector

Calculation

`vsum(SoSrHoDropCompTrgtSec, SoSrHoDropFailTrgtSec)`

OrgAsgnAttTerktOrA2pCarrSec

PMC25_PC39: `Orig_Assgn_Atts_Terckt_A2p_Carr_Sect` - Origination Assignment Attempts
Terckt/A2p - Carrier/Sector

Calculation

`OrgAsgnAttTerktCarrSec`

OrigAssgnTotPN

`Orig_Asg_Tot_PN` - Origination Assignment Total PN

Calculation

`vsum(OrigAssgn1PN, OrigAssgn2PN, OrigAssgn3PN, OrigAssgn4PN, OrigAssgn5PN, OrigAssgn6PN)`

originationAssignmentAttemptFailuresUserAbandon

PMC25_PC12: `Orig_Att_Fail_Abandon` - Origination Assignment Attempt Failure - Abandon
Procedure

Calculation

`OrigAsgnFailAbdnProc`

originationAssignmentFailuresWalshCode

PMC25_PC10: `Orig_Assign_Fail_WC` - Origination Assignment Failure-Walsh Code

Calculation

`OrigAttFailWlshCd`

OrigTermAsgn

Orig + Term Assignments Completed

Calculation

$\text{vsum}(\text{OrigTermAsgn_R160}, \text{OrgAsgnCompCarrSec}, \text{TermAsgnCompCarrSec})$

pAccOvf

%Access Overflows

Calculation

$(100.0 * \text{vsum}(\text{AccessOvf})) / \text{vsum}(\text{AccessAtt})$

pAddFail

Sft+Sftr_Add_Oper_Fail_Trge_Sec - Add Operation Failures - Target Sector (%)

Calculation

$(100.0 * \text{SoSrHoAddFailTrgtSec}) / \text{NwayAddAttTrgt}$

PageOvfSecCarr

PMC44_PC1: PAGE_TRANS-BTS - Page Transmitted - Carrier per Sector

Calculation

PageTranSecCarr

pagingConcatenationUsagePercent

PG_CONCAT_USG_% - Paging Concatenation Usage %

Calculation

$100.0 * (\text{numberOf2PageRecordInGpmSentOnPch} / \text{numberOfGpmsSentOnPch})$

PDWlshCdUsage

Total_Walsh_Code_Usage_PktData_BTS - Total Packet Data Walsh Code Usage cBTS + pBTS

Calculation

$\text{vsum}(\text{PDWlshCdUsage_p}, \text{PDWlshCdUsage_c})$

PDWlshCdUsageMin

Total_Walsh_Code_Usage_PktData_BTS - Total Packet Data Walsh Code Usage cBTS + pBTS
(minutes)

Calculation

$(\text{PDWlshCdUsage} * 1.0 / 60 * 1.0)$

pRFLoss

%RF Loss

Calculation

```
100.0 * (isNull(Cell_Sector.BTS_Cell.BTS_SignalType)?(vsum(OneWayHoR-  
FLsSec, TwoWayHoRFLsSec, ThreeWayHoRFLsSec, FourWayHoRFLsSec, FiveWayHoR-  
FLsSec, SixWayHoRFLsSec)): (vsum(OneWayHoRFLsSec, TwoWayHoRFLsSec *1.0/2.0,  
ThreeWayHoRFLsSec *1.0/3.0, FourWayHoRFLsSec *1.0/4.0, FiveWayHoRFLsSec  
*1.0/5.0, SixWayHoRFLsSec *1.0/6.0)))/  
(isNull(Cell_Sector.BTS_Cell.BTS_SignalType)?(1.0 * vsum(sum(Pag-  
ingChan.AccChan, OrigAsgnCompAccChan), sum(PagingChan.AccChan, TermAsgnCom-  
pAccChan), ExtHtCompSec, SoSrHoAddCompTrgtSec)): (1.0 *  
vsum(OrgAsgnCompCarrSec, TermAsgnCompCarrSec, HaHtCompSec, SftAddOper-  
CompTrgtSec, SftrAddOperCompTrgtSec)))
```

RFLossTotal

RF Loss Count Total

Calculation

```
vsum(RFLossCoverage, RFLossInterference)
```

setupFailureTotal

Setup Failures Total

Calculation

```
vsum(callDropEquipFailure, callDropUndefined, callDropTotal, setupFailure-  
Coverage, setupFailureInterference, setupFailureInsufficientCapacity)
```

SftSftrAddAsgn

Sft+Sftr_Add_Oper_Comp_Trgt_Sec - Add Operation Completions - Target Sector

Calculation

```
SoSrHoAddCompTrgtSec
```

SHOProblemTotal

SHO Problems Total

Calculation

```
vsum(SHOProblemCoverage, SHOProblemInterference, SHOProblemInsufficientCa-  
pacity, SHOProblemIncorrectParams, SHOProblemEquipFailure, SHOProblemUnde-  
fined)
```

SoSrHoAddCompTrgtSec

Sft+Sftr_Add_Oper_Comp_Trgt_Sec - Add Operation Completions - Target Sector

Calculation

vsum(SoSrHoAddCompTrgtSec_R15, SftAddOperCompTrgtSec, SftrAddOper-
CompTrgtSec)

SoSrHoAddFailTrgtSec

Sft+Sftr_Add_Oper_Fail_Trg_Sec - Add Operation Failures - Target Sector

Calculation

vsum(SoSrHoAddFailTrgtSec_R15, SftAddOperFailTrgtSec, SftrAddOperFail-
TrgtSec)

SoSrHoDropCompTrgtSec

Sft+Sftr_Drop_Oper_Comp_Trg_Sec - Drop Operation Completions - Target Sector

Calculation

vsum(SoSrHoDropCompTrgtSec_R15, SftDropOperCompTrgtSec, SftrDropOper-
CompTrgtSec)

SoSrHoDropFailTrgtSec

Sft+Sftr_Drop_Oper_Fail_Trg_Sec - Drop Operation Failures - Target Sector

Calculation

vsum(SoSrHoDropFailTrgtSec_R15, SftDropOperFailTrgtSec, SftrDropOperFail-
TrgtSec)

SSDUpdateAck

SSD_UPD_ACK_BTS - SSD Update Acknowledgment cBTS + pBTS

Calculation

vsum(SSDUpdateAck_p, SSDUpdateAck_c)

TermAsgnAttTerktOrA2pCarrSec

PMC25_PC43: Term_Assgn_Atts_Terckt_A2p_Carr_Sect - Termination Assignment Attempts
Terckt/A2p - Carrier/Sector

Calculation

TermAsgnAttTerktCarrSec

TermAssgnTotPN

Term_Asg_Tot_PN - Termination Assignment Total PN

Calculation

vsum (TermAssgn1PN, TermAssgn2PN, TermAssgn3PN, TermAssgn4PN, TermAssgn5PN, TermAssgn6PN)

totalInterBandRedirectionAttemptsAutomatic

Number of times network redirects mobile originated/terminated call attempts to a different CDMA band based on the Service Option/Callsetup type.

Calculation

vsum (interBandRedirectionAttemptsForOriginationAutomatic, interBandRedirectionAttemptsForTerminationAutomatic)

TotGrpAsgn

Walsh_Code_ASS_BTS - Walsh Code Assignment cBTS + pBTS

Calculation

vsum (WlshCdAtt, - 1 * WlshCdOvf)

TotHardHoAtt

Total Hard HO Attempt

Calculation

vsum (HaHtFailSec, HaHtCompSec, HandDownHandtoFailSec, HandDownHandtoCompSec, HandUpHandtoFailSec, HandUpHandtoCompSec)

TotHardHoComp

Total Hard HO Completion

Calculation

vsum (HaHtCompSec, HandDownHandtoCompSec, HandUpHandtoCompSec)

TotHardHoReq

Total Hard HO Request

Calculation

vsum (CtoAExtHfReqSec, CtoCExtHfReqSec)

TotInterBandRedrctAtt

Total CDMA Inter-Band redirection attempts

Calculation

vsum (InterBandRedrctAttOrg_CrrThrshExcd, InterBandRedrctAttTrm_CrrThrshExcd, InterBandRedrctAttOrg_InsufEqRsrc,

`InterBandRedrctAttTrm_InsufEqpRsrc, interBandRedirectionAttemptsForOriginationAutomatic, interBandRedirectionAttemptsForTerminationAutomatic, 0)`

TotInterBandRedrctAtt_CrrThrshExcd

Total Inter-Band redirection attempts - Carrier Threshold Exceeded

Calculation

`vsum(InterBandRedrctAttOrg_CrrThrshExcd,
InterBandRedrctAttTrm_CrrThrshExcd)`

TotInterBandRedrctAtt_InsufEqpRsrc

Total Inter-Band redirection attempts - Insufficient Equipment Resources

Calculation

`vsum(InterBandRedrctAttOrg_InsufEqpRsrc,
InterBandRedrctAttTrm_InsufEqpRsrc)`

TotInterBandRedrctAtt_MSRejct

Total Inter-Band redirection for Origination - MS Reject

Calculation

`vsum(InterBandRedrctOrg_MSRejct, InterBandRedrctTrm_MSRejct)`

TotInterBandRedrctAttOrg

Total Inter-Band redirection attempts for Origination

Calculation

`vsum(InterBandRedrctAttOrg_CrrThrshExcd,
InterBandRedrctAttOrg_InsufEqpRsrc)`

TotInterBandRedrctAttTrm

Total Inter-Band redirection attempts for Termination

Calculation

`vsum(InterBandRedrctAttTrm_CrrThrshExcd,
InterBandRedrctAttTrm_InsufEqpRsrc)`

TotWalshCodeOvf

Tot_Walsh_Code_Ovf - Total Walsh Code Overflows

Calculation

`WlshCdOvf`

TrgtHardHoAtt

HandAcr_Ht_Att_Sec - HandAcross Handto Attempts - Sector

Calculation

$\text{vsum}(\text{HaHtFailSec}, \text{HaHtCompSec})$

TrgtInitNwayAddComp

IC_Init_NWay_SHo_Add_Comp_Tar_CSec - ICBSC Initial Nway Soft Handoff Add Completions - Target Carrier Sector

Calculation

$\text{vsum}(\text{ICINwSHoAddAttTgCarrSec}, -1 * \text{ICINwSHoAddFailTgCarrSec})$

TrgtIntermNwayDropComp

IC_Int_NWay_SHo_Drop_Comp_Tar_CSec - ICBSC Intermediate Nway Soft /Softer Handoff Drop Completions - Target Carrier Sector

Calculation

$\text{vsum}(\text{ICInNwSsrHoDrpAttTgCarrSec}, -1 * \text{ICInNwSsrHoDrpFailTgCarrSec})$

TrgtLstNwayDropComp

IC_Last_SHo_Drop_Comp_Tar_CSec - ICBSC Last Nway Soft Handoff Drop Completions - Target Carrier Sector

Calculation

$\text{vsum}(\text{ICLsNwSoHoDrpAttTgCarrSec}, -1 * \text{ICLsNwSoHoDrpFailTgCarrSec})$

TrgtSubsNwayAddComp

IC_Sub_NWay_SHo_Add_Comp_Tar_CSec - ICBSC Subsequent Nway Soft /Softer Handoff Add Completions - Target Carrier Sector

Calculation

$\text{vsum}(\text{ICSNwSsrHoAddAttTgCarrSec}, -1 * \text{ICSNwSsrHoAddFailTgCarrSec})$

TrgtTotNwayAddFail

Target Total Nway Add Failures

Calculation

$\text{vsum}(\text{ICINwSHoAddFailTgCarrSec}, \text{ICSNwSsrHoAddFailTgCarrSec})$

TrgtTotNwayAddProc

Target Total Nway Add Proc

Calculation

vsum(ICINwSHoAddReqTgCarrSec, ICSNwSsrHoAddReqTgCarrSec)

TrgtTotNwayDenProc

Target Total Nway Denied Proc

Calculation

vsum(ICINwSHoAddReqTgCarrSec, ICSNwSsrHoAddReqTgCarrSec, -1 * ICINwSHoAdd-
AttTgCarrSec, -1 * ICSNwSsrHoAddAttTgCarrSec)

TrgtTotNwayDropFail

Target Total Nway Drop Failures

Calculation

vsum(ICLsNwSoHoDrpFailTgCarrSec, ICInNwSsrHoDrpFailTgCarrSec)

TrgtTotNwayDropProc

Target Total Nway Drop Proc

Calculation

vsum(ICLsNwSoHoDrpAttTgCarrSec, ICInNwSsrHoDrpAttTgCarrSec)

UnablAcqMobOrig

Unbl_To_Acq_Mob_Orig_BTS - Unable To Acquire Mobile Origination cBTS + pBTS

Calculation

vsum(UnablAcqMobOrig_c, UnablAcqMobOrig_p)

UnablAcqMobTerm

Unbl_To_Acq_Mob_Term_BTS - Unable To Acquire Mobile Termination cBTS + pBTS

Calculation

vsum(UnablAcqMobTerm_c, UnablAcqMobTerm_p)

UnknownEnterpriseField

Unknown Field exported from Enterprise Server

Calculation

nullInt()

VoiceSO_Usg

Vo_Srvce_Opt_Usge_BTS - Voice Service Option Usage cBTS + pBTS

Calculation

vsum(VoiceSO_Usg_p, VoiceSO_Usg_c)

WCde128Use_CCS

PMC207_PC23: TOTAL_WC_USAGE_FOR_WC_LENGTH_128_BTS - Total Walsh Code Usage for Walsh Code Length 128 - BTS (CCS)

Calculation

WCde128Use_Secs / 100.0

WCde16Use_CCS

PMC207_PC11: TOTAL_WC_USAGE_FOR_WC_LENGTH_16_BTS - Total Walsh Code Usage for Walsh Code Length 16 - BTS (CCS)

Calculation

WCde16Use_Secs / 100.0

WCde32Use_CCS

PMC207_PC15: TOTAL_WC_USAGE_FOR_WC_LENGTH_32_BTS - Total Walsh Code Usage for Walsh Code Length 32 - BTS (CCS)

Calculation

WCde32Use_Secs / 100.0

WCde4Use_CCS

PMC207_PC3: TOTAL_WC_USAGE_FOR_WC_LENGTH_4_BTS - Total Walsh Code Usage for Walsh Code Length 4 - BTS (CCS)

Calculation

WCde4Use_Secs / 100.0

WCde64Use_CCS

PMC207_PC19: TOTAL_WC_USAGE_FOR_WC_LENGTH_64_BTS - Total Walsh Code Usage for Walsh Code Length 64 - BTS (CCS)

Calculation

WCde64Use_Secs / 100.0

WCde8Use_CCS

PMC207_PC7: TOTAL_WC_USAGE_FOR_WC_LENGTH_8_BTS - Total Walsh Code Usage for Walsh Code Length 8 - BTS (CCS)

Calculation

WCde8Use_Secs / 100.0

weightedHHIAtts_Total

Weighted HHI Attempts - Total

Calculation

```
vsum(weightedHHIAtts_IS95HS, weightedHHIAtts_IS95LS,  
weightedHHIAtts_IS95Voice, weightedHHIAtts_IS95Data,  
weightedHHIAtts_1XVoice, weightedHHIAtts_1XData, weightedHHIAtts_Fax,  
weightedHHIAtts_Markov, weightedHHIAtts_SMS, weightedHHIAtts_Other)
```

weightedOrigAtts_Total

Weighted Orig Attempts - Total

Calculation

```
vsum(weightedOrigAtts_IS95HS, weightedOrigAtts_IS95LS,  
weightedOrigAtts_IS95Voice, weightedOrigAtts_IS95Data,  
weightedOrigAtts_1XVoice, weightedOrigAtts_1XData, weightedOrigAtts_Fax,  
weightedOrigAtts_Markov, weightedOrigAtts_SMS, weightedOrigAtts_Other)
```

weightedShoAddAtts_Total

Weighted SHO Add Attempts - Total

Calculation

```
vsum(weightedShoAddAtts_IS95HS, weightedShoAddAtts_IS95LS,  
weightedShoAddAtts_IS95Voice, weightedShoAddAtts_IS95Data,  
weightedShoAddAtts_1XVoice, weightedShoAddAtts_1XData,  
weightedShoAddAtts_Fax, weightedShoAddAtts_Markov, weightedShoAddAtts_SMS,  
weightedShoAddAtts_Other)
```

weightedTermAtts_Total

Weighted Term Attempts - Total

Calculation

```
vsum(weightedTermAtts_IS95HS, weightedTermAtts_IS95LS,  
weightedTermAtts_IS95Voice, weightedTermAtts_IS95Data,  
weightedTermAtts_1XVoice, weightedTermAtts_1XData, weightedTermAtts_Fax,  
weightedTermAtts_Markov, weightedTermAtts_SMS, weightedTermAtts_Other)
```

weightedTotalRelease_Total

Weighted Total Release - Total

Calculation

```
vsum(weightedTotalRelease_IS95HS, weightedTotalRelease_IS95LS,  
weightedTotalRelease_IS95Voice, weightedTotalRelease_IS95Data,  
weightedTotalRelease_1XVoice, weightedTotalRelease_1XData,  
weightedTotalRelease_Fax, weightedTotalRelease_Markov,  
weightedTotalRelease_SMS, weightedTotalRelease_Other)
```

WlsCdAvgHoldTimeSec

WC Average Hold Time Sec

Calculation

```
(1.0 * WlshCdUsg) / (isNull(Cell_Sector.BTS_Cell.BTS_SignalType)?(1.0 *  
vsum(sum(PagingChan.AccChan, OrigAsgnCompAccChan), sum(PagingChan.AccChan,  
TermAsgnCompAccChan), SoSrHoAddCompTrgtSec, ExtHtCompSec)):(1.0 *  
vsum(OrgAsgnCompCarrSec, TermAsgnCompCarrSec, SftAddOperCompTrgtSec, SftrAd-  
dOperCompTrgtSec, HaHtCompSec)))
```

WlshCdAtt

Walsh_Code_ATT_BTS - Walsh Code Attempt cBTS + pBTS

Calculation

```
vsum( WlshCdAtt_p, WlshCdAtt_c )
```

WlshCdEquip

WAL EQP_BTS - Walsh Codes Equipped cBTS + pBTS

Calculation

```
vsum( WlshCdEquip_p, WlshCdEquip_c )
```

WlshCdOvf

Tot_Walsh_Code_Ovf - Total Walsh Code Overflows

Calculation

```
vsum( WlshCdOvf_p, WlshCdOvf_c )
```

WlshCdUsg

cBTS/pBTS Walsh Code Usage in seconds

Calculation

```
vsum( WlshCdUsg_p, WlshCdUsg_c )
```

Sector_Carrier Peg Counts

The following is a list of peg counts for the Sector_Carrier entity.

accessFailure

Number of access failures

Source Field

aemsC150_PC1

Data Source

aemsC Files

Source Section

aemsC150

accessFailure3G1xData

Number of access failures for 3G1x data

Source Field

aemsC150_PC1

Data Source

aemsC Files

Source Section

aemsC150

accessFailure3G1xVoice

Number of access failures for 3G1x voice

Source Field

aemsC150_PC1

Data Source

aemsC Files

Source Section

aemsC150

AccProbeHoAttNb1

PMC46_PC2: ACCESS_PROBE_HO_ATTMPT_NGHB1 - Access Probe Handoff Attempted - Neighbor 1

Source Field

PMC46_PC2

Source Section

PMC46

AccProbeHoAttNb2

PMC46_PC4: ACCESS_PROBE_HO_ATTMPT_NGHB2 - Probe Handoff Attempted - Neighbor 2

Source Field

PMC46_PC4

Source Section

PMC46

AccProbeHoAttNb3

PMC46_PC6: ACCESS_PROBE_HO_ATTMPT_NGHB3 - Access Probe Handoff Attempted - Neighbor 3

Source Field

PMC46_PC6

Source Section

PMC46

AccProbeHoAttNb4

PMC46_PC8: ACCESS_PROBE_HO_ATTMPT_NGHB4 - Access Probe Handoff Attempted - Neighbor 4

Source Field

PMC46_PC8

Source Section

PMC46

AccProbeHoAttNb5

PMC46_PC10: ACCESS_PROBE_HO_ATTMPT_NGHB5 - Access Probe Handoff Attempted
- Neighbor 5

Source Field

PMC46_PC10

Source Section

PMC46

AccProbeHoAttOth

PMC46_PC12: ACCESS_PROBE_HO_ATTMPT_OTHER - Access Probe Handoff Attempted
- Other

Source Field

PMC46_PC12

Source Section

PMC46

AccProbeHoEnabNb1

PMC46_PC1: ACCESS_PROBE_HO_ENABL_NGHB1 - Access Probe Handoff Enabled -
Neighbor 1

Source Field

PMC46_PC1

Source Section

PMC46

AccProbeHoEnabNb2

PMC46_PC3: ACCESS_PROBE_HO_ENABL_NGHB2 - Access Probe Handoff Enabled -
Neighbor 2

Source Field

PMC46_PC3

Source Section

PMC46

AccProbeHoEnabNb3

PMC46_PC5: ACCESS_PROBE_HO_ENABL_NGHB3 - Access Probe Handoff Enabled - Neighbor 3

Source Field

PMC46_PC5

Source Section

PMC46

AccProbeHoEnabNb4

PMC46_PC7: ACCESS_PROBE_HO_ENABL_NGHB4 - Access Probe Handoff Enabled - Neighbor 4

Source Field

PMC46_PC7

Source Section

PMC46

AccProbeHoEnabNb5

PMC46_PC9: ACCESS_PROBE_HO_ENABL_NGHB4 - Access Probe Handoff Enabled - Neighbor 5

Source Field

PMC46_PC9

Source Section

PMC46

AccProbeHoEnabNbOth

PMC46_PC11: ACCESS_PROBE_HO_ENABL_OTHER - Access Probe Handoff Enabled - Other

Source Field

PMC46_PC11

Source Section

PMC46

AccProbeHoHandIn

PMC46_PC13: ACCESS_PROBE_HO_HAND_IN - Access Probe Handoff - Hand in

Source Field

PMC46_PC13

Source Section

PMC46

AccProbeHoHandOut

PMC46_PC14: ACCESS_PROBE_HO_HAND_OUT - Access Probe Handoff - Hand out

Source Field

PMC46_PC14

Source Section

PMC46

ADDS_SMS_Arriv_CarrSec

PMC44_PC11: ADDS/SMS_ARRIVED-BTS - ADDS/SMS Arrived - Carrier per Sector

Source Field

PMC44_PC11

Source Section

PMC44

ADDS_SMS_TransSecCarr

PMC44_PC2: ADDS/SMS_TRANS-BTS - ADDS/SMS Transmitted - Carrier per Sector

Source Field

PMC44_PC2

Source Section

PMC44

ADHHOMSRejectReason_6

AEMSC401_PC1 MS_REJECT_ORDQ_REASON where Subj_Id_5 = 6

Data Source

aemsC Files

Source Field

aemsC401_PC1

Source Section

aemsC401

AllocTCHOrig

PMC48_PC25: Alloc_TCH_Orig - Allocated TCH Origination

Source Field

PMC48_PC25

Source Section

PMC48

AllocTCHTerm

PMC48_PC26: Alloc_TCH_Term - Allocated TCH Termination

Source Field

PMC48_PC26

Source Section

PMC48

avgEC_IOR

Average EC_IOR

Data Source

aemsC Files

Source Field

aemsC302_PC2

Source Section

aemsC302

avgFwdAttempt

Average Forward Attempt

Data Source

aemsC Files

Source Field

aemsC302_PC3

Source Section

aemsC302

avgReverseRise

Average Reverse RISE

Data Source

aemsC Files

Source Field

aemsC302_PC1

Source Section

aemsC302

BrdcstSMS_Arriv_CarrSec

PMC44_PC12: BCAST_SMS_ARRIVED-BTS - Broadcast SMS Arrived - Carrier per Sector

Source Field

PMC44_PC12

Source Section

PMC44

BrdcstSMS_TranSecCarr

PMC44_PC3: BCAST_SMS_TRANS-BTS - Broadcast SMS Transmitted - Carrier per Sector

Source Field

PMC44_PC3

Source Section

PMC44

callCount_CFC_1

Call count for Normal Network-initiated Call Termination

Data Source

aemsC Files

Source Field

aemsC201_PC1

Source Section

aemsC201

callCount_CFC_10

Call count for No Valid Speech from MS During Hand Handoff

Data Source

aemsC Files

Source Field

aemsC201_PC1

Source Section

aemsC201

callCount_CFC_100

Call count for Circuit-Oriented IWU T1.617 Setup Failure

Data Source

aemsC Files

Source Field

aemsC201_PC1

Source Section

aemsC201

callCount_CFC_101

Call count for Circuit-Oriented CDP T1.617 Setup Failure

Data Source

aemsC Files

Source Field

aemsC201_PC1

Source Section

aemsC201

callCount_CFC_102

Call count for Circuit-Oriented IWU T1.607 Setup Failure

Data Source

aemsC Files

Source Field

aemsC201_PC1

Source Section

aemsC201

callCount_CFC_103

Call count for Circuit-Oriented CDP T1.607 Setup Failure

Data Source

aemsC Files

Source Field

aemsC201_PC1

Source Section

aemsC201

callCount_CFC_104

Call count for Circuit-Oriented IWU T1.617 Initiated Disconnect of Stable Call

Data Source

aemsC Files

Source Field

aemsC201_PC1

Source Section

aemsC201

callCount_CFC_105

Call count for Circuit-Oriented CDP T1.617 Initiated Disconnect of Stable Call

Data Source

aemsC Files

Source Field

aemsC201_PC1

Source Section

aemsC201

callCount_CFC_106

Call count for Circuit-Oriented IWU T1.607 Initiated Disconnect of Stable Call

Data Source

aemsC Files

Source Field

aemsC201_PC1

Source Section

aemsC201

callCount_CFC_107

Call count for Circuit-Oriented CDP T1.607 Initiated Disconnect of Stable Call

Data Source

aemsC Files

Source Field

aemsC201_PC1

Source Section

aemsC201

callCount_CFC_108

Call count for Circuit-Oriented CPP Inactivity Timer Timeout

Data Source

aemsC Files

Source Field

aemsC201_PC1

Source Section

aemsC201

callCount_CFC_109

Call count for Circuit-Oriented Data Call Failure

Data Source

aemsC Files

Source Field

aemsC201_PC1

Source Section

aemsC201

callCount_CFC_11

Call count for Active Set Mismatch

Data Source

aemsC Files

Source Field

aemsC201_PC1

Source Section

aemsC201

callCount_CFC_111

Call count for Packet Oriented Data Call - Normal Release

Data Source

aemsC Files

Source Field

aemsC201_PC1

Source Section

aemsC201

callCount_CFC_112

Call count for Packet Oriented Data Call - Setup Failure

Data Source

aemsC Files

Source Field

aemsC201_PC1

Source Section

aemsC201

callCount_CFC_113

Call count for Packet Oriented Data Call - Protocol Violation

Data Source

aemsC Files

Source Field

aemsC201_PC1

Source Section

aemsC201

callCount_CFC_114

Call count for Packet Oriented Data Call - Unresolved IWU-initiated Release

Data Source

aemsC Files

Source Field

aemsC201_PC1

Source Section

aemsC201

callCount_CFC_12

Call count for CPP/SDU Call Setup Timeout

Data Source

aemsC Files

Source Field

aemsC201_PC1

Source Section

aemsC201

callCount_CFC_13

Call count for CP Timeout Awaiting Service Option Ack

Data Source

aemsC Files

Source Field

aemsC201_PC1

Source Section

aemsC201

callCount_CFC_130

Call count for Target XC Failure

Data Source

aemsC Files

Source Field

aemsC201_PC1

Source Section

aemsC201

callCount_CFC_131

Call count for O&M Intervention at Target BSC

Data Source

aemsC Files

Source Field

aemsC201_PC1

Source Section

aemsC201

callCount_CFC_132

Call count for Equipment Failure at Target BSC

Data Source

aemsC Files

Source Field

aemsC201_PC1

Source Section

aemsC201

callCount_CFC_133

Call count for Internal Target MM Failure

Data Source

aemsC Files

Source Field

aemsC201_PC1

Source Section

aemsC201

callCount_CFC_138

Call count for No PSI_SDU Available

Data Source

aemsC Files

Source Field

aemsC201_PC1

Source Section

aemsC201

callCount_CFC_139

Call count for No PSI-CE/PSI-TER Available

Data Source

aemsC Files

Source Field

aemsC201_PC1

Source Section

aemsC201

callCount_CFC_14

Call count for Not enough Mobile Status information received

Data Source

aemsC Files

Source Field

aemsC201_PC1

Source Section

aemsC201

callCount_CFC_140

Call count for No PSI-SIG Available

Data Source

aemsC Files

Source Field

aemsC201_PC1

Source Section

aemsC201

callCount_CFC_142

Call count for PDSN Resources not Available

Data Source

aemsC Files

Source Field

aemsC201_PC1

Source Section

aemsC201

callCount_CFC_143

Call count for PCF Resources not Available or Failure

Data Source

aemsC Files

Source Field

aemsC201_PC1

Source Section

aemsC201

callCount_CFC_146

Call count for A11 Registration Denied

Data Source

aemsC Files

Source Field

aemsC201_PC1

Source Section

aemsC201

callCount_CFC_147

Call count for TCH SMS Call

Data Source

aemsC Files

Source Field

aemsC201_PC1

Source Section

aemsC201

callCount_CFC_148

Call count for Incomplete Dialed Digits

Data Source

aemsC Files

Source Field

aemsC201_PC1

Source Section

aemsC201

callCount_CFC_149

Call count for No Backhaul Capacity

Data Source

aemsC Files

Source Field

aemsC201_PC1

Source Section

aemsC201

callCount_CFC_15

Call count for Negotiation Failure

Data Source

aemsC Files

Source Field

aemsC201_PC1

Source Section

aemsC201

callCount_CFC_150

Call count for No Radio Resource Available - Redirected to Alternate Band Class

Data Source

aemsC Files

Source Field

aemsC201_PC1

Source Section

aemsC201

callCount_CFC_151

Call count for RF Capacity Exceeded - Redirected to Alternate Band Class

Data Source

aemsC Files

Source Field

aemsC201_PC1

Source Section

aemsC201

callCount_CFC_152

Call count for Redirected to Analog after Attempted Redirect to Alternate Band Class

Data Source

aemsC Files

Source Field

aemsC201_PC1

Source Section

aemsC201

callCount_CFC_156

Call count for Stable In-Call Service Negotiation Failure

Data Source

aemsC Files

Source Field

aemsC201_PC1

Source Section

aemsC201

callCount_CFC_157

Call count for VTTS Sync Failure

Data Source

aemsC Files

Source Field

aemsC201_PC1

Source Section

aemsC201

callCount_CFC_158

Call count for In-Call SN and Hard Handoff Interaction Failure

Data Source

aemsC Files

Source Field

aemsC201_PC1

Source Section

aemsC201

callCount_CFC_16

Call count for No Bearer Frames Detected

Data Source

aemsC Files

Source Field

aemsC201_PC1

Source Section

aemsC201

callCount_CFC_18

Call count for No XCDR/Vocoder Circuit

Data Source

aemsC Files

Source Field

aemsC201_PC1

Source Section

aemsC201

callCount_CFC_19

Call count for No Data Resource

Data Source

aemsC Files

Source Field

aemsC201_PC1

Source Section

aemsC201

callCount_CFC_2

Call count for TCH Disabled

Data Source

aemsC Files

Source Field

aemsC201_PC1

Source Section

aemsC201

callCount_CFC_20

Call count for No Radio Resource Available

Data Source

aemsC Files

Source Field

aemsC201_PC1

Source Section

aemsC201

callCount_CFC_21

Call count for Requested Terrestrial Resource Unavailable

Data Source

aemsC Files

Source Field

aemsC201_PC1

Source Section

aemsC201

callCount_CFC_22

Call count for Terrestrial Circuit Already Allocated

Data Source

aemsC Files

Source Field

aemsC201_PC1

Source Section

aemsC201

callCount_CFC_23

Call count for Radio Interface Failure

Data Source

aemsC Files

Source Field

aemsC201_PC1

Source Section

aemsC201

callCount_CFC_24

Call count for Successful External Hard Handoff to CDMA

Data Source

aemsC Files

Source Field

aemsC201_PC1

Source Section

aemsC201

callCount_CFC_25

Call count for Successful External Hard Handoff to Analog

Data Source

aemsC Files

Source Field

aemsC201_PC1

Source Section

aemsC201

callCount_CFC_255

Call count for Unknown

Data Source

aemsC Files

Source Field

aemsC201_PC1

Source Section

aemsC201

callCount_CFC_26

Call count for Abnormal MSC Disconnect

Data Source

aemsC Files

Source Field

aemsC201_PC1

Source Section

aemsC201

callCount_CFC_27

Call count for MSC Disconnect with SCCP Connection Refused

Data Source

aemsC Files

Source Field

aemsC201_PC1

Source Section

aemsC201

callCount_CFC_28

Call count for MSC Disconnect with SCCP RLSD

Data Source

aemsC Files

Source Field

aemsC201_PC1

Source Section

aemsC201

callCount_CFC_29

Call count for Handoff Procedure Timeout

Data Source

aemsC Files

Source Field

aemsC201_PC1

Source Section

aemsC201

callCount_CFC_3

Call count for RF Layer 2 Failure

Data Source

aemsC Files

Source Field

aemsC201_PC1

Source Section

aemsC201

callCount_CFC_30

Call count for Successful Anchor Hard Handoff

Data Source

aemsC Files

Source Field

aemsC201_PC1

Source Section

aemsC201

callCount_CFC_31

Call count for Normal Mobile-initiated Call Termination

Data Source

aemsC Files

Source Field

aemsC201_PC1

Source Section

aemsC201

callCount_CFC_32

Call count for Disabled Service Option

Data Source

aemsC Files

Source Field

aemsC201_PC1

Source Section

aemsC201

callCount_CFC_33

Call count for No Radio Resource Available-Redirected to Analog

Data Source

aemsC Files

Source Field

aemsC201_PC1

Source Section

aemsC201

callCount_CFC_34

Call count for BTS Call Setup Timeout

Data Source

aemsC Files

Source Field

aemsC201_PC1

Source Section

aemsC201

callCount_CFC_35

Call count for Resource Allocation Timeout

Data Source

aemsC Files

Source Field

aemsC201_PC1

Source Section

aemsC201

callCount_CFC_36

Call count for No SDU Resources Available

Data Source

aemsC Files

Source Field

aemsC201_PC1

Source Section

aemsC201

callCount_CFC_37

Call count for HHI Failure Prior to Target Channel Ready

Data Source

aemsC Files

Source Field

aemsC201_PC1

Source Section

aemsC201

callCount_CFC_4

Call count for RF Loss

Data Source

aemsC Files

Source Field

aemsC201_PC1

Source Section

aemsC201

callCount_CFC_40

Call count for Target CBSC Call Setup Failure - Need to verify this one

Data Source

aemsC Files

Source Field

aemsC201_PC1

Source Section

aemsC201

callCount_CFC_5

Call count for No TCH Preamble Detected

Data Source

aemsC Files

Source Field

aemsC201_PC1

Source Section

aemsC201

callCount_CFC_50

Call count for O&M Intervention at BSC

Data Source

aemsC Files

Source Field

aemsC201_PC1

Source Section

aemsC201

callCount_CFC_51

Call count for O&M Intervention at MSC

Data Source

aemsC Files

Source Field

aemsC201_PC1

Source Section

aemsC201

callCount_CFC_52

Call count for Equipment Failure at RAN

Data Source

aemsC Files

Source Field

aemsC201_PC1

Source Section

aemsC201

callCount_CFC_53

Call count for Equipment Failure at MSC

Data Source

aemsC Files

Source Field

aemsC201_PC1

Source Section

aemsC201

callCount_CFC_54

Call count for Reset or Reset Circuit from MSC

Data Source

aemsC Files

Source Field

aemsC201_PC1

Source Section

aemsC201

callCount_CFC_6

Call count for No STRAU Synch

Data Source

aemsC Files

Source Field

aemsC201_PC1

Source Section

aemsC201

callCount_CFC_60

Call count for Protocol Error Between BSC and MSC

Data Source

aemsC Files

Source Field

aemsC201_PC1

Source Section

aemsC201

callCount_CFC_61

Call count for Protocol Error Between RAN Network Elements

Data Source

aemsC Files

Source Field

aemsC201_PC1

Source Section

aemsC201

callCount_CFC_62

Call count for XC/SDU Detected Error

Data Source

aemsC Files

Source Field

aemsC201_PC1

Source Section

aemsC201

callCount_CFC_63

Call count for VPF Detected Error

Data Source

aemsC Files

Source Field

aemsC201_PC1

Source Section

aemsC201

callCount_CFC_7

Call count for CP Timeout Awaiting MS Acquisition

Data Source

aemsC Files

Source Field

aemsC201_PC1

Source Section

aemsC201

callCount_CFC_8

Call count for MS Did Not Arrive On HHO Target Channel

Data Source

aemsC Files

Source Field

aemsC201_PC1

Source Section

aemsC201

callCount_CFC_80

Call count for MM Internal Errors

Data Source

aemsC Files

Source Field

aemsC201_PC1

Source Section

aemsC201

callCount_CFC_81

Call count for MM Database Error

Data Source

aemsC Files

Source Field

aemsC201_PC1

Source Section

aemsC201

callCount_CFC_82

Call count for BTS Internal Error

Data Source

aemsC Files

Source Field

aemsC201_PC1

Source Section

aemsC201

callCount_CFC_83

Call count for Lack of 1X Resources and Support for Downgrade Disabled

Data Source

aemsC Files

Source Field

aemsC201_PC1

Source Section

aemsC201

callCount_CFC_9

Call count for No Valid Speech from MS During Call Setup

Data Source

aemsC Files

Source Field

aemsC201_PC1

Source Section

aemsC201

callDropCoverage

Call Drops due to Coverage Issues

Data Source

aemsC Files

Source Field

aemsC300_PC1

Source Section

aemsc300

callDropEquipFailure

Call Drops due to Equip Failure

Data Source

aemsC Files

Source Field

aemsC300_PC1

Source Section

aemsc300

callDropIncorrectParams

Call Drops due to Incorrect Params

Data Source

aemsC Files

Source Field

aemsC300_PC1

Source Section

aemsc300

callDropInsufficientCapacity

Call Drops due to Insufficient Capacity

Data Source

aemsC Files

Source Field

aemsC300_PC1

Source Section

aemsc300

callDropInterference

Call Drops due to Interference Issues

Data Source

aemsC Files

Source Field

aemsC300_PC1

Source Section

aemsc300

callDropUndefined

Call Drops due to Undefined Cause

Data Source

aemsC Files

Source Field

aemsC300_PC1

Source Section

aemsc300

CallRed1stSec

PMC25_PC57: Call_Redirect_First_Sector - Redirections to Analog - First Sector

Source Field

PMC25_PC57

Source Section

PMC25

CarrAttFwdLnkCarrPwrLmtOrig

PMC25_PC16: Carr_Att_Fwd_Orig_Limit - Carrier Attempt - Forward Link Carrier Power Limit for Originations

Source Field

PMC25_PC16

Source Section

PMC25

CarrAttFwdLnkCarrPwrLmtTerm

PMC25_PC18: Carr_Att_Fwd_Term_Limit - Carrier Attempt - Forward Link Carrier Power Limit for Terminations

Source Field

PMC25_PC18

Source Section

PMC25

CarrAttLPA_OvrldProtctn

PMC25_PC24: Carr_Att_LPA_Pro_Fix_Limit - Carrier Attempt - LPA Overload Protection Fixed Limit

Source Field

PMC25_PC24

Source Section

PMC25

CarrAttLPA_OvrldProtSlfCalibLim

PMC25_PC34: Carr_Att_LPA_Pro_Self_Cal_Limit - Attempt - LPA Overload Protection Self Calibrating Limit

Source Field

PMC25_PC34

Source Section

PMC25

CarrAttRevLnkCarrPwrLmtOrig

PMC25_PC20: Carr_Att_Rvs_Orig_Limit - Carrier Attempt - Reverse Link Carrier Power Limit for Originations

Source Field

PMC25_PC20

Source Section

PMC25

CarrAttRevLnkCarrPwrLmtTerm

PMC25_PC22: Carr_Att_Rvs_Term_Limit - Carrier Attempt - Reverse Link Carrier Power Limit for Terminations

Source Field

PMC25_PC22

Source Section

PMC25

CarrOvfFwdLnkCarrPwrLmtOrig

PMC25_PC17: Carr_Ovf_Fwd_Orig_Limit - Overflow - Forward Link Carrier Power Limit for Originations

Source Field

PMC25_PC17

Source Section

PMC25

CarrOvfFwdLnkCarrPwrLmtTerm

PMC25_PC19: Carr_Ovf_Fwd_Term_Limit - Carrier Overflow - Forward Link Carrier Power Limit for Terminations

Source Field

PMC25_PC19

Source Section

PMC25

CarrOvfLPA_OvrldProtctn

PMC25_PC25: Carr_Ovf_LPA_Pro_Fix_Limit - Carrier Overflow - LPA Overload Protection Fixed Limit

Source Field

PMC25_PC25

Source Section

PMC25

CarrOvfLPA_OvrldProtSlfCalibLim

PMC25_PC35: Carr_Ovf_LPA_Pro_Self_Cal_Limit - Carrier Overflow - LPA Overload Protection Self Calibrating Limit

Source Field

PMC25_PC35

Source Section

PMC25

CarrOvfRevLnkCarrPwrLmtOrig

PMC25_PC21: Carr_Ovf_Rvs_Orig_Limit - Carrier Overflow - Reverse Link Carrier Power Limit for Originations

Source Field

PMC25_PC21

Source Section

PMC25

CarrOvfRevLnkCarrPwrLmtTerm

PMC25_PC23: Carr_Ovf_Rvs_Term_Lim - Carrier Overflow - Reverse Link Carrier Power Limit for Terminations

Source Field

PMC25_PC23

Source Section

PMC25

cfc13

Call records with CFC=13

Source Field

aemsC201_PC1, CFC=13

Data Source

aemsC Files

Source Section

aemsC201

cfc14

Call records with CFC=14

Data Source

aemsC Files

Source Field

aemsC201_PC1, CFC=14

Source Section

aemsC201

cfc3

Call records with CFC=3

Source Field

aemsC201_PC1, CFC=3

Data Source

aemsC Files

Source Section

aemsC201

cfc4

Call records with CFC=4

Source Field

aemsC201_PC1, CFC=4

Data Source

aemsC Files

Source Section

aemsC201

cfc5

Call records with CFC=5

Source Field

aemsC201_PC1, CFC=5

Data Source

aemsC Files

Source Section

aemsC201

cfc9

Call records with CFC=9

Source Field

aemsC201_PC1, CFC=9

Data Source

aemsC Files

Source Section

aemsC201

CSEC_FwdSCH_Req

PMC44_PC5: CSEC_FWD_SCH_REQ - CSEC FWD SCH Requests

Source Field

PMC44_PC5

Source Section

PMC44

CSEC_FwdSCH_RespFailNoCapRF

PMC44_PC7: CSEC_FWD_SCH_FLR-NO_RF - CSEC FWD SCH Responses - Failures - No RF Capacity

Source Field

PMC44_PC7

Source Section

PMC44

CSEC_FwdSCH_RespFailNoWC

PMC44_PC6: CSEC_FWD_SCH_FLR-NO_WC - CSEC FWD SCH Responses - Failures - No Walsh Codes

Source Field

PMC44_PC6

Source Section

PMC44

CSEC_RvsSCH_Req

PMC44_PC8: CSEC_RVS_SCH_REQ - CSEC RVS SCH Requests

Source Field

PMC44_PC8

Source Section

PMC44

CSEC_RvsSCH_RespFailNoCapRF

PMC44_PC9: CSEC_RVS_SCH_FLR-NO_RF - CSEC RVS SCH Responses - Failures - No RF Capacity

Source Field

PMC44_PC9

Source Section

PMC44

CtoCExtHfCompSec

PMC26_PC6: Peg Retired. Hard code to 0. CDMA To CDMA External Handfrom Completes - Sector

Source Field

PMC26_PC6

Source Section

PMC26

CtoCExtHfFailSec

PMC26_PC5: Peg Retired. Hard code to 0. CDMA To CDMA External Handfrom Failures - Sector

Source Field

PMC26_PC5

Source Section

PMC26

CtoCExtHfReqSec

PMC26_PC4: Peg Retired. Hard code to 0. CDMA To CDMA External Handfrom Requests - Sector

Source Field

PMC26_PC4

Source Section

PMC26

DataThroughputFwdFCH_Int

SMS Data Throughput on Forward FCH

Data Source

PM

Source Field

totalSizeOfSmsSentOnFwdTch / 1800

Source Section

totalSizeOfSmsSentOnFwdTch / 1800

DataThroughputRvsFCH_Int

SMS Data Throughput on Reverse FCH

Data Source

PM

Source Field

TotalSizeSMSRecevRvsTCH / 1800

Source Section

TotalSizeSMSRecevRvsTCH / 1800

droppedCall

Number of dropped calls

Source Field

aemsC150_PC2

Data Source

aemsC Files

Source Section

aemsC150

droppedCall3G1xData

Number of dropped calls for 3G1x data

Source Field

aemsC150_PC2

Data Source

aemsC Files

Source Section

aemsC150

droppedCall3G1xVoice

Number of dropped calls for 3G1x voice

Source Field

aemsC150_PC2

Data Source

aemsC Files

Source Section

aemsC150

FailAttOrig1PN

PMC48_PC13: Fail_Att_Orig_1_PN - Failed Attempts Origination 1 PN

Source Field

PMC48_PC13

Source Section

PMC48

FailAttOrig2PN

PMC48_PC14: Fail_Att_Orig_2_PN - Failed Attempts Origination 2 PN

Source Field

PMC48_PC14

Source Section

PMC48

FailAttOrig3PN

PMC48_PC15: Fail_Att_Orig_3_PN - Failed Attempts Origination 3 PN

Source Field

PMC48_PC15

Source Section

PMC48

FailAttOrig4PN

PMC48_PC16: Fail_Att_Orig_4_PN - Failed Attempts Origination 4 PN

Source Field

PMC48_PC16

Source Section

PMC48

FailAttOrig5PN

PMC48_PC17: Fail_Att_Orig_5_PN - Failed Attempts Origination 5 PN

Source Field

PMC48_PC17

Source Section

PMC48

FailAttOrig6PN

PMC48_PC18: Fail_Att_Orig_6_PN - Failed Attempts Origination 6 PN

Source Field

PMC48_PC18

Source Section

PMC48

FailAttTerm1PN

PMC48_PC19: Fail_Att_Term_1_PN - Failed Attempts Termination 1 PN

Source Field

PMC48_PC19

Source Section

PMC48

FailAttTerm2PN

PMC48_PC20: Fail_Att_Term_2_PN - Failed Attempts Termination 2 PN

Source Field

PMC48_PC20

Source Section

PMC48

FailAttTerm3PN

PMC48_PC21: Fail_Att_Term_3_PN - Failed Attempts Termination 3 PN

Source Field

PMC48_PC21

Source Section

PMC48

FailAttTerm4PN

PMC48_PC22: Fail_Att_Term_4_PN - Failed Attempts Termination 4 PN

Source Field

PMC48_PC22

Source Section

PMC48

FailAttTerm5PN

PMC48_PC23: Fail_Att_Term_5_PN - Failed Attempts Termination 5 PN

Source Field

PMC48_PC23

Source Section

PMC48

FailAttTerm6PN

PMC48_PC24: Fail_Att_Term_6_PN - Failed Attempts Termination 6 PN

Source Field

PMC48_PC24

Source Section

PMC48

FeatNotfcn_TransSecCarr

PMC44_PC4: FNOTIF_TRANS-BTS - Feature Notification Transmitted - Carrier per Sector

Source Field

PMC44_PC4

Source Section

PMC44

FeatNotfcnArriv_CarrSec

PMC44_PC13: FNOTIF_ARRIVED-BTS - Feature Notification Arrived - Carrier per Sector

Source Field

PMC44_PC13

Source Section

PMC44

FiveWayHoRFLsSec

PMC25_PC32: Ho_Rf_Loss_5_Sec - 5-way Handoff RF Loss - Sector

Source Field

PMC25_PC32

Source Section

PMC25

FourWayHoRFLsSec

PMC25_PC31: Ho_Rf_Loss_4_Sec - 4-way Handoff RF Loss - Sector

Source Field

PMC25_PC31

Source Section

PMC25

FwdCarrPwrLmtTimeOrig

PMC25_PC26: Fwd_Carr_Pwr_Lim_Time_Orig - Forward Carrier Power Limiting Time - Origination

Source Field

PMC25_PC26

Source Section

PMC25

FwdCarrPwrLmtTimeTerm

PMC25_PC27: Fwd_Carr_Pwr_Lim_Time_Term - Forward Carrier Power Limiting Time - Termination

Source Field

PMC25_PC27

Source Section

PMC25

FwdFCHThroughput_Int

RLP Throughput on Forward FCH

Data Source

PM

Source Field

TotalRLPPayldByteFwdFCH / 1800

Source Section

TotalRLPPayldByteFwdFCH / 1800

FwdSCHPeakThroughput_Int

RLP Peak Throughput on Forward SCH

Data Source

PM

Source Field

MaxRLPPayldByteFwdSCH / ResMaxPayldByte

Source Section

MaxRLPPayldByteFwdSCH / ResMaxPayldByte

FwdSCHThroughput_Int

RLP Throughput on Forward SCH

Data Source

PM

Source Field

TotalRLPPayLdByteFwdSCH / 1800

Source Section

TotalRLPPayLdByteFwdSCH / 1800

goodCall

Number of good calls

Source Field

aemsC150_PC3

Data Source

aemsC Files

Source Section

aemsC150

goodCall3G1xData

Number of good calls for 3G1x data

Source Field

aemsC150_PC3

Data Source

aemsC Files

Source Section

aemsC150

goodCall3G1xVoice

Number of good calls for 3G1x voice

Source Field

aemsC150_PC3

Data Source

aemsC Files

Source Section

aemsC150

HandDownHandtoCompSec

PMC26_PC10: HandDwn_Ht_Comp_Sec - HandDown Handto Completes - Sector

Source Field

PMC26_PC10

Source Section

PMC26

HandDownHandtoFailSec

PMC26_PC9: HandDwn_Ht_Fail_Sec - Handto Failures - Sector

Source Field

PMC26_PC9

Source Section

PMC26

HandUpHandtoCompSec

PMC26_PC12: HandUp_Ht_Comp_Sec - HandUp Handto Completes - Sector

Source Field

PMC26_PC12

Source Section

PMC26

HandUpHandtoFailSec

PMC26_PC11: HandUp_Ht_Fail_Sec - Handto Failures - Sector

Source Field

PMC26_PC11

Source Section

PMC26

HardHndinDenialTgt

Hard Handin Denial - Target Sector

Data Source

PM

Source Field

PMC502_PC3 Subj_Id_4,5,6=0

Source Section

PMC502

IBSCCHoRFLsSec

PMC25_PC9: ICBSC_HO_RF_Loss_Sec - ICBSC Handoff RF Loss - Sector

Source Field

PMC25_PC9

Source Section

PMC25

ICInNwSSrHoDrpAttAnCarrSec

PMC42_PC9: IC_Int_NWay_SHo_Drop_Att_Anc_CSec - ICBSC Intermediate Nway Soft /
Softer Handoff Drop Attempts - Anchor Carrier Sector

Source Field

PMC42_PC9

Source Section

PMC42

ICInNwSSrHoDrpAttTgCarrSec

PMC43_PC9: IC_Int_NWay_SHo_Drop_Att_Tar_CSec - ICBSC Intermediate Nway Soft /
Softer Handoff Drop Attempts - Target Carrier Sector

Source Field

PMC43_PC9

Source Section

PMC43

ICInNwSsrHoDrpFailAnCarrSec

PMC42_PC10: IC_Int_NWay_SHo_Drop_Fail_Anc_CSec - ICBSC Intermediate Nway Soft /
Softer Handoff Drop Failures - Anchor Carrier Sector

Source Field

PMC42_PC10

Source Section

PMC42

ICInNwSsrHoDrpFailTgCarrSec

PMC43_PC10: IC_Int_NWay_SHo_Drop_Fail_Tar_CSec - ICBSC Intermediate Nway Soft /
Softer Handoff Drop Failures - Target Carrier Sector

Source Field

PMC43_PC10

Source Section

PMC43

ICINwSHoAddAttAnCarrSec

PMC42_PC2: IC_Init_NWay_SHo_Add_Att_Anc_CSec - ICBSC Initial Nway Soft Handoff Add Attempts - Anchor Carrier Sector

Source Field

PMC42_PC2

Source Section

PMC42

ICINwSHoAddAttTgCarrSec

PMC43_PC2: IC_Init_NWay_SHo_Add_Att_Tar_CSec - ICBSC Initial Nway Soft Handoff Add Attempts - Target Carrier Sector

Source Field

PMC43_PC2

Source Section

PMC43

ICINwSHoAddFailAnCarrSec

PMC42_PC3: IC_Init_NWay_SHo_Add_Fail_Anc_CSec - ICBSC Initial Nway Soft Handoff Add Failures - Anchor Carrier Sector

Source Field

PMC42_PC3

Source Section

PMC42

ICINwSHoAddFailTgCarrSec

PMC43_PC3: IC_Init_NWay_SHo_Add_Fail_Tar_CSec - ICBSC Initial Nway Soft Handoff Add Failures - Target Carrier Sector

Source Field

PMC43_PC3

Source Section

PMC43

ICINwSHoAddReqAnCarrSec

PMC42_PC1: IC_Init_NWay_SHo_Add_Req_Anc_CSec - ICBSC Initial Nway Soft Handoff
Add Requests - Anchor Carrier Sector

Source Field

PMC42_PC1

Source Section

PMC42

ICINwSHoAddReqTgCarrSec

PMC43_PC1: IC_Init_NWay_SHo_Add_Req_Tar_CSec - ICBSC Initial Nway Soft Handoff
Add Requests - Target Carrier Sector

Source Field

PMC43_PC1

Source Section

PMC43

ICLsNwSoHoDrpAttAnCarrSec

PMC42_PC7: IC_Last_NWay_SHo_Drop_Att_Anc_CSec - ICBSC Last Nway Soft Handoff
Drop Attempts - Anchor Carrier Sector

Source Field

PMC42_PC7

Source Section

PMC42

ICLsNwSoHoDrpAttTgCarrSec

PMC43_PC7: IC_Last_NWay_SHo_Drop_Att_Tar_CSec - ICBSC Last Nway Soft Handoff
Drop Attempts - Target Carrier Sector

Source Field

PMC43_PC7

Source Section

PMC43

ICLsNwSoHoDrpFailAnCarrSec

PMC42_PC8: IC_Last_NWay_SHo_Drop_Fail_Anc_CSec - ICBSC Last Nway Soft Handoff Drop Failures - Anchor Carrier Sector

Source Field

PMC42_PC8

Source Section

PMC42

ICLsNwSoHoDrpFailTgCarrSec

PMC43_PC8: IC_Last_NWay_SHo_Drop_Fail_Tar_CSec - ICBSC Last Nway Soft Handoff Drop Failures - Target Carrier Sector

Source Field

PMC43_PC8

Source Section

PMC43

ICSNwSsrHoAddAttAnCarrSec

PMC42_PC5: IC_Sub_NWay_SHo_Add_Att_Anc_CSec - ICBSC Subsequent Nway Soft / Softer Handoff Add Attempts - Anchor Carrier Sector

Source Field

PMC42_PC5

Source Section

PMC42

ICSNwSsrHoAddAttTgCarrSec

PMC43_PC5: IC_Sub_NWay_SHo_Add_Att_Tar_CSec - Subsequent Nway Soft /Softer Handoff Add Attempts - Target Carrier Sector

Source Field

PMC43_PC5

Source Section

PMC43

ICSNwSsrHoAddFailAnCarrSec

PMC42_PC6: IC_Sub_NWay_SHo_Add_Fail_Anc_CSec - ICBSC Subsequent Nway Soft /
Softer Handoff Add Failures - Anchor Carrier Sector

Source Field

PMC42_PC6

Source Section

PMC42

ICSNwSsrHoAddFailTgCarrSec

PMC43_PC6: IC_Sub_NWay_SHo_Add_Fail_Tar_CSec - Subsequent Nway Soft /Softer
Handoff Add Failures - Target Carrier Sector

Source Field

PMC43_PC6

Source Section

PMC43

ICSNwSsrHoAddReqAnCarrSec

PMC42_PC4: IC_Sub_NWay_SHo_Add_Req_Anc_CSec - ICBSC Subsequent Nway Soft/
Softer Handoff Add Requests - Anchor Carrier Sector

Source Field

PMC42_PC4

Source Section

PMC42

ICSNwSsrHoAddReqTgCarrSec

PMC43_PC4: IC_Sub_NWay_SHo_Add_Req_Tar_CSec - ICBSC Subsequent Nway Soft /
Softer Handoff Add Requests - Target Carrier Sector

Source Field

PMC43_PC4

Source Section

PMC43

interBandActiveDataHardHandoffBandDownCompletesSector

PMC27_PC12: IB_ADHHO_BD_Comp_Sec_Src - Inter Band Active Data Hard Handoff
BandDown Completes - Sector

Source Field

PMC27_PC12

Source Section

PMC27

interBandActiveDataHardHandoffBandDownCompletionsTargetSector

PMC26_PC20: IB_ADHHO_BD_COMP_TGT_SEC - Inter-band Active Data Hard Handoff
BandDown Completions - Target Sector

Data Source

PM

Source Field

PMC26_PC20

Source Section

PMC26

interBandActiveDataHardHandoffBandDownFailuresSector

PMC27_PC13: IB_ADHHO_BD_Fail_Sec_Src - Inter Band Active Data Hard Handoff
BandDown Failures - Sector

Source Field

PMC27_PC13

Source Section

PMC27

interBandActiveDataHardHandoffBandDownFailuresTargetSector

PMC26_PC21: IB_ADHHO_BD_FAIL_TGT_SEC - Inter-band Active Data Hard Handoff
BandDown Failures - Target Sector

Data Source

PM

Source Field

PMC26_PC21

Source Section

PMC26

interBandActiveDataHardHandoffBandUpCompletesSector

PMC27_PC10: IB_ADHHO_BU_Comp_Sec_Src - Inter Band Active Data Hard Handoff
BandUp Completes - Sector

Source Field

PMC27_PC10

Source Section

PMC27

interBandActiveDataHardHandoffBandUpCompletionsTargetSector

PMC26_PC22: IB_ADHHO_BU_COMP_TGT_SEC - Inter-band Active Data Hard Handoff
BandUp Completions - Target Sector

Data Source

PM

Source Field

PMC26_PC22

Source Section

PMC26

interBandActiveDataHardHandoffBandUpFailuresSector

PMC27_PC11: IB_ADHHO_BU_Fail_Sec_Src - Inter Band Active Data Hard Handoff
BandUp Failures - Sector

Source Field

PMC27_PC11

Source Section

PMC27

interBandActiveDataHardHandoffBandUpFailuresTargetSector

PMC26_PC23: IB_ADHHO_BU_FAIL_TGT_SEC - Inter-band Active Data Hard Handoff BandUp Failures - Target Sector

Data Source

PM

Source Field

PMC26_PC23

Source Section

PMC26

interBandHardHandoffBandDownCompletions

PMC26_PC16: IB_HHO_BD_COMP_TGT_SEC - Inter-band Hard Handoff BandDown Completions - Target Sector

Data Source

PM

Source Field

PMC26_PC16

Source Section

PMC26

interBandHardHandoffBandDownFailures

PMC26_PC17: IB_HHO_BD_FAIL_TGT_SEC - Inter-band Hard Handoff BandDown Failures - Target Sector

Data Source

PM

Source Field

PMC26_PC17

Source Section

PMC26

interBandHardHandoffBandUpCompletions

PMC26_PC18: IB_HHO_BU_COMP_TGT_SEC - Inter-band Hard Handoff BandUp Completions - Target Sector

Data Source

PM

Source Field

PMC26_PC18

Source Section

PMC26

interBandHardHandoffBandUpFailures

PMC26_PC19: IB_HHO_BU_FAIL_TGT_SEC - Inter-band Hard Handoff BandUp Failures - Target Sector

Data Source

PM

Source Field

PMC26_PC19

Source Section

PMC26

interBandRedirectionAttemptsForOriginationAutomatic

PMC25_PC70: IBR_Orig_Attempts_Automatic - Inter-Band redirection attempts for Origination - Automatic

Data Source

PM

Source Field

PMC25_PC70

Source Section

PMC25

interBandRedirectionAttemptsForTerminationAutomatic

PMC25_PC71: IBR_Termn_Attempts_Automatic - Inter-Band redirection attempts for Termination - Automatic

Data Source

PM

Source Field

PMC25_PC71

Source Section

PMC25

interBandRedirectionEcIorAndRNRExceeded

PMC514_PC23: IBR_Redirect_EcIor_AND_RNR_Exceed - Inter-Band Redirection - Ec/Ior AND RNR Exceeded

Data Source

PM

Source Field

PMC514_PC23

Source Section

PMC514

interBandRedirectionEcIorExceeded

PMC514_PC21: IBR_Redirect_EcIor_Exceed - Inter-Band Redirection - Ec/Ior Exceeded

Data Source

PM

Source Field

PMC514_PC21

Source Section

PMC514

interBandRedirectionEcIorMixRNRExceeded

PMC514_PC24: IBR_Redirect_EcIor_Mix_RNR_Exceed - Inter-Band Redirection - Ec/Ior Mix RNR Exceeded

Data Source

PM

Source Field

PMC514_PC24

Source Section

PMC514

interBandRedirectionRNRExceeded

PMC514_PC22: IBR_Redirect_RNR_Exceed - Inter-Band Redirection - RNR Exceeded

Data Source

PM

Source Field

PMC514_PC22

Source Section

PMC514

InterBandRedrct_MultiRdrctReturn

PMC25_PC63: IBR_Multiple_Redirection_Return - Inter-Band redirection - multiple redirection return

Source Field

PMC25_PC63

Source Section

PMC25

InterBandRedrctAttOrg_CrrThrshExcd

PMC25_PC59: IBR_Orig_Attempts_Carr_Thresh - Inter-Band redirection attempts for Origination - Carrier Threshold Exceeded

Source Field

PMC25_PC59

Source Section

PMC25

InterBandRedrctAttOrg_InsufEqpRsrc

PMC25_PC61: IBR_Orig_Resource_Overflow - Inter-Band redirection attempts for Origination - Insufficient Equipment Resources

Source Field

PMC25_PC61

Source Section

PMC25

InterBandRedrctAttTrm_CrrThrshExcd

PMC25_PC60: IBR_Term_Attempts_Carr_Thresh - Inter-Band redirection attempts for Termination - Carrier Threshold Exceeded

Source Field

PMC25_PC60

Source Section

PMC25

InterBandRedrctAttTrm_InsufEqpRsrc

PMC25_PC62: IBR_Term_Resource_Overflow - Inter-Band redirection attempts for Termination - Insufficient Equipment Resources

Source Field

PMC25_PC62

Source Section

PMC25

InterBandRedrctOrg_MSRejct

PMC25_PC64: IBR_Orig_MS_Reject - Inter-Band redirection for Origination - MS Reject

Source Field

PMC25_PC64

Source Section

PMC25

InterBandRedrctTrm_MSRejct

PMC25_PC65: IBR_Term_MS_Reject - Inter-Band redirection for Termination - MS Reject

Source Field

PMC25_PC65

Source Section

PMC25

InterCbscSftHoDenialTgt

Inter-CBSC Soft Handoff Denials - Target Sector

Data Source

PM

Source Field

PM500_PC1 subj_id_4=3

Source Section

PMC500

InterCbscSftHoFailSrc

Inter-CBSC Soft Handoff Failure - Source Sector

Data Source

PM

Source Field

PM500_PC4 subj_id_4=3

Source Section

PMC500

InterCbscSftHoFailTgt

Inter-CBSC Soft Handoff Failure - Target Sector

Data Source

PM

Source Field

PM500_PC5 subj_id_4=3

Source Section

PMC500

InterCbscSftHoSuccSrc

Inter-CBSC Soft Handoff Success - Source Sector

Data Source

PM

Source Field

PM500_PC2 subj_id_4=3

Source Section

PMC500

InterCbscSftHoSuccTgt

Inter-CBSC Soft Handoff Success - Target Sector

Data Source

PM

Source Field

PM500_PC3 subj_id_4=3

Source Section

PMC500

InterCbscSftrHoDenialTgt

Inter-CBSC Softer Handoff Denials - Target Sector

Data Source

PM

Source Field

PM500_PC1 subj_id_4=4

Source Section

PMC500

InterCbscSftrHoFailSrc

Inter-CBSC Softer Handoff Failure - Source Sector

Data Source

PM

Source Field

PM500_PC4 subj_id_4=4

Source Section

PMC500

InterCbscSftrHoFailTgt

Inter-CBSC Softer Handoff Failure - Target Sector

Data Source

PM

Source Field

PM500_PC5 subj_id_4=4

Source Section

PMC500

InterCbscSftrHoSuccSrc

Inter-CBSC Softer Handoff Success - Source Sector

Data Source

PM

Source Field

PM500_PC2 subj_id_4=4

Source Section

PMC500

InterCbscSftrHoSuccTgt

Inter-CBSC Softer Handoff Success - Target Sector

Data Source

PM

Source Field

PM500_PC3 subj_id_4=4

Source Section

PMC500

IntraCbscSftHoDenialTgt

Intra-CBSC Soft Handoff Denials - Target Sector

Data Source

PM

Source Field

PM500_PC1 subj_id_4=1

Source Section

PMC500

IntraCbscSftHoFailSrc

Intra-CBSC Soft Handoff Failure - Source Sector

Data Source

PM

Source Field

PM500_PC4 subj_id_4=1

Source Section

PMC500

IntraCbscSftHoFailTgt

Intra-CBSC Soft Handoff Failure - Target Sector

Data Source

PM

Source Field

PM500_PC5 subj_id_4=1

Source Section

PMC500

IntraCbscSftHoSuccSrc

Intra-CBSC Soft Handoff Success - Source Sector

Data Source

PM

Source Field

PM500_PC2 subj_id_4=1

Source Section

PMC500

IntraCbscSftHoSuccTgt

Intra-CBSC Soft Handoff Success - Target Sector

Data Source

PM

Source Field

PM500_PC3 subj_id_4=1

Source Section

PMC500

IntraCbscSftrHoDenialTgt

Intra-CBSC Softer Handoff Denials - Target Sector

Data Source

PM

Source Field

PM500_PC1 subj_id_4=2

Source Section

PMC500

IntraCbscSftrHoFailSrc

Intra-CBSC Softer Handoff Failure - Source Sector

Data Source

PM

Source Field

PM500_PC4 subj_id_4=2

Source Section

PMC500

IntraCbscSftrHoFailTgt

Intra-CBSC Softer Handoff Failure - Target Sector

Data Source

PM

Source Field

PM500_PC5 subj_id_4=2

Source Section

PMC500

IntraCbscSftrHoSuccSrc

Intra-CBSC Softer Handoff Success - Source Sector

Data Source

PM

Source Field

PM500_PC2 subj_id_4=2

Source Section

PMC500

IntraCbscSftrHoSuccTgt

Intra-CBSC Softer Handoff Success - Target Sector

Data Source

PM

Source Field

PM500_PC3 subj_id_4=2

Source Section

PMC500

LPA_OvrldProtctnTimeFixLmt

PMC25_PC30: LPA_Ovld_Pro_Time_Fix_Limit - LPA Overload Protection Time - Fixed Limit

Source Field

PMC25_PC30

Source Section

PMC25

LPA_OvrldProtTimeSlfCalibLim

PMC25_PC36: LPA_Ovld_Pro_Time_Self_Cal_Limit - LPA Overload Protection Time - Self Calibrating Limit (seconds)

Source Field

PMC25_PC36

Source Section

PMC25

IxPktDataOrigAsgnAttAbdnProc

PMC25_PC68: 1X_Pkt_Data_Orig_Att_Fail_Abandon - 1X Packet Data Origination
Assignment Attempt - Abandon Procedure

Data Source

PM

Source Field

PMC25_PC68

Source Section

PMC25

IxPktDataOrigAttCarrSec

PMC25_PC1: Orig_Att_1X_Pkt_Data_Carr_Sec - Packet Data Origination Attempts - Carrier/
Sector

Data Source

PM

Source Field

PMC25_PC1

Source Section

PMC25

IxPktDataOrigAttFailRFResrc

PMC25_PC66: 1X_Pkt_Data_Orig_Att_Failure_RFAssign - Packet Data Origination Attempt
Failure - RF Resource

Data Source

PM

Source Field

PMC25_PC66

Source Section

PMC25

IxPktDataTermAsgnAttAbdnProc

PMC25_PC69: 1X_Pkt_Data_Term_Att_Fail_Abandon - Packet Data Termination Assignment Attempt - Abandon Procedure

Data Source

PM

Source Field

PMC25_PC69

Source Section

PMC25

IxPktDataTermAttCarrSec

PMC25_PC2: Term_Att_1X_Pkt_Data_Carr_Sec - Packet Data Termination Attempts - Carrier/Sector

Data Source

PM

Source Field

PMC25_PC2

Source Section

PMC25

IxPktDataTermAttFailRFResrc

PMC25_PC67: 1X_Pkt_Data_Term_Att_Failure_RFAssign - Packet Data Termination Attempt Failure - RF Resource

Data Source

PM

Source Field

PMC25_PC67

Source Section

PMC25

MaxRLPPayldByteFwdSCH

PMC514_PC10: MAX_PAYLOAD_BYTES_FWD_SCH - Max RLP Payload Bytes fwd SCH

Data Source

PM

Source Field

PMC514_PC10

Source Section

PMC514

MaxRLPPayldByteRvsSCH

PMC514_PC11: MAX_PAYLOAD_BYTES_RVS_SCH - Max RLP Payload Bytes rvs SCH

Data Source

PM

Source Field

PMC514_PC11

Source Section

PMC514

MessageRateFwdFCH_Int

SMS Message Rate on Forward FCH

Data Source

PM

Source Field

SMSCountFwdTCH / 1800

Source Section

SMSCountFwdTCH / 1800

MessageRateRvsFCH_Int

SMS Message Rate on Reverse FCH

Data Source

PM

Source Field

SMSCountRvsTCH / 1800

Source Section

SMSCountRvsTCH / 1800

NewRLPFrameFwdFCH

PMC514_PC5: NEW_RLP_FRAMES_FWD_FCH - New RLP Frames on fwd FCH

Data Source

PM

Source Field

PMC514_PC5

Source Section

PMC514

NewRLPFrameRvsFCH

PMC514_PC7: NEW_RLP_FRAMES_RVS_FCH - New RLP Frames on rvs FCH

Data Source

PM

Source Field

PMC514_PC7

Source Section

PMC514

NwyInterCarrHardHdinHdacrosFailTgt

2-way Inter-carrier Hard Handin Handacross Failure - Target Sector

Data Source

PM

Source Field

PMC502_PC2 Subj_Id_4=2 Subj_Id_5=1 Subj_Id_6=2

Source Section

PMC502

NwyInterCarrHardHdinHdacrossSuccTgt

2-way Inter-carrier Hard Handin Handacross Success -Target Sector

Data Source

PM

Source Field

PMC502_PC1 Subj_Id_4=2 Subj_Id_5=1 Subj_Id_6=2

Source Section

PMC502

NwyInterCarrHardHdinHdownFailTgt

2-way Inter-carrier Hard Handin Handdown Failure - Target Sector

Data Source

PM

Source Field

PMC502_PC2 Subj_Id_4=2 Subj_Id_5=3 Subj_Id_6=2

Source Section

PMC502

NwyInterCarrHardHdinHdownSuccTgt

2-way Inter-carrier Hard Handin Handdown Success -Target Sector

Data Source

PM

Source Field

PMC502_PC1 Subj_Id_4=2 Subj_Id_5=3 Subj_Id_6=2

Source Section

PMC502

NwyInterCarrHardHdinHdupFailTgt

2-way Inter-carrier Hard Handin Handup Failure - Target Sector

Data Source

PM

Source Field

PMC502_PC2 Subj_Id_4=2 Subj_Id_5=2 Subj_Id_6=2

Source Section

PMC502

NwyInterCarrHardHdinHdupSuccTgt

2-way Inter-carrier Hard Handin Handup Success -Target Sector

Data Source

PM

Source Field

PMC502_PC1 Subj_Id_4=2 Subj_Id_5=2 Subj_Id_6=2

Source Section

PMC502

NwyIntraCarrHardHdinHdacrosFailTgt

2-way Intra-carrier Hard Handin Handacross Failure - Target Sector

Data Source

PM

Source Field

PMC502_PC2 Subj_Id_4=2 Subj_Id_5=1 Subj_Id_6=1

Source Section

PMC502

NwyIntraCarrHardHdinHdacrossSuccTgt

2-way Intra-carrier Hard Handin Handacross Success -Target Sector

Data Source

PM

Source Field

PMC502_PC1 Subj_Id_4=2 Subj_Id_5=1 Subj_Id_6=1

Source Section

PMC502

NwyIntraCarrHardHdinHdownFailTgt

2-way Intra-carrier Hard Handin Handdown Failure - Target Sector

Data Source

PM

Source Field

PMC502_PC2 Subj_Id_4=2 Subj_Id_5=3 Subj_Id_6=1

Source Section

PMC502

NwyIntraCarrHardHdinHdownSuccTgt

2-way Intra-carrier Hard Handin Handdown Success -Target Sector

Data Source

PM

Source Field

PMC502_PC1 Subj_Id_4=2 Subj_Id_5=3 Subj_Id_6=1

Source Section

PMC502

NwyIntraCarrHardHdinHdupFailTgt

2-way Intra-carrier Hard Handin Handup Failure - Target Sector

Data Source

PM

Source Field

PMC502_PC2 Subj_Id_4=2 Subj_Id_5=2 Subj_Id_6=1

Source Section

PMC502

NwyIntraCarrHardHdinHdupSuccTgt

2-way Intra-carrier Hard Handin Handup Success -Target Sector

Data Source

PM

Source Field

PMC502_PC1 Subj_Id_4=2 Subj_Id_5=2 Subj_Id_6=1

Source Section

PMC502

OneWayHoRFLsSec

PMC25_PC4: Ho_Rf_Loss_1_Sec - 1-way Handoff RF Loss - Sector

Source Field

PMC25_PC4

Source Section

PMC25

oneWayInterCarrHardHdinHdacrosFailTgt

1-way Inter-carrier Hard Handin Handacross Failure - Target Sector

Data Source

PM

Source Field

PMC502_PC2 Subj_Id_4=1 Subj_Id_5=1 Subj_Id_6=2

Source Section

PMC502

oneWayInterCarrHardHdinHdacrossSuccTgt

1-way Inter-carrier Hard Handin Handacross Success -Target Sector

Data Source

PM

Source Field

PMC502_PC1 Subj_Id_4=1 Subj_Id_5=1 Subj_Id_6=2

Source Section

PMC502

oneWayInterCarrHardHdinHdownFailTgt

1-way Inter-carrier Hard Handin Handdown Failure - Target Sector

Data Source

PM

Source Field

PMC502_PC2 Subj_Id_4=1 Subj_Id_5=3 Subj_Id_6=2

Source Section

PMC502

oneWayInterCarrHardHdinHdownSuccTgt

1-way Inter-carrier Hard Handin Handdown Success -Target Sector

Data Source

PM

Source Field

PMC502_PC1 Subj_Id_4=1 Subj_Id_5=3 Subj_Id_6=2

Source Section

PMC502

oneWayInterCarrHardHdinHdupFailTgt

1-way Inter-carrier Hard Handin Handup Failure - Target Sector

Data Source

PM

Source Field

PMC502_PC2 Subj_Id_4=1 Subj_Id_5=2 Subj_Id_6=2

Source Section

PMC502

oneWayInterCarrHardHdinHdupSuccTgt

1-way Inter-carrier Hard Handin Handup Success -Target Sector

Data Source

PM

Source Field

PMC502_PC1 Subj_Id_4=1 Subj_Id_5=2 Subj_Id_6=2

Source Section

PMC502

oneWayIntraCarrHardHdinHdacrosFailTgt

1-way Intra-carrier Hard Handin Handacross Failure - Target Sector

Data Source

PM

Source Field

PMC502_PC2 Subj_Id_4=1 Subj_Id_5=1 Subj_Id_6=1

Source Section

PMC502

oneWayIntraCarrHardHdinHdacrossSuccTgt

1-way Intra-carrier Hard Handin Handacross Success -Target Sector

Data Source

PM

Source Field

PMC502_PC1 Subj_Id_4=1 Subj_Id_5=1 Subj_Id_6=1

Source Section

PMC502

oneWayIntraCarrHardHdinHdownFailTgt

1-way Intra-carrier Hard Handin Handdown Failure - Target Sector

Data Source

PM

Source Field

PMC502_PC2 Subj_Id_4=1 Subj_Id_5=3 Subj_Id_6=1

Source Section

PMC502

oneWayIntraCarrHardHdinHdownSuccTgt

1-way Intra-carrier Hard Handin Handdown Success -Target Sector

Data Source

PM

Source Field

PMC502_PC1 Subj_Id_4=1 Subj_Id_5=3 Subj_Id_6=1

Source Section

PMC502

oneWayIntraCarrHardHdinHdupFailTgt

1-way Intra-carrier Hard Handin Handup Failure - Target Sector

Data Source

PM

Source Field

PMC502_PC2 Subj_Id_4=1 Subj_Id_5=2 Subj_Id_6=1

Source Section

PMC502

oneWayIntraCarrHardHdinHdupSuccTgt

1-way Intra-carrier Hard Handin Handup Success -Target Sector

Data Source

PM

Source Field

PMC502_PC1 Subj_Id_4=1 Subj_Id_5=2 Subj_Id_6=1

Source Section

PMC502

Org2GAsgnd3G_Rsrc

PMC211_PC2: 2G_ORIG_ASSND_3G_RSCE - 2G Originations Assigned 3G Resources

Data Source

OMCR

Source Field

PC2

Source Section

PMC211

Org3GAsgnd2G_Rsrc

PMC211_PC1: 3G_ORIG_ASSND_2G_RSCE - 3G Originations Assigned 2G Resources

Data Source

OMCR

Source Field

PC1

Source Section

PMC211

OrgAsgnAttRFResrc

PMC25_PC55: Orig_Assign_Att_RF_Resrc - Assignment Attempts-RF Resource

Source Field

PMC25_PC55

Source Section

PMC25

OrgAsgnCompCarrSec

PMC25_PC40: Orig_Assgn_Cmpl_Carr_Sec - Origination Assignment Completes - Carrier/
Sector

Source Field

PMC25_PC40

Source Section

PMC25

OrgAttAccProbeHO

PMC25_PC46: Orig_Att_APHO - Origination Attempts with Access Probe HO

Source Field

PMC25_PC46

Source Section

PMC25

OrgAttAccProbeHoICBSCHO

PMC25_PC47: Orig_Att_APHO_ICBSC_HO - Origination Attempts with Access Probe HO -
ICBSC HO

Source Field

PMC25_PC47

Source Section

PMC25

OrgAttCarrSec

PMC25_PC37: Orig_Atts_Carr_Sec - Attempts - Carrier/Sector

Source Field

PMC25_PC37

Source Section

PMC25

OrgAttFailRFResrc

PMC25_PC38: Orig_Att_Failure_RFAssign - Attempt Failure - RF Resource

Source Field

PMC25_PC38

Source Section

PMC25

OrgAttICBSCTCHAsgn

PMC25_PC49: Orig_Att_ICBSC_TCH_Assign - Origination Attempts with ICBSC TCH Assignment

Source Field

PMC25_PC49

Source Section

PMC25

OrgAttInterSecTCHAsgn

PMC25_PC48: Orig_Att_Inter-Sec_TCH_Assign - Origination Attempts with Inter-Sector TCH Assignment

Source Field

PMC25_PC48

Source Section

PMC25

OrgAttPgAccChHO

PMC25_PC45: Orig_Att_PAC_HO - Origination Attempts with Page and Access Channel HO

Source Field

PMC25_PC45

Source Section

PMC25

OrgXCarrAsgnFwdRF_PwrLmt

PMC211_PC5: ORIG_XCARRIER_ASSIGN_FWD_RF_PWR_LMT - Origination Cross Carrier Assignments - Forward RF Power Limit

Data Source

OMCR

Source Field

PC5

Source Section

PMC211

OrgXCarrAsgnLPA_FxPwrLmt

PMC211_PC3: ORIG_XCARRIER_ASSIGN_LPA_FXD_PWR_LMT - Origination Cross Carrier Assignments - LPA Fixed Power Limit

Data Source

OMCR

Source Field

PC3

Source Section

PMC211

OrgXCarrAsgnLPA_SC1bPwrLmt

PMC211_PC4: ORIG_XCARRIER_ASSIGN_LPA_SLF_CALIB_PWR_LMT - Origination
Cross Carrier Assignments - LPA Self Calib Power Limit

Data Source

OMCR

Source Field

PC4

Source Section

PMC211

OrgXCarrAsgnNoRadRsrc

PMC211_PC7: ORIG_XCARRIER_ASSIGN_NO_RADIO_RSCE - Origination Cross Carrier
Assignments - No Radio Resource

Data Source

OMCR

Source Field

PC7

Source Section

PMC211

OrgXCarrAsgnOther

PMC211_PC8: ORIG_XCARRIER_ASSIGN_OTHER - Origination Cross Carrier
Assignments - Other

Data Source

OMCR

Source Field

PC8

Source Section

PMC211

OrgXCarrAsgnRvsRF_PwrLmt

PMC211_PC6: ORIG_XCARRIER_ASSIGN_RVS_RF_PWR_LMT - Origination Cross Carrier Assignments - Reverse RF Power Limit

Data Source

OMCR

Source Field

PC6

Source Section

PMC211

OrigAsgnAttMSCAck

PMC25_PC11: Orig_Assgn_Att_MSC_Ack - Assignment Attempt-MSA Ack

Source Field

PMC25_PC11

Source Section

PMC25

OrigAssgn1PN

PMC48_PC1: Orig_Asg_1_PN - Origination Assignment 1 PN

Source Field

PMC48_PC1

Source Section

PMC48

OrigAssgn2PN

PMC48_PC2: Orig_Asg_2_PN - Origination Assignment 2 PN

Source Field

PMC48_PC2

Source Section

PMC48

OrigAssgn3PN

PMC48_PC3: Orig_Asg_3_PN - Origination Assignment 3 PN

Source Field

PMC48_PC3

Source Section

PMC48

OrigAssgn4PN

PMC48_PC4: Orig_Asg_4_PN - Origination Assignment 4 PN

Source Field

PMC48_PC4

Source Section

PMC48

OrigAssgn5PN

PMC48_PC5: Orig_Asg_5_PN - Origination Assignment 5 PN

Source Field

PMC48_PC5

Source Section

PMC48

OrigAssgn6PN

PMC48_PC6: Orig_Asg_6_PN - Origination Assignment 6 PN

Source Field

PMC48_PC6

Source Section

PMC48

Page_Arriv_CarrSec

PMC44_PC10: PAGE_ARRIVED-BTS - Page Arrived - Carrier per Sector

Source Field

PMC44_PC10

Source Section

PMC44

PageTranSecCarr

PMC44_PC1: PAGE_TRANS-BTS - Page Transmitted - Carrier per Sector

Source Field

PMC44_PC1

Source Section

PMC44

pecOriginationAttempt

PMC25_PC75: PEC_ORIG_ATT - PEC Origination Attempt

Data Source

PM

Source Field

PMC25_PC75

Source Section

PMC25

pecOriginationRequestDeniedUnavailabilityOfChannelElement

PMC25_PC72: PEC_ORIG_REQ_DENIED - PEC Origination Request Denied - unavailability of CE

Data Source

PM

Source Field

PMC25_PC72

Source Section

PMC25

pecSuccessfulCallSetup

PMC25_PC74: PEC_SUCC_CALL_SETUP - PEC Successful Call Setup

Data Source

PM

Source Field

PMC25_PC74

Source Section

PMC25

pecTerminationAttempt

PMC25_PC76: PEC_TERM_ATT - PEC Termination Attempt

Data Source

PM

Source Field

PMC25_PC76

Source Section

PMC25

pecTerminationRequestDeniedUnavailabilityOfChannelElement

PMC25_PC73: PEC_TERM_REQ_DENIED - PEC Termination Requests Denied - unavailability of CE

Data Source

PM

Source Field

PMC25_PC73

Source Section

PMC25

PkNrmlzdWCde_inUse

PMC207_PC1: PEAK_NORM_WC_IN_USE_BTS - Peak Normalized Walsh Codes in Use -
BTS

Data Source

OMCR

Source Field

PC1

Source Section

PMC207

PkNrmlzdWCde_inUse_c

PMC20_PC24: PEAK_NORM_WC_IN_USE_MM - Peak Normalized Walsh Codes in Use -
MM

Data Source

OMCR

Source Field

PC24

Source Section

PMC20

PkWCde128_inUse

PMC207_PC22: PEAK_WC_IN_USE_FOR_WC_LENGTH_128_BTS - Peak Walsh Codes in
Use for Walsh Code Length 128 - BTS

Data Source

OMCR

Source Field

PC22

Source Section

PMC207

PkWCde128_inUse_c

PMC20_PC26: PEAK_WC_IN_USE_FOR_WC_LENGTH_128_MM - Peak Walsh Codes in Use for Walsh Code Length 128 - MM

Data Source

OMCR

Source Field

PC26

Source Section

PMC20

PkWCde16_inUse

PMC207_PC10: PEAK_WC_IN_USE_FOR_WC_LENGTH_16_BTS - Peak Walsh Codes in Use for Walsh Code Length 16 - BTS

Data Source

OMCR

Source Field

PC10

Source Section

PMC207

PkWCde32_inUse

PMC207_PC14: PEAK_WC_IN_USE_FOR_WC_LENGTH_32_BTS - Peak Walsh Codes in Use for Walsh Code Length 32 - BTS

Data Source

OMCR

Source Field

PC14

Source Section

PMC207

PkWCde4_inUse

PMC207_PC2: PEAK_WC_IN_USE_FOR_WC_LENGTH_4_BTS - Peak Walsh Codes in Use for Walsh Code Length 4 - BTS

Data Source

OMCR

Source Field

PC2

Source Section

PMC207

PkWCde64_inUse

PMC207_PC18: PEAK_WC_IN_USE_FOR_WC_LENGTH_64_BTS - Peak Walsh Codes in Use for Walsh Code Length 64 - BTS

Data Source

OMCR

Source Field

PC18

Source Section

PMC207

PkWCde64_inUse_c

PMC20_PC25: PEAK_WC_IN_USE_FOR_WC_LENGTH_64_MM - Peak Walsh Codes in Use for Walsh Code Length 64 - MM

Data Source

OMCR

Source Field

PC25

Source Section

PMC20

PkWCde8_inUse

PMC207_PC6: PEAK_WC_IN_USE_FOR_WC_LENGTH_8_BTS - Peak Walsh Codes in Use for Walsh Code Length 8 - BTS

Data Source

OMCR

Source Field

PC6

Source Section

PMC207

PowerPerErlangs_Int

Power Per Erlangs

Data Source

PM

Source Field

Average(Carrier_ServiceMode_RC.AvgPwrBmUsedFwdFCH) / (Sum(Carrier_ServiceMode_RC,FCH1wyWlshCdUsgSecs) + Sum(Carrier_ServiceMode_RC,FCH2wyWlshCdUsgSecs) / 2 + Sum(Carrier_ServiceMode_RC,FCH3wyWlshCdUsgSecs) / 3 + Sum(Carrier_ServiceMode_RC,FCH4wyWlshCdUsgSecs) / 4 + Sum(Carrier_ServiceMode_RC,FCH5wyWlshCdUsgSecs) / 5 + Sum(Carrier_ServiceMode_RC,FCH6wyWlshCdUsgSecs) / 6)

Source Section

Average(Carrier_ServiceMode_RC.AvgPwrBmUsedFwdFCH) / (Sum(Carrier_ServiceMode_RC,FCH1wyWlshCdUsgSecs) +

Sum(Carrier_ServiceMode_RC,FCH2wyWlshCdUsgSecs) / 2 +
Sum(Carrier_ServiceMode_RC,FCH3wyWlshCdUsgSecs) / 3 +
Sum(Carrier_ServiceMode_RC,FCH4wyWlshCdUsgSecs) / 4 +
Sum(Carrier_ServiceMode_RC,FCH5wyWlshCdUsgSecs) / 5 +
Sum(Carrier_ServiceMode_RC,FCH6wyWlshCdUsgSecs) / 6)

requested128bitWCandAllocated128bitWC

PMC514_PC25: RQSTD_128bitWC_ALLOC_128bitWC - Requested 128-bit WC and Allocated 128-bit WC

Data Source

PM

Source Field

PMC514_PC25

Source Section

PMC514

requested64bitWCandAllocated128bitWC

PMC514_PC19: RQSTD_64bitWC_ALLOC_128bitWC - Requested 64-bit WC and Allocated 128-bit WC

Data Source

PM

Source Field

PMC514_PC19

Source Section

PMC514

requested64bitWCandAllocated64bitWC

PMC514_PC18: RQSTD_64bitWC_ALLOC_64bitWC - Requested 64-bit WC and Allocated 64-bit WC

Data Source

PM

Source Field

PMC514_PC18

Source Section

PMC514

requested64bitWCAttempted128bitWCandFailed

PMC514_PC20: RQSTD_64bitWC_ATTMPT_128bitWC_FAILED - Requested 64-bit WC, Attempted 128-bit WC and Failed.

Data Source

PM

Source Field

PMC514_PC20

Source Section

PMC514

ResMaxPayldByte

PMC514_PC9: RESOLUTION_MAX_PAYLOAD_BYTES - Resolution for Max Payload Bytes

Data Source

PM

Source Field

PMC514_PC9

Source Section

PMC514

RevCarrPwrLmtTimeOrig

PMC25_PC28: Rvs_Carr_Pwr_Lim_Time_Orig - Reverse Carrier Power Limiting Time - Origination

Source Field

PMC25_PC28

Source Section

PMC25

RevCarrPwrLmtTimeTerm

PMC25_PC29: Rvs_Carr_Pwr_Lim_Time_Term - Reverse Carrier Power Limiting Time - Termination

Source Field

PMC25_PC29

Source Section

PMC25

RFLossCoverage

RF Loss Count due to Coverage Issues

Data Source

aemsC Files

Source Field

aemsC300_PC1

Source Section

aemsc300

RFLossInterference

RF Loss Count due to Interference Issues

Data Source

aemsC Files

Source Field

aemsC300_PC1

Source Section

aemsc300

RLPRetransmFwdFCH

PMC514_PC6: RLP_RETRANSMISSIONS_FWD_FCH - RLP Retransmissions on fwd FCH

Data Source

PM

Source Field

PMC514_PC6

Source Section

PMC514

rlpRetransmissionsOnForwardFchSegmentedRlpFrames

PMC514_PC16: RLP_RETRANSMISSIONS_FWD_FCH_SEG_FRM - RLP Retransmissions on fwd FCH - segmented RLP frames

Data Source

PM

Source Field

PMC514_PC16

Source Section

PMC514

RLPRetransmissionsOnReverseFCHSegmentedRLPframes

PMC514_PC17: RLP_RETRANSMISSIONS_RVS_FCH_SEG_FRM - RLP Retransmissions on rvs FCH - segmented RLP frames

Data Source

PM

Source Field

PMC514_PC17

Source Section

PMC514

RLPRetransmRvsFCH

PMC514_PC8: RLP_RETRANMISSIONS_RVS_FCH - RLP Retransmissions on rvs FCH

Data Source

PM

Source Field

PMC514_PC8

Source Section

PMC514

RvsFCHThroughput_Int

RLP Throughput on Reverse FCH

Data Source

PM

Source Field

TotalRLPPayldByteRvsFCH / 1800

Source Section

TotalRLPPayldByteRvsFCH / 1800

RvsSCHPeakThroughput_Int

RLP Peak Throughput on Reverse SCH

Data Source

PM

Source Field

MaxRLPPayldByteRvsSCH / ResMaxPayldByte

Source Section

MaxRLPPayldByteRvsSCH / ResMaxPayldByte

RvsSCHThroughput_Int

RLP Throughput on Reverse SCH

Data Source

PM

Source Field

TotalRLPPayldByteRvsSCH / 1800

Source Section

TotalRLPPayldByteRvsSCH / 1800

setupFailureCoverage

Setup Failures due to Coverage Issues

Data Source

aemsC Files

Source Field

aemsC300_PC1

Source Section

aemsc300

setupFailureEquipFailure

Setup Failures due to Equip Failure

Data Source

aemsC Files

Source Field

aemsC300_PC1

Source Section

aemsc300

setupFailureIncorrectParams

Setup Failures due to Incorrect Params

Data Source

aemsC Files

Source Field

aemsC300_PC1

Source Section

aemsc300

setupFailureInsufficientCapacity

Setup Failures due to Insufficient Capacity

Data Source

aemsC Files

Source Field

aemsC300_PC1

Source Section

aemsc300

setupFailureInterference

Setup Failures due to Interference Issues

Data Source

aemsC Files

Source Field

aemsC300_PC1

Source Section

aemsc300

setupFailureUndefined

Setup Failures due to Undefined Cause

Data Source

aemsC Files

Source Field

aemsC300_PC1

Source Section

aemsc300

SftAddOperCompTrgtSec

PMC41_PC6: Sft_Add_Oper_Comp_Trg_Sec - Add Operation Completions - Target Sector

Source Field

PMC41_PC6

Source Section

PMC41

SftAddOperFailTrgtSec

PMC41_PC7: Sft_Add_Oper_Fail_Trg_Sec - Add Operation Failures - Target Sector

Source Field

PMC41_PC7

Source Section

PMC41

SftDropOperCompTrgtSec

PMC41_PC8: Sft_Drop_Oper_Comp_Trg_Sec - Drop Operation Completions - Target Sector

Source Field

PMC41_PC8

Source Section

PMC41

SftDropOperFailTrgtSec

PMC41_PC9: Sft_Drop_Oper_Fail_Trg_Sec - Drop Operation Failures - Target Sector

Source Field

PMC41_PC9

Source Section

PMC41

SftrAddOperCompTrgtSec

PMC41_PC10: Sftr_Add_Oper_Comp_Trg_Sec - Add Operation Completions - Target Sector

Source Field

PMC41_PC10

Source Section

PMC41

SftrAddOperFailTrgtSec

PMC41_PC11: Sftr_Add_Oper_Fail_Trg_Sec - Add Operation Failures - Target Sector

Source Field

PMC41_PC11

Source Section

PMC41

SftrDropOperCompTrgtSec

PMC41_PC12: Sftr_Drop_Oper_Comp_Trg_Sec - Drop Operation Completions - Target Sector

Source Field

PMC41_PC12

Source Section

PMC41

SftrDropOperFailTrgtSec

PMC41_PC13: Sftr_Drop_Oper_Fail_Trg_Sec - Drop Operation Failures - Target Sector

Source Field

PMC41_PC13

Source Section

PMC41

SHOProblemCoverage

SHO Problems due to Coverage

Data Source

aemsC Files

Source Field

aemsC301_PC1

Source Section

aemsc301

SHOProblemEquipFailure

SHO Problems due to Equip Failure

Data Source

aemsC Files

Source Field

aemsC301_PC1

Source Section

aemsc301

SHOProblemIncorrectParams

SHO Problems due to Incorrect Params

Data Source

aemsC Files

Source Field

aemsC301_PC1

Source Section

aemsc301

SHOProblemInsufficientCapacity

SHO Problems due to Capacity

Data Source

aemsC Files

Source Field

aemsC301_PC1

Source Section

aemsc301

SHOProblemInterference

SHO Problems due to Interference

Data Source

aemsC Files

Source Field

aemsC301_PC1

Source Section

aemsc301

SHOProblemUndefined

SHO Problems Undefined Cause

Data Source

aemsC Files

Source Field

aemsC301_PC1

Source Section

aemsc301

SilentReOrig

PMC25_PC58: SILENT_REORIGINATIONS - Silent Reoriginations

Data Source

OMCR

Source Field

PC58

Source Section

PMC25

SixWayHoRFLsSec

PMC25_PC33: Ho_Rf_Loss_6_Sec - 6-way Handoff RF Loss - Sector

Source Field

PMC25_PC33

Source Section

PMC25

SMSCountFwdTCH

PMC514_PC1: NUM_SMS_FWD_TCH - SMS count over fwd TCH

Data Source

PM

Source Field

PMC514_PC1

Source Section

PMC514

SMSCountRvsTCH

PMC514_PC2: NUM_SMS_RVS_TCH - SMS count over rvs TCH

Data Source

PM

Source Field

PMC514_PC2

Source Section

PMC514

SoSrHoAddCompSrcSec

PMC40_PC2: Peg Retired. Hard code to 0. Soft/Softer Handoff Add Completions - Source Sector

Source Field

PMC40_PC2

Source Section

PMC40

SoSrHoAddFailSrcSec

PMC40_PC3: Peg Retired. Hard code to 0. Soft/Softer Handoff Add Failures - Source Sector

Source Field

PMC40_PC3

Source Section

PMC40

SoSrHoAddReqSrcSec

PMC40_PC1: Peg Retired. Hard code to 0. Soft/Softer Handoff Add Requests - Source Sector

Source Field

PMC40_PC1

Source Section

PMC40

SoSrHoAddReqTrgtSec

PMC41_PC1: Peg Retired. Hard code to 0. Soft/Softer Handoff Add Requests - Target Sector

Source Field

PMC41_PC1

Source Section

PMC41

SoSrHoDropCompSrcSec

PMC40_PC4: Peg Retired. Hard code to 0. Soft/Softer Handoff Drop Completions - Source Sector

Source Field

PMC40_PC4

Source Section

PMC40

SoSrHoDrpFlSrcS

PMC40_PC5: Peg Retired. Hard code to 0. Soft/Softer Handoff Drop Failures - Source Sector

Source Field

PMC40_PC5

Source Section

PMC40

TermAsgnAttFlAbdProc

PMC25_PC15: Term_Att_Fail_Abandon - Termination Assignment Attempt Failure - Abandon Procedure

Source Field

PMC25_PC15

Source Section

PMC25

TermAsgnAttMSCAck

PMC25_PC14: Term_Assgn_Att_MSC_Ack - Assignment Attempt-MSA Ack

Source Field

PMC25_PC14

Source Section

PMC25

TermAsgnAttRFResrc

PMC25_PC56: Term_Assign_Att_RF_Resrc - Assignment Attempts-RF Resource

Source Field

PMC25_PC56

Source Section

PMC25

TermAsgnCompCarrSec

PMC25_PC44: Term_Assgn_Cmpl_Carr_Sec - Assignment Completes - Carrier/Sector

Source Field

PMC25_PC44

Source Section

PMC25

TermAssgn1PN

PMC48_PC7: Term_Asg_1_PN - Termination Assignment 1 PN

Source Field

PMC48_PC7

Source Section

PMC48

TermAssgn2PN

PMC48_PC8: Term_Asg_2_PN - Termination Assignment 2 PN

Source Field

PMC48_PC8

Source Section

PMC48

TermAssgn3PN

PMC48_PC9: Term_Asg_3_PN - Termination Assignment 3 PN

Source Field

PMC48_PC9

Source Section

PMC48

TermAssgn4PN

PMC48_PC10: Term_Asg_4_PN - Termination Assignment 4 PN

Source Field

PMC48_PC10

Source Section

PMC48

TermAssgn5PN

PMC48_PC11: Term_Asg_5_PN - Termination Assignment 5 PN

Source Field

PMC48_PC11

Source Section

PMC48

TermAssgn6PN

PMC48_PC12: Term_Asg_6_PN - Termination Assignment 6 PN

Source Field

PMC48_PC12

Source Section

PMC48

TermAttAccProbeHO

PMC25_PC51: Term_Att_APHO - Termination Attempts with Access Probe HO

Source Field

PMC25_PC51

Source Section

PMC25

TermAttAccProbeHOICBSCHO

PMC25_PC52: Term_Att_APHO_ICBSC_HO - Termination Attempts with Access Probe HO - ICBSC HO

Source Field

PMC25_PC52

Source Section

PMC25

TermAttCarrSec

PMC25_PC41: Term_Atts_Carr_Sec - Attempts - Carrier/Sector

Source Field

PMC25_PC41

Source Section

PMC25

TermAttFailRFResrc

PMC25_PC42: Term_Att_Failure_RF_Resrc - Attempt Failure - RF Resource

Source Field

PMC25_PC42

Source Section

PMC25

TermAttFailWlshCd

PMC25_PC13: Term_Assign_Fail_WC - Termination Assignment Failure-Walsh Code

Source Field

PMC25_PC13

Source Section

PMC25

TermAttICBSCTCHAsgn

PMC25_PC54: Term_Att_ICBSC_TCH_Assign - Termination Attempts with ICBSC TCH Assignment

Source Field

PMC25_PC54

Source Section

PMC25

TermAttInterSecTCHAsgn

PMC25_PC53: Term_Att_Inter-Sec_TCH_Assign - Termination Attempts with Inter-Sector TCH Assignment

Source Field

PMC25_PC53

Source Section

PMC25

TermAttPgAccChHO

PMC25_PC50: Term_Att_PAC_HO - Termination Attempts with Page and Access Channel HO

Source Field

PMC25_PC50

Source Section

PMC25

ThreeWayHoRFLsSec

PMC25_PC6: Ho_Rf_Loss_3_Sec - 3-way Handoff RF Loss - Sector

Source Field

PMC25_PC6

Source Section

PMC25

TotalRLPPayldByteFwdFCH

PMC514_PC12: TOT_RLP_PAYLOAD_BYTES_FWD_FCH - Total RLP Payload Bytes fwd FCH

Data Source

PM

Source Field

PMC514_PC12

Source Section

PMC514

TotalRLPPayLdByteFwdSCH

PMC514_PC13: TOT_RLP_PAYLOAD_BYTES_FWD_SCH - Total RLP Payload Bytes fwd SCH

Data Source

PM

Source Field

PMC514_PC13

Source Section

PMC514

TotalRLPPayldByteRvsFCH

PMC514_PC14: TOT_RLP_PAYLOAD_BYTES_RVS_FCH - Total RLP Payload Bytes rvs FCH

Data Source

PM

Source Field

PMC514_PC14

Source Section

PMC514

TotalRLPPayldByteRvsSCH

PMC514_PC15: TOT_RLP_PAYLOAD_BYTES_RVS_SCH - Total RLP Payload Bytes rvs SCH

Data Source

PM

Source Field

PMC514_PC15

Source Section

PMC514

totalSizeOfSmsSentOnFwdTch

PMC514_PC3: TOT_SIZE_SMS_FWD_TCH - Total Size of SMS sent on fwd TCH

Data Source

PM

Source Field

PMC514_PC3

Source Section

PMC514

TotalSizeSMSRecevRvsTCH

PMC514_PC4: TOT_SIZE_SMS_RVS_TCH - Total Size of SMS sent on rvs TCH

Data Source

PM

Source Field

PMC514_PC4

Source Section

PMC514

TotFCHWlshCd128UseSecs_p

PMC117_PC27: Tot_FCH_WC_USAGE_FOR_WC_LENGTH_128_pBTS - Total FCH Walsh Code Usage for Walsh Code Length 128 - pBTS

Data Source

PM

Source Field

PMC117_PC27

Source Section

PMC117

Trm2GAsgnd3G_Rsrc

PMC211_PC10: 2G_TERM_ASSIGN_3G_RSCE - 2G Termination Assigned 3G Resources

Data Source

OMCR

Source Field

PC10

Source Section

PMC211

Trm3GAsgnd2G_Rsrc

PMC211_PC9: 3G_TERM_ASSIGN_2G_RSCE - 3G Termination Assigned 2G Resources

Data Source

OMCR

Source Field

PC9

Source Section

PMC211

TrmXCarrAsgnFwdRF_PwrLmt

PMC211_PC13: TERM_XCARRIER_ASSIGN_FWD_RF_PWR_LMT - Termination Cross Carrier Assignments - Forward RF Power Limit

Data Source

OMCR

Source Field

PC13

Source Section

PMC211

TrmXCarrAsgnLPA_FxPwrLmt

PMC211_PC11: TERM_XCARRIER_ASSIGN_LPA_FXD_PWR_LMT - Termination Cross Carrier Assignments - LPA Fixed Power Limit

Data Source

OMCR

Source Field

PC11

Source Section

PMC211

TrmXCarrAsgnLPA_SClbPwrLmt

PMC211_PC12: TERM_XCARRIER_ASSIGN_LPA_SLF_CALIB_PWR_LMT - Termination Cross Carrier Assignments - LPA Self Calib Power Limit

Data Source

OMCR

Source Field

PC12

Source Section

PMC211

TrmXCarrAsgnNoRadRsrc

PMC211_PC15: TERM_XCARRIER_ASSIGN_NO_RADIO_RSCE - Termination Cross Carrier Assignments - No Radio Resource

Data Source

OMCR

Source Field

PC15

Source Section

PMC211

TrmXCarrAsgnOther

PMC211_PC16: TERM_XCARRIER_ASSIGN_OTHER - Termination Cross Carrier Assignments - Other

Data Source

OMCR

Source Field

PC16

Source Section

PMC211

TrmXCarrAsgnRvsRF_PwrLmt

PMC211_PC14: TERM_XCARRIER_ASSIGN_RVS_RF_PWR_LMT - Termination Cross Carrier Assignments - Reverse RF Power Limit

Data Source

OMCR

Source Field

PC14

Source Section

PMC211

TWCde128Use_Secs_c

PMC20_PC27: TOTAL_WC_USAGE_FOR_WC_LENGTH_128_MM - Total Walsh Code Usage for Walsh Code Length 128 - MM (seconds)

Data Source

OMCR

Source Field

PC27

Source Section

PMC20

TwoWayHoRFLsSec

PMC25_PC5: Ho_Rf_Loss_2_Sec - 2-way Handoff RF Loss - Sector

Source Field

PMC25_PC5

Source Section

PMC25

WCde128_AllocFail

PMC207_PC25: WC_ALLOC_FAIL_FOR_WC_LENGTH_128_BTS - Walsh Code Allocation Failures for Walsh Code Length 128 - BTS

Data Source

OMCR

Source Field

PC25

Source Section

PMC207

WCde128_AllocFail_c

PMC20_PC29: WC_ALLOC_FAIL_FOR_WC_LENGTH_128_MM - Walsh Code Allocation Failures for Walsh Code Length 128 - MM

Data Source

OMCR

Source Field

PC29

Source Section

PMC20

WCde128_Atts

PMC207_PC24: WC_ATT_FOR_WC_LENGTH_128_BTS - Walsh Code Attempts for Walsh Code Length 128 - BTS

Data Source

OMCR

Source Field

PC24

Source Section

PMC207

WCde128_Atts_c

PMC20_PC28: WC_ATT_FOR_WC_LENGTH_128_MM - Walsh Code Attempts for Walsh Code Length 128 - MM

Data Source

OMCR

Source Field

PC28

Source Section

PMC20

WCde128Use_Secs

PMC207_PC23: TOTAL_WC_USAGE_FOR_WC_LENGTH_128_BTS - Total Walsh Code Usage for Walsh Code Length 128 - BTS (seconds)

Data Source

OMCR

Source Field

PC23

Source Section

PMC207

WCde16_AllocFail

PMC207_PC13: WC_ALLOC_FAIL_FOR_WC_LENGTH_16_BTS - Walsh Code Allocation Failures for Walsh Code Length 16 - BTS

Data Source

OMCR

Source Field

PC13

Source Section

PMC207

WCde16_Atts

PMC207_PC12: WC_ATT_FOR_WC_LENGTH_16_BTS - Walsh Code Attempts for Walsh Code Length 16 - BTS

Data Source

OMCR

Source Field

PC12

Source Section

PMC207

WCde16Use_Secs

PMC207_PC11: TOTAL_WC_USAGE_FOR_WC_LENGTH_16_BTS - Total Walsh Code Usage for Walsh Code Length 16 - BTS (seconds)

Data Source

OMCR

Source Field

PC11

Source Section

PMC207

WCde32_AllocFail

PMC207_PC17: WC_ALLOC_FAIL_FOR_WC_LENGTH_32_BTS - Walsh Code Allocation Failures for Walsh Code Length 32 - BTS

Data Source

OMCR

Source Field

PC17

Source Section

PMC207

WCde32_Atts

PMC207_PC16: WC_ATT_FOR_WC_LENGTH_32_BTS - Walsh Code Attempts for Walsh Code Length 32 - BTS

Data Source

OMCR

Source Field

PC16

Source Section

PMC207

WCde32Use_Secs

PMC207_PC15: TOTAL_WC_USAGE_FOR_WC_LENGTH_32_BTS - Total Walsh Code Usage for Walsh Code Length 32 - BTS (seconds)

Data Source

OMCR

Source Field

PC15

Source Section

PMC207

WCde4_AllocFail

PMC207_PC5: WC_ALLOC_FAIL_FOR_WC_LENGTH_4_BTS - Walsh Code Allocation Failures for Walsh Code Length 4 - BTS

Data Source

OMCR

Source Field

PC5

Source Section

PMC207

WCde4_Atts

PMC207_PC4: WC_ATT_FOR_WC_LENGTH_4_BTS - Walsh Code Attempts for Walsh Code Length 4 - BTS

Data Source

OMCR

Source Field

PC4

Source Section

PMC207

WCde4Use_Secs

PMC207_PC3: TOTAL_WC_USAGE_FOR_WC_LENGTH_4_BTS - Total Walsh Code Usage for Walsh Code Length 4 - BTS (seconds)

Data Source

OMCR

Source Field

PC3

Source Section

PMC207

WCde64_AllocFail

PMC207_PC21: WC_ALLOC_FAIL_FOR_WC_LENGTH_64_BTS - Walsh Code Allocation Failures for Walsh Code Length 64 - BTS

Data Source

OMCR

Source Field

PC21

Source Section

PMC207

WCde64_Atts

PMC207_PC20: WC_ATT_FOR_WC_LENGTH_64_BTS - Walsh Code Attempts for Walsh Code Length 64 - BTS

Data Source

OMCR

Source Field

PC20

Source Section

PMC207

WCde64Use_Secs

PMC207_PC19: TOTAL_WC_USAGE_FOR_WC_LENGTH_64_BTS - Total Walsh Code Usage for Walsh Code Length 64 - BTS (seconds)

Data Source

OMCR

Source Field

PC19

Source Section

PMC207

WCde8_AllocFail

PMC207_PC9: WC_ALLOC_FAIL_FOR_WC_LENGTH_8_BTS - Walsh Code Allocation Failures for Walsh Code Length 8 - BTS

Data Source

OMCR

Source Field

PC9

Source Section

PMC207

WCde8_Atts

PMC207_PC8: WC_ATT_FOR_WC_LENGTH_8_BTS - Walsh Code Attempts for Walsh Code Length 8 - BTS

Data Source

OMCR

Source Field

PC8

Source Section

PMC207

WCde8Use_Secs

PMC207_PC7: TOTAL_WC_USAGE_FOR_WC_LENGTH_8_BTS - Total Walsh Code Usage for Walsh Code Length 8 - BTS (seconds)

Data Source

OMCR

Source Field

PC7

Source Section

PMC207

weightedHHIAtts_1XData

Weighted HHI Attempts - 1xData

Data Source

aemsC Files

Source Field

aemsC305_PC5

Source Section

aemsC305

weightedHHIAtts_1XVoice

Weighted HHI Attempts - 1xVoice

Data Source

aemsC Files

Source Field

aemsC305_PC5

Source Section

aemsC305

weightedHHIAtts_Fax

Weighted HHI Attempts - Fax

Data Source

aemsC Files

Source Field

aemsC305_PC5

Source Section

aemsC305

weightedHHIAtts_IS95Data

Weighted HHI Attempts - IS95Data

Data Source

aemsC Files

Source Field

aemsC305_PC5

Source Section

aemsC305

weightedHHIAtts_IS95HS

Weighted HHI Attempts - IS95HSPacketData

Data Source

aemsC Files

Source Field

aemsC305_PC5

Source Section

aemsC305

weightedHHIAtts_IS95LS

Weighted HHI Attempts - IS95LSPacketData

Data Source

aemsC Files

Source Field

aemsC305_PC5

Source Section

aemsC305

weightedHHIAtts_IS95Voice

Weighted HHI Attempts - IS95Voice

Data Source

aemsC Files

Source Field

aemsC305_PC5

Source Section

aemsC305

weightedHHIAtts_Markov

Weighted HHI Attempts - Markov

Data Source

aemsC Files

Source Field

aemsC305_PC5

Source Section

aemsC305

weightedHHIAtts_Other

Weighted HHI Attempts - Other

Data Source

aemsC Files

Source Field

aemsC305_PC5

Source Section

aemsC305

weightedHHIAtts_SMS

Weighted HHI Attempts - SMS

Data Source

aemsC Files

Source Field

aemsC305_PC5

Source Section

aemsC305

weightedOrigAtts_1XData

Weighted Orig Attempts - 1xData

Data Source

aemsC Files

Source Field

aemsC305_PC3

Source Section

aemsC305

weightedOrigAtts_1XVoice

Weighted Orig Attempts - 1xVoice

Data Source

aemsC Files

Source Field

aemsC305_PC3

Source Section

aemsC305

weightedOrigAtts_Fax

Weighted Orig Attempts - Fax

Data Source

aemsC Files

Source Field

aemsC305_PC3

Source Section

aemsC305

weightedOrigAtts_IS95Data

Weighted Orig Attempts - IS95Data

Data Source

aemsC Files

Source Field

aemsC305_PC3

Source Section

aemsC305

weightedOrigAtts_IS95HS

Weighted Orig Attempts - IS95HS PacketData

Data Source

aemsC Files

Source Field

aemsC305_PC3

Source Section

aemsC305

weightedOrigAtts_IS95LS

Weighted Orig Attempts - IS95LSPacketData

Data Source

aemsC Files

Source Field

aemsC305_PC3

Source Section

aemsC305

weightedOrigAtts_IS95Voice

Weighted Orig Attempts - IS95Voice

Data Source

aemsC Files

Source Field

aemsC305_PC3

Source Section

aemsC305

weightedOrigAtts_Markov

Weighted Orig Attempts - Markov

Data Source

aemsC Files

Source Field

aemsC305_PC3

Source Section

aemsC305

weightedOrigAtts_Other

Weighted Orig Attempts - Other

Data Source

aemsC Files

Source Field

aemsC305_PC3

Source Section

aemsC305

weightedOrigAtts_SMS

Weighted Orig Attempts - SMS

Data Source

aemsC Files

Source Field

aemsC305_PC3

Source Section

aemsC305

weightedShoAddAtts_1XData

Weighted SHO Add Attempts - 1xData

Data Source

aemsC Files

Source Field

aemsC305_PC2

Source Section

aemsC305

weightedShoAddAtts_1XVoice

Weighted SHO Add Attempts - 1xVoice

Data Source

aemsC Files

Source Field

aemsC305_PC2

Source Section

aemsC305

weightedShoAddAtts_Fax

Weighted SHO Add Attempts - Fax

Data Source

aemsC Files

Source Field

aemsC305_PC2

Source Section

aemsC305

weightedShoAddAtts_IS95Data

Weighted SHO Add Attempts - IS95Data

Data Source

aemsC Files

Source Field

aemsC305_PC2

Source Section

aemsC305

weightedShoAddAtts_IS95HS

Weighted SHO Add Attempts - IS95HS PacketData

Data Source

aemsC Files

Source Field

aemsC305_PC2

Source Section

aemsC305

weightedShoAddAtts_IS95LS

Weighted SHO Add Attempts - IS95LSPacketData

Data Source

aemsC Files

Source Field

aemsC305_PC2

Source Section

aemsC305

weightedShoAddAtts_IS95Voice

Weighted SHO Add Attempts - IS95Voice

Data Source

aemsC Files

Source Field

aemsC305_PC2

Source Section

aemsC305

weightedShoAddAtts_Markov

Weighted SHO Add Attempts - Markov

Data Source

aemsC Files

Source Field

aemsC305_PC2

Source Section

aemsC305

weightedShoAddAtts_Other

Weighted SHO Add Attempts - Other

Data Source

aemsC Files

Source Field

aemsC305_PC2

Source Section

aemsC305

weightedShoAddAtts_SMS

Weighted SHO Add Attempts - SMS

Data Source

aemsC Files

Source Field

aemsC305_PC2

Source Section

aemsC305

weightedTermAtts_1XData

Weighted Term Attempts - 1xData

Data Source

aemsC Files

Source Field

aemsC305_PC4

Source Section

aemsC305

weightedTermAtts_1XVoice

Weighted Term Attempts - 1xVoice

Data Source

aemsC Files

Source Field

aemsC305_PC4

Source Section

aemsC305

weightedTermAtts_Fax

Weighted Term Attempts - Fax

Data Source

aemsC Files

Source Field

aemsC305_PC4

Source Section

aemsC305

weightedTermAtts_IS95Data

Weighted Term Attempts - IS95Data

Data Source

aemsC Files

Source Field

aemsC305_PC4

Source Section

aemsC305

weightedTermAtts_IS95HS

Weighted Term Attempts - IS95HS PacketData

Data Source

aemsC Files

Source Field

aemsC305_PC4

Source Section

aemsC305

weightedTermAtts_IS95LS

Weighted Term Attempts - IS95LSPacketData

Data Source

aemsC Files

Source Field

aemsC305_PC4

Source Section

aemsC305

weightedTermAtts_IS95Voice

Weighted Term Attempts - IS95Voice

Data Source

aemsC Files

Source Field

aemsC305_PC4

Source Section

aemsC305

weightedTermAtts_Markov

Weighted Term Attempts - Markov

Data Source

aemsC Files

Source Field

aemsC305_PC4

Source Section

aemsC305

weightedTermAtts_Other

Weighted Term Attempts - Other

Data Source

aemsC Files

Source Field

aemsC305_PC4

Source Section

aemsC305

weightedTermAtts_SMS

Weighted Term Attempts - SMS

Data Source

aemsC Files

Source Field

aemsC305_PC4

Source Section

aemsC305

weightedTotalRelease_1XData

Weighted Total Release - 1xData

Data Source

aemsC Files

Source Field

aemsC305_PC1

Source Section

aemsC305

weightedTotalRelease_1XVoice

Weighted Total Release - 1xVoice

Data Source

aemsC Files

Source Field

aemsC305_PC1

Source Section

aemsC305

weightedTotalRelease_Fax

Weighted Total Release - Fax

Data Source

aemsC Files

Source Field

aemsC305_PC1

Source Section

aemsC305

weightedTotalRelease_IS95Data

Weighted Total Release - IS95Data

Data Source

aemsC Files

Source Field

aemsC305_PC1

Source Section

aemsC305

weightedTotalRelease_IS95HS

Weighted Total Release - IS95HS PacketData

Data Source

aemsC Files

Source Field

aemsC305_PC1

Source Section

aemsC305

weightedTotalRelease_IS95LS

Weighted Total Release - IS95LSPacketData

Data Source

aemsC Files

Source Field

aemsC305_PC1

Source Section

aemsC305

weightedTotalRelease_IS95Voice

Weighted Total Release - IS95Voice

Data Source

aemsC Files

Source Field

aemsC305_PC1

Source Section

aemsC305

weightedTotalRelease_Markov

Weighted Total Release - Markov

Data Source

aemsC Files

Source Field

aemsC305_PC1

Source Section

aemsC305

weightedTotalRelease_Other

Weighted Total Release - Other

Data Source

aemsC Files

Source Field

aemsC305_PC1

Source Section

aemsC305

weightedTotalRelease_SMS

Weighted Total Release - SMS

Data Source

aemsC Files

Source Field

aemsC305_PC1

Source Section

aemsC305

Sector_MCCceGrp Primitive Calculations

The following is a list of primitive calculations for the Sector_MCCceGrp entity.

CallRedCEOvfl

Obsolete Count in Release 16.1

Calculation

vsum(CallRedCEOvfl_p, CallRedCEOvfl_c)

CarrS1_1xNonPkgDataAsgn

1X_TRAF_TSLOT_ASS1_BTS - 1X non-Packet Data Assignments CarrierSet1 cBTS + pBTS

Calculation

```
protect(decode( vsum(max(Cell_Sector.BTS_Cell,BTS_SignalType))  
,1,0,0,vsum(1xNonPktDataAttCarrS1,-1*(1xNonPktDFailCarrS1NoResrc),-  
1*(1xNonPktDFailCarrS1))))
```

CarrS1_1xPktDataAsgn

1X_DATA_TRAF_TSLOT_ASS1 BTS - TCH MCCce Group 1X Packet Data Assignment
CarrierSet1 cBTS + pBTS

Calculation

```
vsum(1xPktDataAttCarrS1, -1 * 1xPktDFailCarrS1NoResrc, -1 *  
1xPktDFailCarrS1NoOffset)
```

CarrS1TotGrpAsgnPktData

1X_DATA_TRAF_TSLOT_ASS1 BTS - TCH MCCce Group 1X Packet Data Assignment
CarrierSet1 cBTS + pBTS

Calculation

```
vsum(CarrS1TotGrpAttPktData, -1 * CarrS1TotGrpFailPktDNoResrc , -1 *  
CarrS1TotGrpFailPktDNoOffset)
```

CarrS1TotGrpAsgnVcNonPkt

1X_TRAF_TSLOT_ASS1_BTS - 1X non-Packet Data Assignments CarrierSet1 cBTS + pBTS

Calculation

```
vsum(CarrS1TotGrpAttNonPkt, -1 * CarrS1TotGrpFailNonPktDNoResrc, -1 *  
CarrS1TotGrpFailNonPktDNoOffset)
```

CarrS1TotGrpAttNonPkt

1X_TRAF_TSLOT_ATT1_BTS - 1X non-Packet Data Attempts CarrierSet1 cBTS + pBTS

Calculation

```
1xNonPktDataAttCarrS1
```

CarrS1TotGrpAttPktData

1X_DATA_TRAF_TSLOT_ATT1 BTS - TCH MCCce Group 1X Packet Data Attempts
CarrierSet1 cBTS + pBTS

Calculation

```
1xPktDataAttCarrS1
```

CarrS1TotGrpFailNonPktDNoOffset

1X_TRAF_TSLOT_OVF1_OFFSET BTS - 1X non-Packet Data Failures CarrierSet1 No Frame Offset cBTS + pBTS

Calculation

1xNonPktDFailCarrS1

CarrS1TotGrpFailNonPktDNoResrc

1X_TRAF_TSLOT_OVF1_RESOURCE BTS - 1X non-Packet Data Failures CarrierSet1 No Resource cBTS + pBTS

Calculation

1xNonPktDFailCarrS1NoResrc

CarrS1TotGrpFailPktDNoOffset

1X_DATA_TRAF_TSLOT_OVF1_OFFSET BTS - TCH MCCce Group 1X Packet Data Failures CarrierSet1 No Frame Offset cBTS + pBTS

Calculation

1xPktDFailCarrS1NoOffset

CarrS1TotGrpFailPktDNoResrc

1X_DATA_TRAF_TSLOT_OVF1_RESOURCE BTS - TCH MCCce Group 1X Packet Data Failures CarrierSet1 No Resource cBTS + pBTS

Calculation

1xPktDFailCarrS1NoResrc

CarrS2_1xPktDataAsgn

1X_DATA_TRAF_TSLOT_ASS2 BTS - TCH MCCce Group 1X Packet Data Assignments CarrierSet2 cBTS + pBTS

Calculation

vsum(1xPktDataAttCarrS2, -1 * 1xPktDFailCarrS2NoResrc, -1 * 1xPktDFailCarrS2NoOffset)

CarrS2TotGrpAsgnNonPkt

1X_DATA_TRAF_TSLOT_ASS2 BTS - TCH MCCce Group 1X Packet Data Assignment CarrierSet2 cBTS + pBTS

Calculation

vsum(CarrS2TotGrpAttNonPkt, -1 * CarrS2TotGrpFailNonPktDNoResrc, -1 * CarrS2TotGrpFailNonPktDNoOffset)

CarrS2TotGrpAsgnPktData

1X_DATA_TRAF_TSLOT_ASS2 BTS - TCH MCCce Group 1X Packet Data Assignments
CarrierSet2 cBTS + pBTS

Calculation

$\text{vsum}(\text{CarrS2TotGrpAttPktData}, -1 * \text{CarrS2TotGrpFailPktDNoResrc}, -1 * \text{CarrS2TotGrpFailPktDNoOffset})$

CarrS2TotGrpAttNonPkt

1X_TRAF_TSLOT_ATT2 BTS - 1X non-Packet Data Attempts CarrierSet2 cBTS + pBTS

Calculation

$\text{lxNonPktDataAttCarrS2}$

CarrS2TotGrpAttPktData

1X_DATA_TRAF_TSLOT_ATT2 BTS - TCH MCCce Group 1X Packet Data Attempts
CarrierSet2 cBTS + pBTS

Calculation

$\text{lxPktDataAttCarrS2}$

CarrS2TotGrpFailNonPktDNoOffset

1X_TRAF_TSLOT_OVF2_OFFSET BTS - 1X non-Packet Data Failures CarrierSet2 No
Frame Offset cBTS + pBTS

Calculation

$\text{lxNonPktDFailCarrS2}$

CarrS2TotGrpFailNonPktDNoResrc

1X_TRAF_TSLOT_OVF2_RESOURCE BTS - 1X non-Packet Data Failures CarrierSet2 No
Resource cBTS + pBTS

Calculation

$\text{lxNonPktDFailCarrS2NoResrc}$

CarrS2TotGrpFailPktDNoOffset

1X_DATA_TRAF_TSLOT_OVF2_OFFSET BTS - TCH MCCce Group 1X Packet Data
Failures CarrierSet2 No Frame Offset cBTS + pBTS

Calculation

$\text{lxPktDFailCarrS2NoOffset}$

CarrS2TotGrpFailPktDNoResrc

1X_DATA_TRAF_TSLOT_OVF2_RESOURCE BTS - TCH MCCce Group 1X Packet Data Failures CarrierSet2 No Resource cBTS + pBTS

Calculation

```
1xPktDFailCarrS2NoResrc
```

CarrS2TrfTS1xNonPktDAsgn

1X_DATA_TRAF_TSLOT_ASS2 BTS - TCH MCCce Group 1X Packet Data Assignment CarrierSet2 cBTS + pBTS

Calculation

```
protect (decode (
  vsum (max (Cell_Sector.BTS_Cell, BTS_SignalType)), 1, 0, 0, vsum (1xNonPktDataAttC
  arrS2, -1*(1xNonPktDFailCarrS2NoResrc), -1*(1xNonPktDFailCarrS2))))
```

GRAPHmultiLineSeparator

Special Control Field for Multi-Line Graphs

Calculation

```
""
```

ICBSC_TfTimeslotAsgn

TRAF_CE_ASS ICBSC BTS - ICBSC TCH MCCce Group IS-95A/B Assignments cBTS + pBTS

Calculation

```
vsum (ICBSCtfMCCceAtt, - 1 * ICBSCtfMCCceOvf, - 1 * ICBSCTrfMCCCEFailNoF-
rmeOffset)
```

ICBSC_TfTimeslotAtt

TRAF_CE_ATT ICBSC BTS - ICBSC TCH MCCce Group IS-95A/B Attempts cBTS + pBTS

Calculation

```
ICBSCtfMCCceAtt
```

ICBSC_TfTimeslotFailNoOS

TRAF_CE_OVF_ICBSC_OFFSET BTS - ICBSC TCH MCCce Group IS-95A/B Failures No Frame Offset cBTS + pBTS

Calculation

```
ICBSCTrfMCCCEFailNoFrmeOffset
```

ICBSC_TfTimeslotFailNoRes

TRAF_CE_OVF_ICBSC_RESOURCE BTS - ICBSC TCH MCCce Group IS-95A/B Failures
No Resources cBTS + pBTS

Calculation

ICBSCTfMCCceOvf

ICBSCGrpAsgn

TRAF_CE_ASS_ICBSC BTS - ICBSC TCH MCCce Group IS-95A/B Assignments cBTS +
pBTS

Calculation

vsum(ICBSCGrpAtt, -1 * ICBSCGrpOvf)

ICBSCGrpAtt

TRAF_CE_ATT_ICBSC BTS - ICBSC TCH MCCce Group IS-95A/B Attempts cBTS + pBTS

Calculation

ICBSCTfMCCceAtt

ICBSCGrpOvf

TRAF_CE_OVF_ICBSC BTS - ICBSC TCH MCCce Group IS-95A/B Failures cBTS + pBTS

Calculation

vsum(ICBSCTfMCCceOvf, ICBSCTrfMCCCEFailNoFrmeOffset)

ICBSCTfMCCceAtt

TRAF_CE_ATT_ICBSC BTS - ICBSC TCH MCCce Group IS-95A/B Attempts cBTS + pBTS

Calculation

vsum(ICBSTfMCCceAtt_p, ICBSTfMCCceAtt_c)

ICBSCTfMCCceOvf

TRAF_CE_OVF_ICBSC_RESOURCE BTS - ICBSC TCH MCCce Group IS-95A/B Failures
No Resources cBTS + pBTS

Calculation

vsum(ICBSTfMCCceOvf_p, ICBSTfMCCceOvf_c)

ICBSCTrfMCCCEFailNoFrmeOffset

TRAF_CE_OVF_ICBSC_OFFSET BTS - ICBSC TCH MCCce Group IS-95A/B Failures No
Frame Offset cBTS + pBTS

Calculation

vsum(ICBSCTrfMCCCEFailNoFrmeOffset_p, ICBSCTrfMCCCEFailNoFrmeOffset_c)

lxis95ABOVfTo1xNonPktCE_PoolCarrS2

95AB_OVF_1X_NON_PKT-CS2_BTS - IS-95A/B Overflow to 1X Non Packet CE Pool - Carrier Set 2 cBTS + pBTS

Calculation

vsum(lxis95ABOVfTo1xNonPktCE_PoolCarrS2_p,
lxis95ABOVfTo1xNonPktCE_PoolCarrS2_c)

lxis95ABOVfTo1xNonPktCEPoolCarrS1

95AB_OVF_1X_NON_PKT-CST1_BTS - IS-95A/B Overflow to 1X Non Packet CE Pool - Carrier Set 1 cBTS + pBTS

Calculation

vsum(lxis95ABOVfTo1xNonPktCEPoolCarrS1_p,
lxis95ABOVfTo1xNonPktCEPoolCarrS1_c)

lxis95ABOVfTo1xPktCE_PoolCarrS1

95AB_OVF_1X_PKT-CST1_BTS - Overflow to 1X Packet CE Pool - Carrier Set 1 cBTS + pBTS

Calculation

vsum(lxis95ABOVfTo1xPktCE_PoolCarrS1_p, lxis95ABOVfTo1xPktCE_PoolCarrS1_c)

lxis95ABOVfTo1xPktCE_PoolCarrS2

95AB_OVF_1X_PKT-CST2_BTS - IS-95A/B Overflow to 1X Packet CE Pool - Carrier Set 2 cBTS + pBTS

Calculation

vsum(lxis95ABOVfTo1xPktCE_PoolCarrS2_p, lxis95ABOVfTo1xPktCE_PoolCarrS2_c)

lxisNonPktDataAttCarrS1

1X_TRAF_TSLOT_ATT1_BTS - 1X non-Packet Data Attempts CarrierSet1 cBTS + pBTS

Calculation

vsum(lxisNonPktDataAttCarrS1_p, lxisNonPktDataAttCarrS1_c)

lxisNonPktDataAttCarrS2

1X_TRAF_TSLOT_ATT2_BTS - 1X non-Packet Data Attempts CarrierSet2 cBTS + pBTS

Calculation

vsum(lxNonPktDataAttCarrS2_p, lxNonPktDataAttCarrS2_c)

lxNonPktDFailCarrS1

1X_TRAF_TSLOT_OVF1_OFFSET BTS - 1X non-Packet Data Failures CarrierSet1 No
Frame Offset cBTS + pBTS

Calculation

vsum(lxNonPktDFailCarrS1_p, lxNonPktDFailCarrS1_c)

lxNonPktDFailCarrS1NoResrc

1X_TRAF_TSLOT_OVF1_RESOURCE BTS - 1X non-Packet Data Failures CarrierSet1 No
Resource cBTS + pBTS

Calculation

vsum(lxNonPktDFailCarrS1NoResrc_p, lxNonPktDFailCarrS1NoResrc_c)

lxNonPktDFailCarrS2

1X_TRAF_TSLOT_OVF2_OFFSET BTS - 1X non-Packet Data Failures CarrierSet2 No
Frame Offset cBTS + pBTS

Calculation

vsum(lxNonPktDFailCarrS2_p, lxNonPktDFailCarrS2_c)

lxNonPktDFailCarrS2NoResrc

1X_TRAF_TSLOT_OVF2_RESOURCE BTS - 1X non-Packet Data Failures CarrierSet2 No
Resource cBTS + pBTS

Calculation

vsum(lxNonPktDFailCarrS2NoResrc_p, lxNonPktDFailCarrS2NoResrc_c)

lxNonPktDOvfTo1xPktD_CEPoolCarrS1

1X_NON_PKT_SO_ALLOC_1X_PKT-CS1_BTS - 1X Non-Packet Data SO Allocated to 1X
Packet Data CE Pool - Carrier Set 1 cBTS + pBTS

Calculation

vsum(lxNonPktDOvfTo1xPktD_CEPoolCarrS1_p,
lxNonPktDOvfTo1xPktD_CEPoolCarrS1_c)

lxNonPktOvfTo1xPktD_CEPoolCarrS2

1X_NON_PKT_SO_ALLOC_1X_PKT-CS2_BTS - 1X Non-Packet SO Allocated to 1X Packet
Data CE Pool - Carrier Set 2 cBTS + pBTS

Calculation

```
vsum( lxNonPktOvfTo1xPktD_CEPoolCarrS2_p,  
lxNonPktOvfTo1xPktD_CEPoolCarrS2_c )
```

lxPktDataAttCarrS1

1X_DATA_TRAF_TSLOT_ATT1 BTS - TCH MCCce Group 1X Packet Data Attempts
CarrierSet1 cBTS + pBTS

Calculation

```
vsum( lxPktDataAttCarrS1_p, lxPktDataAttCarrS1_c )
```

lxPktDataAttCarrS2

1X_DATA_TRAF_TSLOT_ATT2 BTS - TCH MCCce Group 1X Packet Data Attempts
CarrierSet2 cBTS + pBTS

Calculation

```
vsum( lxPktDataAttCarrS2_p, lxPktDataAttCarrS2_c )
```

lxPktDFailCarrS1NoOffset

1X_DATA_TRAF_TSLOT_OVF1_OFFSET BTS - TCH MCCce Group 1X Packet Data
Failures CarrierSet1 No Frame Offset cBTS + pBTS

Calculation

```
vsum( lxPktDFailCarrS1NoOffset_p, lxPktDFailCarrS1NoOffset_c )
```

lxPktDFailCarrS1NoResrc

1X_DATA_TRAF_TSLOT_OVF1_RESOURCE BTS - TCH MCCce Group 1X Packet Data
Failures CarrierSet1 No Resource cBTS + pBTS

Calculation

```
vsum( lxPktDFailCarrS1NoResrc_p, lxPktDFailCarrS1NoResrc_c )
```

lxPktDFailCarrS2NoOffset

1X_DATA_TRAF_TSLOT_OVF2_OFFSET BTS - TCH MCCce Group 1X Packet Data
Failures CarrierSet2 No Frame Offset cBTS + pBTS

Calculation

```
vsum( lxPktDFailCarrS2NoOffset_p, lxPktDFailCarrS2NoOffset_c )
```

lxPktDFailCarrS2NoResrc

1X_DATA_TRAF_TSLOT_OVF2_RESOURCE BTS - TCH MCCce Group 1X Packet Data
Failures CarrierSet2 No Resource cBTS + pBTS

Calculation

vsum(lxPktDFailCarrS2NoResrc_p, lxPktDFailCarrS2NoResrc_c)

NUMDAYS

of days in Report

Calculation

DAYSINREPORT ()

NUMHOURS

of hours in Summation Data

OrigAttFailCE

Orig_Assign_Fail_CE BTS - Origination Assignment Failure-Channel Element cBTS + pBTS

Calculation

vsum(OrigAttFailCE_p, OrigAttFailCE_c)

TermAttFailCE

Term_Assign_Fail_CE BTS - Termination Assignment Failure-Channel Element cBTS + pBTS

Calculation

vsum(TermAttFailCE_p, TermAttFailCE_c)

TfMCCceAtt

TRAF_TSLOT_ATT BTS - TCH MCCce Group IS-95A/B Attempts cBTS + pBTS

Calculation

vsum(TfMCCceAtt_p, TfMCCceAtt_c)

TfMCCceOvf

TRAF_TSLOT_OVF_RESOURCE BTS - TCH MCCce Group IS-95A/B Failures No Resources cBTS + pBTS

Calculation

vsum(TfMCCceOvf_p, TfMCCceOvf_c)

TfTimeslotAsgn

TRAF_TSLOT_ASS BTS - TCH MCCce Group IS-95A/B Assignments cBTS + pBTS

Calculation

vsum(TfMCCceAtt, - 1 * TfMCCceOvf, - 1 * TrfMCCCEFailNoFrmeOffset)

TfTimeslotAtt

TRAF_TSLOT_ATT BTS - TCH MCCce Group IS-95A/B Attempts cBTS + pBTS

Calculation

TfMCCceAtt

TfTimeslotFailNoOS

TRAF_TSLOT_OVF_OFFSET BTS - TCH MCCce Group IS-95A/B Failures No Frame Offset
cBTS + pBTS

Calculation

TrfMCCCEFailNoFrmeOffset

TfTimeslotFailNoRes

TRAF_TSLOT_OVF_RESOURCE BTS - TCH MCCce Group IS-95A/B Failures No
Resources cBTS + pBTS

Calculation

TfMCCceOvf

TotGrpAsgn

TRAF_TSLOT_ASS BTS - TCH MCCce Group IS-95A/B Assignments cBTS + pBTS

Calculation

vsum(TotGrpAtt, -1 * TotGrpOvf)

TotGrpAtt

TRAF_TSLOT_ATT BTS - TCH MCCce Group IS-95A/B Attempts cBTS + pBTS

Calculation

TfMCCceAtt

TotGrpOvf

Tot_Traf_MCCce_Ovf - Total Traffic MCC Channel Element Overflows

Calculation

vsum(TfMCCceOvf, TrfMCCCEFailNoFrmeOffset)

TrfMCCCEFailNoFrmeOffset

TRAF_TSLOT_OVF_OFFSET BTS - TCH MCCce Group IS-95A/B Failures No Frame Offset
cBTS + pBTS

Calculation

vsum(TrfMCCCEFailNoFrmeOffset_p, TrfMCCCEFailNoFrmeOffset_c)

UnknownEnterpriseField

Unknown Field exported from Enterprise Server

Calculation

nullInt()

Sector_MCCceGrp Peg Counts

The following is a list of peg counts for the Sector_MCCceGrp entity.

CallSetupAttBlk%1xCERsrvdEncrochCarrSet1_p

PMC119_PC40:
TRAF_TSLOT_OVF1_RESOURCE_1XRESERVED_CALLBLOCKED_pBTS - Call Setup
Attempt Blocked CarrierSet1 %1X CE Reserved Encroached pBTS

Data Source

PM

Source Field

PMC119_PC40

Source Section

PMC119

CallSetupAttBlk%1xCERsrvdEncrochCarrSet2_p

PMC119_PC41:
TRAF_TSLOT_OVF2_RESOURCE_1XRESERVED_CALLBLOCKED_pBTS - Call Setup
Attempt Blocked CarrierSet2 %1X CE Reserved Encroached pBTS

Data Source

PM

Source Field

PMC119_PC41

Source Section

PMC119

IxPktDataSetupFailNoRsrcCarrSet1_p

PMC119_PC28: 1X_DATA_TRAF_TSLOT_OVF1_RESOURCE_CALLSETUP_pBTS - 1X
Packet Data Call Setup Failure CarrierSet1 No Resource pBTS

Data Source

PM

Source Field

PMC119_PC28

Source Section

PMC119

IxPktDataSetupFailNoRsrcCarrSet2_p

PMC119_PC29: 1X_DATA_TRAF_TSLOT_OVF2_RESOURCE_CALLSETUP_pBTS - 1X
Packet Data Call Setup Failure CarrierSet2 No Resource pBTS

Data Source

PM

Source Field

PMC119_PC29

Source Section

PMC119

IxPktDataSftAddFailNoRsrcCarrSet1_p

PMC119_PC30: 1X_DATA_TRAF_TSLOT_OVF1_RESOURCE_SOFTADD_pBTS - 1X
Packet Data Soft Add Failure CarrierSet1 No Resource pBTS

Data Source

PM

Source Field

PMC119_PC30

Source Section

PMC119

1xPktDataSftAddFailNoRsrcCarrSet2_p

PMC119_PC31: 1X_DATA_TRAF_TSLOT_OVF2_RESOURCE_SOFTADD_pBTS - 1X
Packet Data Soft Add Failure CarrierSet2 No Resource pBTS

Data Source

PM

Source Field

PMC119_PC31

Source Section

PMC119

Non1xPktDataHinAtt%1xCERsrvdEncrochCarrSet1_p

PMC119_PC36: 1X_TRAF_TSLOT_OVF1_REQ_1XRESERVED_HHI_pBTS - Non 1X
Packet Data HHI Request CarrierSet1 %1X CE Reserved Encroached pBTS

Data Source

PM

Source Field

PMC119_PC36

Source Section

PMC119

Non1xPktDataHinAtt%1xCERsrvdEncrochCarrSet2_p

PMC119_PC37: 1X_TRAF_TSLOT_OVF2_REQ_1XRESERVED_HHI_pBTS - Non 1X
Packet Data HHI Request CarrierSet2 %1X CE Reserved Encroached pBTS

Data Source

PM

Source Field

PMC119_PC37

Source Section

PMC119

Non1xPktDataMOFail%1xCERsrvdEncrochCarrSet1_p

PMC119_PC32: 1X_TRAF_TSLOT_OVF1_RESOURCE_1XRESERVED_MO_pBTS - Non
1X Packet Data MO Failure CarrierSet1 %1X CE Reserved Encroached pBTS

Data Source

PM

Source Field

PMC119_PC32

Source Section

PMC119

Non1xPktDataMOFail%1xCERsrvdEncrochCarrSet2_p

PMC119_PC33: 1X_TRAF_TSLOT_OVF2_RESOURCE_1XRESERVED_MO_pBTS - Non
1X Packet Data MO Failure CarrierSet2 %1X CE Reserved Encroached pBTS

Data Source

PM

Source Field

PMC119_PC33

Source Section

PMC119

Non1xPktDataMTFail%1xCERsrvdEncrochCarrSet1_p

PMC119_PC34: 1X_TRAF_TSLOT_OVF1_RESOURCE_1XRESERVED_MT_pBTS - Non
1X Packet Data MT Failure CarrierSet1 %1X CE Reserved Encroached pBTS

Data Source

PM

Source Field

PMC119_PC34

Source Section

PMC119

Non1xPktDataMTFail%1xCERsrvdEncrochCarrSet2_p

PMC119_PC35: 1X_TRAF_TSLOT_OVF2_RESOURCE_1XRESERVED_MT_pBTS - Non
1X Packet Data MT Failure CarrierSet2 %1X CE Reserved Encroached pBTS

Data Source

PM

Source Field

PMC119_PC35

Source Section

PMC119

Non1xPktDataSftAdd%1xCERsrvdEncrochCarrSet2_p

PMC119_PC39: 1X_TRAF_TSLOT_OVF2_REQ_1XRESERVED_SOFTADD_pBTS - Non
1X Packet Data Soft Add Request CarrierSet2 %1X CE Reserved Encroached pBTS

Data Source

PM

Source Field

PMC119_PC39

Source Section

PMC119

Non1xPktDataSftAddAtt%1xCERsrvdEncrochCarrSet1_p

PMC119_PC38: 1X_TRAF_TSLOT_OVF1_REQ_1XRESERVED_SOFTADD_pBTS - Non
1X Packet Data Soft Add Request CarrierSet1 %1X CE Reserved Encroached pBTS

Data Source

PM

Source Field

PMC119_PC38

Source Section

PMC119

SectorHoContr Primitive Calculations

The following is a list of primitive calculations for the SectorHoContr entity.

AggActSetStrMMBn4CarrSec

ActStr_MMBin4_CSec - Set Strength MM Bin 4 - Carrier Sector

Calculation

```
vsum(PSMMCarrSec, -1 * PSMMFltrCarrSec, -1 * ActStStrMMBn1CarrSec, -1 *  
ActStStrMMBn2CarrSec, -1 * ActStStrMMBn3CarrSec)
```

AggActSetStrXCBn4CarrSec

Aggregative Active Set Strength XC Bin 4 Carrier Sector

Calculation

```
vsum(PSMMCarrSec, -1 * ActStStrXCBn1CarrSec, -1 * ActStStrXCBn2CarrSec, -1  
* ActStStrXCBn3CarrSec)
```

GRAPHmultiLineSeparator

Special Control Field for Multi-Line Graphs

Calculation

""

NUMDAYS

of days in Report

Calculation

```
DAYSINREPORT()
```

NUMHOURS

of hours in Summation Data

UnknownEnterpriseField

Unknown Field exported from Enterprise Server

Calculation

```
nullInt()
```

SectorHoContr Peg Counts

The following is a list of peg counts for the SectorHoContr entity.

ActStStrMMBn1CarrSec

PMC29_PC8: ActStr_MMBin1_CSec - Set Strength MM Bin 1 - Carrier Sector

Source Field

PMC29_PC8

Source Section

PMC29

ActStStrMMBn2CarrSec

PMC29_PC9: ActStr_MMBin2_CSec - Set Strength MM Bin 2 - Carrier Sector

Source Field

PMC29_PC9

Source Section

PMC29

ActStStrMMBn3CarrSec

PMC29_PC10: ActStr_MMBin3_CSec - Set Strength MM Bin 3 - Carrier Sector

Source Field

PMC29_PC10

Source Section

PMC29

ActStStrXCBn1CarrSec

PMC29_PC5: ActStr_XC_SDUBin1_CSec - Set Strength XC/SDU Bin 1 - Carrier Sector

Source Field

PMC29_PC5

Source Section

PMC29

ActStStrXCBn2CarrSec

PMC29_PC6: ActStr_XC_SDUBin2_CSec - Set Strength XC/SDU Bin 2 - Carrier Sector

Source Field

PMC29_PC6

Source Section

PMC29

ActStStrXCbn3CarrSec

PMC29_PC7: ActStr_XC_SDUBin3_CSec - Set Strength XC/SDU Bin 3 - Carrier Sector

Source Field

PMC29_PC7

Source Section

PMC29

BTSShflCmpCarrSec

PMC29_PC21: BTS_Shuff_Comp_CSec - Shuffle Completions - Carrier Sector

Source Field

PMC29_PC21

Source Section

PMC29

BTSShflFIty1CarrSec

PMC29_PC15: BTS_Shuff_Fail_Add_CSec - Shuffle Failures Add - Carrier Sector

Source Field

PMC29_PC15

Source Section

PMC29

BTSShflFIty2CarrSec

PMC29_PC16: BTS_Shuff_Fail_Drop_CSec - Shuffle Failures Drop - Carrier Sector

Source Field

PMC29_PC16

Source Section

PMC29

BTSShflIntCarrSec

PMC29_PC14: BTS_Shuff_Init_CSec - Shuffle Initiated - Carrier Sector

Source Field

PMC29_PC14

Source Section

PMC29

PSMMCarrSec

PMC29_PC1: PSMMs_CSec - - Carrier Sector

Source Field

PMC29_PC1

Source Section

PMC29

PSMMFtrCarrSec

PMC29_PC4: PSMMs_Ftr_CSec - - Filtered - Carrier Sector

Source Field

PMC29_PC4

Source Section

PMC29

PSMMHgActStStrCarrSec

PMC29_PC3: PSMMs_Hi_Str_CSec - - High Active Set Strength - Carrier Sector

Source Field

PMC29_PC3

Source Section

PMC29

PSMMLwActStStrCarrSec

PMC29_PC2: PSMMs_Low_Str_CSec - - Low Active Set Strength - Carrier Sector

Source Field

PMC29_PC2

Source Section

PMC29

SoShflCmpCarrSec

PMC29_PC22: Soft_Shuff_Comp_CSec - Shuffle Completions - Carrier Sector

Source Field

PMC29_PC22

Source Section

PMC29

SoShflFITy1CarrSec

PMC29_PC18: Soft_Shuff_Fail_Add_CSec - Shuffle Failures Add - Carrier Sector

Source Field

PMC29_PC18

Source Section

PMC29

SoShflFITy2CarrSec

PMC29_PC19: Soft_Shuff_Fail_Drop_CSec - Shuffle Failures Drop - Carrier Sector

Source Field

PMC29_PC19

Source Section

PMC29

SoShflIntCarrSec

PMC29_PC17: Soft_Shuff_Init - CSec - Shuffle Initiated - Carrier Sector

Source Field

PMC29_PC17

Source Section

PMC29

SrShflCmpCarrSec

PMC29_PC20: Sftr_Shuff_Comp_CSec - Shuffle Completions - Carrier Sector

Source Field

PMC29_PC20

Source Section

PMC29

SrShflFITY1CarrSec

PMC29_PC12: Sftr_Shuff_Fail_Add_CSec - Shuffle Failures Add - Carrier Sector

Source Field

PMC29_PC12

Source Section

PMC29

SrShflFITY2CarrSec

PMC29_PC13: Sftr_Shuff_Fail_Drop_CSec - Shuffle Failures Drop - Carrier Sector

Source Field

PMC29_PC13

Source Section

PMC29

SrShflIntCarrSec

PMC29_PC11: Sftr_Shuff_Init_CSec - Shuffle Initiated - Carrier Sector

Source Field

PMC29_PC11

Source Section

PMC29

ServiceMode Primitive Calculations

The following is a list of primitive calculations for the ServiceMode entity.

GRAPHmultiLineSeparator

Special Control Field for Multi-Line Graphs

Calculation

""

NUMDAYS

of days in Report

Calculation

DAYSINREPORT ()

NUMHOURS

of hours in Summation Data

ServiceModeName

Names for Service Mode values 0 - 7

Calculation

```
protect ( decode ( string-  
ToInt (LocalKey) , 0, "Voice", 1, "Test", 2, "ADDS", 3, "ASYNCDATA", 4, "FAX", 5, "LOSP-  
PKTDATA", 6, "HISPPKTDATA", 7, "PKTLXDATA") )
```

Site_MCCceGrp Primitive Calculations

The following is a list of primitive calculations for the Site_MCCceGrp entity.

AllChNonIdleTime

TRAF_TSLLOT_ACB_BTS - All Non-1x TCH MCCce Group Non-Idle Time cBTS + pBTS

Calculation

AllTfMCCceBsy

AllTfMCCceBsy

TRAF_TSLOT_ACB_BTS - All Non-1x TCH MCCce Group Non-Idle Time cBTS + pBTS

Calculation

```
vsum( AllTfMCCceBsy_p, AllTfMCCceBsy_c )
```

AvgCEinUse3G_DCCH

AVERAGE_3G_DCCH_ELEM_USAGE_BTS - Average Channel Elements Usage for 3G DCCH - cBTS + pBTS

Calculation

```
1.0 * TotCE_Use3G_DCCH_Secs / (NUMHOURS * 3600)
```

AvgCEinUse3G_FCH

AVERAGE_3G_FCH_ELEM_USAGE_BTS - Average Channel Element Usage for 3G FCH - cBTS + pBTS

Calculation

```
1.0 * TotCE_Use3G_FCH_Secs / (NUMHOURS * 3600)
```

AvgIncomingBWUtilBTSEndDevice

AVG_IN_BW_UTIL_BTS_END_DEVICE - Average Incoming Bandwidth Utilization - BTS-End-Device

Calculation

```
AvgIncomingBWUtilBTSEndDevice_Int
```

AvgOutgoingBWUtilBTSEndDevice

AVG_OUT_BW_UTIL_BTS_END_DEVICE - Average Outgoing Bandwidth Utilization - BTS-End-Device

Calculation

```
AvgOutgoingBWUtilBTSEndDevice_Int
```

CarrierA

Carrier A pBTS/cBTS

Calculation

```
vsum(CarrierA_c, CarrierA_p)
```

CarrierB

Carrier B pBTS/cBTS

Calculation

vsum(CarrierB_c, CarrierB_p)

CarrierC

Carrier C pBTS/cBTS

Calculation

vsum(CarrierC_c, CarrierC_p)

CarrierD

Carrier D pBTS/cBTS

Calculation

vsum(CarrierD_c, CarrierD_p)

CarrierE

Carrier E pBTS/cBTS

Calculation

vsum(CarrierE_c, CarrierE_p)

CarrierF

Carrier F pBTS/cBTS

Calculation

vsum(CarrierF_c, CarrierF_p)

CarrierG

Carrier G pBTS/cBTS

Calculation

vsum(CarrierG_c, CarrierG_p)

CarrierH

Carrier H pBTS/cBTS

Calculation

vsum(CarrierH_c, CarrierH_p)

CarrierI

Carrier I pBTS/cBTS

Calculation

vsum(CarrierI_c, CarrierI_p)

CarrierJ

Carrier J pBTS/cBTS

Calculation

vsum(CarrierJ_c, CarrierJ_p)

CarrierK

Carrier K pBTS/cBTS

Calculation

vsum(CarrierK_c, CarrierK_p)

CarrierL

Carrier L pBTS/cBTS

Calculation

vsum(CarrierL_c, CarrierL_p)

carrierSet11xFTchCesUsageTimeSharedForFSchSec

PMC118_PC42: 1X_FTCH_FOR_FSCH_USAGE_SHARED1 - 1X F-TCH CEs Usage Shared for F-SCH CarrierSet1 (seconds)

Calculation

carrierSet11xFTchCesUsageTimeSharedForFSch / 1000.0

CarrierSet1ListCarrA

CarrierSet1List Carrier A pBTS/cBTS

Calculation

vsum(CarrierSet1ListCarrA_c, CarrierSet1ListCarrA_p)

CarrierSet1ListCarrB

CarrierSet1List Carrier B pBTS/cBTS

Calculation

vsum(CarrierSet1ListCarrB_c, CarrierSet1ListCarrB_p)

CarrierSet1ListCarrC

CarrierSet1List Carrier C pBTS/cBTS

Calculation

`vsum(CarrierSet1ListCarrC_c, CarrierSet1ListCarrC_p)`

CarrierSet1ListCarrD

CarrierSet1List Carrier D pBTS/cBTS

Calculation

`vsum(CarrierSet1ListCarrD_c, CarrierSet1ListCarrD_p)`

CarrierSet1ListCarrE

CarrierSet1List Carrier E pBTS/cBTS

Calculation

`vsum(CarrierSet1ListCarrE_c, CarrierSet1ListCarrE_p)`

CarrierSet1ListCarrF

CarrierSet1List Carrier F pBTS/cBTS

Calculation

`vsum(CarrierSet1ListCarrF_c, CarrierSet1ListCarrF_p)`

carrierSet21xFTchCesUsageTimeSharedForFSchSec

PMC118_PC43: 1X_FTCH_FOR_FSCH_USAGE_SHARED2 - 1X F-TCH CEs Usage Shared for F-SCH CarrierSet2 (seconds)

Calculation

`carrierSet21xFTchCesUsageTimeSharedForFSch / 1000.0`

CarrierSet2ListCarrA

CarrierSet2List Carrier A pBTS/cBTS

Calculation

`vsum(CarrierSet2ListCarrA_c, CarrierSet2ListCarrA_p)`

CarrierSet2ListCarrB

CarrierSet2List Carrier B pBTS/cBTS

Calculation

`vsum(CarrierSet2ListCarrB_c, CarrierSet2ListCarrB_p)`

CarrierSet2ListCarrC

CarrierSet2List Carrier C pBTS/cBTS

Calculation

$\text{vsum}(\text{CarrierSet2ListCarrC_c}, \text{CarrierSet2ListCarrC_p})$

CarrierSet2ListCarrD

CarrierSet2List Carrier D pBTS/cBTS

Calculation

$\text{vsum}(\text{CarrierSet2ListCarrD_c}, \text{CarrierSet2ListCarrD_p})$

CarrierSet2ListCarrE

CarrierSet2List Carrier E pBTS/cBTS

Calculation

$\text{vsum}(\text{CarrierSet2ListCarrE_c}, \text{CarrierSet2ListCarrE_p})$

CarrierSet2ListCarrF

CarrierSet2List Carrier F pBTS/cBTS

Calculation

$\text{vsum}(\text{CarrierSet2ListCarrF_c}, \text{CarrierSet2ListCarrF_p})$

CarrS1_1xPktDataUsgTime

1X_TRAF_TSLOT_USG1_1X_PKT_DATA - Channel Element Group 1X Packet Data Usage
CarrierSet1

Calculation

$1.0 * \text{vsum}(\text{1xCE_GroupUsgCarrS1}, -1 * \text{1xCE_GrpIS95B_PDFUsgCarrS1}, -1 * \text{1xCE_GrpIS95B_PDS_UsgCarrS1}, -1 * \text{1xCE_GrpIS95AB_NonPD_UsgCarrS1}, -1 * \text{1xCE_Grp1xPD_UsgCarrS1}) / 60.0$

CarrS11xNonPktCapBlkTime

1X_NON-PKT-DEFAULT_BLOCK_CS1_BTS - 1X SOs Defaulting to Non-Packet Pool Type
Blocking Time CarrierSet1 cBTS + pBTS

Calculation

$\text{1xNonPktCapCE_BlkTimeCarrS1}$

CarrS1IntraCBSCUsgTime

1X_TRAF_TSLOT_USG1_BTS - 1X Channel Element Group Usage CarrierSet1 cBTS +
pBTS

Calculation

```
protect (decode (vsum (max (BTS_Cell, BTS_SignalType)), 1, 0.0, 0, vsum ( 1.0 *  
lxCE_GroupUsgCarrS1, - 1.0 * lxCE_GrpICBSC_UsgCarrS1) * 1.0 / 60 * 1.0 ))
```

CarrS1TotGrpAsgnNonPkt

1X_TRAF_TSLOT_ASS1_BTS - 1X non-Packet Data Assignments CarrierSet1 cBTS + pBTS

Calculation

```
protect (vsum (sum (bridgeL-  
ist (LocalKey, BTS_Cell.Cell_Sector.Sector_MCCceGrp, LocalKey),  
lxNonPktDataAttCarrS1), -1 * sum (bridgeL-  
ist (LocalKey, BTS_Cell.Cell_Sector.Sector_MCCceGrp, LocalKey),  
lxNonPktDFailCarrS1NoResrc), -1 * sum (bridgeL-  
ist (LocalKey, BTS_Cell.Cell_Sector.Sector_MCCceGrp, LocalKey),  
lxNonPktDFailCarrS1)))
```

CarrS1TotGrpAsgnPktData

1X_DATA_TRAF_TSLOT_ASS1_BTS - TCH MCCce Group 1X Packet Data Assignment
CarrierSet1 cBTS + pBTS

Calculation

```
protect (vsum (sum (bridgeL-  
ist (LocalKey, BTS_Cell.Cell_Sector.Sector_MCCceGrp, LocalKey),  
lxPktDataAttCarrS1), -1 * sum (bridgeL-  
ist (LocalKey, BTS_Cell.Cell_Sector.Sector_MCCceGrp, LocalKey),  
lxPktDFailCarrS1NoResrc), -1 * sum (bridgeL-  
ist (LocalKey, BTS_Cell.Cell_Sector.Sector_MCCceGrp, LocalKey),  
lxPktDFailCarrS1NoOffset)))
```

CarrS1TotGrpAsgnVcNonPkt

1X_TRAF_TSLOT_ASS1_BTS - 1X non-Packet Data Assignments CarrierSet1 cBTS + pBTS

Calculation

```
sum (bridgeL-  
ist (LocalKey, BTS_Cell.Cell_Sector.Sector_MCCceGrp, LocalKey), vsum (lxNonPktD  
ataAttCarrS1, - 1 * lxNonPktDFailCarrS1NoResrc, -1 * lxNonPktDFailCarrS1))
```

CarrS1TotGrpAttNonPkt

1X_TRAF_TSLOT_ATT1_BTS - 1X non-Packet Data Attempts CarrierSet1 cBTS + pBTS

Calculation

```
sum (bridgeList (LocalKey, BTS_Cell.Cell_Sector.Sector_MCCceGrp, LocalKey),  
lxNonPktDataAttCarrS1)
```

CarrS1TotGrpAttPktData

1X_DATA_TRAF_TSLOT_ATT1 BTS - TCH MCCce Group 1X Packet Data Attempts
CarrierSet1 cBTS + pBTS

Calculation

```
sum(bridgeList(LocalKey,BTS_Cell.Cell_Sector.Sector_MCCceGrp,LocalKey),  
lxPktDataAttCarrS1)
```

CarrS1TotGrpFailNonPktDNoOffset

1X_TRAF_TSLOT_OVF1_OFFSET BTS - 1X non-Packet Data Failures CarrierSet1 No
Frame Offset cBTS + pBTS

Calculation

```
sum(bridgeList(LocalKey,BTS_Cell.Cell_Sector.Sector_MCCceGrp,LocalKey),  
lxNonPktDFailCarrS1)
```

CarrS1TotGrpFailNonPktDNoResrc

1X_TRAF_TSLOT_OVF1_RESOURCE BTS - 1X non-Packet Data Failures CarrierSet1 No
Resource cBTS + pBTS

Calculation

```
sum(bridgeList(LocalKey,BTS_Cell.Cell_Sector.Sector_MCCceGrp,LocalKey),  
lxNonPktDFailCarrS1NoResrc)
```

CarrS1TotGrpFailPktDNoOffset

1X_DATA_TRAF_TSLOT_OVF1_OFFSET BTS - TCH MCCce Group 1X Packet Data
Failures CarrierSet1 No Frame Offset cBTS + pBTS

Calculation

```
sum(bridgeList(LocalKey,BTS_Cell.Cell_Sector.Sector_MCCceGrp,LocalKey),  
lxPktDFailCarrS1NoOffset)
```

CarrS1TotGrpFailPktDNoResrc

1X_DATA_TRAF_TSLOT_OVF1_RESOURCE BTS - TCH MCCce Group 1X Packet Data
Failures CarrierSet1 No Resource cBTS + pBTS

Calculation

```
sum(bridgeList(LocalKey,BTS_Cell.Cell_Sector.Sector_MCCceGrp,LocalKey),  
lxPktDFailCarrS1NoResrc)
```

CarrS2_1xPktDataUsgTime

1X_TRAF_TSLOT_USG2_BTS - 1X Channel Element Group Usage CarrierSet2 cBTS +
pBTS

Calculation

```
vsum(lxCE_GroupUsgCarrS2, -1 * lxCE_GrpIS95B_PDFUsgCarrS2, -1 *  
lxCE_GrpIS95B_PDS_UsgCarrS2, -1 * lxCE_GrpIS95AB_NonPD_UsgCarrS2, -1 *  
lxCE_Grp1xPD_UsgCarrS2) / 60.0
```

CarrS21xNonPktCapBlkTime

1X_NON-PKT-DEFAULT_BLOCK_CS2_BTS - 1X SOs Defaulting to Non-Packet Pool Type
Blocking Time CarrierSet2 cBTS + pBTS

Calculation

```
lXNonPktCapCE_BlkJTimeCarrS2
```

CarrS2IntraCBSCUsgTime

1X_TRAF_TSLOT_USG2_BTS - 1X Channel Element Group Usage CarrierSet2 cBTS +
pBTS

Calculation

```
vsum(lxCE_GroupUsgCarrS2, -1 * lxCE_GrpICBSC_UsgCarrS2) / 60.0
```

CarrS2TotGrpAsgnNonPkt

1X_DATA_TRAF_TSLOT_ASS2 BTS - TCH MCCce Group 1X Packet Data Assignment
CarrierSet2 cBTS + pBTS

Calculation

```
protect (vsum (sum (bridgeL-  
ist (LocalKey, BTS_Cell.Cell_Sector.Sector_MCCceGrp, LocalKey),  
lXNonPktDataAttCarrS2), -1 * sum (bridgeL-  
ist (LocalKey, BTS_Cell.Cell_Sector.Sector_MCCceGrp, LocalKey),  
lXNonPktDFailCarrS2NoResrc), -1 * sum (bridgeL-  
ist (LocalKey, BTS_Cell.Cell_Sector.Sector_MCCceGrp, LocalKey),  
lXNonPktDFailCarrS2)))
```

CarrS2TotGrpAsgnPktData

1X_DATA_TRAF_TSLOT_ASS2 BTS - TCH MCCce Group 1X Packet Data Assignments
CarrierSet2 cBTS + pBTS

Calculation

```
protect (vsum (sum (bridgeL-  
ist (LocalKey, BTS_Cell.Cell_Sector.Sector_MCCceGrp, LocalKey),  
lXPktDataAttCarrS2), -1 * sum (bridgeL-  
ist (LocalKey, BTS_Cell.Cell_Sector.Sector_MCCceGrp, LocalKey),  
lXPktDFailCarrS2NoResrc), -1 * sum (bridgeL-  
ist (LocalKey, BTS_Cell.Cell_Sector.Sector_MCCceGrp, LocalKey),  
lXPktDFailCarrS2NoOffset)))
```

CarrS2TotGrpAttNonPkt

1X_TRAF_TSLOT_ATT2 BTS - 1X non-Packet Data Attempts CarrierSet2 cBTS + pBTS

Calculation

```
sum(bridgeList(LocalKey,BTS_Cell.Cell_Sector.Sector_MCCceGrp,LocalKey),  
lxNonPktDataAttCarrS2)
```

CarrS2TotGrpAttPktData

1X_DATA_TRAF_TSLOT_ATT2 BTS - TCH MCCce Group 1X Packet Data Attempts
CarrierSet2 cBTS + pBTS

Calculation

```
sum(bridgeList(LocalKey,BTS_Cell.Cell_Sector.Sector_MCCceGrp,LocalKey),  
lxPktDataAttCarrS2)
```

CarrS2TotGrpFailNonPktDNoOffset

1X_TRAF_TSLOT_OVF2_OFFSET BTS - 1X non-Packet Data Failures CarrierSet2 No
Frame Offset cBTS + pBTS

Calculation

```
sum(bridgeList(LocalKey,BTS_Cell.Cell_Sector.Sector_MCCceGrp,LocalKey),  
lxNonPktDFailCarrS2)
```

CarrS2TotGrpFailNonPktDNoResrc

1X_TRAF_TSLOT_OVF2_RESOURCE BTS - 1X non-Packet Data Failures CarrierSet2 No
Resource cBTS + pBTS

Calculation

```
sum(bridgeList(LocalKey,BTS_Cell.Cell_Sector.Sector_MCCceGrp,LocalKey),  
lxNonPktDFailCarrS2NoResrc)
```

CarrS2TotGrpFailPktDNoOffset

1X_DATA_TRAF_TSLOT_OVF2_OFFSET BTS - TCH MCCce Group 1X Packet Data
Failures CarrierSet2 No Frame Offset cBTS + pBTS

Calculation

```
sum(bridgeList(LocalKey,BTS_Cell.Cell_Sector.Sector_MCCceGrp,LocalKey),  
lxPktDFailCarrS2NoOffset)
```

CarrS2TotGrpFailPktDNoResrc

1X_DATA_TRAF_TSLOT_OVF2_RESOURCE BTS - TCH MCCce Group 1X Packet Data
Failures CarrierSet2 No Resource cBTS + pBTS

Calculation

```
sum(bridgeList(LocalKey,BTS_Cell.Cell_Sector.Sector_MCCceGrp,LocalKey),  
lxBktDFailCarrS2NoResrc)
```

GRAPHmultiLineSeparator

Special Control Field for Multi-Line Graphs

Calculation

""

GrpOOSTime

TRAF_TSLOT_OOS_BTS - Non-1x TCH MCCce Group OOS Time cBTS + pBTS (minutes)

Calculation

```
TfMCCceOOS / 60.0
```

GrpUsg

TRAF_TSLOT_USG_BTS - Non-1x TCH MCCce Group Usage cBTS + pBTS (minutes)

Calculation

```
TfMCCceUsg / 60.0
```

ICBSCGrpAsgn

TRAF_CE_ASS ICBSC BTS - ICBSC TCH MCCce Group IS-95A/B Assignments cBTS + pBTS

Calculation

```
protect(sum(bridgeList(LocalKey,BTS_Cell.Cell_Sector.Sector_MCCceGrp,LocalKey),ICBSCGrpAsgn))
```

ICBSCGrpAtt

TRAF_CE_ATT ICBSC BTS - ICBSC TCH MCCce Group IS-95A/B Attempts cBTS + pBTS

Calculation

```
protect(sum(bridgeList(LocalKey,BTS_Cell.Cell_Sector.Sector_MCCceGrp,LocalKey),ICBSCGrpAtt))
```

ICBSCGrpOvf

TRAF_CE_OVF ICBSC BTS - ICBSC TCH MCCce Group IS-95A/B Failures cBTS + pBTS

Calculation

```
protect(sum(bridgeList(LocalKey,BTS_Cell.Cell_Sector.Sector_MCCceGrp,LocalKey),ICBSCGrpOvf))
```

ICBSCGrpUsg

TRAF_CE_USG_ICBSC_BTS - ICBSC Non-1x TCH MCCce Group Usage cBTS + pBTS
(minutes)

Calculation

$ICBSCTfMCCceUsg / 60.0$

ICBSCTfMCCceUsg

TRAF_CE_USG_ICBSC_BTS - ICBSC Non-1x TCH MCCce Group Usage cBTS + pBTS

Calculation

$vsum(ICBSTfMCCceUsg_p, ICBSTfMCCceUsg_c)$

1xCE_EquipCarrS1

1X_TRAF_TSLOT_EQP1_BTS - Channel Element Equipped CarrierSet1 cBTS + pBTS

Calculation

$vsum(1xCE_EquipCarrS1_p, 1xCE_EquipCarrS1_c)$

1xCE_EquipCarrS2

1X_TRAF_TSLOT_EQP2_BTS - Channel Element Equipped CarrierSet2 cBTS + pBTS

Calculation

$vsum(1xCE_EquipCarrS2_p, 1xCE_EquipCarrS2_c)$

1xCE_GroupUsgCarrS1

1X_TRAF_TSLOT_USG1_BTS - 1X Channel Element Group Usage CarrierSet1 cBTS +
pBTS

Calculation

$vsum(1xCE_GroupUsgCarrS1_p, 1xCE_GroupUsgCarrS1_c)$

1xCE_GroupUsgCarrS2

1X_TRAF_TSLOT_USG2_BTS - 1X Channel Element Group Usage CarrierSet2 cBTS +
pBTS

Calculation

$vsum(1xCE_GroupUsgCarrS2_p, 1xCE_GroupUsgCarrS2_c)$

1xCE_GroupUsgCarrS2Min

1X_TRAF_TSLOT_USG2_BTS - 1X Channel Element Group Usage CarrierSet2 cBTS +
pBTS (minutes)

Calculation

$1xCE_GroupUsgCarrS2 / 60.0$

1xCE_Grp1xPD_UsgCarrS1

1X_TRAF_TSLOT_USG1_1X_NON_PKT_DATA_BTS - 1X Channel Element Group 1X non Packet Data Usage CarrierSet1 cBTS + pBTS

Calculation

$vsum(1xCE_Grp1xPD_UsgCarrS1_p, 1xCE_Grp1xPD_UsgCarrS1_c)$

1xCE_Grp1xPD_UsgCarrS1Min

1X_TRAF_TSLOT_USG1_1X_NON_PKT_DATA_BTS - 1X Channel Element Group 1X non Packet Data Usage CarrierSet1 cBTS + pBTS (minutes)

Calculation

$1xCE_Grp1xPD_UsgCarrS1 / 60.0$

1xCE_Grp1xPD_UsgCarrS2

1X_TRAF_TSLOT_USG2_1X_NON_PKT_DATA_BTS - 1X Channel Element Group 1X non-Packet Data Usage CarrierSet2 cBTS + pBTS

Calculation

$vsum(1xCE_Grp1xPD_UsgCarrS2_p, 1xCE_Grp1xPD_UsgCarrS2_c)$

1xCE_Grp1xPD_UsgCarrS2Min

1X_TRAF_TSLOT_USG2_1X_NON_PKT_DATA_BTS - 1X Channel Element Group 1X non-Packet Data Usage CarrierSet2 cBTS + pBTS (minutes)

Calculation

$1xCE_Grp1xPD_UsgCarrS2 / 60.0$

1xCE_GrpICBSC_UsgCarrS1

1X_TRAF_TSLOT_USG1_ICBSC_BTS - 1X Channel Element Group ICBSC Usage CarrierSet1 cBTS + pBTS

Calculation

$vsum(1xCE_GrpICBSC_UsgCarrS1_p, 1xCE_GrpICBSC_UsgCarrS1_c)$

1xCE_GrpICBSC_UsgCarrS1Min

1X_TRAF_TSLOT_USG1_ICBSC_BTS - 1X Channel Element Group ICBSC Usage CarrierSet1 cBTS + pBTS (minutes)

Calculation

$1xCE_GrpICBSC_UsgCarrS1 / 60.0$

1xCE_GrpICBSC_UsgCarrS2

1X_TRAF_TSLOT_USG2_ICBSC_BTS - 1X Channel Element Group ICBSC Usage
CarrierSet2 cBTS + pBTS

Calculation

$vsum(1xCE_GrpICBSC_UsgCarrS2_p, 1xCE_GrpICBSC_UsgCarrS2_c)$

1xCE_GrpICBSC_UsgCarrS2Min

1X_TRAF_TSLOT_USG2_ICBSC_BTS - 1X Channel Element Group ICBSC Usage
CarrierSet2 cBTS + pBTS (minutes)

Calculation

$1xCE_GrpICBSC_UsgCarrS2 / 60.0$

1xCE_GrpIS95AB_NonPD_UsgCarrS1

1X_TRAF_TSLOT_USG1_IS95_NON_PKT_DATA_BTS - 1X Channel Element Group
IS95A/B non-Pkt Data Usage CarrierSet1 cBTS + pBTS

Calculation

$vsum(1xCE_GrpIS95AB_NonPD_UsgCarrS1_p, 1xCE_GrpIS95AB_NonPD_UsgCarrS1_c)$

1xCE_GrpIS95AB_NonPD_UsgCarrS1Min

1X_TRAF_TSLOT_USG1_IS95_NON_PKT_DATA_BTS - 1X Channel Element Group
IS95A/B non-Pkt Data Usage CarrierSet1 cBTS + pBTS (minutes)

Calculation

$1xCE_GrpIS95AB_NonPD_UsgCarrS1 / 60.0$

1xCE_GrpIS95AB_NonPD_UsgCarrS2

1X_TRAF_TSLOT_USG2_IS95_NON_PKT_DATA_BTS - 1X Channel Element Group
IS95A/B non-Pkt Data Usage CarrierSet2 cBTS + pBTS

Calculation

$vsum(1xCE_GrpIS95AB_NonPD_UsgCarrS2_p, 1xCE_GrpIS95AB_NonPD_UsgCarrS2_c)$

1xCE_GrpIS95AB_NonPD_UsgCarrS2Min

1X_TRAF_TSLOT_USG2_IS95_NON_PKT_DATA_BTS - 1X Channel Element Group
IS95A/B non-Pkt Data Usage CarrierSet2 cBTS + pBTS (minutes)

Calculation

$1xCE_GrpIS95AB_NonPD_UsgCarrS2 / 60.0$

1xCE_GrpIS95B_PDFUsgCarrS1

1X_TRAF_TSLOT_USG1_IS95B_FUND_BTS - 1X Channel Element Group IS95B Packet Data Fundamental Usage CarrierSet1 cBTS + pBTS

Calculation

$vsum(1xCE_GrpIS95B_PDFUsgCarrS1_p, 1xCE_GrpIS95B_PDFUsgCarrS1_c)$

1xCE_GrpIS95B_PDFUsgCarrS1Min

1X_TRAF_TSLOT_USG1_IS95B_FUND_BTS - 1X Channel Element Group IS95B Packet Data Fundamental Usage CarrierSet1 cBTS + pBTS (minutes)

Calculation

$1xCE_GrpIS95B_PDFUsgCarrS1 / 60.0$

1xCE_GrpIS95B_PDFUsgCarrS2

1X_TRAF_TSLOT_USG2_IS95B_FUND_BTS - 1X Channel Element Group IS95B Packet Data Fundamental Usage CarrierSet2 cBTS + pBTS

Calculation

$vsum(1xCE_GrpIS95B_PDFUsgCarrS2_p, 1xCE_GrpIS95B_PDFUsgCarrS2_c)$

1xCE_GrpIS95B_PDFUsgCarrS2Min

1X_TRAF_TSLOT_USG2_IS95B_FUND_BTS - 1X Channel Element Group IS95B Packet Data Fundamental Usage CarrierSet2 cBTS + pBTS (minutes)

Calculation

$1xCE_GrpIS95B_PDFUsgCarrS2 / 60.0$

1xCE_GrpIS95B_PDS_UsgCarrS1

1X_TRAF_TSLOT_USG1_IS95B_SUPPL_BTS - 1X Channel Element Group IS95B Packet Data Supplemental Usage CarrierSet1 cBTS + pBTS

Calculation

$vsum(1xCE_GrpIS95B_PDS_UsgCarrS1_p, 1xCE_GrpIS95B_PDS_UsgCarrS1_c)$

1xCE_GrpIS95B_PDS_UsgCarrS1Min

1X_TRAF_TSLOT_USG1_IS95B_SUPPL_BTS - 1X Channel Element Group IS95B Packet Data Supplemental Usage CarrierSet1 cBTS + pBTS (minutes)

Calculation

`1xCE_GrpIS95B_PDS_UsgCarrS1 / 60.0`

1xCE_GrpIS95B_PDS_UsgCarrS2

1X_TRAF_TSLOT_USG2_IS95B_SUPPL_BTS - 1X Channel Element Group IS95B Packet Data Supplemental Usage CarrierSet2 cBTS + pBTS

Calculation

`vsum(1xCE_GrpIS95B_PDS_UsgCarrS2_p, 1xCE_GrpIS95B_PDS_UsgCarrS2_c)`

1xCE_GrpIS95B_PDS_UsgCarrS2Min

1X_TRAF_TSLOT_USG2_IS95B_SUPPL_BTS - 1X Channel Element Group IS95B Packet Data Supplemental Usage CarrierSet2 cBTS + pBTS (minutes)

Calculation

`1xCE_GrpIS95B_PDS_UsgCarrS2 / 60.0`

1xCE_GrpUsgCarrS1Min

1X_TRAF_TSLOT_USG1_BTS - 1X Channel Element Group Usage CarrierSet1 cBTS + pBTS (minutes)

Calculation

`1xCE_GroupUsgCarrS1 / 60.0`

1xCE_OOSTimeCarrS1

1X_TRAF_TSLOT_OOS1_BTS - 1X Channel Element OOS Time CarrierSet1 cBTS + pBTS

Calculation

`vsum(1xCE_OOSTimeCarrS1_p, 1xCE_OOSTimeCarrS1_c)`

1xCE_OOSTimeCarrS1Min

1X_TRAF_TSLOT_OOS1_BTS - 1X Channel Element OOS Time CarrierSet1 cBTS + pBTS (minutes)

Calculation

`1xCE_OOSTimeCarrS1 / 60.0`

1xCE_OOSTimeCarrS2

1X_TRAF_TSLOT_OOS2_BTS - 1X Channel Element OOS Time CarrierSet2 cBTS + pBTS

Calculation

`vsum(1xCE_OOSTimeCarrS2_p, 1xCE_OOSTimeCarrS2_c)`

lxCE_OOSTimeCarrS2Min

1X_TRAF_TSLOT_OOS2_BTS - 1X Channel Element OOS Time CarrierSet2 cBTS + pBTS (minutes)

Calculation

$lxCE_OOSTimeCarrS2 / 60.0$

lxCE_ResrvdFor1xPktDataUsgCarSet1%_p

1X_TRAF_TSLOT_RES_USED1_pBTS - 1X Channel Element Reserved for 1X Packet Data Used CarrierSet1 % pBTS

Calculation

$100.0 * (lxCE_ResrvdFor1xPktDataUsgCarrSet1_p / (3600 * NUMHOURS)) / lxCE_ResrvdFor1xPktDataCarrSet1_p$

lxCE_ResrvdFor1xPktDataUsgCarSet2%_p

1X_TRAF_TSLOT_RES_USED2_pBTS - Channel Element Reserved for 1X Packet Data Used CarrierSet2 % pBTS

Calculation

$100.0 * (lxCE_ResrvdFor1xPktDataUsgCarrSet2_p / (3600 * NUMHOURS)) / lxCE_ResrvdFor1xPktDataCarrSet2_p$

lxNonPktCapCE_BlkJTimeCarrS1

1X_NON-PKT-DEFAULT_BLOCK_CS1_BTS - 1X SOs Defaulting to Non-Packet Pool Type Blocking Time CarrierSet1 cBTS + pBTS

Calculation

$vsum(lxNonPktCapCE_BlkJTimeCarrS1_p, lxNonPktCapCE_BlkJTimeCarrS1_c)$

lxNonPktCapCE_BlkJTimeCarrS2

1X_NON-PKT-DEFAULT_BLOCK_CS2_BTS - 1X SOs Defaulting to Non-Packet Pool Type Blocking Time CarrierSet2 cBTS + pBTS

Calculation

$vsum(lxNonPktCapCE_BlkJTimeCarrS2_p, lxNonPktCapCE_BlkJTimeCarrS2_c)$

lxNonPktCapCE_BlkJTimeCarrS2Min

1X_NON-PKT-DEFAULT_BLOCK_CS2_BTS - 1X SOs Defaulting to Non-Packet Pool Type Blocking Time CarrierSet2 cBTS + pBTS (minutes)

Calculation

$lxNonPktCapCE_BlkJTimeCarrS2 / 60.0$

lXPktCapCE_BlkJTimeCarrS1

1X_DATA_TRAF_TSLOT_ACB1_BTS - 1X Packet Capable Channel Elements Blocking
Time CarrierSet1 cBTS + pBTS

Calculation

vsum(lXPktCapCE_BlkJTimeCarrS1_p, lXPktCapCE_BlkJTimeCarrS1_c)

lXPktCapCE_BlkJTimeCarrS2

1X_DATA_TRAF_TSLOT_ACB2_BTS - 1X Packet Capable Channel Elements Blocking
Time CarrierSet2 cBTS + pBTS

Calculation

vsum(lXPktCapCE_BlkJTimeCarrS2_p, lXPktCapCE_BlkJTimeCarrS2_c)

lXPktCapCE_BlkJTimeCarrS2Min

1X_DATA_TRAF_TSLOT_ACB2_BTS - 1X Packet Capable Channel Elements Blocking
Time CarrierSet2 cBTS + pBTS (minutes)

Calculation

lXPktCapCE_BlkJTimeCarrS2 / 60.0

MaxIncomingBWUtilBTSEndDevice

MAX_IN_BW_UTIL_BTS_END_DEVICE - Maximum Incoming Bandwidth Utilization -
BTS-End-Device

Calculation

MaxIncomingBWUtilBTSEndDevice_Int

MaxOutgoingBWUtilBTSEndDevice

MAX_OUT_BW_UTIL_BTS_END_DEVICE - Maximum Outgoing Bandwidth Utilization -
BTS-End-Device

Calculation

MaxOutgoingBWUtilBTSEndDevice_Int

NUMDAYS

of days in Report

Calculation

DAYSINREPORT ()

NUMHOURS

of hours in Summation Data

NumOverheadResrcActivated

NUM_OVH_RES_ACTIVATED_BTS - Number of overhead resources activated - cBTS + pBTS

Calculation

vsum(NumOverheadResrcActivated_c, NumOverheadResrcActivated_p)

OneXNonOverhdResActv

1X_TCH+SCH_RES_ACT_BTS - 1X Number of Non-overhead Resources Activated cBTS + pBTS

Calculation

vsum(1xNonOverhdResActv_p, 1xNonOverhdResActv_c)

pAllMCCceBusyTime

TRAF_TSLOT_ACB_BTS - All Non-1x TCH MCCce Group Non-Idle Time cBTS + pBTS (%)

Calculation

100.0 * AllTfMCCceBsy / (3600.0 * NUMHOURS)

PkCEinUse2G_FCH

PEAK_2G_FCH_ELEM_IN_USE_BTS - Peak Number of Channel Elements in Use for 2G FCH - cBTS + pBTS

Calculation

vsum(PkCEinUse2G_FCH_c, PkCEinUse2G_FCH_p)

PkCEinUse2G_SCCH

PEAK_2G_SCCH_ELEM_IN_USE_BTS - Peak Number of Channel Elements in Use for 2G SCCH - cBTS + pBTS

Calculation

vsum(PkCEinUse2G_SCCH_c, PkCEinUse2G_SCCH_p)

PkCEinUse3G_DCCH

PEAK_3G_DCCH_ELEM_IN_USE_BTS - Peak Number of Channel Elements in Use for 3G DCCH - cBTS + pBTS

Calculation

$\text{vsum}(\text{PkCEinUse3G_DCCH_c}, \text{PkCEinUse3G_DCCH_p})$

PkCEinUse3G_FCH

PEAK_3G_FCH_ELEM_IN_USE_BTS - Peak Number of Channel Elements in Use for 3G FCH - cBTS + pBTS

Calculation

$\text{vsum}(\text{PkCEinUse3G_FCH_c}, \text{PkCEinUse3G_FCH_p})$

PktDFndGrpUsg

PktData_Fund_MCCce_GrpUsg_BTS - Packet Data Fundamental Non-1x MCCce Group Usage cBTS + pBTS (minutes)

Calculation

$\text{PktDFndMCCceGrpUsg} / 60.0$

PktDFndMCCceGrpUsg

PktData_Fund_MCCce_GrpUsg_BTS - Packet Data Fundamental Non-1x MCCce Group Usage cBTS + pBTS

Calculation

$\text{vsum}(\text{PktDFndMCCceGrpUsg_p}, \text{PktDFndMCCceGrpUsg_c})$

PktDSupGrpUsg

PktData_Supp_MCCce_GrpUsg_BTS - Packet Data Supplemental Non-1x MCCce Group Usage cBTS + pBTS (minutes)

Calculation

$\text{PktDSupMCCceGrpUsg} / 60.0$

PktDSupMCCceGrpUsg

PktData_Supp_MCCce_GrpUsg_BTS - Packet Data Supplemental Non-1x MCCce Group Usage cBTS + pBTS

Calculation

$\text{vsum}(\text{PktDSupMCCceGrpUsg_p}, \text{PktDSupMCCceGrpUsg_c})$

pOOS_Time

TRAF_TSLOT_OOS_BTS - Non-1x TCH MCCce Group OOS Time cBTS + pBTS (%)

Calculation

$100.0 * \text{TfMCCceOOS} / (3600.0 * \text{NUMHOURS})$

SecinMeasPeriod

Seconds in Measurement Period

Calculation

1800

TfMCCceEquip

TRAF_TSLOT_EQP_BTS - TCH MCCce Group Equipped cBTS + pBTS

Calculation

vsum(TfMCCceEquip_p, TfMCCceEquip_c)

TfMCCceOOS

TRAF_TSLOT_OOS_BTS - Non-1x TCH MCCce Group OOS Time cBTS + pBTS

Calculation

vsum(TfMCCceOOS_p, TfMCCceOOS_c)

TfMCCceUsg

TRAF_TSLOT_USG_BTS - Non-1x TCH MCCce Group Usage cBTS + pBTS

Calculation

vsum(TfMCCceUsg_p, TfMCCceUsg_c)

TotCE_Use3G_DCCH_CCS

TOTAL_3G_DCCH_ELEM_USAGE_BTS - Total Channel Elements Usage for 3G DCCH - cBTS + pBTS (CCS)

Calculation

TotCE_Use3G_DCCH_Secs / 100.0

TotCE_Use3G_DCCH_Secs

TOTAL_3G_DCCH_ELEM_USAGE_BTS - Total Channel Elements Usage for 3G DCCH - cBTS + pBTS (seconds)

Calculation

vsum(TotCEUse3G_DCCH_Secs_c, TotCEUse3G_DCCH_Secs_p)

TotCE_Use3G_FCH_CCS

TOTAL_3G_FCH_ELEM_USAGE_BTS - Total Channel Element Usage for 3G FCH - cBTS + pBTS (CCS)

Calculation

TotCE_Use3G_FCH_Secs / 100.0

TotCE_Use3G_FCH_Secs

TOTAL_3G_FCH_ELEM_USAGE_BTS - Total Channel Element Usage for 3G FCH - cBTS + pBTS (seconds)

Calculation

vsum(TotCEUse3G_FCH_Secs_c, TotCEUse3G_FCH_Secs_p)

TotGrpAsgn

TRAF_TSLOT_ASS BTS - TCH MCCce Group IS-95A/B Assignments cBTS + pBTS

Calculation

protect (sum (bridgeList (LocalKey, BTS_Cell.Cell_Sector.Sector_MCCceGrp, LocalKey), TotGrpAsgn))

TotGrpAtt

TRAF_TSLOT_ATT BTS - TCH MCCce Group IS-95A/B Attempts cBTS + pBTS

Calculation

protect (sum (bridgeList (LocalKey, BTS_Cell.Cell_Sector.Sector_MCCceGrp, LocalKey), TotGrpAtt))

TotGrpOvf

Tot_Traf_MCCce_Ovf - Total Traffic MCC Channel Element Overflows

Calculation

protect (sum (bridgeList (LocalKey, BTS_Cell.Cell_Sector.Sector_MCCceGrp, LocalKey), TotGrpOvf))

TotTfMCCceEquip

TRAF_TSLOT_EQP_BTS - Channel Element Equipped cBTS + pBTS

Calculation

vsum (TfMCCceEquip, lxCE_EquipCarrS1, lxCE_EquipCarrS2)

UnknownEnterpriseField

Unknown Field exported from Enterprise Server

Calculation

nullInt ()

Site_MCCceGrp Peg Counts

The following is a list of peg counts for the Site_MCCceGrp entity.

AvgIncomingPktThroughputBTSIWF

AVG_IN_PKT_THROUGHPUT_KPPS - Average Incoming Packet Throughput - BTS IWF - KPPS

Source Field

PMC86_PC3

Source Section

PMC86

AvgIncomingThroughputBTSIWF

AVG_IN_THROUGHPUT_Kbps - Average Incoming Throughput - BTS IWF - kbps

Source Field

PMC86_PC7

Source Section

PMC86

AvgOutgoingPktThroughputBTSIWF

AVG_OUT_PKT_THROUGHPUT_KPPS - Average Outgoing Packet Throughput - BTS IWF - KPPS

Source Field

PMC86_PC1

Source Section

PMC86

AvgOutgoingThroughputBTSIWF

AVG_OUT_THROUGHPUT_Kbps - Average Outgoing Throughput - BTS IWF - kbps

Source Field

PMC86_PC5

Source Section

PMC86

carrierSet11xFTchCesUsageTimeSharedForFSch

PMC118_PC42: 1X_FTCH_FOR_FSCH_USAGE_SHARED1 - 1X F-TCH CEs Usage Shared for F-SCH CarrierSet1 (milliseconds)

Data Source

PM

Source Field

PMC118_PC42

Source Section

PMC118

carrierSet21xFTchCesUsageTimeSharedForFSch

PMC118_PC43: 1X_FTCH_FOR_FSCH_USAGE_SHARED2 - 1X F-TCH CEs Usage Shared for F-SCH CarrierSet2 (milliseconds)

Data Source

PM

Source Field

PMC118_PC43

Source Section

PMC118

forwardSCHResourceAllocationFailureCPUOverload

FWD_SCH_RES_ALLOC_FAILURE_CPU - BTS FWD SCH Resource Allocation Failures - CPU Overload

Data Source

PM

Source Field

PMC118_PC45

Source Section

PMC118

IxCE_ResrvdFor1xPktDataCarrSet1_p

PMC118_PC37: 1X_TRAF_TSLOT_RES_PACKETDATA1_pBTS - 1X Channel Element Reserved for 1X Packet Data CarrierSet1 pBTS

Data Source

PM

Source Field

PMC118_PC37

Source Section

PMC118

IxCE_ResrvdFor1xPktDataCarrSet2_p

PMC118_PC38: 1X_TRAF_TSLOT_RES_PACKETDATA2_pBTS - 1X Channel Element Reserved for 1X Packet Data CarrierSet2 pBTS

Data Source

PM

Source Field

PMC118_PC38

Source Section

PMC118

IxCE_ResrvdFor1xPktDataHinEnbleInd_p

PMC118_PC41: 1XRESERVED_HANDIN_ENABLE_pBTS - 1X Channel Element Reserved for 1X Packet Data Handin Enable Indication

Data Source

PM

Source Field

PMC118_PC41

Source Section

PMC118

ixCE_ResrvdFor1xPktDataUsgCarrSet1_p

PMC118_PC39: 1X_TRAF_TSLOT_USG_RES1_pBTS - 1X Channel Element Reserved for 1X Packet Data Usage CarrierSet1 pBTS

Data Source

PM

Source Field

PMC118_PC39

Source Section

PMC118

ixCE_ResrvdFor1xPktDataUsgCarrSet2_p

PMC118_PC40: 1X_TRAF_TSLOT_USG_RES2_pBTS - 1X Channel Element Reserved for 1X Packet Data Usage CarrierSet2 pBTS

Data Source

PM

Source Field

PMC118_PC40

Source Section

PMC118

ixFCHAvailable_p

PMC118_PC36: 1X_NUM_FCH_AVAIL - 1X Number of FCH Channels Available pBTS

Data Source

PM

Source Field

PMC118_PC36

Source Section

PMC118

MaxIncomingPktThroughputBTSIWF

MAX_IN_PKT_THROUGHPUT_KPPS - Maximum Incoming Packet Throughput - BTS IWF
- KPPS

Source Field

PMC86_PC4

Source Section

PMC86

MaxIncomingThroughputBTSIWF

MAX_IN_THROUGHPUT_Kbps - Maximum Incoming Throughput - BTS IWF - kbps

Source Field

PMC86_PC8

Source Section

PMC86

MaxOutgoingPktThroughputBTSIWF

MAX_OUT_PKT_THROUGHPUT_KPPS - Maximum Outgoing Packet Throughput - BTS
IWF - KPPS

Source Field

PMC86_PC2

Source Section

PMC86

MaxOutgoingThroughputBTSIWF

MAX_OUT_THROUGHPUT_Kbps - Maximum Outgoing Throughput - BTS IWF - kbps

Source Field

PMC86_PC6

Source Section

PMC86

nonPecCallsReleasedOnCbtsToMaintainPriorityCes

PMC61_PC36: NON_PEC_CALL_REL_cBTS - Non-PEC Calls released on cBTS - to maintain priority CEs

Data Source

PM

Source Field

PMC61_PC36

Source Section

PMC61

nonPecCallsReleasedToMaintainPriorityCesPbts

PMC118_PC44: NON_PEC_CALL_REL_pBTS - Non-PEC Calls released on pBTS - to maintain priority CEs

Data Source

PM

Source Field

PMC118_PC44

Source Section

PMC118

originationAttemptFailureCPUOverload

ORIG_FAIL_CPU - Origination Attempt Failure - CPU Overload

Data Source

PM

Source Field

PMC118_PC47

Source Section

PMC118

PkCEinUse2G_FCH_c

PMC61_PC29: PEAK_2G_FCH_ELEM_IN_USE_CBTS - Peak Number of Channel Elements in Use for 2G FCH - cBTS

Data Source

OMCR

Source Field

PC29

Source Section

PMC61

PkCEinUse2G_FCH_p

PMC118_PC29: PEAK_2G_FCH_ELEM_IN_USE_PBTS - Peak Number of Channel Elements in Use for 2G FCH - pBTS

Data Source

OMCR

Source Field

PC29

Source Section

PMC118

PkCEinUse2G_SCCH_c

PMC61_PC32: PEAK_2G_SCCH_ELEM_IN_USE_CBTS - Peak Number of Channel Elements in Use for 2G SCCH - cBTS

Data Source

OMCR

Source Field

PC32

Source Section

PMC61

PkCEinUse2G_SCCH_p

PMC118_PC32: PEAK_CH_ELEM_IN_USE_2G_SCCH_PBTS - Peak Number of Channel Elements in Use for 2G SCCH - pBTS

Data Source

OMCR

Source Field

PC32

Source Section

PMC118

PkCEinUse3G_DCCH_c

PMC61_PC31: PEAK_3G_DCCH_ELEM_IN_USE_CBTS - Peak Number of Channel Elements in Use for 3G DCCH - cBTS

Data Source

OMCR

Source Field

PC31

Source Section

PMC61

PkCEinUse3G_DCCH_p

PMC118_PC31: PEAK_3G_DCCH_ELEM_IN_USE_PBTS - Peak Number of Channel Elements in Use for 3G DCCH - pBTS

Data Source

OMCR

Source Field

PC31

Source Section

PMC118

PkCEinUse3G_FCH_c

PMC61_PC30: PEAK_3G_FCH_ELEM_IN_USE_CBTS - Peak Number of Channel Elements in Use for 3G FCH - cBTS

Data Source

OMCR

Source Field

PC30

Source Section

PMC61

PkCEinUse3G_FCH_p

PMC118_PC30: PEAK_3G_FCH_ELEM_IN_USE_1X_PBTS - Peak Number of Channel Elements in Use for 3G FCH - pBTS

Data Source

OMCR

Source Field

PC30

Source Section

PMC118

reverseSCHResourceAllocationFailureCPUOverload

RVS_SCH_RES_ALLOC_FAILURE_CPU - BTS RVS SCH Resource Allocation Failures - CPU Overload

Data Source

PM

Source Field

PMC118_PC46

Source Section

PMC118

terminationAttemptFailureCPUOverload

TERM_FAIL_CPU - Termination Attempt Failure - CPU Overload

Data Source

PM

Source Field

PMC118_PC48

Source Section

PMC118

TotCEUse3G_DCCH_Secs_c

PMC61_PC34: TOTAL_3G_DCCH_ELEM_USAGE_CBTS - Total Channel Elements Usage for 3G DCCH - cBTS

Data Source

OMCR

Source Field

PC34

Source Section

PMC61

TotCEUse3G_DCCH_Secs_p

PMC118_PC34: TOTAL_3G_DCCH_ELEM_USAGE_PBTS - Total Channel Element Usage for 3G DCCH - pBTS

Data Source

OMCR

Source Field

PC34

Source Section

PMC118

TotCEUse3G_FCH_Secs_c

PMC61_PC33: TOTAL_3G_FCH_ELEM_USAGE_CBTS - Total Channel Element Usage for 3G FCH - cBTS

Data Source

OMCR

Source Field

PC33

Source Section

PMC61

TotCEUse3G_FCH_Secs_p

PMC118_PC33: TOTAL_3G_FCH_ELEM_USAGE_PBTS - Total Channel Element Usage for 3G FCH - pBTS

Data Source

OMCR

Source Field

PC33

Source Section

PMC118

SS7Link Primitive Calculations

The following is a list of primitive calculations for the SS7Link entity.

GRAPHmultiLineSeparator

Special Control Field for Multi-Line Graphs

Calculation

""

NUMDAYS

of days in Report

Calculation

DAYSINREPORT ()

NUMHOURS

of hours in Summation Data

UnknownEnterpriseField

Unknown Field exported from Enterprise Server

Calculation

nullInt ()

SS7Link Peg Counts

The following is a list of peg counts for the SS7Link entity.

AutoChgback

Automatic Changebacks

Source Field

C085_03_PC5

Source Section

C085_03

AutoChgovr

Automatic Changeovers

Source Field

C085_03_PC4

Source Section

C085_03

DurLnkCong

Duration of Link Congestion

Source Field

C085_04_PC2

Source Section

C085_04

DurLnkInSvc

Duration of Link In-Service

Source Field

C085_03_PC1

Source Section

C085_03

DurLnkUnavail

Duration of Link Unavailability

Source Field

C085_03_PC6

Source Section

C085_03

NumCongEvtLossMSU

Number of Congestion Events resulting in loss of MSUs

Source Field

C085_04_PC4

Source Section

C085_04

NumMSU_Rec

Number of MSU's received

Source Field

C085_02_PC7

Source Section

C085_02

NumMSU_Trans

Number of MSU's transmit

Source Field

C085_02_PC5

Source Section

C085_02

NumMSUDiscLnkCong

Number of MSU's discarded due to Link Congestion

Source Field

C085_04_PC3

Source Section

C085_04

NumNAK_Rec

Number of NAK's received

Source Field

C085_02_PC2

Source Section

C085_02

NumSIF_SIO_OctetsRec

Number of SIF and SIO Octets received

Source Field

C085_02_PC6

Source Section

C085_02

NumSIF_SIO_OctetTrans

Number of SIF and SIO Octets transmitted

Source Field

C085_02_PC3

Source Section

C085_02

NumSU_RecErr

Number of SU's received in error

Source Field

C085_02_PC1

Source Section

C085_02

SigLnkCongInd

Signalling Link Congestion Indications

Source Field

C085_04_PC1

Source Section

C085_04

SigLnkFailRsn

Signaling Link Failure-All Reasons

Source Field

C085_03_PC2

Source Section

C085_03

SS7LinkSet Primitive Calculations

The following is a list of primitive calculations for the SS7LinkSet entity.

GRAPHmultiLineSeparator

Special Control Field for Multi-Line Graphs

Calculation

""

NUMDAYS

of days in Report

Calculation

DAYSINREPORT ()

NUMHOURS

of hours in Summation Data

UnknownEnterpriseField

Unknown Field exported from Enterprise Server

Calculation

nullInt ()

SS7LinkSet Peg Counts

The following is a list of peg counts for the SS7LinkSet entity.

DurInacesbl

Duration of Inaccessibility

Source Field

C087_02_PC1

Source Section

C087_02

LnkSetInacesbl

Times LinkSet Inaccessible

Source Field

C087_02_PC2

Source Section

C087_02

Subcell Primitive Calculations

The following is a list of primitive calculations for the Subcell entity.

GRAPHmultiLineSeparator

Special Control Field for Multi-Line Graphs

Calculation

""

NUMDAYS

of days in Report

Calculation

DAYSINREPORT ()

NUMHOURS

of hours in Summation Data

UnknownEnterpriseField

Unknown Field exported from Enterprise Server

Calculation

nullInt ()

Subcell Peg Counts

The following is a list of peg counts for the Subcell entity.

AccFailtoRchTrgt

Access Failures to Reach Target

Source Field

CA4C_PC9

Source Section

CA4C

AltSecAtt

Alternate Sector Attempts

Source Field

CA4C_PC4

Source Section

CA4C

CellAtt

Cell Attempts

Source Field

CA4C_PC10

Source Section

CA4C

CellOvf

Cell Overflows

Source Field

CA4C_PC11

Source Section

CA4C

ChanEquip

Channels Equipped

Source Field

CA4C_ME

Source Section

CA4C_ME

CI_Att

C/I Attempts

Source Field

CA4C_PC1

Source Section

CA4C

CI_Blkl

C/I Blocks

Source Field

CA4C_PC2

Source Section

CA4C

GrpAtt

Group Attempts

Source Field

CA4C_PC3

Source Section

CA4C

GrpBusyTime

Group Busy Time (All Channels Busy Time)

Source Field

CA4C_DT

Source Section

CA4C_DT

GrpOvf

Group Overflows

Source Field

CA4C_PC7

Source Section

CA4C

GrpUsgTime

Group Usage Time

Source Field

CA4C_UT

Source Section

CA4C_UT

IntraGrpAsgn

Intra-Group Assignments

Source Field

CA4C_PC5

Source Section

CA4C

LowRSSIAsgn

Low RSSI Assignments

Source Field

CA4C_PC8

Source Section

CA4C

Reuse2GrpAsgn

Secondary Reuse Group Assignments

Source Field

CA4C_PC13

Source Section

CA4C

System Primitive Calculations

The following is a list of primitive calculations for the System entity.

GRAPHmultiLineSeparator

Special Control Field for Multi-Line Graphs

Calculation

""

NUMDAYS

of days in Report

Calculation

DAYSINREPORT ()

NUMHOURS

of hours in Summation Data

UnknownEnterpriseField

Unknown Field exported from Enterprise Server

Calculation

nullInt ()

TargetMSC Primitive Calculations

The following is a list of primitive calculations for the TargetMSC entity.

GRAPHmultiLineSeparator

Special Control Field for Multi-Line Graphs

Calculation

""

NUMDAYS

of days in Report

Calculation

DAYSINREPORT ()

NUMHOURS

of hours in Summation Data

UnknownEnterpriseField

Unknown Field exported from Enterprise Server

Calculation

nullInt ()

TargetMSC Peg Counts

The following is a list of peg counts for the TargetMSC entity.

CallCompPg

Call Completion Pages (Call Originating from current Switch)

Source Field

CA97_PC5

Source Section

CA97

CallCompPgAck

Call Completion Pages Acknowledged

Source Field

CA97_PC6

Source Section

CA97

DataRec

Data Received from another EMX

Source Field

C081_02_PC7

Source Section

C081_02

DataSent

Data Sent

Source Field

C081_02_PC3

Source Section

C081_02

LatePgAck

Late Page Acknowledgements

Source Field

CA97_PC4

Source Section

CA97

NonOrigPgAtt

Non-Originating Page Attempts

Source Field

CA97_PC2

Source Section

CA97

OrigPgAtt

Originating Page Attempts

Source Field

CA97_PC1

Source Section

CA97

SrchReq

Search Requests

Source Field

CA97_PC7

Source Section

CA97

SuccPgAck

Successful Pages Acknowledged

Source Field

CA97_PC3

Source Section

CA97

SuccSrchReq

Successful Search Requests

Source Field

CA97_PC8

Source Section

CA97

TndmDataRec

Tandem Data Received from another EMX

Source Field

C081_02_PC8

Source Section

C081_02

TndmDataSent

Tandem Data Sent

Source Field

C081_02_PC4

Source Section

C081_02

TndmMsgRec

Tandem Message Received from another EMX

Source Field

C081_02_PC6

Source Section

C081_02

TndmMsgSent

Tandem Message Sent

Source Field

C081_02_PC2

Source Section

C081_02

TotMsgRec

Total Message Received

Source Field

C081_02_PC5

Source Section

C081_02

TotMsgSent

Total Message Sent to another EMX

Source Field

C081_02_PC1

Source Section

C081_02

TG_HoContr Primitive Calculations

The following is a list of primitive calculations for the TG_HoContr entity.

AggActSetStrMMBn4ICTrk

ActStr_MMBin4_IC - Active Set Strength MM Bin 4 - IC Trunk

Calculation

```
vsum(PSMMICTrk, -1 * PSMMFltrICTrk, -1 * ActStStrMMBn1ICTrk, -1 *  
ActStStrMMBn2ICTrk, -1 * ActStStrMMBn3ICTrk)
```

AggActSetStrXCbn4ICTrk

ActStr_XC_SDUBin4_IC - Active Set Strength XC/SDU Bin 4 - IC Trunk

Calculation

```
vsum(PSMMICTrk, -1 * ActStStrXCbn1ICTrk, -1 * ActStStrXCbn2ICTrk, -1 *  
ActStStrXCbn3ICTrk)
```

GRAPHmultiLineSeparator

Special Control Field for Multi-Line Graphs

Calculation

""

NUMDAYS

of days in Report

Calculation

```
DAYSINREPORT ()
```

NUMHOURS

of hours in Summation Data

UnknownEnterpriseField

Unknown Field exported from Enterprise Server

Calculation

```
nullInt ()
```


TG_HoContr Peg Counts

The following is a list of peg counts for the TG_HoContr entity.

ActStStrMMBn1ICTrk

PMC73_PC8: ActStr_MMBin1_IC - Set Strength MM Bin 1 - IC Trunk

Source Field

PMC73_PC8

Source Section

PMC73

ActStStrMMBn2ICTrk

PMC73_PC9: ActStr_MMBin2_IC - Set Strength MM Bin 2 - IC Trunk

Source Field

PMC73_PC9

Source Section

PMC73

ActStStrMMBn3ICTrk

PMC73_PC10: ActStr_MMBin3_IC - Set Strength MM Bin 3 - IC Trunk

Source Field

PMC73_PC10

Source Section

PMC73

ActStStrXCBn1ICTrk

PMC73_PC5: ActStr_XC_SDUBin1_IC - Set Strength XC/SDU Bin 1 - IC Trunk

Source Field

PMC73_PC5

Source Section

PMC73

ActStStrXCBn2ICTrk

PMC73_PC6: Str_XC_SDUBin2_IC - Set Strength XC/SDU Bin 2 - IC Trunk

Source Field

PMC73_PC6

Source Section

PMC73

ActStStrXCBn3ICTrk

PMC73_PC7: ActStr_XC_SDUBin3_IC - Set Strength XC/SDU Bin 3 - IC Trunk

Source Field

PMC73_PC7

Source Section

PMC73

BTSShflCmpICTrk

PMC73_PC21: BTS_Shuff_Comp_IC - Shuffle Completions - IC Trunk

Source Field

PMC73_PC21

Source Section

PMC73

BTSShflFITy1ICTrk

PMC73_PC15: BTS_Shuff_FailAdd IC - Shuffle Failures Add - IC Trunk

Source Field

PMC73_PC15

Source Section

PMC73

BTSShflFITy2ICTrk

PMC73_PC16: BTS_Shuff_Fail_Drop_IC - Shuffle Failures Drop- IC Trunk

Source Field

PMC73_PC16

Source Section

PMC73

BTSShflIntICTrk

PMC73_PC14: BTS_Shuff_Init_IC - Shuffle Initiated - IC Trunk

Source Field

PMC73_PC14

Source Section

PMC73

PSMMFltrICTrk

PMC73_PC4: PSMMs_Ftr_IC - - Filtered - IC Trunk

Source Field

PMC73_PC4

Source Section

PMC73

PSMMHgActStStrICTrk

PMC73_PC3: PSMMs_Hi_Str_IC - - High Active Set Strength - IC Trunk

Source Field

PMC73_PC3

Source Section

PMC73

PSMMICTrk

PMC73_PC1: PSMMs_IC - - IC Trunk

Source Field

PMC73_PC1

Source Section

PMC73

PSMMLwActStStrICTrk

PMC73_PC2: PSMMs_Low_Str_IC - - Low Active Set Strength - IC Trunk

Source Field

PMC73_PC2

Source Section

PMC73

SoShflCmpICTrk

PMC73_PC22: Soft_Shuff_Comp_IC - Shuffle Completions - IC Trunk

Source Field

PMC73_PC22

Source Section

PMC73

SoShflFITy1ICTrk

PMC73_PC18: Soft_Shuff_FailAdd_IC - Shuffle Failures Add - IC Trunk

Source Field

PMC73_PC18

Source Section

PMC73

SoShflFITy2ICTrk

PMC73_PC19: Soft_Shuff_Fail_Drop_IC - Shuffle Failures Drop IC Trunk

Source Field

PMC73_PC19

Source Section

PMC73

SoShflIntICTrk

PMC73_PC17: Soft_Shuff_Init_IC - Shuffle Initiated - IC Trunk

Source Field

PMC73_PC17

Source Section

PMC73

SrShflCmpICTrk

PMC73_PC20: Sftr_Shuff_Comp_Sec - Shuffle Completions - IC Trunk

Source Field

PMC73_PC20

Source Section

PMC73

SrShflFITy1ICTrk

PMC73_PC12: Sftr_Shuff_FailAdd_Sec - Shuffle Failures Add- IC Trunk

Source Field

PMC73_PC12

Source Section

PMC73

SrShflFITy2ICTrk

PMC73_PC13: Sftr_Shuff_Fail Drop_IC - Shuffle Failures Drop - IC Trunk

Source Field

PMC73_PC13

Source Section

PMC73

SrShflIntICTrk

PMC73_PC11: Sftr_Shuff_Init_IC - Shuffle Initiated - IC Trunk

Source Field

PMC73_PC11

Source Section

PMC73

Trunk Primitive Calculations

The following is a list of primitive calculations for the Trunk entity.

GRAPHmultiLineSeparator

Special Control Field for Multi-Line Graphs

Calculation

""

NUMDAYS

of days in Report

Calculation

DAYSINREPORT ()

NUMHOURS

of hours in Summation Data

UnknownEnterpriseField

Unknown Field exported from Enterprise Server

Calculation

nullInt ()

Trunk Peg Counts

The following is a list of peg counts for the Trunk entity.

LandOrgAtt

Land Origination Attempts

Source Field

CA20_PC1

Source Section

CA20

LandOrgComp

Land Origination Completions

Source Field

CA20_PC2

Source Section

CA20

LandTrmAtt

Land Termination Attempts

Source Field

CA20_PC3

Source Section

CA20

LandTrmComp

Land Termination Completions

Source Field

CA20_PC4

Source Section

CA20

OutGoingSigProtFail

Outgoing Signaling Protocol Failures

Source Field

CA20_PC7

Source Section

CA20

TransitTkHoAtt

Transit Trunk Handoff Attempts

Source Field

CA20_PC10

Source Section

CA20

TransitTkOrgAtt

Transit Trunk Origination Attempts

Source Field

CA20_PC8

Source Section

CA20

TransitTkTrmAtt

Transit Trunk Termination Attempts

Source Field

CA20_PC9

Source Section

CA20

TrkOOS_Time

Trunk OOS Time

Source Field

CA20_DT

Source Section

CA20_DT

TrkUsgTime

Trunk Usage Time

Source Field

CA20_UT

Source Section

CA20_UT

TrunkGroup Primitive Calculations

The following is a list of primitive calculations for the TrunkGroup entity.

AvgTrkHoldSec

Average hold time on trunks in seconds

Calculation

$(\text{TrkGrpTime} * 60.0) / \text{vsum}(\text{OrgAtt}, \text{TrmAtt})$

EngCapB

Engineering Capacity Erlang B

Calculation

$\text{capacityB}(\text{TrkEquip}, \text{GOS})$

EngCapP

Engineering Capacity Poisson

Calculation

$\text{capacityP}(\text{TrkEquip}, \text{GOS})$

GOS

Grade of Service

GRAPHmultiLineSeparator

Special Control Field for Multi-Line Graphs

Calculation

""

NUMDAYS

of days in Report

Calculation

DAYSINREPORT ()

NUMHOURS

of hours in Summation Data

OffCapE

Offered Capacity Erlang B

Calculation

$(\text{capacity}(\text{TrkEquip}, \text{GOS}) / (1 - \text{GOS}))$

OffCapP

Offered Capacity Poisson

Calculation

$(\text{capacityP}(\text{TrkEquip}, \text{GOS}) / (1 - \text{GOS}))$

pL_M_Comp

Percentage of land origination attempts that successfully completed

Calculation

$100.0 * \text{OrgComp} / \text{OrgAtt}$

pM_L_Comp

Percentage of land termination attempts that successfully completed

Calculation

$100.0 * \text{TrmComp} / \text{TrmAtt}$

pTotTrkCallComp

Total Trunk Call Completion percentage

Calculation

$100.0 * \text{vsum}(\text{OrgComp}, \text{TrmComp}) / \text{vsum}(\text{OrgAtt}, \text{TrmAtt})$

pTrkOvf

Trunks overflow per attempt (M_L)

Calculation

$100.0 * \text{PrimGrpOvf} / \text{TrmAtt}$

TotTrkCallAtt

Total Trunk Call Attempts

Calculation

$\text{vsum}(\text{OrgAtt}, \text{TrmAtt})$

TotTrkCallComp

Total Trunk Call Completions

Calculation

$\text{vsum}(\text{OrgComp}, \text{TrmComp})$

TotTrkCallFail

Total Trunk Call Failures

Calculation

$\text{vsum}(\text{OrgAtt}, \text{TrmAtt}) - \text{vsum}(\text{OrgComp}, \text{TrmComp})$

TrkGrpBusyMin

Number of Minutes when all the circuits in the trunk group were busy

Calculation

$\text{TrkGrpBusyTime} / 60.0$

TrkGrpUsgErlg

Usage time in Erlangs

Calculation

$\text{TrkGrpTime} / 60.0$

TrunkName

Trunk Name

UnknownEnterpriseField

Unknown Field exported from Enterprise Server

Calculation

$\text{nullInt}()$

TrunkGroup Peg Counts

The following is a list of peg counts for the TrunkGroup entity.

AllTrkBusyCnt

All Trunks Busy Count

Source Field

CA21_PC15

Source Section

CA21

AlternGrpAtt

Alternate Group Attempts

Source Field

CA21_PC13

Source Section

CA21

AlternGrpOvf

Alternate Group Overflows

Source Field

CA21_PC14

Source Section

CA21

OrgAtt

Origination Attempts

Source Field

CA21_PC1

Source Section

CA21

OrgComp

Origination Completions

Source Field

CA21_PC2

Source Section

CA21

OutwardAttOvf

Outward Attempt Overflows

Source Field

CA21_PC11

Source Section

CA21

PrimGrpAtt

Primary Group Attempts

Source Field

CA21_PC5

Source Section

CA21

PrimGrpOvf

Primary Group Overflows

Source Field

CA21_PC6

Source Section

CA21

TrkEquip

Number of Trunks/members equipped

Source Field

CA21_SubjectID

Source Section

CA21_SubjectID

TrkGrpBusyTime

Group Busy Time (All Trunks Busy Time)

Source Field

CA21_DT

Source Section

CA21_DT

TrkGrpOG_SigProtFail

Outgoing Signaling Protocol Failures

Source Field

CA21_PC7

Source Section

CA21

TrkGrpTime

The usage in minutes of all trunks

Source Field

CA21_UT

Source Section

CA21_UT

TrkGrpTrnstTrkHoAtt

Transit Trunk Handoff Attempts (Total)

Source Field

CA21_PC10

Source Section

CA21

TrkGrpTrnstTrkOG_HoAtt

Transit Trunk Outgoing Handoff Attempts

Source Field

CA21_PC16

Source Section

CA21

TrkGrpTrnstTrkOrgAtt

Transit Trunk Origination Attempts

Source Field

CA21_PC8

Source Section

CA21

TrkGrpTrnstTrkTrmAtt

Transit trunk termination attempts

Source Field

CA21_PC9

Source Section

CA21

TrmAtt

Termination Attempts

Source Field

CA21_PC3

Source Section

CA21

TrmComp

Termination Completions

Source Field

CA21_PC4

Source Section

CA21

VPU_BSC Primitive Calculations

The following is a list of primitive calculations for the VPU_BSC entity.

GRAPHmultiLineSeparator

Special Control Field for Multi-Line Graphs

Calculation

""

NUMDAYS

of days in Report

Calculation

DAYSINREPORT ()

NUMHOURS

of hours in Summation Data

TotVPF_RsrcAllocFailMM

TOT_VPF_RSRCE_ALLOC_FAIL_MM - Total VPF Resource Allocation Failures - MM

Calculation

vsum(VPF_VcdrAllocFail,VPF_CktIWAllocFail,VPF_ISLPFrmAllocFail)

TotVPF_RsrcAllocReqMM

TOT_VPF_RSRCE_ALLOC_REQ_MM - Total VPF Resource Allocation Requests - MM

Calculation

vsum(VPF_VcdrAllocReq,VPF_CktIWAllocReq,VPF_ISLPFrmAllocReq)

TotVPF_RsrcAllocSuccMM

TOT_VPF_RSRCE_ALLOC_SUCC_MM - Total VPF Resource Allocation Successes - MM

Calculation

vsum(VPF_VcdrAllocSucc,VPF_CktIWAllocSucc,VPF_ISLPFrmAllocSucc)

TotVPF_RsrcUsageMinsMM

TOT_VPF_USG_TIME_MM - Total VPF Usage Time - MM (minutes)

Calculation

vsum(VPF_VcdrUsageMins,VPF_CktIWUsageMins,VPF_ISLPFrmUsageMins)

UnknownEnterpriseField

Unknown Field exported from Enterprise Server

Calculation

nullInt()

VPF_CktIWAllocFail

VPF_CKTIW_ALL_FAIL - VPF Circuit Interworking Allocation Failures

Calculation

vsum(VPF_CktIWAllocReq,-1.0*VPF_CktIWAllocSucc)

VPF_CktIWUsageMins

PMC141_PC6: VPF_CKTIW_USG_TIM - VPF Circuit Interworking Usage Time (minutes)

Calculation

(VPF_CktIWUsageSecs / 60.0)

VPF_ISLPFrmAllocFail

VPF_ISLP_ALL_FAIL - VPF ISLP Framing Allocation Failures

Calculation

vsum(VPF_ISLPFrmAllocReq,-1.0*VPF_ISLPFrmAllocSucc)

VPF_ISLPFrmUsageMins

PMC141_PC9: VPF_ISLP_USG_TIM - VPF ISLP Framing Usage Time (minutes)

Calculation

VPF_ISLPFrmUsageSecs / 60.0

VPF_VcdrAllocFail

VPF_VOC_ALL_FAIL - VPF Vocoder Allocation Failures

Calculation

$\text{vsum}(\text{VPF_VcdrAllocReq}, -1.0 * \text{VPF_VcdrAllocSucc})$

VPF_VcdrUsageMins

PMC141_PC3: VPF_VOC_USG_TIME - VPF Vocoder Usage Time

Calculation

$\text{VPF_VcdrUsageSecs} / 60.0$

VPU_BSC Peg Counts

The following is a list of peg counts for the VPU_BSC entity.

AverageA2pPacketDelay

AVG_PKT_DELAY - Average A2p packet delay (msec)

Data Source

PM

Source Field

PMC525_PC1

Source Section

PMC525

PeakA2pPacketDelay

PEAK_PKT_DELAY - Peak A2p packet delay (msec)

Data Source

PM

Source Field

PMC525_PC2

Source Section

PMC525

totalCalls

Total Calls

Data Source

aemsC Files

Source Field

aemsC205_PC1

Source Section

aemsc205

VPF_CktIWAllocReq

PMC141_PC4: VPF_CKTIW_ALL_REQ - VPF Circuit Interworking Allocation Requests

Data Source

OMCR

Source Field

PC4

Source Section

PMC141

VPF_CktIWAllocSucc

PMC141_PC5: VPF_CKTIW_ALL_SUCC - VPF Circuit Interworking Allocation Successes

Data Source

OMCR

Source Field

PC5

Source Section

PMC141

VPF_CktIWUsageSecs

PMC141_PC6: VPF_CKTIW_USG_TIM - VPF Circuit Interworking Usage Time (seconds)

Data Source

OMCR

Source Field

PC6

Source Section

PMC141

VPF_ISLPFrmAllocReq

PMC141_PC7: VPF_ISLP_ALL_REQ - VPF ISLP Framing Allocation Requests

Data Source

OMCR

Source Field

PC7

Source Section

PMC141

VPF_ISLPFrmAllocSucc

PMC141_PC8: VPF_ISLP_ALL_SUCC - VPF ISLP Framing Allocation Successes

Data Source

OMCR

Source Field

PC8

Source Section

PMC141

VPF_ISLPFrmUsageSecs

PMC141_PC9: VPF_ISLP_USG_TIM - VPF ISLP Framing Usage Time (seconds)

Data Source

OMCR

Source Field

PC9

Source Section

PMC141

VPF_VcdrAllocReq

PMC141_PC1: VPF_VOC_ALL_REQ - VPF Vocoder Allocation Requests

Data Source

OMCR

Source Field

PC1

Source Section

PMC141

VPF_VcdrAllocSucc

PMC141_PC2: VPF_VOC_ALL_SUCC - VPF Vocoder Allocation Successes

Data Source

OMCR

Source Field

PC2

Source Section

PMC141

VPF_VcdrUsageSecs

PMC141_PC3: VPF_VOC_USG_TIME - VPF Vocoder Usage Time

Data Source

OMCR

Source Field

PC3

Source Section

PMC141

XC Primitive Calculations

The following is a list of primitive calculations for the XC entity.

GRAPHmultiLineSeparator

Special Control Field for Multi-Line Graphs

Calculation

""

NUMDAYS

of days in Report

Calculation

DAYSINREPORT ()

NUMHOURS

of hours in Summation Data

UnknownEnterpriseField

Unknown Field exported from Enterprise Server

Calculation

nullInt ()

XC Peg Counts

The following is a list of peg counts for the XC entity.

AvgA8A9SU_TimeDataActvXC

PMC04_PC1: Avg_A8/A9_Setup_Time_Act - A8/A9 Setup Time Data Activation - XC

Source Field

PMC04_PC1

Source Section

PMC04

AvgA8A9SU_TimeDataReActvXC

PMC04_PC3: Avg_A8/A9_Setup_Time_ReAct - A8/A9 Setup Time Data ReActivation - XC

Source Field

PMC04_PC3

Source Section

PMC04

AvgBS_ServReqSU_XC

PMC04_PC5: Avg_BS_Service_Req_Setup - BS Service Request Setup - XC

Source Field

PMC04_PC5

Source Section

PMC04

callCCS

Call usage in CCS

Source Field

aemsC118: PC6,PC1

Data Source

aemsC Files

Source Section

aemsC118

MaxA8A9SU_TimeDataActvXC

PMC04_PC2: Max_A8/A9_Setup_Time_Act - A8/A9 Setup Time Activation - XC

Source Field

PMC04_PC2

Source Section

PMC04

MaxA8A9SU_TimeDataReActvXC

PMC04_PC4: Max_A8/A9_Setup_Time_ReAct - A8/A9 Setup Time ReActivation - XC

Source Field

PMC04_PC4

Source Section

PMC04

MaxBS_ServReqSU_XC

PMC04_PC6: Max_BS_Service_Req_Setup_Time - BS Service Request Setup - XC

Source Field

PMC04_PC6

Source Section

PMC04

MaxBuffOvrflw_Time1

PMC205_PC1: MBUFF_OFLW_TIM1_XC_PCF - Buffer Overflow Time 1 - XC PCF

Data Source

OMCR

Source Field

PC1

Source Section

PMC205

MaxBuffOvrflw_Time2

PMC205_PC2: MBUFF_OFLW_TIM2_XC_PCF - Buffer Overflow Time 2 - XC PCF

Data Source

OMCR

Source Field

PC2

Source Section

PMC205

MaxBuffOvrflw_Time3

PMC205_PC3: MBUFF_OFLW_TIM3_XC_PCF - Buffer Overflow Time 3 - XC PCF

Data Source

OMCR

Source Field

PC3

Source Section

PMC205

MaxBuffOvrflw_Time4

PMC205_PC4: MBUFF_OFLW_TIM4_XC_PCF - Buffer Overflow Time 4 - XC PCF

Data Source

OMCR

Source Field

PC4

Source Section

PMC205

MaxBuffOvrflw_Time5

PMC205_PC5: MBUFF_OFLW_TIM5_XC_PCF - Buffer Overflow Time 5 - XC PCF

Data Source

OMCR

Source Field

PC5

Source Section

PMC205

MaxBuffOvrflw_Time6

PMC205_PC6: MBUFF_OFLW_TIM6_XC_PCF - Buffer Overflow Time 6 - XC PCF

Data Source

OMCR

Source Field

PC6

Source Section

PMC205

MaxParallelA10A11SessXC

PMC04_PC7: Max_Parallel_A10_A11_Conn_XC - number of parallel A10/A11 Sessions - XC

Data Source

PM

Source Field

PMC04_PC7

Source Section

PMC04

XC_Bin Primitive Calculations

The following is a list of primitive calculations for the XC_Bin entity.

GRAPHmultiLineSeparator

Special Control Field for Multi-Line Graphs

Calculation

""

NUMDAYS

of days in Report

Calculation

DAYSINREPORT ()

NUMHOURS

of hours in Summation Data

UnknownEnterpriseField

Unknown Field exported from Enterprise Server

Calculation

`nullInt()`

XCBinID

BinType in the Packet Data Histogram Bin Ranges Table

Calculation

`stringToInt(LocalKey)`

XC_Bin Peg Counts

The following is a list of peg counts for the XC_Bin entity.

BIT_BinMax

Bit Inter-Arrv Time Maximum Bin Value

Source Field

PMC16_Subj_id_4

Source Section

PMC16

BIT_BinMin

Bit Inter-Arrv Time Minimum Bin Value

Source Field

PMC16_Subj_id_3

Source Section

PMC16

BR_BinMax

Burst Rate Maximum Bin Value

Source Field

PMC15_Subj_id_4

Source Section

PMC15

BR_BinMin

Burst Rate Minimum Bin Value

Source Field

PMC15_Subj_id_3

Source Section

PMC15

FBD_BinMax

Fwd Burst Dur Maximum Bin Value

Source Field

PMC13_Subj_id_4

Source Section

PMC13

FBD_BinMin

Fwd Burst Dur Minimum Bin Value

Source Field

PMC13_Subj_id_3

Source Section

PMC13

FBS_BinMax

Fwd Burst Size Maximum Bin Value

Source Field

PMC11_Subj_id_4

Source Section

PMC11

FBS_BinMin

Fwd Burst Size Minimum Bin Value

Source Field

PMC11_Subj_id_3

Source Section

PMC11

FwdBurstDurtn

PMC13_PC1: Fwd_Brst_Time_ (FBD_bin"n"_min, FBD_bin"n"_max] - Burst Duration
(FBD_bin"n"_min, FBD_bin"n"_max]

Source Field

PMC13_PC1

Source Section

PMC13

FwdBurstInterArrTime

PMC16_PC1: Fwd_Burst_Inter_Arrival_ (BIT_bin"n"_min, BIT_bin"n"_max] - Burst Inter-
arrival Time (BIT_bin"n"_min, BIT_bin"n"_max]

Source Field

PMC16_PC1

Source Section

PMC16

FwdBurstRate

PMC15_PC1: Fwd_Brst_Rate_ (BR_bin"n"_min, BR_bin"n"_max - Burst Rate
(BR_bin"n"_min, BR_bin"n"_max]

Source Field

PMC15_PC1

Source Section

PMC15

FwdBurstSize

PMC11_PC1: Fwd_Brst_Sz_(FBS_bin"n"_min, FBS_bin"n"_max] - Burst Size
(FBS_bin"n"_min, FBS_bin"n"_max]

Source Field

PMC11_PC1

Source Section

PMC11

PDSN_FwdPktSizeBinCnt

PMC09_PC1: PDSN_FWD_PKT_SIZE_BIN_CNT - Forward Packet Size Bin Count

Source Field

PMC09_PC1

Source Section

PMC09

PDSN_RvsPktSizeBinCnt

PMC09_PC2: PDSN_RVS_PKT_SIZE_BIN_CNT - Reverse Packet Size Bin Count

Source Field

PMC09_PC2

Source Section

PMC09

PPS_BinMax

PDSN Packet Size Maximum Bin Value

Source Field

PMC09_Subj_id_4

Source Section

PMC09

PPS_BinMin

PDSN Packet Size Minimum Bin Value

Source Field

PMC09_Subj_id_3

Source Section

PMC09

RBD_BinMax

Rvs Burst Dur Maximum Bin Value

Source Field

PMC14_Subj_id_4

Source Section

PMC14

RBD_BinMin

Rvs Burst Dur Minimum Bin Value

Source Field

PMC14_Subj_id_3

Source Section

PMC14

RBS_BinMax

Rvs Burst Size Maximum Bin Value

Source Field

PMC12_Subj_id_4

Source Section

PMC12

RBS_BinMin

Rvs Burst Size Minimum Bin Value

Source Field

PMC12_Subj_id_3

Source Section

PMC12

RvsBurstDur

PMC14_PC1: Rvs_Brst_Time_(RBD_bin"n"_min, RBD_bin"n"_max] - Burst Duration
(RBD_bin"n"_min, RBD_bin"n"_max]

Source Field

PMC14_PC1

Source Section

PMC14

RvsBurstInterArrTime

PMC16_PC2: Rvs_Burst_Inter_Arrival_(BIT_bin"n"_min, BIT_bin"n"_max] - Burst Inter-
arrival Time (BIT_bin"n"_min, BIT_bin"n"_max]

Source Field

PMC16_PC2

Source Section

PMC16

RvsBurstRate

PMC15_PC2: Rvs_Brst_Rate_(BR_bin"n"_min, BR_bin"n"_max] - Burst Rate
(BR_bin"n"_min, BR_bin"n"_max]

Source Field

PMC15_PC2

Source Section

PMC15

RvsBurstSize

PMC12_PC1: Rvs_Brst_Sz_(RBS_bin" n" _ min, RBS_bin" n" _ max] - Burst Size
(RBS_bin"n" _min, RBS_bin"n" _max]

Source Field

PMC12_PC1

Source Section

PMC12

SA_BinMax

Sess Re-Actv Maximum Bin Value

Source Field

PMC07_Subj_id_4

Source Section

PMC07

SA_BinMin

Sess Re-Actv Minimum Bin Value

Source Field

PMC07_Subj_id_3

Source Section

PMC07

SB_BinMax

Session Byte Maximum Bin Value

Source Field

PMC06_Subj_id_4

Source Section

PMC06

SB_BinMin

Session Byte Minimum Bin Value

Source Field

PMC06_Subj_id_3

Source Section

PMC06

SBC_BinMax

Sess Burst Cnt Maximum Bin Value

Source Field

PMC05_Subj_id_4

Source Section

PMC05

SBC_BinMin

Sess Burst Cnt Minimum Bin Value

Source Field

PMC05_Subj_id_3

Source Section

PMC05

SD_BinMax

Sess Duration Maximum Bin Value

Source Field

PMC08_Subj_id_4

Source Section

PMC08

SD_BinMin

Sess Duration Minimum Bin Value

Source Field

PMC08_Subj_id_3

Source Section

PMC08

SessActvDurtn

PMC08_PC1: Session_Active_Time_ (SD_bin"n" _min, SD_bin"n" _max] - Active Duration
(SD_bin"n" _min, SD_bin"n" _max]

Source Field

PMC08_PC1

Source Section

PMC08

SessDormntDurtn

PMC08_PC2: Session_Dormant_Time_ (SD_bin"n" _min, SD_bin"n" _max] - Dormant
Duration (SD_bin"n" _min, SD_bin"n" _max]

Source Field

PMC08_PC2

Source Section

PMC08

SessDurtn

PMC08_PC3: Session_Time_ (SD_bin"n" _min, SD_bin"n" _max] - Duration (SD_bin"n" _min,
SD_bin"n" _max]

Source Field

PMC08_PC3

Source Section

PMC08

SessFwdBurstCnt

PMC05_PC1: Session_Fwd_Brst_Count_ (SBC_bin"n" _min, SBC_bin"n" _max] - Forward
Burst Count (SBC_bin"n" _min, SBC_bin"n" _max]

Source Field

PMC05_PC1

Source Section

PMC05

SessFwdByte

PMC06_PC1: Session_Fwd_Byte_(SB_bin"n"_min, SB_bin"n"_max] - Forward Bytes
(SB_bin"n"_min, SB_bin"n"_max]

Source Field

PMC06_PC1

Source Section

PMC06

SessMS_ReActvn

PMC07_PC1: Session_MS_ReAct_(SA_bin"n"_min, SA_bin"n"_max] - MS Re-Activations
(SA_bin"n"_min, SA_bin"n"_max]

Source Field

PMC07_PC1

Source Section

PMC07

SessNetwrkReActvn

PMC07_PC2: Session_Network_ReAct_(SA_bin"n"_min, SA_bin"n"_max] - Network Re-
Activations (SA_bin"n"_min, SA_bin"n"_max]

Source Field

PMC07_PC2

Source Section

PMC07

SessOvrflwXC_PCF

PMC204_PC1: SESS_OVRFLW_CNT_XC (SOC_bin"n"_min,SOC_bin"n"_max] - Overflow
Count - XC PCF (SOC_bin"n"_min,SOC_bin"n"_max]

Data Source

OMCR

Source Field

PC1

Source Section

PMC204

SessRvsBurstCnt

PMC05_PC2: Session_Rvs_Brst_Count_(SBC_bin"n"_min, SBC_bin"n"_max] - Reverse Burst Count (SBC_bin"n"_min, SBC_bin"n"_max]

Source Field

PMC05_PC2

Source Section

PMC05

SessRvsByte

PMC06_PC2: Session_Rvs_Byte_(SB_bin"n"_min, SB_bin"n"_max] - Reverse Bytes (SB_bin"n"_min, SB_bin"n"_max]

Source Field

PMC06_PC2

Source Section

PMC06

XCBufferOvrflwBinMax

Maximum bin value of XC PCF Packet Data

Source Field

Subj_id_4

Source Section

PMC204

XCBufferOvrflwBinMin

Minimum bin value of XC PCF Packet Data

Source Field

Subj_id_3

Source Section

PMC204

XCDR Primitive Calculations

The following is a list of primitive calculations for the XCDR entity.

GRAPHmultiLineSeparator

Special Control Field for Multi-Line Graphs

Calculation

""

NUMDAYS

of days in Report

Calculation

DAYSINREPORT ()

NUMHOURS

of hours in Summation Data

UnknownEnterpriseField

Unknown Field exported from Enterprise Server

Calculation

nullInt ()

XCDR Peg Counts

The following is a list of peg counts for the XCDR entity.

callCCS

Call usage in CCS

Source Field

aemsC118: PC6,PC1

Data Source

aemsC Files

Source Section

aemsC118

totalCalls

Total Calls

Data Source

aemsC Files

Source Field

aemsC204_PC1

Source Section

aemsC204

XCDR_Slot Primitive Calculations

The following is a list of primitive calculations for the XCDR_Slot entity.

GRAPHmultiLineSeparator

Special Control Field for Multi-Line Graphs

Calculation

""

NUMDAYS

of days in Report

Calculation

DAYSINREPORT ()

NUMHOURS

of hours in Summation Data

UnknownEnterpriseField

Unknown Field exported from Enterprise Server

Calculation

`nullInt()`

XcdrChanGrp Primitive Calculations

The following is a list of primitive calculations for the XcdrChanGrp entity.

GRAPHmultiLineSeparator

Special Control Field for Multi-Line Graphs

Calculation

""

GrpAsgn

Group Assignments

Calculation

`vsum(XcdrChGrp, XcdrChGrpOvf)`

NUMDAYS

of days in Report

Calculation

`DAYSINREPORT()`

NUMHOURS

of hours in Summation Data

UnknownEnterpriseField

Unknown Field exported from Enterprise Server

Calculation

`nullInt()`

XcdrChanGrp Peg Counts

The following is a list of peg counts for the XcdrChanGrp entity.

XcdrChGrp

PMC71_PC1: XCH_Grp_Att - Channel Group Attempts - XchGrp

Source Field

PMC71_PC1

Source Section

PMC71

XcdrChGrpOvf

PMC71_PC2: XCH_Grp_Ovf - Channel Group Overflows - XchGrp

Source Field

PMC71_PC2

Source Section

PMC71

XcdrChGrpUsg

PMC71_PC3: XCH_Grp_Usg - Channel Group Usage - XchGrp

Source Field

PMC71_PC3

Source Section

PMC71

XMI Primitive Calculations

The following is a list of primitive calculations for the XMI entity.

averageInterferenceCancellationPercentagePbts

PMC65_PC1: Avg_Interfer_Cancell - Average Interference Cancellation

Calculation

`averageInterferenceCancellationPbts * 20.0 / 255.0`

GRAPHmultiLineSeparator

Special Control Field for Multi-Line Graphs

Calculation

""

interferenceCancellationFourthHighestPercentagePbts

PMC65_PC9: Interfer_Cancell_4th_Highest - Interference Cancellation-Fourth Highest (%)

Calculation

`interferenceCancellationFourthHighestPbts * 20.0 / 255.0`

interferenceCancellationHighestPercentagePbts

PMC65_PC3: Interfer_Cancell_Highest - Interference Cancellation-Highest (%)

Calculation

`interferenceCancellationHighestPbts * 20.0 / 255.0`

interferenceCancellationSecondHighestPercentagePbts

PMC65_PC5: Interfer_Cancell_2nd_Highest - Interference Cancellation-Second Highest (%)

Calculation

`interferenceCancellationSecondHighestPbts * 20.0 / 255.0`

interferenceCancellationThirdHighestPercentagePbts

PMC65_PC7: Interfer_Cancell_3rd_Highest - Interference Cancellation-Third Highest (%)

Calculation

`interferenceCancellationThirdHighestPbts * 20.0 / 255.0`

NUMDAYS

of days in Report

Calculation

`DAYSINREPORT ()`

NUMHOURS

of hours in Summation Data

padActivationPercentagePbts

PMC65_PC11: Pad_Activatn - Pad Activation

Calculation

`padActivationPbts * 100.0 / 255.0`

XMI Peg Counts

The following is a list of peg counts for the XMI entity.

averageInterferenceCancellationPbts

PMC65_PC1: Avg_Interfer_Cancell - Average Interference Cancellation

Data Source

PM

Source Field

PMC65_PC1

Source Section

PMC65

interferenceCancellationFourthHighestPbts

PMC65_PC9: Interfer_Cancell_4th_Highest - Interference Cancellation-Fourth Highest

Data Source

PM

Source Field

PMC65_PC9

Source Section

PMC65

interferenceCancellationHighestPbts

PMC65_PC3: Interfer_Cancell_Highest - Interference Cancellation-Highest

Data Source

PM

Source Field

PMC65_PC3

Source Section

PMC65

interferenceCancellationSecondHighestPbts

PMC65_PC5: Interfer_Cancell_2nd_Highest - Interference Cancellation-Second Highest

Data Source

PM

Source Field

PMC65_PC5

Source Section

PMC65

interferenceCancellationThirdHighestPbts

PMC65_PC7: Interfer_Cancell_3rd_Highest - Interference Cancellation-Third Highest

Data Source

PM

Source Field

PMC65_PC7

Source Section

PMC65

padActivationPbts

PMC65_PC11: Pad_Activatn - Pad Activation

Data Source

PM

Source Field

PMC65_PC11

Source Section

PMC65

peakInterferingSignalAmplitudeFourthHighestPbts

PMC65_PC10: Peak_Interfer_Sig_Ampltd_4th_Highest - Peak Interfering Signal Amplitude-Fourth Highest

Data Source

PM

Source Field

PMC65_PC10

Source Section

PMC65

peakInterferingSignalAmplitudeHighestPbts

PMC65_PC4: Peak_Interfer_Sig_Ampltd_Highest - Peak Interfering Signal Amplitude-Highest

Data Source

PM

Source Field

PMC65_PC4

Source Section

PMC65

peakInterferingSignalAmplitudePbts

PMC65_PC2: Peak_Interfer_Sig_Ampltd - Peak Interfering Signal Amplitude

Data Source

PM

Source Field

PMC65_PC2

Source Section

PMC65

peakInterferingSignalAmplitudeSecondHighestPbts

PMC65_PC6: Peak_Interfer_Sig_Ampltd_2nd_Highest - Peak Interfering Signal Amplitude-Second Highest

Data Source

PM

Source Field

PMC65_PC6

Source Section

PMC65

peakInterferingSignalAmplitudeThirdHighestPbts

PMC65_PC8: Peak_Interfer_Sig_Ampltd_3rd_Highest - Peak Interfering Signal Amplitude-Third Highest

Data Source

PM

Source Field

PMC65_PC8

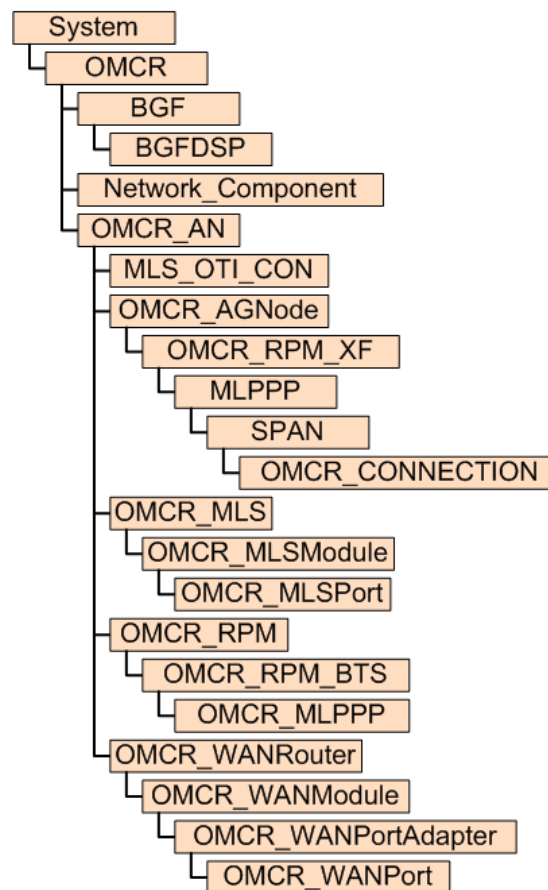
Source Section

PMC65

9 OMCR Entities

The following figure shows the Prospect reporting hierarchy for OMCR Traffic entities.

Figure 7: Reporting Hierarchy



10 OMCR Fields

The following is a list of available OMCR Traffic performance data fields.

BGF Primitive Calculations

The following is a list of primitive calculations for the BGF entity.

AvgCpuUtilizationPct

AVG_BGF_CPU_UTIL - Average percentage of BGF CPU utilization

Calculation

`AvgCpuUtilizationPct_Int`

AvgPktThroughput

AVG_BGF_PKT_THRPUT - Average throughput in packets per second of BGF

Calculation

`AvgPktThroughput_Int`

GRAPHmultiLineSeparator

Special Control Field for Multi-Line Graphs

Calculation

""

MaxCpuUtilizationPct

MAX_BGF_CPU_UTIL - Maximum percentage of BGF CPU utilization

Calculation

`Max (BGF DSP, MaxCpuUtilizationPct)`

MaxPktThroughput

MAX_BGF_PKT_THRPUT - Maximum throughput in packets per second of BGF

Calculation

MaxPktThroughput_Int

NUMDAYS

of days in Report

Calculation

DAYSINREPORT ()

NUMHOURS

of hours in Summation Data

BGFDSP Primitive Calculations

The following is a list of primitive calculations for the BGFDSP entity.

GRAPHmultiLineSeparator

Special Control Field for Multi-Line Graphs

Calculation

""

NUMDAYS

of days in Report

Calculation

DAYSINREPORT ()

NUMHOURS

of hours in Summation Data

BGFDSP Peg Counts

The following is a list of peg counts for the BGFDSP entity.

AvgCpuUtilizationPct

AVG_BGF_DSP_CPU_UTIL - Average percentage of DSP CPU utilization in BGF

Data Source

PM

Source Field

PMC160_PC1

Source Section

PMC160

AvgPktThroughput

AVG_BGF_DSP_PKT_THRPUT - Average throughput in packets per second of BGF DSP

Data Source

PM

Source Field

PMC160_PC3

Source Section

PMC160

MaxCpuUtilizationPct

MAX_BGF_DSP_CPU_UTIL - Maximum percentage of DSP CPU utilization in BGF

Data Source

PM

Source Field

PMC160_PC2

Source Section

PMC160

MaxPktThroughput

MAX_BGF_DSP_PKT_THRPUT - Maximum throughput in packets per second of BGF DSP

Data Source

PM

Source Field

PMC160_PC4

Source Section

PMC160

SVU_ID

SVU ID

Data Source

PM

Source Field

PMC160_Info_Ele_1

Source Section

PMC160

MLPPP Primitive Calculations

The following is a list of primitive calculations for the MLPPP entity.

FwdBundleAvgPktSize

Average packet size for all traffic in the MLPPP bundle in the forward direction.

Calculation

$(1.0 * \text{FwdBundleBytes}) / (1.0 * \text{FwdBundlePkts})$

FwdBundlebps

MLPPP Bundle bits per second rate in the forward direction.

Calculation

$(\text{FwdBundleBytes} * 8.0) / \text{PERLEN}$

FwdBundlebpsBkgd

The bits per second rate for the Background traffic class in the forward direction.

Calculation

$(\text{FwdBundleBytesBkgd} * 8.0) / \text{PERLEN}$

FwdBundlebpsConv

The bits per second rate for the Conversational traffic class in the forward direction.

Calculation

$$(\text{FwdBundleBytesConv} * 8.0) / \text{PERLEN}$$

FwdBundlebpsDefault

The bits per second rate for the Default traffic class in the forward direction.

Calculation

$$(\text{FwdBundleBytesDefault} * 8.0) / \text{PERLEN}$$

FwdBundlebpsStrmIntr

The bits per second rate for the Streaming-Interactive traffic class in the forward direction.

Calculation

$$(\text{FwdBundleBytesStrmIntr} * 8.0) / \text{PERLEN}$$

FwdBundleBytes

Total Bytes transmitted on the backhaul per MLPPP bundle in the forward direction.

Calculation

$$\text{Sum}(\text{SPAN.OMCR_CONNECTION} , \text{FwdSpanBytes})$$

FwdBundleDroppedPPSBkgd

The dropped packet per second rate for the Background traffic class in the forward direction.

Calculation

$$(1.0 * \text{FwdBundlePktsDroppedBkgd}) / \text{PERLEN}$$

FwdBundleDroppedPPSConv

The dropped packet per second rate for the Conversational traffic class in the forward direction.

Calculation

$$(1.0 * \text{FwdBundlePktsDroppedConv}) / \text{PERLEN}$$

FwdBundleDroppedPPSDefault

The dropped packet per second rate for the Default traffic class in the forward direction.

Calculation

$$(1.0 * \text{FwdBundlePktsDroppedDefault}) / \text{PERLEN}$$

FwdBundleDroppedPPSStrmIntr

The dropped packet per second rate for the Streaming-Interactive traffic class in the forward direction.

Calculation

(1.0 * FwdBundlePktsDroppedStrmIntr) / PERLEN

FwdBundlePkts

Total packets transmitted on the backhaul per MLPPP bundle in the forward direction.

Calculation

Sum(SPAN.OMCR_CONNECTION , FwdSpanPkts)

FwdBundlePPS

MLPPP Bundle Packet per second rate in the forward direction.

Calculation

(1.0 * FwdBundlePkts) / PERLEN

FwdBundlePPSBkgd

The packet per second rate for the Background traffic class in the forward direction.

Calculation

(1.0 * FwdBundlePktsBkgd) / PERLEN

FwdBundlePPSConv

The packet per second rate for the Conversational traffic class in the forward direction.

Calculation

(1.0 * FwdBundlePktsConv) / PERLEN

FwdBundlePPSDefault

The packet per second rate for the Default traffic class in the forward direction.

Calculation

(1.0 * FwdBundlePktsDefault) / PERLEN

FwdBundlePPStrmIntr

The packet per second rate for the Streaming-interactive traffic class in the forward direction.

Calculation

(1.0 * FwdBundlePktsStrmIntr) / PERLEN

GRAPHmultiLineSeparator

Special Control Field for Multi-Line Graphs

Calculation

""

NUMDAYS

of days in Report

Calculation

DAYSINREPORT ()

NUMHOURS

of hours in Summation Data

MLPPP Peg Counts

The following is a list of peg counts for the MLPPP entity.

FwdBundleBytesBkgd

PMC156_PC2: TOT_BYTES_SCHEDULED_DO_BKHL - Total bytes scheduled on DO-Backhaul per Background Traffic Class

Data Source

PM

Source Field

PMC156_PC2

Source Section

PMC156

FwdBundleBytesConv

PMC156_PC2: TOT_BYTES_SCHEDULED_DO_BKHL - Total bytes scheduled on DO-Backhaul per Conversational Traffic Class

Data Source

PM

Source Field

PMC156_PC2

Source Section

PMC156

FwdBundleBytesDefault

PMC156_PC2: TOT_BYTES_SCHEDULED_DO_BKHL - Total bytes scheduled on DO-Backhaul per Default Traffic Class

Data Source

PM

Source Field

PMC156_PC2

Source Section

PMC156

FwdBundleBytesDroppedBkgd

PMC156_PC4: TOT_PKTS_DROPPED_DO_BKHL - Total bytes dropped on DO-Backhaul per Background Traffic Class

Data Source

PM

Source Field

PMC156_PC4

Source Section

PMC156

FwdBundleBytesDroppedConv

PMC156_PC4: TOT_PKTS_DROPPED_DO_BKHL - Total bytes dropped on DO-Backhaul per Conversational Traffic Class

Data Source

PM

Source Field

PMC156_PC4

Source Section

PMC156

FwdBundleBytesDroppedDefault

PMC156_PC4: TOT_PKTS_DROPPED_DO_BKHL - Total bytes dropped on DO-Backhaul per Default Traffic Class

Data Source

PM

Source Field

PMC156_PC4

Source Section

PMC156

FwdBundleBytesDroppedStrmIntr

PMC156_PC4: TOT_PKTS_DROPPED_DO_BKHL - Total bytes dropped on DO-Backhaul per Streaming Interactive Traffic Class

Data Source

PM

Source Field

PMC156_PC4

Source Section

PMC156

FwdBundleBytesStrmIntr

PMC156_PC2: TOT_BYTES_SCHEDULED_DO_BKHL - Total bytes scheduled on DO-Backhaul per Streaming-Interactive Traffic Class

Data Source

PM

Source Field

PMC156_PC2

Source Section

PMC156

FwdBundleDroppedPkts

PMC158_PC2: TOT_PKT_DISCARD - Total packets discarded

Data Source

PM

Source Field

PMC158_PC2

Source Section

PMC158

FwdBundlePktsBkgd

PMC156_PC1: TOT_PKTS_SCHEDULED_DO_BKHL - Total packets scheduled on DO-Backhaul per Background Traffic Class

Data Source

PM

Source Field

PMC156_PC1

Source Section

PMC156

FwdBundlePktsConv

PMC156_PC1: TOT_PKTS_SCHEDULED_DO_BKHL - Total packets scheduled on DO-Backhaul per Conversational Traffic Class

Data Source

PM

Source Field

PMC156_PC1

Source Section

PMC156

FwdBundlePktsDefault

PMC156_PC1: TOT_PKTS_SCHEDULED_DO_BKHL - Total packets scheduled on DO-Backhaul per Default Traffic Class

Data Source

PM

Source Field

PMC156_PC1

Source Section

PMC156

FwdBundlePktsDroppedBkgd

PMC156_PC3: TOT_PKTS_DROPPED_DO_BKHL - Total packets dropped on DO-Backhaul per Background Traffic Class

Data Source

PM

Source Field

PMC156_PC3

Source Section

PMC156

FwdBundlePktsDroppedConv

PMC156_PC3: TOT_PKTS_DROPPED_DO_BKHL - Total packets dropped on DO-Backhaul per Conversational Traffic Class

Data Source

PM

Source Field

PMC156_PC3

Source Section

PMC156

FwdBundlePktsDroppedDefault

PMC156_PC3: TOT_PKTS_DROPPED_DO_BKHL - Total packets dropped on DO-Backhaul per Default Traffic Class

Data Source

PM

Source Field

PMC156_PC3

Source Section

PMC156

FwdBundlePktsDroppedStrmIntr

PMC156_PC3: TOT_PKTS_DROPPED_DO_BKHL - Total packets dropped on DO-Backhaul per Default Traffic Class

Data Source

PM

Source Field

PMC156_PC3

Source Section

PMC156

FwdBundlePktsStrmIntr

PMC156_PC1: TOT_PKTS_SCHEDULED_DO_BKHL - Total packets scheduled on DO-Backhaul per Streaming-Interactive Traffic Class

Data Source

PM

Source Field

PMC156_PC1

Source Section

PMC156

FwdBundleSequenceErrors

PMC158_PC1: TOT_ERR_PKT_SEQ_ERR - Packets dropped due to Sequence Errors

Data Source

PM

Source Field

PMC158_PC1

Source Section

PMC158

PERLEN

Period Length

Data Source

PM

Source Field

PERLEN

Source Section

Period Length

MLS_OTI_CON Primitive Calculations

The following is a list of primitive calculations for the MLS_OTI_CON entity.

GRAPHmultiLineSeparator

Special Control Field for Multi-Line Graphs

Calculation

""

NUMDAYS

of days in Report

Calculation

DAYSINREPORT ()

NUMHOURS

of hours in Summation Data

MLS_OTI_CON Peg Counts

The following is a list of peg counts for the MLS_OTI_CON entity.

AvgIncomingBWUtilMLS_OTI_CON

AVG_IN_BW_UTIL_MLS_OTI_CON - Average Incoming Bandwidth Utilization -
MLS_OTI_CON

Data Source

PM

Source Section

PMC154

AvgIncomingPktRateMLS_OTI_CON

AVG_IN_PKT_RATE_MLS_OTI_CON - Average Incoming Packet Rate - MLS_OTI_CON

Data Source

PM

Source Section

PMC154

AvgOutgoingBWUtilMLS_OTI_CON

AVG_OUT_BW_UTIL_MLS_OTI_CON - Average Outgoing Bandwidth Utilization -
MLS_OTI_CON

Data Source

PM

Source Section

PMC154

AvgOutgoingPktRateMLS_OTI_CON

AVG_OUT_PKT_RATE_MLS_OTI_CON - Average Outgoing Packet Rate - MLS_OTI_CON

Data Source

PM

Source Section

PMC154

MaxIncomingBWUtilMLS_OTI_CON

MAX_IN_BW_UTIL_MLS_OTI_CON - Maximum Incoming Bandwidth Utilization -
MLS_OTI_CON

Data Source

PM

Source Section

PMC154

MaxIncomingPktRateMLS_OTI_CON

MAX_IN_PKT_RATE_MLS_OTI_CON - Maximum Incoming Packet Rate - MLS_OTI_CON

Data Source

PM

Source Section

PMC154

MaxOutgoingBWUtilMLS_OTI_CON

MAX_OUT_BW_UTIL_MLS_OTI_CON - Maximum Outgoing Bandwidth Utilization -
MLS_OTI_CON

Data Source

PM

Source Section

PMC154

MaxOutgoingPktRateMLS_OTI_CON

MAX_OUT_PKT_RATE_MLS_OTI_CON - Maximum Outgoing Packet Rate -
MLS_OTI_CON

Data Source

PM

Source Section

PMC154

Network_Component Primitive Calculations

The following is a list of primitive calculations for the Network_Component entity.

GRAPHmultiLineSeparator

Special Control Field for Multi-Line Graphs

Calculation

""

NUMDAYS

of days in Report

Calculation

DAYSINREPORT ()

NUMHOURS

of hours in Summation Data

Network_Component Peg Counts

The following is a list of peg counts for the Network_Component entity.

CPU_Util_Avg

CPU Utilization in percentage calculated by averaging 10-min CPU Utilization values in OMC
SAR

Data Source

OMC SAR

Source Field

CPU_Util

CPU_Util_Max

CPU Utilization in percentage calculated by picking the maximum of 10-min CPU Utilization values in OMC SAR

Data Source

OMC SAR

Source Field

CPU_Util

Elapsed_Time_SAR

Elapsed Time in seconds

Data Source

OMC SAR

Source Field

Elapsed_Time

Logical_Name

Logical Name

Data Source

OMC SAR

Source Field

Logical_Name

Logical_Number

Logical Number

Data Source

OMC SAR

Source Field

Logical_Number

Node_Number

Node (CBSC/SDU/VPU) Number

Data Source

OMC SAR

Source Field

Node_Number

OMC_Number

OMC Number

Data Source

OMC SAR

Source Field

OMC_Number

Shelf_RG_ID

Shelf or RG ID

Data Source

OMC SAR

Source Field

Shelf_RG_ID

Slot_Number

Slot Number

Data Source

OMC SAR

Source Field

Slot_Number

OMCR Primitive Calculations

The following is a list of primitive calculations for the OMCR entity.

GRAPHmultiLineSeparator

Special Control Field for Multi-Line Graphs

Calculation

""

NUMDAYS

of days in Report

Calculation

DAYSINREPORT ()

NUMHOURS

of hours in Summation Data

UnknownEnterpriseField

Unknown Field exported from Enterprise Server

Calculation

nullInt ()

OMCR Peg Counts

The following is a list of peg counts for the OMCR entity.

CPU_Util_Avg

CPU Utilization in percentage calculated by averaging 10-min CPU Utilization values in OMC SAR

Data Source

OMC SAR

Source Field

CPU_Util

CPU_Util_Max

CPU Utilization in percentage calculated by picking the maximum of 10-min CPU Utilization values in OMC SAR

Data Source

OMC SAR

Source Field

CPU_Util

Elapsed_Time_SAR

Elapsed Time in seconds

Data Source

OMC SAR

Source Field

Elapsed_Time

Logical_Name

Logical Name

Data Source

OMC SAR

Source Field

Logical_Name

Logical_Number

Logical Number

Data Source

OMC SAR

Source Field

Logical_Number

Node_Number

Node (CBSC/SDU/VPU) Number

Data Source

OMC SAR

Source Field

Node_Number

OMC_Number

OMC Number

Data Source

OMC SAR

Source Field

OMC_Number

OMCR_AGNode Primitive Calculations

The following is a list of primitive calculations for the OMCR_AGNode entity.

GRAPHmultiLineSeparator

Special Control Field for Multi-Line Graphs

Calculation

""

NUMDAYS

of days in Report

Calculation

DAYSINREPORT ()

NUMHOURS

of hours in Summation Data

OMCR_AN Primitive Calculations

The following is a list of primitive calculations for the OMCR_AN entity.

GRAPHmultiLineSeparator

Special Control Field for Multi-Line Graphs

Calculation

""

NUMDAYS

of days in Report

Calculation

DAYSINREPORT ()

NUMHOURS

of hours in Summation Data

OMCR_CONNECTION Primitive Calculations

The following is a list of primitive calculations for the OMCR_CONNECTION entity.

GRAPHmultiLineSeparator

Special Control Field for Multi-Line Graphs

Calculation

""

NUMDAYS

of days in Report

Calculation

DAYSINREPORT ()

NUMHOURS

of hours in Summation Data

OMCR_CONNECTION Peg Counts

The following is a list of peg counts for the OMCR_CONNECTION entity.

FwdSpanBytes

PMC157_PC3: TOT_BYTES_TRANS_DO_BKHL - Total bytes transmitted on the backhaul

Data Source

PM

Source Field

PMC157_PC3

Source Section

PMC157

FwdSpanFCSErrors

PMC157_PC5: TOT_ERR_PKT_FCS - Total error packets received due to FCS errors

Data Source

PM

Source Field

PMC157_PC5

Source Section

PMC157

FwdSpanMRUErrors

PMC157_PC4: TOT_ERR_PKT_MRU - Total error packets received due to MRU errors

Data Source

PM

Source Field

PMC157_PC4

Source Section

PMC157

FwdSpanPkts

PMC157_PC2: TOT_PKTS_TRANS_DO_BKHL - Total packets transmitted on the backhaul

Data Source

PM

Source Field

PMC157_PC2

Source Section

PMC157

FwdSpanReceivedErrorBytes

PMC157_PC7: TOT_ERR_BYTES - Total error bytes Received

Data Source

PM

Source Field

PMC157_PC7

Source Section

PMC157

FwdSpanUnrecognizedPIDErrors

PMC157_PC6: TOT_ERR_PKT_PID_UNKNOWN - Total error packets with un-recognized PID

Data Source

PM

Source Field

PMC157_PC6

Source Section

PMC157

PERLEN

Period Length

Data Source

PM

Source Field

PERLEN

Source Section

Period Length

SpanIndicator

PMC157_PC1: 1X/DO Indicator (0 = Default set for 1X spans, 1 = DO Spans)

Data Source

PM

Source Field

PMC157_PC1

Source Section

PMC157

OMCR_MLPPP Primitive Calculations

The following is a list of primitive calculations for the OMCR_MLPPP entity.

AvgPktBkhaulUtil

PMC151: Avg_Pkt_Bkhaul_Util - Average Packet Backhaul Utilization (%)

Calculation

AvgPktBkhaulUtil_Int

GRAPHmultiLineSeparator

Special Control Field for Multi-Line Graphs

Calculation

""

MaxPktBkhaulUtil

PMC151: Max_Pkt_Bkhaul_Util - Maximum Packet Backhaul Utilization (%)

Calculation

protect(100.0 * ((MaxFwdThruput > MaxRvsThruput) ? MaxFwdThruput :
MaxRvsThruput) / (InterfaceSpeed / 1000))

NUMDAYS

of days in Report

Calculation

DAYSINREPORT ()

NUMHOURS

of hours in Summation Data

OMCR_MLPPP Peg Counts

The following is a list of peg counts for the OMCR_MLPPP entity.

AvgFwdThruput

PMC151_PC1: AVG_FWD_THRPUT - Average Forward Throughput

Data Source

PM

Source Field

PMC151_PC1

Source Section

PMC151

AvgRvsThruput

PMC151_PC3: AVG_RVS_THRPUT - Average Reverse Throughput

Data Source

PM

Source Field

PMC151_PC3

Source Section

PMC151

InterfaceSpeed

PMC151_PC5: INT_SPEED - Interface Speed

Data Source

PM

Source Field

PMC151_PC5

Source Section

PMC151

MaxFwdThruput

PMC151_PC2: MAX_FWD_THRPUT - Maximum Forward Throughput

Data Source

PM

Source Field

PMC151_PC2

Source Section

PMC151

MaxFwdThruput_Sum

PMC151_PC2: MAX_FWD_THRPUT - Total of Maximum Forward Throughput

maximumPacketBackhaulUtilization_Int

This measurement provides operator with Maximum Packet Backhaul Utilization

Data Source

PM

Source Field

$100.0 * ((\text{MaxFwdThruput} > \text{MaxRvsThruput}) ? \text{MaxFwdThruput} : \text{MaxRvsThruput}) / (\text{InterfaceSpeed} / 1000)$

Source Section

$100.0 * ((\text{MaxFwdThruput} > \text{MaxRvsThruput}) ? \text{MaxFwdThruput} : \text{MaxRvsThruput}) / (\text{InterfaceSpeed} / 1000)$

MaxRvsThruput

PMC151_PC4: MAX_RVS_THRPUT - Maximum Reverse Throughput

Data Source

PM

Source Field

PMC151_PC4

Source Section

PMC151

MaxRvsThruput_Sum

PMC151_PC4: MAX_RVS_THRPUT - Total of Maximum Reverse Throughput

OMCR_MLS Primitive Calculations

The following is a list of primitive calculations for the OMCR_MLS entity.

GRAPHmultiLineSeparator

Special Control Field for Multi-Line Graphs

Calculation

""

totalCoreRouterPacketsPerSec

PMC153: TOT_CORE_ROUTER_PKT_SEC - Total Core Router Packets Per Sec - PPS

Calculation

vsum(averageOutgoingPacketThroughput, averageIncomingPacketThroughput)

OMCR_MLS Peg Counts

The following is a list of peg counts for the OMCR_MLS entity.

averageCoreRouterCpuUtilization

PMC153_PC1: AVG_CORE_ROUTER_CPU_UTIL - Average Core Router CPU Utilization

Data Source

PM

Source Field

PMC153_PC1

Source Section

PMC153

averageIncomingPacketThroughput

PMC153_PC5: AVG_IN_PKT_THRPUT_PPS - Average Incoming Packet Throughput - PPS

Data Source

PM

Source Field

PMC153_PC5

Source Section

PMC153

averageOutgoingPacketThroughput

PMC153_PC3: AVG_OUT_PKT_THRPUT_PPS - Average Outgoing Packet Throughput - PPS

Data Source

PM

Source Field

PMC153_PC3

Source Section

PMC153

maximumCoreRouterCpuUtilization

PMC153_PC2: MAX_CORE_ROUTER_CPU_UTIL - Maximum Core Router CPU Utilization

Data Source

PM

Source Field

PMC153_PC2

Source Section

PMC153

maximumIncomingPacketThroughput

PMC153_PC6: MAX_IN_PKT_THRPUT_PPS - Maximum Incoming Packet Throughput - PPS

Data Source

PM

Source Field

PMC153_PC6

Source Section

PMC153

maximumOutgoingPacketThroughput

PMC153_PC4: MAX_OUT_PKT_THRPUT_PPS - Maximum Outgoing Packet Throughput - PPS

Data Source

PM

Source Field

PMC153_PC4

Source Section

PMC153

OMCR_MLSModule Primitive Calculations

The following is a list of primitive calculations for the OMCR_MLSModule entity.

GRAPHmultiLineSeparator

Special Control Field for Multi-Line Graphs

Calculation

""

OMCR_MLSPort Primitive Calculations

The following is a list of primitive calculations for the OMCR_MLSPort entity.

averagePortPacketSize

PMC154: AVG_PORT_PKT_SIZE - Average Port Packet Size

Calculation

```
1.0 * sum(OMCR_MLSModule.OMCR_MLS.OMCR_MLSModule.OMCR_MLSPort, vsum(averageOutgoingThroughput, averageIncomingThroughput)) / vsum(averageOutgoingPacketThroughput, averageIncomingPacketThroughput)
```

GRAPHmultiLineSeparator

Special Control Field for Multi-Line Graphs

Calculation

""

maximumPortPacketSize

PMC154: MAX_PORT_PKT_SIZE - Maximum Port Packet Size

Calculation

```
1.0 * sum(OMCR_MLSModule.OMCR_MLS.OMCR_MLSModule.OMCR_MLSPort, vsum(maximumOutgoingThroughput, maximumIncomingThroughput)) / vsum(maximumOutgoingPacketThroughput, maximumIncomingPacketThroughput)
```

NUMDAYS

of days in Report

Calculation

```
DAYSINREPORT()
```

NUMHOURS

of hours in Summation Data

Calculation

OMCR_MLSPort Peg Counts

The following is a list of peg counts for the OMCR_MLSPort entity.

averageIncomingPacketThroughput

PMC154_PC3: AVG_IN_PKT_THRPUT_PORT_KPPS - Average Incoming Packet Throughput - Port - KPPS

Data Source

PM

Source Field

PMC154_PC3

Source Section

PMC154

averageIncomingThroughput

PMC154_PC7: AVG_IN_THRPUT_PORT_KBPS - Average Incoming Throughput - Port - kbps

Data Source

PM

Source Field

PMC154_PC7

Source Section

PMC154

averageOutgoingPacketThroughput

PMC154_PC1: AVG_OUT_PKT_THRPUT_PORT_KPPS - Average Outgoing Packet Throughput - Port - KPPS

Data Source

PM

Source Field

PMC154_PC1

Source Section

PMC154

averageOutgoingThroughput

PMC154_PC5: AVG_OUT_THRPUT_PORT_KBPS - Average Outgoing Throughput - Port - kbps

Data Source

PM

Source Field

PMC154_PC5

Source Section

PMC154

AvgIncomingBroadcastPktThroughput

AVG_IN_BC_PKT_THROUGHPUT - Average Incoming Broadcast Packet Throughput - Port - PPS

Data Source

PM

Source Field

PMC154_PC16

Source Section

PMC154

AvgIncomingMulticastPktThroughput

AVG_IN_MC_PKT_THROUGHPUT - Average Incoming Multicast Packet Throughput - Port - PPS

Data Source

PM

Source Field

PMC154_PC14

Source Section

PMC154

AvgOutgoingBroadcastPktThroughput

AVG_OUT_BC_PKT_THROUGHPUT - Average Outgoing Broadcast Packet Throughput - Port - PPS

Data Source

PM

Source Field

PMC154_PC12

Source Section

PMC154

AvgOutgoingMulticastPktThroughput

AVG_OUT_MC_PKT_THROUGHPUT - Average Outgoing Multicast Packet Throughput - Port - PPS

Data Source

PM

Source Field

PMC154_PC10

Source Section

PMC154

interfaceSpeed

PMC154_PC9:INT_SPEED_PORT_MBPS - Interface Speed - Port - Mbps

Data Source

PM

Source Field

PMC154_PC9

Source Section

PMC154

maximumIncomingPacketThroughput

PMC154_PC4: MAX_IN_PKT_THRPUT_PORT_KPPS - Maximum Incoming Packet Throughput - Port - KPPS

Data Source

PM

Source Field

PMC154_PC4

Source Section

PMC154

maximumIncomingThroughput

PMC154_PC8: MAX_IN_THRPUT_PORT_KBPS - Maximum Incoming Throughput - Port - kbps

Data Source

PM

Source Field

PMC154_PC8

Source Section

PMC154

maximumOutgoingPacketThroughput

PMC154_PC2: MAX_OUT_PKT_THRPUT_PORT_KPPS - Maximum Outgoing Packet Throughput - Port - KPPS

Data Source

PM

Source Field

PMC154_PC2

Source Section

PMC154

maximumOutgoingThroughput

PMC154_PC6: MAX_OUT_THRPUT_PORT_KBPS - Maximum Outgoing Throughput - Port
- kbps

Data Source

PM

Source Field

PMC154_PC6

Source Section

PMC154

MaxIncomingBroadcastPktThroughput

MAX_IN_BC_PKT_THROUGHPUT - Maximum Incoming Broadcast Packet Throughput -
Port - PPS

Data Source

PM

Source Field

PMC154_PC17

Source Section

PMC154

MaxIncomingMulticastPktThroughput

MAX_IN_MC_PKT_THROUGHPUT - Maximum Incoming Multicast Packet Throughput -
Port - PPS

Data Source

PM

Source Field

PMC154_PC15

Source Section

PMC154

MaxOutgoingBroadcastPktThroughput

MAX_OUT_BC_PKT_THROUGHPUT - Maximum Outgoing Broadcast Packet Throughput - Port - PPS

Data Source

PM

Source Field

PMC154_PC13

Source Section

PMC154

MaxOutgoingMulticastPktThroughput

MAX_OUT_MC_PKT_THROUGHPUT - Maximum Outgoing Multicast Packet Throughput - Port - PPS

Data Source

PM

Source Field

PMC154_PC11

Source Section

PMC154

OMCR_RPM Primitive Calculations

The following is a list of primitive calculations for the OMCR_RPM entity.

AvgRPMpktSize

PMC150&151: Avg_RPM_Pkt_Size - Average RPM Packet Size

Calculation

AvgRPMpktSize_Int

GRAPHmultiLineSeparator

Special Control Field for Multi-Line Graphs

Calculation

""

MaxAvgRMPktSize

PMC150&151: Max_Avg_RPM_Pkt_Size - Maximum Average RPM Packet Size

Calculation

MaxAvgRMPktSize_Int

NUMDAYS

of days in Report

Calculation

DAYSINREPORT ()

NUMHOURS

of hours in Summation Data

TotAvgPktThruput

PMC150: Tot_Avg_Pkt_Thruput - Total Average Packet Throughput

Calculation

TotAvgPktThruput_Int

TotMaxPktThruput

PMC150: Tot_Max_Pkt_Thruput - Total Maximum Packet Throughput

Calculation

TotMaxPktThruput_Int

OMCR_RPM Peg Counts

The following is a list of peg counts for the OMCR_RPM entity.

AvgFwdPktThruput

PMC150_PC3: AVG_FWD_PKT_THRPUT - Average Forward Packet Throughput

Data Source

PM

Source Field

PMC150_PC3

Source Section

PMC150

AvgRPM_CPU_Util

PMC150_PC1: AVG_RPM_CPU_UTIL - Average RPM CPU Utilization

Data Source

PM

Source Field

PMC150_PC1

Source Section

PMC150

AvgRvsPktThruput

PMC150_PC5: AVG_RVS_PKT_THRPUT - Average Reverse Packet Throughput

Data Source

PM

Source Field

PMC150_PC5

Source Section

PMC150

MaxFwdPktThruput

PMC150_PC4: MAX_FWD_PKT_THRPUT - Maximum Forward Packet Throughput

Data Source

PM

Source Field

PMC150_PC4

Source Section

PMC150

MaxFwdPktThruput_Sum

PMC150_PC4: MAX_FWD_PKT_THRPUT - Total of Maximum Forward Packet Throughput

MaxRPM_CPU_Util

PMC150_PC2: MAX_RPM_CPU_UTIL - Maximum RPM CPU Utilization

Data Source

PM

Source Field

PMC150_PC2

Source Section

PMC150

MaxRvsPktThruput

PMC150_PC6: MAX_RVS_PKT_THRPUT - Maximum Reverse Packet Throughput

Data Source

PM

Source Field

PMC150_PC6

Source Section

PMC150

MaxRvsPktThruput_Sum

PMC150_PC6: MAX_RVS_PKT_THRPUT - Total of Maximum Reverse Packet Throughput

OMCR_RPM_BTS Primitive Calculations

The following is a list of primitive calculations for the OMCR_RPM_BTS entity.

GRAPHmultiLineSeparator

Special Control Field for Multi-Line Graphs

Calculation

""

NUMDAYS

of days in Report

Calculation

DAYSINREPORT ()

NUMHOURS

of hours in Summation Data

OMCR_RPM_XF Primitive Calculations

The following is a list of primitive calculations for the OMCR_RPM_XF entity.

GRAPHmultiLineSeparator

Special Control Field for Multi-Line Graphs

Calculation

""

NUMDAYS

of days in Report

Calculation

DAYSINREPORT ()

NUMHOURS

of hours in Summation Data

OMCR_WANModule Primitive Calculations

The following is a list of primitive calculations for the OMCR_WANModule entity.

GRAPHmultiLineSeparator

Special Control Field for Multi-Line Graphs

Calculation

""

OMCR_WANPort Primitive Calculations

The following is a list of primitive calculations for the OMCR_WANPort entity.

averageInterMtsoWanLinkPacketSize

PMC155: AVG_INTMTSO_PKT_SIZE - Average Inter-MTSO WAN Link Packet Size

Calculation

```
1.0 *  
sum(OMCR_WANPortAdapter.OMCR_WANModule.OMCR_WANPortAdapter.OMCR_WANPort,  
vsum(averageOutgoingThroughput, averageIncomingThroughput)) / vsum(averageOutgoingPacketThroughput, averageIncomingPacketThroughput)
```

GRAPHmultiLineSeparator

Special Control Field for Multi-Line Graphs

Calculation

""

maximumInterMtsoWanLinkPacketSize

PMC155: MAX_INTMTSO_PKT_SIZE - Maximum Inter-MTSO WAN Link Packet Size

Calculation

```
1.0 *  
sum(OMCR_WANPortAdapter.OMCR_WANModule.OMCR_WANPortAdapter.OMCR_WANPort,  
vsum(maximumOutgoingThroughput, maximumIncomingThroughput)) / vsum(maximumOutgoingPacketThroughput, maximumIncomingPacketThroughput)
```

NUMDAYS

of days in Report

Calculation

```
DAYSINREPORT ()
```

NUMHOURS

of hours in Summation Data

OMCR_WANPort Peg Counts

The following is a list of peg counts for the OMCR_WANPort entity.

averageIncomingPacketThroughput

PMC155_PC3: AVG_IN_PKT_THRPUT_INTMTSO_KPPS - Average Incoming Packet Throughput - Inter-MTSO WAN Link - KPPS

Data Source

PM

Source Field

PMC155_PC3

Source Section

PMC155

averageIncomingThroughput

PMC155_PC7: AVG_IN_THRPUT_INTMTSO_KBPS - Average Incoming Throughput - Inter-MTSO WAN Link - kbps

Data Source

PM

Source Field

PMC155_PC7

Source Section

PMC155

averageOutgoingPacketThroughput

PMC155_PC1: AVG_OUT_PKT_THRPUT_INTMTSO_KPPS - Average Outgoing Packet Throughput - Inter-MTSO WAN Link - KPPS

Data Source

PM

Source Field

PMC155_PC1

Source Section

PMC155

averageOutgoingThroughput

PMC155_PC5: AVG_OUT_THRPUT_INTMTSO_KBPS - Average Outgoing Throughput - Inter-MTSO WAN Link - kbps

Data Source

PM

Source Field

PMC155_PC5

Source Section

PMC155

interfaceSpeed

PMC155_PC9: INT_SPEED_INTMTSO_MBPS - Interface Speed - Inter-MTSO WAN Link - Mbps

Data Source

PM

Source Field

PMC155_PC9

Source Section

PMC155

maximumIncomingPacketThroughput

PMC155_PC4: MAX_IN_PKT_THRPUT_INTMTSO_KPPS - Maximum Incoming Packet Throughput - Inter-MTSO WAN Link - KPPS

Data Source

PM

Source Field

PMC155_PC4

Source Section

PMC155

maximumIncomingThroughput

PMC155_PC8: MAX_IN_THRPUT_INTMTSO_KBPS - Maximum Incoming Throughput - Inter-MTSSO WAN Link - kbps

Data Source

PM

Source Field

PMC155_PC8

Source Section

PMC155

maximumOutgoingPacketThroughput

PMC155_PC2: MAX_OUT_PKT_THRPUT_INTMTSO_KPPS - Maximum Outgoing Packet Throughput - Inter-MTSSO WAN Link - KPPS

Data Source

PM

Source Field

PMC155_PC2

Source Section

PMC155

maximumOutgoingThroughput

PMC155_PC6: MAX_OUT_THRPUT_INTMTSO_KBPS - Maximum Outgoing Throughput - Inter-MTSSO WAN Link - kbps

Data Source

PM

Source Field

PMC155_PC6

Source Section

PMC155

OMCR_WANRouter Primitive Calculations

The following is a list of primitive calculations for the OMCR_WANRouter entity.

GRAPHmultiLineSeparator

Special Control Field for Multi-Line Graphs

Calculation

""

NUMDAYS

of days in Report

Calculation

DAYSINREPORT ()

NUMHOURS

of hours in Summation Data

SPAN Primitive Calculations

The following is a list of primitive calculations for the SPAN entity.

GRAPHmultiLineSeparator

Special Control Field for Multi-Line Graphs

Calculation

""

NUMDAYS

of days in Report

Calculation

DAYSINREPORT ()

NUMHOURS

of hours in Summation Data

System Primitive Calculations

The following is a list of primitive calculations for the System entity.

GRAPHmultiLineSeparator

Special Control Field for Multi-Line Graphs

Calculation

""

NUMDAYS

of days in Report

Calculation

DAYSINREPORT ()

NUMHOURS

of hours in Summation Data

UnknownEnterpriseField

Unknown Field exported from Enterprise Server

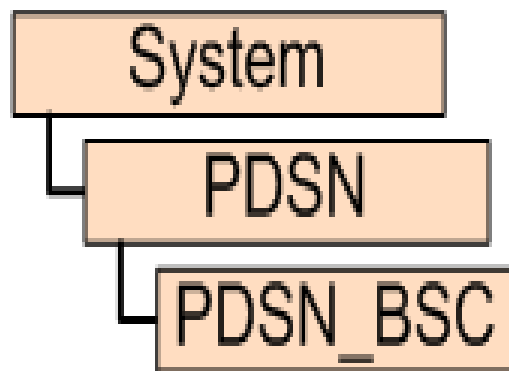
Calculation

nullInt ()

11 PDSN Entities

The following figure shows the Prospect reporting hierarchy for PDSN Traffic entities.

Figure 8: Reporting Hierarchy



12 PDSN Fields

The following is a list of available PDSN Traffic performance data fields.

PDSN Primitive Calculations

The following is a list of primitive calculations for the PDSN entity.

NUMDAYS

of days in Report

Calculation

DAYSINREPORT ()

NUMHOURS

of hours in Summation Data

UnknownEnterpriseField

Unknown Field exported from Enterprise Server

Calculation

nullInt ()

PDSN_BSC Primitive Calculations

The following is a list of primitive calculations for the PDSN_BSC entity.

NUMDAYS

of days in Report

Calculation

DAYSINREPORT ()

NUMHOURS

of hours in Summation Data

UnknownEnterpriseField

Unknown Field exported from Enterprise Server

Calculation

`nullInt()`

System Primitive Calculations

The following is a list of primitive calculations for the System entity.

GRAPHmultiLineSeparator

Special Control Field for Multi-Line Graphs

Calculation

""

NUMDAYS

of days in Report

Calculation

`DAYSINREPORT()`

NUMHOURS

of hours in Summation Data

UnknownEnterpriseField

Unknown Field exported from Enterprise Server

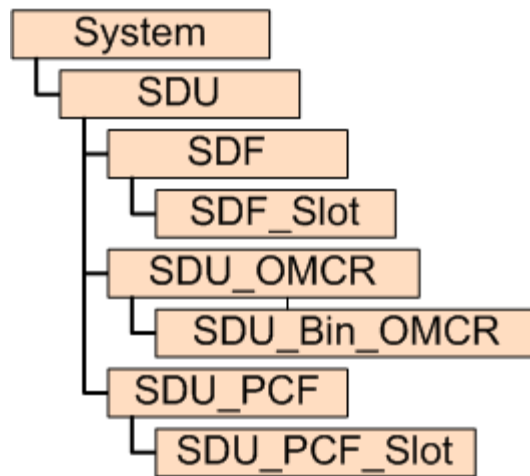
Calculation

`nullInt()`

13 SDU Entities

The following figure shows the Prospect reporting hierarchy for SDU Traffic entities.

Figure 9: Reporting Hierarchy



14 SDU Fields

The following is a list of available SDU Traffic performance data fields.

SDF Primitive Calculations

The following is a list of primitive calculations for the SDF entity.

NUMDAYS

of days in Report

Calculation

`DAYSINREPORT ()`

NUMHOURS

of hours in Summation Data

UnknownEnterpriseField

Unknown Field exported from Enterprise Server

Calculation

`nullInt ()`

SDF_Slot Primitive Calculations

The following is a list of primitive calculations for the SDF_Slot entity.

GRAPHmultiLineSeparator

Special Control Field for Multi-Line Graphs

Calculation

""

NUMDAYS

of days in Report

Calculation

DAYSINREPORT ()

NUMHOURS

of hours in Summation Data

SDF_Slot Peg Counts

The following is a list of peg counts for the SDF_Slot entity.

CPU_Util_Avg

CPU Utilization in percentage calculated by averaging 10-min CPU Utilization values in OMC SAR

Data Source

OMC SAR

Source Field

CPU_Util

CPU_Util_Max

CPU Utilization in percentage calculated by picking the maximum of 10-min CPU Utilization values in OMC SAR

Data Source

OMC SAR

Source Field

CPU_Util

Elapsed_Time_SAR

Elapsed Time in seconds

Data Source

OMC SAR

Source Field

Elapsed_Time

Logical_Name

Logical Name

Data Source

OMC SAR

Source Field

Logical_Name

Logical_Number

Logical Number

Data Source

OMC SAR

Source Field

Logical_Number

Node_Number

Node (CBSC/SDU/VPU) Number

Data Source

OMC SAR

Source Field

Node_Number

OMC_Number

OMC Number

Data Source

OMC SAR

Source Field

OMC_Number

Shelf_RG_ID

Shelf or RG ID

Data Source

OMC SAR

Source Field

Shelf_RG_ID

Slot_Number

Slot Number

Data Source

OMC SAR

Source Field

Slot_Number

SDU Available Data Fields

The following is a list of available data fields for the SDU entity.

SDU_AvailableDataPct

SDU Available Data Pct

SDU Primitive Calculations

The following is a list of primitive calculations for the SDU entity.

ActCallAllocSuccM

PMC113_PC2: SDU-PCF_ACT_ALLO_SUCC - SDU-PCF Active Call Allocation Success - MM Request

Calculation

```
sum(bridgeList(LocalKey, System.MSC.BSC.SDU_PCF_RA_BSC, LocalKey), ActCallAllocSuccM)
```

NUMDAYS

of days in Report

Calculation

DAYSINREPORT ()

NUMHOURS

of hours in Summation Data

NumResrcReqRecvd_SDUPCF

PMC113_PC6: SDU_PCF_RA_RES_REQ_RX - Number of Resource Requests Received -
SDU PCF-RA

Calculation

sum(bridgeList(LocalKey, System.MSC.BSC.SDU_PCF_RA_BSC, LocalKey),
NumResrcReqRecvd_SDUPCF)

SDUPCF_FoundAllocRemo

PMC113_PC7: SDU_PCF_FND_ALLOC_RMT - SDU PCF Found and Allocated Remotely

Calculation

sum(bridgeList(LocalKey, System.MSC.BSC.SDU_PCF_RA_BSC, LocalKey),
SDUPCF_FoundAllocRemo)

SDUPCF_ReactvCallOvrlM

PMC113_PC3: SDF_REACT_ALLO_FAIL_OVL - SDU PCF Reactive Call Overload - MM
Request

Calculation

sum(bridgeList(LocalKey, System.MSC.BSC.SDU_PCF_RA_BSC, LocalKey),
SDUPCF_ReactvCallOvrlM)

SDUPCF_ReactvCallSucc_ExtPCFM

PMC113_PC4: SDU_PCF_REACT_SUCC_Exist_PCF_M - SDU-PCF Reactive Call
Success_Existing PCF - MM Request

Calculation

sum(bridgeList(LocalKey, System.MSC.BSC.SDU_PCF_RA_BSC, LocalKey),
SDUPCF_ReactvCallSucc_ExtPCFM)

SDUPCF_ReactvCallSucc_NewPCFM

PMC113_PC5: SDU_PCF_REACT_SUCC_New_PCF_M - SDU-PCF Reactive Call
Success_New PCF - MM Request

Calculation

```
sum(bridgeList(LocalKey, System.MSC.BSC.SDU_PCF_RA_BSC, LocalKey),  
SDUPCF_ReactvCallSucc_NewPCFM)
```

SDUPCF_ReqRespTypeMis

PMC113_PC8: SDU_PCF_REQ-RESP_MIS - SDU PCF Request / Response Type Mismatch

Calculation

```
sum(bridgeList(LocalKey, System.MSC.BSC.SDU_PCF_RA_BSC, LocalKey),  
SDUPCF_ReqRespTypeMis)
```

SDUPCFActCallAllocF

PMC113_PC9: SDU_PCF_ACT_NO_PDSN - SDU PCF Active Call Allocation Failure - No PDSN

Calculation

```
sum(bridgeList(LocalKey, System.MSC.BSC.SDU_PCF_RA_BSC, LocalKey), SDUPC-  
FActCallAllocF)
```

SDUPCFActvCallAllocFO

PMC113_PC1: SDU-PCF_ACT_ALLO_FAIL_OVL - SDU PCF Active Call Allocation Failure - Overload

Calculation

```
sum(bridgeList(LocalKey, System.MSC.BSC.SDU_PCF_RA_BSC, LocalKey), SDUPC-  
FActvCallAllocFO)
```

UnknownEnterpriseField

Unknown Field exported from Enterprise Server

Calculation

```
nullInt()
```

SDU Peg Counts

The following is a list of peg counts for the SDU entity.

CPU_Util_Avg

CPU Utilization in percentage calculated by averaging 10-min CPU Utilization values in OMC SAR

Data Source

OMC SAR

Source Field

CPU_Util

CPU_Util_Max

CPU Utilization in percentage calculated by picking the maximum of 10-min CPU Utilization values in OMC SAR

Data Source

OMC SAR

Source Field

CPU_Util

Elapsed_Time_SAR

Elapsed Time in seconds

Data Source

OMC SAR

Source Field

Elapsed_Time

Logical_Name

Logical Name

Data Source

OMC SAR

Source Field

Logical_Name

Logical_Number

Logical Number

Data Source

OMC SAR

Source Field

Logical_Number

Node_Number

Node (CBSC/SDU/VPU) Number

Data Source

OMC SAR

Source Field

Node_Number

OMC_Number

OMC Number

Data Source

OMC SAR

Source Field

OMC_Number

SDU_Bin_OMCR Primitive Calculations

The following is a list of primitive calculations for the SDU_Bin_OMCR entity.

ForwardBurstInterArrivalTimeSduPcf

PMC112_PC1: Fwd_Burst_Inter_Arrival_SDU_PCF_(BIT_bin"n"_min, BIT_bin"n"_max] -
Forward Burst Inter-arrival Time - SDU PCF (BIT_bin"n"_min, BIT_bin"n"_max]

Calculation

FwdArrTimeSDUPCF

NUMDAYS

of days in Report

Calculation

DAYSINREPORT ()

NUMHOURS

of hours in Summation Data

ReverseBurstInterArrivalTimeSduPcf

PMC112_PC2: Rvs_Burst_Inter_Arrival_SDU_PCF_(BIT_bin"n"_min, BIT_bin"n"_max] - Reverse Burst Inter-arrival Time - SDU PCF (BIT_bin"n"_min, BIT_bin"n"_max]

Calculation

RvsArrTimeSDUPCF

SDUBinID

BinType in the Packet Data Histogram Bin Ranges Table

Calculation

stringToInt(LocalKey)

UnknownEnterpriseField

Unknown Field exported from Enterprise Server

Calculation

nullInt()

SDU_Bin_OMCR Peg Counts

The following is a list of peg counts for the SDU_Bin_OMCR entity.

BurstInterArrTimeBinMax

Maximum Bin Value of Burst InterArrival Time - SDU PCF

BurstInterArrTimeBinMin

Mimumum Bin Value of Burst InterArrival Time - SDU PCF

BurstRateBinMax

Maximum Bin Value of Burst Rate - SDU PCF

BurstRateBinMin

Minimum Bin Value of Burst Rate - SDU PCF

FwdBR

PMC111_PC1: Fwd_Brst_Rate_SDU_PCF_(BR_bin"n"_min, BR_bin"n"_max] - Forward Burst Rate SDU PCF (BR_bin"n"_min, BR_bin"n"_max]

Source Field

PMC111_PC1

Source Section

PMC111

FwdBurstDur

PMC109_PC1: Fwd_Brst_Time_SDU_PCF_(FBD_bin"n"_min, FBD_bin"n"_max] - Forward Burst Duration SDU PCF (FBD_bin"n"_min, FBD_bin"n"_max]

Source Field

PMC109_PC1

Source Section

PMC109

FwdBurstDurBinMax

Maximum Bin Value of Forward Burst Duration - SDU PCF

FwdBurstDurBinMin

Minimum Bin Value of Forward Burst Duration - SDU PCF

FwdBurstSize

PMC107_PC1: Fwd_Brst_Sz_SDU_(FBS_bin"n"_min, FBS_bin"n"_max] - Forward Burst Size - SDU PCF (FBS_bin"n"_min, FBS_bin"n"_max]

Source Field

PMC107_PC1

Source Section

PMC107

FwdBurstSizeBinMax

Maximum Bin Value of Forward Burst Size - SDU PCF

FwdBurstSizeBinMin

Minimum Bin Value of Forward Burst Size - SDU PCF

PDSNFwdPSBinCnt

PMC106_PC1: PDSN_FWD_PKT_SIZE_BIN_CNT_SDU_PCF - PDSN Forward Packet Size Bin Count - SDU PCF

Source Field

PMC106_PC1

Source Section

PMC106

PDSNPktSizeBinMax

Maximum Bin Value of PDSN Packet Size - SDU PCF

PDSNPktSizeBinMin

Minimum Bin Value of PDSN Packet Size - SDU PCF

PDSNRvsPktDataSizeBinCnt

PMC106_PC2: PDSN_RVS_PKT_SIZE_BIN_CNT_SDU_PCF - PDSN Reverse Packet Size Bin Count - SDU PCF

Source Field

PMC106_PC2

Source Section

PMC106

RvsBR

PMC111_PC2: Rvs_Brst_Rate_SDU_PCF_(BR_bin"n"_min, BR_bin"n"_max] - Reverse Burst Rate SDU PCF (BR_bin"n"_min, BR_bin"n"_max]

Source Field

PMC111_PC2

Source Section

PMC111

RvsBurstDur

PMC110_PC1: Rvs_Brst_Time_SDU_PCF_(RBD_bin"n"_min, RBD_bin"n"_max] - Reverse Burst Duration SDU PCF (RBD_bin"n"_min, RBD_bin"n"_max]

Source Field

PMC110_PC1

Source Section

PMC110

RvsBurstDurBinMax

Maximum Bin Value of Reverse Burst Duration - SDU PCF

RvsBurstDurBinMin

Minimum Bin Value of Reverse Burst Duration - SDU PCF

RvsBurstSize

PMC108_PC1: Rvs_Brst_Sz_SDU_PCF_(RBS_bin"n"_min, RBS_bin"n"_max] - Reverse Burst Size - SDU PCF (RBS_bin"n"_min, RBS_bin"n"_max]

Source Field

PMC108_PC1

Source Section

PMC108

RvsBurstSizeBinMax

Maximum Bin Value of Reverse Burst Size - SDU PCF

RvsBurstSizeBinMin

Minimum Bin Value of Reverse Burst Size - SDU PCF

SessActvDurtn

PMC105_PC1: Session_Active_Time_SDU_PCF_(SD_bin"n"_min, SD_bin"n"_max] - Session Active Duration SDU PCF (SD_bin"n"_min, SD_bin"n"_max]

Source Field

PMC105_PC1

Source Section

PMC105

SessBurstCntBinMax

Maximum Bin Value of Session Burst Count - SDU PCF

SessBurstCntBinMin

Minimum Bin Value of Session Burst Count - SDU PCF

SessByteBinMax

Maximum Bin Value of Session Bytes - SDU PCF

SessByteBinMin

Minimum Bin Value of Session Bytes - SDU PCF

SessDormntDurtn

PMC105_PC2: Session_Dormant_Time_SDU_PCF_(SD_bin"n"_min, SD_bin"n"_max] -
Session Dormant Duration SDU PCF (SD_bin"n"_min, SD_bin"n"_max]

Source Field

PMC105_PC2

Source Section

PMC105

SessDurtn

PMC105_PC3: Session_Time_SDU_PCF_(SD_bin"n"_min, SD_bin"n"_max] - Session
Duration SDU PCF (SD_bin"n"_min, SD_bin"n"_max]

Source Field

PMC105_PC3

Source Section

PMC105

SessDurtnBinMax

Maximum Bin Value of Session Duration - SDU PCF

SessDurtnBinMin

Minimum Bin Value of Session Duration - SDU PCF

SessFwdBurstCnt

PMC102_PC1: Session_Fwd_Brst_Count_SDU_PCF_(SBC_binn"_min, SBC_bin"_max]" -
Session Forward Burst Count SDU PCF (SBC_bin"_min, SBC_bin"_max]

Source Field

PMC102_PC1

Source Section

PMC102

SessFwdByte

PMC103_PC1: Session_Fwd_Byte_SDU_PCF_(SB_bin"_min, SB_bin"_max] - Session
Forward Bytes _SDU_PCF (SB_bin"_min, SB_bin"_max]

Source Field

PMC103_PC1

Source Section

PMC103

SessMSReActv

PMC104_PC1: Session_MS_ReAct_SDU_PCF_(SA_bin""n""_min, SA_bin""n""_max] -
Session MS Re-Activations SDU PCF (SA_bin""n""_min, SA_bin""n""_max]

Source Field

PMC104_PC1

Source Section

PMC104

SessNetwrkReActv

PMC104_PC2: Session_Network_ReAct_SDU_PCF_(SA_bin"_min, SA_bin"_max] -
Session Network Re-Activations SDU PCF (SA_bin"_min, SA_bin"_max]

Source Field

PMC104_PC2

Source Section

PMC104

SessOvrflwBinMaxSDU_PCF

Maximum Bin Value of SDU-PCF Session overflow count

Data Source

OMCR

Source Field

Subj_Id_4

Source Section

PMC203

SessOvrflwBinMinSDU_PCF

Minimum Bin Value of SDU-PCF Session overflow count

Data Source

OMCR

Source Field

Subj_Id_3

Source Section

PMC203

SessOvrflwSDU_PCF

PMC203_PC1: SESS_OVRFLW_CNT_SDU (SOC_bin"n"_min,SOC_bin"n"_max] - Session
Overflow Count - SDU PCF (SOC_bin"n"_min,SOC_bin"n"_max]

Data Source

OMCR

Source Field

PC1

Source Section

PMC203

SessReActvBinMax

Maximin Bin Value of Session Reactivations - SDU PCF

SessReActvBinMin

Minimum Bin Value of Session Reactivations - SDU PCF

SessRvsBurstCnt

PMC102_PC2: Session_Rvs_Brst_Count_SDU_PCF_(SBC_bin"n"_min, SBC_bin"n"_max] -
Session Reverse Burst Count SDU PCF (SBC_bin"n"_min, SBC_bin"n"_max]

Source Field

PMC102_PC2

Source Section

PMC102

SessRvsByte

PMC103_PC2: Session_Rvs_Byte_SDU_PCF_(SB_bin"n"_min, SB_bin"n"_max] - Session
Reverse Bytes SDU PCF (SB_bin"n"_min, SB_bin"n"_max]

Source Field

PMC103_PC2

Source Section

PMC103

SDU_OMCR Primitive Calculations

The following is a list of primitive calculations for the SDU_OMCR entity.

ActCallAllocSuccM

PMC113_PC2: SDU-PCF_ACT_ALLO_SUCC - SDU-PCF Active Call Allocation Success -
MM Request

Calculation

```
sum(bridgeList(SDU.LocalKey, SDU.System.MSC.BSC.SDU_PCF_RA_BSC, LocalKey),  
ActCallAllocSuccM)
```

averageA8A9SetupTimeDataActivationSduPcf

PMC101_PC1: Avg_A8/A9_Setup_Time_Act_SDU - Average A8/A9 Setup Time Data Activation - SDU PCF

Calculation

AvgA8A9SUTimeDataActv

averageA8A9SetupTimeDataReactivationSduPcf

PMC101_PC3: Avg_A8/A9_Setup_Time_ReAct_SDU - Average A8/A9 Setup Time Data ReActivation - SDU PCF

Calculation

AvgA8A9SUTimeReActv

maximumA8A9SetupTimeActivationSduPcf

PMC101_PC2: Max_A8/A9_Setup_Time_Act_SDU - Maximum A8/A9 Setup Time Activation - SDU PCF

Calculation

MaxA8A9SUTimeActv

maximumA8A9SetupTimeReactivationSduPcf

PMC101_PC4: Max_A8/A9_Setup_Time_ReAct PCF - Maximum A8/A9 Setup Time ReActivation - SDU PCF

Calculation

MaxA8A9SUTimeReActv

numberOfSipInviteMessagesReceivedSdu

PMC101: NUM_SIP_INVITE_MSGS_RECV_SDU - Number of SIP: INVITE Messages Received - SDU

Calculation

vsum(numberOfSipInviteMessagesReceivedForBargeCallsSdu, numberOfSipInviteMessagesReceivedForGroupsCallsSdu)

NUMDAYS

of days in Report

Calculation

DAYSINREPORT ()

NUMHOURS

of hours in Summation Data

NumResrcReqRecvd_SDUPCF

PMC113_PC6: SDU_PCF_RA_RES_REQ_RX - Number of Resource Requests Received - SDU PCF-RA

Calculation

```
sum(bridgeList(SDU.LocalKey, SDU.System.MSC.BSC.SDU_PCF_RA_BSC, LocalKey),  
NumResrcReqRecvd_SDUPCF)
```

pPeakSdfResourceUtilization

PMC115_PC9: PEAK_SDU_SDF_RES_UTIL - Peak SDF Resource Utilization (%)

Calculation

```
(peakSdfResourceUtilization / 100.0)
```

pSDFResrcOOS

PMC115_PC3: SDF_RESRCE_OOS - SDF Resource OOS (%)

Calculation

```
(SDFResOOS / 100.0)
```

pSDFResUtil

PMC115_PC2: SDF_RESRCE_UTIL - SDF Resource Utilization (%)

Calculation

```
(SDFResUtl / 100.0)
```

pSDUPCFResrcOOS

PMC114_PC3: SDU_PCF_RESRCE_OOS - SDU PCF Resource OOS (%)

Calculation

```
(SDUPCFRes / 100.0)
```

pSDUPCFResUtl

PMC114_PC2: SDU_PCF_RESRCE_UTIL - SDU PCF Resource Utilization (%)

Calculation

```
(SDUPCFResUtl / 100.0)
```


SDF_RAGrpUsgMins

PMC115_PC6: SDF-RA_USG - SDF-RA Group Usage

Calculation

$SDF_RAGrpUsg / 60.0$

SDFAllocAtts

PMC115: SDF_ALLO_ATT - SDF Allocation Attempts

Calculation

$vsum(SDFRA_ResAllocFOver, SDFRA_ResAllocSucc)$

SDUPCF_FoundAllocRemo

PMC113_PC7: SDU_PCF_FND_ALLOC_RMT - SDU PCF Found and Allocated Remotely

Calculation

$sum(bridgeList(SDU.LocalKey, SDU.System.MSC.BSC.SDU_PCF_RA_BSC, LocalKey), SDUPCF_FoundAllocRemo)$

SDUPCF_ReactvCallOvrlM

PMC113_PC3: SDF_REACT_ALLO_FAIL_OVL - SDU PCF Reactive Call Overload - MM Request

Calculation

$sum(bridgeList(SDU.LocalKey, SDU.System.MSC.BSC.SDU_PCF_RA_BSC, LocalKey), SDUPCF_ReactvCallOvrlM)$

SDUPCF_ReactvCallSucc_ExtPCFM

PMC113_PC4: SDU_PCF_REACT_SUCC_Exist_PCF_M - SDU-PCF Reactive Call Success_Existing PCF - MM Request

Calculation

$sum(bridgeList(SDU.LocalKey, SDU.System.MSC.BSC.SDU_PCF_RA_BSC, LocalKey), SDUPCF_ReactvCallSucc_ExtPCFM)$

SDUPCF_ReactvCallSucc_NewPCFM

PMC113_PC5: SDU_PCF_REACT_SUCC_New_PCF_M - SDU-PCF Reactive Call Success_New PCF - MM Request

Calculation

$sum(bridgeList(SDU.LocalKey, SDU.System.MSC.BSC.SDU_PCF_RA_BSC, LocalKey), SDUPCF_ReactvCallSucc_NewPCFM)$

SDUPCF_ReqRespTypeMis

PMC113_PC8: SDU_PCF_REQ-RESP_MIS - SDU PCF Request / Response Type Mismatch

Calculation

```
sum(bridgeList(SDU.LocalKey, SDU.System.MSC.BSC.SDU_PCF_RA_BSC, LocalKey),  
SDUPCF_ReqRespTypeMis)
```

sduPcfActiveCallAllocationFailureNoPdsnSdu

PMC113_PC9: SDU_PCF_ACT_NO_PDSN - SDU PCF Active Call Allocation Failure - No PDSN

Calculation

```
SDUPCFActCallAllocF
```

sduPcfActiveCallAllocationFailureOverloadSdu

PMC113_PC1: SDU-PCF_ACT_ALLO_FAIL_OVL - SDU PCF Active Call Allocation Failure - Overload

Calculation

```
SDUPCFActvCallAllocFO
```

sduPcfPacketDroppedNoMemory

PMC114_PC15: SDU_PCF_PKT_DROP_MEM - SDU PCF Packet Dropped - No Memory

Calculation

```
SDUPCFDropCallMem
```

sduPcfPacketDroppedPerCallBufferLimit

PMC114_PC14: SDU_PCF_PKT_DROP_BUF - SDU PCF Packet Dropped - Per Call Buffer Limit

Calculation

```
SDUPCFDropCallBuf
```

totalSduPcfOosTime

PMC114_PC6: SDU_PCF_Tot_OOS - Total SDU-PCF OOS Time

Calculation

```
TotSDU_PCFTIME
```

TotSDF_OOSMins

PMC115_PC7: SDF_Tot_OOS - Total SDF OOS Time - SDF-RA (minutes)

Calculation

TotlSDFOOSTime / 60.0

TotSDF_RABlkMins

PMC115_PC8: SDF-RA_BLOCK_TIME - Total SDF-RA Blocking Time (minutes)

Calculation

TotlSDFRABlkTime / 60.0

TotSDFCardEqpMins

PMC115_PC1: TOT_SDF_CRDS_EQP_TIME - Total SDF Cards Equipped Time (minutes)

Calculation

TotlSDFCardEquipTime / 60.0

UnknownEnterpriseField

Unknown Field exported from Enterprise Server

Calculation

nullInt()

SDU_OMCR Peg Counts

The following is a list of peg counts for the SDU_OMCR entity.

AvgA9BSServReqSU

PMC101_PC5: Avg_BS_Service_Req_Setup_SDU - Average A9 BS Service Request Setup - SDU PCF

Data Source

PM

Source Field

PMC101_PC5

Source Section

PMC101

MaxA9BSServReqSU

PMC101_PC6: Max_BS_Service_Req_Setup_Time_SDU - Maximum A9 BS Service Request Setup - SDU PCF

Data Source

PM

Source Field

PMC101_PC6

Source Section

PMC101

MaxBuffOvrflw_Time1

PMC206_PC1: MBUFF_OFLW_TIM1_SDU_PCF - Maximum Buffer Overflow Time 1 - SDU
PCF

Data Source

PM

Source Field

PMC206_PC1

Source Section

PMC206

MaxBuffOvrflw_Time2

PMC206_PC2: MBUFF_OFLW_TIM2_SDU_PCF - Maximum Buffer Overflow Time 2 - SDU
PCF

Data Source

PM

Source Field

PMC206_PC2

Source Section

PMC206

MaxBuffOvrflw_Time3

PMC206_PC3: MBUFF_OFLW_TIM3_SDU_PCF - Maximum Buffer Overflow Time 3 - SDU
PCF

Data Source

PM

Source Field

PMC206_PC3

Source Section

PMC206

MaxBuffOvrflw_Time4

PMC206_PC4: MBUFF_OFLW_TIM4_SDU_PCF - Maximum Buffer Overflow Time 4 - SDU
PCF

Data Source

PM

Source Field

PMC206_PC4

Source Section

PMC206

MaxBuffOvrflw_Time5

PMC206_PC5: MBUFF_OFLW_TIM5_SDU_PCF - Maximum Buffer Overflow Time 5 - SDU
PCF

Data Source

PM

Source Field

PMC206_PC5

Source Section

PMC206

MaxBuffOvrflw_Time6

PMC206_PC6: MBUFF_OFLW_TIM6_SDU_PCF - Maximum Buffer Overflow Time 6 - SDU
PCF

Data Source

PM

Source Field

PMC206_PC6

Source Section

PMC206

maximumNumberOfParallelActiveA10A11SessionsSdu

PMC114_PC20: MAX_PARALLEL_ACTIVE_A10_A11_SESS_SDU - Maximum number of parallel active A10/A11 Sessions - SDU

Data Source

PM

Source Field

PMC114_PC20

Source Section

PMC114

maximumNumberOfParallelDormantA10A11SessionsSdu

PMC114_PC21: MAX_PARALLEL_DORMANT_A10_A11_SESS_SDU - Maximum number of parallel dormant A10/A11 Sessions - SDU

Data Source

PM

Source Field

PMC114_PC21

Source Section

PMC114

MaxNumParallelA10A11SessSDU

PMC114_PC19: Max_Parallel_A10_A11_Conn_SDU - Maximum number of parallel A10/A11 Sessions - SDU

Data Source

PM

Source Field

PMC114_PC19

Source Section

PMC114

numberOfInterPcfActiveDataHardHandoffAttempts

PMC114_PC23: Inter_PCF_ADDHO_Attempts - Number of Inter-PCF ADHHO Attempts - SDU

Data Source

PM

Source Field

PMC114_PC23

Source Section

PMC114

numberOfInterPcfActiveDataHardHandoffSuccessfulCompletions

PMC101_PC15: Inter_PCF_ADDHO_Completions - Number of Inter-PCF ADHHO successful Completions- SDU

Data Source

PM

Source Field

PMC101_PC15

Source Section

PMC101

numberOfIntraPcfActiveDataHardHandoffAttempts

PMC114_PC22: Intra_PCF_ADDHO_Attempts - Number of Intra-PCF ADHHO Attempts - SDU

Data Source

PM

Source Field

PMC114_PC22

Source Section

PMC114

numberOfIntraPcfActiveDataHardHandoffSuccessfulCompletions

PMC101_PC14: Intra_PCF_ADDHO_Completions - Number of Intra-PCF ADHHO successful Completions- SDU

Data Source

PM

Source Field

PMC101_PC14

Source Section

PMC101

numberOfSip200OkMessagesSentSdu

PMC101_PC12: NUM_SIP_200_OK_MSGS_SENT_SDU - Number of SIP: 200 OK Messages Sent - SDU

Data Source

PM

Source Field

PMC101_PC12

Source Section

PMC101

numberOfSip486BusyMessagesSentSdu

PMC101_PC13: NUM_SIP_486_BUSY_MSGS_SENT_SDU - Number of SIP: 486 BUSY Messages Sent- SDU

Data Source

PM

Source Field

PMC101_PC13

Source Section

PMC101

numberOfSipInviteMessagesReceivedForBargeCallsSdu

PMC101_PC10: NUM_SIP_INVITE_MSGS_RECV_BARGE_CALL_SDU - Number of SIP:
INVITE Messages Received for barge calls - SDU

Data Source

PM

Source Field

PMC101_PC10

Source Section

PMC101

numberOfSipInviteMessagesReceivedForGroupsCallsSdu

PMC101_PC11: NUM_SIP_INVITE_MSGS_RECV_GROUP_CALL_SDU - Number of SIP:
INVITE Messages Received for group calls - SDU

Data Source

PM

Source Field

PMC101_PC11

Source Section

PMC101

NumSDBA11RegSuccRespRecevd

PMC114_PC18: NUM_A11_REG_RESP_RECV - Number of SDBs A11 Registration
Successful Response Received

Data Source

PM

Source Field

PMC114_PC18

Source Section

PMC114

NumSDBDiscardAtPCF

PMC114_PC16: NUM_SDBS_DISCARDED_PCF - Number of SDBs discarded-PCF

Data Source

PM

Source Field

PMC114_PC16

Source Section

PMC114

NumSDBSuccSentToPDSN

PMC114_PC17: NUM_SDBS_SENT_PDSN - Number of SDBs sent-PDSN

Data Source

PM

Source Field

PMC114_PC17

Source Section

PMC114

NumSuccPDSNAccessPktDataSDU

PMC101_PC7: Succ_PDSN_Access_Pkt_Data_SDU - Number of successful PDSN Accesses for Packet Data Calls - SDU

Data Source

PM

Source Field

PMC101_PC7

Source Section

PMC101

PCF_QryBlk

PMC114_PC12: SDU_PCF_PCF_QRY_BLK - Number of PCF Queries Blocked - SDU PCF-RA

Source Field

PMC114_PC12

Source Section

PMC114

PCF_QryRec

PMC114_PC10: SDU_PCF_PCF_QRY_RX - Number of PCF Queries Received - SDU PCF-RA

Source Field

PMC114_PC10

Source Section

PMC114

PCF_QrySent

PMC114_PC11: SDU_PCF_PCF_QRY_TX - Number of PCF Queries Sent - SDU PCF-RA

Source Field

PMC114_PC11

Source Section

PMC114

peakSdfResourceUtilization

PMC115_PC9: PEAK_SDU_SDF_RES_UTIL - Peak SDF Resource Utilization (100 * %)

Data Source

PM

Source Field

PMC115_PC9

Source Section

PMC115

SDF_RA_GRPUsG

PMC115_PC6: SDF-RA_USG - SDF-RA Group Usage (minutes)

Source Field

PMC115_PC6

Source Section

PMC115

SDFRA_ResAllocFOver

PMC115_PC4: SDF_RA_FAIL_OVL - SDF-RA Resource Allocation Failure - Overload

Source Field

PMC115_PC4

Source Section

PMC115

SDFRA_ResAllocSucc

PMC115_PC5: SDF-RA_SUCC - SDF-RA Resource Allocation Success

Source Field

PMC115_PC5

Source Section

PMC115

SDFResOOS

PMC115_PC3: SDF_RESRCE_OOS - SDF Resource OOS

Source Field

PMC115_PC3

Source Section

PMC115

SDFResUtl

PMC115_PC2: SDF_RESRCE_UTIL - SDF Resource Utilization

Source Field

PMC115_PC2

Source Section

PMC115

SDU_PCF_RADorCallOvf

PMC114_PC7: SDU_PCF-RA_Dorm_OVF - SDU PCF-RA Dormant Call Overflow

Source Field

PMC114_PC7

Source Section

PMC114

SDU_PCF_ReactvCallOvfP

PMC114_PC8: SDU_PCF_REACT_OVL_Q - SDU PCF Reactive Call Overload - PCF Query

Source Field

PMC114_PC8

Source Section

PMC114

SDU_PCF_ReactvCallSuccP

PMC114_PC9: SDU_PCF_REACT_SUCC_Q - SDU PCF Reactive Call Success - PCF Query

Source Field

PMC114_PC9

Source Section

PMC114

SDUPCF_RAUsG_Act

PMC114_PC4: SDU_PCF-RA_USG-ACT - SDU PCF-RA Usage - Active Calls

Source Field

PMC114_PC4

Source Section

PMC114

SDUPCF_RAUsG_Dor

PMC114_PC5: SDU_PCF-RA_USG-DORM - SDU PCF-RA Usage - Dormant Calls

Source Field

PMC114_PC5

Source Section

PMC114

SDUPCFRes

PMC114_PC3: SDU_PCF_RESRCE_OOS - SDU PCF Resource OOS

Source Field

PMC114_PC3

Source Section

PMC114

SDUPCFResUtl

PMC114_PC2: SDU_PCF_RESRCE_UTIL - SDU PCF Resource Utilization

Source Field

PMC114_PC2

Source Section

PMC114

TotalUserDataFwdSDU

PMC101_PC8: Tot_GRE_volume_Fwd_SDU - Total User Data Volume in Forward Direction - SDU

Data Source

PM

Source Field

PMC101_PC8

Source Section

PMC101

TotalUserDataRvsSDU

PMC101_PC9: Tot_GRE_volume_Rvs_SDU - User Data Volume in Reverse Direction - SDU

Data Source

PM

Source Field

PMC101_PC9

Source Section

PMC101

TotPCFcardEquTime

PMC114_PC1: TOT_PCF_CRDS_EQP_TIME - Total PCF Cards Equipped Time

Source Field

PMC114_PC1

Source Section

PMC114

TotlSDFCardEquiTime

PMC115_PC1: TOT_SDF_CRDS_EQP_TIME - Total SDF Cards Equipped Time

Source Field

PMC115_PC1

Source Section

PMC115

TotlSDFOOSTime

PMC115_PC7: SDF_Tot_OOS - Total SDF OOS Time - SDF-RA

Source Field

PMC115_PC7

Source Section

PMC115

TotlSDFRABlkTime

PMC115_PC8: SDF-RA_BLOCK_TIME - Total SDF-RA Blocking Time

Source Field

PMC115_PC8

Source Section

PMC115

TotSDuPCF_RABlkTime

PMC114_PC13: SDU_PCF-RA_BLOCK_TIME - Total SDU PCF-RA Blocking Time

Source Field

PMC114_PC13

Source Section

PMC114

SDU_PCF Primitive Calculations

The following is a list of primitive calculations for the SDU_PCF entity.

GRAPHmultiLineSeparator

Special Control Field for Multi-Line Graphs

Calculation

""

NUMDAYS

of days in Report

Calculation

DAYSINREPORT ()

NUMHOURS

of hours in Summation Data

SDU_PCF_Slot Primitive Calculations

The following is a list of primitive calculations for the SDU_PCF_Slot entity.

GRAPHmultiLineSeparator

Special Control Field for Multi-Line Graphs

Calculation

""

NUMDAYS

of days in Report

Calculation

DAYSINREPORT ()

NUMHOURS

of hours in Summation Data

SDU_PCF_Slot Peg Counts

The following is a list of peg counts for the SDU_PCF_Slot entity.

CPU_Util_Avg

CPU Utilization in percentage calculated by averaging 10-min CPU Utilization values in OMC SAR

Data Source

OMC SAR

Source Field

CPU_Util

CPU_Util_Max

CPU Utilization in percentage calculated by picking the maximum of 10-min CPU Utilization values in OMC SAR

Data Source

OMC SAR

Source Field

CPU_Util

Elapsed_Time_SAR

Elapsed Time in seconds

Data Source

OMC SAR

Source Field

Elapsed_Time

Logical_Name

Logical Name

Data Source

OMC SAR

Source Field

Logical_Name

Logical_Number

Logical Number

Data Source

OMC SAR

Source Field

Logical_Number

Node_Number

Node (CBSC/SDU/VPU) Number

Data Source

OMC SAR

Source Field

Node_Number

OMC_Number

OMC Number

Data Source

OMC SAR

Source Field

OMC_Number

Shelf_RG_ID

Shelf or RG ID

Data Source

OMC SAR

Source Field

Shelf_RG_ID

Slot_Number

Slot Number

Data Source

OMC SAR

Source Field

Slot_Number

System Primitive Calculations

The following is a list of primitive calculations for the System entity.

GRAPHmultiLineSeparator

Special Control Field for Multi-Line Graphs

Calculation

""

NUMDAYS

of days in Report

Calculation

DAYSINREPORT ()

NUMHOURS

of hours in Summation Data

UnknownEnterpriseField

Unknown Field exported from Enterprise Server

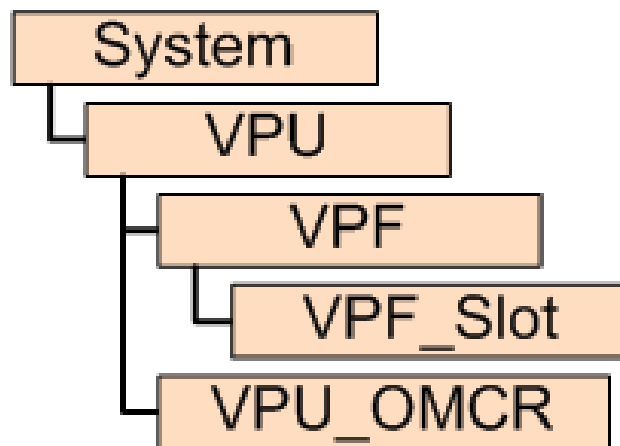
Calculation

nullInt ()

15 VPU Entities

The following figure shows the Prospect reporting hierarchy for VPU Traffic entities.

Figure 10: Reporting Hierarchy



16 VPU Fields

The following is a list of available VPU Traffic performance data fields.

System Primitive Calculations

The following is a list of primitive calculations for the System entity.

GRAPHmultiLineSeparator

Special Control Field for Multi-Line Graphs

Calculation

""

NUMDAYS

of days in Report

Calculation

DAYSINREPORT ()

NUMHOURS

of hours in Summation Data

UnknownEnterpriseField

Unknown Field exported from Enterprise Server

Calculation

nullInt ()

VPF Primitive Calculations

The following is a list of primitive calculations for the VPF entity.

GRAPHmultiLineSeparator

Special Control Field for Multi-Line Graphs

Calculation

""

NUMDAYS

of days in Report

Calculation

DAYSINREPORT ()

NUMHOURS

of hours in Summation Data

VPF_Slot Primitive Calculations

The following is a list of primitive calculations for the VPF_Slot entity.

GRAPHmultiLineSeparator

Special Control Field for Multi-Line Graphs

Calculation

""

NUMDAYS

of days in Report

Calculation

DAYSINREPORT ()

NUMHOURS

of hours in Summation Data

VPF_Slot Peg Counts

The following is a list of peg counts for the VPF_Slot entity.

CPU_Util_Avg

CPU Utilization in percentage calculated by averaging 10-min CPU Utilization values in OMC SAR

Data Source

OMC SAR

Source Field

CPU_Util

CPU_Util_Max

CPU Utilization in percentage calculated by picking the maximum of 10-min CPU Utilization values in OMC SAR

Data Source

OMC SAR

Source Field

CPU_Util

Elapsed_Time_SAR

Elapsed Time in seconds

Data Source

OMC SAR

Source Field

Elapsed_Time

Logical_Name

Logical Name

Data Source

OMC SAR

Source Field

Logical_Name

Logical_Number

Logical Number

Data Source

OMC SAR

Source Field

Logical_Number

Node_Number

Node (CBSC/SDU/VPU) Number

Data Source

OMC SAR

Source Field

Node_Number

OMC_Number

OMC Number

Data Source

OMC SAR

Source Field

OMC_Number

Shelf_RG_ID

Shelf or RG ID

Data Source

OMC SAR

Source Field

Shelf_RG_ID

Slot_Number

Slot Number

Data Source

OMC SAR

Source Field

Slot_Number

VPU Available Data Fields

The following is a list of available data fields for the VPU entity.

VPU_AvailableDataPct

VPU Available Data Pct

VPU Primitive Calculations

The following is a list of primitive calculations for the VPU entity.

GrphMulLnSeptr

Special Control Field for Multi-Line Graphs

Calculation

""

NUMDAYS

of days in Report

Calculation

DAYSINREPORT ()

NUMHOURS

of hours in Summation Data

TotVPF_RAGroupUsageMins

PMC141: TOT_VPF_USG_TIME_MM - Total VPF Usage Time - MM (minutes)

Calculation

```
protect (sum (bridgeList (LocalKey, System.MSC.BSC.VPU_BSC, LocalKey),  
vsum (VPF_VcdrUsageMins, VPF_CktIWUsageMins, VPF_ISLPrmUsageMins)))
```

TotVPF_RsrcAllocFail

PMC141: TOT_VPF_RSRCE_ALLOC_FAIL_MM - Total VPF Resource Allocation Failures - MM

Calculation

```
vsum(TotVPF_RsrcAllocReq, -1.0 * TotVPF_RsrcAllocSucc)
```

TotVPF_RsrcAllocReq

PMC141: TOT_VPF_RSRCE_ALLOC_REQ_MM - Total VPF Resource Allocation Requests - MM

Calculation

```
protect (sum(bridgeList(LocalKey, System.MSC.BSC.VPU_BSC, LocalKey),  
vsum(VPF_VcdrAllocReq, VPF_CktIWAllocReq, VPF_ISLPFrmAllocReq)))
```

TotVPF_RsrcAllocSucc

PMC141: TOT_VPF_RSRCE_ALLOC_SUCC_MM - Total VPF Resource Allocation Successes - MM

Calculation

```
protect (sum(bridgeList(LocalKey, System.MSC.BSC.VPU_BSC, LocalKey),  
vsum(VPF_VcdrAllocSucc, VPF_CktIWAllocSucc, VPF_ISLPFrmAllocSucc)))
```

UnknownEnterpriseField

Unknown Field exported from Enterprise Server

Calculation

```
nullInt()
```

VPU Peg Counts

The following is a list of peg counts for the VPU entity.

CPU_Util_Avg

CPU Utilization in percentage calculated by averaging 10-min CPU Utilization values in OMC SAR

Data Source

OMC SAR

Source Field

CPU_Util

CPU_Util_Max

CPU Utilization in percentage calculated by picking the maximum of 10-min CPU Utilization values in OMC SAR

Data Source

OMC SAR

Source Field

CPU_Util

Elapsed_Time_SAR

Elapsed Time in seconds

Data Source

OMC SAR

Source Field

Elapsed_Time

Logical_Name

Logical Name

Data Source

OMC SAR

Source Field

Logical_Name

Logical_Number

Logical Number

Data Source

OMC SAR

Source Field

Logical_Number

Node_Number

Node (CBSC/SDU/VPU) Number

Data Source

OMC SAR

Source Field

Node_Number

OMC_Number

OMC Number

Data Source

OMC SAR

Source Field

OMC_Number

VPU_OMCR Primitive Calculations

The following is a list of primitive calculations for the VPU_OMCR entity.

GrphMulLnSeptr

Special Control Field for Multi-Line Graphs

Calculation

""

NUMDAYS

of days in Report

Calculation

DAYSINREPORT ()

NUMHOURS

of hours in Summation Data

pVPF_RsrcOOS

PMC140_PC3: VPF_RSRCE_OOS - VPF Resource OOS (%)

Calculation

(VPF_RsrcOOS / 100.0)

pVPF_RsrcUtil

PMC140_PC2: VPF_RSRCE_UTIL - VPF Resource Utilization (%)

Calculation

(VPF_RsrcUtil / 100.0)

TotVPF_RABlkgMins

PMC140_PC6: TOT_BLK_TIME_VPF_RA - Total Blocking Time - VPF-RA (minutes)

Calculation

TotVPF_RABlkgSecs / 60.0

TotVPF_RAGroupUsageMins

PMC141: TOT_VPF_USG_TIME_MM - Total VPF Usage Time - MM (minutes)

Calculation

```
protect (sum(bridgeList (VPU.LocalKey, VPU.System.MSC.BSC.VPU_BSC, LocalKey) ,  
vsum(VPF_VcdrUsageMins, VPF_CktIWUsageMins, VPF_ISLPFrmUsageMins)))
```

TotVPF_RsrcAllocFail

PMC141: TOT_VPF_RSRCE_ALLOC_FAIL_MM - Total VPF Resource Allocation Failures - MM

Calculation

vsum(TotVPF_RsrcAllocReq, -1.0 * TotVPF_RsrcAllocSucc)

TotVPF_RsrcAllocReq

PMC141: TOT_VPF_RSRCE_ALLOC_REQ_MM - Total VPF Resource Allocation Requests - MM

Calculation

```
protect (sum(bridgeList (VPU.LocalKey, VPU.System.MSC.BSC.VPU_BSC, LocalKey) ,  
vsum(VPF_VcdrAllocReq, VPF_CktIWAllocReq, VPF_ISLPFrmAllocReq) ) )
```

TotVPF_RsrcAllocSucc

PMC141: TOT_VPF_RSRCE_ALLOC_SUCC_MM - Total VPF Resource Allocation Successes - MM

Calculation

```
protect (sum(bridgeList (VPU.LocalKey, VPU.System.MSC.BSC.VPU_BSC, LocalKey) ,  
vsum(VPF_VcdrAllocSucc, VPF_CktIWAllocSucc, VPF_ISLPFrmAllocSucc)))
```

TotVPU_PayldEqpMins

PMC140_PC1: TOT_VPU_PYLD_CRDS_EQP_TIME - Total VPU Payload Cards Equipped Time (minutes)

Calculation

TotVPU_PayldEqpSecs / 60.0

TotVPU_PyldCrdoOSMins

PMC140_PC5: TOT_VPU_PYLD_CRD_OOS_TIME_VPF_RA - Total VPU Payload Card OOS Time - VPF-RA (minutes)

Calculation

TotVPU_PyldCrdoOSSecs / 60.0

UnknownEnterpriseField

Unknown Field exported from Enterprise Server

Calculation

nullInt()

vpuEVRCB2NonEVRCB_VPU_Thresh

PMC140_PC8 : EVRCB_DWNGRADE_TO_NONEVRCB - EVRCB DownGraded to Non-EVRCB VPU Threshold Reached

Calculation

vpu4gv2Non4gv_VPU_Thresh

VPU_OMCR Peg Counts

The following is a list of peg counts for the VPU_OMCR entity.

A2pDiscardedPktRatioInvalidDestIPAddr

A2P_DISCARD_RATIO_INVALID_IP - A2p Discarded Packet Ratio - Invalid Destination IP Address (A2p links)

Data Source

PM

Source Field

PMC140_PC13

Source Section

PMC140

A2pDiscardedPktRatioInvalidDestUDPPort

A2P_DISCARD_RATIO_INVALID_UDP_PORT - A2p Discarded Packets Ratio - Invalid Destination UDP Port (A2p links)

Data Source

PM

Source Field

PMC140_PC14

Source Section

PMC140

AvgIPTrafficCP1UtilInbound

AVG_IP_TRF_UTIL_INBOUND_CP1 - Average IP traffic utilization inbound (CP1 links)

Data Source

PM

Source Field

pmC142_PC1

Source Section

PMC142

AvgIPTrafficCP1UtilOutbound

AVG_IP_TRF_UTIL_OUTBOUND_CP1 - Average IP traffic utilization outbound (CP1 links)

Data Source

PM

Source Field

pmC142_PC3

Source Section

PMC142

AvgIPTrafficUtilDownlink

AVG_IP_TRF_UTIL_DOWNLINK_A2P - Average IP traffic utilization downlink (A2p links)

Data Source

PM

Source Field

PMC140_PC11

Source Section

PMC140

AvgIPTrafficUtilUplink

AVG_IP_TRF_UTIL_UPLINK_A2P - Average IP traffic utilization uplink (A2p links)

Data Source

PM

Source Field

PMC140_PC9

Source Section

PMC140

PeakIPTrafficCP1UtilInbound

PEAK_IP_TRF_UTIL_INBOUND_CP1 - Peak IP traffic utilization inbound (CP1 links)

Data Source

PM

Source Field

pmC142_PC2

Source Section

PMC142

PeakIPTrafficCP1UtilOutbound

PEAK_IP_TRF_UTIL_OUTBOUND_CP1 - Peak IP traffic utilization outbound (CP1 links)

Data Source

PM

Source Field

pmC142_PC4

Source Section

PMC142

PeakIPTrafficUtilDownlink

PEAK_IP_TRF_UTIL_DOWNLINK_A2P - Peak IP traffic utilization downlink (A2p links)

Data Source

PM

Source Field

PMC140_PC12

Source Section

PMC140

PeakIPTrafficUtilUplink

PEAK_IP_TRF_UTIL_UPLINK_A2P - Peak IP traffic utilization uplink (A2p links)

Data Source

PM

Source Field

PMC140_PC10

Source Section

PMC140

TotVPF_RABlkgSecs

PMC140_PC6: TOT_BLK_TIME_VPF_RA - Total Blocking Time - VPF-RA (seconds)

Data Source

OMCR

Source Field

PMC140_PC6

Source Section

PMC140

TotVPU_PayldEqpSecs

PMC140_PC1: TOT_VPU_PYLD_CRDS_EQP_TIME - Total VPU Payload Cards Equipped Time (seconds)

Data Source

OMCR

Source Field

PMC140_PC1

Source Section

PMC140

TotVPU_PyldCrdOOSSecs

PMC140_PC5: TOT_VPU_PYLD_CRD_OOS_TIME_VPF_RA - Total VPU Payload Card OOS Time - VPF-RA (seconds)

Data Source

OMCR

Source Field

PMC140_PC5

Source Section

PMC140

VPF_RAAllocOvldRels

PMC140_PC7: VPF_RA_OVER_REL - VPF Resource Allocation Overload Releases

Data Source

OMCR

Source Field

PMC140_PC7

Source Section

PMC140

VPF_RsrcAllocFIOvld

PMC140_PC4: VPF_RA_FAIL_OVL - VPF Resource Allocation Failures - Overload

Data Source

OMCR

Source Field

PMC140_PC4

Source Section

PMC140

VPF_RsrcOOS

PMC140_PC3: VPF_RSRCE_OOS - VPF Resource OOS (in unit of 100 * Percentage OOS)

Data Source

OMCR

Source Field

PMC140_PC3

Source Section

PMC140

VPF_RsrcUtil

PMC140_PC2: VPF_RSRCE_UTIL - VPF Resource Utilization (in unit of 100 * Percentage Utilization)

Data Source

OMCR

Source Field

PMC140_PC2

Source Section

PMC140

Index

A

| | |
|------------------------|------|
| AccChan | |
| peg counts | 516 |
| primitive calculations | 509 |
| APC | |
| peg counts | 140 |
| primitive calculations | 135 |
| APC_MCC | |
| peg counts | 224 |
| primitive calculations | 222 |
| APC_Modem | |
| peg counts | 241 |
| primitive calculations | 235 |
| audience | 127 |
| available data fields | |
| BSC | 532 |
| MSC | 1070 |
| SDU | 1546 |
| VPU | 1587 |
| B | |
| BackHaul | |
| primitive calculations | 528 |
| BackHaul_Slot | |
| primitive calculations | 529 |
| BBX | |
| primitive calculations | 529 |
| BGF | |
| primitive calculations | 1489 |
| BGFDSP | |
| peg counts | 1490 |
| primitive calculations | 1490 |
| BSC | |
| available data fields | 532 |
| peg counts | 556 |
| primitive calculations | 533 |
| BSC_DO | |
| peg counts | 295 |
| primitive calculations | 288 |
| BSC_DO_Cage | |
| primitive calculations | 338 |
| BSC_DO_Card | |
| peg counts | 339 |

| | |
|------------------------|-----|
| primitive calculations | 339 |
| BSC_LocationArea | |
| peg counts | 832 |
| primitive calculations | 831 |
| BSC_PCF | |
| peg counts | 841 |
| BSC_ServiceMode | |
| primitive calculations | 841 |
| BSC_ServiceMode_RC | |
| peg counts | 842 |
| primitive calculations | 842 |
| BSC_ServiceOption | |
| peg counts | 844 |
| primitive calculations | 844 |
| BSC_SS7Link | |
| peg counts | 846 |
| primitive calculations | 845 |
| BTS | |
| peg counts | 850 |
| primitive calculations | 850 |
| BTS_Cell | |
| peg counts | 855 |
| primitive calculations | 852 |
| BTS_DataRate | |
| peg counts | 876 |
| primitive calculations | 871 |
| BTS_DO | |
| peg counts | 343 |
| primitive calculations | 342 |
| BTS_RadioConfig | |
| peg counts | 883 |
| primitive calculations | 882 |
| BTS_RateSet | |
| primitive calculations | 884 |
| BTS_ServiceOption | |
| peg counts | 889 |
| primitive calculations | 885 |
| BTSCON_BGF | |
| peg counts | 893 |
| primitive calculations | 892 |
| BTSMLPPP | |
| peg counts | 899 |
| primitive calculations | 896 |
| BTSMLPPP_BGF | |
| peg counts | 906 |
| primitive calculations | 906 |

| | | | |
|----------------------------------|-----|-------------------------------------|-----|
| C | | CPP | |
| Carrier_DataRate | | peg counts | 979 |
| peg counts | 910 | primitive calculations | 979 |
| primitive calculations | 909 | CPP_CPU | |
| Carrier_LogcDataRate | | peg counts | 980 |
| primitive calculations | 914 | primitive calculations | 980 |
| Carrier_LogcDataRate_RC | | CSM_EMAXX | |
| peg counts | 915 | peg counts | 983 |
| primitive calculations | 915 | primitive calculations | 981 |
| Carrier_RadioConfig | | D | |
| peg counts | 920 | documentation | |
| primitive calculations | 918 | assumptions about prior knowledge | 127 |
| Carrier_ServiceMode | | font usage | 128 |
| primitive calculations | 930 | typographical conventions | 128 |
| Carrier_ServiceMode_RC | | user | 129 |
| peg counts | 931 | viewing HTML Help | 129 |
| primitive calculations | 930 | viewing PDF | 130 |
| CarrierServiceModeRCInd | | DPC | |
| peg counts | 934 | peg counts | 988 |
| primitive calculations | 934 | primitive calculations | 987 |
| CBSC_Carrier | | E | |
| primitive calculations | 937 | EMH_Core | |
| CBSC_CFC | | peg counts | 353 |
| primitive calculations | 938 | primitive calculations | 353 |
| CBSC_HoContr | | EMH_Med | |
| peg counts | 939 | peg counts | 357 |
| primitive calculations | 938 | primitive calculations | 356 |
| CC | | EMHBLADE | |
| peg counts | 345 | peg counts | 360 |
| primitive calculations | 344 | primitive calculations | 359 |
| CDP | | EntryType | |
| peg counts | 945 | peg counts | 990 |
| primitive calculations | 944 | primitive calculations | 989 |
| Cell | | Ext_Sector_Carrier | |
| peg counts | 946 | primitive calculations | 993 |
| primitive calculations | 946 | F | |
| Cell_Sector | | FEP | |
| peg counts | 961 | primitive calculations | 993 |
| primitive calculations | 954 | FEP_CPU | |
| Channel | | peg counts | 994 |
| peg counts | 972 | primitive calculations | 994 |
| primitive calculations | 972 | FEPR | |
| CircuitGroup | | peg counts | 996 |
| peg counts | 976 | primitive calculations | 995 |
| primitive calculations | 976 | | |
| CodingType | | | |
| primitive calculations | 978 | | |

| | | | |
|------------------------|------|------------------------|------|
| font usage | | MCC_RateSet | |
| documentation | 128 | primitive calculations | 1064 |
| G | | MCCce | |
| GPROC | | peg counts | 1066 |
| peg counts | 997 | primitive calculations | 1064 |
| primitive calculations | 996 | MCCce_Type | |
| H | | primitive calculations | 1069 |
| HoTarget | | MLPPP | |
| peg counts | 998 | peg counts | 1495 |
| primitive calculations | 998 | primitive calculations | 1492 |
| HTML Help format | 129 | MLS_OTI_CON | |
| I | | peg counts | 1502 |
| IC_BackHaul | | primitive calculations | 1501 |
| primitive calculations | 999 | MSC | |
| IC_DS0 | | available data fields | 1070 |
| primitive calculations | 999 | peg counts | 1072 |
| IC_SubrateChan | | primitive calculations | 1070 |
| peg counts | 1000 | MSC_CFC | |
| primitive calculations | 1000 | peg counts | 1095 |
| ICTrunkGroup | | primitive calculations | 1094 |
| peg counts | 1011 | N | |
| primitive calculations | 1001 | Neg_ServiceOption | |
| IWU | | primitive calculations | 1095 |
| peg counts | 1043 | Network_Component | |
| primitive calculations | 1042 | peg counts | 1504 |
| L | | primitive calculations | 1504 |
| LocationArea | | O | |
| peg counts | 1044 | OMCR | |
| primitive calculations | 1044 | peg counts | 1507 |
| M | | primitive calculations | 1507 |
| MCC | | OMCR_AGNode | |
| peg counts | 1057 | primitive calculations | 1509 |
| primitive calculations | 1050 | OMCR_AN | |
| MCC_DataRate | | primitive calculations | 1509 |
| peg counts | 1061 | OMCR_CONNECTION | |
| primitive calculations | 1059 | peg counts | 1510 |
| MCC_DO | | primitive calculations | 1510 |
| peg counts | 365 | OMCR_MLPPP | |
| primitive calculations | 363 | peg counts | 1514 |
| MCC_DO_Modem | | primitive calculations | 1513 |
| peg counts | 399 | OMCR_MLS | |
| primitive calculations | 399 | peg counts | 1516 |
| | | primitive calculations | 1516 |
| | | OMCR_MLSModule | |
| | | primitive calculations | 1518 |

PERFORMANCE DATA REFERENCE
Prospect® 8.0 for Motorola CDMA/AMPS/EVDO R22/S19/R8

| | | | |
|------------------------|------|-------------------------|------|
| OMCR_MLSPort | | peg counts | |
| peg counts | 1520 | AccChan | 516 |
| primitive calculations | 1519 | APC | 140 |
| OMCR_RPM | | APC_MCC | 224 |
| peg counts | 1526 | APC_Modem | 241 |
| primitive calculations | 1525 | BGFDSP | 1490 |
| OMCR_RPM_BTS | | BSC | 556 |
| primitive calculations | 1529 | BSC_DO | 295 |
| OMCR_RPM_XF | | BSC_DO_Card | 339 |
| primitive calculations | 1529 | BSC_LocationArea | 832 |
| OMCR_WANModule | | BSC_PCF | 841 |
| primitive calculations | 1529 | BSC_ServiceMode_RC | 842 |
| OMCR_WANPort | | BSC_ServiceOption | 844 |
| peg counts | 1531 | BSC_SS7Link | 846 |
| primitive calculations | 1530 | BTS | 850 |
| OMCR_WANRouter | | BTS_Cell | 855 |
| primitive calculations | 1534 | BTS_DataRate | 876 |
| OMP | | BTS_DO | 343 |
| peg counts | 1096 | BTS_RadioConfig | 883 |
| primitive calculations | 1096 | BTS_ServiceOption | 889 |
| P | | BTSCON_BGF | 893 |
| PagingChan | | BTSMMLPPP | 899 |
| peg counts | 1098 | BTSMMLPPP_BGF | 906 |
| primitive calculations | 1097 | Carrier_DataRate | 910 |
| PaTrnkGrp | | Carrier_LogcDataRate_RC | 915 |
| peg counts | 1126 | Carrier_RadioConfig | 920 |
| primitive calculations | 1125 | Carrier_ServiceMode_RC | 931 |
| PaTrnkGrp_SC | | CarrierServiceModeRCInd | 934 |
| peg counts | 1129 | CBSC_HoContr | 939 |
| primitive calculations | 1128 | CC | 345 |
| PBTSSPAN | | CDP | 945 |
| peg counts | 1132 | Cell | 946 |
| primitive calculations | 1132 | Cell_Sector | 961 |
| PCF | | Channel | 972 |
| primitive calculations | 1137 | CircuitGroup | 976 |
| PCF_PDSN | | CPP | 979 |
| primitive calculations | 1137 | CPP_CPU | 980 |
| PCF_RA | | CSM_EMAXX | 983 |
| peg counts | 1139 | DPC | 988 |
| primitive calculations | 1138 | EMH_Core | 353 |
| PDF format | 130 | EMH_Med | 357 |
| PDSN | | EMHBLADE | 360 |
| primitive calculations | 1539 | EntryType | 990 |
| PDSN_BSC | | FEP_CPU | 994 |
| primitive calculations | 1539 | FEPR | 996 |
| | | GPROC | 997 |
| | | HoTarget | 998 |

PERFORMANCE DATA REFERENCE
 Prospect® 8.0 for Motorola CDMA/AMPS/EVDO R22/S19/R8

| | | | |
|-----------------------------|------|--|------|
| IC_SubrateChan | 1000 | SDU_Bin_OMCR | 1551 |
| ICTrunkGroup | 1011 | SDU_OMCR | 1563 |
| IWU | 1043 | SDU_PCF_RA_BSC | 1186 |
| LocationArea | 1044 | SDU_PCF_Slot | 1577 |
| MCC | 1057 | Sector | 1191 |
| MCC_DataRate | 1061 | Sector_Carrier | 1231 |
| MCC_DO | 365 | Sector_DO | 452 |
| MCC_DO_Modem | 399 | Sector_MCCceGrp | 1382 |
| MCCce | 1066 | SectorCarrier_DO | 456 |
| MLPPP | 1495 | SectorHoContr | 1387 |
| MLS_OTI_CON | 1502 | Site_MCCceGrp | 1415 |
| MSC | 1072 | SS7Link | 1426 |
| MSC_CFC | 1095 | SS7LinkSet | 1430 |
| Network_Component | 1504 | SSC | 476 |
| OMCR | 1507 | Subcell | 1431 |
| OMCR_CONNECTION | 1510 | TargetMSC | 1436 |
| OMCR_MLPPP | 1514 | TC | 480 |
| OMCR_MLS | 1516 | TG_HoContr | 1441 |
| OMCR_MLSPort | 1520 | TRA | 492 |
| OMCR_RPM | 1526 | Trunk | 1446 |
| OMCR_WANPort | 1531 | TrunkGroup | 1452 |
| OMP | 1096 | VPF_Slot | 1584 |
| PagingChan | 1098 | VPU | 1588 |
| PaTrnkGrp | 1126 | VPU_BSC | 1458 |
| PaTrnkGrp_SC | 1129 | VPU_OMCR | 1592 |
| PBTSSPAN | 1132 | XC | 1462 |
| PCF_RA | 1139 | XC_Bin | 1467 |
| PKTIF | 1147 | XCDR | 1478 |
| PKTPCF | 1148 | XcdrChanGrp | 1480 |
| PKTSEL | 1149 | XMI | 1483 |
| Proc | 1150 | PKTIF | |
| ProcPair | 1151 | peg counts | 1147 |
| ProcSubsystemPair | 1153 | primitive calculations | 1146 |
| PSI_CE_Grp | 1155 | PKTPCF | |
| PSI_SDU | 1157 | peg counts | 1148 |
| QuickPCH_Rate | 1159 | primitive calculations | 1147 |
| Req_SCH_GrpType | 1162 | PKTSEL | |
| Req_ServiceOption | 1164 | peg counts | 1149 |
| RouterPair | 1165 | primitive calculations | 1149 |
| SC_PaTrnkGrp | 1168 | prerequisites | |
| SCA | 450 | assumptions in documentation | 127 |
| SCH_GrpType | 1171 | primitive calculations | |
| SCIP_Link | 1173 | AccChan | 509 |
| SCSI_DiskCopy | 1176 | APC | 135 |
| SDF_BSC | 1185 | APC_MCC | 222 |
| SDF_Slot | 1544 | APC_Modem | 235 |
| SDU | 1548 | BackHaul | 528 |

PERFORMANCE DATA REFERENCE

Prospect® 8.0 for Motorola CDMA/AMPS/EVDO R22/S19/R8

| | | | |
|-------------------------|------|--------------------|------|
| BackHaul_Slot | 529 | EntryType | 989 |
| BBX | 529 | Ext_Sector_Carrier | 993 |
| BGF | 1489 | FEP | 993 |
| BGFDSP | 1490 | FEP_CPU | 994 |
| BSC | 533 | FEPR | 995 |
| BSC_DO | 288 | GPROC | 996 |
| BSC_DO_Cage | 338 | HoTarget | 998 |
| BSC_DO_Card | 339 | IC_BackHaul | 999 |
| BSC_LocationArea | 831 | IC_DS0 | 999 |
| BSC_ServiceMode | 841 | IC_SubrateChan | 1000 |
| BSC_ServiceMode_RC | 842 | ICTrunkGroup | 1001 |
| BSC_ServiceOption | 844 | IWU | 1042 |
| BSC_SS7Link | 845 | LocationArea | 1044 |
| BTS | 850 | MCC | 1050 |
| BTS_Cell | 852 | MCC_DataRate | 1059 |
| BTS_DataRate | 871 | MCC_DO | 363 |
| BTS_DO | 342 | MCC_DO_Modem | 399 |
| BTS_RadioConfig | 882 | MCC_RateSet | 1064 |
| BTS_RateSet | 884 | MCCce | 1064 |
| BTS_ServiceOption | 885 | MCCce_Type | 1069 |
| BTSCON_BGF | 892 | MLPPP | 1492 |
| BTSMLPPP | 896 | MLS_OTI_CON | 1501 |
| BTSMLPPP_BGF | 906 | MSC | 1070 |
| Carrier_DataRate | 909 | MSC_CFC | 1094 |
| Carrier_LogcDataRate | 914 | Neg_ServiceOption | 1095 |
| Carrier_LogcDataRate_RC | 915 | Network_Component | 1504 |
| Carrier_RadioConfig | 918 | OMCR | 1507 |
| Carrier_ServiceMode | 930 | OMCR_AGNODE | 1509 |
| Carrier_ServiceMode_RC | 930 | OMCR_AN | 1509 |
| CarrierServiceModeRCInd | 934 | OMCR_CONNECTION | 1510 |
| CBSC_Carrier | 937 | OMCR_MLPPP | 1513 |
| CBSC_CFC | 938 | OMCR_MLS | 1516 |
| CBSC_HoContr | 938 | OMCR_MLSModule | 1518 |
| CC | 344 | OMCR_MLSPort | 1519 |
| CDP | 944 | OMCR_RPM | 1525 |
| Cell | 946 | OMCR_RPM_BTS | 1529 |
| Cell_Sector | 954 | OMCR_RPM_XF | 1529 |
| Channel | 972 | OMCR_WANModule | 1529 |
| CircuitGroup | 976 | OMCR_WANPort | 1530 |
| CodingType | 978 | OMCR_WANRouter | 1534 |
| CPP | 979 | OMP | 1096 |
| CPP_CPU | 980 | PagingChan | 1097 |
| CSM_EMAXX | 981 | PaTrnkGrp | 1125 |
| DPC | 987 | PaTrnkGrp_SC | 1128 |
| EMH_Core | 353 | PBTSSPAN | 1132 |
| EMH_Med | 356 | PCF | 1137 |
| EMHBLADE | 359 | PCF_PDSN | 1137 |

PERFORMANCE DATA REFERENCE
Prospect® 8.0 for Motorola CDMA/AMPS/EVDO R22/S19/R8

| | | | |
|-------------------|--------------------------------------|------------------------|------|
| PCF_RA | 1138 | TargetMSC | 1435 |
| PDSN | 1539 | TC | 479 |
| PDSN_BSC | 1539 | TG_HoContr | 1440 |
| PKTIF | 1146 | TRA | 491 |
| PKTPCF | 1147 | Trunk | 1446 |
| PKTSEL | 1149 | TrunkGroup | 1449 |
| Proc | 1150 | VPF | 1583 |
| ProcPair | 1151 | VPF_Slot | 1584 |
| ProcSubsystem | 1152 | VPU | 1587 |
| ProcSubsystemPair | 1152 | VPU_BSC | 1456 |
| PSI_CE_Grp | 1154 | VPU_OMCR | 1590 |
| PSI_SDU | 1157 | XC | 1462 |
| QuickPCH_Rate | 1158 | XC_Bin | 1466 |
| QuickPgChan | 1160 | XCDR | 1478 |
| RadioChanConfig | 1160 | XCDR_Slot | 1479 |
| Req_SCH_GrpType | 1161 | XcdrChanGrp | 1480 |
| Req_ServiceOption | 1163 | XMI | 1481 |
| RouterPair | 1164 | Proc | |
| SC_PaTrnkGrp | 1167 | peg counts | 1150 |
| SCA | 450 | primitive calculations | 1150 |
| SCH_GrpType | 1169 | ProcPair | |
| SCIP_Link | 1172 | peg counts | 1151 |
| SCSI_DiskCopy | 1175 | primitive calculations | 1151 |
| SDF | 1543 | ProcSubsystem | |
| SDF_BSC | 1184 | primitive calculations | 1152 |
| SDF_Slot | 1543 | ProcSubsystemPair | |
| SDU | 1546 | peg counts | 1153 |
| SDU_Bin_OMCR | 1550 | primitive calculations | 1152 |
| SDU_OMCR | 1558 | PSI_CE_Grp | |
| SDU_PCF | 1577 | peg counts | 1155 |
| SDU_PCF_RA_BSC | 1185 | primitive calculations | 1154 |
| SDU_PCF_Slot | 1577 | PSI_SDU | |
| Sector | 1188 | peg counts | 1157 |
| Sector_Carrier | 1206 | primitive calculations | 1157 |
| Sector_DO | 452 | publications | |
| Sector_MCCceGrp | 1371 | user | 129 |
| SectorCarrier_DO | 455 | Q | |
| SectorHoContr | 1387 | QuickPCH_Rate | |
| ServiceMode | 1393 | peg counts | 1159 |
| Site_MCCceGrp | 1393 | primitive calculations | 1158 |
| SPAN | 1534 | QuickPgChan | |
| SS7Link | 1425 | primitive calculations | 1160 |
| SS7LinkSet | 1430 | R | |
| SSC | 476 | RadioChanConfig | |
| Subcell | 1431 | primitive calculations | 1160 |
| System | 479, 501, 1435, 1535, 1540, 1580, | | |
| | 1583 | | |

Updated: 2008-11-20

PERFORMANCE DATA REFERENCE
Prospect® 8.0 for Motorola CDMA/AMPS/EVDO R22/S19/R8

| | |
|--------------------------------------|---------------------------------------|
| Req_SCH_GrpType | SDU_PCF_RA_BSC |
| peg counts1162 | peg counts 1186 |
| primitive calculations1161 | primitive calculations 1185 |
| Req_ServiceOption | SDU_PCF_Slot |
| peg counts1164 | peg counts 1577 |
| primitive calculations1163 | primitive calculations 1577 |
| RouterPair | Sector |
| peg counts1165 | peg counts 1191 |
| primitive calculations1164 | primitive calculations 1188 |
| S | Sector_Carrier |
| SC_PaTrnkGrp | peg counts 1231 |
| peg counts1168 | primitive calculations 1206 |
| primitive calculations1167 | Sector_DO |
| SCA | peg counts 452 |
| peg counts 450 | primitive calculations 452 |
| primitive calculations 450 | Sector_MCCceGrp |
| SCH_GrpType | peg counts 1382 |
| peg counts1171 | primitive calculations 1371 |
| primitive calculations1169 | SectorCarrier_DO |
| SCIP_Link | peg counts 456 |
| peg counts1173 | primitive calculations 455 |
| primitive calculations1172 | SectorHoContr |
| SCSI_DiskCopy | peg counts 1387 |
| peg counts1176 | primitive calculations 1387 |
| primitive calculations1175 | ServiceMode |
| SDF | primitive calculations 1393 |
| primitive calculations1543 | Site_MCCceGrp |
| SDF_BSC | peg counts 1415 |
| peg counts1185 | primitive calculations 1393 |
| primitive calculations1184 | skills required documentation |
| SDF_Slot | assumptions about prior knowledge 127 |
| peg counts1544 | software 127 |
| primitive calculations1543 | SPAN |
| SDU | primitive calculations 1534 |
| available data fields1546 | SS7Link |
| peg counts1548 | peg counts 1426 |
| primitive calculations1546 | primitive calculations 1425 |
| SDU_Bin_OMCR | SS7LinkSet |
| peg counts1551 | peg counts 1430 |
| primitive calculations1550 | primitive calculations 1430 |
| SDU_OMCR | SSC |
| peg counts1563 | peg counts 476 |
| primitive calculations1558 | primitive calculations 476 |
| SDU_PCF | Subcell |
| primitive calculations1577 | peg counts 1431 |
| | primitive calculations 1431 |

| | | |
|-------------------------------------|----------------------------------|------------------|
| System | primitive calculations | 1462 |
| primitive calculations | 479, 501, 1435, 1535, | 1540, 1580, 1583 |
| T | | |
| TargetMSC | peg counts | 1436 |
| | primitive calculations | 1435 |
| TC | peg counts | 480 |
| | primitive calculations | 479 |
| TG_HoContr | peg counts | 1441 |
| | primitive calculations | 1440 |
| TRA | peg counts | 492 |
| | primitive calculations | 491 |
| Trunk | peg counts | 1446 |
| | primitive calculations | 1446 |
| TrunkGroup | peg counts | 1452 |
| | primitive calculations | 1449 |
| typographical conventions | | 128 |
| U | | |
| user publications | | 129 |
| V | | |
| VPF | primitive calculations | 1583 |
| VPF_Slot | peg counts | 1584 |
| | primitive calculations | 1584 |
| VPU | available data fields | 1587 |
| | peg counts | 1588 |
| | primitive calculations | 1587 |
| VPU_BSC | peg counts | 1458 |
| | primitive calculations | 1456 |
| VPU_OMCR | peg counts | 1592 |
| | primitive calculations | 1590 |
| X | | |
| XC | peg counts | 1462 |
| | primitive calculations | 1462 |
| XC_Bin | peg counts | 1467 |
| | primitive calculations | 1466 |
| XCDR | peg counts | 1478 |
| | primitive calculations | 1478 |
| XCDR_Slot | primitive calculations | 1479 |
| XcdrChanGrp | peg counts | 1480 |
| | primitive calculations | 1480 |
| XMI | peg counts | 1483 |
| | primitive calculations | 1481 |

PERFORMANCE DATA REFERENCE
Prospect® 8.0 for Motorola CDMA/AMPS/EVDO R22/S19/R8
