

Performance Data Reference Prospect® 8.0 for Nortel AMPS/TDMA/CDMA/MTX 17



Notices

This information was developed for products and services offered in the U.S.A.

IBM may not offer the products, services, or features discussed in this document in other countries. Consult your local IBM representative for information on the products and services currently available in your area. Any reference to an IBM product, program, or service is not intended to state or imply that only that IBM product, program, or service may be used. Any functionally equivalent product, program, or service that does not infringe any IBM intellectual property right may be used instead. However, it is the user's responsibility to evaluate and verify the operation of any non-IBM product, program, or service.

IBM may have patents or pending patent applications covering subject matter described in this document. The furnishing of this document does not give you any license to these patents. You can send license inquiries, in writing, to:

*IBM Director of Licensing
IBM Corporation
North Castle Drive
Armonk, NY 10504-1785, U.S.A.*

For license inquiries regarding double-byte (DBCS) information, contact the IBM Intellectual Property Department in your country or send inquiries, in writing, to:

*IBM World Trade Asia Corporation
Licensing
2-31 Roppongi 3-chome, Minato-ku
Tokyo 106, Japan*

The following paragraph does not apply to the United Kingdom or any other country where such provisions are inconsistent with local law:

INTERNATIONAL BUSINESS MACHINES CORPORATION PROVIDES THIS PUBLICATION "AS IS" WITHOUT WARRANTY OF ANY KIND, EITHER EXPRESS OR IMPLIED, INCLUDING, BUT NOT LIMITED TO, THE IMPLIED WARRANTIES OF NON-INFRINGEMENT, MERCHANTABILITY OR FITNESS FOR A PARTICULAR PURPOSE. Some states do not allow disclaimer of express or implied warranties in certain transactions, therefore, this statement might not apply to you.

This information could include technical inaccuracies or typographical errors. Changes are periodically made to the information herein; these changes will be incorporated in new editions of the publication. IBM may make improvements and/or changes in the product(s) and/or the program(s) described in this publication at any time without notice.

Any references in this information to non-IBM Web sites are provided for convenience only and do not in any manner serve as an endorsement of those Web sites. The materials at those Web sites are not part of the materials for this IBM product and use of those Web sites is at your own risk.

IBM may use or distribute any of the information you supply in any way it believes appropriate without incurring any obligation to you.

Licensees of this program who wish to have information about it for the purpose of enabling: (i) the exchange of information between independently created programs and other programs (including this one) and (ii) the mutual use of the information which has been exchanged, should contact:

IBM Corporation
2Z4A/101
11400 Burnet Road
Austin, TX 78758 U.S.A.

Such information may be available, subject to appropriate terms and conditions, including in some cases, payment of a fee.

The licensed program described in this document and all licensed material available for it are provided by IBM under terms of the IBM Customer Agreement, IBM International Program License Agreement or any equivalent agreement between us.

Any performance data contained herein was determined in a controlled environment. Therefore, the results obtained in other operating environments may vary significantly. Some measurements may have been made on development-level systems and there is no guarantee that these measurements will be the same on generally available systems. Furthermore, some measurement may have been estimated through extrapolation. Actual results may vary. Users of this document should verify the applicable data for their specific environment.

Information concerning non-IBM products was obtained from the suppliers of those products, their published announcements or other publicly available sources. IBM has not tested those products and cannot confirm the accuracy of performance, compatibility or any other claims related to non-IBM products. Questions on the capabilities of non-IBM products should be addressed to the suppliers of those products.

This information contains examples of data and reports used in daily business operations. To illustrate them as completely as possible, the examples include the names of individuals, companies, brands, and products. All of these names are fictitious and any similarity to the names and addresses used by an actual business enterprise is entirely coincidental.

Trademarks

IBM, the IBM logo, and ibm.com are trademarks or registered trademarks of International Business Machines Corp., registered in many jurisdictions worldwide. Other product and service names might be trademarks of IBM or other companies. A current list of IBM

trademarks is available on the Web at "Copyright and trademark information" at www.ibm.com/legal/copytrade.shtml.

Intel, Itanium, the Intel Inside logos, and Pentium are trademarks of Intel Corporation in the United States, other countries, or both.

Java and all Java-based trademarks and logos are trademarks or registered trademarks of Sun Microsystems, Inc. in the U.S., and other countries.



Linux is a trademark of Linus Torvalds in the United States, other countries, or both.

Microsoft and Windows are registered trademarks of Microsoft Corporation in the U.S. and other countries.

UNIX is a registered trademark of The Open Group in the United States and other countries.

Other company, product, or service names may be trademarks or service marks of others.

Table of Contents

1	About This Documentation	315
	Audience	315
	Required Skills and Knowledge	315
	Document Conventions	316
	User Publications	317
	Viewing the Desktop Client Help Publications	317
	Viewing the Publications in PDF	318
	Training and Technical Support	318
2	Introduction	319
3	Traffic Entities	321
4	Traffic Fields	327
	AccChan Primitive Calculations	327
	GRAPHmultiLineSeparator	327
	NUMDAYS	327
	NUMHOURS	327
	AccChan Peg Counts	327
	AccChanID	327
	AccChanLowerBoundOfAvgOccupancy	328
	AccChanPeakDuration	328
	AccChanPeakOccupancy	328
	AccChanRange0to4	329
	AccChanRange10to14	329
	AccChanRange15to19	329
	AccChanRange20to24	330
	AccChanRange25to29	330
	AccChanRange30to34	330
	AccChanRange35to39	331
	AccChanRange40to44	331
	AccChanRange45to49	331
	AccChanRange50to54	332
	AccChanRange55to59	332
	AccChanRange5to9	332
	AccChanRange60to64	333
	AccChanRange65to69	333
	AccChanRange70to74	333
	AccChanRange75to79	334
	AccChanRange80to84	334
	AccChanRange85to89	334
	AccChanRange90to94	335
	AccChanRange95to99	335
	AccChanRingID	335
	AccChanTimeInOverload	336
	AccChanUpperBoundOfAvgOccupancy	336

PERFORMANCE DATA REFERENCE
 Prospect® 8.0 for Nortel AMPS/TDMA/CDMA/MTX 17

AUCRMReceived	336
BadCRCMsgReceived	337
DBMReceived	337
ESTRPMReceived	337
InvalidMsgReceived	338
MSACKORDMReceived	338
ORMReceived	338
OtherORDMReceived	339
PRMReceived	339
RGMReceived	339
STRPMReceived	340
UnsupportedMsgReceived	340
ACP_DSFP Primitive Calculations	340
CPU_Usage_30to40%_CSVs	340
CPU_Usage_40to50%_CSVs	341
CPU_Usage_50to60%_CSVs	341
CPU_Usage_60to70%_CSVs	341
CPU_Usage_70to80%_CSVs	341
CPU_Usage_GT80%_CSVs	341
CPU_Usage_LTE30%_CSVs	341
CPU_Usage_Overload%_CSVs	341
CPU_UsageIndex_Total_CSVs	342
GRAPHmultiLineSeparator	342
NUMDAYS	342
NUMHOURS	342
ACP_DSFP Peg Counts	342
BearerUpdateAttempts	342
BearerUpdateInternalFailures	343
BearerUpdateSuccesses	343
BearerUpdateTimeouts	343
CPU_UsageExceededThreshold	344
CPU_UsageExceededThreshold_CSVs	344
CPU_UsageIndex_1	344
CPU_UsageIndex_1_CSVs	345
CPU_UsageIndex_2	345
CPU_UsageIndex_2_CSVs	345
CPU_UsageIndex_3	346
CPU_UsageIndex_3_CSVs	346
CPU_UsageIndex_4	346
CPU_UsageIndex_4_CSVs	347
CPU_UsageIndex_5	347
CPU_UsageIndex_5_CSVs	347
CPU_UsageIndex_6	348
CPU_UsageIndex_6_CSVs	348
CPU_UsageIndex_7	348
CPU_UsageIndex_7_CSVs	349
ESL_CongestedSignalingConnectionFailure_CSVs	349
ESL_CongestedSignalingConnFailure	349
ESL_CongestedSignalingRelAckWaitTO	350
ESL_CongestedSignalingReliableAckWaitTimeout_CSVs	350
ESL_CongestedSignalingReliableRxMsg	350

PERFORMANCE DATA REFERENCE
 Prospect® 8.0 for Nortel AMPS/TDMA/CDMA/MTX 17

ESL_CongestedSignalingReliableRxMsg_CSVS	351
ESL_CongestedSignalingReliableTxMsg	351
ESL_CongestedSignalingReliableTxMsg_CSVS	351
ESL_CongestedSignalingTxMsgFailure	351
ESL_CongestedSignalingTxMsgFailure_CSVS	352
ESL_CongestedSignalingUnknDestMsg	352
ESL_CongestedSignalingUnknownDestinationMsg_CSVS	352
ESL_InvalidMsgRx	353
ESL_InvalidMsgRx_CSVS	353
ESL_NodeInitRxMsg	353
ESL_NodeInitRxMsg_CSVS	354
ESL_NodeInitTxMsg	354
ESL_NodeInitTxMsg_CSVS	354
ESL_NodeInitTxMsgFailure	355
ESL_NodeInitTxMsgFailure_CSVS	355
ESL_SignalingConnectionFailure	355
ESL_SignalingConnectionFailure_CSVS	355
ESL_SignalingReliableAckWaitTimeout	356
ESL_SignalingReliableAckWaitTimeout_CSVS	356
ESL_SignalingReliableRxMsg	356
ESL_SignalingReliableRxMsg_CSVS	357
ESL_SignalingReliableTxMsg	357
ESL_SignalingReliableTxMsg_CSVS	357
ESL_SignalingReliableTxMsgFailure	358
ESL_SignalingReliableTxMsgFailure_CSVS	358
ESL_SignalingUnknownDestinationMsg	358
ESL_SignalingUnknownDestinationMsg_CSVS	359
ESL_SignalingUnreliableRxMsg	359
ESL_SignalingUnreliableRxMsg_CSVS	359
ESL_SignalingUnreliableTxMsg	359
ESL_SignalingUnreliableTxMsg_CSVS	360
ESL_SignalingUnReliableTxMsgFailure	360
ESL_SignalingUnreliableTxMsgFailure_CSVS	360
EVRBCB_FrameCountFwdMode_0	361
EVRBCB_FrameCountFwdMode_4	361
EVRBCB_FrameCountFwdMode_6	361
EVRBCB_FrameCountRevMode_0	362
EVRBCB_FrameCountRevMode_4	362
EVRBCB_FrameCountRevMode_6	362
EVRBCB_SelectionCountFwdMode_0	363
EVRBCB_SelectionCountFwdMode_4	363
EVRBCB_SelectionCountFwdMode_6	363
EVRBCB_SelectionCountRevMode_0	364
EVRBCB_SelectionCountRevMode_4	364
EVRBCB_SelectionCountRevMode_6	364
FwdBurstBSC_Downgrade	365
FwdBurstBSC_DowngradeChange	365
FwdBurstBSC_NonDowngrade	365
FwdBurstBSC_NonDowngradeChange	366
FwdBurstBSC_Release_16X	366
FwdBurstBSC_Release_2X	366

Updated: 2009-06-03

PERFORMANCE DATA REFERENCE
Prospect® 8.0 for Nortel AMPS/TDMA/CDMA/MTX 17

FwdBurstBSC_Release_4X	367
FwdBurstBSC_Release_8X	367
FwdBurstBTS_PilotRelease_16X	367
FwdBurstBTS_PilotRelease_2X	368
FwdBurstBTS_PilotRelease_4X	368
FwdBurstBTS_PilotRelease_8X	368
FwdBurstDelayIndex_1	369
FwdBurstDelayIndex_2	369
FwdBurstDelayIndex_3	369
FwdBurstDowngrade_16X_To_2X	370
FwdBurstDowngrade_16X_To_4X	370
FwdBurstDowngrade_16X_To_8X	370
FwdBurstDowngrade_4X_To_2X	371
FwdBurstDowngrade_8X_To_2X	371
FwdBurstDowngrade_8X_To_4X	371
FwdBurstDowngradeChange_16X_To_4X	372
FwdBurstDowngradeChange_16X_To_8X	372
FwdBurstDowngradeChange_8X_To_4X	372
FwdBurstNonDowngrade_16X	373
FwdBurstNonDowngrade_2X	373
FwdBurstNonDowngrade_4X	373
FwdBurstNonDowngrade_8X	374
FwdBurstNonDowngradeChange_16X	374
FwdBurstNonDowngradeChange_4X	375
FwdBurstNonDowngradeChange_8X	375
FwdBurstSetupAttempts	375
FwdBurstSetupAttempts_16X	376
FwdBurstSetupAttempts_2X	376
FwdBurstSetupAttempts_4X	376
FwdBurstSetupAttempts_8X	376
FwdBurstSetupFailures	377
FwdBurstSetupFailures_16X	377
FwdBurstSetupFailures_2X	377
FwdBurstSetupFailures_4X	378
FwdBurstSetupFailures_8X	378
FwdBurstSetupSuccesses	378
FwdBurstSetupSuccesses_16X	379
FwdBurstSetupSuccesses_2X	379
FwdBurstSetupSuccesses_4X	379
FwdBurstSetupSuccesses_8X	380
FwdBurstUpgradeAttempts_2X_To_16X	380
FwdBurstUpgradeAttempts_2X_To_4X	380
FwdBurstUpgradeAttempts_2X_To_8X	381
FwdBurstUpgradeAttempts_4X_To_16X	381
FwdBurstUpgradeAttempts_4X_To_8X	381
FwdBurstUpgradeAttempts_8X_To_16X	382
FwdBurstUpgradeFailures_2X_To_16X	382
FwdBurstUpgradeFailures_2X_To_4X	382
FwdBurstUpgradeFailures_2X_To_8X	383
FwdBurstUpgradeFailures_4X_To_16X	383
FwdBurstUpgradeFailures_4X_To_8X	383

PERFORMANCE DATA REFERENCE
Prospect® 8.0 for Nortel AMPS/TDMA/CDMA/MTX 17

FwdBurstUpgradeFailures_8X_To_16X	384
FwdBurstUpgradeSuccesses_2X_To_16X	384
FwdBurstUpgradeSuccesses_2X_To_4X	384
FwdBurstUpgradeSuccesses_2X_To_8X	385
FwdBurstUpgradeSuccesses_4X_To_16X	385
FwdBurstUpgradeSuccesses_4X_To_8X	385
FwdBurstUpgradeSuccesses_8X_To_16X	386
FwdRLPQ_BurstRequestDepth_01	386
FwdRLPQ_BurstRequestDepth_02	386
FwdRLPQ_BurstRequestDepth_03	387
FwdRLPQ_BurstRequestDepth_04	387
FwdRLPQ_BurstRequestDepth_05	387
FwdRLPQ_BurstRequestDepth_06	388
FwdRLPQ_BurstRequestDepth_07	388
FwdRLPQ_BurstRequestDepth_08	388
FwdRLPQ_BurstRequestDepth_09	389
FwdRLPQ_BurstRequestDepth_10	389
FwdRLPQ_BurstRequestDepth_11	389
FwdRLPQ_BurstRequestDepth_12	390
FwdRLPQ_BurstRequestDepth_13	390
FwdRLPQ_BurstRequestDepth_14	390
FwdRLPQ_BurstRequestDepth_15	391
FwdRLPQ_BurstRequestDepth_16	391
FwdRLPQ_BurstRequestDepth_17	391
FwdRLPQ_BurstRequestDepth_18	392
FwdRLPQ_BurstRequestDepth_19	392
FwdRLPQ_BurstRequestDepth_20	392
FwdRLPQ_BurstRequestDepth_21	393
FwdRLPQ_BurstRequestDepth_22	393
FwdRLPQ_BurstRequestDepth_23	393
FwdRLPQ_BurstRequestDepth_24	394
FwdRLPQ_BurstRequestDepth_25	394
FwdRLPQ_SCH_BurstAvgDepth_16x	394
FwdRLPQ_SCH_BurstAvgDepth_2x	395
FwdRLPQ_SCH_BurstAvgDepth_4x	395
FwdRLPQ_SCH_BurstAvgDepth_8x	395
FwdRLPQ_SCH_BurstPeakDepth_16x	396
FwdRLPQ_SCH_BurstPeakDepth_2x	396
FwdRLPQ_SCH_BurstPeakDepth_4x	396
FwdRLPQ_SCH_BurstPeakDepth_8x	397
LL_CongestedSignaling_FrameRx	397
LL_CongestedSignaling_FrameTx	397
LL_CongestedSignalingFrameRx_CSVS	398
LL_CongestedSignalingFrameTx_CSVS	398
LL_DataFrameRx	398
LL_DataFrameRx_CSVS	398
LL_DataFrameTx	399
LL_DataFrameTx_CSVS	399
LL_InvalidFrameType	399
LL_InvalidFrameType_CSVS	400
LL_NodeInitFrameRx	400

Updated: 2009-06-03

PERFORMANCE DATA REFERENCE

Prospect® 8.0 for Nortel AMPS/TDMA/CDMA/MTX 17

LL_NodeInitFrameRx_CSVS	400
LL_NodeInitFrameTx	401
LL_NodeInitFrameTx_CSVS	401
LL_SignalingFrameRx	401
LL_SignalingFrameRx_CSVS	402
LL_SignalingFrameTx	402
LL_SignalingFrameTx_CSVS	402
LL_TrafficFrameRx	402
LL_TrafficFrameRx_CSVS	403
LL_TrafficFrameTx	403
LL_TrafficFrameTx_CSVS	403
PLCM_CallDropsBS_Assigned	404
PLCM_CallDropsBS_Assigned_CSVS	404
PLCM_CallDropsMEID	404
PLCM_CallDropsMEID_CSVS	405
PLCM_CallDropsPseudoESN	405
PLCM_CallDropsPseudoESN_CSVS	406
PLCM_CallSetupAttemptsBS_Assigned	406
PLCM_CallSetupAttemptsBS_Assigned_CSVS	406
PLCM_CallSetupAttemptsMEID	407
PLCM_CallSetupAttemptsMEID_CSVS	407
PLCM_CallSetupAttemptsPseudoESN	407
PLCM_CallSetupAttemptsPseudoESN_CSVS	408
PLCM_CallSetupFailuresBS_Assigned	408
PLCM_CallSetupFailuresBS_Assigned_CSVS	408
PLCM_CallSetupFailuresMEID	409
PLCM_CallSetupFailuresMEID_CSVS	409
PLCM_CallSetupFailuresPseudoESN	410
PLCM_CallSetupFailuresPseudoESN_CSVS	410
PLCM_CallSetupSuccessesBS_Assigned	410
PLCM_CallSetupSuccessesBS_Assigned_CSVS	411
PLCM_CallSetupSuccessesMEID	411
PLCM_CallSetupSuccessesMEID_CSVS	411
PLCM_CallSetupSuccessesPseudoESN	412
PLCM_CallSetupSuccessesPseudoESN_CSVS	412
RevBurstBSC_Downgrade	412
RevBurstBSC_NonDowngrade	413
RevBurstBSC_Release_16X	413
RevBurstBSC_Release_2X	413
RevBurstBSC_Release_4X	414
RevBurstBSC_Release_8X	414
RevBurstBTS_PilotRelease_16X	414
RevBurstBTS_PilotRelease_2X	415
RevBurstBTS_PilotRelease_4X	415
RevBurstBTS_PilotRelease_8X	415
RevBurstDelayIndex_1	416
RevBurstDelayIndex_2	416
RevBurstDelayIndex_3	416
RevBurstDowngrade_16X_To_2X	417
RevBurstDowngrade_16X_To_4X	417
RevBurstDowngrade_16X_To_8X	417

PERFORMANCE DATA REFERENCE
 Prospect® 8.0 for Nortel AMPS/TDMA/CDMA/MTX 17

RevBurstDowngrade_4X_To_2X	418
RevBurstDowngrade_8X_To_2X	418
RevBurstDowngrade_8X_To_4X	418
RevBurstNonDowngrade_16X	419
RevBurstNonDowngrade_2X	419
RevBurstNonDowngrade_4X	419
RevBurstNonDowngrade_8X	420
RevBurstSetupAttempts	420
RevBurstSetupAttempts_16X	420
RevBurstSetupAttempts_2X	421
RevBurstSetupAttempts_4X	421
RevBurstSetupAttempts_8X	421
RevBurstSetupFailures	422
RevBurstSetupFailures_16X	422
RevBurstSetupFailures_2X	422
RevBurstSetupFailures_4X	423
RevBurstSetupFailures_8X	423
RevBurstSetupSuccesses	423
RevBurstSetupSuccesses_16X	424
RevBurstSetupSuccesses_2X	424
RevBurstSetupSuccesses_4X	424
RevBurstSetupSuccesses_8X	424
RevRLPQ_SCH_BurstAvgDepth_16x	425
RevRLPQ_SCH_BurstAvgDepth_2x	425
RevRLPQ_SCH_BurstAvgDepth_4x	425
RevRLPQ_SCH_BurstAvgDepth_8x	426
RevRLPQ_SCH_BurstPeakDepth_16x	426
RevRLPQ_SCH_BurstPeakDepth_2x	426
RevRLPQ_SCH_BurstPeakDepth_4x	427
RevRLPQ_SCH_BurstPeakDepth_8x	427
RLPSetupAttempts	427
RLPSetupFailures	428
RLPSetupSuccesses	428
SL_MaxLargeStreamBufferUsed	428
SL_MaxLargeStreamBufferUsed_CSVS	429
SL_MaxMediumStreamBufferUsed	429
SL_MaxMediumStreamBufferUsed_CSVS	429
SL_MaxSmallStreamBufferUsed	430
SL_MaxSmallStreamBufferUsed_CSVS	430
SL_STLA_UnknownDestinationMsg	430
SL_STLA_UnknownDestinationMsg_CSVS	431
SL_STLB_UnknownDestinationMsg	431
SL_STLB_UnknownDestinationMsg_CSVS	431
SL_STLD_UnknownDestinationMsg	431
SL_STLD_UnknownDestinationMsg_CSVS	432
SL_StreamBufferAllocFailure	432
SL_StreamBufferAllocFailure_CSVS	432
SL_StreamBufferAllocSuccess	433
SL_StreamBufferAllocSuccess_CSVS	433
STLA_BestEffortReassemblyTimeout	433
STLA_BestEffortReassemblyTimeout_CSVS	434

Updated: 2009-06-03

PERFORMANCE DATA REFERENCE

Prospect® 8.0 for Nortel AMPS/TDMA/CDMA/MTX 17

STLA_BestEffortRxMsg	434
STLA_BestEffortRxMsg_CSVS	434
STLA_BestEffortTxMsg	435
STLA_BestEffortTxMsg_CSVS	435
STLA_ConnectionFailed	435
STLA_ConnectionFailedDueToMaxFaults	436
STLA_ConnectionFailedDueToMaxFaults_CSVS	436
STLA_ConnectionFailedDueToMaxTxAttempts	436
STLA_ConnectionFailedDueToMaxTxAttempts_CSVS	437
STLA_ConnectionFault	437
STLA_ConnectionFault_CSVS	437
STLA_FailedMsgCRC	438
STLA_FailedMsgCRC_CSVS	438
STLA_MaxOpenRxConnection	438
STLA_MaxOpenRxConnection_CSVS	438
STLA_MaxOpenTxConnection	439
STLA_MaxOpenTxConnection_CSVS	439
STLA_MaxRxBuffer	439
STLA_MaxRxBuffer_CSVS	440
STLA_MaxRxQueue	440
STLA_MaxRxQueue_CSVS	440
STLA_MaxTxLargeBuffer	441
STLA_MaxTxLargeBuffer_CSVS	441
STLA_MaxTxMediumBuffer	441
STLA_MaxTxMediumBuffer_CSVS	442
STLA_MaxTxQueue	442
STLA_MaxTxQueue_CSVS	442
STLA_MaxTxSmallBuffer	442
STLA_MaxTxSmallBuffer_CSVS	443
STLA_OpenRxConnection	443
STLA_OpenRxConnection_CSVS	443
STLA_OpenTxConnection	444
STLA_OpenTxConnection_CSVS	444
STLA_OutOfRxFrameBuffer	444
STLA_OutOfRxFrameBuffer_CSVS	445
STLA_OutOfTxBuffer	445
STLA_OutOfTxBuffer_CSVS	445
STLA_OutOfWindowMsg	446
STLA_OutOfWindowMsgDueToMaxWS	446
STLA_OutOfWindowMsgDueToMaxWS_CSVS	446
STLA_OutOfWindowMsgDueToReducedWS	447
STLA_OutOfWindowMsgDueToReducedWS_CSVS	447
STLA_OutOfWindowMsgDueToZeroWS	447
STLA_OutOfWindowMsgDueToZeroWS_CSVS	448
STLA_ProtocolRevisionError	448
STLA_ProtocolRevisionError_CSVS	448
STLA_RefusedRxConnection	448
STLA_RefusedRxConnection_CSVS	449
STLA_RefusedTxConnection	449
STLA_RefusedTxConnection_CSVS	449
STLA_ReliableAckWaitTimeout	450

PERFORMANCE DATA REFERENCE
Prospect® 8.0 for Nortel AMPS/TDMA/CDMA/MTX 17

STLA_ReliableAckWaitTimeout_CSVS	450
STLA_ReliableReassemblyTimeout	450
STLA_ReliableReassemblyTimeout_CSVS	451
STLA_ReliableRetransmittedMsg	451
STLA_ReliableRetransmittedMsg_CSVS	451
STLA_ReliableRxMsg	452
STLA_ReliableRxMsg_CSVS	452
STLA_ReliableTxMsg	452
STLA_ReliableTxMsg_CSVS	452
STLA_TxWindowReduced	453
STLA_TxWindowReduced_CSVS	453
STLA_TxWindowShut	453
STLA_TxWindowShut_CSVS	454
STLD_BestEffortReassemblyTimeout	454
STLD_BestEffortRxMsg	454
STLD_BestEffortTxMsg	455
STLD_MaxRxBuffer	455
STLD_MaxRxQueue	455
STLD_MaxTxBufferWithoutCopy	456
STLD_MaxTxLargeBuffer	456
STLD_MaxTxMediumBuffer	456
STLD_MaxTxQueue	456
STLD_MaxTxSmallBuffer	457
STLD_OutOfRxFrameBuffer	457
STLD_OutOfTxBuffer	457
STLD_OutOfTxBufferWithoutCopy	458
AirAbisPeer Primitive Calculations	458
GRAPHmultiLineSeparator	458
NUMDAYS	458
NUMHOURS	458
Announcement Primitive Calculations	459
GRAPHmultiLineSeparator	459
NUMDAYS	459
NUMHOURS	459
Announcement Peg Counts	459
ANN_OMINFO	459
ANNATT	459
ANNFTRU	460
ANNMBU	460
ANNOVFL	460
ANNSBU	461
ANNTRU	461
AudioServer Primitive Calculations	461
GRAPHmultiLineSeparator	461
NUMDAYS	462
NUMHOURS	462
AudioServer Peg Counts	462
ANNCFTRU	462
ANNCINSU	462
ANNCOOSU	463

Updated: 2009-06-03

PERFORMANCE DATA REFERENCE
 Prospect® 8.0 for Nortel AMPS/TDMA/CDMA/MTX 17

AnnPortsEquipped	463
ANNCTRU	463
CNF3FTRU	463
CNF3INSU	464
CNF3OOSU	464
CNF3TRU	464
CNF6FTRU	465
CNF6INSU	465
CNF6OOSU	465
CNF6TRU	466
SixPortConfCctPortsEquipped	466
ThreePortConfCctPortsEquipped	466
BcnIf Primitive Calculations	467
NUMDAYS	467
NUMHOURS	467
TotalTxPacket	467
BcnIf Peg Counts	467
RxAvgLinkUtilization	467
RxAvgPacketRate	467
RxAvgThroughput	468
RxBroadcastPacketDiscard	468
RxMinLinkUtilization	468
RxOctets	469
RxPacketDiscards	469
RxPackets	469
RxPeakLinkUtilization	470
RxPeakPacketRate	470
RxPeakThroughput	470
TxAvgLinkUtilization	471
TxAvgPacketRate	471
TxAvgThroughput	471
TxMinLinkUtilization	472
TxOctets	472
TxPacketDiscardPriority1	472
TxPacketDiscardPriority2	473
TxPacketDiscards	473
TxPackets	473
TxPeakLinkUtilization	474
TxPeakPacketRate	474
TxPeakThroughput	474
Beam Primitive Calculations	475
GRAPHmultiLineSeparator	475
NUMDAYS	475
NUMHOURS	475
Beam Peg Counts	475
ConfiguredFwdCallBlockingThreshold	475
ConfiguredFwdDataCallBlockingThreshold	476
ConfiguredFwdHandoffBlockingThreshold	476
ConfiguredFwdVoiceCallBlockingThreshold	476
FCCCHLinkUtilAvg	477

PERFORMANCE DATA REFERENCE
Prospect® 8.0 for Nortel AMPS/TDMA/CDMA/MTX 17

ForwardTxPowerUsageHistogram_00_09	477
ForwardTxPowerUsageHistogram_10_19	477
ForwardTxPowerUsageHistogram_20_29	478
ForwardTxPowerUsageHistogram_30_39	478
ForwardTxPowerUsageHistogram_40_49	478
ForwardTxPowerUsageHistogram_50_59	479
ForwardTxPowerUsageHistogram_60_69	479
ForwardTxPowerUsageHistogram_70_79	480
ForwardTxPowerUsageHistogram_80_89	480
ForwardTxPowerUsageHistogram_90_100	480
OCNSForwardLinkUtilTWAvg	481
OverheadForwardLinkUtilUWAvg	481
PercentTimeAboveFwdCallBlockingThreshold	481
PercentTimeAboveFwdDataCallBlockingThreshold	482
PercentTimeAboveFwdHandoffBlockingThreshold	482
PercentTimeAboveFwdVoiceCallBlockingThreshold	482
PrimaryFBCCHLinkUtilAvg	483
TCEForwardLinkUtilUWAvg	483
BIU Primitive Calculations	483
GRAPHmultiLineSeparator	483
NUMDAYS	484
NUMHOURS	484
BorderPaging Primitive Calculations	484
GRAPHmultiLineSeparator	484
NUMDAYS	484
NUMHOURS	484
BorderPaging Peg Counts	484
IPG2D1FL	484
IPG2D1RR	485
IPG2D2FL	485
IPG2D2RR	485
IPG2D3FL	486
IPG2D3RR	486
IPG2DATT	486
IPG2DRFL	487
IPG2DRR	487
IPG2DTO	487
IPG2S1FL	488
IPG2S1RR	488
IPG2S2FL	488
IPG2S2RR	489
IPG2SATT	489
IPG2SRFL	489
IPG2SRR	490
IPG2STO	490
IPG2V1FL	490
IPG2V1RR	491
IPG2V2FL	491
IPG2V2RR	491
IPG2V3FL	492

Updated: 2009-06-03

PERFORMANCE DATA REFERENCE
Prospect® 8.0 for Nortel AMPS/TDMA/CDMA/MTX 17

IPG2V3RR	492
IPG2VATT	492
IPG2VRFL	493
IPG2VRR	493
IPG2VTO	493
BSC Primitive Calculations	494
AccFails	494
BTSBlock	494
CallAtts	494
CallSucc	494
DropCalls	494
GRAPHmultiLineSeparator	495
NUMDAYS	495
NUMHOURS	495
pAccFails	495
pBTSBlock	495
pCallSucc	495
pDropCalls	496
pScreenCalls	496
pTotalBlocks	496
ScreenCalls	496
TotalBlocks	496
BSC Peg Counts	496
ACEPG3D	496
ACEPGDDS	497
ACEPGV	497
ATEVB	497
ATTB13K	498
ATTB8K	498
ATTEVRC	498
ATTI13K	499
ATTNIL	499
BSCBUATT	499
BSCBUFAL	500
BSCBUSUC	500
BSCBUTMO	500
BSCPGMWI	501
CDSNMQRY_3GFLB13K	501
CDSNMQRY_3GFLI13K	501
CDSNMQRY_3GFLT8K	502
CDSNMQRY_3GFLTEVR	502
CNPATHDN	502
FL13K13K	503
FL13K8K	503
FL13KEVR	503
FL13KI13	504
FL13KSMV	504
FL8K13K	504
FL8K8K	505
FL8KEVR	505
FL8KI13	506

PERFORMANCE DATA REFERENCE
Prospect® 8.0 for Nortel AMPS/TDMA/CDMA/MTX 17

FL8KSMV	506
FLEVR13K	506
FLEVR8K	507
FLEVREVR	507
FLEVRI13	507
FLEVRSMV	508
FLI1313K	508
FLI138K	508
FLI13EVR	509
FLI13I13	509
FLI13SMV	510
FLSMV13K	510
FLSMV8K	510
FLSMVEVR	511
FLSMVI13	511
FLSMVSMV	511
FLTCB13K	512
FLTCB8K	512
FLTCEVB	512
FLTCEVR	513
FLTCH13K	513
FLTCSMV	513
INVADCIC	514
NRMTMOUT	514
ODENYCAU	514
ODENYCM	515
ONILDNY	515
ORSO1313	515
ORSO13EB	516
ORSO13EV	516
ORSO13RQ	516
ORSOEB13	516
ORSOEBEB	517
ORSOEBEV	517
ORSOEBRQ	517
ORSOEV13	518
ORSOEVEB	518
ORSOEVEV	518
ORSOEVQR	519
PROTERR	519
QRYP AFL	519
QRYP AORG	520
QRYPAREG	520
QRYPATRM	520
QRYTCFL	520
QRYTCORG	521
QRYTCTRM	521
SEFL2PVS	521
SEFLNWK	522
SOCHGFAI	522
SOCHGSUC	522

Updated: 2009-06-03

PERFORMANCE DATA REFERENCE

Prospect® 8.0 for Nortel AMPS/TDMA/CDMA/MTX 17

TCMTMOUT	523
TDENYCAU	523
TESO1313	523
TESO13EB	524
TESO13EV	524
TESO13RQ	524
TESOEB13	525
TESOE13EB	525
TESOE13EV	525
TESOE13RQ	526
TESOE13EV13	526
TESOE13EV13EB	526
TESOE13EV13EV	526
TESOE13EV13RQ	527
V13KEVB	527
VB13KB13	527
VB13KB8K	528
VB13KEVR	528
VB13KI13	528
VB13KSMV	529
VB8KB13K	529
VB8KB8K	529
VB8KEVR	530
VB8KI13K	530
VB8KSMV	530
VEVB13K	531
VEVB13KEB	531
VEVB13KEVR	531
VEVB13KI13	532
VEVB13KSMV	532
VEVB8K	532
VEVRCSMV	533
VEVREVB	533
VEVREVR	533
VEVRI13K	534
VII3EVB	534
VII3KB13	534
VII3KB8K	534
VII3KEVR	535
VII3KI13	535
VII3KSMV	535
VNILB13K	536
VNILB8K	536
VNILEVB	536
VNILEVR	537
VNILI13K	537
VNILSMV	537
VSMVB13K	538
VSMVB8K	538
VSMVEVRC	538
VSMVI13K	539

PERFORMANCE DATA REFERENCE
Prospect® 8.0 for Nortel AMPS/TDMA/CDMA/MTX 17

VSMVSMV	539
BSC Roll-up Fields	539
CAUDROPN	539
CAUDROPN3GD	540
CAUDROPN3GV	540
CAUDROPR	540
CAUDROPR3GD	540
CAUDROPR3GV	540
CAUERLFL	540
CAUERLFL3GD	540
CAUERLFL3GV	540
CAUERSFL	540
CAUESWFL	540
CAUHATTS	540
CAUHLKS	540
CAUHLFL	541
CAUHLFL3GD	541
CAUHLFL3GV	541
CAUHRLS	541
CAHSUCC	541
CAHSUCC3GD	541
CAHSUCC3GV	541
CAUOATTS	541
CAUOATTS3GD	541
CAUOATTS3GV	541
CAUOBLKS	541
CAUOBLKS3GD	542
CAUOBLKS3GV	542
CAUORLS	542
CAUORODR	542
CAUSUCC	542
CAUSUCC3GD	542
CAUSUCC3GV	542
CAUPGRES	542
CAUPGRES3GD	542
CAUPGRES3GV	542
CAUTBLKS	542
CAUTBLKS3GD	543
CAUTBLKS3GV	543
CAUTRLS	543
CAUTSUCC	543
CAUTSUCC3GD	543
CAUTSUCC3GV	543
CEFrameCntFCH	543
DataUsageErlangs3G	543
MCTDROPR	543
MCTDROPR_F1	543
MCTDROPR_F2	543
MCTDROPR_F3	543
MCTDROPR_F4	544
MCTDROPR_F5	544

Updated: 2009-06-03

PERFORMANCE DATA REFERENCE

Prospect® 8.0 for Nortel AMPS/TDMA/CDMA/MTX 17

MCTDROPR3GD	544
MCTDROPR3GD_F1	544
MCTDROPR3GD_F2	544
MCTDROPR3GD_F3	544
MCTDROPR3GD_F4	544
MCTDROPR3GD_F5	544
MCTDROPR3GV	544
MCTDROPR3GV_F1	544
MCTDROPR3GV_F2	544
MCTDROPR3GV_F3	544
MCTDROPR3GV_F4	544
MCTDROPR3GV_F5	545
MCTOATTS	545
MCTOATTS_F1	545
MCTOATTS_F2	545
MCTOATTS_F3	545
MCTOATTS_F4	545
MCTOATTS_F5	545
MCTOATTS3GD	545
MCTOATTS3GD_F1	545
MCTOATTS3GD_F2	545
MCTOATTS3GD_F3	545
MCTOATTS3GD_F4	545
MCTOATTS3GD_F5	545
MCTOATTS3GV	546
MCTOATTS3GV_F1	546
MCTOATTS3GV_F2	546
MCTOATTS3GV_F3	546
MCTOATTS3GV_F4	546
MCTOATTS3GV_F5	546
MCTORIGS	546
MCTOSUCC	546
MCTOSUCC_F1	546
MCTOSUCC_F2	546
MCTOSUCC_F3	546
MCTOSUCC_F4	546
MCTOSUCC_F5	546
MCTOSUCC3GD	547
MCTOSUCC3GD_F1	547
MCTOSUCC3GD_F2	547
MCTOSUCC3GD_F3	547
MCTOSUCC3GD_F4	547
MCTOSUCC3GD_F5	547
MCTOSUCC3GV	547
MCTOSUCC3GV_F1	547
MCTOSUCC3GV_F2	547
MCTOSUCC3GV_F3	547
MCTOSUCC3GV_F4	547
MCTOSUCC3GV_F5	547
MCTPGRES	547
MCTTATTS	548

PERFORMANCE DATA REFERENCE
Prospect® 8.0 for Nortel AMPS/TDMA/CDMA/MTX 17

MCTTATTS_F1	548
MCTTATTS_F2	548
MCTTATTS_F3	548
MCTTATTS_F4	548
MCTTATTS_F5	548
MCTTATTS3GD	548
MCTTATTS3GD_F1	548
MCTTATTS3GD_F2	548
MCTTATTS3GD_F3	548
MCTTATTS3GD_F4	548
MCTTATTS3GD_F5	548
MCTTATTS3GV	548
MCTTATTS3GV_F1	549
MCTTATTS3GV_F2	549
MCTTATTS3GV_F3	549
MCTTATTS3GV_F4	549
MCTTATTS3GV_F5	549
MCTTSUCC	549
MCTTSUCC_F1	549
MCTTSUCC_F2	549
MCTTSUCC_F3	549
MCTTSUCC_F4	549
MCTTSUCC_F5	549
MCTTSUCC3GD	549
MCTTSUCC3GD_F1	549
MCTTSUCC3GD_F2	550
MCTTSUCC3GD_F3	550
MCTTSUCC3GD_F4	550
MCTTSUCC3GD_F5	550
MCTTSUCC3GV	550
MCTTSUCC3GV_F1	550
MCTTSUCC3GV_F2	550
MCTTSUCC3GV_F3	550
MCTTSUCC3GV_F4	550
MCTTSUCC3GV_F5	550
PrimaryFrameCntFCH	550
PrimaryFrameCntFCH_F1	550
PrimaryFrameCntFCH_F2	551
PrimaryFrameCntFCH_F3	551
PrimaryFrameCntFCH_F4	551
PrimaryFrameCntFCH_F5	551
PrimaryFrameCntFCH3GD_F1	551
PrimaryFrameCntFCH3GD_F2	551
PrimaryFrameCntFCH3GD_F3	551
PrimaryFrameCntFCH3GD_F4	551
PrimaryFrameCntFCH3GD_F5	551
PrimaryFrameCntFCH3GV_F1	551
PrimaryFrameCntFCH3GV_F2	551
PrimaryFrameCntFCH3GV_F3	551
PrimaryFrameCntFCH3GV_F4	551
PrimaryFrameCntFCH3GV_F5	552

Updated: 2009-06-03

PERFORMANCE DATA REFERENCE
 Prospect® 8.0 for Nortel AMPS/TDMA/CDMA/MTX 17

VoiceUsageErlangs3G	552
WC_UsageErlangs	552
BSC_Carrier Primitive Calculations	552
GRAPHmultiLineSeparator	552
NUMDAYS	552
NUMHOURS	552
BSC_Carrier Peg Counts	552
CEFrameCntFCH	552
CEFrameCntSCH	553
FrameCntFCH	553
FrameCntSCH	553
PrimaryFrameCntFCH	554
PrimaryFrameCntSCH	554
BSC_MGW Primitive Calculations	554
GRAPHmultiLineSeparator	555
NUMDAYS	555
NUMHOURS	555
BSC_MGW Peg Counts	555
RTP_DTMF_Attempts	555
RTP_DTMF_Failures	555
RTP_DTMF_Successes	556
RTP_DTMF_Timeouts	556
RTP_InvalidCodecPayloadLengthPackets	556
RTP_InvalidControlPayloadLengthPackets	557
RTP_JitterThresholdExceeded	557
RTP_LatencyThresholdExceeded	557
RTP_LostPackets	558
RTP_OutofOrderCodecPackets	558
RTP_RateControlAttempts	558
RTP_RateControlFailures	559
RTP_RateControlSuccesses	559
RTP_RateControlTimeouts	559
RTP_ReceivedCodecPackets	560
RTP_ReceivedControlPackets	560
RTP_SyncSrcChange	560
RTP_TimeAlignmentAttempts	561
RTP_TimeAlignmentFailures	561
RTP_TimeAlignmentPartialSuccesses	561
RTP_TimeAlignmentSuccesses	562
RTP_TimeAlignmentTimeouts	562
RTP_UnexpectedPayloadCodecPackets	562
RTP_UnknownPayloadTypePackets	563
RTP_UnsupportedProtocolPackets	563
RTP_ZeroLengthPackets	563
BSC_PDSN Primitive Calculations	564
GRAPHmultiLineSeparator	564
NUMDAYS	564
NUMHOURS	564
BSC_PDSN Peg Counts	564
NumberOfTunnelFailures	564

PERFORMANCE DATA REFERENCE
 Prospect® 8.0 for Nortel AMPS/TDMA/CDMA/MTX 17

PCU_InitiatedSessReleaseOther	565
PCU_InitiatedSessReleasePacketSessDrop	565
PCU_InitiatedSessReleasePDSN_Reject	565
PCU_InitSessReleasePacketSessDisconnect	566
ReliablePacketReceived	566
ReliablePacketReTransmitted	566
ReliablePacketSentSuccess	567
RP_SessionSetupAttempts	567
RP_SessionSetupRejectReasonAdminReason	567
RP_SessionSetupRejectReasonGenErr	567
RP_SessionSetupRejectReasonNoCarrier	568
RP_SessionSetupRejectReasonNoPDSNRsp	568
RP_SessionSetupRejectReasonNoPermRsrcs	568
RP_SessionSetupRejectReasonNoTempRsrcs	569
RP_SessionSetupRejectReasonOther	569
RP_SessionSetupRejectReasonSysOverload	569
RP_SessionSetupSuccesses	570
RPTotalOutOfSequencePacketsReceived	570
RPTotalUnreliableBytesReceived	570
RPTotalUnreliableBytesTransmitted	571
TotalRegistrationReplyDiscardReasonAuthFail	571
TotalRegistrationUpdateDiscardReasonAuthFail	571
TotalRegRequestMsgSent	572
TotalRegRequestRejectIdMismatch	572
TotalRegRequestRejectMobileAuthFailure	572
TotalRegRequestRejectNoResources	573
TotalRegRequestRejectOther	573
TotalRegRequestRejectPDSN_NotResponding	573
TotalRegRequestRetries	574
TotalRP_SessHandoffAttempts	574
TotalRP_SessHandoffFailPDSN_NotRespond	574
TotalRP_SessHandoffRejectAuthFailure	574
TotalRP_SessHandoffRejectIdMismatch	575
TotalRP_SessHandoffRejectNoResources	575
TotalRP_SessHandoffRejectOther	575
TotalRP_SessHandoffSuccesses	576
TotalSignallingMsgReceived	576
TotalUnreliableBytesReceived	576
TotalUnreliableBytesTransmitted	577
TotInitRP_SessSetupAttempts	577
TotInitRP_SessSetupFailPDSN_NotRespond	577
TotInitRP_SessSetupRejectAuthFail	578
TotInitRP_SessSetupRejectIdMismatch	578
TotInitRP_SessSetupRejectInsuffResources	578
TotInitRP_SessSetupRejectOther	579
TotInitRP_SessSetupSuccesses	579
TunnelSetupFailuresReasonBadProtocolVersion	579
TunnelSetupFailuresReasonRequesterShutdown	580
TunnelSetupFailuresReasonReserved	580
TunnelSetupFailuresReasonSystemOverload	580
TunnelSetupFailuresReasonUnexpected	581

Updated: 2009-06-03

PERFORMANCE DATA REFERENCE
 Prospect® 8.0 for Nortel AMPS/TDMA/CDMA/MTX 17

TunnelSetupFailuresReasonVendorError	581
BTS Primitive Calculations	581
GRAPHmultiLineSeparator	581
BTS_Cell Primitive Calculations	582
GRAPHmultiLineSeparator	582
NUMDAYS	582
NUMHOURS	582
BTS_Cell Peg Counts	582
MTX140_ATCACT_C	582
MTX140_ATCDUR_C	582
MTX140_ATCINACT_C	583
MTX140_GENACT_C	583
MTX140_GENDUR_C	583
MTX140_GENINACT_C	584
MTX140_MWACT_C	584
MTX140_MWDUR_C	584
MTX140_MWINACT_C	585
MTX140_TECHONACT_C	585
MTX140_TECHONDUR_C	585
MTX140_TECHONINACT_C	586
BTS_Name Primitive Calculations	586
GRAPHmultiLineSeparator	586
NUMDAYS	586
NUMHOURS	586
CAC_DSFP Primitive Calculations	587
CPU_Usage_30to40%_CSVS	587
CPU_Usage_40to50%_CSVS	587
CPU_Usage_50to60%_CSVS	587
CPU_Usage_60to70%_CSVS	587
CPU_Usage_70to80%_CSVS	587
CPU_Usage_GT80%_CSVS	587
CPU_Usage_LTE30%_CSVS	587
CPU_Usage_Overload%_CSVS	588
CPU_UsageIndex_Total_CSVS	588
GRAPHmultiLineSeparator	588
NUMDAYS	588
NUMHOURS	588
CAC_DSFP Peg Counts	588
CPU_UsageExceededThreshold	589
CPU_UsageExceededThreshold_CSVS	589
CPU_UsageIndex_1	589
CPU_UsageIndex_1_CSVS	590
CPU_UsageIndex_2	590
CPU_UsageIndex_2_CSVS	590
CPU_UsageIndex_3	591
CPU_UsageIndex_3_CSVS	591
CPU_UsageIndex_4	591
CPU_UsageIndex_4_CSVS	592
CPU_UsageIndex_5	592
CPU_UsageIndex_5_CSVS	592

PERFORMANCE DATA REFERENCE
 Prospect® 8.0 for Nortel AMPS/TDMA/CDMA/MTX 17

CPU_UsageIndex_6	593
CPU_UsageIndex_6_CSVS	593
CPU_UsageIndex_7	593
CPU_UsageIndex_7_CSVS	594
ESL_CongestedSignalingConnectionFailure_CSVS	594
ESL_CongestedSignalingConnFailure	594
ESL_CongestedSignalingRelAckWaitTO	595
ESL_CongestedSignalingReliableAckWaitTimeout_CSVS	595
ESL_CongestedSignalingReliableRxMsg	595
ESL_CongestedSignalingReliableRxMsg_CSVS	596
ESL_CongestedSignalingReliableTxMsg	596
ESL_CongestedSignalingReliableTxMsg_CSVS	596
ESL_CongestedSignalingTxMsgFailure	596
ESL_CongestedSignalingTxMsgFailure_CSVS	597
ESL_CongestedSignalingUnknDestMsg	597
ESL_CongestedSignalingUnknownDestinationMsg_CSVS	597
ESL_InvalidMsgRx	598
ESL_InvalidMsgRx_CSVS	598
ESL_NodeInitRxMsg	598
ESL_NodeInitRxMsg_CSVS	599
ESL_NodeInitTxMsg	599
ESL_NodeInitTxMsg_CSVS	599
ESL_NodeInitTxMsgFailure	600
ESL_NodeInitTxMsgFailure_CSVS	600
ESL_SignalingConnectionFailure	600
ESL_SignalingConnectionFailure_CSVS	600
ESL_SignalingReliableAckWaitTimeout	601
ESL_SignalingReliableAckWaitTimeout_CSVS	601
ESL_SignalingReliableRxMsg	601
ESL_SignalingReliableRxMsg_CSVS	602
ESL_SignalingReliableTxMsg	602
ESL_SignalingReliableTxMsg_CSVS	602
ESL_SignalingReliableTxMsgFailure	603
ESL_SignalingReliableTxMsgFailure_CSVS	603
ESL_SignalingUnknownDestinationMsg	603
ESL_SignalingUnknownDestinationMsg_CSVS	604
ESL_SignalingUnreliableRxMsg	604
ESL_SignalingUnreliableRxMsg_CSVS	604
ESL_SignalingUnreliableTxMsg	604
ESL_SignalingUnreliableTxMsg_CSVS	605
ESL_SignalingUnReliableTxMsgFailure	605
ESL_SignalingUnreliableTxMsgFailure_CSVS	605
EVR_CB_FrameCountFwdMode_0	606
EVR_CB_FrameCountFwdMode_4	606
EVR_CB_FrameCountFwdMode_6	606
EVR_CB_FrameCountRevMode_0	607
EVR_CB_FrameCountRevMode_4	607
EVR_CB_FrameCountRevMode_6	607
EVR_CB_SelectionCountFwdMode_0	608
EVR_CB_SelectionCountFwdMode_4	608
EVR_CB_SelectionCountFwdMode_6	608

Updated: 2009-06-03

PERFORMANCE DATA REFERENCE

Prospect® 8.0 for Nortel AMPS/TDMA/CDMA/MTX 17

EVRCB_SelectionCountRevMode_0	609
EVRCB_SelectionCountRevMode_4	609
EVRCB_SelectionCountRevMode_6	609
LL_CongestedSignaling_FrameRx	610
LL_CongestedSignaling_FrameTx	610
LL_CongestedSignalingFrameRx_CSVS	610
LL_CongestedSignalingFrameTx_CSVS	610
LL_DataFrameRx	611
LL_DataFrameRx_CSVS	611
LL_DataFrameTx	611
LL_DataFrameTx_CSVS	612
LL_InvalidFrameType	612
LL_InvalidFrameType_CSVS	612
LL_NodeInitFrameRx	613
LL_NodeInitFrameRx_CSVS	613
LL_NodeInitFrameTx	613
LL_NodeInitFrameTx_CSVS	614
LL_SignalingFrameRx	614
LL_SignalingFrameRx_CSVS	614
LL_SignalingFrameTx	614
LL_SignalingFrameTx_CSVS	615
LL_TrafficFrameRx	615
LL_TrafficFrameRx_CSVS	615
LL_TrafficFrameTx	616
LL_TrafficFrameTx_CSVS	616
SL_MaxLargeStreamBufferUsed	616
SL_MaxLargeStreamBufferUsed_CSVS	617
SL_MaxMediumStreamBufferUsed	617
SL_MaxMediumStreamBufferUsed_CSVS	617
SL_MaxSmallStreamBufferUsed	618
SL_MaxSmallStreamBufferUsed_CSVS	618
SL_STLA_UnknownDestinationMsg	618
SL_STLA_UnknownDestinationMsg_CSVS	618
SL_STLB_UnknownDestinationMsg	619
SL_STLB_UnknownDestinationMsg_CSVS	619
SL_STLD_UnknownDestinationMsg	619
SL_STLD_UnknownDestinationMsg_CSVS	620
SL_StreamBufferAllocFailure	620
SL_StreamBufferAllocFailure_CSVS	620
SL_StreamBufferAllocSuccess	621
SL_StreamBufferAllocSuccess_CSVS	621
STLA_BestEffortReassemblyTimeout	621
STLA_BestEffortReassemblyTimeout_CSVS	622
STLA_BestEffortRxMsg	622
STLA_BestEffortRxMsg_CSVS	622
STLA_BestEffortTxMsg	622
STLA_BestEffortTxMsg_CSVS	623
STLA_ConnectionFailed	623
STLA_ConnectionFailedDueToMaxFaults	623
STLA_ConnectionFailedDueToMaxFaults_CSVS	624
STLA_ConnectionFailedDueToMaxTxAttempts	624

PERFORMANCE DATA REFERENCE
Prospect® 8.0 for Nortel AMPS/TDMA/CDMA/MTX 17

STLA_ConnectionFailedDueToMaxTxAttempts_CSVS	624
STLA_ConnectionFault	625
STLA_ConnectionFault_CSVS	625
STLA_FailedMsgCRC	625
STLA_FailedMsgCRC_CSVS	626
STLA_MaxOpenRxConnection	626
STLA_MaxOpenRxConnection_CSVS	626
STLA_MaxOpenTxConnection	627
STLA_MaxOpenTxConnection_CSVS	627
STLA_MaxRxBuffer	627
STLA_MaxRxBuffer_CSVS	628
STLA_MaxRxQueue	628
STLA_MaxRxQueue_CSVS	628
STLA_MaxTxLargeBuffer	629
STLA_MaxTxLargeBuffer_CSVS	629
STLA_MaxTxMediumBuffer	629
STLA_MaxTxMediumBuffer_CSVS	629
STLA_MaxTxQueue	630
STLA_MaxTxQueue_CSVS	630
STLA_MaxTxSmallBuffer	630
STLA_MaxTxSmallBuffer_CSVS	631
STLA_OpenRxConnection	631
STLA_OpenRxConnection_CSVS	631
STLA_OpenTxConnection	632
STLA_OpenTxConnection_CSVS	632
STLA_OutOfRxFrameBuffer	632
STLA_OutOfRxFrameBuffer_CSVS	633
STLA_OutOfTxBuffer	633
STLA_OutOfTxBuffer_CSVS	633
STLA_OutOfWindowMsg	633
STLA_OutOfWindowMsgDueToMaxWS	634
STLA_OutOfWindowMsgDueToMaxWS_CSVS	634
STLA_OutOfWindowMsgDueToReducedWS	634
STLA_OutOfWindowMsgDueToReducedWS_CSVS	635
STLA_OutOfWindowMsgDueToZeroWS	635
STLA_OutOfWindowMsgDueToZeroWS_CSVS	635
STLA_ProtocolRevisionError	636
STLA_ProtocolRevisionError_CSVS	636
STLA_RefusedRxConnection	636
STLA_RefusedRxConnection_CSVS	637
STLA_RefusedTxConnection	637
STLA_RefusedTxConnection_CSVS	637
STLA_ReliableAckWaitTimeout	638
STLA_ReliableAckWaitTimeout_CSVS	638
STLA_ReliableReassemblyTimeout	638
STLA_ReliableReassemblyTimeout_CSVS	639
STLA_ReliableRetransmittedMsg	639
STLA_ReliableRetransmittedMsg_CSVS	639
STLA_ReliableRxMsg	639
STLA_ReliableRxMsg_CSVS	640
STLA_ReliableTxMsg	640

Updated: 2009-06-03

PERFORMANCE DATA REFERENCE
 Prospect® 8.0 for Nortel AMPS/TDMA/CDMA/MTX 17

STLA_ReliableTxMsg_CSVS	640
STLA_TxWindowReduced	641
STLA_TxWindowReduced_CSVS	641
STLA_TxWindowShut	641
STLA_TxWindowShut_CSVS	642
STLD_BestEffortReassemblyTimeout	642
STLD_BestEffortRxMsg	642
STLD_BestEffortTxMsg	643
STLD_MaxRxBuffer	643
STLD_MaxTxBufferWithoutCopy	643
STLD_MaxTxLargeBuffer	643
STLD_MaxTxMediumBuffer	644
STLD_MaxTxSmallBuffer	644
STLD_OutOfRxFrameBuffer	644
STLD_OutOfTxBuffer	645
STLD_OutOfTxBufferWithoutCopy	645
CAC_PCUFP Primitive Calculations	645
GRAPHmultiLineSeparator	645
NUMDAYS	646
NUMHOURS	646
CAC_PCUFP Peg Counts	646
CPU_UsageExceededThreshold	646
CPU_UsageIndex_1	646
CPU_UsageIndex_2	647
CPU_UsageIndex_3	647
CPU_UsageIndex_4	647
CPU_UsageIndex_5	648
CPU_UsageIndex_6	648
CPU_UsageIndex_7	648
DormantHandoffRequests	649
DormantToActiveHandoffs	649
ESL_CongestedSignalingConnFailure	649
ESL_CongestedSignalingRelAckWaitTO	650
ESL_CongestedSignalingReliableRxMsg	650
ESL_CongestedSignalingReliableTxMsg	650
ESL_CongestedSignalingTxMsgFailure	651
ESL_CongestedSignalingUnknDestMsg	651
ESL_InvalidMsgRx	651
ESL_NodeInitRxMsg	651
ESL_NodeInitTxMsg	652
ESL_NodeInitTxMsgFailure	652
ESL_SignalingConnectionFailure	652
ESL_SignalingReliableAckWaitTimeout	653
ESL_SignalingReliableRxMsg	653
ESL_SignalingReliableTxMsg	653
ESL_SignalingReliableTxMsgFailure	654
ESL_SignalingUnknownDestinationMsg	654
ESL_SignalingUnreliableRxMsg	654
ESL_SignalingUnreliableTxMsg	655
ESL_SignalingUnReliableTxMsgFailure	655
IMSI_TableFull	655

PERFORMANCE DATA REFERENCE
Prospect® 8.0 for Nortel AMPS/TDMA/CDMA/MTX 17

LL_CongestedSignaling_FrameRx	655
LL_CongestedSignaling_FrameTx	656
LL_DataFrameRx	656
LL_DataFrameTx	656
LL_InvalidFrameType	657
LL_NodeInitFrameRx	657
LL_NodeInitFrameTx	657
LL_SignalingFrameRx	658
LL_SignalingFrameTx	658
LL_TrafficFrameRx	658
LL_TrafficFrameTx	659
PCU_AllocFailures	659
PCU_AllocRequests	659
PCU_AllocSuccessful	659
PCUM_TotalRSDB_Dropped	660
PCUM_TotalRSDB_Forwarded	660
PCUM_TotalRSDB_Received	660
SL_MaxLargeStreamBufferUsed	661
SL_MaxMediumStreamBufferUsed	661
SL_MaxSmallStreamBufferUsed	661
SL_STLA_UnknownDestinationMsg	662
SL_STLB_UnknownDestinationMsg	662
SL_STLD_UnknownDestinationMsg	662
SL_StreamBufferAllocFailure	663
SL_StreamBufferAllocSuccess	663
STLA_BestEffortReassemblyTimeout	663
STLA_BestEffortRxMsg	663
STLA_BestEffortTxMsg	664
STLA_ConnectionFailed	664
STLA_ConnectionFailedDueToMaxFaults	664
STLA_ConnectionFailedDueToMaxTxAttempts	665
STLA_ConnectionFault	665
STLA_FailedMsgCRC	665
STLA_MaxOpenRxConnection	666
STLA_MaxOpenTxConnection	666
STLA_MaxRxBuffer	666
STLA_MaxRxQueue	667
STLA_MaxTxLargeBuffer	667
STLA_MaxTxMediumBuffer	667
STLA_MaxTxQueue	668
STLA_MaxTxSmallBuffer	668
STLA_OpenRxConnection	668
STLA_OpenTxConnection	669
STLA_OutOfRxFrameBuffer	669
STLA_OutOfTxBuffer	669
STLA_OutOfWindowMsg	669
STLA_OutOfWindowMsgDueToMaxWS	670
STLA_OutOfWindowMsgDueToReducedWS	670
STLA_OutOfWindowMsgDueToZeroWS	670
STLA_ProtocolRevisionError	671
STLA_RefusedRxConnection	671

Updated: 2009-06-03

PERFORMANCE DATA REFERENCE
 Prospect® 8.0 for Nortel AMPS/TDMA/CDMA/MTX 17

STLA_RefusedTxConnection	671
STLA_ReliableAckWaitTimeout	672
STLA_ReliableReassemblyTimeout	672
STLA_ReliableRetransmittedMsg	672
STLA_ReliableRxMsg	673
STLA_ReliableTxMsg	673
STLA_TxWindowReduced	673
STLA_TxWindowShut	674
STLD_BestEffortReassemblyTimeout	674
STLD_BestEffortRxMsg	674
STLD_BestEffortTxMsg	674
STLD_MaxRxBuffer	675
STLD_MaxTxBufferWithoutCopy	675
STLD_MaxTxLargeBuffer	675
STLD_MaxTxMediumBuffer	676
STLD_MaxTxSmallBuffer	676
STLD_OutOfRxFrameBuffer	676
STLD_OutOfTxBuffer	677
STLD_OutOfTxBufferWithoutCopy	677
CallType Primitive Calculations	677
GRAPHmultiLineSeparator	677
NUMDAYS	677
NUMHOURS	678
CallType Peg Counts	678
ABANDON	678
ABNORML	678
ANCLCNT	679
ANCLDUR	679
ANSWER	679
CALLFWD	680
FAIL	680
TOTCDR	680
TREAT	681
VTREAT	681
Card Primitive Calculations	681
GRAPHmultiLineSeparator	681
NUMDAYS	681
NUMHOURS	682
Card Peg Counts	682
cpubusy	682
cpuidle	682
memtotal	682
memused	683
numproc	683
CAVU Primitive Calculations	683
GRAPHmultiLineSeparator	683
NUMDAYS	684
NUMHOURS	684
CAVU Peg Counts	684
CAVHIGH2	684

PERFORMANCE DATA REFERENCE
Prospect® 8.0 for Nortel AMPS/TDMA/CDMA/MTX 17

CAVHIGH3	684
CAVLOW0	685
CAVLOW1	685
CBRS Primitive Calculations	685
NUMDAYS	685
NUMHOURS	685
RxBroadcastPacketDiscard11pMSW	686
RxBroadcastPacketDiscards24pBCNW	686
RxOctets11pMSW	686
RxOctets24pBCNW	686
RxPacketDiscards11pMSW	686
RxPacketDiscards24pBCNW	687
RxPacketDiscards4pOC3	687
RxPackets11pMSW	687
RxPackets24pBCNW	687
RxPackets4pOC3	687
TotalTxPacket11pMSW	687
TotalTxPacket24pBCNW	688
TotalTxPacket4pOC3	688
TxOctets11pMSW	688
TxOctets24pBCNW	688
TxPacketDiscardPriority1_11pMSW	688
TxPacketDiscardPriority1_24pBCNW	689
TxPacketDiscardPriority1_4pOC3	689
TxPacketDiscardPriority2_11pMSW	689
TxPacketDiscardPriority2_24pBCNW	689
TxPacketDiscardPriority2_4pOC3	689
TxPacketDiscards11pMSW	689
TxPacketDiscards24pBCNW	690
TxPacketDiscards4pOC3	690
TxPackets11pMSW	690
TxPackets24pBCNW	690
TxPackets4pOC3	690
CDSU_Card Primitive Calculations	690
GRAPHmultiLineSeparator	691
NUMDAYS	691
NUMHOURS	691
CDSU_Shelf Primitive Calculations	691
GRAPHmultiLineSeparator	691
NUMDAYS	691
NUMHOURS	691
CDSU_T1Port Primitive Calculations	692
GRAPHmultiLineSeparator	692
NUMDAYS	692
NUMHOURS	692
CDSU_T1Port Peg Counts	692
AlarmIndSigSecs	692
AvailSecs	692
BurstyErrorSecs	693
ErrorSecs	693

Updated: 2009-06-03

PERFORMANCE DATA REFERENCE
 Prospect® 8.0 for Nortel AMPS/TDMA/CDMA/MTX 17

LossFrameSecs	693
LossSignalSecs	694
OutOffFrameSecs	694
RxAvgLinkUtilPcnt	694
RxPeakLinkUtilCntr	695
SevereErrorFrameSecs	695
SevereErrorSecs	695
TxAvgLinkUtilPcntT1	696
TxPeakLinkUtilCntr	696
UnavailSecs	696
Cell Primitive Calculations	696
GRAPHmultiLineSeparator	697
NUMDAYS	697
NUMHOURS	697
Cell Peg Counts	697
INPGRQIZ	697
MTX140_ATCACT	697
MTX140_ATCDUR	698
MTX140_ATCINACT	698
MTX140_GENACT	698
MTX140_GENDUR	699
MTX140_GENINACT	699
MTX140_MWACT	699
MTX140_MWDUR	700
MTX140_MWINACT	700
MTX140_TECHONACT	700
MTX140_TECHONDUR	701
MTX140_TECHONINACT	701
PAGEREQZ	701
PGRQOUTZ	702
PGRQZNON	702
PGRQZNSP	702
PGRSINIZ	703
PGRSOUTZ	703
PGRSOZSP	703
PGRSRTIZ	704
PGRSZNON	704
PGRSZNSP	704
RTPGRQIZ	704
TOTZPREQ	705
TOTZPRES	705
UXPGRSZN	705
ZNSYSPAG	706
ZPPGRES	706
Cell_Carrier Primitive Calculations	706
CDMA_CHANNEL	706
CE_USER	707
GRAPHmultiLineSeparator	707
MOU_ALPHA	707
MOU_BETA	707

PERFORMANCE DATA REFERENCE
 Prospect® 8.0 for Nortel AMPS/TDMA/CDMA/MTX 17

MOU_CE	708
MOU_GAMMA	708
MOU_TRAFFIC	708
NUMDAYS	709
NUMHOURS	709
OverallPeakFwdXCEMResourcesUsed	709
OverallPeakRevXCEMResourcesUsed	709
PeakForwardSCHXCEMUsage	709
PeakReverseSCHXCEMUsage	709
pSoftHo	709
Cell_Carrier Peg Counts	710
Fch2GMaximumForwardPhysicalResourcesUsed	710
Fch2GMaximumReversePhysicalResourcesUsed	710
Fch3GMaximumForwardPhysicalResourcesUsed	710
Fch3GMaximumReversePhysicalResourcesUsed	711
HandoffTimeSoft1Softer1Alpha	711
HandoffTimeSoft1Softer1Beta	711
HandoffTimeSoft1Softer1Gamma	712
HandoffTimeSoft1Softer2AlphaBeta	712
HandoffTimeSoft1Softer2BetaGamma	712
HandoffTimeSoft1Softer2GammaAlpha	713
HandoffTimeSoft1Softer3	713
HandoffTimeSoft2Softer1Alpha	713
HandoffTimeSoft2Softer1Beta	714
HandoffTimeSoft2Softer1Gamma	714
HandoffTimeSoft2Softer2AlphaBeta	714
HandoffTimeSoft2Softer2BetaGamma	715
HandoffTimeSoft2Softer2GammaAlpha	715
HandoffTimeSoft2Softer3	715
HandoffTimeSoft3Softer1Alpha	716
HandoffTimeSoft3Softer1Beta	716
HandoffTimeSoft3Softer1Gamma	716
HandoffTimeSoft3Softer2AlphaBeta	717
HandoffTimeSoft3Softer2BetaGamma	717
HandoffTimeSoft3Softer2GammaAlpha	717
HandoffTimeSoft3Softer3	718
HandoffTimeSoft4Softer1Alpha	718
HandoffTimeSoft4Softer1Beta	718
HandoffTimeSoft4Softer1Gamma	719
HandoffTimeSoft4Softer2AlphaBeta	719
HandoffTimeSoft4Softer2BetaGamma	719
HandoffTimeSoft4Softer2GammaAlpha	720
HandoffTimeSoft4Softer3	720
HandoffTimeSoft5Softer1Alpha	720
HandoffTimeSoft5Softer1Beta	721
HandoffTimeSoft5Softer1Gamma	721
HandoffTimeSoft5Softer2AlphaBeta	721
HandoffTimeSoft5Softer2BetaGamma	722
HandoffTimeSoft5Softer2GammaAlpha	722
HandoffTimeSoft6Softer1Alpha	722
HandoffTimeSoft6Softer1Beta	723

Updated: 2009-06-03

PERFORMANCE DATA REFERENCE
 Prospect® 8.0 for Nortel AMPS/TDMA/CDMA/MTX 17

HandoffTimeSoft6Softer1Gamma	723
MaxFCHDataResourcesUsed	723
MaxFCHVoiceResourcesUsed	723
MaxFwdPhysicalResourcesUsed	724
MaxRevPhysicalResourcesUsed	724
NumOfTCAvailable	724
PerCarrierPowerLimitingThreshold	725
PerCarrierPowerLimitingThreshold_minus1dB	725
PerCarrierPowerLimitingThreshold_minus2dB	726
PerCarrierPowerLimitingThreshold_plus1dB	726
PerCarrierPowerLimitingThreshold_plus2dB	726
SchForwardPhysicalResourcesReserved	727
SchMaximumForwardPhysicalResourcesUsed	727
SchMaximumReversePhysicalResourcesUsed	727
SchReversePhysicalResourcesReserved	728
TCEUtilMaximum	728
TimeNotInUse	728
TotalForwardPhysicalResources	729
TotalReversePhysicalResources	729
Cell_HO_Pair Primitive Calculations	729
GRAPHmultiLineSeparator	729
NUMDAYS	730
NUMHOURS	730
Cell_HO_Pair Peg Counts	730
NBHOAT	730
NBHOCP	730
Cell_Sector Primitive Calculations	731
AccFails	731
AccFails3GD	731
AccFails3GV	731
BTSBlock	731
BTSBlock3GD	731
BTSBlock3GV	731
CallAtts	731
CallAtts_fq	732
CallAtts_fq3GD	732
CallAtts_fq3GV	732
CallAtts3GD	732
CallAtts3GV	732
CallSucc	732
CallSucc3GD	733
CallSucc3GV	733
CellName	733
DropCalls	733
DropCalls3GD	733
DropCalls3GV	733
FrqSelFail	733
FrqSelFail3GD	734
FrqSelFail3GV	734
GRAPHmultiLineSeparator	734

PERFORMANCE DATA REFERENCE
 Prospect® 8.0 for Nortel AMPS/TDMA/CDMA/MTX 17

NoRsrc	734
NoRsrc_fq	734
NoRsrc_fq3GD	734
NoRsrc_fq3GV	735
NoRsrc3GD	735
NoRsrc3GV	735
NUMDAYS	735
NUMHOURS	735
pAccFails	735
pAccFails3GD	735
pAccFails3GV	736
pBTSBlock	736
pBTSBlock3GD	736
pBTSBlock3GV	736
pCallSucc	736
pCallSucc3GD	736
pCallSucc3GV	737
pDropCalls	737
pDropCalls3GD	737
pDropCalls3GV	737
pFrqSelFail	737
pFrqSelFail3GD	737
pFrqSelFail3GV	738
pNoRsrc	738
pNoRsrc_fq	738
pNoRsrc_fq3GD	738
pNoRsrc_fq3GV	738
pNoRsrc3GD	738
pNoRsrc3GV	739
pNtwk	739
pNtwk3GD	739
pNtwk3GV	739
pRF	739
pRF3GD	740
pRF3GV	740
pScreenCalls	740
pScreenCalls3GD	740
pScreenCalls3GV	740
pSysReqDtoA_HandoffDrops	740
pTimeOut	741
pTimeOut_fq	741
pTimeOut_fq3GD	741
pTimeOut_fq3GV	741
pTimeOut3GD	741
pTimeOut3GV	741
pTotalBlocks	742
pTotalBlocks3GD	742
pTotalBlocks3GV	742
ScreenCalls	742
ScreenCalls3GD	742
ScreenCalls3GV	742

Updated: 2009-06-03

PERFORMANCE DATA REFERENCE
 Prospect® 8.0 for Nortel AMPS/TDMA/CDMA/MTX 17

SLNTRT2G	743
SLNTRT3D	743
SLNTRT3V	743
SLNTRTAF	743
SRTDBO2G	743
SRTDBO3D	743
SRTDBO3V	743
SRTDBORG	744
SysReqDtoA_HandoffDrops	744
TimeOut	744
TimeOut_fq	744
TimeOut_fq3GD	744
TimeOut_fq3GV	744
TimeOut3GD	744
TimeOut3GV	745
TotalBlocks	745
TotalBlocks3GD	745
TotalBlocks3GV	745
Cell_Sector Peg Counts	745
ABOVETH	745
ADHOFF	746
AHLRPL	746
ARGPTOAA	746
AUTHSMSF	747
AUTHSMSO	747
AUTHSMSS	747
BAMEDLOT	748
BAMERLFL	748
BAMOATTS	748
BAMOSUCC	748
BAMPGRES	749
BAMTSUCC	749
BAMWPSRT	749
BORANCPG	750
BORPGRES	750
BORPGRQ1	750
BORPGRQ2	751
BORPGRQ3	751
BORPGRS1	751
BORPGRS2	752
BORPGRS3	752
CALLOVER	752
CAUAHATT	752
CAUAHFL	753
CAUAHRLS	753
CAUAHSUC	753
CAUHATT	754
CAUCHFL	754
CAUCHRLS	754
CAUCHSUC	755
CAUCPS023GD	755

PERFORMANCE DATA REFERENCE
Prospect® 8.0 for Nortel AMPS/TDMA/CDMA/MTX 17

CAUCPS023GD_MTXom30	755
CAUCPS023GV	756
CAUCPS023GV_MTXom30	756
CAUDROPN	756
CAUDROPN_MTXom30	757
CAUDROPN3GD	757
CAUDROPN3GD_MTXom30	757
CAUDROPN3GV	757
CAUDROPN3GV_MTXom30	758
CAUDROPR	758
CAUDROPR_MTXom30	758
CAUDROPR3GD	759
CAUDROPR3GD_MTXom30	759
CAUDROPR3GV	759
CAUDROPR3GV_MTXom30	760
CAUEDLOT	760
CAUEDLOT_MTXom30	760
CAUEDLOT3GD	761
CAUEDLOT3GD_MTXom30	761
CAUEDLOT3GV	761
CAUEDLOT3GV_MTXom30	761
CAUERLFL	762
CAUERLFL_MTXom30	762
CAUERLFL3GD	762
CAUERLFL3GD_MTXom30	763
CAUERLFL3GV	763
CAUERLFL3GV_MTXom30	763
CAUERSFL	764
CAUERSFL_MTXom30	764
CAUERSFL3GD	764
CAUERSFL3GD_MTXom30	765
CAUERSFL3GV	765
CAUERSFL3GV_MTXom30	765
CAUESWFL	766
CAUESWFL_MTXom30	766
CAUESWFL3GD	766
CAUESWFL3GD_MTXom30	767
CAUESWFL3GV	767
CAUESWFL3GV_MTXom30	767
CAUFWCAP	768
CAUFWCAP_MTXom30	768
CAUFWCAP3GD	768
CAUFWCAP3GD_MTXom30	769
CAUFWCAP3GV	769
CAUFWCAP3GV_MTXom30	769
CAUHATTS	769
CAUHATTS_MTXom30	770
CAUHATTS3GD	770
CAUHATTS3GD_MTXom30	770
CAUHATTS3GV	771
CAUHATTS3GV_MTXom30	771

Updated: 2009-06-03

PERFORMANCE DATA REFERENCE
 Prospect® 8.0 for Nortel AMPS/TDMA/CDMA/MTX 17

CAUHLKLS	771
CAUHLKLS_MTXom30	772
CAUHLKLS3GD	772
CAUHLKLS3GD_MTXom30	772
CAUHLKLS3GV	773
CAUHLKLS3GV_MTXom30	773
CAUHINIT	773
CAUHINIT3GD	774
CAUHINIT3GV	774
CAUHRLFL	774
CAUHRLFL_MTXom30	775
CAUHRLFL3GD	775
CAUHRLFL3GD_MTXom30	775
CAUHRLFL3GV	776
CAUHRLFL3GV_MTXom30	776
CAUHRLS	776
CAUHRLS_MTXom30	777
CAUHRLS3GD	777
CAUHRLS3GD_MTXom30	777
CAUHRLS3GV	777
CAUHRLS3GV_MTXom30	778
CAHSUCC	778
CAHSUCC_MTXom30	778
CAHSUCC3GD	779
CAHSUCC3GD_MTXom30	779
CAHSUCC3GV	779
CAHSUCC3GV_MTXom30	780
CAUNOFOF	780
CAUNOFOF_MTXom30	780
CAUNOFOF3GD	781
CAUNOFOF3GD_MTXom30	781
CAUNOFOF3GV	781
CAUNOFOF3GV_MTXom30	782
CAUNOTCE	782
CAUNOTCE_MTXom30	782
CAUNOTCE3GD	783
CAUNOTCE3GD_MTXom30	783
CAUNOTCE3GV	783
CAUNOTCE3GV_MTXom30	784
CAUNOWCD	784
CAUNOWCD_MTXom30	784
CAUNOWCD3GD	785
CAUNOWCD3GD_MTXom30	785
CAUNOWCD3GV	785
CAUNOWCD3GV_MTXom30	785
CAUOATTS	786
CAUOATTS_MTXom30	786
CAUOATTS3GD	786
CAUOATTS3GD_MTXom30	787
CAUOATTS3GV	787
CAUOATTS3GV_MTXom30	787

PERFORMANCE DATA REFERENCE
Prospect® 8.0 for Nortel AMPS/TDMA/CDMA/MTX 17

CAUOBLKS	788
CAUOBLKS_MTXom30	788
CAUOBLKS3GD	788
CAUOBLKS3GD_MTXom30	789
CAUOBLKS3GV	789
CAUOBLKS3GV_MTXom30	789
CAUORLS	790
CAUORLS_MTXom30	790
CAUORLS3GD	790
CAUORLS3GD_MTXom30	791
CAUORLS3GV	791
CAUORLS3GV_MTXom30	791
CAUORODR	792
CAUORODR_MTXom30	792
CAUORODR3GD	792
CAUORODR3GD_MTXom30	793
CAUORODR3GV	793
CAUORODR3GV_MTXom30	793
CAUSUCC	794
CAUSUCC_MTXom30	794
CAUSUCC3GD	794
CAUSUCC3GD_MTXom30	795
CAUSUCC3GV	795
CAUSUCC3GV_MTXom30	795
CAUPGRES	796
CAUPGRES_MTXom30	796
CAUPGRES3GD	796
CAUPGRES3GD_MTXom30	797
CAUPGRES3GV	797
CAUPGRES3GV_MTXom30	797
CAUPGRRS	798
CAUPGRRS_MTXom30	798
CAURECAP	798
CAURECAP_MTXom30	799
CAURECAP3GD	799
CAURECAP3GD_MTXom30	799
CAURECAP3GV	799
CAURECAP3GV_MTXom30	800
CAURELSI	800
CAUTBLKS	800
CAUTBLKS_MTXom30	801
CAUTBLKS3GD	801
CAUTBLKS3GD_MTXom30	801
CAUTBLKS3GV	802
CAUTBLKS3GV_MTXom30	802
CAUTRLS	802
CAUTRLS_MTXom30	803
CAUTRLS3GD	803
CAUTRLS3GD_MTXom30	803
CAUTRLS3GV	804
CAUTRLS3GV_MTXom30	804

Updated: 2009-06-03

PERFORMANCE DATA REFERENCE

Prospect® 8.0 for Nortel AMPS/TDMA/CDMA/MTX 17

CAUTSUCC	804
CAUTSUCC_MTXom30	805
CAUTSUCC3GD	805
CAUTSUCC3GD_MTXom30	805
CAUTSUCC3GV	806
CAUTSUCC3GV_MTXom30	806
CCEPEATT_C	806
CCEPESUC_C	806
CCNOEPE_C	807
CELL100_MobileSerNoMism	807
CELL100_MobileSerNoMism_TSI1	807
CELL100_MobileSerNoMism_TSI10	808
CELL100_MobileSerNoMism_TSI11	808
CELL100_MobileSerNoMism_TSI12	808
CELL100_MobileSerNoMism_TSI13	809
CELL100_MobileSerNoMism_TSI14	809
CELL100_MobileSerNoMism_TSI15	809
CELL100_MobileSerNoMism_TSI16	810
CELL100_MobileSerNoMism_TSI17	810
CELL100_MobileSerNoMism_TSI18	810
CELL100_MobileSerNoMism_TSI19	811
CELL100_MobileSerNoMism_TSI2	811
CELL100_MobileSerNoMism_TSI20	811
CELL100_MobileSerNoMism_TSI21	812
CELL100_MobileSerNoMism_TSI22	812
CELL100_MobileSerNoMism_TSI23	812
CELL100_MobileSerNoMism_TSI24	813
CELL100_MobileSerNoMism_TSI25	813
CELL100_MobileSerNoMism_TSI26	813
CELL100_MobileSerNoMism_TSI27	814
CELL100_MobileSerNoMism_TSI28	814
CELL100_MobileSerNoMism_TSI29	814
CELL100_MobileSerNoMism_TSI3	815
CELL100_MobileSerNoMism_TSI30	815
CELL100_MobileSerNoMism_TSI31	815
CELL100_MobileSerNoMism_TSI32	816
CELL100_MobileSerNoMism_TSI4	816
CELL100_MobileSerNoMism_TSI5	816
CELL100_MobileSerNoMism_TSI6	817
CELL100_MobileSerNoMism_TSI7	817
CELL100_MobileSerNoMism_TSI8	817
CELL100_MobileSerNoMism_TSI9	818
CELL100_ServNoHOAck	818
CELL100_ServNoHOAck_TSI1	818
CELL100_ServNoHOAck_TSI10	819
CELL100_ServNoHOAck_TSI11	819
CELL100_ServNoHOAck_TSI12	819
CELL100_ServNoHOAck_TSI13	820
CELL100_ServNoHOAck_TSI14	820
CELL100_ServNoHOAck_TSI15	820
CELL100_ServNoHOAck_TSI16	821

PERFORMANCE DATA REFERENCE
Prospect® 8.0 for Nortel AMPS/TDMA/CDMA/MTX 17

CELL100_ServNoHOAck_TSI17	821
CELL100_ServNoHOAck_TSI18	821
CELL100_ServNoHOAck_TSI19	822
CELL100_ServNoHOAck_TSI2	822
CELL100_ServNoHOAck_TSI20	823
CELL100_ServNoHOAck_TSI21	823
CELL100_ServNoHOAck_TSI22	823
CELL100_ServNoHOAck_TSI23	824
CELL100_ServNoHOAck_TSI24	824
CELL100_ServNoHOAck_TSI25	824
CELL100_ServNoHOAck_TSI26	825
CELL100_ServNoHOAck_TSI27	825
CELL100_ServNoHOAck_TSI28	825
CELL100_ServNoHOAck_TSI29	826
CELL100_ServNoHOAck_TSI3	826
CELL100_ServNoHOAck_TSI30	826
CELL100_ServNoHOAck_TSI31	827
CELL100_ServNoHOAck_TSI32	827
CELL100_ServNoHOAck_TSI4	827
CELL100_ServNoHOAck_TSI5	828
CELL100_ServNoHOAck_TSI6	828
CELL100_ServNoHOAck_TSI7	828
CELL100_ServNoHOAck_TSI8	829
CELL100_ServNoHOAck_TSI9	829
CELL101_CellFailure	829
CELL101_CellFailure_TSI1	830
CELL101_CellFailure_TSI10	830
CELL101_CellFailure_TSI11	830
CELL101_CellFailure_TSI12	831
CELL101_CellFailure_TSI13	831
CELL101_CellFailure_TSI14	831
CELL101_CellFailure_TSI15	832
CELL101_CellFailure_TSI16	832
CELL101_CellFailure_TSI17	832
CELL101_CellFailure_TSI18	833
CELL101_CellFailure_TSI19	833
CELL101_CellFailure_TSI2	833
CELL101_CellFailure_TSI20	834
CELL101_CellFailure_TSI21	834
CELL101_CellFailure_TSI22	834
CELL101_CellFailure_TSI23	835
CELL101_CellFailure_TSI24	835
CELL101_CellFailure_TSI25	835
CELL101_CellFailure_TSI26	836
CELL101_CellFailure_TSI27	836
CELL101_CellFailure_TSI28	836
CELL101_CellFailure_TSI29	837
CELL101_CellFailure_TSI3	837
CELL101_CellFailure_TSI30	837
CELL101_CellFailure_TSI31	838
CELL101_CellFailure_TSI32	838

Updated: 2009-06-03

PERFORMANCE DATA REFERENCE

Prospect® 8.0 for Nortel AMPS/TDMA/CDMA/MTX 17

CELL101_CellFailure_TSI4	838
CELL101_CellFailure_TSI5	839
CELL101_CellFailure_TSI6	839
CELL101_CellFailure_TSI7	839
CELL101_CellFailure_TSI8	840
CELL101_CellFailure_TSI9	840
CELL101_CellTaskTimeout	840
CELL101_CellTaskTimeout_TSI1	841
CELL101_CellTaskTimeout_TSI10	841
CELL101_CellTaskTimeout_TSI11	841
CELL101_CellTaskTimeout_TSI12	842
CELL101_CellTaskTimeout_TSI13	842
CELL101_CellTaskTimeout_TSI14	842
CELL101_CellTaskTimeout_TSI15	843
CELL101_CellTaskTimeout_TSI16	843
CELL101_CellTaskTimeout_TSI17	843
CELL101_CellTaskTimeout_TSI18	844
CELL101_CellTaskTimeout_TSI19	844
CELL101_CellTaskTimeout_TSI2	844
CELL101_CellTaskTimeout_TSI20	845
CELL101_CellTaskTimeout_TSI21	845
CELL101_CellTaskTimeout_TSI22	845
CELL101_CellTaskTimeout_TSI23	846
CELL101_CellTaskTimeout_TSI24	846
CELL101_CellTaskTimeout_TSI25	846
CELL101_CellTaskTimeout_TSI26	847
CELL101_CellTaskTimeout_TSI27	847
CELL101_CellTaskTimeout_TSI28	847
CELL101_CellTaskTimeout_TSI29	848
CELL101_CellTaskTimeout_TSI3	848
CELL101_CellTaskTimeout_TSI30	848
CELL101_CellTaskTimeout_TSI31	849
CELL101_CellTaskTimeout_TSI32	849
CELL101_CellTaskTimeout_TSI4	849
CELL101_CellTaskTimeout_TSI5	850
CELL101_CellTaskTimeout_TSI6	850
CELL101_CellTaskTimeout_TSI7	850
CELL101_CellTaskTimeout_TSI8	851
CELL101_CellTaskTimeout_TSI9	851
CELL101_ForcedHODisc	851
CELL101_ForcedHODisc_TSI1	852
CELL101_ForcedHODisc_TSI10	852
CELL101_ForcedHODisc_TSI11	852
CELL101_ForcedHODisc_TSI12	853
CELL101_ForcedHODisc_TSI13	853
CELL101_ForcedHODisc_TSI14	853
CELL101_ForcedHODisc_TSI15	854
CELL101_ForcedHODisc_TSI16	854
CELL101_ForcedHODisc_TSI17	854
CELL101_ForcedHODisc_TSI18	855
CELL101_ForcedHODisc_TSI19	855

PERFORMANCE DATA REFERENCE
Prospect® 8.0 for Nortel AMPS/TDMA/CDMA/MTX 17

CELL101_ForcedHODisc_TSI2	855
CELL101_ForcedHODisc_TSI20	856
CELL101_ForcedHODisc_TSI21	856
CELL101_ForcedHODisc_TSI22	856
CELL101_ForcedHODisc_TSI23	857
CELL101_ForcedHODisc_TSI24	857
CELL101_ForcedHODisc_TSI25	857
CELL101_ForcedHODisc_TSI26	858
CELL101_ForcedHODisc_TSI27	858
CELL101_ForcedHODisc_TSI28	858
CELL101_ForcedHODisc_TSI29	859
CELL101_ForcedHODisc_TSI3	859
CELL101_ForcedHODisc_TSI30	859
CELL101_ForcedHODisc_TSI31	860
CELL101_ForcedHODisc_TSI32	860
CELL101_ForcedHODisc_TSI4	860
CELL101_ForcedHODisc_TSI5	861
CELL101_ForcedHODisc_TSI6	861
CELL101_ForcedHODisc_TSI7	861
CELL101_ForcedHODisc_TSI8	862
CELL101_ForcedHODisc_TSI9	862
CELL101_TDMAAcquisFail	862
CELL101_TDMAAcquisFail_TSI1	863
CELL101_TDMAAcquisFail_TSI10	863
CELL101_TDMAAcquisFail_TSI11	863
CELL101_TDMAAcquisFail_TSI12	864
CELL101_TDMAAcquisFail_TSI13	864
CELL101_TDMAAcquisFail_TSI14	864
CELL101_TDMAAcquisFail_TSI15	865
CELL101_TDMAAcquisFail_TSI16	865
CELL101_TDMAAcquisFail_TSI17	865
CELL101_TDMAAcquisFail_TSI18	866
CELL101_TDMAAcquisFail_TSI19	866
CELL101_TDMAAcquisFail_TSI2	867
CELL101_TDMAAcquisFail_TSI20	867
CELL101_TDMAAcquisFail_TSI21	867
CELL101_TDMAAcquisFail_TSI22	868
CELL101_TDMAAcquisFail_TSI23	868
CELL101_TDMAAcquisFail_TSI24	868
CELL101_TDMAAcquisFail_TSI25	869
CELL101_TDMAAcquisFail_TSI26	869
CELL101_TDMAAcquisFail_TSI27	869
CELL101_TDMAAcquisFail_TSI28	870
CELL101_TDMAAcquisFail_TSI29	870
CELL101_TDMAAcquisFail_TSI3	870
CELL101_TDMAAcquisFail_TSI30	871
CELL101_TDMAAcquisFail_TSI31	871
CELL101_TDMAAcquisFail_TSI32	871
CELL101_TDMAAcquisFail_TSI4	872
CELL101_TDMAAcquisFail_TSI5	872
CELL101_TDMAAcquisFail_TSI6	872

Updated: 2009-06-03

PERFORMANCE DATA REFERENCE

Prospect® 8.0 for Nortel AMPS/TDMA/CDMA/MTX 17

CELL101_TDMAAcquisFail_TSI7	873
CELL101_TDMAAcquisFail_TSI8	873
CELL101_TDMAAcquisFail_TSI9	873
CELLTRBL	874
CHOBLKS	874
CHONSRCR	874
CHOREJCT	874
CHOSRCAT	875
CHOSRCFL	875
CHOSRCSU	875
CHOSRRLS	876
CIDATT	876
CIDCOMP	876
CIDINTA	877
CIDINTR	877
CINATT	877
CINCOMP	878
CININTA	878
CININTR	878
CLFL100_MobileFade	878
CLFL100_TSI1	879
CLFL100_TSI10	879
CLFL100_TSI11	879
CLFL100_TSI12	880
CLFL100_TSI13	880
CLFL100_TSI14	880
CLFL100_TSI15	881
CLFL100_TSI16	881
CLFL100_TSI17	881
CLFL100_TSI18	882
CLFL100_TSI19	882
CLFL100_TSI2	882
CLFL100_TSI20	883
CLFL100_TSI21	883
CLFL100_TSI22	883
CLFL100_TSI23	884
CLFL100_TSI24	884
CLFL100_TSI25	884
CLFL100_TSI26	885
CLFL100_TSI27	885
CLFL100_TSI28	885
CLFL100_TSI29	886
CLFL100_TSI3	886
CLFL100_TSI30	886
CLFL100_TSI31	887
CLFL100_TSI32	887
CLFL100_TSI4	887
CLFL100_TSI5	888
CLFL100_TSI6	888
CLFL100_TSI7	888
CLFL100_TSI8	889

PERFORMANCE DATA REFERENCE
Prospect® 8.0 for Nortel AMPS/TDMA/CDMA/MTX 17

CLFL100_TSI9	889
CLFL101_MobileTimeout	889
CLFL101_TSI1	890
CLFL101_TSI10	890
CLFL101_TSI11	890
CLFL101_TSI12	891
CLFL101_TSI13	891
CLFL101_TSI14	891
CLFL101_TSI15	892
CLFL101_TSI16	892
CLFL101_TSI17	892
CLFL101_TSI18	893
CLFL101_TSI19	893
CLFL101_TSI2	893
CLFL101_TSI20	894
CLFL101_TSI21	894
CLFL101_TSI22	894
CLFL101_TSI23	895
CLFL101_TSI24	895
CLFL101_TSI25	895
CLFL101_TSI26	896
CLFL101_TSI27	896
CLFL101_TSI28	896
CLFL101_TSI29	897
CLFL101_TSI3	897
CLFL101_TSI30	897
CLFL101_TSI31	898
CLFL101_TSI32	898
CLFL101_TSI4	898
CLFL101_TSI5	899
CLFL101_TSI6	899
CLFL101_TSI7	899
CLFL101_TSI8	900
CLFL101_TSI9	900
CLFL102_MobileHOFail	900
CLFL102_TSI1	901
CLFL102_TSI10	901
CLFL102_TSI11	901
CLFL102_TSI12	902
CLFL102_TSI13	902
CLFL102_TSI14	902
CLFL102_TSI15	903
CLFL102_TSI16	903
CLFL102_TSI17	903
CLFL102_TSI18	904
CLFL102_TSI19	904
CLFL102_TSI2	904
CLFL102_TSI20	905
CLFL102_TSI21	905
CLFL102_TSI22	905
CLFL102_TSI23	906

Updated: 2009-06-03

PERFORMANCE DATA REFERENCE

Prospect® 8.0 for Nortel AMPS/TDMA/CDMA/MTX 17

CLFL102_TSI24	906
CLFL102_TSI25	906
CLFL102_TSI26	907
CLFL102_TSI27	907
CLFL102_TSI28	907
CLFL102_TSI29	908
CLFL102_TSI3	908
CLFL102_TSI30	908
CLFL102_TSI31	909
CLFL102_TSI32	909
CLFL102_TSI4	909
CLFL102_TSI5	910
CLFL102_TSI6	910
CLFL102_TSI7	910
CLFL102_TSI8	911
CLFL102_TSI9	911
CLFL103_MobileStateIncor	911
CLFL103_TSI1	912
CLFL103_TSI10	912
CLFL103_TSI11	912
CLFL103_TSI12	913
CLFL103_TSI13	913
CLFL103_TSI14	913
CLFL103_TSI15	914
CLFL103_TSI16	914
CLFL103_TSI17	914
CLFL103_TSI18	915
CLFL103_TSI19	915
CLFL103_TSI2	915
CLFL103_TSI20	916
CLFL103_TSI21	916
CLFL103_TSI22	916
CLFL103_TSI23	917
CLFL103_TSI24	917
CLFL103_TSI25	917
CLFL103_TSI26	918
CLFL103_TSI27	918
CLFL103_TSI28	918
CLFL103_TSI29	919
CLFL103_TSI3	919
CLFL103_TSI30	919
CLFL103_TSI31	920
CLFL103_TSI32	920
CLFL103_TSI4	920
CLFL103_TSI5	921
CLFL103_TSI6	921
CLFL103_TSI7	921
CLFL103_TSI8	922
CLFL103_TSI9	922
CLFL104_MobileFail	922
CLFL104_TSI1	923

PERFORMANCE DATA REFERENCE
Prospect® 8.0 for Nortel AMPS/TDMA/CDMA/MTX 17

CLFL104_TSI10	923
CLFL104_TSI11	923
CLFL104_TSI12	924
CLFL104_TSI13	924
CLFL104_TSI14	924
CLFL104_TSI15	925
CLFL104_TSI16	925
CLFL104_TSI17	925
CLFL104_TSI18	926
CLFL104_TSI19	926
CLFL104_TSI2	926
CLFL104_TSI20	927
CLFL104_TSI21	927
CLFL104_TSI22	927
CLFL104_TSI23	928
CLFL104_TSI24	928
CLFL104_TSI25	928
CLFL104_TSI26	929
CLFL104_TSI27	929
CLFL104_TSI28	929
CLFL104_TSI29	930
CLFL104_TSI3	930
CLFL104_TSI30	930
CLFL104_TSI31	931
CLFL104_TSI32	931
CLFL104_TSI4	931
CLFL104_TSI5	932
CLFL104_TSI6	932
CLFL104_TSI7	932
CLFL104_TSI8	933
CLFL104_TSI9	933
CLFL105_MobileRelTimeout	933
CLFL105_TSI1	934
CLFL105_TSI10	934
CLFL105_TSI11	934
CLFL105_TSI12	935
CLFL105_TSI13	935
CLFL105_TSI14	935
CLFL105_TSI15	936
CLFL105_TSI16	936
CLFL105_TSI17	936
CLFL105_TSI18	937
CLFL105_TSI19	937
CLFL105_TSI2	937
CLFL105_TSI20	938
CLFL105_TSI21	938
CLFL105_TSI22	938
CLFL105_TSI23	939
CLFL105_TSI24	939
CLFL105_TSI25	939
CLFL105_TSI26	940

Updated: 2009-06-03

PERFORMANCE DATA REFERENCE

Prospect® 8.0 for Nortel AMPS/TDMA/CDMA/MTX 17

CLFL105_TSI27	940
CLFL105_TSI28	940
CLFL105_TSI29	941
CLFL105_TSI3	941
CLFL105_TSI30	941
CLFL105_TSI31	942
CLFL105_TSI32	942
CLFL105_TSI4	942
CLFL105_TSI5	943
CLFL105_TSI6	943
CLFL105_TSI7	943
CLFL105_TSI8	944
CLFL105_TSI9	944
DAHOATTS	944
DAHOCOMP	945
DAHOFF	945
DARLPFL	945
DBREGRCV	945
DDHOFF	946
DDROPHO	946
DDROPHO_MTXom30	946
DDRPCALS	947
DDRPCALS_MTXom30	947
DFBRDATT	947
DFBRDCMP	948
DFBRNATT	948
DFBRNCMP	948
DHOATTS	949
DHOATTS_MTXom30	949
DHOCOMPS	949
DHOCOMPS_MTXom30	949
DISTBREG	950
DLRNORSP	950
DMBORIGS	950
DMBORIGS_MTXom30	951
DOUBORIG	951
DOUBPAGE	951
DPGRES	952
DPGRES_MTXom30	952
DRBRDATT	952
DRBRDCMP	953
DRBRNATT	953
DRBRNCMP	953
DROPCALL	953
DROPCALL_MTXom30	954
DROPHO	954
DROPHO_MTXom30	954
DVCCTO	955
DVCCTO_MTXom30	955
EFBRDATT	955
EFBRDCMP	956

PERFORMANCE DATA REFERENCE
Prospect® 8.0 for Nortel AMPS/TDMA/CDMA/MTX 17

EFBRNATT	956
EFBRNCMP	956
EPESYSFL_C	957
ERBRDATT	957
ERBRDCMP	957
ERBRNATT	957
ERBRNCMP	958
EXSPATTS	958
EXSPATTS_MTXom30	958
EXSPCOMP	959
EXSPCOMP_MTXom30	959
FBRDATT	959
FBRDCOMP	960
FBRDINTA	960
FBRNATT	960
FBRNCOMP	961
FBRNINTA	961
FBRNINTR	961
FCPGREQS	961
FCPRSPAC	962
FCPRSPHC	962
FCPRSPTO	962
HDIRREQ	963
HDIRRTRY	963
HINREQ	963
HINRTRY	964
HMTCREQ	964
HMTCRTRY	964
HOACKSWB	965
HOATTS	965
HOATTS_MTXom30	965
HOCOMPS	965
HOCOMPS_MTXom30	966
HOFFCANC	966
HOFFREQ	966
HOFFRESP	967
HOFFRTRY	967
HOFFSENT	967
HOINTER8	968
HOPLREJ8	968
HOSENTCP	968
HOUTREQ	969
HOUTRTRY	969
HOVRCANC	969
HOVRHOTL	970
HOVRREQ	970
HOVRRESP	970
HOVRRTRY	970
HOVRSENT	971
IHO2GATT	971
IHO2GBLK	971

Updated: 2009-06-03

PERFORMANCE DATA REFERENCE
Prospect® 8.0 for Nortel AMPS/TDMA/CDMA/MTX 17

IHO2GFAL	972
IHO2GINT	972
IHO2GREL	972
IHO2GSUC	973
IHO3DATT	973
IHO3DBLK	973
IHO3DFAL	974
IHO3DINT	974
IHO3DREL	974
IHO3DSUC	975
IHO3VATT	975
IHO3VBLK	975
IHO3VFAL	976
IHO3VINT	976
IHO3VREL	976
IHO3VSUC	977
IHOSOCHG	977
IHOSRSUC	977
IVHODATT	978
IVHODBLK	978
IVHODFLR	978
IVHODSUC	979
IVHOVATT	979
IVHOVBLK	979
IVHOVFLR	980
IVHOVSUC	980
LCRREQS	980
LCRRESPS	981
LMATTS	981
LMATTS_MTXom30	981
LMCOMPS	982
LMCOMPS_MTXom30	982
LSTATBTC	982
LSTFABTC	983
LSTRSBTC	983
LSTTOBTC	983
MACSUMOF	984
MAHOATT	984
MAHOCMP	984
MASSUMOF	984
MATHFLSH_C	985
MATHORIG_C	985
MATHREG_C	985
MATHRMM_C	986
MATHSUCC_C	986
MATHTERM_C	986
MBINCPTM	987
MBLORIG	987
MBORIGS	987
MBORIGS_MTXom30	988
MBREGMSG	988

PERFORMANCE DATA REFERENCE
Prospect® 8.0 for Nortel AMPS/TDMA/CDMA/MTX 17

MPCCOBAM	988
MCPCTBAM	989
MCTAFLTG2GV	989
MCTAFLTG3GD	989
MCTAFLTG3GV	990
MCTAFLTR2GV	990
MCTAFLTR3GD	990
MCTAFLTR3GV	991
MCTAHRQF	991
MCTAHRQF_MTXom30	991
MCTAHRQF3GD	992
MCTAHRQF3GD_MTXom30	992
MCTAHRQF3GV	992
MCTAHRQF3GV_MTXom30	993
MCTALLFU	993
MCTALLFU_MTXom30	993
MCTALLFU3GD	994
MCTALLFU3GD_MTXom30	994
MCTALLFU3GV	994
MCTALLFU3GV_MTXom30	995
MCTALLTO	995
MCTALLTO_MTXom30	995
MCTALLTO3GD	995
MCTALLTO3GD_MTXom30	996
MCTALLTO3GV	996
MCTALLTO3GV_MTXom30	996
MCTAMIXF	997
MCTAMIXF_MTXom30	997
MCTAMIXF3GD	997
MCTAMIXF3GD_MTXom30	998
MCTAMIXF3GV	998
MCTAMIXF3GV_MTXom30	998
MCTAREQF	999
MCTAREQF_MTXom30	999
MCTAREQF3GD	999
MCTAREQF3GD_MTXom30	1000
MCTAREQF3GV	1000
MCTAREQF3GV_MTXom30	1000
MISCFLT2GV	1001
MISCFLT3GV	1001
MISDBATT	1001
MISDBFL	1001
MISDBSC	1002
MLATTS	1002
MLATTS_MTXom30	1002
MLCOMPS	1003
MLCOMPS_MTXom30	1003
MMATHPRM_C	1003
MMATTS	1004
MMATTS_MTXom30	1004
MMCOMPS	1004

Updated: 2009-06-03

PERFORMANCE DATA REFERENCE
 Prospect® 8.0 for Nortel AMPS/TDMA/CDMA/MTX 17

MMCOMPS_MTXom30	1005
MNSELATH_C	1005
MOATTS	1005
MOATTS_MTXom30	1005
MOBANS	1006
MOBANS_MTXom30	1006
MOCOMPS	1006
MOCOMPS_MTXom30	1007
MRANDMBC_C	1007
MRANDMM_C	1007
MRANDMUC_C	1008
MSCUCIN_C	1008
MSCUCNC_C	1008
MSCVP1_C	1009
MSCVP2_C	1009
MSSDUPFL_C	1009
MSSDUPIN_C	1009
MSSDUPNA_C	1010
MSSDUPNC_C	1010
MSSDUPSC_C	1010
MTRMT	1011
MTRMT_MTXom30	1011
MTSELATH_C	1011
MUCFAIL_C	1012
MUCNINIT_C	1012
MUCSUCC_C	1012
NARLPFL	1013
NOADJCEL	1013
NOEPEKEY_C	1013
NORESP	1013
NORFSEFL2GV	1014
NORFSEFL3GV	1014
NOVOICE	1014
NRFSEFHH2GV	1015
NRFSEFHH3GV	1015
NWKFLAS	1015
NWKFLBS	1016
ORIGMWT	1016
ORRSSILO	1016
OTPLREJ8	1017
OTPLREJ8_MTXom30	1017
PARMCHRG	1017
PDSEFLAS	1018
PDSEFLDS	1018
PGOUTMSR	1018
PGREQS	1019
PGREQS_MTXom30	1019
PGRESPTS	1019
PGRESPTS_MTXom30	1019
PGRSSILO	1020
PRDIS01	1020

PERFORMANCE DATA REFERENCE
Prospect® 8.0 for Nortel AMPS/TDMA/CDMA/MTX 17

PRDIS02	1020
PRDIS03	1021
PRDIS04	1021
PRDIS05	1021
PRDIS06	1022
PRDIS07	1022
PRDIS08	1022
PRDIS09	1023
PRDIS10	1023
PRDIS11	1023
PRDIS12	1024
PRDIS13	1024
PRDIS14	1024
PRDIS15	1025
PRDIS16	1025
PUBNOR	1025
PUBSCT	1026
PWRDNREG	1026
PWRDNREL	1026
PWRUPREG	1027
RBRDATT	1027
RBRDCOMP	1027
RBRDINTA	1028
RBRDINTR	1028
RBRNATT	1028
RBRNCOMP	1029
RBRNINTA	1029
RBRNINTR	1029
REGATTS	1030
REGATTS_MTXom30	1030
REGCOMPS	1030
REGCOMPS_MTXom30	1030
RESPOVFL	1031
RGRSSILO	1031
SACELPRS	1031
SADDLVY	1032
SADDRS	1032
SAFRSPG	1032
SAFRSPGR	1033
SAOZPRS	1033
SAPGRT	1033
SAPGRTR	1034
SAZNPRS	1034
SCTBTSBK	1034
SCTBTSBK3GD	1035
SCTBTSBK3GV	1035
SDCELPRS	1035
SDDDLVY	1036
SDDDRS	1036
SDFRSPG	1036
SDFRSPGR	1037

Updated: 2009-06-03

PERFORMANCE DATA REFERENCE
Prospect® 8.0 for Nortel AMPS/TDMA/CDMA/MTX 17

SDPCULKF	1037
SDPCULKR	1037
SDPGRT	1037
SDPGRTR	1038
SDVMPRS	1038
SILENTRT	1038
SILNTRT2	1039
SLTPGRES	1039
SLTPGRES_MTXom30	1039
SLTPGRES3GD	1040
SLTPGRES3GD_MTXom30	1040
SLTPGRES3GV	1040
SLTPGRES3GV_MTXom30	1041
SLTPGRRS	1041
SLTPGRRS_MTXom30	1041
SMOATBTC	1042
SMOATITC	1042
SMOATTAC	1042
SMOCSFTC	1043
SMOCSRAC	1043
SMOCSSTC	1043
SMOFABTC	1044
SMOFAIAC	1044
SMOFAITC	1044
SMOSUBTC	1045
SMOSUCAC	1045
SMOSUITC	1045
SMSDVCAT	1045
SMSDVCFL	1046
SMSDVCSC	1046
SMSNOVLR	1046
SMSORATS	1047
SMSORCFL	1047
SMSORSUC	1047
SMSPGRES	1048
SMSPRES	1048
SMSPRRO	1048
SMSPRRT	1049
SMSPRSO	1049
SMSPRST	1049
SMSRDTC	1050
SMSRDTCF	1050
SMSRDTC	1050
SMSSO14R	1051
SMSTATPG	1051
SMSTATTC	1051
SMSTFLPG	1052
SMSTFLTC	1052
SMSTMCF	1052
SMSTRCFL	1053
SMSTSCPG	1053

PERFORMANCE DATA REFERENCE
 Prospect® 8.0 for Nortel AMPS/TDMA/CDMA/MTX 17

SMSTSCTC	1053
SMSTSEFL	1054
SMSTSOFL	1054
SMTEMATS	1054
SMTEMSFL	1054
SMTEMSUC	1055
STIMEOUT	1055
STIMEOUT_MTXom30	1055
TCEPEATT_C	1056
TCEPESUC_C	1056
TCNOEPE_C	1056
TERMMWT	1057
TIMBSREG	1057
UXPGATCC	1057
UZPOAL	1058
UZPOAT	1058
UZPODN	1058
UZPTAL	1059
UZPTAT	1059
UZPTDN	1059
UZSHOAL	1060
UZSHOAT	1060
UZSHODN	1060
UZVOAL	1061
UZVOAT	1061
UZVODN	1061
UZVTAL	1062
UZVTAT	1062
UZVTDN	1062
VFBRDATT	1063
VFBRDCMP	1063
VFBRNATT	1063
VFBRNCMP	1064
VPADIC	1064
VRBRDATT	1064
VRBRDCMP	1064
VRBRNATT	1065
VRBRNCMP	1065
WPSNOR	1065
WPSRETRY2GV	1066
WPSRETRY3GV	1066
WPSSCT	1066
WPSTRTRY2GV	1067
WPSTRTRY3GV	1067
ZONEBREG	1067
Cell_Sector Roll-up Fields	1068
MCTDROPR	1068
MCTDROPR3GD	1068
MCTDROPR3GV	1068
MCTOATTS	1068
MCTOATTS3GD	1068

Updated: 2009-06-03

PERFORMANCE DATA REFERENCE
 Prospect® 8.0 for Nortel AMPS/TDMA/CDMA/MTX 17

MCTOATTS3GV	1068
MCTOSUCC	1068
MCTOSUCC3GD	1068
MCTOSUCC3GV	1068
MCTTATTS	1069
MCTTATTS3GD	1069
MCTTATTS3GV	1069
MCTTSUCC	1069
MCTTSUCC3GD	1069
MCTTSUCC3GV	1069
PrimaryFrameCntFCH_RC1	1069
PrimaryFrameCntFCH_RC2	1069
PrimaryFrameCntFCH_RC3	1069
PrimaryFrameCntFCH_RC3D	1069
PrimaryFrameCntFCH_RC3V	1069
PrimaryFrameCntFCH_RC4	1070
PrimaryFrameCntFCH_RC4D	1070
PrimaryFrameCntFCH_RC4V	1070
PrimaryFrameCntFCH_RC5	1070
PrimaryFrameCntFCH_RC5D	1070
PrimaryFrameCntFCH_RC5V	1070
CNFP Primitive Calculations	1070
bscCct_ResourceUtilization_00to01%	1070
bscCct_ResourceUtilization_01to05%	1070
bscCct_ResourceUtilization_05to10%	1071
bscCct_ResourceUtilization_100%	1071
bscCct_ResourceUtilization_10to15%	1071
bscCct_ResourceUtilization_15to20%	1071
bscCct_ResourceUtilization_20to25%	1071
bscCct_ResourceUtilization_25to30%	1072
bscCct_ResourceUtilization_30to35%	1072
bscCct_ResourceUtilization_35to40%	1072
bscCct_ResourceUtilization_40to45%	1072
bscCct_ResourceUtilization_45to50%	1072
bscCct_ResourceUtilization_50to55%	1072
bscCct_ResourceUtilization_55to60%	1073
bscCct_ResourceUtilization_60to65%	1073
bscCct_ResourceUtilization_65to70%	1073
bscCct_ResourceUtilization_70to75%	1073
bscCct_ResourceUtilization_75to80%	1073
bscCct_ResourceUtilization_80to85%	1074
bscCct_ResourceUtilization_85to90%	1074
bscCct_ResourceUtilization_90to91%	1074
bscCct_ResourceUtilization_91to92%	1074
bscCct_ResourceUtilization_92to93%	1074
bscCct_ResourceUtilization_93to94%	1074
bscCct_ResourceUtilization_94to95%	1075
bscCct_ResourceUtilization_95to96%	1075
bscCct_ResourceUtilization_96to97%	1075
bscCct_ResourceUtilization_97to98%	1075
bscCct_ResourceUtilization_98to99%	1075

PERFORMANCE DATA REFERENCE
Prospect® 8.0 for Nortel AMPS/TDMA/CDMA/MTX 17

bscCct_ResourceUtilization_99to100%	1076
bscCct_ResourceUtilizationIndex_Total	1076
bscPkt_ResourceUtilization_00to01%	1076
bscPkt_ResourceUtilization_01to05%	1076
bscPkt_ResourceUtilization_05to10%	1077
bscPkt_ResourceUtilization_100%	1077
bscPkt_ResourceUtilization_10to15%	1077
bscPkt_ResourceUtilization_15to20%	1077
bscPkt_ResourceUtilization_20to25%	1077
bscPkt_ResourceUtilization_25to30%	1077
bscPkt_ResourceUtilization_30to35%	1078
bscPkt_ResourceUtilization_35to40%	1078
bscPkt_ResourceUtilization_40to45%	1078
bscPkt_ResourceUtilization_45to50%	1078
bscPkt_ResourceUtilization_50to55%	1078
bscPkt_ResourceUtilization_55to60%	1079
bscPkt_ResourceUtilization_60to65%	1079
bscPkt_ResourceUtilization_65to70%	1079
bscPkt_ResourceUtilization_70to75%	1079
bscPkt_ResourceUtilization_75to80%	1079
bscPkt_ResourceUtilization_80to85%	1079
bscPkt_ResourceUtilization_85to90%	1080
bscPkt_ResourceUtilization_90to91%	1080
bscPkt_ResourceUtilization_91to92%	1080
bscPkt_ResourceUtilization_92to93%	1080
bscPkt_ResourceUtilization_93to94%	1080
bscPkt_ResourceUtilization_94to95%	1081
bscPkt_ResourceUtilization_95to96%	1081
bscPkt_ResourceUtilization_96to97%	1081
bscPkt_ResourceUtilization_97to98%	1081
bscPkt_ResourceUtilization_98to99%	1081
bscPkt_ResourceUtilization_99to100%	1081
bscPkt_ResourceUtilizationIndex_Total	1082
cic_ResourceUtilization_00to01%	1082
cic_ResourceUtilization_01to05%	1082
cic_ResourceUtilization_05to10%	1082
cic_ResourceUtilization_100%	1083
cic_ResourceUtilization_10to15%	1083
cic_ResourceUtilization_15to20%	1083
cic_ResourceUtilization_20to25%	1083
cic_ResourceUtilization_25to30%	1083
cic_ResourceUtilization_30to35%	1083
cic_ResourceUtilization_35to40%	1084
cic_ResourceUtilization_40to45%	1084
cic_ResourceUtilization_45to50%	1084
cic_ResourceUtilization_50to55%	1084
cic_ResourceUtilization_55to60%	1084
cic_ResourceUtilization_60to65%	1084
cic_ResourceUtilization_65to70%	1085
cic_ResourceUtilization_70to75%	1085
cic_ResourceUtilization_75to80%	1085

Updated: 2009-06-03

PERFORMANCE DATA REFERENCE
 Prospect® 8.0 for Nortel AMPS/TDMA/CDMA/MTX 17

cic_ResourceUtilization_80to85%	1085
cic_ResourceUtilization_85to90%	1085
cic_ResourceUtilization_90to91%	1086
cic_ResourceUtilization_91to92%	1086
cic_ResourceUtilization_92to93%	1086
cic_ResourceUtilization_93to94%	1086
cic_ResourceUtilization_94to95%	1086
cic_ResourceUtilization_95to96%	1086
cic_ResourceUtilization_96to97%	1087
cic_ResourceUtilization_97to98%	1087
cic_ResourceUtilization_98to99%	1087
cic_ResourceUtilization_99to100%	1087
cic_ResourceUtilizationIndex_Total	1087
ebscCct_ResourceUtilization_00to01%	1088
ebscCct_ResourceUtilization_01to05%	1088
ebscCct_ResourceUtilization_05to10%	1088
ebscCct_ResourceUtilization_100%	1088
ebscCct_ResourceUtilization_10to15%	1089
ebscCct_ResourceUtilization_15to20%	1089
ebscCct_ResourceUtilization_20to25%	1089
ebscCct_ResourceUtilization_25to30%	1089
ebscCct_ResourceUtilization_30to35%	1089
ebscCct_ResourceUtilization_35to40%	1089
ebscCct_ResourceUtilization_40to45%	1090
ebscCct_ResourceUtilization_45to50%	1090
ebscCct_ResourceUtilization_50to55%	1090
ebscCct_ResourceUtilization_55to60%	1090
ebscCct_ResourceUtilization_60to65%	1090
ebscCct_ResourceUtilization_65to70%	1091
ebscCct_ResourceUtilization_70to75%	1091
ebscCct_ResourceUtilization_75to80%	1091
ebscCct_ResourceUtilization_80to85%	1091
ebscCct_ResourceUtilization_85to90%	1091
ebscCct_ResourceUtilization_90to91%	1091
ebscCct_ResourceUtilization_91to92%	1092
ebscCct_ResourceUtilization_92to93%	1092
ebscCct_ResourceUtilization_93to94%	1092
ebscCct_ResourceUtilization_94to95%	1092
ebscCct_ResourceUtilization_95to96%	1092
ebscCct_ResourceUtilization_96to97%	1093
ebscCct_ResourceUtilization_97to98%	1093
ebscCct_ResourceUtilization_98to99%	1093
ebscCct_ResourceUtilization_99to100%	1093
ebscCct_ResourceUtilizationIndex_Total	1093
ebscPkt_ResourceUtilization_00to01%	1094
ebscPkt_ResourceUtilization_01to05%	1094
ebscPkt_ResourceUtilization_05to10%	1094
ebscPkt_ResourceUtilization_100%	1094
ebscPkt_ResourceUtilization_10to15%	1094
ebscPkt_ResourceUtilization_15to20%	1095
ebscPkt_ResourceUtilization_20to25%	1095

PERFORMANCE DATA REFERENCE
Prospect® 8.0 for Nortel AMPS/TDMA/CDMA/MTX 17

ebscPkt_ResourceUtilization_25to30%	1095
ebscPkt_ResourceUtilization_30to35%	1095
ebscPkt_ResourceUtilization_35to40%	1095
ebscPkt_ResourceUtilization_40to45%	1096
ebscPkt_ResourceUtilization_45to50%	1096
ebscPkt_ResourceUtilization_50to55%	1096
ebscPkt_ResourceUtilization_55to60%	1096
ebscPkt_ResourceUtilization_60to65%	1096
ebscPkt_ResourceUtilization_65to70%	1096
ebscPkt_ResourceUtilization_70to75%	1097
ebscPkt_ResourceUtilization_75to80%	1097
ebscPkt_ResourceUtilization_80to85%	1097
ebscPkt_ResourceUtilization_85to90%	1097
ebscPkt_ResourceUtilization_90to91%	1097
ebscPkt_ResourceUtilization_91to92%	1098
ebscPkt_ResourceUtilization_92to93%	1098
ebscPkt_ResourceUtilization_93to94%	1098
ebscPkt_ResourceUtilization_94to95%	1098
ebscPkt_ResourceUtilization_95to96%	1098
ebscPkt_ResourceUtilization_96to97%	1098
ebscPkt_ResourceUtilization_97to98%	1099
ebscPkt_ResourceUtilization_98to99%	1099
ebscPkt_ResourceUtilization_99to100%	1099
ebscPkt_ResourceUtilizationIndex_Total	1099
ebscSduPacketDataAndOther_ResourceUtilization_00to01%	1100
ebscSduPacketDataAndOther_ResourceUtilization_01to05%	1100
ebscSduPacketDataAndOther_ResourceUtilization_05to10%	1100
ebscSduPacketDataAndOther_ResourceUtilization_100%	1100
ebscSduPacketDataAndOther_ResourceUtilization_10to15%	1100
ebscSduPacketDataAndOther_ResourceUtilization_15to20%	1101
ebscSduPacketDataAndOther_ResourceUtilization_20to25%	1101
ebscSduPacketDataAndOther_ResourceUtilization_25to30%	1101
ebscSduPacketDataAndOther_ResourceUtilization_30to35%	1101
ebscSduPacketDataAndOther_ResourceUtilization_35to40%	1101
ebscSduPacketDataAndOther_ResourceUtilization_40to45%	1101
ebscSduPacketDataAndOther_ResourceUtilization_45to50%	1102
ebscSduPacketDataAndOther_ResourceUtilization_50to55%	1102
ebscSduPacketDataAndOther_ResourceUtilization_55to60%	1102
ebscSduPacketDataAndOther_ResourceUtilization_60to65%	1102
ebscSduPacketDataAndOther_ResourceUtilization_65to70%	1102
ebscSduPacketDataAndOther_ResourceUtilization_70to75%	1103
ebscSduPacketDataAndOther_ResourceUtilization_75to80%	1103
ebscSduPacketDataAndOther_ResourceUtilization_80to85%	1103
ebscSduPacketDataAndOther_ResourceUtilization_85to90%	1103
ebscSduPacketDataAndOther_ResourceUtilization_90to91%	1103
ebscSduPacketDataAndOther_ResourceUtilization_91to92%	1103
ebscSduPacketDataAndOther_ResourceUtilization_92to93%	1104
ebscSduPacketDataAndOther_ResourceUtilization_93to94%	1104
ebscSduPacketDataAndOther_ResourceUtilization_94to95%	1104
ebscSduPacketDataAndOther_ResourceUtilization_95to96%	1104
ebscSduPacketDataAndOther_ResourceUtilization_96to97%	1104

Updated: 2009-06-03

PERFORMANCE DATA REFERENCE

Prospect® 8.0 for Nortel AMPS/TDMA/CDMA/MTX 17

ebscSduPacketDataAndOther_ResourceUtilization_97to98%	1105
ebscSduPacketDataAndOther_ResourceUtilization_98to99%	1105
ebscSduPacketDataAndOther_ResourceUtilization_99to100%	1105
ebscSduPacketDataAndOther_ResourceUtilizationIndex_Total	1105
ebscSduVoiceAndOther_ResourceUtilization_00to01%	1106
ebscSduVoiceAndOther_ResourceUtilization_01to05%	1106
ebscSduVoiceAndOther_ResourceUtilization_05to10%	1106
ebscSduVoiceAndOther_ResourceUtilization_100%	1106
ebscSduVoiceAndOther_ResourceUtilization_10to15%	1107
ebscSduVoiceAndOther_ResourceUtilization_15to20%	1107
ebscSduVoiceAndOther_ResourceUtilization_20to25%	1107
ebscSduVoiceAndOther_ResourceUtilization_25to30%	1107
ebscSduVoiceAndOther_ResourceUtilization_30to35%	1107
ebscSduVoiceAndOther_ResourceUtilization_35to40%	1107
ebscSduVoiceAndOther_ResourceUtilization_40to45%	1108
ebscSduVoiceAndOther_ResourceUtilization_45to50%	1108
ebscSduVoiceAndOther_ResourceUtilization_50to55%	1108
ebscSduVoiceAndOther_ResourceUtilization_55to60%	1108
ebscSduVoiceAndOther_ResourceUtilization_60to65%	1108
ebscSduVoiceAndOther_ResourceUtilization_65to70%	1109
ebscSduVoiceAndOther_ResourceUtilization_70to75%	1109
ebscSduVoiceAndOther_ResourceUtilization_75to80%	1109
ebscSduVoiceAndOther_ResourceUtilization_80to85%	1109
ebscSduVoiceAndOther_ResourceUtilization_85to90%	1109
ebscSduVoiceAndOther_ResourceUtilization_90to91%	1109
ebscSduVoiceAndOther_ResourceUtilization_91to92%	1110
ebscSduVoiceAndOther_ResourceUtilization_92to93%	1110
ebscSduVoiceAndOther_ResourceUtilization_93to94%	1110
ebscSduVoiceAndOther_ResourceUtilization_94to95%	1110
ebscSduVoiceAndOther_ResourceUtilization_95to96%	1110
ebscSduVoiceAndOther_ResourceUtilization_96to97%	1111
ebscSduVoiceAndOther_ResourceUtilization_97to98%	1111
ebscSduVoiceAndOther_ResourceUtilization_98to99%	1111
ebscSduVoiceAndOther_ResourceUtilization_99to100%	1111
ebscSduVoiceAndOther_ResourceUtilizationIndex_Total	1111
ebscTrfo_ResourceUtilization_00to01%	1112
ebscTrfo_ResourceUtilization_01to05%	1112
ebscTrfo_ResourceUtilization_05to10%	1112
ebscTrfo_ResourceUtilization_100%	1113
ebscTrfo_ResourceUtilization_10to15%	1113
ebscTrfo_ResourceUtilization_15to20%	1113
ebscTrfo_ResourceUtilization_20to25%	1113
ebscTrfo_ResourceUtilization_25to30%	1113
ebscTrfo_ResourceUtilization_30to35%	1113
ebscTrfo_ResourceUtilization_35to40%	1114
ebscTrfo_ResourceUtilization_40to45%	1114
ebscTrfo_ResourceUtilization_45to50%	1114
ebscTrfo_ResourceUtilization_50to55%	1114
ebscTrfo_ResourceUtilization_55to60%	1114
ebscTrfo_ResourceUtilization_60to65%	1115
ebscTrfo_ResourceUtilization_65to70%	1115

PERFORMANCE DATA REFERENCE
 Prospect® 8.0 for Nortel AMPS/TDMA/CDMA/MTX 17

ebscTrfo_ResourceUtilization_70to75%	1115
ebscTrfo_ResourceUtilization_75to80%	1115
ebscTrfo_ResourceUtilization_80to85%	1115
ebscTrfo_ResourceUtilization_85to90%	1115
ebscTrfo_ResourceUtilization_90to91%	1116
ebscTrfo_ResourceUtilization_91to92%	1116
ebscTrfo_ResourceUtilization_92to93%	1116
ebscTrfo_ResourceUtilization_93to94%	1116
ebscTrfo_ResourceUtilization_94to95%	1116
ebscTrfo_ResourceUtilization_95to96%	1117
ebscTrfo_ResourceUtilization_96to97%	1117
ebscTrfo_ResourceUtilization_97to98%	1117
ebscTrfo_ResourceUtilization_98to99%	1117
ebscTrfo_ResourceUtilization_99to100%	1117
ebscTrfo_ResourceUtilizationIndex_Total	1117
GRAPHmultiLineSeparator	1118
MaxAvailableConfiguredCapacity_Total	1118
NUMDAYS	1118
NUMHOURS	1119
ResourceUtilization_00to01%	1119
ResourceUtilization_01to05%	1119
ResourceUtilization_05to10%	1120
ResourceUtilization_100%	1120
ResourceUtilization_10to15%	1120
ResourceUtilization_15to20%	1121
ResourceUtilization_20to25%	1121
ResourceUtilization_25to30%	1122
ResourceUtilization_30to35%	1122
ResourceUtilization_35to40%	1123
ResourceUtilization_40to45%	1123
ResourceUtilization_45to50%	1123
ResourceUtilization_50to55%	1124
ResourceUtilization_55to60%	1124
ResourceUtilization_60to65%	1125
ResourceUtilization_65to70%	1125
ResourceUtilization_70to75%	1126
ResourceUtilization_75to80%	1126
ResourceUtilization_80to85%	1127
ResourceUtilization_85to90%	1127
ResourceUtilization_90to91%	1127
ResourceUtilization_91to92%	1128
ResourceUtilization_92to93%	1128
ResourceUtilization_93to94%	1129
ResourceUtilization_94to95%	1129
ResourceUtilization_95to96%	1130
ResourceUtilization_96to97%	1130
ResourceUtilization_97to98%	1131
ResourceUtilization_98to99%	1131
ResourceUtilization_99to100%	1131
ResourceUtilizationIndex_Total	1132
CNFP Peg Counts	1132

Updated: 2009-06-03

PERFORMANCE DATA REFERENCE
Prospect® 8.0 for Nortel AMPS/TDMA/CDMA/MTX 17

bscCct_MaxAvailableConfiguredCapacity	1132
bscCct_ResourceUtilizationIndex_1	1133
bscCct_ResourceUtilizationIndex_10	1133
bscCct_ResourceUtilizationIndex_11	1133
bscCct_ResourceUtilizationIndex_12	1134
bscCct_ResourceUtilizationIndex_13	1134
bscCct_ResourceUtilizationIndex_14	1134
bscCct_ResourceUtilizationIndex_15	1135
bscCct_ResourceUtilizationIndex_16	1135
bscCct_ResourceUtilizationIndex_17	1136
bscCct_ResourceUtilizationIndex_18	1136
bscCct_ResourceUtilizationIndex_19	1136
bscCct_ResourceUtilizationIndex_2	1137
bscCct_ResourceUtilizationIndex_20	1137
bscCct_ResourceUtilizationIndex_21	1137
bscCct_ResourceUtilizationIndex_22	1138
bscCct_ResourceUtilizationIndex_23	1138
bscCct_ResourceUtilizationIndex_24	1138
bscCct_ResourceUtilizationIndex_25	1139
bscCct_ResourceUtilizationIndex_26	1139
bscCct_ResourceUtilizationIndex_27	1140
bscCct_ResourceUtilizationIndex_28	1140
bscCct_ResourceUtilizationIndex_29	1140
bscCct_ResourceUtilizationIndex_3	1141
bscCct_ResourceUtilizationIndex_30	1141
bscCct_ResourceUtilizationIndex_4	1141
bscCct_ResourceUtilizationIndex_5	1142
bscCct_ResourceUtilizationIndex_6	1142
bscCct_ResourceUtilizationIndex_7	1142
bscCct_ResourceUtilizationIndex_8	1143
bscCct_ResourceUtilizationIndex_9	1143
bscPkt_MaxAvailableConfiguredCapacity	1144
bscPkt_ResourceUtilizationIndex_1	1144
bscPkt_ResourceUtilizationIndex_10	1144
bscPkt_ResourceUtilizationIndex_11	1145
bscPkt_ResourceUtilizationIndex_12	1145
bscPkt_ResourceUtilizationIndex_13	1145
bscPkt_ResourceUtilizationIndex_14	1146
bscPkt_ResourceUtilizationIndex_15	1146
bscPkt_ResourceUtilizationIndex_16	1146
bscPkt_ResourceUtilizationIndex_17	1147
bscPkt_ResourceUtilizationIndex_18	1147
bscPkt_ResourceUtilizationIndex_19	1148
bscPkt_ResourceUtilizationIndex_2	1148
bscPkt_ResourceUtilizationIndex_20	1148
bscPkt_ResourceUtilizationIndex_21	1149
bscPkt_ResourceUtilizationIndex_22	1149
bscPkt_ResourceUtilizationIndex_23	1149
bscPkt_ResourceUtilizationIndex_24	1150
bscPkt_ResourceUtilizationIndex_25	1150
bscPkt_ResourceUtilizationIndex_26	1150

PERFORMANCE DATA REFERENCE
Prospect® 8.0 for Nortel AMPS/TDMA/CDMA/MTX 17

bscPkt_ResourceUtilizationIndex_27	1151
bscPkt_ResourceUtilizationIndex_28	1151
bscPkt_ResourceUtilizationIndex_29	1152
bscPkt_ResourceUtilizationIndex_3	1152
bscPkt_ResourceUtilizationIndex_30	1152
bscPkt_ResourceUtilizationIndex_4	1153
bscPkt_ResourceUtilizationIndex_5	1153
bscPkt_ResourceUtilizationIndex_6	1153
bscPkt_ResourceUtilizationIndex_7	1154
bscPkt_ResourceUtilizationIndex_8	1154
bscPkt_ResourceUtilizationIndex_9	1154
cic_MaxAvailableConfiguredCapacity	1155
cic_ResourceUtilizationIndex_1	1155
cic_ResourceUtilizationIndex_10	1156
cic_ResourceUtilizationIndex_11	1156
cic_ResourceUtilizationIndex_12	1156
cic_ResourceUtilizationIndex_13	1157
cic_ResourceUtilizationIndex_14	1157
cic_ResourceUtilizationIndex_15	1157
cic_ResourceUtilizationIndex_16	1158
cic_ResourceUtilizationIndex_17	1158
cic_ResourceUtilizationIndex_18	1158
cic_ResourceUtilizationIndex_19	1159
cic_ResourceUtilizationIndex_2	1159
cic_ResourceUtilizationIndex_20	1160
cic_ResourceUtilizationIndex_21	1160
cic_ResourceUtilizationIndex_22	1160
cic_ResourceUtilizationIndex_23	1161
cic_ResourceUtilizationIndex_24	1161
cic_ResourceUtilizationIndex_25	1161
cic_ResourceUtilizationIndex_26	1162
cic_ResourceUtilizationIndex_27	1162
cic_ResourceUtilizationIndex_28	1162
cic_ResourceUtilizationIndex_29	1163
cic_ResourceUtilizationIndex_3	1163
cic_ResourceUtilizationIndex_30	1164
cic_ResourceUtilizationIndex_4	1164
cic_ResourceUtilizationIndex_5	1164
cic_ResourceUtilizationIndex_6	1165
cic_ResourceUtilizationIndex_7	1165
cic_ResourceUtilizationIndex_8	1165
cic_ResourceUtilizationIndex_9	1166
ebscCct_MaxAvailableConfiguredCapacity	1166
ebscCct_ResourceUtilizationIndex_1	1166
ebscCct_ResourceUtilizationIndex_10	1167
ebscCct_ResourceUtilizationIndex_11	1167
ebscCct_ResourceUtilizationIndex_12	1168
ebscCct_ResourceUtilizationIndex_13	1168
ebscCct_ResourceUtilizationIndex_14	1168
ebscCct_ResourceUtilizationIndex_15	1169
ebscCct_ResourceUtilizationIndex_16	1169

Updated: 2009-06-03

PERFORMANCE DATA REFERENCE
Prospect® 8.0 for Nortel AMPS/TDMA/CDMA/MTX 17

ebscCct_ResourceUtilizationIndex_17	1169
ebscCct_ResourceUtilizationIndex_18	1170
ebscCct_ResourceUtilizationIndex_19	1170
ebscCct_ResourceUtilizationIndex_2	1170
ebscCct_ResourceUtilizationIndex_20	1171
ebscCct_ResourceUtilizationIndex_21	1171
ebscCct_ResourceUtilizationIndex_22	1172
ebscCct_ResourceUtilizationIndex_23	1172
ebscCct_ResourceUtilizationIndex_24	1172
ebscCct_ResourceUtilizationIndex_25	1173
ebscCct_ResourceUtilizationIndex_26	1173
ebscCct_ResourceUtilizationIndex_27	1173
ebscCct_ResourceUtilizationIndex_28	1174
ebscCct_ResourceUtilizationIndex_29	1174
ebscCct_ResourceUtilizationIndex_3	1174
ebscCct_ResourceUtilizationIndex_30	1175
ebscCct_ResourceUtilizationIndex_4	1175
ebscCct_ResourceUtilizationIndex_5	1176
ebscCct_ResourceUtilizationIndex_6	1176
ebscCct_ResourceUtilizationIndex_7	1176
ebscCct_ResourceUtilizationIndex_8	1177
ebscCct_ResourceUtilizationIndex_9	1177
ebscPkt_MaxAvailableConfiguredCapacity	1177
ebscPkt_ResourceUtilizationIndex_1	1178
ebscPkt_ResourceUtilizationIndex_10	1178
ebscPkt_ResourceUtilizationIndex_11	1178
ebscPkt_ResourceUtilizationIndex_12	1179
ebscPkt_ResourceUtilizationIndex_13	1179
ebscPkt_ResourceUtilizationIndex_14	1180
ebscPkt_ResourceUtilizationIndex_15	1180
ebscPkt_ResourceUtilizationIndex_16	1180
ebscPkt_ResourceUtilizationIndex_17	1181
ebscPkt_ResourceUtilizationIndex_18	1181
ebscPkt_ResourceUtilizationIndex_19	1181
ebscPkt_ResourceUtilizationIndex_2	1182
ebscPkt_ResourceUtilizationIndex_20	1182
ebscPkt_ResourceUtilizationIndex_21	1182
ebscPkt_ResourceUtilizationIndex_22	1183
ebscPkt_ResourceUtilizationIndex_23	1183
ebscPkt_ResourceUtilizationIndex_24	1184
ebscPkt_ResourceUtilizationIndex_25	1184
ebscPkt_ResourceUtilizationIndex_26	1184
ebscPkt_ResourceUtilizationIndex_27	1185
ebscPkt_ResourceUtilizationIndex_28	1185
ebscPkt_ResourceUtilizationIndex_29	1185
ebscPkt_ResourceUtilizationIndex_3	1186
ebscPkt_ResourceUtilizationIndex_30	1186
ebscPkt_ResourceUtilizationIndex_4	1186
ebscPkt_ResourceUtilizationIndex_5	1187
ebscPkt_ResourceUtilizationIndex_6	1187
ebscPkt_ResourceUtilizationIndex_7	1188

PERFORMANCE DATA REFERENCE
Prospect® 8.0 for Nortel AMPS/TDMA/CDMA/MTX 17

ebscPkt_ResourceUtilizationIndex_8	1188
ebscPkt_ResourceUtilizationIndex_9	1188
ebscSduPacketDataAndOther_MaxAvailableConfiguredCapacity	1189
ebscSduPacketDataAndOther_ResourceUtilizationIndex_1	1189
ebscSduPacketDataAndOther_ResourceUtilizationIndex_10	1189
ebscSduPacketDataAndOther_ResourceUtilizationIndex_11	1190
ebscSduPacketDataAndOther_ResourceUtilizationIndex_12	1190
ebscSduPacketDataAndOther_ResourceUtilizationIndex_13	1190
ebscSduPacketDataAndOther_ResourceUtilizationIndex_14	1191
ebscSduPacketDataAndOther_ResourceUtilizationIndex_15	1191
ebscSduPacketDataAndOther_ResourceUtilizationIndex_16	1192
ebscSduPacketDataAndOther_ResourceUtilizationIndex_17	1192
ebscSduPacketDataAndOther_ResourceUtilizationIndex_18	1192
ebscSduPacketDataAndOther_ResourceUtilizationIndex_19	1193
ebscSduPacketDataAndOther_ResourceUtilizationIndex_2	1193
ebscSduPacketDataAndOther_ResourceUtilizationIndex_20	1193
ebscSduPacketDataAndOther_ResourceUtilizationIndex_21	1194
ebscSduPacketDataAndOther_ResourceUtilizationIndex_22	1194
ebscSduPacketDataAndOther_ResourceUtilizationIndex_23	1194
ebscSduPacketDataAndOther_ResourceUtilizationIndex_24	1195
ebscSduPacketDataAndOther_ResourceUtilizationIndex_25	1195
ebscSduPacketDataAndOther_ResourceUtilizationIndex_26	1196
ebscSduPacketDataAndOther_ResourceUtilizationIndex_27	1196
ebscSduPacketDataAndOther_ResourceUtilizationIndex_28	1196
ebscSduPacketDataAndOther_ResourceUtilizationIndex_29	1197
ebscSduPacketDataAndOther_ResourceUtilizationIndex_3	1197
ebscSduPacketDataAndOther_ResourceUtilizationIndex_30	1197
ebscSduPacketDataAndOther_ResourceUtilizationIndex_4	1198
ebscSduPacketDataAndOther_ResourceUtilizationIndex_5	1198
ebscSduPacketDataAndOther_ResourceUtilizationIndex_6	1198
ebscSduPacketDataAndOther_ResourceUtilizationIndex_7	1199
ebscSduPacketDataAndOther_ResourceUtilizationIndex_8	1199
ebscSduPacketDataAndOther_ResourceUtilizationIndex_9	1200
ebscSduVoiceAndOther_MaxAvailableConfiguredCapacity	1200
ebscSduVoiceAndOther_ResourceUtilizationIndex_1	1200
ebscSduVoiceAndOther_ResourceUtilizationIndex_10	1201
ebscSduVoiceAndOther_ResourceUtilizationIndex_11	1201
ebscSduVoiceAndOther_ResourceUtilizationIndex_12	1201
ebscSduVoiceAndOther_ResourceUtilizationIndex_13	1202
ebscSduVoiceAndOther_ResourceUtilizationIndex_14	1202
ebscSduVoiceAndOther_ResourceUtilizationIndex_15	1202
ebscSduVoiceAndOther_ResourceUtilizationIndex_16	1203
ebscSduVoiceAndOther_ResourceUtilizationIndex_17	1203
ebscSduVoiceAndOther_ResourceUtilizationIndex_18	1204
ebscSduVoiceAndOther_ResourceUtilizationIndex_19	1204
ebscSduVoiceAndOther_ResourceUtilizationIndex_2	1204
ebscSduVoiceAndOther_ResourceUtilizationIndex_20	1205
ebscSduVoiceAndOther_ResourceUtilizationIndex_21	1205
ebscSduVoiceAndOther_ResourceUtilizationIndex_22	1205
ebscSduVoiceAndOther_ResourceUtilizationIndex_23	1206
ebscSduVoiceAndOther_ResourceUtilizationIndex_24	1206

Updated: 2009-06-03

PERFORMANCE DATA REFERENCE

Prospect® 8.0 for Nortel AMPS/TDMA/CDMA/MTX 17

ebscSduVoiceAndOther_ResourceUtilizationIndex_25	1206
ebscSduVoiceAndOther_ResourceUtilizationIndex_26	1207
ebscSduVoiceAndOther_ResourceUtilizationIndex_27	1207
ebscSduVoiceAndOther_ResourceUtilizationIndex_28	1208
ebscSduVoiceAndOther_ResourceUtilizationIndex_29	1208
ebscSduVoiceAndOther_ResourceUtilizationIndex_3	1208
ebscSduVoiceAndOther_ResourceUtilizationIndex_30	1209
ebscSduVoiceAndOther_ResourceUtilizationIndex_4	1209
ebscSduVoiceAndOther_ResourceUtilizationIndex_5	1209
ebscSduVoiceAndOther_ResourceUtilizationIndex_6	1210
ebscSduVoiceAndOther_ResourceUtilizationIndex_7	1210
ebscSduVoiceAndOther_ResourceUtilizationIndex_8	1210
ebscSduVoiceAndOther_ResourceUtilizationIndex_9	1211
ebscTrfo_MaxAvailableConfiguredCapacity	1211
ebscTrfo_ResourceUtilizationIndex_1	1212
ebscTrfo_ResourceUtilizationIndex_10	1212
ebscTrfo_ResourceUtilizationIndex_11	1212
ebscTrfo_ResourceUtilizationIndex_12	1213
ebscTrfo_ResourceUtilizationIndex_13	1213
ebscTrfo_ResourceUtilizationIndex_14	1213
ebscTrfo_ResourceUtilizationIndex_15	1214
ebscTrfo_ResourceUtilizationIndex_16	1214
ebscTrfo_ResourceUtilizationIndex_17	1214
ebscTrfo_ResourceUtilizationIndex_18	1215
ebscTrfo_ResourceUtilizationIndex_19	1215
ebscTrfo_ResourceUtilizationIndex_2	1216
ebscTrfo_ResourceUtilizationIndex_20	1216
ebscTrfo_ResourceUtilizationIndex_21	1216
ebscTrfo_ResourceUtilizationIndex_22	1217
ebscTrfo_ResourceUtilizationIndex_23	1217
ebscTrfo_ResourceUtilizationIndex_24	1217
ebscTrfo_ResourceUtilizationIndex_25	1218
ebscTrfo_ResourceUtilizationIndex_26	1218
ebscTrfo_ResourceUtilizationIndex_27	1218
ebscTrfo_ResourceUtilizationIndex_28	1219
ebscTrfo_ResourceUtilizationIndex_29	1219
ebscTrfo_ResourceUtilizationIndex_3	1220
ebscTrfo_ResourceUtilizationIndex_30	1220
ebscTrfo_ResourceUtilizationIndex_4	1220
ebscTrfo_ResourceUtilizationIndex_5	1221
ebscTrfo_ResourceUtilizationIndex_6	1221
ebscTrfo_ResourceUtilizationIndex_7	1221
ebscTrfo_ResourceUtilizationIndex_8	1222
ebscTrfo_ResourceUtilizationIndex_9	1222
Context Primitive Calculations	1222
GRAPHmultiLineSeparator	1223
NUMDAYS	1223
NUMHOURS	1223
DCG Primitive Calculations	1223
AckIndSent	1223
AckIndUndeliverable	1223

PERFORMANCE DATA REFERENCE
Prospect® 8.0 for Nortel AMPS/TDMA/CDMA/MTX 17

AuthenticationChallengeRspSent	1223
AuthenticationChallengeRspUndeliverable	1224
AuthenticationCmdDropped	1224
AuthenticationCmdRcvd	1224
BroadcastMsgsDropped	1224
CapacityRequestResultsSentSCH	1224
CapacityRequestResultsUndeliverableSCH	1225
CapacityRequestsRcvdSCH	1225
CarrierSelectionCapacityRequestRcvd	1225
CarrierSelectionCapacityRspSent	1225
CarrierSelectionCapacityRspUndeliverable	1225
ChannelAssignmentMsgDropped	1226
ChannelAssignmentMsgRcvd	1226
ChannelReleaseIndicationsSentSCH	1226
ChannelReleaseIndicationsUndeliverableSCH	1226
ExtendedChannelAssignmentMsgDropped	1226
ExtendedChannelAssignmentMsgRcvd	1227
ExtendedStatusResponseSent	1227
ExtendedStatusResponseUndeliverable	1227
FeatureNotificationCmdRcvd	1227
FeatureNotificationCommandDropped	1227
GeneralPageMsgDropped	1228
GeneralPageMsgRcvd	1228
GRAPHmultiLineSeparator	1228
NUMDAYS	1228
NUMHOURS	1228
OrderCommandDropped	1228
OrderCommandRcvd	1229
OrderIndicationSent	1229
OrderIndicationUndeliverable	1229
OriginationIndicationSent	1229
OriginationIndicationUndeliverable	1229
OutOfBandClassGeneralPagesDropped	1230
OutOfZonePages	1230
PageResponseSent	1230
PageResponseUndeliverable	1230
RegistrationIndicationSent	1230
RegistrationIndicationUndeliverable	1231
ResourceMgmtMsgsDropped	1231
ResourceReleaseRequestRcvdFCH	1231
ResourceReleaseRequestRcvdSCH	1231
ResourceReleaseRequestRspFailedFCH	1231
ResourceReleaseRequestRspFailedSCH	1232
ResourceReleaseRequestRspSuccessFCH	1232
ResourceReleaseRequestRspSuccessSCH	1232
ResourceReleaseRequestRspUndeliverableFCH	1232
ResourceReleaseRequestRspUndeliverableSCH	1232
ResourceRequestRcvdFCH	1233
ResourceRequestRcvdSCH	1233
ResourceRequestRspBlockedFCH	1233
ResourceRequestRspBlockedSCH	1233

Updated: 2009-06-03

PERFORMANCE DATA REFERENCE
 Prospect® 8.0 for Nortel AMPS/TDMA/CDMA/MTX 17

ResourceRequestRspFailedFCH	1233
ResourceRequestRspFailedSCH	1233
ResourceRequestRspSuccessFCH	1234
ResourceRequestRspSuccessSCH	1234
ResourceRequestRspUndeliverableFCH	1234
ResourceRequestRspUndeliverableSCH	1234
SMSDBurstCmdDropped	1234
SMSDBurstCmdRcvd	1235
SMSDBurstIndicationSent	1235
SMSDBurstIndicationUndeliverable	1235
StatusRequestMsgDropped	1235
StatusRequestMsgRcvd	1235
StatusResponseSent	1236
StatusResponseUndeliverable	1236
UnicastMsgsDropped	1236
DCG Peg Counts	1236
AckIndSent_0_4	1236
AckIndSent_10_14	1237
AckIndSent_15_19	1237
AckIndSent_20_24	1237
AckIndSent_25_29	1237
AckIndSent_5_9	1238
AckIndUndeliverable_0_4	1238
AckIndUndeliverable_10_14	1238
AckIndUndeliverable_15_19	1239
AckIndUndeliverable_20_24	1239
AckIndUndeliverable_25_29	1239
AckIndUndeliverable_5_9	1240
AuthenticationChallengeRspSent_0_4	1240
AuthenticationChallengeRspSent_10_14	1240
AuthenticationChallengeRspSent_15_19	1241
AuthenticationChallengeRspSent_20_24	1241
AuthenticationChallengeRspSent_25_29	1241
AuthenticationChallengeRspSent_5_9	1242
AuthenticationChallengeRspUndeliverable_0_4	1242
AuthenticationChallengeRspUndeliverable_10_14	1242
AuthenticationChallengeRspUndeliverable_15_19	1243
AuthenticationChallengeRspUndeliverable_20_24	1243
AuthenticationChallengeRspUndeliverable_25_29	1243
AuthenticationChallengeRspUndeliverable_5_9	1244
AuthenticationCmdDropped_0_4	1244
AuthenticationCmdDropped_10_14	1244
AuthenticationCmdDropped_15_19	1245
AuthenticationCmdDropped_20_24	1245
AuthenticationCmdDropped_25_29	1245
AuthenticationCmdDropped_5_9	1246
AuthenticationCmdRcvd_0_4	1246
AuthenticationCmdRcvd_10_14	1246
AuthenticationCmdRcvd_15_19	1247
AuthenticationCmdRcvd_20_24	1247
AuthenticationCmdRcvd_25_29	1247

PERFORMANCE DATA REFERENCE
 Prospect® 8.0 for Nortel AMPS/TDMA/CDMA/MTX 17

AuthenticationCmdRcvd_5_9	1247
AutoRecoveryFailCount	1248
AutoRecoveryPassCount	1248
BroadcastMsgsDropped_0_4	1249
BroadcastMsgsDropped_10_14	1249
BroadcastMsgsDropped_15_19	1249
BroadcastMsgsDropped_20_24	1250
BroadcastMsgsDropped_25_29	1250
BroadcastMsgsDropped_5_9	1250
BTSAutonomousResetCount	1251
BtscCpuUsage0to9percent	1251
BtscCpuUsage10to19percent	1251
BtscCpuUsage20to29percent	1252
BtscCpuUsage30to39percent	1252
BtscCpuUsage40to49percent	1252
BtscCpuUsage50to59percent	1252
BtscCpuUsage60to69percent	1253
BtscCpuUsage70to79percent	1253
BtscCpuUsage80to89percent	1253
BtscCpuUsage90to100percent	1254
CapacityRequestResultsSentSCH_0_4	1254
CapacityRequestResultsSentSCH_10_14	1254
CapacityRequestResultsSentSCH_15_19	1255
CapacityRequestResultsSentSCH_20_24	1255
CapacityRequestResultsSentSCH_25_29	1255
CapacityRequestResultsSentSCH_5_9	1256
CapacityRequestResultsUndeliverableSCH_0_4	1256
CapacityRequestResultsUndeliverableSCH_10_14	1256
CapacityRequestResultsUndeliverableSCH_15_19	1257
CapacityRequestResultsUndeliverableSCH_20_24	1257
CapacityRequestResultsUndeliverableSCH_25_29	1257
CapacityRequestResultsUndeliverableSCH_5_9	1258
CapacityRequestsRcvdSCH_0_4	1258
CapacityRequestsRcvdSCH_10_14	1258
CapacityRequestsRcvdSCH_15_19	1259
CapacityRequestsRcvdSCH_20_24	1259
CapacityRequestsRcvdSCH_25_29	1259
CapacityRequestsRcvdSCH_5_9	1260
CarrierSelectionCapacityRequestRcvd_0_4	1260
CarrierSelectionCapacityRequestRcvd_10_14	1260
CarrierSelectionCapacityRequestRcvd_15_19	1261
CarrierSelectionCapacityRequestRcvd_20_24	1261
CarrierSelectionCapacityRequestRcvd_25_29	1261
CarrierSelectionCapacityRequestRcvd_5_9	1261
CarrierSelectionCapacityRspSent_0_4	1262
CarrierSelectionCapacityRspSent_10_14	1262
CarrierSelectionCapacityRspSent_15_19	1262
CarrierSelectionCapacityRspSent_20_24	1263
CarrierSelectionCapacityRspSent_25_29	1263
CarrierSelectionCapacityRspSent_5_9	1263
CarrierSelectionCapacityRspUndeliverable_0_4	1264

Updated: 2009-06-03

PERFORMANCE DATA REFERENCE

Prospect® 8.0 for Nortel AMPS/TDMA/CDMA/MTX 17

CarrierSelectionCapacityRspUndeliverable_10_14	1264
CarrierSelectionCapacityRspUndeliverable_15_19	1264
CarrierSelectionCapacityRspUndeliverable_20_24	1265
CarrierSelectionCapacityRspUndeliverable_25_29	1265
CarrierSelectionCapacityRspUndeliverable_5_9	1265
ChannelAssignmentMsgDropped_0_4	1266
ChannelAssignmentMsgDropped_10_14	1266
ChannelAssignmentMsgDropped_15_19	1266
ChannelAssignmentMsgDropped_20_24	1267
ChannelAssignmentMsgDropped_25_29	1267
ChannelAssignmentMsgDropped_5_9	1267
ChannelAssignmentMsgRcvd_0_4	1268
ChannelAssignmentMsgRcvd_10_14	1268
ChannelAssignmentMsgRcvd_15_19	1268
ChannelAssignmentMsgRcvd_20_24	1269
ChannelAssignmentMsgRcvd_25_29	1269
ChannelAssignmentMsgRcvd_5_9	1269
ChannelReleaseIndicationsSentSCH_0_4	1270
ChannelReleaseIndicationsSentSCH_10_14	1270
ChannelReleaseIndicationsSentSCH_15_19	1270
ChannelReleaseIndicationsSentSCH_20_24	1271
ChannelReleaseIndicationsSentSCH_25_29	1271
ChannelReleaseIndicationsSentSCH_5_9	1271
ChannelReleaseIndicationsUndeliverableSCH_0_4	1272
ChannelReleaseIndicationsUndeliverableSCH_10_14	1272
ChannelReleaseIndicationsUndeliverableSCH_15_19	1272
ChannelReleaseIndicationsUndeliverableSCH_20_24	1273
ChannelReleaseIndicationsUndeliverableSCH_25_29	1273
ChannelReleaseIndicationsUndeliverableSCH_5_9	1273
ConditionalTriggerCommandsRcvdFCH_0_4	1274
ConditionalTriggerCommandsRcvdFCH_10_14	1274
ConditionalTriggerCommandsRcvdFCH_15_19	1274
ConditionalTriggerCommandsRcvdFCH_20_24	1274
ConditionalTriggerCommandsRcvdFCH_25_29	1275
ConditionalTriggerCommandsRcvdFCH_5_9	1275
CongCtrlHalfHourSpikeCount	1275
CongCtrlHalfHourStormCount	1276
CongCtrlTotalSpikeCount	1276
CongCtrlTotalStormCount	1276
ExtendedChannelAssignmentMsgDropped_0_4	1277
ExtendedChannelAssignmentMsgDropped_10_14	1277
ExtendedChannelAssignmentMsgDropped_15_19	1277
ExtendedChannelAssignmentMsgDropped_20_24	1278
ExtendedChannelAssignmentMsgDropped_25_29	1278
ExtendedChannelAssignmentMsgDropped_5_9	1278
ExtendedChannelAssignmentMsgRcvd_0_4	1278
ExtendedChannelAssignmentMsgRcvd_10_14	1279
ExtendedChannelAssignmentMsgRcvd_15_19	1279
ExtendedChannelAssignmentMsgRcvd_20_24	1279
ExtendedChannelAssignmentMsgRcvd_25_29	1280
ExtendedChannelAssignmentMsgRcvd_5_9	1280

PERFORMANCE DATA REFERENCE
 Prospect® 8.0 for Nortel AMPS/TDMA/CDMA/MTX 17

ExtendedStatusResponseSent_0_4	1280
ExtendedStatusResponseSent_10_14	1281
ExtendedStatusResponseSent_15_19	1281
ExtendedStatusResponseSent_20_24	1281
ExtendedStatusResponseSent_25_29	1282
ExtendedStatusResponseSent_5_9	1282
ExtendedStatusResponseUndeliverable_0_4	1282
ExtendedStatusResponseUndeliverable_10_14	1283
ExtendedStatusResponseUndeliverable_15_19	1283
ExtendedStatusResponseUndeliverable_20_24	1283
ExtendedStatusResponseUndeliverable_25_29	1284
ExtendedStatusResponseUndeliverable_5_9	1284
FeatureNotificationCmdRcvd_0_4	1284
FeatureNotificationCmdRcvd_10_14	1285
FeatureNotificationCmdRcvd_15_19	1285
FeatureNotificationCmdRcvd_20_24	1285
FeatureNotificationCmdRcvd_25_29	1285
FeatureNotificationCmdRcvd_5_9	1286
FeatureNotificationCommandDropped_0_4	1286
FeatureNotificationCommandDropped_10_14	1286
FeatureNotificationCommandDropped_15_19	1287
FeatureNotificationCommandDropped_20_24	1287
FeatureNotificationCommandDropped_25_29	1287
FeatureNotificationCommandDropped_5_9	1288
GeneralPageMsgDropped_0_4	1288
GeneralPageMsgDropped_10_14	1288
GeneralPageMsgDropped_15_19	1289
GeneralPageMsgDropped_20_24	1289
GeneralPageMsgDropped_25_29	1289
GeneralPageMsgDropped_5_9	1289
GeneralPageMsgRcvd_0_4	1290
GeneralPageMsgRcvd_10_14	1290
GeneralPageMsgRcvd_15_19	1290
GeneralPageMsgRcvd_20_24	1291
GeneralPageMsgRcvd_25_29	1291
GeneralPageMsgRcvd_5_9	1291
InitializationDuration_Init	1292
InitializationDuration_WaitToBeInit	1292
InitializationDurationOdometer_Init	1292
InitializationDurationOdometer_WaitToBeInit	1293
MessageStormDuration	1293
OrderCommandDropped_0_4	1293
OrderCommandDropped_10_14	1294
OrderCommandDropped_15_19	1294
OrderCommandDropped_20_24	1294
OrderCommandDropped_25_29	1295
OrderCommandDropped_5_9	1295
OrderCommandRcvd_0_4	1295
OrderCommandRcvd_10_14	1295
OrderCommandRcvd_15_19	1296
OrderCommandRcvd_20_24	1296

Updated: 2009-06-03

PERFORMANCE DATA REFERENCE
 Prospect® 8.0 for Nortel AMPS/TDMA/CDMA/MTX 17

OrderCommandRcvd_25_29	1296
OrderCommandRcvd_5_9	1297
OrderIndicationSent_0_4	1297
OrderIndicationSent_10_14	1297
OrderIndicationSent_15_19	1298
OrderIndicationSent_20_24	1298
OrderIndicationSent_25_29	1298
OrderIndicationSent_5_9	1299
OrderIndicationUndeliverable_0_4	1299
OrderIndicationUndeliverable_10_14	1299
OrderIndicationUndeliverable_15_19	1300
OrderIndicationUndeliverable_20_24	1300
OrderIndicationUndeliverable_25_29	1300
OrderIndicationUndeliverable_5_9	1301
OriginationIndicationSent_0_4	1301
OriginationIndicationSent_10_14	1301
OriginationIndicationSent_15_19	1302
OriginationIndicationSent_20_24	1302
OriginationIndicationSent_25_29	1302
OriginationIndicationSent_5_9	1302
OriginationIndicationUndeliverable_0_4	1303
OriginationIndicationUndeliverable_10_14	1303
OriginationIndicationUndeliverable_15_19	1303
OriginationIndicationUndeliverable_20_24	1304
OriginationIndicationUndeliverable_25_29	1304
OriginationIndicationUndeliverable_5_9	1304
OutOfBandClassGeneralPagesDropped_0_4	1305
OutOfBandClassGeneralPagesDropped_10_14	1305
OutOfBandClassGeneralPagesDropped_15_19	1305
OutOfBandClassGeneralPagesDropped_20_24	1306
OutOfBandClassGeneralPagesDropped_25_29	1306
OutOfBandClassGeneralPagesDropped_5_9	1306
OutOfZonePages_0_4	1307
OutOfZonePages_10_14	1307
OutOfZonePages_15_19	1307
OutOfZonePages_20_24	1308
OutOfZonePages_25_29	1308
OutOfZonePages_5_9	1308
PageResponseSent_0_4	1309
PageResponseSent_10_14	1309
PageResponseSent_15_19	1309
PageResponseSent_20_24	1310
PageResponseSent_25_29	1310
PageResponseSent_5_9	1310
PageResponseUndeliverable_0_4	1311
PageResponseUndeliverable_10_14	1311
PageResponseUndeliverable_15_19	1311
PageResponseUndeliverable_20_24	1312
PageResponseUndeliverable_25_29	1312
PageResponseUndeliverable_5_9	1312
PagingChannelMessageCount	1313

PERFORMANCE DATA REFERENCE
Prospect® 8.0 for Nortel AMPS/TDMA/CDMA/MTX 17

PagingChannelMessagesDropped	1313
RegistrationIndicationSent_0_4	1313
RegistrationIndicationSent_10_14	1314
RegistrationIndicationSent_15_19	1314
RegistrationIndicationSent_20_24	1314
RegistrationIndicationSent_25_29	1315
RegistrationIndicationSent_5_9	1315
RegistrationIndicationUndeliverable_0_4	1315
RegistrationIndicationUndeliverable_10_14	1316
RegistrationIndicationUndeliverable_15_19	1316
RegistrationIndicationUndeliverable_20_24	1316
RegistrationIndicationUndeliverable_25_29	1317
RegistrationIndicationUndeliverable_5_9	1317
ResourceMgmtMsgsDropped_0_4	1317
ResourceMgmtMsgsDropped_10_14	1318
ResourceMgmtMsgsDropped_15_19	1318
ResourceMgmtMsgsDropped_20_24	1318
ResourceMgmtMsgsDropped_25_29	1319
ResourceMgmtMsgsDropped_5_9	1319
ResourceReleaseRequestRcvdFCH_0_4	1319
ResourceReleaseRequestRcvdFCH_10_14	1320
ResourceReleaseRequestRcvdFCH_15_19	1320
ResourceReleaseRequestRcvdFCH_20_24	1320
ResourceReleaseRequestRcvdFCH_25_29	1320
ResourceReleaseRequestRcvdFCH_5_9	1321
ResourceReleaseRequestRcvdSCH_0_4	1321
ResourceReleaseRequestRcvdSCH_10_14	1321
ResourceReleaseRequestRcvdSCH_15_19	1322
ResourceReleaseRequestRcvdSCH_20_24	1322
ResourceReleaseRequestRcvdSCH_25_29	1322
ResourceReleaseRequestRcvdSCH_5_9	1323
ResourceReleaseRequestRspFailedFCH_0_4	1323
ResourceReleaseRequestRspFailedFCH_10_14	1323
ResourceReleaseRequestRspFailedFCH_15_19	1324
ResourceReleaseRequestRspFailedFCH_20_24	1324
ResourceReleaseRequestRspFailedFCH_25_29	1324
ResourceReleaseRequestRspFailedFCH_5_9	1324
ResourceReleaseRequestRspFailedSCH_0_4	1325
ResourceReleaseRequestRspFailedSCH_10_14	1325
ResourceReleaseRequestRspFailedSCH_15_19	1325
ResourceReleaseRequestRspFailedSCH_20_24	1326
ResourceReleaseRequestRspFailedSCH_25_29	1326
ResourceReleaseRequestRspFailedSCH_5_9	1326
ResourceReleaseRequestRspSuccessFCH_0_4	1327
ResourceReleaseRequestRspSuccessFCH_10_14	1327
ResourceReleaseRequestRspSuccessFCH_15_19	1327
ResourceReleaseRequestRspSuccessFCH_20_24	1328
ResourceReleaseRequestRspSuccessFCH_25_29	1328
ResourceReleaseRequestRspSuccessFCH_5_9	1328
ResourceReleaseRequestRspSuccessSCH_0_4	1328
ResourceReleaseRequestRspSuccessSCH_10_14	1329

Updated: 2009-06-03

PERFORMANCE DATA REFERENCE

Prospect® 8.0 for Nortel AMPS/TDMA/CDMA/MTX 17

ResourceReleaseRequestRspSuccessSCH_15_19	1329
ResourceReleaseRequestRspSuccessSCH_20_24	1329
ResourceReleaseRequestRspSuccessSCH_25_29	1330
ResourceReleaseRequestRspSuccessSCH_5_9	1330
ResourceReleaseRequestRspUndeliverableFCH_0_4	1330
ResourceReleaseRequestRspUndeliverableFCH_10_14	1331
ResourceReleaseRequestRspUndeliverableFCH_15_19	1331
ResourceReleaseRequestRspUndeliverableFCH_20_24	1331
ResourceReleaseRequestRspUndeliverableFCH_25_29	1332
ResourceReleaseRequestRspUndeliverableFCH_5_9	1332
ResourceReleaseRequestRspUndeliverableSCH_0_4	1332
ResourceReleaseRequestRspUndeliverableSCH_10_14	1333
ResourceReleaseRequestRspUndeliverableSCH_15_19	1333
ResourceReleaseRequestRspUndeliverableSCH_20_24	1333
ResourceReleaseRequestRspUndeliverableSCH_25_29	1334
ResourceReleaseRequestRspUndeliverableSCH_5_9	1334
ResourceRequestRcvdFCH_0_4	1334
ResourceRequestRcvdFCH_10_14	1335
ResourceRequestRcvdFCH_15_19	1335
ResourceRequestRcvdFCH_20_24	1335
ResourceRequestRcvdFCH_25_29	1335
ResourceRequestRcvdFCH_5_9	1336
ResourceRequestRcvdSCH_0_4	1336
ResourceRequestRcvdSCH_10_14	1336
ResourceRequestRcvdSCH_15_19	1337
ResourceRequestRcvdSCH_20_24	1337
ResourceRequestRcvdSCH_25_29	1337
ResourceRequestRcvdSCH_5_9	1338
ResourceRequestRspBlockedFCH_0_4	1338
ResourceRequestRspBlockedFCH_10_14	1338
ResourceRequestRspBlockedFCH_15_19	1339
ResourceRequestRspBlockedFCH_20_24	1339
ResourceRequestRspBlockedFCH_25_29	1339
ResourceRequestRspBlockedFCH_5_9	1339
ResourceRequestRspBlockedSCH_0_4	1340
ResourceRequestRspBlockedSCH_10_14	1340
ResourceRequestRspBlockedSCH_15_19	1340
ResourceRequestRspBlockedSCH_20_24	1341
ResourceRequestRspBlockedSCH_25_29	1341
ResourceRequestRspBlockedSCH_5_9	1341
ResourceRequestRspFailedFCH_0_4	1342
ResourceRequestRspFailedFCH_10_14	1342
ResourceRequestRspFailedFCH_15_19	1342
ResourceRequestRspFailedFCH_20_24	1343
ResourceRequestRspFailedFCH_25_29	1343
ResourceRequestRspFailedFCH_5_9	1343
ResourceRequestRspFailedSCH_0_4	1343
ResourceRequestRspFailedSCH_10_14	1344
ResourceRequestRspFailedSCH_15_19	1344
ResourceRequestRspFailedSCH_20_24	1344
ResourceRequestRspFailedSCH_25_29	1345

PERFORMANCE DATA REFERENCE
Prospect® 8.0 for Nortel AMPS/TDMA/CDMA/MTX 17

ResourceRequestRspFailedSCH_5_9	1345
ResourceRequestRspSuccessFCH_0_4	1345
ResourceRequestRspSuccessFCH_10_14	1346
ResourceRequestRspSuccessFCH_15_19	1346
ResourceRequestRspSuccessFCH_20_24	1346
ResourceRequestRspSuccessFCH_25_29	1347
ResourceRequestRspSuccessFCH_5_9	1347
ResourceRequestRspSuccessSCH_0_4	1347
ResourceRequestRspSuccessSCH_10_14	1347
ResourceRequestRspSuccessSCH_15_19	1348
ResourceRequestRspSuccessSCH_20_24	1348
ResourceRequestRspSuccessSCH_25_29	1348
ResourceRequestRspSuccessSCH_5_9	1349
ResourceRequestRspUndeliverableFCH_0_4	1349
ResourceRequestRspUndeliverableFCH_10_14	1349
ResourceRequestRspUndeliverableFCH_15_19	1350
ResourceRequestRspUndeliverableFCH_20_24	1350
ResourceRequestRspUndeliverableFCH_25_29	1350
ResourceRequestRspUndeliverableFCH_5_9	1351
ResourceRequestRspUndeliverableSCH_0_4	1351
ResourceRequestRspUndeliverableSCH_10_14	1351
ResourceRequestRspUndeliverableSCH_15_19	1352
ResourceRequestRspUndeliverableSCH_20_24	1352
ResourceRequestRspUndeliverableSCH_25_29	1352
ResourceRequestRspUndeliverableSCH_5_9	1353
SMSBMsgRecvDrop_Dropped	1353
SMSBMsgRecvDrop_Filtered	1353
SMSBMsgRecvDrop_HighPriorityFiltered	1354
SMSBMsgRecvDrop_HighPriorityRecv	1354
SMSBMsgRecvDrop_OtherLevelFiltered	1354
SMSBMsgRecvDrop_OtherLevelRecv	1355
SMSBMsgRecvDrop_PresidLevelFiltered	1355
SMSBMsgRecvDrop_PresidLevelRecv	1355
SMSBMsgRecvDrop_Received	1356
SMSDBurstCmdDropped_0_4	1356
SMSDBurstCmdDropped_10_14	1356
SMSDBurstCmdDropped_15_19	1357
SMSDBurstCmdDropped_20_24	1357
SMSDBurstCmdDropped_25_29	1357
SMSDBurstCmdDropped_5_9	1358
SMSDBurstCmdRcvd_0_4	1358
SMSDBurstCmdRcvd_10_14	1358
SMSDBurstCmdRcvd_15_19	1358
SMSDBurstCmdRcvd_20_24	1359
SMSDBurstCmdRcvd_25_29	1359
SMSDBurstCmdRcvd_5_9	1359
SMSDBurstIndicationSent_0_4	1360
SMSDBurstIndicationSent_10_14	1360
SMSDBurstIndicationSent_15_19	1360
SMSDBurstIndicationSent_20_24	1361
SMSDBurstIndicationSent_25_29	1361

Updated: 2009-06-03

PERFORMANCE DATA REFERENCE
 Prospect® 8.0 for Nortel AMPS/TDMA/CDMA/MTX 17

SMSDBurstIndicationSent_5_9	1361
SMSDBurstIndicationUndeliverable_0_4	1362
SMSDBurstIndicationUndeliverable_10_14	1362
SMSDBurstIndicationUndeliverable_15_19	1362
SMSDBurstIndicationUndeliverable_20_24	1363
SMSDBurstIndicationUndeliverable_25_29	1363
SMSDBurstIndicationUndeliverable_5_9	1363
StatusRequestMsgDropped_0_4	1364
StatusRequestMsgDropped_10_14	1364
StatusRequestMsgDropped_15_19	1364
StatusRequestMsgDropped_20_24	1364
StatusRequestMsgDropped_25_29	1365
StatusRequestMsgDropped_5_9	1365
StatusRequestMsgRcvd_0_4	1365
StatusRequestMsgRcvd_10_14	1366
StatusRequestMsgRcvd_15_19	1366
StatusRequestMsgRcvd_20_24	1366
StatusRequestMsgRcvd_25_29	1367
StatusRequestMsgRcvd_5_9	1367
StatusResponseSent_0_4	1367
StatusResponseSent_10_14	1368
StatusResponseSent_15_19	1368
StatusResponseSent_20_24	1368
StatusResponseSent_25_29	1368
StatusResponseSent_5_9	1369
StatusResponseUndeliverable_0_4	1369
StatusResponseUndeliverable_10_14	1369
StatusResponseUndeliverable_15_19	1370
StatusResponseUndeliverable_20_24	1370
StatusResponseUndeliverable_25_29	1370
StatusResponseUndeliverable_5_9	1371
TotalOutageFrequency_NPS_BH	1371
TotalOutageFrequency_NPS_BTS	1371
TotalOutageFrequency_NPS_MNT	1372
TotalOutageFrequencyOdometer_NPS_BH	1372
TotalOutageFrequencyOdometer_NPS_BTS	1372
TotalOutageFrequencyOdometer_NPS_MNT	1373
TotalServiceDuration_NPS_BH	1373
TotalServiceDuration_NPS_BTS	1374
TotalServiceDuration_NPS_MNT	1374
TotalServiceDuration_PS	1374
TotalServiceDurationOdometer_NPS_BH	1375
TotalServiceDurationOdometer_NPS_BTS	1375
TotalServiceDurationOdometer_NPS_MNT	1375
TotalServiceDurationOdometer_PS	1376
UnicastMsgsDropped_0_4	1376
UnicastMsgsDropped_10_14	1376
UnicastMsgsDropped_15_19	1377
UnicastMsgsDropped_20_24	1377
UnicastMsgsDropped_25_29	1377
UnicastMsgsDropped_5_9	1378

PERFORMANCE DATA REFERENCE
 Prospect® 8.0 for Nortel AMPS/TDMA/CDMA/MTX 17

DISCO Primitive Calculations	1378
GRAPHmultiLineSeparator	1378
NUMDAYS	1378
NUMHOURS	1378
DO_AAAServer Primitive Calculations	1379
GRAPHmultiLineSeparator	1379
NUMDAYS	1379
NUMHOURS	1379
DO_AAAServer Peg Counts	1379
a12AcceptsReceivedFromServer	1379
a12AccessChallengesReceivedFromServer	1379
a12BadAuthenticatorReceivedFromServer	1380
a12MalformedResponseReceivedFromServer	1380
a12RejectsReceivedFromServer	1380
a12RequestsSentToServer	1381
a12RetransmitSentToServer	1381
a12TimeoutEventsForServer	1381
a12TxPathFailDueToNoPacketIdAvalableForServer	1382
a12TxPathFailDueToTransmitErrorForServer	1382
a12UnknownOtherFailureReceivedFromServer	1382
a12UnknownPacketReceivedFromServer	1383
a12UnknownTypeReceivedFromServer	1383
DO_BTS Primitive Calculations	1383
GRAPHmultiLineSeparator	1383
NUMDAYS	1384
NUMHOURS	1384
DO_PDSN Primitive Calculations	1384
GRAPHmultiLineSeparator	1384
NUMDAYS	1384
NUMHOURS	1384
DO_PDSN Peg Counts	1384
a10ReconnectAttemptsPdsn	1385
a10ReconnectFailuresPdsn	1385
a10ReconnectSuccessPdsn	1385
a10RegReqForRegistrationFinalTimeoutsPdsn	1386
a10RegReqForRegistrationInitialPdsn	1386
A10SetupAttemptsPdsn	1386
A10SetupFailureAdminProhibitPdsn	1387
A10SetupFailureFailedAuthPdsn	1387
A10SetupFailureIdMismatchPdsn	1387
A10SetupFailureInsuffResourcesPdsn	1387
A10SetupFailureMalformedReqPdsn	1388
a10SetupFailureNoCIDAvailablePdsn	1388
A10SetupFailureNoReasonPdsn	1388
a10SetupFailureRegReplyAuthCheckFailPdsn	1389
a10SetupFailureRegReplyIdCheckFailPdsn	1389
a10SetupFailureReverseTunnelTbitNotSetPdsn	1389
a10SetupFailureReverseTunnelUnavailablePdsn	1390
a10SetupFailureServiceOptionNotSupportedPdsn	1390
a10SetupFailureUnknownErrorCodePdsn	1390

Updated: 2009-06-03

PERFORMANCE DATA REFERENCE
 Prospect® 8.0 for Nortel AMPS/TDMA/CDMA/MTX 17

A10SetupFailureUnknownPdsnPdsn	1391
A10SetupFailureUnsuppVendorIdPdsn	1391
a10SetupRegReplyReceivedPdsn	1391
A10SetupSuccessesPdsn	1392
a11RegUpdateAccountingErrorPdsn	1392
a11RegUpdateAuthCheckFailPdsn	1392
a11RegUpdateForUnknownPSIPdsn	1393
a11RegUpdateIDCheckFailPdsn	1393
a11RegUpdateInterPCFHandoffPdsn	1393
a11RegUpdateInterPDSNHandoffPdsn	1394
a11RegUpdatePdsnErrorPdsn	1394
a11RegUpdatePDSNOAMPInterventionPdsn	1394
a11RegUpdatePppTimeoutPdsn	1395
a11RegUpdateReceivedPdsn	1395
a11RegUpdateRegistrationTimeoutPdsn	1395
a11RegUpdateUnknownCauseCodePdsn	1396
a11RegUpdateUnspecifiedReasonPdsn	1396
a11RegUpdateUserFailedAuthenticationPdsn	1396
a11RegUpdateWithoutReasonCodePdsn	1397
a11SessionUpdateAcceptedPdsn	1397
a11SessionUpdateDeniedAuthCheckFailPdsn	1397
a11SessionUpdateDeniedHandoffInProgressPdsn	1398
a11SessionUpdateDeniedIDCheckFailPdsn	1398
a11SessionUpdateDeniedInsufficientResourcesPdsn	1398
a11SessionUpdateDeniedPoorlyFormedPdsn	1399
a11SessionUpdateDeniedQoSProfileIdNotSupportedPdsn	1399
a11SessionUpdateDeniedReasonUnspecifiedPdsn	1399
a11SessionUpdateDeniedSessionParamsNotUpdatedPdsn	1400
a11SessionUpdateExtendedAPIPdsn	1400
a11SessionUpdateForUnknownPSIPdsn	1400
a11SessionUpdateReceivedPdsn	1401
auxA10ConnectionsCreatedInFirstRegReqPdsn	1401
auxA10ConnectionsCreatedInSubsequentRegReqPdsn	1401
auxA10FwdIpFlowsCreatedPdsn	1402
auxA10RevIpFlowsCreatedPdsn	1402
pdsnIpAddressPdsn	1402
priority	1403
priorityA10ReconnectPerf	1403
priorityA11RegUpdatePerf	1403
priorityA11SessionUpdatePerf	1404
priorityAuxA10Perf	1404
priorityPdsnPerf	1404
ReliableA11PktsReceivedPdsn	1405
ReliableA11PktsRetransmittedPdsn	1405
ReliableA11PktsSentSuccessPdsn	1405
totalA10ClosedByRNCPdsn	1405
TotalA10ClosedByThePdsn	1406
TotalA10ClosedNetworkErrorPdsn	1406
TotalA10EgressBytesPdsn	1406
TotalA10ForwardPktsDroppedPdsn	1407
TotalA10IngressBytesPdsn	1407

PERFORMANCE DATA REFERENCE
Prospect® 8.0 for Nortel AMPS/TDMA/CDMA/MTX 17

TotalA10ReversePktsDroppedPdsn	1407
TotalA11EgressBytesPdsn	1408
TotalA11IngressBytesPdsn	1408
TotalA11SessionSetupReconnectAttemptsPdsn	1408
TotalA11SessionSetupReconnectFailuresPdsn	1409
DO_RNC Primitive Calculations	1409
AbnormalSessionCloses	1409
AccessFailureRate	1409
AverageConnectionDuration	1409
AverageSessionDuration	1409
ConnectionDrops	1410
ConnectionSetupAttempts	1410
ConnectionSetupErrors	1410
ConnectionSetupSuccessRate	1410
ConnectionUsage	1410
EvdoSessionSetupSuccessRate	1410
GRAPHmultiLineSeparator	1411
InvalidConnectionSetupRequests	1411
MaxConnectionDuration	1411
MaxSessionDuration	1411
MinConnectionDuration	1411
MinSessionDuration	1411
NormalSessionCloses	1411
NUMDAYS	1412
NUMHOURS	1412
PageSuccessRate	1412
ResetAttempts	1412
RevSHOAllocationFailures	1412
RevSHOBlockings	1412
RevSHOUnsuccessfulResourcesAllocation	1413
SuccessfulReverseLinkSHORate	1413
TotalANInitiatedConnectionCloses	1413
TotalATInitiatedConnectionCloses	1413
TotalByteCount	1413
TotalConnectionCloses	1413
UnsuccessfulResourcesAllocation	1414
ValidEvdoSessionSetupAttempts	1414
DO_RNC Peg Counts	1414
a10RegReqForRegistrationFinalTimeouts	1414
a10RegReqForRegistrationInitial	1414
A10SetupAttempts	1415
A10SetupFailureAdminProhibit	1415
A10SetupFailureFailedAuth	1415
A10SetupFailureIdMismatch	1416
A10SetupFailureInsuffResources	1416
A10SetupFailureMalformedReq	1416
a10SetupFailureNoCIDAavailable	1417
A10SetupFailureNoReason	1417
a10SetupFailureRegReplyAuthCheckFail	1417
a10SetupFailureRegReplyIdCheckFail	1418
a10SetupFailureReverseTunnelTbitNotSet	1418

Updated: 2009-06-03

PERFORMANCE DATA REFERENCE

Prospect® 8.0 for Nortel AMPS/TDMA/CDMA/MTX 17

a10SetupFailureReverseTunnelUnavailable	1418
a10SetupFailureServiceOptionNotSupported	1419
a10SetupFailureUnknownErrorCode	1419
A10SetupFailureUnknownPdsn	1419
A10SetupFailureUnsuppVendorId	1420
a10SetupRegReplyReceived	1420
A10SetupSuccesses	1420
a12AcceptsReceivedFromAaaServersTotal	1421
a12AccessChallengesReceivedFromAaaServersTotal	1421
a12BadAuthenticatorReceivedFromAaaServersTotal	1421
a12MalformedResponseReceivedFromAaaServersTotal	1422
a12RejectsReceivedFromAaaServersTotal	1422
a12RequestSentToAaaServersTotal	1422
a12RetransmitsSentToAaaServersTotal	1422
a12TimeoutsEventsTotal	1423
a12TxPathFailDueToAnPppTotal	1423
a12TxPathFailDueToInternalErrorsTotal	1423
a12TxPathFailDueToNoPacketIdAvalableForServersTotal	1424
a12TxPathFailDueToNoServerAvailableTotal	1424
a12TxPathFailDueToTransmitErrorForServersTotal	1424
a12UnknownOtherFailureReceivedFromAaaServersTotal	1425
a12UnknownPacketReceivedFromAaaServersTotal	1425
a12UnknownServerReceivedFromAaaServersTotal	1425
a12UnknownTypeReceivedFromAaaServersTotal	1426
anPppAuthenticationAttemptsTotal	1426
averageConnectionSetupTime	1426
averagePageSetupTime	1427
averageSessionSetupTime	1427
avgA13HoDelayPriorSessionRNC	1427
avgA13HoDelayRNC	1428
AvgNumActiveSessions	1428
AvgNumConnectionsCurrentlyOpen	1428
AvgNumCurrentSessionsEstablished	1429
AvgNumDormantSessions	1429
AvgNumSessionsAwaitingCloseFromAt	1429
clusterSessionLoadPercentage	1430
clusterSessionLoadPercentage_max	1430
clusterSessionLoadPercentage_min	1430
cNuConSetupSuccessA16_Rev0	1431
cNuConSetupSuccessA16_RevA	1431
cNumATInitiatedPageResponses_Rev0	1431
cNumATInitiatedPageResponses_RevA	1432
cNumATReportedTuneAwayDrops_Rev0	1432
cNumATReportedTuneAwayDrops_RevA	1432
cNumConnectionsClosedNormalBeforeTCC_Rev0	1433
cNumConnectionsClosedNormalBeforeTCC_RevA	1433
cNumConnectionsClosedNormalBeforeTCCDuringSRAfterDC_Rev0	1433
cNumConnectionsClosedNormalBeforeTCCDuringSRAfterDC_RevA	1434
cNumConnectionsClosedNormalBeforeTCCDuringSRAfterFCA_Rev0	1434
cNumConnectionsClosedNormalBeforeTCCDuringSRAfterFCA_RevA	1434
cNumConnectionSetupAttempts	1435

PERFORMANCE DATA REFERENCE
 Prospect® 8.0 for Nortel AMPS/TDMA/CDMA/MTX 17

cNumConnectionSetupAttempts_RevA	1435
cNumConnectionSetupsAbortNormalA10Close_Rev0	1435
cNumConnectionSetupsAbortNormalA10Close_RevA	1436
cNumConnectionSetupsAbortRedirectTriggers_Rev0	1436
cNumConnectionSetupsAbortRedirectTriggers_RevA	1437
cNumConnectionSetupSuccess	1437
cNumConnectionSetupSuccess_RevA	1437
cNumFirstPageResponses_Rev0	1438
cNumFirstPageResponses_RevA	1438
cNumHHODrops_Rev0	1438
cNumHHODrops_RevA	1439
cNumHHODropsBlockedByRn_Rev0	1439
cNumHHODropsBlockedByRn_RevA	1439
cNumHHODropsFTCDesriedAndRTCacquiredNotRx_Rev0	1440
cNumHHODropsFTCDesriedAndRTCacquiredNotRx_RevA	1440
cNumIncomingPersonalityChangeTriggers_Rev0	1440
cNumIncomingPersonalityChangeTriggers_RevA	1441
cNuMiscDropSrcA16Fail_Rev0	1441
cNuMiscDropSrcA16Fail_RevA	1442
cNumMCTAConnSetupAttempts_Rev0	1442
cNumMCTAConnSetupAttempts_RevA	1442
cNumMCTAConnSetupFailureRNBlocksWithSL_Rev0	1443
cNumMCTAConnSetupFailureRNBlocksWithSL_RevA	1443
cNumMCTAConnSetupFailures_Rev0	1443
cNumMCTAConnSetupFailures_RevA	1444
cNumMCTAConnSetupSuccesses_Rev0	1444
cNumMCTAConnSetupSuccesses_RevA	1444
cNumMiscDrops	1445
cNumMiscDrops_RevA	1445
cNumMiscDropsAbnormalCloseBySession_Rev0	1445
cNumMiscDropsAbnormalCloseBySession_RevA	1446
cNumMiscDropsBEPriorityUpdateFail_Rev0	1446
cNumMiscDropsBEPriorityUpdateFail_RevA	1446
cNumMiscDropsDueToRLP_Rev0	1447
cNumMiscDropsDueToRLP_RevA	1447
cNumMiscDropsInternalError_Rev0	1447
cNumMiscDropsInternalError_RevA	1448
cNumMiscDropsSectorDown_Rev0	1448
cNumMiscDropsSectorDown_RevA	1449
cNumMiscDropsStateMismatch_Rev0	1449
cNumMiscDropsStateMismatch_RevA	1449
cNumMiscFCA	1450
cNumMiscFCA_RevA	1450
cNumMiscFCAA10Related_Rev0	1450
cNumMiscFCAA10Related_RevA	1451
cNumMiscFCAFailures_Rev0	1451
cNumMiscFCAFailures_RevA	1451
cNumMiscFCASWError_Rev0	1452
cNumMiscFCASWError_RevA	1452
cNumMissedConnectionCloses_Rev0	1452
cNumMissedConnectionCloses_RevA	1453

Updated: 2009-06-03

PERFORMANCE DATA REFERENCE
 Prospect® 8.0 for Nortel AMPS/TDMA/CDMA/MTX 17

cNumNetworkErrorDrops_Rev0	1453
cNumNetworkErrorDrops_RevA	1453
cNumNetworkErrorDropsA10SetupFail_Rev0	1454
cNumNetworkErrorDropsA10SetupFail_RevA	1454
cNumNetworkErrorDropsRNCEExternal_Rev0	1454
cNumNetworkErrorDropsRNCEExternal_RevA	1455
cNumNetworkErrorDropsRNCInternal_Rev0	1455
cNumNetworkErrorDropsRNCInternal_RevA	1455
cNumNormalConnectionCloses	1456
cNumNormalConnectionCloses_RevA	1456
cNumOutgoingPersonalityChangeTriggers_Rev0	1456
cNumOutgoingPersonalityChangeTriggers_RevA	1457
cNumPageAbandoned_Rev0	1457
cNumPageAbandoned_RevA	1457
cNumPageRequests	1458
cNumPageRequests_RevA	1458
cNumPageResponses	1458
cNumPageResponses_RevA	1459
cNumPageTimeout_Rev0	1459
cNumPageTimeout_RevA	1459
cNumResourceRelatedFCA	1460
cNumResourceRelatedFCA_RevA	1460
cNumResourceRelatedFCABlockedByRN_Rev0	1460
cNumResourceRelatedFCABlockedByRN_RevA	1461
cNumResourceRelatedFCABlockedByRNCResources_Rev0	1461
cNumResourceRelatedFCABlockedByRNCResources_RevA	1461
cNumResourceRelatedFCAFailedByRN_Rev0	1462
cNumResourceRelatedFCAFailedByRN_RevA	1462
cNumRFRelatedDrops	1462
cNumRFRelatedDrops_RevA	1463
cNumRFRelatedDropsNoFtc_Rev0	1463
cNumRFRelatedDropsNoFtc_RevA	1463
cNumRFRelatedDropsRTCLost_Rev0	1464
cNumRFRelatedDropsRTCLost_RevA	1464
cNumRFRelatedFCA	1465
cNumRFRelatedFCA_RevA	1465
cNumRFRelatedFCARUTimeOut_Rev0	1465
cNumRFRelatedFCARUTimeOut_RevA	1466
cNumRFRelatedFCATCCTimeOut_Rev0	1466
cNumRFRelatedFCATCCTimeOut_RevA	1466
cNumRNCEstimated3G1xRollDownDrops_Rev0	1467
cNumRNCEstimated3G1xRollDownDrops_RevA	1467
cNumRNCEstimatedTuneAwayDrops_Rev0	1467
cNumRNCEstimatedTuneAwayDrops_RevA	1468
cNumSecondPageRequests_Rev0	1468
cNumSecondPageRequests_RevA	1468
cNumSecondPageResponses_Rev0	1469
cNumSecondPageResponses_RevA	1469
cNumSilentRetriesAbandonedAfterDC_Rev0	1469
cNumSilentRetriesAbandonedAfterDC_RevA	1470
cNumSilentRetriesAbandonedAfterFCA_Rev0	1470

PERFORMANCE DATA REFERENCE
 Prospect® 8.0 for Nortel AMPS/TDMA/CDMA/MTX 17

cNumSilentRetriesAbandonedAfterFCA_RevA	1471
cNumSilentRetryAttemptsAfterDC_Rev0	1471
cNumSilentRetryAttemptsAfterDC_RevA	1471
cNumSilentRetryAttemptsAfterFCA_Rev0	1472
cNumSilentRetryAttemptsAfterFCA_RevA	1472
cNumSilentRetryAttemptsAfterMissedConnClose_Rev0	1472
cNumSilentRetryAttemptsAfterMissedConnClose_RevA	1473
cNumSilentRetryFailuresAfterDC_Rev0	1473
cNumSilentRetryFailuresAfterDC_RevA	1473
cNumSilentRetryFailuresAfterFCA_Rev0	1474
cNumSilentRetryFailuresAfterFCA_RevA	1474
cNumSilentRetrySuccessesAfterDC_Rev0	1474
cNumSilentRetrySuccessesAfterDC_RevA	1475
cNumSilentRetrySuccessesAfterFCA_Rev0	1475
cNumSilentRetrySuccessesAfterFCA_RevA	1475
cNumSoftHandoffRelatedDrops	1476
cNumSoftHandoffRelatedDrops_RevA	1476
cNumSoftHandoffRelatedDropsBlockedByRN_Rev0	1476
cNumSoftHandoffRelatedDropsBlockedByRN_RevA	1477
cNumThirdPageRequests_Rev0	1477
cNumThirdPageRequests_RevA	1477
cNumThirdPageResponses_Rev0	1478
cNumThirdPageResponses_RevA	1478
cNumTotalConnectionCloses	1478
cNumTotalConnectionCloses_RevA	1479
ForwardRlpBytes	1479
ForwardRlpResets	1479
maxA13HoDelayPriorSessionRNC	1480
maxA13HoDelayRNC	1480
maxConnectionSetupTime	1480
MaxNumActiveSessions	1481
MaxNumConnectionsCurrentlyOpen	1481
MaxNumCurrentSessionsEstablished	1481
MaxNumDormantSessions	1482
MaxNumSessionsAwaitingCloseFromAt	1482
maxPageSetupTime	1482
maxSessionSetupTime	1482
minA13HoDelayPriorSessionRNC	1483
minA13HoDelayRNC	1483
minConnectionSetupTime	1483
minPageSetupTime	1484
minSessionSetupTime	1484
nA16SessSetupAttempts	1484
nA16SessSetupsFailed	1485
nA16SessSetupSuccess	1485
nConCloseSrcA16Fail	1485
nConOpenedA16	1486
nConSetupTgtA16LclCls	1486
nConSetupTgtA16Misc	1486
nConSetupTgtA16RnBlk	1487
nConSetupTgtA16RnFail	1487

Updated: 2009-06-03

PERFORMANCE DATA REFERENCE
 Prospect® 8.0 for Nortel AMPS/TDMA/CDMA/MTX 17

nConSetupTgtA16TrafSw	1487
nSessTerminatedA16	1488
numA10ClosedNetworkError	1488
numA10ClosedOtherCausesExternal	1488
numA10ClosedOtherCausesInternal	1489
numA10ClosedPDSNInitiatedRelease	1489
numA10ClosedPDSNReRegFailure	1489
numA10ClosedSessionTermination	1490
numA10ConnWithDurationAround30Sec	1490
numA10ConnWithVeryShortDurationRNC	1490
numA10InterPcfHOREgAttempts	1491
numA10InterPcfHOREgFailures	1491
numA10InterPcfHOWithPDSNInfoRegAttempts	1491
numA10InterPcfHOWithPDSNInfoRegFailures	1492
numA10LocUpdateDisabledRegAttempts	1492
numA10LocUpdateDisabledRegFailures	1492
numA10NonHOREgAttempts	1493
numA10NonHOREgFailures	1493
numA10Panid0RegAttempts	1493
numA10Panid0RegFailures	1494
numA10SetupAttemptConnOpenInitiated	1494
numA10SetupAttemptRLPDataInitiated	1494
numA10SetupAttemptsAutoA10Reconnect	1495
numA10SetupAttemptSrcRNCA10Initiated	1495
numA10SetupAttemptULNInitiated	1495
numA10SetupFailureLocationUpdate	1496
numA10SetupFailureNetworkError	1496
numA10SetupFailureOtherCausesExternal	1496
numA10SetupFailureOtherCausesInternal	1497
numA10SetupFailurePDSNReg	1497
numA10SetupFailureSessionTermination	1497
numA13ConfirmIgnoredRemoteRncPerf	1498
numA13FailuresRemoteRncAdminStatusDownPriorSessionRemoteRncPerf	1498
numA13FailuresRemoteRncAdminStatusDownRemoteRncPerf	1499
numA13FailuresRemoteRncAdminStatusDownTotalRemoteRncPerf	1499
numA13IntraClusterAttemptsPriorSessionRemoteRncPerf	1499
numA13IntraClusterAttemptsRemoteRncPerf	1500
numA13IntraClusterAttemptsTotalRemoteRncPerf	1500
numA13IntraClusterFailuresPriorSessionRemoteRncPerf	1500
numA13IntraClusterFailuresRemoteRncPerf	1501
numA13IntraClusterFailuresTotalRemoteRncPerf	1501
numA13MsgsFromRemoteRNCTotalRNC	1501
numA13MsgsToRemoteRNCTotalRNC	1502
numA13RejectInvalidReasonPriorSessionRNC	1502
numA13RejectInvalidReasonRNC	1502
numA13RejectProtSubtypeAttrMissingPriorSessionRNC	1503
numA13RejectProtSubtypeAttrMissingRNC	1503
numA13RejectProtSubtypeAttrNotRecognizedPriorSessionRNC	1503
numA13RejectProtSubtypeAttrNotRecognizedRNC	1504
numA13RejectProtSubtypeNotRecognizedPriorSessionRNC	1504
numA13RejectProtSubtypeNotRecognizedRNC	1504

PERFORMANCE DATA REFERENCE
 Prospect® 8.0 for Nortel AMPS/TDMA/CDMA/MTX 17

numA13RejectSentSessionNotFoundRNC	1505
numA13RejectSessionNotAuthenticPriorSessionRNC	1505
numA13RejectSessionNotAuthenticRNC	1505
numA13RejectSessionNotFoundPriorSessionRNC	1506
numA13RejectSessionNotFoundRNC	1506
numA13RejectsSentForInvalidSessions	1506
numA13ReqTimeoutPriorSessionRNC	1507
numA13ReqTimeoutRNC	1507
numA13RequestsIgnoredRemoteRncNotConfiguredRemoteRncPerf	1507
numA13RequestsReTransmittedRemoteRncPerf	1508
numA13ResponsesSentActivePersonliltyRev0RemoteRncPerf	1508
numA13ResponsesSentActivePersonliltyRevARemoteRncPerf	1508
numA13ResponsesSentDummyPdsnRemoteRncPerf	1509
numA13SessMarkedForReNegotiationDifflosVersionPriorSessionRemoteRncPerf	1509
numA13SessMarkedForReNegotiationDifflosVersionRemoteRncPerf	1509
numA13SessMarkedForReNegotiationDifflosVersionTotalRemoteRncPerf	1510
numA13SessReconfResultNoOperationPriorSessionRemoteRncPerf	1510
numA13SessReconfResultNoOperationRemoteRncPerf	1510
numA13SessReconfResultNoOperationTotalRemoteRncPerf	1511
numA13SessReconfResultPersonalityChangeRevAPriorSessionRemoteRncPerf	1511
numA13SessReconfResultPersonalityChangeRevARemoteRncPerf	1511
numA13SessReconfResultPersonalityChangeRevATotalRemoteRncPerf	1512
numA13TotalRejectPriorSessionRNC	1512
numA13TotalRejectRNC	1512
numA16Aborts	1513
numA16Attempts	1513
numA16Rejects	1513
numA16Success	1514
numA16SuppressedSrc	1514
numA16SuppressedTgt	1514
numA16SuppSrcUnknTgt	1515
numA16SuppTgtUnknSrc	1515
numA16Timeout	1515
NumActiveA10Connections	1516
numAdditionalBytesMulticasted	1516
numATsHandledUnkwnMfrCodeTotal	1516
numAtSrcRncAnidMismatch	1517
numConnCloseBEPriorityUpdateFail	1517
numConnectionCloseActiveModePersChangeATo0DC	1517
numConnectionCloseActiveModePersChangeATo0SC	1518
NumConnectionCloseDormancyTimeout	1518
numConnectionCloseDormancyTimeoutHighCatRNC	1518
numConnectionCloseDormancyTimeoutLowCatRNC	1519
numConnectionCloseDormancyTimeoutMedCatRNC	1519
NumConnectionCloseFromAtError	1519
numConnectionCloseFromAtMovedTo3G1X	1520
NumConnectionCloseFromAtNormal	1520
NumConnectionCloseFromAtReply	1520
NumConnectionCloseFromAtReserved	1521
numConnectionCloseHHOBlockedByRn	1521
numConnectionCloseHHOFailedFTCAndRTCNotRxed	1521

Updated: 2009-06-03

PERFORMANCE DATA REFERENCE
 Prospect® 8.0 for Nortel AMPS/TDMA/CDMA/MTX 17

NumConnectionCloseInternalError	1522
NumConnectionCloseNoFtc	1522
NumConnectionCloseRlp	1522
NumConnectionCloseRtcLost	1523
NumConnectionCloseSectorDown	1523
NumConnectionCloseSsm	1523
NumConnectionCloseSsmDisable	1524
NumConnectionCloseStateMismatch	1524
NumConnectionCloseToAtError	1524
NumConnectionCloseToAtNormal	1525
NumConnectionCloseToAtReply	1525
numConnectionRequestAttemptsAfterA13FromAT	1525
numConnectionRequestFailureAfterA13FromAT	1526
NumConnectionRequestsFromAt	1526
NumConnectionRequestsInResponseToPage	1526
numConnectionRequestSuccessesAfterA13FromAT	1527
NumConnectionSetupsBlockedByRn	1527
NumConnectionSetupsBlockedByRncResources	1527
NumConnectionSetupsFailedByRn	1528
NumConnectionSetupsFailedByRncResources	1528
NumConnectionsOpened	1528
NumConnReqsWhileOpen	1529
NumConnReqsWhileSettingUp	1529
NumConnReqsWhileTearingDown	1529
numConnRequestsRcvdForInvalidSessions	1530
numConnRequestsRcvdForUnAuthSessions	1530
NumConnSetupsAborted	1530
NumConnSetupsFailedRncTimeout	1531
NumConnSetupsFailedRuTimeout	1531
NumConnSetupsFailedSWError	1531
NumConnSetupsFailedTccTimeout	1532
numCurrentInvalidSessionsEstablished	1532
numCurrentOpenA10Conn	1532
numCurrentOpenTAP	1533
numCurrentUnAuthSessionsEstablished	1533
numDormantHandoffAttemptsPriorSessionRNC	1533
numDormantHandoffAttemptsRNC	1534
numDormantHandoffFailureAtldResponseFailurePriorSessionRNC	1534
numDormantHandoffFailureAtldResponseFailureRNC	1534
numDormantHandoffFailureAtldTimeoutPriorSessionRNC	1535
numDormantHandoffFailureAtldTimeoutRNC	1535
numDormantHandoffFailureATInitiatedClosePriorSessionRNC	1535
numDormantHandoffFailureATInitiatedCloseRNC	1536
numDormantHandoffFailureHdwldTimeoutPriorSessionRNC	1536
numDormantHandoffFailureHdwldTimeoutRNC	1536
numDormantHandoffFailureInvalidHdwldTypePriorSessionRNC	1537
numDormantHandoffFailureInvalidHdwldTypeRNC	1537
numDormantHandoffFailureInvalidHdwldValuePriorSessionRNC	1537
numDormantHandoffFailureInvalidHdwldValueRNC	1538
numDormantHandoffFailureInvalidUatiCmplRNC	1538
numDormantHandoffFailureMiscPriorSessionRNC	1538

PERFORMANCE DATA REFERENCE
Prospect® 8.0 for Nortel AMPS/TDMA/CDMA/MTX 17

numDormantHandoffFailureMiscRNC	1539
numDormantHandoffFailureNoRncResourceRNC	1539
numDormantHandoffFailureNoUatiCmpltRNC	1539
numDormantHandoffFailureNoUatiReqRNC	1540
numDormantHandoffFailureRetrievedConfigUnacceptablePriorSessionRNC	1540
numDormantHandoffFailureRetrievedConfigUnacceptableRNC	1540
numDormantHandoffFailureRNCInitiatedClosePriorSessionRNC	1541
numDormantHandoffFailureRNCInitiatedCloseRNC	1541
numDormantHandoffFailureSessionConfigDuringInitialConfigPriorSessionRNC	1541
numDormantHandoffFailureSessionConfigDuringReconfigurationPriorSessionRNC	1542
numDormantHandoffFailureSessionConfigDuringReconfigurationRNC	1542
numDormantHandoffFailureSourceUnreachablePriorSessionRNC	1542
numDormantHandoffFailureSourceUnreachableRNC	1543
numDormantHandoffFailureTAAfterA13RspPriorSessionRNC	1543
numDormantHandoffFailureTAAfterA13RspRNC	1543
numDormantHandoffFailureToSourceLookupFailurePriorSessionRNC	1544
numDormantHandoffFailureToSourceLookupFailureRNC	1544
numDormantHandoffFailureUati104MatchesLocalSubnetPriorSessionRNC	1544
numDormantHandoffFailureUati104RNC	1545
numDormantHandoffNoUatiReqAttempts	1545
numDormantHandoffNoUatiReqFailure	1545
numDormantHandoffNoUatiReqSuccesses	1546
numDormantHandoffSuccessesPriorSessionRNC	1546
numDormantHandoffSuccessesRNC	1546
NumDrcSwitchesFailedFtcDesired	1547
numDscSwitchesFailedFtcDesired	1547
numDscSwitchesSuccess	1547
numDscSwitchingMulticastOccurred	1548
numFailedRncInitiatedPages	1548
NumFastConnectsAttempted	1548
numFixedModeEnableMsgsFromAt	1549
numInvalidSessionsTerminated	1549
numLocationNotificationMsgsFromAt	1549
numLocationRequestMsgsToAt	1550
numMobilityTriggeredA10InterPcfHOREg	1550
numMobilityTriggeredA10PANID0ReReg	1550
numNisrRestorationAttemptsRNC	1551
numNisrRestorationFailuresRNC	1551
numNisrRestorationRetriesRNC	1551
numNisrRestorationSuccessesRNC	1552
NumPageMessagesToAt	1552
numPageReqsWhileOpen	1552
numPageReqsWhileSettingUp	1553
numPageReqsWhileTearingDown	1553
numPagesSucceeded	1553
numRevLinkSHOAborted	1554
NumRevLinkSHOAttempts	1554
NumRevLinkSHOBlockedByRn	1554
NumRevLinkSHOBlockedByRncResources	1555
NumRevLinkSHOfailedByRn	1555
NumRevLinkSHOfailedByRncResources	1555

Updated: 2009-06-03

PERFORMANCE DATA REFERENCE

Prospect® 8.0 for Nortel AMPS/TDMA/CDMA/MTX 17

NumRevLinkSHOFailedTccTimeout	1556
NumRevLinkSHOFailRncTimeout	1556
NumRevLinkSHOSuccess	1556
numRncInitiatedPages	1557
numRnHomedCurRnc	1557
numSessCfgFailedAbnormalConnectionClose	1557
numSessCfgFailedConfigCompleteTimeout	1558
numSessCfgFailedIndividualProtocolConfiguration	1558
numSessCfgFailedTransmitConfigCompleteTimeout	1558
numSessCfgPostA13ReconfNeededRNC	1559
numSessionInstancesCreated	1559
numSessionInstancesCreatedWithUnknownLocalUATI	1559
NumSessionSetupAttempts	1560
NumSessionSetupsBlockedToNoRncResource	1560
numSessionSetupsFailedToATInitiatedSessionClose	1560
numSessionSetupsFailedToInvldHwIdType	1561
numSessionSetupsFailedToInvldHwIdValue	1561
numSessionSetupsFailedToInvldUATICmpltSeqNum	1561
NumSessionSetupsFailedToOtherCauses	1562
numSessionSetupsFailedToRNCInitiatedSessionClose	1562
NumSessionSetupsFailedToSessionConfig	1562
numSessionSetupsFailedToSessionInfoConfirm	1563
NumSessionSetupsFailedToTermAuth	1563
numSessionSetupsFailedToUATICmplTTimeout	1563
NumSessionSetupSuccessful	1564
NumSessionsTerminatedToAtClose	1564
NumSessionsTerminatedToAtIdRspTimeout	1564
NumSessionsTerminatedToHwIdRspFailure	1565
NumSessionsTerminatedToInstantClose	1565
NumSessionsTerminatedToKeepAliveTimeout	1565
NumSessionsTerminatedToLocalClose	1566
NumSessionsTerminatedToReceivingUatiReq	1566
NumSessionsTerminatedToSessionConfigFailure	1566
numSessionsTerminatedToSessionInfoConfirm	1567
numSessionsTerminatedToTermAuth	1567
NumSessionsTerminatedToUnknownLocalUati	1567
numSessionTermDueToTaReauthIMSIDifferent	1568
numSessionTermDueToTaReauthNoTaStream	1568
numSessionTermDueToTaReauthReject	1568
numSntpFailure	1569
numSntpNegativeTimeCalculations	1569
numSToCCrossovers	1569
numSToCCrossovers_RevA	1570
numTotalDormantHandoffFailurePriorSessionRNC	1570
numTotalDormantHandoffFailureRNC	1570
NumTotalSuccessSHO	1571
numULNRevdfForInvalidSessions	1571
numULNRevdfForUnAuthSessions	1571
numUnAuthSessionsTerminated	1572
permanentRlpLossOfSync	1572
ReliableAllPktsReceived	1572

PERFORMANCE DATA REFERENCE
Prospect® 8.0 for Nortel AMPS/TDMA/CDMA/MTX 17

ReliableA11PktsRetransmitted	1572
ReliableA11PktsSentSuccess	1573
ReverseRlpBytes	1573
ReverseRlpResets	1573
sNumATInitiatedPageResponses_Rev0	1574
sNumATInitiatedPageResponses_RevA	1574
sNumATReportedTuneAwayDrops_Rev0	1574
sNumATReportedTuneAwayDrops_RevA	1575
sNumConnectionRequestAttemptsAfterA13FromAT_Rev0	1575
sNumConnectionRequestAttemptsAfterA13FromAT_RevA	1576
sNumConnectionRequestFailureAfterA13FromAT_Rev0	1576
sNumConnectionRequestFailureAfterA13FromAT_RevA	1576
sNumConnectionRequestSuccessesAfterA13FromAT_Rev0	1577
sNumConnectionRequestSuccessesAfterA13FromAT_RevA	1577
sNumConnectionsClosedNormalBeforeTCC_Rev0	1577
sNumConnectionsClosedNormalBeforeTCC_RevA	1578
sNumConnectionsClosedNormalBeforeTCCDuringSRAfterDC_Rev0	1578
sNumConnectionsClosedNormalBeforeTCCDuringSRAfterDC_RevA	1578
sNumConnectionsClosedNormalBeforeTCCDuringSRAfterFCA_Rev0	1579
sNumConnectionsClosedNormalBeforeTCCDuringSRAfterFCA_RevA	1579
sNumConnectionSetupAttempts	1579
sNumConnectionSetupAttempts_RevA	1580
sNumConnectionSetupsAbortNormalA10Close_Rev0	1580
sNumConnectionSetupsAbortNormalA10Close_RevA	1580
sNumConnectionSetupsAbortRedirectTriggers_Rev0	1581
sNumConnectionSetupsAbortRedirectTriggers_RevA	1581
sNumConnectionSetupSuccess	1581
sNumConnectionSetupSuccess_RevA	1582
sNumFirstPageResponses_Rev0	1582
sNumFirstPageResponses_RevA	1583
sNumHHODrops_Rev0	1583
sNumHHODrops_RevA	1583
sNumHHODropsBlockedByRn_Rev0	1584
sNumHHODropsBlockedByRn_RevA	1584
sNumHHODropsFTCDesriedAndRTCacquiredNotRx_Rev0	1584
sNumHHODropsFTCDesriedAndRTCacquiredNotRx_RevA	1585
sNumIncomingPersonalityChangeTriggers_Rev0	1585
sNumIncomingPersonalityChangeTriggers_RevA	1585
sNumMiscDrops	1586
sNumMiscDrops_RevA	1586
sNumMiscDropsAbnormalCloseBySession_Rev0	1586
sNumMiscDropsAbnormalCloseBySession_RevA	1587
sNumMiscDropsDueToRLP_Rev0	1587
sNumMiscDropsDueToRLP_RevA	1587
sNumMiscDropsInternalError_Rev0	1588
sNumMiscDropsInternalError_RevA	1588
sNumMiscDropsSectorDown_Rev0	1588
sNumMiscDropsSectorDown_RevA	1589
sNumMiscDropsStateMismatch_Rev0	1589
sNumMiscDropsStateMismatch_RevA	1589
sNumMiscFCA	1590

Updated: 2009-06-03

PERFORMANCE DATA REFERENCE
 Prospect® 8.0 for Nortel AMPS/TDMA/CDMA/MTX 17

sNumMiscFCA_RevA	1590
sNumMiscFCAA10Related_Rev0	1590
sNumMiscFCAA10Related_RevA	1591
sNumMiscFCAFailures_Rev0	1591
sNumMiscFCAFailures_RevA	1591
sNumMiscFCASWError_Rev0	1592
sNumMiscFCASWError_RevA	1592
sNumNetworkErrorDrops_Rev0	1592
sNumNetworkErrorDrops_RevA	1593
sNumNetworkErrorDropsA10SetupFail_Rev0	1593
sNumNetworkErrorDropsA10SetupFail_RevA	1593
sNumNetworkErrorDropsRNCEXternal_Rev0	1594
sNumNetworkErrorDropsRNCEXternal_RevA	1594
sNumNetworkErrorDropsRNCInternal_Rev0	1595
sNumNetworkErrorDropsRNCInternal_RevA	1595
sNumNormalConnectionCloses	1595
sNumNormalConnectionCloses_RevA	1596
sNumOutgoingPersonalityChangeTriggers_Rev0	1596
sNumOutgoingPersonalityChangeTriggers_RevA	1596
sNumPageAbandoned_Rev0	1597
sNumPageAbandoned_RevA	1597
sNumPageRequests	1597
sNumPageRequests_RevA	1598
sNumPageResponses	1598
sNumPageResponses_RevA	1598
sNumPageTimeout_Rev0	1599
sNumPageTimeout_RevA	1599
sNumResourceRelatedFCA	1599
sNumResourceRelatedFCA_RevA	1600
sNumResourceRelatedFCABlockedByRN_Rev0	1600
sNumResourceRelatedFCABlockedByRN_RevA	1600
sNumResourceRelatedFCABlockedByRNCResources_Rev0	1601
sNumResourceRelatedFCABlockedByRNCResources_RevA	1601
sNumResourceRelatedFCAFailedByRN_Rev0	1602
sNumResourceRelatedFCAFailedByRN_RevA	1602
sNumRFRelatedDrops	1602
sNumRFRelatedDrops_RevA	1603
sNumRFRelatedDropsNoFtc_Rev0	1603
sNumRFRelatedDropsNoFtc_RevA	1603
sNumRFRelatedDropsRTCLost_Rev0	1604
sNumRFRelatedDropsRTCLost_RevA	1604
sNumRFRelatedFCA	1604
sNumRFRelatedFCA_RevA	1605
sNumRFRelatedFCARUTimeOut_Rev0	1605
sNumRFRelatedFCARUTimeOut_RevA	1605
sNumRFRelatedFCATCCTimeOut_Rev0	1606
sNumRFRelatedFCATCCTimeOut_RevA	1606
sNumRNCEstimated3G1xRollDownDrops_Rev0	1607
sNumRNCEstimated3G1xRollDownDrops_RevA	1607
sNumRNCEstimatedTuneAwayDrops_Rev0	1607
sNumRNCEstimatedTuneAwayDrops_RevA	1608

PERFORMANCE DATA REFERENCE
 Prospect® 8.0 for Nortel AMPS/TDMA/CDMA/MTX 17

sNumSecondPageRequests_Rev0	1608
sNumSecondPageRequests_RevA	1608
sNumSecondPageResponses_Rev0	1609
sNumSecondPageResponses_RevA	1609
sNumSilentRetriesAbandonedAfterDC_Rev0	1609
sNumSilentRetriesAbandonedAfterDC_RevA	1610
sNumSilentRetriesAbandonedAfterFCA_Rev0	1610
sNumSilentRetriesAbandonedAfterFCA_RevA	1610
sNumSilentRetryAttemptsAfterDC_Rev0	1611
sNumSilentRetryAttemptsAfterDC_RevA	1611
sNumSilentRetryAttemptsAfterFCA_Rev0	1611
sNumSilentRetryAttemptsAfterFCA_RevA	1612
sNumSilentRetryFailuresAfterDC_Rev0	1612
sNumSilentRetryFailuresAfterDC_RevA	1612
sNumSilentRetryFailuresAfterFCA_Rev0	1613
sNumSilentRetryFailuresAfterFCA_RevA	1613
sNumSilentRetrySuccessesAfterDC_Rev0	1613
sNumSilentRetrySuccessesAfterDC_RevA	1614
sNumSilentRetrySuccessesAfterFCA_Rev0	1614
sNumSilentRetrySuccessesAfterFCA_RevA	1614
sNumSoftHandoffRelatedDrops	1615
sNumSoftHandoffRelatedDrops_RevA	1615
sNumSoftHandoffRelatedDropsBlockedByRN_Rev0	1615
sNumSoftHandoffRelatedDropsBlockedByRN_RevA	1616
sNumTermauthResourceRelatedFCA_Rev0	1616
sNumTermauthResourceRelatedFCA_RevA	1616
sNumThirdPageRequests_Rev0	1617
sNumThirdPageRequests_RevA	1617
sNumThirdPageResponses_Rev0	1617
sNumThirdPageResponses_RevA	1618
sNumTotalConnectionCloses	1618
sNumTotalConnectionCloses_RevA	1618
termAuthAccessRejectsIgnoredTotal	1619
termAuthChapTimeoutsTotal	1619
termAuthFailedDueToSessionCloseTotal	1619
termAuthFailureSessionTaTimeoutTotal	1620
termAuthInvalidNaiFromAtTotal	1620
termAuthLcpConfigTimeoutsIgnoredTotal	1620
termAuthLcpConfigTimeoutsTotal	1621
termAuthNaiFromAtMatchesA12BypassListTotal	1621
termReauthAttemptsTotal	1621
termReauthRejectTotal	1622
termReauthSuccessTotal	1622
termReauthUnresolvedTotal	1622
totalA10Closed	1623
TotalA10ClosedByPdsn	1623
TotalA10ClosedByRnc	1623
TotalA10ClosedNetworkError	1624
totalA10DroppedPages	1624
TotalA10EgressBytes	1624
TotalA10ForwardPktsDropped	1625

Updated: 2009-06-03

PERFORMANCE DATA REFERENCE
 Prospect® 8.0 for Nortel AMPS/TDMA/CDMA/MTX 17

TotalA10IngressBytes	1625
totalA10RegAttempts	1625
totalA10RegFailures	1626
TotalA10ReversePktsDropped	1626
totalA10SetupAttempts	1626
totalA10SetupAttemptsWithA10ConnMinEnabled	1627
totalA10SetupAttemptWithA10ConnMinDisabled	1627
totalA10SetupFailure	1627
totalA10Switches	1628
TotalA11EgressBytes	1628
TotalA11IngressBytes	1628
TotalA11SessionSetupReconnectAttempts	1629
TotalA11SessionSetupReconnectFailures	1629
totalAtIdAssociationRequests	1629
totalAtIdAssociationSuccessResponse	1630
totalHwIdToUatiRequests	1630
totalImsiToUatiRequests	1630
totalMobilityTriggeredA10ReReg	1631
TotalRnHomingRequests	1631
TotalRnHomingRequestsDenied	1631
totalSessionCloseDueToDuplicateAtIds	1631
totalSessionCloseDueToDuplicateImsi	1632
TotalSessionSetupsBlocked	1632
TotalSessionSetupsFailed	1632
totalSessionsTerminated	1633
totalTimesTAPEnabled	1633
totalUatiAllocated	1633
totalUatiAllocatedCur	1634
totalUatiReleased	1634
totalUatiReleasedDueToModuleReset	1634
totalUatiReleaseRequests	1635
totalUatiRequests	1635
totalUatiToHwIdRequests	1635
totalUatiToImsiRequests	1636
DO_RNC_Card Primitive Calculations	1636
AbnormalSessionClosesSlot	1636
AccessFailureRateSlot	1636
AirlinkResourceAllocationFailuresSlot	1636
AverageConnectionDurationSlot	1636
AverageSessionDurationSlot	1637
ConnectionDropsSlot	1637
ConnectionSetupAttemptsSlot	1637
ConnectionSetupErrorsSlot	1637
ConnectionSetupSuccessRateSlot	1637
EvdoSessionSetupSuccessRateSlot	1637
FwdPercentPktsSized1001to1100bytes	1638
FwdPercentPktsSized101to200bytes	1638
FwdPercentPktsSized1101to1200bytes	1638
FwdPercentPktsSized1201to1300bytes	1638
FwdPercentPktsSized1301to1400bytes	1638
FwdPercentPktsSized1401bytesOrMore	1638

PERFORMANCE DATA REFERENCE
Prospect® 8.0 for Nortel AMPS/TDMA/CDMA/MTX 17

FwdPercentPktsSized201to300bytes	1639
FwdPercentPktsSized301to400bytes	1639
FwdPercentPktsSized401to500bytes	1639
FwdPercentPktsSized501to600bytes	1639
FwdPercentPktsSized50bytesOrLess	1639
FwdPercentPktsSized51to100bytes	1639
FwdPercentPktsSized601to700bytes	1640
FwdPercentPktsSized701to800bytes	1640
FwdPercentPktsSized801to900bytes	1640
FwdPercentPktsSized901to1000bytes	1640
FwdPktSizeTotalCount	1640
GRAPHmultiLineSeparator	1640
InvalidConnectionSetupRequestsSlot	1641
MaxConnectionDurationSlot	1641
MaxSessionDurationSlot	1641
MinConnectionDurationSlot	1641
MinSessionDurationSlot	1641
NormalSessionClosesSlot	1641
NUMDAYS	1642
NUMHOURS	1642
PageSuccessRateSlot	1642
PercentQosSetupRequestsAccepted_EMFPA	1642
PercentQosSetupRequestsAccepted_MFPA	1642
PercentReservationOffRequestsAccepted_EMFPA	1642
PercentReservationOffRequestsAccepted_MFPA	1643
PercentReservationOnRequestsAccepted_EMFPA	1643
PercentReservationOnRequestsAccepted_MFPA	1643
RevPercentPktsSized1200to1450bytes	1643
RevPercentPktsSized127to189bytes	1643
RevPercentPktsSized13bytesOrLess	1643
RevPercentPktsSized14to30bytes	1644
RevPercentPktsSized190to254bytes	1644
RevPercentPktsSized255to381bytes	1644
RevPercentPktsSized31to62bytes	1644
RevPercentPktsSized382to510bytes	1644
RevPercentPktsSized511to765bytes	1644
RevPercentPktsSized63to83bytes	1645
RevPercentPktsSized766to1021bytes	1645
RevPercentPktsSized84to93bytes	1645
RevPercentPktsSized94to126bytes	1645
RevPktSizeTotalCount	1645
RevSHOAllocationFailuresSlot	1645
RevSHOBlockingsSlot	1646
RevSHOUnsuccessfulResourcesAllocationSlot	1646
SuccessfulReverseLinkSHORateSlot	1646
TotalANInitiatedConnectionClosesSlot	1646
TotalATInitiatedConnectionClosesSlot	1646
TotalConnectionClosesSlot	1646
TotalRLPFrameByteCountSlot	1647
UnsuccessfulResourcesAllocationSlot	1647
ValidEvdoSessionSetupAttemptsSlot	1647

Updated: 2009-06-03

PERFORMANCE DATA REFERENCE
 Prospect® 8.0 for Nortel AMPS/TDMA/CDMA/MTX 17

DO_RNC_Card Peg Counts	1647
a12AcceptsReceivedFromAaaServersForSlot	1647
a12AccessChallengesReceivedFromAaaServersForSlot	1648
a12BadAuthenticatorReceivedFromAaaServersForSlot	1648
a12MalformedResponseReceivedFromAaaServersForSlot	1648
a12RejectsReceivedFromAaaServersForSlot	1649
a12RequestsSentToAaaServersFromSlot	1649
a12RetransmitsSentToAaaServersFromSlot	1649
a12TimeoutEventsInThisSlot	1650
a12TxPathFailDueToAnPppForSlot	1650
a12TxPathFailDueToInternalErrorsForSlot	1650
a12TxPathFailDueToNoPacketIdAvalableForServersForSlot	1651
a12TxPathFailDueToNoServerAvailableForSlot	1651
a12TxPathFailDueToTransmitErrorForServersForSlot	1651
a12UnknownOtherFailureReceivedFromAaaServersForSlot	1652
a12UnknownPacketTypeReceivedFromAaaServersForSlot	1652
a12UnknownServerReceivedFromAaaServersForSlot	1652
a12UnknownTypeReceivedFromAaaServersForSlot	1653
anPppAuthenticationAttemptsSlot	1653
averageConnectionSetupTimeSlot	1653
averagePageSetupTimeSlot	1654
averageRevAConnectionDurationSlot	1654
averageRevAConnectionSetupTimeSlot	1654
averageSessionSetupTimeSlot	1655
avgA13HoDelayPriorSessionSlot	1655
avgA13HoDelaySlot	1655
avgNumConnectionsCurrentlyOpenSlot	1656
avgNumCurrentSessionsEstablishedSlot	1656
cNuConSetupSuccessA16Slot_Rev0	1656
cNuConSetupSuccessA16Slot_RevA	1657
cNumATInitiatedPageResponsesSlot_Rev0	1657
cNumATInitiatedPageResponsesSlot_RevA	1657
cNumATReportedTuneAwayDropsSlot_Rev0	1658
cNumATReportedTuneAwayDropsSlot_RevA	1658
cNumConnectionsClosedNormalBeforeTCCDuringSRAfterDCSlot_Rev0	1658
cNumConnectionsClosedNormalBeforeTCCDuringSRAfterDCSlot_RevA	1659
cNumConnectionsClosedNormalBeforeTCCDuringSRAfterFCASlot_Rev0	1659
cNumConnectionsClosedNormalBeforeTCCDuringSRAfterFCASlot_RevA	1659
cNumConnectionsClosedNormalBeforeTCCSlot_Rev0	1660
cNumConnectionsClosedNormalBeforeTCCSlot_RevA	1660
cNumConnectionSetupAbortNormalA10CloseSlot_Rev0	1660
cNumConnectionSetupAbortNormalA10CloseSlot_RevA	1661
cNumConnectionSetupAttemptsSlot_Rev0	1661
cNumConnectionSetupAttemptsSlot_RevA	1661
cNumConnectionSetupsAbortRedirectTriggersSlot_Rev0	1662
cNumConnectionSetupsAbortRedirectTriggersSlot_RevA	1662
cNumConnectionSetupSuccessSlot_Rev0	1663
cNumConnectionSetupSuccessSlot_RevA	1663
cNumFirstPageResponsesSlot_Rev0	1663
cNumFirstPageResponsesSlot_RevA	1664
cNumHHODropsBlockedByRnSlot_Rev0	1664

PERFORMANCE DATA REFERENCE
Prospect® 8.0 for Nortel AMPS/TDMA/CDMA/MTX 17

cNumHHODropsBlockedByRnSlot_RevA	1664
cNumHHODropsFTCDesriedAndRTCACquiredNotRxSlot_Rev0	1665
cNumHHODropsFTCDesriedAndRTCACquiredNotRxSlot_RevA	1665
cNumHHODropsSlot_Rev0	1665
cNumHHODropsSlot_RevA	1666
cNumIncomingPersonalityChangeTriggersSlot_Rev0	1666
cNumIncomingPersonalityChangeTriggersSlot_RevA	1666
cNumMiscDropSrcA16FailSlot_Rev0	1667
cNumMiscDropSrcA16FailSlot_RevA	1667
cNumMCTAConnSetupAttemptsSlot_Rev0	1668
cNumMCTAConnSetupAttemptsSlot_RevA	1668
cNumMCTAConnSetupFailureRNBlocksWithSLSlot_Rev0	1668
cNumMCTAConnSetupFailureRNBlocksWithSLSlot_RevA	1669
cNumMCTAConnSetupFailuresSlot_Rev0	1669
cNumMCTAConnSetupFailuresSlot_RevA	1669
cNumMCTAConnSetupSuccessesSlot_Rev0	1670
cNumMCTAConnSetupSuccessesSlot_RevA	1670
cNumMiscDropsAbnormalCloseBySessionSlot_Rev0	1670
cNumMiscDropsAbnormalCloseBySessionSlot_RevA	1671
cNumMiscDropsBEPriorityUpdateFailSlot_Rev0	1671
cNumMiscDropsBEPriorityUpdateFailSlot_RevA	1671
cNumMiscDropsDueToRLPSlot_Rev0	1672
cNumMiscDropsDueToRLPSlot_RevA	1672
cNumMiscDropsInternalErrorSlot_Rev0	1672
cNumMiscDropsInternalErrorSlot_RevA	1673
cNumMiscDropsSectorDownSlot_Rev0	1673
cNumMiscDropsSectorDownSlot_RevA	1673
cNumMiscDropsSlot_Rev0	1674
cNumMiscDropsSlot_RevA	1674
cNumMiscDropsStateMismatchSlot_Rev0	1674
cNumMiscDropsStateMismatchSlot_RevA	1675
cNumMiscFCAA10RelatedSlot_Rev0	1675
cNumMiscFCAA10RelatedSlot_RevA	1676
cNumMiscFCAFailuresSlot_Rev0	1676
cNumMiscFCAFailuresSlot_RevA	1676
cNumMiscFCASlot_Rev0	1677
cNumMiscFCASlot_RevA	1677
cNumMiscFCASWErrorSlot_Rev0	1677
cNumMiscFCASWErrorSlot_RevA	1678
cNumMissedConnectionClosesSlot_Rev0	1678
cNumMissedConnectionClosesSlot_RevA	1678
cNumNetworkErrorDropsA10SetupFailSlot_Rev0	1679
cNumNetworkErrorDropsA10SetupFailSlot_RevA	1679
cNumNetworkErrorDropsRNCEXternalSlot_Rev0	1679
cNumNetworkErrorDropsRNCEXternalSlot_RevA	1680
cNumNetworkErrorDropsRNCInternalSlot_Rev0	1680
cNumNetworkErrorDropsRNCInternalSlot_RevA	1680
cNumNetworkErrorDropsSlot_Rev0	1681
cNumNetworkErrorDropsSlot_RevA	1681
cNumNormalConnectionClosesSlot_Rev0	1681
cNumNormalConnectionClosesSlot_RevA	1682

Updated: 2009-06-03

PERFORMANCE DATA REFERENCE
 Prospect® 8.0 for Nortel AMPS/TDMA/CDMA/MTX 17

cNumOutgoingPersonalityChangeTriggersSlot_Rev0	1682
cNumOutgoingPersonalityChangeTriggersSlot_RevA	1682
cNumPageAbandonedSlot_Rev0	1683
cNumPageAbandonedSlot_RevA	1683
cNumPageRequestsSlot_Rev0	1683
cNumPageRequestsSlot_RevA	1684
cNumPageResponsesSlot_Rev0	1684
cNumPageResponsesSlot_RevA	1684
cNumPageTimeoutSlot_Rev0	1685
cNumPageTimeoutSlot_RevA	1685
cNumResourceRelatedFCABlockedByRNCResourcesSlot_Rev0	1685
cNumResourceRelatedFCABlockedByRNCResourcesSlot_RevA	1686
cNumResourceRelatedFCABlockedByRNSlot_Rev0	1686
cNumResourceRelatedFCABlockedByRNSlot_RevA	1686
cNumResourceRelatedFCAFailedByRNSlot_Rev0	1687
cNumResourceRelatedFCAFailedByRNSlot_RevA	1687
cNumResourceRelatedFCASlot_Rev0	1688
cNumResourceRelatedFCASlot_RevA	1688
cNumRFRelatedDropsNoFtcSlot_Rev0	1688
cNumRFRelatedDropsNoFtcSlot_RevA	1689
cNumRFRelatedDropsRTCLostSlot_Rev0	1689
cNumRFRelatedDropsRTCLostSlot_RevA	1689
cNumRFRelatedDropsSlot_Rev0	1690
cNumRFRelatedDropsSlot_RevA	1690
cNumRFRelatedFCARUTimeOutSlot_Rev0	1690
cNumRFRelatedFCARUTimeOutSlot_RevA	1691
cNumRFRelatedFCASlot_Rev0	1691
cNumRFRelatedFCASlot_RevA	1691
cNumRFRelatedFCATCCTimeOutSlot_Rev0	1692
cNumRFRelatedFCATCCTimeOutSlot_RevA	1692
cNumRNCEstimated3G1xRollDownDropsSlot_Rev0	1692
cNumRNCEstimated3G1xRollDownDropsSlot_RevA	1693
cNumRNCEstimatedTuneAwayDropsSlot_Rev0	1693
cNumRNCEstimatedTuneAwayDropsSlot_RevA	1693
cNumSecondPageRequestsSlot_Rev0	1694
cNumSecondPageRequestsSlot_RevA	1694
cNumSecondPageResponsesSlot_Rev0	1694
cNumSecondPageResponsesSlot_RevA	1695
cNumSilentRetriesAbandonedAfterDCSlot_Rev0	1695
cNumSilentRetriesAbandonedAfterDCSlot_RevA	1696
cNumSilentRetriesAbandonedAfterFCASlot_Rev0	1696
cNumSilentRetriesAbandonedAfterFCASlot_RevA	1696
cNumSilentRetryAttemptsAfterDCSlot_Rev0	1697
cNumSilentRetryAttemptsAfterDCSlot_RevA	1697
cNumSilentRetryAttemptsAfterFCASlot_Rev0	1697
cNumSilentRetryAttemptsAfterFCASlot_RevA	1698
cNumSilentRetryAttemptsAfterMissedConnCloseSlot_Rev0	1698
cNumSilentRetryAttemptsAfterMissedConnCloseSlot_RevA	1698
cNumSilentRetryFailuresAfterDCSlot_Rev0	1699
cNumSilentRetryFailuresAfterDCSlot_RevA	1699
cNumSilentRetryFailuresAfterFCASlot_Rev0	1699

PERFORMANCE DATA REFERENCE
Prospect® 8.0 for Nortel AMPS/TDMA/CDMA/MTX 17

cNumSilentRetryFailuresAfterFCASlot_RevA	1700
cNumSilentRetrySuccessesAfterDCSlot_Rev0	1700
cNumSilentRetrySuccessesAfterDCSlot_RevA	1700
cNumSilentRetrySuccessesAfterFCASlot_Rev0	1701
cNumSilentRetrySuccessesAfterFCASlot_RevA	1701
cNumSoftHandoffRelatedDropsBlockedByRNSlot_Rev0	1701
cNumSoftHandoffRelatedDropsBlockedByRNSlot_RevA	1702
cNumSoftHandoffRelatedDropsSlot_Rev0	1702
cNumSoftHandoffRelatedDropsSlot_RevA	1702
cNumThirdPageRequestsSlot_Rev0	1703
cNumThirdPageRequestsSlot_RevA	1703
cNumThirdPageResponsesSlot_Rev0	1703
cNumThirdPageResponsesSlot_RevA	1704
cNumTotalConnectionClosesSlot_Rev0	1704
cNumTotalConnectionClosesSlot_RevA	1704
connectedTimein1PilotSHOIn100MilliSecsSlot	1705
connectedTimein1SHOIn100MilliSecsSlot	1705
connectedTimein2PilotSHOIn100MilliSecsSlot	1705
connectedTimein2SHOIn100MilliSecsSlot	1706
connectedTimein3PilotSHOIn100MilliSecsSlot	1706
connectedTimein3SHOIn100MilliSecsSlot	1706
connectedTimein4PilotSHOIn100MilliSecsSlot	1707
connectedTimein4SHOIn100MilliSecsSlot	1707
connectedTimein5PilotSHOIn100MilliSecsSlot	1707
connectedTimein5SHOIn100MilliSecsSlot	1708
connectedTimein6PilotSHOIn100MilliSecsSlot	1708
connectedTimein6SHOIn100MilliSecsSlot	1708
connectedTimeSecondaryRnSlotL32	1709
CPU_Utilization_LogCss_LosCallFile	1709
CPU_Utilization_LogCss_LosCallStream	1709
CPU_Utilization_LogCss_LosCARelay	1710
CPU_Utilization_LogCss_LosDiag	1710
CPU_Utilization_LogCss_LosDiagRelay	1710
CPU_Utilization_LogCss_MbufCA	1711
CPU_Utilization_LogCss_MbufDiag	1711
CPU_Utilization_NEFileXferTask_1	1712
CPU_Utilization_NEFileXferTask_2	1712
CPU_Utilization_ocMeasurableObjHistoryIntervalSize	1712
curNumATBeingPaged	1713
curNumD2APkts	1713
currentDToAPackets	1713
currentFree128Mbufs	1714
currentFree2048Mbufs	1714
currentFree256Mbufs	1714
currentFree512Mbufs	1714
currentFreeMem	1715
currentNumATBeingPaged	1715
currentNumFreeSockets	1715
currMetricLoadValue	1716
egressA10ByteCount	1716
egressAbisByteCount	1716

Updated: 2009-06-03

PERFORMANCE DATA REFERENCE

Prospect® 8.0 for Nortel AMPS/TDMA/CDMA/MTX 17

ForwardMacPktsSlot	1717
ForwardPadBytesSlot	1717
forwardPreRlpDroppedBytesSlot	1717
ForwardRlpBytesSlot	1718
ForwardRlpFlushedBytesSlot	1718
forwardRlpNacksSlot	1718
forwardRlpResetsSlot	1719
ForwardRlpRetxBytesSlot	1719
fwdPktSizeBin10PerSlot	1719
fwdPktSizeBin11PerSlot	1720
fwdPktSizeBin12PerSlot	1720
fwdPktSizeBin13PerSlot	1720
fwdPktSizeBin14PerSlot	1721
fwdPktSizeBin15PerSlot	1721
fwdPktSizeBin16PerSlot	1721
fwdPktSizeBin1PerSlot	1722
fwdPktSizeBin2PerSlot	1722
fwdPktSizeBin3PerSlot	1722
fwdPktSizeBin4PerSlot	1723
fwdPktSizeBin5PerSlot	1723
fwdPktSizeBin6PerSlot	1723
fwdPktSizeBin7PerSlot	1724
fwdPktSizeBin8PerSlot	1724
fwdPktSizeBin9PerSlot	1724
ingressA10ByteCount	1725
ingressAbisByteCount	1725
maxA13HoDelayPriorSessionSlot	1725
maxA13HoDelaySlot	1726
maxConnectionSetupTimeSlot	1726
maxConnectionsSimultaneouslyOpenSlot	1726
maxNumATBeingPaged	1727
maxNumConnectionsCurrentlyOpenSlot	1727
maxNumCurrentSessionsEstablishedSlot	1727
maxNumD2APkts	1727
maxPageSetupTimeSlot	1728
maxRevAConnectionSetupTimeSlot	1728
maxRevAConnectionsSimultaneouslyOpenSlot	1728
maxSessionSetupTimeSlot	1729
maxSimultaneousOpenA10ConnSlot	1729
maxSimultaneousOpenTAPSlot	1729
minA13HoDelayPriorSessionSlot	1730
minA13HoDelaySlot	1730
minConnectionSetupTimeSlot	1730
minPageSetupTimeSlot	1731
minRevAConnectionSetupTimeSlot	1731
minSessionSetupTimeSlot	1731
nA16SessSetupAttemptsSlot	1732
nA16SessSetupsFailedSlot	1732
nA16SessSetupSuccessSlot	1732
nConCloseSrcA16FailSlot	1733
nConOpenedA16Slot	1733

PERFORMANCE DATA REFERENCE
Prospect® 8.0 for Nortel AMPS/TDMA/CDMA/MTX 17

nConSetupTgtA16LclClsSlot	1733
nConSetupTgtA16MiscSlot	1734
nConSetupTgtA16RnBlkSlot	1734
nConSetupTgtA16RnFailSlot	1734
nConSetupTgtA16TrafSwSlot	1735
nSessTerminatedA16Slot	1735
numA10ClosedNetworkErrorSlot	1735
numA10ClosedOtherCausesExternalSlot	1736
numA10ClosedOtherCausesInternalSlot	1736
numA10ClosedPDSNInitiatedReleaseSlot	1736
numA10ClosedPDSNReRegFailureSlot	1737
numA10ClosedSessionTerminationSlot	1737
numA10ConnWithDurationAround30SecSlot	1738
numA10ConnWithVeryShortDurationSlot	1738
numA10InterPcfHOREgAttemptsSlot	1738
numA10InterPcfHOREgFailuresSlot	1739
numA10InterPcfHOWWithPDSNInfoRegAttemptsSlot	1739
numA10InterPcfHOWWithPDSNInfoRegFailuresSlot	1739
numA10LocUpdateDisabledRegAttemptsSlot	1740
numA10LocUpdateDisabledRegFailuresSlot	1740
numA10NonHOREgAttemptsSlot	1740
numA10NonHOREgFailuresSlot	1741
numA10PacketsRcvdWithDOSIndicatorSetSlot	1741
numA10PacketsTransmittedUsingDOSOverCCHSlot	1741
numA10Panid0RegAttemptsSlot	1742
numA10Panid0RegFailuresSlot	1742
numA10SetupAttemptConnOpenInitiatedSlot	1742
numA10SetupAttemptRLPDataInitiatedSlot	1743
numA10SetupAttemptsAutoA10ReconnectSlot	1743
numA10SetupAttemptSrcRNCA10InitiatedSlot	1743
numA10SetupAttemptULNInitiatedSlot	1744
numA10SetupFailureLocationUpdateSlot	1744
numA10SetupFailureNetworkErrorSlot	1744
numA10SetupFailureOtherCausesExternalSlot	1745
numA10SetupFailureOtherCausesInternalSlot	1745
numA10SetupFailurePDSNRegSlot	1745
numA10SetupFailureSessionTerminationSlot	1746
numA13ConfirmIgnoredRncPerfSlot	1746
numA13FailuresRemoteRncAdminStatusDownPriorSessionRncPerfSlot	1746
numA13FailuresRemoteRncAdminStatusDownRncPerfSlot	1747
numA13FailuresRemoteRncAdminStatusDownTotalRncPerfSlot	1747
numA13IntraClusterAttemptsPriorSessionRncPerfSlot	1747
numA13IntraClusterAttemptsRncPerfSlot	1748
numA13IntraClusterAttemptsTotalRncPerfSlot	1748
numA13IntraClusterFailuresPriorSessionRncPerfSlot	1748
numA13IntraClusterFailuresRncPerfSlot	1749
numA13IntraClusterFailuresTotalRncPerfSlot	1749
numA13MsgsFromRemoteRNCTotalSlot	1749
numA13MsgsToRemoteRNCTotalSlot	1750
numA13RejectSentSessionNotFoundSlot	1750
numA13RejectSessionNotAuthenticPriorSessionSlot	1750

Updated: 2009-06-03

PERFORMANCE DATA REFERENCE

Prospect® 8.0 for Nortel AMPS/TDMA/CDMA/MTX 17

numA13RejectSessionNotAuthenticSlot	1751
numA13RejectSessionNotFoundPriorSessionSlot	1751
numA13RejectSessionNotFoundSlot	1751
numA13RejectsSentForInvalidSessionsRncPerfSlot	1752
numA13ReqTimeoutPriorSessionSlot	1752
numA13ReqTimeoutSlot	1752
numA13RequestsIgnoredRemoteRncNotConfiguredRncPerfSlot	1753
numA13RequestsReTransmittedRncPerfSlot	1753
numA13ResponsesSentActivePersonliltyRev0RncPerfSlot	1753
numA13ResponsesSentActivePersonliltyRevARncPerfSlot	1754
numA13ResponsesSentDummyPdsnRncPerfSlot	1754
numA13SessMarkedForReNegotiationDifflosVersionPriorSessionRncPerfSlot	1754
numA13SessMarkedForReNegotiationDifflosVersionRncPerfSlot	1755
numA13SessMarkedForReNegotiationDifflosVersionTotalRncPerfSlot	1755
numA13SessReconfResultNoOperationPriorSessionRncPerfSlot	1755
numA13SessReconfResultNoOperationRncPerfSlot	1756
numA13SessReconfResultNoOperationTotalRncPerfSlot	1756
numA13SessReconfResultPersonalityChangeRevAPriorSessionRncPerfSlot	1756
numA13SessReconfResultPersonalityChangeRevARncPerfSlot	1757
numA13SessReconfResultPersonalityChangeRevATotalRncPerfSlot	1757
numA13TotalRejectPriorSessionSlot	1757
numA13TotalRejectSlot	1758
numA16AbortsSlot	1758
numA16AttemptsSlot	1758
numA16RejectsSlot	1759
numA16SuccessSlot	1759
numA16SuppressedSrcSlot	1759
numA16SuppressedTgtSlot	1760
numA16SuppSrcUnknTgtSlot	1760
numA16SuppTgtUnknSrcSlot	1760
numA16TimeoutSlot	1761
NumActiveA10ConnectionsSlot	1761
NumActiveSessionsSlot	1761
numAdditionalBytesMulticastSlot	1762
numATsHandledUnkwnMfrCodeSlot	1762
numAtSrcRncAnidMismatchSlot	1762
numATsWithOnePersonalitySlot	1763
numATsWithTwoPersonalitiesSlot	1763
numConnCloseBEPriorityUpdateFailSlot	1764
numConnectionCloseActiveModePersChangeATo0DiffCarrSlot	1764
numConnectionCloseActiveModePersChangeATo0SameCarrSlot	1764
NumConnectionCloseDormancyTimeoutSlot	1765
NumConnectionCloseFromAtErrorSlot	1765
numConnectionCloseFromAtMovedTo3G1XSlot	1765
NumConnectionCloseFromAtNormalSlot	1766
NumConnectionCloseFromAtReplySlot	1766
NumConnectionCloseFromAtReservedSlot	1766
numConnectionCloseHHOBlockedByRnSlot	1767
numConnectionCloseHHOFailedFTCAndRTCNotRxedSlot	1767
numConnectionCloseInitiatedNoRanRsrcPerSlot_EMFPA	1767
numConnectionCloseInitiatedNoRanRsrcPerSlot_MFPA	1768

PERFORMANCE DATA REFERENCE
Prospect® 8.0 for Nortel AMPS/TDMA/CDMA/MTX 17

NumConnectionCloseInternalErrorSlot	1768
NumConnectionCloseNoFtcSlot	1768
NumConnectionCloseRlpSlot	1769
numConnectionCloseRLSHOBlockedByRnSlot	1769
NumConnectionCloseRtcLostSlot	1769
NumConnectionCloseSectorDownSlot	1770
NumConnectionCloseSsmDisableSlot	1770
NumConnectionCloseSsmSlot	1770
NumConnectionCloseStateMismatchSlot	1771
NumConnectionCloseToAtErrorSlot	1771
NumConnectionCloseToAtNormalSlot	1771
NumConnectionCloseToAtReplySlot	1771
numConnectionRequestAttemptsAfterA13FromATSlot	1772
numConnectionRequestFailureAfterA13FromATSlot	1772
NumConnectionRequestsFromAtSlot	1772
NumConnectionRequestsInResponseToPageSlot	1773
numConnectionRequestSuccessesAfterA13FromATSlot	1773
NumConnectionSetupsBlockedByRncResourcesSlot	1773
NumConnectionSetupsBlockedByRnSlot	1774
NumConnectionSetupsFailedByRncResourcesSlot	1774
NumConnectionSetupsFailedByRnSlot	1774
NumConnectionsOpenedSlot	1775
NumConnReqsWhileOpenSlot	1775
NumConnReqsWhileSettingUpSlot	1775
NumConnReqsWhileTearingDownSlot	1776
numConnRequestsRcvdForInvalidSessionsRncPerfSlot	1776
numConnRequestsRcvdForUnAuthSessionsSlot	1776
numConnsConnectedToSecondaryRnSlot	1777
NumConnSetupsAbortedSlot	1777
NumConnSetupsFailedRncTimeoutSlot	1777
NumConnSetupsFailedRuTimeoutSlot	1778
NumConnSetupsFailedSWErrorSlot	1778
NumConnSetupsFailedTccTimeoutSlot	1778
numCurrentInvalidSessionsEstablishedRncPerfSlot	1779
numCurrentOpenA10ConnSlot	1779
numCurrentOpenTAPSlot	1779
numCurrentUnAuthSessionsEstablishedSlot	1780
numD2APktsArrived	1780
numD2APktsDroppedByLimit	1780
numD2APktsDroppedOtherReason	1781
numD2APktsQueued	1781
numDormantHandoffAttemptsPriorSessionSlot	1781
numDormantHandoffAttemptsSlot	1782
numDormantHandoffFailureAtldResponseFailurePriorSessionSlot	1782
numDormantHandoffFailureAtldResponseFailureSlot	1782
numDormantHandoffFailureAtldTimeoutPriorSessionSlot	1783
numDormantHandoffFailureAtldTimeoutSlot	1783
numDormantHandoffFailureATInitiatedClosePriorSessionSlot	1783
numDormantHandoffFailureATInitiatedCloseSlot	1784
numDormantHandoffFailureHdwldTimeoutPriorSessionSlot	1784
numDormantHandoffFailureHdwldTimeoutSlot	1784

Updated: 2009-06-03

PERFORMANCE DATA REFERENCE

Prospect® 8.0 for Nortel AMPS/TDMA/CDMA/MTX 17

numDormantHandoffFailureInvalidHdwIdTypePriorSessionSlot	1785
numDormantHandoffFailureInvalidHdwIdTypeSlot	1785
numDormantHandoffFailureInvalidHdwIdValuePriorSessionSlot	1785
numDormantHandoffFailureInvalidHdwIdValueSlot	1786
numDormantHandoffFailureInvalidUatiCmpltSlot	1786
numDormantHandoffFailureMiscPriorSessionSlot	1786
numDormantHandoffFailureMiscSlot	1787
numDormantHandoffFailureNoRncResourceSlot	1787
numDormantHandoffFailureNoUatiCmpltSlot	1787
numDormantHandoffFailureNoUatiReqSlot	1788
numDormantHandoffFailureRetrievedConfigUnacceptablePriorSessionSlot	1788
numDormantHandoffFailureRetrievedConfigUnacceptableSlot	1788
numDormantHandoffFailureRNCInitiatedClosePriorSessionSlot	1789
numDormantHandoffFailureRNCInitiatedCloseSlot	1789
numDormantHandoffFailureSessionConfigDuringInitialConfigPriorSessionSlot	1789
numDormantHandoffFailureSessionConfigDuringReconfigurationPriorSessionSlot	1790
numDormantHandoffFailureSessionConfigDuringReconfigurationSlot	1790
numDormantHandoffFailureSourceUnreachablePriorSessionSlot	1790
numDormantHandoffFailureSourceUnreachableSlot	1791
numDormantHandoffFailureTAAfterA13RspPriorSessionSlot	1791
numDormantHandoffFailureTAAfterA13RspSlot	1791
numDormantHandoffFailureToSourceLookupFailurePriorSessionSlot	1792
numDormantHandoffFailureToSourceLookupFailureSlot	1792
numDormantHandoffFailureUati104MatchesLocalSubnetPriorSessionSlot	1792
numDormantHandoffFailureUati104Slot	1793
numDormantHandoffNoUatiReqAttemptsRncPerfSlot	1793
numDormantHandoffNoUatiReqFailureRncPerfSlot	1793
numDormantHandoffNoUatiReqSuccessesRncPerfSlot	1794
numDormantHandoffSuccessesPriorSessionSlot	1794
numDormantHandoffSuccessesSlot	1794
NumDormantSessionsSlot	1795
numDOSMsgsTransmittedOnA10Slot	1795
NumDrcSwitchesFailedFtcDesiredSlot	1795
numDSCSwitchesFailedFtcDesiredSlot	1796
numDSCSwitchesSuccessSlot	1796
numDscSwitchingMulticastOccurredSlot	1796
numFailedRncInitiatedPagesSlot	1797
NumFastConnectsAttemptedSlot	1797
numFirstD2APktsAccepted	1797
numFirstD2APktsDropped	1798
numFirstPageAbandonedSlot	1798
numFirstPageResponseRxSlot	1798
numFirstPageTimeoutSlot	1799
numFixedModeEnableMsgsFromAtSlot	1799
numFwdReservationOffMessagesSentPerSlot_EMFPA	1799
numFwdReservationOffMessagesSentPerSlot_MFPA	1800
numFwdReservationOnMessagesSentPerSlot_EMFPA	1800
numFwdReservationOnMessagesSentPerSlot_MFPA	1800
numGAUPReTxAttributeUpdateRequestSlot	1801
numGAUPRxAttributeUpdateAcceptSlot	1801
numGAUPRxAttributeUpdateAcceptTimeoutSlot	1801

PERFORMANCE DATA REFERENCE
Prospect® 8.0 for Nortel AMPS/TDMA/CDMA/MTX 17

numGAUPRxAttributeUpdateRequestSlot	1802
numGAUPTxAttributeUpdateAcceptSlot	1802
numGAUPTxAttributeUpdateRejectSlot	1802
numGAUPTxAttributeUpdateRequestSlot	1803
numInvalidSessionsTerminatedRncPerfSlot	1803
numLatePageResponseSlot	1803
numLocationNotificationMsgsFromAtSlot	1804
numLocationRequestMsgsToAtSlot	1804
numMobilityTriggeredA10InterPcfHOREgSlot	1804
numMobilityTriggeredA10PANID0ReRegSlot	1805
numPageAbandonedSlot	1805
NumPageMessagesToAtSlot	1805
numPageNoPrimarySectorSlot	1806
numPageReqGeneratedByFP	1806
numPageReqsWhileOpenSlot	1806
numPageReqsWhileSettingUpSlot	1807
numPageReqsWhileTearingDownSlot	1807
numPageResponseRxSlot	1807
numPagesSucceededSlot	1808
numPageTimeoutSlot	1808
numPersonalityReSyncsNeededPostPersonalitySwitchSlot	1808
numPersonalitySwitchAttemptsATInitiatedSlot	1809
numPersonalitySwitchAttemptsCSMInitiatedSlot	1809
numPersonalitySwitchFailuresCSMInitiatedSlot	1809
numPersonalitySwitchSuccessesCSMInitiatedSlot	1810
numQosInitiatedSessionClosePerSlot	1810
numQosReleaseRequestsReceivedPerSlot_EMFPA	1810
numQosReleaseRequestsReceivedPerSlot_MFPA	1811
numQosResObjUsedSlot	1811
numQosSetupRejNoObjPerSlot	1811
numQosSetupRequestsAcceptedPerSlot_EMFPA	1812
numQosSetupRequestsAcceptedPerSlot_MFPA	1812
numQosSetupRequestsReceivedPerSlot_EMFPA	1812
numQosSetupRequestsReceivedPerSlot_MFPA	1812
numQosSetupRequestsRejectedPerSlot_EMFPA	1813
numQosSetupRequestsRejectedPerSlot_MFPA	1813
numQosSetupRequestsRejectedReservationLimitPerSlot_EMFPA	1813
numQosSetupRequestsRejectedReservationLimitPerSlot_MFPA	1814
numQosSubscriberProfileUpdatesRcvdPerSlot	1814
numReservationActivationWithConnectionOpenPerSlot_EMFPA	1814
numReservationActivationWithConnectionOpenPerSlot_MFPA	1815
numReservationAuthorizedQosWasNullPerSlot_EMFPA	1815
numReservationAuthorizedQosWasNullPerSlot_MFPA	1815
numReservationDeactivationWithConnectionClosePerSlot_EMFPA	1816
numReservationDeactivationWithConnectionClosePerSlot_MFPA	1816
numReservationOffRequestsAcceptedPerSlot_EMFPA	1816
numReservationOffRequestsAcceptedPerSlot_MFPA	1817
numReservationOffRequestsReceivedPerSlot_EMFPA	1817
numReservationOffRequestsReceivedPerSlot_MFPA	1817
numReservationOffRequestsRejectedPerSlot_EMFPA	1818
numReservationOffRequestsRejectedPerSlot_MFPA	1818

Updated: 2009-06-03

PERFORMANCE DATA REFERENCE
 Prospect® 8.0 for Nortel AMPS/TDMA/CDMA/MTX 17

numReservationOffRequestsRejectedUnknownReservationPerSlot_EMFPA	1818
numReservationOffRequestsRejectedUnknownReservationPerSlot_MFPA	1819
numReservationOnRequestsAcceptedPerSlot_EMFPA	1819
numReservationOnRequestsAcceptedPerSlot_MFPA	1820
numReservationOnRequestsFailedNoDriverFlowPerSlot_EMFPA	1820
numReservationOnRequestsFailedNoDriverFlowPerSlot_MFPA	1820
numReservationOnRequestsFailedNoRevRlpFlowPerSlot_EMFPA	1821
numReservationOnRequestsFailedNoRevRlpFlowPerSlot_MFPA	1821
numReservationOnRequestsFailedPerSlot_EMFPA	1821
numReservationOnRequestsFailedPerSlot_MFPA	1822
numReservationOnRequestsReceivedPerSlot_EMFPA	1822
numReservationOnRequestsReceivedPerSlot_MFPA	1822
numReservationOnRequestsRejectedAdmissionControlPerSlot_EMFPA	1823
numReservationOnRequestsRejectedAdmissionControlPerSlot_MFPA	1823
numReservationOnRequestsRejectedGrantedQosNotRequestedPerSlot_EMFPA	1823
numReservationOnRequestsRejectedGrantedQosNotRequestedPerSlot_MFPA	1824
numReservationOnRequestsRejectedNullGrantedQosPerSlot_EMFPA	1824
numReservationOnRequestsRejectedNullGrantedQosPerSlot_MFPA	1825
numReservationOnRequestsRejectedNullRequestedQosPerSlot_EMFPA	1825
numReservationOnRequestsRejectedNullRequestedQosPerSlot_MFPA	1825
numReservationOnRequestsRejectedPerSlot_EMFPA	1826
numReservationOnRequestsRejectedPerSlot_MFPA	1826
numReservationOnRequestsRejectedUnknownReservationPerSlot_EMFPA	1826
numReservationOnRequestsRejectedUnknownReservationPerSlot_MFPA	1827
numReservationRequestedQosMismatchWithAnSupportedProfileIdPerSlot	1827
numReservationRequestedQosMismatchWithSubscriberProfileIdPerSlot	1827
numRev0ATsWithActivePersBasedOnRev0ProfSlot	1828
numRevAATsWithActivePersBasedOnRev0ProfSlot	1828
numRevAATsWithActivePersBasedOnRevAProfSlot	1828
numRevAConnectionsCurrentlyOpenSlot	1829
numRevAConnectionsOpenedSlot	1829
numRevLinkSHOAbortedSlot	1829
NumRevLinkSHOAttemptsSlot	1830
NumRevLinkSHOBlockedByRncResourcesSlot	1830
NumRevLinkSHOBlockedByRnSlot	1830
numRevLinkSHOfailedByRncResourcesSlot	1831
NumRevLinkSHOfailedByRnSlot	1831
NumRevLinkSHOfailedTccTimeoutSlot	1831
NumRevLinkSHOfailRncTimeoutSlot	1832
NumRevLinkSHOSuccessSlot	1832
numRevReservationOffMessagesSentPerSlot_EMFPA	1832
numRevReservationOffMessagesSentPerSlot_MFPA	1833
numRevReservationOnMessagesSentPerSlot_EMFPA	1833
numRevReservationOnMessagesSentPerSlot_MFPA	1833
numRlpNakdOctetsNotRcvdSlot	1834
numRlpOctetsNakdSlot	1834
numRncInitiatedPagesSlot	1834
numRnHomedCurSlot	1835
numRxATInitiateDuringFirstPageSlot	1835
numRxATInitiateDuringPageSlot	1835
numRxATInitiateDuringSecondPageSlot	1836

PERFORMANCE DATA REFERENCE
Prospect® 8.0 for Nortel AMPS/TDMA/CDMA/MTX 17

numRxATInitiateDuringThirdPageSlot	1836
numSecondPageAbandonedSlot	1836
numSecondPageResponseRxSlot	1837
numSecondPageTimeoutSlot	1837
numSecondPageTxSlot	1837
numSessCfgAttemptsTotalSlot	1838
numSessCfgFailedAbnormalConnectionCloseSlot	1838
numSessCfgFailedConfigCompleteTimeoutSlot	1838
numSessCfgFailedIndividualProtocolConfigurationSlot	1839
numSessCfgFailedTransmitConfigCompleteTimeoutSlot	1839
numSessCfgFailuresTotalSlot	1839
numSessCfgPostA13ReconfNeededTotalSlot	1840
numSessCfgSuccessesTotalSlot	1840
numSessInitCfgFailAbnormalConnCloseSlot	1840
numSessInitCfgFailCfgCompleteTOANInitPhaseSlot	1841
numSessInitCfgFailCfgCompleteTOATInitPhaseSlot	1841
numSessInitCfgFailInternalErrorSlot	1841
numSessInitCfgFailProtocolConfigErrorSlot	1842
numSessInitialCfgAttemptsTotalSlot	1842
numSessInitialCfgFailuresTotalSlot	1842
numSessInitialCfgSuccessesTotalSlot	1843
numSessionInstancesCreatedSlot	1843
numSessionInstancesCreatedWithUnknownLocalUATISlot	1843
numSessionsAwaitingCloseFromAtSlot	1844
NumSessionSetupAttemptsSlot	1844
NumSessionSetupsBlockedToNoRncResourceSlot	1844
numSessionSetupsFailedToATInitiatedSessionCloseSlot	1845
numSessionSetupsFailedToInvldHwIdTypeSlot	1845
numSessionSetupsFailedToInvldHwIdValueSlot	1845
numSessionSetupsFailedToInvldUATICmpltSeqNumSlot	1846
NumSessionSetupsFailedToOtherCausesSlot	1846
numSessionSetupsFailedToRNCInitiatedSessionCloseSlot	1846
NumSessionSetupsFailedToSessionConfigSlot	1847
numSessionSetupsFailedToSessionInfoConfirmSlot	1847
NumSessionSetupsFailedToTermAuthSlot	1847
numSessionSetupsFailedToUATICmpltTimeoutSlot	1848
NumSessionSetupSuccessfulSlot	1848
NumSessionsTerminatedToAtCloseSlot	1848
NumSessionsTerminatedToAtIdRspTimeoutSlot	1849
NumSessionsTerminatedToHwIdRspFailureSlot	1849
NumSessionsTerminatedToInstantCloseSlot	1849
NumSessionsTerminatedToKeepAliveTimeoutSlot	1850
NumSessionsTerminatedToLocalCloseSlot	1850
NumSessionsTerminatedToReceivingUatiReqSlot	1850
NumSessionsTerminatedToSessionConfigFailureSlot	1851
numSessionsTerminatedToSessionInfoConfirmSlot	1851
numSessionsTerminatedToTermAuthSlot	1851
NumSessionsTerminatedToUnknownLocalUatiSlot	1852
numSessionTermDueToTaReauthIMSIDifferentSlot	1852
numSessionTermDueToTaReauthNoTaStreamSlot	1852
numSessionTermDueToTaReauthRejectSlot	1853

Updated: 2009-06-03

PERFORMANCE DATA REFERENCE

Prospect® 8.0 for Nortel AMPS/TDMA/CDMA/MTX 17

numSessReCfgAttemptsTotalSlot	1853
numSessReCfgFailAbnormalConnCloseSlot	1853
numSessReCfgFailCfgCompleteTOANInitPhaseSlot	1854
numSessReCfgFailCfgCompleteTOATInitPhaseSlot	1854
numSessReCfgFailInternalErrorSlot	1854
numSessReCfgFailProtocolConfigErrorSlot	1855
numSessReCfgFailuresATInitSlot	1855
numSessReCfgFailuresPostRegA13CfgMismatchSlot	1855
numSessReCfgFailuresPostRegA13IntfVerMismatchSlot	1856
numSessReCfgFailuresTotalSlot	1856
numSessReCfgSuccessesATInitSlot	1856
numSessReCfgSuccessesPostRegA13CfgMismatchSlot	1857
numSessReCfgSuccessesPostRegA13IntfVerMismatchSlot	1857
numSessReCfgSuccessesTotalSlot	1858
numSntpFailureSlot	1858
numSntpNegativeTimeCalculationsSlot	1858
numSToCCrossoversSlot_Rev0	1859
numSToCCrossoversSlot_RevA	1859
numSubD2APktsAccepted	1859
numSubD2APktsDropped	1860
numThirdPageAbandonedSlot	1860
numThirdPageResponseRxSlot	1860
numThirdPageTimeoutSlot	1861
numThirdPageTxSlot	1861
numTotalDormantHandoffFailurePriorSessionSlot	1861
numTotalDormantHandoffFailureSlot	1862
NumTotalSuccessSHOSlot	1862
numULNRcvdForInvalidSessionsRncPerfSlot	1862
numULNRcvdForUnAuthSessionsSlot	1863
numUnAuthSessionsTerminatedSlot	1863
numUnsupportedRequestedQosTypeRcvdPerSlot_EMFPA	1863
numUnsupportedRequestedQosTypeRcvdPerSlot_MFPA	1864
overloadBECPageAttempts	1864
overloadBECPageDimDrops	1864
overloadBECPageSysDrops	1865
overloadConnectionAttempts	1865
overloadConnectionDimDenied	1865
overloadConnectionDimHealthySeconds	1866
overloadConnectionDimOvldSeconds	1866
overloadConnectionEnterCount	1866
overloadConnectionExitCount	1867
overloadConnectionsDenied	1867
overloadControlPacketDrops	1867
overloadCPageDimHealthySeconds	1868
overloadCPageDimOvldSeconds	1868
overloadDataPacketDrops	1868
overloadDOrepage2ndAttemptDrops	1869
overloadDOrePage2ndAttempts	1869
overloadDOrePage3rdAttemptDrops	1869
overloadDOrePage3rdAttempts	1870
overloadPageEnterCount	1870

PERFORMANCE DATA REFERENCE
Prospect® 8.0 for Nortel AMPS/TDMA/CDMA/MTX 17

overloadPageExitCount	1870
overloadPageRequestDrops	1871
overloadQOSCPAGEAttempts	1871
overloadQOSCPAGEDimDrops	1871
overloadQOSCPAGESysDrops	1872
overloadSessionAttempts	1872
overloadSessionDimDenied	1872
overloadSessionDimHealthySeconds	1873
overloadSessionDimOvldSeconds	1873
overloadSessionEnterCount	1873
overloadSessionExitCount	1874
overloadSessionsDenied	1874
overloadSignalingPacketDrops	1874
pcfPageReqQueueFailCount	1875
pcfPageReqQueueSuccessCount	1875
permanentRlpLossOfSyncSlot	1875
ReverseMacPktsSlot	1876
ReverseRlpBytesSlot	1876
reverseRlpNacksSlot	1876
reverseRlpResetsSlot	1876
reverseRlpToA10BytesSlot	1877
revPktSizeBin10PerSlot	1877
revPktSizeBin11PerSlot	1877
revPktSizeBin12PerSlot	1878
revPktSizeBin13PerSlot	1878
revPktSizeBin1PerSlot	1878
revPktSizeBin2PerSlot	1879
revPktSizeBin3PerSlot	1879
revPktSizeBin4PerSlot	1879
revPktSizeBin5PerSlot	1880
revPktSizeBin6PerSlot	1880
revPktSizeBin7PerSlot	1880
revPktSizeBin8PerSlot	1881
revPktSizeBin9PerSlot	1881
slotNumber	1881
sNumATInitiatedPageResponsesSlot_Rev0	1882
sNumATInitiatedPageResponsesSlot_RevA	1882
sNumATReportedTuneAwayDropsSlot_Rev0	1882
sNumATReportedTuneAwayDropsSlot_RevA	1883
sNumConnectionRequestAttemptsAfterA13FromATSlot_Rev0	1883
sNumConnectionRequestAttemptsAfterA13FromATSlot_RevA	1884
sNumConnectionRequestFailureAfterA13FromATSlot_Rev0	1884
sNumConnectionRequestFailureAfterA13FromATSlot_RevA	1884
sNumConnectionRequestSuccessesAfterA13FromATSlot_Rev0	1885
sNumConnectionRequestSuccessesAfterA13FromATSlot_RevA	1885
sNumConnectionsClosedNormalBeforeTCCDuringSRAfterDCSlot_Rev0	1885
sNumConnectionsClosedNormalBeforeTCCDuringSRAfterDCSlot_RevA	1886
sNumConnectionsClosedNormalBeforeTCCDuringSRAfterFCASlot_Rev0	1886
sNumConnectionsClosedNormalBeforeTCCDuringSRAfterFCASlot_RevA	1886
sNumConnectionsClosedNormalBeforeTCCSlot_Rev0	1887
sNumConnectionsClosedNormalBeforeTCCSlot_RevA	1887

Updated: 2009-06-03

PERFORMANCE DATA REFERENCE

Prospect® 8.0 for Nortel AMPS/TDMA/CDMA/MTX 17

sNumConnectionSetupAbortNormalA10CloseSlot_Rev0	1887
sNumConnectionSetupAbortNormalA10CloseSlot_RevA	1888
sNumConnectionSetupAttemptsSlot_Rev0	1888
sNumConnectionSetupAttemptsSlot_RevA	1888
sNumConnectionSetupsAbortRedirectTriggersSlot_Rev0	1889
sNumConnectionSetupsAbortRedirectTriggersSlot_RevA	1889
sNumConnectionSetupSuccessSlot_Rev0	1889
sNumConnectionSetupSuccessSlot_RevA	1890
sNumFirstPageResponsesSlot_Rev0	1890
sNumFirstPageResponsesSlot_RevA	1890
sNumHHODropsBlockedByRnSlot_Rev0	1891
sNumHHODropsBlockedByRnSlot_RevA	1891
sNumHHODropsFTCDesriedAndRTCacquiredNotRxSlot_Rev0	1892
sNumHHODropsFTCDesriedAndRTCacquiredNotRxSlot_RevA	1892
sNumHHODropsSlot_Rev0	1892
sNumHHODropsSlot_RevA	1893
sNumIncomingPersonalityChangeTriggersSlot_Rev0	1893
sNumIncomingPersonalityChangeTriggersSlot_RevA	1893
sNumMiscDropsAbnormalCloseBySessionSlot_Rev0	1894
sNumMiscDropsAbnormalCloseBySessionSlot_RevA	1894
sNumMiscDropsDueToRLPSlot_Rev0	1894
sNumMiscDropsDueToRLPSlot_RevA	1895
sNumMiscDropsInternalErrorSlot_Rev0	1895
sNumMiscDropsInternalErrorSlot_RevA	1895
sNumMiscDropsSectorDownSlot_Rev0	1896
sNumMiscDropsSectorDownSlot_RevA	1896
sNumMiscDropsSlot_Rev0	1897
sNumMiscDropsSlot_RevA	1897
sNumMiscDropsStateMismatchSlot_Rev0	1897
sNumMiscDropsStateMismatchSlot_RevA	1898
sNumMiscFCAA10RelatedSlot_Rev0	1898
sNumMiscFCAA10RelatedSlot_RevA	1898
sNumMiscFCAFailuresSlot_Rev0	1899
sNumMiscFCAFailuresSlot_RevA	1899
sNumMiscFCASlot_Rev0	1899
sNumMiscFCASlot_RevA	1900
sNumMiscFCASWErrorSlot_Rev0	1900
sNumMiscFCASWErrorSlot_RevA	1900
sNumNetworkErrorDropsA10SetupFailSlot_Rev0	1901
sNumNetworkErrorDropsA10SetupFailSlot_RevA	1901
sNumNetworkErrorDropsRNCEExternalSlot_Rev0	1901
sNumNetworkErrorDropsRNCEExternalSlot_RevA	1902
sNumNetworkErrorDropsRNCInternalSlot_Rev0	1902
sNumNetworkErrorDropsRNCInternalSlot_RevA	1902
sNumNetworkErrorDropsSlot_Rev0	1903
sNumNetworkErrorDropsSlot_RevA	1903
sNumNormalConnectionClosesSlot_Rev0	1903
sNumNormalConnectionClosesSlot_RevA	1904
sNumOutgoingPersonalityChangeTriggersSlot_Rev0	1904
sNumOutgoingPersonalityChangeTriggersSlot_RevA	1905
sNumPageAbandonedSlot_Rev0	1905

PERFORMANCE DATA REFERENCE
Prospect® 8.0 for Nortel AMPS/TDMA/CDMA/MTX 17

sNumPageAbandonedSlot_RevA	1905
sNumPageRequestsSlot_Rev0	1906
sNumPageRequestsSlot_RevA	1906
sNumPageResponsesSlot_Rev0	1906
sNumPageResponsesSlot_RevA	1907
sNumPageTimeoutSlot_Rev0	1907
sNumPageTimeoutSlot_RevA	1907
sNumResourceRelatedFCABlockedByRNCResourcesSlot_Rev0	1908
sNumResourceRelatedFCABlockedByRNCResourcesSlot_RevA	1908
sNumResourceRelatedFCABlockedByRNSlot_Rev0	1908
sNumResourceRelatedFCABlockedByRNSlot_RevA	1909
sNumResourceRelatedFCAFailedByRNSlot_Rev0	1909
sNumResourceRelatedFCAFailedByRNSlot_RevA	1909
sNumResourceRelatedFCASlot_Rev0	1910
sNumResourceRelatedFCASlot_RevA	1910
sNumRFRelatedDropsNoFtcSlot_Rev0	1910
sNumRFRelatedDropsNoFtcSlot_RevA	1911
sNumRFRelatedDropsRTCLostSlot_Rev0	1911
sNumRFRelatedDropsRTCLostSlot_RevA	1912
sNumRFRelatedDropsSlot_Rev0	1912
sNumRFRelatedDropsSlot_RevA	1912
sNumRFRelatedFCARUTimeOutSlot_Rev0	1913
sNumRFRelatedFCARUTimeOutSlot_RevA	1913
sNumRFRelatedFCASlot_Rev0	1913
sNumRFRelatedFCASlot_RevA	1914
sNumRFRelatedFCATCCTimeOutSlot_Rev0	1914
sNumRFRelatedFCATCCTimeOutSlot_RevA	1914
sNumRNCEstimated3G1xRollDownDropsSlot_Rev0	1915
sNumRNCEstimated3G1xRollDownDropsSlot_RevA	1915
sNumRNCEstimatedTuneAwayDropsSlot_Rev0	1915
sNumRNCEstimatedTuneAwayDropsSlot_RevA	1916
sNumSecondPageRequestsSlot_Rev0	1916
sNumSecondPageRequestsSlot_RevA	1916
sNumSecondPageResponsesSlot_Rev0	1917
sNumSecondPageResponsesSlot_RevA	1917
sNumSilentRetriesAbandonedAfterDCSlot_Rev0	1917
sNumSilentRetriesAbandonedAfterDCSlot_RevA	1918
sNumSilentRetriesAbandonedAfterFCASlot_Rev0	1918
sNumSilentRetriesAbandonedAfterFCASlot_RevA	1919
sNumSilentRetryAttemptsAfterDCSlot_Rev0	1919
sNumSilentRetryAttemptsAfterDCSlot_RevA	1919
sNumSilentRetryAttemptsAfterFCASlot_Rev0	1920
sNumSilentRetryAttemptsAfterFCASlot_RevA	1920
sNumSilentRetryFailuresAfterDCSlot_Rev0	1920
sNumSilentRetryFailuresAfterDCSlot_RevA	1921
sNumSilentRetryFailuresAfterFCASlot_Rev0	1921
sNumSilentRetryFailuresAfterFCASlot_RevA	1921
sNumSilentRetrySuccessesAfterDCSlot_Rev0	1922
sNumSilentRetrySuccessesAfterDCSlot_RevA	1922
sNumSilentRetrySuccessesAfterFCASlot_Rev0	1922
sNumSilentRetrySuccessesAfterFCASlot_RevA	1923

Updated: 2009-06-03

PERFORMANCE DATA REFERENCE
 Prospect® 8.0 for Nortel AMPS/TDMA/CDMA/MTX 17

sNumSoftHandoffRelatedDropsBlockedByRNSlot_Rev0	1923
sNumSoftHandoffRelatedDropsBlockedByRNSlot_RevA	1923
sNumSoftHandoffRelatedDropsSlot_Rev0	1924
sNumSoftHandoffRelatedDropsSlot_RevA	1924
sNumTermauthResourceRelatedFCASlot_Rev0	1924
sNumTermauthResourceRelatedFCASlot_RevA	1925
sNumThirdPageRequestsSlot_Rev0	1925
sNumThirdPageRequestsSlot_RevA	1925
sNumThirdPageResponsesSlot_Rev0	1926
sNumThirdPageResponsesSlot_RevA	1926
sNumTotalConnectionClosesSlot_Rev0	1926
sNumTotalConnectionClosesSlot_RevA	1927
termAuthAccessRejectsIgnoredSlot	1927
termAuthChapTimeoutsSlot	1927
termAuthFailureSessionTaTimeoutSlot	1928
termAuthInvalidNaiFromAtSlot	1928
termAuthLcpConfigTimeoutsIgnoredSlot	1928
termAuthLcpConfigTimeoutsSlot	1929
termAuthNaiFromAtMatchesA12BypassListSlot	1929
termReauthAttemptsSlot	1929
termReauthRejectSlot	1930
termReauthSuccessSlot	1930
termReauthUnresolvedSlot	1930
TotalA10ClosedByPdsnSlot	1931
TotalA10ClosedByRncSlot	1931
totalA10ClosedSlot	1931
totalA10RegAttemptsSlot	1932
totalA10RegFailuresSlot	1932
TotalA10RxBytesSlot	1932
totalA10SetupAttemptsSlot	1933
totalA10SetupAttemptsWithA10ConnMinEnabledSlot	1933
totalA10SetupAttemptWithA10ConnMinDisabledSlot	1933
totalA10SetupFailureSlot	1934
totalA10SwitchesSlot	1934
TotalA10TxBytesSlot	1934
TotalAirlinkRsrcAllocationsFailedSectorCarrierDownSlot	1935
TotalAirlinkRsrcAllocationsFailedSectorCarrierNotHomedSlot	1935
TotalAirlinkRsrcRequestsSlot	1935
TotalAirlinksAllocatedCurSlot	1936
TotalAirlinksAllocatedSlot	1936
TotalBlockedAirlinkRsrcAllocationsSlot	1936
TotalInterSlotRsrcAllocatedSlot	1937
TotalInterSlotRsrcRequestsSlot	1937
totalMobilityTriggeredA10ReRegSlot	1937
TotalSessionSetupsBlockedSlot	1937
TotalSessionSetupsFailedSlot	1938
totalSessionsTerminatedSlot	1938
totalTimesTAPEnabledSlot	1938
DO_RNC_Card_Resource Primitive Calculations	1939
GRAPHmultiLineSeparator	1939
NUMDAYS	1939

PERFORMANCE DATA REFERENCE
Prospect® 8.0 for Nortel AMPS/TDMA/CDMA/MTX 17

NUMHOURS	1939
DO_RNC_Card_Resource Peg Counts	1939
resourceCountCriticalPrevious	1939
resourceCountHealthyPrevious	1940
resourceCountMajorPrevious	1940
resourceCountMinorPrevious	1940
resourceName	1941
resourceSecondsCriticalPrevious	1941
resourceSecondsHealthyPrevious	1941
resourceSecondsMajorPrevious	1942
resourceSecondsMinorPrevious	1942
resourceTimeInterval	1942
resourceTimeIntervalThreshold	1943
resourceWatermarkPrevious	1943
DO_RNC_Card_TrafficType Primitive Calculations	1943
GRAPHmultiLineSeparator	1943
NUMDAYS	1943
NUMHOURS	1944
DO_RNC_Card_TrafficType Peg Counts	1944
numConnectionCloseInitiatedNoRanRsrcAppTrafficPerSlot_EMFPA	1944
numConnectionCloseInitiatedNoRanRsrcAppTrafficPerSlot_MFPA	1944
numFwdReservationOffMessagesSentAppTrafficPerSlot_EMFPA	1945
numFwdReservationOffMessagesSentAppTrafficPerSlot_MFPA	1945
numFwdReservationOnMessagesSentAppTrafficPerSlot_EMFPA	1945
numFwdReservationOnMessagesSentAppTrafficPerSlot_MFPA	1946
numQosReleaseRequestsReceivedAppTrafficPerSlot_EMFPA	1946
numQosReleaseRequestsReceivedAppTrafficPerSlot_MFPA	1946
numQosSetupRequestsAcceptedAppTrafficPerSlot_EMFPA	1947
numQosSetupRequestsAcceptedAppTrafficPerSlot_MFPA	1947
numQosSetupRequestsReceivedAppTrafficPerSlot_EMFPA	1947
numQosSetupRequestsReceivedAppTrafficPerSlot_MFPA	1947
numQosSetupRequestsRejectedAppTrafficPerSlot_EMFPA	1948
numQosSetupRequestsRejectedAppTrafficPerSlot_MFPA	1948
numQosSetupRequestsRejectedReservationLimitAppTrafficPerSlot_EMFPA	1948
numQosSetupRequestsRejectedReservationLimitAppTrafficPerSlot_MFPA	1949
numReservationActivationWithConnectionOpenAppTrafficPerSlot_EMFPA	1949
numReservationActivationWithConnectionOpenAppTrafficPerSlot_MFPA	1950
numReservationAuthorizedQosWasNullAppTrafficPerSlot_EMFPA	1950
numReservationAuthorizedQosWasNullAppTrafficPerSlot_MFPA	1950
numReservationDeactivationWithConnectionCloseAppTrafficPerSlot_EMFPA	1951
numReservationDeactivationWithConnectionCloseAppTrafficPerSlot_MFPA	1951
numReservationOffRequestsAcceptedAppTrafficPerSlot_EMFPA	1951
numReservationOffRequestsAcceptedAppTrafficPerSlot_MFPA	1952
numReservationOffRequestsReceivedAppTrafficPerSlot_EMFPA	1952
numReservationOffRequestsReceivedAppTrafficPerSlot_MFPA	1952
numReservationOffRequestsRejectedAppTrafficPerSlot_EMFPA	1953
numReservationOffRequestsRejectedAppTrafficPerSlot_MFPA	1953
numReservationOffRequestsRejectedUnknownReservationAppTrafficPerSlot_EMFPA ..	1953
numReservationOffRequestsRejectedUnknownReservationAppTrafficPerSlot_MFPA ..	1954
numReservationOnRequestsAcceptedAppTrafficPerSlot_EMFPA	1954

Updated: 2009-06-03

PERFORMANCE DATA REFERENCE

Prospect® 8.0 for Nortel AMPS/TDMA/CDMA/MTX 17

numReservationOnRequestsAcceptedAppTrafficPerSlot_MFPA	1954
numReservationOnRequestsFailedAppTrafficPerSlot_EMFPA	1955
numReservationOnRequestsFailedAppTrafficPerSlot_MFPA	1955
numReservationOnRequestsFailedNoDriverFlowAppTrafficPerSlot_EMFPA	1955
numReservationOnRequestsFailedNoDriverFlowAppTrafficPerSlot_MFPA	1956
numReservationOnRequestsFailedNoRevRlpFlowAppTrafficPerSlot_EMFPA	1956
numReservationOnRequestsFailedNoRevRlpFlowAppTrafficPerSlot_MFPA	1957
numReservationOnRequestsReceivedAppTrafficPerSlot_EMFPA	1957
numReservationOnRequestsReceivedAppTrafficPerSlot_MFPA	1957
numReservationOnRequestsRejectedAdmissionControlAppTrafficPerSlot_EMFPA	1958
numReservationOnRequestsRejectedAdmissionControlAppTrafficPerSlot_MFPA	1958
numReservationOnRequestsRejectedAppTrafficPerSlot_EMFPA	1958
numReservationOnRequestsRejectedAppTrafficPerSlot_MFPA	1959
numReservationOnRequestsRejectedGrantedQosNotRequestedAppTrafficPerSlot_EMFPA	1959
numReservationOnRequestsRejectedGrantedQosNotRequestedAppTrafficPerSlot_MFPA	1959
numReservationOnRequestsRejectedNullGrantedQosAppTrafficPerSlot_EMFPA	1960
numReservationOnRequestsRejectedNullGrantedQosAppTrafficPerSlot_MFPA	1960
numReservationOnRequestsRejectedNullRequestedQosAppTrafficPerSlot_EMFPA	1960
numReservationOnRequestsRejectedNullRequestedQosAppTrafficPerSlot_MFPA	1961
numReservationOnRequestsRejectedUnknownReservationAppTrafficPerSlot_EMFPA	1961
numReservationOnRequestsRejectedUnknownReservationAppTrafficPerSlot_MFPA	1962
numRevReservationOffMessagesSentAppTrafficPerSlot_EMFPA	1962
numRevReservationOffMessagesSentAppTrafficPerSlot_MFPA	1962
numRevReservationOnMessagesSentAppTrafficPerSlot_EMFPA	1963
numRevReservationOnMessagesSentAppTrafficPerSlot_MFPA	1963
numUnsupportedRequestedQosTypeRcvdAppTrafficPerSlot_EMFPA	1963
numUnsupportedRequestedQosTypeRcvdAppTrafficPerSlot_MFPA	1964
DO_RNC_CardPort Primitive Calculations	1964
GRAPHmultiLineSeparator	1964
NUMDAYS	1964
NUMHOURS	1964
DO_RNC_CPU Primitive Calculations	1965
GRAPHmultiLineSeparator	1965
NUMDAYS	1965
NUMHOURS	1965
DO_RNC_CPU Peg Counts	1965
airEntCPUUtilizationAverage	1965
airEntCPUUtilizationFastPath	1965
airEntCPUUtilizationSlowPath	1966
AvgAirEntCPUUtilization	1966
MaxAirEntCPUUtilization	1966
MinAirEntCPUUtilization	1967
DO_RNC_If Primitive Calculations	1967
GRAPHmultiLineSeparator	1967
IfIn_utilization_sum	1967
IfIn00_09%_Util	1967
IfIn10_19%_Util	1968
IfIn100%_Util	1968
IfIn20_29%_Util	1968

PERFORMANCE DATA REFERENCE
Prospect® 8.0 for Nortel AMPS/TDMA/CDMA/MTX 17

IfIn30_39%_Util	1968
IfIn40_49%_Util	1968
IfIn50_59%_Util	1968
IfIn60_69%_Util	1968
IfIn70_79%_Util	1969
IfIn80_89%_Util	1969
IfIn90_99%_Util	1969
IfOut_utilization_sum	1969
IfOut00_09%_Util	1969
IfOut10_19%_Util	1969
IfOut100%_Util	1969
IfOut20_29%_Util	1970
IfOut30_39%_Util	1970
IfOut40_49%_Util	1970
IfOut50_59%_Util	1970
IfOut60_69%_Util	1970
IfOut70_79%_Util	1970
IfOut80_89%_Util	1970
IfOut90_99%_Util	1971
NUMDAYS	1971
NUMHOURS	1971
DO_RNC_If Peg Counts	1971
IfInBin0percent	1971
IfInBin100percent	1971
IfInBin10percent	1972
IfInBin20percent	1972
IfInBin30percent	1972
IfInBin40percent	1973
IfInBin50percent	1973
IfInBin60percent	1973
IfInBin70percent	1974
IfInBin80percent	1974
IfInBin90percent	1974
ifIndex	1975
IfOutBin0percent	1975
IfOutBin100percent	1975
IfOutBin10percent	1975
IfOutBin20percent	1976
IfOutBin30percent	1976
IfOutBin40percent	1976
IfOutBin50percent	1977
IfOutBin60percent	1977
IfOutBin70percent	1977
IfOutBin80percent	1978
IfOutBin90percent	1978
ifSpeed	1978
qosPktsDropBackgroundTrafficQueue	1979
qosPktsDropCriticalQueue	1979
qosPktsDropDataQueue	1979
qosPktsDropSignalingQueue	1979
qosPktsTXBackgroundTrafficQueue	1980

Updated: 2009-06-03

qosPktsTxCriticalQueue	1980
qosPktsTxDataQueue	1980
qosPktsTxSignalingQueue	1981
DO_RNC_Priority Primitive Calculations	1981
GRAPHmultiLineSeparator	1981
NUMDAYS	1981
NUMHOURS	1981
DO_RNC_Priority Peg Counts	1982
numberOfUserPerRnc	1982
numTimesUserPriorityChangedPerRnc_TargetPriority0	1982
numTimesUserPriorityChangedPerRnc_TargetPriority1	1982
numTimesUserPriorityChangedPerRnc_TargetPriority2	1983
numTimesUserPriorityChangedPerRnc_TargetPriority3	1983
numTimesUserPriorityChangedPerRnc_TargetPriority4	1983
numTimesUserPriorityChangedPerRnc_TargetPriority5	1984
DO_RNC_QosQueue Primitive Calculations	1984
GRAPHmultiLineSeparator	1984
NUMDAYS	1984
NUMHOURS	1984
DO_RNC_QosQueue Peg Counts	1985
qosQueueDropThreshold	1985
qosQueueLength	1985
qosQueuePktsDrop	1985
qosQueuePktsTx	1986
DO_RNC_Source Primitive Calculations	1986
GRAPHmultiLineSeparator	1986
NUMDAYS	1986
NUMHOURS	1986
DO_RNC_Source Peg Counts	1987
a16RmtRncIpAddress	1987
avgA13HoDelayPriorSessionSourceRncPerf	1987
avgA13HoDelaySourceRncPerf	1987
colorCodeSourceRncPerf	1988
ipAddressSourceRncPerf	1988
maxA13HoDelayPriorSessionSourceRncPerf	1988
maxA13HoDelaySourceRncPerf	1989
minA13HoDelayPriorSessionSourceRncPerf	1989
minA13HoDelaySourceRncPerf	1989
numA13ConfirmIgnoredRemoteRncPerf	1990
numA13FailuresRemoteRncAdminStatusDownPriorSessionRemoteRncPerf	1990
numA13FailuresRemoteRncAdminStatusDownRemoteRncPerf	1990
numA13IntraClusterAttemptsPriorSessionRemoteRncPerf	1991
numA13IntraClusterAttemptsRemoteRncPerf	1991
numA13IntraClusterFailuresPriorSessionRemoteRncPerf	1991
numA13IntraClusterFailuresRemoteRncPerf	1992
numA13MsgsFromRemoteRNCRemoteRncPerf	1992
numA13MsgsToRemoteRNCRemoteRncPerf	1992
numA13RejectInvalidReasonPriorSessionSourceRncPerf	1993
numA13RejectInvalidReasonSourceRncPerf	1993
numA13RejectProtSubtypeAttrMissingPriorSessionSourceRncPerf	1993

PERFORMANCE DATA REFERENCE
 Prospect® 8.0 for Nortel AMPS/TDMA/CDMA/MTX 17

numA13RejectProtSubtypeAttrMissingSourceRncPerf	1994
numA13RejectProtSubtypeAttrNotRecognizedPriorSessionSourceRncPerf	1994
numA13RejectProtSubtypeAttrNotRecognizedSourceRncPerf	1994
numA13RejectProtSubtypeNotRecognizedPriorSessionSourceRncPerf	1995
numA13RejectProtSubtypeNotRecognizedSourceRncPerf	1995
numA13RejectSessionNotAuthenticPriorSessionSourceRncPerf	1995
numA13RejectSessionNotAuthenticSourceRncPerf	1996
numA13RejectSessionNotFoundPriorSessionSourceRncPerf	1996
numA13RejectSessionNotFoundSourceRncPerf	1996
numA13ReqTimeoutPriorSessionSourceRncPerf	1997
numA13ReqTimeoutSourceRncPerf	1997
numA13RequestsIgnoredRemoteRncAdminStatusDownRemoteRncPerf	1997
numA13RequestsIgnoredRemoteRncNotConfiguredRemoteRncPerf	1998
numA13RequestsReTransmittedRemoteRncPerf	1998
numA13ResponsesSentActivePersonliltyRev0RemoteRncPerf	1998
numA13ResponsesSentActivePersonliltyRevARemoteRncPerf	1999
numA13ResponsesSentDummyPdsnRemoteRncPerf	1999
numA13SessMarkedForReNegotiationDifflosVersionPriorSessionRemoteRncPerf	1999
numA13SessMarkedForReNegotiationDifflosVersionRemoteRncPerf	2000
numA13SessMarkedForReNegotiationDifflosVersionTotalRemoteRncPerf	2000
numA13SessReconfResultNoOperationPriorSessionRemoteRncPerf	2000
numA13SessReconfResultNoOperationRemoteRncPerf	2001
numA13SessReconfResultPersonalityChangeRevAPriorSessionRemoteRncPerf	2001
numA13SessReconfResultPersonalityChangeRevARemoteRncPerf	2001
numA13SessReconfResultPersonalityChangeRevATotalRemoteRncPerf	2002
numA13TotalRejectPriorSessionSourceRncPerf	2002
numA13TotalRejectSourceRncPerf	2002
numA16AbortsATLostR	2003
numA16AbortsConnRelR	2003
numA16AbortsGeneralR	2004
numA16AbortsR	2004
numA16AbortsRsvdR	2004
numA16AbortsTimeoutR	2005
numA16AttemptsR	2005
numA16RejectsEquipmentR	2005
numA16RejectsGeneralR	2006
numA16RejectsNetworkR	2006
numA16RejectsR	2006
numA16RejectsRadioR	2007
numA16RejectsRsvdR	2007
numA16RejectsSsirR	2008
numA16SuccessR	2008
numA16SuppSrcDemarcR	2008
numA16SuppSrcDisabledR	2009
numA16SuppSrcRmtDisabledR	2009
numA16SuppSrcRnSwR	2009
numA16SuppSrcSessCfgR	2010
numA16SuppTgtDisabledR	2010
numA16SuppTgtRmtDisabledR	2010
numA16TimeoutR	2011
numDormantHandoffAttemptsPriorSessionSourceRncPerf	2011

Updated: 2009-06-03

PERFORMANCE DATA REFERENCE

Prospect® 8.0 for Nortel AMPS/TDMA/CDMA/MTX 17

numDormantHandoffAttemptsSourceRncPerf	2011
numDormantHandoffFailureAtIdResponseFailurePriorSessionSourceRncPerf	2012
numDormantHandoffFailureAtIdResponseFailureSourceRncPerf	2012
numDormantHandoffFailureAtIdTimeoutPriorSessionSourceRncPerf	2012
numDormantHandoffFailureAtIdTimeoutSourceRncPerf	2013
numDormantHandoffFailureATInitiatedClosePriorSessionSourceRncPerf	2013
numDormantHandoffFailureATInitiatedCloseSourceRncPerf	2013
numDormantHandoffFailureHdwIdTimeoutPriorSessionSourceRncPerf	2014
numDormantHandoffFailureHdwIdTimeoutSourceRncPerf	2014
numDormantHandoffFailureInvalidHdwIdTypePriorSessionSourceRncPerf	2014
numDormantHandoffFailureInvalidHdwIdTypeSourceRncPerf	2015
numDormantHandoffFailureInvalidHdwIdValuePriorSessionSourceRncPerf	2015
numDormantHandoffFailureInvalidHdwIdValueSourceRncPerf	2015
numDormantHandoffFailureInvalidUatiCmpltSourceRncPerf	2016
numDormantHandoffFailureMiscPriorSessionSourceRncPerf	2016
numDormantHandoffFailureMiscSourceRncPerf	2016
numDormantHandoffFailureNoRncResourceSourceRncPerf	2017
numDormantHandoffFailureNoUatiCmpltSourceRncPerf	2017
numDormantHandoffFailureNoUatiReqSourceRncPerf	2017
numDormantHandoffFailureRetrievedConfigUnacceptablePriorSessionSourceRncPerf	2018
numDormantHandoffFailureRetrievedConfigUnacceptableSourceRncPerf	2018
numDormantHandoffFailureRNCInitiatedClosePriorSessionSourceRncPerf	2018
numDormantHandoffFailureRNCInitiatedCloseSourceRncPerf	2019
numDormantHandoffFailureSessionConfigDuringInitialConfigPriorSessionSourceRncPerf	2019
numDormantHandoffFailureSessionConfigDuringReconfigurationPriorSessionSourceRncPerf	2020
numDormantHandoffFailureSessionConfigDuringReconfigurationSourceRncPerf	2020
numDormantHandoffFailureSourceUnreachablePriorSessionSourceRncPerf	2020
numDormantHandoffFailureSourceUnreachableSourceRncPerf	2021
numDormantHandoffFailureTAAfterA13RspPriorSessionSourceRncPerf	2021
numDormantHandoffFailureTAAfterA13RspSourceRncPerf	2021
numDormantHandoffFailureToSourceLookupFailurePriorSessionSourceRncPerf	2022
numDormantHandoffFailureToSourceLookupFailureSourceRncPerf	2022
numDormantHandoffFailureUati104MatchesLocalSubnetPriorSessionSourceRncPerf	2022
numDormantHandoffFailureUati104SourceRncPerf	2023
numDormantHandoffNoUatiReqAttemptsSourceRncPerf	2023
numDormantHandoffNoUatiReqFailureSourceRncPerf	2023
numDormantHandoffNoUatiReqSuccessesSourceRncPerf	2024
numDormantHandoffSuccessesPriorSessionSourceRncPerf	2024
numDormantHandoffSuccessesSourceRncPerf	2024
numRejectSentSessionNotFoundToPeerRNCRemoteRncPerf	2025
numSessCfgPostA13ReconfNeededPriorSessionSourceRncPerf	2025
numSessCfgPostA13ReconfNeededSourceRncPerf	2025
numTotalDormantHandoffFailurePriorSessionSourceRncPerf	2026
numTotalDormantHandoffFailureSourceRncPerf	2026
numTotalRejectSentToRemoteRNC	2026
DO_RNC_TrafficType Primitive Calculations	2027
GRAPHmultiLineSeparator	2027
NUMDAYS	2027
NUMHOURS	2027

PERFORMANCE DATA REFERENCE
Prospect® 8.0 for Nortel AMPS/TDMA/CDMA/MTX 17

DO_RNC_TrafficType Peg Counts	2027
numCallCloseAppTrafficPerRnc	2027
numCallDropsAppTrafficPerRnc	2027
numCallNormalCloseAppTrafficPerRnc	2028
numConnectionTimeoutAppTrafficPerRnc	2028
numFirstPageAbandonedAppTrafficPerRnc	2028
numFirstPageLateResponsesAppTrafficPerRnc	2029
numFirstPageRequestsAppTrafficPerRnc	2029
numFirstPageResponsesAppTrafficPerRnc	2029
numFirstPageTimeoutAppTrafficPerRnc	2030
numPageAbandonedAppTrafficPerRnc	2030
numPageRequestsAppTrafficPerRnc	2030
numPageResponsesAppTrafficPerRnc	2031
numPageTimeoutAppTrafficPerRnc	2031
numRanRsrcActAttemptsAppTrafficPerRnc	2031
numRanRsrcActFailuresAppTrafficPerRnc	2032
numRanRsrcActSuccessAppTrafficPerRnc	2032
numSecondPageAbandonedAppTrafficPerRnc	2032
numSecondPageLateResponsesAppTrafficPerRnc	2033
numSecondPageRequestsAppTrafficPerRnc	2033
numSecondPageResponsesAppTrafficPerRnc	2033
numSecondPageTimeoutAppTrafficPerRnc	2034
numThirdPageAbandonedAppTrafficPerRnc	2034
numThirdPageLateResponsesAppTrafficPerRnc	2034
numThirdPageRequestsAppTrafficPerRnc	2035
numThirdPageResponsesAppTrafficPerRnc	2035
numThirdPageTimeoutAppTrafficPerRnc	2035
DOM Primitive Calculations	2036
GRAPHmultiLineSeparator	2036
NUMDAYS	2036
NUMHOURS	2036
perModemFlowHistTotalSamples	2036
perModemFlowPercentage000	2037
perModemFlowPercentage024	2037
perModemFlowPercentage048	2037
perModemFlowPercentage072	2037
perModemFlowPercentage096	2037
perModemFlowPercentage1008	2037
perModemFlowPercentage1032	2038
perModemFlowPercentage1056	2038
perModemFlowPercentage1080	2038
perModemFlowPercentage1104	2038
perModemFlowPercentage1128	2038
perModemFlowPercentage1152	2038
perModemFlowPercentage120	2039
perModemFlowPercentage144	2039
perModemFlowPercentage168	2039
perModemFlowPercentage192	2039
perModemFlowPercentage216	2039
perModemFlowPercentage240	2039
perModemFlowPercentage264	2040

Updated: 2009-06-03

PERFORMANCE DATA REFERENCE
 Prospect® 8.0 for Nortel AMPS/TDMA/CDMA/MTX 17

perModemFlowPercentage288	2040
perModemFlowPercentage312	2040
perModemFlowPercentage336	2040
perModemFlowPercentage360	2040
perModemFlowPercentage384	2040
perModemFlowPercentage408	2041
perModemFlowPercentage432	2041
perModemFlowPercentage456	2041
perModemFlowPercentage480	2041
perModemFlowPercentage504	2041
perModemFlowPercentage528	2041
perModemFlowPercentage552	2042
perModemFlowPercentage576	2042
perModemFlowPercentage600	2042
perModemFlowPercentage624	2042
perModemFlowPercentage648	2042
perModemFlowPercentage672	2042
perModemFlowPercentage696	2043
perModemFlowPercentage720	2043
perModemFlowPercentage744	2043
perModemFlowPercentage768	2043
perModemFlowPercentage792	2043
perModemFlowPercentage816	2043
perModemFlowPercentage840	2044
perModemFlowPercentage864	2044
perModemFlowPercentage888	2044
perModemFlowPercentage912	2044
perModemFlowPercentage936	2044
perModemFlowPercentage960	2044
perModemFlowPercentage984	2045
DOM Peg Counts	2045
MLPPP_ifInBin0percent	2045
MLPPP_ifInBin100percent	2045
MLPPP_ifInBin10percent	2046
MLPPP_ifInBin20percent	2046
MLPPP_ifInBin30percent	2046
MLPPP_ifInBin40percent	2047
MLPPP_ifInBin50percent	2047
MLPPP_ifInBin60percent	2047
MLPPP_ifInBin70percent	2048
MLPPP_ifInBin80percent	2048
MLPPP_ifInBin90percent	2048
MLPPP_ifIndex	2049
MLPPP_ifOutBin0percent	2049
MLPPP_ifOutBin100percent	2049
MLPPP_ifOutBin10percent	2050
MLPPP_ifOutBin20percent	2050
MLPPP_ifOutBin30percent	2050
MLPPP_ifOutBin40percent	2051
MLPPP_ifOutBin50percent	2051
MLPPP_ifOutBin60percent	2051

PERFORMANCE DATA REFERENCE
Prospect® 8.0 for Nortel AMPS/TDMA/CDMA/MTX 17

MLPPP_ifOutBin70percent	2052
MLPPP_ifOutBin80percent	2052
MLPPP_ifOutBin90percent	2052
perModemConnectionBlocksNoCxnResources	2053
perModemConnectionBlocksNoFlows	2053
perModemFlowHistBin000	2053
perModemFlowHistBin024	2054
perModemFlowHistBin048	2054
perModemFlowHistBin072	2054
perModemFlowHistBin096	2055
perModemFlowHistBin1008	2055
perModemFlowHistBin1032	2055
perModemFlowHistBin1056	2056
perModemFlowHistBin1080	2056
perModemFlowHistBin1104	2056
perModemFlowHistBin1128	2057
perModemFlowHistBin1152	2057
perModemFlowHistBin120	2057
perModemFlowHistBin144	2058
perModemFlowHistBin168	2058
perModemFlowHistBin192	2058
perModemFlowHistBin216	2059
perModemFlowHistBin240	2059
perModemFlowHistBin264	2059
perModemFlowHistBin288	2060
perModemFlowHistBin312	2060
perModemFlowHistBin336	2060
perModemFlowHistBin360	2061
perModemFlowHistBin384	2061
perModemFlowHistBin408	2061
perModemFlowHistBin432	2062
perModemFlowHistBin456	2062
perModemFlowHistBin480	2062
perModemFlowHistBin504	2063
perModemFlowHistBin528	2063
perModemFlowHistBin552	2063
perModemFlowHistBin576	2064
perModemFlowHistBin600	2064
perModemFlowHistBin624	2064
perModemFlowHistBin648	2065
perModemFlowHistBin672	2065
perModemFlowHistBin696	2065
perModemFlowHistBin720	2066
perModemFlowHistBin744	2066
perModemFlowHistBin768	2066
perModemFlowHistBin792	2067
perModemFlowHistBin816	2067
perModemFlowHistBin840	2067
perModemFlowHistBin864	2068
perModemFlowHistBin888	2068
perModemFlowHistBin912	2068

Updated: 2009-06-03

PERFORMANCE DATA REFERENCE

Prospect® 8.0 for Nortel AMPS/TDMA/CDMA/MTX 17

perModemFlowHistBin936	2069
perModemFlowHistBin960	2069
perModemFlowHistBin984	2069
perModemFlowSamplePeriod	2070
perModemFlowUsagePerIUBE_Priority0	2070
perModemFlowUsagePerIUBE_Priority1	2070
perModemFlowUsagePerIUBE_Priority2	2071
perModemFlowUsagePerIUBE_Priority3	2071
perModemFlowUsagePerIUBE_Priority4	2071
perModemFlowUsagePerIUBE_Priority5	2072
perModemHistogramSampleCountForSimultCxnResources000	2072
perModemHistogramSampleCountForSimultCxnResources001	2072
perModemHistogramSampleCountForSimultCxnResources002	2073
perModemHistogramSampleCountForSimultCxnResources003	2073
perModemHistogramSampleCountForSimultCxnResources004	2073
perModemHistogramSampleCountForSimultCxnResources005	2074
perModemHistogramSampleCountForSimultCxnResources006	2074
perModemHistogramSampleCountForSimultCxnResources007	2074
perModemHistogramSampleCountForSimultCxnResources008	2074
perModemHistogramSampleCountForSimultCxnResources009	2075
perModemHistogramSampleCountForSimultCxnResources010	2075
perModemHistogramSampleCountForSimultCxnResources011	2075
perModemHistogramSampleCountForSimultCxnResources012	2076
perModemHistogramSampleCountForSimultCxnResources013	2076
perModemHistogramSampleCountForSimultCxnResources014	2076
perModemHistogramSampleCountForSimultCxnResources015	2077
perModemHistogramSampleCountForSimultCxnResources016	2077
perModemHistogramSampleCountForSimultCxnResources017	2077
perModemHistogramSampleCountForSimultCxnResources018	2078
perModemHistogramSampleCountForSimultCxnResources019	2078
perModemHistogramSampleCountForSimultCxnResources020	2078
perModemHistogramSampleCountForSimultCxnResources021	2078
perModemHistogramSampleCountForSimultCxnResources022	2079
perModemHistogramSampleCountForSimultCxnResources023	2079
perModemHistogramSampleCountForSimultCxnResources024	2079
perModemHistogramSampleCountForSimultCxnResources025	2080
perModemHistogramSampleCountForSimultCxnResources026	2080
perModemHistogramSampleCountForSimultCxnResources027	2080
perModemHistogramSampleCountForSimultCxnResources028	2081
perModemHistogramSampleCountForSimultCxnResources029	2081
perModemHistogramSampleCountForSimultCxnResources030	2081
perModemHistogramSampleCountForSimultCxnResources031	2082
perModemHistogramSampleCountForSimultCxnResources032	2082
perModemHistogramSampleCountForSimultCxnResources033	2082
perModemHistogramSampleCountForSimultCxnResources034	2082
perModemHistogramSampleCountForSimultCxnResources035	2083
perModemHistogramSampleCountForSimultCxnResources036	2083
perModemHistogramSampleCountForSimultCxnResources037	2083
perModemHistogramSampleCountForSimultCxnResources038	2084
perModemHistogramSampleCountForSimultCxnResources039	2084
perModemHistogramSampleCountForSimultCxnResources040	2084

PERFORMANCE DATA REFERENCE
Prospect® 8.0 for Nortel AMPS/TDMA/CDMA/MTX 17

perModemHistogramSampleCountForSimultCxnResources041	2085
perModemHistogramSampleCountForSimultCxnResources042	2085
perModemHistogramSampleCountForSimultCxnResources043	2085
perModemHistogramSampleCountForSimultCxnResources044	2086
perModemHistogramSampleCountForSimultCxnResources045	2086
perModemHistogramSampleCountForSimultCxnResources046	2086
perModemHistogramSampleCountForSimultCxnResources047	2086
perModemHistogramSampleCountForSimultCxnResources048	2087
perModemHistogramSampleCountForSimultCxnResources049	2087
perModemHistogramSampleCountForSimultCxnResources050	2087
perModemHistogramSampleCountForSimultCxnResources051	2088
perModemHistogramSampleCountForSimultCxnResources052	2088
perModemHistogramSampleCountForSimultCxnResources053	2088
perModemHistogramSampleCountForSimultCxnResources054	2089
perModemHistogramSampleCountForSimultCxnResources055	2089
perModemHistogramSampleCountForSimultCxnResources056	2089
perModemHistogramSampleCountForSimultCxnResources057	2090
perModemHistogramSampleCountForSimultCxnResources058	2090
perModemHistogramSampleCountForSimultCxnResources059	2090
perModemHistogramSampleCountForSimultCxnResources060	2090
perModemHistogramSampleCountForSimultCxnResources061	2091
perModemHistogramSampleCountForSimultCxnResources062	2091
perModemHistogramSampleCountForSimultCxnResources063	2091
perModemHistogramSampleCountForSimultCxnResources064	2092
perModemHistogramSampleCountForSimultCxnResources065	2092
perModemHistogramSampleCountForSimultCxnResources066	2092
perModemHistogramSampleCountForSimultCxnResources067	2093
perModemHistogramSampleCountForSimultCxnResources068	2093
perModemHistogramSampleCountForSimultCxnResources069	2093
perModemHistogramSampleCountForSimultCxnResources070	2094
perModemHistogramSampleCountForSimultCxnResources071	2094
perModemHistogramSampleCountForSimultCxnResources072	2094
perModemHistogramSampleCountForSimultCxnResources073	2094
perModemHistogramSampleCountForSimultCxnResources074	2095
perModemHistogramSampleCountForSimultCxnResources075	2095
perModemHistogramSampleCountForSimultCxnResources076	2095
perModemHistogramSampleCountForSimultCxnResources077	2096
perModemHistogramSampleCountForSimultCxnResources078	2096
perModemHistogramSampleCountForSimultCxnResources079	2096
perModemHistogramSampleCountForSimultCxnResources080	2097
perModemHistogramSampleCountForSimultCxnResources081	2097
perModemHistogramSampleCountForSimultCxnResources082	2097
perModemHistogramSampleCountForSimultCxnResources083	2098
perModemHistogramSampleCountForSimultCxnResources084	2098
perModemHistogramSampleCountForSimultCxnResources085	2098
perModemHistogramSampleCountForSimultCxnResources086	2098
perModemHistogramSampleCountForSimultCxnResources087	2099
perModemHistogramSampleCountForSimultCxnResources088	2099
perModemHistogramSampleCountForSimultCxnResources089	2099
perModemHistogramSampleCountForSimultCxnResources090	2100
perModemHistogramSampleCountForSimultCxnResources091	2100

Updated: 2009-06-03

PERFORMANCE DATA REFERENCE
 Prospect® 8.0 for Nortel AMPS/TDMA/CDMA/MTX 17

perModemHistogramSampleCountForSimultCxnResources092	2100
perModemHistogramSampleCountForSimultCxnResources093	2101
perModemHistogramSampleCountForSimultCxnResources094	2101
perModemHistogramSampleCountForSimultCxnResources095	2101
perModemHistogramSamplePeriod	2102
perModemMaxCxnResources	2102
perModemMaxDriverFlows	2102
totalForwardAbisByteCountL32	2103
totalForwardAbisPacketCountL32	2103
totalForwardMACByteCountL32	2103
totalForwardMACPacketCountL32	2104
totalReverseAbisByteCountL32	2104
totalReverseAbisPacketCountL32	2104
totalReverseMACByteCountL32	2105
totalReverseMACPacketCountL32	2105
DOM_Card Primitive Calculations	2105
GRAPHmultiLineSeparator	2105
NUMDAYS	2105
NUMHOURS	2106
DOM_Card Peg Counts	2106
currentDToAPackets	2106
currentFree128Mbufs	2106
currentFree2048Mbufs	2106
currentFree256Mbufs	2107
currentFree512Mbufs	2107
currentFreeMem	2107
currentNumATBeingPaged	2108
currentNumFreeSockets	2108
DOM_Card_Resource Primitive Calculations	2108
GRAPHmultiLineSeparator	2108
NUMDAYS	2108
NUMHOURS	2109
DOM_Card_Resource Peg Counts	2109
resourceName	2109
resourceSecondsCriticalPrevious	2109
resourceSecondsHealthyPrevious	2109
resourceSecondsMajorPrevious	2110
resourceSecondsMinorPrevious	2110
DOM_CardPort Primitive Calculations	2110
GRAPHmultiLineSeparator	2110
NUMDAYS	2111
NUMHOURS	2111
DOM_ChanNo Primitive Calculations	2111
GRAPHmultiLineSeparator	2111
NUMDAYS	2111
NUMHOURS	2111
DOM_CPU Primitive Calculations	2111
GRAPHmultiLineSeparator	2112
NUMDAYS	2112
NUMHOURS	2112

PERFORMANCE DATA REFERENCE
 Prospect® 8.0 for Nortel AMPS/TDMA/CDMA/MTX 17

DOM_CPU Peg Counts	2112
airEntCPUUtilizationAverage	2112
airEntCPUUtilizationFastPath	2112
airEntCPUUtilizationSlowPath	2113
AvgAirEntCPUUtilization	2113
MaxAirEntCPUUtilization	2113
MinAirEntCPUUtilization	2114
DOM_If Primitive Calculations	2114
GRAPHmultiLineSeparator	2114
IfIn_utilization_sum	2114
IfIn00_09%_Util	2114
IfIn10_19%_Util	2114
IfIn100%_Util	2115
IfIn20_29%_Util	2115
IfIn30_39%_Util	2115
IfIn40_49%_Util	2115
IfIn50_59%_Util	2115
IfIn60_69%_Util	2115
IfIn70_79%_Util	2115
IfIn80_89%_Util	2116
IfIn90_99%_Util	2116
IfOut_utilization_sum	2116
IfOut00_09%_Util	2116
IfOut10_19%_Util	2116
IfOut100%_Util	2116
IfOut20_29%_Util	2117
IfOut30_39%_Util	2117
IfOut40_49%_Util	2117
IfOut50_59%_Util	2117
IfOut60_69%_Util	2117
IfOut70_79%_Util	2117
IfOut80_89%_Util	2117
IfOut90_99%_Util	2118
NUMDAYS	2118
NUMHOURS	2118
DOM_If Peg Counts	2118
IfInBin0percent	2118
IfInBin100percent	2118
IfInBin10percent	2119
IfInBin20percent	2119
IfInBin30percent	2119
IfInBin40percent	2120
IfInBin50percent	2120
IfInBin60percent	2120
IfInBin70percent	2121
IfInBin80percent	2121
IfInBin90percent	2121
ifIndex	2121
IfOutBin0percent	2122
IfOutBin100percent	2122
IfOutBin10percent	2122

Updated: 2009-06-03

PERFORMANCE DATA REFERENCE
 Prospect® 8.0 for Nortel AMPS/TDMA/CDMA/MTX 17

IfOutBin20percent	2123
IfOutBin30percent	2123
IfOutBin40percent	2123
IfOutBin50percent	2124
IfOutBin60percent	2124
IfOutBin70percent	2124
IfOutBin80percent	2125
IfOutBin90percent	2125
ifSpeed	2125
qosPktsDropBackgroundTrafficQueue	2125
qosPktsDropCriticalQueue	2126
qosPktsDropDataQueue	2126
qosPktsDropSignalingQueue	2126
qosPktsTXBackgroundTrafficQueue	2127
qosPktsTxCriticalQueue	2127
qosPktsTxDataQueue	2127
qosPktsTxSignalingQueue	2128
DOM_QosQueue Primitive Calculations	2128
GRAPHmultiLineSeparator	2128
NUMDAYS	2128
NUMHOURS	2128
DOM_QosQueue Peg Counts	2128
qosQueueDropThreshold	2129
qosQueueLength	2129
qosQueuePktsDrop	2129
qosQueuePktsTx	2130
DOM_RNC Primitive Calculations	2130
GRAPHmultiLineSeparator	2130
NUMDAYS	2130
NUMHOURS	2130
DOM_RNC Peg Counts	2130
forwardAbisByteCountL32	2131
forwardAbisPacketCountL32	2131
forwardMACByteCountL32	2131
forwardMACPacketCountL32	2132
reverseAbisByteCountL32	2132
reverseAbisPacketCountL32	2132
reverseMACByteCountL32	2133
reverseMACPacketCountL32	2133
rncType	2133
DOM_Sector Primitive Calculations	2134
achSectorNumBadCapsules_Sum	2134
achSectorNumBadCapsules_SumRate1	2134
achSectorNumBadCapsules_SumRate2	2134
achSectorNumBadCapsules_SumRate3	2134
achSectorNumBadCapsules_SumSize1	2134
achSectorNumBadCapsules_SumSize2	2134
achSectorNumBadCapsules_SumSize3	2135
achSectorNumBadCapsules_SumSize4	2135
achSectorNumGoodCapsules_Sum	2135

PERFORMANCE DATA REFERENCE

Prospect® 8.0 for Nortel AMPS/TDMA/CDMA/MTX 17

achSectorNumGoodCapsules_SumRate1	2135
achSectorNumGoodCapsules_SumRate2	2135
achSectorNumGoodCapsules_SumRate3	2135
achSectorNumGoodCapsules_SumSize1	2136
achSectorNumGoodCapsules_SumSize2	2136
achSectorNumGoodCapsules_SumSize3	2136
achSectorNumGoodCapsules_SumSize4	2136
ANInitiatedConnectionSetupFailureRateSC	2136
ANInitiatedConnectionSetupsAttemptedSC	2137
ATInitiatedConnectionSetupFailureRateSC	2137
ATInitiatedConnectionSetupsAttemptedbyRNCSC	2137
cchSectorNumTxSyncCapsules_Sum	2137
FastConnectConnectionSetupFailureRateSC	2137
ftcSectorNumTxMacBytes_Sum	2138
ftcSectorNumTxPhyPkts_Sum	2138
ftcSectorNumTxSlots_Sum	2138
GRAPHmultiLineSeparator	2138
NUMDAYS	2138
NUMHOURS	2139
PercentGoodAccessCapsules	2139
perSectorRev0RUHistSamples	2139
perSectorRev0RUPercent000	2139
perSectorRev0RUPercent005	2139
perSectorRev0RUPercent010	2140
perSectorRev0RUPercent015	2140
perSectorRev0RUPercent020	2140
perSectorRev0RUPercent025	2140
perSectorRev0RUPercent030	2140
perSectorRev0RUPercent035	2140
perSectorRev0RUPercent040	2141
perSectorRev0RUPercent045	2141
perSectorRev0RUPercent050	2141
perSectorRev0RUPercent055	2141
perSectorRUHistSamples	2141
perSectorRUPercent000	2141
perSectorRUPercent005	2142
perSectorRUPercent010	2142
perSectorRUPercent015	2142
perSectorRUPercent020	2142
perSectorRUPercent025	2142
perSectorRUPercent030	2142
perSectorRUPercent035	2143
perSectorRUPercent040	2143
perSectorRUPercent045	2143
perSectorRUPercent050	2143
perSectorRUPercent055	2143
perSectorRUPercent060	2143
perSectorRUPercent065	2144
perSectorRUPercent070	2144
perSectorRUPercent075	2144
perSectorRUPercent080	2144

Updated: 2009-06-03

PERFORMANCE DATA REFERENCE

Prospect® 8.0 for Nortel AMPS/TDMA/CDMA/MTX 17

perSectorRUPercent085	2144
perSectorRUPercent090	2144
perSectorRUPercent095	2145
perSectorRUPercent100	2145
perSectorRUPercent105	2145
perSectorRUPercent110	2145
perSectorRUPercent115	2145
PilotResourceAllocationFailureRate	2145
rlSectorNumDrcSlots_Sum	2146
rtcSectorNumBadRxPhyPackets_Sum	2146
rtcSectorNumBadRxPhyPackets_SumRate01	2146
rtcSectorNumBadRxPhyPackets_SumRate02	2146
rtcSectorNumBadRxPhyPackets_SumRate03	2146
rtcSectorNumBadRxPhyPackets_SumRate04	2147
rtcSectorNumBadRxPhyPackets_SumRate05	2147
rtcSectorNumBadRxPhyPackets_SumRate06	2147
rtcSectorNumBadRxPhyPackets_SumRate07	2147
rtcSectorNumBadRxPhyPackets_SumRate08	2147
rtcSectorNumBadRxPhyPackets_SumRate09	2148
rtcSectorNumBadRxPhyPackets_SumRate10	2148
rtcSectorNumBadRxPhyPackets_SumRate11	2148
rtcSectorNumBadRxPhyPackets_SumRate12	2148
rtcSectorNumBadRxPhyPackets_SumSubPacket1	2148
rtcSectorNumBadRxPhyPackets_SumSubPacket2	2149
rtcSectorNumBadRxPhyPackets_SumSubPacket3	2149
rtcSectorNumBadRxPhyPackets_SumSubPacket4	2149
rtcSectorNumGoodRxMacBytes_Sum	2150
rtcSectorNumGoodRxMacBytes_SumRate01	2150
rtcSectorNumGoodRxMacBytes_SumRate02	2150
rtcSectorNumGoodRxMacBytes_SumRate03	2150
rtcSectorNumGoodRxMacBytes_SumRate04	2151
rtcSectorNumGoodRxMacBytes_SumRate05	2151
rtcSectorNumGoodRxMacBytes_SumRate06	2151
rtcSectorNumGoodRxMacBytes_SumRate07	2151
rtcSectorNumGoodRxMacBytes_SumRate08	2151
rtcSectorNumGoodRxMacBytes_SumRate09	2152
rtcSectorNumGoodRxMacBytes_SumRate10	2152
rtcSectorNumGoodRxMacBytes_SumRate11	2152
rtcSectorNumGoodRxMacBytes_SumRate12	2152
rtcSectorNumGoodRxMacBytes_SumSubPacket1	2152
rtcSectorNumGoodRxMacBytes_SumSubPacket2	2153
rtcSectorNumGoodRxMacBytes_SumSubPacket3	2153
rtcSectorNumGoodRxMacBytes_SumSubPacket4	2153
rtcSectorNumGoodRxPhyPackets_Sum	2154
rtcSectorNumGoodRxPhyPackets_SumRate01	2154
rtcSectorNumGoodRxPhyPackets_SumRate02	2154
rtcSectorNumGoodRxPhyPackets_SumRate03	2154
rtcSectorNumGoodRxPhyPackets_SumRate04	2155
rtcSectorNumGoodRxPhyPackets_SumRate05	2155
rtcSectorNumGoodRxPhyPackets_SumRate06	2155
rtcSectorNumGoodRxPhyPackets_SumRate07	2155

PERFORMANCE DATA REFERENCE
 Prospect® 8.0 for Nortel AMPS/TDMA/CDMA/MTX 17

rtcSectorNumGoodRxPhyPackets_SumRate08	2155
rtcSectorNumGoodRxPhyPackets_SumRate09	2156
rtcSectorNumGoodRxPhyPackets_SumRate10	2156
rtcSectorNumGoodRxPhyPackets_SumRate11	2156
rtcSectorNumGoodRxPhyPackets_SumRate12	2156
rtcSectorNumGoodRxPhyPackets_SumSubPacket1	2156
rtcSectorNumGoodRxPhyPackets_SumSubPacket2	2157
rtcSectorNumGoodRxPhyPackets_SumSubPacket3	2157
rtcSectorNumGoodRxPhyPackets_SumSubPacket4	2157
TotalAccessFailuresSC	2158
DOM_Sector Peg Counts	2158
achSectorCapsulesUtilization	2158
achSectorCapsulesUtilization_max	2158
achSectorCapsulesUtilization_min	2159
achSectorNumBadCapsules_Size1Rate1	2159
achSectorNumBadCapsules_Size1Rate2	2159
achSectorNumBadCapsules_Size1Rate3	2160
achSectorNumBadCapsules_Size2Rate1	2160
achSectorNumBadCapsules_Size2Rate2	2160
achSectorNumBadCapsules_Size2Rate3	2161
achSectorNumBadCapsules_Size3Rate1	2161
achSectorNumBadCapsules_Size3Rate2	2161
achSectorNumBadCapsules_Size3Rate3	2162
achSectorNumBadCapsules_Size4Rate1	2162
achSectorNumBadCapsules_Size4Rate2	2162
achSectorNumBadCapsules_Size4Rate3	2163
achSectorNumGoodCapsules_Size1Rate1	2163
achSectorNumGoodCapsules_Size1Rate2	2163
achSectorNumGoodCapsules_Size1Rate3	2164
achSectorNumGoodCapsules_Size2Rate1	2164
achSectorNumGoodCapsules_Size2Rate2	2164
achSectorNumGoodCapsules_Size2Rate3	2165
achSectorNumGoodCapsules_Size3Rate1	2165
achSectorNumGoodCapsules_Size3Rate2	2165
achSectorNumGoodCapsules_Size3Rate3	2166
achSectorNumGoodCapsules_Size4Rate1	2166
achSectorNumGoodCapsules_Size4Rate2	2166
achSectorNumGoodCapsules_Size4Rate3	2167
achSectorThroughputMac	2167
achSectorThroughputPhy	2167
averageSessionSetupTimeSC	2168
avgA13HoDelayPriorSessionSC	2168
avgA13HoDelaySC	2168
borderStatusSC	2169
cchSectorAsyncSlotsUtilization	2169
cchSectorAsyncSlotsUtilization_max	2169
cchSectorAsyncSlotsUtilization_min	2170
cchSectorNumDroppedMessages	2170
cchSectorNumLocalMessages	2170
cchSectorNumRxAcAckRequests	2171
cchSectorNumRxMessages	2171

Updated: 2009-06-03

PERFORMANCE DATA REFERENCE

Prospect® 8.0 for Nortel AMPS/TDMA/CDMA/MTX 17

cchSectorNumTxMacPacketsInAsyncCapsules	2171
cchSectorNumTxMacPacketsInSubSyncCapsules	2172
cchSectorNumTxMacPacketsInSyncCapsules	2172
cchSectorNumTxMessages	2172
cchSectorNumTxSyncCapsules_CapsuleSize1	2173
cchSectorNumTxSyncCapsules_CapsuleSize2	2173
cchSectorNumTxSyncCapsules_CapsuleSize3	2173
cchSectorNumTxSyncCapsules_CapsuleSize4	2174
cchSectorNumTxSyncCapsules_CapsuleSize5	2174
cchSectorNumTxSyncCapsules_CapsuleSize6	2174
cchSectorNumTxSyncCapsules_CapsuleSize7	2174
cchSectorNumTxSyncCapsules_CapsuleSize8	2175
cchSectorSlotUtilization	2175
cchSectorSyncSubsyncSlotsUtilization	2175
cchSectorSyncSubsyncSlotsUtilization_max	2176
cchSectorSyncSubsyncSlotsUtilization_min	2176
cchSectorThroughput	2176
cchSectRxSetPhaseMsgsWithRpt	2177
channelRecordSC	2177
channelRecordSSC	2177
drcEmNumFlowsClonedPeak	2178
drcEmTotalNumOccurrences	2178
flSectorThroughputMac	2178
flSectorThroughputPhy	2179
ftcSectorBEAggrMacBytes	2179
ftcSectorBEAggrPhyBytes	2179
ftcSectorBEAggrSlots	2180
ftcSectorNumTxMacBytes_PacketRate01	2180
ftcSectorNumTxMacBytes_PacketRate02	2180
ftcSectorNumTxMacBytes_PacketRate03	2181
ftcSectorNumTxMacBytes_PacketRate04	2181
ftcSectorNumTxMacBytes_PacketRate05	2181
ftcSectorNumTxMacBytes_PacketRate06	2182
ftcSectorNumTxMacBytes_PacketRate07	2182
ftcSectorNumTxMacBytes_PacketRate08	2182
ftcSectorNumTxMacBytes_PacketRate09	2183
ftcSectorNumTxMacBytes_PacketRate10	2183
ftcSectorNumTxMacBytes_PacketRate11	2183
ftcSectorNumTxMacBytes_PacketRate12	2184
ftcSectorNumTxMacBytes_PacketRate13	2184
ftcSectorNumTxMacBytes_PacketRate14	2184
ftcSectorNumTxPhyPkts_PacketRate01	2185
ftcSectorNumTxPhyPkts_PacketRate02	2185
ftcSectorNumTxPhyPkts_PacketRate03	2185
ftcSectorNumTxPhyPkts_PacketRate04	2186
ftcSectorNumTxPhyPkts_PacketRate05	2186
ftcSectorNumTxPhyPkts_PacketRate06	2186
ftcSectorNumTxPhyPkts_PacketRate07	2187
ftcSectorNumTxPhyPkts_PacketRate08	2187
ftcSectorNumTxPhyPkts_PacketRate09	2187
ftcSectorNumTxPhyPkts_PacketRate10	2188

PERFORMANCE DATA REFERENCE
Prospect® 8.0 for Nortel AMPS/TDMA/CDMA/MTX 17

ftcSectorNumTxPhyPkts_PacketRate11	2188
ftcSectorNumTxPhyPkts_PacketRate12	2188
ftcSectorNumTxPhyPkts_PacketRate13	2189
ftcSectorNumTxPhyPkts_PacketRate14	2189
ftcSectorNumTxSlots_PacketRate01	2189
ftcSectorNumTxSlots_PacketRate02	2190
ftcSectorNumTxSlots_PacketRate03	2190
ftcSectorNumTxSlots_PacketRate04	2190
ftcSectorNumTxSlots_PacketRate05	2191
ftcSectorNumTxSlots_PacketRate06	2191
ftcSectorNumTxSlots_PacketRate07	2191
ftcSectorNumTxSlots_PacketRate08	2192
ftcSectorNumTxSlots_PacketRate09	2192
ftcSectorNumTxSlots_PacketRate10	2192
ftcSectorNumTxSlots_PacketRate11	2193
ftcSectorNumTxSlots_PacketRate12	2193
ftcSectorNumTxSlots_PacketRate13	2193
ftcSectorNumTxSlots_PacketRate14	2194
ftcSectorSlotUtilization	2194
ftcSectorThroughputMac	2194
ftcSectorThroughputPhy	2195
ftcSectorTotalNumFirstTimeTxMacBytes	2195
ftcSectorTotalNumReTxMacBytes	2195
maxSessionSetupTimeSC	2196
minSessionSetupTimeSC	2196
numA0ANSetupTriggersRedirectRev0ToRevASC	2196
numA0ATSetupTriggersRedirectRev0ToRevASC	2197
numA16AbortsATLostSSC	2197
numA16AbortsConnRelSSC	2197
numA16AbortsMiscSSC	2198
numA16AttemptsSSC	2198
numA16RejectsMiscSSC	2198
numA16RejectsRadioSSC	2199
numA16SuccessSSC	2199
numA16SuppressedSrcRnSwSSC	2199
numA16TimeoutSSC	2200
numAaANSetupTriggersRedirectRev0ToRevASC	2200
numAaATSetupTriggersRedirectRev0ToRevASC	2200
NumAllocationAttemptsTxRNSC	2201
numAllocationAttemptsTxRnSSC	2201
numAllocationBlockRnACLimitSC	2201
numAllocationBlockRnACLimitSSC	2202
numAllocationBlockRnCELimitSC	2202
numAllocationBlockRnCELimitSSC	2202
NumAllocationBlockRNConnectionLimitSC	2203
numAllocationBlockRnConnectionLimitSSC	2203
NumAllocationBlockRNDriverResourceSC	2203
numAllocationBlockRnDriverResourceSSC	2204
numAllocationBlockRnFlowLimitSC	2204
numAllocationBlockRnFlowLimitSSC	2204
numAllocationBlockRnMACIDLimitSC	2205

Updated: 2009-06-03

PERFORMANCE DATA REFERENCE
 Prospect® 8.0 for Nortel AMPS/TDMA/CDMA/MTX 17

numAllocationBlockRnMACIDLimitSSC	2205
NumAllocationBlockRNMessageValidationSC	2205
numAllocationBlockRnMessageValidationSSC	2206
NumAllocationBlockRNModemTimeoutSC	2206
numAllocationBlockRnModemTimeoutSSC	2206
NumAllocationBlockRNNoConnectionSC	2207
numAllocationBlockRnNoConnectionSSC	2207
NumAllocationBlockRNSectorCarrierDownSC	2207
numAllocationBlockRnSectorCarrierDownSSC	2208
NumAllocationRNSuccessSC	2208
numAllocationRnSuccessSSC	2208
numANAttemptedTriggersSwitchA0ToAaSC	2209
numANAttemptedTriggersSwitchA0ToAaSSC	2209
numANAttemptedTriggersSwitchAaToA0SC	2209
numANAttemptedTriggersSwitchAaToA0SSC	2210
numANConnectionSetupsAbortedSC	2210
numANConnectionSetupsBlockedByRncCpuSC	2210
NumANConnectionSetupsBlockedByRncResourceSC	2211
NumANConnectionSetupsBlockedByRnSC	2211
numANConnectionSetupsFailedByRncResourceTimeoutSC	2211
numANConnectionSetupsFailedByRnTimeoutSC	2212
numANConnectionSetupsFailedRuTimeoutSC	2212
numANConnectionSetupsFailedSwErrorSC	2212
NumANConnectionSetupsFailedTccTimeoutSC	2213
numANConnReqsWhileOpenRevAConnSC	2213
NumANConnReqsWhileOpenSC	2213
numANConnReqsWhileSettingUpRevAConnSC	2214
NumANConnReqsWhileSettingUpSC	2214
numANConnReqsWhileTearingDownRevAConnSC	2214
NumANConnReqsWhileTearingDownSC	2215
numANRevAConnectionSetupsAbortedSC	2215
numANRevAConnectionSetupsBlockedByRncCpuSC	2215
numANRevAConnectionSetupsBlockedByRnSC	2216
numANRevAConnectionSetupsFailedByRnTimeoutSC	2216
numANRevAConnectionSetupsFailedRuTimeoutSC	2216
numANRevAConnectionSetupsFailedSwErrorSC	2217
numANRevAConnectionSetupsFailedTccTimeoutSC	2217
numANSetupTriggersRedirectRevAToRev0SC	2218
numANSetupTriggersSwitchA0ToAaAbortedSC	2218
numANSetupTriggersSwitchA0ToAaAbortedSSC	2218
numANSetupTriggersSwitchA0ToAaBlockedByRnSC	2219
numANSetupTriggersSwitchA0ToAaBlockedByRnSSC	2219
numANSetupTriggersSwitchA0ToAaFailedByRnTimeoutSC	2219
numANSetupTriggersSwitchA0ToAaFailedByRnTimeoutSSC	2220
numANSetupTriggersSwitchA0ToAaFailedSwErrorSC	2220
numANSetupTriggersSwitchA0ToAaFailedSwErrorSSC	2220
numANSetupTriggersSwitchA0ToAaFailedTccTimeoutSC	2221
numANSetupTriggersSwitchA0ToAaFailedTccTimeoutSSC	2221
numANSetupTriggersSwitchA0ToAaSC	2222
numANSetupTriggersSwitchA0ToAaSuccessSC	2222
numANSetupTriggersSwitchA0ToAaSuccessSSC	2222

PERFORMANCE DATA REFERENCE
Prospect® 8.0 for Nortel AMPS/TDMA/CDMA/MTX 17

numANSetupTriggersSwitchAaToA0AbortedSC	2223
numANSetupTriggersSwitchAaToA0AbortedSSC	2223
numANSetupTriggersSwitchAaToA0BlockedByRnSC	2223
numANSetupTriggersSwitchAaToA0BlockedByRnSSC	2224
numANSetupTriggersSwitchAaToA0FailedByRnTimeoutSC	2224
numANSetupTriggersSwitchAaToA0FailedByRnTimeoutSSC	2224
numANSetupTriggersSwitchAaToA0FailedSwErrorSC	2225
numANSetupTriggersSwitchAaToA0FailedSwErrorSSC	2225
numANSetupTriggersSwitchAaToA0FailedTccTimeoutSC	2226
numANSetupTriggersSwitchAaToA0FailedTccTimeoutSSC	2226
numANSetupTriggersSwitchAaToA0SC	2226
numANSetupTriggersSwitchAaToA0SuccessSC	2227
numANSetupTriggersSwitchAaToA0SuccessSSC	2227
numATAAttemptedTriggersSwitchA0ToAaSC	2227
numATAAttemptedTriggersSwitchA0ToAaSSC	2228
numATAAttemptedTriggersSwitchAaToA0SC	2228
numATAAttemptedTriggersSwitchAaToA0SSC	2228
numATConnectionSetupsAbortedSC	2229
numATConnectionSetupsBlockedByRncCpuSC	2229
NumATConnectionSetupsBlockedByRncResourceSC	2229
NumATConnectionSetupsBlockedByRnSC	2230
numATConnectionSetupsFailedByRncResourceTimeoutSC	2230
numATConnectionSetupsFailedByRnTimeoutSC	2230
numATConnectionSetupsFailedRuTimeoutSC	2231
numATConnectionSetupsFailedSwErrorSC	2231
NumATConnectionSetupsFailedTccTimeoutSC	2231
numATConnReqsWhileOpenRevAConnSC	2232
NumATConnReqsWhileOpenSC	2232
numATConnReqsWhileSettingUpRevAConnSC	2232
NumATConnReqsWhileSettingUpSC	2233
numATConnReqsWhileTearingDownRevAConnSC	2233
NumATConnReqsWhileTearingDownSC	2233
numATReportedTuneAwayDropsSC	2234
numATReportedTuneAwayDropsSSC	2234
numATRevAConnectionSetupsAbortedSC	2235
numATRevAConnectionSetupsBlockedByRncCpuSC	2235
numATRevAConnectionSetupsBlockedByRnSC	2235
numATRevAConnectionSetupsFailedByRnTimeoutSC	2236
numATRevAConnectionSetupsFailedRuTimeoutSC	2236
numATRevAConnectionSetupsFailedSwErrorSC	2236
numATRevAConnectionSetupsFailedTccTimeoutSC	2237
numATSetupTriggersRedirectRevAToRev0SC	2237
numATSetupTriggersSwitchA0ToAaAbortedSC	2237
numATSetupTriggersSwitchA0ToAaAbortedSSC	2238
numATSetupTriggersSwitchA0ToAaBlockedByRnSC	2238
numATSetupTriggersSwitchA0ToAaBlockedByRnSSC	2238
numATSetupTriggersSwitchA0ToAaFailedByRnTimeoutSC	2239
numATSetupTriggersSwitchA0ToAaFailedByRnTimeoutSSC	2239
numATSetupTriggersSwitchA0ToAaFailedSwErrorSC	2240
numATSetupTriggersSwitchA0ToAaFailedSwErrorSSC	2240
numATSetupTriggersSwitchA0ToAaFailedTccTimeoutSC	2240

Updated: 2009-06-03

PERFORMANCE DATA REFERENCE

Prospect® 8.0 for Nortel AMPS/TDMA/CDMA/MTX 17

numATSetupTriggersSwitchA0ToAaFailedTccTimeoutSSC	2241
numATSetupTriggersSwitchA0ToAaSC	2241
numATSetupTriggersSwitchA0ToAaSuccessSC	2241
numATSetupTriggersSwitchA0ToAaSuccessSSC	2242
numATSetupTriggersSwitchAaToA0AbortedSC	2242
numATSetupTriggersSwitchAaToA0AbortedSSC	2242
numATSetupTriggersSwitchAaToA0BlockedByRnSC	2243
numATSetupTriggersSwitchAaToA0BlockedByRnSSC	2243
numATSetupTriggersSwitchAaToA0FailedByRnTimeoutSC	2244
numATSetupTriggersSwitchAaToA0FailedByRnTimeoutSSC	2244
numATSetupTriggersSwitchAaToA0FailedSwErrorSC	2244
numATSetupTriggersSwitchAaToA0FailedSwErrorSSC	2245
numATSetupTriggersSwitchAaToA0FailedTccTimeoutSC	2245
numATSetupTriggersSwitchAaToA0FailedTccTimeoutSSC	2245
numATSetupTriggersSwitchAaToA0SC	2246
numATSetupTriggersSwitchAaToA0SuccessSC	2246
numATSetupTriggersSwitchAaToA0SuccessSSC	2246
numBtsDownsizingsSC	2247
NumConnectionCloseNoFtcSC	2247
numConnectionCloseNoFtcSSC	2247
NumConnectionCloseRtcLostSC	2248
numConnectionCloseRtcLostSSC	2248
numConnReqsA0ANInitiatedSC	2248
numConnReqsA0ATInitiatedSC	2249
numConnReqsAaANInitiatedSC	2249
numConnReqsAaATInitiatedSC	2249
NumConnReqsANInitiatedSC	2250
NumConnReqsATInitiatedSC	2250
numDormantHandoffAttemptsPriorSessionSC	2250
numDormantHandoffAttemptsSC	2251
numDormantHandoffFailureATInitiatedCloseTotalSC	2251
numDormantHandoffFailureHdwIdTimeoutTotalSC	2251
numDormantHandoffFailureInvalidUatiCmpltTotalSC	2252
numDormantHandoffFailureMiscTotalSC	2252
numDormantHandoffFailureNoUatiCmpltTotalSC	2252
numDormantHandoffFailureNoUatiReqTotalSC	2253
numDormantHandoffFailureRNCInitiatedCloseTotalSC	2253
numDormantHandoffFailureSessionConfigDuringInitialConfigTotalSC	2253
numDormantHandoffFailureSessionConfigDuringReconfigurationTotalSC	2254
numDormantHandoffFailureTAAfterA13RspTotalSC	2254
numDormantHandoffFailureToSourceLookupFailurePriorSessionSC	2254
numDormantHandoffFailureUati104MatchesLocalSubnetTotalSC	2255
numDormantHandoffFailureUati104TotalSC	2255
numDormantHandoffSuccessesPriorSessionSC	2255
numDormantHandoffSuccessesSC	2256
numDOSMsgsNoACKRequiredTransmitted	2256
numDOSMsgsRcvdOnAccessChannel	2256
numDOSMsgsSuccessfullyDeliveredToAT	2257
numDOSMsgsTransmittedOverCCH	2257
NumFastConnectsInitiatedSC	2257
numFCCConnectionSetupsAbortedSC	2258

PERFORMANCE DATA REFERENCE
Prospect® 8.0 for Nortel AMPS/TDMA/CDMA/MTX 17

NumFCCConnectionSetupsBlockedByRncResourceSC	2258
NumFCCConnectionSetupsBlockedByRnSC	2258
numFCCConnectionSetupsFailedByRncResourceTimeoutSC	2259
numFCCConnectionSetupsFailedByRnTimeoutSC	2259
numFCCConnectionSetupsFailedSwErrorSC	2259
NumFCCConnectionSetupsFailedTccTimeoutSC	2260
numFirstPageAbandonedSC	2260
numFirstPageAttemptsSC	2260
numFirstPageResponseSC	2261
numFirstPageRxATInitiateSC	2261
numFirstPageTimeoutSC	2261
numHHOAllocationAttemptsTxRnSC	2262
numHHOAllocationAttemptsTxRnSSC	2262
numHHOAllocationBlockRnConnectionLimitSC	2262
numHHOAllocationBlockRnConnectionLimitSSC	2263
numHHOAllocationBlockRnDriverResourceSC	2263
numHHOAllocationBlockRnDriverResourceSSC	2263
numHHOAllocationBlockRnMessageValidationSC	2264
numHHOAllocationBlockRnMessageValidationSSC	2264
numHHOAllocationBlockRnModemTimeoutSC	2264
numHHOAllocationBlockRnModemTimeoutSSC	2265
numHHOAllocationBlockRnNoConnectionSC	2265
numHHOAllocationBlockRnNoConnectionSSC	2265
numHHOAllocationBlockRnSectorCarrierDownSC	2266
numHHOAllocationBlockRnSectorCarrierDownSSC	2266
numHHOAllocationRnSuccessSC	2266
numHHOAllocationRnSuccessSSC	2267
numHHOMCTAAttemptsSC	2267
numHHOMCTAAttemptsSSC	2267
numHHOMCTAFailureSC	2268
numHHOMCTAFailureSSC	2268
numHHOMCTASuccessSC	2268
numHHOMCTASuccessSSC	2269
numMCTAConnSetupAttemptsOutSC	2269
numMCTAConnSetupAttemptsSC	2269
numMCTAConnSetupSameCarrierFailureMiscSC	2270
numMCTAConnSetupSameCarrierFailureRNBlockSC	2270
numMCTAConnSetupSameCarrierFailureTCCTimeoutSC	2270
numMCTAConnSetupSameCarrierSuccessSC	2271
numMCTAConnSetupSwitchedCarrierAttemptsSC	2271
numMCTAConnSetupSwitchedCarrierAttemptsSSC	2271
numMCTAConnSetupSwitchedCarrierFailureMiscSC	2272
numMCTAConnSetupSwitchedCarrierFailureMiscSSC	2272
numMCTAConnSetupSwitchedCarrierFailureRNBlockSC	2272
numMCTAConnSetupSwitchedCarrierFailureRNBlockSSC	2273
numMCTAConnSetupSwitchedCarrierFailureTCCTimeoutSC	2273
numMCTAConnSetupSwitchedCarrierFailureTCCTimeoutSSC	2274
numMCTAConnSetupSwitchedCarrierSuccessSC	2274
numMCTAConnSetupSwitchedCarrierSuccessSSC	2274
numOFSHHOA0ToA0AbortsSC	2275
numOFSHHOA0ToA0AbortsSSC	2275

Updated: 2009-06-03

PERFORMANCE DATA REFERENCE

Prospect® 8.0 for Nortel AMPS/TDMA/CDMA/MTX 17

numOFSHHOA0ToA0AttemptsSC	2275
numOFSHHOA0ToA0AttemptsSSC	2276
numOFSHHOA0ToA0BlockedByRnSC	2276
numOFSHHOA0ToA0BlockedByRnSSC	2276
numOFSHHOA0ToA0FailedFTCAndRTCNotRxedSC	2277
numOFSHHOA0ToA0FailedFTCAndRTCNotRxedSSC	2277
numOFSHHOA0ToA0FailedOthersSC	2278
numOFSHHOA0ToA0FailedOthersSSC	2278
numOFSHHOA0ToA0FailedTCCTimeoutSC	2278
numOFSHHOA0ToA0FailedTCCTimeoutSSC	2279
numOFSHHOA0ToA0SuccessSC	2279
numOFSHHOA0ToA0SuccessSSC	2279
numOFSHHOAaToAaAbortsSC	2280
numOFSHHOAaToAaAbortsSSC	2280
numOFSHHOAaToAaAttemptsSC	2280
numOFSHHOAaToAaAttemptsSSC	2281
numOFSHHOAaToAaBlockedByRnSC	2281
numOFSHHOAaToAaBlockedByRnSSC	2281
numOFSHHOAaToAaFailedFTCAndRTCNotRxedSC	2282
numOFSHHOAaToAaFailedFTCAndRTCNotRxedSSC	2282
numOFSHHOAaToAaFailedOthersSC	2283
numOFSHHOAaToAaFailedOthersSSC	2283
numOFSHHOAaToAaFailedTCCTimeoutSC	2283
numOFSHHOAaToAaFailedTCCTimeoutSSC	2284
numOFSHHOAaToAaSuccessSC	2284
numOFSHHOAaToAaSuccessSSC	2284
numOFSHHOInhibitedSC	2285
numOnlyRUMReceivedWhenIdleSC	2285
numPilotLookupFailuresRNNotHomedSC	2285
numPilotLookupFailuresRNNotHomedSSC	2286
numPilotLookupFailuresUnknownPilotSC	2286
numPilotLookupFailuresUnknownPilotSSC	2286
numPreRlpDownsizingsSC	2287
numPreRlpMultiplePktsLostSC	2287
numRevAConnClosedDuringIRHODiffCarrSC	2287
numRevAConnClosedDuringIRHODiffCarrSSC	2288
numRevAConnClosedDuringIRHOSameCarrSC	2288
numRevAConnClosedDuringIRHOSameCarrSSC	2288
numRevAConnectionCloseNoFtcSC	2289
numRevAConnectionCloseNoFtcSSC	2289
numRevAConnectionCloseRtcLostSC	2289
numRevAConnectionCloseRtcLostSSC	2290
numRevAFastConnectsInitiatedSC	2290
numRevAFCCConnectionSetupsAbortedSC	2290
numRevAFCCConnectionSetupsBlockedByRnSC	2291
numRevAFCCConnectionSetupsFailedByRnTimeoutSC	2291
numRevAFCCConnectionSetupsFailedSwErrorSC	2291
numRevAFCCConnectionSetupsFailedTccTimeoutSC	2292
numRevASuccessfulOpensForANConnRequestSC	2292
numRevASuccessfulOpensForATConnRequestSC	2292
numRevLinkSHOAddAbortedRevAConnSC	2293

PERFORMANCE DATA REFERENCE
 Prospect® 8.0 for Nortel AMPS/TDMA/CDMA/MTX 17

numRevLinkSHOAddAbortedRevAConnSSC	2293
numRevLinkSHOAddAbortedSC	2293
numRevLinkSHOAddAbortedSSC	2294
numRevLinkSHOAddAttemptsRevAConnSC	2294
numRevLinkSHOAddAttemptsRevAConnSSC	2294
numRevLinkSHOAddAttemptsSC	2295
numRevLinkSHOAddAttemptsSSC	2295
numRevLinkSHOAddFailedTccTimeoutRevAConnSC	2296
numRevLinkSHOAddFailedTccTimeoutRevAConnSSC	2296
numRevLinkSHOAddFailedTccTimeoutSC	2296
numRevLinkSHOAddFailedTccTimeoutSSC	2297
numRevLinkSHOAddRnRequestTxRevAConnSC	2297
numRevLinkSHOAddRnRequestTxRevAConnSSC	2297
numRevLinkSHOAddRnRequestTxSC	2298
numRevLinkSHOAddRnRequestTxSSC	2298
numRevLinkSHOAddRnSuccessRevAConnSC	2298
numRevLinkSHOAddRnSuccessRevAConnSSC	2299
numRevLinkSHOAddRnSuccessSC	2299
numRevLinkSHOAddRnSuccessSSC	2299
numRevLinkSHOAddSuccessRevAConnSC	2300
numRevLinkSHOAddSuccessRevAConnSSC	2300
numRevLinkSHOAddSuccessSC	2300
numRevLinkSHOAddSuccessSSC	2301
numRNCEstimated3G1xRollDownDropsSC	2301
numRNCEstimated3G1xRollDownDropsSSC	2301
numRNCEstimatedTuneAwayDropsSC	2302
numRNCEstimatedTuneAwayDropsSSC	2302
numRTDHHOA0ToA0AbortsSC	2302
numRTDHHOA0ToA0AbortsSSC	2303
numRTDHHOA0ToA0AttemptsSC	2303
numRTDHHOA0ToA0AttemptsSSC	2303
numRTDHHOA0ToA0BlockedByRnSC	2304
numRTDHHOA0ToA0BlockedByRnSSC	2304
numRTDHHOA0ToA0FailedFTCAndRTCNotRxedSC	2305
numRTDHHOA0ToA0FailedFTCAndRTCNotRxedSSC	2305
numRTDHHOA0ToA0FailedOthersSC	2305
numRTDHHOA0ToA0FailedOthersSSC	2306
numRTDHHOA0ToA0FailedTCCTimeoutSC	2306
numRTDHHOA0ToA0FailedTCCTimeoutSSC	2306
numRTDHHOA0ToA0SuccessSC	2307
numRTDHHOA0ToA0SuccessSSC	2307
numRTDHHOAaToAaAbortsSC	2307
numRTDHHOAaToAaAbortsSSC	2308
numRTDHHOAaToAaAttemptsSC	2308
numRTDHHOAaToAaAttemptsSSC	2308
numRTDHHOAaToAaBlockedByRnSC	2309
numRTDHHOAaToAaBlockedByRnSSC	2309
numRTDHHOAaToAaFailedFTCAndRTCNotRxedSC	2309
numRTDHHOAaToAaFailedFTCAndRTCNotRxedSSC	2310
numRTDHHOAaToAaFailedOthersSC	2310
numRTDHHOAaToAaFailedOthersSSC	2311

Updated: 2009-06-03

PERFORMANCE DATA REFERENCE

Prospect® 8.0 for Nortel AMPS/TDMA/CDMA/MTX 17

numRTDHHOAaToAaFailedTCCTimeoutSC	2311
numRTDHHOAaToAaFailedTCCTimeoutSSC	2311
numRTDHHOAaToAaSuccessSC	2312
numRTDHHOAaToAaSuccessSSC	2312
numRTDHHOInhibitedSC	2312
numRUMReceivedWhenIdleSC	2313
numSecondPageAbandonedSC	2313
numSecondPageAttemptsSC	2313
numSecondPageResponseSC	2314
numSecondPageRxATInitiateSC	2314
numSecondPageTimeoutSC	2314
numSessCfgPostA13ReconfNeededSC	2315
numSessionInstancesCreatedSC	2315
numSessionInstancesCreatedWithUnknownLocalUATISC	2315
numSessionSetupAttemptsSC	2316
numSessionSetupsBlockedToNoRncResourceSC	2316
numSessionSetupsFailedAtIdRspFailureSC	2316
numSessionSetupsFailedAtIdRspTimeoutSC	2317
numSessionSetupsFailedATInitiatedSessionCloseSC	2317
numSessionSetupsFailedHwIdResponseSC	2317
numSessionSetupsFailedInvlHwIdTypeSC	2318
numSessionSetupsFailedInvlHwIdValueSC	2318
numSessionSetupsFailedInvlUATICmpltSeqNumSC	2318
numSessionSetupsFailedOtherCausesSC	2319
numSessionSetupsFailedRNCInitiatedSessionCloseSC	2319
numSessionSetupsFailedSessionConfigSC	2319
numSessionSetupsFailedSessionInfoConfirmSC	2320
numSessionSetupsFailedTermAuthSC	2320
numSessionSetupsFailedUATICcompleteTimeoutSC	2320
numSessionSetupsFailedUnknownForeignUatiRequestSC	2321
numSessionSetupsFailedUnknownLocalUatiRequestSC	2321
numSessionSetupsSuccessfulSC	2321
numSignalStrengthHHOA0ToA0AbortsSC	2322
numSignalStrengthHHOA0ToA0AbortsSSC	2322
numSignalStrengthHHOA0ToA0AttemptsSC	2322
numSignalStrengthHHOA0ToA0AttemptsSSC	2323
numSignalStrengthHHOA0ToA0BlockedByRnSC	2323
numSignalStrengthHHOA0ToA0BlockedByRnSSC	2323
numSignalStrengthHHOA0ToA0FailedFTCAndRTCNotRxedSC	2324
numSignalStrengthHHOA0ToA0FailedFTCandRTCNotRxedSSC	2324
numSignalStrengthHHOA0ToA0FailedOthersSC	2325
numSignalStrengthHHOA0ToA0FailedOthersSSC	2325
numSignalStrengthHHOA0ToA0FailedTCCTimeoutSC	2325
numSignalStrengthHHOA0ToA0FailedTCCTimeoutSSC	2326
numSignalStrengthHHOA0ToA0SuccessSC	2326
numSignalStrengthHHOA0ToA0SuccessSSC	2326
numSignalStrengthHHOAaToAaAbortsSC	2327
numSignalStrengthHHOAaToAaAbortsSSC	2327
numSignalStrengthHHOAaToAaAttemptsSC	2327
numSignalStrengthHHOAaToAaAttemptsSSC	2328
numSignalStrengthHHOAaToAaBlockedByRnSC	2328

PERFORMANCE DATA REFERENCE
 Prospect® 8.0 for Nortel AMPS/TDMA/CDMA/MTX 17

numSignalStrengthHHOAaToAaBlockedByRnSSC	2328
numSignalStrengthHHOAaToAaFailedFTCAndRTCNotRxedSC	2329
numSignalStrengthHHOAaToAaFailedFTCAndRTCNotRxedSSC	2329
numSignalStrengthHHOAaToAaFailedOthersSC	2330
numSignalStrengthHHOAaToAaFailedOthersSSC	2330
numSignalStrengthHHOAaToAaFailedTCCTimeoutSC	2330
numSignalStrengthHHOAaToAaFailedTCCTimeoutSSC	2331
numSignalStrengthHHOAaToAaSuccessSC	2331
numSignalStrengthHHOAaToAaSuccessSSC	2331
numSignalStrengthHHOInhibitedSC	2332
numSlotsWithRabNotSet	2332
numSlotsWithRabSet	2332
NumSuccessfulOpensForANConnRequestSC	2332
NumSuccessfulOpensForATConnRequestSC	2333
NumSuccessfulOpensForFastConnectSC	2333
numSuccessfulRevAOpensForFastConnectSC	2333
numSuppressPersSwitchRev0ToRevASC	2334
numSuppressPersSwitchRev0ToRevASSC	2334
numSuppressUnicastRedirectRev0ToRevASC	2334
numSuppressUnicastRedirectRev0ToRevASSC	2335
numThirdPageAbandonedSC	2335
numThirdPageAttemptsSC	2335
numThirdPageResponseSC	2336
numThirdPageRxATInitiateSC	2336
numThirdPageTimeoutSC	2336
numTotalBadAccessCapsules	2337
numTotalGoodAccessCapsules	2337
perSectorConnBlksNoMacIdx	2337
perSectorConnectionBlocksNoCxnResources	2338
perSectorHistogramSampleCountForSimultCxnResources000	2338
perSectorHistogramSampleCountForSimultCxnResources001	2338
perSectorHistogramSampleCountForSimultCxnResources002	2339
perSectorHistogramSampleCountForSimultCxnResources003	2339
perSectorHistogramSampleCountForSimultCxnResources004	2339
perSectorHistogramSampleCountForSimultCxnResources005	2340
perSectorHistogramSampleCountForSimultCxnResources006	2340
perSectorHistogramSampleCountForSimultCxnResources007	2340
perSectorHistogramSampleCountForSimultCxnResources008	2341
perSectorHistogramSampleCountForSimultCxnResources009	2341
perSectorHistogramSampleCountForSimultCxnResources010	2341
perSectorHistogramSampleCountForSimultCxnResources011	2342
perSectorHistogramSampleCountForSimultCxnResources012	2342
perSectorHistogramSampleCountForSimultCxnResources013	2342
perSectorHistogramSampleCountForSimultCxnResources014	2342
perSectorHistogramSampleCountForSimultCxnResources015	2343
perSectorHistogramSampleCountForSimultCxnResources016	2343
perSectorHistogramSampleCountForSimultCxnResources017	2343
perSectorHistogramSampleCountForSimultCxnResources018	2344
perSectorHistogramSampleCountForSimultCxnResources019	2344
perSectorHistogramSampleCountForSimultCxnResources020	2344
perSectorHistogramSampleCountForSimultCxnResources021	2345

Updated: 2009-06-03

PERFORMANCE DATA REFERENCE

Prospect® 8.0 for Nortel AMPS/TDMA/CDMA/MTX 17

perSectorHistogramSampleCountForSimultCxnResources022	2345
perSectorHistogramSampleCountForSimultCxnResources023	2345
perSectorHistogramSampleCountForSimultCxnResources024	2346
perSectorHistogramSampleCountForSimultCxnResources025	2346
perSectorHistogramSampleCountForSimultCxnResources026	2346
perSectorHistogramSampleCountForSimultCxnResources027	2346
perSectorHistogramSampleCountForSimultCxnResources028	2347
perSectorHistogramSampleCountForSimultCxnResources029	2347
perSectorHistogramSampleCountForSimultCxnResources030	2347
perSectorHistogramSampleCountForSimultCxnResources031	2348
perSectorHistogramSampleCountForSimultCxnResources032	2348
perSectorHistogramSampleCountForSimultCxnResources033	2348
perSectorHistogramSampleCountForSimultCxnResources034	2349
perSectorHistogramSampleCountForSimultCxnResources035	2349
perSectorHistogramSampleCountForSimultCxnResources036	2349
perSectorHistogramSampleCountForSimultCxnResources037	2350
perSectorHistogramSampleCountForSimultCxnResources038	2350
perSectorHistogramSampleCountForSimultCxnResources039	2350
perSectorHistogramSampleCountForSimultCxnResources040	2350
perSectorHistogramSampleCountForSimultCxnResources041	2351
perSectorHistogramSampleCountForSimultCxnResources042	2351
perSectorHistogramSampleCountForSimultCxnResources043	2351
perSectorHistogramSampleCountForSimultCxnResources044	2352
perSectorHistogramSampleCountForSimultCxnResources045	2352
perSectorHistogramSampleCountForSimultCxnResources046	2352
perSectorHistogramSampleCountForSimultCxnResources047	2353
perSectorHistogramSampleCountForSimultCxnResources048	2353
perSectorHistogramSampleCountForSimultCxnResources049	2353
perSectorHistogramSampleCountForSimultCxnResources050	2354
perSectorHistogramSampleCountForSimultCxnResources051	2354
perSectorHistogramSampleCountForSimultCxnResources052	2354
perSectorHistogramSampleCountForSimultCxnResources053	2354
perSectorHistogramSampleCountForSimultCxnResources054	2355
perSectorHistogramSampleCountForSimultCxnResources055	2355
perSectorHistogramSampleCountForSimultCxnResources056	2355
perSectorHistogramSampleCountForSimultCxnResources057	2356
perSectorHistogramSampleCountForSimultCxnResources058	2356
perSectorHistogramSampleCountForSimultCxnResources059	2356
perSectorHistogramSamplePeriod	2357
perSectorMaxCxnResources	2357
perSectorMaxMacIndices	2357
perSectorMaxRev0MacIndices	2358
perSectorRev0ConnBlksNoMacIdx	2358
perSectorRev0RUHistBin000	2358
perSectorRev0RUHistBin005	2359
perSectorRev0RUHistBin010	2359
perSectorRev0RUHistBin015	2359
perSectorRev0RUHistBin020	2360
perSectorRev0RUHistBin025	2360
perSectorRev0RUHistBin030	2361
perSectorRev0RUHistBin035	2361

PERFORMANCE DATA REFERENCE
 Prospect® 8.0 for Nortel AMPS/TDMA/CDMA/MTX 17

perSectorRev0RUHistBin040	2361
perSectorRev0RUHistBin045	2362
perSectorRev0RUHistBin050	2362
perSectorRev0RUHistBin055	2362
perSectorRev0SamplePeriod	2363
perSectorRUHistBin000	2363
perSectorRUHistBin005	2363
perSectorRUHistBin010	2364
perSectorRUHistBin015	2364
perSectorRUHistBin020	2365
perSectorRUHistBin025	2365
perSectorRUHistBin030	2365
perSectorRUHistBin035	2366
perSectorRUHistBin040	2366
perSectorRUHistBin045	2366
perSectorRUHistBin050	2367
perSectorRUHistBin055	2367
perSectorRUHistBin060	2367
perSectorRUHistBin065	2368
perSectorRUHistBin070	2368
perSectorRUHistBin075	2369
perSectorRUHistBin080	2369
perSectorRUHistBin085	2369
perSectorRUHistBin090	2370
perSectorRUHistBin095	2370
perSectorRUHistBin100	2370
perSectorRUHistBin105	2371
perSectorRUHistBin110	2371
perSectorRUHistBin115	2371
perSectorSamplePeriod	2372
pnOffsetSC	2372
pnOffsetSSC	2372
rabSetRate	2373
rlSectorFilteredBEROT	2373
rlSectorFilteredLoad	2373
rlSectorFilterednonBEROT	2374
rlSectorFilteredROT	2374
rlSectorNumDrcSlots_PacketRate01	2374
rlSectorNumDrcSlots_PacketRate02	2375
rlSectorNumDrcSlots_PacketRate03	2375
rlSectorNumDrcSlots_PacketRate04	2375
rlSectorNumDrcSlots_PacketRate05	2376
rlSectorNumDrcSlots_PacketRate06	2376
rlSectorNumDrcSlots_PacketRate07	2376
rlSectorNumDrcSlots_PacketRate08	2377
rlSectorNumDrcSlots_PacketRate09	2377
rlSectorNumDrcSlots_PacketRate10	2377
rlSectorNumDrcSlots_PacketRate11	2378
rlSectorNumDrcSlots_PacketRate12	2378
rlSectorNumDrcSlots_PacketRate13	2378
rlSectorNumDrcSlots_PacketRate14	2379

Updated: 2009-06-03

PERFORMANCE DATA REFERENCE
 Prospect® 8.0 for Nortel AMPS/TDMA/CDMA/MTX 17

rlSectorThroughputMac	2379
rlSectorThroughputPhy	2379
rnIpAddressSC	2380
rnIpAddressSSC	2380
rnPerformaceSectorAchTableAchCapsuleRate	2380
rnPerformanceSectorAchTableAchCapsuleSize	2381
rnPerformanceSectorAchTableSEI	2381
rnPerformanceSectorCchTableCchCapsuleSize	2381
rnPerformanceSectorCchTableSEI	2382
rnPerformanceSectorFtcTableFtcPacketRate	2382
rnPerformanceSectorFtcTableSEI	2382
rnPerformanceSectorRtcTableRtcPacketRate	2383
rnPerformanceSectorRtcTableRtcPacketsInterlace	2383
rnPerformanceSectorRtcTableSEI	2383
rnPerformanceSectorStatisticsTableSEI	2383
rotPerClassNumAttempts_New_BE	2384
rotPerClassNumAttempts_New_nonBE	2384
rotPerClassNumAttempts_SHO_BE	2384
rotPerClassNumAttempts_SHO_nonBE	2385
rotPerClassNumBypasses_New_BE	2385
rotPerClassNumBypasses_New_nonBE	2385
rotPerClassNumBypasses_SHO_BE	2386
rotPerClassNumBypasses_SHO_nonBE	2386
rotPerClassNumFailures_New_BE	2386
rotPerClassNumFailures_New_nonBE	2387
rotPerClassNumFailures_SHO_BE	2387
rotPerClassNumFailures_SHO_nonBE	2387
rotPerClassNumSuccesses_New_BE	2388
rotPerClassNumSuccesses_New_nonBE	2388
rotPerClassNumSuccesses_SHO_BE	2388
rotPerClassNumSuccesses_SHO_nonBE	2389
rtcSectorFrameUtilization	2389
rtcSectorNumBadRxPhyPackets_Rate01SubPacket1	2389
rtcSectorNumBadRxPhyPackets_Rate01SubPacket2	2390
rtcSectorNumBadRxPhyPackets_Rate01SubPacket3	2390
rtcSectorNumBadRxPhyPackets_Rate01SubPacket4	2390
rtcSectorNumBadRxPhyPackets_Rate02SubPacket1	2391
rtcSectorNumBadRxPhyPackets_Rate02SubPacket2	2391
rtcSectorNumBadRxPhyPackets_Rate02SubPacket3	2391
rtcSectorNumBadRxPhyPackets_Rate02SubPacket4	2392
rtcSectorNumBadRxPhyPackets_Rate03SubPacket1	2392
rtcSectorNumBadRxPhyPackets_Rate03SubPacket2	2392
rtcSectorNumBadRxPhyPackets_Rate03SubPacket3	2393
rtcSectorNumBadRxPhyPackets_Rate03SubPacket4	2393
rtcSectorNumBadRxPhyPackets_Rate04SubPacket1	2393
rtcSectorNumBadRxPhyPackets_Rate04SubPacket2	2394
rtcSectorNumBadRxPhyPackets_Rate04SubPacket3	2394
rtcSectorNumBadRxPhyPackets_Rate04SubPacket4	2394
rtcSectorNumBadRxPhyPackets_Rate05SubPacket1	2395
rtcSectorNumBadRxPhyPackets_Rate05SubPacket2	2395
rtcSectorNumBadRxPhyPackets_Rate05SubPacket3	2395

PERFORMANCE DATA REFERENCE
Prospect® 8.0 for Nortel AMPS/TDMA/CDMA/MTX 17

rtcSectorNumBadRxPhyPackets_Rate05SubPacket4	2396
rtcSectorNumBadRxPhyPackets_Rate06SubPacket1	2396
rtcSectorNumBadRxPhyPackets_Rate06SubPacket2	2396
rtcSectorNumBadRxPhyPackets_Rate06SubPacket3	2397
rtcSectorNumBadRxPhyPackets_Rate06SubPacket4	2397
rtcSectorNumBadRxPhyPackets_Rate07SubPacket1	2397
rtcSectorNumBadRxPhyPackets_Rate07SubPacket2	2398
rtcSectorNumBadRxPhyPackets_Rate07SubPacket3	2398
rtcSectorNumBadRxPhyPackets_Rate07SubPacket4	2398
rtcSectorNumBadRxPhyPackets_Rate08SubPacket1	2399
rtcSectorNumBadRxPhyPackets_Rate08SubPacket2	2399
rtcSectorNumBadRxPhyPackets_Rate08SubPacket3	2399
rtcSectorNumBadRxPhyPackets_Rate08SubPacket4	2400
rtcSectorNumBadRxPhyPackets_Rate09SubPacket1	2400
rtcSectorNumBadRxPhyPackets_Rate09SubPacket2	2400
rtcSectorNumBadRxPhyPackets_Rate09SubPacket3	2401
rtcSectorNumBadRxPhyPackets_Rate09SubPacket4	2401
rtcSectorNumBadRxPhyPackets_Rate10SubPacket1	2401
rtcSectorNumBadRxPhyPackets_Rate10SubPacket2	2402
rtcSectorNumBadRxPhyPackets_Rate10SubPacket3	2402
rtcSectorNumBadRxPhyPackets_Rate10SubPacket4	2402
rtcSectorNumBadRxPhyPackets_Rate11SubPacket1	2403
rtcSectorNumBadRxPhyPackets_Rate11SubPacket2	2403
rtcSectorNumBadRxPhyPackets_Rate11SubPacket3	2403
rtcSectorNumBadRxPhyPackets_Rate11SubPacket4	2404
rtcSectorNumBadRxPhyPackets_Rate12SubPacket1	2404
rtcSectorNumBadRxPhyPackets_Rate12SubPacket2	2404
rtcSectorNumBadRxPhyPackets_Rate12SubPacket3	2405
rtcSectorNumBadRxPhyPackets_Rate12SubPacket4	2405
rtcSectorNumEmptyFrames	2405
rtcSectorNumEmptyFramesInterval	2406
rtcSectorNumGoodRxMacBytes_Rate01SubPacket1	2406
rtcSectorNumGoodRxMacBytes_Rate01SubPacket2	2406
rtcSectorNumGoodRxMacBytes_Rate01SubPacket3	2407
rtcSectorNumGoodRxMacBytes_Rate01SubPacket4	2407
rtcSectorNumGoodRxMacBytes_Rate02SubPacket1	2407
rtcSectorNumGoodRxMacBytes_Rate02SubPacket2	2408
rtcSectorNumGoodRxMacBytes_Rate02SubPacket3	2408
rtcSectorNumGoodRxMacBytes_Rate02SubPacket4	2408
rtcSectorNumGoodRxMacBytes_Rate03SubPacket1	2409
rtcSectorNumGoodRxMacBytes_Rate03SubPacket2	2409
rtcSectorNumGoodRxMacBytes_Rate03SubPacket3	2409
rtcSectorNumGoodRxMacBytes_Rate03SubPacket4	2410
rtcSectorNumGoodRxMacBytes_Rate04SubPacket1	2410
rtcSectorNumGoodRxMacBytes_Rate04SubPacket2	2410
rtcSectorNumGoodRxMacBytes_Rate04SubPacket3	2411
rtcSectorNumGoodRxMacBytes_Rate04SubPacket4	2411
rtcSectorNumGoodRxMacBytes_Rate05SubPacket1	2411
rtcSectorNumGoodRxMacBytes_Rate05SubPacket2	2412
rtcSectorNumGoodRxMacBytes_Rate05SubPacket3	2412
rtcSectorNumGoodRxMacBytes_Rate05SubPacket4	2412

Updated: 2009-06-03

PERFORMANCE DATA REFERENCE

Prospect® 8.0 for Nortel AMPS/TDMA/CDMA/MTX 17

rtcSectorNumGoodRxMacBytes_Rate06SubPacket1	2413
rtcSectorNumGoodRxMacBytes_Rate06SubPacket2	2413
rtcSectorNumGoodRxMacBytes_Rate06SubPacket3	2413
rtcSectorNumGoodRxMacBytes_Rate06SubPacket4	2414
rtcSectorNumGoodRxMacBytes_Rate07SubPacket1	2414
rtcSectorNumGoodRxMacBytes_Rate07SubPacket2	2414
rtcSectorNumGoodRxMacBytes_Rate07SubPacket3	2415
rtcSectorNumGoodRxMacBytes_Rate07SubPacket4	2415
rtcSectorNumGoodRxMacBytes_Rate08SubPacket1	2415
rtcSectorNumGoodRxMacBytes_Rate08SubPacket2	2416
rtcSectorNumGoodRxMacBytes_Rate08SubPacket3	2416
rtcSectorNumGoodRxMacBytes_Rate08SubPacket4	2416
rtcSectorNumGoodRxMacBytes_Rate09SubPacket1	2417
rtcSectorNumGoodRxMacBytes_Rate09SubPacket2	2417
rtcSectorNumGoodRxMacBytes_Rate09SubPacket3	2417
rtcSectorNumGoodRxMacBytes_Rate09SubPacket4	2418
rtcSectorNumGoodRxMacBytes_Rate10SubPacket1	2418
rtcSectorNumGoodRxMacBytes_Rate10SubPacket2	2418
rtcSectorNumGoodRxMacBytes_Rate10SubPacket3	2419
rtcSectorNumGoodRxMacBytes_Rate10SubPacket4	2419
rtcSectorNumGoodRxMacBytes_Rate11SubPacket1	2419
rtcSectorNumGoodRxMacBytes_Rate11SubPacket2	2420
rtcSectorNumGoodRxMacBytes_Rate11SubPacket3	2420
rtcSectorNumGoodRxMacBytes_Rate11SubPacket4	2420
rtcSectorNumGoodRxMacBytes_Rate12SubPacket1	2421
rtcSectorNumGoodRxMacBytes_Rate12SubPacket2	2421
rtcSectorNumGoodRxMacBytes_Rate12SubPacket3	2421
rtcSectorNumGoodRxMacBytes_Rate12SubPacket4	2422
rtcSectorNumGoodRxPhyPackets_Rate01SubPacket1	2422
rtcSectorNumGoodRxPhyPackets_Rate01SubPacket2	2422
rtcSectorNumGoodRxPhyPackets_Rate01SubPacket3	2423
rtcSectorNumGoodRxPhyPackets_Rate01SubPacket4	2423
rtcSectorNumGoodRxPhyPackets_Rate02SubPacket1	2423
rtcSectorNumGoodRxPhyPackets_Rate02SubPacket2	2424
rtcSectorNumGoodRxPhyPackets_Rate02SubPacket3	2424
rtcSectorNumGoodRxPhyPackets_Rate02SubPacket4	2424
rtcSectorNumGoodRxPhyPackets_Rate03SubPacket1	2425
rtcSectorNumGoodRxPhyPackets_Rate03SubPacket2	2425
rtcSectorNumGoodRxPhyPackets_Rate03SubPacket3	2425
rtcSectorNumGoodRxPhyPackets_Rate03SubPacket4	2426
rtcSectorNumGoodRxPhyPackets_Rate04SubPacket1	2426
rtcSectorNumGoodRxPhyPackets_Rate04SubPacket2	2426
rtcSectorNumGoodRxPhyPackets_Rate04SubPacket3	2427
rtcSectorNumGoodRxPhyPackets_Rate04SubPacket4	2427
rtcSectorNumGoodRxPhyPackets_Rate05SubPacket1	2427
rtcSectorNumGoodRxPhyPackets_Rate05SubPacket2	2428
rtcSectorNumGoodRxPhyPackets_Rate05SubPacket3	2428
rtcSectorNumGoodRxPhyPackets_Rate05SubPacket4	2428
rtcSectorNumGoodRxPhyPackets_Rate06SubPacket1	2429
rtcSectorNumGoodRxPhyPackets_Rate06SubPacket2	2429
rtcSectorNumGoodRxPhyPackets_Rate06SubPacket3	2429

PERFORMANCE DATA REFERENCE

Prospect® 8.0 for Nortel AMPS/TDMA/CDMA/MTX 17

rtcSectorNumGoodRxPhyPackets_Rate06SubPacket4	2430
rtcSectorNumGoodRxPhyPackets_Rate07SubPacket1	2430
rtcSectorNumGoodRxPhyPackets_Rate07SubPacket2	2430
rtcSectorNumGoodRxPhyPackets_Rate07SubPacket3	2431
rtcSectorNumGoodRxPhyPackets_Rate07SubPacket4	2431
rtcSectorNumGoodRxPhyPackets_Rate08SubPacket1	2431
rtcSectorNumGoodRxPhyPackets_Rate08SubPacket2	2432
rtcSectorNumGoodRxPhyPackets_Rate08SubPacket3	2432
rtcSectorNumGoodRxPhyPackets_Rate08SubPacket4	2432
rtcSectorNumGoodRxPhyPackets_Rate09SubPacket1	2433
rtcSectorNumGoodRxPhyPackets_Rate09SubPacket2	2433
rtcSectorNumGoodRxPhyPackets_Rate09SubPacket3	2433
rtcSectorNumGoodRxPhyPackets_Rate09SubPacket4	2434
rtcSectorNumGoodRxPhyPackets_Rate10SubPacket1	2434
rtcSectorNumGoodRxPhyPackets_Rate10SubPacket2	2434
rtcSectorNumGoodRxPhyPackets_Rate10SubPacket3	2435
rtcSectorNumGoodRxPhyPackets_Rate10SubPacket4	2435
rtcSectorNumGoodRxPhyPackets_Rate11SubPacket1	2435
rtcSectorNumGoodRxPhyPackets_Rate11SubPacket2	2436
rtcSectorNumGoodRxPhyPackets_Rate11SubPacket3	2436
rtcSectorNumGoodRxPhyPackets_Rate11SubPacket4	2436
rtcSectorNumGoodRxPhyPackets_Rate12SubPacket1	2437
rtcSectorNumGoodRxPhyPackets_Rate12SubPacket2	2437
rtcSectorNumGoodRxPhyPackets_Rate12SubPacket3	2437
rtcSectorNumGoodRxPhyPackets_Rate12SubPacket4	2438
rtcSectorThroughputMac	2438
rtcSectorThroughputPhy	2438
sectorElementIndex	2439
slotUtilAggNumAttempts_New_BE	2439
slotUtilAggNumAttempts_New_nonBE	2439
slotUtilAggNumAttempts_SHO_BE	2440
slotUtilAggNumAttempts_SHO_nonBE	2440
slotUtilAggNumBypass_New_BE	2440
slotUtilAggNumBypass_New_nonBE	2441
slotUtilAggNumBypass_SHO_BE	2441
slotUtilAggNumBypass_SHO_nonBE	2441
slotUtilAggNumFailures_New_BE	2442
slotUtilAggNumFailures_New_nonBE	2442
slotUtilAggNumFailures_SHO_BE	2442
slotUtilAggNumFailures_SHO_nonBE	2443
slotUtilAggNumSuccess_New_BE	2443
slotUtilAggNumSuccess_New_nonBE	2443
slotUtilAggNumSuccess_SHO_BE	2444
slotUtilAggNumSuccess_SHO_nonBE	2444
TotalAirlinkRsrcAllocatedCurSectorCarrier	2444
TotalAirlinkRsrcAllocatedSectorCarrier	2445
TotalAirlinkRsrcAllocationsFailedSectorCarrierDownSectorCarrier	2445
TotalAirlinkRsrcRequestsSectorCarrier	2445
TotalBlockedAirlinkRsrcAllocationsSectorCarrier	2446
TotalInterSlotRsrcAllocatedSectorCarrier	2446
TotalInterSlotRsrcRequestsSectorCarrier	2446

Updated: 2009-06-03

PERFORMANCE DATA REFERENCE
 Prospect® 8.0 for Nortel AMPS/TDMA/CDMA/MTX 17

totalSessionSetupsBlockedSC	2447
totalSessionSetupsFailedSC	2447
trafficTypeAggNumAttempts_New_BE	2447
trafficTypeAggNumAttempts_New_nonBE	2448
trafficTypeAggNumAttempts_SHO_BE	2448
trafficTypeAggNumAttempts_SHO_nonBE	2448
trafficTypeAggNumBypass_New_BE	2449
trafficTypeAggNumBypass_New_nonBE	2449
trafficTypeAggNumBypass_SHO_BE	2449
trafficTypeAggNumBypass_SHO_nonBE	2450
trafficTypeAggNumFailures_New_BE	2450
trafficTypeAggNumFailures_New_nonBE	2450
trafficTypeAggNumFailures_SHO_BE	2451
trafficTypeAggNumFailures_SHO_nonBE	2451
trafficTypeAggNumSuccess_New_BE	2451
trafficTypeAggNumSuccess_New_nonBE	2452
trafficTypeAggNumSuccess_SHO_BE	2452
trafficTypeAggNumSuccess_SHO_nonBE	2452
DOM_Sector_FormatRate Primitive Calculations	2453
GRAPHmultiLineSeparator	2453
NUMDAYS	2453
NUMHOURS	2453
DOM_Sector_FormatRate Peg Counts	2453
numSlotUsedForMultiUserPhyPacketsTxFmt	2453
numSlotUsedForSingleUserPhyPacketsTxFmt	2454
numTxMultiUserPhyPacketsTxFmt	2454
numTxSingleUserPhyPacketsTxFmt	2454
DOM_Sector_Priority Primitive Calculations	2455
GRAPHmultiLineSeparator	2455
NUMDAYS	2455
NUMHOURS	2455
rtcSeHiCapBadPhyPkts	2455
rtcSeHiCapGdMacBytes	2455
rtcSeHiCapGdPhyPkts	2456
rtcSeLoLatBadPhyPkts	2456
rtcSeLoLatGdMacBytes	2456
rtcSeLoLatGdPhyPkts	2456
DOM_Sector_Priority Peg Counts	2457
fteSectorBEMacBytes	2457
fteSectorBEPhyBytes	2457
fteSectorBESlots	2457
fteSeSchBEDelHis_Bin0	2458
fteSeSchBEDelHis_Bin1	2458
fteSeSchBEDelHis_Bin2	2458
fteSeSchBEDelHis_Bin3	2459
fteSeSchBEDelHis_Bin4	2459
fteSeSchBEDelHis_Bin5	2459
fteSeSchBEDelHis_Bin6	2460
fteSeSchBEDelHis_Bin7	2460
rtcSeHiCapBadPhyPkts_PktRate01	2460

PERFORMANCE DATA REFERENCE
Prospect® 8.0 for Nortel AMPS/TDMA/CDMA/MTX 17

rtcSeHiCapBadPhyPkts_PktRate02	2461
rtcSeHiCapBadPhyPkts_PktRate03	2461
rtcSeHiCapBadPhyPkts_PktRate04	2462
rtcSeHiCapBadPhyPkts_PktRate05	2462
rtcSeHiCapBadPhyPkts_PktRate06	2462
rtcSeHiCapBadPhyPkts_PktRate07	2463
rtcSeHiCapBadPhyPkts_PktRate08	2463
rtcSeHiCapBadPhyPkts_PktRate09	2463
rtcSeHiCapBadPhyPkts_PktRate10	2464
rtcSeHiCapBadPhyPkts_PktRate11	2464
rtcSeHiCapBadPhyPkts_PktRate12	2464
rtcSeHiCapGdMacBytes_PktRate01	2465
rtcSeHiCapGdMacBytes_PktRate02	2465
rtcSeHiCapGdMacBytes_PktRate03	2466
rtcSeHiCapGdMacBytes_PktRate04	2466
rtcSeHiCapGdMacBytes_PktRate05	2466
rtcSeHiCapGdMacBytes_PktRate06	2467
rtcSeHiCapGdMacBytes_PktRate07	2467
rtcSeHiCapGdMacBytes_PktRate08	2467
rtcSeHiCapGdMacBytes_PktRate09	2468
rtcSeHiCapGdMacBytes_PktRate10	2468
rtcSeHiCapGdMacBytes_PktRate11	2468
rtcSeHiCapGdMacBytes_PktRate12	2469
rtcSeHiCapGdPhyPkts_PktRate01	2469
rtcSeHiCapGdPhyPkts_PktRate02	2470
rtcSeHiCapGdPhyPkts_PktRate03	2470
rtcSeHiCapGdPhyPkts_PktRate04	2470
rtcSeHiCapGdPhyPkts_PktRate05	2471
rtcSeHiCapGdPhyPkts_PktRate06	2471
rtcSeHiCapGdPhyPkts_PktRate07	2471
rtcSeHiCapGdPhyPkts_PktRate08	2472
rtcSeHiCapGdPhyPkts_PktRate09	2472
rtcSeHiCapGdPhyPkts_PktRate10	2472
rtcSeHiCapGdPhyPkts_PktRate11	2473
rtcSeHiCapGdPhyPkts_PktRate12	2473
rtcSeLoLatBadPhyPkts_PktRate01	2474
rtcSeLoLatBadPhyPkts_PktRate02	2474
rtcSeLoLatBadPhyPkts_PktRate03	2474
rtcSeLoLatBadPhyPkts_PktRate04	2475
rtcSeLoLatBadPhyPkts_PktRate05	2475
rtcSeLoLatBadPhyPkts_PktRate06	2475
rtcSeLoLatBadPhyPkts_PktRate07	2476
rtcSeLoLatBadPhyPkts_PktRate08	2476
rtcSeLoLatBadPhyPkts_PktRate09	2476
rtcSeLoLatBadPhyPkts_PktRate10	2477
rtcSeLoLatBadPhyPkts_PktRate11	2477
rtcSeLoLatBadPhyPkts_PktRate12	2478
rtcSeLoLatGdMacBytes_PktRate01	2478
rtcSeLoLatGdMacBytes_PktRate02	2478
rtcSeLoLatGdMacBytes_PktRate03	2479
rtcSeLoLatGdMacBytes_PktRate04	2479

Updated: 2009-06-03

PERFORMANCE DATA REFERENCE
 Prospect® 8.0 for Nortel AMPS/TDMA/CDMA/MTX 17

rtcSeLoLatGdMacBytes_PktRate05	2479
rtcSeLoLatGdMacBytes_PktRate06	2480
rtcSeLoLatGdMacBytes_PktRate07	2480
rtcSeLoLatGdMacBytes_PktRate08	2480
rtcSeLoLatGdMacBytes_PktRate09	2481
rtcSeLoLatGdMacBytes_PktRate10	2481
rtcSeLoLatGdMacBytes_PktRate11	2482
rtcSeLoLatGdMacBytes_PktRate12	2482
rtcSeLoLatGdPhyPkts_PktRate01	2482
rtcSeLoLatGdPhyPkts_PktRate02	2483
rtcSeLoLatGdPhyPkts_PktRate03	2483
rtcSeLoLatGdPhyPkts_PktRate04	2483
rtcSeLoLatGdPhyPkts_PktRate05	2484
rtcSeLoLatGdPhyPkts_PktRate06	2484
rtcSeLoLatGdPhyPkts_PktRate07	2484
rtcSeLoLatGdPhyPkts_PktRate08	2485
rtcSeLoLatGdPhyPkts_PktRate09	2485
rtcSeLoLatGdPhyPkts_PktRate10	2486
rtcSeLoLatGdPhyPkts_PktRate11	2486
rtcSeLoLatGdPhyPkts_PktRate12	2486
DOM_TrafficType Primitive Calculations	2487
GRAPHmultiLineSeparator	2487
NUMDAYS	2487
NUMHOURS	2487
DOM_TrafficType Peg Counts	2487
perModemFlowUsagePerTrafficType	2487
DPC Primitive Calculations	2488
GRAPHmultiLineSeparator	2488
NUMDAYS	2488
NUMHOURS	2488
DPC Peg Counts	2488
C7RSCNGU	2488
C7RSFAIL	2489
C7RSMANB	2489
C7RSUNAU	2489
C7RTERR	2489
DS1Carrier Primitive Calculations	2490
GRAPHmultiLineSeparator	2490
NUMDAYS	2490
NUMHOURS	2490
DS1Carrier Peg Counts	2490
DS1AIS	2490
DS1BER	2491
DS1CBU	2491
DS1ECF	2491
DS1ES	2492
DS1LCGA	2492
DS1LOF	2492
DS1MBU	2493
DS1PBU	2493

PERFORMANCE DATA REFERENCE
 Prospect® 8.0 for Nortel AMPS/TDMA/CDMA/MTX 17

DS1RCGA	2493
DS1SBU	2494
DS1SES	2494
DS1SLP	2494
DS1UAS	2495
DSFP Primitive Calculations	2495
GRAPHmultiLineSeparator	2495
NUMDAYS	2495
NUMHOURS	2495
EIU Primitive Calculations	2496
GRAPHmultiLineSeparator	2496
NUMDAYS	2496
NUMHOURS	2496
EIU Peg Counts	2496
ECPUOVR	2496
EIUCALLP	2497
ERDIRECT	2497
EREADDR	2497
ESRFWDRP	2497
ESRFWTOT	2498
ESRRVDRP	2498
ESRRVTOT	2498
ESRTBLUP	2499
ENET Primitive Calculations	2499
GRAPHmultiLineSeparator	2499
NUMDAYS	2499
NUMHOURS	2499
ENET Peg Counts	2500
ENBKG	2500
ENCPOCC	2500
ENFORE	2500
ENIDLE	2501
ENMAINT	2501
ENSCHED	2501
ESelectorCard Primitive Calculations	2501
ForwardBurstSetupFailureRate	2502
FwdBurstSetupFailureRate_16X	2502
FwdBurstSetupFailureRate_2X	2502
FwdBurstSetupFailureRate_4X	2502
FwdBurstSetupFailureRate_8X	2502
GRAPHmultiLineSeparator	2502
NUMDAYS	2502
NUMHOURS	2503
RevBurstSetupFailureRate_16X	2503
RevBurstSetupFailureRate_2X	2503
RevBurstSetupFailureRate_4X	2503
RevBurstSetupFailureRate_8X	2503
ReverseBurstSetupFailureRate	2503
RLP_SessionSetupFailureRate	2503
ESelectorCard Peg Counts	2504

Updated: 2009-06-03

PERFORMANCE DATA REFERENCE

Prospect® 8.0 for Nortel AMPS/TDMA/CDMA/MTX 17

FSCH_CFDS_RadioConfig	2504
FSCHLinkDowngrade	2504
FSCHLinkSetupAttempts	2504
FSCHLinkSetupBlock	2505
FSCHLinkSetupSuccess	2505
FSCHNoFrameOffset	2505
FSCHNoFwdPower	2506
FSCHNoPhysRes	2506
FSCHNoWalshCode	2506
FSCHRadioLinkAccessFailure	2507
FSCHTimeout	2507
FwdBurstBSC_Downgrade	2507
FwdBurstBSC_DowngradeChange	2508
FwdBurstBSC_NonDowngrade	2508
FwdBurstBSC_NonDowngradeChange	2508
FwdBurstBSC_Release_16X	2509
FwdBurstBSC_Release_2X	2509
FwdBurstBSC_Release_4X	2509
FwdBurstBSC_Release_8X	2509
FwdBurstBTS_PilotRelease_16X	2510
FwdBurstBTS_PilotRelease_2X	2510
FwdBurstBTS_PilotRelease_4X	2510
FwdBurstBTS_PilotRelease_8X	2511
FwdBurstDelayIndex_1	2511
FwdBurstDelayIndex_2	2511
FwdBurstDelayIndex_3	2512
FwdBurstDowngrade_16X_To_2X	2512
FwdBurstDowngrade_16X_To_4X	2512
FwdBurstDowngrade_16X_To_8X	2513
FwdBurstDowngrade_4X_To_2X	2513
FwdBurstDowngrade_8X_To_2X	2514
FwdBurstDowngrade_8X_To_4X	2514
FwdBurstDowngradeChange_16X_To_4X	2514
FwdBurstDowngradeChange_16X_To_8X	2515
FwdBurstDowngradeChange_8X_To_4X	2515
FwdBurstNonDowngrade_16X	2515
FwdBurstNonDowngrade_2X	2516
FwdBurstNonDowngrade_4X	2516
FwdBurstNonDowngrade_8X	2516
FwdBurstNonDowngradeChange_16X	2517
FwdBurstNonDowngradeChange_4X	2517
FwdBurstNonDowngradeChange_8X	2517
FwdBurstSetupAttempts	2518
FwdBurstSetupAttempts_16X	2518
FwdBurstSetupAttempts_2X	2518
FwdBurstSetupAttempts_4X	2519
FwdBurstSetupAttempts_8X	2519
FwdBurstSetupFailures	2519
FwdBurstSetupFailures_16X	2520
FwdBurstSetupFailures_2X	2520
FwdBurstSetupFailures_4X	2520

PERFORMANCE DATA REFERENCE
Prospect® 8.0 for Nortel AMPS/TDMA/CDMA/MTX 17

FwdBurstSetupFailures_8X	2521
FwdBurstSetupSuccesses	2521
FwdBurstSetupSuccesses_16X	2521
FwdBurstSetupSuccesses_2X	2521
FwdBurstSetupSuccesses_4X	2522
FwdBurstSetupSuccesses_8X	2522
FwdBurstUpgradeAttempts_2X_To_16X	2522
FwdBurstUpgradeAttempts_2X_To_4X	2523
FwdBurstUpgradeAttempts_2X_To_8X	2523
FwdBurstUpgradeAttempts_4X_To_16X	2523
FwdBurstUpgradeAttempts_4X_To_8X	2524
FwdBurstUpgradeAttempts_8X_To_16X	2524
FwdBurstUpgradeFailures_2X_To_16X	2524
FwdBurstUpgradeFailures_2X_To_4X	2525
FwdBurstUpgradeFailures_2X_To_8X	2525
FwdBurstUpgradeFailures_4X_To_16X	2525
FwdBurstUpgradeFailures_4X_To_8X	2526
FwdBurstUpgradeFailures_8X_To_16X	2526
FwdBurstUpgradeSuccesses_2X_To_16X	2526
FwdBurstUpgradeSuccesses_2X_To_4X	2527
FwdBurstUpgradeSuccesses_2X_To_8X	2527
FwdBurstUpgradeSuccesses_4X_To_16X	2527
FwdBurstUpgradeSuccesses_4X_To_8X	2528
FwdBurstUpgradeSuccesses_8X_To_16X	2528
FwdRLPQ_BurstRequestDepth_1	2528
FwdRLPQ_BurstRequestDepth_10	2529
FwdRLPQ_BurstRequestDepth_11	2529
FwdRLPQ_BurstRequestDepth_12	2529
FwdRLPQ_BurstRequestDepth_13	2530
FwdRLPQ_BurstRequestDepth_14	2530
FwdRLPQ_BurstRequestDepth_15	2530
FwdRLPQ_BurstRequestDepth_16	2531
FwdRLPQ_BurstRequestDepth_17	2531
FwdRLPQ_BurstRequestDepth_18	2531
FwdRLPQ_BurstRequestDepth_19	2532
FwdRLPQ_BurstRequestDepth_2	2532
FwdRLPQ_BurstRequestDepth_20	2532
FwdRLPQ_BurstRequestDepth_21	2533
FwdRLPQ_BurstRequestDepth_22	2533
FwdRLPQ_BurstRequestDepth_23	2533
FwdRLPQ_BurstRequestDepth_24	2534
FwdRLPQ_BurstRequestDepth_25	2534
FwdRLPQ_BurstRequestDepth_3	2534
FwdRLPQ_BurstRequestDepth_4	2535
FwdRLPQ_BurstRequestDepth_5	2535
FwdRLPQ_BurstRequestDepth_6	2535
FwdRLPQ_BurstRequestDepth_7	2536
FwdRLPQ_BurstRequestDepth_8	2536
FwdRLPQ_BurstRequestDepth_9	2536
FwdRLPQ_SCH_BurstAvgDepth_16x	2537
FwdRLPQ_SCH_BurstAvgDepth_2x	2537

Updated: 2009-06-03

PERFORMANCE DATA REFERENCE

Prospect® 8.0 for Nortel AMPS/TDMA/CDMA/MTX 17

FwdRLPQ_SCH_BurstAvgDepth_4x	2537
FwdRLPQ_SCH_BurstAvgDepth_8x	2538
FwdRLPQ_SCH_BurstPeakDepth_16x	2538
FwdRLPQ_SCH_BurstPeakDepth_2x	2538
FwdRLPQ_SCH_BurstPeakDepth_4x	2539
FwdRLPQ_SCH_BurstPeakDepth_8x	2539
PLCM_CallDropsBS_Assigned	2539
PLCM_CallDropsMEID	2540
PLCM_CallDropsPseudoESN	2540
PLCM_CallSetupAttemptsBS_Assigned	2541
PLCM_CallSetupAttemptsMEID	2541
PLCM_CallSetupAttemptsPseudoESN	2541
PLCM_CallSetupFailuresBS_Assigned	2542
PLCM_CallSetupFailuresMEID	2542
PLCM_CallSetupFailuresPseudoESN	2542
PLCM_CallSetupSuccessesBS_Assigned	2543
PLCM_CallSetupSuccessesMEID	2543
PLCM_CallSetupSuccessesPseudoESN	2543
RevBurstBSC_Downgrade	2544
RevBurstBSC_NonDowngrade	2544
RevBurstBSC_Release_16X	2544
RevBurstBSC_Release_2X	2545
RevBurstBSC_Release_4X	2545
RevBurstBSC_Release_8X	2545
RevBurstBTS_PilotRelease_16X	2546
RevBurstBTS_PilotRelease_2X	2546
RevBurstBTS_PilotRelease_4X	2546
RevBurstBTS_PilotRelease_8X	2547
RevBurstDelayIndex_1	2547
RevBurstDelayIndex_2	2547
RevBurstDelayIndex_3	2548
RevBurstDowngrade_16X_To_2X	2548
RevBurstDowngrade_16X_To_4X	2548
RevBurstDowngrade_16X_To_8X	2549
RevBurstDowngrade_4X_To_2X	2549
RevBurstDowngrade_8X_To_2X	2549
RevBurstDowngrade_8X_To_4X	2550
RevBurstNonDowngrade_16X	2550
RevBurstNonDowngrade_2X	2550
RevBurstNonDowngrade_4X	2551
RevBurstNonDowngrade_8X	2551
RevBurstSetupAttempts	2551
RevBurstSetupAttempts_16X	2552
RevBurstSetupAttempts_2X	2552
RevBurstSetupAttempts_4X	2552
RevBurstSetupAttempts_8X	2553
RevBurstSetupFailures	2553
RevBurstSetupFailures_16X	2553
RevBurstSetupFailures_2X	2554
RevBurstSetupFailures_4X	2554
RevBurstSetupFailures_8X	2554

PERFORMANCE DATA REFERENCE
Prospect® 8.0 for Nortel AMPS/TDMA/CDMA/MTX 17

RevBurstSetupSuccesses	2555
RevBurstSetupSuccesses_16X	2555
RevBurstSetupSuccesses_2X	2555
RevBurstSetupSuccesses_4X	2555
RevBurstSetupSuccesses_8X	2556
RevRLPQ_SCH_BurstAvgDepth_16x	2556
RevRLPQ_SCH_BurstAvgDepth_2x	2556
RevRLPQ_SCH_BurstAvgDepth_4x	2557
RevRLPQ_SCH_BurstAvgDepth_8x	2557
RevRLPQ_SCH_BurstPeakDepth_16x	2557
RevRLPQ_SCH_BurstPeakDepth_2x	2558
RevRLPQ_SCH_BurstPeakDepth_4x	2558
RevRLPQ_SCH_BurstPeakDepth_8x	2558
RLPSetupAttempts	2559
RLPSetupFailures	2559
RLPSetupSuccesses	2559
RSCH_CFDS_HighSpeed	2560
RSCH_CFDS_RadioConfig	2560
RSCHLinkDowngrade	2560
RSCHLinkSetupAttempt	2561
RSCHLinkSetupBlock	2561
RSCHLinkSetupSuccess	2561
RSCHNoFrameOffset	2562
RSCHNoPhysRes	2562
RSCHRadioLinkAccessFailure	2562
RSCHTimeout	2563
SCHDrop	2563
ExtBlocks Primitive Calculations	2563
GRAPHmultiLineSeparator	2563
NUMDAYS	2563
NUMHOURS	2564
ExtBlocks Peg Counts	2564
AVAILBLK	2564
EXTHI	2564
EXTOVFL	2564
EXTSEIZ	2565
FA_Service Primitive Calculations	2565
GRAPHmultiLineSeparator	2565
NUMDAYS	2565
NUMHOURS	2565
FA_Service Peg Counts	2566
accept_dereg	2566
accept_initial	2566
accept_renewal	2566
accept_total	2567
advert_send	2567
auth_attempt	2567
auth_failure	2568
auth_success	2568
authfail_dereg	2568

Updated: 2009-06-03

PERFORMANCE DATA REFERENCE
Prospect® 8.0 for Nortel AMPS/TDMA/CDMA/MTX 17

authfail_initial	2568
authfail_renewal	2569
authfail_total	2569
denied_dereg	2569
denied_ha_badreq	2570
denied_ha_dereg	2570
denied_ha_faauth	2570
denied_ha_initial	2571
denied_ha_mismatchid	2571
denied_ha_renewal	2571
denied_ha_revtununavail	2572
denied_ha_simulbind	2572
denied_ha_total	2572
denied_ha_unknownha	2573
denied_initial	2573
denied_pdsn_admin	2573
denied_pdsn_badreply	2574
denied_pdsn_badreq	2574
denied_pdsn_dereg	2574
denied_pdsn_encapunavail	2575
denied_pdsn_haauth	2575
denied_pdsn_hahostunreach	2575
denied_pdsn_hanetunreach	2576
denied_pdsn_haportunreach	2576
denied_pdsn_haunreach	2576
denied_pdsn_initial	2577
denied_pdsn_invcoa	2577
denied_pdsn_lifetoolong	2577
denied_pdsn_misschallenge	2578
denied_pdsn_misshomeaddr	2578
denied_pdsn_misshomeagent	2578
denied_pdsn_missnai	2579
denied_pdsn_mnauth	2579
denied_pdsn_mntoodistant	2579
denied_pdsn_renewal	2580
denied_pdsn_resource	2580
denied_pdsn_revtunmand	2580
denied_pdsn_revtununavail	2581
denied_pdsn_stalechallenge	2581
denied_pdsn_styleunavail	2581
denied_pdsn_timeout	2582
denied_pdsn_total	2582
denied_pdsn_unkchallenge	2582
denied_pdsn_unspec	2583
denied_renewal	2583
denied_total	2583
disc_admin	2584
disc_dereg	2584
disc_expiry	2584
discard_dereg	2585
discard_initial	2585

PERFORMANCE DATA REFERENCE
Prospect® 8.0 for Nortel AMPS/TDMA/CDMA/MTX 17

discard_renewal	2585
discard_total	2586
recv_dereg	2586
recv_initial	2586
recv_renewal	2587
recv_total	2587
relayed_dereg	2587
relayed_initial	2587
relayed_renewal	2588
relayed_total	2588
replyrcv_dereg	2588
replyrcv_deregrelayed	2589
replyrcv_errors	2589
replyrcv_initial	2589
replyrcv_initialrelayed	2590
replyrcv_renewal	2590
replyrcv_renewalrelayed	2590
replyrcv_total	2591
replyrcv_totalrelayed	2591
replysent_acceptdereg	2591
replysent_acceptreg	2592
replysent_adminprohib	2592
replysent_badreply	2592
replysent_badreq	2593
replysent_haauthfail	2593
replysent_hahostunreach	2593
replysent_hanetunreach	2594
replysent_haportunreach	2594
replysent_haunreach	2594
replysent_invcoa	2595
replysent_lifetoolong	2595
replysent_misschallenge	2595
replysent_misshomeaddr	2596
replysent_misshomeagent	2596
replysent_missnai	2596
replysent_mnauthfail	2597
replysent_mntoodistant	2597
replysent_noresources	2597
replysent_regtimeout	2598
replysent_revtunmand	2598
replysent_revtununavail	2598
replysent_senderrors	2599
replysent_stalechallenge	2599
replysent_total	2599
replysent_unkchallenge	2600
reqsent_dereg	2600
reqsent_dereg_noresend	2600
reqsent_dereg_resend	2601
reqsent_initial	2601
reqsent_initial_noresend	2601
reqsent_initial_resend	2601

Updated: 2009-06-03

PERFORMANCE DATA REFERENCE
Prospect® 8.0 for Nortel AMPS/TDMA/CDMA/MTX 17

reqsent_renew	2602
reqsent_renew_noresend	2602
reqsent_renew_resend	2602
vpnid	2603
FunctionalProc Primitive Calculations	2603
NUMDAYS	2603
NUMHOURS	2603
GWC Primitive Calculations	2603
GetTerminalAttSuccGWC	2604
GRAPHmultiLineSeparator	2604
NUMDAYS	2604
NUMHOURS	2604
pGetTerminalAttSuccGWC	2604
GWC Peg Counts	2604
AVGCPOCC	2604
AVGLPOCC	2605
CPUCP100	2605
CPUCP30	2605
CPUCP40	2606
CPUCP50	2606
CPUCP60	2606
CPUCP70	2607
CPUCP80	2607
CPUCP85	2607
CPUCP90	2607
CPUCP95	2608
CPUTOTL	2608
DELAYQOS	2608
DPTGTAT	2609
DPTGTFL	2609
DPTGTFLO	2609
DPTHWT	2610
DPTUSAG	2610
GWCSHED1	2610
JITTER	2611
MSGDSCRD	2611
MSGRECV	2611
MSGSENT	2611
MSGUKNGW	2612
NUMRPTS	2612
PARSEERR	2612
PKTLOSS	2613
PMORIGS	2613
PMSGIPC	2613
PMTERMS	2614
PORGDLY	2614
PORGIPC	2614
PORGLCM	2615
PORGMISC	2615
PORGMMSG	2616

PERFORMANCE DATA REFERENCE
Prospect® 8.0 for Nortel AMPS/TDMA/CDMA/MTX 17

PORGPTQ	2616
PORGSLLC	2616
PTRMDLY	2617
PTRMMISC	2617
PTRMMSG	2617
PTRMPTQ	2618
RETRANS	2618
SAFNACKS	2618
SNONACKS	2619
SOCOVFL1	2619
USRABDN1	2619
VORGOFRD	2620
VORGSHED	2620
VTRMOFRD	2620
VTRMSHED	2621
HA_Service Primitive Calculations	2621
GRAPHmultiLineSeparator	2621
NUMDAYS	2621
NUMHOURS	2621
HA_Service Peg Counts	2622
accept_dereg	2622
accept_ho	2622
accept_reg	2622
accept_renew	2623
accept_total	2623
admindrop	2623
denied_dereg	2624
denied_ho	2624
denied_initial	2624
denied_renew	2624
denied_total	2625
dereg	2625
discard_total	2625
disconnects	2626
expiry	2626
farevocation	2626
num_sessions	2627
recv_dereg	2627
recv_ho	2627
recv_initial	2628
recv_renew	2628
recv_total	2628
reply_acceptdereg	2629
reply_acceptreg	2629
reply_adminprohib	2629
reply_badreq	2630
reply_denied	2630
reply_encapunavail	2630
reply_error	2631
reply_faauthfail	2631
reply_mismatchid	2631

Updated: 2009-06-03

PERFORMANCE DATA REFERENCE
 Prospect® 8.0 for Nortel AMPS/TDMA/CDMA/MTX 17

reply_mnauthfail	2632
reply_noresource	2632
reply_revtunmand	2632
reply_revtununavail	2633
reply_senderror	2633
reply_simulbind	2633
reply_total	2634
reply_unknownha	2634
reply_unspecerr	2634
vpnid	2635
HIOP Primitive Calculations	2635
GRAPHmultiLineSeparator	2635
NUMDAYS	2635
NUMHOURS	2635
HIOP Peg Counts	2635
IO_SERVICE_TYPE	2636
IOHWM	2636
IOTHRESH	2636
IOUTIL	2637
RXMSGPS	2637
RXSIZE	2637
TXMSGPS	2637
TXSIZE	2638
HoSector Primitive Calculations	2638
GRAPHmultiLineSeparator	2638
NUMDAYS	2638
NUMHOURS	2638
HoSector Peg Counts	2639
HOACNT	2639
HOCNT	2639
HONHTL	2639
HONPCP	2640
MACSUM	2640
MASSUM	2640
MHOCAN	2641
MHOCMP	2641
NBHOAT	2641
NBHOCP	2642
RSICAN	2642
RSISRV	2642
ICP Primitive Calculations	2643
GRAPHmultiLineSeparator	2643
NUMDAYS	2643
NUMHOURS	2643
ICP Peg Counts	2643
CSLK0TRG	2643
CSLK1TRG	2644
CSLK2TRG	2644
CSLK3TRG	2644
EISP0TRG	2645

PERFORMANCE DATA REFERENCE
 Prospect® 8.0 for Nortel AMPS/TDMA/CDMA/MTX 17

EISP1TRG	2645
EISP2TRG	2645
EISP3TRG	2645
IPBF0TRG	2646
IPBF1TRG	2646
IPBF2TRG	2646
IPBF3TRG	2647
LBUF0TRG	2647
LBUF1TRG	2647
LBUF2TRG	2648
LBUF3TRG	2648
OVDIRHO	2648
OVHOV	2649
OVINZONE	2649
OVLCREQS	2649
OVLCRESP	2650
OVMWI	2650
OVORIG	2650
OVOUTZON	2650
OVPGREQS	2651
OVPGRES	2651
OVRDYN	2651
OVREPAGE	2652
OVSM136	2652
OVSM136R	2652
OVSM91	2653
OVSMDCCH	2653
OVSMDCCR	2653
OVSMDCPG	2654
OVSMDTCH	2654
OVSMDTCR	2654
OVSMORDD	2654
OVSMORRD	2655
OVSSDUPD	2655
OVSVPRT	2655
OVUNIQCH	2656
PROC0TRG	2656
PROC1TRG	2656
PROC2TRG	2657
PROC3TRG	2657
SBUF0TRG	2657
SBUF1TRG	2658
SBUF2TRG	2658
SBUF3TRG	2658
IS41 Primitive Calculations	2658
ACUSUCC	2659
CFPRIVIC	2659
CFPRIVOG	2659
GRAPHmultiLineSeparator	2659
NUMDAYS	2659
NUMHOURS	2659

Updated: 2009-06-03

PERFORMANCE DATA REFERENCE
Prospect® 8.0 for Nortel AMPS/TDMA/CDMA/MTX 17

IS41 Peg Counts	2659
ACAKEYCM	2660
ACAKEYFA	2660
ACAKEYGE	2660
ACAUTHRM	2660
ACAUTHRQ	2661
ACAUTHSC	2661
ACDENY	2661
ACFLSHRQ	2662
ACMAPRM	2662
ACMARMM	2662
ACMOFAIL	2663
ACMRCMM	2663
ACMUCFL	2663
ACMUCNR	2664
ACMUNBSC	2664
ACNOAUTH	2664
ACOFAIL	2664
ACORIGRQ	2665
ACOTAOF A	2665
ACOTAPEV	2665
ACOTAREQ	2666
ACOTASCC	2666
ACREAUTH	2666
ACREGRQ	2667
ACREQUC	2667
ACRESREL	2667
ACRGASIG	2668
ACSSDERR	2668
ACSSDUFL	2668
ACSSDUNA	2668
ACSSDUNC	2669
ACSSDUPD	2669
ACSSDURQ	2669
ACSSDUSC	2670
ACTERMRQ	2670
ACUCFAIL	2670
ACUCNA	2671
ACUCNR	2671
ACUCREQ	2671
ACUCSUCC	2672
ACUNSPRQ	2672
ADIRIVIC	2672
ADIRIVOG	2672
ADIRIVOG_ACN	2673
ADIRRRIC	2673
ADIRRRIC_ACN	2673
ADIRRROG	2674
AFRIVIC	2674
AFRIVIC_ACN	2674
AFRIVOG	2675

PERFORMANCE DATA REFERENCE
Prospect® 8.0 for Nortel AMPS/TDMA/CDMA/MTX 17

AFRRRIC	2675
AFRRROG	2675
AFRRROG_ACN	2676
ANALYZIC	2676
ANALYZOOG	2676
ANLYZDIC	2677
ANLYZDOG	2677
ANLYZDOG_TDPOG1	2677
ANLYZOIC	2678
ARQSSDUP	2678
ASRIVIC	2678
ASRIVIC_ACN	2678
ASRIVOG	2679
ASRRRIC	2679
ASRRROG	2679
ASRRROG_ACN	2680
AUTHIVIC	2680
AUTHIVICAC_ACN	2680
AUTHIVOG	2681
AUTHRRIC	2681
AUTHRROG	2681
AUTHRROG_ACN	2682
BLKREQIC	2682
BLKREQOG	2682
BLKRESIC	2682
BLKRESOG	2683
BLLREQIC	2683
BLREQROG	2683
BSCHIVIC	2684
BSCHIVIC_ACN	2684
BSCHIVOG	2684
BSCHRRIC	2685
BSCHRROG	2685
BSCHRROG_ACN	2685
CCDRIVIC	2686
CCDRRROG	2686
CFRPVIC	2686
CFRPVIVOG	2686
CNAPIVIVOG	2687
CNAPRRIC	2687
CNTRIVIC	2687
CNTRIVIVOG	2688
CNTRIVIVOG_ACN	2688
CNTRRRIC	2688
CNTRRRIC_ACN	2689
CNTRRRROG	2689
COLLECTIC	2689
COLLECTOG	2690
CRESIVIC	2690
CRESIVIVOG	2690
CSSIIVIC	2690

Updated: 2009-06-03

PERFORMANCE DATA REFERENCE
Prospect® 8.0 for Nortel AMPS/TDMA/CDMA/MTX 17

CSSIIVOG	2691
CSSIRRIC	2691
CSSIRROG	2691
CTRIVOG	2692
CTRRRIC	2692
DENACCIC	2692
DENACCOG	2693
DH512AKY	2693
DH512PRM	2693
DH768AKY	2694
DH768PRM	2694
DRESIVIC	2694
DRESIVOG	2695
DRPRESIC	2695
DRPRESOG	2695
DRPSRVIC	2696
DRPSRVOG	2696
FAVAILIC	2696
FAVAILOG	2697
FLSHIVIC	2697
FLSHIVOG	2697
FLSHRRIC	2698
FLSHRROG	2698
FTRREQIC	2698
FTRREQOG	2698
FTRRESIC	2699
FTRRESOG	2699
GETLOCIC	2699
GETLOCOG	2700
HOTTIVIC	2700
HOTTRROG	2700
IANSIVIC	2701
IANSIVOG	2701
IANSRRIC	2701
IANSRROG	2702
IFWDIVIC	2702
IFWDIVOG	2702
IFWDRRIC	2702
IFWDRROG	2703
IHATTSIC	2703
IHATTSOG	2703
IHCOMPIC	2704
IHCOMPOG	2704
IHFAILIC	2704
IHFAILOG	2705
IHFTRAIC	2705
IHFTRAOG	2705
IHFTRCIC	2706
IHFTRCOG	2706
IHSATFIC	2706
IHSATFOG	2706

PERFORMANCE DATA REFERENCE
Prospect® 8.0 for Nortel AMPS/TDMA/CDMA/MTX 17

IHTRKFIC	2707
IHTRKFOG	2707
IP2B1DAT	2707
IP2B1DRL	2708
IP2B1DRS	2708
IP2B1DTO	2708
IP2B1SAT	2709
IP2B1SFL	2709
IP2B1SRL	2709
IP2B1SRS	2710
IP2B1STO	2710
IP2B1VAT	2710
IP2B1VRL	2711
IP2B1VRS	2711
IP2B1VTO	2711
IP2B2DAT	2712
IP2B2DRL	2712
IP2B2DRS	2712
IP2B2DTO	2713
IP2B2SAT	2713
IP2B2SFL	2713
IP2B2SRL	2714
IP2B2SRS	2714
IP2B2STO	2714
IP2B2VAT	2715
IP2B2VRL	2715
IP2B2VRS	2715
IP2B2VTO	2716
IP2B3DAT	2716
IP2B3DRL	2716
IP2B3DRS	2717
IP2B3DTO	2717
IP2B3VAT	2717
IP2B3VRL	2718
IP2B3VRS	2718
IP2B3VTO	2718
IPG2IVIC	2719
IPG2IVOG	2719
IPG2IVRT	2719
IPG2RRBY	2720
IPG2RRIC	2720
IPG2RRROG	2720
IPG2RRRT	2721
IPRFIVIC	2721
IPRFIVOG	2721
IPRFRRIC	2722
IPRFRRROG	2722
IPRQIVIC	2722
IPRQIVOG	2723
IPRQRRIC	2723
IPRQRROG	2723

Updated: 2009-06-03

PERFORMANCE DATA REFERENCE
Prospect® 8.0 for Nortel AMPS/TDMA/CDMA/MTX 17

ISETIVIC	2724
ISETIVOG	2724
ISETRRIC	2724
ISETRROG	2724
ISSMIVIC	2725
ISSMIVOG	2725
ISSMRRIC	2725
ISSMRROG	2726
IVHOATTD	2726
IVHOATTV	2726
IVHOBLKD	2727
IVHOBLKV	2727
IVHOFLRD	2728
IVHOFLRV	2728
IVHOSUCD	2728
IVHOSUCV	2729
LNKLSTOG	2729
LOCREQIC	2729
LOCREQOG	2730
LOCRESIC	2730
LOCRESOG	2730
LPRQIVIC	2730
LPRQRROG	2731
LRSSIRIC	2731
LTMSGIIC	2731
MEASIVIC	2732
MEASIVOG	2732
MEASRRIC	2732
MEASRROG	2733
MRNTDBIC	2733
MRNTDFIC	2733
MSSDREQ	2734
MSSDRESP	2734
NBPATTIC	2734
NBPATTOG	2734
NBPCMPIC	2735
NBPCMPOG	2735
NBPREQIC	2735
NBPREQOG	2736
NBPRSPIC	2736
NBPRPOG	2736
OANSWRIC	2737
OANSWROG	2737
OCPBIVOG	2737
OCPBRRIC	2738
OCPBSYIC	2738
OCPBSYOG	2738
ODISCTIC	2738
ODISCTOG	2739
ONOAIVOG	2739
ONOANSIC	2739

PERFORMANCE DATA REFERENCE
Prospect® 8.0 for Nortel AMPS/TDMA/CDMA/MTX 17

ONOANSOG	2740
ONOARRIC	2740
OREQIVIC	2740
OREQIVOG	2741
OREQRRIC	2741
OREQRROG	2741
ORIGAAIC	2742
ORIGAAOG	2742
ORIGATIC	2742
ORIGATOG	2742
OTAIVIC	2743
OTARROG	2743
OTASIVIC	2743
OTASIVOG	2744
OTASRRIC	2744
OTASRROG	2744
PDIRIVIC	2745
PDIRIVOG	2745
PDIRRRIC	2745
PDIRRROG	2746
PREQIVIC	2746
PREQIVOG	2746
PREQRRIC	2746
PREQRROG	2747
QDIRIVIC	2747
QDIRIVOG	2747
QDIRRRIC	2748
QDIRRROG	2748
QREQIVIC	2748
QREQIVOG	2749
QREQRRIC	2749
QREQRROG	2749
RDNDACIC	2750
RDNDACOG	2750
REDRIVIC	2750
REDRIVOG	2750
REDRRIC	2751
REDRRROG	2751
REGNIVIC	2751
REGNIVOG	2752
REGNRRIC	2752
REGNRROG	2752
REJCTIC	2753
REJCTOG	2753
RELIVIC	2753
RELIVOG	2754
RELRRIC	2754
RELRRROG	2754
RESTIVIC	2755
RESTIVOG	2755
RFCREQIC	2755

Updated: 2009-06-03

PERFORMANCE DATA REFERENCE

Prospect® 8.0 for Nortel AMPS/TDMA/CDMA/MTX 17

RFCREQOG	2756
RFCRESIC	2756
RFCRESOG	2756
RGCNIVIC	2756
RGCNIVOG	2757
RGCNRRIC	2757
RGCNRROG	2757
RSCREQIC	2758
RSCREQOG	2758
RSCRESIC	2758
RSCRESOG	2759
RTEREQIC	2759
RTEREQOG	2759
RTERESIC	2760
RTERESOG	2760
RTNERRIC	2760
RTNERROG	2760
SMBKIIC	2761
SMBKIOG	2761
SMBKRRIC	2761
SMBKRROG	2762
SMFWIIC	2762
SMFWIOG	2762
SMFWRRIC	2763
SMFWRROG	2763
SMNTIOG	2763
SMNTRRIC	2764
SMPPIIC	2764
SMPPIOG	2764
SMPPRRIC	2764
SMPPRROG	2765
SMRQIIC	2765
SMRQIOG	2765
SMRQRRIC	2766
SMRQRROG	2766
SMSBDDAT	2766
SMSBDDFL	2767
SMSBDDRS	2767
SPDIRIC	2767
SSRIVIC	2768
SSRIVOG	2768
SSRRRIC	2768
SSRRROG	2769
STINIVIC	2769
STINIVOG	2769
STINRRIC	2769
STINRROG	2770
TANSWRIC	2770
TANSWROG	2770
TBUSYIC	2771
TBUSYOG	2771

PERFORMANCE DATA REFERENCE
Prospect® 8.0 for Nortel AMPS/TDMA/CDMA/MTX 17

TDISCTIC	2771
TDISCTOG	2772
TNANSIC	2772
TNANSOG	2772
TRANIVIC	2773
TRANIVOG	2773
TRANRRIC	2773
TRANRROG	2773
TSTREQIC	2774
TSTREQOG	2774
TSTRESIC	2774
TSTRESOG	2775
TTDREQIC	2775
TTDREQOG	2775
TTDRESIC	2776
TTDRESOG	2776
UBLREQIC	2776
UBLREQOG	2777
UBLRESIC	2777
UBLRESOG	2777
URELIVIC	2777
URELIVOG	2778
URELRRIC	2778
URELROG	2778
ISHO_Pair Primitive Calculations	2779
GRAPHmultiLineSeparator	2779
NUMDAYS	2779
NUMHOURS	2779
ISHO_Pair Peg Counts	2779
IHOC	2779
IHOCF	2780
IHOHC	2780
IHOPTF	2780
IHORC	2781
ISUPMSG Primitive Calculations	2781
GRAPHmultiLineSeparator	2781
NUMDAYS	2781
NUMHOURS	2781
ISUPMSG Peg Counts	2781
ISMSGIN	2782
ISMSGOUT	2782
IW_BridgePool Primitive Calculations	2782
GRAPHmultiLineSeparator	2782
NUMDAYS	2782
NUMHOURS	2783
IW_BridgePool Peg Counts	2783
IWABATE1	2783
IWABATE2	2783
IWBCNFAN	2783
IWBTLTST	2784

Updated: 2009-06-03

PERFORMANCE DATA REFERENCE
 Prospect® 8.0 for Nortel AMPS/TDMA/CDMA/MTX 17

IWFABART	2784
IWFBATT	2784
IWFBFAIL	2785
IWFMBU	2785
IWFSBU	2785
IWFTRU	2786
IWGBABRT	2786
IWGBATT	2786
IWGBFAIL	2787
IWNCSHED	2787
IWONSET1	2787
IWONSET2	2788
IW_SPM Primitive Calculations	2788
GRAPHmultiLineSeparator	2788
NUMDAYS	2788
NUMHOURS	2788
IW_SPM Peg Counts	2789
ABDN	2789
ATMPTS	2789
AVGCEMAP	2789
AVGCMBK	2790
AVGCEMSY	2790
AVGORIG	2790
AVGTERM	2791
CAPINDEX	2791
CEMAPPHI	2791
CEMBAKHI	2792
CEMSYSHI	2792
CLSABDN	2792
CLSDLYD	2793
CLSDND	2793
CLSMSC	2793
CLSPTQ	2794
CONF	2794
ECANDENY	2794
ECANFAIL	2795
ECANHI	2795
ECANLOST	2795
ECANLOW	2796
ECANUTIL	2796
EXIT	2796
IWCRLVL1	2797
IWCRLVL2	2797
IWCRLVL3	2797
IWCRLVL4	2798
IWGBNAT	2798
IWGBNDF	2798
NETFND	2798
NETINTG	2799
NETNFND	2799
NETPAR	2799

PERFORMANCE DATA REFERENCE
Prospect® 8.0 for Nortel AMPS/TDMA/CDMA/MTX 17

NUMREPTS_ACT	2800
NUMREPTS_USAGE	2800
ORIGHI	2800
OVLDPNUM	2801
OVLDPNUM	2801
OVLDPUSG	2801
OVLDPUSG	2802
RELCAL	2802
SCLSABDN	2802
SCLSDLYD	2803
SCLSDND	2803
SHDROVFL	2803
SMSGLOST	2804
SMSGPTQ	2804
SNUMORIG	2804
SOVLDPNUM	2805
SOVLDPUSG	2805
TERMHI	2805
TOTLORIG	2806
TOTLTERM	2806
TXFAIL	2806
USGSECS	2807
LocationArea Primitive Calculations	2807
GRAPHmultiLineSeparator	2807
NUMDAYS	2807
NUMHOURS	2807
LocationArea Peg Counts	2807
BORP1RES	2808
BORP2RES	2808
BORP3RES	2808
MWI_FSYSRQ	2808
MWI_FSYSRQ	2809
MWI_FSYSRQ	2809
MWI_PGZNRREQ	2809
MWI_PGZNRRES	2810
MWI_PGZNRTO	2810
MWI_REPGTO	2810
MWI_RPGZNRREQ	2811
MWI_RPGZNRRES	2811
MWI_RPSYSRQ	2811
MWI_RPSYSRQ	2812
PG3LPAT	2812
PG3LPAT	2812
PG3LPOR	2813
PG3SYSRI	2813
PG3SYSRO	2813
PG3SYSRQ	2814
PG3ZNAB	2814
PG3ZNREQ	2814
PG3ZNRES	2815
PG3ZNRTO	2815

Updated: 2009-06-03

PERFORMANCE DATA REFERENCE
Prospect® 8.0 for Nortel AMPS/TDMA/CDMA/MTX 17

PGZNAB	2815
PGZNIDR	2816
PGZNLPAT	2816
PGZNLPIR	2816
PGZNLPOR	2817
PGZNODR	2817
PGZNREQ	2817
PGZNRES	2818
PGZNSYIR	2818
PGZNSYOR	2818
PGZNSYRQ	2819
PGZNT0	2819
PGZSDB3G	2819
REPGTO	2819
RPGLPAT	2820
RPGLPIR	2820
RPGLPOR	2820
RPGSYSTO	2821
RPGZNAB	2821
RPGZNREQ	2821
RPGZNRES	2822
RPGZNT0	2822
RPSYSRQ	2822
RPSYSRS	2823
RPSYSRSI	2823
RPSYSRSO	2823
RPZNIDR	2824
RPZNODR	2824
SMS_BORP1RES	2824
SMS_BORP2RES	2825
SMS_PGZNAB	2825
SMS_PGZNREQ	2825
SMS_PGZNRES	2826
SMS_PGZNSYIR	2826
SMS_PGZNSYOR	2826
SMS_PGZNSYRQ	2827
SMS_PGZNT0	2827
SMS_PGZSDB3G	2827
SMS_REPGTO	2828
SMS_RPGZNAB	2828
SMS_RPGZNREQ	2828
SMS_RPGZNRES	2829
SMS_RPSYSRQ	2829
SMS_RPSYSRS	2829
SMS_RPSYSRSI	2830
SMS_RPSYSRSO	2830
MG_CARD Primitive Calculations	2830
GRAPHmultiLineSeparator	2830
NUMDAYS	2830
NUMHOURS	2831
MG_CARD Peg Counts	2831

PERFORMANCE DATA REFERENCE
 Prospect® 8.0 for Nortel AMPS/TDMA/CDMA/MTX 17

CARDUTILAVG	2831
LMBUTIL	2831
MG_FABRIC_CARD Primitive Calculations	2831
GRAPHmultiLineSeparator	2832
NUMDAYS	2832
NUMHOURS	2832
MG_FABRIC_CARD Peg Counts	2832
MAXTEMP	2832
MG_IP_Interface Primitive Calculations	2832
GRAPHmultiLineSeparator	2832
NUMDAYS	2833
NUMHOURS	2833
MG_IP_Interface Peg Counts	2833
INARPPACKETSLOCAL	2833
INBYTES	2833
INFWDEXCEPTIONS	2834
INICMPPACKETSLOCAL	2834
INLOCALEXCEPTIONS	2834
INOSPFPACKETSLOCAL	2835
INOTHERPACKETSLOCAL	2835
INPACKETS	2835
INPACKETSDIS	2835
INTCPPACKETSLOCAL	2836
INUDPPACKETSLOCAL	2836
IPLINKCAP	2836
OUTARPPACKETSLOCAL	2837
OUTBYTES	2837
OUTICMPPACKETSLOCAL	2837
OUTOSPFPACKETSLOCAL	2838
OUTOTHERPACKETSLOCAL	2838
OUTPACKETS	2838
OUTPACKETSDIS	2839
OUTTCPPACKETSLOCAL	2839
OUTUDPPACKETSLOCAL	2839
MG_VSP_CARD Primitive Calculations	2840
GRAPHmultiLineSeparator	2840
NUMDAYS	2840
NUMHOURS	2840
PVG_AvgHoldTime	2840
PVG_CCS	2840
MG_VSP_CARD Peg Counts	2840
ACTIVECALLAVG	2840
ACTIVECALLMAX	2841
ACTIVECALLMIN	2841
CALLFAILSNET	2841
CALLFAILTDM	2842
CALLSETUPS	2842
CONGSECS	2842
DIGITREJECT	2843
FAILOVERS	2843

Updated: 2009-06-03

PERFORMANCE DATA REFERENCE
 Prospect® 8.0 for Nortel AMPS/TDMA/CDMA/MTX 17

INH248RETRAN	2843
OUTH248RETRAN	2844
OVLDCMDSREJECTED	2844
MG_VSP_PROCBLOCK Primitive Calculations	2844
GRAPHmultiLineSeparator	2844
NUMDAYS	2845
NUMHOURS	2845
MG_VSP_PROCBLOCK Peg Counts	2845
VSPUTILAVG	2845
MobileManufacCode Primitive Calculations	2845
GRAPHmultiLineSeparator	2845
NUMDAYS	2846
NUMHOURS	2846
MobProtocolVer Primitive Calculations	2846
GRAPHmultiLineSeparator	2846
NUMDAYS	2846
NUMHOURS	2846
MobProtocolVer Peg Counts	2846
DPGRES1	2846
DPGRES2	2847
ORGTRM1	2847
ORGTRM2	2847
ORGTRM3	2848
PGATTM1	2848
PGATTM2	2848
PGATTM3	2849
PGRESP1	2849
PGRESP2	2849
PGRESP3	2850
PGTMOT1	2850
PGTMOT2	2850
PGTMOT3	2851
MPC Primitive Calculations	2851
GRAPHmultiLineSeparator	2851
NUMDAYS	2851
NUMHOURS	2851
MPC Peg Counts	2851
L2LACKTO	2851
L2LDISC	2852
L2LDOWN	2852
L2LLVIO	2852
L2LRCV	2853
L2LRVIO	2853
L2LRXMIT	2853
L2LSETUP	2854
L2LXMIT	2854
L2MSGLST	2854
L2NURCV	2855
L2NUXMIT	2855
L2PABORT	2855

PERFORMANCE DATA REFERENCE
Prospect® 8.0 for Nortel AMPS/TDMA/CDMA/MTX 17

L2PDOWN	2855
L2PHWERR	2856
L2PSYNC	2856
L3LACKTO	2856
L3LDISC	2857
L3LDOWN	2857
L3LLVIO	2857
L3LRVIO	2858
L3LRVIO	2858
L3LRXMIT	2858
L3LSETUP	2859
L3LXMIT	2859
L3MSGLST	2859
L3NURCV	2859
L3NUXMIT	2860
L3PABORT	2860
L3PDOWN	2860
L3PHWERR	2861
L3PSYNC	2861
MSC Primitive Calculations	2861
BSCFails	2861
COTPNOT	2862
GetTerminalAttSuccOFC	2862
GRAPHmultiLineSeparator	2862
INVATT	2862
MCFDOFR	2862
MiscBlocks	2862
NORESSO	2863
NUMDAYS	2863
NUMHOURS	2863
OTAOGRIGA	2863
pBSCFails	2863
pCDMACallDelivery	2863
pGetTerminalAttSuccOFC	2864
pMiscBlocks	2864
pPSTNBlock	2864
proc_type	2864
pSBSBlocks	2864
PSTNBlock	2864
RFLossPerErlg	2865
SBSBlocks	2865
TRKOFAIL	2865
UNSUBSO	2865
XACMIC	2865
XARTIF	2865
MSC Peg Counts	2865
A2FACH	2866
A2FBCHH	2866
A2FBCHO	2866
A2FBCHT	2867
ACCCLLCT	2867

Updated: 2009-06-03

PERFORMANCE DATA REFERENCE
Prospect® 8.0 for Nortel AMPS/TDMA/CDMA/MTX 17

ACCPREDL	2867
ACT100_B95%lim	2868
ACT100_BAvgDel	2868
ACT100_Catmphr	2868
ACT100_Catmphr1	2869
ACT100_Catmphr10	2869
ACT100_Catmphr11	2869
ACT100_Catmphr12	2870
ACT100_Catmphr13	2870
ACT100_Catmphr14	2870
ACT100_Catmphr15	2870
ACT100_Catmphr2	2871
ACT100_Catmphr3	2871
ACT100_Catmphr4	2871
ACT100_Catmphr5	2872
ACT100_Catmphr6	2872
ACT100_Catmphr7	2872
ACT100_Catmphr8	2873
ACT100_Catmphr9	2873
ACT100_Conctr	2873
ACT100_Cploovfl	2874
ACT100_Cpocc	2874
ACT100_Cpocc1	2874
ACT100_Cpocc10	2875
ACT100_Cpocc11	2875
ACT100_Cpocc12	2875
ACT100_Cpocc13	2876
ACT100_Cpocc14	2876
ACT100_Cpocc15	2876
ACT100_Cpocc2	2877
ACT100_Cpocc3	2877
ACT100_Cpocc4	2877
ACT100_Cpocc5	2878
ACT100_Cpocc6	2878
ACT100_Cpocc7	2878
ACT100_Cpocc8	2879
ACT100_Cpocc9	2879
ACT100_Cpsuic	2879
ACT100_CPtrap	2880
ACT100_Inefdeny	2880
ACT100_LCMdtsr	2880
ACT100_LMdtsr	2881
ACT100_Lorig	2881
ACT100_O95%lim	2881
ACT100_O95plim1	2882
ACT100_O95plim10	2882
ACT100_O95plim11	2882
ACT100_O95plim12	2882
ACT100_O95plim13	2883
ACT100_O95plim14	2883
ACT100_O95plim15	2883

PERFORMANCE DATA REFERENCE
Prospect® 8.0 for Nortel AMPS/TDMA/CDMA/MTX 17

ACT100_O95plim2	2884
ACT100_O95plim3	2884
ACT100_O95plim4	2884
ACT100_O95plim5	2885
ACT100_O95plim6	2885
ACT100_O95plim7	2885
ACT100_O95plim8	2886
ACT100_O95plim9	2886
ACT100_OAvgDel	2886
ACT100_OAvgDel1	2886
ACT100_OAvgDel10	2887
ACT100_OAvgDel11	2887
ACT100_OAvgDel12	2887
ACT100_OAvgDel13	2888
ACT100_OAvgDel14	2888
ACT100_OAvgDel15	2888
ACT100_OAvgDel2	2889
ACT100_OAvgDel3	2889
ACT100_OAvgDel4	2889
ACT100_OAvgDel5	2890
ACT100_OAvgDel6	2890
ACT100_OAvgDel7	2890
ACT100_OAvgDel8	2890
ACT100_OAvgDel9	2891
ACT100_Origdeny	2891
ACT100_P95%lim	2891
ACT100_PAvgDel	2892
ACT100_RTrip	2892
ACT100_ToAnn	2892
ACT100_Torig	2893
ACT102_B95%lim	2893
ACT102_BAvgDel	2893
ACT102_Catmphr	2894
ACT102_Conctr	2894
ACT102_Cploovfl	2894
ACT102_Cpocc	2895
ACT102_Cpsuic	2895
ACT102_CPtrap	2895
ACT102_Inefdeny	2896
ACT102_LCMdtsr	2896
ACT102_LMdtsr	2896
ACT102_Lorig	2897
ACT102_O95%lim	2897
ACT102_OAvgDel	2897
ACT102_Origdeny	2898
ACT102_P95%lim	2898
ACT102_PAvgDel	2898
ACT102_RTrip	2899
ACT102_ToAnn	2899
ACT102_Torig	2899
ADMOBFLD	2899

Updated: 2009-06-03

PERFORMANCE DATA REFERENCE

Prospect® 8.0 for Nortel AMPS/TDMA/CDMA/MTX 17

ADMOBORG	2900
ADMOBREG	2900
AHRPFLAS	2900
AHRPFLBS	2901
AMAEMTR	2901
AMAENT	2901
AMAFREE	2902
AMARROUTE	2902
AMASCRN	2902
AMPSRESP	2903
AMPSTO	2903
BAMF100	2903
BAMF125	2903
BAMF150	2904
BAMF175	2904
BAMF200	2904
BAMF225	2905
BAMF25	2905
BAMF255	2905
BAMF50	2906
BAMF75	2906
BAMR100	2906
BAMR125	2907
BAMR150	2907
BAMR175	2907
BAMR200	2907
BAMR225	2908
BAMR25	2908
BAMR255	2908
BAMR50	2909
BAMR75	2909
BLKCCCFU	2909
BRSAUXCP	2910
BRSCAP	2910
BRSCMLX	2910
BRSDNC	2911
BRSCORE	2911
BRSGTERM	2911
BRSIDLE	2912
BRSKBKG	2912
BRSMINT	2912
BRNETM	2912
BRSON	2913
BRSSCHED	2913
BRSSNIP	2913
BTSKPSHD	2914
CAP100_CATMPDHR	2914
CAP100_CATMPVHR	2914
CAP100_UTIL	2915
CAP101_Avg_CATMPDHR	2915
CAP101_Avg_CATMPHR	2915

PERFORMANCE DATA REFERENCE
Prospect® 8.0 for Nortel AMPS/TDMA/CDMA/MTX 17

CAP101_Avg_CATMPVHR	2916
CAP101_Avg_ENGCATMP	2916
CAP101_Avg_ENGCATMPD	2916
CAP101_Avg_ENGCATMPV	2916
CAP101_Avg_UTIL	2917
CAP101_CATMPDHR	2917
CAP101_CATMPDHR1	2917
CAP101_CATMPDHR10	2918
CAP101_CATMPDHR11	2918
CAP101_CATMPDHR12	2918
CAP101_CATMPDHR13	2919
CAP101_CATMPDHR14	2919
CAP101_CATMPDHR15	2919
CAP101_CATMPDHR2	2920
CAP101_CATMPDHR3	2920
CAP101_CATMPDHR4	2920
CAP101_CATMPDHR5	2920
CAP101_CATMPDHR6	2921
CAP101_CATMPDHR7	2921
CAP101_CATMPDHR8	2921
CAP101_CATMPDHR9	2922
CAP101_CATMPHR	2922
CAP101_CATMPHR1	2922
CAP101_CATMPHR10	2923
CAP101_CATMPHR11	2923
CAP101_CATMPHR12	2923
CAP101_CATMPHR13	2924
CAP101_CATMPHR14	2924
CAP101_CATMPHR15	2924
CAP101_CATMPHR2	2924
CAP101_CATMPHR3	2925
CAP101_CATMPHR4	2925
CAP101_CATMPHR5	2925
CAP101_CATMPHR6	2926
CAP101_CATMPHR7	2926
CAP101_CATMPHR8	2926
CAP101_CATMPHR9	2927
CAP101_CATMPVHR	2927
CAP101_CATMPVHR1	2927
CAP101_CATMPVHR10	2928
CAP101_CATMPVHR11	2928
CAP101_CATMPVHR12	2928
CAP101_CATMPVHR13	2928
CAP101_CATMPVHR14	2929
CAP101_CATMPVHR15	2929
CAP101_CATMPVHR2	2929
CAP101_CATMPVHR3	2930
CAP101_CATMPVHR4	2930
CAP101_CATMPVHR5	2930
CAP101_CATMPVHR6	2931
CAP101_CATMPVHR7	2931

Updated: 2009-06-03

PERFORMANCE DATA REFERENCE

Prospect® 8.0 for Nortel AMPS/TDMA/CDMA/MTX 17

CAP101_CATMPVHR8	2931
CAP101_CATMPVHR9	2932
CAP101_CCOVRLD	2932
CAP101_CMICOVRLD	2932
CAP101_ENGCATMP	2932
CAP101_ENGCATMP1	2933
CAP101_ENGCATMP10	2933
CAP101_ENGCATMP11	2933
CAP101_ENGCATMP12	2934
CAP101_ENGCATMP13	2934
CAP101_ENGCATMP14	2934
CAP101_ENGCATMP15	2935
CAP101_ENGCATMP2	2935
CAP101_ENGCATMP3	2935
CAP101_ENGCATMP4	2936
CAP101_ENGCATMP5	2936
CAP101_ENGCATMP6	2936
CAP101_ENGCATMP7	2936
CAP101_ENGCATMP8	2937
CAP101_ENGCATMP9	2937
CAP101_ENGCATMPD	2937
CAP101_ENGCATMPD1	2938
CAP101_ENGCATMPD10	2938
CAP101_ENGCATMPD11	2938
CAP101_ENGCATMPD12	2939
CAP101_ENGCATMPD13	2939
CAP101_ENGCATMPD14	2939
CAP101_ENGCATMPD15	2940
CAP101_ENGCATMPD2	2940
CAP101_ENGCATMPD3	2940
CAP101_ENGCATMPD4	2940
CAP101_ENGCATMPD5	2941
CAP101_ENGCATMPD6	2941
CAP101_ENGCATMPD7	2941
CAP101_ENGCATMPD8	2942
CAP101_ENGCATMPD9	2942
CAP101_ENGCATMPV	2942
CAP101_ENGCATMPV1	2943
CAP101_ENGCATMPV10	2943
CAP101_ENGCATMPV11	2943
CAP101_ENGCATMPV12	2944
CAP101_ENGCATMPV13	2944
CAP101_ENGCATMPV14	2944
CAP101_ENGCATMPV15	2944
CAP101_ENGCATMPV2	2945
CAP101_ENGCATMPV3	2945
CAP101_ENGCATMPV4	2945
CAP101_ENGCATMPV5	2946
CAP101_ENGCATMPV6	2946
CAP101_ENGCATMPV7	2946
CAP101_ENGCATMPV8	2947

PERFORMANCE DATA REFERENCE
Prospect® 8.0 for Nortel AMPS/TDMA/CDMA/MTX 17

CAP101_ENGCATMPV9	2947
CAP101_ENGLEVEL	2947
CAP101_IOOVRD	2948
CAP101_Max_CATMPDHR	2948
CAP101_Max_CATMPHR	2948
CAP101_Max_CATMPVHR	2949
CAP101_Max_ENGCATMP	2949
CAP101_Max_ENGCATMPD	2949
CAP101_Max_ENGCATMPV	2949
CAP101_Max_UTIL	2950
CAP101_PESC	2950
CAP101_UTIL	2950
CAP101_UTIL1	2951
CAP101_UTIL10	2951
CAP101_UTIL11	2951
CAP101_UTIL12	2952
CAP101_UTIL13	2952
CAP101_UTIL14	2952
CAP101_UTIL15	2953
CAP101_UTIL2	2953
CAP101_UTIL3	2953
CAP101_UTIL4	2953
CAP101_UTIL5	2954
CAP101_UTIL6	2954
CAP101_UTIL7	2954
CAP101_UTIL8	2955
CAP101_UTIL9	2955
CAP103_95%Blim	2955
CAP103_95%Mlim	2956
CAP103_95%Olim	2956
CAP103_95%PLim	2956
CAP103_95pOlim1	2957
CAP103_95pOlim10	2957
CAP103_95pOlim11	2957
CAP103_95pOlim12	2957
CAP103_95pOlim13	2958
CAP103_95pOlim14	2958
CAP103_95pOlim15	2958
CAP103_95pOlim2	2959
CAP103_95pOlim3	2959
CAP103_95pOlim4	2959
CAP103_95pOlim5	2960
CAP103_95pOlim6	2960
CAP103_95pOlim7	2960
CAP103_95pOlim8	2961
CAP103_95pOlim9	2961
CAP103_BAvgDel	2961
CAP103_MAvgDel	2961
CAP103_OAvgDel	2962
CAP103_OAvgDel1	2962
CAP103_OAvgDel10	2962

Updated: 2009-06-03

PERFORMANCE DATA REFERENCE

Prospect® 8.0 for Nortel AMPS/TDMA/CDMA/MTX 17

CAP103_OAvgDel11	2963
CAP103_OAvgDel12	2963
CAP103_OAvgDel13	2963
CAP103_OAvgDel14	2964
CAP103_OAvgDel15	2964
CAP103_OAvgDel2	2964
CAP103_OAvgDel3	2965
CAP103_OAvgDel4	2965
CAP103_OAvgDel5	2965
CAP103_OAvgDel6	2965
CAP103_OAvgDel7	2966
CAP103_OAvgDel8	2966
CAP103_OAvgDel9	2966
CAP103_PAvgDel	2967
CASAUXCP	2967
CASBKG	2967
CASCMLPX	2968
CASDNC	2968
CASFORE	2968
CASGTERM	2969
CASIDLE	2969
CASMAINT	2969
CASNETM	2970
CASNFR	2970
CASOM	2970
CASOTHLD	2971
CASOVER	2971
CASPUTIL	2971
CASSCHED	2972
CASSNIP	2972
CASUTIL	2972
CAUDATSH	2973
CAULSTMT	2973
CAUNTRDY	2973
CAUORGSH	2974
CAUPGSH	2974
CAUREGSH	2974
CAUSMSSH	2975
CCBHI	2975
CCBOVFL	2975
CCBSZ	2976
CCPAVAIL	2976
CCWACTV	2976
CCWFAIL	2976
CCWHLRF	2977
CCWINST	2977
CDATHFLD	2977
CDATHOLD	2978
CDMAPREQ	2978
CDMAPRQ2	2978
CDMAPRQ3	2979

PERFORMANCE DATA REFERENCE
Prospect® 8.0 for Nortel AMPS/TDMA/CDMA/MTX 17

CDMAPRS1	2979
CDMAPRS2	2979
CDMAPRS3	2980
CDMASYPG	2980
CDPDVARQ	2980
CDPG1REQ	2981
CDPG1RES	2981
CDPG1TO	2981
CDPG2REQ	2982
CDPG2RES	2982
CDPG2TO	2982
CDPG3REQ	2983
CDPG3RES	2983
CDPG3TO	2983
CDRA2ATT	2984
CDRA2CP	2984
CDSA2ATT	2984
CDSA2CP	2985
CDVALFLD	2985
CFARATTS	2985
CFARBLKD	2986
CFLREPG	2986
CINITC	2986
CINTEGFL	2987
CIUFLT	2987
CIULSTMT	2987
CM119_Trap	2988
CM119_TraponActiveCPU	2988
CM119_TrapWhileLock	2988
CM119_TrapWhileSync	2988
CNFFAIL	2989
CNFMBU	2989
CNFOVFL	2989
CNFQABAN	2990
CNFQOCC	2990
CNFQOVFL	2990
CNFSBU	2991
CNFSUCC	2991
CNFSZRS	2991
CNFTRU	2992
COTAPGRS	2992
COTAPNOT	2992
COTAPREL	2993
COTAPREQ	2993
COTPABRT	2993
COTPATPP	2994
COTPATPT	2994
COTPDATP	2994
COTPDFLR	2994
COTPDSUC	2995
COTPNALC	2995

Updated: 2009-06-03

PERFORMANCE DATA REFERENCE

Prospect® 8.0 for Nortel AMPS/TDMA/CDMA/MTX 17

COTPREQF	2995
COTPREQS	2996
COTPRREQ	2996
COTPUNSP	2996
CPhi	2997
CPLBOOVF	2997
CPLHI	2997
CPLOOVFL	2998
CPLOSZ	2998
CPLPOVFL	2998
CPLSZ	2998
CPOVFL	2999
CPSAUXCP	2999
CPSBKG	2999
CPSCOCC	3000
CPSDNC	3000
CPSFORE	3000
CPSGTERM	3001
CPSIDLE	3001
CPSMAINT	3001
CPSNETM	3002
CPSOM	3002
CPSSCHED	3002
CPSSNIP	3002
CPSUIC	3003
CPSZ	3003
CPTRAP	3003
CPWORKU	3004
CRBTATT	3004
CRBTSUC	3004
CSCIRESP	3005
CSC2RESP	3005
CSCRESP	3005
CSDCOM2G	3006
CSDCOM3G	3006
CSDSPR10	3006
CTBCALLS	3007
CTBMXCDR	3007
CWTATT	3007
CWTCOMP	3008
CWTREPG	3008
CXRCOMP	3008
DARPFLAS	3008
DARPFLBS	3009
DDSA100	3009
DDSA25	3009
DDSA50	3010
DDSA75	3010
DDSF100	3010
DDSF125	3011
DDSF150	3011

PERFORMANCE DATA REFERENCE
Prospect® 8.0 for Nortel AMPS/TDMA/CDMA/MTX 17

DDSF175	3011
DDSF200	3012
DDSF225	3012
DDSF25	3012
DDSF255	3012
DDSF50	3013
DDSF75	3013
DDSP100	3013
DDSP125	3014
DDSP150	3014
DDSP175	3014
DDSP200	3015
DDSP25	3015
DDSP50	3015
DDSP75	3016
DDSR100	3016
DDSR125	3016
DDSR150	3016
DDSR175	3017
DDSR200	3017
DDSR225	3017
DDSR25	3018
DDSR255	3018
DDSR50	3018
DDSR75	3019
DELRCAN	3019
DELTMOU	3019
DHORPFL	3020
DIMAATTS	3020
DIMACOMP	3020
DPDPL	3020
DPGTAT	3021
DPGTFL	3021
DPGTFLO	3021
DPHWT	3022
DPTR	3022
DPUSAG	3022
DSAVAILK	3023
DSAVAILM	3023
DSUSEDK	3023
DSUSEDM	3024
DTMFFAIL	3024
DTMFSUCC	3024
E911SESS	3024
ECCBOVFL	3025
ECCBSZ	3025
ECCBTRU	3025
ENCAPSULATOR_MESSBUFFERS	3026
ENCAPSULATORS	3026
ENCAPSZ	3026
ENCPOVFL	3027

Updated: 2009-06-03

PERFORMANCE DATA REFERENCE
Prospect® 8.0 for Nortel AMPS/TDMA/CDMA/MTX 17

ENLKERR	3027
ENLKFLT	3027
ENLKISOU	3028
ENLKPARU	3028
ENMBLKU	3028
ENMLKISO	3029
ENMLKPAR	3029
ENMSOVFL	3029
ENMSSZ	3030
ENSBLKU	3030
ENSLKISO	3030
ENSLKPAR	3031
ENSPCHER	3031
ESNATTS	3031
ESNFRAUD	3032
FLACKIC	3032
FLACKOG	3032
FREEKB	3033
FREEMB	3033
FRMISRTE	3033
FRNPRSVD	3034
FRRTEERR	3034
FTRHOATT	3034
FTRHOCMP	3035
GCDSENDA	3035
GCDSNDAM	3035
GECATTS	3035
GECRCVD	3036
GECSUCC	3036
GINVOKED	3036
GSMLNPMC	3037
H248LST	3037
HCDSENDA	3037
HCDSNDAM	3038
HIQTHRSH	3038
HLRCEPRO	3038
HLRCEPTM	3039
HLRDCCWA	3039
HLRMOBNP	3039
HOQTHRSH	3040
ICP1RESP	3040
ICP2REQ	3040
ICP2RESP	3040
ICPCCRTY	3041
ICPRESP	3041
IMIPRQRR	3041
INABNC	3042
INABNM	3042
INACM	3042
INANMC	3043
INANN	3043

PERFORMANCE DATA REFERENCE
Prospect® 8.0 for Nortel AMPS/TDMA/CDMA/MTX 17

INEFDENY	3043
INIAM	3044
INITDENY	3044
INLBHI	3044
INLBOVFL	3045
INLBSZ	3045
INLKT	3045
INMOBNPG	3046
INOUT	3046
INRELB	3046
INTONE	3047
INVATT_2G	3047
INVATT_3GV	3047
INVATT_Packet	3048
IOSTRKFL	3048
ISAEXIT	3048
KATTOUT	3048
LCFWddb	3049
LCOREQIV	3049
LCPATT	3049
LCPG4CUR	3050
LCPRATT	3050
LCPRSUC	3050
LCPSUC	3051
LCQACTMB	3051
LCREVDB	3051
LCSSESS	3052
LLCALLS	3052
LMA2ATT	3052
LMA2CP	3053
LMBIA	3053
LMCALLS	3053
LORIGSHD	3054
LPGTO	3054
LTRT	3054
MBTSRIVD	3055
MBTSRSRG	3055
MCD3100_AvgPktCallConnTime	3055
MCD3100_AvgPktCallDur	3056
MCD3100_NumRecord	3056
MCD3100_PktDataCallConnTime	3056
MCD3100_PktDataCallDur	3056
MCDAATTS	3057
MCDACOMP	3057
MCFAATTS	3057
MCFACOMP	3058
MCFBATTS	3058
MCFBCOMP	3058
MCFBDATS	3059
MCFBDCMP	3059
MCFBDFLD	3059

Updated: 2009-06-03

PERFORMANCE DATA REFERENCE

Prospect® 8.0 for Nortel AMPS/TDMA/CDMA/MTX 17

MCFBOFRD	3059
MCFBOFRM	3060
MCFDFATS	3060
MCFDFCMP	3060
MCFDFDFL	3061
MCFDFOFR	3061
MCFNAATS	3061
MCFNACMP	3062
MCFNADFL	3062
MCFNAOFM	3062
MCFNAOFR	3063
MCFUATTS	3063
MCFUCOMP	3063
MCFUDFLD	3063
MCFUOFRD	3064
MCFUOFRM	3064
MEIDATTS	3064
MEIDQRCC	3065
MEIDQRTC	3065
MEIDQSCC	3065
MEIDQSTC	3066
MGWRESFH	3066
MGWRESFO	3066
MGWRESFT	3067
MIDTOAAT	3067
MIDTOAFL	3067
MIDTOASU	3068
MLA2ATT	3068
MLA2CP	3068
MLCALLS	3069
MMBA2ATT	3069
MMBA2CP	3069
MMBIA	3070
MMCALLS	3070
MMOA2ATT	3070
MMOA2CP	3071
MMT2CP	3071
MMTA2ATT	3071
MMTA2CP	3072
MOADRBSY	3072
MOADRINA	3072
MOADRNPP	3073
MOADRNU	3073
MOADR TN	3073
MOADRUDN	3074
MOADRUNA	3074
MOIDSAME	3074
MOIDSHED	3075
MOIDTOUT	3075
MOLOCBSY	3075
MORIGSHD	3076

PERFORMANCE DATA REFERENCE
Prospect® 8.0 for Nortel AMPS/TDMA/CDMA/MTX 17

MPGTO	3076
MROLLINS	3076
MSCCEPAC	3076
MSCCEPAL	3077
MSCCEPAP	3077
MSCCEPCD	3077
MSCCEPLO	3078
MSCCEPPS	3078
MSCCEPTM	3078
MSCMMATT	3079
MSCMPCOC	3079
MSCNACKC	3079
MSREGNOT	3080
MTRT	3080
MULTAUTH	3080
MULTHI	3081
MULTOVFL	3081
MULTSZ	3081
MV2TCHAT	3081
MV2TCHSU	3082
NARPFLAS	3082
NARPFLBS	3082
NEGPROFL	3083
NIDTOAAT	3083
NIDTOAFL	3083
NIDTOASU	3084
NIFLAMPS	3084
NIFLCLFL	3084
NIFLMINA	3085
NIFLMRLS	3085
NIFLNSOP	3085
NIFLNVLR	3086
NIFLPGNG	3086
NIFLPGTM	3086
NIFLSRSP	3087
NIFLVCLL	3087
NIN	3087
NINC	3088
NINCASSG	3088
NINCTERM	3088
NNOCKT	3089
NNOPRTY	3089
NOITRKFL	3089
NORESSO_2G	3090
NORESSO_3GV	3090
NORESSO_Packet	3090
NOSATRSP	3091
NOUTGO	3091
NOUTIXC	3091
NOUTIXNC	3092
NTATTMPT	3092

Updated: 2009-06-03

PERFORMANCE DATA REFERENCE

Prospect® 8.0 for Nortel AMPS/TDMA/CDMA/MTX 17

NTERM	3092
NTQABAND	3093
NTQOVFL	3093
NTQQUED	3093
NTQTOUT	3094
NULTOAAT	3094
NULTO AFL	3094
NULTOASU	3095
NumCallCondBlks	3095
NUMCALLPROC	3095
NumCallProcesses	3095
NumConfCircuits	3096
NumCP_Letters	3096
NumExtdCallCntrlBlks	3096
NumLongBuffers	3097
NumWakeUpBlocks	3097
NVNRGRTD	3097
OCMACREL	3098
OCMCRREL	3098
OCMMSGTO	3098
OCMOATTS	3099
OCMOSUCC	3099
OFZNCBN	3099
OFZNCID	3100
OFZNCIM	3100
OFZNCIT	3100
OFZNCLT	3101
OFZNCOF	3101
OFZNCON	3101
OFZNCOT	3101
OFZNCRT	3102
OFZNCTC	3102
OFZNOSC	3102
ONWKPSHD	3103
ORIGDENY	3103
OTADCONN	3103
OTAORIGA	3104
OUTACM	3104
OUTANMC	3104
OUTBHI	3105
OUTBOVFL	3105
OUTBSZ	3105
OUTIAM	3106
OUTMFL	3106
OUTNWAT	3106
OUTOSF	3107
OUTRELB	3107
OUTRMFL	3107
OUTROSF	3108
OVRD	3108
PDLM	3108

PERFORMANCE DATA REFERENCE
Prospect® 8.0 for Nortel AMPS/TDMA/CDMA/MTX 17

PKTCORFL	3109
PRECRQST	3109
PSAVAILK	3109
PSAVAILM	3110
PSGM	3110
PSMMATT	3110
PSMMFAIL	3111
PSMMSUCC	3111
PSUSEDK	3111
PSUSEDM	3111
RAHFCDCF	3112
REFACDRP	3112
REFAHOFL	3112
RESACDRP	3113
RESAHOFL	3113
RETRIC	3113
RETROG	3114
ROHFCDCF	3114
RPGAMPS	3114
SAMAENT	3115
SAMASCR	3115
SIPBSHD	3115
SIPICSHD	3116
SIPMISHD	3116
SIPTQSHD	3116
SMACNA	3117
SMDCDS	3117
SMDCNA	3117
SMD CPR	3118
SMDCRC	3118
SMDCRP	3118
SMDCSETU	3119
SMDHDAL1	3119
SMDHDAL2	3119
SMDHDAL3	3120
SMDHDAL4	3120
SMDHDAL5	3120
SMDHDAL6	3120
SMDHDAL7	3121
SMDHDSL1	3121
SMDHDSL2	3121
SMDHDSL3	3122
SMDHDSL4	3122
SMDHDSL5	3122
SMDHDSL6	3123
SMDHDSL7	3123
SMDHRC	3123
SMDPOSIC	3124
SMDPOSOG	3124
SMICDAIN	3124
SMICDAL1	3124

Updated: 2009-06-03

PERFORMANCE DATA REFERENCE
Prospect® 8.0 for Nortel AMPS/TDMA/CDMA/MTX 17

SMICDAL2	3125
SMICDAL3	3125
SMICDAL4	3125
SMICDAL5	3126
SMICDAL6	3126
SMICDART	3126
SMICDSIN	3127
SMICDSL1	3127
SMICDSL2	3127
SMICDSL3	3128
SMICDSL4	3128
SMICDSL5	3128
SMICDSL6	3128
SMICDSRT	3129
SMICNA	3129
SMICRJAV	3129
SMS136NA	3130
SMS136RC	3130
SMSBCFAL	3130
SMSBCREQ	3131
SMSBCSNT	3131
SMSBCSUC	3131
SMSBOFAL	3132
SMSBOREQ	3132
SMSBPFAL	3132
SMSBPREQ	3133
SMSPGBFF	3133
SMSPGBUF	3133
SMTMATT	3134
SMTMSUC	3134
SMTRUNCA	3134
SOACKSNT	3135
SODCHLN1	3135
SODCHLN2	3135
SODCHLN3	3136
SODCHLN4	3136
SODCHLN5	3136
SODCHLN6	3136
SODTCLN1	3137
SODTCLN2	3137
SODTCLN3	3137
SODTCLN4	3138
SODTCLN5	3138
SODTCLN6	3138
SONAKSNT	3139
SPAREKB	3139
SPAREMB	3139
SRTTOUT	3140
STIPCERX	3140
STIPCRX	3140
STIPCTX	3141

PERFORMANCE DATA REFERENCE
Prospect® 8.0 for Nortel AMPS/TDMA/CDMA/MTX 17

SUBCNT	3141
SUDPERRX	3141
SUDPRX	3141
SUDPTX	3142
SYSBP1RS	3142
SYSBP2RS	3142
SYSBP3RS	3143
SYSPG1RQ	3143
SYSPG1RS	3143
SYSPG1TO	3144
SYSPG2RQ	3144
SYSPG2RS	3144
SYSPG2TO	3145
SYSPG3RQ	3145
SYSPG3RS	3145
SYSPG3TO	3145
SYSREQ	3146
SYSRESP	3146
TBCALLS	3146
TBXMxCDR	3147
TCMANCT	3147
TCMANTO	3147
TCMATBS	3148
TCMATDT	3148
TCMBLCL	3148
TCMBLDN	3149
TCMBLPR	3149
TCMBNEA	3149
TCMCBTN	3150
TCMCCRG	3150
TCMCCRH	3150
TCMCCRM	3150
TCMCCRP	3151
TCMCCRT	3151
TCMCFWV	3151
TCMCHAF	3152
TCMCHAN	3152
TCMCNAD	3152
TCMDISC	3153
TCMMTBL	3153
TCMN9DF	3153
TCMN9NS	3154
TCMN9OB	3154
TCMNC8F	3154
TCMNCREJ	3154
TCMNTRS	3155
TCMOPRT	3155
TCMOSVR	3155
TCMPDIL	3156
TCMPODN	3156
TCMPSIG	3156

Updated: 2009-06-03

PERFORMANCE DATA REFERENCE
Prospect® 8.0 for Nortel AMPS/TDMA/CDMA/MTX 17

TCMRESL	3157
TCMRING	3157
TCMSVCD	3157
TCMTDBR	3158
TCMTRBL	3158
TCMUNDN	3158
TCMUNDT	3158
TCMUPAB	3159
TCMVACS	3159
TCMVACT	3159
TCMVCCT	3160
TCMVPFX	3160
TCNADENY	3160
TCNAPRES	3161
TCNINAVL	3161
TCNIPRES	3161
TCNIREST	3162
TCUADBF	3162
TCUANIA	3162
TCUCACE	3163
TCUCNDT	3163
TCUCNOT	3163
TCUD950	3164
TCUDACD	3164
TCUDCFC	3164
TCUDNTR	3164
TCUDODT	3165
TCUFDNZ	3165
TCUFNAL	3165
TCUHNPI	3166
TCUILRS	3166
TCUINAC	3166
TCUINAU	3167
TCUMSCA	3167
TCUMSLC	3167
TCUN950	3168
TCUNACD	3168
TCUNACK	3168
TCUNOCN	3169
TCUORSS	3169
TCURSDT	3169
TCUTDND	3169
TCUTESS	3170
TCUTINV	3170
TCUUMOB	3170
TCUUNCA	3171
TCUUNIN	3171
TCUUNOW	3171
TDENYCM	3172
TERAIFL	3172
TERANFL	3172

PERFORMANCE DATA REFERENCE
Prospect® 8.0 for Nortel AMPS/TDMA/CDMA/MTX 17

TERC7AP	3173
TERCONP	3173
TERDTFL	3173
TERERDS	3174
TERFDER	3174
TERINBT	3174
TERINOC	3174
TERINVM	3175
TERMTOC	3175
TERNCUN	3175
TERNMZN	3176
TERNONT	3176
TERPERR	3176
TERPNOH	3177
TERPTOF	3177
TERQ33A	3177
TERQ33B	3178
TERRODR	3178
TERSCFL	3178
TERSONI	3179
TERSSTO	3179
TERSTOB	3179
TERSTOC	3180
TERSYFL	3180
TFRACPR	3180
TFRACRJ	3181
TFRADPA	3181
TFRAIND	3181
TFRAINF	3181
TFRAVPF	3182
TFRB900	3182
TFRBUSY	3182
TFRCBDN	3183
TFRCBFC	3183
TFRCCAP	3183
TFRCCDT	3184
TFRCCTO	3184
TFRCDAF	3184
TFRCDAS	3185
TFRCDDF	3185
TFRCDDS	3185
TFRCFOV	3186
TFRCFWD	3186
TFRCMGA	3186
TFRCMGD	3187
TFRCONF	3187
TFRDSCN	3187
TFRFCNI	3187
TFRFRDR	3188
TFRICNF	3188
TFRICSA	3188

Updated: 2009-06-03

PERFORMANCE DATA REFERENCE
Prospect® 8.0 for Nortel AMPS/TDMA/CDMA/MTX 17

TFRICSD	3189
TFRIIEC	3189
TFRILRR	3189
TFRINER	3190
TFRINRF	3190
TFRIWUC	3190
TFRLDAA	3191
TFRLDAD	3191
TFRLECV	3191
TFRMANL	3191
TFRMBIA	3192
TFRMHLD	3192
TFRMWKP	3192
TFRNCII	3193
TFRNCIX	3193
TFRNCS0	3193
TFRNCS1	3194
TFRNCTF	3194
TFRNDISC	3194
TFRNINT	3195
TFRNVIP	3195
TFRORAC	3195
TFRORAF	3195
TFRORBT	3196
TFRORMC	3196
TFRORMF	3196
TFROTAE	3197
TFRPAGE	3197
TFRPGAP	3197
TFRPGTO	3198
TFRPMPT	3198
TFRPNUN	3198
TFRPRSC	3199
TFRPRTO	3199
TFRPSNF	3199
TFRRAGCT	3200
TFRRFCD	3200
TFRRFCE	3200
TFRRFCS	3201
TFRRMIA	3201
TFRRMID	3201
TFRRRPA	3202
TFRRTTE	3202
TFRSCA	3202
TFRSCRJ	3202
TFRSINT	3203
TFRSORE	3203
TFRSRRR	3203
TFRTRGB	3204
TFRTRRF	3204
TFRUNPM	3204

PERFORMANCE DATA REFERENCE
Prospect® 8.0 for Nortel AMPS/TDMA/CDMA/MTX 17

TFRWUCR	3205
TKBADDG	3205
TKPCBU	3205
TOADRBSY	3206
TOADRINA	3206
TOADRNPP	3206
TOADRNU	3207
TOADRTN	3207
TOADRUDN	3207
TOADRUNA	3208
TOLOCBSY	3208
TOTALKB	3208
TOTALMB	3209
TOTAORPR	3209
TOTAORUP	3209
TRDBFULL	3210
TRDBLUPD	3210
TRKOFAIL_2G	3210
TRKOFAIL_3GV	3210
TRKOFAIL_Packet	3211
TRNUNAVL	3211
TRSCGRO	3211
TRSCHNF	3212
TRSCQOV	3212
TRSEMR1	3212
TRSEMR2	3213
TRSEMR3	3213
TRSEMR4	3213
TRSEMR5	3214
TRSEMR6	3214
TRSFECG	3214
TRSGNCT	3214
TRSNBLH	3215
TRSNBLN	3215
TRSNCRT	3215
TRSNECG	3216
TRSNOSC	3216
TRSNOSR	3216
TRSONCT	3217
TRSOTAR	3217
TRSPALA	3217
TRSSORD	3218
TRSTOVD	3218
TRY100OG	3218
TSDAURQR	3219
TSDAURQS	3219
TSDAURSR	3219
TSDAURSS	3219
TWCCOMP	3220
TWCSTART	3220
UCSLNPMR	3220

Updated: 2009-06-03

PERFORMANCE DATA REFERENCE
 Prospect® 8.0 for Nortel AMPS/TDMA/CDMA/MTX 17

UNPGATMT	3221
UNPGATSU	3221
UNSUBSO_2G	3221
UNSUBSO_3GV	3222
UNSUBSO_Packet	3222
VLRINTEG	3222
VPADATT	3223
VPADFL	3223
VPADSUC	3223
WAITDENY	3223
WAKEHI	3224
WAKEOVFL	3224
WAKESZ	3224
WASSIGND	3225
WDASSGND	3225
WDINVOKE	3225
WGINVOKE	3226
WINITC	3226
WINVALD	3226
WINVALDQ	3227
WINVOKE	3227
WNOPTY	3227
WPS2L3WC	3228
WPSORSNQ	3228
WPSODRP	3228
WPSPTDRP	3229
WPSSVSP1	3229
WPSSVSP2	3229
WPSTERM	3230
WPSTMSNQ	3230
WPUBFRSL	3230
WPUBWPSQ	3231
WQABAND	3231
WQABNFAR	3231
WQABNINC	3232
WQABNLC	3232
WQABNRIC	3232
WQABNUA	3233
WQOVFL	3233
WQTOUT	3233
WQUEUED	3234
WRETRIES	3234
WTATTMPT	3234
WVALID	3235
XADISK	3235
XAIOP	3235
XALKMAJU	3236
XALOCP	3236
XAMCINI	3236
XAMDCRIU	3237
XAMDI	3237

PERFORMANCE DATA REFERENCE
Prospect® 8.0 for Nortel AMPS/TDMA/CDMA/MTX 17

XAMDILNK	3237
XAMDIPRT	3238
XAMDMAJU	3238
XAMSMPXU	3238
XAMWINI	3239
XAPE	3239
XAPECRIU	3239
XAPEMAJU	3240
XAREMP	3240
XARSMPXU	3240
XARXABRT	3241
XARXALL	3241
XARXBASE	3241
XARXFULL	3241
XARXIO	3242
XARXPE	3242
XARXSM	3242
XASAUXCP	3243
XASBKG	3243
XASCINI	3243
XASCMPX	3244
XASDNC	3244
XASFORE	3244
XASGTERM	3245
XASM	3245
XASMAINT	3245
XASMCRU	3246
XASNETM	3246
XASNFR	3246
XASOM	3246
XASOTHLD	3247
XASOVER	3247
XASPESC	3247
XASPUTIL	3248
XASSCHED	3248
XASSMPXU	3248
XASSNIP	3249
XASUTIL	3249
XASWINI	3249
XATAPE	3250
XATRAP	3250
XCMIC	3250
XCMICLNK	3251
XCMICPRT	3251
XETHR	3251
XETHRCRU	3252
XETHRLNK	3252
XETHRMJU	3252
XETHRPRT	3253
XRTIF	3253
XRTIFLNK	3253

Updated: 2009-06-03

PERFORMANCE DATA REFERENCE
 Prospect® 8.0 for Nortel AMPS/TDMA/CDMA/MTX 17

XRTIFPRT	3254
MSC Roll-up Fields	3254
DDRPCALS	3254
DIRETRY	3254
DMBORACO	3254
DMBTRACO	3254
DROPCALL	3254
DROPHO	3254
HONOVCH	3254
LMATTS	3255
LMCOMPS	3255
LPANNONE	3255
MBLORG	3255
MBLORGCO	3255
MBLREORD	3255
MBLTERCO	3255
MLATTS	3255
MLCOMPS	3255
MMATTS	3255
MMCOMPS	3255
PAGERESP	3255
STIMEOUT	3256
TRU	3256
TRU_TRUNK	3256
MSC_MGW Primitive Calculations	3256
GRAPHmultiLineSeparator	3256
NUMDAYS	3256
NUMHOURS	3256
MSC_MGW Peg Counts	3256
ALFRESND	3256
HEARTFLD	3257
HEARTRCV	3257
ICREPLY	3257
ICREQST	3258
NOICTRID	3258
NOOGTRID	3258
OGREPLY	3259
OGREQST	3259
OGRQRSND	3259
PORGFALL	3260
PORIGATT	3260
PTERMATT	3260
PTRMFAIL	3261
TRIDTO	3261
MSC_ServiceOption Primitive Calculations	3261
GRAPHmultiLineSeparator	3261
NUMDAYS	3262
NUMHOURS	3262
MSC_ServiceOption Peg Counts	3262
DCIWFREL	3262

PERFORMANCE DATA REFERENCE
 Prospect® 8.0 for Nortel AMPS/TDMA/CDMA/MTX 17

DCMITACK	3262
DCMITREQ	3263
DCMOATT	3263
DCMOCOM	3263
DCMPRRO	3264
DCMPRRT	3264
DCMPRSO	3264
DCMPRST	3265
DCMTATT	3265
DCMTCOM	3265
OCMDAREL	3266
OCMDCREL	3266
OCMDMGTO	3266
OCMDOATT	3266
OCMDOSUC	3267
MSC_USP Primitive Calculations	3267
GRAPHmultiLineSeparator	3267
NUMDAYS	3267
NUMHOURS	3267
MSC_USP Peg Counts	3268
AltRoutingonCongCount	3268
ConnOrientIPDistViolCount	3268
ConnOrientMsgHandledCount	3268
ConnOrientMsgRtgFailCount	3269
GTTPerformedCount	3269
HopCounterViolationCount	3269
LUDTMsgRcvdCount	3270
LUDTMsgSentCount	3270
LUDTSMsgSentCount	3270
MsgIncompatibility	3271
Msgtoolargeforsegmentation	3271
MSUsDiscUnrecSCCPMsgCount	3271
NoRouteMSUDiscardCount	3272
NoTranslationforAddrCount	3272
OutofsequenceSCCPmsgcount	3272
Reassemblybufferunavailable	3273
Reassemblyfailed	3273
ReassemblyTimerExpired	3273
RoutingFailureUnequipUser	3274
SCCPRoutingFailureCount	3274
Segmentationfailed	3274
SSAReceivedCount	3275
SSATransmittedCount	3275
SSPReceivedCount	3275
SSPTransmittedCount	3275
SSTReceivedCount	3276
SSTTransmittedCount	3276
Totalmessageshandled	3276
TransTypeNotFoundCount	3277
UDTMsgRcvdCount	3277
UDTMsgSentCount	3277

Updated: 2009-06-03

PERFORMANCE DATA REFERENCE
 Prospect® 8.0 for Nortel AMPS/TDMA/CDMA/MTX 17

UDTSMsgRcvdCount	3278
UDTSMsgSentCount	3278
XUDTMsgRcvdCount	3278
XUDTMsgSentCount	3279
XUDTSMsgRcvdCount	3279
XUDTSMsgSentCount	3279
MSC_USP_ASP Primitive Calculations	3280
GRAPHmultiLineSeparator	3280
NUMDAYS	3280
NUMHOURS	3280
MSC_USP_ASPPath Primitive Calculations	3280
GRAPHmultiLineSeparator	3280
NUMDAYS	3280
NUMHOURS	3281
MSC_USP_ASPPath Peg Counts	3281
DAUDReceivedCount	3281
DAVATransmittedCount	3281
DiscardedMSUsCount	3281
DUNATransmittedCount	3282
OriginatedMSUsCount	3282
PathDownTime	3282
PathenteredDownstate	3283
PathenteredRestoringstate	3283
PathenteredUpstate	3283
PathRestoreTime	3284
PathUpTime	3284
ReceivedMSUsCount	3284
SCONTransmittedCount	3285
SentMSUsCount	3285
TerminatedMSUsCount	3285
ThroughSwitchedMSUsCount	3286
MSC_USP_Link Primitive Calculations	3286
GRAPHmultiLineSeparator	3286
NUMDAYS	3286
NUMHOURS	3286
MSC_USP_Link Peg Counts	3287
ACMReceivedCount	3287
ALTReceivedCount	3287
ANMReceivedCount	3287
BICCCallPReceived_Count	3288
BICCErrNoOPC_Route	3288
BICCErrNoPath	3288
BICCErrNoRoute	3289
BICCMaintReceivedCount	3289
BICCWongNEReceivedCount	3289
BLAReceivedCount	3290
BLOReceivedCount	3290
BTUPCallPReceivedCount	3290
BTUPErrNoASforOPCCIC	3291
BTUPErrNoOPCCICData	3291

PERFORMANCE DATA REFERENCE
Prospect® 8.0 for Nortel AMPS/TDMA/CDMA/MTX 17

BTUPErrorNoPath	3291
BTUPErrorNoRoute	3292
BTUPMaintReceivedCount	3292
CCRReceivedCount	3292
CFNReceivedCount	3293
CGBAReceivedCount	3293
CGBReceivedCount	3293
CGUAReceivedCount	3294
CGUReceivedCount	3294
ChangeoverProcedureCount	3294
CMCReceivedCount	3295
CMRJReceivedCount	3295
CMRReceivedCount	3295
CONReceivedCount	3296
COTReceivedCount	3296
CPGReceivedCount	3296
CQMReceivedCount	3297
CQRReceivedCount	3297
CRAReceivedCount	3297
CRGReceivedCount	3298
CRMReceivedCount	3298
CSVRReceivedCount	3298
CSVSRReceivedCount	3299
CumDurofFEProcessorOut	3299
CumDurofLackofCredit	3299
CVRReceivedCount	3300
CVTReceivedCount	3300
DisallowedCldPartyAddrCount	3300
DisallowedISUPCount	3301
DisallowedTransTypeCount	3301
DiscardedcellswithHECViol	3301
DiscardedcellswithProtErrs	3302
DRSReceivedCount	3302
DurationofLinkinService	3302
EXMReceivedCount	3303
FAAReceivedCount	3303
FACReceivedCount	3303
FADReceivedCount	3304
FAIReceivedCount	3304
FarEndMgmtInhibitCount	3304
FARReceivedCount	3305
FOTReceivedCount	3305
FRJReceivedCount	3305
GRAReceivedCount	3306
GRSReceivedCount	3306
IAMN1ReceivedCount	3306
IAMReceivedCount	3307
IDRReceivedCount	3307
IncomingATMUIcells	3307
INFReceivedCount	3308
InNDCvalidcellsonHSLVCL	3308

Updated: 2009-06-03

PERFORMANCE DATA REFERENCE
 Prospect® 8.0 for Nortel AMPS/TDMA/CDMA/MTX 17

INRReceivedCount	3308
InvalidAffctDestinationCount	3309
InvalidAffctPCSSNCount	3309
InvalidCngPartyAddrCount	3310
InvalidDPCCCount	3310
InvalidOPCCCount	3310
InvalidSIOCount	3311
InvalidSSCOPPDUsRx	3311
IRSReceivedCount	3311
ISUPErrorNoASforOPCCIC	3312
ISUPErrorNoOPCCICData	3312
ISUPErrorNoPath	3312
ISUPErrorNoRoute	3313
ISUPErrorUnknownMessage	3313
ISUPWrongNEReceivedCount	3313
LackofCreditEvents	3314
Level1CongestionCount	3314
Level1CongestionDuration	3314
Level2CongestionCount	3314
Level2CongestionDuration	3315
Level3CongestionCount	3315
Level3CongestionDuration	3315
LinkAvailableDuration	3316
LinkDeactivatedDuration	3316
LinkLocalInhibitDuration	3316
LinkRemoteInhibitDuration	3317
Linkutilization	3317
LOPReceivedCount	3317
LPAReceivedCount	3318
MSUsReceivedCount	3318
MSUsRequiringGTTCount	3318
MSUsTransmittedCount	3319
NearEndForcedUnavailableCou	3319
NetworkIndicatorDiscardCount	3319
NRMReceivedCount	3320
Numberofnegativeackreceived	3320
NumberofSUreceivedinerror	3321
OCDAnomalies	3321
OctetsReceivedCount	3321
OctetsRequiringGTTCount	3322
OctetsRetransmitted	3322
OctetsTransmittedCount	3322
OriginatedMSUOctetsCount	3323
OriginatedMSUsCount	3323
OutgoingATMUIcells	3324
OutNDCvalidcellsonHSLVCL	3324
PAMReceivedCount	3324
PDUOctetsRTx	3325
PDUOctetsRx	3325
PDUOctetsTx	3325
PDUORTx	3326

PERFORMANCE DATA REFERENCE
 Prospect® 8.0 for Nortel AMPS/TDMA/CDMA/MTX 17

PDUUsRx	3326
PDUUsTx	3326
PDUUsTxRequiringRTx	3327
PRGReceivedCount	3327
Pri0MSUInbdDiscardCount	3327
Pri0MSUOutbdDiscardCount	3328
Pri1MSUInbdDiscardCount	3328
Pri1MSUOutbdDiscardCount	3328
Pri2MSUInbdDiscardCount	3329
Pri2MSUOutbdDiscardCount	3329
Pri3MSUInbdDiscardCount	3330
Pri3MSUOutbdDiscardCount	3330
RELReceivedCount	3330
RESReceivedCount	3331
RLCReceivedCount	3331
RPMReceivedCount	3331
RPOCount	3332
RPOCumulativeDuration	3332
RSCReceivedCount	3332
SAMReceivedCount	3333
SGMReceivedCount	3333
SignalingLinkAligFailures	3333
SLalignmentorprovingfailure	3334
SLfailureAbnormalFIBRBSNR	3334
SLfailureAllreasons	3334
SLfailureExcdelayofack	3335
SLfailureExcdurationofcong	3335
SLfailureExcessiveerrorrate	3335
SLfailureOtherreasons	3336
SSCOPConnectionDisconnects	3336
SSCOPConnectionInitFails	3336
SSCOPConnectionReestResync	3337
SSCOPConnectionSumofErrors	3337
SSCOPPDUsSumofErrors	3337
SSCOPPDUswithListElemErrs	3338
SUSReceivedCount	3338
TerminatedMSUOctetsCount	3338
TerminatedMSUsCount	3339
ThroughSwitchedMSUsCount	3339
ThruSwitchedMSUOctetsCount	3340
TotalPDUOctetsRx	3340
TotalPDUOctetsTx	3340
TotalPDUUsRx	3341
TotalPDUUsTx	3341
TUPCallIPReceivedCount	3341
TUPMaintReceivedCount	3342
UBAReceivedCount	3342
UBLReceivedCount	3342
UCICReceivedCount	3343
UnavailableDuration	3343
UnexpectedSSCOPPDUsRx	3343

Updated: 2009-06-03

PERFORMANCE DATA REFERENCE
 Prospect® 8.0 for Nortel AMPS/TDMA/CDMA/MTX 17

UPAReceivedCount	3344
UPTReceivedCount	3344
USRReceivedCount	3344
WrongNEReceivedCount	3345
MSC_USP_Linkset Primitive Calculations	3345
GRAPHmultiLineSeparator	3345
NUMDAYS	3345
NUMHOURS	3345
MSC_USP_Linkset Peg Counts	3346
LinksetInactivityDuration	3346
RSTReceivedCount	3346
RSTTransmittedCount	3346
TFAandTCAReceivedCount	3347
TFAandTCATransmittedCount	3347
TFCReceivedCount	3347
TFCTransmittedCount	3348
TFPandTCPReceivedCount	3348
TFPandTCPTransmittedCount	3348
TFRandTCRReceivedCount	3349
TFRandTCRTransmittedCount	3349
MSC_USP_Node Primitive Calculations	3349
GRAPHmultiLineSeparator	3349
NUMDAYS	3350
NUMHOURS	3350
MSC_USP_Node Peg Counts	3350
AssociationAbortedCount	3350
AssociationEstablishAttempts	3350
AssociationTerminatedCount	3351
ChunkRetransmittedCount	3351
ChunksReceivedCount	3351
ChunksTransmittedCount	3352
CollectionPeriodDuration	3352
CriticalAlarmsAckCount	3352
CriticalAlarmsClearedCount	3353
CriticalAlarmsReceivedCount	3353
DisabledLockedDuration	3353
DisabledUnlockedDuration	3354
DuplicateMessagesCount	3354
EnabledLockedDuration	3354
EnabledUnlockedDuration	3355
EstablishedAssociationCount	3355
FarEndLineErroredSeconds	3355
FarEndPathCodeViolations	3356
FarEndPathControlledSlips	3356
FarEndPathErroredSeconds	3356
FarEndPathFailureCount	3356
FarEndPSseverelyErrSecs	3357
FarEndPSsevErrFrmAISSec	3357
FarEndPUnavailableSeconds	3357
FullSocketCount	3358

PERFORMANCE DATA REFERENCE
Prospect® 8.0 for Nortel AMPS/TDMA/CDMA/MTX 17

IdleTaskDuration	3358
IPMessageCount	3358
Level0PriorityTaskDuration	3359
Level1PriorityTaskDuration	3359
Level2PriorityTaskDuration	3359
Level3PriorityTaskDuration	3360
Level4PriorityTaskDuration	3360
Level5PriorityTaskDuration	3360
Level6PriorityTaskDuration	3361
Level7PriorityTaskDuration	3361
Level8PriorityTaskDuration	3361
Level9PriorityTaskDuration	3362
LineCodeViolations	3362
LineErroredSeconds	3362
LineLossOfSignalSeconds	3363
LineSeverelyErroredSeconds	3363
LockedOfflineDuration	3363
MajorAlarmsAckCount	3364
MajorAlarmsClearedCount	3364
MajorAlarmsReceivedCount	3364
MinorAlarmsAckCount	3364
MinorAlarmsClearedCount	3365
MinorAlarmsReceivedCount	3365
OSSystemTasksDuration	3365
OutOfBlueSCTPpacket	3366
PathAISSeconds	3366
PathCodeViolations	3366
PathErroredSeconds	3367
PathFailureCount	3367
PathSeverelyErroredSeconds	3367
PathUnavailableSeconds	3368
PercentageEnabled	3368
Plane1CRCErrorCount	3368
Plane1MessagesCount	3369
Plane2CRCErrorCount	3369
Plane2MessagesCount	3369
PSeverelyErrFrameAISSecs	3370
RawCellCount	3370
RawMessageCount	3370
RTC12PassiveAuditCount	3371
RTC15PassiveAuditCount	3371
SequenceNumberResetCount	3371
SSCOPMessageCount	3372
MSC_USP_RouteSet Primitive Calculations	3372
GRAPHmultiLineSeparator	3372
NUMDAYS	3372
NUMHOURS	3372
MSC_USP_RouteSet Peg Counts	3372
RouteSetCongestedCount	3372
RoutesetManbusiedCount	3373
RoutesetUnavailabilityCount	3373

Updated: 2009-06-03

PERFORMANCE DATA REFERENCE
 Prospect® 8.0 for Nortel AMPS/TDMA/CDMA/MTX 17

RoutesetUnavailabilityDur	3373
MsgIfType Primitive Calculations	3374
GRAPHmultiLineSeparator	3374
NUMDAYS	3374
NUMHOURS	3374
MsgIfType Peg Counts	3374
AVGRATE	3374
HQ00	3375
HQ05	3375
HQ10	3375
HQ20	3376
HQ30	3376
HQ40	3376
HQABV40	3376
MAXRATE	3377
NUMREPTS	3377
NIU Primitive Calculations	3377
GRAPHmultiLineSeparator	3377
NUMDAYS	3378
NUMHOURS	3378
NIU Peg Counts	3378
MCHCAPFL	3378
MNLPRDTO	3378
MNLPTO	3379
MSFESQTO	3379
NCPUOVRL	3379
NDUPCLXF	3380
NEIAUDFL	3380
NEIESB	3380
NEIESQ	3380
NEIMHFFL	3381
NEIREREG	3381
NEIRGDNY	3381
NEIRGFL	3382
NEITOTDR	3382
NEITOTRG	3382
NHLDFULL	3383
NIUBREQT	3383
NIUCALLP	3383
NIUTHRSH	3384
NNAMFULL	3384
NNAMRECS	3384
RDCIC	3385
RDCOG	3385
RDCOGEXT	3385
RDCOGINT	3385
RDEIC	3386
RDEOG	3386
RDFIC	3386
RDFOG	3387

PERFORMANCE DATA REFERENCE
 Prospect® 8.0 for Nortel AMPS/TDMA/CDMA/MTX 17

RDQIC	3387
RDQOG	3387
RDRIC	3388
RDROG	3388
TEIREQRX	3388
PagingChan Primitive Calculations	3389
GRAPHmultiLineSeparator	3389
NUMDAYS	3389
NUMHOURS	3389
PagingChan Peg Counts	3389
AUCMDropped	3389
AUCMReceived	3389
BSACKORDMDropped	3390
BSACKORDMReceived	3390
BufferOverloadPeriod	3390
CAMDropped	3391
CAMReceived	3391
CAMRepeatStaleDropped	3391
DBMDropped	3392
DBMReceived	3392
ECAMDropped	3392
ECAMReceived	3393
ECAMRepeatStaleDropped	3393
FNMDropped	3393
FNMReceived	3394
FPCHMessages_AUCMDropped	3394
FPCHMessages_AUCMReceived	3394
FPCHMessages_BCDBMDropped	3395
FPCHMessages_BCDBMReceived	3395
FPCHMessages_BSACKORDMDropped	3395
FPCHMessages_BSACKORDMReceived	3396
FPCHMessages_CAMDropped	3396
FPCHMessages_CAMReceived	3396
FPCHMessages_CAMRepeatStaleDropped	3396
FPCHMessages_DBMDropped	3397
FPCHMessages_DBMReceived	3397
FPCHMessages_ECAMDropped	3397
FPCHMessages_ECAMReceived	3398
FPCHMessages_ECAMRepeatStaleDropped	3398
FPCHMessages_FNMDropped	3398
FPCHMessages_FNMReceived	3399
FPCHMessages_GPMDropped	3399
FPCHMessages_GPMReceived	3399
FPCHMessages_MEAMDropped	3400
FPCHMessages_MEAMReceived	3400
FPCHMessages_MEAMRepeatStaleDropped	3400
FPCHMessages_OtherORDMDropped	3401
FPCHMessages_OtherORDMReceived	3401
FPCHMessages_SRDMDropped	3401
FPCHMessages_SRDMReceived	3401
FPCHMessages_STRQMDropped	3402

Updated: 2009-06-03

PERFORMANCE DATA REFERENCE

Prospect® 8.0 for Nortel AMPS/TDMA/CDMA/MTX 17

FPCHMessages_STRQMReceived	3402
FPCHMessagesDropped_BroadcastQueueOverFlow	3402
FPCHMessagesDropped_EROC Paging	3403
FPCHMessagesDropped_OutOfBuffer	3403
FPCHMessagesDropped_SizeLimit	3403
FPCHMessagesDropped_StaleMessages	3404
FPCHSMSBMsgRecvDrop_HighPriorityDrop	3404
FPCHSMSBMsgRecvDrop_HighPriorityRecv	3404
FPCHSMSBMsgRecvDrop_OtherLevelDrop	3405
FPCHSMSBMsgRecvDrop_OtherLevelRecv	3405
FPCHSMSBMsgRecvDrop_OverallFiltered	3405
FPCHSMSBMsgRecvDrop_PresidLevelDrop	3406
FPCHSMSBMsgRecvDrop_PresidLevelRecv	3406
GPM Dropped	3406
GPM Received	3406
LevelOnePeriod	3407
LevelThreePeriod	3407
LevelTwoPeriod	3407
MECAMOutOfBufferDropped	3408
MECAMReceived	3408
MECAMRepeatStaleDropped	3408
OtherORDMDropped	3409
OtherORDMReceived	3409
PagingChannelMessageDroppedCount	3409
PagingChannelMessageReceivedCount	3410
PagingChanPeakDuration	3410
PagingChanPeakOccupancy	3410
PagingChanRange0to4	3411
PagingChanRange10to14	3411
PagingChanRange15to19	3411
PagingChanRange20to24	3412
PagingChanRange25to29	3412
PagingChanRange30to34	3412
PagingChanRange35to39	3413
PagingChanRange40to44	3413
PagingChanRange45to49	3413
PagingChanRange50to54	3414
PagingChanRange55to59	3414
PagingChanRange5to9	3414
PagingChanRange60to64	3415
PagingChanRange65to69	3415
PagingChanRange70to74	3415
PagingChanRange75to79	3416
PagingChanRange80to84	3416
PagingChanRange85to89	3416
PagingChanRange90to94	3417
PagingChanRange95to99	3417
PchMessageDroppedCountAtCm	3417
PchMessageReceivedCountAtCm	3418
PgChanLowerBoundOfAvgOccupancy	3418
PgChanUpperBoundOfAvgOccupancy	3418

PERFORMANCE DATA REFERENCE
Prospect® 8.0 for Nortel AMPS/TDMA/CDMA/MTX 17

SRDMDropped	3419
SRDMReceived	3419
STRQMDropped	3419
STRQMReceived	3420
PCU Primitive Calculations	3420
GRAPHmultiLineSeparator	3420
NUMDAYS	3420
NUMHOURS	3420
R_P_PktSessionSetupFailureRate	3420
PCU Peg Counts	3421
ActiveSessionTransitionsQueued	3421
AttachedActiveUsers	3421
AttachedDormantUsers	3421
AvgActiveDCR_QueueDepth	3422
AvgActiveRR_QueueDepth	3422
DCR_NumOfStopTransmitMsgsSent	3422
DCRBufferOverflows	3423
DormantDCR_QueueAtD2A_10	3423
DormantDCR_QueueAtD2A_100	3423
DormantDCR_QueueAtD2A_20	3424
DormantDCR_QueueAtD2A_30	3424
DormantDCR_QueueAtD2A_40	3424
DormantDCR_QueueAtD2A_50	3425
DormantDCR_QueueAtD2A_60	3425
DormantDCR_QueueAtD2A_70	3425
DormantDCR_QueueAtD2A_80	3425
DormantDCR_QueueAtD2A_90	3426
DormantReleaseIndDroppedDueToFullTxWindow	3426
DormantToActiveIndDroppedDueToFullTxWindow	3426
EnteredActiveSessionTransitionThrottleMode	3427
EnteredNullSessionTransitionThrottleMode	3427
EnteredSessionTransitionThrottleMode	3427
EnteredSessionTransitionTypeOneThrottleMode	3428
EnteredSessionTransitionTypeTwoThrottleMode	3428
ExitedActiveSessionTransitionThrottleMode	3428
ExitedNullSessionTransitionThrottleMode	3429
ExitedSessionTransitionThrottleMode	3429
ExitedSessionTransitionTypeOneThrottleMode	3429
ExitedSessionTransitionTypeTwoThrottleMode	3430
NIDTA_AckTimeout	3430
NIDTA_FailureCAU_Internal	3430
NIDTA_FailureCM_Internal	3431
NIDTA_FailurePagingTimeout	3431
NIDTA_FailureRMU_NoResource	3431
NIDTA_FailureRMU_Overload	3432
NIDTA_MaxAckTimeout	3432
NIDTA_MaxFailureCAU_Internal	3432
NIDTA_MaxFailureRMU_Overload	3433
NIDTA_MaxTransportError	3433
NIDTA_OtherFailures	3433
NIDTA_Timeout	3434

Updated: 2009-06-03

PERFORMANCE DATA REFERENCE
 Prospect® 8.0 for Nortel AMPS/TDMA/CDMA/MTX 17

NIDTAArrivalRateCriticalThreshold	3434
NIDTAArrivalRateMajorThreshold	3435
NIDTAArrivalRateMinorThreshold	3435
NIDTAArrivals	3435
NIDTAAttemptsForwardedToMTX	3436
NIDTADiscarded	3436
NIDTADiscardedDueToAckTimeout	3436
NIDTADiscardedDueToCAUFailure	3437
NIDTADiscardedDueToResponsePending	3437
NIDTADiscardedDueToRMU_Overload	3437
NIDTADiscardedDueToTransportError	3438
NIDTADiscardedRateCriticalThreshold	3438
NIDTADiscardedRateMajorThreshold	3438
NIDTADiscardedRateMinorThreshold	3439
NIDTAMaxArrivalRate	3439
NIDTAMaxDiscardRate	3439
NullSessionTransitionsQueued	3440
NumberOfDormantCallsGoingActive	3440
PeakActiveDCR_QueueDepth	3440
PeakActiveRR_QueueDepth	3441
PeakNumberOfAttachedActiveUsers	3441
PeakNumberOfAttachedDormantUsers	3441
RP_DormantSessionDeletions	3442
RRBufferOverflows	3442
SessionTransitionsQueued	3442
SessionTransitionsTypeOneQueued	3443
SessionTransitionsTypeTwoQueued	3443
TotalActiveSessionSeconds	3443
TotalDormantBufferLimitOverflows	3444
TotalDormantSessionSeconds	3444
TotalFwdPacketsDropped	3444
TotalInitialRPSessionSetupFailures	3445
TotalReleasesBeforeHandoffSessionSetup	3445
TotalReleasesBeforeInitialSessionSetup	3445
TotalRevPacketsDropped	3446
TotalRPSessionHandoffFailures	3446
TotalSessionSetupFailures	3446
TotalSessionSetupInitialAttempts	3446
TotalSessionSetupReconnectAttempts	3447
TotalSessionSetupSuccess	3447
PCU_PCUIFP Primitive Calculations	3447
GRAPHmultiLineSeparator	3447
NUMDAYS	3448
NUMHOURS	3448
PCU_PCUIFP Peg Counts	3448
ActiveSessionTransitionsQueued	3448
AttachedActiveUsers	3448
AttachedDormantUsers	3449
AvgActiveDCR_QueueDepth	3449
AvgActiveRR_QueueDepth	3449
CPU_UsageExceededThreshold	3450

PERFORMANCE DATA REFERENCE
Prospect® 8.0 for Nortel AMPS/TDMA/CDMA/MTX 17

CPU_UsageIndex_1	3450
CPU_UsageIndex_2	3450
CPU_UsageIndex_3	3451
CPU_UsageIndex_4	3451
CPU_UsageIndex_5	3451
CPU_UsageIndex_6	3452
CPU_UsageIndex_7	3452
DCRBufferOverflows	3452
DCRNumOfStopTransmitMsgsSent	3453
DormantDCR_QueueAtD2A_10	3453
DormantDCR_QueueAtD2A_100	3453
DormantDCR_QueueAtD2A_20	3454
DormantDCR_QueueAtD2A_30	3454
DormantDCR_QueueAtD2A_40	3454
DormantDCR_QueueAtD2A_50	3455
DormantDCR_QueueAtD2A_60	3455
DormantDCR_QueueAtD2A_70	3455
DormantDCR_QueueAtD2A_80	3456
DormantDCR_QueueAtD2A_90	3456
DormantReleaseIndDroppedDueToFullTxWindow	3456
DormantToActiveIndDroppedDueToFullTxWindow	3457
DormantToActiveTrasitionsInhibited	3457
EACH_RSDB_Histogram_1	3457
EACH_RSDB_Histogram_10	3458
EACH_RSDB_Histogram_2	3458
EACH_RSDB_Histogram_3	3458
EACH_RSDB_Histogram_4	3459
EACH_RSDB_Histogram_5	3459
EACH_RSDB_Histogram_6	3459
EACH_RSDB_Histogram_7	3460
EACH_RSDB_Histogram_8	3460
EACH_RSDB_Histogram_9	3460
EnteredActiveSessionTransitionThrottleMode	3461
EnteredNullSessionTransitionThrottleMode	3461
EnteredSessionTransitionTypeOneThrottleMode	3461
EnteredSessionTransitionTypeTwoThrottleMode	3462
EntSessTransitionThrottleMode	3462
ESL_CongestedSignalingConnFailure	3462
ESL_CongestedSignalingRelAckWaitTO	3463
ESL_CongestedSignalingReliableRxMsg	3463
ESL_CongestedSignalingReliableTxMsg	3463
ESL_CongestedSignalingTxMsgFailure	3464
ESL_CongestedSignalingUnknDestMsg	3464
ESL_InvalidMsgRx	3464
ESL_NodeInitRxMsg	3465
ESL_NodeInitTxMsg	3465
ESL_NodeInitTxMsgFailure	3465
ESL_SignalingConnectionFailure	3465
ESL_SignalingReliableAckWaitTimeout	3466
ESL_SignalingReliableRxMsg	3466
ESL_SignalingReliableTxMsg	3466

Updated: 2009-06-03

PERFORMANCE DATA REFERENCE

Prospect® 8.0 for Nortel AMPS/TDMA/CDMA/MTX 17

ESL_SignalingReliableTxMsgFailure	3467
ESL_SignalingUnknownDestinationMsg	3467
ESL_SignalingUnreliableRxMsg	3467
ESL_SignalingUnreliableTxMsg	3468
ESL_SignalingUnReliableTxMsgFailure	3468
ExitedActiveSessionTransitionThrottleMode	3468
ExitedNullSessionTransitionThrottleMode	3469
ExitedSessionTransitionTypeOneThrottleMode	3469
ExitedSessionTransitionTypeTwoThrottleMode	3469
ExitSessTransitionThrottleMode	3470
GRE_DataDiscardMode	3470
GRE_ExitDataDiscardMode	3470
LL_CongestedSignaling_FrameRx	3471
LL_CongestedSignaling_FrameTx	3471
LL_DataFrameRx	3471
LL_DataFrameTx	3472
LL_InvalidFrameType	3472
LL_NodeInitFrameRx	3472
LL_NodeInitFrameTx	3472
LL_SignalingFrameRx	3473
LL_SignalingFrameTx	3473
LL_TrafficFrameRx	3473
LL_TrafficFrameTx	3474
NIDTA_AckTimeout	3474
NIDTA_FailureCAU_Internal	3474
NIDTA_FailureCM_Internal	3475
NIDTA_FailurePagingTimeout	3475
NIDTA_FailureRMU_NoResource	3475
NIDTA_FailureRMU_Overload	3476
NIDTA_MaxAckTimeout	3476
NIDTA_MaxFailureCAU_Internal	3476
NIDTA_MaxFailureRMU_Overload	3477
NIDTA_MaxTransportError	3477
NIDTA_OtherFailures	3477
NIDTA_Timeout	3478
NIDTAArrivalRateCriticalThreshold	3478
NIDTAArrivalRateMajorThreshold	3478
NIDTAArrivalRateMinorThreshold	3479
NIDTAArrivals	3479
NIDTAAttemptsForwardedToMTX	3479
NIDTADiscarded	3480
NIDTADiscardedDueToAckTimeout	3480
NIDTADiscardedDueToCAUFailure	3480
NIDTADiscardedDueToResponsePending	3481
NIDTADiscardedDueToRMU_Overload	3481
NIDTADiscardedDueToTransportError	3481
NIDTADiscardedRateCriticalThreshold	3482
NIDTADiscardedRateMajorThreshold	3482
NIDTADiscardedRateMinorThreshold	3482
NIDTAMaxArrivalRate	3483
NIDTAMaxDiscardRate	3483

PERFORMANCE DATA REFERENCE
Prospect® 8.0 for Nortel AMPS/TDMA/CDMA/MTX 17

NullSessionTransitionsQueued	3483
NumOfDormantCallsGoingActive	3484
PCU_InitiatedSessReleaseOther	3484
PCU_InitiatedSessReleasePacketSessDrop	3484
PCU_InitiatedSessReleasePDSN_Reject	3485
PCU_InitSessReleasePacketSessDisconnect	3485
PeakActiveDCR_QueueDepth	3485
PeakActiveRR_QueueDepth	3486
PeakNumOfAttachedActiveUsers	3486
PeakNumOfAttachedDormantUsers	3486
RFCH_RSDB_Histogram_1	3487
RFCH_RSDB_Histogram_10	3487
RFCH_RSDB_Histogram_2	3487
RFCH_RSDB_Histogram_3	3488
RFCH_RSDB_Histogram_4	3488
RFCH_RSDB_Histogram_5	3488
RFCH_RSDB_Histogram_6	3489
RFCH_RSDB_Histogram_7	3489
RFCH_RSDB_Histogram_8	3489
RFCH_RSDB_Histogram_9	3490
RP_DormantSessionDeletions	3490
RPTotalOutOfSequencePacketsReceived	3490
RPTotalUnreliableBytesReceived	3491
RPTotalUnreliableBytesTransmitted	3491
RRBufferOverflows	3491
SessionTransitionsQueued	3492
SessionTransitionsTypeOneQueued	3492
SessionTransitionsTypeTwoQueued	3492
SL_MaxLargeStreamBufferUsed	3493
SL_MaxMediumStreamBufferUsed	3493
SL_MaxSmallStreamBufferUsed	3493
SL_STLA_UnknownDestinationMsg	3494
SL_STLB_UnknownDestinationMsg	3494
SL_STLD_UnknownDestinationMsg	3494
SL_StreamBufferAllocFailure	3494
SL_StreamBufferAllocSuccess	3495
STLA_BestEffortReassemblyTimeout	3495
STLA_BestEffortRxMsg	3495
STLA_BestEffortTxMsg	3496
STLA_ConnectionFailed	3496
STLA_ConnectionFailedDueToMaxFaults	3496
STLA_ConnectionFailedDueToMaxTxAttempts	3497
STLA_ConnectionFault	3497
STLA_FailedMsgCRC	3497
STLA_MaxOpenRxConnection	3498
STLA_MaxOpenTxConnection	3498
STLA_MaxRxBuffer	3498
STLA_MaxRxQueue	3499
STLA_MaxTxLargeBuffer	3499
STLA_MaxTxMediumBuffer	3499
STLA_MaxTxQueue	3500

Updated: 2009-06-03

PERFORMANCE DATA REFERENCE
 Prospect® 8.0 for Nortel AMPS/TDMA/CDMA/MTX 17

STLA_MaxTxSmallBuffer	3500
STLA_OpenRxConnection	3500
STLA_OpenTxConnection	3500
STLA_OutOfRxFrameBuffer	3501
STLA_OutOfTxBuffer	3501
STLA_OutOfWindowMsg	3501
STLA_OutOfWindowMsgDueToMaxWS	3502
STLA_OutOfWindowMsgDueToReducedWS	3502
STLA_OutOfWindowMsgDueToZeroWS	3502
STLA_ProtocolRevisionError	3503
STLA_RefusedRxConnection	3503
STLA_RefusedTxConnection	3503
STLA_ReliableAckWaitTimeout	3504
STLA_ReliableReassemblyTimeout	3504
STLA_ReliableRetransmittedMsg	3504
STLA_ReliableRxMsg	3505
STLA_ReliableTxMsg	3505
STLA_TxWindowReduced	3505
STLA_TxWindowShut	3505
STLD_BestEffortReassemblyTimeout	3506
STLD_BestEffortRxMsg	3506
STLD_BestEffortTxMsg	3506
STLD_MaxRxBuffer	3507
STLD_MaxRxQueue	3507
STLD_MaxTxBufferWithoutCopy	3507
STLD_MaxTxLargeBuffer	3508
STLD_MaxTxMediumBuffer	3508
STLD_MaxTxQueue	3508
STLD_MaxTxSmallBuffer	3509
STLD_OutOfRxFrameBuffer	3509
STLD_OutOfTxBuffer	3509
STLD_OutOfTxBufferWithoutCopy	3509
TotalActiveSessionSeconds	3510
TotalDormantSessionSeconds	3510
TotalFwdPacketsDropped	3510
TotalGRE_PacketsDropped	3511
TotalInitialRPSessionSetupFailures	3511
TotalRegRequestMsgSent	3511
TotalRegRequestRejectIdMismatch	3512
TotalRegRequestRejectMobileAuthFailure	3512
TotalRegRequestRejectNoResources	3512
TotalRegRequestRejectOther	3513
TotalRegRequestRejectPDSN_NotResponding	3513
TotalRegRequestRetries	3513
TotalReleasesBeforeHandoffSessionSetup	3514
TotalReleasesBeforeInitialSessionSetup	3514
TotalRevPacketsDropped	3514
TotalRP_SessHandoffAttempts	3515
TotalRP_SessHandoffFailPDSN_NotRespond	3515
TotalRP_SessHandoffRejectAuthFailure	3515
TotalRP_SessHandoffRejectIdMismatch	3516

PERFORMANCE DATA REFERENCE
Prospect® 8.0 for Nortel AMPS/TDMA/CDMA/MTX 17

TotalRP_SessHandoffRejectNoResources	3516
TotalRP_SessHandoffRejectOther	3516
TotalRP_SessHandoffSuccesses	3517
TotalRPSessionHandoffFailures	3517
TotalRSDB_Dropped	3517
TotalRSDB_Forwarded	3517
TotalSessionSetupFailures	3518
TotalSessionSetupInitialAttempts	3518
TotalSessionSetupReconnectAttempts	3518
TotalSessionSetupSuccess	3519
TotalSignallingMsgReceived	3519
TotDormantBufferLimitOverflows	3519
TotInitRP_SessSetupAttempts	3520
TotInitRP_SessSetupFailPDSN_NotRespond	3520
TotInitRP_SessSetupRejectAuthFail	3520
TotInitRP_SessSetupRejectIdMismatch	3521
TotInitRP_SessSetupRejectInsuffResources	3521
TotInitRP_SessSetupRejectOther	3521
TotInitRP_SessSetupSuccesses	3522
PCU_PDSN Primitive Calculations	3522
GRAPHmultiLineSeparator	3522
NUMDAYS	3522
NUMHOURS	3522
PCU_PDSN Peg Counts	3522
NumberOfTunnelFailures	3523
ReliablePacketReceived	3523
ReliablePacketReTransmitted	3523
ReliablePacketSentSuccess	3524
TotalUnreliableBytesReceived	3524
TotalUnreliableBytesTransmitted	3524
PCUFP Primitive Calculations	3525
GRAPHmultiLineSeparator	3525
NUMDAYS	3525
NUMHOURS	3525
PDSN16000 Primitive Calculations	3525
GRAPHmultiLineSeparator	3525
NUMDAYS	3525
NUMHOURS	3525
PDSN16000 Peg Counts	3526
a11_curactive	3526
a11_ttlarrived	3526
a11_ttl demult	3526
a11_ttl dereg	3527
a11_ttl rejected	3527
fa_curactive	3527
fa_ttlarrived	3528
fa_ttl demult	3528
fa_ttl dereg	3528
fa_ttl rejected	3529
ha_curactive	3529

Updated: 2009-06-03

PERFORMANCE DATA REFERENCE
Prospect® 8.0 for Nortel AMPS/TDMA/CDMA/MTX 17

ha_ttlarrived	3529
ha_tldemult	3530
ha_tldereg	3530
ha_ttlrejected	3530
sess_calldur_12hour	3531
sess_calldur_15min	3531
sess_calldur_1hour	3531
sess_calldur_1min	3532
sess_calldur_24hour	3532
sess_calldur_2min	3532
sess_calldur_4hour	3533
sess_calldur_5min	3533
sess_calldur_over24hour	3533
sess_curactcall	3534
sess_curarrived	3534
sess_curauth	3534
sess_curauthed	3535
sess_curdisc	3535
sess_curdormcall	3535
sess_curipcpup	3536
sess_curlcpnegot	3536
sess_curlcpup	3536
sess_curmipconn	3537
sess_cursipconn	3537
sess_curtlcalls	3537
sess_setuptime_100ms	3538
sess_setuptime_10sec	3538
sess_setuptime_12sec	3538
sess_setuptime_14sec	3539
sess_setuptime_16sec	3539
sess_setuptime_1sec	3539
sess_setuptime_200ms	3540
sess_setuptime_2sec	3540
sess_setuptime_300ms	3540
sess_setuptime_3sec	3541
sess_setuptime_400ms	3541
sess_setuptime_4sec	3541
sess_setuptime_500ms	3542
sess_setuptime_600ms	3542
sess_setuptime_6sec	3542
sess_setuptime_700ms	3543
sess_setuptime_800ms	3543
sess_setuptime_8sec	3543
sess_setuptime_900ms	3544
sess_ttlarrived	3544
sess_ttlauthfail	3544
sess_ttlauthsucc	3545
sess_ttlconnected	3545
sess_ttlipcpup	3545
sess_ttlkeepfail	3546
sess_ttlcpup	3546

PERFORMANCE DATA REFERENCE
 Prospect® 8.0 for Nortel AMPS/TDMA/CDMA/MTX 17

sess_ttrejected	3546
sess_ttsrcviol	3547
PG_PVG Primitive Calculations	3547
GRAPHmultiLineSeparator	3547
NUMDAYS	3547
NUMHOURS	3547
PG_PVG Peg Counts	3547
CRITICALCLEARALARMS	3547
CRITICALSETALARMS	3548
MAJORCLEARALARMS	3548
MAJORSETALARMS	3548
MINORCLEARALARMS	3549
MINORSETALARMS	3549
PG_PVG_ATM_Interface Primitive Calculations	3549
AvgInLinkUtil	3549
AvgOutLinkUtil	3550
GRAPHmultiLineSeparator	3550
NUMDAYS	3550
NUMHOURS	3550
PG_PVG_ATM_Interface Peg Counts	3550
actualRate	3550
INCBRCLP0_1	3551
INCBRFAIL	3551
INCBRSETUP	3551
INCLP0_1	3552
INCLP0_1DIS	3552
INFAIL100	3552
INFAIL104	3553
INFAIL111	3553
INFAIL17	3553
INFAIL18	3553
INFAIL21	3554
INFAIL27	3554
INFAIL28	3554
INFAIL3	3555
INFAIL35	3555
INFAIL36	3555
INFAIL37	3556
INFAIL41	3556
INFAIL45	3556
INFAIL47	3557
INFAIL49	3557
INFAIL57	3557
INFAIL58	3557
INFAIL63	3558
INFAIL65	3558
INFAIL73	3558
INFAIL78	3559
INFAIL88	3559
INFAIL96	3559

Updated: 2009-06-03

PERFORMANCE DATA REFERENCE
Prospect® 8.0 for Nortel AMPS/TDMA/CDMA/MTX 17

INFAIL99	3560
INNRTVBRCLP0_1	3560
INNRTVBRFAIL	3560
INNRTVBRSETUP	3561
INRTVBRCLP0_1	3561
INRTVBRFAIL	3561
INRTVBRSETUP	3562
INSETUP	3562
INUBRCLP0_1	3562
INUBRFAIL	3563
INUBRSETUP	3563
LINKCAP	3563
OUTCBRCLP0_1	3564
OUTCBRCLP0_1DIS	3564
OUTCBRFAIL	3564
OUTCBRSETUP	3565
OUTCLP0_1	3565
OUTCLP0_1DIS	3565
OUTFAIL100	3566
OUTFAIL104	3566
OUTFAIL111	3566
OUTFAIL17	3567
OUTFAIL18	3567
OUTFAIL21	3567
OUTFAIL27	3567
OUTFAIL28	3568
OUTFAIL3	3568
OUTFAIL35	3568
OUTFAIL36	3569
OUTFAIL37	3569
OUTFAIL41	3569
OUTFAIL45	3570
OUTFAIL47	3570
OUTFAIL49	3570
OUTFAIL57	3571
OUTFAIL58	3571
OUTFAIL63	3571
OUTFAIL65	3571
OUTFAIL73	3572
OUTFAIL78	3572
OUTFAIL88	3572
OUTFAIL96	3573
OUTFAIL99	3573
OUTNRTVBRCLP0_1	3573
OUTNRTVBRCLP0_1DIS	3574
OUTNRTVBRFAIL	3574
OUTNRTVBRSETUP	3574
OUTRTVBRCLP0_1	3575
OUTRTVBRCLP0_1DIS	3575
OUTRTVBRFAIL	3575
OUTRTVBRSETUP	3576

PERFORMANCE DATA REFERENCE
Prospect® 8.0 for Nortel AMPS/TDMA/CDMA/MTX 17

OUTSETUP	3576
OUTUBRCLP0_1	3576
OUTUBRCLP0_1DIS	3577
OUTUBRFAIL	3577
OUTUBRSETUP	3577
provRate	3578
REMOTEATMIFLABEL	3578
remoteInstance	3578
rxAvgCellRate	3579
rxAvgCellRateAbr	3579
rxAvgCellRateCbr	3579
rxAvgCellRateClp	3580
rxAvgCellRateClpAbr	3580
rxAvgCellRateClpCbr	3580
rxAvgCellRateClpNrtvbr	3581
rxAvgCellRateClpRtvbr	3581
rxAvgCellRateClpUbr	3581
rxAvgCellRateNrtvbr	3582
rxAvgCellRateRtvbr	3582
rxAvgCellRateUbr	3582
rxCellDiscards	3583
rxCellDiscardsAbr	3583
rxCellDiscardsCbr	3583
rxCellDiscardsClp	3584
rxCellDiscardsClpAbr	3584
rxCellDiscardsClpCbr	3584
rxCellDiscardsClpNrtvbr	3585
rxCellDiscardsClpRtvbr	3585
rxCellDiscardsClpUbr	3585
rxCellDiscardsNrtvbr	3586
rxCellDiscardsRtvbr	3586
rxCellDiscardsUbr	3586
rxFrameDiscards	3587
rxFrameDiscardsAbr	3587
rxFrameDiscardsCbr	3587
rxFrameDiscardsClp	3588
rxFrameDiscardsClpAbr	3588
rxFrameDiscardsClpCbr	3588
rxFrameDiscardsClpNrtvbr	3589
rxFrameDiscardsClpRtvbr	3589
rxFrameDiscardsClpUbr	3589
rxFrameDiscardsNrtvbr	3590
rxFrameDiscardsRtvbr	3590
rxFrameDiscardsUbr	3590
rxMaxCellRate	3591
rxMaxCellRateAbr	3591
rxMaxCellRateCbr	3591
rxMaxCellRateClp	3592
rxMaxCellRateClpAbr	3592
rxMaxCellRateClpCbr	3592
rxMaxCellRateClpNrtvbr	3593

Updated: 2009-06-03

PERFORMANCE DATA REFERENCE

Prospect® 8.0 for Nortel AMPS/TDMA/CDMA/MTX 17

rxMaxCellRateClpRtvbr	3593
rxMaxCellRateClpUbr	3593
rxMaxCellRateNrtvbr	3594
rxMaxCellRateRtvbr	3594
rxMaxCellRateUbr	3594
rxMinCellRate	3595
rxMinCellRateAbr	3595
rxMinCellRateCbr	3595
rxMinCellRateClp	3596
rxMinCellRateClpAbr	3596
rxMinCellRateClpCbr	3596
rxMinCellRateClpNrtvbr	3597
rxMinCellRateClpRtvbr	3597
rxMinCellRateClpUbr	3597
rxMinCellRateNrtvbr	3598
rxMinCellRateRtvbr	3598
rxMinCellRateUbr	3598
rxUtilization	3599
SIGNALLINGCHANNELSTATUS	3599
txAvgCellRate	3599
txAvgCellRateAbr	3600
txAvgCellRateCbr	3600
txAvgCellRateClp	3600
txAvgCellRateClpAbr	3601
txAvgCellRateClpCbr	3601
txAvgCellRateClpNrtvbr	3601
txAvgCellRateClpRtvbr	3602
txAvgCellRateClpUbr	3602
txAvgCellRateNrtvbr	3602
txAvgCellRateRtvbr	3603
txAvgCellRateUbr	3603
txCellDiscards	3603
txCellDiscardsAbr	3604
txCellDiscardsCbr	3604
txCellDiscardsClp	3604
txCellDiscardsClpAbr	3605
txCellDiscardsClpCbr	3605
txCellDiscardsClpNrtvbr	3605
txCellDiscardsClpRtvbr	3606
txCellDiscardsClpUbr	3606
txCellDiscardsNrtvbr	3606
txCellDiscardsRtvbr	3607
txCellDiscardsUbr	3607
txFrameDiscards	3607
txFrameDiscardsAbr	3608
txFrameDiscardsCbr	3608
txFrameDiscardsClp	3608
txFrameDiscardsClpAbr	3609
txFrameDiscardsClpCbr	3609
txFrameDiscardsClpNrtvbr	3609
txFrameDiscardsClpRtvbr	3610

PERFORMANCE DATA REFERENCE
Prospect® 8.0 for Nortel AMPS/TDMA/CDMA/MTX 17

txFrameDiscardsClpUbr	3610
txFrameDiscardsNrtvbr	3610
txFrameDiscardsRtvbr	3611
txFrameDiscardsUbr	3611
txMaxCellRate	3611
txMaxCellRateAbr	3612
txMaxCellRateCbr	3612
txMaxCellRateClp	3612
txMaxCellRateClpAbr	3613
txMaxCellRateClpCbr	3613
txMaxCellRateClpNrtvbr	3613
txMaxCellRateClpRtvbr	3614
txMaxCellRateClpUbr	3614
txMaxCellRateNrtvbr	3614
txMaxCellRateRtvbr	3615
txMaxCellRateUbr	3615
txMinCellRate	3615
txMinCellRateAbr	3616
txMinCellRateCbr	3616
txMinCellRateClp	3616
txMinCellRateClpAbr	3617
txMinCellRateClpCbr	3617
txMinCellRateClpNrtvbr	3617
txMinCellRateClpRtvbr	3618
txMinCellRateClpUbr	3618
txMinCellRateNrtvbr	3618
txMinCellRateRtvbr	3619
txMinCellRateUbr	3619
txUtilization	3619
PG_PVG_LogicalProcessor Primitive Calculations	3620
GRAPHmultiLineSeparator	3620
NUMDAYS	3620
NUMHOURS	3620
PG_PVG_LogicalProcessor Peg Counts	3620
cardStatus	3620
cpuUtilAvg	3621
cpuUtilAvgMax	3621
cpuUtilAvgMin	3621
localMsgBlockCapacity	3621
localMsgBlockUsageAvg	3622
localMsgBlockUsageMax	3622
localMsgBlockUsageMin	3622
memoryCapacityFastRam	3623
memoryCapacityNormalRam	3623
memoryCapacitysharedRam	3623
memoryUsageAvgFastRam	3624
memoryUsageAvgMaxFastRam	3624
memoryUsageAvgMaxNormalRam	3624
memoryUsageAvgMaxSharedRam	3625
memoryUsageAvgMinFastRam	3625
memoryUsageAvgMinNormalRam	3625

Updated: 2009-06-03

PERFORMANCE DATA REFERENCE
 Prospect® 8.0 for Nortel AMPS/TDMA/CDMA/MTX 17

memoryUsageAvgMinSharedRam	3626
memoryUsageAvgNormalRam	3626
memoryUsageAvgSharedRam	3626
sharedMsgBlockCapacity	3627
sharedMsgBlockUsageAvg	3627
sharedMsgBlockUsageAvgMax	3627
sharedMsgBlockUsageAvgMin	3628
unavailableSeconds	3628
PM Primitive Calculations	3628
AvgOccBackgroundCPU	3628
AvgOccCallProcCPU	3629
AvgOccIdlerCPU	3629
AvgOccIO_InterrptCPU	3629
AvgOccMaintenanceCPU	3629
AvgOccSchedulerCPU	3629
AvgOccSystemCPU	3629
GRAPHmultiLineSeparator	3629
NUMDAYS	3630
NUMHOURS	3630
PM Peg Counts	3630
ACEMCACK	3630
ACEMCATT	3630
ACEMCTO	3631
ALBADADR	3631
ALFWFL	3631
ALRVFL	3632
ALUNRTE	3632
ATALG144	3632
ATALG96	3633
ATASY144	3633
ATASYC96	3633
ATASYCIS	3634
ATEBB13K	3634
ATEBB8K	3634
ATEBEVRC	3635
ATEBI13K	3635
ATEBSMV	3635
ATGR3144	3636
ATGR396	3636
ATGR3IS	3636
ATINPPP	3637
ATLCS	3637
ATLPBK13	3637
ATMKV144	3638
ATMKV96	3638
ATMLPBK	3638
ATOTAPA	3639
ATSMS	3639
ATT2G	3639
ATT3G	3640
AVGCPOCC	3640

PERFORMANCE DATA REFERENCE
Prospect® 8.0 for Nortel AMPS/TDMA/CDMA/MTX 17

AVGLPOCC	3640
BLALG144	3641
BLALG96	3641
BLASY144	3641
BLASYC96	3642
BLASYCIS	3642
BLEBB13K	3642
BLEBB8K	3643
BLEBEVRC	3643
BLEBI13K	3643
BLEBSMV	3644
BLGR3144	3644
BLGR396	3644
BLGR3IS	3645
BLINPPP	3645
BLK2G	3645
BLK3G	3646
BLLCS	3646
BLLPB13	3646
BLMKV144	3647
BLMKV96	3647
BLMLPBK	3647
BLOTAPA	3648
BLSMS	3648
CAUAORIG	3648
CAUAPGRS	3649
CAUAREG	3649
CAUBMWNA	3649
CAUBMWNC	3650
CAUBMWNT	3650
CAUBSCA	3650
CAUBSCCM	3651
CAUBSCCP	3651
CAUBSCCT	3651
CAUBSCT	3652
CAUCNICV	3652
CAUCNITR	3652
CAUDATSY_CAUPMWNA	3653
CAUDATSY_CAUPMWNC	3653
CAUDATSY_CAUPMWRN	3653
CAUDATSY_CAUTMWNA	3653
CAUDATSY_CAUTMWNC	3654
CAUDSP00	3654
CAUDSP01	3654
CAUDUPPG	3655
CAUFLASH	3655
CAUHOSRC	3655
CAUHOTRG	3656
CAUHSOFT	3656
CAULRLS	3656
CAUMRLS	3657

Updated: 2009-06-03

PERFORMANCE DATA REFERENCE
Prospect® 8.0 for Nortel AMPS/TDMA/CDMA/MTX 17

CAUMWSIS	3657
CAUOFLRS	3657
CAUORIGS	3658
CAUPGREQ	3658
CAUPGRTY	3658
CAUPGTO	3659
CAUPMUNA	3659
CAUPMUNC	3659
CAUPMUNR	3659
CAUPMUNT	3660
CAUPMURA	3660
CAUPMURR	3660
CAUREGNS	3661
CAURFDRP	3661
CAUSUCM	3661
CAUSUFA	3662
CAUSUFT	3662
CAUSUP	3662
CAUSUSA	3663
CAUSUST	3663
CAUSUT	3663
CAUTFLRS	3664
CAUTMUNA	3664
CAUTMUNC	3664
CAUTMUNR	3664
CAUTMUNT	3665
CAUTMURA	3665
CAUCCA	3665
CAUCCM	3666
CAUCCT	3666
CAUCP	3666
CAUCT	3667
CAUNSO	3667
CAUNXPG	3667
CAUVDSCD	3668
CAUVRJCT	3668
CICTTIDF	3668
CIUOVL1	3668
CIUOVL2	3669
CLARTRIG	3669
CPUCP100	3669
CPUCP30	3670
CPUCP40	3670
CPUCP50	3670
CPUCP60	3671
CPUCP70	3671
CPUCP80	3671
CPUCP85	3672
CPUCP90	3672
CPUCP95	3672
CPUTOTL	3672

PERFORMANCE DATA REFERENCE
Prospect® 8.0 for Nortel AMPS/TDMA/CDMA/MTX 17

CSDCOM2G	3673
CSDCOM3G	3673
CSDCOMTO	3673
CTCATTS	3674
CTCCOMPS	3674
CTCOTHFL	3674
CTCPGTO	3675
DCORGPD	3675
DCORGSM	3675
DCORGVC	3676
DCPGRPD	3676
DCPGRSM	3676
DCPGRVC	3677
DLRVFRDC	3677
DLRXCRC	3677
DLRXFBOV	3678
DLRXHRCT	3678
DLRHRFRER	3678
DLTXFBOV	3679
DLTXHRCT	3679
DORMHAND	3679
DPTGTAT	3680
DPTGTFL	3680
DPTGTFL0	3680
DPTHWT	3680
DPTUSAG	3681
ECSDROPR	3681
ECSERLFL	3681
ECSESWFL	3682
ECSNRSFL	3682
ECSVCSS	3682
ECSVRASU	3683
ESBDROPR	3683
ESBERLFL	3683
ESBESWFL	3684
ESBNRSFL	3684
ESBSCSS	3684
ESBSRASU	3685
EVR0OVFL	3685
EVR0OVFL_3G	3685
EVR0REQ	3686
EVR0REQ_3G	3686
FB0RXERR	3686
FB0RXOCT	3687
FB0RXPKT	3687
FB0TXCON	3687
FB0TXENQ	3688
FB0TXERR	3688
FB0TXOCT	3688
FB0TXPKT	3688
FB0TXPRI	3689

Updated: 2009-06-03

PERFORMANCE DATA REFERENCE
Prospect® 8.0 for Nortel AMPS/TDMA/CDMA/MTX 17

FB1RXERR	3689
FB1RXOCT	3689
FB1RXPKT	3690
FB1TXCON	3690
FB1TXENQ	3690
FB1TXERR	3691
FB1TXOCT	3691
FB1TXPKT	3691
FB1TXPRI	3692
FLEVR13K	3692
FWDOVLD1	3692
FWDOVLD2	3693
MaxOccBackgroundCPU	3693
MaxOccCallProcCPU	3693
MaxOccIdlerCPU	3693
MaxOccIO_InterrptCPU	3694
MaxOccMaintenanceCPU	3694
MaxOccSchedulerCPU	3694
MaxOccSystemCPU	3695
MWIL1DIS	3695
MWIL2DIS	3695
NAKSEREQ	3696
NAKSEREQ_3G	3696
NAKSERSP	3696
NAKSERSP_3G	3697
NAKSOREQ	3697
NAKSOREQ_3G	3697
NAKSORSP	3697
NAKSORSP_3G	3698
NCMBKG	3698
NCMCPOCC	3698
NCMIDLE	3699
NCMIO	3699
NCMMAINT	3699
NCMSCHED	3700
NCMSYS	3700
NISDBATT	3700
NISDBFL	3701
NISDBSC	3701
NKSESORQ	3701
NKSESORQ_3G	3702
NKSESORS	3702
NKSESORS_3G	3702
NOBEAG14	3703
NOBEAG96	3703
NOBEAS14	3703
NOBEAS96	3704
NOBEASIS	3704
NOBEB13K	3704
NOBEB8K	3705
NOBEEVRC	3705

PERFORMANCE DATA REFERENCE
Prospect® 8.0 for Nortel AMPS/TDMA/CDMA/MTX 17

NOBEG314	3705
NOBEG396	3706
NOBEG3IS	3706
NOBEI13K	3707
NOBELB13	3707
NOELBK	3707
NOBELCS	3708
NOBEMV14	3708
NOBEMV96	3708
NOBEOTA	3709
NOBEPPP	3709
NOBESMS	3709
NOBESMV	3710
NOEBAG14	3710
NOEBAG96	3710
NOEBAS14	3711
NOEBAS96	3711
NOEBASIS	3711
NOEBB13K	3712
NOEBB8K	3712
NOEBEVRC	3712
NOEBG314	3713
NOEBG396	3713
NOEBG3IS	3713
NOEBI13K	3714
NOEBLB13	3714
NOEBLBK	3715
NOEBLCS	3715
NOEBMV14	3715
NOEBMV96	3716
NOEBOTA	3716
NOEBPPP	3716
NOEBSMS	3717
NOEBSMV	3717
NORREQ3D	3717
NORREQ3D_3G	3718
NORS153K	3718
NORS19K	3718
NORS38K	3719
NORS76K	3719
NRMANRDS	3719
NRMANRPD	3720
NRMANRV	3720
NRMARDS	3720
NRMARPD	3721
NRMARV	3721
NRMASDS	3721
NRMASPD	3722
NRMASV	3722
NRMATODS	3722
NRMATOPD	3723

Updated: 2009-06-03

PERFORMANCE DATA REFERENCE
Prospect® 8.0 for Nortel AMPS/TDMA/CDMA/MTX 17

NRMATOV	3723
NRMFCR1	3723
NRMFCR2	3724
NRMFCR3	3724
NRMFCR4	3724
NRMFCR5	3725
NRMFCR6	3725
NRMFCR7	3725
NRMFCR8	3726
NRMFCR9	3726
NRMIANRD	3726
NRMIANRV	3727
NRMIARD	3727
NRMIARV	3727
NRMIASD	3728
NRMIASV	3728
NRMIATOD	3728
NRMIATOV	3729
NRMIOEND	3729
NRMIOENV	3729
NRMIOERD	3730
NRMIOERV	3730
NRMOEDS	3731
NRMOEPD	3731
NRMOEV	3731
NRMOLRDS	3732
NRMOLRPD	3732
NRMOLRV	3732
NRMRANRD	3733
NRMRANRV	3733
NRMRAOED	3733
NRMRAOEV	3734
NRMRARD	3734
NRMRARV	3734
NRMRASD	3735
NRMRASV	3735
NRMRATOD	3735
NRMRATOV	3736
NRMSTODS	3736
NRMSTOPD	3736
NRMSTOV	3737
NRMUNSO	3737
NUMRPTS	3737
ORIGDIS	3738
OVLBEATD	3738
OVLBEATP	3738
OVLBEATV	3738
OVLEBATD	3739
OVLEBATP	3739
OVLEBATV	3739
PDOGDIS	3740

PERFORMANCE DATA REFERENCE
Prospect® 8.0 for Nortel AMPS/TDMA/CDMA/MTX 17

PDTMDIS	3740
PGL1DIS	3740
PGL2DIS	3741
PGRSDIS	3741
PMCCTDG	3741
PMCCTFL	3742
PMCCTOP	3742
PMDRERR	3742
PMDRFLT	3743
PMDRMBU	3743
PMDRSBU	3743
PMERR	3744
PMFLT	3744
PMINTEG	3744
PMMBP	3744
PMMBTCO	3745
PMMCXFR	3745
PMMMBU	3745
PMMSBU	3746
PMMWXFR	3746
PMORIGS	3746
PMPSERR	3747
PMPSFLT	3747
PMRGERR	3747
PMRGFLT	3748
PMSBP	3748
PMSBTCO	3748
PMSCXFR	3749
PMSGIPC	3749
PMSWXFR	3749
PMTERMS	3750
PMUMBU	3750
PMUSBU	3750
PORGDLY	3751
PORGIPC	3751
PORGLCM	3751
PORGMISC	3752
PORGMSG	3752
PORGPTQ	3752
PORGSLLC	3753
PTRMDLY	3753
PTRMMISC	3754
PTRMMSG	3754
PTRMPTQ	3754
REQ153K	3755
REQ19K	3755
REQ38K	3755
REQ76K	3756
RMDEPLT	3756
RMDEPLT_3G	3756
RMNOCIU	3757

Updated: 2009-06-03

PERFORMANCE DATA REFERENCE

Prospect® 8.0 for Nortel AMPS/TDMA/CDMA/MTX 17

RMNOCIU_3G	3757
RMNORM	3757
RMNORM_3G	3758
RMNORREQ	3758
RMNORREQ_3G	3758
RMOVLD	3759
RMOVLD_3G	3759
RMSRMNAK	3759
RMSRMNAK_3G	3760
RMSRMT0	3760
RMSRMT0_3G	3760
RMUIANRD	3761
RMUIANRV	3761
RMUIARD	3761
RMUIARV	3762
RMUIASD	3762
RMUIASV	3762
RMUIATOD	3763
RMUIATOV	3763
RMUINRDS	3763
RMUIOEDS	3764
RMUIOEND	3764
RMUIOENV	3764
RMUIRDS	3765
RMUISDS	3765
RMUITODS	3765
RMUNSO	3766
RMUNSO_3G	3766
RMURANRD	3766
RMURANRV	3767
RMURAOED	3767
RMURAOEV	3767
RMURARD	3768
RMURARV	3768
RMURASD	3768
RMURASV	3769
RMURATOD	3769
RMURATOV	3769
RMURNRDS	3770
RMUROEDS	3770
RMURRDS	3770
RMURSDS	3771
RMURTODS	3771
RMUUNSO	3771
SBSTIDFL	3772
SEFL2PVS	3772
SEFLFRAM	3772
SEFLNWK	3773
SLTPGREQ	3773
SLTPGRTY	3773
SLTPGTO	3774

PERFORMANCE DATA REFERENCE
Prospect® 8.0 for Nortel AMPS/TDMA/CDMA/MTX 17

SMOCMREQ	3774
SMOCMRES	3774
SMOCMRTO	3774
SMODBRTO	3775
SMPRDIS	3775
SMSODIS	3775
SMSPGREQ	3776
SMSPGRTO	3776
SMSPGRTY	3776
SMSPGTO	3777
SMTL1DIS	3777
SMTL2DIS	3777
SRMAV2DP	3778
SRMAV2DP_3G	3778
SRMAV2OV	3778
SRMAV2OV_3G	3779
SRMDDSRV	3779
SRMDDSRV_3G	3779
SRMDDSSL	3780
SRMDDSSL_3G	3780
SRMDDSSM	3780
SRMDDSSM_3G	3781
SRMDP2AV	3781
SRMDP2AV_3G	3781
SRMDP2OV	3781
SRMDP2OV_3G	3782
SRMNAK3D	3782
SRMNAK3D_3G	3782
SRMNNORM	3783
SRMNNORM_3G	3783
SRMOV2AV	3783
SRMOV2AV_3G	3784
SRMOV2DP	3784
SRMOV2DP_3G	3784
SRMTO3D	3785
SRMTO3D_3G	3785
SUALG144	3785
SUALG96	3786
SUASY144	3786
SUASYC96	3786
SUASYCIS	3787
SUC153K	3787
SUC19K	3787
SUC2G	3788
SUC38K	3788
SUC3G	3788
SUC76K	3789
SUEBB13K	3789
SUEBB8K	3789
SUEBEVRC	3790
SUEBI13K	3790

Updated: 2009-06-03

PERFORMANCE DATA REFERENCE
 Prospect® 8.0 for Nortel AMPS/TDMA/CDMA/MTX 17

SUEBSMV	3790
SUGR3144	3791
SUGR396	3791
SUGR3IS	3791
SUINPPP	3792
SULCS	3792
SULPBK13	3792
SUMKV144	3793
SUMKV96	3793
SUMLPBK	3793
SUOTAPA	3794
SUSMS	3794
TLBADHDR	3794
TLBUFDC	3795
TLCONNDC	3795
TLCONRST	3795
TLFRGPKT	3796
TLMXCONN	3796
TLNACKS	3796
TLPKTRX	3797
TLPKTTX	3797
TLREXMTS	3797
TLRSMPKT	3797
TLTIMOUT	3798
UNSSOPKT	3798
UNSSOPKT_3G	3798
UTRLDLYP	3799
UTRNUMS	3799
UTROVFL	3799
UTRQABAN	3800
UTRQOCC	3800
UTRQOVFL	3800
UTRRADA	3801
UTRSAMPL	3801
UTRSZRS	3801
UTRTRU	3802
UTRUDLYP	3802
PM_Type Primitive Calculations	3802
GRAPHmultiLineSeparator	3802
NUMDAYS	3802
NUMHOURS	3803
PM_Type Peg Counts	3803
PMTCCTDG	3803
PMTCCTFL	3803
PMTCCTOP	3803
PMTDRERR	3804
PMTDRFLT	3804
PMTDRMBU	3804
PMTDRSBU	3805
PMTERR	3805
PMTFLT	3805

PERFORMANCE DATA REFERENCE
Prospect® 8.0 for Nortel AMPS/TDMA/CDMA/MTX 17

PMTINTEG	3806
PMTMBP	3806
PMTMBTCO	3806
PMTMCXFR	3806
PMTMMBU	3807
PMTMSBU	3807
PMTMWXFR	3807
PMTPSERR	3808
PMTPSFLT	3808
PMTRGERR	3808
PMTRGFLT	3809
PMTSBP	3809
PMTSBTCO	3809
PMTSCXFR	3810
PMTSWXFR	3810
PMTUMBU	3810
PMTUSBU	3810
PMTYP_Count	3811
PM_Unit Primitive Calculations	3811
GRAPHmultiLineSeparator	3811
NUMDAYS	3811
NUMHOURS	3811
PM_Unit Peg Counts	3812
NDUERR	3812
NDUFLT	3812
NDUMBP	3812
NDUMBU	3813
NDUMCRST	3813
NDUMRRST	3813
NDUMWRST	3814
NDUNAP	3814
NDUNAU	3814
NDUSBP	3814
NDUSBU	3815
NDUSCRST	3815
NDUSRRST	3815
NDUSWERR	3816
NDUSWRST	3816
NDUTRAP	3816
PMC_CNFP Primitive Calculations	3817
CPU_Usage_30to40%	3817
CPU_Usage_40to50%	3817
CPU_Usage_50to60%	3817
CPU_Usage_60to70%	3817
CPU_Usage_70to80%	3817
CPU_Usage_GT80%	3817
CPU_Usage_LTE30%	3818
CPU_Usage_Overload%	3818
CPU_UsageIndex_Total	3818
GRAPHmultiLineSeparator	3818

Updated: 2009-06-03

PERFORMANCE DATA REFERENCE
 Prospect® 8.0 for Nortel AMPS/TDMA/CDMA/MTX 17

NUMDAYS	3818
NUMHOURS	3818
PMC_CNFP Peg Counts	3818
ACN_NOIS_MsgDiscardedDueToOverload	3819
AllocationRequestDenied	3819
AllocationRequestReceived	3819
AllocationRequestRedirectionCctToPkt	3820
AllocationRequestRedirectionCctToTrFO	3820
AllocationRequestRedirectionPktToCct	3820
AllocationRequestRedirectionPktToTrFO	3821
AllocationRequestRedirectionTrFO_ToCct	3821
AllocationRequestRedirectionTrFO_ToPkt	3821
AllocationRequestRedirectionUnspecifiedToCct	3822
AllocationRequestRedirectionUnspecifiedToPkt	3822
AllocationRequestRedirectionUnspecifiedToTrFO	3822
AllocationRequestRejectedDueToOverload	3823
BSC_AllocationRequestDenied	3823
BSC_AllocationRequestDiscardedDueToOverload	3823
BSC_AllocationRequestReceived	3824
CPU_UsageExceededThreshold	3824
CPU_UsageIndex_1	3824
CPU_UsageIndex_2	3825
CPU_UsageIndex_3	3825
CPU_UsageIndex_4	3825
CPU_UsageIndex_5	3826
CPU_UsageIndex_6	3826
CPU_UsageIndex_7	3826
DHO_AllocationRequestDenied	3827
DHO_AllocationRequestReceived	3827
DHO_AllocationRequestRejectedDueToOverload	3827
DHO_PlatformPreferenceChange	3828
DHO_PlatformSelectionFailuresDueToTQ_Exceeded	3828
DHO_SecondaryPlatformDroppedDueToTQ_Exceeded	3828
DTA_PlatformPreferenceChange	3829
DTA_PlatformSelectionFailuresDueToTQ_Exceeded	3829
DTA_SecondaryPlatformDroppedDueToTQ_Exceeded	3829
EBSC_VoiceAllocationRequestAccepted	3830
EBSC_VoiceAllocationRequestDenied	3830
EBSC_VoiceAllocationRequestDiscardedDueToOverload	3830
EBSC_VoiceAllocationRequestReceived	3831
LL_CongestedSignalingFrameRx	3831
LL_CongestedSignalingFrameTx	3831
LL_DataFrameRx	3832
LL_DataFrameTx	3832
LL_InvalidFrameType	3832
LL_NodeInitFrameRx	3832
LL_NodeInitFrameTx	3833
LL_SignalingFrameRx	3833
LL_SignalingFrameTx	3833
LL_TrafficFrameRx	3834
LL_TrafficFrameTx	3834

PERFORMANCE DATA REFERENCE
Prospect® 8.0 for Nortel AMPS/TDMA/CDMA/MTX 17

PlatformPreferenceChange	3834
PlatformSelectionFailuresDueToTQ_Exceeded	3835
SecondaryPlatformDroppedDueToTQ_Exceeded	3835
SL_MaxLargeStreamBufferUsed	3835
SL_MaxMediumStreamBufferUsed	3836
SL_MaxSmallStreamBufferUsed	3836
SL_STLA_UnknownDestinationMsg	3836
SL_STLB_UnknownDestinationMsg	3837
SL_STLD_UnknownDestinationMsg	3837
SL_StreamBufferAllocFailure	3837
SL_StreamBufferAllocSuccess	3838
STLA_BestEffortReassemblyTimeout	3838
STLA_BestEffortRxMsg	3838
STLA_BestEffortTxMsg	3838
STLA_ConnectionFailedDueToMaxFaults	3839
STLA_ConnectionFailedDueToMaxTxAttempts	3839
STLA_ConnectionFault	3839
STLA_FailedMsgCRC	3840
STLA_MaxOpenRxConnection	3840
STLA_MaxOpenTxConnection	3840
STLA_MaxRxBuffer	3841
STLA_MaxRxQueue	3841
STLA_MaxTxLargeBuffer	3841
STLA_MaxTxMediumBuffer	3842
STLA_MaxTxQueue	3842
STLA_MaxTxSmallBuffer	3842
STLA_OpenRxConnection	3843
STLA_OpenTxConnection	3843
STLA_OutOfRxFrameBuffer	3843
STLA_OutOfTxBuffer	3843
STLA_OutOfWindowMsgDueToMaxWS	3844
STLA_OutOfWindowMsgDueToReducedWS	3844
STLA_OutOfWindowMsgDueToZeroWS	3844
STLA_ProtocolRevisionError	3845
STLA_RefusedRxConnection	3845
STLA_RefusedTxConnection	3845
STLA_ReliableAckWaitTimeout	3846
STLA_ReliableReassemblyTimeout	3846
STLA_ReliableRetransmittedMsg	3846
STLA_ReliableRxMsg	3847
STLA_ReliableTxMsg	3847
STLA_TxWindowReduced	3847
STLA_TxWindowShut	3848
Port Primitive Calculations	3848
GRAPHmultiLineSeparator	3848
NUMDAYS	3848
NUMHOURS	3848
Port Peg Counts	3848
bcast_inpackets	3849
bcast_outpackets	3849
mcast_inpackets	3849

Updated: 2009-06-03

mcast_outpackets	3850
rxbytes	3850
rxdiscbytes	3850
rxdiscpackets	3851
rxpackets	3851
txbytes	3851
txdiscbytes	3851
txdiscpackets	3852
txpackets	3852
ucast_inpackets	3852
ucast_outpackets	3853
Portable_NPA_Range Primitive Calculations	3853
GRAPHmultiLineSeparator	3853
NUMDAYS	3853
NUMHOURS	3853
Portable_NPA_Range Peg Counts	3854
NPQWLRN	3854
NPREQOG	3854
NPRESIC	3854
PPP_Service Primitive Calculations	3855
GRAPHmultiLineSeparator	3855
NUMDAYS	3855
NUMHOURS	3855
PPP_Service Peg Counts	3855
abort_auth	3855
auth_abort_chap	3856
auth_abort_mschap	3856
auth_abort_pap	3856
auth_attempt_chap	3857
auth_attempt_mschap	3857
auth_attempt_ppp	3857
auth_fail_chap	3858
auth_fail_mschap	3858
auth_fail_pap	3858
auth_success_chap	3859
auth_success_mschap	3859
auth_success_pap	3859
comp_defl	3860
comp_mppc	3860
comp_sess_neg	3860
comp_sess_neg_fail	3861
comp_stac	3861
comp_vjhdr	3861
disc_abs_timeout	3861
disc_add_flow_fail	3862
disc_admin	3862
disc_auth_fail	3862
disc_bad_dest_vpn	3863
disc_bad_src_addr	3863
disc_idle_timeout	3863

PERFORMANCE DATA REFERENCE
Prospect® 8.0 for Nortel AMPS/TDMA/CDMA/MTX 17

disc_lcp_remote	3864
disc_long_timeout	3864
disc_max_setup_time	3864
disc_maxretry_ipcp	3865
disc_maxretry_lcp	3865
disc_misc	3865
disc_no_remoteaddr	3866
disc_no_resource	3866
disc_opt_neg_ipcp	3866
disc_opt_neg_lcp	3867
disc_ppp_keepalive	3867
disc_remote	3867
disc_rp_local	3868
disc_rp_remote	3868
disc_typedetect_fail	3868
entered_auth	3869
entered_ipcp	3869
entered_lcp	3869
fail_auth	3870
fail_ccp	3870
fail_reneg	3870
failed	3871
in_discard	3871
in_discard_oct	3871
in_nucast	3872
in_oct	3872
in_pkt	3872
in_ucast	3873
init	3873
ipcp_fail_maxretry	3873
ipcp_fail_option	3874
ipcp_fail_unknown	3874
lcp_fail_maxretry	3874
lcp_fail_option	3875
lcp_fail_unknown	3875
lcpecho_rep_recved	3875
lcpecho_req_resent	3876
lcpecho_req_total	3876
lcpecho_timeout	3876
misc_fail	3877
num_sessions	3877
out_discard	3877
out_discard_oct	3878
out_nucast	3878
out_oct	3878
out_pkt	3878
out_ucast	3879
revert_badaddr	3879
revert_badctrl	3879
revert_basfcs	3880
revert_unknproto	3880

Updated: 2009-06-03

PERFORMANCE DATA REFERENCE
 Prospect® 8.0 for Nortel AMPS/TDMA/CDMA/MTX 17

recverr_bad_length	3880
recverr_ctrl_field	3881
released	3881
released_local	3881
released_remote	3882
remote_term	3882
reneg	3882
reneg_addrmis	3882
reneg_mobile	3883
reneg_other	3883
reneg_pdsn	3883
reneg_rp_handoff	3884
reneg_update	3884
rp_disc	3884
sess_skip_auth	3885
success	3885
success_auth	3885
success_lcp	3886
vpnid	3886
ProcCard Primitive Calculations	3886
NUMDAYS	3886
NUMHOURS	3887
ProcCard Peg Counts	3887
CpuUtilAvg	3887
CpuUtilAvgMax	3887
CpuUtilAvgMin	3887
LocalMsgBlockCapacity	3888
LocalMsgBlockUsageAvg	3888
LocalMsgBlockUsageMax	3888
LocalMsgBlockUsageMin	3889
MemoryCapacityFastRAM	3889
MemoryCapacityNormalRAM	3889
MemoryCapacitySharedRAM	3890
MemoryUsageAvgFastRAM	3890
MemoryUsageAvgMaxFastRAM	3890
MemoryUsageAvgMaxNormalRAM	3891
MemoryUsageAvgMaxSharedRAM	3891
MemoryUsageAvgMinFastRAM	3891
MemoryUsageAvgMinNormalRAM	3892
MemoryUsageAvgMinSharedRAM	3892
MemoryUsageAvgNormalRAM	3892
MemoryUsageAvgSharedRAM	3892
SharedMsgBlockCapacity	3893
SharedMsgBlockUsageAvg	3893
SharedMsgBlockUsageAvgMax	3893
SharedMsgBlockUsageAvgMin	3894
Radio_Sector Primitive Calculations	3894
GRAPHmultiLineSeparator	3894
NUMDAYS	3894
NUMHOURS	3894

PERFORMANCE DATA REFERENCE
Prospect® 8.0 for Nortel AMPS/TDMA/CDMA/MTX 17

Radio_Sector Peg Counts	3894
SectorPercentPowerLimiting	3895
SectorTxPowerAvg	3895
SectorTxPowerMax	3895
VSWRReturnLoss	3896
RadioConfiguration Primitive Calculations	3896
CEFrameCntFCH_RC1	3896
CEFrameCntFCH_RC2	3896
CEFrameCntFCH_RC3	3896
CEFrameCntFCH_RC3D	3897
CEFrameCntFCH_RC3V	3897
CEFrameCntFCH_RC4	3897
CEFrameCntFCH_RC4D	3897
CEFrameCntFCH_RC4V	3897
CEFrameCntFCH_RC5	3898
CEFrameCntFCH_RC5D	3898
CEFrameCntFCH_RC5V	3898
CEFrameCountFCH	3898
CEFrameCountFwdSCH_16X	3898
CEFrameCountFwdSCH_2X	3899
CEFrameCountFwdSCH_4X	3899
CEFrameCountFwdSCH_8X	3899
CEFrameCountRevSCH_16X	3899
CEFrameCountRevSCH_2X	3899
CEFrameCountRevSCH_4X	3900
CEFrameCountRevSCH_8X	3900
DataFchForwardLinkUtilAverage_Aggregated	3900
FrameCntFCH_RC1	3900
FrameCntFCH_RC2	3900
FrameCntFCH_RC3	3900
FrameCntFCH_RC3D	3901
FrameCntFCH_RC3V	3901
FrameCntFCH_RC4	3901
FrameCntFCH_RC4D	3901
FrameCntFCH_RC4V	3901
FrameCntFCH_RC5	3901
FrameCntFCH_RC5D	3902
FrameCntFCH_RC5V	3902
FrameCountFCH	3902
FrameCountFwdSCH_16X	3902
FrameCountFwdSCH_2X	3902
FrameCountFwdSCH_4X	3903
FrameCountFwdSCH_8X	3903
FrameCountRevSCH_16X	3903
FrameCountRevSCH_2X	3903
FrameCountRevSCH_4X	3903
FrameCountRevSCH_8X	3904
GRAPHmultiLineSeparator	3904
NUMDAYS	3904
NUMHOURS	3904
PrimaryFrameCntFCH_RC1	3904

Updated: 2009-06-03

PERFORMANCE DATA REFERENCE
 Prospect® 8.0 for Nortel AMPS/TDMA/CDMA/MTX 17

PrimaryFrameCntFCH_RC2	3904
PrimaryFrameCntFCH_RC3	3905
PrimaryFrameCntFCH_RC3D	3905
PrimaryFrameCntFCH_RC3V	3905
PrimaryFrameCntFCH_RC4	3905
PrimaryFrameCntFCH_RC4D	3905
PrimaryFrameCntFCH_RC4V	3905
PrimaryFrameCntFCH_RC5	3906
PrimaryFrameCntFCH_RC5D	3906
PrimaryFrameCntFCH_RC5V	3906
PrimaryFrameCountFCH	3906
PrimaryFrameCountFwdSCH_16X	3906
PrimaryFrameCountFwdSCH_2X	3907
PrimaryFrameCountFwdSCH_4X	3907
PrimaryFrameCountFwdSCH_8X	3907
PrimaryFrameCountRevSCH_16X	3907
PrimaryFrameCountRevSCH_2X	3907
PrimaryFrameCountRevSCH_4X	3908
PrimaryFrameCountRevSCH_8X	3908
SchForwardLinkUtilAverage_Aggregated	3908
VoiceFchForwardLinkUtilAverage_Aggregated	3908
RadioConfiguration Peg Counts	3908
CEFrameCntFCH	3908
CEFrameCntFwdSCH_16X	3909
CEFrameCntFwdSCH_2X	3909
CEFrameCntFwdSCH_4X	3909
CEFrameCntFwdSCH_8X	3910
CEFrameCntRevSCH_16X	3910
CEFrameCntRevSCH_2X	3910
CEFrameCntRevSCH_4X	3911
CEFrameCntRevSCH_8X	3911
CEFrameCntSCH	3911
DataFchForwardLinkUtilAverage	3912
FFCH_BadDataFrames	3912
FFCH_BadNonDataFrames	3912
FFCH_TotalDataFrames	3913
FFCH_TotalNonDataFrames	3913
FrameCntFCH	3913
FrameCntFwdSCH_16X	3914
FrameCntFwdSCH_2X	3914
FrameCntFwdSCH_4X	3914
FrameCntFwdSCH_8X	3915
FrameCntRevSCH_16X	3915
FrameCntRevSCH_2X	3915
FrameCntRevSCH_4X	3915
FrameCntRevSCH_8X	3916
FrameCntSCH	3916
FSCH_BadFrames_16X	3916
FSCH_BadFrames_2X	3917
FSCH_BadFrames_4X	3917
FSCH_BadFrames_8X	3917

PERFORMANCE DATA REFERENCE
Prospect® 8.0 for Nortel AMPS/TDMA/CDMA/MTX 17

FSCH_TotalFrames_16X	3918
FSCH_TotalFrames_2X	3918
FSCH_TotalFrames_4X	3918
FSCH_TotalFrames_8	3919
PrimaryFrameCntFCH	3919
PrimaryFrameCntFwdSCH_16X	3919
PrimaryFrameCntFwdSCH_2X	3920
PrimaryFrameCntFwdSCH_4X	3920
PrimaryFrameCntFwdSCH_8X	3920
PrimaryFrameCntRevSCH_16X	3921
PrimaryFrameCntRevSCH_2X	3921
PrimaryFrameCntRevSCH_4X	3921
PrimaryFrameCntRevSCH_8X	3922
PrimaryFrameCntSCH	3922
RFCH_BadDataFrames	3922
RFCH_BadNonDataFrames	3923
RFCH_TotalDataFrames	3923
RFCH_TotalNonDataFrames	3923
RSCH_BadFrames_16X	3924
RSCH_BadFrames_2X	3924
RSCH_BadFrames_4X	3924
RSCH_BadFrames_8X	3925
RSCH_TotalFrames_16X	3925
RSCH_TotalFrames_2X	3925
RSCH_TotalFrames_4X	3926
RSCH_TotalFrames_8X	3926
SchForwardLinkUtilAverage	3926
VoiceFchForwardLinkUtilAverage	3927
RC_Beam Primitive Calculations	3927
GRAPHmultiLineSeparator	3927
NUMDAYS	3927
NUMHOURS	3927
RC_Beam Peg Counts	3928
CEFrameCountFCH	3928
CEFrameCountFwdSCH_16X	3928
CEFrameCountFwdSCH_2X	3928
CEFrameCountFwdSCH_4X	3929
CEFrameCountFwdSCH_8X	3929
CEFrameCountRevSCH_16X	3929
CEFrameCountRevSCH_2X	3930
CEFrameCountRevSCH_4X	3930
CEFrameCountRevSCH_8X	3930
DataFchForwardLinkUtilAverage	3931
FrameCountFCH	3931
FrameCountFwdSCH_16X	3931
FrameCountFwdSCH_2X	3932
FrameCountFwdSCH_4X	3932
FrameCountFwdSCH_8X	3932
FrameCountRevSCH_16X	3932
FrameCountRevSCH_2X	3933
FrameCountRevSCH_4X	3933

Updated: 2009-06-03

PERFORMANCE DATA REFERENCE
 Prospect® 8.0 for Nortel AMPS/TDMA/CDMA/MTX 17

FrameCountRevSCH_8X	3933
PrimaryFrameCountFCH	3934
PrimaryFrameCountFwdSCH_16X	3934
PrimaryFrameCountFwdSCH_2X	3934
PrimaryFrameCountFwdSCH_4X	3935
PrimaryFrameCountFwdSCH_8X	3935
PrimaryFrameCountRevSCH_16X	3935
PrimaryFrameCountRevSCH_2X	3936
PrimaryFrameCountRevSCH_4X	3936
PrimaryFrameCountRevSCH_8X	3936
SchForwardLinkUtilAverage	3937
VoiceFchForwardLinkUtilAverage	3937
RC_ServiceOption Primitive Calculations	3937
GRAPHmultiLineSeparator	3937
NUMDAYS	3937
NUMHOURS	3938
RC_ServiceOption Peg Counts	3938
RC_ID	3938
ReferenceSectorFrameCount_FFCH	3938
ReferenceSectorFrameCount_FSCH	3938
SO_ID	3939
RcvrType Primitive Calculations	3939
GRAPHmultiLineSeparator	3939
NUMDAYS	3939
NUMHOURS	3939
RcvrType Peg Counts	3939
RCVMBU	3940
RCVOVFL	3940
RCVQABAN	3940
RCVQOCC	3941
RCVQOVFL	3941
RCVR_INFO	3941
RCVRSZRS	3942
RCVSBU	3942
RCVTRU	3942
RFM Primitive Calculations	3943
GRAPHmultiLineSeparator	3943
NUMDAYS	3943
NUMHOURS	3943
RFM Peg Counts	3943
PerTransmitChainPowerLimitingThreshold	3943
PerTransmitChainPowerLimitingThreshold_minus1dB	3944
PerTransmitChainPowerLimitingThreshold_minus2dB	3944
PerTransmitChainPowerLimitingThreshold_plus1dB	3944
PerTransmitChainPowerLimitingThreshold_plus2dB	3945
RadioTxPowerAvg	3945
RadioTxPowerMax	3945
RMU Primitive Calculations	3946
GRAPHmultiLineSeparator	3946
NUMDAYS	3946

PERFORMANCE DATA REFERENCE
Prospect® 8.0 for Nortel AMPS/TDMA/CDMA/MTX 17

NUMHOURS	3946
OTAPA_RATESET_1FailRate	3946
pFSHLVL1	3946
pFSHLVL2	3947
pFSHLVL3	3947
RMU Peg Counts	3947
ATALG144	3947
ATALG96	3947
ATASY144	3948
ATASYC96	3948
ATASYCIS	3948
ATBSC13K	3948
ATBSC8K	3949
ATEVRC	3949
ATGR3144	3949
ATGR396	3950
ATGR3IS	3950
ATINPPP	3950
ATIS13K	3951
ATLCS	3951
ATOTAPA	3951
ATSMS	3952
FLALG144	3952
FLALG96	3952
FLASY144	3953
FLASYC96	3953
FLASYCIS	3953
FLBSC13K	3953
FLBSC8K	3954
FLEVRC	3954
FLGR3144	3954
FLGR396	3955
FLGR3IS	3955
FLINPPP	3955
FLIS13K	3956
FLLCS	3956
FLOTAPA	3956
FLSMS	3957
FSHLVL1	3957
FSHLVL2	3957
FSHLVL3	3958
FSHTOTAL	3958
HCALG144	3958
HCALG96	3959
HCASY144	3959
HCASYC96	3959
HCASYCIS	3960
HCBSC13K	3960
HCBSC8K	3960
HCEVRC	3960
HCGR3144	3961

Updated: 2009-06-03

PERFORMANCE DATA REFERENCE
Prospect® 8.0 for Nortel AMPS/TDMA/CDMA/MTX 17

HCGR396	3961
HCGR3IS	3961
HCINPPP	3962
HCIS13K	3962
HCLCS	3962
HCOTAPA	3963
HCSMS	3963
NORS153K	3963
NORS19K	3964
NORS38K	3964
NORS3GV	3964
NORS76K	3965
REQ153K	3965
REQ19K	3965
REQ38K	3966
REQ3GV	3966
REQ76K	3966
RMU3GSP1	3967
RMU3GSP2	3967
RMU3GSP3	3967
RMU3GSP4	3968
RMU3GSP5	3968
RMU3GSP6	3968
RMU3GSP7	3968
SUALG144	3969
SUALG96	3969
SUASY144	3969
SUASYC96	3970
SUASYCIS	3970
SUBSC13K	3970
SUBSC8K	3971
SUC153K	3971
SUC19K	3971
SUC38K	3972
SUC3GV	3972
SUC76K	3972
SUEVRC	3972
SUGR3144	3973
SUGR396	3973
SUGR3IS	3973
SUINPPP	3974
SUIS13K	3974
SULCS	3974
SUOTAPA	3975
SUSMS	3975
RP_Service Primitive Calculations	3975
GRAPHmultiLineSeparator	3975
NUMDAYS	3975
NUMHOURS	3976
RP_Service Peg Counts	3976
recv_err_avplen	3976

PERFORMANCE DATA REFERENCE
Prospect® 8.0 for Nortel AMPS/TDMA/CDMA/MTX 17

recv_err_ctrlfield	3976
recv_err_invattr	3976
recv_err_invssid	3977
recv_err_invstate	3977
recv_err_invtunid	3977
recv_err_malformed	3978
recv_err_md5	3978
recv_err_pktlen	3978
recv_err_protover	3979
recv_err_unkattr	3979
recv_err_unkmsg	3979
recv_err_unmatchpktlen	3980
sess_admin	3980
sess_attempts	3980
sess_badlen	3980
sess_buysig	3981
sess_curactive	3981
sess_duplsess	3981
sess_failed	3982
sess_hocomplete	3982
sess_interpdsnho_attempt	3982
sess_intrapdsnho_attempt	3983
sess_intrapdsnho_failed	3983
sess_intrapdsnho_success	3983
sess_invdest	3984
sess_invho	3984
sess_invssid	3984
sess_ipsecdisc	3984
sess_ipsecfail	3985
sess_lactimeout	3985
sess_license	3985
sess_lossofcarr	3986
sess_maxtunnel	3986
sess_miscerr	3986
sess_newcallpoldisc	3987
sess_nocarrier	3987
sess_noctrlconn	3987
sess_nodialtone	3988
sess_nofacperm	3988
sess_nofactmp	3988
sess_noframing	3988
sess_nogeneral	3989
sess_noresource	3989
sess_oor	3989
sess_remoteadmin	3990
sess_servmismatch	3990
sess_successful	3990
sess_tryanotherlns	3991
sess_unkavp	3991
sess_vendspec	3991
tun_badlen	3992

Updated: 2009-06-03

PERFORMANCE DATA REFERENCE
Prospect® 8.0 for Nortel AMPS/TDMA/CDMA/MTX 17

tun_badproto	3992
tun_conn_attempt	3992
tun_conn_curactive	3992
tun_conn_fail	3993
tun_conn_success	3993
tun_ctrlconnexists	3993
tun_genclear	3994
tun_ipsecdisc	3994
tun_ipsecfail	3994
tun_license	3995
tun_maxretry	3995
tun_miscerr	3995
tun_newcallpoldisc	3996
tun_noresource	3996
tun_oor	3996
tun_reqshutdown	3996
tun_statemacherr	3997
tun_syslimit	3997
tun_tryanotherlns	3997
tun_unauth	3998
tun_unkavp	3998
tun_vendspec	3998
vpnid	3999
SBS Primitive Calculations	3999
GRAPHmultiLineSeparator	3999
NUMDAYS	3999
NUMHOURS	3999
SBS_TrunkGroup Primitive Calculations	3999
NUMDAYS	4000
NUMHOURS	4000
SBS_TrunkGroup Peg Counts	4000
ACCCONG	4000
ANF	4000
ANSWER	4001
AOF	4001
BLKCTRK	4001
CONNECT	4001
DEFLDCA	4002
DELAY	4002
DREU	4002
GLARE	4003
GUARDQ	4003
INANS	4003
INCATOT	4004
INFAIL	4004
INTRU	4004
INVAUTH	4005
JITTER	4005
MAXBU	4005
MBU	4006

PERFORMANCE DATA REFERENCE
Prospect® 8.0 for Nortel AMPS/TDMA/CDMA/MTX 17

MIDFAIL	4006
NATTMPT	4006
NCCT	4007
NCTFAIL	4007
NCTPASS	4007
NDEV	4007
NOANSWER	4008
NOVFLATB	4008
NPBDRTF	4008
NPQUERY	4009
NPRESP	4009
NWCCT	4009
OUTANS	4010
OUTFAIL	4010
OUTMTCHF	4010
OUTTRU	4011
PKTLOSS	4011
PRERTEAB	4011
PREU	4012
SBU	4012
TANDEM	4012
TOTU	4013
TRU	4013
TRU2WIN	4013
Sector Primitive Calculations	4013
AccessAtts	4014
AccessBlks	4014
AccessComps	4014
AccessFails	4014
AllAtts	4014
AllBlks	4014
CellName	4014
GRAPHmultiLineSeparator	4014
ICSrctHoAtts	4015
ICTrgtHoAtts	4015
ICTrgtHoComps	4015
ICTrgtHoFails	4015
LostCalls	4015
MACSUMOF	4015
MASSUMOF	4015
MLAttempts	4016
MLCompletions	4016
NUMDAYS	4016
NUMHOURS	4016
OrigTermAssAtts	4016
OrigTermAtts	4016
OrigTermDenied	4016
pAccessBlks	4017
pAccessFails	4017
pICTrgtHoFails	4017
pLMCompletions	4017

Updated: 2009-06-03

PERFORMANCE DATA REFERENCE
 Prospect® 8.0 for Nortel AMPS/TDMA/CDMA/MTX 17

pLostCallsPerComp	4017
pMLCompletions	4017
pMMCompletions	4017
pOrigTermDenied	4018
pPSigPerAtt	4018
pRegCompletions	4018
pRFLossPerComp	4018
PSigQ	4018
RFLossQ	4018
SLNTRTAF	4018
SRTDBORG	4019
TotHoFails	4019
Sector Peg Counts	4019
ABOVETH	4019
ADHOFF	4019
AMWIFPG	4020
AMWIFPGR	4020
AMWIPGRT	4020
AMWIPGTO	4021
AMWIPRTO	4021
AMWIPRTR	4021
ANACHUSE	4021
AORGAUTH	4022
APHOATT	4022
APHOCMP	4022
APHOFAIL	4023
APRAUTH	4023
AREGAUTH	4023
ARGPTOAA	4024
ASMSACPT	4024
ASMSADCO	4024
ASMSADOR	4025
ASMSEPMS	4025
ASMSEPTO	4025
ASMSRJCT	4026
AUTHSMSF	4026
AUTHSMSO	4026
AUTHSMSS	4026
AVGHOR	4027
BEATNESQ	4027
BLKRSV	4027
BORANCPG	4028
BORPGRES	4028
BORPGRQ1	4028
BORPGRQ2	4029
BORPGRQ3	4029
BORPGRS1	4029
BORPGRS2	4030
BORPGRS3	4030
BSCCCCH	4030
BSCCCH	4030

PERFORMANCE DATA REFERENCE
Prospect® 8.0 for Nortel AMPS/TDMA/CDMA/MTX 17

BSCCVCH	4031
BSCVCH	4031
CALLOVER	4031
CCEPEATT_A	4032
CCEPESUC_A	4032
CCHMSG	4032
CCHMSG_MTXom30	4033
CCHMWOA	4033
CCHMWOA_MTXom30	4033
CCHMWOC1	4034
CCHMWOC1_MTXom30	4034
CCHMWOCR	4034
CCHMWOCR_MTXom30	4034
CCHPRMSG	4035
CCHPRRPT	4035
CCNOEPE	4035
CELL100_MobileSerNoMism	4036
CELL100_MobileSerNoMism_TSI1	4036
CELL100_MobileSerNoMism_TSI10	4036
CELL100_MobileSerNoMism_TSI11	4037
CELL100_MobileSerNoMism_TSI12	4037
CELL100_MobileSerNoMism_TSI13	4037
CELL100_MobileSerNoMism_TSI14	4038
CELL100_MobileSerNoMism_TSI15	4038
CELL100_MobileSerNoMism_TSI16	4038
CELL100_MobileSerNoMism_TSI17	4039
CELL100_MobileSerNoMism_TSI18	4039
CELL100_MobileSerNoMism_TSI19	4039
CELL100_MobileSerNoMism_TSI2	4040
CELL100_MobileSerNoMism_TSI20	4040
CELL100_MobileSerNoMism_TSI21	4040
CELL100_MobileSerNoMism_TSI22	4041
CELL100_MobileSerNoMism_TSI23	4041
CELL100_MobileSerNoMism_TSI24	4041
CELL100_MobileSerNoMism_TSI25	4042
CELL100_MobileSerNoMism_TSI26	4042
CELL100_MobileSerNoMism_TSI27	4042
CELL100_MobileSerNoMism_TSI28	4043
CELL100_MobileSerNoMism_TSI29	4043
CELL100_MobileSerNoMism_TSI3	4043
CELL100_MobileSerNoMism_TSI30	4044
CELL100_MobileSerNoMism_TSI31	4044
CELL100_MobileSerNoMism_TSI32	4044
CELL100_MobileSerNoMism_TSI4	4045
CELL100_MobileSerNoMism_TSI5	4045
CELL100_MobileSerNoMism_TSI6	4045
CELL100_MobileSerNoMism_TSI7	4046
CELL100_MobileSerNoMism_TSI8	4046
CELL100_MobileSerNoMism_TSI9	4046
CELL100_ServNoHOAck	4047
CELL100_ServNoHOAck_TSI1	4047

Updated: 2009-06-03

PERFORMANCE DATA REFERENCE

Prospect® 8.0 for Nortel AMPS/TDMA/CDMA/MTX 17

CELL100_ServNoHOAck_TSI10	4047
CELL100_ServNoHOAck_TSI11	4048
CELL100_ServNoHOAck_TSI12	4048
CELL100_ServNoHOAck_TSI13	4048
CELL100_ServNoHOAck_TSI14	4049
CELL100_ServNoHOAck_TSI15	4049
CELL100_ServNoHOAck_TSI16	4049
CELL100_ServNoHOAck_TSI17	4050
CELL100_ServNoHOAck_TSI18	4050
CELL100_ServNoHOAck_TSI19	4051
CELL100_ServNoHOAck_TSI2	4051
CELL100_ServNoHOAck_TSI20	4051
CELL100_ServNoHOAck_TSI21	4052
CELL100_ServNoHOAck_TSI22	4052
CELL100_ServNoHOAck_TSI23	4052
CELL100_ServNoHOAck_TSI24	4053
CELL100_ServNoHOAck_TSI25	4053
CELL100_ServNoHOAck_TSI26	4053
CELL100_ServNoHOAck_TSI27	4054
CELL100_ServNoHOAck_TSI28	4054
CELL100_ServNoHOAck_TSI29	4054
CELL100_ServNoHOAck_TSI3	4055
CELL100_ServNoHOAck_TSI30	4055
CELL100_ServNoHOAck_TSI31	4055
CELL100_ServNoHOAck_TSI32	4056
CELL100_ServNoHOAck_TSI4	4056
CELL100_ServNoHOAck_TSI5	4056
CELL100_ServNoHOAck_TSI6	4057
CELL100_ServNoHOAck_TSI7	4057
CELL100_ServNoHOAck_TSI8	4057
CELL100_ServNoHOAck_TSI9	4058
CELL101_CellFailure	4058
CELL101_CellFailure_TSI1	4058
CELL101_CellFailure_TSI10	4059
CELL101_CellFailure_TSI11	4059
CELL101_CellFailure_TSI12	4059
CELL101_CellFailure_TSI13	4060
CELL101_CellFailure_TSI14	4060
CELL101_CellFailure_TSI15	4060
CELL101_CellFailure_TSI16	4061
CELL101_CellFailure_TSI17	4061
CELL101_CellFailure_TSI18	4061
CELL101_CellFailure_TSI19	4062
CELL101_CellFailure_TSI2	4062
CELL101_CellFailure_TSI20	4062
CELL101_CellFailure_TSI21	4063
CELL101_CellFailure_TSI22	4063
CELL101_CellFailure_TSI23	4063
CELL101_CellFailure_TSI24	4064
CELL101_CellFailure_TSI25	4064
CELL101_CellFailure_TSI26	4064

PERFORMANCE DATA REFERENCE
Prospect® 8.0 for Nortel AMPS/TDMA/CDMA/MTX 17

CELL101_CellFailure_TSI27	4065
CELL101_CellFailure_TSI28	4065
CELL101_CellFailure_TSI29	4065
CELL101_CellFailure_TSI3	4066
CELL101_CellFailure_TSI30	4066
CELL101_CellFailure_TSI31	4066
CELL101_CellFailure_TSI32	4067
CELL101_CellFailure_TSI4	4067
CELL101_CellFailure_TSI5	4067
CELL101_CellFailure_TSI6	4068
CELL101_CellFailure_TSI7	4068
CELL101_CellFailure_TSI8	4068
CELL101_CellFailure_TSI9	4069
CELL101_CellTaskTimeout	4069
CELL101_CellTaskTimeout_TSI1	4069
CELL101_CellTaskTimeout_TSI10	4070
CELL101_CellTaskTimeout_TSI11	4070
CELL101_CellTaskTimeout_TSI12	4070
CELL101_CellTaskTimeout_TSI13	4071
CELL101_CellTaskTimeout_TSI14	4071
CELL101_CellTaskTimeout_TSI15	4071
CELL101_CellTaskTimeout_TSI16	4072
CELL101_CellTaskTimeout_TSI17	4072
CELL101_CellTaskTimeout_TSI18	4072
CELL101_CellTaskTimeout_TSI19	4073
CELL101_CellTaskTimeout_TSI2	4073
CELL101_CellTaskTimeout_TSI20	4073
CELL101_CellTaskTimeout_TSI21	4074
CELL101_CellTaskTimeout_TSI22	4074
CELL101_CellTaskTimeout_TSI23	4074
CELL101_CellTaskTimeout_TSI24	4075
CELL101_CellTaskTimeout_TSI25	4075
CELL101_CellTaskTimeout_TSI26	4075
CELL101_CellTaskTimeout_TSI27	4076
CELL101_CellTaskTimeout_TSI28	4076
CELL101_CellTaskTimeout_TSI29	4076
CELL101_CellTaskTimeout_TSI3	4077
CELL101_CellTaskTimeout_TSI30	4077
CELL101_CellTaskTimeout_TSI31	4077
CELL101_CellTaskTimeout_TSI32	4078
CELL101_CellTaskTimeout_TSI4	4078
CELL101_CellTaskTimeout_TSI5	4078
CELL101_CellTaskTimeout_TSI6	4079
CELL101_CellTaskTimeout_TSI7	4079
CELL101_CellTaskTimeout_TSI8	4079
CELL101_CellTaskTimeout_TSI9	4080
CELL101_ForcedHODisc	4080
CELL101_ForcedHODisc_TSI1	4080
CELL101_ForcedHODisc_TSI10	4081
CELL101_ForcedHODisc_TSI11	4081
CELL101_ForcedHODisc_TSI12	4081

Updated: 2009-06-03

PERFORMANCE DATA REFERENCE

Prospect® 8.0 for Nortel AMPS/TDMA/CDMA/MTX 17

CELL101_ForcedHODisc_TSI13	4082
CELL101_ForcedHODisc_TSI14	4082
CELL101_ForcedHODisc_TSI15	4082
CELL101_ForcedHODisc_TSI16	4083
CELL101_ForcedHODisc_TSI17	4083
CELL101_ForcedHODisc_TSI18	4083
CELL101_ForcedHODisc_TSI19	4084
CELL101_ForcedHODisc_TSI2	4084
CELL101_ForcedHODisc_TSI20	4084
CELL101_ForcedHODisc_TSI21	4085
CELL101_ForcedHODisc_TSI22	4085
CELL101_ForcedHODisc_TSI23	4085
CELL101_ForcedHODisc_TSI24	4086
CELL101_ForcedHODisc_TSI25	4086
CELL101_ForcedHODisc_TSI26	4086
CELL101_ForcedHODisc_TSI27	4087
CELL101_ForcedHODisc_TSI28	4087
CELL101_ForcedHODisc_TSI29	4087
CELL101_ForcedHODisc_TSI3	4088
CELL101_ForcedHODisc_TSI30	4088
CELL101_ForcedHODisc_TSI31	4088
CELL101_ForcedHODisc_TSI32	4089
CELL101_ForcedHODisc_TSI4	4089
CELL101_ForcedHODisc_TSI5	4089
CELL101_ForcedHODisc_TSI6	4090
CELL101_ForcedHODisc_TSI7	4090
CELL101_ForcedHODisc_TSI8	4090
CELL101_ForcedHODisc_TSI9	4091
CELL101_TDMAAcquisFail	4091
CELL101_TDMAAcquisFail_TSI1	4091
CELL101_TDMAAcquisFail_TSI10	4092
CELL101_TDMAAcquisFail_TSI11	4092
CELL101_TDMAAcquisFail_TSI12	4092
CELL101_TDMAAcquisFail_TSI13	4093
CELL101_TDMAAcquisFail_TSI14	4093
CELL101_TDMAAcquisFail_TSI15	4093
CELL101_TDMAAcquisFail_TSI16	4094
CELL101_TDMAAcquisFail_TSI17	4094
CELL101_TDMAAcquisFail_TSI18	4094
CELL101_TDMAAcquisFail_TSI19	4095
CELL101_TDMAAcquisFail_TSI2	4095
CELL101_TDMAAcquisFail_TSI20	4095
CELL101_TDMAAcquisFail_TSI21	4096
CELL101_TDMAAcquisFail_TSI22	4096
CELL101_TDMAAcquisFail_TSI23	4096
CELL101_TDMAAcquisFail_TSI24	4097
CELL101_TDMAAcquisFail_TSI25	4097
CELL101_TDMAAcquisFail_TSI26	4097
CELL101_TDMAAcquisFail_TSI27	4098
CELL101_TDMAAcquisFail_TSI28	4098
CELL101_TDMAAcquisFail_TSI29	4098

PERFORMANCE DATA REFERENCE
Prospect® 8.0 for Nortel AMPS/TDMA/CDMA/MTX 17

CELL101_TDMAAcquisFail_TSI3	4099
CELL101_TDMAAcquisFail_TSI30	4099
CELL101_TDMAAcquisFail_TSI31	4099
CELL101_TDMAAcquisFail_TSI32	4100
CELL101_TDMAAcquisFail_TSI4	4100
CELL101_TDMAAcquisFail_TSI5	4100
CELL101_TDMAAcquisFail_TSI6	4101
CELL101_TDMAAcquisFail_TSI7	4101
CELL101_TDMAAcquisFail_TSI8	4101
CELL101_TDMAAcquisFail_TSI9	4102
CELLTRBL	4102
CHOBKLS	4102
CHONSRCR	4103
CHOREJCT_A	4103
CHOSRCAT	4103
CHOSRCFL	4104
CHOSRCSU	4104
CHOSRRLS	4104
CIDATT	4105
CIDCOMP	4105
CIDINTA	4105
CIDINTR	4106
CINATT	4106
CINCOMP	4106
CININTA	4106
CININTR	4107
CLFL100_MobileFade	4107
CLFL100_TSI1	4107
CLFL100_TSI10	4108
CLFL100_TSI11	4108
CLFL100_TSI12	4108
CLFL100_TSI13	4109
CLFL100_TSI14	4109
CLFL100_TSI15	4109
CLFL100_TSI16	4110
CLFL100_TSI17	4110
CLFL100_TSI18	4110
CLFL100_TSI19	4111
CLFL100_TSI2	4111
CLFL100_TSI20	4111
CLFL100_TSI21	4112
CLFL100_TSI22	4112
CLFL100_TSI23	4112
CLFL100_TSI24	4113
CLFL100_TSI25	4113
CLFL100_TSI26	4113
CLFL100_TSI27	4114
CLFL100_TSI28	4114
CLFL100_TSI29	4114
CLFL100_TSI3	4115
CLFL100_TSI30	4115

Updated: 2009-06-03

PERFORMANCE DATA REFERENCE

Prospect® 8.0 for Nortel AMPS/TDMA/CDMA/MTX 17

CLFL100_TSI31	4115
CLFL100_TSI32	4116
CLFL100_TSI4	4116
CLFL100_TSI5	4116
CLFL100_TSI6	4117
CLFL100_TSI7	4117
CLFL100_TSI8	4117
CLFL100_TSI9	4118
CLFL101_MobileTimeout	4118
CLFL101_TSI1	4118
CLFL101_TSI10	4118
CLFL101_TSI11	4119
CLFL101_TSI12	4119
CLFL101_TSI13	4119
CLFL101_TSI14	4120
CLFL101_TSI15	4120
CLFL101_TSI16	4120
CLFL101_TSI17	4121
CLFL101_TSI18	4121
CLFL101_TSI19	4121
CLFL101_TSI2	4122
CLFL101_TSI20	4122
CLFL101_TSI21	4122
CLFL101_TSI22	4123
CLFL101_TSI23	4123
CLFL101_TSI24	4123
CLFL101_TSI25	4124
CLFL101_TSI26	4124
CLFL101_TSI27	4124
CLFL101_TSI28	4125
CLFL101_TSI29	4125
CLFL101_TSI3	4125
CLFL101_TSI30	4126
CLFL101_TSI31	4126
CLFL101_TSI32	4126
CLFL101_TSI4	4127
CLFL101_TSI5	4127
CLFL101_TSI6	4127
CLFL101_TSI7	4128
CLFL101_TSI8	4128
CLFL101_TSI9	4128
CLFL102_MobileHOFail	4129
CLFL102_TSI1	4129
CLFL102_TSI10	4129
CLFL102_TSI11	4130
CLFL102_TSI12	4130
CLFL102_TSI13	4130
CLFL102_TSI14	4131
CLFL102_TSI15	4131
CLFL102_TSI16	4131
CLFL102_TSI17	4131

PERFORMANCE DATA REFERENCE
Prospect® 8.0 for Nortel AMPS/TDMA/CDMA/MTX 17

CLFL102_TSI18	4132
CLFL102_TSI19	4132
CLFL102_TSI2	4133
CLFL102_TSI20	4133
CLFL102_TSI21	4133
CLFL102_TSI22	4134
CLFL102_TSI23	4134
CLFL102_TSI24	4134
CLFL102_TSI25	4135
CLFL102_TSI26	4135
CLFL102_TSI27	4135
CLFL102_TSI28	4136
CLFL102_TSI29	4136
CLFL102_TSI3	4136
CLFL102_TSI30	4137
CLFL102_TSI31	4137
CLFL102_TSI32	4137
CLFL102_TSI4	4137
CLFL102_TSI5	4138
CLFL102_TSI6	4138
CLFL102_TSI7	4138
CLFL102_TSI8	4139
CLFL102_TSI9	4139
CLFL103_MobileStateIncor	4139
CLFL103_TSI1	4140
CLFL103_TSI10	4140
CLFL103_TSI11	4140
CLFL103_TSI12	4141
CLFL103_TSI13	4141
CLFL103_TSI14	4141
CLFL103_TSI15	4142
CLFL103_TSI16	4142
CLFL103_TSI17	4142
CLFL103_TSI18	4143
CLFL103_TSI19	4143
CLFL103_TSI2	4143
CLFL103_TSI20	4144
CLFL103_TSI21	4144
CLFL103_TSI22	4144
CLFL103_TSI23	4145
CLFL103_TSI24	4145
CLFL103_TSI25	4145
CLFL103_TSI26	4146
CLFL103_TSI27	4146
CLFL103_TSI28	4146
CLFL103_TSI29	4147
CLFL103_TSI3	4147
CLFL103_TSI30	4147
CLFL103_TSI31	4148
CLFL103_TSI32	4148
CLFL103_TSI4	4148

Updated: 2009-06-03

PERFORMANCE DATA REFERENCE
Prospect® 8.0 for Nortel AMPS/TDMA/CDMA/MTX 17

CLFL103_TSI5	4149
CLFL103_TSI6	4149
CLFL103_TSI7	4149
CLFL103_TSI8	4150
CLFL103_TSI9	4150
CLFL104_MobileFail	4150
CLFL104_TSI1	4151
CLFL104_TSI10	4151
CLFL104_TSI11	4151
CLFL104_TSI12	4152
CLFL104_TSI13	4152
CLFL104_TSI14	4152
CLFL104_TSI15	4153
CLFL104_TSI16	4153
CLFL104_TSI17	4153
CLFL104_TSI18	4154
CLFL104_TSI19	4154
CLFL104_TSI2	4154
CLFL104_TSI20	4155
CLFL104_TSI21	4155
CLFL104_TSI22	4155
CLFL104_TSI23	4156
CLFL104_TSI24	4156
CLFL104_TSI25	4156
CLFL104_TSI26	4157
CLFL104_TSI27	4157
CLFL104_TSI28	4157
CLFL104_TSI29	4158
CLFL104_TSI3	4158
CLFL104_TSI30	4158
CLFL104_TSI31	4159
CLFL104_TSI32	4159
CLFL104_TSI4	4159
CLFL104_TSI5	4160
CLFL104_TSI6	4160
CLFL104_TSI7	4160
CLFL104_TSI8	4161
CLFL104_TSI9	4161
CLFL105_MobileRelTimeout	4161
CLFL105_TSI1	4162
CLFL105_TSI10	4162
CLFL105_TSI11	4162
CLFL105_TSI12	4163
CLFL105_TSI13	4163
CLFL105_TSI14	4163
CLFL105_TSI15	4164
CLFL105_TSI16	4164
CLFL105_TSI17	4164
CLFL105_TSI18	4165
CLFL105_TSI19	4165
CLFL105_TSI2	4165

PERFORMANCE DATA REFERENCE
Prospect® 8.0 for Nortel AMPS/TDMA/CDMA/MTX 17

CLFL105_TSI20	4166
CLFL105_TSI21	4166
CLFL105_TSI22	4166
CLFL105_TSI23	4167
CLFL105_TSI24	4167
CLFL105_TSI25	4167
CLFL105_TSI26	4168
CLFL105_TSI27	4168
CLFL105_TSI28	4168
CLFL105_TSI29	4169
CLFL105_TSI3	4169
CLFL105_TSI30	4169
CLFL105_TSI31	4170
CLFL105_TSI32	4170
CLFL105_TSI4	4170
CLFL105_TSI5	4171
CLFL105_TSI6	4171
CLFL105_TSI7	4171
CLFL105_TSI8	4172
CLFL105_TSI9	4172
CMWIFPG	4172
CMWIFPGR	4173
CMWIPGRT	4173
CMWIPGTO	4173
CMWIPRTO	4173
CMWIPRTR	4174
CNIACONV	4174
CNIATERM	4174
CNIDCONV	4175
CNIDTERM	4175
COCHNL	4175
COCHNLSZ	4176
COMHOAMP	4176
COMHOBMP	4176
COMPHO	4177
D2ACAACT	4177
D2ACASET	4177
DAHOATTS	4177
DAHOCOMP	4178
DAHOFF	4178
DAVGLOAD	4178
DBREGRCV	4179
DCCHMSG	4179
DCCHMWOA	4179
DCCMBOAC	4180
DCCMBODC	4180
DCCMBORG	4180
DCCMBTAC	4181
DCCMBTDC	4181
DCCMWOC1	4181
DCCMWOCR	4181

Updated: 2009-06-03

PERFORMANCE DATA REFERENCE
Prospect® 8.0 for Nortel AMPS/TDMA/CDMA/MTX 17

DCCPGRES	4182
DCCRMHOF	4182
DCOCHNL	4182
DCOCHSZ	4183
DCOMPHO	4183
DCPGRESP	4183
DCRGATTS	4184
DDHOFF	4184
DDHOST	4184
DDIRETRY	4185
DDROPHO	4185
DDROPHO_MTXom30	4185
DDRPCALS	4185
DDRPCALS_MTXom30	4186
DDRTST	4186
DFBRDATT	4186
DFBRDCMP	4187
DFBRNATT	4187
DFBRNCMP	4187
DHANDOST	4188
DHCMDSNT	4188
DHOACK	4188
DHOATTS	4189
DHOATTS_MTXom30	4189
DHOCOMPS	4189
DHOCOMPS_MTXom30	4189
DHONACK	4190
DHONOACK	4190
DHONOST	4190
DHONOVCH	4191
DHONRESP	4191
DHOREQS	4191
DHORFBRD	4192
DHORFBRN	4192
DHORQRSS	4192
DHORBRD	4193
DHORBRN	4193
DICCHMSG	4193
DIGCHUSE	4193
DINCPGRE	4194
DIRCOMB	4194
DIRETRY	4194
DIRETRY_MTXom30	4195
DIRHOS	4195
DISTBREG	4195
DLATRSSI	4196
DLCRALOC	4196
DLCRARES	4196
DLCRDLOC	4197
DLCRDLOW	4197
DLCRDRES	4197

PERFORMANCE DATA REFERENCE
Prospect® 8.0 for Nortel AMPS/TDMA/CDMA/MTX 17

DLCRDVCC	4198
DLCRPRGE	4198
DLCRREQ	4198
DLCRRETS	4199
DLCRTIMO	4199
DLRNORSP	4199
DMAXLOAD	4199
DMBLORG	4200
DMBLORGC	4200
DMBLTERC	4200
DMBORACO	4201
DMBORDCO	4201
DMBORIGS	4201
DMBORIGS_MTXom30	4202
DMBTRACO	4202
DMBTRDCO	4202
DMMHO	4203
DMMMSWAP	4203
DMORIGS	4203
DORGAUTH	4203
DOUBORIG	4204
DOUBPAGE	4204
DOVLDST	4204
DPAGEREQ	4205
DPAGRESP	4205
DPGRADPA	4205
DPGREQS	4206
DPGRES	4206
DPGRES_MTXom30	4206
DPGRESV	4207
DPGRETRY	4207
DPGREXPA	4207
DPGRTRSP	4207
DPRADPA	4208
DPRAUTH	4208
DPREXPA	4208
DPRIVMLA	4209
DPROVMLA	4209
DPRSPACC	4209
DRBRDATT	4210
DRBRDCMP	4210
DRBRNATT	4210
DRBRNCMP	4211
DRDATATO	4211
DREGAUTH	4211
DRETRYST	4211
DREU	4212
DRGACPT	4212
DRGATODA	4212
DRGATODR	4213
DRGATTS	4213

Updated: 2009-06-03

PERFORMANCE DATA REFERENCE
 Prospect® 8.0 for Nortel AMPS/TDMA/CDMA/MTX 17

DRGDERA	4213
DRGDERR	4214
DRGFORA	4214
DRGLAA	4214
DRGLAR	4215
DRGNHYPA	4215
DRGNHYPR	4215
DRGNSYSA	4215
DRGNSYSR	4216
DRGPDNA	4216
DRGPDNR	4216
DRGPERA	4217
DRGPERR	4217
DRGPSRSA	4217
DRGPSRSR	4218
DRGPUPA	4218
DRGPUPR	4218
DRGREJS	4219
DROP100_AuditDisable	4219
DROP100_AuditNotAck	4219
DROP100_AvgCILong	4219
DROP100_AvgCIShort	4220
DROP100_AvgCurCellPwr	4220
DROP100_AvgCurMobilePwr	4220
DROP100_AvgIdleChanRSSI	4221
DROP100_AvgMaxCellPwr	4221
DROP100_AvgMaxMobilePwr	4221
DROP100_AvgVchRSSICallDropLong	4222
DROP100_AvgVchRSSICallDrpShort	4222
DROP100_AvgVchRSSIValidSATLong	4222
DROP100_AvgVchRSSIValidSATShort	4223
DROP100_MobileSATLoss	4223
DROP100_MobileSATLossAN	4223
DROP100_MobileSATLossCD	4224
DROP100_MobileSATLossDF	4224
DROP100_MobileSATLossEF	4224
DROP100_RSSIIgnoreThres	4225
DROP100_XcvrFailDetectCfgSAT	4225
DROP200_AvgCurCellPwr	4225
DROP200_AvgCurMobilePwr	4225
DROP200_AvgFwdMAHOBERLong	4226
DROP200_AvgFwdMAHOBERShort	4226
DROP200_AvgMaxCellPwr	4226
DROP200_AvgMaxMobilePwr	4227
DROP200_AvgMobileMeaRSSI	4227
DROP200_AvgRevBERLong	4227
DROP200_AvgRevBERShort	4228
DROP200_DVCCBurstNotDetected	4228
DROP200_DVCCDSPConfigFail	4228
DROP200_DVCCNotReceived	4229
DROP200_DVCCSlotRateMism	4229

PERFORMANCE DATA REFERENCE
Prospect® 8.0 for Nortel AMPS/TDMA/CDMA/MTX 17

DROP200_DVCCSyncFail	4229
DROP200_MobileDVCCLoss	4230
DROP200_MobileDVCCLossAN	4230
DROP200_MobileDVCCLossCD	4230
DROP200_MobileDVCCLossDF	4230
DROP200_MobileDVCCLossEF	4231
DROPCALL	4231
DROPCALL_MTXom30	4231
DROPHO	4232
DROPHO_MTXom30	4232
DRSSICRI	4232
DSBITMIS	4233
DSMSACPT	4233
DSMSCONF	4233
DSMSNOTF	4234
DSMSRDAT	4234
DSMSRJCT	4234
DTSTRGA	4234
DUNEXPGR	4235
DVCCTO	4235
DVCCTO_MTXom30	4235
DVCCTOS	4236
EAVGHOR	4236
EBITMIS	4236
EBITMIS_MTXom30	4237
EBLKRSV	4237
EFBRDATT	4237
EFBRDCMP	4238
EFBRNATT	4238
EFBRNCMP	4238
EHOCHREQ	4238
EHOQFAIL	4239
EMAXHOR	4239
ENUMQHO	4239
EPESYSFL	4240
ERBRDATT	4240
ERBRDCMP	4240
ERBRNATT	4241
ERBRNCMP	4241
ESRVRSV	4241
EXCOCH	4242
EXCOCHSZ	4242
EXPATTS	4242
EXPDCOCH	4242
EXPDCOSZ	4243
EXPDIGUS	4243
EXPUSE	4243
EXSPATTS	4244
EXSPATTS_MTXom30	4244
EXSPCOMP	4244
EXSPCOMP_MTXom30	4245

Updated: 2009-06-03

PERFORMANCE DATA REFERENCE
Prospect® 8.0 for Nortel AMPS/TDMA/CDMA/MTX 17

FB_0_P5	4245
FB_1_2	4245
FB_2_4	4246
FB_GT4	4246
FB_P5_1	4246
FBRDATT	4246
FBRDCOMP	4247
FBRDINTA	4247
FBRNATT	4247
FBRNCOMP	4248
FBRNINTA	4248
FBRNINTR	4248
FCPGREQS	4249
FCPRSPAC	4249
FCPRSPHC	4249
FCPRSPTO	4250
HANDIN	4250
HANDMTC	4250
HANDOUT	4251
HANDOVER	4251
HDIRREQ	4251
HDIRRTRY	4252
HINREQ	4252
HINRTRY	4252
HMTCREQ	4252
HMTCRTRY	4253
HOACKSWB	4253
HOATTS	4253
HOATTS_MTXom30	4254
HOCHREQ	4254
HOCMDSNT	4254
HOCOMPS	4255
HOCOMPS_MTXom30	4255
HOF CAND1	4255
HOF CAND2	4256
HOF CAND3	4256
HOF CAND4	4256
HOF CAND5	4256
HOF CAND6	4257
HOF CAND7	4257
HOF CAND8	4257
HOF CNT	4258
HOFFCANC	4258
HOFFREQ	4258
HOFFRESP	4259
HOFFRTRY	4259
HOFFSENT	4259
HOFL2SZT	4260
HOFORDR1	4260
HOFORDR2	4260
HOFORDR3	4260

PERFORMANCE DATA REFERENCE
Prospect® 8.0 for Nortel AMPS/TDMA/CDMA/MTX 17

HOFORDR4	4261
HOFORDR5	4261
HOFORDR6	4261
HOFORDR7	4262
HOFORDR8	4262
HOICDPRV	4262
HOINOST	4263
HOINTER8	4263
HOIORDER	4263
HOISATFL	4264
HOISATP	4264
HOIST	4264
HOIST1	4265
HOIST2	4265
HOIST3	4265
HOIST4	4265
HONOACK	4266
HONORESP	4266
HONOSAT	4266
HONOST	4267
HONOVCH	4267
HOPL19	4267
HOPL8	4268
HOPLAN8	4268
HOPLEF8	4268
HOPLNSV8	4269
HOPLREJ8	4269
HOQFAIL	4269
HOREQAMP	4270
HOREQBMP	4270
HOREQS	4270
HORQCID	4271
HORQCIN	4271
HORQRSSI	4271
HOSENTCP	4272
HOSIEZET	4272
HOUTREQ	4272
HOUTRTRY	4272
HOVCAND1	4273
HOVCAND2	4273
HOVCAND3	4273
HOVCAND4	4274
HOVCAND5	4274
HOVCAND6	4274
HOVCAND7	4275
HOVCAND8	4275
HOVORDR1	4275
HOVORDR2	4276
HOVORDR3	4276
HOVORDR4	4276
HOVORDR5	4276

Updated: 2009-06-03

PERFORMANCE DATA REFERENCE
Prospect® 8.0 for Nortel AMPS/TDMA/CDMA/MTX 17

HOVORDR6	4277
HOVORDR7	4277
HOVORDR8	4277
HOVRCANC	4278
HOVRHOTL	4278
HOVRREQ	4278
HOVRRESP	4279
HOVRTRY	4279
HOVRSENT	4279
HSATOUT1	4280
HSATOUT2	4280
HSATOUT3	4280
HSATOUT4	4281
HSATOUT5	4281
HSATOUT6	4281
HSATOUT7	4282
HSATOUT8	4282
INCPGRES	4282
INCPGRES_MTXom30	4283
INLPIE	4283
INMPIE	4283
INVDVCC	4283
INVSATDT	4284
INVSATDT_MTXom30	4284
IVHODATT_A	4284
IVHODBLK_A	4285
IVHODFLR_A	4285
IVHODSUC_A	4285
IVHOVATT_A	4286
IVHOVBLK_A	4286
IVHOVFLR_A	4286
IVHOVSUC_A	4287
LATERSSI	4287
LCRDLOW	4287
LCRDSAT	4288
LCRLOCRQ	4288
LCRPURGE	4288
LCRREQ	4289
LCRREQS	4289
LCRRESP	4289
LCRRESPS	4290
LCRRETS	4290
LCRTIMO	4290
LMATTS	4291
LMATTS_MTXom30	4291
LMCOMPS	4291
LMCOMPS_MTXom30	4291
LPANLPAN	4292
LPANLPEF	4292
LPANLPVS	4292
LPANMPAN	4293

PERFORMANCE DATA REFERENCE
Prospect® 8.0 for Nortel AMPS/TDMA/CDMA/MTX 17

LPANMPEF	4293
LPANMPVS	4293
LPANNONE	4294
LPANREQ	4294
LPEFLPAN	4294
LPEFLPEF	4295
LPEFLPVS	4295
LPEFMPAN	4295
LPEFMPEF	4295
LPEFMPVS	4296
LPEFNONE	4296
LPEFOVFL	4296
LPEFREQ	4297
LPFDLPFD	4297
LPFDMPPFD	4297
LPFDNONE	4298
LPFDREQ	4298
LPIACMPI	4298
LPIMISC	4299
LPIREQ	4299
LPVSLPAN	4299
LPVSLPVS	4299
LPVSMPAN	4300
LPVSMPVS	4300
LPVSNONE	4300
LPVSOVFL	4301
LPVSREQ	4301
MACELPRS	4301
MAFRSPG	4302
MAFRSPGR	4302
MAHOATT	4302
MAHOCMP	4303
MAOZPRS	4303
MAPGRT	4303
MAPGRTR	4303
MATHFLSH_A	4304
MATHORIG_A	4304
MATHREG_A	4304
MATHRMM_A	4305
MATHSUCC_A	4305
MATHTERM_A	4305
MAXBU	4306
MAXHOR	4306
MAZNPRS	4306
MBINCPTM	4307
MBLFTSRC	4307
MBLINCPT	4307
MBLINCPT_MTXom30	4307
MBLORG	4308
MBLORG_MTXom30	4308
MBLORGCO	4308

Updated: 2009-06-03

PERFORMANCE DATA REFERENCE
 Prospect® 8.0 for Nortel AMPS/TDMA/CDMA/MTX 17

MBLORGCO_MTXom30	4309
MBLORIG	4309
MBLREGR	4309
MBLREGR_MTXom30	4310
MBLREORD	4310
MBLREORD_MTXom30	4310
MBLTERCO	4311
MBLTERCO_MTXom30	4311
MBORIG1	4311
MBORIG2	4311
MBORIG3	4312
MBORIG4	4312
MBORIG5	4312
MBORIG6	4313
MBORIG7	4313
MBORIG8	4313
MBORIGS	4314
MBORIGS_MTXom30	4314
MBREGMSG	4314
MBU	4315
MDCELPRS	4315
MDFRSPG	4315
MDFRSPGR	4315
MDPGRT	4316
MDPGRTR	4316
MDVMPRS	4316
MLATTS	4317
MLATTS_MTXom30	4317
MLCOMPS	4317
MLCOMPS_MTXom30	4318
MMATHPRM_A	4318
MMATTS	4318
MMATTS_MTXom30	4319
MMCOMPS	4319
MMCOMPS_MTXom30	4319
MNSELATH_A	4319
MOATTS	4320
MOATTS_MTXom30	4320
MOBANS	4320
MOBANS_MTXom30	4321
MOCOMPS	4321
MOCOMPS_MTXom30	4321
MPANLPAN	4322
MPANLPEF	4322
MPANLPVS	4322
MPANMPAN	4323
MPANMPEF	4323
MPANMPVS	4323
MPANNONE	4324
MPANREQ	4324
MPEFLPAN	4324

PERFORMANCE DATA REFERENCE
Prospect® 8.0 for Nortel AMPS/TDMA/CDMA/MTX 17

MPEFLPEF	4325
MPEFLPVS	4325
MPEFMPAN	4325
MPEFMPEF	4326
MPEFMPVS	4326
MPEFNONE	4326
MPEFOVFL	4327
MPEFREQ	4327
MPFDLPFD	4327
MPFDMPEF	4327
MPFDNONE	4328
MPFDREQ	4328
MPIACLPI	4328
MPIMISC	4329
MPIREQ	4329
MPVSLPAN	4329
MPVSLPVS	4330
MPVSMPAN	4330
MPVSMPEF	4330
MPVSNONE	4331
MPVSOVFL	4331
MPVSREQ	4331
MRANDMBC_A	4332
MRANDMM_A	4332
MRANDMUC_A	4332
MSCUCIN_A	4332
MSCUCNC_A	4333
MSCVP1	4333
MSCVP2	4333
MSSDUPFL_A	4334
MSSDUPIN_A	4334
MSSDUPNA_A	4334
MSSDUPNC_A	4335
MSSDUPSC_A	4335
MTRMT	4335
MTRMT_MTXom30	4336
MTSELATH_A	4336
MUCFAIL_A	4336
MUCNINIT_A	4336
MUCSUCC_A	4337
NBPDRETI	4337
NBPREQI	4337
NBPREQI_MTXom30	4338
NBPRSPI	4338
NBPRSPI_MTXom30	4338
NLPIMISC	4339
NMPIMISC	4339
NOADJCEL	4339
NOEPEKEY	4340
NORDATA	4340
NORESP	4340

Updated: 2009-06-03

PERFORMANCE DATA REFERENCE
Prospect® 8.0 for Nortel AMPS/TDMA/CDMA/MTX 17

NORMALST	4340
NOVOICE	4341
NUMQHO	4341
ORIGMWT	4341
ORRSSILO	4342
OSATOUT1	4342
OSATOUT2	4342
OSATOUT3	4343
OSATOUT4	4343
OSATOUT5	4343
OSATOUT6	4344
OSATOUT7	4344
OSATOUT8	4344
OTPL19	4345
OTPL8	4345
OTPLAN8	4345
OTPLBLK8	4346
OTPLEF8	4346
OTPLREJ8	4346
OTPLREJ8_MTXom30	4347
OVL DST	4347
PAGEREQ	4347
PAGEREQ_MTXom30	4348
PAGERESP	4348
PAGERESP_MTXom30	4348
PARMCHRG	4348
PAVGLOAD	4349
PDLRDISC	4349
PDLRQUED	4349
PGHASH	4350
PGHASH_MTXom30	4350
PGHASHTO	4350
PGHASHTO_MTXom30	4351
PGOUTMSR	4351
PGREQS	4351
PGREQS_MTXom30	4352
PGRESP1	4352
PGRESP2	4352
PGRESP3	4352
PGRESP4	4353
PGRESP5	4353
PGRESP6	4353
PGRESP7	4354
PGRESP8	4354
PGRESPTS	4354
PGRESPTS_MTXom30	4355
PGRQWRTF	4355
PGRQWRTO	4355
PGRSAFRT	4356
PGRSBFRT	4356
PGRSSILO	4356

PERFORMANCE DATA REFERENCE
Prospect® 8.0 for Nortel AMPS/TDMA/CDMA/MTX 17

PMAXLOAD	4356
PREU	4357
PSATOUT1	4357
PSATOUT2	4357
PSATOUT3	4358
PSATOUT4	4358
PSATOUT5	4358
PSATOUT6	4359
PSATOUT7	4359
PSATOUT8	4359
PUBNOR	4360
PUBSCT	4360
PWRDNREG	4360
PWRDNREL	4361
PWRUPREG	4361
RB_0_1	4361
RB_1_2	4362
RB_2_2P5	4362
RB_2P5_3	4362
RB_3_3P5	4363
RB_3P5_4	4363
RB_4_5	4363
RB_GT5	4363
RBRDATT	4364
RBRDCOMP	4364
RBRDINTA	4364
RBRDINTR	4365
RBRNATT	4365
RBRNCOMP	4365
RBRNINTA	4366
RBRNINTR	4366
RDYNCAMP	4366
RDYNCBMP	4367
REGATTS	4367
REGATTS_MTXom30	4367
REGCOMPS	4367
REGCOMPS_MTXom30	4368
RESPOVFL	4368
RGRSSILO	4368
RSPLSHRQ	4369
RSPLSHSC	4369
RSSICRI	4369
SACELPRS	4370
SADDLVY	4370
SADDRS	4370
SAFRSPG	4371
SAFRSPGR	4371
SAOZPRS	4371
SAPGRT	4372
SAPGRTR	4372
SATFADE1	4372

Updated: 2009-06-03

PERFORMANCE DATA REFERENCE
Prospect® 8.0 for Nortel AMPS/TDMA/CDMA/MTX 17

SATFADE2	4372
SATFADE3	4373
SATFADE4	4373
SATFADE5	4373
SATFADE6	4374
SATFADE7	4374
SATFADE8	4374
SATTOS	4375
SATTOS_MTXom30	4375
SAZNPRS	4375
SBITMIS	4376
SBITMIS_MTXom30	4376
SBU	4376
SDCELPRS	4376
SDDDLVY	4377
SDDDRS	4377
SDFRSPG	4377
SDFRSPGR	4378
SDPGRT	4378
SDPGRTR	4378
SDVMPRS	4379
SECTOVFL	4379
SFAILQRY	4379
SFAILQRY_MTXom30	4380
SIGNORED	4380
SIGNORED_MTXom30	4380
SILENTRT	4381
SILNTRT2	4381
SLNTRT2G	4381
SLNTRT2G_A	4382
SLNTRT3D	4382
SLNTRT3D_A	4382
SLNTRT3V	4382
SLNTRT3V_A	4383
SLNTRTAF_A	4383
SMCANOFL	4383
SMDCPG	4384
SMDCPR	4384
SMDCRD	4384
SMDCRDAC	4385
SMDCRDRJ	4385
SMDCTCAL	4385
SMICRD	4386
SMICRDAC	4386
SMICRDRJ	4386
SMSNOVLR	4387
SMSRVOFL	4387
SORDDC	4387
SORDDCAC	4388
SORDDCRJ	4388
SORDDT	4388

PERFORMANCE DATA REFERENCE
Prospect® 8.0 for Nortel AMPS/TDMA/CDMA/MTX 17

SORDDTAC	4389
SORDDTRJ	4389
SPASSQRY	4389
SPASSQRY_MTXom30	4389
SRTDBO2G	4390
SRTDBO2G_A	4390
SRTDBO3D	4390
SRTDBO3D_A	4391
SRTDBO3V	4391
SRTDBO3V_A	4391
SRTDBORG_A	4392
SRVRSV	4392
SSDINVLD	4392
SSDUBST	4393
SSDUCCH	4393
SSDUFCCCH	4393
SSDUFVCH	4393
SSDUPCCH	4394
SSDUPVCH	4394
SSDUVCH	4394
STIMEOUT	4395
STIMEOUT_MTXom30	4395
TCEPEATT	4395
TCEPESUC	4396
TCHPRMSG	4396
TCHPRRPT	4396
TCNOEPE	4397
TERMMWT	4397
TG1CLLI	4397
TG1DREU	4398
TG1MAXBU	4398
TG1MBU	4398
TG1PREU	4398
TG1SBU	4399
TG1TOTU	4399
TG1TRU	4399
TG1TRU2WIN	4400
TG2CLLI	4400
TG2DREU	4400
TG2MAXBU	4401
TG2MBU	4401
TG2PREU	4401
TG2SBU	4402
TG2TOTU	4402
TG2TRU	4402
TG2TRU2WIN	4403
TG3CLLI	4403
TG3DREU	4403
TG3MAXBU	4404
TG3MBU	4404
TG3PREU	4404

Updated: 2009-06-03

PERFORMANCE DATA REFERENCE
 Prospect® 8.0 for Nortel AMPS/TDMA/CDMA/MTX 17

TG3SBU	4404
TG3TOTU	4405
TG3TRU	4405
TG3TRU2WIN	4405
TG4CLLI	4406
TG4DREU	4406
TG4MAXBU	4406
TG4MBU	4407
TG4PREU	4407
TG4SBU	4407
TG4TOTU	4408
TG4TRU	4408
TG4TRU2WIN	4408
TIMBSREG	4409
TOTU	4409
TRU	4409
TRU2WIN	4410
UCBST	4410
UCCCH	4410
UCINVLD	4410
UCPCCH	4411
UCPVCH	4411
UCVCH	4411
UDLYOVFL	4412
UNEXPGI	4412
UNEXPGI_MTXom30	4412
UPLORSSI	4413
UXPGATCC	4413
UZPOAL	4413
UZPOAT	4414
UZPODN	4414
UZPTAL	4414
UZPTAT	4415
UZPTDN	4415
UZSHOAL	4415
UZSHOAT	4416
UZSHODN	4416
UZVOAL	4416
UZVOAT	4417
UZVODN	4417
UZVTAL	4417
UZVTAT	4418
UZVTDN	4418
VAVGHOR	4418
VBLKRSV	4419
VCHMWOA	4419
VCHMWOA_MTXom30	4419
VCHMWOC1	4420
VCHMWOC1_MTXom30	4420
VCHMWOCR	4420
VCHMWOCR_MTXom30	4420

PERFORMANCE DATA REFERENCE
Prospect® 8.0 for Nortel AMPS/TDMA/CDMA/MTX 17

VFBRDATT	4421
VFBRDCMP	4421
VFBRNATT	4421
VFBRNCMP	4422
VHOCHREQ	4422
VHOQFAIL	4422
VMAXHOR	4423
VNUMQHO	4423
VPADIC	4423
VRBRDATT	4424
VRBRDCMP	4424
VRBRNATT	4424
VRBRNCMP	4424
VSRVRSV	4425
WPSNOR	4425
WPSSCT	4425
ZONEBREG	4426
Sector_Carrier Primitive Calculations	4426
AccFails_fq	4426
AccFails_fq3GD	4426
AccFails_fq3GV	4426
BTS_CellName	4427
CallCont	4427
CallCont3GD	4427
CallCont3GV	4427
CallDrops_fq	4427
CallDrops_fq3GD	4427
CallDrops_fq3GV	4427
CallSucc_fq	4428
CallSucc_fq3GD	4428
CallSucc_fq3GV	4428
CallUsageCCS	4428
CallUsageErlangs	4428
CDMA_CHANNEL	4428
CE_USER_SC	4429
CEFrameCntFCH_RC1	4429
CEFrameCntFCH_RC2	4429
CEFrameCntFCH_RC3	4429
CEFrameCntFCH_RC3D	4429
CEFrameCntFCH_RC3V	4429
CEFrameCntFCH_RC4	4430
CEFrameCntFCH_RC4D	4430
CEFrameCntFCH_RC4V	4430
CEFrameCntFCH_RC5	4430
CEFrameCntFCH_RC5D	4430
CEFrameCntFCH_RC5V	4430
ConfiguredFwdCallBlockingThreshold_Aggregated	4431
ConfiguredFwdDataCallBlockingThreshold_Aggregated	4431
ConfiguredFwdHandoffBlockingThreshold_Aggregated	4431
ConfiguredFwdVoiceCallBlockingThreshold_Aggregated	4431
DataUsageCCS3G	4431

Updated: 2009-06-03

PERFORMANCE DATA REFERENCE

Prospect® 8.0 for Nortel AMPS/TDMA/CDMA/MTX 17

DataUsageErlangs3G	4432
ForwardTxPowerUsageHistogram_00_09	4432
ForwardTxPowerUsageHistogram_10_19	4432
ForwardTxPowerUsageHistogram_20_29	4432
ForwardTxPowerUsageHistogram_30_39	4432
ForwardTxPowerUsageHistogram_40_49	4433
ForwardTxPowerUsageHistogram_50_59	4433
ForwardTxPowerUsageHistogram_60_69	4433
ForwardTxPowerUsageHistogram_70_79	4433
ForwardTxPowerUsageHistogram_80_89	4433
ForwardTxPowerUsageHistogram_90_100	4434
FrameCntFCH_RC1	4434
FrameCntFCH_RC2	4434
FrameCntFCH_RC3	4434
FrameCntFCH_RC3D	4434
FrameCntFCH_RC3V	4434
FrameCntFCH_RC4	4434
FrameCntFCH_RC4D	4435
FrameCntFCH_RC4V	4435
FrameCntFCH_RC5	4435
FrameCntFCH_RC5D	4435
FrameCntFCH_RC5V	4435
FSCH_CFDSRadioConfig	4435
FSCH_DataRateDowngradeRate	4435
FSCH_RadioAccessFailureRate	4436
FSCH_RadioAccessFailureRate_2X	4436
FSCH_RadioAccessFailureRate_4X	4436
FSCH_RadioAccessFailureRate_8X	4436
FSCH_SetupFailDueCFDSConfigRate	4436
FSCH_SetupFailDueToTimeoutRate	4436
FSCH_SetupFailLackofPhysResrcRate	4436
FSCH_SetupFailLackofWalshCodeRate	4437
FSCH_SetupFailNoFrameOffsetAvlRate	4437
FSCH_SetupFailureLackoffwdPwrRate	4437
FSCH_SetupFailureRate	4437
FSCH_SetupFailureRate_16X	4437
FSCH_SetupFailureRate_2X	4437
FSCH_SetupFailureRate_4X	4437
FSCH_SetupFailureRate_8X	4438
FSCHRadioAccessFailureRate_16X	4438
GRAPHmultiLineSeparator	4438
LowerBoundFwdAvgTXPower	4438
LowerBoundWCUsage	4438
MOU_ALPHA_SC	4439
MOU_BETA_SC	4439
MOU_CE_SC	4439
MOU_GAMMA_SC	4440
MOU_TRAFFIC_SC	4440
NUMDAYS	4440
NUMHOURS	4441
OCNSForwardLinkUtilTWAvg	4441

PERFORMANCE DATA REFERENCE
Prospect® 8.0 for Nortel AMPS/TDMA/CDMA/MTX 17

OverheadForwardLinkUtilUWavg_Aggregated	4441
pAccFails_fq	4441
pAccFails_fq3GD	4441
pAccFails_fq3GV	4441
PagingChannelMessageDroppedCount	4442
PagingChannelMessageReceivedCount	4442
pCallDrops_fq	4442
pCallDrops_fq3GD	4442
pCallDrops_fq3GV	4442
pCallSucc_fq	4442
pCallSucc_fq3GD	4443
pCallSucc_fq3GV	4443
PercentTimeAboveFwdCallBlockingThreshold	4443
PercentTimeAboveFwdDataCallBlockingThreshold	4443
PercentTimeAboveFwdHandoffBlockingThreshold	4443
PercentTimeAboveFwdVoiceCallBlockingThreshold	4444
pFwdCap	4444
pFwdCap3GD	4444
pFwdCap3GV	4444
pHandoff	4444
pHandoff3GD	4445
pHandoff3GV	4445
pHrdHandoffAccFail	4445
pHrdHandoffAccFail3GD	4445
pHrdHandoffAccFail3GV	4445
pOrgTrm	4445
pOrgTrm3GD	4446
pOrgTrm3GV	4446
pRevCap	4446
pRevCap3GD	4446
pRevCap3GV	4446
PrimaryFrameCntFCH_RC1	4446
PrimaryFrameCntFCH_RC2	4447
PrimaryFrameCntFCH_RC3	4447
PrimaryFrameCntFCH_RC3D	4447
PrimaryFrameCntFCH_RC3V	4447
PrimaryFrameCntFCH_RC4	4447
PrimaryFrameCntFCH_RC4D	4447
PrimaryFrameCntFCH_RC4V	4448
PrimaryFrameCntFCH_RC5	4448
PrimaryFrameCntFCH_RC5D	4448
PrimaryFrameCntFCH_RC5V	4448
pSoftHo_SC	4448
pTCE	4448
pTCE3GD	4449
pTCE3GV	4449
pTotalBlocks_fq	4449
pTotalBlocks_fq3GD	4449
pTotalBlocks_fq3GV	4449
pTrafDist	4449
pTrafDist3GD	4450

Updated: 2009-06-03

PERFORMANCE DATA REFERENCE
 Prospect® 8.0 for Nortel AMPS/TDMA/CDMA/MTX 17

pTrafDist3GV	4450
pWCD	4450
pWCD3GD	4450
pWCD3GV	4450
RSCH_CFDSHighSpeed	4450
RSCH_CFDSRadioConfig	4451
RSCH_DataRateDowngradesRate	4451
RSCH_RadioAccessFailuresRate	4451
RSCH_RadioAccessFailuresRate_2X	4451
RSCH_RadioAccessFailuresRate_4X	4451
RSCH_RadioAccessFailuresRate_8X	4451
RSCH_SetupFailDueCFDSConfigRate	4451
RSCH_SetupFailDueToTimeoutRate	4452
RSCH_SetupFailLackofPhysResrcRate	4452
RSCH_SetupFailNoFrameOffsetAvlRate	4452
RSCH_SetupFailRvsHiSpdCFDS_CfgRate	4452
RSCH_SetupFailureRate	4452
RSCH_SetupFailureRate_16X	4452
RSCH_SetupFailureRate_2X	4452
RSCH_SetupFailureRate_4X	4453
RSCH_SetupFailureRate_8X	4453
RSCHRadioAccessFailuresRate_16X	4453
SCH_DropRate	4453
SCH_DropRate_16X	4453
SCH_DropRate_2X	4453
SCH_DropRate_4X	4454
SCH_DropRate_8X	4454
TCEForwardLinkUtilUWavg_Aggregated	4454
TotalBlocks_fq	4454
TotalBlocks_fq3GD	4454
TotalBlocks_fq3GV	4454
UpperBoundFwdAvgTXPower	4455
UpperBoundWCUsage	4455
UsageErlangs2G	4455
VoiceUsageErlangs3G	4455
WC_UsageErlangs	4456
Sector_Carrier Peg Counts	4456
AccChanOverloadControlLevel0	4456
AccChanOverloadControlLevel1	4456
AccChanOverloadControlLevel2	4457
AccChanOverloadControlLevel3	4457
AccChanOverloadControlLevel4	4457
AccChanOverloadControlLevel5	4457
AccChanOverloadControlLevel6	4458
AccChanOverloadControlLevel7	4458
AccChanOverloadControlLevel8	4458
AccRing1AttemptsCnt	4459
AccRing1FailureCnt	4459
AccRing1SuccessCnt	4459
AccRing2AttemptsCnt	4460
AccRing2FailureCnt	4460

PERFORMANCE DATA REFERENCE
 Prospect® 8.0 for Nortel AMPS/TDMA/CDMA/MTX 17

AccRing2SuccessCnt	4460
AccRing3AttemptsCnt	4461
AccRing3FailureCnt	4461
AccRing3SuccessCnt	4461
AccRing4AttemptsCnt	4461
AccRing4FailureCnt	4462
AccRing4SuccessCnt	4462
AvgTxPowerAboveMaxSPP	4462
BAMSBSAT	4463
BAMSBSFL	4463
BAMSCSAT	4463
BAMSCSFL	4464
BlockedFchHandoffs2G0	4464
BlockedFchHandoffs2G1	4464
BlockedFchHandoffs2G10	4465
BlockedFchHandoffs2G11	4465
BlockedFchHandoffs2G12	4465
BlockedFchHandoffs2G13	4466
BlockedFchHandoffs2G2	4466
BlockedFchHandoffs2G3	4466
BlockedFchHandoffs2G4	4467
BlockedFchHandoffs2G5	4467
BlockedFchHandoffs2G6	4467
BlockedFchHandoffs2G7	4467
BlockedFchHandoffs2G8	4468
BlockedFchHandoffs2G9	4468
BlockedFchHandoffs3GData0	4468
BlockedFchHandoffs3GData1	4469
BlockedFchHandoffs3GData10	4469
BlockedFchHandoffs3GData11	4469
BlockedFchHandoffs3GData12	4470
BlockedFchHandoffs3GData13	4470
BlockedFchHandoffs3GData2	4470
BlockedFchHandoffs3GData3	4471
BlockedFchHandoffs3GData4	4471
BlockedFchHandoffs3GData5	4471
BlockedFchHandoffs3GData6	4471
BlockedFchHandoffs3GData7	4472
BlockedFchHandoffs3GData8	4472
BlockedFchHandoffs3GData9	4472
BlockedFchHandoffs3GVoice0	4473
BlockedFchHandoffs3GVoice1	4473
BlockedFchHandoffs3GVoice10	4473
BlockedFchHandoffs3GVoice11	4474
BlockedFchHandoffs3GVoice12	4474
BlockedFchHandoffs3GVoice13	4474
BlockedFchHandoffs3GVoice2	4475
BlockedFchHandoffs3GVoice3	4475
BlockedFchHandoffs3GVoice4	4475
BlockedFchHandoffs3GVoice5	4475
BlockedFchHandoffs3GVoice6	4476

Updated: 2009-06-03

PERFORMANCE DATA REFERENCE
Prospect® 8.0 for Nortel AMPS/TDMA/CDMA/MTX 17

BlockedFchHandoffs3GVoice7	4476
BlockedFchHandoffs3GVoice8	4476
BlockedFchHandoffs3GVoice9	4477
BlockedFchOriginations2G0	4477
BlockedFchOriginations2G1	4477
BlockedFchOriginations2G10	4478
BlockedFchOriginations2G11	4478
BlockedFchOriginations2G12	4478
BlockedFchOriginations2G13	4479
BlockedFchOriginations2G2	4479
BlockedFchOriginations2G3	4479
BlockedFchOriginations2G4	4479
BlockedFchOriginations2G5	4480
BlockedFchOriginations2G6	4480
BlockedFchOriginations2G7	4480
BlockedFchOriginations2G8	4481
BlockedFchOriginations2G9	4481
BlockedFchOriginations3GData0	4481
BlockedFchOriginations3GData1	4482
BlockedFchOriginations3GData10	4482
BlockedFchOriginations3GData11	4482
BlockedFchOriginations3GData12	4483
BlockedFchOriginations3GData13	4483
BlockedFchOriginations3GData2	4483
BlockedFchOriginations3GData3	4483
BlockedFchOriginations3GData4	4484
BlockedFchOriginations3GData5	4484
BlockedFchOriginations3GData6	4484
BlockedFchOriginations3GData7	4485
BlockedFchOriginations3GData8	4485
BlockedFchOriginations3GData9	4485
BlockedFchOriginations3GVoice0	4486
BlockedFchOriginations3GVoice1	4486
BlockedFchOriginations3GVoice10	4486
BlockedFchOriginations3GVoice11	4487
BlockedFchOriginations3GVoice12	4487
BlockedFchOriginations3GVoice13	4487
BlockedFchOriginations3GVoice2	4487
BlockedFchOriginations3GVoice3	4488
BlockedFchOriginations3GVoice4	4488
BlockedFchOriginations3GVoice5	4488
BlockedFchOriginations3GVoice6	4489
BlockedFchOriginations3GVoice7	4489
BlockedFchOriginations3GVoice8	4489
BlockedFchOriginations3GVoice9	4490
BlockedHandoffsNoFwdCap	4490
BlockedHandoffsNoRevCap	4490
BlockedHandoffsNoTCE	4491
BlockedHandoffsNoWC	4491
BlockedOriginationsNoFwdCap	4491
BlockedOriginationsNoRevCap	4492

PERFORMANCE DATA REFERENCE
Prospect® 8.0 for Nortel AMPS/TDMA/CDMA/MTX 17

BlockedOriginationsNoTCE	4492
BlockedOriginationsNoWC	4492
BlockedSchBursts_CFDS_HS_RSCH	4493
BlockedSchBursts_CFDS_RCState	4493
BlockedSchBursts_ExceedCPUCap	4493
BlockedSchBursts_ExceedMaxRate	4494
BlockedSchBursts_NoExtCellSupport	4494
BlockedSchBursts_NoFrameOff	4494
BlockedSchBursts_NoFwdCap	4495
BlockedSchBursts_NoPhyRes	4495
BlockedSchBursts_NoRevCap	4495
BlockedSchBursts_NoWC	4496
BlockedSchBursts_QueueFull	4496
BlockedSchBursts0	4496
BlockedSchBursts1	4496
BlockedSchBursts10	4497
BlockedSchBursts11	4497
BlockedSchBursts12	4497
BlockedSchBursts13	4498
BlockedSchBursts2	4498
BlockedSchBursts3	4498
BlockedSchBursts4	4499
BlockedSchBursts5	4499
BlockedSchBursts6	4499
BlockedSchBursts7	4500
BlockedSchBursts8	4500
BlockedSchBursts9	4500
BlockedSchHandoffs_CFDS_HS_RSCH	4501
BlockedSchHandoffs_CFDS_RCState	4501
BlockedSchHandoffs_ExceedCPUCap	4501
BlockedSchHandoffs_ExceedMaxRate	4502
BlockedSchHandoffs_NoExtCellSupport	4502
BlockedSchHandoffs_NoFrameOff	4502
BlockedSchHandoffs_NoFwdCap	4503
BlockedSchHandoffs_NoPhyRes	4503
BlockedSchHandoffs_NoRevCap	4503
BlockedSchHandoffs_NoWC	4504
BlockedSchHandoffs_QueueFull	4504
BlockedSchHandoffs0	4504
BlockedSchHandoffs1	4504
BlockedSchHandoffs10	4505
BlockedSchHandoffs11	4505
BlockedSchHandoffs12	4505
BlockedSchHandoffs13	4506
BlockedSchHandoffs2	4506
BlockedSchHandoffs3	4506
BlockedSchHandoffs4	4507
BlockedSchHandoffs5	4507
BlockedSchHandoffs6	4507
BlockedSchHandoffs7	4508
BlockedSchHandoffs8	4508

Updated: 2009-06-03

PERFORMANCE DATA REFERENCE
 Prospect® 8.0 for Nortel AMPS/TDMA/CDMA/MTX 17

BlockedSchHandoffs9	4508
BRTDATT	4509
BRTDBLK	4509
BRTDNSR	4509
BRTDRJT	4510
BRTDRLS	4510
BRTDSFL	4510
BRTDSUC	4511
CallAttInReplcFreq_OrigAtt	4511
CallAttInReplcFreq_TermAtt	4511
CallExclByEcIoScreen_FirstExcluded	4512
CallExclByEcIoScreen_ReExcluded	4512
CarrierRx0PowerAvg	4512
CarrierRx0PowerMax	4513
CarrierRx1PowerAvg	4513
CarrierRx1PowerMax	4513
CarrierTxPowerAvg	4514
CarrierTxPowerMax	4514
CEFrameCntFSCH_RC3	4514
CEFrameCntFSCH_RC4	4515
CEFrameCntFSCH_RC5	4515
CEFrameCntRSCH_RC3	4515
CEFrameCntRSCH_RC4	4516
ConfiguredFwdCallBlockingThreshold	4516
ConfiguredFwdDataCallBlockingThreshold	4516
ConfiguredFwdHandoffBlockingThreshold	4517
ConfiguredFwdVoiceCallBlockingThreshold	4517
ConfiguredPowerLimitingThresholdSPP	4517
ConfiguredPwrLimitingThreshold	4518
DeliveredPowerPercentTimeAboveConfiguredPowerLimitingThreshold	4518
DeliveredPowerStats_50thPercentile	4518
DeliveredPowerStats_80thPercentile	4519
DeliveredPowerStats_90thPercentile	4519
DeliveredPowerStats_95thPercentile	4519
DeliveredPowerStats_98thPercentile	4520
DeliveredPowerStats_99thPercentile	4520
DemandedPowerPercentTimeAboveConfiguredPowerLimitingThreshold	4520
DemandedPowerPercentTimeAboveConfiguredPowerLimitingThresholdSPP	4521
DemandedPowerStats_50thPercentile	4521
DemandedPowerStats_80thPercentile	4521
DemandedPowerStats_90thPercentile	4522
DemandedPowerStats_95thPercentile	4522
DemandedPowerStats_98thPercentile	4523
DemandedPowerStats_99thPercentile	4523
DistOf16XDataRateDelay_10	4523
DistOf16XDataRateDelay_15	4524
DistOf16XDataRateDelay_2	4524
DistOf16XDataRateDelay_20	4524
DistOf16XDataRateDelay_30	4524
DistOf16XDataRateDelay_4	4525
DistOf16XDataRateDelay_6	4525

PERFORMANCE DATA REFERENCE
Prospect® 8.0 for Nortel AMPS/TDMA/CDMA/MTX 17

DistOf16XDataRateDelay_8	4525
DistOf16XDataRateDelay_gt30	4526
DistOf2XDataRateDelay_10	4526
DistOf2XDataRateDelay_15	4526
DistOf2XDataRateDelay_2	4527
DistOf2XDataRateDelay_20	4527
DistOf2XDataRateDelay_30	4527
DistOf2XDataRateDelay_4	4528
DistOf2XDataRateDelay_6	4528
DistOf2XDataRateDelay_8	4528
DistOf2XDataRateDelay_gt30	4528
DistOf4XDataRateDelay_10	4529
DistOf4XDataRateDelay_15	4529
DistOf4XDataRateDelay_2	4529
DistOf4XDataRateDelay_20	4530
DistOf4XDataRateDelay_30	4530
DistOf4XDataRateDelay_4	4530
DistOf4XDataRateDelay_6	4531
DistOf4XDataRateDelay_8	4531
DistOf4XDataRateDelay_gt30	4531
DistOf8XDataRateDelay_10	4532
DistOf8XDataRateDelay_15	4532
DistOf8XDataRateDelay_2	4532
DistOf8XDataRateDelay_20	4532
DistOf8XDataRateDelay_30	4533
DistOf8XDataRateDelay_4	4533
DistOf8XDataRateDelay_6	4533
DistOf8XDataRateDelay_8	4534
DistOf8XDataRateDelay_gt30	4534
DistOfPriorityClass0Delay_10	4534
DistOfPriorityClass0Delay_15	4535
DistOfPriorityClass0Delay_2	4535
DistOfPriorityClass0Delay_20	4535
DistOfPriorityClass0Delay_30	4536
DistOfPriorityClass0Delay_4	4536
DistOfPriorityClass0Delay_6	4536
DistOfPriorityClass0Delay_8	4536
DistOfPriorityClass0Delay_gt30	4537
DistOfPriorityClass10Delay_10	4537
DistOfPriorityClass10Delay_15	4537
DistOfPriorityClass10Delay_2	4538
DistOfPriorityClass10Delay_20	4538
DistOfPriorityClass10Delay_30	4538
DistOfPriorityClass10Delay_4	4539
DistOfPriorityClass10Delay_6	4539
DistOfPriorityClass10Delay_8	4539
DistOfPriorityClass10Delay_gt30	4540
DistOfPriorityClass11Delay_10	4540
DistOfPriorityClass11Delay_15	4540
DistOfPriorityClass11Delay_2	4540
DistOfPriorityClass11Delay_20	4541

Updated: 2009-06-03

PERFORMANCE DATA REFERENCE
Prospect® 8.0 for Nortel AMPS/TDMA/CDMA/MTX 17

DistOfPriorityClass11Delay_30	4541
DistOfPriorityClass11Delay_4	4541
DistOfPriorityClass11Delay_6	4542
DistOfPriorityClass11Delay_8	4542
DistOfPriorityClass11Delay_gt30	4542
DistOfPriorityClass12Delay_10	4543
DistOfPriorityClass12Delay_15	4543
DistOfPriorityClass12Delay_2	4543
DistOfPriorityClass12Delay_20	4544
DistOfPriorityClass12Delay_30	4544
DistOfPriorityClass12Delay_4	4544
DistOfPriorityClass12Delay_6	4544
DistOfPriorityClass12Delay_8	4545
DistOfPriorityClass12Delay_gt30	4545
DistOfPriorityClass13Delay_10	4545
DistOfPriorityClass13Delay_15	4546
DistOfPriorityClass13Delay_2	4546
DistOfPriorityClass13Delay_20	4546
DistOfPriorityClass13Delay_30	4547
DistOfPriorityClass13Delay_4	4547
DistOfPriorityClass13Delay_6	4547
DistOfPriorityClass13Delay_8	4548
DistOfPriorityClass13Delay_gt30	4548
DistOfPriorityClass1Delay_10	4548
DistOfPriorityClass1Delay_15	4548
DistOfPriorityClass1Delay_2	4549
DistOfPriorityClass1Delay_20	4549
DistOfPriorityClass1Delay_30	4549
DistOfPriorityClass1Delay_4	4550
DistOfPriorityClass1Delay_6	4550
DistOfPriorityClass1Delay_8	4550
DistOfPriorityClass1Delay_gt30	4551
DistOfPriorityClass2Delay_10	4551
DistOfPriorityClass2Delay_15	4551
DistOfPriorityClass2Delay_2	4552
DistOfPriorityClass2Delay_20	4552
DistOfPriorityClass2Delay_30	4552
DistOfPriorityClass2Delay_4	4552
DistOfPriorityClass2Delay_6	4553
DistOfPriorityClass2Delay_8	4553
DistOfPriorityClass2Delay_gt30	4553
DistOfPriorityClass3Delay_10	4554
DistOfPriorityClass3Delay_15	4554
DistOfPriorityClass3Delay_2	4554
DistOfPriorityClass3Delay_20	4555
DistOfPriorityClass3Delay_30	4555
DistOfPriorityClass3Delay_4	4555
DistOfPriorityClass3Delay_6	4556
DistOfPriorityClass3Delay_8	4556
DistOfPriorityClass3Delay_gt30	4556
DistOfPriorityClass4Delay_10	4556

PERFORMANCE DATA REFERENCE
Prospect® 8.0 for Nortel AMPS/TDMA/CDMA/MTX 17

DistOfPriorityClass4Delay_15	4557
DistOfPriorityClass4Delay_2	4557
DistOfPriorityClass4Delay_20	4557
DistOfPriorityClass4Delay_30	4558
DistOfPriorityClass4Delay_4	4558
DistOfPriorityClass4Delay_6	4558
DistOfPriorityClass4Delay_8	4559
DistOfPriorityClass4Delay_gt30	4559
DistOfPriorityClass5Delay_10	4559
DistOfPriorityClass5Delay_15	4560
DistOfPriorityClass5Delay_2	4560
DistOfPriorityClass5Delay_20	4560
DistOfPriorityClass5Delay_30	4560
DistOfPriorityClass5Delay_4	4561
DistOfPriorityClass5Delay_6	4561
DistOfPriorityClass5Delay_8	4561
DistOfPriorityClass5Delay_gt30	4562
DistOfPriorityClass6Delay_10	4562
DistOfPriorityClass6Delay_15	4562
DistOfPriorityClass6Delay_2	4563
DistOfPriorityClass6Delay_20	4563
DistOfPriorityClass6Delay_30	4563
DistOfPriorityClass6Delay_4	4564
DistOfPriorityClass6Delay_6	4564
DistOfPriorityClass6Delay_8	4564
DistOfPriorityClass6Delay_gt30	4564
DistOfPriorityClass7Delay_10	4565
DistOfPriorityClass7Delay_15	4565
DistOfPriorityClass7Delay_2	4565
DistOfPriorityClass7Delay_20	4566
DistOfPriorityClass7Delay_30	4566
DistOfPriorityClass7Delay_4	4566
DistOfPriorityClass7Delay_6	4567
DistOfPriorityClass7Delay_8	4567
DistOfPriorityClass7Delay_gt30	4567
DistOfPriorityClass8Delay_10	4568
DistOfPriorityClass8Delay_15	4568
DistOfPriorityClass8Delay_2	4568
DistOfPriorityClass8Delay_20	4568
DistOfPriorityClass8Delay_30	4569
DistOfPriorityClass8Delay_4	4569
DistOfPriorityClass8Delay_6	4569
DistOfPriorityClass8Delay_8	4570
DistOfPriorityClass8Delay_gt30	4570
DistOfPriorityClass9Delay_10	4570
DistOfPriorityClass9Delay_15	4571
DistOfPriorityClass9Delay_2	4571
DistOfPriorityClass9Delay_20	4571
DistOfPriorityClass9Delay_30	4572
DistOfPriorityClass9Delay_4	4572
DistOfPriorityClass9Delay_6	4572

Updated: 2009-06-03

PERFORMANCE DATA REFERENCE
 Prospect® 8.0 for Nortel AMPS/TDMA/CDMA/MTX 17

DistOfPriorityClass9Delay_8	4572
DistOfPriorityClass9Delay_gt30	4573
EHOBLKS	4573
EHONSR	4573
EHOSATT	4574
EHOSFL	4574
EHOSRJT	4574
EHOSRLS	4575
EHOSSU	4575
FchHandoffNoBlocking2G0	4575
FchHandoffNoBlocking2G1	4576
FchHandoffNonBlocking3GData	4576
FchHandoffNonBlocking3GVoice	4576
FchOriginationNonBlocking2G	4577
FchOriginationNonBlocking3GData	4577
FchOriginationNonBlocking3GDowngrade2G	4577
FchOriginationNonBlocking3gDowngrade2gNoAcn	4578
FchOriginationNonBlocking3gDowngrade2gNoBcn	4578
FchOriginationNonBlocking3GVoice	4578
FFCH_PhysicalFrames	4579
FFCH_ReTxRLP_DataBytes	4579
FFCH_RLP_DataBytes	4579
FFCH_RLP_Frames	4580
FFCH_RLP_OverheadFrames	4580
FFCH_RLP_ZeroPayloadFrames	4580
ForwardTxPowerUsageHist_0_9	4581
ForwardTxPowerUsageHist_10_19	4581
ForwardTxPowerUsageHist_20_29	4581
ForwardTxPowerUsageHist_30_39	4582
ForwardTxPowerUsageHist_40_49	4582
ForwardTxPowerUsageHist_50_59	4582
ForwardTxPowerUsageHist_60_69	4582
ForwardTxPowerUsageHist_70_79	4583
ForwardTxPowerUsageHist_80_89	4583
ForwardTxPowerUsageHist_90_99	4583
FrameCntFSCH_RC3	4584
FrameCntFSCH_RC4	4584
FrameCntFSCH_RC5	4584
FrameCntRSCH_RC3	4585
FrameCntRSCH_RC4	4585
FrameErrorRateGroupPeggingAttempts	4585
FrameErrorRateGroupPeggingFailures	4586
FSCH_BTS_Release_16X	4586
FSCH_BTS_Release_2X	4586
FSCH_BTS_Release_4X	4587
FSCH_BTS_Release_8X	4587
FSCH_CFDS_RadioConfig	4587
FSCH_PhysicalFrames_16X	4588
FSCH_PhysicalFrames_2X	4588
FSCH_PhysicalFrames_4X	4588
FSCH_PhysicalFrames_8X	4589

PERFORMANCE DATA REFERENCE
 Prospect® 8.0 for Nortel AMPS/TDMA/CDMA/MTX 17

FSCH_PilotRelease_16X	4589
FSCH_PilotRelease_2X	4589
FSCH_PilotRelease_4X	4590
FSCH_PilotRelease_8X	4590
FSCH_RequestRetract_16X	4590
FSCH_RequestRetract_2X	4591
FSCH_RequestRetract_4X	4591
FSCH_RequestRetract_8X	4591
FSCH_ReTxRLP_DataBytes_16X	4592
FSCH_ReTxRLP_DataBytes_2X	4592
FSCH_ReTxRLP_DataBytes_4X	4592
FSCH_ReTxRLP_DataBytes_8X	4592
FSCH_RLP_DataBytes_16X	4593
FSCH_RLP_DataBytes_2X	4593
FSCH_RLP_DataBytes_4X	4593
FSCH_RLP_DataBytes_8X	4594
FSCH_RLP_Frames_16X	4594
FSCH_RLP_Frames_2X	4594
FSCH_RLP_Frames_4X	4595
FSCH_RLP_Frames_8X	4595
FSCH_UpgradeRelease_2X_To_16X	4595
FSCH_UpgradeRelease_2X_To_4X	4596
FSCH_UpgradeRelease_2X_To_8X	4596
FSCH_UpgradeRelease_4X_To_16X	4596
FSCH_UpgradeRelease_4X_To_8X	4597
FSCH_UpgradeRelease_8X_To_16X	4597
FSCHAcnIdExhaustion	4597
FSCHBackHaulExhaustion	4598
FSCHBCNLinkExhaustion	4598
FschDowngradeDuetoFwdPwr16x_2x	4598
FschDowngradeDuetoFwdPwr16x_4x	4599
FschDowngradeDuetoFwdPwr16x_8x	4599
FschDowngradeDuetoFwdPwr4x_2x	4599
FschDowngradeDuetoFwdPwr8x_2x	4600
FschDowngradeDuetoFwdPwr8x_4x	4600
FschDowngradeDueToNoBackhaul_16X_2X	4600
FschDowngradeDueToNoBackhaul_16X_4X	4601
FschDowngradeDueToNoBackhaul_16X_8X	4601
FschDowngradeDueToNoBackhaul_4X_2X	4601
FschDowngradeDueToNoBackhaul_8X_2X	4602
FschDowngradeDueToNoBackhaul_8X_4X	4602
FschDowngradeDueToNoBcn_16X_2X	4602
FschDowngradeDueToNoBcn_16X_4X	4602
FschDowngradeDueToNoBcn_16X_8X	4603
FschDowngradeDueToNoBcn_4X_2X	4603
FschDowngradeDueToNoBcn_8X_2X	4603
FschDowngradeDueToNoBcn_8X_4X	4604
FschDowngradeDuetoWC16x_2x	4604
FschDowngradeDuetoWC16x_4x	4604
FschDowngradeDuetoWC16x_8x	4605
FschDowngradeDuetoWC4x_2x	4605

Updated: 2009-06-03

PERFORMANCE DATA REFERENCE
 Prospect® 8.0 for Nortel AMPS/TDMA/CDMA/MTX 17

FschDowngradeDuettoWC8x_2x	4605
FschDowngradeDuettoWC8x_4x	4606
FSCHDowngradePowerReqChange_16X_To_2X	4606
FSCHDowngradePowerReqChange_16X_To_4X	4606
FSCHDowngradePowerReqChange_16X_To_8X	4607
FSCHDowngradePowerReqChange_4X_To_2X	4607
FSCHDowngradePowerReqChange_8X_To_2X	4607
FSCHDowngradePowerReqChange_8X_To_4X	4608
FschDwngrdDueToExceedingMaxDataRate4x_2x	4608
FschDwngrdDueToExceedingMaxDataRate8x_2x	4608
FschDwngrdDueToExceedingMaxDataRate8x_4x	4609
FschDwngrdDueToExceedngMaxDataRate16x_2x	4609
FschDwngrdDueToExceedngMaxDataRate16x_4x	4609
FschDwngrdDueToExceedngMaxDataRate16x_8x	4610
FschDwngrdDuettoPhysRes16x_2x	4610
FschDwngrdDuettoPhysRes16x_4x	4610
FschDwngrdDuettoPhysRes16x_8x	4611
FschDwngrdDuettoPhysRes4x_2x	4611
FschDwngrdDuettoPhysRes8x_2x	4611
FschDwngrdDuettoPhysRes8x_4x	4611
FSCHLinkDowngrade	4612
FSCHLinkSetupAttempts	4612
FSCHLinkSetupAttempts_16X	4612
FSCHLinkSetupAttempts_2X	4613
FSCHLinkSetupAttempts_4X	4613
FSCHLinkSetupAttempts_8X	4613
FSCHLinkSetupAttempts_Change_16X	4614
FSCHLinkSetupAttempts_Change_4X	4614
FSCHLinkSetupAttempts_Change_8X	4614
FSCHLinkSetupBlock	4615
FSCHLinkSetupBlock_16X	4615
FSCHLinkSetupBlock_2X	4615
FSCHLinkSetupBlock_4X	4616
FSCHLinkSetupBlock_8X	4616
FSCHLinkSetupBlockSW_Error	4616
FSCHLinkSetupSuccess	4617
FSCHLinkSetupSuccess_16X	4617
FSCHLinkSetupSuccess_2X	4617
FSCHLinkSetupSuccess_4X	4618
FSCHLinkSetupSuccess_8X	4618
FSCHNoFrameOffset	4618
FSCHNoFwdPower	4618
FSCHNoPhysRes	4619
FSCHNoWalshCode	4619
FSCHRadioLinkAccessFailure	4619
FSCHRadioLinkAccessFailure_16X	4620
FSCHRadioLinkAccessFailure_2X	4620
FSCHRadioLinkAccessFailure_4X	4620
FSCHRadioLinkAccessFailure_8X	4621
FSCHTimeout	4621
FwdSCHBurstSetupPeakDelay	4621

PERFORMANCE DATA REFERENCE
Prospect® 8.0 for Nortel AMPS/TDMA/CDMA/MTX 17

H3G2GATT	4622
H3G2GBLK	4622
H3G2GNSR	4622
H3G2GRJT	4623
H3G2GRLS	4623
H3G2GSFL	4623
H3G2GSUC	4624
InitFwdSchBurstQueued16X_CFDS_HS_RSCH	4624
InitFwdSchBurstQueued16X_CFDS_RCState	4624
InitFwdSchBurstQueued16X_ExceedCPUCap	4625
InitFwdSchBurstQueued16X_ExceedMaxRate	4625
InitFwdSchBurstQueued16X_NoExtCellSupport	4625
InitFwdSchBurstQueued16X_NoFrameOff	4626
InitFwdSchBurstQueued16X_NoFwdCap	4626
InitFwdSchBurstQueued16X_NoPhyRes	4626
InitFwdSchBurstQueued16X_NoRevCap	4627
InitFwdSchBurstQueued16X_NoWC	4627
InitFwdSchBurstQueued16X_QueueFull	4627
InitFwdSchBurstQueued2X_CFDS_HS_RSCH	4628
InitFwdSchBurstQueued2X_CFDS_RCState	4628
InitFwdSchBurstQueued2X_ExceedCPUCap	4628
InitFwdSchBurstQueued2X_ExceedMaxRate	4629
InitFwdSchBurstQueued2X_NoExtCellSupport	4629
InitFwdSchBurstQueued2X_NoFrameOff	4629
InitFwdSchBurstQueued2X_NoFwdCap	4630
InitFwdSchBurstQueued2X_NoPhyRes	4630
InitFwdSchBurstQueued2X_NoRevCap	4630
InitFwdSchBurstQueued2X_NoWC	4631
InitFwdSchBurstQueued2X_QueueFull	4631
InitFwdSchBurstQueued4X_CFDS_HS_RSCH	4631
InitFwdSchBurstQueued4X_CFDS_RCState	4632
InitFwdSchBurstQueued4X_ExceedCPUCap	4632
InitFwdSchBurstQueued4X_ExceedMaxRate	4632
InitFwdSchBurstQueued4X_NoExtCellSupport	4633
InitFwdSchBurstQueued4X_NoFrameOff	4633
InitFwdSchBurstQueued4X_NoFwdCap	4633
InitFwdSchBurstQueued4X_NoPhyRes	4634
InitFwdSchBurstQueued4X_NoRevCap	4634
InitFwdSchBurstQueued4X_NoWC	4634
InitFwdSchBurstQueued4X_QueueFull	4634
InitFwdSchBurstQueued8X_CFDS_HS_RSCH	4635
InitFwdSchBurstQueued8X_CFDS_RCState	4635
InitFwdSchBurstQueued8X_ExceedCPUCap	4635
InitFwdSchBurstQueued8X_ExceedMaxRate	4636
InitFwdSchBurstQueued8X_NoExtCellSupport	4636
InitFwdSchBurstQueued8X_NoFrameOff	4636
InitFwdSchBurstQueued8X_NoFwdCap	4637
InitFwdSchBurstQueued8X_NoPhyRes	4637
InitFwdSchBurstQueued8X_NoRevCap	4637
InitFwdSchBurstQueued8X_NoWC	4638
InitFwdSchBurstQueued8X_QueueFull	4638

Updated: 2009-06-03

PERFORMANCE DATA REFERENCE
Prospect® 8.0 for Nortel AMPS/TDMA/CDMA/MTX 17

MaxFSCHQueueLength	4638
MctaFull	4639
MctaFull_Excluded2G	4639
MctaFull_Excluded3GD	4639
MctaFull_Excluded3GV	4640
MctaFull_GSRFiltered2G	4640
MctaFull_GSRFiltered3GD	4640
MctaFull_GSRFiltered3GV	4641
MctaFull_NoACN2G	4641
MctaFull_NoACN3GD	4641
MctaFull_NoACN3GV	4642
MctaFull_NoBackhaul2G	4642
MctaFull_NoBackhaul3GD	4642
MctaFull_NoBackhaul3GV	4643
MctaFull_NoBCN2G	4643
MctaFull_NoBCN3GD	4643
MctaFull_NoBCN3GV	4643
MctaFullFWCAP2G	4644
MctaFullFWCAP3GD	4644
MctaFullFWCAP3GV	4644
MctaFullMctaAttempt2G	4645
MctaFullMctaAttempt3GD	4645
MctaFullMctaAttempt3GV	4645
MctaFullNoTCE2G	4646
MctaFullNoTCE3GD	4646
MctaFullNoTCE3GV	4646
MctaFullNoWCD2G	4647
MctaFullNoWCD3GD	4647
MctaFullNoWCD3GV	4647
MctaFullRadio_Config2G	4648
MctaFullRadio_Config3GD	4648
MctaFullRadio_Config3GV	4648
MctaFullRECAP2G	4649
MctaFullRECAP3GD	4649
MctaFullRECAP3GV	4649
MCTAREQN	4650
MCTAREQN3GD	4650
MCTAREQN3GV	4650
MCTAREQT	4651
MCTAREQT3GD	4651
MCTAREQT3GV	4651
MCTAROFB	4652
MCTAROFB3GD	4652
MCTAROFB3GV	4652
MCTARPFB	4653
MCTARPFB3GD	4653
MCTARPFB3GV	4654
MCTARQFN	4654
MCTARQFN3GD	4654
MCTARQFN3GV	4655
MCTBTSBK	4655

PERFORMANCE DATA REFERENCE
Prospect® 8.0 for Nortel AMPS/TDMA/CDMA/MTX 17

MCTBTSBK3GD	4655
MCTBTSBK3GV	4656
MCTDROPR	4656
MCTDROPR3GD	4656
MCTDROPR3GV	4657
MCTERLFL	4657
MCTERLFL3GD	4657
MCTERLFL3GV	4657
MCTERSFL	4658
MCTERSFL3GD	4658
MCTERSFL3GV	4658
MCTFWCAP	4659
MCTFWCAP3GD	4659
MCTFWCAP3GV	4659
MCTHATTS	4660
MCTHATTS3GD	4660
MCTHATTS3GV	4660
MCTHCATT	4661
MCTHCATT3GD	4661
MCTHCATT3GV	4661
MCTHRLFL	4661
MCTHRLFL3GD	4662
MCTHRLFL3GV	4662
MTHSUCC	4662
MTHSUCC3GD	4663
MTHSUCC3GV	4663
MCTNOFOF	4663
MCTNOFOF3GD	4664
MCTNOFOF3GV	4664
MCTNOTCE	4664
MCTNOTCE3GD	4665
MCTNOTCE3GV	4665
MCTNOWCD	4665
MCTNOWCD3GD	4665
MCTNOWCD3GV	4666
MCTOATTS	4666
MCTOATTS3GD	4666
MCTOATTS3GV	4667
MCTORIGS	4667
MCTORIGS3GD	4667
MCTORIGS3GV	4668
MCTOSUCC	4668
MCTOSUCC3GD	4668
MCTOSUCC3GV	4669
MCTPGRES	4669
MCTPGRES3GD	4669
MCTPGRES3GV	4669
MCTPRRO	4670
MCTPRRO3GD	4670
MCTPRRO3GV	4671
MCTPRRT	4671

Updated: 2009-06-03

PERFORMANCE DATA REFERENCE

Prospect® 8.0 for Nortel AMPS/TDMA/CDMA/MTX 17

MCTPRRT3GD	4671
MCTPRRT3GV	4672
MCTPRSO	4672
MCTPRSO3GD	4673
MCTPRSO3GV	4673
MCTPRST	4673
MCTPRST3GD	4674
MCTPRST3GV	4674
MCTRECAP	4674
MCTRECAP3GD	4675
MCTRECAP3GV	4675
MCTREGIS	4675
MCTREGIS3GD	4675
MCTREGIS3GV	4676
MCTRSOO	4676
MCTRSOO3GD	4676
MCTRSOO3GV	4677
MCTRSTO	4677
MCTRSTO3GD	4678
MCTRSTO3GV	4678
MCTTATTS	4678
MCTTATTS3GD	4679
MCTTATTS3GV	4679
MCTTSUCC	4679
MCTTSUCC3GD	4679
MCTTSUCC3GV	4680
MCWPSORY	4680
MCWPSORY3GD	4680
MCWPSORY3GV	4681
MCWPSTRY	4681
MCWPSTRY3GD	4681
MCWPSTRY3GV	4682
MPRBLKS	4682
MPRBLKS3GD	4682
MPRBLKS3GV	4683
MPRFL	4683
MPRFL3GD	4683
MPRFL3GV	4684
MPRSUCC	4684
MPRSUCC3GD	4684
MPRSUCC3GV	4685
MRETATTS	4685
MRETATTS3GD	4685
MRETATTS3GV	4686
MRETBLS	4686
MRETBLS3GD	4686
MRETBLS3GV	4687
MRETFL	4687
MRETFL3GD	4687
MRETFL3GV	4688
MRETHATT	4688

PERFORMANCE DATA REFERENCE
Prospect® 8.0 for Nortel AMPS/TDMA/CDMA/MTX 17

MRETHATT3GD	4688
MRETHATT3GV	4689
MRETHBLK	4689
MRETHBLK3GD	4689
MRETHBLK3GV	4690
MRETHFL	4690
MRETHFL3GD	4690
MRETHFL3GV	4691
MRETHSUC	4691
MRETHSUC3GD	4691
MRETHSUC3GV	4692
MRETSUCC	4692
MRETSUCC3GD	4692
MRETSUCC3GV	4693
NMCTATTS	4693
NMCTATTS3GD	4693
NMCTATTS3GV	4694
NMCTBLKS	4694
NMCTBLKS3GD	4694
NMCTBLKS3GV	4695
NonQueuedFwdSchBurstNonBlocking3G_16X	4695
NonQueuedFwdSchBurstNonBlocking3G_2X	4695
NonQueuedFwdSchBurstNonBlocking3G_4X	4696
NonQueuedFwdSchBurstNonBlocking3G_8X	4696
NORFSEFL	4696
NORFSEFL3GD	4697
NORFSEFL3GV	4697
NumberOfPagingChannels	4697
OCNSForwardLinkUtilUWAvg	4698
OverheadForwardLinkUtilUWAvg	4698
PagingChannelMessageCount	4698
PagingChannelMessagesDropped	4699
PBCONATT	4699
PBCONBLK	4699
PBCONNSR	4700
PBCONRJT	4700
PBCONRLS	4700
PBCONSFL	4701
PBCONSUC	4701
PeakWalshCodeUsage	4701
PercentPowerLimiting	4702
PercentTimeAboveFwdCallBlockThrshld	4702
PercentTimeAboveFwdDataCallBlockThrshld	4702
PercentTimeAboveFwdHandoffBlockThrshld	4703
PercentTimeAboveFwdVoiceCallBlockThrshld	4703
PrimaryFrameCntFSCH_RC3	4703
PrimaryFrameCntFSCH_RC4	4704
PrimaryFrameCntFSCH_RC5	4704
PrimaryFrameCntRSCH_RC3	4704
PrimaryFrameCntRSCH_RC4	4705
QueuedFwdSchBurstNonBlocking3G_16X	4705

Updated: 2009-06-03

PERFORMANCE DATA REFERENCE

Prospect® 8.0 for Nortel AMPS/TDMA/CDMA/MTX 17

QueuedFwdSchBurstNonBlocking3G_2X	4705
QueuedFwdSchBurstNonBlocking3G_4X	4706
QueuedFwdSchBurstNonBlocking3G_8X	4706
RadialHandoffAttempts	4706
RadialHandoffFailures	4707
RadialHandoffSuccesses	4707
RefSectorFrameCountGroupPeggingAtts	4707
RefSectorFrameCountGroupPeggingFail	4708
ResourceReleaseReqTCELLinkError	4708
RevSchBurstBurstNonBlocking3G_16X	4708
RevSchBurstBurstNonBlocking3G_2X	4709
RevSchBurstBurstNonBlocking3G_4X	4709
RevSchBurstBurstNonBlocking3G_8X	4709
RFCH_PhysicalFrames	4709
RFCH_ReTxRLP_DataBytes	4710
RFCH_RLP_DataBytes	4710
RFCH_RLP_Frames	4710
RFCH_RLP_OverheadFrames	4711
RFCH_RLP_ZeroPayloadFrames	4711
RFCHGatingDeactivations	4711
RFCHGatingDeniedRequests	4712
RFCHGatingEnabledHandoffs	4712
RFCHGatingGrantedRequests	4712
RFCHGatingRequests	4713
RLP_DataThroughputGroupPeggingAttempts	4713
RLP_DataThroughputGroupPeggingFailures	4713
RSCH_BTS_Release_16X	4714
RSCH_BTS_Release_2X	4714
RSCH_BTS_Release_4X	4714
RSCH_BTS_Release_8X	4715
RSCH_CFDS_HighSpeed	4715
RSCH_CFDS_RadioConfig	4715
RSCH_PhysicalFrames_16X	4716
RSCH_PhysicalFrames_2X	4716
RSCH_PhysicalFrames_4X	4716
RSCH_PhysicalFrames_8X	4717
RSCH_PilotRelease_16X	4717
RSCH_PilotRelease_2X	4717
RSCH_PilotRelease_4X	4718
RSCH_PilotRelease_8X	4718
RSCH_ReTxRLP_DataBytes_16X	4718
RSCH_ReTxRLP_DataBytes_2X	4719
RSCH_ReTxRLP_DataBytes_4X	4719
RSCH_ReTxRLP_DataBytes_8X	4719
RSCH_RLP_DataBytes_16X	4720
RSCH_RLP_DataBytes_2X	4720
RSCH_RLP_DataBytes_4X	4720
RSCH_RLP_DataBytes_8X	4721
RSCH_RLP_Frames_16X	4721
RSCH_RLP_Frames_2X	4721
RSCH_RLP_Frames_4X	4722

PERFORMANCE DATA REFERENCE
Prospect® 8.0 for Nortel AMPS/TDMA/CDMA/MTX 17

RSCH_RLP_Frames_8X	4722
RschDwngrdDueToExceedingMaxDataRate4x_2x	4722
RschDwngrdDueToExceedingMaxDataRate8x_2x	4722
RschDwngrdDueToExceedingMaxDataRate8x_4x	4723
RschDwngrdDueToExceedngMaxDataRate16x_2x	4723
RschDwngrdDueToExceedngMaxDataRate16x_4x	4723
RschDwngrdDueToExceedngMaxDataRate16x_8x	4724
RschDwngrdDuetophysRes16x_2x	4724
RschDwngrdDuetophysRes16x_4x	4724
RschDwngrdDuetophysRes16x_8x	4725
RschDwngrdDuetophysRes4x_2x	4725
RschDwngrdDuetophysRes8x_2x	4725
RschDwngrdDuetophysRes8x_4x	4726
RSCHLinkDowngrade	4726
RSCHLinkSetupAttempt	4726
RSCHLinkSetupAttempts_16X	4727
RSCHLinkSetupAttempts_2X	4727
RSCHLinkSetupAttempts_4X	4727
RSCHLinkSetupAttempts_8X	4727
RSCHLinkSetupBlock	4728
RSCHLinkSetupBlock_16X	4728
RSCHLinkSetupBlock_2X	4728
RSCHLinkSetupBlock_4X	4729
RSCHLinkSetupBlock_8X	4729
RSCHLinkSetupBlockSW_Error	4729
RSCHLinkSetupSuccess	4730
RSCHLinkSetupSuccess_16X	4730
RSCHLinkSetupSuccess_2X	4730
RSCHLinkSetupSuccess_4X	4731
RSCHLinkSetupSuccess_8X	4731
RSCHNoFrameOffset	4731
RSCHNoPhysRes	4732
RSCHRadioLinkAccessFailure	4732
RSCHRadioLinkAccessFailure_16X	4732
RSCHRadioLinkAccessFailure_2X	4733
RSCHRadioLinkAccessFailure_4X	4733
RSCHRadioLinkAccessFailure_8X	4733
RSCHTimeout	4733
RTD_AboveRTDmin	4734
RTD_DroppedBelowRTDmin	4734
RTDdelaytimerHHO_Attempts	4734
RTDdelaytimerHHO_Blocks	4735
RTDdelaytimerHHO_Triggers	4735
SC_HandoffTimeSoft1Softer1Alpha	4735
SC_HandoffTimeSoft1Softer1Beta	4736
SC_HandoffTimeSoft1Softer1Gamma	4736
SC_HandoffTimeSoft1Softer2AlphaBeta	4736
SC_HandoffTimeSoft1Softer2BetaGamma	4736
SC_HandoffTimeSoft1Softer2GammaAlpha	4736
SC_HandoffTimeSoft1Softer3	4736
SC_HandoffTimeSoft2Softer1Alpha	4736

Updated: 2009-06-03

PERFORMANCE DATA REFERENCE

Prospect® 8.0 for Nortel AMPS/TDMA/CDMA/MTX 17

SC_HandoffTimeSoft2Softer1Beta	4736
SC_HandoffTimeSoft2Softer1Gamma	4736
SC_HandoffTimeSoft2Softer2AlphaBeta	4736
SC_HandoffTimeSoft2Softer2BetaGamma	4736
SC_HandoffTimeSoft2Softer2GammaAlpha	4737
SC_HandoffTimeSoft2Softer3	4737
SC_HandoffTimeSoft3Softer1Alpha	4737
SC_HandoffTimeSoft3Softer1Beta	4737
SC_HandoffTimeSoft3Softer1Gamma	4737
SC_HandoffTimeSoft3Softer2AlphaBeta	4737
SC_HandoffTimeSoft3Softer2BetaGamma	4737
SC_HandoffTimeSoft3Softer2GammaAlpha	4737
SC_HandoffTimeSoft3Softer3	4737
SC_HandoffTimeSoft4Softer1Alpha	4737
SC_HandoffTimeSoft4Softer1Beta	4737
SC_HandoffTimeSoft4Softer1Gamma	4738
SC_HandoffTimeSoft4Softer2AlphaBeta	4738
SC_HandoffTimeSoft4Softer2BetaGamma	4738
SC_HandoffTimeSoft4Softer2GammaAlpha	4738
SC_HandoffTimeSoft4Softer3	4738
SC_HandoffTimeSoft5Softer1Alpha	4738
SC_HandoffTimeSoft5Softer1Beta	4738
SC_HandoffTimeSoft5Softer1Gamma	4738
SC_HandoffTimeSoft5Softer2AlphaBeta	4738
SC_HandoffTimeSoft5Softer2BetaGamma	4738
SC_HandoffTimeSoft5Softer2GammaAlpha	4738
SC_HandoffTimeSoft6Softer1Alpha	4739
SC_HandoffTimeSoft6Softer1Beta	4739
SC_HandoffTimeSoft6Softer1Gamma	4739
SC_TimeNotInUse	4739
SCH_HandoffRadioLinkSetupGroupPeggingAttempts	4739
SCH_HandoffRadioLinkSetupGroupPeggingFailures	4739
SCH_PrimaryRadioLinkSetupGroupPeggingAttempts	4740
SCH_PrimaryRadioLinkSetupGroupPeggingFailures	4740
SchBurstNonBlocking3G	4740
SCHDrop	4741
SCHDrop_16X	4741
SCHDrop_2X	4741
SCHDrop_4X	4741
SCHDrop_8X	4742
SchHandoffNonBlocking3G	4742
SectorRx0PowerAvg	4742
SectorRx0PowerMax	4743
SectorRx1PowerAvg	4743
SectorRx1PowerMax	4743
SectorTxPowerAvg	4744
SectorTxPowerMax	4744
SHO_FSCHAcnIdExhaustion	4744
SHO_FSCHBackHaulExhaustion	4745
SHO_FSCHBCNLinkExhaustion	4745
SHO_FSCHLinkSetupAttempt	4745

PERFORMANCE DATA REFERENCE
 Prospect® 8.0 for Nortel AMPS/TDMA/CDMA/MTX 17

SHO_FSCHLinkSetupAttempts_16X	4746
SHO_FSCHLinkSetupAttempts_2X	4746
SHO_FSCHLinkSetupAttempts_4X	4746
SHO_FSCHLinkSetupAttempts_8X	4747
SHO_FSCHLinkSetupBlock	4747
SHO_FSCHLinkSetupBlock_16X	4747
SHO_FSCHLinkSetupBlock_2X	4748
SHO_FSCHLinkSetupBlock_4X	4748
SHO_FSCHLinkSetupBlock_8X	4748
SHO_FSCHLinkSetupBlockSW_Error	4749
SHO_FSCHLinkSetupSuccess	4749
SHO_FSCHLinkSetupSuccess_16X	4749
SHO_FSCHLinkSetupSuccess_2X	4750
SHO_FSCHLinkSetupSuccess_4X	4750
SHO_FSCHLinkSetupSuccess_8X	4750
SHO_FSCHNoFrameOffset	4750
SHO_FSCHNoFwdPower	4751
SHO_FSCHNoPhysRes	4751
SHO_FSCHNoWalshCode	4751
SHO_FSCHRadioLinkAccessFailure	4752
SHO_FSCHRadioLinkAccessFailure_16X	4752
SHO_FSCHRadioLinkAccessFailure_2X	4752
SHO_FSCHRadioLinkAccessFailure_4X	4753
SHO_FSCHRadioLinkAccessFailure_8X	4753
SHO_FSCHTimeout	4754
SHO_RSCH_CFDS_HighSpeed	4754
SHO_RSCHLinkSetupAttempt	4754
SHO_RSCHLinkSetupAttempts_16X	4755
SHO_RSCHLinkSetupAttempts_2X	4755
SHO_RSCHLinkSetupAttempts_4X	4755
SHO_RSCHLinkSetupAttempts_8X	4755
SHO_RSCHLinkSetupBlock	4756
SHO_RSCHLinkSetupBlock_16X	4756
SHO_RSCHLinkSetupBlock_2X	4756
SHO_RSCHLinkSetupBlock_4X	4757
SHO_RSCHLinkSetupBlock_8X	4757
SHO_RSCHLinkSetupBlockSW_Error	4757
SHO_RSCHLinkSetupSuccess	4758
SHO_RSCHLinkSetupSuccess_16X	4758
SHO_RSCHLinkSetupSuccess_2X	4758
SHO_RSCHLinkSetupSuccess_4X	4759
SHO_RSCHLinkSetupSuccess_8X	4759
SHO_RSCHNoFrameOffset	4759
SHO_RSCHNoPhysRes	4760
SHO_RSCHRadioLinkAccessFailure	4760
SHO_RSCHRadioLinkAccessFailure_16X	4760
SHO_RSCHRadioLinkAccessFailure_2X	4761
SHO_RSCHRadioLinkAccessFailure_4X	4761
SHO_RSCHRadioLinkAccessFailure_8X	4761
SHO_RSCHTimeout	4762
SQECBLKS	4762

Updated: 2009-06-03

PERFORMANCE DATA REFERENCE

Prospect® 8.0 for Nortel AMPS/TDMA/CDMA/MTX 17

SQECNSR	4762
SQECSATT	4763
SQECSFL	4763
SQECSRJT	4763
SQECSRLS	4764
SQECSSU	4764
SQRMBLKS	4764
SQRMNSR	4765
SQRMSATT	4765
SQRMSFL	4765
SQRMSRJT	4766
SQRMSRLS	4766
SQRMSSU	4766
SQRTBLKS	4767
SQRTNSR	4767
SQRTSATT	4767
SQRTSFL	4768
SQRTSRJT	4768
SQRTSRLS	4768
SQRTSSU	4769
SuccessfulHandoffs	4769
SuccessfulOriginations	4769
TCEForwardLinkUtilUWAvg	4770
TPTL_Mapping	4770
UpdateFwdSchBurstQueued16X_CFDS_HS_RSCH	4770
UpdateFwdSchBurstQueued16X_CFDS_RCState	4771
UpdateFwdSchBurstQueued16X_ExceedCPUCap	4771
UpdateFwdSchBurstQueued16X_ExceedMaxRate	4771
UpdateFwdSchBurstQueued16X_NoExtCellSupport	4772
UpdateFwdSchBurstQueued16X_NoFrameOff	4772
UpdateFwdSchBurstQueued16X_NoFwdCap	4772
UpdateFwdSchBurstQueued16X_NoPhyRes	4773
UpdateFwdSchBurstQueued16X_NoRevCap	4773
UpdateFwdSchBurstQueued16X_NoWC	4773
UpdateFwdSchBurstQueued16X_QueueFull	4774
UpdateFwdSchBurstQueued2X_CFDS_HS_RSCH	4774
UpdateFwdSchBurstQueued2X_CFDS_RCState	4774
UpdateFwdSchBurstQueued2X_ExceedCPUCap	4775
UpdateFwdSchBurstQueued2X_ExceedMaxRate	4775
UpdateFwdSchBurstQueued2X_NoExtCellSupport	4775
UpdateFwdSchBurstQueued2X_NoFrameOff	4776
UpdateFwdSchBurstQueued2X_NoFwdCap	4776
UpdateFwdSchBurstQueued2X_NoPhyRes	4776
UpdateFwdSchBurstQueued2X_NoRevCap	4777
UpdateFwdSchBurstQueued2X_NoWC	4777
UpdateFwdSchBurstQueued2X_QueueFull	4777
UpdateFwdSchBurstQueued4X_CFDS_HS_RSCH	4778
UpdateFwdSchBurstQueued4X_CFDS_RCState	4778
UpdateFwdSchBurstQueued4X_ExceedCPUCap	4778
UpdateFwdSchBurstQueued4X_ExceedMaxRate	4779
UpdateFwdSchBurstQueued4X_NoExtCellSupport	4779

PERFORMANCE DATA REFERENCE
 Prospect® 8.0 for Nortel AMPS/TDMA/CDMA/MTX 17

UpdateFwdSchBurstQueued4X_NoFrameOff	4779
UpdateFwdSchBurstQueued4X_NoFwdCap	4780
UpdateFwdSchBurstQueued4X_NoPhyRes	4780
UpdateFwdSchBurstQueued4X_NoRevCap	4780
UpdateFwdSchBurstQueued4X_NoWC	4781
UpdateFwdSchBurstQueued4X_QueueFull	4781
UpdateFwdSchBurstQueued8X_CFDS_HS_RSCH	4781
UpdateFwdSchBurstQueued8X_CFDS_RCState	4782
UpdateFwdSchBurstQueued8X_ExceedCPUCap	4782
UpdateFwdSchBurstQueued8X_ExceedMaxRate	4782
UpdateFwdSchBurstQueued8X_NoExtCellSupport	4783
UpdateFwdSchBurstQueued8X_NoFrameOff	4783
UpdateFwdSchBurstQueued8X_NoFwdCap	4783
UpdateFwdSchBurstQueued8X_NoPhyRes	4784
UpdateFwdSchBurstQueued8X_NoRevCap	4784
UpdateFwdSchBurstQueued8X_NoWC	4784
UpdateFwdSchBurstQueued8X_QueueFull	4784
WalshCodeUsageDistribution0to30	4785
WalshCodeUsageDistribution101to110	4785
WalshCodeUsageDistribution111to120	4785
WalshCodeUsageDistribution121to128	4786
WalshCodeUsageDistribution31to60	4786
WalshCodeUsageDistribution61to70	4786
WalshCodeUsageDistribution71to80	4787
WalshCodeUsageDistribution81to90	4787
WalshCodeUsageDistribution91to100	4787
Sector_Carrier Roll-up Fields	4788
CEFrameCntFCH	4788
PrimaryFrameCntFCH	4788
WCUsqErl	4788
ServiceGroup Primitive Calculations	4788
GRAPHmultiLineSeparator	4788
NUMDAYS	4788
NUMHOURS	4788
ServiceGroup Peg Counts	4788
AllocationRequestAccepted	4788
AllocationRequestFailures	4789
AllocationRequestResourceUnavailable	4789
AllocationRequestSuccesses	4789
ServiceType Primitive Calculations	4790
GRAPHmultiLineSeparator	4790
NUMDAYS	4790
NUMHOURS	4790
ServiceType Peg Counts	4790
AlternateBSC_AllocationAttempts	4790
AlternateBSC_AllocationFailures	4791
AlternateBSC_AllocationSuccesses	4791
AlternateEBSC_AllocationAttempts	4791
AlternateEBSC_AllocationSuccesses	4792
AlternateEBSC_MG_AllocationFailures	4792

Updated: 2009-06-03

PERFORMANCE DATA REFERENCE
 Prospect® 8.0 for Nortel AMPS/TDMA/CDMA/MTX 17

AlternateEBSC_SDU_AllocationFailures	4793
ResourceCheckAttempts	4793
ResourceCheckAvailable	4793
ResourceCheckUnavailable	4794
SelectedBSC_AllocationAttempts	4794
SelectedBSC_AllocationFailures	4794
SelectedBSC_AllocationSuccesses	4795
SelectedEBSC_AllocationAttempts	4795
SelectedEBSC_AllocationSuccesses	4795
SelectedEBSC_MG_AllocationFailures	4796
SelectedEBSC_SDU_AllocationFailures	4796
SelectionAttemptsOnPrimaryPlatform	4796
SelectionAttemptsOnSecondaryPlatform	4797
SelectionSuccessOnPrimaryPlatform	4797
SelectionSuccessOnSecondaryPlatform	4797
ServingMSC Primitive Calculations	4797
GRAPHmultiLineSeparator	4798
NUMDAYS	4798
NUMHOURS	4798
ServingMSC Peg Counts	4798
CELL100_MobileSerNoMism	4798
CELL100_ServNoHOAck	4798
CLFL100_MobileFade	4799
CLFL101_MobileTimeout	4799
CLFL102_MobileHOFail	4799
CLFL103_MobileStateIncor	4800
CLFL104_MobileFail	4800
CLFL105_MobileRelTimeout	4800
DROP100_MobileSATLoss	4801
DROP200_MobileDVCCLoss	4801
SIP_Server Primitive Calculations	4801
GRAPHmultiLineSeparator	4801
NUMDAYS	4801
NUMHOURS	4802
SIP_Server Peg Counts	4802
ABBYEOG	4802
ABCNCLOG	4802
ACKREQIC	4802
ACKREQOG	4803
BYE200IC	4803
BYE200OG	4803
BYEREQIC	4804
BYEREQOG	4804
CAN200IC	4804
CAN200OG	4805
CANCELIC	4805
CANCELOG	4805
FLABNIIC	4806
FLABNIOG	4806
FLABNNIC	4806

PERFORMANCE DATA REFERENCE
Prospect® 8.0 for Nortel AMPS/TDMA/CDMA/MTX 17

FLABNNOG	4807
FLNRMIIC	4807
FLNRMIOG	4807
FLNRMNIC	4808
FLNRMNOG	4808
INF200IC	4808
INF200OG	4809
INFOMSIC	4809
INFOMSOG	4809
INV200IC	4809
INV200OG	4810
INV3XXIC	4810
INVITEIC	4810
INVITEOG	4811
INVRDROG	4811
OPT200IC	4811
OPT200OG	4812
OPTIONIC	4812
OPTIONOG	4812
PRA200IC	4813
PRA200OG	4813
PRACKINC	4813
PRACKOG	4813
REINVTIC	4814
REINVTOG	4814
RIV200IC	4814
RIV200OG	4815
RSP180IC	4815
RSP180OG	4815
RSP18XIC	4816
RSP18XOG	4816
SIPOGSHD	4816
TRY100IC	4817
UNSUPTIC	4817
UPD200IC	4817
UPD200OG	4818
UPDATEIC	4818
UPDATEOG	4818
SLLNK_Pool Primitive Calculations	4818
GRAPHmultiLineSeparator	4819
NUMDAYS	4819
NUMHOURS	4819
SLLNK_Pool Peg Counts	4819
SLLNKBAD	4819
SLLNKIOF	4819
SLLNKIOK	4820
SLLNKIOV	4820
SLLNKIQU	4820
SLLNK_XferType Primitive Calculations	4821
GRAPHmultiLineSeparator	4821

Updated: 2009-06-03

PERFORMANCE DATA REFERENCE
Prospect® 8.0 for Nortel AMPS/TDMA/CDMA/MTX 17

NUMDAYS	4821
NUMHOURS	4821
SLLNK_XferType Peg Counts	4821
SLLNKOK	4821
SLLNKOVF	4822
SLLNKQU	4822
SoftwareModule Primitive Calculations	4822
GRAPHmultiLineSeparator	4822
NUMDAYS	4822
NUMHOURS	4823
SoftwareModule Peg Counts	4823
SWER_Count	4823
SS7Link Primitive Calculations	4823
GRAPHmultiLineSeparator	4823
HSL_OccupancyRx	4823
HSL_OccupancyTx	4823
HSL_UtilizationRx	4824
HSL_UtilizationTx	4824
NUMDAYS	4824
NUMHOURS	4824
SS7Link Peg Counts	4824
C7ABATE1	4824
C7ABATE2	4825
C7ABATE3	4825
C7ABATEV	4825
C7ABNRFB	4826
C7AISSP	4826
C7ALIGNF	4826
C7AUTOCO	4826
C7BFOVFL	4827
C7BSYOFF	4827
C7BSYON	4827
C7BYTRT	4828
C7BYTRX	4828
C7BYTTX	4828
C7CBK	4829
C7CDFEPO	4829
C7CDLOC	4829
C7CDLPO	4830
C7CLB	4830
C7CLBU	4830
C7COV	4830
C7CSPF	4831
C7CVL	4831
C7CVP	4831
C7CVPF	4832
C7DISHEC	4832
C7DISPE	4832
C7ERRSEC	4833
C7ESL	4833

PERFORMANCE DATA REFERENCE
Prospect® 8.0 for Nortel AMPS/TDMA/CDMA/MTX 17

C7ESLF	4833
C7ESP	4834
C7ESPF	4834
C7EXCONG	4834
C7EXDLAY	4834
C7EXERR	4835
C7FCP	4835
C7FCPF	4835
C7HTSCSC	4836
C7HTSEPC	4836
C7HTSPRR	4836
C7HWILLP	4837
C7HWMTS	4837
C7HWST	4837
C7HWTOT	4838
C7ISPDUR	4838
C7LINH	4838
C7LINKTU	4839
C7LKFAIL	4839
C7LKSYNU	4839
C7LKUNAU	4839
C7LOCE	4840
C7LOSSL	4840
C7LPO	4840
C7LPOU	4841
C7LUNINH	4841
C7LV1CGU	4841
C7LV2CGU	4842
C7LV3CGU	4842
C7MANB	4842
C7MSBRET	4843
C7MSGLOS	4843
C7MSGMSQ	4843
C7MSOR	4843
C7MSTE	4844
C7MSTS	4844
C7MSUBOV	4844
C7MSUDC1	4845
C7MSUDC2	4845
C7MSUDC3	4845
C7MSUDSC	4846
C7MSUOR	4846
C7MSURX	4846
C7MSUTE	4847
C7MSUTS	4847
C7MSUTX	4847
C7NACKRX	4847
C7NETCON	4848
C7NUCFL	4848
C7OCDAN	4848
C7ONSET1	4849

Updated: 2009-06-03

PERFORMANCE DATA REFERENCE
Prospect® 8.0 for Nortel AMPS/TDMA/CDMA/MTX 17

C7ONSET2	4849
C7ONSET3	4849
C7ONSETV	4850
C7RCAUI	4850
C7RCNDCV	4850
C7RINH	4851
C7RPO	4851
C7RPOU	4851
C7RTOVLD	4851
C7RUNINH	4852
C7SASP	4852
C7SCDIS	4852
C7SCIFL	4853
C7SCRRSY	4853
C7SCSEC	4853
C7SDISS	4854
C7SEFSPF	4854
C7SEPSEC	4854
C7SESL	4855
C7SESP	4855
C7SESPF	4855
C7SLTFL	4855
C7SPDURR	4856
C7SPOR1	4856
C7SPORT1	4856
C7SPR1	4857
C7SPRLEE	4857
C7SSPOT1	4857
C7SSPRT1	4858
C7SSPT1	4858
C7STALFL	4858
C7STPOR1	4859
C7STPOT1	4859
C7STPR1	4859
C7STPT1	4859
C7STRET	4860
C7SUERR	4860
C7TCAUI	4860
C7TCNDCV	4861
C7TLALFL	4861
C7UASP	4861
C7UASPF	4862
C7USPDUR	4862
LSCCPRX	4862
LSCCPTX	4863
LUPARX	4863
LUPATX	4863
VALIDLK	4863
SS7LinkSet Primitive Calculations	4864
GRAPHmultiLineSeparator	4864
NUMDAYS	4864

PERFORMANCE DATA REFERENCE
Prospect® 8.0 for Nortel AMPS/TDMA/CDMA/MTX 17

NUMHOURS	4864
SS7LinkSet Peg Counts	4864
C7LSEMRO	4864
C7LSFAIL	4865
C7LSUNAU	4865
SS7Route Primitive Calculations	4865
GRAPHmultiLineSeparator	4865
NUMDAYS	4866
NUMHOURS	4866
SS7Route Peg Counts	4866
C7CINTRER	4866
C7FRCRER	4866
C7RTUNAU	4867
C7TFA	4867
C7TFC0	4867
C7TFC1	4867
C7TFC2	4868
C7TFC3	4868
C7TFP	4868
C7TFR	4869
C7XTFA	4869
C7XTFP	4869
C7XTFR	4870
System Primitive Calculations	4870
GRAPHmultiLineSeparator	4870
NUMDAYS	4870
NUMHOURS	4870
T1E1Trunk Primitive Calculations	4870
CodeViolationLine	4871
CodeViolationPath	4871
ErroredSecondLine	4871
ErroredSecondPath	4871
GRAPHmultiLineSeparator	4871
NUMDAYS	4871
NUMHOURS	4871
PeakLinkUtilization	4872
SEFAISSecondPath	4872
SeverelyErroredSecondLine	4872
SeverelyErroredSecondPath	4872
UnavailableSecondPath	4872
T1E1Trunk Peg Counts	4872
AverageLinkUtilizationI	4872
AverageLinkUtilizationII	4873
CodeViolationLineI	4873
CodeViolationLineII	4873
CodeViolationPathI	4874
CodeViolationPathII	4874
ErroredSecondLineI	4874
ErroredSecondLineII	4875
ErroredSecondPathI	4875

Updated: 2009-06-03

PERFORMANCE DATA REFERENCE
 Prospect® 8.0 for Nortel AMPS/TDMA/CDMA/MTX 17

ErroredSecondPathII	4875
MaxLinkUtilization	4876
PeakLinkUtilizationI	4876
PeakLinkUtilizationII	4876
SEFAISSecondPathI	4877
SEFAISSecondPathII	4877
SeverelyErroredSecondLineI	4877
SeverelyErroredSecondLineII	4878
SeverelyErroredSecondPathI	4878
SeverelyErroredSecondPathII	4878
UnavailableSecondPathI	4879
UnavailableSecondPathII	4879
TLDN_Pool Primitive Calculations	4879
GRAPHmultiLineSeparator	4879
NUMDAYS	4880
NUMHOURS	4880
TLDN_Pool Peg Counts	4880
TLDNATTS	4880
TLDNCOMP	4880
TLDNMAX	4881
TLDNOVFL	4881
TLDNTMO	4881
TrafSubRange Primitive Calculations	4882
NUMDAYS	4882
NUMHOURS	4882
TotalTxPacketTrfSubRange	4882
TrafSubRange Peg Counts	4882
TxAvgPacketRateTrfSubRange	4882
TxPacketDiscardPriority1TrfSubRange	4883
TxPacketDiscardPriority2TrfSubRange	4883
TxPacketDiscardsTrfSubRange	4883
TxPacketsTrfSubRange	4884
TxPeakPacketRateTrfSubRange	4884
TrunkGroup Primitive Calculations	4884
ADMININFO	4884
AllTrkBsyMin	4884
AvgHoldTimeSec	4884
EngCapB	4885
EngCapP	4885
GOS	4885
GRAPHmultiLineSeparator	4885
NChanDis	4885
NUMDAYS	4885
NUMHOURS	4885
OffCapB	4886
OffCapP	4886
OgSigFailCnt	4886
pTotCallComps	4886
pTrkOvf	4886
TfUsage	4886

PERFORMANCE DATA REFERENCE
Prospect® 8.0 for Nortel AMPS/TDMA/CDMA/MTX 17

TotCallAtts	4886
TotCallComp	4887
TotCallFails	4887
TrunkGroup Peg Counts	4887
A2PDELAY	4887
A2PJITER	4887
A2PLOSS	4888
ACCCONG	4888
ANF	4888
ANSWER	4889
AOF	4889
BLKCTRK	4889
CELL100_MobileSerNoMism	4890
CELL100_MobileSerNoMism_TSI1	4890
CELL100_MobileSerNoMism_TSI10	4890
CELL100_MobileSerNoMism_TSI11	4891
CELL100_MobileSerNoMism_TSI12	4891
CELL100_MobileSerNoMism_TSI13	4891
CELL100_MobileSerNoMism_TSI14	4892
CELL100_MobileSerNoMism_TSI15	4892
CELL100_MobileSerNoMism_TSI16	4892
CELL100_MobileSerNoMism_TSI17	4893
CELL100_MobileSerNoMism_TSI18	4893
CELL100_MobileSerNoMism_TSI19	4893
CELL100_MobileSerNoMism_TSI2	4894
CELL100_MobileSerNoMism_TSI20	4894
CELL100_MobileSerNoMism_TSI21	4894
CELL100_MobileSerNoMism_TSI22	4895
CELL100_MobileSerNoMism_TSI23	4895
CELL100_MobileSerNoMism_TSI24	4895
CELL100_MobileSerNoMism_TSI25	4896
CELL100_MobileSerNoMism_TSI26	4896
CELL100_MobileSerNoMism_TSI27	4896
CELL100_MobileSerNoMism_TSI28	4897
CELL100_MobileSerNoMism_TSI29	4897
CELL100_MobileSerNoMism_TSI3	4897
CELL100_MobileSerNoMism_TSI30	4898
CELL100_MobileSerNoMism_TSI31	4898
CELL100_MobileSerNoMism_TSI32	4898
CELL100_MobileSerNoMism_TSI4	4899
CELL100_MobileSerNoMism_TSI5	4899
CELL100_MobileSerNoMism_TSI6	4899
CELL100_MobileSerNoMism_TSI7	4900
CELL100_MobileSerNoMism_TSI8	4900
CELL100_MobileSerNoMism_TSI9	4900
CELL100_ServNoHOAck	4901
CELL100_ServNoHOAck_TSI1	4901
CELL100_ServNoHOAck_TSI10	4901
CELL100_ServNoHOAck_TSI11	4902
CELL100_ServNoHOAck_TSI12	4902
CELL100_ServNoHOAck_TSI13	4902

Updated: 2009-06-03

PERFORMANCE DATA REFERENCE

Prospect® 8.0 for Nortel AMPS/TDMA/CDMA/MTX 17

CELL100_ServNoHOAck_TSI14	4903
CELL100_ServNoHOAck_TSI15	4903
CELL100_ServNoHOAck_TSI16	4903
CELL100_ServNoHOAck_TSI17	4904
CELL100_ServNoHOAck_TSI18	4904
CELL100_ServNoHOAck_TSI19	4904
CELL100_ServNoHOAck_TSI2	4905
CELL100_ServNoHOAck_TSI20	4905
CELL100_ServNoHOAck_TSI21	4905
CELL100_ServNoHOAck_TSI22	4906
CELL100_ServNoHOAck_TSI23	4906
CELL100_ServNoHOAck_TSI24	4906
CELL100_ServNoHOAck_TSI25	4907
CELL100_ServNoHOAck_TSI26	4907
CELL100_ServNoHOAck_TSI27	4907
CELL100_ServNoHOAck_TSI28	4908
CELL100_ServNoHOAck_TSI29	4908
CELL100_ServNoHOAck_TSI3	4908
CELL100_ServNoHOAck_TSI30	4909
CELL100_ServNoHOAck_TSI31	4909
CELL100_ServNoHOAck_TSI32	4909
CELL100_ServNoHOAck_TSI4	4910
CELL100_ServNoHOAck_TSI5	4910
CELL100_ServNoHOAck_TSI6	4910
CELL100_ServNoHOAck_TSI7	4911
CELL100_ServNoHOAck_TSI8	4911
CELL100_ServNoHOAck_TSI9	4911
CELL101_CellFailure	4912
CELL101_CellFailure_TSI1	4912
CELL101_CellFailure_TSI10	4912
CELL101_CellFailure_TSI11	4913
CELL101_CellFailure_TSI12	4913
CELL101_CellFailure_TSI13	4913
CELL101_CellFailure_TSI14	4914
CELL101_CellFailure_TSI15	4914
CELL101_CellFailure_TSI16	4914
CELL101_CellFailure_TSI17	4915
CELL101_CellFailure_TSI18	4915
CELL101_CellFailure_TSI19	4915
CELL101_CellFailure_TSI2	4916
CELL101_CellFailure_TSI20	4916
CELL101_CellFailure_TSI21	4916
CELL101_CellFailure_TSI22	4917
CELL101_CellFailure_TSI23	4917
CELL101_CellFailure_TSI24	4917
CELL101_CellFailure_TSI25	4918
CELL101_CellFailure_TSI26	4918
CELL101_CellFailure_TSI27	4918
CELL101_CellFailure_TSI28	4919
CELL101_CellFailure_TSI29	4919
CELL101_CellFailure_TSI3	4919

PERFORMANCE DATA REFERENCE
Prospect® 8.0 for Nortel AMPS/TDMA/CDMA/MTX 17

CELL101_CellFailure_TSI30	4920
CELL101_CellFailure_TSI31	4920
CELL101_CellFailure_TSI32	4920
CELL101_CellFailure_TSI4	4921
CELL101_CellFailure_TSI5	4921
CELL101_CellFailure_TSI6	4921
CELL101_CellFailure_TSI7	4922
CELL101_CellFailure_TSI8	4922
CELL101_CellFailure_TSI9	4922
CELL101_CellTaskTimeout	4923
CELL101_CellTaskTimeout_TSI1	4923
CELL101_CellTaskTimeout_TSI10	4923
CELL101_CellTaskTimeout_TSI11	4924
CELL101_CellTaskTimeout_TSI12	4924
CELL101_CellTaskTimeout_TSI13	4924
CELL101_CellTaskTimeout_TSI14	4925
CELL101_CellTaskTimeout_TSI15	4925
CELL101_CellTaskTimeout_TSI16	4925
CELL101_CellTaskTimeout_TSI17	4926
CELL101_CellTaskTimeout_TSI18	4926
CELL101_CellTaskTimeout_TSI19	4927
CELL101_CellTaskTimeout_TSI2	4927
CELL101_CellTaskTimeout_TSI20	4927
CELL101_CellTaskTimeout_TSI21	4928
CELL101_CellTaskTimeout_TSI22	4928
CELL101_CellTaskTimeout_TSI23	4928
CELL101_CellTaskTimeout_TSI24	4929
CELL101_CellTaskTimeout_TSI25	4929
CELL101_CellTaskTimeout_TSI26	4929
CELL101_CellTaskTimeout_TSI27	4930
CELL101_CellTaskTimeout_TSI28	4930
CELL101_CellTaskTimeout_TSI29	4930
CELL101_CellTaskTimeout_TSI3	4931
CELL101_CellTaskTimeout_TSI30	4931
CELL101_CellTaskTimeout_TSI31	4931
CELL101_CellTaskTimeout_TSI32	4932
CELL101_CellTaskTimeout_TSI4	4932
CELL101_CellTaskTimeout_TSI5	4932
CELL101_CellTaskTimeout_TSI6	4933
CELL101_CellTaskTimeout_TSI7	4933
CELL101_CellTaskTimeout_TSI8	4933
CELL101_CellTaskTimeout_TSI9	4934
CELL101_ForcedHODisc	4934
CELL101_ForcedHODisc_TSI1	4934
CELL101_ForcedHODisc_TSI10	4935
CELL101_ForcedHODisc_TSI11	4935
CELL101_ForcedHODisc_TSI12	4935
CELL101_ForcedHODisc_TSI13	4936
CELL101_ForcedHODisc_TSI14	4936
CELL101_ForcedHODisc_TSI15	4936
CELL101_ForcedHODisc_TSI16	4937

Updated: 2009-06-03

PERFORMANCE DATA REFERENCE
Prospect® 8.0 for Nortel AMPS/TDMA/CDMA/MTX 17

CELL101_ForcedHODisc_TSI17	4937
CELL101_ForcedHODisc_TSI18	4937
CELL101_ForcedHODisc_TSI19	4938
CELL101_ForcedHODisc_TSI2	4938
CELL101_ForcedHODisc_TSI20	4938
CELL101_ForcedHODisc_TSI21	4939
CELL101_ForcedHODisc_TSI22	4939
CELL101_ForcedHODisc_TSI23	4939
CELL101_ForcedHODisc_TSI24	4940
CELL101_ForcedHODisc_TSI25	4940
CELL101_ForcedHODisc_TSI26	4940
CELL101_ForcedHODisc_TSI27	4941
CELL101_ForcedHODisc_TSI28	4941
CELL101_ForcedHODisc_TSI29	4941
CELL101_ForcedHODisc_TSI3	4942
CELL101_ForcedHODisc_TSI30	4942
CELL101_ForcedHODisc_TSI31	4942
CELL101_ForcedHODisc_TSI32	4943
CELL101_ForcedHODisc_TSI4	4943
CELL101_ForcedHODisc_TSI5	4943
CELL101_ForcedHODisc_TSI6	4944
CELL101_ForcedHODisc_TSI7	4944
CELL101_ForcedHODisc_TSI8	4944
CELL101_ForcedHODisc_TSI9	4945
CELL101_TDMAAcquisFail	4945
CELL101_TDMAAcquisFail_TSI1	4945
CELL101_TDMAAcquisFail_TSI10	4946
CELL101_TDMAAcquisFail_TSI11	4946
CELL101_TDMAAcquisFail_TSI12	4946
CELL101_TDMAAcquisFail_TSI13	4947
CELL101_TDMAAcquisFail_TSI14	4947
CELL101_TDMAAcquisFail_TSI15	4947
CELL101_TDMAAcquisFail_TSI16	4948
CELL101_TDMAAcquisFail_TSI17	4948
CELL101_TDMAAcquisFail_TSI18	4948
CELL101_TDMAAcquisFail_TSI19	4949
CELL101_TDMAAcquisFail_TSI2	4949
CELL101_TDMAAcquisFail_TSI20	4949
CELL101_TDMAAcquisFail_TSI21	4950
CELL101_TDMAAcquisFail_TSI22	4950
CELL101_TDMAAcquisFail_TSI23	4950
CELL101_TDMAAcquisFail_TSI24	4951
CELL101_TDMAAcquisFail_TSI25	4951
CELL101_TDMAAcquisFail_TSI26	4951
CELL101_TDMAAcquisFail_TSI27	4952
CELL101_TDMAAcquisFail_TSI28	4952
CELL101_TDMAAcquisFail_TSI29	4952
CELL101_TDMAAcquisFail_TSI3	4953
CELL101_TDMAAcquisFail_TSI30	4953
CELL101_TDMAAcquisFail_TSI31	4953
CELL101_TDMAAcquisFail_TSI32	4954

PERFORMANCE DATA REFERENCE
Prospect® 8.0 for Nortel AMPS/TDMA/CDMA/MTX 17

CELL101_TDMAAcquisFail_TSI4	4954
CELL101_TDMAAcquisFail_TSI5	4954
CELL101_TDMAAcquisFail_TSI6	4955
CELL101_TDMAAcquisFail_TSI7	4955
CELL101_TDMAAcquisFail_TSI8	4955
CELL101_TDMAAcquisFail_TSI9	4956
CLFL100_MobileFade	4956
CLFL100_TSI1	4956
CLFL100_TSI10	4957
CLFL100_TSI11	4957
CLFL100_TSI12	4957
CLFL100_TSI13	4958
CLFL100_TSI14	4958
CLFL100_TSI15	4958
CLFL100_TSI16	4959
CLFL100_TSI17	4959
CLFL100_TSI18	4959
CLFL100_TSI19	4960
CLFL100_TSI2	4960
CLFL100_TSI20	4960
CLFL100_TSI21	4961
CLFL100_TSI22	4961
CLFL100_TSI23	4961
CLFL100_TSI24	4962
CLFL100_TSI25	4962
CLFL100_TSI26	4962
CLFL100_TSI27	4963
CLFL100_TSI28	4963
CLFL100_TSI29	4963
CLFL100_TSI3	4964
CLFL100_TSI30	4964
CLFL100_TSI31	4964
CLFL100_TSI32	4965
CLFL100_TSI4	4965
CLFL100_TSI5	4965
CLFL100_TSI6	4966
CLFL100_TSI7	4966
CLFL100_TSI8	4966
CLFL100_TSI9	4967
CLFL101_MobileTimeout	4967
CLFL101_TSI1	4967
CLFL101_TSI10	4968
CLFL101_TSI11	4968
CLFL101_TSI12	4968
CLFL101_TSI13	4969
CLFL101_TSI14	4969
CLFL101_TSI15	4969
CLFL101_TSI16	4969
CLFL101_TSI17	4970
CLFL101_TSI18	4970
CLFL101_TSI19	4970

Updated: 2009-06-03

PERFORMANCE DATA REFERENCE

Prospect® 8.0 for Nortel AMPS/TDMA/CDMA/MTX 17

CLFL101_TSI2	4971
CLFL101_TSI20	4971
CLFL101_TSI21	4971
CLFL101_TSI22	4972
CLFL101_TSI23	4972
CLFL101_TSI24	4972
CLFL101_TSI25	4973
CLFL101_TSI26	4973
CLFL101_TSI27	4973
CLFL101_TSI28	4974
CLFL101_TSI29	4974
CLFL101_TSI3	4974
CLFL101_TSI30	4975
CLFL101_TSI31	4975
CLFL101_TSI32	4975
CLFL101_TSI4	4976
CLFL101_TSI5	4976
CLFL101_TSI6	4976
CLFL101_TSI7	4977
CLFL101_TSI8	4977
CLFL101_TSI9	4977
CLFL102_MobileHOFail	4978
CLFL102_TSI1	4978
CLFL102_TSI10	4978
CLFL102_TSI11	4979
CLFL102_TSI12	4979
CLFL102_TSI13	4979
CLFL102_TSI14	4980
CLFL102_TSI15	4980
CLFL102_TSI16	4980
CLFL102_TSI17	4981
CLFL102_TSI18	4981
CLFL102_TSI19	4981
CLFL102_TSI2	4982
CLFL102_TSI20	4982
CLFL102_TSI21	4982
CLFL102_TSI22	4983
CLFL102_TSI23	4983
CLFL102_TSI24	4983
CLFL102_TSI25	4984
CLFL102_TSI26	4984
CLFL102_TSI27	4984
CLFL102_TSI28	4985
CLFL102_TSI29	4985
CLFL102_TSI3	4985
CLFL102_TSI30	4986
CLFL102_TSI31	4986
CLFL102_TSI32	4986
CLFL102_TSI4	4986
CLFL102_TSI5	4987
CLFL102_TSI6	4987

PERFORMANCE DATA REFERENCE
Prospect® 8.0 for Nortel AMPS/TDMA/CDMA/MTX 17

CLFL102_TSI7	4987
CLFL102_TSI8	4988
CLFL102_TSI9	4988
CLFL103_MobileStateIncor	4988
CLFL103_TSI1	4989
CLFL103_TSI10	4989
CLFL103_TSI11	4989
CLFL103_TSI12	4990
CLFL103_TSI13	4990
CLFL103_TSI14	4990
CLFL103_TSI15	4991
CLFL103_TSI16	4991
CLFL103_TSI17	4991
CLFL103_TSI18	4992
CLFL103_TSI19	4992
CLFL103_TSI2	4992
CLFL103_TSI20	4993
CLFL103_TSI21	4993
CLFL103_TSI22	4993
CLFL103_TSI23	4994
CLFL103_TSI24	4994
CLFL103_TSI25	4994
CLFL103_TSI26	4995
CLFL103_TSI27	4995
CLFL103_TSI28	4995
CLFL103_TSI29	4996
CLFL103_TSI3	4996
CLFL103_TSI30	4996
CLFL103_TSI31	4997
CLFL103_TSI32	4997
CLFL103_TSI4	4997
CLFL103_TSI5	4998
CLFL103_TSI6	4998
CLFL103_TSI7	4998
CLFL103_TSI8	4999
CLFL103_TSI9	4999
CLFL104_MobileFail	4999
CLFL104_TSI1	5000
CLFL104_TSI10	5000
CLFL104_TSI11	5000
CLFL104_TSI12	5001
CLFL104_TSI13	5001
CLFL104_TSI14	5001
CLFL104_TSI15	5002
CLFL104_TSI16	5002
CLFL104_TSI17	5002
CLFL104_TSI18	5003
CLFL104_TSI19	5003
CLFL104_TSI2	5003
CLFL104_TSI20	5004
CLFL104_TSI21	5004

Updated: 2009-06-03

PERFORMANCE DATA REFERENCE

Prospect® 8.0 for Nortel AMPS/TDMA/CDMA/MTX 17

CLFL104_TSI22	5004
CLFL104_TSI23	5005
CLFL104_TSI24	5005
CLFL104_TSI25	5005
CLFL104_TSI26	5006
CLFL104_TSI27	5006
CLFL104_TSI28	5006
CLFL104_TSI29	5007
CLFL104_TSI3	5007
CLFL104_TSI30	5007
CLFL104_TSI31	5008
CLFL104_TSI32	5008
CLFL104_TSI4	5008
CLFL104_TSI5	5009
CLFL104_TSI6	5009
CLFL104_TSI7	5009
CLFL104_TSI8	5010
CLFL104_TSI9	5010
CLFL105_MobileRelTimeout	5010
CLFL105_TSI1	5011
CLFL105_TSI10	5011
CLFL105_TSI11	5011
CLFL105_TSI12	5012
CLFL105_TSI13	5012
CLFL105_TSI14	5012
CLFL105_TSI15	5013
CLFL105_TSI16	5013
CLFL105_TSI17	5013
CLFL105_TSI18	5014
CLFL105_TSI19	5014
CLFL105_TSI2	5014
CLFL105_TSI20	5015
CLFL105_TSI21	5015
CLFL105_TSI22	5015
CLFL105_TSI23	5016
CLFL105_TSI24	5016
CLFL105_TSI25	5016
CLFL105_TSI26	5017
CLFL105_TSI27	5017
CLFL105_TSI28	5017
CLFL105_TSI29	5018
CLFL105_TSI3	5018
CLFL105_TSI30	5018
CLFL105_TSI31	5019
CLFL105_TSI32	5019
CLFL105_TSI4	5019
CLFL105_TSI5	5020
CLFL105_TSI6	5020
CLFL105_TSI7	5020
CLFL105_TSI8	5021
CLFL105_TSI9	5021

PERFORMANCE DATA REFERENCE
Prospect® 8.0 for Nortel AMPS/TDMA/CDMA/MTX 17

CONNECT	5021
DEFLDCA	5022
DELAY	5022
DREU	5022
DROP100_AuditDisable	5023
DROP100_AuditNotAck	5023
DROP100_AvgCILong	5023
DROP100_AvgCIShort	5023
DROP100_AvgCurCellPwr	5024
DROP100_AvgCurMobilePwr	5024
DROP100_AvgIdleChanRSSI	5024
DROP100_AvgMaxCellPwr	5025
DROP100_AvgMaxMobilePwr	5025
DROP100_AvgVchRSSICallDropLong	5025
DROP100_AvgVchRSSICallDrpShort	5026
DROP100_AvgVchRSSIValidSATLong	5026
DROP100_AvgVchRSSIValidSATShort	5026
DROP100_MobileSATLoss	5027
DROP100_MobileSATLossAN	5027
DROP100_MobileSATLossCD	5027
DROP100_MobileSATLossDF	5028
DROP100_MobileSATLossEF	5028
DROP100_RSSIIgnoreThres	5028
DROP100_XcvrFailDetectCfgSAT	5028
DROP200_AvgCurCellPwr	5029
DROP200_AvgCurMobilePwr	5029
DROP200_AvgFwdMAHOBERLong	5029
DROP200_AvgFwdMAHOBERShort	5030
DROP200_AvgMaxCellPwr	5030
DROP200_AvgMaxMobilePwr	5030
DROP200_AvgMobileMeaRSSI	5031
DROP200_AvgRevBERLong	5031
DROP200_AvgRevBERShort	5031
DROP200_DVCCBurstNotDetected	5032
DROP200_DVCCDSPConfigFail	5032
DROP200_DVCCNotReceived	5032
DROP200_DVCCSlotRateMism	5033
DROP200_DVCCSyncFail	5033
DROP200_MobileDVCCLoss	5033
DROP200_MobileDVCCLossAN	5034
DROP200_MobileDVCCLossCD	5034
DROP200_MobileDVCCLossDF	5034
DROP200_MobileDVCCLossEF	5034
GLARE	5035
GUARDQ	5035
INANS	5035
INCATOT	5036
INFAIL	5036
INTRU	5036
INVAUTH	5037
JITTER	5037

Updated: 2009-06-03

PERFORMANCE DATA REFERENCE
 Prospect® 8.0 for Nortel AMPS/TDMA/CDMA/MTX 17

MAXBU	5037
MBU	5038
MIDFAIL	5038
NATTMPT	5038
NCCT	5039
NCTFAIL	5039
NCTPASS	5039
NDEV	5039
NOANSWER	5040
NOECFES	5040
NOECSUP	5040
NOVFLATB	5041
NPBDRTF	5041
NPQUERY	5041
NPRESP	5042
NWCCT	5042
OUTANS	5042
OUTFAIL	5043
OUTMTCHF	5043
OUTTRU	5043
PKTLOSS	5044
PRERTEAB	5044
PREU	5044
QOSDROP	5045
QOSSENT	5045
SBU	5045
TANDEM	5046
TOTU	5046
TRKDIR	5046
TRU	5047
TRU2WIN	5047
YYDELAY	5047
YYJITER	5048
YYLOSS	5048
UAS Primitive Calculations	5048
GRAPHmultiLineSeparator	5048
NUMDAYS	5048
NUMHOURS	5049
UAS Peg Counts	5049
norUasAckfail	5049
norUasAudioSegmentFailed	5049
norUasAudioSegmentPlayed	5049
norUasCallControlMessageSendFailures	5050
norUasComperror	5050
norUasConfLackOfResourceRejections	5050
norUasConfPlays	5050
norUasConfTotal	5051
norUasConndeleted	5051
norUasEndpointsInUse	5051
norUasMgcpMessageRetransmissionFailures	5051
norUasMgcpMessageRetransmissions	5052

PERFORMANCE DATA REFERENCE
Prospect® 8.0 for Nortel AMPS/TDMA/CDMA/MTX 17

norUasNumberOfPlayRecordErrors	5052
norUasNumberOfPlayRecords	5052
norUasNumDupsForCompletedTransactions	5052
norUasNumDupsForOutstandingTransactions	5053
norUasProterror	5053
norUasProtocolMessageValidationErrors	5053
norUasProtocolSyntaxErrors	5053
norUasRestart	5054
norUasTimeout	5054
norUasUdpReceiveErrors	5054
norUasUdpSendErrors	5054
UAS_Resource Primitive Calculations	5055
GRAPHmultiLineSeparator	5055
NUMDAYS	5055
NUMHOURS	5055
UAS_Resource Peg Counts	5055
norUasRequestCount	5055
norUasRequestsFailed	5055
XIU Primitive Calculations	5056
GRAPHmultiLineSeparator	5056
NUMDAYS	5056
NUMHOURS	5056
SUCCXLFR	5056
XLIUCALLP	5056
XIU Peg Counts	5056
MDLPFDR	5057
MDLPFWD	5057
MDLPRDR	5057
MDLPREV	5058
MDLPRTRY	5058
REQCLXFR	5058
RIXCLXFR	5058
SNDCPFDR	5059
SNDCPFWD	5059
SNDCPRDR	5059
SNDCPREV	5060
SNDIPFDR	5060
SUCCLXFR	5060
XAMFRPKT	5061
XCHCAPFL	5061
XCPUOVR	5061
XHOLDFUL	5062
XIUCALLP	5062
XLIBREQT	5062
XMEMOVR	5063
XPITCHMD	5063
XSRFWDPR	5063
XSRFWTOT	5063
XSRRVDRP	5064
XSRRVTOT	5064

Updated: 2009-06-03

PERFORMANCE DATA REFERENCE
Prospect® 8.0 for Nortel AMPS/TDMA/CDMA/MTX 17

XSRTBLUP	5064
Index	5067

1 About This Documentation

The *Performance Data Reference* provides a reference of performance data and fields to use in Prospect® software to create reports. This guide is customized to support Prospect 8.0 (Release 8.0.6) for Nortel AMPS/TDMA/CDMA/MTX 17 (ReleasePoint 16.4).

Furthermore, this guide contains information to support the following technologies:

This guide was last updated on 03 June 2009.

Please see the current release notes on this product for a list of revision dates for all Prospect publications.

Audience

This guide is intended for technicians and engineers who use the Prospect software to manage and analyze the performance of a telecommunication network.

Required Skills and Knowledge

This guide is intended for users who have knowledge and skills in the following:

- Basics of Windows
- Features and functions of Microsoft Excel
- High school level mathematics
- Basic statistics
- The network from which Prospect software receives data

Document Conventions

This document uses the typographical conventions shown in the following table:

Table 1: General Document Conventions

<i>Format</i>	<i>Examples</i>	<i>Description</i>
ALL UPPERCASE	<ul style="list-style-type: none"> • GPS • NULL • MYWEBSERVER 	Acronyms, device names, logical operators, registry keys, and some data structures.
<u>Underscore</u>	See Document Conventions	For links within a document or to the Internet. Note that TOC and index links are not underscored. Color of text is determined by browser settings.
Bold	<ul style="list-style-type: none"> • Note: The busy hour determiner is... 	Heading text for Notes, Tips, and Warnings.
SMALL CAPS	<ul style="list-style-type: none"> • The STORED SQL dialog box... • ...click VIEW... • In the main GUI window, select the FILE menu, point to NEW, and then select TRAFFIC TEMPLATE. 	Any text that appears on the GUI.
<i>Italic</i>	<ul style="list-style-type: none"> • A <i>busy hour</i> is... • A web server <i>must</i> be installed... • See the <i>User Guide</i> 	New terms, emphasis, and book titles.
Monospace	<ul style="list-style-type: none"> • <code>./wminstall</code> • <code>\$ cd /cdrom/cdrom0</code> • <code>/xml/dict</code> • <code>http://java.sun.com/products/</code> • <code>addmsc.sh</code> • <code>core.spec</code> • Type OK to continue. 	Code text, command line text, paths, scripts, and file names. Text written in the body of a paragraph that the user is expected to enter.
Monospace Bold	<pre>[root] # pkginfo grep -i perl system Perl5 On-Line Manual Pages system Perl 5.6.1 (POD Documenta- tion) system Perl 5.6.1</pre>	For contrast in a code example to show lines the user is expected to enter.
<Mono-space italics>	<code># cd <oracle_setup></code>	Used in code examples: command-line variables that you replace with a real name or value. These are always marked with arrow brackets.
[square bracket]	<code>log-archiver.sh [-i] [-w] [-t]</code>	Used in code examples: indicates options.

User Publications

Prospect software provides the following user publications in HTML or Adobe Portable Document Format (PDF) formats.

Table 2: Prospect User Documentation

<i>Document</i>	<i>Description</i>
<i>Administration Guide</i>	Helps an administrator configure and support Prospect core server software to analyze network performance and perform other network or database management tasks.
<i>Administrator's Quick Reference Card</i>	Presents the principal tasks of a Prospect core server administrator in an easy-to-use format.
<i>Expressions Technical Reference</i>	Provides detailed information about expressions used in special calculations for reports.
<i>Installation Guide</i>	Instructions for installing and configuring the Prospect software.
<i>Open Interface API Guide</i>	Describes how the Open Interface tool enhances your access to information about database peg counts and scenarios.
<i>Performance Data Reference</i>	Provides detailed information including entity hierarchies, peg counts, primitive calculations, and forecast expressions specific to your organization.
<i>Release Notes</i>	Provides technology-specific and late-breaking information about a given Prospect release and important details about installation and operation.
<i>Server Preparation Guide</i>	Provides instructions for installing and setting up Solaris and Oracle software before you install Prospect software.
<i>Server Sizing Tool Guide</i>	Helps an administrator use the sizing tool to calculate the system space needed for the Prospect software and database.
<i>User Guide</i>	Provides conceptual information and procedures for using Prospect software for performance and trending analysis.

Viewing the Desktop Client Help Publications

To view the desktop client Help publications, select a guide from the HELP menu of the Prospect graphical user interface or press F1 for context-sensitive Help. To update the Help files, click the HELP menu on the Prospect Explorer, and select UPDATE ALL HELP FILES.

When Help files are updated, they are downloaded automatically from the Prospect server to the Prospect client. A message box notifies you when this download occurs.

Viewing the Publications in PDF

All of the user publications are available in Adobe Portable Document Format (PDF). To open a PDF, you need the Adobe Acrobat Reader. You can download Adobe Acrobat Reader free of charge from the Adobe Web site. For more details about the Acrobat Reader, see the Adobe Web site <http://www.adobe.com/>.

Training and Technical Support

Both training and technical support are available for Prospect software. For technical support, contact us at prospect@us.ibm.com. For training, contact us at training@vallent.com.

For more information on product training courses, contact your delivery management team at:

- Americas: tivamedu@us.ibm.com
- Asia Pacific: tivtrainingap@au1.ibm.com
- EMEA: tived@uk.ibm.com

2 Introduction

This reference contains detailed technical information about Prospect®. The information included in this document includes the following:

- Entity descriptions and reporting hierarchy
- System-defined fields
- Reference of possible Prospect Expressions in primitive calculations

This reference lists most fields that you can include in reports. The fields listed in this reference are system-defined fields and do not reflect the complete list of available fields. Additional fields, such as User-Defined Calculations (UDCs) or External fields, may also be available.

The following table describes the field types in this reference.

Table 1: Field Types

<i>Field Type</i>	<i>Description</i>
Data availability	Data availability fields are automatically created for each data file type that is loaded.
Peg count	A performance metric gathered from the wireless network.
Primitive calculation	A performance metric whose value is determined by a set calculation. Some primitive calculations use Prospect expressions. For more information on Prospect expressions, see the <i>Expressions Technical Reference</i> .
Roll-up field	Roll-up fields provide aggregated information about a field defined at a child entity level.

3 Traffic Entities

The following figure shows the Prospect reporting hierarchy for Traffic entities.

Figure 1: Reporting Hierarchy

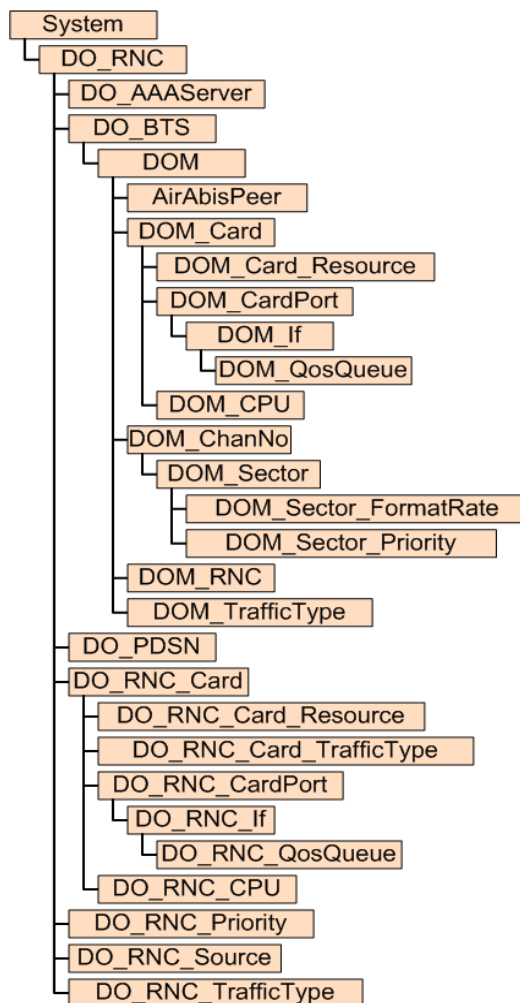


Figure 2: Reporting Hierarchy

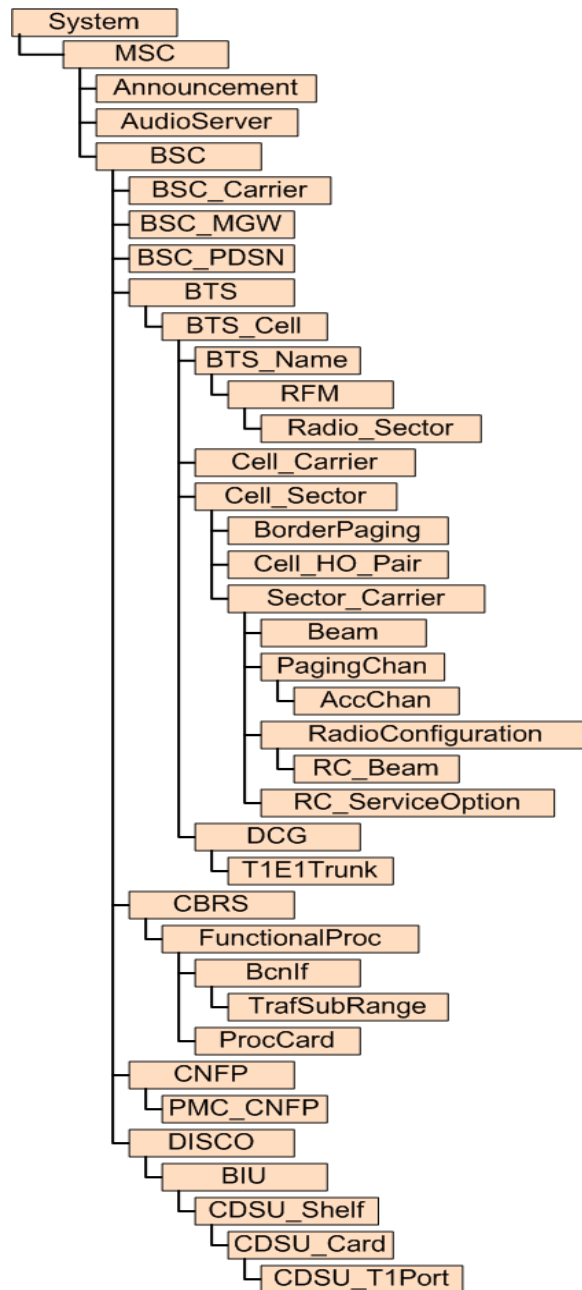


Figure 3: Reporting Hierarchy

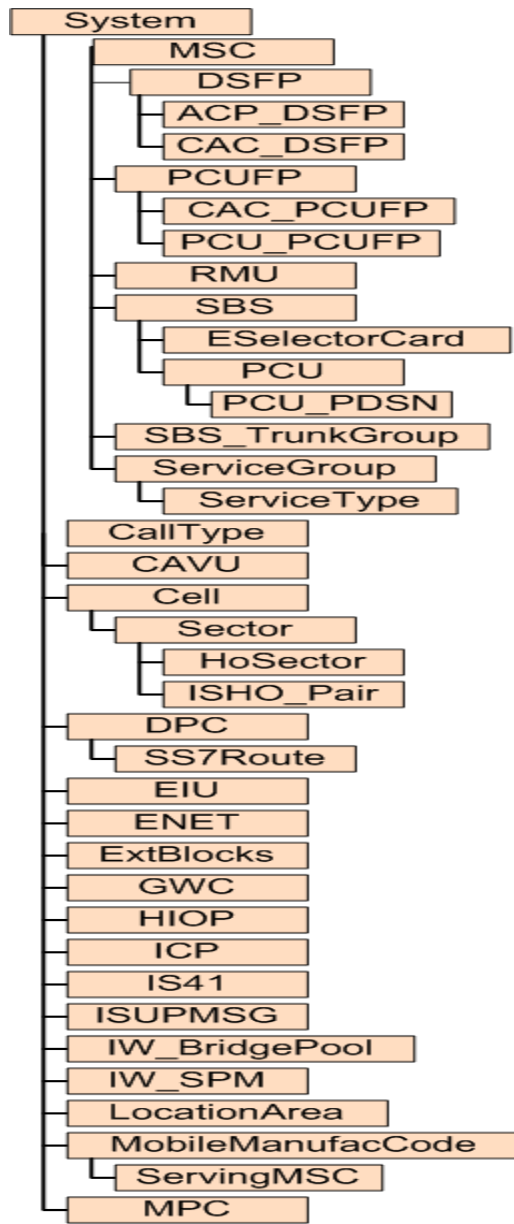


Figure 4: Reporting Hierarchy

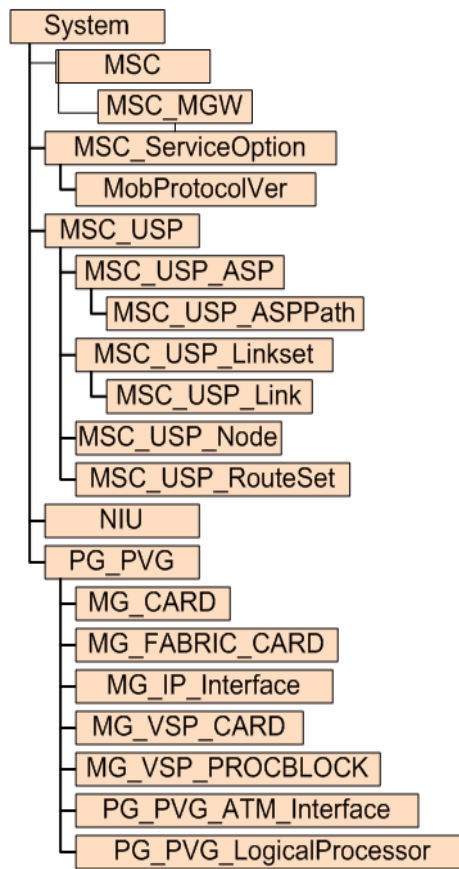
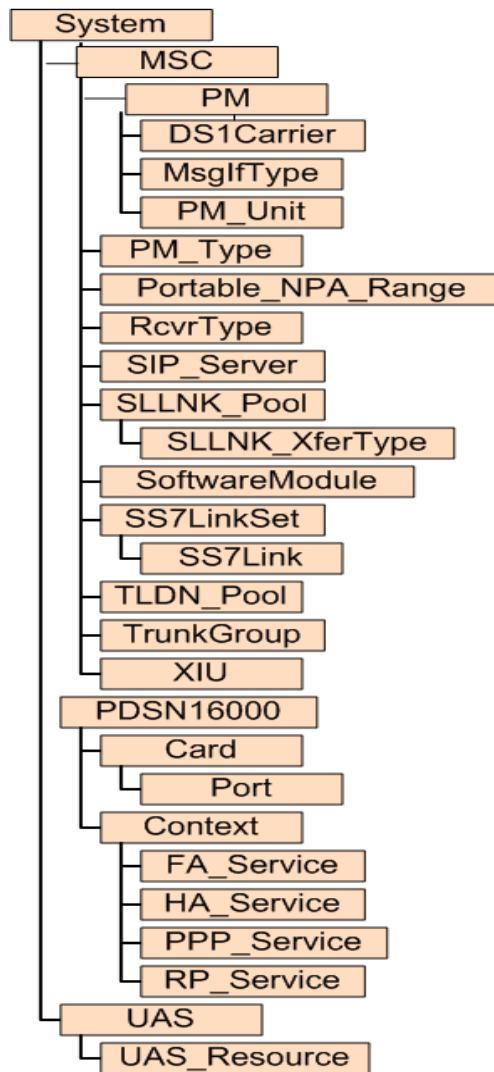


Figure 5: Reporting Hierarchy



4 Traffic Fields

The following is a list of available Traffic performance data fields.

AccChan Primitive Calculations

The following is a list of primitive calculations for the AccChan entity.

GRAPHmultiLineSeparator

Special Control Field for Multi-Line Graphs

Calculation

""

NUMDAYS

of days in Report

Calculation

DAYSINREPORT ()

NUMHOURS

of hours in Summation Data

Calculation

AccChan Peg Counts

The following is a list of peg counts for the AccChan entity.

AccChanID

Access Channel ID

Data Source

NBSS BTS MO

Source Field

AccChanID (Seq# 142[3])

Source Section

Advanced Sector MO

AccChanLowerBoundOfAvgOccupancy

The lower bound of the average occupancy for the access channel

Data Source

NBSS BTS MO

Source Field

AccChanLowerBoundOfAvgOccupancy (Seq# 142[6])

Source Section

Advanced Sector MO

AccChanPeakDuration

The number of seconds indicating how long the access channel was operating within the peak occupancy range

Data Source

NBSS BTS MO

Source Field

AccChanPeakDuration (Seq# 142[5])

Source Section

Advanced Sector MO

AccChanPeakOccupancy

The lower bound of the peak occupancy range for the access channel

Data Source

NBSS BTS MO

Source Field

AccChanPeakOccupancy (Seq# 142[4])

Source Section

Advanced Sector MO

AccChanRange0to4

The number of seconds that the access channel was operating within the occupancy range of 0% to 4%

Data Source

NBSS BTS MO

Source Field

AccChanRange0to4 (Seq# 142[8])

Source Section

Advanced Sector MO

AccChanRange10to14

The number of seconds that the access channel was operating within the occupancy range of 10% to 14%

Data Source

NBSS BTS MO

Source Field

AccChanRange10to14 (Seq# 142[10])

Source Section

Advanced Sector MO

AccChanRange15to19

The number of seconds that the access channel was operating within the occupancy range of 15% to 19%

Data Source

NBSS BTS MO

Source Field

AccChanRange15to19 (Seq# 142[11])

Source Section

Advanced Sector MO

AccChanRange20to24

The number of seconds that the access channel was operating within the occupancy range of 20% to 24%

Data Source

NBSS BTS MO

Source Field

AccChanRange20to24 (Seq# 142[12])

Source Section

Advanced Sector MO

AccChanRange25to29

The number of seconds that the access channel was operating within the occupancy range of 25% to 29%

Data Source

NBSS BTS MO

Source Field

AccChanRange25to29 (Seq# 142[13])

Source Section

Advanced Sector MO

AccChanRange30to34

The number of seconds that the access channel was operating within the occupancy range of 30% to 34%

Data Source

NBSS BTS MO

Source Field

AccChanRange30to34 (Seq# 142[14])

Source Section

Advanced Sector MO

AccChanRange35to39

The number of seconds that the access channel was operating within the occupancy range of 35% to 39%

Data Source

NBSS BTS MO

Source Field

AccChanRange35to39 (Seq# 142[15])

Source Section

Advanced Sector MO

AccChanRange40to44

The number of seconds that the access channel was operating within the occupancy range of 40% to 44%

Data Source

NBSS BTS MO

Source Field

AccChanRange40to44 (Seq# 142[16])

Source Section

Advanced Sector MO

AccChanRange45to49

The number of seconds that the access channel was operating within the occupancy range of 45% to 49%

Data Source

NBSS BTS MO

Source Field

AccChanRange45to49 (Seq# 142[17])

Source Section

Advanced Sector MO

AccChanRange50to54

The number of seconds that the access channel was operating within the occupancy range of 50% to 54%

Data Source

NBSS BTS MO

Source Field

AccChanRange50to54 (Seq# 142[18])

Source Section

Advanced Sector MO

AccChanRange55to59

The number of seconds that the access channel was operating within the occupancy range of 55% to 59%

Data Source

NBSS BTS MO

Source Field

AccChanRange55to59 (Seq# 142[19])

Source Section

Advanced Sector MO

AccChanRange5to9

The number of seconds that the access channel was operating within the occupancy range of 5% to 9%

Data Source

NBSS BTS MO

Source Field

AccChanRange5to9 (Seq# 142[9])

Source Section

Advanced Sector MO

AccChanRange60to64

The number of seconds that the access channel was operating within the occupancy range of 60% to 64%

Data Source

NBSS BTS MO

Source Field

AccChanRange60to64 (Seq# 142[20])

Source Section

Advanced Sector MO

AccChanRange65to69

The number of seconds that the access channel was operating within the occupancy range of 65% to 69%

Data Source

NBSS BTS MO

Source Field

AccChanRange65to69 (Seq# 142[21])

Source Section

Advanced Sector MO

AccChanRange70to74

The number of seconds that the access channel was operating within the occupancy range of 70% to 74%

Data Source

NBSS BTS MO

Source Field

AccChanRange70to74 (Seq# 142[22])

Source Section

Advanced Sector MO

AccChanRange75to79

The number of seconds that the access channel was operating within the occupancy range of 75% to 79%

Data Source

NBSS BTS MO

Source Field

AccChanRange75to79 (Seq# 142[23])

Source Section

Advanced Sector MO

AccChanRange80to84

The number of seconds that the access channel was operating within the occupancy range of 80% to 84%

Data Source

NBSS BTS MO

Source Field

AccChanRange80to84 (Seq# 142[24])

Source Section

Advanced Sector MO

AccChanRange85to89

The number of seconds that the access channel was operating within the occupancy range of 85% to 89%

Data Source

NBSS BTS MO

Source Field

AccChanRange85to89 (Seq# 142[25])

Source Section

Advanced Sector MO

AccChanRange90to94

The number of seconds that the access channel was operating within the occupancy range of 90% to 94%

Data Source

NBSS BTS MO

Source Field

AccChanRange90to94 (Seq# 142[26])

Source Section

Advanced Sector MO

AccChanRange95to99

The number of seconds that the access channel was operating within the occupancy range of 95% to 99%

Data Source

NBSS BTS MO

Source Field

AccChanRange95to99 (Seq# 142[27])

Source Section

Advanced Sector MO

AccChanRingID

Access Channel Ring ID

Data Source

NBSS BTS MO

Source Field

AccChanRingID (Seq# 142[2])

Source Section

Advanced Sector MO

AccChanTimeInOverload

The period of time (in seconds) that the access channel was in an overload condition

Data Source

NBSS BTS MO

Source Field

AccChanTimeInOverload (Seq# 157[3])

Source Section

Advanced Sector MO

AccChanUpperBoundOfAvgOccupancy

The upper bound of the average occupancy for the access channel

Data Source

NBSS BTS MO

Source Field

AccChanUpperBoundOfAvgOccupancy (Seq# 142[7])

Source Section

Advanced Sector MO

AUCRMReceived

Number of Authentication Challenge Response messages received.

Data Source

NBSS BTS MO

Source Field

ACHMessagesReceived (Seq# 300[9])

Source Section

Advanced Sector MO

BadCRCMsgReceived

Number of messages received that fail the CRC check.

Data Source

NBSS BTS MO

Source Field

ACHMessagesReceived (Seq# 300[12])

Source Section

Advanced Sector MO

DBMReceived

Number of Data Burst messages received.

Data Source

NBSS BTS MO

Source Field

ACHMessagesReceived (Seq# 300[8])

Source Section

Advanced Sector MO

ESTRPMReceived

Number of Extended Status Response messages received.

Data Source

NBSS BTS MO

Source Field

ACHMessagesReceived (Seq# 300[11])

Source Section

Advanced Sector MO

InvalidMsgReceived

Number of messages received that are not supported by the Nortel system or have parameters with values outside their allowed range as defined in the standards. These messages are discarded by the BTS.

Data Source

NBSS BTS MO

Source Field

ACHMessagesReceived (Seq# 300[13])

Source Section

Advanced Sector MO

MSACKORDMReceived

Number of Mobile Station Acknowledgement Order messages received.

Data Source

NBSS BTS MO

Source Field

ACHMessagesReceived (Seq# 300[6])

Source Section

Advanced Sector MO

ORMReceived

Number of Origination messages received.

Data Source

NBSS BTS MO

Source Field

ACHMessagesReceived (Seq# 300[4])

Source Section

Advanced Sector MO

OtherORDMReceived

Number of Order messages (other than Mobile Station Acknowledgement Order messages) received.

Data Source

NBSS BTS MO

Source Field

ACHMessagesReceived (Seq# 300[7])

Source Section

Advanced Sector MO

PRMReceived

Number of Page Response messages received.

Data Source

NBSS BTS MO

Source Field

ACHMessagesReceived (Seq# 300[5])

Source Section

Advanced Sector MO

RGMRceived

Number of Registration messages received.

Data Source

NBSS BTS MO

Source Field

ACHMessagesReceived (Seq# 300[3])

Source Section

Advanced Sector MO

STRPMReceived

Number of Status Response messages received.

Data Source

NBSS BTS MO

Source Field

ACHMessagesReceived (Seq# 300[10])

Source Section

Advanced Sector MO

UnsupportedMsgReceived

Number of messages received that are not supported by the BTS due to configuration reasons. These messages are discarded by the BTS.

Data Source

NBSS BTS MO

Source Field

ACHMessagesReceived (Seq# 300[14])

Source Section

Advanced Sector MO

ACP_DSFP Primitive Calculations

The following is a list of primitive calculations for the ACP_DSFP entity.

CPU_Usage_30to40%_CSVS

The percentage of time that the CPU usage is greater than 30% and less than or equal to 40%.

Calculation

$$\text{CPU_UsageIndex_2_CSVS} * 100.0 / \text{CPU_UsageIndex_Total_CSVS}$$

CPU_Usage_40to50%_CSVS

The percentage of time that the CPU usage is greater than 40% and less than or equal to 50%.

Calculation

$$\text{CPU_UsageIndex_3_CSVS} * 100.0 / \text{CPU_UsageIndex_Total_CSVS}$$

CPU_Usage_50to60%_CSVS

The percentage of time that the CPU usage is greater than 50% and less than or equal to 60%.

Calculation

$$\text{CPU_UsageIndex_4_CSVS} * 100.0 / \text{CPU_UsageIndex_Total_CSVS}$$

CPU_Usage_60to70%_CSVS

The percentage of time that the CPU usage is greater than 60% and less than or equal to 70%.

Calculation

$$\text{CPU_UsageIndex_5_CSVS} * 100.0 / \text{CPU_UsageIndex_Total_CSVS}$$

CPU_Usage_70to80%_CSVS

The percentage of time that the CPU usage is greater than 70% and less than or equal to 80%.

Calculation

$$\text{CPU_UsageIndex_6_CSVS} * 100.0 / \text{CPU_UsageIndex_Total_CSVS}$$

CPU_Usage_GT80%_CSVS

The percentage of time that the CPU usage is greater than 80%.

Calculation

$$\text{CPU_UsageIndex_7_CSVS} * 100.0 / \text{CPU_UsageIndex_Total_CSVS}$$

CPU_Usage_LTE30%_CSVS

The percentage of time that the CPU usage is less than or equal to 30%.

Calculation

$$\text{CPU_UsageIndex_1_CSVS} * 100.0 / \text{CPU_UsageIndex_Total_CSVS}$$

CPU_Usage_Overload%_CSVS

The percentage of time that the CPU usage has exceeded a pre-defined CPU threshold (the 'cpuOverloadThreshold' attribute).

Calculation

$$\text{CPU_UsageExceededThreshold_CSVS} * 100.0 / \text{CPU_UsageIndex_Total_CSVS}$$

CPU_UsageIndex_Total_CSVS

The sum of the CPU Usage indices.

Calculation

```
vsum(CPU_UsageIndex_1_CSVS, CPU_UsageIndex_2_CSVS, CPU_UsageIndex_3_CSVS,  
CPU_UsageIndex_4_CSVS, CPU_UsageIndex_5_CSVS, CPU_UsageIndex_6_CSVS,  
CPU_UsageIndex_7_CSVS, 0)
```

GRAPHmultiLineSeparator

Special Control Field for Multi-Line Graphs

Calculation

""

NUMDAYS

of days in Report

Calculation

```
DAYSINREPORT()
```

NUMHOURS

of hours in Summation Data

Calculation

ACP_DSFP Peg Counts

The following is a list of peg counts for the ACP_DSFP entity.

BearerUpdateAttempts

This OM is pegged when ACP receives Service Change Command from MTX.

Data Source

CSVS

Source Field

BearerUpdateAttempts (Seq# 1)

Source Section

Bearer Update (Group ID 82)

BearerUpdateInternalFailures

This OM is pegged when ACP encounters any internal failures, such as Service Connect IS95 message could not be created, or packed, or sent successfully.

Data Source

CSVs

Source Field

BearerUpdateInternalFailures (Seq# 4)

Source Section

Bearer Update (Group ID 82)

BearerUpdateSuccesses

This OM is pegged when ACP receives the bearer path update acknowledgement from the mobile which indicates the success of the bearer path update.

Data Source

CSVs

Source Field

BearerUpdateSuccesses (Seq# 2)

Source Section

Bearer Update (Group ID 82)

BearerUpdateTimeouts

This OM is pegged when ACP times out on the bearer path update acknowledgement from the mobile.

Data Source

CSVs

Source Field

BearerUpdateTimeouts (Seq# 3)

Source Section

Bearer Update (Group ID 82)

CPU_UsageExceededThreshold

The number of times the CPU Usage has exceeded a pre-defined CPU threshold for a certain monitoring timeperiod.

Data Source

CPDS

Source Field

CPU_UsageExceededThreshold (Seq# 8)

Source Section

CPU Usage (Group ID 19)

CPU_UsageExceededThreshold_CSVS

The number of times the CPU Usage has exceeded a pre-defined CPU threshold (the 'cpuOverloadThreshold' attribute) for a certain monitoring time-period.

Data Source

CSVS

Source Field

CPU_UsageExceededThreshold (Seq# 8)

Source Section

CPU Usage (Group ID 19)

CPU_UsageIndex_1

The number of times the CPU Usage in a monitoring period is less than 30%

Data Source

CPDS

Source Field

CPU_UsageIndex_1 (Seq# 1)

Source Section

CPU Usage (Group ID 19)

CPU_UsageIndex_1_CSVS

The number of times the CPU Usage in a monitoring period is less than or equal to 30%. The CPU Usage is examined every 4 seconds.

Data Source

CSVS

Source Field

CPU_UsageIndex_1 (Seq# 1)

Source Section

CPU Usage (Group ID 19)

CPU_UsageIndex_2

The number of times the CPU Usage in a monitoring period is greater than 30% and less than equal to 40%.

Data Source

CPDS

Source Field

CPU_UsageIndex_2 (Seq# 2)

Source Section

CPU Usage (Group ID 19)

CPU_UsageIndex_2_CSVS

The number of times the CPU Usage in a monitoring period is greater than 30% and less than or equal to 40%. The CPU Usage is examined every 4 seconds.

Data Source

CSVS

Source Field

CPU_UsageIndex_2 (Seq# 2)

Source Section

CPU Usage (Group ID 19)

CPU_UsageIndex_3

The number of times the CPU Usage in a monitoring period is greater than 40% and less than equal to 50%.

Data Source

CPDS

Source Field

CPU_UsageIndex_3 (Seq# 3)

Source Section

CPU Usage (Group ID 19)

CPU_UsageIndex_3_CSVS

The number of times the CPU Usage in a monitoring period is greater than 40% and less than or equal to 50%. The CPU Usage is examined every 4 seconds.

Data Source

CSVS

Source Field

CPU_UsageIndex_3 (Seq# 3)

Source Section

CPU Usage (Group ID 19)

CPU_UsageIndex_4

The number of times the CPU Usage in a monitoring period is greater than 50% and less than equal to 60%.

Data Source

CPDS

Source Field

CPU_UsageIndex_4 (Seq# 4)

Source Section

CPU Usage (Group ID 19)

CPU_UsageIndex_4_CSVS

The number of times the CPU Usage in a monitoring period is greater than 50% and less than or equal to 60%. The CPU Usage is examined every 4 seconds.

Data Source

CSVS

Source Field

CPU_UsageIndex_4 (Seq# 4)

Source Section

CPU Usage (Group ID 19)

CPU_UsageIndex_5

The number of times the CPU Usage in a monitoring period is greater than 60% and less than equal to 70%.

Data Source

CPDS

Source Field

CPU_UsageIndex_5 (Seq# 5)

Source Section

CPU Usage (Group ID 19)

CPU_UsageIndex_5_CSVS

The number of times the CPU Usage in a monitoring period is greater than 60% and less than or equal to 70%. The CPU Usage is examined every 4 seconds.

Data Source

CSVS

Source Field

CPU_UsageIndex_5 (Seq# 5)

Source Section

CPU Usage (Group ID 19)

CPU_UsageIndex_6

The number of times the CPU Usage in a monitoring period is greater than 70% and less than equal to 80%.

Data Source

CPDS

Source Field

CPU_UsageIndex_6 (Seq# 6)

Source Section

CPU Usage (Group ID 19)

CPU_UsageIndex_6_CSVS

The number of times the CPU Usage in a monitoring period is greater than 70% and less than or equal to 80%. The CPU Usage is examined every 4 seconds.

Data Source

CSVS

Source Field

CPU_UsageIndex_6 (Seq# 6)

Source Section

CPU Usage (Group ID 19)

CPU_UsageIndex_7

The number of times the CPU Usage in a monitoring period is greater than 80%

Data Source

CPDS

Source Field

CPU_UsageIndex_7 (Seq# 7)

Source Section

CPU Usage (Group ID 19)

CPU_UsageIndex_7_CSVS

The number of times the CPU Usage in a monitoring period is greater than 80%. The CPU Usage is examined every 4 seconds.

Data Source

CSVS

Source Field

CPU_UsageIndex_7 (Seq# 7)

Source Section

CPU Usage (Group ID 19)

ESL_CongestedSignalingConnectionFailure_CSVS

Number of congested ESL signaling connection failures.

Data Source

CSVS

Source Field

ESL_CongestedSignalingConnectionFailure (Seq# 12)

Source Section

BCN Enhanced Socket Layer (Group ID 26)

ESL_CongestedSignalingConnFailure

Number of congested ESL signaling connection failures.

Data Source

CPDS

Source Field

ESL_CongestedSignalingConnectionFailure (Seq# 12)

Source Section

BCN Enhanced Socket Layer (Group ID 26)

ESL_CongestedSignalingRelAckWaitTO

Number of times the socket timed out waiting for an Ack to a reliable congested ESL signaling message.

Data Source

CPDS

Source Field

ESL_CongestedSignalingReliableAckWaitTimeout (Seq# 15)

Source Section

BCN Enhanced Socket Layer (Group ID 26)

ESL_CongestedSignalingReliableAckWaitTimeout_CSVS

Number of times the socket timed out waiting for an Ack to a reliable congested ESL signaling message.

Data Source

CSVS

Source Field

ESL_CongestedSignalingReliableAckWaitTimeout (Seq# 15)

Source Section

BCN Enhanced Socket Layer (Group ID 26)

ESL_CongestedSignalingReliableRxMsg

Number of reliable ESL congested signaling messages received.

Data Source

CPDS

Source Field

ESL_CongestedSignalingReliableRxMsg (Seq# 11)

Source Section

BCN Enhanced Socket Layer (Group ID 26)

ESL_CongestedSignalingReliableRxMsg_CSVS

Number of reliable ESL congested signaling messages received.

Data Source

CSVS

Source Field

ESL_CongestedSignalingReliableRxMsg (Seq# 11)

Source Section

BCN Enhanced Socket Layer (Group ID 26)

ESL_CongestedSignalingReliableTxMsg

Number of reliable ESL congested signaling messages sent.

Data Source

CPDS

Source Field

ESL_CongestedSignalingReliableTxMsg (Seq# 10)

Source Section

BCN Enhanced Socket Layer (Group ID 26)

ESL_CongestedSignalingReliableTxMsg_CSVS

Number of reliable ESL congested signaling messages sent.

Data Source

CSVS

Source Field

ESL_CongestedSignalingReliableTxMsg (Seq# 10)

Source Section

BCN Enhanced Socket Layer (Group ID 26)

ESL_CongestedSignalingTxMsgFailure

Number of congested ESL signaling messages unsuccessfully sent.

Data Source

CPDS

Source Field

ESL_CongestedSignalingTxMsgFailure (Seq# 14)

Source Section

BCN Enhanced Socket Layer (Group ID 26)

ESL_CongestedSignalingTxMsgFailure_CSVS

Number of congested ESL signaling messages unsuccessfully sent.

Data Source

CSVS

Source Field

ESL_CongestedSignalingTxMsgFailure (Seq# 14)

Source Section

BCN Enhanced Socket Layer (Group ID 26)

ESL_CongestedSignalingUnknDestMsg

Number of congested ESL signaling messages received without a socket registered for it.

Data Source

CPDS

Source Field

ESL_CongestedSignalingUnknownDestinationMsg (Seq# 13)

Source Section

BCN Enhanced Socket Layer (Group ID 26)

ESL_CongestedSignalingUnknownDestinationMsg_CSVS

Number of congested ESL signaling messages received without a socket registered for it.

Data Source

CSVS

Source Field

ESL_CongestedSignalingUnknownDestinationMsg (Seq# 13)

Source Section

BCN Enhanced Socket Layer (Group ID 26)

ESL_InvalidMsgRx

Number of invalid ESL messages received.

Data Source

CPDS

Source Field

ESL_InvalidMsgRx (Seq# 19)

Source Section

BCN Enhanced Socket Layer (Group ID 26)

ESL_InvalidMsgRx_CSVS

Number of invalid ESL messages received.

Data Source

CSVS

Source Field

ESL_InvalidMsgRx (Seq# 19)

Source Section

BCN Enhanced Socket Layer (Group ID 26)

ESL_NodeInitRxMsg

Number of ESL Node Init messages received.

Data Source

CPDS

Source Field

ESL_NodeInitRxMsg (Seq# 17)

Source Section

BCN Enhanced Socket Layer (Group ID 26)

ESL_NodeInitRxMsg_CSVS

Number of ESL Node Init messages received.

Data Source

CSVS

Source Field

ESL_NodeInitRxMsg (Seq# 17)

Source Section

BCN Enhanced Socket Layer (Group ID 26)

ESL_NodeInitTxMsg

Number of ESL Node Init messages sent.

Data Source

CPDS

Source Field

ESL_NodeInitTxMsg (Seq# 16)

Source Section

BCN Enhanced Socket Layer (Group ID 26)

ESL_NodeInitTxMsg_CSVS

Number of ESL Node Init messages sent.

Data Source

CSVS

Source Field

ESL_NodeInitTxMsg (Seq# 16)

Source Section

BCN Enhanced Socket Layer (Group ID 26)

ESL_NodeInitTxMsgFailure

Number of ESL Node Init messages unsuccessfully sent.

Data Source

CPDS

Source Field

ESL_NodeInitTxMsgFailure (Seq# 18)

Source Section

BCN Enhanced Socket Layer (Group ID 26)

ESL_NodeInitTxMsgFailure_CSVS

Number of ESL Node Init messages unsuccessfully sent.

Data Source

CSVS

Source Field

ESL_NodeInitTxMsgFailure (Seq# 18)

Source Section

BCN Enhanced Socket Layer (Group ID 26)

ESL_SignalingConnectionFailure

Number of connection failures for ESL signaling messages.

Data Source

CPDS

Source Field

ESL_SignalingConnectionFailure (Seq# 5)

Source Section

BCN Enhanced Socket Layer (Group ID 26)

ESL_SignalingConnectionFailure_CSVS

Number of connection failures for ESL signaling messages.

Data Source

CSVS

Source Field

ESL_SignalingConnectionFailure (Seq# 5)

Source Section

BCN Enhanced Socket Layer (Group ID 26)

ESL_SignalingReliableAckWaitTimeout

Number of times the socket timed out waiting for an Ack to a reliable ESL signaling message.

Data Source

CPDS

Source Field

ESL_SignalingReliableAckWaitTimeout (Seq# 9)

Source Section

BCN Enhanced Socket Layer (Group ID 26)

ESL_SignalingReliableAckWaitTimeout_CSVS

Number of times the socket timed out waiting for an Ack to a reliable ESL signaling message.

Data Source

CSVS

Source Field

ESL_SignalingReliableAckWaitTimeout (Seq# 9)

Source Section

BCN Enhanced Socket Layer (Group ID 26)

ESL_SignalingReliableRxMsg

Number of reliable ESL signaling messages received.

Data Source

CPDS

Source Field

ESL_SignalingReliableRxMsg (Seq# 2)

Source Section

BCN Enhanced Socket Layer (Group ID 26)

ESL_SignalingReliableRxMsg_CSVS

Number of reliable ESL signaling messages received.

Data Source

CSVS

Source Field

ESL_SignalingReliableRxMsg (Seq# 2)

Source Section

BCN Enhanced Socket Layer (Group ID 26)

ESL_SignalingReliableTxMsg

Number of reliable ESL signaling messages sent.

Data Source

CPDS

Source Field

ESL_SignalingReliableTxMsg (Seq# 1)

Source Section

BCN Enhanced Socket Layer (Group ID 26)

ESL_SignalingReliableTxMsg_CSVS

Number of reliable ESL signaling messages sent.

Data Source

CSVS

Source Field

ESL_SignalingReliableTxMsg (Seq# 1)

Source Section

BCN Enhanced Socket Layer (Group ID 26)

ESL_SignalingReliableTxMsgFailure

Number off ESL signaling messages successfully sent.

Data Source

CPDS

Source Field

ESL_SignalingReliableTxMsgFailure (Seq# 7)

Source Section

BCN Enhanced Socket Layer (Group ID 26)

ESL_SignalingReliableTxMsgFailure_CSVS

Number off ESL signaling messages unsuccessfully sent by reliable messaging

Data Source

CSVS

Source Field

ESL_SignalingReliableTxMsgFailure (Seq# 7)

Source Section

BCN Enhanced Socket Layer (Group ID 26)

ESL_SignalingUnknownDestinationMsg

Number of ESL signaling messages received without a socket registered for it.

Data Source

CPDS

Source Field

ESL_SignalingUnknownDestinationMsg (Seq# 6)

Source Section

BCN Enhanced Socket Layer (Group ID 26)

ESL_SignalingUnknownDestinationMsg_CSVS

Number of ESL signaling messages received without a socket registered for it.

Data Source

CSVS

Source Field

ESL_SignalingUnknownDestinationMsg (Seq# 6)

Source Section

BCN Enhanced Socket Layer (Group ID 26)

ESL_SignalingUnreliableRxMsg

Number of unreliable ESL signaling messages received.

Data Source

CPDS

Source Field

ESL_SignalingUnreliableRxMsg (Seq# 4)

Source Section

BCN Enhanced Socket Layer (Group ID 26)

ESL_SignalingUnreliableRxMsg_CSVS

Number of unreliable ESL signaling messages received.

Data Source

CSVS

Source Field

ESL_SignalingUnreliableRxMsg (Seq# 4)

Source Section

BCN Enhanced Socket Layer (Group ID 26)

ESL_SignalingUnreliableTxMsg

Number of unreliable ESL signaling messages sent.

Data Source

CPDS

Source Field

ESL_SignalingUnreliableTxMsg (Seq# 3)

Source Section

BCN Enhanced Socket Layer (Group ID 26)

ESL_SignalingUnreliableTxMsg_CSVS

Number of unreliable ESL signaling messages sent.

Data Source

CSVS

Source Field

ESL_SignalingUnreliableTxMsg (Seq# 3)

Source Section

BCN Enhanced Socket Layer (Group ID 26)

ESL_SignalingUnReliableTxMsgFailure

Number off ESL signaling messages unsuccessfully sent.

Data Source

CPDS

Source Field

ESL_SignalingUnReliableTxMsgFailure (Seq# 8)

Source Section

BCN Enhanced Socket Layer (Group ID 26)

ESL_SignalingUnreliableTxMsgFailure_CSVS

Number off ESL signaling messages unsuccessfully sent. By unreliable messaging.

Data Source

CSVS

Source Field

ESL_SignalingUnReliableTxMsgFailure (Seq# 8)

Source Section

BCN Enhanced Socket Layer (Group ID 26)

EVRCB_FrameCountFwdMode_0

Forward mode 0 frames sent for all the EVRC-B calls.

Data Source

CSVs

Source Field

EVRCB_FrameCountFwdMode_0 (Seq# 1)

Source Section

EVRC-B Distribution (Group ID 78)

EVRCB_FrameCountFwdMode_4

Forward mode 4 frames sent for all the EVRC-B calls.

Data Source

CSVs

Source Field

EVRCB_FrameCountFwdMode_4 (Seq# 5)

Source Section

EVRC-B Distribution (Group ID 78)

EVRCB_FrameCountFwdMode_6

Forward mode 6 frames sent for all the EVRC-B calls.

Data Source

CSVs

Source Field

EVRCB_FrameCountFwdMode_6 (Seq# 7)

Source Section

EVRC-B Distribution (Group ID 78)

EVRCB_FrameCountRevMode_0

Reverse mode 0 frames received for all the EVRC-B calls.

Data Source

CSVs

Source Field

EVRCB_FrameCountRevMode_0 (Seq# 9)

Source Section

EVRC-B Distribution (Group ID 78)

EVRCB_FrameCountRevMode_4

Reverse mode 4 frames received for all the EVRC-B calls.

Data Source

CSVs

Source Field

EVRCB_FrameCountRevMode_4 (Seq# 13)

Source Section

EVRC-B Distribution (Group ID 78)

EVRCB_FrameCountRevMode_6

Reverse mode 6 frames received for all the EVRC-B calls.

Data Source

CSVs

Source Field

EVRCB_FrameCountRevMode_6 (Seq# 15)

Source Section

EVRC-B Distribution (Group ID 78)

EVRCB_SelectionCountFwdMode_0

Number of times Mode 0 is selected in the forward direction, during call setup based on the BTS loading report and the mode selection threshold table.

Data Source

CSVs

Source Field

EVRCB_SelectionCountFwdMode_0 (Seq# 17)

Source Section

EVRC-B Distribution (Group ID 78)

EVRCB_SelectionCountFwdMode_4

Number of times Mode 4 is selected in the forward direction, during call setup based on the BTS loading report and the mode selection threshold table.

Data Source

CSVs

Source Field

EVRCB_SelectionCountFwdMode_4 (Seq# 21)

Source Section

EVRC-B Distribution (Group ID 78)

EVRCB_SelectionCountFwdMode_6

Number of times Mode 6 is selected in the forward direction, during call setup based on the BTS loading report and the mode selection threshold table.

Data Source

CSVs

Source Field

EVRCB_SelectionCountFwdMode_6 (Seq# 23)

Source Section

EVRC-B Distribution (Group ID 78)

EVRCB_SelectionCountRevMode_0

Number of times Mode 0 is selected in the reverse direction, during call setup based on the BTS loading report and the mode selection threshold table.

Data Source

CSVs

Source Field

EVRCB_SelectionCountRevMode_0 (Seq# 25)

Source Section

EVRC-B Distribution (Group ID 78)

EVRCB_SelectionCountRevMode_4

Number of times Mode 4 is selected in the reverse direction, during call setup based on the BTS loading report and the mode selection threshold table.

Data Source

CSVs

Source Field

EVRCB_SelectionCountRevMode_4 (Seq# 29)

Source Section

EVRC-B Distribution (Group ID 78)

EVRCB_SelectionCountRevMode_6

Number of times Mode 6 is selected in the reverse direction, during call setup based on the BTS loading report and the mode selection threshold table.

Data Source

CSVs

Source Field

EVRCB_SelectionCountRevMode_6 (Seq# 31)

Source Section

EVRC-B Distribution (Group ID 78)

FwdBurstBSC_Downgrade

Request to setup a Forward SCH is downgraded to a lower data rate by the ESEL based on ESEL card capacity limitation

Data Source

CPDS

Source Field

FwdBurstBSC_Downgrade (Seq# 7)

Source Section

SCH Burst Setup (Group ID 9)

FwdBurstBSC_DowngradeChange

This OM is pegged when the BSC fair share algorithm further downgraded a fwd burst request that was already downgraded before it was queued at the BTS scheduler.

Data Source

CPDS

Source Field

FwdBurstBSC_DowngradeChange (Seq# 79)

Source Section

SCH Burst Setup (Group ID 9)

FwdBurstBSC_NonDowngrade

Request to setup a Forward SCH is granted by the ESEL without being downgraded based on the ESEL card capacity

Data Source

CPDS

Source Field

FwdBurstBSC_NonDowngrade (Seq# 8)

Source Section

SCH Burst Setup (Group ID 9)

FwdBurstBSC_NonDowngradeChange

This OM is pegged when the BSC fair share algorithm downgraded a fwd burst request that was not downgraded initially before it was queued at the BTS scheduler.

Data Source

CPDS

Source Field

FwdBurstBSC_NonDowngradeChange (Seq# 80)

Source Section

SCH Burst Setup (Group ID 9)

FwdBurstBSC_Release_16X

This OM is pegged when the Fwd Burst at 16X is pre-empted due to contention at BSC.

Data Source

CPDS

Source Field

FwdBurstBSC_Release_16X (Seq# 4)

Source Section

SCH Burst Release (Group ID 20)

FwdBurstBSC_Release_2X

This OM is pegged when the Fwd Burst at 2x is pre-empted due to contention at BSC.

Data Source

CPDS

Source Field

FwdBurstBSC_Release_2X (Seq# 1)

Source Section

SCH Burst Release (Group ID 20)

FwdBurstBSC_Release_4X

This OM is pegged when the Fwd Burst at 4X is pre-empted due to contention at BSC.

Data Source

CPDS

Source Field

FwdBurstBSC_Release_4X (Seq# 2)

Source Section

SCH Burst Release (Group ID 20)

FwdBurstBSC_Release_8X

This OM is pegged when the Fwd Burst at 8X is pre-empted due to contention at BSC.

Data Source

CPDS

Source Field

FwdBurstBSC_Release_8X (Seq# 3)

Source Section

SCH Burst Release (Group ID 20)

FwdBurstBTS_PilotRelease_16X

This OM is pegged when fwd burst at 16x is released if pilots selected by algorithm are not available or due to contention at the BTS.

Data Source

CPDS

Source Field

FwdBurstBTS_PilotRelease_16X (Seq# 12)

Source Section

SCH Burst Release (Group ID 20)

FwdBurstBTS_PilotRelease_2X

This OM is pegged when fwd burst at 2x is released if pilots selected by algorithm are not available or due to contention at the BTS.

Data Source

CPDS

Source Field

FwdBurstBTS_PilotRelease_2X (Seq# 9)

Source Section

SCH Burst Release (Group ID 20)

FwdBurstBTS_PilotRelease_4X

This OM is pegged when fwd burst at 4x is released if pilots selected by algorithm are not available or due to contention at the BTS.

Data Source

CPDS

Source Field

FwdBurstBTS_PilotRelease_4X (Seq# 10)

Source Section

SCH Burst Release (Group ID 20)

FwdBurstBTS_PilotRelease_8X

This OM is pegged when fwd burst at 8x is released if pilots selected by algorithm are not available or due to contention at the BTS.

Data Source

CPDS

Source Field

FwdBurstBTS_PilotRelease_8X (Seq# 11)

Source Section

SCH Burst Release (Group ID 20)

FwdBurstDelayIndex_1

Forward SCH request waits in the queue for more than zero seconds up to one second

Data Source

CPDS

Source Field

FwdBurstDelayIndex_1 (Seq# 9)

Source Section

SCH Burst Setup (Group ID 9)

FwdBurstDelayIndex_2

Forward SCH request waits in the queue for more than one second up to three seconds

Data Source

CPDS

Source Field

FwdBurstDelayIndex_2 (Seq# 10)

Source Section

SCH Burst Setup (Group ID 9)

FwdBurstDelayIndex_3

Forward SCH request waits in the queue for more than three seconds

Data Source

CPDS

Source Field

FwdBurstDelayIndex_3 (Seq# 11)

Source Section

SCH Burst Setup (Group ID 9)

FwdBurstDowngrade_16X_To_2X

This OM should be pegged whenever a request to setup a Forward 16X SCH is downgraded to 2X by the RCM based only on ESEL-ACP card capacity limitation (i.e. prior to BTS resources considerations).

Data Source

CPDS

Source Field

FwdBurstDowngrade_16X_To_2X (Seq# 44)

Source Section

SCH Burst Setup (Group ID 9)

FwdBurstDowngrade_16X_To_4X

This OM should be pegged whenever a request to setup a Forward 16X SCH is downgraded to 4X by the RCM based only on ESEL-ACP card capacity limitation (i.e. prior to BTS resources considerations).

Data Source

CPDS

Source Field

FwdBurstDowngrade_16X_To_4X (Seq# 45)

Source Section

SCH Burst Setup (Group ID 9)

FwdBurstDowngrade_16X_To_8X

This OM should be pegged whenever a request to setup a Forward 16X SCH is downgraded to 8X by the RCM based only on ESEL-ACP card capacity limitation (i.e. prior to BTS resources considerations).

Data Source

CPDS

Source Field

FwdBurstDowngrade_16X_To_8X (Seq# 46)

Source Section

SCH Burst Setup (Group ID 9)

FwdBurstDowngrade_4X_To_2X

This OM should be pegged whenever a request to setup a Forward 4X SCH is downgraded to 2X by the RCM based only on ESEL-ACP card capacity limitation (i.e. prior to BTS resources considerations).

Data Source

CPDS

Source Field

FwdBurstDowngrade_4X_To_2X (Seq# 41)

Source Section

SCH Burst Setup (Group ID 9)

FwdBurstDowngrade_8X_To_2X

This OM should be pegged whenever a request to setup a Forward 8X SCH is downgraded to 2X by the RCM based only on ESEL-ACP card capacity limitation (i.e. prior to BTS resources considerations).

Data Source

CPDS

Source Field

FwdBurstDowngrade_8X_To_2X (Seq# 42)

Source Section

SCH Burst Setup (Group ID 9)

FwdBurstDowngrade_8X_To_4X

This OM should be pegged whenever a request to setup a Forward 8X SCH is downgraded to 4X by the RCM based only on ESEL-ACP card capacity limitation (i.e. prior to BTS resources considerations).

Data Source

CPDS

Source Field

FwdBurstDowngrade_8X_To_4X (Seq# 43)

Source Section

SCH Burst Setup (Group ID 9)

FwdBurstDowngradeChange_16X_To_4X

This OM is pegged when the BSC fair share algorithm further downgraded a fwd burst request that was already downgraded from 16x to 4x before it was queued at the BTS scheduler.

Data Source

CPDS

Source Field

FwdBurstDowngradeChange_16X_To_4X (Seq# 82)

Source Section

SCH Burst Setup (Group ID 9)

FwdBurstDowngradeChange_16X_To_8X

This OM is pegged when the BSC fair share algorithm further downgraded a fwd burst request that was already downgraded from 16x to 8x before it was queued at the BTS scheduler.

Data Source

CPDS

Source Field

FwdBurstDowngradeChange_16X_To_8X (Seq# 83)

Source Section

SCH Burst Setup (Group ID 9)

FwdBurstDowngradeChange_8X_To_4X

This OM is pegged when the BSC fair share algorithm further downgraded a fwd burst request that was already downgraded from 8x to 4x before it was queued at the BTS scheduler.

Data Source

CPDS

Source Field

FwdBurstDowngradeChange_8X_To_4X (Seq# 81)

Source Section

SCH Burst Setup (Group ID 9)

FwdBurstNonDowngrade_16X

This OM should be pegged whenever a request to setup a Forward 16X SCH is granted by the RCM (at 16X without being downgraded) based only on ESEL-ACP card capacity (i.e. prior to BTS resources considerations).

Data Source

CPDS

Source Field

FwdBurstNonDowngrade_16X (Seq# 50)

Source Section

SCH Burst Setup (Group ID 9)

FwdBurstNonDowngrade_2X

This OM should be pegged whenever a request to setup a Forward 2X SCH is granted based only on ACP capacity (i.e. prior to BTS resources considerations).

Data Source

CPDS

Source Field

FwdBurstNonDowngrade_2X (Seq# 47)

Source Section

SCH Burst Setup (Group ID 9)

FwdBurstNonDowngrade_4X

This OM should be pegged whenever a request to setup a Forward 4X SCH is granted (at 4X without being downgraded) based only on ACP capacity (i.e. prior to BTS resources considerations).

Data Source

CPDS

Source Field

FwdBurstNonDowngrade_4X (Seq# 48)

Source Section

SCH Burst Setup (Group ID 9)

FwdBurstNonDowngrade_8X

This OM should be pegged whenever a request to setup a Forward 8X SCH is granted (at 8X without being downgraded) based only on ACP capacity (i.e. prior to BTS resources considerations).

Data Source

CPDS

Source Field

FwdBurstNonDowngrade_8X (Seq# 49)

Source Section

SCH Burst Setup (Group ID 9)

FwdBurstNonDowngradeChange_16X

This OM is pegged when the BSC fair share algorithm downgraded a fwd burst request (from 16x to a lower data rate) that was not downgraded initially before it was queued at the BTS scheduler.

Data Source

CPDS

Source Field

FwdBurstNonDowngradeChange_16X (Seq# 86)

Source Section

SCH Burst Setup (Group ID 9)

FwdBurstNonDowngradeChange_4X

This OM is pegged when the BSC fair share algorithm downgraded a fwd burst request (from 4x to a lower data rate) that was not downgraded initially before it was queued at the BTS scheduler.

Data Source

CPDS

Source Field

FwdBurstNonDowngradeChange_4X (Seq# 84)

Source Section

SCH Burst Setup (Group ID 9)

FwdBurstNonDowngradeChange_8X

This OM is pegged when the BSC fair share algorithm downgraded a fwd burst request (from 8x to a lower data rate) that was not downgraded initially before it was queued at the BTS scheduler.

Data Source

CPDS

Source Field

FwdBurstNonDowngradeChange_8X (Seq# 85)

Source Section

SCH Burst Setup (Group ID 9)

FwdBurstSetupAttempts

Pegged when a forward data burst needs to be set up

Data Source

CPDS

Source Field

FwdBurstSetupAttempts (Seq# 1)

Source Section

SCH Burst Setup (Group ID 9)

FwdBurstSetupAttempts_16X

Forward 16X data burst needs to be set up

Data Source

CPDS

Source Field

FwdBurstSetupAttempts_16X (Seq# 20)

Source Section

SCH Burst Setup (Group ID 9)

FwdBurstSetupAttempts_2X

Forward 2X data burst needs to be set up

Data Source

CPDS

Source Field

FwdBurstSetupAttempts_2X (Seq# 17)

Source Section

SCH Burst Setup (Group ID 9)

FwdBurstSetupAttempts_4X

Forward 4X data burst needs to be set up

Data Source

CPDS

Source Field

FwdBurstSetupAttempts_4X (Seq# 18)

Source Section

SCH Burst Setup (Group ID 9)

FwdBurstSetupAttempts_8X

Forward 8X data burst needs to be set up

Data Source

CPDS

Source Field

FwdBurstSetupAttempts_8X (Seq# 19)

Source Section

SCH Burst Setup (Group ID 9)

FwdBurstSetupFailures

Pegged when a forward data burst could not be set up

Data Source

CPDS

Source Field

FwdBurstSetupFailures (Seq# 3)

Source Section

SCH Burst Setup (Group ID 9)

FwdBurstSetupFailures_16X

Forward 16X data burst could not be set up

Data Source

CPDS

Source Field

FwdBurstSetupFailures_16X (Seq# 28)

Source Section

SCH Burst Setup (Group ID 9)

FwdBurstSetupFailures_2X

Forward 2X data burst could not be set up

Data Source

CPDS

Source Field

FwdBurstSetupFailures_2X (Seq# 25)

Source Section

SCH Burst Setup (Group ID 9)

FwdBurstSetupFailures_4X

Forward 4X data burst could not be set up

Data Source

CPDS

Source Field

FwdBurstSetupFailures_4X (Seq# 26)

Source Section

SCH Burst Setup (Group ID 9)

FwdBurstSetupFailures_8X

Forward 8X data burst could not be set up

Data Source

CPDS

Source Field

FwdBurstSetupFailures_8X (Seq# 27)

Source Section

SCH Burst Setup (Group ID 9)

FwdBurstSetupSuccesses

Pegged when a forward data burst is successfully set up

Data Source

CPDS

Source Field

FwdBurstSetupSuccesses (Seq# 2)

Source Section

SCH Burst Setup (Group ID 9)

FwdBurstSetupSuccesses_16X

Forward 16X data burst is successfully set up

Data Source

CPDS

Source Field

FwdBurstSetupSuccesses_16X (Seq# 24)

Source Section

SCH Burst Setup (Group ID 9)

FwdBurstSetupSuccesses_2X

Forward 2X data burst is successfully set up

Data Source

CPDS

Source Field

FwdBurstSetupSuccesses_2X (Seq# 21)

Source Section

SCH Burst Setup (Group ID 9)

FwdBurstSetupSuccesses_4X

Forward 4X data burst is successfully set up

Data Source

CPDS

Source Field

FwdBurstSetupSuccesses_4X (Seq# 22)

Source Section

SCH Burst Setup (Group ID 9)

FwdBurstSetupSuccesses_8X

Forward 8X data burst is successfully set up

Data Source

CPDS

Source Field

FwdBurstSetupSuccesses_8X (Seq# 23)

Source Section

SCH Burst Setup (Group ID 9)

FwdBurstUpgradeAttempts_2X_To_16X

This OM is pegged when the Fwd Burst is taken down from 2x data rate to attempt a Fwd SCH at a higher data rate at 16x.

Data Source

CPDS

Source Field

FwdBurstUpgradeAttempts_2X_To_16X (Seq# 63)

Source Section

SCH Burst Setup (Group ID 9)

FwdBurstUpgradeAttempts_2X_To_4X

This OM is pegged when the Fwd Burst is taken down from 2x data rate to attempt a Fwd SCH at a higher data rate at 4x.

Data Source

CPDS

Source Field

FwdBurstUpgradeAttempts_2X_To_4X (Seq# 61)

Source Section

SCH Burst Setup (Group ID 9)

FwdBurstUpgradeAttempts_2X_To_8X

This OM is pegged when the Fwd Burst is taken down from 2x data rate to attempt a Fwd SCH at a higher data rate at 8x.

Data Source

CPDS

Source Field

FwdBurstUpgradeAttempts_2X_To_8X (Seq# 62)

Source Section

SCH Burst Setup (Group ID 9)

FwdBurstUpgradeAttempts_4X_To_16X

This OM is pegged when the Fwd Burst is taken down from 4x data rate to attempt a Fwd SCH at a higher data rate at 16x.

Data Source

CPDS

Source Field

FwdBurstUpgradeAttempts_4X_To_16X (Seq# 65)

Source Section

SCH Burst Setup (Group ID 9)

FwdBurstUpgradeAttempts_4X_To_8X

This OM is pegged when the Fwd Burst is taken down from 4x data rate to attempt a Fwd SCH at a higher data rate at 8x.

Data Source

CPDS

Source Field

FwdBurstUpgradeAttempts_4X_To_8X (Seq# 64)

Source Section

SCH Burst Setup (Group ID 9)

FwdBurstUpgradeAttempts_8X_To_16X

This OM is pegged when the Fwd Burst is taken down from 8x data rate to attempt a Fwd SCH at a higher data rate at 16x.

Data Source

CPDS

Source Field

FwdBurstUpgradeAttempts_8X_To_16X (Seq# 66)

Source Section

SCH Burst Setup (Group ID 9)

FwdBurstUpgradeFailures_2X_To_16X

This OM is pegged when the when fwd burst upgrade from 2x to 16x data rate failed due to lack of BSC or BTS resources.

Data Source

CPDS

Source Field

FwdBurstUpgradeFailures_2X_To_16X (Seq# 75)

Source Section

SCH Burst Setup (Group ID 9)

FwdBurstUpgradeFailures_2X_To_4X

This OM is pegged when the when fwd burst upgrade from 2x to 4x data rate failed due to lack of BSC or BTS resources.

Data Source

CPDS

Source Field

FwdBurstUpgradeFailures_2X_To_4X (Seq# 73)

Source Section

SCH Burst Setup (Group ID 9)

FwdBurstUpgradeFailures_2X_To_8X

This OM is pegged when the when fwd burst upgrade from 2x to 8x data rate failed due to lack of BSC or BTS resources.

Data Source

CPDS

Source Field

FwdBurstUpgradeFailures_2X_To_8X (Seq# 74)

Source Section

SCH Burst Setup (Group ID 9)

FwdBurstUpgradeFailures_4X_To_16X

This OM is pegged when the when fwd burst upgrade from 4x to 16x data rate failed due to lack of BSC or BTS resources.

Data Source

CPDS

Source Field

FwdBurstUpgradeFailures_4X_To_16X (Seq# 77)

Source Section

SCH Burst Setup (Group ID 9)

FwdBurstUpgradeFailures_4X_To_8X

This OM is pegged when the when fwd burst upgrade from 4x to 8x data rate failed due to lack of BSC or BTS resources.

Data Source

CPDS

Source Field

FwdBurstUpgradeFailures_4X_To_8X (Seq# 76)

Source Section

SCH Burst Setup (Group ID 9)

FwdBurstUpgradeFailures_8X_To_16X

This OM is pegged when the when fwd burst upgrade from 8x to 16x data rate failed due to lack of BSC or BTS resources.

Data Source

CPDS

Source Field

FwdBurstUpgradeFailures_8X_To_16X (Seq# 78)

Source Section

SCH Burst Setup (Group ID 9)

FwdBurstUpgradeSuccesses_2X_To_16X

This OM is pegged when the when fwd burst is upgraded successfully from 2x data rate to a higher data rate at 16x.

Data Source

CPDS

Source Field

FwdBurstUpgradeSuccesses_2X_To_16X (Seq# 69)

Source Section

SCH Burst Setup (Group ID 9)

FwdBurstUpgradeSuccesses_2X_To_4X

This OM is pegged when the when fwd burst is upgraded successfully from 2x data rate to a higher data rate at 4x.

Data Source

CPDS

Source Field

FwdBurstUpgradeSuccesses_2X_To_4X (Seq# 67)

Source Section

SCH Burst Setup (Group ID 9)

FwdBurstUpgradeSuccesses_2X_To_8X

This OM is pegged when the when fwd burst is upgraded successfully from 2x data rate to a higher data rate at 8x.

Data Source

CPDS

Source Field

FwdBurstUpgradeSuccesses_2X_To_8X (Seq# 68)

Source Section

SCH Burst Setup (Group ID 9)

FwdBurstUpgradeSuccesses_4X_To_16X

This OM is pegged when the when fwd burst is upgraded successfully from 4x data rate to a higher data rate at 16x.

Data Source

CPDS

Source Field

FwdBurstUpgradeSuccesses_4X_To_16X (Seq# 71)

Source Section

SCH Burst Setup (Group ID 9)

FwdBurstUpgradeSuccesses_4X_To_8X

This OM is pegged when the when fwd burst is upgraded successfully from 4x data rate to a higher data rate at 8x.

Data Source

CPDS

Source Field

FwdBurstUpgradeSuccesses_4X_To_8X (Seq# 70)

Source Section

SCH Burst Setup (Group ID 9)

FwdBurstUpgradeSuccesses_8X_To_16X

This OM is pegged when the when fwd burst is upgraded successfully from 8x data rate to a higher data rate at 16x.

Data Source

CPDS

Source Field

FwdBurstUpgradeSuccesses_8X_To_16X (Seq# 72)

Source Section

SCH Burst Setup (Group ID 9)

FwdRLPQ_BurstRequestDepth_01

Number of times the RLPQ queue depth is $0 \leq x < 200$ bytes when a forward burst is requested.

Data Source

CPDS

Source Field

FwdRLPQ_BurstRequestDepth_1 (Seq# 1)

Source Section

SDU Queue Occupancy (Group ID 71)

FwdRLPQ_BurstRequestDepth_02

Number of times the RLPQ queue depth is $200 \leq x < 400$ bytes when a forward burst is requested.

Data Source

CPDS

Source Field

FwdRLPQ_BurstRequestDepth_2 (Seq# 2)

Source Section

SDU Queue Occupancy (Group ID 71)

FwdRLPQ_BurstRequestDepth_03

Number of times the RLPQ queue depth is $400 \leq x < 600$ bytes when a forward burst is requested.

Data Source

CPDS

Source Field

FwdRLPQ_BurstRequestDepth_3 (Seq# 3)

Source Section

SDU Queue Occupancy (Group ID 71)

FwdRLPQ_BurstRequestDepth_04

Number of times the RLPQ queue depth is $600 \leq x < 800$ bytes when a forward burst is requested.

Data Source

CPDS

Source Field

FwdRLPQ_BurstRequestDepth_4 (Seq# 4)

Source Section

SDU Queue Occupancy (Group ID 71)

FwdRLPQ_BurstRequestDepth_05

Number of times the RLPQ queue depth is $800 \leq x < 1000$ bytes when a forward burst is requested.

Data Source

CPDS

Source Field

FwdRLPQ_BurstRequestDepth_5 (Seq# 5)

Source Section

SDU Queue Occupancy (Group ID 71)

FwdRLPQ_BurstRequestDepth_06

Number of times the RLPQ queue depth is $1000 \leq x < 1250$ bytes when a forward burst is requested.

Data Source

CPDS

Source Field

FwdRLPQ_BurstRequestDepth_6 (Seq# 6)

Source Section

SDU Queue Occupancy (Group ID 71)

FwdRLPQ_BurstRequestDepth_07

Number of times the RLPQ queue depth is $1250 \leq x < 1500$ bytes when a forward burst is requested.

Data Source

CPDS

Source Field

FwdRLPQ_BurstRequestDepth_7 (Seq# 7)

Source Section

SDU Queue Occupancy (Group ID 71)

FwdRLPQ_BurstRequestDepth_08

Number of times the RLPQ queue depth is $1500 \leq x < 1750$ bytes when a forward burst is requested.

Data Source

CPDS

Source Field

FwdRLPQ_BurstRequestDepth_8 (Seq# 8)

Source Section

SDU Queue Occupancy (Group ID 71)

FwdRLPQ_BurstRequestDepth_09

Number of times the RLPQ queue depth is $1750 \leq x < 2000$ bytes when a forward burst is requested.

Data Source

CPDS

Source Field

FwdRLPQ_BurstRequestDepth_9 (Seq# 9)

Source Section

SDU Queue Occupancy (Group ID 71)

FwdRLPQ_BurstRequestDepth_10

Number of times the RLPQ queue depth is $2000 \leq x < 2250$ bytes when a forward burst is requested.

Data Source

CPDS

Source Field

FwdRLPQ_BurstRequestDepth_10 (Seq# 10)

Source Section

SDU Queue Occupancy (Group ID 71)

FwdRLPQ_BurstRequestDepth_11

Number of times the RLPQ queue depth is $2250 \leq x < 2500$ bytes when a forward burst is requested.

Data Source

CPDS

Source Field

FwdRLPQ_BurstRequestDepth_11 (Seq# 11)

Source Section

SDU Queue Occupancy (Group ID 71)

FwdRLPQ_BurstRequestDepth_12

Number of times the RLPQ queue depth is $2500 \leq x < 2750$ bytes when a forward burst is requested.

Data Source

CPDS

Source Field

FwdRLPQ_BurstRequestDepth_12 (Seq# 12)

Source Section

SDU Queue Occupancy (Group ID 71)

FwdRLPQ_BurstRequestDepth_13

Number of times the RLPQ queue depth is $2750 \leq x < 3000$ bytes when a forward burst is requested.

Data Source

CPDS

Source Field

FwdRLPQ_BurstRequestDepth_13 (Seq# 13)

Source Section

SDU Queue Occupancy (Group ID 71)

FwdRLPQ_BurstRequestDepth_14

Number of times the RLPQ queue depth is $3000 \leq x < 3500$ bytes when a forward burst is requested.

Data Source

CPDS

Source Field

FwdRLPQ_BurstRequestDepth_14 (Seq# 14)

Source Section

SDU Queue Occupancy (Group ID 71)

FwdRLPQ_BurstRequestDepth_15

Number of times the RLPQ queue depth is $3500 \leq x < 4000$ bytes when a forward burst is requested.

Data Source

CPDS

Source Field

FwdRLPQ_BurstRequestDepth_15 (Seq# 15)

Source Section

SDU Queue Occupancy (Group ID 71)

FwdRLPQ_BurstRequestDepth_16

Number of times the RLPQ queue depth is $4000 \leq x < 4500$ bytes when a forward burst is requested.

Data Source

CPDS

Source Field

FwdRLPQ_BurstRequestDepth_16 (Seq# 16)

Source Section

SDU Queue Occupancy (Group ID 71)

FwdRLPQ_BurstRequestDepth_17

Number of times the RLPQ queue depth is $4500 \leq x < 5000$ bytes when a forward burst is requested.

Data Source

CPDS

Source Field

FwdRLPQ_BurstRequestDepth_17 (Seq# 17)

Source Section

SDU Queue Occupancy (Group ID 71)

FwdRLPQ_BurstRequestDepth_18

Number of times the RLPQ queue depth is $5000 \leq x < 7500$ bytes when a forward burst is requested.

Data Source

CPDS

Source Field

FwdRLPQ_BurstRequestDepth_18 (Seq# 18)

Source Section

SDU Queue Occupancy (Group ID 71)

FwdRLPQ_BurstRequestDepth_19

Number of times the RLPQ queue depth is $7500 \leq x < 10,000$ bytes when a forward burst is requested.

Data Source

CPDS

Source Field

FwdRLPQ_BurstRequestDepth_19 (Seq# 19)

Source Section

SDU Queue Occupancy (Group ID 71)

FwdRLPQ_BurstRequestDepth_20

Number of times the RLPQ queue depth is $10,000 \leq x < 15,000$ bytes when a forward burst is requested.

Data Source

CPDS

Source Field

FwdRLPQ_BurstRequestDepth_20 (Seq# 20)

Source Section

SDU Queue Occupancy (Group ID 71)

FwdRLPQ_BurstRequestDepth_21

Number of times the RLPQ queue depth is 15,000 \leq x $<$ 20,000 bytes when a forward burst is requested.

Data Source

CPDS

Source Field

FwdRLPQ_BurstRequestDepth_21 (Seq# 21)

Source Section

SDU Queue Occupancy (Group ID 71)

FwdRLPQ_BurstRequestDepth_22

Number of times the RLPQ queue depth is 20,000 \leq x $<$ 30,000 bytes when a forward burst is requested.

Data Source

CPDS

Source Field

FwdRLPQ_BurstRequestDepth_22 (Seq# 22)

Source Section

SDU Queue Occupancy (Group ID 71)

FwdRLPQ_BurstRequestDepth_23

Number of times the RLPQ queue depth is 30,000 \leq x $<$ 40,000 bytes when a forward burst is requested.

Data Source

CPDS

Source Field

FwdRLPQ_BurstRequestDepth_23 (Seq# 23)

Source Section

SDU Queue Occupancy (Group ID 71)

FwdRLPQ_BurstRequestDepth_24

Number of times the RLPQ queue depth is $40,000 \leq x < 50,000$ bytes when a forward burst is requested.

Data Source

CPDS

Source Field

FwdRLPQ_BurstRequestDepth_24 (Seq# 24)

Source Section

SDU Queue Occupancy (Group ID 71)

FwdRLPQ_BurstRequestDepth_25

Number of times the RLPQ queue depth is $50,000 \leq x$ bytes when a forward burst is requested.

Data Source

CPDS

Source Field

FwdRLPQ_BurstRequestDepth_25 (Seq# 25)

Source Section

SDU Queue Occupancy (Group ID 71)

FwdRLPQ_SCH_BurstAvgDepth_16x

Provides the average queue depth in percentage over all 16X bursts measured in the forward direction.

Data Source

CPDS

Source Field

FwdRLPQ_SCH_BurstAvgDepth_16x (Seq# 29)

Source Section

SDU Queue Occupancy (Group ID 71)

FwdRLPQ_SCH_BurstAvgDepth_2x

Provides the average queue depth in percentage over all 2X bursts measured in the forward direction.

Data Source

CPDS

Source Field

FwdRLPQ_SCH_BurstAvgDepth_2x (Seq# 26)

Source Section

SDU Queue Occupancy (Group ID 71)

FwdRLPQ_SCH_BurstAvgDepth_4x

Provides the average queue depth in percentage over all 4X bursts measured in the forward direction.

Data Source

CPDS

Source Field

FwdRLPQ_SCH_BurstAvgDepth_4x (Seq# 27)

Source Section

SDU Queue Occupancy (Group ID 71)

FwdRLPQ_SCH_BurstAvgDepth_8x

Provides the average queue depth in percentage over all 8X bursts measured in the forward direction.

Data Source

CPDS

Source Field

FwdRLPQ_SCH_BurstAvgDepth_8x (Seq# 28)

Source Section

SDU Queue Occupancy (Group ID 71)

FwdRLPQ_SCH_BurstPeakDepth_16x

Provides the peak queue depth in percentage for any given 16X burst measured in the forward direction.

Data Source

CPDS

Source Field

FwdRLPQ_SCH_BurstPeakDepth_16x (Seq# 37)

Source Section

SDU Queue Occupancy (Group ID 71)

FwdRLPQ_SCH_BurstPeakDepth_2x

Provides the peak queue depth in percentage for any given 2X burst measured in the forward direction.

Data Source

CPDS

Source Field

FwdRLPQ_SCH_BurstPeakDepth_2x (Seq# 34)

Source Section

SDU Queue Occupancy (Group ID 71)

FwdRLPQ_SCH_BurstPeakDepth_4x

Provides the peak queue depth in percentage for any given 4X burst measured in the forward direction.

Data Source

CPDS

Source Field

FwdRLPQ_SCH_BurstPeakDepth_4x (Seq# 35)

Source Section

SDU Queue Occupancy (Group ID 71)

FwdRLPQ_SCH_BurstPeakDepth_8x

Provides the peak queue depth in percentage for any given 8X burst measured in the forward direction.

Data Source

CPDS

Source Field

FwdRLPQ_SCH_BurstPeakDepth_8x (Seq# 36)

Source Section

SDU Queue Occupancy (Group ID 71)

LL_CongestedSignaling_FrameRx

Number of Signaling frames received (for STL-B).

Data Source

CPDS

Source Field

LL_CongestedSignaling_FrameRx (Seq# 5)

Source Section

BCN Link Layer (Group ID 18)

LL_CongestedSignaling_FrameTx

Number of Signaling frames sent (for STL-B).

Data Source

CPDS

Source Field

LL_CongestedSignaling_FrameTx (Seq# 4)

Source Section

BCN Link Layer (Group ID 18)

LL_CongestedSignalingFrameRx_CSVS

Number of Signaling frames received (for STL-B).

Data Source

CSVS

Source Field

LL_CongestedSignalingFrameRx (Seq# 5)

Source Section

BCN Link Layer (Group ID 18)

LL_CongestedSignalingFrameTx_CSVS

Number of Signaling frames sent (for STL-B).

Data Source

CSVS

Source Field

LL_CongestedSignalingFrameTx (Seq# 4)

Source Section

BCN Link Layer (Group ID 18)

LL_DataFrameRx

Number of Data frames received (for STL-D).

Data Source

CPDS

Source Field

LL_DataFrameRx (Seq# 11)

Source Section

BCN Link Layer (Group ID 18)

LL_DataFrameRx_CSVS

Number of Data frames received (for STL-D).

Data Source

CSVS

Source Field

LL_DataFrameRx (Seq# 11)

Source Section

BCN Link Layer (Group ID 18)

LL_DataFrameTx

Number of Data frames sent (for STL-D).

Data Source

CPDS

Source Field

LL_DataFrameTx (Seq# 10)

Source Section

BCN Link Layer (Group ID 18)

LL_DataFrameTx_CSVS

Number of Data frames sent (for STL-D).

Data Source

CSVS

Source Field

LL_DataFrameTx (Seq# 10)

Source Section

BCN Link Layer (Group ID 18)

LL_InvalidFrameType

Number of frames with an invalid type tag⁷.

Data Source

CPDS

Source Field

LL_InvalidFrameType (Seq# 1)

Source Section

BCN Link Layer (Group ID 18)

LL_InvalidFrameType_CSVS

Number of frames with an invalid type tag7.

Data Source

CSVS

Source Field

LL_InvalidFrameType (Seq# 1)

Source Section

BCN Link Layer (Group ID 18)

LL_NodeInitFrameRx

Number of Node Init frames received.

Data Source

CPDS

Source Field

LL_NodeInitFrameRx (Seq# 3)

Source Section

BCN Link Layer (Group ID 18)

LL_NodeInitFrameRx_CSVS

Number of Node Init frames received.

Data Source

CSVS

Source Field

LL_NodeInitFrameRx (Seq# 3)

Source Section

BCN Link Layer (Group ID 18)

LL_NodeInitFrameTx

Number of Node Init frames sent.

Data Source

CPDS

Source Field

LL_NodeInitFrameTx (Seq# 2)

Source Section

BCN Link Layer (Group ID 18)

LL_NodeInitFrameTx_CSVS

Number of Node Init frames sent.

Data Source

CSVS

Source Field

LL_NodeInitFrameTx (Seq# 2)

Source Section

BCN Link Layer (Group ID 18)

LL_SignalingFrameRx

Number of Signaling frames received (for STL-A).

Data Source

CPDS

Source Field

LL_SignalingFrameRx (Seq# 7)

Source Section

BCN Link Layer (Group ID 18)

LL_SignalingFrameRx_CSVS

Number of Signaling frames received (for STL-A).

Data Source

CSVS

Source Field

LL_SignalingFrameRx (Seq# 7)

Source Section

BCN Link Layer (Group ID 18)

LL_SignalingFrameTx

Number of Signaling frames sent (for STL-A).

Data Source

CPDS

Source Field

LL_SignalingFrameTx (Seq# 6)

Source Section

BCN Link Layer (Group ID 18)

LL_SignalingFrameTx_CSVS

Number of Signaling frames sent (for STL-A).

Data Source

CSVS

Source Field

LL_SignalingFrameTx (Seq# 6)

Source Section

BCN Link Layer (Group ID 18)

LL_TrafficFrameRx

Number of Traffic frames received.

Data Source

CPDS

Source Field

LL_TrafficFrameRx (Seq# 9)

Source Section

BCN Link Layer (Group ID 18)

LL_TrafficFrameRx_CSVS

Number of Traffic frames received.

Data Source

CSVS

Source Field

LL_TrafficFrameRx (Seq# 9)

Source Section

BCN Link Layer (Group ID 18)

LL_TrafficFrameTx

Number of Traffic frames sent.

Data Source

CPDS

Source Field

LL_TrafficFrameTx (Seq# 8)

Source Section

BCN Link Layer (Group ID 18)

LL_TrafficFrameTx_CSVS

Number of Traffic frames sent.

Data Source

CSVS

Source Field

LL_TrafficFrameTx (Seq# 8)

Source Section

BCN Link Layer (Group ID 18)

PLCM_CallDropsBS_Assigned

Pegs after successful call setup when the call fails due to RF related reasons and a response from a request made to the BTS to check for a BTS assigned PLCM type collision indicates a possible collision (BTS assigned PLCM used for call setup already in use by a different mobile).

Data Source

CPDS

Source Field

PLCM_CallDropsBS_Assigned (Seq# 11)

Source Section

PLCM Performance (Group ID 68)

PLCM_CallDropsBS_Assigned_CSVS

Pegs after successful call setup when the call fails due to RF related reasons and a response from a request made to the BTS to check for a BTS assigned PLCM type collision indicates a possible collision (BTS assigned PLCM used for call setup already in use by a different mobile).

Data Source

CSVS

Source Field

PLCM_CallDropsBS_Assigned (Seq# 11)

Source Section

PLCM Performance (Group ID 68)

PLCM_CallDropsMEID

Pegs after successful call setup when the call fails due to RF related reasons and a response from a request made to the BTS to check for a MEID PLCM type collision indicates a possible collision (MEID PLCM used for call setup already in use by a different mobile).

Data Source

CPDS

Source Field

PLCM_CallDropsMEID (Seq# 12)

Source Section

PLCM Performance (Group ID 68)

PLCM_CallDropsMEID_CSVS

Pegs after successful call setup when the call fails due to RF related reasons and a response from a request made to the BTS to check for a MEID PLCM type collision indicates a possible collision (MEID PLCM used for call setup already in use by a different mobile).

Data Source

CSVS

Source Field

PLCM_CallDropsMEID (Seq# 12)

Source Section

PLCM Performance (Group ID 68)

PLCM_CallDropsPseudoESN

Pegs after successful call setup when the call fails due to RF related reasons and a response from a request made to the BTS to check for a pESN PLCM type collision indicates a possible collision (pESN PLCM used for call setup already in use by a different mobile).

Data Source

CPDS

Source Field

PLCM_CallDropsPseudoESN (Seq# 10)

Source Section

PLCM Performance (Group ID 68)

PLCM_CallDropsPseudoESN_CSVS

Pegs after successful call setup when the call fails due to RF related reasons and a response from a request made to the BTS to check for a pESN PLCM type collision indicates a possible collision (pESN PLCM used for call setup already in use by a different mobile).

Data Source

CSVS

Source Field

PLCM_CallDropsPseudoESN (Seq# 10)

Source Section

PLCM Performance (Group ID 68)

PLCM_CallSetupAttemptsBS_Assigned

Pegs when BSC sends a radio link resource indication message to the CAU (radio link setup response in the case of Hard Handoff) indicating that a BTS assigned PLCM will be used during call setup.

Data Source

CPDS

Source Field

PLCM_CallSetupAttemptsBS_Assigned (Seq# 2)

Source Section

PLCM Performance (Group ID 68)

PLCM_CallSetupAttemptsBS_Assigned_CSVS

Pegs when BSC sends a radio link resource indication message to the CAU (radio link setup response in the case of Hard Handoff) indicating that a BTS assigned PLCM will be used during call setup.

Data Source

CSVS

Source Field

PLCM_CallSetupAttemptsBS_Assigned (Seq# 2)

Source Section

PLCM Performance (Group ID 68)

PLCM_CallSetupAttemptsMEID

Pegs when BSC sends a radio link resource indication message to the CAU (radio link setup response in the case of Hard Handoff) indicating that a MEID based PLCM will be used during call setup.

Data Source

CPDS

Source Field

PLCM_CallSetupAttemptsMEID (Seq# 3)

Source Section

PLCM Performance (Group ID 68)

PLCM_CallSetupAttemptsMEID_CSVS

Pegs when BSC sends a radio link resource indication message to the CAU (radio link setup response in the case of Hard Handoff) indicating that a MEID based PLCM will be used during call setup.

Data Source

CSVS

Source Field

PLCM_CallSetupAttemptsMEID (Seq# 3)

Source Section

PLCM Performance (Group ID 68)

PLCM_CallSetupAttemptsPseudoESN

Pegs when BSC sends a radio link resource indication message to the CAU (radio link setup response in the case of Hard Handoff) indicating that a pESN based PLCM will be used during call setup.

Data Source

CPDS

Source Field

PLCM_CallSetupAttemptsPseudoESN (Seq# 1)

Source Section

PLCM Performance (Group ID 68)

PLCM_CallSetupAttemptsPseudoESN_CSVS

Pegs when BSC sends a radio link resource indication message to the CAU (radio link setup response in the case of Hard Handoff) indicating that a pESN based PLCM will be used during call setup.

Data Source

CSVS

Source Field

PLCM_CallSetupAttemptsPseudoESN (Seq# 1)

Source Section

PLCM Performance (Group ID 68)

PLCM_CallSetupFailuresBS_Assigned

Pegs when a call setup fails due to RF related reasons and a response from a request made to the BTS to check for a BTS assigned PLCM type collision indicates a possible collision (BTS assigned PLCM used for call setup already in use by a different mobile).

Data Source

CPDS

Source Field

PLCM_CallSetupFailuresBS_Assigned (Seq# 8)

Source Section

PLCM Performance (Group ID 68)

PLCM_CallSetupFailuresBS_Assigned_CSVS

Pegs when a call setup fails due to RF related reasons and a response from a request made to the BTS to check for a BTS assigned PLCM type collision indicates a possible collision (BTS assigned PLCM used for call setup already in use by a different mobile).

Data Source

CSVs

Source Field

PLCM_CallSetupFailuresBS_Assigned (Seq# 8)

Source Section

PLCM Performance (Group ID 68)

PLCM_CallSetupFailuresMEID

Pegs when a call setup fails due to RF related reasons and a response from a request made to the BTS to check for a MEID PLCM type collision indicates a possible collision (MEID PLCM used for call setup already in use by a different mobile).

Data Source

CPDS

Source Field

PLCM_CallSetupFailuresMEID (Seq# 9)

Source Section

PLCM Performance (Group ID 68)

PLCM_CallSetupFailuresMEID_CSVS

Pegs when a call setup fails due to RF related reasons and a response from a request made to the BTS to check for a MEID PLCM type collision indicates a possible collision (MEID PLCM used for call setup already in use by a different mobile).

Data Source

CSVs

Source Field

PLCM_CallSetupFailuresMEID (Seq# 9)

Source Section

PLCM Performance (Group ID 68)

PLCM_CallSetupFailuresPseudoESN

Pegs when a call setup fails due to RF related reasons and a response from a request made to the BTS to check for a pESN PLCM type collision indicates a possible collision (pESN PLCM used for call setup already in use by a different mobile).

Data Source

CPDS

Source Field

PLCM_CallSetupFailuresPseudoESN (Seq# 7)

Source Section

PLCM Performance (Group ID 68)

PLCM_CallSetupFailuresPseudoESN_CSVS

Pegs when a call setup fails due to RF related reasons and a response from a request made to the BTS to check for a pESN PLCM type collision indicates a possible collision (pESN PLCM used for call setup already in use by a different mobile).

Data Source

CSVS

Source Field

PLCM_CallSetupFailuresPseudoESN (Seq# 7)

Source Section

PLCM Performance (Group ID 68)

PLCM_CallSetupSuccessesBS_Assigned

Pegs when BSC sends a service connect response message to the CAU indicating that a MEID mobile successfully setup the call on BTS assigned PLCM.

Data Source

CPDS

Source Field

PLCM_CallSetupSuccessesBS_Assigned (Seq# 5)

Source Section

PLCM Performance (Group ID 68)

PLCM_CallSetupSuccessesBS_Assigned_CSVS

Pegs when BSC sends a service connect response message to the CAU indicating that a MEID mobile successfully setup the call on BTS assigned PLCM.

Data Source

CSVS

Source Field

PLCM_CallSetupSuccessesBS_Assigned (Seq# 5)

Source Section

PLCM Performance (Group ID 68)

PLCM_CallSetupSuccessesMEID

Pegs when BSC sends a service connect response message to the CAU indicating that a MEID mobile successfully setup the call on MEID based PLCM.

Data Source

CPDS

Source Field

PLCM_CallSetupSuccessesMEID (Seq# 6)

Source Section

PLCM Performance (Group ID 68)

PLCM_CallSetupSuccessesMEID_CSVS

Pegs when BSC sends a service connect response message to the CAU indicating that a MEID mobile successfully setup the call on MEID based PLCM.

Data Source

CSVS

Source Field

PLCM_CallSetupSuccessesMEID (Seq# 6)

Source Section

PLCM Performance (Group ID 68)

PLCM_CallSetupSuccessesPseudoESN

Pegs when BSC sends a service connect response message to the CAU indicating that a MEID mobile successfully setup the call on pESN based PLCM.

Data Source

CPDS

Source Field

PLCM_CallSetupSuccessesPseudoESN (Seq# 4)

Source Section

PLCM Performance (Group ID 68)

PLCM_CallSetupSuccessesPseudoESN_CSVS

Pegs when BSC sends a service connect response message to the CAU indicating that a MEID mobile successfully setup the call on pESN based PLCM.

Data Source

CSVS

Source Field

PLCM_CallSetupSuccessesPseudoESN (Seq# 4)

Source Section

PLCM Performance (Group ID 68)

RevBurstBSC_Downgrade

Request to setup a Reverse SCH is downgraded to a lower data rate by the ESEL based on ESEL card capacity limitation

Data Source

CPDS

Source Field

RevBurstBSC_Downgrade (Seq# 12)

Source Section

SCH Burst Setup (Group ID 9)

RevBurstBSC_NonDowngrade

Request to setup a Reverse SCH is granted by the ESEL without being downgraded based on the ESEL card capacity

Data Source

CPDS

Source Field

RevBurstBSC_NonDowngrade (Seq# 13)

Source Section

SCH Burst Setup (Group ID 9)

RevBurstBSC_Release_16X

This OM is pegged when the Rev burst at 16x is pre-empted due to contention at BSC.

Data Source

CPDS

Source Field

RevBurstBSC_Release_16X (Seq# 8)

Source Section

SCH Burst Release (Group ID 20)

RevBurstBSC_Release_2X

This OM is pegged when the Rev burst at 2x is pre-empted due to contention at BSC.

Data Source

CPDS

Source Field

RevBurstBSC_Release_2X (Seq# 5)

Source Section

SCH Burst Release (Group ID 20)

RevBurstBSC_Release_4X

This OM is pegged when the Rev burst at 4x is pre-empted due to contention at BSC.

Data Source

CPDS

Source Field

RevBurstBSC_Release_4X (Seq# 6)

Source Section

SCH Burst Release (Group ID 20)

RevBurstBSC_Release_8X

This OM is pegged when the Rev burst at 8x is pre-empted due to contention at BSC.

Data Source

CPDS

Source Field

RevBurstBSC_Release_8X (Seq# 7)

Source Section

SCH Burst Release (Group ID 20)

RevBurstBTS_PilotRelease_16X

This OM is pegged when Rev burst at 16x is released if pilots selected by algorithm are not available or due to contention at the BTS.

Data Source

CPDS

Source Field

RevBurstBTS_PilotRelease_16X (Seq# 16)

Source Section

SCH Burst Release (Group ID 20)

RevBurstBTS_PilotRelease_2X

This OM is pegged when Rev burst at 2x is released if pilots selected by algorithm are not available or due to contention at the BTS.

Data Source

CPDS

Source Field

RevBurstBTS_PilotRelease_2X (Seq# 13)

Source Section

SCH Burst Release (Group ID 20)

RevBurstBTS_PilotRelease_4X

This OM is pegged when Rev burst at 4x is released if pilots selected by algorithm are not available or due to contention at the BTS.

Data Source

CPDS

Source Field

RevBurstBTS_PilotRelease_4X (Seq# 14)

Source Section

SCH Burst Release (Group ID 20)

RevBurstBTS_PilotRelease_8X

This OM is pegged when Rev burst at 8x is released if pilots selected by algorithm are not available or due to contention at the BTS.

Data Source

CPDS

Source Field

RevBurstBTS_PilotRelease_8X (Seq# 15)

Source Section

SCH Burst Release (Group ID 20)

RevBurstDelayIndex_1

Reverse SCH request waits in the queue for more than zero seconds up to one second

Data Source

CPDS

Source Field

RevBurstDelayIndex_1 (Seq# 14)

Source Section

SCH Burst Setup (Group ID 9)

RevBurstDelayIndex_2

Reverse SCH request waits in the queue for more than one second up to three seconds

Data Source

CPDS

Source Field

RevBurstDelayIndex_2 (Seq# 15)

Source Section

SCH Burst Setup (Group ID 9)

RevBurstDelayIndex_3

Reverse SCH request waits in the queue for more than three seconds

Data Source

CPDS

Source Field

RevBurstDelayIndex_3 (Seq# 16)

Source Section

SCH Burst Setup (Group ID 9)

RevBurstDowngrade_16X_To_2X

This OM should be pegged whenever a request to setup a Reverse 16X SCH is downgraded to 2X by the RCM based only on ESEL-ACP card capacity limitation (i.e. prior to BTS resources considerations).

Data Source

CPDS

Source Field

RevBurstDowngrade_16X_To_2X (Seq# 54)

Source Section

SCH Burst Setup (Group ID 9)

RevBurstDowngrade_16X_To_4X

This OM should be pegged whenever a request to setup a Reverse 16X SCH is downgraded to 4X by the RCM based only on ESEL-ACP card capacity limitation (i.e. prior to BTS resources considerations).

Data Source

CPDS

Source Field

RevBurstDowngrade_16X_To_4X (Seq# 55)

Source Section

SCH Burst Setup (Group ID 9)

RevBurstDowngrade_16X_To_8X

This OM should be pegged whenever a request to setup a Reverse 16X SCH is downgraded to 8X by the RCM based only on ESEL-ACP card capacity limitation (i.e. prior to BTS resources considerations).

Data Source

CPDS

Source Field

RevBurstDowngrade_16X_To_8X (Seq# 56)

Source Section

SCH Burst Setup (Group ID 9)

RevBurstDowngrade_4X_To_2X

This OM should be pegged whenever a request to setup a Reverse 4X SCH is downgraded to 2X by the RCM based only on ESEL-ACP card capacity limitation (i.e. prior to BTS resources considerations).

Data Source

CPDS

Source Field

RevBurstDowngrade_4X_To_2X (Seq# 51)

Source Section

SCH Burst Setup (Group ID 9)

RevBurstDowngrade_8X_To_2X

This OM should be pegged whenever a request to setup a Reverse 8X SCH is downgraded to 2X by the RCM based only on ESEL-ACP card capacity limitation (i.e. prior to BTS resources considerations).

Data Source

CPDS

Source Field

RevBurstDowngrade_8X_To_2X (Seq# 52)

Source Section

SCH Burst Setup (Group ID 9)

RevBurstDowngrade_8X_To_4X

This OM should be pegged whenever a request to setup a Reverse 8X SCH is downgraded to 4X by the RCM based only on ESEL-ACP card capacity limitation (i.e. prior to BTS resources considerations).

Data Source

CPDS

Source Field

RevBurstDowngrade_8X_To_4X (Seq# 53)

Source Section

SCH Burst Setup (Group ID 9)

RevBurstNonDowngrade_16X

This OM should be pegged whenever a request to setup a Reverse 16X SCH is granted by the RCM (at 16X without being downgraded) based only on ESEL-ACP card capacity (i.e. prior to BTS resources considerations).

Data Source

CPDS

Source Field

RevBurstNonDowngrade_16X (Seq# 60)

Source Section

SCH Burst Setup (Group ID 9)

RevBurstNonDowngrade_2X

This OM should be pegged whenever a request to setup a Reverse 2X SCH is granted by the RCM based only on ESEL-ACP card capacity (i.e. prior to BTS resources considerations).

Data Source

CPDS

Source Field

RevBurstNonDowngrade_2X (Seq# 57)

Source Section

SCH Burst Setup (Group ID 9)

RevBurstNonDowngrade_4X

This OM should be pegged whenever a request to setup a Reverse 4X SCH is granted by the RCM (at 4X without being downgraded) based only on ESEL-ACP card capacity (i.e. prior to BTS resources considerations).

Data Source

CPDS

Source Field

RevBurstNonDowngrade_4X (Seq# 58)

Source Section

SCH Burst Setup (Group ID 9)

RevBurstNonDowngrade_8X

This OM should be pegged whenever a request to setup a Reverse 8X SCH is granted by the RCM (at 8X without being downgraded) based only on ESEL-ACP card capacity (i.e. prior to BTS resources considerations).

Data Source

CPDS

Source Field

RevBurstNonDowngrade_8X (Seq# 59)

Source Section

SCH Burst Setup (Group ID 9)

RevBurstSetupAttempts

Pegged when a reverse data burst needs to be set up

Data Source

CPDS

Source Field

RevBurstSetupAttempts (Seq# 4)

Source Section

SCH Burst Setup (Group ID 9)

RevBurstSetupAttempts_16X

Reverse 16X data burst needs to be set up

Data Source

CPDS

Source Field

RevBurstSetupAttempts_16X (Seq# 32)

Source Section

SCH Burst Setup (Group ID 9)

RevBurstSetupAttempts_2X

Reverse 2X data burst needs to be set up

Data Source

CPDS

Source Field

RevBurstSetupAttempts_2X (Seq# 29)

Source Section

SCH Burst Setup (Group ID 9)

RevBurstSetupAttempts_4X

Reverse 4X data burst needs to be set up

Data Source

CPDS

Source Field

RevBurstSetupAttempts_4X (Seq# 30)

Source Section

SCH Burst Setup (Group ID 9)

RevBurstSetupAttempts_8X

Reverse 8X data burst needs to be set up

Data Source

CPDS

Source Field

RevBurstSetupAttempts_8X (Seq# 31)

Source Section

SCH Burst Setup (Group ID 9)

RevBurstSetupFailures

Pegged when a reverse data burst could not be set up

Data Source

CPDS

Source Field

RevBurstSetupFailures (Seq# 6)

Source Section

SCH Burst Setup (Group ID 9)

RevBurstSetupFailures_16X

Reverse 16X data burst could not be set up

Data Source

CPDS

Source Field

RevBurstSetupFailures_16X (Seq# 40)

Source Section

SCH Burst Setup (Group ID 9)

RevBurstSetupFailures_2X

Reverse 2X data burst could not be set up

Data Source

CPDS

Source Field

RevBurstSetupFailures_2X (Seq# 37)

Source Section

SCH Burst Setup (Group ID 9)

RevBurstSetupFailures_4X

Reverse 4X data burst could not be set up

Data Source

CPDS

Source Field

RevBurstSetupFailures_4X (Seq# 38)

Source Section

SCH Burst Setup (Group ID 9)

RevBurstSetupFailures_8X

Reverse 8X data burst could not be set up

Data Source

CPDS

Source Field

RevBurstSetupFailures_8X (Seq# 39)

Source Section

SCH Burst Setup (Group ID 9)

RevBurstSetupSuccesses

Pegged when a reverse data burst is successfully set up

Data Source

CPDS

Source Field

RevBurstSetupSuccesses (Seq# 5)

Source Section

SCH Burst Setup (Group ID 9)

RevBurstSetupSuccesses_16X

Reverse 16X data burst is successfully set up

Data Source

CPDS

Source Field

RevBurstSetupSuccesses_16X (Seq# 36)

Source Section

SCH Burst Setup (Group ID 9)

RevBurstSetupSuccesses_2X

Reverse 2X data burst is successfully set up

Data Source

CPDS

Source Field

RevBurstSetupSuccesses_2X (Seq# 33)

Source Section

SCH Burst Setup (Group ID 9)

RevBurstSetupSuccesses_4X

Reverse 4X data burst is successfully set up

Data Source

CPDS

Source Field

RevBurstSetupSuccesses_4X (Seq# 34)

Source Section

SCH Burst Setup (Group ID 9)

RevBurstSetupSuccesses_8X

Reverse 8X data burst is successfully set up

Data Source

CPDS

Source Field

RevBurstSetupSuccesses_8X (Seq# 35)

Source Section

SCH Burst Setup (Group ID 9)

RevRLPQ_SCH_BurstAvgDepth_16x

Provides the average queue depth in percentage over all 16X bursts measured in the reverse direction.

Data Source

CPDS

Source Field

RevRLPQ_SCH_BurstAvgDepth_16x (Seq# 33)

Source Section

SDU Queue Occupancy (Group ID 71)

RevRLPQ_SCH_BurstAvgDepth_2x

Provides the average queue depth in percentage over all 2X bursts measured in the reverse direction.

Data Source

CPDS

Source Field

RevRLPQ_SCH_BurstAvgDepth_2x (Seq# 30)

Source Section

SDU Queue Occupancy (Group ID 71)

RevRLPQ_SCH_BurstAvgDepth_4x

Provides the average queue depth in percentage over all 4X bursts measured in the reverse direction.

Data Source

CPDS

Source Field

RevRLPQ_SCH_BurstAvgDepth_4x (Seq# 31)

Source Section

SDU Queue Occupancy (Group ID 71)

RevRLPQ_SCH_BurstAvgDepth_8x

Provides the average queue depth in percentage over all 8X bursts measured in the reverse direction.

Data Source

CPDS

Source Field

RevRLPQ_SCH_BurstAvgDepth_8x (Seq# 32)

Source Section

SDU Queue Occupancy (Group ID 71)

RevRLPQ_SCH_BurstPeakDepth_16x

Provides the peak queue depth in percentage for any given 16X burst measured in the reverse direction.

Data Source

CPDS

Source Field

RevRLPQ_SCH_BurstPeakDepth_16x (Seq# 41)

Source Section

SDU Queue Occupancy (Group ID 71)

RevRLPQ_SCH_BurstPeakDepth_2x

Provides the peak queue depth in percentage for any given 2X burst measured in the reverse direction.

Data Source

CPDS

Source Field

RevRLPQ_SCH_BurstPeakDepth_2x (Seq# 38)

Source Section

SDU Queue Occupancy (Group ID 71)

RevRLPQ_SCH_BurstPeakDepth_4x

Provides the peak queue depth in percentage for any given 4X burst measured in the reverse direction.

Data Source

CPDS

Source Field

RevRLPQ_SCH_BurstPeakDepth_4x (Seq# 39)

Source Section

SDU Queue Occupancy (Group ID 71)

RevRLPQ_SCH_BurstPeakDepth_8x

Provides the peak queue depth in percentage for any given 8X burst measured in the reverse direction.

Data Source

CPDS

Source Field

RevRLPQ_SCH_BurstPeakDepth_8x (Seq# 40)

Source Section

SDU Queue Occupancy (Group ID 71)

RLPSetupAttempts

Number of RLP setups attempted

Data Source

CPDS

Source Field

RLPSetupAttempts (Seq# 1)

Source Section

RLP Setup (Group ID 8)

RLPSetupFailures

Number of failed RLP setups

Data Source

CPDS

Source Field

RLPSetupFailures (Seq# 3)

Source Section

RLP Setup (Group ID 8)

RLPSetupSuccesses

Number of successful RLP setups

Data Source

CPDS

Source Field

RLPSetupSuccesses (Seq# 2)

Source Section

RLP Setup (Group ID 8)

SL_MaxLargeStreamBufferUsed

Maximum number of Large stream buffer used.

Data Source

CPDS

Source Field

SL_MaxLargeStreamBufferUsed (Seq# 4)

Source Section

BCN Socket Layer (Group ID 15)

SL_MaxLargeStreamBufferUsed_CSVS

Maximum number of Large stream buffer used.

Data Source

CSVS

Source Field

SL_MaxLargeStreamBufferUsed (Seq# 4)

Source Section

BCN Socket Layer (Group ID 15)

SL_MaxMediumStreamBufferUsed

Maximum number of Medium stream buffer used.

Data Source

CPDS

Source Field

SL_MaxMediumStreamBufferUsed (Seq# 5)

Source Section

BCN Socket Layer (Group ID 15)

SL_MaxMediumStreamBufferUsed_CSVS

Maximum number of Medium stream buffer used.

Data Source

CSVS

Source Field

SL_MaxMediumStreamBufferUsed (Seq# 5)

Source Section

BCN Socket Layer (Group ID 15)

SL_MaxSmallStreamBufferUsed

Maximum number of Small stream buffer used.

Data Source

CPDS

Source Field

SL_MaxSmallStreamBufferUsed (Seq# 6)

Source Section

BCN Socket Layer (Group ID 15)

SL_MaxSmallStreamBufferUsed_CSVS

Maximum number of Small stream buffer used.

Data Source

CSVS

Source Field

SL_MaxSmallStreamBufferUsed (Seq# 6)

Source Section

BCN Socket Layer (Group ID 15)

SL_STLA_UnknownDestinationMsg

Number of STL-A messages received on this stack but without a socket registered for it.

Data Source

CPDS

Source Field

SL_STLA_UnknownDestinationMsg (Seq# 1)

Source Section

BCN Socket Layer (Group ID 15)

SL_STLA_UnknownDestinationMsg_CSVS

Number of STL-A messages received on this stack but without a socket registered for it.

Data Source

CSVS

Source Field

SL_STLA_UnknownDestinationMsg (Seq# 1)

Source Section

BCN Socket Layer (Group ID 15)

SL_STLB_UnknownDestinationMsg

Number of STL-B messages received on this stack but without a socket registered for it.

Data Source

CPDS

Source Field

SL_STLB_UnknownDestinationMsg (Seq# 2)

Source Section

BCN Socket Layer (Group ID 15)

SL_STLB_UnknownDestinationMsg_CSVS

Number of STL-B messages received on this stack but without a socket registered for it.

Data Source

CSVS

Source Field

SL_STLB_UnknownDestinationMsg (Seq# 2)

Source Section

BCN Socket Layer (Group ID 15)

SL_STLD_UnknownDestinationMsg

Number of STL-D messages received on this stack but without a socket registered for it.

Data Source

CPDS

Source Field

SL_STLD_UnknownDestinationMsg (Seq# 3)

Source Section

BCN Socket Layer (Group ID 15)

SL_STLD_UnknownDestinationMsg_CSVS

Number of STL-D messages received on this stack but without a socket registered for it.

Data Source

CSVS

Source Field

SL_STLD_UnknownDestinationMsg (Seq# 3)

Source Section

BCN Socket Layer (Group ID 15)

SL_StreamBufferAllocFailure

Number of Stream buffer unsuccessfully allocated.

Data Source

CPDS

Source Field

SL_StreamBufferAllocFailure (Seq# 8)

Source Section

BCN Socket Layer (Group ID 15)

SL_StreamBufferAllocFailure_CSVS

Number of Stream buffer unsuccessfully allocated.

Data Source

CSVS

Source Field

SL_StreamBufferAllocFailure (Seq# 8)

Source Section

BCN Socket Layer (Group ID 15)

SL_StreamBufferAllocSuccess

Number of Stream buffer successfully allocated.

Data Source

CPDS

Source Field

SL_StreamBufferAllocSuccess (Seq# 7)

Source Section

BCN Socket Layer (Group ID 15)

SL_StreamBufferAllocSuccess_CSVS

Number of Stream buffer successfully allocated.

Data Source

CSVS

Source Field

SL_StreamBufferAllocSuccess (Seq# 7)

Source Section

BCN Socket Layer (Group ID 15)

STLA_BestEffortReassemblyTimeout

Number of best effort messages dropped (missing frame(s))

Data Source

CPDS

Source Field

STLA_BestEffortReassemblyTimeout (Seq# 17)

Source Section

BCN STLA Transport Layer (Group ID 16)

STLA_BestEffortReassemblyTimeout_CSVS

Number of best effort messages dropped (missing frame(s))

Data Source

CSVS

Source Field

STLA_BestEffortReassemblyTimeout (Seq# 17)

Source Section

BCN STLA Transport Layer (Group ID 16)

STLA_BestEffortRxMsg

Number of Best Effort messages received.(thruput)

Data Source

CPDS

Source Field

STLA_BestEffortRxMsg (Seq# 4)

Source Section

BCN STLA Transport Layer (Group ID 16)

STLA_BestEffortRxMsg_CSVS

Number of Best Effort messages received. (thruput)

Data Source

CSVS

Source Field

STLA_BestEffortRxMsg (Seq# 4)

Source Section

BCN STLA Transport Layer (Group ID 16)

STLA_BestEffortTxMsg

Number of Best Effort messages sent.(thruput)

Data Source

CPDS

Source Field

STLA_BestEffortTxMsg (Seq# 3)

Source Section

BCN STLA Transport Layer (Group ID 16)

STLA_BestEffortTxMsg_CSVS

Number of Best Effort messages sent.(thruput)

Data Source

CSVS

Source Field

STLA_BestEffortTxMsg (Seq# 3)

Source Section

BCN STLA Transport Layer (Group ID 16)

STLA_ConnectionFailed

Obsoleted in NBSS14. Number of connections that couldn't be set up or that were lost.

Data Source

CPDS

Source Field

STLA_ConnectionFailed (Seq# 22)

Source Section

BCN STLA Transport Layer (Group ID 16)

STLA_ConnectionFailedDueToMaxFaults

Number of connections that could not be set up or that were lost due to the threshold of max faults being exceeded.

Data Source

CPDS

Source Field

STLA_ConnectionFailedDueToMaxFaults (Seq# 23)

Source Section

BCN STLA Transport Layer (Group ID 16)

STLA_ConnectionFailedDueToMaxFaults_CSVS

Number of failures that occurred due to maximum number of faults (See BCNSpec for the definition of a failure).

Data Source

CSVS

Source Field

STLA_ConnectionFailedDueToMaxFaults (Seq# 23)

Source Section

BCN STLA Transport Layer (Group ID 16)

STLA_ConnectionFailedDueToMaxTxAttempts

Number of connections that could not be set up or that were lost due to the threshold of max transmission attempts being exceeded.

Data Source

CPDS

Source Field

STLA_ConnectionFailedDueToMaxTxAttempts (Seq# 24)

Source Section

BCN STLA Transport Layer (Group ID 16)

STLA_ConnectionFailedDueToMaxTxAttempts_CSVS

Number of failures that occurred due to maximum number of transmit attempts (See BCNSpec for the definition of a failure).

Data Source

CSVS

Source Field

STLA_ConnectionFailedDueToMaxTxAttempts (Seq# 24)

Source Section

BCN STLA Transport Layer (Group ID 16)

STLA_ConnectionFault

Number of faults that occurred in the stack for all the connections.

Data Source

CPDS

Source Field

STLA_ConnectionFault (Seq# 21)

Source Section

BCN STLA Transport Layer (Group ID 16)

STLA_ConnectionFault_CSVS

Number of faults that occurred in the stack for all the connections. (See BCNSpec for the definition of a fault).

Data Source

CSVS

Source Field

STLA_ConnectionFault (Seq# 21)

Source Section

BCN STLA Transport Layer (Group ID 16)

STLA_FailedMsgCRC

Number of messages (reliable and best effort) dropped due to a bad CRC.

Data Source

CPDS

Source Field

STLA_FailedMsgCRC (Seq# 20)

Source Section

BCN STLA Transport Layer (Group ID 16)

STLA_FailedMsgCRC_CSVS

Number of messages (reliable and best effort) dropped due to a bad CRC.

Data Source

CSVS

Source Field

STLA_FailedMsgCRC (Seq# 20)

Source Section

BCN STLA Transport Layer (Group ID 16)

STLA_MaxOpenRxConnection

Maximum number of open connections to receive messages.

Data Source

CPDS

Source Field

STLA_MaxOpenRxConnection (Seq# 33)

Source Section

BCN STLA Transport Layer (Group ID 16)

STLA_MaxOpenRxConnection_CSVS

Maximum number of open connections to receive messages.

Data Source

CSVs

Source Field

STLA_MaxOpenRxConnection (Seq# 33)

Source Section

BCN STLA Transport Layer (Group ID 16)

STLA_MaxOpenTxConnection

Maximum number of open connections to transmit messages.

Data Source

CPDS

Source Field

STLA_MaxOpenTxConnection (Seq# 34)

Source Section

BCN STLA Transport Layer (Group ID 16)

STLA_MaxOpenTxConnection_CSVS

Maximum number of open connections to transmit messages.

Data Source

CSVs

Source Field

STLA_MaxOpenTxConnection (Seq# 34)

Source Section

BCN STLA Transport Layer (Group ID 16)

STLA_MaxRxBuffer

Maximum number of buffers used to receive incoming frames.

Data Source

CPDS

Source Field

STLA_MaxRxBuffer (Seq# 14)

Source Section

BCN STLA Transport Layer (Group ID 16)

STLA_MaxRxBuffer_CSVS

Maximum number of buffers used to receive incoming frames.

Data Source

CSVS

Source Field

STLA_MaxRxBuffer (Seq# 14)

Source Section

BCN STLA Transport Layer (Group ID 16)

STLA_MaxRxQueue

Maximum number of queues to receive messages.

Data Source

CPDS

Source Field

STLA_MaxRxQueue (Seq# 31)

Source Section

BCN STLA Transport Layer (Group ID 16)

STLA_MaxRxQueue_CSVS

Maximum number of queues to receive messages.

Data Source

CSVS

Source Field

STLA_MaxRxQueue (Seq# 31)

Source Section

BCN STLA Transport Layer (Group ID 16)

STLA_MaxTxLargeBuffer

Maximum number of large buffers used to transmit all the messages.

Data Source

CPDS

Source Field

STLA_MaxTxLargeBuffer (Seq# 11)

Source Section

BCN STLA Transport Layer (Group ID 16)

STLA_MaxTxLargeBuffer_CSVS

Maximum number of large buffers used to transmit all the messages.

Data Source

CSVS

Source Field

STLA_MaxTxLargeBuffer (Seq# 11)

Source Section

BCN STLA Transport Layer (Group ID 16)

STLA_MaxTxMediumBuffer

Maximum number of medium buffers used to transmit all the messages.

Data Source

CPDS

Source Field

STLA_MaxTxMediumBuffer (Seq# 10)

Source Section

BCN STLA Transport Layer (Group ID 16)

STLA_MaxTxMediumBuffer_CSVS

Maximum number of medium buffers used to transmit all the messages.

Data Source

CSVS

Source Field

STLA_MaxTxMediumBuffer (Seq# 10)

Source Section

BCN STLA Transport Layer (Group ID 16)

STLA_MaxTxQueue

Maximum number of queues to transmit messages.

Data Source

CPDS

Source Field

STLA_MaxTxQueue (Seq# 32)

Source Section

BCN STLA Transport Layer (Group ID 16)

STLA_MaxTxQueue_CSVS

Maximum number of queues to transmit messages.

Data Source

CSVS

Source Field

STLA_MaxTxQueue (Seq# 32)

Source Section

BCN STLA Transport Layer (Group ID 16)

STLA_MaxTxSmallBuffer

Maximum number of small buffers used to transmit all the messages.

Data Source

CPDS

Source Field

STLA_MaxTxSmallBuffer (Seq# 9)

Source Section

BCN STLA Transport Layer (Group ID 16)

STLA_MaxTxSmallBuffer_CSVS

Maximum number of small buffers used to transmit all the messages.

Data Source

CSVS

Source Field

STLA_MaxTxSmallBuffer (Seq# 9)

Source Section

BCN STLA Transport Layer (Group ID 16)

STLA_OpenRxConnection

Number of Receive connection opened.

Data Source

CPDS

Source Field

STLA_OpenRxConnection (Seq# 6)

Source Section

BCN STLA Transport Layer (Group ID 16)

STLA_OpenRxConnection_CSVS

Number of Receive connection opened.

Data Source

CSVS

Source Field

STLA_OpenRxConnection (Seq# 6)

Source Section

BCN STLA Transport Layer (Group ID 16)

STLA_OpenTxConnection

Number of Transmit connection opened.

Data Source

CPDS

Source Field

STLA_OpenTxConnection (Seq# 5)

Source Section

BCN STLA Transport Layer (Group ID 16)

STLA_OpenTxConnection_CSVS

Number of Transmit connection opened.

Data Source

CSVS

Source Field

STLA_OpenTxConnection (Seq# 5)

Source Section

BCN STLA Transport Layer (Group ID 16)

STLA_OutOfRxFrameBuffer

Number of received frames rejected due to lack of buffers.

Data Source

CPDS

Source Field

STLA_OutOfRxFrameBuffer (Seq# 13)

Source Section

BCN STLA Transport Layer (Group ID 16)

STLA_OutOfRxFrameBuffer_CSVS

Number of received frames rejected due to lack of buffers.

Data Source

CSVS

Source Field

STLA_OutOfRxFrameBuffer (Seq# 13)

Source Section

BCN STLA Transport Layer (Group ID 16)

STLA_OutOfTxBuffer

Number of transmit failures due to lack of transmit message buffers.

Data Source

CPDS

Source Field

STLA_OutOfTxBuffer (Seq# 12)

Source Section

BCN STLA Transport Layer (Group ID 16)

STLA_OutOfTxBuffer_CSVS

Number of transmit failures due to lack of transmit message buffers.

Data Source

CSVS

Source Field

STLA_OutOfTxBuffer (Seq# 12)

Source Section

BCN STLA Transport Layer (Group ID 16)

STLA_OutOfWindowMsg

Obsoleted in NBSS14. Number of messages, which were over the window size.

Data Source

CPDS

Source Field

STLA_OutOfWindowMsg (Seq# 15)

Source Section

BCN STLA Transport Layer (Group ID 16)

STLA_OutOfWindowMsgDueToMaxWS

Number of messages which were over the window size due to size of message exceeding the window size.

Data Source

CPDS

Source Field

STLA_OutOfWindowMsgDueToMaxWS (Seq# 26)

Source Section

BCN STLA Transport Layer (Group ID 16)

STLA_OutOfWindowMsgDueToMaxWS_CSVS

Number of messages over the window size where the size of the window is equal to the maximum size (128 messages).

Data Source

CSVS

Source Field

STLA_OutOfWindowMsgDueToMaxWS (Seq# 26)

Source Section

BCN STLA Transport Layer (Group ID 16)

STLA_OutOfWindowMsgDueToReducedWS

Number of messages which were over the window size due to a reduced window size setting.

Data Source

CPDS

Source Field

STLA_OutOfWindowMsgDueToReducedWS (Seq# 25)

Source Section

BCN STLA Transport Layer (Group ID 16)

STLA_OutOfWindowMsgDueToReducedWS_CSVS

Number of messages over the window size where the size of the window is less than the maximum size (128 messages).

Data Source

CSVS

Source Field

STLA_OutOfWindowMsgDueToReducedWS (Seq# 25)

Source Section

BCN STLA Transport Layer (Group ID 16)

STLA_OutOfWindowMsgDueToZeroWS

Number of messages which were over the window size due to the window size being set to zero.

Data Source

CPDS

Source Field

STLA_OutOfWindowMsgDueToZeroWS (Seq# 27)

Source Section

BCN STLA Transport Layer (Group ID 16)

STLA_OutOfWindowMsgDueToZeroWS_CSVS

Number of messages over the window size where the size of the window is 0.

Data Source

CSVS

Source Field

STLA_OutOfWindowMsgDueToZeroWS (Seq# 27)

Source Section

BCN STLA Transport Layer (Group ID 16)

STLA_ProtocolRevisionError

Number of messages with protocol revision errors.

Data Source

CPDS

Source Field

STLA_ProtocolRevisionError (Seq# 30)

Source Section

BCN STLA Transport Layer (Group ID 16)

STLA_ProtocolRevisionError_CSVS

Number of times Protocol Revision error occurred.

Data Source

CSVS

Source Field

STLA_ProtocolRevisionError (Seq# 30)

Source Section

BCN STLA Transport Layer (Group ID 16)

STLA_RefusedRxConnection

Number of connection refused on receives because maximum reached.

Data Source

CPDS

Source Field

STLA_RefusedRxConnection (Seq# 7)

Source Section

BCN STLA Transport Layer (Group ID 16)

STLA_RefusedRxConnection_CSVS

Number of connection refused on receives because maximum reached.

Data Source

CSVS

Source Field

STLA_RefusedRxConnection (Seq# 7)

Source Section

BCN STLA Transport Layer (Group ID 16)

STLA_RefusedTxConnection

Number of connection refused on transmits because maximum reached.

Data Source

CPDS

Source Field

STLA_RefusedTxConnection (Seq# 8)

Source Section

BCN STLA Transport Layer (Group ID 16)

STLA_RefusedTxConnection_CSVS

Number of connection refused on transmits because maximum reached.

Data Source

CSVS

Source Field

STLA_RefusedTxConnection (Seq# 8)

Source Section

BCN STLA Transport Layer (Group ID 16)

STLA_ReliableAckWaitTimeout

Number of missing Ack when transmitting a reliable message.

Data Source

CPDS

Source Field

STLA_ReliableAckWaitTimeout (Seq# 19)

Source Section

BCN STLA Transport Layer (Group ID 16)

STLA_ReliableAckWaitTimeout_CSVS

Number of missing Ack when transmitting a reliable message.

Data Source

CSVS

Source Field

STLA_ReliableAckWaitTimeout (Seq# 19)

Source Section

BCN STLA Transport Layer (Group ID 16)

STLA_ReliableReassemblyTimeout

Number of reliable messages dropped (missing frame(s)).

Data Source

CPDS

Source Field

STLA_ReliableReassemblyTimeout (Seq# 16)

Source Section

BCN STLA Transport Layer (Group ID 16)

STLA_ReliableReassemblyTimeout_CSVS

Number of reliable messages dropped (missing frame(s)).

Data Source

CSVS

Source Field

STLA_ReliableReassemblyTimeout (Seq# 16)

Source Section

BCN STLA Transport Layer (Group ID 16)

STLA_ReliableRetransmittedMsg

Number of reliable messages, which needed to be retransmitted.

Data Source

CPDS

Source Field

STLA_ReliableRetransmittedMsg (Seq# 18)

Source Section

BCN STLA Transport Layer (Group ID 16)

STLA_ReliableRetransmittedMsg_CSVS

Number of reliable messages, which needed to be retransmitted.

Data Source

CSVS

Source Field

STLA_ReliableRetransmittedMsg (Seq# 18)

Source Section

BCN STLA Transport Layer (Group ID 16)

STLA_ReliableRxMsg

Number of reliable messages received.(thruput)

Data Source

CPDS

Source Field

STLA_ReliableRxMsg (Seq# 2)

Source Section

BCN STLA Transport Layer (Group ID 16)

STLA_ReliableRxMsg_CSVS

Number of reliable messages received.(thruput)

Data Source

CSVS

Source Field

STLA_ReliableRxMsg (Seq# 2)

Source Section

BCN STLA Transport Layer (Group ID 16)

STLA_ReliableTxMsg

Number of reliable messages sent.(thruput)

Data Source

CPDS

Source Field

STLA_ReliableTxMsg (Seq# 1)

Source Section

BCN STLA Transport Layer (Group ID 16)

STLA_ReliableTxMsg_CSVS

Number of reliable messages sent.(thruput)

Data Source

CSVS

Source Field

STLA_ReliableTxMsg (Seq# 1)

Source Section

BCN STLA Transport Layer (Group ID 16)

STLA_TxWindowReduced

Number of messages with the window shut.

Data Source

CPDS

Source Field

STLA_TxWindowReduced (Seq# 28)

Source Section

BCN STLA Transport Layer (Group ID 16)

STLA_TxWindowReduced_CSVS

Number of times the window size is reduced.

Data Source

CSVS

Source Field

STLA_TxWindowReduced (Seq# 28)

Source Section

BCN STLA Transport Layer (Group ID 16)

STLA_TxWindowShut

Number of messages with a reduced window size.

Data Source

CPDS

Source Field

STLA_TxWindowShut (Seq# 29)

Source Section

BCN STLA Transport Layer (Group ID 16)

STLA_TxWindowShut_CSVS

Number of times the window size is set to zero.

Data Source

CSVS

Source Field

STLA_TxWindowShut (Seq# 29)

Source Section

BCN STLA Transport Layer (Group ID 16)

STLD_BestEffortReassemblyTimeout

Number of best effort messages dropped (missing frame(s))

Data Source

CPDS

Source Field

STLD_BestEffortReassemblyTimeout (Seq# 11)

Source Section

BCN STLD Transport Layer (Group ID 17)

STLD_BestEffortRxMsg

Number of Best Effort messages received.

Data Source

CPDS

Source Field

STLD_BestEffortRxMsg (Seq# 2)

Source Section

BCN STLD Transport Layer (Group ID 17)

STLD_BestEffortTxMsg

Number of Best Effort messages sent.

Data Source

CPDS

Source Field

STLD_BestEffortTxMsg (Seq# 1)

Source Section

BCN STLD Transport Layer (Group ID 17)

STLD_MaxRxBuffer

Maximum number of buffers used to receive incoming frames.

Data Source

CPDS

Source Field

STLD_MaxRxBuffer (Seq# 10)

Source Section

BCN STLD Transport Layer (Group ID 17)

STLD_MaxRxQueue

Maximum number of queues to receive messages.

Data Source

CPDS

Source Field

STLD_MaxRxQueue (Seq# 12)

Source Section

BCN STLD Transport Layer (Group ID 17)

STLD_MaxTxBufferWithoutCopy

Maximum number of without copy buffers used to transmit all of the messages.

Data Source

CPDS

Source Field

STLD_MaxTxBufferWithoutCopy (Seq# 7)

Source Section

BCN STLD Transport Layer (Group ID 17)

STLD_MaxTxLargeBuffer

Maximum number of large buffers used to transmit all the messages.

Data Source

CPDS

Source Field

STLD_MaxTxLargeBuffer (Seq# 5)

Source Section

BCN STLD Transport Layer (Group ID 17)

STLD_MaxTxMediumBuffer

Maximum number of medium buffers used to transmit all the messages.

Data Source

CPDS

Source Field

STLD_MaxTxMediumBuffer (Seq# 4)

Source Section

BCN STLD Transport Layer (Group ID 17)

STLD_MaxTxQueue

Maximum number of queues to transmit messages.

Data Source

CPDS

Source Field

STLD_MaxTxQueue (Seq# 13)

Source Section

BCN STLD Transport Layer (Group ID 17)

STLD_MaxTxSmallBuffer

Maximum number of small buffers used to transmit all the messages.

Data Source

CPDS

Source Field

STLD_MaxTxSmallBuffer (Seq# 3)

Source Section

BCN STLD Transport Layer (Group ID 17)

STLD_OutOfRxFrameBuffer

Number of received frames rejected due to lack of buffers.

Data Source

CPDS

Source Field

STLD_OutOfRxFrameBuffer (Seq# 9)

Source Section

BCN STLD Transport Layer (Group ID 17)

STLD_OutOfTxBuffer

Number of transmit failures due to lack of transmit message buffers.

Data Source

CPDS

Source Field

STLD_OutOfTxBuffer (Seq# 6)

Source Section

BCN STLD Transport Layer (Group ID 17)

STLD_OutOfTxBufferWithoutCopy

Number of transmit failures due to lack of transmit message without copy buffers.

Data Source

CPDS

Source Field

STLD_OutOfTxBufferWithoutCopy (Seq# 8)

Source Section

BCN STLD Transport Layer (Group ID 17)

AirAbisPeer Primitive Calculations

The following is a list of primitive calculations for the AirAbisPeer entity.

GRAPHmultiLineSeparator

Special Control Field for Multi-Line Graphs

Calculation

""

NUMDAYS

of days in Report

Calculation

DAYSINREPORT ()

NUMHOURS

of hours in Summation Data

Calculation

Announcement Primitive Calculations

The following is a list of primitive calculations for the Announcement entity.

GRAPHmultiLineSeparator

Special Control Field for Multi-Line Graphs

Calculation

""

NUMDAYS

of days in Report

Calculation

DAYSINREPORT ()

NUMHOURS

of hours in Summation Data

Calculation

Announcement Peg Counts

The following is a list of peg counts for the Announcement entity.

ANN_OMINFO

Max # of calls simultaneously attached to announcement

Data Source

MTX OM, SDM

Source Field

ANN_OMINFO

Source Section

ANN

ANNATT

Counts calls routed to an announcement

Data Source

MTX OM, SDM

Source Field

ANNATT

Source Section

ANN

ANNFTRU

Records when an announcement is traffic busy

Data Source

MTX OM, SDM

Source Field

ANNFTRU

Source Section

ANN

ANNMBU

Measures manual busy usage

Data Source

MTX OM, SDM

Source Field

ANNMBU

Source Section

ANN

ANNOVFL

Counts calls that the system routes to a recorded announcement

Data Source

MTX OM, SDM

Source Field

ANNOVFL

Source Section

ANN

ANNSBU

Records when an announcement is system busy

Data Source

MTX OM, SDM

Source Field

ANNSBU

Source Section

ANN

ANNTRU

Records when an announcement is traffic busy.

Data Source

MTX OM, SDM

Source Field

ANNTRU

Source Section

ANN

AudioServer Primitive Calculations

The following is a list of primitive calculations for the AudioServer entity.

GRAPHmultiLineSeparator

Special Control Field for Multi-Line Graphs

Calculation

""

NUMDAYS

of days in Report

Calculation

DAYSINREPORT ()

NUMHOURS

of hours in Summation Data

Calculation

AudioServer Peg Counts

The following is a list of peg counts for the AudioServer entity.

ANNCFTRU

Number of announcement port resources that are in a call processing busy state.

Data Source

MTX OM, SDM

Source Field

ANNCFTRU

Source Section

AUDSRVS

ANNCINSU

Number of announcement port resources on the Audio Server that are in service.

Data Source

MTX OM, SDM

Source Field

ANNCINSU

Source Section

AUDSRVS

ANNCOOSU

Number of announcement port resources that are out of service.

Data Source

MTX OM, SDM

Source Field

ANNCOOSU

Source Section

AUDSRVS

AnncPortsEquipped

Number of Announcements ports equipped on the Audio Server

Data Source

MTX OM, SDM

Source Field

INFO1

Source Section

AUDSRVS

ANNCTRU

Number of announcement port resources that are call processing busy.

Data Source

MTX OM, SDM

Source Field

ANNCTRU

Source Section

AUDSRVS

CNF3FTRU

Number of 3-port conference circuit ports that are in a call processing busy state.

Data Source

MTX OM, SDM

Source Field

CNF3FTRU

Source Section

AUDSRVS

CNF3INSU

Number of 3-port conference circuit ports that are in-service.

Data Source

MTX OM, SDM

Source Field

CNF3INSU

Source Section

AUDSRVS

CNF3OOSU

Number of 3-port conference circuit ports that are out of service.

Data Source

MTX OM, SDM

Source Field

CNF3OOSU

Source Section

AUDSRVS

CNF3TRU

Number of 3-port conference circuit ports that are call processing busy.

Data Source

MTX OM, SDM

Source Field

CNF3TRU

Source Section

AUDSRVS

CNF6FTRU

Number of 6-port conference circuit ports that are in a call processing busy state.

Data Source

MTX OM, SDM

Source Field

CNF6FTRU

Source Section

AUDSRVS

CNF6INSU

Number of 6-port conference circuit ports that are in-service.

Data Source

MTX OM, SDM

Source Field

CNF6INSU

Source Section

AUDSRVS

CNF6OOSU

Number of 6-port conference circuit ports that are out of service.

Data Source

MTX OM, SDM

Source Field

CNF6OOSU

Source Section

AUDSRVS

CNF6TRU

Number of 6-port conference circuit ports that are call processing busy.

Data Source

MTX OM, SDM

Source Field

CNF6TRU

Source Section

AUDSRVS

SixPortConfCctPortsEquipped

Number of 6-port conference circuit ports equipped on the Audio Server

Data Source

MTX OM, SDM

Source Field

INFO3

Source Section

AUDSRVS

ThreePortConfCctPortsEquipped

Number of 3-port conference circuit ports equipped on the Audio Server

Data Source

MTX OM, SDM

Source Field

INFO2

Source Section

AUDSRVS

BcnIf Primitive Calculations

The following is a list of primitive calculations for the BcnIf entity.

NUMDAYS

of days in Report

Calculation

DAYSINREPORT ()

NUMHOURS

of hours in Summation Data

Calculation

TotalTxPacket

The number of packets transmitted from the BCN interface including discarded packets

Calculation

vsum(vsum(TxPackets,0), vsum(TxPacketDiscards,0),0)

BcnIf Peg Counts

The following is a list of peg counts for the BcnIf entity.

RxAvgLinkUtilization

The average receive link capacity utilization expressed as a percentage of the available bandwidth with sampling interval of 1 minute. Not available for SbsBcnIf.

Data Source

MDP

Source Field

RxAvgLinkUtilization

Source Section

Passport Statistics

RxAvgPacketRate

The average received packet rate in pkt/s.

Data Source

MDP

Source Field

RxAvgPacketRate

Source Section

Passport Statistics

RxAvgThroughput

The average throughput of the bits received during the collection interval based on the number of octets in the RxOctets. Only available for CiuBcnIf SbsBcnIf and BtsBcnIf.

Data Source

MDP

Source Field

RxAvgThroughput

Source Section

Passport Statistics

RxBroadcastPacketDiscard

The number of received broadcast packets that were discarded due to an invalid BCN address. Only available for CiuBcnIf SbsBcnIf and BtsBcnIf.

Data Source

MDP

Source Field

RxBroadcastPacketDiscard

Source Section

Passport Statistics

RxMinLinkUtilization

The lowest receive link capacity utilization expressed as a percentage of the available bandwidth with sampling interval of 1 minute. Not available for SbsBcnIf.

Data Source

MDP

Source Field

RxMinLinkUtilization

Source Section

Passport Statistics

RxOctets

The number of octets of the packets received by the BCN interface. Only available for CiuBcnIf, SbsBcnIf and BtsBcnIf.

Data Source

MDP

Source Field

RxOctets

Source Section

Passport Statistics

RxPacketDiscards

The number of packets that could not be received due to protocol errors or lack of resources.

Data Source

MDP

Source Field

RxPacketDiscards

Source Section

Passport Statistics

RxPackets

The number of packets received by the BCN interface.

Data Source

MDP

Source Field

RxPackets

Source Section

Passport Statistics

RxPeakLinkUtilization

The peak receive link capacity utilization expressed as a percentage of the available bandwidth with sampling interval of 1 minute. Not available for SbsBcnIf.

Data Source

MDP

Source Field

RxPeakLinkUtilization

Source Section

Passport Statistics

RxPeakPacketRate

The received packet rate in pkt/s.

Data Source

MDP

Source Field

RxPeakPacketRate

Source Section

Passport Statistics

RxPeakThroughput

The throughput of the bits received during the busiest minute based on the number of octets in the RxOctets. Only available for CiuBcnIf and SbsBcnIf and BtsBcnIf.

Data Source

MDP

Source Field

RxPeakThroughput

Source Section

Passport Statistics

TxAvgLinkUtilization

The average transmit link capacity utilization expressed as a percentage of the available bandwidth with sampling interval of 1 minute. Not available for SbsBcnIf.

Data Source

MDP

Source Field

TxAvgLinkUtilization

Source Section

Passport Statistics

TxAvgPacketRate

The average transmitted packet rate in pkt/s.

Data Source

MDP

Source Field

TxAvgPacketRate

Source Section

Passport Statistics

TxAvgThroughput

The average throughput of the bits transmitted during the collection interval based on the number of octets in the TxOctets. Only available for CiuBcnIf SbsBcnIf and BtsBcnIf.

Data Source

MDP

Source Field

TxAvgThroughput

Source Section

Passport Statistics

TxMinLinkUtilization

The lowest transmit link capacity utilization expressed as a percentage of the available bandwidth with sampling interval of 1 minute. Not available for SbsBcnIf.

Data Source

MDP

Source Field

TxMinLinkUtilization

Source Section

Passport Statistics

TxOctets

The number of octets of the packets transmitted from the BCN interface. Only available for CiuBcnIf SbsBcnIf and BtsBcnIf.

Data Source

MDP

Source Field

TxOctets

Source Section

Passport Statistics

TxPacketDiscardPriority1

The number of priority 1 packets that could not be transmitted due to queue congestion and HEC errors.

Data Source

MDP

Source Field

TxPacketDiscardPriority1

Source Section

Passport Statistics

TxPacketDiscardPriority2

The number of priority 2 packets that could not be transmitted due to queue congestion and HEC errors.

Data Source

MDP

Source Field

TxPacketDiscardPriority2

Source Section

Passport Statistics

TxPacketDiscards

The number of packets that could not be transmitted due to protocol errors or lack of resources.

Data Source

MDP

Source Field

TxPacketDiscards

Source Section

Passport Statistics

TxPackets

The number of packets transmitted from the BCN interface.

Data Source

MDP

Source Field

TxPackets

Source Section

Passport Statistics

TxPeakLinkUtilization

The peak transmit link capacity utilization expressed as a percentage of the available bandwidth with sampling interval of 1 minute. Not available for SbsBcnIf.

Data Source

MDP

Source Field

TxPeakLinkUtilization

Source Section

Passport Statistics

TxPeakPacketRate

The transmitted packet rate in pkt/s.

Data Source

MDP

Source Field

TxPeakPacketRate

Source Section

Passport Statistics

TxPeakThroughput

The throughput of the bits transmitted during the busiest minute of the collection interval based on the number of octets in the TxOctets. Only available for CiuBcnIf SbsBcnIf and BtsBcnIf.

Data Source

MDP

Source Field

TxPeakThroughput

Source Section

Passport Statistics

Beam Primitive Calculations

The following is a list of primitive calculations for the Beam entity.

GRAPHmultiLineSeparator

Special Control Field for Multi-Line Graphs

Calculation

""

NUMDAYS

of days in Report

Calculation

DAYSINREPORT ()

NUMHOURS

of hours in Summation Data

Calculation

Beam Peg Counts

The following is a list of peg counts for the Beam entity.

ConfiguredFwdCallBlockingThreshold

Total amount of power available for new originations and terminations in bits squared.

Data Source

NBSS BTS MO

Source Field

ConfiguredFwdCallBlockingThreshold (Seq# 346)

Source Section

Advanced Sector MO

ConfiguredFwdDataCallBlockingThreshold

Total amount of power available for data originations, terminations and handoffs into the BTS.

Data Source

NBSS BTS MO

Source Field

ConfiguredFwdDataCallBlockingThreshold (Seq# 349)

Source Section

Advanced Sector MO

ConfiguredFwdHandoffBlockingThreshold

Total amount of power available for soft and hard handoff attempts into the BTS.

Data Source

NBSS BTS MO

Source Field

ConfiguredFwdHandoffBlockingThreshold (Seq# 347)

Source Section

Advanced Sector MO

ConfiguredFwdVoiceCallBlockingThreshold

Total amount of power available for voice originations, terminations and handoffs into the BTS.

Data Source

NBSS BTS MO

Source Field

ConfiguredFwdVoiceCallBlockingThreshold (Seq# 348)

Source Section

Advanced Sector MO

FCCCHLinkUtilAvg

This OM provides average of sum of digital gain squared for the FCCCH Channel. The average is calculated only the entire OM collection interval i.e. the DTX factor for the FCCCH channel is included.

Data Source

NBSS BTS MO

Source Field

FCCCHLinkUtilAvg (Seq# 289)

Source Section

Advanced Sector MO

ForwardTxPowerUsageHistogram_00_09

Time duration in seconds during which the forward transmit power was distributed within the occupancy range of 0%-9%. The occupancy range is relative to the maximum allowable transmit power.

Data Source

NBSS BTS MO

Source Field

ForwardTxPowerUsageHistogram_00_09 (Seq# 350[0])

Source Section

Advanced Sector MO

ForwardTxPowerUsageHistogram_10_19

Time duration in seconds during which the forward transmit power was distributed within the occupancy range of 10%-19%. The occupancy range is relative to the maximum allowable transmit power.

Data Source

NBSS BTS MO

Source Field

ForwardTxPowerUsageHistogram_10_19 (Seq# 350[1])

Source Section

Advanced Sector MO

ForwardTxPowerUsageHistogram_20_29

Time duration in seconds during which the forward transmit power was distributed within the occupancy range of 20%-29%. The occupancy range is relative to the maximum allowable transmit power.

Data Source

NBSS BTS MO

Source Field

ForwardTxPowerUsageHistogram_20_29 (Seq# 350[2])

Source Section

Advanced Sector MO

ForwardTxPowerUsageHistogram_30_39

Time duration in seconds during which the forward transmit power was distributed within the occupancy range of 30%-39%. The occupancy range is relative to the maximum allowable transmit power.

Data Source

NBSS BTS MO

Source Field

ForwardTxPowerUsageHistogram_30_39 (Seq# 350[3])

Source Section

Advanced Sector MO

ForwardTxPowerUsageHistogram_40_49

Time duration in seconds during which the forward transmit power was distributed within the occupancy range of 40%-49%. The occupancy range is relative to the maximum allowable transmit power.

Data Source

NBSS BTS MO

Source Field

ForwardTxPowerUsageHistogram_40_49 (Seq# 350[4])

Source Section

Advanced Sector MO

ForwardTxPowerUsageHistogram_50_59

Time duration in seconds during which the forward transmit power was distributed within the occupancy range of 50%-59%. The occupancy range is relative to the maximum allowable transmit power.

Data Source

NBSS BTS MO

Source Field

ForwardTxPowerUsageHistogram_50_59 (Seq# 350[5])

Source Section

Advanced Sector MO

ForwardTxPowerUsageHistogram_60_69

Time duration in seconds during which the forward transmit power was distributed within the occupancy range of 60%-69%. The occupancy range is relative to the maximum allowable transmit power.

Data Source

NBSS BTS MO

Source Field

ForwardTxPowerUsageHistogram_60_69 (Seq# 350[6])

Source Section

Advanced Sector MO

ForwardTxPowerUsageHistogram_70_79

Time duration in seconds during which the forward transmit power was distributed within the occupancy range of 70%-79%. The occupancy range is relative to the maximum allowable transmit power.

Data Source

NBSS BTS MO

Source Field

ForwardTxPowerUsageHistogram_70_79 (Seq# 350[7])

Source Section

Advanced Sector MO

ForwardTxPowerUsageHistogram_80_89

Time duration in seconds during which the forward transmit power was distributed within the occupancy range of 80%-89%. The occupancy range is relative to the maximum allowable transmit power.

Data Source

NBSS BTS MO

Source Field

ForwardTxPowerUsageHistogram_80_89 (Seq# 350[8])

Source Section

Advanced Sector MO

ForwardTxPowerUsageHistogram_90_100

Time duration in seconds during which the forward transmit power was distributed within the occupancy range of 90%-100%. The occupancy range is relative to the maximum allowable transmit power. Please note that the last element in the histogram (90%-100%) will be pegged even when the transmit power goes beyond 100%.

Data Source

NBSS BTS MO

Source Field

ForwardTxPowerUsageHistogram_90_100 (Seq# 350[9])

Source Section

Advanced Sector MO

OCNSForwardLinkUtilTWAvg

Average of sum of digital gain squared for all OCNS channels.

Data Source

NBSS BTS MO

Source Field

OCNSForwardLinkUtilTWAvg (Seq# 338)

Source Section

Advanced Sector MO

OverheadForwardLinkUtilUWAvg

Average of sum of digital gain squared for all overhead channels.

Data Source

NBSS BTS MO

Source Field

OverheadForwardLinkUtilUWAvg (Seq# 337)

Source Section

Advanced Sector MO

PercentTimeAboveFwdCallBlockingThreshold

The percentage of the measuring interval time based on 2-second samples that forward link power exceeds the forward call blocking threshold.

Data Source

NBSS BTS MO

Source Field

PercentTimeAboveFwdCallBlockingThreshold (Seq# 342)

Source Section

Advanced Sector MO

PercentTimeAboveFwdDataCallBlockingThreshold

The percentage of time during the interval time that data calls would be blocked.

Data Source

NBSS BTS MO

Source Field

PercentTimeAboveFwdDataCallBlockingThreshold (Seq# 345)

Source Section

Advanced Sector MO

PercentTimeAboveFwdHandoffBlockingThreshold

The percentage of the measuring interval time based on 2-second samples that forward link power exceeds the forward handoff blocking threshold.

Data Source

NBSS BTS MO

Source Field

PercentTimeAboveFwdHandoffBlockingThreshold (Seq# 343)

Source Section

Advanced Sector MO

PercentTimeAboveFwdVoiceCallBlockingThreshold

The percentage of time during the interval time that voice and 2G circuit switched data calls would be blocked.

Data Source

NBSS BTS MO

Source Field

PercentTimeAboveFwdVoiceCallBlockingThreshold (Seq# 344)

Source Section

Advanced Sector MO

PrimaryFBCCHLinkUtilAvg

This OM provides average of sum of digital gain squared for the BCCH Channel. The average is calculated only the entire OM collection interval i.e. the DTX factor for the BCCH channel is included.

Data Source

NBSS BTS MO

Source Field

PrimaryFBCCHLinkUtilAvg (Seq# 288)

Source Section

Advanced Sector MO

TCEForwardLinkUtilUWAvg

Average of sum of digital gain squared for all traffic channels.

Data Source

NBSS BTS MO

Source Field

TCEForwardLinkUtilUWAvg (Seq# 336)

Source Section

Advanced Sector MO

BIU Primitive Calculations

The following is a list of primitive calculations for the BIU entity.

GRAPHmultiLineSeparator

Special Control Field for Multi-Line Graphs

Calculation

""

NUMDAYS

of days in Report

Calculation

DAYSINREPORT ()

NUMHOURS

of hours in Summation Data

Calculation

BorderPaging Primitive Calculations

The following is a list of primitive calculations for the BorderPaging entity.

GRAPHmultiLineSeparator

Special Control Field for Multi-Line Graphs

Calculation

""

NUMDAYS

of days in Report

Calculation

DAYSINREPORT ()

NUMHOURS

of hours in Summation Data

Calculation

BorderPaging Peg Counts

The following is a list of peg counts for the BorderPaging entity.

IPG2D1FL

This register counts the number of Intersystem (ISPAGE2) Packet Data Page response failures for the First page attempt at the serving MSC.

Data Source

MTX OM, SDM

Source Field

IPG2D1FL + 65536 * IPG2D1FX

Source Section

CDMASIP2

IPG2D1RR

This register counts the number of Intersystem (ISPAGE2) successful Packet Data Page responses for the First page attempt at the serving MSC.

Data Source

MTX OM, SDM

Source Field

IPG2D1RR + 65536 * IPG2D1RX

Source Section

CDMASIP2

IPG2D2FL

This register counts the number of Intersystem (ISPAGE2) Packet Data Page response failures for the Second page attempt at the serving MSC.

Data Source

MTX OM, SDM

Source Field

IPG2D2FL + 65536 * IPG2D2FX

Source Section

CDMASIP2

IPG2D2RR

This register counts the number of Intersystem (ISPAGE2) successful Packet Data Page responses for the Second page attempt at the serving MSC.

Data Source

MTX OM, SDM

Source Field

IPG2D2RR + 65536 * IPG2D2RX

Source Section

CDMASIP2

IPG2D3FL

This register counts the number of Intersystem (ISPAGE2) Packet Data Page response failures for the Third page attempt at the serving MSC.

Data Source

MTX OM, SDM

Source Field

IPG2D3FL + 65536 * IPG2D3FX

Source Section

CDMASIP2

IPG2D3RR

This register counts the number of Intersystem (ISPAGE2) successful Packet Data Page responses for the Third page attempt at the serving MSC.

Data Source

MTX OM, SDM

Source Field

IPG2D3RR + 65536 * IPG2D3RX

Source Section

CDMASIP2

IPG2DATT

This register counts the number of CDMA Intersystem Page2 attempts at the serving MSC.

Data Source

SDM

Source Field

IPG2DATT + 65536 * IPG2DATX

Source Section

CDMASIPG

IPG2DRFL

This register counts the number of CDMA Intersystem Page responses where the ispage2 RETURN RESULT message contains an error code other than no page response.

Data Source

SDM

Source Field

IPG2DRFL + 65536 * IPG2DRFX

Source Section

CDMASIPG

IPG2DRR

This register counts the number of CDMA Intersystem Page responses received from the remote system for Data pages.

Data Source

SDM

Source Field

IPG2DRR + 65536 * IPG2DRRX

Source Section

CDMASIPG

IPG2DTO

This register counts the total number of CDMA intersystem pages that receive an ispage2 RETURN RESULT indicating a time-out on the border system or get no response from the border system.

Data Source

SDM

Source Field

IPG2DTO + 65536 * IPG2DTOX

Source Section

CDMASIPG

IPG2S1FL

This register counts the number of Intersystem (ISPAGE2) SMS Page response failures for the First page attempt at the serving MSC.

Data Source

MTX OM, SDM

Source Field

IPG2S1FL + 65536 * IPG2S1FX

Source Section

CDMASIP2

IPG2S1RR

This register counts the number of Intersystem (ISPAGE2) successful SMS Page responses for the First page attempt at the serving MSC.

Data Source

MTX OM, SDM

Source Field

IPG2S1RR + 65536 * IPG2S1RX

Source Section

CDMASIP2

IPG2S2FL

This register counts the number of Intersystem (ISPAGE2) SMS Page response failures for the Second page attempt at the serving MSC.

Data Source

MTX OM, SDM

Source Field

IPG2S2FL + 65536 * IPG2S2FX

Source Section

CDMASIP2

IPG2S2RR

This register counts the number of Intersystem (ISPAGE2) successful SMS Page responses for the Second page attempt at the serving MSC.

Data Source

MTX OM, SDM

Source Field

IPG2S2RR + 65536 * IPG2S2RX

Source Section

CDMASIP2

IPG2SATT

This register counts the number of SMS Intersystem Page2 attempts at the serving MSC.

Data Source

SDM

Source Field

IPG2SATT + 65536 * IPG2SATX

Source Section

CDMASIPG

IPG2SRFL

This register counts the number of SMS Intersystem Page responses where the ispage2 RETURN RESULT message contains an error code other than no page response.

Data Source

SDM

Source Field

IPG2SRFL + 65536 * IPG2SRFX

Source Section

CDMASIPG

IPG2SRR

This register counts the number of SMS Intersystem Page responses received from the remote system for SMS pages.

Data Source

SDM

Source Field

IPG2SRR + 65536 * IPG2SRRX

Source Section

CDMASIPG

IPG2STO

This register counts the total number of SMS Intersystem pages that receive an isapge2 RETURN RESULT indicating a time-out on the border system or get no response from the border system.

Data Source

SDM

Source Field

IPG2STO + 65536 * IPG2STOX

Source Section

CDMASIPG

IPG2V1FL

This register counts the number of Intersystem (ISPAGE2) voice Page response failures for the first page attempt at the serving MSC.

Data Source

MTX OM, SDM

Source Field

IPG2V1FL + 65536 * IPG2V1FX

Source Section

CDMASIP2

IPG2V1RR

This register counts the number of Intersystem (ISPAGE2) successful voice Page responses for the First page attempt at the serving MSC.

Data Source

MTX OM, SDM

Source Field

IPG2V1RR + 65536 * IPG2V1RX

Source Section

CDMASIP2

IPG2V2FL

This register counts the number of Intersystem (ISPAGE2) voice Page response failures for the Second page attempt at the serving MSC.

Data Source

MTX OM, SDM

Source Field

IPG2V2FL + 65536 * IPG2V2FX

Source Section

CDMASIP2

IPG2V2RR

This register counts the number of Intersystem (ISPAGE2) successful voice Page responses for the Second page attempt at the serving MSC.

Data Source

MTX OM, SDM

Source Field

IPG2V2RR + 65536 * IPG2V2RX

Source Section

CDMASIP2

IPG2V3FL

This register counts the number of Intersystem (ISPAGE2) voice Page response failures for the Third page attempt at the serving MSC.

Data Source

MTX OM, SDM

Source Field

IPG2V3FL + 65536 * IPG2V3FX

Source Section

CDMASIP2

IPG2V3RR

This register counts the number of Intersystem (ISPAGE2) successful voice Page responses for the Third page attempt at the serving MSC.

Data Source

MTX OM, SDM

Source Field

IPG2V3RR + 65536 * IPG2V3RX

Source Section

CDMASIP2

IPG2VATT

This register counts the number of CDMA Intersystem Page2 attempts at the serving MSC.

Data Source

SDM

Source Field

IPG2VATT + 65536 * IPG2VATX

Source Section

CDMASIPG

IPG2VRFL

This register counts the number of CDMA Intersystem Page responses where the ispage2 RETURN RESULT message contains an error code other than no page response.

Data Source

SDM

Source Field

IPG2VRFL + 65536 * IPG2VRFX

Source Section

CDMASIPG

IPG2VRR

This register counts the number of CDMA Intersystem Page responses received from the remote system for Voice..

Data Source

SDM

Source Field

IPG2VRR + 65536 * IPG2VRRX

Source Section

CDMASIPG

IPG2VTO

This register counts the total number of CDMA intersystem pages that receive an ispage2 RETURN RESULT indicating a time-out on the border system or get no response from the border system.

Data Source

SDM

Source Field

IPG2VTO + 65536 * IPG2VTOX

Source Section

CDMASIPG

BSC Primitive Calculations

The following is a list of primitive calculations for the BSC entity.

AccFails

RF Access failures during Origination and Termination and Hard Handoff

Calculation

(vsum(CAUERLFL, CAUHRLFL, 0))

BTSBlock

Call setup failure due to a failure or shortage of radio link resources at the BTS

Calculation

(CAUERSFL)

CallAtts

Total calls attempted including origination and termination and hard handoff attempts

Calculation

(vsum(CAUOATTS, CAUPGRES, CAUHATTS, 0))

CallSucc

Total successful established calls including origination and termination and hard handoff successes

Calculation

(vsum(CAUOSUCC, CAUTSUCC, CAUHSUCC, 0))

DropCalls

Calls that are successfully setup and disconnected for any reason other than going "on hook"

Calculation

$(\text{vsum}(\text{CAUDROPR}, \text{CAUDROPN}, 0))$

GRAPHmultiLineSeparator

Special Control Field for Multi-Line Graphs

Calculation

""

NUMDAYS

of days in Report

Calculation

$\text{DAYSINREPORT}()$

NUMHOURS

of hours in Summation Data

Calculation

pAccFails

RF Access Fail percentage during Origination and Termination and Hard Handoff

Calculation

$(100.0 * \text{AccFails} / \text{vsum}(\text{CAUOATTS}, \text{CAUPGRES}, \text{CAUHATTS}, 0))$

pBTSBlock

Call setup failure percentage due to a failure or shortage of radio link resources at the BTS

Calculation

$(100.0 * \text{BTSBlock} / \text{vsum}(\text{CAUOATTS}, \text{CAUPGRES}, \text{CAUHATTS}, 0))$

pCallSucc

Successful call established percentage including origination and termination and hard handoff successes

Calculation

$(100.0 * \text{CallSucc} / \text{vsum}(\text{CAUOATTS}, \text{CAUPGRES}, \text{CAUHATTS}, 0))$

pDropCalls

Percentage of calls that are successfully setup and disconnected for any reason other than going "on hook"

Calculation

$(100.0 * \text{DropCalls} / \text{vsum}(\text{CAUOSUCC}, \text{CAUTSUCC}, \text{CAUHSUCC}, 0))$

pScreenCalls

Percentage of call setups interrupted due to unauthenticated mobile or mobile initiated release or land-side release

Calculation

$(100.0 * \text{ScreenCalls} / \text{vsum}(\text{CAUOATTS}, \text{CAUPGRES}, \text{CAUHATTS}, 0))$

pTotalBlocks

Total call setup failure percentage due to resource shortage on originations and terminations and hard handoffs

Calculation

$(100.0 * \text{TotalBlocks} / \text{vsum}(\text{CAUOATTS}, \text{CAUPGRES}, \text{CAUHATTS}, 0))$

ScreenCalls

Call setup interrupted due to unauthenticated mobile or mobile initiated release or land-side release

Calculation

$(\text{vsum}(\text{CAUORLS}, \text{CAUTRLS}, \text{CAUHRLS}, \text{CAUORODR}, 0))$

TotalBlocks

Total call setup failures due to resource shortage on originations and terminations and hard handoffs

Calculation

$(\text{vsum}(\text{CAUOBLKS}, \text{CAUTBLKS}, \text{CAUHBLKS}, 0))$

BSC Peg Counts

The following is a list of peg counts for the BSC entity.

ACEPG3D

Pegs on a per BSC basis for the number of page requests sent for the 1XRTT packet data calls.

Data Source

SDM

Source Field

ACEPG3D + 65536 * ACEPG3D2

Source Section

ACEPGBSC

ACEPGDDS

Pegs on a per BSC basis for the number of page requests sent for the DDS services.

Data Source

SDM

Source Field

ACEPGDDS + 65536 * ACEPGDD2

Source Section

ACEPGBSC

ACEPGV

Pegs on a per BSC basis for the number of page requests sent for the Voice/CSD calls.

Data Source

SDM

Source Field

ACEPGV + 65536 * ACEPGV2

Source Section

ACEPGBSC

ATEVB

Resource allocation responses received from NRM with the response code NRM_Success or NRM_Resource_Unavailable for EVRC-B service option

Data Source

MTX OM, SDM

Source Field

ATEVB + 65536 * ATEVB2

Source Section

CDMIVSN2

ATTB13K

Pegs when mobile sends a mobile origination or a page response indicating that the Basic 8K service option should be used to setup the call.

Data Source

MTX OM, SDM

Source Field

ATTB13K + 65536 * ATTB13K2

Source Section

CDMAIVSN

ATTB8K

Pegs when mobile sends a mobile origination or a page response indicating that IS_733_13K_VOICE service option should be used to setup the call.

Data Source

MTX OM, SDM

Source Field

ATTB8K

Source Section

CDMAIVSN

ATTEVRC

Pegs when mobile sends a mobile origination or a page response indicating that the EVRC service option should be used to setup the call.

Data Source

MTX OM, SDM

Source Field

ATTEVRC + 65536 * ATTEVRC2

Source Section

CDMAIVSN

ATTI13K

Pegs when mobile sends a mobile origination or a page response indicating that IS_733_13K_VOICE service option should be used to setup the call.

Data Source

MTX OM, SDM

Source Field

ATTI13K + 65536 * ATTI13K2

Source Section

CDMAIVSN

ATTNIL

Pegs when mobile sends a mobile origination or a page response indicating that NIL service option should be used to setup the call.

Data Source

MTX OM, SDM

Source Field

ATTNIL

Source Section

CDMAIVSN

BSCBUATT

Bearer update request attempts

Data Source

SDM

Source Field

BSCBUATT

Source Section

ACECPBSC

BSCBUFAL

Bearer update response received with cause code and was not decoded successfully.

Data Source

SDM

Source Field

BSCBUFAL

Source Section

ACECPBSC

BSCBUSUC

Bearer update response received

Data Source

SDM

Source Field

BSCBUSUC

Source Section

ACECPBSC

BSCBUTMO

Bearer update response not received in time

Data Source

SDM

Source Field

BSCBUTMO

Source Section

ACECPBSC

BSCPGMWI

Pegs on a per BSC basis for the number of page requests sent for the MWI paging.

Data Source

SDM

Source Field

BSCxx + 65536 * BSCPGMWX.BSCxxEXT

Source Section

BSCPGMWI

CDSNMQRY_3GFLB13K

Pegged for 3G mobile rejections of voice service option

Data Source

MTX OM, SDM

Source Field

3GFLB13K

Source Section

CDSNMQRY

CDSNMQRY_3GFLI13K

Pegged for 3G mobile rejections of voice service option

Data Source

MTX OM, SDM

Source Field

3GFLI13K

Source Section

CDSNMQRY

CDSNMQRY_3GFLTB8K

Obsoleted in MTX14. Pegged for 3G mobile rejections of voice service option

Data Source

MTX OM, SDM

Source Field

3GFLTB8K

Source Section

CDSNMQRY

CDSNMQRY_3GFLTEVR

Pegged for 3G mobile rejections of voice service option

Data Source

MTX OM, SDM

Source Field

3GFLTEVR

Source Section

CDSNMQRY

CNPATHDN

This register records the number of times that the communication path between eBSC and MSC is lost.

Data Source

MTX OM, SDM

Source Field

CNPATHDN

Source Section

EBSCIF

FL13K13K

Obsoleted in MTX14. This OM is pegged when mobile requested the Basic13K SO and the system established the call with Basic13K SO but call could not get completed due to RF Failure or Lack of resources at the BTS.

Data Source

MTX OM, SDM

Source Field

FL13K13K

Source Section

CDMIVSN3

FL13K8K

Obsoleted in MTX14. This OM is pegged when mobile requested the Basic13K SO and the system redirected the call to Basic8K SO but call could not get completed due to RF Failure or Lack of resources at the BTS.

Data Source

MTX OM, SDM

Source Field

FL13K8K

Source Section

CDMIVSN3

FL13KEVR

Obsoleted in MTX14. This OM is pegged when mobile requested the Basic13K SO and the system redirected the call to EVRC SO but call could not get completed due to RF Failure or Lack of resources at the BTS.

Data Source

MTX OM, SDM

Source Field

FL13KEVR

Source Section

CDMIVSN3

FL13KI13

Obsoleted in MTX14. This OM is pegged when mobile requested the Basic13K SO and the system redirected the call to IS733_13K SO but call could not get completed due to RF Failure or Lack of resources at the BTS.

Data Source

MTX OM, SDM

Source Field

FL13KI13

Source Section

CDMIVSN3

FL13KSMV

Obsoleted in MTX14. This OM is pegged when mobile requested the Basic13K SO and the system redirected the call to SMV SO but call could not get completed due to RF Failure or Lack of resources at the BTS.

Data Source

MTX OM, SDM

Source Field

FL13KSMV

Source Section

CDMIVSN3

FL8K13K

Obsoleted in MTX14. This OM is pegged when mobile requested the Basic 8K SO and the system redirected the call to Basic13K SO but call could not get completed due to RF Failure or Lack of resources at the BTS.

Data Source

MTX OM, SDM

Source Field

FL8K13K

Source Section

CDMIVSN3

FL8K8K

Obsoleted in MTX14. This OM is pegged when mobile requested the Basic 8K SO and the system established the call with Basic8K SO but call could not get completed due to RF Failure or Lack of resources at the BTS.

Data Source

MTX OM, SDM

Source Field

FL8K8K

Source Section

CDMIVSN3

FL8KEVR

Obsoleted in MTX14. This OM is pegged when mobile requested the Basic 8K SO and the system redirected the call to EVRC SO but call could not get completed due to RF Failure or Lack of resources at the BTS.

Data Source

MTX OM, SDM

Source Field

FL8KEVR

Source Section

CDMIVSN3

FL8KI13

Obsoleted in MTX14. This OM is pegged when mobile requested the Basic 8K SO and the system redirected the call to IS733_13K SO but the call could not get completed due to RF Failure or Lack of resources at the BTS.

Data Source

MTX OM, SDM

Source Field

FL8KI13

Source Section

CDMIVSN3

FL8KSMV

Obsoleted in MTX14. This OM is pegged when mobile requested the Basic 8K SO and the system redirected the call to SMV SO but call could not get completed due to RF Failure or Lack of resources at the BTS.

Data Source

MTX OM, SDM

Source Field

FL8KSMV

Source Section

CDMIVSN3

FLEVR13K

Obsoleted in MTX14. This OM is pegged when mobile requested the EVRC SO and the system redirected the call to Basic13K SO but call could not get completed due to RF Failure or Lack of resources at the BTS.

Data Source

MTX OM, SDM

Source Field

FLEVR13K

Source Section

CDMIVSN3

FLEVR8K

Obsoleted in MTX14. The OM is pegged when mobile requested the EVRC SO and the system redirected the call to Basic8K SO but call could not get completed due to RF Failure or Lack of resources at the BTS.

Data Source

MTX OM, SDM

Source Field

FLEVR8K

Source Section

CDMIVSN3

FLEVREVR

Obsoleted in MTX14. This OM is pegged when mobile requested the EVRC SO and the system established the call with EVRC SO but call could not get completed due to RF Failure or Lack of resources at the BTS.

Data Source

MTX OM, SDM

Source Field

FLEVREVR

Source Section

CDMIVSN3

FLEVRI13

Obsoleted in MTX14. The OM is pegged when mobile requested the EVRC SO and the system redirected the call to IS733_13K SO but call could not get completed due to RF Failure or Lack of resources at the BTS.

Data Source

MTX OM, SDM

Source Field

FLEVRI13

Source Section

CDMIVSN3

FLEVRSMV

Obsoleted in MTX14. This OM is pegged when mobile requested the EVRC SO and the system redirected the call to SMV SO but call could not get completed due to RF Failure or Lack of resources at the BTS.

Data Source

MTX OM, SDM

Source Field

FLEVRSMV

Source Section

CDMIVSN3

FLI1313K

Obsoleted in MTX14. The OM is pegged when mobile requested the IS733_13K SO and the system redirected the call to Basic13K SO but call could not get completed due to RF Failure or Lack of resources at the BTS.

Data Source

MTX OM, SDM

Source Field

FLI1313K

Source Section

CDMIVSN3

FLI138K

Obsoleted in MTX14. The OM is pegged when mobile requested the IS733_13K SO and the system redirected the call to Basic8K SO but call could not get completed due to RF Failure or Lack of resources at the BTS.

Data Source

MTX OM, SDM

Source Field

FLI138K

Source Section

CDMIVSN3

FLI13EVR

Obsoleted in MTX14. The OM is pegged when mobile requested the IS733_13K SO and the system redirected the call to EVRC SO but call could not get completed due to RF Failure or Lack of resources at the BTS.

Data Source

MTX OM, SDM

Source Field

FLI13EVR

Source Section

CDMIVSN3

FLI13I13

Obsoleted in MTX14. The OM is pegged when mobile requested the IS733_13K SO and the system established the call with IS733_13K SO but call could not get completed due to RF Failure or Lack of resources at the BTS.

Data Source

MTX OM, SDM

Source Field

FLI13I13

Source Section

CDMIVSN3

FLI13SMV

Obsoleted in MTX14. The OM is pegged when mobile requested the IS733_13K SO and the system redirected the call to SMV SO but call could not get completed due to RF Failure or Lack of resources at the BTS.

Data Source

MTX OM, SDM

Source Field

FLI13SMV

Source Section

CDMIVSN3

FLSMV13K

Obsoleted in MTX14. This OM is pegged when mobile requested the SMV SO and the system redirected the call to Basic13K SO but call could not due to RF Failure or Lack of resources at the BTS.

Data Source

MTX OM, SDM

Source Field

FLSMV13K

Source Section

CDMIVSN3

FLSMV8K

Obsoleted in MTX14. This OM is pegged when mobile requested the SMV SO and the system redirected the call to Basic8K SO but call could not get completed due to RF Failure or Lack of resources.

Data Source

MTX OM, SDM

Source Field

FLSMV8K

Source Section

CDMIVSN3

FLSMVEVR

Obsoleted in MTX14. This OM is pegged when mobile requested the SMV SO and the system redirected the call to EVRC SO but call could not get completed due to RF Failure or Lack of resources at the BTS.

Data Source

MTX OM, SDM

Source Field

FLSMVEVR

Source Section

CDMIVSN3

FLSMVI13

Obsoleted in MTX14. This OM is pegged when mobile requested the SMV SO and the system redirected the call to IS733_13K SO but call could not get completed due to RF Failure or Lack of resources at the BTS.

Data Source

MTX OM, SDM

Source Field

FLSMVI13

Source Section

CDMIVSN3

FLSMVSMV

Obsoleted in MTX14. This OM is pegged when mobile requested the SMV SO and the system established the call with SMV SO but call could not get completed due to RF Failure or Lack of resources at the BTS.

Data Source

MTX OM, SDM

Source Field

FLSMVSMV

Source Section

CDMIVSN3

FLTCB13K

Basic 13K voice is used to set up the Tch but the mobile doesn't support basic 13K voice

Data Source

MTX OM, SDM

Source Field

FLTCB13K

Source Section

CDSNMQRY

FLTCB8K

Obsoleted in MTX14. Basic 8K Voice is used to set up the Tch but does not support Basic 8K Voice

Data Source

MTX OM, SDM

Source Field

FLTCB8K

Source Section

CDSNMQRY

FLTCEVB

Number of times EVRC-B is used to setup the traffic channel for a 3G voice call but the mobile does not support EVRC-B

Data Source

MTX OM, SDM

Source Field

FLTCEVB

Source Section

CDSNMQRY

FLTCEVR

EVRC is used to set up the Tch but does not support EVRC

Data Source

MTX OM, SDM

Source Field

FLTCEVR

Source Section

CDSNMQRY

FLTCI13K

IS733 13K voice is used to set up the Tch but doesn't support IS733 13K voice

Data Source

MTX OM, SDM

Source Field

FLTCI13K

Source Section

CDSNMQRY

FLTCSMV

Obsoleted in MTX14. Failure in Traffic Channel Allocation with SMV

Data Source

SDM

Source Field

FLTCSMV

Source Section

CDSNMQRY

INVADCIC

This register records the number of times a CIC mismatch has occurred between the eBSC and MSC

Data Source

MTX OM, SDM

Source Field

INVADCIC

Source Section

EBSCIF

NRMTMOUT

This register records the number of times the NRM has failed to respond to an MSC request.

Data Source

MTX OM, SDM

Source Field

NRMTMOUT

Source Section

EBSCIF

ODENYCAU

Call denial by CAU during Orgn Due to User and System SO Mismatch

Data Source

MTX OM, SDM

Source Field

ODENYCAU

Source Section

CDMAIVSN

ODENYCM

Call Denial by CM During Orgn Due to User and System SO Mismatch

Data Source

MTX OM, SDM

Source Field

ODENYCM

Source Section

CDMAIVSN

ONILDNY

Unsuccessful Calls When User SO in Origination Msg is NIL

Data Source

MTX OM, SDM

Source Field

ONILDNY

Source Section

CDMAIVSN

ORSO1313

Origination Service Option 13K Speech Requested 13K Speech Setup

Data Source

SDM

Source Field

ORSO1313

Source Section

ACECPBSC

ORSO13EB

Requested Originations with 13K SO and assigned with EVRC-B SO

Data Source

SDM

Source Field

ORSO13EB

Source Section

ACECPBSC

ORSO13EV

Origination Service Option 13K Speech Requested EVRC Setup

Data Source

SDM

Source Field

ORSO13EV

Source Section

ACECPBSC

ORSO13RQ

Origination Service Option 13K Speech Request

Data Source

SDM

Source Field

ORSO13RQ

Source Section

ACECPBSC

ORSOEB13

Requested Originations with EVRC-B SO and assigned with 13K SO

Data Source

SDM

Source Field

ORSOEB13

Source Section

ACECPBSC

ORSOEBEB

Requested Originations with EVRC-B SO and assigned with EVRC-B SO

Data Source

SDM

Source Field

ORSOEBEB

Source Section

ACECPBSC

ORSOEBEV

Requested Originations with EVRC-B SO and assigned with EVRC SO

Data Source

SDM

Source Field

ORSOEBEV

Source Section

ACECPBSC

ORSOEBRQ

Requested Originations with EVRC-B SO

Data Source

SDM

Source Field

ORSOEBRQ

Source Section

ACECPBSC

ORSOEV13

Origination Service Option EVRC Requested 13K Speech Setup

Data Source

SDM

Source Field

ORSOEV13

Source Section

ACECPBSC

ORSOEVEB

Requested Originations with EVRC SO and assigned with EVRC-B SO

Data Source

SDM

Source Field

ORSOEVEB

Source Section

ACECPBSC

ORSOEVEV

Origination Service Option EVRC Requested EVRC Setup

Data Source

SDM

Source Field

ORSOEVEV

Source Section

ACECPBSC

ORSOEVQR

Origination Service Option EVRC Request

Data Source

SDM

Source Field

ORSOEVQR

Source Section

ACECPBSC

PROTERR

This register records the number of times a protocol error has occurred.

Data Source

MTX OM, SDM

Source Field

PROTERR

Source Section

EBSCIF

QRYP AFL

MSC times out while waiting for the Status Response msg

Data Source

MTX OM, SDM

Source Field

QRYP AFL

Source Section

CDSNMQR Y

QRYPAORG

Mobile is queried over the Pg/access channel

Data Source

MTX OM, SDM

Source Field

QRYPAORG

Source Section

CDSNMQRY

QRYPAREG

Pegged when the mobile is queried during mobile Reg

Data Source

MTX OM, SDM

Source Field

QRYPAREG

Source Section

CDSNMQRY

QRYPATRM

Mobile Trm when the mobile is queried over the page/access channel

Data Source

MTX OM, SDM

Source Field

QRYPATRM

Source Section

CDSNMQRY

QRYTCFL

Measures the performance of IVSN

Data Source

MTX OM, SDM

Source Field

QRYTCFL

Source Section

CDSNMQRY

QRYTCORG

Increments during mobile origination when the mobile is queried over the Tch

Data Source

MTX OM, SDM

Source Field

QRYTCORG

Source Section

CDSNMQRY

QRYTCTRM

Records when amobile Orgn when the mobile is queried over the Tch

Data Source

MTX OM, SDM

Source Field

QRYTCTRM

Source Section

CDSNMQRY

SEFL2PVS

Obsoleted in MTX14. This OM is used to measure the number of times a call is released due to failure in the forward link between the 2pVS card on the CSVS/EBSC and the selector element.

Data Source

MTX OM, SDM

Source Field

SEFL2PVS

Source Section

CDMIVSN2

SEFLNWK

Obsoleted in MTX14. This OM is used to measure the number of times a call is released due to other network failures in the forward link between the 2pVS card on the CSVS/EBSC and the selector element.

Data Source

MTX OM, SDM

Source Field

SEFLNWK

Source Section

CDMIVSN2

SOCHGFAI

Service Option Change Failure

Data Source

SDM

Source Field

SOCHGFAI

Source Section

ACECPBSC

SOCHGSUC

Service Option Change Successful

Data Source

SDM

Source Field

SOCHGSUC

Source Section

ACECPBSC

TCMTMOUT

This register records the number of times the TCM has failed to respond to an MSC request.

Data Source

MTX OM, SDM

Source Field

TCMTMOUT

Source Section

EBSCIF

TDENYCAU

Call Denial by CAU During Trm Due to User and System SO Mismatch

Data Source

MTX OM, SDM

Source Field

TDENYCAU

Source Section

CDMAIVSN

TESO1313

Termination Service Option 13K Speech Requested 13K Speech Setup

Data Source

SDM

Source Field

TESO1313

Source Section

ACECPBSC

TESO13EB

Requested Terminations with 13K SO and assigned with EVRC-B SO

Data Source

SDM

Source Field

TESO13EB

Source Section

ACECPBSC

TESO13EV

Termination Service Option 13K Speech Requested EVRC Setup

Data Source

SDM

Source Field

TESO13EV

Source Section

ACECPBSC

TESO13RQ

Termination Service Option 13K Speech Request

Data Source

SDM

Source Field

TESO13RQ

Source Section

ACECPBSC

TESOEB13

Requested Terminations with EVRC-B SO and assigned with 13K SO

Data Source

SDM

Source Field

TESOEB13

Source Section

ACECPBSC

TESOEBEB

Requested Terminations with EVRC-B SO and assigned with EVRC-B SO

Data Source

SDM

Source Field

TESOEBEB

Source Section

ACECPBSC

TESOEBEV

Requested Terminations with EVRC-B SO and assigned with EVRC SO

Data Source

SDM

Source Field

TESOEBEV

Source Section

ACECPBSC

TESOEBRQ

Requested Terminations with EVRC-B SO

Data Source

SDM

Source Field

TESOEBRQ

Source Section

ACECPBSC

TESOEV13

Termination Service Option EVRC Requested 13K Speech Setup

Data Source

SDM

Source Field

TESOEV13

Source Section

ACECPBSC

TESOEVEB

Requested Terminations with EVRC SO and assigned with EVRC-B SO

Data Source

SDM

Source Field

TESOEVEB

Source Section

ACECPBSC

TESOEVEV

Termination Service Option EVRC Requested EVRC Setup

Data Source

SDM

Source Field

TESOEVEV

Source Section

ACECPBSC

TESOEVRQ

Termination Service Option EVRC Request

Data Source

SDM

Source Field

TESOEVRQ

Source Section

ACECPBSC

V13KEVB

Calls established with EVRC-B, mobile requests basic 13K service option

Data Source

MTX OM, SDM

Source Field

V13KEVB

Source Section

CDMIVSN2

VB13KB13

Successful Calls Using Basic 13K Voice and User SO is Basic 13K Voice

Data Source

MTX OM, SDM

Source Field

VB13KB13

Source Section

CDMAIVSN

VB13KB8K

Successful Calls Using Basic 8K Voice and user SO is Basic 13K voice

Data Source

MTX OM, SDM

Source Field

VB13KB8K

Source Section

CDMAIVSN

VB13KEVR

Successful Calls Using EVRC and user SO is basic 13K Voice

Data Source

MTX OM, SDM

Source Field

VB13KEVR

Source Section

CDMAIVSN

VB13KI13

Successful Calls Using IS733 13K Voice and User SO is Basic 13K Voice

Data Source

MTX OM, SDM

Source Field

VB13KI13

Source Section

CDMAIVSN

VB13KSMV

Obsoleted in MTX14. This OM register pegs if the mobile requested Basic13K Service Option and the system successfully established the voice call with SMV.

Data Source

MTX OM, SDM

Source Field

VB13KSMV + 65536 * VB13SMV2

Source Section

CDMIVSN2

VB8KB13K

Successful Calls Using Basic 13K Voice and User SO is Basic 8K Voice

Data Source

MTX OM, SDM

Source Field

VB8KB13K

Source Section

CDMAIVSN

VB8KB8K

Obsoleted in MTX14. Successful Calls Using Basic 8K Voice and User SO is Basic 8K Voice

Data Source

MTX OM, SDM

Source Field

VB8KB8K

Source Section

CDMAIVSN

VB8KEVR

Successful Calls Using EVRC and User SO is Basic 8K Voice

Data Source

MTX OM, SDM

Source Field

VB8KEVR

Source Section

CDMAIVSN

VB8KI13K

Successful Calls Using IS733 13K Voice and User SO is Basic 8K Voice

Data Source

MTX OM, SDM

Source Field

VB8KI13K

Source Section

CDMAIVSN

VB8KSMV

Obsoleted in MTX14. This OM register pegs if the mobile requested Basic8K Service Option and the system successfully established the voice call with SMV.

Data Source

MTX OM, SDM

Source Field

VB8KSMV + 65536 * VB8KSMV2

Source Section

CDMIVSN2

VEVB13K

Calls established with Basic 13k, mobile requests EVRC-B service option

Data Source

MTX OM, SDM

Source Field

VEVB13K

Source Section

CDMIVSN2

VEVBEVB

Calls established with EVRC-B, mobile requests EVRC-B service option

Data Source

MTX OM, SDM

Source Field

VEVBEVB

Source Section

CDMIVSN2

VEVBEVR

Calls established with EVRC, mobile requests EVRC-B service option

Data Source

MTX OM, SDM

Source Field

VEVBEVR

Source Section

CDMIVSN2

VEVBI13

Calls established with IS733 13k, mobile requests EVRC-B service option

Data Source

MTX OM, SDM

Source Field

VEVBI13

Source Section

CDMIVSN2

VEVRB13K

Successful Calls Using Basic 13K voice and user SO is EVRC

Data Source

MTX OM, SDM

Source Field

VEVRB13K

Source Section

CDMAIVSN

VEVRB8K

Obsoleted in MTX14. Successful Calls Using Basic 8K Voice and User SO is EVRC

Data Source

MTX OM, SDM

Source Field

VEVRB8K

Source Section

CDMAIVSN

VEVRCSMV

Obsoleted in MTX14. This OM register pegs if the mobile requested EVRC Service Option and the system successfully established the voice call with SMV.

Data Source

MTX OM, SDM

Source Field

VEVRCSMV + 65536 * VEVRSMV2

Source Section

CDMIVSN2

VEVREVB

Calls established with EVRC-B, mobile requests EVRC service option

Data Source

MTX OM, SDM

Source Field

VEVREVB

Source Section

CDMIVSN2

VEVREVR

Successful Calls Using EVRC and User SO is EVRC

Data Source

MTX OM, SDM

Source Field

VEVREVR

Source Section

CDMAIVSN

VEVRI13K

Successful calls using IS733 13K voice and user SO is EVRC

Data Source

MTX OM, SDM

Source Field

VEVRI13K

Source Section

CDMAIVSN

VI13EVB

Calls established with EVRC-B, mobile requests IS733 13 service option

Data Source

MTX OM, SDM

Source Field

VI13EVB

Source Section

CDMIVSN2

VI13KB13

Successful Calls Using Basic 13K Voice and User SO is IS733 13K Voice

Data Source

MTX OM, SDM

Source Field

VI13KB13

Source Section

CDMAIVSN

VI13KB8K

Obsoleted in MTX14. Successful Calls Using Basic 8K Voice and user SO is IS733 13K Voice

Data Source

MTX OM, SDM

Source Field

VI13KB8K

Source Section

CDMAIVSN

VI13KEVR

Successful Calls Using EVRC and User SO is IS733 13K Voice

Data Source

MTX OM, SDM

Source Field

VI13KEVR

Source Section

CDMAIVSN

VI13KI13

Successful Calls Using IS733 13K Voice and User SO is IS733 13K Voice

Data Source

MTX OM, SDM

Source Field

VI13KI13

Source Section

CDMAIVSN

VI13KSMV

Obsoleted in MTX14. This OM register pegs if the mobile requested IS733_13K Service Option and the system successfully established the voice call with SMV.

Data Source

MTX OM, SDM

Source Field

VI13KSMV + 65536 * VI13SMV2

Source Section

CDMIVSN2

VNILB13K

Successful Calls Using Basic 13K Voice and User SO is NIL

Data Source

MTX OM, SDM

Source Field

VNILB13K

Source Section

CDMAIVSN

VNILB8K

Obsoleted in MTX14. Successful Calls Using Basic 8K Voice and User SO is NIL

Data Source

MTX OM, SDM

Source Field

VNILB8K

Source Section

CDMAIVSN

VNILEVB

Calls established with EVRC-B, mobile requests NIL service option

Data Source

MTX OM, SDM

Source Field

VNILEVB

Source Section

CDMIVSN2

VNILEVR

Successful Calls Using EVRC and User SO is NIL

Data Source

MTX OM, SDM

Source Field

VNILEVR

Source Section

CDMAIVSN

VNILI13K

Successful Calls Using IS733 13K Voice and User SO is NIL

Data Source

MTX OM, SDM

Source Field

VNILI13K

Source Section

CDMAIVSN

VNILSMV

Obsoleted in MTX14. This OM register pegs when the mobile sets the service option in the Page Response message to NIL to indicate that it is rejecting the service option proposed in the Page Request message.

Data Source

MTX OM, SDM

Source Field

VNILSMV + 65536 * VNILSMV2

Source Section

CDMIVSN2

VSMVB13K

Obsoleted in MTX14. This OM register pegs if the mobile requested SMV Service Option and the system successfully established the voice call with Basic13K.

Data Source

MTX OM, SDM

Source Field

VSMVB13K + 65536 * VSMVB132

Source Section

CDMIVSN2

VSMVB8K

Obsoleted in MTX14. This OM register pegs if the mobile requested SMV Service Option and the system successfully established the voice call with Basic8K.

Data Source

MTX OM, SDM

Source Field

VSMVB8K + 65536 * VSMVB8K2

Source Section

CDMIVSN2

VSMVEVRC

Obsoleted in MTX14. This OM register pegs if the mobile requested SMV Service Option and the system successfully established the voice call with EVRC.

Data Source

MTX OM, SDM

Source Field

VSMVEVRC + 65536 * VSMVEVR2

Source Section

CDMIVSN2

VSMVI13K

Obsoleted in MTX14. This OM register pegs if the mobile requested SMV Service Option and the system successfully established the voice call with IS733_13K.

Data Source

MTX OM, SDM

Source Field

VSMVI13K + 65536 * VSMVI132

Source Section

CDMIVSN2

VSMVSMV

Obsoleted in MTX14. This OM register pegs if the mobile requested SMV Service Option and the system successfully established the voice call with SMV.

Data Source

MTX OM, SDM

Source Field

VSMVSMV + 65536 * VSMVSMV2

Source Section

CDMIVSN2

BSC Roll-up Fields

The following is a list of roll-up fields for the BSC entity.

CAUDROPN

Pegs when a call is Drp due to a failure in the network

CAUDROPN3GD

3GD Pegs when a call is dropped due to a failure in the network.

CAUDROPN3GV

3GV Pegs when a call is dropped due to a failure in the Network.

CAUDROPR

Pegs when a call is Drp due to poor RF link

CAUDROPR3GD

3GD Pegs when a call is dropped due to poor RF link.

CAUDROPR3GV

3GV Pegs when a call is dropped due to poor RF link.

CAUERLFL

Pegs when a CDMA RF link cannot be established with the mobile for origination or termination

CAUERLFL3GD

3GD Pegs when a CDMA RF link cannot be established with the mobile for origination or termination.

CAUERLFL3GV

3GV Pegs when CDMA RF link cannot be established with the mobile for origination or termination.

CAUERSFL

Pegs when the call cannot be Comp due to a fail or shortage of radio link resources

CAUESWFL

Pegs when a software error occurs

CAUHATTS

CM Req the peripheral to prepare a cell for hard handoff

CAUHBLKS

CPN fails to allocate resources for a hard handoff on the target CPN

CAUHRLFL

Mobile fails to move from old channel to new target channel during a hard Ho

CAUHRLFL3GD

3GD Pegs when the mobile fails to move from the old channel to the new target channel during a hard handoff.

CAUHRLFL3GV

3GV Pegs when the mobile fails to move from the old Channel to the new target channel during a hard Handoff.

CAUHRLS

User hangs up while the mobile is handing off via hard handoff

CAUHSUCC

Target SBS detects that the mobile is on the new channel following hard handoff

CAUHSUCC3GD

3GD Pegs after the target SBS detects that the mobile is on the new channel following hard handoff.

CAUHSUCC3GV

3GV Pegs after the target SBS detects that the mobile is on the new channel following hard handoff.

CAUOATTS

Pegs when the CPN receives an Org msg from a mobile from the current sector

CAUOATTS3GD

3GD Pegs when the CPN receives an origination message from a mobile from the current sector.

CAUOATTS3GV

3GV Pegs when the CPN receives an origination Message from a mobile from the current sector.

CAUOBLKS

Pegs when an origination is blkd due to resource shortages or messaging timeouts

CAUOBLKS3GD

3GD Pegs when an origination is blocked due to resource shortages or messaging timeouts.

CAUOBLKS3GV

3GV Pegs when an origination is blocked due to Resource shortages or messaging timeouts.

CAUORLS

Pegs on a sector basis when the mobile releases or the CM CP sends a call release msg to CAU

CAUORODR

Pegs when CM CP sends a mobile reorder or mobile intercept msg

CAUOSUCC

Pegs when the SBS starts receiving data on the reverse Tch from the terminating mobile

CAUOSUCC3GD

3GD Pegs when the SBS starts receiving data on the reverse traffic channel from the terminating mobile.

CAUOSUCC3GV

3GV Pegs when the SBS starts receiving data on the Reverse traffic channel from the terminating mobile.

CAUPGRES

Pegs when the CPN receives a page response for the first page request from the current cell

CAUPGRES3GD

3GD Pegs when the CPN receives a page response for the first page request from the current cell.

CAUPGRES3GV

3GV Pegs when the CPN receives a page response for the first page request from the current cell.

CAUTBLKS

Pegs when a mobile-terminated call is blocked due to resource shortage

CAUTBLKS3GD

3GD Pegs when a mobile-terminated call is blocked due to resource shortage.

CAUTBLKS3GV

3GV Pegs when a mobile-terminated call is blocked due to resource shortage.

CAUTRLS

Pegs when a mobile-terminated call is released before the mobile arrives on the Tch

CAUTSUCC

Pegs after the SBS receives an answer from the terminating mobile

CAUTSUCC3GD

3GD Pegs after the SBS receives an answer from the terminating mobile.

CAUTSUCC3GV

3GV Pegs after the SBS receives an answer from the Terminating mobile.

CEFrameCntFCH

Frames sent on the forward link for every user on the fundamental channel/ number of softer handoff links

DataUsageErlangs3G

3G Data Only Usage in Erlangs

MCTDROPR

Pegs when a MCTA call Drp during conversation

MCTDROPR_F1

Pegs when a MCTA call Drp during conversation on Carrier 1

MCTDROPR_F2

Pegs when a MCTA call Drp during conversation on Carrier 2

MCTDROPR_F3

Pegs when a MCTA call Drp during conversation on Carrier 3

MCTDROPR_F4

Pegs when a MCTA call Drp during conversation on Carrier 4

MCTDROPR_F5

Pegs when a MCTA call Drp during conversation on Carrier 5

MCTDROPR3GD

3GD Pegs when a MCTA call Drp during conversation

MCTDROPR3GD_F1

3GD Pegs when a MCTA call Drp during conversation on Carrier 1

MCTDROPR3GD_F2

3GD Pegs when a MCTA call Drp during conversation on Carrier 2

MCTDROPR3GD_F3

3GD Pegs when a MCTA call Drp during conversation on Carrier 3

MCTDROPR3GD_F4

3GD Pegs when a MCTA call Drp during conversation on Carrier 4

MCTDROPR3GD_F5

3GD Pegs when a MCTA call Drp during conversation on Carrier 5

MCTDROPR3GV

3GV Pegs when a MCTA call Drp during conversation

MCTDROPR3GV_F1

3GV Pegs when a MCTA call Drp during conversation on Carrier 1

MCTDROPR3GV_F2

3GV Pegs when a MCTA call Drp during conversation on Carrier 2

MCTDROPR3GV_F3

3GV Pegs when a MCTA call Drp during conversation on Carrier 3

MCTDROPR3GV_F4

3GV Pegs when a MCTA call Drp during conversation on Carrier 4

MCTDROPR3GV_F5

3GV Pegs when a MCTA call Drp during conversation on Carrier 5

MCTOATTS

Pegs when an origination attempt continues on a frequency chosen by the MCTA

MCTOATTS_F1

Pegs when an origination attempt continues on a Carrier 1

MCTOATTS_F2

Pegs when an origination attempt continues on a Carrier 2

MCTOATTS_F3

Pegs when an origination attempt continues on a Carrier 3

MCTOATTS_F4

Pegs when an origination attempt continues on a Carrier 4

MCTOATTS_F5

Pegs when an origination attempt continues on a Carrier 5

MCTOATTS3GD

3GD Pegs when an origination attempt continues on a frequency chosen by the MCTA

MCTOATTS3GD_F1

3GD Pegs when an origination attempt continues on Carrier 1

MCTOATTS3GD_F2

3GD Pegs when an origination attempt continues on Carrier 2

MCTOATTS3GD_F3

3GD Pegs when an origination attempt continues on Carrier 3

MCTOATTS3GD_F4

3GD Pegs when an origination attempt continues on Carrier 4

MCTOATTS3GD_F5

3GD Pegs when an origination attempt continues on Carrier 5

MCTOATTS3GV

3GV Pegs when an origination attempt continues on a frequency chosen by the MCTA

MCTOATTS3GV_F1

3GV Pegs when an origination attempt continues on Carrier 1

MCTOATTS3GV_F2

3GV Pegs when an origination attempt continues on Carrier 2

MCTOATTS3GV_F3

3GV Pegs when an origination attempt continues on Carrier 3

MCTOATTS3GV_F4

3GV Pegs when an origination attempt continues on Carrier 4

MCTOATTS3GV_F5

3GV Pegs when an origination attempt continues on Carrier 5

MCTORIGS

Pegs when a mobile originates on an MCTA frequency

MCTOSUCC

Pegs when a resource is successfully Alloc on an MCTA frequency for origination

MCTOSUCC_F1

Pegs when a resource is successfully Alloc on an Carrier 1 for origination

MCTOSUCC_F2

Pegs when a resource is successfully Alloc on an Carrier 2 for origination

MCTOSUCC_F3

Pegs when a resource is successfully Alloc on an Carrier 3 for origination

MCTOSUCC_F4

Pegs when a resource is successfully Alloc on an Carrier 4 for origination

MCTOSUCC_F5

Pegs when a resource is successfully Alloc on an Carrier 5 for origination

MCTOSUCC3GD

3GD Pegs when a resource is successfully Alloc on an MCTA frequency for origination

MCTOSUCC3GD_F1

3GD Pegs when a resource is successfully Alloc on Carrier 1 for origination

MCTOSUCC3GD_F2

3GD Pegs when a resource is successfully Alloc on Carrier 2 for origination

MCTOSUCC3GD_F3

3GD Pegs when a resource is successfully Alloc on Carrier 3 for origination

MCTOSUCC3GD_F4

3GD Pegs when a resource is successfully Alloc on Carrier 4 for origination

MCTOSUCC3GD_F5

3GD Pegs when a resource is successfully Alloc on Carrier 5 for origination

MCTOSUCC3GV

3GV Pegs when a resource is successfully Alloc on an MCTA frequency for origination

MCTOSUCC3GV_F1

3GV Pegs when a resource is successfully Alloc on Carrier 1 for origination

MCTOSUCC3GV_F2

3GV Pegs when a resource is successfully Alloc on Carrier 2 for origination

MCTOSUCC3GV_F3

3GV Pegs when a resource is successfully Alloc on Carrier 3 for origination

MCTOSUCC3GV_F4

3GV Pegs when a resource is successfully Alloc on Carrier 4 for origination

MCTOSUCC3GV_F5

3GV Pegs when a resource is successfully Alloc on Carrier 5 for origination

MCTPGRES

Pegs when the MCTA sends a page response

MCTTATTS

Pegs when a termination attempt continues on a frequency chosen by the MCTA

MCTTATTS_F1

Pegs when a termination attempt continues on Carrier 1

MCTTATTS_F2

Pegs when a termination attempt continues on Carrier 2

MCTTATTS_F3

Pegs when a termination attempt continues on Carrier 3

MCTTATTS_F4

Pegs when a termination attempt continues on Carrier 4

MCTTATTS_F5

Pegs when a termination attempt continues on Carrier 5

MCTTATTS3GD

3GD Pegs when a termination attempt continues on a frequency chosen by the MCTA

MCTTATTS3GD_F1

3GD Pegs when a termination attempt continues on Carrier 1

MCTTATTS3GD_F2

3GD Pegs when a termination attempt continues on Carrier 2

MCTTATTS3GD_F3

3GD Pegs when a termination attempt continues on Carrier 3

MCTTATTS3GD_F4

3GD Pegs when a termination attempt continues on Carrier 4

MCTTATTS3GD_F5

3GD Pegs when a termination attempt continues on Carrier 5

MCTTATTS3GV

3GV Pegs when a termination attempt continues on a frequency chosen by the MCTA

MCTTATTS3GV_F1

3GV Pegs when a termination attempt continues on Carrier 1

MCTTATTS3GV_F2

3GV Pegs when a termination attempt continues on Carrier 2

MCTTATTS3GV_F3

3GV Pegs when a termination attempt continues on Carrier 3

MCTTATTS3GV_F4

3GV Pegs when a termination attempt continues on Carrier 4

MCTTATTS3GV_F5

3GV Pegs when a termination attempt continues on Carrier 5

MCTTSUCC

Pegs when resources are successfully Alloc on an MCTA frequency for termination

MCTTSUCC_F1

Pegs when resources are successfully Alloc on Carrier 1 for termination

MCTTSUCC_F2

Pegs when resources are successfully Alloc on Carrier 2 for termination

MCTTSUCC_F3

Pegs when resources are successfully Alloc on Carrier 3 for termination

MCTTSUCC_F4

Pegs when resources are successfully Alloc on Carrier 4 for termination

MCTTSUCC_F5

Pegs when resources are successfully Alloc on Carrier 5 for termination

MCTTSUCC3GD

3GD Pegs when resources are successfully Alloc on an MCTA frequency for termination

MCTTSUCC3GD_F1

3GD Pegs when resources are successfully Alloc on Carrier 1 for termination

MCTTSUCC3GD_F2

3GD Pegs when resources are successfully Alloc on Carrier 2 for termination

MCTTSUCC3GD_F3

3GD Pegs when resources are successfully Alloc on Carrier 3 for termination

MCTTSUCC3GD_F4

3GD Pegs when resources are successfully Alloc on Carrier 4 for termination

MCTTSUCC3GD_F5

3GD Pegs when resources are successfully Alloc on Carrier 5 for termination

MCTTSUCC3GV

3GV Pegs when resources are successfully Alloc on an MCTA frequency for termination

MCTTSUCC3GV_F1

3GV Pegs when resources are successfully Alloc on Carrier 1 for termination

MCTTSUCC3GV_F2

3GV Pegs when resources are successfully Alloc on Carrier 2 for termination

MCTTSUCC3GV_F3

3GV Pegs when resources are successfully Alloc on Carrier 3 for termination

MCTTSUCC3GV_F4

3GV Pegs when resources are successfully Alloc on Carrier 4 for termination

MCTTSUCC3GV_F5

3GV Pegs when resources are successfully Alloc on Carrier 5 for termination

PrimaryFrameCntFCH

Frames sent on the forward link for every user on the fundamental channel/ soft handoff links *
softer handoff links

PrimaryFrameCntFCH_F1

Frames sent on the forward link for every user on Carrier 1

PrimaryFrameCntFCH_F2

Frames sent on the forward link for every user on Carrier 2

PrimaryFrameCntFCH_F3

Frames sent on the forward link for every user on Carrier 3

PrimaryFrameCntFCH_F4

Frames sent on the forward link for every user on Carrier 4

PrimaryFrameCntFCH_F5

Frames sent on the forward link for every user on Carrier 5

PrimaryFrameCntFCH3GD_F1

3GD Frames sent on the forward link for every user on Carrier 1

PrimaryFrameCntFCH3GD_F2

3GD Frames sent on the forward link for every user on Carrier 2

PrimaryFrameCntFCH3GD_F3

3GD Frames sent on the forward link for every user on Carrier 3

PrimaryFrameCntFCH3GD_F4

3GD Frames sent on the forward link for every user on Carrier 4

PrimaryFrameCntFCH3GD_F5

3GD Frames sent on the forward link for every user on Carrier 5

PrimaryFrameCntFCH3GV_F1

3GV Frames sent on the forward link for every user on Carrier 1

PrimaryFrameCntFCH3GV_F2

3GV Frames sent on the forward link for every user on Carrier 2

PrimaryFrameCntFCH3GV_F3

3GV Frames sent on the forward link for every user on Carrier 3

PrimaryFrameCntFCH3GV_F4

3GV Frames sent on the forward link for every user on Carrier 4

PrimaryFrameCntFCH3GV_F5

3GV Frames sent on the forward link for every user on Carrier 5

VoiceUsageErlangs3G

3G Voice Only Usage in Erlangs

WC_UsageErlangs

Walsh Code Usage Erlangs

BSC_Carrier Primitive Calculations

The following is a list of primitive calculations for the BSC_Carrier entity.

GRAPHmultiLineSeparator

Special Control Field for Multi-Line Graphs

Calculation

""

NUMDAYS

of days in Report

Calculation

DAYSINREPORT ()

NUMHOURS

of hours in Summation Data

Calculation

BSC_Carrier Peg Counts

The following is a list of peg counts for the BSC_Carrier entity.

CEFrameCntFCH

Frames sent on the forward link for every user on the fundamental channel / number of softer handoff links

Data Source

NBSS BTS MO

Source Field

CEFrameCntFCH (Seq# 130)

Source Section

Advanced Sector MO

CEFrameCntSCH

Number of forward frames for each user on the supplemental channel/ number of softer handoff links

Data Source

NBSS BTS MO

Source Field

CEFrameCntSCH (Seq# 131)

Source Section

Advanced Sector MO

FrameCntFCH

Frames sent on the forward link for every user on the fundamental channel

Data Source

NBSS BTS MO

Source Field

FrameCntFCH (Seq# 128)

Source Section

Advanced Sector MO

FrameCntSCH

Number of forward frames for each user on the supplemental channel

Data Source

NBSS BTS MO

Source Field

FrameCntSCH (Seq# 129)

Source Section

Advanced Sector MO

PrimaryFrameCntFCH

Frames sent on the forward link for every user on the fundamental channel/ soft handoff links *
softer handoff links

Data Source

NBSS BTS MO

Source Field

PrimaryFrameCntFCH (Seq# 132)

Source Section

Advanced Sector MO

PrimaryFrameCntSCH

Number of forward frames for each user on the supplemental channel/ soft handoff links *
softer handoff links

Data Source

NBSS BTS MO

Source Field

PrimaryFrameCntSCH (Seq# 133)

Source Section

Advanced Sector MO

BSC_MGW Primitive Calculations

The following is a list of primitive calculations for the BSC_MGW entity.

GRAPHmultiLineSeparator

Special Control Field for Multi-Line Graphs

Calculation

""

NUMDAYS

of days in Report

Calculation

DAYSINREPORT ()

NUMHOURS

of hours in Summation Data

Calculation

BSC_MGW Peg Counts

The following is a list of peg counts for the BSC_MGW entity.

RTP_DTMF_Attempts

This OM is pegged for every DTMF attempt.

Data Source

NBSS BSC OMs

Source Field

RTP_DTMF_Attempts (Seq# 5)

Source Section

RTP Signaling (Group ID 79)

RTP_DTMF_Failures

This OM is pegged for every DTMF failure.

Data Source

NBSS BSC OMs

Source Field

RTP_DTMF_Failures (Seq# 7)

Source Section

RTP Signaling (Group ID 79)

RTP_DTMF_Successes

This OM is pegged for every DTMF success.

Data Source

NBSS BSC OMs

Source Field

RTP_DTMF_Successes (Seq# 6)

Source Section

RTP Signaling (Group ID 79)

RTP_DTMF_Timeouts

This OM is pegged after the maximum number of retries expires for a DTMF message.

Data Source

NBSS BSC OMs

Source Field

RTP_DTMF_Timeouts (Seq# 8)

Source Section

RTP Signaling (Group ID 79)

RTP_InvalidCodecPayloadLengthPackets

This OM is pegged for every RTP codec packet discarded because the payload length is either less than the minimum supported length or greater than the maximum supported length.

Data Source

NBSS BSC OMs

Source Field

RTP_InvalidCodecPayloadLengthPackets (Seq# 4)

Source Section

RTP Bearer (Group ID 81)

RTP_InvalidControlPayloadLengthPackets

This OM is pegged for every RTP control packet discarded because the payload length is either less than the minimum supported length or greater than the maximum supported length.

Data Source

NBSS BSC OMs

Source Field

RTP_InvalidControlPayloadLengthPackets (Seq# 5)

Source Section

RTP Bearer (Group ID 81)

RTP_JitterThresholdExceeded

This OM is pegged for every RTP packet for which the jitter value exceeded the hardcoded system engineered value of jitter.

Data Source

NBSS BSC OMs

Source Field

RTP_JitterThresholdExceeded (Seq# 1)

Source Section

RTP Network (Group ID 83)

RTP_LatencyThresholdExceeded

This OM is pegged for every RTP packet for which the latency value exceeded the hardcoded system engineered value of latency.

Data Source

NBSS BSC OMs

Source Field

RTP_LatencyThresholdExceeded (Seq# 2)

Source Section

RTP Network (Group ID 83)

RTP_LostPackets

This OM is pegged for every RTP packet missed at the RTP. Pegging is based on the RTP sequence number of the received RTP packet.

Data Source

NBSS BSC OMs

Source Field

RTP_LostPackets (Seq# 9)

Source Section

RTP Bearer (Group ID 81)

RTP_OutofOrderCodecPackets

This OM is pegged for every RTP codec packet discarded because it is received either as a duplicate or as a re-ordered packet.

Data Source

NBSS BSC OMs

Source Field

RTP_OutofOrderCodecPackets (Seq# 10)

Source Section

RTP Bearer (Group ID 81)

RTP_RateControlAttempts

This OM is pegged for every Rate Control attempt.

Data Source

NBSS BSC OMs

Source Field

RTP_RateControlAttempts (Seq# 1)

Source Section

RTP Signaling (Group ID 79)

RTP_RateControlFailures

This OM is pegged for every Rate Control failure.

Data Source

NBSS BSC OMs

Source Field

RTP_RateControlFailures (Seq# 3)

Source Section

RTP Signaling (Group ID 79)

RTP_RateControlSuccesses

This OM is pegged for every Rate Control success.

Data Source

NBSS BSC OMs

Source Field

RTP_RateControlSuccesses (Seq# 2)

Source Section

RTP Signaling (Group ID 79)

RTP_RateControlTimeouts

This OM is pegged after the maximum number of retries expires for a Rate Control message.

Data Source

NBSS BSC OMs

Source Field

RTP_RateControlTimeouts (Seq# 4)

Source Section

RTP Signaling (Group ID 79)

RTP_ReceivedCodecPackets

This OM is pegged for every RTP codec packet received, processed and sent to the upper layer by the RTP. This does not include packets that are discarded.

Data Source

NBSS BSC OMs

Source Field

RTP_ReceivedCodecPackets (Seq# 7)

Source Section

RTP Bearer (Group ID 81)

RTP_ReceivedControlPackets

This OM is pegged for every RTP control packet received and processed by the RTP. This does not include packets received out of order.

Data Source

NBSS BSC OMs

Source Field

RTP_ReceivedControlPackets (Seq# 8)

Source Section

RTP Bearer (Group ID 81)

RTP_SyncSrcChange

This OM is pegged for every RTP packet for which the received Synchronization Source identifier (SSRC) is different from the existing SSRC value. An SSRC change will represent either a restart of the existing source or a change of source.

Data Source

NBSS BSC OMs

Source Field

RTP_SyncSrcChange (Seq# 3)

Source Section

RTP Network (Group ID 83)

RTP_TimeAlignmentAttempts

This OM is pegged for every Time Alignment attempt.

Data Source

NBSS BSC OMs

Source Field

RTP_TimeAlignmentAttempts (Seq# 9)

Source Section

RTP Signaling (Group ID 79)

RTP_TimeAlignmentFailures

This OM is pegged every time a Time Alignment Response indicates that time alignment was not fully or partially possible.

Data Source

NBSS BSC OMs

Source Field

RTP_TimeAlignmentFailures (Seq# 11)

Source Section

RTP Signaling (Group ID 79)

RTP_TimeAlignmentPartialSuccesses

This OM is pegged every time the full time alignment amount requested in the Time Alignment Request could not be accommodated, but some time alignment was applied.

Data Source

NBSS BSC OMs

Source Field

RTP_TimeAlignmentPartialSuccesses (Seq# 12)

Source Section

RTP Signaling (Group ID 79)

RTP_TimeAlignmentSuccesses

This OM is pegged for every Time Alignment success.

Data Source

NBSS BSC OMs

Source Field

RTP_TimeAlignmentSuccesses (Seq# 10)

Source Section

RTP Signaling (Group ID 79)

RTP_TimeAlignmentTimeouts

This OM is pegged after the maximum number of retries expires for a Time Alignment message.

Data Source

NBSS BSC OMs

Source Field

RTP_TimeAlignmentTimeouts (Seq# 13)

Source Section

RTP Signaling (Group ID 79)

RTP_UnexpectedPayloadCodecPackets

This OM is pegged for every RTP packet discarded because the codec received is different than the coded expected.

Data Source

NBSS BSC OMs

Source Field

RTP_UnexpectedPayloadCodecPackets (Seq# 6)

Source Section

RTP Bearer (Group ID 81)

RTP_UnknownPayloadTypePackets

This OM is pegged for every RTP packet discarded because the payload type of the packet is not a supported RTP payload type.

Data Source

NBSS BSC OMs

Source Field

RTP_UnknownPayloadTypePackets (Seq# 2)

Source Section

RTP Bearer (Group ID 81)

RTP_UnsupportedProtocolPackets

This OM is pegged for every RTP packet discarded because the RTP packet has an invalid header field (for example, the RTP version is wrong).

Data Source

NBSS BSC OMs

Source Field

RTP_UnsupportedProtocolPackets (Seq# 3)

Source Section

RTP Bearer (Group ID 81)

RTP_ZeroLengthPackets

This OM is pegged for every RTP packet discarded because the length of the message is zero or the payload data pointer is null.

Data Source

NBSS BSC OMs

Source Field

RTP_ZeroLengthPackets (Seq# 1)

Source Section

RTP Bearer (Group ID 81)

BSC_PDSN Primitive Calculations

The following is a list of primitive calculations for the BSC_PDSN entity.

GRAPHmultiLineSeparator

Special Control Field for Multi-Line Graphs

Calculation

""

NUMDAYS

of days in Report

Calculation

DAYSINREPORT ()

NUMHOURS

of hours in Summation Data

Calculation

BSC_PDSN Peg Counts

The following is a list of peg counts for the BSC_PDSN entity.

NumberOfTunnelFailures

The number of times a L2TP tunnel was torn down due to failure of reliable packet transmission per L2TP tunnel

Data Source

NBSS BSC OMs

Source Field

NumberOfTunnelFailures (Seq# 4)

Source Section

RP Session L2TP (Group ID 14)

PCU_InitiatedSessReleaseOther

This OM is pegged when PCU releases packet session for reasons not described by other pegs.

Data Source

NBSS BSC OMs

Source Field

PCU_InitiatedSessionReleaseOther (Seq# 21)

Source Section

RP Session Signaling (Group ID 22)

PCU_InitiatedSessReleasePacketSessDrop

Pegged when PCU drops packet session due to PCU lock or PDSN deleted actions.

Data Source

NBSS BSC OMs

Source Field

PCU_InitiatedSessionReleasePacketSessionDrop (Seq# 17)

Source Section

RP Session Signaling (Group ID 22)

PCU_InitiatedSessReleasePDSN_Reject

Pegged when PDSN sends RRP with a failure code

Data Source

NBSS BSC OMs

Source Field

PCU_InitiatedSessionReleasePDSN_Reject (Seq# 20)

Source Section

RP Session Signaling (Group ID 22)

PCU_InitSessReleasePacketSessDisconnect

Pegged when the Packet Session on the PCU sends a disconnect request

Data Source

NBSS BSC OMs

Source Field

PCU_InitiatedSessionReleasePacketSessionDisconnect (Seq# 16)

Source Section

RP Session Signaling (Group ID 22)

ReliablePacketReceived

The number of messages the PCU received with reliable delivery acknowledgement requested per L2TP tunnel

Data Source

NBSS BSC OMs

Source Field

ReliablePacketReceived (Seq# 3)

Source Section

RP Session L2TP (Group ID 14)

ReliablePacketReTransmitted

The number of reliable packets that had to be retransmitted because no ACK was received

Data Source

NBSS BSC OMs

Source Field

ReliablePacketReTransmitted (Seq# 2)

Source Section

RP Session L2TP (Group ID 14)

ReliablePacketSentSuccess

The number of ACKs received as a result of reliable packets being sent

Data Source

NBSS BSC OMs

Source Field

ReliablePacketSentSuccess (Seq# 1)

Source Section

RP Session L2TP (Group ID 14)

RP_SessionSetupAttempts

RP_SessionSetupAttempts

Data Source

NBSS BSC OMs

Source Field

RP_SessionSetupAttempts (Seq# 13)

Source Section

RP Session L2TP (Group ID 14)

RP_SessionSetupRejectReasonAdminReason

RP_SessionSetupRejectReasonAdminReason

Data Source

NBSS BSC OMs

Source Field

RP_SessionSetupRejectReasonAdminReason (Seq# 17)

Source Section

RP Session L2TP (Group ID 14)

RP_SessionSetupRejectReasonGenErr

RP_SessionSetupRejectReasonGenErr

Data Source

NBSS BSC OMs

Source Field

RP_SessionSetupRejectReasonGenErr (Seq# 15)

Source Section

RP Session L2TP (Group ID 14)

RP_SessionSetupRejectReasonNoCarrier

RP_SessionSetupRejectReasonNoCarrier

Data Source

NBSS BSC OMs

Source Field

RP_SessionSetupRejectReasonNoCarrier (Seq# 16)

Source Section

RP Session L2TP (Group ID 14)

RP_SessionSetupRejectReasonNoPDSNRsp

RP_SessionSetupRejectReasonNoPDSNRsp

Data Source

NBSS BSC OMs

Source Field

RP_SessionSetupRejectReasonNoPDSNRsp (Seq# 22)

Source Section

RP Session L2TP (Group ID 14)

RP_SessionSetupRejectReasonNoPermRsrcs

RP_SessionSetupRejectReasonNoPermRsrcs

Data Source

NBSS BSC OMs

Source Field

RP_SessionSetupRejectReasonNoPermRsrcs (Seq# 19)

Source Section

RP Session L2TP (Group ID 14)

RP_SessionSetupRejectReasonNoTempRsrcs

RP_SessionSetupRejectReasonNoTempRsrcs

Data Source

NBSS BSC OMs

Source Field

RP_SessionSetupRejectReasonNoTempRsrcs (Seq# 18)

Source Section

RP Session L2TP (Group ID 14)

RP_SessionSetupRejectReasonOther

RP_SessionSetupRejectReasonOther

Data Source

NBSS BSC OMs

Source Field

RP_SessionSetupRejectReasonOther (Seq# 21)

Source Section

RP Session L2TP (Group ID 14)

RP_SessionSetupRejectReasonSysOverload

RP_SessionSetupRejectReasonSysOverload

Data Source

NBSS BSC OMs

Source Field

RP_SessionSetupRejectReasonSysOverload (Seq# 20)

Source Section

RP Session L2TP (Group ID 14)

RP_SessionSetupSuccesses

RP_SessionSetupSuccesses

Data Source

NBSS BSC OMs

Source Field

RP_SessionSetupSuccesses (Seq# 14)

Source Section

RP Session L2TP (Group ID 14)

RPTotalOutofSequencePacketsReceived

Pegged for all out of sequence GRE packet received in the forward direction sent over RP link.

Data Source

NBSS BSC OMs

Source Field

RPTotalOutofSequencePacketsReceived (Seq# 1)

Source Section

RP Session Data (Group ID 23)

RPTotalUnreliableBytesReceived

Provides the cumulative number of bytes each R-P session in the PCU received by PDSN

Data Source

NBSS BSC OMs

Source Field

RPTotalUnreliableBytesReceived (Seq# 3)

Source Section

RP Session Data (Group ID 23)

RPTotalUnreliableBytesTransmitted

Provides the cumulative number of bytes each R-P session in the PCU transmitted to PDSN

Data Source

NBSS BSC OMs

Source Field

RPTotalUnreliableBytesTransmitted (Seq# 2)

Source Section

RP Session Data (Group ID 23)

TotalRegistrationReplyDiscardReasonAuthFail

This OM is pegged against a PDSN every time a registration reply message from the PDSN is discarded by the PCU because the authentication check failed.

Data Source

NBSS BSC OMs

Source Field

TotalRegistrationReplyDiscardReasonAuthFail (Seq# 30)

Source Section

RP Session Signaling (Group ID 22)

TotalRegistrationUpdateDiscardReasonAuthFail

This OM is pegged against a PDSN every time a registration update message from the PDSN is discarded by the PCU because the authentication check failed.

Data Source

NBSS BSC OMs

Source Field

TotalRegistrationUpdateDiscardReasonAuthFail (Seq# 31)

Source Section

RP Session Signaling (Group ID 22)

TotalRegRequestMsgSent

Pegged every time a registration request message is sent to PDSN after session setup or handoff is complete

Data Source

NBSS BSC OMs

Source Field

TotalRegistrationRequestMsgSent (Seq# 22)

Source Section

RP Session Signaling (Group ID 22)

TotalRegRequestRejectIdMismatch

Pegged every time a registration request message is rejected by PDSN for reason ID Mismatch

Data Source

NBSS BSC OMs

Source Field

TotalRegistrationRequestRejectReasonIdMismatch (Seq# 25)

Source Section

RP Session Signaling (Group ID 22)

TotalRegRequestRejectMobileAuthFailure

Pegged every time a registration request message is rejected by PDSN for reason Mobile Authentication Failure

Data Source

NBSS BSC OMs

Source Field

TotalRegistrationRequestRejectReasonMobileAuthFailure (Seq# 27)

Source Section

RP Session Signaling (Group ID 22)

TotalRegRequestRejectNoResources

Pegged every time a registration request message is rejected by PDSN for reason insufficient resources

Data Source

NBSS BSC OMs

Source Field

TotalRegistrationRequestRejectReasonInsufficientResources (Seq# 26)

Source Section

RP Session Signaling (Group ID 22)

TotalRegRequestRejectOther

Pegged when PCU releases packet session for reasons not specified in other Oms

Data Source

NBSS BSC OMs

Source Field

TotalRegistrationRequestRejectReasonOther (Seq# 24)

Source Section

RP Session Signaling (Group ID 22)

TotalRegRequestRejectPDSN_NotResponding

Pegged every time PDSN does not send response to a registration request message after session setup or handoff is complete

Data Source

NBSS BSC OMs

Source Field

TotalRegistrationRequestRejectReasonPDSN_NotResponding (Seq# 28)

Source Section

RP Session Signaling (Group ID 22)

TotalRegRequestRetries

Pegged every time a registration request message is resent to PDSN

Data Source

NBSS BSC OMs

Source Field

TotalRegistrationRequestRetries (Seq# 23)

Source Section

RP Session Signaling (Group ID 22)

TotalRP_SessHandoffAttempts

Pegged for session Handoff attempt, both dormant and active

Data Source

NBSS BSC OMs

Source Field

TotalRP_SessionHandoffAttempts (Seq# 8)

Source Section

RP Session Signaling (Group ID 22)

TotalRP_SessHandoffFailPDSN_NotRespond

Session Handoff Rejection due to PDSN not responding

Data Source

NBSS BSC OMs

Source Field

TotalRP_SessionHandoffFailuresReasonPDSN_NotResponding (Seq# 14)

Source Section

RP Session Signaling (Group ID 22)

TotalRP_SessHandoffRejectAuthFailure

Session Handoff Rejection due to mobile authentication failure

Data Source

NBSS BSC OMs

Source Field

TotalRP_SessionHandoffRejectReasonMobileAuthFailure (Seq# 13)

Source Section

RP Session Signaling (Group ID 22)

TotalRP_SessHandoffRejectIdMismatch

Session Handoff Rejection due to ID Mismatch

Data Source

NBSS BSC OMs

Source Field

TotalRP_SessionHandoffRejectReasonIdMismatch (Seq# 11)

Source Section

RP Session Signaling (Group ID 22)

TotalRP_SessHandoffRejectNoResources

Session Handoff Rejection due to insufficient resources

Data Source

NBSS BSC OMs

Source Field

TotalRP_SessionHandoffRejectReasonInsufficientResources (Seq# 12)

Source Section

RP Session Signaling (Group ID 22)

TotalRP_SessHandoffRejectOther

PDSN Session Handoff Rejection not specified in other Handoff Rejection Oms

Data Source

NBSS BSC OMs

Source Field

TotalRP_SessionHandoffRejectReasonOther (Seq# 10)

Source Section

RP Session Signaling (Group ID 22)

TotalRP_SessHandoffSuccesses

Pegged for successful session Handoff, both dormant and active

Data Source

NBSS BSC OMs

Source Field

TotalRP_SessionHandoffSuccesses (Seq# 9)

Source Section

RP Session Signaling (Group ID 22)

TotalSignallingMsgReceived

Pegged for each signaling message received from a PDSN. Unroutable messages are not included.

Data Source

NBSS BSC OMs

Source Field

TotalSignallingMsgReceived (Seq# 29)

Source Section

RP Session Signaling (Group ID 22)

TotalUnreliableBytesReceived

The cumulative number of bytes each session in the PCU received from PCU_PDSN per L2TP tunnel

Data Source

NBSS BSC OMs

Source Field

TotalUnreliableBytesReceived (Seq# 6)

Source Section

RP Session L2TP (Group ID 14)

TotalUnreliableBytesTransmitted

The cumulative number of bytes each session in the PCU transmitted to PCU_PDSN per L2TP tunnel

Data Source

NBSS BSC OMs

Source Field

TotalUnreliableBytesTransmitted (Seq# 5)

Source Section

RP Session L2TP (Group ID 14)

TotInitRP_SessSetupAttempts

Should only be pegged when a session setup is attempted for the first time

Data Source

NBSS BSC OMs

Source Field

TotalInitialRP_SessionSetupAttempts (Seq# 1)

Source Section

RP Session Signaling (Group ID 22)

TotInitRP_SessSetupFailPDSN_NotRespond

Setup Failure due to PDSN not responding

Data Source

NBSS BSC OMs

Source Field

TotalInitialRP_SessionSetupFailuresReasonPDSN_NotResponding (Seq# 7)

Source Section

RP Session Signaling (Group ID 22)

TotInitRP_SessSetupRejectAuthFail

PDSN Setup Rejection due to Mobile Authentication Failure

Data Source

NBSS BSC OMs

Source Field

TotalInitialRP_SessionSetupRejectReasonMobileAuthFailure (Seq# 6)

Source Section

RP Session Signaling (Group ID 22)

TotInitRP_SessSetupRejectIdMismatch

PDSN Setup Rejection due to ID Mismatch

Data Source

NBSS BSC OMs

Source Field

TotalInitialRP_SessionSetupRejectReasonIdMismatch (Seq# 4)

Source Section

RP Session Signaling (Group ID 22)

TotInitRP_SessSetupRejectInsuffResources

PDSN Setup Rejection due to insufficient Resources

Data Source

NBSS BSC OMs

Source Field

TotalInitialRP_SessionSetupRejectReasonInsufficientResources (Seq# 5)

Source Section

RP Session Signaling (Group ID 22)

TotInitRP_SessSetupRejectOther

Pegged for Setup Rejections not specified in other rejection Oms

Data Source

NBSS BSC OMs

Source Field

TotalInitialRP_SessionSetupRejectReasonOther (Seq# 3)

Source Section

RP Session Signaling (Group ID 22)

TotInitRP_SessSetupSuccesses

Should only be pegged when a session is successfully setup

Data Source

NBSS BSC OMs

Source Field

TotalInitialRP_SessionSetupSuccesses (Seq# 2)

Source Section

RP Session Signaling (Group ID 22)

TunnelSetupFailuresReasonBadProtocolVersion

The numberr of L2TP tunnel setup failures due to unsupported protocol version per PDSN IP address.

Data Source

NBSS BSC OMs

Source Field

TunnelSetupFailuresReasonBadProtocolVersion (Seq# 10)

Source Section

RP Session L2TP (Group ID 14)

TunnelSetupFailuresReasonRequesterShutdown

The number of L2TP tunnel setup failures due to requestor being shutdown per PDSN IP address.

Data Source

NBSS BSC OMs

Source Field

TunnelSetupFailuresReasonRequesterShutdown (Seq# 11)

Source Section

RP Session L2TP (Group ID 14)

TunnelSetupFailuresReasonReserved

The number of L2TP tunnel setup failures with a reserved result code per PDSN IP address.

Data Source

NBSS BSC OMs

Source Field

TunnelSetupFailuresReasonReserved (Seq# 8)

Source Section

RP Session L2TP (Group ID 14)

TunnelSetupFailuresReasonSystemOverload

The number of L2TP tunnel setup failures due to overload conditions on the PDSN per PDSN IP address.

Data Source

NBSS BSC OMs

Source Field

TunnelSetupFailuresReasonSystemOverload (Seq# 12)

Source Section

RP Session L2TP (Group ID 14)

TunnelSetupFailuresReasonUnexpected

The number of L2TP tunnel setup failures with an unexpected result code per PDSN IP address.

Data Source

NBSS BSC OMs

Source Field

TunnelSetupFailuresReasonUnexpected (Seq# 7)

Source Section

RP Session L2TP (Group ID 14)

TunnelSetupFailuresReasonVendorError

The number of L2TP tunnel setup failures classified as general errors indicating vendor-specific error per PDSN IP address.

Data Source

NBSS BSC OMs

Source Field

TunnelSetupFailuresReasonVendorError (Seq# 9)

Source Section

RP Session L2TP (Group ID 14)

BTS Primitive Calculations

The following is a list of primitive calculations for the BTS entity.

GRAPHmultiLineSeparator

Special Control Field for Multi-Line Graphs

Calculation

""

BTS_Cell Primitive Calculations

The following is a list of primitive calculations for the BTS_Cell entity.

GRAPHmultiLineSeparator

Special Control Field for Multi-Line Graphs

Calculation

""

NUMDAYS

of days in Report

Calculation

DAYSINREPORT ()

NUMHOURS

of hours in Summation Data

Calculation

BTS_Cell Peg Counts

The following is a list of peg counts for the BTS_Cell entity.

MTX140_ATCACT_C

Count of ATC 'Active' alarms

Data Source

MTX Log

Source Field

Alarm 'ATC' Active event

Source Section

MTX140

MTX140_ATCDUR_C

Duration that ATC alarms were active within the time period, as determined by the difference between the 'Active' and 'Inactive' alarms.

Data Source

MTX Log

Source Field

Alarm 'ATC' Duration

Source Section

MTX140

MTX140_ATCINACT_C

Count of ATC 'Inactive' alarms

Data Source

MTX Log

Source Field

Alarm 'ATC' Inactive event

Source Section

MTX140

MTX140_GENACT_C

Count of GEN 'Active' alarms

Data Source

MTX Log

Source Field

Alarm 'GEN' Active event

Source Section

MTX140

MTX140_GENDUR_C

Duration that GEN alarms were active within the time period, as determined by the difference between the 'Active' and 'Inactive' alarms

Data Source

MTX Log

Source Field

Alarm 'GEN' Duration

Source Section

MTX140

MTX140_GENINACT_C

Count of GEN 'Inactive' alarms

Data Source

MTX Log

Source Field

Alarm 'GEN' Inactive event

Source Section

MTX140

MTX140_MWACT_C

Count of MW 'Active' alarms

Data Source

MTX Log

Source Field

Alarm 'MW' Active event

Source Section

MTX140

MTX140_MWDUR_C

Duration that MW alarms were active within the time period, as determined by the difference between the 'Active' and 'Inactive' alarms

Data Source

MTX Log

Source Field

Alarm 'MW' Duration

Source Section

MTX140

MTX140_MWINACT_C

Count of MW 'Inactive' alarms

Data Source

MTX Log

Source Field

Alarm 'MW' Inactive event

Source Section

MTX140

MTX140_TECHONACT_C

Count of TECH ON 'Active' alarms

Data Source

MTX Log

Source Field

Alarm 'TL or TO' Active event

Source Section

MTX140

MTX140_TECHONDUR_C

Duration that TECH ON alarms were active within the time period, as determined by the difference between the 'Active' and 'Inactive' alarms

Data Source

MTX Log

Source Field

Alarm 'TL or TO' Duration

Source Section

MTX140

MTX140_TECHONINACT_C

Count of TECH ON 'Inactive' alarms

Data Source

MTX Log

Source Field

Alarm 'TL or TO' Inactive event

Source Section

MTX140

BTS_Name Primitive Calculations

The following is a list of primitive calculations for the BTS_Name entity.

GRAPHmultiLineSeparator

Special Control Field for Multi-Line Graphs

Calculation

""

NUMDAYS

of days in Report

Calculation

DAYSINREPORT ()

NUMHOURS

of hours in Summation Data

CAC_DSFP Primitive Calculations

The following is a list of primitive calculations for the CAC_DSFP entity.

CPU_Usage_30to40%_CSVS

The percentage of time that the CPU usage is greater than 30% and less than or equal to 40%.

Calculation

$$\text{CPU_UsageIndex_2_CSVS} * 100.0 / \text{CPU_UsageIndex_Total_CSVS}$$

CPU_Usage_40to50%_CSVS

The percentage of time that the CPU usage is greater than 40% and less than or equal to 50%.

Calculation

$$\text{CPU_UsageIndex_3_CSVS} * 100.0 / \text{CPU_UsageIndex_Total_CSVS}$$

CPU_Usage_50to60%_CSVS

The percentage of time that the CPU usage is greater than 50% and less than or equal to 60%.

Calculation

$$\text{CPU_UsageIndex_4_CSVS} * 100.0 / \text{CPU_UsageIndex_Total_CSVS}$$

CPU_Usage_60to70%_CSVS

The percentage of time that the CPU usage is greater than 60% and less than or equal to 70%.

Calculation

$$\text{CPU_UsageIndex_5_CSVS} * 100.0 / \text{CPU_UsageIndex_Total_CSVS}$$

CPU_Usage_70to80%_CSVS

The percentage of time that the CPU usage is greater than 70% and less than or equal to 80%.

Calculation

$$\text{CPU_UsageIndex_6_CSVS} * 100.0 / \text{CPU_UsageIndex_Total_CSVS}$$

CPU_Usage_GT80%_CSVS

The percentage of time that the CPU usage is greater than 80%.

Calculation

$$\text{CPU_UsageIndex_7_CSVS} * 100.0 / \text{CPU_UsageIndex_Total_CSVS}$$

CPU_Usage_LTE30%_CSVS

The percentage of time that the CPU usage is less than or equal to 30%.

Calculation

$\text{CPU_UsageIndex_1_CSVS} * 100.0 / \text{CPU_UsageIndex_Total_CSVS}$

CPU_Usage_Overload%_CSVS

The percentage of time that the CPU usage has exceeded a pre-defined CPU threshold (the 'cpuOverloadThreshold' attribute).

Calculation

$\text{CPU_UsageExceededThreshold_CSVS} * 100.0 / \text{CPU_UsageIndex_Total_CSVS}$

CPU_UsageIndex_Total_CSVS

The sum of the CPU Usage indices.

Calculation

$\text{vsum}(\text{CPU_UsageIndex_1_CSVS}, \text{CPU_UsageIndex_2_CSVS}, \text{CPU_UsageIndex_3_CSVS},$
 $\text{CPU_UsageIndex_4_CSVS}, \text{CPU_UsageIndex_5_CSVS}, \text{CPU_UsageIndex_6_CSVS},$
 $\text{CPU_UsageIndex_7_CSVS}, 0)$

GRAPHmultiLineSeparator

Special Control Field for Multi-Line Graphs

Calculation

""

NUMDAYS

of days in Report

Calculation

$\text{DAYSINREPORT}()$

NUMHOURS

of hours in Summation Data

Calculation

CAC_DSFP Peg Counts

The following is a list of peg counts for the CAC_DSFP entity.

CPU_UsageExceededThreshold

The number of times the CPU Usage has exceeded a pre-defined CPU threshold for a certain monitoring timeperiod.

Data Source

CPDS

Source Field

CPU_UsageExceededThreshold (Seq# 8)

Source Section

CPU Usage (Group ID 19)

CPU_UsageExceededThreshold_CSVS

The number of times the CPU Usage has exceeded a pre-defined CPU threshold (the 'cpuOverloadThreshold' attribute) for a certain monitoring time-period.

Data Source

CSVS

Source Field

CPU_UsageExceededThreshold (Seq# 8)

Source Section

CPU Usage (Group ID 19)

CPU_UsageIndex_1

The number of times the CPU Usage in a monitoring period is less than 30%

Data Source

CPDS

Source Field

CPU_UsageIndex_1 (Seq# 1)

Source Section

CPU Usage (Group ID 19)

CPU_UsageIndex_1_CSVS

The number of times the CPU Usage in a monitoring period is less than or equal to 30%. The CPU Usage is examined every 4 seconds.

Data Source

CSVS

Source Field

CPU_UsageIndex_1 (Seq# 1)

Source Section

CPU Usage (Group ID 19)

CPU_UsageIndex_2

The number of times the CPU Usage in a monitoring period is greater than 30% and less than equal to 40%.

Data Source

CPDS

Source Field

CPU_UsageIndex_2 (Seq# 2)

Source Section

CPU Usage (Group ID 19)

CPU_UsageIndex_2_CSVS

The number of times the CPU Usage in a monitoring period is greater than 30% and less than or equal to 40%. The CPU Usage is examined every 4 seconds.

Data Source

CSVS

Source Field

CPU_UsageIndex_2 (Seq# 2)

Source Section

CPU Usage (Group ID 19)

CPU_UsageIndex_3

The number of times the CPU Usage in a monitoring period is greater than 40% and less than equal to 50%.

Data Source

CPDS

Source Field

CPU_UsageIndex_3 (Seq# 3)

Source Section

CPU Usage (Group ID 19)

CPU_UsageIndex_3_CSVS

The number of times the CPU Usage in a monitoring period is greater than 40% and less than or equal to 50%. The CPU Usage is examined every 4 seconds.

Data Source

CSVS

Source Field

CPU_UsageIndex_3 (Seq# 3)

Source Section

CPU Usage (Group ID 19)

CPU_UsageIndex_4

The number of times the CPU Usage in a monitoring period is greater than 50% and less than equal to 60%.

Data Source

CPDS

Source Field

CPU_UsageIndex_4 (Seq# 4)

Source Section

CPU Usage (Group ID 19)

CPU_UsageIndex_4_CSVS

The number of times the CPU Usage in a monitoring period is greater than 50% and less than or equal to 60%. The CPU Usage is examined every 4 seconds.

Data Source

CSVS

Source Field

CPU_UsageIndex_4 (Seq# 4)

Source Section

CPU Usage (Group ID 19)

CPU_UsageIndex_5

The number of times the CPU Usage in a monitoring period is greater than 60% and less than equal to 70%.

Data Source

CPDS

Source Field

CPU_UsageIndex_5 (Seq# 5)

Source Section

CPU Usage (Group ID 19)

CPU_UsageIndex_5_CSVS

The number of times the CPU Usage in a monitoring period is greater than 60% and less than or equal to 70%. The CPU Usage is examined every 4 seconds.

Data Source

CSVS

Source Field

CPU_UsageIndex_5 (Seq# 5)

Source Section

CPU Usage (Group ID 19)

CPU_UsageIndex_6

The number of times the CPU Usage in a monitoring period is greater than 70% and less than equal to 80%.

Data Source

CPDS

Source Field

CPU_UsageIndex_6 (Seq# 6)

Source Section

CPU Usage (Group ID 19)

CPU_UsageIndex_6_CSVS

The number of times the CPU Usage in a monitoring period is greater than 70% and less than or equal to 80%. The CPU Usage is examined every 4 seconds.

Data Source

CSVS

Source Field

CPU_UsageIndex_6 (Seq# 6)

Source Section

CPU Usage (Group ID 19)

CPU_UsageIndex_7

The number of times the CPU Usage in a monitoring period is greater than 80%

Data Source

CPDS

Source Field

CPU_UsageIndex_7 (Seq# 7)

Source Section

CPU Usage (Group ID 19)

CPU_UsageIndex_7_CSVS

The number of times the CPU Usage in a monitoring period is greater than 80%. The CPU Usage is examined every 4 seconds.

Data Source

CSVS

Source Field

CPU_UsageIndex_7 (Seq# 7)

Source Section

CPU Usage (Group ID 19)

ESL_CongestedSignalingConnectionFailure_CSVS

Number of congested ESL signaling connection failures.

Data Source

CSVS

Source Field

ESL_CongestedSignalingConnectionFailure (Seq# 12)

Source Section

BCN Enhanced Socket Layer (Group ID 26)

ESL_CongestedSignalingConnFailure

Number of congested ESL signaling connection failures.

Data Source

CPDS

Source Field

ESL_CongestedSignalingConnectionFailure (Seq# 12)

Source Section

BCN Enhanced Socket Layer (Group ID 26)

ESL_CongestedSignalingRelAckWaitTO

Number of times the socket timed out waiting for an Ack to a reliable congested ESL signaling message.

Data Source

CPDS

Source Field

ESL_CongestedSignalingReliableAckWaitTimeout (Seq# 15)

Source Section

BCN Enhanced Socket Layer (Group ID 26)

ESL_CongestedSignalingReliableAckWaitTimeout_CSVS

Number of times the socket timed out waiting for an Ack to a reliable congested ESL signaling message.

Data Source

CSVS

Source Field

ESL_CongestedSignalingReliableAckWaitTimeout (Seq# 15)

Source Section

BCN Enhanced Socket Layer (Group ID 26)

ESL_CongestedSignalingReliableRxMsg

Number of reliable ESL congested signaling messages received.

Data Source

CPDS

Source Field

ESL_CongestedSignalingReliableRxMsg (Seq# 11)

Source Section

BCN Enhanced Socket Layer (Group ID 26)

ESL_CongestedSignalingReliableRxMsg_CSVS

Number of reliable ESL congested signaling messages received.

Data Source

CSVS

Source Field

ESL_CongestedSignalingReliableRxMsg (Seq# 11)

Source Section

BCN Enhanced Socket Layer (Group ID 26)

ESL_CongestedSignalingReliableTxMsg

Number of reliable ESL congested signaling messages sent.

Data Source

CPDS

Source Field

ESL_CongestedSignalingReliableTxMsg (Seq# 10)

Source Section

BCN Enhanced Socket Layer (Group ID 26)

ESL_CongestedSignalingReliableTxMsg_CSVS

Number of reliable ESL congested signaling messages sent.

Data Source

CSVS

Source Field

ESL_CongestedSignalingReliableTxMsg (Seq# 10)

Source Section

BCN Enhanced Socket Layer (Group ID 26)

ESL_CongestedSignalingTxMsgFailure

Number of congested ESL signaling messages unsuccessfully sent.

Data Source

CPDS

Source Field

ESL_CongestedSignalingTxMsgFailure (Seq# 14)

Source Section

BCN Enhanced Socket Layer (Group ID 26)

ESL_CongestedSignalingTxMsgFailure_CSVS

Number of congested ESL signaling messages unsuccessfully sent.

Data Source

CSVS

Source Field

ESL_CongestedSignalingTxMsgFailure (Seq# 14)

Source Section

BCN Enhanced Socket Layer (Group ID 26)

ESL_CongestedSignalingUnknDestMsg

Number of congested ESL signaling messages received without a socket registered for it.

Data Source

CPDS

Source Field

ESL_CongestedSignalingUnknownDestinationMsg (Seq# 13)

Source Section

BCN Enhanced Socket Layer (Group ID 26)

ESL_CongestedSignalingUnknownDestinationMsg_CSVS

Number of congested ESL signaling messages received without a socket registered for it.

Data Source

CSVS

Source Field

ESL_CongestedSignalingUnknownDestinationMsg (Seq# 13)

Source Section

BCN Enhanced Socket Layer (Group ID 26)

ESL_InvalidMsgRx

Number of invalid ESL messages received.

Data Source

CPDS

Source Field

ESL_InvalidMsgRx (Seq# 19)

Source Section

BCN Enhanced Socket Layer (Group ID 26)

ESL_InvalidMsgRx_CSVS

Number of invalid ESL messages received.

Data Source

CSVS

Source Field

ESL_InvalidMsgRx (Seq# 19)

Source Section

BCN Enhanced Socket Layer (Group ID 26)

ESL_NodeInitRxMsg

Number of ESL Node Init messages received.

Data Source

CPDS

Source Field

ESL_NodeInitRxMsg (Seq# 17)

Source Section

BCN Enhanced Socket Layer (Group ID 26)

ESL_NodeInitRxMsg_CSVS

Number of ESL Node Init messages received.

Data Source

CSVS

Source Field

ESL_NodeInitRxMsg (Seq# 17)

Source Section

BCN Enhanced Socket Layer (Group ID 26)

ESL_NodeInitTxMsg

Number of ESL Node Init messages sent.

Data Source

CPDS

Source Field

ESL_NodeInitTxMsg (Seq# 16)

Source Section

BCN Enhanced Socket Layer (Group ID 26)

ESL_NodeInitTxMsg_CSVS

Number of ESL Node Init messages sent.

Data Source

CSVS

Source Field

ESL_NodeInitTxMsg (Seq# 16)

Source Section

BCN Enhanced Socket Layer (Group ID 26)

ESL_NodeInitTxMsgFailure

Number of ESL Node Init messages unsuccessfully sent.

Data Source

CPDS

Source Field

ESL_NodeInitTxMsgFailure (Seq# 18)

Source Section

BCN Enhanced Socket Layer (Group ID 26)

ESL_NodeInitTxMsgFailure_CSVS

Number of ESL Node Init messages unsuccessfully sent.

Data Source

CSVS

Source Field

ESL_NodeInitTxMsgFailure (Seq# 18)

Source Section

BCN Enhanced Socket Layer (Group ID 26)

ESL_SignalingConnectionFailure

Number of connection failures for ESL signaling messages.

Data Source

CPDS

Source Field

ESL_SignalingConnectionFailure (Seq# 5)

Source Section

BCN Enhanced Socket Layer (Group ID 26)

ESL_SignalingConnectionFailure_CSVS

Number of connection failures for ESL signaling messages.

Data Source

CSVS

Source Field

ESL_SignalingConnectionFailure (Seq# 5)

Source Section

BCN Enhanced Socket Layer (Group ID 26)

ESL_SignalingReliableAckWaitTimeout

Number of times the socket timed out waiting for an Ack to a reliable ESL signaling message.

Data Source

CPDS

Source Field

ESL_SignalingReliableAckWaitTimeout (Seq# 9)

Source Section

BCN Enhanced Socket Layer (Group ID 26)

ESL_SignalingReliableAckWaitTimeout_CSVS

Number of times the socket timed out waiting for an Ack to a reliable ESL signaling message.

Data Source

CSVS

Source Field

ESL_SignalingReliableAckWaitTimeout (Seq# 9)

Source Section

BCN Enhanced Socket Layer (Group ID 26)

ESL_SignalingReliableRxMsg

Number of reliable ESL signaling messages received.

Data Source

CPDS

Source Field

ESL_SignalingReliableRxMsg (Seq# 2)

Source Section

BCN Enhanced Socket Layer (Group ID 26)

ESL_SignalingReliableRxMsg_CSVS

Number of reliable ESL signaling messages received.

Data Source

CSVS

Source Field

ESL_SignalingReliableRxMsg (Seq# 2)

Source Section

BCN Enhanced Socket Layer (Group ID 26)

ESL_SignalingReliableTxMsg

Number of reliable ESL signaling messages sent.

Data Source

CPDS

Source Field

ESL_SignalingReliableTxMsg (Seq# 1)

Source Section

BCN Enhanced Socket Layer (Group ID 26)

ESL_SignalingReliableTxMsg_CSVS

Number of reliable ESL signaling messages sent.

Data Source

CSVS

Source Field

ESL_SignalingReliableTxMsg (Seq# 1)

Source Section

BCN Enhanced Socket Layer (Group ID 26)

ESL_SignalingReliableTxMsgFailure

Number off ESL signaling messages successfully sent.

Data Source

CPDS

Source Field

ESL_SignalingReliableTxMsgFailure (Seq# 7)

Source Section

BCN Enhanced Socket Layer (Group ID 26)

ESL_SignalingReliableTxMsgFailure_CSVS

Number off ESL signaling messages unsuccessfully sent by reliable messaging

Data Source

CSVS

Source Field

ESL_SignalingReliableTxMsgFailure (Seq# 7)

Source Section

BCN Enhanced Socket Layer (Group ID 26)

ESL_SignalingUnknownDestinationMsg

Number of ESL signaling messages received without a socket registered for it.

Data Source

CPDS

Source Field

ESL_SignalingUnknownDestinationMsg (Seq# 6)

Source Section

BCN Enhanced Socket Layer (Group ID 26)

ESL_SignalingUnknownDestinationMsg_CSVS

Number of ESL signaling messages received without a socket registered for it.

Data Source

CSVS

Source Field

ESL_SignalingUnknownDestinationMsg (Seq# 6)

Source Section

BCN Enhanced Socket Layer (Group ID 26)

ESL_SignalingUnreliableRxMsg

Number of unreliable ESL signaling messages received.

Data Source

CPDS

Source Field

ESL_SignalingUnreliableRxMsg (Seq# 4)

Source Section

BCN Enhanced Socket Layer (Group ID 26)

ESL_SignalingUnreliableRxMsg_CSVS

Number of unreliable ESL signaling messages received.

Data Source

CSVS

Source Field

ESL_SignalingUnreliableRxMsg (Seq# 4)

Source Section

BCN Enhanced Socket Layer (Group ID 26)

ESL_SignalingUnreliableTxMsg

Number of unreliable ESL signaling messages sent.

Data Source

CPDS

Source Field

ESL_SignalingUnreliableTxMsg (Seq# 3)

Source Section

BCN Enhanced Socket Layer (Group ID 26)

ESL_SignalingUnreliableTxMsg_CSVS

Number of unreliable ESL signaling messages sent.

Data Source

CSVS

Source Field

ESL_SignalingUnreliableTxMsg (Seq# 3)

Source Section

BCN Enhanced Socket Layer (Group ID 26)

ESL_SignalingUnReliableTxMsgFailure

Number off ESL signaling messages unsuccessfully sent.

Data Source

CPDS

Source Field

ESL_SignalingUnReliableTxMsgFailure (Seq# 8)

Source Section

BCN Enhanced Socket Layer (Group ID 26)

ESL_SignalingUnreliableTxMsgFailure_CSVS

Number off ESL signaling messages unsuccessfully sent. By unreliable messaging.

Data Source

CSVS

Source Field

ESL_SignalingUnReliableTxMsgFailure (Seq# 8)

Source Section

BCN Enhanced Socket Layer (Group ID 26)

EVRCB_FrameCountFwdMode_0

Forward mode 0 frames sent for all the EVRC-B calls.

Data Source

CSVs

Source Field

EVRCB_FrameCountFwdMode_0 (Seq# 1)

Source Section

EVRC-B Distribution (Group ID 78)

EVRCB_FrameCountFwdMode_4

Forward mode 4 frames sent for all the EVRC-B calls.

Data Source

CSVs

Source Field

EVRCB_FrameCountFwdMode_4 (Seq# 5)

Source Section

EVRC-B Distribution (Group ID 78)

EVRCB_FrameCountFwdMode_6

Forward mode 6 frames sent for all the EVRC-B calls.

Data Source

CSVs

Source Field

EVRCB_FrameCountFwdMode_6 (Seq# 7)

Source Section

EVRC-B Distribution (Group ID 78)

EVRCB_FrameCountRevMode_0

Reverse mode 0 frames received for all the EVRC-B calls.

Data Source

CSVs

Source Field

EVRCB_FrameCountRevMode_0 (Seq# 9)

Source Section

EVRC-B Distribution (Group ID 78)

EVRCB_FrameCountRevMode_4

Reverse mode 4 frames received for all the EVRC-B calls.

Data Source

CSVs

Source Field

EVRCB_FrameCountRevMode_4 (Seq# 13)

Source Section

EVRC-B Distribution (Group ID 78)

EVRCB_FrameCountRevMode_6

Reverse mode 6 frames received for all the EVRC-B calls.

Data Source

CSVs

Source Field

EVRCB_FrameCountRevMode_6 (Seq# 15)

Source Section

EVRC-B Distribution (Group ID 78)

EVRCB_SelectionCountFwdMode_0

Number of times Mode 0 is selected in the forward direction, during call setup based on the BTS loading report and the mode selection threshold table.

Data Source

CSVs

Source Field

EVRCB_SelectionCountFwdMode_0 (Seq# 17)

Source Section

EVRC-B Distribution (Group ID 78)

EVRCB_SelectionCountFwdMode_4

Number of times Mode 4 is selected in the forward direction, during call setup based on the BTS loading report and the mode selection threshold table.

Data Source

CSVs

Source Field

EVRCB_SelectionCountFwdMode_4 (Seq# 21)

Source Section

EVRC-B Distribution (Group ID 78)

EVRCB_SelectionCountFwdMode_6

Number of times Mode 6 is selected in the forward direction, during call setup based on the BTS loading report and the mode selection threshold table.

Data Source

CSVs

Source Field

EVRCB_SelectionCountFwdMode_6 (Seq# 23)

Source Section

EVRC-B Distribution (Group ID 78)

EVRCB_SelectionCountRevMode_0

Number of times Mode 0 is selected in the reverse direction, during call setup based on the BTS loading report and the mode selection threshold table.

Data Source

CSVs

Source Field

EVRCB_SelectionCountRevMode_0 (Seq# 25)

Source Section

EVRC-B Distribution (Group ID 78)

EVRCB_SelectionCountRevMode_4

Number of times Mode 4 is selected in the reverse direction, during call setup based on the BTS loading report and the mode selection threshold table.

Data Source

CSVs

Source Field

EVRCB_SelectionCountRevMode_4 (Seq# 29)

Source Section

EVRC-B Distribution (Group ID 78)

EVRCB_SelectionCountRevMode_6

Number of times Mode 6 is selected in the reverse direction, during call setup based on the BTS loading report and the mode selection threshold table.

Data Source

CSVs

Source Field

EVRCB_SelectionCountRevMode_6 (Seq# 31)

Source Section

EVRC-B Distribution (Group ID 78)

LL_CongestedSignaling_FrameRx

Number of Signaling frames received (for STL-B).

Data Source

CPDS

Source Field

LL_CongestedSignaling_FrameRx (Seq# 5)

Source Section

BCN Link Layer (Group ID 18)

LL_CongestedSignaling_FrameTx

Number of Signaling frames sent (for STL-B).

Data Source

CPDS

Source Field

LL_CongestedSignaling_FrameTx (Seq# 4)

Source Section

BCN Link Layer (Group ID 18)

LL_CongestedSignalingFrameRx_CSVS

Number of Signaling frames received (for STL-B).

Data Source

CSVS

Source Field

LL_CongestedSignalingFrameRx (Seq# 5)

Source Section

BCN Link Layer (Group ID 18)

LL_CongestedSignalingFrameTx_CSVS

Number of Signaling frames sent (for STL-B).

Data Source

CSVS

Source Field

LL_CongestedSignalingFrameTx (Seq# 4)

Source Section

BCN Link Layer (Group ID 18)

LL_DataFrameRx

Number of Data frames received (for STL-D).

Data Source

CPDS

Source Field

LL_DataFrameRx (Seq# 11)

Source Section

BCN Link Layer (Group ID 18)

LL_DataFrameRx_CSVS

Number of Data frames received (for STL-D).

Data Source

CSVS

Source Field

LL_DataFrameRx (Seq# 11)

Source Section

BCN Link Layer (Group ID 18)

LL_DataFrameTx

Number of Data frames sent (for STL-D).

Data Source

CPDS

Source Field

LL_DataFrameTx (Seq# 10)

Source Section

BCN Link Layer (Group ID 18)

LL_DataFrameTx_CSVS

Number of Data frames sent (for STL-D).

Data Source

CSVS

Source Field

LL_DataFrameTx (Seq# 10)

Source Section

BCN Link Layer (Group ID 18)

LL_InvalidFrameType

Number of frames with an invalid type tag7.

Data Source

CPDS

Source Field

LL_InvalidFrameType (Seq# 1)

Source Section

BCN Link Layer (Group ID 18)

LL_InvalidFrameType_CSVS

Number of frames with an invalid type tag7.

Data Source

CSVS

Source Field

LL_InvalidFrameType (Seq# 1)

Source Section

BCN Link Layer (Group ID 18)

LL_NodeInitFrameRx

Number of Node Init frames received.

Data Source

CPDS

Source Field

LL_NodeInitFrameRx (Seq# 3)

Source Section

BCN Link Layer (Group ID 18)

LL_NodeInitFrameRx_CSVS

Number of Node Init frames received.

Data Source

CSVS

Source Field

LL_NodeInitFrameRx (Seq# 3)

Source Section

BCN Link Layer (Group ID 18)

LL_NodeInitFrameTx

Number of Node Init frames sent.

Data Source

CPDS

Source Field

LL_NodeInitFrameTx (Seq# 2)

Source Section

BCN Link Layer (Group ID 18)

LL_NodeInitFrameTx_CSVS

Number of Node Init frames sent.

Data Source

CSVS

Source Field

LL_NodeInitFrameTx (Seq# 2)

Source Section

BCN Link Layer (Group ID 18)

LL_SignalingFrameRx

Number of Signaling frames received (for STL-A).

Data Source

CPDS

Source Field

LL_SignalingFrameRx (Seq# 7)

Source Section

BCN Link Layer (Group ID 18)

LL_SignalingFrameRx_CSVS

Number of Signaling frames received (for STL-A).

Data Source

CSVS

Source Field

LL_SignalingFrameRx (Seq# 7)

Source Section

BCN Link Layer (Group ID 18)

LL_SignalingFrameTx

Number of Signaling frames sent (for STL-A).

Data Source

CPDS

Source Field

LL_SignalingFrameTx (Seq# 6)

Source Section

BCN Link Layer (Group ID 18)

LL_SignalingFrameTx_CSVS

Number of Signaling frames sent (for STL-A).

Data Source

CSVS

Source Field

LL_SignalingFrameTx (Seq# 6)

Source Section

BCN Link Layer (Group ID 18)

LL_TrafficFrameRx

Number of Traffic frames received.

Data Source

CPDS

Source Field

LL_TrafficFrameRx (Seq# 9)

Source Section

BCN Link Layer (Group ID 18)

LL_TrafficFrameRx_CSVS

Number of Traffic frames received.

Data Source

CSVS

Source Field

LL_TrafficFrameRx (Seq# 9)

Source Section

BCN Link Layer (Group ID 18)

LL_TrafficFrameTx

Number of Traffic frames sent.

Data Source

CPDS

Source Field

LL_TrafficFrameTx (Seq# 8)

Source Section

BCN Link Layer (Group ID 18)

LL_TrafficFrameTx_CSVS

Number of Traffic frames sent.

Data Source

CSVS

Source Field

LL_TrafficFrameTx (Seq# 8)

Source Section

BCN Link Layer (Group ID 18)

SL_MaxLargeStreamBufferUsed

Maximum number of Large stream buffer used.

Data Source

CPDS

Source Field

SL_MaxLargeStreamBufferUsed (Seq# 4)

Source Section

BCN Socket Layer (Group ID 15)

SL_MaxLargeStreamBufferUsed_CSVS

Maximum number of Large stream buffer used.

Data Source

CSVS

Source Field

SL_MaxLargeStreamBufferUsed (Seq# 4)

Source Section

BCN Socket Layer (Group ID 15)

SL_MaxMediumStreamBufferUsed

Maximum number of Medium stream buffer used.

Data Source

CPDS

Source Field

SL_MaxMediumStreamBufferUsed (Seq# 5)

Source Section

BCN Socket Layer (Group ID 15)

SL_MaxMediumStreamBufferUsed_CSVS

Maximum number of Medium stream buffer used.

Data Source

CSVS

Source Field

SL_MaxMediumStreamBufferUsed (Seq# 5)

Source Section

BCN Socket Layer (Group ID 15)

SL_MaxSmallStreamBufferUsed

Maximum number of Small stream buffer used.

Data Source

CPDS

Source Field

SL_MaxSmallStreamBufferUsed (Seq# 6)

Source Section

BCN Socket Layer (Group ID 15)

SL_MaxSmallStreamBufferUsed_CSVS

Maximum number of Small stream buffer used.

Data Source

CSVS

Source Field

SL_MaxSmallStreamBufferUsed (Seq# 6)

Source Section

BCN Socket Layer (Group ID 15)

SL_STLA_UnknownDestinationMsg

Number of STL-A messages received on this stack but without a socket registered for it.

Data Source

CPDS

Source Field

SL_STLA_UnknownDestinationMsg (Seq# 1)

Source Section

BCN Socket Layer (Group ID 15)

SL_STLA_UnknownDestinationMsg_CSVS

Number of STL-A messages received on this stack but without a socket registered for it.

Data Source

CSVS

Source Field

SL_STLA_UnknownDestinationMsg (Seq# 1)

Source Section

BCN Socket Layer (Group ID 15)

SL_STLB_UnknownDestinationMsg

Number of STL-B messages received on this stack but without a socket registered for it.

Data Source

CPDS

Source Field

SL_STLB_UnknownDestinationMsg (Seq# 2)

Source Section

BCN Socket Layer (Group ID 15)

SL_STLB_UnknownDestinationMsg_CSVS

Number of STL-B messages received on this stack but without a socket registered for it.

Data Source

CSVS

Source Field

SL_STLB_UnknownDestinationMsg (Seq# 2)

Source Section

BCN Socket Layer (Group ID 15)

SL_STLD_UnknownDestinationMsg

Number of STL-D messages received on this stack but without a socket registered for it.

Data Source

CPDS

Source Field

SL_STLD_UnknownDestinationMsg (Seq# 3)

Source Section

BCN Socket Layer (Group ID 15)

SL_STLD_UnknownDestinationMsg_CSVS

Number of STL-D messages received on this stack but without a socket registered for it.

Data Source

CSVS

Source Field

SL_STLD_UnknownDestinationMsg (Seq# 3)

Source Section

BCN Socket Layer (Group ID 15)

SL_StreamBufferAllocFailure

Number of Stream buffer unsuccessfully allocated.

Data Source

CPDS

Source Field

SL_StreamBufferAllocFailure (Seq# 8)

Source Section

BCN Socket Layer (Group ID 15)

SL_StreamBufferAllocFailure_CSVS

Number of Stream buffer unsuccessfully allocated.

Data Source

CSVS

Source Field

SL_StreamBufferAllocFailure (Seq# 8)

Source Section

BCN Socket Layer (Group ID 15)

SL_StreamBufferAllocSuccess

Number of Stream buffer successfully allocated.

Data Source

CPDS

Source Field

SL_StreamBufferAllocSuccess (Seq# 7)

Source Section

BCN Socket Layer (Group ID 15)

SL_StreamBufferAllocSuccess_CSVS

Number of Stream buffer successfully allocated.

Data Source

CSVS

Source Field

SL_StreamBufferAllocSuccess (Seq# 7)

Source Section

BCN Socket Layer (Group ID 15)

STLA_BestEffortReassemblyTimeout

Number of best effort messages dropped (missing frame(s))

Data Source

CPDS

Source Field

STLA_BestEffortReassemblyTimeout (Seq# 17)

Source Section

BCN STLA Transport Layer (Group ID 16)

STLA_BestEffortReassemblyTimeout_CSVS

Number of best effort messages dropped (missing frame(s))

Data Source

CSVS

Source Field

STLA_BestEffortReassemblyTimeout (Seq# 17)

Source Section

BCN STLA Transport Layer (Group ID 16)

STLA_BestEffortRxMsg

Number of Best Effort messages received.(thruput)

Data Source

CPDS

Source Field

STLA_BestEffortRxMsg (Seq# 4)

Source Section

BCN STLA Transport Layer (Group ID 16)

STLA_BestEffortRxMsg_CSVS

Number of Best Effort messages received. (thruput)

Data Source

CSVS

Source Field

STLA_BestEffortRxMsg (Seq# 4)

Source Section

BCN STLA Transport Layer (Group ID 16)

STLA_BestEffortTxMsg

Number of Best Effort messages sent.(thruput)

Data Source

CPDS

Source Field

STLA_BestEffortTxMsg (Seq# 3)

Source Section

BCN STLA Transport Layer (Group ID 16)

STLA_BestEffortTxMsg_CSVS

Number of Best Effort messages sent.(thruput)

Data Source

CSVS

Source Field

STLA_BestEffortTxMsg (Seq# 3)

Source Section

BCN STLA Transport Layer (Group ID 16)

STLA_ConnectionFailed

Obsoleted in NBSS14. Number of connections that couldn't be set up or that were lost.

Data Source

CPDS

Source Field

STLA_ConnectionFailed (Seq# 22)

Source Section

BCN STLA Transport Layer (Group ID 16)

STLA_ConnectionFailedDueToMaxFaults

Number of connections that could not be set up or that were lost due to the threshold of max faults being exceeded.

Data Source

CPDS

Source Field

STLA_ConnectionFailedDueToMaxFaults (Seq# 23)

Source Section

BCN STLA Transport Layer (Group ID 16)

STLA_ConnectionFailedDueToMaxFaults_CSVS

Number of failures that occurred due to maximum number of faults (See BCNSpec for the definition of a failure).

Data Source

CSVS

Source Field

STLA_ConnectionFailedDueToMaxFaults (Seq# 23)

Source Section

BCN STLA Transport Layer (Group ID 16)

STLA_ConnectionFailedDueToMaxTxAttempts

Number of connections that could not be set up or that were lost due to the threshold of max transmission attempts being exceeded.

Data Source

CPDS

Source Field

STLA_ConnectionFailedDueToMaxTxAttempts (Seq# 24)

Source Section

BCN STLA Transport Layer (Group ID 16)

STLA_ConnectionFailedDueToMaxTxAttempts_CSVS

Number of failures that occurred due to maximum number of transmit attempts (See BCNSpec for the definition of a failure).

Data Source

CSVS

Source Field

STLA_ConnectionFailedDueToMaxTxAttempts (Seq# 24)

Source Section

BCN STLA Transport Layer (Group ID 16)

STLA_ConnectionFault

Number of faults that occurred in the stack for all the connections.

Data Source

CPDS

Source Field

STLA_ConnectionFault (Seq# 21)

Source Section

BCN STLA Transport Layer (Group ID 16)

STLA_ConnectionFault_CSVS

Number of faults that occurred in the stack for all the connections. (See BCNSpec for the definition of a fault).

Data Source

CSVS

Source Field

STLA_ConnectionFault (Seq# 21)

Source Section

BCN STLA Transport Layer (Group ID 16)

STLA_FailedMsgCRC

Number of messages (reliable and best effort) dropped due to a bad CRC.

Data Source

CPDS

Source Field

STLA_FailedMsgCRC (Seq# 20)

Source Section

BCN STLA Transport Layer (Group ID 16)

STLA_FailedMsgCRC_CSVS

Number of messages (reliable and best effort) dropped due to a bad CRC.

Data Source

CSVS

Source Field

STLA_FailedMsgCRC (Seq# 20)

Source Section

BCN STLA Transport Layer (Group ID 16)

STLA_MaxOpenRxConnection

Maximum number of open connections to receive messages.

Data Source

CPDS

Source Field

STLA_MaxOpenRxConnection (Seq# 33)

Source Section

BCN STLA Transport Layer (Group ID 16)

STLA_MaxOpenRxConnection_CSVS

Maximum number of open connections to receive messages.

Data Source

CSVS

Source Field

STLA_MaxOpenRxConnection (Seq# 33)

Source Section

BCN STLA Transport Layer (Group ID 16)

STLA_MaxOpenTxConnection

Maximum number of open connections to transmit messages.

Data Source

CPDS

Source Field

STLA_MaxOpenTxConnection (Seq# 34)

Source Section

BCN STLA Transport Layer (Group ID 16)

STLA_MaxOpenTxConnection_CSVS

Maximum number of open connections to transmit messages.

Data Source

CSVS

Source Field

STLA_MaxOpenTxConnection (Seq# 34)

Source Section

BCN STLA Transport Layer (Group ID 16)

STLA_MaxRxBuffer

Maximum number of buffers used to receive incoming frames.

Data Source

CPDS

Source Field

STLA_MaxRxBuffer (Seq# 14)

Source Section

BCN STLA Transport Layer (Group ID 16)

STLA_MaxRxBuffer_CSVS

Maximum number of buffers used to receive incoming frames.

Data Source

CSVS

Source Field

STLA_MaxRxBuffer (Seq# 14)

Source Section

BCN STLA Transport Layer (Group ID 16)

STLA_MaxRxQueue

Maximum number of queues to receive messages.

Data Source

CPDS

Source Field

STLA_MaxRxQueue (Seq# 31)

Source Section

BCN STLA Transport Layer (Group ID 16)

STLA_MaxRxQueue_CSVS

Maximum number of queues to receive messages.

Data Source

CSVS

Source Field

STLA_MaxRxQueue (Seq# 31)

Source Section

BCN STLA Transport Layer (Group ID 16)

STLA_MaxTxLargeBuffer

Maximum number of large buffers used to transmit all the messages.

Data Source

CPDS

Source Field

STLA_MaxTxLargeBuffer (Seq# 11)

Source Section

BCN STLA Transport Layer (Group ID 16)

STLA_MaxTxLargeBuffer_CSVS

Maximum number of large buffers used to transmit all the messages.

Data Source

CSVS

Source Field

STLA_MaxTxLargeBuffer (Seq# 11)

Source Section

BCN STLA Transport Layer (Group ID 16)

STLA_MaxTxMediumBuffer

Maximum number of medium buffers used to transmit all the messages.

Data Source

CPDS

Source Field

STLA_MaxTxMediumBuffer (Seq# 10)

Source Section

BCN STLA Transport Layer (Group ID 16)

STLA_MaxTxMediumBuffer_CSVS

Maximum number of medium buffers used to transmit all the messages.

Data Source

CSVS

Source Field

STLA_MaxTxMediumBuffer (Seq# 10)

Source Section

BCN STLA Transport Layer (Group ID 16)

STLA_MaxTxQueue

Maximum number of queues to transmit messages.

Data Source

CPDS

Source Field

STLA_MaxTxQueue (Seq# 32)

Source Section

BCN STLA Transport Layer (Group ID 16)

STLA_MaxTxQueue_CSVS

Maximum number of queues to transmit messages.

Data Source

CSVS

Source Field

STLA_MaxTxQueue (Seq# 32)

Source Section

BCN STLA Transport Layer (Group ID 16)

STLA_MaxTxSmallBuffer

Maximum number of small buffers used to transmit all the messages.

Data Source

CPDS

Source Field

STLA_MaxTxSmallBuffer (Seq# 9)

Source Section

BCN STLA Transport Layer (Group ID 16)

STLA_MaxTxSmallBuffer_CSVS

Maximum number of small buffers used to transmit all the messages.

Data Source

CSVS

Source Field

STLA_MaxTxSmallBuffer (Seq# 9)

Source Section

BCN STLA Transport Layer (Group ID 16)

STLA_OpenRxConnection

Number of Receive connection opened.

Data Source

CPDS

Source Field

STLA_OpenRxConnection (Seq# 6)

Source Section

BCN STLA Transport Layer (Group ID 16)

STLA_OpenRxConnection_CSVS

Number of Receive connection opened.

Data Source

CSVS

Source Field

STLA_OpenRxConnection (Seq# 6)

Source Section

BCN STLA Transport Layer (Group ID 16)

STLA_OpenTxConnection

Number of Transmit connection opened.

Data Source

CPDS

Source Field

STLA_OpenTxConnection (Seq# 5)

Source Section

BCN STLA Transport Layer (Group ID 16)

STLA_OpenTxConnection_CSVS

Number of Transmit connection opened.

Data Source

CSVS

Source Field

STLA_OpenTxConnection (Seq# 5)

Source Section

BCN STLA Transport Layer (Group ID 16)

STLA_OutOfRxFrameBuffer

Number of received frames rejected due to lack of buffers.

Data Source

CPDS

Source Field

STLA_OutOfRxFrameBuffer (Seq# 13)

Source Section

BCN STLA Transport Layer (Group ID 16)

STLA_OutOfRxFrameBuffer_CSVS

Number of received frames rejected due to lack of buffers.

Data Source

CSVS

Source Field

STLA_OutOfRxFrameBuffer (Seq# 13)

Source Section

BCN STLA Transport Layer (Group ID 16)

STLA_OutOfTxBuffer

Number of transmit failures due to lack of transmit message buffers.

Data Source

CPDS

Source Field

STLA_OutOfTxBuffer (Seq# 12)

Source Section

BCN STLA Transport Layer (Group ID 16)

STLA_OutOfTxBuffer_CSVS

Number of transmit failures due to lack of transmit message buffers.

Data Source

CSVS

Source Field

STLA_OutOfTxBuffer (Seq# 12)

Source Section

BCN STLA Transport Layer (Group ID 16)

STLA_OutOfWindowMsg

Obsoleted in NBSS14. Number of messages, which were over the window size.

Data Source

CPDS

Source Field

STLA_OutOfWindowMsg (Seq# 15)

Source Section

BCN STLA Transport Layer (Group ID 16)

STLA_OutOfWindowMsgDueToMaxWS

Number of messages which were over the window size due to size of message exceeding the window size.

Data Source

CPDS

Source Field

STLA_OutOfWindowMsgDueToMaxWS (Seq# 26)

Source Section

BCN STLA Transport Layer (Group ID 16)

STLA_OutOfWindowMsgDueToMaxWS_CSVS

Number of messages over the window size where the size of the window is equal to the maximum size (128 messages).

Data Source

CSVS

Source Field

STLA_OutOfWindowMsgDueToMaxWS (Seq# 26)

Source Section

BCN STLA Transport Layer (Group ID 16)

STLA_OutOfWindowMsgDueToReducedWS

Number of messages which were over the window size due to a reduced window size setting.

Data Source

CPDS

Source Field

STLA_OutOfWindowMsgDueToReducedWS (Seq# 25)

Source Section

BCN STLA Transport Layer (Group ID 16)

STLA_OutOfWindowMsgDueToReducedWS_CSVS

Number of messages over the window size where the size of the window is less than the maximum size (128 messages).

Data Source

CSVS

Source Field

STLA_OutOfWindowMsgDueToReducedWS (Seq# 25)

Source Section

BCN STLA Transport Layer (Group ID 16)

STLA_OutOfWindowMsgDueToZeroWS

Number of messages which were over the window size due to the window size being set to zero.

Data Source

CPDS

Source Field

STLA_OutOfWindowMsgDueToZeroWS (Seq# 27)

Source Section

BCN STLA Transport Layer (Group ID 16)

STLA_OutOfWindowMsgDueToZeroWS_CSVS

Number of messages over the window size where the size of the window is 0.

Data Source

CSVS

Source Field

STLA_OutOfWindowMsgDueToZeroWS (Seq# 27)

Source Section

BCN STLA Transport Layer (Group ID 16)

STLA_ProtocolRevisionError

Number of messages with protocol revision errors.

Data Source

CPDS

Source Field

STLA_ProtocolRevisionError (Seq# 30)

Source Section

BCN STLA Transport Layer (Group ID 16)

STLA_ProtocolRevisionError_CSVS

Number of times Protocol Revision error occurred.

Data Source

CSVS

Source Field

STLA_ProtocolRevisionError (Seq# 30)

Source Section

BCN STLA Transport Layer (Group ID 16)

STLA_RefusedRxConnection

Number of connection refused on receives because maximum reached.

Data Source

CPDS

Source Field

STLA_RefusedRxConnection (Seq# 7)

Source Section

BCN STLA Transport Layer (Group ID 16)

STLA_RefusedRxConnection_CSVS

Number of connection refused on receives because maximum reached.

Data Source

CSVS

Source Field

STLA_RefusedRxConnection (Seq# 7)

Source Section

BCN STLA Transport Layer (Group ID 16)

STLA_RefusedTxConnection

Number of connection refused on transmits because maximum reached.

Data Source

CPDS

Source Field

STLA_RefusedTxConnection (Seq# 8)

Source Section

BCN STLA Transport Layer (Group ID 16)

STLA_RefusedTxConnection_CSVS

Number of connection refused on transmits because maximum reached.

Data Source

CSVS

Source Field

STLA_RefusedTxConnection (Seq# 8)

Source Section

BCN STLA Transport Layer (Group ID 16)

STLA_ReliableAckWaitTimeout

Number of missing Ack when transmitting a reliable message.

Data Source

CPDS

Source Field

STLA_ReliableAckWaitTimeout (Seq# 19)

Source Section

BCN STLA Transport Layer (Group ID 16)

STLA_ReliableAckWaitTimeout_CSVS

Number of missing Ack when transmitting a reliable message.

Data Source

CSVS

Source Field

STLA_ReliableAckWaitTimeout (Seq# 19)

Source Section

BCN STLA Transport Layer (Group ID 16)

STLA_ReliableReassemblyTimeout

Number of reliable messages dropped (missing frame(s)).

Data Source

CPDS

Source Field

STLA_ReliableReassemblyTimeout (Seq# 16)

Source Section

BCN STLA Transport Layer (Group ID 16)

STLA_ReliableReassemblyTimeout_CSVS

Number of reliable messages dropped (missing frame(s)).

Data Source

CSVS

Source Field

STLA_ReliableReassemblyTimeout (Seq# 16)

Source Section

BCN STLA Transport Layer (Group ID 16)

STLA_ReliableRetransmittedMsg

Number of reliable messages, which needed to be retransmitted.

Data Source

CPDS

Source Field

STLA_ReliableRetransmittedMsg (Seq# 18)

Source Section

BCN STLA Transport Layer (Group ID 16)

STLA_ReliableRetransmittedMsg_CSVS

Number of reliable messages, which needed to be retransmitted.

Data Source

CSVS

Source Field

STLA_ReliableRetransmittedMsg (Seq# 18)

Source Section

BCN STLA Transport Layer (Group ID 16)

STLA_ReliableRxMsg

Number of reliable messages received.(thruput)

Data Source

CPDS

Source Field

STLA_ReliableRxMsg (Seq# 2)

Source Section

BCN STLA Transport Layer (Group ID 16)

STLA_ReliableRxMsg_CSVS

Number of reliable messages received.(thruput)

Data Source

CSVS

Source Field

STLA_ReliableRxMsg (Seq# 2)

Source Section

BCN STLA Transport Layer (Group ID 16)

STLA_ReliableTxMsg

Number of reliable messages sent.(thruput)

Data Source

CPDS

Source Field

STLA_ReliableTxMsg (Seq# 1)

Source Section

BCN STLA Transport Layer (Group ID 16)

STLA_ReliableTxMsg_CSVS

Number of reliable messages sent.(thruput)

Data Source

CSVS

Source Field

STLA_ReliableTxMsg (Seq# 1)

Source Section

BCN STLA Transport Layer (Group ID 16)

STLA_TxWindowReduced

Number of messages with the window shut.

Data Source

CPDS

Source Field

STLA_TxWindowReduced (Seq# 28)

Source Section

BCN STLA Transport Layer (Group ID 16)

STLA_TxWindowReduced_CSVS

Number of times the window size is reduced.

Data Source

CSVS

Source Field

STLA_TxWindowReduced (Seq# 28)

Source Section

BCN STLA Transport Layer (Group ID 16)

STLA_TxWindowShut

Number of messages with a reduced window size.

Data Source

CPDS

Source Field

STLA_TxWindowShut (Seq# 29)

Source Section

BCN STLA Transport Layer (Group ID 16)

STLA_TxWindowShut_CSVS

Number of times the window size is set to zero.

Data Source

CSVS

Source Field

STLA_TxWindowShut (Seq# 29)

Source Section

BCN STLA Transport Layer (Group ID 16)

STLD_BestEffortReassemblyTimeout

Number of best effort messages dropped (missing frame(s))

Data Source

CPDS

Source Field

STLD_BestEffortReassemblyTimeout (Seq# 11)

Source Section

BCN STLD Transport Layer (Group ID 17)

STLD_BestEffortRxMsg

Number of Best Effort messages received.

Data Source

CPDS

Source Field

STLD_BestEffortRxMsg (Seq# 2)

Source Section

BCN STLD Transport Layer (Group ID 17)

STLD_BestEffortTxMsg

Number of Best Effort messages sent.

Data Source

CPDS

Source Field

STLD_BestEffortTxMsg (Seq# 1)

Source Section

BCN STLD Transport Layer (Group ID 17)

STLD_MaxRxBuffer

Maximum number of buffers used to receive incoming frames.

Data Source

CPDS

Source Field

STLD_MaxRxBuffer (Seq# 10)

Source Section

BCN STLD Transport Layer (Group ID 17)

STLD_MaxTxBufferWithoutCopy

Maximum number of without copy buffers used to transmit all of the messages.

Data Source

CPDS

Source Field

STLD_MaxTxBufferWithoutCopy (Seq# 7)

Source Section

BCN STLD Transport Layer (Group ID 17)

STLD_MaxTxLargeBuffer

Maximum number of large buffers used to transmit all the messages.

Data Source

CPDS

Source Field

STLD_MaxTxLargeBuffer (Seq# 5)

Source Section

BCN STLD Transport Layer (Group ID 17)

STLD_MaxTxMediumBuffer

Maximum number of medium buffers used to transmit all the messages.

Data Source

CPDS

Source Field

STLD_MaxTxMediumBuffer (Seq# 4)

Source Section

BCN STLD Transport Layer (Group ID 17)

STLD_MaxTxSmallBuffer

Maximum number of small buffers used to transmit all the messages.

Data Source

CPDS

Source Field

STLD_MaxTxSmallBuffer (Seq# 3)

Source Section

BCN STLD Transport Layer (Group ID 17)

STLD_OutOfRxFrameBuffer

Number of received frames rejected due to lack of buffers.

Data Source

CPDS

Source Field

STLD_OutOfRxFrameBuffer (Seq# 9)

Source Section

BCN STLD Transport Layer (Group ID 17)

STLD_OutOfTxBuffer

Number of transmit failures due to lack of transmit message buffers.

Data Source

CPDS

Source Field

STLD_OutOfTxBuffer (Seq# 6)

Source Section

BCN STLD Transport Layer (Group ID 17)

STLD_OutOfTxBufferWithoutCopy

Number of transmit failures due to lack of transmit message without copy buffers.

Data Source

CPDS

Source Field

STLD_OutOfTxBufferWithoutCopy (Seq# 8)

Source Section

BCN STLD Transport Layer (Group ID 17)

CAC_PCUIFP Primitive Calculations

The following is a list of primitive calculations for the CAC_PCUIFP entity.

GRAPHmultiLineSeparator

Special Control Field for Multi-Line Graphs

Calculation

""

NUMDAYS

of days in Report

Calculation

DAYSINREPORT ()

NUMHOURS

of hours in Summation Data

Calculation

CAC_PCUIFP Peg Counts

The following is a list of peg counts for the CAC_PCUIFP entity.

CPU_UsageExceededThreshold

The number of times the CPU Usage has exceeded a pre-defined CPU threshold for a certain monitoring timeperiod.

Data Source

CPDS

Source Field

CPU_UsageExceededThreshold (Seq# 8)

Source Section

CPU Usage (Group ID 19)

CPU_UsageIndex_1

The number of times the CPU Usage in a monitoring period is less than 30%

Data Source

CPDS

Source Field

CPU_UsageIndex_1 (Seq# 1)

Source Section

CPU Usage (Group ID 19)

CPU_UsageIndex_2

The number of times the CPU Usage in a monitoring period is greater than 30% and less than equal to 40%.

Data Source

CPDS

Source Field

CPU_UsageIndex_2 (Seq# 2)

Source Section

CPU Usage (Group ID 19)

CPU_UsageIndex_3

The number of times the CPU Usage in a monitoring period is greater than 40% and less than equal to 50%.

Data Source

CPDS

Source Field

CPU_UsageIndex_3 (Seq# 3)

Source Section

CPU Usage (Group ID 19)

CPU_UsageIndex_4

The number of times the CPU Usage in a monitoring period is greater than 50% and less than equal to 60%.

Data Source

CPDS

Source Field

CPU_UsageIndex_4 (Seq# 4)

Source Section

CPU Usage (Group ID 19)

CPU_UsageIndex_5

The number of times the CPU Usage in a monitoring period is greater than 60% and less than equal to 70%.

Data Source

CPDS

Source Field

CPU_UsageIndex_5 (Seq# 5)

Source Section

CPU Usage (Group ID 19)

CPU_UsageIndex_6

The number of times the CPU Usage in a monitoring period is greater than 70% and less than equal to 80%.

Data Source

CPDS

Source Field

CPU_UsageIndex_6 (Seq# 6)

Source Section

CPU Usage (Group ID 19)

CPU_UsageIndex_7

The number of times the CPU Usage in a monitoring period is greater than 80%

Data Source

CPDS

Source Field

CPU_UsageIndex_7 (Seq# 7)

Source Section

CPU Usage (Group ID 19)

DormantHandoffRequests

Number of dormant handoffs

Data Source

CPDS

Source Field

DormantHandoffRequests (Seq# 2)

Source Section

PCU Manager (Group ID 24)

DormantToActiveHandoffs

Number of dormant to active transitions for which different PCU had to be assigned

Data Source

CPDS

Source Field

DormantToActiveHandoffs (Seq# 1)

Source Section

PCU Manager (Group ID 24)

ESL_CongestedSignalingConnFailure

Number of congested ESL signaling connection failures.

Data Source

CPDS

Source Field

ESL_CongestedSignalingConnectionFailure (Seq# 12)

Source Section

BCN Enhanced Socket Layer (Group ID 26)

ESL_CongestedSignalingRelAckWaitTO

Number of times the socket timed out waiting for an Ack to a reliable congested ESL signaling message.

Data Source

CPDS

Source Field

ESL_CongestedSignalingReliableAckWaitTimeout (Seq# 15)

Source Section

BCN Enhanced Socket Layer (Group ID 26)

ESL_CongestedSignalingReliableRxMsg

Number of reliable ESL congested signaling messages received.

Data Source

CPDS

Source Field

ESL_CongestedSignalingReliableRxMsg (Seq# 11)

Source Section

BCN Enhanced Socket Layer (Group ID 26)

ESL_CongestedSignalingReliableTxMsg

Number of reliable ESL congested signaling messages sent.

Data Source

CPDS

Source Field

ESL_CongestedSignalingReliableTxMsg (Seq# 10)

Source Section

BCN Enhanced Socket Layer (Group ID 26)

ESL_CongestedSignalingTxMsgFailure

Number of congested ESL signaling messages unsuccessfully sent.

Data Source

CPDS

Source Field

ESL_CongestedSignalingTxMsgFailure (Seq# 14)

Source Section

BCN Enhanced Socket Layer (Group ID 26)

ESL_CongestedSignalingUnknDestMsg

Number of congested ESL signaling messages received without a socket registered for it.

Data Source

CPDS

Source Field

ESL_CongestedSignalingUnknownDestinationMsg (Seq# 13)

Source Section

BCN Enhanced Socket Layer (Group ID 26)

ESL_InvalidMsgRx

Number of invalid ESL messages received.

Data Source

CPDS

Source Field

ESL_InvalidMsgRx (Seq# 19)

Source Section

BCN Enhanced Socket Layer (Group ID 26)

ESL_NodeInitRxMsg

Number of ESL Node Init messages received.

Data Source

CPDS

Source Field

ESL_NodeInitRxMsg (Seq# 17)

Source Section

BCN Enhanced Socket Layer (Group ID 26)

ESL_NodeInitTxMsg

Number of ESL Node Init messages sent.

Data Source

CPDS

Source Field

ESL_NodeInitTxMsg (Seq# 16)

Source Section

BCN Enhanced Socket Layer (Group ID 26)

ESL_NodeInitTxMsgFailure

Number of ESL Node Init messages unsuccessfully sent.

Data Source

CPDS

Source Field

ESL_NodeInitTxMsgFailure (Seq# 18)

Source Section

BCN Enhanced Socket Layer (Group ID 26)

ESL_SignalingConnectionFailure

Number of connection failures for ESL signaling messages.

Data Source

CPDS

Source Field

ESL_SignalingConnectionFailure (Seq# 5)

Source Section

BCN Enhanced Socket Layer (Group ID 26)

ESL_SignalingReliableAckWaitTimeout

Number of times the socket timed out waiting for an Ack to a reliable ESL signaling message.

Data Source

CPDS

Source Field

ESL_SignalingReliableAckWaitTimeout (Seq# 9)

Source Section

BCN Enhanced Socket Layer (Group ID 26)

ESL_SignalingReliableRxMsg

Number of reliable ESL signaling messages received.

Data Source

CPDS

Source Field

ESL_SignalingReliableRxMsg (Seq# 2)

Source Section

BCN Enhanced Socket Layer (Group ID 26)

ESL_SignalingReliableTxMsg

Number of reliable ESL signaling messages sent.

Data Source

CPDS

Source Field

ESL_SignalingReliableTxMsg (Seq# 1)

Source Section

BCN Enhanced Socket Layer (Group ID 26)

ESL_SignalingReliableTxMsgFailure

Number off ESL signaling messages successfully sent.

Data Source

CPDS

Source Field

ESL_SignalingReliableTxMsgFailure (Seq# 7)

Source Section

BCN Enhanced Socket Layer (Group ID 26)

ESL_SignalingUnknownDestinationMsg

Number of ESL signaling messages received without a socket registered for it.

Data Source

CPDS

Source Field

ESL_SignalingUnknownDestinationMsg (Seq# 6)

Source Section

BCN Enhanced Socket Layer (Group ID 26)

ESL_SignalingUnreliableRxMsg

Number of unreliable ESL signaling messages received.

Data Source

CPDS

Source Field

ESL_SignalingUnreliableRxMsg (Seq# 4)

Source Section

BCN Enhanced Socket Layer (Group ID 26)

ESL_SignalingUnreliableTxMsg

Number of unreliable ESL signaling messages sent.

Data Source

CPDS

Source Field

ESL_SignalingUnreliableTxMsg (Seq# 3)

Source Section

BCN Enhanced Socket Layer (Group ID 26)

ESL_SignalingUnReliableTxMsgFailure

Number off ESL signaling messages unsuccessfully sent.

Data Source

CPDS

Source Field

ESL_SignalingUnReliableTxMsgFailure (Seq# 8)

Source Section

BCN Enhanced Socket Layer (Group ID 26)

IMSI_TableFull

Number of PCU allocation failures due to the IMSI table being full

Data Source

CPDS

Source Field

IMSI_TableFull (Seq# 6)

Source Section

PCU Manager (Group ID 24)

LL_CongestedSignaling_FrameRx

Number of Signaling frames received (for STL-B).

Data Source

CPDS

Source Field

LL_CongestedSignaling_FrameRx (Seq# 5)

Source Section

BCN Link Layer (Group ID 18)

LL_CongestedSignaling_FrameTx

Number of Signaling frames sent (for STL-B).

Data Source

CPDS

Source Field

LL_CongestedSignaling_FrameTx (Seq# 4)

Source Section

BCN Link Layer (Group ID 18)

LL_DataFrameRx

Number of Data frames received (for STL-D).

Data Source

CPDS

Source Field

LL_DataFrameRx (Seq# 11)

Source Section

BCN Link Layer (Group ID 18)

LL_DataFrameTx

Number of Data frames sent (for STL-D).

Data Source

CPDS

Source Field

LL_DataFrameTx (Seq# 10)

Source Section

BCN Link Layer (Group ID 18)

LL_InvalidFrameType

Number of frames with an invalid type tag7.

Data Source

CPDS

Source Field

LL_InvalidFrameType (Seq# 1)

Source Section

BCN Link Layer (Group ID 18)

LL_NodeInitFrameRx

Number of Node Init frames received.

Data Source

CPDS

Source Field

LL_NodeInitFrameRx (Seq# 3)

Source Section

BCN Link Layer (Group ID 18)

LL_NodeInitFrameTx

Number of Node Init frames sent.

Data Source

CPDS

Source Field

LL_NodeInitFrameTx (Seq# 2)

Source Section

BCN Link Layer (Group ID 18)

LL_SignalingFrameRx

Number of Signaling frames received (for STL-A).

Data Source

CPDS

Source Field

LL_SignalingFrameRx (Seq# 7)

Source Section

BCN Link Layer (Group ID 18)

LL_SignalingFrameTx

Number of Signaling frames sent (for STL-A).

Data Source

CPDS

Source Field

LL_SignalingFrameTx (Seq# 6)

Source Section

BCN Link Layer (Group ID 18)

LL_TrafficFrameRx

Number of Traffic frames received.

Data Source

CPDS

Source Field

LL_TrafficFrameRx (Seq# 9)

Source Section

BCN Link Layer (Group ID 18)

LL_TrafficFrameTx

Number of Traffic frames sent.

Data Source

CPDS

Source Field

LL_TrafficFrameTx (Seq# 8)

Source Section

BCN Link Layer (Group ID 18)

PCU_AllocFailures

Number of PCU allocation failures

Data Source

CPDS

Source Field

PCU_AllocFailures (Seq# 4)

Source Section

PCU Manager (Group ID 24)

PCU_AllocRequests

Total PCU allocation requests

Data Source

CPDS

Source Field

PCU_AllocRequests (Seq# 3)

Source Section

PCU Manager (Group ID 24)

PCU_AllocSuccessful

Number of PCU allocation requests fulfilled successfully

Data Source

CPDS

Source Field

PCU_AllocSuccessful (Seq# 5)

Source Section

PCU Manager (Group ID 24)

PCUM_TotalRSDB_Dropped

Pegs when a R-SDM is not sent by the PCU-M to the PCU (PCUFP).

Data Source

CPDS

Source Field

PCUM_TotalRSDB_Dropped (Seq# 9)

Source Section

PCU Manager (Group ID 24)

PCUM_TotalRSDB_Forwarded

Pegs when a R-SDB is sent by the PCU-M to the PCU (PCUFP).

Data Source

CPDS

Source Field

PCUM_TotalRSDB_Forwarded (Seq# 8)

Source Section

PCU Manager (Group ID 24)

PCUM_TotalRSDB_Received

Pegs when a R-SDB is received at the PCU-M from the CAU or ESEL or ACP.

Data Source

CPDS

Source Field

PCUM_TotalRSDB_Received (Seq# 7)

Source Section

PCU Manager (Group ID 24)

SL_MaxLargeStreamBufferUsed

Maximum number of Large stream buffer used.

Data Source

CPDS

Source Field

SL_MaxLargeStreamBufferUsed (Seq# 4)

Source Section

BCN Socket Layer (Group ID 15)

SL_MaxMediumStreamBufferUsed

Maximum number of Medium stream buffer used.

Data Source

CPDS

Source Field

SL_MaxMediumStreamBufferUsed (Seq# 5)

Source Section

BCN Socket Layer (Group ID 15)

SL_MaxSmallStreamBufferUsed

Maximum number of Small stream buffer used.

Data Source

CPDS

Source Field

SL_MaxSmallStreamBufferUsed (Seq# 6)

Source Section

BCN Socket Layer (Group ID 15)

SL_STLA_UnknownDestinationMsg

Number of STL-A messages received on this stack but without a socket registered for it.

Data Source

CPDS

Source Field

SL_STLA_UnknownDestinationMsg (Seq# 1)

Source Section

BCN Socket Layer (Group ID 15)

SL_STLB_UnknownDestinationMsg

Number of STL-B messages received on this stack but without a socket registered for it.

Data Source

CPDS

Source Field

SL_STLB_UnknownDestinationMsg (Seq# 2)

Source Section

BCN Socket Layer (Group ID 15)

SL_STLD_UnknownDestinationMsg

Number of STL-D messages received on this stack but without a socket registered for it.

Data Source

CPDS

Source Field

SL_STLD_UnknownDestinationMsg (Seq# 3)

Source Section

BCN Socket Layer (Group ID 15)

SL_StreamBufferAllocFailure

Number of Stream buffer unsuccessfully allocated.

Data Source

CPDS

Source Field

SL_StreamBufferAllocFailure (Seq# 8)

Source Section

BCN Socket Layer (Group ID 15)

SL_StreamBufferAllocSuccess

Number of Stream buffer successfully allocated.

Data Source

CPDS

Source Field

SL_StreamBufferAllocSuccess (Seq# 7)

Source Section

BCN Socket Layer (Group ID 15)

STLA_BestEffortReassemblyTimeout

Number of best effort messages dropped (missing frame(s))

Data Source

CPDS

Source Field

STLA_BestEffortReassemblyTimeout (Seq# 17)

Source Section

BCN STLA Transport Layer (Group ID 16)

STLA_BestEffortRxMsg

Number of Best Effort messages received.(thruput)

Data Source

CPDS

Source Field

STLA_BestEffortRxMsg (Seq# 4)

Source Section

BCN STLA Transport Layer (Group ID 16)

STLA_BestEffortTxMsg

Number of Best Effort messages sent.(thruput)

Data Source

CPDS

Source Field

STLA_BestEffortTxMsg (Seq# 3)

Source Section

BCN STLA Transport Layer (Group ID 16)

STLA_ConnectionFailed

Obsoleted in NBSS14. Number of connections that couldn't be set up or that were lost.

Data Source

CPDS

Source Field

STLA_ConnectionFailed (Seq# 22)

Source Section

BCN STLA Transport Layer (Group ID 16)

STLA_ConnectionFailedDueToMaxFaults

Number of connections that could not be set up or that were lost due to the threshold of max faults being exceeded.

Data Source

CPDS

Source Field

STLA_ConnectionFailedDueToMaxFaults (Seq# 23)

Source Section

BCN STLA Transport Layer (Group ID 16)

STLA_ConnectionFailedDueToMaxTxAttempts

Number of connections that could not be set up or that were lost due to the threshold of max transmission attempts being exceeded.

Data Source

CPDS

Source Field

STLA_ConnectionFailedDueToMaxTxAttempts (Seq# 24)

Source Section

BCN STLA Transport Layer (Group ID 16)

STLA_ConnectionFault

Number of faults that occurred in the stack for all the connections.

Data Source

CPDS

Source Field

STLA_ConnectionFault (Seq# 21)

Source Section

BCN STLA Transport Layer (Group ID 16)

STLA_FailedMsgCRC

Number of messages (reliable and best effort) dropped due to a bad CRC.

Data Source

CPDS

Source Field

STLA_FailedMsgCRC (Seq# 20)

Source Section

BCN STLA Transport Layer (Group ID 16)

STLA_MaxOpenRxConnection

Maximum number of open connections to receive messages.

Data Source

CPDS

Source Field

STLA_MaxOpenRxConnection (Seq# 33)

Source Section

BCN STLA Transport Layer (Group ID 16)

STLA_MaxOpenTxConnection

Maximum number of open connections to transmit messages.

Data Source

CPDS

Source Field

STLA_MaxOpenTxConnection (Seq# 34)

Source Section

BCN STLA Transport Layer (Group ID 16)

STLA_MaxRxBuffer

Maximum number of buffers used to receive incoming frames.

Data Source

CPDS

Source Field

STLA_MaxRxBuffer (Seq# 14)

Source Section

BCN STLA Transport Layer (Group ID 16)

STLA_MaxRxQueue

Maximum number of queues to receive messages.

Data Source

CPDS

Source Field

STLA_MaxRxQueue (Seq# 31)

Source Section

BCN STLA Transport Layer (Group ID 16)

STLA_MaxTxLargeBuffer

Maximum number of large buffers used to transmit all the messages.

Data Source

CPDS

Source Field

STLA_MaxTxLargeBuffer (Seq# 11)

Source Section

BCN STLA Transport Layer (Group ID 16)

STLA_MaxTxMediumBuffer

Maximum number of medium buffers used to transmit all the messages.

Data Source

CPDS

Source Field

STLA_MaxTxMediumBuffer (Seq# 10)

Source Section

BCN STLA Transport Layer (Group ID 16)

STLA_MaxTxQueue

Maximum number of queues to transmit messages.

Data Source

CPDS

Source Field

STLA_MaxTxQueue (Seq# 32)

Source Section

BCN STLA Transport Layer (Group ID 16)

STLA_MaxTxSmallBuffer

Maximum number of small buffers used to transmit all the messages.

Data Source

CPDS

Source Field

STLA_MaxTxSmallBuffer (Seq# 9)

Source Section

BCN STLA Transport Layer (Group ID 16)

STLA_OpenRxConnection

Number of Receive connection opened.

Data Source

CPDS

Source Field

STLA_OpenRxConnection (Seq# 6)

Source Section

BCN STLA Transport Layer (Group ID 16)

STLA_OpenTxConnection

Number of Transmit connection opened.

Data Source

CPDS

Source Field

STLA_OpenTxConnection (Seq# 5)

Source Section

BCN STLA Transport Layer (Group ID 16)

STLA_OutOfRxFrameBuffer

Number of received frames rejected due to lack of buffers.

Data Source

CPDS

Source Field

STLA_OutOfRxFrameBuffer (Seq# 13)

Source Section

BCN STLA Transport Layer (Group ID 16)

STLA_OutOfTxBuffer

Number of transmit failures due to lack of transmit message buffers.

Data Source

CPDS

Source Field

STLA_OutOfTxBuffer (Seq# 12)

Source Section

BCN STLA Transport Layer (Group ID 16)

STLA_OutOfWindowMsg

Obsoleted in NBSS14. Number of messages, which were over the window size.

Data Source

CPDS

Source Field

STLA_OutOfWindowMsg (Seq# 15)

Source Section

BCN STLA Transport Layer (Group ID 16)

STLA_OutOfWindowMsgDueToMaxWS

Number of messages which were over the window size due to size of message exceeding the window size.

Data Source

CPDS

Source Field

STLA_OutOfWindowMsgDueToMaxWS (Seq# 26)

Source Section

BCN STLA Transport Layer (Group ID 16)

STLA_OutOfWindowMsgDueToReducedWS

Number of messages which were over the window size due to a reduced window size setting.

Data Source

CPDS

Source Field

STLA_OutOfWindowMsgDueToReducedWS (Seq# 25)

Source Section

BCN STLA Transport Layer (Group ID 16)

STLA_OutOfWindowMsgDueToZeroWS

Number of messages which were over the window size due to the window size being set to zero.

Data Source

CPDS

Source Field

STLA_OutOfWindowMsgDueToZeroWS (Seq# 27)

Source Section

BCN STLA Transport Layer (Group ID 16)

STLA_ProtocolRevisionError

Number of messages with protocol revision errors.

Data Source

CPDS

Source Field

STLA_ProtocolRevisionError (Seq# 30)

Source Section

BCN STLA Transport Layer (Group ID 16)

STLA_RefusedRxConnection

Number of connection refused on receives because maximum reached.

Data Source

CPDS

Source Field

STLA_RefusedRxConnection (Seq# 7)

Source Section

BCN STLA Transport Layer (Group ID 16)

STLA_RefusedTxConnection

Number of connection refused on transmits because maximum reached.

Data Source

CPDS

Source Field

STLA_RefusedTxConnection (Seq# 8)

Source Section

BCN STLA Transport Layer (Group ID 16)

STLA_ReliableAckWaitTimeout

Number of missing Ack when transmitting a reliable message.

Data Source

CPDS

Source Field

STLA_ReliableAckWaitTimeout (Seq# 19)

Source Section

BCN STLA Transport Layer (Group ID 16)

STLA_ReliableReassemblyTimeout

Number of reliable messages dropped (missing frame(s)).

Data Source

CPDS

Source Field

STLA_ReliableReassemblyTimeout (Seq# 16)

Source Section

BCN STLA Transport Layer (Group ID 16)

STLA_ReliableRetransmittedMsg

Number of reliable messages, which needed to be retransmitted.

Data Source

CPDS

Source Field

STLA_ReliableRetransmittedMsg (Seq# 18)

Source Section

BCN STLA Transport Layer (Group ID 16)

STLA_ReliableRxMsg

Number of reliable messages received.(thruput)

Data Source

CPDS

Source Field

STLA_ReliableRxMsg (Seq# 2)

Source Section

BCN STLA Transport Layer (Group ID 16)

STLA_ReliableTxMsg

Number of reliable messages sent.(thruput)

Data Source

CPDS

Source Field

STLA_ReliableTxMsg (Seq# 1)

Source Section

BCN STLA Transport Layer (Group ID 16)

STLA_TxWindowReduced

Number of messages with the window shut.

Data Source

CPDS

Source Field

STLA_TxWindowReduced (Seq# 28)

Source Section

BCN STLA Transport Layer (Group ID 16)

STLA_TxWindowShut

Number of messages with a reduced window size.

Data Source

CPDS

Source Field

STLA_TxWindowShut (Seq# 29)

Source Section

BCN STLA Transport Layer (Group ID 16)

STLD_BestEffortReassemblyTimeout

Number of best effort messages dropped (missing frame(s))

Data Source

CPDS

Source Field

STLD_BestEffortReassemblyTimeout (Seq# 11)

Source Section

BCN STLD Transport Layer (Group ID 17)

STLD_BestEffortRxMsg

Number of Best Effort messages received.

Data Source

CPDS

Source Field

STLD_BestEffortRxMsg (Seq# 2)

Source Section

BCN STLD Transport Layer (Group ID 17)

STLD_BestEffortTxMsg

Number of Best Effort messages sent.

Data Source

CPDS

Source Field

STLD_BestEffortTxMsg (Seq# 1)

Source Section

BCN STLD Transport Layer (Group ID 17)

STLD_MaxRxBuffer

Maximum number of buffers used to receive incoming frames.

Data Source

CPDS

Source Field

STLD_MaxRxBuffer (Seq# 10)

Source Section

BCN STLD Transport Layer (Group ID 17)

STLD_MaxTxBufferWithoutCopy

Maximum number of without copy buffers used to transmit all of the messages.

Data Source

CPDS

Source Field

STLD_MaxTxBufferWithoutCopy (Seq# 7)

Source Section

BCN STLD Transport Layer (Group ID 17)

STLD_MaxTxLargeBuffer

Maximum number of large buffers used to transmit all the messages.

Data Source

CPDS

Source Field

STLD_MaxTxLargeBuffer (Seq# 5)

Source Section

BCN STLD Transport Layer (Group ID 17)

STLD_MaxTxMediumBuffer

Maximum number of medium buffers used to transmit all the messages.

Data Source

CPDS

Source Field

STLD_MaxTxMediumBuffer (Seq# 4)

Source Section

BCN STLD Transport Layer (Group ID 17)

STLD_MaxTxSmallBuffer

Maximum number of small buffers used to transmit all the messages.

Data Source

CPDS

Source Field

STLD_MaxTxSmallBuffer (Seq# 3)

Source Section

BCN STLD Transport Layer (Group ID 17)

STLD_OutOfRxFrameBuffer

Number of received frames rejected due to lack of buffers.

Data Source

CPDS

Source Field

STLD_OutOfRxFrameBuffer (Seq# 9)

Source Section

BCN STLD Transport Layer (Group ID 17)

STLD_OutOfTxBuffer

Number of transmit failures due to lack of transmit message buffers.

Data Source

CPDS

Source Field

STLD_OutOfTxBuffer (Seq# 6)

Source Section

BCN STLD Transport Layer (Group ID 17)

STLD_OutOfTxBufferWithoutCopy

Number of transmit failures due to lack of transmit message without copy buffers.

Data Source

CPDS

Source Field

STLD_OutOfTxBufferWithoutCopy (Seq# 8)

Source Section

BCN STLD Transport Layer (Group ID 17)

CallType Primitive Calculations

The following is a list of primitive calculations for the CallType entity.

GRAPHmultiLineSeparator

Special Control Field for Multi-Line Graphs

Calculation

""

NUMDAYS

of days in Report

Calculation

DAYSINREPORT ()

NUMHOURS

of hours in Summation Data

Calculation

CallType Peg Counts

The following is a list of peg counts for the CallType entity.

ABANDON

This register counts the number of all abandoned voice calls.

Data Source

SDM

Source Field

ABANDON + 65536 * ABANDONX

Source Section

MTXUSCR

ABNORML

This register counts the number of all abnormal voice calls, whose value of field COMPCD in CDR is 3, 4, 5, 6 or 12.

Data Source

SDM

Source Field

ABNORML + 65536 * ABNORMLX

Source Section

MTXUSCR

ANCLCNT

This register counts all answered calls, which have generated CDRs. It is used to calculate the NPI (Network Performance Indicator) of Mean Hold Time of all answered calls.

Data Source

SDM

Source Field

ANCLCNT + 65536 * ANCLCNTX

Source Section

MTXUSCR

ANCLDUR

This register counts the total duration of all answer calls, which have generated CDRs. It is used to calculate the NPI (Network Performance Indicator) of Mean Hold Time of all answered calls.

Data Source

SDM

Source Field

ANCLDUR + 65536 * ANCLDURX

Source Section

MTXUSCR

ANSWER

This register counts all of the answered voice calls, which have generated CDRs.

Data Source

SDM

Source Field

ANSWER + 65536 * ANSWERX

Source Section

MTXUSCR

CALLFWD

This register counts the number of all voice calls with call forward

Data Source

SDM

Source Field

CALLFWD + 65536 * CALLFWDX

Source Section

MTXUSCR

FAIL

This register counts the number of mobile/landline origination failure calls, which fail before generating CDRs, including Mobile origination call fails before it arrives at the traffic channel and Landline origination call fails when error occurs during handling the IAM message.

Data Source

SDM

Source Field

FAIL + 65536 * FAILX

Source Section

MTXUSCR

TOTCDR

This register counts the number of all of voice calls, which have generated CDRs.

Data Source

SDM

Source Field

TOTCDR + 65536 * TOTCDRX

Source Section

MTXUSCR

TREAT

This register counts of the number of voice calls with treatment, whose value of field TRMTCD in CDR is none of the following: NTRS, CDAS, CDDS, RFCS, BUSY, ANTO, MBIA

Data Source

SDM

Source Field

TREAT + 65536 * TREATX

Source Section

MTXUSCR

VTREAT

This register counts of the number of voice calls with valid treatments, whose value of field TRMTCD in CDR is one of the following: NTRS, CDAS, CDDS, RFCS, BUSY, ANTO, MBIA

Data Source

SDM

Source Field

VTREAT + 65536 * VTREATX

Source Section

MTXUSCR

Card Primitive Calculations

The following is a list of primitive calculations for the Card entity.

GRAPHmultiLineSeparator

Special Control Field for Multi-Line Graphs

Calculation

""

NUMDAYS

of days in Report

Calculation

DAYSINREPORT ()

NUMHOURS

of hours in Summation Data

Calculation

Card Peg Counts

The following is a list of peg counts for the Card entity.

cpubusy

Total CPU busy (across all CPUs, as percentage)

Data Source

PDSN16000

Source Section

Card

Source Field

%cpubusy%

cpuidle

Total CPU idle (across all CPUs, as percentage)

Data Source

PDSN16000

Source Section

Card

Source Field

%cpuidle%

memtotal

Total amount of memory available (across all processors)

Data Source

PDSN16000

Source Section

Card

Source Field

%memtotal%

memused

Total amount of memory used (across all processors)

Data Source

PDSN16000

Source Section

Card

Source Field

%memused%

numproc

Total number of processes

Data Source

PDSN16000

Source Section

Card

Source Field

%numproc%

CAVU Primitive Calculations

The following is a list of primitive calculations for the CAVU entity.

GRAPHmultiLineSeparator

Special Control Field for Multi-Line Graphs

Calculation

""

NUMDAYS

of days in Report

Calculation

DAYSINREPORT ()

NUMHOURS

of hours in Summation Data

Calculation

CAVU Peg Counts

The following is a list of peg counts for the CAVU entity.

CAVHIGH2

CAVU operating at high capacity

Data Source

SDM

Source Field

CAVHIGH2 + 65536 * CAVHIG2X

Source Section

CAVUOVL

CAVHIGH3

CAVU operating at overload capacity

Data Source

SDM

Source Field

CAVHIGH3 + 65536 * CAVHIG3X

Source Section

CAVUOVLD

CAVLOW0

CAVU operating at low capacity

Data Source

SDM

Source Field

CAVLOW0 + 65536 * CAVLOW0X

Source Section

CAVUOVLD

CAVLOW1

CAVU operating at medium capacity

Data Source

SDM

Source Field

CAVLOW1 + 65536 * CAVLOW1X

Source Section

CAVUOVLD

CBRS Primitive Calculations

The following is a list of primitive calculations for the CBRS entity.

NUMDAYS

of days in Report

Calculation

DAYSINREPORT ()

NUMHOURS

of hours in Summation Data

Calculation

RxBroadcastPacketDiscard11pMSW

The total number of received broadcast packets that were discarded due to an invalid BCN address for 11pMSW.

Calculation

```
vsum(sum(bridgelist("11PMSW", FunctionalProc.BcnIf, (tokenize(Functional-  
Proc.LocalKey, ":", 0))), RxBroadcastPacketDiscard))
```

RxBroadcastPacketDiscards24pBCNW

The total number of received broadcast packets that were discarded due to an invalid BCN address for 24pBCNW.

Calculation

```
vsum(sum(bridgelist("24PBCNW", FunctionalProc.BcnIf, (tokenize(Functional-  
Proc.LocalKey, ":", 0))), RxBroadcastPacketDiscard))
```

RxOctets11pMSW

The total number of octets of the packets received by the BCN interface for 11pMSW.

Calculation

```
vsum(sum(bridgelist("11PMSW", FunctionalProc.BcnIf, (tokenize(Functional-  
Proc.LocalKey, ":", 0))), RxOctets))
```

RxOctets24pBCNW

The total number of octets of the packets received by the BCN interface for 24pBCNW.

Calculation

```
vsum(sum(bridgelist("24PBCNW", FunctionalProc.BcnIf, (tokenize(Functional-  
Proc.LocalKey, ":", 0))), RxOctets))
```

RxPacketDiscards11pMSW

The total number of packets that could not be received due to protocol errors or lack of resources for 11pMSW.

Calculation

```
vsum(sum(bridgelist("11PMSW", FunctionalProc.BcnIf, (tokenize(Functional-  
Proc.LocalKey, ":", 0))), RxPacketDiscards))
```

RxPacketDiscards24pBCNW

The total number of packets that could not be received due to protocol errors or lack of resources for 24pBCNW.

Calculation

```
vsum(sum(bridgelist("24PBCNW", FunctionalProc.BcnIf, (tokenize(Functional-  
Proc.LocalKey, ":", 0))), RxPacketDiscards))
```

RxPacketDiscards4pOC3

The total number of packets that could not be received due to protocol errors or lack of resources for 4pOC3.

Calculation

```
vsum(sum(bridgelist("4POC3", FunctionalProc.BcnIf, (tokenize(Functional-  
Proc.LocalKey, ":", 0))), RxPacketDiscards))
```

RxPackets11pMSW

The total number of packets received from the BCN interface for 11pMSW.

Calculation

```
vsum(sum(bridgelist("11PMSW", FunctionalProc.BcnIf, (tokenize(Functional-  
Proc.LocalKey, ":", 0))), RxPackets))
```

RxPackets24pBCNW

The total number of packets received from the BCN interface for 24pBCNW.

Calculation

```
vsum(sum(bridgelist("24PBCNW", FunctionalProc.BcnIf, (tokenize(Functional-  
Proc.LocalKey, ":", 0))), RxPackets))
```

RxPackets4pOC3

The total number of packets received from the BCN interface for 4pOC3.

Calculation

```
vsum(sum(bridgelist("4POC3", FunctionalProc.BcnIf, (tokenize(Functional-  
Proc.LocalKey, ":", 0))), RxPackets))
```

TotalTxPacket11pMSW

The total number of packets transmitted from the BCN interface including discarded packets for 11pMSW.

Calculation

```
vsum(sum(bridgelist("11PMSW",FunctionalProc.BcnIf,(tokenize(Functional-Proc.LocalKey,":",0))),TxPackets + TxPacketDiscards))
```

TotalTxPacket24pBCNW

The total number of packets transmitted from the BCN interface including discarded packets for 24pBCNW.

Calculation

```
vsum(sum(bridgelist("24PBCNW",FunctionalProc.BcnIf,(tokenize(Functional-Proc.LocalKey,":",0))),TxPackets + TxPacketDiscards))
```

TotalTxPacket4pOC3

The total number of packets transmitted from the BCN interface including discarded packets for 4pOC3.

Calculation

```
vsum(sum(bridgelist("4POC3",FunctionalProc.BcnIf,(tokenize(Functional-Proc.LocalKey,":",0))),TxPackets + TxPacketDiscards))
```

TxOctets11pMSW

The total number of octets transmitted from the BCN interface for 11pMSW.

Calculation

```
vsum(sum(bridgelist("11PMSW",FunctionalProc.BcnIf,(tokenize(Functional-Proc.LocalKey,":",0))),TxOctets))
```

TxOctets24pBCNW

The total number of octets transmitted from the BCN interface for 24pBCNW.

Calculation

```
vsum(sum(bridgelist("24PBCNW",FunctionalProc.BcnIf,(tokenize(Functional-Proc.LocalKey,":",0))),TxOctets))
```

TxPacketDiscardPriority1_11pMSW

The total number of priority 1 packets that could not be transmitted due to queue congestion and HEC errors for 11pMSW.

Calculation

```
vsum(sum(bridgelist("11PMSW",FunctionalProc.BcnIf,(tokenize(Functional-Proc.LocalKey,":",0))),TxPacketDiscardPriority1))
```

TxPacketDiscardPriority1_24pBCNW

The total number of priority 1 packets that could not be transmitted due to queue congestion and HEC errors for 24pBCNW.

Calculation

```
vsum(sum(bridgelist("24PBCNW", FunctionalProc.BcnIf, (tokenize(Functional-  
Proc.LocalKey, ":", 0))), TxPacketDiscardPriority1))
```

TxPacketDiscardPriority1_4pOC3

The total number of priority 1 packets that could not be transmitted due to queue congestion and HEC errors for 4pOC3.

Calculation

```
vsum(sum(bridgelist("4POC3", FunctionalProc.BcnIf, (tokenize(Functional-  
Proc.LocalKey, ":", 0))), TxPacketDiscardPriority1))
```

TxPacketDiscardPriority2_11pMSW

The total number of priority 2 packets that could not be transmitted due to queue congestion and HEC errors for 11pMSW.

Calculation

```
vsum(sum(bridgelist("11PMSW", FunctionalProc.BcnIf, (tokenize(Functional-  
Proc.LocalKey, ":", 0))), TxPacketDiscardPriority2))
```

TxPacketDiscardPriority2_24pBCNW

The total number of priority 2 packets that could not be transmitted due to queue congestion and HEC errors for 24pBCNW.

Calculation

```
vsum(sum(bridgelist("24PBCNW", FunctionalProc.BcnIf, (tokenize(Functional-  
Proc.LocalKey, ":", 0))), TxPacketDiscardPriority2))
```

TxPacketDiscardPriority2_4pOC3

The total number of priority 2 packets that could not be transmitted due to queue congestion and HEC errors for 4pOC3.

Calculation

```
vsum(sum(bridgelist("4POC3", FunctionalProc.BcnIf, (tokenize(Functional-  
Proc.LocalKey, ":", 0))), TxPacketDiscardPriority2))
```

TxPacketDiscards11pMSW

The total number of packets that could not be transmitted due to protocol errors or lack of resources for 11pMSW.

Calculation

```
vsum(sum(bridgelist("11PMSW",FunctionalProc.BcnIf,(tokenize(Functional-Proc.LocalKey,":",0))),TxPacketDiscards))
```

TxPacketDiscards24pBCNW

The total number of packets that could not be transmitted due to protocol errors or lack of resources for 24pBCNW.

Calculation

```
vsum(sum(bridgelist("24PBCNW",FunctionalProc.BcnIf,(tokenize(Functional-Proc.LocalKey,":",0))),TxPacketDiscards))
```

TxPacketDiscards4pOC3

The total number of packets that could not be transmitted due to protocol errors or lack of resources for 4pOC3.

Calculation

```
vsum(sum(bridgelist("4POC3",FunctionalProc.BcnIf,(tokenize(Functional-Proc.LocalKey,":",0))),TxPacketDiscards))
```

TxPackets11pMSW

The total number of packets transmitted from the BCN interface for 11pMSW.

Calculation

```
vsum(sum(bridgelist("11PMSW",FunctionalProc.BcnIf,(tokenize(Functional-Proc.LocalKey,":",0))),TxPackets))
```

TxPackets24pBCNW

The total number of packets transmitted from the BCN interface for 24pBCNW.

Calculation

```
vsum(sum(bridgelist("24PBCNW",FunctionalProc.BcnIf,(tokenize(Functional-Proc.LocalKey,":",0))),TxPackets))
```

TxPackets4pOC3

The total number of packets transmitted from the BCN interface for 4pOC3.

Calculation

```
vsum(sum(bridgelist("4POC3",FunctionalProc.BcnIf,(tokenize(Functional-Proc.LocalKey,":",0))),TxPackets))
```

CDSU_Card Primitive Calculations

The following is a list of primitive calculations for the CDSU_Card entity.

GRAPHmultiLineSeparator

Special Control Field for Multi-Line Graphs

Calculation

""

NUMDAYS

of days in Report

Calculation

DAYSINREPORT ()

NUMHOURS

of hours in Summation Data

Calculation

CDSU_Shelf Primitive Calculations

The following is a list of primitive calculations for the CDSU_Shelf entity.

GRAPHmultiLineSeparator

Special Control Field for Multi-Line Graphs

Calculation

""

NUMDAYS

of days in Report

Calculation

DAYSINREPORT ()

NUMHOURS

of hours in Summation Data

Calculation

CDSU_T1Port Primitive Calculations

The following is a list of primitive calculations for the CDSU_T1Port entity.

GRAPHmultiLineSeparator

Special Control Field for Multi-Line Graphs

Calculation

""

NUMDAYS

of days in Report

Calculation

DAYSINREPORT ()

NUMHOURS

of hours in Summation Data

Calculation

CDSU_T1Port Peg Counts

The following is a list of peg counts for the CDSU_T1Port entity.

AlarmIndSigSecs

Alarm Indication Signal Seconds

Data Source

NBSS BTS MO

Source Field

AlarmIndSigSecs(Seq# 23)

Source Section

CDSUT1Port MO

AvailSecs

Available Seconds

Data Source

NBSS BTS MO

Source Field

AvailSecs(Seq# 16)

Source Section

CDSUT1Port MO

BurstyErrorSecs

Bursty Errored Seconds

Data Source

NBSS BTS MO

Source Field

BurstyErrorSecs(Seq# 19)

Source Section

CDSUT1Port MO

ErrorSecs

Errored Seconds

Data Source

NBSS BTS MO

Source Field

ErrorSecs(Seq# 18)

Source Section

CDSUT1Port MO

LossFrameSecs

Loss Of Frame Seconds

Data Source

NBSS BTS MO

Source Field

LossFrameSecs(Seq# 24)

Source Section

CDSUT1Port MO

LossSignalSecs

Loss of Signal Seconds

Data Source

NBSS BTS MO

Source Field

LossSignalSecs(Seq# 22)

Source Section

CDSUT1Port MO

OutOfFrameSecs

Out Of Frame Seconds

Data Source

NBSS BTS MO

Source Field

OutOfFrameSecs(Seq# 25)

Source Section

CDSUT1Port MO

RxAvgLinkUtilPcnt

Rx Average Link Utilization Percent

Data Source

NBSS BTS MO

Source Field

RxAvgLinkUtilPcnt(Seq# 31)

Source Section

CDSUT1Port MO

RxPeakLinkUtilCntr

Rx Peak Link Utilization Counter

Data Source

NBSS BTS MO

Source Field

RxPeakLinkUtilCntr(Seq# 33)

Source Section

CDSUT1Port MO

SevereErrorFrameSecs

Severely Errored Framing Seconds

Data Source

NBSS BTS MO

Source Field

SevereErrorFrameSecs(Seq# 21)

Source Section

CDSUT1Port MO

SevereErrorSecs

Severely Errored Seconds

Data Source

NBSS BTS MO

Source Field

SevereErrorSecs(Seq# 20)

Source Section

CDSUT1Port MO

TxAvgLinkUtilPcntT1

Tx Average Link Utilization Percent T1

Data Source

NBSS BTS MO

Source Field

TxAvgLinkUtilPcntT1(Seq# 30)

Source Section

CDSUT1Port MO

TxPeakLinkUtilCntr

Tx Peak Link Utilization Counter

Data Source

NBSS BTS MO

Source Field

TxPeakLinkUtilCntr(Seq# 32)

Source Section

CDSUT1Port MO

UnavailSecs

Unavailable Seconds

Data Source

NBSS BTS MO

Source Field

UnavailSecs(Seq# 17)

Source Section

CDSUT1Port MO

Cell Primitive Calculations

The following is a list of primitive calculations for the Cell entity.

GRAPHmultiLineSeparator

Special Control Field for Multi-Line Graphs

Calculation

""

NUMDAYS

of days in Report

Calculation

DAYSINREPORT ()

NUMHOURS

of hours in Summation Data

Calculation

Cell Peg Counts

The following is a list of peg counts for the Cell entity.

INPGRQIZ

CM sends an initial page request sent to the in zone cells

Data Source

MTX OM, SDM

Source Field

INPGRQIZ

Source Section

MTXZONPG

MTX140_ATCACT

Count of ATC 'Active' alarms

Data Source

MTX Log

Source Field

Alarm 'ATC' Active event

Source Section

MTX140

MTX140_ATCDUR

Duration that ATC alarms were active within the time period, as determined by the difference between the 'Active' and 'Inactive' alarms.

Data Source

MTX Log

Source Field

Alarm 'ATC' Duration

Source Section

MTX140

MTX140_ATCINACT

Count of ATC 'Inactive' alarms

Data Source

MTX Log

Source Field

Alarm 'ATC' Inactive event

Source Section

MTX140

MTX140_GENACT

Count of GEN 'Active' alarms

Data Source

MTX Log

Source Field

Alarm 'GEN' Active event

Source Section

MTX140

MTX140_GENDUR

Duration that GEN alarms were active within the time period, as determined by the difference between the 'Active' and 'Inactive' alarms

Data Source

MTX Log

Source Field

Alarm 'GEN' Duration

Source Section

MTX140

MTX140_GENINACT

Count of GEN 'Inactive' alarms

Data Source

MTX Log

Source Field

Alarm 'GEN' Inactive event

Source Section

MTX140

MTX140_MWACT

Count of MW 'Active' alarms

Data Source

MTX Log

Source Field

Alarm 'MW' Active event

Source Section

MTX140

MTX140_MWDUR

Duration that MW alarms were active within the time period, as determined by the difference between the 'Active' and 'Inactive' alarms

Data Source

MTX Log

Source Field

Alarm 'MW' Duration

Source Section

MTX140

MTX140_MWINACT

Count of MW 'Inactive' alarms

Data Source

MTX Log

Source Field

Alarm 'MW' Inactive event

Source Section

MTX140

MTX140_TECHONACT

Count of TECH ON 'Active' alarms

Data Source

MTX Log

Source Field

Alarm 'TL or TO' Active event

Source Section

MTX140

MTX140_TECHONDUR

Duration that TECH ON alarms were active within the time period, as determined by the difference between the 'Active' and 'Inactive' alarms

Data Source

MTX Log

Source Field

Alarm 'TL or TO' Duration

Source Section

MTX140

MTX140_TECHONINACT

Count of TECH ON 'Inactive' alarms

Data Source

MTX Log

Source Field

Alarm 'TL or TO' Inactive event

Source Section

MTX140

PAGEREQZ

Pegs when the switch sends an initial page request for zone

Data Source

MTX OM, SDM

Source Field

PAGEREQZ

Source Section

MTXZONPG

PGRQOUTZ

Pegs when the CM sends an initial page request sent to the out zone cells

Data Source

MTX OM, SDM

Source Field

PGRQOUTZ

Source Section

MTXZONPG

PGRQZNON

When the switch sends initial page requests for zone when using zone only option

Data Source

MTX OM, SDM

Source Field

PGRQZNON

Source Section

MTXZONPG

PGRQZNSP

When the switch sends initial page requests for zone when using system page option

Data Source

MTX OM, SDM

Source Field

PGRQZNSP

Source Section

MTXZONPG

PGRSINIZ

When CM receives page response from in zone cell during initial page to in zone cells

Data Source

MTX OM, SDM

Source Field

PGRSINIZ

Source Section

MTXZONPG

PGRSOUTZ

When CM receives page response from out zone cell during page to out zone cells

Data Source

MTX OM, SDM

Source Field

PGRSOUTZ

Source Section

MTXZONPG

PGRSOZSP

When the switch receives a page responses outside the zone due to system page

Data Source

MTX OM, SDM

Source Field

PGRSOZSP

Source Section

MTXZONPG

PGRSRTIZ

When CM receives a page response from in zone cell during retry page to in zone cells

Data Source

MTX OM, SDM

Source Field

PGRSRTIZ

Source Section

MTXZONPG

PGRSZNON

When the switch receives a page responses from zone when using zone only option

Data Source

MTX OM, SDM

Source Field

PGRSZNON

Source Section

MTXZONPG

PGRSZNSP

When the switch receives a page responses zone when using system page option

Data Source

MTX OM, SDM

Source Field

PGRSZNSP

Source Section

MTXZONPG

RTPGRQIZ

CM sends a retry page request sent to the in zone cells

Data Source

MTX OM, SDM

Source Field

RTPGRQIZ

Source Section

MTXZONPG

TOTZPREQ

CM sends a total zone paging requests made by CM

Data Source

MTX OM, SDM

Source Field

TOTZPREQ

Source Section

MTXZONPG

TOTZPRES

CM receives a total zone paging responses received by CM

Data Source

MTX OM, SDM

Source Field

TOTZPRES

Source Section

MTXZONPG

UXPGRSZN

Switch receives a unexpected page responses due to zone paging

Data Source

MTX OM, SDM

Source Field

UXPGRSZN

Source Section

MTXZONPG

ZNSYSPAG

Pegs when the switch sends a page request to the zone paging system pages

Data Source

MTX OM, SDM

Source Field

ZNSYSPAG

Source Section

MTXZONPG

ZPPGRES P

When the switch receives a page response from the zone paging page responses

Data Source

MTX OM, SDM

Source Field

ZPPGRES P

Source Section

MTXZONPG

Cell_Carrier Primitive Calculations

The following is a list of primitive calculations for the Cell_Carrier entity.

CDMA_CHANNEL

CDMA_CHANNEL

Calculation

CE_USER

Channel Elements perUSER

Calculation

(1.0 * MOU_CE / MOU_TRAFFIC)

GRAPHmultiLineSeparator

Special Control Field for Multi-Line Graphs

Calculation

""

MOU_ALPHA

MOU ALPHA

Calculation

(vsum(HandoffTimeSoft1Softer1Alpha, vsum(HandoffTimeSoft1Softer2AlphaBeta, HandoffTimeSoft1Softer2GammaAlpha, HandoffTimeSoft2Softer1Alpha,0) / 2 , vsum(HandoffTimeSoft1Softer3, HandoffTimeSoft3Softer1Alpha,0) / 3 , vsum(HandoffTimeSoft2Softer2AlphaBeta, HandoffTimeSoft2Softer2GammaAlpha, HandoffTimeSoft4Softer1Alpha,0) / 4 , HandoffTimeSoft5Softer1Alpha / 5 , vsum(HandoffTimeSoft2Softer3, HandoffTimeSoft3Softer2AlphaBeta, HandoffTimeSoft3Softer2GammaAlpha, HandoffTimeSoft6Softer1Alpha,0) / 6 , vsum(HandoffTimeSoft4Softer2AlphaBeta, HandoffTimeSoft4Softer2GammaAlpha,0) / 8, HandoffTimeSoft3Softer3 / 9 , vsum(HandoffTimeSoft5Softer2AlphaBeta, HandoffTimeSoft5Softer2GammaAlpha,0) / 10 , HandoffTimeSoft4Softer3 / 12,0) * 20.0 / 60000)

MOU_BETA

MOU BETA

Calculation

(vsum(HandoffTimeSoft1Softer1Beta, vsum(HandoffTimeSoft1Softer2AlphaBeta, HandoffTimeSoft1Softer2BetaGamma, HandoffTimeSoft2Softer1Beta,0) / 2 , vsum(HandoffTimeSoft1Softer3, HandoffTimeSoft3Softer1Beta,0) / 3 , vsum(HandoffTimeSoft2Softer2AlphaBeta ,HandoffTimeSoft2Softer2BetaGamma, HandoffTimeSoft4Softer1Beta,0) / 4 , HandoffTimeSoft5Softer1Beta / 5 , vsum(HandoffTimeSoft2Softer3, HandoffTimeSoft3Softer2AlphaBeta, HandoffTimeSoft3Softer2BetaGamma, HandoffTimeSoft6Softer1Beta,0) / 6 , vsum(HandoffTimeSoft4Softer2AlphaBeta, HandoffTimeSoft4Softer2BetaGamma,0) / 8 , HandoffTimeSoft3Softer3 / 9 ,vsum(HandoffTimeSoft5Softer2AlphaBeta, HandoffTimeSoft5Softer2BetaGamma,0) / 10 , HandoffTimeSoft4Softer3 / 12,0) * 20.0 / 60000)

MOU_CE

Minutes of Use on Channel Element per carrier

Calculation

```
(vsum(vsum(HandoffTimeSoft1Softer1Alpha, HandoffTimeSoft1Softer1Beta,  
HandoffTimeSoft1Softer1Gamma, HandoffTimeSoft1Softer2AlphaBeta,  
HandoffTimeSoft1Softer2BetaGamma, HandoffTimeSoft1Softer2GammaAlpha,  
HandoffTimeSoft1Softer3,0) , vsum(HandoffTimeSoft2Softer1Alpha,  
HandoffTimeSoft2Softer1Beta, HandoffTimeSoft2Softer1Gamma,  
HandoffTimeSoft2Softer2AlphaBeta, HandoffTimeSoft2Softer2BetaGamma,  
HandoffTimeSoft2Softer2GammaAlpha, HandoffTimeSoft2Softer3,0) ,  
vsum(HandoffTimeSoft3Softer1Alpha, HandoffTimeSoft3Softer1Beta,  
HandoffTimeSoft3Softer1Gamma, HandoffTimeSoft3Softer2AlphaBeta,  
HandoffTimeSoft3Softer2BetaGamma, HandoffTimeSoft3Softer2GammaAlpha,  
HandoffTimeSoft3Softer3,0) , vsum(HandoffTimeSoft4Softer1Alpha,  
HandoffTimeSoft4Softer1Beta, HandoffTimeSoft4Softer1Gamma,  
HandoffTimeSoft4Softer2AlphaBeta, HandoffTimeSoft4Softer2BetaGamma,  
HandoffTimeSoft4Softer2GammaAlpha, HandoffTimeSoft4Softer3,0) ,  
vsum(HandoffTimeSoft5Softer1Alpha, HandoffTimeSoft5Softer1Beta,  
HandoffTimeSoft5Softer1Gamma, HandoffTimeSoft5Softer2AlphaBeta,  
HandoffTimeSoft5Softer2BetaGamma, HandoffTimeSoft5Softer2GammaAlpha,0) ,  
vsum(HandoffTimeSoft6Softer1Alpha, HandoffTimeSoft6Softer1Beta,  
HandoffTimeSoft6Softer1Gamma,0),0) * 20.0 / 60000)
```

MOU_GAMMA

Minutes of Use of User traffic on the Gamma Sector per carrier

Calculation

```
(vsum(HandoffTimeSoft1Softer1Gamma, vsum(HandoffTimeSoft1Softer2BetaGamma,  
HandoffTimeSoft1Softer2GammaAlpha, HandoffTimeSoft2Softer1Gamma,0) / 2 ,  
vsum(HandoffTimeSoft1Softer3, HandoffTimeSoft3Softer1Gamma,0) / 3 ,  
vsum(HandoffTimeSoft2Softer2BetaGamma, HandoffTimeSoft2Softer2GammaAlpha,  
HandoffTimeSoft4Softer1Gamma,0) / 4 , HandoffTimeSoft5Softer1Gamma / 5 ,  
vsum(HandoffTimeSoft2Softer3, HandoffTimeSoft3Softer2BetaGamma,  
HandoffTimeSoft3Softer2GammaAlpha, HandoffTimeSoft6Softer1Gamma,0) / 6 ,  
vsum(HandoffTimeSoft4Softer2BetaGamma,  
HandoffTimeSoft4Softer2GammaAlpha,0) / 8 , HandoffTimeSoft3Softer3 / 9 ,  
vsum(HandoffTimeSoft5Softer2BetaGamma,  
HandoffTimeSoft5Softer2GammaAlpha,0) / 10 , HandoffTimeSoft4Softer3 / 12,0)  
* 20.0 / 60000)
```

MOU_TRAFFIC

Minutes of Use of User traffic per carrier

Calculation

```
(vsum(MOU_ALPHA, MOU_BETA, MOU_GAMMA,0))
```


NUMDAYS

of days in Report

Calculation

DAYSINREPORT ()

NUMHOURS

of hours in Summation Data

Calculation

OverallPeakFwdXCEMResourcesUsed

$(\text{MaxFwdPhysicalResourcesUsed} / \text{TotalForwardPhysicalResources}) * 100\%$

Calculation

$(100 * \text{MaxFwdPhysicalResourcesUsed} / \text{TotalForwardPhysicalResources})$

OverallPeakRevXCEMResourcesUsed

$(\text{MaxRevPhysicalResourcesUsed} / \text{TotalReversePhysicalResources}) * 100\%$

Calculation

$(100 * \text{MaxRevPhysicalResourcesUsed} / \text{TotalReversePhysicalResources})$

PeakForwardSCHXCEMUsage

$(\text{SchMaximumForwardPhysicalResourcesUsed} / \text{TotalForwardPhysicalResources}) * 100\%$

Calculation

$(100 * \text{SchMaximumForwardPhysicalResourcesUsed} / \text{TotalForwardPhysicalResources})$

PeakReverseSCHXCEMUsage

$(\text{SchMaximumReversePhysicalResourcesUsed} / \text{TotalReversePhysicalResources}) * 100\%$

Calculation

$(100 * \text{SchMaximumReversePhysicalResourcesUsed} / \text{TotalReversePhysicalResources})$

pSoftHo

Soft Handoff Overhead Percentage

Calculation

$$(100.0 * (CE_USER - 1) / (CE_USER))$$

Cell_Carrier Peg Counts

The following is a list of peg counts for the Cell_Carrier entity.

Fch2GMaximumForwardPhysicalResourcesUsed

A high water mark for the number of XCEM resources being used for 2G calls on the forward fundamental channel at any time during the reporting period.

Data Source

NBSS BTS MO

Source Field

Fch2GMaximumForwardPhysicalResourcesUsed (Seq# 75)

Source Section

Advanced Frequency Assignment (FA) MO

Fch2GMaximumReversePhysicalResourcesUsed

A high water mark for the number of XCEM resources being used for 2G calls on the reverse fundamental channel at any time during the reporting period.

Data Source

NBSS BTS MO

Source Field

Fch2GMaximumReversePhysicalResourcesUsed (Seq# 80)

Source Section

Advanced Frequency Assignment (FA) MO

Fch3GMaximumForwardPhysicalResourcesUsed

A high water mark for the number of XCEM resources being used for 3G calls on the forward fundamental channel at any time during the reporting period.

Data Source

NBSS BTS MO

Source Field

Fch3GMaximumForwardPhysicalResourcesUsed (Seq# 76)

Source Section

Advanced Frequency Assignment (FA) MO

Fch3GMaximumReversePhysicalResourcesUsed

A high water mark for the number of XCEM resources being used for 3G calls on the reverse fundamental channel at any time during the reporting period.

Data Source

NBSS BTS MO

Source Field

Fch3GMaximumReversePhysicalResourcesUsed (Seq# 81)

Source Section

Advanced Frequency Assignment (FA) MO

HandoffTimeSoft1Softer1Alpha

handoff time with 1 sector at this site (Softer1Alpha) and handoff with one other site (Soft1)

Data Source

NBSS BTS MO

Source Field

HandoffTimeSoft1Softer1Alpha (Seq# 25)

Source Section

Advanced Frequency Assignment (FA) MO

HandoffTimeSoft1Softer1Beta

handoff time with 1 sector at this site (Softer1Beta) and handoff with one other site (Soft1)

Data Source

NBSS BTS MO

Source Field

HandoffTimeSoft1Softer1Beta (Seq# 26)

Source Section

Advanced Frequency Assignment (FA) MO

HandoffTimeSoft1Softer1Gamma

handoff time with 1 sector at this site (Softer1Gamma) and handoff with one other site (Soft1)

Data Source

NBSS BTS MO

Source Field

HandoffTimeSoft1Softer1Gamma (Seq# 27)

Source Section

Advanced Frequency Assignment (FA) MO

HandoffTimeSoft1Softer2AlphaBeta

handoff time with 2 sectors at this site (Softer2AlphaBeta) and handoff with one other site (Soft1)

Data Source

NBSS BTS MO

Source Field

HandoffTimeSoft1Softer2AlphaBeta (Seq# 28)

Source Section

Advanced Frequency Assignment (FA) MO

HandoffTimeSoft1Softer2BetaGamma

handoff time with 2 sectors at this site (Softer2BetaGamma) and handoff with one other site (Soft1)

Data Source

NBSS BTS MO

Source Field

HandoffTimeSoft1Softer2BetaGamma (Seq# 29)

Source Section

Advanced Frequency Assignment (FA) MO

HandoffTimeSoft1Softer2GammaAlpha

handoff time with 2 sectors at this site (Softer2GammaAlpha) and handoff with one other site (Soft1)

Data Source

NBSS BTS MO

Source Field

HandoffTimeSoft1Softer2GammaAlpha (Seq# 30)

Source Section

Advanced Frequency Assignment (FA) MO

HandoffTimeSoft1Softer3

handoff time at this site (Softer3) and handoff with one other site (Soft1)

Data Source

NBSS BTS MO

Source Field

HandoffTimeSoft1Softer3 (Seq# 31)

Source Section

Advanced Frequency Assignment (FA) MO

HandoffTimeSoft2Softer1Alpha

handoff time with 1 sector at this site (Softer1Alpha) and handoff with one other site (Soft2)

Data Source

NBSS BTS MO

Source Field

HandoffTimeSoft2Softer1Alpha (Seq# 32)

Source Section

Advanced Frequency Assignment (FA) MO

HandoffTimeSoft2Softer1Beta

handoff time with 1 sector at this site (Softer1Beta) and handoff with one other site (Soft2)

Data Source

NBSS BTS MO

Source Field

HandoffTimeSoft2Softer1Beta (Seq# 33)

Source Section

Advanced Frequency Assignment (FA) MO

HandoffTimeSoft2Softer1Gamma

handoff time with 1 sector at this site (Softer1Gamma) and handoff with one other site (Soft2)

Data Source

NBSS BTS MO

Source Field

HandoffTimeSoft2Softer1Gamma (Seq# 34)

Source Section

Advanced Frequency Assignment (FA) MO

HandoffTimeSoft2Softer2AlphaBeta

handoff time with 2 sectors at this site (Softer2AlphaBeta) and handoff with one other site (Soft2)

Data Source

NBSS BTS MO

Source Field

HandoffTimeSoft2Softer2AlphaBeta (Seq# 35)

Source Section

Advanced Frequency Assignment (FA) MO

HandoffTimeSoft2Softer2BetaGamma

handoff time with 2 sectors at this site (Softer2BetaGamma) and handoff with one other site (Soft2)

Data Source

NBSS BTS MO

Source Field

HandoffTimeSoft2Softer2BetaGamma (Seq# 36)

Source Section

Advanced Frequency Assignment (FA) MO

HandoffTimeSoft2Softer2GammaAlpha

handoff time with 2 sectors at this site (Softer2GammaAlpha) and handoff with one other site (Soft2)

Data Source

NBSS BTS MO

Source Field

HandoffTimeSoft2Softer2GammaAlpha (Seq# 37)

Source Section

Advanced Frequency Assignment (FA) MO

HandoffTimeSoft2Softer3

handoff time at this site (Softer3) and handoff with one other site (Soft2)

Data Source

NBSS BTS MO

Source Field

HandoffTimeSoft2Softer3 (Seq# 38)

Source Section

Advanced Frequency Assignment (FA) MO

HandoffTimeSoft3Softer1Alpha

handoff time with 1 sector at this site (Softer1Alpha) and handoff with one other site (Soft3)

Data Source

NBSS BTS MO

Source Field

HandoffTimeSoft3Softer1Alpha (Seq# 39)

Source Section

Advanced Frequency Assignment (FA) MO

HandoffTimeSoft3Softer1Beta

handoff time with 1 sector at this site (Softer1Beta) and handoff with one other site (Soft3)

Data Source

NBSS BTS MO

Source Field

HandoffTimeSoft3Softer1Beta (Seq# 40)

Source Section

Advanced Frequency Assignment (FA) MO

HandoffTimeSoft3Softer1Gamma

handoff time with 1 sector at this site (Softer1Gamma) and handoff with one other site (Soft3)

Data Source

NBSS BTS MO

Source Field

HandoffTimeSoft3Softer1Gamma (Seq# 41)

Source Section

Advanced Frequency Assignment (FA) MO

HandoffTimeSoft3Softer2AlphaBeta

handoff time with 2 sectors at this site (Softer2AlphaBeta) and handoff with one other site (Soft3)

Data Source

NBSS BTS MO

Source Field

HandoffTimeSoft3Softer2AlphaBeta (Seq# 42)

Source Section

Advanced Frequency Assignment (FA) MO

HandoffTimeSoft3Softer2BetaGamma

handoff time with 2 sectors at this site (Softer2BetaGamma) and handoff with one other site (Soft3)

Data Source

NBSS BTS MO

Source Field

HandoffTimeSoft3Softer2BetaGamma (Seq# 43)

Source Section

Advanced Frequency Assignment (FA) MO

HandoffTimeSoft3Softer2GammaAlpha

handoff time with 2 sectors at this site (Softer2GammaAlpha) and handoff with one other site (Soft3)

Data Source

NBSS BTS MO

Source Field

HandoffTimeSoft3Softer2GammaAlpha (Seq# 44)

Source Section

Advanced Frequency Assignment (FA) MO

HandoffTimeSoft3Softer3

handoff time at this site (Softer3) and handoff with one other site (Soft3)

Data Source

NBSS BTS MO

Source Field

HandoffTimeSoft3Softer3 (Seq# 45)

Source Section

Advanced Frequency Assignment (FA) MO

HandoffTimeSoft4Softer1Alpha

handoff time with 1 sector at this site (Softer1Alpha) and handoff with one other site (Soft4)

Data Source

NBSS BTS MO

Source Field

HandoffTimeSoft4Softer1Alpha (Seq# 46)

Source Section

Advanced Frequency Assignment (FA) MO

HandoffTimeSoft4Softer1Beta

handoff time with 1 sector at this site (Softer1Beta) and handoff with one other site (Soft4)

Data Source

NBSS BTS MO

Source Field

HandoffTimeSoft4Softer1Beta (Seq# 47)

Source Section

Advanced Frequency Assignment (FA) MO

HandoffTimeSoft4Softer1Gamma

handoff time with 1 sector at this site (Softer1Gamma) and handoff with one other site (Soft4)

Data Source

NBSS BTS MO

Source Field

HandoffTimeSoft4Softer1Gamma (Seq# 48)

Source Section

Advanced Frequency Assignment (FA) MO

HandoffTimeSoft4Softer2AlphaBeta

handoff time with 2 sectors at this site (Softer2AlphaBeta) and handoff with one other site (Soft4)

Data Source

NBSS BTS MO

Source Field

HandoffTimeSoft4Softer2AlphaBeta (Seq# 49)

Source Section

Advanced Frequency Assignment (FA) MO

HandoffTimeSoft4Softer2BetaGamma

handoff time with 2 sectors at this site (Softer2BetaGamma) and handoff with one other site (Soft4)

Data Source

NBSS BTS MO

Source Field

HandoffTimeSoft4Softer2BetaGamma (Seq# 50)

Source Section

Advanced Frequency Assignment (FA) MO

HandoffTimeSoft4Softer2GammaAlpha

handoff time with 2 sectors at this site (Softer2GammaAlpha) and handoff with one other site (Soft4)

Data Source

NBSS BTS MO

Source Field

HandoffTimeSoft4Softer2GammaAlpha (Seq# 51)

Source Section

Advanced Frequency Assignment (FA) MO

HandoffTimeSoft4Softer3

handoff time at this site (Softer3) and handoff with one other site (Soft4)

Data Source

NBSS BTS MO

Source Field

HandoffTimeSoft4Softer3 (Seq# 52)

Source Section

Advanced Frequency Assignment (FA) MO

HandoffTimeSoft5Softer1Alpha

handoff time with 1 sector at this site (Softer1Alpha) and handoff with one other site (Soft5)

Data Source

NBSS BTS MO

Source Field

HandoffTimeSoft5Softer1Alpha (Seq# 53)

Source Section

Advanced Frequency Assignment (FA) MO

HandoffTimeSoft5Softer1Beta

handoff time with 1 sector at this site (Softer1Beta) and handoff with one other site (Soft5)

Data Source

NBSS BTS MO

Source Field

HandoffTimeSoft5Softer1Beta (Seq# 54)

Source Section

Advanced Frequency Assignment (FA) MO

HandoffTimeSoft5Softer1Gamma

handoff time with 1 sector at this site (Softer1Gamma) and handoff with one other site (Soft5)

Data Source

NBSS BTS MO

Source Field

HandoffTimeSoft5Softer1Gamma (Seq# 55)

Source Section

Advanced Frequency Assignment (FA) MO

HandoffTimeSoft5Softer2AlphaBeta

handoff time with 2 sectors at this site (Softer2AlphaBeta) and handoff with one other site (Soft5)

Data Source

NBSS BTS MO

Source Field

HandoffTimeSoft5Softer2AlphaBeta (Seq# 56)

Source Section

Advanced Frequency Assignment (FA) MO

HandoffTimeSoft5Softer2BetaGamma

handoff time with 2 sectors at this site (Softer2BetaGamma) and handoff with one other site (Soft5)

Data Source

NBSS BTS MO

Source Field

HandoffTimeSoft5Softer2BetaGamma (Seq# 57)

Source Section

Advanced Frequency Assignment (FA) MO

HandoffTimeSoft5Softer2GammaAlpha

handoff time with 2 sectors at this site (Softer2GammaAlpha) and handoff with one other site (Soft5)

Data Source

NBSS BTS MO

Source Field

HandoffTimeSoft5Softer2GammaAlpha (Seq# 58)

Source Section

Advanced Frequency Assignment (FA) MO

HandoffTimeSoft6Softer1Alpha

handoff time with 1 sector at this site (Softer1Alpha) and handoff with one other site (Soft6)

Data Source

NBSS BTS MO

Source Field

HandoffTimeSoft6Softer1Alpha (Seq# 59)

Source Section

Advanced Frequency Assignment (FA) MO

HandoffTimeSoft6Softer1Beta

handoff time with 1 sector at this site (Softer1Beta) and handoff with one other site (Soft6)

Data Source

NBSS BTS MO

Source Field

HandoffTimeSoft6Softer1Beta (Seq# 60)

Source Section

Advanced Frequency Assignment (FA) MO

HandoffTimeSoft6Softer1Gamma

handoff time with 1 sector at this site (Softer1Gamma) and handoff with one other site (Soft6)

Data Source

NBSS BTS MO

Source Field

HandoffTimeSoft6Softer1Gamma (Seq# 61)

Source Section

Advanced Frequency Assignment (FA) MO

MaxFCHDataResourcesUsed

MaxFCHDataResourcesUsed

Data Source

NBSS BTS MO

Source Field

MaxFCHDataResourcesUsed (Seq# 91)

Source Section

Advanced Frequency Assignment (FA) MO

MaxFCHVoiceResourcesUsed

MaxFCHVoiceResourcesUsed

Data Source

NBSS BTS MO

Source Field

MaxFCHVoiceResourcesUsed (Seq# 90)

Source Section

Advanced Frequency Assignment (FA) MO

MaxFwdPhysicalResourcesUsed

MaxFwdPhysicalResourcesUsed

Data Source

NBSS BTS MO

Source Field

MaxFwdPhysicalResourcesUsed (Seq# 88)

Source Section

Advanced Frequency Assignment (FA) MO

MaxRevPhysicalResourcesUsed

MaxRevPhysicalResourcesUsed

Data Source

NBSS BTS MO

Source Field

MaxRevPhysicalResourcesUsed (Seq# 89)

Source Section

Advanced Frequency Assignment (FA) MO

NumOfTCAvailable

Total number of idle and active traffic channel elements available for traffic on a CEM/ECM after subtracting the overhead channels

Data Source

NBSS BTS MO

Source Field

NumOfTCAvailable (Seq# 23)

Source Section

Advanced Frequency Assignment (FA) MO

PerCarrierPowerLimitingThreshold

The percentage of time that the demanded transmit power for the carrier over all sectors was greater than the PerCarrierPowerLimitingThreshold. Units are percent/200 (0-20000). MFRM3 only.

Data Source

NBSS BTS MO

Source Field

MultiSectorCarrierPowerStats (Seq# 70[6])

Source Section

RFM MO

PerCarrierPowerLimitingThreshold_minus1dB

The percentage of time that the demanded transmit power for the carrier over all sectors was greater than 1dB below the PerCarrierPowerLimitingThreshold. Units are percent/200 (0-20000). MFRM3 only.

Data Source

NBSS BTS MO

Source Field

MultiSectorCarrierPowerStats (Seq# 70[5])

Source Section

RFM MO

PerCarrierPowerLimitingThreshold_minus2dB

The percentage of time that the demanded transmit power for the carrier over all sectors was greater than 2dB below the PerCarrierPowerLimitingThreshold. Units are percent/200 (0-20000). MFRM3 only.

Data Source

NBSS BTS MO

Source Field

MultiSectorCarrierPowerStats (Seq# 70[4])

Source Section

RFM MO

PerCarrierPowerLimitingThreshold_plus1dB

The percentage of time that the demanded transmit power for the carrier over all sectors was greater than 1dB above the PerCarrierPowerLimitingThreshold. Units are percent/200 (0-20000). MFRM3 only.

Data Source

NBSS BTS MO

Source Field

MultiSectorCarrierPowerStats (Seq# 70[7])

Source Section

RFM MO

PerCarrierPowerLimitingThreshold_plus2dB

The percentage of time that the demanded transmit power for the carrier over all sectors was greater than 2dB above the PerCarrierPowerLimitingThreshold. Units are percent/200 (0-20000). MFRM3 only.

Data Source

NBSS BTS MO

Source Field

MultiSectorCarrierPowerStats (Seq# 70[8])

Source Section

RFM MO

SchForwardPhysicalResourcesReserved

A subset of TotalForwardPhysicalResources. SchForwardPhysicalResourcesReserved represents the number of XCEM resources which are pre-allocated to the forward supplemental channel.

Data Source

NBSS BTS MO

Source Field

SchForwardPhysicalResourcesReserved (Seq# 73)

Source Section

Advanced Frequency Assignment (FA) MO

SchMaximumForwardPhysicalResourcesUsed

A high water mark for the number of XCEM resources being used for the forward supplemental channel at any time during the reporting period.

Data Source

NBSS BTS MO

Source Field

SchMaximumForwardPhysicalResourcesUsed (Seq# 74)

Source Section

Advanced Frequency Assignment (FA) MO

SchMaximumReversePhysicalResourcesUsed

A high water mark for the number of XCEM resources being used for the reverse supplemental channel at any time during the reporting period.

Data Source

NBSS BTS MO

Source Field

SchMaximumReversePhysicalResourcesUsed (Seq# 79)

Source Section

Advanced Frequency Assignment (FA) MO

SchReversePhysicalResourcesReserved

SchReversePhysicalResourcesReserved represents the number of XCEM resources which are pre-allocated to the reverse supplemental channel. This includes resources for active and idle supplemental channels.

Data Source

NBSS BTS MO

Source Field

SchReversePhysicalResourcesReserved (Seq# 78)

Source Section

Advanced Frequency Assignment (FA) MO

TCEUtilMaximum

The peak number of channel elements in use simultaneously during this half hour

Data Source

NBSS BTS MO

Source Field

TCEUtilMaximum (Seq# 24)

Source Section

Advanced Frequency Assignment (FA) MO

TimeNotInUse

Total time (in 20mS) that all traffic channel elements were idle

Data Source

NBSS BTS MO

Source Field

TimeNotInUse (Seq# 62)

Source Section

Advanced Frequency Assignment (FA) MO

TotalForwardPhysicalResources

Total number of forward physical resources that are available for traffic on a XCEM after subtracting the overhead channels

Data Source

NBSS BTS MO

Source Field

TotalForwardPhysicalResources (Seq# 72)

Source Section

Advanced Frequency Assignment (FA) MO

TotalReversePhysicalResources

Total number of reverse physical resources that are available for traffic on a XCEM after subtracting the overhead channels

Data Source

NBSS BTS MO

Source Field

TotalReversePhysicalResources (Seq# 77)

Source Section

Advanced Frequency Assignment (FA) MO

Cell_HO_Pair Primitive Calculations

The following is a list of primitive calculations for the Cell_HO_Pair entity.

GRAPHmultiLineSeparator

Special Control Field for Multi-Line Graphs

Calculation

""

NUMDAYS

of days in Report

Calculation

DAYSINREPORT ()

NUMHOURS

of hours in Summation Data

Cell_HO_Pair Peg Counts

The following is a list of peg counts for the Cell_HO_Pair entity.

NBHOAT

Number of normal burst handoffs attempted from a particular serving cell to an adjacent cell.

Data Source

SDM

Source Field

NBHOATxx

Source Section

NBHOATTS

NBHOCP

Number of completed normal burst handoffs to a particular adjacent cell from a particular serving cell.

Data Source

SDM

Source Field

NBHOCPxx

Source Section

NBHOCOMP

Cell_Sector Primitive Calculations

The following is a list of primitive calculations for the Cell_Sector entity.

AccFails

RF Access failures during Origination and Termination and Hard Handoff

Calculation

$(\text{vsum}(\text{CAUERLFL}, \text{CAUHRLFL}, 0))$

AccFails3GD

3G Data RF Access failures during Origination and Termination and Hard Handoff

Calculation

$(\text{vsum}(\text{CAUERLFL3GD}, \text{CAUHRLFL3GD}, 0))$

AccFails3GV

3G Voice RF Access failures during Origination and Termination and Hard Handoff

Calculation

$(\text{vsum}(\text{CAUERLFL3GV}, \text{CAUHRLFL3GV}, 0))$

BTSBlock

Call setup failure due to a failure or shortage of radio link resources at the BTS

Calculation

(CAUERSFL)

BTSBlock3GD

3G Data call setup failure due to a failure or shortage of radio link resources at the BTS

Calculation

(CAUERSFL3GD)

BTSBlock3GV

3G Voice call setup failure due to a failure or shortage of radio link resources at the BTS

Calculation

(CAUERSFL3GV)

CallAtts

Total calls attempted including origination and termination and hard handoff attempts

Calculation

(vsum(CAUOATTS, CAUPGRES, CAUHATTS, 0))

CallAtts_fq

Total per carrier calls attempted including origination and termination and hard handoff attempts

Calculation

(vsum(aggr(Sector_Carrier, MCTORIGS), aggr(Sector_Carrier, MCTPGRES), CAUHATTS, 0))

CallAtts_fq3GD

Total per carrier 3G Data calls attempted including origination and termination and hard handoff attempts

Calculation

(vsum(aggr(Sector_Carrier, MCTORIGS3GD), aggr(Sector_Carrier, MCTPGRES3GD), CAUHATTS3GD, 0))

CallAtts_fq3GV

Total per carrier 3G Voice calls attempted including origination and termination and hard handoff attempts

Calculation

(vsum(aggr(Sector_Carrier, MCTORIGS3GV), aggr(Sector_Carrier, MCTPGRES3GV), CAUHATTS3GV, 0))

CallAtts3GD

Total 3G Data calls attempted including origination and termination and hard handoff attempts

Calculation

(vsum(CAUOATTS3GD, CAUPGRES3GD, CAUHATTS3GD, 0))

CallAtts3GV

Total 3G Voice calls attempted including origination and termination and hard handoff attempts

Calculation

(vsum(CAUOATTS3GV, CAUPGRES3GV, CAUHATTS3GV, 0))

CallSucc

Total successful established calls including origination and termination and hard handoff successes

Calculation

(vsum(CAUOSUCC, CAUTSUCC, CAUHSUCC, 0))

CallSucc3GD

Total 3G Data successful established calls including origination and termination and hard handoff successes

Calculation

(vsum(CAUOSUCC3GD, CAUTSUCC3GD, CAUHSUCC3GD, 0))

CallSucc3GV

Total 3G Voice successful established calls including origination and termination and hard handoff successes

Calculation

(vsum(CAUOSUCC3GV, CAUTSUCC3GV, CAUHSUCC3GV, 0))

CellName

Name of the parent BTS_Cell

DropCalls

Calls that are successfully setup and disconnected for any reason other than going "on hook"

Calculation

(vsum(CAUDROPR, CAUDROPN, 0))

DropCalls3GD

3G Data Calls that are successfully setup and disconnected for any reason other than going "on hook"

Calculation

(vsum(CAUDROPR3GD, CAUDROPN3GD, 0))

DropCalls3GV

3G Voice Calls that are successfully setup and disconnected for any reason other than going "on hook"

Calculation

(vsum(CAUDROPR3GV, CAUDROPN3GV, 0))

FrqSelFail

MCTA frequency selection failure

Calculation

(vsum(MCTAREQF, MCTAHRQF, 0))

FrqSelFail3GD

3G Data MCTA frequency selection failure

Calculation

(vsum(MCTAREQF3GD, MCTAHRQF3GD, 0))

FrqSelFail3GV

3G Voice MCTA frequency selection failure

Calculation

(vsum(MCTAREQF3GV, MCTAHRQF3GV, 0))

GRAPHmultiLineSeparator

Special Control Field for Multi-Line Graphs

Calculation

""

NoRsrc

MCTA frequency resource allocation failures due to lack of physical resources

Calculation

(vsum(MCTALLFU, aggr(Sector_Carrier, MCTARQFN), aggr(Sector_Carrier, MCTAREQN), 0))

NoRsrc_fq

MCTA frequency resource allocation failures by carrier due to lack of physical resources

Calculation

(aggr(Sector_Carrier, MCTAREQN))

NoRsrc_fq3GD

3G Data MCTA frequency resource allocation failures by carrier due to lack of physical resources

Calculation

(aggr(Sector_Carrier, MCTAREQN3GD))

NoRsrc_fq3GV

3G Voice MCTA frequency resource allocation failures by carrier due to lack of physical resources

Calculation

(aggr(Sector_Carrier,MCTAREQN3GV))

NoRsrc3GD

3G Data MCTA frequency resource allocation failures due to lack of physical resources

Calculation

(vsum(MCTALLFU3GD, aggr(Sector_Carrier,MCTARQFN3GD),
aggr(Sector_Carrier,MCTAREQN3GD),0))

NoRsrc3GV

3G Voice MCTA frequency resource allocation failures due to lack of physical resources

Calculation

(vsum(MCTALLFU3GV, aggr(Sector_Carrier,MCTARQFN3GV),
aggr(Sector_Carrier,MCTAREQN3GV),0))

NUMDAYS

of days in Report

Calculation

DAYSINREPORT()

NUMHOURS

of hours in Summation Data

Calculation

pAccFails

RF Access Fail percentage during Origination and Termination and Hard Handoff

Calculation

(100.0 * AccFails / vsum(CAUOATTS, CAUPGRES, CAUHATTS,0))

pAccFails3GD

3G Data RF Access Fail percentage during Origination and Termination and Hard Handoff

Calculation

$(100.0 * \text{AccFails3GD} / \text{vsum}(\text{CAUOATTS3GD}, \text{CAUPGRES3GD}, \text{CAUHATTS3GD}, 0))$

pAccFails3GV

3G Voice RF Access Fail percentage during Origination and Termination and Hard Handoff

Calculation

$(100.0 * \text{AccFails3GV} / \text{vsum}(\text{CAUOATTS3GV}, \text{CAUPGRES3GV}, \text{CAUHATTS3GV}, 0))$

pBTSBlock

Call setup failure percentage due to a failure or shortage of radio link resources at the BTS

Calculation

$(100.0 * \text{BTSBlock} / \text{vsum}(\text{CAUOATTS}, \text{CAUPGRES}, \text{CAUHATTS}, 0))$

pBTSBlock3GD

3G Data Call setup failure percentage due to a failure or shortage of radio link resources at the BTS

Calculation

$(100.0 * \text{BTSBlock3GD} / \text{vsum}(\text{CAUOATTS3GD}, \text{CAUPGRES3GD}, \text{CAUHATTS3GD}, 0))$

pBTSBlock3GV

3G Voice Call setup failure percentage due to a failure or shortage of radio link resources at the BTS

Calculation

$(100.0 * \text{BTSBlock3GV} / \text{vsum}(\text{CAUOATTS3GV}, \text{CAUPGRES3GV}, \text{CAUHATTS3GV}, 0))$

pCallSucc

Successful call established percentage including origination and termination and hard handoff successes

Calculation

$(100.0 * \text{CallSucc} / \text{vsum}(\text{CAUOATTS}, \text{CAUPGRES}, \text{CAUHATTS}, 0))$

pCallSucc3GD

Successful 3G Data call established percentage including origination and termination and hard handoff successes

Calculation

$(100.0 * \text{CallSucc3GD} / \text{vsum}(\text{CAUOATTS3GD}, \text{CAUPGRES3GD}, \text{CAUHATTS3GD}, 0))$

pCallSucc3GV

Successful 3G Voice call established percentage including origination and termination and hard handoff successes

Calculation

$(100.0 * \text{CallSucc3GV} / \text{vsum}(\text{CAUOATTS3GV}, \text{CAUPGRES3GV}, \text{CAUHATTS3GV}, 0))$

pDropCalls

Percentage of calls that are successfully setup and disconnected for any reason other than going "on hook"

Calculation

$(100.0 * \text{DropCalls} / \text{vsum}(\text{CAUOSUCC}, \text{CAUTSUCC}, \text{CAUHSUCC}, 0))$

pDropCalls3GD

Percentage 3G Data calls that are successfully setup and disconnected for any reason other than going "on hook"

Calculation

$(100.0 * \text{DropCalls3GD} / \text{vsum}(\text{CAUOSUCC3GD}, \text{CAUTSUCC3GD}, \text{CAUHSUCC3GD}, 0))$

pDropCalls3GV

Percentage 3G Voice calls that are successfully setup and disconnected for any reason other than going "on hook"

Calculation

$(100.0 * \text{DropCalls3GV} / \text{vsum}(\text{CAUOSUCC3GV}, \text{CAUTSUCC3GV}, \text{CAUHSUCC3GV}, 0))$

pFrqSelFail

MCTA frequency selection failure percentage

Calculation

$(100.0 * \text{FrqSelFail} / \text{vsum}(\text{aggr}(\text{Sector_Carrier}, \text{MCTORIGS}), \text{aggr}(\text{Sector_Carrier}, \text{MCTPGRES}), \text{CAUHATTS}, 0))$

pFrqSelFail3GD

3G Data MCTA frequency selection failure percentage

Calculation

$(100.0 * \text{FrqSelFail3GD} / \text{vsum}(\text{aggr}(\text{Sector_Carrier}, \text{MCTORIGS3GD}), \text{aggr}(\text{Sector_Carrier}, \text{MCTPGRES3GD}), \text{CAUHATTS3GD}, 0))$

pFrqSelFail3GV

3G Voice MCTA frequency selection failure percentage

Calculation

$$(100.0 * \text{FrqSelFail3GV} / \text{vsum}(\text{aggr}(\text{Sector_Carrier}, \text{MCTORIGS3GV}), \text{aggr}(\text{Sector_Carrier}, \text{MCTPGRES3GV}), \text{CAUHATTS3GV}, 0))$$

pNoRsrc

MCTA frequency resource allocation failure percentage due to lack of physical resources

Calculation

$$(100.0 * \text{vsum}(\text{MCTALLFU}, \text{aggr}(\text{Sector_Carrier}, \text{MCTARQFN}), \text{aggr}(\text{Sector_Carrier}, \text{MCTAREQN}), 0) / \text{vsum}(\text{aggr}(\text{Sector_Carrier}, \text{MCTORIGS}), \text{aggr}(\text{Sector_Carrier}, \text{MCTPGRES}), \text{CAUHATTS}, 0))$$

pNoRsrc_fq

MCTA frequency resource allocation failure percentage by carrier due to lack of physical resources

Calculation

$$(100.0 * \text{NoRsrc_fq} / \text{vsum}(\text{aggr}(\text{Sector_Carrier}, \text{MCTORIGS}), \text{aggr}(\text{Sector_Carrier}, \text{MCTPGRES}), \text{CAUHATTS}, 0))$$

pNoRsrc_fq3GD

3G Data MCTA frequency resource allocation failure percentage by carrier due to lack of physical resources

Calculation

$$(100.0 * \text{NoRsrc_fq3GD} / \text{vsum}(\text{aggr}(\text{Sector_Carrier}, \text{MCTORIGS3GD}), \text{aggr}(\text{Sector_Carrier}, \text{MCTPGRES3GD}), \text{CAUHATTS3GD}, 0))$$

pNoRsrc_fq3GV

3G Voice MCTA frequency resource allocation failure percentage by carrier due to lack of physical resources

Calculation

$$(100.0 * \text{NoRsrc_fq3GV} / \text{vsum}(\text{aggr}(\text{Sector_Carrier}, \text{MCTORIGS3GV}), \text{aggr}(\text{Sector_Carrier}, \text{MCTPGRES3GV}), \text{CAUHATTS3GV}, 0))$$

pNoRsrc3GD

3G Data MCTA frequency resource allocation failure percentage due to lack of physical resources

Calculation

```
(100.0 * vsum(MCTALLFU3GD, aggr(Sector_Carrier,MCTARQFN3GD),  
aggr(Sector_Carrier,MCTAREQN3GD),0) /  
vsum(aggr(Sector_Carrier,MCTORIGS3GD), aggr(Sector_Carrier,MCTPGRES3GD),  
CAUHATTS3GD,0))
```

pNoRsrc3GV

3G Voice MCTA frequency resource allocation failure percentage due to lack of physical resources

Calculation

```
(100.0 * vsum(MCTALLFU3GV, aggr(Sector_Carrier,MCTARQFN3GV),  
aggr(Sector_Carrier,MCTAREQN3GV),0) /  
vsum(aggr(Sector_Carrier,MCTORIGS3GV), aggr(Sector_Carrier,MCTPGRES3GV),  
CAUHATTS3GV,0))
```

pNtwk

Percentage of calls dropped to non-RF reasons

Calculation

```
(100.0 * CAUDROPN /vsum(sum(Sector_Carrier,MCTOSUCC),  
sum(Sector_Carrier,MCTTSUCC), sum(Sector_Carrier,MCTHSUCC),0))
```

pNtwk3GD

Percentage of 3G Data calls dropped to non-RF reasons

Calculation

```
(100.0 * CAUDROPN3GD / vsum(sum(Sector_Carrier,MCTOSUCC3GD),  
sum(Sector_Carrier,MCTTSUCC3GD), sum(Sector_Carrier,MCTHSUCC3GD),0))
```

pNtwk3GV

Percentage of 3G Voice calls dropped to non-RF reasons

Calculation

```
(100.0 * CAUDROPN3GV /vsum(sum(Sector_Carrier,MCTOSUCC3GV),  
sum(Sector_Carrier,MCTTSUCC3GV), sum(Sector_Carrier,MCTHSUCC3GV),0))
```

pRF

Percentage of calls dropped due to RF-related call failure reasons

Calculation

```
(100.0 * CAUDROPR / vsum(sum(Sector_Carrier,MCTOSUCC),  
sum(Sector_Carrier,MCTTSUCC), sum(Sector_Carrier,MCTHSUCC),0))
```

pRF3GD

Percentage of 3G Data calls dropped due to RF-related call failure reasons

Calculation

$$(100.0 * \text{CAUDROPR3GD} / \text{vsum}(\text{sum}(\text{Sector_Carrier}, \text{MCTOSUCC3GD}), \text{sum}(\text{Sector_Carrier}, \text{MCTTSUCC3GD}), \text{sum}(\text{Sector_Carrier}, \text{MCTHSUCC3GD}), 0))$$

pRF3GV

Percentage of 3G Voice calls dropped due to RF-related call failure reasons

Calculation

$$(100.0 * \text{CAUDROPR3GV} / \text{vsum}(\text{sum}(\text{Sector_Carrier}, \text{MCTOSUCC3GV}), \text{sum}(\text{Sector_Carrier}, \text{MCTTSUCC3GV}), \text{sum}(\text{Sector_Carrier}, \text{MCTHSUCC3GV}), 0))$$

pScreenCalls

Percentage of call setups interrupted due to unauthenticated mobile or mobile initiated release or land-side release

Calculation

$$(100.0 * \text{ScreenCalls} / \text{vsum}(\text{CAUOATTS}, \text{CAUPGRES}, \text{CAUHATTS}, 0))$$

pScreenCalls3GD

Percentage of 3G Data call setups interrupted due to unauthenticated mobile or mobile initiated release or land-side release

Calculation

$$(100.0 * \text{ScreenCalls3GD} / \text{vsum}(\text{CAUOATTS3GD}, \text{CAUPGRES3GD}, \text{CAUHATTS3GD}, 0))$$

pScreenCalls3GV

Percentage of 3G Voice call setups interrupted due to unauthenticated mobile or mobile initiated release or land-side release

Calculation

$$(100.0 * \text{ScreenCalls3GV} / \text{vsum}(\text{CAUOATTS3GV}, \text{CAUPGRES3GV}, \text{CAUHATTS3GV}, 0))$$

pSysReqDtoA_HandoffDrops

Percent calls dropped during system requested Digital to Analog handoffs

Calculation

$$(100.0 * (\text{DAHOATTS} - \text{DAHOCOMP}) / \text{DAHOATTS})$$

pTimeOut

MCTA frequency resource allocation failure percentage due to time-outs

Calculation

```
(100.0 * TimeOut / vsum(aggr(Sector_Carrier,MCTORIGS),  
aggr(Sector_Carrier,MCTPGRES), CAUHATTS,0))
```

pTimeOut_fq

MCTA frequency resource allocation failure percentage by carrier due to time-outs

Calculation

```
(100.0 * TimeOut_fq / vsum(aggr(Sector_Carrier,MCTORIGS),  
aggr(Sector_Carrier,MCTPGRES), CAUHATTS,0))
```

pTimeOut_fq3GD

3G Data MCTA frequency resource allocation failure percentage by carrier due to time-outs

Calculation

```
(100.0 * TimeOut_fq3GD / vsum(aggr(Sector_Carrier,MCTORIGS3GD),  
aggr(Sector_Carrier,MCTPGRES3GD), CAUHATTS3GD,0))
```

pTimeOut_fq3GV

3G Voice MCTA frequency resource allocation failure percentage by carrier due to time-outs

Calculation

```
(100.0 * TimeOut_fq3GV / vsum(aggr(Sector_Carrier,MCTORIGS3GV),  
aggr(Sector_Carrier,MCTPGRES3GV), CAUHATTS3GV,0))
```

pTimeOut3GD

3G Data MCTA frequency resource allocation failure percentage due to time-outs

Calculation

```
(100.0 * TimeOut3GD / vsum(aggr(Sector_Carrier,MCTORIGS3GD),  
aggr(Sector_Carrier,MCTPGRES3GD), CAUHATTS3GD,0))
```

pTimeOut3GV

3G Voice MCTA frequency resource allocation failure percentage due to time-outs

Calculation

```
(100.0 * TimeOut3GV / vsum(aggr(Sector_Carrier,MCTORIGS3GV),  
aggr(Sector_Carrier,MCTPGRES3GV), CAUHATTS3GV,0))
```

pTotalBlocks

Total call setup failure percentage due to resource shortage on originations and terminations and hard handoffs

Calculation

$(100.0 * \text{TotalBlocks} / \text{vsum}(\text{CAUOATTS}, \text{CAUPGRES}, \text{CAUHATTS}, 0))$

pTotalBlocks3GD

Total 3G Data call setup failure percentage due to resource shortage on originations and terminations and hard handoffs

Calculation

$(100.0 * \text{TotalBlocks3GD} / \text{vsum}(\text{CAUOATTS3GD}, \text{CAUPGRES3GD}, \text{CAUHATTS3GD}, 0))$

pTotalBlocks3GV

Total 3G Voice call setup failure percentage due to resource shortage on originations and terminations and hard handoffs

Calculation

$(100.0 * \text{TotalBlocks3GV} / \text{vsum}(\text{CAUOATTS3GV}, \text{CAUPGRES3GV}, \text{CAUHATTS3GV}, 0))$

ScreenCalls

Call setup interrupted due to unauthenticated mobile or mobile initiated release or land-side release

Calculation

$(\text{vsum}(\text{CAUORLS}, \text{CAUTRLS}, \text{CAUHRLS}, \text{CAUORODR}, 0))$

ScreenCalls3GD

3G Data Call setup interrupted due to unauthenticated mobile or mobile initiated release or land-side release

Calculation

$(\text{vsum}(\text{CAUORLS3GD}, \text{CAUTRLS3GD}, \text{CAUHRLS3GD}, \text{CAUORODR3GD}, 0))$

ScreenCalls3GV

3G Voice Call setup interrupted due to unauthenticated mobile or mobile initiated release or land-side release

Calculation

$(\text{vsum}(\text{CAUORLS3GV}, \text{CAUTRLS3GV}, \text{CAUHRLS3GV}, \text{CAUORODR3GV}, 0))$

SLNTRT2G

Silent Retry 2G

Calculation

$vsum(SLNTRT2G_MTX12, SLNTRT2G_MTX13, 0)$

SLNTRT3D

Silent Retry 3G Data

Calculation

$vsum(SLNTRT3D_MTX12, SLNTRT3D_MTX13, 0)$

SLNTRT3V

Silent Retry 3G Voice

Calculation

$vsum(SLNTRT3V_MTX12, SLNTRT3V_MTX13, 0)$

SLNTRTAF

Alternate peg name for SILNTRT2

Calculation

$vsum(SILNTRT2, SLNTRTAF_MTX13, 0)$

SRTDBO2G

Double Origination 2G

Calculation

$vsum(SRTDBO2G_MTX12, SRTDBO2G_MTX13, 0)$

SRTDBO3D

Double Origination 3G Data

Calculation

$vsum(SRTDBO3D_MTX12, SRTDBO3D_MTX13, 0)$

SRTDBO3V

Double Origination 3G Voice

Calculation

$vsum(SRTDBO3V_MTX12, SRTDBO3V_MTX13, 0)$

SRTDBORG

Alternate peg name for SILENTRT

Calculation

`vsum(SILENTRT, SRTDBORG_MTX13, 0)`

SysReqDtoA_HandoffDrops

Calls dropped during system requested Digital to Analog handoffs

Calculation

`(DAHOATTS - DAHOCOMP)`

TimeOut

MCTA frequency resource allocation failures due to time-outs

Calculation

`(vsum(MCTAREQF, MCTAHRQF, 0) - vsum(MCTALLFU, aggr(Sector_Carrier, MCTARQFN), 0))`

TimeOut_fq

MCTA frequency resource allocation failures by carrier due to time-outs

Calculation

`(aggr(Sector_Carrier, MCTAREQT))`

TimeOut_fq3GD

3G Data MCTA frequency resource allocation failures by carrier due to time-outs

Calculation

`(aggr(Sector_Carrier, MCTAREQT3GD))`

TimeOut_fq3GV

3G Voice MCTA frequency resource allocation failures by carrier due to time-outs

Calculation

`(aggr(Sector_Carrier, MCTAREQT3GV))`

TimeOut3GD

3G Data MCTA frequency resource allocation failures due to time-outs

Calculation

$(\text{vsum}(\text{MCTAREQF3GD}, \text{MCTAHRQF3GD}, 0) - \text{vsum}(\text{MCTALLFU3GD}, \text{aggr}(\text{Sector_Carrier}, \text{MCTARQFN3GD}), 0))$

TimeOut3GV

3G Voice MCTA frequency resource allocation failures due to time-outs

Calculation

$(\text{vsum}(\text{MCTAREQF3GV}, \text{MCTAHRQF3GV}, 0) - \text{vsum}(\text{MCTALLFU3GV}, \text{aggr}(\text{Sector_Carrier}, \text{MCTARQFN3GV}), 0))$

TotalBlocks

Total call setup failures due to resource shortage on originations and terminations and hard handoffs

Calculation

$(\text{vsum}(\text{CAUOBLKS}, \text{CAUTBLKS}, \text{CAUHBLKS}, 0))$

TotalBlocks3GD

Total 3G Data call setup failures due to resource shortage on originations and terminations and hard handoffs

Calculation

$(\text{vsum}(\text{CAUOBLKS3GD}, \text{CAUTBLKS3GD}, \text{CAUHBLKS3GD}, 0))$

TotalBlocks3GV

Total 3G Voice call setup failures due to resource shortage on originations and terminations and hard handoffs

Calculation

$(\text{vsum}(\text{CAUOBLKS3GV}, \text{CAUTBLKS3GV}, \text{CAUHBLKS3GV}, 0))$

Cell_Sector Peg Counts

The following is a list of peg counts for the Cell_Sector entity.

ABOVETH

Pegs when a Loc channel Rcvr response msg is Rcvd from the serving subcell

Data Source

MTX OM, SDM

Source Field

ABOVETH

Source Section

OMMTXHO

ADHOFF

Pegs when an analog-to-digital Ho has been Comp against the target subcell

Data Source

MTX OM, SDM

Source Field

ADHOFF

Source Section

OMMTXHO

AHRLPFL

Pegs RLP failures for packet data calls during active handoff.

Data Source

MTX OM, SDM

Source Field

AHRLPFL

Source Section

MTXPDSCT

ARGPTOAA

This partition-based register counts the Num of ACCH registrations for mobiles

Data Source

MTX OM, SDM

Source Field

ARGPTOAA

Source Section

OMMTX2

AUTHSMSF

Authentication on SMS Originations Failures

Data Source

MTX OM, SDM

Source Field

AUTHSMSF

Source Section

OMMTX3

AUTHSMSO

Authentication on SMS Originations attempts

Data Source

MTX OM, SDM

Source Field

AUTHSMSO

Source Section

OMMTX3

AUTHSMSS

Authentication on SMS Originations Successes

Data Source

MTX OM, SDM

Source Field

AUTHSMSS

Source Section

OMMTX3

BAMEDLOT

Counts the number of BAM Error Drop Loss of Traffic Failures

Data Source

MTX OM, SDM

Source Field

BAMEDLOT

Source Section

BAMCPSCT

BAMERLFL

Counts the number of BAM Error Radio Link Failure

Data Source

MTX OM, SDM

Source Field

BAMERLFL

Source Section

BAMCPSCT

BAMOATTS

Counts the number of BAM Origination Attempts

Data Source

MTX OM, SDM

Source Field

BAMOATTS

Source Section

BAMCPSCT

BAMOSUCC

Counts the number of BAM Origination Success

Data Source

MTX OM, SDM

Source Field

BAMOSUCC

Source Section

BAMCPSCT

BAMPGRES

Counts the number of BAM Page Response

Data Source

MTX OM, SDM

Source Field

BAMPGRES

Source Section

BAMCPSCT

BAMTSUCC

Counts the number of BAM Termination Success

Data Source

MTX OM, SDM

Source Field

BAMTSUCC

Source Section

BAMCPSCT

BAMWPSRT

Counts the number of BAM Wireless Priority Service ReTry attempts

Data Source

MTX OM, SDM

Source Field

BAMWPSRT

Source Section

BAMCPSCT

BORANCPG

Pegs on the border system for the anchor cell used to determine the zone to page

Data Source

MTX OM, SDM

Source Field

BORANCPG

Source Section

OMMTX3

BORPGRES

Pegs on the border system when a page response is received from this sector

Data Source

MTX OM, SDM

Source Field

BORPGRES

Source Section

OMMTX3

BORPGRQ1

Border cell 1st page requests

Data Source

MTX OM, SDM

Source Field

BORPGRQ1

Source Section

OMMTX3

BORPGRQ2

Border cell 2nd page requests

Data Source

MTX OM, SDM

Source Field

BORPGRQ2

Source Section

OMMTX3

BORPGRQ3

Border cell 3rd page requests

Data Source

MTX OM, SDM

Source Field

BORPGRQ3

Source Section

OMMTX3

BORPGRS1

Border cell 1st page responses

Data Source

MTX OM, SDM

Source Field

BORPGRS1

Source Section

OMMTX3

BORPGRS2

Border cell 2nd page responses

Data Source

MTX OM, SDM

Source Field

BORPGRS2

Source Section

OMMTX3

BORPGRS3

Border cell 3rd page responses

Data Source

MTX OM, SDM

Source Field

BORPGRS3

Source Section

OMMTX3

CALLOVER

CALLOVER

Data Source

MTX OM, SDM

Source Field

CALLOVER

Source Section

OMMTXHO

CAUAHATT

Records when all Access Ho criteria have been satisfied

Data Source

MTX OM, SDM

Source Field

CAUAHATT

Source Section

CAUARSCT

CAUAHFL

Records when criteria for the CAUAHATT are met and CAU doesn't receive a msg from BSC

Data Source

MTX OM, SDM

Source Field

CAUAHFL

Source Section

CAUARSCT

CAUAHRLS

CAU Access Handoff ReLeaSe.

Data Source

MTX OM, SDM

Source Field

CAUAHRLS

Source Section

CAUARSCT

CAUAHSUC

Records CAU msg from the BSC indicating that the mobile has moved to a Tch

Data Source

MTX OM, SDM

Source Field

CAUAHSUC

Source Section

CAUARSCT

CAUCHATT

Pegged for the Orgn sector when all Ch Ass into Soft Ho criteria have been satisfied

Data Source

MTX OM, SDM

Source Field

CAUCHATT

Source Section

CAUARSCT

CAUCHFL

Records when the CAU does not receive a msg from the BSC to indicate that the mobile has moved to a Tch

Data Source

MTX OM, SDM

Source Field

CAUCHFL

Source Section

CAUARSCT

CAUCHRLS

CAU CHannel assignment into soft handoff ReLeaSe.

Data Source

MTX OM, SDM

Source Field

CAUCHRLS

Source Section

CAUARST

CAUCHSUC

Pegged for the Orgn sector when all criteria for the CAUCHATT OM have been met

Data Source

MTX OM, SDM

Source Field

CAUCHSUC

Source Section

CAUARST

CAUCPS023GD

CAUCPS023GD

Data Source

MTX OM, SDM

Source Field

CAUCPS02

Source Section

CAUSCT3D

CAUCPS023GD_MTXom30

3GD CAUCPS023GD

Data Source

MTX OM

Source Field

CAUCPS023GD_MTXom30

Source Section

CAUSCT3D_MTXom30

CAUCPS023GV

CAUCPS023GV

Data Source

MTX OM, SDM

Source Field

CAUCPS02

Source Section

CAUSCT3V

CAUCPS023GV_MTXom30

3GV CAUCPS023GV

Data Source

MTX OM

Source Field

CAUCPS023GV_MTXom30

Source Section

CAUSCT3V_MTXom30

CAUDROPN

Pegs when a call is Drp due to a failure in the network

Data Source

MTX OM, SDM

Source Field

CAUDROPN

Source Section

CAUCPSCT

CAUDROPN_MTXom30

Pegs when a call is Drp due to a failure in the network

Data Source

MTX OM

Source Field

CAUDROPN_MTXom30

Source Section

CAUCPSCT_MTXom30

CAUDROPN3GD

3GD Pegs when a call is dropped due to a failure in the network.

Data Source

MTX OM, SDM

Source Field

CAUDROPN

Source Section

CAUSCT3D

CAUDROPN3GD_MTXom30

3GD Pegs when a call is dropped due to a failure in the network.

Data Source

MTX OM

Source Field

CAUDROPN3GD_MTXom30

Source Section

CAUSCT3D_MTXom30

CAUDROPN3GV

3GV Pegs when a call is dropped due to a failure in the Network.

Data Source

MTX OM, SDM

Source Field

CAUDROPN

Source Section

CAUSCT3V

CAUDROPN3GV_MTXom30

3GV Pegs when a call is dropped due to a failure in the Network.

Data Source

MTX OM

Source Field

CAUDROPN3GV_MTXom30

Source Section

CAUSCT3V_MTXom30

CAUDROPR

Pegs when a call is Drp due to poor RF link

Data Source

MTX OM, SDM

Source Field

CAUDROPR

Source Section

CAUCPSCT

CAUDROPR_MTXom30

Pegs when a call is Drp due to poor RF link

Data Source

MTX OM

Source Field

CAUDROPR_MTXom30

Source Section

CAUCPSCT_MTXom30

CAUDROPR3GD

3GD Pegs when a call is dropped due to poor RF link.

Data Source

MTX OM, SDM

Source Field

CAUDROPR

Source Section

CAUSCT3D

CAUDROPR3GD_MTXom30

3GD Pegs when a call is dropped due to poor RF link.

Data Source

MTX OM

Source Field

CAUDROPR3GD_MTXom30

Source Section

CAUSCT3D_MTXom30

CAUDROPR3GV

3GV Pegs when a call is dropped due to poor RF link.

Data Source

MTX OM, SDM

Source Field

CAUDROPR

Source Section

CAUSCT3V

CAUDROPR3GV_MTXom30

3GV Pegs when a call is dropped due to poor RF link.

Data Source

MTX OM

Source Field

CAUDROPR3GV_MTXom30

Source Section

CAUSCT3V_MTXom30

CAUEDLOT

Pegs when an access failure occurs due to the loss of the Tch

Data Source

MTX OM, SDM

Source Field

CAUEDLOT

Source Section

CAUCPSCT

CAUEDLOT_MTXom30

Pegs when an access failure occurs due to the loss of the Tch

Data Source

MTX OM

Source Field

CAUEDLOT_MTXom30

Source Section

CAUCPSCT_MTXom30

CAUEDLOT3GD

3GD Pegs when an access failure occurs due to the loss of the traffic channel.

Data Source

MTX OM, SDM

Source Field

CAUEDLOT

Source Section

CAUSCT3D

CAUEDLOT3GD_MTXom30

3GD Pegs when an access failure occurs due to the loss of the traffic channel.

Data Source

MTX OM

Source Field

CAUEDLOT3GD_MTXom30

Source Section

CAUSCT3D_MTXom30

CAUEDLOT3GV

3GV Pegs when an access failure occurs due to the loss of the traffic channel.

Data Source

MTX OM, SDM

Source Field

CAUEDLOT

Source Section

CAUSCT3V

CAUEDLOT3GV_MTXom30

3GV Pegs when an access failure occurs due to the loss of the traffic channel.

Data Source

MTX OM

Source Field

CAUEDLOT3GV_MTXom30

Source Section

CAUSCT3V_MTXom30

CAUERLFL

Pegs when a CDMA RF link cannot be established with the mobile for origination or termination

Data Source

MTX OM, SDM

Source Field

CAUERLFL

Source Section

CAUCPSCT

CAUERLFL_MTXom30

Pegs when a CDMA RF link cannot be established with the mobile for origination or termination

Data Source

MTX OM

Source Field

CAUERLFL_MTXom30

Source Section

CAUCPSCT_MTXom30

CAUERLFL3GD

3GD Pegs when a CDMA RF link cannot be established with the mobile for origination or termination.

Data Source

MTX OM, SDM

Source Field

CAUERLFL

Source Section

CAUSCT3D

CAUERLFL3GD_MTXom30

3GD Pegs when a CDMA RF link cannot be established with the mobile for origination or termination.

Data Source

MTX OM

Source Field

CAUERLFL3GD_MTXom30

Source Section

CAUSCT3D_MTXom30

CAUERLFL3GV

3GV Pegs when CDMA RF link cannot be established with the mobile for origination or termination.

Data Source

MTX OM, SDM

Source Field

CAUERLFL

Source Section

CAUSCT3V

CAUERLFL3GV_MTXom30

3GV Pegs when CDMA RF link cannot be established with the mobile for origination or termination.

Data Source

MTX OM

Source Field

CAUERLFL3GV_MTXom30

Source Section

CAUSCT3V_MTXom30

CAUERSFL

Pegs when the call cannot be Comp due to a fail or shortage of radio link resources

Data Source

MTX OM, SDM

Source Field

CAUERSFL

Source Section

CAUCPSCT

CAUERSFL_MTXom30

Pegs when the call cannot be Comp due to a fail or shortage of radio link resources

Data Source

MTX OM

Source Field

CAUERSFL_MTXom30

Source Section

CAUCPSCT_MTXom30

CAUERSFL3GD

3GD Pegs when the call cannot be completed due to a failure or shortage of radio link resources (at the BTS).

Data Source

MTX OM, SDM

Source Field

CAUERSFL

Source Section

CAUSCT3D

CAUERSFL3GD_MTXom30

3GD Pegs when the call cannot be completed due to a failure or shortage of radio link resources (at the BTS).

Data Source

MTX OM

Source Field

CAUERSFL3GD_MTXom30

Source Section

CAUSCT3D_MTXom30

CAUERSFL3GV

3GV Pegs when the call cannot be completed due to a failure or shortage of radio link resources (at the BTS).

Data Source

MTX OM, SDM

Source Field

CAUERSFL

Source Section

CAUSCT3V

CAUERSFL3GV_MTXom30

3GV Pegs when the call cannot be completed due to a failure or shortage of radio link resources (at the BTS).

Data Source

MTX OM

Source Field

CAUERSFL3GV_MTXom30

Source Section

CAUSCT3V_MTXom30

CAUESWFL

Pegs when a software error occurs

Data Source

MTX OM, SDM

Source Field

CAUESWFL

Source Section

CAUCPSCT

CAUESWFL_MTXom30

Pegs when a software error occurs

Data Source

MTX OM

Source Field

CAUESWFL_MTXom30

Source Section

CAUCPSCT_MTXom30

CAUESWFL3GD

3GD Pegs when a software error occurs.

Data Source

MTX OM, SDM

Source Field

CAUESWFL

Source Section

CAUSCT3D

CAUESWFL3GD_MTXom30

3GD Pegs when a software error occurs.

Data Source

MTX OM

Source Field

CAUESWFL3GD_MTXom30

Source Section

CAUSCT3D_MTXom30

CAUESWFL3GV

3GV Pegs when a software error occurs.

Data Source

MTX OM, SDM

Source Field

CAUESWFL

Source Section

CAUSCT3V

CAUESWFL3GV_MTXom30

3GV Pegs when a software error occurs.

Data Source

MTX OM

Source Field

CAUESWFL3GV_MTXom30

Source Section

CAUSCT3V_MTXom30

CAUFWCAP

Pegs when the BTS reports that forward capacity is full

Data Source

MTX OM, SDM

Source Field

CAUFWCAP

Source Section

CAUCPSCT

CAUFWCAP_MTXom30

Pegs when the BTS reports that forward capacity is full

Data Source

MTX OM

Source Field

CAUFWCAP_MTXom30

Source Section

CAUCPSCT_MTXom30

CAUFWCAP3GD

3GD Pegs when BTS reports (through NOIS messages) that forward capacity is full.

Data Source

MTX OM, SDM

Source Field

CAUFWCAP

Source Section

CAUSCT3D

CAUFWCAP3GD_MTXom30

3GD Pegs when BTS reports (through NOIS messages) that forward capacity is full.

Data Source

MTX OM

Source Field

CAUFWCAP3GD_MTXom30

Source Section

CAUSCT3D_MTXom30

CAUFWCAP3GV

3GV Pegs when the BTS reports (through NOIS Messages) that forward capacity is full.

Data Source

MTX OM, SDM

Source Field

CAUFWCAP

Source Section

CAUSCT3V

CAUFWCAP3GV_MTXom30

3GV Pegs when the BTS reports (through NOIS Messages) that forward capacity is full.

Data Source

MTX OM

Source Field

CAUFWCAP3GV_MTXom30

Source Section

CAUSCT3V_MTXom30

CAUHATTS

CM Req the peripheral to prepare a cell for hard handoff

Data Source

MTX OM, SDM

Source Field

CAUHATTS

Source Section

CAUCPSCT

CAUHATTS_MTXom30

CM Req the peripheral to prepare a cell for hard handoff

Data Source

MTX OM

Source Field

CAUHATTS_MTXom30

Source Section

CAUCPSCT_MTXom30

CAUHATTS3GD

3GD Pegs when the CM requests the peripheral to prepare a cell for hard handoff.

Data Source

MTX OM, SDM

Source Field

CAUHATTS

Source Section

CAUSCT3D

CAUHATTS3GD_MTXom30

3GD Pegs when the CM requests the peripheral to prepare a cell for hard handoff.

Data Source

MTX OM

Source Field

CAUHATTS3GD_MTXom30

Source Section

CAUSCT3D_MTXom30

CAUHATTS3GV

3GV Pegs when the CM requests the peripheral to Prepare a cell for hard handoff.

Data Source

MTX OM, SDM

Source Field

CAUHATTS

Source Section

CAUSCT3V

CAUHATTS3GV_MTXom30

3GV Pegs when the CM requests the peripheral to Prepare a cell for hard handoff.

Data Source

MTX OM

Source Field

CAUHATTS3GV_MTXom30

Source Section

CAUSCT3V_MTXom30

CAUHBLKS

CPN fails to allocate resources for a hard handoff on the target CPN

Data Source

MTX OM, SDM

Source Field

CAUHBLKS

Source Section

CAUCPSCT

CAUHBLKS_MTXom30

CPN fails to allocate resources for a hard handoff on the target CPN

Data Source

MTX OM

Source Field

CAUHBLKS_MTXom30

Source Section

CAUCPSCT_MTXom30

CAUHBLKS3GD

3GD Pegs when a CPN fails to allocate resources for a hard handoff on the target CPN.

Data Source

MTX OM, SDM

Source Field

CAUHBLKS

Source Section

CAUSCT3D

CAUHBLKS3GD_MTXom30

3GD Pegs when a CPN fails to allocate resources for a hard handoff on the target CPN.

Data Source

MTX OM

Source Field

CAUHBLKS3GD_MTXom30

Source Section

CAUSCT3D_MTXom30

CAUHBLKS3GV

3GV Pegs when a CPN fails to allocate resources for a hard handoff on the target CPN.

Data Source

MTX OM, SDM

Source Field

CAUHBLKS

Source Section

CAUSCT3V

CAUHBLKS3GV_MTXom30

3GV Pegs when a CPN fails to allocate resources for a hard handoff on the target CPN.

Data Source

MTX OM

Source Field

CAUHBLKS3GV_MTXom30

Source Section

CAUSCT3V_MTXom30

CAUHINIT

Pegs against the first target sector in the target list in which resources are setup successfully for a hard handoff attempt.

Data Source

MTX OM, SDM

Source Field

CAUHINIT

Source Section

CAUCPSCT

CAUHINIT3GD

3GD Pegs against the first target sector in the target list in which resources are setup successfully for a hard handoff attempt.

Data Source

MTX OM, SDM

Source Field

CAUHINIT

Source Section

CAUSCT3D

CAUHINIT3GV

3GV Pegs against the first target sector in the target list in which resources are setup successfully for a hard handoff attempt.

Data Source

MTX OM, SDM

Source Field

CAUHINIT

Source Section

CAUSCT3V

CAUHRLFL

Mobile fails to move from old channel to new target channel during a hard Ho

Data Source

MTX OM, SDM

Source Field

CAUHRLFL

Source Section

CAUCPSCT

CAUHRLFL_MTXom30

Mobile fails to move from old channel to new target channel during a hard Ho

Data Source

MTX OM

Source Field

CAUHRLFL_MTXom30

Source Section

CAUCPSCT_MTXom30

CAUHRLFL3GD

3GD Pegs when the mobile fails to move from the old channel to the new target channel during a hard handoff.

Data Source

MTX OM, SDM

Source Field

CAUHRLFL

Source Section

CAUSCT3D

CAUHRLFL3GD_MTXom30

3GD Pegs when the mobile fails to move from the old channel to the new target channel during a hard handoff.

Data Source

MTX OM

Source Field

CAUHRLFL3GD_MTXom30

Source Section

CAUSCT3D_MTXom30

CAUHRLFL3GV

3GV Pegs when the mobile fails to move from the old Channel to the new target channel during a hard Handoff.

Data Source

MTX OM, SDM

Source Field

CAUHRLFL

Source Section

CAUSCT3V

CAUHRLFL3GV_MTXom30

3GV Pegs when the mobile fails to move from the old Channel to the new target channel during a hard Handoff.

Data Source

MTX OM

Source Field

CAUHRLFL3GV_MTXom30

Source Section

CAUSCT3V_MTXom30

CAUHRLS

User hangs up while the mobile is handing off via hard handoff

Data Source

MTX OM, SDM

Source Field

CAUHRLS

Source Section

CAUCPSCT

CAUHRLS_MTXom30

User hangs up while the mobile is handing off via hard handoff

Data Source

MTX OM

Source Field

CAUHRLS_MTXom30

Source Section

CAUCPSCT_MTXom30

CAUHRLS3GD

3GD Pegs when the user hangs up while the mobile is handing off via hard handoff.

Data Source

MTX OM, SDM

Source Field

CAUHRLS

Source Section

CAUSCT3D

CAUHRLS3GD_MTXom30

3GD Pegs when the user hangs up while the mobile is handing off via hard handoff.

Data Source

MTX OM

Source Field

CAUHRLS3GD_MTXom30

Source Section

CAUSCT3D_MTXom30

CAUHRLS3GV

3GV Pegs when the user hangs up while the mobile is Handing off via hard handoff.

Data Source

MTX OM, SDM

Source Field

CAUHRLS

Source Section

CAUSCT3V

CAUHRLS3GV_MTXom30

3GV Pegs when the user hangs up while the mobile is Handing off via hard handoff.

Data Source

MTX OM

Source Field

CAUHRLS3GV_MTXom30

Source Section

CAUSCT3V_MTXom30

CAUHSUCC

Target SBS detects that the mobile is on the new channel following hard handoff

Data Source

MTX OM, SDM

Source Field

CAUHSUCC

Source Section

CAUCPSCT

CAUHSUCC_MTXom30

Target SBS detects that the mobile is on the new channel following hard handoff

Data Source

MTX OM

Source Field

CAUHSUCC_MTXom30

Source Section

CAUCPSCT_MTXom30

CAUHSUCC3GD

3GD Pegs after the target SBS detects that the mobile is on the new channel following hard handoff.

Data Source

MTX OM, SDM

Source Field

CAUHSUCC

Source Section

CAUSCT3D

CAUHSUCC3GD_MTXom30

3GD Pegs after the target SBS detects that the mobile is on the new channel following hard handoff.

Data Source

MTX OM

Source Field

CAUHSUCC3GD_MTXom30

Source Section

CAUSCT3D_MTXom30

CAUHSUCC3GV

3GV Pegs after the target SBS detects that the mobile is on the new channel following hard handoff.

Data Source

MTX OM, SDM

Source Field

CAUHSUCC

Source Section

CAUSCT3V

CAUHSUCC3GV_MTXom30

3GV Pegs after the target SBS detects that the mobile is on the new channel following hard handoff.

Data Source

MTX OM

Source Field

CAUHSUCC3GV_MTXom30

Source Section

CAUSCT3V_MTXom30

CAUNOFOF

Pegs when a BTS resource allocation fails due to the No Frame Offset reason during a 3G Data call

Data Source

MTX OM, SDM

Source Field

CAUNOFOF

Source Section

CAUCPSCT

CAUNOFOF_MTXom30

Pegs when a BTS resource allocation fails due to the No Frame Offset reason during a 3G Data call

Data Source

MTX OM

Source Field

CAUNOFOF_MTXom30

Source Section

CAUCPSCT_MTXom30

CAUNOFOF3GD

3GD Pegs when a BTS Resource Allocation fails due to the No Frame Offset reason occur during a 3G data call.

Data Source

MTX OM, SDM

Source Field

CAUNOFOF

Source Section

CAUSCT3D

CAUNOFOF3GD_MTXom30

3GD Pegs when a BTS Resource Allocation fails due to the No Frame Offset reason occur during a 3G data call.

Data Source

MTX OM

Source Field

CAUNOFOF3GD_MTXom30

Source Section

CAUSCT3D_MTXom30

CAUNOFOF3GV

3GV Pegs when a BTS Resource Allocation fails due to the No Frame Offset reason occur during a 3G data call.

Data Source

MTX OM, SDM

Source Field

CAUNOFOF

Source Section

CAUSCT3V

CAUNOFOF3GV_MTXom30

3GV Pegs when a BTS Resource Allocation fails due to the No Frame Offset reason occur during a 3G data call.

Data Source

MTX OM

Source Field

CAUNOFOF3GV_MTXom30

Source Section

CAUSCT3V_MTXom30

CAUNOTCE

Pegs when the BTS reports that there is no Tch element

Data Source

MTX OM, SDM

Source Field

CAUNOTCE

Source Section

CAUCPSCT

CAUNOTCE_MTXom30

Pegs when the BTS reports that there is no Tch element

Data Source

MTX OM

Source Field

CAUNOTCE_MTXom30

Source Section

CAUCPSCT_MTXom30

CAUNOTCE3GD

3GD Pegs when BTS reports (through NOIS messages) that there is no traffic channel element.

Data Source

MTX OM, SDM

Source Field

CAUNOTCE

Source Section

CAUSCT3D

CAUNOTCE3GD_MTXom30

3GD Pegs when BTS reports (through NOIS messages) that there is no traffic channel element.

Data Source

MTX OM

Source Field

CAUNOTCE3GD_MTXom30

Source Section

CAUSCT3D_MTXom30

CAUNOTCE3GV

3GV Pegs when BTS reports (through NOIS messages) that there is no traffic channel element.

Data Source

MTX OM, SDM

Source Field

CAUNOTCE

Source Section

CAUSCT3V

CAUNOTCE3GV_MTXom30

3GV Pegs when BTS reports (through NOIS messages) that there is no traffic channel element.

Data Source

MTX OM

Source Field

CAUNOTCE3GV_MTXom30

Source Section

CAUSCT3V_MTXom30

CAUNOWCD

Pegs when the BTS reports that no Walsh code is available

Data Source

MTX OM, SDM

Source Field

CAUNOWCD

Source Section

CAUCPSCT

CAUNOWCD_MTXom30

Pegs when the BTS reports that no Walsh code is available

Data Source

MTX OM

Source Field

CAUNOWCD_MTXom30

Source Section

CAUCPSCT_MTXom30

CAUNOWCD3GD

3GD Pegs when BTS reports (through NOIS messages) that no Walsh code is available.

Data Source

MTX OM, SDM

Source Field

CAUNOWCD

Source Section

CAUSCT3D

CAUNOWCD3GD_MTXom30

3GD Pegs when BTS reports (through NOIS messages) that no Walsh code is available.

Data Source

MTX OM

Source Field

CAUNOWCD3GD_MTXom30

Source Section

CAUSCT3D_MTXom30

CAUNOWCD3GV

3GV Pegs when the BTS reports (through NOIS Messages) that no Walsh code is available.

Data Source

MTX OM, SDM

Source Field

CAUNOWCD

Source Section

CAUSCT3V

CAUNOWCD3GV_MTXom30

3GV Pegs when the BTS reports (through NOIS Messages) that no Walsh code is available.

Data Source

MTX OM

Source Field

CAUNOWCD3GV_MTXom30

Source Section

CAUSCT3V_MTXom30

CAUOATTS

Pegs when the CPN receives an Org msg from a mobile from the current sector

Data Source

MTX OM, SDM

Source Field

CAUOATTS

Source Section

CAUCPSCT

CAUOATTS_MTXom30

Pegs when the CPN receives an Org msg from a mobile from the current sector

Data Source

MTX OM

Source Field

CAUOATTS_MTXom30

Source Section

CAUCPSCT_MTXom30

CAUOATTS3GD

3GD Pegs when the CPN receives an origination message from a mobile from the current sector.

Data Source

MTX OM, SDM

Source Field

CAUOATTS

Source Section

CAUSCT3D

CAUOATTS3GD_MTXom30

3GD Pegs when the CPN receives an origination message from a mobile from the current sector.

Data Source

MTX OM

Source Field

CAUOATTS3GD_MTXom30

Source Section

CAUSCT3D_MTXom30

CAUOATTS3GV

3GV Pegs when the CPN receives an origination Message from a mobile from the current sector.

Data Source

MTX OM, SDM

Source Field

CAUOATTS

Source Section

CAUSCT3V

CAUOATTS3GV_MTXom30

3GV Pegs when the CPN receives an origination Message from a mobile from the current sector.

Data Source

MTX OM

Source Field

CAUOATTS3GV_MTXom30

Source Section

CAUSCT3V_MTXom30

CAUOBLKS

Pegs when an origination is blkd due to resource shortages or messaging timeouts

Data Source

MTX OM, SDM

Source Field

CAUOBLKS

Source Section

CAUCPSCT

CAUOBLKS_MTXom30

Pegs when an origination is blkd due to resource shortages or messaging timeouts

Data Source

MTX OM

Source Field

CAUOBLKS_MTXom30

Source Section

CAUCPSCT_MTXom30

CAUOBLKS3GD

3GD Pegs when an origination is blocked due to resource shortages or messaging timeouts.

Data Source

MTX OM, SDM

Source Field

CAUOBLKS

Source Section

CAUSCT3D

CAUOBLKS3GD_MTXom30

3GD Pegs when an origination is blocked due to resource shortages or messaging timeouts.

Data Source

MTX OM

Source Field

CAUOBLKS3GD_MTXom30

Source Section

CAUSCT3D_MTXom30

CAUOBLKS3GV

3GV Pegs when an origination is blocked due to Resource shortages or messaging timeouts.

Data Source

MTX OM, SDM

Source Field

CAUOBLKS

Source Section

CAUSCT3V

CAUOBLKS3GV_MTXom30

3GV Pegs when an origination is blocked due to Resource shortages or messaging timeouts.

Data Source

MTX OM

Source Field

CAUOBLKS3GV_MTXom30

Source Section

CAUSCT3V_MTXom30

CAUORLS

Pegs on a sector basis when the mobile releases or the CM CP sends a call release msg to CAU

Data Source

MTX OM, SDM

Source Field

CAUORLS

Source Section

CAUCPSCT

CAUORLS_MTXom30

Pegs on a sector basis when the mobile releases or the CM CP sends a call release msg to CAU

Data Source

MTX OM

Source Field

CAUORLS_MTXom30

Source Section

CAUCPSCT_MTXom30

CAUORLS3GD

3GD Pegs on a sector basis when the mobile releases or the CM CP sends a call release message to CAU CP during call setup.

Data Source

MTX OM, SDM

Source Field

CAUORLS

Source Section

CAUSCT3D

CAUORLS3GD_MTXom30

3GD Pegs on a sector basis when the mobile releases or the CM CP sends a call release message to CAU CP during call setup.

Data Source

MTX OM

Source Field

CAUORLS3GD_MTXom30

Source Section

CAUSCT3D_MTXom30

CAUORLS3GV

3GV Pegs on a sector basis when the mobile releases or the CM CP sends a call release message to CAU CP during call setup.

Data Source

MTX OM, SDM

Source Field

CAUORLS

Source Section

CAUSCT3V

CAUORLS3GV_MTXom30

3GV Pegs on a sector basis when the mobile releases or the CM CP sends a call release message to CAU CP during call setup.

Data Source

MTX OM

Source Field

CAUORLS3GV_MTXom30

Source Section

CAUSCT3V_MTXom30

CAUORODR

Pegs when CM CP sends a mobile reorder or mobile intercept msg

Data Source

MTX OM, SDM

Source Field

CAUORODR

Source Section

CAUCPSCT

CAUORODR_MTXom30

Pegs when CM CP sends a mobile reorder or mobile intercept msg

Data Source

MTX OM

Source Field

CAUORODR_MTXom30

Source Section

CAUCPSCT_MTXom30

CAUORODR3GD

3GD Pegs when CM call processing sends mobile reorder/ intercept message to indicate invalid mobile to CPN on mobile origination.

Data Source

MTX OM, SDM

Source Field

CAUORODR

Source Section

CAUSCT3D

CAUORODR3GD_MTXom30

3GD Pegs when CM call processing sends mobile reorder/ intercept message to indicate invalid mobile to CPN on mobile origination.

Data Source

MTX OM

Source Field

CAUORODR3GD_MTXom30

Source Section

CAUSCT3D_MTXom30

CAUORODR3GV

3GV Pegs when CM call processing sends a mobile Reorder/intercept message to indicate invalid mobile to CPN on mobile origination.

Data Source

MTX OM, SDM

Source Field

CAUORODR

Source Section

CAUSCT3V

CAUORODR3GV_MTXom30

3GV Pegs when CM call processing sends a mobile Reorder/intercept message to indicate invalid mobile to CPN on mobile origination.

Data Source

MTX OM

Source Field

CAUORODR3GV_MTXom30

Source Section

CAUSCT3V_MTXom30

CAUOSUCC

Pegs when the SBS starts receiving data on the reverse Tch from the terminating mobile

Data Source

MTX OM, SDM

Source Field

CAUOSUCC

Source Section

CAUCPSCT

CAUOSUCC_MTXom30

Pegs when the SBS starts receiving data on the reverse Tch from the terminating mobile

Data Source

MTX OM

Source Field

CAUOSUCC_MTXom30

Source Section

CAUCPSCT_MTXom30

CAUOSUCC3GD

3GD Pegs when the SBS starts receiving data on the reverse traffic channel from the terminating mobile.

Data Source

MTX OM, SDM

Source Field

CAUOSUCC

Source Section

CAUSCT3D

CAUOSUCC3GD_MTXom30

3GD Pegs when the SBS starts receiving data on the reverse traffic channel from the terminating mobile.

Data Source

MTX OM

Source Field

CAUOSUCC3GD_MTXom30

Source Section

CAUSCT3D_MTXom30

CAUOSUCC3GV

3GV Pegs when the SBS starts receiving data on the Reverse traffic channel from the terminating mobile.

Data Source

MTX OM, SDM

Source Field

CAUOSUCC

Source Section

CAUSCT3V

CAUOSUCC3GV_MTXom30

3GV Pegs when the SBS starts receiving data on the Reverse traffic channel from the terminating mobile.

Data Source

MTX OM

Source Field

CAUOSUCC3GV_MTXom30

Source Section

CAUSCT3V_MTXom30

CAUPGRES

Pegs when the CPN receives a page response for the first page request from the current cell

Data Source

MTX OM, SDM

Source Field

CAUPGRES

Source Section

CAUCPSCT

CAUPGRES_MTXom30

Pegs when the CPN receives a page response for the first page request from the current cell

Data Source

MTX OM

Source Field

CAUPGRES_MTXom30

Source Section

CAUCPSCT_MTXom30

CAUPGRES3GD

3GD Pegs when the CPN receives a page response for the first page request from the current cell.

Data Source

MTX OM, SDM

Source Field

CAUPGRES

Source Section

CAUSCT3D

CAUPGRES3GD_MTXom30

3GD Pegs when the CPN receives a page response for the first page request from the current cell.

Data Source

MTX OM

Source Field

CAUPGRES3GD_MTXom30

Source Section

CAUSCT3D_MTXom30

CAUPGRES3GV

3GV Pegs when the CPN receives a page response for the first page request from the current cell.

Data Source

MTX OM, SDM

Source Field

CAUPGRES

Source Section

CAUSCT3V

CAUPGRES3GV_MTXom30

3GV Pegs when the CPN receives a page response for the first page request from the current cell.

Data Source

MTX OM

Source Field

CAUPGRES3GV_MTXom30

Source Section

CAUSCT3V_MTXom30

CAUPGRRS

Pegs when a mobile responds to the re-page within the page timeout value

Data Source

MTX OM, SDM

Source Field

CAUPGRRS

Source Section

CAUCPSCT

CAUPGRRS_MTXom30

Pegs when a mobile responds to the re-page within the page timeout value

Data Source

MTX OM

Source Field

CAUPGRRS_MTXom30

Source Section

CAUCPSCT_MTXom30

CAURECAP

Pegs when the BTS reports that the reverse capacity is full

Data Source

MTX OM, SDM

Source Field

CAURECAP

Source Section

CAUCPSCT

CAURECAP_MTXom30

Pegs when the BTS reports that the reverse capacity is full

Data Source

MTX OM

Source Field

CAURECAP_MTXom30

Source Section

CAUCPSCT_MTXom30

CAURECAP3GD

3GD Pegs when BTS reports (through NOIS messages) that reverse capacity is full.

Data Source

MTX OM, SDM

Source Field

CAURECAP

Source Section

CAUSCT3D

CAURECAP3GD_MTXom30

3GD Pegs when BTS reports (through NOIS messages) that reverse capacity is full.

Data Source

MTX OM

Source Field

CAURECAP3GD_MTXom30

Source Section

CAUSCT3D_MTXom30

CAURECAP3GV

3GV Pegs when the BTS reports (through NOIS Messages) that the reverse capacity is full.

Data Source

MTX OM, SDM

Source Field

CAURECAP

Source Section

CAUSCT3V

CAURECAP3GV_MTXom30

3GV Pegs when the BTS reports (through NOIS Messages) that the reverse capacity is full.

Data Source

MTX OM

Source Field

CAURECAP3GV_MTXom30

Source Section

CAUSCT3V_MTXom30

CAURELSI

Pegs when the Mobile Station sends a mobile release with release reason as Service Inactive Indication during a Network Initiated Dormant to Active scenario.

Data Source

MTX OM, SDM

Source Field

CAURELSI

Source Section

CAUST3D2

CAUTBLKS

Pegs when a mobile-terminated call is blocked due to resource shortage

Data Source

MTX OM, SDM

Source Field

CAUTBLKS

Source Section

CAUCPSCT

CAUTBLKS_MTXom30

Pegs when a mobile-terminated call is blocked due to resource shortage

Data Source

MTX OM

Source Field

CAUTBLKS_MTXom30

Source Section

CAUCPSCT_MTXom30

CAUTBLKS3GD

3GD Pegs when a mobile-terminated call is blocked due to resource shortage.

Data Source

MTX OM, SDM

Source Field

CAUTBLKS

Source Section

CAUSCT3D

CAUTBLKS3GD_MTXom30

3GD Pegs when a mobile-terminated call is blocked due to resource shortage.

Data Source

MTX OM

Source Field

CAUTBLKS3GD_MTXom30

Source Section

CAUSCT3D_MTXom30

CAUTBLKS3GV

3GV Pegs when a mobile-terminated call is blocked due to resource shortage.

Data Source

MTX OM, SDM

Source Field

CAUTBLKS

Source Section

CAUSCT3V

CAUTBLKS3GV_MTXom30

3GV Pegs when a mobile-terminated call is blocked due to resource shortage.

Data Source

MTX OM

Source Field

CAUTBLKS3GV_MTXom30

Source Section

CAUSCT3V_MTXom30

CAUTRLS

Pegs when a mobile-terminated call is released before the mobile arrives on the Tch

Data Source

MTX OM, SDM

Source Field

CAUTRLS

Source Section

CAUCPSCT

CAUTRLS_MTXom30

Pegs when a mobile-terminated call is released before the mobile arrives on the Tch

Data Source

MTX OM

Source Field

CAUTRLS_MTXom30

Source Section

CAUCPSCT_MTXom30

CAUTRLS3GD

3GD Pegs when a mobile-terminated call is released before the mobile arrives on the traffic channel.

Data Source

MTX OM, SDM

Source Field

CAUTRLS

Source Section

CAUSCT3D

CAUTRLS3GD_MTXom30

3GD Pegs when a mobile-terminated call is released before the mobile arrives on the traffic channel.

Data Source

MTX OM

Source Field

CAUTRLS3GD_MTXom30

Source Section

CAUSCT3D_MTXom30

CAUTRLS3GV

3GV Pegs when a mobile-terminated call is released before the mobile arrives on the traffic channel.

Data Source

MTX OM, SDM

Source Field

CAUTRLS

Source Section

CAUSCT3V

CAUTRLS3GV_MTXom30

3GV Pegs when a mobile-terminated call is released before the mobile arrives on the traffic channel.

Data Source

MTX OM

Source Field

CAUTRLS3GV_MTXom30

Source Section

CAUSCT3V_MTXom30

CAUTSUCC

Pegs after the SBS receives an answer from the terminating mobile

Data Source

MTX OM, SDM

Source Field

CAUTSUCC

Source Section

CAUCPSCT

CAUTSUCC_MTXom30

Pegs after the SBS receives an answer from the terminating mobile

Data Source

MTX OM

Source Field

CAUTSUCC_MTXom30

Source Section

CAUCPSCT_MTXom30

CAUTSUCC3GD

3GD Pegs after the SBS receives an answer from the terminating mobile.

Data Source

MTX OM, SDM

Source Field

CAUTSUCC

Source Section

CAUSCT3D

CAUTSUCC3GD_MTXom30

3GD Pegs after the SBS receives an answer from the terminating mobile.

Data Source

MTX OM

Source Field

CAUTSUCC3GD_MTXom30

Source Section

CAUSCT3D_MTXom30

CAUTSUCC3GV

3GV Pegs after the SBS receives an answer from the Terminating mobile.

Data Source

MTX OM, SDM

Source Field

CAUTSUCC

Source Section

CAUSCT3V

CAUTSUCC3GV_MTXom30

3GV Pegs after the SBS receives an answer from the Terminating mobile.

Data Source

MTX OM

Source Field

CAUTSUCC3GV_MTXom30

Source Section

CAUSCT3V_MTXom30

CCEPEATT_C

CCEPEATT

Data Source

MTX OM, SDM

Source Field

MSCSP1

Source Section

AUTHMSC

CCEPESUC_C

CCEPESUC

Data Source

MTX OM, SDM

Source Field

MSCSP2

Source Section

AUTHMSC

CCNOEPE_C

CCNOEPE

Data Source

MTX OM, SDM

Source Field

MSCSP3

Source Section

AUTHMSC

CELL100_MobileSerNoMism

Number of CELL100 events with trouble code of MOBILE_SERNO_MISMATCH

Data Source

MTX Log

Source Field

TRBL=MOBILE_SERNO_MISMATCH

Source Section

CELL100

CELL100_MobileSerNoMism_TSI1

Call state of 1 or 101 (trouble code MOBILE_SERNO_MISMATCH) - Idle

Data Source

MTX Log

Source Field

TSI=1 and TRBL=MOBILE_SERNO_MISMATCH

Source Section

CELL100

CELL100_MobileSerNoMism_TSI10

Call state of 10 or 110 (trouble code MOBILE_SERNO_MISMATCH) - Waiting for a release acknowledgment from the mobile unit

Data Source

MTX Log

Source Field

TSI=10 and TRBL=MOBILE_SERNO_MISMATCH

Source Section

CELL100

CELL100_MobileSerNoMism_TSI11

Call state of 11 or 111 (trouble code MOBILE_SERNO_MISMATCH) - ACTIVE_RELEASE_SETUP

Data Source

MTX Log

Source Field

TSI=11 and TRBL=MOBILE_SERNO_MISMATCH

Source Section

CELL100

CELL100_MobileSerNoMism_TSI12

Call state of 12 or 112 (trouble code MOBILE_SERNO_MISMATCH) - Waiting for an alert acknowledgment from the mobile unit (second attempt)

Data Source

MTX Log

Source Field

TSI=12 and TRBL=MOBILE_SERNO_MISMATCH

Source Section

CELL100

CELL100_MobileSerNoMism_TSI13

Call state of 13 or 113 (trouble code MOBILE_SERNO_MISMATCH) - ALERT_2

Data Source

MTX Log

Source Field

TSI=13 and TRBL=MOBILE_SERNO_MISMATCH

Source Section

CELL100

CELL100_MobileSerNoMism_TSI14

Call state of 14 or 114 (trouble code MOBILE_SERNO_MISMATCH) - Waiting for the called address from the mobile unit

Data Source

MTX Log

Source Field

TSI=14 and TRBL=MOBILE_SERNO_MISMATCH

Source Section

CELL100

CELL100_MobileSerNoMism_TSI15

Call state of 15 or 115 (trouble code MOBILE_SERNO_MISMATCH) - Waiting for a setup message from the MTX

Data Source

MTX Log

Source Field

TSI=15 and TRBL=MOBILE_SERNO_MISMATCH

Source Section

CELL100

CELL100_MobileSerNoMism_TSI16

Call state of 16 or 116 (trouble code MOBILE_SERNO_MISMATCH) - The VCH is being used for locating channel receiver (LCR) redundancy

Data Source

MTX Log

Source Field

TSI=16 and TRBL=MOBILE_SERNO_MISMATCH

Source Section

CELL100

CELL100_MobileSerNoMism_TSI17

Call state of 17 or 117 (trouble code MOBILE_SERNO_MISMATCH) - The VCH is undergoing in-service testing

Data Source

MTX Log

Source Field

TSI=17 and TRBL=MOBILE_SERNO_MISMATCH

Source Section

CELL100

CELL100_MobileSerNoMism_TSI18

Call state of 18 or 118 (trouble code MOBILE_SERNO_MISMATCH) - The VCH is waiting for the One-second guard timer to expire after the mobile unit disconnects or hands off. After the timer expires, the mobile unit is put back on the IDLE queue

Data Source

MTX Log

Source Field

TSI=18 and TRBL=MOBILE_SERNO_MISMATCH

Source Section

CELL100

CELL100_MobileSerNoMism_TSI19

Call state of 19 or 119 (trouble code MOBILE_SERNO_MISMATCH) - Failure has occurred during the call. The intelligent cellular peripheral (ICP) sends a CARRIER OFF command to the VCH to put it back into the idle voice task and expects an answer

Data Source

MTX Log

Source Field

TSI=19 and TRBL=MOBILE_SERNO_MISMATCH

Source Section

CELL100

CELL100_MobileSerNoMism_TSI2

Call state of 2 or 102 (trouble code MOBILE_SERNO_MISMATCH) - Waiting for setup acknowledgment from the voice channel (VCH). This state is used

Data Source

MTX Log

Source Field

TSI=2 and TRBL=MOBILE_SERNO_MISMATCH

Source Section

CELL100

CELL100_MobileSerNoMism_TSI20

Call state of 20 or 120 (trouble code MOBILE_SERNO_MISMATCH) - Waiting for a power order confirmation from the VCH in response to a power command to change the transmit power level of the mobile unit

Data Source

MTX Log

Source Field

TSI=20 and TRBL=MOBILE_SERNO_MISMATCH

Source Section

CELL100

CELL100_MobileSerNoMism_TSI21

Call state of 21 or 121 (trouble code MOBILE_SERNO_MISMATCH) - Waiting for a stop alert confirmation from the VCH in response to a stop alert order

Data Source

MTX Log

Source Field

TSI=21 and TRBL=MOBILE_SERNO_MISMATCH

Source Section

CELL100

CELL100_MobileSerNoMism_TSI22

Call state of 22 or 122 (trouble code MOBILE_SERNO_MISMATCH) - Waiting for an audit confirmation from the VCH in response to an audit order

Data Source

MTX Log

Source Field

TSI=22 and TRBL=MOBILE_SERNO_MISMATCH

Source Section

CELL100

CELL100_MobileSerNoMism_TSI23

Call state of 23 or 123 (trouble code MOBILE_SERNO_MISMATCH) - Waiting for a reorder confirmation from the VCH in response to the abbreviated reorder order

Data Source

MTX Log

Source Field

TSI=23 and TRBL=MOBILE_SERNO_MISMATCH

Source Section

CELL100

CELL100_MobileSerNoMism_TSI24

Call state of 24 or 124 (trouble code MOBILE_SERNO_MISMATCH) - Waiting for an intercept confirmation from the VCH in response to the abbreviated intercept order

Data Source

MTX Log

Source Field

TSI=24 and TRBL=MOBILE_SERNO_MISMATCH

Source Section

CELL100

CELL100_MobileSerNoMism_TSI25

Call state of 25 or 125 (trouble code MOBILE_SERNO_MISMATCH) - Waiting for an alert confirmation from the VCH in response to the abbreviated alert order

Data Source

MTX Log

Source Field

TSI=25 and TRBL=MOBILE_SERNO_MISMATCH

Source Section

CELL100

CELL100_MobileSerNoMism_TSI26

Call state of 26 or 126 (trouble code MOBILE_SERNO_MISMATCH) - Waiting for a disconnect message from the mobile unit

Data Source

MTX Log

Source Field

TSI=26 and TRBL=MOBILE_SERNO_MISMATCH

Source Section

CELL100

CELL100_MobileSerNoMism_TSI27

Call state of 27 or 127 (trouble code MOBILE_SERNO_MISMATCH) - A carrier fail message was reported from DS1MTCE

Data Source

MTX Log

Source Field

TSI=27 and TRBL=MOBILE_SERNO_MISMATCH

Source Section

CELL100

CELL100_MobileSerNoMism_TSI28

Call state of 28 or 128 (trouble code MOBILE_SERNO_MISMATCH) - MB_SEIZE. Used to distinguish manual busy and carrier fail from an in-service seize

Data Source

MTX Log

Source Field

TSI=28 and TRBL=MOBILE_SERNO_MISMATCH

Source Section

CELL100

CELL100_MobileSerNoMism_TSI29

Call state of 29 or 129 (trouble code MOBILE_SERNO_MISMATCH) - VCH will be removed after a maintenance handoff

Data Source

MTX Log

Source Field

TSI=29 and TRBL=MOBILE_SERNO_MISMATCH

Source Section

CELL100

CELL100_MobileSerNoMism_TSI3

Call state of 3 or 103 (trouble code MOBILE_SERNO_MISMATCH) - Waiting for setup acknowledgment from the VCH. This state is used on terminations

Data Source

MTX Log

Source Field

TSI=3 and TRBL=MOBILE_SERNO_MISMATCH

Source Section

CELL100

CELL100_MobileSerNoMism_TSI30

Not currently used

Data Source

MTX Log

Source Field

TSI=30 and TRBL=MOBILE_SERNO_MISMATCH

Source Section

CELL100

CELL100_MobileSerNoMism_TSI31

Not currently used

Data Source

MTX Log

Source Field

TSI=31 and TRBL=MOBILE_SERNO_MISMATCH

Source Section

CELL100

CELL100_MobileSerNoMism_TSI32

Call state of 32 or 132 (trouble code MOBILE_SERNO_MISMATCH) - Waiting for a release from the CC after sending it a HANDOFF_JACK

Data Source

MTX Log

Source Field

TSI=32 and TRBL=MOBILE_SERNO_MISMATCH

Source Section

CELL100

CELL100_MobileSerNoMism_TSI4

Call state of 4 or 104 (trouble code MOBILE_SERNO_MISMATCH) - Waiting for SAT_PRESENT on termination

Data Source

MTX Log

Source Field

TSI=4 and TRBL=MOBILE_SERNO_MISMATCH

Source Section

CELL100

CELL100_MobileSerNoMism_TSI5

Call state of 5 or 105 (trouble code MOBILE_SERNO_MISMATCH) - ACTIVE_SAT_WAIT_RELEASE

Data Source

MTX Log

Source Field

TSI=5 and TRBL=MOBILE_SERNO_MISMATCH

Source Section

CELL100

CELL100_MobileSerNoMism_TSI6

Call state of 6 or 106 (trouble code MOBILE_SERNO_MISMATCH) - Waiting for initial SAT detection on the VCH from the originating mobile unit

Data Source

MTX Log

Source Field

TSI=6 and TRBL=MOBILE_SERNO_MISMATCH

Source Section

CELL100

CELL100_MobileSerNoMism_TSI7

Call state of 7 or 107 (trouble code MOBILE_SERNO_MISMATCH) - Waiting for a release acknowledgment from the peripheral

Data Source

MTX Log

Source Field

TSI=7 and TRBL=MOBILE_SERNO_MISMATCH

Source Section

CELL100

CELL100_MobileSerNoMism_TSI8

Call state of 8 or 108 (trouble code MOBILE_SERNO_MISMATCH) - Waiting for an ANSWER MESSAGE from a terminating mobile unit after receiving a SAT_PRESENT message.

Data Source

MTX Log

Source Field

TSI=8 and TRBL=MOBILE_SERNO_MISMATCH

Source Section

CELL100

CELL100_MobileSerNoMism_TSI9

Call state of 9 or 109 (trouble code MOBILE_SERNO_MISMATCH) - The mobile unit is in conversation

Data Source

MTX Log

Source Field

TSI=9 and TRBL=MOBILE_SERNO_MISMATCH

Source Section

CELL100

CELL100_ServNoHOAck

Number of CELL100 events with trouble code of SERV_NO_HO_ACK

Data Source

MTX Log

Source Field

TRBL=SERV_NO_HO_ACK

Source Section

CELL100

CELL100_ServNoHOAck_TSI1

Call state of 1 or 101 (trouble code SERV_NO_HO_ACK) - Idle

Data Source

MTX Log

Source Field

TSI=1 and TRBL=SERV_NO_HO_ACK

Source Section

CELL100

CELL100_ServNoHOAck_TSI10

Call state of 10 or 110 (trouble code SERV_NO_HO_ACK) - Waiting for a release acknowledgment from the mobile unit

Data Source

MTX Log

Source Field

TSI=10 and TRBL=SERV_NO_HO_ACK

Source Section

CELL100

CELL100_ServNoHOAck_TSI11

Call state of 11 or 111 (trouble code SERV_NO_HO_ACK) - ACTIVE_RELEASE_SETUP

Data Source

MTX Log

Source Field

TSI=11 and TRBL=SERV_NO_HO_ACK

Source Section

CELL100

CELL100_ServNoHOAck_TSI12

Call state of 12 or 112 (trouble code SERV_NO_HO_ACK) - Waiting for an alert acknowledgment from the mobile unit (second attempt)

Data Source

MTX Log

Source Field

TSI=12 and TRBL=SERV_NO_HO_ACK

Source Section

CELL100

CELL100_ServNoHOAck_TSI13

Call state of 13 or 113 (trouble code SERV_NO_HO_ACK) - ALERT_2

Data Source

MTX Log

Source Field

TSI=13 and TRBL=SERV_NO_HO_ACK

Source Section

CELL100

CELL100_ServNoHOAck_TSI14

Call state of 14 or 114 (trouble code SERV_NO_HO_ACK) - Waiting for the called address from the mobile unit

Data Source

MTX Log

Source Field

TSI=14 and TRBL=SERV_NO_HO_ACK

Source Section

CELL100

CELL100_ServNoHOAck_TSI15

Call state of 15 or 115 (trouble code SERV_NO_HO_ACK) - Waiting for a setup message from the MTX

Data Source

MTX Log

Source Field

TSI=15 and TRBL=SERV_NO_HO_ACK

Source Section

CELL100

CELL100_ServNoHOAck_TSI16

Call state of 16 or 116 (trouble code SERV_NO_HO_ACK) - The VCH is being used for locating channel receiver (LCR) redundancy

Data Source

MTX Log

Source Field

TSI=16 and TRBL=SERV_NO_HO_ACK

Source Section

CELL100

CELL100_ServNoHOAck_TSI17

Call state of 17 or 117 (trouble code SERV_NO_HO_ACK) - The VCH is undergoing in-service testing

Data Source

MTX Log

Source Field

TSI=17 and TRBL=SERV_NO_HO_ACK

Source Section

CELL100

CELL100_ServNoHOAck_TSI18

Call state of 18 or 118 (trouble code SERV_NO_HO_ACK) - The VCH is waiting for the One-second guard timer to expire after the mobile unit disconnects or hands off. After the timer expires, the mobile unit is put back on the IDLE queue

Data Source

MTX Log

Source Field

TSI=18 and TRBL=SERV_NO_HO_ACK

Source Section

CELL100

CELL100_ServNoHOAck_TSI19

Call state of 19 or 119 (trouble code SERV_NO_HO_ACK) - Failure has occurred during the call. The intelligent cellular peripheral (ICP) sends a CARRIER OFF command to the VCH to put it back into the idle voice task and expects an answer

Data Source

MTX Log

Source Field

TSI=19 and TRBL=SERV_NO_HO_ACK

Source Section

CELL100

CELL100_ServNoHOAck_TSI2

Call state of 2 or 102 (trouble code SERV_NO_HO_ACK) - Waiting for setup acknowledgment from the voice channel (VCH). This state is used

Data Source

MTX Log

Source Field

TSI=2 and TRBL=SERV_NO_HO_ACK

Source Section

CELL100

CELL100_ServNoHOAck_TSI20

Call state of 20 or 120 (trouble code SERV_NO_HO_ACK) - Waiting for a power order confirmation from the VCH in response to a power command to change the transmit power level of the mobile unit

Data Source

MTX Log

Source Field

TSI=20 and TRBL=SERV_NO_HO_ACK

Source Section

CELL100

CELL100_ServNoHOAck_TSI21

Call state of 21 or 121 (trouble code SERV_NO_HO_ACK) - Waiting for a stop alert confirmation from the VCH in response to a stop alert order

Data Source

MTX Log

Source Field

TSI=21 and TRBL=SERV_NO_HO_ACK

Source Section

CELL100

CELL100_ServNoHOAck_TSI22

Call state of 22 or 122 (trouble code SERV_NO_HO_ACK) - Waiting for an audit confirmation from the VCH in response to an audit order

Data Source

MTX Log

Source Field

TSI=22 and TRBL=SERV_NO_HO_ACK

Source Section

CELL100

CELL100_ServNoHOAck_TSI23

Call state of 23 or 123 (trouble code SERV_NO_HO_ACK) - Waiting for a reorder confirmation from the VCH in response to the abbreviated reorder order

Data Source

MTX Log

Source Field

TSI=23 and TRBL=SERV_NO_HO_ACK

Source Section

CELL100

CELL100_ServNoHOAck_TSI24

Call state of 24 or 124 (trouble code SERV_NO_HO_ACK) - Waiting for an intercept confirmation from the VCH in response to the abbreviated intercept order

Data Source

MTX Log

Source Field

TSI=24 and TRBL=SERV_NO_HO_ACK

Source Section

CELL100

CELL100_ServNoHOAck_TSI25

Call state of 25 or 125 (trouble code SERV_NO_HO_ACK) - Waiting for an alert confirmation from the VCH in response to the abbreviated alert order

Data Source

MTX Log

Source Field

TSI=25 and TRBL=SERV_NO_HO_ACK

Source Section

CELL100

CELL100_ServNoHOAck_TSI26

Call state of 26 or 126 (trouble code SERV_NO_HO_ACK) - Waiting for a disconnect message from the mobile unit

Data Source

MTX Log

Source Field

TSI=26 and TRBL=SERV_NO_HO_ACK

Source Section

CELL100

CELL100_ServNoHOAck_TSI27

Call state of 27 or 127 (trouble code SERV_NO_HO_ACK) - A carrier fail message was reported from DS1MTCE

Data Source

MTX Log

Source Field

TSI=27 and TRBL=SERV_NO_HO_ACK

Source Section

CELL100

CELL100_ServNoHOAck_TSI28

Call state of 28 or 128 (trouble code SERV_NO_HO_ACK) - MB_SEIZE. Used to distinguish manual busy and carrier fail from an in-service seize

Data Source

MTX Log

Source Field

TSI=28 and TRBL=SERV_NO_HO_ACK

Source Section

CELL100

CELL100_ServNoHOAck_TSI29

Call state of 29 or 129 (trouble code SERV_NO_HO_ACK) - VCH will be removed after a maintenance handoff

Data Source

MTX Log

Source Field

TSI=29 and TRBL=SERV_NO_HO_ACK

Source Section

CELL100

CELL100_ServNoHOAck_TSI3

Call state of 3 or 103 (trouble code SERV_NO_HO_ACK) - Waiting for setup acknowledgment from the VCH. This state is used on terminations

Data Source

MTX Log

Source Field

TSI=3 and TRBL=SERV_NO_HO_ACK

Source Section

CELL100

CELL100_ServNoHOAck_TSI30

Not currently used

Data Source

MTX Log

Source Field

TSI=30 and TRBL=SERV_NO_HO_ACK

Source Section

CELL100

CELL100_ServNoHOAck_TSI31

Not currently used

Data Source

MTX Log

Source Field

TSI=31 and TRBL=SERV_NO_HO_ACK

Source Section

CELL100

CELL100_ServNoHOAck_TSI32

Call state of 32 or 132 (trouble code SERV_NO_HO_ACK) - Waiting for a release from the CC after sending it a HANDOFF_JACK

Data Source

MTX Log

Source Field

TSI=32 and TRBL=SERV_NO_HO_ACK

Source Section

CELL100

CELL100_ServNoHOAck_TSI4

Call state of 4 or 104 (trouble code SERV_NO_HO_ACK) - Waiting for SAT_PRESENT on termination

Data Source

MTX Log

Source Field

TSI=4 and TRBL=SERV_NO_HO_ACK

Source Section

CELL100

CELL100_ServNoHOAck_TSI5

Call state of 5 or 105 (trouble code SERV_NO_HO_ACK) - ACTIVE_SAT_WAIT_RELEASE

Data Source

MTX Log

Source Field

TSI=5 and TRBL=SERV_NO_HO_ACK

Source Section

CELL100

CELL100_ServNoHOAck_TSI6

Call state of 6 or 106 (trouble code SERV_NO_HO_ACK) - Waiting for initial SAT detection on the VCH from the originating mobile unit

Data Source

MTX Log

Source Field

TSI=6 and TRBL=SERV_NO_HO_ACK

Source Section

CELL100

CELL100_ServNoHOAck_TSI7

Call state of 7 or 107 (trouble code SERV_NO_HO_ACK) - Waiting for a release acknowledgment from the peripheral

Data Source

MTX Log

Source Field

TSI=7 and TRBL=SERV_NO_HO_ACK

Source Section

CELL100

CELL100_ServNoHOAck_TSI8

Call state of 8 or 108 (trouble code SERV_NO_HO_ACK) - Waiting for an ANSWER MESSAGE from a terminating mobile unit after receiving a SAT_PRESENT message.

Data Source

MTX Log

Source Field

TSI=8 and TRBL=SERV_NO_HO_ACK

Source Section

CELL100

CELL100_ServNoHOAck_TSI9

Call state of 9 or 109 (trouble code SERV_NO_HO_ACK) - The mobile unit is in conversation

Data Source

MTX Log

Source Field

TSI=9 and TRBL=SERV_NO_HO_ACK

Source Section

CELL100

CELL101_CellFailure

Number of CELL101 events with trouble code of CELL_FAILURE

Data Source

MTX Log

Source Field

TRBL=CELL_FAILURE

Source Section

CELL101

CELL101_CellFailure_TSI1

Call state of 1 or 101 (trouble code CELL_FAILURE) - Idle

Data Source

MTX Log

Source Field

TSI=1 and TRBL=CELL_FAILURE

Source Section

CELL101

CELL101_CellFailure_TSI10

Call state of 10 or 110 (trouble code CELL_FAILURE) - Waiting for a release acknowledgment from the mobile unit

Data Source

MTX Log

Source Field

TSI=10 and TRBL=CELL_FAILURE

Source Section

CELL101

CELL101_CellFailure_TSI11

Call state of 11 or 111 (trouble code CELL_FAILURE) - ACTIVE_RELEASE_SETUP

Data Source

MTX Log

Source Field

TSI=11 and TRBL=CELL_FAILURE

Source Section

CELL101

CELL101_CellFailure_TSI12

Call state of 12 or 112 (trouble code CELL_FAILURE) - Waiting for an alert acknowledgment from the mobile unit (second attempt)

Data Source

MTX Log

Source Field

TSI=12 and TRBL=CELL_FAILURE

Source Section

CELL101

CELL101_CellFailure_TSI13

Call state of 13 or 113 (trouble code CELL_FAILURE) - ALERT_2

Data Source

MTX Log

Source Field

TSI=13 and TRBL=CELL_FAILURE

Source Section

CELL101

CELL101_CellFailure_TSI14

Call state of 14 or 114 (trouble code CELL_FAILURE) - Waiting for the called address from the mobile unit

Data Source

MTX Log

Source Field

TSI=14 and TRBL=CELL_FAILURE

Source Section

CELL101

CELL101_CellFailure_TSI15

Call state of 15 or 115 (trouble code CELL_FAILURE) - Waiting for a setup message from the MTX

Data Source

MTX Log

Source Field

TSI=15 and TRBL=CELL_FAILURE

Source Section

CELL101

CELL101_CellFailure_TSI16

Call state of 16 or 116 (trouble code CELL_FAILURE) - The VCH is being used for locating channel receiver (LCR) redundancy

Data Source

MTX Log

Source Field

TSI=16 and TRBL=CELL_FAILURE

Source Section

CELL101

CELL101_CellFailure_TSI17

Call state of 17 or 117 (trouble code CELL_FAILURE) - The VCH is undergoing in-service testing

Data Source

MTX Log

Source Field

TSI=17 and TRBL=CELL_FAILURE

Source Section

CELL101

CELL101_CellFailure_TSI18

Call state of 18 or 118 (trouble code CELL_FAILURE) - The VCH is waiting for the One-second guard timer to expire after the mobile unit disconnects or hands off. After the timer expires, the mobile unit is put back on the IDLE queue

Data Source

MTX Log

Source Field

TSI=18 and TRBL=CELL_FAILURE

Source Section

CELL101

CELL101_CellFailure_TSI19

Call state of 19 or 119 (trouble code CELL_FAILURE) - Failure has occurred during the call. The intelligent cellular peripheral (ICP) sends a CARRIER OFF command to the VCH to put it back into the idle voice task and expects an answer

Data Source

MTX Log

Source Field

TSI=19 and TRBL=CELL_FAILURE

Source Section

CELL101

CELL101_CellFailure_TSI2

Call state of 2 or 102 (trouble code CELL_FAILURE) - Waiting for setup acknowledgment from the voice channel (VCH). This state is used

Data Source

MTX Log

Source Field

TSI=2 and TRBL=CELL_FAILURE

Source Section

CELL101

CELL101_CellFailure_TSI20

Call state of 20 or 120 (trouble code CELL_FAILURE) - Waiting for a power order confirmation from the VCH in response to a power command to change the transmit power level of the mobile unit

Data Source

MTX Log

Source Field

TSI=20 and TRBL=CELL_FAILURE

Source Section

CELL101

CELL101_CellFailure_TSI21

Call state of 21 or 121 (trouble code CELL_FAILURE) - Waiting for a stop alert confirmation from the VCH in response to a stop alert order

Data Source

MTX Log

Source Field

TSI=21 and TRBL=CELL_FAILURE

Source Section

CELL101

CELL101_CellFailure_TSI22

Call state of 22 or 122 (trouble code CELL_FAILURE) - Waiting for an audit confirmation from the VCH in response to an audit order

Data Source

MTX Log

Source Field

TSI=22 and TRBL=CELL_FAILURE

Source Section

CELL101

CELL101_CellFailure_TSI23

Call state of 23 or 123 (trouble code CELL_FAILURE) - Waiting for a reorder confirmation from the VCH in response to the abbreviated reorder order

Data Source

MTX Log

Source Field

TSI=23 and TRBL=CELL_FAILURE

Source Section

CELL101

CELL101_CellFailure_TSI24

Call state of 24 or 124 (trouble code CELL_FAILURE) - Waiting for an intercept confirmation from the VCH in response to the abbreviated intercept order

Data Source

MTX Log

Source Field

TSI=24 and TRBL=CELL_FAILURE

Source Section

CELL101

CELL101_CellFailure_TSI25

Call state of 25 or 125 (trouble code CELL_FAILURE) - Waiting for an alert confirmation from the VCH in response to the abbreviated alert order

Data Source

MTX Log

Source Field

TSI=25 and TRBL=CELL_FAILURE

Source Section

CELL101

CELL101_CellFailure_TSI26

Call state of 26 or 126 (trouble code CELL_FAILURE) - Waiting for a disconnect message from the mobile unit

Data Source

MTX Log

Source Field

TSI=26 and TRBL=CELL_FAILURE

Source Section

CELL101

CELL101_CellFailure_TSI27

Call state of 27 or 127 (trouble code CELL_FAILURE) - A carrier fail message was reported from DS1MTCE

Data Source

MTX Log

Source Field

TSI=27 and TRBL=CELL_FAILURE

Source Section

CELL101

CELL101_CellFailure_TSI28

Call state of 28 or 128 (trouble code CELL_FAILURE) - MB_SEIZE. Used to distinguish manual busy and carrier fail from an in-service seize

Data Source

MTX Log

Source Field

TSI=28 and TRBL=CELL_FAILURE

Source Section

CELL101

CELL101_CellFailure_TSI29

Call state of 29 or 129 (trouble code CELL_FAILURE) - VCH will be removed after a maintenance handoff

Data Source

MTX Log

Source Field

TSI=29 and TRBL=CELL_FAILURE

Source Section

CELL101

CELL101_CellFailure_TSI3

Call state of 3 or 103 (trouble code CELL_FAILURE) - Waiting for setup acknowledgment from the VCH. This state is used on terminations

Data Source

MTX Log

Source Field

TSI=3 and TRBL=CELL_FAILURE

Source Section

CELL101

CELL101_CellFailure_TSI30

Not currently used

Data Source

MTX Log

Source Field

TSI=30 and TRBL=CELL_FAILURE

Source Section

CELL101

CELL101_CellFailure_TSI31

Not currently used

Data Source

MTX Log

Source Field

TSI=31 and TRBL=CELL_FAILURE

Source Section

CELL101

CELL101_CellFailure_TSI32

Call state of 32 or 132 (trouble code CELL_FAILURE) - Waiting for a release from the CC after sending it a HANDOFF_JACK

Data Source

MTX Log

Source Field

TSI=32 and TRBL=CELL_FAILURE

Source Section

CELL101

CELL101_CellFailure_TSI4

Call state of 4 or 104 (trouble code CELL_FAILURE) - Waiting for SAT_PRESENT on termination

Data Source

MTX Log

Source Field

TSI=4 and TRBL=CELL_FAILURE

Source Section

CELL101

CELL101_CellFailure_TSI5

Call state of 5 or 105 (trouble code CELL_FAILURE) - ACTIVE_SAT_WAIT_RELEASE

Data Source

MTX Log

Source Field

TSI=5 and TRBL=CELL_FAILURE

Source Section

CELL101

CELL101_CellFailure_TSI6

Call state of 6 or 106 (trouble code CELL_FAILURE) - Waiting for initial SAT detection on the VCH from the originating mobile unit

Data Source

MTX Log

Source Field

TSI=6 and TRBL=CELL_FAILURE

Source Section

CELL101

CELL101_CellFailure_TSI7

Call state of 7 or 107 (trouble code CELL_FAILURE) - Waiting for a release acknowledgment from the peripheral

Data Source

MTX Log

Source Field

TSI=7 and TRBL=CELL_FAILURE

Source Section

CELL101

CELL101_CellFailure_TSI8

Call state of 8 or 108 (trouble code CELL_FAILURE) - Waiting for an ANSWER MESSAGE from a terminating mobile unit after receiving a SAT_PRESENT message.

Data Source

MTX Log

Source Field

TSI=8 and TRBL=CELL_FAILURE

Source Section

CELL101

CELL101_CellFailure_TSI9

Call state of 9 or 109 (trouble code CELL_FAILURE) - The mobile unit is in conversation

Data Source

MTX Log

Source Field

TSI=9 and TRBL=CELL_FAILURE

Source Section

CELL101

CELL101_CellTaskTimeout

Number of CELL101 events with trouble code of CELL_TASK_TIMEOUT

Data Source

MTX Log

Source Field

TRBL=CELL_TASK_TIMEOUT

Source Section

CELL101

CELL101_CellTaskTimeout_TSI1

Call state of 1 or 101 (trouble code CELL_TASK_TIMEOUT) - Idle

Data Source

MTX Log

Source Field

TSI=1 and TRBL=CELL_TASK_TIMEOUT

Source Section

CELL101

CELL101_CellTaskTimeout_TSI10

Call state of 10 or 110 (trouble code CELL_TASK_TIMEOUT) - Waiting for a release acknowledgment from the mobile unit

Data Source

MTX Log

Source Field

TSI=10 and TRBL=CELL_TASK_TIMEOUT

Source Section

CELL101

CELL101_CellTaskTimeout_TSI11

Call state of 11 or 111 (trouble code CELL_TASK_TIMEOUT) - ACTIVE_RELEASE_SETUP

Data Source

MTX Log

Source Field

TSI=11 and TRBL=CELL_TASK_TIMEOUT

Source Section

CELL101

CELL101_CellTaskTimeout_TSI12

Call state of 12 or 112 (trouble code CELL_TASK_TIMEOUT) - Waiting for an alert acknowledgment from the mobile unit (second attempt)

Data Source

MTX Log

Source Field

TSI=12 and TRBL=CELL_TASK_TIMEOUT

Source Section

CELL101

CELL101_CellTaskTimeout_TSI13

Call state of 13 or 113 (trouble code CELL_TASK_TIMEOUT) - ALERT_2

Data Source

MTX Log

Source Field

TSI=13 and TRBL=CELL_TASK_TIMEOUT

Source Section

CELL101

CELL101_CellTaskTimeout_TSI14

Call state of 14 or 114 (trouble code CELL_TASK_TIMEOUT) - Waiting for the called address from the mobile unit

Data Source

MTX Log

Source Field

TSI=14 and TRBL=CELL_TASK_TIMEOUT

Source Section

CELL101

CELL101_CellTaskTimeout_TSI15

Call state of 15 or 115 (trouble code CELL_TASK_TIMEOUT) - Waiting for a setup message from the MTX

Data Source

MTX Log

Source Field

TSI=15 and TRBL=CELL_TASK_TIMEOUT

Source Section

CELL101

CELL101_CellTaskTimeout_TSI16

Call state of 16 or 116 (trouble code CELL_TASK_TIMEOUT) - The VCH is being used for locating channel receiver (LCR) redundancy

Data Source

MTX Log

Source Field

TSI=16 and TRBL=CELL_TASK_TIMEOUT

Source Section

CELL101

CELL101_CellTaskTimeout_TSI17

Call state of 17 or 117 (trouble code CELL_TASK_TIMEOUT) - The VCH is undergoing in-service testing

Data Source

MTX Log

Source Field

TSI=17 and TRBL=CELL_TASK_TIMEOUT

Source Section

CELL101

CELL101_CellTaskTimeout_TSI18

Call state of 18 or 118 (trouble code CELL_TASK_TIMEOUT) - The VCH is waiting for the One-second guard timer to expire after the mobile unit disconnects or hands off. After the timer expires, the mobile unit is put back on the IDLE queue

Data Source

MTX Log

Source Field

TSI=18 and TRBL=CELL_TASK_TIMEOUT

Source Section

CELL101

CELL101_CellTaskTimeout_TSI19

Call state of 19 or 119 (trouble code CELL_TASK_TIMEOUT) - Failure has occurred during the call. The intelligent cellular peripheral (ICP) sends a CARRIER OFF command to the VCH to put it back into the idle voice task and expects an answer

Data Source

MTX Log

Source Field

TSI=19 and TRBL=CELL_TASK_TIMEOUT

Source Section

CELL101

CELL101_CellTaskTimeout_TSI2

Call state of 2 or 102 (trouble code CELL_TASK_TIMEOUT) - Waiting for setup acknowledgment from the voice channel (VCH). This state is used

Data Source

MTX Log

Source Field

TSI=2 and TRBL=CELL_TASK_TIMEOUT

Source Section

CELL101

CELL101_CellTaskTimeout_TSI20

Call state of 20 or 120 (trouble code CELL_TASK_TIMEOUT) - Waiting for a power order confirmation from the VCH in response to a power command to change the transmit power level of the mobile unit

Data Source

MTX Log

Source Field

TSI=20 and TRBL=CELL_TASK_TIMEOUT

Source Section

CELL101

CELL101_CellTaskTimeout_TSI21

Call state of 21 or 121 (trouble code CELL_TASK_TIMEOUT) - Waiting for a stop alert confirmation from the VCH in response to a stop alert order

Data Source

MTX Log

Source Field

TSI=21 and TRBL=CELL_TASK_TIMEOUT

Source Section

CELL101

CELL101_CellTaskTimeout_TSI22

Call state of 22 or 122 (trouble code CELL_TASK_TIMEOUT) - Waiting for an audit confirmation from the VCH in response to an audit order

Data Source

MTX Log

Source Field

TSI=22 and TRBL=CELL_TASK_TIMEOUT

Source Section

CELL101

CELL101_CellTaskTimeout_TSI23

Call state of 23 or 123 (trouble code CELL_TASK_TIMEOUT) - Waiting for a reorder confirmation from the VCH in response to the abbreviated reorder order

Data Source

MTX Log

Source Field

TSI=23 and TRBL=CELL_TASK_TIMEOUT

Source Section

CELL101

CELL101_CellTaskTimeout_TSI24

Call state of 24 or 124 (trouble code CELL_TASK_TIMEOUT) - Waiting for an intercept confirmation from the VCH in response to the abbreviated intercept order

Data Source

MTX Log

Source Field

TSI=24 and TRBL=CELL_TASK_TIMEOUT

Source Section

CELL101

CELL101_CellTaskTimeout_TSI25

Call state of 25 or 125 (trouble code CELL_TASK_TIMEOUT) - Waiting for an alert confirmation from the VCH in response to the abbreviated alert order

Data Source

MTX Log

Source Field

TSI=25 and TRBL=CELL_TASK_TIMEOUT

Source Section

CELL101

CELL101_CellTaskTimeout_TSI26

Call state of 26 or 126 (trouble code CELL_TASK_TIMEOUT) - Waiting for a disconnect message from the mobile unit

Data Source

MTX Log

Source Field

TSI=26 and TRBL=CELL_TASK_TIMEOUT

Source Section

CELL101

CELL101_CellTaskTimeout_TSI27

Call state of 27 or 127 (trouble code CELL_TASK_TIMEOUT) - A carrier fail message was reported from DS1MTCE

Data Source

MTX Log

Source Field

TSI=27 and TRBL=CELL_TASK_TIMEOUT

Source Section

CELL101

CELL101_CellTaskTimeout_TSI28

Call state of 28 or 128 (trouble code CELL_TASK_TIMEOUT) - MB_SEIZE. Used to distinguish manual busy and carrier fail from an in-service seize

Data Source

MTX Log

Source Field

TSI=28 and TRBL=CELL_TASK_TIMEOUT

Source Section

CELL101

CELL101_CellTaskTimeout_TSI29

Call state of 29 or 129 (trouble code CELL_TASK_TIMEOUT) - VCH will be removed after a maintenance handoff

Data Source

MTX Log

Source Field

TSI=29 and TRBL=CELL_TASK_TIMEOUT

Source Section

CELL101

CELL101_CellTaskTimeout_TSI3

Call state of 3 or 103 (trouble code CELL_TASK_TIMEOUT) - Waiting for setup acknowledgment from the VCH. This state is used on terminations

Data Source

MTX Log

Source Field

TSI=3 and TRBL=CELL_TASK_TIMEOUT

Source Section

CELL101

CELL101_CellTaskTimeout_TSI30

Not currently used

Data Source

MTX Log

Source Field

TSI=30 and TRBL=CELL_TASK_TIMEOUT

Source Section

CELL101

CELL101_CellTaskTimeout_TSI31

Not currently used

Data Source

MTX Log

Source Field

TSI=31 and TRBL=CELL_TASK_TIMEOUT

Source Section

CELL101

CELL101_CellTaskTimeout_TSI32

Call state of 32 or 132 (trouble code CELL_TASK_TIMEOUT) - Waiting for a release from the CC after sending it a HANDOFF_JACK

Data Source

MTX Log

Source Field

TSI=32 and TRBL=CELL_TASK_TIMEOUT

Source Section

CELL101

CELL101_CellTaskTimeout_TSI4

Call state of 4 or 104 (trouble code CELL_TASK_TIMEOUT) - Waiting for SAT_PRESENT on termination

Data Source

MTX Log

Source Field

TSI=4 and TRBL=CELL_TASK_TIMEOUT

Source Section

CELL101

CELL101_CellTaskTimeout_TSI5

Call state of 5 or 105 (trouble code CELL_TASK_TIMEOUT) -
ACTIVE_SAT_WAIT_RELEASE

Data Source

MTX Log

Source Field

TSI=5 and TRBL=CELL_TASK_TIMEOUT

Source Section

CELL101

CELL101_CellTaskTimeout_TSI6

Call state of 6 or 106 (trouble code CELL_TASK_TIMEOUT) - Waiting for initial SAT
detection on the VCH from the originating mobile unit

Data Source

MTX Log

Source Field

TSI=6 and TRBL=CELL_TASK_TIMEOUT

Source Section

CELL101

CELL101_CellTaskTimeout_TSI7

Call state of 7 or 107 (trouble code CELL_TASK_TIMEOUT) - Waiting for a release
acknowledgment from the peripheral

Data Source

MTX Log

Source Field

TSI=7 and TRBL=CELL_TASK_TIMEOUT

Source Section

CELL101

CELL101_CellTaskTimeout_TSI8

Call state of 8 or 108 (trouble code CELL_TASK_TIMEOUT) - Waiting for an ANSWER MESSAGE from a terminating mobile unit after receiving a SAT_PRESENT message.

Data Source

MTX Log

Source Field

TSI=8 and TRBL=CELL_TASK_TIMEOUT

Source Section

CELL101

CELL101_CellTaskTimeout_TSI9

Call state of 9 or 109 (trouble code CELL_TASK_TIMEOUT) - The mobile unit is in conversation

Data Source

MTX Log

Source Field

TSI=9 and TRBL=CELL_TASK_TIMEOUT

Source Section

CELL101

CELL101_ForcedHODisc

Number of CELL101 events with trouble code of FORCED_HANDOFF_DISCONNECT

Data Source

MTX Log

Source Field

TRBL=FORCED_HANDOFF_DISCONNECT

Source Section

CELL101

CELL101_ForcedHODisc_TSI1

Call state of 1 or 101 (trouble code FORCED_HANDOFF_DISCONNECT) - Idle

Data Source

MTX Log

Source Field

TSI=1 and TRBL=FORCED_HANDOFF_DISCONNECT

Source Section

CELL101

CELL101_ForcedHODisc_TSI10

Call state of 10 or 110 (trouble code FORCED_HANDOFF_DISCONNECT) - Waiting for a release acknowledgment from the mobile unit

Data Source

MTX Log

Source Field

TSI=10 and TRBL=FORCED_HANDOFF_DISCONNECT

Source Section

CELL101

CELL101_ForcedHODisc_TSI11

Call state of 11 or 111 (trouble code FORCED_HANDOFF_DISCONNECT) - ACTIVE_RELEASE_SETUP

Data Source

MTX Log

Source Field

TSI=11 and TRBL=FORCED_HANDOFF_DISCONNECT

Source Section

CELL101

CELL101_ForcedHODisc_TSI12

Call state of 12 or 112 (trouble code FORCED_HANDOFF_DISCONNECT) - Waiting for an alert acknowledgment from the mobile unit (second attempt)

Data Source

MTX Log

Source Field

TSI=12 and TRBL=FORCED_HANDOFF_DISCONNECT

Source Section

CELL101

CELL101_ForcedHODisc_TSI13

Call state of 13 or 113 (trouble code FORCED_HANDOFF_DISCONNECT) - ALERT_2

Data Source

MTX Log

Source Field

TSI=13 and TRBL=FORCED_HANDOFF_DISCONNECT

Source Section

CELL101

CELL101_ForcedHODisc_TSI14

Call state of 14 or 114 (trouble code FORCED_HANDOFF_DISCONNECT) - Waiting for the called address from the mobile unit

Data Source

MTX Log

Source Field

TSI=14 and TRBL=FORCED_HANDOFF_DISCONNECT

Source Section

CELL101

CELL101_ForcedHODisc_TSI15

Call state of 15 or 115 (trouble code FORCED_HANDOFF_DISCONNECT) - Waiting for a setup message from the MTX

Data Source

MTX Log

Source Field

TSI=15 and TRBL=FORCED_HANDOFF_DISCONNECT

Source Section

CELL101

CELL101_ForcedHODisc_TSI16

Call state of 16 or 116 (trouble code FORCED_HANDOFF_DISCONNECT) - The VCH is being used for locating channel receiver (LCR) redundancy

Data Source

MTX Log

Source Field

TSI=16 and TRBL=FORCED_HANDOFF_DISCONNECT

Source Section

CELL101

CELL101_ForcedHODisc_TSI17

Call state of 17 or 117 (trouble code FORCED_HANDOFF_DISCONNECT) - The VCH is undergoing in-service testing

Data Source

MTX Log

Source Field

TSI=17 and TRBL=FORCED_HANDOFF_DISCONNECT

Source Section

CELL101

CELL101_ForcedHODisc_TSI18

Call state of 18 or 118 (trouble code FORCED_HANDOFF_DISCONNECT) - The VCH is waiting for the One-second guard timer to expire after the mobile unit disconnects or hands off. After the timer expires, the mobile unit is put back on the IDLE queue

Data Source

MTX Log

Source Field

TSI=18 and TRBL=FORCED_HANDOFF_DISCONNECT

Source Section

CELL101

CELL101_ForcedHODisc_TSI19

Call state of 19 or 119 (trouble code FORCED_HANDOFF_DISCONNECT) - Failure has occurred during the call. The intelligent cellular peripheral (ICP) sends a CARRIER OFF command to the VCH to put it back into the idle voice task and expects an answer

Data Source

MTX Log

Source Field

TSI=19 and TRBL=FORCED_HANDOFF_DISCONNECT

Source Section

CELL101

CELL101_ForcedHODisc_TSI2

Call state of 2 or 102 (trouble code FORCED_HANDOFF_DISCONNECT) - Waiting for setup acknowledgment from the voice channel (VCH). This state is used

Data Source

MTX Log

Source Field

TSI=2 and TRBL=FORCED_HANDOFF_DISCONNECT

Source Section

CELL101

CELL101_ForcedHODisc_TSI20

Call state of 20 or 120 (trouble code FORCED_HANDOFF_DISCONNECT) - Waiting for a power order confirmation from the VCH in response to a power command to change the transmit power level of the mobile unit

Data Source

MTX Log

Source Field

TSI=20 and TRBL=FORCED_HANDOFF_DISCONNECT

Source Section

CELL101

CELL101_ForcedHODisc_TSI21

Call state of 21 or 121 (trouble code FORCED_HANDOFF_DISCONNECT) - Waiting for a stop alert confirmation from the VCH in response to a stop alert order

Data Source

MTX Log

Source Field

TSI=21 and TRBL=FORCED_HANDOFF_DISCONNECT

Source Section

CELL101

CELL101_ForcedHODisc_TSI22

Call state of 22 or 122 (trouble code FORCED_HANDOFF_DISCONNECT) - Waiting for an audit confirmation from the VCH in response to an audit order

Data Source

MTX Log

Source Field

TSI=22 and TRBL=FORCED_HANDOFF_DISCONNECT

Source Section

CELL101

CELL101_ForcedHODisc_TSI23

Call state of 23 or 123 (trouble code FORCED_HANDOFF_DISCONNECT) - Waiting for a reorder confirmation from the VCH in response to the abbreviated reorder order

Data Source

MTX Log

Source Field

TSI=23 and TRBL=FORCED_HANDOFF_DISCONNECT

Source Section

CELL101

CELL101_ForcedHODisc_TSI24

Call state of 24 or 124 (trouble code FORCED_HANDOFF_DISCONNECT) - Waiting for an intercept confirmation from the VCH in response to the abbreviated intercept order

Data Source

MTX Log

Source Field

TSI=24 and TRBL=FORCED_HANDOFF_DISCONNECT

Source Section

CELL101

CELL101_ForcedHODisc_TSI25

Call state of 25 or 125 (trouble code FORCED_HANDOFF_DISCONNECT) - Waiting for an alert confirmation from the VCH in response to the abbreviated alert order

Data Source

MTX Log

Source Field

TSI=25 and TRBL=FORCED_HANDOFF_DISCONNECT

Source Section

CELL101

CELL101_ForcedHODisc_TSI26

Call state of 26 or 126 (trouble code FORCED_HANDOFF_DISCONNECT) - Waiting for a disconnect message from the mobile unit

Data Source

MTX Log

Source Field

TSI=26 and TRBL=FORCED_HANDOFF_DISCONNECT

Source Section

CELL101

CELL101_ForcedHODisc_TSI27

Call state of 27 or 127 (trouble code FORCED_HANDOFF_DISCONNECT) - A carrier fail message was reported from DS1MTCE

Data Source

MTX Log

Source Field

TSI=27 and TRBL=FORCED_HANDOFF_DISCONNECT

Source Section

CELL101

CELL101_ForcedHODisc_TSI28

Call state of 28 or 128 (trouble code FORCED_HANDOFF_DISCONNECT) - MB_SEIZE.
Used to distinguish manual busy and carrier fail from an in-service seize

Data Source

MTX Log

Source Field

TSI=28 and TRBL=FORCED_HANDOFF_DISCONNECT

Source Section

CELL101

CELL101_ForcedHODisc_TSI29

Call state of 29 or 129 (trouble code FORCED_HANDOFF_DISCONNECT) - VCH will be removed after a maintenance handoff

Data Source

MTX Log

Source Field

TSI=29 and TRBL=FORCED_HANDOFF_DISCONNECT

Source Section

CELL101

CELL101_ForcedHODisc_TSI3

Call state of 3 or 103 (trouble code FORCED_HANDOFF_DISCONNECT) - Waiting for setup acknowledgment from the VCH. This state is used on terminations

Data Source

MTX Log

Source Field

TSI=3 and TRBL=FORCED_HANDOFF_DISCONNECT

Source Section

CELL101

CELL101_ForcedHODisc_TSI30

Not currently used

Data Source

MTX Log

Source Field

TSI=30 and TRBL=FORCED_HANDOFF_DISCONNECT

Source Section

CELL101

CELL101_ForcedHODisc_TSI31

Not currently used

Data Source

MTX Log

Source Field

TSI=31 and TRBL=FORCED_HANDOFF_DISCONNECT

Source Section

CELL101

CELL101_ForcedHODisc_TSI32

Call state of 32 or 132 (trouble code FORCED_HANDOFF_DISCONNECT) - Waiting for a release from the CC after sending it a HANDOFF_JACK

Data Source

MTX Log

Source Field

TSI=32 and TRBL=FORCED_HANDOFF_DISCONNECT

Source Section

CELL101

CELL101_ForcedHODisc_TSI4

Call state of 4 or 104 (trouble code FORCED_HANDOFF_DISCONNECT) - Waiting for SAT_PRESENT on termination

Data Source

MTX Log

Source Field

TSI=4 and TRBL=FORCED_HANDOFF_DISCONNECT

Source Section

CELL101

CELL101_ForcedHODisc_TSI5

Call state of 5 or 105 (trouble code FORCED_HANDOFF_DISCONNECT) -
ACTIVE_SAT_WAIT_RELEASE

Data Source

MTX Log

Source Field

TSI=5 and TRBL=FORCED_HANDOFF_DISCONNECT

Source Section

CELL101

CELL101_ForcedHODisc_TSI6

Call state of 6 or 106 (trouble code FORCED_HANDOFF_DISCONNECT) - Waiting for
initial SAT detection on the VCH from the originating mobile unit

Data Source

MTX Log

Source Field

TSI=6 and TRBL=FORCED_HANDOFF_DISCONNECT

Source Section

CELL101

CELL101_ForcedHODisc_TSI7

Call state of 7 or 107 (trouble code FORCED_HANDOFF_DISCONNECT) - Waiting for a
release acknowledgment from the peripheral

Data Source

MTX Log

Source Field

TSI=7 and TRBL=FORCED_HANDOFF_DISCONNECT

Source Section

CELL101

CELL101_ForcedHODisc_TSI8

Call state of 8 or 108 (trouble code FORCED_HANDOFF_DISCONNECT) - Waiting for an ANSWER MESSAGE from a terminating mobile unit after receiving a SAT_PRESENT message.

Data Source

MTX Log

Source Field

TSI=8 and TRBL=FORCED_HANDOFF_DISCONNECT

Source Section

CELL101

CELL101_ForcedHODisc_TSI9

Call state of 9 or 109 (trouble code FORCED_HANDOFF_DISCONNECT) - The mobile unit is in conversation

Data Source

MTX Log

Source Field

TSI=9 and TRBL=FORCED_HANDOFF_DISCONNECT

Source Section

CELL101

CELL101_TDMAAcquisFail

Number of CELL101 events with trouble code of TDMA_ACQUISITION_FAILURE

Data Source

MTX Log

Source Field

TRBL=TDMA_ACQUISTION_FAILURE

Source Section

CELL101

CELL101_TDMAAcquisFail_TSI1

Call state of 1 or 101 (trouble code TDMA_ACQUISITION_FAILURE) - Idle

Data Source

MTX Log

Source Field

TSI=1 and TRBL=TDMA_ACQUISITION_FAILURE

Source Section

CELL101

CELL101_TDMAAcquisFail_TSI10

Call state of 10 or 110 (trouble code TDMA_ACQUISITION_FAILURE) - Waiting for a release acknowledgment from the mobile unit

Data Source

MTX Log

Source Field

TSI=10 and TRBL=TDMA_ACQUISITION_FAILURE

Source Section

CELL101

CELL101_TDMAAcquisFail_TSI11

Call state of 11 or 111 (trouble code TDMA_ACQUISITION_FAILURE) - ACTIVE_RELEASE_SETUP

Data Source

MTX Log

Source Field

TSI=11 and TRBL=TDMA_ACQUISITION_FAILURE

Source Section

CELL101

CELL101_TDMAAcquisFail_TSI12

Call state of 12 or 112 (trouble code TDMA_ACQUISITION_FAILURE) - Waiting for an alert acknowledgment from the mobile unit (second attempt)

Data Source

MTX Log

Source Field

TSI=12 and TRBL=TDMA_ACQUISITION_FAILURE

Source Section

CELL101

CELL101_TDMAAcquisFail_TSI13

Call state of 13 or 113 (trouble code TDMA_ACQUISITION_FAILURE) - ALERT_2

Data Source

MTX Log

Source Field

TSI=13 and TRBL=TDMA_ACQUISITION_FAILURE

Source Section

CELL101

CELL101_TDMAAcquisFail_TSI14

Call state of 14 or 114 (trouble code TDMA_ACQUISITION_FAILURE) - Waiting for the called address from the mobile unit

Data Source

MTX Log

Source Field

TSI=14 and TRBL=TDMA_ACQUISITION_FAILURE

Source Section

CELL101

CELL101_TDMAAcquisFail_TSI15

Call state of 15 or 115 (trouble code TDMA_ACQUISITION_FAILURE) - Waiting for a setup message from the MTX

Data Source

MTX Log

Source Field

TSI=15 and TRBL=TDMA_ACQUISITION_FAILURE

Source Section

CELL101

CELL101_TDMAAcquisFail_TSI16

Call state of 16 or 116 (trouble code TDMA_ACQUISITION_FAILURE) - The VCH is being used for locating channel receiver (LCR) redundancy

Data Source

MTX Log

Source Field

TSI=16 and TRBL=TDMA_ACQUISITION_FAILURE

Source Section

CELL101

CELL101_TDMAAcquisFail_TSI17

Call state of 17 or 117 (trouble code TDMA_ACQUISITION_FAILURE) - The VCH is undergoing in-service testing

Data Source

MTX Log

Source Field

TSI=17 and TRBL=TDMA_ACQUISITION_FAILURE

Source Section

CELL101

CELL101_TDMAAcquisFail_TSI18

Call state of 18 or 118 (trouble code TDMA_ACQUISITION_FAILURE) - The VCH is waiting for the One-second guard timer to expire after the mobile unit disconnects or hands off. After the timer expires, the mobile unit is put back on the IDLE queue

Data Source

MTX Log

Source Field

TSI=18 and TRBL=TDMA_ACQUISITION_FAILURE

Source Section

CELL101

CELL101_TDMAAcquisFail_TSI19

Call state of 19 or 119 (trouble code TDMA_ACQUISITION_FAILURE) - Failure has occurred during the call. The intelligent cellular peripheral (ICP) sends a CARRIER OFF command to the VCH to put it back into the idle voice task and expects an answer

Data Source

MTX Log

Source Field

TSI=19 and TRBL=TDMA_ACQUISITION_FAILURE

Source Section

CELL101

CELL101_TDMAAcquisFail_TSI2

Call state of 2 or 102 (trouble code TDMA_ACQUISITION_FAILURE) - Waiting for setup acknowledgment from the voice channel (VCH). This state is used

Data Source

MTX Log

Source Field

TSI=2 and TRBL=TDMA_ACQUISITION_FAILURE

Source Section

CELL101

CELL101_TDMAAcquisFail_TSI20

Call state of 20 or 120 (trouble code TDMA_ACQUISITION_FAILURE) - Waiting for a power order confirmation from the VCH in response to a power command to change the transmit power level of the mobile unit

Data Source

MTX Log

Source Field

TSI=20 and TRBL=TDMA_ACQUISITION_FAILURE

Source Section

CELL101

CELL101_TDMAAcquisFail_TSI21

Call state of 21 or 121 (trouble code TDMA_ACQUISITION_FAILURE) - Waiting for a stop alert confirmation from the VCH in response to a stop alert order

Data Source

MTX Log

Source Field

TSI=21 and TRBL=TDMA_ACQUISITION_FAILURE

Source Section

CELL101

CELL101_TDMAAcquisFail_TSI22

Call state of 22 or 122 (trouble code TDMA_ACQUISITION_FAILURE) - Waiting for an audit confirmation from the VCH in response to an audit order

Data Source

MTX Log

Source Field

TSI=22 and TRBL=TDMA_ACQUISITION_FAILURE

Source Section

CELL101

CELL101_TDMAAcquisFail_TSI23

Call state of 23 or 123 (trouble code TDMA_ACQUISITION_FAILURE) - Waiting for a reorder confirmation from the VCH in response to the abbreviated reorder order

Data Source

MTX Log

Source Field

TSI=23 and TRBL=TDMA_ACQUISITION_FAILURE

Source Section

CELL101

CELL101_TDMAAcquisFail_TSI24

Call state of 24 or 124 (trouble code TDMA_ACQUISITION_FAILURE) - Waiting for an intercept confirmation from the VCH in response to the abbreviated intercept order

Data Source

MTX Log

Source Field

TSI=24 and TRBL=TDMA_ACQUISITION_FAILURE

Source Section

CELL101

CELL101_TDMAAcquisFail_TSI25

Call state of 25 or 125 (trouble code TDMA_ACQUISITION_FAILURE) - Waiting for an alert confirmation from the VCH in response to the abbreviated alert order

Data Source

MTX Log

Source Field

TSI=25 and TRBL=TDMA_ACQUISITION_FAILURE

Source Section

CELL101

CELL101_TDMAAcquisFail_TSI26

Call state of 26 or 126 (trouble code TDMA_ACQUISITION_FAILURE) - Waiting for a disconnect message from the mobile unit

Data Source

MTX Log

Source Field

TSI=26 and TRBL=TDMA_ACQUISITION_FAILURE

Source Section

CELL101

CELL101_TDMAAcquisFail_TSI27

Call state of 27 or 127 (trouble code TDMA_ACQUISITION_FAILURE) - A carrier fail message was reported from DS1MTCE

Data Source

MTX Log

Source Field

TSI=27 and TRBL=TDMA_ACQUISITION_FAILURE

Source Section

CELL101

CELL101_TDMAAcquisFail_TSI28

Call state of 28 or 128 (trouble code TDMA_ACQUISITION_FAILURE) - MB_SEIZE. Used to distinguish manual busy and carrier fail from an in-service seize

Data Source

MTX Log

Source Field

TSI=28 and TRBL=TDMA_ACQUISITION_FAILURE

Source Section

CELL101

CELL101_TDMAAcquisFail_TSI29

Call state of 29 or 129 (trouble code TDMA_ACQUISITION_FAILURE) - VCH will be removed after a maintenance handoff

Data Source

MTX Log

Source Field

TSI=29 and TRBL=TDMA_ACQUISITION_FAILURE

Source Section

CELL101

CELL101_TDMAAcquisFail_TSI3

Call state of 3 or 103 (trouble code TDMA_ACQUISITION_FAILURE) - Waiting for setup acknowledgment from the VCH. This state is used on terminations

Data Source

MTX Log

Source Field

TSI=3 and TRBL=TDMA_ACQUISITION_FAILURE

Source Section

CELL101

CELL101_TDMAAcquisFail_TSI30

Not currently used

Data Source

MTX Log

Source Field

TSI=30 and TRBL=TDMA_ACQUISITION_FAILURE

Source Section

CELL101

CELL101_TDMAAcquisFail_TSI31

Not currently used

Data Source

MTX Log

Source Field

TSI=31 and TRBL=TDMA_ACQUISITION_FAILURE

Source Section

CELL101

CELL101_TDMAAcquisFail_TSI32

Call state of 32 or 132 (trouble code TDMA_ACQUISITION_FAILURE) - Waiting for a release from the CC after sending it a HANDOFF_JACK

Data Source

MTX Log

Source Field

TSI=32 and TRBL=TDMA_ACQUISITION_FAILURE

Source Section

CELL101

CELL101_TDMAAcquisFail_TSI4

Call state of 4 or 104 (trouble code TDMA_ACQUISITION_FAILURE) - Waiting for SAT_PRESENT on termination

Data Source

MTX Log

Source Field

TSI=4 and TRBL=TDMA_ACQUISITION_FAILURE

Source Section

CELL101

CELL101_TDMAAcquisFail_TSI5

Call state of 5 or 105 (trouble code TDMA_ACQUISITION_FAILURE) - ACTIVE_SAT_WAIT_RELEASE

Data Source

MTX Log

Source Field

TSI=5 and TRBL=TDMA_ACQUISITION_FAILURE

Source Section

CELL101

CELL101_TDMAAcquisFail_TSI6

Call state of 6 or 106 (trouble code TDMA_ACQUISITION_FAILURE) - Waiting for initial SAT detection on the VCH from the originating mobile unit

Data Source

MTX Log

Source Field

TSI=6 and TRBL=TDMA_ACQUISITION_FAILURE

Source Section

CELL101

CELL101_TDMAAcquisFail_TSI7

Call state of 7 or 107 (trouble code TDMA_ACQUISITION_FAILURE) - Waiting for a release acknowledgment from the peripheral

Data Source

MTX Log

Source Field

TSI=7 and TRBL=TDMA_ACQUISITION_FAILURE

Source Section

CELL101

CELL101_TDMAAcquisFail_TSI8

Call state of 8 or 108 (trouble code TDMA_ACQUISITION_FAILURE) - Waiting for an ANSWER MESSAGE from a terminating mobile unit after receiving a SAT_PRESENT message.

Data Source

MTX Log

Source Field

TSI=8 and TRBL=TDMA_ACQUISITION_FAILURE

Source Section

CELL101

CELL101_TDMAAcquisFail_TSI9

Call state of 9 or 109 (trouble code TDMA_ACQUISITION_FAILURE) - The mobile unit is in conversation

Data Source

MTX Log

Source Field

TSI=9 and TRBL=TDMA_ACQUISITION_FAILURE

Source Section

CELL101

CELLTRBL

CELLTRBL

Data Source

MTX OM, SDM

Source Field

CELLTRBL

Source Section

OMMTX3

CHOBLKS

CHOBLKS

Data Source

MTX OM, SDM

Source Field

CHOBLKS

Source Section

OMMTXHO2

CHONSRCR

CHONSRCR

Data Source

MTX OM, SDM

Source Field

CHONSRCR

Source Section

OMMTXHO2

CHOREJCT

Register CHOSRTRY is pegged when HO is cancelled.

Data Source

MTX OM, SDM

Source Field

CHOREJCT

Source Section

OMMTXHO2

CHOSRCAT

CHOSRCAT

Data Source

MTX OM, SDM

Source Field

CHOSRCAT

Source Section

OMMTXHO2

CHOSRCFL

CHOSRCFL

Data Source

MTX OM, SDM

Source Field

CHOSRCFL

Source Section

OMMTXHO2

CHOSRCSU

CHOSRCSU

Data Source

MTX OM, SDM

Source Field

CHOSRCSU

Source Section

OMMTXHO2

CHOSRRLS

CHOSRRLS

Data Source

MTX OM, SDM

Source Field

CHOSRRLS

Source Section

OMMTXHO2

CIDATT

handoff candidate msg comes from the ICP

Data Source

MTX OM, SDM

Source Field

CIDATT

Source Section

CIBEROM

CIDCOMP

handoff Comp msg comes from the ICP

Data Source

MTX OM, SDM

Source Field

CIDCOMP

Source Section

CIBEROM

CIDINTA

C/I drop ratio causes a handoff from one partition to another

Data Source

MTX OM, SDM

Source Field

CIDINTA

Source Section

CIBEROM

CIDINTR

C/I drop ratio causes a handoff within the cell partition

Data Source

MTX OM, SDM

Source Field

CIDINTR

Source Section

CIBEROM

CINATT

ICP sends a handoff candidate msg that C/I noise ratio has caused an attempt to handoff

Data Source

MTX OM, SDM

Source Field

CINATT

Source Section

CIBEROM

CINCOMP

ICP sends a handoff candidate msg that C/I noise ratio has caused a handoff Comp

Data Source

MTX OM, SDM

Source Field

CINCOMP

Source Section

CIBEROM

CININTA

C/I noise ratio triggers an intra-partition Ho

Data Source

MTX OM, SDM

Source Field

CININTA

Source Section

CIBEROM

CININTR

C/I noise ratio triggers an interpartition handoff

Data Source

MTX OM, SDM

Source Field

CININTR

Source Section

CIBEROM

CLFL100_MobileFade

Number of CLFL100 events

Data Source

MTX Log

Source Field

TRBL=MOBILEFADE

Source Section

CLFL100

CLFL100_TSI1

Call state of 1 or 101 - Idle

Data Source

MTX Log

Source Field

TSI=1 and TRBL=MOBILEFADE

Source Section

CLFL100

CLFL100_TSI10

Call state of 10 or 110 - Waiting for a release acknowledgment from the mobile unit

Data Source

MTX Log

Source Field

TSI=10 and TRBL=MOBILEFADE

Source Section

CLFL100

CLFL100_TSI11

Call state of 11 or 111 - ACTIVE_RELEASE_SETUP

Data Source

MTX Log

Source Field

TSI=11 and TRBL=MOBILEFADE

Source Section

CLFL100

CLFL100_TSI12

Call state of 12 or 112 - Waiting for an alert acknowledgment from the mobile unit (second attempt)

Data Source

MTX Log

Source Field

TSI=12 and TRBL=MOBILEFADE

Source Section

CLFL100

CLFL100_TSI13

Call state of 13 or 113 - ALERT_2

Data Source

MTX Log

Source Field

TSI=13 and TRBL=MOBILEFADE

Source Section

CLFL100

CLFL100_TSI14

Call state of 14 or 114 - Waiting for the called address from the mobile unit

Data Source

MTX Log

Source Field

TSI=14 and TRBL=MOBILEFADE

Source Section

CLFL100

CLFL100_TSI15

Call state of 15 or 115 - Waiting for a setup message from the MTX

Data Source

MTX Log

Source Field

TSI=15 and TRBL=MOBILEFADE

Source Section

CLFL100

CLFL100_TSI16

Call state of 16 or 116 - The VCH is being used for locating channel receiver (LCR) redundancy

Data Source

MTX Log

Source Field

TSI=16 and TRBL=MOBILEFADE

Source Section

CLFL100

CLFL100_TSI17

Call state of 17 or 117 - The VCH is undergoing in-service testing

Data Source

MTX Log

Source Field

TSI=17 and TRBL=MOBILEFADE

Source Section

CLFL100

CLFL100_TSI18

Call state of 18 or 118 - The VCH is waiting for the One-second guard timer to expire after the mobile unit disconnects or hands off. After the timer expires, the mobile unit is put back on the IDLE queue

Data Source

MTX Log

Source Field

TSI=18 and TRBL=MOBILEFADE

Source Section

CLFL100

CLFL100_TSI19

Call state of 19 or 119 - Failure has occurred during the call. The intelligent cellular peripheral (ICP) sends a CARRIER OFF command to the VCH to put it back into the idle voice task and expects an answer

Data Source

MTX Log

Source Field

TSI=19 and TRBL=MOBILEFADE

Source Section

CLFL100

CLFL100_TSI2

Call state of 2 or 102 - Waiting for setup acknowledgment from the voice channel (VCH). This state is used

Data Source

MTX Log

Source Field

TSI=2 and TRBL=MOBILEFADE

Source Section

CLFL100

CLFL100_TSI20

Call state of 20 or 120 - Waiting for a power order confirmation from the VCH in response to a power command to change the transmit power level of the mobile unit

Data Source

MTX Log

Source Field

TSI=20 and TRBL=MOBILEFADE

Source Section

CLFL100

CLFL100_TSI21

Call state of 21 or 121 - Waiting for a stop alert confirmation from the VCH in response to a stop alert order

Data Source

MTX Log

Source Field

TSI=21 and TRBL=MOBILEFADE

Source Section

CLFL100

CLFL100_TSI22

Call state of 22 or 122 - Waiting for an audit confirmation from the VCH in response to an audit order

Data Source

MTX Log

Source Field

TSI=22 and TRBL=MOBILEFADE

Source Section

CLFL100

CLFL100_TSI23

Call state of 23 or 123 - Waiting for a reorder confirmation from the VCH in response to the abbreviated reorder order

Data Source

MTX Log

Source Field

TSI=23 and TRBL=MOBILEFADE

Source Section

CLFL100

CLFL100_TSI24

Call state of 24 or 124 - Waiting for an intercept confirmation from the VCH in response to the abbreviated intercept order

Data Source

MTX Log

Source Field

TSI=24 and TRBL=MOBILEFADE

Source Section

CLFL100

CLFL100_TSI25

Call state of 25 or 125 - Waiting for an alert confirmation from the VCH in response to the abbreviated alert order

Data Source

MTX Log

Source Field

TSI=25 and TRBL=MOBILEFADE

Source Section

CLFL100

CLFL100_TSI26

Call state of 26 or 126 - Waiting for a disconnect message from the mobile unit

Data Source

MTX Log

Source Field

TSI=26 and TRBL=MOBILEFADE

Source Section

CLFL100

CLFL100_TSI27

Call state of 27 or 127 - A carrier fail message was reported from DS1MTCE

Data Source

MTX Log

Source Field

TSI=27 and TRBL=MOBILEFADE

Source Section

CLFL100

CLFL100_TSI28

Call state of 28 or 128 - MB_SEIZE. Used to distinguish manual busy and carrier fail from an in-service seize

Data Source

MTX Log

Source Field

TSI=28 and TRBL=MOBILEFADE

Source Section

CLFL100

CLFL100_TSI29

Call state of 29 or 129 - VCH will be removed after a maintenance handoff

Data Source

MTX Log

Source Field

TSI=29 and TRBL=MOBILEFADE

Source Section

CLFL100

CLFL100_TSI3

Call state of 3 or 103 - Waiting for setup acknowledgment from the VCH. This state is used on terminations

Data Source

MTX Log

Source Field

TSI=3 and TRBL=MOBILEFADE

Source Section

CLFL100

CLFL100_TSI30

Not currently used

Data Source

MTX Log

Source Field

TSI=30 and TRBL=MOBILEFADE

Source Section

CLFL100

CLFL100_TSI31

Not currently used

Data Source

MTX Log

Source Field

TSI=31 and TRBL=MOBILEFADE

Source Section

CLFL100

CLFL100_TSI32

Call state of 32 or 132 - Waiting for a release from the CC after sending it a HANDOFF_JACK

Data Source

MTX Log

Source Field

TSI=32 and TRBL=MOBILEFADE

Source Section

CLFL100

CLFL100_TSI4

Call state of 4 or 104 - Waiting for SAT_PRESENT on termination

Data Source

MTX Log

Source Field

TSI=4 and TRBL=MOBILEFADE

Source Section

CLFL100

CLFL100_TSI5

Call state of 5 or 105 - ACTIVE_SAT_WAIT_RELEASE

Data Source

MTX Log

Source Field

TSI=5 and TRBL=MOBILEFADE

Source Section

CLFL100

CLFL100_TSI6

Call state of 6 or 106 - Waiting for initial SAT detection on the VCH from the originating mobile unit

Data Source

MTX Log

Source Field

TSI=6 and TRBL=MOBILEFADE

Source Section

CLFL100

CLFL100_TSI7

Call state of 7 or 107 - Waiting for a release acknowledgment from the peripheral

Data Source

MTX Log

Source Field

TSI=7 and TRBL=MOBILEFADE

Source Section

CLFL100

CLFL100_TSI8

Call state of 8 or 108 - Waiting for an ANSWER MESSAGE from a terminating mobile unit after receiving a SAT_PRESENT message.

Data Source

MTX Log

Source Field

TSI=8 and TRBL=MOBILEFADE

Source Section

CLFL100

CLFL100_TSI9

Call state of 9 or 109 - The mobile unit is in conversation

Data Source

MTX Log

Source Field

TSI=9 and TRBL=MOBILEFADE

Source Section

CLFL100

CLFL101_MobileTimeout

Number of CLFL101 events

Data Source

MTX Log

Source Field

TRBL=MOBILETIMEOUT

Source Section

CLFL101

CLFL101_TSI1

Call state of 1 or 101 - Idle

Data Source

MTX Log

Source Field

TSI=1 and TRBL=MOBILETIMEOUT

Source Section

CLFL101

CLFL101_TSI10

Call state of 10 or 110 - Waiting for a release acknowledgment from the mobile unit

Data Source

MTX Log

Source Field

TSI=10 and TRBL=MOBILETIMEOUT

Source Section

CLFL101

CLFL101_TSI11

Call state of 11 or 111 - ACTIVE_RELEASE_SETUP

Data Source

MTX Log

Source Field

TSI=11 and TRBL=MOBILETIMEOUT

Source Section

CLFL101

CLFL101_TSI12

Call state of 12 or 112 - Waiting for an alert acknowledgment from the mobile unit (second attempt)

Data Source

MTX Log

Source Field

TSI=12 and TRBL=MOBILETIMEOUT

Source Section

CLFL101

CLFL101_TSI13

Call state of 13 or 113 - ALERT_2

Data Source

MTX Log

Source Field

TSI=13 and TRBL=MOBILETIMEOUT

Source Section

CLFL101

CLFL101_TSI14

Call state of 14 or 114 - Waiting for the called address from the mobile unit

Data Source

MTX Log

Source Field

TSI=14 and TRBL=MOBILETIMEOUT

Source Section

CLFL101

CLFL101_TSI15

Call state of 15 or 115 - Waiting for a setup message from the MTX

Data Source

MTX Log

Source Field

TSI=15 and TRBL=MOBILETIMEOUT

Source Section

CLFL101

CLFL101_TSI16

Call state of 16 or 116 - The VCH is being used for locating channel receiver (LCR) redundancy

Data Source

MTX Log

Source Field

TSI=16 and TRBL=MOBILETIMEOUT

Source Section

CLFL101

CLFL101_TSI17

Call state of 17 or 117 - The VCH is undergoing in-service testing

Data Source

MTX Log

Source Field

TSI=17 and TRBL=MOBILETIMEOUT

Source Section

CLFL101

CLFL101_TSI18

Call state of 18 or 118 - The VCH is waiting for the One-second guard timer to expire after the mobile unit disconnects or hands off. After the timer expires, the mobile unit is put back on the IDLE queue

Data Source

MTX Log

Source Field

TSI=18 and TRBL=MOBILETIMEOUT

Source Section

CLFL101

CLFL101_TSI19

Call state of 19 or 119 - Failure has occurred during the call. The intelligent cellular peripheral (ICP) sends a CARRIER OFF command to the VCH to put it back into the idle voice task and expects an answer

Data Source

MTX Log

Source Field

TSI=19 and TRBL=MOBILETIMEOUT

Source Section

CLFL101

CLFL101_TSI2

Call state of 2 or 102 - Waiting for setup acknowledgment from the voice channel (VCH). This state is used

Data Source

MTX Log

Source Field

TSI=2 and TRBL=MOBILETIMEOUT

Source Section

CLFL101

CLFL101_TSI20

Call state of 20 or 120 - Waiting for a power order confirmation from the VCH in response to a power command to change the transmit power level of the mobile unit

Data Source

MTX Log

Source Field

TSI=20 and TRBL=MOBILETIMEOUT

Source Section

CLFL101

CLFL101_TSI21

Call state of 21 or 121 - Waiting for a stop alert confirmation from the VCH in response to a stop alert order

Data Source

MTX Log

Source Field

TSI=21 and TRBL=MOBILETIMEOUT

Source Section

CLFL101

CLFL101_TSI22

Call state of 22 or 122 - Waiting for an audit confirmation from the VCH in response to an audit order

Data Source

MTX Log

Source Field

TSI=22 and TRBL=MOBILETIMEOUT

Source Section

CLFL101

CLFL101_TSI23

Call state of 23 or 123 - Waiting for a reorder confirmation from the VCH in response to the abbreviated reorder order

Data Source

MTX Log

Source Field

TSI=23 and TRBL=MOBILETIMEOUT

Source Section

CLFL101

CLFL101_TSI24

Call state of 24 or 124 - Waiting for an intercept confirmation from the VCH in response to the abbreviated intercept order

Data Source

MTX Log

Source Field

TSI=24 and TRBL=MOBILETIMEOUT

Source Section

CLFL101

CLFL101_TSI25

Call state of 25 or 125 - Waiting for an alert confirmation from the VCH in response to the abbreviated alert order

Data Source

MTX Log

Source Field

TSI=25 and TRBL=MOBILETIMEOUT

Source Section

CLFL101

CLFL101_TSI26

Call state of 26 or 126 - Waiting for a disconnect message from the mobile unit

Data Source

MTX Log

Source Field

TSI=26 and TRBL=MOBILETIMEOUT

Source Section

CLFL101

CLFL101_TSI27

Call state of 27 or 127 - A carrier fail message was reported from DS1MTCE

Data Source

MTX Log

Source Field

TSI=27 and TRBL=MOBILETIMEOUT

Source Section

CLFL101

CLFL101_TSI28

Call state of 28 or 128 - MB_SEIZE. Used to distinguish manual busy and carrier fail from an in-service seize

Data Source

MTX Log

Source Field

TSI=28 and TRBL=MOBILETIMEOUT

Source Section

CLFL101

CLFL101_TSI29

Call state of 29 or 129 - VCH will be removed after a maintenance handoff

Data Source

MTX Log

Source Field

TSI=29 and TRBL=MOBILETIMEOUT

Source Section

CLFL101

CLFL101_TSI3

Call state of 3 or 103 - Waiting for setup acknowledgment from the VCH. This state is used on terminations

Data Source

MTX Log

Source Field

TSI=3 and TRBL=MOBILETIMEOUT

Source Section

CLFL101

CLFL101_TSI30

Not currently used

Data Source

MTX Log

Source Field

TSI=30 and TRBL=MOBILETIMEOUT

Source Section

CLFL101

CLFL101_TSI31

Not currently used

Data Source

MTX Log

Source Field

TSI=31 and TRBL=MOBILETIMEOUT

Source Section

CLFL101

CLFL101_TSI32

Call state of 32 or 132 - Waiting for a release from the CC after sending it a HANDOFF_JACK

Data Source

MTX Log

Source Field

TSI=32 and TRBL=MOBILETIMEOUT

Source Section

CLFL101

CLFL101_TSI4

Call state of 4 or 104 - Waiting for SAT_PRESENT on termination

Data Source

MTX Log

Source Field

TSI=4 and TRBL=MOBILETIMEOUT

Source Section

CLFL101

CLFL101_TSI5

Call state of 5 or 105 - ACTIVE_SAT_WAIT_RELEASE

Data Source

MTX Log

Source Field

TSI=5 and TRBL=MOBILETIMEOUT

Source Section

CLFL101

CLFL101_TSI6

Call state of 6 or 106 - Waiting for initial SAT detection on the VCH from the originating mobile unit

Data Source

MTX Log

Source Field

TSI=6 and TRBL=MOBILETIMEOUT

Source Section

CLFL101

CLFL101_TSI7

Call state of 7 or 107 - Waiting for a release acknowledgment from the peripheral

Data Source

MTX Log

Source Field

TSI=7 and TRBL=MOBILETIMEOUT

Source Section

CLFL101

CLFL101_TSI8

Call state of 8 or 108 - Waiting for an ANSWER MESSAGE from a terminating mobile unit after receiving a SAT_PRESENT message.

Data Source

MTX Log

Source Field

TSI=8 and TRBL=MOBILETIMEOUT

Source Section

CLFL101

CLFL101_TSI9

Call state of 9 or 109 - The mobile unit is in conversation

Data Source

MTX Log

Source Field

TSI=9 and TRBL=MOBILETIMEOUT

Source Section

CLFL101

CLFL102_MobileHOFail

Number of CLFL102 events

Data Source

MTX Log

Source Field

TRBL=MOBILEHOFAIL

Source Section

CLFL102

CLFL102_TSI1

Call state of 1 or 101 - Idle

Data Source

MTX Log

Source Field

TSI=1 and TRBL=MOBILEHOFAIL

Source Section

CLFL102

CLFL102_TSI10

Call state of 10 or 110 - Waiting for a release acknowledgment from the mobile unit

Data Source

MTX Log

Source Field

TSI=10 and TRBL=MOBILEHOFAIL

Source Section

CLFL102

CLFL102_TSI11

Call state of 11 or 111 - ACTIVE_RELEASE_SETUP

Data Source

MTX Log

Source Field

TSI=11 and TRBL=MOBILEHOFAIL

Source Section

CLFL102

CLFL102_TSI12

Call state of 12 or 112 - Waiting for an alert acknowledgment from the mobile unit (second attempt)

Data Source

MTX Log

Source Field

TSI=12 and TRBL=MOBILEHOFAIL

Source Section

CLFL102

CLFL102_TSI13

Call state of 13 or 113 - ALERT_2

Data Source

MTX Log

Source Field

TSI=13 and TRBL=MOBILEHOFAIL

Source Section

CLFL102

CLFL102_TSI14

Call state of 14 or 114 - Waiting for the called address from the mobile unit

Data Source

MTX Log

Source Field

TSI=14 and TRBL=MOBILEHOFAIL

Source Section

CLFL102

CLFL102_TSI15

Call state of 15 or 115 - Waiting for a setup message from the MTX

Data Source

MTX Log

Source Field

TSI=15 and TRBL=MOBILEHOFAIL

Source Section

CLFL102

CLFL102_TSI16

Call state of 16 or 116 - The VCH is being used for locating channel receiver (LCR) redundancy

Data Source

MTX Log

Source Field

TSI=16 and TRBL=MOBILEHOFAIL

Source Section

CLFL102

CLFL102_TSI17

Call state of 17 or 117 - The VCH is undergoing in-service testing

Data Source

MTX Log

Source Field

TSI=17 and TRBL=MOBILEHOFAIL

Source Section

CLFL102

CLFL102_TSI18

Call state of 18 or 118 - The VCH is waiting for the One-second guard timer to expire after the mobile unit disconnects or hands off. After the timer expires, the mobile unit is put back on the IDLE queue

Data Source

MTX Log

Source Field

TSI=18 and TRBL=MOBILEHOFAIL

Source Section

CLFL102

CLFL102_TSI19

Call state of 19 or 119 - Failure has occurred during the call. The intelligent cellular peripheral (ICP) sends a CARRIER OFF command to the VCH to put it back into the idle voice task and expects an answer

Data Source

MTX Log

Source Field

TSI=19 and TRBL=MOBILEHOFAIL

Source Section

CLFL102

CLFL102_TSI2

Call state of 2 or 102 - Waiting for setup acknowledgment from the voice channel (VCH). This state is used

Data Source

MTX Log

Source Field

TSI=2 and TRBL=MOBILEHOFAIL

Source Section

CLFL102

CLFL102_TSI20

Call state of 20 or 120 - Waiting for a power order confirmation from the VCH in response to a power command to change the transmit power level of the mobile unit

Data Source

MTX Log

Source Field

TSI=20 and TRBL=MOBILEHOFAIL

Source Section

CLFL102

CLFL102_TSI21

Call state of 21 or 121 - Waiting for a stop alert confirmation from the VCH in response to a stop alert order

Data Source

MTX Log

Source Field

TSI=21 and TRBL=MOBILEHOFAIL

Source Section

CLFL102

CLFL102_TSI22

Call state of 22 or 122 - Waiting for an audit confirmation from the VCH in response to an audit order

Data Source

MTX Log

Source Field

TSI=22 and TRBL=MOBILEHOFAIL

Source Section

CLFL102

CLFL102_TSI23

Call state of 23 or 123 - Waiting for a reorder confirmation from the VCH in response to the abbreviated reorder order

Data Source

MTX Log

Source Field

TSI=23 and TRBL=MOBILEHOFAIL

Source Section

CLFL102

CLFL102_TSI24

Call state of 24 or 124 - Waiting for an intercept confirmation from the VCH in response to the abbreviated intercept order

Data Source

MTX Log

Source Field

TSI=24 and TRBL=MOBILEHOFAIL

Source Section

CLFL102

CLFL102_TSI25

Call state of 25 or 125 - Waiting for an alert confirmation from the VCH in response to the abbreviated alert order

Data Source

MTX Log

Source Field

TSI=25 and TRBL=MOBILEHOFAIL

Source Section

CLFL102

CLFL102_TSI26

Call state of 26 or 126 - Waiting for a disconnect message from the mobile unit

Data Source

MTX Log

Source Field

TSI=26 and TRBL=MOBILEHOFAIL

Source Section

CLFL102

CLFL102_TSI27

Call state of 27 or 127 - A carrier fail message was reported from DS1MTCE

Data Source

MTX Log

Source Field

TSI=27 and TRBL=MOBILEHOFAIL

Source Section

CLFL102

CLFL102_TSI28

Call state of 28 or 128 - MB_SEIZE. Used to distinguish manual busy and carrier fail from an in-service seize

Data Source

MTX Log

Source Field

TSI=28 and TRBL=MOBILEHOFAIL

Source Section

CLFL102

CLFL102_TSI29

Call state of 29 or 129 - VCH will be removed after a maintenance handoff

Data Source

MTX Log

Source Field

TSI=29 and TRBL=MOBILEHOFAIL

Source Section

CLFL102

CLFL102_TSI3

Call state of 3 or 103 - Waiting for setup acknowledgment from the VCH. This state is used on terminations

Data Source

MTX Log

Source Field

TSI=3 and TRBL=MOBILEHOFAIL

Source Section

CLFL102

CLFL102_TSI30

Not currently used

Data Source

MTX Log

Source Field

TSI=30 and TRBL=MOBILEHOFAIL

Source Section

CLFL102

CLFL102_TSI31

Not currently used

Data Source

MTX Log

Source Field

TSI=31 and TRBL=MOBILEHOFAIL

Source Section

CLFL102

CLFL102_TSI32

Call state of 32 or 132 - Waiting for a release from the CC after sending it a HANDOFF_JACK

Data Source

MTX Log

Source Field

TSI=32 and TRBL=MOBILEHOFAIL

Source Section

CLFL102

CLFL102_TSI4

Call state of 4 or 104 - Waiting for SAT_PRESENT on termination

Data Source

MTX Log

Source Field

TSI=4 and TRBL=MOBILEHOFAIL

Source Section

CLFL102

CLFL102_TSI5

Call state of 5 or 105 - ACTIVE_SAT_WAIT_RELEASE

Data Source

MTX Log

Source Field

TSI=5 and TRBL=MOBILEHOFAIL

Source Section

CLFL102

CLFL102_TSI6

Call state of 6 or 106 - Waiting for initial SAT detection on the VCH from the originating mobile unit

Data Source

MTX Log

Source Field

TSI=6 and TRBL=MOBILEHOFAIL

Source Section

CLFL102

CLFL102_TSI7

Call state of 7 or 107 - Waiting for a release acknowledgment from the peripheral

Data Source

MTX Log

Source Field

TSI=7 and TRBL=MOBILEHOFAIL

Source Section

CLFL102

CLFL102_TSI8

Call state of 8 or 108 - Waiting for an ANSWER MESSAGE from a terminating mobile unit after receiving a SAT_PRESENT message.

Data Source

MTX Log

Source Field

TSI=8 and TRBL=MOBILEHOFAIL

Source Section

CLFL102

CLFL102_TSI9

Call state of 9 or 109 - The mobile unit is in conversation

Data Source

MTX Log

Source Field

TSI=9 and TRBL=MOBILEHOFAIL

Source Section

CLFL102

CLFL103_MobileStateIncor

Number of CLFL103 events

Data Source

MTX Log

Source Field

TRBL=MOBILESTATEINCOR

Source Section

CLFL103

CLFL103_TSI1

Call state of 1 or 101 - Idle

Data Source

MTX Log

Source Field

TSI=1 and TRBL=MOBILESTATEINCOR

Source Section

CLFL103

CLFL103_TSI10

Call state of 10 or 110 - Waiting for a release acknowledgment from the mobile unit

Data Source

MTX Log

Source Field

TSI=10 and TRBL=MOBILESTATEINCOR

Source Section

CLFL103

CLFL103_TSI11

Call state of 11 or 111 - ACTIVE_RELEASE_SETUP

Data Source

MTX Log

Source Field

TSI=11 and TRBL=MOBILESTATEINCOR

Source Section

CLFL103

CLFL103_TSI12

Call state of 12 or 112 - Waiting for an alert acknowledgment from the mobile unit (second attempt)

Data Source

MTX Log

Source Field

TSI=12 and TRBL=MOBILESTATEINCOR

Source Section

CLFL103

CLFL103_TSI13

Call state of 13 or 113 - ALERT_2

Data Source

MTX Log

Source Field

TSI=13 and TRBL=MOBILESTATEINCOR

Source Section

CLFL103

CLFL103_TSI14

Call state of 14 or 114 - Waiting for the called address from the mobile unit

Data Source

MTX Log

Source Field

TSI=14 and TRBL=MOBILESTATEINCOR

Source Section

CLFL103

CLFL103_TSI15

Call state of 15 or 115 - Waiting for a setup message from the MTX

Data Source

MTX Log

Source Field

TSI=15 and TRBL=MOBILESTATEINCOR

Source Section

CLFL103

CLFL103_TSI16

Call state of 16 or 116 - The VCH is being used for locating channel receiver (LCR) redundancy

Data Source

MTX Log

Source Field

TSI=16 and TRBL=MOBILESTATEINCOR

Source Section

CLFL103

CLFL103_TSI17

Call state of 17 or 117 - The VCH is undergoing in-service testing

Data Source

MTX Log

Source Field

TSI=17 and TRBL=MOBILESTATEINCOR

Source Section

CLFL103

CLFL103_TSI18

Call state of 18 or 118 - The VCH is waiting for the One-second guard timer to expire after the mobile unit disconnects or hands off. After the timer expires, the mobile unit is put back on the IDLE queue

Data Source

MTX Log

Source Field

TSI=18 and TRBL=MOBILESTATEINCOR

Source Section

CLFL103

CLFL103_TSI19

Call state of 19 or 119 - Failure has occurred during the call. The intelligent cellular peripheral (ICP) sends a CARRIER OFF command to the VCH to put it back into the idle voice task and expects an answer

Data Source

MTX Log

Source Field

TSI=19 and TRBL=MOBILESTATEINCOR

Source Section

CLFL103

CLFL103_TSI2

Call state of 2 or 102 - Waiting for setup acknowledgment from the voice channel (VCH). This state is used

Data Source

MTX Log

Source Field

TSI=2 and TRBL=MOBILESTATEINCOR

Source Section

CLFL103

CLFL103_TSI20

Call state of 20 or 120 - Waiting for a power order confirmation from the VCH in response to a power command to change the transmit power level of the mobile unit

Data Source

MTX Log

Source Field

TSI=20 and TRBL=MOBILESTATEINCOR

Source Section

CLFL103

CLFL103_TSI21

Call state of 21 or 121 - Waiting for a stop alert confirmation from the VCH in response to a stop alert order

Data Source

MTX Log

Source Field

TSI=21 and TRBL=MOBILESTATEINCOR

Source Section

CLFL103

CLFL103_TSI22

Call state of 22 or 122 - Waiting for an audit confirmation from the VCH in response to an audit order

Data Source

MTX Log

Source Field

TSI=22 and TRBL=MOBILESTATEINCOR

Source Section

CLFL103

CLFL103_TSI23

Call state of 23 or 123 - Waiting for a reorder confirmation from the VCH in response to the abbreviated reorder order

Data Source

MTX Log

Source Field

TSI=23 and TRBL=MOBILESTATEINCOR

Source Section

CLFL103

CLFL103_TSI24

Call state of 24 or 124 - Waiting for an intercept confirmation from the VCH in response to the abbreviated intercept order

Data Source

MTX Log

Source Field

TSI=24 and TRBL=MOBILESTATEINCOR

Source Section

CLFL103

CLFL103_TSI25

Call state of 25 or 125 - Waiting for an alert confirmation from the VCH in response to the abbreviated alert order

Data Source

MTX Log

Source Field

TSI=25 and TRBL=MOBILESTATEINCOR

Source Section

CLFL103

CLFL103_TSI26

Call state of 26 or 126 - Waiting for a disconnect message from the mobile unit

Data Source

MTX Log

Source Field

TSI=26 and TRBL=MOBILESTATEINCOR

Source Section

CLFL103

CLFL103_TSI27

Call state of 27 or 127 - A carrier fail message was reported from DS1MTCE

Data Source

MTX Log

Source Field

TSI=27 and TRBL=MOBILESTATEINCOR

Source Section

CLFL103

CLFL103_TSI28

Call state of 28 or 128 - MB_SEIZE. Used to distinguish manual busy and carrier fail from an in-service seize

Data Source

MTX Log

Source Field

TSI=28 and TRBL=MOBILESTATEINCOR

Source Section

CLFL103

CLFL103_TSI29

Call state of 29 or 129 - VCH will be removed after a maintenance handoff

Data Source

MTX Log

Source Field

TSI=29 and TRBL=MOBILESTATEINCOR

Source Section

CLFL103

CLFL103_TSI3

Call state of 3 or 103 - Waiting for setup acknowledgment from the VCH. This state is used on terminations

Data Source

MTX Log

Source Field

TSI=3 and TRBL=MOBILESTATEINCOR

Source Section

CLFL103

CLFL103_TSI30

Not currently used

Data Source

MTX Log

Source Field

TSI=30 and TRBL=MOBILESTATEINCOR

Source Section

CLFL103

CLFL103_TSI31

Not currently used

Data Source

MTX Log

Source Field

TSI=31 and TRBL=MOBILESTATEINCOR

Source Section

CLFL103

CLFL103_TSI32

Call state of 32 or 132 - Waiting for a release from the CC after sending it a HANDOFF_JACK

Data Source

MTX Log

Source Field

TSI=32 and TRBL=MOBILESTATEINCOR

Source Section

CLFL103

CLFL103_TSI4

Call state of 4 or 104 - Waiting for SAT_PRESENT on termination

Data Source

MTX Log

Source Field

TSI=4 and TRBL=MOBILESTATEINCOR

Source Section

CLFL103

CLFL103_TSI5

Call state of 5 or 105 - ACTIVE_SAT_WAIT_RELEASE

Data Source

MTX Log

Source Field

TSI=5 and TRBL=MOBILESTATEINCOR

Source Section

CLFL103

CLFL103_TSI6

Call state of 6 or 106 - Waiting for initial SAT detection on the VCH from the originating mobile unit

Data Source

MTX Log

Source Field

TSI=6 and TRBL=MOBILESTATEINCOR

Source Section

CLFL103

CLFL103_TSI7

Call state of 7 or 107 - Waiting for a release acknowledgment from the peripheral

Data Source

MTX Log

Source Field

TSI=7 and TRBL=MOBILESTATEINCOR

Source Section

CLFL103

CLFL103_TSI8

Call state of 8 or 108 - Waiting for an ANSWER MESSAGE from a terminating mobile unit after receiving a SAT_PRESENT message.

Data Source

MTX Log

Source Field

TSI=8 and TRBL=MOBILESTATEINCOR

Source Section

CLFL103

CLFL103_TSI9

Call state of 9 or 109 - The mobile unit is in conversation

Data Source

MTX Log

Source Field

TSI=9 and TRBL=MOBILESTATEINCOR

Source Section

CLFL103

CLFL104_MobileFail

Number of CLFL104 events

Data Source

MTX Log

Source Field

TRBL=MOBILEFAIL

Source Section

CLFL104

CLFL104_TSI1

Call state of 1 or 101 - Idle

Data Source

MTX Log

Source Field

TSI=1 and TRBL=MOBILEFAIL

Source Section

CLFL104

CLFL104_TSI10

Call state of 10 or 110 - Waiting for a release acknowledgment from the mobile unit

Data Source

MTX Log

Source Field

TSI=10 and TRBL=MOBILEFAIL

Source Section

CLFL104

CLFL104_TSI11

Call state of 11 or 111 - ACTIVE_RELEASE_SETUP

Data Source

MTX Log

Source Field

TSI=11 and TRBL=MOBILEFAIL

Source Section

CLFL104

CLFL104_TSI12

Call state of 12 or 112 - Waiting for an alert acknowledgment from the mobile unit (second attempt)

Data Source

MTX Log

Source Field

TSI=12 and TRBL=MOBILEFAIL

Source Section

CLFL104

CLFL104_TSI13

Call state of 13 or 113 - ALERT_2

Data Source

MTX Log

Source Field

TSI=13 and TRBL=MOBILEFAIL

Source Section

CLFL104

CLFL104_TSI14

Call state of 14 or 114 - Waiting for the called address from the mobile unit

Data Source

MTX Log

Source Field

TSI=14 and TRBL=MOBILEFAIL

Source Section

CLFL104

CLFL104_TSI15

Call state of 15 or 115 - Waiting for a setup message from the MTX

Data Source

MTX Log

Source Field

TSI=15 and TRBL=MOBILEFAIL

Source Section

CLFL104

CLFL104_TSI16

Call state of 16 or 116 - The VCH is being used for locating channel receiver (LCR) redundancy

Data Source

MTX Log

Source Field

TSI=16 and TRBL=MOBILEFAIL

Source Section

CLFL104

CLFL104_TSI17

Call state of 17 or 117 - The VCH is undergoing in-service testing

Data Source

MTX Log

Source Field

TSI=17 and TRBL=MOBILEFAIL

Source Section

CLFL104

CLFL104_TSI18

Call state of 18 or 118 - The VCH is waiting for the One-second guard timer to expire after the mobile unit disconnects or hands off. After the timer expires, the mobile unit is put back on the IDLE queue

Data Source

MTX Log

Source Field

TSI=18 and TRBL=MOBILEFAIL

Source Section

CLFL104

CLFL104_TSI19

Call state of 19 or 119 - Failure has occurred during the call. The intelligent cellular peripheral (ICP) sends a CARRIER OFF command to the VCH to put it back into the idle voice task and expects an answer

Data Source

MTX Log

Source Field

TSI=19 and TRBL=MOBILEFAIL

Source Section

CLFL104

CLFL104_TSI2

Call state of 2 or 102 - Waiting for setup acknowledgment from the voice channel (VCH). This state is used

Data Source

MTX Log

Source Field

TSI=2 and TRBL=MOBILEFAIL

Source Section

CLFL104

CLFL104_TSI20

Call state of 20 or 120 - Waiting for a power order confirmation from the VCH in response to a power command to change the transmit power level of the mobile unit

Data Source

MTX Log

Source Field

TSI=20 and TRBL=MOBILEFAIL

Source Section

CLFL104

CLFL104_TSI21

Call state of 21 or 121 - Waiting for a stop alert confirmation from the VCH in response to a stop alert order

Data Source

MTX Log

Source Field

TSI=21 and TRBL=MOBILEFAIL

Source Section

CLFL104

CLFL104_TSI22

Call state of 22 or 122 - Waiting for an audit confirmation from the VCH in response to an audit order

Data Source

MTX Log

Source Field

TSI=22 and TRBL=MOBILEFAIL

Source Section

CLFL104

CLFL104_TSI23

Call state of 23 or 123 - Waiting for a reorder confirmation from the VCH in response to the abbreviated reorder order

Data Source

MTX Log

Source Field

TSI=23 and TRBL=MOBILEFAIL

Source Section

CLFL104

CLFL104_TSI24

Call state of 24 or 124 - Waiting for an intercept confirmation from the VCH in response to the abbreviated intercept order

Data Source

MTX Log

Source Field

TSI=24 and TRBL=MOBILEFAIL

Source Section

CLFL104

CLFL104_TSI25

Call state of 25 or 125 - Waiting for an alert confirmation from the VCH in response to the abbreviated alert order

Data Source

MTX Log

Source Field

TSI=25 and TRBL=MOBILEFAIL

Source Section

CLFL104

CLFL104_TSI26

Call state of 26 or 126 - Waiting for a disconnect message from the mobile unit

Data Source

MTX Log

Source Field

TSI=26 and TRBL=MOBILEFAIL

Source Section

CLFL104

CLFL104_TSI27

Call state of 27 or 127 - A carrier fail message was reported from DS1MTCE

Data Source

MTX Log

Source Field

TSI=27 and TRBL=MOBILEFAIL

Source Section

CLFL104

CLFL104_TSI28

Call state of 28 or 128 - MB_SEIZE. Used to distinguish manual busy and carrier fail from an in-service seize

Data Source

MTX Log

Source Field

TSI=28 and TRBL=MOBILEFAIL

Source Section

CLFL104

CLFL104_TSI29

Call state of 29 or 129 - VCH will be removed after a maintenance handoff

Data Source

MTX Log

Source Field

TSI=29 and TRBL=MOBILEFAIL

Source Section

CLFL104

CLFL104_TSI3

Call state of 3 or 103 - Waiting for setup acknowledgment from the VCH. This state is used on terminations

Data Source

MTX Log

Source Field

TSI=3 and TRBL=MOBILEFAIL

Source Section

CLFL104

CLFL104_TSI30

Not currently used

Data Source

MTX Log

Source Field

TSI=30 and TRBL=MOBILEFAIL

Source Section

CLFL104

CLFL104_TSI31

Not currently used

Data Source

MTX Log

Source Field

TSI=31 and TRBL=MOBILEFAIL

Source Section

CLFL104

CLFL104_TSI32

Call state of 32 or 132 - Waiting for a release from the CC after sending it a HANDOFF_JACK

Data Source

MTX Log

Source Field

TSI=32 and TRBL=MOBILEFAIL

Source Section

CLFL104

CLFL104_TSI4

Call state of 4 or 104 - Waiting for SAT_PRESENT on termination

Data Source

MTX Log

Source Field

TSI=4 and TRBL=MOBILEFAIL

Source Section

CLFL104

CLFL104_TSI5

Call state of 5 or 105 - ACTIVE_SAT_WAIT_RELEASE

Data Source

MTX Log

Source Field

TSI=5 and TRBL=MOBILEFAIL

Source Section

CLFL104

CLFL104_TSI6

Call state of 6 or 106 - Waiting for initial SAT detection on the VCH from the originating mobile unit

Data Source

MTX Log

Source Field

TSI=6 and TRBL=MOBILEFAIL

Source Section

CLFL104

CLFL104_TSI7

Call state of 7 or 107 - Waiting for a release acknowledgment from the peripheral

Data Source

MTX Log

Source Field

TSI=7 and TRBL=MOBILEFAIL

Source Section

CLFL104

CLFL104_TSI8

Call state of 8 or 108 - Waiting for an ANSWER MESSAGE from a terminating mobile unit after receiving a SAT_PRESENT message.

Data Source

MTX Log

Source Field

TSI=8 and TRBL=MOBILEFAIL

Source Section

CLFL104

CLFL104_TSI9

Call state of 9 or 109 - The mobile unit is in conversation

Data Source

MTX Log

Source Field

TSI=9 and TRBL=MOBILEFAIL

Source Section

CLFL104

CLFL105_MobileRelTimeout

Number of CLFL105 events

Data Source

MTX Log

Source Field

TRBL=MOBILERELTIMEOUT

Source Section

CLFL105

CLFL105_TSI1

Call state of 1 or 101 - Idle

Data Source

MTX Log

Source Field

TSI=1 and TRBL=MOBILERELTIMEOUT

Source Section

CLFL105

CLFL105_TSI10

Call state of 10 or 110 - Waiting for a release acknowledgment from the mobile unit

Data Source

MTX Log

Source Field

TSI=10 and TRBL=MOBILERELTIMEOUT

Source Section

CLFL105

CLFL105_TSI11

Call state of 11 or 111 - ACTIVE_RELEASE_SETUP

Data Source

MTX Log

Source Field

TSI=11 and TRBL=MOBILERELTIMEOUT

Source Section

CLFL105

CLFL105_TSI12

Call state of 12 or 112 - Waiting for an alert acknowledgment from the mobile unit (second attempt)

Data Source

MTX Log

Source Field

TSI=12 and TRBL=MOBILERELTIMEOUT

Source Section

CLFL105

CLFL105_TSI13

Call state of 13 or 113 - ALERT_2

Data Source

MTX Log

Source Field

TSI=13 and TRBL=MOBILERELTIMEOUT

Source Section

CLFL105

CLFL105_TSI14

Call state of 14 or 114 - Waiting for the called address from the mobile unit

Data Source

MTX Log

Source Field

TSI=14 and TRBL=MOBILERELTIMEOUT

Source Section

CLFL105

CLFL105_TSI15

Call state of 15 or 115 - Waiting for a setup message from the MTX

Data Source

MTX Log

Source Field

TSI=15 and TRBL=MOBILERELTIMEOUT

Source Section

CLFL105

CLFL105_TSI16

Call state of 16 or 116 - The VCH is being used for locating channel receiver (LCR) redundancy

Data Source

MTX Log

Source Field

TSI=16 and TRBL=MOBILERELTIMEOUT

Source Section

CLFL105

CLFL105_TSI17

Call state of 17 or 117 - The VCH is undergoing in-service testing

Data Source

MTX Log

Source Field

TSI=17 and TRBL=MOBILERELTIMEOUT

Source Section

CLFL105

CLFL105_TSI18

Call state of 18 or 118 - The VCH is waiting for the One-second guard timer to expire after the mobile unit disconnects or hands off. After the timer expires, the mobile unit is put back on the IDLE queue

Data Source

MTX Log

Source Field

TSI=18 and TRBL=MOBILERELTIMEOUT

Source Section

CLFL105

CLFL105_TSI19

Call state of 19 or 119 - Failure has occurred during the call. The intelligent cellular peripheral (ICP) sends a CARRIER OFF command to the VCH to put it back into the idle voice task and expects an answer

Data Source

MTX Log

Source Field

TSI=19 and TRBL=MOBILERELTIMEOUT

Source Section

CLFL105

CLFL105_TSI2

Call state of 2 or 102 - Waiting for setup acknowledgment from the voice channel (VCH). This state is used

Data Source

MTX Log

Source Field

TSI=2 and TRBL=MOBILERELTIMEOUT

Source Section

CLFL105

CLFL105_TSI20

Call state of 20 or 120 - Waiting for a power order confirmation from the VCH in response to a power command to change the transmit power level of the mobile unit

Data Source

MTX Log

Source Field

TSI=20 and TRBL=MOBILERELTIMEOUT

Source Section

CLFL105

CLFL105_TSI21

Call state of 21 or 121 - Waiting for a stop alert confirmation from the VCH in response to a stop alert order

Data Source

MTX Log

Source Field

TSI=21 and TRBL=MOBILERELTIMEOUT

Source Section

CLFL105

CLFL105_TSI22

Call state of 22 or 122 - Waiting for an audit confirmation from the VCH in response to an audit order

Data Source

MTX Log

Source Field

TSI=22 and TRBL=MOBILERELTIMEOUT

Source Section

CLFL105

CLFL105_TSI23

Call state of 23 or 123 - Waiting for a reorder confirmation from the VCH in response to the abbreviated reorder order

Data Source

MTX Log

Source Field

TSI=23 and TRBL=MOBILERELTIMEOUT

Source Section

CLFL105

CLFL105_TSI24

Call state of 24 or 124 - Waiting for an intercept confirmation from the VCH in response to the abbreviated intercept order

Data Source

MTX Log

Source Field

TSI=24 and TRBL=MOBILERELTIMEOUT

Source Section

CLFL105

CLFL105_TSI25

Call state of 25 or 125 - Waiting for an alert confirmation from the VCH in response to the abbreviated alert order

Data Source

MTX Log

Source Field

TSI=25 and TRBL=MOBILERELTIMEOUT

Source Section

CLFL105

CLFL105_TSI26

Call state of 26 or 126 - Waiting for a disconnect message from the mobile unit

Data Source

MTX Log

Source Field

TSI=26 and TRBL=MOBILERELTIMEOUT

Source Section

CLFL105

CLFL105_TSI27

Call state of 27 or 127 - A carrier fail message was reported from DS1MTCE

Data Source

MTX Log

Source Field

TSI=27 and TRBL=MOBILERELTIMEOUT

Source Section

CLFL105

CLFL105_TSI28

Call state of 28 or 128 - MB_SEIZE. Used to distinguish manual busy and carrier fail from an in-service seize

Data Source

MTX Log

Source Field

TSI=28 and TRBL=MOBILERELTIMEOUT

Source Section

CLFL105

CLFL105_TSI29

Call state of 29 or 129 - VCH will be removed after a maintenance handoff

Data Source

MTX Log

Source Field

TSI=29 and TRBL=MOBILERELTIMEOUT

Source Section

CLFL105

CLFL105_TSI3

Call state of 3 or 103 - Waiting for setup acknowledgment from the VCH. This state is used on terminations

Data Source

MTX Log

Source Field

TSI=3 and TRBL=MOBILERELTIMEOUT

Source Section

CLFL105

CLFL105_TSI30

Not currently used

Data Source

MTX Log

Source Field

TSI=30 and TRBL=MOBILERELTIMEOUT

Source Section

CLFL105

CLFL105_TSI31

Not currently used

Data Source

MTX Log

Source Field

TSI=31 and TRBL=MOBILERELTIMEOUT

Source Section

CLFL105

CLFL105_TSI32

Call state of 32 or 132 - Waiting for a release from the CC after sending it a HANDOFF_JACK

Data Source

MTX Log

Source Field

TSI=32 and TRBL=MOBILERELTIMEOUT

Source Section

CLFL105

CLFL105_TSI4

Call state of 4 or 104 - Waiting for SAT_PRESENT on termination

Data Source

MTX Log

Source Field

TSI=4 and TRBL=MOBILERELTIMEOUT

Source Section

CLFL105

CLFL105_TSI5

Call state of 5 or 105 - ACTIVE_SAT_WAIT_RELEASE

Data Source

MTX Log

Source Field

TSI=5 and TRBL=MOBILERELTIMEOUT

Source Section

CLFL105

CLFL105_TSI6

Call state of 6 or 106 - Waiting for initial SAT detection on the VCH from the originating mobile unit

Data Source

MTX Log

Source Field

TSI=6 and TRBL=MOBILERELTIMEOUT

Source Section

CLFL105

CLFL105_TSI7

Call state of 7 or 107 - Waiting for a release acknowledgment from the peripheral

Data Source

MTX Log

Source Field

TSI=7 and TRBL=MOBILERELTIMEOUT

Source Section

CLFL105

CLFL105_TSI8

Call state of 8 or 108 - Waiting for an ANSWER MESSAGE from a terminating mobile unit after receiving a SAT_PRESENT message.

Data Source

MTX Log

Source Field

TSI=8 and TRBL=MOBILERELTIMEOUT

Source Section

CLFL105

CLFL105_TSI9

Call state of 9 or 109 - The mobile unit is in conversation

Data Source

MTX Log

Source Field

TSI=9 and TRBL=MOBILERELTIMEOUT

Source Section

CLFL105

DAHOATTS

Pegs when a system-requested digital-to-analog interpartition handoff is attempted

Data Source

MTX OM, SDM

Source Field

DAHOATTS

Source Section

CIBEROM

DAHOCOMP

Pegs when a system-requested digital-to-analog interpartition handoff is successfully Comp

Data Source

MTX OM, SDM

Source Field

DAHOCOMP

Source Section

CIBEROM

DAHOFF

Pegs when a digital-to-analog handoff has been Comp for the target subcell

Data Source

MTX OM, SDM

Source Field

DAHOFF

Source Section

OMMTXHO

DARLPFL

Pegs RLP failures for packet data calls during Dormant to Active transition.

Data Source

MTX OM, SDM

Source Field

DARLPFL

Source Section

MTXPDSCT

DBREGRCV

Pegs when two switches receive the Reg msg of a subscriber unit

Data Source

MTX OM, SDM

Source Field

DBREGRCV

Source Section

OMMTX2

DDHOFF

Pegs when a digital-to-digital handoff has been Comp for the target subcell

Data Source

MTX OM, SDM

Source Field

DDHOFF

Source Section

OMMTXHO

DDROPHO

Pegs when a DVCC timeout occurs during a handoff

Data Source

MTX OM, SDM

Source Field

DDROPHO

Source Section

OMMTX

DDROPHO_MTXom30

Pegs when a DVCC timeout occurs during a handoff

Data Source

MTX OM

Source Field

DDROPHO_MTXom30

Source Section

OMMTX_MTXom30

DDRPCALS

Pegs when a call is Drp due to digital SAT fade

Data Source

MTX OM, SDM

Source Field

DDRPCALS

Source Section

OMMTX

DDRPCALS_MTXom30

Pegs when a call is Drp due to digital SAT fade

Data Source

MTX OM

Source Field

DDRPCALS_MTXom30

Source Section

OMMTX_MTXom30

DFBRDATT

DFBRDATT

Data Source

MTX OM, SDM

Source Field

DFBRDATT

Source Section

CIBEROM2

DFBRDCMP

DFBRDCMP

Data Source

MTX OM, SDM

Source Field

DFBRDCMP

Source Section

CIBEROM2

DFBRNATT

DFBRNATT

Data Source

MTX OM, SDM

Source Field

DFBRNATT

Source Section

CIBEROM2

DFBRNCMP

DFBRNCMP

Data Source

MTX OM, SDM

Source Field

DFBRNCMP

Source Section

CIBEROM2

DHOATTS

Pegs when there is a handoff attempt to a target subcell

Data Source

MTX OM, SDM

Source Field

DHOATTS

Source Section

OMMTX

DHOATTS_MTXom30

Pegs when there is a handoff attempt to a target subcell

Data Source

MTX OM

Source Field

DHOATTS_MTXom30

Source Section

OMMTX_MTXom30

DHOCOMPS

Pegs when a handoff to the target subcell successfully completes or fails

Data Source

MTX OM, SDM

Source Field

DHOCOMPS

Source Section

OMMTX

DHOCOMPS_MTXom30

Pegs when a handoff to the target subcell successfully completes or fails

Data Source

MTX OM

Source Field

DHOCOMPS_MTXom30

Source Section

OMMTX_MTXom30

DISTBREG

Pegs when the mobile Reg type is distance-based Reg

Data Source

MTX OM, SDM

Source Field

DISTBREG

Source Section

OMMTX3

DLRNORSP

Records whenever a DLR request times-out with no DLR reporting

Data Source

MTX OM, SDM

Source Field

DLRNORSP

Source Section

OMMTXHO2

DMBORIGS

Pegs when the switch receives an origination msg from a digital-capable subscriber unit

Data Source

MTX OM, SDM

Source Field

DMBORIGS

Source Section

OMMTX

DMBORIGS_MTXom30

Pegs when the switch receives an origination msg from a digital-capable subscriber unit

Data Source

MTX OM

Source Field

DMBORIGS_MTXom30

Source Section

OMMTX_MTXom30

DOUBORIG

Pegs when the switch receives two origination msgs from the same subscriber unit

Data Source

MTX OM, SDM

Source Field

DOUBORIG

Source Section

OMMTX2

DOUBPAGE

Pegs when switch receives two page response msgs from the same subscriber unit

Data Source

MTX OM, SDM

Source Field

DOUBPAGE

Source Section

OMMTX2

DPGRESP

Pegs when the switch receives a page response msg from a digital-capable subscriber unit

Data Source

MTX OM, SDM

Source Field

DPGRESP

Source Section

OMMTX

DPGRESP_MTXom30

Pegs when the switch receives a page response msg from a digital-capable subscriber unit

Data Source

MTX OM

Source Field

DPGRESP_MTXom30

Source Section

OMMTX_MTXom30

DRBRDATT

DRBRDATT

Data Source

MTX OM, SDM

Source Field

DRBRDATT

Source Section

CIBEROM2

DRBRDCMP

DRBRDCMP

Data Source

MTX OM, SDM

Source Field

DRBRDCMP

Source Section

CIBEROM2

DRBRNATT

DRBRNATT

Data Source

MTX OM, SDM

Source Field

DRBRNATT

Source Section

CIBEROM2

DRBRNCMP

DRBRNCMP

Data Source

MTX OM, SDM

Source Field

DRBRNCMP

Source Section

CIBEROM2

DROPCALL

Active call is Drp due to loss of SAT for an analog call or loss of DVCC for a digital call

Data Source

MTX OM, SDM

Source Field

DROPCALL

Source Section

OMMTX

DROPCALL_MTXom30

Active call is Drp due to loss of SAT for an analog call or loss of DVCC for a digital call

Data Source

MTX OM

Source Field

DROPCALL_MTXom30

Source Section

OMMTX_MTXom30

DROPHO

Call is Drp during Ho because the target subcell fails to receive a SAT for an analog call

Data Source

MTX OM, SDM

Source Field

DROPHO

Source Section

OMMTX

DROPHO_MTXom30

Call is Drp during Ho because the target subcell fails to receive a SAT for an analog call

Data Source

MTX OM

Source Field

DROPHO_MTXom30

Source Section

OMMTX_MTXom30

DVCCTO

Pegs when a call is Drp due to digital SAT timeout

Data Source

MTX OM, SDM

Source Field

DVCCTO

Source Section

OMMTX

DVCCTO_MTXom30

Pegs when a call is Drp due to digital SAT timeout

Data Source

MTX OM

Source Field

DVCCTO_MTXom30

Source Section

OMMTX_MTXom30

EFBRDATT

Pegs anytime a handoff is attempted as the result of a forward drop

Data Source

MTX OM, SDM

Source Field

EFBRDATT

Source Section

CIBEROM2

EFBRDCMP

Pegs anytime a handoff is Comp and the handoff was triggered by a forward drop

Data Source

MTX OM, SDM

Source Field

EFBRDCMP

Source Section

CIBEROM2

EFBRNATT

Pegs anytime a handoff is attempted as the result of a forward noise

Data Source

MTX OM, SDM

Source Field

EFBRNATT

Source Section

CIBEROM2

EFBRNCMP

Pegs anytime a handoff is Comp and the handoff was triggered by a forward noise

Data Source

MTX OM, SDM

Source Field

EFBRNCMP

Source Section

CIBEROM2

EPESYSFL_C

EPESYSFL

Data Source

MTX OM, SDM

Source Field

MSCSP8

Source Section

AUTHMSC

ERBRDATT

Pegs anytime a handoff is attempted as the result of a reverse drop

Data Source

MTX OM, SDM

Source Field

ERBRDATT

Source Section

CIBEROM2

ERBRDCMP

Pegs anytime a handoff is Comp and the handoff was triggered by a reverse drop

Data Source

MTX OM, SDM

Source Field

ERBRDCMP

Source Section

CIBEROM2

ERBRNATT

Pegs anytime a handoff is attempted as the result of a reverse noise

Data Source

MTX OM, SDM

Source Field

ERBRNATT

Source Section

CIBEROM2

ERBRNCMP

Pegs anytime a handoff is Comp and the handoff was triggered by a reverse noise

Data Source

MTX OM, SDM

Source Field

ERBRNCMP

Source Section

CIBEROM2

EXSPATTS

Pegs when there is an attempt to allocate an expanded spectrum channel

Data Source

MTX OM, SDM

Source Field

EXSPATTS

Source Section

OMMTX

EXSPATTS_MTXom30

Pegs when there is an attempt to allocate an expanded spectrum channel

Data Source

MTX OM

Source Field

EXSPATTS_MTXom30

Source Section

OMMTX_MTXom30

EXSPCOMP

Pegs when an expanded spectrum channel is Alloc and the call is successfully comp

Data Source

MTX OM, SDM

Source Field

EXSPCOMP

Source Section

OMMTX

EXSPCOMP_MTXom30

Pegs when an expanded spectrum channel is Alloc and the call is successfully comp

Data Source

MTX OM

Source Field

EXSPCOMP_MTXom30

Source Section

OMMTX_MTXom30

FBRDATT

Pegs when the ICP sends the switch a handoff candidate msg

Data Source

MTX OM, SDM

Source Field

FBRDATT

Source Section

CIBEROM

FBRDCOMP

Pegs when the ICP sends the switch a handoff comp msg

Data Source

MTX OM, SDM

Source Field

FBRDCOMP

Source Section

CIBEROM

FBRDINTA

FBRDINTA

Data Source

MTX OM, SDM

Source Field

FBRDINTA

Source Section

CIBEROM

FBRNATT

ICP sends the DMS-MTX switch a handoff-candidate msg

Data Source

MTX OM, SDM

Source Field

FBRNATT

Source Section

CIBEROM

FBRNCOMP

ICP sends the DMS-MTX switch a handoff Comp msg

Data Source

MTX OM, SDM

Source Field

FBRNCOMP

Source Section

CIBEROM

FBRNINTA

FBRNINTA

Data Source

MTX OM, SDM

Source Field

FBRNINTA

Source Section

CIBEROM

FBRNINTR

FBRNINTR

Data Source

MTX OM, SDM

Source Field

FBRNINTR

Source Section

CIBEROM

FPCGREQS

Page reqst sent to the serving subcell of a FSU and the spec subcell adj to the serving subcell

Data Source

MTX OM, SDM

Source Field

FCPGREQS

Source Section

OMMTX2

FCPRSPAC

CC receives a page response msg from subcell to the serving subcell with no mobility

Data Source

MTX OM, SDM

Source Field

FCPRSPAC

Source Section

OMMTX2

FCPRSPHC

CC receives a page resp msg from the serving subcell of a subscriber unit with no mobility

Data Source

MTX OM, SDM

Source Field

FCPRSPHC

Source Section

OMMTX2

FCPRSPTO

CC is timed out after Pg the serving subcell and adjacent subcells with no mobility

Data Source

MTX OM, SDM

Source Field

FCPRSPTO

Source Section

OMMTX2

HDIRREQ

Pegs when the switch receives a handoff directed request msg

Data Source

MTX OM, SDM

Source Field

HDIRREQ

Source Section

OMMTXHO

HDIRRTRY

Switch sends a Ho retry msg to the serving subcell after the Ho request msg to the switch

Data Source

MTX OM, SDM

Source Field

HDIRRTRY

Source Section

OMMTXHO

HINREQ

Pegs when a subscriber unit Req a handoff from an outer tier to an inner tier of a cell

Data Source

MTX OM, SDM

Source Field

HINREQ

Source Section

OMMTXHO

HINRTRY

Pegs when no voice channel is available on an inner tier for a handin for a subscriber unit

Data Source

MTX OM, SDM

Source Field

HINRTRY

Source Section

OMMTXHO

HMTCREQ

Switch receives a request to Ho a subscriber unit to another voice channel

Data Source

MTX OM, SDM

Source Field

HMTCREQ

Source Section

OMMTXHO

HMTCRTRY

Pegs when no voice channel is available for the serving subcell to perform a maintenance

Data Source

MTX OM, SDM

Source Field

HMTCRTRY

Source Section

OMMTXHO

HOACKSWB

Num of times that the connection had to be switched back to the serving port

Data Source

MTX OM, SDM

Source Field

HOACKSWB

Source Section

OMMTXHO

HOATTS

Switch orders the subscriber unit to handoff from the serving subcell

Data Source

MTX OM, SDM

Source Field

HOATTS

Source Section

OMMTX

HOATTS_MTXom30

Switch orders the subscriber unit to handoff from the serving subcell

Data Source

MTX OM

Source Field

HOATTS_MTXom30

Source Section

OMMTX_MTXom30

HOCOMPS

Pegs a handoff from the serving subcell to a target subcell

Data Source

MTX OM, SDM

Source Field

HOCOMPS

Source Section

OMMTX

HOCOMPS_MTXom30

Pegs a handoff from the serving subcell to a target subcell

Data Source

MTX OM

Source Field

HOCOMPS_MTXom30

Source Section

OMMTX_MTXom30

HOFFCANC

Pegs when a LCR response msg is Rcvd from the serving subcell

Data Source

MTX OM, SDM

Source Field

HOFFCANC

Source Section

OMMTXHO2

HOFFREQ

Pegs when the RSSI of a subscriber unit is below the value specified

Data Source

MTX OM, SDM

Source Field

HOFFREQ

Source Section

OMMTXHO

HOFFRESP

Pegs when an LCR response msg is Rcvd from the serving subcell on below-HOTL handoffs

Data Source

MTX OM, SDM

Source Field

HOFFRESP

Source Section

OMMTXHO2

HOFFRTRY

Pegs when a below handoff threshold handoff has to be retried

Data Source

MTX OM, SDM

Source Field

HOFFRTRY

Source Section

OMMTXHO

HOFFSENT

Pegs when at least one LCR response msg is Rcvd from serving subcell below-HOTL Ho

Data Source

MTX OM, SDM

Source Field

HOFFSENT

Source Section

OMMTXHO2

HOINTER8

Pegs when an inter-partition handoff request to a 1900MHz partition is unsuccessful due to lack of resources and the partner 800MHz partition is requested to serve the handoff

Data Source

MTX OM, SDM

Source Field

HOINTER8

Source Section

OMMTXHO

HOPLREJ8

Pegs when an intra-partition BER handoff request to a 1900MHz partition is unsuccessful due to lack of resources and the partner 800MHz partition is chosen to serve the handoff but the mobile is not capable of service in the 800MHz band

Data Source

MTX OM, SDM

Source Field

HOPLREJ8

Source Section

OMMTXHO

HOSENTCP

HOSENTCP

Data Source

MTX OM, SDM

Source Field

HOSENTCP

Source Section

OMMTXHO

HOUTREQ

Pegs when the switch rqst a Ho from the inner tier to the outer tier of the serving subcell

Data Source

MTX OM, SDM

Source Field

HOUTREQ

Source Section

OMMTXHO

HOUTRTRY

Voice channel is not available on the outer tier of the serving subcell to Ho a subscriber unit

Data Source

MTX OM, SDM

Source Field

HOUTRTRY

Source Section

OMMTXHO

HOVRCANC

Pegs when a LCR response msg is Rcvd from the serving subcell

Data Source

MTX OM, SDM

Source Field

HOVRCANC

Source Section

OMMTXHO2

HOVRHOTL

Pegs when a below HOTL Ho request is Rcvd and the Ho is attempted to another sector

Data Source

MTX OM, SDM

Source Field

HOVRHOTL

Source Section

OMMTXHO

HOVRREQ

Switch receives a request to Ho a subscriber unit from one sector to another sector

Data Source

MTX OM, SDM

Source Field

HOVRREQ

Source Section

OMMTXHO

HOVRRESP

Pegs when an LCR response msg is Rcvd from the serving subcell for above-HOTL handover

Data Source

MTX OM, SDM

Source Field

HOVRRESP

Source Section

OMMTXHO2

HOVRRTRY

Pegs when a handover has to be retried

Data Source

MTX OM, SDM

Source Field

HOVRRTRY

Source Section

OMMTXHO

HOVRSENT

Pegs when the switch has attempted to handover a call from the serving subcell to an adjacent subcell for above-HOTL handovers

Data Source

MTX OM, SDM

Source Field

HOVRSENT

Source Section

OMMTXHO2

IHO2GATT

Pegs when an inter-system 2G hard handoff attempt in a (CDMA) target sector is being requested.

Data Source

MTX OM, SDM

Source Field

IHO2GATT

Source Section

MTXIHO

IHO2GBLK

Pegs against the target sector when the intersystem 2G hard handoff setup fails due to resource shortage in the target system.

Data Source

MTX OM, SDM

Source Field

IHO2GBLK

Source Section

MTXIHO

IHO2GFAL

Pegs when the inter-system 2G hard handoff attempts fails because the mobile never arrived on the target sector traffic channel allocated.

Data Source

MTX OM, SDM

Source Field

IHO2GFAL

Source Section

MTXIHO

IHO2GINT

Pegs against the first target sector in the target list in which 2G voice resources are setup successfully for a hard handoff attempt.

Data Source

MTX OM, SDM

Source Field

IHO2GINT

Source Section

MTXIHO

IHO2GREL

Pegs when the inter-system 2G hard handoff setup in a target cell is released by the source system before the mobile arrives on the traffic channel. During the 3G-2G hard handoff

Data Source

MTX OM, SDM

Source Field

IHO2GREL

Source Section

MTXIHO

IHO2GSUC

Pegs when the mobile, attempting an intersystem 2G hard handoff, successfully arrives on the traffic channel on the target sector.

Data Source

MTX OM, SDM

Source Field

IHO2GSUC

Source Section

MTXIHO

IHO3DATT

Pegs when an inter-system 3G packet data hard handoff attempt in a (CDMA) target sector is being requested.

Data Source

MTX OM, SDM

Source Field

IHO3DATT

Source Section

MTXIHO

IHO3DBLK

Pegs against the target sector when the intersystem 3G packet data hard handoff setup fails due to resource shortage in the target system.

Data Source

MTX OM, SDM

Source Field

IHO3DBLK

Source Section

MTXIHO

IHO3DFAL

Pegs when the inter-system 3G packet data hard handoff attempts fails because the mobile never arrived on the target sector traffic channel allocated.

Data Source

MTX OM, SDM

Source Field

IHO3DFAL

Source Section

MTXIHO

IHO3DINT

Pegs against the first target sector in the target list in which 3G packet datacall resources are setup successfully for a hard handoff attempt.

Data Source

MTX OM, SDM

Source Field

IHO3DINT

Source Section

MTXIHO

IHO3DREL

Pegs when the inter-system 3G packet data hard handoff setup in a target cell is released by the source system before the mobile arrives on the traffic channel.

Data Source

MTX OM, SDM

Source Field

IHO3DREL

Source Section

MTXIHO

IHO3DSUC

Pegs when the mobile, attempting an intersystem 3G packet data hard handoff, successfully arrives on the traffic channel on the target sector.

Data Source

MTX OM, SDM

Source Field

IHO3DSUC

Source Section

MTXIHO

IHO3VATT

Pegs when an inter-system 3G voice hard handoff attempt in a (CDMA) target sector is being requested.

Data Source

MTX OM, SDM

Source Field

IHO3VATT

Source Section

MTXIHO

IHO3VBLK

Pegs against the target sector when the intersystem 3G voice hard handoff setup fails due to resource shortage in the target system.

Data Source

MTX OM, SDM

Source Field

IHO3VBLK

Source Section

MTXIHO

IHO3VFAL

Pegs when the inter-system 3G voice hard handoff attempts fails because the mobile never arrived on the target sector traffic channel allocated.

Data Source

MTX OM, SDM

Source Field

IHO3VFAL

Source Section

MTXIHO

IHO3VINT

Pegs against the first target sector in the target list in which 3G voice resources are setup successfully for a hard handoff attempt.

Data Source

MTX OM, SDM

Source Field

IHO3VINT

Source Section

MTXIHO

IHO3VREL

Pegs when the inter-system 3G voice hard handoff setup in a target cell is released by the source system before the mobile arrives on the traffic channel.

Data Source

MTX OM, SDM

Source Field

IHO3VREL

Source Section

MTXIHO

IHO3VSUC

Pegs when the mobile, attempting an intersystem 3G voice hard handoff, successfully arrives on the traffic channel on the target sector.

Data Source

MTX OM, SDM

Source Field

IHO3VSUC

Source Section

MTXIHO

IHOCHG

Inter-system hard handoff service option change

Data Source

MTX OM, SDM

Source Field

IHOCHG

Source Section

MTXIHO

IHOCHG

Inter-system hard handoff service option redirection successful

Data Source

MTX OM, SDM

Source Field

IHOSRSUC

Source Section

MTXIHO

IVHODATT

Number of 3G -3G Packet Data Call Handoff Attempts with the Nortel MSC as the anchor switch as per the IS-880 standards.

Data Source

MTX OM, SDM

Source Field

IVHODATT

Source Section

OMMTXHO2

IVHODBLK

Number of 3G -3G Packet Data Call Handoff Blocks on the target switch with the Nortel MSC as the anchor switch as per the IS-880 standards.

Data Source

MTX OM, SDM

Source Field

IVHODBLK

Source Section

OMMTXHO2

IVHODFLR

Number of 3G -3G Packet Data Call Handoff Failures on the target system with the Nortel MSC as the anchor switch as per the IS-880 standards.

Data Source

MTX OM, SDM

Source Field

IVHODFLR

Source Section

OMMTXHO2

IVHODSUC

Number of 3G -3G Packet Data Call Handoff Successes with the Nortel MSC as the anchor switch as per the IS-880 standards.

Data Source

MTX OM, SDM

Source Field

IVHODSUC

Source Section

OMMTXHO2

IVHOVATT

Number of 3G -3G Voice Call Handoff Attempts with the Nortel MSC as the anchor switch as per the IS-880 standards.

Data Source

MTX OM, SDM

Source Field

IVHOVATT

Source Section

OMMTXHO2

IVHOVBLK

Number of 3G -3G Voice Call Handoff Blocks with the Nortel MSC as the anchor switch as per the IS-880 standards.

Data Source

MTX OM, SDM

Source Field

IVHOVBLK

Source Section

OMMTXHO2

IVHOVFLR

Number of 3G -3G Voice Call Handoff Failures with the Nortel MSC as the anchor switch as per the IS-880 standards.

Data Source

MTX OM, SDM

Source Field

IVHOVFLR

Source Section

OMMTXHO2

IVHOVSUC

Number of 3G -3G Voice Call Handoff Successes with the Nortel MSC as the anchor switch as per the IS-880 standards.

Data Source

MTX OM, SDM

Source Field

IVHOVSUC

Source Section

OMMTXHO2

LCRREQS

Pegs when an LCR request msg is sent by the switch to the target subcell

Data Source

MTX OM, SDM

Source Field

LCRREQS

Source Section

OMMTXHO

LCRRESPS

Pegs when the switch receives an LCR response msg from the target subcell

Data Source

MTX OM, SDM

Source Field

LCRRESPS

Source Section

OMMTXHO

LMATTS

Pegs when a call is made to connect a land line trunk to a subscriber unit

Data Source

MTX OM, SDM

Source Field

LMATTS

Source Section

OMMTX

LMATTS_MTXom30

Pegs when a call is made to connect a land line trunk to a subscriber unit

Data Source

MTX OM

Source Field

LMATTS_MTXom30

Source Section

OMMTX_MTXom30

LMCOMPS

Pegs when a call is Comp from a land line trunk to a subscriber unit

Data Source

MTX OM, SDM

Source Field

LMCOMPS

Source Section

OMMTX

LMCOMPS_MTXom30

Pegs when a call is Comp from a land line trunk to a subscriber unit

Data Source

MTX OM

Source Field

LMCOMPS_MTXom30

Source Section

OMMTX_MTXom30

LSTATBTC

3G Location Services Termination Attempt over a Busy Traffic Channel

Data Source

MTX OM, SDM

Source Field

LSTATBTC

Source Section

CAUDAT3G

LSTFABTC

3G Location Services Termination Attempt Failure over a Busy Traffic Channel

Data Source

MTX OM, SDM

Source Field

LSTFABTC

Source Section

CAUDAT3G

LSTRSBTC

3G Location Services Termination Response over a Busy Traffic Channel

Data Source

MTX OM, SDM

Source Field

LSTRSBTC

Source Section

CAUDAT3G

LSTTOBTC

3G 3G Location Services Termination Timeout over a Busy Traffic Channel

Data Source

MTX OM, SDM

Source Field

LSTTOBTC

Source Section

CAUDAT3G

MACSUMOF

Records when an overflow condition is detected

Data Source

MTX OM, SDM

Source Field

MACSUMOF

Source Section

MASUMCAN

MAHOATT

Handoff is attempted to MAHO selected handoff candidate

Data Source

MTX OM, SDM

Source Field

MAHOATT

Source Section

OMMTXHO

MAHOCMP

Handoff is successful when the target subcell is selected using MAHO-selected candidate

Data Source

MTX OM, SDM

Source Field

MAHOCMP

Source Section

OMMTXHO

MASSUMOF

Records when an overflow condition is detected

Data Source

MTX OM, SDM

Source Field

MASSUMOF

Source Section

MASUMSRV

MATHFLSH_C

MATHFLSH

Data Source

MTX OM, SDM

Source Field

MATHFLSH

Source Section

AUTHMSC

MATHORIG_C

MATHORIG

Data Source

MTX OM, SDM

Source Field

MATHORIG + 65536 * AUTHMSCX.MATHORG2

Source Section

AUTHMSC

MATHREG_C

Number of mobile registrations with authentication enabled

Data Source

MTX OM, SDM

Source Field

MATHREG + 65536 * AUTHMSCX.MATHREG2

Source Section

AUTHMSC

MATHRMM_C

MSC AUTHR mismatch failure

Data Source

MTX OM, SDM

Source Field

MATHRMM

Source Section

AUTHMSC

MATHSUCC_C

MSC authentication successful (shared SSD)

Data Source

MTX OM, SDM

Source Field

MATHSUCC + 65536 * AUTHMSCX.MATHSUC2

Source Section

AUTHMSC

MATHTERM_C

MSC mobile termination with authentication parms.

Data Source

MTX OM, SDM

Source Field

MATHTERM

Source Section

AUTHMSC

MBINCPTM

Pegs when switch receives two origination msgs or two page response msgs

Data Source

MTX OM, SDM

Source Field

MBINCPTM

Source Section

OMMTX2

MBLORIG

Records the Signal strength indicator origination or page response

Data Source

MTX OM, SDM

Source Field

MBLORIG

Source Section

OMMTX2

MBORIGS

Pegs when the switch receives a call Org msg From the serving subcell

Data Source

MTX OM, SDM

Source Field

MBORIGS

Source Section

OMMTX

MBORIGS_MTXom30

Pegs when the switch receives a call Org msg From the serving subcell

Data Source

MTX OM

Source Field

MBORIGS_MTXom30

Source Section

OMMTX_MTXom30

MBREGMSG

Pegs when switch receives two Orgn /page response msgs

Data Source

MTX OM, SDM

Source Field

MBREGMSG

Source Section

OMMTX2

MCPCOBAM

Counts the number of MCTA Paging Channel Redirection for successful call Origination on the BAM.

Data Source

MTX OM, SDM

Source Field

MCPCOBAM

Source Section

BAMCPSCT

MCPCTBAM

Counts the number of MCTA Paging Channel Redirection for successful call Termination on the BAM.

Data Source

MTX OM, SDM

Source Field

MCPCTBAM

Source Section

BAMCPSCT

MCTAFLTG2GV

This OM pegs when some carriers are eliminated due to GSR failure and none of the carrier eliminated due to RTD filtering for a 2G Voice call. This register pegs on a per sector basis. This register pegs for origination and termination scenarios.

Data Source

SDM

Source Field

MCTAFLTG

Source Section

CAUSCT2

MCTAFLTG3GD

This OM pegs when some carriers are eliminated due to GSR failure and none of the carrier eliminated due to RTD filtering for a 3G packet data call. This register pegs on a per sector basis.

Data Source

SDM

Source Field

MCTAFLTG

Source Section

CAUST3D2

MCTAFLTG3GV

This OM pegs when some carriers are eliminated due to GSR failure and none of the carrier eliminated due to RTD filtering for a 3G Voice call. This register pegs on a per sector basis. This register pegs for origination and termination scenarios.

Data Source

SDM

Source Field

MCTAFLTG

Source Section

CAUST3V2

MCTAFLTR2GV

This OM pegs when there is at least one carrier eliminated due to RTD filtering for a 2G Voice call. This register pegs on a per sector basis. This register pegs for origination, termination and Handoff scenarios.

Data Source

SDM

Source Field

MCTAFLTR

Source Section

CAUSCT2

MCTAFLTR3GD

This OM pegs when there is at least one carrier eliminated due to RTD filtering for a 3G Packet Data call. This register pegs on a per sector basis.

Data Source

SDM

Source Field

MCTAFLTR

Source Section

CAUST3D2

MCTAFLTR3GV

This OM pegs when there is at least one carrier eliminated due to RTD filtering for a 3G Voice call. MCTAFLTR This register pegs on a per sector basis. This register pegs for origination, termination and Handoff scenarios.

Data Source

SDM

Source Field

MCTAFLTR

Source Section

CAUST3V2

MCTAHRQF

Pegs when there is an MCTA capacity request failure for a handoff

Data Source

MTX OM, SDM

Source Field

MCTAHRQF

Source Section

CAUCPSCT

MCTAHRQF_MTXom30

Pegs when there is an MCTA capacity request failure for a handoff

Data Source

MTX OM

Source Field

MCTAHRQF_MTXom30

Source Section

CAUCPSCT_MTXom30

MCTAHRQF3GD

3GD Pegs when there is an MCTA capacity request failure for a handoff. This register pegs on a sector basis.

Data Source

MTX OM, SDM

Source Field

MCTAHRQF

Source Section

CAUSCT3D

MCTAHRQF3GD_MTXom30

3GD Pegs when there is an MCTA capacity request failure for a handoff. This register pegs on a sector basis.

Data Source

MTX OM

Source Field

MCTAHRQF3GD_MTXom30

Source Section

CAUSCT3D_MTXom30

MCTAHRQF3GV

3GV Pegs when there is an MCTA capacity request failure for a handoff.

Data Source

MTX OM, SDM

Source Field

MCTAHRQF

Source Section

CAUSCT3V

MCTAHRQF3GV_MTXom30

3GV Pegs when there is an MCTA capacity request failure for a handoff.

Data Source

MTX OM

Source Field

MCTAHRQF3GV_MTXom30

Source Section

CAUSCT3V_MTXom30

MCTALLFU

Pegs when all MCTA capacity is full. This register pegs on a sector basis

Data Source

MTX OM, SDM

Source Field

MCTALLFU

Source Section

CAUCPSCT

MCTALLFU_MTXom30

Pegs when all MCTA capacity is full. This register pegs on a sector basis

Data Source

MTX OM

Source Field

MCTALLFU_MTXom30

Source Section

CAUCPSCT_MTXom30

MCTALLFU3GD

3GD Pegs when all MCTA capacity is full. This register pegs on a sector basis.

Data Source

MTX OM, SDM

Source Field

MCTALLFU

Source Section

CAUSCT3D

MCTALLFU3GD_MTXom30

3GD Pegs when all MCTA capacity is full. This register pegs on a sector basis.

Data Source

MTX OM

Source Field

MCTALLFU3GD_MTXom30

Source Section

CAUSCT3D_MTXom30

MCTALLFU3GV

3GV Pegs when all MCTA capacity is full.

Data Source

MTX OM, SDM

Source Field

MCTALLFU

Source Section

CAUSCT3V

MCTALLFU3GV_MTXom30

3GV Pegs when all MCTA capacity is full.

Data Source

MTX OM

Source Field

MCTALLFU3GV_MTXom30

Source Section

CAUSCT3V_MTXom30

MCTALLTO

Pegs when call MCTA capacity Req timed out This register pegs on a sector basis

Data Source

MTX OM, SDM

Source Field

MCTALLTO

Source Section

CAUCPSCT

MCTALLTO_MTXom30

Pegs when call MCTA capacity Req time out. This register pegs on a sector basis

Data Source

MTX OM

Source Field

MCTALLTO_MTXom30

Source Section

CAUCPSCT_MTXom30

MCTALLTO3GD

3GD Pegs when call MCTA capacity requests time out. This register pegs on a sector basis.

Data Source

MTX OM, SDM

Source Field

MCTALLTO

Source Section

CAUSCT3D

MCTALLTO3GD_MTXom30

3GD Pegs when call MCTA capacity requests time out. This register pegs on a sector basis.

Data Source

MTX OM

Source Field

MCTALLTO3GD_MTXom30

Source Section

CAUSCT3D_MTXom30

MCTALLTO3GV

3GV Pegs when call MCTA capacity requests time out.

Data Source

MTX OM, SDM

Source Field

MCTALLTO

Source Section

CAUSCT3V

MCTALLTO3GV_MTXom30

3GV Pegs when call MCTA capacity requests time out.

Data Source

MTX OM

Source Field

MCTALLTO3GV_MTXom30

Source Section

CAUSCT3V_MTXom30

MCTAMIXF

Pegs when no frequency was successfully selected by MCTA because some BTSs timed out while some responded with a resource full or not-available response

Data Source

MTX OM, SDM

Source Field

MCTAMIXF

Source Section

CAUCPSCT

MCTAMIXF_MTXom30

Pegs when no frequency was successfully selected by MCTA because some BTSs timed out while some responded with a resource full or not-available response

Data Source

MTX OM

Source Field

MCTAMIXF_MTXom30

Source Section

CAUCPSCT_MTXom30

MCTAMIXF3GD

3GD Pegs when no frequency was successfully selected by MCTA because some BTSs timed out while some responded with a resource full or not available response.

Data Source

MTX OM, SDM

Source Field

MCTAMIXF

Source Section

CAUSCT3D

MCTAMIXF3GD_MTXom30

3GD Pegs when no frequency was successfully selected by MCTA because some BTSs timed out while some responded with a resource full or not available response.

Data Source

MTX OM

Source Field

MCTAMIXF3GD_MTXom30

Source Section

CAUSCT3D_MTXom30

MCTAMIXF3GV

3GV Pegs when no frequency was successfully selected by MCTA because some BTSs timeout while some responded with a resource full or not available response.

Data Source

MTX OM, SDM

Source Field

MCTAMIXF

Source Section

CAUSCT3V

MCTAMIXF3GV_MTXom30

3GV Pegs when no frequency was successfully selected by MCTA because some BTSs timeout while some responded with a resource full or not available response.

Data Source

MTX OM

Source Field

MCTAMIXF3GV_MTXom30

Source Section

CAUSCT3V_MTXom30

MCTAREQF

Pegs whenever Resp are all full or Req all timed out or are mixed

Data Source

MTX OM, SDM

Source Field

MCTAREQF

Source Section

CAUCPSCT

MCTAREQF_MTXom30

Pegs whenever Resp are all full or Req all timed out or are mixed

Data Source

MTX OM

Source Field

MCTAREQF_MTXom30

Source Section

CAUCPSCT_MTXom30

MCTAREQF3GD

3GD Pegs whenever responses are all full or requests all timed out or are mixed.

Data Source

MTX OM, SDM

Source Field

MCTAREQF

Source Section

CAUSCT3D

MCTAREQF3GD_MTXom30

3GD Pegs whenever responses are all full or requests all timed out or are mixed.

Data Source

MTX OM

Source Field

MCTAREQF3GD_MTXom30

Source Section

CAUSCT3D_MTXom30

MCTAREQF3GV

3GV Pegs whenever responses are all full or requests all timed out or are mixed.

Data Source

MTX OM, SDM

Source Field

MCTAREQF

Source Section

CAUSCT3V

MCTAREQF3GV_MTXom30

3GV Pegs whenever responses are all full or requests all timed out or are mixed.

Data Source

MTX OM

Source Field

MCTAREQF3GV_MTXom30

Source Section

CAUSCT3V_MTXom30

MISCFLT2GV

Captures call failures due to miscellaneous faults.

Data Source

MTX OM, SDM

Source Field

MISCFLT

Source Section

CAUSCT2

MISCFLT3GV

Captures 3G voice call failures due to miscellaneous faults.

Data Source

MTX OM, SDM

Source Field

MISCFLT

Source Section

CAUST3V2

MISDBATT

Mobile Initiated SDB ATtempt.

Data Source

MTX OM, SDM

Source Field

MISDBATT

Source Section

CAUDAT3G

MISDBFL

Obsoleted in MTX14. Mobile Initiated SDB Failure.

Data Source

SDM

Source Field

MISDBFL

Source Section

CAUDAT3G

MISDBSC

Obsoleted in MTX14. Mobile Initiated SDB SuCcess.

Data Source

SDM

Source Field

MISDBSC

Source Section

CAUDAT3G

MLATTS

Pegs when a call is made from the serving subcell to a land trunk

Data Source

MTX OM, SDM

Source Field

MLATTS

Source Section

OMMTX

MLATTS_MTXom30

Pegs when a call is made from the serving subcell to a land trunk

Data Source

MTX OM

Source Field

MLATTS_MTXom30

Source Section

OMMTX_MTXom30

MLCOMPS

Pegs when a call is successfully Comp from a serving subcell to a land trunk

Data Source

MTX OM, SDM

Source Field

MLCOMPS

Source Section

OMMTX

MLCOMPS_MTXom30

Pegs when a call is successfully Comp from a serving subcell to a land trunk

Data Source

MTX OM

Source Field

MLCOMPS_MTXom30

Source Section

OMMTX_MTXom30

MMATHPRM_C

MSC system access with Missing Authentication Parameters

Data Source

MTX OM, SDM

Source Field

MMATHPRM

Source Section

AUTHMSC

MMATTS

Pegs when a call is made from a subscriber unit to another subscriber unit

Data Source

MTX OM, SDM

Source Field

MMATTS

Source Section

OMMTX

MMATTS_MTXom30

Pegs when a call is made from a subscriber unit to another subscriber unit

Data Source

MTX OM

Source Field

MMATTS_MTXom30

Source Section

OMMTX_MTXom30

MMCOMPS

Pegs when a call is successfully Comp from a subscriber unit to another subscriber unit

Data Source

MTX OM, SDM

Source Field

MMCOMPS

Source Section

OMMTX

MMCOMPS_MTXom30

Pegs when a call is successfully Comp from a subscriber unit to another subscriber unit

Data Source

MTX OM

Source Field

MMCOMPS_MTXom30

Source Section

OMMTX_MTXom30

MNSELATH_C

MNSELATH_C

Data Source

MTX OM, SDM

Source Field

MNSELATH

Source Section

AUTHMSC

MOATTS

Pegs when a call is made from a subscriber unit to an operator

Data Source

MTX OM, SDM

Source Field

MOATTS

Source Section

OMMTX

MOATTS_MTXom30

Pegs when a call is made from a subscriber unit to an operator

Data Source

MTX OM

Source Field

MOATTS_MTXom30

Source Section

OMMTX_MTXom30

MOBANS

Mobile is involved in a call as a Trm and answers the call as indicated by answer msg

Data Source

MTX OM, SDM

Source Field

MOBANS

Source Section

OMMTX

MOBANS_MTXom30

Mobile is involved in a call as a Trm and answers the call as indicated by answer msg

Data Source

MTX OM

Source Field

MOBANS_MTXom30

Source Section

OMMTX_MTXom30

MOCOMPS

Pegs when a call is successfully Comp from a subscriber unit to an operator

Data Source

MTX OM, SDM

Source Field

MOCOMPS

Source Section

OMMTX

MOCOMPS_MTXom30

Pegs when a call is successfully Comp from a subscriber unit to an operator

Data Source

MTX OM

Source Field

MOCOMPS_MTXom30

Source Section

OMMTX_MTXom30

MRANDMBC_C

MRANDMBC

Data Source

MTX OM, SDM

Source Field

MRANDMBC

Source Section

AUTHMSC

MRANDMM_C

MSC RANDC Mismatch

Data Source

MTX OM, SDM

Source Field

MRANDMM

Source Section

AUTHMSC

MRANDMUC_C

MSC RANDC Mismatch occurring in an MSCinitiated Unique Challenge

Data Source

MTX OM, SDM

Source Field

MRANDMUC

Source Section

AUTHMSC

MSCUCIN_C

MSC Unique Challenge attempted that is not part of SSD update.

Data Source

MTX OM, SDM

Source Field

MSCUCIN

Source Section

AUTHMSC

MSCUCNC_C

MSC Unique Challenge Not Completed

Data Source

MTX OM, SDM

Source Field

MSCUCNC

Source Section

AUTHMSC

MSCVP1_C

MSCVP1

Data Source

MTX OM, SDM

Source Field

MSCVP1

Source Section

AUTHMSC

MSCVP2_C

MSCVP2

Data Source

MTX OM, SDM

Source Field

MSCVP2

Source Section

AUTHMSC

MSSDUPFL_C

MSC SSD Update Failed

Data Source

MTX OM, SDM

Source Field

MSSDUPFL

Source Section

AUTHMSC

MSSDUPIN_C

MSC SSD Update initiated

Data Source

MTX OM, SDM

Source Field

MSSDUPIN

Source Section

AUTHMSC

MSSDUPNA_C

MSC SSD Update Not Attempted

Data Source

MTX OM, SDM

Source Field

MSSDUPNA

Source Section

AUTHMSC

MSSDUPNC_C

MSC SSD Update Not Completed

Data Source

MTX OM, SDM

Source Field

MSSDUPNC

Source Section

AUTHMSC

MSSDUPSC_C

MSC SSD Update successful

Data Source

MTX OM, SDM

Source Field

MSSDUPSC

Source Section

AUTHMSC

MTRMT

Pegs when a call origination msg is Rcvd by the serving subcell

Data Source

MTX OM, SDM

Source Field

MTRMT

Source Section

OMMTX

MTRMT_MTXom30

Pegs when a call origination msg is Rcvd by the serving subcell

Data Source

MTX OM

Source Field

MTRMT_MTXom30

Source Section

OMMTX_MTXom30

MTSELATH_C

MSC terminations eligible for selective authentication that have not been authenticated

Data Source

MTX OM, SDM

Source Field

MTSELATH

Source Section

AUTHMSC

MUCFAIL_C

MSC Unique Challenge Failed

Data Source

MTX OM, SDM

Source Field

MUCFAIL

Source Section

AUTHMSC

MUCNINIT_C

MSC Unique Challenge Not Initiated

Data Source

MTX OM, SDM

Source Field

MUCNINIT

Source Section

AUTHMSC

MUCSUCC_C

MSC Unique Challenge successful

Data Source

MTX OM, SDM

Source Field

MUCSUCC

Source Section

AUTHMSC

NARLPFL

Pegs RLP failures for packet data calls during Null to Active transition.

Data Source

MTX OM, SDM

Source Field

NARLPFL

Source Section

MTXPDSCT

NOADJCEL

Pegs when there are no adjacent cells that can receive a handoff from a subscriber unit

Data Source

MTX OM, SDM

Source Field

NOADJCEL

Source Section

OMMTXHO

NOEPEKEY_C

NOEPEKEY

Data Source

MTX OM, SDM

Source Field

MSCSP7

Source Section

AUTHMSC

NORESP

TCEPEATT

Data Source

MTX OM, SDM

Source Field

NORESP

Source Section

OMMTXHO

NORFSEFL2GV

2G voice failure during setup on the 2pVS card or DSP

Data Source

MTX OM, SDM

Source Field

NORFSEFL

Source Section

CAUSCT2

NORFSEFL3GV

3G Voice failure during setup on the 2pVS card or DSP

Data Source

MTX OM, SDM

Source Field

NORFSEFL

Source Section

CAUST3V2

NOVOICE

Pegs when there is no Ho because there is not an available voice channel in a responding cell

Data Source

MTX OM, SDM

Source Field

NOVOICE

Source Section

OMMTXHO

NRFSEFHH2GV

Counts all non-RF failures during hard handoff call setup.

Data Source

MTX OM, SDM

Source Field

NRFSEFHH

Source Section

CAUSCT2

NRFSEFHH3GV

Counts all non-RF failures during 3G voice hard handoff call setup.

Data Source

MTX OM, SDM

Source Field

NRFSEFHH

Source Section

CAUST3V2

NWKFLAS

Pegs RP session failures for packet data calls after service connect completion.

Data Source

MTX OM, SDM

Source Field

NWKFLAS

Source Section

MTXPDSCT

NWKFLBS

Pegs RP session failures for packet data calls before service connect completion.

Data Source

MTX OM, SDM

Source Field

NWKFLBS

Source Section

MTXPDSCT

ORIGMWT

Tone info for the MWT goes to the peripheral for an Orgn msg about the subscriber unit

Data Source

MTX OM, SDM

Source Field

ORIGMWT

Source Section

OMMTX2

ORRSSILO

Switch receives an Orgn msg and the CCH RSSI value is less than the CCH RSSI value

Data Source

MTX OM, SDM

Source Field

ORRSSILO

Source Section

OMMTX2

OTPLREJ8

Pegs when an origination or termination request to a 1900MHz partition is unsuccessful due to lack of resources and the partner 800MHz is chosen to serve the request but the mobile is not capable of service in the 800MHz band

Data Source

MTX OM, SDM

Source Field

OTPLREJ8

Source Section

OMMTX

OTPLREJ8_MTXom30

Pegs when an origination or termination request to a 1900MHz partition is unsuccessful due to lack of resources and the partner 800MHz is chosen to serve the request but the mobile is not capable of service in the 800MHz band

Data Source

MTX OM

Source Field

OTPLREJ8_MTXom30

Source Section

OMMTX_MTXom30

PARMCHRG

Pegs when the mobile Reg type is parameter change Reg

Data Source

MTX OM, SDM

Source Field

PARMCHRG

Source Section

OMMTX3

PDSEFLAS

The number of call released after setup due to PCU's failure to setup RP session on all the PDSNs present in the tunnel table.

Data Source

MTX OM, SDM

Source Field

PDSEFLAS

Source Section

CAUST3D2

PDSEFLDS

The number of calls released during setup due to PCU's failure to setup RP session on all the PDSNs present in the tunnel table.

Data Source

MTX OM, SDM

Source Field

PDSEFLDS

Source Section

CAUST3D2

PGOUTMSR

Page response msg is Rcvd from outside an MSR

Data Source

MTX OM, SDM

Source Field

PGOUTMSR

Source Section

OMMTX2

PGREQS

Pegs when a page request msg is sent to a target subcell

Data Source

MTX OM, SDM

Source Field

PGREQS

Source Section

OMMTX

PGREQS_MTXom30

Pegs when a page request msg is sent to a target subcell

Data Source

MTX OM

Source Field

PGREQS_MTXom30

Source Section

OMMTX_MTXom30

PGRESPTS

Pegs when a page response msg is Rcvd from a target subcell

Data Source

MTX OM, SDM

Source Field

PGRESPTS

Source Section

OMMTX

PGRESPTS_MTXom30

Pegs when a page response msg is Rcvd from a target subcell

Data Source

MTX OM

Source Field

PGRESPTS_MTXom30

Source Section

OMMTX_MTXom30

PGRSSILO

Switch receives a page response msg and the CCH RSSI value is less than the CCH RSSI

Data Source

MTX OM, SDM

Source Field

PGRSSILO

Source Section

OMMTX2

PRDIS01

Number of page responses for which the page response received between nn seconds (inclusive nn) to nn+1 seconds (exclusive nn+1) seconds.

Data Source

MTX OM, SDM

Source Field

PRDIS01

Source Section

CDMPRDIS

PRDIS02

Number of page responses for which the page response received between nn seconds (inclusive nn) to nn+1 seconds (exclusive nn+1) seconds.

Data Source

MTX OM, SDM

Source Field

PRDIS02

Source Section

CDMPRDIS

PRDIS03

Number of page responses for which the page response received between nn seconds (inclusive nn) to nn+1 seconds (exclusive nn+1) seconds.

Data Source

MTX OM, SDM

Source Field

PRDIS03

Source Section

CDMPRDIS

PRDIS04

Number of page responses for which the page response received between nn seconds (inclusive nn) to nn+1 seconds (exclusive nn+1) seconds.

Data Source

MTX OM, SDM

Source Field

PRDIS04

Source Section

CDMPRDIS

PRDIS05

Number of page responses for which the page response received between nn seconds (inclusive nn) to nn+1 seconds (exclusive nn+1) seconds.

Data Source

MTX OM, SDM

Source Field

PRDIS05

Source Section

CDMPRDIS

PRDIS06

Number of page responses for which the page response received between nn seconds (inclusive nn) to nn+1 seconds (exclusive nn+1) seconds.

Data Source

MTX OM, SDM

Source Field

PRDIS06

Source Section

CDMPRDIS

PRDIS07

Number of page responses for which the page response received between nn seconds (inclusive nn) to nn+1 seconds (exclusive nn+1) seconds.

Data Source

MTX OM, SDM

Source Field

PRDIS07

Source Section

CDMPRDIS

PRDIS08

Number of page responses for which the page response received between nn seconds (inclusive nn) to nn+1 seconds (exclusive nn+1) seconds.

Data Source

MTX OM, SDM

Source Field

PRDIS08

Source Section

CDMPRDIS

PRDIS09

Number of page responses for which the page response received between nn seconds (inclusive nn) to nn+1 seconds (exclusive nn+1) seconds.

Data Source

MTX OM, SDM

Source Field

PRDIS09

Source Section

CDMPRDIS

PRDIS10

Number of page responses for which the page response received between nn seconds (inclusive nn) to nn+1 seconds (exclusive nn+1) seconds.

Data Source

MTX OM, SDM

Source Field

PRDIS10

Source Section

CDMPRDIS

PRDIS11

Number of page responses for which the page response received between nn seconds (inclusive nn) to nn+1 seconds (exclusive nn+1) seconds.

Data Source

MTX OM, SDM

Source Field

PRDIS11

Source Section

CDMPRDIS

PRDIS12

Number of page responses for which the page response received between nn seconds (inclusive nn) to nn+1 seconds (exclusive nn+1) seconds.

Data Source

MTX OM, SDM

Source Field

PRDIS12

Source Section

CDMPRDIS

PRDIS13

Number of page responses for which the page response received between nn seconds (inclusive nn) to nn+1 seconds (exclusive nn+1) seconds.

Data Source

MTX OM, SDM

Source Field

PRDIS13

Source Section

CDMPRDIS

PRDIS14

Number of page responses for which the page response received between nn seconds (inclusive nn) to nn+1 seconds (exclusive nn+1) seconds.

Data Source

MTX OM, SDM

Source Field

PRDIS14

Source Section

CDMPRDIS

PRDIS15

Number of page responses for which the page response received between nn seconds (inclusive nn) to nn+1 seconds (exclusive nn+1) seconds.

Data Source

MTX OM, SDM

Source Field

PRDIS15

Source Section

CDMPRDIS

PRDIS16

Number of page responses for which the page response received between nn seconds (inclusive nn) to nn+1 seconds (exclusive nn+1) seconds.

Data Source

MTX OM, SDM

Source Field

PRDIS16

Source Section

CDMPRDIS

PUBNOR

Successful radio resource allocation on origination and/or termination events for a public call when H-PURDA is active and initial usage count does not change.

Data Source

SDM

Source Field

PUBNOR

Source Section

WPSOM3

PUBSCT

Successful radio resource allocation on origination and/or termination events for a public call when H-PURDA is active and initial usage count changes.

Data Source

SDM

Source Field

PUBSCT

Source Section

WPSOM3

PWRDNREG

Pegs when the switch receives a Pwr-down Reg msg from the subscriber unit

Data Source

MTX OM, SDM

Source Field

PWRDNREG

Source Section

OMMTX2

PWRDNREL

ICP receives a Pwr-down release msg from a DRU and passes it to the switch

Data Source

MTX OM, SDM

Source Field

PWRDNREL

Source Section

OMMTX2

PWRUPREG

Pegs when the mobile Reg type is Pwr-up Reg

Data Source

MTX OM, SDM

Source Field

PWRUPREG

Source Section

OMMTX3

RBRDATT

Handoff attempt triggered by the reverse-measured BER drop ratio

Data Source

MTX OM, SDM

Source Field

RBRDATT

Source Section

CIBEROM

RBRDCOMP

Handoff Comp triggered by the reverse-measured BER drop ratio

Data Source

MTX OM, SDM

Source Field

RBRDCOMP

Source Section

CIBEROM

RBRDINTA

Reverse-measured BER drop ratio triggers an intra-partition handoff

Data Source

MTX OM, SDM

Source Field

RBRDINTA

Source Section

CIBEROM

RBRDINTR

Pegs when a reverse-measured BER drop ratio triggers an inter-partition handoff

Data Source

MTX OM, SDM

Source Field

RBRDINTR

Source Section

CIBEROM

RBRNATT

Pegs when the ICP sends the switch a handoff-candidate msg

Data Source

MTX OM, SDM

Source Field

RBRNATT

Source Section

CIBEROM

RBRNCOMP

Pegs when the ICP sends the switch a handoff-comp Msg

Data Source

MTX OM, SDM

Source Field

RBRNCOMP

Source Section

CIBEROM

RBRNINTA

Reverse-measured BER noise ratio triggers an intra-partition handoff

Data Source

MTX OM, SDM

Source Field

RBRNINTA

Source Section

CIBEROM

RBRNINTR

Reverse-measured BER noise ratio triggers an inter-partition handoff

Data Source

MTX OM, SDM

Source Field

RBRNINTR

Source Section

CIBEROM

REGATTS

Pegs when the switch receives a Reg attempt msg from the serving subcell

Data Source

MTX OM, SDM

Source Field

REGATTS

Source Section

OMMTX

REGATTS_MTXom30

Pegs when the switch receives a Reg attempt msg from the serving subcell

Data Source

MTX OM

Source Field

REGATTS_MTXom30

Source Section

OMMTX_MTXom30

REGCOMPS

Pegs when the switch successfully processes a Reg msg from the serving subcell

Data Source

MTX OM, SDM

Source Field

REGCOMPS

Source Section

OMMTX

REGCOMPS_MTXom30

Pegs when the switch successfully processes a Reg msg from the serving subcell

Data Source

MTX OM

Source Field

REGCOMPS_MTXom30

Source Section

OMMTX_MTXom30

RESPOVFL

Pegs when an LCR response msg is Rcvd by the serving subcell after seven response msgs have been sent

Data Source

MTX OM, SDM

Source Field

RESPOVFL

Source Section

OMMTXHO2

RGRSSILO

Switch receives a Reg msg and the adj CCH RSSI value is less than the min threshold value

Data Source

MTX OM, SDM

Source Field

RGRSSILO

Source Section

OMMTX2

SACELPRS

Counts the Num of ACCH audit order confirms Rcvd on the cell to which the 1st Pg is sent

Data Source

MTX OM, SDM

Source Field

SACELPRS

Source Section

MTXSMS

SADDLVY

Counts the Num of ACCH data delivery msg sent that responded to the page attempt

Data Source

MTX OM, SDM

Source Field

SADDLVY

Source Section

MTXSMS

SADDRS

Counts the Num of ACCH data delivery Resp Rcvd on this partition

Data Source

MTX OM, SDM

Source Field

SADDRS

Source Section

MTXSMS

SAFRSPG

Counts the Num of SMS ACCH initial audit order attempt sent to this partition

Data Source

MTX OM, SDM

Source Field

SAFRSPG

Source Section

MTXSMS

SAFRSPGR

Counts the Num of SMS ACCH audit order confirmation messages

Data Source

MTX OM, SDM

Source Field

SAFRSPGR

Source Section

MTXSMS

SAOZPRS

Counts the Num of ACCH SMS page Resp that came from outside the partition

Data Source

MTX OM, SDM

Source Field

SAOZPRS

Source Section

MTXSMS

SAPGRT

Counts the SMS CM ACCH audit order retries sent to this partition

Data Source

MTX OM, SDM

Source Field

SAPGRT

Source Section

MTXSMS

SAPGRTR

Counts the Num of ACCH SMS audit order confirms Rcvd on the partition

Data Source

MTX OM, SDM

Source Field

SAPGRTR

Source Section

MTXSMS

SAZNPRS

Counts the Num ACCH page Resp that come from the partition that was sent the page

Data Source

MTX OM, SDM

Source Field

SAZNPRS

Source Section

MTXSMS

SCTBTSBK

Pegs anytime a BTS reports the resource setup reason as either no T1E1 backhaul resources are available or no BCN link resources are available or no ACN Node IDs are available

Data Source

MTX OM, SDM

Source Field

SCTBTSBK

Source Section

CAUCPSCT

SCTBTSBK3GD

3GD Pegs anytime a BTS reports the resource setup reason as either no T1E1 backhaul resources are available or no BCN link resources are available or no ACN Node IDs are available

Data Source

MTX OM, SDM

Source Field

SCTBTSBK

Source Section

CAUSCT3D

SCTBTSBK3GV

3GV Pegs anytime a BTS reports the resource setup reason as either no T1E1 backhaul resources are available or no BCN link resources are available or no ACN Node IDs are available

Data Source

MTX OM, SDM

Source Field

SCTBTSBK

Source Section

CAUSCT3V

SDCELPRS

Counts the Num of DCCH SPACH confirmation messages Rcvd on the cell

Data Source

MTX OM, SDM

Source Field

SDCELPRS

Source Section

MTXSMS

SDDDLVY

Counts the Num of DCCH R-data msg sent to the partition that responded to the page attempt

Data Source

MTX OM, SDM

Source Field

SDDDLVY

Source Section

MTXSMS

SDDDRS

Counts the Num of DCCH R-data confirmation messages Rcvd on this partition

Data Source

MTX OM, SDM

Source Field

SDDDRS

Source Section

MTXSMS

SDFRSPG

Counts the Num of SMS DCCH initial SPACH notification message attempt sent

Data Source

MTX OM, SDM

Source Field

SDFRSPG

Source Section

MTXSMS

SDFRSPGR

Counts Num of SMS DCCH SPACH confirmation msg the partition receives

Data Source

MTX OM, SDM

Source Field

SDFRSPGR

Source Section

MTXSMS

SDPCULKF

Obsoleted in MTX14. 3G mobile initiated Short Data burst PCU LookUp Failure

Data Source

MTX OM, SDM

Source Field

SDPCULKF

Source Section

CAUDAT3G

SDPCULKR

Obsoleted in MTX14. 3G Mobile Initiated Short Data burst PCU LookUp Request

Data Source

MTX OM, SDM

Source Field

SDPCULKR

Source Section

CAUDAT3G

SDPGRT

Counts Num of SMS CM DCCH SPACH notification msg retries sent to this partition

Data Source

MTX OM, SDM

Source Field

SDPGRT

Source Section

MTXSMS

SDPGRTR

Counts Num of DCCH SMS SPACH confirmation msg Rcvd on the partition

Data Source

MTX OM, SDM

Source Field

SDPGRTR

Source Section

MTXSMS

SDVMPRS

Counts the Num DCCH SPACH confirmation messages that come from the VMLA

Data Source

MTX OM, SDM

Source Field

SDVMPRS

Source Section

MTXSMS

SILENTRT

An origination attempt is received while a previous origination had been received from the same mobile within a time interval defined by the Office Parameter

Data Source

MTX OM, SDM

Source Field

SILENTRT + 65536 * SILNTRT2

Source Section

OMMTX3

SILNTRT2

An origination attempt is received while a previous origination had been received from the same mobile within a time interval defined by the Office Parameter

Data Source

MTX OM, SDM

Source Field

SILNTRT2

Source Section

OMMTX3

SLTPGRES

Pegs when a mobile station in slotted mode responds to a page within DMACONF

Data Source

MTX OM, SDM

Source Field

SLTPGRES

Source Section

CAUCPSCT

SLTPGRES_MTXom30

Pegs when a mobile station in slotted mode responds to a page within DMACONF

Data Source

MTX OM

Source Field

SLTPGRES_MTXom30

Source Section

CAUCPSCT_MTXom30

SLTPGRES3GD

3GD Pegs when a mobile station in slotted mode responds to a page within CDMACONF.CAUPGTO seconds.

Data Source

MTX OM, SDM

Source Field

SLTPGRES

Source Section

CAUSCT3D

SLTPGRES3GD_MTXom30

3GD Pegs when a mobile station in slotted mode responds to a page within CDMACONF.CAUPGTO seconds.

Data Source

MTX OM

Source Field

SLTPGRES3GD_MTXom30

Source Section

CAUSCT3D_MTXom30

SLTPGRES3GV

3GV Pegs when mobile station in slotted mode Responds to page within CDMACONF.CAUPGTO Secs.

Data Source

MTX OM, SDM

Source Field

SLTPGRES

Source Section

CAUSCT3V

SLTPGRES3GV_MTXom30

3GV Pegs when mobile station in slotted mode Responds to page within
CDMACONF.CAUPGTO Secs.

Data Source

MTX OM

Source Field

SLTPGRES3GV_MTXom30

Source Section

CAUSCT3V_MTXom30

SLTPGRRS

Pegs when a mobile station in slotted mode responds to the repage within seconds

Data Source

MTX OM, SDM

Source Field

SLTPGRRS

Source Section

CAUCPSCT

SLTPGRRS_MTXom30

Pegs when a mobile station in slotted mode responds to the repage within seconds

Data Source

MTX OM

Source Field

SLTPGRRS_MTXom30

Source Section

CAUCPSCT_MTXom30

SMOATBTC

CAU receives a SMS data burst msg from a mobile (in a call) over the busy Tch

Data Source

MTX OM, SDM

Source Field

SMOATBTC

Source Section

CAUDATSC

SMOATITC

CAU receives a SMS data burst msg from an idle mobile over the Tch

Data Source

MTX OM, SDM

Source Field

SMOATITC

Source Section

CAUDATSC

SMOATTAC

Pegs when the CAU receives a SMS data burst msg from an idle mobile over the access

Data Source

MTX OM, SDM

Source Field

SMOATTAC

Source Section

CAUDATSC

SMOCSFTC

Pegs when call setup over the idle Tch in order for the mobile to send a long SMS msg

Data Source

MTX OM, SDM

Source Field

SMOCSFTC

Source Section

CAUDATSC

SMOCSRAC

CAU receives a Org msg with service option 6 from an idle mobile over the access channel

Data Source

MTX OM, SDM

Source Field

SMOCSRAC

Source Section

CAUDATSC

SMOCSSTC

Mobile is successfully ordered to an idle Tch for purpose of sending a long SMS msg

Data Source

MTX OM, SDM

Source Field

SMOCSSTC

Source Section

CAUDATSC

SMOFABTC

CAU sends an unsuccessful SMS data burst ack msg to a mobile over the busy Tch

Data Source

MTX OM, SDM

Source Field

SMOFABTC

Source Section

CAUDATSC

SMOFAIAC

CAU sends an unsuccessful SMS data burst ack msg to an idle mobile over the access

Data Source

MTX OM, SDM

Source Field

SMOFAIAC

Source Section

CAUDATSC

SMOFAITC

CAU sends an unsuccessful SMS data burst ack msg to an idle mobile over the Tch

Data Source

MTX OM, SDM

Source Field

SMOFAITC

Source Section

CAUDATSC

SMOSUBTC

CAU sends a successful SMS data burst ack msg to a mobile over the busy Tch

Data Source

MTX OM, SDM

Source Field

SMOSUBTC

Source Section

CAUDATSC

SMOSUCAC

CAU sends a successful SMS data burst ack msg to an idle mobile over the access channel

Data Source

MTX OM, SDM

Source Field

SMOSUCAC

Source Section

CAUDATSC

SMOSUITC

CAU sends a successful SMS data burst ack msg to an idle mobile over the Tch

Data Source

MTX OM, SDM

Source Field

SMOSUITC

Source Section

CAUDATSC

SMSDVCAT

Pegs when an attempt is made to deliver a short msg to a mobile active in a call

Data Source

MTX OM, SDM

Source Field

SMSDVCAT

Source Section

CAUDATSC

SMSDVCFL

SMSDVCFL

Data Source

MTX OM, SDM

Source Field

SMSDVCFL

Source Section

CAUDATSC

SMSDVCSC

Pegs when a short msg is successfully delivered to a mobile active in a call

Data Source

MTX OM, SDM

Source Field

SMSDVCSC

Source Section

CAUDATSC

SMSNOVLR

Number of SMS origination attempts with No VLR or HLRCONFIRM field in the VLR set to N.

Data Source

MTX OM, SDM

Source Field

SMSNOVLR

Source Section

OMMTX3

SMSORATS

Attempt is made to move from the Pg channel to Tch for delivering a short msg

Data Source

MTX OM, SDM

Source Field

SMSORATS

Source Section

CAUDATSC

SMSORCFL

Number of times SMS origination fails due to resource allocation failures.

Data Source

MTX OM, SDM

Source Field

SMSORCFL

Source Section

CAUDATSC

SMSORSUC

Mobile is successfully moved from the Pg Ch to Tch during an attempt to dlvr a short msg

Data Source

MTX OM, SDM

Source Field

SMSORSUC

Source Section

CAUDATSC

SMSPGRES

Mobile responds to a page within the Num of seconds defined by the office parameter

Data Source

MTX OM, SDM

Source Field

SMSPGRES

Source Section

CAUDATSC

SMSPRES

SMS Page Retry Response

Data Source

MTX OM, SDM

Source Field

SMSPRES

Source Section

CAUDATSC

SMSPRRO

Pegs for an SMS call when a paging channel Redirection is sent out to the mobile to move to a carrier on the alternate band and re-send an origination message.

Data Source

MTX OM

Source Field

SMSPRRO

Source Section

CAUDATSC

SMSPRRT

Pegs for an SMS call when a paging channel Redirection is sent out to the mobile to move to a carrier on the alternate band and re-send a page response.

Data Source

MTX OM

Source Field

SMSPRRT

Source Section

CAUDATSC

SMSPRSO

Pegs for an SMS call when the mobile re-send an origination message after it was redirected to the alternate band

Data Source

MTX OM

Source Field

SMSPRSO

Source Section

CAUDATSC

SMSPRST

Pegs for an SMS call when the mobile re-send a page response after it was redirected to the alternate band.

Data Source

MTX OM

Source Field

SMSPRST

Source Section

CAUDATSC

SMSRDTC A

When CAU receives origination message with service option 14, this service option is redirected to service option 6. This register is pegged when traffic channel assignment is attempted using service option 6 after this redirection.

Data Source

SDM

Source Field

SMSRDTC A

Source Section

CAUDATS2

SMSRDTC F

When CAU receives origination message with service option 14, this service option is redirected to service option 6. This register is pegged when traffic channel assignment attempt using service option 6 after this redirection fails.

Data Source

SDM

Source Field

SMSRDTC F

Source Section

CAUDATS2

SMSRDTC S

When CAU receives origination message with service option 14, this service option is redirected to service option 6. This register is pegged when traffic channel assignment attempt using service option 6 after this redirection is successful.

Data Source

SDM

Source Field

SMSRDTCS

Source Section

CAUDATS2

SMSSO14R

Pegs when origination message is received with service option 14.

Data Source

SDM

Source Field

SMSSO14R

Source Section

CAUDATS2

SMSTATPG

SMSTATPG

Data Source

MTX OM, SDM

Source Field

SMSTATPG

Source Section

CAUDATSC

SMSTATTC

Pegs when an attempt is made to deliver an SMS to an idle mobile over traffic channel.

Data Source

MTX OM, SDM

Source Field

SMSTATTC

Source Section

CAUDATS2

SMSTFLPG

Pegs when the delivery of a short msg to a mobile over the Pg channel fails

Data Source

MTX OM, SDM

Source Field

SMSTFLPG

Source Section

CAUDATSC

SMSTFLTC

Pegs when the delivery of a short msg to an idle mobile over the Tch fails

Data Source

MTX OM, SDM

Source Field

SMSTFLTC

Source Section

CAUDATSC

SMSTMCFE

SMSTMCFE

Data Source

MTX OM, SDM

Source Field

SMSTMCFE

Source Section

CAUDATSC

SMSTRCFL

SMSTRCFL

Data Source

MTX OM, SDM

Source Field

SMSTRCFL

Source Section

CAUDATSC

SMSTSCPG

Short msg is successfully delivered to a mobile over the Pg channel

Data Source

MTX OM, SDM

Source Field

SMSTSCPG

Source Section

CAUDATSC

SMSTSCTC

Pegs when a short msg is successfully delivered to an idle mobile over the Tch

Data Source

MTX OM, SDM

Source Field

SMSTSCTC

Source Section

CAUDATSC

SMSTSEFL

Pegs when a short msg cannot be delivered to an idle mobile over the Tch

Data Source

MTX OM, SDM

Source Field

SMSTSEFL

Source Section

CAUDATSC

SMSTSOFL

Short msg cannot be delivered to an idle mobile due to the Fail or shortage of service option

Data Source

MTX OM, SDM

Source Field

SMSTSOFL

Source Section

CAUDATSC

SMTEMATS

Pegs when an attempt is made to deliver a short message to a mobile active in an EMS session.

Data Source

MTX OM, SDM

Source Field

SMTEMATS

Source Section

CAUDATSC

SMTEMSFL

Pegs upon the failure to deliver a short message to a mobile active in an EMS session.

Data Source

MTX OM, SDM

Source Field

SMTEMSFL

Source Section

CAUDATSC

SMTEMSUC

Pegs when a short message has been successfully delivered to mobile active in an EMS session.

Data Source

MTX OM, SDM

Source Field

SMTEMSUC

Source Section

CAUDATSC

STIMEOUT

Pegs when the switch receives a SAT failure msg or a DVCC failure msg from the serving subcell during call setup

Data Source

MTX OM, SDM

Source Field

STIMEOUT

Source Section

OMMTX

STIMEOUT_MTXom30

Pegs when the switch receives a SAT failure msg or a DVCC failure msg from the serving subcell during call setup

Data Source

MTX OM

Source Field

STIMEOUT_MTXom30

Source Section

OMMTX_MTXom30

TCEPEATT_C

TCEPEATT

Data Source

MTX OM, SDM

Source Field

MSCSP4

Source Section

AUTHMSC

TCEPESUC_C

TCEPESUC

Data Source

MTX OM, SDM

Source Field

MSCSP5

Source Section

AUTHMSC

TCNOEPE_C

TCNOEPE

Data Source

MTX OM, SDM

Source Field

MSCSP6

Source Section

AUTHMSC

TERMMWT

Tone info of a MWT msg is sent to the peripheral stating the termination of a call

Data Source

MTX OM, SDM

Source Field

TERMMWT

Source Section

OMMTX2

TIMBSREG

Pegs when the mobile Reg type is timer-based Reg

Data Source

MTX OM, SDM

Source Field

TIMBSREG

Source Section

OMMTX3

UXPGATCC

Unexpected page response msg occurs on the serving subcell

Data Source

MTX OM, SDM

Source Field

UXPGATCC

Source Section

OMMTX2

UZPOAL

This register pegs when packet data call is allowed to be set up after user zone screening for origination message from Limited Mobility mobile.

Data Source

SDM

Source Field

UZPOAL

Source Section

UZLMOM

UZPOAT

This register pegs when the MSC receives a packet data call origination message from a Limited Mobility mobile.

Data Source

SDM

Source Field

UZPOAT

Source Section

UZLMOM

UZPODN

This register pegs when packet data call is NOT allowed to be set up after user zone screening for origination message from Limited Mobility mobile.

Data Source

SDM

Source Field

UZPODN

Source Section

UZLMOM

UZPTAL

This register pegs when packet data call is allowed to be set up after user zone screening for page response message from a Limited Mobility mobile.

Data Source

SDM

Source Field

UZPTAL

Source Section

UZLMOM

UZPTAT

This register pegs when the MSC receives an packet data call page response message from a Limited Mobility mobile.

Data Source

SDM

Source Field

UZPTAT

Source Section

UZLMOM

UZPTDN

This register pegs when packet data call is NOT allowed to be set up after user zone screening for page response message from Limited Mobility mobile.

Data Source

SDM

Source Field

UZPTDN

Source Section

UZLMOM

UZSHOAL

This register pegs when MSC is notified with a soft/softer handoff for limited mobility user and the call is allowed to continue after user zone screening for handoff target cell.

Data Source

SDM

Source Field

UZSHOAL

Source Section

UZLMOM

UZSHOAT

This register pegs when MSC is notified with a soft/softer handoff for limited mobility user during voice call or packet data call.

Data Source

SDM

Source Field

UZSHOAT

Source Section

UZLMOM

UZSHODN

This register pegs when the MSC is notified with a soft/softer handoff for limited mobility user and the call is not allowed to continue after user zone screening for handoff target cell.

Data Source

SDM

Source Field

UZSHODN

Source Section

UZLMOM

UZVOAL

This register pegs when voice call is allowed to be set up after user zone screening for origination message from a Limited Mobility mobile.

Data Source

SDM

Source Field

UZVOAL

Source Section

UZLMOM

UZVOAT

This register pegs when the MSC receives an voice call origination message from a Limited Mobility mobile.

Data Source

SDM

Source Field

UZVOAT

Source Section

UZLMOM

UZVODN

This register pegs when voice call is NOT allowed to be set up after user zone screening for origination message from a Limited Mobility mobile.

Data Source

SDM

Source Field

UZVODN

Source Section

UZLMOM

UZVTAL

This register pegs when voice call is allowed to be set up after user zone screening for page response message from a Limited Mobility mobile.

Data Source

SDM

Source Field

UZVTAL

Source Section

UZLMOM

UZVTAT

This register pegs when the MSC receives an voice call page response message from a Limited Mobility mobile.

Data Source

SDM

Source Field

UZVTAT

Source Section

UZLMOM

UZVTDN

This register pegs when voice call is NOT allowed to be set up after user zone screening for page response message from a Limited Mobility mobile.

Data Source

SDM

Source Field

UZVTDN

Source Section

UZLMOM

VFBRDATT

Pegs anytime a handoff is attempted as the result of a forward drop BER trigger

Data Source

MTX OM, SDM

Source Field

VFBRDATT

Source Section

CIBEROM2

VFBRDCMP

Pegs anytime a Ho is Comp and the Ho was triggered by a forward drop

Data Source

MTX OM, SDM

Source Field

VFBRDCMP

Source Section

CIBEROM2

VFBRNATT

Anytime a Ho is attempted as the result of a forward noise

Data Source

MTX OM, SDM

Source Field

VFBRNATT

Source Section

CIBEROM2

VFBRNCMP

Pegs anytime a handoff is Comp

Data Source

MTX OM, SDM

Source Field

VFBRNCMP

Source Section

CIBEROM2

VPADIC

Incoming voice calls which cause the data call preemption by the VPAD feature

Data Source

MTX OM, SDM

Source Field

VPADIC

Source Section

OMMTX2

VRBRDATT

Pegs anytime a handoff is attempted as the result of a reverse drop

Data Source

MTX OM, SDM

Source Field

VRBRDATT

Source Section

CIBEROM2

VRBRDCMP

Pegs anytime a handoff is Comp and the handoff was triggered by a reverse drop

Data Source

MTX OM, SDM

Source Field

VRBRDCMP

Source Section

CIBEROM2

VRBRNATT

Pegs anytime a handoff is attempted as the result of a reverse noise

Data Source

MTX OM, SDM

Source Field

VRBRNATT

Source Section

CIBEROM2

VRBRNCMP

Pegs anytime a handoff is Comp and the handoff was triggered by a reverse noise

Data Source

MTX OM, SDM

Source Field

VRBRNCMP

Source Section

CIBEROM2

WPSNOR

Successful radio resource allocation on origination and/or termination events for a WPS call when H-PURDA is active and initial usage count does not change.

Data Source

SDM

Source Field

WPSNOR

Source Section

WPSOM3

WPSRETRY2GV

Total number of 2G voice WPS retries

Data Source

MTX OM, SDM

Source Field

WPSRETRY

Source Section

CAUSCT2

WPSRETRY3GV

Total number of 3G voice WPS retries

Data Source

MTX OM, SDM

Source Field

WPSRETRY

Source Section

CAUST3V2

WPSSCT

Successful radio resource allocation on origination and/or termination events for a WPS call when H-PURDA is active and initial usage count changes.

Data Source

SDM

Source Field

WPSSCT

Source Section

WPSOM3

WPSTRTRY2GV

Total number of 2G voice WPS termination retries

Data Source

MTX OM, SDM

Source Field

WPSTRTRY

Source Section

CAUSCT2

WPSTRTRY3GV

Total number of 3G voice WPS termination retries

Data Source

MTX OM, SDM

Source Field

WPSTRTRY

Source Section

CAUST3V2

ZONEBREG

Pegs when the mobile Reg type is zone-based Reg

Data Source

MTX OM, SDM

Source Field

ZONEBREG

Source Section

OMMTX3

Cell_Sector Roll-up Fields

The following is a list of roll-up fields for the Cell_Sector entity.

MCTDROPR

Pegs when a MCTA call Drp during conversation

MCTDROPR3GD

3GD Pegs when a MCTA call Drp during conversation

MCTDROPR3GV

3GV Pegs when a MCTA call Drp during conversation

MCTOATTS

Pegs when an origination attempt continues on a frequency chosen by the MCTA

MCTOATTS3GD

3GD Pegs when an origination attempt continues on a frequency chosen by the MCTA

MCTOATTS3GV

3GV Pegs when an origination attempt continues on a frequency chosen by the MCTA

MCTOSUCC

Pegs when a resource is successfully Alloc on an MCTA frequency for origination

MCTOSUCC3GD

3GD Pegs when a resource is successfully Alloc on an MCTA frequency for origination

MCTOSUCC3GV

3GV Pegs when a resource is successfully Alloc on an MCTA frequency for origination

MCTTATTS

Pegs when a termination attempt continues on a frequency chosen by the MCTA

MCTTATTS3GD

3GD Pegs when a termination attempt continues on a frequency chosen by the MCTA

MCTTATTS3GV

3GV Pegs when a termination attempt continues on a frequency chosen by the MCTA

MCTTSUCC

Pegs when resources are successfully Alloc on an MCTA frequency for termination

MCTTSUCC3GD

3GD Pegs when resources are successfully Alloc on an MCTA frequency for termination

MCTTSUCC3GV

3GV Pegs when resources are successfully Alloc on an MCTA frequency for termination

PrimaryFrameCntFCH_RC1

Frames sent on the forward link for every user on the fundamental channel/ soft handoff links *
softer handoff links for RC1 Voice only

PrimaryFrameCntFCH_RC2

Frames sent on the forward link for every user on the fundamental channel/ soft handoff links *
softer handoff links for RC2 Voice only

PrimaryFrameCntFCH_RC3

Frames sent on the forward link for every user on the fundamental channel/ soft handoff links *
softer handoff links for RC3 Voice only

PrimaryFrameCntFCH_RC3D

Frames sent on the forward link for every user on the fundamental channel/ soft handoff links *
softer handoff links for RC3 Data

PrimaryFrameCntFCH_RC3V

Frames sent on the forward link for every user on the fundamental channel/ soft handoff links *
softer handoff links for RC3 Voice

PrimaryFrameCntFCH_RC4

Frames sent on the forward link for every user on the fundamental channel/ soft handoff links *
softer handoff links for RC4 Voice only

PrimaryFrameCntFCH_RC4D

Frames sent on the forward link for every user on the fundamental channel/ soft handoff links *
softer handoff links for RC4 Data

PrimaryFrameCntFCH_RC4V

Frames sent on the forward link for every user on the fundamental channel/ soft handoff links *
softer handoff links for RC4 Voice

PrimaryFrameCntFCH_RC5

Frames sent on the forward link for every user on the fundamental channel/ soft handoff links *
softer handoff links for RC5 Voice only

PrimaryFrameCntFCH_RC5D

Frames sent on the forward link for every user on the fundamental channel/ soft handoff links *
softer handoff links for RC5 Data

PrimaryFrameCntFCH_RC5V

Frames sent on the forward link for every user on the fundamental channel/ soft handoff links *
softer handoff links for RC5 Voice

CNFP Primitive Calculations

The following is a list of primitive calculations for the CNFP entity.

bscCct_ResourceUtilization_00to01%

For resource type "bscCct", this the percentage of the time that the computed resource utilization was greater than or equal to 0% and less than 1%.

Calculation

```
bscCct_ResourceUtilizationIndex_1 * 100.0 /  
bscCct_ResourceUtilizationIndex_Total
```

bscCct_ResourceUtilization_01to05%

For resource type "bscCct", this the percentage of the time that the computed resource utilization was greater than or equal to 1% and less than 5%.

Calculation

```
bscCct_ResourceUtilizationIndex_2 * 100.0 /  
bscCct_ResourceUtilizationIndex_Total
```

bscCct_ResourceUtilization_05to10%

For resource type "bscCct", this the percentage of the time that the computed resource utilization was greater than or equal to 5% and less than 10%.

Calculation

```
bscCct_ResourceUtilizationIndex_3 * 100.0 /  
bscCct_ResourceUtilizationIndex_Total
```

bscCct_ResourceUtilization_100%

For resource type "bscCct", this the percentage of the time that the computed resource utilization was equal to 100%.

Calculation

```
bscCct_ResourceUtilizationIndex_30 * 100.0 /  
bscCct_ResourceUtilizationIndex_Total
```

bscCct_ResourceUtilization_10to15%

For resource type "bscCct", this the percentage of the time that the computed resource utilization was greater than or equal to 10% and less than 15%.

Calculation

```
bscCct_ResourceUtilizationIndex_4 * 100.0 /  
bscCct_ResourceUtilizationIndex_Total
```

bscCct_ResourceUtilization_15to20%

For resource type "bscCct", this the percentage of the time that the computed resource utilization was greater than or equal to 15% and less than 20%.

Calculation

```
bscCct_ResourceUtilizationIndex_5 * 100.0 /  
bscCct_ResourceUtilizationIndex_Total
```

bscCct_ResourceUtilization_20to25%

For resource type "bscCct", this the percentage of the time that the computed resource utilization was greater than or equal to 20% and less than 25%.

Calculation

```
bscCct_ResourceUtilizationIndex_6 * 100.0 /  
bscCct_ResourceUtilizationIndex_Total
```

bscCct_ResourceUtilization_25to30%

For resource type "bscCct", this the percentage of the time that the computed resource utilization was greater than or equal to 25% and less than 30%.

Calculation

```
bscCct_ResourceUtilizationIndex_7 * 100.0 /  
bscCct_ResourceUtilizationIndex_Total
```

bscCct_ResourceUtilization_30to35%

For resource type "bscCct", this the percentage of the time that the computed resource utilization was greater than or equal to 30% and less than 35%.

Calculation

```
bscCct_ResourceUtilizationIndex_8 * 100.0 /  
bscCct_ResourceUtilizationIndex_Total
```

bscCct_ResourceUtilization_35to40%

For resource type "bscCct", this the percentage of the time that the computed resource utilization was greater than or equal to 35% and less than 40%.

Calculation

```
bscCct_ResourceUtilizationIndex_9 * 100.0 /  
bscCct_ResourceUtilizationIndex_Total
```

bscCct_ResourceUtilization_40to45%

For resource type "bscCct", this the percentage of the time that the computed resource utilization was greater than or equal to 40% and less than 45%.

Calculation

```
bscCct_ResourceUtilizationIndex_10 * 100.0 /  
bscCct_ResourceUtilizationIndex_Total
```

bscCct_ResourceUtilization_45to50%

For resource type "bscCct", this the percentage of the time that the computed resource utilization was greater than or equal to 45% and less than 50%.

Calculation

```
bscCct_ResourceUtilizationIndex_11 * 100.0 /  
bscCct_ResourceUtilizationIndex_Total
```

bscCct_ResourceUtilization_50to55%

For resource type "bscCct", this the percentage of the time that the computed resource utilization was greater than or equal to 50% and less than 55%.

Calculation

```
bscCct_ResourceUtilizationIndex_12 * 100.0 /  
bscCct_ResourceUtilizationIndex_Total
```

bscCct_ResourceUtilization_55to60%

For resource type "bscCct", this the percentage of the time that the computed resource utilization was greater than or equal to 55% and less than 60%.

Calculation

```
bscCct_ResourceUtilizationIndex_13 * 100.0 /  
bscCct_ResourceUtilizationIndex_Total
```

bscCct_ResourceUtilization_60to65%

For resource type "bscCct", this the percentage of the time that the computed resource utilization was greater than or equal to 60% and less than 65%.

Calculation

```
bscCct_ResourceUtilizationIndex_14 * 100.0 /  
bscCct_ResourceUtilizationIndex_Total
```

bscCct_ResourceUtilization_65to70%

For resource type "bscCct", this the percentage of the time that the computed resource utilization was greater than or equal to 65% and less than 70%.

Calculation

```
bscCct_ResourceUtilizationIndex_15 * 100.0 /  
bscCct_ResourceUtilizationIndex_Total
```

bscCct_ResourceUtilization_70to75%

For resource type "bscCct", this the percentage of the time that the computed resource utilization was greater than or equal to 70% and less than 75%.

Calculation

```
bscCct_ResourceUtilizationIndex_16 * 100.0 /  
bscCct_ResourceUtilizationIndex_Total
```

bscCct_ResourceUtilization_75to80%

For resource type "bscCct", this the percentage of the time that the computed resource utilization was greater than or equal to 75% and less than 80%.

Calculation

```
bscCct_ResourceUtilizationIndex_17 * 100.0 /  
bscCct_ResourceUtilizationIndex_Total
```

bscCct_ResourceUtilization_80to85%

For resource type "bscCct", this the percentage of the time that the computed resource utilization was greater than or equal to 80% and less than 85%.

Calculation

```
bscCct_ResourceUtilizationIndex_18 * 100.0 /  
bscCct_ResourceUtilizationIndex_Total
```

bscCct_ResourceUtilization_85to90%

For resource type "bscCct", this the percentage of the time that the computed resource utilization was greater than or equal to 85% and less than 90%.

Calculation

```
bscCct_ResourceUtilizationIndex_19 * 100.0 /  
bscCct_ResourceUtilizationIndex_Total
```

bscCct_ResourceUtilization_90to91%

For resource type "bscCct", this the percentage of the time that the computed resource utilization was greater than or equal to 90% and less than 91%.

Calculation

```
bscCct_ResourceUtilizationIndex_20 * 100.0 /  
bscCct_ResourceUtilizationIndex_Total
```

bscCct_ResourceUtilization_91to92%

For resource type "bscCct", this the percentage of the time that the computed resource utilization was greater than or equal to 91% and less than 92%.

Calculation

```
bscCct_ResourceUtilizationIndex_21 * 100.0 /  
bscCct_ResourceUtilizationIndex_Total
```

bscCct_ResourceUtilization_92to93%

For resource type "bscCct", this the percentage of the time that the computed resource utilization was greater than or equal to 92% and less than 93%.

Calculation

```
bscCct_ResourceUtilizationIndex_22 * 100.0 /  
bscCct_ResourceUtilizationIndex_Total
```

bscCct_ResourceUtilization_93to94%

For resource type "bscCct", this the percentage of the time that the computed resource utilization was greater than or equal to 93% and less than 94%.

Calculation

```
bscCct_ResourceUtilizationIndex_23 * 100.0 /  
bscCct_ResourceUtilizationIndex_Total
```

bscCct_ResourceUtilization_94to95%

For resource type "bscCct", this the percentage of the time that the computed resource utilization was greater than or equal to 94% and less than 95%.

Calculation

```
bscCct_ResourceUtilizationIndex_24 * 100.0 /  
bscCct_ResourceUtilizationIndex_Total
```

bscCct_ResourceUtilization_95to96%

For resource type "bscCct", this the percentage of the time that the computed resource utilization was greater than or equal to 95% and less than 96%.

Calculation

```
bscCct_ResourceUtilizationIndex_25 * 100.0 /  
bscCct_ResourceUtilizationIndex_Total
```

bscCct_ResourceUtilization_96to97%

For resource type "bscCct", this the percentage of the time that the computed resource utilization was greater than or equal to 96% and less than 97%.

Calculation

```
bscCct_ResourceUtilizationIndex_26 * 100.0 /  
bscCct_ResourceUtilizationIndex_Total
```

bscCct_ResourceUtilization_97to98%

For resource type "bscCct", this the percentage of the time that the computed resource utilization was greater than or equal to 97% and less than 98%.

Calculation

```
bscCct_ResourceUtilizationIndex_27 * 100.0 /  
bscCct_ResourceUtilizationIndex_Total
```

bscCct_ResourceUtilization_98to99%

For resource type "bscCct", this the percentage of the time that the computed resource utilization was greater than or equal to 98% and less than 99%.

Calculation

```
bscCct_ResourceUtilizationIndex_28 * 100.0 /  
bscCct_ResourceUtilizationIndex_Total
```

bscCct_ResourceUtilization_99to100%

For resource type "bscCct", this the percentage of the time that the computed resource utilization was greater than or equal to 99% and less than 100%.

Calculation

```
bscCct_ResourceUtilizationIndex_29 * 100.0 /  
bscCct_ResourceUtilizationIndex_Total
```

bscCct_ResourceUtilizationIndex_Total

For resource type "bscCct", this is the sum of the Resource Utilization Indices.

Calculation

```
vsum (bscCct_ResourceUtilizationIndex_1,  
bscCct_ResourceUtilizationIndex_2, bscCct_ResourceUtilizationIndex_3,  
bscCct_ResourceUtilizationIndex_4, bscCct_ResourceUtilizationIndex_5,  
bscCct_ResourceUtilizationIndex_6, bscCct_ResourceUtilizationIndex_7,  
bscCct_ResourceUtilizationIndex_8, bscCct_ResourceUtilizationIndex_9,  
bscCct_ResourceUtilizationIndex_10, bscCct_ResourceUtilizationIndex_11,  
bscCct_ResourceUtilizationIndex_12, bscCct_ResourceUtilizationIndex_13,  
bscCct_ResourceUtilizationIndex_14, bscCct_ResourceUtilizationIndex_15,  
bscCct_ResourceUtilizationIndex_16, bscCct_ResourceUtilizationIndex_17,  
bscCct_ResourceUtilizationIndex_18, bscCct_ResourceUtilizationIndex_19,  
bscCct_ResourceUtilizationIndex_20, bscCct_ResourceUtilizationIndex_21,  
bscCct_ResourceUtilizationIndex_22, bscCct_ResourceUtilizationIndex_23,  
bscCct_ResourceUtilizationIndex_24, bscCct_ResourceUtilizationIndex_25,  
bscCct_ResourceUtilizationIndex_26, bscCct_ResourceUtilizationIndex_27,  
bscCct_ResourceUtilizationIndex_28, bscCct_ResourceUtilizationIndex_29,  
bscCct_ResourceUtilizationIndex_30, 0)
```

bscPkt_ResourceUtilization_00to01%

For resource type "bscPkt", this the percentage of the time that the computed resource utilization was greater than or equal to 0% and less than 1%.

Calculation

```
bscPkt_ResourceUtilizationIndex_1 * 100.0 /  
bscPkt_ResourceUtilizationIndex_Total
```

bscPkt_ResourceUtilization_01to05%

For resource type "bscPkt", this the percentage of the time that the computed resource utilization was greater than or equal to 1% and less than 5%.

Calculation

```
bscPkt_ResourceUtilizationIndex_2 * 100.0 /  
bscPkt_ResourceUtilizationIndex_Total
```


bscPkt_ResourceUtilization_05to10%

For resource type "bscPkt", this the percentage of the time that the computed resource utilization was greater than or equal to 5% and less than 10%.

Calculation

```
bscPkt_ResourceUtilizationIndex_3 * 100.0 /  
bscPkt_ResourceUtilizationIndex_Total
```

bscPkt_ResourceUtilization_100%

For resource type "bscPkt", this the percentage of the time that the computed resource utilization was equal to 100%.

Calculation

```
bscPkt_ResourceUtilizationIndex_30 * 100.0 /  
bscPkt_ResourceUtilizationIndex_Total
```

bscPkt_ResourceUtilization_10to15%

For resource type "bscPkt", this the percentage of the time that the computed resource utilization was greater than or equal to 10% and less than 15%.

Calculation

```
bscPkt_ResourceUtilizationIndex_4 * 100.0 /  
bscPkt_ResourceUtilizationIndex_Total
```

bscPkt_ResourceUtilization_15to20%

For resource type "bscPkt", this the percentage of the time that the computed resource utilization was greater than or equal to 15% and less than 20%.

Calculation

```
bscPkt_ResourceUtilizationIndex_5 * 100.0 /  
bscPkt_ResourceUtilizationIndex_Total
```

bscPkt_ResourceUtilization_20to25%

For resource type "bscPkt", this the percentage of the time that the computed resource utilization was greater than or equal to 20% and less than 25%.

Calculation

```
bscPkt_ResourceUtilizationIndex_6 * 100.0 /  
bscPkt_ResourceUtilizationIndex_Total
```

bscPkt_ResourceUtilization_25to30%

For resource type "bscPkt", this the percentage of the time that the computed resource utilization was greater than or equal to 25% and less than 30%.

Calculation

```
bscPkt_ResourceUtilizationIndex_7 * 100.0 /  
bscPkt_ResourceUtilizationIndex_Total
```

bscPkt_ResourceUtilization_30to35%

For resource type "bscPkt", this the percentage of the time that the computed resource utilization was greater than or equal to 30% and less than 35%.

Calculation

```
bscPkt_ResourceUtilizationIndex_8 * 100.0 /  
bscPkt_ResourceUtilizationIndex_Total
```

bscPkt_ResourceUtilization_35to40%

For resource type "bscPkt", this the percentage of the time that the computed resource utilization was greater than or equal to 35% and less than 40%.

Calculation

```
bscPkt_ResourceUtilizationIndex_9 * 100.0 /  
bscPkt_ResourceUtilizationIndex_Total
```

bscPkt_ResourceUtilization_40to45%

For resource type "bscPkt", this the percentage of the time that the computed resource utilization was greater than or equal to 40% and less than 45%.

Calculation

```
bscPkt_ResourceUtilizationIndex_10 * 100.0 /  
bscPkt_ResourceUtilizationIndex_Total
```

bscPkt_ResourceUtilization_45to50%

For resource type "bscPkt", this the percentage of the time that the computed resource utilization was greater than or equal to 45% and less than 50%.

Calculation

```
bscPkt_ResourceUtilizationIndex_11 * 100.0 /  
bscPkt_ResourceUtilizationIndex_Total
```

bscPkt_ResourceUtilization_50to55%

For resource type "bscPkt", this the percentage of the time that the computed resource utilization was greater than or equal to 50% and less than 55%.

Calculation

```
bscPkt_ResourceUtilizationIndex_12 * 100.0 /  
bscPkt_ResourceUtilizationIndex_Total
```

bscPkt_ResourceUtilization_55to60%

For resource type "bscPkt", this the percentage of the time that the computed resource utilization was greater than or equal to 55% and less than 60%.

Calculation

```
bscPkt_ResourceUtilizationIndex_13 * 100.0 /  
bscPkt_ResourceUtilizationIndex_Total
```

bscPkt_ResourceUtilization_60to65%

For resource type "bscPkt", this the percentage of the time that the computed resource utilization was greater than or equal to 60% and less than 65%.

Calculation

```
bscPkt_ResourceUtilizationIndex_14 * 100.0 /  
bscPkt_ResourceUtilizationIndex_Total
```

bscPkt_ResourceUtilization_65to70%

For resource type "bscPkt", this the percentage of the time that the computed resource utilization was greater than or equal to 65% and less than 70%.

Calculation

```
bscPkt_ResourceUtilizationIndex_15 * 100.0 /  
bscPkt_ResourceUtilizationIndex_Total
```

bscPkt_ResourceUtilization_70to75%

For resource type "bscPkt", this the percentage of the time that the computed resource utilization was greater than or equal to 70% and less than 75%.

Calculation

```
bscPkt_ResourceUtilizationIndex_16 * 100.0 /  
bscPkt_ResourceUtilizationIndex_Total
```

bscPkt_ResourceUtilization_75to80%

For resource type "bscPkt", this the percentage of the time that the computed resource utilization was greater than or equal to 75% and less than 80%.

Calculation

```
bscPkt_ResourceUtilizationIndex_17 * 100.0 /  
bscPkt_ResourceUtilizationIndex_Total
```

bscPkt_ResourceUtilization_80to85%

For resource type "bscPkt", this the percentage of the time that the computed resource utilization was greater than or equal to 80% and less than 85%.

Calculation

```
bscPkt_ResourceUtilizationIndex_18 * 100.0 /  
bscPkt_ResourceUtilizationIndex_Total
```

bscPkt_ResourceUtilization_85to90%

For resource type "bscPkt", this the percentage of the time that the computed resource utilization was greater than or equal to 85% and less than 90%.

Calculation

```
bscPkt_ResourceUtilizationIndex_19 * 100.0 /  
bscPkt_ResourceUtilizationIndex_Total
```

bscPkt_ResourceUtilization_90to91%

For resource type "bscPkt", this the percentage of the time that the computed resource utilization was greater than or equal to 90% and less than 91%.

Calculation

```
bscPkt_ResourceUtilizationIndex_20 * 100.0 /  
bscPkt_ResourceUtilizationIndex_Total
```

bscPkt_ResourceUtilization_91to92%

For resource type "bscPkt", this the percentage of the time that the computed resource utilization was greater than or equal to 91% and less than 92%.

Calculation

```
bscPkt_ResourceUtilizationIndex_21 * 100.0 /  
bscPkt_ResourceUtilizationIndex_Total
```

bscPkt_ResourceUtilization_92to93%

For resource type "bscPkt", this the percentage of the time that the computed resource utilization was greater than or equal to 92% and less than 93%.

Calculation

```
bscPkt_ResourceUtilizationIndex_22 * 100.0 /  
bscPkt_ResourceUtilizationIndex_Total
```

bscPkt_ResourceUtilization_93to94%

For resource type "bscPkt", this the percentage of the time that the computed resource utilization was greater than or equal to 93% and less than 94%.

Calculation

```
bscPkt_ResourceUtilizationIndex_23 * 100.0 /  
bscPkt_ResourceUtilizationIndex_Total
```

bscPkt_ResourceUtilization_94to95%

For resource type "bscPkt", this the percentage of the time that the computed resource utilization was greater than or equal to 94% and less than 95%.

Calculation

```
bscPkt_ResourceUtilizationIndex_24 * 100.0 /  
bscPkt_ResourceUtilizationIndex_Total
```

bscPkt_ResourceUtilization_95to96%

For resource type "bscPkt", this the percentage of the time that the computed resource utilization was greater than or equal to 95% and less than 96%.

Calculation

```
bscPkt_ResourceUtilizationIndex_25 * 100.0 /  
bscPkt_ResourceUtilizationIndex_Total
```

bscPkt_ResourceUtilization_96to97%

For resource type "bscPkt", this the percentage of the time that the computed resource utilization was greater than or equal to 96% and less than 97%.

Calculation

```
bscPkt_ResourceUtilizationIndex_26 * 100.0 /  
bscPkt_ResourceUtilizationIndex_Total
```

bscPkt_ResourceUtilization_97to98%

For resource type "bscPkt", this the percentage of the time that the computed resource utilization was greater than or equal to 97% and less than 98%.

Calculation

```
bscPkt_ResourceUtilizationIndex_27 * 100.0 /  
bscPkt_ResourceUtilizationIndex_Total
```

bscPkt_ResourceUtilization_98to99%

For resource type "bscPkt", this the percentage of the time that the computed resource utilization was greater than or equal to 98% and less than 99%.

Calculation

```
bscPkt_ResourceUtilizationIndex_28 * 100.0 /  
bscPkt_ResourceUtilizationIndex_Total
```

bscPkt_ResourceUtilization_99to100%

For resource type "bscPkt", this the percentage of the time that the computed resource utilization was greater than or equal to 99% and less than 100%.

Calculation

```
bscPkt_ResourceUtilizationIndex_29 * 100.0 /  
bscPkt_ResourceUtilizationIndex_Total
```

bscPkt_ResourceUtilizationIndex_Total

For resource type "bscPkt", this is the sum of the Resource Utilization Indices.

Calculation

```
vsum (bscPkt_ResourceUtilizationIndex_1,  
bscPkt_ResourceUtilizationIndex_2, bscPkt_ResourceUtilizationIndex_3,  
bscPkt_ResourceUtilizationIndex_4, bscPkt_ResourceUtilizationIndex_5,  
bscPkt_ResourceUtilizationIndex_6, bscPkt_ResourceUtilizationIndex_7,  
bscPkt_ResourceUtilizationIndex_8, bscPkt_ResourceUtilizationIndex_9,  
bscPkt_ResourceUtilizationIndex_10, bscPkt_ResourceUtilizationIndex_11,  
bscPkt_ResourceUtilizationIndex_12, bscPkt_ResourceUtilizationIndex_13,  
bscPkt_ResourceUtilizationIndex_14, bscPkt_ResourceUtilizationIndex_15,  
bscPkt_ResourceUtilizationIndex_16, bscPkt_ResourceUtilizationIndex_17,  
bscPkt_ResourceUtilizationIndex_18, bscPkt_ResourceUtilizationIndex_19,  
bscPkt_ResourceUtilizationIndex_20, bscPkt_ResourceUtilizationIndex_21,  
bscPkt_ResourceUtilizationIndex_22, bscPkt_ResourceUtilizationIndex_23,  
bscPkt_ResourceUtilizationIndex_24, bscPkt_ResourceUtilizationIndex_25,  
bscPkt_ResourceUtilizationIndex_26, bscPkt_ResourceUtilizationIndex_27,  
bscPkt_ResourceUtilizationIndex_28, bscPkt_ResourceUtilizationIndex_29,  
bscPkt_ResourceUtilizationIndex_30, 0)
```

cic_ResourceUtilization_00to01%

For resource type "cic", this the percentage of the time that the computed resource utilization was greater than or equal to 0% and less than 1%.

Calculation

```
cic_ResourceUtilizationIndex_1 * 100.0 / cic_ResourceUtilizationIndex_Total
```

cic_ResourceUtilization_01to05%

For resource type "cic", this the percentage of the time that the computed resource utilization was greater than or equal to 1% and less than 5%.

Calculation

```
cic_ResourceUtilizationIndex_2 * 100.0 / cic_ResourceUtilizationIndex_Total
```

cic_ResourceUtilization_05to10%

For resource type "cic", this the percentage of the time that the computed resource utilization was greater than or equal to 5% and less than 10%.

Calculation

```
cic_ResourceUtilizationIndex_3 * 100.0 / cic_ResourceUtilizationIndex_Total
```

cic_ResourceUtilization_100%

For resource type "cic", this the percentage of the time that the computed resource utilization was equal to 100%.

Calculation

```
cic_ResourceUtilizationIndex_30 * 100.0 /  
cic_ResourceUtilizationIndex_Total
```

cic_ResourceUtilization_10to15%

For resource type "cic", this the percentage of the time that the computed resource utilization was greater than or equal to 10% and less than 15%.

Calculation

```
cic_ResourceUtilizationIndex_4 * 100.0 / cic_ResourceUtilizationIndex_Total
```

cic_ResourceUtilization_15to20%

For resource type "cic", this the percentage of the time that the computed resource utilization was greater than or equal to 15% and less than 20%.

Calculation

```
cic_ResourceUtilizationIndex_5 * 100.0 / cic_ResourceUtilizationIndex_Total
```

cic_ResourceUtilization_20to25%

For resource type "cic", this the percentage of the time that the computed resource utilization was greater than or equal to 20% and less than 25%.

Calculation

```
cic_ResourceUtilizationIndex_6 * 100.0 / cic_ResourceUtilizationIndex_Total
```

cic_ResourceUtilization_25to30%

For resource type "cic", this the percentage of the time that the computed resource utilization was greater than or equal to 25% and less than 30%.

Calculation

```
cic_ResourceUtilizationIndex_7 * 100.0 / cic_ResourceUtilizationIndex_Total
```

cic_ResourceUtilization_30to35%

For resource type "cic", this the percentage of the time that the computed resource utilization was greater than or equal to 30% and less than 35%.

Calculation

```
cic_ResourceUtilizationIndex_8 * 100.0 / cic_ResourceUtilizationIndex_Total
```

cic_ResourceUtilization_35to40%

For resource type "cic", this the percentage of the time that the computed resource utilization was greater than or equal to 35% and less than 40%.

Calculation

```
cic_ResourceUtilizationIndex_9 * 100.0 / cic_ResourceUtilizationIndex_Total
```

cic_ResourceUtilization_40to45%

For resource type "cic", this the percentage of the time that the computed resource utilization was greater than or equal to 40% and less than 45%.

Calculation

```
cic_ResourceUtilizationIndex_10 * 100.0 /  
cic_ResourceUtilizationIndex_Total
```

cic_ResourceUtilization_45to50%

For resource type "cic", this the percentage of the time that the computed resource utilization was greater than or equal to 45% and less than 50%.

Calculation

```
cic_ResourceUtilizationIndex_11 * 100.0 /  
cic_ResourceUtilizationIndex_Total
```

cic_ResourceUtilization_50to55%

For resource type "cic", this the percentage of the time that the computed resource utilization was greater than or equal to 50% and less than 55%.

Calculation

```
cic_ResourceUtilizationIndex_12 * 100.0 /  
cic_ResourceUtilizationIndex_Total
```

cic_ResourceUtilization_55to60%

For resource type "cic", this the percentage of the time that the computed resource utilization was greater than or equal to 55% and less than 60%.

Calculation

```
cic_ResourceUtilizationIndex_13 * 100.0 /  
cic_ResourceUtilizationIndex_Total
```

cic_ResourceUtilization_60to65%

For resource type "cic", this the percentage of the time that the computed resource utilization was greater than or equal to 60% and less than 65%.

Calculation

```
cic_ResourceUtilizationIndex_14 * 100.0 /  
cic_ResourceUtilizationIndex_Total
```

cic_ResourceUtilization_65to70%

For resource type "cic", this the percentage of the time that the computed resource utilization was greater than or equal to 65% and less than 70%.

Calculation

```
cic_ResourceUtilizationIndex_15 * 100.0 /  
cic_ResourceUtilizationIndex_Total
```

cic_ResourceUtilization_70to75%

For resource type "cic", this the percentage of the time that the computed resource utilization was greater than or equal to 70% and less than 75%.

Calculation

```
cic_ResourceUtilizationIndex_16 * 100.0 /  
cic_ResourceUtilizationIndex_Total
```

cic_ResourceUtilization_75to80%

For resource type "cic", this the percentage of the time that the computed resource utilization was greater than or equal to 75% and less than 80%.

Calculation

```
cic_ResourceUtilizationIndex_17 * 100.0 /  
cic_ResourceUtilizationIndex_Total
```

cic_ResourceUtilization_80to85%

For resource type "cic", this the percentage of the time that the computed resource utilization was greater than or equal to 80% and less than 85%.

Calculation

```
cic_ResourceUtilizationIndex_18 * 100.0 /  
cic_ResourceUtilizationIndex_Total
```

cic_ResourceUtilization_85to90%

For resource type "cic", this the percentage of the time that the computed resource utilization was greater than or equal to 85% and less than 90%.

Calculation

```
cic_ResourceUtilizationIndex_19 * 100.0 /  
cic_ResourceUtilizationIndex_Total
```

cic_ResourceUtilization_90to91%

For resource type "cic", this the percentage of the time that the computed resource utilization was greater than or equal to 90% and less than 91%.

Calculation

```
cic_ResourceUtilizationIndex_20 * 100.0 /  
cic_ResourceUtilizationIndex_Total
```

cic_ResourceUtilization_91to92%

For resource type "cic", this the percentage of the time that the computed resource utilization was greater than or equal to 91% and less than 92%.

Calculation

```
cic_ResourceUtilizationIndex_21 * 100.0 /  
cic_ResourceUtilizationIndex_Total
```

cic_ResourceUtilization_92to93%

For resource type "cic", this the percentage of the time that the computed resource utilization was greater than or equal to 92% and less than 93%.

Calculation

```
cic_ResourceUtilizationIndex_22 * 100.0 /  
cic_ResourceUtilizationIndex_Total
```

cic_ResourceUtilization_93to94%

For resource type "cic", this the percentage of the time that the computed resource utilization was greater than or equal to 93% and less than 94%.

Calculation

```
cic_ResourceUtilizationIndex_23 * 100.0 /  
cic_ResourceUtilizationIndex_Total
```

cic_ResourceUtilization_94to95%

For resource type "cic", this the percentage of the time that the computed resource utilization was greater than or equal to 94% and less than 95%.

Calculation

```
cic_ResourceUtilizationIndex_24 * 100.0 /  
cic_ResourceUtilizationIndex_Total
```

cic_ResourceUtilization_95to96%

For resource type "cic", this the percentage of the time that the computed resource utilization was greater than or equal to 95% and less than 96%.

Calculation

```
cic_ResourceUtilizationIndex_25 * 100.0 /  
cic_ResourceUtilizationIndex_Total
```

cic_ResourceUtilization_96to97%

For resource type "cic", this the percentage of the time that the computed resource utilization was greater than or equal to 96% and less than 97%.

Calculation

```
cic_ResourceUtilizationIndex_26 * 100.0 /  
cic_ResourceUtilizationIndex_Total
```

cic_ResourceUtilization_97to98%

For resource type "cic", this the percentage of the time that the computed resource utilization was greater than or equal to 97% and less than 98%.

Calculation

```
cic_ResourceUtilizationIndex_27 * 100.0 /  
cic_ResourceUtilizationIndex_Total
```

cic_ResourceUtilization_98to99%

For resource type "cic", this the percentage of the time that the computed resource utilization was greater than or equal to 98% and less than 99%.

Calculation

```
cic_ResourceUtilizationIndex_28 * 100.0 /  
cic_ResourceUtilizationIndex_Total
```

cic_ResourceUtilization_99to100%

For resource type "cic", this the percentage of the time that the computed resource utilization was greater than or equal to 99% and less than 100%.

Calculation

```
cic_ResourceUtilizationIndex_29 * 100.0 /  
cic_ResourceUtilizationIndex_Total
```

cic_ResourceUtilizationIndex_Total

For resource type "cic", this is the sum of the Resource Utilization Indices.

Calculation

```
vsum (cic_ResourceUtilizationIndex_1, cic_ResourceUtilizationIndex_2,  
cic_ResourceUtilizationIndex_3, cic_ResourceUtilizationIndex_4,  
cic_ResourceUtilizationIndex_5, cic_ResourceUtilizationIndex_6,  
cic_ResourceUtilizationIndex_7, cic_ResourceUtilizationIndex_8,  
cic_ResourceUtilizationIndex_9, cic_ResourceUtilizationIndex_10,
```

cic_ResourceUtilizationIndex_11, cic_ResourceUtilizationIndex_12,
cic_ResourceUtilizationIndex_13, cic_ResourceUtilizationIndex_14,
cic_ResourceUtilizationIndex_15, cic_ResourceUtilizationIndex_16,
cic_ResourceUtilizationIndex_17, cic_ResourceUtilizationIndex_18,
cic_ResourceUtilizationIndex_19, cic_ResourceUtilizationIndex_20,
cic_ResourceUtilizationIndex_21, cic_ResourceUtilizationIndex_22,
cic_ResourceUtilizationIndex_23, cic_ResourceUtilizationIndex_24,
cic_ResourceUtilizationIndex_25, cic_ResourceUtilizationIndex_26,
cic_ResourceUtilizationIndex_27, cic_ResourceUtilizationIndex_28,
cic_ResourceUtilizationIndex_29, cic_ResourceUtilizationIndex_30, 0)

ebscCct_ResourceUtilization_00to01%

For resource type "ebscCct", this the percentage of the time that the computed resource utilization was greater than or equal to 0% and less than 1%.

Calculation

```
ebscCct_ResourceUtilizationIndex_1 * 100.0 /  
ebscCct_ResourceUtilizationIndex_Total
```

ebscCct_ResourceUtilization_01to05%

For resource type "ebscCct", this the percentage of the time that the computed resource utilization was greater than or equal to 1% and less than 5%.

Calculation

```
ebscCct_ResourceUtilizationIndex_2 * 100.0 /  
ebscCct_ResourceUtilizationIndex_Total
```

ebscCct_ResourceUtilization_05to10%

For resource type "ebscCct", this the percentage of the time that the computed resource utilization was greater than or equal to 5% and less than 10%.

Calculation

```
ebscCct_ResourceUtilizationIndex_3 * 100.0 /  
ebscCct_ResourceUtilizationIndex_Total
```

ebscCct_ResourceUtilization_100%

For resource type "ebscCct", this the percentage of the time that the computed resource utilization was equal to 100%.

Calculation

```
ebscCct_ResourceUtilizationIndex_30 * 100.0 /  
ebscCct_ResourceUtilizationIndex_Total
```

ebscCct_ResourceUtilization_10to15%

For resource type "ebscCct", this the percentage of the time that the computed resource utilization was greater than or equal to 10% and less than 15%.

Calculation

```
ebscCct_ResourceUtilizationIndex_4 * 100.0 /  
ebscCct_ResourceUtilizationIndex_Total
```

ebscCct_ResourceUtilization_15to20%

For resource type "ebscCct", this the percentage of the time that the computed resource utilization was greater than or equal to 15% and less than 20%.

Calculation

```
ebscCct_ResourceUtilizationIndex_5 * 100.0 /  
ebscCct_ResourceUtilizationIndex_Total
```

ebscCct_ResourceUtilization_20to25%

For resource type "ebscCct", this the percentage of the time that the computed resource utilization was greater than or equal to 20% and less than 25%.

Calculation

```
ebscCct_ResourceUtilizationIndex_6 * 100.0 /  
ebscCct_ResourceUtilizationIndex_Total
```

ebscCct_ResourceUtilization_25to30%

For resource type "ebscCct", this the percentage of the time that the computed resource utilization was greater than or equal to 25% and less than 30%.

Calculation

```
ebscCct_ResourceUtilizationIndex_7 * 100.0 /  
ebscCct_ResourceUtilizationIndex_Total
```

ebscCct_ResourceUtilization_30to35%

For resource type "ebscCct", this the percentage of the time that the computed resource utilization was greater than or equal to 30% and less than 35%.

Calculation

```
ebscCct_ResourceUtilizationIndex_8 * 100.0 /  
ebscCct_ResourceUtilizationIndex_Total
```

ebscCct_ResourceUtilization_35to40%

For resource type "ebscCct", this the percentage of the time that the computed resource utilization was greater than or equal to 35% and less than 40%.

Calculation

```
ebscCct_ResourceUtilizationIndex_9 * 100.0 /  
ebscCct_ResourceUtilizationIndex_Total
```

ebscCct_ResourceUtilization_40to45%

For resource type "ebscCct", this the percentage of the time that the computed resource utilization was greater than or equal to 40% and less than 45%.

Calculation

```
ebscCct_ResourceUtilizationIndex_10 * 100.0 /  
ebscCct_ResourceUtilizationIndex_Total
```

ebscCct_ResourceUtilization_45to50%

For resource type "ebscCct", this the percentage of the time that the computed resource utilization was greater than or equal to 45% and less than 50%.

Calculation

```
ebscCct_ResourceUtilizationIndex_11 * 100.0 /  
ebscCct_ResourceUtilizationIndex_Total
```

ebscCct_ResourceUtilization_50to55%

For resource type "ebscCct", this the percentage of the time that the computed resource utilization was greater than or equal to 50% and less than 55%.

Calculation

```
ebscCct_ResourceUtilizationIndex_12 * 100.0 /  
ebscCct_ResourceUtilizationIndex_Total
```

ebscCct_ResourceUtilization_55to60%

For resource type "ebscCct", this the percentage of the time that the computed resource utilization was greater than or equal to 55% and less than 60%.

Calculation

```
ebscCct_ResourceUtilizationIndex_13 * 100.0 /  
ebscCct_ResourceUtilizationIndex_Total
```

ebscCct_ResourceUtilization_60to65%

For resource type "ebscCct", this the percentage of the time that the computed resource utilization was greater than or equal to 60% and less than 65%.

Calculation

```
ebscCct_ResourceUtilizationIndex_14 * 100.0 /  
ebscCct_ResourceUtilizationIndex_Total
```

ebscCct_ResourceUtilization_65to70%

For resource type "ebscCct", this the percentage of the time that the computed resource utilization was greater than or equal to 65% and less than 70%.

Calculation

```
ebscCct_ResourceUtilizationIndex_15 * 100.0 /  
ebscCct_ResourceUtilizationIndex_Total
```

ebscCct_ResourceUtilization_70to75%

For resource type "ebscCct", this the percentage of the time that the computed resource utilization was greater than or equal to 70% and less than 75%.

Calculation

```
ebscCct_ResourceUtilizationIndex_16 * 100.0 /  
ebscCct_ResourceUtilizationIndex_Total
```

ebscCct_ResourceUtilization_75to80%

For resource type "ebscCct", this the percentage of the time that the computed resource utilization was greater than or equal to 75% and less than 80%.

Calculation

```
ebscCct_ResourceUtilizationIndex_17 * 100.0 /  
ebscCct_ResourceUtilizationIndex_Total
```

ebscCct_ResourceUtilization_80to85%

For resource type "ebscCct", this the percentage of the time that the computed resource utilization was greater than or equal to 80% and less than 85%.

Calculation

```
ebscCct_ResourceUtilizationIndex_18 * 100.0 /  
ebscCct_ResourceUtilizationIndex_Total
```

ebscCct_ResourceUtilization_85to90%

For resource type "ebscCct", this the percentage of the time that the computed resource utilization was greater than or equal to 85% and less than 90%.

Calculation

```
ebscCct_ResourceUtilizationIndex_19 * 100.0 /  
ebscCct_ResourceUtilizationIndex_Total
```

ebscCct_ResourceUtilization_90to91%

For resource type "ebscCct", this the percentage of the time that the computed resource utilization was greater than or equal to 90% and less than 91%.

Calculation

```
ebscCct_ResourceUtilizationIndex_20 * 100.0 /  
ebscCct_ResourceUtilizationIndex_Total
```

ebscCct_ResourceUtilization_91to92%

For resource type "ebscCct", this the percentage of the time that the computed resource utilization was greater than or equal to 91% and less than 92%.

Calculation

```
ebscCct_ResourceUtilizationIndex_21 * 100.0 /  
ebscCct_ResourceUtilizationIndex_Total
```

ebscCct_ResourceUtilization_92to93%

For resource type "ebscCct", this the percentage of the time that the computed resource utilization was greater than or equal to 92% and less than 93%.

Calculation

```
ebscCct_ResourceUtilizationIndex_22 * 100.0 /  
ebscCct_ResourceUtilizationIndex_Total
```

ebscCct_ResourceUtilization_93to94%

For resource type "ebscCct", this the percentage of the time that the computed resource utilization was greater than or equal to 93% and less than 94%.

Calculation

```
ebscCct_ResourceUtilizationIndex_23 * 100.0 /  
ebscCct_ResourceUtilizationIndex_Total
```

ebscCct_ResourceUtilization_94to95%

For resource type "ebscCct", this the percentage of the time that the computed resource utilization was greater than or equal to 94% and less than 95%.

Calculation

```
ebscCct_ResourceUtilizationIndex_24 * 100.0 /  
ebscCct_ResourceUtilizationIndex_Total
```

ebscCct_ResourceUtilization_95to96%

For resource type "ebscCct", this the percentage of the time that the computed resource utilization was greater than or equal to 95% and less than 96%.

Calculation

```
ebscCct_ResourceUtilizationIndex_25 * 100.0 /  
ebscCct_ResourceUtilizationIndex_Total
```


ebscCct_ResourceUtilization_96to97%

For resource type "ebscCct", this the percentage of the time that the computed resource utilization was greater than or equal to 96% and less than 97%.

Calculation

```
ebscCct_ResourceUtilizationIndex_26 * 100.0 /  
ebscCct_ResourceUtilizationIndex_Total
```

ebscCct_ResourceUtilization_97to98%

For resource type "ebscCct", this the percentage of the time that the computed resource utilization was greater than or equal to 97% and less than 98%.

Calculation

```
ebscCct_ResourceUtilizationIndex_27 * 100.0 /  
ebscCct_ResourceUtilizationIndex_Total
```

ebscCct_ResourceUtilization_98to99%

For resource type "ebscCct", this the percentage of the time that the computed resource utilization was greater than or equal to 98% and less than 99%.

Calculation

```
ebscCct_ResourceUtilizationIndex_28 * 100.0 /  
ebscCct_ResourceUtilizationIndex_Total
```

ebscCct_ResourceUtilization_99to100%

For resource type "ebscCct", this the percentage of the time that the computed resource utilization was greater than or equal to 99% and less than 100%.

Calculation

```
ebscCct_ResourceUtilizationIndex_29 * 100.0 /  
ebscCct_ResourceUtilizationIndex_Total
```

ebscCct_ResourceUtilizationIndex_Total

For resource type "ebscCct", this is the sum of the Resource Utilization Indices.

Calculation

```
vsum (ebscCct_ResourceUtilizationIndex_1,  
ebscCct_ResourceUtilizationIndex_2, ebscCct_ResourceUtilizationIndex_3,  
ebscCct_ResourceUtilizationIndex_4, ebscCct_ResourceUtilizationIndex_5,  
ebscCct_ResourceUtilizationIndex_6, ebscCct_ResourceUtilizationIndex_7,  
ebscCct_ResourceUtilizationIndex_8, ebscCct_ResourceUtilizationIndex_9,  
ebscCct_ResourceUtilizationIndex_10, ebscCct_ResourceUtilizationIndex_11,  
ebscCct_ResourceUtilizationIndex_12, ebscCct_ResourceUtilizationIndex_13,  
ebscCct_ResourceUtilizationIndex_14, ebscCct_ResourceUtilizationIndex_15,  
ebscCct_ResourceUtilizationIndex_16, ebscCct_ResourceUtilizationIndex_17,
```

```
ebscCct_ResourceUtilizationIndex_18, ebscCct_ResourceUtilizationIndex_19,  
ebscCct_ResourceUtilizationIndex_20, ebscCct_ResourceUtilizationIndex_21,  
ebscCct_ResourceUtilizationIndex_22, ebscCct_ResourceUtilizationIndex_23,  
ebscCct_ResourceUtilizationIndex_24, ebscCct_ResourceUtilizationIndex_25,  
ebscCct_ResourceUtilizationIndex_26, ebscCct_ResourceUtilizationIndex_27,  
ebscCct_ResourceUtilizationIndex_28, ebscCct_ResourceUtilizationIndex_29,  
ebscCct_ResourceUtilizationIndex_30, 0)
```

ebscPkt_ResourceUtilization_00to01%

For resource type "ebscPkt", this the percentage of the time that the computed resource utilization was greater than or equal to 0% and less than 1%.

Calculation

```
ebscPkt_ResourceUtilizationIndex_1 * 100.0 /  
ebscPkt_ResourceUtilizationIndex_Total
```

ebscPkt_ResourceUtilization_01to05%

For resource type "ebscPkt", this the percentage of the time that the computed resource utilization was greater than or equal to 1% and less than 5%.

Calculation

```
ebscPkt_ResourceUtilizationIndex_2 * 100.0 /  
ebscPkt_ResourceUtilizationIndex_Total
```

ebscPkt_ResourceUtilization_05to10%

For resource type "ebscPkt", this the percentage of the time that the computed resource utilization was greater than or equal to 5% and less than 10%.

Calculation

```
ebscPkt_ResourceUtilizationIndex_3 * 100.0 /  
ebscPkt_ResourceUtilizationIndex_Total
```

ebscPkt_ResourceUtilization_100%

For resource type "ebscPkt", this the percentage of the time that the computed resource utilization was equal to 100%.

Calculation

```
ebscPkt_ResourceUtilizationIndex_30 * 100.0 /  
ebscPkt_ResourceUtilizationIndex_Total
```

ebscPkt_ResourceUtilization_10to15%

For resource type "ebscPkt", this the percentage of the time that the computed resource utilization was greater than or equal to 10% and less than 15%.

Calculation

```
ebscPkt_ResourceUtilizationIndex_4 * 100.0 /  
ebscPkt_ResourceUtilizationIndex_Total
```

ebscPkt_ResourceUtilization_15to20%

For resource type "ebscPkt", this the percentage of the time that the computed resource utilization was greater than or equal to 15% and less than 20%.

Calculation

```
ebscPkt_ResourceUtilizationIndex_5 * 100.0 /  
ebscPkt_ResourceUtilizationIndex_Total
```

ebscPkt_ResourceUtilization_20to25%

For resource type "ebscPkt", this the percentage of the time that the computed resource utilization was greater than or equal to 20% and less than 25%.

Calculation

```
ebscPkt_ResourceUtilizationIndex_6 * 100.0 /  
ebscPkt_ResourceUtilizationIndex_Total
```

ebscPkt_ResourceUtilization_25to30%

For resource type "ebscPkt", this the percentage of the time that the computed resource utilization was greater than or equal to 25% and less than 30%.

Calculation

```
ebscPkt_ResourceUtilizationIndex_7 * 100.0 /  
ebscPkt_ResourceUtilizationIndex_Total
```

ebscPkt_ResourceUtilization_30to35%

For resource type "ebscPkt", this the percentage of the time that the computed resource utilization was greater than or equal to 30% and less than 35%.

Calculation

```
ebscPkt_ResourceUtilizationIndex_8 * 100.0 /  
ebscPkt_ResourceUtilizationIndex_Total
```

ebscPkt_ResourceUtilization_35to40%

For resource type "ebscPkt", this the percentage of the time that the computed resource utilization was greater than or equal to 35% and less than 40%.

Calculation

```
ebscPkt_ResourceUtilizationIndex_9 * 100.0 /  
ebscPkt_ResourceUtilizationIndex_Total
```

ebscPkt_ResourceUtilization_40to45%

For resource type "ebscPkt", this the percentage of the time that the computed resource utilization was greater than or equal to 40% and less than 45%.

Calculation

```
ebscPkt_ResourceUtilizationIndex_10 * 100.0 /  
ebscPkt_ResourceUtilizationIndex_Total
```

ebscPkt_ResourceUtilization_45to50%

For resource type "ebscPkt", this the percentage of the time that the computed resource utilization was greater than or equal to 45% and less than 50%.

Calculation

```
ebscPkt_ResourceUtilizationIndex_11 * 100.0 /  
ebscPkt_ResourceUtilizationIndex_Total
```

ebscPkt_ResourceUtilization_50to55%

For resource type "ebscPkt", this the percentage of the time that the computed resource utilization was greater than or equal to 50% and less than 55%.

Calculation

```
ebscPkt_ResourceUtilizationIndex_12 * 100.0 /  
ebscPkt_ResourceUtilizationIndex_Total
```

ebscPkt_ResourceUtilization_55to60%

For resource type "ebscPkt", this the percentage of the time that the computed resource utilization was greater than or equal to 55% and less than 60%.

Calculation

```
ebscPkt_ResourceUtilizationIndex_13 * 100.0 /  
ebscPkt_ResourceUtilizationIndex_Total
```

ebscPkt_ResourceUtilization_60to65%

For resource type "ebscPkt", this the percentage of the time that the computed resource utilization was greater than or equal to 60% and less than 65%.

Calculation

```
ebscPkt_ResourceUtilizationIndex_14 * 100.0 /  
ebscPkt_ResourceUtilizationIndex_Total
```

ebscPkt_ResourceUtilization_65to70%

For resource type "ebscPkt", this the percentage of the time that the computed resource utilization was greater than or equal to 65% and less than 70%.

Calculation

```
ebscPkt_ResourceUtilizationIndex_15 * 100.0 /  
ebscPkt_ResourceUtilizationIndex_Total
```

ebscPkt_ResourceUtilization_70to75%

For resource type "ebscPkt", this the percentage of the time that the computed resource utilization was greater than or equal to 70% and less than 75%.

Calculation

```
ebscPkt_ResourceUtilizationIndex_16 * 100.0 /  
ebscPkt_ResourceUtilizationIndex_Total
```

ebscPkt_ResourceUtilization_75to80%

For resource type "ebscPkt", this the percentage of the time that the computed resource utilization was greater than or equal to 75% and less than 80%.

Calculation

```
ebscPkt_ResourceUtilizationIndex_17 * 100.0 /  
ebscPkt_ResourceUtilizationIndex_Total
```

ebscPkt_ResourceUtilization_80to85%

For resource type "ebscPkt", this the percentage of the time that the computed resource utilization was greater than or equal to 80% and less than 85%.

Calculation

```
ebscPkt_ResourceUtilizationIndex_18 * 100.0 /  
ebscPkt_ResourceUtilizationIndex_Total
```

ebscPkt_ResourceUtilization_85to90%

For resource type "ebscPkt", this the percentage of the time that the computed resource utilization was greater than or equal to 85% and less than 90%.

Calculation

```
ebscPkt_ResourceUtilizationIndex_19 * 100.0 /  
ebscPkt_ResourceUtilizationIndex_Total
```

ebscPkt_ResourceUtilization_90to91%

For resource type "ebscPkt", this the percentage of the time that the computed resource utilization was greater than or equal to 90% and less than 91%.

Calculation

```
ebscPkt_ResourceUtilizationIndex_20 * 100.0 /  
ebscPkt_ResourceUtilizationIndex_Total
```

ebscPkt_ResourceUtilization_91to92%

For resource type "ebscPkt", this the percentage of the time that the computed resource utilization was greater than or equal to 91% and less than 92%.

Calculation

```
ebscPkt_ResourceUtilizationIndex_21 * 100.0 /  
ebscPkt_ResourceUtilizationIndex_Total
```

ebscPkt_ResourceUtilization_92to93%

For resource type "ebscPkt", this the percentage of the time that the computed resource utilization was greater than or equal to 92% and less than 93%.

Calculation

```
ebscPkt_ResourceUtilizationIndex_22 * 100.0 /  
ebscPkt_ResourceUtilizationIndex_Total
```

ebscPkt_ResourceUtilization_93to94%

For resource type "ebscPkt", this the percentage of the time that the computed resource utilization was greater than or equal to 93% and less than 94%.

Calculation

```
ebscPkt_ResourceUtilizationIndex_23 * 100.0 /  
ebscPkt_ResourceUtilizationIndex_Total
```

ebscPkt_ResourceUtilization_94to95%

For resource type "ebscPkt", this the percentage of the time that the computed resource utilization was greater than or equal to 94% and less than 95%.

Calculation

```
ebscPkt_ResourceUtilizationIndex_24 * 100.0 /  
ebscPkt_ResourceUtilizationIndex_Total
```

ebscPkt_ResourceUtilization_95to96%

For resource type "ebscPkt", this the percentage of the time that the computed resource utilization was greater than or equal to 95% and less than 96%.

Calculation

```
ebscPkt_ResourceUtilizationIndex_25 * 100.0 /  
ebscPkt_ResourceUtilizationIndex_Total
```

ebscPkt_ResourceUtilization_96to97%

For resource type "ebscPkt", this the percentage of the time that the computed resource utilization was greater than or equal to 96% and less than 97%.

Calculation

```
ebscPkt_ResourceUtilizationIndex_26 * 100.0 /  
ebscPkt_ResourceUtilizationIndex_Total
```

ebscPkt_ResourceUtilization_97to98%

For resource type "ebscPkt", this the percentage of the time that the computed resource utilization was greater than or equal to 97% and less than 98%.

Calculation

```
ebscPkt_ResourceUtilizationIndex_27 * 100.0 /  
ebscPkt_ResourceUtilizationIndex_Total
```

ebscPkt_ResourceUtilization_98to99%

For resource type "ebscPkt", this the percentage of the time that the computed resource utilization was greater than or equal to 98% and less than 99%.

Calculation

```
ebscPkt_ResourceUtilizationIndex_28 * 100.0 /  
ebscPkt_ResourceUtilizationIndex_Total
```

ebscPkt_ResourceUtilization_99to100%

For resource type "ebscPkt", this the percentage of the time that the computed resource utilization was greater than or equal to 99% and less than 100%.

Calculation

```
ebscPkt_ResourceUtilizationIndex_29 * 100.0 /  
ebscPkt_ResourceUtilizationIndex_Total
```

ebscPkt_ResourceUtilizationIndex_Total

For resource type "ebscPkt", this is the sum of the Resource Utilization Indices.

Calculation

```
vsum (ebscPkt_ResourceUtilizationIndex_1,  
ebscPkt_ResourceUtilizationIndex_2, ebscPkt_ResourceUtilizationIndex_3,  
ebscPkt_ResourceUtilizationIndex_4, ebscPkt_ResourceUtilizationIndex_5,  
ebscPkt_ResourceUtilizationIndex_6, ebscPkt_ResourceUtilizationIndex_7,  
ebscPkt_ResourceUtilizationIndex_8, ebscPkt_ResourceUtilizationIndex_9,  
ebscPkt_ResourceUtilizationIndex_10, ebscPkt_ResourceUtilizationIndex_11,  
ebscPkt_ResourceUtilizationIndex_12, ebscPkt_ResourceUtilizationIndex_13,  
ebscPkt_ResourceUtilizationIndex_14, ebscPkt_ResourceUtilizationIndex_15,  
ebscPkt_ResourceUtilizationIndex_16, ebscPkt_ResourceUtilizationIndex_17,  
ebscPkt_ResourceUtilizationIndex_18, ebscPkt_ResourceUtilizationIndex_19,  
ebscPkt_ResourceUtilizationIndex_20, ebscPkt_ResourceUtilizationIndex_21,  
ebscPkt_ResourceUtilizationIndex_22, ebscPkt_ResourceUtilizationIndex_23,  
ebscPkt_ResourceUtilizationIndex_24, ebscPkt_ResourceUtilizationIndex_25,  
ebscPkt_ResourceUtilizationIndex_26, ebscPkt_ResourceUtilizationIndex_27,
```

ebscPkt_ResourceUtilizationIndex_28, ebscPkt_ResourceUtilizationIndex_29,
ebscPkt_ResourceUtilizationIndex_30, 0)

ebscSduPacketDataAndOther_ResourceUtilization_00to01%

For resource type "ebscSduPacketDataAndOther", this the percentage of the time that the computed resource utilization was greater than or equal to 0% and less than 1%.

Calculation

ebscSduPacketDataAndOther_ResourceUtilizationIndex_1 * 100.0 /
ebscSduPacketDataAndOther_ResourceUtilizationIndex_Total

ebscSduPacketDataAndOther_ResourceUtilization_01to05%

For resource type "ebscSduPacketDataAndOther", this the percentage of the time that the computed resource utilization was greater than or equal to 1% and less than 5%.

Calculation

ebscSduPacketDataAndOther_ResourceUtilizationIndex_2 * 100.0 /
ebscSduPacketDataAndOther_ResourceUtilizationIndex_Total

ebscSduPacketDataAndOther_ResourceUtilization_05to10%

For resource type "ebscSduPacketDataAndOther", this the percentage of the time that the computed resource utilization was greater than or equal to 5% and less than 10%.

Calculation

ebscSduPacketDataAndOther_ResourceUtilizationIndex_3 * 100.0 /
ebscSduPacketDataAndOther_ResourceUtilizationIndex_Total

ebscSduPacketDataAndOther_ResourceUtilization_100%

For resource type "ebscSduPacketDataAndOther", this the percentage of the time that the computed resource utilization was equal to 100%.

Calculation

ebscSduPacketDataAndOther_ResourceUtilizationIndex_30 * 100.0 /
ebscSduPacketDataAndOther_ResourceUtilizationIndex_Total

ebscSduPacketDataAndOther_ResourceUtilization_10to15%

For resource type "ebscSduPacketDataAndOther", this the percentage of the time that the computed resource utilization was greater than or equal to 10% and less than 15%.

Calculation

ebscSduPacketDataAndOther_ResourceUtilizationIndex_4 * 100.0 /
ebscSduPacketDataAndOther_ResourceUtilizationIndex_Total

ebscSduPacketDataAndOther_ResourceUtilization_15to20%

For resource type "ebscSduPacketDataAndOther", this the percentage of the time that the computed resource utilization was greater than or equal to 15% and less than 20%.

Calculation

```
ebscSduPacketDataAndOther_ResourceUtilizationIndex_5 * 100.0 /  
ebscSduPacketDataAndOther_ResourceUtilizationIndex_Total
```

ebscSduPacketDataAndOther_ResourceUtilization_20to25%

For resource type "ebscSduPacketDataAndOther", this the percentage of the time that the computed resource utilization was greater than or equal to 20% and less than 25%.

Calculation

```
ebscSduPacketDataAndOther_ResourceUtilizationIndex_6 * 100.0 /  
ebscSduPacketDataAndOther_ResourceUtilizationIndex_Total
```

ebscSduPacketDataAndOther_ResourceUtilization_25to30%

For resource type "ebscSduPacketDataAndOther", this the percentage of the time that the computed resource utilization was greater than or equal to 25% and less than 30%.

Calculation

```
ebscSduPacketDataAndOther_ResourceUtilizationIndex_7 * 100.0 /  
ebscSduPacketDataAndOther_ResourceUtilizationIndex_Total
```

ebscSduPacketDataAndOther_ResourceUtilization_30to35%

For resource type "ebscSduPacketDataAndOther", this the percentage of the time that the computed resource utilization was greater than or equal to 30% and less than 35%.

Calculation

```
ebscSduPacketDataAndOther_ResourceUtilizationIndex_8 * 100.0 /  
ebscSduPacketDataAndOther_ResourceUtilizationIndex_Total
```

ebscSduPacketDataAndOther_ResourceUtilization_35to40%

For resource type "ebscSduPacketDataAndOther", this the percentage of the time that the computed resource utilization was greater than or equal to 35% and less than 40%.

Calculation

```
ebscSduPacketDataAndOther_ResourceUtilizationIndex_9 * 100.0 /  
ebscSduPacketDataAndOther_ResourceUtilizationIndex_Total
```

ebscSduPacketDataAndOther_ResourceUtilization_40to45%

For resource type "ebscSduPacketDataAndOther", this the percentage of the time that the computed resource utilization was greater than or equal to 40% and less than 45%.

Calculation

$$\frac{\text{ebscSduPacketDataAndOther_ResourceUtilizationIndex_10} * 100.0}{\text{ebscSduPacketDataAndOther_ResourceUtilizationIndex_Total}}$$

ebscSduPacketDataAndOther_ResourceUtilization_45to50%

For resource type "ebscSduPacketDataAndOther", this the percentage of the time that the computed resource utilization was greater than or equal to 45% and less than 50%.

Calculation

$$\frac{\text{ebscSduPacketDataAndOther_ResourceUtilizationIndex_11} * 100.0}{\text{ebscSduPacketDataAndOther_ResourceUtilizationIndex_Total}}$$

ebscSduPacketDataAndOther_ResourceUtilization_50to55%

For resource type "ebscSduPacketDataAndOther", this the percentage of the time that the computed resource utilization was greater than or equal to 50% and less than 55%.

Calculation

$$\frac{\text{ebscSduPacketDataAndOther_ResourceUtilizationIndex_12} * 100.0}{\text{ebscSduPacketDataAndOther_ResourceUtilizationIndex_Total}}$$

ebscSduPacketDataAndOther_ResourceUtilization_55to60%

For resource type "ebscSduPacketDataAndOther", this the percentage of the time that the computed resource utilization was greater than or equal to 55% and less than 60%.

Calculation

$$\frac{\text{ebscSduPacketDataAndOther_ResourceUtilizationIndex_13} * 100.0}{\text{ebscSduPacketDataAndOther_ResourceUtilizationIndex_Total}}$$

ebscSduPacketDataAndOther_ResourceUtilization_60to65%

For resource type "ebscSduPacketDataAndOther", this the percentage of the time that the computed resource utilization was greater than or equal to 60% and less than 65%.

Calculation

$$\frac{\text{ebscSduPacketDataAndOther_ResourceUtilizationIndex_14} * 100.0}{\text{ebscSduPacketDataAndOther_ResourceUtilizationIndex_Total}}$$

ebscSduPacketDataAndOther_ResourceUtilization_65to70%

For resource type "ebscSduPacketDataAndOther", this the percentage of the time that the computed resource utilization was greater than or equal to 65% and less than 70%.

Calculation

$$\frac{\text{ebscSduPacketDataAndOther_ResourceUtilizationIndex_15} * 100.0}{\text{ebscSduPacketDataAndOther_ResourceUtilizationIndex_Total}}$$

ebscSduPacketDataAndOther_ResourceUtilization_70to75%

For resource type "ebscSduPacketDataAndOther", this the percentage of the time that the computed resource utilization was greater than or equal to 70% and less than 75%.

Calculation

$$\frac{\text{ebscSduPacketDataAndOther_ResourceUtilizationIndex_16} * 100.0}{\text{ebscSduPacketDataAndOther_ResourceUtilizationIndex_Total}}$$

ebscSduPacketDataAndOther_ResourceUtilization_75to80%

For resource type "ebscSduPacketDataAndOther", this the percentage of the time that the computed resource utilization was greater than or equal to 75% and less than 80%.

Calculation

$$\frac{\text{ebscSduPacketDataAndOther_ResourceUtilizationIndex_17} * 100.0}{\text{ebscSduPacketDataAndOther_ResourceUtilizationIndex_Total}}$$

ebscSduPacketDataAndOther_ResourceUtilization_80to85%

For resource type "ebscSduPacketDataAndOther", this the percentage of the time that the computed resource utilization was greater than or equal to 80% and less than 85%.

Calculation

$$\frac{\text{ebscSduPacketDataAndOther_ResourceUtilizationIndex_18} * 100.0}{\text{ebscSduPacketDataAndOther_ResourceUtilizationIndex_Total}}$$

ebscSduPacketDataAndOther_ResourceUtilization_85to90%

For resource type "ebscSduPacketDataAndOther", this the percentage of the time that the computed resource utilization was greater than or equal to 85% and less than 90%.

Calculation

$$\frac{\text{ebscSduPacketDataAndOther_ResourceUtilizationIndex_19} * 100.0}{\text{ebscSduPacketDataAndOther_ResourceUtilizationIndex_Total}}$$

ebscSduPacketDataAndOther_ResourceUtilization_90to91%

For resource type "ebscSduPacketDataAndOther", this the percentage of the time that the computed resource utilization was greater than or equal to 90% and less than 91%.

Calculation

$$\frac{\text{ebscSduPacketDataAndOther_ResourceUtilizationIndex_20} * 100.0}{\text{ebscSduPacketDataAndOther_ResourceUtilizationIndex_Total}}$$

ebscSduPacketDataAndOther_ResourceUtilization_91to92%

For resource type "ebscSduPacketDataAndOther", this the percentage of the time that the computed resource utilization was greater than or equal to 91% and less than 92%.

Calculation

$$\frac{\text{ebscSduPacketDataAndOther_ResourceUtilizationIndex_21} * 100.0}{\text{ebscSduPacketDataAndOther_ResourceUtilizationIndex_Total}}$$

ebscSduPacketDataAndOther_ResourceUtilization_92to93%

For resource type "ebscSduPacketDataAndOther", this the percentage of the time that the computed resource utilization was greater than or equal to 92% and less than 93%.

Calculation

$$\frac{\text{ebscSduPacketDataAndOther_ResourceUtilizationIndex_22} * 100.0}{\text{ebscSduPacketDataAndOther_ResourceUtilizationIndex_Total}}$$

ebscSduPacketDataAndOther_ResourceUtilization_93to94%

For resource type "ebscSduPacketDataAndOther", this the percentage of the time that the computed resource utilization was greater than or equal to 93% and less than 94%.

Calculation

$$\frac{\text{ebscSduPacketDataAndOther_ResourceUtilizationIndex_23} * 100.0}{\text{ebscSduPacketDataAndOther_ResourceUtilizationIndex_Total}}$$

ebscSduPacketDataAndOther_ResourceUtilization_94to95%

For resource type "ebscSduPacketDataAndOther", this the percentage of the time that the computed resource utilization was greater than or equal to 94% and less than 95%.

Calculation

$$\frac{\text{ebscSduPacketDataAndOther_ResourceUtilizationIndex_24} * 100.0}{\text{ebscSduPacketDataAndOther_ResourceUtilizationIndex_Total}}$$

ebscSduPacketDataAndOther_ResourceUtilization_95to96%

For resource type "ebscSduPacketDataAndOther", this the percentage of the time that the computed resource utilization was greater than or equal to 95% and less than 96%.

Calculation

$$\frac{\text{ebscSduPacketDataAndOther_ResourceUtilizationIndex_25} * 100.0}{\text{ebscSduPacketDataAndOther_ResourceUtilizationIndex_Total}}$$

ebscSduPacketDataAndOther_ResourceUtilization_96to97%

For resource type "ebscSduPacketDataAndOther", this the percentage of the time that the computed resource utilization was greater than or equal to 96% and less than 97%.

Calculation

$$\frac{\text{ebscSduPacketDataAndOther_ResourceUtilizationIndex_26} * 100.0}{\text{ebscSduPacketDataAndOther_ResourceUtilizationIndex_Total}}$$

ebscSduPacketDataAndOther_ResourceUtilization_97to98%

For resource type "ebscSduPacketDataAndOther", this the percentage of the time that the computed resource utilization was greater than or equal to 97% and less than 98%.

Calculation

```
ebscSduPacketDataAndOther_ResourceUtilizationIndex_27 * 100.0 /  
ebscSduPacketDataAndOther_ResourceUtilizationIndex_Total
```

ebscSduPacketDataAndOther_ResourceUtilization_98to99%

For resource type "ebscSduPacketDataAndOther", this the percentage of the time that the computed resource utilization was greater than or equal to 98% and less than 99%.

Calculation

```
ebscSduPacketDataAndOther_ResourceUtilizationIndex_28 * 100.0 /  
ebscSduPacketDataAndOther_ResourceUtilizationIndex_Total
```

ebscSduPacketDataAndOther_ResourceUtilization_99to100%

For resource type "ebscSduPacketDataAndOther", this the percentage of the time that the computed resource utilization was greater than or equal to 99% and less than 100%.

Calculation

```
ebscSduPacketDataAndOther_ResourceUtilizationIndex_29 * 100.0 /  
ebscSduPacketDataAndOther_ResourceUtilizationIndex_Total
```

ebscSduPacketDataAndOther_ResourceUtilizationIndex_Total

For resource type "ebscSduPacketDataAndOther", this is the sum of the Resource Utilization Indices.

Calculation

```
vsum (ebscSduPacketDataAndOther_ResourceUtilizationIndex_1,  
ebscSduPacketDataAndOther_ResourceUtilizationIndex_2,  
ebscSduPacketDataAndOther_ResourceUtilizationIndex_3,  
ebscSduPacketDataAndOther_ResourceUtilizationIndex_4,  
ebscSduPacketDataAndOther_ResourceUtilizationIndex_5,  
ebscSduPacketDataAndOther_ResourceUtilizationIndex_6,  
ebscSduPacketDataAndOther_ResourceUtilizationIndex_7,  
ebscSduPacketDataAndOther_ResourceUtilizationIndex_8,  
ebscSduPacketDataAndOther_ResourceUtilizationIndex_9,  
ebscSduPacketDataAndOther_ResourceUtilizationIndex_10,  
ebscSduPacketDataAndOther_ResourceUtilizationIndex_11,  
ebscSduPacketDataAndOther_ResourceUtilizationIndex_12,  
ebscSduPacketDataAndOther_ResourceUtilizationIndex_13,  
ebscSduPacketDataAndOther_ResourceUtilizationIndex_14,  
ebscSduPacketDataAndOther_ResourceUtilizationIndex_15,  
ebscSduPacketDataAndOther_ResourceUtilizationIndex_16,  
ebscSduPacketDataAndOther_ResourceUtilizationIndex_17,  
ebscSduPacketDataAndOther_ResourceUtilizationIndex_18,
```

```
ebscSduPacketDataAndOther_ResourceUtilizationIndex_19,  
ebscSduPacketDataAndOther_ResourceUtilizationIndex_20,  
ebscSduPacketDataAndOther_ResourceUtilizationIndex_21,  
ebscSduPacketDataAndOther_ResourceUtilizationIndex_22,  
ebscSduPacketDataAndOther_ResourceUtilizationIndex_23,  
ebscSduPacketDataAndOther_ResourceUtilizationIndex_24,  
ebscSduPacketDataAndOther_ResourceUtilizationIndex_25,  
ebscSduPacketDataAndOther_ResourceUtilizationIndex_26,  
ebscSduPacketDataAndOther_ResourceUtilizationIndex_27,  
ebscSduPacketDataAndOther_ResourceUtilizationIndex_28,  
ebscSduPacketDataAndOther_ResourceUtilizationIndex_29,  
ebscSduPacketDataAndOther_ResourceUtilizationIndex_30, 0)
```

ebscSduVoiceAndOther_ResourceUtilization_00to01%

For resource type "ebscSduVoiceAndOther", this the percentage of the time that the computed resource utilization was greater than or equal to 0% and less than 1%.

Calculation

```
ebscSduVoiceAndOther_ResourceUtilizationIndex_1 * 100.0 /  
ebscSduVoiceAndOther_ResourceUtilizationIndex_Total
```

ebscSduVoiceAndOther_ResourceUtilization_01to05%

For resource type "ebscSduVoiceAndOther", this the percentage of the time that the computed resource utilization was greater than or equal to 1% and less than 5%.

Calculation

```
ebscSduVoiceAndOther_ResourceUtilizationIndex_2 * 100.0 /  
ebscSduVoiceAndOther_ResourceUtilizationIndex_Total
```

ebscSduVoiceAndOther_ResourceUtilization_05to10%

For resource type "ebscSduVoiceAndOther", this the percentage of the time that the computed resource utilization was greater than or equal to 5% and less than 10%.

Calculation

```
ebscSduVoiceAndOther_ResourceUtilizationIndex_3 * 100.0 /  
ebscSduVoiceAndOther_ResourceUtilizationIndex_Total
```

ebscSduVoiceAndOther_ResourceUtilization_100%

For resource type "ebscSduVoiceAndOther", this the percentage of the time that the computed resource utilization was equal to 100%.

Calculation

```
ebscSduVoiceAndOther_ResourceUtilizationIndex_30 * 100.0 /  
ebscSduVoiceAndOther_ResourceUtilizationIndex_Total
```

ebscSduVoiceAndOther_ResourceUtilization_10to15%

For resource type "ebscSduVoiceAndOther", this the percentage of the time that the computed resource utilization was greater than or equal to 10% and less than 15%.

Calculation

```
ebscSduVoiceAndOther_ResourceUtilizationIndex_4 * 100.0 /  
ebscSduVoiceAndOther_ResourceUtilizationIndex_Total
```

ebscSduVoiceAndOther_ResourceUtilization_15to20%

For resource type "ebscSduVoiceAndOther", this the percentage of the time that the computed resource utilization was greater than or equal to 15% and less than 20%.

Calculation

```
ebscSduVoiceAndOther_ResourceUtilizationIndex_5 * 100.0 /  
ebscSduVoiceAndOther_ResourceUtilizationIndex_Total
```

ebscSduVoiceAndOther_ResourceUtilization_20to25%

For resource type "ebscSduVoiceAndOther", this the percentage of the time that the computed resource utilization was greater than or equal to 20% and less than 25%.

Calculation

```
ebscSduVoiceAndOther_ResourceUtilizationIndex_6 * 100.0 /  
ebscSduVoiceAndOther_ResourceUtilizationIndex_Total
```

ebscSduVoiceAndOther_ResourceUtilization_25to30%

For resource type "ebscSduVoiceAndOther", this the percentage of the time that the computed resource utilization was greater than or equal to 25% and less than 30%.

Calculation

```
ebscSduVoiceAndOther_ResourceUtilizationIndex_7 * 100.0 /  
ebscSduVoiceAndOther_ResourceUtilizationIndex_Total
```

ebscSduVoiceAndOther_ResourceUtilization_30to35%

For resource type "ebscSduVoiceAndOther", this the percentage of the time that the computed resource utilization was greater than or equal to 30% and less than 35%.

Calculation

```
ebscSduVoiceAndOther_ResourceUtilizationIndex_8 * 100.0 /  
ebscSduVoiceAndOther_ResourceUtilizationIndex_Total
```

ebscSduVoiceAndOther_ResourceUtilization_35to40%

For resource type "ebscSduVoiceAndOther", this the percentage of the time that the computed resource utilization was greater than or equal to 35% and less than 40%.

Calculation

`ebscSduVoiceAndOther_ResourceUtilizationIndex_9 * 100.0 /
ebscSduVoiceAndOther_ResourceUtilizationIndex_Total`

ebscSduVoiceAndOther_ResourceUtilization_40to45%

For resource type "ebscSduVoiceAndOther", this the percentage of the time that the computed resource utilization was greater than or equal to 40% and less than 45%.

Calculation

`ebscSduVoiceAndOther_ResourceUtilizationIndex_10 * 100.0 /
ebscSduVoiceAndOther_ResourceUtilizationIndex_Total`

ebscSduVoiceAndOther_ResourceUtilization_45to50%

For resource type "ebscSduVoiceAndOther", this the percentage of the time that the computed resource utilization was greater than or equal to 45% and less than 50%.

Calculation

`ebscSduVoiceAndOther_ResourceUtilizationIndex_11 * 100.0 /
ebscSduVoiceAndOther_ResourceUtilizationIndex_Total`

ebscSduVoiceAndOther_ResourceUtilization_50to55%

For resource type "ebscSduVoiceAndOther", this the percentage of the time that the computed resource utilization was greater than or equal to 50% and less than 55%.

Calculation

`ebscSduVoiceAndOther_ResourceUtilizationIndex_12 * 100.0 /
ebscSduVoiceAndOther_ResourceUtilizationIndex_Total`

ebscSduVoiceAndOther_ResourceUtilization_55to60%

For resource type "ebscSduVoiceAndOther", this the percentage of the time that the computed resource utilization was greater than or equal to 55% and less than 60%.

Calculation

`ebscSduVoiceAndOther_ResourceUtilizationIndex_13 * 100.0 /
ebscSduVoiceAndOther_ResourceUtilizationIndex_Total`

ebscSduVoiceAndOther_ResourceUtilization_60to65%

For resource type "ebscSduVoiceAndOther", this the percentage of the time that the computed resource utilization was greater than or equal to 60% and less than 65%.

Calculation

`ebscSduVoiceAndOther_ResourceUtilizationIndex_14 * 100.0 /
ebscSduVoiceAndOther_ResourceUtilizationIndex_Total`

ebscSduVoiceAndOther_ResourceUtilization_65to70%

For resource type "ebscSduVoiceAndOther", this the percentage of the time that the computed resource utilization was greater than or equal to 65% and less than 70%.

Calculation

```
ebscSduVoiceAndOther_ResourceUtilizationIndex_15 * 100.0 /  
ebscSduVoiceAndOther_ResourceUtilizationIndex_Total
```

ebscSduVoiceAndOther_ResourceUtilization_70to75%

For resource type "ebscSduVoiceAndOther", this the percentage of the time that the computed resource utilization was greater than or equal to 70% and less than 75%.

Calculation

```
ebscSduVoiceAndOther_ResourceUtilizationIndex_16 * 100.0 /  
ebscSduVoiceAndOther_ResourceUtilizationIndex_Total
```

ebscSduVoiceAndOther_ResourceUtilization_75to80%

For resource type "ebscSduVoiceAndOther", this the percentage of the time that the computed resource utilization was greater than or equal to 75% and less than 80%.

Calculation

```
ebscSduVoiceAndOther_ResourceUtilizationIndex_17 * 100.0 /  
ebscSduVoiceAndOther_ResourceUtilizationIndex_Total
```

ebscSduVoiceAndOther_ResourceUtilization_80to85%

For resource type "ebscSduVoiceAndOther", this the percentage of the time that the computed resource utilization was greater than or equal to 80% and less than 85%.

Calculation

```
ebscSduVoiceAndOther_ResourceUtilizationIndex_18 * 100.0 /  
ebscSduVoiceAndOther_ResourceUtilizationIndex_Total
```

ebscSduVoiceAndOther_ResourceUtilization_85to90%

For resource type "ebscSduVoiceAndOther", this the percentage of the time that the computed resource utilization was greater than or equal to 85% and less than 90%.

Calculation

```
ebscSduVoiceAndOther_ResourceUtilizationIndex_19 * 100.0 /  
ebscSduVoiceAndOther_ResourceUtilizationIndex_Total
```

ebscSduVoiceAndOther_ResourceUtilization_90to91%

For resource type "ebscSduVoiceAndOther", this the percentage of the time that the computed resource utilization was greater than or equal to 90% and less than 91%.

Calculation

`ebscSduVoiceAndOther_ResourceUtilizationIndex_20 * 100.0 /
ebscSduVoiceAndOther_ResourceUtilizationIndex_Total`

ebscSduVoiceAndOther_ResourceUtilization_91to92%

For resource type "ebscSduVoiceAndOther", this the percentage of the time that the computed resource utilization was greater than or equal to 91% and less than 92%.

Calculation

`ebscSduVoiceAndOther_ResourceUtilizationIndex_21 * 100.0 /
ebscSduVoiceAndOther_ResourceUtilizationIndex_Total`

ebscSduVoiceAndOther_ResourceUtilization_92to93%

For resource type "ebscSduVoiceAndOther", this the percentage of the time that the computed resource utilization was greater than or equal to 92% and less than 93%.

Calculation

`ebscSduVoiceAndOther_ResourceUtilizationIndex_22 * 100.0 /
ebscSduVoiceAndOther_ResourceUtilizationIndex_Total`

ebscSduVoiceAndOther_ResourceUtilization_93to94%

For resource type "ebscSduVoiceAndOther", this the percentage of the time that the computed resource utilization was greater than or equal to 93% and less than 94%.

Calculation

`ebscSduVoiceAndOther_ResourceUtilizationIndex_23 * 100.0 /
ebscSduVoiceAndOther_ResourceUtilizationIndex_Total`

ebscSduVoiceAndOther_ResourceUtilization_94to95%

For resource type "ebscSduVoiceAndOther", this the percentage of the time that the computed resource utilization was greater than or equal to 94% and less than 95%.

Calculation

`ebscSduVoiceAndOther_ResourceUtilizationIndex_24 * 100.0 /
ebscSduVoiceAndOther_ResourceUtilizationIndex_Total`

ebscSduVoiceAndOther_ResourceUtilization_95to96%

For resource type "ebscSduVoiceAndOther", this the percentage of the time that the computed resource utilization was greater than or equal to 95% and less than 96%.

Calculation

`ebscSduVoiceAndOther_ResourceUtilizationIndex_25 * 100.0 /
ebscSduVoiceAndOther_ResourceUtilizationIndex_Total`

ebscSduVoiceAndOther_ResourceUtilization_96to97%

For resource type "ebscSduVoiceAndOther", this the percentage of the time that the computed resource utilization was greater than or equal to 96% and less than 97%.

Calculation

```
ebscSduVoiceAndOther_ResourceUtilizationIndex_26 * 100.0 /  
ebscSduVoiceAndOther_ResourceUtilizationIndex_Total
```

ebscSduVoiceAndOther_ResourceUtilization_97to98%

For resource type "ebscSduVoiceAndOther", this the percentage of the time that the computed resource utilization was greater than or equal to 97% and less than 98%.

Calculation

```
ebscSduVoiceAndOther_ResourceUtilizationIndex_27 * 100.0 /  
ebscSduVoiceAndOther_ResourceUtilizationIndex_Total
```

ebscSduVoiceAndOther_ResourceUtilization_98to99%

For resource type "ebscSduVoiceAndOther", this the percentage of the time that the computed resource utilization was greater than or equal to 98% and less than 99%.

Calculation

```
ebscSduVoiceAndOther_ResourceUtilizationIndex_28 * 100.0 /  
ebscSduVoiceAndOther_ResourceUtilizationIndex_Total
```

ebscSduVoiceAndOther_ResourceUtilization_99to100%

For resource type "ebscSduVoiceAndOther", this the percentage of the time that the computed resource utilization was greater than or equal to 99% and less than 100%.

Calculation

```
ebscSduVoiceAndOther_ResourceUtilizationIndex_29 * 100.0 /  
ebscSduVoiceAndOther_ResourceUtilizationIndex_Total
```

ebscSduVoiceAndOther_ResourceUtilizationIndex_Total

For resource type "ebscSduVoiceAndOther", this is the sum of the Resource Utilization Indices.

Calculation

```
vsum (ebscSduVoiceAndOther_ResourceUtilizationIndex_1,  
ebscSduVoiceAndOther_ResourceUtilizationIndex_2,  
ebscSduVoiceAndOther_ResourceUtilizationIndex_3,  
ebscSduVoiceAndOther_ResourceUtilizationIndex_4,  
ebscSduVoiceAndOther_ResourceUtilizationIndex_5,  
ebscSduVoiceAndOther_ResourceUtilizationIndex_6,  
ebscSduVoiceAndOther_ResourceUtilizationIndex_7,  
ebscSduVoiceAndOther_ResourceUtilizationIndex_8,  
ebscSduVoiceAndOther_ResourceUtilizationIndex_9,
```

```
ebscSduVoiceAndOther_ResourceUtilizationIndex_10,  
ebscSduVoiceAndOther_ResourceUtilizationIndex_11,  
ebscSduVoiceAndOther_ResourceUtilizationIndex_12,  
ebscSduVoiceAndOther_ResourceUtilizationIndex_13,  
ebscSduVoiceAndOther_ResourceUtilizationIndex_14,  
ebscSduVoiceAndOther_ResourceUtilizationIndex_15,  
ebscSduVoiceAndOther_ResourceUtilizationIndex_16,  
ebscSduVoiceAndOther_ResourceUtilizationIndex_17,  
ebscSduVoiceAndOther_ResourceUtilizationIndex_18,  
ebscSduVoiceAndOther_ResourceUtilizationIndex_19,  
ebscSduVoiceAndOther_ResourceUtilizationIndex_20,  
ebscSduVoiceAndOther_ResourceUtilizationIndex_21,  
ebscSduVoiceAndOther_ResourceUtilizationIndex_22,  
ebscSduVoiceAndOther_ResourceUtilizationIndex_23,  
ebscSduVoiceAndOther_ResourceUtilizationIndex_24,  
ebscSduVoiceAndOther_ResourceUtilizationIndex_25,  
ebscSduVoiceAndOther_ResourceUtilizationIndex_26,  
ebscSduVoiceAndOther_ResourceUtilizationIndex_27,  
ebscSduVoiceAndOther_ResourceUtilizationIndex_28,  
ebscSduVoiceAndOther_ResourceUtilizationIndex_29,  
ebscSduVoiceAndOther_ResourceUtilizationIndex_30, 0)
```

ebscTrfo_ResourceUtilization_00to01%

For resource type "ebscTrfo", this the percentage of the time that the computed resource utilization was greater than or equal to 0% and less than 1%.

Calculation

```
ebscTrfo_ResourceUtilizationIndex_1 * 100.0 /  
ebscTrfo_ResourceUtilizationIndex_Total
```

ebscTrfo_ResourceUtilization_01to05%

For resource type "ebscTrfo", this the percentage of the time that the computed resource utilization was greater than or equal to 1% and less than 5%.

Calculation

```
ebscTrfo_ResourceUtilizationIndex_2 * 100.0 /  
ebscTrfo_ResourceUtilizationIndex_Total
```

ebscTrfo_ResourceUtilization_05to10%

For resource type "ebscTrfo", this the percentage of the time that the computed resource utilization was greater than or equal to 5% and less than 10%.

Calculation

```
ebscTrfo_ResourceUtilizationIndex_3 * 100.0 /  
ebscTrfo_ResourceUtilizationIndex_Total
```

ebscTrfo_ResourceUtilization_100%

For resource type "ebscTrfo", this the percentage of the time that the computed resource utilization was equal to 100%.

Calculation

```
ebscTrfo_ResourceUtilizationIndex_30 * 100.0 /  
ebscTrfo_ResourceUtilizationIndex_Total
```

ebscTrfo_ResourceUtilization_10to15%

For resource type "ebscTrfo", this the percentage of the time that the computed resource utilization was greater than or equal to 10% and less than 15%.

Calculation

```
ebscTrfo_ResourceUtilizationIndex_4 * 100.0 /  
ebscTrfo_ResourceUtilizationIndex_Total
```

ebscTrfo_ResourceUtilization_15to20%

For resource type "ebscTrfo", this the percentage of the time that the computed resource utilization was greater than or equal to 15% and less than 20%.

Calculation

```
ebscTrfo_ResourceUtilizationIndex_5 * 100.0 /  
ebscTrfo_ResourceUtilizationIndex_Total
```

ebscTrfo_ResourceUtilization_20to25%

For resource type "ebscTrfo", this the percentage of the time that the computed resource utilization was greater than or equal to 20% and less than 25%.

Calculation

```
ebscTrfo_ResourceUtilizationIndex_6 * 100.0 /  
ebscTrfo_ResourceUtilizationIndex_Total
```

ebscTrfo_ResourceUtilization_25to30%

For resource type "ebscTrfo", this the percentage of the time that the computed resource utilization was greater than or equal to 25% and less than 30%.

Calculation

```
ebscTrfo_ResourceUtilizationIndex_7 * 100.0 /  
ebscTrfo_ResourceUtilizationIndex_Total
```

ebscTrfo_ResourceUtilization_30to35%

For resource type "ebscTrfo", this the percentage of the time that the computed resource utilization was greater than or equal to 30% and less than 35%.

Calculation

```
ebscTrfo_ResourceUtilizationIndex_8 * 100.0 /  
ebscTrfo_ResourceUtilizationIndex_Total
```

ebscTrfo_ResourceUtilization_35to40%

For resource type "ebscTrfo", this the percentage of the time that the computed resource utilization was greater than or equal to 35% and less than 40%.

Calculation

```
ebscTrfo_ResourceUtilizationIndex_9 * 100.0 /  
ebscTrfo_ResourceUtilizationIndex_Total
```

ebscTrfo_ResourceUtilization_40to45%

For resource type "ebscTrfo", this the percentage of the time that the computed resource utilization was greater than or equal to 40% and less than 45%.

Calculation

```
ebscTrfo_ResourceUtilizationIndex_10 * 100.0 /  
ebscTrfo_ResourceUtilizationIndex_Total
```

ebscTrfo_ResourceUtilization_45to50%

For resource type "ebscTrfo", this the percentage of the time that the computed resource utilization was greater than or equal to 45% and less than 50%.

Calculation

```
ebscTrfo_ResourceUtilizationIndex_11 * 100.0 /  
ebscTrfo_ResourceUtilizationIndex_Total
```

ebscTrfo_ResourceUtilization_50to55%

For resource type "ebscTrfo", this the percentage of the time that the computed resource utilization was greater than or equal to 50% and less than 55%.

Calculation

```
ebscTrfo_ResourceUtilizationIndex_12 * 100.0 /  
ebscTrfo_ResourceUtilizationIndex_Total
```

ebscTrfo_ResourceUtilization_55to60%

For resource type "ebscTrfo", this the percentage of the time that the computed resource utilization was greater than or equal to 55% and less than 60%.

Calculation

```
ebscTrfo_ResourceUtilizationIndex_13 * 100.0 /  
ebscTrfo_ResourceUtilizationIndex_Total
```

ebscTrfo_ResourceUtilization_60to65%

For resource type "ebscTrfo", this the percentage of the time that the computed resource utilization was greater than or equal to 60% and less than 65%.

Calculation

```
ebscTrfo_ResourceUtilizationIndex_14 * 100.0 /  
ebscTrfo_ResourceUtilizationIndex_Total
```

ebscTrfo_ResourceUtilization_65to70%

For resource type "ebscTrfo", this the percentage of the time that the computed resource utilization was greater than or equal to 65% and less than 70%.

Calculation

```
ebscTrfo_ResourceUtilizationIndex_15 * 100.0 /  
ebscTrfo_ResourceUtilizationIndex_Total
```

ebscTrfo_ResourceUtilization_70to75%

For resource type "ebscTrfo", this the percentage of the time that the computed resource utilization was greater than or equal to 70% and less than 75%.

Calculation

```
ebscTrfo_ResourceUtilizationIndex_16 * 100.0 /  
ebscTrfo_ResourceUtilizationIndex_Total
```

ebscTrfo_ResourceUtilization_75to80%

For resource type "ebscTrfo", this the percentage of the time that the computed resource utilization was greater than or equal to 75% and less than 80%.

Calculation

```
ebscTrfo_ResourceUtilizationIndex_17 * 100.0 /  
ebscTrfo_ResourceUtilizationIndex_Total
```

ebscTrfo_ResourceUtilization_80to85%

For resource type "ebscTrfo", this the percentage of the time that the computed resource utilization was greater than or equal to 80% and less than 85%.

Calculation

```
ebscTrfo_ResourceUtilizationIndex_18 * 100.0 /  
ebscTrfo_ResourceUtilizationIndex_Total
```

ebscTrfo_ResourceUtilization_85to90%

For resource type "ebscTrfo", this the percentage of the time that the computed resource utilization was greater than or equal to 85% and less than 90%.

Calculation

```
ebscTrfo_ResourceUtilizationIndex_19 * 100.0 /  
ebscTrfo_ResourceUtilizationIndex_Total
```

ebscTrfo_ResourceUtilization_90to91%

For resource type "ebscTrfo", this the percentage of the time that the computed resource utilization was greater than or equal to 90% and less than 91%.

Calculation

```
ebscTrfo_ResourceUtilizationIndex_20 * 100.0 /  
ebscTrfo_ResourceUtilizationIndex_Total
```

ebscTrfo_ResourceUtilization_91to92%

For resource type "ebscTrfo", this the percentage of the time that the computed resource utilization was greater than or equal to 91% and less than 92%.

Calculation

```
ebscTrfo_ResourceUtilizationIndex_21 * 100.0 /  
ebscTrfo_ResourceUtilizationIndex_Total
```

ebscTrfo_ResourceUtilization_92to93%

For resource type "ebscTrfo", this the percentage of the time that the computed resource utilization was greater than or equal to 92% and less than 93%.

Calculation

```
ebscTrfo_ResourceUtilizationIndex_22 * 100.0 /  
ebscTrfo_ResourceUtilizationIndex_Total
```

ebscTrfo_ResourceUtilization_93to94%

For resource type "ebscTrfo", this the percentage of the time that the computed resource utilization was greater than or equal to 93% and less than 94%.

Calculation

```
ebscTrfo_ResourceUtilizationIndex_23 * 100.0 /  
ebscTrfo_ResourceUtilizationIndex_Total
```

ebscTrfo_ResourceUtilization_94to95%

For resource type "ebscTrfo", this the percentage of the time that the computed resource utilization was greater than or equal to 94% and less than 95%.

Calculation

```
ebscTrfo_ResourceUtilizationIndex_24 * 100.0 /  
ebscTrfo_ResourceUtilizationIndex_Total
```


ebscTrfo_ResourceUtilization_95to96%

For resource type "ebscTrfo", this the percentage of the time that the computed resource utilization was greater than or equal to 95% and less than 96%.

Calculation

```
ebscTrfo_ResourceUtilizationIndex_25 * 100.0 /  
ebscTrfo_ResourceUtilizationIndex_Total
```

ebscTrfo_ResourceUtilization_96to97%

For resource type "ebscTrfo", this the percentage of the time that the computed resource utilization was greater than or equal to 96% and less than 97%.

Calculation

```
ebscTrfo_ResourceUtilizationIndex_26 * 100.0 /  
ebscTrfo_ResourceUtilizationIndex_Total
```

ebscTrfo_ResourceUtilization_97to98%

For resource type "ebscTrfo", this the percentage of the time that the computed resource utilization was greater than or equal to 97% and less than 98%.

Calculation

```
ebscTrfo_ResourceUtilizationIndex_27 * 100.0 /  
ebscTrfo_ResourceUtilizationIndex_Total
```

ebscTrfo_ResourceUtilization_98to99%

For resource type "ebscTrfo", this the percentage of the time that the computed resource utilization was greater than or equal to 98% and less than 99%.

Calculation

```
ebscTrfo_ResourceUtilizationIndex_28 * 100.0 /  
ebscTrfo_ResourceUtilizationIndex_Total
```

ebscTrfo_ResourceUtilization_99to100%

For resource type "ebscTrfo", this the percentage of the time that the computed resource utilization was greater than or equal to 99% and less than 100%.

Calculation

```
ebscTrfo_ResourceUtilizationIndex_29 * 100.0 /  
ebscTrfo_ResourceUtilizationIndex_Total
```

ebscTrfo_ResourceUtilizationIndex_Total

For resource type "ebscTrfo", this is the sum of the Resource Utilization Indices.

Calculation

```
vsum (ebscTrfo_ResourceUtilizationIndex_1,  
ebscTrfo_ResourceUtilizationIndex_2, ebscTrfo_ResourceUtilizationIndex_3,  
ebscTrfo_ResourceUtilizationIndex_4, ebscTrfo_ResourceUtilizationIndex_5,  
ebscTrfo_ResourceUtilizationIndex_6, ebscTrfo_ResourceUtilizationIndex_7,  
ebscTrfo_ResourceUtilizationIndex_8, ebscTrfo_ResourceUtilizationIndex_9,  
ebscTrfo_ResourceUtilizationIndex_10,  
ebscTrfo_ResourceUtilizationIndex_11,  
ebscTrfo_ResourceUtilizationIndex_12,  
ebscTrfo_ResourceUtilizationIndex_13,  
ebscTrfo_ResourceUtilizationIndex_14,  
ebscTrfo_ResourceUtilizationIndex_15,  
ebscTrfo_ResourceUtilizationIndex_16,  
ebscTrfo_ResourceUtilizationIndex_17,  
ebscTrfo_ResourceUtilizationIndex_18,  
ebscTrfo_ResourceUtilizationIndex_19,  
ebscTrfo_ResourceUtilizationIndex_20,  
ebscTrfo_ResourceUtilizationIndex_21,  
ebscTrfo_ResourceUtilizationIndex_22,  
ebscTrfo_ResourceUtilizationIndex_23,  
ebscTrfo_ResourceUtilizationIndex_24,  
ebscTrfo_ResourceUtilizationIndex_25,  
ebscTrfo_ResourceUtilizationIndex_26,  
ebscTrfo_ResourceUtilizationIndex_27,  
ebscTrfo_ResourceUtilizationIndex_28,  
ebscTrfo_ResourceUtilizationIndex_29,  
ebscTrfo_ResourceUtilizationIndex_30, 0)
```

GRAPHmultiLineSeparator

Special Control Field for Multi-Line Graphs

Calculation

""

MaxAvailableConfiguredCapacity_Total

This PCALC is the sum of the maximum number of resources available for each resource type.

Calculation

```
vsum (ebscCct_MaxAvailableConfiguredCapacity,  
cic_MaxAvailableConfiguredCapacity,  
ebscSduVoiceAndOther_MaxAvailableConfiguredCapacity,  
ebscSduPacketDataAndOther_MaxAvailableConfiguredCapacity,  
bscCct_MaxAvailableConfiguredCapacity,  
ebscPkt_MaxAvailableConfiguredCapacity,  
ebscTrfo_MaxAvailableConfiguredCapacity,  
bscPkt_MaxAvailableConfiguredCapacity, 0)
```

NUMDAYS

of days in Report

Calculation

DAYSINREPORT ()

NUMHOURS

of hours in Summation Data

ResourceUtilization_00to01%

This PCALC provides the percentage of the time (weighted by Max Available Configured Capacity for each resource type) that the computed resource utilization was greater than or equal to 0% and less than 1%.

Calculation

```
vsum (ebscCct_MaxAvailableConfiguredCapacity *  
ebscCct_ResourceUtilization_00to01%, cic_MaxAvailableConfiguredCapacity *  
cic_ResourceUtilization_00to01%,  
ebscSduVoiceAndOther_MaxAvailableConfiguredCapacity *  
ebscSduVoiceAndOther_ResourceUtilization_00to01%,  
ebscSduPacketDataAndOther_MaxAvailableConfiguredCapacity *  
ebscSduPacketDataAndOther_ResourceUtilization_00to01%,  
bscCct_MaxAvailableConfiguredCapacity *  
bscCct_ResourceUtilization_00to01%, ebscPkt_MaxAvailableConfiguredCapacity  
* ebscPkt_ResourceUtilization_00to01%,  
ebscTrfo_MaxAvailableConfiguredCapacity *  
ebscTrfo_ResourceUtilization_00to01%,  
bscPkt_MaxAvailableConfiguredCapacity *  
bscPkt_ResourceUtilization_00to01%, 0) /  
MaxAvailableConfiguredCapacity_Total
```

ResourceUtilization_01to05%

This PCALC provides the percentage of the time (weighted by Max Available Configured Capacity for each resource type) that the computed resource utilization was greater than or equal to 1% and less than 5%.

Calculation

```
vsum (ebscCct_MaxAvailableConfiguredCapacity *  
ebscCct_ResourceUtilization_01to05%, cic_MaxAvailableConfiguredCapacity *  
cic_ResourceUtilization_01to05%,  
ebscSduVoiceAndOther_MaxAvailableConfiguredCapacity *  
ebscSduVoiceAndOther_ResourceUtilization_01to05%,  
ebscSduPacketDataAndOther_MaxAvailableConfiguredCapacity *  
ebscSduPacketDataAndOther_ResourceUtilization_01to05%,  
bscCct_MaxAvailableConfiguredCapacity *  
bscCct_ResourceUtilization_01to05%, ebscPkt_MaxAvailableConfiguredCapacity  
* ebscPkt_ResourceUtilization_01to05%,  
ebscTrfo_MaxAvailableConfiguredCapacity *  
ebscTrfo_ResourceUtilization_01to05%,  
bscPkt_MaxAvailableConfiguredCapacity *  
bscPkt_ResourceUtilization_01to05%, 0) /  
MaxAvailableConfiguredCapacity_Total
```

ResourceUtilization_05to10%

This PCALC provides the percentage of the time (weighted by Max Available Configured Capacity for each resource type) that the computed resource utilization was greater than or equal to 5% and less than 10%.

Calculation

```
vsum (ebscCct_MaxAvailableConfiguredCapacity *  
ebscCct_ResourceUtilization_05to10%, cic_MaxAvailableConfiguredCapacity *  
cic_ResourceUtilization_05to10%,  
ebscSduVoiceAndOther_MaxAvailableConfiguredCapacity *  
ebscSduVoiceAndOther_ResourceUtilization_05to10%,  
ebscSduPacketDataAndOther_MaxAvailableConfiguredCapacity *  
ebscSduPacketDataAndOther_ResourceUtilization_05to10%,  
bscCct_MaxAvailableConfiguredCapacity *  
bscCct_ResourceUtilization_05to10%, ebscPkt_MaxAvailableConfiguredCapacity  
* ebscPkt_ResourceUtilization_05to10%,  
ebscTrfo_MaxAvailableConfiguredCapacity *  
ebscTrfo_ResourceUtilization_05to10%,  
bscPkt_MaxAvailableConfiguredCapacity *  
bscPkt_ResourceUtilization_05to10%, 0) /  
MaxAvailableConfiguredCapacity_Total
```

ResourceUtilization_100%

This PCALC provides the percentage of the time (weighted by Max Available Configured Capacity for each resource type) that the computed resource utilization was equal to 100%.

Calculation

```
vsum (ebscCct_MaxAvailableConfiguredCapacity *  
ebscCct_ResourceUtilization_100%, cic_MaxAvailableConfiguredCapacity *  
cic_ResourceUtilization_100%,  
ebscSduVoiceAndOther_MaxAvailableConfiguredCapacity *  
ebscSduVoiceAndOther_ResourceUtilization_100%,  
ebscSduPacketDataAndOther_MaxAvailableConfiguredCapacity *  
ebscSduPacketDataAndOther_ResourceUtilization_100%,  
bscCct_MaxAvailableConfiguredCapacity * bscCct_ResourceUtilization_100%,  
ebscPkt_MaxAvailableConfiguredCapacity * ebscPkt_ResourceUtilization_100%,  
ebscTrfo_MaxAvailableConfiguredCapacity *  
ebscTrfo_ResourceUtilization_100%, bscPkt_MaxAvailableConfiguredCapacity *  
bscPkt_ResourceUtilization_100%, 0) / MaxAvailableConfiguredCapacity_Total
```

ResourceUtilization_10to15%

This PCALC provides the percentage of the time (weighted by Max Available Configured Capacity for each resource type) that the computed resource utilization was greater than or equal to 10% and less than 15%.

Calculation

```
vsum (ebscCct_MaxAvailableConfiguredCapacity *  
ebscCct_ResourceUtilization_10to15%, cic_MaxAvailableConfiguredCapacity *  
cic_ResourceUtilization_10to15%,
```

```
ebscSduVoiceAndOther_MaxAvailableConfiguredCapacity *
ebscSduVoiceAndOther_ResourceUtilization_10to15%,
ebscSduPacketDataAndOther_MaxAvailableConfiguredCapacity *
ebscSduPacketDataAndOther_ResourceUtilization_10to15%,
bscCct_MaxAvailableConfiguredCapacity *
bscCct_ResourceUtilization_10to15%, ebscPkt_MaxAvailableConfiguredCapacity
* ebscPkt_ResourceUtilization_10to15%,
ebscTrfo_MaxAvailableConfiguredCapacity *
ebscTrfo_ResourceUtilization_10to15%,
bscPkt_MaxAvailableConfiguredCapacity *
bscPkt_ResourceUtilization_10to15%, 0) /
MaxAvailableConfiguredCapacity_Total
```

ResourceUtilization_15to20%

This PCALC provides the percentage of the time (weighted by Max Available Configured Capacity for each resource type) that the computed resource utilization was greater than or equal to 15% and less than 20%.

Calculation

```
vsum (ebscCct_MaxAvailableConfiguredCapacity *
ebscCct_ResourceUtilization_15to20%, cic_MaxAvailableConfiguredCapacity *
cic_ResourceUtilization_15to20%,
ebscSduVoiceAndOther_MaxAvailableConfiguredCapacity *
ebscSduVoiceAndOther_ResourceUtilization_15to20%,
ebscSduPacketDataAndOther_MaxAvailableConfiguredCapacity *
ebscSduPacketDataAndOther_ResourceUtilization_15to20%,
bscCct_MaxAvailableConfiguredCapacity *
bscCct_ResourceUtilization_15to20%, ebscPkt_MaxAvailableConfiguredCapacity
* ebscPkt_ResourceUtilization_15to20%,
ebscTrfo_MaxAvailableConfiguredCapacity *
ebscTrfo_ResourceUtilization_15to20%,
bscPkt_MaxAvailableConfiguredCapacity *
bscPkt_ResourceUtilization_15to20%, 0) /
MaxAvailableConfiguredCapacity_Total
```

ResourceUtilization_20to25%

This PCALC provides the percentage of the time (weighted by Max Available Configured Capacity for each resource type) that the computed resource utilization was greater than or equal to 20% and less than 25%.

Calculation

```
vsum (ebscCct_MaxAvailableConfiguredCapacity *
ebscCct_ResourceUtilization_20to25%, cic_MaxAvailableConfiguredCapacity *
cic_ResourceUtilization_20to25%,
ebscSduVoiceAndOther_MaxAvailableConfiguredCapacity *
ebscSduVoiceAndOther_ResourceUtilization_20to25%,
ebscSduPacketDataAndOther_MaxAvailableConfiguredCapacity *
ebscSduPacketDataAndOther_ResourceUtilization_20to25%,
bscCct_MaxAvailableConfiguredCapacity *
bscCct_ResourceUtilization_20to25%, ebscPkt_MaxAvailableConfiguredCapacity
* ebscPkt_ResourceUtilization_20to25%,
```

```
ebscTrfo_MaxAvailableConfiguredCapacity *  
ebscTrfo_ResourceUtilization_20to25%,  
bscPkt_MaxAvailableConfiguredCapacity *  
bscPkt_ResourceUtilization_20to25%, 0) /  
MaxAvailableConfiguredCapacity_Total
```

ResourceUtilization_25to30%

This PCALC provides the percentage of the time (weighted by Max Available Configured Capacity for each resource type) that the computed resource utilization was greater than or equal to 25% and less than 30%.

Calculation

```
vsum (ebscCct_MaxAvailableConfiguredCapacity *  
ebscCct_ResourceUtilization_25to30%, cic_MaxAvailableConfiguredCapacity *  
cic_ResourceUtilization_25to30%,  
ebscSduVoiceAndOther_MaxAvailableConfiguredCapacity *  
ebscSduVoiceAndOther_ResourceUtilization_25to30%,  
ebscSduPacketDataAndOther_MaxAvailableConfiguredCapacity *  
ebscSduPacketDataAndOther_ResourceUtilization_25to30%,  
bscCct_MaxAvailableConfiguredCapacity *  
bscCct_ResourceUtilization_25to30%, ebscPkt_MaxAvailableConfiguredCapacity  
* ebscPkt_ResourceUtilization_25to30%,  
ebscTrfo_MaxAvailableConfiguredCapacity *  
ebscTrfo_ResourceUtilization_25to30%,  
bscPkt_MaxAvailableConfiguredCapacity *  
bscPkt_ResourceUtilization_25to30%, 0) /  
MaxAvailableConfiguredCapacity_Total
```

ResourceUtilization_30to35%

This PCALC provides the percentage of the time (weighted by Max Available Configured Capacity for each resource type) that the computed resource utilization was greater than or equal to 30% and less than 35%.

Calculation

```
vsum (ebscCct_MaxAvailableConfiguredCapacity *  
ebscCct_ResourceUtilization_30to35%, cic_MaxAvailableConfiguredCapacity *  
cic_ResourceUtilization_30to35%,  
ebscSduVoiceAndOther_MaxAvailableConfiguredCapacity *  
ebscSduVoiceAndOther_ResourceUtilization_30to35%,  
ebscSduPacketDataAndOther_MaxAvailableConfiguredCapacity *  
ebscSduPacketDataAndOther_ResourceUtilization_30to35%,  
bscCct_MaxAvailableConfiguredCapacity *  
bscCct_ResourceUtilization_30to35%, ebscPkt_MaxAvailableConfiguredCapacity  
* ebscPkt_ResourceUtilization_30to35%,  
ebscTrfo_MaxAvailableConfiguredCapacity *  
ebscTrfo_ResourceUtilization_30to35%,  
bscPkt_MaxAvailableConfiguredCapacity *  
bscPkt_ResourceUtilization_30to35%, 0) /  
MaxAvailableConfiguredCapacity_Total
```

ResourceUtilization_35to40%

This PCALC provides the percentage of the time (weighted by Max Available Configured Capacity for each resource type) that the computed resource utilization was greater than or equal to 35% and less than 40%.

Calculation

```
vsum (ebscCct_MaxAvailableConfiguredCapacity *
ebscCct_ResourceUtilization_35to40%, cic_MaxAvailableConfiguredCapacity *
cic_ResourceUtilization_35to40%,
ebscSduVoiceAndOther_MaxAvailableConfiguredCapacity *
ebscSduVoiceAndOther_ResourceUtilization_35to40%,
ebscSduPacketDataAndOther_MaxAvailableConfiguredCapacity *
ebscSduPacketDataAndOther_ResourceUtilization_35to40%,
bscCct_MaxAvailableConfiguredCapacity *
bscCct_ResourceUtilization_35to40%, ebscPkt_MaxAvailableConfiguredCapacity
* ebscPkt_ResourceUtilization_35to40%,
ebscTrfo_MaxAvailableConfiguredCapacity *
ebscTrfo_ResourceUtilization_35to40%,
bscPkt_MaxAvailableConfiguredCapacity *
bscPkt_ResourceUtilization_35to40%, 0) /
MaxAvailableConfiguredCapacity_Total
```

ResourceUtilization_40to45%

This PCALC provides the percentage of the time (weighted by Max Available Configured Capacity for each resource type) that the computed resource utilization was greater than or equal to 40% and less than 45%.

Calculation

```
vsum (ebscCct_MaxAvailableConfiguredCapacity *
ebscCct_ResourceUtilization_40to45%, cic_MaxAvailableConfiguredCapacity *
cic_ResourceUtilization_40to45%,
ebscSduVoiceAndOther_MaxAvailableConfiguredCapacity *
ebscSduVoiceAndOther_ResourceUtilization_40to45%,
ebscSduPacketDataAndOther_MaxAvailableConfiguredCapacity *
ebscSduPacketDataAndOther_ResourceUtilization_40to45%,
bscCct_MaxAvailableConfiguredCapacity *
bscCct_ResourceUtilization_40to45%, ebscPkt_MaxAvailableConfiguredCapacity
* ebscPkt_ResourceUtilization_40to45%,
ebscTrfo_MaxAvailableConfiguredCapacity *
ebscTrfo_ResourceUtilization_40to45%,
bscPkt_MaxAvailableConfiguredCapacity *
bscPkt_ResourceUtilization_40to45%, 0) /
MaxAvailableConfiguredCapacity_Total
```

ResourceUtilization_45to50%

This PCALC provides the percentage of the time (weighted by Max Available Configured Capacity for each resource type) that the computed resource utilization was greater than or equal to 45% and less than 50%.

Calculation

```
vsum (ebscCct_MaxAvailableConfiguredCapacity *
ebscCct_ResourceUtilization_45to50%, cic_MaxAvailableConfiguredCapacity *
cic_ResourceUtilization_45to50%,
ebscSduVoiceAndOther_MaxAvailableConfiguredCapacity *
ebscSduVoiceAndOther_ResourceUtilization_45to50%,
ebscSduPacketDataAndOther_MaxAvailableConfiguredCapacity *
ebscSduPacketDataAndOther_ResourceUtilization_45to50%,
bscCct_MaxAvailableConfiguredCapacity *
bscCct_ResourceUtilization_45to50%, ebscPkt_MaxAvailableConfiguredCapacity
* ebscPkt_ResourceUtilization_45to50%,
ebscTrfo_MaxAvailableConfiguredCapacity *
ebscTrfo_ResourceUtilization_45to50%,
bscPkt_MaxAvailableConfiguredCapacity *
bscPkt_ResourceUtilization_45to50%, 0) /
MaxAvailableConfiguredCapacity_Total
```

ResourceUtilization_50to55%

This PCALC provides the percentage of the time (weighted by Max Available Configured Capacity for each resource type) that the computed resource utilization was greater than or equal to 50% and less than 55%.

Calculation

```
vsum (ebscCct_MaxAvailableConfiguredCapacity *
ebscCct_ResourceUtilization_50to55%, cic_MaxAvailableConfiguredCapacity *
cic_ResourceUtilization_50to55%,
ebscSduVoiceAndOther_MaxAvailableConfiguredCapacity *
ebscSduVoiceAndOther_ResourceUtilization_50to55%,
ebscSduPacketDataAndOther_MaxAvailableConfiguredCapacity *
ebscSduPacketDataAndOther_ResourceUtilization_50to55%,
bscCct_MaxAvailableConfiguredCapacity *
bscCct_ResourceUtilization_50to55%, ebscPkt_MaxAvailableConfiguredCapacity
* ebscPkt_ResourceUtilization_50to55%,
ebscTrfo_MaxAvailableConfiguredCapacity *
ebscTrfo_ResourceUtilization_50to55%,
bscPkt_MaxAvailableConfiguredCapacity *
bscPkt_ResourceUtilization_50to55%, 0) /
MaxAvailableConfiguredCapacity_Total
```

ResourceUtilization_55to60%

This PCALC provides the percentage of the time (weighted by Max Available Configured Capacity for each resource type) that the computed resource utilization was greater than or equal to 55% and less than 60%.

Calculation

```
vsum (ebscCct_MaxAvailableConfiguredCapacity *
ebscCct_ResourceUtilization_55to60%, cic_MaxAvailableConfiguredCapacity *
cic_ResourceUtilization_55to60%,
ebscSduVoiceAndOther_MaxAvailableConfiguredCapacity *
ebscSduVoiceAndOther_ResourceUtilization_55to60%,
```



```
ebscSduPacketDataAndOther_MaxAvailableConfiguredCapacity *
ebscSduPacketDataAndOther_ResourceUtilization_55to60%,
bscCct_MaxAvailableConfiguredCapacity *
bscCct_ResourceUtilization_55to60%, ebscPkt_MaxAvailableConfiguredCapacity
* ebscPkt_ResourceUtilization_55to60%,
ebscTrfo_MaxAvailableConfiguredCapacity *
ebscTrfo_ResourceUtilization_55to60%,
bscPkt_MaxAvailableConfiguredCapacity *
bscPkt_ResourceUtilization_55to60%, 0) /
MaxAvailableConfiguredCapacity_Total
```

ResourceUtilization_60to65%

This PCALC provides the percentage of the time (weighted by Max Available Configured Capacity for each resource type) that the computed resource utilization was greater than or equal to 60% and less than 65%.

Calculation

```
vsum (ebscCct_MaxAvailableConfiguredCapacity *
ebscCct_ResourceUtilization_60to65%, cic_MaxAvailableConfiguredCapacity *
cic_ResourceUtilization_60to65%,
ebscSduVoiceAndOther_MaxAvailableConfiguredCapacity *
ebscSduVoiceAndOther_ResourceUtilization_60to65%,
ebscSduPacketDataAndOther_MaxAvailableConfiguredCapacity *
ebscSduPacketDataAndOther_ResourceUtilization_60to65%,
bscCct_MaxAvailableConfiguredCapacity *
bscCct_ResourceUtilization_60to65%, ebscPkt_MaxAvailableConfiguredCapacity
* ebscPkt_ResourceUtilization_60to65%,
ebscTrfo_MaxAvailableConfiguredCapacity *
ebscTrfo_ResourceUtilization_60to65%,
bscPkt_MaxAvailableConfiguredCapacity *
bscPkt_ResourceUtilization_60to65%, 0) /
MaxAvailableConfiguredCapacity_Total
```

ResourceUtilization_65to70%

This PCALC provides the percentage of the time (weighted by Max Available Configured Capacity for each resource type) that the computed resource utilization was greater than or equal to 65% and less than 70%.

Calculation

```
vsum (ebscCct_MaxAvailableConfiguredCapacity *
ebscCct_ResourceUtilization_65to70%, cic_MaxAvailableConfiguredCapacity *
cic_ResourceUtilization_65to70%,
ebscSduVoiceAndOther_MaxAvailableConfiguredCapacity *
ebscSduVoiceAndOther_ResourceUtilization_65to70%,
ebscSduPacketDataAndOther_MaxAvailableConfiguredCapacity *
ebscSduPacketDataAndOther_ResourceUtilization_65to70%,
bscCct_MaxAvailableConfiguredCapacity *
bscCct_ResourceUtilization_65to70%, ebscPkt_MaxAvailableConfiguredCapacity
* ebscPkt_ResourceUtilization_65to70%,
ebscTrfo_MaxAvailableConfiguredCapacity *
ebscTrfo_ResourceUtilization_65to70%,
```

```
bscPkt_MaxAvailableConfiguredCapacity *  
bscPkt_ResourceUtilization_65to70%, 0) /  
MaxAvailableConfiguredCapacity_Total
```

ResourceUtilization_70to75%

This PCALC provides the percentage of the time (weighted by Max Available Configured Capacity for each resource type) that the computed resource utilization was greater than or equal to 70% and less than 75%.

Calculation

```
vsum (ebscCct_MaxAvailableConfiguredCapacity *  
ebscCct_ResourceUtilization_70to75%, cic_MaxAvailableConfiguredCapacity *  
cic_ResourceUtilization_70to75%,  
ebscSduVoiceAndOther_MaxAvailableConfiguredCapacity *  
ebscSduVoiceAndOther_ResourceUtilization_70to75%,  
ebscSduPacketDataAndOther_MaxAvailableConfiguredCapacity *  
ebscSduPacketDataAndOther_ResourceUtilization_70to75%,  
bscCct_MaxAvailableConfiguredCapacity *  
bscCct_ResourceUtilization_70to75%, ebscPkt_MaxAvailableConfiguredCapacity  
* ebscPkt_ResourceUtilization_70to75%,  
ebscTrfo_MaxAvailableConfiguredCapacity *  
ebscTrfo_ResourceUtilization_70to75%,  
bscPkt_MaxAvailableConfiguredCapacity *  
bscPkt_ResourceUtilization_70to75%, 0) /  
MaxAvailableConfiguredCapacity_Total
```

ResourceUtilization_75to80%

This PCALC provides the percentage of the time (weighted by Max Available Configured Capacity for each resource type) that the computed resource utilization was greater than or equal to 75% and less than 80%.

Calculation

```
vsum (ebscCct_MaxAvailableConfiguredCapacity *  
ebscCct_ResourceUtilization_75to80%, cic_MaxAvailableConfiguredCapacity *  
cic_ResourceUtilization_75to80%,  
ebscSduVoiceAndOther_MaxAvailableConfiguredCapacity *  
ebscSduVoiceAndOther_ResourceUtilization_75to80%,  
ebscSduPacketDataAndOther_MaxAvailableConfiguredCapacity *  
ebscSduPacketDataAndOther_ResourceUtilization_75to80%,  
bscCct_MaxAvailableConfiguredCapacity *  
bscCct_ResourceUtilization_75to80%, ebscPkt_MaxAvailableConfiguredCapacity  
* ebscPkt_ResourceUtilization_75to80%,  
ebscTrfo_MaxAvailableConfiguredCapacity *  
ebscTrfo_ResourceUtilization_75to80%,  
bscPkt_MaxAvailableConfiguredCapacity *  
bscPkt_ResourceUtilization_75to80%, 0) /  
MaxAvailableConfiguredCapacity_Total
```

ResourceUtilization_80to85%

This PCALC provides the percentage of the time (weighted by Max Available Configured Capacity for each resource type) that the computed resource utilization was greater than or equal to 80% and less than 85%.

Calculation

```
vsum (ebscCct_MaxAvailableConfiguredCapacity *
ebscCct_ResourceUtilization_80to85%, cic_MaxAvailableConfiguredCapacity *
cic_ResourceUtilization_80to85%,
ebscSduVoiceAndOther_MaxAvailableConfiguredCapacity *
ebscSduVoiceAndOther_ResourceUtilization_80to85%,
ebscSduPacketDataAndOther_MaxAvailableConfiguredCapacity *
ebscSduPacketDataAndOther_ResourceUtilization_80to85%,
bscCct_MaxAvailableConfiguredCapacity *
bscCct_ResourceUtilization_80to85%, ebscPkt_MaxAvailableConfiguredCapacity
* ebscPkt_ResourceUtilization_80to85%,
ebscTrfo_MaxAvailableConfiguredCapacity *
ebscTrfo_ResourceUtilization_80to85%,
bscPkt_MaxAvailableConfiguredCapacity *
bscPkt_ResourceUtilization_80to85%, 0) /
MaxAvailableConfiguredCapacity_Total
```

ResourceUtilization_85to90%

This PCALC provides the percentage of the time (weighted by Max Available Configured Capacity for each resource type) that the computed resource utilization was greater than or equal to 85% and less than 90%.

Calculation

```
vsum (ebscCct_MaxAvailableConfiguredCapacity *
ebscCct_ResourceUtilization_85to90%, cic_MaxAvailableConfiguredCapacity *
cic_ResourceUtilization_85to90%,
ebscSduVoiceAndOther_MaxAvailableConfiguredCapacity *
ebscSduVoiceAndOther_ResourceUtilization_85to90%,
ebscSduPacketDataAndOther_MaxAvailableConfiguredCapacity *
ebscSduPacketDataAndOther_ResourceUtilization_85to90%,
bscCct_MaxAvailableConfiguredCapacity *
bscCct_ResourceUtilization_85to90%, ebscPkt_MaxAvailableConfiguredCapacity
* ebscPkt_ResourceUtilization_85to90%,
ebscTrfo_MaxAvailableConfiguredCapacity *
ebscTrfo_ResourceUtilization_85to90%,
bscPkt_MaxAvailableConfiguredCapacity *
bscPkt_ResourceUtilization_85to90%, 0) /
MaxAvailableConfiguredCapacity_Total
```

ResourceUtilization_90to91%

This PCALC provides the percentage of the time (weighted by Max Available Configured Capacity for each resource type) that the computed resource utilization was greater than or equal to 90% and less than 91%.

Calculation

```
vsum (ebscCct_MaxAvailableConfiguredCapacity *
ebscCct_ResourceUtilization_90to91%, cic_MaxAvailableConfiguredCapacity *
cic_ResourceUtilization_90to91%,
ebscSduVoiceAndOther_MaxAvailableConfiguredCapacity *
ebscSduVoiceAndOther_ResourceUtilization_90to91%,
ebscSduPacketDataAndOther_MaxAvailableConfiguredCapacity *
ebscSduPacketDataAndOther_ResourceUtilization_90to91%,
bscCct_MaxAvailableConfiguredCapacity *
bscCct_ResourceUtilization_90to91%, ebscPkt_MaxAvailableConfiguredCapacity
* ebscPkt_ResourceUtilization_90to91%,
ebscTrfo_MaxAvailableConfiguredCapacity *
ebscTrfo_ResourceUtilization_90to91%,
bscPkt_MaxAvailableConfiguredCapacity *
bscPkt_ResourceUtilization_90to91%, 0) /
MaxAvailableConfiguredCapacity_Total
```

ResourceUtilization_91to92%

This PCALC provides the percentage of the time (weighted by Max Available Configured Capacity for each resource type) that the computed resource utilization was greater than or equal to 91% and less than 92%.

Calculation

```
vsum (ebscCct_MaxAvailableConfiguredCapacity *
ebscCct_ResourceUtilization_91to92%, cic_MaxAvailableConfiguredCapacity *
cic_ResourceUtilization_91to92%,
ebscSduVoiceAndOther_MaxAvailableConfiguredCapacity *
ebscSduVoiceAndOther_ResourceUtilization_91to92%,
ebscSduPacketDataAndOther_MaxAvailableConfiguredCapacity *
ebscSduPacketDataAndOther_ResourceUtilization_91to92%,
bscCct_MaxAvailableConfiguredCapacity *
bscCct_ResourceUtilization_91to92%, ebscPkt_MaxAvailableConfiguredCapacity
* ebscPkt_ResourceUtilization_91to92%,
ebscTrfo_MaxAvailableConfiguredCapacity *
ebscTrfo_ResourceUtilization_91to92%,
bscPkt_MaxAvailableConfiguredCapacity *
bscPkt_ResourceUtilization_91to92%, 0) /
MaxAvailableConfiguredCapacity_Total
```

ResourceUtilization_92to93%

This PCALC provides the percentage of the time (weighted by Max Available Configured Capacity for each resource type) that the computed resource utilization was greater than or equal to 92% and less than 93%.

Calculation

```
vsum (ebscCct_MaxAvailableConfiguredCapacity *
ebscCct_ResourceUtilization_92to93%, cic_MaxAvailableConfiguredCapacity *
cic_ResourceUtilization_92to93%,
ebscSduVoiceAndOther_MaxAvailableConfiguredCapacity *
ebscSduVoiceAndOther_ResourceUtilization_92to93%,
```

```
ebscSduPacketDataAndOther_MaxAvailableConfiguredCapacity *
ebscSduPacketDataAndOther_ResourceUtilization_92to93%,
bscCct_MaxAvailableConfiguredCapacity *
bscCct_ResourceUtilization_92to93%, ebscPkt_MaxAvailableConfiguredCapacity
* ebscPkt_ResourceUtilization_92to93%,
ebscTrfo_MaxAvailableConfiguredCapacity *
ebscTrfo_ResourceUtilization_92to93%,
bscPkt_MaxAvailableConfiguredCapacity *
bscPkt_ResourceUtilization_92to93%, 0) /
MaxAvailableConfiguredCapacity_Total
```

ResourceUtilization_93to94%

This PCALC provides the percentage of the time (weighted by Max Available Configured Capacity for each resource type) that the computed resource utilization was greater than or equal to 93% and less than 94%.

Calculation

```
vsum (ebscCct_MaxAvailableConfiguredCapacity *
ebscCct_ResourceUtilization_93to94%, cic_MaxAvailableConfiguredCapacity *
cic_ResourceUtilization_93to94%,
ebscSduVoiceAndOther_MaxAvailableConfiguredCapacity *
ebscSduVoiceAndOther_ResourceUtilization_93to94%,
ebscSduPacketDataAndOther_MaxAvailableConfiguredCapacity *
ebscSduPacketDataAndOther_ResourceUtilization_93to94%,
bscCct_MaxAvailableConfiguredCapacity *
bscCct_ResourceUtilization_93to94%, ebscPkt_MaxAvailableConfiguredCapacity
* ebscPkt_ResourceUtilization_93to94%,
ebscTrfo_MaxAvailableConfiguredCapacity *
ebscTrfo_ResourceUtilization_93to94%,
bscPkt_MaxAvailableConfiguredCapacity *
bscPkt_ResourceUtilization_93to94%, 0) /
MaxAvailableConfiguredCapacity_Total
```

ResourceUtilization_94to95%

This PCALC provides the percentage of the time (weighted by Max Available Configured Capacity for each resource type) that the computed resource utilization was greater than or equal to 94% and less than 95%.

Calculation

```
vsum (ebscCct_MaxAvailableConfiguredCapacity *
ebscCct_ResourceUtilization_94to95%, cic_MaxAvailableConfiguredCapacity *
cic_ResourceUtilization_94to95%,
ebscSduVoiceAndOther_MaxAvailableConfiguredCapacity *
ebscSduVoiceAndOther_ResourceUtilization_94to95%,
ebscSduPacketDataAndOther_MaxAvailableConfiguredCapacity *
ebscSduPacketDataAndOther_ResourceUtilization_94to95%,
bscCct_MaxAvailableConfiguredCapacity *
bscCct_ResourceUtilization_94to95%, ebscPkt_MaxAvailableConfiguredCapacity
* ebscPkt_ResourceUtilization_94to95%,
ebscTrfo_MaxAvailableConfiguredCapacity *
ebscTrfo_ResourceUtilization_94to95%,
```

```
bscPkt_MaxAvailableConfiguredCapacity *  
bscPkt_ResourceUtilization_94to95%, 0) /  
MaxAvailableConfiguredCapacity_Total
```

ResourceUtilization_95to96%

This PCALC provides the percentage of the time (weighted by Max Available Configured Capacity for each resource type) that the computed resource utilization was greater than or equal to 95% and less than 96%.

Calculation

```
vsum (ebscCct_MaxAvailableConfiguredCapacity *  
ebscCct_ResourceUtilization_95to96%, cic_MaxAvailableConfiguredCapacity *  
cic_ResourceUtilization_95to96%,  
ebscSduVoiceAndOther_MaxAvailableConfiguredCapacity *  
ebscSduVoiceAndOther_ResourceUtilization_95to96%,  
ebscSduPacketDataAndOther_MaxAvailableConfiguredCapacity *  
ebscSduPacketDataAndOther_ResourceUtilization_95to96%,  
bscCct_MaxAvailableConfiguredCapacity *  
bscCct_ResourceUtilization_95to96%, ebscPkt_MaxAvailableConfiguredCapacity  
* ebscPkt_ResourceUtilization_95to96%,  
ebscTrfo_MaxAvailableConfiguredCapacity *  
ebscTrfo_ResourceUtilization_95to96%,  
bscPkt_MaxAvailableConfiguredCapacity *  
bscPkt_ResourceUtilization_95to96%, 0) /  
MaxAvailableConfiguredCapacity_Total
```

ResourceUtilization_96to97%

This PCALC provides the percentage of the time (weighted by Max Available Configured Capacity for each resource type) that the computed resource utilization was greater than or equal to 96% and less than 97%.

Calculation

```
vsum (ebscCct_MaxAvailableConfiguredCapacity *  
ebscCct_ResourceUtilization_96to97%, cic_MaxAvailableConfiguredCapacity *  
cic_ResourceUtilization_96to97%,  
ebscSduVoiceAndOther_MaxAvailableConfiguredCapacity *  
ebscSduVoiceAndOther_ResourceUtilization_96to97%,  
ebscSduPacketDataAndOther_MaxAvailableConfiguredCapacity *  
ebscSduPacketDataAndOther_ResourceUtilization_96to97%,  
bscCct_MaxAvailableConfiguredCapacity *  
bscCct_ResourceUtilization_96to97%, ebscPkt_MaxAvailableConfiguredCapacity  
* ebscPkt_ResourceUtilization_96to97%,  
ebscTrfo_MaxAvailableConfiguredCapacity *  
ebscTrfo_ResourceUtilization_96to97%,  
bscPkt_MaxAvailableConfiguredCapacity *  
bscPkt_ResourceUtilization_96to97%, 0) /  
MaxAvailableConfiguredCapacity_Total
```

ResourceUtilization_97to98%

This PCALC provides the percentage of the time (weighted by Max Available Configured Capacity for each resource type) that the computed resource utilization was greater than or equal to 97% and less than 98%.

Calculation

```
vsum (ebscCct_MaxAvailableConfiguredCapacity *  
ebscCct_ResourceUtilization_97to98%, cic_MaxAvailableConfiguredCapacity *  
cic_ResourceUtilization_97to98%,  
ebscSduVoiceAndOther_MaxAvailableConfiguredCapacity *  
ebscSduVoiceAndOther_ResourceUtilization_97to98%,  
ebscSduPacketDataAndOther_MaxAvailableConfiguredCapacity *  
ebscSduPacketDataAndOther_ResourceUtilization_97to98%,  
bscCct_MaxAvailableConfiguredCapacity *  
bscCct_ResourceUtilization_97to98%, ebscPkt_MaxAvailableConfiguredCapacity  
* ebscPkt_ResourceUtilization_97to98%,  
ebscTrfo_MaxAvailableConfiguredCapacity *  
ebscTrfo_ResourceUtilization_97to98%,  
bscPkt_MaxAvailableConfiguredCapacity *  
bscPkt_ResourceUtilization_97to98%, 0) /  
MaxAvailableConfiguredCapacity_Total
```

ResourceUtilization_98to99%

This PCALC provides the percentage of the time (weighted by Max Available Configured Capacity for each resource type) that the computed resource utilization was greater than or equal to 98% and less than 99%.

Calculation

```
vsum (ebscCct_MaxAvailableConfiguredCapacity *  
ebscCct_ResourceUtilization_98to99%, cic_MaxAvailableConfiguredCapacity *  
cic_ResourceUtilization_98to99%,  
ebscSduVoiceAndOther_MaxAvailableConfiguredCapacity *  
ebscSduVoiceAndOther_ResourceUtilization_98to99%,  
ebscSduPacketDataAndOther_MaxAvailableConfiguredCapacity *  
ebscSduPacketDataAndOther_ResourceUtilization_98to99%,  
bscCct_MaxAvailableConfiguredCapacity *  
bscCct_ResourceUtilization_98to99%, ebscPkt_MaxAvailableConfiguredCapacity  
* ebscPkt_ResourceUtilization_98to99%,  
ebscTrfo_MaxAvailableConfiguredCapacity *  
ebscTrfo_ResourceUtilization_98to99%,  
bscPkt_MaxAvailableConfiguredCapacity *  
bscPkt_ResourceUtilization_98to99%, 0) /  
MaxAvailableConfiguredCapacity_Total
```

ResourceUtilization_99to100%

This PCALC provides the percentage of the time (weighted by Max Available Configured Capacity for each resource type) that the computed resource utilization was greater than or equal to 99% and less than 100%.

Calculation

```
vsum (ebscCct_MaxAvailableConfiguredCapacity *
ebscCct_ResourceUtilization_99to100%, cic_MaxAvailableConfiguredCapacity *
cic_ResourceUtilization_99to100%,
ebscSduVoiceAndOther_MaxAvailableConfiguredCapacity *
ebscSduVoiceAndOther_ResourceUtilization_99to100%,
ebscSduPacketDataAndOther_MaxAvailableConfiguredCapacity *
ebscSduPacketDataAndOther_ResourceUtilization_99to100%,
bscCct_MaxAvailableConfiguredCapacity *
bscCct_ResourceUtilization_99to100%,
ebscPkt_MaxAvailableConfiguredCapacity *
ebscPkt_ResourceUtilization_99to100%,
ebscTrfo_MaxAvailableConfiguredCapacity *
ebscTrfo_ResourceUtilization_99to100%,
bscPkt_MaxAvailableConfiguredCapacity *
bscPkt_ResourceUtilization_99to100%, 0) /
MaxAvailableConfiguredCapacity_Total
```

ResourceUtilizationIndex_Total

For all resource types, this the sum of all the resource utilization indices.

Calculation

```
vsum (ebscCct_ResourceUtilizationIndex_Total,
cic_ResourceUtilizationIndex_Total,
ebscSduVoiceAndOther_ResourceUtilizationIndex_Total,
ebscSduPacketDataAndOther_ResourceUtilizationIndex_Total,
bscCct_ResourceUtilizationIndex_Total,
ebscPkt_ResourceUtilizationIndex_Total,
ebscTrfo_ResourceUtilizationIndex_Total,
bscPkt_ResourceUtilizationIndex_Total, 0)
```

CNFP Peg Counts

The following is a list of peg counts for the CNFP entity.

bscCct_MaxAvailableConfiguredCapacity

For resource type "bscCct", this OM indicates the maximum number of resources which were available for carrying traffic in the collection interval. This value is sampled every 1second.

Data Source

CNFP

Source Field

MaxAvailableConfiguredCapacity (Seq# 1) for bscCct (Resource Type 5)

Source Section

Resource Utilization (Group ID 59)

bscCct_ResourceUtilizationIndex_1

For resource type "bscCct", this OM counts the number of times that the computed resource utilization was greater than or equal to 0% and less than 1%. Resource utilization is computed every 1second.

Data Source

CNFP

Source Field

ResourceUtilizationIndex_1 (Seq# 2) for bscCct (Resource Type 5)

Source Section

Resource Utilization (Group ID 59)

bscCct_ResourceUtilizationIndex_10

For resource type "bscCct", this OM counts the number of times that the computed resource utilization was greater than or equal to 40% and less than 45%. Resource utilization is computed every 1second.

Data Source

CNFP

Source Field

ResourceUtilizationIndex_10 (Seq# 11) for bscCct (Resource Type 5)

Source Section

Resource Utilization (Group ID 59)

bscCct_ResourceUtilizationIndex_11

For resource type "bscCct", this OM counts the number of times that the computed resource utilization was greater than or equal to 45% and less than 50%. Resource utilization is computed every 1second.

Data Source

CNFP

Source Field

ResourceUtilizationIndex_11 (Seq# 12) for bscCct (Resource Type 5)

Source Section

Resource Utilization (Group ID 59)

bscCct_ResourceUtilizationIndex_12

For resource type "bscCct", this OM counts the number of times that the computed resource utilization was greater than or equal to 50% and less than 55%. Resource utilization is computed every 1second.

Data Source

CNFP

Source Field

ResourceUtilizationIndex_12 (Seq# 13) for bscCct (Resource Type 5)

Source Section

Resource Utilization (Group ID 59)

bscCct_ResourceUtilizationIndex_13

For resource type "bscCct", this OM counts the number of times that the computed resource utilization was greater than or equal to 55% and less than 60%. Resource utilization is computed every 1second.

Data Source

CNFP

Source Field

ResourceUtilizationIndex_13 (Seq# 14) for bscCct (Resource Type 5)

Source Section

Resource Utilization (Group ID 59)

bscCct_ResourceUtilizationIndex_14

For resource type "bscCct", this OM counts the number of times that the computed resource utilization was greater than or equal to 60% and less than 65%. Resource utilization is computed every 1second.

Data Source

CNFP

Source Field

ResourceUtilizationIndex_14 (Seq# 15) for bscCct (Resource Type 5)

Source Section

Resource Utilization (Group ID 59)

bscCct_ResourceUtilizationIndex_15

For resource type "bscCct", this OM counts the number of times that the computed resource utilization was greater than or equal to 65% and less than 70%. Resource utilization is computed every 1second.

Data Source

CNFP

Source Field

ResourceUtilizationIndex_15 (Seq# 16) for bscCct (Resource Type 5)

Source Section

Resource Utilization (Group ID 59)

bscCct_ResourceUtilizationIndex_16

For resource type "bscCct", this OM counts the number of times that the computed resource utilization was greater than or equal to 70% and less than 75%. Resource utilization is computed every 1second.

Data Source

CNFP

Source Field

ResourceUtilizationIndex_16 (Seq# 17) for bscCct (Resource Type 5)

Source Section

Resource Utilization (Group ID 59)

bscCct_ResourceUtilizationIndex_17

For resource type "bscCct", this OM counts the number of times that the computed resource utilization was greater than or equal to 75% and less than 80%. Resource utilization is computed every 1second.

Data Source

CNFP

Source Field

ResourceUtilizationIndex_17 (Seq# 18) for bscCct (Resource Type 5)

Source Section

Resource Utilization (Group ID 59)

bscCct_ResourceUtilizationIndex_18

For resource type "bscCct", this OM counts the number of times that the computed resource utilization was greater than or equal to 80% and less than 85%. Resource utilization is computed every 1second.

Data Source

CNFP

Source Field

ResourceUtilizationIndex_18 (Seq# 19) for bscCct (Resource Type 5)

Source Section

Resource Utilization (Group ID 59)

bscCct_ResourceUtilizationIndex_19

For resource type "bscCct", this OM counts the number of times that the computed resource utilization was greater than or equal to 85% and less than 90%. Resource utilization is computed every 1second.

Data Source

CNFP

Source Field

ResourceUtilizationIndex_19 (Seq# 20) for bscCct (Resource Type 5)

Source Section

Resource Utilization (Group ID 59)

bscCct_ResourceUtilizationIndex_2

For resource type "bscCct", this OM counts the number of times that the computed resource utilization was greater than or equal to 1% and less than 5%. Resource utilization is computed every 1second.

Data Source

CNFP

Source Field

ResourceUtilizationIndex_2 (Seq# 3) for bscCct (Resource Type 5)

Source Section

Resource Utilization (Group ID 59)

bscCct_ResourceUtilizationIndex_20

For resource type "bscCct", this OM counts the number of times that the computed resource utilization was greater than or equal to 90% and less than 91%. Resource utilization is computed every 1second.

Data Source

CNFP

Source Field

ResourceUtilizationIndex_20 (Seq# 21) for bscCct (Resource Type 5)

Source Section

Resource Utilization (Group ID 59)

bscCct_ResourceUtilizationIndex_21

For resource type "bscCct", this OM counts the number of times that the computed resource utilization was greater than or equal to 91% and less than 92%. Resource utilization is computed every 1second.

Data Source

CNFP

Source Field

ResourceUtilizationIndex_21 (Seq# 22) for bscCct (Resource Type 5)

Source Section

Resource Utilization (Group ID 59)

bscCct_ResourceUtilizationIndex_22

For resource type "bscCct", this OM counts the number of times that the computed resource utilization was greater than or equal to 92% and less than 93%. Resource utilization is computed every 1second.

Data Source

CNFP

Source Field

ResourceUtilizationIndex_22 (Seq# 23) for bscCct (Resource Type 5)

Source Section

Resource Utilization (Group ID 59)

bscCct_ResourceUtilizationIndex_23

For resource type "bscCct", this OM counts the number of times that the computed resource utilization was greater than or equal to 93% and less than 94%. Resource utilization is computed every 1second.

Data Source

CNFP

Source Field

ResourceUtilizationIndex_23 (Seq# 24) for bscCct (Resource Type 5)

Source Section

Resource Utilization (Group ID 59)

bscCct_ResourceUtilizationIndex_24

For resource type "bscCct", this OM counts the number of times that the computed resource utilization was greater than or equal to 94% and less than 95%. Resource utilization is computed every 1second.

Data Source

CNFP

Source Field

ResourceUtilizationIndex_24 (Seq# 25) for bscCct (Resource Type 5)

Source Section

Resource Utilization (Group ID 59)

bscCct_ResourceUtilizationIndex_25

For resource type "bscCct", this OM counts the number of times that the computed resource utilization was greater than or equal to 95% and less than 96%. Resource utilization is computed every 1second.

Data Source

CNFP

Source Field

ResourceUtilizationIndex_25 (Seq# 26) for bscCct (Resource Type 5)

Source Section

Resource Utilization (Group ID 59)

bscCct_ResourceUtilizationIndex_26

For resource type "bscCct", this OM counts the number of times that the computed resource utilization was greater than or equal to 96% and less than 97%. Resource utilization is computed every 1second.

Data Source

CNFP

Source Field

ResourceUtilizationIndex_26 (Seq# 27) for bscCct (Resource Type 5)

Source Section

Resource Utilization (Group ID 59)

bscCct_ResourceUtilizationIndex_27

For resource type "bscCct", this OM counts the number of times that the computed resource utilization was greater than or equal to 97% and less than 98%. Resource utilization is computed every 1second.

Data Source

CNFP

Source Field

ResourceUtilizationIndex_27 (Seq# 28) for bscCct (Resource Type 5)

Source Section

Resource Utilization (Group ID 59)

bscCct_ResourceUtilizationIndex_28

For resource type "bscCct", this OM counts the number of times that the computed resource utilization was greater than or equal to 98% and less than 99%. Resource utilization is computed every 1second.

Data Source

CNFP

Source Field

ResourceUtilizationIndex_28 (Seq# 29) for bscCct (Resource Type 5)

Source Section

Resource Utilization (Group ID 59)

bscCct_ResourceUtilizationIndex_29

For resource type "bscCct", this OM counts the number of times that the computed resource utilization was greater than or equal to 99% and less than 100%. Resource utilization is computed every 1second.

Data Source

CNFP

Source Field

ResourceUtilizationIndex_29 (Seq# 30) for bscCct (Resource Type 5)

Source Section

Resource Utilization (Group ID 59)

bscCct_ResourceUtilizationIndex_3

For resource type "bscCct", this OM counts the number of times that the computed resource utilization was greater than or equal to 5% and less than 10%. Resource utilization is computed every 1second.

Data Source

CNFP

Source Field

ResourceUtilizationIndex_3 (Seq# 4) for bscCct (Resource Type 5)

Source Section

Resource Utilization (Group ID 59)

bscCct_ResourceUtilizationIndex_30

For resource type "bscCct", this OM counts the number of times that the computed resource utilization was equal to 100%. Resource utilization is computed every 1second.

Data Source

CNFP

Source Field

ResourceUtilizationIndex_30 (Seq# 31) for bscCct (Resource Type 5)

Source Section

Resource Utilization (Group ID 59)

bscCct_ResourceUtilizationIndex_4

For resource type "bscCct", this OM counts the number of times that the computed resource utilization was greater than or equal to 10% and less than 15%. Resource utilization is computed every 1second.

Data Source

CNFP

Source Field

ResourceUtilizationIndex_4 (Seq# 5) for bscCct (Resource Type 5)

Source Section

Resource Utilization (Group ID 59)

bscCct_ResourceUtilizationIndex_5

For resource type "bscCct", this OM counts the number of times that the computed resource utilization was greater than or equal to 15% and less than 20%. Resource utilization is computed every 1second.

Data Source

CNFP

Source Field

ResourceUtilizationIndex_5 (Seq# 6) for bscCct (Resource Type 5)

Source Section

Resource Utilization (Group ID 59)

bscCct_ResourceUtilizationIndex_6

For resource type "bscCct", this OM counts the number of times that the computed resource utilization was greater than or equal to 20% and less than 25%. Resource utilization is computed every 1second.

Data Source

CNFP

Source Field

ResourceUtilizationIndex_6 (Seq# 7) for bscCct (Resource Type 5)

Source Section

Resource Utilization (Group ID 59)

bscCct_ResourceUtilizationIndex_7

For resource type "bscCct", this OM counts the number of times that the computed resource utilization was greater than or equal to 25% and less than 30%. Resource utilization is computed every 1second.

Data Source

CNFP

Source Field

ResourceUtilizationIndex_7 (Seq# 8) for bscCct (Resource Type 5)

Source Section

Resource Utilization (Group ID 59)

bscCct_ResourceUtilizationIndex_8

For resource type "bscCct", this OM counts the number of times that the computed resource utilization was greater than or equal to 30% and less than 35%. Resource utilization is computed every 1second.

Data Source

CNFP

Source Field

ResourceUtilizationIndex_8 (Seq# 9) for bscCct (Resource Type 5)

Source Section

Resource Utilization (Group ID 59)

bscCct_ResourceUtilizationIndex_9

For resource type "bscCct", this OM counts the number of times that the computed resource utilization was greater than or equal to 35% and less than 40%. Resource utilization is computed every 1second.

Data Source

CNFP

Source Field

ResourceUtilizationIndex_9 (Seq# 10) for bscCct (Resource Type 5)

Source Section

Resource Utilization (Group ID 59)

bscPkt_MaxAvailableConfiguredCapacity

For resource type "bscPkt", this OM indicates the maximum number of resources which were available for carrying traffic in the collection interval. This value is sampled every 1second.

Data Source

CNFP

Source Field

MaxAvailableConfiguredCapacity (Seq# 1) for bscPkt (Resource Type 8)

Source Section

Resource Utilization (Group ID 59)

bscPkt_ResourceUtilizationIndex_1

For resource type "bscPkt", this OM counts the number of times that the computed resource utilization was greater than or equal to 0% and less than 1%. Resource utilization is computed every 1second.

Data Source

CNFP

Source Field

ResourceUtilizationIndex_1 (Seq# 2) for bscPkt (Resource Type 8)

Source Section

Resource Utilization (Group ID 59)

bscPkt_ResourceUtilizationIndex_10

For resource type "bscPkt", this OM counts the number of times that the computed resource utilization was greater than or equal to 40% and less than 45%. Resource utilization is computed every 1second.

Data Source

CNFP

Source Field

ResourceUtilizationIndex_10 (Seq# 11) for bscPkt (Resource Type 8)

Source Section

Resource Utilization (Group ID 59)

bscPkt_ResourceUtilizationIndex_11

For resource type "bscPkt", this OM counts the number of times that the computed resource utilization was greater than or equal to 45% and less than 50%. Resource utilization is computed every 1second.

Data Source

CNFP

Source Field

ResourceUtilizationIndex_11 (Seq# 12) for bscPkt (Resource Type 8)

Source Section

Resource Utilization (Group ID 59)

bscPkt_ResourceUtilizationIndex_12

For resource type "bscPkt", this OM counts the number of times that the computed resource utilization was greater than or equal to 50% and less than 55%. Resource utilization is computed every 1second.

Data Source

CNFP

Source Field

ResourceUtilizationIndex_12 (Seq# 13) for bscPkt (Resource Type 8)

Source Section

Resource Utilization (Group ID 59)

bscPkt_ResourceUtilizationIndex_13

For resource type "bscPkt", this OM counts the number of times that the computed resource utilization was greater than or equal to 55% and less than 60%. Resource utilization is computed every 1second.

Data Source

CNFP

Source Field

ResourceUtilizationIndex_13 (Seq# 14) for bscPkt (Resource Type 8)

Source Section

Resource Utilization (Group ID 59)

bscPkt_ResourceUtilizationIndex_14

For resource type "bscPkt", this OM counts the number of times that the computed resource utilization was greater than or equal to 60% and less than 65%. Resource utilization is computed every 1second.

Data Source

CNFP

Source Field

ResourceUtilizationIndex_14 (Seq# 15) for bscPkt (Resource Type 8)

Source Section

Resource Utilization (Group ID 59)

bscPkt_ResourceUtilizationIndex_15

For resource type "bscPkt", this OM counts the number of times that the computed resource utilization was greater than or equal to 65% and less than 70%. Resource utilization is computed every 1second.

Data Source

CNFP

Source Field

ResourceUtilizationIndex_15 (Seq# 16) for bscPkt (Resource Type 8)

Source Section

Resource Utilization (Group ID 59)

bscPkt_ResourceUtilizationIndex_16

For resource type "bscPkt", this OM counts the number of times that the computed resource utilization was greater than or equal to 70% and less than 75%. Resource utilization is computed every 1second.

Data Source

CNFP

Source Field

ResourceUtilizationIndex_16 (Seq# 17) for bscPkt (Resource Type 8)

Source Section

Resource Utilization (Group ID 59)

bscPkt_ResourceUtilizationIndex_17

For resource type "bscPkt", this OM counts the number of times that the computed resource utilization was greater than or equal to 75% and less than 80%. Resource utilization is computed every 1second.

Data Source

CNFP

Source Field

ResourceUtilizationIndex_17 (Seq# 18) for bscPkt (Resource Type 8)

Source Section

Resource Utilization (Group ID 59)

bscPkt_ResourceUtilizationIndex_18

For resource type "bscPkt", this OM counts the number of times that the computed resource utilization was greater than or equal to 80% and less than 85%. Resource utilization is computed every 1second.

Data Source

CNFP

Source Field

ResourceUtilizationIndex_18 (Seq# 19) for bscPkt (Resource Type 8)

Source Section

Resource Utilization (Group ID 59)

bscPkt_ResourceUtilizationIndex_19

For resource type "bscPkt", this OM counts the number of times that the computed resource utilization was greater than or equal to 85% and less than 90%. Resource utilization is computed every 1second.

Data Source

CNFP

Source Field

ResourceUtilizationIndex_19 (Seq# 20) for bscPkt (Resource Type 8)

Source Section

Resource Utilization (Group ID 59)

bscPkt_ResourceUtilizationIndex_2

For resource type "bscPkt", this OM counts the number of times that the computed resource utilization was greater than or equal to 1% and less than 5%. Resource utilization is computed every 1second.

Data Source

CNFP

Source Field

ResourceUtilizationIndex_2 (Seq# 3) for bscPkt (Resource Type 8)

Source Section

Resource Utilization (Group ID 59)

bscPkt_ResourceUtilizationIndex_20

For resource type "bscPkt", this OM counts the number of times that the computed resource utilization was greater than or equal to 90% and less than 91%. Resource utilization is computed every 1second.

Data Source

CNFP

Source Field

ResourceUtilizationIndex_20 (Seq# 21) for bscPkt (Resource Type 8)

Source Section

Resource Utilization (Group ID 59)

bscPkt_ResourceUtilizationIndex_21

For resource type "bscPkt", this OM counts the number of times that the computed resource utilization was greater than or equal to 91% and less than 92%. Resource utilization is computed every 1second.

Data Source

CNFP

Source Field

ResourceUtilizationIndex_21 (Seq# 22) for bscPkt (Resource Type 8)

Source Section

Resource Utilization (Group ID 59)

bscPkt_ResourceUtilizationIndex_22

For resource type "bscPkt", this OM counts the number of times that the computed resource utilization was greater than or equal to 92% and less than 93%. Resource utilization is computed every 1second.

Data Source

CNFP

Source Field

ResourceUtilizationIndex_22 (Seq# 23) for bscPkt (Resource Type 8)

Source Section

Resource Utilization (Group ID 59)

bscPkt_ResourceUtilizationIndex_23

For resource type "bscPkt", this OM counts the number of times that the computed resource utilization was greater than or equal to 93% and less than 94%. Resource utilization is computed every 1second.

Data Source

CNFP

Source Field

ResourceUtilizationIndex_23 (Seq# 24) for bscPkt (Resource Type 8)

Source Section

Resource Utilization (Group ID 59)

bscPkt_ResourceUtilizationIndex_24

For resource type "bscPkt", this OM counts the number of times that the computed resource utilization was greater than or equal to 94% and less than 95%. Resource utilization is computed every 1second.

Data Source

CNFP

Source Field

ResourceUtilizationIndex_24 (Seq# 25) for bscPkt (Resource Type 8)

Source Section

Resource Utilization (Group ID 59)

bscPkt_ResourceUtilizationIndex_25

For resource type "bscPkt", this OM counts the number of times that the computed resource utilization was greater than or equal to 95% and less than 96%. Resource utilization is computed every 1second.

Data Source

CNFP

Source Field

ResourceUtilizationIndex_25 (Seq# 26) for bscPkt (Resource Type 8)

Source Section

Resource Utilization (Group ID 59)

bscPkt_ResourceUtilizationIndex_26

For resource type "bscPkt", this OM counts the number of times that the computed resource utilization was greater than or equal to 96% and less than 97%. Resource utilization is computed every 1second.

Data Source

CNFP

Source Field

ResourceUtilizationIndex_26 (Seq# 27) for bscPkt (Resource Type 8)

Source Section

Resource Utilization (Group ID 59)

bscPkt_ResourceUtilizationIndex_27

For resource type "bscPkt", this OM counts the number of times that the computed resource utilization was greater than or equal to 97% and less than 98%. Resource utilization is computed every 1second.

Data Source

CNFP

Source Field

ResourceUtilizationIndex_27 (Seq# 28) for bscPkt (Resource Type 8)

Source Section

Resource Utilization (Group ID 59)

bscPkt_ResourceUtilizationIndex_28

For resource type "bscPkt", this OM counts the number of times that the computed resource utilization was greater than or equal to 98% and less than 99%. Resource utilization is computed every 1second.

Data Source

CNFP

Source Field

ResourceUtilizationIndex_28 (Seq# 29) for bscPkt (Resource Type 8)

Source Section

Resource Utilization (Group ID 59)

bscPkt_ResourceUtilizationIndex_29

For resource type "bscPkt", this OM counts the number of times that the computed resource utilization was greater than or equal to 99% and less than 100%. Resource utilization is computed every 1second.

Data Source

CNFP

Source Field

ResourceUtilizationIndex_29 (Seq# 30) for bscPkt (Resource Type 8)

Source Section

Resource Utilization (Group ID 59)

bscPkt_ResourceUtilizationIndex_3

For resource type "bscPkt", this OM counts the number of times that the computed resource utilization was greater than or equal to 5% and less than 10%. Resource utilization is computed every 1second.

Data Source

CNFP

Source Field

ResourceUtilizationIndex_3 (Seq# 4) for bscPkt (Resource Type 8)

Source Section

Resource Utilization (Group ID 59)

bscPkt_ResourceUtilizationIndex_30

For resource type "bscPkt", this OM counts the number of times that the computed resource utilization was equal to 100%. Resource utilization is computed every 1second.

Data Source

CNFP

Source Field

ResourceUtilizationIndex_30 (Seq# 31) for bscPkt (Resource Type 8)

Source Section

Resource Utilization (Group ID 59)

bscPkt_ResourceUtilizationIndex_4

For resource type "bscPkt", this OM counts the number of times that the computed resource utilization was greater than or equal to 10% and less than 15%. Resource utilization is computed every 1second.

Data Source

CNFP

Source Field

ResourceUtilizationIndex_4 (Seq# 5) for bscPkt (Resource Type 8)

Source Section

Resource Utilization (Group ID 59)

bscPkt_ResourceUtilizationIndex_5

For resource type "bscPkt", this OM counts the number of times that the computed resource utilization was greater than or equal to 15% and less than 20%. Resource utilization is computed every 1second.

Data Source

CNFP

Source Field

ResourceUtilizationIndex_5 (Seq# 6) for bscPkt (Resource Type 8)

Source Section

Resource Utilization (Group ID 59)

bscPkt_ResourceUtilizationIndex_6

For resource type "bscPkt", this OM counts the number of times that the computed resource utilization was greater than or equal to 20% and less than 25%. Resource utilization is computed every 1second.

Data Source

CNFP

Source Field

ResourceUtilizationIndex_6 (Seq# 7) for bscPkt (Resource Type 8)

Source Section

Resource Utilization (Group ID 59)

bscPkt_ResourceUtilizationIndex_7

For resource type "bscPkt", this OM counts the number of times that the computed resource utilization was greater than or equal to 25% and less than 30%. Resource utilization is computed every 1second.

Data Source

CNFP

Source Field

ResourceUtilizationIndex_7 (Seq# 8) for bscPkt (Resource Type 8)

Source Section

Resource Utilization (Group ID 59)

bscPkt_ResourceUtilizationIndex_8

For resource type "bscPkt", this OM counts the number of times that the computed resource utilization was greater than or equal to 30% and less than 35%. Resource utilization is computed every 1second.

Data Source

CNFP

Source Field

ResourceUtilizationIndex_8 (Seq# 9) for bscPkt (Resource Type 8)

Source Section

Resource Utilization (Group ID 59)

bscPkt_ResourceUtilizationIndex_9

For resource type "bscPkt", this OM counts the number of times that the computed resource utilization was greater than or equal to 35% and less than 40%. Resource utilization is computed every 1second.

Data Source

CNFP

Source Field

ResourceUtilizationIndex_9 (Seq# 10) for bscPkt (Resource Type 8)

Source Section

Resource Utilization (Group ID 59)

cic_MaxAvailableConfiguredCapacity

For resource type "cic", this OM indicates the maximum number of resources which were available for carrying traffic in the collection interval. This value is sampled every 1second.

Data Source

CNFP

Source Field

MaxAvailableConfiguredCapacity (Seq# 1) for cic (Resource Type 2)

Source Section

Resource Utilization (Group ID 59)

cic_ResourceUtilizationIndex_1

For resource type "cic", this OM counts the number of times that the computed resource utilization was greater than or equal to 0% and less than 1%. Resource utilization is computed every 1second.

Data Source

CNFP

Source Field

ResourceUtilizationIndex_1 (Seq# 2) for cic (Resource Type 2)

Source Section

Resource Utilization (Group ID 59)

cic_ResourceUtilizationIndex_10

For resource type "cic", this OM counts the number of times that the computed resource utilization was greater than or equal to 40% and less than 45%. Resource utilization is computed every 1second.

Data Source

CNFP

Source Field

ResourceUtilizationIndex_10 (Seq# 11) for cic (Resource Type 2)

Source Section

Resource Utilization (Group ID 59)

cic_ResourceUtilizationIndex_11

For resource type "cic", this OM counts the number of times that the computed resource utilization was greater than or equal to 45% and less than 50%. Resource utilization is computed every 1second.

Data Source

CNFP

Source Field

ResourceUtilizationIndex_11 (Seq# 12) for cic (Resource Type 2)

Source Section

Resource Utilization (Group ID 59)

cic_ResourceUtilizationIndex_12

For resource type "cic", this OM counts the number of times that the computed resource utilization was greater than or equal to 50% and less than 55%. Resource utilization is computed every 1second.

Data Source

CNFP

Source Field

ResourceUtilizationIndex_12 (Seq# 13) for cic (Resource Type 2)

Source Section

Resource Utilization (Group ID 59)

cic_ResourceUtilizationIndex_13

For resource type "cic", this OM counts the number of times that the computed resource utilization was greater than or equal to 55% and less than 60%. Resource utilization is computed every 1second.

Data Source

CNFP

Source Field

ResourceUtilizationIndex_13 (Seq# 14) for cic (Resource Type 2)

Source Section

Resource Utilization (Group ID 59)

cic_ResourceUtilizationIndex_14

For resource type "cic", this OM counts the number of times that the computed resource utilization was greater than or equal to 60% and less than 65%. Resource utilization is computed every 1second.

Data Source

CNFP

Source Field

ResourceUtilizationIndex_14 (Seq# 15) for cic (Resource Type 2)

Source Section

Resource Utilization (Group ID 59)

cic_ResourceUtilizationIndex_15

For resource type "cic", this OM counts the number of times that the computed resource utilization was greater than or equal to 65% and less than 70%. Resource utilization is computed every 1second.

Data Source

CNFP

Source Field

ResourceUtilizationIndex_15 (Seq# 16) for cic (Resource Type 2)

Source Section

Resource Utilization (Group ID 59)

cic_ResourceUtilizationIndex_16

For resource type "cic", this OM counts the number of times that the computed resource utilization was greater than or equal to 70% and less than 75%. Resource utilization is computed every 1second.

Data Source

CNFP

Source Field

ResourceUtilizationIndex_16 (Seq# 17) for cic (Resource Type 2)

Source Section

Resource Utilization (Group ID 59)

cic_ResourceUtilizationIndex_17

For resource type "cic", this OM counts the number of times that the computed resource utilization was greater than or equal to 75% and less than 80%. Resource utilization is computed every 1second.

Data Source

CNFP

Source Field

ResourceUtilizationIndex_17 (Seq# 18) for cic (Resource Type 2)

Source Section

Resource Utilization (Group ID 59)

cic_ResourceUtilizationIndex_18

For resource type "cic", this OM counts the number of times that the computed resource utilization was greater than or equal to 80% and less than 85%. Resource utilization is computed every 1second.

Data Source

CNFP

Source Field

ResourceUtilizationIndex_18 (Seq# 19) for cic (Resource Type 2)

Source Section

Resource Utilization (Group ID 59)

cic_ResourceUtilizationIndex_19

For resource type "cic", this OM counts the number of times that the computed resource utilization was greater than or equal to 85% and less than 90%. Resource utilization is computed every 1second.

Data Source

CNFP

Source Field

ResourceUtilizationIndex_19 (Seq# 20) for cic (Resource Type 2)

Source Section

Resource Utilization (Group ID 59)

cic_ResourceUtilizationIndex_2

For resource type "cic", this OM counts the number of times that the computed resource utilization was greater than or equal to 1% and less than 5%. Resource utilization is computed every 1second.

Data Source

CNFP

Source Field

ResourceUtilizationIndex_2 (Seq# 3) for cic (Resource Type 2)

Source Section

Resource Utilization (Group ID 59)

cic_ResourceUtilizationIndex_20

For resource type "cic", this OM counts the number of times that the computed resource utilization was greater than or equal to 90% and less than 91%. Resource utilization is computed every 1second.

Data Source

CNFP

Source Field

ResourceUtilizationIndex_20 (Seq# 21) for cic (Resource Type 2)

Source Section

Resource Utilization (Group ID 59)

cic_ResourceUtilizationIndex_21

For resource type "cic", this OM counts the number of times that the computed resource utilization was greater than or equal to 91% and less than 92%. Resource utilization is computed every 1second.

Data Source

CNFP

Source Field

ResourceUtilizationIndex_21 (Seq# 22) for cic (Resource Type 2)

Source Section

Resource Utilization (Group ID 59)

cic_ResourceUtilizationIndex_22

For resource type "cic", this OM counts the number of times that the computed resource utilization was greater than or equal to 92% and less than 93%. Resource utilization is computed every 1second.

Data Source

CNFP

Source Field

ResourceUtilizationIndex_22 (Seq# 23) for cic (Resource Type 2)

Source Section

Resource Utilization (Group ID 59)

cic_ResourceUtilizationIndex_23

For resource type "cic", this OM counts the number of times that the computed resource utilization was greater than or equal to 93% and less than 94%. Resource utilization is computed every 1second.

Data Source

CNFP

Source Field

ResourceUtilizationIndex_23 (Seq# 24) for cic (Resource Type 2)

Source Section

Resource Utilization (Group ID 59)

cic_ResourceUtilizationIndex_24

For resource type "cic", this OM counts the number of times that the computed resource utilization was greater than or equal to 94% and less than 95%. Resource utilization is computed every 1second.

Data Source

CNFP

Source Field

ResourceUtilizationIndex_24 (Seq# 25) for cic (Resource Type 2)

Source Section

Resource Utilization (Group ID 59)

cic_ResourceUtilizationIndex_25

For resource type "cic", this OM counts the number of times that the computed resource utilization was greater than or equal to 95% and less than 96%. Resource utilization is computed every 1second.

Data Source

CNFP

Source Field

ResourceUtilizationIndex_25 (Seq# 26) for cic (Resource Type 2)

Source Section

Resource Utilization (Group ID 59)

cic_ResourceUtilizationIndex_26

For resource type "cic", this OM counts the number of times that the computed resource utilization was greater than or equal to 96% and less than 97%. Resource utilization is computed every 1second.

Data Source

CNFP

Source Field

ResourceUtilizationIndex_26 (Seq# 27) for cic (Resource Type 2)

Source Section

Resource Utilization (Group ID 59)

cic_ResourceUtilizationIndex_27

For resource type "cic", this OM counts the number of times that the computed resource utilization was greater than or equal to 97% and less than 98%. Resource utilization is computed every 1second.

Data Source

CNFP

Source Field

ResourceUtilizationIndex_27 (Seq# 28) for cic (Resource Type 2)

Source Section

Resource Utilization (Group ID 59)

cic_ResourceUtilizationIndex_28

For resource type "cic", this OM counts the number of times that the computed resource utilization was greater than or equal to 98% and less than 99%. Resource utilization is computed every 1second.

Data Source

CNFP

Source Field

ResourceUtilizationIndex_28 (Seq# 29) for cic (Resource Type 2)

Source Section

Resource Utilization (Group ID 59)

cic_ResourceUtilizationIndex_29

For resource type "cic", this OM counts the number of times that the computed resource utilization was greater than or equal to 99% and less than 100%. Resource utilization is computed every 1second.

Data Source

CNFP

Source Field

ResourceUtilizationIndex_29 (Seq# 30) for cic (Resource Type 2)

Source Section

Resource Utilization (Group ID 59)

cic_ResourceUtilizationIndex_3

For resource type "cic", this OM counts the number of times that the computed resource utilization was greater than or equal to 5% and less than 10%. Resource utilization is computed every 1second.

Data Source

CNFP

Source Field

ResourceUtilizationIndex_3 (Seq# 4) for cic (Resource Type 2)

Source Section

Resource Utilization (Group ID 59)

cic_ResourceUtilizationIndex_30

For resource type "cic", this OM counts the number of times that the computed resource utilization was equal to 100%. Resource utilization is computed every 1second.

Data Source

CNFP

Source Field

ResourceUtilizationIndex_30 (Seq# 31) for cic (Resource Type 2)

Source Section

Resource Utilization (Group ID 59)

cic_ResourceUtilizationIndex_4

For resource type "cic", this OM counts the number of times that the computed resource utilization was greater than or equal to 10% and less than 15%. Resource utilization is computed every 1second.

Data Source

CNFP

Source Field

ResourceUtilizationIndex_4 (Seq# 5) for cic (Resource Type 2)

Source Section

Resource Utilization (Group ID 59)

cic_ResourceUtilizationIndex_5

For resource type "cic", this OM counts the number of times that the computed resource utilization was greater than or equal to 15% and less than 20%. Resource utilization is computed every 1second.

Data Source

CNFP

Source Field

ResourceUtilizationIndex_5 (Seq# 6) for cic (Resource Type 2)

Source Section

Resource Utilization (Group ID 59)

cic_ResourceUtilizationIndex_6

For resource type "cic", this OM counts the number of times that the computed resource utilization was greater than or equal to 20% and less than 25%. Resource utilization is computed every 1second.

Data Source

CNFP

Source Field

ResourceUtilizationIndex_6 (Seq# 7) for cic (Resource Type 2)

Source Section

Resource Utilization (Group ID 59)

cic_ResourceUtilizationIndex_7

For resource type "cic", this OM counts the number of times that the computed resource utilization was greater than or equal to 25% and less than 30%. Resource utilization is computed every 1second.

Data Source

CNFP

Source Field

ResourceUtilizationIndex_7 (Seq# 8) for cic (Resource Type 2)

Source Section

Resource Utilization (Group ID 59)

cic_ResourceUtilizationIndex_8

For resource type "cic", this OM counts the number of times that the computed resource utilization was greater than or equal to 30% and less than 35%. Resource utilization is computed every 1second.

Data Source

CNFP

Source Field

ResourceUtilizationIndex_8 (Seq# 9) for cic (Resource Type 2)

Source Section

Resource Utilization (Group ID 59)

cic_ResourceUtilizationIndex_9

For resource type "cic", this OM counts the number of times that the computed resource utilization was greater than or equal to 35% and less than 40%. Resource utilization is computed every 1second.

Data Source

CNFP

Source Field

ResourceUtilizationIndex_9 (Seq# 10) for cic (Resource Type 2)

Source Section

Resource Utilization (Group ID 59)

ebscCct_MaxAvailableConfiguredCapacity

For resource type "ebscCct", this OM indicates the maximum number of resources which were available for carrying traffic in the collection interval. This value is sampled every 1second.

Data Source

CNFP

Source Field

MaxAvailableConfiguredCapacity (Seq# 1) for ebscCct (Resource Type 1)

Source Section

Resource Utilization (Group ID 59)

ebscCct_ResourceUtilizationIndex_1

For resource type "ebscCct", this OM counts the number of times that the computed resource utilization was greater than or equal to 0% and less than 1%. Resource utilization is computed every 1second.

Data Source

CNFP

Source Field

ResourceUtilizationIndex_1 (Seq# 2) for ebscCct (Resource Type 1)

Source Section

Resource Utilization (Group ID 59)

ebscCct_ResourceUtilizationIndex_10

For resource type "ebscCct", this OM counts the number of times that the computed resource utilization was greater than or equal to 40% and less than 45%. Resource utilization is computed every 1second.

Data Source

CNFP

Source Field

ResourceUtilizationIndex_10 (Seq# 11) for ebscCct (Resource Type 1)

Source Section

Resource Utilization (Group ID 59)

ebscCct_ResourceUtilizationIndex_11

For resource type "ebscCct", this OM counts the number of times that the computed resource utilization was greater than or equal to 45% and less than 50%. Resource utilization is computed every 1second.

Data Source

CNFP

Source Field

ResourceUtilizationIndex_11 (Seq# 12) for ebscCct (Resource Type 1)

Source Section

Resource Utilization (Group ID 59)

ebscCct_ResourceUtilizationIndex_12

For resource type "ebscCct", this OM counts the number of times that the computed resource utilization was greater than or equal to 50% and less than 55%. Resource utilization is computed every 1second.

Data Source

CNFP

Source Field

ResourceUtilizationIndex_12 (Seq# 13) for ebscCct (Resource Type 1)

Source Section

Resource Utilization (Group ID 59)

ebscCct_ResourceUtilizationIndex_13

For resource type "ebscCct", this OM counts the number of times that the computed resource utilization was greater than or equal to 55% and less than 60%. Resource utilization is computed every 1second.

Data Source

CNFP

Source Field

ResourceUtilizationIndex_13 (Seq# 14) for ebscCct (Resource Type 1)

Source Section

Resource Utilization (Group ID 59)

ebscCct_ResourceUtilizationIndex_14

For resource type "ebscCct", this OM counts the number of times that the computed resource utilization was greater than or equal to 60% and less than 65%. Resource utilization is computed every 1second.

Data Source

CNFP

Source Field

ResourceUtilizationIndex_14 (Seq# 15) for ebscCct (Resource Type 1)

Source Section

Resource Utilization (Group ID 59)

ebscCct_ResourceUtilizationIndex_15

For resource type "ebscCct", this OM counts the number of times that the computed resource utilization was greater than or equal to 65% and less than 70%. Resource utilization is computed every 1second.

Data Source

CNFP

Source Field

ResourceUtilizationIndex_15 (Seq# 16) for ebscCct (Resource Type 1)

Source Section

Resource Utilization (Group ID 59)

ebscCct_ResourceUtilizationIndex_16

For resource type "ebscCct", this OM counts the number of times that the computed resource utilization was greater than or equal to 70% and less than 75%. Resource utilization is computed every 1second.

Data Source

CNFP

Source Field

ResourceUtilizationIndex_16 (Seq# 17) for ebscCct (Resource Type 1)

Source Section

Resource Utilization (Group ID 59)

ebscCct_ResourceUtilizationIndex_17

For resource type "ebscCct", this OM counts the number of times that the computed resource utilization was greater than or equal to 75% and less than 80%. Resource utilization is computed every 1second.

Data Source

CNFP

Source Field

ResourceUtilizationIndex_17 (Seq# 18) for ebScCct (Resource Type 1)

Source Section

Resource Utilization (Group ID 59)

ebScCct_ResourceUtilizationIndex_18

For resource type "ebScCct", this OM counts the number of times that the computed resource utilization was greater than or equal to 80% and less than 85%. Resource utilization is computed every 1second.

Data Source

CNFP

Source Field

ResourceUtilizationIndex_18 (Seq# 19) for ebScCct (Resource Type 1)

Source Section

Resource Utilization (Group ID 59)

ebScCct_ResourceUtilizationIndex_19

For resource type "ebScCct", this OM counts the number of times that the computed resource utilization was greater than or equal to 85% and less than 90%. Resource utilization is computed every 1second.

Data Source

CNFP

Source Field

ResourceUtilizationIndex_19 (Seq# 20) for ebScCct (Resource Type 1)

Source Section

Resource Utilization (Group ID 59)

ebScCct_ResourceUtilizationIndex_2

For resource type "ebScCct", this OM counts the number of times that the computed resource utilization was greater than or equal to 1% and less than 5%. Resource utilization is computed every 1second.

Data Source

CNFP

Source Field

ResourceUtilizationIndex_2 (Seq# 3) for ebscCct (Resource Type 1)

Source Section

Resource Utilization (Group ID 59)

ebscCct_ResourceUtilizationIndex_20

For resource type "ebscCct", this OM counts the number of times that the computed resource utilization was greater than or equal to 90% and less than 91%. Resource utilization is computed every 1second.

Data Source

CNFP

Source Field

ResourceUtilizationIndex_20 (Seq# 21) for ebscCct (Resource Type 1)

Source Section

Resource Utilization (Group ID 59)

ebscCct_ResourceUtilizationIndex_21

For resource type "ebscCct", this OM counts the number of times that the computed resource utilization was greater than or equal to 91% and less than 92%. Resource utilization is computed every 1second.

Data Source

CNFP

Source Field

ResourceUtilizationIndex_21 (Seq# 22) for ebscCct (Resource Type 1)

Source Section

Resource Utilization (Group ID 59)

ebscCct_ResourceUtilizationIndex_22

For resource type "ebscCct", this OM counts the number of times that the computed resource utilization was greater than or equal to 92% and less than 93%. Resource utilization is computed every 1second.

Data Source

CNFP

Source Field

ResourceUtilizationIndex_22 (Seq# 23) for ebscCct (Resource Type 1)

Source Section

Resource Utilization (Group ID 59)

ebscCct_ResourceUtilizationIndex_23

For resource type "ebscCct", this OM counts the number of times that the computed resource utilization was greater than or equal to 93% and less than 94%. Resource utilization is computed every 1second.

Data Source

CNFP

Source Field

ResourceUtilizationIndex_23 (Seq# 24) for ebscCct (Resource Type 1)

Source Section

Resource Utilization (Group ID 59)

ebscCct_ResourceUtilizationIndex_24

For resource type "ebscCct", this OM counts the number of times that the computed resource utilization was greater than or equal to 94% and less than 95%. Resource utilization is computed every 1second.

Data Source

CNFP

Source Field

ResourceUtilizationIndex_24 (Seq# 25) for ebscCct (Resource Type 1)

Source Section

Resource Utilization (Group ID 59)

ebscCct_ResourceUtilizationIndex_25

For resource type "ebscCct", this OM counts the number of times that the computed resource utilization was greater than or equal to 95% and less than 96%. Resource utilization is computed every 1second.

Data Source

CNFP

Source Field

ResourceUtilizationIndex_25 (Seq# 26) for ebscCct (Resource Type 1)

Source Section

Resource Utilization (Group ID 59)

ebscCct_ResourceUtilizationIndex_26

For resource type "ebscCct", this OM counts the number of times that the computed resource utilization was greater than or equal to 96% and less than 97%. Resource utilization is computed every 1second.

Data Source

CNFP

Source Field

ResourceUtilizationIndex_26 (Seq# 27) for ebscCct (Resource Type 1)

Source Section

Resource Utilization (Group ID 59)

ebscCct_ResourceUtilizationIndex_27

For resource type "ebscCct", this OM counts the number of times that the computed resource utilization was greater than or equal to 97% and less than 98%. Resource utilization is computed every 1second.

Data Source

CNFP

Source Field

ResourceUtilizationIndex_27 (Seq# 28) for ebScCct (Resource Type 1)

Source Section

Resource Utilization (Group ID 59)

ebScCct_ResourceUtilizationIndex_28

For resource type "ebScCct", this OM counts the number of times that the computed resource utilization was greater than or equal to 98% and less than 99%. Resource utilization is computed every 1second.

Data Source

CNFP

Source Field

ResourceUtilizationIndex_28 (Seq# 29) for ebScCct (Resource Type 1)

Source Section

Resource Utilization (Group ID 59)

ebScCct_ResourceUtilizationIndex_29

For resource type "ebScCct", this OM counts the number of times that the computed resource utilization was greater than or equal to 99% and less than 100%. Resource utilization is computed every 1second.

Data Source

CNFP

Source Field

ResourceUtilizationIndex_29 (Seq# 30) for ebScCct (Resource Type 1)

Source Section

Resource Utilization (Group ID 59)

ebScCct_ResourceUtilizationIndex_3

For resource type "ebScCct", this OM counts the number of times that the computed resource utilization was greater than or equal to 5% and less than 10%. Resource utilization is computed every 1second.

Data Source

CNFP

Source Field

ResourceUtilizationIndex_3 (Seq# 4) for ebscCct (Resource Type 1)

Source Section

Resource Utilization (Group ID 59)

ebscCct_ResourceUtilizationIndex_30

For resource type "ebscCct", this OM counts the number of times that the computed resource utilization was equal to 100%. Resource utilization is computed every 1second.

Data Source

CNFP

Source Field

ResourceUtilizationIndex_30 (Seq# 31) for ebscCct (Resource Type 1)

Source Section

Resource Utilization (Group ID 59)

ebscCct_ResourceUtilizationIndex_4

For resource type "ebscCct", this OM counts the number of times that the computed resource utilization was greater than or equal to 10% and less than 15%. Resource utilization is computed every 1second.

Data Source

CNFP

Source Field

ResourceUtilizationIndex_4 (Seq# 5) for ebscCct (Resource Type 1)

Source Section

Resource Utilization (Group ID 59)

ebscCct_ResourceUtilizationIndex_5

For resource type "ebscCct", this OM counts the number of times that the computed resource utilization was greater than or equal to 15% and less than 20%. Resource utilization is computed every 1second.

Data Source

CNFP

Source Field

ResourceUtilizationIndex_5 (Seq# 6) for ebscCct (Resource Type 1)

Source Section

Resource Utilization (Group ID 59)

ebscCct_ResourceUtilizationIndex_6

For resource type "ebscCct", this OM counts the number of times that the computed resource utilization was greater than or equal to 20% and less than 25%. Resource utilization is computed every 1second.

Data Source

CNFP

Source Field

ResourceUtilizationIndex_6 (Seq# 7) for ebscCct (Resource Type 1)

Source Section

Resource Utilization (Group ID 59)

ebscCct_ResourceUtilizationIndex_7

For resource type "ebscCct", this OM counts the number of times that the computed resource utilization was greater than or equal to 25% and less than 30%. Resource utilization is computed every 1second.

Data Source

CNFP

Source Field

ResourceUtilizationIndex_7 (Seq# 8) for ebscCct (Resource Type 1)

Source Section

Resource Utilization (Group ID 59)

ebscCct_ResourceUtilizationIndex_8

For resource type "ebscCct", this OM counts the number of times that the computed resource utilization was greater than or equal to 30% and less than 35%. Resource utilization is computed every 1second.

Data Source

CNFP

Source Field

ResourceUtilizationIndex_8 (Seq# 9) for ebscCct (Resource Type 1)

Source Section

Resource Utilization (Group ID 59)

ebscCct_ResourceUtilizationIndex_9

For resource type "ebscCct", this OM counts the number of times that the computed resource utilization was greater than or equal to 35% and less than 40%. Resource utilization is computed every 1second.

Data Source

CNFP

Source Field

ResourceUtilizationIndex_9 (Seq# 10) for ebscCct (Resource Type 1)

Source Section

Resource Utilization (Group ID 59)

ebscPkt_MaxAvailableConfiguredCapacity

For resource type "ebscPkt", this OM indicates the maximum number of resources which were available for carrying traffic in the collection interval. This value is sampled every 1second.

Data Source

CNFP

Source Field

MaxAvailableConfiguredCapacity (Seq# 1) for ebscPkt (Resource Type 6)

Source Section

Resource Utilization (Group ID 59)

ebscPkt_ResourceUtilizationIndex_1

For resource type "ebscPkt", this OM counts the number of times that the computed resource utilization was greater than or equal to 0% and less than 1%. Resource utilization is computed every 1second.

Data Source

CNFP

Source Field

ResourceUtilizationIndex_1 (Seq# 2) for ebscPkt (Resource Type 6)

Source Section

Resource Utilization (Group ID 59)

ebscPkt_ResourceUtilizationIndex_10

For resource type "ebscPkt", this OM counts the number of times that the computed resource utilization was greater than or equal to 40% and less than 45%. Resource utilization is computed every 1second.

Data Source

CNFP

Source Field

ResourceUtilizationIndex_10 (Seq# 11) for ebscPkt (Resource Type 6)

Source Section

Resource Utilization (Group ID 59)

ebscPkt_ResourceUtilizationIndex_11

For resource type "ebscPkt", this OM counts the number of times that the computed resource utilization was greater than or equal to 45% and less than 50%. Resource utilization is computed every 1second.

Data Source

CNFP

Source Field

ResourceUtilizationIndex_11 (Seq# 12) for ebscPkt (Resource Type 6)

Source Section

Resource Utilization (Group ID 59)

ebscPkt_ResourceUtilizationIndex_12

For resource type "ebscPkt", this OM counts the number of times that the computed resource utilization was greater than or equal to 50% and less than 55%. Resource utilization is computed every 1second.

Data Source

CNFP

Source Field

ResourceUtilizationIndex_12 (Seq# 13) for ebscPkt (Resource Type 6)

Source Section

Resource Utilization (Group ID 59)

ebscPkt_ResourceUtilizationIndex_13

For resource type "ebscPkt", this OM counts the number of times that the computed resource utilization was greater than or equal to 55% and less than 60%. Resource utilization is computed every 1second.

Data Source

CNFP

Source Field

ResourceUtilizationIndex_13 (Seq# 14) for ebscPkt (Resource Type 6)

Source Section

Resource Utilization (Group ID 59)

ebscPkt_ResourceUtilizationIndex_14

For resource type "ebscPkt", this OM counts the number of times that the computed resource utilization was greater than or equal to 60% and less than 65%. Resource utilization is computed every 1second.

Data Source

CNFP

Source Field

ResourceUtilizationIndex_14 (Seq# 15) for ebscPkt (Resource Type 6)

Source Section

Resource Utilization (Group ID 59)

ebscPkt_ResourceUtilizationIndex_15

For resource type "ebscPkt", this OM counts the number of times that the computed resource utilization was greater than or equal to 65% and less than 70%. Resource utilization is computed every 1second.

Data Source

CNFP

Source Field

ResourceUtilizationIndex_15 (Seq# 16) for ebscPkt (Resource Type 6)

Source Section

Resource Utilization (Group ID 59)

ebscPkt_ResourceUtilizationIndex_16

For resource type "ebscPkt", this OM counts the number of times that the computed resource utilization was greater than or equal to 70% and less than 75%. Resource utilization is computed every 1second.

Data Source

CNFP

Source Field

ResourceUtilizationIndex_16 (Seq# 17) for ebscPkt (Resource Type 6)

Source Section

Resource Utilization (Group ID 59)

ebscPkt_ResourceUtilizationIndex_17

For resource type "ebscPkt", this OM counts the number of times that the computed resource utilization was greater than or equal to 75% and less than 80%. Resource utilization is computed every 1second.

Data Source

CNFP

Source Field

ResourceUtilizationIndex_17 (Seq# 18) for ebscPkt (Resource Type 6)

Source Section

Resource Utilization (Group ID 59)

ebscPkt_ResourceUtilizationIndex_18

For resource type "ebscPkt", this OM counts the number of times that the computed resource utilization was greater than or equal to 80% and less than 85%. Resource utilization is computed every 1second.

Data Source

CNFP

Source Field

ResourceUtilizationIndex_18 (Seq# 19) for ebscPkt (Resource Type 6)

Source Section

Resource Utilization (Group ID 59)

ebscPkt_ResourceUtilizationIndex_19

For resource type "ebscPkt", this OM counts the number of times that the computed resource utilization was greater than or equal to 85% and less than 90%. Resource utilization is computed every 1second.

Data Source

CNFP

Source Field

ResourceUtilizationIndex_19 (Seq# 20) for ebscPkt (Resource Type 6)

Source Section

Resource Utilization (Group ID 59)

ebscPkt_ResourceUtilizationIndex_2

For resource type "ebscPkt", this OM counts the number of times that the computed resource utilization was greater than or equal to 1% and less than 5%. Resource utilization is computed every 1second.

Data Source

CNFP

Source Field

ResourceUtilizationIndex_2 (Seq# 3) for ebscPkt (Resource Type 6)

Source Section

Resource Utilization (Group ID 59)

ebscPkt_ResourceUtilizationIndex_20

For resource type "ebscPkt", this OM counts the number of times that the computed resource utilization was greater than or equal to 90% and less than 91%. Resource utilization is computed every 1second.

Data Source

CNFP

Source Field

ResourceUtilizationIndex_20 (Seq# 21) for ebscPkt (Resource Type 6)

Source Section

Resource Utilization (Group ID 59)

ebscPkt_ResourceUtilizationIndex_21

For resource type "ebscPkt", this OM counts the number of times that the computed resource utilization was greater than or equal to 91% and less than 92%. Resource utilization is computed every 1second.

Data Source

CNFP

Source Field

ResourceUtilizationIndex_21 (Seq# 22) for ebscPkt (Resource Type 6)

Source Section

Resource Utilization (Group ID 59)

ebscPkt_ResourceUtilizationIndex_22

For resource type "ebscPkt", this OM counts the number of times that the computed resource utilization was greater than or equal to 92% and less than 93%. Resource utilization is computed every 1second.

Data Source

CNFP

Source Field

ResourceUtilizationIndex_22 (Seq# 23) for ebscPkt (Resource Type 6)

Source Section

Resource Utilization (Group ID 59)

ebscPkt_ResourceUtilizationIndex_23

For resource type "ebscPkt", this OM counts the number of times that the computed resource utilization was greater than or equal to 93% and less than 94%. Resource utilization is computed every 1second.

Data Source

CNFP

Source Field

ResourceUtilizationIndex_23 (Seq# 24) for ebscPkt (Resource Type 6)

Source Section

Resource Utilization (Group ID 59)

ebscPkt_ResourceUtilizationIndex_24

For resource type "ebscPkt", this OM counts the number of times that the computed resource utilization was greater than or equal to 94% and less than 95%. Resource utilization is computed every 1second.

Data Source

CNFP

Source Field

ResourceUtilizationIndex_24 (Seq# 25) for ebscPkt (Resource Type 6)

Source Section

Resource Utilization (Group ID 59)

ebscPkt_ResourceUtilizationIndex_25

For resource type "ebscPkt", this OM counts the number of times that the computed resource utilization was greater than or equal to 95% and less than 96%. Resource utilization is computed every 1second.

Data Source

CNFP

Source Field

ResourceUtilizationIndex_25 (Seq# 26) for ebscPkt (Resource Type 6)

Source Section

Resource Utilization (Group ID 59)

ebscPkt_ResourceUtilizationIndex_26

For resource type "ebscPkt", this OM counts the number of times that the computed resource utilization was greater than or equal to 96% and less than 97%. Resource utilization is computed every 1second.

Data Source

CNFP

Source Field

ResourceUtilizationIndex_26 (Seq# 27) for ebscPkt (Resource Type 6)

Source Section

Resource Utilization (Group ID 59)

ebscPkt_ResourceUtilizationIndex_27

For resource type "ebscPkt", this OM counts the number of times that the computed resource utilization was greater than or equal to 97% and less than 98%. Resource utilization is computed every 1second.

Data Source

CNFP

Source Field

ResourceUtilizationIndex_27 (Seq# 28) for ebscPkt (Resource Type 6)

Source Section

Resource Utilization (Group ID 59)

ebscPkt_ResourceUtilizationIndex_28

For resource type "ebscPkt", this OM counts the number of times that the computed resource utilization was greater than or equal to 98% and less than 99%. Resource utilization is computed every 1second.

Data Source

CNFP

Source Field

ResourceUtilizationIndex_28 (Seq# 29) for ebscPkt (Resource Type 6)

Source Section

Resource Utilization (Group ID 59)

ebscPkt_ResourceUtilizationIndex_29

For resource type "ebscPkt", this OM counts the number of times that the computed resource utilization was greater than or equal to 99% and less than 100%. Resource utilization is computed every 1second.

Data Source

CNFP

Source Field

ResourceUtilizationIndex_29 (Seq# 30) for ebscPkt (Resource Type 6)

Source Section

Resource Utilization (Group ID 59)

ebscPkt_ResourceUtilizationIndex_3

For resource type "ebscPkt", this OM counts the number of times that the computed resource utilization was greater than or equal to 5% and less than 10%. Resource utilization is computed every 1second.

Data Source

CNFP

Source Field

ResourceUtilizationIndex_3 (Seq# 4) for ebscPkt (Resource Type 6)

Source Section

Resource Utilization (Group ID 59)

ebscPkt_ResourceUtilizationIndex_30

For resource type "ebscPkt", this OM counts the number of times that the computed resource utilization was equal to 100%. Resource utilization is computed every 1second.

Data Source

CNFP

Source Field

ResourceUtilizationIndex_30 (Seq# 31) for ebscPkt (Resource Type 6)

Source Section

Resource Utilization (Group ID 59)

ebscPkt_ResourceUtilizationIndex_4

For resource type "ebscPkt", this OM counts the number of times that the computed resource utilization was greater than or equal to 10% and less than 15%. Resource utilization is computed every 1second.

Data Source

CNFP

Source Field

ResourceUtilizationIndex_4 (Seq# 5) for ebscPkt (Resource Type 6)

Source Section

Resource Utilization (Group ID 59)

ebscPkt_ResourceUtilizationIndex_5

For resource type "ebscPkt", this OM counts the number of times that the computed resource utilization was greater than or equal to 15% and less than 20%. Resource utilization is computed every 1second.

Data Source

CNFP

Source Field

ResourceUtilizationIndex_5 (Seq# 6) for ebscPkt (Resource Type 6)

Source Section

Resource Utilization (Group ID 59)

ebscPkt_ResourceUtilizationIndex_6

For resource type "ebscPkt", this OM counts the number of times that the computed resource utilization was greater than or equal to 20% and less than 25%. Resource utilization is computed every 1second.

Data Source

CNFP

Source Field

ResourceUtilizationIndex_6 (Seq# 7) for ebscPkt (Resource Type 6)

Source Section

Resource Utilization (Group ID 59)

ebscPkt_ResourceUtilizationIndex_7

For resource type "ebscPkt", this OM counts the number of times that the computed resource utilization was greater than or equal to 25% and less than 30%. Resource utilization is computed every 1second.

Data Source

CNFP

Source Field

ResourceUtilizationIndex_7 (Seq# 8) for ebscPkt (Resource Type 6)

Source Section

Resource Utilization (Group ID 59)

ebscPkt_ResourceUtilizationIndex_8

For resource type "ebscPkt", this OM counts the number of times that the computed resource utilization was greater than or equal to 30% and less than 35%. Resource utilization is computed every 1second.

Data Source

CNFP

Source Field

ResourceUtilizationIndex_8 (Seq# 9) for ebscPkt (Resource Type 6)

Source Section

Resource Utilization (Group ID 59)

ebscPkt_ResourceUtilizationIndex_9

For resource type "ebscPkt", this OM counts the number of times that the computed resource utilization was greater than or equal to 35% and less than 40%. Resource utilization is computed every 1second.

Data Source

CNFP

Source Field

ResourceUtilizationIndex_9 (Seq# 10) for ebscPkt (Resource Type 6)

Source Section

Resource Utilization (Group ID 59)

ebscSduPacketDataAndOther_MaxAvailableConfiguredCapacity

For resource type "ebscSduPacketDataAndOther", this OM indicates the maximum number of resources which were available for carrying traffic in the collection interval. This value is sampled every 1second.

Data Source

CNFP

Source Field

MaxAvailableConfiguredCapacity (Seq# 1) for ebscSduPacketDataAndOther (Resource Type 4)

Source Section

Resource Utilization (Group ID 59)

ebscSduPacketDataAndOther_ResourceUtilizationIndex_1

For resource type "ebscSduPacketDataAndOther", this OM counts the number of times that the computed resource utilization was greater than or equal to 0% and less than 1%. Resource utilization is computed every 1second.

Data Source

CNFP

Source Field

ResourceUtilizationIndex_1 (Seq# 2) for ebscSduPacketDataAndOther (Resource Type 4)

Source Section

Resource Utilization (Group ID 59)

ebscSduPacketDataAndOther_ResourceUtilizationIndex_10

For resource type "ebscSduPacketDataAndOther", this OM counts the number of times that the computed resource utilization was greater than or equal to 40% and less than 45%. Resource utilization is computed every 1second.

Data Source

CNFP

Source Field

ResourceUtilizationIndex_10 (Seq# 11) for ebscSduPacketDataAndOther (Resource Type 4)

Source Section

Resource Utilization (Group ID 59)

ebscSduPacketDataAndOther_ResourceUtilizationIndex_11

For resource type "ebscSduPacketDataAndOther", this OM counts the number of times that the computed resource utilization was greater than or equal to 45% and less than 50%. Resource utilization is computed every 1second.

Data Source

CNFP

Source Field

ResourceUtilizationIndex_11 (Seq# 12) for ebscSduPacketDataAndOther (Resource Type 4)

Source Section

Resource Utilization (Group ID 59)

ebscSduPacketDataAndOther_ResourceUtilizationIndex_12

For resource type "ebscSduPacketDataAndOther", this OM counts the number of times that the computed resource utilization was greater than or equal to 50% and less than 55%. Resource utilization is computed every 1second.

Data Source

CNFP

Source Field

ResourceUtilizationIndex_12 (Seq# 13) for ebscSduPacketDataAndOther (Resource Type 4)

Source Section

Resource Utilization (Group ID 59)

ebscSduPacketDataAndOther_ResourceUtilizationIndex_13

For resource type "ebscSduPacketDataAndOther", this OM counts the number of times that the computed resource utilization was greater than or equal to 55% and less than 60%. Resource utilization is computed every 1second.

Data Source

CNFP

Source Field

ResourceUtilizationIndex_13 (Seq# 14) for ebscSduPacketDataAndOther (Resource Type 4)

Source Section

Resource Utilization (Group ID 59)

ebscSduPacketDataAndOther_ResourceUtilizationIndex_14

For resource type "ebscSduPacketDataAndOther", this OM counts the number of times that the computed resource utilization was greater than or equal to 60% and less than 65%. Resource utilization is computed every 1second.

Data Source

CNFP

Source Field

ResourceUtilizationIndex_14 (Seq# 15) for ebscSduPacketDataAndOther (Resource Type 4)

Source Section

Resource Utilization (Group ID 59)

ebscSduPacketDataAndOther_ResourceUtilizationIndex_15

For resource type "ebscSduPacketDataAndOther", this OM counts the number of times that the computed resource utilization was greater than or equal to 65% and less than 70%. Resource utilization is computed every 1second.

Data Source

CNFP

Source Field

ResourceUtilizationIndex_15 (Seq# 16) for ebscSduPacketDataAndOther (Resource Type 4)

Source Section

Resource Utilization (Group ID 59)

ebscSduPacketDataAndOther_ResourceUtilizationIndex_16

For resource type "ebscSduPacketDataAndOther", this OM counts the number of times that the computed resource utilization was greater than or equal to 70% and less than 75%. Resource utilization is computed every 1second.

Data Source

CNFP

Source Field

ResourceUtilizationIndex_16 (Seq# 17) for ebscSduPacketDataAndOther (Resource Type 4)

Source Section

Resource Utilization (Group ID 59)

ebscSduPacketDataAndOther_ResourceUtilizationIndex_17

For resource type "ebscSduPacketDataAndOther", this OM counts the number of times that the computed resource utilization was greater than or equal to 75% and less than 80%. Resource utilization is computed every 1second.

Data Source

CNFP

Source Field

ResourceUtilizationIndex_17 (Seq# 18) for ebscSduPacketDataAndOther (Resource Type 4)

Source Section

Resource Utilization (Group ID 59)

ebscSduPacketDataAndOther_ResourceUtilizationIndex_18

For resource type "ebscSduPacketDataAndOther", this OM counts the number of times that the computed resource utilization was greater than or equal to 80% and less than 85%. Resource utilization is computed every 1second.

Data Source

CNFP

Source Field

ResourceUtilizationIndex_18 (Seq# 19) for ebscSduPacketDataAndOther (Resource Type 4)

Source Section

Resource Utilization (Group ID 59)

ebscSduPacketDataAndOther_ResourceUtilizationIndex_19

For resource type "ebscSduPacketDataAndOther", this OM counts the number of times that the computed resource utilization was greater than or equal to 85% and less than 90%. Resource utilization is computed every 1second.

Data Source

CNFP

Source Field

ResourceUtilizationIndex_19 (Seq# 20) for ebscSduPacketDataAndOther (Resource Type 4)

Source Section

Resource Utilization (Group ID 59)

ebscSduPacketDataAndOther_ResourceUtilizationIndex_2

For resource type "ebscSduPacketDataAndOther", this OM counts the number of times that the computed resource utilization was greater than or equal to 1% and less than 5%. Resource utilization is computed every 1second.

Data Source

CNFP

Source Field

ResourceUtilizationIndex_2 (Seq# 3) for ebscSduPacketDataAndOther (Resource Type 4)

Source Section

Resource Utilization (Group ID 59)

ebscSduPacketDataAndOther_ResourceUtilizationIndex_20

For resource type "ebscSduPacketDataAndOther", this OM counts the number of times that the computed resource utilization was greater than or equal to 90% and less than 91%. Resource utilization is computed every 1second.

Data Source

CNFP

Source Field

ResourceUtilizationIndex_20 (Seq# 21) for ebscSduPacketDataAndOther (Resource Type 4)

Source Section

Resource Utilization (Group ID 59)

ebscSduPacketDataAndOther_ResourceUtilizationIndex_21

For resource type "ebscSduPacketDataAndOther", this OM counts the number of times that the computed resource utilization was greater than or equal to 91% and less than 92%. Resource utilization is computed every 1second.

Data Source

CNFP

Source Field

ResourceUtilizationIndex_21 (Seq# 22) for ebscSduPacketDataAndOther (Resource Type 4)

Source Section

Resource Utilization (Group ID 59)

ebscSduPacketDataAndOther_ResourceUtilizationIndex_22

For resource type "ebscSduPacketDataAndOther", this OM counts the number of times that the computed resource utilization was greater than or equal to 92% and less than 93%. Resource utilization is computed every 1second.

Data Source

CNFP

Source Field

ResourceUtilizationIndex_22 (Seq# 23) for ebscSduPacketDataAndOther (Resource Type 4)

Source Section

Resource Utilization (Group ID 59)

ebscSduPacketDataAndOther_ResourceUtilizationIndex_23

For resource type "ebscSduPacketDataAndOther", this OM counts the number of times that the computed resource utilization was greater than or equal to 93% and less than 94%. Resource utilization is computed every 1second.

Data Source

CNFP

Source Field

ResourceUtilizationIndex_23 (Seq# 24) for ebscSduPacketDataAndOther (Resource Type 4)

Source Section

Resource Utilization (Group ID 59)

ebscSduPacketDataAndOther_ResourceUtilizationIndex_24

For resource type "ebscSduPacketDataAndOther", this OM counts the number of times that the computed resource utilization was greater than or equal to 94% and less than 95%. Resource utilization is computed every 1second.

Data Source

CNFP

Source Field

ResourceUtilizationIndex_24 (Seq# 25) for ebscSduPacketDataAndOther (Resource Type 4)

Source Section

Resource Utilization (Group ID 59)

ebscSduPacketDataAndOther_ResourceUtilizationIndex_25

For resource type "ebscSduPacketDataAndOther", this OM counts the number of times that the computed resource utilization was greater than or equal to 95% and less than 96%. Resource utilization is computed every 1second.

Data Source

CNFP

Source Field

ResourceUtilizationIndex_25 (Seq# 26) for ebscSduPacketDataAndOther (Resource Type 4)

Source Section

Resource Utilization (Group ID 59)

ebscSduPacketDataAndOther_ResourceUtilizationIndex_26

For resource type "ebscSduPacketDataAndOther", this OM counts the number of times that the computed resource utilization was greater than or equal to 96% and less than 97%. Resource utilization is computed every 1second.

Data Source

CNFP

Source Field

ResourceUtilizationIndex_26 (Seq# 27) for ebscSduPacketDataAndOther (Resource Type 4)

Source Section

Resource Utilization (Group ID 59)

ebscSduPacketDataAndOther_ResourceUtilizationIndex_27

For resource type "ebscSduPacketDataAndOther", this OM counts the number of times that the computed resource utilization was greater than or equal to 97% and less than 98%. Resource utilization is computed every 1second.

Data Source

CNFP

Source Field

ResourceUtilizationIndex_27 (Seq# 28) for ebscSduPacketDataAndOther (Resource Type 4)

Source Section

Resource Utilization (Group ID 59)

ebscSduPacketDataAndOther_ResourceUtilizationIndex_28

For resource type "ebscSduPacketDataAndOther", this OM counts the number of times that the computed resource utilization was greater than or equal to 98% and less than 99%. Resource utilization is computed every 1second.

Data Source

CNFP

Source Field

ResourceUtilizationIndex_28 (Seq# 29) for ebscSduPacketDataAndOther (Resource Type 4)

Source Section

Resource Utilization (Group ID 59)

ebscSduPacketDataAndOther_ResourceUtilizationIndex_29

For resource type "ebscSduPacketDataAndOther", this OM counts the number of times that the computed resource utilization was greater than or equal to 99% and less than 100%. Resource utilization is computed every 1second.

Data Source

CNFP

Source Field

ResourceUtilizationIndex_29 (Seq# 30) for ebscSduPacketDataAndOther (Resource Type 4)

Source Section

Resource Utilization (Group ID 59)

ebscSduPacketDataAndOther_ResourceUtilizationIndex_3

For resource type "ebscSduPacketDataAndOther", this OM counts the number of times that the computed resource utilization was greater than or equal to 5% and less than 10%. Resource utilization is computed every 1second.

Data Source

CNFP

Source Field

ResourceUtilizationIndex_3 (Seq# 4) for ebscSduPacketDataAndOther (Resource Type 4)

Source Section

Resource Utilization (Group ID 59)

ebscSduPacketDataAndOther_ResourceUtilizationIndex_30

For resource type "ebscSduPacketDataAndOther", this OM counts the number of times that the computed resource utilization was equal to 100%. Resource utilization is computed every 1second.

Data Source

CNFP

Source Field

ResourceUtilizationIndex_30 (Seq# 31) for ebscSduPacketDataAndOther (Resource Type 4)

Source Section

Resource Utilization (Group ID 59)

ebscSduPacketDataAndOther_ResourceUtilizationIndex_4

For resource type "ebscSduPacketDataAndOther", this OM counts the number of times that the computed resource utilization was greater than or equal to 10% and less than 15%. Resource utilization is computed every 1second.

Data Source

CNFP

Source Field

ResourceUtilizationIndex_4 (Seq# 5) for ebscSduPacketDataAndOther (Resource Type 4)

Source Section

Resource Utilization (Group ID 59)

ebscSduPacketDataAndOther_ResourceUtilizationIndex_5

For resource type "ebscSduPacketDataAndOther", this OM counts the number of times that the computed resource utilization was greater than or equal to 15% and less than 20%. Resource utilization is computed every 1second.

Data Source

CNFP

Source Field

ResourceUtilizationIndex_5 (Seq# 6) for ebscSduPacketDataAndOther (Resource Type 4)

Source Section

Resource Utilization (Group ID 59)

ebscSduPacketDataAndOther_ResourceUtilizationIndex_6

For resource type "ebscSduPacketDataAndOther", this OM counts the number of times that the computed resource utilization was greater than or equal to 20% and less than 25%. Resource utilization is computed every 1second.

Data Source

CNFP

Source Field

ResourceUtilizationIndex_6 (Seq# 7) for ebscSduPacketDataAndOther (Resource Type 4)

Source Section

Resource Utilization (Group ID 59)

ebscSduPacketDataAndOther_ResourceUtilizationIndex_7

For resource type "ebscSduPacketDataAndOther", this OM counts the number of times that the computed resource utilization was greater than or equal to 25% and less than 30%. Resource utilization is computed every 1second.

Data Source

CNFP

Source Field

ResourceUtilizationIndex_7 (Seq# 8) for ebscSduPacketDataAndOther (Resource Type 4)

Source Section

Resource Utilization (Group ID 59)

ebscSduPacketDataAndOther_ResourceUtilizationIndex_8

For resource type "ebscSduPacketDataAndOther", this OM counts the number of times that the computed resource utilization was greater than or equal to 30% and less than 35%. Resource utilization is computed every 1second.

Data Source

CNFP

Source Field

ResourceUtilizationIndex_8 (Seq# 9) for ebscSduPacketDataAndOther (Resource Type 4)

Source Section

Resource Utilization (Group ID 59)

ebscSduPacketDataAndOther_ResourceUtilizationIndex_9

For resource type "ebscSduPacketDataAndOther", this OM counts the number of times that the computed resource utilization was greater than or equal to 35% and less than 40%. Resource utilization is computed every 1second.

Data Source

CNFP

Source Field

ResourceUtilizationIndex_9 (Seq# 10) for ebscSduPacketDataAndOther (Resource Type 4)

Source Section

Resource Utilization (Group ID 59)

ebscSduVoiceAndOther_MaxAvailableConfiguredCapacity

For resource type "ebscSduVoiceAndOther", this OM indicates the maximum number of resources which were available for carrying traffic in the collection interval. This value is sampled every 1second.

Data Source

CNFP

Source Field

MaxAvailableConfiguredCapacity (Seq# 1) for ebscSduVoiceAndOther (Resource Type 3)

Source Section

Resource Utilization (Group ID 59)

ebscSduVoiceAndOther_ResourceUtilizationIndex_1

For resource type "ebscSduVoiceAndOther", this OM counts the number of times that the computed resource utilization was greater than or equal to 0% and less than 1%. Resource utilization is computed every 1second.

Data Source

CNFP

Source Field

ResourceUtilizationIndex_1 (Seq# 2) for ebscSduVoiceAndOther (Resource Type 3)

Source Section

Resource Utilization (Group ID 59)

ebscSduVoiceAndOther_ResourceUtilizationIndex_10

For resource type "ebscSduVoiceAndOther", this OM counts the number of times that the computed resource utilization was greater than or equal to 40% and less than 45%. Resource utilization is computed every 1second.

Data Source

CNFP

Source Field

ResourceUtilizationIndex_10 (Seq# 11) for ebcsSduVoiceAndOther (Resource Type 3)

Source Section

Resource Utilization (Group ID 59)

ebscSduVoiceAndOther_ResourceUtilizationIndex_11

For resource type "ebscSduVoiceAndOther", this OM counts the number of times that the computed resource utilization was greater than or equal to 45% and less than 50%. Resource utilization is computed every 1second.

Data Source

CNFP

Source Field

ResourceUtilizationIndex_11 (Seq# 12) for ebcsSduVoiceAndOther (Resource Type 3)

Source Section

Resource Utilization (Group ID 59)

ebscSduVoiceAndOther_ResourceUtilizationIndex_12

For resource type "ebscSduVoiceAndOther", this OM counts the number of times that the computed resource utilization was greater than or equal to 50% and less than 55%. Resource utilization is computed every 1second.

Data Source

CNFP

Source Field

ResourceUtilizationIndex_12 (Seq# 13) for ebscSduVoiceAndOther (Resource Type 3)

Source Section

Resource Utilization (Group ID 59)

ebscSduVoiceAndOther_ResourceUtilizationIndex_13

For resource type "ebscSduVoiceAndOther", this OM counts the number of times that the computed resource utilization was greater than or equal to 55% and less than 60%. Resource utilization is computed every 1second.

Data Source

CNFP

Source Field

ResourceUtilizationIndex_13 (Seq# 14) for ebscSduVoiceAndOther (Resource Type 3)

Source Section

Resource Utilization (Group ID 59)

ebscSduVoiceAndOther_ResourceUtilizationIndex_14

For resource type "ebscSduVoiceAndOther", this OM counts the number of times that the computed resource utilization was greater than or equal to 60% and less than 65%. Resource utilization is computed every 1second.

Data Source

CNFP

Source Field

ResourceUtilizationIndex_14 (Seq# 15) for ebscSduVoiceAndOther (Resource Type 3)

Source Section

Resource Utilization (Group ID 59)

ebscSduVoiceAndOther_ResourceUtilizationIndex_15

For resource type "ebscSduVoiceAndOther", this OM counts the number of times that the computed resource utilization was greater than or equal to 65% and less than 70%. Resource utilization is computed every 1second.

Data Source

CNFP

Source Field

ResourceUtilizationIndex_15 (Seq# 16) for ebscSduVoiceAndOther (Resource Type 3)

Source Section

Resource Utilization (Group ID 59)

ebscSduVoiceAndOther_ResourceUtilizationIndex_16

For resource type "ebscSduVoiceAndOther", this OM counts the number of times that the computed resource utilization was greater than or equal to 70% and less than 75%. Resource utilization is computed every 1second.

Data Source

CNFP

Source Field

ResourceUtilizationIndex_16 (Seq# 17) for ebscSduVoiceAndOther (Resource Type 3)

Source Section

Resource Utilization (Group ID 59)

ebscSduVoiceAndOther_ResourceUtilizationIndex_17

For resource type "ebscSduVoiceAndOther", this OM counts the number of times that the computed resource utilization was greater than or equal to 75% and less than 80%. Resource utilization is computed every 1second.

Data Source

CNFP

Source Field

ResourceUtilizationIndex_17 (Seq# 18) for ebscSduVoiceAndOther (Resource Type 3)

Source Section

Resource Utilization (Group ID 59)

ebscSduVoiceAndOther_ResourceUtilizationIndex_18

For resource type "ebscSduVoiceAndOther", this OM counts the number of times that the computed resource utilization was greater than or equal to 80% and less than 85%. Resource utilization is computed every 1second.

Data Source

CNFP

Source Field

ResourceUtilizationIndex_18 (Seq# 19) for ebscSduVoiceAndOther (Resource Type 3)

Source Section

Resource Utilization (Group ID 59)

ebscSduVoiceAndOther_ResourceUtilizationIndex_19

For resource type "ebscSduVoiceAndOther", this OM counts the number of times that the computed resource utilization was greater than or equal to 85% and less than 90%. Resource utilization is computed every 1second.

Data Source

CNFP

Source Field

ResourceUtilizationIndex_19 (Seq# 20) for ebscSduVoiceAndOther (Resource Type 3)

Source Section

Resource Utilization (Group ID 59)

ebscSduVoiceAndOther_ResourceUtilizationIndex_2

For resource type "ebscSduVoiceAndOther", this OM counts the number of times that the computed resource utilization was greater than or equal to 1% and less than 5%. Resource utilization is computed every 1second.

Data Source

CNFP

Source Field

ResourceUtilizationIndex_2 (Seq# 3) for ebscSduVoiceAndOther (Resource Type 3)

Source Section

Resource Utilization (Group ID 59)

ebscSduVoiceAndOther_ResourceUtilizationIndex_20

For resource type "ebscSduVoiceAndOther", this OM counts the number of times that the computed resource utilization was greater than or equal to 90% and less than 91%. Resource utilization is computed every 1second.

Data Source

CNFP

Source Field

ResourceUtilizationIndex_20 (Seq# 21) for ebscSduVoiceAndOther (Resource Type 3)

Source Section

Resource Utilization (Group ID 59)

ebscSduVoiceAndOther_ResourceUtilizationIndex_21

For resource type "ebscSduVoiceAndOther", this OM counts the number of times that the computed resource utilization was greater than or equal to 91% and less than 92%. Resource utilization is computed every 1second.

Data Source

CNFP

Source Field

ResourceUtilizationIndex_21 (Seq# 22) for ebscSduVoiceAndOther (Resource Type 3)

Source Section

Resource Utilization (Group ID 59)

ebscSduVoiceAndOther_ResourceUtilizationIndex_22

For resource type "ebscSduVoiceAndOther", this OM counts the number of times that the computed resource utilization was greater than or equal to 92% and less than 93%. Resource utilization is computed every 1second.

Data Source

CNFP

Source Field

ResourceUtilizationIndex_22 (Seq# 23) for ebscSduVoiceAndOther (Resource Type 3)

Source Section

Resource Utilization (Group ID 59)

ebscSduVoiceAndOther_ResourceUtilizationIndex_23

For resource type "ebscSduVoiceAndOther", this OM counts the number of times that the computed resource utilization was greater than or equal to 93% and less than 94%. Resource utilization is computed every 1second.

Data Source

CNFP

Source Field

ResourceUtilizationIndex_23 (Seq# 24) for ebscSduVoiceAndOther (Resource Type 3)

Source Section

Resource Utilization (Group ID 59)

ebscSduVoiceAndOther_ResourceUtilizationIndex_24

For resource type "ebscSduVoiceAndOther", this OM counts the number of times that the computed resource utilization was greater than or equal to 94% and less than 95%. Resource utilization is computed every 1second.

Data Source

CNFP

Source Field

ResourceUtilizationIndex_24 (Seq# 25) for ebscSduVoiceAndOther (Resource Type 3)

Source Section

Resource Utilization (Group ID 59)

ebscSduVoiceAndOther_ResourceUtilizationIndex_25

For resource type "ebscSduVoiceAndOther", this OM counts the number of times that the computed resource utilization was greater than or equal to 95% and less than 96%. Resource utilization is computed every 1second.

Data Source

CNFP

Source Field

ResourceUtilizationIndex_25 (Seq# 26) for ebscSduVoiceAndOther (Resource Type 3)

Source Section

Resource Utilization (Group ID 59)

ebscSduVoiceAndOther_ResourceUtilizationIndex_26

For resource type "ebscSduVoiceAndOther", this OM counts the number of times that the computed resource utilization was greater than or equal to 96% and less than 97%. Resource utilization is computed every 1second.

Data Source

CNFP

Source Field

ResourceUtilizationIndex_26 (Seq# 27) for ebscSduVoiceAndOther (Resource Type 3)

Source Section

Resource Utilization (Group ID 59)

ebscSduVoiceAndOther_ResourceUtilizationIndex_27

For resource type "ebscSduVoiceAndOther", this OM counts the number of times that the computed resource utilization was greater than or equal to 97% and less than 98%. Resource utilization is computed every 1second.

Data Source

CNFP

Source Field

ResourceUtilizationIndex_27 (Seq# 28) for ebscSduVoiceAndOther (Resource Type 3)

Source Section

Resource Utilization (Group ID 59)

ebscSduVoiceAndOther_ResourceUtilizationIndex_28

For resource type "ebscSduVoiceAndOther", this OM counts the number of times that the computed resource utilization was greater than or equal to 98% and less than 99%. Resource utilization is computed every 1second.

Data Source

CNFP

Source Field

ResourceUtilizationIndex_28 (Seq# 29) for ebscSduVoiceAndOther (Resource Type 3)

Source Section

Resource Utilization (Group ID 59)

ebscSduVoiceAndOther_ResourceUtilizationIndex_29

For resource type "ebscSduVoiceAndOther", this OM counts the number of times that the computed resource utilization was greater than or equal to 99% and less than 100%. Resource utilization is computed every 1second.

Data Source

CNFP

Source Field

ResourceUtilizationIndex_29 (Seq# 30) for ebscSduVoiceAndOther (Resource Type 3)

Source Section

Resource Utilization (Group ID 59)

ebscSduVoiceAndOther_ResourceUtilizationIndex_3

For resource type "ebscSduVoiceAndOther", this OM counts the number of times that the computed resource utilization was greater than or equal to 5% and less than 10%. Resource utilization is computed every 1second.

Data Source

CNFP

Source Field

ResourceUtilizationIndex_3 (Seq# 4) for ebscSduVoiceAndOther (Resource Type 3)

Source Section

Resource Utilization (Group ID 59)

ebscSduVoiceAndOther_ResourceUtilizationIndex_30

For resource type "ebscSduVoiceAndOther", this OM counts the number of times that the computed resource utilization was equal to 100%. Resource utilization is computed every 1second.

Data Source

CNFP

Source Field

ResourceUtilizationIndex_30 (Seq# 31) for ebscSduVoiceAndOther (Resource Type 3)

Source Section

Resource Utilization (Group ID 59)

ebscSduVoiceAndOther_ResourceUtilizationIndex_4

For resource type "ebscSduVoiceAndOther", this OM counts the number of times that the computed resource utilization was greater than or equal to 10% and less than 15%. Resource utilization is computed every 1second.

Data Source

CNFP

Source Field

ResourceUtilizationIndex_4 (Seq# 5) for ebscSduVoiceAndOther (Resource Type 3)

Source Section

Resource Utilization (Group ID 59)

ebscSduVoiceAndOther_ResourceUtilizationIndex_5

For resource type "ebscSduVoiceAndOther", this OM counts the number of times that the computed resource utilization was greater than or equal to 15% and less than 20%. Resource utilization is computed every 1second.

Data Source

CNFP

Source Field

ResourceUtilizationIndex_5 (Seq# 6) for ebScSduVoiceAndOther (Resource Type 3)

Source Section

Resource Utilization (Group ID 59)

ebScSduVoiceAndOther_ResourceUtilizationIndex_6

For resource type "ebScSduVoiceAndOther", this OM counts the number of times that the computed resource utilization was greater than or equal to 20% and less than 25%. Resource utilization is computed every 1second.

Data Source

CNFP

Source Field

ResourceUtilizationIndex_6 (Seq# 7) for ebScSduVoiceAndOther (Resource Type 3)

Source Section

Resource Utilization (Group ID 59)

ebScSduVoiceAndOther_ResourceUtilizationIndex_7

For resource type "ebScSduVoiceAndOther", this OM counts the number of times that the computed resource utilization was greater than or equal to 25% and less than 30%. Resource utilization is computed every 1second.

Data Source

CNFP

Source Field

ResourceUtilizationIndex_7 (Seq# 8) for ebScSduVoiceAndOther (Resource Type 3)

Source Section

Resource Utilization (Group ID 59)

ebScSduVoiceAndOther_ResourceUtilizationIndex_8

For resource type "ebScSduVoiceAndOther", this OM counts the number of times that the computed resource utilization was greater than or equal to 30% and less than 35%. Resource utilization is computed every 1second.

Data Source

CNFP

Source Field

ResourceUtilizationIndex_8 (Seq# 9) for ebscSduVoiceAndOther (Resource Type 3)

Source Section

Resource Utilization (Group ID 59)

ebscSduVoiceAndOther_ResourceUtilizationIndex_9

For resource type "ebscSduVoiceAndOther", this OM counts the number of times that the computed resource utilization was greater than or equal to 35% and less than 40%. Resource utilization is computed every 1second.

Data Source

CNFP

Source Field

ResourceUtilizationIndex_9 (Seq# 10) for ebscSduVoiceAndOther (Resource Type 3)

Source Section

Resource Utilization (Group ID 59)

ebscTrfo_MaxAvailableConfiguredCapacity

For resource type "ebscTrfo", this OM indicates the maximum number of resources which were available for carrying traffic in the collection interval. This value is sampled every 1second.

Data Source

CNFP

Source Field

MaxAvailableConfiguredCapacity (Seq# 1) for ebscTrfo (Resource Type 7)

Source Section

Resource Utilization (Group ID 59)

ebscTrfo_ResourceUtilizationIndex_1

For resource type "ebscTrfo", this OM counts the number of times that the computed resource utilization was greater than or equal to 0% and less than 1%. Resource utilization is computed every 1second.

Data Source

CNFP

Source Field

ResourceUtilizationIndex_1 (Seq# 2) for ebscTrfo (Resource Type 7)

Source Section

Resource Utilization (Group ID 59)

ebscTrfo_ResourceUtilizationIndex_10

For resource type "ebscTrfo", this OM counts the number of times that the computed resource utilization was greater than or equal to 40% and less than 45%. Resource utilization is computed every 1second.

Data Source

CNFP

Source Field

ResourceUtilizationIndex_10 (Seq# 11) for ebscTrfo (Resource Type 7)

Source Section

Resource Utilization (Group ID 59)

ebscTrfo_ResourceUtilizationIndex_11

For resource type "ebscTrfo", this OM counts the number of times that the computed resource utilization was greater than or equal to 45% and less than 50%. Resource utilization is computed every 1second.

Data Source

CNFP

Source Field

ResourceUtilizationIndex_11 (Seq# 12) for ebscTrfo (Resource Type 7)

Source Section

Resource Utilization (Group ID 59)

ebscTrfo_ResourceUtilizationIndex_12

For resource type "ebscTrfo", this OM counts the number of times that the computed resource utilization was greater than or equal to 50% and less than 55%. Resource utilization is computed every 1second.

Data Source

CNFP

Source Field

ResourceUtilizationIndex_12 (Seq# 13) for ebscTrfo (Resource Type 7)

Source Section

Resource Utilization (Group ID 59)

ebscTrfo_ResourceUtilizationIndex_13

For resource type "ebscTrfo", this OM counts the number of times that the computed resource utilization was greater than or equal to 55% and less than 60%. Resource utilization is computed every 1second.

Data Source

CNFP

Source Field

ResourceUtilizationIndex_13 (Seq# 14) for ebscTrfo (Resource Type 7)

Source Section

Resource Utilization (Group ID 59)

ebscTrfo_ResourceUtilizationIndex_14

For resource type "ebscTrfo", this OM counts the number of times that the computed resource utilization was greater than or equal to 60% and less than 65%. Resource utilization is computed every 1second.

Data Source

CNFP

Source Field

ResourceUtilizationIndex_14 (Seq# 15) for ebscTrfo (Resource Type 7)

Source Section

Resource Utilization (Group ID 59)

ebscTrfo_ResourceUtilizationIndex_15

For resource type "ebscTrfo", this OM counts the number of times that the computed resource utilization was greater than or equal to 65% and less than 70%. Resource utilization is computed every 1second.

Data Source

CNFP

Source Field

ResourceUtilizationIndex_15 (Seq# 16) for ebscTrfo (Resource Type 7)

Source Section

Resource Utilization (Group ID 59)

ebscTrfo_ResourceUtilizationIndex_16

For resource type "ebscTrfo", this OM counts the number of times that the computed resource utilization was greater than or equal to 70% and less than 75%. Resource utilization is computed every 1second.

Data Source

CNFP

Source Field

ResourceUtilizationIndex_16 (Seq# 17) for ebscTrfo (Resource Type 7)

Source Section

Resource Utilization (Group ID 59)

ebscTrfo_ResourceUtilizationIndex_17

For resource type "ebscTrfo", this OM counts the number of times that the computed resource utilization was greater than or equal to 75% and less than 80%. Resource utilization is computed every 1second.

Data Source

CNFP

Source Field

ResourceUtilizationIndex_17 (Seq# 18) for ebscTrfo (Resource Type 7)

Source Section

Resource Utilization (Group ID 59)

ebscTrfo_ResourceUtilizationIndex_18

For resource type "ebscTrfo", this OM counts the number of times that the computed resource utilization was greater than or equal to 80% and less than 85%. Resource utilization is computed every 1second.

Data Source

CNFP

Source Field

ResourceUtilizationIndex_18 (Seq# 19) for ebscTrfo (Resource Type 7)

Source Section

Resource Utilization (Group ID 59)

ebscTrfo_ResourceUtilizationIndex_19

For resource type "ebscTrfo", this OM counts the number of times that the computed resource utilization was greater than or equal to 85% and less than 90%. Resource utilization is computed every 1second.

Data Source

CNFP

Source Field

ResourceUtilizationIndex_19 (Seq# 20) for ebscTrfo (Resource Type 7)

Source Section

Resource Utilization (Group ID 59)

ebscTrfo_ResourceUtilizationIndex_2

For resource type "ebscTrfo", this OM counts the number of times that the computed resource utilization was greater than or equal to 1% and less than 5%. Resource utilization is computed every 1second.

Data Source

CNFP

Source Field

ResourceUtilizationIndex_2 (Seq# 3) for ebscTrfo (Resource Type 7)

Source Section

Resource Utilization (Group ID 59)

ebscTrfo_ResourceUtilizationIndex_20

For resource type "ebscTrfo", this OM counts the number of times that the computed resource utilization was greater than or equal to 90% and less than 91%. Resource utilization is computed every 1second.

Data Source

CNFP

Source Field

ResourceUtilizationIndex_20 (Seq# 21) for ebscTrfo (Resource Type 7)

Source Section

Resource Utilization (Group ID 59)

ebscTrfo_ResourceUtilizationIndex_21

For resource type "ebscTrfo", this OM counts the number of times that the computed resource utilization was greater than or equal to 91% and less than 92%. Resource utilization is computed every 1second.

Data Source

CNFP

Source Field

ResourceUtilizationIndex_21 (Seq# 22) for ebscTrfo (Resource Type 7)

Source Section

Resource Utilization (Group ID 59)

ebscTrfo_ResourceUtilizationIndex_22

For resource type "ebscTrfo", this OM counts the number of times that the computed resource utilization was greater than or equal to 92% and less than 93%. Resource utilization is computed every 1second.

Data Source

CNFP

Source Field

ResourceUtilizationIndex_22 (Seq# 23) for ebscTrfo (Resource Type 7)

Source Section

Resource Utilization (Group ID 59)

ebscTrfo_ResourceUtilizationIndex_23

For resource type "ebscTrfo", this OM counts the number of times that the computed resource utilization was greater than or equal to 93% and less than 94%. Resource utilization is computed every 1second.

Data Source

CNFP

Source Field

ResourceUtilizationIndex_23 (Seq# 24) for ebscTrfo (Resource Type 7)

Source Section

Resource Utilization (Group ID 59)

ebscTrfo_ResourceUtilizationIndex_24

For resource type "ebscTrfo", this OM counts the number of times that the computed resource utilization was greater than or equal to 94% and less than 95%. Resource utilization is computed every 1second.

Data Source

CNFP

Source Field

ResourceUtilizationIndex_24 (Seq# 25) for ebscTrfo (Resource Type 7)

Source Section

Resource Utilization (Group ID 59)

ebscTrfo_ResourceUtilizationIndex_25

For resource type "ebscTrfo", this OM counts the number of times that the computed resource utilization was greater than or equal to 95% and less than 96%. Resource utilization is computed every 1second.

Data Source

CNFP

Source Field

ResourceUtilizationIndex_25 (Seq# 26) for ebscTrfo (Resource Type 7)

Source Section

Resource Utilization (Group ID 59)

ebscTrfo_ResourceUtilizationIndex_26

For resource type "ebscTrfo", this OM counts the number of times that the computed resource utilization was greater than or equal to 96% and less than 97%. Resource utilization is computed every 1second.

Data Source

CNFP

Source Field

ResourceUtilizationIndex_26 (Seq# 27) for ebscTrfo (Resource Type 7)

Source Section

Resource Utilization (Group ID 59)

ebscTrfo_ResourceUtilizationIndex_27

For resource type "ebscTrfo", this OM counts the number of times that the computed resource utilization was greater than or equal to 97% and less than 98%. Resource utilization is computed every 1second.

Data Source

CNFP

Source Field

ResourceUtilizationIndex_27 (Seq# 28) for ebscTrfo (Resource Type 7)

Source Section

Resource Utilization (Group ID 59)

ebscTrfo_ResourceUtilizationIndex_28

For resource type "ebscTrfo", this OM counts the number of times that the computed resource utilization was greater than or equal to 98% and less than 99%. Resource utilization is computed every 1second.

Data Source

CNFP

Source Field

ResourceUtilizationIndex_28 (Seq# 29) for ebscTrfo (Resource Type 7)

Source Section

Resource Utilization (Group ID 59)

ebscTrfo_ResourceUtilizationIndex_29

For resource type "ebscTrfo", this OM counts the number of times that the computed resource utilization was greater than or equal to 99% and less than 100%. Resource utilization is computed every 1second.

Data Source

CNFP

Source Field

ResourceUtilizationIndex_29 (Seq# 30) for ebscTrfo (Resource Type 7)

Source Section

Resource Utilization (Group ID 59)

ebscTrfo_ResourceUtilizationIndex_3

For resource type "ebscTrfo", this OM counts the number of times that the computed resource utilization was greater than or equal to 5% and less than 10%. Resource utilization is computed every 1second.

Data Source

CNFP

Source Field

ResourceUtilizationIndex_3 (Seq# 4) for ebscTrfo (Resource Type 7)

Source Section

Resource Utilization (Group ID 59)

ebscTrfo_ResourceUtilizationIndex_30

For resource type "ebscTrfo", this OM counts the number of times that the computed resource utilization was equal to 100%. Resource utilization is computed every 1second.

Data Source

CNFP

Source Field

ResourceUtilizationIndex_30 (Seq# 31) for ebscTrfo (Resource Type 7)

Source Section

Resource Utilization (Group ID 59)

ebscTrfo_ResourceUtilizationIndex_4

For resource type "ebscTrfo", this OM counts the number of times that the computed resource utilization was greater than or equal to 10% and less than 15%. Resource utilization is computed every 1second.

Data Source

CNFP

Source Field

ResourceUtilizationIndex_4 (Seq# 5) for ebscTrfo (Resource Type 7)

Source Section

Resource Utilization (Group ID 59)

ebscTrfo_ResourceUtilizationIndex_5

For resource type "ebscTrfo", this OM counts the number of times that the computed resource utilization was greater than or equal to 15% and less than 20%. Resource utilization is computed every 1second.

Data Source

CNFP

Source Field

ResourceUtilizationIndex_5 (Seq# 6) for ebscTrfo (Resource Type 7)

Source Section

Resource Utilization (Group ID 59)

ebscTrfo_ResourceUtilizationIndex_6

For resource type "ebscTrfo", this OM counts the number of times that the computed resource utilization was greater than or equal to 20% and less than 25%. Resource utilization is computed every 1second.

Data Source

CNFP

Source Field

ResourceUtilizationIndex_6 (Seq# 7) for ebscTrfo (Resource Type 7)

Source Section

Resource Utilization (Group ID 59)

ebscTrfo_ResourceUtilizationIndex_7

For resource type "ebscTrfo", this OM counts the number of times that the computed resource utilization was greater than or equal to 25% and less than 30%. Resource utilization is computed every 1second.

Data Source

CNFP

Source Field

ResourceUtilizationIndex_7 (Seq# 8) for ebscTrfo (Resource Type 7)

Source Section

Resource Utilization (Group ID 59)

ebscTrfo_ResourceUtilizationIndex_8

For resource type "ebscTrfo", this OM counts the number of times that the computed resource utilization was greater than or equal to 30% and less than 35%. Resource utilization is computed every 1second.

Data Source

CNFP

Source Field

ResourceUtilizationIndex_8 (Seq# 9) for ebscTrfo (Resource Type 7)

Source Section

Resource Utilization (Group ID 59)

ebscTrfo_ResourceUtilizationIndex_9

For resource type "ebscTrfo", this OM counts the number of times that the computed resource utilization was greater than or equal to 35% and less than 40%. Resource utilization is computed every 1second.

Data Source

CNFP

Source Field

ResourceUtilizationIndex_9 (Seq# 10) for ebscTrfo (Resource Type 7)

Source Section

Resource Utilization (Group ID 59)

Context Primitive Calculations

The following is a list of primitive calculations for the Context entity.

GRAPHmultiLineSeparator

Special Control Field for Multi-Line Graphs

Calculation

""

NUMDAYS

of days in Report

Calculation

DAYSINREPORT ()

NUMHOURS

of hours in Summation Data

Calculation

DCG Primitive Calculations

The following is a list of primitive calculations for the DCG entity.

AckIndSent

Number of acknowledgement indications messages handed to the message delivery system.

Calculation

```
vsum(AckIndSent_0_4,AckIndSent_5_9,AckIndSent_10_14,AckIndSent_15_19,AckIndSent_20_24,AckIndSent_25_29,0)
```

AckIndUndeliverable

Number of acknowledgement indications which could not be delivered by the message delivery system.

Calculation

```
vsum(AckIndUndeliverable_0_4,AckIndUndeliverable_5_9,AckIndUndeliverable_10_14,AckIndUndeliverable_15_19,AckIndUndeliverable_20_24,AckIndUndeliverable_25_29,0)
```

AuthenticationChallengeRspSent

Number of authentication challenge response messages handed to the message delivery system.

Calculation

```
vsum(AuthenticationChallengeRspSent_0_4,AuthenticationChallengeRspSent_5_9,AuthenticationChallengeRspSent_10_14,AuthenticationChallengeRspSent_15_19,AuthenticationChallengeRspSent_20_24,AuthenticationChallengeRspSent_25_29,0)
```

AuthenticationChallengeRspUndeliverable

Number of authentication challenge response messages which could not be delivered by the message delivery system.

Calculation

```
vsum(AuthenticationChallengeRspUndeliverable_0_4,AuthenticationChallengeRspUndeliverable_5_9,AuthenticationChallengeRspUndeliverable_10_14,AuthenticationChallengeRspUndeliverable_15_19,AuthenticationChallengeRspUndeliverable_20_24,AuthenticationChallengeRspUndeliverable_25_29,0)
```

AuthenticationCmdDropped

Number of authentication command messages received which were dropped.

Calculation

```
vsum(AuthenticationCmdDropped_0_4,AuthenticationCmdDropped_5_9,AuthenticationCmdDropped_10_14,AuthenticationCmdDropped_15_19,AuthenticationCmdDropped_20_24,AuthenticationCmdDropped_25_29,0)
```

AuthenticationCmdRcvd

Number of authentication command messages received.

Calculation

```
vsum(AuthenticationCmdRcvd_0_4,AuthenticationCmdRcvd_5_9,AuthenticationCmdRcvd_10_14,AuthenticationCmdRcvd_15_19,AuthenticationCmdRcvd_20_24,AuthenticationCmdRcvd_25_29,0)
```

BroadcastMsgsDropped

Number of messages received at the BTS which were dropped before the message could be enqueued for processing.

Calculation

```
vsum(BroadcastMsgsDropped_0_4,BroadcastMsgsDropped_5_9,BroadcastMsgsDropped_10_14,BroadcastMsgsDropped_15_19,BroadcastMsgsDropped_20_24,BroadcastMsgsDropped_25_29,0)
```

CapacityRequestResultsSentSCH

Number of SCH capacity request result messages prepared and handed to the messaging system for delivery.

Calculation

```
vsum(CapacityRequestResultsSentSCH_0_4, CapacityRequestResultsSentSCH_5_9, CapacityRequestResultsSentSCH_10_14, CapacityRequestResultsSentSCH_15_19, CapacityRequestResultsSentSCH_20_24, CapacityRequestResultsSentSCH_25_29, 0)
```

CapacityRequestResultsUndeliverableSCH

Number of capacity request result messages which could not be delivered by the messaging system.

Calculation

```
vsum(CapacityRequestResultsUndeliverableSCH_0_4, CapacityRequestResultsUndeliverableSCH_5_9, CapacityRequestResultsUndeliverableSCH_10_14, CapacityRequestResultsUndeliverableSCH_15_19, CapacityRequestResultsUndeliverableSCH_20_24, CapacityRequestResultsUndeliverableSCH_25_29, 0)
```

CapacityRequestsRcvdSCH

Number of SCH capacity requests received.

Calculation

```
vsum(CapacityRequestsRcvdSCH_0_4, CapacityRequestsRcvdSCH_5_9, CapacityRequestsRcvdSCH_10_14, CapacityRequestsRcvdSCH_15_19, CapacityRequestsRcvdSCH_20_24, CapacityRequestsRcvdSCH_25_29, 0)
```

CarrierSelectionCapacityRequestRcvd

Number of carrier selection capacity request messages received.

Calculation

```
vsum(CarrierSelectionCapacityRequestRcvd_0_4, CarrierSelectionCapacityRequestRcvd_5_9, CarrierSelectionCapacityRequestRcvd_10_14, CarrierSelectionCapacityRequestRcvd_15_19, CarrierSelectionCapacityRequestRcvd_20_24, CarrierSelectionCapacityRequestRcvd_25_29, 0)
```

CarrierSelectionCapacityRspSent

Number of carrier selection capacity response messages composed and handed to the messaging system for delivery.

Calculation

```
vsum(CarrierSelectionCapacityRspSent_0_4, CarrierSelectionCapacityRspSent_5_9, CarrierSelectionCapacityRspSent_10_14, CarrierSelectionCapacityRspSent_15_19, CarrierSelectionCapacityRspSent_20_24, CarrierSelectionCapacityRspSent_25_29, 0)
```

CarrierSelectionCapacityRspUndeliverable

Number of carrier selection capacity response messages composed which could not be delivered by the messaging system.

Calculation

```
vsum(CarrierSelectionCapacityRspUndeliverable_0_4,CarrierSelectionCapacityRspUndeliverable_5_9,CarrierSelectionCapacityRspUndeliverable_10_14,CarrierSelectionCapacityRspUndeliverable_15_19,CarrierSelectionCapacityRspUndeliverable_20_24,CarrierSelectionCapacityRspUndeliverable_25_29,0)
```

ChannelAssignmentMsgDropped

Number of channel assignment messages received which were dropped.

Calculation

```
vsum(ChannelAssignmentMsgDropped_0_4,ChannelAssignmentMsgDropped_5_9,ChannelAssignmentMsgDropped_10_14,ChannelAssignmentMsgDropped_15_19,ChannelAssignmentMsgDropped_20_24,ChannelAssignmentMsgDropped_25_29,0)
```

ChannelAssignmentMsgRcvd

Number of channel assignment messages received.

Calculation

```
vsum(ChannelAssignmentMsgRcvd_0_4,ChannelAssignmentMsgRcvd_5_9,ChannelAssignmentMsgRcvd_10_14,ChannelAssignmentMsgRcvd_15_19,ChannelAssignmentMsgRcvd_20_24,ChannelAssignmentMsgRcvd_25_29,0)
```

ChannelReleaseIndicationsSentSCH

Number of SCH channel release indication messages prepared and handed to the messaging system for delivery.

Calculation

```
vsum(ChannelReleaseIndicationsSentSCH_0_4,ChannelReleaseIndicationsSentSCH_5_9,ChannelReleaseIndicationsSentSCH_10_14,ChannelReleaseIndicationsSentSCH_15_19,ChannelReleaseIndicationsSentSCH_20_24,ChannelReleaseIndicationsSentSCH_25_29,0)
```

ChannelReleaseIndicationsUndeliverableSCH

Number of SCH channel release indication messages prepared which could not be delivered by the messaging system.

Calculation

```
vsum(ChannelReleaseIndicationsUndeliverableSCH_0_4,ChannelReleaseIndicationsUndeliverableSCH_5_9,ChannelReleaseIndicationsUndeliverableSCH_10_14,ChannelReleaseIndicationsUndeliverableSCH_15_19,ChannelReleaseIndicationsUndeliverableSCH_20_24,ChannelReleaseIndicationsUndeliverableSCH_25_29,0)
```

ExtendedChannelAssignmentMsgDropped

Number of extended channel assignment messages received which were dropped.

Calculation

```
vsum(ExtendedChannelAssignmentMsgDropped_0_4,ExtendedChannelAssignmentMsgDropped_5_9,ExtendedChannelAssignmentMsgDropped_10_14,ExtendedChannelAssignmentMsgDropped_15_19,ExtendedChannelAssignmentMsgDropped_20_24,ExtendedChannelAssignmentMsgDropped_25_29,0)
```

ExtendedChannelAssignmentMsgRcvd

Number of extended channel assignment messages received.

Calculation

```
vsum(ExtendedChannelAssignmentMsgRcvd_0_4,ExtendedChannelAssignmentMsgRcvd_5_9,ExtendedChannelAssignmentMsgRcvd_10_14,ExtendedChannelAssignmentMsgRcvd_15_19,ExtendedChannelAssignmentMsgRcvd_20_24,ExtendedChannelAssignmentMsgRcvd_25_29,0)
```

ExtendedStatusResponseSent

Number of extended status response messages handed to the message delivery system.

Calculation

```
vsum(ExtendedStatusResponseSent_0_4,ExtendedStatusResponseSent_5_9,ExtendedStatusResponseSent_10_14,ExtendedStatusResponseSent_15_19,ExtendedStatusResponseSent_20_24,ExtendedStatusResponseSent_25_29,0)
```

ExtendedStatusResponseUndeliverable

Number of extended status response messages which could not be delivered by the message delivery system.

Calculation

```
vsum(ExtendedStatusResponseUndeliverable_0_4,ExtendedStatusResponseUndeliverable_5_9,ExtendedStatusResponseUndeliverable_10_14,ExtendedStatusResponseUndeliverable_15_19,ExtendedStatusResponseUndeliverable_20_24,ExtendedStatusResponseUndeliverable_25_29,0)
```

FeatureNotificationCmdRcvd

Number of feature notification command messages received.

Calculation

```
vsum(FeatureNotificationCmdRcvd_0_4,FeatureNotificationCmdRcvd_5_9,FeatureNotificationCmdRcvd_10_14,FeatureNotificationCmdRcvd_15_19,FeatureNotificationCmdRcvd_20_24,FeatureNotificationCmdRcvd_25_29,0)
```

FeatureNotificationCommandDropped

Number of feature notification command messages received which were dropped.

Calculation

```
vsum (FeatureNotificationCommandDropped_0_4, FeatureNotificationCommandDropped_5_9, FeatureNotificationCommandDropped_10_14, FeatureNotificationCommandDropped_15_19, FeatureNotificationCommandDropped_20_24, FeatureNotificationCommandDropped_25_29, 0)
```

GeneralPageMsgDropped

Number of general page messages received which were dropped.

Calculation

```
vsum (GeneralPageMsgDropped_0_4, GeneralPageMsgDropped_5_9, GeneralPageMsgDropped_10_14, GeneralPageMsgDropped_15_19, GeneralPageMsgDropped_20_24, GeneralPageMsgDropped_25_29, 0)
```

GeneralPageMsgRcvd

Number of general page messages received.

Calculation

```
vsum (GeneralPageMsgRcvd_0_4, GeneralPageMsgRcvd_5_9, GeneralPageMsgRcvd_10_14, GeneralPageMsgRcvd_15_19, GeneralPageMsgRcvd_20_24, GeneralPageMsgRcvd_25_29, 0)
```

GRAPHmultiLineSeparator

Special Control Field for Multi-Line Graphs

Calculation

""

NUMDAYS

of days in Report

Calculation

```
DAYSINREPORT ()
```

NUMHOURS

of hours in Summation Data

Calculation

OrderCommandDropped

Number of order command messages received which were dropped.

Calculation

```
vsum(OrderCommandDropped_0_4,OrderCommandDropped_5_9,OrderCommandDropped_10_14,OrderCommandDropped_15_19,OrderCommandDropped_20_24,OrderCommandDropped_25_29,0)
```

OrderCommandRcvd

Number of order command messages received.

Calculation

```
vsum(OrderCommandRcvd_0_4,OrderCommandRcvd_5_9,OrderCommandRcvd_10_14,OrderCommandRcvd_15_19,OrderCommandRcvd_20_24,OrderCommandRcvd_25_29,0)
```

OrderIndicationSent

Number of order indication messages handed to the message delivery system.

Calculation

```
vsum(OrderIndicationSent_0_4,OrderIndicationSent_5_9,OrderIndicationSent_10_14,OrderIndicationSent_15_19,OrderIndicationSent_20_24,OrderIndicationSent_25_29,0)
```

OrderIndicationUndeliverable

Number of order indication messages which could not be delivered by the message delivery system.

Calculation

```
vsum(OrderIndicationUndeliverable_0_4,OrderIndicationUndeliverable_5_9,OrderIndicationUndeliverable_10_14,OrderIndicationUndeliverable_15_19,OrderIndicationUndeliverable_20_24,OrderIndicationUndeliverable_25_29,0)
```

OriginationIndicationSent

Number of origination indication messages handed to the message delivery system.

Calculation

```
vsum(OriginationIndicationSent_0_4,OriginationIndicationSent_5_9,OriginationIndicationSent_10_14,OriginationIndicationSent_15_19,OriginationIndicationSent_20_24,OriginationIndicationSent_25_29,0)
```

OriginationIndicationUndeliverable

Number of origination indication messages which could not be delivered by the message delivery system

Calculation

```
vsum(OriginationIndicationUndeliverable_0_4,OriginationIndicationUndeliverable_5_9,OriginationIndicationUndeliverable_10_14,OriginationIndicationUndeliverable_15_19,OriginationIndicationUndeliverable_20_24,OriginationIndicationUndeliverable_25_29,0)
```

eliverable_15_19,OriginationIndicationUndeliverable_20_24,OriginationIndicationUndeliverable_25_29,0)

OutOfBandClassGeneralPagesDropped

Number of general page msgs dropped because the band class parameter in the message does not match the BTS band class.

Calculation

```
vsum(OutOfBandClassGeneralPagesDropped_0_4, OutOfBandClassGeneralPagesDropped_5_9, OutOfBandClassGeneralPagesDropped_10_14, OutOfBandClassGeneralPagesDropped_15_19, OutOfBandClassGeneralPagesDropped_20_24, OutOfBandClassGeneralPagesDropped_25_29, 0)
```

OutOfZonePages

Number of broadcast messages received but discarded because they are addressed to zones that this BTS is not included in.

Calculation

```
vsum(OutOfZonePages_0_4, OutOfZonePages_5_9, OutOfZonePages_10_14, OutOfZonePages_15_19, OutOfZonePages_20_24, OutOfZonePages_25_29, 0)
```

PageResponseSent

Number of page response messages handed to the message delivery system.

Calculation

```
vsum(PageResponseSent_0_4, PageResponseSent_5_9, PageResponseSent_10_14, PageResponseSent_15_19, PageResponseSent_20_24, PageResponseSent_25_29, 0)
```

PageResponseUndeliverable

Number of page response messages which could not be delivered by the message delivery system.

Calculation

```
vsum(PageResponseUndeliverable_0_4, PageResponseUndeliverable_5_9, PageResponseUndeliverable_10_14, PageResponseUndeliverable_15_19, PageResponseUndeliverable_20_24, PageResponseUndeliverable_25_29, 0)
```

RegistrationIndicationSent

Number of registration indication messages handed to the message delivery system.

Calculation

```
vsum(RegistrationIndicationSent_0_4, RegistrationIndicationSent_5_9, RegistrationIndicationSent_10_14, RegistrationIndicationSent_15_19, RegistrationIndicationSent_20_24, RegistrationIndicationSent_25_29, 0)
```

RegistrationIndicationUndeliverable

Number of registration indication messages which could not be delivered by the message delivery system.

Calculation

```
vsum(RegistrationIndicationUndeliverable_0_4,RegistrationIndicationUndeliverable_5_9,RegistrationIndicationUndeliverable_10_14,RegistrationIndicationUndeliverable_15_19,RegistrationIndicationUndeliverable_20_24,RegistrationIndicationUndeliverable_25_29,0)
```

ResourceMgmtMsgsDropped

Number of resource management messages received at the BTS which were dropped before the message could be enqueued for processing.

Calculation

```
vsum(ResourceMgmtMsgsDropped_0_4,ResourceMgmtMsgsDropped_5_9,ResourceMgmtMsgsDropped_10_14,ResourceMgmtMsgsDropped_15_19,ResourceMgmtMsgsDropped_20_24,ResourceMgmtMsgsDropped_25_29,0)
```

ResourceReleaseRequestRcvdFCH

Number of FCH resource release requests received.

Calculation

```
vsum(ResourceReleaseRequestRcvdFCH_0_4,ResourceReleaseRequestRcvdFCH_5_9,ResourceReleaseRequestRcvdFCH_10_14,ResourceReleaseRequestRcvdFCH_15_19,ResourceReleaseRequestRcvdFCH_20_24,ResourceReleaseRequestRcvdFCH_25_29,0)
```

ResourceReleaseRequestRcvdSCH

Number of SCH resource release requests received.

Calculation

```
vsum(ResourceReleaseRequestRcvdSCH_0_4,ResourceReleaseRequestRcvdSCH_5_9,ResourceReleaseRequestRcvdSCH_10_14,ResourceReleaseRequestRcvdSCH_15_19,ResourceReleaseRequestRcvdSCH_20_24,ResourceReleaseRequestRcvdSCH_25_29,0)
```

ResourceReleaseRequestRspFailedFCH

Number of FCH resource release requests received which failed.

Calculation

```
vsum(ResourceReleaseRequestRspFailedFCH_0_4,ResourceReleaseRequestRspFailedFCH_5_9,ResourceReleaseRequestRspFailedFCH_10_14,ResourceReleaseRequestRspFailedFCH_15_19,ResourceReleaseRequestRspFailedFCH_20_24,ResourceReleaseRequestRspFailedFCH_25_29,0)
```

ResourceReleaseRequestRspFailedSCH

Number of SCH resource release requests received which failed.

Calculation

```
vsum(ResourceReleaseRequestRspFailedSCH_0_4, ResourceReleaseRequestRspFailedSCH_5_9, ResourceReleaseRequestRspFailedSCH_10_14, ResourceReleaseRequestRspFailedSCH_15_19, ResourceReleaseRequestRspFailedSCH_20_24, ResourceReleaseRequestRspFailedSCH_25_29, 0)
```

ResourceReleaseRequestRspSuccessFCH

Number of FCH resource release requests received which were successfully processed.

Calculation

```
vsum(ResourceReleaseRequestRspSuccessFCH_0_4, ResourceReleaseRequestRspSuccessFCH_5_9, ResourceReleaseRequestRspSuccessFCH_10_14, ResourceReleaseRequestRspSuccessFCH_15_19, ResourceReleaseRequestRspSuccessFCH_20_24, ResourceReleaseRequestRspSuccessFCH_25_29, 0)
```

ResourceReleaseRequestRspSuccessSCH

Number of SCH resource release requests received which were successfully processed.

Calculation

```
vsum(ResourceReleaseRequestRspSuccessSCH_0_4, ResourceReleaseRequestRspSuccessSCH_5_9, ResourceReleaseRequestRspSuccessSCH_10_14, ResourceReleaseRequestRspSuccessSCH_15_19, ResourceReleaseRequestRspSuccessSCH_20_24, ResourceReleaseRequestRspSuccessSCH_25_29, 0)
```

ResourceReleaseRequestRspUndeliverableFCH

Number of FCH resource release responses which could not be delivered by the messaging system.

Calculation

```
vsum(ResourceReleaseRequestRspUndeliverableFCH_0_4, ResourceReleaseRequestRspUndeliverableFCH_5_9, ResourceReleaseRequestRspUndeliverableFCH_10_14, ResourceReleaseRequestRspUndeliverableFCH_15_19, ResourceReleaseRequestRspUndeliverableFCH_20_24, ResourceReleaseRequestRspUndeliverableFCH_25_29, 0)
```

ResourceReleaseRequestRspUndeliverableSCH

Number of SCH resource release responses which were undeliverable by the messaging system.

Calculation

```
vsum(ResourceReleaseRequestRspUndeliverableSCH_0_4, ResourceReleaseRequestRspUndeliverableSCH_5_9, ResourceReleaseRequestRspUndeliverableSCH_10_14, ResourceReleaseRequestRspUndeliverableSCH_15_19, ResourceReleaseRequestRspUndeliverableSCH_20_24, ResourceReleaseRequestRspUndeliverableSCH_25_29, 0)
```

ResourceRequestRcvdFCH

Number of FCH resource requests received.

Calculation

```
vsum(ResourceRequestRcvdFCH_0_4, ResourceRequestRcvdFCH_5_9, ResourceRequestRcvdFCH_10_14, ResourceRequestRcvdFCH_15_19, ResourceRequestRcvdFCH_20_24, ResourceRequestRcvdFCH_25_29, 0)
```

ResourceRequestRcvdSCH

Number of SCH resource requests received.

Calculation

```
vsum(ResourceRequestRcvdSCH_0_4, ResourceRequestRcvdSCH_5_9, ResourceRequestRcvdSCH_10_14, ResourceRequestRcvdSCH_15_19, ResourceRequestRcvdSCH_20_24, ResourceRequestRcvdSCH_25_29, 0)
```

ResourceRequestRspBlockedFCH

Number of FCH resource requests which could not be processed due to lack of resources.

Calculation

```
vsum(ResourceRequestRspBlockedFCH_0_4, ResourceRequestRspBlockedFCH_5_9, ResourceRequestRspBlockedFCH_10_14, ResourceRequestRspBlockedFCH_15_19, ResourceRequestRspBlockedFCH_20_24, ResourceRequestRspBlockedFCH_25_29, 0)
```

ResourceRequestRspBlockedSCH

Number of SCH resource requests which could not be processed because of lack of resources.

Calculation

```
vsum(ResourceRequestRspBlockedSCH_0_4, ResourceRequestRspBlockedSCH_5_9, ResourceRequestRspBlockedSCH_10_14, ResourceRequestRspBlockedSCH_15_19, ResourceRequestRspBlockedSCH_20_24, ResourceRequestRspBlockedSCH_25_29, 0)
```

ResourceRequestRspFailedFCH

Number of FCH resource requests received which failed.

Calculation

```
vsum(ResourceRequestRspFailedFCH_0_4, ResourceRequestRspFailedFCH_5_9, ResourceRequestRspFailedFCH_10_14, ResourceRequestRspFailedFCH_15_19, ResourceRequestRspFailedFCH_20_24, ResourceRequestRspFailedFCH_25_29, 0)
```

ResourceRequestRspFailedSCH

Number of SCH resource requests received which failed.

Calculation

```
vsum(ResourceRequestRspFailedSCH_0_4, ResourceRequestRspFailedSCH_5_9, ResourceRequestRspFailedSCH_10_14, ResourceRequestRspFailedSCH_15_19, ResourceRequestRspFailedSCH_20_24, ResourceRequestRspFailedSCH_25_29, 0)
```

ResourceRequestRspSuccessFCH

Number of FCH resource requests received which were successfully processed.

Calculation

```
vsum(ResourceRequestRspSuccessFCH_0_4, ResourceRequestRspSuccessFCH_5_9, ResourceRequestRspSuccessFCH_10_14, ResourceRequestRspSuccessFCH_15_19, ResourceRequestRspSuccessFCH_20_24, ResourceRequestRspSuccessFCH_25_29, 0)
```

ResourceRequestRspSuccessSCH

Number of SCH resource requests received which were successfully processed

Calculation

```
vsum(ResourceRequestRspSuccessSCH_0_4, ResourceRequestRspSuccessSCH_5_9, ResourceRequestRspSuccessSCH_10_14, ResourceRequestRspSuccessSCH_15_19, ResourceRequestRspSuccessSCH_20_24, ResourceRequestRspSuccessSCH_25_29, 0)
```

ResourceRequestRspUndeliverableFCH

Number of FCH resource request responses which could not be delivered by the messaging system.

Calculation

```
vsum(ResourceRequestRspUndeliverableFCH_0_4, ResourceRequestRspUndeliverableFCH_5_9, ResourceRequestRspUndeliverableFCH_10_14, ResourceRequestRspUndeliverableFCH_15_19, ResourceRequestRspUndeliverableFCH_20_24, ResourceRequestRspUndeliverableFCH_25_29, 0)
```

ResourceRequestRspUndeliverableSCH

Number of SCH resource request responses prepared which were undeliverable by the messaging system.

Calculation

```
vsum(ResourceRequestRspUndeliverableSCH_0_4, ResourceRequestRspUndeliverableSCH_5_9, ResourceRequestRspUndeliverableSCH_10_14, ResourceRequestRspUndeliverableSCH_15_19, ResourceRequestRspUndeliverableSCH_20_24, ResourceRequestRspUndeliverableSCH_25_29, 0)
```

SMADBurstCmdDropped

Number of data burst command messages received which were dropped.

Calculation

```
vsum(SMSDBurstCmdDropped_0_4, SMSDBurstCmdDropped_5_9, SMSDBurstCmdDropped_10_14, SMSDBurstCmdDropped_15_19, SMSDBurstCmdDropped_20_24, SMSDBurstCmdDropped_25_29, 0)
```

SMSDBurstCmdRcvd

Number of data burst command messages received.

Calculation

```
vsum(SMSDBurstCmdRcvd_0_4, SMSDBurstCmdRcvd_5_9, SMSDBurstCmdRcvd_10_14, SMSDBurstCmdRcvd_15_19, SMSDBurstCmdRcvd_20_24, SMSDBurstCmdRcvd_25_29, 0)
```

SMSDBurstIndicationSent

Number of data burst indication messages handed to the message delivery system.

Calculation

```
vsum(SMSDBurstIndicationSent_0_4, SMSDBurstIndicationSent_5_9, SMSDBurstIndicationSent_10_14, SMSDBurstIndicationSent_15_19, SMSDBurstIndicationSent_20_24, SMSDBurstIndicationSent_25_29, 0)
```

SMSDBurstIndicationUndeliverable

Number of data burst indication messages which could not be delivered by the message delivery system.

Calculation

```
vsum(SMSDBurstIndicationUndeliverable_0_4, SMSDBurstIndicationUndeliverable_5_9, SMSDBurstIndicationUndeliverable_10_14, SMSDBurstIndicationUndeliverable_15_19, SMSDBurstIndicationUndeliverable_20_24, SMSDBurstIndicationUndeliverable_25_29, 0)
```

StatusRequestMsgDropped

Number of status request messages received which were dropped.

Calculation

```
vsum(StatusRequestMsgDropped_0_4, StatusRequestMsgDropped_5_9, StatusRequestMsgDropped_10_14, StatusRequestMsgDropped_15_19, StatusRequestMsgDropped_20_24, StatusRequestMsgDropped_25_29, 0)
```

StatusRequestMsgRcvd

Number of status request messages received.

Calculation

```
vsum(StatusRequestMsgRcvd_0_4, StatusRequestMsgRcvd_5_9, StatusRequestMsgRcvd_10_14, StatusRequestMsgRcvd_15_19, StatusRequestMsgRcvd_20_24, StatusRequestMsgRcvd_25_29, 0)
```

StatusResponseSent

Number of status response messages handed to the message delivery system.

Calculation

```
vsum(StatusResponseSent_0_4, StatusResponseSent_5_9, StatusResponseSent_10_14, StatusResponseSent_15_19, StatusResponseSent_20_24, StatusResponseSent_25_29, 0)
```

StatusResponseUndeliverable

Number of status response messages which could not be delivered by the message delivery system.

Calculation

```
vsum(StatusResponseUndeliverable_0_4, StatusResponseUndeliverable_5_9, StatusResponseUndeliverable_10_14, StatusResponseUndeliverable_15_19, StatusResponseUndeliverable_20_24, StatusResponseUndeliverable_25_29, 0)
```

UnicastMsgsDropped

Number of command messages received at the BTS which were dropped before the message could be enqueued for processing.

Calculation

```
vsum(UnicastMsgsDropped_0_4, UnicastMsgsDropped_5_9, UnicastMsgsDropped_10_14, UnicastMsgsDropped_15_19, UnicastMsgsDropped_20_24, UnicastMsgsDropped_25_29, 0)
```

DCG Peg Counts

The following is a list of peg counts for the DCG entity.

AckIndSent_0_4

Number of acknowledgement indications messages handed to the message delivery system.

Data Source

NBSS BTS MO

Source Field

AckIndSent (Seq# 114[0])

Source Section

BTSCallProcessing MO

AckIndSent_10_14

Number of acknowledgement indications messages handed to the message delivery system.

Data Source

NBSS BTS MO

Source Field

AckIndSent (Seq# 114[2])

Source Section

BTSCallProcessing MO

AckIndSent_15_19

Number of acknowledgement indications messages handed to the message delivery system.

Data Source

NBSS BTS MO

Source Field

AckIndSent (Seq# 114[3])

Source Section

BTSCallProcessing MO

AckIndSent_20_24

Number of acknowledgement indications messages handed to the message delivery system.

Data Source

NBSS BTS MO

Source Field

AckIndSent (Seq# 114[4])

Source Section

BTSCallProcessing MO

AckIndSent_25_29

Number of acknowledgement indications messages handed to the message delivery system.

Data Source

NBSS BTS MO

Source Field

AckIndSent (Seq# 114[5])

Source Section

BTSCallProcessing MO

AckIndSent_5_9

Number of acknowledgement indications messages handed to the message delivery system.

Data Source

NBSS BTS MO

Source Field

AckIndSent (Seq# 114[1])

Source Section

BTSCallProcessing MO

AckIndUndeliverable_0_4

Number of acknowledgement indications which could not be delivered by the message delivery system.

Data Source

NBSS BTS MO

Source Field

AckIndUndeliverable (Seq# 115[0])

Source Section

BTSCallProcessing MO

AckIndUndeliverable_10_14

Number of acknowledgement indications which could not be delivered by the message delivery system.

Data Source

NBSS BTS MO

Source Field

AckIndUndeliverable (Seq# 115[2])

Source Section

BTSCallProcessing MO

AckIndUndeliverable_15_19

Number of acknowledgement indications which could not be delivered by the message delivery system.

Data Source

NBSS BTS MO

Source Field

AckIndUndeliverable (Seq# 115[3])

Source Section

BTSCallProcessing MO

AckIndUndeliverable_20_24

Number of acknowledgement indications which could not be delivered by the message delivery system.

Data Source

NBSS BTS MO

Source Field

AckIndUndeliverable (Seq# 115[4])

Source Section

BTSCallProcessing MO

AckIndUndeliverable_25_29

Number of acknowledgement indications which could not be delivered by the message delivery system.

Data Source

NBSS BTS MO

Source Field

AckIndUndeliverable (Seq# 115[5])

Source Section

BTSCallProcessing MO

AckIndUndeliverable_5_9

Number of acknowledgement indications which could not be delivered by the message delivery system.

Data Source

NBSS BTS MO

Source Field

AckIndUndeliverable (Seq# 115[1])

Source Section

BTSCallProcessing MO

AuthenticationChallengeRspSent_0_4

Number of authentication challenge response messages handed to the message delivery system.

Data Source

NBSS BTS MO

Source Field

AuthenticationChallengeRspSent (Seq# 126[0])

Source Section

BTSCallProcessing MO

AuthenticationChallengeRspSent_10_14

Number of authentication challenge response messages handed to the message delivery system.

Data Source

NBSS BTS MO

Source Field

AuthenticationChallengeRspSent (Seq# 126[2])

Source Section

BTSCallProcessing MO

AuthenticationChallengeRspSent_15_19

Number of authentication challenge response messages handed to the message delivery system.

Data Source

NBSS BTS MO

Source Field

AuthenticationChallengeRspSent (Seq# 126[3])

Source Section

BTSCallProcessing MO

AuthenticationChallengeRspSent_20_24

Number of authentication challenge response messages handed to the message delivery system.

Data Source

NBSS BTS MO

Source Field

AuthenticationChallengeRspSent (Seq# 126[4])

Source Section

BTSCallProcessing MO

AuthenticationChallengeRspSent_25_29

Number of authentication challenge response messages handed to the message delivery system.

Data Source

NBSS BTS MO

Source Field

AuthenticationChallengeRspSent (Seq# 126[5])

Source Section

BTSCallProcessing MO

AuthenticationChallengeRspSent_5_9

Number of authentication challenge response messages handed to the message delivery system.

Data Source

NBSS BTS MO

Source Field

AuthenticationChallengeRspSent (Seq# 126[1])

Source Section

BTSCallProcessing MO

AuthenticationChallengeRspUndeliverable_0_4

Number of authentication challenge response messages which could not be delivered by the message delivery system.

Data Source

NBSS BTS MO

Source Field

AuthenticationChallengeRspUndeliverable (Seq# 127[0])

Source Section

BTSCallProcessing MO

AuthenticationChallengeRspUndeliverable_10_14

Number of authentication challenge response messages which could not be delivered by the message delivery system.

Data Source

NBSS BTS MO

Source Field

AuthenticationChallengeRspUndeliverable (Seq# 127[2])

Source Section

BTSCallProcessing MO

AuthenticationChallengeRspUndeliverable_15_19

Number of authentication challenge response messages which could not be delivered by the message delivery system.

Data Source

NBSS BTS MO

Source Field

AuthenticationChallengeRspUndeliverable (Seq# 127[3])

Source Section

BTSCallProcessing MO

AuthenticationChallengeRspUndeliverable_20_24

Number of authentication challenge response messages which could not be delivered by the message delivery system.

Data Source

NBSS BTS MO

Source Field

AuthenticationChallengeRspUndeliverable (Seq# 127[4])

Source Section

BTSCallProcessing MO

AuthenticationChallengeRspUndeliverable_25_29

Number of authentication challenge response messages which could not be delivered by the message delivery system.

Data Source

NBSS BTS MO

Source Field

AuthenticationChallengeRspUndeliverable (Seq# 127[5])

Source Section

BTSCallProcessing MO

AuthenticationChallengeRspUndeliverable_5_9

Number of authentication challenge response messages which could not be delivered by the message delivery system.

Data Source

NBSS BTS MO

Source Field

AuthenticationChallengeRspUndeliverable (Seq# 127[1])

Source Section

BTSCallProcessing MO

AuthenticationCmdDropped_0_4

Number of authentication command messages received which were dropped.

Data Source

NBSS BTS MO

Source Field

AuthenticationCmdDropped (Seq# 107[0])

Source Section

BTSCallProcessing MO

AuthenticationCmdDropped_10_14

Number of authentication command messages received which were dropped.

Data Source

NBSS BTS MO

Source Field

AuthenticationCmdDropped (Seq# 107[2])

Source Section

BTSCallProcessing MO

AuthenticationCmdDropped_15_19

Number of authentication command messages received which were dropped.

Data Source

NBSS BTS MO

Source Field

AuthenticationCmdDropped (Seq# 107[3])

Source Section

BTSCallProcessing MO

AuthenticationCmdDropped_20_24

Number of authentication command messages received which were dropped.

Data Source

NBSS BTS MO

Source Field

AuthenticationCmdDropped (Seq# 107[4])

Source Section

BTSCallProcessing MO

AuthenticationCmdDropped_25_29

Number of authentication command messages received which were dropped.

Data Source

NBSS BTS MO

Source Field

AuthenticationCmdDropped (Seq# 107[5])

Source Section

BTSCallProcessing MO

AuthenticationCmdDropped_5_9

Number of authentication command messages received which were dropped.

Data Source

NBSS BTS MO

Source Field

AuthenticationCmdDropped (Seq# 107[1])

Source Section

BTSCallProcessing MO

AuthenticationCmdRcvd_0_4

Number of authentication command messages received.

Data Source

NBSS BTS MO

Source Field

AuthenticationCmdRcvd (Seq# 106[0])

Source Section

BTSCallProcessing MO

AuthenticationCmdRcvd_10_14

Number of authentication command messages received.

Data Source

NBSS BTS MO

Source Field

AuthenticationCmdRcvd (Seq# 106[2])

Source Section

BTSCallProcessing MO

AuthenticationCmdRcvd_15_19

Number of authentication command messages received.

Data Source

NBSS BTS MO

Source Field

AuthenticationCmdRcvd (Seq# 106[3])

Source Section

BTSCallProcessing MO

AuthenticationCmdRcvd_20_24

Number of authentication command messages received.

Data Source

NBSS BTS MO

Source Field

AuthenticationCmdRcvd (Seq# 106[4])

Source Section

BTSCallProcessing MO

AuthenticationCmdRcvd_25_29

Number of authentication command messages received.

Data Source

NBSS BTS MO

Source Field

AuthenticationCmdRcvd (Seq# 106[5])

Source Section

BTSCallProcessing MO

AuthenticationCmdRcvd_5_9

Number of authentication command messages received.

Data Source

NBSS BTS MO

Source Field

AuthenticationCmdRcvd (Seq# 106[1])

Source Section

BTSCallProcessing MO

AutoRecoveryFailCount

Number of times the BTS has completed auto recovery successfully since the last time the OM has been consolidated and sent up to the EMS with EMS communications established. Pegs when a fatal error or non supported condition occurs during the auto recovery process resulting in the BTS resetting and reporting Auto Recovery failure. Examples include data corruption and MO creation failures.

Data Source

NBSS BTS MO

Source Field

AutoRecoveryFailCount (Seq# 86)

Source Section

DCG MO

AutoRecoveryPassCount

Number of times the BTS has auto recovered unsuccessfully since the last time the OM has been consolidated and sent up to the EMS with EMS communications established.

Data Source

NBSS BTS MO

Source Field

AutoRecoveryPassCount (Seq# 85)

Source Section

DCG MO

BroadcastMsgsDropped_0_4

Number of messages received at the BTS which were dropped before the message could be enqueued for processing.

Data Source

NBSS BTS MO

Source Field

BroadcastMsgsDropped (Seq# 113[0])

Source Section

BTSCallProcessing MO

BroadcastMsgsDropped_10_14

Number of messages received at the BTS which were dropped before the message could be enqueued for processing.

Data Source

NBSS BTS MO

Source Field

BroadcastMsgsDropped (Seq# 113[2])

Source Section

BTSCallProcessing MO

BroadcastMsgsDropped_15_19

Number of messages received at the BTS which were dropped before the message could be enqueued for processing.

Data Source

NBSS BTS MO

Source Field

BroadcastMsgsDropped (Seq# 113[3])

Source Section

BTSCallProcessing MO

BroadcastMsgsDropped_20_24

Number of messages received at the BTS which were dropped before the message could be enqueued for processing.

Data Source

NBSS BTS MO

Source Field

BroadcastMsgsDropped (Seq# 113[4])

Source Section

BTSCallProcessing MO

BroadcastMsgsDropped_25_29

Number of messages received at the BTS which were dropped before the message could be enqueued for processing.

Data Source

NBSS BTS MO

Source Field

BroadcastMsgsDropped (Seq# 113[5])

Source Section

BTSCallProcessing MO

BroadcastMsgsDropped_5_9

Number of messages received at the BTS which were dropped before the message could be enqueued for processing.

Data Source

NBSS BTS MO

Source Field

BroadcastMsgsDropped (Seq# 113[1])

Source Section

BTSCallProcessing MO

BTSAutonomousResetCount

Number of times the BTS has autonomously reset since the last time the OM has been consolidated and sent up to the EMS with EMS communications established. Pegs whenever a non-operator initiated reset occurs (i.e. power failure, hardware exceptions, software traps, etc).

Data Source

NBSS BTS MO

Source Field

BTSAutonomousResetCount (Seq# 84)

Source Section

DCG MO

BtscCpuUsage0to9percent

Time in seconds the BTSC CPU utilization in range of 0% to 9%

Data Source

NBSS BTS MO

Source Field

BtscCpuUsageHistogram (Seq# 34[1])

Source Section

CBCM MO

BtscCpuUsage10to19percent

Time in seconds the BTSC CPU utilization in range of 10% to 19%

Data Source

NBSS BTS MO

Source Field

BtscCpuUsageHistogram (Seq# 34[2])

Source Section

CBCM MO

BtscCpuUsage20to29percent

Time in seconds the BTSC CPU utilization in range of 20% to 29%

Data Source

NBSS BTS MO

Source Field

BtscCpuUsageHistogram (Seq# 34[3])

Source Section

CBCM MO

BtscCpuUsage30to39percent

Time in seconds the BTSC CPU utilization in range of 30% to 39%

Data Source

NBSS BTS MO

Source Field

BtscCpuUsageHistogram (Seq# 34[4])

Source Section

CBCM MO

BtscCpuUsage40to49percent

Time in seconds the BTSC CPU utilization in range of 40% to 49%

Data Source

NBSS BTS MO

Source Field

BtscCpuUsageHistogram (Seq# 34[5])

Source Section

CBCM MO

BtscCpuUsage50to59percent

Time in seconds the BTSC CPU utilization in range of 50% to 59%

Data Source

NBSS BTS MO

Source Field

BtscCpuUsageHistogram (Seq# 34[6])

Source Section

CBCM MO

BtscCpuUsage60to69percent

Time in seconds the BTSC CPU utilization in range of 60% to 69%

Data Source

NBSS BTS MO

Source Field

BtscCpuUsageHistogram (Seq# 34[7])

Source Section

CBCM MO

BtscCpuUsage70to79percent

Time in seconds the BTSC CPU utilization in range of 70% to 79%

Data Source

NBSS BTS MO

Source Field

BtscCpuUsageHistogram (Seq# 34[8])

Source Section

CBCM MO

BtscCpuUsage80to89percent

Time in seconds the BTSC CPU utilization in range of 80% to 89%

Data Source

NBSS BTS MO

Source Field

BtscCpuUsageHistogram (Seq# 34[9])

Source Section

CBCM MO

BtscCpuUsage90to100percent

Time in seconds the BTSC CPU utilization in range of 90% to 100%

Data Source

NBSS BTS MO

Source Field

BtscCpuUsageHistogram (Seq# 34[10])

Source Section

CBCM MO

CapacityRequestResultsSentSCH_0_4

Number of SCH capacity request result messages prepared and handed to the messaging system for delivery.

Data Source

NBSS BTS MO

Source Field

CapacityRequestResultsSentSCH (Seq# 86[0])

Source Section

BTSCallProcessing MO

CapacityRequestResultsSentSCH_10_14

Number of SCH capacity request result messages prepared and handed to the messaging system for delivery.

Data Source

NBSS BTS MO

Source Field

CapacityRequestResultsSentSCH (Seq# 86[2])

Source Section

BTSCallProcessing MO

CapacityRequestResultsSentSCH_15_19

Number of SCH capacity request result messages prepared and handed to the messaging system for delivery.

Data Source

NBSS BTS MO

Source Field

CapacityRequestResultsSentSCH (Seq# 86[3])

Source Section

BTSCallProcessing MO

CapacityRequestResultsSentSCH_20_24

Number of SCH capacity request result messages prepared and handed to the messaging system for delivery.

Data Source

NBSS BTS MO

Source Field

CapacityRequestResultsSentSCH (Seq# 86[4])

Source Section

BTSCallProcessing MO

CapacityRequestResultsSentSCH_25_29

Number of SCH capacity request result messages prepared and handed to the messaging system for delivery.

Data Source

NBSS BTS MO

Source Field

CapacityRequestResultsSentSCH (Seq# 86[5])

Source Section

BTSCallProcessing MO

CapacityRequestResultsSentSCH_5_9

Number of SCH capacity request result messages prepared and handed to the messaging system for delivery.

Data Source

NBSS BTS MO

Source Field

CapacityRequestResultsSentSCH (Seq# 86[1])

Source Section

BTSCallProcessing MO

CapacityRequestResultsUndeliverableSCH_0_4

Number of capacity request result messages which could not be delivered by the messaging system.

Data Source

NBSS BTS MO

Source Field

CapacityRequestResultsUndeliverableSCH (Seq# 87[0])

Source Section

BTSCallProcessing MO

CapacityRequestResultsUndeliverableSCH_10_14

Number of capacity request result messages which could not be delivered by the messaging system.

Data Source

NBSS BTS MO

Source Field

CapacityRequestResultsUndeliverableSCH (Seq# 87[2])

Source Section

BTSCallProcessing MO

CapacityRequestResultsUndeliverableSCH_15_19

Number of capacity request result messages which could not be delivered by the messaging system.

Data Source

NBSS BTS MO

Source Field

CapacityRequestResultsUndeliverableSCH (Seq# 87[3])

Source Section

BTSCallProcessing MO

CapacityRequestResultsUndeliverableSCH_20_24

Number of capacity request result messages which could not be delivered by the messaging system.

Data Source

NBSS BTS MO

Source Field

CapacityRequestResultsUndeliverableSCH (Seq# 87[4])

Source Section

BTSCallProcessing MO

CapacityRequestResultsUndeliverableSCH_25_29

Number of capacity request result messages which could not be delivered by the messaging system.

Data Source

NBSS BTS MO

Source Field

CapacityRequestResultsUndeliverableSCH (Seq# 87[5])

Source Section

BTSCallProcessing MO

CapacityRequestResultsUndeliverableSCH_5_9

Number of capacity request result messages which could not be delivered by the messaging system.

Data Source

NBSS BTS MO

Source Field

CapacityRequestResultsUndeliverableSCH (Seq# 87[1])

Source Section

BTSCallProcessing MO

CapacityRequestsRcvdSCH_0_4

Number of SCH capacity requests received.

Data Source

NBSS BTS MO

Source Field

CapacityRequestsRcvdSCH (Seq# 85[0])

Source Section

BTSCallProcessing MO

CapacityRequestsRcvdSCH_10_14

Number of SCH capacity requests received.

Data Source

NBSS BTS MO

Source Field

CapacityRequestsRcvdSCH (Seq# 85[2])

Source Section

BTSCallProcessing MO

CapacityRequestsRcvdSCH_15_19

Number of SCH capacity requests received.

Data Source

NBSS BTS MO

Source Field

CapacityRequestsRcvdSCH (Seq# 85[3])

Source Section

BTSCallProcessing MO

CapacityRequestsRcvdSCH_20_24

Number of SCH capacity requests received.

Data Source

NBSS BTS MO

Source Field

CapacityRequestsRcvdSCH (Seq# 85[4])

Source Section

BTSCallProcessing MO

CapacityRequestsRcvdSCH_25_29

Number of SCH capacity requests received.

Data Source

NBSS BTS MO

Source Field

CapacityRequestsRcvdSCH (Seq# 85[5])

Source Section

BTSCallProcessing MO

CapacityRequestsRcvdSCH_5_9

Number of SCH capacity requests received.

Data Source

NBSS BTS MO

Source Field

CapacityRequestsRcvdSCH (Seq# 85[1])

Source Section

BTSCallProcessing MO

CarrierSelectionCapacityRequestRcvd_0_4

Number of carrier selection capacity request messages received.

Data Source

NBSS BTS MO

Source Field

CarrierSelectionCapacityRequestRcvd (Seq# 90[0])

Source Section

BTSCallProcessing MO

CarrierSelectionCapacityRequestRcvd_10_14

Number of carrier selection capacity request messages received.

Data Source

NBSS BTS MO

Source Field

CarrierSelectionCapacityRequestRcvd (Seq# 90[2])

Source Section

BTSCallProcessing MO

CarrierSelectionCapacityRequestRcvd_15_19

Number of carrier selection capacity request messages received.

Data Source

NBSS BTS MO

Source Field

CarrierSelectionCapacityRequestRcvd (Seq# 90[3])

Source Section

BTSCallProcessing MO

CarrierSelectionCapacityRequestRcvd_20_24

Number of carrier selection capacity request messages received.

Data Source

NBSS BTS MO

Source Field

CarrierSelectionCapacityRequestRcvd (Seq# 90[4])

Source Section

BTSCallProcessing MO

CarrierSelectionCapacityRequestRcvd_25_29

Number of carrier selection capacity request messages received.

Data Source

NBSS BTS MO

Source Field

CarrierSelectionCapacityRequestRcvd (Seq# 90[5])

Source Section

BTSCallProcessing MO

CarrierSelectionCapacityRequestRcvd_5_9

Number of carrier selection capacity request messages received.

Data Source

NBSS BTS MO

Source Field

CarrierSelectionCapacityRequestRcvd (Seq# 90[1])

Source Section

BTSCallProcessing MO

CarrierSelectionCapacityRspSent_0_4

Number of carrier selection capacity response messages composed and handed to the messaging system for delivery.

Data Source

NBSS BTS MO

Source Field

CarrierSelectionCapacityRspSent (Seq# 91[0])

Source Section

BTSCallProcessing MO

CarrierSelectionCapacityRspSent_10_14

Number of carrier selection capacity response messages composed and handed to the messaging system for delivery.

Data Source

NBSS BTS MO

Source Field

CarrierSelectionCapacityRspSent (Seq# 91[2])

Source Section

BTSCallProcessing MO

CarrierSelectionCapacityRspSent_15_19

Number of carrier selection capacity response messages composed and handed to the messaging system for delivery.

Data Source

NBSS BTS MO

Source Field

CarrierSelectionCapacityRspSent (Seq# 91[3])

Source Section

BTSCallProcessing MO

CarrierSelectionCapacityRspSent_20_24

Number of carrier selection capacity response messages composed and handed to the messaging system for delivery.

Data Source

NBSS BTS MO

Source Field

CarrierSelectionCapacityRspSent (Seq# 91[4])

Source Section

BTSCallProcessing MO

CarrierSelectionCapacityRspSent_25_29

Number of carrier selection capacity response messages composed and handed to the messaging system for delivery.

Data Source

NBSS BTS MO

Source Field

CarrierSelectionCapacityRspSent (Seq# 91[5])

Source Section

BTSCallProcessing MO

CarrierSelectionCapacityRspSent_5_9

Number of carrier selection capacity response messages composed and handed to the messaging system for delivery.

Data Source

NBSS BTS MO

Source Field

CarrierSelectionCapacityRspSent (Seq# 91[1])

Source Section

BTSCallProcessing MO

CarrierSelectionCapacityRspUndeliverable_0_4

Number of carrier selection capacity response messages composed which could not be delivered by the messaging system.

Data Source

NBSS BTS MO

Source Field

CarrierSelectionCapacityRspUndeliverable (Seq# 92[0])

Source Section

BTSCallProcessing MO

CarrierSelectionCapacityRspUndeliverable_10_14

Number of carrier selection capacity response messages composed which could not be delivered by the messaging system.

Data Source

NBSS BTS MO

Source Field

CarrierSelectionCapacityRspUndeliverable (Seq# 92[2])

Source Section

BTSCallProcessing MO

CarrierSelectionCapacityRspUndeliverable_15_19

Number of carrier selection capacity response messages composed which could not be delivered by the messaging system.

Data Source

NBSS BTS MO

Source Field

CarrierSelectionCapacityRspUndeliverable (Seq# 92[3])

Source Section

BTSCallProcessing MO

CarrierSelectionCapacityRspUndeliverable_20_24

Number of carrier selection capacity response messages composed which could not be delivered by the messaging system.

Data Source

NBSS BTS MO

Source Field

CarrierSelectionCapacityRspUndeliverable (Seq# 92[4])

Source Section

BTSCallProcessing MO

CarrierSelectionCapacityRspUndeliverable_25_29

Number of carrier selection capacity response messages composed which could not be delivered by the messaging system.

Data Source

NBSS BTS MO

Source Field

CarrierSelectionCapacityRspUndeliverable (Seq# 92[5])

Source Section

BTSCallProcessing MO

CarrierSelectionCapacityRspUndeliverable_5_9

Number of carrier selection capacity response messages composed which could not be delivered by the messaging system.

Data Source

NBSS BTS MO

Source Field

CarrierSelectionCapacityRspUndeliverable (Seq# 92[1])

Source Section

BTSCallProcessing MO

ChannelAssignmentMsgDropped_0_4

Number of channel assignment messages received which were dropped.

Data Source

NBSS BTS MO

Source Field

ChannelAssignmentMsgDropped (Seq# 97[0])

Source Section

BTSCallProcessing MO

ChannelAssignmentMsgDropped_10_14

Number of channel assignment messages received which were dropped.

Data Source

NBSS BTS MO

Source Field

ChannelAssignmentMsgDropped (Seq# 97[2])

Source Section

BTSCallProcessing MO

ChannelAssignmentMsgDropped_15_19

Number of channel assignment messages received which were dropped.

Data Source

NBSS BTS MO

Source Field

ChannelAssignmentMsgDropped (Seq# 97[3])

Source Section

BTSCallProcessing MO

ChannelAssignmentMsgDropped_20_24

Number of channel assignment messages received which were dropped.

Data Source

NBSS BTS MO

Source Field

ChannelAssignmentMsgDropped (Seq# 97[4])

Source Section

BTSCallProcessing MO

ChannelAssignmentMsgDropped_25_29

Number of channel assignment messages received which were dropped.

Data Source

NBSS BTS MO

Source Field

ChannelAssignmentMsgDropped (Seq# 97[5])

Source Section

BTSCallProcessing MO

ChannelAssignmentMsgDropped_5_9

Number of channel assignment messages received which were dropped.

Data Source

NBSS BTS MO

Source Field

ChannelAssignmentMsgDropped (Seq# 97[1])

Source Section

BTSCallProcessing MO

ChannelAssignmentMsgRcvd_0_4

Number of channel assignment messages received.

Data Source

NBSS BTS MO

Source Field

ChannelAssignmentMsgRcvd (Seq# 96[0])

Source Section

BTSCallProcessing MO

ChannelAssignmentMsgRcvd_10_14

Number of channel assignment messages received.

Data Source

NBSS BTS MO

Source Field

ChannelAssignmentMsgRcvd (Seq# 96[2])

Source Section

BTSCallProcessing MO

ChannelAssignmentMsgRcvd_15_19

Number of channel assignment messages received.

Data Source

NBSS BTS MO

Source Field

ChannelAssignmentMsgRcvd (Seq# 96[3])

Source Section

BTSCallProcessing MO

ChannelAssignmentMsgRcvd_20_24

Number of channel assignment messages received.

Data Source

NBSS BTS MO

Source Field

ChannelAssignmentMsgRcvd (Seq# 96[4])

Source Section

BTSCallProcessing MO

ChannelAssignmentMsgRcvd_25_29

Number of channel assignment messages received.

Data Source

NBSS BTS MO

Source Field

ChannelAssignmentMsgRcvd (Seq# 96[5])

Source Section

BTSCallProcessing MO

ChannelAssignmentMsgRcvd_5_9

Number of channel assignment messages received.

Data Source

NBSS BTS MO

Source Field

ChannelAssignmentMsgRcvd (Seq# 96[1])

Source Section

BTSCallProcessing MO

ChannelReleaseIndicationsSentSCH_0_4

Number of SCH channel release indication messages prepared and handed to the messaging system for delivery.

Data Source

NBSS BTS MO

Source Field

ChannelReleaseIndicationsSentSCH (Seq# 88[0])

Source Section

BTSCallProcessing MO

ChannelReleaseIndicationsSentSCH_10_14

Number of SCH channel release indication messages prepared and handed to the messaging system for delivery.

Data Source

NBSS BTS MO

Source Field

ChannelReleaseIndicationsSentSCH (Seq# 88[2])

Source Section

BTSCallProcessing MO

ChannelReleaseIndicationsSentSCH_15_19

Number of SCH channel release indication messages prepared and handed to the messaging system for delivery.

Data Source

NBSS BTS MO

Source Field

ChannelReleaseIndicationsSentSCH (Seq# 88[3])

Source Section

BTSCallProcessing MO

ChannelReleaseIndicationsSentSCH_20_24

Number of SCH channel release indication messages prepared and handed to the messaging system for delivery.

Data Source

NBSS BTS MO

Source Field

ChannelReleaseIndicationsSentSCH (Seq# 88[4])

Source Section

BTSCallProcessing MO

ChannelReleaseIndicationsSentSCH_25_29

Number of SCH channel release indication messages prepared and handed to the messaging system for delivery.

Data Source

NBSS BTS MO

Source Field

ChannelReleaseIndicationsSentSCH (Seq# 88[5])

Source Section

BTSCallProcessing MO

ChannelReleaseIndicationsSentSCH_5_9

Number of SCH channel release indication messages prepared and handed to the messaging system for delivery.

Data Source

NBSS BTS MO

Source Field

ChannelReleaseIndicationsSentSCH (Seq# 88[1])

Source Section

BTSCallProcessing MO

ChannelReleaseIndicationsUndeliverableSCH_0_4

Number of SCH channel release indication messages prepared which could not be delivered by the messaging system.

Data Source

NBSS BTS MO

Source Field

ChannelReleaseIndicationsUndeliverableSCH (Seq# 89[0])

Source Section

BTSCallProcessing MO

ChannelReleaseIndicationsUndeliverableSCH_10_14

Number of SCH channel release indication messages prepared which could not be delivered by the messaging system.

Data Source

NBSS BTS MO

Source Field

ChannelReleaseIndicationsUndeliverableSCH (Seq# 89[2])

Source Section

BTSCallProcessing MO

ChannelReleaseIndicationsUndeliverableSCH_15_19

Number of SCH channel release indication messages prepared which could not be delivered by the messaging system.

Data Source

NBSS BTS MO

Source Field

ChannelReleaseIndicationsUndeliverableSCH (Seq# 89[3])

Source Section

BTSCallProcessing MO

ChannelReleaseIndicationsUndeliverableSCH_20_24

Number of SCH channel release indication messages prepared which could not be delivered by the messaging system.

Data Source

NBSS BTS MO

Source Field

ChannelReleaseIndicationsUndeliverableSCH (Seq# 89[4])

Source Section

BTSCallProcessing MO

ChannelReleaseIndicationsUndeliverableSCH_25_29

Number of SCH channel release indication messages prepared which could not be delivered by the messaging system.

Data Source

NBSS BTS MO

Source Field

ChannelReleaseIndicationsUndeliverableSCH (Seq# 89[5])

Source Section

BTSCallProcessing MO

ChannelReleaseIndicationsUndeliverableSCH_5_9

Number of SCH channel release indication messages prepared which could not be delivered by the messaging system.

Data Source

NBSS BTS MO

Source Field

ChannelReleaseIndicationsUndeliverableSCH (Seq# 89[1])

Source Section

BTSCallProcessing MO

ConditionalTriggerCommandsRcvdFCH_0_4

Number of FCH conditional trigger commands received.

Data Source

NBSS BTS MO

Source Field

ConditionalTriggerCommandsRcvdFCH (Seq# 75[0])

Source Section

BTSCallProcessing MO

ConditionalTriggerCommandsRcvdFCH_10_14

Number of FCH conditional trigger commands received.

Data Source

NBSS BTS MO

Source Field

ConditionalTriggerCommandsRcvdFCH (Seq# 75[2])

Source Section

BTSCallProcessing MO

ConditionalTriggerCommandsRcvdFCH_15_19

Number of FCH conditional trigger commands received.

Data Source

NBSS BTS MO

Source Field

ConditionalTriggerCommandsRcvdFCH (Seq# 75[3])

Source Section

BTSCallProcessing MO

ConditionalTriggerCommandsRcvdFCH_20_24

Number of FCH conditional trigger commands received.

Data Source

NBSS BTS MO

Source Field

ConditionalTriggerCommandsRcvdFCH (Seq# 75[4])

Source Section

BTSCallProcessing MO

ConditionalTriggerCommandsRcvdFCH_25_29

Number of FCH conditional trigger commands received.

Data Source

NBSS BTS MO

Source Field

ConditionalTriggerCommandsRcvdFCH (Seq# 75[5])

Source Section

BTSCallProcessing MO

ConditionalTriggerCommandsRcvdFCH_5_9

Number of FCH conditional trigger commands received.

Data Source

NBSS BTS MO

Source Field

ConditionalTriggerCommandsRcvdFCH (Seq# 75[1])

Source Section

BTSCallProcessing MO

CongCtrlHalfHourSpikeCount

Counts of paging spikes within the half hour OM collection interval .

Data Source

NBSS BTS MO

Source Field

CongCtrlHalfHourSpikeCount (Seq# 42)

Source Section

CBCM MO

CongCtrlHalfHourStormCount

Counts of paging storms within the half hour OM collection interval.

Data Source

NBSS BTS MO

Source Field

CongCtrlHalfHourStormCount (Seq# 43)

Source Section

CBCM MO

CongCtrlTotalSpikeCount

Total counts of paging spikes from the start of OM collection.

Data Source

NBSS BTS MO

Source Field

CongCtrlTotalSpikeCount (Seq# 44)

Source Section

CBCM MO

CongCtrlTotalStormCount

Total counts of paging storms from the start of OM collection.

Data Source

NBSS BTS MO

Source Field

CongCtrlTotalStormCount (Seq# 45)

Source Section

CBCM MO

ExtendedChannelAssignmentMsgDropped_0_4

Number of extended channel assignment messages received which were dropped.

Data Source

NBSS BTS MO

Source Field

ExtendedChannelAssignmentMsgDropped (Seq# 99[0])

Source Section

BTSCallProcessing MO

ExtendedChannelAssignmentMsgDropped_10_14

Number of extended channel assignment messages received which were dropped.

Data Source

NBSS BTS MO

Source Field

ExtendedChannelAssignmentMsgDropped (Seq# 99[2])

Source Section

BTSCallProcessing MO

ExtendedChannelAssignmentMsgDropped_15_19

Number of extended channel assignment messages received which were dropped.

Data Source

NBSS BTS MO

Source Field

ExtendedChannelAssignmentMsgDropped (Seq# 99[3])

Source Section

BTSCallProcessing MO

ExtendedChannelAssignmentMsgDropped_20_24

Number of extended channel assignment messages received which were dropped.

Data Source

NBSS BTS MO

Source Field

ExtendedChannelAssignmentMsgDropped (Seq# 99[4])

Source Section

BTSCallProcessing MO

ExtendedChannelAssignmentMsgDropped_25_29

Number of extended channel assignment messages received which were dropped.

Data Source

NBSS BTS MO

Source Field

ExtendedChannelAssignmentMsgDropped (Seq# 99[5])

Source Section

BTSCallProcessing MO

ExtendedChannelAssignmentMsgDropped_5_9

Number of extended channel assignment messages received which were dropped.

Data Source

NBSS BTS MO

Source Field

ExtendedChannelAssignmentMsgDropped (Seq# 99[1])

Source Section

BTSCallProcessing MO

ExtendedChannelAssignmentMsgRcvd_0_4

Number of extended channel assignment messages received.

Data Source

NBSS BTS MO

Source Field

ExtendedChannelAssignmentMsgRcvd (Seq# 98[0])

Source Section

BTSCallProcessing MO

ExtendedChannelAssignmentMsgRcvd_10_14

Number of extended channel assignment messages received.

Data Source

NBSS BTS MO

Source Field

ExtendedChannelAssignmentMsgRcvd (Seq# 98[2])

Source Section

BTSCallProcessing MO

ExtendedChannelAssignmentMsgRcvd_15_19

Number of extended channel assignment messages received.

Data Source

NBSS BTS MO

Source Field

ExtendedChannelAssignmentMsgRcvd (Seq# 98[3])

Source Section

BTSCallProcessing MO

ExtendedChannelAssignmentMsgRcvd_20_24

Number of extended channel assignment messages received.

Data Source

NBSS BTS MO

Source Field

ExtendedChannelAssignmentMsgRcvd (Seq# 98[4])

Source Section

BTSCallProcessing MO

ExtendedChannelAssignmentMsgRcvd_25_29

Number of extended channel assignment messages received.

Data Source

NBSS BTS MO

Source Field

ExtendedChannelAssignmentMsgRcvd (Seq# 98[5])

Source Section

BTSCallProcessing MO

ExtendedChannelAssignmentMsgRcvd_5_9

Number of extended channel assignment messages received.

Data Source

NBSS BTS MO

Source Field

ExtendedChannelAssignmentMsgRcvd (Seq# 98[1])

Source Section

BTSCallProcessing MO

ExtendedStatusResponseSent_0_4

Number of extended status response messages handed to the message delivery system.

Data Source

NBSS BTS MO

Source Field

ExtendedStatusResponseSent (Seq# 130[0])

Source Section

BTSCallProcessing MO

ExtendedStatusResponseSent_10_14

Number of extended status response messages handed to the message delivery system.

Data Source

NBSS BTS MO

Source Field

ExtendedStatusResponseSent (Seq# 130[2])

Source Section

BTSCallProcessing MO

ExtendedStatusResponseSent_15_19

Number of extended status response messages handed to the message delivery system.

Data Source

NBSS BTS MO

Source Field

ExtendedStatusResponseSent (Seq# 130[3])

Source Section

BTSCallProcessing MO

ExtendedStatusResponseSent_20_24

Number of extended status response messages handed to the message delivery system.

Data Source

NBSS BTS MO

Source Field

ExtendedStatusResponseSent (Seq# 130[4])

Source Section

BTSCallProcessing MO

ExtendedStatusResponseSent_25_29

Number of extended status response messages handed to the message delivery system.

Data Source

NBSS BTS MO

Source Field

ExtendedStatusResponseSent (Seq# 130[5])

Source Section

BTSCallProcessing MO

ExtendedStatusResponseSent_5_9

Number of extended status response messages handed to the message delivery system.

Data Source

NBSS BTS MO

Source Field

ExtendedStatusResponseSent (Seq# 130[1])

Source Section

BTSCallProcessing MO

ExtendedStatusResponseUndeliverable_0_4

Number of extended status response messages which could not be delivered by the message delivery system.

Data Source

NBSS BTS MO

Source Field

ExtendedStatusResponseUndeliverable (Seq# 131[0])

Source Section

BTSCallProcessing MO

ExtendedStatusResponseUndeliverable_10_14

Number of extended status response messages which could not be delivered by the message delivery system.

Data Source

NBSS BTS MO

Source Field

ExtendedStatusResponseUndeliverable (Seq# 131[2])

Source Section

BTSCallProcessing MO

ExtendedStatusResponseUndeliverable_15_19

Number of extended status response messages which could not be delivered by the message delivery system.

Data Source

NBSS BTS MO

Source Field

ExtendedStatusResponseUndeliverable (Seq# 131[3])

Source Section

BTSCallProcessing MO

ExtendedStatusResponseUndeliverable_20_24

Number of extended status response messages which could not be delivered by the message delivery system.

Data Source

NBSS BTS MO

Source Field

ExtendedStatusResponseUndeliverable (Seq# 131[4])

Source Section

BTSCallProcessing MO

ExtendedStatusResponseUndeliverable_25_29

Number of extended status response messages which could not be delivered by the message delivery system.

Data Source

NBSS BTS MO

Source Field

ExtendedStatusResponseUndeliverable (Seq# 131[5])

Source Section

BTSCallProcessing MO

ExtendedStatusResponseUndeliverable_5_9

Number of extended status response messages which could not be delivered by the message delivery system.

Data Source

NBSS BTS MO

Source Field

ExtendedStatusResponseUndeliverable (Seq# 131[1])

Source Section

BTSCallProcessing MO

FeatureNotificationCmdRcvd_0_4

Number of feature notification command messages received.

Data Source

NBSS BTS MO

Source Field

FeatureNotificationCmdRcvd (Seq# 102[0])

Source Section

BTSCallProcessing MO

FeatureNotificationCmdRcvd_10_14

Number of feature notification command messages received.

Data Source

NBSS BTS MO

Source Field

FeatureNotificationCmdRcvd (Seq# 102[2])

Source Section

BTSCallProcessing MO

FeatureNotificationCmdRcvd_15_19

Number of feature notification command messages received.

Data Source

NBSS BTS MO

Source Field

FeatureNotificationCmdRcvd (Seq# 102[3])

Source Section

BTSCallProcessing MO

FeatureNotificationCmdRcvd_20_24

Number of feature notification command messages received.

Data Source

NBSS BTS MO

Source Field

FeatureNotificationCmdRcvd (Seq# 102[4])

Source Section

BTSCallProcessing MO

FeatureNotificationCmdRcvd_25_29

Number of feature notification command messages received.

Data Source

NBSS BTS MO

Source Field

FeatureNotificationCmdRcvd (Seq# 102[5])

Source Section

BTSCallProcessing MO

FeatureNotificationCmdRcvd_5_9

Number of feature notification command messages received.

Data Source

NBSS BTS MO

Source Field

FeatureNotificationCmdRcvd (Seq# 102[1])

Source Section

BTSCallProcessing MO

FeatureNotificationCommandDropped_0_4

Number of feature notification command messages received which were dropped.

Data Source

NBSS BTS MO

Source Field

FeatureNotificationCommandDropped (Seq# 103[0])

Source Section

BTSCallProcessing MO

FeatureNotificationCommandDropped_10_14

Number of feature notification command messages received which were dropped.

Data Source

NBSS BTS MO

Source Field

FeatureNotificationCommandDropped (Seq# 103[2])

Source Section

BTSCallProcessing MO

FeatureNotificationCommandDropped_15_19

Number of feature notification command messages received which were dropped.

Data Source

NBSS BTS MO

Source Field

FeatureNotificationCommandDropped (Seq# 103[3])

Source Section

BTSCallProcessing MO

FeatureNotificationCommandDropped_20_24

Number of feature notification command messages received which were dropped.

Data Source

NBSS BTS MO

Source Field

FeatureNotificationCommandDropped (Seq# 103[4])

Source Section

BTSCallProcessing MO

FeatureNotificationCommandDropped_25_29

Number of feature notification command messages received which were dropped.

Data Source

NBSS BTS MO

Source Field

FeatureNotificationCommandDropped (Seq# 103[5])

Source Section

BTSCallProcessing MO

FeatureNotificationCommandDropped_5_9

Number of feature notification command messages received which were dropped.

Data Source

NBSS BTS MO

Source Field

FeatureNotificationCommandDropped (Seq# 103[1])

Source Section

BTSCallProcessing MO

GeneralPageMsgDropped_0_4

Number of general page messages received which were dropped.

Data Source

NBSS BTS MO

Source Field

GeneralPageMsgDropped (Seq# 95[0])

Source Section

BTSCallProcessing MO

GeneralPageMsgDropped_10_14

Number of general page messages received which were dropped.

Data Source

NBSS BTS MO

Source Field

GeneralPageMsgDropped (Seq# 95[2])

Source Section

BTSCallProcessing MO

GeneralPageMsgDropped_15_19

Number of general page messages received which were dropped.

Data Source

NBSS BTS MO

Source Field

GeneralPageMsgDropped (Seq# 95[3])

Source Section

BTSCallProcessing MO

GeneralPageMsgDropped_20_24

Number of general page messages received which were dropped.

Data Source

NBSS BTS MO

Source Field

GeneralPageMsgDropped (Seq# 95[4])

Source Section

BTSCallProcessing MO

GeneralPageMsgDropped_25_29

Number of general page messages received which were dropped.

Data Source

NBSS BTS MO

Source Field

GeneralPageMsgDropped (Seq# 95[5])

Source Section

BTSCallProcessing MO

GeneralPageMsgDropped_5_9

Number of general page messages received which were dropped.

Data Source

NBSS BTS MO

Source Field

GeneralPageMsgDropped (Seq# 95[1])

Source Section

BTSCallProcessing MO

GeneralPageMsgRcvd_0_4

Number of general page messages received.

Data Source

NBSS BTS MO

Source Field

GeneralPageMsgRcvd (Seq# 94[0])

Source Section

BTSCallProcessing MO

GeneralPageMsgRcvd_10_14

Number of general page messages received.

Data Source

NBSS BTS MO

Source Field

GeneralPageMsgRcvd (Seq# 94[2])

Source Section

BTSCallProcessing MO

GeneralPageMsgRcvd_15_19

Number of general page messages received.

Data Source

NBSS BTS MO

Source Field

GeneralPageMsgRcvd (Seq# 94[3])

Source Section

BTSCallProcessing MO

GeneralPageMsgRcvd_20_24

Number of general page messages received.

Data Source

NBSS BTS MO

Source Field

GeneralPageMsgRcvd (Seq# 94[4])

Source Section

BTSCallProcessing MO

GeneralPageMsgRcvd_25_29

Number of general page messages received.

Data Source

NBSS BTS MO

Source Field

GeneralPageMsgRcvd (Seq# 94[5])

Source Section

BTSCallProcessing MO

GeneralPageMsgRcvd_5_9

Number of general page messages received.

Data Source

NBSS BTS MO

Source Field

GeneralPageMsgRcvd (Seq# 94[1])

Source Section

BTSCallProcessing MO

InitializationDuration_Init

Length of time (in seconds) that the BTS is in the initializing state.

Data Source

NBSS BTS MO

Source Field

InitializationDuration (Seq# 74[1])

Source Section

DCG MO

InitializationDuration_WaitToBeInit

Length of time (in seconds) that the BTS is in the waiting to be initialized state.

Data Source

NBSS BTS MO

Source Field

InitializationDuration (Seq# 74[0])

Source Section

DCG MO

InitializationDurationOdometer_Init

Cumulative length of time (in seconds) that the BTS is in the initializing state, starting from the later one of either when both BSSM and BTS are upgraded to 14.0 or when the CM module is replaced.

Data Source

NBSS BTS MO

Source Field

InitializationDurationOdometer (Seq# 77[1])

Source Section

DCG MO

InitializationDurationOdometer_WaitToBeInit

Cumulative length of time (in seconds) that the BTS is in the waiting to be initialized state, starting from the later one of either when both BSSM and BTS are upgraded to 14.0 or when the CM module is replaced.

Data Source

NBSS BTS MO

Source Field

InitializationDurationOdometer (Seq# 77[0])

Source Section

DCG MO

MessageStormDuration

This OM counts the total Paging Channel discard duration (in seconds) associated with events pegged by the existing PCH Message Storm OM.

Data Source

NBSS BTS MO

Source Field

MessageStormDuration (Seq# 46)

Source Section

CBCM MO

OrderCommandDropped_0_4

Number of order command messages received which were dropped.

Data Source

NBSS BTS MO

Source Field

OrderCommandDropped (Seq# 101[0])

Source Section

BTSCallProcessing MO

OrderCommandDropped_10_14

Number of order command messages received which were dropped.

Data Source

NBSS BTS MO

Source Field

OrderCommandDropped (Seq# 101[2])

Source Section

BTSCallProcessing MO

OrderCommandDropped_15_19

Number of order command messages received which were dropped.

Data Source

NBSS BTS MO

Source Field

OrderCommandDropped (Seq# 101[3])

Source Section

BTSCallProcessing MO

OrderCommandDropped_20_24

Number of order command messages received which were dropped.

Data Source

NBSS BTS MO

Source Field

OrderCommandDropped (Seq# 101[4])

Source Section

BTSCallProcessing MO

OrderCommandDropped_25_29

Number of order command messages received which were dropped.

Data Source

NBSS BTS MO

Source Field

OrderCommandDropped (Seq# 101[5])

Source Section

BTSCallProcessing MO

OrderCommandDropped_5_9

Number of order command messages received which were dropped.

Data Source

NBSS BTS MO

Source Field

OrderCommandDropped (Seq# 101[1])

Source Section

BTSCallProcessing MO

OrderCommandRcvd_0_4

Number of order command messages received.

Data Source

NBSS BTS MO

Source Field

OrderCommandRcvd (Seq# 100[0])

Source Section

BTSCallProcessing MO

OrderCommandRcvd_10_14

Number of order command messages received.

Data Source

NBSS BTS MO

Source Field

OrderCommandRcvd (Seq# 100[2])

Source Section

BTSCallProcessing MO

OrderCommandRcvd_15_19

Number of order command messages received.

Data Source

NBSS BTS MO

Source Field

OrderCommandRcvd (Seq# 100[3])

Source Section

BTSCallProcessing MO

OrderCommandRcvd_20_24

Number of order command messages received.

Data Source

NBSS BTS MO

Source Field

OrderCommandRcvd (Seq# 100[4])

Source Section

BTSCallProcessing MO

OrderCommandRcvd_25_29

Number of order command messages received.

Data Source

NBSS BTS MO

Source Field

OrderCommandRcvd (Seq# 100[5])

Source Section

BTSCallProcessing MO

OrderCommandRcvd_5_9

Number of order command messages received.

Data Source

NBSS BTS MO

Source Field

OrderCommandRcvd (Seq# 100[1])

Source Section

BTSCallProcessing MO

OrderIndicationSent_0_4

Number of order indication messages handed to the message delivery system.

Data Source

NBSS BTS MO

Source Field

OrderIndicationSent (Seq# 120[0])

Source Section

BTSCallProcessing MO

OrderIndicationSent_10_14

Number of order indication messages handed to the message delivery system.

Data Source

NBSS BTS MO

Source Field

OrderIndicationSent (Seq# 120[2])

Source Section

BTSCallProcessing MO

OrderIndicationSent_15_19

Number of order indication messages handed to the message delivery system.

Data Source

NBSS BTS MO

Source Field

OrderIndicationSent (Seq# 120[3])

Source Section

BTSCallProcessing MO

OrderIndicationSent_20_24

Number of order indication messages handed to the message delivery system.

Data Source

NBSS BTS MO

Source Field

OrderIndicationSent (Seq# 120[4])

Source Section

BTSCallProcessing MO

OrderIndicationSent_25_29

Number of order indication messages handed to the message delivery system.

Data Source

NBSS BTS MO

Source Field

OrderIndicationSent (Seq# 120[5])

Source Section

BTSCallProcessing MO

OrderIndicationSent_5_9

Number of order indication messages handed to the message delivery system.

Data Source

NBSS BTS MO

Source Field

OrderIndicationSent (Seq# 120[1])

Source Section

BTSCallProcessing MO

OrderIndicationUndeliverable_0_4

Number of order indication messages which could not be delivered by the message delivery system.

Data Source

NBSS BTS MO

Source Field

OrderIndicationUndeliverable (Seq# 121[0])

Source Section

BTSCallProcessing MO

OrderIndicationUndeliverable_10_14

Number of order indication messages which could not be delivered by the message delivery system.

Data Source

NBSS BTS MO

Source Field

OrderIndicationUndeliverable (Seq# 121[2])

Source Section

BTSCallProcessing MO

OrderIndicationUndeliverable_15_19

Number of order indication messages which could not be delivered by the message delivery system.

Data Source

NBSS BTS MO

Source Field

OrderIndicationUndeliverable (Seq# 121[3])

Source Section

BTSCallProcessing MO

OrderIndicationUndeliverable_20_24

Number of order indication messages which could not be delivered by the message delivery system.

Data Source

NBSS BTS MO

Source Field

OrderIndicationUndeliverable (Seq# 121[4])

Source Section

BTSCallProcessing MO

OrderIndicationUndeliverable_25_29

Number of order indication messages which could not be delivered by the message delivery system.

Data Source

NBSS BTS MO

Source Field

OrderIndicationUndeliverable (Seq# 121[5])

Source Section

BTSCallProcessing MO

OrderIndicationUndeliverable_5_9

Number of order indication messages which could not be delivered by the message delivery system.

Data Source

NBSS BTS MO

Source Field

OrderIndicationUndeliverable (Seq# 121[1])

Source Section

BTSCallProcessing MO

OriginationIndicationSent_0_4

Number of origination indication messages handed to the message delivery system.

Data Source

NBSS BTS MO

Source Field

OriginationIndicationSent (Seq# 118[0])

Source Section

BTSCallProcessing MO

OriginationIndicationSent_10_14

Number of origination indication messages handed to the message delivery system.

Data Source

NBSS BTS MO

Source Field

OriginationIndicationSent (Seq# 118[2])

Source Section

BTSCallProcessing MO

OriginationIndicationSent_15_19

Number of origination indication messages handed to the message delivery system.

Data Source

NBSS BTS MO

Source Field

OriginationIndicationSent (Seq# 118[3])

Source Section

BTSCallProcessing MO

OriginationIndicationSent_20_24

Number of origination indication messages handed to the message delivery system.

Data Source

NBSS BTS MO

Source Field

OriginationIndicationSent (Seq# 118[4])

Source Section

BTSCallProcessing MO

OriginationIndicationSent_25_29

Number of origination indication messages handed to the message delivery system.

Data Source

NBSS BTS MO

Source Field

OriginationIndicationSent (Seq# 118[5])

Source Section

BTSCallProcessing MO

OriginationIndicationSent_5_9

Number of origination indication messages handed to the message delivery system.

Data Source

NBSS BTS MO

Source Field

OriginationIndicationSent (Seq# 118[1])

Source Section

BTSCallProcessing MO

OriginationIndicationUndeliverable_0_4

Number of origination indication messages which could not be delivered by the message delivery system

Data Source

NBSS BTS MO

Source Field

OriginationIndicationUndeliverable (Seq# 119[0])

Source Section

BTSCallProcessing MO

OriginationIndicationUndeliverable_10_14

Number of origination indication messages which could not be delivered by the message delivery system

Data Source

NBSS BTS MO

Source Field

OriginationIndicationUndeliverable (Seq# 119[2])

Source Section

BTSCallProcessing MO

OriginationIndicationUndeliverable_15_19

Number of origination indication messages which could not be delivered by the message delivery system

Data Source

NBSS BTS MO

Source Field

OriginationIndicationUndeliverable (Seq# 119[3])

Source Section

BTSCallProcessing MO

OriginationIndicationUndeliverable_20_24

Number of origination indication messages which could not be delivered by the message delivery system

Data Source

NBSS BTS MO

Source Field

OriginationIndicationUndeliverable (Seq# 119[4])

Source Section

BTSCallProcessing MO

OriginationIndicationUndeliverable_25_29

Number of origination indication messages which could not be delivered by the message delivery system

Data Source

NBSS BTS MO

Source Field

OriginationIndicationUndeliverable (Seq# 119[5])

Source Section

BTSCallProcessing MO

OriginationIndicationUndeliverable_5_9

Number of origination indication messages which could not be delivered by the message delivery system

Data Source

NBSS BTS MO

Source Field

OriginationIndicationUndeliverable (Seq# 119[1])

Source Section

BTSCallProcessing MO

OutOfBandClassGeneralPagesDropped_0_4

Number of general page msgs dropped because the band class parameter in the message does not match the BTS band class.

Data Source

NBSS BTS MO

Source Field

OutOfBandClassGeneralPagesDropped (Seq# 111[0])

Source Section

BTSCallProcessing MO

OutOfBandClassGeneralPagesDropped_10_14

Number of general page msgs dropped because the band class parameter in the message does not match the BTS band class.

Data Source

NBSS BTS MO

Source Field

OutOfBandClassGeneralPagesDropped (Seq# 111[2])

Source Section

BTSCallProcessing MO

OutOfBandClassGeneralPagesDropped_15_19

Number of general page msgs dropped because the band class parameter in the message does not match the BTS band class.

Data Source

NBSS BTS MO

Source Field

OutOfBandClassGeneralPagesDropped (Seq# 111[3])

Source Section

BTSCallProcessing MO

OutOfBandClassGeneralPagesDropped_20_24

Number of general page msgs dropped because the band class parameter in the message does not match the BTS band class.

Data Source

NBSS BTS MO

Source Field

OutOfBandClassGeneralPagesDropped (Seq# 111[4])

Source Section

BTSCallProcessing MO

OutOfBandClassGeneralPagesDropped_25_29

Number of general page msgs dropped because the band class parameter in the message does not match the BTS band class.

Data Source

NBSS BTS MO

Source Field

OutOfBandClassGeneralPagesDropped (Seq# 111[5])

Source Section

BTSCallProcessing MO

OutOfBandClassGeneralPagesDropped_5_9

Number of general page msgs dropped because the band class parameter in the message does not match the BTS band class.

Data Source

NBSS BTS MO

Source Field

OutOfBandClassGeneralPagesDropped (Seq# 111[1])

Source Section

BTSCallProcessing MO

OutOfZonePages_0_4

Number of broadcast messages received but discarded because they are addressed to zones that this BTS is not included in.

Data Source

NBSS BTS MO

Source Field

OutOfZonePages (Seq# 110[0])

Source Section

BTSCallProcessing MO

OutOfZonePages_10_14

Number of broadcast messages received but discarded because they are addressed to zones that this BTS is not included in.

Data Source

NBSS BTS MO

Source Field

OutOfZonePages (Seq# 110[2])

Source Section

BTSCallProcessing MO

OutOfZonePages_15_19

Number of broadcast messages received but discarded because they are addressed to zones that this BTS is not included in.

Data Source

NBSS BTS MO

Source Field

OutOfZonePages (Seq# 110[3])

Source Section

BTSCallProcessing MO

OutOfZonePages_20_24

Number of broadcast messages received but discarded because they are addressed to zones that this BTS is not included in.

Data Source

NBSS BTS MO

Source Field

OutOfZonePages (Seq# 110[4])

Source Section

BTSCallProcessing MO

OutOfZonePages_25_29

Number of broadcast messages received but discarded because they are addressed to zones that this BTS is not included in.

Data Source

NBSS BTS MO

Source Field

OutOfZonePages (Seq# 110[5])

Source Section

BTSCallProcessing MO

OutOfZonePages_5_9

Number of broadcast messages received but discarded because they are addressed to zones that this BTS is not included in.

Data Source

NBSS BTS MO

Source Field

OutOfZonePages (Seq# 110[1])

Source Section

BTSCallProcessing MO

PageResponseSent_0_4

Number of page response messages handed to the message delivery system.

Data Source

NBSS BTS MO

Source Field

PageResponseSent (Seq# 116[0])

Source Section

BTSCallProcessing MO

PageResponseSent_10_14

Number of page response messages handed to the message delivery system.

Data Source

NBSS BTS MO

Source Field

PageResponseSent (Seq# 116[2])

Source Section

BTSCallProcessing MO

PageResponseSent_15_19

Number of page response messages handed to the message delivery system.

Data Source

NBSS BTS MO

Source Field

PageResponseSent (Seq# 116[3])

Source Section

BTSCallProcessing MO

PageResponseSent_20_24

Number of page response messages handed to the message delivery system.

Data Source

NBSS BTS MO

Source Field

PageResponseSent (Seq# 116[4])

Source Section

BTSCallProcessing MO

PageResponseSent_25_29

Number of page response messages handed to the message delivery system.

Data Source

NBSS BTS MO

Source Field

PageResponseSent (Seq# 116[5])

Source Section

BTSCallProcessing MO

PageResponseSent_5_9

Number of page response messages handed to the message delivery system.

Data Source

NBSS BTS MO

Source Field

PageResponseSent (Seq# 116[1])

Source Section

BTSCallProcessing MO

PageResponseUndeliverable_0_4

Number of page response messages which could not be delivered by the message delivery system.

Data Source

NBSS BTS MO

Source Field

PageResponseUndeliverable (Seq# 117[0])

Source Section

BTSCallProcessing MO

PageResponseUndeliverable_10_14

Number of page response messages which could not be delivered by the message delivery system.

Data Source

NBSS BTS MO

Source Field

PageResponseUndeliverable (Seq# 117[2])

Source Section

BTSCallProcessing MO

PageResponseUndeliverable_15_19

Number of page response messages which could not be delivered by the message delivery system.

Data Source

NBSS BTS MO

Source Field

PageResponseUndeliverable (Seq# 117[3])

Source Section

BTSCallProcessing MO

PageResponseUndeliverable_20_24

Number of page response messages which could not be delivered by the message delivery system.

Data Source

NBSS BTS MO

Source Field

PageResponseUndeliverable (Seq# 117[4])

Source Section

BTSCallProcessing MO

PageResponseUndeliverable_25_29

Number of page response messages which could not be delivered by the message delivery system.

Data Source

NBSS BTS MO

Source Field

PageResponseUndeliverable (Seq# 117[5])

Source Section

BTSCallProcessing MO

PageResponseUndeliverable_5_9

Number of page response messages which could not be delivered by the message delivery system.

Data Source

NBSS BTS MO

Source Field

PageResponseUndeliverable (Seq# 117[1])

Source Section

BTSCallProcessing MO

PagingChannelMessageCount

Number of paging channel messages sent to the BTS by the PAM in the CAU. This includes pages, repages, SMS, etc.

Data Source

NBSS BTS MO

Source Field

PagingChannelMessageCount (Seq# 52)

Source Section

BTSCallProcessing MO

PagingChannelMessagesDropped

Number of paging channel messages dropped by the BTSC due to BTSC CPU overload.

Data Source

NBSS BTS MO

Source Field

PagingChannelMessagesDropped (Seq# 53)

Source Section

BTSCallProcessing MO

RegistrationIndicationSent_0_4

Number of registration indication messages handed to the message delivery system.

Data Source

NBSS BTS MO

Source Field

RegistrationIndicationSent (Seq# 122[0])

Source Section

BTSCallProcessing MO

RegistrationIndicationSent_10_14

Number of registration indication messages handed to the message delivery system.

Data Source

NBSS BTS MO

Source Field

RegistrationIndicationSent (Seq# 122[2])

Source Section

BTSCallProcessing MO

RegistrationIndicationSent_15_19

Number of registration indication messages handed to the message delivery system.

Data Source

NBSS BTS MO

Source Field

RegistrationIndicationSent (Seq# 122[3])

Source Section

BTSCallProcessing MO

RegistrationIndicationSent_20_24

Number of registration indication messages handed to the message delivery system.

Data Source

NBSS BTS MO

Source Field

RegistrationIndicationSent (Seq# 122[4])

Source Section

BTSCallProcessing MO

RegistrationIndicationSent_25_29

Number of registration indication messages handed to the message delivery system.

Data Source

NBSS BTS MO

Source Field

RegistrationIndicationSent (Seq# 122[5])

Source Section

BTSCallProcessing MO

RegistrationIndicationSent_5_9

Number of registration indication messages handed to the message delivery system.

Data Source

NBSS BTS MO

Source Field

RegistrationIndicationSent (Seq# 122[1])

Source Section

BTSCallProcessing MO

RegistrationIndicationUndeliverable_0_4

Number of registration indication messages which could not be delivered by the message delivery system.

Data Source

NBSS BTS MO

Source Field

RegistrationIndicationUndeliverable (Seq# 123[0])

Source Section

BTSCallProcessing MO

RegistrationIndicationUndeliverable_10_14

Number of registration indication messages which could not be delivered by the message delivery system.

Data Source

NBSS BTS MO

Source Field

RegistrationIndicationUndeliverable (Seq# 123[2])

Source Section

BTSCallProcessing MO

RegistrationIndicationUndeliverable_15_19

Number of registration indication messages which could not be delivered by the message delivery system.

Data Source

NBSS BTS MO

Source Field

RegistrationIndicationUndeliverable (Seq# 123[3])

Source Section

BTSCallProcessing MO

RegistrationIndicationUndeliverable_20_24

Number of registration indication messages which could not be delivered by the message delivery system.

Data Source

NBSS BTS MO

Source Field

RegistrationIndicationUndeliverable (Seq# 123[4])

Source Section

BTSCallProcessing MO

RegistrationIndicationUndeliverable_25_29

Number of registration indication messages which could not be delivered by the message delivery system.

Data Source

NBSS BTS MO

Source Field

RegistrationIndicationUndeliverable (Seq# 123[5])

Source Section

BTSCallProcessing MO

RegistrationIndicationUndeliverable_5_9

Number of registration indication messages which could not be delivered by the message delivery system.

Data Source

NBSS BTS MO

Source Field

RegistrationIndicationUndeliverable (Seq# 123[1])

Source Section

BTSCallProcessing MO

ResourceMgmtMsgsDropped_0_4

Number of resource management messages received at the BTS which were dropped before the message could be enqueued for processing.

Data Source

NBSS BTS MO

Source Field

ResourceMgmtMsgsDropped (Seq# 93[0])

Source Section

BTSCallProcessing MO

ResourceMgmtMsgsDropped_10_14

Number of resource management messages received at the BTS which were dropped before the message could be enqueued for processing.

Data Source

NBSS BTS MO

Source Field

ResourceMgmtMsgsDropped (Seq# 93[2])

Source Section

BTSCallProcessing MO

ResourceMgmtMsgsDropped_15_19

Number of resource management messages received at the BTS which were dropped before the message could be enqueued for processing.

Data Source

NBSS BTS MO

Source Field

ResourceMgmtMsgsDropped (Seq# 93[3])

Source Section

BTSCallProcessing MO

ResourceMgmtMsgsDropped_20_24

Number of resource management messages received at the BTS which were dropped before the message could be enqueued for processing.

Data Source

NBSS BTS MO

Source Field

ResourceMgmtMsgsDropped (Seq# 93[4])

Source Section

BTSCallProcessing MO

ResourceMgmtMsgsDropped_25_29

Number of resource management messages received at the BTS which were dropped before the message could be enqueued for processing.

Data Source

NBSS BTS MO

Source Field

ResourceMgmtMsgsDropped (Seq# 93[5])

Source Section

BTSCallProcessing MO

ResourceMgmtMsgsDropped_5_9

Number of resource management messages received at the BTS which were dropped before the message could be enqueued for processing.

Data Source

NBSS BTS MO

Source Field

ResourceMgmtMsgsDropped (Seq# 93[1])

Source Section

BTSCallProcessing MO

ResourceReleaseRequestRcvdFCH_0_4

Number of FCH resource release requests received.

Data Source

NBSS BTS MO

Source Field

ResourceReleaseRequestRcvdFCH (Seq# 71[0])

Source Section

BTSCallProcessing MO

ResourceReleaseRequestRcvdFCH_10_14

Number of FCH resource release requests received.

Data Source

NBSS BTS MO

Source Field

ResourceReleaseRequestRcvdFCH (Seq# 71[2])

Source Section

BTSCallProcessing MO

ResourceReleaseRequestRcvdFCH_15_19

Number of FCH resource release requests received.

Data Source

NBSS BTS MO

Source Field

ResourceReleaseRequestRcvdFCH (Seq# 71[3])

Source Section

BTSCallProcessing MO

ResourceReleaseRequestRcvdFCH_20_24

Number of FCH resource release requests received.

Data Source

NBSS BTS MO

Source Field

ResourceReleaseRequestRcvdFCH (Seq# 71[4])

Source Section

BTSCallProcessing MO

ResourceReleaseRequestRcvdFCH_25_29

Number of FCH resource release requests received.

Data Source

NBSS BTS MO

Source Field

ResourceReleaseRequestRcvdFCH (Seq# 71[5])

Source Section

BTSCallProcessing MO

ResourceReleaseRequestRcvdFCH_5_9

Number of FCH resource release requests received.

Data Source

NBSS BTS MO

Source Field

ResourceReleaseRequestRcvdFCH (Seq# 71[1])

Source Section

BTSCallProcessing MO

ResourceReleaseRequestRcvdSCH_0_4

Number of SCH resource release requests received.

Data Source

NBSS BTS MO

Source Field

ResourceReleaseRequestRcvdSCH (Seq# 81[0])

Source Section

BTSCallProcessing MO

ResourceReleaseRequestRcvdSCH_10_14

Number of SCH resource release requests received.

Data Source

NBSS BTS MO

Source Field

ResourceReleaseRequestRcvdSCH (Seq# 81[2])

Source Section

BTSCallProcessing MO

ResourceReleaseRequestRcvdSCH_15_19

Number of SCH resource release requests received.

Data Source

NBSS BTS MO

Source Field

ResourceReleaseRequestRcvdSCH (Seq# 81[3])

Source Section

BTSCallProcessing MO

ResourceReleaseRequestRcvdSCH_20_24

Number of SCH resource release requests received.

Data Source

NBSS BTS MO

Source Field

ResourceReleaseRequestRcvdSCH (Seq# 81[4])

Source Section

BTSCallProcessing MO

ResourceReleaseRequestRcvdSCH_25_29

Number of SCH resource release requests received.

Data Source

NBSS BTS MO

Source Field

ResourceReleaseRequestRcvdSCH (Seq# 81[5])

Source Section

BTSCallProcessing MO

ResourceReleaseRequestRcvdSCH_5_9

Number of SCH resource release requests received.

Data Source

NBSS BTS MO

Source Field

ResourceReleaseRequestRcvdSCH (Seq# 81[1])

Source Section

BTSCallProcessing MO

ResourceReleaseRequestRspFailedFCH_0_4

Number of FCH resource release requests received which failed.

Data Source

NBSS BTS MO

Source Field

ResourceReleaseRequestRspFailedFCH (Seq# 73[0])

Source Section

BTSCallProcessing MO

ResourceReleaseRequestRspFailedFCH_10_14

Number of FCH resource release requests received which failed.

Data Source

NBSS BTS MO

Source Field

ResourceReleaseRequestRspFailedFCH (Seq# 73[2])

Source Section

BTSCallProcessing MO

ResourceReleaseRequestRspFailedFCH_15_19

Number of FCH resource release requests received which failed.

Data Source

NBSS BTS MO

Source Field

ResourceReleaseRequestRspFailedFCH (Seq# 73[3])

Source Section

BTSCallProcessing MO

ResourceReleaseRequestRspFailedFCH_20_24

Number of FCH resource release requests received which failed.

Data Source

NBSS BTS MO

Source Field

ResourceReleaseRequestRspFailedFCH (Seq# 73[4])

Source Section

BTSCallProcessing MO

ResourceReleaseRequestRspFailedFCH_25_29

Number of FCH resource release requests received which failed.

Data Source

NBSS BTS MO

Source Field

ResourceReleaseRequestRspFailedFCH (Seq# 73[5])

Source Section

BTSCallProcessing MO

ResourceReleaseRequestRspFailedFCH_5_9

Number of FCH resource release requests received which failed.

Data Source

NBSS BTS MO

Source Field

ResourceReleaseRequestRspFailedFCH (Seq# 73[1])

Source Section

BTSCallProcessing MO

ResourceReleaseRequestRspFailedSCH_0_4

Number of SCH resource release requests received which failed.

Data Source

NBSS BTS MO

Source Field

ResourceReleaseRequestRspFailedSCH (Seq# 83[0])

Source Section

BTSCallProcessing MO

ResourceReleaseRequestRspFailedSCH_10_14

Number of SCH resource release requests received which failed.

Data Source

NBSS BTS MO

Source Field

ResourceReleaseRequestRspFailedSCH (Seq# 83[2])

Source Section

BTSCallProcessing MO

ResourceReleaseRequestRspFailedSCH_15_19

Number of SCH resource release requests received which failed.

Data Source

NBSS BTS MO

Source Field

ResourceReleaseRequestRspFailedSCH (Seq# 83[3])

Source Section

BTSCallProcessing MO

ResourceReleaseRequestRspFailedSCH_20_24

Number of SCH resource release requests received which failed.

Data Source

NBSS BTS MO

Source Field

ResourceReleaseRequestRspFailedSCH (Seq# 83[4])

Source Section

BTSCallProcessing MO

ResourceReleaseRequestRspFailedSCH_25_29

Number of SCH resource release requests received which failed.

Data Source

NBSS BTS MO

Source Field

ResourceReleaseRequestRspFailedSCH (Seq# 83[5])

Source Section

BTSCallProcessing MO

ResourceReleaseRequestRspFailedSCH_5_9

Number of SCH resource release requests received which failed.

Data Source

NBSS BTS MO

Source Field

ResourceReleaseRequestRspFailedSCH (Seq# 83[1])

Source Section

BTSCallProcessing MO

ResourceReleaseRequestRspSuccessFCH_0_4

Number of FCH resource release requests received which were successfully processed.

Data Source

NBSS BTS MO

Source Field

ResourceReleaseRequestRspSuccessFCH (Seq# 72[0])

Source Section

BTSCallProcessing MO

ResourceReleaseRequestRspSuccessFCH_10_14

Number of FCH resource release requests received which were successfully processed.

Data Source

NBSS BTS MO

Source Field

ResourceReleaseRequestRspSuccessFCH (Seq# 72[2])

Source Section

BTSCallProcessing MO

ResourceReleaseRequestRspSuccessFCH_15_19

Number of FCH resource release requests received which were successfully processed.

Data Source

NBSS BTS MO

Source Field

ResourceReleaseRequestRspSuccessFCH (Seq# 72[3])

Source Section

BTSCallProcessing MO

ResourceReleaseRequestRspSuccessFCH_20_24

Number of FCH resource release requests received which were successfully processed.

Data Source

NBSS BTS MO

Source Field

ResourceReleaseRequestRspSuccessFCH (Seq# 72[4])

Source Section

BTSCallProcessing MO

ResourceReleaseRequestRspSuccessFCH_25_29

Number of FCH resource release requests received which were successfully processed.

Data Source

NBSS BTS MO

Source Field

ResourceReleaseRequestRspSuccessFCH (Seq# 72[5])

Source Section

BTSCallProcessing MO

ResourceReleaseRequestRspSuccessFCH_5_9

Number of FCH resource release requests received which were successfully processed.

Data Source

NBSS BTS MO

Source Field

ResourceReleaseRequestRspSuccessFCH (Seq# 72[1])

Source Section

BTSCallProcessing MO

ResourceReleaseRequestRspSuccessSCH_0_4

Number of SCH resource release requests received which were successfully processed.

Data Source

NBSS BTS MO

Source Field

ResourceReleaseRequestRspSuccessSCH (Seq# 82[0])

Source Section

BTSCallProcessing MO

ResourceReleaseRequestRspSuccessSCH_10_14

Number of SCH resource release requests received which were successfully processed.

Data Source

NBSS BTS MO

Source Field

ResourceReleaseRequestRspSuccessSCH (Seq# 82[2])

Source Section

BTSCallProcessing MO

ResourceReleaseRequestRspSuccessSCH_15_19

Number of SCH resource release requests received which were successfully processed.

Data Source

NBSS BTS MO

Source Field

ResourceReleaseRequestRspSuccessSCH (Seq# 82[3])

Source Section

BTSCallProcessing MO

ResourceReleaseRequestRspSuccessSCH_20_24

Number of SCH resource release requests received which were successfully processed.

Data Source

NBSS BTS MO

Source Field

ResourceReleaseRequestRspSuccessSCH (Seq# 82[4])

Source Section

BTSCallProcessing MO

ResourceReleaseRequestRspSuccessSCH_25_29

Number of SCH resource release requests received which were successfully processed.

Data Source

NBSS BTS MO

Source Field

ResourceReleaseRequestRspSuccessSCH (Seq# 82[5])

Source Section

BTSCallProcessing MO

ResourceReleaseRequestRspSuccessSCH_5_9

Number of SCH resource release requests received which were successfully processed.

Data Source

NBSS BTS MO

Source Field

ResourceReleaseRequestRspSuccessSCH (Seq# 82[1])

Source Section

BTSCallProcessing MO

ResourceReleaseRequestRspUndeliverableFCH_0_4

Number of FCH resource release responses which could not be delivered by the messaging system.

Data Source

NBSS BTS MO

Source Field

ResourceReleaseRequestRspUndeliverableFCH (Seq# 74[0])

Source Section

BTSCallProcessing MO

ResourceReleaseRequestRspUndeliverableFCH_10_14

Number of FCH resource release responses which could not be delivered by the messaging system.

Data Source

NBSS BTS MO

Source Field

ResourceReleaseRequestRspUndeliverableFCH (Seq# 74[2])

Source Section

BTSCallProcessing MO

ResourceReleaseRequestRspUndeliverableFCH_15_19

Number of FCH resource release responses which could not be delivered by the messaging system.

Data Source

NBSS BTS MO

Source Field

ResourceReleaseRequestRspUndeliverableFCH (Seq# 74[3])

Source Section

BTSCallProcessing MO

ResourceReleaseRequestRspUndeliverableFCH_20_24

Number of FCH resource release responses which could not be delivered by the messaging system.

Data Source

NBSS BTS MO

Source Field

ResourceReleaseRequestRspUndeliverableFCH (Seq# 74[4])

Source Section

BTSCallProcessing MO

ResourceReleaseRequestRspUndeliverableFCH_25_29

Number of FCH resource release responses which could not be delivered by the messaging system.

Data Source

NBSS BTS MO

Source Field

ResourceReleaseRequestRspUndeliverableFCH (Seq# 74[5])

Source Section

BTSCallProcessing MO

ResourceReleaseRequestRspUndeliverableFCH_5_9

Number of FCH resource release responses which could not be delivered by the messaging system.

Data Source

NBSS BTS MO

Source Field

ResourceReleaseRequestRspUndeliverableFCH (Seq# 74[1])

Source Section

BTSCallProcessing MO

ResourceReleaseRequestRspUndeliverableSCH_0_4

Number of SCH resource release responses which were undeliverable by the messaging system.

Data Source

NBSS BTS MO

Source Field

ResourceReleaseRequestRspUndeliverableSCH (Seq# 84[0])

Source Section

BTSCallProcessing MO

ResourceReleaseRequestRspUndeliverableSCH_10_14

Number of SCH resource release responses which were undeliverable by the messaging system.

Data Source

NBSS BTS MO

Source Field

ResourceReleaseRequestRspUndeliverableSCH (Seq# 84[2])

Source Section

BTSCallProcessing MO

ResourceReleaseRequestRspUndeliverableSCH_15_19

Number of SCH resource release responses which were undeliverable by the messaging system.

Data Source

NBSS BTS MO

Source Field

ResourceReleaseRequestRspUndeliverableSCH (Seq# 84[3])

Source Section

BTSCallProcessing MO

ResourceReleaseRequestRspUndeliverableSCH_20_24

Number of SCH resource release responses which were undeliverable by the messaging system.

Data Source

NBSS BTS MO

Source Field

ResourceReleaseRequestRspUndeliverableSCH (Seq# 84[4])

Source Section

BTSCallProcessing MO

ResourceReleaseRequestRspUndeliverableSCH_25_29

Number of SCH resource release responses which were undeliverable by the messaging system.

Data Source

NBSS BTS MO

Source Field

ResourceReleaseRequestRspUndeliverableSCH (Seq# 84[5])

Source Section

BTSCallProcessing MO

ResourceReleaseRequestRspUndeliverableSCH_5_9

Number of SCH resource release responses which were undeliverable by the messaging system.

Data Source

NBSS BTS MO

Source Field

ResourceReleaseRequestRspUndeliverableSCH (Seq# 84[1])

Source Section

BTSCallProcessing MO

ResourceRequestRcvdFCH_0_4

Number of FCH resource requests received.

Data Source

NBSS BTS MO

Source Field

ResourceRequestRcvdFCH (Seq# 66[0])

Source Section

BTSCallProcessing MO

ResourceRequestRcvdFCH_10_14

Number of FCH resource requests received.

Data Source

NBSS BTS MO

Source Field

ResourceRequestRcvdFCH (Seq# 66[2])

Source Section

BTSCallProcessing MO

ResourceRequestRcvdFCH_15_19

Number of FCH resource requests received.

Data Source

NBSS BTS MO

Source Field

ResourceRequestRcvdFCH (Seq# 66[3])

Source Section

BTSCallProcessing MO

ResourceRequestRcvdFCH_20_24

Number of FCH resource requests received.

Data Source

NBSS BTS MO

Source Field

ResourceRequestRcvdFCH (Seq# 66[4])

Source Section

BTSCallProcessing MO

ResourceRequestRcvdFCH_25_29

Number of FCH resource requests received.

Data Source

NBSS BTS MO

Source Field

ResourceRequestRcvdFCH (Seq# 66[5])

Source Section

BTSCallProcessing MO

ResourceRequestRcvdFCH_5_9

Number of FCH resource requests received.

Data Source

NBSS BTS MO

Source Field

ResourceRequestRcvdFCH (Seq# 66[1])

Source Section

BTSCallProcessing MO

ResourceRequestRcvdSCH_0_4

Number of SCH resource requests received.

Data Source

NBSS BTS MO

Source Field

ResourceRequestRcvdSCH (Seq# 76[0])

Source Section

BTSCallProcessing MO

ResourceRequestRcvdSCH_10_14

Number of SCH resource requests received.

Data Source

NBSS BTS MO

Source Field

ResourceRequestRcvdSCH (Seq# 76[2])

Source Section

BTSCallProcessing MO

ResourceRequestRcvdSCH_15_19

Number of SCH resource requests received.

Data Source

NBSS BTS MO

Source Field

ResourceRequestRcvdSCH (Seq# 76[3])

Source Section

BTSCallProcessing MO

ResourceRequestRcvdSCH_20_24

Number of SCH resource requests received.

Data Source

NBSS BTS MO

Source Field

ResourceRequestRcvdSCH (Seq# 76[4])

Source Section

BTSCallProcessing MO

ResourceRequestRcvdSCH_25_29

Number of SCH resource requests received.

Data Source

NBSS BTS MO

Source Field

ResourceRequestRcvdSCH (Seq# 76[5])

Source Section

BTSCallProcessing MO

ResourceRequestRcvdSCH_5_9

Number of SCH resource requests received.

Data Source

NBSS BTS MO

Source Field

ResourceRequestRcvdSCH (Seq# 76[1])

Source Section

BTSCallProcessing MO

ResourceRequestRspBlockedFCH_0_4

Number of FCH resource requests which could not be processed due to lack of resources.

Data Source

NBSS BTS MO

Source Field

ResourceRequestRspBlockedFCH (Seq# 68[0])

Source Section

BTSCallProcessing MO

ResourceRequestRspBlockedFCH_10_14

Number of FCH resource requests which could not be processed due to lack of resources.

Data Source

NBSS BTS MO

Source Field

ResourceRequestRspBlockedFCH (Seq# 68[2])

Source Section

BTSCallProcessing MO

ResourceRequestRspBlockedFCH_15_19

Number of FCH resource requests which could not be processed due to lack of resources.

Data Source

NBSS BTS MO

Source Field

ResourceRequestRspBlockedFCH (Seq# 68[3])

Source Section

BTSCallProcessing MO

ResourceRequestRspBlockedFCH_20_24

Number of FCH resource requests which could not be processed due to lack of resources.

Data Source

NBSS BTS MO

Source Field

ResourceRequestRspBlockedFCH (Seq# 68[4])

Source Section

BTSCallProcessing MO

ResourceRequestRspBlockedFCH_25_29

Number of FCH resource requests which could not be processed due to lack of resources.

Data Source

NBSS BTS MO

Source Field

ResourceRequestRspBlockedFCH (Seq# 68[5])

Source Section

BTSCallProcessing MO

ResourceRequestRspBlockedFCH_5_9

Number of FCH resource requests which could not be processed due to lack of resources.

Data Source

NBSS BTS MO

Source Field

ResourceRequestRspBlockedFCH (Seq# 68[1])

Source Section

BTSCallProcessing MO

ResourceRequestRspBlockedSCH_0_4

Number of SCH resource requests which could not be processed because of lack of resources.

Data Source

NBSS BTS MO

Source Field

ResourceRequestRspBlockedSCH (Seq# 78[0])

Source Section

BTSCallProcessing MO

ResourceRequestRspBlockedSCH_10_14

Number of SCH resource requests which could not be processed because of lack of resources.

Data Source

NBSS BTS MO

Source Field

ResourceRequestRspBlockedSCH (Seq# 78[2])

Source Section

BTSCallProcessing MO

ResourceRequestRspBlockedSCH_15_19

Number of SCH resource requests which could not be processed because of lack of resources.

Data Source

NBSS BTS MO

Source Field

ResourceRequestRspBlockedSCH (Seq# 78[3])

Source Section

BTSCallProcessing MO

ResourceRequestRspBlockedSCH_20_24

Number of SCH resource requests which could not be processed because of lack of resources.

Data Source

NBSS BTS MO

Source Field

ResourceRequestRspBlockedSCH (Seq# 78[4])

Source Section

BTSCallProcessing MO

ResourceRequestRspBlockedSCH_25_29

Number of SCH resource requests which could not be processed because of lack of resources.

Data Source

NBSS BTS MO

Source Field

ResourceRequestRspBlockedSCH (Seq# 78[5])

Source Section

BTSCallProcessing MO

ResourceRequestRspBlockedSCH_5_9

Number of SCH resource requests which could not be processed because of lack of resources.

Data Source

NBSS BTS MO

Source Field

ResourceRequestRspBlockedSCH (Seq# 78[1])

Source Section

BTSCallProcessing MO

ResourceRequestRspFailedFCH_0_4

Number of FCH resource requests received which failed.

Data Source

NBSS BTS MO

Source Field

ResourceRequestRspFailedFCH (Seq# 69[0])

Source Section

BTSCallProcessing MO

ResourceRequestRspFailedFCH_10_14

Number of FCH resource requests received which failed.

Data Source

NBSS BTS MO

Source Field

ResourceRequestRspFailedFCH (Seq# 69[2])

Source Section

BTSCallProcessing MO

ResourceRequestRspFailedFCH_15_19

Number of FCH resource requests received which failed.

Data Source

NBSS BTS MO

Source Field

ResourceRequestRspFailedFCH (Seq# 69[3])

Source Section

BTSCallProcessing MO

ResourceRequestRspFailedFCH_20_24

Number of FCH resource requests received which failed.

Data Source

NBSS BTS MO

Source Field

ResourceRequestRspFailedFCH (Seq# 69[4])

Source Section

BTSCallProcessing MO

ResourceRequestRspFailedFCH_25_29

Number of FCH resource requests received which failed.

Data Source

NBSS BTS MO

Source Field

ResourceRequestRspFailedFCH (Seq# 69[5])

Source Section

BTSCallProcessing MO

ResourceRequestRspFailedFCH_5_9

Number of FCH resource requests received which failed.

Data Source

NBSS BTS MO

Source Field

ResourceRequestRspFailedFCH (Seq# 69[1])

Source Section

BTSCallProcessing MO

ResourceRequestRspFailedSCH_0_4

Number of SCH resource requests received which failed.

Data Source

NBSS BTS MO

Source Field

ResourceRequestRspFailedSCH (Seq# 79[0])

Source Section

BTSCallProcessing MO

ResourceRequestRspFailedSCH_10_14

Number of SCH resource requests received which failed.

Data Source

NBSS BTS MO

Source Field

ResourceRequestRspFailedSCH (Seq# 79[2])

Source Section

BTSCallProcessing MO

ResourceRequestRspFailedSCH_15_19

Number of SCH resource requests received which failed.

Data Source

NBSS BTS MO

Source Field

ResourceRequestRspFailedSCH (Seq# 79[3])

Source Section

BTSCallProcessing MO

ResourceRequestRspFailedSCH_20_24

Number of SCH resource requests received which failed.

Data Source

NBSS BTS MO

Source Field

ResourceRequestRspFailedSCH (Seq# 79[4])

Source Section

BTSCallProcessing MO

ResourceRequestRspFailedSCH_25_29

Number of SCH resource requests received which failed.

Data Source

NBSS BTS MO

Source Field

ResourceRequestRspFailedSCH (Seq# 79[5])

Source Section

BTSCallProcessing MO

ResourceRequestRspFailedSCH_5_9

Number of SCH resource requests received which failed.

Data Source

NBSS BTS MO

Source Field

ResourceRequestRspFailedSCH (Seq# 79[1])

Source Section

BTSCallProcessing MO

ResourceRequestRspSuccessFCH_0_4

Number of FCH resource requests received which were successfully processed.

Data Source

NBSS BTS MO

Source Field

ResourceRequestRspSuccessFCH (Seq# 67[0])

Source Section

BTSCallProcessing MO

ResourceRequestRspSuccessFCH_10_14

Number of FCH resource requests received which were successfully processed.

Data Source

NBSS BTS MO

Source Field

ResourceRequestRspSuccessFCH (Seq# 67[2])

Source Section

BTSCallProcessing MO

ResourceRequestRspSuccessFCH_15_19

Number of FCH resource requests received which were successfully processed.

Data Source

NBSS BTS MO

Source Field

ResourceRequestRspSuccessFCH (Seq# 67[3])

Source Section

BTSCallProcessing MO

ResourceRequestRspSuccessFCH_20_24

Number of FCH resource requests received which were successfully processed.

Data Source

NBSS BTS MO

Source Field

ResourceRequestRspSuccessFCH (Seq# 67[4])

Source Section

BTSCallProcessing MO

ResourceRequestRspSuccessFCH_25_29

Number of FCH resource requests received which were successfully processed.

Data Source

NBSS BTS MO

Source Field

ResourceRequestRspSuccessFCH (Seq# 67[5])

Source Section

BTSCallProcessing MO

ResourceRequestRspSuccessFCH_5_9

Number of FCH resource requests received which were successfully processed.

Data Source

NBSS BTS MO

Source Field

ResourceRequestRspSuccessFCH (Seq# 67[1])

Source Section

BTSCallProcessing MO

ResourceRequestRspSuccessSCH_0_4

Number of SCH resource requests received which were successfully processed

Data Source

NBSS BTS MO

Source Field

ResourceRequestRspSuccessSCH (Seq# 77[0])

Source Section

BTSCallProcessing MO

ResourceRequestRspSuccessSCH_10_14

Number of SCH resource requests received which were successfully processed

Data Source

NBSS BTS MO

Source Field

ResourceRequestRspSuccessSCH (Seq# 77[2])

Source Section

BTSCallProcessing MO

ResourceRequestRspSuccessSCH_15_19

Number of SCH resource requests received which were successfully processed

Data Source

NBSS BTS MO

Source Field

ResourceRequestRspSuccessSCH (Seq# 77[3])

Source Section

BTSCallProcessing MO

ResourceRequestRspSuccessSCH_20_24

Number of SCH resource requests received which were successfully processed

Data Source

NBSS BTS MO

Source Field

ResourceRequestRspSuccessSCH (Seq# 77[4])

Source Section

BTSCallProcessing MO

ResourceRequestRspSuccessSCH_25_29

Number of SCH resource requests received which were successfully processed

Data Source

NBSS BTS MO

Source Field

ResourceRequestRspSuccessSCH (Seq# 77[5])

Source Section

BTSCallProcessing MO

ResourceRequestRspSuccessSCH_5_9

Number of SCH resource requests received which were successfully processed

Data Source

NBSS BTS MO

Source Field

ResourceRequestRspSuccessSCH (Seq# 77[1])

Source Section

BTSCallProcessing MO

ResourceRequestRspUndeliverableFCH_0_4

Number of FCH resource request responses which could not be delivered by the messaging system.

Data Source

NBSS BTS MO

Source Field

ResourceRequestRspUndeliverableFCH (Seq# 70[0])

Source Section

BTSCallProcessing MO

ResourceRequestRspUndeliverableFCH_10_14

Number of FCH resource request responses which could not be delivered by the messaging system.

Data Source

NBSS BTS MO

Source Field

ResourceRequestRspUndeliverableFCH (Seq# 70[2])

Source Section

BTSCallProcessing MO

ResourceRequestRspUndeliverableFCH_15_19

Number of FCH resource request responses which could not be delivered by the messaging system.

Data Source

NBSS BTS MO

Source Field

ResourceRequestRspUndeliverableFCH (Seq# 70[3])

Source Section

BTSCallProcessing MO

ResourceRequestRspUndeliverableFCH_20_24

Number of FCH resource request responses which could not be delivered by the messaging system.

Data Source

NBSS BTS MO

Source Field

ResourceRequestRspUndeliverableFCH (Seq# 70[4])

Source Section

BTSCallProcessing MO

ResourceRequestRspUndeliverableFCH_25_29

Number of FCH resource request responses which could not be delivered by the messaging system.

Data Source

NBSS BTS MO

Source Field

ResourceRequestRspUndeliverableFCH (Seq# 70[5])

Source Section

BTSCallProcessing MO

ResourceRequestRspUndeliverableFCH_5_9

Number of FCH resource request responses which could not be delivered by the messaging system.

Data Source

NBSS BTS MO

Source Field

ResourceRequestRspUndeliverableFCH (Seq# 70[1])

Source Section

BTSCallProcessing MO

ResourceRequestRspUndeliverableSCH_0_4

Number of SCH resource request responses prepared which were undeliverable by the messaging system.

Data Source

NBSS BTS MO

Source Field

ResourceRequestRspUndeliverableSCH (Seq# 80[0])

Source Section

BTSCallProcessing MO

ResourceRequestRspUndeliverableSCH_10_14

Number of SCH resource request responses prepared which were undeliverable by the messaging system.

Data Source

NBSS BTS MO

Source Field

ResourceRequestRspUndeliverableSCH (Seq# 80[2])

Source Section

BTSCallProcessing MO

ResourceRequestRspUndeliverableSCH_15_19

Number of SCH resource request responses prepared which were undeliverable by the messaging system.

Data Source

NBSS BTS MO

Source Field

ResourceRequestRspUndeliverableSCH (Seq# 80[3])

Source Section

BTSCallProcessing MO

ResourceRequestRspUndeliverableSCH_20_24

Number of SCH resource request responses prepared which were undeliverable by the messaging system.

Data Source

NBSS BTS MO

Source Field

ResourceRequestRspUndeliverableSCH (Seq# 80[4])

Source Section

BTSCallProcessing MO

ResourceRequestRspUndeliverableSCH_25_29

Number of SCH resource request responses prepared which were undeliverable by the messaging system.

Data Source

NBSS BTS MO

Source Field

ResourceRequestRspUndeliverableSCH (Seq# 80[5])

Source Section

BTSCallProcessing MO

ResourceRequestRspUndeliverableSCH_5_9

Number of SCH resource request responses prepared which were undeliverable by the messaging system.

Data Source

NBSS BTS MO

Source Field

ResourceRequestRspUndeliverableSCH (Seq# 80[1])

Source Section

BTSCallProcessing MO

SMSBMsgRecvDrop_Dropped

Counts the number of Broadcast SMS messages dropped in CM card due to page throttling.

Data Source

NBSS BTS MO

Source Field

SMSBMsgsReceivedDropped (Seq# 170[1])

Source Section

BTSCallProcessing MO

SMSBMsgRecvDrop_Filtered

Counts the number of Broadcast SMS messages filtered due to un-supported service, mismatched Broadcast zone.

Data Source

NBSS BTS MO

Source Field

SMSBMsgsReceivedDropped (Seq# 170[2])

Source Section

BTSCallProcessing MO

SMSBMsgRecvDrop_HighPriorityFiltered

Counts the number of high-priority Broadcast SMS messages dropped due to unsupported service, mismatched Broadcast address.

Data Source

NBSS BTS MO

Source Field

SMSBMsgsReceivedDropped (Seq# 170[8])

Source Section

BTSCallProcessing MO

SMSBMsgRecvDrop_HighPriorityRecv

Counts the number of high-priority Broadcast SMS messages received.

Data Source

NBSS BTS MO

Source Field

SMSBMsgsReceivedDropped (Seq# 170[7])

Source Section

BTSCallProcessing MO

SMSBMsgRecvDrop_OtherLevelFiltered

Counts the number of high-priority Broadcast SMS messages in other level except for presidential level dropped due to un-supported service, mismatched Broadcast address.

Data Source

NBSS BTS MO

Source Field

SMSBMsgsReceivedDropped (Seq# 170[6])

Source Section

BTSCallProcessing MO

SMSBMsgRecvDrop_OtherLevelRecv

Counts the number of high-priority Broadcast SMS messages in other level except for presidential level received.

Data Source

NBSS BTS MO

Source Field

SMSBMsgsReceivedDropped (Seq# 170[5])

Source Section

BTSCallProcessing MO

SMSBMsgRecvDrop_PresidLevelFiltered

Counts the number of high-priority Broadcast SMS messages in presidential level filtered due to un-supported service, mismatched Broadcast address.

Data Source

NBSS BTS MO

Source Field

SMSBMsgsReceivedDropped (Seq# 170[4])

Source Section

BTSCallProcessing MO

SMSBMsgRecvDrop_PresidLevelRecv

Counts the number of high-priority Broadcast SMS messages in presidential level received.

Data Source

NBSS BTS MO

Source Field

SMSBMsgsReceivedDropped (Seq# 170[3])

Source Section

BTSCallProcessing MO

SMSBMsgRecvDrop_Received

Counts the number of Broadcast SMS messages received in CM card.

Data Source

NBSS BTS MO

Source Field

SMSBMsgsReceivedDropped (Seq# 170[0])

Source Section

BTSCallProcessing MO

SMSDBurstCmdDropped_0_4

Number of data burst command messages received which were dropped.

Data Source

NBSS BTS MO

Source Field

SMSDBurstCmdDropped (Seq# 105[0])

Source Section

BTSCallProcessing MO

SMSDBurstCmdDropped_10_14

Number of data burst command messages received which were dropped.

Data Source

NBSS BTS MO

Source Field

SMSDBurstCmdDropped (Seq# 105[2])

Source Section

BTSCallProcessing MO

SMSDBurstCmdDropped_15_19

Number of data burst command messages received which were dropped.

Data Source

NBSS BTS MO

Source Field

SMSDBurstCmdDropped (Seq# 105[3])

Source Section

BTSCallProcessing MO

SMSDBurstCmdDropped_20_24

Number of data burst command messages received which were dropped.

Data Source

NBSS BTS MO

Source Field

SMSDBurstCmdDropped (Seq# 105[4])

Source Section

BTSCallProcessing MO

SMSDBurstCmdDropped_25_29

Number of data burst command messages received which were dropped.

Data Source

NBSS BTS MO

Source Field

SMSDBurstCmdDropped (Seq# 105[5])

Source Section

BTSCallProcessing MO

SMSDBurstCmdDropped_5_9

Number of data burst command messages received which were dropped.

Data Source

NBSS BTS MO

Source Field

SMSDBurstCmdDropped (Seq# 105[1])

Source Section

BTSCallProcessing MO

SMSDBurstCmdRcvd_0_4

Number of data burst command messages received.

Data Source

NBSS BTS MO

Source Field

SMSDBurstCmdRcvd (Seq# 104[0])

Source Section

BTSCallProcessing MO

SMSDBurstCmdRcvd_10_14

Number of data burst command messages received.

Data Source

NBSS BTS MO

Source Field

SMSDBurstCmdRcvd (Seq# 104[2])

Source Section

BTSCallProcessing MO

SMSDBurstCmdRcvd_15_19

Number of data burst command messages received.

Data Source

NBSS BTS MO

Source Field

SMSDBurstCmdRcvd (Seq# 104[3])

Source Section

BTSCallProcessing MO

SMSDBurstCmdRcvd_20_24

Number of data burst command messages received.

Data Source

NBSS BTS MO

Source Field

SMSDBurstCmdRcvd (Seq# 104[4])

Source Section

BTSCallProcessing MO

SMSDBurstCmdRcvd_25_29

Number of data burst command messages received.

Data Source

NBSS BTS MO

Source Field

SMSDBurstCmdRcvd (Seq# 104[5])

Source Section

BTSCallProcessing MO

SMSDBurstCmdRcvd_5_9

Number of data burst command messages received.

Data Source

NBSS BTS MO

Source Field

SMSDBurstCmdRcvd (Seq# 104[1])

Source Section

BTSCallProcessing MO

SMSDBurstIndicationSent_0_4

Number of data burst indication messages handed to the message delivery system.

Data Source

NBSS BTS MO

Source Field

SMSDBurstIndicationSent (Seq# 124[0])

Source Section

BTSCallProcessing MO

SMSDBurstIndicationSent_10_14

Number of data burst indication messages handed to the message delivery system.

Data Source

NBSS BTS MO

Source Field

SMSDBurstIndicationSent (Seq# 124[2])

Source Section

BTSCallProcessing MO

SMSDBurstIndicationSent_15_19

Number of data burst indication messages handed to the message delivery system.

Data Source

NBSS BTS MO

Source Field

SMSDBurstIndicationSent (Seq# 124[3])

Source Section

BTSCallProcessing MO

SMSDBurstIndicationSent_20_24

Number of data burst indication messages handed to the message delivery system.

Data Source

NBSS BTS MO

Source Field

SMSDBurstIndicationSent (Seq# 124[4])

Source Section

BTSCallProcessing MO

SMSDBurstIndicationSent_25_29

Number of data burst indication messages handed to the message delivery system.

Data Source

NBSS BTS MO

Source Field

SMSDBurstIndicationSent (Seq# 124[5])

Source Section

BTSCallProcessing MO

SMSDBurstIndicationSent_5_9

Number of data burst indication messages handed to the message delivery system.

Data Source

NBSS BTS MO

Source Field

SMSDBurstIndicationSent (Seq# 124[1])

Source Section

BTSCallProcessing MO

SMSDBurstIndicationUndeliverable_0_4

Number of data burst indication messages which could not be delivered by the message delivery system.

Data Source

NBSS BTS MO

Source Field

SMSDBurstIndicationUndeliverable (Seq# 125[0])

Source Section

BTSCallProcessing MO

SMSDBurstIndicationUndeliverable_10_14

Number of data burst indication messages which could not be delivered by the message delivery system.

Data Source

NBSS BTS MO

Source Field

SMSDBurstIndicationUndeliverable (Seq# 125[2])

Source Section

BTSCallProcessing MO

SMSDBurstIndicationUndeliverable_15_19

Number of data burst indication messages which could not be delivered by the message delivery system.

Data Source

NBSS BTS MO

Source Field

SMSDBurstIndicationUndeliverable (Seq# 125[3])

Source Section

BTSCallProcessing MO

SMSDBurstIndicationUndeliverable_20_24

Number of data burst indication messages which could not be delivered by the message delivery system.

Data Source

NBSS BTS MO

Source Field

SMSDBurstIndicationUndeliverable (Seq# 125[4])

Source Section

BTSCallProcessing MO

SMSDBurstIndicationUndeliverable_25_29

Number of data burst indication messages which could not be delivered by the message delivery system.

Data Source

NBSS BTS MO

Source Field

SMSDBurstIndicationUndeliverable (Seq# 125[5])

Source Section

BTSCallProcessing MO

SMSDBurstIndicationUndeliverable_5_9

Number of data burst indication messages which could not be delivered by the message delivery system.

Data Source

NBSS BTS MO

Source Field

SMSDBurstIndicationUndeliverable (Seq# 125[1])

Source Section

BTSCallProcessing MO

StatusRequestMsgDropped_0_4

Number of status request messages received which were dropped.

Data Source

NBSS BTS MO

Source Field

StatusRequestMsgDropped (Seq# 109[0])

Source Section

BTSCallProcessing MO

StatusRequestMsgDropped_10_14

Number of status request messages received which were dropped.

Data Source

NBSS BTS MO

Source Field

StatusRequestMsgDropped (Seq# 109[2])

Source Section

BTSCallProcessing MO

StatusRequestMsgDropped_15_19

Number of status request messages received which were dropped.

Data Source

NBSS BTS MO

Source Field

StatusRequestMsgDropped (Seq# 109[3])

Source Section

BTSCallProcessing MO

StatusRequestMsgDropped_20_24

Number of status request messages received which were dropped.

Data Source

NBSS BTS MO

Source Field

StatusRequestMsgDropped (Seq# 109[4])

Source Section

BTSCallProcessing MO

StatusRequestMsgDropped_25_29

Number of status request messages received which were dropped.

Data Source

NBSS BTS MO

Source Field

StatusRequestMsgDropped (Seq# 109[5])

Source Section

BTSCallProcessing MO

StatusRequestMsgDropped_5_9

Number of status request messages received which were dropped.

Data Source

NBSS BTS MO

Source Field

StatusRequestMsgDropped (Seq# 109[1])

Source Section

BTSCallProcessing MO

StatusRequestMsgRcvd_0_4

Number of status request messages received.

Data Source

NBSS BTS MO

Source Field

StatusRequestMsgRcvd (Seq# 108[0])

Source Section

BTSCallProcessing MO

StatusRequestMsgRcvd_10_14

Number of status request messages received.

Data Source

NBSS BTS MO

Source Field

StatusRequestMsgRcvd (Seq# 108[2])

Source Section

BTSCallProcessing MO

StatusRequestMsgRcvd_15_19

Number of status request messages received.

Data Source

NBSS BTS MO

Source Field

StatusRequestMsgRcvd (Seq# 108[3])

Source Section

BTSCallProcessing MO

StatusRequestMsgRcvd_20_24

Number of status request messages received.

Data Source

NBSS BTS MO

Source Field

StatusRequestMsgRcvd (Seq# 108[4])

Source Section

BTSCallProcessing MO

StatusRequestMsgRcvd_25_29

Number of status request messages received.

Data Source

NBSS BTS MO

Source Field

StatusRequestMsgRcvd (Seq# 108[5])

Source Section

BTSCallProcessing MO

StatusRequestMsgRcvd_5_9

Number of status request messages received.

Data Source

NBSS BTS MO

Source Field

StatusRequestMsgRcvd (Seq# 108[1])

Source Section

BTSCallProcessing MO

StatusResponseSent_0_4

Number of status response messages handed to the message delivery system.

Data Source

NBSS BTS MO

Source Field

StatusResponseSent (Seq# 128[0])

Source Section

BTSCallProcessing MO

StatusResponseSent_10_14

Number of status response messages handed to the message delivery system.

Data Source

NBSS BTS MO

Source Field

StatusResponseSent (Seq# 128[2])

Source Section

BTSCallProcessing MO

StatusResponseSent_15_19

Number of status response messages handed to the message delivery system.

Data Source

NBSS BTS MO

Source Field

StatusResponseSent (Seq# 128[3])

Source Section

BTSCallProcessing MO

StatusResponseSent_20_24

Number of status response messages handed to the message delivery system.

Data Source

NBSS BTS MO

Source Field

StatusResponseSent (Seq# 128[4])

Source Section

BTSCallProcessing MO

StatusResponseSent_25_29

Number of status response messages handed to the message delivery system.

Data Source

NBSS BTS MO

Source Field

StatusResponseSent (Seq# 128[5])

Source Section

BTSCallProcessing MO

StatusResponseSent_5_9

Number of status response messages handed to the message delivery system.

Data Source

NBSS BTS MO

Source Field

StatusResponseSent (Seq# 128[1])

Source Section

BTSCallProcessing MO

StatusResponseUndeliverable_0_4

Number of status response messages which could not be delivered by the message delivery system.

Data Source

NBSS BTS MO

Source Field

StatusResponseUndeliverable (Seq# 129[0])

Source Section

BTSCallProcessing MO

StatusResponseUndeliverable_10_14

Number of status response messages which could not be delivered by the message delivery system.

Data Source

NBSS BTS MO

Source Field

StatusResponseUndeliverable (Seq# 129[2])

Source Section

BTSCallProcessing MO

StatusResponseUndeliverable_15_19

Number of status response messages which could not be delivered by the message delivery system.

Data Source

NBSS BTS MO

Source Field

StatusResponseUndeliverable (Seq# 129[3])

Source Section

BTSCallProcessing MO

StatusResponseUndeliverable_20_24

Number of status response messages which could not be delivered by the message delivery system.

Data Source

NBSS BTS MO

Source Field

StatusResponseUndeliverable (Seq# 129[4])

Source Section

BTSCallProcessing MO

StatusResponseUndeliverable_25_29

Number of status response messages which could not be delivered by the message delivery system.

Data Source

NBSS BTS MO

Source Field

StatusResponseUndeliverable (Seq# 129[5])

Source Section

BTSCallProcessing MO

StatusResponseUndeliverable_5_9

Number of status response messages which could not be delivered by the message delivery system.

Data Source

NBSS BTS MO

Source Field

StatusResponseUndeliverable (Seq# 129[1])

Source Section

BTSCallProcessing MO

TotalOutageFrequency_NPS_BH

Number of times the BTS changed from Providing Service (PS) state to Not Providing Service state attributed to backhaul issues (NPS-BH).

Data Source

NBSS BTS MO

Source Field

TotalOutageFrequency (Seq# 73[2])

Source Section

DCG MO

TotalOutageFrequency_NPS_BTS

Number of times the BTS changed from Providing Service (PS) state to Not Providing Service state attributed to BTS subsystem components issues (NPS-BTS).

Data Source

NBSS BTS MO

Source Field

TotalOutageFrequency (Seq# 73[1])

Source Section

DCG MO

TotalOutageFrequency_NPS_MNT

Number of times the BTS changed from Providing Service (PS) state to Not Providing Service state attributed to maintenance operations (NPS-MNT).

Data Source

NBSS BTS MO

Source Field

TotalOutageFrequency (Seq# 73[0])

Source Section

DCG MO

TotalOutageFrequencyOdometer_NPS_BH

Cumulative number of times the BTS changed from Providing Service (PS) state to Not Providing Service state attributed to backhaul issues (NPS-BH), starting from the later one of either when both BSSM and BTS are upgraded to 14.0 or when the CM module is replaced.

Data Source

NBSS BTS MO

Source Field

TotalOutageFrequencyOdometer (Seq# 76[2])

Source Section

DCG MO

TotalOutageFrequencyOdometer_NPS_BTS

Cumulative number of times the BTS changed from Providing Service (PS) state to Not Providing Service state attributed to BTS subsystem components issues (NPS-BTS), starting

from the later one of either when both BSSM and BTS are upgraded to 14.0 or when the CM module is replaced.

Data Source

NBSS BTS MO

Source Field

TotalOutageFrequencyOdometer (Seq# 76[1])

Source Section

DCG MO

TotalOutageFrequencyOdometer_NPS_MNT

Cumulative number of times the BTS changed from Providing Service (PS) state to Not Providing Service state attributed to maintenance operations (NPS-MNT), starting from the later one of either when both BSSM and BTS are upgraded to 14.0 or when the CM module is replaced.

Data Source

NBSS BTS MO

Source Field

TotalOutageFrequencyOdometer (Seq# 76[0])

Source Section

DCG MO

TotalServiceDuration_NPS_BH

Length of time (in seconds) that the BTS is Not Providing Service attributed to backhaul issues (NPS-BH).

Data Source

NBSS BTS MO

Source Field

TotalServiceDuration (Seq# 81[3])

Source Section

DCG MO

TotalServiceDuration_NPS_BTS

Length of time (in seconds) that the BTS is Not Providing Service attributed to BTS subsystem components issues (NPS-BTS).

Data Source

NBSS BTS MO

Source Field

TotalServiceDuration (Seq# 81[2])

Source Section

DCG MO

TotalServiceDuration_NPS_MNT

Length of time (in seconds) that the BTS is Not Providing Service attributed to maintenance operations (NPS-MNT).

Data Source

NBSS BTS MO

Source Field

TotalServiceDuration (Seq# 81[1])

Source Section

DCG MO

TotalServiceDuration_PS

Length of time (in seconds) that the BTS is Providing Service (PS).

Data Source

NBSS BTS MO

Source Field

TotalServiceDuration (Seq# 81[0])

Source Section

DCG MO

TotalServiceDurationOdometer_NPS_BH

Cumulative length of time (in seconds) that the BTS is Not Providing Service attributed to backhaul issues (NPS-BH), starting from the later one of either when both BSSM and BTS are upgraded to 14.0 or when the CM module is replaced.

Data Source

NBSS BTS MO

Source Field

TotalServiceDurationOdometer (Seq# 82[3])

Source Section

DCG MO

TotalServiceDurationOdometer_NPS_BTS

Cumulative length of time (in seconds) that the BTS is Not Providing Service attributed to BTS subsystem components issues (NPS-BTS), starting from the later one of either when both BSSM and BTS are upgraded to 14.0 or when the CM module is replaced.

Data Source

NBSS BTS MO

Source Field

TotalServiceDurationOdometer (Seq# 82[2])

Source Section

DCG MO

TotalServiceDurationOdometer_NPS_MNT

Cumulative length of time (in seconds) that the BTS is Not Providing Service attributed to maintenance operations (NPS-MNT), starting from the later one of either when both BSSM and BTS are upgraded to 14.0 or when the CM module is replaced.

Data Source

NBSS BTS MO

Source Field

TotalServiceDurationOdometer (Seq# 82[1])

Source Section

DCG MO

TotalServiceDurationOdometer_PS

Cumulative length of time (in seconds) that the BTS is Providing Service (PS), starting from the later one of either when both BSSM and BTS are upgraded to 14.0 or when the CM module is replaced.

Data Source

NBSS BTS MO

Source Field

TotalServiceDurationOdometer (Seq# 82[0])

Source Section

DCG MO

UnicastMsgsDropped_0_4

Number of command messages received at the BTS which were dropped before the message could be enqueued for processing.

Data Source

NBSS BTS MO

Source Field

UnicastMsgsDropped (Seq# 112[0])

Source Section

BTSCallProcessing MO

UnicastMsgsDropped_10_14

Number of command messages received at the BTS which were dropped before the message could be enqueued for processing.

Data Source

NBSS BTS MO

Source Field

UnicastMsgsDropped (Seq# 112[2])

Source Section

BTSCallProcessing MO

UnicastMsgsDropped_15_19

Number of command messages received at the BTS which were dropped before the message could be enqueued for processing.

Data Source

NBSS BTS MO

Source Field

UnicastMsgsDropped (Seq# 112[3])

Source Section

BTSCallProcessing MO

UnicastMsgsDropped_20_24

Number of command messages received at the BTS which were dropped before the message could be enqueued for processing.

Data Source

NBSS BTS MO

Source Field

UnicastMsgsDropped (Seq# 112[4])

Source Section

BTSCallProcessing MO

UnicastMsgsDropped_25_29

Number of command messages received at the BTS which were dropped before the message could be enqueued for processing.

Data Source

NBSS BTS MO

Source Field

UnicastMsgsDropped (Seq# 112[5])

Source Section

BTSCallProcessing MO

UnicastMsgsDropped_5_9

Number of command messages received at the BTS which were dropped before the message could be enqueued for processing.

Data Source

NBSS BTS MO

Source Field

UnicastMsgsDropped (Seq# 112[1])

Source Section

BTSCallProcessing MO

DISCO Primitive Calculations

The following is a list of primitive calculations for the DISCO entity.

GRAPHmultiLineSeparator

Special Control Field for Multi-Line Graphs

Calculation

""

NUMDAYS

of days in Report

Calculation

DAYSINREPORT ()

NUMHOURS

of hours in Summation Data

Calculation

DO_AAAServer Primitive Calculations

The following is a list of primitive calculations for the DO_AAAServer entity.

GRAPHmultiLineSeparator

Special Control Field for Multi-Line Graphs

Calculation

""

NUMDAYS

of days in Report

Calculation

DAYSINREPORT ()

NUMHOURS

of hours in Summation Data

Calculation

DO_AAAServer Peg Counts

The following is a list of peg counts for the DO_AAAServer entity.

a12AcceptsReceivedFromServer

Number of A12 Access Accepts received from the AN-AAA server

Data Source

DO-EMS

Source Field

a12AcceptsReceivedFromServer

Source Section

TermAuthPerfByAAAServer (RncTermAuthMIB)

a12AccessChallengesReceivedFromServer

Number of A12 Access Challenges received from the AN-AAA server

Data Source

DO-EMS

Source Field

a12AccessChallengesReceivedFromServer

Source Section

TermAuthPerfByAAAServer (RncTermAuthMIB)

a12BadAuthenticatorReceivedFromServer

Number of A12 messages with bad authenticators received from the AN-AAA server

Data Source

DO-EMS

Source Field

a12BadAuthenticatorReceivedFromServer

Source Section

TermAuthPerfByAAAServer (RncTermAuthMIB)

a12MalformedResponseReceivedFromServer

Number of malformed A12 messages received from the AN-AAA server

Data Source

DO-EMS

Source Field

a12MalformedResponseReceivedFromServer

Source Section

TermAuthPerfByAAAServer (RncTermAuthMIB)

a12RejectsReceivedFromServer

Number of A12 Access Rejects received from the AN-AAA server

Data Source

DO-EMS

Source Field

a12RejectsReceivedFromServer

Source Section

TermAuthPerfByAAAServer (RncTermAuthMIB)

a12RequestsSentToServer

Number of A12-Access Requests sent to the AN-AAA server. It does not count retransmissions.

Data Source

DO-EMS

Source Field

a12RequestsSentToServer

Source Section

TermAuthPerfByAAAServer (RncTermAuthMIB)

a12RetransmitSentToServer

Number of A12-Access Request retransmissions sent to the AN-AAA server

Data Source

DO-EMS

Source Field

a12RetransmitSentToServer

Source Section

TermAuthPerfByAAAServer (RncTermAuthMIB)

a12TimeoutEventsForServer

Number of A12-Access Requests timeouts that occurred for requests sent to the AN-AAA server

Data Source

DO-EMS

Source Field

a12TimeoutEventsForServer

Source Section

TermAuthPerfByAAAServer (RncTermAuthMIB)

a12TxPathFailDueToNoPacketIdAvalableForServer

Total number of A12 failures due to the DO-RNC having exhausted the packet IDs to be assigned to this AAA Server.

Data Source

DO-EMS

Source Field

a12TxPathFailDueToNoPacketIdAvalableForServer

Source Section

TermAuthPerfByAAAServer (RncTermAuthMIB)

a12TxPathFailDueToTransmitErrorForServer

Total number of A12 failures due to transmit failures for the DO-RNC / RNSM. The failure may be due to socket failures, route failures, etc.

Data Source

DO-EMS

Source Field

a12TxPathFailDueToTransmitErrorForServer

Source Section

TermAuthPerfByAAAServer (RncTermAuthMIB)

a12UnknownOtherFailureReceivedFromServer

Total number of A12 messages from AN-AAA(s) that were dropped, by the DO-RNC / RNSM, due to other reasons.

Data Source

DO-EMS

Source Field

a12UnknownOtherFailureReceivedFromServer

Source Section

TermAuthPerfByAAAServer (RncTermAuthMIB)

a12UnknownPacketReceivedFromServer

Total number of A12 messages with unknown packets (with no matching outstanding packet Ids) received from the AN-AAA server

Data Source

DO-EMS

Source Field

a12UnknownPacketReceivedFromServer

Source Section

TermAuthPerfByAAAServer (RncTermAuthMIB)

a12UnknownTypeReceivedFromServer

Total number of A12 messages with unknown packet types (not one of the supported A12 packet types) received from the AN-AAA server

Data Source

DO-EMS

Source Field

a12UnknownTypeReceivedFromServer

Source Section

TermAuthPerfByAAAServer (RncTermAuthMIB)

DO_BTS Primitive Calculations

The following is a list of primitive calculations for the DO_BTS entity.

GRAPHmultiLineSeparator

Special Control Field for Multi-Line Graphs

Calculation

""

NUMDAYS

of days in Report

Calculation

DAYSINREPORT ()

NUMHOURS

of hours in Summation Data

Calculation

DO_PDSN Primitive Calculations

The following is a list of primitive calculations for the DO_PDSN entity.

GRAPHmultiLineSeparator

Special Control Field for Multi-Line Graphs

Calculation

""

NUMDAYS

of days in Report

Calculation

DAYSINREPORT ()

NUMHOURS

of hours in Summation Data

Calculation

DO_PDSN Peg Counts

The following is a list of peg counts for the DO_PDSN entity.

a10ReconnectAttemptsPdsn

Number of automatic A10 reconnect attempts made to this PDSN.

Data Source

DO-EMS

Source Field

a10ReconnectAttemptsPdsn

Source Section

A10ReconnectPerfByPDSN (RncPcfMIB)

a10ReconnectFailuresPdsn

Number of automatic A10 reconnect attempts made to this PDSN that failed.

Data Source

DO-EMS

Source Field

a10ReconnectFailuresPdsn

Source Section

A10ReconnectPerfByPDSN (RncPcfMIB)

a10ReconnectSuccessPdsn

Number of automatic A10 reconnect attempts made to this PDSN that were successful. This happens when an A11-Registration Reply message containing the reason code "0" is received from the PDSN.

Data Source

DO-EMS

Source Field

a10ReconnectSuccessPdsn

Source Section

A10ReconnectPerfByPDSN (RncPcfMIB)

a10RegReqForRegistrationFinalTimeoutsPdsn

Number of times an A11-Registration Request message (intended for A10 connection re-registration) did not receive an A10-Registration Reply message from a PDSN despite pre-configured number of re-transmissions.

Data Source

DO-EMS

Source Field

a10RegReqForRegistrationFinalTimeoutsPdsn

Source Section

A10A11PerfByPDSN (RncPcfPerformanceMIB)

a10RegReqForRegistrationInitialPdsn

Number of initial A10-Registration Request messages sent to a PDSN for A10 connection tear down.

Data Source

DO-EMS

Source Field

a10RegReqForRegistrationInitialPdsn

Source Section

A10A11PerfByPDSN (RncPcfPerformanceMIB)

A10SetupAttemptsPdsn

Number of attempts to setup A10

Data Source

DO-EMS

Source Field

A10SetupAttemptsPdsn

Source Section

A10A11PerfByPDSN (RncPcfPerformanceMIB)

A10SetupFailureAdminProhibitPdsn

Number of times PDSN denied A10 setup with the reason 'Administratively Prohibited'

Data Source

DO-EMS

Source Field

A10SetupFailureAdminProhibitPdsn

Source Section

A10A11PerfByPDSN (RncPcfPerformanceMIB)

A10SetupFailureFailedAuthPdsn

Number of times PDSN denied A10 setup with the reason 'Authentication Failed'

Data Source

DO-EMS

Source Field

A10SetupFailureFailedAuthPdsn

Source Section

A10A11PerfByPDSN (RncPcfPerformanceMIB)

A10SetupFailureIdMismatchPdsn

Number of times PDSN denied A10 setup with the reason 'Identification Mismatch'

Data Source

DO-EMS

Source Field

A10SetupFailureIdMismatchPdsn

Source Section

A10A11PerfByPDSN (RncPcfPerformanceMIB)

A10SetupFailureInsuffResourcesPdsn

Number of times PDSN denied A10 setup with the reason 'Insufficeint Resources'

Data Source

DO-EMS

Source Field

A10SetupFailureInsuffResourcesPdsn

Source Section

A10A11PerfByPDSN (RncPcfPerformanceMIB)

A10SetupFailureMalformedReqPdsn

Number of times PDSN denied A10 setup with the reason 'Poorly Formed Request'

Data Source

DO-EMS

Source Field

A10SetupFailureMalformedReqPdsn

Source Section

A10A11PerfByPDSN (RncPcfPerformanceMIB)

a10SetupFailureNoCIDAvailablePdsn

Number of times a PDSN refused to allow establishment of an A10 connection on this PCF with a reason "No CID Available" (A11 error code: 0x8C).

Data Source

DO-EMS

Source Field

a10SetupFailureNoCIDAvailablePdsn

Source Section

A10A11PerfByPDSN (RncPcfMIB)

A10SetupFailureNoReasonPdsn

Number of times PDSN denied A10 setup attempts for no reason

Data Source

DO-EMS

Source Field

A10SetupFailureNoReasonPdsn

Source Section

A10A11PerfByPDSN (RncPcfPerformanceMIB)

a10SetupFailureRegReplyAuthCheckFailPdsn

Number of times PCF failed to validate the authentication field in A11Registration Reply received from the PDSN in response to an A11-Registration Request sent for A10 connection establishment.

Data Source

DO-EMS

Source Field

a10SetupFailureRegReplyAuthCheckFailPdsn

Source Section

A10A11PerfByPDSN (RncPcfPerformanceMIB)

a10SetupFailureRegReplyIdCheckFailPdsn

Number of times PCF failed to validate the ID in A11-Registration Reply received from the PDSN in response to an A11-Registration Request sent for A10 connection establishment.

Data Source

DO-EMS

Source Field

a10SetupFailureRegReplyIdCheckFailPdsn

Source Section

A10A11PerfByPDSN (RncPcfPerformanceMIB)

a10SetupFailureReverseTunnelTbitNotSetPdsn

Number of times the PDSN refused to allow establishment of an A10 connection on this PCF with a reason "Reverse Tunnel Selected But T-bit Not Set" (A11 error code: 0x8D).

Data Source

DO-EMS

Source Field

a10SetupFailureReverseTunnelTbitNotSetPdsn

Source Section

A10A11PerfByPDSN (RncPcfPerformanceMIB)

a10SetupFailureReverseTunnelUnavailablePdsn

Number of times the PDSN refused to allow establishment of an A10 connection on this PCF with a reason "Reverse Tunnel Unavailable" (A11 error code: 0x8A).

Data Source

DO-EMS

Source Field

a10SetupFailureReverseTunnelUnavailablePdsn

Source Section

A10A11PerfByPDSN (RncPcfPerformanceMIB)

a10SetupFailureServiceOptionNotSupportedPdsn

Number of times a PDSN refused to allow establishment of an A10 connection on this PCF with a reason "Service Option Not Supported" (A11 error code: 0x8B).

Data Source

DO-EMS

Source Field

a10SetupFailureServiceOptionNotSupportedPdsn

Source Section

A10A11PerfByPDSN (RncPcfMIB)

a10SetupFailureUnknownErrorCodePdsn

Number of times the PDSN refused to allow establishment of an A10 connection on this PCF with an unknown error code.

Data Source

DO-EMS

Source Field

a10SetupFailureUnknownErrorCodePdsn

Source Section

A10A11PerfByPDSN (RncPcfPerformanceMIB)

A10SetupFailureUnknownPdsnPdsn

Number of times PDSN denied A10 setup with the reason 'Unknown PDSN Address'

Data Source

DO-EMS

Source Field

A10SetupFailureUnknownPdsnPdsn

Source Section

A10A11PerfByPDSN (RncPcfPerformanceMIB)

A10SetupFailureUnsupVendorIdPdsn

Number of times PDSN denied A10 setup with the reason 'Unsupported Vendor ID'

Data Source

DO-EMS

Source Field

A10SetupFailureUnsupVendIdPdsn

Source Section

A10A11PerfByPDSN (RncPcfPerformanceMIB)

a10SetupRegReplyReceivedPdsn

Number of A11-Registration Reply messages received at PCF in response to A11-Registration Request sent to the PDSN for A10 connection establishment.

Data Source

DO-EMS

Source Field

a10SetupRegReplyReceivedPdsn

Source Section

A10A11PerfByPDSN (RncPcfPerformanceMIB)

A10SetupSuccessesPdsn

Number of A10 setup attempts that succeeded. Note: field source has only one 'c'.

Data Source

DO-EMS

Source Field

a10SetupSuccessesPdsn

Source Section

A10A11PerfByPDSN (RncPcfPerformanceMIB)

a11RegUpdateAccountingErrorPdsn

This counter is incremented when an A11-Registration Update message is received and the received A11-Registration Update message contains PDSN code "Accounting Error".

Data Source

DO-EMS

Source Field

a11RegUpdateAccountingErrorPdsn

Source Section

A10A11RegUpdatePerfByPDSN (RncPcfMIB)

a11RegUpdateAuthCheckFailPdsn

This counter is incremented when an A11-Registration Update message is received and the received A11-Registration Update message failed authentication.

Data Source

DO-EMS

Source Field

a11RegUpdateAuthCheckFailPdsn

Source Section

A10A11RegUpdatePerfByPDSN (RncPcfMIB)

a11RegUpdateForUnknownPSIPdsn

This counter is incremented when an A11-Registration Update message is received and the PSI specified in the A11-Registration Update message does not have a corresponding A10 connection.

Data Source

DO-EMS

Source Field

a11RegUpdateForUnknownPSIPdsn

Source Section

A10A11RegUpdatePerfByPDSN (RncPcfMIB)

a11RegUpdateIDCheckFailPdsn

This counter is incremented when an A11-Registration Update message is received and the received A11-Registration Update message failed ID validation.

Data Source

DO-EMS

Source Field

a11RegUpdateIDCheckFailPdsn

Source Section

A10A11RegUpdatePerfByPDSN (RncPcfMIB)

a11RegUpdateInterPCFHandoffPdsn

This counter is incremented when an A11-Registration Update message is received and the received A11-Registration Update message contains PDSN code "Inter PCF Handoff".

Data Source

DO-EMS

Source Field

a11RegUpdateInterPCFHandoffPdsn

Source Section

A10A11RegUpdatePerfByPDSN (RncPcfMIB)

a11RegUpdateInterPDSNHandoffPdsn

This counter is incremented when an A11-Registration Update message is received and the received A11-Registration Update message contains PDSN code "Inter PDSN Handoff".

Data Source

DO-EMS

Source Field

a11RegUpdateInterPDSNHandoffPdsn

Source Section

A10A11RegUpdatePerfByPDSN (RncPcfMIB)

a11RegUpdatePdsnErrorPdsn

This counter is incremented when an A11-Registration Update message is received and the received A11-Registration Update message contains PDSN code "PDSN Error".

Data Source

DO-EMS

Source Field

a11RegUpdatePdsnErrorPdsn

Source Section

A10A11RegUpdatePerfByPDSN (RncPcfMIB)

a11RegUpdatePDSNOAMPInterventionPdsn

This counter is incremented when an A11-Registration Update message is received and the received A11-Registration Update message contains PDSN code "PDSN OAMP Handoff".

Data Source

DO-EMS

Source Field

a11RegUpdatePDSNOAMPInterventionPdsn

Source Section

A10A11RegUpdatePerfByPDSN (RncPcfMIB)

a11RegUpdatePppTimeoutPdsn

This counter is incremented when an A11-Registration Update message is received and the received A11-Registration Update message contains PDSN code "PPP Timeout".

Data Source

DO-EMS

Source Field

a11RegUpdatePppTimeoutPdsn

Source Section

A10A11RegUpdatePerfByPDSN (RncPcfMIB)

a11RegUpdateReceivedPdsn

This counter is incremented when an A11-Registration Update message is received from a recognized PDSN.

Data Source

DO-EMS

Source Field

a11RegUpdateReceivedPdsn

Source Section

A10A11RegUpdatePerfByPDSN (RncPcfMIB)

a11RegUpdateRegistrationTimeoutPdsn

This counter is incremented when an A11-Registration Update message is received and the received A11-Registration Update message contains PDSN code "Registration Timeout".

Data Source

DO-EMS

Source Field

a11RegUpdateRegistrationTimeoutPdsn

Source Section

A10A11RegUpdatePerfByPDSN (RncPcfMIB)

a11RegUpdateUnknownCauseCodePdsn

This counter is incremented when an A11-Registration Update message is received and the received A11-Registration Update message contains a PDSN code but it is not understood by the DO-RNC.

Data Source

DO-EMS

Source Field

a11RegUpdateUnknownCauseCodePdsn

Source Section

A10A11RegUpdatePerfByPDSN (RncPcfMIB)

a11RegUpdateUnspecifiedReasonPdsn

This counter is incremented when an A11-Registration Update message is received and the received A11-Registration Update message contains PDSN code "Unspecified Reason".

Data Source

DO-EMS

Source Field

a11RegUpdateUnspecifiedReasonPdsn

Source Section

A10A11RegUpdatePerfByPDSN (RncPcfMIB)

a11RegUpdateUserFailedAuthenticationPdsn

This counter is incremented when an A11-Registration Update message is received and the received A11-Registration Update message contains PDSN code "User Failed Authentication".

Data Source

DO-EMS

Source Field

a11RegUpdateUserFailedAuthenticationPdsn

Source Section

A10A11RegUpdatePerfByPDSN (RncPcfMIB)

a11RegUpdateWithoutReasonCodePdsn

This counter is incremented when an A11-Registration Update message is received and the received A11-Registration Update message does NOT contain any PDSN code.

Data Source

DO-EMS

Source Field

a11RegUpdateWithoutReasonCodePdsn

Source Section

A10A11RegUpdatePerfByPDSN (RncPcfMIB)

a11SessionUpdateAcceptedPdsn

This counter is incremented when DO-RNC fully processes an A11-Session Update message request and sends an A11-Session Update Acknowledge message with reason code "0" (Accepted).

Data Source

DO-EMS

Source Field

a11SessionUpdateAcceptedPdsn

Source Section

A10A11SessionUpdatePerfByPDSN (RncPcfMIB)

a11SessionUpdateDeniedAuthCheckFailPdsn

This counter is incremented when RNC fully parses an A11-Session Update message request but fails to authenticate the message.

Data Source

DO-EMS

Source Field

a11SessionUpdateDeniedAuthCheckFailPdsn

Source Section

A10A11SessionUpdatePerfByPDSN (RncPcfMIB)

a11SessionUpdateDeniedHandoffInProgressPdsn

This counter is incremented when RNC processes an A11-Session Update message request and sends an A11-Session Update Acknowledge with reason code "Denied Handoff In Progress".

Data Source

DO-EMS

Source Field

a11SessionUpdateDeniedHandoffInProgressPdsn

Source Section

A10A11SessionUpdatePerfByPDSN (RncPcfMIB)

a11SessionUpdateDeniedIDCheckFailPdsn

This counter is incremented when DO-RNC fully parses an A11-Session Update message request but the ID field in the A11-Session Update message does not fall within +/-256 seconds of DO-RNC's time (this is called ID check failure).

Data Source

DO-EMS

Source Field

a11SessionUpdateDeniedIDCheckFailPdsn

Source Section

A10A11SessionUpdatePerfByPDSN (RncPcfMIB)

a11SessionUpdateDeniedInsufficientResourcesPdsn

There are no known scenarios in which RNC 4.0 increments this. This is a future place holder.

Data Source

DO-EMS

Source Field

a11SessionUpdateDeniedInsufficientResourcesPdsn

Source Section

A10A11SessionUpdatePerfByPDSN (RncPcfMIB)

a11SessionUpdateDeniedPoorlyFormedPdsn

There are no known scenarios in which RNC 4.0 increments this. This is a future place holder.

Data Source

DO-EMS

Source Field

a11SessionUpdateDeniedPoorlyFormedPdsn

Source Section

A10A11SessionUpdatePerfByPDSN (RncPcfMIB)

a11SessionUpdateDeniedQoSProfileIdNotSupportedPdsn

This counter is incremented when RNC processes an A11-Session Update message request and sends an A11-Session Update Acknowledge with reason code "Denied QoS Profile Id not Supported".

Data Source

DO-EMS

Source Field

a11SessionUpdateDeniedQoSProfileIdNotSupportedPdsn

Source Section

A10A11SessionUpdatePerfByPDSN (RncPcfMIB)

a11SessionUpdateDeniedReasonUnspecifiedPdsn

This counter is incremented when RNC receives an A11-Session Update message from the PDSN but fails to process it due to internal errors such as memory allocation failures.

Data Source

DO-EMS

Source Field

a11SessionUpdateDeniedReasonUnspecifiedPdsn

Source Section

A10A11SessionUpdatePerfByPDSN (RncPcfMIB)

a11SessionUpdateDeniedSessionParamsNotUpdatedPdsn

There are no known scenarios in which RNC 4.0 increments this. This is a future place holder.

Data Source

DO-EMS

Source Field

a11SessionUpdateDeniedSessionParamsNotUpdatedPdsn

Source Section

A10A11SessionUpdatePerfByPDSN (RncPcfMIB)

a11SessionUpdateExtendedAPIPdsn

There are no known scenarios in which RNC 4.0 increments this. This is a future place holder.

Data Source

DO-EMS

Source Field

a11SessionUpdateExtendedAPIPdsn

Source Section

A10A11SessionUpdatePerfByPDSN (RncPcfMIB)

a11SessionUpdateForUnknownPSIPdsn

This counter is incremented when DO-RNC processes an A11-Session Update message request but fails to pass it through the state machine as there is no A10 connection for that specific PSI.

Data Source

DO-EMS

Source Field

a11SessionUpdateForUnknownPSIPdsn

Source Section

A10A11SessionUpdatePerfByPDSN (RncPcfMIB)

a11SessionUpdateReceivedPdsn

This counter is incremented when DO-RNC receives an A11-Session Update message and fully parses it without any failures or missing mandatory elements. This counter is incremented "before" authentication of the message.

Data Source

DO-EMS

Source Field

a11SessionUpdateReceivedPdsn

Source Section

A10A11SessionUpdatePerfByPDSN (RncPcfMIB)

auxA10ConnectionsCreatedInFirstRegReqPdsn

This is incremented if Call Control attempts to add one or more auxiliary A10 connections in the very first A11-Registration Request message.

Data Source

DO-EMS

Source Field

auxA10ConnectionsCreatedInFirstRegReqPdsn

Source Section

A10A11AuxA10PerfByPDSN (RncPcfMIB)

auxA10ConnectionsCreatedInSubsequentRegReqPdsn

This is incremented if Call Control attempts to add one or more auxiliary A10 connections in subsequent A11-Registration Request messages.

Data Source

DO-EMS

Source Field

auxA10ConnectionsCreatedInSubsequentRegReqPdsn

Source Section

A10A11AuxA10PerfByPDSN (RncPcfMIB)

auxA10FwdIpFlowsCreatedPdsn

This is incremented when a new forward IP flow is being created.

Data Source

DO-EMS

Source Field

auxA10FwdIpFlowsCreatedPdsn

Source Section

A10A11AuxA10PerfByPDSN (RncPcfMIB)

auxA10RevIpFlowsCreatedPdsn

This is incremented when a new reverse IP flow is being created.

Data Source

DO-EMS

Source Field

auxA10RevIpFlowsCreatedPdsn

Source Section

A10A11AuxA10PerfByPDSN (RncPcfMIB)

pdsnIpAddressPdsn

IP address of the PDSN.

Data Source

DO-EMS

Source Field

pdsnIpAddressPdsn

Source Section

A10A11PerfByPDSN (RncPcfPerformanceMIB)

priority

Identifies whether the PDSN is a primary or secondary PDSN. 0 = primary. 1 = secondary.

Data Source

DO-EMS

Source Field

priority

Source Section

A10A11BytePacketCountByPDSN (RncPcfMIB)

priorityA10ReconnectPerf

It is not an OM, but used to identify whether the PDSN is a primary or secondary PDSN.

Data Source

DO-EMS

Source Field

priorityA10ReconnectPerf

Source Section

A10ReconnectPerfByPDSN (RncPcfMIB)

priorityA11RegUpdatePerf

Identifies whether the PDSN is a primary or secondary PDSN. 0 = primary. 1 = secondary.

Data Source

DO-EMS

Source Field

priorityA11RegUpdatePerf

Source Section

A10A11RegUpdatePerfByPDSN (RncPcfMIB)

priorityA11SessionUpdatePerf

Identifies whether the PDSN is a primary or secondary PDSN. 0 = primary. 1 = secondary.

Data Source

DO-EMS

Source Field

priorityA11SessionUpdatePerf

Source Section

A10A11SessionUpdatePerfByPDSN (RncPcfMIB)

priorityAuxA10Perf

Identifies whether the PDSN is a primary or secondary PDSN. 0 = primary. 1 = secondary.

Data Source

DO-EMS

Source Field

priorityAuxA10Perf

Source Section

A10A11AuxA10PerfByPDSN (RncPcfMIB)

priorityPdsnPerf

Identifies whether the PDSN is a primary or secondary PDSN. 0 = primary. 1 = secondary.

Data Source

DO-EMS

Source Field

priorityPdsnPerf

Source Section

A10A11PerfByPDSN (RncPcfMIB)

ReliableA11PktsReceivedPdsn

Number of reliable A11 packets received from the PDSN

Data Source

DO-EMS

Source Field

ReliableA11PktsReceivedPdsn

Source Section

A10A11BytePacketCountByPDSN (RncPcfPerformanceMIB)

ReliableA11PktsRetransmittedPdsn

Number of reliable A11 packets retransmitted

Data Source

DO-EMS

Source Field

ReliableA11PktsRetransmittedPdsn

Source Section

A10A11BytePacketCountByPDSN (RncPcfPerformanceMIB)

ReliableA11PktsSentSuccessPdsn

Number of reliable A11 packets sent successfully

Data Source

DO-EMS

Source Field

ReliableA11PktsSentSuccessPdsn

Source Section

A10A11BytePacketCountByPDSN (RncPcfPerformanceMIB)

totalA10ClosedByRNCPdsn

Total number of A10 connections closed by DO-RNC for each PDSN.

Data Source

DO-EMS

Source Field

totalA10ClosedByRNCPdsn

Source Section

A10A11PerfByPDSN (RncPcfPerformanceMIB)

TotalA10ClosedByThePdsn

Number of A10 connections closed by the RNC

Data Source

DO-EMS

Source Field

TotalA10ClosedByThePdsn

Source Section

A10A11PerfByPDSN (RncPcfPerformanceMIB)

TotalA10ClosedNetworkErrorPdsn

Number of A10 connections closed due to network error

Data Source

DO-EMS

Source Field

TotalA10ClosedNetworkErrorPdsn

Source Section

A10A11PerfByPDSN (RncPcfPerformanceMIB)

TotalA10EgressBytesPdsn

Total A10 Egress Bytes

Data Source

DO-EMS

Source Field

TotalA10EgressBytesPdsn

Source Section

A10A11BytePacketCountByPDSN (RncPcfPerformanceMIB)

TotalA10ForwardPktsDroppedPdsn

Total number of forward packets dropped

Data Source

DO-EMS

Source Field

TotalA10ForwardPktsDroppedPdsn

Source Section

A10A11BytePacketCountByPDSN (RncPcfPerformanceMIB)

TotalA10IngressBytesPdsn

Total A10 Ingress Bytes

Data Source

DO-EMS

Source Field

TotalA10IngressBytesPdsn

Source Section

A10A11BytePacketCountByPDSN (RncPcfPerformanceMIB)

TotalA10ReversePktsDroppedPdsn

Total number of reverse packets dropped

Data Source

DO-EMS

Source Field

TotalA10ReversePktsDroppedPdsn

Source Section

A10A11BytePacketCountByPDSN (RncPcfPerformanceMIB)

TotalA11EgressBytesPdsn

Total A11 Egress Bytes

Data Source

DO-EMS

Source Field

TotalA11EgressBytesPdsn

Source Section

A10A11BytePacketCountByPDSN (RncPcfPerformanceMIB)

TotalA11IngressBytesPdsn

Total A11 Ingress Bytes

Data Source

DO-EMS

Source Field

TotalA11IngressBytesPdsn

Source Section

A10A11BytePacketCountByPDSN (RncPcfPerformanceMIB)

TotalA11SessionSetupReconnectAttemptsPdsn

Total Session Setup Reconnect Attempts

Data Source

DO-EMS

Source Field

TotalA11SessionSetupReconnectAttemptsPdsn

Source Section

A10A11PerfByPDSN (RncPcfPerformanceMIB)

TotalA11SessionSetupReconnectFailuresPdsn

Total Session Setup Reconnect Failures

Data Source

DO-EMS

Source Field

TotalA11SessionSetupReconnectFailuresPdsn

Source Section

A10A11PerfByPDSN (RncPcfPerformanceMIB)

DO_RNC Primitive Calculations

The following is a list of primitive calculations for the DO_RNC entity.

AbnormalSessionCloses

Number of Abnormal Session Closes

Calculation

```
vsum(NumSessionsTerminatedToReceivingUatiReq, NumSessionsTerminatedToSessionConfigFailure, NumSessionsTerminatedToLocalClose, NumSessionsTerminatedToInstantClose, 0)
```

AccessFailureRate

RF-related failure rate excluding the resource blocks and other non-RF related failures

Calculation

```
100.0 * NumConnSetupsFailedTccTimeout / vsum(NumConnectionRequestsFromAt, NumFastConnectsAttempted, -1 * NumConnReqsWhileSettingUp, -1 * NumConnReqsWhileTearingDown, -1 * NumConnReqsWhileOpen, 0)
```

AverageConnectionDuration

The average connection duration time in Seconds for all connections that were open

Calculation

```
AverageConnectionDuration_Raw / 10.0
```

AverageSessionDuration

The average Session duration times in Seconds for all Sessions that were open

Calculation

AverageSessionDuration_Raw / 10.0

ConnectionDrops

Number of abnormal connection closes due to loss of RF link or other error conditions

Calculation

vsum(NumConnectionCloseRtcLost, NumConnectionCloseNoFtc, NumConnectionCloseSsm, NumConnectionCloseDormancyTimeout, 0)

ConnectionSetupAttempts

Valid and invalid ConnectionRequest messages

Calculation

vsum(NumConnectionRequestsFromAt, NumFastConnectsAttempted, 0)

ConnectionSetupErrors

Number of Connection Setup Errors

Calculation

vsum(NumConnSetupsFailedRuTimeout, NumConnSetupsFailedTccTimeout, NumConnSetupsFailedSWError, NumConnSetupsAborted, 0)

ConnectionSetupSuccessRate

Connection Setup Success Rate

Calculation

100.0 * NumConnectionsOpened / vsum(NumConnectionRequestsFromAt, NumFastConnectsAttempted, -1 * NumConnReqsWhileSettingUp, -1 * NumConnReqsWhileTearingDown, -1 * NumConnReqsWhileOpen, 0)

ConnectionUsage

NumConnectionsCurrentlyOpen*15.0/100.0

Calculation

(NumConnectionsCurrentlyOpen * 15.0 / 100.0)

EvdoSessionSetupSuccessRate

EV-DO Session Setup Success Rate

Calculation

100.0 * NumSessionSetupSuccessful / vsum(NumSessionSetupAttempts, -1 * NumSessionsTerminatedToReceivingUatiReq)

GRAPHmultiLineSeparator

Special Control Field for Multi-Line Graphs

Calculation

""

InvalidConnectionSetupRequests

Number of Invalid Connection Setup Requests

Calculation

```
vsum(NumConnReqsWhileSettingUp, NumConnReqsWhileTearingDown , NumConnReqsWhileOpen, 0)
```

MaxConnectionDuration

The maximum amount of time in Seconds that a connection was open

Calculation

```
MaxConnectionDuration_Raw / 10.0
```

MaxSessionDuration

The maximum amount of time in Seconds that a Session was open

Calculation

```
MaxSessionDuration_Raw / 10.0
```

MinConnectionDuration

The least amount of time in Seconds that a connection was open

Calculation

```
MinConnectionDuration_Raw / 10.0
```

MinSessionDuration

The least amount of time in Seconds that a Session was open

Calculation

```
MinSessionDuration_Raw / 10.0
```

NormalSessionCloses

Number of normal Session Closes

Calculation

vsum(NumSessionsTerminatedToKeepAliveTimeout, NumSessionsTerminatedToAt-
Close, 0)

NUMDAYS

of days in Report

Calculation

DAYSINREPORT()

NUMHOURS

of hours in Summation Data

Calculation

PageSuccessRate

Page Success Rate

Calculation

100.0 * NumConnectionRequestsInResponseToPage / NumPageMessagesToAt

ResetAttempts

Total RLP Reset Attempts

Calculation

vsum(ForwardRlpResets, ReverseRlpResets, 0)

RevSHOAllocationFailures

Reverse Link unsuccessful soft handoffs due to allocation failures

Calculation

vsum(NumRevLinkSHOFailedByRn, NumRevLinkSHOFailedByRncResources, NumRev-
LinkSHOFailRncTimeout, 0)

RevSHOBlockings

Reverse Link unsuccessful soft handoffs due to blocking

Calculation

vsum(NumRevLinkSHOBlockedByRn, NumRevLinkSHOBlockedByRncResources)

RevSHOUnsuccessfulResourcesAllocation

Total Reverse Link unsuccessful soft handoffs due to blocking or allocation failures

Calculation

```
vsum(NumRevLinkSHOBlockedByRn, NumRevLinkSHOBlockedByRncResources, NumRev-  
LinkSHOFailedByRn, NumRevLinkSHOFailedByRncResources, NumRevLinkSHOFail-  
RncTimeout, 0)
```

SuccessfulReverseLinkSHORate

Successful Reverse Link Soft Handoff Rate where a handoff is considered to be successful if all the requested pilots are added or removed

Calculation

```
100.0 * NumRevLinkSHOSuccess / NumRevLinkSHOAttempts
```

TotalANInitiatedConnectionCloses

Total Access Network initiated connection closes

Calculation

```
vsum(NumConnectionCloseToAtNormal, NumConnectionCloseToAtError, 0)
```

TotalATInitiatedConnectionCloses

Total Access Terminal initiated connection closes

Calculation

```
vsum(NumConnectionCloseFromAtNormal, NumConnectionCloseFromAtError, Num-  
ConnectionCloseFromAtReserved, 0)
```

TotalByteCount

Total RLP frame byte count

Calculation

```
vsum(ForwardRlpBytes, ReverseRlpBytes, 0)
```

TotalConnectionCloses

Total Connection Closes

Calculation

```
vsum(NumConnectionCloseFromAtNormal, NumConnectionCloseFromAtError, Num-  
ConnectionCloseFromAtReserved, NumConnectionCloseToAtNormal, NumConnec-  
tionCloseToAtError)
```

UnsuccessfulResourcesAllocation

Number of Unsuccessful Resource Allocations

Calculation

```
vsum (NumConnectionSetupsBlockedByRn, NumConnectionSetupsBlockedByRncRe-  
sources, NumConnectionSetupsFailedByRn, NumConnectionSetupsFailedByRncRe-  
sources, NumConnSetupsFailedRncTimeout, 0)
```

ValidEvdoSessionSetupAttempts

Valid EV-DO Session Setup Attempts

Calculation

```
vsum (NumSessionSetupAttempts, -1 * NumSessionsTerminatedToReceivingUat-  
iReq, 0)
```

DO_RNC Peg Counts

The following is a list of peg counts for the DO_RNC entity.

a10RegReqForRegistrationFinalTimeouts

Number of times an A11-Registration Request message (intended for A10 connection re-registration) did not receive an A10-Registration Reply message from a PDSN despite pre-configured number of re-transmissions.

Data Source

DO-EMS

Source Field

a10RegReqForRegistrationFinalTimeouts

Source Section

A10A11PerfByRNC (RncPcfPerformanceMIB)

a10RegReqForRegistrationInitial

Number of initial A10-Registration Request messages sent to a PDSN for A10 connection tear down.

Data Source

DO-EMS

Source Field

a10RegReqForRegistrationInitial

Source Section

A10A11PerfByRNC (RncPcfPerformanceMIB)

A10SetupAttempts

Number of attempts to setup A10

Data Source

DO-EMS

Source Field

A10SetupAttempts

Source Section

A10A11PerfByRNC (RncPcfPerformanceMIB)

A10SetupFailureAdminProhibit

Number of times PDSN denied A10 setup with the reason 'Administratively Prohibited'

Data Source

DO-EMS

Source Field

A10SetupFailureAdminProhibit

Source Section

A10A11PerfByRNC (RncPcfPerformanceMIB)

A10SetupFailureFailedAuth

Number of times PDSN denied A10 setup with the reason 'Authentication Failed'

Data Source

DO-EMS

Source Field

A10SetupFailureFailedAuth

Source Section

A10A11PerfByRNC (RncPcfPerformanceMIB)

A10SetupFailureIdMismatch

Number of times PDSN denied A10 setup with the reason 'Identification Mismatch'

Data Source

DO-EMS

Source Field

A10SetupFailureIdMismatch

Source Section

A10A11PerfByRNC (RncPcfPerformanceMIB)

A10SetupFailureInsuffResources

Number of times PDSN denied A10 setup with the reason 'Insufficeint Resources'

Data Source

DO-EMS

Source Field

A10SetupFailureInsuffResources

Source Section

A10A11PerfByRNC (RncPcfPerformanceMIB)

A10SetupFailureMalformedReq

Number of times PDSN denied A10 setup with the reason 'Poorly Formed Request'

Data Source

DO-EMS

Source Field

A10SetupFailureMalformedReq

Source Section

A10A11PerfByRNC (RncPcfPerformanceMIB)

a10SetupFailureNoCIDAvailable

Number of times a PDSN refused to allow establishment of an A10 connection on this PCF with a reason "No CID Available" (A11 error code: 0x8C).

Data Source

DO-EMS

Source Field

a10SetupFailureNoCIDAvailable

Source Section

A10A11PerfByRNC (RncPcfMIB)

A10SetupFailureNoReason

Number of times PDSN denied A10 setup attempts for no reason

Data Source

DO-EMS

Source Field

A10SetupFailureNoReason

Source Section

A10A11PerfByRNC (RncPcfPerformanceMIB)

a10SetupFailureRegReplyAuthCheckFail

Number of times PCF failed to validate the authentication field in A11Registration Reply received from a PDSN in response to an A11-Registration Request sent for A10 connection establishment.

Data Source

DO-EMS

Source Field

a10SetupFailureRegReplyAuthCheckFail

Source Section

A10A11PerfByRNC (RncPcfPerformanceMIB)

a10SetupFailureRegReplyIdCheckFail

Number of times PCF failed to validate the ID in A11-Registration Reply received from a PDSN in response to an A11-Registration Request sent for A10 connection establishment.

Data Source

DO-EMS

Source Field

a10SetupFailureRegReplyIdCheckFail

Source Section

A10A11PerfByRNC (RncPcfPerformanceMIB)

a10SetupFailureReverseTunnelTbitNotSet

Number of times a PDSN refused to allow establishment of an A10 connection on this PCF with a reason "Reverse Tunnel Selected But T-bit Not Set" (A11 error code: 0x8D).

Data Source

DO-EMS

Source Field

a10SetupFailureReverseTunnelTbitNotSet

Source Section

A10A11PerfByRNC (RncPcfPerformanceMIB)

a10SetupFailureReverseTunnelUnavailable

Number of times a PDSN refused to allow establishment of an A10 connection on this PCF with a reason "Reverse Tunnel Unavailable" (A11 error code: 0x8A).

Data Source

DO-EMS

Source Field

a10SetupFailureReverseTunnelUnavailable

Source Section

A10A11PerfByRNC (RncPcfPerformanceMIB)

a10SetupFailureServiceOptionNotSupported

Number of times a PDSN refused to allow establishment of an A10 connection on this PCF with a reason "Service Option Not Supported" (A11 error code: 0x8B).

Data Source

DO-EMS

Source Field

a10SetupFailureServiceOptionNotSupported

Source Section

A10A11PerfByRNC (RncPcfMIB)

a10SetupFailureUnknownErrorCode

Number of times a PDSN refused to allow establishment of an A10 connection on this PCF with an unknown error code.

Data Source

DO-EMS

Source Field

a10SetupFailureUnknownErrorCode

Source Section

A10A11PerfByRNC (RncPcfPerformanceMIB)

A10SetupFailureUnknownPdsn

Number of times PDSN denied A10 setup with the reason 'Unknown PDSN Address'

Data Source

DO-EMS

Source Field

A10SetupFailureUnknownPdsn

Source Section

A10A11PerfByRNC (RncPcfPerformanceMIB)

A10SetupFailureUnsuppVendorId

Number of times PDSN denied A10 setup with the reason 'Unsupported Vendor ID'

Data Source

DO-EMS

Source Field

A10SetupFailureUnsuppVendId

Source Section

A10A11PerfByRNC (RncPcfPerformanceMIB)

a10SetupRegReplyReceived

Number of A11-Registration Reply messages received at PCF in response to A11-Registration Request sent to a PDSN for A10 connection establishment.

Data Source

DO-EMS

Source Field

a10SetupRegReplyReceived

Source Section

A10A11PerfByRNC (RncPcfPerformanceMIB)

A10SetupSuccesses

Number of A10 setup attempts that succeeded

Data Source

DO-EMS

Source Field

A10SetupSuccesses

Source Section

A10A11PerfByRNC (RncPcfPerformanceMIB)

a12AcceptsReceivedFromAaaServersTotal

Number of A12 Access Accepts received from any AN-AAA server used by the DO-RNC.

Data Source

DO-EMS

Source Field

a12AcceptsReceivedFromAaaServersTotal

Source Section

TermAuthPerfByRNC (RncTermAuthMIB)

a12AccessChallengesReceivedFromAaaServersTotal

Number of A12 Access Challenges received from any AN-AAA server used by the DO-RNC.

Data Source

DO-EMS

Source Field

a12AccessChallengesReceivedFromAaaServersTotal

Source Section

TermAuthPerfByRNC (RncTermAuthMIB)

a12BadAuthenticatorReceivedFromAaaServersTotal

Number of A12 messages with bad authenticators received from any ANAAA server used by the DO-RNC.

Data Source

DO-EMS

Source Field

a12BadAuthenticatorReceivedFromAaaServersTotal

Source Section

TermAuthPerfByRNC (RncTermAuthMIB)

a12MalformedResponseReceivedFromAaaServersTotal

Number of malformed A12 messages received from any AN-AAA server used by the DO-RNC.

Data Source

DO-EMS

Source Field

a12MalformedResponseReceivedFromAaaServersTotal

Source Section

TermAuthPerfByRNC (RncTermAuthMIB)

a12RejectsReceivedFromAaaServersTotal

Number of A12 Access Rejects received by the DO-RNC.

Data Source

DO-EMS

Source Field

a12RejectsReceivedFromAaaServersTotal

Source Section

TermAuthPerfByRNC (RncTermAuthMIB)

a12RequestSentToAaaServersTotal

Number of A12-Access Requests sent by the DO-RNC. It does not count retransmissions.

Data Source

DO-EMS

Source Field

a12RequestSentToAaaServersTotal

Source Section

TermAuthPerfByRNC (RncTermAuthMIB)

a12RetransmitsSentToAaaServersTotal

Number of A12-Access Request retransmissions sent by the DO-RNC.

Data Source

DO-EMS

Source Field

a12RetransmitsSentToAaaServersTotal

Source Section

TermAuthPerfByRNC (RncTermAuthMIB)

a12TimeoutsEventsTotal

Number of A12-Access Requests timeouts that occurred for requests sent to any AN-AAA server used by the DO-RNC.

Data Source

DO-EMS

Source Field

a12TimeoutsEventsTotal

Source Section

TermAuthPerfByRNC (RncTermAuthMIB)

a12TxPathFailDueToAnPppTotal

Total number of A12 failures due to AnPpp connection failures for the DORNC / RNSM.

Data Source

DO-EMS

Source Field

a12TxPathFailDueToAnPppTotal

Source Section

TermAuthPerfByRNC (RncTermAuthMIB)

a12TxPathFailDueToInternalErrorsTotal

Total number of A12 failures due to various internal errors in the DO-RNC. These include memory allocation failures, radius attribute addition failures, etc.

Data Source

DO-EMS

Source Field

a12TxPathFailDueToInternalErrorsTotal

Source Section

TermAuthPerfByRNC (RncTermAuthMIB)

a12TxPathFailDueToNoPacketIdAvalableForServersTotal

Total number of A12 failures due to the DO-RNC having exhausted the packet Ids to be assigned to the allocated AaaServers.

Data Source

DO-EMS

Source Field

a12TxPathFailDueToNoPacketIdAvalableForServersTotal

Source Section

TermAuthPerfByRNC (RncTermAuthMIB)

a12TxPathFailDueToNoServerAvailableTotal

Total number of A12 failures when the DO-RNC cannot select any server for this terminal authentication attempt either because there is no more available server, or the retransmission limit has been reached.

Data Source

DO-EMS

Source Field

a12TxPathFailDueToNoServerAvailableTotal

Source Section

TermAuthPerfByRNC (RncTermAuthMIB)

a12TxPathFailDueToTransmitErrorForServersTotal

Total number of A12 failures due to transmit failures for the DO-RNC. The failure may be due to socket failures, route failures, etc.

Data Source

DO-EMS

Source Field

a12TxPathFailDueToTransmitErrorForServersTotal

Source Section

TermAuthPerfByRNC (RncTermAuthMIB)

a12UnknownOtherFailureReceivedFromAaaServersTotal

Total number of A12 messages from AN-AAA(s) that were dropped, by the DO-RNC, due to other reasons.

Data Source

DO-EMS

Source Field

a12UnknownOtherFailureReceivedFromAaaServersTotal

Source Section

TermAuthPerfByRNC (RncTermAuthMIB)

a12UnknownPacketReceivedFromAaaServersTotal

Total number of A12 messages with unknown packets (with no matching outstanding packet Ids) received from any AN-AAA server used by the DORNC / RNSM.

Data Source

DO-EMS

Source Field

a12UnknownPacketReceivedFromAaaServersTotal

Source Section

TermAuthPerfByRNC (RncTermAuthMIB)

a12UnknownServerReceivedFromAaaServersTotal

Total number of A12 messages received from any unknown AN-AAA server used by the DO-RNC.

Data Source

DO-EMS

Source Field

a12UnknownServerReceivedFromAaaServersTotal

Source Section

TermAuthPerfByRNC (RncTermAuthMIB)

a12UnknownTypeReceivedFromAaaServersTotal

Total number of A12 messages with unknown packet types (not one of the supported A12 packet types) received from any AN-AAA server used by the DO-RNC.

Data Source

DO-EMS

Source Field

a12UnknownTypeReceivedFromAaaServersTotal

Source Section

TermAuthPerfByRNC (RncTermAuthMIB)

anPppAuthenticationAttemptsTotal

Number of AN-PPP authentications attempted by the DO-RNC.

Data Source

DO-EMS

Source Field

anPppAuthenticationAttemptsTotal

Source Section

TermAuthPerfByRNC (RncTermAuthMIB)

averageConnectionSetupTime

The average connection setup time for all successful connection setups

Data Source

DO-EMS

Source Field

averageConnectionSetupTime

Source Section

RNCPerfByRNC (RncIS856PerfMIB)

averagePageSetupTime

The average connection setup time in response to a RNC initiated page

Data Source

DO-EMS

Source Field

averagePageSetupTime

Source Section

RNCPerfByRNC (RncIS856PerfMIB)

averageSessionSetupTime

The average Session setup time for all successful Session setups

Data Source

DO-EMS

Source Field

averageSessionSetupTime

Source Section

RNCPerfByRNC (RncIS856PerfMIB)

avgA13HoDelayPriorSessionRNC

Average delay for prior session A13 Handoff on this RNC

Data Source

DO-EMS

Source Field

avgA13HoDelayPriorSessionRNC

Source Section

RNCPerfByRNC (RncIS856PerfMIB)

avgA13HoDelayRNC

Average delay for A13 Handoff on this RNC (UATI Request to after receiving AT ID response)

Data Source

DO-EMS

Source Field

avgA13HoDelayRNC

Source Section

RNCPerfByRNC (RncIS856PerfMIB)

AvgNumActiveSessions

Average of 15 samples of numActiveSession during collection interval

Data Source

DO-EMS

Source Field

numActiveSessions

Source Section

RNCPerfByRNC (RncIS856PerfMIB)

AvgNumConnectionsCurrentlyOpen

Average of 15 samples of numConnectionsCurrentlyOpen during collection interval

Data Source

DO-EMS

Source Field

numConnectionsCurrentlyOpen

Source Section

RNCPerfByRNC (RncIS856PerfMIB)

AvgNumCurrentSessionsEstablished

Average of 15 samples of numCurrentSessionsEstablished during collection interval

Data Source

DO-EMS

Source Field

numCurrentSessionsEstablished

Source Section

RNCPerfByRNC (RncIS856PerfMIB)

AvgNumDormantSessions

Average of 15 samples of numDormantSessions during collection interval

Data Source

DO-EMS

Source Field

numDormantSessions

Source Section

RNCPerfByRNC (RncIS856PerfMIB)

AvgNumSessionsAwaitingCloseFromAt

Average of 15 samples of numSessionsAwaitingCloseFromAt during collection interval

Data Source

DO-EMS

Source Field

numSessionsAwaitingCloseFromAt

Source Section

RNCPerfByRNC (RncIS856PerfMIB)

clusterSessionLoadPercentage

Average of the 60-second RNC load values, in percentage units, reported to the DOM.

Data Source

DO-EMS

Source Field

clusterSessionLoadPercentage

Source Section

RNCCLusterLB (clusterRncObservablesObjects)

clusterSessionLoadPercentage_max

Maximum of the 60-second RNC load values, in percentage units, reported to the DOM.

Data Source

DO-EMS

Source Field

clusterSessionLoadPercentage

Source Section

RNCCLusterLB (clusterRncObservablesObjects)

clusterSessionLoadPercentage_min

Minimum of the 60-second RNC load values, in percentage units, reported to the DOM.

Data Source

DO-EMS

Source Field

clusterSessionLoadPercentage

Source Section

RNCCLusterLB (clusterRncObservablesObjects)

cNuConSetupSuccessA16_Rev0

The number of A16 related connection setups successfully opened after the demarcation point for Rev-0 personality ATs.

Data Source

DO-EMS

Source Field

cNuConSetupSuccessA16 where atDescriptor=1

Source Section

RNCPerfExtnByRNC (RncIS856PerfExtensionMIB)

cNuConSetupSuccessA16_RevA

The number of A16 related connection setups successfully opened after the demarcation point for Rev-A personality ATs.

Data Source

DO-EMS

Source Field

cNuConSetupSuccessA16 where atDescriptor=2

Source Section

RNCPerfExtnByRNC (RncIS856PerfExtensionMIB)

cNumATInitiatedPageResponses_Rev0

The number of AT initiated ConnectionRequest messages that were received after the demarcation point during any paging cycle for Rev-0 personality ATs.

Data Source

DO-EMS

Source Field

cNumATInitiatedPageResponses where atDescriptor=1

Source Section

RNCPerfExtnByRNC (RncIS856PerfExtensionMIB)

cNumATInitiatedPageResponses_RevA

The number of AT initiated ConnectionRequest messages that were received after the demarcation point during any paging cycle for Rev-A personality ATs.

Data Source

DO-EMS

Source Field

cNumATInitiatedPageResponses where atDescriptor=2

Source Section

RNCPerfExtnByRNC (RncIS856PerfExtensionMIB)

cNumATReportedTuneAwayDrops_Rev0

Number of times a Rev-0 connection failure record from rev-A ATs (RevA AT sends this record regardless of personality type), via IS856-A connection failure reporting message, is received by the RNC indicating connection failures due to the AT tuning away to 3G1X network while connected to 1xEVDO network and the timestamp reported in connection failure record is within 10 seconds of last RF related drop (FTC stopped timestamp stored at the RNC).

Data Source

DO-EMS

Source Field

cNumATReportedTuneAwayDrops where atDescriptor=1

Source Section

RNCPerfExtnByRNC (RncIS856PerfExtensionMIB)

cNumATReportedTuneAwayDrops_RevA

Number of times a Rev-A connection failure record from rev-A ATs (RevA AT sends this record regardless of personality type), via IS856-A connection failure reporting message, is received by the RNC indicating connection failures due to the AT tuning away to 3G1X network while connected to 1xEVDO network and the timestamp reported in connection failure record is within 10 seconds of last RF related drop (FTC stopped timestamp stored at the RNC).

Data Source

DO-EMS

Source Field

cNumATReportedTuneAwayDrops where atDescriptor=2

Source Section

RNCPerfExtnByRNC (RncIS856PerfExtensionMIB)

cNumConnectionsClosedNormalBeforeTCC_Rev0

Pegs after demarcation point when a Rev-0 DO Connection is closed by the AT with reason as normal or movedto3G1x in connection close message before sending TCC.

Data Source

DO-EMS

Source Field

cNumConnectionsClosedNormalBeforeTCC where atDescriptor=1

Source Section

RNCPerfExtnByRNC (RncIS856PerfExtensionMIB)

cNumConnectionsClosedNormalBeforeTCC_RevA

Pegs after demarcation point when a Rev-A DO Connection is closed by the AT with reason as normal or movedto3G1x in connection close message before sending TCC.

Data Source

DO-EMS

Source Field

cNumConnectionsClosedNormalBeforeTCC where atDescriptor=2

Source Section

RNCPerfExtnByRNC (RncIS856PerfExtensionMIB)

cNumConnectionsClosedNormalBeforeTCCDuringSRAfterDC_Rev0

This RNC-wide statistic counts the number of Rev-0 DO Connections closed by the AT before Traffic Channel Complete with a reason code of normal or movedto3G1x during the silent retry period after a dropped call.

Data Source

DO-EMS

Source Field

cNumConnectionsClosedNormalBeforeTCCDuringSRAfterDC where atDescriptor=1

Source Section

RNCPerfExtnByRNC (RncIS856PerfExtensionMIB)

cNumConnectionsClosedNormalBeforeTCCDuringSRAfterDC_RevA

This RNC-wide statistic counts the number of Rev-A DO Connections closed by the AT before Traffic Channel Complete with a reason code of normal or movedto3G1x during the silent retry period after a dropped call.

Data Source

DO-EMS

Source Field

cNumConnectionsClosedNormalBeforeTCCDuringSRAfterDC where atDescriptor=2

Source Section

RNCPerfExtnByRNC (RncIS856PerfExtensionMIB)

cNumConnectionsClosedNormalBeforeTCCDuringSRAfterFCA_Rev0

This RNC-wide statistic counts the number of Rev-0 DO Connections closed by the AT before Traffic Channel Complete with a reason code of normal or movedto3G1x during the silent retry period after failed call attempt.

Data Source

DO-EMS

Source Field

cNumConnectionsClosedNormalBeforeTCCDuringSRAfterFCA where atDescriptor=1

Source Section

RNCPerfExtnByRNC (RncIS856PerfExtensionMIB)

cNumConnectionsClosedNormalBeforeTCCDuringSRAfterFCA_RevA

This RNC-wide statistic counts the number of Rev-A DO Connections closed by the AT before Traffic Channel Complete with a reason code of normal or movedto3G1x during the silent retry period after failed call attempt.

Data Source

DO-EMS

Source Field

cNumConnectionsClosedNormalBeforeTCCDuringSRAfterFCA where atDescriptor=2

Source Section

RNCPerfExtnByRNC (RncIS856PerfExtensionMIB)

cNumConnectionSetupAttempts

The number of DO connection setup attempts made after the demarcation point for Rev-0 personality ATs.

Data Source

DO-EMS

Source Field

cNumConnectionSetupAttempts where atDescriptor=1

Source Section

RNCPerfExtnByRNC (RncIS856PerfExtensionMIB)

cNumConnectionSetupAttempts_RevA

The number of DO connection setup attempts made after the demarcation point for Rev-A personality ATs.

Data Source

DO-EMS

Source Field

cNumConnectionSetupAttempts where atDescriptor=2

Source Section

RNCPerfExtnByRNC (RncIS856PerfExtensionMIB)

cNumConnectionSetupsAbortNormalA10Close_Rev0

Connection Number of Connection Setups Abort Normal A10 Close for Rev-0 personality ATs from Template RNCPerfExtnByRNC_R4.0.

Data Source

DO-EMS

Source Field

cNumConnectionSetupsAbortNormalA10Close where atDescriptor=1

Source Section

RNCPerfExtnByRNC (RncIS856PerfExtensionMIB)

cNumConnectionSetupsAbortNormalA10Close_RevA

Connection Number of Connection Setups Abort Normal A10 Close for Rev-A personality ATs from Template RNCPerfExtnByRNC_R4.0.

Data Source

DO-EMS

Source Field

cNumConnectionSetupsAbortNormalA10Close where atDescriptor=2

Source Section

RNCPerfExtnByRNC (RncIS856PerfExtensionMIB)

cNumConnectionSetupsAbortRedirectTriggers_Rev0

Connection setup attempts that were aborted after the demarcation point because the RNC redirected the AT to an alternate carrier on receiving connection request for Rev-0 personality ATs.

Data Source

DO-EMS

Source Field

cNumConnectionSetupsAbortRedirectTriggers where atDescriptor=1

Source Section

RNCPerfExtnByRNC (RncIS856PerfExtensionMIB)

cNumConnectionSetupsAbortRedirectTriggers_RevA

Connection setup attempts that were aborted after the demarcation point because the RNC redirected the AT to an alternate carrier on receiving connection request for Rev-A personality ATs.

Data Source

DO-EMS

Source Field

cNumConnectionSetupsAbortRedirectTriggers where atDescriptor=2

Source Section

RNCPerfExtnByRNC (RncIS856PerfExtensionMIB)

cNumConnectionSetupSuccess

The number of DO connections successfully opened after the demarcation point for Rev-0 personality ATs.

Data Source

DO-EMS

Source Field

cNumConnectionSetupSuccess where atDescriptor=1

Source Section

RNCPerfExtnByRNC (RncIS856PerfExtensionMIB)

cNumConnectionSetupSuccess_RevA

The number of DO connections successfully opened after the demarcation point for Rev-A personality ATs.

Data Source

DO-EMS

Source Field

cNumConnectionSetupSuccess where atDescriptor=2

Source Section

RNCPerfExtnByRNC (RncIS856PerfExtensionMIB)

cNumFirstPageResponses_Rev0

The number of page responses that were received after the demarcation point from the AT in a paging cycle, in response to the 1st Page Message that was sent from the AN for Rev-0 personality ATs.

Data Source

DO-EMS

Source Field

cNumFirstPageResponses where atDescriptor=1

Source Section

RNCPerfExtnByRNC (RncIS856PerfExtensionMIB)

cNumFirstPageResponses_RevA

The number of page responses that were received after the demarcation point from the AT in a paging cycle, in response to the 1st Page Message that was sent from the AN for Rev-A personality ATs.

Data Source

DO-EMS

Source Field

cNumFirstPageResponses where atDescriptor=2

Source Section

RNCPerfExtnByRNC (RncIS856PerfExtensionMIB)

cNumHHODrops_Rev0

Connections that were dropped after the demarcation point, due to unsuccessful inter frequency hard handoffs for Rev-0 personality ATs.

Data Source

DO-EMS

Source Field

cNumHHODrops where atDescriptor=1

Source Section

RNCPerfExtnByRNC (RncIS856PerfExtensionMIB)

cNumHHODrops_RevA

Connections that were dropped after the demarcation point, due to unsuccessful inter frequency hard handoffs for Rev-A personality ATs.

Data Source

DO-EMS

Source Field

cNumHHODrops where atDescriptor=2

Source Section

RNCPerfExtnByRNC (RncIS856PerfExtensionMIB)

cNumHHODropsBlockedByRn_Rev0

Connections that were dropped after the demarcation point, due to unsuccessful inter frequency hard handoff because the RNC received explicit block for resource allocation from at least one of the RNs involved in the hard handoff for Rev-0 personality ATs.

Data Source

DO-EMS

Source Field

cNumHHODropsBlockedByRn where atDescriptor=1

Source Section

RNCPerfExtnByRNC (RncIS856PerfExtensionMIB)

cNumHHODropsBlockedByRn_RevA

Connections that were dropped after the demarcation point, due to unsuccessful inter frequency hard handoff because the RNC received explicit block for resource allocation from at least one of the RNs involved in the hard handoff for Rev-A personality ATs.

Data Source

DO-EMS

Source Field

cNumHHODropsBlockedByRn where atDescriptor=2

Source Section

RNCPerfExtnByRNC (RncIS856PerfExtensionMIB)

cNumHHODropsFTCDesriedAndRTCAcquiredNotRx_Rev0

Connections that were dropped after the demarcation point, due to unsuccessful inter frequency hard handoff because Target Carrier Acquired indication was not received but the Source Carrier Lost indication was received within the timeout interval: this implies that there was no available link left with the AT and so the connection was closed for Rev-0 personality ATs.

Data Source

DO-EMS

Source Field

cNumHHODropsFTCDesriedAndRTCAcquiredNotRx where atDescriptor=1

Source Section

RNCPerfExtnByRNC (RncIS856PerfExtensionMIB)

cNumHHODropsFTCDesriedAndRTCAcquiredNotRx_RevA

Connections that were dropped after the demarcation point, due to unsuccessful inter frequency hard handoff because Target Carrier Acquired indication was not received but the Source Carrier Lost indication was received within the timeout interval: this implies that there was no available link left with the AT and so the connection was closed for Rev-A personality ATs.

Data Source

DO-EMS

Source Field

cNumHHODropsFTCDesriedAndRTCAcquiredNotRx where atDescriptor=2

Source Section

RNCPerfExtnByRNC (RncIS856PerfExtensionMIB)

cNumIncomingPersonalityChangeTriggers_Rev0

Number of times a trigger was generated after the demarcation point, to change the Rev-A capable AT from the source personality to the target personality during connection set-up for Rev-0 personality ATs.

Data Source

DO-EMS

Source Field

cNumIncomingPersonalityChangeTriggers where atDescriptor=1

Source Section

RNCPerfExtnByRNC (RncIS856PerfExtensionMIB)

cNumIncomingPersonalityChangeTriggers_RevA

Number of times a trigger was generated after the demarcation point, to change the Rev-A capable AT from the source personality to the target personality during connection set-up for Rev-A personality ATs.

Data Source

DO-EMS

Source Field

cNumIncomingPersonalityChangeTriggers where atDescriptor=2

Source Section

RNCPerfExtnByRNC (RncIS856PerfExtensionMIB)

cNuMiscDropSrcA16Fail_Rev0

This OM is pegged by source RNC when it fails to transfer A16 active session to A16 target RNC and is unable to maintain the connection locally after demarcation point for Rev-0 personality ATs.

Data Source

DO-EMS

Source Field

cNuMiscDropSrcA16Fail where atDescriptor=1

Source Section

RNCPerfExtnByRNC (RncIS856PerfExtensionMIB)

cNumMiscDropSrcA16Fail_RevA

This OM is pegged by source RNC when it fails to transfer A16 active session to A16 target RNC and is unable to maintain the connection locally after demarcation point for Rev-A personality ATs.

Data Source

DO-EMS

Source Field

cNumMiscDropSrcA16Fail where atDescriptor=2

Source Section

RNCPerfExtnByRNC (RncIS856PerfExtensionMIB)

cNumMCTAConnSetupAttempts_Rev0

Whenever a new connection request is received and MCTA is run on that connection, this will be pegged for Rev-0 personality ATs.

Data Source

DO-EMS

Source Field

cNumMCTAConnSetupAttempts where atDescriptor=1

Source Section

RNCPerfExtnByRNC (RncIS856PerfExtensionMIB)

cNumMCTAConnSetupAttempts_RevA

Whenever a new connection request is received and MCTA is run on that connection, this will be pegged for Rev-A personality ATs.

Data Source

DO-EMS

Source Field

cNumMCTAConnSetupAttempts where atDescriptor=2

Source Section

RNCPerfExtnByRNC (RncIS856PerfExtensionMIB)

cNumMCTACConnSetupFailureRNBlocksWithSL_Rev0

Whenever MCTA determines that all sectors in the created list are fully loaded but selected originating carrier and the connection setup is failed due to RN block, this OM would be pegged for Rev-0 personality ATs.

Data Source

DO-EMS

Source Field

cNumMCTACConnSetupFailureRNBlocksWithSL where atDescriptor=1

Source Section

RNCPerfExtnByRNC (RncIS856PerfExtensionMIB)

cNumMCTACConnSetupFailureRNBlocksWithSL_RevA

Whenever MCTA determines that all sectors in the created list are fully loaded but selected originating carrier and the connection setup is failed due to RN block, this OM would be pegged for Rev-A personality ATs.

Data Source

DO-EMS

Source Field

cNumMCTACConnSetupFailureRNBlocksWithSL where atDescriptor=2

Source Section

RNCPerfExtnByRNC (RncIS856PerfExtensionMIB)

cNumMCTACConnSetupFailures_Rev0

Whenever a initial connection is attempted and it is failed due to any failure, this would be pegged for Rev-0 personality ATs.

Data Source

DO-EMS

Source Field

cNumMCTACConnSetupFailures where atDescriptor=1

Source Section

RNCPerfExtnByRNC (RncIS856PerfExtensionMIB)

cNumMCTAConnSetupFailures_RevA

Whenever an initial connection is attempted and it is failed due to any failure, this would be pegged for Rev-A personality ATs.

Data Source

DO-EMS

Source Field

cNumMCTAConnSetupFailures where atDescriptor=2

Source Section

RNCPerfExtnByRNC (RncIS856PerfExtensionMIB)

cNumMCTAConnSetupSuccesses_Rev0

Whenever AN declares a connection as successful and MCTA is run on that connection, this would be pegged for Rev-0 personality ATs.

Data Source

DO-EMS

Source Field

cNumMCTAConnSetupSuccesses where atDescriptor=1

Source Section

RNCPerfExtnByRNC (RncIS856PerfExtensionMIB)

cNumMCTAConnSetupSuccesses_RevA

Whenever AN declares a connection as successful and MCTA is run on that connection, this would be pegged for Rev-A personality ATs.

Data Source

DO-EMS

Source Field

cNumMCTAConnSetupSuccesses where atDescriptor=2

Source Section

RNCPerfExtnByRNC (RncIS856PerfExtensionMIB)

cNumMiscDrops

The number of open DO connections that are dropped (abnormally closed) after the demarcation point due to reasons other than RF related issues and soft handoff failures for Rev-0 personality ATs.

Data Source

DO-EMS

Source Field

cNumMiscDrops where atDescriptor=1

Source Section

RNCPerfExtnByRNC (RncIS856PerfExtensionMIB)

cNumMiscDrops_RevA

The number of open DO connections that are dropped (abnormally closed) after the demarcation point due to reasons other than RF related issues and soft handoff failures for Rev-A personality ATs.

Data Source

DO-EMS

Source Field

cNumMiscDrops where atDescriptor=2

Source Section

RNCPerfExtnByRNC (RncIS856PerfExtensionMIB)

cNumMiscDropsAbnormalCloseBySession_Rev0

Connections that were dropped after the demarcation point because the SSM requested the CSM to close the connection abnormally for Rev-0 personality ATs.

Data Source

DO-EMS

Source Field

cNumMiscDropsAbnormalCloseBySession where atDescriptor=1

Source Section

RNCPerfExtnByRNC (RncIS856PerfExtensionMIB)

cNumMiscDropsAbnormalCloseBySession_RevA

Connections that were dropped after the demarcation point because the SSM requested the CSM to close the connection abnormally for Rev-A personality ATs.

Data Source

DO-EMS

Source Field

cNumMiscDropsAbnormalCloseBySession where atDescriptor=2

Source Section

RNCPerfExtnByRNC (RncIS856PerfExtensionMIB)

cNumMiscDropsBEPriorityUpdateFail_Rev0

This statistic counts the number of Rev-0 connections that were dropped after the demarcation point due to a failure in dynamically updating the best effort modem flow on receiving a change in the inter-user BE priority level for the user when the connection is open.

Data Source

DO-EMS

Source Field

cNumMiscDropsBEPriorityUpdateFail where atDescriptor=1

Source Section

RNCPerfExtnByRNC (RncIS856PerfExtensionMIB)

cNumMiscDropsBEPriorityUpdateFail_RevA

This statistic counts the number of Rev-A connections that were dropped after the demarcation point due to a failure in dynamically updating the best effort modem flow on receiving a change in the inter-user BE priority level for the user when the connection is open.

Data Source

DO-EMS

Source Field

cNumMiscDropsBEPriorityUpdateFail where atDescriptor=2

Source Section

RNCPerfExtnByRNC (RncIS856PerfExtensionMIB)

cNumMiscDropsDueToRLP_Rev0

Number of times the connection was dropped after the demarcation point at the request of the Radio Link Protocol for Rev-0 personality ATs.

Data Source

DO-EMS

Source Field

cNumMiscDropsDueToRLP where atDescriptor=1

Source Section

RNCPerfExtnByRNC (RncIS856PerfExtensionMIB)

cNumMiscDropsDueToRLP_RevA

Number of times the connection was dropped after the demarcation point at the request of the Radio Link Protocol for Rev-A personality ATs.

Data Source

DO-EMS

Source Field

cNumMiscDropsDueToRLP where atDescriptor=2

Source Section

RNCPerfExtnByRNC (RncIS856PerfExtensionMIB)

cNumMiscDropsInternalError_Rev0

Connections that were dropped after the demarcation point due to internal software errors for Rev-0 personality ATs.

Data Source

DO-EMS

Source Field

cNumMiscDropsInternalError where atDescriptor=1

Source Section

RNCPerfExtnByRNC (RncIS856PerfExtensionMIB)

cNumMiscDropsInternalError_RevA

Connections that were dropped after the demarcation point due to internal software errors for Rev-A personality ATs.

Data Source

DO-EMS

Source Field

cNumMiscDropsInternalError where atDescriptor=2

Source Section

RNCPerfExtnByRNC (RncIS856PerfExtensionMIB)

cNumMiscDropsSectorDown_Rev0

Connections that were dropped after the demarcation point because there is only one pilot available for the connection and a sector down indication has been received for that pilot for Rev-0 personality ATs.

Data Source

DO-EMS

Source Field

cNumMiscDropsSectorDown where atDescriptor=1

Source Section

RNCPerfExtnByRNC (RncIS856PerfExtensionMIB)

cNumMiscDropsSectorDown_RevA

Connections that were dropped after the demarcation point because there is only one pilot available for the connection and a sector down indication has been received for that pilot for Rev-A personality ATs.

Data Source

DO-EMS

Source Field

cNumMiscDropsSectorDown where atDescriptor=2

Source Section

RNCPerfExtnByRNC (RncIS856PerfExtensionMIB)

cNumMiscDropsStateMismatch_Rev0

Connections that were dropped after the demarcation point when the RNC finds a state mismatch between itself and the AT for Rev-0 personality ATs.

Data Source

DO-EMS

Source Field

cNumMiscDropsStateMismatch where atDescriptor=1

Source Section

RNCPerfExtnByRNC (RncIS856PerfExtensionMIB)

cNumMiscDropsStateMismatch_RevA

Connections that were dropped after the demarcation point when the RNC finds a state mismatch between itself and the AT for Rev-A personality ATs.

Data Source

DO-EMS

Source Field

cNumMiscDropsStateMismatch where atDescriptor=2

Source Section

RNCPerfExtnByRNC (RncIS856PerfExtensionMIB)

cNumMiscFCA

The number of DO Connection attempts that failed after the demarcation point due to reasons other than RF related or resource related issues for Rev-0 personality ATs.

Data Source

DO-EMS

Source Field

cNumMiscFCA where atDescriptor=1

Source Section

RNCPerfExtnByRNC (RncIS856PerfExtensionMIB)

cNumMiscFCA_RevA

The number of DO Connection attempts that failed after the demarcation point due to reasons other than RF related or resource related issues for Rev-A personality ATs.

Data Source

DO-EMS

Source Field

cNumMiscFCA where atDescriptor=2

Source Section

RNCPerfExtnByRNC (RncIS856PerfExtensionMIB)

cNumMiscFCAA10Related_Rev0

Connection set-ups that failed after the demarcation point because either there was a failure in setting up the A10 connection or the RNC closed the open A10 connection for Rev-0 personality ATs.

Data Source

DO-EMS

Source Field

cNumMiscFCAA10Related where atDescriptor=1

Source Section

RNCPerfExtnByRNC (RncIS856PerfExtensionMIB)

cNumMiscFCAA10Related_RevA

Connection set-ups that failed after the demarcation point because either there was a failure in setting up the A10 connection or the RNC closed the open A10 connection for Rev-A personality ATs.

Data Source

DO-EMS

Source Field

cNumMiscFCAA10Related where atDescriptor=2

Source Section

RNCPerfExtnByRNC (RncIS856PerfExtensionMIB)

cNumMiscFCAFailures_Rev0

Number of times the connection set-up failed after the demarcation point due to reasons not explicitly called out in other FCA OMs for Rev-0 personality ATs.

Data Source

DO-EMS

Source Field

cNumMiscFCAFailures where atDescriptor=1

Source Section

RNCPerfExtnByRNC (RncIS856PerfExtensionMIB)

cNumMiscFCAFailures_RevA

Number of times the connection set-up failed after the demarcation point due to reasons not explicitly called out in other FCA OMs for Rev-A personality ATs.

Data Source

DO-EMS

Source Field

cNumMiscFCAFailures where atDescriptor=2

Source Section

RNCPerfExtnByRNC (RncIS856PerfExtensionMIB)

cNumMiscFCASWError_Rev0

Number of times the connection set-up failed after the demarcation point due to software errors for Rev-0 personality ATs.

Data Source

DO-EMS

Source Field

cNumMiscFCASWError where atDescriptor=1

Source Section

RNCPerfExtnByRNC (RncIS856PerfExtensionMIB)

cNumMiscFCASWError_RevA

Number of times the connection set-up failed after the demarcation point due to software errors for Rev-A personality ATs.

Data Source

DO-EMS

Source Field

cNumMiscFCASWError where atDescriptor=2

Source Section

RNCPerfExtnByRNC (RncIS856PerfExtensionMIB)

cNumMissedConnectionCloses_Rev0

The number of Rev-0 connections that were closed after the demarcation point when the RNC detected that Connection Close message from RIM device was missed.

Data Source

DO-EMS

Source Field

cNumMissedConnectionCloses where atDescriptor=1

Source Section

RNCPerfExtnByRNC (RncIS856PerfExtensionMIB)

cNumMissedConnectionCloses_RevA

The number of Rev-A connections that were closed after the demarcation point when the RNC detected that Connection Close message from RIM device was missed.

Data Source

DO-EMS

Source Field

cNumMissedConnectionCloses where atDescriptor=2

Source Section

RNCPerfExtnByRNC (RncIS856PerfExtensionMIB)

cNumNetworkErrorDrops_Rev0

Connections that were closed after the demarcation point because the RNC closed the open A10 connection for Rev-0 personality ATs.

Data Source

DO-EMS

Source Field

cNumNetworkErrorDrops where atDescriptor=1

Source Section

RNCPerfExtnByRNC (RncIS856PerfExtensionMIB)

cNumNetworkErrorDrops_RevA

Connections that were closed after the demarcation point because the RNC closed the open A10 connection for Rev-A personality ATs.

Data Source

DO-EMS

Source Field

cNumNetworkErrorDrops where atDescriptor=2

Source Section

RNCPerfExtnByRNC (RncIS856PerfExtensionMIB)

cNumNetworkErrorDropsA10SetupFail_Rev0

Open connections that were closed before the demarcation point because there was failure in the A10 connection set-up for Rev-0 personality ATs.

Data Source

DO-EMS

Source Field

cNumNetworkErrorDropsA10SetupFail where atDescriptor=1

Source Section

RNCPerfExtnByRNC (RncIS856PerfExtensionMIB)

cNumNetworkErrorDropsA10SetupFail_RevA

Open connections that were closed before the demarcation point because there was failure in the A10 connection set-up for Rev-A personality ATs.

Data Source

DO-EMS

Source Field

cNumNetworkErrorDropsA10SetupFail where atDescriptor=2

Source Section

RNCPerfExtnByRNC (RncIS856PerfExtensionMIB)

cNumNetworkErrorDropsRNCEXternal_Rev0

Open connections that were closed after the demarcation point because the existing A10 connection was closed due to PDSN going down or PDSN is not reachable or any other failure condition that is not because of the RNC for Rev-0 personality ATs.

Data Source

DO-EMS

Source Field

cNumNetworkErrorDropsRNCEXternal where atDescriptor=1

Source Section

RNCPerfExtnByRNC (RncIS856PerfExtensionMIB)

cNumNetworkErrorDropsRNCEXternal_RevA

Open connections that were closed after the demarcation point because the existing A10 connection was closed due to PDSN going down or PDSN is not reachable or any other failure condition that is not because of the RNC for Rev-A personality ATs.

Data Source

DO-EMS

Source Field

cNumNetworkErrorDropsRNCEXternal where atDescriptor=2

Source Section

RNCPerfExtnByRNC (RncIS856PerfExtensionMIB)

cNumNetworkErrorDropsRNCInternal_Rev0

Open connections that were closed after the demarcation point because an internal error caused an existing A10 connection to be closed which results in a closure of a DO Connection Connection close that occur due to A10 failure during PDSN-re-registration should also peg this OM for Rev-0 personality ATs.

Data Source

DO-EMS

Source Field

cNumNetworkErrorDropsRNCInternal where atDescriptor=1

Source Section

RNCPerfExtnByRNC (RncIS856PerfExtensionMIB)

cNumNetworkErrorDropsRNCInternal_RevA

Open connections that were closed after the demarcation point because an internal error caused an existing A10 connection to be closed which results in a closure of a DO Connection Connection close that occur due to A10 failure during PDSN-re-registration should also peg this OM for Rev-A personality ATs.

Data Source

DO-EMS

Source Field

cNumNetworkErrorDropsRNCInternal where atDescriptor=2

Source Section

RNCPerfExtnByRNC (RncIS856PerfExtensionMIB)

cNumNormalConnectionCloses

The number of connections that were closed normally after the demarcation point for Rev-0 personality ATs.

Data Source

DO-EMS

Source Field

cNumNormalConnectionCloses where atDescriptor=1

Source Section

RNCPerfExtnByRNC (RncIS856PerfExtensionMIB)

cNumNormalConnectionCloses_RevA

The number of connections that were closed normally after the demarcation point for Rev-A personality ATs.

Data Source

DO-EMS

Source Field

cNumNormalConnectionCloses where atDescriptor=2

Source Section

RNCPerfExtnByRNC (RncIS856PerfExtensionMIB)

cNumOutgoingPersonalityChangeTriggers_Rev0

Number of times a trigger was generated, after the demarcation point, to change the Rev-A capable AT from the source personality to the target personality during connection set-up for Rev-0 personality ATs.

Data Source

DO-EMS

Source Field

cNumOutgoingPersonalityChangeTriggers where atDescriptor=1

Source Section

RNCPerfExtnByRNC (RncIS856PerfExtensionMIB)

cNumOutgoingPersonalityChangeTriggers_RevA

Number of times a trigger was generated, after the demarcation point, to change the Rev-A capable AT from the source personality to the target personality during connection set-up for Rev-A personality ATs.

Data Source

DO-EMS

Source Field

cNumOutgoingPersonalityChangeTriggers where atDescriptor=2

Source Section

RNCPerfExtnByRNC (RncIS856PerfExtensionMIB)

cNumPageAbandoned_Rev0

The number of times that AN has aborted/abandoned the Page operation on this DO-RNC after the demarcation point during any paging cycle for Rev-0 personality ATs.

Data Source

DO-EMS

Source Field

cNumPageAbandoned where atDescriptor=1

Source Section

RNCPerfExtnByRNC (RncIS856PerfExtensionMIB)

cNumPageAbandoned_RevA

The number of times that AN has aborted/abandoned the Page operation on this DO-RNC after the demarcation point during any paging cycle for Rev-A personality ATs.

Data Source

DO-EMS

Source Field

cNumPageAbandoned where atDescriptor=2

Source Section

RNCPerfExtnByRNC (RncIS856PerfExtensionMIB)

cNumPageRequests

The number of page requests sent to the AT after the demarcation point for Rev-0 personality ATs.

Data Source

DO-EMS

Source Field

cNumPageRequests where atDescriptor=1

Source Section

RNCPerfExtnByRNC (RncIS856PerfExtensionMIB)

cNumPageRequests_RevA

The number of page requests sent to the AT after the demarcation point. When the DO-Repag is enabled, only the first page request in a paging cycle will be pegged for Rev-A personality ATs.

Data Source

DO-EMS

Source Field

cNumPageRequests where atDescriptor=2

Source Section

RNCPerfExtnByRNC (RncIS856PerfExtensionMIB)

cNumPageResponses

The number of successful responses to page requests that were received from the AT after the demarcation point and before the page timer expired for Rev-0 personality ATs.

Data Source

DO-EMS

Source Field

cNumPageResponses where atDescriptor=1

Source Section

RNCPerfExtnByRNC (RncIS856PerfExtensionMIB)

cNumPageResponses_RevA

The number of successful responses to page requests that were received from the AT after the demarcation point and before the page timer expired for Rev-A personality ATs.

Data Source

DO-EMS

Source Field

cNumPageResponses where atDescriptor=2

Source Section

RNCPerfExtnByRNC (RncIS856PerfExtensionMIB)

cNumPageTimeout_Rev0

The number of times paging cycles have expired after the demarcation point, waiting for a page response from the AT for Rev-0 personality ATs.

Data Source

DO-EMS

Source Field

cNumPageTimeout where atDescriptor=1

Source Section

RNCPerfExtnByRNC (RncIS856PerfExtensionMIB)

cNumPageTimeout_RevA

The number of times paging cycles have expired after the demarcation point, waiting for a page response from the AT for Rev-A personality ATs.

Data Source

DO-EMS

Source Field

cNumPageTimeout where atDescriptor=2

Source Section

RNCPerfExtnByRNC (RncIS856PerfExtensionMIB)

cNumResourceRelatedFCA

The number of DO connection attempts that failed after the demarcation point due to blocks or failures during resource allocation at the RNC or the RN for Rev-0 personality ATs.

Data Source

DO-EMS

Source Field

cNumResourceRelatedFCA where atDescriptor=1

Source Section

RNCPerfExtnByRNC (RncIS856PerfExtensionMIB)

cNumResourceRelatedFCA_RevA

The number of DO connection attempts that failed after the demarcation point due to blocks or failures during resource allocation at the RNC or the RN for Rev-A personality ATs.

Data Source

DO-EMS

Source Field

cNumResourceRelatedFCA where atDescriptor=2

Source Section

RNCPerfExtnByRNC (RncIS856PerfExtensionMIB)

cNumResourceRelatedFCABlockedByRN_Rev0

Number of times the connection setup was blocked by the RNC after the demarcation point because at least one of the resource allocation requests sent to the RN(s) was denied for Rev-0 personality ATs.

Data Source

DO-EMS

Source Field

cNumResourceRelatedFCABlockedByRN where atDescriptor=1

Source Section

RNCPerfExtnByRNC (RncIS856PerfExtensionMIB)

cNumResourceRelatedFCABlockedByRN_RevA

Number of times the connection setup was blocked by the RNC after the demarcation point because at least one of the resource allocation requests sent to the RN(s) was denied for Rev-A personality ATs.

Data Source

DO-EMS

Source Field

cNumResourceRelatedFCABlockedByRN where atDescriptor=2

Source Section

RNCPerfExtnByRNC (RncIS856PerfExtensionMIB)

cNumResourceRelatedFCABlockedByRNCResources_Rev0

Number of times that the RNC blocked the connection set-up after the demarcation point because the CPU utilization on the RNC exceeds certain value and overload conditions occur for Rev-0 personality ATs.

Data Source

DO-EMS

Source Field

cNumResourceRelatedFCABlockedByRNCResources where atDescriptor=1

Source Section

RNCPerfExtnByRNC (RncIS856PerfExtensionMIB)

cNumResourceRelatedFCABlockedByRNCResources_RevA

Number of times that the RNC blocked the connection set-up after the demarcation point because the CPU utilization on the RNC exceeds certain value and overload conditions occur for Rev-A personality ATs.

Data Source

DO-EMS

Source Field

cNumResourceRelatedFCABlockedByRNCResources where atDescriptor=2

Source Section

RNCPerfExtnByRNC (RncIS856PerfExtensionMIB)

cNumResourceRelatedFCAFailedByRN_Rev0

Number of times the connection set-up failed after the demarcation point because the Connection State Machine (CSM) received an error indication from the DownLeg State Machine (DLSM) from at least one of the Down Legs involved in the setup for Rev-0 personality ATs.

Data Source

DO-EMS

Source Field

cNumResourceRelatedFCAFailedByRN where atDescriptor=1

Source Section

RNCPerfExtnByRNC (RncIS856PerfExtensionMIB)

cNumResourceRelatedFCAFailedByRN_RevA

Number of times the connection set-up failed after the demarcation point because the Connection State Machine (CSM) received an error indication from the DownLeg State Machine (DLSM) from at least one of the Down Legs involved in the setup for Rev-A personality ATs.

Data Source

DO-EMS

Source Field

cNumResourceRelatedFCAFailedByRN where atDescriptor=2

Source Section

RNCPerfExtnByRNC (RncIS856PerfExtensionMIB)

cNumRFRelatedDrops

The number of open DO connections that are dropped (abnormally closed) due to RF related issues after the demarcation point for Rev-0 personality ATs.

Data Source

DO-EMS

Source Field

cNumRFRelatedDrops where atDescriptor=1

Source Section

RNCPerfExtnByRNC (RncIS856PerfExtensionMIB)

cNumRFRelatedDrops_RevA

The number of open DO connections that are dropped (abnormally closed) due to RF related issues after the demarcation point for Rev-A personality ATs.

Data Source

DO-EMS

Source Field

cNumRFRelatedDrops where atDescriptor=2

Source Section

RNCPerfExtnByRNC (RncIS856PerfExtensionMIB)

cNumRFRelatedDropsNoFtc_Rev0

Connections that were dropped after the demarcation point because of indications that there is no active Forward Traffic Channel (FTC) available for Rev-0 personality ATs.

Data Source

DO-EMS

Source Field

cNumRFRelatedDropsNoFtc where atDescriptor=1

Source Section

RNCPerfExtnByRNC (RncIS856PerfExtensionMIB)

cNumRFRelatedDropsNoFtc_RevA

Connections that were dropped after the demarcation point because of indications that there is no active Forward Traffic Channel (FTC) available for Rev-A personality ATs.

Data Source

DO-EMS

Source Field

cNumRFRelatedDropsNoFtc where atDescriptor=2

Source Section

RNCPerfExtnByRNC (RncIS856PerfExtensionMIB)

cNumRFRelatedDropsRTCLost_Rev0

Number of times the connection was dropped after the demarcation point because a Reverse Traffic Channel (RTC) lost indication was received, and as a result, no reverse link for the connection were available for Rev-0 personality ATs.

Data Source

DO-EMS

Source Field

cNumRFRelatedDropsRTCLost where atDescriptor=1

Source Section

RNCPerfExtnByRNC (RncIS856PerfExtensionMIB)

cNumRFRelatedDropsRTCLost_RevA

Number of times the connection was dropped after the demarcation point because a Reverse Traffic Channel (RTC) lost indication was received, and as a result, no reverse link for the connection were available for Rev-A personality ATs.

Data Source

DO-EMS

Source Field

cNumRFRelatedDropsRTCLost where atDescriptor=2

Source Section

RNCPerfExtnByRNC (RncIS856PerfExtensionMIB)

cNumRFRelatedFCA

The number of DO Connection attempts that failed after the demarcation point due to RF related issues for Rev-0 personality ATs.

Data Source

DO-EMS

Source Field

cNumRFRelatedFCA where atDescriptor=1

Source Section

RNCPerfExtnByRNC (RncIS856PerfExtensionMIB)

cNumRFRelatedFCA_RevA

The number of DO Connection attempts that failed after the demarcation point due to RF related issues, i.e. Route Update timeouts and TCC timeouts for Rev-A personality ATs.

Data Source

DO-EMS

Source Field

cNumRFRelatedFCA where atDescriptor=2

Source Section

RNCPerfExtnByRNC (RncIS856PerfExtensionMIB)

cNumRFRelatedFCARUTimeOut_Rev0

Number of times the connection set-up failed after the demarcation point because the route update message was not received from the AT within the stipulated time, or there were errors during the processing of the route update message for Rev-0 personality ATs.

Data Source

DO-EMS

Source Field

cNumRFRelatedFCARUTimeOut where atDescriptor=1

Source Section

RNCPerfExtnByRNC (RncIS856PerfExtensionMIB)

cNumRFRelatedFCARUTimeOut_RevA

Number of times the connection set-up failed after the demarcation point because the route update message was not received from the AT within the stipulated time, or there were errors during the processing of the route update message for Rev-A personality ATs.

Data Source

DO-EMS

Source Field

cNumRFRelatedFCARUTimeOut where atDescriptor=2

Source Section

RNCPerfExtnByRNC (RncIS856PerfExtensionMIB)

cNumRFRelatedFCATCCTimeOut_Rev0

Number of times the connection setup failed after the demarcation point because the RNC did not receive TCC message from the AT within the stipulated time after sending TCA message for Rev-0 personality ATs.

Data Source

DO-EMS

Source Field

cNumRFRelatedFCATCCTimeOut where atDescriptor=1

Source Section

RNCPerfExtnByRNC (RncIS856PerfExtensionMIB)

cNumRFRelatedFCATCCTimeOut_RevA

Number of times the connection setup failed after the demarcation point because the RNC did not receive TCC message from the AT within the stipulated time after sending TCA message for Rev-A personality ATs.

Data Source

DO-EMS

Source Field

cNumRFRelatedFCATCCTimeOut where atDescriptor=2

Source Section

RNCPerfExtnByRNC (RncIS856PerfExtensionMIB)

cNumRNCEstimated3G1xRollDownDrops_Rev0

Number of Rev-0 RF drops estimated by RNC after demarcation point as roll down drops due to a hybrid AT dropped 1xEVDO connection when it rolled down to 3G1X network.

Data Source

DO-EMS

Source Field

cNumRNCEstimated3G1xRollDownDrops where atDescriptor=1

Source Section

RNCPerfExtnByRNC (RncIS856PerfExtensionMIB)

cNumRNCEstimated3G1xRollDownDrops_RevA

Number of Rev-A RF drops estimated by RNC after demarcation point as roll down drops due to a hybrid AT dropped 1xEVDO connection when it rolled down to 3G1X network.

Data Source

DO-EMS

Source Field

cNumRNCEstimated3G1xRollDownDrops where atDescriptor=2

Source Section

RNCPerfExtnByRNC (RncIS856PerfExtensionMIB)

cNumRNCEstimatedTuneAwayDrops_Rev0

Number of Rev-0 RF drops estimated by RNC after demarcation point as tune aways due to FTC Stopped indication message (corresponding to RF drop) was received in the Rev0 hybrid AT's 3G1X paging cycle slot.

Data Source

DO-EMS

Source Field

cNumRNCEstimatedTuneAwayDrops where atDescriptor=1

Source Section

RNCPerfExtnByRNC (RncIS856PerfExtensionMIB)

cNumRNCEstimatedTuneAwayDrops_RevA

Number of Rev-A RF drops estimated by RNC after demarcation point as tune aways due to FTC Stopped indication message (corresponding to RF drop) was received in the Rev0 hybrid AT's 3G1X paging cycle slot. RNC maintains an estimated histogram of the Rev0 AT's 3G1X paging cycle.

Data Source

DO-EMS

Source Field

cNumRNCEstimatedTuneAwayDrops where atDescriptor=2

Source Section

RNCPerfExtnByRNC (RncIS856PerfExtensionMIB)

cNumSecondPageRequests_Rev0

The number of 2nd page requests sent to the AT in a paging cycle after the demarcation point for Rev-0 personality ATs.

Data Source

DO-EMS

Source Field

cNumSecondPageRequests where atDescriptor=1

Source Section

RNCPerfExtnByRNC (RncIS856PerfExtensionMIB)

cNumSecondPageRequests_RevA

The number of 2nd page requests sent to the AT in a paging cycle after the demarcation point for Rev-A personality ATs.

Data Source

DO-EMS

Source Field

cNumSecondPageRequests where atDescriptor=2

Source Section

RNCPerfExtnByRNC (RncIS856PerfExtensionMIB)

cNumSecondPageResponses_Rev0

The number of page responses that were received after the demarcation point from the AT in a paging cycle, in response to the 2nd Page Message that was sent from the AN for Rev-0 personality ATs.

Data Source

DO-EMS

Source Field

cNumSecondPageResponses where atDescriptor=1

Source Section

RNCPerfExtnByRNC (RncIS856PerfExtensionMIB)

cNumSecondPageResponses_RevA

The number of page responses that were received after the demarcation point from the AT in a paging cycle, in response to the 2nd Page Message that was sent from the AN for Rev-A personality ATs.

Data Source

DO-EMS

Source Field

cNumSecondPageResponses where atDescriptor=2

Source Section

RNCPerfExtnByRNC (RncIS856PerfExtensionMIB)

cNumSilentRetriesAbandonedAfterDC_Rev0

Number of times silent retry process was abandoned after the demarcation point because a trigger was generated during connection setup to change the Rev-A capable AT from the source personality to the target personality for Rev-0 personality ATs.

Data Source

DO-EMS

Source Field

cNumSilentRetriesAbandonedAfterDC where atDescriptor=1

Source Section

RNCPerfExtnByRNC (RncIS856PerfExtensionMIB)

cNumSilentRetriesAbandonedAfterDC_RevA

Number of times silent retry process was abandoned after the demarcation point because a trigger was generated during connection setup to change the Rev-A capable AT from the source personality to the target personality for Rev-A personality ATs.

Data Source

DO-EMS

Source Field

cNumSilentRetriesAbandonedAfterDC where atDescriptor=2

Source Section

RNCPerfExtnByRNC (RncIS856PerfExtensionMIB)

cNumSilentRetriesAbandonedAfterFCA_Rev0

Number of times silent retry process was abandoned after the demarcation point because a trigger was generated during connection setup to change the Rev-A capable AT from the source personality to the target personality for Rev-0 personality ATs.

Data Source

DO-EMS

Source Field

cNumSilentRetriesAbandonedAfterFCA where atDescriptor=1

Source Section

RNCPerfExtnByRNC (RncIS856PerfExtensionMIB)

cNumSilentRetriesAbandonedAfterFCA_RevA

Number of times silent retry process was abandoned after the demarcation point because a trigger was generated during connection setup to change the Rev-A capable AT from the source personality to the target personality for Rev-A personality ATs.

Data Source

DO-EMS

Source Field

cNumSilentRetriesAbandonedAfterFCA where atDescriptor=2

Source Section

RNCPerfExtnByRNC (RncIS856PerfExtensionMIB)

cNumSilentRetryAttemptsAfterDC_Rev0

Connection setup attempts within the configurable DC silent retry period following a dropped connection for Rev-0 personality ATs.

Data Source

DO-EMS

Source Field

cNumSilentRetryAttemptsAfterDC where atDescriptor=1

Source Section

RNCPerfExtnByRNC (RncIS856PerfExtensionMIB)

cNumSilentRetryAttemptsAfterDC_RevA

Connection setup attempts within the configurable DC silent retry period following a dropped connection for Rev-A personality ATs.

Data Source

DO-EMS

Source Field

cNumSilentRetryAttemptsAfterDC where atDescriptor=2

Source Section

RNCPerfExtnByRNC (RncIS856PerfExtensionMIB)

cNumSilentRetryAttemptsAfterFCA_Rev0

Connection setup-attempts made within the configurable FCA silent retry period following a failed connection setup attempt for Rev-0 personality ATs.

Data Source

DO-EMS

Source Field

cNumSilentRetryAttemptsAfterFCA where atDescriptor=1

Source Section

RNCPerfExtnByRNC (RncIS856PerfExtensionMIB)

cNumSilentRetryAttemptsAfterFCA_RevA

Connection setup-attempts made within the configurable FCA silent retry period following a failed connection setup attempt for Rev-A personality ATs.

Data Source

DO-EMS

Source Field

cNumSilentRetryAttemptsAfterFCA where atDescriptor=2

Source Section

RNCPerfExtnByRNC (RncIS856PerfExtensionMIB)

cNumSilentRetryAttemptsAfterMissedConnClose_Rev0

The number of Rev-0 connection setup attempts received within the configurable silent retry period following a missed connection close for RIM device.

Data Source

DO-EMS

Source Field

cNumSilentRetryAttemptsAfterMissedConnClose where atDescriptor=1

Source Section

RNCPerfExtnByRNC (RncIS856PerfExtensionMIB)

cNumSilentRetryAttemptsAfterMissedConnClose_RevA

The number of Rev-A connection setup attempts received within the configurable silent retry period following a missed connection close for RIM device.

Data Source

DO-EMS

Source Field

cNumSilentRetryAttemptsAfterMissedConnClose where atDescriptor=2

Source Section

RNCPerfExtnByRNC (RncIS856PerfExtensionMIB)

cNumSilentRetryFailuresAfterDC_Rev0

Connection setup attempts that failed due to any reason within the configurable DC silent retry period following a connection drop for Rev-0 personality ATs.

Data Source

DO-EMS

Source Field

cNumSilentRetryFailuresAfterDC where atDescriptor=1

Source Section

RNCPerfExtnByRNC (RncIS856PerfExtensionMIB)

cNumSilentRetryFailuresAfterDC_RevA

Connection setup attempts that failed due to any reason within the configurable DC silent retry period following a connection drop for Rev-A personality ATs.

Data Source

DO-EMS

Source Field

cNumSilentRetryFailuresAfterDC where atDescriptor=2

Source Section

RNCPerfExtnByRNC (RncIS856PerfExtensionMIB)

cNumSilentRetryFailuresAfterFCA_Rev0

Connection setup attempts that failed due to any reason within the configurable FCA silent retry period following a failed connection setup attempt for Rev-0 personality ATs.

Data Source

DO-EMS

Source Field

cNumSilentRetryFailuresAfterFCA where atDescriptor=1

Source Section

RNCPerfExtnByRNC (RncIS856PerfExtensionMIB)

cNumSilentRetryFailuresAfterFCA_RevA

Connection setup attempts that failed due to any reason within the configurable FCA silent retry period following a failed connection setup attempt for Rev-A personality ATs.

Data Source

DO-EMS

Source Field

cNumSilentRetryFailuresAfterFCA where atDescriptor=2

Source Section

RNCPerfExtnByRNC (RncIS856PerfExtensionMIB)

cNumSilentRetrySuccessesAfterDC_Rev0

Successful connection setup attempts within the configurable DC silent retry period following a connection drop for Rev-0 personality ATs.

Data Source

DO-EMS

Source Field

cNumSilentRetrySuccessesAfterDC where atDescriptor=1

Source Section

RNCPerfExtnByRNC (RncIS856PerfExtensionMIB)

cNumSilentRetrySuccessesAfterDC_RevA

Successful connection setup attempts within the configurable DC silent retry period following a connection drop for Rev-A personality ATs.

Data Source

DO-EMS

Source Field

cNumSilentRetrySuccessesAfterDC where atDescriptor=2

Source Section

RNCPerfExtnByRNC (RncIS856PerfExtensionMIB)

cNumSilentRetrySuccessesAfterFCA_Rev0

Successful connection setup-attempts within the configurable FCA silent retry period following a failed connection setup attempt for Rev-0 personality ATs.

Data Source

DO-EMS

Source Field

cNumSilentRetrySuccessesAfterFCA where atDescriptor=1

Source Section

RNCPerfExtnByRNC (RncIS856PerfExtensionMIB)

cNumSilentRetrySuccessesAfterFCA_RevA

Successful connection setup-attempts within the configurable FCA silent retry period following a failed connection setup attempt for Rev-A personality ATs.

Data Source

DO-EMS

Source Field

cNumSilentRetrySuccessesAfterFCA where atDescriptor=2

Source Section

RNCPerfExtnByRNC (RncIS856PerfExtensionMIB)

cNumSoftHandoffRelatedDrops

The number of open DO connections that are dropped (abnormally closed) due to unsuccessful soft handoffs before the demarcation point for Rev-0 personality ATs.

Data Source

DO-EMS

Source Field

cNumSoftHandoffRelatedDrops where atDescriptor=1

Source Section

RNCPerfExtnByRNC (RncIS856PerfExtensionMIB)

cNumSoftHandoffRelatedDrops_RevA

The number of open DO connections that are dropped (abnormally closed) due to unsuccessful soft handoffs after the demarcation point for Rev-A personality ATs.

Data Source

DO-EMS

Source Field

cNumSoftHandoffRelatedDrops where atDescriptor=2

Source Section

RNCPerfExtnByRNC (RncIS856PerfExtensionMIB)

cNumSoftHandoffRelatedDropsBlockedByRN_Rev0

Connections that were dropped after the demarcation point due to unsuccessful reverse link soft-handoff because the RNC received explicit block from one of the RNs involved in the soft?handoff for Rev-0 personality ATs.

Data Source

DO-EMS

Source Field

cNumSoftHandoffRelatedDropsBlockedByRN where atDescriptor=1

Source Section

RNCPerfExtnByRNC (RncIS856PerfExtensionMIB)

cNumSoftHandoffRelatedDropsBlockedByRN_RevA

Connections that were dropped after the demarcation point due to unsuccessful reverse link soft-handoff because the RNC received explicit block from one of the RNs involved in the soft?handoff for Rev-A personality ATs.

Data Source

DO-EMS

Source Field

cNumSoftHandoffRelatedDropsBlockedByRN where atDescriptor=2

Source Section

RNCPerfExtnByRNC (RncIS856PerfExtensionMIB)

cNumThirdPageRequests_Rev0

The number of 3rd page requests sent to the AT in a paging cycle after the demarcation point for Rev-0 personality ATs.

Data Source

DO-EMS

Source Field

cNumThirdPageRequests where atDescriptor=1

Source Section

RNCPerfExtnByRNC (RncIS856PerfExtensionMIB)

cNumThirdPageRequests_RevA

The number of 3rd page requests sent to the AT in a paging cycle after the demarcation point for Rev-A personality ATs.

Data Source

DO-EMS

Source Field

cNumThirdPageRequests where atDescriptor=2

Source Section

RNCPerfExtnByRNC (RncIS856PerfExtensionMIB)

cNumThirdPageResponses_Rev0

The number of page responses that were received after the demarcation point from the AT in a paging cycle, in response to the 3rd Page Message that was sent from the AN for Rev-0 personality ATs.

Data Source

DO-EMS

Source Field

cNumThirdPageResponses where atDescriptor=1

Source Section

RNCPerfExtnByRNC (RncIS856PerfExtensionMIB)

cNumThirdPageResponses_RevA

The number of page responses that were received after the demarcation point from the AT in a paging cycle, in response to the 3rd Page Message that was sent from the AN for Rev-A personality ATs.

Data Source

DO-EMS

Source Field

cNumThirdPageResponses where atDescriptor=2

Source Section

RNCPerfExtnByRNC (RncIS856PerfExtensionMIB)

cNumTotalConnectionCloses

The total number of connections closed, normally or abnormally, after the demarcation point for Rev-0 personality ATs.

Data Source

DO-EMS

Source Field

cNumTotalConnectionCloses where atDescriptor=1

Source Section

RNCPerfExtnByRNC (RncIS856PerfExtensionMIB)

cNumTotalConnectionCloses_RevA

The total number of connections closed, normally or abnormally, after the demarcation point for Rev-A personality ATs.

Data Source

DO-EMS

Source Field

cNumTotalConnectionCloses where atDescriptor=2

Source Section

RNCPerfExtnByRNC (RncIS856PerfExtensionMIB)

ForwardRlpBytes

Number of RLP Bytes transmitted in the forward direction

Data Source

DO-EMS

Source Field

ForwardRlpBytes

Source Section

RNCBytePacketCountByRNC (RncIS856PerfMIB)

ForwardRlpResets

Forward RLP Reset Attempts

Data Source

DO-EMS

Source Field

ForwardRlpResets

Source Section

RNCBytePacketCountByRNC (RncIS856PerfMIB)

maxA13HoDelayPriorSessionRNC

Maximum delay for prior session A13 Handoff on this RNC

Data Source

DO-EMS

Source Field

maxA13HoDelayPriorSessionRNC

Source Section

RNCPerfByRNC (RncIS856PerfMIB)

maxA13HoDelayRNC

Maximum delay for A13 Handoff on this RNC (UATI Request to after receiving AT ID response)

Data Source

DO-EMS

Source Field

maxA13HoDelayRNC

Source Section

RNCPerfByRNC (RncIS856PerfMIB)

maxConnectionSetupTime

The slowest connection setup time

Data Source

DO-EMS

Source Field

maxConnectionSetupTime

Source Section

RNCPerfByRNC (RncIS856PerfMIB)

MaxNumActiveSessions

Maximum of 15 samples of numActiveSession during collection interval

Data Source

DO-EMS

Source Field

numActiveSessions

Source Section

RNCPerfByRNC (RncIS856PerfMIB)

MaxNumConnectionsCurrentlyOpen

Maximum of 15 samples of numConnectionsCurrentlyOpen during collection interval

Data Source

DO-EMS

Source Field

numConnectionsCurrentlyOpen

Source Section

RNCPerfByRNC (RncIS856PerfMIB)

MaxNumCurrentSessionsEstablished

Maximum of 15 samples of numCurrentSessionsEstablished during collection interval

Data Source

DO-EMS

Source Field

numCurrentSessionsEstablished

Source Section

RNCPerfByRNC (RncIS856PerfMIB)

MaxNumDormantSessions

Maximum of 15 samples of numDormantSessions during collection interval

Data Source

DO-EMS

Source Field

numDormantSessions

Source Section

RNCPerfByRNC (RncIS856PerfMIB)

MaxNumSessionsAwaitingCloseFromAt

Maximum of 15 samples of numSessionsAwaitingCloseFromAt during collection interval

Data Source

DO-EMS

Source Field

numSessionsAwaitingCloseFromAt

Source Section

RNCPerfByRNC (RncIS856PerfMIB)

maxPageSetupTime

slowest connection setup time in response to a RNC initiated page

Data Source

DO-EMS

Source Field

maxPageSetupTime

Source Section

RNCPerfByRNC (RncIS856PerfMIB)

maxSessionSetupTime

The slowest Session setup time on this RNC

Data Source

DO-EMS

Source Field

maxSessionSetupTime

Source Section

RNCPerfByRNC (RncIS856PerfMIB)

minA13HoDelayPriorSessionRNC

Minimum delay for prior session A13 Handoff (after receiving AT ID response) on this RNC

Data Source

DO-EMS

Source Field

minA13HoDelayPriorSessionRNC

Source Section

RNCPerfByRNC (RncIS856PerfMIB)

minA13HoDelayRNC

Minimum delay for A13 Handoff on this RNC (UATI Request to after receiving AT ID response)

Data Source

DO-EMS

Source Field

minA13HoDelayRNC

Source Section

RNCPerfByRNC (RncIS856PerfMIB)

minConnectionSetupTime

The fastest connection setup time

Data Source

DO-EMS

Source Field

minConnectionSetupTime

Source Section

RNCPerfByRNC (RncIS856PerfMIB)

minPageSetupTime

Fastest connection setup time in response to a RNC initiated page

Data Source

DO-EMS

Source Field

minPageSetupTime

Source Section

RNCPerfByRNC (RncIS856PerfMIB)

minSessionSetupTime

The fastest Session setup time on this RNC

Data Source

DO-EMS

Source Field

minSessionSetupTime

Source Section

RNCPerfByRNC (RncIS856PerfMIB)

nA16SessSetupAttempts

Number of A16 session setup attempts on the DO-RNC.

Data Source

DO-EMS

Source Field

nA16SessSetupAttempts

Source Section

RNCPerfByRNC (RncIS856PerfMIB)

nA16SessSetupsFailed

Number of A16 session setups which failed on this DO-RNC. This OM is pegged on the target RNC.

Data Source

DO-EMS

Source Field

nA16SessSetupsFailed

Source Section

RNCPerfByRNC (RncIS856PerfMIB)

nA16SessSetupSuccess

Number of A16 session setups that were successful on this DO-RNC. This OM is pegged on the target RNC.

Data Source

DO-EMS

Source Field

nA16SessSetupSuccess

Source Section

RNCPerfByRNC (RncIS856PerfMIB)

nConCloseSrcA16Fail

This OM is pegged by source RNC when it fails to transfer A16 active session to A16 target RNC and is unable to maintain the connection locally.

Data Source

DO-EMS

Source Field

nConCloseSrcA16Fail

Source Section

RNCPerfByRNC (RncIS856PerfMIB)

nConOpenedA16

The number of Connections opened successfully on this (target) RNC due to A16 Session Transfer.

Data Source

DO-EMS

Source Field

nConOpenedA16

Source Section

RNCPerfByRNC (RncIS856PerfMIB)

nConSetupTgtA16LclCls

This OM represents the number of A16 related connection setups that failed on target RNC due to a local close generated by other state machines.

Data Source

DO-EMS

Source Field

nConSetupTgtA16LclCls

Source Section

RNCPerfByRNC (RncIS856PerfMIB)

nConSetupTgtA16Misc

This OM represents the number of A16 related connection setups that failed on target RNC due to internal or external miscellaneous errors.

Data Source

DO-EMS

Source Field

nConSetupTgtA16Misc

Source Section

RNCPerfByRNC (RncIS856PerfMIB)

nConSetupTgtA16RnBlk

This OM represents the number of A16 related connection setups that were blocked on target RNC because the DOM could not allocate resources.

Data Source

DO-EMS

Source Field

nConSetupTgtA16RnBlk

Source Section

RNCPerfByRNC (RncIS856PerfMIB)

nConSetupTgtA16RnFail

This OM represents the number of A16 related connection setups that failed on this target RNC because of a failure or timeout occurred while DOM resource allocation.

Data Source

DO-EMS

Source Field

nConSetupTgtA16RnFail

Source Section

RNCPerfByRNC (RncIS856PerfMIB)

nConSetupTgtA16TrafSw

This OM represents the number of A16 related connection setups that failed on target RNC because of failure or timeout occurred while DOM Traffic Channel Switch process.

Data Source

DO-EMS

Source Field

nConSetupTgtA16TrafSw

Source Section

RNCPerfByRNC (RncIS856PerfMIB)

nSessTerminatedA16

Number of sessions closed on the source RNC due to successful A16 session transfer to the target RNC.

Data Source

DO-EMS

Source Field

nSessTerminatedA16

Source Section

RNCPerfByRNC (RncIS856PerfMIB)

numA10ClosedNetworkError

This OM is a counter for the total number of successfully established A10-Connections that are closed on the DO-RNC / RNSM due to network related errors between the DO-RNC and the PDSN.

Data Source

DO-EMS

Source Field

numA10ClosedNetworkError

Source Section

RNCPerfByRNC (RncIS856PerfMIB)

numA10ClosedOtherCausesExternal

This OM is a counter for the total number of successfully established A10-Connections that are closed on the DO-RNC / RNSM due to miscellaneous external reasons.

Data Source

DO-EMS

Source Field

numA10ClosedOtherCausesExternal

Source Section

RNCPerfByRNC (RncIS856PerfMIB)

numA10ClosedOtherCausesInternal

This OM is a counter for the total number of successfully established A10-Connections that are closed on the DO-RNC / RNSM due to miscellaneous internal reasons.

Data Source

DO-EMS

Source Field

numA10ClosedOtherCausesInternal

Source Section

RNCPerfByRNC (RncIS856PerfMIB)

numA10ClosedPDSNInitiatedRelease

This OM is a counter for the total number of successfully established A10-Connections that are closed on the DO-RNC / RNSM when the A10-Connection is released by the PDSN.

Data Source

DO-EMS

Source Field

numA10ClosedPDSNInitiatedRelease

Source Section

RNCPerfByRNC (RncIS856PerfMIB)

numA10ClosedPDSNReRegFailure

This OM is a counter for the total number of successfully established A10-Connections that are closed on the DO-RNC / RNSM when a re-registration with the PDSN of an existing A10-Connection, returns a failure indication.

Data Source

DO-EMS

Source Field

numA10ClosedPDSNReRegFailure

Source Section

RNCPerfByRNC (RncIS856PerfMIB)

numA10ClosedSessionTermination

This OM is a counter for the total number of successfully established A10-Connections that are closed on the DO-RNC / RNSM due to a DO-Session termination.

Data Source

DO-EMS

Source Field

numA10ClosedSessionTermination

Source Section

RNCPerfByRNC (RncIS856PerfMIB)

numA10ConnWithDurationAround30Sec

This OM is a counter for the total number of successfully established A10-Connections, with duration between 28 and 33 seconds, which are closed by a normal A10-Connection release by the PDSN.

Data Source

DO-EMS

Source Field

numA10ConnWithDurationAround30Sec

Source Section

RNCPerfByRNC (RncIS856PerfMIB)

numA10ConnWithVeryShortDurationRNC

Number of A10 Connections closed by PDSN with duration less than 20 seconds on the DO-RNC.

Data Source

DO-EMS

Source Field

numA10ConnWithVeryShortDurationRNC

Source Section

RNCPerfByRNC (RncIS856PerfMIB)

numA10InterPcfHOREgAttempts

A10 Connection setup attempts initiated by the RNC due to Inter-PCF Handoff

Data Source

DO-EMS

Source Field

numA10InterPcfHOREgAttempts

Source Section

RNCPerfByRNC (RncIS856PerfMIB)

numA10InterPcfHOREgFailures

A10 Connection setup attempts initiated by the RNC due to Inter-PCF Handoff that failed

Data Source

DO-EMS

Source Field

numA10InterPcfHOREgFailures

Source Section

RncIS856PerfMIB

numA10InterPcfHOWithPDSNInfoRegAttempts

This OM is a counter for the total number of new A10 registration attempts that are initiated by the Call Control component on a specific RNSM, when the PDSN IP Address of the AT's previous A10-Connection is known.

Data Source

DO-EMS

Source Field

numA10InterPcfHOWithPDSNInfoRegAttempts

Source Section

RNCPerfByRNC (RncIS856PerfMIB)

numA10InterPcfHOWithPDSNInfoRegFailures

This OM is a counter for the total number of times a new A10 registration attempt fails on the DO-RNC/RNSM, when the process is initiated for an AT with information about its last A10 PDSN.

Data Source

DO-EMS

Source Field

numA10InterPcfHOWithPDSNInfoRegFailures

Source Section

RncIS856PerfMIB

numA10LocUpdateDisabledRegAttempts

This OM is a counter for the total number of new A10 Registration attempts initiated by the Call Control component on a specific RNSM, when the Location Update Protocol is disabled on the DO-RNC.

Data Source

DO-EMS

Source Field

numA10LocUpdateDisabledRegAttempts

Source Section

RNCPerfByRNC (RncIS856PerfMIB)

numA10LocUpdateDisabledRegFailures

This OM is a counter for the total number of times a new A10 registration attempt fails on the DP-RNC/RNSM, when the process is initiated with the Location Update Protocol being disabled.

Data Source

DO-EMS

Source Field

numA10LocUpdateDisabledRegFailures

Source Section

RncIS856PerfMIB

numA10NonHOREgAttempts

A10 Connection setup attempts initiated by the RNC in a non-handoff situation

Data Source

DO-EMS

Source Field

numA10NonHOREgAttempts

Source Section

RNCPerfByRNC (RncIS856PerfMIB)

numA10NonHOREgFailures

A10 Connection setup attempts initiated by the RNC in a non-handoff situation that failed

Data Source

DO-EMS

Source Field

numA10NonHOREgFailures

Source Section

RncIS856PerfMIB

numA10Panid0RegAttempts

A10 Connection setup attempts initiated by the RNC when the PANID sent by the AT is 0

Data Source

DO-EMS

Source Field

numA10Panid0RegAttempts

Source Section

RNCPerfByRNC (RncIS856PerfMIB)

numA10Panid0RegFailures

A10 Connection setup attempts initiated by the RNC when the PANID sent by the AT is 0 that failed

Data Source

DO-EMS

Source Field

numA10Panid0RegFailures

Source Section

RncIS856PerfMIB

numA10SetupAttemptConnOpenInitiated

This OM is a counter for the total number of new A10-Connection setups that are initiated on the DO-RNC / RNSM due to a DO-Airlink connection open indication while A10-Connection Minimization is enabled.

Data Source

DO-EMS

Source Field

numA10SetupAttemptConnOpenInitiated

Source Section

RNCPerfByRNC (RncIS856PerfMIB)

numA10SetupAttemptRLPDataInitiated

This OM is a counter for the total number of new A10-Connection setups that are initiated on the DO-RNC / RNSM due to the detection of Radio Link Protocol layer packets (i.e. data) from the AT while A10-Connection Minimization is enabled.

Data Source

DO-EMS

Source Field

numA10SetupAttemptRLPDataInitiated

Source Section

RNCPerfByRNC (RncIS856PerfMIB)

numA10SetupAttemptsAutoA10Reconnect

Total number of automatic A10 reconnect attempts that are initiated on the DO-RNC.

Data Source

DO-EMS

Source Field

numA10SetupAttemptsAutoA10Reconnect

Source Section

RNCPerfByRNC (RncIS856PerfMIB)

numA10SetupAttemptSrcRNCA10Initiated

This OM is a counter for the total number of new A10-Connection setups that are initiated on the DO-RNC / RNSM after an A13 Dormant handoff of an AT with an existing packet data session on the Source RNC while A10-Connection Minimization is enabled.

Data Source

DO-EMS

Source Field

numA10SetupAttemptSrcRNCA10Initiated

Source Section

RNCPerfByRNC (RncIS856PerfMIB)

numA10SetupAttemptULNInitiated

This OM is a counter for the total number of new A10-Connection setups that are initiated on the DO-RNC / RNSM due to the reception of an Unsolicited Location Notification message from the AT while A10-Connection Minimization is enabled.

Data Source

DO-EMS

Source Field

numA10SetupAttemptULNInitiated

Source Section

RNCPerfByRNC (RncIS856PerfMIB)

numA10SetupFailureLocationUpdate

This OM is a counter for the total number of new A10-Connection setups that are aborted on the DO-RNC / RNSM, due to a failure in the location update procedure prior to registering with the PDSN.

Data Source

DO-EMS

Source Field

numA10SetupFailureLocationUpdate

Source Section

RNCPerfByRNC (RncIS856PerfMIB)

numA10SetupFailureNetworkError

This OM is a counter for the total number of new A10-Connection setups that are aborted on the DO-RNC / RNSM due to network related errors between the DO-RNC and the PDSN.

Data Source

DO-EMS

Source Field

numA10SetupFailureNetworkError

Source Section

RNCPerfByRNC (RncIS856PerfMIB)

numA10SetupFailureOtherCausesExternal

This OM is a counter for the total number of new A10-Connection setups that are aborted on the DO-RNC / RNSM due to miscellaneous external reasons.

Data Source

DO-EMS

Source Field

numA10SetupFailureOtherCausesExternal

Source Section

RNCPerfByRNC (RncIS856PerfMIB)

numA10SetupFailureOtherCausesInternal

This OM is a counter for the total number of new A10-Connection setups that are aborted on the DO-RNC / RNSM due to miscellaneous internal reasons.

Data Source

DO-EMS

Source Field

numA10SetupFailureOtherCausesInternal

Source Section

RNCPerfByRNC (RncIS856PerfMIB)

numA10SetupFailurePDSNReg

This OM is a counter for the total number of new A10-Connection setups that are aborted on a specific RNSM when the registration process with the configured PDSNs on this RNC PCF for a new A10-Connection, returns a failure indication.

Data Source

DO-EMS

Source Field

numA10SetupFailurePDSNReg

Source Section

RNCPerfByRNC (RncIS856PerfMIB)

numA10SetupFailureSessionTermination

This OM is a counter for the total number of new A10-Connection setups that are aborted on the DO-RNC / RNSM due to the DO-Session terminating while the A10-Setup is in progress.

Data Source

DO-EMS

Source Field

numA10SetupFailureSessionTermination

Source Section

RNCPerfByRNC (RncIS856PerfMIB)

numA13ConfirmIgnoredRemoteRncPerf

Total number of times A13-Session Information Confirm Messages were ignored due to A13 Confirm timeout.

Data Source

DO-EMS

Source Field

numA13ConfirmIgnoredRemoteRncPerf

Source Section

RNCPerfByRNC (RncIS856PerfMIB)

numA13FailuresRemoteRncAdminStatusDownPriorSessionRemoteRncPerf

Total number of prior-session A13-Dormant handoff attempts that fail on a DO-RNC on the target RNC, due to the source RNC being in the "Admin down" state in the target RNC's peer RNC table.

Data Source

DO-EMS

Source Field

numA13FailuresRemoteRncAdminStatusDownPriorSessionRemoteRncPerf

Source Section

RNCPerfByRNC (RncIS856PerfMIB)

numA13FailuresRemoteRncAdminStatusDownRemoteRncPerf

Total number of regular A13-Dormant handoff attempts that fail on a DO-RNC on the target RNC, due to the source RNC being in the "Admin down" state in the target RNC's peer RNC table.

Data Source

DO-EMS

Source Field

numA13FailuresRemoteRncAdminStatusDownRemoteRncPerf

Source Section

RNCPerfByRNC (RncIS856PerfMIB)

numA13FailuresRemoteRncAdminStatusDownTotalRemoteRncPerf

Total number of regular A13-Dormant handoff attempts that fail on a DO-RNC on the target RNC, due to the source RNC being in the "Admin down" state in the target RNC's peer RNC table.

Data Source

DO-EMS

Source Field

numA13FailuresRemoteRncAdminStatusDownTotalRemoteRncPerf

Source Section

RNCPerfByRNC (RncIS856PerfMIB)

numA13IntraClusterAttemptsPriorSessionRemoteRncPerf

Number of intra cluster prior-session A13-Dormant handoff attempts on the DO-RNC.

Data Source

DO-EMS

Source Field

numA13IntraClusterAttemptsPriorSessionRemoteRncPerf

Source Section

RNCPerfByRNC (RncIS856PerfMIB)

numA13IntraClusterAttemptsRemoteRncPerf

Number of UATI initiated intra cluster regular A13-Dormant handoff attempts received by the DO-RNC.

Data Source

DO-EMS

Source Field

numA13IntraClusterAttemptsRemoteRncPerf

Source Section

RNCPerfByRNC (RncIS856PerfMIB)

numA13IntraClusterAttemptsTotalRemoteRncPerf

Number of A13 Intra Cluster Attempts Total Remote RNC Perf from Template RNCPerfByRNC_R4.0.

Data Source

DO-EMS

Source Field

numA13IntraClusterAttemptsTotalRemoteRncPerf

Source Section

RNCPerfByRNC (RncIS856PerfMIB)

numA13IntraClusterFailuresPriorSessionRemoteRncPerf

Number of intra cluster prior-session A13-Dormant handoff attempts that fail on a DO-RNC.

Data Source

DO-EMS

Source Field

numA13IntraClusterFailuresPriorSessionRemoteRncPerf

Source Section

RNCPerfByRNC (RncIS856PerfMIB)

numA13IntraClusterFailuresRemoteRncPerf

Number of UATI initiated intra cluster regular A13-Dormant handoff failures on the DO-RNC.

Data Source

DO-EMS

Source Field

numA13IntraClusterFailuresRemoteRncPerf

Source Section

RNCPerfByRNC (RncIS856PerfMIB)

numA13IntraClusterFailuresTotalRemoteRncPerf

Number of A13 Intra Cluster Failures Total Remote RNC Perf from Template RNCPerfByRNC_R4.0.

Data Source

DO-EMS

Source Field

numA13IntraClusterFailuresTotalRemoteRncPerf

Source Section

RNCPerfByRNC (RncIS856PerfMIB)

numA13MsgsFromRemoteRNCTotalRNC

Total number of A13-related (regular and prior-session) messages that are received on the DO-RNC.

Data Source

DO-EMS

Source Field

numA13MsgsFromRemoteRNCTotalRNC

Source Section

RNCPerfByRNC (RncIS856PerfMIB)

numA13MsgsToRemoteRNCTotalRNC

Total number of A13-related (regular and prior-session) messages that are transmitted from the DO-RNC.

Data Source

DO-EMS

Source Field

numA13MsgsToRemoteRNCTotalRNC

Source Section

RNCPerfByRNC (RncIS856PerfMIB)

numA13RejectInvalidReasonPriorSessionRNC

Total Number of times (Prior session + Normal) an A13 dormant handoff on this RNC failed with A13 Reject with an invalid reason

Data Source

DO-EMS

Source Field

numA13RejectInvalidReasonPriorSessionRNC

Source Section

RNCPerfByRNC (RncIS856PerfMIB)

numA13RejectInvalidReasonRNC

Number of times an A13 dormant handoff on this RNC failed with A13 Reject with an invalid reason

Data Source

DO-EMS

Source Field

numA13RejectInvalidReasonRNC

Source Section

RNCPerfByRNC (RncIS856PerfMIB)

numA13RejectProtSubtypeAttrMissingPriorSessionRNC

Total Number of times (Prior session + Normal) an A13 dormant handoff on this RNC failed with A13 Reject 'Protocol subtype attribute missing'

Data Source

DO-EMS

Source Field

numA13RejectProtSubtypeAttrMissingPriorSessionRNC

Source Section

RNCPerfByRNC (RncIS856PerfMIB)

numA13RejectProtSubtypeAttrMissingRNC

Number of times an A13 dormant handoff on this RNC failed with A13 Reject 'Protocol subtype attribute missing'

Data Source

DO-EMS

Source Field

numA13RejectProtSubtypeAttrMissingRNC

Source Section

RNCPerfByRNC (RncIS856PerfMIB)

numA13RejectProtSubtypeAttrNotRecognizedPriorSessionRNC

Total Number of times (Prior session + Normal) an A13 dormant handoff on this RNC failed with A13 Reject 'Protocol subtype attribute not recognized'

Data Source

DO-EMS

Source Field

numA13RejectProtSubtypeAttrNotRecognizedPriorSessionRNC

Source Section

RNCPerfByRNC (RncIS856PerfMIB)

numA13RejectProtSubtypeAttrNotRecognizedRNC

Number of times an A13 dormant handoff on this RNC failed with A13 Reject 'Protocol subtype attribute not recognized'

Data Source

DO-EMS

Source Field

numA13RejectProtSubtypeAttrNotRecognizedRNC

Source Section

RNCPerfByRNC (RncIS856PerfMIB)

numA13RejectProtSubtypeNotRecognizedPriorSessionRNC

Total Number of times (Prior session + Normal) an A13 dormant handoff on this RNC failed with A13 Reject 'Protocol subtype not recognized'

Data Source

DO-EMS

Source Field

numA13RejectProtSubtypeNotRecognizedPriorSessionRNC

Source Section

RNCPerfByRNC (RncIS856PerfMIB)

numA13RejectProtSubtypeNotRecognizedRNC

Number of times an A13 dormant handoff on this RNC failed with A13 Reject 'Protocol subtype not recognized?'

Data Source

DO-EMS

Source Field

numA13RejectProtSubtypeNotRecognizedRNC

Source Section

RNCPerfByRNC (RncIS856PerfMIB)

numA13RejectSentSessionNotFoundRNC

Total number of times A13 reject messages sent by RNC because a session is not found on the source RNC.

Data Source

DO-EMS

Source Field

numA13RejectSentSessionNotFoundRNC

Source Section

RNCPerfByRNC (RncIS856PerfMIB)

numA13RejectSessionNotAuthenticPriorSessionRNC

Total Number of times (Prior session + Normal) an A13 dormant handoff on this RNC failed with A13 Reject 'Authentication Failed'

Data Source

DO-EMS

Source Field

numA13RejectSessionNotAuthenticPriorSessionRNC

Source Section

RNCPerfByRNC (RncIS856PerfMIB)

numA13RejectSessionNotAuthenticRNC

Number of times an A13 dormant handoff on this RNC failed with A13 Reject 'Authentication Failed'

Data Source

DO-EMS

Source Field

numA13RejectSessionNotAuthenticRNC

Source Section

RNCPerfByRNC (RncIS856PerfMIB)

numA13RejectSessionNotFoundPriorSessionRNC

Total Number of times (Prior session + Normal) an A13 dormant handoff on this RNC failed with A13 Reject 'Session not Found'

Data Source

DO-EMS

Source Field

numA13RejectSessionNotFoundPriorSessionRNC

Source Section

RNCPerfByRNC (RncIS856PerfMIB)

numA13RejectSessionNotFoundRNC

Number of times an A13 dormant handoff on this RNC failed with A13 Reject 'Session not Found'

Data Source

DO-EMS

Source Field

numA13RejectSessionNotFoundRNC

Source Section

RNCPerfByRNC (RncIS856PerfMIB)

numA13RejectsSentForInvalidSessions

Pegs on the source RNC when an A13 reject message is sent to the target RNC due to the invalid session transfer being disabled.

Data Source

DO-EMS

Source Field

numA13RejectsSentForInvalidSessions

Source Section

RNCPerfByRNC (RncIS856PerfMIB)

numA13ReqTimeoutPriorSessionRNC

Number of times a prior session dormant handoff on this RNC failed due to no A13 Response from the source RNC

Data Source

DO-EMS

Source Field

numA13ReqTimeoutPriorSessionRNC

Source Section

RNCPerfByRNC (RncIS856PerfMIB)

numA13ReqTimeoutRNC

Number of times an A13 dormant handoff on this RNC failed due to no A13 Response from the source RNC

Data Source

DO-EMS

Source Field

numA13ReqTimeoutRNC

Source Section

RNCPerfByRNC (RncIS856PerfMIB)

numA13RequestsIgnoredRemoteRncNotConfiguredRemoteRncPerf

Total number of times A13-Session Information Request Messages were ignored by the source RNC because the target RNC is not configured in the Peer RNC Table.

Data Source

DO-EMS

Source Field

numA13RequestsIgnoredRemoteRncNotConfiguredRemoteRncPerf

Source Section

RNCPerfByRNC (RncIS856PerfMIB)

numA13RequestsReTransmittedRemoteRncPerf

Total number of times that the A13-Session Information Request Messages were retransmitted to the Peer RNC by the DO-RNC.

Data Source

DO-EMS

Source Field

numA13RequestsReTransmittedRemoteRncPerf

Source Section

RNCPerfByRNC (RncIS856PerfMIB)

numA13ResponsesSentActivePersonliltyRev0RemoteRncPerf

Total Number of A13-Session Information Response Messages sent when AT's current personality is Rev-0.

Data Source

DO-EMS

Source Field

numA13ResponsesSentActivePersonliltyRev0RemoteRncPerf

Source Section

RNCPerfByRNC (RncIS856PerfMIB)

numA13ResponsesSentActivePersonliltyRevARemoteRncPerf

Total Number of A13-Session Information Response Messages sent when AT's current personality is Rev-A.

Data Source

DO-EMS

Source Field

numA13ResponsesSentActivePersonliltyRevARemoteRncPerf

Source Section

RNCPerfByRNC (RncIS856PerfMIB)

numA13ResponsesSentDummyPdsnRemoteRncPerf

Number of A13-Session Information Reject messages sent because the requested session cannot be found on this DO-RNC.

Data Source

DO-EMS

Source Field

numA13ResponsesSentDummyPdsnRemoteRncPerf

Source Section

RNCPerfByRNC (RncIS856PerfMIB)

numA13SessMarkedForReNegotiationDiffIosVersionPriorSessionRemoteRncPerf

Number of times a Prior Session dormant handoff session is marked for renegotiation after successful A13 handoff because the response is received on a TIA-878-1 version A13 interface.

Data Source

DO-EMS

Source Field

numA13SessMarkedForReNegotiationDiffIosVersionPriorSessionRemoteRncPerf

Source Section

RNCPerfByRNC (RncIS856PerfMIB)

numA13SessMarkedForReNegotiationDiffIosVersionRemoteRncPerf

Number of times a UATI initiated dormant handoff session is marked for renegotiation after successful A13 handoff because the response is received on a TIA-878-1 version A13 interface.

Data Source

DO-EMS

Source Field

numA13SessMarkedForReNegotiationDiffIosVersionRemoteRncPerf

Source Section

RNCPerfByRNC (RncIS856PerfMIB)

numA13SessMarkedForReNegotiationDifflosVersionTotalRemoteRncPerf

Number of times a UATI initiated dormant handoff session is marked for renegotiation after successful A13 handoff because the response is received on a TIA-878-1 version A13 interface.

Data Source

DO-EMS

Source Field

numA13SessMarkedForReNegotiationDifflosVersionTotalRemoteRncPerf

Source Section

RNCPerfByRNC (RncIS856PerfMIB)

numA13SessReconfResultNoOperationPriorSessionRemoteRncPerf

Number of times a Prior Session dormant handoff session is marked for renegotiation after successful A13 handoff because the response is received on a TIA-878-1 version A13 interface resulted in no operation after marked for re configuration.

Data Source

DO-EMS

Source Field

numA13SessReconfResultNoOperationPriorSessionRemoteRncPerf

Source Section

RNCPerfByRNC (RncIS856PerfMIB)

numA13SessReconfResultNoOperationRemoteRncPerf

Number of times a UATI initiated dormant handoff session that is marked for renegotiation after successful A13 handoff because the response is received on a TIA-878-1 version A13 interface resulted in no operation after marked for re configuration.

Data Source

DO-EMS

Source Field

numA13SessReconfResultNoOperationRemoteRncPerf

Source Section

RNCPerfByRNC (RncIS856PerfMIB)

numA13SessReconfResultNoOperationTotalRemoteRncPerf

Number of times a UATI initiated dormant handoff session that is marked for renegotiation after successful A13 handoff because the response is received on a TIA-878-1 version A13 interface resulted in no operation after marked for re configuration.

Data Source

DO-EMS

Source Field

numA13SessReconfResultNoOperationTotalRemoteRncPerf

Source Section

RNCPerfByRNC (RncIS856PerfMIB)

numA13SessReconfResultPersonalityChangeRevAPriorSessionRemoteRncPerf

Number of times a Prior Session dormant handoff session is marked for renegotiation after successful A13 handoff because the response is received on a TIA-878-1 version A13 interface resulted in Rev-A personality after reconfiguration.

Data Source

DO-EMS

Source Field

numA13SessReconfResultPersonalityChangeRevAPriorSessionRemoteRncPerf

Source Section

RNCPerfByRNC (RncIS856PerfMIB)

numA13SessReconfResultPersonalityChangeRevARemoteRncPerf

Number of times a UATI initiated dormant handoff session that is marked for renegotiation after successful A13 handoff because the response is received on a TIA-878-1 version A13 interface resulted in Rev-A personality after reconfiguration.

Data Source

DO-EMS

Source Field

numA13SessReconfResultPersonalityChangeRevARemoteRncPerf

Source Section

RNCPerfByRNC (RncIS856PerfMIB)

numA13SessReconfResultPersonalityChangeRevATotalRemoteRncPerf

Number of times a UATI initiated dormant handoff session that is marked for renegotiation after successful A13 handoff because the response is received on a TIA-878-1 version A13 interface resulted in Rev-A personality after reconfiguration.

Data Source

DO-EMS

Source Field

numA13SessReconfResultPersonalityChangeRevATotalRemoteRncPerf

Source Section

RNCPerfByRNC (RncIS856PerfMIB)

numA13TotalRejectPriorSessionRNC

Total (Prior session + normal) number of times an A13 dormant handoff on this RNC failed with an A13 Reject response

Data Source

DO-EMS

Source Field

numA13TotalRejectPriorSessionRNC

Source Section

RNCPerfByRNC (RncIS856PerfMIB)

numA13TotalRejectRNC

Total Number of times a regular A13 dormant handoff on this RNC failed with an A13 Reject response

Data Source

DO-EMS

Source Field

numA13TotalRejectRNC

Source Section

RNCPerfByRNC (RncIS856PerfMIB)

numA16Aborts

Number of A16 session transfer attempts from the source RNC that have been aborted. This OM is pegged on the source RNC.

Data Source

DO-EMS

Source Field

numA16Aborts

Source Section

A16PerfSourceRNC (RNCA16MIB)

numA16Attempts

Number of outgoing A16 session transfer attempts by the source RNC.

Data Source

DO-EMS

Source Field

numA16Attempts

Source Section

A16PerfSourceRNC (RNCA16MIB)

numA16Rejects

Number of A16 session transfer attempts from the source RNC that have been rejected by the target RNC. This OM is pegged on the source RNC.

Data Source

DO-EMS

Source Field

numA16Rejects

Source Section

A16PerfSourceRNC (RNCA16MIB)

numA16Success

Number of successful outgoing A16 session transfers by the source RNC.

Data Source

DO-EMS

Source Field

numA16Success

Source Section

A16PerfSourceRNC (RNCA16MIB)

numA16SuppressedSrc

Number of A16 session transfer triggers on the source RNC that have been suppressed and ended with no A16 session transfer attempt.

Data Source

DO-EMS

Source Field

numA16SuppressedSrc

Source Section

A16PerfSourceRNC (RNCA16MIB)

numA16SuppressedTgt

Number of A16 session transfer requests that have been suppressed on the target RNC. This OM is pegged on the target RNC.

Data Source

DO-EMS

Source Field

numA16SuppressedTgt

Source Section

A16PerfSourceRNC (RNCA16MIB)

numA16SuppSrcUnknTgt

Number of A16 session transfer triggers that have been suppressed on the source RNC because the target RNC is not found in the A16 Peer RNC Table.

Data Source

DO-EMS

Source Field

numA16SuppSrcUnknTgt

Source Section

A16PerfSourceRNC (RNCA16MIB)

numA16SuppTgtUnknSrc

Number of A16 session transfer requests that have been suppressed on the target RNC because the source RNC is not found in the A16 Peer RNC Table.

Data Source

DO-EMS

Source Field

numA16SuppTgtUnknSrc

Source Section

A16PerfSourceRNC (RNCA16MIB)

numA16Timeout

Number of A16 session transfer attempts from the source RNC that have timed out without getting any response from the target RNC.

Data Source

DO-EMS

Source Field

numA16Timeout

Source Section

A16PerfSourceRNC (RNCA16MIB)

NumActiveA10Connections

Number of Currently active A10 connections homed to this RNC

Data Source

DO-EMS

Source Field

NumActiveA10Connections

Source Section

A10A11PerfByRNC (RncPcfPerformanceMIB)

numAdditionalBytesMulticast

The number of extra bytes sent as a result of soft multicasting. This number is incremented by n bytes every time when an RNSM duplicates a packet and sends to a DOM other than the user's current serving DOM.

Data Source

DO-EMS

Source Field

numAdditionalBytesMulticast

Source Section

RNCBytePacketCountByRNC (RncIS856PerfMIB)

numATsHandledUnkwnMfrCodeTotal

Number of times a p-IMSI is generated for an AT with an unknown manufacturer code. This OM is supported only after Release 3.0.1.

Data Source

DO-EMS

Source Field

numATsHandledUnkwnMfrCodeTotal

Source Section

TermAuthPerfByRNC (RncTermAuthMIB)

numAtSrcRncAnidMismatch

The total number of A13-dormant handoff retrieved sessions on the target RNC, whose PANID information, as notified by the source RNC (during handoff) does not match that notified by the AT (during Location Update).

Data Source

DO-EMS

Source Field

numAtSrcRncAnidMismatch

Source Section

RNCPerfByRNC (RncIS856PerfMIB)

numConnCloseBEPriorityUpdateFail

Number of times an open connection is closed on the RNC due to a failure in dynamically updating the best effort modem flow on receiving a change in the inter-user BE priority level for the user when the connection is open.

Data Source

DO-EMS

Source Field

numConnCloseBEPriorityUpdateFail

Source Section

RNCPerfByRNC (RncIS856PerfMIB)

numConnectionCloseActiveModePersChangeATo0DC

The number of connections that were closed because the HHO involved a personality change from RevA to Rev0 across different carrier, while the AT has an active connection.

Data Source

DO-EMS

Source Field

numConnectionCloseActiveModePersChangeATo0DC

Source Section

RNCPerfByRNC (RncIS856PerfMIB)

numConnectionCloseActiveModePersChangeATo0SC

The number of connections that were closed because the HHO involved a personality change from RevA to Rev0 on the same carrier, while the AT has an active connection.

Data Source

DO-EMS

Source Field

numConnectionCloseActiveModePersChangeATo0SC

Source Section

RNCPerfByRNC (RncIS856PerfMIB)

NumConnectionCloseDormancyTimeout

Connections closed by DO-RNC as there was no data sent or received for a configurable dormancy timeout period

Data Source

DO-EMS

Source Field

NumConnectionCloseDormancyTimeout

Source Section

RNCPerfByRNC (RncIS856PerfMIB)

numConnectionCloseDormancyTimeoutHighCatRNC

Number of connections closed by the RNC due to dormancy when sectors involved in the connection were in the high traffic category.

Data Source

DO-EMS

Source Field

numConnectionCloseDormancyTimeoutHighCatRNC

Source Section

RNCPerfByRNC (RncIS856PerfMIB)

numConnectionCloseDormancyTimeoutLowCatRNC

Number of connections closed by the RNC due to dormancy when sectors involved in the connection were in the low traffic category.

Data Source

DO-EMS

Source Field

numConnectionCloseDormancyTimeoutLowCatRNC

Source Section

RNCPerfByRNC (RncIS856PerfMIB)

numConnectionCloseDormancyTimeoutMedCatRNC

Number of connections closed by the RNC due to dormancy when sectors involved in the connection were in the medium traffic category.

Data Source

DO-EMS

Source Field

numConnectionCloseDormancyTimeoutMedCatRNC

Source Section

RNCPerfByRNC (RncIS856PerfMIB)

NumConnectionCloseFromAtError

Connection Close messages from the Access Terminal that had a reason code of Error

Data Source

DO-EMS

Source Field

NumConnectionCloseFromAtError

Source Section

RNCPerfByRNC (RncIS856PerfMIB)

numConnectionCloseFromAtMovedTo3G1X

This OM is pegged when a Connection Close messages from the Access Terminal is received with a reason code of transition from high rate packet data system to a 3G1X system.

Data Source

DO-EMS

Source Field

numConnectionCloseFromAtMovedTo3G1X

Source Section

RNCPerfByRNC (RncIS856PerfMIB)

NumConnectionCloseFromAtNormal

Connection Close messages from the Access Terminal that had a reason code of Normal

Data Source

DO-EMS

Source Field

NumConnectionCloseFromAtNormal

Source Section

RNCPerfByRNC (RncIS856PerfMIB)

NumConnectionCloseFromAtReply

Connection Close messages from the Access Terminal that had a reason code of Reply

Data Source

DO-EMS

Source Field

NumConnectionCloseFromAtReply

Source Section

RNCPerfByRNC (RncIS856PerfMIB)

NumConnectionCloseFromAtReserved

Connection Close messages from the Access Terminal that had a reason code of Reserved

Data Source

DO-EMS

Source Field

NumConnectionCloseFromAtReserved

Source Section

RNCPerfByRNC (RncIS856PerfMIB)

numConnectionCloseHHOBlockedByRn

The number of connections that were closed because the resource allocation requests were explicitly blocked by the RN during HHO.

Data Source

DO-EMS

Source Field

numConnectionCloseHHOBlockedByRn

Source Section

RNCPerfByRNC (RncIS856PerfMIB)

numConnectionCloseHHOFailedFTCAndRTCNotRxd

The number of connections that were closed due to HHO failures, because even though at least one of the messages (FTCDesired, RTCAcquired, TCC) was received on the target carrier, but both RTCAcquired and FTCDesired message were not received on the target carrier from DOM within the stipulated time.

Data Source

DO-EMS

Source Field

numConnectionCloseHHOFailedFTCAndRTCNotRxed

Source Section

RNCPerfByRNC (RncIS856PerfMIB)

NumConnectionCloseInternalError

Connections closed by DO-RNC because of internal software errors

Data Source

DO-EMS

Source Field

NumConnectionCloseInternalError

Source Section

RNCPerfByRNC (RncIS856PerfMIB)

NumConnectionCloseNoFtc

Connections closed by DO-RNC because of indications that there is no active Forward Traffic Channel

Data Source

DO-EMS

Source Field

NumConnectionCloseNoFtc

Source Section

RNCPerfByRNC (RncIS856PerfMIB)

NumConnectionCloseRlp

Connections closed by DO-RNC at the request of the Radio Link Protocol due to errors

Data Source

DO-EMS

Source Field

NumConnectionCloseRlp

Source Section

RNCPerfByRNC (RncIS856PerfMIB)

NumConnectionCloseRtcLost

Connections closed by DO-RNC because of indications that the reverse link(s) were lost

Data Source

DO-EMS

Source Field

NumConnectionCloseRtcLost

Source Section

RNCPerfByRNC (RncIS856PerfMIB)

NumConnectionCloseSectorDown

Connections closed by DO-RNC because of indications that a sector associated with the connection has changed state to down

Data Source

DO-EMS

Source Field

NumConnectionCloseSectorDown

Source Section

RNCPerfByRNC (RncIS856PerfMIB)

NumConnectionCloseSsm

The number of connections closed by DO-RNC at the request of the Session State machine

Data Source

DO-EMS

Source Field

NumConnectionCloseSsm

Source Section

RNCPerfByRNC (RncIS856PerfMIB)

NumConnectionCloseSsmDisable

Session State Machine requested an open connection (if any) be closed and the state machine not allow any further connection setups

Data Source

DO-EMS

Source Field

NumConnectionCloseSsmDisable

Source Section

RNCPerfByRNC (RncIS856PerfMIB)

NumConnectionCloseStateMismatch

Connections closed by DO-RNC due to state mismatch

Data Source

DO-EMS

Source Field

NumConnectionCloseStateMismatch

Source Section

RNCPerfByRNC (RncIS856PerfMIB)

NumConnectionCloseToAtError

Connection Close messages sent to the Access Terminal with a reason code of Error

Data Source

DO-EMS

Source Field

NumConnectionCloseToAtError

Source Section

RNCPerfByRNC (RncIS856PerfMIB)

NumConnectionCloseToAtNormal

Connection Close messages sent to the Access Terminal with a reason code of Normal

Data Source

DO-EMS

Source Field

NumConnectionCloseToAtNormal

Source Section

RNCPerfByRNC (RncIS856PerfMIB)

NumConnectionCloseToAtReply

Connection Close messages sent to the Access Terminal with a reason code of Reply

Data Source

DO-EMS

Source Field

NumConnectionCloseToAtReply

Source Section

RNCPerfByRNC (RncIS856PerfMIB)

numConnectionRequestAttemptsAfterA13FromAT

The number of times a connection request, that was previously buffered pending the outcome of the A13 handoff, has been initiated.

Data Source

DO-EMS

Source Field

numConnectionRequestAttemptsAfterA13FromAT

Source Section

RNCPerfByRNC (RncIS856PerfMIB)

numConnectionRequestFailureAfterA13FromAT

The number of times a connection request attempt (made after a successful no UATI initiated A13 Handoff) failed.

Data Source

DO-EMS

Source Field

numConnectionRequestFailureAfterA13FromAT

Source Section

RNCPerfByRNC (RncIS856PerfMIB)

NumConnectionRequestsFromAt

Connection Request messages received from the Access Terminal. It includes the responses to pages.

Data Source

DO-EMS

Source Field

NumConnectionRequestsFromAt

Source Section

RNCPerfByRNC (RncIS856PerfMIB)

NumConnectionRequestsInResponseToPage

Access Terminal responded to the Page Message with a Connection Request message

Data Source

DO-EMS

Source Field

NumConnectionRequestsInResponseToPage

Source Section

RNCPerfByRNC (RncIS856PerfMIB)

numConnectionRequestSuccessesAfterA13FromAT

The number of times a connection request attempt (made after a successful no UATI initiated A13 Handoff) is successful.

Data Source

DO-EMS

Source Field

numConnectionRequestSuccessesAfterA13FromAT

Source Section

RNCPerfByRNC (RncIS856PerfMIB)

NumConnectionSetupsBlockedByRn

Connection setups blocked because the RN could not allocate resources

Data Source

DO-EMS

Source Field

NumConnectionSetupsBlockedByRn

Source Section

RNCPerfByRNC (RncIS856PerfMIB)

NumConnectionSetupsBlockedByRncResources

Connection setups blocked because the DO-RNC could not allocate resources

Data Source

DO-EMS

Source Field

NumConnectionSetupsBlockedByRncResources

Source Section

RNCPerfByRNC (RncIS856PerfMIB)

NumConnectionSetupsFailedByRn

Connection setups that failed because RN resource allocation failed

Data Source

DO-EMS

Source Field

NumConnectionSetupsFailedByRn

Source Section

RNCPerfByRNC (RncIS856PerfMIB)

NumConnectionSetupsFailedByRncResources

Connection setups that failed because DO-RNC resource allocation failed

Data Source

DO-EMS

Source Field

NumConnectionSetupsFailedByRncResources

Source Section

RNCPerfByRNC (RncIS856PerfMIB)

NumConnectionsOpened

Connections opened successfully on this DO-RNC as the AT arrives on the Traffic Channel

Data Source

DO-EMS

Source Field

NumConnectionsOpened

Source Section

RNCPerfByRNC (RncIS856PerfMIB)

NumConnReqsWhileOpen

Connection request messages received from an Access Terminal that already had an active connection

Data Source

DO-EMS

Source Field

NumConnReqsWhileOpen

Source Section

RNCPerfByRNC (RncIS856PerfMIB)

NumConnReqsWhileSettingUp

Connection request messages from the Access Terminal received at the DO-RNC while a connection setup for that AT was in progress

Data Source

DO-EMS

Source Field

NumConnReqsWhileSettingUp

Source Section

RNCPerfByRNC (RncIS856PerfMIB)

NumConnReqsWhileTearingDown

Connection request messages from the Access Terminal received at the DO-RNC while an active connection to that AT was being torn down

Data Source

DO-EMS

Source Field

NumConnReqsWhileTearingDown

Source Section

RNCPerfByRNC (RncIS856PerfMIB)

numConnRequestsRcvdForInvalidSessions

Pegs when a connection request is received for an invalid session. However, the existing connection setup request OMs are not pegged in this case.

Data Source

DO-EMS

Source Field

numConnRequestsRcvdForInvalidSessions

Source Section

RNCPerfByRNC (RncIS856PerfMIB)

numConnRequestsRcvdForUnAuthSessions

The number of ConnectionRequest messages received for the "Yet to Auth" sessions on the DO-RNC which trigger a TA attempt.

Data Source

DO-EMS

Source Field

numConnRequestsRcvdForUnAuthSessions

Source Section

RNCPerfByRNC (RncIS856PerfMIB)

NumConnSetupsAborted

Connection setups that were aborted

Data Source

DO-EMS

Source Field

NumConnSetupsAborted

Source Section

RNCPerfByRNC (RncIS856PerfMIB)

NumConnSetupsFailedRncTimeout

Connection setups that failed because no response from Resource Control on the DO-RNC

Data Source

DO-EMS

Source Field

NumConnSetupsFailedRncTimeout

Source Section

RNCPerfByRNC (RncIS856PerfMIB)

NumConnSetupsFailedRuTimeout

Connection setups that failed because a Route Update message from the Access Terminal was not received in time

Data Source

DO-EMS

Source Field

NumConnSetupsFailedRuTimeout

Source Section

RNCPerfByRNC (RncIS856PerfMIB)

NumConnSetupsFailedSWError

Connection setups that failed due to software error

Data Source

DO-EMS

Source Field

NumConnSetupsFailedSWError

Source Section

RNCPerfByRNC (RncIS856PerfMIB)

NumConnSetupsFailedTccTimeout

Connection setups that failed because a Traffic Channel Complete message from the Access Terminal did not arrive in time

Data Source

DO-EMS

Source Field

NumConnSetupsFailedTccTimeout

Source Section

RNCPerfByRNC (RncIS856PerfMIB)

numCurrentInvalidSessionsEstablished

This OM is incremented whenever a session is opened with an invalid IMSI and is decremented when the invalid session is closed.

Data Source

DO-EMS

Source Field

numCurrentInvalidSessionsEstablished

Source Section

RNCPerfByRNC (RncIS856PerfMIB)

numCurrentOpenA10Conn

The total number of session instances on the DO-RNC / RNSM that have open A10-Connections.

Data Source

DO-EMS

Source Field

numCurrentOpenA10Conn

Source Section

RNCPerfByRNC (RncIS856PerfMIB)

numCurrentOpenTAP

This OM is a counter for the total number of session instances on the DORNC / RNSM that currently have open TAP-sessions.

Data Source

DO-EMS

Source Field

numCurrentOpenTAP

Source Section

RNCPerfByRNC (RncIS856PerfMIB)

numCurrentUnAuthSessionsEstablished

This OM is a count of the total number of sessions in Yet To Auth state that currently exist on the DO-RNC..

Data Source

DO-EMS

Source Field

numCurrentUnAuthSessionsEstablished

Source Section

RNCPerfByRNC (RncIS856PerfMIB)

numDormantHandoffAttemptsPriorSessionRNC

Number of times a prior session dormant handoff was attempted on this RNC

Data Source

DO-EMS

Source Field

numDormantHandoffAttemptsPriorSessionRNC

Source Section

RNCPerfByRNC (RncIS856PerfMIB)

numDormantHandoffAttemptsRNC

This OM counts the total number of session instances that are created on a DO-RNC / RNSM when a regular A13-Dormant handoff attempt is initiated with an unknown foreign UATI.

Data Source

DO-EMS

Source Field

numDormantHandoffAttemptsRNC

Source Section

RNCPerfByRNC (RncIS856PerfMIB)

numDormantHandoffFailureAtIdResponseFailurePriorSessionRNC

Number of times a prior session A13 dormant handoff on this RNC failed due to AT ID response failure after receiving A13 Response

Data Source

DO-EMS

Source Field

numDormantHandoffFailureAtIdResponseFailurePriorSessionRNC

Source Section

RNCPerfByRNC (RncIS856PerfMIB)

numDormantHandoffFailureAtIdResponseFailureRNC

Number of times a regular A13 dormant handoff on this RNC failed due to AT ID response failure after receiving A13 Response

Data Source

DO-EMS

Source Field

numDormantHandoffFailureAtIdResponseFailureRNC

Source Section

RNCPerfByRNC (RncIS856PerfMIB)

numDormantHandoffFailureAtIdTimeoutPriorSessionRNC

Number of times a prior session A13 dormant handoff on this RNC failed due to no AT ID response after receiving A13 Response

Data Source

DO-EMS

Source Field

numDormantHandoffFailureAtIdTimeoutPriorSessionRNC

Source Section

RNCPerfByRNC (RncIS856PerfMIB)

numDormantHandoffFailureAtIdTimeoutRNC

Number of times a regular A13 dormant handoff on this RNC failed due to no AT ID response after receiving A13 Response.

Data Source

DO-EMS

Source Field

numDormantHandoffFailureAtIdTimeoutRNC

Source Section

RNCPerfByRNC (RncIS856PerfMIB)

numDormantHandoffFailureATInitiatedClosePriorSessionRNC

Number of times a prior session A13 dormant handoff on this RNC failed due to an AT initiated session close

Data Source

DO-EMS

Source Field

numDormantHandoffFailureATInitiatedClosePriorSessionRNC

Source Section

RNCPerfByRNC (RncIS856PerfMIB)

numDormantHandoffFailureATInitiatedCloseRNC

Number of times a regular A13 dormant handoff on this RNC failed due to an AT initiated session close

Data Source

DO-EMS

Source Field

numDormantHandoffFailureATInitiatedCloseRNC

Source Section

RNCPerfByRNC (RncIS856PerfMIB)

numDormantHandoffFailureHdwIdTimeoutPriorSessionRNC

Number of times a prior session dormant handoff on this RNC failed due to Hardware ID after receiving A13 Response

Data Source

DO-EMS

Source Field

numDormantHandoffFailureHdwIdTimeoutPriorSessionRNC

Source Section

RNCPerfByRNC (RncIS856PerfMIB)

numDormantHandoffFailureHdwIdTimeoutRNC

Number of times an A13 dormant handoff on this RNC failed due to Hardware ID after receiving A13 Response.

Data Source

DO-EMS

Source Field

numDormantHandoffFailureHdwIdTimeoutRNC

Source Section

RNCPerfByRNC (RncIS856PerfMIB)

numDormantHandoffFailureInvalidHdwIdTypePriorSessionRNC

Number of times a prior session A13 dormant handoff on this RNC failed due to invalid Hardware ID type after receiving A13 Response

Data Source

DO-EMS

Source Field

numDormantHandoffFailureInvalidHdwIdTypePriorSessionRNC

Source Section

RNCPerfByRNC (RncIS856PerfMIB)

numDormantHandoffFailureInvalidHdwIdTypeRNC

Number of times a regular A13 dormant handoff on this RNC failed due to invalid Hardware ID type after receiving A13 Response.

Data Source

DO-EMS

Source Field

numDormantHandoffFailureInvalidHdwIdTypeRNC

Source Section

RNCPerfByRNC (RncIS856PerfMIB)

numDormantHandoffFailureInvalidHdwIdValuePriorSessionRNC

Number of times a prior session A13 dormant handoff on this RNC failed due to invalid Hardware ID value after receiving A13 Response

Data Source

DO-EMS

Source Field

numDormantHandoffFailureInvalidHdwIdValuePriorSessionRNC

Source Section

RNCPerfByRNC (RncIS856PerfMIB)

numDormantHandoffFailureInvalidHdwIdValueRNC

Number of times a regular A13 dormant handoff on this RNC failed due to invalid Hardware ID value after receiving A13 Response

Data Source

DO-EMS

Source Field

numDormantHandoffFailureInvalidHdwIdValueRNC

Source Section

RNCPerfByRNC (RncIS856PerfMIB)

numDormantHandoffFailureInvalidUatiCmpltRNC

Number of times a regular A13 dormant handoff on this RNC failed due to UATI Complete Message from the AT being invalid after receiving A13 Response

Data Source

DO-EMS

Source Field

numDormantHandoffFailureInvalidUatiCmpltRNC

Source Section

RNCPerfByRNC (RncIS856PerfMIB)

numDormantHandoffFailureMiscPriorSessionRNC

Number of times a prior session dormant handoff on this RNC failed due to internal errors on the target RNC

Data Source

DO-EMS

Source Field

numDormantHandoffFailureMiscPriorSessionRNC

Source Section

RNCPerfByRNC (RncIS856PerfMIB)

numDormantHandoffFailureMiscRNC

Number of times an A13 dormant handoff on this RNC failed due to internal errors on the target RNC

Data Source

DO-EMS

Source Field

numDormantHandoffFailureMiscRNC

Source Section

RNCPerfByRNC (RncIS856PerfMIB)

numDormantHandoffFailureNoRncResourceRNC

Number of times a regular A13 dormant handoff on this RNC failed because of no RNC resources available.

Data Source

DO-EMS

Source Field

numDormantHandoffFailureNoRncResourceRNC

Source Section

RNCPerfByRNC (RncIS856PerfMIB)

numDormantHandoffFailureNoUatiCmpltRNC

Number of times an A13 dormant handoff on this RNC failed due to no UATI Complete Message from the AT after receiving A13 Response

Data Source

DO-EMS

Source Field

numDormantHandoffFailureNoUatiCmpltRNC

Source Section

RNCPerfByRNC (RncIS856PerfMIB)

numDormantHandoffFailureNoUatiReqRNC

Number of times an A13 dormant handoff on this RNC failed due to UATI Request never received after receiving a message with a foreign UATI

Data Source

DO-EMS

Source Field

numDormantHandoffFailureNoUatiReqRNC

Source Section

RNCPerfByRNC (RncIS856PerfMIB)

numDormantHandoffFailureRetrievedConfigUnacceptablePriorSessionRNC

Number of times a prior session dormant handoff on this RNC failed due to retrieved config attributes being unacceptable

Data Source

DO-EMS

Source Field

numDormantHandoffFailureRetrievedConfigUnacceptablePriorSessionRNC

Source Section

RNCPerfByRNC (RncIS856PerfMIB)

numDormantHandoffFailureRetrievedConfigUnacceptableRNC

Number of times an A13 dormant handoff on this RNC failed due to retrieved config attributes being unacceptable

Data Source

DO-EMS

Source Field

numDormantHandoffFailureRetrievedConfigUnacceptableRNC

Source Section

RNCPerfByRNC (RncIS856PerfMIB)

numDormantHandoffFailureRNCInitiatedClosePriorSessionRNC

Number of times a prior session A13 dormant handoff on this RNC failed due to an RNC initiated session close

Data Source

DO-EMS

Source Field

numDormantHandoffFailureRNCInitiatedClosePriorSessionRNC

Source Section

RNCPerfByRNC (RncIS856PerfMIB)

numDormantHandoffFailureRNCInitiatedCloseRNC

Number of times a regular A13 dormant handoff on this RNC failed due to an RNC initiated session close

Data Source

DO-EMS

Source Field

numDormantHandoffFailureRNCInitiatedCloseRNC

Source Section

RNCPerfByRNC (RncIS856PerfMIB)

numDormantHandoffFailureSessionConfigDuringInitialConfigPriorSessionRNC

Number of times a prior session A13 dormant handoff on this RNC failed due to a session config failure while a prior-session configuration is in progress

Data Source

DO-EMS

Source Field

numDormantHandoffFailureSessionConfigDuringInitialConfigPriorSessionRNC

Source Section

RNCPerfByRNC (RncIS856PerfMIB)

numDormantHandoffFailureSessionConfigDuringReconfigurationPriorSessionRNC

Number of times a prior session A13 dormant handoff on this RNC failed due to a session reconfiguration failure

Data Source

DO-EMS

Source Field

numDormantHandoffFailureSessionConfigDuringReconfigurationPriorSessionRNC

Source Section

RNCPerfByRNC (RncIS856PerfMIB)

numDormantHandoffFailureSessionConfigDuringReconfigurationRNC

Number of times a regular A13 dormant handoff on this RNC failed due to a session reconfiguration failure

Data Source

DO-EMS

Source Field

numDormantHandoffFailureSessionConfigDuringReconfigurationRNC

Source Section

RNCPerfByRNC (RncIS856PerfMIB)

numDormantHandoffFailureSourceUnreachablePriorSessionRNC

Number of times a prior session dormant handoff on this RNC failed due to problems sending A13 request on the socket to the source RNC

Data Source

DO-EMS

Source Field

numDormantHandoffFailureSourceUnreachablePriorSessionRNC

Source Section

RNCPerfByRNC (RncIS856PerfMIB)

numDormantHandoffFailureSourceUnreachableRNC

Number of times an A13 dormant handoff on this RNC failed due to problems sending A13 request on the socket to the source RNC

Data Source

DO-EMS

Source Field

numDormantHandoffFailureSourceUnreachableRNC

Source Section

RNCPerfByRNC (RncIS856PerfMIB)

numDormantHandoffFailureTAAfterA13RspPriorSessionRNC

Number of times a prior session dormant handoff on this RNC failed due to failing TA

Data Source

DO-EMS

Source Field

numDormantHandoffFailureTAAfterA13RspPriorSessionRNC

Source Section

RNCPerfByRNC (RncIS856PerfMIB)

numDormantHandoffFailureTAAfterA13RspRNC

Number of times an A13 dormant handoff on this RNC failed due to failing TA

Data Source

DO-EMS

Source Field

numDormantHandoffFailureTAAfterA13RspRNC

Source Section

RNCPerfByRNC (RncIS856PerfMIB)

numDormantHandoffFailureToSourceLookupFailurePriorSessionRNC

Number of times a prior session dormant handoff on this RNC failed due to source RNC lookup failure

Data Source

DO-EMS

Source Field

numDormantHandoffFailureToSourceLookupFailurePriorSessionRNC

Source Section

RNCPerfByRNC (RncIS856PerfMIB)

numDormantHandoffFailureToSourceLookupFailureRNC

Number of times an A13 dormant handoff on this RNC failed due to source RNC lookup failure.

Data Source

DO-EMS

Source Field

numDormantHandoffFailureToSourceLookupFailureRNC

Source Section

RNCPerfByRNC (RncIS856PerfMIB)

numDormantHandoffFailureUati104MatchesLocalSubnetPriorSessionRNC

Number of times a prior session A13 dormant handoff on this RNC failed because prior session UATI-104 from the AT matches the local subnet

Data Source

DO-EMS

Source Field

numDormantHandoffFailureUati104MatchesLocalSubnetPriorSessionRNC

Source Section

RNCPerfByRNC (RncIS856PerfMIB)

numDormantHandoffFailureUati104RNC

Number of times an A13 dormant handoff on this RNC failed due to a mismatch in UATI-104 retrieved from the AT

Data Source

DO-EMS

Source Field

numDormantHandoffFailureUati104RNC

Source Section

RNCPerfByRNC (RncIS856PerfMIB)

numDormantHandoffNoUatiReqAttempts

The number of A13 Dormant Handoff attempts that are initiated by an ACH signaling packet with a foreign UATI.

Data Source

DO-EMS

Source Field

numDormantHandoffNoUatiReqAttempts

Source Section

RNCPerfByRNC (RncIS856PerfMIB)

numDormantHandoffNoUatiReqFailure

The number of times an A13 dormant handoff that is initiated by a ACH message with a foreign UATI message (no subsequent UATIRequest message) resulted in a failure.

Data Source

DO-EMS

Source Field

numDormantHandoffNoUatiReqFailure

Source Section

RNCPerfByRNC (RncIS856PerfMIB)

numDormantHandoffNoUatiReqSuccesses

The number of times an A13 dormant handoff that is initiated by a ACH message with a foreign UATI message (no subsequent UATIRequest message) is successful.

Data Source

DO-EMS

Source Field

numDormantHandoffNoUatiReqSuccesses

Source Section

RNCPerfByRNC (RncIS856PerfMIB)

numDormantHandoffSuccessesPriorSessionRNC

Number of times a prior session dormant handoff succeeded on this RNC

Data Source

DO-EMS

Source Field

numDormantHandoffSuccessesPriorSessionRNC

Source Section

RNCPerfByRNC (RncIS856PerfMIB)

numDormantHandoffSuccessesRNC

Number of times an A13 dormant handoff succeeded on this RNC.

Data Source

DO-EMS

Source Field

numDormantHandoffSuccessesRNC

Source Section

RNCPerfByRNC (RncIS856PerfMIB)

NumDrcSwitchesFailedFtcDesired

DRC switches among soft handoff legs that failed because a FTC Desired indication was not received in time

Data Source

DO-EMS

Source Field

NumDrcSwitchesFailedFtcDesired

Source Section

RNCPerfByRNC (RncIS856PerfMIB)

numDscSwitchesFailedFtcDesired

The number of DSC switches among soft handoff legs that failed because a DSCSwitched indication was not received in time. This OM is pegged only when DSC switching is used.

Data Source

DO-EMS

Source Field

numDscSwitchesFailedFtcDesired

Source Section

RNCPerfByRNC (RncIS856PerfMIB)

numDscSwitchesSuccess

The total number of successful forward link DSC switches on this RNC.

Data Source

DO-EMS

Source Field

numDscSwitchesSuccess

Source Section

RNCPerfByRNC (RncIS856PerfMIB)

numDscSwitchingMulticastOccurred

When an AT's serving DOM has a DSC erasure, it sends a DSC erasure indication to its controlling RNC.

Data Source

DO-EMS

Source Field

numDscSwitchingMulticastOccurred

Source Section

RNCPerfByRNC (RncIS856PerfMIB)

numFailedRncInitiatedPages

The number of RNC initiated connection setups that failed

Data Source

DO-EMS

Source Field

numFailedRncInitiatedPages

Source Section

RNCPerfByRNC (RncIS856PerfMIB)

NumFastConnectsAttempted

DO-RNC Initiated Pages that resulted in a Fast Connect attempt

Data Source

DO-EMS

Source Field

NumFastConnectsAttempted

Source Section

RNCPerfByRNC (RncIS856PerfMIB)

numFixedModeEnableMsgsFromAt

Fixed Mode Enable messages from AT's to the RNC

Data Source

DO-EMS

Source Field

numFixedModeEnableMsgsFromAt

Source Section

RNCPerfByRNC (RncIS856PerfMIB)

numInvalidSessionsTerminated

Pegged when an existing session with an invalid IMSI is closed for any reason.

Data Source

DO-EMS

Source Field

numInvalidSessionsTerminated

Source Section

RNCPerfByRNC (RncIS856PerfMIB)

numLocationNotificationMsgsFromAt

Location Notification messages from AT's to the RNC

Data Source

DO-EMS

Source Field

numLocationNotificationMsgsFromAt

Source Section

RNCPerfByRNC (RncIS856PerfMIB)

numLocationRequestMsgsToAt

Location Request messages sent to the AT's by the RNC

Data Source

DO-EMS

Source Field

numLocationRequestMsgsToAt

Source Section

RNCPerfByRNC (RncIS856PerfMIB)

numMobilityTriggeredA10InterPcfHOREg

This OM is a counter for the total number of A10 re-registrations that are initiated on the DO-RNC/RNSM, when an Unsolicited Location Notification (ULN) message with PANID ? CANID is received from the AT when it already has an open A10-Connection with the

Data Source

DO-EMS

Source Field

numMobilityTriggeredA10InterPcfHOREg

Source Section

RNCPerfByRNC (RncIS856PerfMIB)

numMobilityTriggeredA10PANID0ReReg

This OM is a counter for the total number of A10 re-registrations that are initiated on the DO-RNC/RNSM, when an Unsolicited Location Notification (ULN) message with PANID=0 is received from the AT when it already has an open A10-Connection with the PDSN.

Data Source

DO-EMS

Source Field

numMobilityTriggeredA10PANID0ReReg

Source Section

RNCPerfByRNC (RncIS856PerfMIB)

numNisrRestorationAttemptsRNC

Counts the total number of session restoration attempts on the DORNC.

Data Source

DO-EMS

Source Field

numNisrRestorationAttemptsRNC

Source Section

NISRPerf (RncIS856PerfVer2MIB)

numNisrRestorationFailuresRNC

Counts the total number of network initiated session restoration failures on the DO-RNC.

Data Source

DO-EMS

Source Field

numNisrRestorationFailuresRNC

Source Section

NISRPerf (RncIS856PerfVer2MIB)

numNisrRestorationRetriesRNC

Counts the total number of times a SessionClose message is retransmitted to the AT by the NISR process.

Data Source

DO-EMS

Source Field

numNisrRestorationRetriesRNC

Source Section

NISRPerf (RncIS856PerfVer2MIB)

numNisrRestorationSuccessesRNC

Counts the total number of network initiated session restoration successes on the DO-RNC.

Data Source

DO-EMS

Source Field

numNisrRestorationSuccessesRNC

Source Section

NISRPerf (RncIS856PerfVer2MIB)

NumPageMessagesToAt

Page Message was actually sent to the Access Terminal to facilitate the setup of a connection. It does not include the Fast Connect.

Data Source

DO-EMS

Source Field

NumPageMessagesToAt

Source Section

RNCPerfByRNC (RncIS856PerfMIB)

numPageReqsWhileOpen

The number of times an application requested a connection to an Access Terminal while an active connection to that Access Terminal is already present.

Data Source

DO-EMS

Source Field

numPageReqsWhileOpen

Source Section

RNCPerfByRNC (RncIS856PerfMIB)

numPageReqsWhileSettingUp

An application requested a connection to an AT while a connection setup to that AT was in progress

Data Source

DO-EMS

Source Field

numPageReqsWhileSettingUp

Source Section

RNCPerfByRNC (RncIS856PerfMIB)

numPageReqsWhileTearingDown

An application requested a connection to an AT while an active connection to that AT was being torn down

Data Source

DO-EMS

Source Field

numPageReqsWhileTearingDown

Source Section

RNCPerfByRNC (RncIS856PerfMIB)

numPagesSucceeded

An application requested a connection to an Access Terminal while a connection setup to that Access Terminal was in progress

Data Source

DO-EMS

Source Field

numPagesSucceeded

Source Section

RNCPerfByRNC (RncIS856PerfMIB)

numRevLinkSHOAborted

The number of reverse link soft handoffs that were aborted because the connection closed for reasons other than reverse link soft handoff failures, blocks or timeouts.

Data Source

DO-EMS

Source Field

numRevLinkSHOAborted

Source Section

RNCPerfByRNC (RncIS856PerfMIB)

NumRevLinkSHOAttempts

The number of reverse link SHO attempts

Data Source

DO-EMS

Source Field

NumRevLinkSHOAttempts

Source Section

RNCPerfByRNC (RncIS856PerfMIB)

NumRevLinkSHOBlockedByRn

Reverse link soft handoffs blocked by RN resource allocation

Data Source

DO-EMS

Source Field

NumRevLinkSHOBlockedByRn

Source Section

RNCPerfByRNC (RncIS856PerfMIB)

NumRevLinkSHOBlockedByRncResources

Reverse link soft handoffs blocked by DO-RNC resource allocation

Data Source

DO-EMS

Source Field

NumRevLinkSHOBlockedByRncResources

Source Section

RNCPerfByRNC (RncIS856PerfMIB)

NumRevLinkSHOFailedByRn

Reverse link soft handoffs failed by RN resource allocation

Data Source

DO-EMS

Source Field

NumRevLinkSHOFailedByRn

Source Section

RNCPerfByRNC (RncIS856PerfMIB)

NumRevLinkSHOFailedByRncResources

Reverse link soft handoffs failed by DO-RNC resource allocation

Data Source

DO-EMS

Source Field

NumRevLinkSHOFailedByRncResources

Source Section

RNCPerfByRNC (RncIS856PerfMIB)

NumRevLinkSHOFailedTccTimeout

Reverse link soft handoffs failed because the Traffic Channel Complete message was not received from the Access Terminal in time

Data Source

DO-EMS

Source Field

NumRevLinkSHOFailedTccTimeout

Source Section

RNCPerfByRNC (RncIS856PerfMIB)

NumRevLinkSHOFailRncTimeout

Reverse link soft handoffs failed because resource allocation/release on the DO-RNC did not complete in time

Data Source

DO-EMS

Source Field

NumRevLinkSHOFailRncTimeout

Source Section

RNCPerfByRNC (RncIS856PerfMIB)

NumRevLinkSHOSuccess

The number of reverse link SHO successes

Data Source

DO-EMS

Source Field

NumRevLinkSHOSuccess

Source Section

RNCPerfByRNC (RncIS856PerfMIB)

numRncInitiatedPages

The total number of pages succeeded on this RNC

Data Source

DO-EMS

Source Field

numRncInitiatedPages

Source Section

RNCPerfByRNC (RncIS856PerfMIB)

numRnHomedCurRnc

Total number of RNs currently homed on this RNC

Data Source

DO-EMS

Source Field

numRnHomedCurRnc

Source Section

RNCResourceControl (RncResourceControlMIB)

numSessCfgFailedAbnormalConnectionClose

Pegged when the connection in use for session configuration negotiation between the AT and AN is abnormally closed.

Data Source

DO-EMS

Source Field

numSessCfgFailedAbnormalConnectionClose

Source Section

RNCPerfByRNC (RncIS856PerfMIB)

numSessCfgFailedConfigCompleteTimeout

Pegged when the RNC has not received a configuration complete message from the AT within the mandated time interval.

Data Source

DO-EMS

Source Field

numSessCfgFailedConfigCompleteTimeout

Source Section

RNCPerfByRNC (RncIS856PerfMIB)

numSessCfgFailedIndividualProtocolConfiguration

Pegged when protocol negotiation between the AT and AN fails for a specific protocol.

Data Source

DO-EMS

Source Field

numSessCfgFailedIndividualProtocolConfiguration

Source Section

RNCPerfByRNC (RncIS856PerfMIB)

numSessCfgFailedTransmitConfigCompleteTimeout

Pegged when the RNC has not transmitted a configuration complete message to the AT within the mandated time interval.

Data Source

DO-EMS

Source Field

numSessCfgFailedTransmitConfigCompleteTimeout

Source Section

RNCPerfByRNC (RncIS856PerfMIB)

numSessCfgPostA13ReconfNeededRNC

The total number of times the Session Configuration State Machine performs a re-negotiation of the protocols associated with an A13-Dormant handoff retrieved session.

Data Source

DO-EMS

Source Field

numSessCfgPostA13ReconfNeededRNC

Source Section

RNCPerfByRNC (RncIS856PerfMIB)

numSessionInstancesCreated

The total number of session instances that are created on the DO-RNC / RNSM when a signaling message is received with any unknown ATI

Data Source

DO-EMS

Source Field

numSessionInstancesCreated

Source Section

RNCPerfByRNC (RncIS856PerfMIB)

numSessionInstancesCreatedWithUnknownLocalUATI

The total number of session instances that are created on the DO-RNC / RNSM, when an access channel message is received with an unknown local UATI.

Data Source

DO-EMS

Source Field

numSessionInstancesCreatedWithUnknownLocalUATI

Source Section

RNCPerfByRNC (RncIS856PerfMIB)

NumSessionSetupAttempts

Total number of Session setup attempts

Data Source

DO-EMS

Source Field

NumSessionSetupAttempts

Source Section

RNCPerfByRNC (RncIS856PerfMIB)

NumSessionSetupsBlockedToNoRncResource

Total number of Session Setups blocked because of No DO-RNC Resource

Data Source

DO-EMS

Source Field

NumSessionSetupsBlockedToNoRncResource

Source Section

RNCPerfByRNC (RncIS856PerfMIB)

numSessionSetupsFailedToATInitiatedSessionClose

The total number of regular session-setups that are aborted on a DO-RNC / RNSM, when a standardized SessionClose message is received from the AT past the UATI Assignment stage of the 1xEV-DO session setup process.

Data Source

DO-EMS

Source Field

numSessionSetupsFailedToATInitiatedSessionClose

Source Section

RNCPerfByRNC (RncIS856PerfMIB)

numSessionSetupsFailedToInvldHwIdType

The total number of regular session setup attempts that are aborted when an invalid Hardware ID ?type? is received from the AT

Data Source

DO-EMS

Source Field

numSessionSetupsFailedToInvldHwIdType

Source Section

RNCPerfByRNC (RncIS856PerfMIB)

numSessionSetupsFailedToInvldHwIdValue

The total number of regular session setup attempts that are aborted when the DO-RNC receives an invalid HardwareID ?value? from the AT

Data Source

DO-EMS

Source Field

numSessionSetupsFailedToInvldHwIdValue

Source Section

RNCPerfByRNC (RncIS856PerfMIB)

numSessionSetupsFailedToInvldUATICmpltSeqNum

The total number of regular session setup attempts that are aborted when the DO-RNC / RNSM fails to receive a ?valid? UATIComplete message from the AT

Data Source

DO-EMS

Source Field

numSessionSetupsFailedToInvldUATICmpltSeqNum

Source Section

RNCPerfByRNC (RncIS856PerfMIB)

NumSessionSetupsFailedToOtherCauses

Total number of Session Setups failed due to other causes

Data Source

DO-EMS

Source Field

NumSessionSetupsFailedToOtherCauses

Source Section

RNCPerfByRNC (RncIS856PerfMIB)

numSessionSetupsFailedToRNCInitiatedSessionClose

The total number of regular session-setups that are aborted on the DO-RNC / RNSM, when a (local) user-initiated request to close a session is received on that DO-RNC.

Data Source

DO-EMS

Source Field

numSessionSetupsFailedToRNCInitiatedSessionClose

Source Section

RNCPerfByRNC (RncIS856PerfMIB)

NumSessionSetupsFailedToSessionConfig

Total number of Session Setups failed due to the Session Configuration failure

Data Source

DO-EMS

Source Field

NumSessionSetupsFailedToSessionConfig

Source Section

RNCPerfByRNC (RncIS856PerfMIB)

numSessionSetupsFailedToSessionInfoConfirm

The total number of regular session setup attempts that are aborted on the DO-RNC / RNSM, when an A13-Confirmation message is received on the source RNC after the associated session instance is successfully transferred to the target RNC.

Data Source

DO-EMS

Source Field

numSessionSetupsFailedToSessionInfoConfirm

Source Section

RNCPerfByRNC (RncIS856PerfMIB)

NumSessionSetupsFailedToTermAuth

Total number of Session Setups failed due to Terminal Authentication failure

Data Source

DO-EMS

Source Field

NumSessionSetupsFailedToTermAuth

Source Section

RNCPerfByRNC (RncIS856PerfMIB)

numSessionSetupsFailedToUATICmpltTimeout

The total number of regular session setup attempts that are aborted when the DO-RNC / RNSM fails to receive a UATIComplete message from the AT

Data Source

DO-EMS

Source Field

numSessionSetupsFailedToUATICmpltTimeout

Source Section

RNCPerfByRNC (RncIS856PerfMIB)

NumSessionSetupSuccessful

Total number of Session setups that were successful

Data Source

DO-EMS

Source Field

NumSessionSetupSuccessful

Source Section

RNCPerfByRNC (RncIS856PerfMIB)

NumSessionsTerminatedToAtClose

Total number of successfully established Sessions terminated due to the AT sending a 'Session Close'.

Data Source

DO-EMS

Source Field

NumSessionsTerminatedToAtClose

Source Section

RNCPerfByRNC (RncIS856PerfMIB)

NumSessionsTerminatedToAtIdRspTimeout

Total number of sessions terminated due to AT Id Response Timeout. Note that it is a session setup failure, not a session termination.

Data Source

DO-EMS

Source Field

NumSessionsTerminatedToAtIdRspTimeout

Source Section

RNCPerfByRNC (RncIS856PerfMIB)

NumSessionsTerminatedToHwIdRspFailure

Total number of sessions terminated due to Hardware Id Response Failure. Note that it is a session setup failure, not a session termination.

Data Source

DO-EMS

Source Field

NumSessionsTerminatedToHwIdRspFailure

Source Section

RNCPerfByRNC (RncIS856PerfMIB)

NumSessionsTerminatedToInstantClose

Total number of sessions terminated due to instant close

Data Source

DO-EMS

Source Field

NumSessionsTerminatedToInstantClose

Source Section

RNCPerfByRNC (RncIS856PerfMIB)

NumSessionsTerminatedToKeepAliveTimeout

Total number of successfully established Sessions due to Keep Alive Timeouts

Data Source

DO-EMS

Source Field

NumSessionsTerminatedToKeepAliveTimeout

Source Section

RNCPerfByRNC (RncIS856PerfMIB)

NumSessionsTerminatedToLocalClose

Successfully established sessions terminated due to the session being closed locally

Data Source

DO-EMS

Source Field

NumSessionsTerminatedToLocalClose

Source Section

RNCPerfByRNC (RncIS856PerfMIB)

NumSessionsTerminatedToReceivingUatiReq

Successfully established Sessions terminated due to a UATI Request from the AT when the Session is already established for that AT

Data Source

DO-EMS

Source Field

NumSessionsTerminatedToReceivingUatiReq

Source Section

RNCPerfByRNC (RncIS856PerfMIB)

NumSessionsTerminatedToSessionConfigFailure

Successfully established sessions terminated due to the Session Configuration failure

Data Source

DO-EMS

Source Field

NumSessionsTerminatedToSessionConfigFailure

Source Section

RNCPerfByRNC (RncIS856PerfMIB)

numSessionsTerminatedToSessionInfoConfirm

This OM counts the total number of successfully established DO-sessions that are terminated on the DO-RNC / RNSM on the source RNC, when an A13-Session Information Confirm Message is received after the associated session instance is successfully transferr

Data Source

DO-EMS

Source Field

numSessionsTerminatedToSessionInfoConfirm

Source Section

RNCPerfByRNC (RncIS856PerfMIB)

numSessionsTerminatedToTermAuth

The number of sessions closed due to TA failure on the DO-RNC.

Data Source

DO-EMS

Source Field

numSessionsTerminatedToTermAuth

Source Section

RNCPerfByRNC (RncIS856PerfMIB)

NumSessionsTerminatedToUnknownLocalUati

Total number of sessions terminated by the DO RNC due to unknown UATI

Data Source

DO-EMS

Source Field

NumSessionsTerminatedToUnknownLocalUati

Source Section

RNCPerfByRNC (RncIS856PerfMIB)

numSessionTermDueToTaReauthIMSIDifferent

Number of sessions closed on the DO-RNC because the AN-AAA server returns an IMSI that is different from the existing IMSI on the RNC during TA re-auth.

Data Source

DO-EMS

Source Field

numSessionTermDueToTaReauthIMSIDifferent

Source Section

RNCPerfByRNC (RncIS856PerfMIB)

numSessionTermDueToTaReauthNoTaStream

Number of sessions closed on the DO-RNC because no TA stream is allocated for session.

Data Source

DO-EMS

Source Field

numSessionTermDueToTaReauthNoTaStream

Source Section

RNCPerfByRNC (RncIS856PerfMIB)

numSessionTermDueToTaReauthReject

Number of sessions closed on the DO-RNC because an A12 Access- Reject message is received from the AN-AAA server during TA re-auth.

Data Source

DO-EMS

Source Field

numSessionTermDueToTaReauthReject

Source Section

RNCPerfByRNC (RncIS856PerfMIB)

numSntpFailure

number of Sntp Failure

Data Source

DO-EMS

Source Field

numSntpFailure

Source Section

RNCPerfByRNC (RncIS856PerfMIB)

numSntpNegativeTimeCalculations

number of Sntp Negative Time Calculations

Data Source

DO-EMS

Source Field

numSntpNegativeTimeCalculations

Source Section

RNCPerfByRNC (RncIS856PerfMIB)

numSToCCrossovers

The number of connections that were opened before the demarcation point but were closed normally or abnormally after the demarcation point for Rev-0 personality ATs.

Data Source

DO-EMS

Source Field

numSToCCrossovers where atDescriptor=1

Source Section

RNCPerfExtnByRNC (RncIS856PerfExtensionMIB)

numSToCCrossovers_RevA

The number of connections that were opened before the demarcation point but were closed normally or abnormally after the demarcation point for Rev-A personality ATs.

Data Source

DO-EMS

Source Field

numSToCCrossovers where atDescriptor=2

Source Section

RNCPerfExtnByRNC (RncIS856PerfExtensionMIB)

numTotalDormantHandoffFailurePriorSessionRNC

Total Number of times a prior session A13 dormant handoff on this RNC failed

Data Source

DO-EMS

Source Field

numTotalDormantHandoffFailurePriorSessionRNC

Source Section

RNCPerfByRNC (RncIS856PerfMIB)

numTotalDormantHandoffFailureRNC

Total Number of times a regular A13 dormant handoff on this RNC failed

Data Source

DO-EMS

Source Field

numTotalDormantHandoffFailureRNC

Source Section

RNCPerfByRNC (RncIS856PerfMIB)

NumTotalSuccessSHO

The total number of DRCs switched on this DO-RNC

Data Source

DO-EMS

Source Field

NumTotalSuccessSHO

Source Section

RNCPerfByRNC (RncIS856PerfMIB)

numULNRcvdForInvalidSessions

Pegs when an ULN message is received for an invalid session..

Data Source

DO-EMS

Source Field

numULNRcvdForInvalidSessions

Source Section

RNCPerfByRNC (RncIS856PerfMIB)

numULNRcvdForUnAuthSessions

The number of ULNs received for the "Yet to Auth" sessions on the DO-RNC which trigger a TA attempt.

Data Source

DO-EMS

Source Field

numULNRcvdForUnAuthSessions

Source Section

RNCPerfByRNC (RncIS856PerfMIB)

numUnAuthSessionsTerminated

The number of Yet to Auth sessions closed on the DO-RNC.

Data Source

DO-EMS

Source Field

numUnAuthSessionsTerminated

Source Section

RNCPerfByRNC (RncIS856PerfMIB)

permanentRlpLossOfSync

RLP has permanently lost synchronization leading to a connection close

Data Source

DO-EMS

Source Field

permanentRlpLossOfSync

Source Section

RNCPerfByRNC (RncIS856PerfMIB)

ReliableA11PktsReceived

Number of reliable A11 packets received from the PDSN

Data Source

DO-EMS

Source Field

ReliableA11PktsReceived

Source Section

A10A11BytePacketCountByRNC (RncPcfPerformanceMIB)

ReliableA11PktsRetransmitted

Number of reliable A11 packets retransmitted

Data Source

DO-EMS

Source Field

ReliableA11PktsRetransmitted

Source Section

A10A11BytePacketCountByRNC (RncPcfPerformanceMIB)

ReliableA11PktsSentSuccess

Number of reliable A11 packets sent successfully

Data Source

DO-EMS

Source Field

ReliableA11PktsSentSuccess

Source Section

A10A11BytePacketCountByRNC (RncPcfPerformanceMIB)

ReverseRlpBytes

Number of RLP Bytes received in the reverse direction

Data Source

DO-EMS

Source Field

ReverseRlpBytes

Source Section

RNCBytePacketCountByRNC (RncIS856PerfMIB)

ReverseRlpResets

Reverse RLP Reset Attempts

Data Source

DO-EMS

Source Field

ReverseRlpResets

Source Section

RNCBytePacketCountByRNC (RncIS856PerfMIB)

sNumATInitiatedPageResponses_Rev0

The number of AT initiated ConnectionRequest messages that were received before the demarcation point during any paging cycle for Rev-0 personality ATs.

Data Source

DO-EMS

Source Field

sNumATInitiatedPageResponses where atDescriptor=1

Source Section

RNCPerfExtnByRNC (RncIS856PerfExtensionMIB)

sNumATInitiatedPageResponses_RevA

The number of AT initiated ConnectionRequest messages that were received before the demarcation point during any paging cycle for Rev-A personality ATs.

Data Source

DO-EMS

Source Field

sNumATInitiatedPageResponses where atDescriptor=2

Source Section

RNCPerfExtnByRNC (RncIS856PerfExtensionMIB)

sNumATReportedTuneAwayDrops_Rev0

Number of times a Rev-0 connection failure record from rev-A ATs (RevA AT sends this record regardless of personality type), via IS856-A connection failure reporting message, is received by the RNC indicating connection failures due to the AT tuning away to 3G1X network while connected to 1xEVDO network and the timestamp reported in connection failure record is within 10 seconds of last RF related drop (FTC stopped timestamp stored at the RNC).

Data Source

DO-EMS

Source Field

sNumATReportedTuneAwayDrops where atDescriptor=1

Source Section

RNCPerfExtnByRNC (RncIS856PerfExtensionMIB)

sNumATReportedTuneAwayDrops_RevA

Number of times a Rev-A connection failure record from rev-A ATs (RevA AT sends this record regardless of personality type), via IS856-A connection failure reporting message, is received by the RNC indicating connection failures due to the AT tuning away to 3G1X network while connected to 1xEVDO network and the timestamp reported in connection failure record is within 10 seconds of last RF related drop (FTC stopped timestamp stored at the RNC).

Data Source

DO-EMS

Source Field

sNumATReportedTuneAwayDrops where atDescriptor=2

Source Section

RNCPerfExtnByRNC (RncIS856PerfExtensionMIB)

sNumConnectionRequestAttemptsAfterA13FromAT_Rev0

The number of times a Rev-0 connection request, that was previously buffered pending the outcome of the A13 handoff, has been initiated.

Data Source

DO-EMS

Source Field

sNumConnectionRequestAttemptsAfterA13FromAT where atDescriptor=1

Source Section

RNCPerfExtnByRNC (RncIS856PerfExtensionMIB)

sNumConnectionRequestAttemptsAfterA13FromAT_RevA

The number of times a Rev-A connection request, that was previously buffered pending the outcome of the A13 handoff, has been initiated.

Data Source

DO-EMS

Source Field

sNumConnectionRequestAttemptsAfterA13FromAT where atDescriptor=2

Source Section

RNCPerfExtnByRNC (RncIS856PerfExtensionMIB)

sNumConnectionRequestFailureAfterA13FromAT_Rev0

The number of times a Rev-0 connection request attempt (made after a successful no UATI initiated A13 Handoff) failed.

Data Source

DO-EMS

Source Field

sNumConnectionRequestFailureAfterA13FromAT where atDescriptor=1

Source Section

RNCPerfExtnByRNC (RncIS856PerfExtensionMIB)

sNumConnectionRequestFailureAfterA13FromAT_RevA

The number of times a Rev-A connection request attempt (made after a successful no UATI initiated A13 Handoff) failed.

Data Source

DO-EMS

Source Field

sNumConnectionRequestFailureAfterA13FromAT where atDescriptor=2

Source Section

RNCPerfExtnByRNC (RncIS856PerfExtensionMIB)

sNumConnectionRequestSuccessesAfterA13FromAT_Rev0

The number of times a Rev-0 connection request attempt (made after a successful no UATI initiated A13 Handoff) is successful.

Data Source

DO-EMS

Source Field

sNumConnectionRequestSuccessesAfterA13FromAT where atDescriptor=1

Source Section

RNCPerfExtnByRNC (RncIS856PerfExtensionMIB)

sNumConnectionRequestSuccessesAfterA13FromAT_RevA

The number of times a Rev-A connection request attempt (made after a successful no UATI initiated A13 Handoff) is successful.

Data Source

DO-EMS

Source Field

sNumConnectionRequestSuccessesAfterA13FromAT where atDescriptor=2

Source Section

RNCPerfExtnByRNC (RncIS856PerfExtensionMIB)

sNumConnectionsClosedNormalBeforeTCC_Rev0

Pegs before demarcation point when a Rev-0 DO Connection is closed by the AT with reason as normal or movedto3G1x in connection close message before sending TCC.

Data Source

DO-EMS

Source Field

sNumConnectionsClosedNormalBeforeTCC where atDescriptor=1

Source Section

RNCPerfExtnByRNC (RncIS856PerfExtensionMIB)

sNumConnectionsClosedNormalBeforeTCC_RevA

Pegs before demarcation point when a Rev-A DO Connection is closed by the AT with reason as normal or movedto3G1x in connection close message before sending TCC.

Data Source

DO-EMS

Source Field

sNumConnectionsClosedNormalBeforeTCC where atDescriptor=2

Source Section

RNCPerfExtnByRNC (RncIS856PerfExtensionMIB)

sNumConnectionsClosedNormalBeforeTCCDuringSRAfterDC_Rev0

This OM is pegged after demarcation point when Rev-0 DO Connection is closed by the AT before Traffic Channel Complete with a reason code of normal or movedto3G1x during the silent retry period after a dropped call.

Data Source

DO-EMS

Source Field

sNumConnectionsClosedNormalBeforeTCCDuringSRAfterDC where atDescriptor=1

Source Section

RNCPerfExtnByRNC (RncIS856PerfExtensionMIB)

sNumConnectionsClosedNormalBeforeTCCDuringSRAfterDC_RevA

This OM is pegged after demarcation point when Rev-A DO Connection is closed by the AT before Traffic Channel Complete with a reason code of normal or movedto3G1x during the silent retry period after a dropped call.

Data Source

DO-EMS

Source Field

sNumConnectionsClosedNormalBeforeTCCDuringSRAfterDC where atDescriptor=2

Source Section

RNCPerfExtnByRNC (RncIS856PerfExtensionMIB)

sNumConnectionsClosedNormalBeforeTCCDuringSRAfterFCA_Rev0

This OM is pegged before demarcation point when Rev-0 DO Connections closed by the AT before Traffic Channel Complete with a reason code of normal or movedto3G1x during the silent retry period after failed call attempt.

Data Source

DO-EMS

Source Field

sNumConnectionsClosedNormalBeforeTCCDuringSRAfterFCA where atDescriptor=1

Source Section

RNCPerfExtnByRNC (RncIS856PerfExtensionMIB)

sNumConnectionsClosedNormalBeforeTCCDuringSRAfterFCA_RevA

This OM is pegged before demarcation point when Rev-A DO Connections closed by the AT before Traffic Channel Complete with a reason code of normal or movedto3G1x during the silent retry period after failed call attempt.

Data Source

DO-EMS

Source Field

sNumConnectionsClosedNormalBeforeTCCDuringSRAfterFCA where atDescriptor=2

Source Section

RNCPerfExtnByRNC (RncIS856PerfExtensionMIB)

sNumConnectionSetupAttempts

The number of DO connection setup attempts made before the demarcation point for Rev-0 personality ATs.

Data Source

DO-EMS

Source Field

sNumConnectionSetupAttempts where atDescriptor=1

Source Section

RNCPerfExtnByRNC (RncIS856PerfExtensionMIB)

sNumConnectionSetupAttempts_RevA

The number of DO connection setup attempts made before the demarcation point for Rev-A personality ATs.

Data Source

DO-EMS

Source Field

sNumConnectionSetupAttempts where atDescriptor=2

Source Section

RNCPerfExtnByRNC (RncIS856PerfExtensionMIB)

sNumConnectionSetupsAbortNormalA10Close_Rev0

Setup Number of Connection Setups Abort Normal A10 Close for Rev-0 personality ATs from Template RNCPerfExtnByRNC_R4.0.

Data Source

DO-EMS

Source Field

sNumConnectionSetupsAbortNormalA10Close where atDescriptor=1

Source Section

RNCPerfExtnByRNC (RncIS856PerfExtensionMIB)

sNumConnectionSetupsAbortNormalA10Close_RevA

Setup Number of Connection Setups Abort Normal A10 Close for Rev-A personality ATs from Template RNCPerfExtnByRNC_R4.0.

Data Source

DO-EMS

Source Field

sNumConnectionSetupsAbortNormalA10Close where atDescriptor=2

Source Section

RNCPerfExtnByRNC (RncIS856PerfExtensionMIB)

sNumConnectionSetupsAbortRedirectTriggers_Rev0

Connection setup attempts that were aborted before the demarcation point because the RNC redirected the AT to an alternate carrier on receiving connection request for Rev-0 personality ATs.

Data Source

DO-EMS

Source Field

sNumConnectionSetupsAbortRedirectTriggers where atDescriptor=1

Source Section

RNCPerfExtnByRNC (RncIS856PerfExtensionMIB)

sNumConnectionSetupsAbortRedirectTriggers_RevA

Connection setup attempts that were aborted before the demarcation point because the RNC redirected the AT to an alternate carrier on receiving connection request for Rev-A personality ATs.

Data Source

DO-EMS

Source Field

sNumConnectionSetupsAbortRedirectTriggers where atDescriptor=2

Source Section

RNCPerfExtnByRNC (RncIS856PerfExtensionMIB)

sNumConnectionSetupSuccess

The number of DO connections successfully opened before the demarcation point for Rev-0 personality ATs.

Data Source

DO-EMS

Source Field

sNumConnectionSetupSuccess where atDescriptor=1

Source Section

RNCPerfExtnByRNC (RncIS856PerfExtensionMIB)

sNumConnectionSetupSuccess_RevA

The number of DO connections successfully opened before the demarcation point for Rev-A personality ATs.

Data Source

DO-EMS

Source Field

sNumConnectionSetupSuccess where atDescriptor=2

Source Section

RNCPerfExtnByRNC (RncIS856PerfExtensionMIB)

sNumFirstPageResponses_Rev0

The number of page responses that were received before the demarcation point from the AT in a paging cycle, in response to the 1st Page Message that was sent from the AN for Rev-0 personality ATs.

Data Source

DO-EMS

Source Field

sNumFirstPageResponses where atDescriptor=1

Source Section

RNCPerfExtnByRNC (RncIS856PerfExtensionMIB)

sNumFirstPageResponses_RevA

The number of page responses that were received before the demarcation point from the AT in a paging cycle, in response to the 1st Page Message that was sent from the AN for Rev-A personality ATs.

Data Source

DO-EMS

Source Field

sNumFirstPageResponses where atDescriptor=2

Source Section

RNCPerfExtnByRNC (RncIS856PerfExtensionMIB)

sNumHHODrops_Rev0

Connections that were dropped before the demarcation point, due to unsuccessful inter frequency hard handoffs for Rev-0 personality ATs.

Data Source

DO-EMS

Source Field

sNumHHODrops where atDescriptor=1

Source Section

RNCPerfExtnByRNC (RncIS856PerfExtensionMIB)

sNumHHODrops_RevA

Connections that were dropped before the demarcation point, due to unsuccessful inter frequency hard handoffs for Rev-A personality ATs.

Data Source

DO-EMS

Source Field

sNumHHODrops where atDescriptor=2

Source Section

RNCPerfExtnByRNC (RncIS856PerfExtensionMIB)

sNumHHODropsBlockedByRn_Rev0

Connections that were dropped before the demarcation point, due to unsuccessful inter frequency hard handoff because the RNC received explicit block for resource allocation from at least one of the RNs involved in the hard handoff for Rev-0 personality ATs.

Data Source

DO-EMS

Source Field

sNumHHODropsBlockedByRn where atDescriptor=1

Source Section

RNCPerfExtnByRNC (RncIS856PerfExtensionMIB)

sNumHHODropsBlockedByRn_RevA

Connections that were dropped before the demarcation point, due to unsuccessful inter frequency hard handoff because the RNC received explicit block for resource allocation from at least one of the RNs involved in the hard handoff for Rev-A personality ATs.

Data Source

DO-EMS

Source Field

sNumHHODropsBlockedByRn where atDescriptor=2

Source Section

RNCPerfExtnByRNC (RncIS856PerfExtensionMIB)

sNumHHODropsFTCDesriedAndRTCAcquiredNotRx_Rev0

Connections that were dropped before the demarcation point, due to unsuccessful inter frequency hard handoff because Target Carrier Acquired indication was not received but the Source Carrier Lost indication was received within the timeout interval: this implies that there was no available link left with the AT and so the connection was closed for Rev-0 personality ATs.

Data Source

DO-EMS

Source Field

sNumHHODropsFTCDesriedAndRTCAcquiredNotRx where atDescriptor=1

Source Section

RNCPerfExtnByRNC (RncIS856PerfExtensionMIB)

sNumHHODropsFTCDesriedAndRTCAcquiredNotRx_RevA

Connections that were dropped before the demarcation point, due to unsuccessful inter frequency hard handoff because Target Carrier Acquired indication was not received but the Source Carrier Lost indication was received within the timeout interval: this implies that there was no available link left with the AT and so the connection was closed for Rev-A personality ATs.

Data Source

DO-EMS

Source Field

sNumHHODropsFTCDesriedAndRTCAcquiredNotRx where atDescriptor=2

Source Section

RNCPerfExtnByRNC (RncIS856PerfExtensionMIB)

sNumIncomingPersonalityChangeTriggers_Rev0

Number of times a trigger was generated before the demarcation point, to change the Rev-A capable AT from the source personality to the target personality during connection set-up for Rev-0 personality ATs.

Data Source

DO-EMS

Source Field

sNumIncomingPersonalityChangeTriggers where atDescriptor=1

Source Section

RNCPerfExtnByRNC (RncIS856PerfExtensionMIB)

sNumIncomingPersonalityChangeTriggers_RevA

Number of times a trigger was generated before the demarcation point, to change the Rev-A capable AT from the source personality to the target personality during connection set-up for Rev-A personality ATs.

Data Source

DO-EMS

Source Field

sNumIncomingPersonalityChangeTriggers where atDescriptor=2

Source Section

RNCPerfExtnByRNC (RncIS856PerfExtensionMIB)

sNumMiscDrops

The number of open DO connections that are dropped (abnormally closed) before the demarcation point due to reasons other than RF related issues and soft handoff failures for Rev-0 personality ATs.

Data Source

DO-EMS

Source Field

sNumMiscDrops where atDescriptor=1

Source Section

RNCPerfExtnByRNC (RncIS856PerfExtensionMIB)

sNumMiscDrops_RevA

The number of open DO connections that are dropped (abnormally closed) before the demarcation point due to reasons other than RF related issues and soft handoff failures for Rev-A personality ATs.

Data Source

DO-EMS

Source Field

sNumMiscDrops where atDescriptor=2

Source Section

RNCPerfExtnByRNC (RncIS856PerfExtensionMIB)

sNumMiscDropsAbnormalCloseBySession_Rev0

Connections that were dropped before the demarcation point because the SSM requested the CSM to close the connection abnormally for Rev-0 personality ATs.

Data Source

DO-EMS

Source Field

sNumMiscDropsAbnormalCloseBySession where atDescriptor=1

Source Section

RNCPerfExtnByRNC (RncIS856PerfExtensionMIB)

sNumMiscDropsAbnormalCloseBySession_RevA

Connections that were dropped before the demarcation point because the SSM requested the CSM to close the connection abnormally for Rev-A personality ATs.

Data Source

DO-EMS

Source Field

sNumMiscDropsAbnormalCloseBySession where atDescriptor=2

Source Section

RNCPerfExtnByRNC (RncIS856PerfExtensionMIB)

sNumMiscDropsDueToRLP_Rev0

Number of times the connection was dropped before the demarcation point at the request of the Radio Link Protocol for Rev-0 personality ATs.

Data Source

DO-EMS

Source Field

sNumMiscDropsDueToRLP where atDescriptor=1

Source Section

RNCPerfExtnByRNC (RncIS856PerfExtensionMIB)

sNumMiscDropsDueToRLP_RevA

Number of times the connection was dropped before the demarcation point at the request of the Radio Link Protocol for Rev-A personality ATs.

Data Source

DO-EMS

Source Field

sNumMiscDropsDueToRLP where atDescriptor=2

Source Section

RNCPerfExtnByRNC (RncIS856PerfExtensionMIB)

sNumMiscDropsInternalError_Rev0

Connections that were dropped before the demarcation point due to internal software errors for Rev-0 personality ATs.

Data Source

DO-EMS

Source Field

sNumMiscDropsInternalError where atDescriptor=1

Source Section

RNCPerfExtnByRNC (RncIS856PerfExtensionMIB)

sNumMiscDropsInternalError_RevA

Connections that were dropped before the demarcation point due to internal software errors for Rev-A personality ATs.

Data Source

DO-EMS

Source Field

sNumMiscDropsInternalError where atDescriptor=2

Source Section

RNCPerfExtnByRNC (RncIS856PerfExtensionMIB)

sNumMiscDropsSectorDown_Rev0

Connections that were dropped before the demarcation point because there is only one pilot available for the connection and a sector down indication has been received for that pilot for Rev-0 personality ATs.

Data Source

DO-EMS

Source Field

sNumMiscDropsSectorDown where atDescriptor=1

Source Section

RNCPerfExtnByRNC (RncIS856PerfExtensionMIB)

sNumMiscDropsSectorDown_RevA

Connections that were dropped before the demarcation point because there is only one pilot available for the connection and a sector down indication has been received for that pilot for Rev-A personality ATs.

Data Source

DO-EMS

Source Field

sNumMiscDropsSectorDown where atDescriptor=2

Source Section

RNCPerfExtnByRNC (RncIS856PerfExtensionMIB)

sNumMiscDropsStateMismatch_Rev0

Connections that were dropped before the demarcation point when the RNC finds a state mismatch between itself and the AT for Rev-0 personality ATs.

Data Source

DO-EMS

Source Field

sNumMiscDropsStateMismatch where atDescriptor=1

Source Section

RNCPerfExtnByRNC (RncIS856PerfExtensionMIB)

sNumMiscDropsStateMismatch_RevA

Connections that were dropped before the demarcation point when the RNC finds a state mismatch between itself and the AT for Rev-A personality ATs.

Data Source

DO-EMS

Source Field

sNumMiscDropsStateMismatch where atDescriptor=2

Source Section

RNCPerfExtnByRNC (RncIS856PerfExtensionMIB)

sNumMiscFCA

The number of DO Connection attempts that failed before the demarcation point due to reasons other than RF related or resource related issues for Rev-0 personality ATs.

Data Source

DO-EMS

Source Field

sNumMiscFCA where atDescriptor=1

Source Section

RNCPerfExtnByRNC (RncIS856PerfExtensionMIB)

sNumMiscFCA_RevA

The number of DO Connection attempts that failed before the demarcation point due to reasons other than RF related or resource related issues for Rev-A personality ATs.

Data Source

DO-EMS

Source Field

sNumMiscFCA where atDescriptor=2

Source Section

RNCPerfExtnByRNC (RncIS856PerfExtensionMIB)

sNumMiscFCAA10Related_Rev0

Connection set-ups that failed before the demarcation point because either there was a failure in setting up the A10 connection or the RNC closed the open A10 connection for Rev-0 personality ATs.

Data Source

DO-EMS

Source Field

sNumMiscFCAA10Related where atDescriptor=1

Source Section

RNCPerfExtnByRNC (RncIS856PerfExtensionMIB)

sNumMiscFCAA10Related_RevA

Connection set-ups that failed before the demarcation point because either there was a failure in setting up the A10 connection or the RNC closed the open A10 connection for Rev-A personality ATs.

Data Source

DO-EMS

Source Field

sNumMiscFCAA10Related where atDescriptor=2

Source Section

RNCPerfExtnByRNC (RncIS856PerfExtensionMIB)

sNumMiscFCAFailures_Rev0

Number of times the connection set-up failed before the demarcation point due to reasons not explicitly called out in other FCA OMs for Rev-0 personality ATs.

Data Source

DO-EMS

Source Field

sNumMiscFCAFailures where atDescriptor=1

Source Section

RNCPerfExtnByRNC (RncIS856PerfExtensionMIB)

sNumMiscFCAFailures_RevA

Number of times the connection set-up failed before the demarcation point due to reasons not explicitly called out in other FCA OMs for Rev-A personality ATs.

Data Source

DO-EMS

Source Field

sNumMiscFCASFailures where atDescriptor=2

Source Section

RNCPerfExtnByRNC (RncIS856PerfExtensionMIB)

sNumMiscFCASWError_Rev0

Number of times the connection set-up failed before the demarcation point due to software errors for Rev-0 personality ATs.

Data Source

DO-EMS

Source Field

sNumMiscFCASWError where atDescriptor=1

Source Section

RNCPerfExtnByRNC (RncIS856PerfExtensionMIB)

sNumMiscFCASWError_RevA

Number of times the connection set-up failed before the demarcation point due to software errors for Rev-A personality ATs.

Data Source

DO-EMS

Source Field

sNumMiscFCASWError where atDescriptor=2

Source Section

RNCPerfExtnByRNC (RncIS856PerfExtensionMIB)

sNumNetworkErrorDrops_Rev0

Connections that were closed before the demarcation point because the RNC closed the open A10 connection for Rev-0 personality ATs.

Data Source

DO-EMS

Source Field

sNumNetworkErrorDrops where atDescriptor=1

Source Section

RNCPerfExtnByRNC (RncIS856PerfExtensionMIB)

sNumNetworkErrorDrops_RevA

Connections that were closed before the demarcation point because the RNC closed the open A10 connection for Rev-A personality ATs.

Data Source

DO-EMS

Source Field

sNumNetworkErrorDrops where atDescriptor=2

Source Section

RNCPerfExtnByRNC (RncIS856PerfExtensionMIB)

sNumNetworkErrorDropsA10SetupFail_Rev0

Open connections that were closed before the demarcation point because there was failure in the A10 connection set-up for Rev-0 personality ATs.

Data Source

DO-EMS

Source Field

sNumNetworkErrorDropsA10SetupFail where atDescriptor=1

Source Section

RNCPerfExtnByRNC (RncIS856PerfExtensionMIB)

sNumNetworkErrorDropsA10SetupFail_RevA

Open connections that were closed before the demarcation point because there was failure in the A10 connection set-up for Rev-A personality ATs.

Data Source

DO-EMS

Source Field

sNumNetworkErrorDropsA10SetupFail where atDescriptor=2

Source Section

RNCPerfExtnByRNC (RncIS856PerfExtensionMIB)

sNumNetworkErrorDropsRNCEXternal_Rev0

Open connections that were closed before the demarcation point because the existing A10 connection was closed due to PDSN going down or PDSN is not reachable or any other failure condition that is not because of the RNC for Rev-0 personality ATs.

Data Source

DO-EMS

Source Field

sNumNetworkErrorDropsRNCEXternal where atDescriptor=1

Source Section

RNCPerfExtnByRNC (RncIS856PerfExtensionMIB)

sNumNetworkErrorDropsRNCEXternal_RevA

Open connections that were closed before the demarcation point because the existing A10 connection was closed due to PDSN going down or PDSN is not reachable or any other failure condition that is not because of the RNC for Rev-A personality ATs.

Data Source

DO-EMS

Source Field

sNumNetworkErrorDropsRNCEXternal where atDescriptor=2

Source Section

RNCPerfExtnByRNC (RncIS856PerfExtensionMIB)

sNumNetworkErrorDropsRNCInternal_Rev0

Open connections that were closed before the demarcation point because an internal error caused an existing A10 connection to be closed which results in a closure of a DO Connection Connection close that occur due to A10 failure during PDSN-re-registration should also peg this OM for Rev-0 personality ATs.

Data Source

DO-EMS

Source Field

sNumNetworkErrorDropsRNCInternal where atDescriptor=1

Source Section

RNCPerfExtnByRNC (RncIS856PerfExtensionMIB)

sNumNetworkErrorDropsRNCInternal_RevA

Open connections that were closed before the demarcation point because an internal error caused an existing A10 connection to be closed which results in a closure of a DO Connection Connection close that occur due to A10 failure during PDSN-re-registration should also peg this OM for Rev-A personality ATs.

Data Source

DO-EMS

Source Field

sNumNetworkErrorDropsRNCInternal where atDescriptor=2

Source Section

RNCPerfExtnByRNC (RncIS856PerfExtensionMIB)

sNumNormalConnectionCloses

The number of connections that were closed normally before the demarcation point for Rev-0 personality ATs.

Data Source

DO-EMS

Source Field

sNumNormalConnectionCloses where atDescriptor=1

Source Section

RNCPerfExtnByRNC (RncIS856PerfExtensionMIB)

sNumNormalConnectionCloses_RevA

The number of connections that were closed normally before the demarcation point for Rev-A personality ATs.

Data Source

DO-EMS

Source Field

sNumNormalConnectionCloses where atDescriptor=2

Source Section

RNCPerfExtnByRNC (RncIS856PerfExtensionMIB)

sNumOutgoingPersonalityChangeTriggers_Rev0

Number of times a trigger was generated, before the demarcation point, to change the Rev-A capable AT from the source personality to the target personality during connection set-up for Rev-0 personality ATs.

Data Source

DO-EMS

Source Field

sNumOutgoingPersonalityChangeTriggers where atDescriptor=1

Source Section

RNCPerfExtnByRNC (RncIS856PerfExtensionMIB)

sNumOutgoingPersonalityChangeTriggers_RevA

Number of times a trigger was generated, before the demarcation point, to change the Rev-A capable AT from the source personality to the target personality during connection set-up for Rev-A personality ATs.

Data Source

DO-EMS

Source Field

sNumOutgoingPersonalityChangeTriggers where atDescriptor=2

Source Section

RNCPerfExtnByRNC (RncIS856PerfExtensionMIB)

sNumPageAbandoned_Rev0

The number of times that AN has aborted/abandoned the Page operation on this DO-RNC before the demarcation point during any paging cycle for Rev-0 personality ATs.

Data Source

DO-EMS

Source Field

sNumPageAbandoned where atDescriptor=1

Source Section

RNCPerfExtnByRNC (RncIS856PerfExtensionMIB)

sNumPageAbandoned_RevA

The number of times that AN has aborted/abandoned the Page operation on this DO-RNC before the demarcation point during any paging cycle for Rev-A personality ATs.

Data Source

DO-EMS

Source Field

sNumPageAbandoned where atDescriptor=2

Source Section

RNCPerfExtnByRNC (RncIS856PerfExtensionMIB)

sNumPageRequests

The number of page requests sent to the AT before the demarcation point for Rev-0 personality ATs.

Data Source

DO-EMS

Source Field

sNumPageRequests where atDescriptor=1

Source Section

RNCPerfExtnByRNC (RncIS856PerfExtensionMIB)

sNumPageRequests_RevA

The number of page requests sent to the AT before the demarcation point. When the DO-Repag is enabled, only the first page request in a paging cycle will be pegged for Rev-A personality ATs.

Data Source

DO-EMS

Source Field

sNumPageRequests where atDescriptor=2

Source Section

RNCPerfExtnByRNC (RncIS856PerfExtensionMIB)

sNumPageResponses

The number of successful responses to page requests that were received from the AT before the demarcation point and before the page timer expired for Rev-0 personality ATs.

Data Source

DO-EMS

Source Field

sNumPageResponses where atDescriptor=1

Source Section

RNCPerfExtnByRNC (RncIS856PerfExtensionMIB)

sNumPageResponses_RevA

The number of successful responses to page requests that were received from the AT before the demarcation point and before the page timer expired for Rev-A personality ATs.

Data Source

DO-EMS

Source Field

sNumPageResponses where atDescriptor=2

Source Section

RNCPerfExtnByRNC (RncIS856PerfExtensionMIB)

sNumPageTimeout_Rev0

The number of times paging cycles have expired before the demarcation point, waiting for a page response from the AT for Rev-0 personality ATs.

Data Source

DO-EMS

Source Field

sNumPageTimeout where atDescriptor=1

Source Section

RNCPerfExtnByRNC (RncIS856PerfExtensionMIB)

sNumPageTimeout_RevA

The number of times paging cycles have expired before the demarcation point, waiting for a page response from the AT for Rev-A personality ATs.

Data Source

DO-EMS

Source Field

sNumPageTimeout where atDescriptor=2

Source Section

RNCPerfExtnByRNC (RncIS856PerfExtensionMIB)

sNumResourceRelatedFCA

The number of DO connection attempts that failed before the demarcation point due to blocks or failures during resource allocation at the RNC or the RN for Rev-0 personality ATs.

Data Source

DO-EMS

Source Field

sNumResourceRelatedFCA where atDescriptor=1

Source Section

RNCPerfExtnByRNC (RncIS856PerfExtensionMIB)

sNumResourceRelatedFCA_RevA

The number of DO connection attempts that failed before the demarcation point due to blocks or failures during resource allocation at the RNC or the RN for Rev-A personality ATs.

Data Source

DO-EMS

Source Field

sNumResourceRelatedFCA where atDescriptor=2

Source Section

RNCPerfExtnByRNC (RncIS856PerfExtensionMIB)

sNumResourceRelatedFCABlockedByRN_Rev0

Number of times the connection setup was blocked by the RNC before the demarcation point because at least one of the resource allocation requests sent to the RN(s) was denied for Rev-0 personality ATs.

Data Source

DO-EMS

Source Field

sNumResourceRelatedFCABlockedByRN where atDescriptor=1

Source Section

RNCPerfExtnByRNC (RncIS856PerfExtensionMIB)

sNumResourceRelatedFCABlockedByRN_RevA

Number of times the connection setup was blocked by the RNC before the demarcation point because at least one of the resource allocation requests sent to the RN(s) was denied for Rev-A personality ATs.

Data Source

DO-EMS

Source Field

sNumResourceRelatedFCABlockedByRN where atDescriptor=2

Source Section

RNCPerfExtnByRNC (RncIS856PerfExtensionMIB)

sNumResourceRelatedFCABlockedByRNCResources_Rev0

Number of times that the RNC blocked the connection set-up before the demarcation point because the CPU utilization on the RNC exceeds to a certain value and overload conditions occurs for Rev-0 personality ATs.

Data Source

DO-EMS

Source Field

sNumResourceRelatedFCABlockedByRNCResources where atDescriptor=1

Source Section

RNCPerfExtnByRNC (RncIS856PerfExtensionMIB)

sNumResourceRelatedFCABlockedByRNCResources_RevA

Number of times that the RNC blocked the connection set-up before the demarcation point because the CPU utilization on the RNC exceeds to a certain value and overload conditions occurs for Rev-A personality ATs.

Data Source

DO-EMS

Source Field

sNumResourceRelatedFCABlockedByRNCResources where atDescriptor=2

Source Section

RNCPerfExtnByRNC (RncIS856PerfExtensionMIB)

sNumResourceRelatedFCAFailedByRN_Rev0

Number of times the connection set-up failed before the demarcation point because the Connection State Machine (CSM) received an error indication from the DownLeg State Machine (DLSM) from at least one of the Down Legs involved in the setup for Rev-0 personality ATs.

Data Source

DO-EMS

Source Field

sNumResourceRelatedFCAFailedByRN where atDescriptor=1

Source Section

RNCPerfExtnByRNC (RncIS856PerfExtensionMIB)

sNumResourceRelatedFCAFailedByRN_RevA

Number of times the connection set-up failed before the demarcation point because the Connection State Machine (CSM) received an error indication from the DownLeg State Machine (DLSM) from at least one of the Down Legs involved in the setup for Rev-A personality ATs.

Data Source

DO-EMS

Source Field

sNumResourceRelatedFCAFailedByRN where atDescriptor=2

Source Section

RNCPerfExtnByRNC (RncIS856PerfExtensionMIB)

sNumRFRelatedDrops

The number of open DO connections that are dropped (abnormally closed) due to RF related issues before the demarcation point for Rev-0 personality ATs.

Data Source

DO-EMS

Source Field

sNumRFRelatedDrops where atDescriptor=1

Source Section

RNCPerfExtnByRNC (RncIS856PerfExtensionMIB)

sNumRFRelatedDrops_RevA

The number of open DO connections that are dropped (abnormally closed) due to RF related issues before the demarcation point for Rev-A personality ATs.

Data Source

DO-EMS

Source Field

sNumRFRelatedDrops where atDescriptor=2

Source Section

RNCPerfExtnByRNC (RncIS856PerfExtensionMIB)

sNumRFRelatedDropsNoFtc_Rev0

Connections that were dropped before the demarcation point because of indications that there is no active Forward Traffic Channel (FTC) available for Rev-0 personality ATs.

Data Source

DO-EMS

Source Field

sNumRFRelatedDropsNoFtc where atDescriptor=1

Source Section

RNCPerfExtnByRNC (RncIS856PerfExtensionMIB)

sNumRFRelatedDropsNoFtc_RevA

Connections that were dropped before the demarcation point because of indications that there is no active Forward Traffic Channel (FTC) available for Rev-A personality ATs.

Data Source

DO-EMS

Source Field

sNumRFRelatedDropsNoFtc where atDescriptor=2

Source Section

RNCPerfExtnByRNC (RncIS856PerfExtensionMIB)

sNumRFRelatedDropsRTCLost_Rev0

Number of times the connection was dropped before the demarcation point because a Reverse Traffic Channel (RTC) lost indication was received, and as a result, no reverse link for the connection were available for Rev-0 personality ATs.

Data Source

DO-EMS

Source Field

sNumRFRelatedDropsRTCLost where atDescriptor=1

Source Section

RNCPerfExtnByRNC (RncIS856PerfExtensionMIB)

sNumRFRelatedDropsRTCLost_RevA

Number of times the connection was dropped before the demarcation point because a Reverse Traffic Channel (RTC) lost indication was received, and as a result, no reverse link for the connection were available for Rev-A personality ATs.

Data Source

DO-EMS

Source Field

sNumRFRelatedDropsRTCLost where atDescriptor=2

Source Section

RNCPerfExtnByRNC (RncIS856PerfExtensionMIB)

sNumRFRelatedFCA

The number of DO Connection attempts that failed before the demarcation point due to RF related issues for Rev-0 personality ATs.

Data Source

DO-EMS

Source Field

sNumRFRelatedFCA where atDescriptor=1

Source Section

RNCPerfExtnByRNC (RncIS856PerfExtensionMIB)

sNumRFRelatedFCA_RevA

The number of DO Connection attempts that failed before the demarcation point due to RF related issues, i.e. Route Update timeouts and TCC timeouts for Rev-A personality ATs.

Data Source

DO-EMS

Source Field

sNumRFRelatedFCA where atDescriptor=2

Source Section

RNCPerfExtnByRNC (RncIS856PerfExtensionMIB)

sNumRFRelatedFCARUTimeOut_Rev0

Number of times the connection set-up failed before the demarcation point because the route update message was not received from the AT within the stipulated time, or there were errors during the processing of the route update message for Rev-0 personality ATs.

Data Source

DO-EMS

Source Field

sNumRFRelatedFCARUTimeOut where atDescriptor=1

Source Section

RNCPerfExtnByRNC (RncIS856PerfExtensionMIB)

sNumRFRelatedFCARUTimeOut_RevA

Number of times the connection set-up failed before the demarcation point because the route update message was not received from the AT within the stipulated time, or there were errors during the processing of the route update message for Rev-A personality ATs.

Data Source

DO-EMS

Source Field

sNumRFRelatedFCARUTimeOut where atDescriptor=2

Source Section

RNCPerfExtnByRNC (RncIS856PerfExtensionMIB)

sNumRFRelatedFCATCCTimeOut_Rev0

Number of times the connection setup failed before the demarcation point because the RNC did not receive the TCC message from the AT within the stipulated time after sending TCA message for Rev-0 personality ATs.

Data Source

DO-EMS

Source Field

sNumRFRelatedFCATCCTimeOut where atDescriptor=1

Source Section

RNCPerfExtnByRNC (RncIS856PerfExtensionMIB)

sNumRFRelatedFCATCCTimeOut_RevA

Number of times the connection setup failed before the demarcation point because the RNC did not receive the TCC message from the AT within the stipulated time after sending TCA message for Rev-A personality ATs.

Data Source

DO-EMS

Source Field

sNumRFRelatedFCATCCTimeOut where atDescriptor=2

Source Section

RNCPerfExtnByRNC (RncIS856PerfExtensionMIB)

sNumRNCEstimated3G1xRollDownDrops_Rev0

Number of Rev-0 RF drops estimated by RNC before demarcation point as roll down drops due to a hybrid AT dropped 1xEVDO connection when it rolled down to 3G1X network.

Data Source

DO-EMS

Source Field

sNumRNCEstimated3G1xRollDownDrops where atDescriptor=1

Source Section

RNCPerfExtnByRNC (RncIS856PerfExtensionMIB)

sNumRNCEstimated3G1xRollDownDrops_RevA

Number of Rev-A RF drops estimated by RNC before demarcation point as roll down drops due to a hybrid AT dropped 1xEVDO connection when it rolled down to 3G1X network.

Data Source

DO-EMS

Source Field

sNumRNCEstimated3G1xRollDownDrops where atDescriptor=2

Source Section

RNCPerfExtnByRNC (RncIS856PerfExtensionMIB)

sNumRNCEstimatedTuneAwayDrops_Rev0

Number of Rev-0 RF drops estimated by RNC before demarcation point as tune aways due to FTC Stopped indication message (corresponding to RF drop) was received in the Rev0 hybrid AT's 3G1X paging cycle slot.

Data Source

DO-EMS

Source Field

sNumRNCEstimatedTuneAwayDrops where atDescriptor=1

Source Section

RNCPerfExtnByRNC (RncIS856PerfExtensionMIB)

sNumRNCEstimatedTuneAwayDrops_RevA

Number of Rev-A RF drops estimated by RNC before demarcation point as tune aways due to FTC Stopped indication message (corresponding to RF drop) was received in the Rev0 hybrid AT's 3G1X paging cycle slot. RNC maintains an estimated histogram of the Rev0 AT's 3G1X paging cycle.

Data Source

DO-EMS

Source Field

sNumRNCEstimatedTuneAwayDrops where atDescriptor=2

Source Section

RNCPerfExtnByRNC (RncIS856PerfExtensionMIB)

sNumSecondPageRequests_Rev0

The number of 2nd page requests sent to the AT in a paging cycle before the demarcation point for Rev-0 personality ATs.

Data Source

DO-EMS

Source Field

sNumSecondPageRequests where atDescriptor=1

Source Section

RNCPerfExtnByRNC (RncIS856PerfExtensionMIB)

sNumSecondPageRequests_RevA

The number of 2nd page requests sent to the AT in a paging cycle before the demarcation point for Rev-A personality ATs.

Data Source

DO-EMS

Source Field

sNumSecondPageRequests where atDescriptor=2

Source Section

RNCPerfExtnByRNC (RncIS856PerfExtensionMIB)

sNumSecondPageResponses_Rev0

The number of page responses that were received before the demarcation point from the AT in a paging cycle, in response to the 2nd Page Message that was sent from the AN for Rev-0 personality ATs.

Data Source

DO-EMS

Source Field

sNumSecondPageResponses where atDescriptor=1

Source Section

RNCPerfExtnByRNC (RncIS856PerfExtensionMIB)

sNumSecondPageResponses_RevA

The number of page responses that were received before the demarcation point from the AT in a paging cycle, in response to the 2nd Page Message that was sent from the AN for Rev-A personality ATs.

Data Source

DO-EMS

Source Field

sNumSecondPageResponses where atDescriptor=2

Source Section

RNCPerfExtnByRNC (RncIS856PerfExtensionMIB)

sNumSilentRetriesAbandonedAfterDC_Rev0

Number of times silent retry process was abandoned before the demarcation point because a trigger was generated during connection setup to change the Rev-A capable AT from the source personality to the target personality for Rev-0 personality ATs.

Data Source

DO-EMS

Source Field

sNumSilentRetriesAbandonedAfterDC where atDescriptor=1

Source Section

RNCPerfExtnByRNC (RncIS856PerfExtensionMIB)

sNumSilentRetriesAbandonedAfterDC_RevA

Number of times silent retry process was abandoned before the demarcation point because a trigger was generated during connection setup to change the Rev-A capable AT from the source personality to the target personality for Rev-A personality ATs.

Data Source

DO-EMS

Source Field

sNumSilentRetriesAbandonedAfterDC where atDescriptor=2

Source Section

RNCPerfExtnByRNC (RncIS856PerfExtensionMIB)

sNumSilentRetriesAbandonedAfterFCA_Rev0

Number of times silent retry process was abandoned before the demarcation point because a trigger was generated during connection setup to change the Rev-A capable AT from the source personality to the target personality for Rev-0 personality ATs.

Data Source

DO-EMS

Source Field

sNumSilentRetriesAbandonedAfterFCA where atDescriptor=1

Source Section

RNCPerfExtnByRNC (RncIS856PerfExtensionMIB)

sNumSilentRetriesAbandonedAfterFCA_RevA

Number of times silent retry process was abandoned before the demarcation point because a trigger was generated during connection setup to change the Rev-A capable AT from the source personality to the target personality for Rev-A personality ATs.

Data Source

DO-EMS

Source Field

sNumSilentRetriesAbandonedAfterFCA where atDescriptor=2

Source Section

RNCPerfExtnByRNC (RncIS856PerfExtensionMIB)

sNumSilentRetryAttemptsAfterDC_Rev0

Connection setup attempts within the configurable DC silent retry period following a dropped connection (abnormal close) for Rev-0 personality ATs.

Data Source

DO-EMS

Source Field

sNumSilentRetryAttemptsAfterDC where atDescriptor=1

Source Section

RNCPerfExtnByRNC (RncIS856PerfExtensionMIB)

sNumSilentRetryAttemptsAfterDC_RevA

Connection setup attempts within the configurable DC silent retry period following a dropped connection (abnormal close) for Rev-A personality ATs.

Data Source

DO-EMS

Source Field

sNumSilentRetryAttemptsAfterDC where atDescriptor=2

Source Section

RNCPerfExtnByRNC (RncIS856PerfExtensionMIB)

sNumSilentRetryAttemptsAfterFCA_Rev0

Connection setup-attempts made within the configurable FCA silent retry period following a failed connection setup attempt for Rev-0 personality ATs.

Data Source

DO-EMS

Source Field

sNumSilentRetryAttemptsAfterFCA where atDescriptor=1

Source Section

RNCPerfExtnByRNC (RncIS856PerfExtensionMIB)

sNumSilentRetryAttemptsAfterFCA_RevA

Connection setup-attempts made within the configurable FCA silent retry period following a failed connection setup attempt for Rev-A personality ATs.

Data Source

DO-EMS

Source Field

sNumSilentRetryAttemptsAfterFCA where atDescriptor=2

Source Section

RNCPerfExtnByRNC (RncIS856PerfExtensionMIB)

sNumSilentRetryFailuresAfterDC_Rev0

Connection set-up attempts that failed due to any reason within the configurable DC silent retry period following a connection drop for Rev-0 personality ATs.

Data Source

DO-EMS

Source Field

sNumSilentRetryFailuresAfterDC where atDescriptor=1

Source Section

RNCPerfExtnByRNC (RncIS856PerfExtensionMIB)

sNumSilentRetryFailuresAfterDC_RevA

Connection set-up attempts that failed due to any reason within the configurable DC silent retry period following a connection drop for Rev-A personality ATs.

Data Source

DO-EMS

Source Field

sNumSilentRetryFailuresAfterDC where atDescriptor=2

Source Section

RNCPerfExtnByRNC (RncIS856PerfExtensionMIB)

sNumSilentRetryFailuresAfterFCA_Rev0

Connection set-up attempts that failed due to any reason within the configurable FCA silent retry period following a failed connection setup attempt for Rev-0 personality ATs.

Data Source

DO-EMS

Source Field

sNumSilentRetryFailuresAfterFCA where atDescriptor=1

Source Section

RNCPerfExtnByRNC (RncIS856PerfExtensionMIB)

sNumSilentRetryFailuresAfterFCA_RevA

Connection set-up attempts that failed due to any reason within the configurable FCA silent retry period following a failed connection setup attempt for Rev-A personality ATs.

Data Source

DO-EMS

Source Field

sNumSilentRetryFailuresAfterFCA where atDescriptor=2

Source Section

RNCPerfExtnByRNC (RncIS856PerfExtensionMIB)

sNumSilentRetrySuccessesAfterDC_Rev0

Successful connection setup attempts within the configurable DC silent retry period following a connection drop for Rev-0 personality ATs.

Data Source

DO-EMS

Source Field

sNumSilentRetrySuccessesAfterDC where atDescriptor=1

Source Section

RNCPerfExtnByRNC (RncIS856PerfExtensionMIB)

sNumSilentRetrySuccessesAfterDC_RevA

Successful connection setup attempts within the configurable DC silent retry period following a connection drop for Rev-A personality ATs.

Data Source

DO-EMS

Source Field

sNumSilentRetrySuccessesAfterDC where atDescriptor=2

Source Section

RNCPerfExtnByRNC (RncIS856PerfExtensionMIB)

sNumSilentRetrySuccessesAfterFCA_Rev0

Successful connection setup-attempts within the configurable FCA silent retry period following a failed connection setup attempt for Rev-0 personality ATs.

Data Source

DO-EMS

Source Field

sNumSilentRetrySuccessesAfterFCA where atDescriptor=1

Source Section

RNCPerfExtnByRNC (RncIS856PerfExtensionMIB)

sNumSilentRetrySuccessesAfterFCA_RevA

Successful connection setup-attempts within the configurable FCA silent retry period following a failed connection setup attempt for Rev-A personality ATs.

Data Source

DO-EMS

Source Field

sNumSilentRetrySuccessesAfterFCA where atDescriptor=2

Source Section

RNCPerfExtnByRNC (RncIS856PerfExtensionMIB)

sNumSoftHandoffRelatedDrops

The number of open DO connections that are dropped (abnormally closed) due to RF related issues after the demarcation point for Rev-0 personality ATs.

Data Source

DO-EMS

Source Field

sNumSoftHandoffRelatedDrops where atDescriptor=1

Source Section

RNCPerfExtnByRNC (RncIS856PerfExtensionMIB)

sNumSoftHandoffRelatedDrops_RevA

The number of open DO connections that are dropped (abnormally closed) due to unsuccessful soft handoffs before the demarcation point for Rev-A personality ATs.

Data Source

DO-EMS

Source Field

sNumSoftHandoffRelatedDrops where atDescriptor=2

Source Section

RNCPerfExtnByRNC (RncIS856PerfExtensionMIB)

sNumSoftHandoffRelatedDropsBlockedByRN_Rev0

Connections that were dropped before the demarcation point due to unsuccessful reverse link soft-handoff because the RNC received explicit block from one (or multiple) of the RNs involved in the soft-handoff for Rev-0 personality ATs.

Data Source

DO-EMS

Source Field

sNumSoftHandoffRelatedDropsBlockedByRN where atDescriptor=1

Source Section

RNCPerfExtnByRNC (RncIS856PerfExtensionMIB)

sNumSoftHandoffRelatedDropsBlockedByRN_RevA

Connections that were dropped before the demarcation point due to unsuccessful reverse link soft-handoff because the RNC received explicit block from one (or multiple) of the RNs involved in the soft-handoff for Rev-A personality ATs.

Data Source

DO-EMS

Source Field

sNumSoftHandoffRelatedDropsBlockedByRN where atDescriptor=2

Source Section

RNCPerfExtnByRNC (RncIS856PerfExtensionMIB)

sNumTermauthResourceRelatedFCA_Rev0

This OM counts the number of DO Connections setups blocked due to lack of the Terminal Authentication Resources for Rev-0 personality ATs.

Data Source

DO-EMS

Source Field

sNumTermauthResourceRelatedFCA where atDescriptor=1

Source Section

RNCPerfExtnByRNC (RncIS856PerfExtensionMIB)

sNumTermauthResourceRelatedFCA_RevA

This OM counts the number of DO Connections setups blocked due to lack of the Terminal Authentication Resources for Rev-A personality ATs.

Data Source

DO-EMS

Source Field

sNumTermAuthResourceRelatedFCA where atDescriptor=2

Source Section

RNCPerfExtnByRNC (RncIS856PerfExtensionMIB)

sNumThirdPageRequests_Rev0

The number of 3rd page requests sent to the AT in a paging cycle before the demarcation point for Rev-0 personality ATs.

Data Source

DO-EMS

Source Field

sNumThirdPageRequests where atDescriptor=1

Source Section

RNCPerfExtnByRNC (RncIS856PerfExtensionMIB)

sNumThirdPageRequests_RevA

The number of 3rd page requests sent to the AT in a paging cycle before the demarcation point for Rev-A personality ATs.

Data Source

DO-EMS

Source Field

sNumThirdPageRequests where atDescriptor=2

Source Section

RNCPerfExtnByRNC (RncIS856PerfExtensionMIB)

sNumThirdPageResponses_Rev0

The number of page responses that were received before the demarcation point from the AT in a paging cycle, in response to the 3rd Page Message that was sent from the AN for Rev-0 personality ATs.

Data Source

DO-EMS

Source Field

sNumThirdPageResponses where atDescriptor=1

Source Section

RNCPerfExtnByRNC (RncIS856PerfExtensionMIB)

sNumThirdPageResponses_RevA

The number of page responses that were received before the demarcation point from the AT in a paging cycle, in response to the 3rd Page Message that was sent from the AN for Rev-A personality ATs.

Data Source

DO-EMS

Source Field

sNumThirdPageResponses where atDescriptor=2

Source Section

RNCPerfExtnByRNC (RncIS856PerfExtensionMIB)

sNumTotalConnectionCloses

The total number of connections closed, normally or abnormally, before the demarcation point for Rev-0 personality ATs.

Data Source

DO-EMS

Source Field

sNumTotalConnectionCloses where atDescriptor=1

Source Section

RNCPerfExtnByRNC (RncIS856PerfExtensionMIB)

sNumTotalConnectionCloses_RevA

The total number of connections closed, normally or abnormally, before the demarcation point for Rev-A personality ATs.

Data Source

DO-EMS

Source Field

sNumTotalConnectionCloses where atDescriptor=2

Source Section

RNCPerfExtnByRNC (RncIS856PerfExtensionMIB)

termAuthAccessRejectsIgnoredTotal

When Ignore Access-Reject mode is enabled, if an Access-Reject is received from the AAA server, RNC assigns a invalid IMSI and sets up a session. In this case the above OM is pegged.

Data Source

DO-EMS

Source Field

termAuthAccessRejectsIgnoredTotal

Source Section

TermAuthPerfByRNC (RncTermAuthMIB)

termAuthChapTimeoutsTotal

Number of times a CHAP timeout occurred due to AT not responding to CHAP challenges on this DO-RNC.

Data Source

DO-EMS

Source Field

termAuthChapTimeoutsTotal

Source Section

TermAuthPerfByRNC (RncTermAuthMIB)

termAuthFailedDueToSessionCloseTotal

TA failures due to abnormal session close.

Data Source

DO-EMS

Source Field

termAuthFailedDueToSessionCloseTotal

Source Section

TermAuthPerfByRNC (RncTermAuthMIB)

termAuthFailureSessionTaTimeoutTotal

Number of times the terminal authentication fails because the Session TA timer expires.

Data Source

DO-EMS

Source Field

termAuthFailureSessionTaTimeoutTotal

Source Section

TermAuthPerfByRNC (RncTermAuthMIB)

termAuthInvalidNaiFromAtTotal

Number of times the DO-RNC received an invalid or empty NAI Realm from the AT.

Data Source

DO-EMS

Source Field

termAuthInvalidNaiFromAtTotal

Source Section

TermAuthPerfByRNC (RncTermAuthMIB)

termAuthLcpConfigTimeoutsIgnoredTotal

When Enhanced TA - A12 Bypass feature is enabled, this OM pegs the page failures and unconfirmed LCP time-outs during terminal authentication.

Data Source

DO-EMS

Source Field

termAuthLcpConfigTimeoutsIgnoredTotal

Source Section

TermAuthPerfByRNC (RncTermAuthMIB)

termAuthLcpConfigTimeoutsTotal

Number of times an LCP timeout occurred due to AT not responding to LCP Config Requests on this DO-RNC.

Data Source

DO-EMS

Source Field

termAuthLcpConfigTimeoutsTotal

Source Section

TermAuthPerfByRNC (RncTermAuthMIB)

termAuthNaiFromAtMatchesA12BypassListTotal

Number of times the DO-RNC received an NAI Realm from the AT CHAP Response which matched an A12 bypass list entry.

Data Source

DO-EMS

Source Field

termAuthNaiFromAtMatchesA12BypassListTotal

Source Section

TermAuthPerfByRNC (RncTermAuthMIB)

termReauthAttemptsTotal

Number of TA re-auth attempts on the DO-RNC.

Data Source

DO-EMS

Source Field

termReauthAttemptsTotal

Source Section

TermAuthPerfByRNC (RncTermAuthMIB)

termReauthRejectTotal

Number of failed TA re-auth attempts on the DO-RNC due to the receipt of an A12 Access Reject from the AN-AAA.

Data Source

DO-EMS

Source Field

termReauthRejectTotal

Source Section

TermAuthPerfByRNC (RncTermAuthMIB)

termReauthSuccessTotal

Number of successful TA re-auth attempts on the DO-RNC.

Data Source

DO-EMS

Source Field

termReauthSuccessTotal

Source Section

TermAuthPerfByRNC (RncTermAuthMIB)

termReauthUnresolvedTotal

Number of unresolved TA re-auth attempts on the DO-RNC.

Data Source

DO-EMS

Source Field

termReauthUnresolvedTotal

Source Section

TermAuthPerfByRNC (RncTermAuthMIB)

totalA10Closed

This OM is a counter for the total number of new A10-Connection setups that are aborted on a specific RNSM.

Data Source

DO-EMS

Source Field

totalA10Closed

Source Section

RNCPerfByRNC (RncIS856PerfMIB)

TotalA10ClosedByPdsn

Number of A10 connections closed by the PDSN

Data Source

DO-EMS

Source Field

TotalA10ClosedByPdsn

Source Section

A10A11PerfByRNC (RncPcfPerformanceMIB)

TotalA10ClosedByRnc

Number of A10 connections closed by the RNC

Data Source

DO-EMS

Source Field

TotalA10ClosedByRnc

Source Section

A10A11PerfByRNC (RncPcfPerformanceMIB)

TotalA10ClosedNetworkError

Number of A10 connections closed due to network error

Data Source

DO-EMS

Source Field

TotalA10ClosedNetworkError

Source Section

A10A11PerfByRNC (RncPcfPerformanceMIB)

totalA10DroppedPages

Total A10 Dropped Pages.

Data Source

DO-EMS

Source Field

totalA10DroppedPages

Source Section

A10A11PerfByRNC (RncPcfMIB)

TotalA10EgressBytes

Total A10 Egress Bytes

Data Source

DO-EMS

Source Field

TotalA10EgressBytes

Source Section

A10A11BytePacketCountByRNC (RncPcfPerformanceMIB)

TotalA10ForwardPktsDropped

Total number of forward packets dropped

Data Source

DO-EMS

Source Field

TotalA10ForwardPktsDropped

Source Section

A10A11BytePacketCountByRNC (RncPcfPerformanceMIB)

TotalA10IngressBytes

Total A10 Ingress Bytes

Data Source

DO-EMS

Source Field

TotalA10IngressBytes

Source Section

A10A11BytePacketCountByRNC (RncPcfPerformanceMIB)

totalA10RegAttempts

This OM is a counter for the total number of new A10 registration attempts that are initiated on the DO-RNC/RNSM.

Data Source

DO-EMS

Source Field

totalA10RegAttempts

Source Section

RNCPerfByRNC (RncIS856PerfMIB)

totalA10RegFailures

This OM is a counter for the total number of new A10 registration failures on the DO-RNC/RNSM.

Data Source

DO-EMS

Source Field

totalA10RegFailures

Source Section

RncIS856PerfMIB

TotalA10ReversePktsDropped

Total number of reverse packets dropped

Data Source

DO-EMS

Source Field

TotalA10ReversePktsDropped

Source Section

A10A11BytePacketCountByRNC (RncPcfPerformanceMIB)

totalA10SetupAttempts

This OM is a counter for the total number of new A10-Connection setups that are aborted on the DO-RNC / RNSM.

Data Source

DO-EMS

Source Field

totalA10SetupAttempts

Source Section

RNCPerfByRNC (RncIS856PerfMIB)

totalA10SetupAttemptsWithA10ConnMinEnabled

This OM is a counter for the total number of times a new A10-Connection setup is initiated on the DO-RNC / RNSM while the A10-Connection Minimization feature enabled by the operator.

Data Source

DO-EMS

Source Field

totalA10SetupAttemptsWithA10ConnMinEnabled

Source Section

RNCPerfByRNC (RncIS856PerfMIB)

totalA10SetupAttemptWithA10ConnMinDisabled

This OM is a counter for the total number of times a new A10-Connection setup is initiated on the DO-RNC / RNSM with the A10-Connection Minimization feature disabled by the operator.

Data Source

DO-EMS

Source Field

totalA10SetupAttemptWithA10ConnMinDisabled

Source Section

RNCPerfByRNC (RncIS856PerfMIB)

totalA10SetupFailure

This OM is a counter for the total number of new A10-Connection setups that are aborted on a specific RNSM.

Data Source

DO-EMS

Source Field

totalA10SetupFailure

Source Section

RNCPerfByRNC (RncIS856PerfMIB)

totalA10Switches

Number of A10 switches attempted. Whenever an A10 is open on a Secondary PDSN, and a connection goes from dormant to active, an A10 switch is attempted from the Secondary PDSN to a Primary PDSN.

Data Source

DO-EMS

Source Field

totalA10Switches

Source Section

RNCPerfByRNC (RncIS856PerfMIB)

TotalA11EgressBytes

Total A11 Egress Bytes

Data Source

DO-EMS

Source Field

TotalA11EgressBytes

Source Section

A10A11BytePacketCountByRNC (RncPcfPerformanceMIB)

TotalA11IngressBytes

Total A11 Ingress Bytes

Data Source

DO-EMS

Source Field

TotalA11IngressBytes

Source Section

A10A11BytePacketCountByRNC (RncPcfPerformanceMIB)

TotalA11SessionSetupReconnectAttempts

Total Session Setup Reconnect Attempts

Data Source

DO-EMS

Source Field

TotalA11SessionSetupReconnectAttempts

Source Section

A10A11PerfByRNC (RncPcfPerformanceMIB)

TotalA11SessionSetupReconnectFailures

Total Session Setup Reconnect Failures

Data Source

DO-EMS

Source Field

TotalA11SessionSetupReconnectFailures

Source Section

A10A11PerfByRNC (RncPcfPerformanceMIB)

totalAtIdAssociationRequests

AT Identifiers (IMSI, Hardware Id) association requests

Data Source

DO-EMS

Source Field

totalAtIdAssociationRequests

Source Section

ResourceAllocationPerfByRNC (RncResourceControlMIB)

totalAtIdAssociationSuccessResponse

AT Identifiers (IMSI, Hardware Id) association successful

Data Source

DO-EMS

Source Field

totalAtIdAssociationSuccessResponse

Source Section

ResourceAllocationPerfByRNC (RncResourceControlMIB)

totalHwIdToUatiRequests

Requests to get UATI from AT's Hardware Identifier

Data Source

DO-EMS

Source Field

totalHwIdToUatiRequests

Source Section

RNCResourceControl (RncResourceControlMIB)

totalImsiToUatiRequests

Total number of requests to get UATI from IMSI

Data Source

DO-EMS

Source Field

totalImsiToUatiRequests

Source Section

RNCResourceControl (RncResourceControlMIB)

totalMobilityTriggeredA10ReReg

This OM is a counter for the total number of A10 Re-registrations on the DORNC / RNSM.

Data Source

DO-EMS

Source Field

totalMobilityTriggeredA10ReReg

Source Section

RNCPerfByRNC (RncIS856PerfMIB)

TotalRnHomingRequests

Total number of RN homing requests received by this DO-RNC

Data Source

DO-EMS

Source Field

TotalRnHomingRequests

Source Section

ResourceAllocationPerfByRNC (RncResourceControlMIB)

TotalRnHomingRequestsDenied

Total number of RN homing requests denied by this DO-RNC

Data Source

DO-EMS

Source Field

TotalRnHomingRequestsDenied

Source Section

ResourceAllocationPerfByRNC (RncResourceControlMIB)

totalSessionCloseDueToDuplicateAtIds

Total number of Session Closed due to duplicate AT Identifiers

Data Source

DO-EMS

Source Field

totalSessionCloseDueToDuplicateAtIds

Source Section

ResourceAllocationPerfByRNC (RncResourceControlMIB)

totalSessionCloseDueToDuplicateImsi

Total number of sessions closed on the DO-RNC due to duplicate IMSI collisions.

Data Source

DO-EMS

Source Field

totalSessionCloseDueToDuplicateImsi

Source Section

RNCResourceControl (RncResourceControlMIB)

TotalSessionSetupsBlocked

Total number of Session Setups which were blocked

Data Source

DO-EMS

Source Field

TotalSessionSetupsBlocked

Source Section

RNCPerfByRNC (RncIS856PerfMIB)

TotalSessionSetupsFailed

Total number of Session setups which failed

Data Source

DO-EMS

Source Field

TotalSessionSetupsFailed

Source Section

RNCPerfByRNC (RncIS856PerfMIB)

totalSessionsTerminated

The total number of successfully established DO-Sessions that are terminated on the DO-RNC / RNSM

Data Source

DO-EMS

Source Field

totalSessionsTerminated

Source Section

RNCPerfByRNC (RncIS856PerfMIB)

totalTimesTAPEnabled

This OM is a counter for the total times TAP is enabled on the DO-RNC/RNSM since the RNSM/RNC was last rebooted.

Data Source

DO-EMS

Source Field

totalTimesTAPEnabled

Source Section

RNCPerfByRNC (RncIS856PerfMIB)

totalUatiAllocated

Total number of UATIs allocated by this RNC

Data Source

DO-EMS

Source Field

totalUatiAllocated

Source Section

RNCResourceControl (RncResourceControlMIB)

totalUatiAllocatedCur

UATIs currently allocated by this RNC

Data Source

DO-EMS

Source Field

totalUatiAllocatedCur

Source Section

RNCResourceControl (RncResourceControlMIB)

totalUatiReleased

Total number of UATI Released

Data Source

DO-EMS

Source Field

totalUatiReleased

Source Section

ResourceAllocationPerfByRNC (RncResourceControlMIB)

totalUatiReleasedDueToModuleReset

Total number of UATI Released due to module reset

Data Source

DO-EMS

Source Field

totalUatiReleasedDueToModuleReset

Source Section

ResourceAllocationPerfByRNC (RncResourceControlMIB)

totalUatiReleaseRequests

Total number of UATI Release Requests

Data Source

DO-EMS

Source Field

totalUatiReleaseRequests

Source Section

ResourceAllocationPerfByRNC (RncResourceControlMIB)

totalUatiRequests

UATI requests from the ATs to this RNC

Data Source

DO-EMS

Source Field

totalUatiRequests

Source Section

RNCResourceControl (RncResourceControlMIB)

totalUatiToHwIdRequests

Requests to get AT's Hardware Identifier from UATI

Data Source

DO-EMS

Source Field

totalUatiToHwIdRequests

Source Section

RNCResourceControl (RncResourceControlMIB)

totalUatiToImsiRequests

Total number of requests to get IMSI from UATI

Data Source

DO-EMS

Source Field

totalUatiToImsiRequests

Source Section

RNCResourceControl (RncResourceControlMIB)

DO_RNC_Card Primitive Calculations

The following is a list of primitive calculations for the DO_RNC_Card entity.

AbnormalSessionClosesSlot

Number of Abnormal Session Closes

Calculation

```
vsum(NumSessionsTerminatedToReceivingUatiReqSlot, NumSessionsTerminated-  
ToSessionConfigFailureSlot, NumSessionsTerminatedToLocalCloseSlot,  
NumSessionsTerminatedToInstantCloseSlot)
```

AccessFailureRateSlot

RF-related failure rate excluding the resource blocks and other non-RF related failures

Calculation

```
100.0 * NumConnSetupsFailedTccTimeoutSlot / vsum(NumConnectionRequestsFro-  
mAtSlot, NumFastConnectsAttemptedSlot, -1 * NumConnReqsWhileSettingUpSlot,  
-1 * NumConnReqsWhileTearingDownSlot, -1 * NumConnReqsWhileOpenSlot, 0)
```

AirlinkResourceAllocationFailuresSlot

Airlink Resource Allocation Failures

Calculation

```
vsum(TotalAirlinkRsrcAllocationsFailedSectorCarrierDownSlot,  
TotalAirlinkRsrcAllocationsFailedSectorCarrierNotHomedSlot, 0)
```

AverageConnectionDurationSlot

The average connection duration time in Seconds for all connections that were open

Calculation

AverageConnectionDurationSlot_Raw / 10.0

AverageSessionDurationSlot

The average Session duration times in Seconds for all Sessions that were open

Calculation

AverageSessionDurationSlot_Raw / 10.0

ConnectionDropsSlot

Number of abnormal connection closes due to loss of RF link or other error conditions

Calculation

vsum(NumConnectionCloseRtcLostSlot, NumConnectionCloseNoFtcSlot, NumConnectionCloseSsmSlot, NumConnectionCloseDormancyTimeoutSlot, 0)

ConnectionSetupAttemptsSlot

Valid and invalid ConnectionRequest messages

Calculation

vsum(NumConnectionRequestsFromAtSlot, NumFastConnectsAttemptedSlot, 0)

ConnectionSetupErrorsSlot

Number of Connection Setup Errors

Calculation

vsum(NumConnSetupsFailedRuTimeoutSlot, NumConnSetupsFailedTccTimeoutSlot, NumConnSetupsFailedSWErrorSlot, NumConnSetupsAbortedSlot, 0)

ConnectionSetupSuccessRateSlot

Connection Setup Success Rate

Calculation

100.0 * NumConnectionsOpenedSlot / vsum(NumConnectionRequestsFromAtSlot, NumFastConnectsAttemptedSlot, -1 * NumConnReqsWhileSettingUpSlot, -1 * NumConnReqsWhileTearingDownSlot, -1 * NumConnReqsWhileOpenSlot, 0)

EvdosessionSetupSuccessRateSlot

EV-DO Session Setup Success Rate

Calculation

100.0 * NumSessionSetupSuccessfulSlot / vsum(NumSessionSetupAttemptsSlot, -1.0 * NumSessionsTerminatedToReceivingUatiReqSlot, 0)

FwdPercentPktsSized1001to1100bytes

Percentage of packets that are received by the RNSM in the forward direction from PDSNs with packet size of 1001 to 1100 bytes.

Calculation

$$\text{fwdPktSizeBin12PerSlot} * 100.0 / \text{FwdPktSizeTotalCount}$$

FwdPercentPktsSized101to200bytes

Percentage of packets that are received by the RNSM in the forward direction from PDSNs with packet size of 101 to 200 bytes.

Calculation

$$\text{fwdPktSizeBin3PerSlot} * 100.0 / \text{FwdPktSizeTotalCount}$$

FwdPercentPktsSized1101to1200bytes

Percentage of packets that are received by the RNSM in the forward direction from PDSNs with packet size of 1101 to 1200 bytes.

Calculation

$$\text{fwdPktSizeBin13PerSlot} * 100.0 / \text{FwdPktSizeTotalCount}$$

FwdPercentPktsSized1201to1300bytes

Percentage of packets that are received by the RNSM in the forward direction from PDSNs with packet size of 1201 to 1300 bytes.

Calculation

$$\text{fwdPktSizeBin14PerSlot} * 100.0 / \text{FwdPktSizeTotalCount}$$

FwdPercentPktsSized1301to1400bytes

Percentage of packets that are received by the RNSM in the forward direction from PDSNs with packet size of 1301 to 1400 bytes.

Calculation

$$\text{fwdPktSizeBin15PerSlot} * 100.0 / \text{FwdPktSizeTotalCount}$$

FwdPercentPktsSized1401bytesOrMore

Percentage of packets that are received by the RNSM in the forward direction from PDSNs with packet size of greater than or equal to 1401 bytes.

Calculation

$$\text{fwdPktSizeBin16PerSlot} * 100.0 / \text{FwdPktSizeTotalCount}$$

FwdPercentPktsSized201to300bytes

Percentage of packets that are received by the RNSM in the forward direction from PDSNs with packet size of 201 to 300 bytes.

Calculation

$$\text{fwdPktSizeBin4PerSlot} * 100.0 / \text{FwdPktSizeTotalCount}$$

FwdPercentPktsSized301to400bytes

Percentage of packets that are received by the RNSM in the forward direction from PDSNs with packet size of 301 to 400 bytes.

Calculation

$$\text{fwdPktSizeBin5PerSlot} * 100.0 / \text{FwdPktSizeTotalCount}$$

FwdPercentPktsSized401to500bytes

Percentage of packets that are received by the RNSM in the forward direction from PDSNs with packet size of 401 to 500 bytes.

Calculation

$$\text{fwdPktSizeBin6PerSlot} * 100.0 / \text{FwdPktSizeTotalCount}$$

FwdPercentPktsSized501to600bytes

Percentage of packets that are received by the RNSM in the forward direction from PDSNs with packet size of 501 to 600 bytes.

Calculation

$$\text{fwdPktSizeBin7PerSlot} * 100.0 / \text{FwdPktSizeTotalCount}$$

FwdPercentPktsSized50bytesOrLess

Percentage of packets that are received by the RNSM in the forward direction from PDSNs with packet size of less than or equal to 50 bytes.

Calculation

$$\text{fwdPktSizeBin1PerSlot} * 100.0 / \text{FwdPktSizeTotalCount}$$

FwdPercentPktsSized51to100bytes

Percentage of packets that are received by the RNSM in the forward direction from PDSNs with packet size of 51 to 100 bytes.

Calculation

$$\text{fwdPktSizeBin2PerSlot} * 100.0 / \text{FwdPktSizeTotalCount}$$

FwdPercentPktsSized601to700bytes

Percentage of packets that are received by the RNSM in the forward direction from PDSNs with packet size of 601 to 700 bytes.

Calculation

```
fwdPktSizeBin8PerSlot * 100.0 / FwdPktSizeTotalCount
```

FwdPercentPktsSized701to800bytes

Percentage of packets that are received by the RNSM in the forward direction from PDSNs with packet size of 701 to 800 bytes.

Calculation

```
fwdPktSizeBin9PerSlot * 100.0 / FwdPktSizeTotalCount
```

FwdPercentPktsSized801to900bytes

Percentage of packets that are received by the RNSM in the forward direction from PDSNs with packet size of 801 to 900 bytes.

Calculation

```
fwdPktSizeBin10PerSlot * 100.0 / FwdPktSizeTotalCount
```

FwdPercentPktsSized901to1000bytes

Percentage of packets that are received by the RNSM in the forward direction from PDSNs with packet size of 901 to 1000 bytes.

Calculation

```
fwdPktSizeBin11PerSlot * 100.0 / FwdPktSizeTotalCount
```

FwdPktSizeTotalCount

Total number of packets that are received by the RNSM in the forward direction from PDSNs.

Calculation

```
vsum (fwdPktSizeBin1PerSlot, fwdPktSizeBin2PerSlot, fwdPktSizeBin3PerSlot,  
fwdPktSizeBin4PerSlot, fwdPktSizeBin5PerSlot, fwdPktSizeBin6PerSlot,  
fwdPktSizeBin7PerSlot, fwdPktSizeBin8PerSlot, fwdPktSizeBin9PerSlot,  
fwdPktSizeBin10PerSlot, fwdPktSizeBin11PerSlot, fwdPktSizeBin12PerSlot,  
fwdPktSizeBin13PerSlot, fwdPktSizeBin14PerSlot, fwdPktSizeBin15PerSlot,  
fwdPktSizeBin16PerSlot, 0)
```

GRAPHmultiLineSeparator

Special Control Field for Multi-Line Graphs

Calculation

""

InvalidConnectionSetupRequestsSlot

Number of Invalid Connection Setup Requests

Calculation

```
vsum(NumConnReqsWhileSettingUpSlot, NumConnReqsWhileTearingDownSlot, Num-  
ConnReqsWhileOpenSlot, 0)
```

MaxConnectionDurationSlot

The maximum amount of time in Seconds that a connection was open

Calculation

```
MaxConnectionDurationSlot_Raw / 10.0
```

MaxSessionDurationSlot

The maximum amount of time in Seconds that a Session was open

Calculation

```
MaxSessionDurationSlot_Raw / 10.0
```

MinConnectionDurationSlot

The least amount of time in Seconds that a connection was open

Calculation

```
MinConnectionDurationSlot_Raw / 10.0
```

MinSessionDurationSlot

The least amount of time in Seconds that a Session was open

Calculation

```
MinSessionDurationSlot_Raw / 10.0
```

NormalSessionClosesSlot

Number of normal Session Closes

Calculation

```
vsum(NumSessionsTerminatedToKeepAliveTimeoutSlot, NumSessionsTerminated-  
ToAtCloseSlot, 0)
```

NUMDAYS

of days in Report

Calculation

DAYSINREPORT ()

NUMHOURS

of hours in Summation Data

Calculation

PageSuccessRateSlot

Page Success Rate

Calculation

100.0 * NumConnectionRequestsInResponseToPageSlot / NumPageMessagesToAtSlot

PercentQosSetupRequestsAccepted_EMFPA

Percentage of QoS setup requests received from the AT using EMFPA that the RNSM accepted.

Calculation

numQosSetupRequestsAcceptedPerSlot_EMFPA * 100.0 /
numQosSetupRequestsReceivedPerSlot_EMFPA

PercentQosSetupRequestsAccepted_MFPA

Percentage of QoS setup requests received from the AT using MFPA that the RNSM accepted.

Calculation

numQosSetupRequestsAcceptedPerSlot_MFPA * 100.0 /
numQosSetupRequestsReceivedPerSlot_MFPA

PercentReservationOffRequestsAccepted_EMFPA

Percentage of ReservationOffRequest messages received from the AT using EMFPA that the RNSM accepted.

Calculation

numReservationOffRequestsAcceptedPerSlot_EMFPA * 100.0 /
numReservationOffRequestsReceivedPerSlot_EMFPA

PercentReservationOffRequestsAccepted_MFPA

Percentage of ReservationOffRequest messages received from the AT using MFPA that the RNSM accepted.

Calculation

$$\frac{\text{numReservationOffRequestsAcceptedPerSlot_MFPA} * 100.0}{\text{numReservationOffRequestsReceivedPerSlot_MFPA}}$$

PercentReservationOnRequestsAccepted_EMFPA

Percentage of ReservationOnRequest messages received from the AT using EMFPA that the RNSM accepted.

Calculation

$$\frac{\text{numReservationOnRequestsAcceptedPerSlot_EMFPA} * 100.0}{\text{numReservationOnRequestsReceivedPerSlot_EMFPA}}$$

PercentReservationOnRequestsAccepted_MFPA

Percentage of ReservationOnRequest messages received from the AT using MFPA that the RNSM accepted.

Calculation

$$\frac{\text{numReservationOnRequestsAcceptedPerSlot_MFPA} * 100.0}{\text{numReservationOnRequestsReceivedPerSlot_MFPA}}$$

RevPercentPktsSized1200to1450bytes

Percentage of packets that are received by the RNSM in the reverse direction from the DOMs with packet size of 1200 to 1450 bytes.

Calculation

$$\frac{\text{revPktSizeBin13PerSlot} * 100.0}{\text{RevPktSizeTotalCount}}$$

RevPercentPktsSized127to189bytes

Percentage of packets that are received by the RNSM in the reverse direction from the DOMs with packet size of 127 to 189 bytes.

Calculation

$$\frac{\text{revPktSizeBin7PerSlot} * 100.0}{\text{RevPktSizeTotalCount}}$$

RevPercentPktsSized13bytesOrLess

Percentage of packets that are received by the RNSM in the reverse direction from the DOMs with packet size of less than or equal to 13 bytes.

Calculation

$$\text{revPktSizeBin1PerSlot} * 100.0 / \text{RevPktSizeTotalCount}$$

RevPercentPktsSized14to30bytes

Percentage of packets that are received by the RNSM in the reverse direction from the DOMs with packet size of 14 to 30 bytes.

Calculation

$$\text{revPktSizeBin2PerSlot} * 100.0 / \text{RevPktSizeTotalCount}$$

RevPercentPktsSized190to254bytes

Percentage of packets that are received by the RNSM in the reverse direction from the DOMs with packet size of 190 to 254 bytes.

Calculation

$$\text{revPktSizeBin8PerSlot} * 100.0 / \text{RevPktSizeTotalCount}$$

RevPercentPktsSized255to381bytes

Percentage of packets that are received by the RNSM in the reverse direction from the DOMs with packet size of 255 to 381 bytes.

Calculation

$$\text{revPktSizeBin9PerSlot} * 100.0 / \text{RevPktSizeTotalCount}$$

RevPercentPktsSized31to62bytes

Percentage of packets that are received by the RNSM in the reverse direction from the DOMs with packet size of 31 to 62 bytes.

Calculation

$$\text{revPktSizeBin3PerSlot} * 100.0 / \text{RevPktSizeTotalCount}$$

RevPercentPktsSized382to510bytes

Percentage of packets that are received by the RNSM in the reverse direction from the DOMs with packet size of 382 to 510 bytes.

Calculation

$$\text{revPktSizeBin10PerSlot} * 100.0 / \text{RevPktSizeTotalCount}$$

RevPercentPktsSized511to765bytes

Percentage of packets that are received by the RNSM in the reverse direction from the DOMs with packet size of 511 to 765 bytes.

Calculation

$\text{revPktSizeBin11PerSlot} * 100.0 / \text{RevPktSizeTotalCount}$

RevPercentPktsSized63to83bytes

Percentage of packets that are received by the RNSM in the reverse direction from the DOMs with packet size of 63 to 83 bytes.

Calculation

$\text{revPktSizeBin4PerSlot} * 100.0 / \text{RevPktSizeTotalCount}$

RevPercentPktsSized766to1021bytes

Percentage of packets that are received by the RNSM in the reverse direction from the DOMs with packet size of 766 to 1021 bytes.

Calculation

$\text{revPktSizeBin12PerSlot} * 100.0 / \text{RevPktSizeTotalCount}$

RevPercentPktsSized84to93bytes

Percentage of packets that are received by the RNSM in the reverse direction from the DOMs with packet size of 84 to 93 bytes.

Calculation

$\text{revPktSizeBin5PerSlot} * 100.0 / \text{RevPktSizeTotalCount}$

RevPercentPktsSized94to126bytes

Percentage of packets that are received by the RNSM in the reverse direction from the DOMs with packet size of 94 to 126 bytes.

Calculation

$\text{revPktSizeBin6PerSlot} * 100.0 / \text{RevPktSizeTotalCount}$

RevPktSizeTotalCount

Total number of packets that are received by the RNSM in the reverse direction from the DOMs.

Calculation

$\text{vsum}(\text{revPktSizeBin1PerSlot}, \text{revPktSizeBin2PerSlot}, \text{revPktSizeBin3PerSlot}, \text{revPktSizeBin4PerSlot}, \text{revPktSizeBin5PerSlot}, \text{revPktSizeBin6PerSlot}, \text{revPktSizeBin7PerSlot}, \text{revPktSizeBin8PerSlot}, \text{revPktSizeBin9PerSlot}, \text{revPktSizeBin10PerSlot}, \text{revPktSizeBin11PerSlot}, \text{revPktSizeBin12PerSlot}, \text{revPktSizeBin13PerSlot}, 0)$

RevSHOAllocationFailuresSlot

Reverse Link unsuccessful soft handoffs due to allocation failures

Calculation

vsum (NumRevLinkSHOfailedByRnSlot, NumRevLinkSHOfailedByRnResourcesSlot,
NumRevLinkSHOfailRncTimeoutSlot, 0)

RevSHOBlockingsSlot

Reverse Link unsuccessful soft handoffs due to blocking

Calculation

vsum (NumRevLinkSHOBlockedByRnSlot, NumRevLinkSHOBlockedByRncResourcesSlot)

RevSHOUnsuccessfulResourcesAllocationSlot

Total Reverse Link unsuccessful soft handoffs due to blocking or allocation failures

Calculation

vsum (NumRevLinkSHOBlockedByRnSlot, NumRevLinkSHOBlockedByRncResourcesS-
lot, NumRevLinkSHOfailedByRnSlot, NumRevLinkSHOfailedByRnResourcesSlot,
NumRevLinkSHOfailRncTimeoutSlot, 0)

SuccessfulReverseLinkSHORateSlot

Successful Reverse Link Soft Handoff Rate where a handoff is considered to be successful if all
the requested pilots are added or removed

Calculation

100.0 * NumRevLinkSHOSuccessSlot / NumRevLinkSHOAttemptsSlot

TotalANInitiatedConnectionClosesSlot

Total Access Network initiated connection closes

Calculation

vsum (NumConnectionCloseToAtNormalSlot , NumConnectionCloseToAtErrorSlot, 0)

TotalATInitiatedConnectionClosesSlot

Total Access Terminal initiated connection closes

Calculation

vsum (NumConnectionCloseFromAtNormalSlot, NumConnectionCloseFromAtError-
Slot, NumConnectionCloseFromAtReservedSlot, 0)

TotalConnectionClosesSlot

Total Connection Closes

Calculation

```
vsum(NumConnectionCloseFromAtNormalSlot, NumConnectionCloseFromAtErrorSlot, NumConnectionCloseFromAtReservedSlot, NumConnectionCloseToAtNormalSlot, NumConnectionCloseToAtErrorSlot, 0)
```

TotalRLPFrameByteCountSlot

Total RLP frame byte count

Calculation

```
vsum(ForwardRlpBytesSlot, ReverseRlpBytesSlot, 0)
```

UnsuccessfulResourcesAllocationSlot

Number of Unsuccessful Resource Allocations

Calculation

```
vsum(NumConnectionSetupsBlockedByRnSlot, NumConnectionSetupsBlockedByRncResourcesSlot, NumConnectionSetupsFailedByRnSlot, NumConnectionSetupsFailedByRncResourcesSlot, NumConnSetupsFailedRncTimeoutSlot)
```

ValidEvdoSessionSetupAttemptsSlot

Valid EV-DO Session Setup Attempts

Calculation

```
vsum(NumSessionSetupAttemptsSlot, -1 * NumSessionsTerminatedToReceivingUatIReqSlot, 0)
```

DO_RNC_Card Peg Counts

The following is a list of peg counts for the DO_RNC_Card entity.

a12AcceptsReceivedFromAaaServersForSlot

Number of A12 Access Accepts received from any AN-AAA server used by the RNSM.

Data Source

DO-EMS

Source Field

a12AcceptsReceivedFromAaaServersForSlot

Source Section

TermAuthPerfBySlot (RncTermAuthMIB)

a12AccessChallengesReceivedFromAaaServersForSlot

Number of A12 Access Challenges received from any AN-AAA server used by the RNSM.

Data Source

DO-EMS

Source Field

a12AccessChallengesReceivedFromAaaServersForSlot

Source Section

TermAuthPerfBySlot (RncTermAuthMIB)

a12BadAuthenticatorReceivedFromAaaServersForSlot

Number of A12 messages with bad authenticators received from any ANAAA server used by the RNSM.

Data Source

DO-EMS

Source Field

a12BadAuthenticatorReceivedFromAaaServersForSlot

Source Section

TermAuthPerfBySlot (RncTermAuthMIB)

a12MalformedResponseReceivedFromAaaServersForSlot

Number of malformed A12 messages received from any AN-AAA server used by the RNSM.

Data Source

DO-EMS

Source Field

a12MalformedResponseReceivedFromAaaServersForSlot

Source Section

TermAuthPerfBySlot (RncTermAuthMIB)

a12RejectsReceivedFromAaaServersForSlot

Number of A12 Access Rejects received by the RNSM.

Data Source

DO-EMS

Source Field

a12RejectsReceivedFromAaaServersForSlot

Source Section

TermAuthPerfBySlot (RncTermAuthMIB)

a12RequestsSentToAaaServersFromSlot

Number of A12-Access Requests sent by the RNSM. It does not count retransmissions.

Data Source

DO-EMS

Source Field

a12RequestsSentToAaaServersFromSlot

Source Section

TermAuthPerfBySlot (RncTermAuthMIB)

a12RetransmitsSentToAaaServersFromSlot

Number of A12-Access Request retransmissions sent by the RNSM.

Data Source

DO-EMS

Source Field

a12RetransmitsSentToAaaServersFromSlot

Source Section

TermAuthPerfBySlot (RncTermAuthMIB)

a12TimeoutEventsInThisSlot

Number of A12-Access Requests timeouts that occurred for requests sent to any AN-AAA server used by the RNSM.

Data Source

DO-EMS

Source Field

a12TimeoutEventsInThisSlot

Source Section

TermAuthPerfBySlot (RncTermAuthMIB)

a12TxPathFailDueToAnPppForSlot

Total number of A12 failures due to AnPpp connection failures for the DORNC / RNSM.

Data Source

DO-EMS

Source Field

a12TxPathFailDueToAnPppForSlot

Source Section

TermAuthPerfBySlot (RncTermAuthMIB)

a12TxPathFailDueToInternalErrorsForSlot

Total number of A12 failures due to various internal errors in the RNSM. These include memory allocation failures, radius attribute addition failures, etc.

Data Source

DO-EMS

Source Field

a12TxPathFailDueToInternalErrorsForSlot

Source Section

TermAuthPerfBySlot (RncTermAuthMIB)

a12TxPathFailDueToNoPacketIdAvalableForServersForSlot

Total number of A12 failures due to the RNSM having exhausted the packet Ids to be assigned to the allocated AaaServers.

Data Source

DO-EMS

Source Field

a12TxPathFailDueToNoPacketIdAvalableForServersForSlot

Source Section

TermAuthPerfBySlot (RncTermAuthMIB)

a12TxPathFailDueToNoServerAvailableForSlot

Total number of A12 failures when the RNSM cannot select any server for this terminal authentication attempt either because there is no more available server, or the retransmission limit has been reached.

Data Source

DO-EMS

Source Field

a12TxPathFailDueToNoServerAvailableForSlot

Source Section

TermAuthPerfBySlot (RncTermAuthMIB)

a12TxPathFailDueToTransmitErrorForServersForSlot

Total number of A12 failures due to transmit failures for the RNSM. The failure may be due to socket failures, route failures, etc.

Data Source

DO-EMS

Source Field

a12TxPathFailDueToTransmitErrorForServersForSlot

Source Section

TermAuthPerfBySlot (RncTermAuthMIB)

a12UnknownOtherFailureReceivedFromAaaServersForSlot

Total number of A12 messages from AN-AAA(s) that were dropped, by the RNSM, due to other reasons.

Data Source

DO-EMS

Source Field

a12UnknownOtherFailureReceivedFromAaaServersForSlot

Source Section

TermAuthPerfBySlot (RncTermAuthMIB)

a12UnknownPacketTypeReceivedFromAaaServersForSlot

Total number of A12 messages with unknown packets (with no matching outstanding packet Ids) received from any AN-AAA server used by the DORNC / RNSM.

Data Source

DO-EMS

Source Field

a12UnknownPacketTypeReceivedFromAaaServersForSlot

Source Section

TermAuthPerfBySlot (RncTermAuthMIB)

a12UnknownServerReceivedFromAaaServersForSlot

Total number of A12 messages received from any unknown AN-AAA server used by the RNSM.

Data Source

DO-EMS

Source Field

a12UnknownServerReceivedFromAaaServersForSlot

Source Section

TermAuthPerfBySlot (RncTermAuthMIB)

a12UnknownTypeReceivedFromAaaServersForSlot

Total number of A12 messages with unknown packet types (not one of the supported A12 packet types) received from any AN-AAA server used by the RNSM.

Data Source

DO-EMS

Source Field

a12UnknownTypeReceivedFromAaaServersForSlot

Source Section

TermAuthPerfBySlot (RncTermAuthMIB)

anPppAuthenticationAttemptsSlot

Number of AN-PPP authentications attempted by the RNSM.

Data Source

DO-EMS

Source Field

anPppAuthenticationAttemptsSlot

Source Section

TermAuthPerfBySlot (RncTermAuthMIB)

averageConnectionSetupTimeSlot

The average connection setup time for all successful connection setups

Data Source

DO-EMS

Source Field

averageConnectionSetupTimeSlot

Source Section

RNCPerfBySlot (RncIS856PerfMIB)

averagePageSetupTimeSlot

The average connection setup time in response to a RNC initiated page

Data Source

DO-EMS

Source Field

averagePageSetupTimeSlot

Source Section

RNCPerfBySlot (RncIS856PerfMIB)

averageRevAConnectionDurationSlot

This attribute indicates the average amount of time for which a Rev-A connection was open on this RNSM (Unit : 100 ms).

Data Source

DO-EMS

Source Field

averageRevAConnectionDurationSlot

Source Section

RNCPerfBySlot (RncIS856PerfMIB)

averageRevAConnectionSetupTimeSlot

The average time taken, on this RNSM, for the successful set-up of a connection (Unit : 10 ms).

Data Source

DO-EMS

Source Field

averageRevAConnectionSetupTimeSlot

Source Section

RNCPerfBySlot (RncIS856PerfMIB)

averageSessionSetupTimeSlot

The average Session setup time for all successful Session setups

Data Source

DO-EMS

Source Field

averageSessionSetupTimeSlot

Source Section

RNCPerfBySlot (RncIS856PerfMIB)

avgA13HoDelayPriorSessionSlot

Average delay for prior session A13 Handoff on this slot

Data Source

DO-EMS

Source Field

avgA13HoDelayPriorSessionSlot

Source Section

RNCPerfBySlot (RncIS856PerfMIB)

avgA13HoDelaySlot

This OM maintains a record of the average setup time for all successful regular A13-Dormant handoff attempts on a DO-RNC / RNSM.

Data Source

DO-EMS

Source Field

avgA13HoDelaySlot

Source Section

RNCPerfBySlot (RncIS856PerfMIB)

avgNumConnectionsCurrentlyOpenSlot

Average of the number of currently open connections.

Data Source

DO-EMS

Source Field

numConnectionsCurrentlyOpenSlot

Source Section

RNCPerfBySlot (RncIS856PerfMIB)

avgNumCurrentSessionsEstablishedSlot

Average of 15 samples of numCurrentSessionsEstablished during collection interval.

Data Source

DO-EMS

Source Field

numCurrentSessionsEstablishedSlot

Source Section

RNCPerfBySlot (RncIS856PerfMIB)

cNuConSetupSuccessA16Slot_Rev0

The number of A16 related connection setups successfully opened after the demarcation point for Rev-0 personality ATs.

Data Source

DO-EMS

Source Field

cNuConSetupSuccessA16Slot where atDescriptor=1

Source Section

RNCPerfExtnBySlot (RncIS856PerfExtensionMIB)

cNuConSetupSuccessA16Slot_RevA

The number of A16 related connection setups successfully opened after the demarcation point for Rev-A personality ATs.

Data Source

DO-EMS

Source Field

cNuConSetupSuccessA16Slot where atDescriptor=2

Source Section

RNCPerfExtnBySlot (RncIS856PerfExtensionMIB)

cNumATInitiatedPageResponsesSlot_Rev0

The number of AT initiated ConnectionRequest messages that were received after the demarcation point during any paging cycle for Rev-0 personality ATs.

Data Source

DO-EMS

Source Field

cNumATInitiatedPageResponsesSlot where atDescriptor=1

Source Section

RNCPerfExtnBySlot (RncIS856PerfExtensionMIB)

cNumATInitiatedPageResponsesSlot_RevA

The number of AT initiated ConnectionRequest messages that were received after the demarcation point during any paging cycle for Rev-A personality ATs.

Data Source

DO-EMS

Source Field

cNumATInitiatedPageResponsesSlot where atDescriptor=2

Source Section

RNCPerfExtnBySlot (RncIS856PerfExtensionMIB)

cNumATReportedTuneAwayDropsSlot_Rev0

Number of times a Rev-0 connection failure record from rev-A ATs (RevA AT sends this record regardless of personality type), via IS856-A connection failure reporting message, is received by the RNC indicating connection failures due to the AT tuning away to 3G1X network while connected to 1xEVDO network and the timestamp reported in connection failure record is within 10 seconds of last RF related drop (FTC stopped timestamp stored at the RNC).

Data Source

DO-EMS

Source Field

cNumATReportedTuneAwayDropsSlot where atDescriptor=1

Source Section

RNCPerfExtnBySlot (RncIS856PerfExtensionMIB)

cNumATReportedTuneAwayDropsSlot_RevA

Number of times a Rev-A connection failure record from rev-A ATs (RevA AT sends this record regardless of personality type), via IS856-A connection failure reporting message, is received by the RNC indicating connection failures due to the AT tuning away to 3G1X network while connected to 1xEVDO network and the timestamp reported in connection failure record is within 10 seconds of last RF related drop (FTC stopped timestamp stored at the RNC).

Data Source

DO-EMS

Source Field

cNumATReportedTuneAwayDropsSlot where atDescriptor=2

Source Section

RNCPerfExtnBySlot (RncIS856PerfExtensionMIB)

cNumConnectionsClosedNormalBeforeTCCDuringSRAfterDCSlot_Rev0

This RNC-wide statistic counts the number of Rev-0 DO Connections closed by the AT before Traffic Channel Complete with a reason code of normal or movedto3G1x during the silent retry period after a dropped call.

Data Source

DO-EMS

Source Field

cNumConnectionsClosedNormalBeforeTCCDuringSRAfterDCSlot where atDescriptorSlot=1

Source Section

RNCPerfExtnBySlot (RncIS856PerfExtensionMIB)

cNumConnectionsClosedNormalBeforeTCCDuringSRAfterDCSlot_RevA

This RNC-wide statistic counts the number of Rev-A DO Connections closed by the AT before Traffic Channel Complete with a reason code of normal or movedto3G1x during the silent retry period after a dropped call.

Data Source

DO-EMS

Source Field

cNumConnectionsClosedNormalBeforeTCCDuringSRAfterDCSlot where atDescriptorSlot=2

Source Section

RNCPerfExtnBySlot (RncIS856PerfExtensionMIB)

cNumConnectionsClosedNormalBeforeTCCDuringSRAfterFCASlot_Rev0

This RNC-wide statistic counts the number of Rev-0 DO Connections closed by the AT before Traffic Channel Complete with a reason code of normal or movedto3G1x during the silent retry period after failed call attempt.

Data Source

DO-EMS

Source Field

cNumConnectionsClosedNormalBeforeTCCDuringSRAfterFCASlot where atDescriptorSlot=1

Source Section

RNCPerfExtnBySlot (RncIS856PerfExtensionMIB)

cNumConnectionsClosedNormalBeforeTCCDuringSRAfterFCASlot_RevA

This RNC-wide statistic counts the number of Rev-A DO Connections closed by the AT before Traffic Channel Complete with a reason code of normal or movedto3G1x during the silent retry period after failed call attempt.

Data Source

DO-EMS

Source Field

cNumConnectionsClosedNormalBeforeTCCDuringSRAfterFCASlot where atDescriptorSlot=2

Source Section

RNCPerfExtnBySlot (RncIS856PerfExtensionMIB)

cNumConnectionsClosedNormalBeforeTCCSlot_Rev0

Pegs after demarcation point when a Rev-0 DO Connection is closed by the AT with reason as normal or movedto3G1x in connection close message before sending TCC.

Data Source

DO-EMS

Source Field

cNumConnectionsClosedNormalBeforeTCCSlot where atDescriptor=1

Source Section

RNCPerfExtnBySlot (RncIS856PerfExtensionMIB)

cNumConnectionsClosedNormalBeforeTCCSlot_RevA

Pegs after demarcation point when a Rev-A DO Connection is closed by the AT with reason as normal or movedto3G1x in connection close message before sending TCC.

Data Source

DO-EMS

Source Field

cNumConnectionsClosedNormalBeforeTCCSlot where atDescriptor=2

Source Section

RNCPerfExtnBySlot (RncIS856PerfExtensionMIB)

cNumConnectionSetupAbortNormalA10CloseSlot_Rev0

Connection set-ups that were aborted after the demarcation point because the PDSN closed the A10 connection for Rev-0 personality ATs.

Data Source

DO-EMS

Source Field

cNumConnectionSetupAbortNormalA10CloseSlot where atDescriptor=1

Source Section

RNCPerfExtnBySlot (RncIS856PerfExtensionMIB)

cNumConnectionSetupAbortNormalA10CloseSlot_RevA

Connection set-ups that were aborted after the demarcation point because the PDSN closed the A10 connection for Rev-A personality ATs.

Data Source

DO-EMS

Source Field

cNumConnectionSetupAbortNormalA10CloseSlot where atDescriptor=2

Source Section

RNCPerfExtnBySlot (RncIS856PerfExtensionMIB)

cNumConnectionSetupAttemptsSlot_Rev0

The number of DO connection setup attempts made after the demarcation point for Rev-0 personality ATs.

Data Source

DO-EMS

Source Field

cNumConnectionSetupAttemptsSlot where atDescriptor=1

Source Section

RNCPerfExtnBySlot (RncIS856PerfExtensionMIB)

cNumConnectionSetupAttemptsSlot_RevA

The number of DO connection setup attempts made after the demarcation point for Rev-A personality ATs.

Data Source

DO-EMS

Source Field

cNumConnectionSetupAttemptsSlot where atDescriptor=2

Source Section

RNCPerfExtnBySlot (RncIS856PerfExtensionMIB)

cNumConnectionSetupsAbortRedirectTriggersSlot_Rev0

Connection setup attempts that were aborted after the demarcation point because the RNC redirected the AT to an alternate carrier on receiving connection request for Rev-0 personality ATs.

Data Source

DO-EMS

Source Field

cNumConnectionSetupsAbortRedirectTriggersSlot where atDescriptor=1

Source Section

RNCPerfExtnBySlot (RncIS856PerfExtensionMIB)

cNumConnectionSetupsAbortRedirectTriggersSlot_RevA

Connection setup attempts that were aborted after the demarcation point because the RNC redirected the AT to an alternate carrier on receiving connection request for Rev-A personality ATs.

Data Source

DO-EMS

Source Field

cNumConnectionSetupsAbortRedirectTriggersSlot where atDescriptor=2

Source Section

RNCPerfExtnBySlot (RncIS856PerfExtensionMIB)

cNumConnectionSetupSuccessSlot_Rev0

The number of DO connections successfully opened after the demarcation point for Rev-0 personality ATs.

Data Source

DO-EMS

Source Field

cNumConnectionSetupSuccessSlot where atDescriptor=1

Source Section

RNCPerfExtnBySlot (RncIS856PerfExtensionMIB)

cNumConnectionSetupSuccessSlot_RevA

The number of DO connections successfully opened after the demarcation point for Rev-A personality ATs.

Data Source

DO-EMS

Source Field

cNumConnectionSetupSuccessSlot where atDescriptor=2

Source Section

RNCPerfExtnBySlot (RncIS856PerfExtensionMIB)

cNumFirstPageResponsesSlot_Rev0

The number of page responses that were received after the demarcation point from the AT in a paging cycle, in response to the 1st Page Message that was sent from the AN for Rev-0 personality ATs.

Data Source

DO-EMS

Source Field

cNumFirstPageResponsesSlot where atDescriptor=1

Source Section

RNCPerfExtnBySlot (RncIS856PerfExtensionMIB)

cNumFirstPageResponsesSlot_RevA

The number of page responses that were received after the demarcation point from the AT in a paging cycle, in response to the 1st Page Message that was sent from the AN for Rev-A personality ATs.

Data Source

DO-EMS

Source Field

cNumFirstPageResponsesSlot where atDescriptor=2

Source Section

RNCPerfExtnBySlot (RncIS856PerfExtensionMIB)

cNumHHODropsBlockedByRnSlot_Rev0

Connections that were dropped after the demarcation point, due to unsuccessful inter frequency hard handoff because the RNC received explicit block for resource allocation from at least one of the RNs involved in the hard handoff for Rev-0 personality ATs.

Data Source

DO-EMS

Source Field

cNumHHODropsBlockedByRnSlot where atDescriptor=1

Source Section

RNCPerfExtnBySlot (RncIS856PerfExtensionMIB)

cNumHHODropsBlockedByRnSlot_RevA

Connections that were dropped after the demarcation point, due to unsuccessful inter frequency hard handoff because the RNC received explicit block for resource allocation from at least one of the RNs involved in the hard handoff for Rev-A personality ATs.

Data Source

DO-EMS

Source Field

cNumHHODropsBlockedByRnSlot where atDescriptor=2

Source Section

RNCPerfExtnBySlot (RncIS856PerfExtensionMIB)

cNumHHODropsFTCDesriedAndRTCACquiredNotRxSlot_Rev0

Connections that were dropped after the demarcation point, due to unsuccessful inter frequency hard handoff because Target Carrier Acquired indication was not received but the Source Carrier Lost indication was received within the timeout interval: this implies that there was no available link left with the AT and so the connection was closed for Rev-0 personality ATs.

Data Source

DO-EMS

Source Field

cNumHHODropsFTCDesriedAndRTCACquiredNotRxSlot where atDescriptor=1

Source Section

RNCPerfExtnBySlot (RncIS856PerfExtensionMIB)

cNumHHODropsFTCDesriedAndRTCACquiredNotRxSlot_RevA

Connections that were dropped after the demarcation point, due to unsuccessful inter frequency hard handoff because Target Carrier Acquired indication was not received but the Source Carrier Lost indication was received within the timeout interval: this implies that there was no available link left with the AT and so the connection was closed for Rev-A personality ATs.

Data Source

DO-EMS

Source Field

cNumHHODropsFTCDesriedAndRTCACquiredNotRxSlot where atDescriptor=2

Source Section

RNCPerfExtnBySlot (RncIS856PerfExtensionMIB)

cNumHHODropsSlot_Rev0

Connections that were dropped after the demarcation point, due to unsuccessful inter frequency hard handoffs for Rev-0 personality ATs.

Data Source

DO-EMS

Source Field

cNumHHODropsSlot where atDescriptor=1

Source Section

RNCPerfExtnBySlot (RncIS856PerfExtensionMIB)

cNumHHODropsSlot_RevA

Connections that were dropped after the demarcation point, due to unsuccessful inter frequency hard handoffs for Rev-A personality ATs.

Data Source

DO-EMS

Source Field

cNumHHODropsSlot where atDescriptor=2

Source Section

RNCPerfExtnBySlot (RncIS856PerfExtensionMIB)

cNumIncomingPersonalityChangeTriggersSlot_Rev0

Number of times a trigger was generated after the demarcation point, to change the Rev-A capable AT from the source personality to the target personality during connection set-up for Rev-0 personality ATs.

Data Source

DO-EMS

Source Field

cNumIncomingPersonalityChangeTriggersSlot where atDescriptor=1

Source Section

RNCPerfExtnBySlot (RncIS856PerfExtensionMIB)

cNumIncomingPersonalityChangeTriggersSlot_RevA

Number of times a trigger was generated after the demarcation point, to change the Rev-A capable AT from the source personality to the target personality during connection set-up for Rev-A personality ATs.

Data Source

DO-EMS

Source Field

cNumIncomingPersonalityChangeTriggersSlot where atDescriptor=2

Source Section

RNCPerfExtnBySlot (RncIS856PerfExtensionMIB)

cNumMiscDropSrcA16FailSlot_Rev0

This OM is pegged by source RNC when it fails to transfer A16 active session to A16 target RNC and is unable to maintain the connection locally after demarcation point for Rev-0 personality ATs.

Data Source

DO-EMS

Source Field

cNumMiscDropSrcA16FailSlot where atDescriptor=1

Source Section

RNCPerfExtnBySlot (RncIS856PerfExtensionMIB)

cNumMiscDropSrcA16FailSlot_RevA

This OM is pegged by source RNC when it fails to transfer A16 active session to A16 target RNC and is unable to maintain the connection locally after demarcation point for Rev-A personality ATs.

Data Source

DO-EMS

Source Field

cNumMiscDropSrcA16FailSlot where atDescriptor=2

Source Section

RNCPerfExtnBySlot (RncIS856PerfExtensionMIB)

cNumMCTAConnSetupAttemptsSlot_Rev0

Whenever a new connection request is received and MCTA is run on that connection, this will be pegged for Rev-0 personality ATs.

Data Source

DO-EMS

Source Field

cNumMCTAConnSetupAttemptsSlot where atDescriptor=1

Source Section

RNCPerfExtnBySlot (RncIS856PerfExtensionMIB)

cNumMCTAConnSetupAttemptsSlot_RevA

Whenever a new connection request is received and MCTA is run on that connection, this will be pegged for Rev-A personality ATs.

Data Source

DO-EMS

Source Field

cNumMCTAConnSetupAttemptsSlot where atDescriptor=2

Source Section

RNCPerfExtnBySlot (RncIS856PerfExtensionMIB)

cNumMCTAConnSetupFailureRNBlocksWithSLSlot_Rev0

Whenever MCTA determines that all sectors in the created list are fully loaded but selected originating carrier and the connection setup is failed due to RN block, this OM would be pegged for Rev-0 personality ATs.

Data Source

DO-EMS

Source Field

cNumMCTAConnSetupFailureRNBlocksWithSLSlot where atDescriptor=1

Source Section

RNCPerfExtnBySlot (RncIS856PerfExtensionMIB)

cNumMCTAConnSetupFailureRNBlocksWithSLSlot_RevA

Whenever MCTA determines that all sectors in the created list are fully loaded but selected originating carrier and the connection setup is failed due to RN block, this OM would be pegged for Rev-A personality ATs.

Data Source

DO-EMS

Source Field

cNumMCTAConnSetupFailureRNBlocksWithSLSlot where atDescriptor=2

Source Section

RNCPerfExtnBySlot (RncIS856PerfExtensionMIB)

cNumMCTAConnSetupFailuresSlot_Rev0

Whenever an initial connection is attempted and it is failed due to any failure, this would be pegged for Rev-0 personality ATs.

Data Source

DO-EMS

Source Field

cNumMCTAConnSetupFailuresSlot where atDescriptor=1

Source Section

RNCPerfExtnBySlot (RncIS856PerfExtensionMIB)

cNumMCTAConnSetupFailuresSlot_RevA

Whenever an initial connection is attempted and it is failed due to any failure, this would be pegged for Rev-A personality ATs.

Data Source

DO-EMS

Source Field

cNumMCTAConnSetupFailuresSlot where atDescriptor=2

Source Section

RNCPerfExtnBySlot (RncIS856PerfExtensionMIB)

cNumMCTAConnSetupSuccessesSlot_Rev0

Whenever AN declares a connection as successful and MCTA is run on that connection, this would be pegged for Rev-0 personality ATs.

Data Source

DO-EMS

Source Field

cNumMCTAConnSetupSuccessesSlot where atDescriptor=1

Source Section

RNCPerfExtnBySlot (RncIS856PerfExtensionMIB)

cNumMCTAConnSetupSuccessesSlot_RevA

Whenever AN declares a connection as successful and MCTA is run on that connection, this would be pegged for Rev-A personality ATs.

Data Source

DO-EMS

Source Field

cNumMCTAConnSetupSuccessesSlot where atDescriptor=2

Source Section

RNCPerfExtnBySlot (RncIS856PerfExtensionMIB)

cNumMiscDropsAbnormalCloseBySessionSlot_Rev0

Connections that were dropped after the demarcation point because the SSM requested the CSM to close the connection abnormally for Rev-0 personality ATs.

Data Source

DO-EMS

Source Field

cNumMiscDropsAbnormalCloseBySessionSlot where atDescriptor=1

Source Section

RNCPerfExtnBySlot (RncIS856PerfExtensionMIB)

cNumMiscDropsAbnormalCloseBySessionSlot_RevA

Connections that were dropped after the demarcation point because the SSM requested the CSM to close the connection abnormally for Rev-A personality ATs.

Data Source

DO-EMS

Source Field

cNumMiscDropsAbnormalCloseBySessionSlot where atDescriptor=2

Source Section

RNCPerfExtnBySlot (RncIS856PerfExtensionMIB)

cNumMiscDropsBEPriorityUpdateFailSlot_Rev0

This statistic counts the number of Rev-0 connections that were dropped after the demarcation point due to a failure in dynamically updating the best effort modem flow on receiving a change in the inter-user BE priority level for the user when the connection is open.

Data Source

DO-EMS

Source Field

cNumMiscDropsBEPriorityUpdateFailSlot where atDescriptorSlot=1

Source Section

RNCPerfExtnBySlot (RncIS856PerfExtensionMIB)

cNumMiscDropsBEPriorityUpdateFailSlot_RevA

This statistic counts the number of Rev-A connections that were dropped after the demarcation point due to a failure in dynamically updating the best effort modem flow on receiving a change in the inter-user BE priority level for the user when the connection is open.

Data Source

DO-EMS

Source Field

cNumMiscDropsBEPriorityUpdateFailSlot where atDescriptorSlot=2

Source Section

RNCPerfExtnBySlot (RncIS856PerfExtensionMIB)

cNumMiscDropsDueToRLPSlot_Rev0

Number of times the connection was dropped after the demarcation point at the request of the Radio Link Protocol for Rev-0 personality ATs.

Data Source

DO-EMS

Source Field

cNumMiscDropsDueToRLPSlot where atDescriptor=1

Source Section

RNCPerfExtnBySlot (RncIS856PerfExtensionMIB)

cNumMiscDropsDueToRLPSlot_RevA

Number of times the connection was dropped after the demarcation point at the request of the Radio Link Protocol for Rev-A personality ATs.

Data Source

DO-EMS

Source Field

cNumMiscDropsDueToRLPSlot where atDescriptor=2

Source Section

RNCPerfExtnBySlot (RncIS856PerfExtensionMIB)

cNumMiscDropsInternalErrorSlot_Rev0

Connections that were dropped after the demarcation point due to internal software errors for Rev-0 personality ATs.

Data Source

DO-EMS

Source Field

cNumMiscDropsInternalErrorSlot where atDescriptor=1

Source Section

RNCPerfExtnBySlot (RncIS856PerfExtensionMIB)

cNumMiscDropsInternalErrorSlot_RevA

Connections that were dropped after the demarcation point due to internal software errors for Rev-A personality ATs.

Data Source

DO-EMS

Source Field

cNumMiscDropsInternalErrorSlot where atDescriptor=2

Source Section

RNCPerfExtnBySlot (RncIS856PerfExtensionMIB)

cNumMiscDropsSectorDownSlot_Rev0

Connections that were dropped after the demarcation point because there is only one pilot available for the connection and a sector down indication has been received for that pilot for Rev-0 personality ATs.

Data Source

DO-EMS

Source Field

cNumMiscDropsSectorDownSlot where atDescriptor=1

Source Section

RNCPerfExtnBySlot (RncIS856PerfExtensionMIB)

cNumMiscDropsSectorDownSlot_RevA

Connections that were dropped after the demarcation point because there is only one pilot available for the connection and a sector down indication has been received for that pilot for Rev-A personality ATs.

Data Source

DO-EMS

Source Field

cNumMiscDropsSectorDownSlot where atDescriptor=2

Source Section

RNCPerfExtnBySlot (RncIS856PerfExtensionMIB)

cNumMiscDropsSlot_Rev0

The number of open DO connections that are dropped (abnormally closed) after the demarcation point due to reasons other than RF related issues and soft handoff failures for Rev-0 personality ATs.

Data Source

DO-EMS

Source Field

cNumMiscDropsSlot where atDescriptor=1

Source Section

RNCPerfExtnBySlot (RncIS856PerfExtensionMIB)

cNumMiscDropsSlot_RevA

The number of open DO connections that are dropped (abnormally closed) after the demarcation point due to reasons other than RF related issues and soft handoff failures for Rev-A personality ATs.

Data Source

DO-EMS

Source Field

cNumMiscDropsSlot where atDescriptor=2

Source Section

RNCPerfExtnBySlot (RncIS856PerfExtensionMIB)

cNumMiscDropsStateMismatchSlot_Rev0

Connections that were dropped after the demarcation point when the RNC finds a state mismatch between itself and the AT for Rev-0 personality ATs.

Data Source

DO-EMS

Source Field

cNumMiscDropsStateMismatchSlot where atDescriptor=1

Source Section

RNCPerfExtnBySlot (RncIS856PerfExtensionMIB)

cNumMiscDropsStateMismatchSlot_RevA

Connections that were dropped after the demarcation point when the RNC finds a state mismatch between itself and the AT for Rev-A personality ATs.

Data Source

DO-EMS

Source Field

cNumMiscDropsStateMismatchSlot where atDescriptor=2

Source Section

RNCPerfExtnBySlot (RncIS856PerfExtensionMIB)

cNumMiscFCAA10RelatedSlot_Rev0

Connection set-ups that failed after the demarcation point because either there was a failure in setting up the A10 connection or the RNC closed the open A10 connection for Rev-0 personality ATs.

Data Source

DO-EMS

Source Field

cNumMiscFCAA10RelatedSlot where atDescriptor=1

Source Section

RNCPerfExtnBySlot (RncIS856PerfExtensionMIB)

cNumMiscFCAA10RelatedSlot_RevA

Connection set-ups that failed after the demarcation point because either there was a failure in setting up the A10 connection or the RNC closed the open A10 connection for Rev-A personality ATs.

Data Source

DO-EMS

Source Field

cNumMiscFCAA10RelatedSlot where atDescriptor=2

Source Section

RNCPerfExtnBySlot (RncIS856PerfExtensionMIB)

cNumMiscFCAFailuresSlot_Rev0

Number of times the connection set-up failed after the demarcation point due to reasons not explicitly called out in other FCA OMs for Rev-0 personality ATs.

Data Source

DO-EMS

Source Field

cNumMiscFCAFailuresSlot where atDescriptor=1

Source Section

RNCPerfExtnBySlot (RncIS856PerfExtensionMIB)

cNumMiscFCAFailuresSlot_RevA

Number of times the connection set-up failed after the demarcation point due to reasons not explicitly called out in other FCA OMs for Rev-A personality ATs.

Data Source

DO-EMS

Source Field

cNumMiscFCAFailuresSlot where atDescriptor=2

Source Section

RNCPerfExtnBySlot (RncIS856PerfExtensionMIB)

cNumMiscFCASlot_Rev0

The number of DO Connection attempts that failed after the demarcation point due to reasons other than RF related or resource related issues for Rev-0 personality ATs.

Data Source

DO-EMS

Source Field

cNumMiscFCASlot where atDescriptor=1

Source Section

RNCPerfExtnBySlot (RncIS856PerfExtensionMIB)

cNumMiscFCASlot_RevA

The number of DO Connection attempts that failed after the demarcation point due to reasons other than RF related or resource related issues for Rev-A personality ATs.

Data Source

DO-EMS

Source Field

cNumMiscFCASlot where atDescriptor=2

Source Section

RNCPerfExtnBySlot (RncIS856PerfExtensionMIB)

cNumMiscFCASWErrorSlot_Rev0

Number of times the connection set-up failed after the demarcation point due to software errors for Rev-0 personality ATs.

Data Source

DO-EMS

Source Field

cNumMiscFCASWErrorSlot where atDescriptor=1

Source Section

RNCPerfExtnBySlot (RncIS856PerfExtensionMIB)

cNumMiscFCASWErrorSlot_RevA

Number of times the connection set-up failed after the demarcation point due to software errors for Rev-A personality ATs.

Data Source

DO-EMS

Source Field

cNumMiscFCASWErrorSlot where atDescriptor=2

Source Section

RNCPerfExtnBySlot (RncIS856PerfExtensionMIB)

cNumMissedConnectionClosesSlot_Rev0

The number of Rev-0 connections that were closed after the demarcation point when the RNC detected that Connection Close message from RIM device was missed.

Data Source

DO-EMS

Source Field

cNumMissedConnectionClosesSlot where atDescriptorSlot=1

Source Section

RNCPerfExtnBySlot (RncIS856PerfExtensionMIB)

cNumMissedConnectionClosesSlot_RevA

The number of Rev-A connections that were closed after the demarcation point when the RNC detected that Connection Close message from RIM device was missed.

Data Source

DO-EMS

Source Field

cNumMissedConnectionClosesSlot where atDescriptorSlot=2

Source Section

RNCPerfExtnBySlot (RncIS856PerfExtensionMIB)

cNumNetworkErrorDropsA10SetupFailSlot_Rev0

Open connections that were closed before the demarcation point because there was failure in the A10 connection set-up for Rev-0 personality ATs.

Data Source

DO-EMS

Source Field

cNumNetworkErrorDropsA10SetupFailSlot where atDescriptor=1

Source Section

RNCPerfExtnBySlot (RncIS856PerfExtensionMIB)

cNumNetworkErrorDropsA10SetupFailSlot_RevA

Open connections that were closed before the demarcation point because there was failure in the A10 connection set-up for Rev-A personality ATs.

Data Source

DO-EMS

Source Field

cNumNetworkErrorDropsA10SetupFailSlot where atDescriptor=2

Source Section

RNCPerfExtnBySlot (RncIS856PerfExtensionMIB)

cNumNetworkErrorDropsRNCEXternalSlot_Rev0

Open connections that were closed after the demarcation point because the existing A10 connection was closed due to PDSN going down or PDSN is not reachable or any other failure condition that is not because of the RNC for Rev-0 personality ATs.

Data Source

DO-EMS

Source Field

cNumNetworkErrorDropsRNCEXternalSlot where atDescriptor=1

Source Section

RNCPerfExtnBySlot (RncIS856PerfExtensionMIB)

cNumNetworkErrorDropsRNCEXternalSlot_RevA

Open connections that were closed after the demarcation point because the existing A10 connection was closed due to PDSN going down or PDSN is not reachable or any other failure condition that is not because of the RNC for Rev-A personality ATs.

Data Source

DO-EMS

Source Field

cNumNetworkErrorDropsRNCEXternalSlot where atDescriptor=2

Source Section

RNCPerfExtnBySlot (RncIS856PerfExtensionMIB)

cNumNetworkErrorDropsRNCInternalSlot_Rev0

Open connections that were closed after the demarcation point because an internal error caused an existing A10 connection to be closed which results in a closure of a DO Connection Connection close that occur due to A10 failure during PDSN-re-registration should also peg this OM for Rev-0 personality ATs.

Data Source

DO-EMS

Source Field

cNumNetworkErrorDropsRNCInternalSlot where atDescriptor=1

Source Section

RNCPerfExtnBySlot (RncIS856PerfExtensionMIB)

cNumNetworkErrorDropsRNCInternalSlot_RevA

Open connections that were closed after the demarcation point because an internal error caused an existing A10 connection to be closed which results in a closure of a DO Connection Connection close that occur due to A10 failure during PDSN-re-registration should also peg this OM for Rev-A personality ATs.

Data Source

DO-EMS

Source Field

cNumNetworkErrorDropsRNCInternalSlot where atDescriptor=2

Source Section

RNCPerfExtnBySlot (RncIS856PerfExtensionMIB)

cNumNetworkErrorDropsSlot_Rev0

Connections that were closed after the demarcation point because the RNC closed the open A10 connection for Rev-0 personality ATs.

Data Source

DO-EMS

Source Field

cNumNetworkErrorDropsSlot where atDescriptor=1

Source Section

RNCPerfExtnBySlot (RncIS856PerfExtensionMIB)

cNumNetworkErrorDropsSlot_RevA

Connections that were closed after the demarcation point because the RNC closed the open A10 connection for Rev-A personality ATs.

Data Source

DO-EMS

Source Field

cNumNetworkErrorDropsSlot where atDescriptor=2

Source Section

RNCPerfExtnBySlot (RncIS856PerfExtensionMIB)

cNumNormalConnectionClosesSlot_Rev0

The number of connections that were closed normally after the demarcation point for Rev-0 personality ATs.

Data Source

DO-EMS

Source Field

cNumNormalConnectionClosesSlot where atDescriptor=1

Source Section

RNCPerfExtnBySlot (RncIS856PerfExtensionMIB)

cNumNormalConnectionClosesSlot_RevA

The number of connections that were closed normally after the demarcation point for Rev-A personality ATs.

Data Source

DO-EMS

Source Field

cNumNormalConnectionClosesSlot where atDescriptor=2

Source Section

RNCPerfExtnBySlot (RncIS856PerfExtensionMIB)

cNumOutgoingPersonalityChangeTriggersSlot_Rev0

Number of times a trigger was generated, after the demarcation point, to change the Rev-A capable AT from the source personality to the target personality during connection set-up for Rev-0 personality ATs.

Data Source

DO-EMS

Source Field

cNumOutgoingPersonalityChangeTriggersSlot where atDescriptor=1

Source Section

RNCPerfExtnBySlot (RncIS856PerfExtensionMIB)

cNumOutgoingPersonalityChangeTriggersSlot_RevA

Number of times a trigger was generated, after the demarcation point, to change the Rev-A capable AT from the source personality to the target personality during connection set-up for Rev-A personality ATs.

Data Source

DO-EMS

Source Field

cNumOutgoingPersonalityChangeTriggersSlot where atDescriptor=2

Source Section

RNCPerfExtnBySlot (RncIS856PerfExtensionMIB)

cNumPageAbandonedSlot_Rev0

The number of times that AN has aborted/abandoned the Page operation on this RNSM after the demarcation point during any paging cycle for Rev-0 personality ATs.

Data Source

DO-EMS

Source Field

cNumPageAbandonedSlot where atDescriptor=1

Source Section

RNCPerfExtnBySlot (RncIS856PerfExtensionMIB)

cNumPageAbandonedSlot_RevA

The number of times that AN has aborted/abandoned the Page operation on this RNSM after the demarcation point during any paging cycle for Rev-A personality ATs.

Data Source

DO-EMS

Source Field

cNumPageAbandonedSlot where atDescriptor=2

Source Section

RNCPerfExtnBySlot (RncIS856PerfExtensionMIB)

cNumPageRequestsSlot_Rev0

The number of page requests sent to the AT after the demarcation point. When the DO-Repag is enabled, only the first page request in a paging cycle will be pegged for Rev-0 personality ATs.

Data Source

DO-EMS

Source Field

cNumPageRequestsSlot where atDescriptor=1

Source Section

RNCPerfExtnBySlot (RncIS856PerfExtensionMIB)

cNumPageRequestsSlot_RevA

The number of page requests sent to the AT after the demarcation point. When the DO-Repage is enabled, only the first page request in a paging cycle will be pegged for Rev-A personality ATs.

Data Source

DO-EMS

Source Field

cNumPageRequestsSlot where atDescriptor=2

Source Section

RNCPerfExtnBySlot (RncIS856PerfExtensionMIB)

cNumPageResponsesSlot_Rev0

The number of successful responses to page requests that were received from the AT after the demarcation point and before the page timer expired for Rev-0 personality ATs.

Data Source

DO-EMS

Source Field

cNumPageResponsesSlot where atDescriptor=1

Source Section

RNCPerfExtnBySlot (RncIS856PerfExtensionMIB)

cNumPageResponsesSlot_RevA

The number of successful responses to page requests that were received from the AT after the demarcation point and before the page timer expired for Rev-A personality ATs.

Data Source

DO-EMS

Source Field

cNumPageResponsesSlot where atDescriptor=2

Source Section

RNCPerfExtnBySlot (RncIS856PerfExtensionMIB)

cNumPageTimeoutSlot_Rev0

The number of times paging cycles have expired after the demarcation point, waiting for a page response from the AT for Rev-0 personality ATs.

Data Source

DO-EMS

Source Field

cNumPageTimeoutSlot where atDescriptor=1

Source Section

RNCPerfExtnBySlot (RncIS856PerfExtensionMIB)

cNumPageTimeoutSlot_RevA

The number of times paging cycles have expired after the demarcation point, waiting for a page response from the AT for Rev-A personality ATs.

Data Source

DO-EMS

Source Field

cNumPageTimeoutSlot where atDescriptor=2

Source Section

RNCPerfExtnBySlot (RncIS856PerfExtensionMIB)

cNumResourceRelatedFCABlockedByRNCResourcesSlot_Rev0

Number of times that the RNC blocked the connection set-up after the demarcation point because the CPU utilization on the RNC exceeds certain value and overload conditions occur for Rev-0 personality ATs.

Data Source

DO-EMS

Source Field

cNumResourceRelatedFCABlockedByRNCResourcesSlot where atDescriptor=1

Source Section

RNCPerfExtnBySlot (RncIS856PerfExtensionMIB)

cNumResourceRelatedFCABlockedByRNCResourcesSlot_RevA

Number of times that the RNC blocked the connection set-up after the demarcation point because the CPU utilization on the RNC exceeds certain value and overload conditions occur for Rev-A personality ATs.

Data Source

DO-EMS

Source Field

cNumResourceRelatedFCABlockedByRNCResourcesSlot where atDescriptor=2

Source Section

RNCPerfExtnBySlot (RncIS856PerfExtensionMIB)

cNumResourceRelatedFCABlockedByRNSlot_Rev0

Number of times the connection setup was blocked by the RNC after the demarcation point because at least one of the resource allocation requests sent to the RN(s) was denied for Rev-0 personality ATs.

Data Source

DO-EMS

Source Field

cNumResourceRelatedFCABlockedByRNSlot where atDescriptor=1

Source Section

RNCPerfExtnBySlot (RncIS856PerfExtensionMIB)

cNumResourceRelatedFCABlockedByRNSlot_RevA

Number of times the connection setup was blocked by the RNC after the demarcation point because at least one of the resource allocation requests sent to the RN(s) was denied for Rev-A personality ATs.

Data Source

DO-EMS

Source Field

cNumResourceRelatedFCABlockedByRNSlot where atDescriptor=2

Source Section

RNCPerfExtnBySlot (RncIS856PerfExtensionMIB)

cNumResourceRelatedFCAFailedByRNSlot_Rev0

Number of times the connection set-up failed after the demarcation point because the Connection State Machine (CSM) received an error indication from the DownLeg State Machine (DLSM) from at least one of the Down Legs involved in the setup for Rev-0 personality ATs.

Data Source

DO-EMS

Source Field

cNumResourceRelatedFCAFailedByRNSlot where atDescriptor=1

Source Section

RNCPerfExtnBySlot (RncIS856PerfExtensionMIB)

cNumResourceRelatedFCAFailedByRNSlot_RevA

Number of times the connection set-up failed after the demarcation point because the Connection State Machine (CSM) received an error indication from the DownLeg State Machine (DLSM) from at least one of the Down Legs involved in the setup for Rev-A personality ATs.

Data Source

DO-EMS

Source Field

cNumResourceRelatedFCAFailedByRNSlot where atDescriptor=2

Source Section

RNCPerfExtnBySlot (RncIS856PerfExtensionMIB)

cNumResourceRelatedFCASlot_Rev0

The number of DO connection attempts that failed after the demarcation point due to blocks or failures during resource allocation at the RNC or the RN for Rev-0 personality ATs.

Data Source

DO-EMS

Source Field

cNumResourceRelatedFCASlot where atDescriptor=1

Source Section

RNCPerfExtnBySlot (RncIS856PerfExtensionMIB)

cNumResourceRelatedFCASlot_RevA

The number of DO connection attempts that failed after the demarcation point due to blocks or failures during resource allocation at the RNC or the RN for Rev-A personality ATs.

Data Source

DO-EMS

Source Field

cNumResourceRelatedFCASlot where atDescriptor=2

Source Section

RNCPerfExtnBySlot (RncIS856PerfExtensionMIB)

cNumRFRelatedDropsNoFtcSlot_Rev0

Connections that were dropped after the demarcation point because of indications that there is no active Forward Traffic Channel (FTC) available for Rev-0 personality ATs.

Data Source

DO-EMS

Source Field

cNumRFRelatedDropsNoFtcSlot where atDescriptor=1

Source Section

RNCPerfExtnBySlot (RncIS856PerfExtensionMIB)

cNumRFRelatedDropsNoFtcSlot_RevA

Connections that were dropped after the demarcation point because of indications that there is no active Forward Traffic Channel (FTC) available for Rev-A personality ATs.

Data Source

DO-EMS

Source Field

cNumRFRelatedDropsNoFtcSlot where atDescriptor=2

Source Section

RNCPerfExtnBySlot (RncIS856PerfExtensionMIB)

cNumRFRelatedDropsRTCLostSlot_Rev0

Number of times the connection was dropped after the demarcation point because a Reverse Traffic Channel (RTC) lost indication was received, and as a result, no reverse link for the connection were available for Rev-0 personality ATs.

Data Source

DO-EMS

Source Field

cNumRFRelatedDropsRTCLostSlot where atDescriptor=1

Source Section

RNCPerfExtnBySlot (RncIS856PerfExtensionMIB)

cNumRFRelatedDropsRTCLostSlot_RevA

Number of times the connection was dropped after the demarcation point because a Reverse Traffic Channel (RTC) lost indication was received, and as a result, no reverse link for the connection were available for Rev-A personality ATs.

Data Source

DO-EMS

Source Field

cNumRFRelatedDropsRTCLostSlot where atDescriptor=2

Source Section

RNCPerfExtnBySlot (RncIS856PerfExtensionMIB)

cNumRFRelatedDropsSlot_Rev0

The number of open DO connections that are dropped (abnormally closed) due to RF related issues after the demarcation point for Rev-0 personality ATs.

Data Source

DO-EMS

Source Field

cNumRFRelatedDropsSlot where atDescriptor=1

Source Section

RNCPerfExtnBySlot (RncIS856PerfExtensionMIB)

cNumRFRelatedDropsSlot_RevA

The number of open DO connections that are dropped (abnormally closed) due to RF related issues after the demarcation point for Rev-A personality ATs.

Data Source

DO-EMS

Source Field

cNumRFRelatedDropsSlot where atDescriptor=2

Source Section

RNCPerfExtnBySlot (RncIS856PerfExtensionMIB)

cNumRFRelatedFCARUTimeOutSlot_Rev0

Number of times the connection set-up failed after the demarcation point because the route update message was not received from the AT within the stipulated time, or there were errors during the processing of the route update message for Rev-0 personality ATs.

Data Source

DO-EMS

Source Field

cNumRFRelatedFCARUTimeOutSlot where atDescriptor=1

Source Section

RNCPerfExtnBySlot (RncIS856PerfExtensionMIB)

cNumRFRelatedFCARUTimeOutSlot_RevA

Number of times the connection set-up failed after the demarcation point because the route update message was not received from the AT within the stipulated time, or there were errors during the processing of the route update message for Rev-A personality ATs.

Data Source

DO-EMS

Source Field

cNumRFRelatedFCARUTimeOutSlot where atDescriptor=2

Source Section

RNCPerfExtnBySlot (RncIS856PerfExtensionMIB)

cNumRFRelatedFCASlot_Rev0

The number of DO Connection attempts that failed after the demarcation point due to RF related issues, i.e for Rev-0 personality ATs.

Data Source

DO-EMS

Source Field

cNumRFRelatedFCASlot where atDescriptor=1

Source Section

RNCPerfExtnBySlot (RncIS856PerfExtensionMIB)

cNumRFRelatedFCASlot_RevA

The number of DO Connection attempts that failed after the demarcation point due to RF related issues, i.e for Rev-A personality ATs.

Data Source

DO-EMS

Source Field

cNumRFRelatedFCASlot where atDescriptor=2

Source Section

RNCPerfExtnBySlot (RncIS856PerfExtensionMIB)

cNumRFRelatedFCATCCTimeOutSlot_Rev0

Number of times the connection setup failed after the demarcation point because the RNC did not receive TCC message from the AT within the stipulated time after sending TCA message for Rev-0 personality ATs.

Data Source

DO-EMS

Source Field

cNumRFRelatedFCATCCTimeOutSlot where atDescriptor=1

Source Section

RNCPerfExtnBySlot (RncIS856PerfExtensionMIB)

cNumRFRelatedFCATCCTimeOutSlot_RevA

Number of times the connection setup failed after the demarcation point because the RNC did not receive TCC message from the AT within the stipulated time after sending TCA message for Rev-A personality ATs.

Data Source

DO-EMS

Source Field

cNumRFRelatedFCATCCTimeOutSlot where atDescriptor=2

Source Section

RNCPerfExtnBySlot (RncIS856PerfExtensionMIB)

cNumRNCEstimated3G1xRollDownDropsSlot_Rev0

Number of Rev-0 RF drops estimated by RNC after demarcation point as roll down drops due to a hybrid AT dropped 1xEVDO connection when it rolled down to 3G1X network.

Data Source

DO-EMS

Source Field

cNumRNCEstimated3G1xRollDownDropsSlot where atDescriptor=1

Source Section

RNCPerfExtnBySlot (RncIS856PerfExtensionMIB)

cNumRNCEstimated3G1xRollDownDropsSlot_RevA

Number of Rev-A RF drops estimated by RNC after demarcation point as roll down drops due to a hybrid AT dropped 1xEVDO connection when it rolled down to 3G1X network.

Data Source

DO-EMS

Source Field

cNumRNCEstimated3G1xRollDownDropsSlot where atDescriptor=2

Source Section

RNCPerfExtnBySlot (RncIS856PerfExtensionMIB)

cNumRNCEstimatedTuneAwayDropsSlot_Rev0

Number of Rev-0 RF drops estimated by RNC after demarcation point as tune aways due to FTC Stopped indication message (corresponding to RF drop) was received in the Rev0 hybrid AT's 3G1X paging cycle slot.

Data Source

DO-EMS

Source Field

cNumRNCEstimatedTuneAwayDropsSlot where atDescriptor=1

Source Section

RNCPerfExtnBySlot (RncIS856PerfExtensionMIB)

cNumRNCEstimatedTuneAwayDropsSlot_RevA

Number of Rev-A RF drops estimated by RNC after demarcation point as tune aways due to FTC Stopped indication message (corresponding to RF drop) was received in the Rev0 hybrid AT's 3G1X paging cycle slot.

Data Source

DO-EMS

Source Field

cNumRNCEstimatedTuneAwayDropsSlot where atDescriptor=2

Source Section

RNCPerfExtnBySlot (RncIS856PerfExtensionMIB)

cNumSecondPageRequestsSlot_Rev0

The number of 2nd page requests sent to the AT in a paging cycle after the demarcation point for Rev-0 personality ATs.

Data Source

DO-EMS

Source Field

cNumSecondPageRequestsSlot where atDescriptor=1

Source Section

RNCPerfExtnBySlot (RncIS856PerfExtensionMIB)

cNumSecondPageRequestsSlot_RevA

The number of 2nd page requests sent to the AT in a paging cycle after the demarcation point for Rev-A personality ATs.

Data Source

DO-EMS

Source Field

cNumSecondPageRequestsSlot where atDescriptor=2

Source Section

RNCPerfExtnBySlot (RncIS856PerfExtensionMIB)

cNumSecondPageResponsesSlot_Rev0

The number of page responses that were received after the demarcation point from the AT in a paging cycle, in response to the 2nd Page Message that was sent from the AN for Rev-0 personality ATs.

Data Source

DO-EMS

Source Field

cNumSecondPageResponsesSlot where atDescriptor=1

Source Section

RNCPerfExtnBySlot (RncIS856PerfExtensionMIB)

cNumSecondPageResponsesSlot_RevA

The number of page responses that were received after the demarcation point from the AT in a paging cycle, in response to the 2nd Page Message that was sent from the AN for Rev-A personality ATs.

Data Source

DO-EMS

Source Field

cNumSecondPageResponsesSlot where atDescriptor=2

Source Section

RNCPerfExtnBySlot (RncIS856PerfExtensionMIB)

cNumSilentRetriesAbandonedAfterDCSlot_Rev0

Number of times silent retry process was abandoned after the demarcation point because a trigger was generated during connection setup to change the Rev-A capable AT from the source personality to the target personality for Rev-0 personality ATs.

Data Source

DO-EMS

Source Field

cNumSilentRetriesAbandonedAfterDCSlot where atDescriptor=1

Source Section

RNCPerfExtnBySlot (RncIS856PerfExtensionMIB)

cNumSilentRetriesAbandonedAfterDCSlot_RevA

Number of times silent retry process was abandoned after the demarcation point because a trigger was generated during connection setup to change the Rev-A capable AT from the source personality to the target personality for Rev-A personality ATs.

Data Source

DO-EMS

Source Field

cNumSilentRetriesAbandonedAfterDCSlot where atDescriptor=2

Source Section

RNCPerfExtnBySlot (RncIS856PerfExtensionMIB)

cNumSilentRetriesAbandonedAfterFCASlot_Rev0

Number of times silent retry process was abandoned after the demarcation point because a trigger was generated during connection setup to change the Rev-A capable AT from the source personality to the target personality for Rev-0 personality ATs.

Data Source

DO-EMS

Source Field

cNumSilentRetriesAbandonedAfterFCASlot where atDescriptor=1

Source Section

RNCPerfExtnBySlot (RncIS856PerfExtensionMIB)

cNumSilentRetriesAbandonedAfterFCASlot_RevA

Number of times silent retry process was abandoned after the demarcation point because a trigger was generated during connection setup to change the Rev-A capable AT from the source personality to the target personality for Rev-A personality ATs.

Data Source

DO-EMS

Source Field

cNumSilentRetriesAbandonedAfterFCASlot where atDescriptor=2

Source Section

RNCPerfExtnBySlot (RncIS856PerfExtensionMIB)

cNumSilentRetryAttemptsAfterDCSlot_Rev0

Connection setup attempts within the configurable DC silent retry period following a dropped connection for Rev-0 personality ATs.

Data Source

DO-EMS

Source Field

cNumSilentRetryAttemptsAfterDCSlot where atDescriptor=1

Source Section

RNCPerfExtnBySlot (RncIS856PerfExtensionMIB)

cNumSilentRetryAttemptsAfterDCSlot_RevA

Connection setup attempts within the configurable DC silent retry period following a dropped connection for Rev-A personality ATs.

Data Source

DO-EMS

Source Field

cNumSilentRetryAttemptsAfterDCSlot where atDescriptor=2

Source Section

RNCPerfExtnBySlot (RncIS856PerfExtensionMIB)

cNumSilentRetryAttemptsAfterFCASlot_Rev0

Connection setup-attempts made within the configurable FCA silent retry period following a failed connection setup attempt for Rev-0 personality ATs.

Data Source

DO-EMS

Source Field

cNumSilentRetryAttemptsAfterFCASlot where atDescriptor=1

Source Section

RNCPerfExtnBySlot (RncIS856PerfExtensionMIB)

cNumSilentRetryAttemptsAfterFCASlot_RevA

Connection setup-attempts made within the configurable FCA silent retry period following a failed connection setup attempt for Rev-A personality ATs.

Data Source

DO-EMS

Source Field

cNumSilentRetryAttemptsAfterFCASlot where atDescriptor=2

Source Section

RNCPerfExtnBySlot (RncIS856PerfExtensionMIB)

cNumSilentRetryAttemptsAfterMissedConnCloseSlot_Rev0

The number of Rev-0 connection setup attempts received within the configurable silent retry period following a missed connection close for RIM device.

Data Source

DO-EMS

Source Field

cNumSilentRetryAttemptsAfterMissedConnCloseSlot where atDescriptorSlot=1

Source Section

RNCPerfExtnBySlot (RncIS856PerfExtensionMIB)

cNumSilentRetryAttemptsAfterMissedConnCloseSlot_RevA

The number of Rev-A connection setup attempts received within the configurable silent retry period following a missed connection close for RIM device.

Data Source

DO-EMS

Source Field

cNumSilentRetryAttemptsAfterMissedConnCloseSlot where atDescriptorSlot=2

Source Section

RNCPerfExtnBySlot (RncIS856PerfExtensionMIB)

cNumSilentRetryFailuresAfterDCSlot_Rev0

Connection setup attempts that failed due to any reason within the configurable DC silent retry period following a connection drop for Rev-0 personality ATs.

Data Source

DO-EMS

Source Field

cNumSilentRetryFailuresAfterDCSlot where atDescriptor=1

Source Section

RNCPerfExtnBySlot (RncIS856PerfExtensionMIB)

cNumSilentRetryFailuresAfterDCSlot_RevA

Connection setup attempts that failed due to any reason within the configurable DC silent retry period following a connection drop for Rev-A personality ATs.

Data Source

DO-EMS

Source Field

cNumSilentRetryFailuresAfterDCSlot where atDescriptor=2

Source Section

RNCPerfExtnBySlot (RncIS856PerfExtensionMIB)

cNumSilentRetryFailuresAfterFCASlot_Rev0

Connection setup attempts that failed due to any reason within the configurable FCA silent retry period following a failed connection setup attempt for Rev-0 personality ATs.

Data Source

DO-EMS

Source Field

cNumSilentRetryFailuresAfterFCASlot where atDescriptor=1

Source Section

RNCPerfExtnBySlot (RncIS856PerfExtensionMIB)

cNumSilentRetryFailuresAfterFCASlot_RevA

Connection setup attempts that failed due to any reason within the configurable FCA silent retry period following a failed connection setup attempt for Rev-A personality ATs.

Data Source

DO-EMS

Source Field

cNumSilentRetryFailuresAfterFCASlot where atDescriptor=2

Source Section

RNCPerfExtnBySlot (RncIS856PerfExtensionMIB)

cNumSilentRetrySuccessesAfterDCSlot_Rev0

Successful connection setup attempts within the configurable DC silent retry period following a connection drop for Rev-0 personality ATs.

Data Source

DO-EMS

Source Field

cNumSilentRetrySuccessesAfterDCSlot where atDescriptor=1

Source Section

RNCPerfExtnBySlot (RncIS856PerfExtensionMIB)

cNumSilentRetrySuccessesAfterDCSlot_RevA

Successful connection setup attempts within the configurable DC silent retry period following a connection drop for Rev-A personality ATs.

Data Source

DO-EMS

Source Field

cNumSilentRetrySuccessesAfterDCSlot where atDescriptor=2

Source Section

RNCPerfExtnBySlot (RncIS856PerfExtensionMIB)

cNumSilentRetrySuccessesAfterFCASlot_Rev0

Successful connection setup-attempts within the configurable FCA silent retry period following a failed connection setup attempt for Rev-0 personality ATs.

Data Source

DO-EMS

Source Field

cNumSilentRetrySuccessesAfterFCASlot where atDescriptor=1

Source Section

RNCPerfExtnBySlot (RncIS856PerfExtensionMIB)

cNumSilentRetrySuccessesAfterFCASlot_RevA

Successful connection setup-attempts within the configurable FCA silent retry period following a failed connection setup attempt for Rev-A personality ATs.

Data Source

DO-EMS

Source Field

cNumSilentRetrySuccessesAfterFCASlot where atDescriptor=2

Source Section

RNCPerfExtnBySlot (RncIS856PerfExtensionMIB)

cNumSoftHandoffRelatedDropsBlockedByRNSlot_Rev0

Connections that were dropped after the demarcation point due to unsuccessful reverse link soft-handoff because the RNC received explicit block from one of the RNs involved in the soft-handoff for Rev-0 personality ATs.

Data Source

DO-EMS

Source Field

cNumSoftHandoffRelatedDropsBlockedByRNSlot where atDescriptor=1

Source Section

RNCPerfExtnBySlot (RncIS856PerfExtensionMIB)

cNumSoftHandoffRelatedDropsBlockedByRNSlot_RevA

Connections that were dropped after the demarcation point due to unsuccessful reverse link soft-handoff because the RNC received explicit block from one of the RNs involved in the soft?handoff for Rev-A personality ATs.

Data Source

DO-EMS

Source Field

cNumSoftHandoffRelatedDropsBlockedByRNSlot where atDescriptor=2

Source Section

RNCPerfExtnBySlot (RncIS856PerfExtensionMIB)

cNumSoftHandoffRelatedDropsSlot_Rev0

The number of open DO connections that are dropped (abnormally closed) due to unsuccessful soft handoffs after the demarcation point for Rev-0 personality ATs.

Data Source

DO-EMS

Source Field

cNumSoftHandoffRelatedDropsSlot where atDescriptor=1

Source Section

RNCPerfExtnBySlot (RncIS856PerfExtensionMIB)

cNumSoftHandoffRelatedDropsSlot_RevA

The number of open DO connections that are dropped (abnormally closed) due to unsuccessful soft handoffs after the demarcation point for Rev-A personality ATs.

Data Source

DO-EMS

Source Field

cNumSoftHandoffRelatedDropsSlot where atDescriptor=2

Source Section

RNCPerfExtnBySlot (RncIS856PerfExtensionMIB)

cNumThirdPageRequestsSlot_Rev0

The number of 3rd page requests sent to the AT in a paging cycle after the demarcation point for Rev-0 personality ATs.

Data Source

DO-EMS

Source Field

cNumThirdPageRequestsSlot where atDescriptor=1

Source Section

RNCPerfExtnBySlot (RncIS856PerfExtensionMIB)

cNumThirdPageRequestsSlot_RevA

The number of 3rd page requests sent to the AT in a paging cycle after the demarcation point for Rev-A personality ATs.

Data Source

DO-EMS

Source Field

cNumThirdPageRequestsSlot where atDescriptor=2

Source Section

RNCPerfExtnBySlot (RncIS856PerfExtensionMIB)

cNumThirdPageResponsesSlot_Rev0

The number of page responses that were received after the demarcation point from the AT in a paging cycle, in response to the 3rd Page Message that was sent from the AN for Rev-0 personality ATs.

Data Source

DO-EMS

Source Field

cNumThirdPageResponsesSlot where atDescriptor=1

Source Section

RNCPerfExtnBySlot (RncIS856PerfExtensionMIB)

cNumThirdPageResponsesSlot_RevA

The number of page responses that were received after the demarcation point from the AT in a paging cycle, in response to the 3rd Page Message that was sent from the AN for Rev-A personality ATs.

Data Source

DO-EMS

Source Field

cNumThirdPageResponsesSlot where atDescriptor=2

Source Section

RNCPerfExtnBySlot (RncIS856PerfExtensionMIB)

cNumTotalConnectionClosesSlot_Rev0

The total number of connections closed, normally or abnormally, after the demarcation point for Rev-0 personality ATs.

Data Source

DO-EMS

Source Field

cNumTotalConnectionClosesSlot where atDescriptor=1

Source Section

RNCPerfExtnBySlot (RncIS856PerfExtensionMIB)

cNumTotalConnectionClosesSlot_RevA

The total number of connections closed, normally or abnormally, after the demarcation point for Rev-A personality ATs.

Data Source

DO-EMS

Source Field

cNumTotalConnectionClosesSlot where atDescriptor=2

Source Section

RNCPerfExtnBySlot (RncIS856PerfExtensionMIB)

connectedTimein1PilotSHOIn100MilliSecsSlot

This value represents the time where numbers of pilot in use legs were 1. This value is 64bit long value and granularity of time stored is 0.1 seconds.

Data Source

DO-EMS

Source Field

connectedTimein1PilotSHOIn100MilliSecsSlot

Source Section

RNCPerfBySlot (RncIS856PerfMIB)

connectedTimein1SHOIn100MilliSecsSlot

This value represents the time where numbers of soft handoff legs were 1. This value is 64bit long value and granularity of time stored is 0.1 seconds.

Data Source

DO-EMS

Source Field

connectedTimein1SHOIn100MilliSecsSlot

Source Section

RNCPerfBySlot (RncIS856PerfMIB)

connectedTimein2PilotSHOIn100MilliSecsSlot

This value represents the time where numbers of pilot in use legs were 2. This value is 64bit long value and granularity of time stored is 0.1 seconds.

Data Source

DO-EMS

Source Field

connectedTimein2PilotSHOIn100MilliSecsSlot

Source Section

RNCPerfBySlot (RncIS856PerfMIB)

connectedTimein2SHOIn100MilliSecsSlot

This value represents the time where numbers of soft handoff legs were 2. This value is 64bit long value and granularity of time stored is 0.1 seconds.

Data Source

DO-EMS

Source Field

connectedTimein2SHOIn100MilliSecsSlot

Source Section

RNCPerfBySlot (RncIS856PerfMIB)

connectedTimein3PilotSHOIn100MilliSecsSlot

This value represents the time where numbers of pilot in use legs were 3. This value is 64bit long value and granularity of time stored is 0.1 seconds.

Data Source

DO-EMS

Source Field

connectedTimein3PilotSHOIn100MilliSecsSlot

Source Section

RNCPerfBySlot (RncIS856PerfMIB)

connectedTimein3SHOIn100MilliSecsSlot

This value represents the time where numbers of soft handoff legs were 3. This value is 64bit long value and granularity of time stored is 0.1 seconds.

Data Source

DO-EMS

Source Field

connectedTimein3SHOIn100MilliSecsSlot

Source Section

RNCPerfBySlot (RncIS856PerfMIB)

connectedTimein4PilotSHOIn100MilliSecsSlot

This value represents the time where numbers of pilot in use legs were 4. This value is 64bit long value and granularity of time stored is 0.1 seconds.

Data Source

DO-EMS

Source Field

connectedTimein4PilotSHOIn100MilliSecsSlot

Source Section

RNCPerfBySlot (RncIS856PerfMIB)

connectedTimein4SHOIn100MilliSecsSlot

This value represents the time where numbers of soft handoff legs were 4. This value is 64bit long value and granularity of time stored is 0.1 seconds.

Data Source

DO-EMS

Source Field

connectedTimein4SHOIn100MilliSecsSlot

Source Section

RNCPerfBySlot (RncIS856PerfMIB)

connectedTimein5PilotSHOIn100MilliSecsSlot

This value represents the time where numbers of pilot in use legs were 5. This value is 64bit long value and granularity of time stored is 0.1 seconds.

Data Source

DO-EMS

Source Field

connectedTimein5PilotSHOIn100MilliSecsSlot

Source Section

RNCPerfBySlot (RncIS856PerfMIB)

connectedTimein5SHOIn100MilliSecsSlot

This value represents the time where numbers of soft handoff legs were 5. This value is 64bit long value and granularity of time stored is 0.1 seconds.

Data Source

DO-EMS

Source Field

connectedTimein5SHOIn100MilliSecsSlot

Source Section

RNCPerfBySlot (RncIS856PerfMIB)

connectedTimein6PilotSHOIn100MilliSecsSlot

This value represents the time where numbers of pilot in use legs were 6. This value is 64bit long value and granularity of time stored is 0.1 seconds.

Data Source

DO-EMS

Source Field

connectedTimein6PilotSHOIn100MilliSecsSlot

Source Section

RNCPerfBySlot (RncIS856PerfMIB)

connectedTimein6SHOIn100MilliSecsSlot

This value represents the time where numbers of soft handoff legs were 6. This value is 64bit long value and granularity of time stored is 0.1 seconds.

Data Source

DO-EMS

Source Field

connectedTimein6SHOIn100MilliSecsSlot

Source Section

RNCPerfBySlot (RncIS856PerfMIB)

connectedTimeSecondaryRnSlotL32

These counters indicate cumulative time for connections that have at least one soft-handoff leg that belongs to a secondary DOM.

Data Source

DO-EMS

Source Field

connectedTimeSecondaryRnSlotL32

Source Section

RNCPerfBySlot (RncIS856PerfMIB)

CPU_Utilization_LogCss_LosCallFile

Average CPU utilization used by the "SC: task to compress & write CSL Logs to disk" logging task as indicated by ocMeasurableObjHistoryValue value where ocMeasurableObjHistoryPrimaryIndex=564 .

Data Source

DO-EMS

Source Field

ocMeasurableObjHistoryValue where ocMeasurableObjHistoryPrimaryIndex=564

Source Section

MeasurableInstrumentation (OvldCtrlMIB)

CPU_Utilization_LogCss_LosCallStream

Average CPU utilization used by the "SC: task to forward CSL logs to EMS" logging task as indicated by ocMeasurableObjHistoryValue value where ocMeasurableObjHistoryPrimaryIndex=561 .

Data Source

DO-EMS

Source Field

ocMeasurableObjHistoryValue where ocMeasurableObjHistoryPrimaryIndex=561

Source Section

MeasurableInstrumentation (OvldCtrlMIB)

CPU_Utilization_LogCss_LosCARelay

Average CPU utilization used by the "RNSM: task to compress CSL Logs" logging task as indicated by ocMeasurableObjHistoryValue value where ocMeasurableObjHistoryPrimaryIndex=569 .

Data Source

DO-EMS

Source Field

ocMeasurableObjHistoryValue where ocMeasurableObjHistoryPrimaryIndex=569

Source Section

MeasurableInstrumentation (OvldCtrlMIB)

CPU_Utilization_LogCss_LosDiag

Average CPU utilization used by the "SC: task to compress and write Diag Logs to disk" logging task as indicated by ocMeasurableObjHistoryValue value where ocMeasurableObjHistoryPrimaryIndex=565 .

Data Source

DO-EMS

Source Field

ocMeasurableObjHistoryValue where ocMeasurableObjHistoryPrimaryIndex=565

Source Section

MeasurableInstrumentation (OvldCtrlMIB)

CPU_Utilization_LogCss_LosDiagRelay

Average CPU utilization used by the "RNSM & BIOS: task to compress Diag Logs or SC(standby): task to compress Diag Logs" logging task as indicated by ocMeasurableObjHistoryValue value where ocMeasurableObjHistoryPrimaryIndex=568 .

Data Source

DO-EMS

Source Field

ocMeasurableObjHistoryValue where ocMeasurableObjHistoryPrimaryIndex=568

Source Section

MeasurableInstrumentation (OvldCtrlMIB)

CPU_Utilization_LogCss_MbufCA

Average CPU utilization used by the "SC: task to receive CSL logs from the RNSM or RNSM: task to forward CSL logs to the Active SC" logging task as indicated by ocMeasurableObjHistoryValue value where ocMeasurableObjHistoryPrimaryIndex=566 .

Data Source

DO-EMS

Source Field

ocMeasurableObjHistoryValue where ocMeasurableObjHistoryPrimaryIndex=566

Source Section

MeasurableInstrumentation (OvldCtrlMIB)

CPU_Utilization_LogCss_MbufDiag

Average CPU utilization used by the "SC(Active): task to receive Diag logs from the RNSM or SC(Standby): task to forward Diag logs to Active SC or RNSM & BIOS: task to forward Diag logs to the Active SC" logging task as indicated by ocMeasurableObjHistoryValue value where ocMeasurableObjHistoryPrimaryIndex=567 .

Data Source

DO-EMS

Source Field

ocMeasurableObjHistoryValue where ocMeasurableObjHistoryPrimaryIndex=567

Source Section

MeasurableInstrumentation (OvldCtrlMIB)

CPU_Utilization_NEFileXferTask_1

Average CPU utilization used by the "SC: task to forward (sftp) Diag logs to EMS" logging task as indicated by ocMeasurableObjHistoryValue value where ocMeasurableObjHistoryPrimaryIndex=562 .

Data Source

DO-EMS

Source Field

ocMeasurableObjHistoryValue where ocMeasurableObjHistoryPrimaryIndex=562

Source Section

MeasurableInstrumentation (OvldCtrlMIB)

CPU_Utilization_NEFileXferTask_2

Average CPU utilization used by the "SC: task to forward (sftp) CSL logs to EMS" logging task as indicated by ocMeasurableObjHistoryValue value where ocMeasurableObjHistoryPrimaryIndex=563 .

Data Source

DO-EMS

Source Field

ocMeasurableObjHistoryValue where ocMeasurableObjHistoryPrimaryIndex=563

Source Section

MeasurableInstrumentation (OvldCtrlMIB)

CPU_Utilization_ocMeasurableObjHistoryIntervalSize

Time interval size over which the reported CPU utilization is measured. 0 = 5 seconds; 1 = 1 minute; 2 = 15 minutes; 3 = 1 hour; 4 = 1 day.

Data Source

DO-EMS

Source Field

ocMeasurableObjHistoryIntervalSize

Source Section

MeasurableInstrumentation (OvldCtrlMIB)

curNumATBeingPaged

The current number of AT's being paged.

Data Source

DO-EMS

Source Field

curNumATBeingPaged

Source Section

RNCPageOvldCtrl (PagingOcMIB)

curNumD2APkts

Current number of D2A pkts in the buffer.

Data Source

DO-EMS

Source Field

curNumD2APkts

Source Section

RNCPageOvldCtrl (PagingOcMIB)

currentDToAPackets

Current number of packets in the buffer pending active connections.

Data Source

DO-EMS

Source Field

currentDToAPackets

Source Section

OvldCtrlCardResourceUtilization (OvldCtrlMIB)

currentFree128Mbufs

Current number of free 128 byte mbufs.

Data Source

DO-EMS

Source Field

currentFree128Mbufs

Source Section

OvldCtrlCardResourceUtilization (OvldCtrlMIB)

currentFree2048Mbufs

Current number of free 2048 byte mbufs.

Data Source

DO-EMS

Source Field

currentFree2048Mbufs

Source Section

OvldCtrlCardResourceUtilization (OvldCtrlMIB)

currentFree256MBufs

Current number of free 256 byte mbufs.

Data Source

DO-EMS

Source Field

currentFree256MBufs

Source Section

OvldCtrlCardResourceUtilization (OvldCtrlMIB)

currentFree512Mbufs

Current number of free 512 byte mbufs.

Data Source

DO-EMS

Source Field

currentFree512Mbufs

Source Section

OvrlCtrlCardResourceUtilization (OvldCtrlMIB)

currentFreeMem

Current amount of free memory. (Unit : KBytes).

Data Source

DO-EMS

Source Field

currentFreeMem

Source Section

OvrlCtrlCardResourceUtilization (OvldCtrlMIB)

currentNumATBeingPaged

Current number of AT's being paged.

Data Source

DO-EMS

Source Field

currentNumATBeingPaged

Source Section

OvrlCtrlCardResourceUtilization (OvldCtrlMIB)

currentNumFreeSockets

Current number of free sockets.

Data Source

DO-EMS

Source Field

currentNumFreeSockets

Source Section

OvrdCtrlCardResourceUtilization (OvrdCtrlMIB)

currMetricLoadValue

This attribute specifies the current load value (in percentage) for a load metric on an RNSM based on the raw measurement for the metric.

Data Source

DO-EMS

Source Field

currMetricLoadValue where loadMetricIndexSlotMetricPerf=1

Source Section

RNSMLoadBalancing (RNSMLoadBalancingMIB)

egressA10ByteCount

Egress A10 Byte Count

Data Source

DO-EMS

Source Field

egressA10ByteCount

Source Section

RNCEgressThroughputBySlot (ThroughputMIB)

egressAbisByteCount

Egress Abis Byte Count

Data Source

DO-EMS

Source Field

egressAbisByteCount

Source Section

RNCEgressThroughputBySlot (ThroughputMIB)

ForwardMacPktsSlot

Number of MAC packets (Format A and B) transmitted in the forward direction

Data Source

DO-EMS

Source Field

ForwardMacPktsSlot

Source Section

RNCBytePacketCountBySlot (RncIS856PerfMIB)

ForwardPadBytesSlot

Number of Pad bytes inserted into Format B packets in the forward direction

Data Source

DO-EMS

Source Field

ForwardPadBytesSlot

Source Section

RNCBytePacketCountBySlot (RncIS856PerfMIB)

forwardPreRlpDroppedBytesSlot

PPP octets dropped at the pre-RLP layer in the forward direction due to congestion

Data Source

DO-EMS

Source Field

forwardPreRlpDroppedBytesSlot

Source Section

RNCBytePacketCountBySlot (RncIS856PerfMIB)

ForwardRlpBytesSlot

Number of RLP Bytes transmitted in the forward direction

Data Source

DO-EMS

Source Field

ForwardRlpBytesSlot

Source Section

RNCBytePacketCountBySlot (RncIS856PerfMIB)

ForwardRlpFlushedBytesSlot

Number of RLP Bytes flushed in the forward direction

Data Source

DO-EMS

Source Field

ForwardRlpFlushedBytesSlot

Source Section

RNCBytePacketCountBySlot (RncIS856PerfMIB)

forwardRlpNacksSlot

RLP Nacks sent in the forward direction

Data Source

DO-EMS

Source Field

forwardRlpNacksSlot

Source Section

RNCPerfBySlot (RncIS856PerfMIB)

forwardRlpResetsSlot

RLP Resets transmitted in the forward direction

Data Source

DO-EMS

Source Field

forwardRlpResetsSlot

Source Section

RNCPerfBySlot (RncIS856PerfMIB)

ForwardRlpRetxBytesSlot

Number of RLP Bytes retransmitted in the forward direction

Data Source

DO-EMS

Source Field

ForwardRlpRetxBytesSlot

Source Section

RNCBytePacketCountBySlot (RncIS856PerfMIB)

fwdPktSizeBin10PerSlot

Number of packets that are received by the RNSM in the forward direction from PDSNs with packet size corresponding to bin 10 (801-900 bytes).

Data Source

DO-EMS

Source Field

fwdPktSizeBin10PerSlot

Source Section

RNCFwdPacketSizeBySlot (PacketsizeMIB)

fwdPktSizeBin11PerSlot

Number of packets that are received by the RNSM in the forward direction from PDSNs with packet size corresponding to bin 11 (901-1000 bytes).

Data Source

DO-EMS

Source Field

fwdPktSizeBin11PerSlot

Source Section

RNCFwdPacketSizeBySlot (PacketsizeMIB)

fwdPktSizeBin12PerSlot

Number of packets that are received by the RNSM in the forward direction from PDSNs with packet size corresponding to bin 12 (1001-1100 bytes).

Data Source

DO-EMS

Source Field

fwdPktSizeBin12PerSlot

Source Section

RNCFwdPacketSizeBySlot (PacketsizeMIB)

fwdPktSizeBin13PerSlot

Number of packets that are received by the RNSM in the forward direction from PDSNs with packet size corresponding to bin 13 (1101-1200 bytes).

Data Source

DO-EMS

Source Field

fwdPktSizeBin13PerSlot

Source Section

RNCFwdPacketSizeBySlot (PacketsizeMIB)

fwdPktSizeBin14PerSlot

Number of packets that are received by the RNSM in the forward direction from PDSNs with packet size corresponding to bin 14 (1201-1300 bytes).

Data Source

DO-EMS

Source Field

fwdPktSizeBin14PerSlot

Source Section

RNCFwdPacketSizeBySlot (PacketsizeMIB)

fwdPktSizeBin15PerSlot

Number of packets that are received by the RNSM in the forward direction from PDSNs with packet size corresponding to bin 15 (1301-1400 bytes).

Data Source

DO-EMS

Source Field

fwdPktSizeBin15PerSlot

Source Section

RNCFwdPacketSizeBySlot (PacketsizeMIB)

fwdPktSizeBin16PerSlot

Number of packets that are received by the RNSM in the forward direction from PDSNs with packet size corresponding to bin 16 (≥ 1401 bytes).

Data Source

DO-EMS

Source Field

fwdPktSizeBin16PerSlot

Source Section

RNCFwdPacketSizeBySlot (PacketsizeMIB)

fwdPktSizeBin1PerSlot

Number of packets that are received by the RNSM in the forward direction from PDSNs with packet size corresponding to bin 1 (<=50 bytes).

Data Source

DO-EMS

Source Field

fwdPktSizeBin1PerSlot

Source Section

RNCFwdPacketSizeBySlot (PacketsizeMIB)

fwdPktSizeBin2PerSlot

Number of packets that are received by the RNSM in the forward direction from PDSNs with packet size corresponding to bin 2 (51-100 bytes).

Data Source

DO-EMS

Source Field

fwdPktSizeBin2PerSlot

Source Section

RNCFwdPacketSizeBySlot (PacketsizeMIB)

fwdPktSizeBin3PerSlot

Number of packets that are received by the RNSM in the forward direction from PDSNs with packet size corresponding to bin 3 (101-200 bytes).

Data Source

DO-EMS

Source Field

fwdPktSizeBin3PerSlot

Source Section

RNCFwdPacketSizeBySlot (PacketsizeMIB)

fwdPktSizeBin4PerSlot

Number of packets that are received by the RNSM in the forward direction from PDSNs with packet size corresponding to bin 4 (201-300 bytes).

Data Source

DO-EMS

Source Field

fwdPktSizeBin4PerSlot

Source Section

RNCFwdPacketSizeBySlot (PacketsizeMIB)

fwdPktSizeBin5PerSlot

Number of packets that are received by the RNSM in the forward direction from PDSNs with packet size corresponding to bin 5 (301-400 bytes).

Data Source

DO-EMS

Source Field

fwdPktSizeBin5PerSlot

Source Section

RNCFwdPacketSizeBySlot (PacketsizeMIB)

fwdPktSizeBin6PerSlot

Number of packets that are received by the RNSM in the forward direction from PDSNs with packet size corresponding to bin 6 (401-500 bytes).

Data Source

DO-EMS

Source Field

fwdPktSizeBin6PerSlot

Source Section

RNCFwdPacketSizeBySlot (PacketsizeMIB)

fwdPktSizeBin7PerSlot

Number of packets that are received by the RNSM in the forward direction from PDSNs with packet size corresponding to bin 7 (501-600 bytes).

Data Source

DO-EMS

Source Field

fwdPktSizeBin7PerSlot

Source Section

RNCFwdPacketSizeBySlot (PacketsizeMIB)

fwdPktSizeBin8PerSlot

Number of packets that are received by the RNSM in the forward direction from PDSNs with packet size corresponding to bin 8 (601-700 bytes).

Data Source

DO-EMS

Source Field

fwdPktSizeBin8PerSlot

Source Section

RNCFwdPacketSizeBySlot (PacketsizeMIB)

fwdPktSizeBin9PerSlot

Number of packets that are received by the RNSM in the forward direction from PDSNs with packet size corresponding to bin 9 (701-800 bytes).

Data Source

DO-EMS

Source Field

fwdPktSizeBin9PerSlot

Source Section

RNCFwdPacketSizeBySlot (PacketsizeMIB)

ingressA10ByteCount

Ingress A10 Byte Count

Data Source

DO-EMS

Source Field

ingressA10ByteCount

Source Section

RNCIngressThroughputBySlot (ThroughputMIB)

ingressAbisByteCount

Ingress Abis Byte Count

Data Source

DO-EMS

Source Field

ingressAbisByteCount

Source Section

RNCIngressThroughputBySlot (ThroughputMIB)

maxA13HoDelayPriorSessionSlot

Maximum delay for prior session A13 Handoff on this slot

Data Source

DO-EMS

Source Field

maxA13HoDelayPriorSessionSlot

Source Section

RNCPerfBySlot (RncIS856PerfMIB)

maxA13HoDelaySlot

This OM maintains a record of the slowest successful regular A13-Dormant handoff attempt among all such successfully setup sessions on the DO-RNC / RNSM.

Data Source

DO-EMS

Source Field

maxA13HoDelaySlot

Source Section

RNCPerfBySlot (RncIS856PerfMIB)

maxConnectionSetupTimeSlot

The slowest connection setup time

Data Source

DO-EMS

Source Field

maxConnectionSetupTimeSlot

Source Section

RNCPerfBySlot (RncIS856PerfMIB)

maxConnectionsSimultaneouslyOpenSlot

The maximum number of connections simultaneously open on the slot

Data Source

DO-EMS

Source Field

maxConnectionsSimultaneouslyOpenSlot

Source Section

RNCPerfBySlot (RncIS856PerfMIB)

maxNumATBeingPaged

High watermark of the number of AT's being paged.

Data Source

DO-EMS

Source Field

maxNumATBeingPaged

Source Section

RNCPageOvldCtrl (PagingOcMIB)

maxNumConnectionsCurrentlyOpenSlot

Maximum of the number of currently open connections.

Data Source

DO-EMS

Source Field

numConnectionsCurrentlyOpenSlot

Source Section

RNCPerfBySlot (RncIS856PerfMIB)

maxNumCurrentSessionsEstablishedSlot

Maximum of 15 samples of numCurrentSessionsEstablished during collection interval.

Data Source

DO-EMS

Source Field

numCurrentSessionsEstablishedSlot

Source Section

RNCPerfBySlot (RncIS856PerfMIB)

maxNumD2APkts

High watermark of the number of D2A pkts in the buffer.

Data Source

DO-EMS

Source Field

maxNumD2APkts

Source Section

RNCPageOvldCtrl (PagingOcMIB)

maxPageSetupTimeSlot

slowest connection setup time in response to a RNC initiated page

Data Source

DO-EMS

Source Field

maxPageSetupTimeSlot

Source Section

RNCPerfBySlot (RncIS856PerfMIB)

maxRevAConnectionSetupTimeSlot

The maximum time taken, on this RNSM, for the successful set-up of a connection (Unit : 10 ms).

Data Source

DO-EMS

Source Field

maxRevAConnectionSetupTimeSlot

Source Section

RNCPerfBySlot (RncIS856PerfMIB)

maxRevAConnectionsSimultaneouslyOpenSlot

The maximum number of Rev-A connections simultaneously open on the slot.

Data Source

DO-EMS

Source Field

maxRevAConnectionsSimultaneouslyOpenSlot

Source Section

RNCPerfBySlot (RncIS856PerfMIB)

maxSessionSetupTimeSlot

The slowest Session setup time on this RNC

Data Source

DO-EMS

Source Field

maxSessionSetupTimeSlot

Source Section

RNCPerfBySlot (RncIS856PerfMIB)

maxSimultaneousOpenA10ConnSlot

This OM will indicate the highest number of simultaneously open A10-Connections recorded on a specific RNSM (at any time since the RNSM/RNC was last rebooted).

Data Source

DO-EMS

Source Field

maxSimultaneousOpenA10ConnSlot

Source Section

RNCPerfBySlot (RncIS856PerfMIB)

maxSimultaneousOpenTAPSlot

This OM will indicate the highest number of simultaneously open TAP-sessions recorded on a specific RNSM (at any time since the RNSM/RNC was last rebooted).

Data Source

DO-EMS

Source Field

maxSimultaneousOpenTAPSlot

Source Section

RNCPerfBySlot (RncIS856PerfMIB)

minA13HoDelayPriorSessionSlot

Minimum delay for prior session A13 Handoff (after receiving AT ID response) on this slot

Data Source

DO-EMS

Source Field

minA13HoDelayPriorSessionSlot

Source Section

RNCPerfBySlot (RncIS856PerfMIB)

minA13HoDelaySlot

This OM maintains a record of the fastest successful regular A13 Dormant handoff attempt among all such successfully setup sessions on the DO-RNC / RNSM.

Data Source

DO-EMS

Source Field

minA13HoDelaySlot

Source Section

RNCPerfBySlot (RncIS856PerfMIB)

minConnectionSetupTimeSlot

The fastest connection setup time

Data Source

DO-EMS

Source Field

minConnectionSetupTimeSlot

Source Section

RNCPerfBySlot (RncIS856PerfMIB)

minPageSetupTimeSlot

Fastest connection setup time in response to a RNC initiated page

Data Source

DO-EMS

Source Field

minPageSetupTimeSlot

Source Section

RNCPerfBySlot (RncIS856PerfMIB)

minRevAConnectionSetupTimeSlot

The minimum time taken, on this RNSM, for the successful set-up of a Rev A connection (Unit : 10 ms).

Data Source

DO-EMS

Source Field

minRevAConnectionSetupTimeSlot

Source Section

RNCPerfBySlot (RncIS856PerfMIB)

minSessionSetupTimeSlot

The fastest Session setup time on this RNC

Data Source

DO-EMS

Source Field

minSessionSetupTimeSlot

Source Section

RNCPerfBySlot (RncIS856PerfMIB)

nA16SessSetupAttemptsSlot

Number of A16 session setup attempts on the RNSM.

Data Source

DO-EMS

Source Field

nA16SessSetupAttemptsSlot

Source Section

RNCPerfBySlot (RncIS856PerfMIB)

nA16SessSetupsFailedSlot

Number of A16 session setups which failed on this RNSM. This OM is pegged on the target RNC.

Data Source

DO-EMS

Source Field

nA16SessSetupsFailedSlot

Source Section

RNCPerfBySlot (RncIS856PerfMIB)

nA16SessSetupSuccessSlot

Number of A16 session setups that were successful on this RNSM. This OM is pegged on the target RNC.

Data Source

DO-EMS

Source Field

nA16SessSetupSuccessSlot

Source Section

RNCPerfBySlot (RncIS856PerfMIB)

nConCloseSrcA16FailSlot

This OM is pegged by source RNC when it fails to transfer A16 active session to A16 target RNC and is unable to maintain the connection locally.

Data Source

DO-EMS

Source Field

nConCloseSrcA16FailSlot

Source Section

RNCPerfBySlot (RncIS856PerfMIB)

nConOpenedA16Slot

The number of Connections opened successfully on this (target) RNC due to A16 Session Transfer.

Data Source

DO-EMS

Source Field

nConOpenedA16Slot

Source Section

RNCPerfBySlot (RncIS856PerfMIB)

nConSetupTgtA16LclClsSlot

This OM represents the number of A16 related connection setups that failed on target RNC due to a local close generated by other state machines.

Data Source

DO-EMS

Source Field

nConSetupTgtA16LclClsSlot

Source Section

RNCPerfBySlot (RncIS856PerfMIB)

nConSetupTgtA16MiscSlot

This OM represents the number of A16 related connection setups that failed on target RNC due to internal or external miscellaneous errors.

Data Source

DO-EMS

Source Field

nConSetupTgtA16MiscSlot

Source Section

RNCPerfBySlot (RncIS856PerfMIB)

nConSetupTgtA16RnBlkSlot

This OM represents the number of A16 related connection setups that were blocked on target RNC because the DOM could not allocate resources.

Data Source

DO-EMS

Source Field

nConSetupTgtA16RnBlkSlot

Source Section

RNCPerfBySlot (RncIS856PerfMIB)

nConSetupTgtA16RnFailSlot

This OM represents the number of A16 related connection setups that failed on this target RNC because of a failure or timeout occurred while DOM resource allocation.

Data Source

DO-EMS

Source Field

nConSetupTgtA16RnFailSlot

Source Section

RNCPerfBySlot (RncIS856PerfMIB)

nConSetupTgtA16TrafSwSlot

This OM represents the number of A16 related connection setups that failed on target RNC because of failure or timeout occurred while DOM Traffic Channel Switch process.

Data Source

DO-EMS

Source Field

nConSetupTgtA16TrafSwSlot

Source Section

RNCPerfBySlot (RncIS856PerfMIB)

nSessTerminatedA16Slot

Number of sessions closed on the source RNC due to successful A16 session transfer to the target RNC.

Data Source

DO-EMS

Source Field

nSessTerminatedA16Slot

Source Section

RNCPerfBySlot (RncIS856PerfMIB)

numA10ClosedNetworkErrorSlot

This OM is a counter for the total number of successfully established A10-Connections that are closed on the DO-RNC / RNSM due to network related errors between the DO-RNC and the PDSN.

Data Source

DO-EMS

Source Field

numA10ClosedNetworkErrorSlot

Source Section

RNCPerfBySlot (RncIS856PerfMIB)

numA10ClosedOtherCausesExternalSlot

This OM is a counter for the total number of successfully established A10-Connections that are closed on the DO-RNC / RNSM due to miscellaneous external reasons.

Data Source

DO-EMS

Source Field

numA10ClosedOtherCausesExternalSlot

Source Section

RNCPerfBySlot (RncIS856PerfMIB)

numA10ClosedOtherCausesInternalSlot

This OM is a counter for the total number of successfully established A10-Connections that are closed on the DO-RNC / RNSM due to miscellaneous internal reasons.

Data Source

DO-EMS

Source Field

numA10ClosedOtherCausesInternalSlot

Source Section

RNCPerfBySlot (RncIS856PerfMIB)

numA10ClosedPDSNInitiatedReleaseSlot

This OM is a counter for the total number of successfully established A10-Connections that are closed on the DO-RNC / RNSM when the A10-Connection is released by the PDSN.

Data Source

DO-EMS

Source Field

numA10ClosedPDSNInitiatedReleaseSlot

Source Section

RNCPerfBySlot (RncIS856PerfMIB)

numA10ClosedPDSNReRegFailureSlot

This OM is a counter for the total number of successfully established A10-Connections that are closed on the DO-RNC / RNSM when a re-registration with the PDSN of a existing A10-Connection, returns a failure indication.

Data Source

DO-EMS

Source Field

numA10ClosedPDSNReRegFailureSlot

Source Section

RNCPerfBySlot (RncIS856PerfMIB)

numA10ClosedSessionTerminationSlot

This OM is a counter for the total number of successfully established A10-Connections that are closed on the DO-RNC / RNSM due to a DO-Session termination.

Data Source

DO-EMS

Source Field

numA10ClosedSessionTerminationSlot

Source Section

RNCPerfBySlot (RncIS856PerfMIB)

numA10ConnWithDurationAround30SecSlot

This OM is a counter for the total number of successfully established A10-Connections, with duration between 28 and 33 seconds, which are closed by a normal A10-Connection release by the PDSN.

Data Source

DO-EMS

Source Field

numA10ConnWithDurationAround30SecSlot

Source Section

RNCPerfBySlot (RncIS856PerfMIB)

numA10ConnWithVeryShortDurationSlot

Number of A10 Connections closed by PDSN with duration less than 20 seconds on the RNSM.

Data Source

DO-EMS

Source Field

numA10ConnWithVeryShortDurationSlot

Source Section

RNCPerfBySlot (RncIS856PerfMIB)

numA10InterPcfHOREgAttemptsSlot

A10 Connection setup attempts initiated by the RNC due to Inter-PCF Handoff

Data Source

DO-EMS

Source Field

numA10InterPcfHOREgAttemptsSlot

Source Section

RNCPerfBySlot (RncIS856PerfMIB)

numA10InterPcfHOREgFailuresSlot

A10 Connection setup attempts initiated by the RNC due to Inter-PCF Handoff that failed

Data Source

DO-EMS

Source Field

numA10InterPcfHOREgFailuresSlot

Source Section

RncIS856PerfMIB

numA10InterPcfHOWithPDSNInfoRegAttemptsSlot

This OM is a counter for the total number of new A10 registration attempts that are initiated by the Call Control component on a specific RNSM, when the PDSN IP Address of the AT's previous A10-Connection is.

Data Source

DO-EMS

Source Field

numA10InterPcfHOWithPDSNInfoRegAttemptsSlot

Source Section

RNCPerfBySlot (RncIS856PerfMIB)

numA10InterPcfHOWithPDSNInfoRegFailuresSlot

This OM is a counter for the total number of times a new A10 registration attempt fails on the DO-RNC / RNSM, when the process is initiated for an AT with information about its last A10 PDSN.

Data Source

DO-EMS

Source Field

numA10InterPcfHOWithPDSNInfoRegFailuresSlot

Source Section

RncIS856PerfMIB

numA10LocUpdateDisabledRegAttemptsSlot

This OM is a counter for the total number of new A10 Registration attempt initiated by the Call Control component on a specific RNSM, when the Location Update Protocol is disabled on the DO-RNC.

Data Source

DO-EMS

Source Field

numA10LocUpdateDisabledRegAttemptsSlot

Source Section

RNCPerfBySlot (RncIS856PerfMIB)

numA10LocUpdateDisabledRegFailuresSlot

This OM is a counter for the total number of times a new A10 registration attempt fails on the DO-RNC / RNSM, when the process is initiated with the Location Update Protocol being disabled.

Data Source

DO-EMS

Source Field

numA10LocUpdateDisabledRegFailuresSlot

Source Section

RncIS856PerfMIB

numA10NonHOREgAttemptsSlot

A10 Connection setup attempts initiated by the RNC in a non-handoff situation

Data Source

DO-EMS

Source Field

numA10NonHOREgAttemptsSlot

Source Section

RNCPerfBySlot (RncIS856PerfMIB)

numA10NonHOREgFailuresSlot

A10 Connection setup attempts initiated by the RNC in a non-handoff situation that failed

Data Source

DO-EMS

Source Field

numA10NonHOREgFailuresSlot

Source Section

RncIS856PerfMIB

numA10PacketsRcvdWithDOSIndicatorSetSlot

Number of A10 packets received at the RNSM from the PDSN with the SDI indicator set.

Data Source

DO-EMS

Source Field

numA10PacketsRcvdWithDOSIndicatorSetSlot

Source Section

DoSPerSlot (RncIS856PerfVer2MIB)

numA10PacketsTransmittedUsingDOSOverCCHSlot

Number of A10 packets sent from this RNSM to the DOM to be transmitted over the Control Channel using DoS.

Data Source

DO-EMS

Source Field

numA10PacketsTransmittedUsingDOSOverCCHSlot

Source Section

DoSPerSlot (RncIS856PerfVer2MIB)

numA10Panid0RegAttemptsSlot

A10 Connection setup attempts initiated by the RNC when the PANID sent by the AT is 0

Data Source

DO-EMS

Source Field

numA10Panid0RegAttemptsSlot

Source Section

RNCPerfBySlot (RncIS856PerfMIB)

numA10Panid0RegFailuresSlot

A10 Connection setup attempts initiated by the RNC when the PANID sent by the AT is 0 that failed

Data Source

DO-EMS

Source Field

numA10Panid0RegFailuresSlot

Source Section

RncIS856PerfMIB

numA10SetupAttemptConnOpenInitiatedSlot

This OM is a counter for the total number of new A10-Connection setups that are initiated on the DO-RNC / RNSM due to a DO-Airlink connection open indication while A10-Connection Minimization is enabled.

Data Source

DO-EMS

Source Field

numA10SetupAttemptConnOpenInitiatedSlot

Source Section

RNCPerfBySlot (RncIS856PerfMIB)

numA10SetupAttemptRLPDataInitiatedSlot

This OM is a counter for the total number of new A10-Connection setups that are initiated on the DO-RNC / RNSM due to the detection of Radio Link Protocol layer packets (i.e. data) from the AT while A10-Connection Minimization is enabled.

Data Source

DO-EMS

Source Field

numA10SetupAttemptRLPDataInitiatedSlot

Source Section

RNCPerfBySlot (RncIS856PerfMIB)

numA10SetupAttemptsAutoA10ReconnectSlot

Total number of automatic A10 reconnect attempts that are initiated on the RNSM.

Data Source

DO-EMS

Source Field

numA10SetupAttemptsAutoA10ReconnectSlot

Source Section

RNCPerfBySlot (RncIS856PerfMIB)

numA10SetupAttemptSrcRNCA10InitiatedSlot

This OM is a counter for the total number of new A10-Connection setups that are initiated on the DO-RNC / RNSM after an A13 Dormant handoff of an AT with an existing packet data session on the Source RNC while A10-Connection Minimization is enabled.

Data Source

DO-EMS

Source Field

numA10SetupAttemptSrcRNCA10InitiatedSlot

Source Section

RNCPerfBySlot (RncIS856PerfMIB)

numA10SetupAttemptULNInitiatedSlot

This OM is a counter for the total number of new A10-Connection setups that are initiated on the DO-RNC / RNSM due to the reception of an Unsolicited Location Notification message from the AT while A10-Connection Minimization is enabled.

Data Source

DO-EMS

Source Field

numA10SetupAttemptULNInitiatedSlot

Source Section

RNCPerfBySlot (RncIS856PerfMIB)

numA10SetupFailureLocationUpdateSlot

This OM is a counter for the total number of new A10-Connection setups that are aborted on the DO-RNC / RNSM, due to a failure in the location update procedure prior to registering with the PDSN.

Data Source

DO-EMS

Source Field

numA10SetupFailureLocationUpdateSlot

Source Section

RNCPerfBySlot (RncIS856PerfMIB)

numA10SetupFailureNetworkErrorSlot

This OM is a counter for the total number of new A10-Connection setups that are aborted on the DO-RNC / RNSM due to network related errors between the DO-RNC and the PDSN.

Data Source

DO-EMS

Source Field

numA10SetupFailureNetworkErrorSlot

Source Section

RNCPerfBySlot (RncIS856PerfMIB)

numA10SetupFailureOtherCausesExternalSlot

This OM is a counter for the total number of new A10-Connection setups that are aborted on the DO-RNC / RNSM due to miscellaneous external reasons.

Data Source

DO-EMS

Source Field

numA10SetupFailureOtherCausesExternalSlot

Source Section

RNCPerfBySlot (RncIS856PerfMIB)

numA10SetupFailureOtherCausesInternalSlot

This OM is a counter for the total number of new A10-Connection setups that are aborted on the DO-RNC / RNSM due to miscellaneous internal reasons.

Data Source

DO-EMS

Source Field

numA10SetupFailureOtherCausesInternalSlot

Source Section

RNCPerfBySlot (RncIS856PerfMIB)

numA10SetupFailurePDSNRegSlot

This OM is a counter for the total number of new A10-Connection setups that are aborted on a specific RNSM when the registration process with the configured PDSNs on this RNC PCF for a new A10-Connection, returns a failure indication.

Data Source

DO-EMS

Source Field

numA10SetupFailurePDSNRegSlot

Source Section

RNCPerfBySlot (RncIS856PerfMIB)

numA10SetupFailureSessionTerminationSlot

This OM is a counter for the total number of new A10-Connection setups that are aborted on the DO-RNC / RNSM due to the DO-Session terminating while the A10-Setup is in progress.

Data Source

DO-EMS

Source Field

numA10SetupFailureSessionTerminationSlot

Source Section

RNCPerfBySlot (RncIS856PerfMIB)

numA13ConfirmIgnoredRncPerfSlot

Total number of times A13-Session Information Confirm Messages were ignored due to A13 Confirm timeout.

Data Source

DO-EMS

Source Field

numA13ConfirmIgnoredRncPerfSlot

Source Section

RNCPerfBySlot (RncIS856PerfMIB)

numA13FailuresRemoteRncAdminStatusDownPriorSessionRncPerfSlot

Total number of prior-session A13-Dormant handoff attempts that fail on a RNSM on the target RNC, due to the source RNC being in the "Admin down" state in the target RNC's peer RNC table.

Data Source

DO-EMS

Source Field

numA13FailuresRemoteRncAdminStatusDownPriorSessionRncPerfSlot

Source Section

RNCPerfBySlot (RncIS856PerfMIB)

numA13FailuresRemoteRncAdminStatusDownRncPerfSlot

Total number of regular A13-Dormant handoff attempts that fail on a RNSM on the target RNC, due to the source RNC being in the "Admin down" state in the target RNC's peer RNC table.

Data Source

DO-EMS

Source Field

numA13FailuresRemoteRncAdminStatusDownRncPerfSlot

Source Section

RNCPerfBySlot (RncIS856PerfMIB)

numA13FailuresRemoteRncAdminStatusDownTotalRncPerfSlot

Total number of regular A13-Dormant handoff attempts that fail on a RNSM on the target RNC, due to the source RNC being in the "Admin down" state in the target RNC's peer RNC table.

Data Source

DO-EMS

Source Field

numA13FailuresRemoteRncAdminStatusDownTotalRncPerfSlot

Source Section

RNCPerfBySlot (RncIS856PerfMIB)

numA13IntraClusterAttemptsPriorSessionRncPerfSlot

Number of intra cluster prior-session A13-Dormant handoff attempts on the RNSM.

Data Source

DO-EMS

Source Field

numA13IntraClusterAttemptsPriorSessionRncPerfSlot

Source Section

RNCPerfBySlot (RncIS856PerfMIB)

numA13IntraClusterAttemptsRncPerfSlot

Number of UATI initiated intra cluster regular A13-Dormant handoff attempts received by the RNSM.

Data Source

DO-EMS

Source Field

numA13IntraClusterAttemptsRncPerfSlot

Source Section

RNCPerfBySlot (RncIS856PerfMIB)

numA13IntraClusterAttemptsTotalRncPerfSlot

Number of A13 Intra Cluster Attempts Total RNC Perf Slot from Template RNCPerfBySlot_R4.0.

Data Source

DO-EMS

Source Field

numA13IntraClusterAttemptsTotalRncPerfSlot

Source Section

RNCPerfBySlot (RncIS856PerfMIB)

numA13IntraClusterFailuresPriorSessionRncPerfSlot

Number of intra cluster prior-session A13-Dormant handoff attempts that fail on a RNSM.

Data Source

DO-EMS

Source Field

numA13IntraClusterFailuresPriorSessionRncPerfSlot

Source Section

RNCPerfBySlot (RncIS856PerfMIB)

numA13IntraClusterFailuresRncPerfSlot

Number of UATI initiated intra cluster regular A13-Dormant handoff failures on the RNSM.

Data Source

DO-EMS

Source Field

numA13IntraClusterFailuresRncPerfSlot

Source Section

RNCPerfBySlot (RncIS856PerfMIB)

numA13IntraClusterFailuresTotalRncPerfSlot

Number of A13 Intra Cluster Failures Total RNC Perf Slot from Template RNCPerfBySlot_R4.0.

Data Source

DO-EMS

Source Field

numA13IntraClusterFailuresTotalRncPerfSlot

Source Section

RNCPerfBySlot (RncIS856PerfMIB)

numA13MsgsFromRemoteRNCTotalSlot

This OM is a counter for the total number of A13-related (regular & priorsession) messages that are received on the DO-RNC / RNSM.

Data Source

DO-EMS

Source Field

numA13MsgsFromRemoteRNCTotalSlot

Source Section

RNCPerfBySlot (RncIS856PerfMIB)

numA13MsgsToRemoteRNCTotalSlot

This OM is a counter for the total number of A13-related (regular & priorsession) messages that are transmitted from the DO-RNC / RNSM.

Data Source

DO-EMS

Source Field

numA13MsgsToRemoteRNCTotalSlot

Source Section

RNCPerfBySlot (RncIS856PerfMIB)

numA13RejectSentSessionNotFoundSlot

Total number of times A13 reject messages sent by an RNSM card because a session is not found on the source RNC. Note that this OM is incremented on source RNC. If this count increases to a high number in a short period of time the source RNC may be under

Data Source

DO-EMS

Source Field

numA13RejectSentSessionNotFoundSlot

Source Section

RNCPerfBySlot (RncIS856PerfMIB)

numA13RejectSessionNotAuthenticPriorSessionSlot

Number of times a prior session dormant handoff on this slot failed with A13 Reject 'Authentication Failed'

Data Source

DO-EMS

Source Field

numA13RejectSessionNotAuthenticPriorSessionSlot

Source Section

RNCPerfBySlot (RncIS856PerfMIB)

numA13RejectSessionNotAuthenticSlot

Number of times an A13 dormant handoff on this slot failed with A13 Reject 'Authentication Failed'

Data Source

DO-EMS

Source Field

numA13RejectSessionNotAuthenticSlot

Source Section

RNCPerfBySlot (RncIS856PerfMIB)

numA13RejectSessionNotFoundPriorSessionSlot

Number of times a prior session dormant handoff on this slot failed with A13 Reject 'Session not Found'

Data Source

DO-EMS

Source Field

numA13RejectSessionNotFoundPriorSessionSlot

Source Section

RNCPerfBySlot (RncIS856PerfMIB)

numA13RejectSessionNotFoundSlot

Number of times an A13 dormant handoff on this slot failed with A13 Reject 'Session not Found'

Data Source

DO-EMS

Source Field

numA13RejectSessionNotFoundSlot

Source Section

RNCPerfBySlot (RncIS856PerfMIB)

numA13RejectsSentForInvalidSessionsRncPerfSlot

Pegs on the source RNC when an A13 reject message is sent to the target RNC due to the invalid session transfer being disabled.

Data Source

DO-EMS

Source Field

numA13RejectsSentForInvalidSessionsRncPerfSlot

Source Section

RNCPerfBySlot (RncIS856PerfMIB)

numA13ReqTimeoutPriorSessionSlot

Number of times a prior session dormant handoff on this slot failed due to no A13 Response from the source RNC

Data Source

DO-EMS

Source Field

numA13ReqTimeoutPriorSessionSlot

Source Section

RNCPerfBySlot (RncIS856PerfMIB)

numA13ReqTimeoutSlot

Number of times an A13 dormant handoff on this slot failed due to no A13 Response from the source RNC

Data Source

DO-EMS

Source Field

numA13ReqTimeoutSlot

Source Section

RNCPerfBySlot (RncIS856PerfMIB)

numA13RequestsIgnoredRemoteRncNotConfiguredRncPerfSlot

Total number of times A13-Session Information Request Messages were ignored by the source RNC because the target RNC is not configured in the Peer RNC Table.

Data Source

DO-EMS

Source Field

numA13RequestsIgnoredRemoteRncNotConfiguredRncPerfSlot

Source Section

RNCPerfBySlot (RncIS856PerfMIB)

numA13RequestsReTransmittedRncPerfSlot

Total number of times that the A13-Session Information Request Messages were retransmitted to the Peer RNC by the RNSM.

Data Source

DO-EMS

Source Field

numA13RequestsReTransmittedRncPerfSlot

Source Section

RNCPerfBySlot (RncIS856PerfMIB)

numA13ResponsesSentActivePersonliltyRev0RncPerfSlot

Total Number of A13-Session Information Response Messages sent when AT's current personality is Rev-0.

Data Source

DO-EMS

Source Field

numA13ResponsesSentActivePersonliltyRev0RncPerfSlot

Source Section

RNCPerfBySlot (RncIS856PerfMIB)

numA13ResponsesSentActivePersonliltyRevARncPerfSlot

Total Number of A13-Session Information Response Messages sent when AT's current personality is Rev-A.

Data Source

DO-EMS

Source Field

numA13ResponsesSentActivePersonliltyRevARncPerfSlot

Source Section

RNCPerfBySlot (RncIS856PerfMIB)

numA13ResponsesSentDummyPdsnRncPerfSlot

Total Number of A13-Session Information Response Messages sent with dummy PDSN address, in case of where source RNC was about to open an A10 when an A13-Session Information Request Message was received from target RNC.

Data Source

DO-EMS

Source Field

numA13ResponsesSentDummyPdsnRncPerfSlot

Source Section

RNCPerfBySlot (RncIS856PerfMIB)

numA13SessMarkedForReNegotiationDiffIosVersionPriorSessionRncPerfSlot

Number of times a Prior Session dormant handoff session is marked for renegotiation after successful A13 handoff because the response is received on a TIA-878-1 version A13 interface.

Data Source

DO-EMS

Source Field

numA13SessMarkedForReNegotiationDiffIosVersionPriorSessionRncPerfSlot

Source Section

RNCPerfBySlot (RncIS856PerfMIB)

numA13SessMarkedForReNegotiationDiffIosVersionRncPerfSlot

Number of times a UATI initiated dormant handoff session is marked for renegotiation after successful A13 handoff because the response is received on a TIA-878-1 version A13 interface.

Data Source

DO-EMS

Source Field

numA13SessMarkedForReNegotiationDiffIosVersionRncPerfSlot

Source Section

RNCPerfBySlot (RncIS856PerfMIB)

numA13SessMarkedForReNegotiationDiffIosVersionTotalRncPerfSlot

Number of times a UATI initiated dormant handoff session is marked for renegotiation after successful A13 handoff because the response is received on a TIA-878-1 version A13 interface.

Data Source

DO-EMS

Source Field

numA13SessMarkedForReNegotiationDiffIosVersionTotalRncPerfSlot

Source Section

RNCPerfBySlot (RncIS856PerfMIB)

numA13SessReconfResultNoOperationPriorSessionRncPerfSlot

Number of times a Prior Session dormant handoff session is marked for renegotiation after successful A13 handoff because the response is received on a TIA-878-1 version A13 interface resulted in no operation after marked for re configuration.

Data Source

DO-EMS

Source Field

numA13SessReconfResultNoOperationPriorSessionRncPerfSlot

Source Section

RNCPerfBySlot (RncIS856PerfMIB)

numA13SessReconfResultNoOperationRncPerfSlot

Number of times a UATI initiated dormant handoff session that is marked for renegotiation after successful A13 handoff because the response is received on a TIA-878-1 version A13 interface resulted in no operation after marked for re configuration.

Data Source

DO-EMS

Source Field

numA13SessReconfResultNoOperationRncPerfSlot

Source Section

RNCPerfBySlot (RncIS856PerfMIB)

numA13SessReconfResultNoOperationTotalRncPerfSlot

Number of times a UATI initiated dormant handoff session that is marked for renegotiation after successful A13 handoff because the response is received on a TIA-878-1 version A13 interface resulted in no operation after marked for re configuration.

Data Source

DO-EMS

Source Field

numA13SessReconfResultNoOperationTotalRncPerfSlot

Source Section

RNCPerfBySlot (RncIS856PerfMIB)

numA13SessReconfResultPersonalityChangeRevAPriorSessionRncPerfSlot

Number of times a Prior Session dormant handoff session is marked for renegotiation after successful A13 handoff because the response is received on a TIA-878-1 version A13 interface resulted in Rev-A personality after reconfiguration.

Data Source

DO-EMS

Source Field

numA13SessReconfResultPersonalityChangeRevAPriorSessionRncPerfSlot

Source Section

RNCPerfBySlot (RncIS856PerfMIB)

numA13SessReconfResultPersonalityChangeRevARncPerfSlot

Number of times a UATI initiated dormant handoff session that is marked for renegotiation after successful A13 handoff because the response is received on a TIA-878-1 version A13 interface resulted in Rev-A personality after reconfiguration.

Data Source

DO-EMS

Source Field

numA13SessReconfResultPersonalityChangeRevARncPerfSlot

Source Section

RNCPerfBySlot (RncIS856PerfMIB)

numA13SessReconfResultPersonalityChangeRevATotalRncPerfSlot

Number of times a UATI initiated dormant handoff session that is marked for renegotiation after successful A13 handoff because the response is received on a TIA-878-1 version A13 interface resulted in Rev-A personality after reconfiguration.

Data Source

DO-EMS

Source Field

numA13SessReconfResultPersonalityChangeRevATotalRncPerfSlot

Source Section

RNCPerfBySlot (RncIS856PerfMIB)

numA13TotalRejectPriorSessionSlot

Total Number of times a prior session A13 dormant handoff on this slot failed with an A13 Reject response

Data Source

DO-EMS

Source Field

numA13TotalRejectPriorSessionSlot

Source Section

RNCPerfBySlot (RncIS856PerfMIB)

numA13TotalRejectSlot

This OM is a counter for the total number of regular A13-Dormant handoff attempts (initiated with a foreign UATI) that are aborted on the target RNC due to the receipt of an A13-Session Information Reject Message.

Data Source

DO-EMS

Source Field

numA13TotalRejectSlot

Source Section

RNCPerfBySlot (RncIS856PerfMIB)

numA16AbortsSlot

Number of A16 session transfer attempts from the source RNC that have been aborted. This OM is pegged on the source RNC.

Data Source

DO-EMS

Source Field

numA16AbortsSlot

Source Section

A16PerfSourceRNCBySlot (RNCA16MIB)

numA16AttemptsSlot

Number of outgoing A16 session transfer attempts by the source RNC.

Data Source

DO-EMS

Source Field

numA16AttemptsSlot

Source Section

A16PerfSourceRNCBySlot (RNCA16MIB)

numA16RejectsSlot

Number of A16 session transfer attempts from the source RNC that have been rejected by the target RNC. This OM is pegged on the source RNC.

Data Source

DO-EMS

Source Field

numA16RejectsSlot

Source Section

A16PerfSourceRNCBySlot (RNCA16MIB)

numA16SuccessSlot

Number of successful outgoing A16 session transfers by the source RNC.

Data Source

DO-EMS

Source Field

numA16SuccessSlot

Source Section

A16PerfSourceRNCBySlot (RNCA16MIB)

numA16SuppressedSrcSlot

Number of A16 session transfer triggers on the source RNC that have been suppressed and ended with no A16 session transfer attempt.

Data Source

DO-EMS

Source Field

numA16SuppressedSrcSlot

Source Section

A16PerfSourceRNCBySlot (RNCA16MIB)

numA16SuppressedTgtSlot

Number of A16 session transfer requests that have been suppressed on the target RNC. This OM is pegged on the target RNC.

Data Source

DO-EMS

Source Field

numA16SuppressedTgtSlot

Source Section

A16PerfSourceRNCBySlot (RNCA16MIB)

numA16SuppSrcUnknTgtSlot

Number of A16 session transfer triggers that have been suppressed on the source RNC because the target RNC is not found in the A16 Peer RNC Table.

Data Source

DO-EMS

Source Field

numA16SuppSrcUnknTgtSlot

Source Section

A16PerfSourceRNCBySlot (RNCA16MIB)

numA16SuppTgtUnknSrcSlot

Number of A16 session transfer requests that have been suppressed on the target RNC because the source RNC is not found in the A16 Peer RNC Table.

Data Source

DO-EMS

Source Field

numA16SuppTgtUnknSrcSlot

Source Section

A16PerfSourceRNCBySlot (RNCA16MIB)

numA16TimeoutSlot

Number of A16 session transfer attempts from the source RNC that have timed out without getting any response from the target RNC.

Data Source

DO-EMS

Source Field

numA16TimeoutSlot

Source Section

A16PerfSourceRNCBySlot (RNCA16MIB)

NumActiveA10ConnectionsSlot

Number of currently active A10 connections homed to this slot

Data Source

DO-EMS

Source Field

NumActiveA10ConnectionsSlot

Source Section

A10ByteCountAndStatsBySlot (RncPcfPerformanceMIB)

NumActiveSessionsSlot

Total number of successfully established Sessions which are active

Data Source

DO-EMS

Source Field

NumActiveSessionsSlot

Source Section

RNCPerfBySlot (RncIS856PerfMIB)

numAdditionalBytesMulticastSlot

The number of extra bytes sent as a result of soft multicasting. This number is incremented by n bytes every time when an RNSM duplicates a packet and sends to a DOM other than the user's current serving DOM.

Data Source

DO-EMS

Source Field

numAdditionalBytesMulticastSlot

Source Section

RNCBytePacketCountBySlot (RncIS856PerfMIB)

numATsHandledUnkwnMfrCodeSlot

Number of times a p-IMSI is generated for an AT with an unknown manufacturer code.

Data Source

DO-EMS

Source Field

numATsHandledUnkwnMfrCodeSlot

Source Section

TermAuthPerfBySlot (RncTermAuthMIB)

numAtSrcRncAnidMismatchSlot

This OM is a counter for the total number of A13-dormant handoff retrieved sessions on the target RNC, whose PANID information, as notified by the source RNC (during handoff) does not match that notified by the AT (during Location Update).

Data Source

DO-EMS

Source Field

numAtSrcRncAnidMismatchSlot

Source Section

RNCPerfBySlot (RncIS856PerfMIB)

numATsWithOnePersonalitySlot

Number of ATs with single personality on the RNSM. Whenever single personality is given to an access terminal, this OM will be updated. Rev-0 AT will be considered as Single Personality AT.

Data Source

DO-EMS

Source Field

numATsWithOnePersonalitySlot

Source Section

RNCPerSessionConfig (RncIS856PerfVer2MIB)

numATsWithTwoPersonalitiesSlot

Number of ATs with two personalities on the RNSM. Whenever two personalities are assigned to an access terminal, this OM will be updated.

Data Source

DO-EMS

Source Field

numATsWithTwoPersonalitiesSlot

Source Section

RNCPerSessionConfig (RncIS856PerfVer2MIB)

numConnCloseBEPriorityUpdateFailSlot

Number of times an open connection is closed on the RNC due to a failure in dynamically updating the best effort modem flow on receiving a change in the inter-user BE priority level for the user when the connection is open.

Data Source

DO-EMS

Source Field

numConnCloseBEPriorityUpdateFailSlot

Source Section

RNCPerfBySlot (RncIS856PerfMIB)

numConnectionCloseActiveModePersChangeATo0DiffCarrSlot

The number of connections that were closed because the HHO involved a personality change from RevA to Rev0 across different carrier, while the AT has an active connection.

Data Source

DO-EMS

Source Field

numConnectionCloseActiveModePersChangeATo0DiffCarrSlot

Source Section

RNCPerfBySlot (RncIS856PerfMIB)

numConnectionCloseActiveModePersChangeATo0SameCarrSlot

The number of connections that were closed because the HHO involved a personality change from RevA to Rev0 on the same carrier, while the AT has an active connection.

Data Source

DO-EMS

Source Field

numConnectionCloseActiveModePersChangeATo0SameCarrSlot

Source Section

RNCPerfBySlot (RncIS856PerfMIB)

NumConnectionCloseDormancyTimeoutSlot

Connections closed by DO-RNC as there was no data sent or received for a configurable dormancy timeout period

Data Source

DO-EMS

Source Field

NumConnectionCloseDormancyTimeoutSlot

Source Section

RNCPerfBySlot (RncIS856PerfMIB)

NumConnectionCloseFromAtErrorSlot

Connection Close messages from the Access Terminal that had a reason code of Error

Data Source

DO-EMS

Source Field

NumConnectionCloseFromAtErrorSlot

Source Section

RNCPerfBySlot (RncIS856PerfMIB)

numConnectionCloseFromAtMovedTo3G1XSlot

This OM is pegged when a Connection Close messages from the Access Terminal is received with a reason code of transition from high rate packet data system to a 3G1X system.

Data Source

DO-EMS

Source Field

numConnectionCloseFromAtMovedTo3G1XSlot

Source Section

RNCPerfBySlot (RncIS856PerfMIB)

NumConnectionCloseFromAtNormalSlot

Connection Close messages from the Access Terminal that had a reason code of Normal

Data Source

DO-EMS

Source Field

NumConnectionCloseFromAtNormalSlot

Source Section

RNCPerfBySlot (RncIS856PerfMIB)

NumConnectionCloseFromAtReplySlot

Connection Close messages from the Access Terminal that had a reason code of Reply

Data Source

DO-EMS

Source Field

NumConnectionCloseFromAtReplySlot

Source Section

RNCPerfBySlot (RncIS856PerfMIB)

NumConnectionCloseFromAtReservedSlot

Connection Close messages from the Access Terminal that had a reason code of Reserved

Data Source

DO-EMS

Source Field

NumConnectionCloseFromAtReservedSlot

Source Section

RNCPerfBySlot (RncIS856PerfMIB)

numConnectionCloseHHOBlockedByRnSlot

The number of connections that were closed because the resource allocation requests were explicitly blocked by the RN during HHO.

Data Source

DO-EMS

Source Field

numConnectionCloseHHOBlockedByRnSlot

Source Section

RNCPerfBySlot (RncIS856PerfMIB)

numConnectionCloseHHOFailedFTCAndRTCNotRxedSlot

The number of connections that were closed from HHO failures, because both FTC desired and RTC acquired events werer not received from the target RN.

Data Source

DO-EMS

Source Field

numConnectionCloseHHOFailedFTCAndRTCNotRxedSlot

Source Section

RNCPerfBySlot (RncIS856PerfMIB)

numConnectionCloseInitiatedNoRanRsrcPerSlot_EMFPA

Pegs when on demand driver flow resource allocaiton feature is disabled and RNSM initiates a connection close in response to the ReservationOnRequest from an AT using EMFPA.

Data Source

DO-EMS

Source Field

numConnectionCloseInitiatedNoRanRsrcPerSlot where rncSlotPacketApplication=2

Source Section

QoSPerfBySlot (RncQoSPerfMIB)

numConnectionCloseInitiatedNoRanRsrcPerSlot_MFPA

Pegs when on demand driver flow resource allocaiton feature is disabled and RNSM initiates a connection close in response to the ReservationOnRequest from an AT using MFPA.

Data Source

DO-EMS

Source Field

numConnectionCloseInitiatedNoRanRsrcPerSlot where rncSlotPacketApplication=1

Source Section

QoSPerfBySlot (RncQoSPerfMIB)

NumConnectionCloseInternalErrorSlot

Connections closed by DO-RNC because of internal software errors

Data Source

DO-EMS

Source Field

NumConnectionCloseInternalErrorSlot

Source Section

RNCPerfBySlot (RncIS856PerfMIB)

NumConnectionCloseNoFtcSlot

Connections closed by DO-RNC because of indications that there is no active Forward Traffic Channel

Data Source

DO-EMS

Source Field

NumConnectionCloseNoFtcSlot

Source Section

RNCPerfBySlot (RncIS856PerfMIB)

NumConnectionCloseRlpSlot

Connections closed by DO-RNC at the request of the Radio Link Protocol due to errors

Data Source

DO-EMS

Source Field

NumConnectionCloseRlpSlot

Source Section

RNCPerfBySlot (RncIS856PerfMIB)

numConnectionCloseRLSHOBlockedByRnSlot

The number of connections that were closed because the resource allocation requests were explicitly blocked by the RN during reverse link soft handoffs.

Data Source

DO-EMS

Source Field

numConnectionCloseRLSHOBlockedByRnSlot

Source Section

RNCPerfBySlot (RncIS856PerfMIB)

NumConnectionCloseRtcLostSlot

Connections closed by DO-RNC because of indications that the reverse link(s) were lost

Data Source

DO-EMS

Source Field

NumConnectionCloseRtcLostSlot

Source Section

RNCPerfBySlot (RncIS856PerfMIB)

NumConnectionCloseSectorDownSlot

Connections closed by DO-RNC because of indications that a sector associated with the connection has changed state to down

Data Source

DO-EMS

Source Field

NumConnectionCloseSectorDownSlot

Source Section

RNCPerfBySlot (RncIS856PerfMIB)

NumConnectionCloseSsmDisableSlot

Session State Machine requested an open connection (if any) be closed and the state machine not allow any further connection setups

Data Source

DO-EMS

Source Field

NumConnectionCloseSsmDisableSlot

Source Section

RNCPerfBySlot (RncIS856PerfMIB)

NumConnectionCloseSsmSlot

The number of connections closed by DO-RNC at the request of the Session State machine

Data Source

DO-EMS

Source Field

NumConnectionCloseSsmSlot

Source Section

RNCPerfBySlot (RncIS856PerfMIB)

NumConnectionCloseStateMismatchSlot

Connections closed by DO-RNC due to state mismatch

Data Source

DO-EMS

Source Field

NumConnectionCloseStateMismatchSlot

Source Section

RNCPerfBySlot (RncIS856PerfMIB)

NumConnectionCloseToAtErrorSlot

Connection Close messages sent to the Access Terminal with a reason code of Error

Data Source

DO-EMS

Source Field

NumConnectionCloseToAtErrorSlot

Source Section

RNCPerfBySlot (RncIS856PerfMIB)

NumConnectionCloseToAtNormalSlot

Connection Close messages sent to the Access Terminal with a reason code of Normal

Data Source

DO-EMS

Source Field

NumConnectionCloseToAtNormalSlot

Source Section

RNCPerfBySlot (RncIS856PerfMIB)

NumConnectionCloseToAtReplySlot

Connection Close messages sent to the Access Terminal with a reason code of Reply

Data Source

DO-EMS

Source Field

NumConnectionCloseToAtReplySlot

Source Section

RNCPerfBySlot (RncIS856PerfMIB)

numConnectionRequestAttemptsAfterA13FromATSlot

The number of times a connection request, that was previously buffered pending the outcome of the A13 handoff, has been initiated.

Data Source

DO-EMS

Source Field

numConnectionRequestAttemptsAfterA13FromATSlot

Source Section

RNCPerfBySlot (RncIS856PerfMIB)

numConnectionRequestFailureAfterA13FromATSlot

The number of times a connection request attempt (made after a successful no UATI initiated A13 Handoff) failed.

Data Source

DO-EMS

Source Field

numConnectionRequestFailureAfterA13FromATSlot

Source Section

RNCPerfBySlot (RncIS856PerfMIB)

NumConnectionRequestsFromAtSlot

Connection Request messages received from the Access Terminal

Data Source

DO-EMS

Source Field

NumConnectionRequestsFromAtSlot

Source Section

RNCPerfBySlot (RncIS856PerfMIB)

NumConnectionRequestsInResponseToPageSlot

Access Terminal responded to the Page Message with a Connection Request message

Data Source

DO-EMS

Source Field

NumConnectionRequestsInResponseToPageSlot

Source Section

RNCPerfBySlot (RncIS856PerfMIB)

numConnectionRequestSuccessesAfterA13FromATSlot

The number of times a connection request attempt (made after a successful no UATI initiated A13 Handoff) is successful.

Data Source

DO-EMS

Source Field

numConnectionRequestSuccessesAfterA13FromATSlot

Source Section

RNCPerfBySlot (RncIS856PerfMIB)

NumConnectionSetupsBlockedByRncResourcesSlot

Connection setups blocked because the DO-RNC could not allocate resources

Data Source

DO-EMS

Source Field

NumConnectionSetupsBlockedByRncResourcesSlot

Source Section

RNCPerfBySlot (RncIS856PerfMIB)

NumConnectionSetupsBlockedByRnSlot

Connection setups blocked because the RN could not allocate resources

Data Source

DO-EMS

Source Field

NumConnectionSetupsBlockedByRnSlot

Source Section

RNCPerfBySlot (RncIS856PerfMIB)

NumConnectionSetupsFailedByRncResourcesSlot

Connection setups that failed because DO-RNC resource allocation failed

Data Source

DO-EMS

Source Field

NumConnectionSetupsFailedByRncResourcesSlot

Source Section

RNCPerfBySlot (RncIS856PerfMIB)

NumConnectionSetupsFailedByRnSlot

Connection setups that failed because RN resource allocation failed

Data Source

DO-EMS

Source Field

NumConnectionSetupsFailedByRnSlot

Source Section

RNCPerfBySlot (RncIS856PerfMIB)

NumConnectionsOpenedSlot

Connections opened successfully on this DO-RNC as the AT arrives on the Traffic Channel

Data Source

DO-EMS

Source Field

NumConnectionsOpenedSlot

Source Section

RNCPerfBySlot (RncIS856PerfMIB)

NumConnReqsWhileOpenSlot

Connection request messages received from an Access Terminal that already had an active connection

Data Source

DO-EMS

Source Field

NumConnReqsWhileOpenSlot

Source Section

RNCPerfBySlot (RncIS856PerfMIB)

NumConnReqsWhileSettingUpSlot

Connection request messages from the Access Terminal received at the DO-RNC while a connection setup for that AT was in progress

Data Source

DO-EMS

Source Field

NumConnReqsWhileSettingUpSlot

Source Section

RNCPerfBySlot (RncIS856PerfMIB)

NumConnReqsWhileTearingDownSlot

Connection request messages from the Access Terminal received at the DO-RNC while an active connection to that AT was being torn down

Data Source

DO-EMS

Source Field

NumConnReqsWhileTearingDownSlot

Source Section

RNCPerfBySlot (RncIS856PerfMIB)

numConnRequestsRcvdForInvalidSessionsRncPerfSlot

Pegs when a connection request is received for an invalid session.

Data Source

DO-EMS

Source Field

numConnRequestsRcvdForInvalidSessionsRncPerfSlot

Source Section

RNCPerfBySlot (RncIS856PerfMIB)

numConnRequestsRcvdForUnAuthSessionsSlot

The number of ConnectionRequest messages received for the "Yet to Auth" sessions on the RNSM which trigger a TA attempt.

Data Source

DO-EMS

Source Field

numConnRequestsRcvdForUnAuthSessionsSlot

Source Section

RNCPerfBySlot (RncIS856PerfMIB)

numConnsConnectedToSecondaryRnSlot

Number of connections that contribute to the connectedTimeSecondaryRnSlot counter.

Data Source

DO-EMS

Source Field

numConnsConnectedToSecondaryRnSlot

Source Section

RNCPerfBySlot (RncIS856PerfMIB)

NumConnSetupsAbortedSlot

Connection setups that were aborted

Data Source

DO-EMS

Source Field

NumConnSetupsAbortedSlot

Source Section

RNCPerfBySlot (RncIS856PerfMIB)

NumConnSetupsFailedRncTimeoutSlot

Connection setups that failed because no response from Resource Control on the DO-RNC

Data Source

DO-EMS

Source Field

NumConnSetupsFailedRncTimeoutSlot

Source Section

RNCPerfBySlot (RncIS856PerfMIB)

NumConnSetupsFailedRuTimeoutSlot

Connection setups that failed because a Route Update message from the Access Terminal was not received in time

Data Source

DO-EMS

Source Field

NumConnSetupsFailedRuTimeoutSlot

Source Section

RNCPerfBySlot (RncIS856PerfMIB)

NumConnSetupsFailedSWErrorSlot

Connection setups that failed due to software error

Data Source

DO-EMS

Source Field

NumConnSetupsFailedSWErrorSlot

Source Section

RNCPerfBySlot (RncIS856PerfMIB)

NumConnSetupsFailedTccTimeoutSlot

Connection setups that failed because a Traffic Channel Complete message from the Access Terminal did not arrive in time

Data Source

DO-EMS

Source Field

NumConnSetupsFailedTccTimeoutSlot

Source Section

RNCPerfBySlot (RncIS856PerfMIB)

numCurrentInvalidSessionsEstablishedRncPerfSlot

Pegs whenever a session is opened with an invalid IMSI.

Data Source

DO-EMS

Source Field

numCurrentInvalidSessionsEstablishedRncPerfSlot

Source Section

RNCPerfBySlot (RncIS856PerfMIB)

numCurrentOpenA10ConnSlot

This OM is a counter for the total number of session instances on the DO-RNC / RNSM that have open A10-Connections.

Data Source

DO-EMS

Source Field

numCurrentOpenA10ConnSlot

Source Section

RNCPerfBySlot (RncIS856PerfMIB)

numCurrentOpenTAPSlot

This OM is a counter for the total number of session instances on the DO-RNC / RNSM that currently have open TAP-sessions.

Data Source

DO-EMS

Source Field

numCurrentOpenTAPSlot

Source Section

RNCPerfBySlot (RncIS856PerfMIB)

numCurrentUnAuthSessionsEstablishedSlot

This OM is a count of the total number of sessions in Yet To Auth state that currently exist on the RNSM..

Data Source

DO-EMS

Source Field

numCurrentUnAuthSessionsEstablishedSlot

Source Section

RNCPerfBySlot (RncIS856PerfMIB)

numD2APktsArrived

Number of D2A packets arriving at the RNSM destined for a dormant AT.

Data Source

DO-EMS

Source Field

numD2APktsArrived

Source Section

RNCPageOvldCtrl (PagingOcmIB)

numD2APktsDroppedByLimit

Number of packets arriving to dormant ATs dropped due to either per-AT or global limit being reached.

Data Source

DO-EMS

Source Field

numD2APktsDroppedByLimit

Source Section

RNCPageOvldCtrl (PagingOcMIB)

numD2APktsDroppedOtherReason

The number of D2A packets dropped due to reasons other than exceeding the per AT and per global limits.

Data Source

DO-EMS

Source Field

numD2APktsDroppedOtherReason

Source Section

RNCPageOvldCtrl (PagingOcMIB)

numD2APktsQueued

The number of successfully enqueued D2A packets if the arrived packet meets the per AT and per global packet limit.

Data Source

DO-EMS

Source Field

numD2APktsQueued

Source Section

RNCPageOvldCtrl (PagingOcMIB)

numDormantHandoffAttemptsPriorSessionSlot

Number of times a prior session dormant handoff was attempted on this slot

Data Source

DO-EMS

Source Field

numDormantHandoffAttemptsPriorSessionSlot

Source Section

RNCPerfBySlot (RncIS856PerfMIB)

numDormantHandoffAttemptsSlot

This OM is a counter for the total number of session instances that are created on a DO-RNC / RNSM when a regular A13-Dormant handoff attempt is initiated with an unknown foreign UATI.

Data Source

DO-EMS

Source Field

numDormantHandoffAttemptsSlot

Source Section

RNCPerfBySlot (RncIS856PerfMIB)

numDormantHandoffFailureAtIdResponseFailurePriorSessionSlot

Number of times a prior session A13 dormant handoff on this slot failed due to AT ID response failure after receiving A13 Response

Data Source

DO-EMS

Source Field

numDormantHandoffFailureAtIdResponseFailurePriorSessionSlot

Source Section

RNCPerfBySlot (RncIS856PerfMIB)

numDormantHandoffFailureAtIdResponseFailureSlot

Number of times a regular A13 dormant handoff on this slot failed due to AT ID response failure after receiving A13 Response

Data Source

DO-EMS

Source Field

numDormantHandoffFailureAtIdResponseFailureSlot

Source Section

RNCPerfBySlot (RncIS856PerfMIB)

numDormantHandoffFailureAtIdTimeoutPriorSessionSlot

Number of times a prior session A13 dormant handoff on this slot failed due to no AT ID response after receiving A13 Response

Data Source

DO-EMS

Source Field

numDormantHandoffFailureAtIdTimeoutPriorSessionSlot

Source Section

RNCPerfBySlot (RncIS856PerfMIB)

numDormantHandoffFailureAtIdTimeoutSlot

Number of times a regular A13 dormant handoff on this slot failed due to no AT ID response after receiving A13 Response

Data Source

DO-EMS

Source Field

numDormantHandoffFailureAtIdTimeoutSlot

Source Section

RNCPerfBySlot (RncIS856PerfMIB)

numDormantHandoffFailureATInitiatedClosePriorSessionSlot

Number of times a prior session A13 dormant handoff on this slot failed due to an AT initiated session close

Data Source

DO-EMS

Source Field

numDormantHandoffFailureATInitiatedClosePriorSessionSlot

Source Section

RNCPerfBySlot (RncIS856PerfMIB)

numDormantHandoffFailureATInitiatedCloseSlot

Number of times a regular A13 dormant handoff on this slot failed due to an AT initiated session close

Data Source

DO-EMS

Source Field

numDormantHandoffFailureATInitiatedCloseSlot

Source Section

RNCPerfBySlot (RncIS856PerfMIB)

numDormantHandoffFailureHdwIdTimeoutPriorSessionSlot

Number of times a prior session dormant handoff on this slot failed due to Hardware ID after receiving A13 Response

Data Source

DO-EMS

Source Field

numDormantHandoffFailureHdwIdTimeoutPriorSessionSlot

Source Section

RNCPerfBySlot (RncIS856PerfMIB)

numDormantHandoffFailureHdwIdTimeoutSlot

Number of times an A13 dormant handoff on this slot failed due to Hardware ID after receiving A13 Response

Data Source

DO-EMS

Source Field

numDormantHandoffFailureHdwIdTimeoutSlot

Source Section

RNCPerfBySlot (RncIS856PerfMIB)

numDormantHandoffFailureInvalidHdwIdTypePriorSessionSlot

Number of times a prior session A13 dormant handoff on this slot failed due to invalid Hardware ID type after receiving A13 Response

Data Source

DO-EMS

Source Field

numDormantHandoffFailureInvalidHdwIdTypePriorSessionSlot

Source Section

RNCPerfBySlot (RncIS856PerfMIB)

numDormantHandoffFailureInvalidHdwIdTypeSlot

Number of times a regular A13 dormant handoff on this slot failed due to invalid Hardware ID type after receiving A13 Response

Data Source

DO-EMS

Source Field

numDormantHandoffFailureInvalidHdwIdTypeSlot

Source Section

RNCPerfBySlot (RncIS856PerfMIB)

numDormantHandoffFailureInvalidHdwIdValuePriorSessionSlot

Number of times a prior session A13 dormant handoff on this slot failed due to invalid Hardware ID value after receiving A13 Response

Data Source

DO-EMS

Source Field

numDormantHandoffFailureInvalidHdwIdValuePriorSessionSlot

Source Section

RNCPerfBySlot (RncIS856PerfMIB)

numDormantHandoffFailureInvalidHdwIdValueSlot

Number of times a regular A13 dormant handoff on this slot failed due to invalid Hardware ID value after receiving A13 Response.

Data Source

DO-EMS

Source Field

numDormantHandoffFailureInvalidHdwIdValueSlot

Source Section

RNCPerfBySlot (RncIS856PerfMIB)

numDormantHandoffFailureInvalidUatiCmpltSlot

Number of times a regular A13 dormant handoff on this slot failed due to UATI Complete Message from the AT being invalid after receiving A13 Response.

Data Source

DO-EMS

Source Field

numDormantHandoffFailureInvalidUatiCmpltSlot

Source Section

RNCPerfBySlot (RncIS856PerfMIB)

numDormantHandoffFailureMiscPriorSessionSlot

Number of times a prior session dormant handoff on this slot failed due to internal errors on the target RNC

Data Source

DO-EMS

Source Field

numDormantHandoffFailureMiscPriorSessionSlot

Source Section

RNCPerfBySlot (RncIS856PerfMIB)

numDormantHandoffFailureMiscSlot

Number of times an A13 dormant handoff on this slot failed due to internal errors on the target RNC

Data Source

DO-EMS

Source Field

numDormantHandoffFailureMiscSlot

Source Section

RNCPerfBySlot (RncIS856PerfMIB)

numDormantHandoffFailureNoRncResourceSlot

Number of times a regular A13 dormant handoff on this slot failed because of no RNC resources available.

Data Source

DO-EMS

Source Field

numDormantHandoffFailureNoRncResourceSlot

Source Section

RNCPerfBySlot (RncIS856PerfMIB)

numDormantHandoffFailureNoUatiCmpltSlot

Number of times an A13 dormant handoff on this slot failed due to no UATI Complete Message from the AT after receiving A13 Response

Data Source

DO-EMS

Source Field

numDormantHandoffFailureNoUatiCmpltSlot

Source Section

RNCPerfBySlot (RncIS856PerfMIB)

numDormantHandoffFailureNoUatiReqSlot

Number of times an A13 dormant handoff on this slot failed due to UATI Request never received after receiving a message with a foreign UATI

Data Source

DO-EMS

Source Field

numDormantHandoffFailureNoUatiReqSlot

Source Section

RNCPerfBySlot (RncIS856PerfMIB)

numDormantHandoffFailureRetrievedConfigUnacceptablePriorSessionSlot

Number of times a prior session dormant handoff on this slot failed due to retrieved config attributes being unacceptable

Data Source

DO-EMS

Source Field

numDormantHandoffFailureRetrievedConfigUnacceptablePriorSessionSlot

Source Section

RNCPerfBySlot (RncIS856PerfMIB)

numDormantHandoffFailureRetrievedConfigUnacceptableSlot

Number of times an A13 dormant handoff on this slot failed due to retrieved config attributes being unacceptable

Data Source

DO-EMS

Source Field

numDormantHandoffFailureRetrievedConfigUnacceptableSlot

Source Section

RNCPerfBySlot (RncIS856PerfMIB)

numDormantHandoffFailureRNCInitiatedClosePriorSessionSlot

Number of times a prior session A13 dormant handoff on this slot failed due to an RNC initiated session close

Data Source

DO-EMS

Source Field

numDormantHandoffFailureRNCInitiatedClosePriorSessionSlot

Source Section

RNCPerfBySlot (RncIS856PerfMIB)

numDormantHandoffFailureRNCInitiatedCloseSlot

Number of times a regular A13 dormant handoff on this slot failed due to an RNC initiated session close

Data Source

DO-EMS

Source Field

numDormantHandoffFailureRNCInitiatedCloseSlot

Source Section

RNCPerfBySlot (RncIS856PerfMIB)

numDormantHandoffFailureSessionConfigDuringInitialConfigPriorSessionSlot

Number of times a prior session A13 dormant handoff on this slot failed due to a session config failure while a prior-session configuration is in progress

Data Source

DO-EMS

Source Field

numDormantHandoffFailureSessionConfigDuringInitialConfigPriorSessionSlot

Source Section

RNCPerfBySlot (RncIS856PerfMIB)

numDormantHandoffFailureSessionConfigDuringReconfigurationPriorSessionSlot

Number of times a prior session A13 dormant handoff on this slot failed due to a session reconfiguration failure

Data Source

DO-EMS

Source Field

numDormantHandoffFailureSessionConfigDuringReconfigurationPriorSessionSlot

Source Section

RNCPerfBySlot (RncIS856PerfMIB)

numDormantHandoffFailureSessionConfigDuringReconfigurationSlot

Number of times a regular A13 dormant handoff on this slot failed due to a session reconfiguration failure

Data Source

DO-EMS

Source Field

numDormantHandoffFailureSessionConfigDuringReconfigurationSlot

Source Section

RNCPerfBySlot (RncIS856PerfMIB)

numDormantHandoffFailureSourceUnreachablePriorSessionSlot

Number of times a prior session dormant handoff on this slot failed due to problems sending A13 request on the socket to the source RNC

Data Source

DO-EMS

Source Field

numDormantHandoffFailureSourceUnreachablePriorSessionSlot

Source Section

RNCPerfBySlot (RncIS856PerfMIB)

numDormantHandoffFailureSourceUnreachableSlot

Number of times an A13 dormant handoff on this slot failed due to problems sending A13 request on the socket to the source RNC

Data Source

DO-EMS

Source Field

numDormantHandoffFailureSourceUnreachableSlot

Source Section

RNCPerfBySlot (RncIS856PerfMIB)

numDormantHandoffFailureTAAfterA13RspPriorSessionSlot

Number of times a prior session dormant handoff on this slot failed due to failing TA

Data Source

DO-EMS

Source Field

numDormantHandoffFailureTAAfterA13RspPriorSessionSlot

Source Section

RNCPerfBySlot (RncIS856PerfMIB)

numDormantHandoffFailureTAAfterA13RspSlot

Number of times an A13 dormant handoff on this slot failed due to failing TA

Data Source

DO-EMS

Source Field

numDormantHandoffFailureTAAfterA13RspSlot

Source Section

RNCPerfBySlot (RncIS856PerfMIB)

numDormantHandoffFailureToSourceLookupFailurePriorSessionSlot

Number of times a prior session dormant handoff on this slot failed due to source RNC lookup failure

Data Source

DO-EMS

Source Field

numDormantHandoffFailureToSourceLookupFailurePriorSessionSlot

Source Section

RNCPerfBySlot (RncIS856PerfMIB)

numDormantHandoffFailureToSourceLookupFailureSlot

Number of times an A13 dormant handoff on this slot failed due to source RNC lookup failure

Data Source

DO-EMS

Source Field

numDormantHandoffFailureToSourceLookupFailureSlot

Source Section

RNCPerfBySlot (RncIS856PerfMIB)

numDormantHandoffFailureUati104MatchesLocalSubnetPriorSessionSlot

Number of times a prior session A13 dormant handoff on this slot failed because prior session UATI-104 from the AT matches the local subnet

Data Source

DO-EMS

Source Field

numDormantHandoffFailureUati104MatchesLocalSubnetPriorSessionSlot

Source Section

RNCPerfBySlot (RncIS856PerfMIB)

numDormantHandoffFailureUati104Slot

Number of times an A13 dormant handoff on this slot failed due to a mismatch in UATI-104 retrieved from the AT

Data Source

DO-EMS

Source Field

numDormantHandoffFailureUati104Slot

Source Section

RNCPerfBySlot (RncIS856PerfMIB)

numDormantHandoffNoUatiReqAttemptsRncPerfSlot

The number of A13 Dormant Handoff attempts that are initiated by an ACH signaling packet with a foreign UATI.

Data Source

DO-EMS

Source Field

numDormantHandoffNoUatiReqAttemptsRncPerfSlot

Source Section

RNCPerfBySlot (RncIS856PerfMIB)

numDormantHandoffNoUatiReqFailureRncPerfSlot

The number of times an A13 dormant handoff that is initiated by a ACH message with a foreign UATI message (no subsequent UATIRequest message) resulted in a failure.

Data Source

DO-EMS

Source Field

numDormantHandoffNoUatiReqFailureRncPerfSlot

Source Section

RNCPerfBySlot (RncIS856PerfMIB)

numDormantHandoffNoUatiReqSuccessesRncPerfSlot

The number of times an A13 dormant handoff that is initiated by a ACH message with a foreign UATI message (no subsequent UATIRequest message) is successful.

Data Source

DO-EMS

Source Field

numDormantHandoffNoUatiReqSuccessesRncPerfSlot

Source Section

RNCPerfBySlot (RncIS856PerfMIB)

numDormantHandoffSuccessesPriorSessionSlot

Number of times a prior session dormant handoff succeeded on this slot

Data Source

DO-EMS

Source Field

numDormantHandoffSuccessesPriorSessionSlot

Source Section

RNCPerfBySlot (RncIS856PerfMIB)

numDormantHandoffSuccessesSlot

Number of times an A13 dormant handoff succeeded on this slot

Data Source

DO-EMS

Source Field

numDormantHandoffSuccessesSlot

Source Section

RNCPerfBySlot (RncIS856PerfMIB)

NumDormantSessionsSlot

Total number of successfully established Sessions which are dormant

Data Source

DO-EMS

Source Field

NumDormantSessionsSlot

Source Section

RNCPerfBySlot (RncIS856PerfMIB)

numDOSMsgsTransmittedOnA10Slot

Number of DoS messages received from the AT on this RNSM, and transmitted over the A10 to the PDSN.

Data Source

DO-EMS

Source Field

numDOSMsgsTransmittedOnA10Slot

Source Section

DoSPerSlot (RncIS856PerfVer2MIB)

NumDrcSwitchesFailedFtcDesiredSlot

DRC switches among soft handoff legs that failed because a FTC Desired indication was not received in time

Data Source

DO-EMS

Source Field

NumDrcSwitchesFailedFtcDesiredSlot

Source Section

RNCPerfBySlot (RncIS856PerfMIB)

numDSCSwitchesFailedFtcDesiredSlot

The number of DSC switches among soft handoff legs that failed because a DSCSwitched indication was not received in time. This OM is pegged only when DSC switching is used.

Data Source

DO-EMS

Source Field

numDSCSwitchesFailedFtcDesiredSlot

Source Section

RNCPerfBySlot (RncIS856PerfMIB)

numDSCSwitchesSuccessSlot

The total number of successful forward link DSC switches on this RNC.

Data Source

DO-EMS

Source Field

numDSCSwitchesSuccessSlot

Source Section

RNCPerfBySlot (RncIS856PerfMIB)

numDscSwitchingMulticastOccurredSlot

When an AT's serving DOM has a DSC erasure, it sends a DSC erasure indication to its controlling RNC.

Data Source

DO-EMS

Source Field

numDscSwitchingMulticastOccurredSlot

Source Section

RNCPerfBySlot (RncIS856PerfMIB)

numFailedRncInitiatedPagesSlot

RNC initiated connection setups that failed

Data Source

DO-EMS

Source Field

numFailedRncInitiatedPagesSlot

Source Section

RNCPerfBySlot (RncIS856PerfMIB)

NumFastConnectsAttemptedSlot

DO-RNC Initiated Pages that resulted in a Fast Connect attempt

Data Source

DO-EMS

Source Field

NumFastConnectsAttemptedSlot

Source Section

RNCPerfBySlot (RncIS856PerfMIB)

numFirstD2APktsAccepted

The number of First D2A packets that are successfully queued and are eligible for a page request.

Data Source

DO-EMS

Source Field

numFirstD2APktsAccepted

Source Section

RNCPageOvldCtrl (PagingOcMIB)

numFirstD2APktsDropped

Number of first-time D-to-A packets dropped due to either per-AT or global limit.

Data Source

DO-EMS

Source Field

numFirstD2APktsDropped

Source Section

RNCPageOvldCtrl (PagingOcMIB)

numFirstPageAbandonedSlot

This OM will be pegged in error cases when CSM decides that waiting for a response for the first Page Message is no longer necessary (for example, SSM may indicate to CSM that the Session instance needs to be destroyed).

Data Source

DO-EMS

Source Field

numFirstPageAbandonedSlot

Source Section

RNCPerfBySlot (RncIS856PerfMIB)

numFirstPageResponseRxSlot

This OM will peg when an Access Network (AN) initiated Connect Request is received in a paging cycle, in response to the first Page message that was sent from the Access Network.

Data Source

DO-EMS

Source Field

numFirstPageResponseRxSlot

Source Section

RNCPerfBySlot (RncIS856PerfMIB)

numFirstPageTimeoutSlot

This OM will be pegged when Connection State Machine (CSM) sends the first Page Message to the AT and does not receive any response before the first Page Message times out.

Data Source

DO-EMS

Source Field

numFirstPageTimeoutSlot

Source Section

RNCPerfBySlot (RncIS856PerfMIB)

numFixedModeEnableMsgsFromAtSlot

Fixed Mode Enable messages from AT's to the RNC

Data Source

DO-EMS

Source Field

numFixedModeEnableMsgsFromAtSlot

Source Section

RNCPerfBySlot (RncIS856PerfMIB)

numFwdReservationOffMessagesSentPerSlot_EMFPA

The number of times the RNSM sent a FwdReservationOff message to the AT using EMFPA to deactivate a forward reservation.

Data Source

DO-EMS

Source Field

numFwdReservationOffMessagesSentPerSlot where rncSlotPacketApplication=2

Source Section

QoSPerfBySlot (RncQoSPerfMIB)

numFwdReservationOffMessagesSentPerSlot_MFPA

The number of times the RNSM sent a FwdReservationOff message to the AT using MFPA to deactivate a forward reservation.

Data Source

DO-EMS

Source Field

numFwdReservationOffMessagesSentPerSlot where rncSlotPacketApplication=1

Source Section

QoSPerfBySlot (RncQoSPerfMIB)

numFwdReservationOnMessagesSentPerSlot_EMFPA

The number of times the RNSM sent a FwdReservationOn message to the AT using EMFPA to activate a forward reservation.

Data Source

DO-EMS

Source Field

numFwdReservationOnMessagesSentPerSlot where rncSlotPacketApplication=2

Source Section

QoSPerfBySlot (RncQoSPerfMIB)

numFwdReservationOnMessagesSentPerSlot_MFPA

The number of times the RNSM sent a FwdReservationOn message to the AT using MFPA to activate a forward reservation.

Data Source

DO-EMS

Source Field

numFwdReservationOnMessagesSentPerSlot where rncSlotPacketApplication=1

Source Section

QoSPerfBySlot (RncQoSPerfMIB)

numGAUPReTxAttributeUpdateRequestSlot

Number of retransmitted GAUP AttributeUpdateRequest messages sent by the RNSM. This OM is incremented by the number of retransmitted messages.

Data Source

DO-EMS

Source Field

numGAUPReTxAttributeUpdateRequestSlot

Source Section

RNCPerSessionConfig (RncIS856PerfVer2MIB)

numGAUPRxAttributeUpdateAcceptSlot

Number of the GAUP AttributeUpdateAccept messages received by the RNSM. This OM will NOT be incremented when a duplicated message is received.

Data Source

DO-EMS

Source Field

numGAUPRxAttributeUpdateAcceptSlot

Source Section

RNCPerSessionConfig (RncIS856PerfVer2MIB)

numGAUPRxAttributeUpdateAcceptTimeoutSlot

Number of times that the RNSM fails to receive a GAUP AttributeUpdateAccept message after sending a GAUP AttributeUpdateRequest message to AT.

Data Source

DO-EMS

Source Field

numGAUPRxAttributeUpdateAcceptTimeoutSlot

Source Section

RNCPerSessionConfig (RncIS856PerfVer2MIB)

numGAUPRxAttributeUpdateRequestSlot

Number of the GAUP AttributeUpdateRequest messages received by the RNSM. This OM will NOT be incremented when a duplicated message is received.

Data Source

DO-EMS

Source Field

numGAUPRxAttributeUpdateRequestSlot

Source Section

RNCPerSessionConfig (RncIS856PerfVer2MIB)

numGAUPTxAttributeUpdateAcceptSlot

Number of the GAUP AttributeUpdateAccept messages sent by the RNSM in response to the GAUP AttributeUpdateRequest message from the AT.

Data Source

DO-EMS

Source Field

numGAUPTxAttributeUpdateAcceptSlot

Source Section

RNCPerSessionConfig (RncIS856PerfVer2MIB)

numGAUPTxAttributeUpdateRejectSlot

Number of the GAUP AttributeUpdateReject messages sent by the RNSM in response to the GAUP AttributeUpdateRequest message from the AT.

Data Source

DO-EMS

Source Field

numGAUPTxAttributeUpdateRejectSlot

Source Section

RNCPerSessionConfig (RncIS856PerfVer2MIB)

numGAUPTxAttributeUpdateRequestSlot

Number of initial GAUP AttributeUpdateRequest messages sent by the RNSM. This OM does not peg the retransmitted AttributeUpdateRequest messages.

Data Source

DO-EMS

Source Field

numGAUPTxAttributeUpdateRequestSlot

Source Section

RNCPerSessionConfig (RncIS856PerfVer2MIB)

numInvalidSessionsTerminatedRncPerfSlot

Pegged when an existing session with an invalid IMSI is closed for any reason.

Data Source

DO-EMS

Source Field

numInvalidSessionsTerminatedRncPerfSlot

Source Section

RNCPerfBySlot (RncIS856PerfMIB)

numLatePageResponseSlot

This OM will be pegged when CSM receives a Connect Request from the AT that has the AN-initiated code point in it.

Data Source

DO-EMS

Source Field

numLatePageResponseSlot

Source Section

RNCPerfBySlot (RncIS856PerfMIB)

numLocationNotificationMsgsFromAtSlot

Location Notification messages from AT's the RNC

Data Source

DO-EMS

Source Field

numLocationNotificationMsgsFromAtSlot

Source Section

RNCPerfBySlot (RncIS856PerfMIB)

numLocationRequestMsgsToAtSlot

Location Request messages sent to the AT's by the RNC

Data Source

DO-EMS

Source Field

numLocationRequestMsgsToAtSlot

Source Section

RNCPerfBySlot (RncIS856PerfMIB)

numMobilityTriggeredA10InterPcfHOREgSlot

This OM is a counter for the total number of A10 re-registrations that are initiated on the DO-RNC / RNSM, when an Unsolicited Location Notification (ULN) message with PANID ? CANID is received from the AT when it already has an open A10-Connection with t

Data Source

DO-EMS

Source Field

numMobilityTriggeredA10InterPcfHOREgSlot

Source Section

RNCPerfBySlot (RncIS856PerfMIB)

numMobilityTriggeredA10PANID0ReRegSlot

This OM is a counter for the total number of A10 re-registrations that are initiated on the DO-RNC / RNSM, when an Unsolicited Location Notification (ULN) message with PANID=0 is received from the AT when it already has an open A10-Connection with the PDS

Data Source

DO-EMS

Source Field

numMobilityTriggeredA10PANID0ReRegSlot

Source Section

RNCPerfBySlot (RncIS856PerfMIB)

numPageAbandonedSlot

This OM will be pegged in error cases when CSM decides that waiting for a response to the Page Message is no longer necessary (for example, SSM may indicate to CSM that the Session instance needs to be destroyed).

Data Source

DO-EMS

Source Field

numPageAbandonedSlot

Source Section

RNCPerfBySlot (RncIS856PerfMIB)

NumPageMessagesToAtSlot

Page Message was actually sent to the Access Terminal to facilitate the setup of a connection

Data Source

DO-EMS

Source Field

NumPageMessagesToAtSlot

Source Section

RNCPerfBySlot (RncIS856PerfMIB)

numPageNoPrimarySectorSlot

Number of times when it was determined during a Distance Based Paging attempt that there is no primary-homed sector in the RouteUpdate message and therefore, no preferred sector can be identified.

Data Source

DO-EMS

Source Field

numPageNoPrimarySectorSlot

Source Section

RNCPerfBySlot (RncIS856PerfMIB)

numPageReqGeneratedByFP

The number of page request generated by the FP.

Data Source

DO-EMS

Source Field

numPageReqGeneratedByFP

Source Section

RNCPageOvldCtrl (PagingOcmIB)

numPageReqsWhileOpenSlot

The number of times an application requested a connection to an Access Terminal while an active connection to that Access Terminal is already present.

Data Source

DO-EMS

Source Field

numPageReqsWhileOpenSlot

Source Section

RNCPerfBySlot (RncIS856PerfMIB)

numPageReqsWhileSettingUpSlot

An application requested a connection to an AT while a connection setup to that AT was in progress

Data Source

DO-EMS

Source Field

numPageReqsWhileSettingUpSlot

Source Section

RNCPerfBySlot (RncIS856PerfMIB)

numPageReqsWhileTearingDownSlot

An application requested a connection to an AT while an active connection to that AT was being torn down

Data Source

DO-EMS

Source Field

numPageReqsWhileTearingDownSlot

Source Section

RNCPerfBySlot (RncIS856PerfMIB)

numPageResponseRxSlot

This OM will be pegged when CSM sends a Page Message to the AT and receives a Connect Request from the AT that has the AN-initiated code point in it ? this message should be received before the paging cycle terminates.

Data Source

DO-EMS

Source Field

numPageResponseRxSlot

Source Section

RNCPerfBySlot (RncIS856PerfMIB)

numPagesSucceededSlot

An application requested a connection to an Access Terminal while a connection setup to that Access Terminal was in progress

Data Source

DO-EMS

Source Field

numPagesSucceededSlot

Source Section

RNCPerfBySlot (RncIS856PerfMIB)

numPageTimeoutSlot

This OM will be pegged when CSM sends a Page Message to the AT and does not receive any response during a Paging Cycle. This paging cycle includes all the page attempts as configured in the AN.

Data Source

DO-EMS

Source Field

numPageTimeoutSlot

Source Section

RNCPerfBySlot (RncIS856PerfMIB)

numPersonalityReSyncsNeededPostPersonalitySwitchSlot

Number of times Access Network's active personality is synced up with what the AT considers as it's active personality.

Data Source

DO-EMS

Source Field

numPersonalityReSyncsNeededPostPersonalitySwitchSlot

Source Section

RNCPerSessionConfig (RncIS856PerfVer2MIB)

numPersonalitySwitchAttemptsATInitiatedSlot

Number of times that the AT initiates a Personality Switch.

Data Source

DO-EMS

Source Field

numPersonalitySwitchAttemptsATInitiatedSlot

Source Section

RNCPerSessionConfig (RncIS856PerfVer2MIB)

numPersonalitySwitchAttemptsCSMInitiatedSlot

Number of times that the AN initiates a Personality Switch. The AN immediately switches the personality on AN side even when it does not get the confirmation from the AT.

Data Source

DO-EMS

Source Field

numPersonalitySwitchAttemptsCSMInitiatedSlot

Source Section

RNCPerSessionConfig (RncIS856PerfVer2MIB)

numPersonalitySwitchFailuresCSMInitiatedSlot

Number of times that the AN initiated Personality Switch is unsuccessful.

Data Source

DO-EMS

Source Field

numPersonalitySwitchFailuresCSMInitiatedSlot

Source Section

RNCPerSessionConfig (RncIS856PerfVer2MIB)

numPersonalitySwitchSuccessesCSMInitiatedSlot

Number of times that the AN initiated Personality Switch is successful.

Data Source

DO-EMS

Source Field

numPersonalitySwitchSuccessesCSMInitiatedSlot

Source Section

RNCPerSessionConfig (RncIS856PerfVer2MIB)

numQosInitiatedSessionClosePerSlot

Number of Qos Control initiated session closes per RNSM.

Data Source

DO-EMS

Source Field

numQosInitiatedSessionClosePerSlot

Source Section

QoSCommonPerfBySlot (RncQoSPerfMIB)

numQosReleaseRequestsReceivedPerSlot_EMFPA

Number of QoS release requests from the AT using EMFPA received by the RNSM.

Data Source

DO-EMS

Source Field

numQosReleaseRequestsReceivedPerSlot where rncSlotPacketApplication=2

Source Section

QoSPerfBySlot (RncQoSPerfMIB)

numQosReleaseRequestsReceivedPerSlot_MFPA

Number of QoS release requests from the AT using MFPA received by the RNSM.

Data Source

DO-EMS

Source Field

numQosReleaseRequestsReceivedPerSlot where rncSlotPacketApplication=1

Source Section

QoSPerfBySlot (RncQoSPerfMIB)

numQosResObjUsedSlot

Instantaneous number of QoS Reservations in use on the RNSM.

Data Source

DO-EMS

Source Field

numQosResObjUsedSlot

Source Section

RNCPerfBySlot (RncIS856PerfMIB)

numQosSetupRejNoObjPerSlot

Number of QoS reservation setup requests received from the AT that the RNSM rejected because the RNSM fails to allocate memory objects to represent the requested QoS reservation(s) due to the lack of memory pool resources.

Data Source

DO-EMS

Source Field

numQosSetupRejNoObjPerSlot

Source Section

QoSCommonPerfBySlot (RncQoSPerfMIB)

numQoSSetupRequestsAcceptedPerSlot_EMFPA

Number of QoS setup requests received from the AT using EMFPA that the RNSM accepted.

Data Source

DO-EMS

Source Field

numQoSSetupRequestsAcceptedPerSlot where rncSlotPacketApplication=2

Source Section

QoSPerfBySlot (RncQoSPerfMIB)

numQoSSetupRequestsAcceptedPerSlot_MFPA

Number of QoS setup requests received from the AT using MFPA that the RNSM accepted.

Data Source

DO-EMS

Source Field

numQoSSetupRequestsAcceptedPerSlot where rncSlotPacketApplication=1

Source Section

QoSPerfBySlot (RncQoSPerfMIB)

numQoSSetupRequestsReceivedPerSlot_EMFPA

Number of QoS setup requests from the AT using EMFPA received by the RNSM.

Data Source

DO-EMS

Source Field

numQoSSetupRequestsReceivedPerSlot where rncSlotPacketApplication=2

Source Section

QoSPerfBySlot (RncQoSPerfMIB)

numQoSSetupRequestsReceivedPerSlot_MFPA

Number of QoS setup requests from the AT using MFPA received by the RNSM.

Data Source

DO-EMS

Source Field

numQosSetupRequestsReceivedPerSlot where rncSlotPacketApplication=1

Source Section

QoSPerfBySlot (RncQoSPerfMIB)

numQosSetupRequestsRejectedPerSlot_EMFPA

Number of QoS setup requests received from the AT using EMFPA that the RNSM rejected.

Data Source

DO-EMS

Source Field

numQosSetupRequestsRejectedPerSlot where rncSlotPacketApplication=2

Source Section

QoSPerfBySlot (RncQoSPerfMIB)

numQosSetupRequestsRejectedPerSlot_MFPA

Number of QoS setup requests received from the AT using MFPA that the RNSM rejected.

Data Source

DO-EMS

Source Field

numQosSetupRequestsRejectedPerSlot where rncSlotPacketApplication=1

Source Section

QoSPerfBySlot (RncQoSPerfMIB)

numQosSetupRequestsRejectedReservationLimitPerSlot_EMFPA

Number of QoS setup requests received from the AT using EMFPA that the RNSM rejected because the per AT limit on the maximum number of Reservations supported was reached.

Data Source

DO-EMS

Source Field

numQoSSetupRequestsRejectedReservationLimitPerSlot where rncSlotPacketApplication=2

Source Section

QoSPerfBySlot (RncQoSPerfMIB)

numQoSSetupRequestsRejectedReservationLimitPerSlot_MFPA

Number of QoS setup requests received from the AT using MFPA that the RNSM rejected because the per AT limit on the maximum number of Reservations supported was reached.

Data Source

DO-EMS

Source Field

numQoSSetupRequestsRejectedReservationLimitPerSlot where rncSlotPacketApplication=1

Source Section

QoSPerfBySlot (RncQoSPerfMIB)

numQoSSubscriberProfileUpdatesRcvdPerSlot

Number of subscriber profile updates received by the RNSM.

Data Source

DO-EMS

Source Field

numQoSSubscriberProfileUpdatesRcvdPerSlot

Source Section

QoSCommonPerfBySlot (RncQoSPerfMIB)

numReservationActivationWithConnectionOpenPerSlot_EMFPA

The number of times the RNSM activated a EMFPA Reservation upon opening of air link connection because the ReservationKKIdleState attribute was so configured.

Data Source

DO-EMS

Source Field

numReservationActivationWithConnectionOpenPerSlot where rncSlotPacketApplication=2

Source Section

QoSPerfBySlot (RncQoSPerfMIB)

numReservationActivationWithConnectionOpenPerSlot_MFPA

The number of times the RNSM activated a MFPA Reservation upon opening of air link connection because the ReservationKKIdleState attribute was so configured.

Data Source

DO-EMS

Source Field

numReservationActivationWithConnectionOpenPerSlot where rncSlotPacketApplication=1

Source Section

QoSPerfBySlot (RncQoSPerfMIB)

numReservationAuthorizedQosWasNullPerSlot_EMFPA

Number of times the authorized QoS for a EMFPA Reservation was NULL.

Data Source

DO-EMS

Source Field

numReservationAuthorizedQosWasNullPerSlot where rncSlotPacketApplication=2

Source Section

QoSPerfBySlot (RncQoSPerfMIB)

numReservationAuthorizedQosWasNullPerSlot_MFPA

Number of times the authorized QoS for a MFPA Reservation was NULL.

Data Source

DO-EMS

Source Field

numReservationAuthorizedQosWasNullPerSlot where rncSlotPacketApplication=1

Source Section

QoSPerfBySlot (RncQoSPerfMIB)

numReservationDeactivationWithConnectionClosePerSlot_EMFPA

The number of times the RNSM deactivated a EMFPA Reservation upon closing of air link connection because the ReservationKKIdleState attribute was so configured.

Data Source

DO-EMS

Source Field

numReservationDeactivationWithConnectionClosePerSlot where rncSlotPacketApplication=2

Source Section

QoSPerfBySlot (RncQoSPerfMIB)

numReservationDeactivationWithConnectionClosePerSlot_MFPA

The number of times the RNSM deactivated a MFPA Reservation upon closing of air link connection because the ReservationKKIdleState attribute was so configured.

Data Source

DO-EMS

Source Field

numReservationDeactivationWithConnectionClosePerSlot where rncSlotPacketApplication=1

Source Section

QoSPerfBySlot (RncQoSPerfMIB)

numReservationOffRequestsAcceptedPerSlot_EMFPA

Number of ReservationOffRequest messages received from the AT using EMFPA that the RNSM accepted.

Data Source

DO-EMS

Source Field

numReservationOffRequestsAcceptedPerSlot where rncSlotPacketApplication=2

Source Section

QoSPerfBySlot (RncQoSPerfMIB)

numReservationOffRequestsAcceptedPerSlot_MFPA

Number of ReservationOffRequest messages received from the AT using MFPA that the RNSM accepted.

Data Source

DO-EMS

Source Field

numReservationOffRequestsAcceptedPerSlot where rncSlotPacketApplication=1

Source Section

QoSPerfBySlot (RncQoSPerfMIB)

numReservationOffRequestsReceivedPerSlot_EMFPA

Number of ReservationOffRequest messages from the AT using EMFPA received by the RNSM.

Data Source

DO-EMS

Source Field

numReservationOffRequestsReceivedPerSlot where rncSlotPacketApplication=2

Source Section

QoSPerfBySlot (RncQoSPerfMIB)

numReservationOffRequestsReceivedPerSlot_MFPA

Number of ReservationOffRequest messages from the AT using MFPA received by the RNSM.

Data Source

DO-EMS

Source Field

numReservationOffRequestsReceivedPerSlot where rncSlotPacketApplication=1

Source Section

QoSPerfBySlot (RncQoSPerfMIB)

numReservationOffRequestsRejectedPerSlot_EMFPA

Number of ReservationOffRequest messages received from the AT using EMFPA that the RNSM rejected.

Data Source

DO-EMS

Source Field

numReservationOffRequestsRejectedPerSlot where rncSlotPacketApplication=2

Source Section

QoSPerfBySlot (RncQoSPerfMIB)

numReservationOffRequestsRejectedPerSlot_MFPA

Number of ReservationOffRequest messages received from the AT using MFPA that the RNSM rejected.

Data Source

DO-EMS

Source Field

numReservationOffRequestsRejectedPerSlot where rncSlotPacketApplication=1

Source Section

QoSPerfBySlot (RncQoSPerfMIB)

numReservationOffRequestsRejectedUnknownReservationPerSlot_EMFPA

Number of ReservationOffRequest messages received from the AT using EMFPA that the RNSM rejected because no Reservation was found for one or more Reservation Labels included in the request per RNSM.

Data Source

DO-EMS

Source Field

numReservationOffRequestsRejectedUnknownReservationPerSlot where
mncSlotPacketApplication=2

Source Section

QoSPerfBySlot (RncQoSPerfMIB)

numReservationOffRequestsRejectedUnknownReservationPerSlot_MFPA

Number of ReservationOffRequest messages received from the AT using MFPA that the RNSM rejected because no Reservation was found for one or more Reservation Labels included in the request per RNSM.

Data Source

DO-EMS

Source Field

numReservationOffRequestsRejectedUnknownReservationPerSlot where
mncSlotPacketApplication=1

Source Section

QoSPerfBySlot (RncQoSPerfMIB)

numReservationOnRequestsAcceptedPerSlot_EMFPA

Number of ReservationOnRequest messages received from the AT using EMFPA that the RNSM accepted.

Data Source

DO-EMS

Source Field

numReservationOnRequestsAcceptedPerSlot where mncSlotPacketApplication=2

Source Section

QoSPerfBySlot (RncQoSPerfMIB)

numReservationOnRequestsAcceptedPerSlot_MFPA

Number of ReservationOnRequest messages received from the AT using MFPA that the RNSM accepted.

Data Source

DO-EMS

Source Field

numReservationOnRequestsAcceptedPerSlot where rncSlotPacketApplication=1

Source Section

QoSPerfBySlot (RncQoSPerfMIB)

numReservationOnRequestsFailedNoDriverFlowPerSlot_EMFPA

Number of ReservationOnRequest messages received from the AT using EMFPA that were failed by the RNSM because no driver flow was available for the RLP flow to which a Reservation included in the request was mapped.

Data Source

DO-EMS

Source Field

numReservationOnRequestsFailedNoDriverFlowPerSlot where rncSlotPacketApplication=2

Source Section

QoSPerfBySlot (RncQoSPerfMIB)

numReservationOnRequestsFailedNoDriverFlowPerSlot_MFPA

Number of ReservationOnRequest messages received from the AT using MFPA that were failed by the RNSM because no driver flow was available for the RLP flow to which a Reservation included in the request was mapped.

Data Source

DO-EMS

Source Field

numReservationOnRequestsFailedNoDriverFlowPerSlot where rncSlotPacketApplication=1

Source Section

QoSPerfBySlot (RncQoSPerfMIB)

numReservationOnRequestsFailedNoRevRlpFlowPerSlot_EMFPA

Number of ReservationOnRequest messages received from the AT using EMFPA that were failed by the RNSM because the reverse RLP flow to which a Reservation included in the request was mapped was not available.

Data Source

DO-EMS

Source Field

numReservationOnRequestsFailedNoRevRlpFlowPerSlot where rncSlotPacketApplication=2

Source Section

QoSPerfBySlot (RncQoSPerfMIB)

numReservationOnRequestsFailedNoRevRlpFlowPerSlot_MFPA

Number of ReservationOnRequest messages received from the AT using MFPA that were failed by the RNSM because the reverse RLP flow to which a Reservation included in the request was mapped was not available.

Data Source

DO-EMS

Source Field

numReservationOnRequestsFailedNoRevRlpFlowPerSlot where rncSlotPacketApplication=1

Source Section

QoSPerfBySlot (RncQoSPerfMIB)

numReservationOnRequestsFailedPerSlot_EMFPA

Number of ReservationOnRequest messages received from the AT using EMFPA that were failed by the RNSM.

Data Source

DO-EMS

Source Field

numReservationOnRequestsFailedPerSlot where rncSlotPacketApplication=2

Source Section

QoSPerfBySlot (RncQoSPerfMIB)

numReservationOnRequestsFailedPerSlot_MFPA

Number of ReservationOnRequest messages received from the AT using MFPA that were failed by the RNSM.

Data Source

DO-EMS

Source Field

numReservationOnRequestsFailedPerSlot where rncSlotPacketApplication=1

Source Section

QoSPerfBySlot (RncQoSPerfMIB)

numReservationOnRequestsReceivedPerSlot_EMFPA

Number of ReservationOnRequest messages from the AT using EMFPA received by the RNSM.

Data Source

DO-EMS

Source Field

numReservationOnRequestsReceivedPerSlot where rncSlotPacketApplication=2

Source Section

QoSPerfBySlot (RncQoSPerfMIB)

numReservationOnRequestsReceivedPerSlot_MFPA

Number of ReservationOnRequest messages from the AT using MFPA received by the RNSM.

Data Source

DO-EMS

Source Field

numReservationOnRequestsReceivedPerSlot where rncSlotPacketApplication=1

Source Section

QoSPerfBySlot (RncQoSPerfMIB)

numReservationOnRequestsRejectedAdmissionControlPerSlot_EMFPA

Number of ReservationOnRequest messages received from the AT using EMFPA that the RNSM rejected because the request for QoS resources failed to pass the admission control procedure on the DOM(s).

Data Source

DO-EMS

Source Field

numReservationOnRequestsRejectedAdmissionControlPerSlot where
rncSlotPacketApplication=2

Source Section

QoSPerfBySlot (RncQoSPerfMIB)

numReservationOnRequestsRejectedAdmissionControlPerSlot_MFPA

Number of ReservationOnRequest messages received from the AT using MFPA that the RNSM rejected because the request for QoS resources failed to pass the admission control procedure on the DOM(s).

Data Source

DO-EMS

Source Field

numReservationOnRequestsRejectedAdmissionControlPerSlot where
rncSlotPacketApplication=1

Source Section

QoSPerfBySlot (RncQoSPerfMIB)

numReservationOnRequestsRejectedGrantedQosNotRequestedPerSlot_EMFPA

Number of ReservationOnRequest messages received from the AT using EMFPA that the RNSM rejected because the granted QoS for a Reservation included in the request was not a subset of requested QoS for the Reservation.

Data Source

DO-EMS

Source Field

numReservationOnRequestsRejectedGrantedQosNotRequestedPerSlot where
rncSlotPacketApplication=2

Source Section

QoSPerfBySlot (RncQoSPerfMIB)

numReservationOnRequestsRejectedGrantedQosNotRequestedPerSlot_MFPA

Number of ReservationOnRequest messages received from the AT using MFPA that the RNSM rejected because the granted QoS for a Reservation included in the request was not a subset of requested QoS for the Reservation.

Data Source

DO-EMS

Source Field

numReservationOnRequestsRejectedGrantedQosNotRequestedPerSlot where
rncSlotPacketApplication=1

Source Section

QoSPerfBySlot (RncQoSPerfMIB)

numReservationOnRequestsRejectedNullGrantedQosPerSlot_EMFPA

Number of ReservationOnRequest messages received from the AT using EMFPA that the RNSM rejected because the granted QoS for a Reservation included in the request was NULL.

Data Source

DO-EMS

Source Field

numReservationOnRequestsRejectedNullGrantedQosPerSlot where
rncSlotPacketApplication=2

Source Section

QoSPerfBySlot (RncQoSPerfMIB)

numReservationOnRequestsRejectedNullGrantedQosPerSlot_MFPA

Number of ReservationOnRequest messages received from the AT using MFPA that the RNSM rejected because the granted QoS for a Reservation included in the request was NULL.

Data Source

DO-EMS

Source Field

numReservationOnRequestsRejectedNullGrantedQosPerSlot where
rncSlotPacketApplication=1

Source Section

QoSPerfBySlot (RncQoSPerfMIB)

numReservationOnRequestsRejectedNullRequestedQosPerSlot_EMFPA

Number of ReservationOnRequest messages received from the AT using EMFPA that the RNSM rejected because the requested QoS for a Reservation included in the request was NULL.

Data Source

DO-EMS

Source Field

numReservationOnRequestsRejectedNullRequestedQosPerSlot where
rncSlotPacketApplication=2

Source Section

QoSPerfBySlot (RncQoSPerfMIB)

numReservationOnRequestsRejectedNullRequestedQosPerSlot_MFPA

Number of ReservationOnRequest messages received from the AT using MFPA that the RNSM rejected because the requested QoS for a Reservation included in the request was NULL.

Data Source

DO-EMS

Source Field

numReservationOnRequestsRejectedNullRequestedQosPerSlot where
rncSlotPacketApplication=1

Source Section

QoSPerfBySlot (RncQoSPerfMIB)

numReservationOnRequestsRejectedPerSlot_EMFPA

Number of ReservationOnRequest messages received from the AT using EMFPA that were rejected by the RNSM.

Data Source

DO-EMS

Source Field

numReservationOnRequestsRejectedPerSlot where rncSlotPacketApplication=2

Source Section

QoSPerfBySlot (RncQoSPerfMIB)

numReservationOnRequestsRejectedPerSlot_MFPA

Number of ReservationOnRequest messages received from the AT using MFPA that were rejected by the RNSM.

Data Source

DO-EMS

Source Field

numReservationOnRequestsRejectedPerSlot where rncSlotPacketApplication=1

Source Section

QoSPerfBySlot (RncQoSPerfMIB)

numReservationOnRequestsRejectedUnknownReservationPerSlot_EMFPA

Number of ReservationOnRequest messages received from the AT using EMFPA that the RNSM rejected because no Reservation was found for one or more Reservation Labels included in the request.

Data Source

DO-EMS

Source Field

numReservationOnRequestsRejectedUnknownReservationPerSlot where
rncSlotPacketApplication=2

Source Section

QoSPerfBySlot (RncQoSPerfMIB)

numReservationOnRequestsRejectedUnknownReservationPerSlot_MFPA

Number of ReservationOnRequest messages received from the AT using MFPA that the RNSM rejected because no Reservation was found for one or more Reservation Labels included in the request.

Data Source

DO-EMS

Source Field

numReservationOnRequestsRejectedUnknownReservationPerSlot where
rncSlotPacketApplication=1

Source Section

QoSPerfBySlot (RncQoSPerfMIB)

numReservationRequestedQoSMismatchWithAnSupportedProfileIdPerSlot

Number of reservation requests received by the RNSM such that AT requested QoS profile ID set is not a subset of AN supported profile ID set.

Data Source

DO-EMS

Source Field

numReservationRequestedQoSMismatchWithAnSupportedProfileIdPerSlot

Source Section

QoSCommonPerfBySlot (RncQoSPerfMIB)

numReservationRequestedQoSMismatchWithSubscriberProfileIdPerSlot

Number of reservation requests received by the RNSM such that the intersection of AT requested QoS profile ID set and AN supported profile ID set is not a subset of Subscriber profile ID set.

Data Source

DO-EMS

Source Field

numReservationRequestedQosMismatchWithSubscriberProfileIdPerSlot

Source Section

QoSCommonPerfBySlot (RncQoSPerfMIB)

numRev0ATsWithActivePersBasedOnRev0ProfSlot

This OM keeps track of the number of Rev-0 AT's with Active Personality based on the Rev-0 Profile.

Data Source

DO-EMS

Source Field

numRev0ATsWithActivePersBasedOnRev0ProfSlot

Source Section

RNCPerSessionConfig (RncIS856PerfVer2MIB)

numRevAATsWithActivePersBasedOnRev0ProfSlot

This OM keeps track of the number of Rev-A AT's with Active Personality based on the Rev-0 Profile.

Data Source

DO-EMS

Source Field

numRevAATsWithActivePersBasedOnRev0ProfSlot

Source Section

RNCPerSessionConfig (RncIS856PerfVer2MIB)

numRevAATsWithActivePersBasedOnRevAProfSlot

This OM keeps track of the number of Rev-A AT's with Active Personality based on the Rev-A Profile.

Data Source

DO-EMS

Source Field

numRevAATsWithActivePersBasedOnRevAProfSlot

Source Section

RNCPerSessionConfig (RncIS856PerfVer2MIB)

numRevAConnectionsCurrentlyOpenSlot

The number of currently open Rev-A connections on the RNSM.

Data Source

DO-EMS

Source Field

numRevAConnectionsCurrentlyOpenSlot

Source Section

RNCPerfBySlot (RncIS856PerfMIB)

numRevAConnectionsOpenedSlot

The number of RevA Connections opened successfully on this slot.

Data Source

DO-EMS

Source Field

numRevAConnectionsOpenedSlot

Source Section

RNCPerfBySlot (RncIS856PerfMIB)

numRevLinkSHOAbortedSlot

The number of reverse link soft handoffs that were aborted because the connection closed for reasons other than reverse link soft handoff failures, blocks or timeouts.

Data Source

DO-EMS

Source Field

numRevLinkSHOAbortedSlot

Source Section

RNCPerfBySlot (RncIS856PerfMIB)

NumRevLinkSHOAttemptsSlot

The number of reverse link SHO attempts

Data Source

DO-EMS

Source Field

NumRevLinkSHOAttemptsSlot

Source Section

RNCPerfBySlot (RncIS856PerfMIB)

NumRevLinkSHOBlockedByRncResourcesSlot

Reverse link soft handoffs blocked by DO-RNC resource allocation

Data Source

DO-EMS

Source Field

NumRevLinkSHOBlockedByRncResourcesSlot

Source Section

RNCPerfBySlot (RncIS856PerfMIB)

NumRevLinkSHOBlockedByRnSlot

Reverse link soft handoffs blocked by RN resource allocation

Data Source

DO-EMS

Source Field

NumRevLinkSHOBlockedByRnSlot

Source Section

RNCPerfBySlot (RncIS856PerfMIB)

numRevLinkSHOfailedByRncResourcesSlot

The number of reverse link soft handoffs that were failed by DO-RNC resource allocation.

Data Source

DO-EMS

Source Field

numRevLinkSHOfailedByRncResourcesSlot

Source Section

RNCPerfBySlot (RncIS856PerfMIB)

NumRevLinkSHOfailedByRnSlot

Reverse link soft handoffs failed by RN resource allocation

Data Source

DO-EMS

Source Field

NumRevLinkSHOfailedByRnSlot

Source Section

RNCPerfBySlot (RncIS856PerfMIB)

NumRevLinkSHOfailedTccTimeoutSlot

Reverse link soft handoffs failed because the Traffic Channel Complete message was not received from the Access Terminal in time

Data Source

DO-EMS

Source Field

NumRevLinkSHOFailedTccTimeoutSlot

Source Section

RNCPerfBySlot (RncIS856PerfMIB)

NumRevLinkSHOFailRncTimeoutSlot

Reverse link soft handoffs failed because resource allocation/release on the DO-RNC did not complete in time

Data Source

DO-EMS

Source Field

NumRevLinkSHOFailRncTimeoutSlot

Source Section

RNCPerfBySlot (RncIS856PerfMIB)

NumRevLinkSHOSuccessSlot

The number of reverse link SHO successes

Data Source

DO-EMS

Source Field

NumRevLinkSHOSuccessSlot

Source Section

RNCPerfBySlot (RncIS856PerfMIB)

numRevReservationOffMessagesSentPerSlot_EMFPA

The number of times the RNSM sent a RevReservationOff message to the AT using EMFPA to deactivate a reverse Reservation.

Data Source

DO-EMS

Source Field

numRevReservationOffMessagesSentPerSlot where rncSlotPacketApplication=2

Source Section

QoSPerfBySlot (RncQoSPerfMIB)

numRevReservationOffMessagesSentPerSlot_MFPA

The number of times the RNSM sent a RevReservationOff message to the AT using MFPA to deactivate a reverse Reservation.

Data Source

DO-EMS

Source Field

numRevReservationOffMessagesSentPerSlot where rncSlotPacketApplication=1

Source Section

QoSPerfBySlot (RncQoSPerfMIB)

numRevReservationOnMessagesSentPerSlot_EMFPA

The number of times the RNSM sent a RevReservationOn message to the AT using EMFPA to activate a reverse Reservation.

Data Source

DO-EMS

Source Field

numRevReservationOnMessagesSentPerSlot where rncSlotPacketApplication=2

Source Section

QoSPerfBySlot (RncQoSPerfMIB)

numRevReservationOnMessagesSentPerSlot_MFPA

The number of times the RNSM sent a RevReservationOn message to the AT using MFPA to activate a reverse Reservation.

Data Source

DO-EMS

Source Field

numRevReservationOnMessagesSentPerSlot where rncSlotPacketApplication=1

Source Section

QoSPerfBySlot (RncQoSPerfMIB)

numRlpNakdOctetsNotRcvdSlot

Number of RLP octets Nakd not received.

Data Source

DO-EMS

Source Field

numRlpNakdOctetsNotRcvdSlot

Source Section

RNCBytePacketCountBySlot (RncIS856PerfMIB)

numRlpOctetsNakdSlot

Number of RLP octets whose retransmission is requested from the AT.

Data Source

DO-EMS

Source Field

numRlpOctetsNakdSlot

Source Section

RNCBytePacketCountBySlot (RncIS856PerfMIB)

numRncInitiatedPagesSlot

The total number of pages succeeded on this slot

Data Source

DO-EMS

Source Field

numRncInitiatedPagesSlot

Source Section

RNCPerfBySlot (RncIS856PerfMIB)

numRnHomedCurSlot

Number of RNs presently homed on this slot

Data Source

DO-EMS

Source Field

numRnHomedCurSlot

Source Section

AirlinkResourceAllocationPerfBySlot (RncResourceControlMIB)

numRxATInitiateDuringFirstPageSlot

This OM will be pegged when CSM sends the first Page Message to the AT and receives a Connect Request from the AT that has the AT-initiated code point in it and this connect request is received before the first Page Message times out.

Data Source

DO-EMS

Source Field

numRxATInitiateDuringFirstPageSlot

Source Section

RNCPerfBySlot (RncIS856PerfMIB)

numRxATInitiateDuringPageSlot

This OM will be pegged when CSM sends a Page Message to the AT and receives a Connect Request from the AT that has the AT-initiated code point in it - this message should be received before a Paging Cycle is terminated.

Data Source

DO-EMS

Source Field

numRxATInitiateDuringPageSlot

Source Section

RNCPerfBySlot (RncIS856PerfMIB)

numRxATInitiateDuringSecondPageSlot

This OM will be pegged when CSM sends the second Page Message to the AT and receives a Connect Request from the AT that has the AT-initiated code point in it and this connect request is received before the second Page Message times out.

Data Source

DO-EMS

Source Field

numRxATInitiateDuringSecondPageSlot

Source Section

RNCPerfBySlot (RncIS856PerfMIB)

numRxATInitiateDuringThirdPageSlot

This OM will be pegged when CSM sends the third Page Message to the AT and receives a Connect Request from the AT that has the AT-initiated code point in it and this Connect Request is received before the third Page Message times out.

Data Source

DO-EMS

Source Field

numRxATInitiateDuringThirdPageSlot

Source Section

RNCPerfBySlot (RncIS856PerfMIB)

numSecondPageAbandonedSlot

This OM will be pegged in error cases when CSM decides that waiting for a response for the second Page Message is no longer necessary (for example, SSM may indicate to CSM that the Session instance needs to be destroyed).

Data Source

DO-EMS

Source Field

numSecondPageAbandonedSlot

Source Section

RNCPerfBySlot (RncIS856PerfMIB)

numSecondPageResponseRxSlot

This OM will peg when an AN initiated Connect Request is received in a paging cycle, in response to the second Page message (or in other words the first page message retry) that was sent from the AN.

Data Source

DO-EMS

Source Field

numSecondPageResponseRxSlot

Source Section

RNCPerfBySlot (RncIS856PerfMIB)

numSecondPageTimeoutSlot

This OM will be pegged when CSM sends the second Page Message to the AT and does not receive any response before the second Page Message times out.

Data Source

DO-EMS

Source Field

numSecondPageTimeoutSlot

Source Section

RNCPerfBySlot (RncIS856PerfMIB)

numSecondPageTxSlot

This OM will peg when a second Page is attempted in a Paging Cycle.

Data Source

DO-EMS

Source Field

numSecondPageTxSlot

Source Section

RNCPerfBySlot (RncIS856PerfMIB)

numSessCfgAttemptsTotalSlot

Number of session configuration attempts on the RNSM. It counts both the initial session configurations and reconfigurations.

Data Source

DO-EMS

Source Field

numSessCfgAttemptsTotalSlot

Source Section

RNCPerSessionConfig (RncIS856PerfVer2MIB)

numSessCfgFailedAbnormalConnectionCloseSlot

To keep track of an event on a slot basis where the connection in use for session configuration negotiation between the AT and AN is abnormally closed.

Data Source

DO-EMS

Source Field

numSessCfgFailedAbnormalConnectionCloseSlot

Source Section

RNCPerfBySlot (RncIS856PerfMIB)

numSessCfgFailedConfigCompleteTimeoutSlot

To keep track of an event on a slot basis where the RNC has not received a configuration complete message from the AT within the mandated time interval.

Data Source

DO-EMS

Source Field

numSessCfgFailedConfigCompleteTimeoutSlot

Source Section

RNCPerfBySlot (RncIS856PerfMIB)

numSessCfgFailedIndividualProtocolConfigurationSlot

To keep track of an event on a slot basis where protocol negotiation between the AT and AN fails for a specific protocol.

Data Source

DO-EMS

Source Field

numSessCfgFailedIndividualProtocolConfigurationSlot

Source Section

RNCPerfBySlot (RncIS856PerfMIB)

numSessCfgFailedTransmitConfigCompleteTimeoutSlot

To keep track of an event on a slot basis where RNC has not transmitted a configuration complete message to the AT within the mandated time interval.

Data Source

DO-EMS

Source Field

numSessCfgFailedTransmitConfigCompleteTimeoutSlot

Source Section

RNCPerfBySlot (RncIS856PerfMIB)

numSessCfgFailuresTotalSlot

Number of session configuration failures on the RNSM. It counts both the initial session configuration failures and reconfiguration failures.

Data Source

DO-EMS

Source Field

numSessCfgFailuresTotalSlot

Source Section

RNCPerSessionConfig (RncIS856PerfVer2MIB)

numSessCfgPostA13ReconfNeededTotalSlot

This OM is a counter for the total number of times the Session Configuration State Machine performs a re-negotiation of the protocols associated with an A13-Dormant handoff retrieved session.

Data Source

DO-EMS

Source Field

numSessCfgPostA13ReconfNeededTotalSlot

Source Section

RNCPerfBySlot (RncIS856PerfMIB)

numSessCfgSuccessesTotalSlot

Number of session configuration successes on the RNSM. It counts both the initial session configuration successes and reconfiguration successes.

Data Source

DO-EMS

Source Field

numSessCfgSuccessesTotalSlot

Source Section

RNCPerSessionConfig (RncIS856PerfVer2MIB)

numSessInitCfgFailAbnormalConnCloseSlot

Number of initial session configuration failures on the RNSM because of receiving an abnormal connection close while the RNSM is in the middle of session configuration.

Data Source

DO-EMS

Source Field

numSessInitCfgFailAbnormalConnCloseSlot

Source Section

RNCPerSessionConfig (RncIS856PerfVer2MIB)

numSessInitCfgFailCfgCompleteTOANInitPhaseSlot

Number of initial session configuration failures on the RNSM when the Session Configuration Protocol on the RNSM fails to send a ConfigurationComplete message to the AT within the Tx Configuration Complete timeout during the AN initiated session configuration phase.

Data Source

DO-EMS

Source Field

numSessInitCfgFailCfgCompleteTOANInitPhaseSlot

Source Section

RNCPerSessionConfig (RncIS856PerfVer2MIB)

numSessInitCfgFailCfgCompleteTOATInitPhaseSlot

Number of initial session configuration failures on the RNSM when the Session Configuration Protocol on the RNSM fails to receive a ConfigurationComplete message from the AT within the Rx Configuration Complete timeout during the AT initiated session configuration phase.

Data Source

DO-EMS

Source Field

numSessInitCfgFailCfgCompleteTOATInitPhaseSlot

Source Section

RNCPerSessionConfig (RncIS856PerfVer2MIB)

numSessInitCfgFailInternalErrorSlot

Number of initial session configuration failures on the RNSM when the Session Configuration Protocol abnormally stopped because of other component problems.

Data Source

DO-EMS

Source Field

numSessInitCfgFailInternalErrorSlot

Source Section

RNCPerSessionConfig (RncIS856PerfVer2MIB)

numSessInitCfgFailProtocolConfigErrorSlot

Number of initial session configuration failures on the RNSM due to a failure in negotiation between the AT and the AN for an individual protocol.

Data Source

DO-EMS

Source Field

numSessInitCfgFailProtocolConfigErrorSlot

Source Section

RNCPerSessionConfig (RncIS856PerfVer2MIB)

numSessInitialCfgAttemptsTotalSlot

Number of initial session configuration attempts on the RNSM. Note: Initial session configuration is the session configuration performed for the first time on a given session.

Data Source

DO-EMS

Source Field

numSessInitialCfgAttemptsTotalSlot

Source Section

RNCPerSessionConfig (RncIS856PerfVer2MIB)

numSessInitialCfgFailuresTotalSlot

Number of initial session configuration failures on the RNSM.

Data Source

DO-EMS

Source Field

numSessInitialCfgFailuresTotalSlot

Source Section

RNCPerSessionConfig (RncIS856PerfVer2MIB)

numSessInitialCfgSuccessesTotalSlot

Number of initial session configuration successes on the RNSM.

Data Source

DO-EMS

Source Field

numSessInitialCfgSuccessesTotalSlot

Source Section

RNCPerSessionConfig (RncIS856PerfVer2MIB)

numSessionInstancesCreatedSlot

This OM is a counter for the total number of session instances that are created on the DO-RNC / RNSM when a signaling message is received with any unknown ATI (i.e. RATI, unknown local UATI, or UATI).

Data Source

DO-EMS

Source Field

numSessionInstancesCreatedSlot

Source Section

RNCPerfBySlot (RncIS856PerfMIB)

numSessionInstancesCreatedWithUnknownLocalUATISlot

This OM is a counter for the total number of session instances that are created on the DO-RNC / RNSM, when an access channel message is received with an unknown local UATI.

Data Source

DO-EMS

Source Field

numSessionInstancesCreatedWithUnknownLocalUATISlot

Source Section

RNCPerfBySlot (RncIS856PerfMIB)

numSessionsAwaitingCloseFromAtSlot

Session instances which are awaiting a 'Close' message from the AT

Data Source

DO-EMS

Source Field

numSessionsAwaitingCloseFromAtSlot

Source Section

RNCPerfBySlot (RncIS856PerfMIB)

NumSessionSetupAttemptsSlot

Total number of Session setup attempts

Data Source

DO-EMS

Source Field

NumSessionsSetupAttemptsSlot

Source Section

RNCPerfBySlot (RncIS856PerfMIB)

NumSessionSetupsBlockedToNoRncResourceSlot

Total number of Session Setups blocked because of No DO-RNC Resource

Data Source

DO-EMS

Source Field

NumSessionSetupsBlockedToNoRncResourceSlot

Source Section

RNCPerfBySlot (RncIS856PerfMIB)

numSessionSetupsFailedToATInitiatedSessionCloseSlot

This OM is a counter for the total number of regular session-setups that are aborted on a DO-RNC / RNSM, when a standardized SessionClose message is received from the AT past the UATI Assignment stage of the 1xEV-DO session setup process.

Data Source

DO-EMS

Source Field

numSessionSetupsFailedToATInitiatedSessionCloseSlot

Source Section

RNCPerfBySlot (RncIS856PerfMIB)

numSessionSetupsFailedToInvldHwIdTypeSlot

This OM is a counter for all the total number of regular session setup attempts that are aborted when an invalid Hardware ID ?type? is received from the AT (in response to a HardwareID Request).

Data Source

DO-EMS

Source Field

numSessionSetupsFailedToInvldHwIdTypeSlot

Source Section

RNCPerfBySlot (RncIS856PerfMIB)

numSessionSetupsFailedToInvldHwIdValueSlot

This OM is a counter for the total number of regular session setup attempts that are aborted when the DO-RNC receives an invalid HardwareID ?value? from the AT (in response to a HardwareID Request).

Data Source

DO-EMS

Source Field

numSessionSetupsFailedToInvldHwIdValueSlot

Source Section

RNCPerfBySlot (RncIS856PerfMIB)

numSessionSetupsFailedToInvldUATICmpltSeqNumSlot

This OM is a counter for the total number of regular session setup attempts that are aborted when the DO-RNC / RNSM fails to receive a ?valid? UATIComplete message from the AT (in response to a UATIAssignment message).

Data Source

DO-EMS

Source Field

numSessionSetupsFailedToInvldUATICmpltSeqNumSlot

Source Section

RNCPerfBySlot (RncIS856PerfMIB)

NumSessionSetupsFailedToOtherCausesSlot

Total number of Session Setups failed due to other causes

Data Source

DO-EMS

Source Field

NumSessionSetupsFailedToOtherCausesSlot

Source Section

RNCPerfBySlot (RncIS856PerfMIB)

numSessionSetupsFailedToRNCInitiatedSessionCloseSlot

This OM is a counter for the total number of regular session-setups that are aborted on the DO-RNC / RNSM, when a (local) user-initiated request to close a session is received on that DO-RNC.

Data Source

DO-EMS

Source Field

numSessionSetupsFailedToRNCInitiatedSessionCloseSlot

Source Section

RNCPerfBySlot (RncIS856PerfMIB)

NumSessionSetupsFailedToSessionConfigSlot

Total number of Session Setups failed due to the Session Configuration failure

Data Source

DO-EMS

Source Field

NumSessionSetupsFailedToSessionConfigSlot

Source Section

RNCPerfBySlot (RncIS856PerfMIB)

numSessionSetupsFailedToSessionInfoConfirmSlot

This OM is a counter for the total number of regular session setup attempts that are aborted on the DO-RNC / RNSM, when an A13-Confirmation message is received on the source RNC after the associated session instance is successfully transferred to the targ

Data Source

DO-EMS

Source Field

numSessionSetupsFailedToSessionInfoConfirmSlot

Source Section

RNCPerfBySlot (RncIS856PerfMIB)

NumSessionSetupsFailedToTermAuthSlot

Total number of Session Setups failed due to Terminal Authentication failure

Data Source

DO-EMS

Source Field

NumSessionSetupsFailedToTermAuthSlot

Source Section

RNCPerfBySlot (RncIS856PerfMIB)

numSessionSetupsFailedToUATICmpltTimeoutSlot

This OM is a counter for the total number of regular session setup attempts that are aborted when the DO-RNC / RNSM fails to receive a UATIComplete message from the AT (in response to a UATIAssignment message).

Data Source

DO-EMS

Source Field

numSessionSetupsFailedToUATICmpltTimeoutSlot

Source Section

RNCPerfBySlot (RncIS856PerfMIB)

NumSessionSetupSuccessfulSlot

Total number of Session setups that were successful

Data Source

DO-EMS

Source Field

NumSessionSetupSuccessfulSlot

Source Section

RNCPerfBySlot (RncIS856PerfMIB)

NumSessionsTerminatedToAtCloseSlot

Total number of successfully established Sessions terminated due to the AT sending a 'Session Close'.

Data Source

DO-EMS

Source Field

NumSessionsTerminatedToAtCloseSlot

Source Section

RNCPerfBySlot (RncIS856PerfMIB)

NumSessionsTerminatedToAtIdRspTimeoutSlot

Total number of sessions terminated due to AT Id Response Timeout

Data Source

DO-EMS

Source Field

NumSessionsTerminatedToAtIdRspTimeoutSlot

Source Section

RNCPerfBySlot (RncIS856PerfMIB)

NumSessionsTerminatedToHwIdRspFailureSlot

Total number of sessions terminated due to Hardware Id Response Failure

Data Source

DO-EMS

Source Field

NumSessionsTerminatedToHwIdRspFailureSlot

Source Section

RNCPerfBySlot (RncIS856PerfMIB)

NumSessionsTerminatedToInstantCloseSlot

Total number of sessions terminated due to instant close

Data Source

DO-EMS

Source Field

NumSessionsTerminatedToInstantCloseSlot

Source Section

RNCPerfBySlot (RncIS856PerfMIB)

NumSessionsTerminatedToKeepAliveTimeoutSlot

Total number of successfully established Sessions due to Keep Alive Timeouts

Data Source

DO-EMS

Source Field

NumSessionsTerminatedToKeepAliveTimeoutSlot

Source Section

RNCPerfBySlot (RncIS856PerfMIB)

NumSessionsTerminatedToLocalCloseSlot

Successfully established sessions terminated due to the session being closed locally

Data Source

DO-EMS

Source Field

NumSessionsTerminatedToLocalCloseSlot

Source Section

RNCPerfBySlot (RncIS856PerfMIB)

NumSessionsTerminatedToReceivingUatiReqSlot

Successfully established Sessions terminated due to a UATI Request from the AT when the Session is already established for that AT

Data Source

DO-EMS

Source Field

NumSessionsTerminatedToReceivingUatiReqSlot

Source Section

RNCPerfBySlot (RncIS856PerfMIB)

NumSessionsTerminatedToSessionConfigFailureSlot

Successfully established sessions terminated due to the Session Configuration failure

Data Source

DO-EMS

Source Field

NumSessionsTerminatedToSessionConfigFailureSlot

Source Section

RNCPerfBySlot (RncIS856PerfMIB)

numSessionsTerminatedToSessionInfoConfirmSlot

This OM is a counter for the total number of regular session setup attempts that are aborted on the DO-RNC / RNSM, when an A13-Confirmation message is received on the source RNC after the associated session instance is successfully transferred to the target RNC.

Data Source

DO-EMS

Source Field

numSessionsTerminatedToSessionInfoConfirmSlot

Source Section

RNCPerfBySlot (RncIS856PerfMIB)

numSessionsTerminatedToTermAuthSlot

The number of sessions closed due to TA failure on the RNSM.

Data Source

DO-EMS

Source Field

numSessionsTerminatedToTermAuthSlot

Source Section

RNCPerfBySlot (RncIS856PerfMIB)

NumSessionsTerminatedToUnknownLocalUatiSlot

Total number of sessions terminated by the DO RNC due to unknown UATI

Data Source

DO-EMS

Source Field

NumSessionsTerminatedToUnknownLocalUatiSlot

Source Section

RNCPerfBySlot (RncIS856PerfMIB)

numSessionTermDueToTaReauthIMSIDifferentSlot

Number of sessions closed on the RNSM because the AN-AAA server returns an IMSI that is different from the existing IMSI on the RNC during TA re-auth.

Data Source

DO-EMS

Source Field

numSessionTermDueToTaReauthIMSIDifferentSlot

Source Section

RNCPerfBySlot (RncIS856PerfMIB)

numSessionTermDueToTaReauthNoTaStreamSlot

Number of sessions closed on the RNSM because no TA stream is allocated for session.

Data Source

DO-EMS

Source Field

numSessionTermDueToTaReauthNoTaStreamSlot

Source Section

RNCPerfBySlot (RncIS856PerfMIB)

numSessionTermDueToTaReauthRejectSlot

Number of sessions closed on the RNSM because an A12 Access- Reject message is received from the AN-AAA server during TA re-auth.

Data Source

DO-EMS

Source Field

numSessionTermDueToTaReauthRejectSlot

Source Section

RNCPerfBySlot (RncIS856PerfMIB)

numSessReCfgAttemptsTotalSlot

Number of session reconfiguration attempts on the RNSM.

Data Source

DO-EMS

Source Field

numSessReCfgAttemptsTotalSlot

Source Section

RNCPerSessionConfig (RncIS856PerfVer2MIB)

numSessReCfgFailAbnormalConnCloseSlot

Number of session reconfiguration failures on the RNSM because of receiving an abnormal connection close while the RNSM is in the middle of session configuration.

Data Source

DO-EMS

Source Field

numSessReCfgFailAbnormalConnCloseSlot

Source Section

RNCPerSessionConfig (RncIS856PerfVer2MIB)

numSessReCfgFailCfgCompleteTOANInitPhaseSlot

Number of session reconfiguration failures on the RNSM when the Session Configuration Protocol on the RNSM fails to send a ConfigurationComplete message to the AT within the Tx Configuration Complete timeout during the AN initiated session configuration phase.

Data Source

DO-EMS

Source Field

numSessReCfgFailCfgCompleteTOANInitPhaseSlot

Source Section

RNCPerSessionConfig (RncIS856PerfVer2MIB)

numSessReCfgFailCfgCompleteTOATInitPhaseSlot

Number of session reconfiguration failures on the RNSM when the Session Configuration Protocol on the RNSM fails to receive a ConfigurationComplete message from the AT within the Rx Configuration Complete timeout during the AT initiated session configuration phase.

Data Source

DO-EMS

Source Field

numSessReCfgFailCfgCompleteTOATInitPhaseSlot

Source Section

RNCPerSessionConfig (RncIS856PerfVer2MIB)

numSessReCfgFailInternalErrorSlot

Number of session reconfiguration failures on the RNSM when the Session Configuration Protocol abnormally stopped because of other component problems.

Data Source

DO-EMS

Source Field

numSessReCfgFailInternalErrorSlot

Source Section

RNCPerSessionConfig (RncIS856PerfVer2MIB)

numSessReCfgFailProtocolConfigErrorSlot

Number of session reconfiguration failures on the RNSM due to a failure in negotiation between the AT and the AN for an individual protocol.

Data Source

DO-EMS

Source Field

numSessReCfgFailProtocolConfigErrorSlot

Source Section

RNCPerSessionConfig (RncIS856PerfVer2MIB)

numSessReCfgFailuresATInitSlot

Session reconfiguration failures where the reconfiguration was initiated by the AT.

Data Source

DO-EMS

Source Field

numSessReCfgFailuresATInitSlot

Source Section

RNCPerSessionConfig (RncIS856PerfVer2MIB)

numSessReCfgFailuresPostRegA13CfgMismatchSlot

This OM will be pegged whenever the AN initiates a session reconfiguration on a session transferred from a source RNC and there is mismatch in the transferred session's configuration and the target RNC's operator preferred configuration and the AN is unsuccessful in the reconfiguration of the session.

Data Source

DO-EMS

Source Field

numSessReCfgFailuresPostRegA13CfgMismatchSlot

Source Section

RNCPerSessionConfig (RncIS856PerfVer2MIB)

numSessReCfgFailuresPostRegA13IntfVerMismatchSlot

This OM will be pegged whenever the AN initiates a session reconfiguration on a session transferred from a source RNC and A13 module specifically requests for session reconfiguration because there was an interface version mismatch between the source and the target RNC and the AN is unsuccessful in the reconfiguration of the session.

Data Source

DO-EMS

Source Field

numSessReCfgFailuresPostRegA13IntfVerMismatchSlot

Source Section

RNCPerSessionConfig (RncIS856PerfVer2MIB)

numSessReCfgFailuresTotalSlot

Number of session reconfiguration failures on the RNSM.

Data Source

DO-EMS

Source Field

numSessReCfgFailuresTotalSlot

Source Section

RNCPerSessionConfig (RncIS856PerfVer2MIB)

numSessReCfgSuccessesATInitSlot

Session reconfiguration successes where the reconfiguration was initiated by the AT.

Data Source

DO-EMS

Source Field

numSessReCfgSuccessesATInitSlot

Source Section

RNCPerSessionConfig (RncIS856PerfVer2MIB)

numSessReCfgSuccessesPostRegA13CfgMismatchSlot

This OM will be pegged whenever the AN initiates a session reconfiguration on a session transferred from a source RNC and there is mismatch in the transferred session's configuration and the target RNC's operator preferred configuration and the AN is successful in the reconfiguration of the session.

Data Source

DO-EMS

Source Field

numSessReCfgSuccessesPostRegA13CfgMismatchSlot

Source Section

RNCPerSessionConfig (RncIS856PerfVer2MIB)

numSessReCfgSuccessesPostRegA13IntfVerMismatchSlot

This OM will be pegged whenever the AN initiates a session reconfiguration on a session transferred from a source RNC and A13 module specifically requests for session reconfiguration because there was an interface version mismatch between the source and the target RNC and the AN is successful in the reconfiguration of the session.

Data Source

DO-EMS

Source Field

numSessReCfgSuccessesPostRegA13IntfVerMismatchSlot

Source Section

RNCPerSessionConfig (RncIS856PerfVer2MIB)

numSessReCfgSuccessesTotalSlot

Number of session reconfiguration successes on the RNSM.

Data Source

DO-EMS

Source Field

numSessReCfgSuccessesTotalSlot

Source Section

RNCPerSessionConfig (RncIS856PerfVer2MIB)

numSntpFailureSlot

number of Sntp Failure Slot

Data Source

DO-EMS

Source Field

numSntpFailureSlot

Source Section

RNCPerfBySlot (RncIS856PerfMIB)

numSntpNegativeTimeCalculationsSlot

number of Sntp Negative Time Calculations Slot

Data Source

DO-EMS

Source Field

numSntpNegativeTimeCalculationsSlot

Source Section

RNCPerfBySlot (RncIS856PerfMIB)

numSToCCrossoversSlot_Rev0

The number of connections that were opened before the demarcation point but were closed normally or abnormally after the demarcation point for Rev-0 personality ATs.

Data Source

DO-EMS

Source Field

numSToCCrossoversSlot where atDescriptor=1

Source Section

RNCPerfExtnBySlot (RncIS856PerfExtensionMIB)

numSToCCrossoversSlot_RevA

The number of connections that were opened before the demarcation point but were closed normally or abnormally after the demarcation point for Rev-A personality ATs.

Data Source

DO-EMS

Source Field

numSToCCrossoversSlot where atDescriptor=2

Source Section

RNCPerfExtnBySlot (RncIS856PerfExtensionMIB)

numSubD2APktsAccepted

The number of subsequent D2A packets that are successfully queued.

Data Source

DO-EMS

Source Field

numSubD2APktsAccepted

Source Section

RNCPageOvldCtrl (PagingOcMIB)

numSubD2APktsDropped

The number of subsequent D2A packets dropped at the FP due to D2A packet queue limit being exceeded.

Data Source

DO-EMS

Source Field

numSubD2APktsDropped

Source Section

RNCPageOvldCtrl (PagingOcMIB)

numThirdPageAbandonedSlot

This OM will be pegged in error cases when CSM decides that waiting for a response for the third Page Message is no longer necessary (for example, SSM may indicate to CSM that the Session instance needs to be destroyed).

Data Source

DO-EMS

Source Field

numThirdPageAbandonedSlot

Source Section

RNCPerfBySlot (RncIS856PerfMIB)

numThirdPageResponseRxSlot

This OM will peg when an AN initiated Connect Request is received in a paging cycle, in response to the third Page message (or in other words the second page retry) that was sent from the AN.

Data Source

DO-EMS

Source Field

numThirdPageResponseRxSlot

Source Section

RNCPerfBySlot (RncIS856PerfMIB)

numThirdPageTimeoutSlot

This OM will be pegged when CSM sends third Page Message to the AT and does not receive any response before the third Page Message times out.

Data Source

DO-EMS

Source Field

numThirdPageTimeoutSlot

Source Section

RNCPerfBySlot (RncIS856PerfMIB)

numThirdPageTxSlot

This OM will peg when a third Page is attempted in a Paging Cycle.

Data Source

DO-EMS

Source Field

numThirdPageTxSlot

Source Section

RNCPerfBySlot (RncIS856PerfMIB)

numTotalDormantHandoffFailurePriorSessionSlot

Total number of times a prior session A13 dormant handoff on this slot failed

Data Source

DO-EMS

Source Field

numTotalDormantHandoffFailurePriorSessionSlot

Source Section

RNCPerfBySlot (RncIS856PerfMIB)

numTotalDormantHandoffFailureSlot

Total Number of times a regular A13 dormant handoff on this slot failed

Data Source

DO-EMS

Source Field

numTotalDormantHandoffFailureSlot

Source Section

RNCPerfBySlot (RncIS856PerfMIB)

NumTotalSuccessSHOSlot

The total number of DRCs switched on this DO-RNC

Data Source

DO-EMS

Source Field

NumTotalSuccessSHOSlot

Source Section

RNCPerfBySlot (RncIS856PerfMIB)

numULNRcvdForInvalidSessionsRncPerfSlot

Pegs when an ULN message is received for an invalid session..

Data Source

DO-EMS

Source Field

numULNRcvdForInvalidSessionsRncPerfSlot

Source Section

RNCPerfBySlot (RncIS856PerfMIB)

numULNRcvdForUnAuthSessionsSlot

The number of ULNs received for the "Yet to Auth" sessions on the RNSM which trigger a TA attempt.

Data Source

DO-EMS

Source Field

numULNRcvdForUnAuthSessionsSlot

Source Section

RNCPerfBySlot (RncIS856PerfMIB)

numUnAuthSessionsTerminatedSlot

The number of Yet to Auth sessions closed on the RNSM.

Data Source

DO-EMS

Source Field

numUnAuthSessionsTerminatedSlot

Source Section

RNCPerfBySlot (RncIS856PerfMIB)

numUnsupportedRequestedQoSTypeRcvdPerSlot_EMFPA

Number of unsupported Requested QoS type from the AT using EMFPA received by the RNSM. In this case, the QoS request will be rejected.

Data Source

DO-EMS

Source Field

numUnsupportedRequestedQoSTypeRcvdPerSlot where rncSlotPacketApplication=2

Source Section

QoSPerfBySlot (RncQoSPerfMIB)

numUnsupportedRequestedQoSTypeRcvdPerSlot_MFPA

Number of unsupported Requested QoS type from the AT using MFPA received by the RNSM. In this case, the QoS request will be rejected.

Data Source

DO-EMS

Source Field

numUnsupportedRequestedQoSTypeRcvdPerSlot where rncSlotPacketApplication=1

Source Section

QoSPerfBySlot (RncQoSPerfMIB)

overloadBECPageAttempts

Number of times a page attempt (1st page only) is made for a BE application.

Data Source

DO-EMS

Source Field

overloadBECPageAttempts

Source Section

RNCOvldCtrl (OvldCtrlMIB)

overloadBECPageDimDrops

Number of times a BE page attempts (1st Page only) is dropped due to the page dimension in overload state while the overall system is in healthy state.

Data Source

DO-EMS

Source Field

overloadBECPageDimDrops

Source Section

RNCOvldCtrl (OvldCtrlMIB)

overloadBECPageSysDrops

Number of times a Best Effort Page attempt (1st Page only) is dropped due to the overall system in overload condition.

Data Source

DO-EMS

Source Field

overloadBECPageSysDrops

Source Section

RNCOvldCtrl (OvldCtrlMIB)

overloadConnectionAttempts

Number of times a connection request is received at the RNSM and is presented to the overload control framework for further processing.

Data Source

DO-EMS

Source Field

overloadConnectionAttempts

Source Section

RNCOvldCtrl (OvldCtrlMIB)

overloadConnectionDimDenied

Number of times a connection request is dropped due to the connection dimension being in overload state while the overall system is in a healthy state. During this time, the connection dimension is throttled at the healthy limit i.e., any requests exceeding the healthy limit are discarded.

Data Source

DO-EMS

Source Field

overloadConnectionDimDenied

Source Section

RNCOvldCtrl (OvldCtrlMIB)

overloadConnectionDimHealthySeconds

The amount of time (in seconds) the connection dimension is in a healthy state.

Data Source

DO-EMS

Source Field

overloadConnectionDimHealthySeconds

Source Section

RNCOvldCtrl (OvldCtrlMIB)

overloadConnectionDimOvldSeconds

The amount of time (in seconds) the connection dimension is in overload state.

Data Source

DO-EMS

Source Field

overloadConnectionDimOvldSeconds

Source Section

RNCOvldCtrl (OvldCtrlMIB)

overloadConnectionEnterCount

Number of times the connection dimension entered the overload state when the overall system is in healthy state.

Data Source

DO-EMS

Source Field

overloadConnectionEnterCount

Source Section

RNCOvldCtrl (OvldCtrlMIB)

overloadConnectionExitCount

Number of times the connection dimension came out of the overload state into healthy state.

Data Source

DO-EMS

Source Field

overloadConnectionExitCount

Source Section

RNCOvldCtrl (OvldCtrlMIB)

overloadConnectionsDenied

Number of connection setup attempts denied by the overload control during CPU overload.

Data Source

DO-EMS

Source Field

overloadConnectionsDenied

Source Section

RNCOvldCtrl (OvldCtrlMIB)

overloadControlPacketDrops

Number of control packets dropped by the overload control during CPU overload.

Data Source

DO-EMS

Source Field

overloadControlPacketDrops

Source Section

RNCOvldCtrl (OvldCtrlMIB)

overloadCPPageDimHealthySeconds

The amount of time (in seconds) the page dimension (1st Page only; and for both QoS and BE pages) is in a healthy state.

Data Source

DO-EMS

Source Field

overloadCPPageDimHealthySeconds

Source Section

RNCOvldCtrl (OvldCtrlMIB)

overloadCPPageDimOvldSeconds

The amount of time (in seconds) the page dimension (1st Page only; and for both QoS and BE pages) is in overload state.

Data Source

DO-EMS

Source Field

overloadCPPageDimOvldSeconds

Source Section

RNCOvldCtrl (OvldCtrlMIB)

overloadDataPacketDrops

Number of data packets dropped by the overload control during CPU overload.

Data Source

DO-EMS

Source Field

overloadDataPacketDrops

Source Section

RNCOvldCtrl (OvldCtrlMIB)

overloadDOrepage2ndAttemptDrops

Number of 2nd page attempts dropped due to the overall system being in critical overload condition.

Data Source

DO-EMS

Source Field

overloadDOrepage2ndAttemptDrops

Source Section

RNCOvldCtrl (OvldCtrlMIB)

overloadDOrePage2ndAttempts

Number of times a 2nd page attempt is received at the RNSM and presented to the overload control for further processing.

Data Source

DO-EMS

Source Field

overloadDOrePage2ndAttempts

Source Section

RNCOvldCtrl (OvldCtrlMIB)

overloadDOrePage3rdAttemptDrops

Number of 3rd page attempts dropped due to the overall system being in major or critical overload condition.

Data Source

DO-EMS

Source Field

overloadDOrePage3rdAttemptDrops

Source Section

RNCOvldCtrl (OvldCtrlMIB)

overloadDOrePage3rdAttempts

Number of times a 3rd page attempt is received at the RNSM and presented to the overload control for further processing.

Data Source

DO-EMS

Source Field

overloadDOrePage3rdAttempts

Source Section

RNCOvldCtrl (OvldCtrlMIB)

overloadPageEnterCount

Number of times the page dimension (1st page only) entered the overload state when the overall system is in healthy state.

Data Source

DO-EMS

Source Field

overloadPageEnterCount

Source Section

RNCOvldCtrl (OvldCtrlMIB)

overloadPageExitCount

Number of times the page dimension (1st Page only) came out of the overload state into healthy state.

Data Source

DO-EMS

Source Field

overloadPageExitCount

Source Section

RNCOvldCtrl (OvldCtrlMIB)

overloadPageRequestDrops

Number of AN initiated dormant to active transition requests discarded due to overload.

Data Source

DO-EMS

Source Field

overloadPageRequestDrops

Source Section

RNCOvldCtrl (OvldCtrlMIB)

overloadQOSCPageAttempts

Number of times a page attempt is triggered for a QoS flow (1st page only).

Data Source

DO-EMS

Source Field

overloadQOSCPageAttempts

Source Section

RNCOvldCtrl (OvldCtrlMIB)

overloadQOSCPageDimDrops

Number of times a Page attempts triggered for a QoS flow(1st Page only) is dropped due to the page dimension in overload state while the overall system is in healthy state.

Data Source

DO-EMS

Source Field

overloadQOSCPageDimDrops

Source Section

RNCOvldCtrl (OvldCtrlMIB)

overloadQOSCPageSysDrops

Number of times a Page attempt triggered for a QoS flow (1st Page only) is dropped due to the overall system being in overload condition.

Data Source

DO-EMS

Source Field

overloadQOSCPageSysDrops

Source Section

RNCOvldCtrl (OvldCtrlMIB)

overloadSessionAttempts

Number of times a session attempt is received at the RNSM and is in turn presented to the overload control framework for further processing.

Data Source

DO-EMS

Source Field

overloadSessionAttempts

Source Section

RNCOvldCtrl (OvldCtrlMIB)

overloadSessionDimDenied

Number of times the session setup request is dropped due to the session dimension being in overload condition when the overall system is in healthy condition.

Data Source

DO-EMS

Source Field

overloadSessionDimDenied

Source Section

RNCOvldCtrl (OvldCtrlMIB)

overloadSessionDimHealthySeconds

The amount of time (in seconds) the session dimension is in a healthy state.

Data Source

DO-EMS

Source Field

overloadSessionDimHealthySeconds

Source Section

RNCOvldCtrl (OvldCtrlMIB)

overloadSessionDimOvldSeconds

The amount of time (in seconds) the session dimension is in overload state.

Data Source

DO-EMS

Source Field

overloadSessionDimOvldSeconds

Source Section

RNCOvldCtrl (OvldCtrlMIB)

overloadSessionEnterCount

Number of times the session dimension entered the overload state when the overall system is in healthy state.

Data Source

DO-EMS

Source Field

overloadSessionEnterCount

Source Section

RNCOvldCtrl (OvldCtrlMIB)

overloadSessionExitCount

Number of times the session dimension came out of the overload state into healthy state.

Data Source

DO-EMS

Source Field

overloadSessionExitCount

Source Section

RNCOvldCtrl (OvldCtrlMIB)

overloadSessionsDenied

Number of times the session setup request is dropped due to the system (CPU) in overload condition.

Data Source

DO-EMS

Source Field

overloadSessionsDenied

Source Section

RNCOvldCtrl (OvldCtrlMIB)

overloadSignalingPacketDrops

Number of signaling packets dropped by the overload control during CPU overload.

Data Source

DO-EMS

Source Field

overloadSignalingPacketDrops

Source Section

RNCOvldCtrl (OvldCtrlMIB)

pcfPageReqQueueFailCount

Number of AN initiated dormant to active transition request enqueue failures into the PCF page request queue due to the queue being full.

Data Source

DO-EMS

Source Field

pcfPageReqQueueFailCount

Source Section

RNCPageOvldCtrl (PagingOcMIB)

pcfPageReqQueueSuccessCount

Number of AN initiated dormant to active transition requests successfully enqueued into the PCF page request queue.

Data Source

DO-EMS

Source Field

pcfPageReqQueueSuccessCount

Source Section

RNCPageOvldCtrl (PagingOcMIB)

permanentRlpLossOfSyncSlot

RLP has permanently lost synchronization leading to a connection close

Data Source

DO-EMS

Source Field

permanentRlpLossOfSyncSlot

Source Section

RNCPerfBySlot (RncIS856PerfMIB)

ReverseMacPktsSlot

Number of MAC packets (Format A and B) transmitted in the reverse direction

Data Source

DO-EMS

Source Field

ReverseMacPktsSlot

Source Section

RNCBytePacketCountBySlot (RncIS856PerfMIB)

ReverseRlpBytesSlot

Number of RLP Bytes received in the reverse direction

Data Source

DO-EMS

Source Field

ReverseRlpBytesSlot

Source Section

RNCBytePacketCountBySlot (RncIS856PerfMIB)

reverseRlpNacksSlot

RLP Nacks received in the reverse direction

Data Source

DO-EMS

Source Field

reverseRlpNacksSlot

Source Section

RNCPerfBySlot (RncIS856PerfMIB)

reverseRlpResetsSlot

RLP Resets received in the reverse direction

Data Source

DO-EMS

Source Field

reverseRlpResetsSlot

Source Section

RNCPerfBySlot (RncIS856PerfMIB)

reverseRlpToA10BytesSlot

RLP Bytes conveyed to A10 in the reverse direction

Data Source

DO-EMS

Source Field

reverseRlpToA10BytesSlot

Source Section

RNCBytePacketCountBySlot (RncIS856PerfMIB)

revPktSizeBin10PerSlot

Number of packets that are received by the RNSM in the reverse direction from the DOMs with packet size corresponding to bin 10 (382-510 bytes).

Data Source

DO-EMS

Source Field

revPktSizeBin10PerSlot

Source Section

RNCRvsPacketSizeBySlot (PacketsizeMIB)

revPktSizeBin11PerSlot

Number of packets that are received by the RNSM in the reverse direction from the DOMs with packet size corresponding to bin 11 (511-765 bytes).

Data Source

DO-EMS

Source Field

revPktSizeBin11PerSlot

Source Section

RNCRvsPacketSizeBySlot (PacketsizeMIB)

revPktSizeBin12PerSlot

Number of packets that are received by the RNSM in the reverse direction from the DOMs with packet size corresponding to bin 12 (766-1021 bytes).

Data Source

DO-EMS

Source Field

revPktSizeBin12PerSlot

Source Section

RNCRvsPacketSizeBySlot (PacketsizeMIB)

revPktSizeBin13PerSlot

Number of packets that are received by the RNSM in the reverse direction from the DOMs with packet size corresponding to bin 13 (1200-1450 bytes).

Data Source

DO-EMS

Source Field

revPktSizeBin13PerSlot

Source Section

RNCRvsPacketSizeBySlot (PacketsizeMIB)

revPktSizeBin1PerSlot

Number of packets that are received by the RNSM in the reverse direction from the DOMs with packet size corresponding to bin 1 (<=13 bytes).

Data Source

DO-EMS

Source Field

revPktSizeBin1PerSlot

Source Section

RNCRvsPacketSizeBySlot (PacketsizeMIB)

revPktSizeBin2PerSlot

Number of packets that are received by the RNSM in the reverse direction from the DOMs with packet size corresponding to bin 2 (14-30 bytes).

Data Source

DO-EMS

Source Field

revPktSizeBin2PerSlot

Source Section

RNCRvsPacketSizeBySlot (PacketsizeMIB)

revPktSizeBin3PerSlot

Number of packets that are received by the RNSM in the reverse direction from the DOMs with packet size corresponding to bin 3 (31-62 bytes).

Data Source

DO-EMS

Source Field

revPktSizeBin3PerSlot

Source Section

RNCRvsPacketSizeBySlot (PacketsizeMIB)

revPktSizeBin4PerSlot

Number of packets that are received by the RNSM in the reverse direction from the DOMs with packet size corresponding to bin 4 (63-83 bytes).

Data Source

DO-EMS

Source Field

revPktSizeBin4PerSlot

Source Section

RNCRvsPacketSizeBySlot (PacketsizeMIB)

revPktSizeBin5PerSlot

Number of packets that are received by the RNSM in the reverse direction from the DOMs with packet size corresponding to bin 5 (84-93 bytes).

Data Source

DO-EMS

Source Field

revPktSizeBin5PerSlot

Source Section

RNCRvsPacketSizeBySlot (PacketsizeMIB)

revPktSizeBin6PerSlot

Number of packets that are received by the RNSM in the reverse direction from the DOMs with packet size corresponding to bin 6 (94-126 bytes).

Data Source

DO-EMS

Source Field

revPktSizeBin6PerSlot

Source Section

RNCRvsPacketSizeBySlot (PacketsizeMIB)

revPktSizeBin7PerSlot

Number of packets that are received by the RNSM in the reverse direction from the DOMs with packet size corresponding to bin 7 (127-189 bytes).

Data Source

DO-EMS

Source Field

revPktSizeBin7PerSlot

Source Section

RNCRvsPacketSizeBySlot (PacketsizeMIB)

revPktSizeBin8PerSlot

Number of packets that are received by the RNSM in the reverse direction from the DOMs with packet size corresponding to bin 8 (190-254 bytes).

Data Source

DO-EMS

Source Field

revPktSizeBin8PerSlot

Source Section

RNCRvsPacketSizeBySlot (PacketsizeMIB)

revPktSizeBin9PerSlot

Number of packets that are received by the RNSM in the reverse direction from the DOMs with packet size corresponding to bin 9 (255-381 bytes).

Data Source

DO-EMS

Source Field

revPktSizeBin9PerSlot

Source Section

RNCRvsPacketSizeBySlot (PacketsizeMIB)

slotNumber

slot number

Data Source

DO-EMS

Source Field

slotNumber

Source Section

RNCPerfBySlot (RncIS856PerfMIB)

sNumATInitiatedPageResponsesSlot_Rev0

The number of AT initiated ConnectionRequest messages that were received before the demarcation point during any paging cycle for Rev-0 personality ATs.

Data Source

DO-EMS

Source Field

sNumATInitiatedPageResponsesSlot where atDescriptor=1

Source Section

RNCPerfExtnBySlot (RncIS856PerfExtensionMIB)

sNumATInitiatedPageResponsesSlot_RevA

The number of AT initiated ConnectionRequest messages that were received before the demarcation point during any paging cycle for Rev-A personality ATs.

Data Source

DO-EMS

Source Field

sNumATInitiatedPageResponsesSlot where atDescriptor=2

Source Section

RNCPerfExtnBySlot (RncIS856PerfExtensionMIB)

sNumATReportedTuneAwayDropsSlot_Rev0

Number of times a Rev-0 connection failure record from rev-A ATs (RevA AT sends this record regardless of personality type), via IS856-A connection failure reporting message, is received by the RNC indicating connection failures due to the AT tuning away to 3G1X network while

connected to 1xEVDO network and the timestamp reported in connection failure record is within 10 seconds of last RF related drop (FTC stopped timestamp stored at the RNC).

Data Source

DO-EMS

Source Field

sNumATReportedTuneAwayDropsSlot where atDescriptor=1

Source Section

RNCPerfExtnBySlot (RncIS856PerfExtensionMIB)

sNumATReportedTuneAwayDropsSlot_RevA

Number of times a Rev-A connection failure record from rev-A ATs (RevA AT sends this record regardless of personality type), via IS856-A connection failure reporting message, is received by the RNC indicating connection failures due to the AT tuning away to 3G1X network while connected to 1xEVDO network and the timestamp reported in connection failure record is within 10 seconds of last RF related drop (FTC stopped timestamp stored at the RNC).

Data Source

DO-EMS

Source Field

sNumATReportedTuneAwayDropsSlot where atDescriptor=2

Source Section

RNCPerfExtnBySlot (RncIS856PerfExtensionMIB)

sNumConnectionRequestAttemptsAfterA13FromATSlot_Rev0

The number of times a Rev-0 connection request, that was previously buffered pending the outcome of the A13 handoff, has been initiated.

Data Source

DO-EMS

Source Field

sNumConnectionRequestAttemptsAfterA13FromATSlot where atDescriptorSlot=1

Source Section

RNCPerfExtnBySlot (RncIS856PerfExtensionMIB)

sNumConnectionRequestAttemptsAfterA13FromATSlot_RevA

The number of times a Rev-A connection request, that was previously buffered pending the outcome of the A13 handoff, has been initiated.

Data Source

DO-EMS

Source Field

sNumConnectionRequestAttemptsAfterA13FromATSlot where atDescriptorSlot=2

Source Section

RNCPerfExtnBySlot (RncIS856PerfExtensionMIB)

sNumConnectionRequestFailureAfterA13FromATSlot_Rev0

The number of times a Rev-0 connection request attempt (made after a successful no UATI initiated A13 Handoff) failed.

Data Source

DO-EMS

Source Field

sNumConnectionRequestFailureAfterA13FromATSlot where atDescriptorSlot=1

Source Section

RNCPerfExtnBySlot (RncIS856PerfExtensionMIB)

sNumConnectionRequestFailureAfterA13FromATSlot_RevA

The number of times a Rev-A connection request attempt (made after a successful no UATI initiated A13 Handoff) failed.

Data Source

DO-EMS

Source Field

sNumConnectionRequestFailureAfterA13FromATSlot where atDescriptorSlot=2

Source Section

RNCPerfExtnBySlot (RncIS856PerfExtensionMIB)

sNumConnectionRequestSuccessesAfterA13FromATSlot_Rev0

The number of times a Rev-0 connection request attempt (made after a successful no UATI initiated A13 Handoff) is successful.

Data Source

DO-EMS

Source Field

sNumConnectionRequestSuccessesAfterA13FromATSlot where atDescriptorSlot=1

Source Section

RNCPerfExtnBySlot (RncIS856PerfExtensionMIB)

sNumConnectionRequestSuccessesAfterA13FromATSlot_RevA

The number of times a Rev-A connection request attempt (made after a successful no UATI initiated A13 Handoff) is successful.

Data Source

DO-EMS

Source Field

sNumConnectionRequestSuccessesAfterA13FromATSlot where atDescriptorSlot=2

Source Section

RNCPerfExtnBySlot (RncIS856PerfExtensionMIB)

sNumConnectionsClosedNormalBeforeTCCDuringSRAfterDCSlot_Rev0

This OM is pegged after demarcation point when Rev-0 DO Connection is closed by the AT before Traffic Channel Complete with a reason code of normal or movedto3G1x during the silent retry period after a dropped call.

Data Source

DO-EMS

Source Field

sNumConnectionsClosedNormalBeforeTCCDuringSRAfterDCSlot where atDescriptorSlot=1

Source Section

RNCPerfExtnBySlot (RncIS856PerfExtensionMIB)

sNumConnectionsClosedNormalBeforeTCCDuringSRAfterDCSlot_RevA

This OM is pegged after demarcation point when Rev-A DO Connection is closed by the AT before Traffic Channel Complete with a reason code of normal or movedto3G1x during the silent retry period after a dropped call.

Data Source

DO-EMS

Source Field

sNumConnectionsClosedNormalBeforeTCCDuringSRAfterDCSlot where atDescriptorSlot=2

Source Section

RNCPerfExtnBySlot (RncIS856PerfExtensionMIB)

sNumConnectionsClosedNormalBeforeTCCDuringSRAfterFCASlot_Rev0

This OM is pegged before demarcation point when Rev-0 DO Connections closed by the AT before Traffic Channel Complete with a reason code of normal or movedto3G1x during the silent retry period after failed call attempt.

Data Source

DO-EMS

Source Field

sNumConnectionsClosedNormalBeforeTCCDuringSRAfterFCASlot where atDescriptorSlot=1

Source Section

RNCPerfExtnBySlot (RncIS856PerfExtensionMIB)

sNumConnectionsClosedNormalBeforeTCCDuringSRAfterFCASlot_RevA

This OM is pegged before demarcation point when Rev-A DO Connections closed by the AT before Traffic Channel Complete with a reason code of normal or movedto3G1x during the silent retry period after failed call attempt.

Data Source

DO-EMS

Source Field

sNumConnectionsClosedNormalBeforeTCCDuringSRAfterFCASlot where atDescriptorSlot=2

Source Section

RNCPerfExtnBySlot (RncIS856PerfExtensionMIB)

sNumConnectionsClosedNormalBeforeTCCSlot_Rev0

Pegs before demarcation point when a Rev-0 DO Connection is closed by the AT with reason as normal or movedto3G1x in connection close message before sending TCC.

Data Source

DO-EMS

Source Field

sNumConnectionsClosedNormalBeforeTCCSlot where atDescriptor=1

Source Section

RNCPerfExtnBySlot (RncIS856PerfExtensionMIB)

sNumConnectionsClosedNormalBeforeTCCSlot_RevA

Pegs before demarcation point when a Rev-A DO Connection is closed by the AT with reason as normal or movedto3G1x in connection close message before sending TCC.

Data Source

DO-EMS

Source Field

sNumConnectionsClosedNormalBeforeTCCSlot where atDescriptor=2

Source Section

RNCPerfExtnBySlot (RncIS856PerfExtensionMIB)

sNumConnectionSetupAbortNormalA10CloseSlot_Rev0

Connection set-ups that were aborted before the demarcation point because the PDSN closed the A10 connection for Rev-0 personality ATs.

Data Source

DO-EMS

Source Field

sNumConnectionSetupAbortNormalA10CloseSlot where atDescriptor=1

Source Section

RNCPerfExtnBySlot (RncIS856PerfExtensionMIB)

sNumConnectionSetupAbortNormalA10CloseSlot_RevA

Connection set-ups that were aborted before the demarcation point because the PDSN closed the A10 connection for Rev-A personality ATs.

Data Source

DO-EMS

Source Field

sNumConnectionSetupAbortNormalA10CloseSlot where atDescriptor=2

Source Section

RNCPerfExtnBySlot (RncIS856PerfExtensionMIB)

sNumConnectionSetupAttemptsSlot_Rev0

The number of DO connection setup attempts made before the demarcation point for Rev-0 personality ATs.

Data Source

DO-EMS

Source Field

sNumConnectionSetupAttemptsSlot where atDescriptor=1

Source Section

RNCPerfExtnBySlot (RncIS856PerfExtensionMIB)

sNumConnectionSetupAttemptsSlot_RevA

The number of DO connection setup attempts made before the demarcation point for Rev-A personality ATs.

Data Source

DO-EMS

Source Field

sNumConnectionSetupAttemptsSlot where atDescriptor=2

Source Section

RNCPerfExtnBySlot (RncIS856PerfExtensionMIB)

sNumConnectionSetupsAbortRedirectTriggersSlot_Rev0

Connection setup attempts that were aborted before the demarcation point because the RNC redirected the AT to an alternate carrier on receiving connection request for Rev-0 personality ATs.

Data Source

DO-EMS

Source Field

sNumConnectionSetupsAbortRedirectTriggersSlot where atDescriptor=1

Source Section

RNCPerfExtnBySlot (RncIS856PerfExtensionMIB)

sNumConnectionSetupsAbortRedirectTriggersSlot_RevA

Connection setup attempts that were aborted before the demarcation point because the RNC redirected the AT to an alternate carrier on receiving connection request for Rev-A personality ATs.

Data Source

DO-EMS

Source Field

sNumConnectionSetupsAbortRedirectTriggersSlot where atDescriptor=2

Source Section

RNCPerfExtnBySlot (RncIS856PerfExtensionMIB)

sNumConnectionSetupSuccessSlot_Rev0

The number of DO connections successfully opened before the demarcation point for Rev-0 personality ATs.

Data Source

DO-EMS

Source Field

sNumConnectionSetupSuccessSlot where atDescriptor=1

Source Section

RNCPerfExtnBySlot (RncIS856PerfExtensionMIB)

sNumConnectionSetupSuccessSlot_RevA

The number of DO connections successfully opened before the demarcation point for Rev-A personality ATs.

Data Source

DO-EMS

Source Field

sNumConnectionSetupSuccessSlot where atDescriptor=2

Source Section

RNCPerfExtnBySlot (RncIS856PerfExtensionMIB)

sNumFirstPageResponsesSlot_Rev0

The number of page responses that were received before the demarcation point from the AT in a paging cycle, in response to the 1st Page Message that was sent from the AN for Rev-0 personality ATs.

Data Source

DO-EMS

Source Field

sNumFirstPageResponsesSlot where atDescriptor=1

Source Section

RNCPerfExtnBySlot (RncIS856PerfExtensionMIB)

sNumFirstPageResponsesSlot_RevA

The number of page responses that were received before the demarcation point from the AT in a paging cycle, in response to the 1st Page Message that was sent from the AN for Rev-A personality ATs.

Data Source

DO-EMS

Source Field

sNumFirstPageResponsesSlot where atDescriptor=2

Source Section

RNCPerfExtnBySlot (RncIS856PerfExtensionMIB)

sNumHHODropsBlockedByRnSlot_Rev0

Connections that were dropped before the demarcation point, due to unsuccessful inter frequency hard handoff because the RNC received explicit block for resource allocation from at least one of the RNs involved in the hard handoff for Rev-0 personality ATs.

Data Source

DO-EMS

Source Field

sNumHHODropsBlockedByRnSlot where atDescriptor=1

Source Section

RNCPerfExtnBySlot (RncIS856PerfExtensionMIB)

sNumHHODropsBlockedByRnSlot_RevA

Connections that were dropped before the demarcation point, due to unsuccessful inter frequency hard handoff because the RNC received explicit block for resource allocation from at least one of the RNs involved in the hard handoff for Rev-A personality ATs.

Data Source

DO-EMS

Source Field

sNumHHODropsBlockedByRnSlot where atDescriptor=2

Source Section

RNCPerfExtnBySlot (RncIS856PerfExtensionMIB)

sNumHHODropsFTCDesriedAndRTCAcquiredNotRxSlot_Rev0

Connections that were dropped before the demarcation point, due to unsuccessful inter frequency hard handoff because Target Carrier Acquired indication was not received but the Source Carrier Lost indication was received within the timeout interval: this implies that there was no available link left with the AT and so the connection was closed for Rev-0 personality ATs.

Data Source

DO-EMS

Source Field

sNumHHODropsFTCDesriedAndRTCAcquiredNotRxSlot where atDescriptor=1

Source Section

RNCPerfExtnBySlot (RncIS856PerfExtensionMIB)

sNumHHODropsFTCDesriedAndRTCAcquiredNotRxSlot_RevA

Connections that were dropped before the demarcation point, due to unsuccessful inter frequency hard handoff because Target Carrier Acquired indication was not received but the Source Carrier Lost indication was received within the timeout interval: this implies that there was no available link left with the AT and so the connection was closed for Rev-A personality ATs.

Data Source

DO-EMS

Source Field

sNumHHODropsFTCDesriedAndRTCAcquiredNotRxSlot where atDescriptor=2

Source Section

RNCPerfExtnBySlot (RncIS856PerfExtensionMIB)

sNumHHODropsSlot_Rev0

Connections that were dropped before the demarcation point, due to unsuccessful inter frequency hard handoffs for Rev-0 personality ATs.

Data Source

DO-EMS

Source Field

sNumHHODropsSlot where atDescriptor=1

Source Section

RNCPerfExtnBySlot (RncIS856PerfExtensionMIB)

sNumHHODropsSlot_RevA

Connections that were dropped before the demarcation point, due to unsuccessful inter frequency hard handoffs for Rev-A personality ATs.

Data Source

DO-EMS

Source Field

sNumHHODropsSlot where atDescriptor=2

Source Section

RNCPerfExtnBySlot (RncIS856PerfExtensionMIB)

sNumIncomingPersonalityChangeTriggersSlot_Rev0

Number of times a trigger was generated before the demarcation point, to change the Rev-A capable AT from the source personality to the target personality during connection set-up for Rev-0 personality ATs.

Data Source

DO-EMS

Source Field

sNumIncomingPersonalityChangeTriggersSlot where atDescriptor=1

Source Section

RNCPerfExtnBySlot (RncIS856PerfExtensionMIB)

sNumIncomingPersonalityChangeTriggersSlot_RevA

Number of times a trigger was generated before the demarcation point, to change the Rev-A capable AT from the source personality to the target personality during connection set-up for Rev-A personality ATs.

Data Source

DO-EMS

Source Field

sNumIncomingPersonalityChangeTriggersSlot where atDescriptor=2

Source Section

RNCPerfExtnBySlot (RncIS856PerfExtensionMIB)

sNumMiscDropsAbnormalCloseBySessionSlot_Rev0

Connections that were dropped before the demarcation point because the SSM requested the CSM to close the connection abnormally for Rev-0 personality ATs.

Data Source

DO-EMS

Source Field

sNumMiscDropsAbnormalCloseBySessionSlot where atDescriptor=1

Source Section

RNCPerfExtnBySlot (RncIS856PerfExtensionMIB)

sNumMiscDropsAbnormalCloseBySessionSlot_RevA

Connections that were dropped before the demarcation point because the SSM requested the CSM to close the connection abnormally for Rev-A personality ATs.

Data Source

DO-EMS

Source Field

sNumMiscDropsAbnormalCloseBySessionSlot where atDescriptor=2

Source Section

RNCPerfExtnBySlot (RncIS856PerfExtensionMIB)

sNumMiscDropsDueToRLPSlot_Rev0

Number of times the connection was dropped before the demarcation point at the request of the Radio Link Protocol for Rev-0 personality ATs.

Data Source

DO-EMS

Source Field

sNumMiscDropsDueToRLPSlot where atDescriptor=1

Source Section

RNCPerfExtnBySlot (RncIS856PerfExtensionMIB)

sNumMiscDropsDueToRLPSlot_RevA

Number of times the connection was dropped before the demarcation point at the request of the Radio Link Protocol for Rev-A personality ATs.

Data Source

DO-EMS

Source Field

sNumMiscDropsDueToRLPSlot where atDescriptor=2

Source Section

RNCPerfExtnBySlot (RncIS856PerfExtensionMIB)

sNumMiscDropsInternalErrorSlot_Rev0

Connections that were dropped before the demarcation point due to internal software errors for Rev-0 personality ATs.

Data Source

DO-EMS

Source Field

sNumMiscDropsInternalErrorSlot where atDescriptor=1

Source Section

RNCPerfExtnBySlot (RncIS856PerfExtensionMIB)

sNumMiscDropsInternalErrorSlot_RevA

Connections that were dropped before the demarcation point due to internal software errors for Rev-A personality ATs.

Data Source

DO-EMS

Source Field

sNumMiscDropsInternalErrorSlot where atDescriptor=2

Source Section

RNCPerfExtnBySlot (RncIS856PerfExtensionMIB)

sNumMiscDropsSectorDownSlot_Rev0

Connections that were dropped before the demarcation point because there is only one pilot available for the connection and a sector down indication has been received for that pilot for Rev-0 personality ATs.

Data Source

DO-EMS

Source Field

sNumMiscDropsSectorDownSlot where atDescriptor=1

Source Section

RNCPerfExtnBySlot (RncIS856PerfExtensionMIB)

sNumMiscDropsSectorDownSlot_RevA

Connections that were dropped before the demarcation point because there is only one pilot available for the connection and a sector down indication has been received for that pilot for Rev-A personality ATs.

Data Source

DO-EMS

Source Field

sNumMiscDropsSectorDownSlot where atDescriptor=2

Source Section

RNCPerfExtnBySlot (RncIS856PerfExtensionMIB)

sNumMiscDropsSlot_Rev0

The number of open DO connections that are dropped (abnormally closed) before the demarcation point due to reasons other than RF related issues and soft handoff failures for Rev-0 personality ATs.

Data Source

DO-EMS

Source Field

sNumMiscDropsSlot where atDescriptor=1

Source Section

RNCPerfExtnBySlot (RncIS856PerfExtensionMIB)

sNumMiscDropsSlot_RevA

The number of open DO connections that are dropped (abnormally closed) before the demarcation point due to reasons other than RF related issues and soft handoff failures for Rev-A personality ATs.

Data Source

DO-EMS

Source Field

sNumMiscDropsSlot where atDescriptor=2

Source Section

RNCPerfExtnBySlot (RncIS856PerfExtensionMIB)

sNumMiscDropsStateMismatchSlot_Rev0

Connections that were dropped before the demarcation point when the RNC finds a state mismatch between itself and the AT for Rev-0 personality ATs.

Data Source

DO-EMS

Source Field

sNumMiscDropsStateMismatchSlot where atDescriptor=1

Source Section

RNCPerfExtnBySlot (RncIS856PerfExtensionMIB)

sNumMiscDropsStateMismatchSlot_RevA

Connections that were dropped before the demarcation point when the RNC finds a state mismatch between itself and the AT for Rev-A personality ATs.

Data Source

DO-EMS

Source Field

sNumMiscDropsStateMismatchSlot where atDescriptor=2

Source Section

RNCPerfExtnBySlot (RncIS856PerfExtensionMIB)

sNumMiscFCAA10RelatedSlot_Rev0

Connection set-ups that failed before the demarcation point because either there was a failure in setting up the A10 connection or the RNC closed the open A10 connection for Rev-0 personality ATs.

Data Source

DO-EMS

Source Field

sNumMiscFCAA10RelatedSlot where atDescriptor=1

Source Section

RNCPerfExtnBySlot (RncIS856PerfExtensionMIB)

sNumMiscFCAA10RelatedSlot_RevA

Connection set-ups that failed before the demarcation point because either there was a failure in setting up the A10 connection or the RNC closed the open A10 connection for Rev-A personality ATs.

Data Source

DO-EMS

Source Field

sNumMiscFCAA10RelatedSlot where atDescriptor=2

Source Section

RNCPerfExtnBySlot (RncIS856PerfExtensionMIB)

sNumMiscFCAFailuresSlot_Rev0

Number of times the connection set-up failed before the demarcation point due to reasons not explicitly called out in other FCA OMs for Rev-0 personality ATs.

Data Source

DO-EMS

Source Field

sNumMiscFCAFailuresSlot where atDescriptor=1

Source Section

RNCPerfExtnBySlot (RncIS856PerfExtensionMIB)

sNumMiscFCAFailuresSlot_RevA

Number of times the connection set-up failed before the demarcation point due to reasons not explicitly called out in other FCA OMs for Rev-A personality ATs.

Data Source

DO-EMS

Source Field

sNumMiscFCAFailuresSlot where atDescriptor=2

Source Section

RNCPerfExtnBySlot (RncIS856PerfExtensionMIB)

sNumMiscFCASlot_Rev0

The number of DO Connection attempts that failed before the demarcation point due to reasons other than RF related or resource related issues for Rev-0 personality ATs.

Data Source

DO-EMS

Source Field

sNumMiscFCASlot where atDescriptor=1

Source Section

RNCPerfExtnBySlot (RncIS856PerfExtensionMIB)

sNumMiscFCASlot_RevA

The number of DO Connection attempts that failed before the demarcation point due to reasons other than RF related or resource related issues for Rev-A personality ATs.

Data Source

DO-EMS

Source Field

sNumMiscFCASlot where atDescriptor=2

Source Section

RNCPerfExtnBySlot (RncIS856PerfExtensionMIB)

sNumMiscFCASWErrorSlot_Rev0

Number of times the connection set-up failed before the demarcation point due to software errors for Rev-0 personality ATs.

Data Source

DO-EMS

Source Field

sNumMiscFCASWErrorSlot where atDescriptor=1

Source Section

RNCPerfExtnBySlot (RncIS856PerfExtensionMIB)

sNumMiscFCASWErrorSlot_RevA

Number of times the connection set-up failed before the demarcation point due to software errors for Rev-A personality ATs.

Data Source

DO-EMS

Source Field

sNumMiscFCASWErrorSlot where atDescriptor=2

Source Section

RNCPerfExtnBySlot (RncIS856PerfExtensionMIB)

sNumNetworkErrorDropsA10SetupFailSlot_Rev0

Open connections that were closed before the demarcation point because there was failure in the A10 connection set-up for Rev-0 personality ATs.

Data Source

DO-EMS

Source Field

sNumNetworkErrorDropsA10SetupFailSlot where atDescriptor=1

Source Section

RNCPerfExtnBySlot (RncIS856PerfExtensionMIB)

sNumNetworkErrorDropsA10SetupFailSlot_RevA

Open connections that were closed before the demarcation point because there was failure in the A10 connection set-up for Rev-A personality ATs.

Data Source

DO-EMS

Source Field

sNumNetworkErrorDropsA10SetupFailSlot where atDescriptor=2

Source Section

RNCPerfExtnBySlot (RncIS856PerfExtensionMIB)

sNumNetworkErrorDropsRNCEXternalSlot_Rev0

Open connections that were closed before the demarcation point because the existing A10 connection was closed due to PDSN going down or PDSN is not reachable or any other failure condition that is not because of the RNC for Rev-0 personality ATs.

Data Source

DO-EMS

Source Field

sNumNetworkErrorDropsRNCEXternalSlot where atDescriptor=1

Source Section

RNCPerfExtnBySlot (RncIS856PerfExtensionMIB)

sNumNetworkErrorDropsRNCEXternalSlot_RevA

Open connections that were closed before the demarcation point because the existing A10 connection was closed due to PDSN going down or PDSN is not reachable or any other failure condition that is not because of the RNC for Rev-A personality ATs.

Data Source

DO-EMS

Source Field

sNumNetworkErrorDropsRNCEXternalSlot where atDescriptor=2

Source Section

RNCPerfExtnBySlot (RncIS856PerfExtensionMIB)

sNumNetworkErrorDropsRNCInternalSlot_Rev0

Open connections that were closed before the demarcation point because an internal error caused an existing A10 connection to be closed which results in a closure of a DO Connection Connection close that occur due to A10 failure during PDSN-re-registration should also peg this OM for Rev-0 personality ATs.

Data Source

DO-EMS

Source Field

sNumNetworkErrorDropsRNCInternalSlot where atDescriptor=1

Source Section

RNCPerfExtnBySlot (RncIS856PerfExtensionMIB)

sNumNetworkErrorDropsRNCInternalSlot_RevA

Open connections that were closed before the demarcation point because an internal error caused an existing A10 connection to be closed which results in a closure of a DO Connection Connection close that occur due to A10 failure during PDSN-re-registration should also peg this OM for Rev-A personality ATs.

Data Source

DO-EMS

Source Field

sNumNetworkErrorDropsRNCInternalSlot where atDescriptor=2

Source Section

RNCPerfExtnBySlot (RncIS856PerfExtensionMIB)

sNumNetworkErrorDropsSlot_Rev0

Connections that were closed before the demarcation point because the RNC closed the open A10 connection for Rev-0 personality ATs.

Data Source

DO-EMS

Source Field

sNumNetworkErrorDropsSlot where atDescriptor=1

Source Section

RNCPerfExtnBySlot (RncIS856PerfExtensionMIB)

sNumNetworkErrorDropsSlot_RevA

Connections that were closed before the demarcation point because the RNC closed the open A10 connection for Rev-A personality ATs.

Data Source

DO-EMS

Source Field

sNumNetworkErrorDropsSlot where atDescriptor=2

Source Section

RNCPerfExtnBySlot (RncIS856PerfExtensionMIB)

sNumNormalConnectionClosesSlot_Rev0

The number of connections that were closed normally before the demarcation point for Rev-0 personality ATs.

Data Source

DO-EMS

Source Field

sNumNormalConnectionClosesSlot where atDescriptor=1

Source Section

RNCPerfExtnBySlot (RncIS856PerfExtensionMIB)

sNumNormalConnectionClosesSlot_RevA

The number of connections that were closed normally before the demarcation point for Rev-A personality ATs.

Data Source

DO-EMS

Source Field

sNumNormalConnectionClosesSlot where atDescriptor=2

Source Section

RNCPerfExtnBySlot (RncIS856PerfExtensionMIB)

sNumOutgoingPersonalityChangeTriggersSlot_Rev0

Number of times a trigger was generated, before the demarcation point, to change the Rev-A capable AT from the source personality to the target personality during connection set-up for Rev-0 personality ATs.

Data Source

DO-EMS

Source Field

sNumOutgoingPersonalityChangeTriggersSlot where atDescriptor=1

Source Section

RNCPerfExtnBySlot (RncIS856PerfExtensionMIB)

sNumOutgoingPersonalityChangeTriggersSlot_RevA

Number of times a trigger was generated, before the demarcation point, to change the Rev-A capable AT from the source personality to the target personality during connection set-up for Rev-A personality ATs.

Data Source

DO-EMS

Source Field

sNumOutgoingPersonalityChangeTriggersSlot where atDescriptor=2

Source Section

RNCPerfExtnBySlot (RncIS856PerfExtensionMIB)

sNumPageAbandonedSlot_Rev0

The number of times that AN has aborted/abandoned the Page operation on this RNSM before the demarcation point during any paging cycle for Rev-0 personality ATs.

Data Source

DO-EMS

Source Field

sNumPageAbandonedSlot where atDescriptor=1

Source Section

RNCPerfExtnBySlot (RncIS856PerfExtensionMIB)

sNumPageAbandonedSlot_RevA

The number of times that AN has aborted/abandoned the Page operation on this RNSM before the demarcation point during any paging cycle for Rev-A personality ATs.

Data Source

DO-EMS

Source Field

sNumPageAbandonedSlot where atDescriptor=2

Source Section

RNCPerfExtnBySlot (RncIS856PerfExtensionMIB)

sNumPageRequestsSlot_Rev0

The number of page requests sent to the AT before the demarcation point. When the DO-Repage is enabled, only the first page request in a paging cycle will be pegged for Rev-0 personality ATs.

Data Source

DO-EMS

Source Field

sNumPageRequestsSlot where atDescriptor=1

Source Section

RNCPerfExtnBySlot (RncIS856PerfExtensionMIB)

sNumPageRequestsSlot_RevA

The number of page requests sent to the AT before the demarcation point. When the DO-Repage is enabled, only the first page request in a paging cycle will be pegged for Rev-A personality ATs.

Data Source

DO-EMS

Source Field

sNumPageRequestsSlot where atDescriptor=2

Source Section

RNCPerfExtnBySlot (RncIS856PerfExtensionMIB)

sNumPageResponsesSlot_Rev0

The number of successful responses to page requests that were received from the AT before the demarcation point and before the page timer expired for Rev-0 personality ATs.

Data Source

DO-EMS

Source Field

sNumPageResponsesSlot where atDescriptor=1

Source Section

RNCPerfExtnBySlot (RncIS856PerfExtensionMIB)

sNumPageResponsesSlot_RevA

The number of successful responses to page requests that were received from the AT before the demarcation point and before the page timer expired for Rev-A personality ATs.

Data Source

DO-EMS

Source Field

sNumPageResponsesSlot where atDescriptor=2

Source Section

RNCPerfExtnBySlot (RncIS856PerfExtensionMIB)

sNumPageTimeoutSlot_Rev0

The number of times paging cycles have expired before the demarcation point, waiting for a page response from the AT for Rev-0 personality ATs.

Data Source

DO-EMS

Source Field

sNumPageTimeoutSlot where atDescriptor=1

Source Section

RNCPerfExtnBySlot (RncIS856PerfExtensionMIB)

sNumPageTimeoutSlot_RevA

The number of times paging cycles have expired before the demarcation point, waiting for a page response from the AT for Rev-A personality ATs.

Data Source

DO-EMS

Source Field

sNumPageTimeoutSlot where atDescriptor=2

Source Section

RNCPerfExtnBySlot (RncIS856PerfExtensionMIB)

sNumResourceRelatedFCABlockedByRNCResourcesSlot_Rev0

Number of times that the RNC blocked the connection set-up before the demarcation point because the CPU utilization on the RNC exceeds to a certain value and overload conditions occurs for Rev-0 personality ATs.

Data Source

DO-EMS

Source Field

sNumResourceRelatedFCABlockedByRNCResourcesSlot where atDescriptor=1

Source Section

RNCPerfExtnBySlot (RncIS856PerfExtensionMIB)

sNumResourceRelatedFCABlockedByRNCResourcesSlot_RevA

Number of times that the RNC blocked the connection set-up before the demarcation point because the CPU utilization on the RNC exceeds to a certain value and overload conditions occurs for Rev-A personality ATs.

Data Source

DO-EMS

Source Field

sNumResourceRelatedFCABlockedByRNCResourcesSlot where atDescriptor=2

Source Section

RNCPerfExtnBySlot (RncIS856PerfExtensionMIB)

sNumResourceRelatedFCABlockedByRNSlot_Rev0

Number of times the connection setup was blocked by the RNC before the demarcation point because at least one of the resource allocation requests sent to the RN(s) was denied for Rev-0 personality ATs.

Data Source

DO-EMS

Source Field

sNumResourceRelatedFCABlockedByRNSlot where atDescriptor=1

Source Section

RNCPerfExtnBySlot (RncIS856PerfExtensionMIB)

sNumResourceRelatedFCABlockedByRNSlot_RevA

Number of times the connection setup was blocked by the RNC before the demarcation point because at least one of the resource allocation requests sent to the RN(s) was denied for Rev-A personality ATs.

Data Source

DO-EMS

Source Field

sNumResourceRelatedFCABlockedByRNSlot where atDescriptor=2

Source Section

RNCPerfExtnBySlot (RncIS856PerfExtensionMIB)

sNumResourceRelatedFCAFailedByRNSlot_Rev0

Number of times the connection set-up failed before the demarcation point because the Connection State Machine (CSM) received an error indication from the DownLeg State Machine (DLSM) from at least one of the Down Legs involved in the setup for Rev-0 personality ATs.

Data Source

DO-EMS

Source Field

sNumResourceRelatedFCAFailedByRNSlot where atDescriptor=1

Source Section

RNCPerfExtnBySlot (RncIS856PerfExtensionMIB)

sNumResourceRelatedFCAFailedByRNSlot_RevA

Number of times the connection set-up failed before the demarcation point because the Connection State Machine (CSM) received an error indication from the DownLeg State Machine (DLSM) from at least one of the Down Legs involved in the setup for Rev-A personality ATs.

Data Source

DO-EMS

Source Field

sNumResourceRelatedFCAFailedByRNSlot where atDescriptor=2

Source Section

RNCPerfExtnBySlot (RncIS856PerfExtensionMIB)

sNumResourceRelatedFCASlot_Rev0

The number of DO connection attempts that failed before the demarcation point due to blocks or failures during resource allocation at the RNC or the RN for Rev-0 personality ATs.

Data Source

DO-EMS

Source Field

sNumResourceRelatedFCASlot where atDescriptor=1

Source Section

RNCPerfExtnBySlot (RncIS856PerfExtensionMIB)

sNumResourceRelatedFCASlot_RevA

The number of DO connection attempts that failed before the demarcation point due to blocks or failures during resource allocation at the RNC or the RN for Rev-A personality ATs.

Data Source

DO-EMS

Source Field

sNumResourceRelatedFCASlot where atDescriptor=2

Source Section

RNCPerfExtnBySlot (RncIS856PerfExtensionMIB)

sNumRFRelatedDropsNoFtcSlot_Rev0

Connections that were dropped before the demarcation point because of indications that there is no active Forward Traffic Channel (FTC) available for Rev-0 personality ATs.

Data Source

DO-EMS

Source Field

sNumRFRelatedDropsNoFtcSlot where atDescriptor=1

Source Section

RNCPerfExtnBySlot (RncIS856PerfExtensionMIB)

sNumRFRelatedDropsNoFtcSlot_RevA

Connections that were dropped before the demarcation point because of indications that there is no active Forward Traffic Channel (FTC) available for Rev-A personality ATs.

Data Source

DO-EMS

Source Field

sNumRFRelatedDropsNoFtcSlot where atDescriptor=2

Source Section

RNCPerfExtnBySlot (RncIS856PerfExtensionMIB)

sNumRFRelatedDropsRTCLostSlot_Rev0

Number of times the connection was dropped before the demarcation point because a Reverse Traffic Channel (RTC) lost indication was received, and as a result, no reverse link for the connection were available for Rev-0 personality ATs.

Data Source

DO-EMS

Source Field

sNumRFRelatedDropsRTCLostSlot where atDescriptor=1

Source Section

RNCPerfExtnBySlot (RncIS856PerfExtensionMIB)

sNumRFRelatedDropsRTCLostSlot_RevA

Number of times the connection was dropped before the demarcation point because a Reverse Traffic Channel (RTC) lost indication was received, and as a result, no reverse link for the connection were available for Rev-A personality ATs.

Data Source

DO-EMS

Source Field

sNumRFRelatedDropsRTCLostSlot where atDescriptor=2

Source Section

RNCPerfExtnBySlot (RncIS856PerfExtensionMIB)

sNumRFRelatedDropsSlot_Rev0

The number of open DO connections that are dropped (abnormally closed) due to RF related issues before the demarcation point for Rev-0 personality ATs.

Data Source

DO-EMS

Source Field

sNumRFRelatedDropsSlot where atDescriptor=1

Source Section

RNCPerfExtnBySlot (RncIS856PerfExtensionMIB)

sNumRFRelatedDropsSlot_RevA

The number of open DO connections that are dropped (abnormally closed) due to RF related issues before the demarcation point for Rev-A personality ATs.

Data Source

DO-EMS

Source Field

sNumRFRelatedDropsSlot where atDescriptor=2

Source Section

RNCPerfExtnBySlot (RncIS856PerfExtensionMIB)

sNumRFRelatedFCARUTimeOutSlot_Rev0

Number of times the connection set-up failed before the demarcation point because the route update message was not received from the AT within the stipulated time, or there were errors during the processing of the route update message for Rev-0 personality ATs.

Data Source

DO-EMS

Source Field

sNumRFRelatedFCARUTimeOutSlot where atDescriptor=1

Source Section

RNCPerfExtnBySlot (RncIS856PerfExtensionMIB)

sNumRFRelatedFCARUTimeOutSlot_RevA

Number of times the connection set-up failed before the demarcation point because the route update message was not received from the AT within the stipulated time, or there were errors during the processing of the route update message for Rev-A personality ATs.

Data Source

DO-EMS

Source Field

sNumRFRelatedFCARUTimeOutSlot where atDescriptor=2

Source Section

RNCPerfExtnBySlot (RncIS856PerfExtensionMIB)

sNumRFRelatedFCASlot_Rev0

The number of DO Connection attempts that failed before the demarcation point due to RF related issues, i.e. Route Update timeouts and TCC timeouts for Rev-0 personality ATs.

Data Source

DO-EMS

Source Field

sNumRFRelatedFCASlot where atDescriptor=1

Source Section

RNCPerfExtnBySlot (RncIS856PerfExtensionMIB)

sNumRFRelatedFCASlot_RevA

The number of DO Connection attempts that failed before the demarcation point due to RF related issues, i.e. Route Update timeouts and TCC timeouts for Rev-A personality ATs.

Data Source

DO-EMS

Source Field

sNumRFRelatedFCASlot where atDescriptor=2

Source Section

RNCPerfExtnBySlot (RncIS856PerfExtensionMIB)

sNumRFRelatedFCATCCTimeOutSlot_Rev0

Number of times the connection setup failed before the demarcation point because the RNC did not receive the TCC message from the AT within the stipulated time after sending TCA message for Rev-0 personality ATs.

Data Source

DO-EMS

Source Field

sNumRFRelatedFCATCCTimeOutSlot where atDescriptor=1

Source Section

RNCPerfExtnBySlot (RncIS856PerfExtensionMIB)

sNumRFRelatedFCATCCTimeOutSlot_RevA

Number of times the connection setup failed before the demarcation point because the RNC did not receive the TCC message from the AT within the stipulated time after sending TCA message for Rev-A personality ATs.

Data Source

DO-EMS

Source Field

sNumRFRelatedFCATCCTimeOutSlot where atDescriptor=2

Source Section

RNCPerfExtnBySlot (RncIS856PerfExtensionMIB)

sNumRNCEstimated3G1xRollDownDropsSlot_Rev0

Number of Rev-0 RF drops estimated by RNC before demarcation point as roll down drops due to a hybrid AT dropped 1xEVDO connection when it rolled down to 3G1X network.

Data Source

DO-EMS

Source Field

sNumRNCEstimated3G1xRollDownDropsSlot where atDescriptor=1

Source Section

RNCPerfExtnBySlot (RncIS856PerfExtensionMIB)

sNumRNCEstimated3G1xRollDownDropsSlot_RevA

Number of Rev-A RF drops estimated by RNC before demarcation point as roll down drops due to a hybrid AT dropped 1xEVDO connection when it rolled down to 3G1X network.

Data Source

DO-EMS

Source Field

sNumRNCEstimated3G1xRollDownDropsSlot where atDescriptor=2

Source Section

RNCPerfExtnBySlot (RncIS856PerfExtensionMIB)

sNumRNCEstimatedTuneAwayDropsSlot_Rev0

Number of Rev-0 RF drops estimated by RNC before demarcation point as tune aways due to FTC Stopped indication message (corresponding to RF drop) was received in the Rev0 hybrid AT's 3G1X paging cycle slot.

Data Source

DO-EMS

Source Field

sNumRNCEstimatedTuneAwayDropsSlot where atDescriptor=1

Source Section

RNCPerfExtnBySlot (RncIS856PerfExtensionMIB)

sNumRNCEstimatedTuneAwayDropsSlot_RevA

Number of Rev-A RF drops estimated by RNC before demarcation point as tune aways due to FTC Stopped indication message (corresponding to RF drop) was received in the Rev0 hybrid AT's 3G1X paging cycle slot.

Data Source

DO-EMS

Source Field

sNumRNCEstimatedTuneAwayDropsSlot where atDescriptor=2

Source Section

RNCPerfExtnBySlot (RncIS856PerfExtensionMIB)

sNumSecondPageRequestsSlot_Rev0

The number of 2nd page requests sent to the AT in a paging cycle before the demarcation point for Rev-0 personality ATs.

Data Source

DO-EMS

Source Field

sNumSecondPageRequestsSlot where atDescriptor=1

Source Section

RNCPerfExtnBySlot (RncIS856PerfExtensionMIB)

sNumSecondPageRequestsSlot_RevA

The number of 2nd page requests sent to the AT in a paging cycle before the demarcation point for Rev-A personality ATs.

Data Source

DO-EMS

Source Field

sNumSecondPageRequestsSlot where atDescriptor=2

Source Section

RNCPerfExtnBySlot (RncIS856PerfExtensionMIB)

sNumSecondPageResponsesSlot_Rev0

The number of page responses that were received before the demarcation point from the AT in a paging cycle, in response to the 2nd Page Message that was sent from the AN for Rev-0 personality ATs.

Data Source

DO-EMS

Source Field

sNumSecondPageResponsesSlot where atDescriptor=1

Source Section

RNCPerfExtnBySlot (RncIS856PerfExtensionMIB)

sNumSecondPageResponsesSlot_RevA

The number of page responses that were received before the demarcation point from the AT in a paging cycle, in response to the 2nd Page Message that was sent from the AN for Rev-A personality ATs.

Data Source

DO-EMS

Source Field

sNumSecondPageResponsesSlot where atDescriptor=2

Source Section

RNCPerfExtnBySlot (RncIS856PerfExtensionMIB)

sNumSilentRetriesAbandonedAfterDCSlot_Rev0

Number of times silent retry process was abandoned before the demarcation point because a trigger was generated during connection setup to change the Rev-A capable AT from the source personality to the target personality for Rev-0 personality ATs.

Data Source

DO-EMS

Source Field

sNumSilentRetriesAbandonedAfterDCSlot where atDescriptor=1

Source Section

RNCPerfExtnBySlot (RncIS856PerfExtensionMIB)

sNumSilentRetriesAbandonedAfterDCSlot_RevA

Number of times silent retry process was abandoned before the demarcation point because a trigger was generated during connection setup to change the Rev-A capable AT from the source personality to the target personality for Rev-A personality ATs.

Data Source

DO-EMS

Source Field

sNumSilentRetriesAbandonedAfterDCSlot where atDescriptor=2

Source Section

RNCPerfExtnBySlot (RncIS856PerfExtensionMIB)

sNumSilentRetriesAbandonedAfterFCASlot_Rev0

Number of times silent retry process was abandoned before the demarcation point because a trigger was generated during connection setup to change the Rev-A capable AT from the source personality to the target personality for Rev-0 personality ATs.

Data Source

DO-EMS

Source Field

sNumSilentRetriesAbandonedAfterFCASlot where atDescriptor=1

Source Section

RNCPerfExtnBySlot (RncIS856PerfExtensionMIB)

sNumSilentRetriesAbandonedAfterFCASlot_RevA

Number of times silent retry process was abandoned before the demarcation point because a trigger was generated during connection setup to change the Rev-A capable AT from the source personality to the target personality for Rev-A personality ATs.

Data Source

DO-EMS

Source Field

sNumSilentRetriesAbandonedAfterFCASlot where atDescriptor=2

Source Section

RNCPerfExtnBySlot (RncIS856PerfExtensionMIB)

sNumSilentRetryAttemptsAfterDCSlot_Rev0

Connection setup attempts within the configurable DC silent retry period following a dropped connection (abnormal close) for Rev-0 personality ATs.

Data Source

DO-EMS

Source Field

sNumSilentRetryAttemptsAfterDCSlot where atDescriptor=1

Source Section

RNCPerfExtnBySlot (RncIS856PerfExtensionMIB)

sNumSilentRetryAttemptsAfterDCSlot_RevA

Connection setup attempts within the configurable DC silent retry period following a dropped connection (abnormal close) for Rev-A personality ATs.

Data Source

DO-EMS

Source Field

sNumSilentRetryAttemptsAfterDCSlot where atDescriptor=2

Source Section

RNCPerfExtnBySlot (RncIS856PerfExtensionMIB)

sNumSilentRetryAttemptsAfterFCASlot_Rev0

Connection setup-attempts made within the configurable FCA silent retry period following a failed connection setup attempt for Rev-0 personality ATs.

Data Source

DO-EMS

Source Field

sNumSilentRetryAttemptsAfterFCASlot where atDescriptor=1

Source Section

RNCPerfExtnBySlot (RncIS856PerfExtensionMIB)

sNumSilentRetryAttemptsAfterFCASlot_RevA

Connection setup-attempts made within the configurable FCA silent retry period following a failed connection setup attempt for Rev-A personality ATs.

Data Source

DO-EMS

Source Field

sNumSilentRetryAttemptsAfterFCASlot where atDescriptor=2

Source Section

RNCPerfExtnBySlot (RncIS856PerfExtensionMIB)

sNumSilentRetryFailuresAfterDCSlot_Rev0

Connection set-up attempts that failed due to any reason within the configurable DC silent retry period following a connection drop for Rev-0 personality ATs.

Data Source

DO-EMS

Source Field

sNumSilentRetryFailuresAfterDCSlot where atDescriptor=1

Source Section

RNCPerfExtnBySlot (RncIS856PerfExtensionMIB)

sNumSilentRetryFailuresAfterDCSlot_RevA

Connection set-up attempts that failed due to any reason within the configurable DC silent retry period following a connection drop for Rev-A personality ATs.

Data Source

DO-EMS

Source Field

sNumSilentRetryFailuresAfterDCSlot where atDescriptor=2

Source Section

RNCPerfExtnBySlot (RncIS856PerfExtensionMIB)

sNumSilentRetryFailuresAfterFCASlot_Rev0

Connection set-up attempts that failed due to any reason within the configurable FCA silent retry period following a failed connection setup attempt for Rev-0 personality ATs.

Data Source

DO-EMS

Source Field

sNumSilentRetryFailuresAfterFCASlot where atDescriptor=1

Source Section

RNCPerfExtnBySlot (RncIS856PerfExtensionMIB)

sNumSilentRetryFailuresAfterFCASlot_RevA

Connection set-up attempts that failed due to any reason within the configurable FCA silent retry period following a failed connection setup attempt for Rev-A personality ATs.

Data Source

DO-EMS

Source Field

sNumSilentRetryFailuresAfterFCASlot where atDescriptor=2

Source Section

RNCPerfExtnBySlot (RncIS856PerfExtensionMIB)

sNumSilentRetrySuccessesAfterDCSlot_Rev0

Successful connection setup attempts within the configurable DC silent retry period following a connection drop for Rev-0 personality ATs.

Data Source

DO-EMS

Source Field

sNumSilentRetrySuccessesAfterDCSlot where atDescriptor=1

Source Section

RNCPerfExtnBySlot (RncIS856PerfExtensionMIB)

sNumSilentRetrySuccessesAfterDCSlot_RevA

Successful connection setup attempts within the configurable DC silent retry period following a connection drop for Rev-A personality ATs.

Data Source

DO-EMS

Source Field

sNumSilentRetrySuccessesAfterDCSlot where atDescriptor=2

Source Section

RNCPerfExtnBySlot (RncIS856PerfExtensionMIB)

sNumSilentRetrySuccessesAfterFCASlot_Rev0

Successful connection setup-attempts within the configurable FCA silent retry period following a failed connection setup attempt for Rev-0 personality ATs.

Data Source

DO-EMS

Source Field

sNumSilentRetrySuccessesAfterFCASlot where atDescriptor=1

Source Section

RNCPerfExtnBySlot (RncIS856PerfExtensionMIB)

sNumSilentRetrySuccessesAfterFCASlot_RevA

Successful connection setup-attempts within the configurable FCA silent retry period following a failed connection setup attempt for Rev-A personality ATs.

Data Source

DO-EMS

Source Field

sNumSilentRetrySuccessesAfterFCASlot where atDescriptor=2

Source Section

RNCPerfExtnBySlot (RncIS856PerfExtensionMIB)

sNumSoftHandoffRelatedDropsBlockedByRNSlot_Rev0

Connections that were dropped before the demarcation point due to unsuccessful reverse link soft-handoff because the RNC received explicit block from one (or multiple) of the RNs involved in the soft-handoff for Rev-0 personality ATs.

Data Source

DO-EMS

Source Field

sNumSoftHandoffRelatedDropsBlockedByRNSlot where atDescriptor=1

Source Section

RNCPerfExtnBySlot (RncIS856PerfExtensionMIB)

sNumSoftHandoffRelatedDropsBlockedByRNSlot_RevA

Connections that were dropped before the demarcation point due to unsuccessful reverse link soft-handoff because the RNC received explicit block from one (or multiple) of the RNs involved in the soft-handoff for Rev-A personality ATs.

Data Source

DO-EMS

Source Field

sNumSoftHandoffRelatedDropsBlockedByRNSlot where atDescriptor=2

Source Section

RNCPerfExtnBySlot (RncIS856PerfExtensionMIB)

sNumSoftHandoffRelatedDropsSlot_Rev0

The number of open DO connections that are dropped (abnormally closed) due to unsuccessful soft handoffs before the demarcation point for Rev-0 personality ATs.

Data Source

DO-EMS

Source Field

sNumSoftHandoffRelatedDropsSlot where atDescriptor=1

Source Section

RNCPerfExtnBySlot (RncIS856PerfExtensionMIB)

sNumSoftHandoffRelatedDropsSlot_RevA

The number of open DO connections that are dropped (abnormally closed) due to unsuccessful soft handoffs before the demarcation point for Rev-A personality ATs.

Data Source

DO-EMS

Source Field

sNumSoftHandoffRelatedDropsSlot where atDescriptor=2

Source Section

RNCPerfExtnBySlot (RncIS856PerfExtensionMIB)

sNumTermAuthResourceRelatedFCASlot_Rev0

This OM counts the number of DO Connections setups blocked due to lack of the Terminal Authentication Resources for Rev-0 personality ATs.

Data Source

DO-EMS

Source Field

sNumTermAuthResourceRelatedFCASlot where atDescriptor=1

Source Section

RNCPerfExtnBySlot (RncIS856PerfExtensionMIB)

sNumTermauthResourceRelatedFCASlot_RevA

This OM counts the number of DO Connections setups blocked due to lack of the Terminal Authentication Resources for Rev-A personality ATs.

Data Source

DO-EMS

Source Field

sNumTermauthResourceRelatedFCASlot where atDescriptor=2

Source Section

RNCPerfExtnBySlot (RncIS856PerfExtensionMIB)

sNumThirdPageRequestsSlot_Rev0

The number of 3rd page requests sent to the AT in a paging cycle before the demarcation point for Rev-0 personality ATs.

Data Source

DO-EMS

Source Field

sNumThirdPageRequestsSlot where atDescriptor=1

Source Section

RNCPerfExtnBySlot (RncIS856PerfExtensionMIB)

sNumThirdPageRequestsSlot_RevA

The number of 3rd page requests sent to the AT in a paging cycle before the demarcation point for Rev-A personality ATs.

Data Source

DO-EMS

Source Field

sNumThirdPageRequestsSlot where atDescriptor=2

Source Section

RNCPerfExtnBySlot (RncIS856PerfExtensionMIB)

sNumThirdPageResponsesSlot_Rev0

The number of page responses that were received before the demarcation point from the AT in a paging cycle, in response to the 3rd Page Message that was sent from the AN for Rev-0 personality ATs.

Data Source

DO-EMS

Source Field

sNumThirdPageResponsesSlot where atDescriptor=1

Source Section

RNCPerfExtnBySlot (RncIS856PerfExtensionMIB)

sNumThirdPageResponsesSlot_RevA

The number of page responses that were received before the demarcation point from the AT in a paging cycle, in response to the 3rd Page Message that was sent from the AN for Rev-A personality ATs.

Data Source

DO-EMS

Source Field

sNumThirdPageResponsesSlot where atDescriptor=2

Source Section

RNCPerfExtnBySlot (RncIS856PerfExtensionMIB)

sNumTotalConnectionClosesSlot_Rev0

The total number of connections closed, normally or abnormally, before the demarcation point for Rev-0 personality ATs.

Data Source

DO-EMS

Source Field

sNumTotalConnectionClosesSlot where atDescriptor=1

Source Section

RNCPerfExtnBySlot (RncIS856PerfExtensionMIB)

sNumTotalConnectionClosesSlot_RevA

The total number of connections closed, normally or abnormally, before the demarcation point for Rev-A personality ATs.

Data Source

DO-EMS

Source Field

sNumTotalConnectionClosesSlot where atDescriptor=2

Source Section

RNCPerfExtnBySlot (RncIS856PerfExtensionMIB)

termAuthAccessRejectsIgnoredSlot

When Ignore Access-Reject mode is enabled, if an Access-Reject is received from the AAA server, RNC assigns a invalid IMSI and sets up a session. In this case the above OM is pegged.

Data Source

DO-EMS

Source Field

termAuthAccessRejectsIgnoredSlot

Source Section

TermAuthPerfBySlot (RncTermAuthMIB)

termAuthChapTimeoutsSlot

Number of times a CHAP timeout occurred due to AT not responding to CHAP challenges on this RNSM.

Data Source

DO-EMS

Source Field

termAuthChapTimeoutsSlot

Source Section

TermAuthPerfBySlot (RncTermAuthMIB)

termAuthFailureSessionTaTimeoutSlot

Number of times the terminal authentication fails because the Session TA timer expires.

Data Source

DO-EMS

Source Field

termAuthFailureSessionTaTimeoutSlot

Source Section

TermAuthPerfBySlot (RncTermAuthMIB)

termAuthInvalidNaiFromAtSlot

Number of times the RNSM received an invalid or empty NAI Realm from the AT.

Data Source

DO-EMS

Source Field

termAuthInvalidNaiFromAtSlot

Source Section

TermAuthPerfBySlot (RncTermAuthMIB)

termAuthLcpConfigTimeoutsIgnoredSlot

When Enhanced TA - A12 Bypass feature is enabled, this OM pegs the page failures and unconfirmed LCP time-outs during terminal authentication.

Data Source

DO-EMS

Source Field

termAuthLcpConfigTimeoutsIgnoredSlot

Source Section

TermAuthPerfBySlot (RncTermAuthMIB)

termAuthLcpConfigTimeoutsSlot

Number of times an LCP timeout occurred due to AT not responding to LCP Config Requests on this RNSM.

Data Source

DO-EMS

Source Field

termAuthLcpConfigTimeoutsSlot

Source Section

TermAuthPerfBySlot (RncTermAuthMIB)

termAuthNaiFromAtMatchesA12BypassListSlot

Number of times the RNSM received an NAI Realm from the AT CHAP Response which matched an A12 bypass list entry.

Data Source

DO-EMS

Source Field

termAuthNaiFromAtMatchesA12BypassListSlot

Source Section

TermAuthPerfBySlot (RncTermAuthMIB)

termReauthAttemptsSlot

Number of TA re-auth attempts on the RNSM.

Data Source

DO-EMS

Source Field

termReauthAttemptsSlot

Source Section

TermAuthPerfBySlot (RncTermAuthMIB)

termReauthRejectSlot

Number of failed TA re-auth attempts on the RNSM due to the receipt of an A12 Access Reject from the AN-AAA.

Data Source

DO-EMS

Source Field

termReauthRejectSlot

Source Section

TermAuthPerfBySlot (RncTermAuthMIB)

termReauthSuccessSlot

Number of successful TA re-auth attempts on the RNSM.

Data Source

DO-EMS

Source Field

termReauthSuccessSlot

Source Section

TermAuthPerfBySlot (RncTermAuthMIB)

termReauthUnresolvedSlot

Number of unresolved TA re-auth attempts on the RNSM.

Data Source

DO-EMS

Source Field

termReauthUnresolvedSlot

Source Section

TermAuthPerfBySlot (RncTermAuthMIB)

TotalA10ClosedByPdsnSlot

Number of A10 connections on this slot closed by the PDSN

Data Source

DO-EMS

Source Field

TotalA10ClosedByPdsnSlot

Source Section

A10ByteCountAndStatsBySlot (RncPcfPerformanceMIB)

TotalA10ClosedByRncSlot

Number of A10 connections on this slot closed by the RNC

Data Source

DO-EMS

Source Field

TotalA10ClosedByRncSlot

Source Section

A10ByteCountAndStatsBySlot (RncPcfPerformanceMIB)

totalA10ClosedSlot

This OM is a counter for the total number of successfully established A10-Connection that are closed on the Do-RNC / RNSM.

Data Source

DO-EMS

Source Field

totalA10ClosedSlot

Source Section

RNCPerfBySlot (RncIS856PerfMIB)

totalA10RegAttemptsSlot

This OM is a counter for the total number of new A10 registration attempts that are initiated on the DO-RNC / RNSM.

Data Source

DO-EMS

Source Field

totalA10RegAttemptsSlot

Source Section

RNCPerfBySlot (RncIS856PerfMIB)

totalA10RegFailuresSlot

This OM is a counter for the total number of new A10 registration failures on the DO-RNC / RNSM.

Data Source

DO-EMS

Source Field

totalA10RegFailuresSlot

Source Section

RncIS856PerfMIB

TotalA10RxBytesSlot

Number of bytes received by this slot from the PDSN

Data Source

DO-EMS

Source Field

TotalA10RxBytesSlot

Source Section

A10ByteCountAndStatsBySlot (RncPcfPerformanceMIB)

totalA10SetupAttemptsSlot

This OM is a counter for the total number of new A10-Connection setups that are aborted on the DO-RNC / RNSM.

Data Source

DO-EMS

Source Field

totalA10SetupAttemptsSlot

Source Section

RNCPerfBySlot (RncIS856PerfMIB)

totalA10SetupAttemptsWithA10ConnMinEnabledSlot

This OM is a counter for the total number of times a new A10-Connection setup is initiated on the DO-RNC / RNSM while the A10-Connection Minimization feature enabled by the operator.

Data Source

DO-EMS

Source Field

totalA10SetupAttemptsWithA10ConnMinEnabledSlot

Source Section

RNCPerfBySlot (RncIS856PerfMIB)

totalA10SetupAttemptWithA10ConnMinDisabledSlot

This OM is a counter for the total number of times a new A10-Connection setup is initiated on the DO-RNC / RNSM with the A10-Connection Minimization feature disabled by the operator.

Data Source

DO-EMS

Source Field

totalA10SetupAttemptWithA10ConnMinDisabledSlot

Source Section

RNCPerfBySlot (RncIS856PerfMIB)

totalA10SetupFailureSlot

This OM is a counter for the total number of new A10-Connection setups that are aborted on a specific RNSM.

Data Source

DO-EMS

Source Field

totalA10SetupFailureSlot

Source Section

RNCPerfBySlot (RncIS856PerfMIB)

totalA10SwitchesSlot

Number of A10 switches attempted. Whenever an A10 is open on a Secondary PDSN, and a connection goes from dormant to active, an A10 switch is attempted from the Secondary PDSN to a Primary PDSN.

Data Source

DO-EMS

Source Field

totalA10SwitchesSlot

Source Section

RNCPerfBySlot (RncIS856PerfMIB)

TotalA10TxBytesSlot

Number of bytes transmitted from this slot to the PDSN

Data Source

DO-EMS

Source Field

TotalA10TxBytesSlot

Source Section

A10ByteCountAndStatsBySlot (RncPcfPerformanceMIB)

TotalAirlinkRsrcAllocationsFailedSectorCarrierDownSlot

Airlink resource allocation failed because sector-carrier was out of service

Data Source

DO-EMS

Source Field

TotalAirlinkRsrcAllocationsFailedSectorCarrierDownSlot

Source Section

AirlinkResourceAllocationPerfBySlot (RncResourceControlMIB)

TotalAirlinkRsrcAllocationsFailedSectorCarrierNotHomedSlot

Airlink resource allocation failed because sector-carrier was not homed on this DO-RNC

Data Source

DO-EMS

Source Field

TotalAirlinkRsrcAllocationsFailedSectorCarrierNotHomedSlot

Source Section

AirlinkResourceAllocationPerfBySlot (RncResourceControlMIB)

TotalAirlinkRsrcRequestsSlot

Total number of airlink resource requests

Data Source

DO-EMS

Source Field

TotalAirlinkRsrcRequestsSlot

Source Section

AirlinkResourceAllocationPerfBySlot (RncResourceControlMIB)

TotalAirlinksAllocatedCurSlot

Total number of airlink resources currently allocated

Data Source

DO-EMS

Source Field

TotalAirlinksAllocatedCurSlot

Source Section

AirlinkResourceAllocationPerfBySlot (RncResourceControlMIB)

TotalAirlinksAllocatedSlot

Total number of airlink resources allocated

Data Source

DO-EMS

Source Field

TotalAirlinksAllocatedSlot

Source Section

AirlinkResourceAllocationPerfBySlot (RncResourceControlMIB)

TotalBlockedAirlinkRsrcAllocationsSlot

Total number of airlink resource allocation failed due to blocking

Data Source

DO-EMS

Source Field

TotalBlockedAirlinkRsrcAllocationsSlot

Source Section

AirlinkResourceAllocationPerfBySlot (RncResourceControlMIB)

TotalInterSlotRsrcAllocatedSlot

Total number of airlink resources allocated inter-slot

Data Source

DO-EMS

Source Field

TotalInterSlotRsrcAllocatedSlot

Source Section

AirlinkResourceAllocationPerfBySlot (RncResourceControlMIB)

TotalInterSlotRsrcRequestsSlot

Total number of inter-Slot resource requests

Data Source

DO-EMS

Source Field

TotalInterSlotRsrcRequestsSlot

Source Section

AirlinkResourceAllocationPerfBySlot (RncResourceControlMIB)

totalMobilityTriggeredA10ReRegSlot

This OM is a counter for the total number of A10 Re-registrations on the DO-RNC / RNSM.

Data Source

DO-EMS

Source Field

totalMobilityTriggeredA10ReRegSlot

Source Section

RNCPerfBySlot (RncIS856PerfMIB)

TotalSessionSetupsBlockedSlot

Total number of Session Setups which were blocked

Data Source

DO-EMS

Source Field

TotalSessionSetupsBlockedSlot

Source Section

RNCPerfBySlot (RncIS856PerfMIB)

TotalSessionSetupsFailedSlot

Total number of Session setups which failed

Data Source

DO-EMS

Source Field

TotalSessionSetupsFailedSlot

Source Section

RNCPerfBySlot (RncIS856PerfMIB)

totalSessionsTerminatedSlot

This OM is a counter for the total number of successfully established DO-Sessions that are terminated on the DO-RNC / RNSM.

Data Source

DO-EMS

Source Field

totalSessionsTerminatedSlot

Source Section

RNCPerfBySlot (RncIS856PerfMIB)

totalTimesTAPEnabledSlot

This OM is a counter for the total times TAP is enabled on the DO-RNC / RNSM since the RNSM/RNC was last rebooted.

Data Source

DO-EMS

Source Field

totalTimesTAPEnabledSlot

Source Section

RNCPerfBySlot (RncIS856PerfMIB)

DO_RNC_Card_Resource Primitive Calculations

The following is a list of primitive calculations for the DO_RNC_Card_Resource entity.

GRAPHmultiLineSeparator

Special Control Field for Multi-Line Graphs

Calculation

""

NUMDAYS

of days in Report

Calculation

DAYSINREPORT ()

NUMHOURS

of hours in Summation Data

Calculation

DO_RNC_Card_Resource Peg Counts

The following is a list of peg counts for the DO_RNC_Card_Resource entity.

resourceCountCriticalPrevious

Number of times this resource entered into critical state in the previous measurement interval.

Data Source

DO-EMS

Source Field

resourceCountCriticalPrevious

Source Section

RNCOvldCtrlThresholdCrossing (OvldCtrlMIB)

resourceCountHealthyPrevious

Number of times this resource entered into healthy state in the previous measurement interval.

Data Source

DO-EMS

Source Field

resourceCountHealthyPrevious

Source Section

RNCOvldCtrlThresholdCrossing (OvldCtrlMIB)

resourceCountMajorPrevious

Number of times this resource entered into Major state in the previous measurement interval.

Data Source

DO-EMS

Source Field

resourceCountMajorPrevious

Source Section

RNCOvldCtrlThresholdCrossing (OvldCtrlMIB)

resourceCountMinorPrevious

Number of times this resource entered into Minor state in the previous measurement interval.

Data Source

DO-EMS

Source Field

resourceCountMinorPrevious

Source Section

RNCOvldCtrlThresholdCrossing (OvldCtrlMIB)

resourceName

The Resource name associated with the ID number.

Data Source

DO-EMS

Source Field

resourceName

Source Section

RNCOvldCtrlThresholdCrossing (OvldCtrlMIB)

resourceSecondsCriticalPrevious

Number of seconds spent in critical overload level in the previous measurement interval.

Data Source

DO-EMS

Source Field

resourceSecondsCriticalPrevious

Source Section

RNCOvldCtrlThresholdCrossing (OvldCtrlMIB)

resourceSecondsHealthyPrevious

Number of seconds spent in healthy overload in the previous measurement interval.

Data Source

DO-EMS

Source Field

resourceSecondsHealthyPrevious

Source Section

RNCOvldCtrlThresholdCrossing (OvldCtrlMIB)

resourceSecondsMajorPrevious

Number of seconds spent in major overload in the previous measurement interval.

Data Source

DO-EMS

Source Field

resourceSecondsMajorPrevious

Source Section

RNCOvldCtrlThresholdCrossing (OvldCtrlMIB)

resourceSecondsMinorPrevious

Number of seconds spent in minor overload in the previous measurement interval.

Data Source

DO-EMS

Source Field

resourceSecondsMinorPrevious

Source Section

RNCOvldCtrlThresholdCrossing (OvldCtrlMIB)

resourceTimeInterval

The collection interval time (in seconds) for the resource measurements (configurable).

Data Source

DO-EMS

Source Field

resourceTimeInterval

Source Section

RNCOvldCtrlThresholdCrossing (OvldCtrlMIB)

resourceTimeIntervalThreshold

This captures the pre-determined percentage of time a resource is in overload before an alarm is generated (configurable).

Data Source

DO-EMS

Source Field

resourceTimeIntervalThreshold

Source Section

RNCOvldCtrlThresholdCrossing (OvldCtrlMIB)

resourceWatermarkPrevious

The high watermark for this resource in the previous collection interval.

Data Source

DO-EMS

Source Field

resourceWatermarkPrevious

Source Section

RNCOvldCtrlThresholdCrossing (OvldCtrlMIB)

DO_RNC_Card_TrafficType Primitive Calculations

The following is a list of primitive calculations for the DO_RNC_Card_TrafficType entity.

GRAPHmultiLineSeparator

Special Control Field for Multi-Line Graphs

Calculation

""

NUMDAYS

of days in Report

Calculation

DAYSINREPORT ()

NUMHOURS

of hours in Summation Data

Calculation

DO_RNC_Card_TrafficType Peg Counts

The following is a list of peg counts for the DO_RNC_Card_TrafficType entity.

numConnectionCloseInitiatedNoRanRsrcAppTrafficPerSlot_EMFPA

This OM is pegged when on demand driver flow resource allocation feature is disabled and RNSM initiates a connection close in response to the ReservationOnRequest from an AT (using EMFPA).

Data Source

DO-EMS

Source Field

numConnectionCloseInitiatedNoRanRsrcAppTrafficPerSlot where
rncSlotPacketApplication=2

Source Section

QoSPerfBySlotByTrafficType (RncQoSPerfMIB)

numConnectionCloseInitiatedNoRanRsrcAppTrafficPerSlot_MFPA

This OM is pegged when on demand driver flow resource allocation feature is disabled and RNSM initiates a connection close in response to the ReservationOnRequest from an AT (using MFPA).

Data Source

DO-EMS

Source Field

numConnectionCloseInitiatedNoRanRsrcAppTrafficPerSlot where
rncSlotPacketApplication=1

Source Section

QoSPerfBySlotByTrafficType (RncQoSPerfMIB)

numFwdReservationOffMessagesSentAppTrafficPerSlot_EMFPA

The number of times the RNSM sent a FwdReservationOff message to the AT to deactivate a forward reservation (using EMFPA).

Data Source

DO-EMS

Source Field

numFwdReservationOffMessagesSentAppTrafficPerSlot where rncSlotPacketApplication=2

Source Section

QoSPerfBySlotByTrafficType (RncQoSPerfMIB)

numFwdReservationOffMessagesSentAppTrafficPerSlot_MFPA

The number of times the RNSM sent a FwdReservationOff message to the AT to deactivate a forward reservation (using MFPA).

Data Source

DO-EMS

Source Field

numFwdReservationOffMessagesSentAppTrafficPerSlot where rncSlotPacketApplication=1

Source Section

QoSPerfBySlotByTrafficType (RncQoSPerfMIB)

numFwdReservationOnMessagesSentAppTrafficPerSlot_EMFPA

The number of times the RNSM sent a FwdReservationOn message to the AT to activate a forward reservation (using EMFPA).

Data Source

DO-EMS

Source Field

numFwdReservationOnMessagesSentAppTrafficPerSlot where rncSlotPacketApplication=2

Source Section

QoSPerfBySlotByTrafficType (RncQoSPerfMIB)

numFwdReservationOnMessagesSentAppTrafficPerSlot_MFPA

The number of times the RNSM sent a FwdReservationOn message to the AT to activate a forward reservation (using MFPA).

Data Source

DO-EMS

Source Field

numFwdReservationOnMessagesSentAppTrafficPerSlot where rncSlotPacketApplication=1

Source Section

QoSPerfBySlotByTrafficType (RncQoSPerfMIB)

numQoSReleaseRequestsReceivedAppTrafficPerSlot_EMFPA

Number of QoS release requests from the AT received by the RNSM (using EMFPA).

Data Source

DO-EMS

Source Field

numQoSReleaseRequestsReceivedAppTrafficPerSlot where rncSlotPacketApplication=2

Source Section

QoSPerfBySlotByTrafficType (RncQoSPerfMIB)

numQoSReleaseRequestsReceivedAppTrafficPerSlot_MFPA

Number of QoS release requests from the AT received by the RNSM (using MFPA).

Data Source

DO-EMS

Source Field

numQoSReleaseRequestsReceivedAppTrafficPerSlot where rncSlotPacketApplication=1

Source Section

QoSPerfBySlotByTrafficType (RncQoSPerfMIB)

numQoSSetupRequestsAcceptedAppTrafficPerSlot_EMFPA

Number of QoS setup requests received from the AT that the RNSM accepted (using EMFPA).

Data Source

DO-EMS

Source Field

numQoSSetupRequestsAcceptedAppTrafficPerSlot where rncSlotPacketApplication=2

Source Section

QoSPerfBySlotByTrafficType (RncQoSPerfMIB)

numQoSSetupRequestsAcceptedAppTrafficPerSlot_MFPA

Number of QoS setup requests received from the AT that the RNSM accepted (using MFPA).

Data Source

DO-EMS

Source Field

numQoSSetupRequestsAcceptedAppTrafficPerSlot where rncSlotPacketApplication=1

Source Section

QoSPerfBySlotByTrafficType (RncQoSPerfMIB)

numQoSSetupRequestsReceivedAppTrafficPerSlot_EMFPA

Number of QoS setup requests from the AT received by the RNSM (using EMFPA).

Data Source

DO-EMS

Source Field

numQoSSetupRequestsReceivedAppTrafficPerSlot where rncSlotPacketApplication=2

Source Section

QoSPerfBySlotByTrafficType (RncQoSPerfMIB)

numQoSSetupRequestsReceivedAppTrafficPerSlot_MFPA

Number of QoS setup requests from the AT received by the RNSM (using MFPA).

Data Source

DO-EMS

Source Field

numQoSSetupRequestsReceivedAppTrafficPerSlot where rncSlotPacketApplication=1

Source Section

QoSPerfBySlotByTrafficType (RncQoSPerfMIB)

numQoSSetupRequestsRejectedAppTrafficPerSlot_EMFPA

Number of QoS setup requests received from the AT that the RNSM rejected (using EMFPA).

Data Source

DO-EMS

Source Field

numQoSSetupRequestsRejectedAppTrafficPerSlot where rncSlotPacketApplication=2

Source Section

QoSPerfBySlotByTrafficType (RncQoSPerfMIB)

numQoSSetupRequestsRejectedAppTrafficPerSlot_MFPA

Number of QoS setup requests received from the AT that the RNSM rejected (using MFPA).

Data Source

DO-EMS

Source Field

numQoSSetupRequestsRejectedAppTrafficPerSlot where rncSlotPacketApplication=1

Source Section

QoSPerfBySlotByTrafficType (RncQoSPerfMIB)

numQoSSetupRequestsRejectedReservationLimitAppTrafficPerSlot_EMFPA

Number of QoS setup requests received from the AT that the RNSM rejected because the per AT limit on the maximum number of Reservations supported was reached (using EMFPA).

Data Source

DO-EMS

Source Field

numQoSSetupRequestsRejectedReservationLimitAppTrafficPerSlot where
rncSlotPacketApplication=2

Source Section

QoSPerfBySlotByTrafficType (RncQoSPerfMIB)

numQoSSetupRequestsRejectedReservationLimitAppTrafficPerSlot_MFPA

Number of QoS setup requests received from the AT that the RNSM rejected because the per AT limit on the maximum number of Reservations supported was reached (using MFPA).

Data Source

DO-EMS

Source Field

numQoSSetupRequestsRejectedReservationLimitAppTrafficPerSlot where
rncSlotPacketApplication=1

Source Section

QoSPerfBySlotByTrafficType (RncQoSPerfMIB)

numReservationActivationWithConnectionOpenAppTrafficPerSlot_EMFPA

The number of times the RNSM activated a Reservation upon opening of air link connection because the ReservationKKIdleState attribute was so configured (using EMFPA).

Data Source

DO-EMS

Source Field

numReservationActivationWithConnectionOpenAppTrafficPerSlot where
rncSlotPacketApplication=2

Source Section

QoSPerfBySlotByTrafficType (RncQoSPerfMIB)

numReservationActivationWithConnectionOpenAppTrafficPerSlot_MFPA

The number of times the RNSM activated a Reservation upon opening of air link connection because the ReservationKIdleState attribute was so configured (using MFPA).

Data Source

DO-EMS

Source Field

numReservationActivationWithConnectionOpenAppTrafficPerSlot where
mncSlotPacketApplication=1

Source Section

QoSPerfBySlotByTrafficType (RncQoSPerfMIB)

numReservationAuthorizedQosWasNullAppTrafficPerSlot_EMFPA

Number of times the authorized QoS for a Reservation was NULL (using EMFPA).

Data Source

DO-EMS

Source Field

numReservationAuthorizedQosWasNullAppTrafficPerSlot where mncSlotPacketApplication=2

Source Section

QoSPerfBySlotByTrafficType (RncQoSPerfMIB)

numReservationAuthorizedQosWasNullAppTrafficPerSlot_MFPA

Number of times the authorized QoS for a Reservation was NULL (using MFPA).

Data Source

DO-EMS

Source Field

numReservationAuthorizedQosWasNullAppTrafficPerSlot where mncSlotPacketApplication=1

Source Section

QoSPerfBySlotByTrafficType (RncQoSPerfMIB)

numReservationDeactivationWithConnectionCloseAppTrafficPerSlot_EMFPA

The number of times the RNSM deactivated a Reservation upon closing of air link connection using EMFPA because the ReservationKIdleState attribute was so configured.

Data Source

DO-EMS

Source Field

numReservationDeactivationWithConnectionCloseAppTrafficPerSlot where
rncSlotPacketApplication=2

Source Section

QoSPerfBySlotByTrafficType (RncQoSPerfMIB)

numReservationDeactivationWithConnectionCloseAppTrafficPerSlot_MFPA

The number of times the RNSM deactivated a Reservation upon closing of air link connection using MFPA because the ReservationKIdleState attribute was so configured.

Data Source

DO-EMS

Source Field

numReservationDeactivationWithConnectionCloseAppTrafficPerSlot where
rncSlotPacketApplication=1

Source Section

QoSPerfBySlotByTrafficType (RncQoSPerfMIB)

numReservationOffRequestsAcceptedAppTrafficPerSlot_EMFPA

Number of ReservationOffRequest messages received from the AT that the RNSM accepted (using EMFPA).

Data Source

DO-EMS

Source Field

numReservationOffRequestsAcceptedAppTrafficPerSlot where rncSlotPacketApplication=2

Source Section

QoSPerfBySlotByTrafficType (RncQoSPerfMIB)

numReservationOffRequestsAcceptedAppTrafficPerSlot_MFPA

Number of ReservationOffRequest messages received from the AT that the RNSM accepted (using MFPA).

Data Source

DO-EMS

Source Field

numReservationOffRequestsAcceptedAppTrafficPerSlot where rncSlotPacketApplication=1

Source Section

QoSPerfBySlotByTrafficType (RncQoSPerfMIB)

numReservationOffRequestsReceivedAppTrafficPerSlot_EMFPA

Number of ReservationOffRequest messages from the AT received by the RNSM (using EMFPA).

Data Source

DO-EMS

Source Field

numReservationOffRequestsReceivedAppTrafficPerSlot where rncSlotPacketApplication=2

Source Section

QoSPerfBySlotByTrafficType (RncQoSPerfMIB)

numReservationOffRequestsReceivedAppTrafficPerSlot_MFPA

Number of ReservationOffRequest messages from the AT received by the RNSM (using MFPA).

Data Source

DO-EMS

Source Field

numReservationOffRequestsReceivedAppTrafficPerSlot where rncSlotPacketApplication=1

Source Section

QoSPerfBySlotByTrafficType (RncQoSPerfMIB)

numReservationOffRequestsRejectedAppTrafficPerSlot_EMFPA

Number of ReservationOffRequest messages received from the AT that the RNSM rejected (using EMFPA).

Data Source

DO-EMS

Source Field

numReservationOffRequestsRejectedAppTrafficPerSlot where rncSlotPacketApplication=2

Source Section

QoSPerfBySlotByTrafficType (RncQoSPerfMIB)

numReservationOffRequestsRejectedAppTrafficPerSlot_MFPA

Number of ReservationOffRequest messages received from the AT that the RNSM rejected (using MFPA).

Data Source

DO-EMS

Source Field

numReservationOffRequestsRejectedAppTrafficPerSlot where rncSlotPacketApplication=1

Source Section

QoSPerfBySlotByTrafficType (RncQoSPerfMIB)

numReservationOffRequestsRejectedUnknownReservationAppTrafficPerSlot_EMFPA

Number of ReservationOffRequest messages received from the AT that the RNSM rejected because no Reservation was found for one or more Reservation Labels included in the request per RNSM (using EMFPA).

Data Source

DO-EMS

Source Field

numReservationOffRequestsRejectedUnknownReservationAppTrafficPerSlot where
rncSlotPacketApplication=2

Source Section

QoSPerfBySlotByTrafficType (RncQoSPerfMIB)

numReservationOffRequestsRejectedUnknownReservationAppTrafficPerSlot_MFPA

Number of ReservationOffRequest messages received from the AT that the RNSM rejected because no Reservation was found for one or more Reservation Labels included in the request per RNSM (using MFPA).

Data Source

DO-EMS

Source Field

numReservationOffRequestsRejectedUnknownReservationAppTrafficPerSlot where
rncSlotPacketApplication=1

Source Section

QoSPerfBySlotByTrafficType (RncQoSPerfMIB)

numReservationOnRequestsAcceptedAppTrafficPerSlot_EMFPA

Number of ReservationOnRequest messages received from the AT that the RNSM accepted (using EMFPA).

Data Source

DO-EMS

Source Field

numReservationOnRequestsAcceptedAppTrafficPerSlot where rncSlotPacketApplication=2

Source Section

QoSPerfBySlotByTrafficType (RncQoSPerfMIB)

numReservationOnRequestsAcceptedAppTrafficPerSlot_MFPA

Number of ReservationOnRequest messages received from the AT that the RNSM accepted (using MFPA).

Data Source

DO-EMS

Source Field

numReservationOnRequestsAcceptedAppTrafficPerSlot where rncSlotPacketApplication=1

Source Section

QoSPerfBySlotByTrafficType (RncQoSPerfMIB)

numReservationOnRequestsFailedAppTrafficPerSlot_EMFPA

Number of ReservationOnRequest messages received from the AT that were failed by the RNSM (using EMFPA).

Data Source

DO-EMS

Source Field

numReservationOnRequestsFailedAppTrafficPerSlot where rncSlotPacketApplication=2

Source Section

QoSPerfBySlotByTrafficType (RncQoSPerfMIB)

numReservationOnRequestsFailedAppTrafficPerSlot_MFPA

Number of ReservationOnRequest messages received from the AT that were failed by the RNSM (using MFPA).

Data Source

DO-EMS

Source Field

numReservationOnRequestsFailedAppTrafficPerSlot where rncSlotPacketApplication=1

Source Section

QoSPerfBySlotByTrafficType (RncQoSPerfMIB)

numReservationOnRequestsFailedNoDriverFlowAppTrafficPerSlot_EMFPA

Number of ReservationOnRequest messages received from the AT that are failed by the RNSM for Reservations in the forward direction (using EMFPA).

Data Source

DO-EMS

Source Field

numReservationOnRequestsFailedNoDriverFlowAppTrafficPerSlot where
rncSlotPacketApplication=2

Source Section

QoSPerfBySlotByTrafficType (RncQoSPerfMIB)

numReservationOnRequestsFailedNoDriverFlowAppTrafficPerSlot_MFPA

Number of ReservationOnRequest messages received from the AT that are failed by the RNSM
for Reservations in the forward direction (using MFPA).

Data Source

DO-EMS

Source Field

numReservationOnRequestsFailedNoDriverFlowAppTrafficPerSlot where
rncSlotPacketApplication=1

Source Section

QoSPerfBySlotByTrafficType (RncQoSPerfMIB)

numReservationOnRequestsFailedNoRevRlpFlowAppTrafficPerSlot_EMFPA

Number of ReservationOnRequest messages received from the AT that are failed by the RNSM
for Reservations in the reverse direction (using EMFPA).

Data Source

DO-EMS

Source Field

numReservationOnRequestsFailedNoRevRlpFlowAppTrafficPerSlot where
rncSlotPacketApplication=2

Source Section

QoSPerfBySlotByTrafficType (RncQoSPerfMIB)

numReservationOnRequestsFailedNoRevRlpFlowAppTrafficPerSlot_MFPA

Number of ReservationOnRequest messages received from the AT that are failed by the RNSM for Reservations in the reverse direction (using MFPA).

Data Source

DO-EMS

Source Field

numReservationOnRequestsFailedNoRevRlpFlowAppTrafficPerSlot where
mncSlotPacketApplication=1

Source Section

QoSPerfBySlotByTrafficType (RncQoSPerfMIB)

numReservationOnRequestsReceivedAppTrafficPerSlot_EMFPA

Number of ReservationOnRequest messages from the AT received by the RNSM (using EMFPA).

Data Source

DO-EMS

Source Field

numReservationOnRequestsReceivedAppTrafficPerSlot where mncSlotPacketApplication=2

Source Section

QoSPerfBySlotByTrafficType (RncQoSPerfMIB)

numReservationOnRequestsReceivedAppTrafficPerSlot_MFPA

Number of ReservationOnRequest messages from the AT received by the RNSM (using MFPA).

Data Source

DO-EMS

Source Field

numReservationOnRequestsReceivedAppTrafficPerSlot where mncSlotPacketApplication=1

Source Section

QoSPerfBySlotByTrafficType (RncQoSPerfMIB)

numReservationOnRequestsRejectedAdmissionControlAppTrafficPerSlot_EMFPA

Number of ReservationOnRequest messages received from the AT that the RNSM rejected because the request for QoS resources failed to pass the admission control procedure on the DOM(s) (using EMFPA).

Data Source

DO-EMS

Source Field

numReservationOnRequestsRejectedAdmissionControlAppTrafficPerSlot where rncSlotPacketApplication=2

Source Section

QoSPerfBySlotByTrafficType (RncQoSPerfMIB)

numReservationOnRequestsRejectedAdmissionControlAppTrafficPerSlot_MFPA

Number of ReservationOnRequest messages received from the AT that the RNSM rejected because the request for QoS resources failed to pass the admission control procedure on the DOM(s) (using MFPA).

Data Source

DO-EMS

Source Field

numReservationOnRequestsRejectedAdmissionControlAppTrafficPerSlot where rncSlotPacketApplication=1

Source Section

QoSPerfBySlotByTrafficType (RncQoSPerfMIB)

numReservationOnRequestsRejectedAppTrafficPerSlot_EMFPA

Number of ReservationOnRequest messages received from the AT that were rejected by the RNSM (using EMFPA).

Data Source

DO-EMS

Source Field

numReservationOnRequestsRejectedAppTrafficPerSlot where rncSlotPacketApplication=2

Source Section

QoSPerfBySlotByTrafficType (RncQoSPerfMIB)

numReservationOnRequestsRejectedAppTrafficPerSlot_MFPA

Number of ReservationOnRequest messages received from the AT that were rejected by the RNSM (using MFPA).

Data Source

DO-EMS

Source Field

numReservationOnRequestsRejectedAppTrafficPerSlot where rncSlotPacketApplication=1

Source Section

QoSPerfBySlotByTrafficType (RncQoSPerfMIB)

numReservationOnRequestsRejectedGrantedQosNotRequestedAppTrafficPerSlot_EMFPA

Number of ReservationOnRequest messages received from the AT that the RNSM rejected because the granted QoS for a Reservation included in the request was not a subset of requested QoS for the Reservation (using EMFPA).

Data Source

DO-EMS

Source Field

numReservationOnRequestsRejectedGrantedQosNotRequestedAppTrafficPerSlot where rncSlotPacketApplication=2

Source Section

QoSPerfBySlotByTrafficType (RncQoSPerfMIB)

numReservationOnRequestsRejectedGrantedQosNotRequestedAppTrafficPerSlot_MFPA

Number of ReservationOnRequest messages received from the AT that the RNSM rejected because the granted QoS for a Reservation included in the request was not a subset of requested QoS for the Reservation (using MFPA).

Data Source

DO-EMS

Source Field

numReservationOnRequestsRejectedGrantedQosNotRequestedAppTrafficPerSlot where
rncSlotPacketApplication=1

Source Section

QoSPerfBySlotByTrafficType (RncQoSPerfMIB)

numReservationOnRequestsRejectedNullGrantedQosAppTrafficPerSlot_EMFPA

Number of ReservationOnRequest messages received from the AT that the RNSM rejected because the granted QoS for a Reservation included in the request was NULL (using EMFPA).

Data Source

DO-EMS

Source Field

numReservationOnRequestsRejectedNullGrantedQosAppTrafficPerSlot where
rncSlotPacketApplication=2

Source Section

QoSPerfBySlotByTrafficType (RncQoSPerfMIB)

numReservationOnRequestsRejectedNullGrantedQosAppTrafficPerSlot_MFPA

Number of ReservationOnRequest messages received from the AT that the RNSM rejected because the granted QoS for a Reservation included in the request was NULL (using MFPA).

Data Source

DO-EMS

Source Field

numReservationOnRequestsRejectedNullGrantedQosAppTrafficPerSlot where
rncSlotPacketApplication=1

Source Section

QoSPerfBySlotByTrafficType (RncQoSPerfMIB)

numReservationOnRequestsRejectedNullRequestedQosAppTrafficPerSlot_EMFPA

Number of ReservationOnRequest messages received from the AT that the RNSM rejected because the requested QoS for a Reservation included in the request was NULL (using EMFPA).

Data Source

DO-EMS

Source Field

numReservationOnRequestsRejectedNullRequestedQosAppTrafficPerSlot where
rncSlotPacketApplication=2

Source Section

QoSPerfBySlotByTrafficType (RncQoSPerfMIB)

numReservationOnRequestsRejectedNullRequestedQosAppTrafficPerSlot_MFPA

Number of ReservationOnRequest messages received from the AT that the RNSM rejected because the requested QoS for a Reservation included in the request was NULL (using MFPA).

Data Source

DO-EMS

Source Field

numReservationOnRequestsRejectedNullRequestedQosAppTrafficPerSlot where
rncSlotPacketApplication=1

Source Section

QoSPerfBySlotByTrafficType (RncQoSPerfMIB)

numReservationOnRequestsRejectedUnknownReservationAppTrafficPerSlot_EMFPA

Number of ReservationOnRequest messages received from the AT that the RNSM rejected because no Reservation was found for one or more Reservation Labels included in the request (using EMFPA).

Data Source

DO-EMS

Source Field

numReservationOnRequestsRejectedUnknownReservationAppTrafficPerSlot where
rncSlotPacketApplication=2

Source Section

QoSPerfBySlotByTrafficType (RncQoSPerfMIB)

numReservationOnRequestsRejectedUnknownReservationAppTrafficPerSlot_MFPA

Number of ReservationOnRequest messages received from the AT that the RNSM rejected because no Reservation was found for one or more Reservation Labels included in the request (using MFPA).

Data Source

DO-EMS

Source Field

numReservationOnRequestsRejectedUnknownReservationAppTrafficPerSlot where rncSlotPacketApplication=1

Source Section

QoSPerfBySlotByTrafficType (RncQoSPerfMIB)

numRevReservationOffMessagesSentAppTrafficPerSlot_EMFPA

The number of times the RNSM sent a RevReservationOff message to the AT to deactivate a reverse Reservation (using EMFPA).

Data Source

DO-EMS

Source Field

numRevReservationOffMessagesSentAppTrafficPerSlot where rncSlotPacketApplication=2

Source Section

QoSPerfBySlotByTrafficType (RncQoSPerfMIB)

numRevReservationOffMessagesSentAppTrafficPerSlot_MFPA

The number of times the RNSM sent a RevReservationOff message to the AT to deactivate a reverse Reservation (using MFPA).

Data Source

DO-EMS

Source Field

numRevReservationOffMessagesSentAppTrafficPerSlot where rncSlotPacketApplication=1

Source Section

QoSPerfBySlotByTrafficType (RncQoSPerfMIB)

numRevReservationOnMessagesSentAppTrafficPerSlot_EMFPA

The number of times the RNSM sent a RevReservationOn message to the AT to activate a reverse Reservation (using EMFPA).

Data Source

DO-EMS

Source Field

numRevReservationOnMessagesSentAppTrafficPerSlot where rncSlotPacketApplication=2

Source Section

QoSPerfBySlotByTrafficType (RncQoSPerfMIB)

numRevReservationOnMessagesSentAppTrafficPerSlot_MFPA

The number of times the RNSM sent a RevReservationOn message to the AT to activate a reverse Reservation (using MFPA).

Data Source

DO-EMS

Source Field

numRevReservationOnMessagesSentAppTrafficPerSlot where rncSlotPacketApplication=1

Source Section

QoSPerfBySlotByTrafficType (RncQoSPerfMIB)

numUnsupportedRequestedQoSTypeRcvdAppTrafficPerSlot_EMFPA

Number of unsupported Requested QoS type from the AT received by the RNSM (using EMFPA).

Data Source

DO-EMS

Source Field

numUnsupportedRequestedQoSTypeRcvdAppTrafficPerSlot where rncSlotPacketApplication=2

Source Section

QoSPerfBySlotByTrafficType (RncQoSPerfMIB)

numUnsupportedRequestedQoSTypeRcvdAppTrafficPerSlot_MFPA

Number of unsupported Requested QoS type from the AT received by the RNSM (using MFPA).

Data Source

DO-EMS

Source Field

numUnsupportedRequestedQoSTypeRcvdAppTrafficPerSlot where
rncSlotPacketApplication=1

Source Section

QoSPerfBySlotByTrafficType (RncQoSPerfMIB)

DO_RNC_CardPort Primitive Calculations

The following is a list of primitive calculations for the DO_RNC_CardPort entity.

GRAPHmultiLineSeparator

Special Control Field for Multi-Line Graphs

Calculation

""

NUMDAYS

of days in Report

Calculation

DAYSINREPORT ()

NUMHOURS

of hours in Summation Data

Calculation

DO_RNC_CPU Primitive Calculations

The following is a list of primitive calculations for the DO_RNC_CPU entity.

GRAPHmultiLineSeparator

Special Control Field for Multi-Line Graphs

Calculation

""

NUMDAYS

of days in Report

Calculation

DAYSINREPORT ()

NUMHOURS

of hours in Summation Data

Calculation

DO_RNC_CPU Peg Counts

The following is a list of peg counts for the DO_RNC_CPU entity.

airEntCPUUtilizationAverage

The average CPU utilization calculated over the number of intervals indicated by airEntUtilizationAveragingIntervalUnits.

Data Source

DO-EMS

Source Field

airEntCPUUtilizationAverage

Source Section

CPUUtilization (EntityUtilizationMIB)

airEntCPUUtilizationFastPath

CPU utilization by the Fast path measured over the configurable interval in percentage.

Data Source

DO-EMS

Source Field

airEntCPUUtilizationFastPath

Source Section

CPUUtilization (EntityUtilizationMIB)

airEntCPUUtilizationSlowPath

CPU utilization by the Slow path measured over the configurable interval in percentage.

Data Source

DO-EMS

Source Field

airEntCPUUtilizationSlowPath

Source Section

CPUUtilization (EntityUtilizationMIB)

AvgAirEntCPUUtilization

Average CPU Utilization over reporting interval

Data Source

DO-EMS

Source Field

airEntCPUUtilization

Source Section

CPUUtilization (EntityUtilizationMIB)

MaxAirEntCPUUtilization

Maximum CPU Utilization over reporting interval

Data Source

DO-EMS

Source Field

airEntCPUUtilization

Source Section

CPUUtilization (EntityUtilizationMIB)

MinAirEntCPUUtilization

Minimum CPU Utilization over reporting interval

Data Source

DO-EMS

Source Field

airEntCPUUtilization

Source Section

CPUUtilization (EntityUtilizationMIB)

DO_RNC_If Primitive Calculations

The following is a list of primitive calculations for the DO_RNC_If entity.

GRAPHmultiLineSeparator

Special Control Field for Multi-Line Graphs

Calculation

""

IfIn_utilization_sum

Total number of seconds in the link input utilization measurements

Calculation

```
vsum (IfInBin0percent, IfInBin10percent, IfInBin10percent,  
IfInBin20percent, IfInBin30percent, IfInBin40percent, IfInBin50percent,  
IfInBin60percent, IfInBin70percent, IfInBin80percent, IfInBin90percent, 0)
```

IfIn00_09%_Util

Percentage of time the link input utilization is between 0 and 9 percent of its capacity

Calculation

```
IfInBin0percent * 100.0 / IfIn_utilization_sum
```

IfIn10_19%_Util

Percentage of time the link input utilization is between 10 and 19 percent of its capacity

Calculation

$$\text{IfInBin10percent} * 100.0 / \text{IfIn_utilization_sum}$$

IfIn100%_Util

Percentage of time the link input utilization is at 100 percent of its capacity

Calculation

$$\text{IfInBin100percent} * 100.0 / \text{IfIn_utilization_sum}$$

IfIn20_29%_Util

Percentage of time the link input utilization is between 20 and 29 percent of its capacity

Calculation

$$\text{IfInBin20percent} * 100.0 / \text{IfIn_utilization_sum}$$

IfIn30_39%_Util

Percentage of time the link input utilization is between 30 and 39 percent of its capacity

Calculation

$$\text{IfInBin30percent} * 100.0 / \text{IfIn_utilization_sum}$$

IfIn40_49%_Util

Percentage of time the link input utilization is between 40 and 49 percent of its capacity

Calculation

$$\text{IfInBin40percent} * 100.0 / \text{IfIn_utilization_sum}$$

IfIn50_59%_Util

Percentage of time the link input utilization is between 50 and 59 percent of its capacity

Calculation

$$\text{IfInBin50percent} * 100.0 / \text{IfIn_utilization_sum}$$

IfIn60_69%_Util

Percentage of time the link input utilization is between 60 and 69 percent of its capacity

Calculation

$$\text{IfInBin60percent} * 100.0 / \text{IfIn_utilization_sum}$$

IfIn70_79%_Util

Percentage of time the link input utilization is between 70 and 79 percent of its capacity

Calculation

```
IfInBin70percent * 100.0 / IfIn_utilization_sum
```

IfIn80_89%_Util

Percentage of time the link input utilization is between 80 and 89 percent of its capacity

Calculation

```
IfInBin80percent * 100.0 / IfIn_utilization_sum
```

IfIn90_99%_Util

Percentage of time the link input utilization is between 90 and 99 percent of its capacity

Calculation

```
IfInBin90percent * 100.0 / IfIn_utilization_sum
```

IfOut_utilization_sum

Total number of seconds in the link output utilization measurements

Calculation

```
vsum (IfOutBin0percent, IfOutBin10percent, IfOutBin10percent,  
IfOutBin20percent, IfOutBin30percent, IfOutBin40percent, IfOutBin50percent,  
IfOutBin60percent, IfOutBin70percent, IfOutBin80percent, IfOutBin90percent,  
0)
```

IfOut00_09%_Util

Percentage of time the link output utilization is between 0 and 9 percent of its capacity

Calculation

```
IfOutBin0percent * 100.0 / IfOut_utilization_sum
```

IfOut10_19%_Util

Percentage of time the link output utilization is between 10 and 19 percent of its capacity

Calculation

```
IfOutBin10percent * 100.0 / IfOut_utilization_sum
```

IfOut100%_Util

Percentage of time the link output utilization is at 100 percent of its capacity

Calculation

$\text{IfOutBin100percent} * 100.0 / \text{IfOut_utilization_sum}$

IfOut20_29%_Util

Percentage of time the link output utilization is between 20 and 29 percent of its capacity

Calculation

$\text{IfOutBin20percent} * 100.0 / \text{IfOut_utilization_sum}$

IfOut30_39%_Util

Percentage of time the link output utilization is between 30 and 39 percent of its capacity

Calculation

$\text{IfOutBin30percent} * 100.0 / \text{IfOut_utilization_sum}$

IfOut40_49%_Util

Percentage of time the link output utilization is between 40 and 49 percent of its capacity

Calculation

$\text{IfOutBin40percent} * 100.0 / \text{IfOut_utilization_sum}$

IfOut50_59%_Util

Percentage of time the link output utilization is between 50 and 59 percent of its capacity

Calculation

$\text{IfOutBin50percent} * 100.0 / \text{IfOut_utilization_sum}$

IfOut60_69%_Util

Percentage of time the link output utilization is between 60 and 69 percent of its capacity

Calculation

$\text{IfOutBin60percent} * 100.0 / \text{IfOut_utilization_sum}$

IfOut70_79%_Util

Percentage of time the link output utilization is between 70 and 79 percent of its capacity

Calculation

$\text{IfOutBin70percent} * 100.0 / \text{IfOut_utilization_sum}$

IfOut80_89%_Util

Percentage of time the link output utilization is between 80 and 89 percent of its capacity

Calculation

$\text{IfOutBin80percent} * 100.0 / \text{IfOut_utilization_sum}$

IfOut90_99%_Util

Percentage of time the link output utilization is between 90 and 99 percent of its capacity

Calculation

$\text{IfOutBin90percent} * 100.0 / \text{IfOut_utilization_sum}$

NUMDAYS

of days in Report

Calculation

$\text{DAYSINREPORT}()$

NUMHOURS

of hours in Summation Data

Calculation

DO_RNC_If Peg Counts

The following is a list of peg counts for the DO_RNC_If entity.

IfInBin0percent

Number of seconds the link input utilization is between 0 and 9 percent of its capacity

Data Source

DO-EMS

Source Field

IfInBin0percent

Source Section

InterfaceUtilizationByPort (InterfaceEXMIB)

IfInBin100percent

Number of seconds the link input utilization is at 100 percent of its capacity

Data Source

DO-EMS

Source Field

IfInBin100percent

Source Section

InterfaceUtilizationByPort (InterfaceEXMIB)

IfInBin10percent

Number of seconds the link input utilization is between 10 and 19 percent of its capacity

Data Source

DO-EMS

Source Field

IfInBin10percent

Source Section

InterfaceUtilizationByPort (InterfaceEXMIB)

IfInBin20percent

Number of seconds the link input utilization is between 20 and 29 percent of its capacity

Data Source

DO-EMS

Source Field

IfInBin20percent

Source Section

InterfaceUtilizationByPort (InterfaceEXMIB)

IfInBin30percent

Number of seconds the link input utilization is between 30 and 39 percent of its capacity

Data Source

DO-EMS

Source Field

IfInBin30percent

Source Section

InterfaceUtilizationByPort (InterfaceEXMIB)

IfInBin40percent

Number of seconds the link input utilization is between 40 and 49 percent of its capacity

Data Source

DO-EMS

Source Field

IfInBin40percent

Source Section

InterfaceUtilizationByPort (InterfaceEXMIB)

IfInBin50percent

Number of seconds the link input utilization is between 50 and 59 percent of its capacity

Data Source

DO-EMS

Source Field

IfInBin50percent

Source Section

InterfaceUtilizationByPort (InterfaceEXMIB)

IfInBin60percent

Number of seconds the link input utilization is between 60 and 69 percent of its capacity

Data Source

DO-EMS

Source Field

IfInBin60percent

Source Section

InterfaceUtilizationByPort (InterfaceEXMIB)

IfInBin70percent

Number of seconds the link input utilization is between 70 and 79 percent of its capacity

Data Source

DO-EMS

Source Field

IfInBin70percent

Source Section

InterfaceUtilizationByPort (InterfaceEXMIB)

IfInBin80percent

Number of seconds the link input utilization is between 80 and 89 percent of its capacity

Data Source

DO-EMS

Source Field

IfInBin80percent

Source Section

InterfaceUtilizationByPort (InterfaceEXMIB)

IfInBin90percent

Number of seconds the link input utilization is between 90 and 99 percent of its capacity

Data Source

DO-EMS

Source Field

IfInBin90percent

Source Section

InterfaceUtilizationByPort (InterfaceEXMIB)

ifIndex

Interface index

Data Source

DO-EMS

Source Field

ifIndex

Source Section

InterfaceUtilizationByPort (RFC1213MIB)

IfOutBin0percent

Number of seconds the link output utilization is between 0 and 9 percent of its capacity

Data Source

DO-EMS

Source Field

IfOutBin0percent

Source Section

InterfaceUtilizationByPort (InterfaceEXMIB)

IfOutBin100percent

Number of seconds the link output utilization is at 100 percent of its capacity

Data Source

DO-EMS

Source Field

IfOutBin100percent

Source Section

InterfaceUtilizationByPort (InterfaceEXMIB)

IfOutBin10percent

Number of seconds the link output utilization is between 10 and 19 percent of its capacity

Data Source

DO-EMS

Source Field

IfOutBin10percent

Source Section

InterfaceUtilizationByPort (InterfaceEXMIB)

IfOutBin20percent

Number of seconds the link output utilization is between 20 and 29 percent of its capacity

Data Source

DO-EMS

Source Field

IfOutBin20percent

Source Section

InterfaceUtilizationByPort (InterfaceEXMIB)

IfOutBin30percent

Number of seconds the link output utilization is between 30 and 39 percent of its capacity

Data Source

DO-EMS

Source Field

IfOutBin30percent

Source Section

InterfaceUtilizationByPort (InterfaceEXMIB)

IfOutBin40percent

Number of seconds the link output utilization is between 40 and 49 percent of its capacity

Data Source

DO-EMS

Source Field

IfOutBin40percent

Source Section

InterfaceUtilizationByPort (InterfaceEXMIB)

IfOutBin50percent

Number of seconds the link output utilization is between 50 and 59 percent of its capacity

Data Source

DO-EMS

Source Field

IfOutBin50percent

Source Section

InterfaceUtilizationByPort (InterfaceEXMIB)

IfOutBin60percent

Number of seconds the link output utilization is between 60 and 69 percent of its capacity

Data Source

DO-EMS

Source Field

IfOutBin60percent

Source Section

InterfaceUtilizationByPort (InterfaceEXMIB)

IfOutBin70percent

Number of seconds the link output utilization is between 70 and 79 percent of its capacity

Data Source

DO-EMS

Source Field

IfOutBin70percent

Source Section

InterfaceUtilizationByPort (InterfaceEXMIB)

IfOutBin80percent

Number of seconds the link output utilization is between 80 and 89 percent of its capacity

Data Source

DO-EMS

Source Field

IfOutBin80percent

Source Section

InterfaceUtilizationByPort (InterfaceEXMIB)

IfOutBin90percent

Number of seconds the link output utilization is between 90 and 99 percent of its capacity

Data Source

DO-EMS

Source Field

IfOutBin90percent

Source Section

InterfaceUtilizationByPort (InterfaceEXMIB)

ifSpeed

An estimate of the interface's current bandwidth in kbps

Data Source

DO-EMS

Source Field

ifSpeed

Source Section

InterfaceUtilizationByPort (InterfaceEXMIB)

qosPktsDropBackgroundTrafficQueue

QOS packets dropped in background traffic queue

Data Source

DO-EMS

Source Field

qosPktsDropBackgroundTrafficQueue

Source Section

InterfaceUtilizationByPort (InterfaceEXMIB)

qosPktsDropCriticalQueue

QOS packets dropped in critical queue

Data Source

DO-EMS

Source Field

qosPktsDropCriticalQueue

Source Section

InterfaceUtilizationByPort (InterfaceEXMIB)

qosPktsDropDataQueue

QOS packets dropped in data queue

Data Source

DO-EMS

Source Field

qosPktsDropDataQueue

Source Section

InterfaceUtilizationByPort (InterfaceEXMIB)

qosPktsDropSignalingQueue

QOS packets dropped in signaling queue

Data Source

DO-EMS

Source Field

qosPktsDropSignalingQueue

Source Section

InterfaceUtilizationByPort (InterfaceEXMIB)

qosPktsTXBackgroundTrafficQueue

Number of packets sent from the Background Traffic queue.

Data Source

DO-EMS

Source Field

qosPktsTXBackgroundTrafficQueue

Source Section

InterfaceUtilizationByPort (InterfaceEXMIB)

qosPktsTxCriticalQueue

QOS packets transmitted in critical queue

Data Source

DO-EMS

Source Field

qosPktsTxCriticalQueue

Source Section

InterfaceUtilizationByPort (InterfaceEXMIB)

qosPktsTxDataQueue

QOS packets transmitted in data queue

Data Source

DO-EMS

Source Field

qosPktsTxDataQueue

Source Section

InterfaceUtilizationByPort (InterfaceEXMIB)

qosPktsTxSignalingQueue

QOS packets transmitted in signaling queue

Data Source

DO-EMS

Source Field

qosPktsTxSignalingQueue

Source Section

InterfaceUtilizationByPort (InterfaceEXMIB)

DO_RNC_Priority Primitive Calculations

The following is a list of primitive calculations for the DO_RNC_Priority entity.

GRAPHmultiLineSeparator

Special Control Field for Multi-Line Graphs

Calculation

""

NUMDAYS

of days in Report

Calculation

DAYSINREPORT ()

NUMHOURS

of hours in Summation Data

Calculation

DO_RNC_Priority Peg Counts

The following is a list of peg counts for the DO_RNC_Priority entity.

numberOfUserPerRnc

Number of users at this inter-user BE priority level on the RNC.

Data Source

DO-EMS

Source Field

numberOfUserPerRnc

Source Section

InterUserBEPriLevelPerfPerRnc (RNCQoSPerfMIB)

numTimesUserPriorityChangedPerRnc_TargetPriority0

Total number of times the RNC changes the users' inter-user BE priority level from the currentInterUserBEPriority to the targetInterUserBEPriority as a result of the updates received from the PDSN.

Data Source

DO-EMS

Source Field

numTimesUserPriorityChangedPerRnc where targetInterUserBEPriority=0

Source Section

InterUserBEPriChangePerfByRNC (RNCQoSPerfMIB)

numTimesUserPriorityChangedPerRnc_TargetPriority1

Total number of times the RNC changes the users' inter-user BE priority level from the currentInterUserBEPriority to the targetInterUserBEPriority as a result of the updates received from the PDSN.

Data Source

DO-EMS

Source Field

numTimesUserPriorityChangedPerRnc where targetInterUserBEPriority=1

Source Section

InterUserBEPriChangePerfByRNC (RNCQoSPerfMIB)

numTimesUserPriorityChangedPerRnc_TargetPriority2

Total number of times the RNC changes the users' inter-user BE priority level from the currentInterUserBEPriority to the targetInterUserBEPriority as a result of the updates received from the PDSN.

Data Source

DO-EMS

Source Field

numTimesUserPriorityChangedPerRnc where targetInterUserBEPriority=2

Source Section

InterUserBEPriChangePerfByRNC (RNCQoSPerfMIB)

numTimesUserPriorityChangedPerRnc_TargetPriority3

Total number of times the RNC changes the users' inter-user BE priority level from the currentInterUserBEPriority to the targetInterUserBEPriority as a result of the updates received from the PDSN.

Data Source

DO-EMS

Source Field

numTimesUserPriorityChangedPerRnc where targetInterUserBEPriority=3

Source Section

InterUserBEPriChangePerfByRNC (RNCQoSPerfMIB)

numTimesUserPriorityChangedPerRnc_TargetPriority4

Total number of times the RNC changes the users' inter-user BE priority level from the currentInterUserBEPriority to the targetInterUserBEPriority as a result of the updates received from the PDSN.

Data Source

DO-EMS

Source Field

numTimesUserPriorityChangedPerRnc where targetInterUserBEPriority=4

Source Section

InterUserBEPriChangePerfByRNC (RNCQoSPerfMIB)

numTimesUserPriorityChangedPerRnc_TargetPriority5

Total number of times the RNC changes the users' inter-user BE priority level from the currentInterUserBEPriority to the targetInterUserBEPriority as a result of the updates received from the PDSN.

Data Source

DO-EMS

Source Field

numTimesUserPriorityChangedPerRnc where targetInterUserBEPriority=5

Source Section

InterUserBEPriChangePerfByRNC (RNCQoSPerfMIB)

DO_RNC_QoSQueue Primitive Calculations

The following is a list of primitive calculations for the DO_RNC_QoSQueue entity.

GRAPHmultiLineSeparator

Special Control Field for Multi-Line Graphs

Calculation

""

NUMDAYS

of days in Report

Calculation

DAYSINREPORT ()

NUMHOURS

of hours in Summation Data

Calculation

DO_RNC_QosQueue Peg Counts

The following is a list of peg counts for the DO_RNC_QosQueue entity.

qosQueueDropThreshold

The drop threshold of the transmit priority queue (Unit : Bytes). This is not an OM, but for information.

Data Source

DO-EMS

Source Field

qosQueueDropThreshold

Source Section

QoSSTxPriorityUtilization (InterfaceEXMIB)

qosQueueLength

The current size of the transmit priority queue (Unit : Bytes).

Data Source

DO-EMS

Source Field

qosQueueLength

Source Section

QoSSTxPriorityUtilization (InterfaceEXMIB)

qosQueuePktsDrop

The number of packets dropped from the transmit priority queue.

Data Source

DO-EMS

Source Field

qosQueuePktsDrop

Source Section

QoSSTxPriorityUtilization (InterfaceEXMIB)

qosQueuePktsTx

The number of transmitted packets from the transmit priority queue.

Data Source

DO-EMS

Source Field

qosQueuePktsTx

Source Section

QoSSTxPriorityUtilization (InterfaceEXMIB)

DO_RNC_Source Primitive Calculations

The following is a list of primitive calculations for the DO_RNC_Source entity.

GRAPHmultiLineSeparator

Special Control Field for Multi-Line Graphs

Calculation

""

NUMDAYS

of days in Report

Calculation

DAYSINREPORT ()

NUMHOURS

of hours in Summation Data

Calculation

DO_RNC_Source Peg Counts

The following is a list of peg counts for the DO_RNC_Source entity.

a16RmtRncIpAddress

Remote RNC IP address.

Data Source

DO-EMS

Source Field

a16RmtRncIpAddress

Source Section

A16PerfByRemoteRNC (RNCA16MIB)

avgA13HoDelayPriorSessionSourceRncPerf

Average delay for prior session A13 Handoff for this source RNC

Data Source

DO-EMS

Source Field

avgA13HoDelayPriorSessionSourceRncPerf

Source Section

A13PerfSourceRNC (AirvanaRncA13MIB)

avgA13HoDelaySourceRncPerf

Average delay for A13 Handoff for this source RNC (from UATI Request to after receiving AT ID response)

Data Source

DO-EMS

Source Field

avgA13HoDelaySourceRncPerf

Source Section

A13PerfSourceRNC (AirvanaRncA13MIB)

colorCodeSourceRncPerf

color code

Data Source

DO-EMS

Source Field

colorCodeSourceRncPerf

Source Section

A13PerfSourceRNC (AirvanaRncA13MIB)

ipAddressSourceRncPerf

IP Address of the Source RNC.

Data Source

DO-EMS

Source Field

ipAddressSourceRncPerf

Source Section

A13PerfSourceRNC (AirvanaRncA13MIB)

maxA13HoDelayPriorSessionSourceRncPerf

Maximum delay for prior session A13 Handoff for this source RNC (from UATI Request to after receiving AT ID response)

Data Source

DO-EMS

Source Field

maxA13HoDelayPriorSessionSourceRncPerf

Source Section

A13PerfSourceRNC (AirvanaRncA13MIB)

maxA13HoDelaySourceRncPerf

Maximum delay for A13 Handoff for this source RNC (from UATI Request to after receiving AT ID response)

Data Source

DO-EMS

Source Field

maxA13HoDelaySourceRncPerf

Source Section

A13PerfSourceRNC (AirvanaRncA13MIB)

minA13HoDelayPriorSessionSourceRncPerf

Minimum delay for prior session A13 Handoff for this source RNC (from UATI Request to after receiving AT ID response)

Data Source

DO-EMS

Source Field

minA13HoDelayPriorSessionSourceRncPerf

Source Section

A13PerfSourceRNC (AirvanaRncA13MIB)

minA13HoDelaySourceRncPerf

Minimum delay for A13 Handoff for this source RNC (from UATI Request to after receiving AT ID response)

Data Source

DO-EMS

Source Field

minA13HoDelaySourceRncPerf

Source Section

A13PerfSourceRNC (AirvanaRncA13MIB)

numA13ConfirmIgnoredRemoteRncPerf

Total number of times A13-Session Information Confirm Messages were ignored due to A13 Confirm timeout.

Data Source

DO-EMS

Source Field

numA13ConfirmIgnoredRemoteRncPerf

Source Section

A13PerfSourceRNC (AirvanaRncA13MIB)

numA13FailuresRemoteRncAdminStatusDownPriorSessionRemoteRncPerf

Total number of prior-session A13-Dormant handoff attempts that fail on a DO-RNC / RNSM on the target RNC, due to the source RNC being in the "Admin down" state in the target RNC's peer RNC table.

Data Source

DO-EMS

Source Field

numA13FailuresRemoteRncAdminStatusDownPriorSessionRemoteRncPerf

Source Section

A13PerfSourceRNC (AirvanaRncA13MIB)

numA13FailuresRemoteRncAdminStatusDownRemoteRncPerf

Total number of regular A13-Dormant handoff attempts that fail on a DO-RNC / RNSM on the target RNC, due to the source RNC being in the "Admin down" state in the target RNC's peer RNC table.

Data Source

DO-EMS

Source Field

numA13FailuresRemoteRncAdminStatusDownRemoteRncPerf

Source Section

A13PerfSourceRNC (AirvanaRncA13MIB)

numA13IntraClusterAttemptsPriorSessionRemoteRncPerf

Number of intra cluster prior-session A13-Dormant handoff attempts on the DO-RNC.

Data Source

DO-EMS

Source Field

numA13IntraClusterAttemptsPriorSessionRemoteRncPerf

Source Section

A13PerfSourceRNC (AirvanaRncA13MIB)

numA13IntraClusterAttemptsRemoteRncPerf

Number of UATI initiated intra cluster regular A13-Dormant handoff attempts received by the DO-RNC.

Data Source

DO-EMS

Source Field

numA13IntraClusterAttemptsRemoteRncPerf

Source Section

A13PerfSourceRNC (AirvanaRncA13MIB)

numA13IntraClusterFailuresPriorSessionRemoteRncPerf

Number of intra cluster prior-session A13-Dormant handoff attempts that fail on a DO-RNC.

Data Source

DO-EMS

Source Field

numA13IntraClusterFailuresPriorSessionRemoteRncPerf

Source Section

A13PerfSourceRNC (AirvanaRncA13MIB)

numA13IntraClusterFailuresRemoteRncPerf

Number of UATI initiated intra cluster regular A13-Dormant handoff failures on the DO-RNC.

Data Source

DO-EMS

Source Field

numA13IntraClusterFailuresRemoteRncPerf

Source Section

A13PerfSourceRNC (AirvanaRncA13MIB)

numA13MsgsFromRemoteRNCRemoteRncPerf

A13-related (regular & prior-session) messages that are received on the RNSM by Source RNC.

Data Source

DO-EMS

Source Field

numA13MsgsFromRemoteRNCRemoteRncPerf

Source Section

A13PerfSourceRNC (AirvanaRncA13MIB)

numA13MsgsToRemoteRNCRemoteRncPerf

A13-related (regular & prior-session) messages that are transmitted from the RNSM by Source RNC.

Data Source

DO-EMS

Source Field

numA13MsgsToRemoteRNCRemoteRncPerf

Source Section

A13PerfSourceRNC (AirvanaRncA13MIB)

numA13RejectInvalidReasonPriorSessionSourceRncPerf

Number of times a prior session dormant handoff failed with A13 Reject with an invalid reason for this source RNC

Data Source

DO-EMS

Source Field

numA13RejectInvalidReasonPriorSessionSourceRncPerf

Source Section

A13PerfSourceRNC (AirvanaRncA13MIB)

numA13RejectInvalidReasonSourceRncPerf

Number of times a dormant handoff failed with A13 Reject with an invalid reason for this source RNC

Data Source

DO-EMS

Source Field

numA13RejectInvalidReasonSourceRncPerf

Source Section

A13PerfSourceRNC (AirvanaRncA13MIB)

numA13RejectProtSubtypeAttrMissingPriorSessionSourceRncPerf

Number of times a prior session dormant handoff failed with A13 Reject 'Protocol subtype attribute missing' for this source RNC

Data Source

DO-EMS

Source Field

numA13RejectProtSubtypeAttrMissingPriorSessionSourceRncPerf

Source Section

A13PerfSourceRNC (AirvanaRncA13MIB)

numA13RejectProtSubtypeAttrMissingSourceRncPerf

Number of times a dormant handoff failed with A13 Reject 'Protocol subtype attribute missing' for this source RNC

Data Source

DO-EMS

Source Field

numA13RejectProtSubtypeAttrMissingSourceRncPerf

Source Section

A13PerfSourceRNC (AirvanaRncA13MIB)

numA13RejectProtSubtypeAttrNotRecognizedPriorSessionSourceRncPerf

Number of times a prior session dormant handoff failed with A13 Reject 'Protocol subtype attribute not recognized' for this source RNC

Data Source

DO-EMS

Source Field

numA13RejectProtSubtypeAttrNotRecognizedPriorSessionSourceRncPerf

Source Section

A13PerfSourceRNC (AirvanaRncA13MIB)

numA13RejectProtSubtypeAttrNotRecognizedSourceRncPerf

Number of times a dormant handoff failed with A13 Reject 'Protocol subtype attribute not recognized' for this source RNC

Data Source

DO-EMS

Source Field

numA13RejectProtSubtypeAttrNotRecognizedSourceRncPerf

Source Section

A13PerfSourceRNC (AirvanaRncA13MIB)

numA13RejectProtSubtypeNotRecognizedPriorSessionSourceRncPerf

Number of times a prior session dormant handoff failed with A13 Reject 'Protocol subtype not recognized' for this source RNC

Data Source

DO-EMS

Source Field

numA13RejectProtSubtypeNotRecognizedPriorSessionSourceRncPerf

Source Section

A13PerfSourceRNC (AirvanaRncA13MIB)

numA13RejectProtSubtypeNotRecognizedSourceRncPerf

Number of times a dormant handoff failed with A13 Reject 'Protocol subtype not recognized' for this source RNC

Data Source

DO-EMS

Source Field

numA13RejectProtSubtypeNotRecognizedSourceRncPerf

Source Section

A13PerfSourceRNC (AirvanaRncA13MIB)

numA13RejectSessionNotAuthenticPriorSessionSourceRncPerf

Number of times a prior session dormant handoff failed with A13 Reject 'Authentication Failed' for this source RNC

Data Source

DO-EMS

Source Field

numA13RejectSessionNotAuthenticPriorSessionSourceRncPerf

Source Section

A13PerfSourceRNC (AirvanaRncA13MIB)

numA13RejectSessionNotAuthenticSourceRncPerf

Number of times a dormant handoff failed with A13 Reject 'Authentication Failed' for this source RNC

Data Source

DO-EMS

Source Field

numA13RejectSessionNotAuthenticSourceRncPerf

Source Section

A13PerfSourceRNC (AirvanaRncA13MIB)

numA13RejectSessionNotFoundPriorSessionSourceRncPerf

Number of times a prior session dormant handoff failed with A13 Reject 'Session not Found' for this source RNC

Data Source

DO-EMS

Source Field

numA13RejectSessionNotFoundPriorSessionSourceRncPerf

Source Section

A13PerfSourceRNC (AirvanaRncA13MIB)

numA13RejectSessionNotFoundSourceRncPerf

Number of times a dormant handoff failed with A13 Reject 'Session not Found' for this source RNC

Data Source

DO-EMS

Source Field

numA13RejectSessionNotFoundSourceRncPerf

Source Section

A13PerfSourceRNC (AirvanaRncA13MIB)

numA13ReqTimeoutPriorSessionSourceRncPerf

Number of times a prior session dormant handoff failed due to no A13 Response from this source RNC

Data Source

DO-EMS

Source Field

numA13ReqTimeoutPriorSessionSourceRncPerf

Source Section

A13PerfSourceRNC (AirvanaRncA13MIB)

numA13ReqTimeoutSourceRncPerf

Number of times a dormant handoff failed due to no A13 Response from this source RNC

Data Source

DO-EMS

Source Field

numA13ReqTimeoutSourceRncPerf

Source Section

A13PerfSourceRNC (AirvanaRncA13MIB)

numA13RequestsIgnoredRemoteRncAdminStatusDownRemoteRncPerf

Number of A13-Session Information Request messages ignored because the target RNC is listed as "Admin down" on this DO-RNC's peer RNC table.

Data Source

DO-EMS

Source Field

numA13RequestsIgnoredRemoteRncAdminStatusDownRemoteRncPerf

Source Section

A13PerfSourceRNC (AirvanaRncA13MIB)

numA13RequestsIgnoredRemoteRncNotConfiguredRemoteRncPerf

Total number of times A13-Session Information Request Messages were ignored by the source RNC because the target RNC is not configured in the Peer RNC Table.

Data Source

DO-EMS

Source Field

numA13RequestsIgnoredRemoteRncNotConfiguredRemoteRncPerf

Source Section

A13PerfSourceRNC (AirvanaRncA13MIB)

numA13RequestsReTransmittedRemoteRncPerf

Total number of times that the A13-Session Information Request Messages were retransmitted to the Peer RNC by the DO-RNC / RNSM.

Data Source

DO-EMS

Source Field

numA13RequestsReTransmittedRemoteRncPerf

Source Section

A13PerfSourceRNC (AirvanaRncA13MIB)

numA13ResponsesSentActivePersonliltyRev0RemoteRncPerf

Total Number of A13-Session Information Response Messages sent when AT's current personality is Rev-0.

Data Source

DO-EMS

Source Field

numA13ResponsesSentActivePersonliltyRev0RemoteRncPerf

Source Section

A13PerfSourceRNC (AirvanaRncA13MIB)

numA13ResponsesSentActivePersonliltyRevARemoteRncPerf

Total Number of A13-Session Information Response Messages sent when AT's current personality is Rev-A.

Data Source

DO-EMS

Source Field

numA13ResponsesSentActivePersonliltyRevARemoteRncPerf

Source Section

A13PerfSourceRNC (AirvanaRncA13MIB)

numA13ResponsesSentDummyPdsnRemoteRncPerf

Number of A13-Session Information Response Messages sent with dummy PDSN address, in case of where source RNC was about to open an A10 when an A13-Session Information Request Message was received from target RNC.

Data Source

DO-EMS

Source Field

numA13ResponsesSentDummyPdsnRemoteRncPerf

Source Section

A13PerfSourceRNC (AirvanaRncA13MIB)

numA13SessMarkedForReNegotiationDifflosVersionPriorSessionRemoteRncPerf

Number of times a Prior Session dormant handoff session is marked for renegotiation after successful A13 handoff because the response is received on a TIA-878-1 version A13 interface.

Data Source

DO-EMS

Source Field

numA13SessMarkedForReNegotiationDiffIosVersionPriorSessionRemoteRncPerf

Source Section

A13PerfSourceRNC (AirvanaRncA13MIB)

numA13SessMarkedForReNegotiationDiffIosVersionRemoteRncPerf

Number of times a UATI initiated dormant handoff session is marked for renegotiation after successful A13 handoff because the response is received on a TIA-878-1 version A13 interface.

Data Source

DO-EMS

Source Field

numA13SessMarkedForReNegotiationDiffIosVersionRemoteRncPerf

Source Section

A13PerfSourceRNC (AirvanaRncA13MIB)

numA13SessMarkedForReNegotiationDiffIosVersionTotalRemoteRncPerf

Number of times a UATI initiated dormant handoff session is marked for renegotiation after successful A13 handoff because the response is received on a TIA-878-1 version A13 interface.

Data Source

DO-EMS

Source Field

numA13SessMarkedForReNegotiationDiffIosVersionTotalRemoteRncPerf

Source Section

A13PerfSourceRNC (AirvanaRncA13MIB)

numA13SessReconfResultNoOperationPriorSessionRemoteRncPerf

Number of times a Prior Session dormant handoff session is marked for renegotiation after successful A13 handoff because the response is received on a TIA-878-1 version A13 interface resulted in no operation after marked for re configuration.

Data Source

DO-EMS

Source Field

numA13SessReconfResultNoOperationPriorSessionRemoteRncPerf

Source Section

A13PerfSourceRNC (AirvanaRncA13MIB)

numA13SessReconfResultNoOperationRemoteRncPerf

Number of times a UATI initiated dormant handoff session that is marked for renegotiation after successful A13 handoff because the response is received on a TIA-878-1 version A13 interface resulted in no operation after marked for re configuration.

Data Source

DO-EMS

Source Field

numA13SessReconfResultNoOperationRemoteRncPerf

Source Section

A13PerfSourceRNC (AirvanaRncA13MIB)

numA13SessReconfResultPersonalityChangeRevAPriorSessionRemoteRncPerf

Number of times a Prior Session dormant handoff session is marked for renegotiation after successful A13 handoff because the response is received on a TIA-878-1 version A13 interface resulted in Rev-A personality after reconfiguration.

Data Source

DO-EMS

Source Field

numA13SessReconfResultPersonalityChangeRevAPriorSessionRemoteRncPerf

Source Section

A13PerfSourceRNC (AirvanaRncA13MIB)

numA13SessReconfResultPersonalityChangeRevARemoteRncPerf

Number of times a UATI initiated dormant handoff session that is marked for renegotiation after successful A13 handoff because the response is received on a TIA-878-1 version A13 interface resulted in Rev-A personality after reconfiguration.

Data Source

DO-EMS

Source Field

numA13SessReconfResultPersonalityChangeRevARemoteRncPerf

Source Section

A13PerfSourceRNC (AirvanaRncA13MIB)

numA13SessReconfResultPersonalityChangeRevATotalRemoteRncPerf

Number of times a UATI initiated dormant handoff session that is marked for renegotiation after successful A13 handoff because the response is received on a TIA-878-1 version A13 interface resulted in Rev-A personality after reconfiguration.

Data Source

DO-EMS

Source Field

numA13SessReconfResultPersonalityChangeRevATotalRemoteRncPerf

Source Section

A13PerfSourceRNC (AirvanaRncA13MIB)

numA13TotalRejectPriorSessionSourceRncPerf

Total Number of times a prior session A13 dormant handoff for this source RNC failed with an A13 Reject response

Data Source

DO-EMS

Source Field

numA13TotalRejectPriorSessionSourceRncPerf

Source Section

A13PerfSourceRNC (AirvanaRncA13MIB)

numA13TotalRejectSourceRncPerf

Total Number of times a regular A13 dormant handoff for this source RNC failed with an A13 Reject response

Data Source

DO-EMS

Source Field

numA13TotalRejectSourceRncPerf

Source Section

A13PerfSourceRNC (AirvanaRncA13MIB)

numA16AbortsATLostR

Number of A16 session transfer attempts from the source RNC with the specific remote (target) RNC that have been aborted with the reason code 03, which is "AT lost". This OM is pegged on the source RNC.

Data Source

DO-EMS

Source Field

numA16AbortsATLostR

Source Section

A16PerfByRemoteRNC (RNCA16MIB)

numA16AbortsConnRelR

Number of A16 session transfer attempts from the source RNC with the specific remote (target) RNC that have been aborted with the reason code 02, which is "Connection Release". This OM is pegged on the source RNC.

Data Source

DO-EMS

Source Field

numA16AbortsConnRelR

Source Section

A16PerfByRemoteRNC (RNCA16MIB)

numA16AbortsGeneralR

Number of A16 session transfer attempts from the source RNC with the specific remote (target) RNC that have been aborted with the reason code 00, which is "No reason specified". This OM is pegged on the source RNC.

Data Source

DO-EMS

Source Field

numA16AbortsGeneralR

Source Section

A16PerfByRemoteRNC (RNCA16MIB)

numA16AbortsR

Number of A16 session transfer attempts from the source RNC with the specific remote (target) RNC that have been aborted.

Data Source

DO-EMS

Source Field

numA16AbortsR

Source Section

A16PerfByRemoteRNC (RNCA16MIB)

numA16AbortsRsvdR

Number of A16 session transfer attempts from the source RNC with the specific remote (target) RNC that have been aborted with a reason code other than those specified above. This OM is pegged on the source RNC.

Data Source

DO-EMS

Source Field

numA16AbortsRsvdR

Source Section

A16PerfByRemoteRNC (RNCA16MIB)

numA16AbortsTimeoutR

Number of A16 session transfer attempts from the source RNC with the specific remote (target) RNC that have been aborted with the reason code 01, which is "Timeout". This OM is pegged on the source RNC.

Data Source

DO-EMS

Source Field

numA16AbortsTimeoutR

Source Section

A16PerfByRemoteRNC (RNCA16MIB)

numA16AttemptsR

Number of outgoing A16 session transfer attempts made by the source RNC with the specified remote (target) RNC.

Data Source

DO-EMS

Source Field

numA16AttemptsR

Source Section

A16PerfByRemoteRNC (RNCA16MIB)

numA16RejectsEquipmentR

Number of A16 session transfer attempts from the source RNC that have been rejected by the specific remote (target) RNC with the reason code "04", which is "Equipment failures". This OM is pegged on the source RNC.

Data Source

DO-EMS

Source Field

numA16RejectsEquipmentR

Source Section

A16PerfByRemoteRNC (RNCA16MIB)

numA16RejectsGeneralR

Number of A16 session transfer attempts from the source RNC that have been rejected by the specific remote (target) RNC with the reason code "00", which is "No reason specified". This OM is pegged on the source RNC.

Data Source

DO-EMS

Source Field

numA16RejectsGeneralR

Source Section

A16PerfByRemoteRNC (RNCA16MIB)

numA16RejectsNetworkR

Number of A16 session transfer attempts from the source RNC that have been rejected by the specific remote (target) RNC with the reason code "03", which is "Insufficient network resources in the target AN to support the session".

Data Source

DO-EMS

Source Field

numA16RejectsNetworkR

Source Section

A16PerfByRemoteRNC (RNCA16MIB)

numA16RejectsR

Number of A16 session transfer attempts from the source RNC that have been rejected by the specific remote (target) RNC.

Data Source

DO-EMS

Source Field

numA16RejectsR

Source Section

A16PerfByRemoteRNC (RNCA16MIB)

numA16RejectsRadioR

Number of A16 session transfer attempts from the source RNC that have been rejected by the specific remote (target) RNC with the reason code "02", which is "Insufficient radio resources in the target AN to support session".

Data Source

DO-EMS

Source Field

numA16RejectsRadioR

Source Section

A16PerfByRemoteRNC (RNCA16MIB)

numA16RejectsRsvdR

Number of A16 session transfer attempts from the source RNC that have been rejected by the specific remote (target) RNC with a reason code other than those specified above. This OM is pegged on the source RNC.

Data Source

DO-EMS

Source Field

numA16RejectsRsvdR

Source Section

A16PerfByRemoteRNC (RNCA16MIB)

numA16RejectsSsirR

Number of A16 session transfer attempts from the source RNC that have been rejected by the specific remote (target) RNC with the reason code "01", which is "The Target AN cannot support some Session State Information Records.

Data Source

DO-EMS

Source Field

numA16RejectsSsirR

Source Section

A16PerfByRemoteRNC (RNCA16MIB)

numA16SuccessR

Number of successful outgoing A16 session transfers made by the source RNC with the specified remote (target) RNC.

Data Source

DO-EMS

Source Field

numA16SuccessR

Source Section

A16PerfByRemoteRNC (RNCA16MIB)

numA16SuppSrcDemarcR

Number of A16 session transfer triggers on the source RNC with the specific remote (target) RNC which have been suppressed because the session has not crossed demarcation point yet. This OM is pegged on the source RNC.

Data Source

DO-EMS

Source Field

numA16SuppSrcDemarcR

Source Section

A16PerfByRemoteRNC (RNCA16MIB)

numA16SuppSrcDisabledR

Number of A16 session transfer triggers on the source RNC with the specific remote (target) RNC which have been suppressed due to A16 being disabled globally on the source RNC. This OM is pegged on the source RNC.

Data Source

DO-EMS

Source Field

numA16SuppSrcDisabledR

Source Section

A16PerfByRemoteRNC (RNCA16MIB)

numA16SuppSrcRmtDisabledR

Number of A16 session transfer triggers on the source RNC with the specific remote (target) RNC which have been suppressed due to A16 being disabled with that particular remote RNC. This OM is pegged on the source RNC.

Data Source

DO-EMS

Source Field

numA16SuppSrcRmtDisabledR

Source Section

A16PerfByRemoteRNC (RNCA16MIB)

numA16SuppSrcRnSwR

Number of A16 session transfer triggers on the source RNC with the specific remote (target) RNC which have been suppressed because at least one of the DOMs in the active set is running pre-6.0 software.

Data Source

DO-EMS

Source Field

numA16SuppSrcRnSwR

Source Section

A16PerfByRemoteRNC (RNCA16MIB)

numA16SuppSrcSessCfgR

Number of A16 session transfer triggers on the source RNC with the specific remote (target) RNC which have been suppressed due to the session being in the middle of configuration. This OM is pegged on the source RNC.

Data Source

DO-EMS

Source Field

numA16SuppSrcSessCfgR

Source Section

A16PerfByRemoteRNC (RNCA16MIB)

numA16SuppTgtDisabledR

Number of A16 session transfer requests from the specific remote (source) RNC which have been suppressed on this RNC due to A16 being disabled globally on this RNC. This OM is pegged on the target RNC.

Data Source

DO-EMS

Source Field

numA16SuppTgtDisabledR

Source Section

A16PerfByRemoteRNC (RNCA16MIB)

numA16SuppTgtRmtDisabledR

Number of A16 session transfer requests from the specific remote (source) RNC which have been suppressed on this RNC due to A16 being disabled with that particular remote RNC. This OM is pegged on the target RNC.

Data Source

DO-EMS

Source Field

numA16SuppTgtRmtDisabledR

Source Section

A16PerfByRemoteRNC (RNCA16MIB)

numA16TimeoutR

Number of A16 session transfer attempts from the source RNC with the specific remote (target) RNC that have timed out without getting any response from the target RNC.

Data Source

DO-EMS

Source Field

numA16TimeoutR

Source Section

A16PerfByRemoteRNC (RNCA16MIB)

numDormantHandoffAttemptsPriorSessionSourceRncPerf

Number of times a prior session dormant handoff was attempted from this source RNC

Data Source

DO-EMS

Source Field

numDormantHandoffAttemptsPriorSessionSourceRncPerf

Source Section

A13PerfSourceRNC (AirvanaRncA13MIB)

numDormantHandoffAttemptsSourceRncPerf

Number of times a dormant handoff was attempted from the local RNC to this source RNC

Data Source

DO-EMS

Source Field

numDormantHandoffAttemptsSourceRncPerf

Source Section

A13PerfSourceRNC (AirvanaRncA13MIB)

numDormantHandoffFailureAtIdResponseFailurePriorSessionSourceRncPerf

Number of times a prior session A13 dormant handoff for this source RNC failed due to no AT ID response after receiving A13 Response

Data Source

DO-EMS

Source Field

numDormantHandoffFailureAtIdResponseFailurePriorSessionSourceRncPerf

Source Section

A13PerfSourceRNC (AirvanaRncA13MIB)

numDormantHandoffFailureAtIdResponseFailureSourceRncPerf

Number of times a regular A13 dormant handoff for this source RNC failed due to AT ID response failure after receiving A13 Response

Data Source

DO-EMS

Source Field

numDormantHandoffFailureAtIdResponseFailureSourceRncPerf

Source Section

A13PerfSourceRNC (AirvanaRncA13MIB)

numDormantHandoffFailureAtIdTimeoutPriorSessionSourceRncPerf

Number of times a prior session A13 dormant handoff for this source RNC failed due to no AT ID response after receiving A13 Response

Data Source

DO-EMS

Source Field

numDormantHandoffFailureAtIdTimeoutPriorSessionSourceRncPerf

Source Section

A13PerfSourceRNC (AirvanaRncA13MIB)

numDormantHandoffFailureAtIdTimeoutSourceRncPerf

Number of times a regular A13 dormant handoff for this source RNC failed due to no AT ID response after receiving A13 Response

Data Source

DO-EMS

Source Field

numDormantHandoffFailureAtIdTimeoutSourceRncPerf

Source Section

A13PerfSourceRNC (AirvanaRncA13MIB)

numDormantHandoffFailureATInitiatedClosePriorSessionSourceRncPerf

Number of times a prior session A13 dormant handoff for this source RNC failed due to an AT initiated session close

Data Source

DO-EMS

Source Field

numDormantHandoffFailureATInitiatedClosePriorSessionSourceRncPerf

Source Section

A13PerfSourceRNC (AirvanaRncA13MIB)

numDormantHandoffFailureATInitiatedCloseSourceRncPerf

Number of times a regular A13 dormant handoff for this source RNC failed due to an AT initiated session close

Data Source

DO-EMS

Source Field

numDormantHandoffFailureATInitiatedCloseSourceRncPerf

Source Section

A13PerfSourceRNC (AirvanaRncA13MIB)

numDormantHandoffFailureHdwIdTimeoutPriorSessionSourceRncPerf

Number of times a prior session dormant handoff failed due to Hardware ID after receiving A13 Response from this source RNC

Data Source

DO-EMS

Source Field

numDormantHandoffFailureHdwIdTimeoutPriorSessionSourceRncPerf

Source Section

A13PerfSourceRNC (AirvanaRncA13MIB)

numDormantHandoffFailureHdwIdTimeoutSourceRncPerf

Number of times a dormant handoff failed due to Hardware ID after receiving A13 Response from this source RNC

Data Source

DO-EMS

Source Field

numDormantHandoffFailureHdwIdTimeoutSourceRncPerf

Source Section

A13PerfSourceRNC (AirvanaRncA13MIB)

numDormantHandoffFailureInvalidHdwIdTypePriorSessionSourceRncPerf

Number of times a prior session A13 dormant handoff for this source RNC failed due to invalid Hardware ID type after receiving A13 Response

Data Source

DO-EMS

Source Field

numDormantHandoffFailureInvalidHdwIdTypePriorSessionSourceRncPerf

Source Section

A13PerfSourceRNC (AirvanaRncA13MIB)

numDormantHandoffFailureInvalidHdwIdTypeSourceRncPerf

Number of times a regular A13 dormant handoff for this source RNC failed due to invalid Hardware ID type after receiving A13 Response

Data Source

DO-EMS

Source Field

numDormantHandoffFailureInvalidHdwIdTypeSourceRncPerf

Source Section

A13PerfSourceRNC (AirvanaRncA13MIB)

numDormantHandoffFailureInvalidHdwIdValuePriorSessionSourceRncPerf

Number of times a prior session A13 dormant handoff for this source RNC failed due to invalid Hardware ID value after receiving A13 Response

Data Source

DO-EMS

Source Field

numDormantHandoffFailureInvalidHdwIdValuePriorSessionSourceRncPerf

Source Section

A13PerfSourceRNC (AirvanaRncA13MIB)

numDormantHandoffFailureInvalidHdwIdValueSourceRncPerf

Number of times a regular A13 dormant handoff for this source RNC failed due to invalid Hardware ID value after receiving A13 Response

Data Source

DO-EMS

Source Field

numDormantHandoffFailureInvalidHdwIdValueSourceRncPerf

Source Section

A13PerfSourceRNC (AirvanaRncA13MIB)

numDormantHandoffFailureInvalidUatiCmpltSourceRncPerf

Number of times a regular A13 dormant handoff for this source RNC failed due to UATI Complete Message from the AT being invalid after receiving A13 Response.

Data Source

DO-EMS

Source Field

numDormantHandoffFailureInvalidUatiCmpltSourceRncPerf

Source Section

A13PerfSourceRNC (AirvanaRncA13MIB)

numDormantHandoffFailureMiscPriorSessionSourceRncPerf

Number of times a prior session dormant handoff failed due to internal errors on the target RNC for this source RNC

Data Source

DO-EMS

Source Field

numDormantHandoffFailureMiscPriorSessionSourceRncPerf

Source Section

A13PerfSourceRNC (AirvanaRncA13MIB)

numDormantHandoffFailureMiscSourceRncPerf

Number of times a dormant handoff failed due to internal errors on the target RNC for this source RNC

Data Source

DO-EMS

Source Field

numDormantHandoffFailureMiscSourceRncPerf

Source Section

A13PerfSourceRNC (AirvanaRncA13MIB)

numDormantHandoffFailureNoRncResourceSourceRncPerf

Number of times a regular A13 dormant handoff for this source RNC failed because of no RNC resources available

Data Source

DO-EMS

Source Field

numDormantHandoffFailureNoRncResourceSourceRncPerf

Source Section

A13PerfSourceRNC (AirvanaRncA13MIB)

numDormantHandoffFailureNoUatiCmpltSourceRncPerf

Number of times a dormant handoff failed due to no UATI Complete Message from the AT after receiving A13 Response from this source RNC

Data Source

DO-EMS

Source Field

numDormantHandoffFailureNoUatiCmpltSourceRncPerf

Source Section

A13PerfSourceRNC (AirvanaRncA13MIB)

numDormantHandoffFailureNoUatiReqSourceRncPerf

Number of times a dormant handoff failed due to UATI Request never received after receiving a message with a foreign UATI with color code corresponding to this source RNC

Data Source

DO-EMS

Source Field

numDormantHandoffFailureNoUatiReqSourceRncPerf

Source Section

A13PerfSourceRNC (AirvanaRncA13MIB)

numDormantHandoffFailureRetrievedConfigUnacceptablePriorSessionSourceRncPerf

Number of times a prior session dormant handoff failed due to retrieved config attributes being unacceptable from this source RNC

Data Source

DO-EMS

Source Field

numDormantHandoffFailureRetrievedConfigUnacceptablePriorSessionSourceRncPerf

Source Section

A13PerfSourceRNC (AirvanaRncA13MIB)

numDormantHandoffFailureRetrievedConfigUnacceptableSourceRncPerf

Number of times a dormant handoff failed due to retrieved config attributes being unacceptable from this source RNC

Data Source

DO-EMS

Source Field

numDormantHandoffFailureRetrievedConfigUnacceptableSourceRncPerf

Source Section

A13PerfSourceRNC (AirvanaRncA13MIB)

numDormantHandoffFailureRNCInitiatedClosePriorSessionSourceRncPerf

Number of times a prior session A13 dormant handoff for this source RNC failed due to an RNC initiated session close

Data Source

DO-EMS

Source Field

numDormantHandoffFailureRNCInitiatedClosePriorSessionSourceRncPerf

Source Section

A13PerfSourceRNC (AirvanaRncA13MIB)

numDormantHandoffFailureRNCInitiatedCloseSourceRncPerf

Number of times a regular A13 dormant handoff for this source RNC failed due to an RNC initiated session close

Data Source

DO-EMS

Source Field

numDormantHandoffFailureRNCInitiatedCloseSourceRncPerf

Source Section

A13PerfSourceRNC (AirvanaRncA13MIB)

numDormantHandoffFailureSessionConfigDuringInitialConfigPriorSessionSourceRncPerf

Number of times a prior session A13 dormant handoff for this source RNC failed due to a session config failure while a prior-session configuration is in progress

Data Source

DO-EMS

Source Field

numDormantHandoffFailureSessionConfigDuringInitialConfigPriorSessionSourceRncPerf

Source Section

A13PerfSourceRNC (AirvanaRncA13MIB)

numDormantHandoffFailureSessionConfigDuringReconfigurationPriorSessionSourceRncPerf

Number of times a prior session A13 dormant handoff for this source RNC failed due to a session reconfiguration failure

Data Source

DO-EMS

Source Field

numDormantHandoffFailureSessionConfigDuringReconfigurationPriorSessionSourceRncPerf

Source Section

A13PerfSourceRNC (AirvanaRncA13MIB)

numDormantHandoffFailureSessionConfigDuringReconfigurationSourceRncPerf

Number of times a regular A13 dormant handoff for this source RNC failed due to a session reconfiguration failure

Data Source

DO-EMS

Source Field

numDormantHandoffFailureSessionConfigDuringReconfigurationSourceRncPerf

Source Section

A13PerfSourceRNC (AirvanaRncA13MIB)

numDormantHandoffFailureSourceUnreachablePriorSessionSourceRncPerf

Number of times a prior session dormant handoff failed due to problems sending A13 request on the socket to the source RNC

Data Source

DO-EMS

Source Field

numDormantHandoffFailureSourceUnreachablePriorSessionSourceRncPerf

Source Section

A13PerfSourceRNC (AirvanaRncA13MIB)

numDormantHandoffFailureSourceUnreachableSourceRncPerf

Number of times a dormant handoff failed due to problems sending A13 request on the socket to the source RNC

Data Source

DO-EMS

Source Field

numDormantHandoffFailureSourceUnreachableSourceRncPerf

Source Section

A13PerfSourceRNC (AirvanaRncA13MIB)

numDormantHandoffFailureTAAfterA13RspPriorSessionSourceRncPerf

Number of times a prior session dormant handoff failed due to TA failing at the target following a successful A13 retrieval.

Data Source

DO-EMS

Source Field

numDormantHandoffFailureTAAfterA13RspPriorSessionSourceRncPerf

Source Section

A13PerfSourceRNC (AirvanaRncA13MIB)

numDormantHandoffFailureTAAfterA13RspSourceRncPerf

Number of times a dormant handoff failed due to TA failing at the target following a successful A13 retrieval.

Data Source

DO-EMS

Source Field

numDormantHandoffFailureTAAfterA13RspSourceRncPerf

Source Section

A13PerfSourceRNC (AirvanaRncA13MIB)

numDormantHandoffFailureToSourceLookupFailurePriorSessionSourceRncPerf

Number of times a prior session dormant handoff failed due to source RNC lookup failure for this source RNC

Data Source

DO-EMS

Source Field

numDormantHandoffFailureToSourceLookupFailurePriorSessionSourceRncPerf

Source Section

A13PerfSourceRNC (AirvanaRncA13MIB)

numDormantHandoffFailureToSourceLookupFailureSourceRncPerf

Number of times a dormant handoff failed due to source RNC lookup failure for this source RNC

Data Source

DO-EMS

Source Field

numDormantHandoffFailureToSourceLookupFailureSourceRncPerf

Source Section

A13PerfSourceRNC (AirvanaRncA13MIB)

numDormantHandoffFailureUati104MatchesLocalSubnetPriorSessionSourceRncPerf

Number of times a prior session A13 dormant handoff for this source RNC failed because prior session UATI-104 from the AT matches the local subnet

Data Source

DO-EMS

Source Field

numDormantHandoffFailureUati104MatchesLocalSubnetPriorSessionSourceRncPerf

Source Section

A13PerfSourceRNC (AirvanaRncA13MIB)

numDormantHandoffFailureUati104SourceRncPerf

Number of times a dormant handoff failed due to a mismatch in UATI-104 retrieved from the AT, for this source RNC

Data Source

DO-EMS

Source Field

numDormantHandoffFailureUati104SourceRncPerf

Source Section

A13PerfSourceRNC (AirvanaRncA13MIB)

numDormantHandoffNoUatiReqAttemptsSourceRncPerf

The number of A13 Dormant Handoff attempts that are initiated by an ACH signaling packet with a foreign UATI.

Data Source

DO-EMS

Source Field

numDormantHandoffNoUatiReqAttemptsSourceRncPerf

Source Section

A13PerfSourceRNC (AirvanaRncA13MIB)

numDormantHandoffNoUatiReqFailureSourceRncPerf

The number of times an A13 dormant handoff that is initiated by a ACH message with a foreign UATI message (no subsequent UATIRequest message) resulted in a failure.

Data Source

DO-EMS

Source Field

numDormantHandoffNoUatiReqFailureSourceRncPerf

Source Section

A13PerfSourceRNC (AirvanaRncA13MIB)

numDormantHandoffNoUatiReqSuccessesSourceRncPerf

The number of times an A13 dormant handoff that is initiated by a ACH message with a foreign UATI message (no subsequent UATIRequest message) is successful.

Data Source

DO-EMS

Source Field

numDormantHandoffNoUatiReqSuccessesSourceRncPerf

Source Section

A13PerfSourceRNC (AirvanaRncA13MIB)

numDormantHandoffSuccessesPriorSessionSourceRncPerf

Number of times a prior session dormant handoff was successful from this source RNC

Data Source

DO-EMS

Source Field

numDormantHandoffSuccessesPriorSessionSourceRncPerf

Source Section

A13PerfSourceRNC (AirvanaRncA13MIB)

numDormantHandoffSuccessesSourceRncPerf

Number of times a dormant handoff succeeded from this source RNC

Data Source

DO-EMS

Source Field

numDormantHandoffSuccessesSourceRncPerf

Source Section

A13PerfSourceRNC (AirvanaRncA13MIB)

numRejectSentSessionNotFoundToPeerRNCRemoteRncPerf

Number of A13-Session Information Reject messages sent because the requested session cannot be found on this DO-RNC.

Data Source

DO-EMS

Source Field

numRejectSentSessionNotFoundToPeerRNCRemoteRncPerf

Source Section

A13PerfSourceRNC (AirvanaRncA13MIB)

numSessCfgPostA13ReconfNeededPriorSessionSourceRncPerf

The total number of times the Session Configuration State Machine performs a re-negotiation of the protocols associated with a prior session A13-Dormant handoff retrieved session.

Data Source

DO-EMS

Source Field

numSessCfgPostA13ReconfNeededPriorSessionSourceRncPerf

Source Section

A13PerfSourceRNC (AirvanaRncA13MIB)

numSessCfgPostA13ReconfNeededSourceRncPerf

The total number of times the Session Configuration State Machine performs a re-negotiation of the protocols associated with an A13-Dormant handoff retrieved session.

Data Source

DO-EMS

Source Field

numSessCfgPostA13ReconfNeededSourceRncPerf

Source Section

A13PerfSourceRNC (AirvanaRncA13MIB)

numTotalDormantHandoffFailurePriorSessionSourceRncPerf

Total Number of times a prior session A13 dormant handoff for this source RNC failed

Data Source

DO-EMS

Source Field

numTotalDormantHandoffFailurePriorSessionSourceRncPerf

Source Section

A13PerfSourceRNC (AirvanaRncA13MIB)

numTotalDormantHandoffFailureSourceRncPerf

Total Number of times a regular A13 dormant handoff for this source RNC failed

Data Source

DO-EMS

Source Field

numTotalDormantHandoffFailureSourceRncPerf

Source Section

A13PerfSourceRNC (AirvanaRncA13MIB)

numTotalRejectSentToRemoteRNC

Total number of A13-Session Information Reject messages sent by this DO?RNC to the target RNC.

Data Source

DO-EMS

Source Field

numTotalRejectSentToRemoteRNC

Source Section

A13PerfSourceRNC (AirvanaRncA13MIB)

DO_RNC_TrafficType Primitive Calculations

The following is a list of primitive calculations for the DO_RNC_TrafficType entity.

GRAPHmultiLineSeparator

Special Control Field for Multi-Line Graphs

Calculation

""

NUMDAYS

of days in Report

Calculation

DAYSINREPORT ()

NUMHOURS

of hours in Summation Data

DO_RNC_TrafficType Peg Counts

The following is a list of peg counts for the DO_RNC_TrafficType entity.

numCallCloseAppTrafficPerRnc

Sum of the events pegged by the OMs "numCallDropsAppTrafficPerRnc" and "numCallNormalCloseAppTrafficPerRnc".

Data Source

DO-EMS

Source Field

numCallCloseAppTrafficPerRnc

Source Section

QoSTrafficTypePerf (RNCQoSPerfMIB)

numCallDropsAppTrafficPerRnc

Number of traffic type dropped connections.

Data Source

DO-EMS

Source Field

numCallDropsAppTrafficPerRnc

Source Section

QoSTrafficTypePerf (RNCQoSPerfMIB)

numCallNormalCloseAppTrafficPerRnc

Number of normal traffic type connection closes.

Data Source

DO-EMS

Source Field

numCallNormalCloseAppTrafficPerRnc

Source Section

QoSTrafficTypePerf (RNCQoSPerfMIB)

numConnectionTimeoutAppTrafficPerRnc

Number of connection closes due to inactivity timeout based on traffic type.

Data Source

DO-EMS

Source Field

numConnectionTimeoutAppTrafficPerRnc

Source Section

QoSTrafficTypePerf (RNCQoSPerfMIB)

numFirstPageAbandonedAppTrafficPerRnc

Number of times a first page attempt is abandoned for a QoS Reservation or BE flow during a paging cycle.

Data Source

DO-EMS

Source Field

numFirstPageAbandonedAppTrafficPerRnc

Source Section

QoSTrafficTypePerf (RNCQoSPerfMIB)

numFirstPageLateResponsesAppTrafficPerRnc

Page responses received for the first page attempt after a second page attempt is sent out.

Data Source

DO-EMS

Source Field

numFirstPageLateResponsesAppTrafficPerRnc

Source Section

QoSTrafficTypePerf (RNCQoSPerfMIB)

numFirstPageRequestsAppTrafficPerRnc

Number of times an initial page attempt is made for either a BE or QoS traffic type.

Data Source

DO-EMS

Source Field

numFirstPageRequestsAppTrafficPerRnc

Source Section

QoSTrafficTypePerf (RNCQoSPerfMIB)

numFirstPageResponsesAppTrafficPerRnc

Number of times a page response (Connection Request) is received for the first page attempt.

Data Source

DO-EMS

Source Field

numFirstPageResponsesAppTrafficPerRnc

Source Section

QoSTrafficTypePerf (RNCQoSPerfMIB)

numFirstPageTimeoutAppTrafficPerRnc

Number of times the first page attempt for a QoS or BE traffic type has timed out waiting for a page response.

Data Source

DO-EMS

Source Field

numFirstPageTimeoutAppTrafficPerRnc

Source Section

QoSTrafficTypePerf (RNCQoSPerfMIB)

numPageAbandonedAppTrafficPerRnc

Number of traffic type abandoned pages. This OM is pegged when AN decides to abort the page while page is in progress.

Data Source

DO-EMS

Source Field

numPageAbandonedAppTrafficPerRnc

Source Section

QoSTrafficTypePerf (RNCQoSPerfMIB)

numPageRequestsAppTrafficPerRnc

Number of traffic type Page attempts. This OM is pegged at the time of sending a Page message to AT.

Data Source

DO-EMS

Source Field

numPageRequestsAppTrafficPerRnc

Source Section

QoSTrafficTypePerf (RNCQoSPerfMIB)

numPageResponsesAppTrafficPerRnc

Number of traffic type page successes.

Data Source

DO-EMS

Source Field

numPageResponsesAppTrafficPerRnc

Source Section

QoSTrafficTypePerf (RNCQoSPerfMIB)

numPageTimeoutAppTrafficPerRnc

Number of traffic type page timeouts. This OM is pegged only after attempting all the page retries.

Data Source

DO-EMS

Source Field

numPageTimeoutAppTrafficPerRnc

Source Section

QoSTrafficTypePerf (RNCQoSPerfMIB)

numRanRsrcActAttemptsAppTrafficPerRnc

Number of traffic type connection attempts.

Data Source

DO-EMS

Source Field

numRanRsrcActAttemptsAppTrafficPerRnc

Source Section

QoSTrafficTypePerf (RNCQoSPerfMIB)

numRanRsrcActFailuresAppTrafficPerRnc

Number of traffic type connection attempt failures.

Data Source

DO-EMS

Source Field

numRanRsrcActFailuresAppTrafficPerRnc

Source Section

QoSTrafficTypePerf (RNCQoSPerfMIB)

numRanRsrcActSuccessAppTrafficPerRnc

Number of successful traffic type connection attempts.

Data Source

DO-EMS

Source Field

numRanRsrcActSuccessAppTrafficPerRnc

Source Section

QoSTrafficTypePerf (RNCQoSPerfMIB)

numSecondPageAbandonedAppTrafficPerRnc

Number of times a second page attempt is abandoned for a QoS Reservation or BE flow during a paging cycle.

Data Source

DO-EMS

Source Field

numSecondPageAbandonedAppTrafficPerRnc

Source Section

QoSTrafficTypePerf (RNCQoSPerfMIB)

numSecondPageLateResponsesAppTrafficPerRnc

Page responses received for the second page attempt after a third page attempt is sent out.

Data Source

DO-EMS

Source Field

numSecondPageLateResponsesAppTrafficPerRnc

Source Section

QoSTrafficTypePerf (RNCQoSPerfMIB)

numSecondPageRequestsAppTrafficPerRnc

Number of times an second page attempt is made for either a BE or QoS traffic type.

Data Source

DO-EMS

Source Field

numSecondPageRequestsAppTrafficPerRnc

Source Section

QoSTrafficTypePerf (RNCQoSPerfMIB)

numSecondPageResponsesAppTrafficPerRnc

Number of times a page response (Connection Request) is received for the second page attempt.

Data Source

DO-EMS

Source Field

numSecondPageResponsesAppTrafficPerRnc

Source Section

QoSTrafficTypePerf (RNCQoSPerfMIB)

numSecondPageTimeoutAppTrafficPerRnc

Number of times the second page attempt for a QoS or BE traffic type has timed out waiting for a page response.

Data Source

DO-EMS

Source Field

numSecondPageTimeoutAppTrafficPerRnc

Source Section

QoSTrafficTypePerf (RNCQoSPerfMIB)

numThirdPageAbandonedAppTrafficPerRnc

Number of times a first page attempt is abandoned for a QoS Reservation or BE flow during a paging cycle.

Data Source

DO-EMS

Source Field

numThirdPageAbandonedAppTrafficPerRnc

Source Section

QoSTrafficTypePerf (RNCQoSPerfMIB)

numThirdPageLateResponsesAppTrafficPerRnc

Page responses received after a time out is declared on the thrid page attempt.

Data Source

DO-EMS

Source Field

numThirdPageLateResponsesAppTrafficPerRnc

Source Section

QoSTrafficTypePerf (RNCQoSPerfMIB)

numThirdPageRequestsAppTrafficPerRnc

Number of times an third page attempt is made for either a BE or QoS traffic type.

Data Source

DO-EMS

Source Field

numThirdPageRequestsAppTrafficPerRnc

Source Section

QoSTrafficTypePerf (RNCQoSPerfMIB)

numThirdPageResponsesAppTrafficPerRnc

Number of times a page response (Connection Request) is received for the third page attempt.

Data Source

DO-EMS

Source Field

numThirdPageResponsesAppTrafficPerRnc

Source Section

QoSTrafficTypePerf (RNCQoSPerfMIB)

numThirdPageTimeoutAppTrafficPerRnc

Number of times the first page attempt for a QoS or BE traffic type has timed out waiting for a page response.

Data Source

DO-EMS

Source Field

numThirdPageTimeoutAppTrafficPerRnc

Source Section

QoSTrafficTypePerf (RNCQoSPerfMIB)

DOM Primitive Calculations

The following is a list of primitive calculations for the DOM entity.

GRAPHmultiLineSeparator

Special Control Field for Multi-Line Graphs

Calculation

""

NUMDAYS

of days in Report

Calculation

DAYSINREPORT ()

NUMHOURS

of hours in Summation Data

Calculation

perModemFlowHistTotalSamples

The total number of samples in the Per Modem Flow Histogram which measures the simultaneous connection resources (driver flows) that were in use.

Calculation

```
vsum (perModemFlowHistBin000, perModemFlowHistBin024,  
perModemFlowHistBin048, perModemFlowHistBin072, perModemFlowHistBin096,  
perModemFlowHistBin120, perModemFlowHistBin144, perModemFlowHistBin168,  
perModemFlowHistBin192, perModemFlowHistBin216, perModemFlowHistBin240,  
perModemFlowHistBin264, perModemFlowHistBin288, perModemFlowHistBin312,  
perModemFlowHistBin336, perModemFlowHistBin360, perModemFlowHistBin384,  
perModemFlowHistBin408, perModemFlowHistBin432, perModemFlowHistBin456,  
perModemFlowHistBin480, perModemFlowHistBin504, perModemFlowHistBin528,  
perModemFlowHistBin552, perModemFlowHistBin576, perModemFlowHistBin600,  
perModemFlowHistBin624, perModemFlowHistBin648, perModemFlowHistBin672,  
perModemFlowHistBin696, perModemFlowHistBin720, perModemFlowHistBin744,  
perModemFlowHistBin768, perModemFlowHistBin792, perModemFlowHistBin816,  
perModemFlowHistBin840, perModemFlowHistBin864, perModemFlowHistBin888,  
perModemFlowHistBin912, perModemFlowHistBin936, perModemFlowHistBin960,  
perModemFlowHistBin984, perModemFlowHistBin1008, perModemFlowHistBin1032,
```


perModemFlowHistBin1056, perModemFlowHistBin1080, perModemFlowHistBin1104,
perModemFlowHistBin1128, perModemFlowHistBin1152)

perModemFlowPercentage000

The percentage of samples for which 0 to 23 simultaneous per DOM-A connection resources (driver flows) were in use.

Calculation

$\text{perModemFlowHistBin000} * 100.0 / \text{perModemFlowHistTotalSamples}$

perModemFlowPercentage024

The percentage of samples for which 24 to 47 simultaneous per DOM-A connection resources (driver flows) were in use.

Calculation

$\text{perModemFlowHistBin024} * 100.0 / \text{perModemFlowHistTotalSamples}$

perModemFlowPercentage048

The percentage of samples for which 48 to 71 simultaneous per DOM-A connection resources (driver flows) were in use.

Calculation

$\text{perModemFlowHistBin048} * 100.0 / \text{perModemFlowHistTotalSamples}$

perModemFlowPercentage072

The percentage of samples for which 72 to 95 simultaneous per DOM-A connection resources (driver flows) were in use.

Calculation

$\text{perModemFlowHistBin072} * 100.0 / \text{perModemFlowHistTotalSamples}$

perModemFlowPercentage096

The percentage of samples for which 96 to 119 simultaneous per DOM-A connection resources (driver flows) were in use.

Calculation

$\text{perModemFlowHistBin096} * 100.0 / \text{perModemFlowHistTotalSamples}$

perModemFlowPercentage1008

The percentage of samples for which 1008 to 1031 simultaneous per DOM-A connection resources (driver flows) were in use.

Calculation

$\text{perModemFlowHistBin1008} * 100.0 / \text{perModemFlowHistTotalSamples}$

perModemFlowPercentage1032

The percentage of samples for which 1032 to 1055 simultaneous per DOM-A connection resources (driver flows) were in use.

Calculation

$\text{perModemFlowHistBin1032} * 100.0 / \text{perModemFlowHistTotalSamples}$

perModemFlowPercentage1056

The percentage of samples for which 1056 to 1079 simultaneous per DOM-A connection resources (driver flows) were in use.

Calculation

$\text{perModemFlowHistBin1056} * 100.0 / \text{perModemFlowHistTotalSamples}$

perModemFlowPercentage1080

The percentage of samples for which 1080 to 1103 simultaneous per DOM-A connection resources (driver flows) were in use.

Calculation

$\text{perModemFlowHistBin1080} * 100.0 / \text{perModemFlowHistTotalSamples}$

perModemFlowPercentage1104

The percentage of samples for which 1104 to 1127 simultaneous per DOM-A connection resources (driver flows) were in use.

Calculation

$\text{perModemFlowHistBin1104} * 100.0 / \text{perModemFlowHistTotalSamples}$

perModemFlowPercentage1128

The percentage of samples for which 1128 to 1151 simultaneous per DOM-A connection resources (driver flows) were in use.

Calculation

$\text{perModemFlowHistBin1128} * 100.0 / \text{perModemFlowHistTotalSamples}$

perModemFlowPercentage1152

The percentage of samples for which 1152 simultaneous per DOM-A connection resources (driver flows) were in use.

Calculation

$\text{perModemFlowHistBin1152} * 100.0 / \text{perModemFlowHistTotalSamples}$

perModemFlowPercentage120

The percentage of samples for which 120 to 143 simultaneous per DOM-A connection resources (driver flows) were in use.

Calculation

$\text{perModemFlowHistBin120} * 100.0 / \text{perModemFlowHistTotalSamples}$

perModemFlowPercentage144

The percentage of samples for which 144 to 167 simultaneous per DOM-A connection resources (driver flows) were in use.

Calculation

$\text{perModemFlowHistBin144} * 100.0 / \text{perModemFlowHistTotalSamples}$

perModemFlowPercentage168

The percentage of samples for which 168 to 191 simultaneous per DOM-A connection resources (driver flows) were in use.

Calculation

$\text{perModemFlowHistBin168} * 100.0 / \text{perModemFlowHistTotalSamples}$

perModemFlowPercentage192

The percentage of samples for which 192 to 215 simultaneous per DOM-A connection resources (driver flows) were in use.

Calculation

$\text{perModemFlowHistBin192} * 100.0 / \text{perModemFlowHistTotalSamples}$

perModemFlowPercentage216

The percentage of samples for which 216 to 239 simultaneous per DOM-A connection resources (driver flows) were in use.

Calculation

$\text{perModemFlowHistBin216} * 100.0 / \text{perModemFlowHistTotalSamples}$

perModemFlowPercentage240

The percentage of samples for which 240 to 263 simultaneous per DOM-A connection resources (driver flows) were in use.

Calculation

$$\text{perModemFlowHistBin240} * 100.0 / \text{perModemFlowHistTotalSamples}$$

perModemFlowPercentage264

The percentage of samples for which 264 to 287 simultaneous per DOM-A connection resources (driver flows) were in use.

Calculation

$$\text{perModemFlowHistBin264} * 100.0 / \text{perModemFlowHistTotalSamples}$$

perModemFlowPercentage288

The percentage of samples for which 288 to 311 simultaneous per DOM-A connection resources (driver flows) were in use.

Calculation

$$\text{perModemFlowHistBin288} * 100.0 / \text{perModemFlowHistTotalSamples}$$

perModemFlowPercentage312

The percentage of samples for which 312 to 335 simultaneous per DOM-A connection resources (driver flows) were in use.

Calculation

$$\text{perModemFlowHistBin312} * 100.0 / \text{perModemFlowHistTotalSamples}$$

perModemFlowPercentage336

The percentage of samples for which 336 to 359 simultaneous per DOM-A connection resources (driver flows) were in use.

Calculation

$$\text{perModemFlowHistBin336} * 100.0 / \text{perModemFlowHistTotalSamples}$$

perModemFlowPercentage360

The percentage of samples for which 360 to 383 simultaneous per DOM-A connection resources (driver flows) were in use.

Calculation

$$\text{perModemFlowHistBin360} * 100.0 / \text{perModemFlowHistTotalSamples}$$

perModemFlowPercentage384

The percentage of samples for which 384 to 407 simultaneous per DOM-A connection resources (driver flows) were in use.

Calculation

$$\text{perModemFlowHistBin384} * 100.0 / \text{perModemFlowHistTotalSamples}$$

perModemFlowPercentage408

The percentage of samples for which 408 to 431 simultaneous per DOM-A connection resources (driver flows) were in use.

Calculation

$$\text{perModemFlowHistBin408} * 100.0 / \text{perModemFlowHistTotalSamples}$$

perModemFlowPercentage432

The percentage of samples for which 432 to 455 simultaneous per DOM-A connection resources (driver flows) were in use.

Calculation

$$\text{perModemFlowHistBin432} * 100.0 / \text{perModemFlowHistTotalSamples}$$

perModemFlowPercentage456

The percentage of samples for which 456 to 479 simultaneous per DOM-A connection resources (driver flows) were in use.

Calculation

$$\text{perModemFlowHistBin456} * 100.0 / \text{perModemFlowHistTotalSamples}$$

perModemFlowPercentage480

The percentage of samples for which 480 to 503 simultaneous per DOM-A connection resources (driver flows) were in use.

Calculation

$$\text{perModemFlowHistBin480} * 100.0 / \text{perModemFlowHistTotalSamples}$$

perModemFlowPercentage504

The percentage of samples for which 504 to 527 simultaneous per DOM-A connection resources (driver flows) were in use.

Calculation

$$\text{perModemFlowHistBin504} * 100.0 / \text{perModemFlowHistTotalSamples}$$

perModemFlowPercentage528

The percentage of samples for which 528 to 551 simultaneous per DOM-A connection resources (driver flows) were in use.

Calculation

$$\text{perModemFlowHistBin528} * 100.0 / \text{perModemFlowHistTotalSamples}$$

perModemFlowPercentage552

The percentage of samples for which 552 to 575 simultaneous per DOM-A connection resources (driver flows) were in use.

Calculation

$$\text{perModemFlowHistBin552} * 100.0 / \text{perModemFlowHistTotalSamples}$$

perModemFlowPercentage576

The percentage of samples for which 576 to 599 simultaneous per DOM-A connection resources (driver flows) were in use.

Calculation

$$\text{perModemFlowHistBin576} * 100.0 / \text{perModemFlowHistTotalSamples}$$

perModemFlowPercentage600

The percentage of samples for which 600 to 623 simultaneous per DOM-A connection resources (driver flows) were in use.

Calculation

$$\text{perModemFlowHistBin600} * 100.0 / \text{perModemFlowHistTotalSamples}$$

perModemFlowPercentage624

The percentage of samples for which 624 to 647 simultaneous per DOM-A connection resources (driver flows) were in use.

Calculation

$$\text{perModemFlowHistBin624} * 100.0 / \text{perModemFlowHistTotalSamples}$$

perModemFlowPercentage648

The percentage of samples for which 648 to 671 simultaneous per DOM-A connection resources (driver flows) were in use.

Calculation

$$\text{perModemFlowHistBin648} * 100.0 / \text{perModemFlowHistTotalSamples}$$

perModemFlowPercentage672

The percentage of samples for which 672 to 695 simultaneous per DOM-A connection resources (driver flows) were in use.

Calculation

$$\text{perModemFlowHistBin672} * 100.0 / \text{perModemFlowHistTotalSamples}$$

perModemFlowPercentage696

The percentage of samples for which 696 to 719 simultaneous per DOM-A connection resources (driver flows) were in use.

Calculation

$$\text{perModemFlowHistBin696} * 100.0 / \text{perModemFlowHistTotalSamples}$$

perModemFlowPercentage720

The percentage of samples for which 720 to 743 simultaneous per DOM-A connection resources (driver flows) were in use.

Calculation

$$\text{perModemFlowHistBin720} * 100.0 / \text{perModemFlowHistTotalSamples}$$

perModemFlowPercentage744

The percentage of samples for which 744 to 767 simultaneous per DOM-A connection resources (driver flows) were in use.

Calculation

$$\text{perModemFlowHistBin744} * 100.0 / \text{perModemFlowHistTotalSamples}$$

perModemFlowPercentage768

The percentage of samples for which 768 to 791 simultaneous per DOM-A connection resources (driver flows) were in use.

Calculation

$$\text{perModemFlowHistBin768} * 100.0 / \text{perModemFlowHistTotalSamples}$$

perModemFlowPercentage792

The percentage of samples for which 792 to 815 simultaneous per DOM-A connection resources (driver flows) were in use.

Calculation

$$\text{perModemFlowHistBin792} * 100.0 / \text{perModemFlowHistTotalSamples}$$

perModemFlowPercentage816

The percentage of samples for which 816 to 839 simultaneous per DOM-A connection resources (driver flows) were in use.

Calculation

$$\text{perModemFlowHistBin816} * 100.0 / \text{perModemFlowHistTotalSamples}$$

perModemFlowPercentage840

The percentage of samples for which 840 to 863 simultaneous per DOM-A connection resources (driver flows) were in use.

Calculation

$$\text{perModemFlowHistBin840} * 100.0 / \text{perModemFlowHistTotalSamples}$$

perModemFlowPercentage864

The percentage of samples for which 864 to 887 simultaneous per DOM-A connection resources (driver flows) were in use.

Calculation

$$\text{perModemFlowHistBin864} * 100.0 / \text{perModemFlowHistTotalSamples}$$

perModemFlowPercentage888

The percentage of samples for which 888 to 911 simultaneous per DOM-A connection resources (driver flows) were in use.

Calculation

$$\text{perModemFlowHistBin888} * 100.0 / \text{perModemFlowHistTotalSamples}$$

perModemFlowPercentage912

The percentage of samples for which 912 to 935 simultaneous per DOM-A connection resources (driver flows) were in use.

Calculation

$$\text{perModemFlowHistBin912} * 100.0 / \text{perModemFlowHistTotalSamples}$$

perModemFlowPercentage936

The percentage of samples for which 936 to 959 simultaneous per DOM-A connection resources (driver flows) were in use.

Calculation

$$\text{perModemFlowHistBin936} * 100.0 / \text{perModemFlowHistTotalSamples}$$

perModemFlowPercentage960

The percentage of samples for which 960 to 983 simultaneous per DOM-A connection resources (driver flows) were in use.

Calculation

$\text{perModemFlowHistBin960} * 100.0 / \text{perModemFlowHistTotalSamples}$

perModemFlowPercentage984

The percentage of samples for which 984 to 1007 simultaneous per DOM-A connection resources (driver flows) were in use.

Calculation

$\text{perModemFlowHistBin984} * 100.0 / \text{perModemFlowHistTotalSamples}$

DOM Peg Counts

The following is a list of peg counts for the DOM entity.

MLPPP_ifInBin0percent

Number of seconds where the ingress link utilization for the Multilink PPP interface is 0-9% inclusively.

Data Source

DO-EMS

Source Field

ifInBin0percent for MLPPP interface

Source Section

InterfaceUtilizationByPort (InterfaceEXMIB)

MLPPP_ifInBin100percent

Number of seconds where the ingress link utilization for the Multilink PPP interface is 100%.

Data Source

DO-EMS

Source Field

ifInBin100percent for MLPPP interface

Source Section

InterfaceUtilizationByPort (InterfaceEXMIB)

MLPPP_ifInBin10percent

Number of seconds where the ingress link utilization for the Multilink PPP interface is 10-19% inclusively.

Data Source

DO-EMS

Source Field

ifInBin10percent for MLPPP interface

Source Section

InterfaceUtilizationByPort (InterfaceEXMIB)

MLPPP_ifInBin20percent

Number of seconds where the ingress link utilization for the Multilink PPP interface is 20-29% inclusively.

Data Source

DO-EMS

Source Field

ifInBin20percent for MLPPP interface

Source Section

InterfaceUtilizationByPort (InterfaceEXMIB)

MLPPP_ifInBin30percent

Number of seconds where the ingress link utilization for the Multilink PPP interface is 30-39% inclusively.

Data Source

DO-EMS

Source Field

ifInBin30percent for MLPPP interface

Source Section

InterfaceUtilizationByPort (InterfaceEXMIB)

MLPPP_ifInBin40percent

Number of seconds where the ingress link utilization for the Multilink PPP interface is 40-49% inclusively.

Data Source

DO-EMS

Source Field

ifInBin40percent for MLPPP interface

Source Section

InterfaceUtilizationByPort (InterfaceEXMIB)

MLPPP_ifInBin50percent

Number of seconds where the ingress link utilization for the Multilink PPP interface is 50-59% inclusively.

Data Source

DO-EMS

Source Field

ifInBin50percent for MLPPP interface

Source Section

InterfaceUtilizationByPort (InterfaceEXMIB)

MLPPP_ifInBin60percent

Number of seconds where the ingress link utilization for the Multilink PPP interface is 60-69% inclusively.

Data Source

DO-EMS

Source Field

ifInBin60percent for MLPPP interface

Source Section

InterfaceUtilizationByPort (InterfaceEXMIB)

MLPPP_ifInBin70percent

Number of seconds where the ingress link utilization for the Multilink PPP interface is 70-79% inclusively.

Data Source

DO-EMS

Source Field

ifInBin70percent for MLPPP interface

Source Section

InterfaceUtilizationByPort (InterfaceEXMIB)

MLPPP_ifInBin80percent

Number of seconds where the ingress link utilization for the Multilink PPP interface is 80-89% inclusively.

Data Source

DO-EMS

Source Field

ifInBin80percent for MLPPP interface

Source Section

InterfaceUtilizationByPort (InterfaceEXMIB)

MLPPP_ifInBin90percent

Number of seconds where the ingress link utilization for the Multilink PPP interface is 90-99% inclusively.

Data Source

DO-EMS

Source Field

ifInBin90percent for MLPPP interface

Source Section

InterfaceUtilizationByPort (InterfaceEXMIB)

MLPPP_ifIndex

Interface index number of the Multilink PPP interface.

Data Source

DO-EMS

Source Field

ifIndex for MLPPP interface

Source Section

InterfaceUtilizationByPort (RFC1213MIB)

MLPPP_ifOutBin0percent

Number of seconds where the egress link utilization for the Multilink PPP interface is 0-9% inclusively.

Data Source

DO-EMS

Source Field

ifOutBin0percent for MLPPP interface

Source Section

InterfaceUtilizationByPort (InterfaceEXMIB)

MLPPP_ifOutBin100percent

Number of seconds where the egress link utilization for the Multilink PPP interface is 100%.

Data Source

DO-EMS

Source Field

ifOutBin100percent for MLPPP interface

Source Section

InterfaceUtilizationByPort (InterfaceEXMIB)

MLPPP_ifOutBin10percent

Number of seconds where the egress link utilization for the Multilink PPP interface is 10-19% inclusively.

Data Source

DO-EMS

Source Field

ifOutBin10percent for MLPPP interface

Source Section

InterfaceUtilizationByPort (InterfaceEXMIB)

MLPPP_ifOutBin20percent

Number of seconds where the egress link utilization for the Multilink PPP interface is 20-29% inclusively.

Data Source

DO-EMS

Source Field

ifOutBin20percent for MLPPP interface

Source Section

InterfaceUtilizationByPort (InterfaceEXMIB)

MLPPP_ifOutBin30percent

Number of seconds where the egress link utilization for the Multilink PPP interface is 30-39% inclusively.

Data Source

DO-EMS

Source Field

ifOutBin30percent for MLPPP interface

Source Section

InterfaceUtilizationByPort (InterfaceEXMIB)

MLPPP_ifOutBin40percent

Number of seconds where the egress link utilization for the Multilink PPP interface is 40-49% inclusively.

Data Source

DO-EMS

Source Field

ifOutBin40percent for MLPPP interface

Source Section

InterfaceUtilizationByPort (InterfaceEXMIB)

MLPPP_ifOutBin50percent

Number of seconds where the egress link utilization for the Multilink PPP interface is 50-59% inclusively.

Data Source

DO-EMS

Source Field

ifOutBin50percent for MLPPP interface

Source Section

InterfaceUtilizationByPort (InterfaceEXMIB)

MLPPP_ifOutBin60percent

Number of seconds where the egress link utilization for the Multilink PPP interface is 60-69% inclusively.

Data Source

DO-EMS

Source Field

ifOutBin60percent for MLPPP interface

Source Section

InterfaceUtilizationByPort (InterfaceEXMIB)

MLPPP_ifOutBin70percent

Number of seconds where the egress link utilization for the Multilink PPP interface is 70-79% inclusively.

Data Source

DO-EMS

Source Field

ifOutBin70percent for MLPPP interface

Source Section

InterfaceUtilizationByPort (InterfaceEXMIB)

MLPPP_ifOutBin80percent

Number of seconds where the egress link utilization for the Multilink PPP interface is 80-89% inclusively.

Data Source

DO-EMS

Source Field

ifOutBin80percent for MLPPP interface

Source Section

InterfaceUtilizationByPort (InterfaceEXMIB)

MLPPP_ifOutBin90percent

Number of seconds where the egress link utilization for the Multilink PPP interface is 90-99% inclusively.

Data Source

DO-EMS

Source Field

ifOutBin90percent for MLPPP interface

Source Section

InterfaceUtilizationByPort (InterfaceEXMIB)

perModemConnectionBlocksNoCxnResources

The number of connection requests that are blocked at DOM because of no available connection resources (MAC-Indices) on this sector-element.

Data Source

DO-EMS

Source Field

perModemConnectionBlocksNoCxnResources

Source Section

RnConnectionResourceUsageHistogramPerModem (RnConnectionResourceUsageMIB)

perModemConnectionBlocksNoFlows

This attribute specifies the number of resources requests, both during initial connection setup and/or soft handoff when the connection is open, that are blocked at DOM-A because of no available connection resources (driver flows) on this modem. This attribute doesn't reset when histogram data is reset.

Data Source

DO-EMS

Source Field

perModemConnectionBlocksNoFlows

Source Section

PerModemFlowUsageHistogram (RnConnectionResourceUsageMIB)

perModemFlowHistBin000

The number of samples for which 0 to 23 simultaneous per DOM-A connection resources (driver flows) were in use.

Data Source

DO-EMS

Source Field

perModemFlowHistBin000

Source Section

PerModemFlowUsageHistogram (RnConnectionResourceUsageMIB)

perModemFlowHistBin024

The number of samples for which 24 to 47 simultaneous per DOM-A connection resources (driver flows) were in use.

Data Source

DO-EMS

Source Field

perModemFlowHistBin024

Source Section

PerModemFlowUsageHistogram (RnConnectionResourceUsageMIB)

perModemFlowHistBin048

The number of samples for which 48 to 71 simultaneous per DOM-A connection resources (driver flows) were in use.

Data Source

DO-EMS

Source Field

perModemFlowHistBin048

Source Section

PerModemFlowUsageHistogram (RnConnectionResourceUsageMIB)

perModemFlowHistBin072

The number of samples for which 72 to 95 simultaneous per DOM-A connection resources (driver flows) were in use.

Data Source

DO-EMS

Source Field

perModemFlowHistBin072

Source Section

PerModemFlowUsageHistogram (RnConnectionResourceUsageMIB)

perModemFlowHistBin096

The number of samples for which 96 to 119 simultaneous per DOM-A connection resources (driver flows) were in use.

Data Source

DO-EMS

Source Field

perModemFlowHistBin096

Source Section

PerModemFlowUsageHistogram (RnConnectionResourceUsageMIB)

perModemFlowHistBin1008

The number of samples for which 1008 to 1031 simultaneous per DOM-A connection resources (driver flows) were in use.

Data Source

DO-EMS

Source Field

perModemFlowHistBin1008

Source Section

PerModemFlowUsageHistogram (RnConnectionResourceUsageMIB)

perModemFlowHistBin1032

The number of samples for which 1032 to 1055 simultaneous per DOM-A connection resources (driver flows) were in use.

Data Source

DO-EMS

Source Field

perModemFlowHistBin1032

Source Section

PerModemFlowUsageHistogram (RnConnectionResourceUsageMIB)

perModemFlowHistBin1056

The number of samples for which 1056 to 1079 simultaneous per DOM-A connection resources (driver flows) were in use.

Data Source

DO-EMS

Source Field

perModemFlowHistBin1056

Source Section

PerModemFlowUsageHistogram (RnConnectionResourceUsageMIB)

perModemFlowHistBin1080

The number of samples for which 1080 to 1103 simultaneous per DOM-A connection resources (driver flows) were in use.

Data Source

DO-EMS

Source Field

perModemFlowHistBin1080

Source Section

PerModemFlowUsageHistogram (RnConnectionResourceUsageMIB)

perModemFlowHistBin1104

The number of samples for which 1104 to 1127 simultaneous per DOM-A connection resources (driver flows) were in use.

Data Source

DO-EMS

Source Field

perModemFlowHistBin1104

Source Section

PerModemFlowUsageHistogram (RnConnectionResourceUsageMIB)

perModemFlowHistBin1128

The number of samples for which 1128 to 1151 simultaneous per DOM-A connection resources (driver flows) were in use.

Data Source

DO-EMS

Source Field

perModemFlowHistBin1128

Source Section

PerModemFlowUsageHistogram (RnConnectionResourceUsageMIB)

perModemFlowHistBin1152

The number of samples for which 1152 simultaneous per DOM-A connection resources (driver flows) were in use.

Data Source

DO-EMS

Source Field

perModemFlowHistBin1152

Source Section

PerModemFlowUsageHistogram (RnConnectionResourceUsageMIB)

perModemFlowHistBin120

The number of samples for which 120 to 143 simultaneous per DOM-A connection resources (driver flows) were in use.

Data Source

DO-EMS

Source Field

perModemFlowHistBin120

Source Section

PerModemFlowUsageHistogram (RnConnectionResourceUsageMIB)

perModemFlowHistBin144

The number of samples for which 144 to 167 simultaneous per DOM-A connection resources (driver flows) were in use.

Data Source

DO-EMS

Source Field

perModemFlowHistBin144

Source Section

PerModemFlowUsageHistogram (RnConnectionResourceUsageMIB)

perModemFlowHistBin168

The number of samples for which 168 to 191 simultaneous per DOM-A connection resources (driver flows) were in use.

Data Source

DO-EMS

Source Field

perModemFlowHistBin168

Source Section

PerModemFlowUsageHistogram (RnConnectionResourceUsageMIB)

perModemFlowHistBin192

The number of samples for which 192 to 215 simultaneous per DOM-A connection resources (driver flows) were in use.

Data Source

DO-EMS

Source Field

perModemFlowHistBin192

Source Section

PerModemFlowUsageHistogram (RnConnectionResourceUsageMIB)

perModemFlowHistBin216

The number of samples for which 216 to 239 simultaneous per DOM-A connection resources (driver flows) were in use.

Data Source

DO-EMS

Source Field

perModemFlowHistBin216

Source Section

PerModemFlowUsageHistogram (RnConnectionResourceUsageMIB)

perModemFlowHistBin240

The number of samples for which 240 to 263 simultaneous per DOM-A connection resources (driver flows) were in use.

Data Source

DO-EMS

Source Field

perModemFlowHistBin240

Source Section

PerModemFlowUsageHistogram (RnConnectionResourceUsageMIB)

perModemFlowHistBin264

The number of samples for which 264 to 287 simultaneous per DOM-A connection resources (driver flows) were in use.

Data Source

DO-EMS

Source Field

perModemFlowHistBin264

Source Section

PerModemFlowUsageHistogram (RnConnectionResourceUsageMIB)

perModemFlowHistBin288

The number of samples for which 288 to 311 simultaneous per DOM-A connection resources (driver flows) were in use.

Data Source

DO-EMS

Source Field

perModemFlowHistBin288

Source Section

PerModemFlowUsageHistogram (RnConnectionResourceUsageMIB)

perModemFlowHistBin312

The number of samples for which 312 to 335 simultaneous per DOM-A connection resources (driver flows) were in use.

Data Source

DO-EMS

Source Field

perModemFlowHistBin312

Source Section

PerModemFlowUsageHistogram (RnConnectionResourceUsageMIB)

perModemFlowHistBin336

The number of samples for which 336 to 359 simultaneous per DOM-A connection resources (driver flows) were in use.

Data Source

DO-EMS

Source Field

perModemFlowHistBin336

Source Section

PerModemFlowUsageHistogram (RnConnectionResourceUsageMIB)

perModemFlowHistBin360

The number of samples for which 360 to 383 simultaneous per DOM-A connection resources (driver flows) were in use.

Data Source

DO-EMS

Source Field

perModemFlowHistBin360

Source Section

PerModemFlowUsageHistogram (RnConnectionResourceUsageMIB)

perModemFlowHistBin384

The number of samples for which 384 to 407 simultaneous per DOM-A connection resources (driver flows) were in use.

Data Source

DO-EMS

Source Field

perModemFlowHistBin384

Source Section

PerModemFlowUsageHistogram (RnConnectionResourceUsageMIB)

perModemFlowHistBin408

The number of samples for which 408 to 431 simultaneous per DOM-A connection resources (driver flows) were in use.

Data Source

DO-EMS

Source Field

perModemFlowHistBin408

Source Section

PerModemFlowUsageHistogram (RnConnectionResourceUsageMIB)

perModemFlowHistBin432

The number of samples for which 432 to 455 simultaneous per DOM-A connection resources (driver flows) were in use.

Data Source

DO-EMS

Source Field

perModemFlowHistBin432

Source Section

PerModemFlowUsageHistogram (RnConnectionResourceUsageMIB)

perModemFlowHistBin456

The number of samples for which 456 to 479 simultaneous per DOM-A connection resources (driver flows) were in use.

Data Source

DO-EMS

Source Field

perModemFlowHistBin456

Source Section

PerModemFlowUsageHistogram (RnConnectionResourceUsageMIB)

perModemFlowHistBin480

The number of samples for which 480 to 503 simultaneous per DOM-A connection resources (driver flows) were in use.

Data Source

DO-EMS

Source Field

perModemFlowHistBin480

Source Section

PerModemFlowUsageHistogram (RnConnectionResourceUsageMIB)

perModemFlowHistBin504

The number of samples for which 504 to 527 simultaneous per DOM-A connection resources (driver flows) were in use.

Data Source

DO-EMS

Source Field

perModemFlowHistBin504

Source Section

PerModemFlowUsageHistogram (RnConnectionResourceUsageMIB)

perModemFlowHistBin528

The number of samples for which 528 to 551 simultaneous per DOM-A connection resources (driver flows) were in use.

Data Source

DO-EMS

Source Field

perModemFlowHistBin528

Source Section

PerModemFlowUsageHistogram (RnConnectionResourceUsageMIB)

perModemFlowHistBin552

The number of samples for which 552 to 575 simultaneous per DOM-A connection resources (driver flows) were in use.

Data Source

DO-EMS

Source Field

perModemFlowHistBin552

Source Section

PerModemFlowUsageHistogram (RnConnectionResourceUsageMIB)

perModemFlowHistBin576

The number of samples for which 576 to 599 simultaneous per DOM-A connection resources (driver flows) were in use.

Data Source

DO-EMS

Source Field

perModemFlowHistBin576

Source Section

PerModemFlowUsageHistogram (RnConnectionResourceUsageMIB)

perModemFlowHistBin600

The number of samples for which 600 to 623 simultaneous per DOM-A connection resources (driver flows) were in use.

Data Source

DO-EMS

Source Field

perModemFlowHistBin600

Source Section

PerModemFlowUsageHistogram (RnConnectionResourceUsageMIB)

perModemFlowHistBin624

The number of samples for which 624 to 647 simultaneous per DOM-A connection resources (driver flows) were in use.

Data Source

DO-EMS

Source Field

perModemFlowHistBin624

Source Section

PerModemFlowUsageHistogram (RnConnectionResourceUsageMIB)

perModemFlowHistBin648

The number of samples for which 648 to 671 simultaneous per DOM-A connection resources (driver flows) were in use.

Data Source

DO-EMS

Source Field

perModemFlowHistBin648

Source Section

PerModemFlowUsageHistogram (RnConnectionResourceUsageMIB)

perModemFlowHistBin672

The number of samples for which 672 to 695 simultaneous per DOM-A connection resources (driver flows) were in use.

Data Source

DO-EMS

Source Field

perModemFlowHistBin672

Source Section

PerModemFlowUsageHistogram (RnConnectionResourceUsageMIB)

perModemFlowHistBin696

The number of samples for which 696 to 719 simultaneous per DOM-A connection resources (driver flows) were in use.

Data Source

DO-EMS

Source Field

perModemFlowHistBin696

Source Section

PerModemFlowUsageHistogram (RnConnectionResourceUsageMIB)

perModemFlowHistBin720

The number of samples for which 720 to 743 simultaneous per DOM-A connection resources (driver flows) were in use.

Data Source

DO-EMS

Source Field

perModemFlowHistBin720

Source Section

PerModemFlowUsageHistogram (RnConnectionResourceUsageMIB)

perModemFlowHistBin744

The number of samples for which 744 to 767 simultaneous per DOM-A connection resources (driver flows) were in use.

Data Source

DO-EMS

Source Field

perModemFlowHistBin744

Source Section

PerModemFlowUsageHistogram (RnConnectionResourceUsageMIB)

perModemFlowHistBin768

The number of samples for which 768 to 791 simultaneous per DOM-A connection resources (driver flows) were in use.

Data Source

DO-EMS

Source Field

perModemFlowHistBin768

Source Section

PerModemFlowUsageHistogram (RnConnectionResourceUsageMIB)

perModemFlowHistBin792

The number of samples for which 792 to 815 simultaneous per DOM-A connection resources (driver flows) were in use.

Data Source

DO-EMS

Source Field

perModemFlowHistBin792

Source Section

PerModemFlowUsageHistogram (RnConnectionResourceUsageMIB)

perModemFlowHistBin816

The number of samples for which 816 to 839 simultaneous per DOM-A connection resources (driver flows) were in use.

Data Source

DO-EMS

Source Field

perModemFlowHistBin816

Source Section

PerModemFlowUsageHistogram (RnConnectionResourceUsageMIB)

perModemFlowHistBin840

The number of samples for which 840 to 863 simultaneous per DOM-A connection resources (driver flows) were in use.

Data Source

DO-EMS

Source Field

perModemFlowHistBin840

Source Section

PerModemFlowUsageHistogram (RnConnectionResourceUsageMIB)

perModemFlowHistBin864

The number of samples for which 864 to 887 simultaneous per DOM-A connection resources (driver flows) were in use.

Data Source

DO-EMS

Source Field

perModemFlowHistBin864

Source Section

PerModemFlowUsageHistogram (RnConnectionResourceUsageMIB)

perModemFlowHistBin888

The number of samples for which 888 to 911 simultaneous per DOM-A connection resources (driver flows) were in use.

Data Source

DO-EMS

Source Field

perModemFlowHistBin888

Source Section

PerModemFlowUsageHistogram (RnConnectionResourceUsageMIB)

perModemFlowHistBin912

The number of samples for which 912 to 935 simultaneous per DOM-A connection resources (driver flows) were in use.

Data Source

DO-EMS

Source Field

perModemFlowHistBin912

Source Section

PerModemFlowUsageHistogram (RnConnectionResourceUsageMIB)

perModemFlowHistBin936

The number of samples for which 936 to 959 simultaneous per DOM-A connection resources (driver flows) were in use.

Data Source

DO-EMS

Source Field

perModemFlowHistBin936

Source Section

PerModemFlowUsageHistogram (RnConnectionResourceUsageMIB)

perModemFlowHistBin960

The number of samples for which 960 to 983 simultaneous per DOM-A connection resources (driver flows) were in use.

Data Source

DO-EMS

Source Field

perModemFlowHistBin960

Source Section

PerModemFlowUsageHistogram (RnConnectionResourceUsageMIB)

perModemFlowHistBin984

The number of samples for which 984 to 1007 simultaneous per DOM-A connection resources (driver flows) were in use.

Data Source

DO-EMS

Source Field

perModemFlowHistBin984

Source Section

PerModemFlowUsageHistogram (RnConnectionResourceUsageMIB)

perModemFlowSamplePeriod

The time interval between two resource usage histogram samples. This is the same as the attribute histogramSamplePeriod.

Data Source

DO-EMS

Source Field

perModemFlowSamplePeriod

Source Section

PerModemFlowUsageHistogram (RnConnectionResourceUsageMIB)

perModemFlowUsagePerIUBE_Priority0

The cumulative number of modem driver flows used for best effort flows for Inter-user BE priority level 0. The unit is the number of flows.

Data Source

DO-EMS

Source Field

perModemFlowUsagePerIUBE where indexIUBEPriority=0

Source Section

PerModemFlowUsageIUBE (RnConnectionResourceUsageMIB)

perModemFlowUsagePerIUBE_Priority1

The cumulative number of modem driver flows used for best effort flows for Inter-user BE priority level 1. The unit is the number of flows.

Data Source

DO-EMS

Source Field

perModemFlowUsagePerIUBE where indexIUBEPriority=1

Source Section

PerModemFlowUsageIUBE (RnConnectionResourceUsageMIB)

perModemFlowUsagePerIUBE_Priority2

The cumulative number of modem driver flows used for best effort flows for Inter-user BE priority level 2. The unit is the number of flows.

Data Source

DO-EMS

Source Field

perModemFlowUsagePerIUBE where indexIUBEPriority=2

Source Section

PerModemFlowUsageIUBE (RnConnectionResourceUsageMIB)

perModemFlowUsagePerIUBE_Priority3

The cumulative number of modem driver flows used for best effort flows for Inter-user BE priority level 3. The unit is the number of flows.

Data Source

DO-EMS

Source Field

perModemFlowUsagePerIUBE where indexIUBEPriority=3

Source Section

PerModemFlowUsageIUBE (RnConnectionResourceUsageMIB)

perModemFlowUsagePerIUBE_Priority4

The cumulative number of modem driver flows used for best effort flows for Inter-user BE priority level 4. The unit is the number of flows.

Data Source

DO-EMS

Source Field

perModemFlowUsagePerIUBE where indexIUBEPriority=4

Source Section

PerModemFlowUsageIUBE (RnConnectionResourceUsageMIB)

perModemFlowUsagePerIUBE_Priority5

The cumulative number of modem driver flows used for best effort flows for Inter-user BE priority level 5. The unit is the number of flows.

Data Source

DO-EMS

Source Field

perModemFlowUsagePerIUBE where indexIUBEPriority=5

Source Section

PerModemFlowUsageIUBE (RnConnectionResourceUsageMIB)

perModemHistogramSampleCountForSimultCxnResources000

Per modem connection resources (MAC-Index) usage histogram.

Data Source

DO-EMS

Source Field

perModemHistogramSampleCountForSimultCxnResources000

Source Section

RnConnectionResourceUsageHistogramPerModem (RnConnectionResourceUsageMIB)

perModemHistogramSampleCountForSimultCxnResources001

Per modem connection resources (MAC-Index) usage histogram.

Data Source

DO-EMS

Source Field

perModemHistogramSampleCountForSimultCxnResources001

Source Section

RnConnectionResourceUsageHistogramPerModem (RnConnectionResourceUsageMIB)

perModemHistogramSampleCountForSimultCxnResources002

Per modem connection resources (MAC-Index) usage histogram.

Data Source

DO-EMS

Source Field

perModemHistogramSampleCountForSimultCxnResources002

Source Section

RnConnectionResourceUsageHistogramPerModem (RnConnectionResourceUsageMIB)

perModemHistogramSampleCountForSimultCxnResources003

Per modem connection resources (MAC-Index) usage histogram.

Data Source

DO-EMS

Source Field

perModemHistogramSampleCountForSimultCxnResources003

Source Section

RnConnectionResourceUsageHistogramPerModem (RnConnectionResourceUsageMIB)

perModemHistogramSampleCountForSimultCxnResources004

Per modem connection resources (MAC-Index) usage histogram.

Data Source

DO-EMS

Source Field

perModemHistogramSampleCountForSimultCxnResources004

Source Section

RnConnectionResourceUsageHistogramPerModem (RnConnectionResourceUsageMIB)

perModemHistogramSampleCountForSimultCxnResources005

Per modem connection resources (MAC-Index) usage histogram.

Data Source

DO-EMS

Source Field

perModemHistogramSampleCountForSimultCxnResources005

Source Section

RnConnectionResourceUsageHistogramPerModem (RnConnectionResourceUsageMIB)

perModemHistogramSampleCountForSimultCxnResources006

Per modem connection resources (MAC-Index) usage histogram.

Data Source

DO-EMS

Source Field

perModemHistogramSampleCountForSimultCxnResources006

Source Section

RnConnectionResourceUsageHistogramPerModem (RnConnectionResourceUsageMIB)

perModemHistogramSampleCountForSimultCxnResources007

Per modem connection resources (MAC-Index) usage histogram.

Data Source

DO-EMS

Source Field

perModemHistogramSampleCountForSimultCxnResources007

Source Section

RnConnectionResourceUsageHistogramPerModem (RnConnectionResourceUsageMIB)

perModemHistogramSampleCountForSimultCxnResources008

Per modem connection resources (MAC-Index) usage histogram.

Data Source

DO-EMS

Source Field

perModemHistogramSampleCountForSimultCxnResources008

Source Section

RnConnectionResourceUsageHistogramPerModem (RnConnectionResourceUsageMIB)

perModemHistogramSampleCountForSimultCxnResources009

Per modem connection resources (MAC-Index) usage histogram.

Data Source

DO-EMS

Source Field

perModemHistogramSampleCountForSimultCxnResources009

Source Section

RnConnectionResourceUsageHistogramPerModem (RnConnectionResourceUsageMIB)

perModemHistogramSampleCountForSimultCxnResources010

Per modem connection resources (MAC-Index) usage histogram.

Data Source

DO-EMS

Source Field

perModemHistogramSampleCountForSimultCxnResources010

Source Section

RnConnectionResourceUsageHistogramPerModem (RnConnectionResourceUsageMIB)

perModemHistogramSampleCountForSimultCxnResources011

Per modem connection resources (MAC-Index) usage histogram.

Data Source

DO-EMS

Source Field

perModemHistogramSampleCountForSimultCxnResources011

Source Section

RnConnectionResourceUsageHistogramPerModem (RnConnectionResourceUsageMIB)

perModemHistogramSampleCountForSimultCxnResources012

Per modem connection resources (MAC-Index) usage histogram.

Data Source

DO-EMS

Source Field

perModemHistogramSampleCountForSimultCxnResources012

Source Section

RnConnectionResourceUsageHistogramPerModem (RnConnectionResourceUsageMIB)

perModemHistogramSampleCountForSimultCxnResources013

Per modem connection resources (MAC-Index) usage histogram.

Data Source

DO-EMS

Source Field

perModemHistogramSampleCountForSimultCxnResources013

Source Section

RnConnectionResourceUsageHistogramPerModem (RnConnectionResourceUsageMIB)

perModemHistogramSampleCountForSimultCxnResources014

Per modem connection resources (MAC-Index) usage histogram.

Data Source

DO-EMS

Source Field

perModemHistogramSampleCountForSimultCxnResources014

Source Section

RnConnectionResourceUsageHistogramPerModem (RnConnectionResourceUsageMIB)

perModemHistogramSampleCountForSimultCxnResources015

Per modem connection resources (MAC-Index) usage histogram.

Data Source

DO-EMS

Source Field

perModemHistogramSampleCountForSimultCxnResources015

Source Section

RnConnectionResourceUsageHistogramPerModem (RnConnectionResourceUsageMIB)

perModemHistogramSampleCountForSimultCxnResources016

Per modem connection resources (MAC-Index) usage histogram.

Data Source

DO-EMS

Source Field

perModemHistogramSampleCountForSimultCxnResources016

Source Section

RnConnectionResourceUsageHistogramPerModem (RnConnectionResourceUsageMIB)

perModemHistogramSampleCountForSimultCxnResources017

Per modem connection resources (MAC-Index) usage histogram.

Data Source

DO-EMS

Source Field

perModemHistogramSampleCountForSimultCxnResources017

Source Section

RnConnectionResourceUsageHistogramPerModem (RnConnectionResourceUsageMIB)

perModemHistogramSampleCountForSimultCxnResources018

Per modem connection resources (MAC-Index) usage histogram.

Data Source

DO-EMS

Source Field

perModemHistogramSampleCountForSimultCxnResources018

Source Section

RnConnectionResourceUsageHistogramPerModem (RnConnectionResourceUsageMIB)

perModemHistogramSampleCountForSimultCxnResources019

Per modem connection resources (MAC-Index) usage histogram.

Data Source

DO-EMS

Source Field

perModemHistogramSampleCountForSimultCxnResources019

Source Section

RnConnectionResourceUsageHistogramPerModem (RnConnectionResourceUsageMIB)

perModemHistogramSampleCountForSimultCxnResources020

Per modem connection resources (MAC-Index) usage histogram.

Data Source

DO-EMS

Source Field

perModemHistogramSampleCountForSimultCxnResources020

Source Section

RnConnectionResourceUsageHistogramPerModem (RnConnectionResourceUsageMIB)

perModemHistogramSampleCountForSimultCxnResources021

Per modem connection resources (MAC-Index) usage histogram.

Data Source

DO-EMS

Source Field

perModemHistogramSampleCountForSimultCxnResources021

Source Section

RnConnectionResourceUsageHistogramPerModem (RnConnectionResourceUsageMIB)

perModemHistogramSampleCountForSimultCxnResources022

Per modem connection resources (MAC-Index) usage histogram.

Data Source

DO-EMS

Source Field

perModemHistogramSampleCountForSimultCxnResources022

Source Section

RnConnectionResourceUsageHistogramPerModem (RnConnectionResourceUsageMIB)

perModemHistogramSampleCountForSimultCxnResources023

Per modem connection resources (MAC-Index) usage histogram.

Data Source

DO-EMS

Source Field

perModemHistogramSampleCountForSimultCxnResources023

Source Section

RnConnectionResourceUsageHistogramPerModem (RnConnectionResourceUsageMIB)

perModemHistogramSampleCountForSimultCxnResources024

Per modem connection resources (MAC-Index) usage histogram.

Data Source

DO-EMS

Source Field

perModemHistogramSampleCountForSimultCxnResources024

Source Section

RnConnectionResourceUsageHistogramPerModem (RnConnectionResourceUsageMIB)

perModemHistogramSampleCountForSimultCxnResources025

Per modem connection resources (MAC-Index) usage histogram.

Data Source

DO-EMS

Source Field

perModemHistogramSampleCountForSimultCxnResources025

Source Section

RnConnectionResourceUsageHistogramPerModem (RnConnectionResourceUsageMIB)

perModemHistogramSampleCountForSimultCxnResources026

Per modem connection resources (MAC-Index) usage histogram.

Data Source

DO-EMS

Source Field

perModemHistogramSampleCountForSimultCxnResources026

Source Section

RnConnectionResourceUsageHistogramPerModem (RnConnectionResourceUsageMIB)

perModemHistogramSampleCountForSimultCxnResources027

Per modem connection resources (MAC-Index) usage histogram.

Data Source

DO-EMS

Source Field

perModemHistogramSampleCountForSimultCxnResources027

Source Section

RnConnectionResourceUsageHistogramPerModem (RnConnectionResourceUsageMIB)

perModemHistogramSampleCountForSimultCxnResources028

Per modem connection resources (MAC-Index) usage histogram.

Data Source

DO-EMS

Source Field

perModemHistogramSampleCountForSimultCxnResources028

Source Section

RnConnectionResourceUsageHistogramPerModem (RnConnectionResourceUsageMIB)

perModemHistogramSampleCountForSimultCxnResources029

Per modem connection resources (MAC-Index) usage histogram.

Data Source

DO-EMS

Source Field

perModemHistogramSampleCountForSimultCxnResources029

Source Section

RnConnectionResourceUsageHistogramPerModem (RnConnectionResourceUsageMIB)

perModemHistogramSampleCountForSimultCxnResources030

Per modem connection resources (MAC-Index) usage histogram.

Data Source

DO-EMS

Source Field

perModemHistogramSampleCountForSimultCxnResources030

Source Section

RnConnectionResourceUsageHistogramPerModem (RnConnectionResourceUsageMIB)

perModemHistogramSampleCountForSimultCxnResources031

Per modem connection resources (MAC-Index) usage histogram.

Data Source

DO-EMS

Source Field

perModemHistogramSampleCountForSimultCxnResources031

Source Section

RnConnectionResourceUsageHistogramPerModem (RnConnectionResourceUsageMIB)

perModemHistogramSampleCountForSimultCxnResources032

Per modem connection resources (MAC-Index) usage histogram.

Data Source

DO-EMS

Source Field

perModemHistogramSampleCountForSimultCxnResources032

Source Section

RnConnectionResourceUsageHistogramPerModem (RnConnectionResourceUsageMIB)

perModemHistogramSampleCountForSimultCxnResources033

Per modem connection resources (MAC-Index) usage histogram.

Data Source

DO-EMS

Source Field

perModemHistogramSampleCountForSimultCxnResources033

Source Section

RnConnectionResourceUsageHistogramPerModem (RnConnectionResourceUsageMIB)

perModemHistogramSampleCountForSimultCxnResources034

Per modem connection resources (MAC-Index) usage histogram.

Data Source

DO-EMS

Source Field

perModemHistogramSampleCountForSimultCxnResources034

Source Section

RnConnectionResourceUsageHistogramPerModem (RnConnectionResourceUsageMIB)

perModemHistogramSampleCountForSimultCxnResources035

Per modem connection resources (MAC-Index) usage histogram.

Data Source

DO-EMS

Source Field

perModemHistogramSampleCountForSimultCxnResources035

Source Section

RnConnectionResourceUsageHistogramPerModem (RnConnectionResourceUsageMIB)

perModemHistogramSampleCountForSimultCxnResources036

Per modem connection resources (MAC-Index) usage histogram.

Data Source

DO-EMS

Source Field

perModemHistogramSampleCountForSimultCxnResources036

Source Section

RnConnectionResourceUsageHistogramPerModem (RnConnectionResourceUsageMIB)

perModemHistogramSampleCountForSimultCxnResources037

Per modem connection resources (MAC-Index) usage histogram.

Data Source

DO-EMS

Source Field

perModemHistogramSampleCountForSimultCxnResources037

Source Section

RnConnectionResourceUsageHistogramPerModem (RnConnectionResourceUsageMIB)

perModemHistogramSampleCountForSimultCxnResources038

Per modem connection resources (MAC-Index) usage histogram.

Data Source

DO-EMS

Source Field

perModemHistogramSampleCountForSimultCxnResources038

Source Section

RnConnectionResourceUsageHistogramPerModem (RnConnectionResourceUsageMIB)

perModemHistogramSampleCountForSimultCxnResources039

Per modem connection resources (MAC-Index) usage histogram.

Data Source

DO-EMS

Source Field

perModemHistogramSampleCountForSimultCxnResources039

Source Section

RnConnectionResourceUsageHistogramPerModem (RnConnectionResourceUsageMIB)

perModemHistogramSampleCountForSimultCxnResources040

Per modem connection resources (MAC-Index) usage histogram.

Data Source

DO-EMS

Source Field

perModemHistogramSampleCountForSimultCxnResources040

Source Section

RnConnectionResourceUsageHistogramPerModem (RnConnectionResourceUsageMIB)

perModemHistogramSampleCountForSimultCxnResources041

Per modem connection resources (MAC-Index) usage histogram.

Data Source

DO-EMS

Source Field

perModemHistogramSampleCountForSimultCxnResources041

Source Section

RnConnectionResourceUsageHistogramPerModem (RnConnectionResourceUsageMIB)

perModemHistogramSampleCountForSimultCxnResources042

Per modem connection resources (MAC-Index) usage histogram.

Data Source

DO-EMS

Source Field

perModemHistogramSampleCountForSimultCxnResources042

Source Section

RnConnectionResourceUsageHistogramPerModem (RnConnectionResourceUsageMIB)

perModemHistogramSampleCountForSimultCxnResources043

Per modem connection resources (MAC-Index) usage histogram.

Data Source

DO-EMS

Source Field

perModemHistogramSampleCountForSimultCxnResources043

Source Section

RnConnectionResourceUsageHistogramPerModem (RnConnectionResourceUsageMIB)

perModemHistogramSampleCountForSimultCxnResources044

Per modem connection resources (MAC-Index) usage histogram.

Data Source

DO-EMS

Source Field

perModemHistogramSampleCountForSimultCxnResources044

Source Section

RnConnectionResourceUsageHistogramPerModem (RnConnectionResourceUsageMIB)

perModemHistogramSampleCountForSimultCxnResources045

Per modem connection resources (MAC-Index) usage histogram.

Data Source

DO-EMS

Source Field

perModemHistogramSampleCountForSimultCxnResources045

Source Section

RnConnectionResourceUsageHistogramPerModem (RnConnectionResourceUsageMIB)

perModemHistogramSampleCountForSimultCxnResources046

Per modem connection resources (MAC-Index) usage histogram.

Data Source

DO-EMS

Source Field

perModemHistogramSampleCountForSimultCxnResources046

Source Section

RnConnectionResourceUsageHistogramPerModem (RnConnectionResourceUsageMIB)

perModemHistogramSampleCountForSimultCxnResources047

Per modem connection resources (MAC-Index) usage histogram.

Data Source

DO-EMS

Source Field

perModemHistogramSampleCountForSimultCxnResources047

Source Section

RnConnectionResourceUsageHistogramPerModem (RnConnectionResourceUsageMIB)

perModemHistogramSampleCountForSimultCxnResources048

Per modem connection resources (MAC-Index) usage histogram.

Data Source

DO-EMS

Source Field

perModemHistogramSampleCountForSimultCxnResources048

Source Section

RnConnectionResourceUsageHistogramPerModem (RnConnectionResourceUsageMIB)

perModemHistogramSampleCountForSimultCxnResources049

Per modem connection resources (MAC-Index) usage histogram.

Data Source

DO-EMS

Source Field

perModemHistogramSampleCountForSimultCxnResources049

Source Section

RnConnectionResourceUsageHistogramPerModem (RnConnectionResourceUsageMIB)

perModemHistogramSampleCountForSimultCxnResources050

Per modem connection resources (MAC-Index) usage histogram.

Data Source

DO-EMS

Source Field

perModemHistogramSampleCountForSimultCxnResources050

Source Section

RnConnectionResourceUsageHistogramPerModem (RnConnectionResourceUsageMIB)

perModemHistogramSampleCountForSimultCxnResources051

Per modem connection resources (MAC-Index) usage histogram.

Data Source

DO-EMS

Source Field

perModemHistogramSampleCountForSimultCxnResources051

Source Section

RnConnectionResourceUsageHistogramPerModem (RnConnectionResourceUsageMIB)

perModemHistogramSampleCountForSimultCxnResources052

Per modem connection resources (MAC-Index) usage histogram.

Data Source

DO-EMS

Source Field

perModemHistogramSampleCountForSimultCxnResources052

Source Section

RnConnectionResourceUsageHistogramPerModem (RnConnectionResourceUsageMIB)

perModemHistogramSampleCountForSimultCxnResources053

Per modem connection resources (MAC-Index) usage histogram.

Data Source

DO-EMS

Source Field

perModemHistogramSampleCountForSimultCxnResources053

Source Section

RnConnectionResourceUsageHistogramPerModem (RnConnectionResourceUsageMIB)

perModemHistogramSampleCountForSimultCxnResources054

Per modem connection resources (MAC-Index) usage histogram.

Data Source

DO-EMS

Source Field

perModemHistogramSampleCountForSimultCxnResources054

Source Section

RnConnectionResourceUsageHistogramPerModem (RnConnectionResourceUsageMIB)

perModemHistogramSampleCountForSimultCxnResources055

Per modem connection resources (MAC-Index) usage histogram.

Data Source

DO-EMS

Source Field

perModemHistogramSampleCountForSimultCxnResources055

Source Section

RnConnectionResourceUsageHistogramPerModem (RnConnectionResourceUsageMIB)

perModemHistogramSampleCountForSimultCxnResources056

Per modem connection resources (MAC-Index) usage histogram.

Data Source

DO-EMS

Source Field

perModemHistogramSampleCountForSimultCxnResources056

Source Section

RnConnectionResourceUsageHistogramPerModem (RnConnectionResourceUsageMIB)

perModemHistogramSampleCountForSimultCxnResources057

Per modem connection resources (MAC-Index) usage histogram.

Data Source

DO-EMS

Source Field

perModemHistogramSampleCountForSimultCxnResources057

Source Section

RnConnectionResourceUsageHistogramPerModem (RnConnectionResourceUsageMIB)

perModemHistogramSampleCountForSimultCxnResources058

Per modem connection resources (MAC-Index) usage histogram.

Data Source

DO-EMS

Source Field

perModemHistogramSampleCountForSimultCxnResources058

Source Section

RnConnectionResourceUsageHistogramPerModem (RnConnectionResourceUsageMIB)

perModemHistogramSampleCountForSimultCxnResources059

Per modem connection resources (MAC-Index) usage histogram.

Data Source

DO-EMS

Source Field

perModemHistogramSampleCountForSimultCxnResources059

Source Section

RnConnectionResourceUsageHistogramPerModem (RnConnectionResourceUsageMIB)

perModemHistogramSampleCountForSimultCxnResources060

Per modem connection resources (MAC-Index) usage histogram.

Data Source

DO-EMS

Source Field

perModemHistogramSampleCountForSimultCxnResources060

Source Section

RnConnectionResourceUsageHistogramPerModem (RnConnectionResourceUsageMIB)

perModemHistogramSampleCountForSimultCxnResources061

Per modem connection resources (MAC-Index) usage histogram.

Data Source

DO-EMS

Source Field

perModemHistogramSampleCountForSimultCxnResources061

Source Section

RnConnectionResourceUsageHistogramPerModem (RnConnectionResourceUsageMIB)

perModemHistogramSampleCountForSimultCxnResources062

Per modem connection resources (MAC-Index) usage histogram.

Data Source

DO-EMS

Source Field

perModemHistogramSampleCountForSimultCxnResources062

Source Section

RnConnectionResourceUsageHistogramPerModem (RnConnectionResourceUsageMIB)

perModemHistogramSampleCountForSimultCxnResources063

Per modem connection resources (MAC-Index) usage histogram.

Data Source

DO-EMS

Source Field

perModemHistogramSampleCountForSimultCxnResources063

Source Section

RnConnectionResourceUsageHistogramPerModem (RnConnectionResourceUsageMIB)

perModemHistogramSampleCountForSimultCxnResources064

Per modem connection resources (MAC-Index) usage histogram.

Data Source

DO-EMS

Source Field

perModemHistogramSampleCountForSimultCxnResources064

Source Section

RnConnectionResourceUsageHistogramPerModem (RnConnectionResourceUsageMIB)

perModemHistogramSampleCountForSimultCxnResources065

Per modem connection resources (MAC-Index) usage histogram.

Data Source

DO-EMS

Source Field

perModemHistogramSampleCountForSimultCxnResources065

Source Section

RnConnectionResourceUsageHistogramPerModem (RnConnectionResourceUsageMIB)

perModemHistogramSampleCountForSimultCxnResources066

Per modem connection resources (MAC-Index) usage histogram.

Data Source

DO-EMS

Source Field

perModemHistogramSampleCountForSimultCxnResources066

Source Section

RnConnectionResourceUsageHistogramPerModem (RnConnectionResourceUsageMIB)

perModemHistogramSampleCountForSimultCxnResources067

Per modem connection resources (MAC-Index) usage histogram.

Data Source

DO-EMS

Source Field

perModemHistogramSampleCountForSimultCxnResources067

Source Section

RnConnectionResourceUsageHistogramPerModem (RnConnectionResourceUsageMIB)

perModemHistogramSampleCountForSimultCxnResources068

Per modem connection resources (MAC-Index) usage histogram.

Data Source

DO-EMS

Source Field

perModemHistogramSampleCountForSimultCxnResources068

Source Section

RnConnectionResourceUsageHistogramPerModem (RnConnectionResourceUsageMIB)

perModemHistogramSampleCountForSimultCxnResources069

Per modem connection resources (MAC-Index) usage histogram.

Data Source

DO-EMS

Source Field

perModemHistogramSampleCountForSimultCxnResources069

Source Section

RnConnectionResourceUsageHistogramPerModem (RnConnectionResourceUsageMIB)

perModemHistogramSampleCountForSimultCxnResources070

Per modem connection resources (MAC-Index) usage histogram.

Data Source

DO-EMS

Source Field

perModemHistogramSampleCountForSimultCxnResources070

Source Section

RnConnectionResourceUsageHistogramPerModem (RnConnectionResourceUsageMIB)

perModemHistogramSampleCountForSimultCxnResources071

Per modem connection resources (MAC-Index) usage histogram.

Data Source

DO-EMS

Source Field

perModemHistogramSampleCountForSimultCxnResources071

Source Section

RnConnectionResourceUsageHistogramPerModem (RnConnectionResourceUsageMIB)

perModemHistogramSampleCountForSimultCxnResources072

Per modem connection resources (MAC-Index) usage histogram.

Data Source

DO-EMS

Source Field

perModemHistogramSampleCountForSimultCxnResources072

Source Section

RnConnectionResourceUsageHistogramPerModem (RnConnectionResourceUsageMIB)

perModemHistogramSampleCountForSimultCxnResources073

Per modem connection resources (MAC-Index) usage histogram.

Data Source

DO-EMS

Source Field

perModemHistogramSampleCountForSimultCxnResources073

Source Section

RnConnectionResourceUsageHistogramPerModem (RnConnectionResourceUsageMIB)

perModemHistogramSampleCountForSimultCxnResources074

Per modem connection resources (MAC-Index) usage histogram.

Data Source

DO-EMS

Source Field

perModemHistogramSampleCountForSimultCxnResources074

Source Section

RnConnectionResourceUsageHistogramPerModem (RnConnectionResourceUsageMIB)

perModemHistogramSampleCountForSimultCxnResources075

Per modem connection resources (MAC-Index) usage histogram.

Data Source

DO-EMS

Source Field

perModemHistogramSampleCountForSimultCxnResources075

Source Section

RnConnectionResourceUsageHistogramPerModem (RnConnectionResourceUsageMIB)

perModemHistogramSampleCountForSimultCxnResources076

Per modem connection resources (MAC-Index) usage histogram.

Data Source

DO-EMS

Source Field

perModemHistogramSampleCountForSimultCxnResources076

Source Section

RnConnectionResourceUsageHistogramPerModem (RnConnectionResourceUsageMIB)

perModemHistogramSampleCountForSimultCxnResources077

Per modem connection resources (MAC-Index) usage histogram.

Data Source

DO-EMS

Source Field

perModemHistogramSampleCountForSimultCxnResources077

Source Section

RnConnectionResourceUsageHistogramPerModem (RnConnectionResourceUsageMIB)

perModemHistogramSampleCountForSimultCxnResources078

Per modem connection resources (MAC-Index) usage histogram.

Data Source

DO-EMS

Source Field

perModemHistogramSampleCountForSimultCxnResources078

Source Section

RnConnectionResourceUsageHistogramPerModem (RnConnectionResourceUsageMIB)

perModemHistogramSampleCountForSimultCxnResources079

Per modem connection resources (MAC-Index) usage histogram.

Data Source

DO-EMS

Source Field

perModemHistogramSampleCountForSimultCxnResources079

Source Section

RnConnectionResourceUsageHistogramPerModem (RnConnectionResourceUsageMIB)

perModemHistogramSampleCountForSimultCxnResources080

Per modem connection resources (MAC-Index) usage histogram.

Data Source

DO-EMS

Source Field

perModemHistogramSampleCountForSimultCxnResources080

Source Section

RnConnectionResourceUsageHistogramPerModem (RnConnectionResourceUsageMIB)

perModemHistogramSampleCountForSimultCxnResources081

Per modem connection resources (MAC-Index) usage histogram.

Data Source

DO-EMS

Source Field

perModemHistogramSampleCountForSimultCxnResources081

Source Section

RnConnectionResourceUsageHistogramPerModem (RnConnectionResourceUsageMIB)

perModemHistogramSampleCountForSimultCxnResources082

Per modem connection resources (MAC-Index) usage histogram.

Data Source

DO-EMS

Source Field

perModemHistogramSampleCountForSimultCxnResources082

Source Section

RnConnectionResourceUsageHistogramPerModem (RnConnectionResourceUsageMIB)

perModemHistogramSampleCountForSimultCxnResources083

Per modem connection resources (MAC-Index) usage histogram.

Data Source

DO-EMS

Source Field

perModemHistogramSampleCountForSimultCxnResources083

Source Section

RnConnectionResourceUsageHistogramPerModem (RnConnectionResourceUsageMIB)

perModemHistogramSampleCountForSimultCxnResources084

Per modem connection resources (MAC-Index) usage histogram.

Data Source

DO-EMS

Source Field

perModemHistogramSampleCountForSimultCxnResources084

Source Section

RnConnectionResourceUsageHistogramPerModem (RnConnectionResourceUsageMIB)

perModemHistogramSampleCountForSimultCxnResources085

Per modem connection resources (MAC-Index) usage histogram.

Data Source

DO-EMS

Source Field

perModemHistogramSampleCountForSimultCxnResources085

Source Section

RnConnectionResourceUsageHistogramPerModem (RnConnectionResourceUsageMIB)

perModemHistogramSampleCountForSimultCxnResources086

Per modem connection resources (MAC-Index) usage histogram.

Data Source

DO-EMS

Source Field

perModemHistogramSampleCountForSimultCxnResources086

Source Section

RnConnectionResourceUsageHistogramPerModem (RnConnectionResourceUsageMIB)

perModemHistogramSampleCountForSimultCxnResources087

Per modem connection resources (MAC-Index) usage histogram.

Data Source

DO-EMS

Source Field

perModemHistogramSampleCountForSimultCxnResources087

Source Section

RnConnectionResourceUsageHistogramPerModem (RnConnectionResourceUsageMIB)

perModemHistogramSampleCountForSimultCxnResources088

Per modem connection resources (MAC-Index) usage histogram.

Data Source

DO-EMS

Source Field

perModemHistogramSampleCountForSimultCxnResources088

Source Section

RnConnectionResourceUsageHistogramPerModem (RnConnectionResourceUsageMIB)

perModemHistogramSampleCountForSimultCxnResources089

Per modem connection resources (MAC-Index) usage histogram.

Data Source

DO-EMS

Source Field

perModemHistogramSampleCountForSimultCxnResources089

Source Section

RnConnectionResourceUsageHistogramPerModem (RnConnectionResourceUsageMIB)

perModemHistogramSampleCountForSimultCxnResources090

Per modem connection resources (MAC-Index) usage histogram.

Data Source

DO-EMS

Source Field

perModemHistogramSampleCountForSimultCxnResources090

Source Section

RnConnectionResourceUsageHistogramPerModem (RnConnectionResourceUsageMIB)

perModemHistogramSampleCountForSimultCxnResources091

Per modem connection resources (MAC-Index) usage histogram.

Data Source

DO-EMS

Source Field

perModemHistogramSampleCountForSimultCxnResources091

Source Section

RnConnectionResourceUsageHistogramPerModem (RnConnectionResourceUsageMIB)

perModemHistogramSampleCountForSimultCxnResources092

Per modem connection resources (MAC-Index) usage histogram.

Data Source

DO-EMS

Source Field

perModemHistogramSampleCountForSimultCxnResources092

Source Section

RnConnectionResourceUsageHistogramPerModem (RnConnectionResourceUsageMIB)

perModemHistogramSampleCountForSimultCxnResources093

Per modem connection resources (MAC-Index) usage histogram.

Data Source

DO-EMS

Source Field

perModemHistogramSampleCountForSimultCxnResources093

Source Section

RnConnectionResourceUsageHistogramPerModem (RnConnectionResourceUsageMIB)

perModemHistogramSampleCountForSimultCxnResources094

Per modem connection resources (MAC-Index) usage histogram.

Data Source

DO-EMS

Source Field

perModemHistogramSampleCountForSimultCxnResources094

Source Section

RnConnectionResourceUsageHistogramPerModem (RnConnectionResourceUsageMIB)

perModemHistogramSampleCountForSimultCxnResources095

Per modem connection resources (MAC-Index) usage histogram.

Data Source

DO-EMS

Source Field

perModemHistogramSampleCountForSimultCxnResources095

Source Section

RnConnectionResourceUsageHistogramPerModem (RnConnectionResourceUsageMIB)

perModemHistogramSamplePeriod

The time interval between two resource usage histogram samples.

Data Source

DO-EMS

Source Field

perModemHistogramSamplePeriod

Source Section

RnConnectionResourceUsageHistogramPerModem (RnConnectionResourceUsageMIB)

perModemMaxCxnResources

The maximum number of simultaneous Traffic Channels allowed by the modem driver excluding the MAC indexes for the Control Channel in each sector.

Data Source

DO-EMS

Source Field

perModemMaxCxnResources

Source Section

RnConnectionResourceUsageHistogramPerModem (RnConnectionResourceUsageMIB)

perModemMaxDriverFlows

This attribute specifies the maximum number of driver flows that are available for connections after excluding the driver flows that are used for all the Control Channels.

Data Source

DO-EMS

Source Field

perModemMaxDriverFlows

Source Section

PerModemFlowUsageHistogram (RnConnectionResourceUsageMIB)

totalForwardAbisByteCountL32

Total number of bytes received in Abis (data) packets (CCH + FCT) in the downstream direction from all DO-RNCs.

Data Source

DO-EMS

Source Field

totalForwardAbisByteCountL32

Source Section

RnISSHOTrafficTotal (RnTrafficStatisticsMIB)

totalForwardAbisPacketCountL32

Total number of Abis (data) packets (CCH + FCT) received in the downstream direction from all DO-RNCs.

Data Source

DO-EMS

Source Field

totalForwardAbisPacketCountL32

Source Section

RnISSHOTrafficTotal (RnTrafficStatisticsMIB)

totalForwardMACByteCountL32

Total number of bytes received in MAC packets (CCH + FCT) in the downstream direction from all DO-RNCs

Data Source

DO-EMS

Source Field

totalForwardMACByteCountL32

Source Section

RnISSHOTrafficTotal (RnTrafficStatisticsMIB)

totalForwardMACPacketCountL32

Total number of MAC packets (CCH + FTC) received in the downstream direction from all DO-RNCs.

Data Source

DO-EMS

Source Field

totalForwardMACPacketCountL32

Source Section

RnISSHOTrafficTotal (RnTrafficStatisticsMIB)

totalReverseAbisByteCountL32

Total number of bytes sent in Abis (data) packets (ACH + RTC) in the upstream direction to all DO-RNCs.

Data Source

DO-EMS

Source Field

totalReverseAbisByteCountL32

Source Section

RnISSHOTrafficTotal (RnTrafficStatisticsMIB)

totalReverseAbisPacketCountL32

Total number of Abis (data) packets (ACH + RTC) sent in the upstream direction to all DO-RNCs.

Data Source

DO-EMS

Source Field

totalReverseAbisPacketCountL32

Source Section

RnISSHOTrafficTotal (RnTrafficStatisticsMIB)

totalReverseMACByteCountL32

Total number of bytes sent in MAC packets (ACH + RTC) in the upstream direction to all DO-RNCs.

Data Source

DO-EMS

Source Field

totalReverseMACByteCountL32

Source Section

RnISSHOTrafficTotal (RnTrafficStatisticsMIB)

totalReverseMACPacketCountL32

Total number of MAC packets (ACH + RTC) sent in the upstream direction to all DO-RNCs.

Data Source

DO-EMS

Source Field

totalReverseMACPacketCountL32

Source Section

RnISSHOTrafficTotal (RnTrafficStatisticsMIB)

DOM_Card Primitive Calculations

The following is a list of primitive calculations for the DOM_Card entity.

GRAPHmultiLineSeparator

Special Control Field for Multi-Line Graphs

Calculation

""

NUMDAYS

of days in Report

Calculation

DAYSINREPORT ()

NUMHOURS

of hours in Summation Data

Calculation

DOM_Card Peg Counts

The following is a list of peg counts for the DOM_Card entity.

currentDToAPackets

Current number of packets in the buffer pending active connections.

Data Source

DO-EMS

Source Field

currentDToAPackets

Source Section

OvrdCtrlCardResourceUtilization (OvrdCtrlMIB)

currentFree128Mbufs

Current number of free 128 byte mbufs.

Data Source

DO-EMS

Source Field

currentFree128Mbufs

Source Section

OvrdCtrlCardResourceUtilization (OvrdCtrlMIB)

currentFree2048Mbufs

Current number of free 2048 byte mbufs.

Data Source

DO-EMS

Source Field

currentFree2048Mbufs

Source Section

OvrlCtrlCardResourceUtilization (OvldCtrlMIB)

currentFree256MBufs

Current number of free 256 byte mbufs.

Data Source

DO-EMS

Source Field

currentFree256MBufs

Source Section

OvrlCtrlCardResourceUtilization (OvldCtrlMIB)

currentFree512Mbufs

Current number of free 512 byte mbufs.

Data Source

DO-EMS

Source Field

currentFree512Mbufs

Source Section

OvrlCtrlCardResourceUtilization (OvldCtrlMIB)

currentFreeMem

Current amount of free memory. (Unit : KBytes).

Data Source

DO-EMS

Source Field

currentFreeMem

Source Section

OvrlCtrlCardResourceUtilization (OvldCtrlMIB)

currentNumATBeingPaged

Current number of AT's being paged.

Data Source

DO-EMS

Source Field

currentNumATBeingPaged

Source Section

OvrlCtrlCardResourceUtilization (OvldCtrlMIB)

currentNumFreeSockets

Current number of free sockets.

Data Source

DO-EMS

Source Field

currentNumFreeSockets

Source Section

OvrlCtrlCardResourceUtilization (OvldCtrlMIB)

DOM_Card_Resource Primitive Calculations

The following is a list of primitive calculations for the DOM_Card_Resource entity.

GRAPHmultiLineSeparator

Special Control Field for Multi-Line Graphs

Calculation

""

NUMDAYS

of days in Report

Calculation

DAYSINREPORT ()

NUMHOURS

of hours in Summation Data

Calculation

DOM_Card_Resource Peg Counts

The following is a list of peg counts for the DOM_Card_Resource entity.

resourceName

The Resource name associated with the ID number.

Data Source

DO-EMS

Source Field

resourceName

Source Section

TCAACHCCHUtilizationDurations (OvldCtrlMIB)

resourceSecondsCriticalPrevious

Number of seconds spent in critical overload level in the previous measurement interval.

Data Source

DO-EMS

Source Field

resourceSecondsCriticalPrevious

Source Section

TCAACHCCHUtilizationDurations (OvldCtrlMIB)

resourceSecondsHealthyPrevious

Number of seconds spent in healthy overload in the previous measurement interval.

Data Source

DO-EMS

Source Field

resourceSecondsHealthyPrevious

Source Section

TCAACHCCHUtilizationDurations (OvldCtrlMIB)

resourceSecondsMajorPrevious

Number of seconds spent in major overload in the previous measurement interval.

Data Source

DO-EMS

Source Field

resourceSecondsMajorPrevious

Source Section

TCAACHCCHUtilizationDurations (OvldCtrlMIB)

resourceSecondsMinorPrevious

Number of seconds spent in minor overload in the previous measurement interval.

Data Source

DO-EMS

Source Field

resourceSecondsMinorPrevious

Source Section

TCAACHCCHUtilizationDurations (OvldCtrlMIB)

DOM_CardPort Primitive Calculations

The following is a list of primitive calculations for the DOM_CardPort entity.

GRAPHmultiLineSeparator

Special Control Field for Multi-Line Graphs

Calculation

""

NUMDAYS

of days in Report

Calculation

DAYSINREPORT ()

NUMHOURS

of hours in Summation Data

Calculation

DOM_ChanNo Primitive Calculations

The following is a list of primitive calculations for the DOM_ChanNo entity.

GRAPHmultiLineSeparator

Special Control Field for Multi-Line Graphs

Calculation

""

NUMDAYS

of days in Report

Calculation

DAYSINREPORT ()

NUMHOURS

of hours in Summation Data

Calculation

DOM_CPU Primitive Calculations

The following is a list of primitive calculations for the DOM_CPU entity.

GRAPHmultiLineSeparator

Special Control Field for Multi-Line Graphs

Calculation

""

NUMDAYS

of days in Report

Calculation

DAYSINREPORT ()

NUMHOURS

of hours in Summation Data

Calculation

DOM_CPU Peg Counts

The following is a list of peg counts for the DOM_CPU entity.

airEntCPUUtilizationAverage

The average CPU utilization calculated over the number of intervals indicated by airEntUtilizationAveragingIntervalUnits.

Data Source

DO-EMS

Source Field

airEntCPUUtilizationAverage

Source Section

CPUUtilization (EntityUtilizationMIB)

airEntCPUUtilizationFastPath

CPU utilization by the Fast path measured over the configurable interval in percentage.

Data Source

DO-EMS

Source Field

airEntCPUUtilizationFastPath

Source Section

CPUUtilization (EntityUtilizationMIB)

airEntCPUUtilizationSlowPath

CPU utilization by the Slow path measured over the configurable interval in percentage.

Data Source

DO-EMS

Source Field

airEntCPUUtilizationSlowPath

Source Section

CPUUtilization (EntityUtilizationMIB)

AvgAirEntCPUUtilization

Average CPU Utilization over reporting interval

Data Source

DO-EMS

Source Field

airEntCPUUtilization

Source Section

CPUUtilization (EntityUtilizationMIB)

MaxAirEntCPUUtilization

Maximum CPU Utilization over reporting interval

Data Source

DO-EMS

Source Field

airEntCPUUtilization

Source Section

CPUUtilization (EntityUtilizationMIB)

MinAirEntCPUUtilization

Minimum CPU Utilization over reporting interval

Data Source

DO-EMS

Source Field

airEntCPUUtilization

Source Section

CPUUtilization (EntityUtilizationMIB)

DOM_If Primitive Calculations

The following is a list of primitive calculations for the DOM_If entity.

GRAPHmultiLineSeparator

Special Control Field for Multi-Line Graphs

Calculation

""

IfIn_utilization_sum

Total number of seconds in the link input utilization measurements

Calculation

```
vsum (IfInBin0percent, IfInBin10percent, IfInBin10percent,  
IfInBin20percent, IfInBin30percent, IfInBin40percent, IfInBin50percent,  
IfInBin60percent, IfInBin70percent, IfInBin80percent, IfInBin90percent, 0)
```

IfIn00_09%_Util

Percentage of time the link input utilization is between 0 and 9 percent of its capacity

Calculation

```
IfInBin0percent * 100.0 / IfIn_utilization_sum
```

IfIn10_19%_Util

Percentage of time the link input utilization is between 10 and 19 percent of its capacity

Calculation

$\text{IfInBin10percent} * 100.0 / \text{IfIn_utilization_sum}$

IfIn100%_Util

Percentage of time the link input utilization is at 100 percent of its capacity

Calculation

$\text{IfInBin100percent} * 100.0 / \text{IfIn_utilization_sum}$

IfIn20_29%_Util

Percentage of time the link input utilization is between 20 and 29 percent of its capacity

Calculation

$\text{IfInBin20percent} * 100.0 / \text{IfIn_utilization_sum}$

IfIn30_39%_Util

Percentage of time the link input utilization is between 30 and 39 percent of its capacity

Calculation

$\text{IfInBin30percent} * 100.0 / \text{IfIn_utilization_sum}$

IfIn40_49%_Util

Percentage of time the link input utilization is between 40 and 49 percent of its capacity

Calculation

$\text{IfInBin40percent} * 100.0 / \text{IfIn_utilization_sum}$

IfIn50_59%_Util

Percentage of time the link input utilization is between 50 and 59 percent of its capacity

Calculation

$\text{IfInBin50percent} * 100.0 / \text{IfIn_utilization_sum}$

IfIn60_69%_Util

Percentage of time the link input utilization is between 60 and 69 percent of its capacity

Calculation

$\text{IfInBin60percent} * 100.0 / \text{IfIn_utilization_sum}$

IfIn70_79%_Util

Percentage of time the link input utilization is between 70 and 79 percent of its capacity

Calculation

`IfInBin70percent * 100.0 / IfIn_utilization_sum`

IfIn80_89%_Util

Percentage of time the link input utilization is between 80 and 89 percent of its capacity

Calculation

`IfInBin80percent * 100.0 / IfIn_utilization_sum`

IfIn90_99%_Util

Percentage of time the link input utilization is between 90 and 99 percent of its capacity

Calculation

`IfInBin90percent * 100.0 / IfIn_utilization_sum`

IfOut_utilization_sum

Total number of seconds in the link output utilization measurements

Calculation

`vsum (IfOutBin0percent, IfOutBin10percent, IfOutBin20percent, IfOutBin30percent, IfOutBin40percent, IfOutBin50percent, IfOutBin60percent, IfOutBin70percent, IfOutBin80percent, IfOutBin90percent, 0)`

IfOut00_09%_Util

Percentage of time the link output utilization is between 0 and 9 percent of its capacity

Calculation

`IfOutBin0percent * 100.0 / IfOut_utilization_sum`

IfOut10_19%_Util

Percentage of time the link output utilization is between 10 and 19 percent of its capacity

Calculation

`IfOutBin10percent * 100.0 / IfOut_utilization_sum`

IfOut100%_Util

Percentage of time the link output utilization is at 100 percent of its capacity

Calculation

`IfOutBin100percent * 100.0 / IfOut_utilization_sum`

IfOut20_29%_Util

Percentage of time the link output utilization is between 20 and 29 percent of its capacity

Calculation

$$\text{IfOutBin20percent} * 100.0 / \text{IfOut_utilization_sum}$$

IfOut30_39%_Util

Percentage of time the link output utilization is between 30 and 39 percent of its capacity

Calculation

$$\text{IfOutBin30percent} * 100.0 / \text{IfOut_utilization_sum}$$

IfOut40_49%_Util

Percentage of time the link output utilization is between 40 and 49 percent of its capacity

Calculation

$$\text{IfOutBin40percent} * 100.0 / \text{IfOut_utilization_sum}$$

IfOut50_59%_Util

Percentage of time the link output utilization is between 50 and 59 percent of its capacity

Calculation

$$\text{IfOutBin50percent} * 100.0 / \text{IfOut_utilization_sum}$$

IfOut60_69%_Util

Percentage of time the link output utilization is between 60 and 69 percent of its capacity

Calculation

$$\text{IfOutBin60percent} * 100.0 / \text{IfOut_utilization_sum}$$

IfOut70_79%_Util

Percentage of time the link output utilization is between 70 and 79 percent of its capacity

Calculation

$$\text{IfOutBin70percent} * 100.0 / \text{IfOut_utilization_sum}$$

IfOut80_89%_Util

Percentage of time the link output utilization is between 80 and 89 percent of its capacity

Calculation

$$\text{IfOutBin80percent} * 100.0 / \text{IfOut_utilization_sum}$$

IfOut90_99%_Util

Percentage of time the link output utilization is between 90 and 99 percent of its capacity

Calculation

$\text{IfOutBin90percent} * 100.0 / \text{IfOut_utilization_sum}$

NUMDAYS

of days in Report

Calculation

$\text{DAYSINREPORT}()$

NUMHOURS

of hours in Summation Data

Calculation

DOM_If Peg Counts

The following is a list of peg counts for the DOM_If entity.

IfInBin0percent

Number of seconds the link input utilization is between 0 and 9 percent of its capacity

Data Source

DO-EMS

Source Field

IfInBin0percent

Source Section

InterfaceUtilizationByPort (InterfaceEXMIB)

IfInBin100percent

Number of seconds the link input utilization is at 100 percent of its capacity

Data Source

DO-EMS

Source Field

IfInBin100percent

Source Section

InterfaceUtilizationByPort (InterfaceEXMIB)

IfInBin10percent

Number of seconds the link input utilization is between 10 and 19 percent of its capacity

Data Source

DO-EMS

Source Field

IfInBin10percent

Source Section

InterfaceUtilizationByPort (InterfaceEXMIB)

IfInBin20percent

Number of seconds the link input utilization is between 20 and 29 percent of its capacity

Data Source

DO-EMS

Source Field

IfInBin20percent

Source Section

InterfaceUtilizationByPort (InterfaceEXMIB)

IfInBin30percent

Number of seconds the link input utilization is between 30 and 39 percent of its capacity

Data Source

DO-EMS

Source Field

IfInBin30percent

Source Section

InterfaceUtilizationByPort (InterfaceEXMIB)

IfInBin40percent

Number of seconds the link input utilization is between 40 and 49 percent of its capacity

Data Source

DO-EMS

Source Field

IfInBin40percent

Source Section

InterfaceUtilizationByPort (InterfaceEXMIB)

IfInBin50percent

Number of seconds the link input utilization is between 50 and 59 percent of its capacity

Data Source

DO-EMS

Source Field

IfInBin50percent

Source Section

InterfaceUtilizationByPort (InterfaceEXMIB)

IfInBin60percent

Number of seconds the link input utilization is between 60 and 69 percent of its capacity

Data Source

DO-EMS

Source Field

IfInBin60percent

Source Section

InterfaceUtilizationByPort (InterfaceEXMIB)

IfInBin70percent

Number of seconds the link input utilization is between 70 and 79 percent of its capacity

Data Source

DO-EMS

Source Field

IfInBin70percent

Source Section

InterfaceUtilizationByPort (InterfaceEXMIB)

IfInBin80percent

Number of seconds the link input utilization is between 80 and 89 percent of its capacity

Data Source

DO-EMS

Source Field

IfInBin80percent

Source Section

InterfaceUtilizationByPort (InterfaceEXMIB)

IfInBin90percent

Number of seconds the link input utilization is between 90 and 99 percent of its capacity

Data Source

DO-EMS

Source Field

IfInBin90percent

Source Section

InterfaceUtilizationByPort (InterfaceEXMIB)

ifIndex

Interface index

Data Source

DO-EMS

Source Field

ifIndex

Source Section

InterfaceUtilizationByPort (RFC1213MIB)

IfOutBin0percent

Number of seconds the link output utilization is between 0 and 9 percent of its capacity

Data Source

DO-EMS

Source Field

IfOutBin0percent

Source Section

InterfaceUtilizationByPort (InterfaceEXMIB)

IfOutBin100percent

Number of seconds the link output utilization is at 100 percent of its capacity

Data Source

DO-EMS

Source Field

IfOutBin100percent

Source Section

InterfaceUtilizationByPort (InterfaceEXMIB)

IfOutBin10percent

Number of seconds the link output utilization is between 10 and 19 percent of its capacity

Data Source

DO-EMS

Source Field

IfOutBin10percent

Source Section

InterfaceUtilizationByPort (InterfaceEXMIB)

IfOutBin20percent

Number of seconds the link output utilization is between 20 and 29 percent of its capacity

Data Source

DO-EMS

Source Field

IfOutBin20percent

Source Section

InterfaceUtilizationByPort (InterfaceEXMIB)

IfOutBin30percent

Number of seconds the link output utilization is between 30 and 39 percent of its capacity

Data Source

DO-EMS

Source Field

IfOutBin30percent

Source Section

InterfaceUtilizationByPort (InterfaceEXMIB)

IfOutBin40percent

Number of seconds the link output utilization is between 40 and 49 percent of its capacity

Data Source

DO-EMS

Source Field

IfOutBin40percent

Source Section

InterfaceUtilizationByPort (InterfaceEXMIB)

IfOutBin50percent

Number of seconds the link output utilization is between 50 and 59 percent of its capacity

Data Source

DO-EMS

Source Field

IfOutBin50percent

Source Section

InterfaceUtilizationByPort (InterfaceEXMIB)

IfOutBin60percent

Number of seconds the link output utilization is between 60 and 69 percent of its capacity

Data Source

DO-EMS

Source Field

IfOutBin60percent

Source Section

InterfaceUtilizationByPort (InterfaceEXMIB)

IfOutBin70percent

Number of seconds the link output utilization is between 70 and 79 percent of its capacity

Data Source

DO-EMS

Source Field

IfOutBin70percent

Source Section

InterfaceUtilizationByPort (InterfaceEXMIB)

IfOutBin80percent

Number of seconds the link output utilization is between 80 and 89 percent of its capacity

Data Source

DO-EMS

Source Field

IfOutBin80percent

Source Section

InterfaceUtilizationByPort (InterfaceEXMIB)

IfOutBin90percent

Number of seconds the link output utilization is between 90 and 99 percent of its capacity

Data Source

DO-EMS

Source Field

IfOutBin90percent

Source Section

InterfaceUtilizationByPort (InterfaceEXMIB)

ifSpeed

An estimate of the interface's current bandwidth in kbps

Data Source

DO-EMS

Source Field

ifSpeed

Source Section

InterfaceUtilizationByPort (InterfaceEXMIB)

qosPktsDropBackgroundTrafficQueue

QOS packets dropped in background traffic queue

Data Source

DO-EMS

Source Field

qosPktsDropBackgroundTrafficQueue

Source Section

InterfaceUtilizationByPort (InterfaceEXMIB)

qosPktsDropCriticalQueue

QOS packets dropped in critical queue

Data Source

DO-EMS

Source Field

qosPktsDropCriticalQueue

Source Section

InterfaceUtilizationByPort (InterfaceEXMIB)

qosPktsDropDataQueue

QOS packets dropped in data queue

Data Source

DO-EMS

Source Field

qosPktsDropDataQueue

Source Section

InterfaceUtilizationByPort (InterfaceEXMIB)

qosPktsDropSignalingQueue

QOS packets dropped in signaling queue

Data Source

DO-EMS

Source Field

qosPktsDropSignalingQueue

Source Section

InterfaceUtilizationByPort (InterfaceEXMIB)

qosPktsTXBackgroundTrafficQueue

Number of packets sent from the Background Traffic queue.

Data Source

DO-EMS

Source Field

qosPktsTXBackgroundTrafficQueue

Source Section

InterfaceUtilizationByPort (InterfaceEXMIB)

qosPktsTxCriticalQueue

QOS packets transmitted in critical queue

Data Source

DO-EMS

Source Field

qosPktsTxCriticalQueue

Source Section

InterfaceUtilizationByPort (InterfaceEXMIB)

qosPktsTxDataQueue

QOS packets transmitted in data queue

Data Source

DO-EMS

Source Field

qosPktsTxDataQueue

Source Section

InterfaceUtilizationByPort (InterfaceEXMIB)

qosPktsTxSignalingQueue

QOS packets transmitted in signaling queue

Data Source

DO-EMS

Source Field

qosPktsTxSignalingQueue

Source Section

InterfaceUtilizationByPort (InterfaceEXMIB)

DOM_QosQueue Primitive Calculations

The following is a list of primitive calculations for the DOM_QosQueue entity.

GRAPHmultiLineSeparator

Special Control Field for Multi-Line Graphs

Calculation

""

NUMDAYS

of days in Report

Calculation

DAYSINREPORT ()

NUMHOURS

of hours in Summation Data

Calculation

DOM_QosQueue Peg Counts

The following is a list of peg counts for the DOM_QosQueue entity.

qosQueueDropThreshold

The drop threshold of the transmit priority queue (Unit : Bytes). This is not an OM, but for information.

Data Source

DO-EMS

Source Field

qosQueueDropThreshold

Source Section

QoSSTxPriorityUtilization (InterfaceEXMIB)

qosQueueLength

The current size of the transmit priority queue (Unit : Bytes).

Data Source

DO-EMS

Source Field

qosQueueLength

Source Section

QoSSTxPriorityUtilization (InterfaceEXMIB)

qosQueuePktsDrop

The number of packets dropped from the transmit priority queue.

Data Source

DO-EMS

Source Field

qosQueuePktsDrop

Source Section

QoSSTxPriorityUtilization (InterfaceEXMIB)

qosQueuePktsTx

The number of transmitted packets from the transmit priority queue.

Data Source

DO-EMS

Source Field

qosQueuePktsTx

Source Section

QoS Tx Priority Utilization (Interface EXMIB)

DOM_RNC Primitive Calculations

The following is a list of primitive calculations for the DOM_RNC entity.

GRAPHmultiLineSeparator

Special Control Field for Multi-Line Graphs

Calculation

""

NUMDAYS

of days in Report

Calculation

DAYSINREPORT ()

NUMHOURS

of hours in Summation Data

Calculation

DOM_RNC Peg Counts

The following is a list of peg counts for the DOM_RNC entity.

forwardAbisByteCountL32

Total number of bytes received in Abis (data) packets (CCH + FCT) in the downstream direction from this DO-RNC.

Data Source

DO-EMS

Source Field

forwardAbisByteCountL32

Source Section

RnISSHOTrafficPerRNC (RnTrafficStatisticsMIB)

forwardAbisPacketCountL32

Total number of Abis (data) packets (CCH + FCT) received in the downstream direction from this DO-RNC.

Data Source

DO-EMS

Source Field

forwardAbisPacketCountL32

Source Section

RnISSHOTrafficPerRNC (RnTrafficStatisticsMIB)

forwardMACByteCountL32

Total number of bytes received in MAC packets (CCH + FCT) in the downstream direction from this DO-RNC

Data Source

DO-EMS

Source Field

forwardMACByteCountL32

Source Section

RnISSHOTrafficPerRNC (RnTrafficStatisticsMIB)

forwardMACPacketCountL32

Total number of MAC packets (CCH + FTC) received in the downstream direction from this DO-RNC.

Data Source

DO-EMS

Source Field

forwardMACPacketCountL32

Source Section

RnISSHOTrafficPerRNC (RnTrafficStatisticsMIB)

reverseAbisByteCountL32

Total number of bytes sent in Abis (data) packets (ACH + RTC) in the upstream direction to this DO-RNC.

Data Source

DO-EMS

Source Field

reverseAbisByteCountL32

Source Section

RnISSHOTrafficPerRNC (RnTrafficStatisticsMIB)

reverseAbisPacketCountL32

Total number of Abis (data) packets (ACH + RTC) sent in the upstream direction to this DO-RNC.

Data Source

DO-EMS

Source Field

reverseAbisPacketCountL32

Source Section

RnISSHOTrafficPerRNC (RnTrafficStatisticsMIB)

reverseMACByteCountL32

Total number of bytes sent in MAC packets (ACH + RTC) in the upstream direction to this DO-RNC.

Data Source

DO-EMS

Source Field

reverseMACByteCountL32

Source Section

RnISSHOTrafficPerRNC (RnTrafficStatisticsMIB)

reverseMACPacketCountL32

Total number of MAC packets (ACH + RTC) sent in the upstream direction to this DO-RNC.

Data Source

DO-EMS

Source Field

reverseMACPacketCountL32

Source Section

RnISSHOTrafficPerRNC (RnTrafficStatisticsMIB)

rncType

DO-RNC type for which the traffic statistics are collected. Primary =1, Secondary = 2.

Data Source

DO-EMS

Source Field

rncType

Source Section

RnISSHOTrafficPerRNC (RnTrafficStatisticsMIB)

DOM_Sector Primitive Calculations

The following is a list of primitive calculations for the DOM_Sector entity.

achSectorNumBadCapsules_Sum

Summation of all pegs for OM achSectorNumBadCapsules

Calculation

```
vsum (achSectorNumBadCapsules_SumRate1, achSectorNumBadCapsules_SumRate2,  
achSectorNumBadCapsules_SumRate3)
```

achSectorNumBadCapsules_SumRate1

Summation of all Rate1 pegs for OM achSectorNumBadCapsules

Calculation

```
vsum (achSectorNumBadCapsules_Size1Rate1,  
achSectorNumBadCapsules_Size2Rate1, achSectorNumBadCapsules_Size3Rate1,  
achSectorNumBadCapsules_Size4Rate1)
```

achSectorNumBadCapsules_SumRate2

Summation of all Rate2 pegs for OM achSectorNumBadCapsules

Calculation

```
vsum (achSectorNumBadCapsules_Size1Rate2,  
achSectorNumBadCapsules_Size2Rate2, achSectorNumBadCapsules_Size3Rate2,  
achSectorNumBadCapsules_Size4Rate2)
```

achSectorNumBadCapsules_SumRate3

Summation of all Rate3 pegs for OM achSectorNumBadCapsules

Calculation

```
vsum (achSectorNumBadCapsules_Size1Rate3,  
achSectorNumBadCapsules_Size2Rate3, achSectorNumBadCapsules_Size3Rate3,  
achSectorNumBadCapsules_Size4Rate3)
```

achSectorNumBadCapsules_SumSize1

Summation of all Size1 pegs for OM achSectorNumBadCapsules

Calculation

```
vsum (achSectorNumBadCapsules_Size1Rate1,  
achSectorNumBadCapsules_Size1Rate2, achSectorNumBadCapsules_Size1Rate3)
```

achSectorNumBadCapsules_SumSize2

Summation of all Size2 pegs for OM achSectorNumBadCapsules

Calculation

```
vsum (achSectorNumBadCapsules_Size2Rate1,  
achSectorNumBadCapsules_Size2Rate2, achSectorNumBadCapsules_Size2Rate3)
```

achSectorNumBadCapsules_SumSize3

Summation of all Size3 pegs for OM achSectorNumBadCapsules

Calculation

```
vsum (achSectorNumBadCapsules_Size3Rate1,  
achSectorNumBadCapsules_Size3Rate2, achSectorNumBadCapsules_Size3Rate3)
```

achSectorNumBadCapsules_SumSize4

Summation of all Size4 pegs for OM achSectorNumBadCapsules

Calculation

```
vsum (achSectorNumBadCapsules_Size4Rate1,  
achSectorNumBadCapsules_Size4Rate2, achSectorNumBadCapsules_Size4Rate3)
```

achSectorNumGoodCapsules_Sum

Summation of all pegs for OM achSectorNumGoodCapsules

Calculation

```
vsum (achSectorNumGoodCapsules_SumRate1,  
achSectorNumGoodCapsules_SumRate2, achSectorNumGoodCapsules_SumRate3)
```

achSectorNumGoodCapsules_SumRate1

Summation of all Rate1 pegs for OM achSectorNumGoodCapsules

Calculation

```
vsum (achSectorNumGoodCapsules_Size1Rate1,  
achSectorNumGoodCapsules_Size2Rate1, achSectorNumGoodCapsules_Size3Rate1,  
achSectorNumGoodCapsules_Size4Rate1)
```

achSectorNumGoodCapsules_SumRate2

Summation of all Rate2 pegs for OM achSectorNumGoodCapsules

Calculation

```
vsum (achSectorNumGoodCapsules_Size1Rate2,  
achSectorNumGoodCapsules_Size2Rate2, achSectorNumGoodCapsules_Size3Rate2,  
achSectorNumGoodCapsules_Size4Rate2)
```

achSectorNumGoodCapsules_SumRate3

Summation of all Rate3 pegs for OM achSectorNumGoodCapsules

Calculation

```
vsum (achSectorNumGoodCapsules_Size1Rate3,  
achSectorNumGoodCapsules_Size2Rate3, achSectorNumGoodCapsules_Size3Rate3,  
achSectorNumGoodCapsules_Size4Rate3)
```

achSectorNumGoodCapsules_SumSize1

Summation of all Size1 pegs for OM achSectorNumGoodCapsules

Calculation

```
vsum (achSectorNumGoodCapsules_Size1Rate1,  
achSectorNumGoodCapsules_Size1Rate2, achSectorNumGoodCapsules_Size1Rate3)
```

achSectorNumGoodCapsules_SumSize2

Summation of all Size2 pegs for OM achSectorNumGoodCapsules

Calculation

```
vsum (achSectorNumGoodCapsules_Size2Rate1,  
achSectorNumGoodCapsules_Size2Rate2, achSectorNumGoodCapsules_Size2Rate3)
```

achSectorNumGoodCapsules_SumSize3

Summation of all Size3 pegs for OM achSectorNumGoodCapsules

Calculation

```
vsum (achSectorNumGoodCapsules_Size3Rate1,  
achSectorNumGoodCapsules_Size3Rate2, achSectorNumGoodCapsules_Size3Rate3)
```

achSectorNumGoodCapsules_SumSize4

Summation of all Size4 pegs for OM achSectorNumGoodCapsules

Calculation

```
vsum (achSectorNumGoodCapsules_Size4Rate1,  
achSectorNumGoodCapsules_Size4Rate2, achSectorNumGoodCapsules_Size4Rate3)
```

ANInitiatedConnectionSetupFailureRateSC

AN-initiated Connection Setup Failure Rate

Calculation

```
100.0 * vsum(NumConnReqsANInitiatedSC, -1 * NumANConnReqsWhileSettingUpSC,  
-1 * NumANConnReqsWhileTearingDownSC, -1 * NumANConnReqsWhileOpenSC, -1 *  
NumSuccessfulOpensForANConnRequestSC, 0) / vsum(NumConnReqsANInitiatedSC, -  
1 * NumANConnReqsWhileSettingUpSC, -1 * NumANConnReqsWhileTearingDownSC, -1  
* NumANConnReqsWhileOpenSC, 0)
```

ANInitiatedConnectionSetupsAttemptedSC

AN-Initiated Connection Setups Attempted

Calculation

```
vsum (NumConnReqsANInitiatedSC, -1 * NumANConnReqsWhileSettingUpSC, -1 *  
NumANConnReqsWhileTearingDownSC, -1 * NumANConnReqsWhileOpenSC, 0)
```

ATInitiatedConnectionSetupFailureRateSC

AT-initiated Connection Setup Failure Rate

Calculation

```
100.0 * vsum (NumConnReqsATInitiatedSC, -1 * NumATConnReqsWhileSettingUpSC,  
-1 * NumATConnReqsWhileTearingDownSC, -1 * NumATConnReqsWhileOpenSC, -1 *  
NumSuccessfulOpensForATConnRequestSC, 0) / vsum (NumConnReqsATInitiatedSC, -  
1 * NumATConnReqsWhileSettingUpSC, -1 * NumATConnReqsWhileTearingDownSC, -1  
* NumATConnReqsWhileOpenSC, 0)
```

ATInitiatedConnectionSetupsAttemptedbyRNCSC

AT-Initiated Connection Setups Attempted by RNC

Calculation

```
vsum (NumConnReqsATInitiatedSC, -1 * NumATConnReqsWhileSettingUpSC, -1 *  
NumATConnReqsWhileTearingDownSC, -1 * NumATConnReqsWhileOpenSC, 0)
```

cchSectorNumTxSyncCapsules_Sum

Summation of all Capsule Size pegs for OM cchSectorNumTxSyncCapsules

Calculation

```
vsum (cchSectorNumTxSyncCapsules_CapsuleSize1,  
cchSectorNumTxSyncCapsules_CapsuleSize2,  
cchSectorNumTxSyncCapsules_CapsuleSize3,  
cchSectorNumTxSyncCapsules_CapsuleSize4,  
cchSectorNumTxSyncCapsules_CapsuleSize5,  
cchSectorNumTxSyncCapsules_CapsuleSize6,  
cchSectorNumTxSyncCapsules_CapsuleSize7,  
cchSectorNumTxSyncCapsules_CapsuleSize8)
```

FastConnectConnectionSetupFailureRateSC

Fast Connect Connection Setup Failure Rate

Calculation

```
100.0 * vsum (NumFastConnectsInitiatedSC, -1 * NumSuccessfulOpensForFastCon-  
nectSC, 0) / NumFastConnectsInitiatedSC
```

ftcSectorNumTxMacBytes_Sum

Summation of all Packet Rate pegs for OM ftcSectorNumTxMacBytes

Calculation

```
vsum (ftcSectorNumTxMacBytes_PacketRate01,  
ftcSectorNumTxMacBytes_PacketRate02, ftcSectorNumTxMacBytes_PacketRate03,  
ftcSectorNumTxMacBytes_PacketRate04, ftcSectorNumTxMacBytes_PacketRate05,  
ftcSectorNumTxMacBytes_PacketRate06, ftcSectorNumTxMacBytes_PacketRate07,  
ftcSectorNumTxMacBytes_PacketRate08, ftcSectorNumTxMacBytes_PacketRate09,  
ftcSectorNumTxMacBytes_PacketRate10, ftcSectorNumTxMacBytes_PacketRate11,  
ftcSectorNumTxMacBytes_PacketRate12, ftcSectorNumTxMacBytes_PacketRate13,  
ftcSectorNumTxMacBytes_PacketRate14)
```

ftcSectorNumTxPhyPkts_Sum

Summation of all Packet Rate pegs for OM ftcSectorNumTxPhyPkts

Calculation

```
vsum (ftcSectorNumTxPhyPkts_PacketRate01,  
ftcSectorNumTxPhyPkts_PacketRate02, ftcSectorNumTxPhyPkts_PacketRate03,  
ftcSectorNumTxPhyPkts_PacketRate04, ftcSectorNumTxPhyPkts_PacketRate05,  
ftcSectorNumTxPhyPkts_PacketRate06, ftcSectorNumTxPhyPkts_PacketRate07,  
ftcSectorNumTxPhyPkts_PacketRate08, ftcSectorNumTxPhyPkts_PacketRate09,  
ftcSectorNumTxPhyPkts_PacketRate10, ftcSectorNumTxPhyPkts_PacketRate11,  
ftcSectorNumTxPhyPkts_PacketRate12, ftcSectorNumTxPhyPkts_PacketRate13,  
ftcSectorNumTxPhyPkts_PacketRate14)
```

ftcSectorNumTxSlots_Sum

Summation of all Packet Rate pegs for OM ftcSectorNumTxSlots

Calculation

```
vsum (ftcSectorNumTxSlots_PacketRate01, ftcSectorNumTxSlots_PacketRate02,  
ftcSectorNumTxSlots_PacketRate03, ftcSectorNumTxSlots_PacketRate04,  
ftcSectorNumTxSlots_PacketRate05, ftcSectorNumTxSlots_PacketRate06,  
ftcSectorNumTxSlots_PacketRate07, ftcSectorNumTxSlots_PacketRate08,  
ftcSectorNumTxSlots_PacketRate09, ftcSectorNumTxSlots_PacketRate10,  
ftcSectorNumTxSlots_PacketRate11, ftcSectorNumTxSlots_PacketRate12,  
ftcSectorNumTxSlots_PacketRate13, ftcSectorNumTxSlots_PacketRate14)
```

GRAPHmultiLineSeparator

Special Control Field for Multi-Line Graphs

Calculation

""

NUMDAYS

of days in Report

Calculation

DAYSINREPORT ()

NUMHOURS

of hours in Summation Data

Calculation

PercentGoodAccessCapsules

Percentage of access capsules with good CRC received at this sector across all the Access Channel rates.

Calculation

numTotalGoodAccessCapsules * 100.0 / vsum(numTotalGoodAccessCapsules, numTotalBadAccessCapsules)

perSectorRev0RUHistSamples

The total number of samples for the per sector connection resources (MAC-Indices) histogram

Calculation

vsum (perSectorRev0RUHistBin000, perSectorRev0RUHistBin005,
perSectorRev0RUHistBin010, perSectorRev0RUHistBin015,
perSectorRev0RUHistBin020, perSectorRev0RUHistBin025,
perSectorRev0RUHistBin030, perSectorRev0RUHistBin035,
perSectorRev0RUHistBin040, perSectorRev0RUHistBin045,
perSectorRev0RUHistBin050, perSectorRev0RUHistBin055, 0)

perSectorRev0RUPercent000

The percentage of samples for which 0 to 4 simultaneous per sector DOM-0 connection resources (MAC-Indices) were in use.

Calculation

perSectorRev0RUHistBin000 * 100.0 / perSectorRev0RUHistSamples

perSectorRev0RUPercent005

The percentage of samples for which 5 to 9 simultaneous per sector DOM-0 connection resources (MAC-Indices) were in use.

Calculation

perSectorRev0RUHistBin005 * 100.0 / perSectorRev0RUHistSamples

perSectorRev0RUPercent010

The percentage of samples for which 10 to 14 simultaneous per sector DOM-0 connection resources (MAC-Indices) were in use.

Calculation

$$\text{perSectorRev0RUHistBin010} * 100.0 / \text{perSectorRev0RUHistSamples}$$

perSectorRev0RUPercent015

The percentage of samples for which 15 to 19 simultaneous per sector DOM-0 connection resources (MAC-Indices) were in use.

Calculation

$$\text{perSectorRev0RUHistBin015} * 100.0 / \text{perSectorRev0RUHistSamples}$$

perSectorRev0RUPercent020

The percentage of samples for which 20 to 24 simultaneous per sector DOM-0 connection resources (MAC-Indices) were in use.

Calculation

$$\text{perSectorRev0RUHistBin020} * 100.0 / \text{perSectorRev0RUHistSamples}$$

perSectorRev0RUPercent025

The percentage of samples for which 25 to 29 simultaneous per sector DOM-0 connection resources (MAC-Indices) were in use.

Calculation

$$\text{perSectorRev0RUHistBin025} * 100.0 / \text{perSectorRev0RUHistSamples}$$

perSectorRev0RUPercent030

The percentage of samples for which 30 to 34 simultaneous per sector DOM-0 connection resources (MAC-Indices) were in use.

Calculation

$$\text{perSectorRev0RUHistBin030} * 100.0 / \text{perSectorRev0RUHistSamples}$$

perSectorRev0RUPercent035

The percentage of samples for which 35 to 39 simultaneous per sector DOM-0 connection resources (MAC-Indices) were in use.

Calculation

$$\text{perSectorRev0RUHistBin035} * 100.0 / \text{perSectorRev0RUHistSamples}$$

perSectorRev0RUPercent040

The percentage of samples for which 40 to 44 simultaneous per sector DOM-0 connection resources (MAC-Indices) were in use.

Calculation

`perSectorRev0RUHistBin040 * 100.0 / perSectorRev0RUHistSamples`

perSectorRev0RUPercent045

The percentage of samples for which 45 to 49 simultaneous per sector DOM-0 connection resources (MAC-Indices) were in use.

Calculation

`perSectorRev0RUHistBin045 * 100.0 / perSectorRev0RUHistSamples`

perSectorRev0RUPercent050

The percentage of samples for which 50 to 54 simultaneous per sector DOM-0 connection resources (MAC-Indices) were in use.

Calculation

`perSectorRev0RUHistBin050 * 100.0 / perSectorRev0RUHistSamples`

perSectorRev0RUPercent055

The percentage of samples for which 55 to 59 simultaneous per sector DOM-0 connection resources (MAC-Indices) were in use.

Calculation

`perSectorRev0RUHistBin055 * 100.0 / perSectorRev0RUHistSamples`

perSectorRUHistSamples

The total number of samples for the per sector connection resources (MAC-Indices) histogram

Calculation

`vsum (perSectorRUHistBin000, perSectorRUHistBin005, perSectorRUHistBin010,
perSectorRUHistBin015, perSectorRUHistBin020, perSectorRUHistBin025,
perSectorRUHistBin030, perSectorRUHistBin035, perSectorRUHistBin040,
perSectorRUHistBin045, perSectorRUHistBin050, perSectorRUHistBin055,
perSectorRUHistBin060, perSectorRUHistBin065, perSectorRUHistBin070,
perSectorRUHistBin075, perSectorRUHistBin080, perSectorRUHistBin085,
perSectorRUHistBin090, perSectorRUHistBin095, perSectorRUHistBin100,
perSectorRUHistBin105, perSectorRUHistBin110, perSectorRUHistBin115, 0)`

perSectorRUPercent000

The percentage of samples for which 0 to 4 simultaneous per sector connection resources (MAC-Indices) were in use.

Calculation

$$\text{perSectorRUHistBin000} * 100.0 / \text{perSectorRUHistSamples}$$

perSectorRUPercent005

The percentage of samples for which 5 to 9 simultaneous per sector connection resources (MAC-Indices) were in use.

Calculation

$$\text{perSectorRUHistBin005} * 100.0 / \text{perSectorRUHistSamples}$$

perSectorRUPercent010

The percentage of samples for which 10 to 14 simultaneous per sector connection resources (MAC-Indices) were in use.

Calculation

$$\text{perSectorRUHistBin010} * 100.0 / \text{perSectorRUHistSamples}$$

perSectorRUPercent015

The percentage of samples for which 15 to 19 simultaneous per sector connection resources (MAC-Indices) were in use.

Calculation

$$\text{perSectorRUHistBin015} * 100.0 / \text{perSectorRUHistSamples}$$

perSectorRUPercent020

The percentage of samples for which 20 to 24 simultaneous per sector connection resources (MAC-Indices) were in use.

Calculation

$$\text{perSectorRUHistBin020} * 100.0 / \text{perSectorRUHistSamples}$$

perSectorRUPercent025

The percentage of samples for which 25 to 29 simultaneous per sector connection resources (MAC-Indices) were in use.

Calculation

$$\text{perSectorRUHistBin025} * 100.0 / \text{perSectorRUHistSamples}$$

perSectorRUPercent030

The percentage of samples for which 30 to 34 simultaneous per sector connection resources (MAC-Indices) were in use.

Calculation

$$\text{perSectorRUHistBin030} * 100.0 / \text{perSectorRUHistSamples}$$

perSectorRUPercent035

The percentage of samples for which 35 to 39 simultaneous per sector connection resources (MAC-Indices) were in use.

Calculation

$$\text{perSectorRUHistBin035} * 100.0 / \text{perSectorRUHistSamples}$$

perSectorRUPercent040

The percentage of samples for which 40 to 44 simultaneous per sector connection resources (MAC-Indices) were in use.

Calculation

$$\text{perSectorRUHistBin040} * 100.0 / \text{perSectorRUHistSamples}$$

perSectorRUPercent045

The percentage of samples for which 45 to 49 simultaneous per sector connection resources (MAC-Indices) were in use.

Calculation

$$\text{perSectorRUHistBin045} * 100.0 / \text{perSectorRUHistSamples}$$

perSectorRUPercent050

The percentage of samples for which 50 to 54 simultaneous per sector connection resources (MAC-Indices) were in use.

Calculation

$$\text{perSectorRUHistBin050} * 100.0 / \text{perSectorRUHistSamples}$$

perSectorRUPercent055

The percentage of samples for which 55 to 59 simultaneous per sector connection resources (MAC-Indices) were in use.

Calculation

$$\text{perSectorRUHistBin055} * 100.0 / \text{perSectorRUHistSamples}$$

perSectorRUPercent060

The percentage of samples for which 60 to 64 simultaneous per sector connection resources (MAC-Indices) were in use.

Calculation

$$\text{perSectorRUHistBin060} * 100.0 / \text{perSectorRUHistSamples}$$

perSectorRUPercent065

The percentage of samples for which 65 to 69 simultaneous per sector connection resources (MAC-Indices) were in use.

Calculation

$$\text{perSectorRUHistBin065} * 100.0 / \text{perSectorRUHistSamples}$$

perSectorRUPercent070

The percentage of samples for which 70 to 74 simultaneous per sector connection resources (MAC-Indices) were in use.

Calculation

$$\text{perSectorRUHistBin070} * 100.0 / \text{perSectorRUHistSamples}$$

perSectorRUPercent075

The percentage of samples for which 75 to 79 simultaneous per sector connection resources (MAC-Indices) were in use.

Calculation

$$\text{perSectorRUHistBin075} * 100.0 / \text{perSectorRUHistSamples}$$

perSectorRUPercent080

The percentage of samples for which 80 to 84 simultaneous per sector connection resources (MAC-Indices) were in use.

Calculation

$$\text{perSectorRUHistBin080} * 100.0 / \text{perSectorRUHistSamples}$$

perSectorRUPercent085

The percentage of samples for which 85 to 89 simultaneous per sector connection resources (MAC-Indices) were in use.

Calculation

$$\text{perSectorRUHistBin085} * 100.0 / \text{perSectorRUHistSamples}$$

perSectorRUPercent090

The percentage of samples for which 90 to 94 simultaneous per sector connection resources (MAC-Indices) were in use.

Calculation

$\text{perSectorRUHistBin090} * 100.0 / \text{perSectorRUHistSamples}$

perSectorRUPercent095

The percentage of samples for which 95 to 99 simultaneous per sector connection resources (MAC-Indices) were in use.

Calculation

$\text{perSectorRUHistBin095} * 100.0 / \text{perSectorRUHistSamples}$

perSectorRUPercent100

The percentage of samples for which 100 to 104 simultaneous per sector connection resources (MAC-Indices) were in use.

Calculation

$\text{perSectorRUHistBin100} * 100.0 / \text{perSectorRUHistSamples}$

perSectorRUPercent105

The percentage of samples for which 105 to 109 simultaneous per sector connection resources (MAC-Indices) were in use.

Calculation

$\text{perSectorRUHistBin105} * 100.0 / \text{perSectorRUHistSamples}$

perSectorRUPercent110

The percentage of samples for which 110 to 114 simultaneous per sector connection resources (MAC-Indices) were in use.

Calculation

$\text{perSectorRUHistBin110} * 100.0 / \text{perSectorRUHistSamples}$

perSectorRUPercent115

The percentage of samples for which 115 simultaneous per sector connection resources (MAC-Indices) were in use.

Calculation

$\text{perSectorRUHistBin115} * 100.0 / \text{perSectorRUHistSamples}$

PilotResourceAllocationFailureRate

Pilot Resource Allocation Failure Rate

Calculation

```
100.0 * vsum(NumAllocationAttemptsTxRNSC, -1 * NumAllocationRNSuccessSC, 0)
/ NumAllocationAttemptsTxRNSC
```

rlSectorNumDrcSlots_Sum

Summation of all Packet Rate pegs for OM rlSectorNumDrcSlots

Calculation

```
vsum (rlSectorNumDrcSlots_PacketRate01, rlSectorNumDrcSlots_PacketRate02,
rlSectorNumDrcSlots_PacketRate03, rlSectorNumDrcSlots_PacketRate04,
rlSectorNumDrcSlots_PacketRate05, rlSectorNumDrcSlots_PacketRate06,
rlSectorNumDrcSlots_PacketRate07, rlSectorNumDrcSlots_PacketRate08,
rlSectorNumDrcSlots_PacketRate09, rlSectorNumDrcSlots_PacketRate10,
rlSectorNumDrcSlots_PacketRate11, rlSectorNumDrcSlots_PacketRate12,
rlSectorNumDrcSlots_PacketRate13, rlSectorNumDrcSlots_PacketRate14)
```

rtcSectorNumBadRxPhyPackets_Sum

Summation of all pegs for OM rtcSectorNumBadRxPhyPackets

Calculation

```
vsum (rtcSectorNumBadRxPhyPackets_SumSubPacket1,
rtcSectorNumBadRxPhyPackets_SumSubPacket2,
rtcSectorNumBadRxPhyPackets_SumSubPacket3,
rtcSectorNumBadRxPhyPackets_SumSubPacket4)
```

rtcSectorNumBadRxPhyPackets_SumRate01

Summation of all Rate 1 (4.8Kbps) pegs for OM rtcSectorNumBadRxPhyPackets

Calculation

```
vsum (rtcSectorNumBadRxPhyPackets_Rate01SubPacket1,
rtcSectorNumBadRxPhyPackets_Rate01SubPacket2,
rtcSectorNumBadRxPhyPackets_Rate01SubPacket3,
rtcSectorNumBadRxPhyPackets_Rate01SubPacket4)
```

rtcSectorNumBadRxPhyPackets_SumRate02

Summation of all Rate 2 (9.6Kbps) pegs for OM rtcSectorNumBadRxPhyPackets

Calculation

```
vsum (rtcSectorNumBadRxPhyPackets_Rate02SubPacket1,
rtcSectorNumBadRxPhyPackets_Rate02SubPacket2,
rtcSectorNumBadRxPhyPackets_Rate02SubPacket3,
rtcSectorNumBadRxPhyPackets_Rate02SubPacket4)
```

rtcSectorNumBadRxPhyPackets_SumRate03

Summation of all Rate 3 (19.2Kbps) pegs for OM rtcSectorNumBadRxPhyPackets

Calculation

```
vsum (rtcSectorNumBadRxPhyPackets_Rate03SubPacket1,  
rtcSectorNumBadRxPhyPackets_Rate03SubPacket2,  
rtcSectorNumBadRxPhyPackets_Rate03SubPacket3,  
rtcSectorNumBadRxPhyPackets_Rate03SubPacket4)
```

rtcSectorNumBadRxPhyPackets_SumRate04

Summation of all Rate 4 (28.8Kbps) pegs for OM rtcSectorNumBadRxPhyPackets

Calculation

```
vsum (rtcSectorNumBadRxPhyPackets_Rate04SubPacket1,  
rtcSectorNumBadRxPhyPackets_Rate04SubPacket2,  
rtcSectorNumBadRxPhyPackets_Rate04SubPacket3,  
rtcSectorNumBadRxPhyPackets_Rate04SubPacket4)
```

rtcSectorNumBadRxPhyPackets_SumRate05

Summation of all Rate 5 (38.4Kbps) pegs for OM rtcSectorNumBadRxPhyPackets

Calculation

```
vsum (rtcSectorNumBadRxPhyPackets_Rate05SubPacket1,  
rtcSectorNumBadRxPhyPackets_Rate05SubPacket2,  
rtcSectorNumBadRxPhyPackets_Rate05SubPacket3,  
rtcSectorNumBadRxPhyPackets_Rate05SubPacket4)
```

rtcSectorNumBadRxPhyPackets_SumRate06

Summation of all Rate 6 (57.6Kbps) pegs for OM rtcSectorNumBadRxPhyPackets

Calculation

```
vsum (rtcSectorNumBadRxPhyPackets_Rate06SubPacket1,  
rtcSectorNumBadRxPhyPackets_Rate06SubPacket2,  
rtcSectorNumBadRxPhyPackets_Rate06SubPacket3,  
rtcSectorNumBadRxPhyPackets_Rate06SubPacket4)
```

rtcSectorNumBadRxPhyPackets_SumRate07

Summation of all Rate 7 (76.8Kbps) pegs for OM rtcSectorNumBadRxPhyPackets

Calculation

```
vsum (rtcSectorNumBadRxPhyPackets_Rate07SubPacket1,  
rtcSectorNumBadRxPhyPackets_Rate07SubPacket2,  
rtcSectorNumBadRxPhyPackets_Rate07SubPacket3,  
rtcSectorNumBadRxPhyPackets_Rate07SubPacket4)
```

rtcSectorNumBadRxPhyPackets_SumRate08

Summation of all Rate 8 (115.2Kbps) pegs for OM rtcSectorNumBadRxPhyPackets

Calculation

```
vsum (rtcSectorNumBadRxPhyPackets_Rate08SubPacket1,  
rtcSectorNumBadRxPhyPackets_Rate08SubPacket2,  
rtcSectorNumBadRxPhyPackets_Rate08SubPacket3,  
rtcSectorNumBadRxPhyPackets_Rate08SubPacket4)
```

rtcSectorNumBadRxPhyPackets_SumRate09

Summation of all Rate 9 (153.6Kbps) pegs for OM rtcSectorNumBadRxPhyPackets

Calculation

```
vsum (rtcSectorNumBadRxPhyPackets_Rate09SubPacket1,  
rtcSectorNumBadRxPhyPackets_Rate09SubPacket2,  
rtcSectorNumBadRxPhyPackets_Rate09SubPacket3,  
rtcSectorNumBadRxPhyPackets_Rate09SubPacket4)
```

rtcSectorNumBadRxPhyPackets_SumRate10

Summation of all Rate 10 (230.4Kbps) pegs for OM rtcSectorNumBadRxPhyPackets

Calculation

```
vsum (rtcSectorNumBadRxPhyPackets_Rate10SubPacket1,  
rtcSectorNumBadRxPhyPackets_Rate10SubPacket2,  
rtcSectorNumBadRxPhyPackets_Rate10SubPacket3,  
rtcSectorNumBadRxPhyPackets_Rate10SubPacket4)
```

rtcSectorNumBadRxPhyPackets_SumRate11

Summation of all Rate 11 (307.2Kbps) pegs for OM rtcSectorNumBadRxPhyPackets

Calculation

```
vsum (rtcSectorNumBadRxPhyPackets_Rate11SubPacket1,  
rtcSectorNumBadRxPhyPackets_Rate11SubPacket2,  
rtcSectorNumBadRxPhyPackets_Rate11SubPacket3,  
rtcSectorNumBadRxPhyPackets_Rate11SubPacket4)
```

rtcSectorNumBadRxPhyPackets_SumRate12

Summation of all Rate 12 (460.8Kbps) pegs for OM rtcSectorNumBadRxPhyPackets

Calculation

```
vsum (rtcSectorNumBadRxPhyPackets_Rate12SubPacket1,  
rtcSectorNumBadRxPhyPackets_Rate12SubPacket2,  
rtcSectorNumBadRxPhyPackets_Rate12SubPacket3,  
rtcSectorNumBadRxPhyPackets_Rate12SubPacket4)
```

rtcSectorNumBadRxPhyPackets_SumSubPacket1

Summation of all SubPacket1 pegs for OM rtcSectorNumBadRxPhyPackets

Calculation

```
vsum (rtcSectorNumBadRxPhyPackets_Rate01SubPacket1,  
rtcSectorNumBadRxPhyPackets_Rate02SubPacket1,  
rtcSectorNumBadRxPhyPackets_Rate03SubPacket1,  
rtcSectorNumBadRxPhyPackets_Rate04SubPacket1,  
rtcSectorNumBadRxPhyPackets_Rate05SubPacket1,  
rtcSectorNumBadRxPhyPackets_Rate06SubPacket1,  
rtcSectorNumBadRxPhyPackets_Rate07SubPacket1,  
rtcSectorNumBadRxPhyPackets_Rate08SubPacket1,  
rtcSectorNumBadRxPhyPackets_Rate09SubPacket1,  
rtcSectorNumBadRxPhyPackets_Rate10SubPacket1,  
rtcSectorNumBadRxPhyPackets_Rate11SubPacket1,  
rtcSectorNumBadRxPhyPackets_Rate12SubPacket1)
```

rtcSectorNumBadRxPhyPackets_SumSubPacket2

Summation of all SubPacket2 pegs for OM rtcSectorNumBadRxPhyPackets

Calculation

```
vsum (rtcSectorNumBadRxPhyPackets_Rate01SubPacket2,  
rtcSectorNumBadRxPhyPackets_Rate02SubPacket2,  
rtcSectorNumBadRxPhyPackets_Rate03SubPacket2,  
rtcSectorNumBadRxPhyPackets_Rate04SubPacket2,  
rtcSectorNumBadRxPhyPackets_Rate05SubPacket2,  
rtcSectorNumBadRxPhyPackets_Rate06SubPacket2,  
rtcSectorNumBadRxPhyPackets_Rate07SubPacket2,  
rtcSectorNumBadRxPhyPackets_Rate08SubPacket2,  
rtcSectorNumBadRxPhyPackets_Rate09SubPacket2,  
rtcSectorNumBadRxPhyPackets_Rate10SubPacket2,  
rtcSectorNumBadRxPhyPackets_Rate11SubPacket2,  
rtcSectorNumBadRxPhyPackets_Rate12SubPacket2)
```

rtcSectorNumBadRxPhyPackets_SumSubPacket3

Summation of all SubPacket3 pegs for OM rtcSectorNumBadRxPhyPackets

Calculation

```
vsum (rtcSectorNumBadRxPhyPackets_Rate01SubPacket3,  
rtcSectorNumBadRxPhyPackets_Rate02SubPacket3,  
rtcSectorNumBadRxPhyPackets_Rate03SubPacket3,  
rtcSectorNumBadRxPhyPackets_Rate04SubPacket3,  
rtcSectorNumBadRxPhyPackets_Rate05SubPacket3,  
rtcSectorNumBadRxPhyPackets_Rate06SubPacket3,  
rtcSectorNumBadRxPhyPackets_Rate07SubPacket3,  
rtcSectorNumBadRxPhyPackets_Rate08SubPacket3,  
rtcSectorNumBadRxPhyPackets_Rate09SubPacket3,  
rtcSectorNumBadRxPhyPackets_Rate10SubPacket3,  
rtcSectorNumBadRxPhyPackets_Rate11SubPacket3,  
rtcSectorNumBadRxPhyPackets_Rate12SubPacket3)
```

rtcSectorNumBadRxPhyPackets_SumSubPacket4

Summation of all SubPacket4 pegs for OM rtcSectorNumBadRxPhyPackets

Calculation

```
vsum (rtcSectorNumBadRxPhyPackets_Rate01SubPacket4,  
rtcSectorNumBadRxPhyPackets_Rate02SubPacket4,  
rtcSectorNumBadRxPhyPackets_Rate03SubPacket4,  
rtcSectorNumBadRxPhyPackets_Rate04SubPacket4,  
rtcSectorNumBadRxPhyPackets_Rate05SubPacket4,  
rtcSectorNumBadRxPhyPackets_Rate06SubPacket4,  
rtcSectorNumBadRxPhyPackets_Rate07SubPacket4,  
rtcSectorNumBadRxPhyPackets_Rate08SubPacket4,  
rtcSectorNumBadRxPhyPackets_Rate09SubPacket4,  
rtcSectorNumBadRxPhyPackets_Rate10SubPacket4,  
rtcSectorNumBadRxPhyPackets_Rate11SubPacket4,  
rtcSectorNumBadRxPhyPackets_Rate12SubPacket4)
```

rtcSectorNumGoodRxMacBytes_Sum

Summation of all pegs for OM rtcSectorNumGoodRxMacBytes

Calculation

```
vsum (rtcSectorNumGoodRxMacBytes_SumSubPacket1,  
rtcSectorNumGoodRxMacBytes_SumSubPacket2,  
rtcSectorNumGoodRxMacBytes_SumSubPacket3,  
rtcSectorNumGoodRxMacBytes_SumSubPacket4)
```

rtcSectorNumGoodRxMacBytes_SumRate01

Summation of all Rate 1 (4.8Kbps) pegs for OM rtcSectorNumGoodRxMacBytes

Calculation

```
vsum (rtcSectorNumGoodRxMacBytes_Rate01SubPacket1,  
rtcSectorNumGoodRxMacBytes_Rate01SubPacket2,  
rtcSectorNumGoodRxMacBytes_Rate01SubPacket3,  
rtcSectorNumGoodRxMacBytes_Rate01SubPacket4)
```

rtcSectorNumGoodRxMacBytes_SumRate02

Summation of all Rate 2 (9.6Kbps) pegs for OM rtcSectorNumGoodRxMacBytes

Calculation

```
vsum (rtcSectorNumGoodRxMacBytes_Rate02SubPacket1,  
rtcSectorNumGoodRxMacBytes_Rate02SubPacket2,  
rtcSectorNumGoodRxMacBytes_Rate02SubPacket3,  
rtcSectorNumGoodRxMacBytes_Rate02SubPacket4)
```

rtcSectorNumGoodRxMacBytes_SumRate03

Summation of all Rate 3 (19.2Kbps) pegs for OM rtcSectorNumGoodRxMacBytes

Calculation

```
vsum (rtcSectorNumGoodRxMacBytes_Rate03SubPacket1,  
rtcSectorNumGoodRxMacBytes_Rate03SubPacket2,
```

```
rtcSectorNumGoodRxMacBytes_Rate03SubPacket3,  
rtcSectorNumGoodRxMacBytes_Rate03SubPacket4)
```

rtcSectorNumGoodRxMacBytes_SumRate04

Summation of all Rate 4 (28.8Kbps) pegs for OM rtcSectorNumGoodRxMacBytes

Calculation

```
vsum (rtcSectorNumGoodRxMacBytes_Rate04SubPacket1,  
rtcSectorNumGoodRxMacBytes_Rate04SubPacket2,  
rtcSectorNumGoodRxMacBytes_Rate04SubPacket3,  
rtcSectorNumGoodRxMacBytes_Rate04SubPacket4)
```

rtcSectorNumGoodRxMacBytes_SumRate05

Summation of all Rate 5 (38.4Kbps) pegs for OM rtcSectorNumGoodRxMacBytes

Calculation

```
vsum (rtcSectorNumGoodRxMacBytes_Rate05SubPacket1,  
rtcSectorNumGoodRxMacBytes_Rate05SubPacket2,  
rtcSectorNumGoodRxMacBytes_Rate05SubPacket3,  
rtcSectorNumGoodRxMacBytes_Rate05SubPacket4)
```

rtcSectorNumGoodRxMacBytes_SumRate06

Summation of all Rate 6 (57.6Kbps) pegs for OM rtcSectorNumGoodRxMacBytes

Calculation

```
vsum (rtcSectorNumGoodRxMacBytes_Rate06SubPacket1,  
rtcSectorNumGoodRxMacBytes_Rate06SubPacket2,  
rtcSectorNumGoodRxMacBytes_Rate06SubPacket3,  
rtcSectorNumGoodRxMacBytes_Rate06SubPacket4)
```

rtcSectorNumGoodRxMacBytes_SumRate07

Summation of all Rate 7 (76.8Kbps) pegs for OM rtcSectorNumGoodRxMacBytes

Calculation

```
vsum (rtcSectorNumGoodRxMacBytes_Rate07SubPacket1,  
rtcSectorNumGoodRxMacBytes_Rate07SubPacket2,  
rtcSectorNumGoodRxMacBytes_Rate07SubPacket3,  
rtcSectorNumGoodRxMacBytes_Rate07SubPacket4)
```

rtcSectorNumGoodRxMacBytes_SumRate08

Summation of all Rate 8 (115.2Kbps) pegs for OM rtcSectorNumGoodRxMacBytes

Calculation

```
vsum (rtcSectorNumGoodRxMacBytes_Rate08SubPacket1,  
rtcSectorNumGoodRxMacBytes_Rate08SubPacket2,
```

```
rtcSectorNumGoodRxMacBytes_Rate08SubPacket3,  
rtcSectorNumGoodRxMacBytes_Rate08SubPacket4)
```

rtcSectorNumGoodRxMacBytes_SumRate09

Summation of all Rate 9 (153.6Kbps) pegs for OM rtcSectorNumGoodRxMacBytes

Calculation

```
vsum (rtcSectorNumGoodRxMacBytes_Rate09SubPacket1,  
rtcSectorNumGoodRxMacBytes_Rate09SubPacket2,  
rtcSectorNumGoodRxMacBytes_Rate09SubPacket3,  
rtcSectorNumGoodRxMacBytes_Rate09SubPacket4)
```

rtcSectorNumGoodRxMacBytes_SumRate10

Summation of all Rate 10 (230.4Kbps) pegs for OM rtcSectorNumGoodRxMacBytes

Calculation

```
vsum (rtcSectorNumGoodRxMacBytes_Rate10SubPacket1,  
rtcSectorNumGoodRxMacBytes_Rate10SubPacket2,  
rtcSectorNumGoodRxMacBytes_Rate10SubPacket3,  
rtcSectorNumGoodRxMacBytes_Rate10SubPacket4)
```

rtcSectorNumGoodRxMacBytes_SumRate11

Summation of all Rate 11 (307.2Kbps) pegs for OM rtcSectorNumGoodRxMacBytes

Calculation

```
vsum (rtcSectorNumGoodRxMacBytes_Rate11SubPacket1,  
rtcSectorNumGoodRxMacBytes_Rate11SubPacket2,  
rtcSectorNumGoodRxMacBytes_Rate11SubPacket3,  
rtcSectorNumGoodRxMacBytes_Rate11SubPacket4)
```

rtcSectorNumGoodRxMacBytes_SumRate12

Summation of all Rate 12 (460.8Kbps) pegs for OM rtcSectorNumGoodRxMacBytes

Calculation

```
vsum (rtcSectorNumGoodRxMacBytes_Rate12SubPacket1,  
rtcSectorNumGoodRxMacBytes_Rate12SubPacket2,  
rtcSectorNumGoodRxMacBytes_Rate12SubPacket3,  
rtcSectorNumGoodRxMacBytes_Rate12SubPacket4)
```

rtcSectorNumGoodRxMacBytes_SumSubPacket1

Summation of all SubPacket1 pegs for OM rtcSectorNumGoodRxMacBytes

Calculation

```
vsum (rtcSectorNumGoodRxMacBytes_Rate01SubPacket1,  
rtcSectorNumGoodRxMacBytes_Rate02SubPacket1,  
rtcSectorNumGoodRxMacBytes_Rate03SubPacket1,
```

```
rtcSectorNumGoodRxMacBytes_Rate04SubPacket1,  
rtcSectorNumGoodRxMacBytes_Rate05SubPacket1,  
rtcSectorNumGoodRxMacBytes_Rate06SubPacket1,  
rtcSectorNumGoodRxMacBytes_Rate07SubPacket1,  
rtcSectorNumGoodRxMacBytes_Rate08SubPacket1,  
rtcSectorNumGoodRxMacBytes_Rate09SubPacket1,  
rtcSectorNumGoodRxMacBytes_Rate10SubPacket1,  
rtcSectorNumGoodRxMacBytes_Rate11SubPacket1,  
rtcSectorNumGoodRxMacBytes_Rate12SubPacket1)
```

rtcSectorNumGoodRxMacBytes_SumSubPacket2

Summation of all SubPacket2 pegs for OM rtcSectorNumGoodRxMacBytes

Calculation

```
vsum (rtcSectorNumGoodRxMacBytes_Rate01SubPacket2,  
rtcSectorNumGoodRxMacBytes_Rate02SubPacket2,  
rtcSectorNumGoodRxMacBytes_Rate03SubPacket2,  
rtcSectorNumGoodRxMacBytes_Rate04SubPacket2,  
rtcSectorNumGoodRxMacBytes_Rate05SubPacket2,  
rtcSectorNumGoodRxMacBytes_Rate06SubPacket2,  
rtcSectorNumGoodRxMacBytes_Rate07SubPacket2,  
rtcSectorNumGoodRxMacBytes_Rate08SubPacket2,  
rtcSectorNumGoodRxMacBytes_Rate09SubPacket2,  
rtcSectorNumGoodRxMacBytes_Rate10SubPacket2,  
rtcSectorNumGoodRxMacBytes_Rate11SubPacket2,  
rtcSectorNumGoodRxMacBytes_Rate12SubPacket2)
```

rtcSectorNumGoodRxMacBytes_SumSubPacket3

Summation of all SubPacket3 pegs for OM rtcSectorNumGoodRxMacBytes

Calculation

```
vsum (rtcSectorNumGoodRxMacBytes_Rate01SubPacket3,  
rtcSectorNumGoodRxMacBytes_Rate02SubPacket3,  
rtcSectorNumGoodRxMacBytes_Rate03SubPacket3,  
rtcSectorNumGoodRxMacBytes_Rate04SubPacket3,  
rtcSectorNumGoodRxMacBytes_Rate05SubPacket3,  
rtcSectorNumGoodRxMacBytes_Rate06SubPacket3,  
rtcSectorNumGoodRxMacBytes_Rate07SubPacket3,  
rtcSectorNumGoodRxMacBytes_Rate08SubPacket3,  
rtcSectorNumGoodRxMacBytes_Rate09SubPacket3,  
rtcSectorNumGoodRxMacBytes_Rate10SubPacket3,  
rtcSectorNumGoodRxMacBytes_Rate11SubPacket3,  
rtcSectorNumGoodRxMacBytes_Rate12SubPacket3)
```

rtcSectorNumGoodRxMacBytes_SumSubPacket4

Summation of all SubPacket4 pegs for OM rtcSectorNumGoodRxMacBytes

Calculation

```
vsum (rtcSectorNumGoodRxMacBytes_Rate01SubPacket4,  
rtcSectorNumGoodRxMacBytes_Rate02SubPacket4,
```

```
rtcSectorNumGoodRxMacBytes_Rate03SubPacket4,  
rtcSectorNumGoodRxMacBytes_Rate04SubPacket4,  
rtcSectorNumGoodRxMacBytes_Rate05SubPacket4,  
rtcSectorNumGoodRxMacBytes_Rate06SubPacket4,  
rtcSectorNumGoodRxMacBytes_Rate07SubPacket4,  
rtcSectorNumGoodRxMacBytes_Rate08SubPacket4,  
rtcSectorNumGoodRxMacBytes_Rate09SubPacket4,  
rtcSectorNumGoodRxMacBytes_Rate10SubPacket4,  
rtcSectorNumGoodRxMacBytes_Rate11SubPacket4,  
rtcSectorNumGoodRxMacBytes_Rate12SubPacket4)
```

rtcSectorNumGoodRxPhyPackets_Sum

Summation of all pegs for OM rtcSectorNumGoodRxPhyPackets

Calculation

```
vsum (rtcSectorNumGoodRxPhyPackets_SumSubPacket1,  
rtcSectorNumGoodRxPhyPackets_SumSubPacket2,  
rtcSectorNumGoodRxPhyPackets_SumSubPacket3,  
rtcSectorNumGoodRxPhyPackets_SumSubPacket4)
```

rtcSectorNumGoodRxPhyPackets_SumRate01

Summation of all Rate 1 (4.8Kbps) pegs for OM rtcSectorNumGoodRxPhyPackets

Calculation

```
vsum (rtcSectorNumGoodRxPhyPackets_Rate01SubPacket1,  
rtcSectorNumGoodRxPhyPackets_Rate01SubPacket2,  
rtcSectorNumGoodRxPhyPackets_Rate01SubPacket3,  
rtcSectorNumGoodRxPhyPackets_Rate01SubPacket4)
```

rtcSectorNumGoodRxPhyPackets_SumRate02

Summation of all Rate 2 (9.6Kbps) pegs for OM rtcSectorNumGoodRxPhyPackets

Calculation

```
vsum (rtcSectorNumGoodRxPhyPackets_Rate02SubPacket1,  
rtcSectorNumGoodRxPhyPackets_Rate02SubPacket2,  
rtcSectorNumGoodRxPhyPackets_Rate02SubPacket3,  
rtcSectorNumGoodRxPhyPackets_Rate02SubPacket4)
```

rtcSectorNumGoodRxPhyPackets_SumRate03

Summation of all Rate 3 (19.2Kbps) pegs for OM rtcSectorNumGoodRxPhyPackets

Calculation

```
vsum (rtcSectorNumGoodRxPhyPackets_Rate03SubPacket1,  
rtcSectorNumGoodRxPhyPackets_Rate03SubPacket2,  
rtcSectorNumGoodRxPhyPackets_Rate03SubPacket3,  
rtcSectorNumGoodRxPhyPackets_Rate03SubPacket4)
```

rtcSectorNumGoodRxPhyPackets_SumRate04

Summation of all Rate 4 (28.8Kbps) pegs for OM rtcSectorNumGoodRxPhyPackets

Calculation

```
vsum (rtcSectorNumGoodRxPhyPackets_Rate04SubPacket1,  
rtcSectorNumGoodRxPhyPackets_Rate04SubPacket2,  
rtcSectorNumGoodRxPhyPackets_Rate04SubPacket3,  
rtcSectorNumGoodRxPhyPackets_Rate04SubPacket4)
```

rtcSectorNumGoodRxPhyPackets_SumRate05

Summation of all Rate 5 (38.4Kbps) pegs for OM rtcSectorNumGoodRxPhyPackets

Calculation

```
vsum (rtcSectorNumGoodRxPhyPackets_Rate05SubPacket1,  
rtcSectorNumGoodRxPhyPackets_Rate05SubPacket2,  
rtcSectorNumGoodRxPhyPackets_Rate05SubPacket3,  
rtcSectorNumGoodRxPhyPackets_Rate05SubPacket4)
```

rtcSectorNumGoodRxPhyPackets_SumRate06

Summation of all Rate 6 (57.6Kbps) pegs for OM rtcSectorNumGoodRxPhyPackets

Calculation

```
vsum (rtcSectorNumGoodRxPhyPackets_Rate06SubPacket1,  
rtcSectorNumGoodRxPhyPackets_Rate06SubPacket2,  
rtcSectorNumGoodRxPhyPackets_Rate06SubPacket3,  
rtcSectorNumGoodRxPhyPackets_Rate06SubPacket4)
```

rtcSectorNumGoodRxPhyPackets_SumRate07

Summation of all Rate 7 (76.8Kbps) pegs for OM rtcSectorNumGoodRxPhyPackets

Calculation

```
vsum (rtcSectorNumGoodRxPhyPackets_Rate07SubPacket1,  
rtcSectorNumGoodRxPhyPackets_Rate07SubPacket2,  
rtcSectorNumGoodRxPhyPackets_Rate07SubPacket3,  
rtcSectorNumGoodRxPhyPackets_Rate07SubPacket4)
```

rtcSectorNumGoodRxPhyPackets_SumRate08

Summation of all Rate 8 (115.2Kbps) pegs for OM rtcSectorNumGoodRxPhyPackets

Calculation

```
vsum (rtcSectorNumGoodRxPhyPackets_Rate08SubPacket1,  
rtcSectorNumGoodRxPhyPackets_Rate08SubPacket2,  
rtcSectorNumGoodRxPhyPackets_Rate08SubPacket3,  
rtcSectorNumGoodRxPhyPackets_Rate08SubPacket4)
```

rtcSectorNumGoodRxPhyPackets_SumRate09

Summation of all Rate 9 (153.6Kbps) pegs for OM rtcSectorNumGoodRxPhyPackets

Calculation

```
vsum (rtcSectorNumGoodRxPhyPackets_Rate09SubPacket1,  
rtcSectorNumGoodRxPhyPackets_Rate09SubPacket2,  
rtcSectorNumGoodRxPhyPackets_Rate09SubPacket3,  
rtcSectorNumGoodRxPhyPackets_Rate09SubPacket4)
```

rtcSectorNumGoodRxPhyPackets_SumRate10

Summation of all Rate 10 (230.4Kbps) pegs for OM rtcSectorNumGoodRxPhyPackets

Calculation

```
vsum (rtcSectorNumGoodRxPhyPackets_Rate10SubPacket1,  
rtcSectorNumGoodRxPhyPackets_Rate10SubPacket2,  
rtcSectorNumGoodRxPhyPackets_Rate10SubPacket3,  
rtcSectorNumGoodRxPhyPackets_Rate10SubPacket4)
```

rtcSectorNumGoodRxPhyPackets_SumRate11

Summation of all Rate 11 (307.2Kbps) pegs for OM rtcSectorNumGoodRxPhyPackets

Calculation

```
vsum (rtcSectorNumGoodRxPhyPackets_Rate11SubPacket1,  
rtcSectorNumGoodRxPhyPackets_Rate11SubPacket2,  
rtcSectorNumGoodRxPhyPackets_Rate11SubPacket3,  
rtcSectorNumGoodRxPhyPackets_Rate11SubPacket4)
```

rtcSectorNumGoodRxPhyPackets_SumRate12

Summation of all Rate 12 (460.8Kbps) pegs for OM rtcSectorNumGoodRxPhyPackets

Calculation

```
vsum (rtcSectorNumGoodRxPhyPackets_Rate12SubPacket1,  
rtcSectorNumGoodRxPhyPackets_Rate12SubPacket2,  
rtcSectorNumGoodRxPhyPackets_Rate12SubPacket3,  
rtcSectorNumGoodRxPhyPackets_Rate12SubPacket4)
```

rtcSectorNumGoodRxPhyPackets_SumSubPacket1

Summation of all SubPacket1 pegs for OM rtcSectorNumGoodRxPhyPackets

Calculation

```
vsum (rtcSectorNumGoodRxPhyPackets_Rate01SubPacket1,  
rtcSectorNumGoodRxPhyPackets_Rate02SubPacket1,  
rtcSectorNumGoodRxPhyPackets_Rate03SubPacket1,  
rtcSectorNumGoodRxPhyPackets_Rate04SubPacket1,  
rtcSectorNumGoodRxPhyPackets_Rate05SubPacket1,  
rtcSectorNumGoodRxPhyPackets_Rate06SubPacket1,
```



```
rtcSectorNumGoodRxPhyPackets_Rate07SubPacket1,  
rtcSectorNumGoodRxPhyPackets_Rate08SubPacket1,  
rtcSectorNumGoodRxPhyPackets_Rate09SubPacket1,  
rtcSectorNumGoodRxPhyPackets_Rate10SubPacket1,  
rtcSectorNumGoodRxPhyPackets_Rate11SubPacket1,  
rtcSectorNumGoodRxPhyPackets_Rate12SubPacket1)
```

rtcSectorNumGoodRxPhyPackets_SumSubPacket2

Summation of all SubPacket2 pegs for OM rtcSectorNumGoodRxPhyPackets

Calculation

```
vsum (rtcSectorNumGoodRxPhyPackets_Rate01SubPacket2,  
rtcSectorNumGoodRxPhyPackets_Rate02SubPacket2,  
rtcSectorNumGoodRxPhyPackets_Rate03SubPacket2,  
rtcSectorNumGoodRxPhyPackets_Rate04SubPacket2,  
rtcSectorNumGoodRxPhyPackets_Rate05SubPacket2,  
rtcSectorNumGoodRxPhyPackets_Rate06SubPacket2,  
rtcSectorNumGoodRxPhyPackets_Rate07SubPacket2,  
rtcSectorNumGoodRxPhyPackets_Rate08SubPacket2,  
rtcSectorNumGoodRxPhyPackets_Rate09SubPacket2,  
rtcSectorNumGoodRxPhyPackets_Rate10SubPacket2,  
rtcSectorNumGoodRxPhyPackets_Rate11SubPacket2,  
rtcSectorNumGoodRxPhyPackets_Rate12SubPacket2)
```

rtcSectorNumGoodRxPhyPackets_SumSubPacket3

Summation of all SubPacket3 pegs for OM rtcSectorNumGoodRxPhyPackets

Calculation

```
vsum (rtcSectorNumGoodRxPhyPackets_Rate01SubPacket3,  
rtcSectorNumGoodRxPhyPackets_Rate02SubPacket3,  
rtcSectorNumGoodRxPhyPackets_Rate03SubPacket3,  
rtcSectorNumGoodRxPhyPackets_Rate04SubPacket3,  
rtcSectorNumGoodRxPhyPackets_Rate05SubPacket3,  
rtcSectorNumGoodRxPhyPackets_Rate06SubPacket3,  
rtcSectorNumGoodRxPhyPackets_Rate07SubPacket3,  
rtcSectorNumGoodRxPhyPackets_Rate08SubPacket3,  
rtcSectorNumGoodRxPhyPackets_Rate09SubPacket3,  
rtcSectorNumGoodRxPhyPackets_Rate10SubPacket3,  
rtcSectorNumGoodRxPhyPackets_Rate11SubPacket3,  
rtcSectorNumGoodRxPhyPackets_Rate12SubPacket3)
```

rtcSectorNumGoodRxPhyPackets_SumSubPacket4

Summation of all SubPacket4 pegs for OM rtcSectorNumGoodRxPhyPackets

Calculation

```
vsum (rtcSectorNumGoodRxPhyPackets_Rate01SubPacket4,  
rtcSectorNumGoodRxPhyPackets_Rate02SubPacket4,  
rtcSectorNumGoodRxPhyPackets_Rate03SubPacket4,  
rtcSectorNumGoodRxPhyPackets_Rate04SubPacket4,  
rtcSectorNumGoodRxPhyPackets_Rate05SubPacket4,
```

```
rtcSectorNumGoodRxPhyPackets_Rate06SubPacket4,  
rtcSectorNumGoodRxPhyPackets_Rate07SubPacket4,  
rtcSectorNumGoodRxPhyPackets_Rate08SubPacket4,  
rtcSectorNumGoodRxPhyPackets_Rate09SubPacket4,  
rtcSectorNumGoodRxPhyPackets_Rate10SubPacket4,  
rtcSectorNumGoodRxPhyPackets_Rate11SubPacket4,  
rtcSectorNumGoodRxPhyPackets_Rate12SubPacket4)
```

TotalAccessFailuresSC

Total Access Failures

Calculation

```
vsum(NumATConnectionSetupsFailedTccTimeoutSC, NumANConnectionSetups-  
FailedTccTimeoutSC, NumFCCConnectionSetupsFailedTccTimeoutSC, 0)
```

DOM_Sector Peg Counts

The following is a list of peg counts for the DOM_Sector entity.

achSectorCapsulesUtilization

Average of 5-second values of access channel utilization, taking into account all access capsules (good or bad) received by DOM-A

Data Source

DO-EMS

Source Field

achSectorCapsulesUtilization

Source Section

RnACHcapsuleCCHSyncSubSyncAsyncSlotUtilization (RnPerformanceMIB)

achSectorCapsulesUtilization_max

Maximum of 5-second values of access channel utilization, taking into account all access capsules (good or bad) received by DOM-A

Data Source

DO-EMS

Source Field

achSectorCapsulesUtilization

Source Section

RnACHcapsuleCCHSyncSubSyncAsyncSlotUtilization (RnPerformanceMIB)

achSectorCapsulesUtilization_min

Minimum of 5-second values of access channel utilization, taking into account all access capsules (good or bad) received by DOM-A

Data Source

DO-EMS

Source Field

achSectorCapsulesUtilization

Source Section

RnACHcapsuleCCHSyncSubSyncAsyncSlotUtilization (RnPerformanceMIB)

achSectorNumBadCapsules_Size1Rate1

Number of access capsules received at this sector with bad CRC where CapsuleSize=1 and CapsuleRate=1

Data Source

DO-EMS

Source Field

achSectorNumBadCapsules where CapsuleSize=1 and CapsuleRate=1

Source Section

RnSector_AchStats (AirvanaRnPerformanceMIB)

achSectorNumBadCapsules_Size1Rate2

Number of access capsules received at this sector with bad CRC where CapsuleSize=1 and CapsuleRate=2

Data Source

DO-EMS

Source Field

achSectorNumBadCapsules where CapsuleSize=1 and CapsuleRate=2

Source Section

RnSector_AchStats (AirvanaRnPerformanceMIB)

achSectorNumBadCapsules_Size1Rate3

Number of access capsules received at this sector with bad CRC where CapsuleSize=1 and CapsuleRate=3

Data Source

DO-EMS

Source Field

achSectorNumBadCapsules where CapsuleSize=1 and CapsuleRate=3

Source Section

RnSector_AchStats (AirvanaRnPerformanceMIB)

achSectorNumBadCapsules_Size2Rate1

Number of access capsules received at this sector with bad CRC where CapsuleSize=2 and CapsuleRate=1

Data Source

DO-EMS

Source Field

achSectorNumBadCapsules where CapsuleSize=2 and CapsuleRate=1

Source Section

RnSector_AchStats (AirvanaRnPerformanceMIB)

achSectorNumBadCapsules_Size2Rate2

Number of access capsules received at this sector with bad CRC where CapsuleSize=2 and CapsuleRate=2

Data Source

DO-EMS

Source Field

achSectorNumBadCapsules where CapsuleSize=2 and CapsuleRate=2

Source Section

RnSector_AchStats (AirvanaRnPerformanceMIB)

achSectorNumBadCapsules_Size2Rate3

Number of access capsules received at this sector with bad CRC where CapsuleSize=2 and CapsuleRate=3

Data Source

DO-EMS

Source Field

achSectorNumBadCapsules where CapsuleSize=2 and CapsuleRate=3

Source Section

RnSector_AchStats (AirvanaRnPerformanceMIB)

achSectorNumBadCapsules_Size3Rate1

Number of access capsules received at this sector with bad CRC where CapsuleSize=3 and CapsuleRate=1

Data Source

DO-EMS

Source Field

achSectorNumBadCapsules where CapsuleSize=3 and CapsuleRate=1

Source Section

RnSector_AchStats (AirvanaRnPerformanceMIB)

achSectorNumBadCapsules_Size3Rate2

Number of access capsules received at this sector with bad CRC where CapsuleSize=3 and CapsuleRate=2

Data Source

DO-EMS

Source Field

achSectorNumBadCapsules where CapsuleSize=3 and CapsuleRate=2

Source Section

RnSector_AchStats (AirvanaRnPerformanceMIB)

achSectorNumBadCapsules_Size3Rate3

Number of access capsules received at this sector with bad CRC where CapsuleSize=3 and CapsuleRate=3

Data Source

DO-EMS

Source Field

achSectorNumBadCapsules where CapsuleSize=3 and CapsuleRate=3

Source Section

RnSector_AchStats (AirvanaRnPerformanceMIB)

achSectorNumBadCapsules_Size4Rate1

Number of access capsules received at this sector with bad CRC where CapsuleSize=4 and CapsuleRate=1

Data Source

DO-EMS

Source Field

achSectorNumBadCapsules where CapsuleSize=4 and CapsuleRate=1

Source Section

RnSector_AchStats (AirvanaRnPerformanceMIB)

achSectorNumBadCapsules_Size4Rate2

Number of access capsules received at this sector with bad CRC where CapsuleSize=4 and CapsuleRate=2

Data Source

DO-EMS

Source Field

achSectorNumBadCapsules where CapsuleSize=4 and CapsuleRate=2

Source Section

RnSector_AchStats (AirvanaRnPerformanceMIB)

achSectorNumBadCapsules_Size4Rate3

Number of access capsules received at this sector with bad CRC where CapsuleSize=4 and CapsuleRate=3

Data Source

DO-EMS

Source Field

achSectorNumBadCapsules where CapsuleSize=4 and CapsuleRate=3

Source Section

RnSector_AchStats (AirvanaRnPerformanceMIB)

achSectorNumGoodCapsules_Size1Rate1

The number of access capsules received at this sector with good CRC where CapsuleSize=1 and CapsuleRate=1

Data Source

DO-EMS

Source Field

achSectorNumGoodCapsules where CapsuleSize=1 and CapsuleRate=1

Source Section

RnSector_AchStats (AirvanaRnPerformanceMIB)

achSectorNumGoodCapsules_Size1Rate2

The number of access capsules received at this sector with good CRC where CapsuleSize=1 and CapsuleRate=2

Data Source

DO-EMS

Source Field

achSectorNumGoodCapsules where CapsuleSize=1 and CapsuleRate=2

Source Section

RnSector_AchStats (AirvanaRnPerformanceMIB)

achSectorNumGoodCapsules_Size1Rate3

The number of access capsules received at this sector with good CRC where CapsuleSize=1 and CapsuleRate=3

Data Source

DO-EMS

Source Field

achSectorNumGoodCapsules where CapsuleSize=1 and CapsuleRate=3

Source Section

RnSector_AchStats (AirvanaRnPerformanceMIB)

achSectorNumGoodCapsules_Size2Rate1

The number of access capsules received at this sector with good CRC where CapsuleSize=2 and CapsuleRate=1

Data Source

DO-EMS

Source Field

achSectorNumGoodCapsules where CapsuleSize=2 and CapsuleRate=1

Source Section

RnSector_AchStats (AirvanaRnPerformanceMIB)

achSectorNumGoodCapsules_Size2Rate2

The number of access capsules received at this sector with good CRC where CapsuleSize=2 and CapsuleRate=2

Data Source

DO-EMS

Source Field

achSectorNumGoodCapsules where CapsuleSize=2 and CapsuleRate=2

Source Section

RnSector_AchStats (AirvanaRnPerformanceMIB)

achSectorNumGoodCapsules_Size2Rate3

The number of access capsules received at this sector with good CRC where CapsuleSize=2 and CapsuleRate=3

Data Source

DO-EMS

Source Field

achSectorNumGoodCapsules where CapsuleSize=2 and CapsuleRate=3

Source Section

RnSector_AchStats (AirvanaRnPerformanceMIB)

achSectorNumGoodCapsules_Size3Rate1

The number of access capsules received at this sector with good CRC where CapsuleSize=3 and CapsuleRate=1

Data Source

DO-EMS

Source Field

achSectorNumGoodCapsules where CapsuleSize=3 and CapsuleRate=1

Source Section

RnSector_AchStats (AirvanaRnPerformanceMIB)

achSectorNumGoodCapsules_Size3Rate2

The number of access capsules received at this sector with good CRC where CapsuleSize=3 and CapsuleRate=2

Data Source

DO-EMS

Source Field

achSectorNumGoodCapsules where CapsuleSize=3 and CapsuleRate=2

Source Section

RnSector_AchStats (AirvanaRnPerformanceMIB)

achSectorNumGoodCapsules_Size3Rate3

The number of access capsules received at this sector with good CRC where CapsuleSize=3 and CapsuleRate=3

Data Source

DO-EMS

Source Field

achSectorNumGoodCapsules where CapsuleSize=3 and CapsuleRate=3

Source Section

RnSector_AchStats (AirvanaRnPerformanceMIB)

achSectorNumGoodCapsules_Size4Rate1

The number of access capsules received at this sector with good CRC where CapsuleSize=4 and CapsuleRate=1

Data Source

DO-EMS

Source Field

achSectorNumGoodCapsules where CapsuleSize=4 and CapsuleRate=1

Source Section

RnSector_AchStats (AirvanaRnPerformanceMIB)

achSectorNumGoodCapsules_Size4Rate2

The number of access capsules received at this sector with good CRC where CapsuleSize=4 and CapsuleRate=2

Data Source

DO-EMS

Source Field

achSectorNumGoodCapsules where CapsuleSize=4 and CapsuleRate=2

Source Section

RnSector_AchStats (AirvanaRnPerformanceMIB)

achSectorNumGoodCapsules_Size4Rate3

The number of access capsules received at this sector with good CRC where CapsuleSize=4 and CapsuleRate=3

Data Source

DO-EMS

Source Field

achSectorNumGoodCapsules where CapsuleSize=4 and CapsuleRate=3

Source Section

RnSector_AchStats (AirvanaRnPerformanceMIB)

achSectorThroughputMac

The MAC layer access channel throughput in bits/second

Data Source

DO-EMS

Source Field

achSectorThroughputMac

Source Section

RnSectorPerf (AirvanaRnPerformanceMIB)

achSectorThroughputPhy

The PHY layer access channel throughput in bits/second

Data Source

DO-EMS

Source Field

achSectorThroughputPhy

Source Section

RnSectorPerf (AirvanaRnPerformanceMIB)

averageSessionSetupTimeSC

This OM maintains a record of the average regular session setup time for all successfully setup sessions on the Sector.

Data Source

DO-EMS

Source Field

averageSessionSetupTimeSC

Source Section

RNCPerfBySectorCarrier (RncIS856PerfMIB)

avgA13HoDelayPriorSessionSC

Average delay for prior session A13 Handoff on this sector.

Data Source

DO-EMS

Source Field

avgA13HoDelayPriorSessionSC

Source Section

RNCPerfBySectorCarrier (RncIS856PerfMIB)

avgA13HoDelaySC

Average delay for regular A13 Handoff on this sector.

Data Source

DO-EMS

Source Field

avgA13HoDelaySC

Source Section

RNCPerfBySectorCarrier (RncIS856PerfMIB)

borderStatusSC

This field has a value of "0" or "1". A value of "1" represents that this OM(s) is pegged on the border sector carrier. A value of "0" means that this OM is for the secondary sector-carrier.

Data Source

DO-EMS

Source Field

borderStatusSC

Source Section

RNCPerfBySectorCarrier (RncIS856PerfMIB)

cchSectorAsyncSlotsUtilization

Average of 5-second values of control channel utilization for asynchronous capsules.

Data Source

DO-EMS

Source Field

cchSectorAsyncSlotsUtilization

Source Section

RnACHcapsuleCCHSyncSubSyncAsyncSlotUtilization (RnPerformanceMIB)

cchSectorAsyncSlotsUtilization_max

Maximum of 5-second values of control channel utilization for asynchronous capsules.

Data Source

DO-EMS

Source Field

cchSectorAsyncSlotsUtilization

Source Section

RnACHcapsuleCCHSyncSubSyncAsyncSlotUtilization (RnPerformanceMIB)

cchSectorAsyncSlotsUtilization_min

Minimum of 5-second values of control channel utilization for asynchronous capsules.

Data Source

DO-EMS

Source Field

cchSectorAsyncSlotsUtilization

Source Section

RnACHcapsuleCCHSyncSubSyncAsyncSlotUtilization (RnPerformanceMIB)

cchSectorNumDroppedMessages

Number of control channel messages that were dropped at this sector without transmission over the air

Data Source

DO-EMS

Source Field

cchSectorNumDroppedMessages

Source Section

RnSectorPerf (AirvanaRnPerformanceMIB)

cchSectorNumLocalMessages

Control channel messages locally generated at the baseband module.

Data Source

DO-EMS

Source Field

cchSectorNumLocalMessages

Source Section

RnSectorPerf (AirvanaRnPerformanceMIB)

cchSectorNumRxAcAckRequests

The number of attempts to send access probe acknowledgements through this sector.

Data Source

DO-EMS

Source Field

cchSectorNumRxAcAckRequests

Source Section

RnSectorPerf (AirvanaRnPerformanceMIB)

cchSectorNumRxMessages

Number of Control Channel Messages that have been received from the BSC destined for transmission over the control channel of this sector since the sector turned operationally up

Data Source

DO-EMS

Source Field

cchSectorNumRxMessages

Source Section

RnSectorPerf (AirvanaRnPerformanceMIB)

cchSectorNumTxMacPacketsInAsyncCapsules

Number of 128-byte Control Channel MAC packets that have been transmitted in asynchronous control channel capsules from this sector

Data Source

DO-EMS

Source Field

cchSectorNumTxMacPacketsInAsyncCapsules

Source Section

RnSectorPerf (AirvanaRnPerformanceMIB)

cchSectorNumTxMacPacketsInSubSyncCapsules

Number of 128-byte Control Channel MAC packets that have been transmitted from this sector in sub-synchronous capsules

Data Source

DO-EMS

Source Field

cchSectorNumTxMacPacketsInSubSyncCapsules

Source Section

RnSector_Perf_2 (AirvanaRnPerformanceMIB)

cchSectorNumTxMacPacketsInSyncCapsules

Number of 128-byte Control Channel MAC packets that have been transmitted from this sector in synchronous capsules.

Data Source

DO-EMS

Source Field

cchSectorNumTxMacPacketsInSyncCapsules

Source Section

RnSectorPerf (AirvanaRnPerformanceMIB)

cchSectorNumTxMessages

Control channel messages transmitted from this sector. This includes the messages received from the DO-RNC, Access channel acknowledgements and overhead messages.

Data Source

DO-EMS

Source Field

cchSectorNumTxMessages

Source Section

RnSectorPerf (AirvanaRnPerformanceMIB)

cchSectorNumTxSyncCapsules_CapsuleSize1

Number of synchronous capsules transmitted from this sector where CapsuleSize=1

Data Source

DO-EMS

Source Field

cchSectorNumTxSyncCapsules where CapsuleSize=1

Source Section

RnSectorCchStats (AirvanaRnPerformanceMIB)

cchSectorNumTxSyncCapsules_CapsuleSize2

Number of synchronous capsules transmitted from this sector where CapsuleSize=2

Data Source

DO-EMS

Source Field

cchSectorNumTxSyncCapsules where CapsuleSize=2

Source Section

RnSectorCchStats (AirvanaRnPerformanceMIB)

cchSectorNumTxSyncCapsules_CapsuleSize3

Number of synchronous capsules transmitted from this sector where CapsuleSize=3

Data Source

DO-EMS

Source Field

cchSectorNumTxSyncCapsules where CapsuleSize=3

Source Section

RnSectorCchStats (AirvanaRnPerformanceMIB)

cchSectorNumTxSyncCapsules_CapsuleSize4

Number of synchronous capsules transmitted from this sector where CapsuleSize=4

Data Source

DO-EMS

Source Field

cchSectorNumTxSyncCapsules where CapsuleSize=4

Source Section

RnSectorCchStats (AirvanaRnPerformanceMIB)

cchSectorNumTxSyncCapsules_CapsuleSize5

Number of synchronous capsules transmitted from this sector where CapsuleSize=5

Data Source

DO-EMS

Source Field

cchSectorNumTxSyncCapsules where CapsuleSize=5

Source Section

RnSectorCchStats (AirvanaRnPerformanceMIB)

cchSectorNumTxSyncCapsules_CapsuleSize6

Number of synchronous capsules transmitted from this sector where CapsuleSize=6

Data Source

DO-EMS

Source Field

cchSectorNumTxSyncCapsules where CapsuleSize=6

Source Section

RnSectorCchStats (AirvanaRnPerformanceMIB)

cchSectorNumTxSyncCapsules_CapsuleSize7

Number of synchronous capsules transmitted from this sector where CapsuleSize=7

Data Source

DO-EMS

Source Field

cchSectorNumTxSyncCapsules where CapsuleSize=7

Source Section

RnSectorCchStats (AirvanaRnPerformanceMIB)

cchSectorNumTxSyncCapsules_CapsuleSize8

Number of synchronous capsules transmitted from this sector where CapsuleSize=8

Data Source

DO-EMS

Source Field

cchSectorNumTxSyncCapsules where CapsuleSize=8

Source Section

RnSectorCchStats (AirvanaRnPerformanceMIB)

cchSectorSlotUtilization

The fraction of slots used up by the control channel in thousands of percent

Data Source

DO-EMS

Source Field

cchSectorSlotUtilization

Source Section

RnSectorPerf (AirvanaRnPerformanceMIB)

cchSectorSyncSubsyncSlotsUtilization

Average of 5-second values of control channel utilization for both synchronous and sub-synchronous capsules.

Data Source

DO-EMS

Source Field

cchSectorSyncSubsyncSlotsUtilization

Source Section

RnACHcapsuleCCHSyncSubSyncAsyncSlotUtilization (RnPerformanceMIB)

cchSectorSyncSubsyncSlotsUtilization_max

Maximum of 5-second values of control channel utilization for both synchronous and sub-synchronous capsules.

Data Source

DO-EMS

Source Field

cchSectorSyncSubsyncSlotsUtilization

Source Section

RnACHcapsuleCCHSyncSubSyncAsyncSlotUtilization (RnPerformanceMIB)

cchSectorSyncSubsyncSlotsUtilization_min

Minimum of 5-second values of control channel utilization for both synchronous and sub-synchronous capsules.

Data Source

DO-EMS

Source Field

cchSectorSyncSubsyncSlotsUtilization

Source Section

RnACHcapsuleCCHSyncSubSyncAsyncSlotUtilization (RnPerformanceMIB)

cchSectorThroughput

The control channel sector throughput in bits/second

Data Source

DO-EMS

Source Field

cchSectorThroughput

Source Section

RnSectorPerf (AirvanaRnPerformanceMIB)

cchSectRxSetPhaseMsgsWithRpt

Number of page messages received from the DO-RNC that require repetition from the DOMs.

Data Source

DO-EMS

Source Field

cchSectRxSetPhaseMsgsWithRpt

Source Section

RnSectorPerf (RnPerformanceMIB)

channelRecordSC

Channel number corresponding to the frequency assignment of this pilot.

Data Source

DO-EMS

Source Field

channelRecordSC

Source Section

RNCPerfBySectorCarrier (RncIS856PerfMIB)

channelRecordSSC

Channel number corresponding to the frequency assignment of this pilot (from Template RNC_ISSHO_PerfBySecondarySectorCarrier).

Data Source

DO-EMS

Source Field

channelRecordSSC

Source Section

RNCISSHOPerfBySecondarySectorCarrier (RncIS856PerfMIB)

drcEmNumFlowsClonedPeak

The peak number of cloned driver flows as a result of softer multicasting over the period time that starts from last EMS or CLI sampling until current time on a given sector-element of a DOM.

Data Source

DO-EMS

Source Field

drcEmNumFlowsClonedPeak

Source Section

RnDrcEmSectorPerf (RnPerformanceMIB)

drcEmTotalNumOccurrences

This OM represents the number of times DRC Erasure Mapping happens on a given sector-carrier.

Data Source

DO-EMS

Source Field

drcEmTotalNumOccurrences

Source Section

RnDrcEmSectorPerf (RnPerformanceMIB)

flSectorThroughputMac

The total MAC-layer forward link throughput through this sector

Data Source

DO-EMS

Source Field

flSectorThroughputMac

Source Section

RnSectorPerf (AirvanaRnPerformanceMIB)

flSectorThroughputPhy

The total PHY-layer forward link throughput through this sector

Data Source

DO-EMS

Source Field

flSectorThroughputPhy

Source Section

RnSectorPerf (AirvanaRnPerformanceMIB)

ftcSectorBEAggrMacBytes

The aggregate (cumulative) number of MAC layer forward link transmitted BE bytes per sector.

Data Source

DO-EMS

Source Field

ftcSectorBEAggrMacBytes

Source Section

RnSectorPerf (RnPerformanceMIB)

ftcSectorBEAggrPhyBytes

The aggregate (cumulative) number of Physical layer forward link transmitted BE bytes per sector.

Data Source

DO-EMS

Source Field

ftcSectorBEAggrPhyBytes

Source Section

RnSectorPerf (RnPerformanceMIB)

ftcSectorBEAggrSlots

The aggregate (cumulative) number of Physical layer forward link slots used for Best effort traffic per sector.

Data Source

DO-EMS

Source Field

ftcSectorBEAggrSlots

Source Section

RnSectorPerf (RnPerformanceMIB)

ftcSectorNumTxMacBytes_PacketRate01

The number of MAC-layer bytes of FTC traffic that was transmitted from this sector at a rate of with a data rate of 38.4Kbps

Data Source

DO-EMS

Source Field

ftcSectorNumTxMacBytes where PacketRate=1

Source Section

RnSectorFtcStats (AirvanaRnPerformanceMIB)

ftcSectorNumTxMacBytes_PacketRate02

The number of MAC-layer bytes of FTC traffic that was transmitted from this sector at a rate of with a data rate of 76.8Kbps

Data Source

DO-EMS

Source Field

ftcSectorNumTxMacBytes where PacketRate=2

Source Section

RnSectorFtcStats (AirvanaRnPerformanceMIB)

ftcSectorNumTxMacBytes_PacketRate03

The number of MAC-layer bytes of FTC traffic that was transmitted from this sector at a rate of with a data rate of 153.6Kbps

Data Source

DO-EMS

Source Field

ftcSectorNumTxMacBytes where PacketRate=3

Source Section

RnSectorFtcStats (AirvanaRnPerformanceMIB)

ftcSectorNumTxMacBytes_PacketRate04

The number of MAC-layer bytes of FTC traffic that was transmitted from this sector at a rate of with a data rate of 307.2Kbps (short)

Data Source

DO-EMS

Source Field

ftcSectorNumTxMacBytes where PacketRate=4

Source Section

RnSectorFtcStats (AirvanaRnPerformanceMIB)

ftcSectorNumTxMacBytes_PacketRate05

The number of MAC-layer bytes of FTC traffic that was transmitted from this sector at a rate of with a data rate of 307.2Kbps (long)

Data Source

DO-EMS

Source Field

ftcSectorNumTxMacBytes where PacketRate=5

Source Section

RnSectorFtcStats (AirvanaRnPerformanceMIB)

ftcSectorNumTxMacBytes_PacketRate06

The number of MAC-layer bytes of FTC traffic that was transmitted from this sector at a rate of with a data rate of 614.4Kbps (short)

Data Source

DO-EMS

Source Field

ftcSectorNumTxMacBytes where PacketRate=6

Source Section

RnSectorFtcStats (AirvanaRnPerformanceMIB)

ftcSectorNumTxMacBytes_PacketRate07

The number of MAC-layer bytes of FTC traffic that was transmitted from this sector at a rate of with a data rate of 614.4Kbps (long)

Data Source

DO-EMS

Source Field

ftcSectorNumTxMacBytes where PacketRate=7

Source Section

RnSectorFtcStats (AirvanaRnPerformanceMIB)

ftcSectorNumTxMacBytes_PacketRate08

The number of MAC-layer bytes of FTC traffic that was transmitted from this sector at a rate of with a data rate of 921.6Kbps

Data Source

DO-EMS

Source Field

ftcSectorNumTxMacBytes where PacketRate=8

Source Section

RnSectorFtcStats (AirvanaRnPerformanceMIB)

ftcSectorNumTxMacBytes_PacketRate09

The number of MAC-layer bytes of FTC traffic that was transmitted from this sector at a rate of with a data rate of 1228.8Kbps (short)

Data Source

DO-EMS

Source Field

ftcSectorNumTxMacBytes where PacketRate=9

Source Section

RnSectorFtcStats (AirvanaRnPerformanceMIB)

ftcSectorNumTxMacBytes_PacketRate10

The number of MAC-layer bytes of FTC traffic that was transmitted from this sector at a rate of with a data rate of 1228.8Kbps (long)

Data Source

DO-EMS

Source Field

ftcSectorNumTxMacBytes where PacketRate=10

Source Section

RnSectorFtcStats (AirvanaRnPerformanceMIB)

ftcSectorNumTxMacBytes_PacketRate11

The number of MAC-layer bytes of FTC traffic that was transmitted from this sector at a rate of with a data rate of 1843.2Kbps

Data Source

DO-EMS

Source Field

ftcSectorNumTxMacBytes where PacketRate=11

Source Section

RnSectorFtcStats (AirvanaRnPerformanceMIB)

ftcSectorNumTxMacBytes_PacketRate12

The number of MAC-layer bytes of FTC traffic that was transmitted from this sector at a rate of with a data rate of 2457.6Kbps

Data Source

DO-EMS

Source Field

ftcSectorNumTxMacBytes where PacketRate=12

Source Section

RnSectorFtcStats (AirvanaRnPerformanceMIB)

ftcSectorNumTxMacBytes_PacketRate13

The number of MAC-layer bytes of FTC traffic that was transmitted from this sector at a rate of with a data rate of 1536Kbps

Data Source

DO-EMS

Source Field

ftcSectorNumTxMacBytes where PacketRate=13

Source Section

RnSectorFtcStats (AirvanaRnPerformanceMIB)

ftcSectorNumTxMacBytes_PacketRate14

The number of MAC-layer bytes of FTC traffic that was transmitted from this sector at a rate of with a data rate of 3072Kbps

Data Source

DO-EMS

Source Field

ftcSectorNumTxMacBytes where PacketRate=14

Source Section

RnSectorFtcStats (AirvanaRnPerformanceMIB)

ftcSectorNumTxPhyPkts_PacketRate01

The number of physical-layer packets that have been transmitted from this sector at a rate of with a data rate of 38.4Kbps

Data Source

DO-EMS

Source Field

ftcSectorNumTxPhyPkts where PacketRate=1

Source Section

RnSectorFtcStats (AirvanaRnPerformanceMIB)

ftcSectorNumTxPhyPkts_PacketRate02

The number of physical-layer packets that have been transmitted from this sector at a rate of with a data rate of 76.8Kbps

Data Source

DO-EMS

Source Field

ftcSectorNumTxPhyPkts where PacketRate=2

Source Section

RnSectorFtcStats (AirvanaRnPerformanceMIB)

ftcSectorNumTxPhyPkts_PacketRate03

The number of physical-layer packets that have been transmitted from this sector at a rate of with a data rate of 153.6Kbps

Data Source

DO-EMS

Source Field

ftcSectorNumTxPhyPkts where PacketRate=3

Source Section

RnSectorFtcStats (AirvanaRnPerformanceMIB)

ftcSectorNumTxPhyPkts_PacketRate04

The number of physical-layer packets that have been transmitted from this sector at a rate of with a data rate of 307.2Kbps (short)

Data Source

DO-EMS

Source Field

ftcSectorNumTxPhyPkts where PacketRate=4

Source Section

RnSectorFtcStats (AirvanaRnPerformanceMIB)

ftcSectorNumTxPhyPkts_PacketRate05

The number of physical-layer packets that have been transmitted from this sector at a rate of with a data rate of 307.2Kbps (long)

Data Source

DO-EMS

Source Field

ftcSectorNumTxPhyPkts where PacketRate=5

Source Section

RnSectorFtcStats (AirvanaRnPerformanceMIB)

ftcSectorNumTxPhyPkts_PacketRate06

The number of physical-layer packets that have been transmitted from this sector at a rate of with a data rate of 614.4Kbps (short)

Data Source

DO-EMS

Source Field

ftcSectorNumTxPhyPkts where PacketRate=6

Source Section

RnSectorFtcStats (AirvanaRnPerformanceMIB)

ftcSectorNumTxPhyPkts_PacketRate07

The number of physical-layer packets that have been transmitted from this sector at a rate of with a data rate of 614.4Kbps (long)

Data Source

DO-EMS

Source Field

ftcSectorNumTxPhyPkts where PacketRate=7

Source Section

RnSectorFtcStats (AirvanaRnPerformanceMIB)

ftcSectorNumTxPhyPkts_PacketRate08

The number of physical-layer packets that have been transmitted from this sector at a rate of with a data rate of 921.6Kbps

Data Source

DO-EMS

Source Field

ftcSectorNumTxPhyPkts where PacketRate=8

Source Section

RnSectorFtcStats (AirvanaRnPerformanceMIB)

ftcSectorNumTxPhyPkts_PacketRate09

The number of physical-layer packets that have been transmitted from this sector at a rate of with a data rate of 1228.8Kbps (short)

Data Source

DO-EMS

Source Field

ftcSectorNumTxPhyPkts where PacketRate=9

Source Section

RnSectorFtcStats (AirvanaRnPerformanceMIB)

ftcSectorNumTxPhyPkts_PacketRate10

The number of physical-layer packets that have been transmitted from this sector at a rate of with a data rate of 1228.8Kbps (long)

Data Source

DO-EMS

Source Field

ftcSectorNumTxPhyPkts where PacketRate=10

Source Section

RnSectorFtcStats (AirvanaRnPerformanceMIB)

ftcSectorNumTxPhyPkts_PacketRate11

The number of physical-layer packets that have been transmitted from this sector at a rate of with a data rate of 1843.2Kbps

Data Source

DO-EMS

Source Field

ftcSectorNumTxPhyPkts where PacketRate=11

Source Section

RnSectorFtcStats (AirvanaRnPerformanceMIB)

ftcSectorNumTxPhyPkts_PacketRate12

The number of physical-layer packets that have been transmitted from this sector at a rate of with a data rate of 2457.6Kbps

Data Source

DO-EMS

Source Field

ftcSectorNumTxPhyPkts where PacketRate=12

Source Section

RnSectorFtcStats (AirvanaRnPerformanceMIB)

ftcSectorNumTxPhyPkts_PacketRate13

The number of physical-layer packets that have been transmitted from this sector at a rate of with a data rate of 1536Kbps

Data Source

DO-EMS

Source Field

ftcSectorNumTxPhyPkts where PacketRate=13

Source Section

RnSectorFtcStats (AirvanaRnPerformanceMIB)

ftcSectorNumTxPhyPkts_PacketRate14

The number of physical-layer packets that have been transmitted from this sector at a rate of with a data rate of 3072Kbps

Data Source

DO-EMS

Source Field

ftcSectorNumTxPhyPkts where PacketRate=14

Source Section

RnSectorFtcStats (AirvanaRnPerformanceMIB)

ftcSectorNumTxSlots_PacketRate01

The number of slots used up by physical-layer FTC packets transmitted from this sector at a rate of with a data rate of 38.4Kbps

Data Source

DO-EMS

Source Field

ftcSectorNumTxSlots where PacketRate=1

Source Section

RnSectorFtcStats (AirvanaRnPerformanceMIB)

ftcSectorNumTxSlots_PacketRate02

The number of slots used up by physical-layer FTC packets transmitted from this sector at a rate of with a data rate of 76.8Kbps

Data Source

DO-EMS

Source Field

ftcSectorNumTxSlots where PacketRate=2

Source Section

RnSectorFtcStats (AirvanaRnPerformanceMIB)

ftcSectorNumTxSlots_PacketRate03

The number of slots used up by physical-layer FTC packets transmitted from this sector at a rate of with a data rate of 153.6Kbps

Data Source

DO-EMS

Source Field

ftcSectorNumTxSlots where PacketRate=3

Source Section

RnSectorFtcStats (AirvanaRnPerformanceMIB)

ftcSectorNumTxSlots_PacketRate04

The number of slots used up by physical-layer FTC packets transmitted from this sector at a rate of with a data rate of 307.2Kbps (short)

Data Source

DO-EMS

Source Field

ftcSectorNumTxSlots where PacketRate=4

Source Section

RnSectorFtcStats (AirvanaRnPerformanceMIB)

ftcSectorNumTxSlots_PacketRate05

The number of slots used up by physical-layer FTC packets transmitted from this sector at a rate of with a data rate of 307.2Kbps (long)

Data Source

DO-EMS

Source Field

ftcSectorNumTxSlots where PacketRate=5

Source Section

RnSectorFtcStats (AirvanaRnPerformanceMIB)

ftcSectorNumTxSlots_PacketRate06

The number of slots used up by physical-layer FTC packets transmitted from this sector at a rate of with a data rate of 614.4Kbps (short)

Data Source

DO-EMS

Source Field

ftcSectorNumTxSlots where PacketRate=6

Source Section

RnSectorFtcStats (AirvanaRnPerformanceMIB)

ftcSectorNumTxSlots_PacketRate07

The number of slots used up by physical-layer FTC packets transmitted from this sector at a rate of with a data rate of 614.4Kbps (long)

Data Source

DO-EMS

Source Field

ftcSectorNumTxSlots where PacketRate=7

Source Section

RnSectorFtcStats (AirvanaRnPerformanceMIB)

ftcSectorNumTxSlots_PacketRate08

The number of slots used up by physical-layer FTC packets transmitted from this sector at a rate of with a data rate of 921.6Kbps

Data Source

DO-EMS

Source Field

ftcSectorNumTxSlots where PacketRate=8

Source Section

RnSectorFtcStats (AirvanaRnPerformanceMIB)

ftcSectorNumTxSlots_PacketRate09

The number of slots used up by physical-layer FTC packets transmitted from this sector at a rate of with a data rate of 1228.8Kbps (short)

Data Source

DO-EMS

Source Field

ftcSectorNumTxSlots where PacketRate=9

Source Section

RnSectorFtcStats (AirvanaRnPerformanceMIB)

ftcSectorNumTxSlots_PacketRate10

The number of slots used up by physical-layer FTC packets transmitted from this sector at a rate of with a data rate of 1228.8Kbps (long)

Data Source

DO-EMS

Source Field

ftcSectorNumTxSlots where PacketRate=10

Source Section

RnSectorFtcStats (AirvanaRnPerformanceMIB)

ftcSectorNumTxSlots_PacketRate11

The number of slots used up by physical-layer FTC packets transmitted from this sector at a rate of with a data rate of 1843.2Kbps

Data Source

DO-EMS

Source Field

ftcSectorNumTxSlots where PacketRate=11

Source Section

RnSectorFtcStats (AirvanaRnPerformanceMIB)

ftcSectorNumTxSlots_PacketRate12

The number of slots used up by physical-layer FTC packets transmitted from this sector at a rate of with a data rate of 2457.6Kbps

Data Source

DO-EMS

Source Field

ftcSectorNumTxSlots where PacketRate=12

Source Section

RnSectorFtcStats (AirvanaRnPerformanceMIB)

ftcSectorNumTxSlots_PacketRate13

The number of slots used up by physical-layer FTC packets transmitted from this sector at a rate of with a data rate of 1536Kbps

Data Source

DO-EMS

Source Field

ftcSectorNumTxSlots where PacketRate=13

Source Section

RnSectorFtcStats (AirvanaRnPerformanceMIB)

ftcSectorNumTxSlots_PacketRate14

The number of slots used up by physical-layer FTC packets transmitted from this sector at a rate of with a data rate of 3072Kbps

Data Source

DO-EMS

Source Field

ftcSectorNumTxSlots where PacketRate=14

Source Section

RnSectorFtcStats (AirvanaRnPerformanceMIB)

ftcSectorSlotUtilization

The fraction of slots used up by forward traffic channels in thousands of percent.

Data Source

DO-EMS

Source Field

ftcSectorSlotUtilization

Source Section

RnSectorPerf (AirvanaRnPerformanceMIB)

ftcSectorThroughputMac

The total MAC-layer throughput experienced by the forward traffic channels active on this sector.

Data Source

DO-EMS

Source Field

ftcSectorThroughputMac

Source Section

RnSectorPerf (AirvanaRnPerformanceMIB)

ftcSectorThroughputPhy

The total PHY-layer throughput experienced by the forward traffic channels active on this sector

Data Source

DO-EMS

Source Field

ftcSectorThroughputPhy

Source Section

RnSectorPerf (AirvanaRnPerformanceMIB)

ftcSectorTotalNumFirstTimeTxMacBytes

The total number of FTC MAC-layer bytes that were transmitted from this sector for first-time transmissions.

Data Source

DO-EMS

Source Field

ftcSectorTotalNumFirstTimeTxMacBytes

Source Section

RnSectorPerf (AirvanaRnPerformanceMIB)

ftcSectorTotalNumReTxMacBytes

The total number of FTC MAC-layer bytes that were transmitted from this sector due to DARQ or RLP-based re-transmissions

Data Source

DO-EMS

Source Field

ftcSectorTotalNumReTxMacBytes

Source Section

RnSectorPerf (AirvanaRnPerformanceMIB)

maxSessionSetupTimeSC

This OM maintains a record of the slowest regular successful session setup attempt among all successfully setup sessions on the Sector.

Data Source

DO-EMS

Source Field

maxSessionSetupTimeSC

Source Section

RNCPerfBySectorCarrier (RncIS856PerfMIB)

minSessionSetupTimeSC

This OM maintains a record of the fastest regular successful session setup attempt among all successfully setup sessions on the Sector.

Data Source

DO-EMS

Source Field

minSessionSetupTimeSC

Source Section

RNCPerfBySectorCarrier (RncIS856PerfMIB)

numA0ANSetupTriggersRedirectRev0ToRevASC

Number of times a redirect trigger was generated (for an AN-initiated Connection Request) to redirect A0 ATs from Rev0 carrier to a RevA carrier, when a connection request was received.

Data Source

DO-EMS

Source Field

numA0ANSetupTriggersRedirectRev0ToRevASC

Source Section

RNCPerfBySectorCarrier (RncIS856PerfMIB)

numA0ATSetupTriggersRedirectRev0ToRevASC

Number of times a redirect trigger was generated to redirect A0 ATs from Rev0 carrier to a RevA carrier, when a connection request was received.

Data Source

DO-EMS

Source Field

numA0ATSetupTriggersRedirectRev0ToRevASC

Source Section

RNCPerfBySectorCarrier (RncIS856PerfMIB)

numA16AbortsATLostSSC

Number of A16 session transfer attempts from the source RNC that have been aborted with the reason code "03", which is "AT lost".

Data Source

DO-EMS

Source Field

numA16AbortsATLostSSC

Source Section

RNCISSHOPerfBySecondarySectorCarrier (RncIS856PerfMIB)

numA16AbortsConnRelSSC

Number of A16 session transfer attempts from the source RNC that have been aborted with the reason code "02", which is "Connection Release".

Data Source

DO-EMS

Source Field

numA16AbortsConnRelSSC

Source Section

RNCISSHOPerfBySecondarySectorCarrier (RncIS856PerfMIB)

numA16AbortsMiscSSC

Number of A16 session transfer attempts from the source RNC that have been aborted with reason code other than "02", or "03".

Data Source

DO-EMS

Source Field

numA16AbortsMiscSSC

Source Section

RNCISSHOPerfBySecondarySectorCarrier (RncIS856PerfMIB)

numA16AttemptsSSC

Number of outgoing A16 session transfer attempts by the source RNC when this sector-carrier is the strongest pilot in the active set.

Data Source

DO-EMS

Source Field

numA16AttemptsSSC

Source Section

RNCISSHOPerfBySecondarySectorCarrier (RncIS856PerfMIB)

numA16RejectsMiscSSC

Number of A16 session transfer attempts from the source RNC that have been rejected by the target RNC with the reason code other than "02".

Data Source

DO-EMS

Source Field

numA16RejectsMiscSSC

Source Section

RNCISSHOPerfBySecondarySectorCarrier (RncIS856PerfMIB)

numA16RejectsRadioSSC

Number of A16 session transfer attempts from the source RNC that have been rejected by the target RNC with the reason code "02", which is "Insufficient radio resources in the target AN to support session".

Data Source

DO-EMS

Source Field

numA16RejectsRadioSSC

Source Section

RNCISSHOPerfBySecondarySectorCarrier (RncIS856PerfMIB)

numA16SuccessSSC

Number of successful outgoing A16 session transfers by the source RNC when this sector-carrier is the strongest pilot in the active set.

Data Source

DO-EMS

Source Field

numA16SuccessSSC

Source Section

RNCISSHOPerfBySecondarySectorCarrier (RncIS856PerfMIB)

numA16SuppressedSrcRnSwSSC

Number of A16 session transfer triggers on the source RNC which have been suppressed because at least one of the DOMs in the active set is running pre- 6.0 software.

Data Source

DO-EMS

Source Field

numA16SuppressedSrcRnSwSSC

Source Section

RNCISSHOPerfBySecondarySectorCarrier (RncIS856PerfMIB)

numA16TimeoutSSC

Number of A16 session transfer attempts from the source RNC that have timed out without getting any response from the target RNC.

Data Source

DO-EMS

Source Field

numA16TimeoutSSC

Source Section

RNCISSHOPerfBySecondarySectorCarrier (RncIS856PerfMIB)

numAaANSetupTriggersRedirectRev0ToRevASC

Number of times a redirect trigger was generated (for an AN-initiated Connection Request) to redirect Aa ATs from Rev0 carrier to a RevA carrier, when a connection request was received.

Data Source

DO-EMS

Source Field

numAaANSetupTriggersRedirectRev0ToRevASC

Source Section

RNCPerfBySectorCarrier (RncIS856PerfMIB)

numAaATSetupTriggersRedirectRev0ToRevASC

Number of times a redirect trigger was generated to redirect Aa ATs from Rev0 carrier to a RevA carrier, when a connection request was received (this should be rare, or none).

Data Source

DO-EMS

Source Field

numAaATSetupTriggersRedirectRev0ToRevASC

Source Section

RNCPerfBySectorCarrier (RncIS856PerfMIB)

NumAllocationAttemptsTxRNSC

Number of times the RNC sent a resource allocation request to open a traffic channel

Data Source

DO-EMS

Source Field

NumAllocationAttemptsTxRNSC

Source Section

RNCPerfBySectorCarrier (RncIS856PerfMIB)

numAllocationAttemptsTxRnSSC

This statistic counts the number of times the DO-RNC sent a resource allocation request (to open a traffic channel) for this sector.

Data Source

DO-EMS

Source Field

numAllocationAttemptsTxRnSSC

Source Section

RNCISSHOPerfBySecondarySectorCarrier (RncIS856PerfMIB)

numAllocationBlockRnACLIMITSC

Number of times that the allocation request was rejected at the RN by admission control.

Data Source

DO-EMS

Source Field

numAllocationBlockRnACLimitSC

Source Section

RNCPerfBySectorCarrier (RncIS856PerfMIB)

numAllocationBlockRnACLimitSSC

Number of times that the allocation request was rejected at the RN by admission control.

Data Source

DO-EMS

Source Field

numAllocationBlockRnACLimitSSC

Source Section

RNCISSHOPerfBySecondarySectorCarrier (RncIS856PerfMIB)

numAllocationBlockRnCELimitSC

Number of times that the allocation request was rejected at the RN because channel element resource had been used up.

Data Source

DO-EMS

Source Field

numAllocationBlockRnCELimitSC

Source Section

RNCPerfBySectorCarrier (RncIS856PerfMIB)

numAllocationBlockRnCELimitSSC

Number of times that the allocation request was rejected at the RN because channel element resource had been used up.

Data Source

DO-EMS

Source Field

numAllocationBlockRnCELimitSSC

Source Section

RNCISSHOPerfBySecondarySectorCarrier (RncIS856PerfMIB)

NumAllocationBlockRNConnectionLimitSC

Number of times that the allocation request was rejected at the RN because the configured maximum airlinks had been used up

Data Source

DO-EMS

Source Field

NumAllocationBlockRNConnectionLimitSC

Source Section

RNCPerfBySectorCarrier (RncIS856PerfMIB)

numAllocationBlockRnConnectionLimitSSC

This statistic counts the number of times that the allocation request was rejected at the DOM because the configured maximum airlinks had been used up.

Data Source

DO-EMS

Source Field

numAllocationBlockRnConnectionLimitSSC

Source Section

RNCISSHOPerfBySecondarySectorCarrier (RncIS856PerfMIB)

NumAllocationBlockRNDriverResourceSC

Number of times the ASIC driver on the RN rejected a request to allocate/open a traffic channel

Data Source

DO-EMS

Source Field

NumAllocationBlockRnDriverResourceSC

Source Section

RNCPerfBySectorCarrier (RncIS856PerfMIB)

numAllocationBlockRnDriverResourceSSC

This statistic counts the number of times the ASIC driver on the DOM rejected a request to allocate/open a traffic channel on this sector.

Data Source

DO-EMS

Source Field

numAllocationBlockRnDriverResourceSSC

Source Section

RNCISSHOPerfBySecondarySectorCarrier (RncIS856PerfMIB)

numAllocationBlockRnFlowLimitSC

Number of times that the allocation request was rejected at the RN because flow queue resource had been used up.

Data Source

DO-EMS

Source Field

numAllocationBlockRnFlowLimitSC

Source Section

RNCPerfBySectorCarrier (RncIS856PerfMIB)

numAllocationBlockRnFlowLimitSSC

Number of times that the allocation request was rejected at the RN because flow queue resource had been used up.

Data Source

DO-EMS

Source Field

numAllocationBlockRnFlowLimitSSC

Source Section

RNCISSHOPerfBySecondarySectorCarrier (RncIS856PerfMIB)

numAllocationBlockRnMACIDLimitSC

Number of times that the allocation request was rejected at the RN because Mac ID resource had been used up.

Data Source

DO-EMS

Source Field

numAllocationBlockRnMACIDLimitSC

Source Section

RNCPerfBySectorCarrier (RncIS856PerfMIB)

numAllocationBlockRnMACIDLimitSSC

Number of times that the allocation request was rejected at the RN because Mac ID resource had been used up.

Data Source

DO-EMS

Source Field

numAllocationBlockRnMACIDLimitSSC

Source Section

RNCISSHOPerfBySecondarySectorCarrier (RncIS856PerfMIB)

NumAllocationBlockRNMessageValidationSC

RNC allocation request rejected at the RN because the message was malformed

Data Source

DO-EMS

Source Field

NumAllocationBlockRNMessageValidationSC

Source Section

RNCPerfBySectorCarrier (RncIS856PerfMIB)

numAllocationBlockRnMessageValidationSSC

This statistic counts the number of times the allocation request from the DORNC was rejected at the DOM because the message was malformed.

Data Source

DO-EMS

Source Field

numAllocationBlockRnMessageValidationSSC

Source Section

RNCISSHOPerfBySecondarySectorCarrier (RncIS856PerfMIB)

NumAllocationBlockRNModemTimeoutSC

Number of times that the SC on the RN did not receive a response from the modem cards within the stipulated time

Data Source

DO-EMS

Source Field

NumAllocationBlockRNModemTimeoutSC

Source Section

RNCPerfBySectorCarrier (RncIS856PerfMIB)

numAllocationBlockRnModemTimeoutSSC

This statistic counts the number of times that the SC on the DOM did not receive a response from the modem cards within the stipulated time.

Data Source

DO-EMS

Source Field

numAllocationBlockRnModemTimeoutSSC

Source Section

RNCISSHOPerfBySecondarySectorCarrier (RncIS856PerfMIB)

NumAllocationBlockRNNoConnectionSC

RNC allocation request rejected at the RN because the RN could not identify the 'existing open connection'

Data Source

DO-EMS

Source Field

NumAllocationBlockRNNoConnectionSC

Source Section

RNCPerfBySectorCarrier (RncIS856PerfMIB)

numAllocationBlockRnNoConnectionSSC

This statistic counts the number of times the allocation request from the DO-RNC was rejected at the DOM because the DOM could not identify the ?existing open connection?.

Data Source

DO-EMS

Source Field

numAllocationBlockRnNoConnectionSSC

Source Section

RNCISSHOPerfBySecondarySectorCarrier (RncIS856PerfMIB)

NumAllocationBlockRNSectorCarrierDownSC

Number of times that the allocation request was rejected at the RN because the sector carrier was operationally down

Data Source

DO-EMS

Source Field

NumAllocationBlockRnSectorCarrierDownSC

Source Section

RNCPerfBySectorCarrier (RncIS856PerfMIB)

numAllocationBlockRnSectorCarrierDownSSC

This statistic counts the number of times that the allocation request was rejected at the DOM because the sector carrier was operationally down.

Data Source

DO-EMS

Source Field

numAllocationBlockRnSectorCarrierDownSSC

Source Section

RNCISSHOPerfBySecondarySectorCarrier (RncIS856PerfMIB)

NumAllocationRNSuccessSC

Number of times the RN was able to successfully allocate the resources and open a traffic channel

Data Source

DO-EMS

Source Field

NumAllocationRNSuccessSC

Source Section

RNCPerfBySectorCarrier (RncIS856PerfMIB)

numAllocationRnSuccessSSC

This statistic counts the number of times the RN was able to successfully allocate the resource (& open a traffic channel) for this sector.

Data Source

DO-EMS

Source Field

numAllocationRnSuccessSSC

Source Section

RNCISSHOPerfBySecondarySectorCarrier (RncIS856PerfMIB)

numANAttemptedTriggersSwitchA0ToAaSC

Number of times a trigger was attempted (for an AN-initiated Connection Request) to switch the RevA capable AT's personality from Rev0 to RevA.

Data Source

DO-EMS

Source Field

numANAttemptedTriggersSwitchA0ToAaSC

Source Section

RNCPerfBySectorCarrier (RncIS856PerfMIB)

numANAttemptedTriggersSwitchA0ToAaSSC

Number of times a trigger was attempted (for an AN-initiated Connection Request) to switch the RevA capable AT's personality from Rev0 to RevA.

Data Source

DO-EMS

Source Field

numANAttemptedTriggersSwitchA0ToAaSSC

Source Section

RNCISSHOPerfBySecondarySectorCarrier (RncIS856PerfMIB)

numANAttemptedTriggersSwitchAaToA0SC

Number of times a trigger was attempted (for an AN-initiated Connection Request) to switch the RevA capable AT's personality from RevA to Rev0.

Data Source

DO-EMS

Source Field

numANAttemptedTriggersSwitchAaToA0SC

Source Section

RNCPerfBySectorCarrier (RncIS856PerfMIB)

numANAttemptedTriggersSwitchAaToA0SSC

Number of times a trigger was attempted (for an AN-initiated Connection Request) to switch the RevA capable AT's personality from RevA to Rev0.

Data Source

DO-EMS

Source Field

numANAttemptedTriggersSwitchAaToA0SSC

Source Section

RNCISSHOPerfBySecondarySectorCarrier (RncIS856PerfMIB)

numANConnectionSetupsAbortedSC

The number of times the connection setup failed because of reasons that are not explicitly called out otherwise.

Data Source

DO-EMS

Source Field

numANConnectionSetupsAbortedSC

Source Section

RNCPerfBySectorCarrier (RncIS856PerfMIB)

numANConnectionSetupsBlockedByRncCpuSC

The number of times the DO-RNC blocked the connection setup due to CPU overload.

Data Source

DO-EMS

Source Field

numANConnectionSetupsBlockedByRncCpuSC

Source Section

RNCPerfBySectorCarrier (RncIS856PerfMIB)

NumANConnectionSetupsBlockedByRncResourceSC

RNC blocked the connection setup for an AN-initiated Connection Request because Resource Control on the RNC was unable to allocate the requested resource

Data Source

DO-EMS

Source Field

NumANConnectionSetupsBlockedByRncResourceSC

Source Section

RNCPerfBySectorCarrier (RncIS856PerfMIB)

NumANConnectionSetupsBlockedByRnSC

RNC blocked the connection setup for an AN-initiated Connection Request because at least one of the resource allocation requests sent to the RN(s) was denied

Data Source

DO-EMS

Source Field

NumANConnectionSetupsBlockedByRnSC

Source Section

RNCPerfBySectorCarrier (RncIS856PerfMIB)

numANConnectionSetupsFailedByRncResourceTimeoutSC

The number of times that the connection setup failed because a response to a resource allocation request sent by Call Control to Resource Control on the DO-RNC was not received within the stipulated time.

Data Source

DO-EMS

Source Field

numANConnectionSetupsFailedByRncResourceTimeoutSC

Source Section

RNCPerfBySectorCarrier (RncIS856PerfMIB)

numANConnectionSetupsFailedByRnTimeoutSC

The number of times that the connection setup failed because at least one response for resource allocation requests sent to the DOM(s) was not received within the stipulated time.

Data Source

DO-EMS

Source Field

numANConnectionSetupsFailedByRnTimeoutSC

Source Section

RNCPerfBySectorCarrier (RncIS856PerfMIB)

numANConnectionSetupsFailedRuTimeoutSC

The number of times that the connection setup failed because the Route Update from the AT was either not received at the DO-RNC or was not resolved by the DO-RNC.

Data Source

DO-EMS

Source Field

numANConnectionSetupsFailedRuTimeoutSC

Source Section

RNCPerfBySectorCarrier (RncIS856PerfMIB)

numANConnectionSetupsFailedSwErrorSC

The number of times that the connection setup failed because of software errors.

Data Source

DO-EMS

Source Field

numANConnectionSetupsFailedSwErrorSC

Source Section

RNCPerfBySectorCarrier (RncIS856PerfMIB)

NumANConnectionSetupsFailedTccTimeoutSC

Setup failed for an AN-initiated Connection Request because it did not receive the TCC message from the AT within the stipulated time

Data Source

DO-EMS

Source Field

NumANConnectionSetupsFailedTccTimeoutSC

Source Section

RNCPerfBySectorCarrier (RncIS856PerfMIB)

numANConnReqsWhileOpenRevAConnSC

Number of times that the AN-initiated Connection Request message was received at a time when the RNC thought a RevA Connection was already open.

Data Source

DO-EMS

Source Field

numANConnReqsWhileOpenRevAConnSC

Source Section

RNCPerfBySectorCarrier (RncIS856PerfMIB)

NumANConnReqsWhileOpenSC

AN-initiated Connection Request message received when the RNC thought a Connection was already open indicating a mismatch in states between the AT and the RNC

Data Source

DO-EMS

Source Field

NumANConnReqsWhileOpenSC

Source Section

RNCPerfBySectorCarrier (RncIS856PerfMIB)

numANConnReqsWhileSettingUpRevAConnSC

Number of times that the AN-initiated Connection Request message was received while the RNC was already in the process of setting up a RevA connection.

Data Source

DO-EMS

Source Field

numANConnReqsWhileSettingUpRevAConnSC

Source Section

RNCPerfBySectorCarrier (RncIS856PerfMIB)

NumANConnReqsWhileSettingUpSC

AN-initiated Connection Request message received while the RNC was already in the process of setting up a connection

Data Source

DO-EMS

Source Field

NumANConnReqsWhileSettingUpSC

Source Section

RNCPerfBySectorCarrier (RncIS856PerfMIB)

numANConnReqsWhileTearingDownRevAConnSC

Number of times that the AN-initiated Connection Request message was received at a time when the RNC was in the process of tearing down a RevA connection.

Data Source

DO-EMS

Source Field

numANConnReqsWhileTearingDownRevAConnSC

Source Section

RNCPerfBySectorCarrier (RncIS856PerfMIB)

NumANConnReqsWhileTearingDownSC

AN-initiated Connection Request message received while the RNC was already in the process of tearing down a connection

Data Source

DO-EMS

Source Field

NumANConnReqsWhileTearingDownSC

Source Section

RNCPerfBySectorCarrier (RncIS856PerfMIB)

numANRevAConnectionSetupsAbortedSC

Number of times that RevA connection setup failed (for an AN-initiated Connection Request) because of reasons that are not explicitly called out in this list.

Data Source

DO-EMS

Source Field

numANRevAConnectionSetupsAbortedSC

Source Section

RNCPerfBySectorCarrier (RncIS856PerfMIB)

numANRevAConnectionSetupsBlockedByRncCpuSC

Number of times the RNC blocked RevA connection setup (for an AN-initiated Connection Request) due to CPU overload.

Data Source

DO-EMS

Source Field

numANRevAConnectionSetupsBlockedByRncCpuSC

Source Section

RNCPerfBySectorCarrier (RncIS856PerfMIB)

numANRevAConnectionSetupsBlockedByRnSC

Number of times that the RNC blocked RevA connection setup (for an AN-initiated Connection Request) because at least one of the resource allocation requests sent to the RN(s) was denied.

Data Source

DO-EMS

Source Field

numANRevAConnectionSetupsBlockedByRnSC

Source Section

RNCPerfBySectorCarrier (RncIS856PerfMIB)

numANRevAConnectionSetupsFailedByRnTimeoutSC

Number of times that RevA connection setup failed (for an AN-initiated Connection Request) because at least one response for resource allocation requests sent to the RN(s) was not received within the stipulated time.

Data Source

DO-EMS

Source Field

numANRevAConnectionSetupsFailedByRnTimeoutSC

Source Section

RNCPerfBySectorCarrier (RncIS856PerfMIB)

numANRevAConnectionSetupsFailedRuTimeoutSC

Number of times that RevA connection setup failed (for an AN-initiated Connection Request) because the Route Update from the AT (specifying the pilots to consider for inclusion in the

Active Set) was either not received at the RNC (within the stipulated time) or was not resolved by the RNC (within the stipulated time).

Data Source

DO-EMS

Source Field

numANRevAConnectionSetupsFailedRuTimeoutSC

Source Section

RNCPerfBySectorCarrier (RncIS856PerfMIB)

numANRevAConnectionSetupsFailedSwErrorSC

Number of times that RevA connection setup failed (for an AN-initiated Connection Request) because of software errors.

Data Source

DO-EMS

Source Field

numANRevAConnectionSetupsFailedSwErrorSC

Source Section

RNCPerfBySectorCarrier (RncIS856PerfMIB)

numANRevAConnectionSetupsFailedTccTimeoutSC

Number of times that the RevA connection setup failed (for an AN-initiated Connection Request) because RNC did not receive the TCC message from the AT within the stipulated time.

Data Source

DO-EMS

Source Field

numANRevAConnectionSetupsFailedTccTimeoutSC

Source Section

RNCPerfBySectorCarrier (RncIS856PerfMIB)

numANSetupTriggersRedirectRevAToRev0SC

Number of times a redirect trigger was generated (for an AN-initiated Connection Request) to redirect Rev0 ATs from RevA carrier to a Rev0 carrier, when a connection request was received.

Data Source

DO-EMS

Source Field

numANSetupTriggersRedirectRevAToRev0SC

Source Section

RNCPerfBySectorCarrier (RncIS856PerfMIB)

numANSetupTriggersSwitchA0ToAaAbortedSC

Number of times that RevA connection setup failed (for an AN-initiated Connection Request) in response to the numANAttemptedTriggersSwitchA0ToAaSC triggers, because of reasons that are not captured by any other OM.

Data Source

DO-EMS

Source Field

numANSetupTriggersSwitchA0ToAaAbortedSC

Source Section

RNCPerfBySectorCarrier (RncIS856PerfMIB)

numANSetupTriggersSwitchA0ToAaAbortedSSC

Number of times that RevA connection setup failed (for an AN-initiated Connection Request) in response to the numANAttemptedTriggersSwitchA0ToAaSSC triggers, because of reasons that are not captured by any other OM.

Data Source

DO-EMS

Source Field

numANSetupTriggersSwitchA0ToAaAbortedSSC

Source Section

RNCISSHOPerfBySecondarySectorCarrier (RncIS856PerfMIB)

numANSetupTriggersSwitchA0ToAaBlockedByRnSC

Number of times that the RNC blocked RevA connection setup in response to the numANAttemptedTriggersSwitchA0ToAaSC triggers (for an AN-initiated Connection Request) because at least one of the resource allocation requests sent to the RN(s) was denied.

Data Source

DO-EMS

Source Field

numANSetupTriggersSwitchA0ToAaBlockedByRnSC

Source Section

RNCPerfBySectorCarrier (RncIS856PerfMIB)

numANSetupTriggersSwitchA0ToAaBlockedByRnSSC

Number of times that the RNC blocked RevA connection setup in response to the numANAttemptedTriggersSwitchA0ToAaSSC triggers (for an AN-initiated Connection Request) because at least one of the resource allocation requests sent to the RN(s) was denied.

Data Source

DO-EMS

Source Field

numANSetupTriggersSwitchA0ToAaBlockedByRnSSC

Source Section

RNCISSHOPerfBySecondarySectorCarrier (RncIS856PerfMIB)

numANSetupTriggersSwitchA0ToAaFailedByRnTimeoutSC

Number of times that RevA connection setup failed (for an AN-initiated Connection Request) in response to the numANAttemptedTriggersSwitchA0ToAaSC triggers, because at least one response for resource allocation requests sent to the RN(s) was not received within the stipulated time.

Data Source

DO-EMS

Source Field

numANSetupTriggersSwitchA0ToAaFailedByRnTimeoutSC

Source Section

RNCPerfBySectorCarrier (RncIS856PerfMIB)

numANSetupTriggersSwitchA0ToAaFailedByRnTimeoutSSC

Number of times that RevA connection setup failed (for an AN-initiated Connection Request) in response to the numANAttemptedTriggersSwitchA0ToAaSSC triggers, because at least one response for resource allocation requests sent to the RN(s) was not received within the stipulated time.

Data Source

DO-EMS

Source Field

numANSetupTriggersSwitchA0ToAaFailedByRnTimeoutSSC

Source Section

RNCISSSHOPerfBySecondarySectorCarrier (RncIS856PerfMIB)

numANSetupTriggersSwitchA0ToAaFailedSwErrorSC

Number of times that RevA connection setup failed (for an AN-initiated Connection Request) in response to the numANAttemptedTriggersSwitchA0ToAaSC triggers, because of software errors.

Data Source

DO-EMS

Source Field

numANSetupTriggersSwitchA0ToAaFailedSwErrorSC

Source Section

RNCPerfBySectorCarrier (RncIS856PerfMIB)

numANSetupTriggersSwitchA0ToAaFailedSwErrorSSC

Number of times that RevA connection setup failed (for an AN-initiated Connection Request) in response to the numANAttemptedTriggersSwitchA0ToAaSSC triggers, because of software errors.

Data Source

DO-EMS

Source Field

numANSetupTriggersSwitchA0ToAaFailedSwErrorSSC

Source Section

RNCISSHOPerfBySecondarySectorCarrier (RncIS856PerfMIB)

numANSetupTriggersSwitchA0ToAaFailedTccTimeoutSC

Number of times that the RevA connection setup failed (for an AN-initiated Connection Request) in response to the numANAttemptedTriggersSwitchA0ToAaSC triggers, because the RNC did not receive the TCC message from the AT within the stipulated time.

Data Source

DO-EMS

Source Field

numANSetupTriggersSwitchA0ToAaFailedTccTimeoutSC

Source Section

RNCPerfBySectorCarrier (RncIS856PerfMIB)

numANSetupTriggersSwitchA0ToAaFailedTccTimeoutSSC

Number of times that the RevA connection setup failed (for an AN-initiated Connection Request) in response to the numANAttemptedTriggersSwitchA0ToAaSSC triggers, because the RNC did not receive the TCC message from the AT within the stipulated time.

Data Source

DO-EMS

Source Field

numANSetupTriggersSwitchA0ToAaFailedTccTimeoutSSC

Source Section

RNCISSHOPerfBySecondarySectorCarrier (RncIS856PerfMIB)

numANSetupTriggersSwitchA0ToAaSC

Number of times a trigger was generated (for an AN-initiated Connection Request) to switch the RevA capable AT's personality from Rev0 to RevA.

Data Source

DO-EMS

Source Field

numANSetupTriggersSwitchA0ToAaSC

Source Section

RNCPerfBySectorCarrier (RncIS856PerfMIB)

numANSetupTriggersSwitchA0ToAaSuccessSC

Successfully opened RevA connections in response to numANAttemptedTriggersSwitchA0ToAaSC triggers for AN-initiated Connection Requests from the AT.

Data Source

DO-EMS

Source Field

numANSetupTriggersSwitchA0ToAaSuccessSC

Source Section

RNCPerfBySectorCarrier (RncIS856PerfMIB)

numANSetupTriggersSwitchA0ToAaSuccessSSC

Successfully opened RevA connections in response to numANAttemptedTriggersSwitchA0ToAaSSC triggers for AN-initiated Connection Requests from the AT. This OM is pegged against the strongest pilot sector in the RUM.

Data Source

DO-EMS

Source Field

numANSetupTriggersSwitchA0ToAaSuccessSSC

Source Section

RNCISSHOPerfBySecondarySectorCarrier (RncIS856PerfMIB)

numANSetupTriggersSwitchAaToA0AbortedSC

Number of times that Rev0 connection setup failed (for an AN-initiated Connection Request) in response to the numANAttemptedTriggersSwitchAaToA0SC triggers, because of reasons that are not captured by any other OM.

Data Source

DO-EMS

Source Field

numANSetupTriggersSwitchAaToA0AbortedSC

Source Section

RNCPerfBySectorCarrier (RncIS856PerfMIB)

numANSetupTriggersSwitchAaToA0AbortedSSC

Number of times that Rev0 connection setup failed (for an AN-initiated Connection Request) in response to the numANAttemptedTriggersSwitchAaToA0SSC triggers, because of reasons that are not captured by any other OM.

Data Source

DO-EMS

Source Field

numANSetupTriggersSwitchAaToA0AbortedSSC

Source Section

RNCISSHOPerfBySecondarySectorCarrier (RncIS856PerfMIB)

numANSetupTriggersSwitchAaToA0BlockedByRnSC

Number of times that the RNC blocked Rev0 connection setup in response to the numANAttemptedTriggersSwitchAaToA0SC triggers (for an AN-initiated Connection Request) because at least one of the resource allocation requests sent to the RN(s) was denied.

Data Source

DO-EMS

Source Field

numANSetupTriggersSwitchAaToA0BlockedByRnSC

Source Section

RNCPerfBySectorCarrier (RncIS856PerfMIB)

numANSetupTriggersSwitchAaToA0BlockedByRnSSC

Number of times that the RNC blocked Rev0 connection setup in response to the numANAttemptedTriggersSwitchAaToA0SSC triggers (for an AN-initiated Connection Request) because at least one of the resource allocation requests sent to the RN(s) was denied.

Data Source

DO-EMS

Source Field

numANSetupTriggersSwitchAaToA0BlockedByRnSSC

Source Section

RNCISSHOPerfBySecondarySectorCarrier (RncIS856PerfMIB)

numANSetupTriggersSwitchAaToA0FailedByRnTimeoutSC

Number of times that Rev0 connection setup failed (for an AN-initiated Connection Request) in response to the numANAttemptedTriggersSwitchAaToA0SC triggers, because at least one response for resource allocation requests sent to the RN(s) was not received within the stipulated time.

Data Source

DO-EMS

Source Field

numANSetupTriggersSwitchAaToA0FailedByRnTimeoutSC

Source Section

RNCPerfBySectorCarrier (RncIS856PerfMIB)

numANSetupTriggersSwitchAaToA0FailedByRnTimeoutSSC

Number of times that Rev0 connection setup failed (for an AN-initiated Connection Request) in response to the numANAttemptedTriggersSwitchAaToA0SSC triggers, because at least one response for resource allocation requests sent to the RN(s) was not received within the stipulated time.

Data Source

DO-EMS

Source Field

numANSetupTriggersSwitchAaToA0FailedByRnTimeoutSSC

Source Section

RNCISSHOPerfBySecondarySectorCarrier (RncIS856PerfMIB)

numANSetupTriggersSwitchAaToA0FailedSwErrorSC

Number of times that Rev0 connection setup failed (for an AN-initiated Connection Request) in response to the numANAttemptedTriggersSwitchAaToA0SC triggers, because of software errors.

Data Source

DO-EMS

Source Field

numANSetupTriggersSwitchAaToA0FailedSwErrorSC

Source Section

RNCPerfBySectorCarrier (RncIS856PerfMIB)

numANSetupTriggersSwitchAaToA0FailedSwErrorSSC

Number of times that Rev0 connection setup failed (for an AN-initiated Connection Request) in response to the numANAttemptedTriggersSwitchAaToA0SSC triggers, because of software errors.

Data Source

DO-EMS

Source Field

numANSetupTriggersSwitchAaToA0FailedSwErrorSSC

Source Section

RNCISSHOPerfBySecondarySectorCarrier (RncIS856PerfMIB)

numANSetupTriggersSwitchAaToA0FailedTccTimeoutSC

Number of times that the Rev0 connection setup failed (for an AN-initiated Connection Request) in response to the numANAttemptedTriggersSwitchAaToA0SC triggers, because the RNC did not receive the TCC message from the AT within the stipulated time.

Data Source

DO-EMS

Source Field

numANSetupTriggersSwitchAaToA0FailedTccTimeoutSC

Source Section

RNCPerfBySectorCarrier (RncIS856PerfMIB)

numANSetupTriggersSwitchAaToA0FailedTccTimeoutSSC

Number of times that the Rev0 connection setup failed (for an AN-initiated Connection Request) in response to the numANAttemptedTriggersSwitchAaToA0SSC triggers, because the RNC did not receive the TCC message from the AT within the stipulated time.

Data Source

DO-EMS

Source Field

numANSetupTriggersSwitchAaToA0FailedTccTimeoutSSC

Source Section

RNCISSHOPerfBySecondarySectorCarrier (RncIS856PerfMIB)

numANSetupTriggersSwitchAaToA0SC

Number of times a trigger was generated (for an AN-initiated Connection Request) to switch the RevA capable AT's personality from RevA to Rev0.

Data Source

DO-EMS

Source Field

numANSetupTriggersSwitchAaToA0SC

Source Section

RNCPerfBySectorCarrier (RncIS856PerfMIB)

numANSetupTriggersSwitchAaToA0SuccessSC

Successfully opened Rev0 connections in response to numANAttemptedTriggersSwitchAaToA0SC triggers for AN-initiated Connection Requests from the AT.

Data Source

DO-EMS

Source Field

numANSetupTriggersSwitchAaToA0SuccessSC

Source Section

RNCPerfBySectorCarrier (RncIS856PerfMIB)

numANSetupTriggersSwitchAaToA0SuccessSSC

Successfully opened Rev0 connections in response to numANAttemptedTriggersSwitchAaToA0SSC triggers for AN-initiated Connection Requests from the AT.

Data Source

DO-EMS

Source Field

numANSetupTriggersSwitchAaToA0SuccessSSC

Source Section

RNCISSHOPerfBySecondarySectorCarrier (RncIS856PerfMIB)

numATAttemptedTriggersSwitchA0ToAaSC

Number of times a trigger was attempted to switch the RevA capable AT's personality from Rev0 to RevA.

Data Source

DO-EMS

Source Field

numATAttemptedTriggersSwitchA0ToAaSC

Source Section

RNCPerfBySectorCarrier (RncIS856PerfMIB)

numATAttemptedTriggersSwitchA0ToAaSSC

Number of times a trigger was attempted to switch the RevA capable AT's personality from Rev0 to RevA.

Data Source

DO-EMS

Source Field

numATAttemptedTriggersSwitchA0ToAaSSC

Source Section

RNCISSHOPerfBySecondarySectorCarrier (RncIS856PerfMIB)

numATAttemptedTriggersSwitchAaToA0SC

Number of times a trigger was attempted to switch the RevA capable AT's personality from RevA to Rev0.

Data Source

DO-EMS

Source Field

numATAttemptedTriggersSwitchAaToA0SC

Source Section

RNCPerfBySectorCarrier (RncIS856PerfMIB)

numATAttemptedTriggersSwitchAaToA0SSC

Number of times a trigger was attempted to switch the RevA capable AT's personality from RevA to Rev0.

Data Source

DO-EMS

Source Field

numATAttemptedTriggersSwitchAaToA0SSC

Source Section

RNCISSHOPerfBySecondarySectorCarrier (RncIS856PerfMIB)

numATConnectionSetupsAbortedSC

The number of times the connection setup failed because of reasons that are not explicitly called out otherwise.

Data Source

DO-EMS

Source Field

numATConnectionSetupsAbortedSC

Source Section

RNCPerfBySectorCarrier (RncIS856PerfMIB)

numATConnectionSetupsBlockedByRncCpuSC

The number of times the DO-RNC blocked the connection setup due to CPU overload.

Data Source

DO-EMS

Source Field

numATConnectionSetupsBlockedByRncCpuSC

Source Section

RNCPerfBySectorCarrier (RncIS856PerfMIB)

NumATConnectionSetupsBlockedByRncResourceSC

RNC blocked the connection setup for an AT-initiated Connection Request because Resource Control on the RNC was unable to allocate the requested resource

Data Source

DO-EMS

Source Field

NumATConnectionSetupsBlockedByRncResourceSC

Source Section

RNCPerfBySectorCarrier (RncIS856PerfMIB)

NumATConnectionSetupsBlockedByRnSC

RNC blocked the connection setup for an AT-initiated Connection Request because at least one of the resource allocation requests sent to the RN(s) was denied

Data Source

DO-EMS

Source Field

NumATConnectionSetupsBlockedByRnSC

Source Section

RNCPerfBySectorCarrier (RncIS856PerfMIB)

numATConnectionSetupsFailedByRncResourceTimeoutSC

The number of times that the connection setup failed because a response to a resource allocation request sent by Call Control to Resource Control on the DO-RNC was not received within the stipulated time.

Data Source

DO-EMS

Source Field

numATConnectionSetupsFailedByRncResourceTimeoutSC

Source Section

RNCPerfBySectorCarrier (RncIS856PerfMIB)

numATConnectionSetupsFailedByRnTimeoutSC

The number of times that the connection setup failed because at least one response for resource allocation requests sent to the DOM(s) was not received within the stipulated time.

Data Source

DO-EMS

Source Field

numATConnectionSetupsFailedByRnTimeoutSC

Source Section

RNCPerfBySectorCarrier (RncIS856PerfMIB)

numATConnectionSetupsFailedRuTimeoutSC

The number of times that the connection setup failed because the Route Update from the AT was either not received at the DO-RNC or was not resolved by the DO-RNC.

Data Source

DO-EMS

Source Field

numATConnectionSetupsFailedRuTimeoutSC

Source Section

RNCPerfBySectorCarrier (RncIS856PerfMIB)

numATConnectionSetupsFailedSwErrorSC

The number of times that the connection setup failed because of software errors.

Data Source

DO-EMS

Source Field

numATConnectionSetupsFailedSwErrorSC

Source Section

RNCPerfBySectorCarrier (RncIS856PerfMIB)

NumATConnectionSetupsFailedTccTimeoutSC

Setup failed for an AT-initiated Connection Request because it did not receive the TCC message from the AT within the stipulated time

Data Source

DO-EMS

Source Field

NumATConnectionSetupsFailedTccTimeoutSC

Source Section

RNCPerfBySectorCarrier (RncIS856PerfMIB)

numATConnReqsWhileOpenRevAConnSC

Number of times that the AT-initiated Connection Request message received at a time when the RNC thought a RevA Connection was already open.

Data Source

DO-EMS

Source Field

numATConnReqsWhileOpenRevAConnSC

Source Section

RNCPerfBySectorCarrier (RncIS856PerfMIB)

NumATConnReqsWhileOpenSC

AT-initiated Connection Request message received when the RNC thought a Connection was already open indicating a mismatch in states between the AT and the RNC

Data Source

DO-EMS

Source Field

NumATConnReqsWhileOpenSC

Source Section

RNCPerfBySectorCarrier (RncIS856PerfMIB)

numATConnReqsWhileSettingUpRevAConnSC

Number of times an AT-initiated Connection Request message received while the RNC was already in the process of setting up a RevA connection.

Data Source

DO-EMS

Source Field

numATConnReqsWhileSettingUpRevAConnSC

Source Section

RNCPerfBySectorCarrier (RncIS856PerfMIB)

NumATConnReqsWhileSettingUpSC

AT-initiated Connection Request message received while the RNC was already in the process of setting up a connection

Data Source

DO-EMS

Source Field

NumATConnReqsWhileSettingUpSC

Source Section

RNCPerfBySectorCarrier (RncIS856PerfMIB)

numATConnReqsWhileTearingDownRevAConnSC

Number of times an AT-initiated Connection Request message was received at a time when the RNC was in the process of tearing down a RevA connection.

Data Source

DO-EMS

Source Field

numATConnReqsWhileTearingDownRevAConnSC

Source Section

RNCPerfBySectorCarrier (RncIS856PerfMIB)

NumATConnReqsWhileTearingDownSC

AT-initiated Connection Request message received while the RNC was already in the process of tearing down a connection

Data Source

DO-EMS

Source Field

NumATConnReqsWhileTearingDownSC

Source Section

RNCPerfBySectorCarrier (RncIS856PerfMIB)

numATReportedTuneAwayDropsSC

Number of times connection failure records from rev-A ATs, via IS856-A connection failure reporting message, received by the RNC indicating connection failures due to the RevA AT tuning away to 3G1X network while connected to 1xEVDO network and the timestamp in connection failure record is within 10 seconds of last RF related drop (FTC stopped timestamp stored at the RNC).

Data Source

DO-EMS

Source Field

numATReportedTuneAwayDropsSC

Source Section

RNCPerfBySectorCarrier (RncIS856PerfMIB)

numATReportedTuneAwayDropsSSC

Number of times connection failure records from rev-A ATs, via IS856-A connection failure reporting message, received by the RNC indicating connection failures due to the RevA AT tuning away to 3G1X network while connected to 1xEVDO network and the timestamp in connection failure record is within 10 seconds of last RF related drop (FTC stopped timestamp stored at the RNC).

Data Source

DO-EMS

Source Field

numATReportedTuneAwayDropsSSC

Source Section

RNCISSHOPerfBySecondarySectorCarrier (RncIS856PerfMIB)

numATRevAConnectionSetupsAbortedSC

Number of times that RevA connection setup failed (for an AT-initiated Connection Request) because of reasons that are not explicitly called out in this list.

Data Source

DO-EMS

Source Field

numATRevAConnectionSetupsAbortedSC

Source Section

RNCPerfBySectorCarrier (RncIS856PerfMIB)

numATRevAConnectionSetupsBlockedByRncCpuSC

Number of times the RNC blocked RevA connection setup (for an AT-initiated Connection Request) due to CPU overload. This OM is always pegged on the source sector on which this connection request was received.

Data Source

DO-EMS

Source Field

numATRevAConnectionSetupsBlockedByRncCpuSC

Source Section

RNCPerfBySectorCarrier (RncIS856PerfMIB)

numATRevAConnectionSetupsBlockedByRnSC

Number of times that the RNC blocked RevA connection setup (for an AT-initiated Connection Request) because at least one of the resource allocation requests sent to the RN(s) was denied.

Data Source

DO-EMS

Source Field

numATRevAConnectionSetupsBlockedByRnSC

Source Section

RNCPerfBySectorCarrier (RncIS856PerfMIB)

numATRevAConnectionSetupsFailedByRnTimeoutSC

Number of times that RevA connection setup failed (for an AT-initiated Connection Request) because at least one response for resource allocation requests sent to the RN(s) was not received within the stipulated time. This OM is always pegged on the source sector on which this connection request was received.

Data Source

DO-EMS

Source Field

numATRevAConnectionSetupsFailedByRnTimeoutSC

Source Section

RNCPerfBySectorCarrier (RncIS856PerfMIB)

numATRevAConnectionSetupsFailedRuTimeoutSC

Number of times that RevA connection setup failed (for an AT-initiated Connection Request) because the Route Update from the AT (specifying the pilots to consider for inclusion in the Active Set) was either not received at the RNC (within the stipulated time) or was not resolved by the RNC (within the stipulated time).

Data Source

DO-EMS

Source Field

numATRevAConnectionSetupsFailedRuTimeoutSC

Source Section

RNCPerfBySectorCarrier (RncIS856PerfMIB)

numATRevAConnectionSetupsFailedSwErrorSC

Number of times that RevA connection setup failed (for an AT-initiated Connection Request) because of software errors.

Data Source

DO-EMS

Source Field

numATRevAConnectionSetupsFailedSwErrorSC

Source Section

RNCPerfBySectorCarrier (RncIS856PerfMIB)

numATRevAConnectionSetupsFailedTccTimeoutSC

Number of times that the RevA connection setup failed (for an AT-initiated Connection Request) because the RNC did not receive the TCC message from the AT within the stipulated time.

Data Source

DO-EMS

Source Field

numATRevAConnectionSetupsFailedTccTimeoutSC

Source Section

RNCPerfBySectorCarrier (RncIS856PerfMIB)

numATSetupTriggersRedirectRevAToRev0SC

Number of times a redirect trigger was generated to redirect Rev0 ATs from RevA carrier to a collocated Rev0 carrier, when a connection request was received.

Data Source

DO-EMS

Source Field

numATSetupTriggersRedirectRevAToRev0SC

Source Section

RNCPerfBySectorCarrier (RncIS856PerfMIB)

numATSetupTriggersSwitchA0ToAaAbortedSC

Number of times that RevA connection setup failed (for an AT-initiated Connection Request) in response to the numATAttemptedTriggersSwitchA0ToAaSC triggers, because of reasons that are not captured by any other OM.

Data Source

DO-EMS

Source Field

numATSetupTriggersSwitchA0ToAaAbortedSC

Source Section

RNCPerfBySectorCarrier (RncIS856PerfMIB)

numATSetupTriggersSwitchA0ToAaAbortedSSC

Number of times that RevA connection setup failed (for an AT-initiated Connection Request) in response to the numATAttemptedTriggersSwitchA0ToAaSSC triggers, because of reasons that are not captured by any other OM.

Data Source

DO-EMS

Source Field

numATSetupTriggersSwitchA0ToAaAbortedSSC

Source Section

RNCISSHOPerfBySecondarySectorCarrier (RncIS856PerfMIB)

numATSetupTriggersSwitchA0ToAaBlockedByRnSC

Number of times that the RNC blocked RevA connection setup in response to the numATAttemptedTriggersSwitchA0ToAaSC triggers (for an AT-initiated Connection Request) because at least one of the resource allocation requests sent to the RN(s) was denied.

Data Source

DO-EMS

Source Field

numATSetupTriggersSwitchA0ToAaBlockedByRnSC

Source Section

RNCPerfBySectorCarrier (RncIS856PerfMIB)

numATSetupTriggersSwitchA0ToAaBlockedByRnSSC

Number of times that the RNC blocked RevA connection setup in response to the numATAttemptedTriggersSwitchA0ToAaSSC triggers (for an AT-initiated Connection Request) because at least one of the resource allocation requests sent to the RN(s) was denied.

Data Source

DO-EMS

Source Field

numATSetupTriggersSwitchA0ToAaBlockedByRnSSC

Source Section

RNCISSHOPerfBySecondarySectorCarrier (RncIS856PerfMIB)

numATSetupTriggersSwitchA0ToAaFailedByRnTimeoutSC

Number of times that RevA connection setup failed (for an AT-initiated Connection Request) in response to the numATAttemptedTriggersSwitchA0ToAaSC triggers, because at least one response for resource allocation requests sent to the RN(s) was not received within the stipulated time.

Data Source

DO-EMS

Source Field

numATSetupTriggersSwitchA0ToAaFailedByRnTimeoutSC

Source Section

RNCPerfBySectorCarrier (RncIS856PerfMIB)

numATSetupTriggersSwitchA0ToAaFailedByRnTimeoutSSC

Number of times that RevA connection setup failed (for an AT-initiated Connection Request) in response to the numATAttemptedTriggersSwitchA0ToAaSSC triggers, because at least one response for resource allocation requests sent to the RN(s) was not received within the stipulated time.

Data Source

DO-EMS

Source Field

numATSetupTriggersSwitchA0ToAaFailedByRnTimeoutSSC

Source Section

RNCISSHOPerfBySecondarySectorCarrier (RncIS856PerfMIB)

numATSetupTriggersSwitchA0ToAaFailedSwErrorSC

Number of times that RevA connection setup failed (for an AT-initiated Connection Request) in response to the numATAttemptedTriggersSwitchA0ToAaSC triggers, because of software errors.

Data Source

DO-EMS

Source Field

numATSetupTriggersSwitchA0ToAaFailedSwErrorSC

Source Section

RNCPerfBySectorCarrier (RncIS856PerfMIB)

numATSetupTriggersSwitchA0ToAaFailedSwErrorSSC

Number of times that RevA connection setup failed (for an AT-initiated Connection Request) in response to the numATAttemptedTriggersSwitchA0ToAaSSC triggers, because of software errors.

Data Source

DO-EMS

Source Field

numATSetupTriggersSwitchA0ToAaFailedSwErrorSSC

Source Section

RNCISSSHOPerfBySecondarySectorCarrier (RncIS856PerfMIB)

numATSetupTriggersSwitchA0ToAaFailedTccTimeoutSC

Number of times that the RevA connection setup failed (for an AT-initiated Connection Request) in response to the numATAttemptedTriggersSwitchA0ToAaSC triggers, because the RNC did not receive the TCC message from the AT within the stipulated time.

Data Source

DO-EMS

Source Field

numATSetupTriggersSwitchA0ToAaFailedTccTimeoutSC

Source Section

RNCPerfBySectorCarrier (RncIS856PerfMIB)

numATSetupTriggersSwitchA0ToAaFailedTccTimeoutSSC

Number of times that the RevA connection setup failed (for an AT-initiated Connection Request) in response to the numATAttemptedTriggersSwitchA0ToAaSSC triggers, because the RNC did not receive the TCC message from the AT the stipulated time.

Data Source

DO-EMS

Source Field

numATSetupTriggersSwitchA0ToAaFailedTccTimeoutSSC

Source Section

RNCISSSHOPerfBySecondarySectorCarrier (RncIS856PerfMIB)

numATSetupTriggersSwitchA0ToAaSC

Number of times a trigger was generated to switch the RevA capable AT's personality from Rev0 to RevA.

Data Source

DO-EMS

Source Field

numATSetupTriggersSwitchA0ToAaSC

Source Section

RNCPerfBySectorCarrier (RncIS856PerfMIB)

numATSetupTriggersSwitchA0ToAaSuccessSC

Successfully opened RevA connections in response to numATAttemptedTriggersSwitchA0ToAaSC triggers for AT-initiated Connection Requests from the AT. This OM is pegged against the strongest pilot sector in the RUM.

Data Source

DO-EMS

Source Field

numATSetupTriggersSwitchA0ToAaSuccessSC

Source Section

RNCPerfBySectorCarrier (RncIS856PerfMIB)

numATSetupTriggersSwitchA0ToAaSuccessSSC

Successfully opened RevA connections in response to numATAttemptedTriggersSwitchA0ToAaSSC triggers for AT-initiated Connection Requests from the AT. This OM is pegged against the strongest pilot sector in the RUM.

Data Source

DO-EMS

Source Field

numATSetupTriggersSwitchA0ToAaSuccessSSC

Source Section

RNCISSHOPerfBySecondarySectorCarrier (RncIS856PerfMIB)

numATSetupTriggersSwitchAaToA0AbortedSC

Number of times that Rev0 connection setup failed (for an AT-initiated Connection Request) in response to the numATAttemptedTriggersSwitchAaToA0SC triggers, because of reasons that are not captured by any other OM.

Data Source

DO-EMS

Source Field

numATSetupTriggersSwitchAaToA0AbortedSC

Source Section

RNCPerfBySectorCarrier (RncIS856PerfMIB)

numATSetupTriggersSwitchAaToA0AbortedSSC

Number of times that Rev0 connection setup failed (for an AT-initiated Connection Request) in response to the numATAttemptedTriggersSwitchAaToA0SSC triggers, because of reasons that are not captured by any other OM.

Data Source

DO-EMS

Source Field

numATSetupTriggersSwitchAaToA0AbortedSSC

Source Section

RNCISSHOPerfBySecondarySectorCarrier (RncIS856PerfMIB)

numATSetupTriggersSwitchAaToA0BlockedByRnSC

Number of times that the RNC blocked Rev0 connection setup in response to the numATAttemptedTriggersSwitchAaToA0SC triggers (for an AT-initiated Connection Request) because at least one of the resource allocation requests sent to the RN(s) was denied.

Data Source

DO-EMS

Source Field

numATSetupTriggersSwitchAaToA0BlockedByRnSC

Source Section

RNCPerfBySectorCarrier (RncIS856PerfMIB)

numATSetupTriggersSwitchAaToA0BlockedByRnSSC

Number of times that the RNC blocked Rev0 connection setup in response to the numATAttemptedTriggersSwitchAaToA0SSC triggers (for an AT-initiated Connection Request) because at least one of the resource allocation requests sent to the RN(s) was denied.

Data Source

DO-EMS

Source Field

numATSetupTriggersSwitchAaToA0BlockedByRnSSC

Source Section

RNCISSHOPerfBySecondarySectorCarrier (RncIS856PerfMIB)

numATSetupTriggersSwitchAaToA0FailedByRnTimeoutSC

Number of times that Rev0 connection setup failed (for an AT-initiated Connection Request) in response to the numATAttemptedTriggersSwitchAaToA0SC triggers, because at least one response for resource allocation requests sent to the RN(s) was not received within the stipulated time.

Data Source

DO-EMS

Source Field

numATSetupTriggersSwitchAaToA0FailedByRnTimeoutSC

Source Section

RNCPerfBySectorCarrier (RncIS856PerfMIB)

numATSetupTriggersSwitchAaToA0FailedByRnTimeoutSSC

Number of times that Rev0 connection setup failed (for an AT-initiated Connection Request) in response to the numATAttemptedTriggersSwitchAaToA0SSC triggers, because at least one response for resource allocation requests sent to the RN(s) was not received within the stipulated time.

Data Source

DO-EMS

Source Field

numATSetupTriggersSwitchAaToA0FailedByRnTimeoutSSC

Source Section

RNCISSHOPerfBySecondarySectorCarrier (RncIS856PerfMIB)

numATSetupTriggersSwitchAaToA0FailedSwErrorSC

Number of times that Rev0 connection setup failed (for an AT-initiated Connection Request) in response to the numATAttemptedTriggersSwitchAaToA0SC triggers, because of software errors.

Data Source

DO-EMS

Source Field

numATSetupTriggersSwitchAaToA0FailedSwErrorSC

Source Section

RNCPerfBySectorCarrier (RncIS856PerfMIB)

numATSetupTriggersSwitchAaToA0FailedSwErrorSSC

Number of times that Rev0 connection setup failed (for an AT-initiated Connection Request) in response to the numATAttemptedTriggersSwitchAaToA0SSC triggers, because of software errors.

Data Source

DO-EMS

Source Field

numATSetupTriggersSwitchAaToA0FailedSwErrorSSC

Source Section

RNCISSSHOPerfBySecondarySectorCarrier (RncIS856PerfMIB)

numATSetupTriggersSwitchAaToA0FailedTccTimeoutSC

Number of times that the Rev0 connection setup failed (for an AT-initiated Connection Request) in response to the numATAttemptedTriggersSwitchAaToA0SC triggers, because the RNC did not receive the TCC message from the AT within the stipulated time.

Data Source

DO-EMS

Source Field

numATSetupTriggersSwitchAaToA0FailedTccTimeoutSC

Source Section

RNCPerfBySectorCarrier (RncIS856PerfMIB)

numATSetupTriggersSwitchAaToA0FailedTccTimeoutSSC

Number of times that the Rev0 connection setup failed (for an AT-initiated Connection Request) in response to the numATAttemptedTriggersSwitchAaToA0SSC triggers, because the RNC did not receive the TCC message from the AT within the stipulated time.

Data Source

DO-EMS

Source Field

numATSetupTriggersSwitchAaToA0FailedTccTimeoutSSC

Source Section

RNCISSHOPerfBySecondarySectorCarrier (RncIS856PerfMIB)

numATSetupTriggersSwitchAaToA0SC

Number of times a trigger was generated to switch the RevA capable AT's personality from RevA to Rev0.

Data Source

DO-EMS

Source Field

numATSetupTriggersSwitchAaToA0SC

Source Section

RNCPerfBySectorCarrier (RncIS856PerfMIB)

numATSetupTriggersSwitchAaToA0SuccessSC

Successfully opened Rev0 connections in response to numATAttemptedTriggersSwitchAaToA0SC triggers for AT-initiated Connection Requests from the AT. This OM is pegged against the strongest pilot sector in the RUM.

Data Source

DO-EMS

Source Field

numATSetupTriggersSwitchAaToA0SuccessSC

Source Section

RNCPerfBySectorCarrier (RncIS856PerfMIB)

numATSetupTriggersSwitchAaToA0SuccessSSC

Successfully opened Rev0 connections in response to numATAttemptedTriggersSwitchAaToA0SSC triggers for AT-initiated Connection Requests from the AT. This OM is pegged against the strongest pilot sector in the RUM.

Data Source

DO-EMS

Source Field

numATSetupTriggersSwitchAaToA0SuccessSSC

Source Section

RNCISSHOPerfBySecondarySectorCarrier (RncIS856PerfMIB)

numBtsDownsizingsSC

The number of times the MAC queue gets down-sized on the RNSM.

Data Source

DO-EMS

Source Field

numBtsDownsizingsSC

Source Section

RNCPerfBySectorCarrier (RncIS856PerfMIB)

NumConnectionCloseNoFtcSC

Connections closed because an FTCStopped indication was received for the connection such that no more active FTCs exist

Data Source

DO-EMS

Source Field

NumConnectionCloseNoFtcSC

Source Section

RNCPerfBySectorCarrier (RncIS856PerfMIB)

numConnectionCloseNoFtcSSC

This statistic will count the number of connections that were closed because an FTCStopped indication was received for the connection on the last active soft-handoff-leg without a subsequent FTCDesired indication.

Data Source

DO-EMS

Source Field

numConnectionCloseNoFtcSSC

Source Section

RNCISSHOPerfBySecondarySectorCarrier (RncIS856PerfMIB)

NumConnectionCloseRtcLostSC

Connections closed because an RTCLost indication was received for the connection such that no more active RTCs exist

Data Source

DO-EMS

Source Field

NumConnectionCloseRtcLostSC

Source Section

RNCPerfBySectorCarrier (RncIS856PerfMIB)

numConnectionCloseRtcLostSSC

This statistic will count the number of connections that were closed because an RTCLost indication was received for the connection such that no more active RTCs exist.

Data Source

DO-EMS

Source Field

numConnectionCloseRtcLostSSC

Source Section

RNCISSHOPerfBySecondarySectorCarrier (RncIS856PerfMIB)

numConnReqsA0ANInitiatedSC

Connection Request messages with the AN-initiated code received from RevA ATs in Rev0 personality over the ACH for the corresponding sector.

Data Source

DO-EMS

Source Field

numConnReqsA0ANInitiatedSC

Source Section

RNCPerfBySectorCarrier (RncIS856PerfMIB)

numConnReqsA0ATInitiatedSC

Connection Request messages with the AT-initiated code received from RevA ATs in Rev0 personality over the ACH for the corresponding sector.

Data Source

DO-EMS

Source Field

numConnReqsA0ATInitiatedSC

Source Section

RNCPerfBySectorCarrier (RncIS856PerfMIB)

numConnReqsAaANInitiatedSC

Connection Request messages with the AN-initiated code received from RevA ATs in RevA personality over the ACH for the corresponding sector.

Data Source

DO-EMS

Source Field

numConnReqsAaANInitiatedSC

Source Section

RNCPerfBySectorCarrier (RncIS856PerfMIB)

numConnReqsAaATInitiatedSC

Connection Request messages with the AT-initiated code received from RevA ATs in RevA personality over the ACH for the corresponding sector.

Data Source

DO-EMS

Source Field

numConnReqsAaATInitiatedSC

Source Section

RNCPerfBySectorCarrier (RncIS856PerfMIB)

NumConnReqsANInitiatedSC

Connection Request messages received over the ACH with the AN-initiated code

Data Source

DO-EMS

Source Field

NumConnReqsANInitiatedSC

Source Section

RNCPerfBySectorCarrier (RncIS856PerfMIB)

NumConnReqsATInitiatedSC

Connection Request messages received over the ACH with the AT-initiated code

Data Source

DO-EMS

Source Field

NumConnReqsATInitiatedSC

Source Section

RNCPerfBySectorCarrier (RncIS856PerfMIB)

numDormantHandoffAttemptsPriorSessionSC

Number of times a prior session A13 dormant handoff was attempted on this sector.

Data Source

DO-EMS

Source Field

numDormantHandoffAttemptsPriorSessionSC

Source Section

RNCPerfBySectorCarrier (RncIS856PerfMIB)

numDormantHandoffAttemptsSC

Number of times a regular A13 dormant handoff was attempted on this sector.

Data Source

DO-EMS

Source Field

numDormantHandoffAttemptsSC

Source Section

RNCPerfBySectorCarrier (RncIS856PerfMIB)

numDormantHandoffFailureATInitiatedCloseTotalSC

Total (Prior session + normal) number of times an A13 dormant handoff on this sector failed due to an AT initiated session close

Data Source

DO-EMS

Source Field

numDormantHandoffFailureATInitiatedCloseTotalSC

Source Section

RNCPerfBySectorCarrier (RncIS856PerfMIB)

numDormantHandoffFailureHdwIdTimeoutTotalSC

Total (Prior session + normal) number of times an A13 dormant handoff on this sector failed due to no Hardware ID response after receiving A13 Response

Data Source

DO-EMS

Source Field

numDormantHandoffFailureHdwIdTimeoutTotalSC

Source Section

RNCPerfBySectorCarrier (RncIS856PerfMIB)

numDormantHandoffFailureInvalidUatiCmpltTotalSC

This OM is a counter for the total number of A13 dormant handoff attempts that are aborted on the target RNC, when the RNSM fails to receive a ?valid? UATIComplete message from the AT.

Data Source

DO-EMS

Source Field

numDormantHandoffFailureInvalidUatiCmpltTotalSC

Source Section

RNCPerfBySectorCarrier (RncIS856PerfMIB)

numDormantHandoffFailureMiscTotalSC

Total (Prior session + normal) number of times an A13 dormant handoff on this sector failed due to internal errors on the target RNC

Data Source

DO-EMS

Source Field

numDormantHandoffFailureMiscTotalSC

Source Section

RNCPerfBySectorCarrier (RncIS856PerfMIB)

numDormantHandoffFailureNoUatiCmpltTotalSC

Total (Prior session + normal) number of times an A13 dormant handoff on this sector failed due to no UATI Complete Message from the AT after receiving A13 Response

Data Source

DO-EMS

Source Field

numDormantHandoffFailureNoUatiCmpltTotalSC

Source Section

RNCPerfBySectorCarrier (RncIS856PerfMIB)

numDormantHandoffFailureNoUatiReqTotalSC

Total (Prior session + normal) number of times an A13 dormant handoff on this sector failed due to UATI Request never received after receiving a message with a foreign UATI

Data Source

DO-EMS

Source Field

numDormantHandoffFailureNoUatiReqTotalSC

Source Section

RNCPerfBySectorCarrier (RncIS856PerfMIB)

numDormantHandoffFailureRNCInitiatedCloseTotalSC

Total (Prior session + normal) number of times an A13 dormant handoff on this sector failed due to an RNC initiated session close

Data Source

DO-EMS

Source Field

numDormantHandoffFailureRNCInitiatedCloseTotalSC

Source Section

RNCPerfBySectorCarrier (RncIS856PerfMIB)

numDormantHandoffFailureSessionConfigDuringInitialConfigTotalSC

Total (Prior session + normal) number of times an A13 dormant handoff on this sector failed due to a session config failure while a prior-session session-configuration is in progress

Data Source

DO-EMS

Source Field

numDormantHandoffFailureSessionConfigDuringInitialConfigTotalSC

Source Section

RNCPerfBySectorCarrier (RncIS856PerfMIB)

numDormantHandoffFailureSessionConfigDuringReconfigurationTotalSC

Total (Prior session + normal) number of times an A13 dormant handoff on this sector failed due to a session reconfiguration failure

Data Source

DO-EMS

Source Field

numDormantHandoffFailureSessionConfigDuringReconfigurationTotalSC

Source Section

RNCPerfBySectorCarrier (RncIS856PerfMIB)

numDormantHandoffFailureTAAfterA13RspTotalSC

Total (Prior session + normal) number of times an A13 dormant handoff on this sector failed due to failed Terminal Authentication after receiving A13 Response

Data Source

DO-EMS

Source Field

numDormantHandoffFailureTAAfterA13RspTotalSC

Source Section

RNCPerfBySectorCarrier (RncIS856PerfMIB)

numDormantHandoffFailureToSourceLookupFailurePriorSessionSC

This OM is a counter for the total number of regular A13-Dormant handoff attempts that fail on a Sector on the target RNC, due to the source RNC not being configured in its A13SourceRncLookupConfig table.

Data Source

DO-EMS

Source Field

numDormantHandoffFailureToSourceLookupFailurePriorSessionSC

Source Section

RNCPerfBySectorCarrier (RncIS856PerfMIB)

numDormantHandoffFailureUati104MatchesLocalSubnetTotalSC

Total (Prior session + normal) number of times an A13 dormant handoff on this sector failed because prior session UATI-104 from the AT matches the local subnet

Data Source

DO-EMS

Source Field

numDormantHandoffFailureUati104MatchesLocalSubnetTotalSC

Source Section

RNCPerfBySectorCarrier (RncIS856PerfMIB)

numDormantHandoffFailureUati104TotalSC

Total (Prior session + normal) number of times an A13 dormant handoff on this sector failed due to a mismatch in UATI-104 retrieved from the AT

Data Source

DO-EMS

Source Field

numDormantHandoffFailureUati104TotalSC

Source Section

RNCPerfBySectorCarrier (RncIS856PerfMIB)

numDormantHandoffSuccessesPriorSessionSC

Number of times a prior session A13 dormant handoff succeeded on this sector

Data Source

DO-EMS

Source Field

numDormantHandoffSuccessesPriorSessionSC

Source Section

RNCPerfBySectorCarrier (RncIS856PerfMIB)

numDormantHandoffSuccessesSC

Number of times a regular A13 dormant handoff succeeded on this sector.

Data Source

DO-EMS

Source Field

numDormantHandoffSuccessesSC

Source Section

RNCPerfBySectorCarrier (RncIS856PerfMIB)

numDOSMsgsNoACKRequiredTransmitted

Number of DoS messages with AckRequired bit not set forwarded by DO-RNC to the DOM to be transmitted over CCH when this sector-carrier was the preferred sector-carrier for the AT.

Data Source

DO-EMS

Source Field

numDOSMsgsNoACKRequiredTransmitted

Source Section

RNCPerfBySectorCarrier (RncIS856PerfMIB)

numDOSMsgsRcvdOnAccessChannel

Number of reverse link DoS messages received on this sector-carrier's access channel.

Data Source

DO-EMS

Source Field

numDOSMsgsRcvdOnAccessChannel

Source Section

RNCPerfBySectorCarrier (RncIS856PerfMIB)

numDOSMsgsSuccessfullyDeliveredToAT

Number of DoS Ack messages received when this sector-carrier was the preferred sector-carrier for the AT.

Data Source

DO-EMS

Source Field

numDOSMsgsSuccessfullyDeliveredToAT

Source Section

RNCPerfBySectorCarrier (RncIS856PerfMIB)

numDOSMsgsTransmittedOverCCH

Number of DoS messages forwarded by DO-RNC to the DOM to be transmitted over CCH when this sector-carrier was the preferred sector-carrier for the AT.

Data Source

DO-EMS

Source Field

numDOSMsgsTransmittedOverCCH

Source Section

RNCPerfBySectorCarrier (RncIS856PerfMIB)

NumFastConnectsInitiatedSC

Number of Fast Connect connection setup procedures

Data Source

DO-EMS

Source Field

NumFastConnectsInitiatedSC

Source Section

RNCPerfBySectorCarrier (RncIS856PerfMIB)

numFCCConnectionSetupsAbortedSC

The number of times the connection setup failed because of reasons that are not explicitly called out otherwise.

Data Source

DO-EMS

Source Field

numFCCConnectionSetupsAbortedSC

Source Section

RNCPerfBySectorCarrier (RncIS856PerfMIB)

NumFCCConnectionSetupsBlockedByRncResourceSC

RNC blocked the connection setup for Fast Connect because Resource Control on the RNC was unable to allocate the requested resource

Data Source

DO-EMS

Source Field

NumFCCConnectionSetupsBlockedByRncResourceSC

Source Section

RNCPerfBySectorCarrier (RncIS856PerfMIB)

NumFCCConnectionSetupsBlockedByRnSC

RNC blocked the connection setup for Fast Connect because at least one of the resource allocation requests sent to the RN(s) was denied

Data Source

DO-EMS

Source Field

NumFCConnectionSetupsBlockedByRnSC

Source Section

RNCPerfBySectorCarrier (RncIS856PerfMIB)

numFCConnectionSetupsFailedByRncResourceTimeoutSC

The number of times that the connection setup failed because a response to a resource allocation request sent by Call Control to Resource Control on the DO-RNC was not received within the stipulated time.

Data Source

DO-EMS

Source Field

numFCConnectionSetupsFailedByRncResourceTimeoutSC

Source Section

RNCPerfBySectorCarrier (RncIS856PerfMIB)

numFCConnectionSetupsFailedByRnTimeoutSC

The number of times that the connection setup failed because at least one response for resource allocation requests sent to the DOM(s) was not received within the stipulated time.

Data Source

DO-EMS

Source Field

numFCConnectionSetupsFailedByRnTimeoutSC

Source Section

RNCPerfBySectorCarrier (RncIS856PerfMIB)

numFCConnectionSetupsFailedSwErrorSC

The number of times that the connection setup failed because of software errors.

Data Source

DO-EMS

Source Field

numFCCConnectionSetupsFailedSwErrorSC

Source Section

RNCPerfBySectorCarrier (RncIS856PerfMIB)

NumFCCConnectionSetupsFailedTccTimeoutSC

Connection setup failed for Fast Connect because it did not receive the TCC message from the AT within the stipulated time

Data Source

DO-EMS

Source Field

NumFCCConnectionSetupsFailedTccTimeoutSC

Source Section

RNCPerfBySectorCarrier (RncIS856PerfMIB)

numFirstPageAbandonedSC

This statistic is pegged on the Preferred Sector if the page attempt is abandoned before the first page timer expires.

Data Source

DO-EMS

Source Field

numFirstPageAbandonedSC

Source Section

RNCPerfBySectorCarrier (RncIS856PerfMIB)

numFirstPageAttemptsSC

This OM is pegged on the Preferred Sector when the first page attempt is made.

Data Source

DO-EMS

Source Field

numFirstPageAttemptsSC

Source Section

RNCPerfBySectorCarrier (RncIS856PerfMIB)

numFirstPageResponseSC

This OM will be pegged on the Preferred Sector when an AN initiated ConnectionRequest is received in a paging cycle, in response to the first Page request before the first page timer expires.

Data Source

DO-EMS

Source Field

numFirstPageResponseSC

Source Section

RNCPerfBySectorCarrier (RncIS856PerfMIB)

numFirstPageRxATInitiateSC

This statistic is pegged on the Preferred Sector if a ConnectionRequest from the AT with an AT-initiated code point is received before the first page timer expires.

Data Source

DO-EMS

Source Field

numFirstPageRxATInitiateSC

Source Section

RNCPerfBySectorCarrier (RncIS856PerfMIB)

numFirstPageTimeoutSC

This OM is pegged on the Preferred Sector if the DO-RNC timed out while waiting for a response to the first page attempt.

Data Source

DO-EMS

Source Field

numFirstPageTimeoutSC

Source Section

RNCPerfBySectorCarrier (RncIS856PerfMIB)

numHHOAllocationAttemptsTxRnSC

Number of times the RNC sent a resource allocation request to DOM of this sector (to open a traffic channel) for HHO.

Data Source

DO-EMS

Source Field

numHHOAllocationAttemptsTxRnSC

Source Section

RNCPerfBySectorCarrier (RncIS856PerfMIB)

numHHOAllocationAttemptsTxRnSSC

Number of times the RNC sent a resource allocation request to DOM of this sector (to open a traffic channel) for HHO.

Data Source

DO-EMS

Source Field

numHHOAllocationAttemptsTxRnSSC

Source Section

RNCISSHOPerfBySecondarySectorCarrier (RncIS856PerfMIB)

numHHOAllocationBlockRnConnectionLimitSC

Number of times, for a HHO, the allocation request was rejected at the DOM because the configured maximum air links had been used up.

Data Source

DO-EMS

Source Field

numHHOAllocationBlockRnConnectionLimitSC

Source Section

RNCPerfBySectorCarrier (RncIS856PerfMIB)

numHHOAllocationBlockRnConnectionLimitSSC

Number of times, for a HHO, the allocation request was rejected at the DOM because the configured maximum air links had been used up.

Data Source

DO-EMS

Source Field

numHHOAllocationBlockRnConnectionLimitSSC

Source Section

RNCISSHOPerfBySecondarySectorCarrier (RncIS856PerfMIB)

numHHOAllocationBlockRnDriverResourceSC

Number of times, for a HHO, the ASIC driver on the RN rejected a request to allocate/open a traffic channel on this sector.

Data Source

DO-EMS

Source Field

numHHOAllocationBlockRnDriverResourceSC

Source Section

RNCPerfBySectorCarrier (RncIS856PerfMIB)

numHHOAllocationBlockRnDriverResourceSSC

Number of times, for a HHO, the ASIC driver on the RN rejected a request to allocate/open a traffic channel on this sector.

Data Source

DO-EMS

Source Field

numHHOAllocationBlockRnDriverResourceSSC

Source Section

RNCISSHOPerfBySecondarySectorCarrier (RncIS856PerfMIB)

numHHOAllocationBlockRnMessageValidationSC

Number of times, for a HHO, the allocation request from the RNC was rejected at the RN because the message was malformed.

Data Source

DO-EMS

Source Field

numHHOAllocationBlockRnMessageValidationSC

Source Section

RNCPerfBySectorCarrier (RncIS856PerfMIB)

numHHOAllocationBlockRnMessageValidationSSC

Number of times, for a HHO, the allocation request from the RNC was rejected at the RN because the message was malformed.

Data Source

DO-EMS

Source Field

numHHOAllocationBlockRnMessageValidationSSC

Source Section

RNCISSHOPerfBySecondarySectorCarrier (RncIS856PerfMIB)

numHHOAllocationBlockRnModemTimeoutSC

Number of times, for a HHO, the SC on the RN did not receive a response from the modem cards within the stipulated time.

Data Source

DO-EMS

Source Field

numHHOAllocationBlockRnModemTimeoutSC

Source Section

RNCPerfBySectorCarrier (RncIS856PerfMIB)

numHHOAllocationBlockRnModemTimeoutSSC

Number of times, for a HHO, the SC on the RN did not receive a response from the modem cards within the stipulated time.

Data Source

DO-EMS

Source Field

numHHOAllocationBlockRnModemTimeoutSSC

Source Section

RNCISSHOPerfBySecondarySectorCarrier (RncIS856PerfMIB)

numHHOAllocationBlockRnNoConnectionSC

Number of times, for a HHO, the allocation request from the RNC was rejected at the RN because the RN could not identify the 'existing open connection'.

Data Source

DO-EMS

Source Field

numHHOAllocationBlockRnNoConnectionSC

Source Section

RNCPerfBySectorCarrier (RncIS856PerfMIB)

numHHOAllocationBlockRnNoConnectionSSC

Number of times, for a HHO, the allocation request from the RNC was rejected at the RN because the RN could not identify the 'existing open connection'.

Data Source

DO-EMS

Source Field

numHHOAllocationBlockRnNoConnectionSSC

Source Section

RNCISSHOPerfBySecondarySectorCarrier (RncIS856PerfMIB)

numHHOAllocationBlockRnSectorCarrierDownSC

Number of times, for a HHO, the allocation request from the RNC was rejected at the RN because the sector carrier was operationally down.

Data Source

DO-EMS

Source Field

numHHOAllocationBlockRnSectorCarrierDownSC

Source Section

RNCPerfBySectorCarrier (RncIS856PerfMIB)

numHHOAllocationBlockRnSectorCarrierDownSSC

Number of times, for a HHO, the allocation request from the RNC was rejected at the RN because the sector carrier was operationally down.

Data Source

DO-EMS

Source Field

numHHOAllocationBlockRnSectorCarrierDownSSC

Source Section

RNCISSHOPerfBySecondarySectorCarrier (RncIS856PerfMIB)

numHHOAllocationRnSuccessSC

Number of times the DOM of this sector was able to successfully allocate the resource (& open a traffic channel) for HHO.

Data Source

DO-EMS

Source Field

numHHOAllocationRnSuccessSC

Source Section

RNCPerfBySectorCarrier (RncIS856PerfMIB)

numHHOAllocationRnSuccessSSC

Number of times the DOM of this sector was able to successfully allocate the resource (& open a traffic channel) for HHO.

Data Source

DO-EMS

Source Field

numHHOAllocationRnSuccessSSC

Source Section

RNCISSHOPerfBySecondarySectorCarrier (RncIS856PerfMIB)

numHHOMCTAAttemptsSC

Whenever RNC does HHO for an active connection and MCTA is run on that connection during IFHHO, this OM would be pegged.

Data Source

DO-EMS

Source Field

numHHOMCTAAttemptsSC

Source Section

RNCPerfBySectorCarrier (RncIS856PerfMIB)

numHHOMCTAAttemptsSSC

Whenever RNC does HHO for an active connection and MCTA is run on that connection during IFHHO, this OM would be pegged.

Data Source

DO-EMS

Source Field

numHHOMCTAAttemptsSSC

Source Section

RNCISSHOPerfBySecondarySectorCarrier (RncIS856PerfMIB)

numHHOMCTAFailureSC

Whenever a initial connection is attempted and the connection fails due to any reason and MCTA is run on that connection during IFHHO also, this would be pegged.

Data Source

DO-EMS

Source Field

numHHOMCTAFailureSC

Source Section

RNCPerfBySectorCarrier (RncIS856PerfMIB)

numHHOMCTAFailureSSC

Whenever a initial connection is attempted and the connection fails due to any reason and MCTA is run on that connection this OM is pegged.

Data Source

DO-EMS

Source Field

numHHOMCTAFailureSSC

Source Section

RNCISSHOPerfBySecondarySectorCarrier (RncIS856PerfMIB)

numHHOMCTASuccessSC

Whenever RNC declares a connection as successful and MCTA is run on that connection during IFHHO, this would be pegged.

Data Source

DO-EMS

Source Field

numHHOMCTASuccessSC

Source Section

RNCPerfBySectorCarrier (RncIS856PerfMIB)

numHHOMCTASuccessSSC

Whenever AN declares IFHHO as successful for a connection and MCTA is run on that connection during IFHHO, this would be pegged.

Data Source

DO-EMS

Source Field

numHHOMCTASuccessSSC

Source Section

RNCISSHOPerfBySecondarySectorCarrier (RncIS856PerfMIB)

numMCTAConnSetupAttemptsOutSC

Whenever a connection is redirected to another sector carrier by MCTA, the originating sector would peg this OM.

Data Source

DO-EMS

Source Field

numMCTAConnSetupAttemptsOutSC

Source Section

RNCPerfBySectorCarrier (RncIS856PerfMIB)

numMCTAConnSetupAttemptsSC

Whenever a AT initiated or AN initiated connection request is received and MCTA is used in determining the best carrier to choose, this OM will be pegged.

Data Source

DO-EMS

Source Field

numMCTAConnSetupAttemptsSC

Source Section

RNCPerfBySectorCarrier (RncIS856PerfMIB)

numMCTAConnSetupSameCarrierFailureMiscSC

Whenever an initial connection is attempted, MCTA chooses the originating sector carrier, and the connection is failed due to any other reason other than RN blocking and TCC timeout failures, this OM would be pegged.

Data Source

DO-EMS

Source Field

numMCTAConnSetupSameCarrierFailureMiscSC

Source Section

RNCPerfBySectorCarrier (RncIS856PerfMIB)

numMCTAConnSetupSameCarrierFailureRNBlockSC

Whenever a connection is attempted, MCTA chooses the originating sector carrier, and the connection is failed due to RN blocking failure, this OM would be pegged.

Data Source

DO-EMS

Source Field

numMCTAConnSetupSameCarrierFailureRNBlockSC

Source Section

RNCPerfBySectorCarrier (RncIS856PerfMIB)

numMCTAConnSetupSameCarrierFailureTCCTimeoutSC

Whenever an initial connection is attempted, MCTA chooses the originating sector carrier, and the connection is failed due to TCC timeout failure, this OM would be pegged.

Data Source

DO-EMS

Source Field

numMCTAConnSetupSameCarrierFailureTCCTimeoutSC

Source Section

RNCPerfBySectorCarrier (RncIS856PerfMIB)

numMCTAConnSetupSameCarrierSuccessSC

Whenever MCTA chooses the originating sector carrier and the connection is opened successfully, this OM would be pegged.

Data Source

DO-EMS

Source Field

numMCTAConnSetupSameCarrierSuccessSC

Source Section

RNCPerfBySectorCarrier (RncIS856PerfMIB)

numMCTAConnSetupSwitchedCarrierAttemptsSC

Whenever a connection is reassigned to another sector carrier by MCTA, the target carrier would peg this OM.

Data Source

DO-EMS

Source Field

numMCTAConnSetupSwitchedCarrierAttemptsSC

Source Section

RNCPerfBySectorCarrier (RncIS856PerfMIB)

numMCTAConnSetupSwitchedCarrierAttemptsSSC

Whenever a connection is reassigned to another secondary sector carrier by MCTA, the secondary sector carrier would peg this OM.

Data Source

DO-EMS

Source Field

numMCTAConnSetupSwitchedCarrierAttemptsSSC

Source Section

RNCISSSHOPerfBySecondarySectorCarrier (RncIS856PerfMIB)

numMCTAConnSetupSwitchedCarrierFailureMiscSC

Whenever MCTA reassigns connection to another carrier and the incoming connection is failed to open in that reassigned carrier due to any error other than TCC Timeout and RN blocking, this OM would be pegged.

Data Source

DO-EMS

Source Field

numMCTAConnSetupSwitchedCarrierFailureMiscSC

Source Section

RNCPerfBySectorCarrier (RncIS856PerfMIB)

numMCTAConnSetupSwitchedCarrierFailureMiscSSC

Whenever MCTA reassigns connection to another secondary sector and the incoming connection is failed due to any error other than RNblock and TCC timeout problem in the reassigned carrier, this OM would be pegged.

Data Source

DO-EMS

Source Field

numMCTAConnSetupSwitchedCarrierFailureMiscSSC

Source Section

RNCISSSHOPerfBySecondarySectorCarrier (RncIS856PerfMIB)

numMCTAConnSetupSwitchedCarrierFailureRNBlockSC

Whenever MCTA reassigns connection to another carrier and the incoming connection is failed to open due to RNblocking failure in that reassigned carrier, this OM would be pegged.

Data Source

DO-EMS

Source Field

numMCTAConnSetupSwitchedCarrierFailureRNBlockSC

Source Section

RNCPerfBySectorCarrier (RncIS856PerfMIB)

numMCTAConnSetupSwitchedCarrierFailureRNBlockSSC

Whenever MCTA reassigns connection to another secondary sector carrier and the incoming connection is failed to open due to RNblocking failure in that reassigned secondary sector carrier, this OM would be pegged.

Data Source

DO-EMS

Source Field

numMCTAConnSetupSwitchedCarrierFailureRNBlockSSC

Source Section

RNCISSHOPerfBySecondarySectorCarrier (RncIS856PerfMIB)

numMCTAConnSetupSwitchedCarrierFailureTCCTimeoutSC

Whenever MCTA reassigns connection to another carrier and the incoming connection is failed to open due to TCC timeout failure in that reassigned carrier, this OM would be pegged.

Data Source

DO-EMS

Source Field

numMCTAConnSetupSwitchedCarrierFailureTCCTimeoutSC

Source Section

RNCPerfBySectorCarrier (RncIS856PerfMIB)

numMCTAConnSetupSwitchedCarrierFailureTCCTimeoutSSC

Whenever MCTA reassigns connection to another carrier and the incoming connection is failed to open due to TCC timeout failure in that reassigned secondary sector carrier, this OM would be pegged.

Data Source

DO-EMS

Source Field

numMCTAConnSetupSwitchedCarrierFailureTCCTimeoutSSC

Source Section

RNCISSHOPerfBySecondarySectorCarrier (RncIS856PerfMIB)

numMCTAConnSetupSwitchedCarrierSuccessSC

Whenever MCTA reassigns connection to another carrier and the incoming connection is opened successfully in that reassigned carrier, this OM would be pegged.

Data Source

DO-EMS

Source Field

numMCTAConnSetupSwitchedCarrierSuccessSC

Source Section

RNCPerfBySectorCarrier (RncIS856PerfMIB)

numMCTAConnSetupSwitchedCarrierSuccessSSC

Whenever MCTA reassigns connection to another secondary sector and the incoming connection is opened successfully in that reassigned secondary sector carrier, this OM would be pegged.

Data Source

DO-EMS

Source Field

numMCTAConnSetupSwitchedCarrierSuccessSSC

Source Section

RNCISSHOPerfBySecondarySectorCarrier (RncIS856PerfMIB)

numOFSHHOA0ToA0AbortsSC

OFS (off frequency search) trigger based hard handoffs for Rev0 connections between two sectors on different carriers, that aborted for several reasons, some of the reasons could be: resource allocation for none of the pilots succeeded, downleg creation for none of the pilots succeeded.

Data Source

DO-EMS

Source Field

numOFSHHOA0ToA0AbortsSC

Source Section

RNCPerfBySectorCarrier (RncIS856PerfMIB)

numOFSHHOA0ToA0AbortsSSC

OFS (off frequency search) trigger based hard handoffs for Rev0 connections between two sectors on different carriers, that aborted for several reasons, some of the reasons could be: resource allocation for none of the pilots succeeded, downleg creation for none of the pilots succeeded.

Data Source

DO-EMS

Source Field

numOFSHHOA0ToA0AbortsSSC

Source Section

RNCISSHOPerfBySecondarySectorCarrier (RncIS856PerfMIB)

numOFSHHOA0ToA0AttemptsSC

OFS (off frequency search) trigger based hard handoff attempts made for Rev0 connections, between two sectors on different carriers.

Data Source

DO-EMS

Source Field

numOFSHHOA0ToA0AttemptsSC

Source Section

RNCPerfBySectorCarrier (RncIS856PerfMIB)

numOFSHHOA0ToA0AttemptsSSC

OFS (off frequency search) trigger based hard handoff attempts made for Rev0 connections between two sectors on different carriers.

Data Source

DO-EMS

Source Field

numOFSHHOA0ToA0AttemptsSSC

Source Section

RNCISSHOPerfBySecondarySectorCarrier (RncIS856PerfMIB)

numOFSHHOA0ToA0BlockedByRnSC

OFS (off frequency search) trigger based hard handoffs for Rev0 connections made between two sectors on different carriers, that got blocked by RN resource allocation, resulting in a HHO block. This indicates the RNC to abandon the HHO process.

Data Source

DO-EMS

Source Field

numOFSHHOA0ToA0BlockedByRnSC

Source Section

RNCPerfBySectorCarrier (RncIS856PerfMIB)

numOFSHHOA0ToA0BlockedByRnSSC

OFS (off frequency search) trigger based hard handoffs for Rev0 connections made between two sectors on different carriers, that got blocked by RN resource allocation, resulting in a HHO block. This indicates the RNC to abandon the HHO process.

Data Source

DO-EMS

Source Field

numOFSHHOA0ToA0BlockedByRnSSC

Source Section

RNCISSHOPerfBySecondarySectorCarrier (RncIS856PerfMIB)

numOFSHHOA0ToA0FailedFTCAndRTCNotRxedSC

OFS (off frequency search) trigger based failed hard handoffs for Rev0 connections between two sectors on different carriers, because even though atleast one of the messages (FTCDesired, RTCAcquired, TCC) was received on the target carrier, but both RTCAcquired and FTCDesired message were not received on the target carrier from RN within the stipulated time.

Data Source

DO-EMS

Source Field

numOFSHHOA0ToA0FailedFTCAndRTCNotRxedSC

Source Section

RNCPerfBySectorCarrier (RncIS856PerfMIB)

numOFSHHOA0ToA0FailedFTCAndRTCNotRxedSSC

OFS (off frequency search) trigger based failed hard handoffs for Rev0 connections between two sectors on different carriers, because even though atleast one of the messages (FTCDesired, RTCAcquired, TCC) was received on the target carrier, but both RTCAcquired and FTCDesired message were not received on the target carrier from RN within the stipulated time.

Data Source

DO-EMS

Source Field

numOFSHHOA0ToA0FailedFTCAndRTCNotRxedSSC

Source Section

RNCISSHOPerfBySecondarySectorCarrier (RncIS856PerfMIB)

numOFSHHOA0ToA0FailedOthersSC

OFS (off frequency search) trigger based failed hard handoffs for Rev0 connections between two sectors on different carriers.

Data Source

DO-EMS

Source Field

numOFSHHOA0ToA0FailedOthersSC

Source Section

RNCPerfBySectorCarrier (RncIS856PerfMIB)

numOFSHHOA0ToA0FailedOthersSSC

OFS (Off frequency search) trigger based failed hard handoffs for Rev0 connections between two sectors on different carriers.

Data Source

DO-EMS

Source Field

numOFSHHOA0ToA0FailedOthersSSC

Source Section

RNCISSHOPerfBySecondarySectorCarrier (RncIS856PerfMIB)

numOFSHHOA0ToA0FailedTCCTimeoutSC

OFS (off frequency search) trigger based failed hard handoffs for Rev0 connections between two sectors on different carriers, because the RNC did not receive the TCC message from the AT within the stipulated time.

Data Source

DO-EMS

Source Field

numOFSHHOA0ToA0FailedTCCTimeoutSC

Source Section

RNCPerfBySectorCarrier (RncIS856PerfMIB)

numOFSHHOA0ToA0FailedTCCTimeoutSSC

OFS (off frequency search) trigger based failed hard handoffs for Rev0 connections between two sectors on different carriers, because AN did not receive receive the TCC message from the AT within the stipulated time.

Data Source

DO-EMS

Source Field

numOFSHHOA0ToA0FailedTCCTimeoutSSC

Source Section

RNCISSHOPerfBySecondarySectorCarrier (RncIS856PerfMIB)

numOFSHHOA0ToA0SuccessSC

OFS (off frequency search) trigger based successful hard handoffs (AT arrives on the target sector) for Rev0 connections between two sectors on different carriers.

Data Source

DO-EMS

Source Field

numOFSHHOA0ToA0SuccessSC

Source Section

RNCPerfBySectorCarrier (RncIS856PerfMIB)

numOFSHHOA0ToA0SuccessSSC

OFS (off frequency search) trigger based successful hard handoffs for Rev0 connections between two sectors on different carriers.

Data Source

DO-EMS

Source Field

numOFSHHOA0ToA0SuccessSSC

Source Section

RNCISSHOPerfBySecondarySectorCarrier (RncIS856PerfMIB)

numOFSHHOAaToAaAbortsSC

OFS (Off frequency search) trigger based hard handoffs for RevA connections between two sectors on different carriers, that aborted for several reasons, some of the reasons could be: resource allocation for none of the pilots succeeded, downleg creation for none of the pilots succeeded.

Data Source

DO-EMS

Source Field

numOFSHHOAaToAaAbortsSC

Source Section

RNCPerfBySectorCarrier (RncIS856PerfMIB)

numOFSHHOAaToAaAbortsSSC

OFS (Off frequency search) trigger based hard handoffs for RevA connections between two sectors on different carriers, that aborted for several reasons, some of the reasons could be: resource allocation for none of the pilots succeeded, downleg creation for none of the pilots succeeded.

Data Source

DO-EMS

Source Field

numOFSHHOAaToAaAbortsSSC

Source Section

RNCISSHOPerfBySecondarySectorCarrier (RncIS856PerfMIB)

numOFSHHOAaToAaAttemptsSC

OFS (Off frequency search) trigger based hard handoff attempts made for RevA connections between two sectors on different carriers.

Data Source

DO-EMS

Source Field

numOFSHHOAaToAaAttemptsSC

Source Section

RNCPerfBySectorCarrier (RncIS856PerfMIB)

numOFSHHOAaToAaAttemptsSSC

OFS (Off frequency search) trigger based hard handoff attempts made for RevA connections between two sectors on different carriers.

Data Source

DO-EMS

Source Field

numOFSHHOAaToAaAttemptsSSC

Source Section

RNCISSHOPerfBySecondarySectorCarrier (RncIS856PerfMIB)

numOFSHHOAaToAaBlockedByRnSC

OFS (Off frequency search) trigger based hard handoffs for RevA connections made between two sectors on different carriers, that got blocked by RN resource allocation, resulting in a HHO block. This indicates the RNC to abandon the HHO process..

Data Source

DO-EMS

Source Field

numOFSHHOAaToAaBlockedByRnSC

Source Section

RNCPerfBySectorCarrier (RncIS856PerfMIB)

numOFSHHOAaToAaBlockedByRnSSC

OFS (Off frequency search) trigger based hard handoffs for RevA connections made between two sectors on different carriers, that got blocked by RN resource allocation, resulting in a HHO block. This indicates the RNC to abandon the HHO process.

Data Source

DO-EMS

Source Field

numOFSHHOAaToAaBlockedByRnSSC

Source Section

RNCISSHOPerfBySecondarySectorCarrier (RncIS856PerfMIB)

numOFSHHOAaToAaFailedFTCAndRTCNotRxedSC

OFS (Off frequency search) trigger based failed hard handoffs for RevA connections between two sectors on different carriers, because even though atleast one of the messages (FTCDesired, RTCAcquired, TCC) was received on the target carrier, but both RTCAcquired and FTCDesired message were not received on the target carrier from RN within the stipulated time.

Data Source

DO-EMS

Source Field

numOFSHHOAaToAaFailedFTCAndRTCNotRxedSC

Source Section

RNCPerfBySectorCarrier (RncIS856PerfMIB)

numOFSHHOAaToAaFailedFTCAndRTCNotRxedSSC

OFS (Off frequency search) trigger based failed hard handoffs for RevA connections between two sectors on different carriers, because even though atleast one of the messages (FTCDesired, RTCAcquired, TCC) was received on the target carrier, but both RTCAcquired and FTCDesired message were not received on the target carrier from RN within the stipulated time.

Data Source

DO-EMS

Source Field

numOFSHHOAaToAaFailedFTCAndRTCNotRxedSSC

Source Section

RNCISSHOPerfBySecondarySectorCarrier (RncIS856PerfMIB)

numOFSHHOAaToAaFailedOthersSC

OFS (off frequency search) trigger based failed hard handoffs for RevA connections between two sectors on different carriers.

Data Source

DO-EMS

Source Field

numOFSHHOAaToAaFailedOthersSC

Source Section

RNCPerfBySectorCarrier (RncIS856PerfMIB)

numOFSHHOAaToAaFailedOthersSSC

OFS (Off frequency search) trigger based failed hard handoffs for RevA connections between two sectors on different carriers.

Data Source

DO-EMS

Source Field

numOFSHHOAaToAaFailedOthersSSC

Source Section

RNCISSHOPerfBySecondarySectorCarrier (RncIS856PerfMIB)

numOFSHHOAaToAaFailedTCCTimeoutSC

OFS (Off frequency search) trigger based failed hard handoffs for RevA connections between two sectors on different carriers, because AN did not receive the TCC message from the AT within the stipulated time.

Data Source

DO-EMS

Source Field

numOFSHHOAaToAaFailedTCCTimeoutSC

Source Section

RNCPerfBySectorCarrier (RncIS856PerfMIB)

numOFSHHOAaToAaFailedTCCTimeoutSSC

OFS (Off frequency search) trigger based failed hard handoffs for RevA connections between two sectors on different carriers, because AN did not receive the TCC message from the AT within the stipulated time.

Data Source

DO-EMS

Source Field

numOFSHHOAaToAaFailedTCCTimeoutSSC

Source Section

RNCISSHOPerfBySecondarySectorCarrier (RncIS856PerfMIB)

numOFSHHOAaToAaSuccessSC

OFS (Off frequency search) trigger based successful hard handoffs made for RevA connections between two sectors on different carriers.

Data Source

DO-EMS

Source Field

numOFSHHOAaToAaSuccessSC

Source Section

RNCPerfBySectorCarrier (RncIS856PerfMIB)

numOFSHHOAaToAaSuccessSSC

OFS (Off frequency search) trigger based successful hard handoffs made for RevA connections between two sectors on different carriers.

Data Source

DO-EMS

Source Field

numOFSHHOAaToAaSuccessSSC

Source Section

RNCISSHOPerfBySecondarySectorCarrier (RncIS856PerfMIB)

numOFSHHOInhibitedSC

Number of times an Mobile Assisted Off Frequency Search based HHO was inhibited due to the Inhibition Timer.

Data Source

DO-EMS

Source Field

numOFSHHOInhibitedSC

Source Section

HHOInhibit (RncIS856PerfMIB)

numOnlyRUMReceivedWhenIdleSC

Number of times a RouteUpdate Message was the only message in the ACH message received from the AT in idle state.

Data Source

DO-EMS

Source Field

numOnlyRUMReceivedWhenIdleSC

Source Section

RNCPerfBySectorCarrier (RncIS856PerfMIB)

numPilotLookupFailuresRNNotHomedSC

This statistic counts the number of times a pilot lookup failed during route update message processing because the pilot was not-homed to the DO-RNC.

Data Source

DO-EMS

Source Field

numPilotLookupFailuresRNNotHomedSC

Source Section

RNCPerfBySectorCarrier (RncIS856PerfMIB)

numPilotLookupFailuresRNNotHomedSSC

This statistic counts the number of times a pilot lookup failed during route update message processing because the pilot was not-homed to the DO-RNC.

Data Source

DO-EMS

Source Field

numPilotLookupFailuresRNNotHomedSSC

Source Section

RNCISSHOPerfBySecondarySectorCarrier (RncIS856PerfMIB)

numPilotLookupFailuresUnknownPilotSC

This statistic counts the number of times a pilot lookup failed during route update message processing because the pilot was unknown to the DO-RNC.

Data Source

DO-EMS

Source Field

numPilotLookupFailuresUnknownPilotSC

Source Section

RNCPerfBySectorCarrier (RncIS856PerfMIB)

numPilotLookupFailuresUnknownPilotSSC

This statistic counts the number of times a pilot lookup failed during route update message processing because the pilot was unknown to the DO-RNC.

Data Source

DO-EMS

Source Field

numPilotLookupFailuresUnknownPilotSSC

Source Section

RNCISSHOPerfBySecondarySectorCarrier (RncIS856PerfMIB)

numPreRlpDownsizingsSC

The number of times Pre-RLP queue gets down sized during the life of a connection on the RNSM.

Data Source

DO-EMS

Source Field

numPreRlpDownsizingsSC

Source Section

RNCPerfBySectorCarrier (RncIS856PerfMIB)

numPreRlpMultiplePksLostSC

The number of times more than one packet gets discarded by the RNSM because of Pre-RLP queue down sizing.

Data Source

DO-EMS

Source Field

numPreRlpMultiplePksLostSC

Source Section

RNCPerfBySectorCarrier (RncIS856PerfMIB)

numRevAConnClosedDuringIRHODiffCarrSC

Number of times a RevA connection was closed during a inter revision handoff from RevA zone to a Rev0 zone, across different carriers.

Data Source

DO-EMS

Source Field

numRevAConnClosedDuringIRHODiffCarrSC

Source Section

RNCPerfBySectorCarrier (RncIS856PerfMIB)

numRevAConnClosedDuringIRHODiffCarrSSC

Number of times a RevA connection was closed during a inter revision handoff from RevA zone to a Rev0 zone, across different carriers.

Data Source

DO-EMS

Source Field

numRevAConnClosedDuringIRHODiffCarrSSC

Source Section

RNCISSSHOPerfBySecondarySectorCarrier (RncIS856PerfMIB)

numRevAConnClosedDuringIRHOSameCarrSC

Number of times a RevA connection was closed during a inter revision handoff from RevA zone to a Rev0 zone, on the same carrier.

Data Source

DO-EMS

Source Field

numRevAConnClosedDuringIRHOSameCarrSC

Source Section

RNCPerfBySectorCarrier (RncIS856PerfMIB)

numRevAConnClosedDuringIRHOSameCarrSSC

Number of times a RevA connection was closed during a inter revision handoff from RevA zone to a Rev0 zone, on the same carrier.

Data Source

DO-EMS

Source Field

numRevAConnClosedDuringIRHOSameCarrSSC

Source Section

RNCISSSHOPerfBySecondarySectorCarrier (RncIS856PerfMIB)

numRevAConnectionCloseNoFtcSC

Number of RevA connections that were closed because an FTCStopped indication was received for the connection on the last active soft-handoff-leg without a subsequent FTCDesired indication (either for the same leg or another leg) within the stipulated time such that no more active FTCs exist.

Data Source

DO-EMS

Source Field

numRevAConnectionCloseNoFtcSC

Source Section

RNCPerfBySectorCarrier (RncIS856PerfMIB)

numRevAConnectionCloseNoFtcSSC

Number of RevA connections that were closed because an FTCStopped indication was received for the connection on the last active soft-handoff-leg without a subsequent FTCDesired indication (either for the same leg or another leg) within the stipulated time such that no more active FTCs exist.

Data Source

DO-EMS

Source Field

numRevAConnectionCloseNoFtcSSC

Source Section

RNCISSHOPerfBySecondarySectorCarrier (RncIS856PerfMIB)

numRevAConnectionCloseRtcLostSC

Number of RevA connections that were closed because an RTCLost indication was received for the connection such that no more active RTCs exist.

Data Source

DO-EMS

Source Field

numRevAConnectionCloseRtcLostSC

Source Section

RNCPerfBySectorCarrier (RncIS856PerfMIB)

numRevAConnectionCloseRtcLostSSC

Number of RevA connections that were closed because an RTCLost indication was received for the connection such that no more active RTCs exist.

Data Source

DO-EMS

Source Field

numRevAConnectionCloseRtcLostSSC

Source Section

RNCISSHOPerfBySecondarySectorCarrier (RncIS856PerfMIB)

numRevAFastConnectsInitiatedSC

RevA connection Fast Connect setup procedures charged to the sector.

Data Source

DO-EMS

Source Field

numRevAFastConnectsInitiatedSC

Source Section

RNCPerfBySectorCarrier (RncIS856PerfMIB)

numRevAFCCConnectionSetupsAbortedSC

Number of times that RevA connection setup failed (for Fast Connect) because of reasons that are not explicitly called out in this list.

Data Source

DO-EMS

Source Field

numRevAFCCConnectionSetupsAbortedSC

Source Section

RNCPerfBySectorCarrier (RncIS856PerfMIB)

numRevAFCCConnectionSetupsBlockedByRnSC

Number of times that the RNC blocked RevA connection setup (for Fast Connect) because at least one of the resource allocation requests sent to the RN(s) was denied.

Data Source

DO-EMS

Source Field

numRevAFCCConnectionSetupsBlockedByRnSC

Source Section

RNCPerfBySectorCarrier (RncIS856PerfMIB)

numRevAFCCConnectionSetupsFailedByRnTimeoutSC

Number of times that RevA connection setup failed (for Fast Connect) because at least one response for resource allocation requests sent to the RN(s) was not received within the stipulated time.

Data Source

DO-EMS

Source Field

numRevAFCCConnectionSetupsFailedByRnTimeoutSC

Source Section

RNCPerfBySectorCarrier (RncIS856PerfMIB)

numRevAFCCConnectionSetupsFailedSwErrorSC

Number of times that RevA connection setup failed (for Fast Connect) because of software errors.

Data Source

DO-EMS

Source Field

numRevAFCCConnectionSetupsFailedSwErrorSC

Source Section

RNCPerfBySectorCarrier (RncIS856PerfMIB)

numRevAFCCConnectionSetupsFailedTccTimeoutSC

Number of times that RevA connection setup failed (for Fast Connect) because the RNC did not receive the TCC message from the AT within the stipulated time.

Data Source

DO-EMS

Source Field

numRevAFCCConnectionSetupsFailedTccTimeoutSC

Source Section

RNCPerfBySectorCarrier (RncIS856PerfMIB)

numRevASuccessfulOpensForANConnRequestSC

Successfully opened RevA connections in response to AN-initiated Connection Requests from the AT. This OM is always pegged on the source sector on which this connection request was received.

Data Source

DO-EMS

Source Field

numRevASuccessfulOpensForANConnRequestSC

Source Section

RNCPerfBySectorCarrier (RncIS856PerfMIB)

numRevASuccessfulOpensForATConnRequestSC

Successfully opened RevA connections in response to AT-initiated Connection Requests from the AT. This OM is always pegged on the source sector on which this connection request was received.

Data Source

DO-EMS

Source Field

numRevASuccessfulOpensForATConnRequestSC

Source Section

RNCPerfBySectorCarrier (RncIS856PerfMIB)

numRevLinkSHOAddAbortedRevAConnSC

Number of times that the Reverse Link Soft Handoff pilot addition process was aborted for a RevA connection, when this sector was being added to the Active Set.

Data Source

DO-EMS

Source Field

numRevLinkSHOAddAbortedRevAConnSC

Source Section

RNCPerfBySectorCarrier (RncIS856PerfMIB)

numRevLinkSHOAddAbortedRevAConnSSC

Number of times that the Reverse Link Soft Handoff pilot addition process was aborted for a RevA connection, when this sector was being added to the Active Set.

Data Source

DO-EMS

Source Field

numRevLinkSHOAddAbortedRevAConnSSC

Source Section

RNCISSHOPerfBySecondarySectorCarrier (RncIS856PerfMIB)

numRevLinkSHOAddAbortedSC

This statistic counts the number of times that the Reverse Link Soft Handoff pilot addition process was aborted.

Data Source

DO-EMS

Source Field

numRevLinkSHOAddAbortedSC

Source Section

RNCPerfBySectorCarrier (RncIS856PerfMIB)

numRevLinkSHOAddAbortedSSC

This statistic counts the number of times that the Reverse Link Soft Handoff pilot addition process was aborted.

Data Source

DO-EMS

Source Field

numRevLinkSHOAddAbortedSSC

Source Section

RNCISSHOPerfBySecondarySectorCarrier (RncIS856PerfMIB)

numRevLinkSHOAddAttemptsRevAConnSC

This OM is pegged for a sector each time an AT has requested that this pilot be added to the Active Set via a Route Update message received at the RNC while the RevA connection is open.

Data Source

DO-EMS

Source Field

numRevLinkSHOAddAttemptsRevAConnSC

Source Section

RNCPerfBySectorCarrier (RncIS856PerfMIB)

numRevLinkSHOAddAttemptsRevAConnSSC

This OM is pegged for a sector each time an AT has requested that this pilot be added to the Active Set via a Route Update message received at the RNC while the RevA connection is open.

Data Source

DO-EMS

Source Field

numRevLinkSHOAddAttemptsRevAConnSSC

Source Section

RNCISSHOPerfBySecondarySectorCarrier (RncIS856PerfMIB)

numRevLinkSHOAddAttemptsSC

This statistic tallies counts for a sector each time an AT has requested that this pilot be added to the Active Set via a Route Update message received at the DO-RNC while the connection is open.

Data Source

DO-EMS

Source Field

numRevLinkSHOAddAttemptsSC

Source Section

RNCPerfBySectorCarrier (RncIS856PerfMIB)

numRevLinkSHOAddAttemptsSSC

This statistic counts up for a sector each time an AT has requested that this pilot be added to the Active Set via a Route Update message received at the DO-RNC while the connection is open.

Data Source

DO-EMS

Source Field

numRevLinkSHOAddAttemptsSSC

Source Section

RNCISSHOPerfBySecondarySectorCarrier (RncIS856PerfMIB)

numRevLinkSHOAddFailedTccTimeoutRevAConnSC

Number of times that the Reverse Link Soft Handoff pilot addition process failed for a RevA connection, when this sector was being added to the Active Set because the RNC did not receive the TCC message from the AT within the stipulated time.

Data Source

DO-EMS

Source Field

numRevLinkSHOAddFailedTccTimeoutRevAConnSC

Source Section

RNCPerfBySectorCarrier (RncIS856PerfMIB)

numRevLinkSHOAddFailedTccTimeoutRevAConnSSC

Number of times that the Reverse Link Soft Handoff pilot addition process failed for a RevA connection, when this sector was being added to the Active Set because the RNC did not receive the TCC message from the AT within the stipulated time.

Data Source

DO-EMS

Source Field

numRevLinkSHOAddFailedTccTimeoutRevAConnSSC

Source Section

RNCISSHOPerfBySecondarySectorCarrier (RncIS856PerfMIB)

numRevLinkSHOAddFailedTccTimeoutSC

The number of times that the Reverse Link SHO pilot addition process failed when this sector was being added to the Active Set because the DO-RNC did not receive the TCC message from the AT.

Data Source

DO-EMS

Source Field

numRevLinkSHOAddFailedTccTimeoutSC

Source Section

RNCPerfBySectorCarrier (RncIS856PerfMIB)

numRevLinkSHOAddFailedTccTimeoutSSC

This statistic counts the number of times that the Reverse Link Soft Handoff pilot addition process failed when this sector was being added to the Active Set because the DO-RNC did not receive the TCC message from the AT within the stipulated time.

Data Source

DO-EMS

Source Field

numRevLinkSHOAddFailedTccTimeoutSSC

Source Section

RNCISSHOPerfBySecondarySectorCarrier (RncIS856PerfMIB)

numRevLinkSHOAddRnRequestTxRevAConnSC

This OM is pegged for a sector when, in the Reverse Link Soft Handoff resource allocation process for a RevA connection, a resource allocation request is sent to the RN for this sector.

Data Source

DO-EMS

Source Field

numRevLinkSHOAddRnRequestTxRevAConnSC

Source Section

RNCPerfBySectorCarrier (RncIS856PerfMIB)

numRevLinkSHOAddRnRequestTxRevAConnSSC

This OM is pegged for a sector when, in the Reverse Link Soft Handoff resource allocation process for a RevA connection, a resource allocation request is sent to the RN for this sector.

Data Source

DO-EMS

Source Field

numRevLinkSHOAddRnRequestTxRevAConnSSC

Source Section

RNCISSHOPerfBySecondarySectorCarrier (RncIS856PerfMIB)

numRevLinkSHOAddRnRequestTxSC

This statistic tallies counts for a sector when, in the Reverse Link Soft Handoff resource allocation process, a resource allocation request is sent to the DOM for this sector.

Data Source

DO-EMS

Source Field

numRevLinkSHOAddRnRequestTxSC

Source Section

RNCPerfBySectorCarrier (RncIS856PerfMIB)

numRevLinkSHOAddRnRequestTxSSC

This statistic counts up for a sector when, in the Reverse Link Soft Handoff resource allocation process, a resource allocation request is sent to the DOM for this sector.

Data Source

DO-EMS

Source Field

numRevLinkSHOAddRnRequestTxSSC

Source Section

RNCISSHOPerfBySecondarySectorCarrier (RncIS856PerfMIB)

numRevLinkSHOAddRnSuccessRevAConnSC

This OM is pegged for a sector when the RNC received a successful resource allocation notification for a RevA connection, for this sector from the RN during the Reverse Link Soft Handoff resource allocation process.

Data Source

DO-EMS

Source Field

numRevLinkSHOAddRnSuccessRevAConnSC

Source Section

RNCPerfBySectorCarrier (RncIS856PerfMIB)

numRevLinkSHOAddRnSuccessRevAConnSSC

This OM is pegged for a sector when the RNC received a successful resource allocation notification for a RevA connection, for this sector from the RN during the Reverse Link Soft Handoff resource allocation process.

Data Source

DO-EMS

Source Field

numRevLinkSHOAddRnSuccessRevAConnSSC

Source Section

RNCISSHOPerfBySecondarySectorCarrier (RncIS856PerfMIB)

numRevLinkSHOAddRnSuccessSC

This statistic tallies counts for a sector when the DORNC received a successful resource allocation notification for this sector from the DOM during the Reverse Link SHO resource allocation process.

Data Source

DO-EMS

Source Field

numRevLinkSHOAddRnSuccessSC

Source Section

RNCPerfBySectorCarrier (RncIS856PerfMIB)

numRevLinkSHOAddRnSuccessSSC

This statistic counts up for a sector when the RNC received a successful resource allocation notification for this sector from the DOM during the Reverse Link Soft Handoff resource allocation process.

Data Source

DO-EMS

Source Field

numRevLinkSHOAddRnSuccessSSC

Source Section

RNCISSHOPerfBySecondarySectorCarrier (RncIS856PerfMIB)

numRevLinkSHOAddSuccessRevAConnSC

This OM is pegged for a sector when the pilot was successfully added to the Active Set while the RevA connection was open (via the Reverse Link Soft Handoff process).

Data Source

DO-EMS

Source Field

numRevLinkSHOAddSuccessRevAConnSC

Source Section

RNCPerfBySectorCarrier (RncIS856PerfMIB)

numRevLinkSHOAddSuccessRevAConnSSC

This OM is pegged for a sector when the pilot was successfully added to the Active Set while the RevA connection was open (via the Reverse Link Soft Handoff process).

Data Source

DO-EMS

Source Field

numRevLinkSHOAddSuccessRevAConnSSC

Source Section

RNCISSHOPerfBySecondarySectorCarrier (RncIS856PerfMIB)

numRevLinkSHOAddSuccessSC

This statistic tallies counts for a sector when the pilot was successfully added to the Active Set while the connection was open.

Data Source

DO-EMS

Source Field

numRevLinkSHOAddSuccessSC

Source Section

RNCPerfBySectorCarrier (RncIS856PerfMIB)

numRevLinkSHOAddSuccessSSC

This statistic counts up for a sector when the pilot was successfully added to the Active Set while the connection was open.

Data Source

DO-EMS

Source Field

numRevLinkSHOAddSuccessSSC

Source Section

RNCISSHOPerfBySecondarySectorCarrier (RncIS856PerfMIB)

numRNCEstimated3G1xRollDownDropsSC

Number of RF drops in a sector estimated by RNC as roll down drops due to a hybrid AT dropped 1xEVDO connection when it rolled down to 3G1X network.

Data Source

DO-EMS

Source Field

numRNCEstimated3G1xRollDownDropsSC

Source Section

RNCPerfBySectorCarrier (RncIS856PerfMIB)

numRNCEstimated3G1xRollDownDropsSSC

Number of RF drops in a sector estimated by RNC as roll down drops due to a hybrid AT dropped 1xEVDO connection when it rolled down to 3G1X network.

Data Source

DO-EMS

Source Field

numRNCEstimated3G1xRollDownDropsSSC

Source Section

RNCISSHOPerfBySecondarySectorCarrier (RncIS856PerfMIB)

numRNCEstimatedTuneAwayDropsSC

Number of RF drops in a sector estimated by RNC as tune aways due to FTC Stopped indication message (corresponding to RF drop) was received in the Rev0 hybrid AT's 3G1X paging cycle slot.

Data Source

DO-EMS

Source Field

numRNCEstimatedTuneAwayDropsSC

Source Section

RNCPerfBySectorCarrier (RncIS856PerfMIB)

numRNCEstimatedTuneAwayDropsSSC

Number of RF drops in a sector estimated by RNC as tune aways due to FTC Stopped indication message (corresponding to RF drop) was received in the Rev0 hybrid AT's 3G1X paging cycle slot.

Data Source

DO-EMS

Source Field

numRNCEstimatedTuneAwayDropsSSC

Source Section

RNCISSHOPerfBySecondarySectorCarrier (RncIS856PerfMIB)

numRTDHHOA0ToA0AbortsSC

This OM is pegged for RTD trigger based hard handoffs for Rev0 connections between two sectors on different carriers, that aborted for several reasons, some of the reasons could be: resource allocation for none of the pilots succeeded, downleg creation for none of the pilots succeeded.

Data Source

DO-EMS

Source Field

numRTDHHA0ToA0AbortsSC

Source Section

RNCPerfBySectorCarrier (RncIS856PerfMIB)

numRTDHHA0ToA0AbortsSSC

RTD trigger based hard handoffs for Rev0 connections between two sectors on different carriers, that aborted for several reasons, some of the reasons could be: resource allocation for none of the pilots succeeded, downleg creation for none of the pilots succeeded.

Data Source

DO-EMS

Source Field

numRTDHHA0ToA0AbortsSSC

Source Section

RNCISSHOPerfBySecondarySectorCarrier (RncIS856PerfMIB)

numRTDHHA0ToA0AttemptsSC

This OM is pegged for RTD trigger based hard handoff made for a Rev0 connection, between two sectors on different carriers.

Data Source

DO-EMS

Source Field

numRTDHHA0ToA0AttemptsSC

Source Section

RNCPerfBySectorCarrier (RncIS856PerfMIB)

numRTDHHA0ToA0AttemptsSSC

RTD trigger based hard handoffs made for a Rev0 connection, between two sectors on different carriers.

Data Source

DO-EMS

Source Field

numRTDHHOA0ToA0AttemptsSSC

Source Section

RNCISSHOPerfBySecondarySectorCarrier (RncIS856PerfMIB)

numRTDHHOA0ToA0BlockedByRnSC

This OM is pegged for RTD trigger based hard handoffs for Rev0 connections made between two sectors on different carriers, that got blocked by RN resource allocation, resulting in a HHO block. This indicates the RNC to abandon the HHO process.

Data Source

DO-EMS

Source Field

numRTDHHOA0ToA0BlockedByRnSC

Source Section

RNCPerfBySectorCarrier (RncIS856PerfMIB)

numRTDHHOA0ToA0BlockedByRnSSC

RTD trigger based hard handoffs for Rev0 connections made between two sectors on different carriers, that got blocked by RN resource allocation, resulting in a HHO block. This indicates the RNC to abandon the HHO process.

Data Source

DO-EMS

Source Field

numRTDHHOA0ToA0BlockedByRnSSC

Source Section

RNCISSHOPerfBySecondarySectorCarrier (RncIS856PerfMIB)

numRTDHHOA0ToA0FailedFTCAndRTCNotRxedSC

This OM is pegged for RTD trigger based failed hard handoffs for Rev0 connections between two sectors on different carriers, because even though atleast one of the messages (FTCDesired, RTCAcquired, TCC) was received on the target carrier, but both RTCAcquired and FTCDesired message were not received on the target carrier from RN within the stipulated time.

Data Source

DO-EMS

Source Field

numRTDHHOA0ToA0FailedFTCAndRTCNotRxedSC

Source Section

RNCPerfBySectorCarrier (RncIS856PerfMIB)

numRTDHHOA0ToA0FailedFTCAndRTCNotRxedSSC

RTD trigger based failed hard handoffs for Rev0 connections between two sectors on different carriers, because even though atleast one of the messages (FTCDesired, RTCAcquired, TCC) was received on the target carrier, but both RTCAcquired and FTCDesired message were not received on the target carrier from RN within the stipulated time.

Data Source

DO-EMS

Source Field

numRTDHHOA0ToA0FailedFTCAndRTCNotRxedSSC

Source Section

RNCISSHOPerfBySecondarySectorCarrier (RncIS856PerfMIB)

numRTDHHOA0ToA0FailedOthersSC

This OM is pegged for RTD trigger based failed hard handoffs for Rev0 connections between two sectors on different carriers.

Data Source

DO-EMS

Source Field

numRTDHHOA0ToA0FailedOthersSC

Source Section

RNCPerfBySectorCarrier (RncIS856PerfMIB)

numRTDHHA0ToA0FailedOthersSSC

This statistic counts for RTD trigger based failed hard handoffs for Rev0 connections between two sectors on different carriers.

Data Source

DO-EMS

Source Field

numRTDHHA0ToA0FailedOthersSSC

Source Section

RNCISSHOPerfBySecondarySectorCarrier (RncIS856PerfMIB)

numRTDHHA0ToA0FailedTCCTimeoutSC

This OM is pegged for RTD trigger based failed hard handoffs for Rev0 connections between two sectors on different carriers, because AN did not receive the TCC message from the AT within the stipulated time.

Data Source

DO-EMS

Source Field

numRTDHHA0ToA0FailedTCCTimeoutSC

Source Section

RNCPerfBySectorCarrier (RncIS856PerfMIB)

numRTDHHA0ToA0FailedTCCTimeoutSSC

RTD trigger based failed hard handoffs for Rev0 connections between two sectors on different carriers, because AN did not receive the TCC message from the AT within the stipulated time.

Data Source

DO-EMS

Source Field

numRTDHHA0ToA0FailedTCCTimeoutSSC

Source Section

RNCISSHOPerfBySecondarySectorCarrier (RncIS856PerfMIB)

numRTDHHA0ToA0SuccessSC

This OM is pegged for RTD trigger based successful hard handoffs for Rev0 connections, between two sectors on different carriers.

Data Source

DO-EMS

Source Field

numRTDHHA0ToA0SuccessSC

Source Section

RNCPerfBySectorCarrier (RncIS856PerfMIB)

numRTDHHA0ToA0SuccessSSC

RTD trigger based successful hard handoffs for Rev0 connections, between two sectors on different carriers.

Data Source

DO-EMS

Source Field

numRTDHHA0ToA0SuccessSSC

Source Section

RNCISSHOPerfBySecondarySectorCarrier (RncIS856PerfMIB)

numRTDHHAaToAaAbortsSC

This OM is pegged for RTD trigger based hard handoffs for RevA connections between two sectors on different carriers, that aborted for several reasons, some of the reasons could be: resource allocation for none of the pilots succeeded, downleg creation for none of the pilots succeeded.

Data Source

DO-EMS

Source Field

numRTDHHOAaToAaAbortsSC

Source Section

RNCPerfBySectorCarrier (RncIS856PerfMIB)

numRTDHHOAaToAaAbortsSSC

RTD trigger based hard handoffs for RevA connections between two sectors on different carriers, that aborted for several reasons, some of the reasons could be: resource allocation for none of the pilots succeeded, downleg creation for none of the pilots succeeded..

Data Source

DO-EMS

Source Field

numRTDHHOAaToAaAbortsSSC

Source Section

RNCISSHOPerfBySecondarySectorCarrier (RncIS856PerfMIB)

numRTDHHOAaToAaAttemptsSC

This OM is pegged for RTD trigger based hard handoff attempts made for RevA connections between two sectors on different carriers.

Data Source

DO-EMS

Source Field

numRTDHHOAaToAaAttemptsSC

Source Section

RNCPerfBySectorCarrier (RncIS856PerfMIB)

numRTDHHOAaToAaAttemptsSSC

RTD trigger based hard handoff attempts made for RevA connections between two sectors on different carriers.

Data Source

DO-EMS

Source Field

numRTDHHOAaToAaAttemptsSSC

Source Section

RNCISSHOPerfBySecondarySectorCarrier (RncIS856PerfMIB)

numRTDHHOAaToAaBlockedByRnSC

This OM is pegged for RTD trigger based hard handoffs for RevA connections between two sectors on different carriers, that got blocked by RN resource allocation, resulting in a HHO block. This indicates the RNC to abandon the HHO process.

Data Source

DO-EMS

Source Field

numRTDHHOAaToAaBlockedByRnSC

Source Section

RNCPerfBySectorCarrier (RncIS856PerfMIB)

numRTDHHOAaToAaBlockedByRnSSC

RTD trigger based hard handoffs for RevA connections between two sectors on different carriers, that got blocked by RN resource allocation, resulting in a HHO block. This indicates the RNC to abandon the HHO process.

Data Source

DO-EMS

Source Field

numRTDHHOAaToAaBlockedByRnSSC

Source Section

RNCISSHOPerfBySecondarySectorCarrier (RncIS856PerfMIB)

numRTDHHOAaToAaFailedFTCAndRTCNotRxedSC

This OM is pegged for RTD trigger based failed hard handoffs for RevA connections between two sectors on different carriers, because even though at least one of the messages (FTCDesired, RTCAcquired, TCC) was received on the target carrier, but both RTCAcquired and FTCDesired message were not received on the target carrier from RN within the stipulated time.

Data Source

DO-EMS

Source Field

numRTDHHOAaToAaFailedFTCAndRTCNotRxedSC

Source Section

RNCPerfBySectorCarrier (RncIS856PerfMIB)

numRTDHHOAaToAaFailedFTCAndRTCNotRxedSSC

RTD trigger based failed hard handoffs for RevA connections between two sectors on different carriers, because even though atleast one of the messages (FTCDesired, RTCAcquired, TCC) was received on the target carrier, but both RTCAcquired and FTCDesired message were not received on the target carrier from RN within the stipulated time.

Data Source

DO-EMS

Source Field

numRTDHHOAaToAaFailedFTCAndRTCNotRxedSSC

Source Section

RNCISSHOPerfBySecondarySectorCarrier (RncIS856PerfMIB)

numRTDHHOAaToAaFailedOthersSC

This OM is pegged for RTD trigger based failed hard handoffs for RevA connections between two sectors on different carriers.

Data Source

DO-EMS

Source Field

numRTDHHOAaToAaFailedOthersSC

Source Section

RNCPerfBySectorCarrier (RncIS856PerfMIB)

numRTDHHOAaToAaFailedOthersSSC

This statistic counts for RTD trigger based failed hard handoffs for RevA connections between two sectors on different carriers.

Data Source

DO-EMS

Source Field

numRTDHHOAaToAaFailedOthersSSC

Source Section

RNCISSHOPerfBySecondarySectorCarrier (RncIS856PerfMIB)

numRTDHHOAaToAaFailedTCCTimeoutSC

This OM is pegged for RTD trigger based failed hard handoffs for RevA connections between two sectors on different carriers, because AN did not receive the TCC message from the AT within the stipulated time.

Data Source

DO-EMS

Source Field

numRTDHHOAaToAaFailedTCCTimeoutSC

Source Section

RNCPerfBySectorCarrier (RncIS856PerfMIB)

numRTDHHOAaToAaFailedTCCTimeoutSSC

RTD trigger based failed hard handoffs for RevA connections between two sectors on different carriers, because AN did not receive the TCC message from the AT within the stipulated time.

Data Source

DO-EMS

Source Field

numRTDHHOAaToAaFailedTCCTimeoutSSC

Source Section

RNCISSHOPerfBySecondarySectorCarrier (RncIS856PerfMIB)

numRTDHHOAaToAaSuccessSC

This OM is pegged for RTD trigger based successful hard handoffs made, for RevA connections between two sectors on different carriers.

Data Source

DO-EMS

Source Field

numRTDHHOAaToAaSuccessSC

Source Section

RNCPerfBySectorCarrier (RncIS856PerfMIB)

numRTDHHOAaToAaSuccessSSC

RTD trigger based successful hard handoffs made for RevA connections between two sectors on different carriers.

Data Source

DO-EMS

Source Field

numRTDHHOAaToAaSuccessSSC

Source Section

RNCISSHOPerfBySecondarySectorCarrier (RncIS856PerfMIB)

numRTDHHOInhibitedSC

Number of times an RTD based HHO was inhibited due to the Inhibition Timer.

Data Source

DO-EMS

Source Field

numRTDHHOInhibitedSC

Source Section

HHOInhibit (RncIS856PerfMIB)

numRUMReceivedWhenIdleSC

Number of times a RouteUpdate Message was received on this sector when the AT was idle.

Data Source

DO-EMS

Source Field

numRUMReceivedWhenIdleSC

Source Section

RNCPerfBySectorCarrier (RncIS856PerfMIB)

numSecondPageAbandonedSC

This statistic is pegged on the Preferred Sector if the page attempt is abandoned before the second page timer expires.

Data Source

DO-EMS

Source Field

numSecondPageAbandonedSC

Source Section

RNCPerfBySectorCarrier (RncIS856PerfMIB)

numSecondPageAttemptsSC

This OM is pegged on the Preferred Sector when the second page attempt is made.

Data Source

DO-EMS

Source Field

numSecondPageAttemptsSC

Source Section

RNCPerfBySectorCarrier (RncIS856PerfMIB)

numSecondPageResponseSC

This OM will be pegged on the Preferred Sector when an AN initiated ConnectionRequest is received in a paging cycle, in response to the second Page request before the second page timer expires.

Data Source

DO-EMS

Source Field

numSecondPageResponseSC

Source Section

RNCPerfBySectorCarrier (RncIS856PerfMIB)

numSecondPageRxATInitiateSC

This statistic is pegged on the Preferred Sector if a ConnectionRequest from the AT with an AT-initiated code point is received before the second page timer expires.

Data Source

DO-EMS

Source Field

numSecondPageRxATInitiateSC

Source Section

RNCPerfBySectorCarrier (RncIS856PerfMIB)

numSecondPageTimeoutSC

This OM is pegged on the Preferred Sector if the DO-RNC timed out while waiting for a response to the second page attempt.

Data Source

DO-EMS

Source Field

numSecondPageTimeoutSC

Source Section

RNCPerfBySectorCarrier (RncIS856PerfMIB)

numSessCfgPostA13ReconfNeededSC

Total Number of times (Prior session + Normal) a dormant handoff succeeded on this sector and one or more protocols were marked in the session for reconfiguration later.

Data Source

DO-EMS

Source Field

numSessCfgPostA13ReconfNeededSC

Source Section

RNCPerfBySectorCarrier (RncIS856PerfMIB)

numSessionInstancesCreatedSC

This OM is a counter for the total number of session instances that are created on the DO-RNC / RNSM when a signaling message is received with any unknown ATI (i.e. RATI, unknown local UATI, or UATI).

Data Source

DO-EMS

Source Field

numSessionInstancesCreatedSC

Source Section

RNCPerfBySectorCarrier (RncIS856PerfMIB)

numSessionInstancesCreatedWithUnknownLocalUATISC

The total number of session instances that are created on the DO-RNC / RNSM, when an access channel message is received with an unknown local UATI.

Data Source

DO-EMS

Source Field

numSessionInstancesCreatedWithUnknownLocalUATISC

Source Section

RNCPerfBySectorCarrier (RncIS856PerfMIB)

numSessionSetupAttemptsSC

This OM is a counter for the total number of session instances that are created on the DO-RNC / RNSM when a regular session setup (that does not have a retrievable prior-session) attempt is initiated with an unknown RATI.

Data Source

DO-EMS

Source Field

numSessionSetupAttemptsSC

Source Section

RNCPerfBySectorCarrier (RncIS856PerfMIB)

numSessionSetupsBlockedToNoRncResourceSC

This OM is a counter for the number of times that a session setup attempt failed because the DO-RNC was unable to successfully conclude the Session Configuration phase.

Data Source

DO-EMS

Source Field

numSessionSetupsBlockedToNoRncResourceSC

Source Section

RNCPerfBySectorCarrier (RncIS856PerfMIB)

numSessionSetupsFailedAtIdRspFailureSC

This OM is a counter for all the total number of regular session setup attempts that are aborted when a message ATId Rsp Failure received

Data Source

DO-EMS

Source Field

numSessionSetupsFailedAtIdRspFailureSC

Source Section

RNCPerfBySectorCarrier (RncIS856PerfMIB)

numSessionSetupsFailedAtIdRspTimeoutSC

This OM is a counter for all the total number of regular session setup attempts that are aborted when a message ATId Rsp Timeout received

Data Source

DO-EMS

Source Field

numSessionSetupsFailedAtIdRspTimeoutSC

Source Section

RNCPerfBySectorCarrier (RncIS856PerfMIB)

numSessionSetupsFailedATInitiatedSessionCloseSC

The total number of regular session-setups that are aborted on a DO-RNC / RNSM, when a standardized SessionClose message is received from the AT past the UATI Assignment stage of the 1xEV-DO session setup process.

Data Source

DO-EMS

Source Field

numSessionSetupsFailedATInitiatedSessionCloseSC

Source Section

RNCPerfBySectorCarrier (RncIS856PerfMIB)

numSessionSetupsFailedHwIdResponseSC

The number of times that session setup failed because the Hardware ID Response message was not received from the AT .

Data Source

DO-EMS

Source Field

numSessionSetupsFailedHwIdResponseSC

Source Section

RNCPerfBySectorCarrier (RncIS856PerfMIB)

numSessionSetupsFailedInvldHwIdTypeSC

This OM is a counter for all the total number of regular session setup attempts that are aborted when an invalid Hardware ID ?type? is received from the AT (in response to a HardwareID Request).

Data Source

DO-EMS

Source Field

numSessionSetupsFailedInvldHwIdTypeSC

Source Section

RNCPerfBySectorCarrier (RncIS856PerfMIB)

numSessionSetupsFailedInvldHwIdValueSC

This OM is a counter for the total number of regular session setup attempts that are aborted when the DO-RNC receives an invalid HardwareID ?value? from the AT (in response to a HardwareID Request).

Data Source

DO-EMS

Source Field

numSessionSetupsFailedInvldHwIdValueSC

Source Section

RNCPerfBySectorCarrier (RncIS856PerfMIB)

numSessionSetupsFailedInvldUATICmpltSeqNumSC

This OM is a counter for the total number of regular session setup attempts that are aborted when the DO-RNC / RNSM fails to receive a ?valid? UATIComplete message from the AT (in response to a UATIAssignment message).

Data Source

DO-EMS

Source Field

numSessionSetupsFailedInvldUATICmpltSeqNumSC

Source Section

RNCPerfBySectorCarrier (RncIS856PerfMIB)

numSessionSetupsFailedOtherCausesSC

The number of times that session setup failed for reasons not explicitly identified in other fields.

Data Source

DO-EMS

Source Field

numSessionSetupsFailedOtherCausesSC

Source Section

RNCPerfBySectorCarrier (RncIS856PerfMIB)

numSessionSetupsFailedRNCInitiatedSessionCloseSC

The total number of regular session-setups that are aborted on the DO-RNC / RNSM, when a (local) user-initiated request to close a session is received on that DO-RNC.

Data Source

DO-EMS

Source Field

numSessionSetupsFailedRNCInitiatedSessionCloseSC

Source Section

RNCPerfBySectorCarrier (RncIS856PerfMIB)

numSessionSetupsFailedSessionConfigSC

This statistic counts the number of times that a session setup attempt failed because the DO-RNC was unable to successfully conclude the Session Configuration phase.

Data Source

DO-EMS

Source Field

numSessionSetupsFailedSessionConfigSC

Source Section

RNCPerfBySectorCarrier (RncIS856PerfMIB)

numSessionSetupsFailedSessionInfoConfirmSC

This OM is a counter for the total number of regular session setup attempts that are aborted on the DO-RNC / RNSM, when an A13-Confirmation message is received on the source RNC after the associated session instance is successfully transferred to the targ

Data Source

DO-EMS

Source Field

numSessionSetupsFailedSessionInfoConfirmSC

Source Section

RNCPerfBySectorCarrier (RncIS856PerfMIB)

numSessionSetupsFailedTermAuthSC

The number of times that a session setup attempt failed because the DO-RNC was unable to successfully conclude the Terminal Authentication phase.

Data Source

DO-EMS

Source Field

numSessionSetupsFailedTermAuthSC

Source Section

RNCPerfBySectorCarrier (RncIS856PerfMIB)

numSessionSetupsFailedUATICompleteTimeoutSC

The number of times that a session setup attempt failed because the DO-RNC did not receive the UATI Complete message from the AT.

Data Source

DO-EMS

Source Field

numSessionSetupsFailedUATICompleteTimeoutSC

Source Section

RNCPerfBySectorCarrier (RncIS856PerfMIB)

numSessionSetupsFailedUnknownForeignUatiRequestSC

This statistic tallies counts if the AT had sent a UATI Request message with the ATI type of UATI such that the UATI is not local to the DO-RNC.

Data Source

DO-EMS

Source Field

numSessionSetupsFailedUnknownForeignUatiRequestSC

Source Section

RNCPerfBySectorCarrier (RncIS856PerfMIB)

numSessionSetupsFailedUnknownLocalUatiRequestSC

If the AT had sent a UATI Request message such that the UATI is local to the DORNC and no session with that UATI is known at the DORNC, this statistic will tally.

Data Source

DO-EMS

Source Field

numSessionSetupsFailedUnknownLocalUatiRequestSC

Source Section

RNCPerfBySectorCarrier (RncIS856PerfMIB)

numSessionSetupsSuccessfulSC

The number of successfully setup sessions where the UATI Request was received on the corresponding sector.

Data Source

DO-EMS

Source Field

numSessionSetupsSuccessfulSC

Source Section

RNCPerfBySectorCarrier (RncIS856PerfMIB)

numSignalStrengthHHOA0ToA0AbortsSC

This OM is pegged for Signal Strength trigger based hard handoffs for Rev0 connections between two sectors on different carriers, that aborted for several reasons, some of the reasons could be: resource allocation for none of the pilots succeeded, downleg creation for none of the pilots succeeded.

Data Source

DO-EMS

Source Field

numSignalStrengthHHOA0ToA0AbortsSC

Source Section

RNCPerfBySectorCarrier (RncIS856PerfMIB)

numSignalStrengthHHOA0ToA0AbortsSSC

Number of Signal Strength trigger based hard handoffs for Rev0 connections between two sectors on different carriers, that aborted for several reasons, some of the reasons could be: resource allocation for none of the pilots succeeded, downleg creation for none of the pilots succeeded.

Data Source

DO-EMS

Source Field

numSignalStrengthHHOA0ToA0AbortsSSC

Source Section

RNCISSHOPerfBySecondarySectorCarrier (RncIS856PerfMIB)

numSignalStrengthHHOA0ToA0AttemptsSC

This OM is pegged for Signal Strength trigger based hard handoff attempts made for Rev0 connection between two sectors on different carriers.

Data Source

DO-EMS

Source Field

numSignalStrengthHHOA0ToA0AttemptsSC

Source Section

RNCPerfBySectorCarrier (RncIS856PerfMIB)

numSignalStrengthHHOA0ToA0AttemptsSSC

Number of Signal Strength trigger based hard handoff attempts made for Rev0 connection, between two sectors on different carriers.

Data Source

DO-EMS

Source Field

numSignalStrengthHHOA0ToA0AttemptsSSC

Source Section

RNCISSHOPerfBySecondarySectorCarrier (RncIS856PerfMIB)

numSignalStrengthHHOA0ToA0BlockedByRnSC

This OM is pegged for Signal Strength trigger based hard handoffs for Rev0 connections made between two sectors on different carriers, that got blocked by RN resource allocation, resulting in a HHO block. This indicates the RNC to abandon the HHO process.

Data Source

DO-EMS

Source Field

numSignalStrengthHHOA0ToA0BlockedByRnSC

Source Section

RNCPerfBySectorCarrier (RncIS856PerfMIB)

numSignalStrengthHHOA0ToA0BlockedByRnSSC

Number of Signal Strength trigger based hard handoffs for Rev0 connections made between two sectors on different carriers, that got blocked by RN resource allocation, resulting in a HHO block. This indicates the RNC to abandon the HHO process.

Data Source

DO-EMS

Source Field

numSignalStrengthHHOA0ToA0BlockedByRnSSC

Source Section

RNCISSHOPerfBySecondarySectorCarrier (RncIS856PerfMIB)

numSignalStrengthHHOA0ToA0FailedFTCAndRTCNotRxedSC

This OM is pegged for Signal Strength trigger based failed hard handoffs for Rev0 connections between two sectors on different carriers, because even though atleast one of the messages (FTCDesired, RTCAcquired, TCC) was received on the target carrier, but both RTCAcquired and FTCDesired message were not received on the target carrier from RN within the stipulated time.

Data Source

DO-EMS

Source Field

numSignalStrengthHHOA0ToA0FailedFTCAndRTCNotRxedSC

Source Section

RNCPerfBySectorCarrier (RncIS856PerfMIB)

numSignalStrengthHHOA0ToA0FailedFTCandRTCNotRxedSSC

Number of Signal Strength trigger based failed hard handoffs for Rev0 connections between two sectors on different carriers, because even though atleast one of the messages (FTCDesired, RTCAcquired, TCC) was received on the target carrier, but both RTCAcquired and FTCDesired message were not received on the target carrier from RN within the stipulated time.

Data Source

DO-EMS

Source Field

numSignalStrengthHHOA0ToA0FailedFTCandRTCNotRxedSSC

Source Section

RNCISSHOPerfBySecondarySectorCarrier (RncIS856PerfMIB)

numSignalStrengthHHOA0ToA0FailedOthersSC

This OM is pegged for signal strength trigger based failed hard handoffs for Rev0 connections between two sectors on different carriers.

Data Source

DO-EMS

Source Field

numSignalStrengthHHOA0ToA0FailedOthersSC

Source Section

RNCPerfBySectorCarrier (RncIS856PerfMIB)

numSignalStrengthHHOA0ToA0FailedOthersSSC

This statistic counts for signal strength trigger based failed hard handoffs for Rev0 connections between two sectors on different carriers.

Data Source

DO-EMS

Source Field

numSignalStrengthHHOA0ToA0FailedOthersSSC

Source Section

RNCISSHOPerfBySecondarySectorCarrier (RncIS856PerfMIB)

numSignalStrengthHHOA0ToA0FailedTCCTimeoutSC

This OM is pegged for Signal Strength trigger based failed hard handoffs for Rev0 connections between two sectors on different carriers, because AN did not receive the TCC message from AT within the stipulated time.

Data Source

DO-EMS

Source Field

numSignalStrengthHHOA0ToA0FailedTCCTimeoutSC

Source Section

RNCPerfBySectorCarrier (RncIS856PerfMIB)

numSignalStrengthHHOA0ToA0FailedTCCTimeoutSSC

Number of Signal Strength trigger based failed hard handoffs for Rev0 connections between two sectors on different carriers, because AN did not receive the TCC message from the AT within the stipulated time.

Data Source

DO-EMS

Source Field

numSignalStrengthHHOA0ToA0FailedTCCTimeoutSSC

Source Section

RNCISSHOPerfBySecondarySectorCarrier (RncIS856PerfMIB)

numSignalStrengthHHOA0ToA0SuccessSC

This OM is pegged for Signal Strength trigger based successful hard handoffs for Rev0 connections between two carrier sectors on different carriers.

Data Source

DO-EMS

Source Field

numSignalStrengthHHOA0ToA0SuccessSC

Source Section

RNCPerfBySectorCarrier (RncIS856PerfMIB)

numSignalStrengthHHOA0ToA0SuccessSSC

Number of Signal Strength trigger based successful hard handoffs for Rev0 connections between two sectors on different carriers.

Data Source

DO-EMS

Source Field

numSignalStrengthHHOA0ToA0SuccessSSC

Source Section

RNCISSHOPerfBySecondarySectorCarrier (RncIS856PerfMIB)

numSignalStrengthHHOAaToAaAbortsSC

This OM is pegged for Signal Strength trigger based hard handoffs for RevA connections between two sectors on different carriers that aborted for several reasons, some of the reasons could be: resource allocation for none of the pilots succeeded, downleg creation for none of the pilots succeeded.

Data Source

DO-EMS

Source Field

numSignalStrengthHHOAaToAaAbortsSC

Source Section

RNCPerfBySectorCarrier (RncIS856PerfMIB)

numSignalStrengthHHOAaToAaAbortsSSC

Number of Signal Strength trigger based hard handoffs for RevA connections between two sectors on different carriers, that aborted for several reasons, some of the reasons could be: resource allocation for none of the pilots succeeded, downleg creation for none of the pilots succeeded.

Data Source

DO-EMS

Source Field

numSignalStrengthHHOAaToAaAbortsSSC

Source Section

RNCISSHOPerfBySecondarySectorCarrier (RncIS856PerfMIB)

numSignalStrengthHHOAaToAaAttemptsSC

This OM is pegged for Signal Strength trigger based hard handoff attempts made for RevA connections between two carrier sectors on different carriers.

Data Source

DO-EMS

Source Field

numSignalStrengthHHOAaToAaAttemptsSC

Source Section

RNCPerfBySectorCarrier (RncIS856PerfMIB)

numSignalStrengthHHOAaToAaAttemptsSSC

Number of Signal Strength trigger based hard handoff attempts made for RevA connections between two sectors on different carriers.

Data Source

DO-EMS

Source Field

numSignalStrengthHHOAaToAaAttemptsSSC

Source Section

RNCISSSHOPerfBySecondarySectorCarrier (RncIS856PerfMIB)

numSignalStrengthHHOAaToAaBlockedByRnSC

This OM is pegged for Signal Strength trigger based hard handoffs for RevA connections made between two sectors on different carriers, that got blocked by RN resource allocation, resulting in a HHO block. This indicates the RNC to abandon the HHO process.

Data Source

DO-EMS

Source Field

numSignalStrengthHHOAaToAaBlockedByRnSC

Source Section

RNCPerfBySectorCarrier (RncIS856PerfMIB)

numSignalStrengthHHOAaToAaBlockedByRnSSC

Number of Signal Strength trigger based hard handoffs, for RevA connections made between two sectors on different carriers, that got blocked by RN resource allocation, resulting in a HHO block. This indicates the RNC to abandon the HHO process.

Data Source

DO-EMS

Source Field

numSignalStrengthHHOAaToAaBlockedByRnSSC

Source Section

RNCISSHOPerfBySecondarySectorCarrier (RncIS856PerfMIB)

numSignalStrengthHHOAaToAaFailedFTCAndRTCNotRxedSC

This OM is pegged for Signal Strength trigger based failed hard handoffs for RevA connections between two sectors on different carriers, because even though atleast one of the messages (FTCDesired, RTCAcquired, TCC) was received on the target carrier, but both RTCAcquired and FTCDesired message were not received on the target carrier from RN within the stipulated time.

Data Source

DO-EMS

Source Field

numSignalStrengthHHOAaToAaFailedFTCAndRTCNotRxedSC

Source Section

RNCPerfBySectorCarrier (RncIS856PerfMIB)

numSignalStrengthHHOAaToAaFailedFTCAndRTCNotRxedSSC

Number of Signal Strength trigger based failed hard handoffs for RevA connections between two sectors on different carriers, because even though atleast one of the messages (FTCDesired, RTCAcquired, TCC) was received on the target carrier, but both RTCAcquired and FTCDesired message were not received on the target carrier from RN within the stipulated time.

Data Source

DO-EMS

Source Field

numSignalStrengthHHOAaToAaFailedFTCAndRTCNotRxedSSC

Source Section

RNCISSHOPerfBySecondarySectorCarrier (RncIS856PerfMIB)

numSignalStrengthHHOAaToAaFailedOthersSC

This OM is pegged for signal strength trigger based failed hard handoffs for RevA connections between two sectors on different carriers.

Data Source

DO-EMS

Source Field

numSignalStrengthHHOAaToAaFailedOthersSC

Source Section

RNCPerfBySectorCarrier (RncIS856PerfMIB)

numSignalStrengthHHOAaToAaFailedOthersSSC

This statistic counts for signal strength trigger based failed hard handoffs for RevA connections between two carrier sectors on different carriers.

Data Source

DO-EMS

Source Field

numSignalStrengthHHOAaToAaFailedOthersSSC

Source Section

RNCISSHOPerfBySecondarySectorCarrier (RncIS856PerfMIB)

numSignalStrengthHHOAaToAaFailedTCCTimeoutSC

This OM is pegged for Signal Strength trigger based failed hard handoffs, for RevA connections between two sectors on different carriers, because AN did not receive the TCC message from the AT within the stipulated time..

Data Source

DO-EMS

Source Field

numSignalStrengthHHOAaToAaFailedTCCTimeoutSC

Source Section

RNCPerfBySectorCarrier (RncIS856PerfMIB)

numSignalStrengthHHOAaToAaFailedTCCTimeoutSSC

Number of Signal Strength trigger based failed hard handoffs for RevA connections between two sectors on different carriers, because AN did not receive the TCC message from the AT within the stipulated time.

Data Source

DO-EMS

Source Field

numSignalStrengthHHOAaToAaFailedTCCTimeoutSSC

Source Section

RNCISSHOPerfBySecondarySectorCarrier (RncIS856PerfMIB)

numSignalStrengthHHOAaToAaSuccessSC

This OM is pegged for Signal Strength trigger based successful hard handoffs made for RevA connections between two sectors on different carriers.

Data Source

DO-EMS

Source Field

numSignalStrengthHHOAaToAaSuccessSC

Source Section

RNCPerfBySectorCarrier (RncIS856PerfMIB)

numSignalStrengthHHOAaToAaSuccessSSC

Number of Signal Strength trigger based successful hard handoffs made for RevA connections between two sectors on different carriers.

Data Source

DO-EMS

Source Field

numSignalStrengthHHOAaToAaSuccessSSC

Source Section

RNCISSHOPerfBySecondarySectorCarrier (RncIS856PerfMIB)

numSignalStrengthHHOInhibitedSC

Number of times a Signal Strength based HHO was inhibited due to the Inhibition Timer.

Data Source

DO-EMS

Source Field

numSignalStrengthHHOInhibitedSC

Source Section

HHOInhibit (RncIS856PerfMIB)

numSlotsWithRabNotSet

Number of slots with RAB cleared for the specific sector.

Data Source

DO-EMS

Source Field

numSlotsWithRabNotSet

Source Section

RnSectorSignalQuality (RnPerformanceMIB)

numSlotsWithRabSet

Number of slots with RAB set for the specific sector.

Data Source

DO-EMS

Source Field

numSlotsWithRabSet

Source Section

RnSectorSignalQuality (RnPerformanceMIB)

NumSuccessfulOpensForANConnRequestSC

Successfully opened connections in response to AN-initiated Connection Requests

Data Source

DO-EMS

Source Field

NumSuccessfulOpensForANConnRequestSC

Source Section

RNCPerfBySectorCarrier (RncIS856PerfMIB)

NumSuccessfulOpensForATConnRequestSC

Successfully opened connections in response to AT-initiated Connection Requests

Data Source

DO-EMS

Source Field

NumSuccessfulOpensForATConnRequestSC

Source Section

RNCPerfBySectorCarrier (RncIS856PerfMIB)

NumSuccessfulOpensForFastConnectSC

Successfully opened connections due to Fast Connect

Data Source

DO-EMS

Source Field

NumSuccessfulOpensForFastConnectSC

Source Section

RNCPerfBySectorCarrier (RncIS856PerfMIB)

numSuccessfulRevAOpensForFastConnectSC

Successfully opened RevA connections due to Fast Connect.

Data Source

DO-EMS

Source Field

numSuccessfulRevAOpensForFastConnectSC

Source Section

RNCPerfBySectorCarrier (RncIS856PerfMIB)

numSuppressPersSwitchRev0ToRevASC

Number of times a personality switch trigger to change the AT's personality from Rev0 to RevA was suppressed because of sector (strongest pilot in RUM) configuration, when a connection request is received from a RevA capable AT in Rev0 personality.

Data Source

DO-EMS

Source Field

numSuppressPersSwitchRev0ToRevASC

Source Section

RNCPerfBySectorCarrier (RncIS856PerfMIB)

numSuppressPersSwitchRev0ToRevASSC

Number of times a personality switch trigger to change the AT's personality from Rev0 to RevA was suppressed because of sector (Strongest pilot in RUM) configuration, when a connection request is received from a RevA capable AT in Rev0 personality.

Data Source

DO-EMS

Source Field

numSuppressPersSwitchRev0ToRevASSC

Source Section

RNCISSHOPerfBySecondarySectorCarrier (RncIS856PerfMIB)

numSuppressUnicastRedirectRev0ToRevASC

Number of times a redirect trigger to redirect the AT from Rev0 carrier to a RevA carrier was suppressed because of sector configuration, when a connection request is received from a RevA capable AT in Rev0 personality.

Data Source

DO-EMS

Source Field

numSuppressUnicastRedirectRev0ToRevASC

Source Section

RNCPerfBySectorCarrier (RncIS856PerfMIB)

numSuppressUnicastRedirectRev0ToRevASSC

Number of times a redirect trigger to redirect the AT from Rev0 carrier to a RevA carrier was suppressed because of sector configuration, when a connection request is received from a RevA capable AT in Rev0 personality.

Data Source

DO-EMS

Source Field

numSuppressUnicastRedirectRev0ToRevASSC

Source Section

RNCISSHOPerfBySecondarySectorCarrier (RncIS856PerfMIB)

numThirdPageAbandonedSC

This statistic is pegged on the Preferred Sector if the page attempt is abandoned before the third page timer expires.

Data Source

DO-EMS

Source Field

numThirdPageAbandonedSC

Source Section

RNCPerfBySectorCarrier (RncIS856PerfMIB)

numThirdPageAttemptsSC

This OM is pegged on the Preferred Sector when the third page attempt is made.

Data Source

DO-EMS

Source Field

numThirdPageAttemptsSC

Source Section

RNCPerfBySectorCarrier (RncIS856PerfMIB)

numThirdPageResponseSC

This OM will be pegged on the Preferred Sector when an AN initiated ConnectionRequest is received in a paging cycle, in response to the third Page request before the third page timer expires.

Data Source

DO-EMS

Source Field

numThirdPageResponseSC

Source Section

RNCPerfBySectorCarrier (RncIS856PerfMIB)

numThirdPageRxATInitiateSC

This statistic is pegged on the Preferred Sector if a ConnectionRequest from the AT with an AT-initiated code point is received before the third page timer expires.

Data Source

DO-EMS

Source Field

numThirdPageRxATInitiateSC

Source Section

RNCPerfBySectorCarrier (RncIS856PerfMIB)

numThirdPageTimeoutSC

This OM is pegged on the Preferred Sector if the DO-RNC timed out while waiting for a response to the third page attempt.

Data Source

DO-EMS

Source Field

numThirdPageTimeoutSC

Source Section

RNCPerfBySectorCarrier (RncIS856PerfMIB)

numTotalBadAccessCapsules

Number of access capsules with bad CRC received at this sector across all the Access Channel rates. This OM is a summation over all the access capsule sizes.

Data Source

DO-EMS

Source Field

numTotalBadAccessCapsules

Source Section

RnSectorPerf (RnPerformanceMIB)

numTotalGoodAccessCapsules

Number of access capsules with good CRC received at this sector across all the Access Channel rates. This OM is a summation over all the access capsule sizes.

Data Source

DO-EMS

Source Field

numTotalGoodAccessCapsules

Source Section

RnSectorPerf (RnPerformanceMIB)

perSectorConnBlksNoMacIdx

This attribute specifies the number of resources requests, both during initial connection setup and/or soft handoff when the connection is open, that are blocked at DOM-A because of no available connection resources (MAC-Indices) on this sector-element.

Data Source

DO-EMS

Source Field

perSectorConnBlksNoMacIdx

Source Section

RnAConnectionResourceUsageHistogramPerSector (RnConnectionResourceUsageMib)

perSectorConnectionBlocksNoCxnResources

The number of connection requests that are blocked at RN because of no available connection resources (MAC-Indices) on this sector-element.

Data Source

DO-EMS

Source Field

perSectorConnectionBlocksNoCxnResources

Source Section

RnConnectionResourceUsageHistogramPerSector (RnConnectionResourceUsageMIB)

perSectorHistogramSampleCountForSimultCxnResources000

Per sector connection resources (MAC-Index) usage histogram.

Data Source

DO-EMS

Source Field

perSectorHistogramSampleCountForSimultCxnResources000

Source Section

RnConnectionResourceUsageHistogramPerSector (RnConnectionResourceUsageMIB)

perSectorHistogramSampleCountForSimultCxnResources001

Per sector connection resources (MAC-Index) usage histogram.

Data Source

DO-EMS

Source Field

perSectorHistogramSampleCountForSimultCxnResources001

Source Section

RnConnectionResourceUsageHistogramPerSector (RnConnectionResourceUsageMIB)

perSectorHistogramSampleCountForSimultCxnResources002

Per sector connection resources (MAC-Index) usage histogram.

Data Source

DO-EMS

Source Field

perSectorHistogramSampleCountForSimultCxnResources002

Source Section

RnConnectionResourceUsageHistogramPerSector (RnConnectionResourceUsageMIB)

perSectorHistogramSampleCountForSimultCxnResources003

Per sector connection resources (MAC-Index) usage histogram.

Data Source

DO-EMS

Source Field

perSectorHistogramSampleCountForSimultCxnResources003

Source Section

RnConnectionResourceUsageHistogramPerSector (RnConnectionResourceUsageMIB)

perSectorHistogramSampleCountForSimultCxnResources004

Per sector connection resources (MAC-Index) usage histogram.

Data Source

DO-EMS

Source Field

perSectorHistogramSampleCountForSimultCxnResources004

Source Section

RnConnectionResourceUsageHistogramPerSector (RnConnectionResourceUsageMIB)

perSectorHistogramSampleCountForSimultCxnResources005

Per sector connection resources (MAC-Index) usage histogram.

Data Source

DO-EMS

Source Field

perSectorHistogramSampleCountForSimultCxnResources005

Source Section

RnConnectionResourceUsageHistogramPerSector (RnConnectionResourceUsageMIB)

perSectorHistogramSampleCountForSimultCxnResources006

Per sector connection resources (MAC-Index) usage histogram.

Data Source

DO-EMS

Source Field

perSectorHistogramSampleCountForSimultCxnResources006

Source Section

RnConnectionResourceUsageHistogramPerSector (RnConnectionResourceUsageMIB)

perSectorHistogramSampleCountForSimultCxnResources007

Per sector connection resources (MAC-Index) usage histogram.

Data Source

DO-EMS

Source Field

perSectorHistogramSampleCountForSimultCxnResources007

Source Section

RnConnectionResourceUsageHistogramPerSector (RnConnectionResourceUsageMIB)

perSectorHistogramSampleCountForSimultCxnResources008

Per sector connection resources (MAC-Index) usage histogram.

Data Source

DO-EMS

Source Field

perSectorHistogramSampleCountForSimultCxnResources008

Source Section

RnConnectionResourceUsageHistogramPerSector (RnConnectionResourceUsageMIB)

perSectorHistogramSampleCountForSimultCxnResources009

Per sector connection resources (MAC-Index) usage histogram.

Data Source

DO-EMS

Source Field

perSectorHistogramSampleCountForSimultCxnResources009

Source Section

RnConnectionResourceUsageHistogramPerSector (RnConnectionResourceUsageMIB)

perSectorHistogramSampleCountForSimultCxnResources010

Per sector connection resources (MAC-Index) usage histogram.

Data Source

DO-EMS

Source Field

perSectorHistogramSampleCountForSimultCxnResources010

Source Section

RnConnectionResourceUsageHistogramPerSector (RnConnectionResourceUsageMIB)

perSectorHistogramSampleCountForSimultCxnResources011

Per sector connection resources (MAC-Index) usage histogram.

Data Source

DO-EMS

Source Field

perSectorHistogramSampleCountForSimultCxnResources011

Source Section

RnConnectionResourceUsageHistogramPerSector (RnConnectionResourceUsageMIB)

perSectorHistogramSampleCountForSimultCxnResources012

Per sector connection resources (MAC-Index) usage histogram.

Data Source

DO-EMS

Source Field

perSectorHistogramSampleCountForSimultCxnResources012

Source Section

RnConnectionResourceUsageHistogramPerSector (RnConnectionResourceUsageMIB)

perSectorHistogramSampleCountForSimultCxnResources013

Per sector connection resources (MAC-Index) usage histogram.

Data Source

DO-EMS

Source Field

perSectorHistogramSampleCountForSimultCxnResources013

Source Section

RnConnectionResourceUsageHistogramPerSector (RnConnectionResourceUsageMIB)

perSectorHistogramSampleCountForSimultCxnResources014

Per sector connection resources (MAC-Index) usage histogram.

Data Source

DO-EMS

Source Field

perSectorHistogramSampleCountForSimultCxnResources014

Source Section

RnConnectionResourceUsageHistogramPerSector (RnConnectionResourceUsageMIB)

perSectorHistogramSampleCountForSimultCxnResources015

Per sector connection resources (MAC-Index) usage histogram.

Data Source

DO-EMS

Source Field

perSectorHistogramSampleCountForSimultCxnResources015

Source Section

RnConnectionResourceUsageHistogramPerSector (RnConnectionResourceUsageMIB)

perSectorHistogramSampleCountForSimultCxnResources016

Per sector connection resources (MAC-Index) usage histogram.

Data Source

DO-EMS

Source Field

perSectorHistogramSampleCountForSimultCxnResources016

Source Section

RnConnectionResourceUsageHistogramPerSector (RnConnectionResourceUsageMIB)

perSectorHistogramSampleCountForSimultCxnResources017

Per sector connection resources (MAC-Index) usage histogram.

Data Source

DO-EMS

Source Field

perSectorHistogramSampleCountForSimultCxnResources017

Source Section

RnConnectionResourceUsageHistogramPerSector (RnConnectionResourceUsageMIB)

perSectorHistogramSampleCountForSimultCxnResources018

Per sector connection resources (MAC-Index) usage histogram.

Data Source

DO-EMS

Source Field

perSectorHistogramSampleCountForSimultCxnResources018

Source Section

RnConnectionResourceUsageHistogramPerSector (RnConnectionResourceUsageMIB)

perSectorHistogramSampleCountForSimultCxnResources019

Per sector connection resources (MAC-Index) usage histogram.

Data Source

DO-EMS

Source Field

perSectorHistogramSampleCountForSimultCxnResources019

Source Section

RnConnectionResourceUsageHistogramPerSector (RnConnectionResourceUsageMIB)

perSectorHistogramSampleCountForSimultCxnResources020

Per sector connection resources (MAC-Index) usage histogram.

Data Source

DO-EMS

Source Field

perSectorHistogramSampleCountForSimultCxnResources020

Source Section

RnConnectionResourceUsageHistogramPerSector (RnConnectionResourceUsageMIB)

perSectorHistogramSampleCountForSimultCxnResources021

Per sector connection resources (MAC-Index) usage histogram.

Data Source

DO-EMS

Source Field

perSectorHistogramSampleCountForSimultCxnResources021

Source Section

RnConnectionResourceUsageHistogramPerSector (RnConnectionResourceUsageMIB)

perSectorHistogramSampleCountForSimultCxnResources022

Per sector connection resources (MAC-Index) usage histogram.

Data Source

DO-EMS

Source Field

perSectorHistogramSampleCountForSimultCxnResources022

Source Section

RnConnectionResourceUsageHistogramPerSector (RnConnectionResourceUsageMIB)

perSectorHistogramSampleCountForSimultCxnResources023

Per sector connection resources (MAC-Index) usage histogram.

Data Source

DO-EMS

Source Field

perSectorHistogramSampleCountForSimultCxnResources023

Source Section

RnConnectionResourceUsageHistogramPerSector (RnConnectionResourceUsageMIB)

perSectorHistogramSampleCountForSimultCxnResources024

Per sector connection resources (MAC-Index) usage histogram.

Data Source

DO-EMS

Source Field

perSectorHistogramSampleCountForSimultCxnResources024

Source Section

RnConnectionResourceUsageHistogramPerSector (RnConnectionResourceUsageMIB)

perSectorHistogramSampleCountForSimultCxnResources025

Per sector connection resources (MAC-Index) usage histogram.

Data Source

DO-EMS

Source Field

perSectorHistogramSampleCountForSimultCxnResources025

Source Section

RnConnectionResourceUsageHistogramPerSector (RnConnectionResourceUsageMIB)

perSectorHistogramSampleCountForSimultCxnResources026

Per sector connection resources (MAC-Index) usage histogram.

Data Source

DO-EMS

Source Field

perSectorHistogramSampleCountForSimultCxnResources026

Source Section

RnConnectionResourceUsageHistogramPerSector (RnConnectionResourceUsageMIB)

perSectorHistogramSampleCountForSimultCxnResources027

Per sector connection resources (MAC-Index) usage histogram.

Data Source

DO-EMS

Source Field

perSectorHistogramSampleCountForSimultCxnResources027

Source Section

RnConnectionResourceUsageHistogramPerSector (RnConnectionResourceUsageMIB)

perSectorHistogramSampleCountForSimultCxnResources028

Per sector connection resources (MAC-Index) usage histogram.

Data Source

DO-EMS

Source Field

perSectorHistogramSampleCountForSimultCxnResources028

Source Section

RnConnectionResourceUsageHistogramPerSector (RnConnectionResourceUsageMIB)

perSectorHistogramSampleCountForSimultCxnResources029

Per sector connection resources (MAC-Index) usage histogram.

Data Source

DO-EMS

Source Field

perSectorHistogramSampleCountForSimultCxnResources029

Source Section

RnConnectionResourceUsageHistogramPerSector (RnConnectionResourceUsageMIB)

perSectorHistogramSampleCountForSimultCxnResources030

Per sector connection resources (MAC-Index) usage histogram.

Data Source

DO-EMS

Source Field

perSectorHistogramSampleCountForSimultCxnResources030

Source Section

RnConnectionResourceUsageHistogramPerSector (RnConnectionResourceUsageMIB)

perSectorHistogramSampleCountForSimultCxnResources031

Per sector connection resources (MAC-Index) usage histogram.

Data Source

DO-EMS

Source Field

perSectorHistogramSampleCountForSimultCxnResources031

Source Section

RnConnectionResourceUsageHistogramPerSector (RnConnectionResourceUsageMIB)

perSectorHistogramSampleCountForSimultCxnResources032

Per sector connection resources (MAC-Index) usage histogram.

Data Source

DO-EMS

Source Field

perSectorHistogramSampleCountForSimultCxnResources032

Source Section

RnConnectionResourceUsageHistogramPerSector (RnConnectionResourceUsageMIB)

perSectorHistogramSampleCountForSimultCxnResources033

Per sector connection resources (MAC-Index) usage histogram.

Data Source

DO-EMS

Source Field

perSectorHistogramSampleCountForSimultCxnResources033

Source Section

RnConnectionResourceUsageHistogramPerSector (RnConnectionResourceUsageMIB)

perSectorHistogramSampleCountForSimultCxnResources034

Per sector connection resources (MAC-Index) usage histogram.

Data Source

DO-EMS

Source Field

perSectorHistogramSampleCountForSimultCxnResources034

Source Section

RnConnectionResourceUsageHistogramPerSector (RnConnectionResourceUsageMIB)

perSectorHistogramSampleCountForSimultCxnResources035

Per sector connection resources (MAC-Index) usage histogram.

Data Source

DO-EMS

Source Field

perSectorHistogramSampleCountForSimultCxnResources035

Source Section

RnConnectionResourceUsageHistogramPerSector (RnConnectionResourceUsageMIB)

perSectorHistogramSampleCountForSimultCxnResources036

Per sector connection resources (MAC-Index) usage histogram.

Data Source

DO-EMS

Source Field

perSectorHistogramSampleCountForSimultCxnResources036

Source Section

RnConnectionResourceUsageHistogramPerSector (RnConnectionResourceUsageMIB)

perSectorHistogramSampleCountForSimultCxnResources037

Per sector connection resources (MAC-Index) usage histogram.

Data Source

DO-EMS

Source Field

perSectorHistogramSampleCountForSimultCxnResources037

Source Section

RnConnectionResourceUsageHistogramPerSector (RnConnectionResourceUsageMIB)

perSectorHistogramSampleCountForSimultCxnResources038

Per sector connection resources (MAC-Index) usage histogram.

Data Source

DO-EMS

Source Field

perSectorHistogramSampleCountForSimultCxnResources038

Source Section

RnConnectionResourceUsageHistogramPerSector (RnConnectionResourceUsageMIB)

perSectorHistogramSampleCountForSimultCxnResources039

Per sector connection resources (MAC-Index) usage histogram.

Data Source

DO-EMS

Source Field

perSectorHistogramSampleCountForSimultCxnResources039

Source Section

RnConnectionResourceUsageHistogramPerSector (RnConnectionResourceUsageMIB)

perSectorHistogramSampleCountForSimultCxnResources040

Per sector connection resources (MAC-Index) usage histogram.

Data Source

DO-EMS

Source Field

perSectorHistogramSampleCountForSimultCxnResources040

Source Section

RnConnectionResourceUsageHistogramPerSector (RnConnectionResourceUsageMIB)

perSectorHistogramSampleCountForSimultCxnResources041

Per sector connection resources (MAC-Index) usage histogram.

Data Source

DO-EMS

Source Field

perSectorHistogramSampleCountForSimultCxnResources041

Source Section

RnConnectionResourceUsageHistogramPerSector (RnConnectionResourceUsageMIB)

perSectorHistogramSampleCountForSimultCxnResources042

Per sector connection resources (MAC-Index) usage histogram.

Data Source

DO-EMS

Source Field

perSectorHistogramSampleCountForSimultCxnResources042

Source Section

RnConnectionResourceUsageHistogramPerSector (RnConnectionResourceUsageMIB)

perSectorHistogramSampleCountForSimultCxnResources043

Per sector connection resources (MAC-Index) usage histogram.

Data Source

DO-EMS

Source Field

perSectorHistogramSampleCountForSimultCxnResources043

Source Section

RnConnectionResourceUsageHistogramPerSector (RnConnectionResourceUsageMIB)

perSectorHistogramSampleCountForSimultCxnResources044

Per sector connection resources (MAC-Index) usage histogram.

Data Source

DO-EMS

Source Field

perSectorHistogramSampleCountForSimultCxnResources044

Source Section

RnConnectionResourceUsageHistogramPerSector (RnConnectionResourceUsageMIB)

perSectorHistogramSampleCountForSimultCxnResources045

Per sector connection resources (MAC-Index) usage histogram.

Data Source

DO-EMS

Source Field

perSectorHistogramSampleCountForSimultCxnResources045

Source Section

RnConnectionResourceUsageHistogramPerSector (RnConnectionResourceUsageMIB)

perSectorHistogramSampleCountForSimultCxnResources046

Per sector connection resources (MAC-Index) usage histogram.

Data Source

DO-EMS

Source Field

perSectorHistogramSampleCountForSimultCxnResources046

Source Section

RnConnectionResourceUsageHistogramPerSector (RnConnectionResourceUsageMIB)

perSectorHistogramSampleCountForSimultCxnResources047

Per sector connection resources (MAC-Index) usage histogram.

Data Source

DO-EMS

Source Field

perSectorHistogramSampleCountForSimultCxnResources047

Source Section

RnConnectionResourceUsageHistogramPerSector (RnConnectionResourceUsageMIB)

perSectorHistogramSampleCountForSimultCxnResources048

Per sector connection resources (MAC-Index) usage histogram.

Data Source

DO-EMS

Source Field

perSectorHistogramSampleCountForSimultCxnResources048

Source Section

RnConnectionResourceUsageHistogramPerSector (RnConnectionResourceUsageMIB)

perSectorHistogramSampleCountForSimultCxnResources049

Per sector connection resources (MAC-Index) usage histogram.

Data Source

DO-EMS

Source Field

perSectorHistogramSampleCountForSimultCxnResources049

Source Section

RnConnectionResourceUsageHistogramPerSector (RnConnectionResourceUsageMIB)

perSectorHistogramSampleCountForSimultCxnResources050

Per sector connection resources (MAC-Index) usage histogram.

Data Source

DO-EMS

Source Field

perSectorHistogramSampleCountForSimultCxnResources050

Source Section

RnConnectionResourceUsageHistogramPerSector (RnConnectionResourceUsageMIB)

perSectorHistogramSampleCountForSimultCxnResources051

Per sector connection resources (MAC-Index) usage histogram.

Data Source

DO-EMS

Source Field

perSectorHistogramSampleCountForSimultCxnResources051

Source Section

RnConnectionResourceUsageHistogramPerSector (RnConnectionResourceUsageMIB)

perSectorHistogramSampleCountForSimultCxnResources052

Per sector connection resources (MAC-Index) usage histogram.

Data Source

DO-EMS

Source Field

perSectorHistogramSampleCountForSimultCxnResources052

Source Section

RnConnectionResourceUsageHistogramPerSector (RnConnectionResourceUsageMIB)

perSectorHistogramSampleCountForSimultCxnResources053

Per sector connection resources (MAC-Index) usage histogram.

Data Source

DO-EMS

Source Field

perSectorHistogramSampleCountForSimultCxnResources053

Source Section

RnConnectionResourceUsageHistogramPerSector (RnConnectionResourceUsageMIB)

perSectorHistogramSampleCountForSimultCxnResources054

Per sector connection resources (MAC-Index) usage histogram.

Data Source

DO-EMS

Source Field

perSectorHistogramSampleCountForSimultCxnResources054

Source Section

RnConnectionResourceUsageHistogramPerSector (RnConnectionResourceUsageMIB)

perSectorHistogramSampleCountForSimultCxnResources055

Per sector connection resources (MAC-Index) usage histogram.

Data Source

DO-EMS

Source Field

perSectorHistogramSampleCountForSimultCxnResources055

Source Section

RnConnectionResourceUsageHistogramPerSector (RnConnectionResourceUsageMIB)

perSectorHistogramSampleCountForSimultCxnResources056

Per sector connection resources (MAC-Index) usage histogram.

Data Source

DO-EMS

Source Field

perSectorHistogramSampleCountForSimultCxnResources056

Source Section

RnConnectionResourceUsageHistogramPerSector (RnConnectionResourceUsageMIB)

perSectorHistogramSampleCountForSimultCxnResources057

Per sector connection resources (MAC-Index) usage histogram.

Data Source

DO-EMS

Source Field

perSectorHistogramSampleCountForSimultCxnResources057

Source Section

RnConnectionResourceUsageHistogramPerSector (RnConnectionResourceUsageMIB)

perSectorHistogramSampleCountForSimultCxnResources058

Per sector connection resources (MAC-Index) usage histogram.

Data Source

DO-EMS

Source Field

perSectorHistogramSampleCountForSimultCxnResources058

Source Section

RnConnectionResourceUsageHistogramPerSector (RnConnectionResourceUsageMIB)

perSectorHistogramSampleCountForSimultCxnResources059

Per sector connection resources (MAC-Index) usage histogram.

Data Source

DO-EMS

Source Field

perSectorHistogramSampleCountForSimultCxnResources059

Source Section

RnConnectionResourceUsageHistogramPerSector (RnConnectionResourceUsageMIB)

perSectorHistogramSamplePeriod

The time interval between two resource usage histogram samples.

Data Source

DO-EMS

Source Field

perSectorHistogramSamplePeriod

Source Section

RnConnectionResourceUsageHistogramPerSector (RnConnectionResourceUsageMIB)

perSectorMaxCxnResources

The maximum number of simultaneous Traffic Channels allowed by the modem driver excluding the MAC indexes for the Control Channel in each sector.

Data Source

DO-EMS

Source Field

perSectorMaxCxnResources

Source Section

RnConnectionResourceUsageHistogramPerSector (RnConnectionResourceUsageMIB)

perSectorMaxMacIndices

This attribute indicates the maximum number of MAC indices allowed by the modem driver excluding the MAC indices for the Control Channel in each sector. It is the maximum number of simultaneous Traffic Channels supportable in the sector.

Data Source

DO-EMS

Source Field

perSectorMaxMacIndices

Source Section

RnAConnectionResourceUsageHistogramPerSector (RnConnectionResourceUsageMib)

perSectorMaxRev0MacIndices

This attribute indicates the maximum number of MAC indices allowed by the modem driver excluding the MAC indices for the Control Channel in each sector. It is the maximum number of simultaneous Traffic Channels supportable in the sector.

Data Source

DO-EMS

Source Field

perSectorMaxRev0MacIndices

Source Section

Rn0ConnectionResourceUsageHistogramPerSector (RnConnectionResourceUsageMib)

perSectorRev0ConnBlksNoMacIdx

This attribute specifies the number of resources requests, both during initial connection setup and/or soft handoff when the connection is open, that are blocked at DOM-0 because of no available connection resources (MAC-Indices) on this sector-element.

Data Source

DO-EMS

Source Field

perSectorRev0ConnBlksNoMacIdx

Source Section

Rn0ConnectionResourceUsageHistogramPerSector (RnConnectionResourceUsageMib)

perSectorRev0RUHistBin000

The number of samples for which 0 to 4 simultaneous per sector DOM-0 connection resources (MAC-Indices) were in use. The MAC-Index allocated to the Control Channel is not included.

Data Source

DO-EMS

Source Field

perSectorRev0RUHistBin000

Source Section

Rn0ConnectionResourceUsageHistogramPerSector (RnConnectionResourceUsageMib)

perSectorRev0RUHistBin005

The number of samples for which 5 to 9 simultaneous per sector DOM-0 connection resources (MAC-Indices) were in use. The MAC-Index allocated to the Control Channel is not included.

Data Source

DO-EMS

Source Field

perSectorRev0RUHistBin005

Source Section

Rn0ConnectionResourceUsageHistogramPerSector (RnConnectionResourceUsageMib)

perSectorRev0RUHistBin010

The number of samples for which 10 to 14 simultaneous per sector DOM-0 connection resources (MAC-Indices) were in use. The MAC-Index allocated to the Control Channel is not included.

Data Source

DO-EMS

Source Field

perSectorRev0RUHistBin010

Source Section

Rn0ConnectionResourceUsageHistogramPerSector (RnConnectionResourceUsageMib)

perSectorRev0RUHistBin015

The number of samples for which 15 to 19 simultaneous per sector DOM-0 connection resources (MAC-Indices) were in use. The MAC-Index allocated to the Control Channel is not included.

Data Source

DO-EMS

Source Field

perSectorRev0RUHistBin015

Source Section

Rn0ConnectionResourceUsageHistogramPerSector (RnConnectionResourceUsageMib)

perSectorRev0RUHistBin020

The number of samples for which 20 to 24 simultaneous per sector DOM-0 connection resources (MAC-Indices) were in use. The MAC-Index allocated to the Control Channel is not included.

Data Source

DO-EMS

Source Field

perSectorRev0RUHistBin020

Source Section

Rn0ConnectionResourceUsageHistogramPerSector (RnConnectionResourceUsageMib)

perSectorRev0RUHistBin025

The number of samples for which 25 to 29 simultaneous per sector DOM-0 connection resources (MAC-Indices) were in use. The MAC-Index allocated to the Control Channel is not included.

Data Source

DO-EMS

Source Field

perSectorRev0RUHistBin025

Source Section

Rn0ConnectionResourceUsageHistogramPerSector (RnConnectionResourceUsageMib)

perSectorRev0RUHistBin030

The number of samples for which 30 to 34 simultaneous per sector DOM-0 connection resources (MAC-Indices) were in use. The MAC-Index allocated to the Control Channel is not included.

Data Source

DO-EMS

Source Field

perSectorRev0RUHistBin030

Source Section

Rn0ConnectionResourceUsageHistogramPerSector (RnConnectionResourceUsageMib)

perSectorRev0RUHistBin035

The number of samples for which 35 to 39 simultaneous per sector DOM-0 connection resources (MAC-Indices) were in use. The MAC-Index allocated to the Control Channel is not included.

Data Source

DO-EMS

Source Field

perSectorRev0RUHistBin035

Source Section

Rn0ConnectionResourceUsageHistogramPerSector (RnConnectionResourceUsageMib)

perSectorRev0RUHistBin040

The number of samples for which 40 to 44 simultaneous per sector DOM-0 connection resources (MAC-Indices) were in use. The MAC-Index allocated to the Control Channel is not included.

Data Source

DO-EMS

Source Field

perSectorRev0RUHistBin040

Source Section

Rn0ConnectionResourceUsageHistogramPerSector (RnConnectionResourceUsageMib)

perSectorRev0RUHistBin045

The number of samples for which 45 to 49 simultaneous per sector DOM-0 connection resources (MAC-Indices) were in use. The MAC-Index allocated to the Control Channel is not included.

Data Source

DO-EMS

Source Field

perSectorRev0RUHistBin045

Source Section

Rn0ConnectionResourceUsageHistogramPerSector (RnConnectionResourceUsageMib)

perSectorRev0RUHistBin050

The number of samples for which 50 to 54 simultaneous per sector DOM-0 connection resources (MAC-Indices) were in use. The MAC-Index allocated to the Control Channel is not included.

Data Source

DO-EMS

Source Field

perSectorRev0RUHistBin050

Source Section

Rn0ConnectionResourceUsageHistogramPerSector (RnConnectionResourceUsageMib)

perSectorRev0RUHistBin055

The number of samples for which 55 to 59 simultaneous per sector DOM-0 connection resources (MAC-Indices) were in use. The MAC-Index allocated to the Control Channel is not included.

Data Source

DO-EMS

Source Field

perSectorRev0RUHistBin055

Source Section

Rn0ConnectionResourceUsageHistogramPerSector (RnConnectionResourceUsageMib)

perSectorRev0SamplePeriod

The time interval between two resource usage histogram samples. This is the same as the attribute histogramSamplePeriod. Unit : Second.

Data Source

DO-EMS

Source Field

perSectorRev0SamplePeriod

Source Section

Rn0ConnectionResourceUsageHistogramPerSector (RnConnectionResourceUsageMib)

perSectorRUHistBin000

The number of samples for which 0 to 4 simultaneous per sector connection resources (MAC-Indices) were in use. The MAC-Index allocated to the Control Channel is not included. The connection resources can be used by Rev-0 and /or Rev-A connections.

Data Source

DO-EMS

Source Field

perSectorRUHistBin000

Source Section

RnAConnectionResourceUsageHistogramPerSector (RnConnectionResourceUsageMib)

perSectorRUHistBin005

The number of samples for which 5 to 9 simultaneous per sector connection resources (MAC-Indices) were in use. The MAC-Index allocated to the Control Channel is not included. The connection resources can be used by Rev-0 and /or Rev-A connections.

Data Source

DO-EMS

Source Field

perSectorRUHistBin005

Source Section

RnAConnectionResourceUsageHistogramPerSector (RnConnectionResourceUsageMib)

perSectorRUHistBin010

The number of samples for which 10 to 14 simultaneous per sector connection resources (MAC-Indices) were in use. The MAC-Index allocated to the Control Channel is not included. The connection resources can be used by Rev-0 and /or Rev-A connections.

Data Source

DO-EMS

Source Field

perSectorRUHistBin010

Source Section

RnAConnectionResourceUsageHistogramPerSector (RnConnectionResourceUsageMib)

perSectorRUHistBin015

The number of samples for which 15 to 19 simultaneous per sector connection resources (MAC-Indices) were in use. The MAC-Index allocated to the Control Channel is not included. The connection resources can be used by Rev-0 and /or Rev-A connections.

Data Source

DO-EMS

Source Field

perSectorRUHistBin015

Source Section

RnAConnectionResourceUsageHistogramPerSector (RnConnectionResourceUsageMib)

perSectorRUHistBin020

The number of samples for which 20 to 24 simultaneous per sector connection resources (MAC-Indices) were in use. The MAC-Index allocated to the Control Channel is not included. The connection resources can be used by Rev-0 and /or Rev-A connections.

Data Source

DO-EMS

Source Field

perSectorRUHistBin020

Source Section

RnAConnectionResourceUsageHistogramPerSector (RnConnectionResourceUsageMib)

perSectorRUHistBin025

The number of samples for which 25 to 29 simultaneous per sector connection resources (MAC-Indices) were in use. The MAC-Index allocated to the Control Channel is not included. The connection resources can be used by Rev-0 and /or Rev-A connections.

Data Source

DO-EMS

Source Field

perSectorRUHistBin025

Source Section

RnAConnectionResourceUsageHistogramPerSector (RnConnectionResourceUsageMib)

perSectorRUHistBin030

The number of samples for which 30 to 34 simultaneous per sector connection resources (MAC-Indices) were in use. The MAC-Index allocated to the Control Channel is not included. The connection resources can be used by Rev-0 and /or Rev-A connections.

Data Source

DO-EMS

Source Field

perSectorRUHistBin030

Source Section

RnAConnectionResourceUsageHistogramPerSector (RnConnectionResourceUsageMib)

perSectorRUHistBin035

The number of samples for which 35 to 39 simultaneous per sector connection resources (MAC-Indices) were in use. The MAC-Index allocated to the Control Channel is not included. The connection resources can be used by Rev-0 and /or Rev-A connections.

Data Source

DO-EMS

Source Field

perSectorRUHistBin035

Source Section

RnAConnectionResourceUsageHistogramPerSector (RnConnectionResourceUsageMib)

perSectorRUHistBin040

The number of samples for which 40 to 44 simultaneous per sector connection resources (MAC-Indices) were in use. The MAC-Index allocated to the Control Channel is not included. The connection resources can be used by Rev-0 and /or Rev-A connections.

Data Source

DO-EMS

Source Field

perSectorRUHistBin040

Source Section

RnAConnectionResourceUsageHistogramPerSector (RnConnectionResourceUsageMib)

perSectorRUHistBin045

The number of samples for which 45 to 49 simultaneous per sector connection resources (MAC-Indices) were in use. The MAC-Index allocated to the Control Channel is not included. The connection resources can be used by Rev-0 and /or Rev-A connections.

Data Source

DO-EMS

Source Field

perSectorRUHistBin045

Source Section

RnAConnectionResourceUsageHistogramPerSector (RnConnectionResourceUsageMib)

perSectorRUHistBin050

The number of samples for which 50 to 54 simultaneous per sector connection resources (MAC-Indices) were in use. The MAC-Index allocated to the Control Channel is not included. The connection resources can be used by Rev-0 and /or Rev-A connections.

Data Source

DO-EMS

Source Field

perSectorRUHistBin050

Source Section

RnAConnectionResourceUsageHistogramPerSector (RnConnectionResourceUsageMib)

perSectorRUHistBin055

The number of samples for which 55 to 59 simultaneous per sector connection resources (MAC-Indices) were in use. The MAC-Index allocated to the Control Channel is not included. The connection resources can be used by Rev-0 and /or Rev-A connections.

Data Source

DO-EMS

Source Field

perSectorRUHistBin055

Source Section

RnAConnectionResourceUsageHistogramPerSector (RnConnectionResourceUsageMib)

perSectorRUHistBin060

The number of samples for which 60 to 64 simultaneous per sector connection resources (MAC-Indices) were in use. The MAC-Index allocated to the Control Channel is not included. The connection resources can be used by Rev-0 and /or Rev-A connections.

Data Source

DO-EMS

Source Field

perSectorRUHistBin060

Source Section

RnAConnectionResourceUsageHistogramPerSector (RnConnectionResourceUsageMib)

perSectorRUHistBin065

The number of samples for which 65 to 69 simultaneous per sector connection resources (MAC-Indices) were in use. The MAC-Index allocated to the Control Channel is not included. The connection resources can be used by Rev-0 and /or Rev-A connections.

Data Source

DO-EMS

Source Field

perSectorRUHistBin065

Source Section

RnAConnectionResourceUsageHistogramPerSector (RnConnectionResourceUsageMib)

perSectorRUHistBin070

The number of samples for which 70 to 74 simultaneous per sector connection resources (MAC-Indices) were in use. The MAC-Index allocated to the Control Channel is not included. The connection resources can be used by Rev-0 and /or Rev-A connections.

Data Source

DO-EMS

Source Field

perSectorRUHistBin070

Source Section

RnAConnectionResourceUsageHistogramPerSector (RnConnectionResourceUsageMib)

perSectorRUHistBin075

The number of samples for which 75 to 79 simultaneous per sector connection resources (MAC-Indices) were in use. The MAC-Index allocated to the Control Channel is not included. The connection resources can be used by Rev-0 and /or Rev-A connections.

Data Source

DO-EMS

Source Field

perSectorRUHistBin075

Source Section

RnAConnectionResourceUsageHistogramPerSector (RnConnectionResourceUsageMib)

perSectorRUHistBin080

The number of samples for which 80 to 84 simultaneous per sector connection resources (MAC-Indices) were in use. The MAC-Index allocated to the Control Channel is not included. The connection resources can be used by Rev-0 and /or Rev-A connections.

Data Source

DO-EMS

Source Field

perSectorRUHistBin080

Source Section

RnAConnectionResourceUsageHistogramPerSector (RnConnectionResourceUsageMib)

perSectorRUHistBin085

The number of samples for which 85 to 89 simultaneous per sector connection resources (MAC-Indices) were in use. The MAC-Index allocated to the Control Channel is not included. The connection resources can be used by Rev-0 and /or Rev-A connections.

Data Source

DO-EMS

Source Field

perSectorRUHistBin085

Source Section

RnAConnectionResourceUsageHistogramPerSector (RnConnectionResourceUsageMib)

perSectorRUHistBin090

The number of samples for which 90 to 94 simultaneous per sector connection resources (MAC-Indices) were in use. The MAC-Index allocated to the Control Channel is not included. The connection resources can be used by Rev-0 and /or Rev-A connections.

Data Source

DO-EMS

Source Field

perSectorRUHistBin090

Source Section

RnAConnectionResourceUsageHistogramPerSector (RnConnectionResourceUsageMib)

perSectorRUHistBin095

The number of samples for which 95 to 99 simultaneous per sector connection resources (MAC-Indices) were in use. The MAC-Index allocated to the Control Channel is not included. The connection resources can be used by Rev-0 and /or Rev-A connections.

Data Source

DO-EMS

Source Field

perSectorRUHistBin095

Source Section

RnAConnectionResourceUsageHistogramPerSector (RnConnectionResourceUsageMib)

perSectorRUHistBin100

The number of samples for which 100 to 104 simultaneous per sector connection resources (MAC-Indices) were in use. The MAC-Index allocated to the Control Channel is not included. The connection resources can be used by Rev-0 and /or Rev-A connections.

Data Source

DO-EMS

Source Field

perSectorRUHistBin100

Source Section

RnAConnectionResourceUsageHistogramPerSector (RnConnectionResourceUsageMib)

perSectorRUHistBin105

The number of samples for which 105 to 109 simultaneous per sector connection resources (MAC-Indices) were in use. The MAC-Index allocated to the Control Channel is not included. The connection resources can be used by Rev-0 and /or Rev-A connections.

Data Source

DO-EMS

Source Field

perSectorRUHistBin105

Source Section

RnAConnectionResourceUsageHistogramPerSector (RnConnectionResourceUsageMib)

perSectorRUHistBin110

The number of samples for which 110 to 114 simultaneous per sector connection resources (MAC-Indices) were in use. The MAC-Index allocated to the Control Channel is not included. The connection resources can be used by Rev-0 and /or Rev-A connections.

Data Source

DO-EMS

Source Field

perSectorRUHistBin110

Source Section

RnAConnectionResourceUsageHistogramPerSector (RnConnectionResourceUsageMib)

perSectorRUHistBin115

The number of samples for which 115 simultaneous per sector connection resources (MAC-Indices) were in use. The MAC-Index allocated to the Control Channel is not included. The connection resources can be used by Rev-0 and /or Rev-A connections.

Data Source

DO-EMS

Source Field

perSectorRUHistBin115

Source Section

RnAConnectionResourceUsageHistogramPerSector (RnConnectionResourceUsageMib)

perSectorSamplePeriod

The time interval between two resource usage histogram samples. This is the same as the attribute histogramSamplePeriod. Unit : Second.

Data Source

DO-EMS

Source Field

perSectorSamplePeriod

Source Section

RnAConnectionResourceUsageHistogramPerSector (RnConnectionResourceUsageMib)

pnOffsetSC

PN Offset of the Sector-Carrier.

Data Source

DO-EMS

Source Field

pnOffsetSC

Source Section

RNCPerfBySectorCarrier (RncIS856PerfMIB)

pnOffsetSSC

PN Offset of the Sector-Carrier (from template RNC_ISSHO_PerfBySecondarySectorCarrier).

Data Source

DO-EMS

Source Field

pnOffsetSSC

Source Section

RNCISSHOPerfBySecondarySectorCarrier (RncIS856PerfMIB)

rabSetRate

The fraction of slots where the RAB was set in thousands of percent for the specific sector. A high value of this OM indicates high sector loading.

Data Source

DO-EMS

Source Field

rabSetRate

Source Section

RnSectorSignalQuality (RnPerformanceMIB)

rlSectorFilteredBEROT

This OM represents the reverse link filtered ROT caused by best effort traffic in a sector. The unit is in 1/8 dB.

Data Source

DO-EMS

Source Field

rlSectorFilteredBEROT

Source Section

RnSectorSignalQuality (RnPerformanceMIB)

rlSectorFilteredLoad

Filtered load values in eighth dB, at each antenna port for the specific sector. This OM is available on the DOM-A only.

Data Source

DO-EMS

Source Field

rlSectorFilteredLoad

Source Section

RnSectorSignalQuality (RnPerformanceMIB)

rlSectorFilterednonBEROT

This OM represents the reverse link filtered ROT caused by non best effort traffic in a sector. The unit is in 1/8 dB.

Data Source

DO-EMS

Source Field

rlSectorFilterednonBEROT

Source Section

RnSectorSignalQuality (RnPerformanceMIB)

rlSectorFilteredROT

Filtered Rise over thermal (ROT) values in eighth dB, at each antenna port for the specific sector. This OM is available only on the DOM-A.

Data Source

DO-EMS

Source Field

rlSectorFilteredROT

Source Section

RnSectorSignalQuality (RnPerformanceMIB)

rlSectorNumDrcSlots_PacketRate01

Number of times for which this rate was requested from this sector by all the active ATs with a data rate of 38.4Kbps

Data Source

DO-EMS

Source Field

rlSectorNumDrcSlots where PacketRate=1

Source Section

RnSectorFtcStats (AirvanaRnPerformanceMIB)

rlSectorNumDrcSlots_PacketRate02

Number of times for which this rate was requested from this sector by all the active ATs with a data rate of 76.8Kbps

Data Source

DO-EMS

Source Field

rlSectorNumDrcSlots where PacketRate=2

Source Section

RnSectorFtcStats (AirvanaRnPerformanceMIB)

rlSectorNumDrcSlots_PacketRate03

Number of times for which this rate was requested from this sector by all the active ATs with a data rate of 153.6Kbps

Data Source

DO-EMS

Source Field

rlSectorNumDrcSlots where PacketRate=3

Source Section

RnSectorFtcStats (AirvanaRnPerformanceMIB)

rlSectorNumDrcSlots_PacketRate04

Number of times for which this rate was requested from this sector by all the active ATs with a data rate of 307.2Kbps (short)

Data Source

DO-EMS

Source Field

rlSectorNumDrcSlots where PacketRate=4

Source Section

RnSectorFtcStats (AirvanaRnPerformanceMIB)

rlSectorNumDrcSlots_PacketRate05

Number of times for which this rate was requested from this sector by all the active ATs with a data rate of 307.2Kbps (long)

Data Source

DO-EMS

Source Field

rlSectorNumDrcSlots where PacketRate=5

Source Section

RnSectorFtcStats (AirvanaRnPerformanceMIB)

rlSectorNumDrcSlots_PacketRate06

Number of times for which this rate was requested from this sector by all the active ATs with a data rate of 614.4Kbps (short)

Data Source

DO-EMS

Source Field

rlSectorNumDrcSlots where PacketRate=6

Source Section

RnSectorFtcStats (AirvanaRnPerformanceMIB)

rlSectorNumDrcSlots_PacketRate07

Number of times for which this rate was requested from this sector by all the active ATs with a data rate of 614.4Kbps (long)

Data Source

DO-EMS

Source Field

rlSectorNumDrcSlots where PacketRate=7

Source Section

RnSectorFtcStats (AirvanaRnPerformanceMIB)

rlSectorNumDrcSlots_PacketRate08

Number of times for which this rate was requested from this sector by all the active ATs with a data rate of 921.6Kbps

Data Source

DO-EMS

Source Field

rlSectorNumDrcSlots where PacketRate=8

Source Section

RnSectorFtcStats (AirvanaRnPerformanceMIB)

rlSectorNumDrcSlots_PacketRate09

Number of times for which this rate was requested from this sector by all the active ATs with a data rate of 1228.8Kbps (short)

Data Source

DO-EMS

Source Field

rlSectorNumDrcSlots where PacketRate=9

Source Section

RnSectorFtcStats (AirvanaRnPerformanceMIB)

rlSectorNumDrcSlots_PacketRate10

Number of times for which this rate was requested from this sector by all the active ATs with a data rate of 1228.8Kbps (long)

Data Source

DO-EMS

Source Field

rlSectorNumDrcSlots where PacketRate=10

Source Section

RnSectorFtcStats (AirvanaRnPerformanceMIB)

rlSectorNumDrcSlots_PacketRate11

Number of times for which this rate was requested from this sector by all the active ATs with a data rate of 1843.2Kbps

Data Source

DO-EMS

Source Field

rlSectorNumDrcSlots where PacketRate=11

Source Section

RnSectorFtcStats (AirvanaRnPerformanceMIB)

rlSectorNumDrcSlots_PacketRate12

Number of times for which this rate was requested from this sector by all the active ATs with a data rate of 2457.6Kbps

Data Source

DO-EMS

Source Field

rlSectorNumDrcSlots where PacketRate=12

Source Section

RnSectorFtcStats (AirvanaRnPerformanceMIB)

rlSectorNumDrcSlots_PacketRate13

Number of times for which this rate was requested from this sector by all the active ATs with a data rate of 1536Kbps

Data Source

DO-EMS

Source Field

rlSectorNumDrcSlots where PacketRate=13

Source Section

RnSectorFtcStats (AirvanaRnPerformanceMIB)

rlSectorNumDrcSlots_PacketRate14

Number of times for which this rate was requested from this sector by all the active ATs with a data rate of 3072Kbps

Data Source

DO-EMS

Source Field

rlSectorNumDrcSlots where PacketRate=14

Source Section

RnSectorFtcStats (AirvanaRnPerformanceMIB)

rlSectorThroughputMac

The total reverse link MAC-layer throughput experienced by this sector

Data Source

DO-EMS

Source Field

rlSectorThroughputMac

Source Section

RnSectorPerf (AirvanaRnPerformanceMIB)

rlSectorThroughputPhy

The total reverse link PHY-layer throughput experienced by this sector

Data Source

DO-EMS

Source Field

rlSectorThroughputPhy

Source Section

RnSectorPerf (AirvanaRnPerformanceMIB)

rnIpAddressSC

Primary DOM IP address.

Data Source

DO-EMS

Source Field

rnIpAddressSC

Source Section

RNCPerfBySectorCarrier (RncIS856PerfMIB)

rnIpAddressSSC

Secondary DOM IP address.

Data Source

DO-EMS

Source Field

rnIpAddressSSC

Source Section

RNCISSHOPerfBySecondarySectorCarrier (RncIS856PerfMIB)

rnPerformaceSectorAchTableAchCapsuleRate

rnPerformaceSectorAchTableAchCapsuleRate index

Data Source

DO-EMS

Source Field

rnPerformaceSectorAchTableAchCapsuleRate

Source Section

RnSector_AchStats (AirvanaRnPerformanceMIB)

rnPerformanceSectorAchTableAchCapsuleSize

rnPerformanceSectorAchTableAchCapsuleSize index

Data Source

DO-EMS

Source Field

rnPerformanceSectorAchTableAchCapsuleSize

Source Section

RnSector_AchStats (AirvanaRnPerformanceMIB)

rnPerformanceSectorAchTableSEI

rnPerformanceSectorAchTableSEI index

Data Source

DO-EMS

Source Field

rnPerformanceSectorAchTableSEI

Source Section

RnSector_AchStats (AirvanaRnPerformanceMIB)

rnPerformanceSectorCchTableCchCapsuleSize

rnPerformanceSectorCchTableCchCapsuleSize index

Data Source

DO-EMS

Source Field

rnPerformanceSectorCchTableCchCapsuleSize

Source Section

RnSectorCchStats (AirvanaRnPerformanceMIB)

rnPerformanceSectorCchTableSEI

rnPerformanceSectorCchTableSEI index

Data Source

DO-EMS

Source Field

rnPerformanceSectorCchTableSEI

Source Section

RnSectorCchStats (AirvanaRnPerformanceMIB)

rnPerformanceSectorFtcTableFtcPacketRate

rnPerformanceSectorFtcTableFtcPacketRate index

Data Source

DO-EMS

Source Field

rnPerformanceSectorFtcTableFtcPacketRate

Source Section

RnSectorFtcStats (AirvanaRnPerformanceMIB)

rnPerformanceSectorFtcTableSEI

rnPerformanceSectorFtcTableSEI index

Data Source

DO-EMS

Source Field

rnPerformanceSectorFtcTableSEI

Source Section

RnSectorFtcStats (AirvanaRnPerformanceMIB)

rnPerformanceSectorRtcTableRtcPacketRate

rnPerformanceSectorRtcTableRtcPacketRate index

Data Source

DO-EMS

Source Field

rnPerformanceSectorRtcTableRtcPacketRate

Source Section

RnSectorRtcStats (AirvanaRnPerformanceMIB)

rnPerformanceSectorRtcTableRtcPacketsInterlace

rnPerformanceSectorRtcTableRtcPacketsInterlace index

Data Source

DO-EMS

Source Field

rnPerformanceSectorRtcTableRtcPacketsInterlace

Source Section

RnSector_RtcStats (AirvanaRnPerformanceMIB)

rnPerformanceSectorRtcTableSEI

rnPerformanceSectorRtcTableSEI index

Data Source

DO-EMS

Source Field

rnPerformanceSectorRtcTableSEI

Source Section

RnSectorRtcStats (AirvanaRnPerformanceMIB)

rnPerformanceSectorStatisticsTableSEI

rnPerformanceSectorStatisticsTableSEI index

Data Source

DO-EMS

Source Field

rnPerformanceSectorStatisticsTableSEI

Source Section

RnSectorPerf (AirvanaRnPerformanceMIB)

rotPerClassNumAttempts_New_BE

Number of times when DOM admission control applied ROT constraint check for new connection requests for BE connections at the request from the DO-RNC.

Data Source

DO-EMS

Source Field

rotPerClassNumAttempts where rotClassBasedStatsCSI=0

Source Section

ROTPerfBySectorByClass (QoS RmbAOC MIB)

rotPerClassNumAttempts_New_nonBE

Number of times when DOM admission control applied ROT constraint check for new connection requests for non-BE connections at the request from the DO-RNC.

Data Source

DO-EMS

Source Field

rotPerClassNumAttempts where rotClassBasedStatsCSI=1

Source Section

ROTPerfBySectorByClass (QoS RmbAOC MIB)

rotPerClassNumAttempts_SHO_BE

Number of times when DOM admission control applied ROT constraint check for SHO connection requests for BE connections at the request from the DO-RNC.

Data Source

DO-EMS

Source Field

rotPerClassNumAttempts where rotClassBasedStatsCSI=2

Source Section

ROTPerfBySectorByClass (QoS RmbAOCMIB)

rotPerClassNumAttempts_SHO_nonBE

Number of times when DOM admission control applied ROT constraint check for SHO connection requests for non-BE connections at the request from the DO-RNC.

Data Source

DO-EMS

Source Field

rotPerClassNumAttempts where rotClassBasedStatsCSI=3

Source Section

ROTPerfBySectorByClass (QoS RmbAOCMIB)

rotPerClassNumBypasses_New_BE

Number of times that the ROT constraint check for new connection requests for BE connections is bypassed.

Data Source

DO-EMS

Source Field

rotPerClassNumBypasses where rotClassBasedStatsCSI=0

Source Section

ROTPerfBySectorByClass (QoS RmbAOCMIB)

rotPerClassNumBypasses_New_nonBE

Number of times that the ROT constraint check for new connection requests for non-BE connections is bypassed.

Data Source

DO-EMS

Source Field

rotPerClassNumBypasses where rotClassBasedStatsCSI=1

Source Section

ROTPerfBySectorByClass (QoS RmbAOCMIB)

rotPerClassNumBypasses_SHO_BE

Number of times that the ROT constraint check for SHO connection requests for BE connections is bypassed.

Data Source

DO-EMS

Source Field

rotPerClassNumBypasses where rotClassBasedStatsCSI=2

Source Section

ROTPerfBySectorByClass (QoS RmbAOCMIB)

rotPerClassNumBypasses_SHO_nonBE

Number of times that the ROT constraint check for SHO connection requests for non-BE connections is bypassed.

Data Source

DO-EMS

Source Field

rotPerClassNumBypasses where rotClassBasedStatsCSI=3

Source Section

ROTPerfBySectorByClass (QoS RmbAOCMIB)

rotPerClassNumFailures_New_BE

Number of times that the ROT constraint check for new connection requests for BE connections is failed.

Data Source

DO-EMS

Source Field

rotPerClassNumFailures where rotClassBasedStatsCSI=0

Source Section

ROTPerfBySectorByClass (QoS RmbAOCMIB)

rotPerClassNumFailures_New_nonBE

Number of times that the ROT constraint check for new connection requests for non-BE connections is failed.

Data Source

DO-EMS

Source Field

rotPerClassNumFailures where rotClassBasedStatsCSI=1

Source Section

ROTPerfBySectorByClass (QoS RmbAOCMIB)

rotPerClassNumFailures_SHO_BE

Number of times that the ROT constraint check for SHO connection requests for BE connections is failed.

Data Source

DO-EMS

Source Field

rotPerClassNumFailures where rotClassBasedStatsCSI=2

Source Section

ROTPerfBySectorByClass (QoS RmbAOCMIB)

rotPerClassNumFailures_SHO_nonBE

Number of times that the ROT constraint check for SHO connection requests for non-BE connections is failed.

Data Source

DO-EMS

Source Field

rotPerClassNumFailures where rotClassBasedStatsCSI=3

Source Section

ROTPerfBySectorByClass (QoS RmbAOCMIB)

rotPerClassNumSuccesses_New_BE

Number of times that the ROT constraint check for new connection requests for BE connections is successfully passed.

Data Source

DO-EMS

Source Field

rotPerClassNumSuccesses where rotClassBasedStatsCSI=0

Source Section

ROTPerfBySectorByClass (QoS RmbAOCMIB)

rotPerClassNumSuccesses_New_nonBE

Number of times that the ROT constraint check for new connection requests for non-BE connections is successfully passed.

Data Source

DO-EMS

Source Field

rotPerClassNumSuccesses where rotClassBasedStatsCSI=1

Source Section

ROTPerfBySectorByClass (QoS RmbAOCMIB)

rotPerClassNumSuccesses_SHO_BE

Number of times that the ROT constraint check for SHO connection requests for BE connections is successfully passed.

Data Source

DO-EMS

Source Field

rotPerClassNumSuccesses where rotClassBasedStatsCSI=2

Source Section

ROTPerfBySectorByClass (QoSrmbAOCMIB)

rotPerClassNumSuccesses_SHO_nonBE

Number of times that the ROT constraint check for SHO connection requests for non-BE connections is successfully passed.

Data Source

DO-EMS

Source Field

rotPerClassNumSuccesses where rotClassBasedStatsCSI=3

Source Section

ROTPerfBySectorByClass (QoSrmbAOCMIB)

rtcSectorFrameUtilization

The fraction of non-empty frames (16 slots) received at this sector in thousands of percent

Data Source

DO-EMS

Source Field

rtcSectorFrameUtilization

Source Section

RnSectorPerf (AirvanaRnPerformanceMIB)

rtcSectorNumBadRxPhyPackets_Rate01SubPacket1

Number of RTC Physical-layer packets received at this sector with bad CRC with a data rate of 4.8Kbps and a reverse-link Physical Layer packet interlace of 1

Data Source

DO-EMS

Source Field

rtcSectorNumBadRxPhyPackets where PacketRate=1 and SubPacketId=1

Source Section

RnSectorRtcStats (AirvanaRnPerformanceMIB)

rtcSectorNumBadRxPhyPackets_Rate01SubPacket2

Number of RTC Physical-layer packets received at this sector with bad CRC with a data rate of 4.8Kbps and a reverse-link Physical Layer packet interlace of 2

Data Source

DO-EMS

Source Field

rtcSectorNumBadRxPhyPackets where PacketRate=1 and SubPacketId=2

Source Section

RnSectorRtcStats (AirvanaRnPerformanceMIB)

rtcSectorNumBadRxPhyPackets_Rate01SubPacket3

Number of RTC Physical-layer packets received at this sector with bad CRC with a data rate of 4.8Kbps and a reverse-link Physical Layer packet interlace of 3

Data Source

DO-EMS

Source Field

rtcSectorNumBadRxPhyPackets where PacketRate=1 and SubPacketId=3

Source Section

RnSectorRtcStats (AirvanaRnPerformanceMIB)

rtcSectorNumBadRxPhyPackets_Rate01SubPacket4

Number of RTC Physical-layer packets received at this sector with bad CRC with a data rate of 4.8Kbps and a reverse-link Physical Layer packet interlace of 4

Data Source

DO-EMS

Source Field

rtcSectorNumBadRxPhyPackets where PacketRate=1 and SubPacketId=4

Source Section

RnSectorRtcStats (AirvanaRnPerformanceMIB)

rtcSectorNumBadRxPhyPackets_Rate02SubPacket1

Number of RTC Physical-layer packets received at this sector with bad CRC with a data rate of 9.6Kbps and a reverse-link Physical Layer packet interlace of 1

Data Source

DO-EMS

Source Field

rtcSectorNumBadRxPhyPackets where PacketRate=2 and SubPacketId=1

Source Section

RnSectorRtcStats (AirvanaRnPerformanceMIB)

rtcSectorNumBadRxPhyPackets_Rate02SubPacket2

Number of RTC Physical-layer packets received at this sector with bad CRC with a data rate of 9.6Kbps and a reverse-link Physical Layer packet interlace of 2

Data Source

DO-EMS

Source Field

rtcSectorNumBadRxPhyPackets where PacketRate=2 and SubPacketId=2

Source Section

RnSectorRtcStats (AirvanaRnPerformanceMIB)

rtcSectorNumBadRxPhyPackets_Rate02SubPacket3

Number of RTC Physical-layer packets received at this sector with bad CRC with a data rate of 9.6Kbps and a reverse-link Physical Layer packet interlace of 3

Data Source

DO-EMS

Source Field

rtcSectorNumBadRxPhyPackets where PacketRate=2 and SubPacketId=3

Source Section

RnSectorRtcStats (AirvanaRnPerformanceMIB)

rtcSectorNumBadRxPhyPackets_Rate02SubPacket4

Number of RTC Physical-layer packets received at this sector with bad CRC with a data rate of 9.6Kbps and a reverse-link Physical Layer packet interlace of 4

Data Source

DO-EMS

Source Field

rtcSectorNumBadRxPhyPackets where PacketRate=2 and SubPacketId=4

Source Section

RnSectorRtcStats (AirvanaRnPerformanceMIB)

rtcSectorNumBadRxPhyPackets_Rate03SubPacket1

Number of RTC Physical-layer packets received at this sector with bad CRC with a data rate of 19.2Kbps and a reverse-link Physical Layer packet interlace of 1

Data Source

DO-EMS

Source Field

rtcSectorNumBadRxPhyPackets where PacketRate=3 and SubPacketId=1

Source Section

RnSectorRtcStats (AirvanaRnPerformanceMIB)

rtcSectorNumBadRxPhyPackets_Rate03SubPacket2

Number of RTC Physical-layer packets received at this sector with bad CRC with a data rate of 19.2Kbps and a reverse-link Physical Layer packet interlace of 2

Data Source

DO-EMS

Source Field

rtcSectorNumBadRxPhyPackets where PacketRate=3 and SubPacketId=2

Source Section

RnSectorRtcStats (AirvanaRnPerformanceMIB)

rtcSectorNumBadRxPhyPackets_Rate03SubPacket3

Number of RTC Physical-layer packets received at this sector with bad CRC with a data rate of 19.2Kbps and a reverse-link Physical Layer packet interlace of 3

Data Source

DO-EMS

Source Field

rtcSectorNumBadRxPhyPackets where PacketRate=3 and SubPacketId=3

Source Section

RnSectorRtcStats (AirvanaRnPerformanceMIB)

rtcSectorNumBadRxPhyPackets_Rate03SubPacket4

Number of RTC Physical-layer packets received at this sector with bad CRC with a data rate of 19.2Kbps and a reverse-link Physical Layer packet interlace of 4

Data Source

DO-EMS

Source Field

rtcSectorNumBadRxPhyPackets where PacketRate=3 and SubPacketId=4

Source Section

RnSectorRtcStats (AirvanaRnPerformanceMIB)

rtcSectorNumBadRxPhyPackets_Rate04SubPacket1

Number of RTC Physical-layer packets received at this sector with bad CRC with a data rate of 28.8Kbps and a reverse-link Physical Layer packet interlace of 1

Data Source

DO-EMS

Source Field

rtcSectorNumBadRxPhyPackets where PacketRate=4 and SubPacketId=1

Source Section

RnSectorRtcStats (AirvanaRnPerformanceMIB)

rtcSectorNumBadRxPhyPackets_Rate04SubPacket2

Number of RTC Physical-layer packets received at this sector with bad CRC with a data rate of 28.8Kbps and a reverse-link Physical Layer packet interlace of 2

Data Source

DO-EMS

Source Field

rtcSectorNumBadRxPhyPackets where PacketRate=4 and SubPacketId=2

Source Section

RnSectorRtcStats (AirvanaRnPerformanceMIB)

rtcSectorNumBadRxPhyPackets_Rate04SubPacket3

Number of RTC Physical-layer packets received at this sector with bad CRC with a data rate of 28.8Kbps and a reverse-link Physical Layer packet interlace of 3

Data Source

DO-EMS

Source Field

rtcSectorNumBadRxPhyPackets where PacketRate=4 and SubPacketId=3

Source Section

RnSectorRtcStats (AirvanaRnPerformanceMIB)

rtcSectorNumBadRxPhyPackets_Rate04SubPacket4

Number of RTC Physical-layer packets received at this sector with bad CRC with a data rate of 28.8Kbps and a reverse-link Physical Layer packet interlace of 4

Data Source

DO-EMS

Source Field

rtcSectorNumBadRxPhyPackets where PacketRate=4 and SubPacketId=4

Source Section

RnSectorRtcStats (AirvanaRnPerformanceMIB)

rtcSectorNumBadRxPhyPackets_Rate05SubPacket1

Number of RTC Physical-layer packets received at this sector with bad CRC with a data rate of 38.4Kbps and a reverse-link Physical Layer packet interlace of 1

Data Source

DO-EMS

Source Field

rtcSectorNumBadRxPhyPackets where PacketRate=5 and SubPacketId=1

Source Section

RnSectorRtcStats (AirvanaRnPerformanceMIB)

rtcSectorNumBadRxPhyPackets_Rate05SubPacket2

Number of RTC Physical-layer packets received at this sector with bad CRC with a data rate of 38.4Kbps and a reverse-link Physical Layer packet interlace of 2

Data Source

DO-EMS

Source Field

rtcSectorNumBadRxPhyPackets where PacketRate=5 and SubPacketId=2

Source Section

RnSectorRtcStats (AirvanaRnPerformanceMIB)

rtcSectorNumBadRxPhyPackets_Rate05SubPacket3

Number of RTC Physical-layer packets received at this sector with bad CRC with a data rate of 38.4Kbps and a reverse-link Physical Layer packet interlace of 3

Data Source

DO-EMS

Source Field

rtcSectorNumBadRxPhyPackets where PacketRate=5 and SubPacketId=3

Source Section

RnSectorRtcStats (AirvanaRnPerformanceMIB)

rtcSectorNumBadRxPhyPackets_Rate05SubPacket4

Number of RTC Physical-layer packets received at this sector with bad CRC with a data rate of 38.4Kbps and a reverse-link Physical Layer packet interlace of 4

Data Source

DO-EMS

Source Field

rtcSectorNumBadRxPhyPackets where PacketRate=5 and SubPacketId=4

Source Section

RnSectorRtcStats (AirvanaRnPerformanceMIB)

rtcSectorNumBadRxPhyPackets_Rate06SubPacket1

Number of RTC Physical-layer packets received at this sector with bad CRC with a data rate of 57.6Kbps and a reverse-link Physical Layer packet interlace of 1

Data Source

DO-EMS

Source Field

rtcSectorNumBadRxPhyPackets where PacketRate=6 and SubPacketId=1

Source Section

RnSectorRtcStats (AirvanaRnPerformanceMIB)

rtcSectorNumBadRxPhyPackets_Rate06SubPacket2

Number of RTC Physical-layer packets received at this sector with bad CRC with a data rate of 57.6Kbps and a reverse-link Physical Layer packet interlace of 2

Data Source

DO-EMS

Source Field

rtcSectorNumBadRxPhyPackets where PacketRate=6 and SubPacketId=2

Source Section

RnSectorRtcStats (AirvanaRnPerformanceMIB)

rtcSectorNumBadRxPhyPackets_Rate06SubPacket3

Number of RTC Physical-layer packets received at this sector with bad CRC with a data rate of 57.6Kbps and a reverse-link Physical Layer packet interlace of 3

Data Source

DO-EMS

Source Field

rtcSectorNumBadRxPhyPackets where PacketRate=6 and SubPacketId=3

Source Section

RnSectorRtcStats (AirvanaRnPerformanceMIB)

rtcSectorNumBadRxPhyPackets_Rate06SubPacket4

Number of RTC Physical-layer packets received at this sector with bad CRC with a data rate of 57.6Kbps and a reverse-link Physical Layer packet interlace of 4

Data Source

DO-EMS

Source Field

rtcSectorNumBadRxPhyPackets where PacketRate=6 and SubPacketId=4

Source Section

RnSectorRtcStats (AirvanaRnPerformanceMIB)

rtcSectorNumBadRxPhyPackets_Rate07SubPacket1

Number of RTC Physical-layer packets received at this sector with bad CRC with a data rate of 76.8Kbps and a reverse-link Physical Layer packet interlace of 1

Data Source

DO-EMS

Source Field

rtcSectorNumBadRxPhyPackets where PacketRate=7 and SubPacketId=1

Source Section

RnSectorRtcStats (AirvanaRnPerformanceMIB)

rtcSectorNumBadRxPhyPackets_Rate07SubPacket2

Number of RTC Physical-layer packets received at this sector with bad CRC with a data rate of 76.8Kbps and a reverse-link Physical Layer packet interlace of 2

Data Source

DO-EMS

Source Field

rtcSectorNumBadRxPhyPackets where PacketRate=7 and SubPacketId=2

Source Section

RnSectorRtcStats (AirvanaRnPerformanceMIB)

rtcSectorNumBadRxPhyPackets_Rate07SubPacket3

Number of RTC Physical-layer packets received at this sector with bad CRC with a data rate of 76.8Kbps and a reverse-link Physical Layer packet interlace of 3

Data Source

DO-EMS

Source Field

rtcSectorNumBadRxPhyPackets where PacketRate=7 and SubPacketId=3

Source Section

RnSectorRtcStats (AirvanaRnPerformanceMIB)

rtcSectorNumBadRxPhyPackets_Rate07SubPacket4

Number of RTC Physical-layer packets received at this sector with bad CRC with a data rate of 76.8Kbps and a reverse-link Physical Layer packet interlace of 4

Data Source

DO-EMS

Source Field

rtcSectorNumBadRxPhyPackets where PacketRate=7 and SubPacketId=4

Source Section

RnSectorRtcStats (AirvanaRnPerformanceMIB)

rtcSectorNumBadRxPhyPackets_Rate08SubPacket1

Number of RTC Physical-layer packets received at this sector with bad CRC with a data rate of 115.2Kbps and a reverse-link Physical Layer packet interlace of 1

Data Source

DO-EMS

Source Field

rtcSectorNumBadRxPhyPackets where PacketRate=8 and SubPacketId=1

Source Section

RnSectorRtcStats (AirvanaRnPerformanceMIB)

rtcSectorNumBadRxPhyPackets_Rate08SubPacket2

Number of RTC Physical-layer packets received at this sector with bad CRC with a data rate of 115.2Kbps and a reverse-link Physical Layer packet interlace of 2

Data Source

DO-EMS

Source Field

rtcSectorNumBadRxPhyPackets where PacketRate=8 and SubPacketId=2

Source Section

RnSectorRtcStats (AirvanaRnPerformanceMIB)

rtcSectorNumBadRxPhyPackets_Rate08SubPacket3

Number of RTC Physical-layer packets received at this sector with bad CRC with a data rate of 115.2Kbps and a reverse-link Physical Layer packet interlace of 3

Data Source

DO-EMS

Source Field

rtcSectorNumBadRxPhyPackets where PacketRate=8 and SubPacketId=3

Source Section

RnSectorRtcStats (AirvanaRnPerformanceMIB)

rtcSectorNumBadRxPhyPackets_Rate08SubPacket4

Number of RTC Physical-layer packets received at this sector with bad CRC with a data rate of 115.2Kbps and a reverse-link Physical Layer packet interlace of 4

Data Source

DO-EMS

Source Field

rtcSectorNumBadRxPhyPackets where PacketRate=8 and SubPacketId=4

Source Section

RnSectorRtcStats (AirvanaRnPerformanceMIB)

rtcSectorNumBadRxPhyPackets_Rate09SubPacket1

Number of RTC Physical-layer packets received at this sector with bad CRC with a data rate of 153.6Kbps and a reverse-link Physical Layer packet interlace of 1

Data Source

DO-EMS

Source Field

rtcSectorNumBadRxPhyPackets where PacketRate=9 and SubPacketId=1

Source Section

RnSectorRtcStats (AirvanaRnPerformanceMIB)

rtcSectorNumBadRxPhyPackets_Rate09SubPacket2

Number of RTC Physical-layer packets received at this sector with bad CRC with a data rate of 153.6Kbps and a reverse-link Physical Layer packet interlace of 2

Data Source

DO-EMS

Source Field

rtcSectorNumBadRxPhyPackets where PacketRate=9 and SubPacketId=2

Source Section

RnSectorRtcStats (AirvanaRnPerformanceMIB)

rtcSectorNumBadRxPhyPackets_Rate09SubPacket3

Number of RTC Physical-layer packets received at this sector with bad CRC with a data rate of 153.6Kbps and a reverse-link Physical Layer packet interlace of 3

Data Source

DO-EMS

Source Field

rtcSectorNumBadRxPhyPackets where PacketRate=9 and SubPacketId=3

Source Section

RnSectorRtcStats (AirvanaRnPerformanceMIB)

rtcSectorNumBadRxPhyPackets_Rate09SubPacket4

Number of RTC Physical-layer packets received at this sector with bad CRC with a data rate of 153.6Kbps and a reverse-link Physical Layer packet interlace of 4

Data Source

DO-EMS

Source Field

rtcSectorNumBadRxPhyPackets where PacketRate=9 and SubPacketId=4

Source Section

RnSectorRtcStats (AirvanaRnPerformanceMIB)

rtcSectorNumBadRxPhyPackets_Rate10SubPacket1

Number of RTC Physical-layer packets received at this sector with bad CRC with a data rate of 230.4Kbps and a reverse-link Physical Layer packet interlace of 1

Data Source

DO-EMS

Source Field

rtcSectorNumBadRxPhyPackets where PacketRate=10 and SubPacketId=1

Source Section

RnSectorRtcStats (AirvanaRnPerformanceMIB)

rtcSectorNumBadRxPhyPackets_Rate10SubPacket2

Number of RTC Physical-layer packets received at this sector with bad CRC with a data rate of 230.4Kbps and a reverse-link Physical Layer packet interlace of 2

Data Source

DO-EMS

Source Field

rtcSectorNumBadRxPhyPackets where PacketRate=10 and SubPacketId=2

Source Section

RnSectorRtcStats (AirvanaRnPerformanceMIB)

rtcSectorNumBadRxPhyPackets_Rate10SubPacket3

Number of RTC Physical-layer packets received at this sector with bad CRC with a data rate of 230.4Kbps and a reverse-link Physical Layer packet interlace of 3

Data Source

DO-EMS

Source Field

rtcSectorNumBadRxPhyPackets where PacketRate=10 and SubPacketId=3

Source Section

RnSectorRtcStats (AirvanaRnPerformanceMIB)

rtcSectorNumBadRxPhyPackets_Rate10SubPacket4

Number of RTC Physical-layer packets received at this sector with bad CRC with a data rate of 230.4Kbps and a reverse-link Physical Layer packet interlace of 4

Data Source

DO-EMS

Source Field

rtcSectorNumBadRxPhyPackets where PacketRate=10 and SubPacketId=4

Source Section

RnSectorRtcStats (AirvanaRnPerformanceMIB)

rtcSectorNumBadRxPhyPackets_Rate11SubPacket1

Number of RTC Physical-layer packets received at this sector with bad CRC with a data rate of 307.2Kbps and a reverse-link Physical Layer packet interlace of 1

Data Source

DO-EMS

Source Field

rtcSectorNumBadRxPhyPackets where PacketRate=11 and SubPacketId=1

Source Section

RnSectorRtcStats (AirvanaRnPerformanceMIB)

rtcSectorNumBadRxPhyPackets_Rate11SubPacket2

Number of RTC Physical-layer packets received at this sector with bad CRC with a data rate of 307.2Kbps and a reverse-link Physical Layer packet interlace of 2

Data Source

DO-EMS

Source Field

rtcSectorNumBadRxPhyPackets where PacketRate=11 and SubPacketId=2

Source Section

RnSectorRtcStats (AirvanaRnPerformanceMIB)

rtcSectorNumBadRxPhyPackets_Rate11SubPacket3

Number of RTC Physical-layer packets received at this sector with bad CRC with a data rate of 307.2Kbps and a reverse-link Physical Layer packet interlace of 3

Data Source

DO-EMS

Source Field

rtcSectorNumBadRxPhyPackets where PacketRate=11 and SubPacketId=3

Source Section

RnSectorRtcStats (AirvanaRnPerformanceMIB)

rtcSectorNumBadRxPhyPackets_Rate11SubPacket4

Number of RTC Physical-layer packets received at this sector with bad CRC with a data rate of 307.2Kbps and a reverse-link Physical Layer packet interlace of 4

Data Source

DO-EMS

Source Field

rtcSectorNumBadRxPhyPackets where PacketRate=11 and SubPacketId=4

Source Section

RnSectorRtcStats (AirvanaRnPerformanceMIB)

rtcSectorNumBadRxPhyPackets_Rate12SubPacket1

Number of RTC Physical-layer packets received at this sector with bad CRC with a data rate of 460.8Kbps and a reverse-link Physical Layer packet interlace of 1

Data Source

DO-EMS

Source Field

rtcSectorNumBadRxPhyPackets where PacketRate=12 and SubPacketId=1

Source Section

RnSectorRtcStats (AirvanaRnPerformanceMIB)

rtcSectorNumBadRxPhyPackets_Rate12SubPacket2

Number of RTC Physical-layer packets received at this sector with bad CRC with a data rate of 460.8Kbps and a reverse-link Physical Layer packet interlace of 2

Data Source

DO-EMS

Source Field

rtcSectorNumBadRxPhyPackets where PacketRate=12 and SubPacketId=2

Source Section

RnSectorRtcStats (AirvanaRnPerformanceMIB)

rtcSectorNumBadRxPhyPackets_Rate12SubPacket3

Number of RTC Physical-layer packets received at this sector with bad CRC with a data rate of 460.8Kbps and a reverse-link Physical Layer packet interlace of 3

Data Source

DO-EMS

Source Field

rtcSectorNumBadRxPhyPackets where PacketRate=12 and SubPacketId=3

Source Section

RnSectorRtcStats (AirvanaRnPerformanceMIB)

rtcSectorNumBadRxPhyPackets_Rate12SubPacket4

Number of RTC Physical-layer packets received at this sector with bad CRC with a data rate of 460.8Kbps and a reverse-link Physical Layer packet interlace of 4

Data Source

DO-EMS

Source Field

rtcSectorNumBadRxPhyPackets where PacketRate=12 and SubPacketId=4

Source Section

RnSectorRtcStats (AirvanaRnPerformanceMIB)

rtcSectorNumEmptyFrames

Count of the number of empty frames received by a sector

Data Source

DO-EMS

Source Field

rtcSectorNumEmptyFrames

Source Section

RnSectorPerf (AirvanaRnPerformanceMIB)

rtcSectorNumEmptyFramesInterval

Collection interval for peg rtcSectorNumEmptyFrames

Data Source

DO-EMS

Source Field

rtcSectorNumEmptyFramesInterval

Source Section

RnSector_RtcStats (AirvanaRnPerformanceMIB)

rtcSectorNumGoodRxMacBytes_Rate01SubPacket1

Number of bytes of MAC-level traffic received at this sector in physical-layer frames with good CRC with a data rate of 4.8Kbps and a reverse-link Physical Layer packet interlace of 1

Data Source

DO-EMS

Source Field

rtcSectorNumGoodRxMacBytes where PacketRate=1 and SubPacketId=1

Source Section

RnSectorRtcStats (AirvanaRnPerformanceMIB)

rtcSectorNumGoodRxMacBytes_Rate01SubPacket2

Number of bytes of MAC-level traffic received at this sector in physical-layer frames with good CRC with a data rate of 4.8Kbps and a reverse-link Physical Layer packet interlace of 2

Data Source

DO-EMS

Source Field

rtcSectorNumGoodRxMacBytes where PacketRate=1 and SubPacketId=2

Source Section

RnSectorRtcStats (AirvanaRnPerformanceMIB)

rtcSectorNumGoodRxMacBytes_Rate01SubPacket3

Number of bytes of MAC-level traffic received at this sector in physical-layer frames with good CRC with a data rate of 4.8Kbps and a reverse-link Physical Layer packet interlace of 3

Data Source

DO-EMS

Source Field

rtcSectorNumGoodRxMacBytes where PacketRate=1 and SubPacketId=3

Source Section

RnSectorRtcStats (AirvanaRnPerformanceMIB)

rtcSectorNumGoodRxMacBytes_Rate01SubPacket4

Number of bytes of MAC-level traffic received at this sector in physical-layer frames with good CRC with a data rate of 4.8Kbps and a reverse-link Physical Layer packet interlace of 4

Data Source

DO-EMS

Source Field

rtcSectorNumGoodRxMacBytes where PacketRate=1 and SubPacketId=4

Source Section

RnSectorRtcStats (AirvanaRnPerformanceMIB)

rtcSectorNumGoodRxMacBytes_Rate02SubPacket1

Number of bytes of MAC-level traffic received at this sector in physical-layer frames with good CRC with a data rate of 9.6Kbps and a reverse-link Physical Layer packet interlace of 1

Data Source

DO-EMS

Source Field

rtcSectorNumGoodRxMacBytes where PacketRate=2 and SubPacketId=1

Source Section

RnSectorRtcStats (AirvanaRnPerformanceMIB)

rtcSectorNumGoodRxMacBytes_Rate02SubPacket2

Number of bytes of MAC-level traffic received at this sector in physical-layer frames with good CRC with a data rate of 9.6Kbps and a reverse-link Physical Layer packet interlace of 2

Data Source

DO-EMS

Source Field

rtcSectorNumGoodRxMacBytes where PacketRate=2 and SubPacketId=2

Source Section

RnSectorRtcStats (AirvanaRnPerformanceMIB)

rtcSectorNumGoodRxMacBytes_Rate02SubPacket3

Number of bytes of MAC-level traffic received at this sector in physical-layer frames with good CRC with a data rate of 9.6Kbps and a reverse-link Physical Layer packet interlace of 3

Data Source

DO-EMS

Source Field

rtcSectorNumGoodRxMacBytes where PacketRate=2 and SubPacketId=3

Source Section

RnSectorRtcStats (AirvanaRnPerformanceMIB)

rtcSectorNumGoodRxMacBytes_Rate02SubPacket4

Number of bytes of MAC-level traffic received at this sector in physical-layer frames with good CRC with a data rate of 9.6Kbps and a reverse-link Physical Layer packet interlace of 4

Data Source

DO-EMS

Source Field

rtcSectorNumGoodRxMacBytes where PacketRate=2 and SubPacketId=4

Source Section

RnSectorRtcStats (AirvanaRnPerformanceMIB)

rtcSectorNumGoodRxMacBytes_Rate03SubPacket1

Number of bytes of MAC-level traffic received at this sector in physical-layer frames with good CRC with a data rate of 19.2Kbps and a reverse-link Physical Layer packet interlace of 1

Data Source

DO-EMS

Source Field

rtcSectorNumGoodRxMacBytes where PacketRate=3 and SubPacketId=1

Source Section

RnSectorRtcStats (AirvanaRnPerformanceMIB)

rtcSectorNumGoodRxMacBytes_Rate03SubPacket2

Number of bytes of MAC-level traffic received at this sector in physical-layer frames with good CRC with a data rate of 19.2Kbps and a reverse-link Physical Layer packet interlace of 2

Data Source

DO-EMS

Source Field

rtcSectorNumGoodRxMacBytes where PacketRate=3 and SubPacketId=2

Source Section

RnSectorRtcStats (AirvanaRnPerformanceMIB)

rtcSectorNumGoodRxMacBytes_Rate03SubPacket3

Number of bytes of MAC-level traffic received at this sector in physical-layer frames with good CRC with a data rate of 19.2Kbps and a reverse-link Physical Layer packet interlace of 3

Data Source

DO-EMS

Source Field

rtcSectorNumGoodRxMacBytes where PacketRate=3 and SubPacketId=3

Source Section

RnSectorRtcStats (AirvanaRnPerformanceMIB)

rtcSectorNumGoodRxMacBytes_Rate03SubPacket4

Number of bytes of MAC-level traffic received at this sector in physical-layer frames with good CRC with a data rate of 19.2Kbps and a reverse-link Physical Layer packet interlace of 4

Data Source

DO-EMS

Source Field

rtcSectorNumGoodRxMacBytes where PacketRate=3 and SubPacketId=4

Source Section

RnSectorRtcStats (AirvanaRnPerformanceMIB)

rtcSectorNumGoodRxMacBytes_Rate04SubPacket1

Number of bytes of MAC-level traffic received at this sector in physical-layer frames with good CRC with a data rate of 28.8Kbps and a reverse-link Physical Layer packet interlace of 1

Data Source

DO-EMS

Source Field

rtcSectorNumGoodRxMacBytes where PacketRate=4 and SubPacketId=1

Source Section

RnSectorRtcStats (AirvanaRnPerformanceMIB)

rtcSectorNumGoodRxMacBytes_Rate04SubPacket2

Number of bytes of MAC-level traffic received at this sector in physical-layer frames with good CRC with a data rate of 28.8Kbps and a reverse-link Physical Layer packet interlace of 2

Data Source

DO-EMS

Source Field

rtcSectorNumGoodRxMacBytes where PacketRate=4 and SubPacketId=2

Source Section

RnSectorRtcStats (AirvanaRnPerformanceMIB)

rtcSectorNumGoodRxMacBytes_Rate04SubPacket3

Number of bytes of MAC-level traffic received at this sector in physical-layer frames with good CRC with a data rate of 28.8Kbps and a reverse-link Physical Layer packet interlace of 3

Data Source

DO-EMS

Source Field

rtcSectorNumGoodRxMacBytes where PacketRate=4 and SubPacketId=3

Source Section

RnSectorRtcStats (AirvanaRnPerformanceMIB)

rtcSectorNumGoodRxMacBytes_Rate04SubPacket4

Number of bytes of MAC-level traffic received at this sector in physical-layer frames with good CRC with a data rate of 28.8Kbps and a reverse-link Physical Layer packet interlace of 4

Data Source

DO-EMS

Source Field

rtcSectorNumGoodRxMacBytes where PacketRate=4 and SubPacketId=4

Source Section

RnSectorRtcStats (AirvanaRnPerformanceMIB)

rtcSectorNumGoodRxMacBytes_Rate05SubPacket1

Number of bytes of MAC-level traffic received at this sector in physical-layer frames with good CRC with a data rate of 38.4Kbps and a reverse-link Physical Layer packet interlace of 1

Data Source

DO-EMS

Source Field

rtcSectorNumGoodRxMacBytes where PacketRate=5 and SubPacketId=1

Source Section

RnSectorRtcStats (AirvanaRnPerformanceMIB)

rtcSectorNumGoodRxMacBytes_Rate05SubPacket2

Number of bytes of MAC-level traffic received at this sector in physical-layer frames with good CRC with a data rate of 38.4Kbps and a reverse-link Physical Layer packet interlace of 2

Data Source

DO-EMS

Source Field

rtcSectorNumGoodRxMacBytes where PacketRate=5 and SubPacketId=2

Source Section

RnSectorRtcStats (AirvanaRnPerformanceMIB)

rtcSectorNumGoodRxMacBytes_Rate05SubPacket3

Number of bytes of MAC-level traffic received at this sector in physical-layer frames with good CRC with a data rate of 38.4Kbps and a reverse-link Physical Layer packet interlace of 3

Data Source

DO-EMS

Source Field

rtcSectorNumGoodRxMacBytes where PacketRate=5 and SubPacketId=3

Source Section

RnSectorRtcStats (AirvanaRnPerformanceMIB)

rtcSectorNumGoodRxMacBytes_Rate05SubPacket4

Number of bytes of MAC-level traffic received at this sector in physical-layer frames with good CRC with a data rate of 38.4Kbps and a reverse-link Physical Layer packet interlace of 4

Data Source

DO-EMS

Source Field

rtcSectorNumGoodRxMacBytes where PacketRate=5 and SubPacketId=4

Source Section

RnSectorRtcStats (AirvanaRnPerformanceMIB)

rtcSectorNumGoodRxMacBytes_Rate06SubPacket1

Number of bytes of MAC-level traffic received at this sector in physical-layer frames with good CRC with a data rate of 57.6Kbps and a reverse-link Physical Layer packet interlace of 1

Data Source

DO-EMS

Source Field

rtcSectorNumGoodRxMacBytes where PacketRate=6 and SubPacketId=1

Source Section

RnSectorRtcStats (AirvanaRnPerformanceMIB)

rtcSectorNumGoodRxMacBytes_Rate06SubPacket2

Number of bytes of MAC-level traffic received at this sector in physical-layer frames with good CRC with a data rate of 57.6Kbps and a reverse-link Physical Layer packet interlace of 2

Data Source

DO-EMS

Source Field

rtcSectorNumGoodRxMacBytes where PacketRate=6 and SubPacketId=2

Source Section

RnSectorRtcStats (AirvanaRnPerformanceMIB)

rtcSectorNumGoodRxMacBytes_Rate06SubPacket3

Number of bytes of MAC-level traffic received at this sector in physical-layer frames with good CRC with a data rate of 57.6Kbps and a reverse-link Physical Layer packet interlace of 3

Data Source

DO-EMS

Source Field

rtcSectorNumGoodRxMacBytes where PacketRate=6 and SubPacketId=3

Source Section

RnSectorRtcStats (AirvanaRnPerformanceMIB)

rtcSectorNumGoodRxMacBytes_Rate06SubPacket4

Number of bytes of MAC-level traffic received at this sector in physical-layer frames with good CRC with a data rate of 57.6Kbps and a reverse-link Physical Layer packet interlace of 4

Data Source

DO-EMS

Source Field

rtcSectorNumGoodRxMacBytes where PacketRate=6 and SubPacketId=4

Source Section

RnSectorRtcStats (AirvanaRnPerformanceMIB)

rtcSectorNumGoodRxMacBytes_Rate07SubPacket1

Number of bytes of MAC-level traffic received at this sector in physical-layer frames with good CRC with a data rate of 76.8Kbps and a reverse-link Physical Layer packet interlace of 1

Data Source

DO-EMS

Source Field

rtcSectorNumGoodRxMacBytes where PacketRate=7 and SubPacketId=1

Source Section

RnSectorRtcStats (AirvanaRnPerformanceMIB)

rtcSectorNumGoodRxMacBytes_Rate07SubPacket2

Number of bytes of MAC-level traffic received at this sector in physical-layer frames with good CRC with a data rate of 76.8Kbps and a reverse-link Physical Layer packet interlace of 2

Data Source

DO-EMS

Source Field

rtcSectorNumGoodRxMacBytes where PacketRate=7 and SubPacketId=2

Source Section

RnSectorRtcStats (AirvanaRnPerformanceMIB)

rtcSectorNumGoodRxMacBytes_Rate07SubPacket3

Number of bytes of MAC-level traffic received at this sector in physical-layer frames with good CRC with a data rate of 76.8Kbps and a reverse-link Physical Layer packet interlace of 3

Data Source

DO-EMS

Source Field

rtcSectorNumGoodRxMacBytes where PacketRate=7 and SubPacketId=3

Source Section

RnSectorRtcStats (AirvanaRnPerformanceMIB)

rtcSectorNumGoodRxMacBytes_Rate07SubPacket4

Number of bytes of MAC-level traffic received at this sector in physical-layer frames with good CRC with a data rate of 76.8Kbps and a reverse-link Physical Layer packet interlace of 4

Data Source

DO-EMS

Source Field

rtcSectorNumGoodRxMacBytes where PacketRate=7 and SubPacketId=4

Source Section

RnSectorRtcStats (AirvanaRnPerformanceMIB)

rtcSectorNumGoodRxMacBytes_Rate08SubPacket1

Number of bytes of MAC-level traffic received at this sector in physical-layer frames with good CRC with a data rate of 115.2Kbps and a reverse-link Physical Layer packet interlace of 1

Data Source

DO-EMS

Source Field

rtcSectorNumGoodRxMacBytes where PacketRate=8 and SubPacketId=1

Source Section

RnSectorRtcStats (AirvanaRnPerformanceMIB)

rtcSectorNumGoodRxMacBytes_Rate08SubPacket2

Number of bytes of MAC-level traffic received at this sector in physical-layer frames with good CRC with a data rate of 115.2Kbps and a reverse-link Physical Layer packet interlace of 2

Data Source

DO-EMS

Source Field

rtcSectorNumGoodRxMacBytes where PacketRate=8 and SubPacketId=2

Source Section

RnSectorRtcStats (AirvanaRnPerformanceMIB)

rtcSectorNumGoodRxMacBytes_Rate08SubPacket3

Number of bytes of MAC-level traffic received at this sector in physical-layer frames with good CRC with a data rate of 115.2Kbps and a reverse-link Physical Layer packet interlace of 3

Data Source

DO-EMS

Source Field

rtcSectorNumGoodRxMacBytes where PacketRate=8 and SubPacketId=3

Source Section

RnSectorRtcStats (AirvanaRnPerformanceMIB)

rtcSectorNumGoodRxMacBytes_Rate08SubPacket4

Number of bytes of MAC-level traffic received at this sector in physical-layer frames with good CRC with a data rate of 115.2Kbps and a reverse-link Physical Layer packet interlace of 4

Data Source

DO-EMS

Source Field

rtcSectorNumGoodRxMacBytes where PacketRate=8 and SubPacketId=4

Source Section

RnSectorRtcStats (AirvanaRnPerformanceMIB)

rtcSectorNumGoodRxMacBytes_Rate09SubPacket1

Number of bytes of MAC-level traffic received at this sector in physical-layer frames with good CRC with a data rate of 153.6Kbps and a reverse-link Physical Layer packet interlace of 1

Data Source

DO-EMS

Source Field

rtcSectorNumGoodRxMacBytes where PacketRate=9 and SubPacketId=1

Source Section

RnSectorRtcStats (AirvanaRnPerformanceMIB)

rtcSectorNumGoodRxMacBytes_Rate09SubPacket2

Number of bytes of MAC-level traffic received at this sector in physical-layer frames with good CRC with a data rate of 153.6Kbps and a reverse-link Physical Layer packet interlace of 2

Data Source

DO-EMS

Source Field

rtcSectorNumGoodRxMacBytes where PacketRate=9 and SubPacketId=2

Source Section

RnSectorRtcStats (AirvanaRnPerformanceMIB)

rtcSectorNumGoodRxMacBytes_Rate09SubPacket3

Number of bytes of MAC-level traffic received at this sector in physical-layer frames with good CRC with a data rate of 153.6Kbps and a reverse-link Physical Layer packet interlace of 3

Data Source

DO-EMS

Source Field

rtcSectorNumGoodRxMacBytes where PacketRate=9 and SubPacketId=3

Source Section

RnSectorRtcStats (AirvanaRnPerformanceMIB)

rtcSectorNumGoodRxMacBytes_Rate09SubPacket4

Number of bytes of MAC-level traffic received at this sector in physical-layer frames with good CRC with a data rate of 153.6Kbps and a reverse-link Physical Layer packet interlace of 4

Data Source

DO-EMS

Source Field

rtcSectorNumGoodRxMacBytes where PacketRate=9 and SubPacketId=4

Source Section

RnSectorRtcStats (AirvanaRnPerformanceMIB)

rtcSectorNumGoodRxMacBytes_Rate10SubPacket1

Number of bytes of MAC-level traffic received at this sector in physical-layer frames with good CRC with a data rate of 230.4Kbps and a reverse-link Physical Layer packet interlace of 1

Data Source

DO-EMS

Source Field

rtcSectorNumGoodRxMacBytes where PacketRate=10 and SubPacketId=1

Source Section

RnSectorRtcStats (AirvanaRnPerformanceMIB)

rtcSectorNumGoodRxMacBytes_Rate10SubPacket2

Number of bytes of MAC-level traffic received at this sector in physical-layer frames with good CRC with a data rate of 230.4Kbps and a reverse-link Physical Layer packet interlace of 2

Data Source

DO-EMS

Source Field

rtcSectorNumGoodRxMacBytes where PacketRate=10 and SubPacketId=2

Source Section

RnSectorRtcStats (AirvanaRnPerformanceMIB)

rtcSectorNumGoodRxMacBytes_Rate10SubPacket3

Number of bytes of MAC-level traffic received at this sector in physical-layer frames with good CRC with a data rate of 230.4Kbps and a reverse-link Physical Layer packet interlace of 3

Data Source

DO-EMS

Source Field

rtcSectorNumGoodRxMacBytes where PacketRate=10 and SubPacketId=3

Source Section

RnSectorRtcStats (AirvanaRnPerformanceMIB)

rtcSectorNumGoodRxMacBytes_Rate10SubPacket4

Number of bytes of MAC-level traffic received at this sector in physical-layer frames with good CRC with a data rate of 230.4Kbps and a reverse-link Physical Layer packet interlace of 4

Data Source

DO-EMS

Source Field

rtcSectorNumGoodRxMacBytes where PacketRate=10 and SubPacketId=4

Source Section

RnSectorRtcStats (AirvanaRnPerformanceMIB)

rtcSectorNumGoodRxMacBytes_Rate11SubPacket1

Number of bytes of MAC-level traffic received at this sector in physical-layer frames with good CRC with a data rate of 307.2Kbps and a reverse-link Physical Layer packet interlace of 1

Data Source

DO-EMS

Source Field

rtcSectorNumGoodRxMacBytes where PacketRate=11 and SubPacketId=1

Source Section

RnSectorRtcStats (AirvanaRnPerformanceMIB)

rtcSectorNumGoodRxMacBytes_Rate11SubPacket2

Number of bytes of MAC-level traffic received at this sector in physical-layer frames with good CRC with a data rate of 307.2Kbps and a reverse-link Physical Layer packet interlace of 2

Data Source

DO-EMS

Source Field

rtcSectorNumGoodRxMacBytes where PacketRate=11 and SubPacketId=2

Source Section

RnSectorRtcStats (AirvanaRnPerformanceMIB)

rtcSectorNumGoodRxMacBytes_Rate11SubPacket3

Number of bytes of MAC-level traffic received at this sector in physical-layer frames with good CRC with a data rate of 307.2Kbps and a reverse-link Physical Layer packet interlace of 3

Data Source

DO-EMS

Source Field

rtcSectorNumGoodRxMacBytes where PacketRate=11 and SubPacketId=3

Source Section

RnSectorRtcStats (AirvanaRnPerformanceMIB)

rtcSectorNumGoodRxMacBytes_Rate11SubPacket4

Number of bytes of MAC-level traffic received at this sector in physical-layer frames with good CRC with a data rate of 307.2Kbps and a reverse-link Physical Layer packet interlace of 4

Data Source

DO-EMS

Source Field

rtcSectorNumGoodRxMacBytes where PacketRate=11 and SubPacketId=4

Source Section

RnSectorRtcStats (AirvanaRnPerformanceMIB)

rtcSectorNumGoodRxMacBytes_Rate12SubPacket1

Number of bytes of MAC-level traffic received at this sector in physical-layer frames with good CRC with a data rate of 460.8Kbps and a reverse-link Physical Layer packet interlace of 1

Data Source

DO-EMS

Source Field

rtcSectorNumGoodRxMacBytes where PacketRate=12 and SubPacketId=1

Source Section

RnSectorRtcStats (AirvanaRnPerformanceMIB)

rtcSectorNumGoodRxMacBytes_Rate12SubPacket2

Number of bytes of MAC-level traffic received at this sector in physical-layer frames with good CRC with a data rate of 460.8Kbps and a reverse-link Physical Layer packet interlace of 2

Data Source

DO-EMS

Source Field

rtcSectorNumGoodRxMacBytes where PacketRate=12 and SubPacketId=2

Source Section

RnSectorRtcStats (AirvanaRnPerformanceMIB)

rtcSectorNumGoodRxMacBytes_Rate12SubPacket3

Number of bytes of MAC-level traffic received at this sector in physical-layer frames with good CRC with a data rate of 460.8Kbps and a reverse-link Physical Layer packet interlace of 3

Data Source

DO-EMS

Source Field

rtcSectorNumGoodRxMacBytes where PacketRate=12 and SubPacketId=3

Source Section

RnSectorRtcStats (AirvanaRnPerformanceMIB)

rtcSectorNumGoodRxMacBytes_Rate12SubPacket4

Number of bytes of MAC-level traffic received at this sector in physical-layer frames with good CRC with a data rate of 460.8Kbps and a reverse-link Physical Layer packet interlace of 4

Data Source

DO-EMS

Source Field

rtcSectorNumGoodRxMacBytes where PacketRate=12 and SubPacketId=4

Source Section

RnSectorRtcStats (AirvanaRnPerformanceMIB)

rtcSectorNumGoodRxPhyPackets_Rate01SubPacket1

Number of RTC Physical-layer packets received at this sector with good CRC with a data rate of 4.8Kbps and a reverse-link Physical Layer packet interlace of 1

Data Source

DO-EMS

Source Field

rtcSectorNumGoodRxPhyPackets where PacketRate=1 and SubPacketId=1

Source Section

RnSectorRtcStats (AirvanaRnPerformanceMIB)

rtcSectorNumGoodRxPhyPackets_Rate01SubPacket2

Number of RTC Physical-layer packets received at this sector with good CRC with a data rate of 4.8Kbps and a reverse-link Physical Layer packet interlace of 2

Data Source

DO-EMS

Source Field

rtcSectorNumGoodRxPhyPackets where PacketRate=1 and SubPacketId=2

Source Section

RnSectorRtcStats (AirvanaRnPerformanceMIB)

rtcSectorNumGoodRxPhyPackets_Rate01SubPacket3

Number of RTC Physical-layer packets received at this sector with good CRC with a data rate of 4.8Kbps and a reverse-link Physical Layer packet interlace of 3

Data Source

DO-EMS

Source Field

rtcSectorNumGoodRxPhyPackets where PacketRate=1 and SubPacketId=3

Source Section

RnSectorRtcStats (AirvanaRnPerformanceMIB)

rtcSectorNumGoodRxPhyPackets_Rate01SubPacket4

Number of RTC Physical-layer packets received at this sector with good CRC with a data rate of 4.8Kbps and a reverse-link Physical Layer packet interlace of 4

Data Source

DO-EMS

Source Field

rtcSectorNumGoodRxPhyPackets where PacketRate=1 and SubPacketId=4

Source Section

RnSectorRtcStats (AirvanaRnPerformanceMIB)

rtcSectorNumGoodRxPhyPackets_Rate02SubPacket1

Number of RTC Physical-layer packets received at this sector with good CRC with a data rate of 9.6Kbps and a reverse-link Physical Layer packet interlace of 1

Data Source

DO-EMS

Source Field

rtcSectorNumGoodRxPhyPackets where PacketRate=2 and SubPacketId=1

Source Section

RnSectorRtcStats (AirvanaRnPerformanceMIB)

rtcSectorNumGoodRxPhyPackets_Rate02SubPacket2

Number of RTC Physical-layer packets received at this sector with good CRC with a data rate of 9.6Kbps and a reverse-link Physical Layer packet interlace of 2

Data Source

DO-EMS

Source Field

rtcSectorNumGoodRxPhyPackets where PacketRate=2 and SubPacketId=2

Source Section

RnSectorRtcStats (AirvanaRnPerformanceMIB)

rtcSectorNumGoodRxPhyPackets_Rate02SubPacket3

Number of RTC Physical-layer packets received at this sector with good CRC with a data rate of 9.6Kbps and a reverse-link Physical Layer packet interlace of 3

Data Source

DO-EMS

Source Field

rtcSectorNumGoodRxPhyPackets where PacketRate=2 and SubPacketId=3

Source Section

RnSectorRtcStats (AirvanaRnPerformanceMIB)

rtcSectorNumGoodRxPhyPackets_Rate02SubPacket4

Number of RTC Physical-layer packets received at this sector with good CRC with a data rate of 9.6Kbps and a reverse-link Physical Layer packet interlace of 4

Data Source

DO-EMS

Source Field

rtcSectorNumGoodRxPhyPackets where PacketRate=2 and SubPacketId=4

Source Section

RnSectorRtcStats (AirvanaRnPerformanceMIB)

rtcSectorNumGoodRxPhyPackets_Rate03SubPacket1

Number of RTC Physical-layer packets received at this sector with good CRC with a data rate of 19.2Kbps and a reverse-link Physical Layer packet interlace of 1

Data Source

DO-EMS

Source Field

rtcSectorNumGoodRxPhyPackets where PacketRate=3 and SubPacketId=1

Source Section

RnSectorRtcStats (AirvanaRnPerformanceMIB)

rtcSectorNumGoodRxPhyPackets_Rate03SubPacket2

Number of RTC Physical-layer packets received at this sector with good CRC with a data rate of 19.2Kbps and a reverse-link Physical Layer packet interlace of 2

Data Source

DO-EMS

Source Field

rtcSectorNumGoodRxPhyPackets where PacketRate=3 and SubPacketId=2

Source Section

RnSectorRtcStats (AirvanaRnPerformanceMIB)

rtcSectorNumGoodRxPhyPackets_Rate03SubPacket3

Number of RTC Physical-layer packets received at this sector with good CRC with a data rate of 19.2Kbps and a reverse-link Physical Layer packet interlace of 3

Data Source

DO-EMS

Source Field

rtcSectorNumGoodRxPhyPackets where PacketRate=3 and SubPacketId=3

Source Section

RnSectorRtcStats (AirvanaRnPerformanceMIB)

rtcSectorNumGoodRxPhyPackets_Rate03SubPacket4

Number of RTC Physical-layer packets received at this sector with good CRC with a data rate of 19.2Kbps and a reverse-link Physical Layer packet interlace of 4

Data Source

DO-EMS

Source Field

rtcSectorNumGoodRxPhyPackets where PacketRate=3 and SubPacketId=4

Source Section

RnSectorRtcStats (AirvanaRnPerformanceMIB)

rtcSectorNumGoodRxPhyPackets_Rate04SubPacket1

Number of RTC Physical-layer packets received at this sector with good CRC with a data rate of 28.8Kbps and a reverse-link Physical Layer packet interlace of 1

Data Source

DO-EMS

Source Field

rtcSectorNumGoodRxPhyPackets where PacketRate=4 and SubPacketId=1

Source Section

RnSectorRtcStats (AirvanaRnPerformanceMIB)

rtcSectorNumGoodRxPhyPackets_Rate04SubPacket2

Number of RTC Physical-layer packets received at this sector with good CRC with a data rate of 28.8Kbps and a reverse-link Physical Layer packet interlace of 2

Data Source

DO-EMS

Source Field

rtcSectorNumGoodRxPhyPackets where PacketRate=4 and SubPacketId=2

Source Section

RnSectorRtcStats (AirvanaRnPerformanceMIB)

rtcSectorNumGoodRxPhyPackets_Rate04SubPacket3

Number of RTC Physical-layer packets received at this sector with good CRC with a data rate of 28.8Kbps and a reverse-link Physical Layer packet interlace of 3

Data Source

DO-EMS

Source Field

rtcSectorNumGoodRxPhyPackets where PacketRate=4 and SubPacketId=3

Source Section

RnSectorRtcStats (AirvanaRnPerformanceMIB)

rtcSectorNumGoodRxPhyPackets_Rate04SubPacket4

Number of RTC Physical-layer packets received at this sector with good CRC with a data rate of 28.8Kbps and a reverse-link Physical Layer packet interlace of 4

Data Source

DO-EMS

Source Field

rtcSectorNumGoodRxPhyPackets where PacketRate=4 and SubPacketId=4

Source Section

RnSectorRtcStats (AirvanaRnPerformanceMIB)

rtcSectorNumGoodRxPhyPackets_Rate05SubPacket1

Number of RTC Physical-layer packets received at this sector with good CRC with a data rate of 38.4Kbps and a reverse-link Physical Layer packet interlace of 1

Data Source

DO-EMS

Source Field

rtcSectorNumGoodRxPhyPackets where PacketRate=5 and SubPacketId=1

Source Section

RnSectorRtcStats (AirvanaRnPerformanceMIB)

rtcSectorNumGoodRxPhyPackets_Rate05SubPacket2

Number of RTC Physical-layer packets received at this sector with good CRC with a data rate of 38.4Kbps and a reverse-link Physical Layer packet interlace of 2

Data Source

DO-EMS

Source Field

rtcSectorNumGoodRxPhyPackets where PacketRate=5 and SubPacketId=2

Source Section

RnSectorRtcStats (AirvanaRnPerformanceMIB)

rtcSectorNumGoodRxPhyPackets_Rate05SubPacket3

Number of RTC Physical-layer packets received at this sector with good CRC with a data rate of 38.4Kbps and a reverse-link Physical Layer packet interlace of 3

Data Source

DO-EMS

Source Field

rtcSectorNumGoodRxPhyPackets where PacketRate=5 and SubPacketId=3

Source Section

RnSectorRtcStats (AirvanaRnPerformanceMIB)

rtcSectorNumGoodRxPhyPackets_Rate05SubPacket4

Number of RTC Physical-layer packets received at this sector with good CRC with a data rate of 38.4Kbps and a reverse-link Physical Layer packet interlace of 4

Data Source

DO-EMS

Source Field

rtcSectorNumGoodRxPhyPackets where PacketRate=5 and SubPacketId=4

Source Section

RnSectorRtcStats (AirvanaRnPerformanceMIB)

rtcSectorNumGoodRxPhyPackets_Rate06SubPacket1

Number of RTC Physical-layer packets received at this sector with good CRC with a data rate of 57.6Kbps and a reverse-link Physical Layer packet interlace of 1

Data Source

DO-EMS

Source Field

rtcSectorNumGoodRxPhyPackets where PacketRate=6 and SubPacketId=1

Source Section

RnSectorRtcStats (AirvanaRnPerformanceMIB)

rtcSectorNumGoodRxPhyPackets_Rate06SubPacket2

Number of RTC Physical-layer packets received at this sector with good CRC with a data rate of 57.6Kbps and a reverse-link Physical Layer packet interlace of 2

Data Source

DO-EMS

Source Field

rtcSectorNumGoodRxPhyPackets where PacketRate=6 and SubPacketId=2

Source Section

RnSectorRtcStats (AirvanaRnPerformanceMIB)

rtcSectorNumGoodRxPhyPackets_Rate06SubPacket3

Number of RTC Physical-layer packets received at this sector with good CRC with a data rate of 57.6Kbps and a reverse-link Physical Layer packet interlace of 3

Data Source

DO-EMS

Source Field

rtcSectorNumGoodRxPhyPackets where PacketRate=6 and SubPacketId=3

Source Section

RnSectorRtcStats (AirvanaRnPerformanceMIB)

rtcSectorNumGoodRxPhyPackets_Rate06SubPacket4

Number of RTC Physical-layer packets received at this sector with good CRC with a data rate of 57.6Kbps and a reverse-link Physical Layer packet interlace of 4

Data Source

DO-EMS

Source Field

rtcSectorNumGoodRxPhyPackets where PacketRate=6 and SubPacketId=4

Source Section

RnSectorRtcStats (AirvanaRnPerformanceMIB)

rtcSectorNumGoodRxPhyPackets_Rate07SubPacket1

Number of RTC Physical-layer packets received at this sector with good CRC with a data rate of 76.8Kbps and a reverse-link Physical Layer packet interlace of 1

Data Source

DO-EMS

Source Field

rtcSectorNumGoodRxPhyPackets where PacketRate=7 and SubPacketId=1

Source Section

RnSectorRtcStats (AirvanaRnPerformanceMIB)

rtcSectorNumGoodRxPhyPackets_Rate07SubPacket2

Number of RTC Physical-layer packets received at this sector with good CRC with a data rate of 76.8Kbps and a reverse-link Physical Layer packet interlace of 2

Data Source

DO-EMS

Source Field

rtcSectorNumGoodRxPhyPackets where PacketRate=7 and SubPacketId=2

Source Section

RnSectorRtcStats (AirvanaRnPerformanceMIB)

rtcSectorNumGoodRxPhyPackets_Rate07SubPacket3

Number of RTC Physical-layer packets received at this sector with good CRC with a data rate of 76.8Kbps and a reverse-link Physical Layer packet interlace of 3

Data Source

DO-EMS

Source Field

rtcSectorNumGoodRxPhyPackets where PacketRate=7 and SubPacketId=3

Source Section

RnSectorRtcStats (AirvanaRnPerformanceMIB)

rtcSectorNumGoodRxPhyPackets_Rate07SubPacket4

Number of RTC Physical-layer packets received at this sector with good CRC with a data rate of 76.8Kbps and a reverse-link Physical Layer packet interlace of 4

Data Source

DO-EMS

Source Field

rtcSectorNumGoodRxPhyPackets where PacketRate=7 and SubPacketId=4

Source Section

RnSectorRtcStats (AirvanaRnPerformanceMIB)

rtcSectorNumGoodRxPhyPackets_Rate08SubPacket1

Number of RTC Physical-layer packets received at this sector with good CRC with a data rate of 115.2Kbps and a reverse-link Physical Layer packet interlace of 1

Data Source

DO-EMS

Source Field

rtcSectorNumGoodRxPhyPackets where PacketRate=8 and SubPacketId=1

Source Section

RnSectorRtcStats (AirvanaRnPerformanceMIB)

rtcSectorNumGoodRxPhyPackets_Rate08SubPacket2

Number of RTC Physical-layer packets received at this sector with good CRC with a data rate of 115.2Kbps and a reverse-link Physical Layer packet interlace of 2

Data Source

DO-EMS

Source Field

rtcSectorNumGoodRxPhyPackets where PacketRate=8 and SubPacketId=2

Source Section

RnSectorRtcStats (AirvanaRnPerformanceMIB)

rtcSectorNumGoodRxPhyPackets_Rate08SubPacket3

Number of RTC Physical-layer packets received at this sector with good CRC with a data rate of 115.2Kbps and a reverse-link Physical Layer packet interlace of 3

Data Source

DO-EMS

Source Field

rtcSectorNumGoodRxPhyPackets where PacketRate=8 and SubPacketId=3

Source Section

RnSectorRtcStats (AirvanaRnPerformanceMIB)

rtcSectorNumGoodRxPhyPackets_Rate08SubPacket4

Number of RTC Physical-layer packets received at this sector with good CRC with a data rate of 115.2Kbps and a reverse-link Physical Layer packet interlace of 4

Data Source

DO-EMS

Source Field

rtcSectorNumGoodRxPhyPackets where PacketRate=8 and SubPacketId=4

Source Section

RnSectorRtcStats (AirvanaRnPerformanceMIB)

rtcSectorNumGoodRxPhyPackets_Rate09SubPacket1

Number of RTC Physical-layer packets received at this sector with good CRC with a data rate of 153.6Kbps and a reverse-link Physical Layer packet interlace of 1

Data Source

DO-EMS

Source Field

rtcSectorNumGoodRxPhyPackets where PacketRate=9 and SubPacketId=1

Source Section

RnSectorRtcStats (AirvanaRnPerformanceMIB)

rtcSectorNumGoodRxPhyPackets_Rate09SubPacket2

Number of RTC Physical-layer packets received at this sector with good CRC with a data rate of 153.6Kbps and a reverse-link Physical Layer packet interlace of 2

Data Source

DO-EMS

Source Field

rtcSectorNumGoodRxPhyPackets where PacketRate=9 and SubPacketId=2

Source Section

RnSectorRtcStats (AirvanaRnPerformanceMIB)

rtcSectorNumGoodRxPhyPackets_Rate09SubPacket3

Number of RTC Physical-layer packets received at this sector with good CRC with a data rate of 153.6Kbps and a reverse-link Physical Layer packet interlace of 3

Data Source

DO-EMS

Source Field

rtcSectorNumGoodRxPhyPackets where PacketRate=9 and SubPacketId=3

Source Section

RnSectorRtcStats (AirvanaRnPerformanceMIB)

rtcSectorNumGoodRxPhyPackets_Rate09SubPacket4

Number of RTC Physical-layer packets received at this sector with good CRC with a data rate of 153.6Kbps and a reverse-link Physical Layer packet interlace of 4

Data Source

DO-EMS

Source Field

rtcSectorNumGoodRxPhyPackets where PacketRate=9 and SubPacketId=4

Source Section

RnSectorRtcStats (AirvanaRnPerformanceMIB)

rtcSectorNumGoodRxPhyPackets_Rate10SubPacket1

Number of RTC Physical-layer packets received at this sector with good CRC with a data rate of 230.4Kbps and a reverse-link Physical Layer packet interlace of 1

Data Source

DO-EMS

Source Field

rtcSectorNumGoodRxPhyPackets where PacketRate=10 and SubPacketId=1

Source Section

RnSectorRtcStats (AirvanaRnPerformanceMIB)

rtcSectorNumGoodRxPhyPackets_Rate10SubPacket2

Number of RTC Physical-layer packets received at this sector with good CRC with a data rate of 230.4Kbps and a reverse-link Physical Layer packet interlace of 2

Data Source

DO-EMS

Source Field

rtcSectorNumGoodRxPhyPackets where PacketRate=10 and SubPacketId=2

Source Section

RnSectorRtcStats (AirvanaRnPerformanceMIB)

rtcSectorNumGoodRxPhyPackets_Rate10SubPacket3

Number of RTC Physical-layer packets received at this sector with good CRC with a data rate of 230.4Kbps and a reverse-link Physical Layer packet interlace of 3

Data Source

DO-EMS

Source Field

rtcSectorNumGoodRxPhyPackets where PacketRate=10 and SubPacketId=3

Source Section

RnSectorRtcStats (AirvanaRnPerformanceMIB)

rtcSectorNumGoodRxPhyPackets_Rate10SubPacket4

Number of RTC Physical-layer packets received at this sector with good CRC with a data rate of 230.4Kbps and a reverse-link Physical Layer packet interlace of 4

Data Source

DO-EMS

Source Field

rtcSectorNumGoodRxPhyPackets where PacketRate=10 and SubPacketId=4

Source Section

RnSectorRtcStats (AirvanaRnPerformanceMIB)

rtcSectorNumGoodRxPhyPackets_Rate11SubPacket1

Number of RTC Physical-layer packets received at this sector with good CRC with a data rate of 307.2Kbps and a reverse-link Physical Layer packet interlace of 1

Data Source

DO-EMS

Source Field

rtcSectorNumGoodRxPhyPackets where PacketRate=11 and SubPacketId=1

Source Section

RnSectorRtcStats (AirvanaRnPerformanceMIB)

rtcSectorNumGoodRxPhyPackets_Rate11SubPacket2

Number of RTC Physical-layer packets received at this sector with good CRC with a data rate of 307.2Kbps and a reverse-link Physical Layer packet interlace of 2

Data Source

DO-EMS

Source Field

rtcSectorNumGoodRxPhyPackets where PacketRate=11 and SubPacketId=2

Source Section

RnSectorRtcStats (AirvanaRnPerformanceMIB)

rtcSectorNumGoodRxPhyPackets_Rate11SubPacket3

Number of RTC Physical-layer packets received at this sector with good CRC with a data rate of 307.2Kbps and a reverse-link Physical Layer packet interlace of 3

Data Source

DO-EMS

Source Field

rtcSectorNumGoodRxPhyPackets where PacketRate=11 and SubPacketId=3

Source Section

RnSectorRtcStats (AirvanaRnPerformanceMIB)

rtcSectorNumGoodRxPhyPackets_Rate11SubPacket4

Number of RTC Physical-layer packets received at this sector with good CRC with a data rate of 307.2Kbps and a reverse-link Physical Layer packet interlace of 4

Data Source

DO-EMS

Source Field

rtcSectorNumGoodRxPhyPackets where PacketRate=11 and SubPacketId=4

Source Section

RnSectorRtcStats (AirvanaRnPerformanceMIB)

rtcSectorNumGoodRxPhyPackets_Rate12SubPacket1

Number of RTC Physical-layer packets received at this sector with good CRC with a data rate of 460.8Kbps and a reverse-link Physical Layer packet interlace of 1

Data Source

DO-EMS

Source Field

rtcSectorNumGoodRxPhyPackets where PacketRate=12 and SubPacketId=1

Source Section

RnSectorRtcStats (AirvanaRnPerformanceMIB)

rtcSectorNumGoodRxPhyPackets_Rate12SubPacket2

Number of RTC Physical-layer packets received at this sector with good CRC with a data rate of 460.8Kbps and a reverse-link Physical Layer packet interlace of 2

Data Source

DO-EMS

Source Field

rtcSectorNumGoodRxPhyPackets where PacketRate=12 and SubPacketId=2

Source Section

RnSectorRtcStats (AirvanaRnPerformanceMIB)

rtcSectorNumGoodRxPhyPackets_Rate12SubPacket3

Number of RTC Physical-layer packets received at this sector with good CRC with a data rate of 460.8Kbps and a reverse-link Physical Layer packet interlace of 3

Data Source

DO-EMS

Source Field

rtcSectorNumGoodRxPhyPackets where PacketRate=12 and SubPacketId=3

Source Section

RnSectorRtcStats (AirvanaRnPerformanceMIB)

rtcSectorNumGoodRxPhyPackets_Rate12SubPacket4

Number of RTC Physical-layer packets received at this sector with good CRC with a data rate of 460.8Kbps and a reverse-link Physical Layer packet interlace of 4

Data Source

DO-EMS

Source Field

rtcSectorNumGoodRxPhyPackets where PacketRate=12 and SubPacketId=4

Source Section

RnSectorRtcStats (AirvanaRnPerformanceMIB)

rtcSectorThroughputMac

Total MAC-layer reverse traffic throughput formed by all the reverse traffic channels active on this sector

Data Source

DO-EMS

Source Field

rtcSectorThroughputMac

Source Section

RnSectorPerf (AirvanaRnPerformanceMIB)

rtcSectorThroughputPhy

The total PHY-layer reverse traffic throughput formed by all the reverse traffic channels active on this sector

Data Source

DO-EMS

Source Field

rtcSectorThroughputPhy

Source Section

RnSectorPerf (AirvanaRnPerformanceMIB)

sectorElementIndex

Sector Element Index

Data Source

DO-EMS

Source Field

sectorElementIndex

Source Section

RnAConnectionResourceUsageHistogramPerSector (SectorElementMIB)

slotUtilAggNumAttempts_New_BE

Number of times when DOM admission control applied slot utilization constraint checks for new connection requests for BE connections at the request from the DO-RNC.

Data Source

DO-EMS

Source Field

slotUtilAggNumAttempts where slotUtilClassBasedAggStatsCSI=0

Source Section

SlotUtilPerfBySectorByClass (QoSrmbAOCMIB)

slotUtilAggNumAttempts_New_nonBE

Number of times when DOM admission control applied slot utilization constraint checks for new connection requests for non-BE connections at the request from the DO-RNC.

Data Source

DO-EMS

Source Field

slotUtilAggNumAttempts where slotUtilClassBasedAggStatsCSI=1

Source Section

SlotUtilPerfBySectorByClass (QoSrmbAOCMIB)

slotUtilAggNumAttempts_SHO_BE

Number of times when DOM admission control applied slot utilization constraint checks for SHO connection requests for BE connections at the request from the DO-RNC.

Data Source

DO-EMS

Source Field

slotUtilAggNumAttempts where slotUtilClassBasedAggStatsCSI=2

Source Section

SlotUtilPerfBySectorByClass (QoSrmbAOCMIB)

slotUtilAggNumAttempts_SHO_nonBE

Number of times when DOM admission control applied slot utilization constraint checks for SHO connection requests for non-BE connections at the request from the DO-RNC.

Data Source

DO-EMS

Source Field

slotUtilAggNumAttempts where slotUtilClassBasedAggStatsCSI=3

Source Section

SlotUtilPerfBySectorByClass (QoSrmbAOCMIB)

slotUtilAggNumBypass_New_BE

Number of times that the slot utilization constraint check for new connection requests for BE connections is bypassed.

Data Source

DO-EMS

Source Field

slotUtilAggNumBypass where slotUtilClassBasedAggStatsCSI=0

Source Section

SlotUtilPerfBySectorByClass (QoSrmbAOCMIB)

slotUtilAggNumBypass_New_nonBE

Number of times that the slot utilization constraint check for new connection requests for non-BE connections is bypassed.

Data Source

DO-EMS

Source Field

slotUtilAggNumBypass where slotUtilClassBasedAggStatsCSI=1

Source Section

SlotUtilPerfBySectorByClass (QoSrmbAOCMIB)

slotUtilAggNumBypass_SHO_BE

Number of times that the slot utilization constraint check for SHO connection requests for BE connections is bypassed.

Data Source

DO-EMS

Source Field

slotUtilAggNumBypass where slotUtilClassBasedAggStatsCSI=2

Source Section

SlotUtilPerfBySectorByClass (QoSrmbAOCMIB)

slotUtilAggNumBypass_SHO_nonBE

Number of times that the slot utilization constraint check for SHO connection requests for non-BE connections is bypassed.

Data Source

DO-EMS

Source Field

slotUtilAggNumBypass where slotUtilClassBasedAggStatsCSI=3

Source Section

SlotUtilPerfBySectorByClass (QoSrmbAOCMIB)

slotUtilAggNumFailures_New_BE

Number of times that the slot utilization constraint check for new connection requests for BE connections is failed.

Data Source

DO-EMS

Source Field

slotUtilAggNumFailures where slotUtilClassBasedAggStatsCSI=0

Source Section

SlotUtilPerfBySectorByClass (QoSrmbAOCMIB)

slotUtilAggNumFailures_New_nonBE

Number of times that the slot utilization constraint check for new connection requests for non-BE connections is failed.

Data Source

DO-EMS

Source Field

slotUtilAggNumFailures where slotUtilClassBasedAggStatsCSI=1

Source Section

SlotUtilPerfBySectorByClass (QoSrmbAOCMIB)

slotUtilAggNumFailures_SHO_BE

Number of times that the slot utilization constraint check for SHO connection requests for BE connections is failed.

Data Source

DO-EMS

Source Field

slotUtilAggNumFailures where slotUtilClassBasedAggStatsCSI=2

Source Section

SlotUtilPerfBySectorByClass (QoS RmbAOCMIB)

slotUtilAggNumFailures_SHO_nonBE

Number of times that the slot utilization constraint check for SHO connection requests for non-BE connections is failed.

Data Source

DO-EMS

Source Field

slotUtilAggNumFailures where slotUtilClassBasedAggStatsCSI=3

Source Section

SlotUtilPerfBySectorByClass (QoS RmbAOCMIB)

slotUtilAggNumSuccess_New_BE

Number of times that the slot utilization constraint check for new connection requests for BE connections is successfully passed.

Data Source

DO-EMS

Source Field

slotUtilAggNumSuccess where slotUtilClassBasedAggStatsCSI=0

Source Section

SlotUtilPerfBySectorByClass (QoS RmbAOCMIB)

slotUtilAggNumSuccess_New_nonBE

Number of times that the slot utilization constraint check for new connection requests for non-BE connections is successfully passed.

Data Source

DO-EMS

Source Field

slotUtilAggNumSuccess where slotUtilClassBasedAggStatsCSI=1

Source Section

SlotUtilPerfBySectorByClass (QoSrmbAOCMIB)

slotUtilAggNumSuccess_SHO_BE

Number of times that the slot utilization constraint check for SHO connection requests for BE connections is successfully passed.

Data Source

DO-EMS

Source Field

slotUtilAggNumSuccess where slotUtilClassBasedAggStatsCSI=2

Source Section

SlotUtilPerfBySectorByClass (QoSrmbAOCMIB)

slotUtilAggNumSuccess_SHO_nonBE

Number of times that the slot utilization constraint check for SHO connection requests for non-BE connections is successfully passed.

Data Source

DO-EMS

Source Field

slotUtilAggNumSuccess where slotUtilClassBasedAggStatsCSI=3

Source Section

SlotUtilPerfBySectorByClass (QoSrmbAOCMIB)

TotalAirlinkRsrcAllocatedCurSectorCarrier

Total number of Airlink Resources currently allocated

Data Source

DO-EMS

Source Field

TotalAirlinkRsrcAllocatedCurSectorCarrier

Source Section

AirlinkResourceAllocationPerfBySectorCarrier (RncResourceControlMIB)

TotalAirlinkRsrcAllocatedSectorCarrier

Total number of Airlink Resources allocated

Data Source

DO-EMS

Source Field

TotalAirlinkRsrcAllocatedSectorCarrier

Source Section

AirlinkResourceAllocationPerfBySectorCarrier (RncResourceControlMIB)

TotalAirlinkRsrcAllocationsFailedSectorCarrierDownSectorCarrier

Total number of failed airlink resource allocations because sector-carrier was down.

Data Source

DO-EMS

Source Field

TotalAirlinkRsrcAllocationsFailedSectorCarrierDownSectorCarrier

Source Section

AirlinkResourceAllocationPerfBySectorCarrier (RncResourceControlMIB)

TotalAirlinkRsrcRequestsSectorCarrier

Total number of Airlink Resource Requests

Data Source

DO-EMS

Source Field

TotalAirlinkRsrcRequestsSectorCarrier

Source Section

AirlinkResourceAllocationPerfBySectorCarrier (RncResourceControlMIB)

TotalBlockedAirlinkRsrcAllocationsSectorCarrier

Total number of blocked airlink resource allocations

Data Source

DO-EMS

Source Field

TotalBlockedAirlinkRsrcAllocationsSectorCarrier

Source Section

AirlinkResourceAllocationPerfBySectorCarrier (RncResourceControlMIB)

TotalInterSlotRsrcAllocatedSectorCarrier

Total number of inter-Slot resources allocated

Data Source

DO-EMS

Source Field

TotalInterSlotRsrcAllocatedSectorCarrier

Source Section

AirlinkResourceAllocationPerfBySectorCarrier (RncResourceControlMIB)

TotalInterSlotRsrcRequestsSectorCarrier

Total number of inter-Slot resource requests

Data Source

DO-EMS

Source Field

TotalInterSlotRsrcRequestsSectorCarrier

Source Section

AirlinkResourceAllocationPerfBySectorCarrier (RncResourceControlMIB)

totalSessionSetupsBlockedSC

Total number of Session Setups which were blocked on this Sector.

Data Source

DO-EMS

Source Field

totalSessionSetupsBlockedSC

Source Section

RNCPerfBySectorCarrier (RncIS856PerfMIB)

totalSessionSetupsFailedSC

This OM is a counter for the total number of session setups that are aborted on the DO-RNC / RNSM.

Data Source

DO-EMS

Source Field

totalSessionSetupsFailedSC

Source Section

RNCPerfBySectorCarrier (RncIS856PerfMIB)

trafficTypeAggNumAttempts_New_BE

Number of times when DOM admission control applied traffic type constraint checks for new connection requests for BE connections at the request from the DO-RNC.

Data Source

DO-EMS

Source Field

trafficTypeAggNumAttempts where appTTClassBasedAggStatsCSI=0

Source Section

TrafficTypePerfBySectorClass (QoSEnhancedAOCMIB)

trafficTypeAggNumAttempts_New_nonBE

Number of times when DOM admission control applied traffic type constraint checks for new connection requests for non-BE connections at the request from the DO-RNC.

Data Source

DO-EMS

Source Field

trafficTypeAggNumAttempts where appTTClassBasedAggStatsCSI=1

Source Section

TrafficTypePerfBySectorClass (QoSEnhancedAOCMIB)

trafficTypeAggNumAttempts_SHO_BE

Number of times when DOM admission control applied traffic type constraint checks for SHO connection requests for BE connections at the request from the DO-RNC.

Data Source

DO-EMS

Source Field

trafficTypeAggNumAttempts where appTTClassBasedAggStatsCSI=2

Source Section

TrafficTypePerfBySectorClass (QoSEnhancedAOCMIB)

trafficTypeAggNumAttempts_SHO_nonBE

Number of times when DOM admission control applied traffic type constraint checks for SHO connection requests for non-BE connections at the request from the DO-RNC.

Data Source

DO-EMS

Source Field

trafficTypeAggNumAttempts where appTTClassBasedAggStatsCSI=3

Source Section

TrafficTypePerfBySectorClass (QoSEnhancedAOCMIB)

trafficTypeAggNumBypass_New_BE

Number of times that the traffic type constraint check for new connection requests for BE connections is bypassed.

Data Source

DO-EMS

Source Field

trafficTypeAggNumBypass where appTTClassBasedAggStatsCSI=0

Source Section

TrafficTypePerfBySectorClass (QoSEnhancedAOCMIB)

trafficTypeAggNumBypass_New_nonBE

Number of times that the traffic type constraint check for new connection requests for non-BE connections is bypassed.

Data Source

DO-EMS

Source Field

trafficTypeAggNumBypass where appTTClassBasedAggStatsCSI=1

Source Section

TrafficTypePerfBySectorClass (QoSEnhancedAOCMIB)

trafficTypeAggNumBypass_SHO_BE

Number of times that the traffic type constraint check for SHO connection requests for BE connections is bypassed.

Data Source

DO-EMS

Source Field

trafficTypeAggNumBypass where appTTClassBasedAggStatsCSI=2

Source Section

TrafficTypePerfBySectorClass (QoSEnhancedAOCMIB)

trafficTypeAggNumBypass_SHO_nonBE

Number of times that the traffic type constraint check for SHO connection requests for non-BE connections is bypassed.

Data Source

DO-EMS

Source Field

trafficTypeAggNumBypass where appTTClassBasedAggStatsCSI=3

Source Section

TrafficTypePerfBySectorClass (QoSEnhancedAOCMIB)

trafficTypeAggNumFailures_New_BE

Number of times that the traffic type constraint check for new connection requests for BE connections is failed.

Data Source

DO-EMS

Source Field

trafficTypeAggNumFailures where appTTClassBasedAggStatsCSI=0

Source Section

TrafficTypePerfBySectorClass (QoSEnhancedAOCMIB)

trafficTypeAggNumFailures_New_nonBE

Number of times that the traffic type constraint check for new connection requests for non-BE connections is failed.

Data Source

DO-EMS

Source Field

trafficTypeAggNumFailures where appTTClassBasedAggStatsCSI=1

Source Section

TrafficTypePerfBySectorClass (QoSEnhancedAOCMIB)

trafficTypeAggNumFailures_SHO_BE

Number of times that the traffic type constraint check for SHO connection requests for BE connections is failed.

Data Source

DO-EMS

Source Field

trafficTypeAggNumFailures where appTTClassBasedAggStatsCSI=2

Source Section

TrafficTypePerfBySectorClass (QoSEnhancedAOCMIB)

trafficTypeAggNumFailures_SHO_nonBE

Number of times that the traffic type constraint check for SHO connection requests for non-BE connections is failed.

Data Source

DO-EMS

Source Field

trafficTypeAggNumFailures where appTTClassBasedAggStatsCSI=3

Source Section

TrafficTypePerfBySectorClass (QoSEnhancedAOCMIB)

trafficTypeAggNumSuccess_New_BE

Number of times that the traffic type constraint check for new connection requests for BE connections is successfully passed.

Data Source

DO-EMS

Source Field

trafficTypeAggNumSuccess where appTTClassBasedAggStatsCSI=0

Source Section

TrafficTypePerfBySectorClass (QoSEnhancedAOCMIB)

trafficTypeAggNumSuccess_New_nonBE

Number of times that the traffic type constraint check for new connection requests for non-BE connections is successfully passed.

Data Source

DO-EMS

Source Field

trafficTypeAggNumSuccess where appTTClassBasedAggStatsCSI=1

Source Section

TrafficTypePerfBySectorClass (QoSEnhancedAOCMIB)

trafficTypeAggNumSuccess_SHO_BE

Number of times that the traffic type constraint check for SHO connection requests for BE connections is successfully passed.

Data Source

DO-EMS

Source Field

trafficTypeAggNumSuccess where appTTClassBasedAggStatsCSI=2

Source Section

TrafficTypePerfBySectorClass (QoSEnhancedAOCMIB)

trafficTypeAggNumSuccess_SHO_nonBE

Number of times that the traffic type constraint check for SHO connection requests for non-BE connections is successfully passed.

Data Source

DO-EMS

Source Field

trafficTypeAggNumSuccess where appTTClassBasedAggStatsCSI=3

Source Section

TrafficTypePerfBySectorClass (QoSEnhancedAOCMIB)

DOM_Sector_FormatRate Primitive Calculations

The following is a list of primitive calculations for the DOM_Sector_FormatRate entity.

GRAPHmultiLineSeparator

Special Control Field for Multi-Line Graphs

Calculation

""

NUMDAYS

of days in Report

Calculation

DAYSINREPORT ()

NUMHOURS

of hours in Summation Data

Calculation

DOM_Sector_FormatRate Peg Counts

The following is a list of peg counts for the DOM_Sector_FormatRate entity.

numSlotUsedForMultiUserPhyPacketsTxFmt

The number of slots used up by multi-user Physical Layer FTC packets transmitted from this sector as a function of the Rev-A transmission format. Note: Prospect local key for multicast pegs match those documented for unicast index "rnPerformanceSectorFtcUnicastTxFormatRate", not "rnPerformanceSectorFtcMulticastTxFormatRate".

Data Source

DO-EMS

Source Field

numSlotUsedForMultiUserPhyPacketsTxFmt

Source Section

RevAMultiUserTXFormats (RnPerformanceMIB)

numSlotUsedForSingleUserPhyPacketsTxFmt

The number of slots used up by single user Physical Layer FTC packets transmitted from this sector as a function of the Rev-A transmission format.

Data Source

DO-EMS

Source Field

numSlotUsedForSingleUserPhyPacketsTxFmt

Source Section

RevASingleUserTXFormats (RnPerformanceMIB)

numTxMultiUserPhyPacketsTxFmt

The number of multi-user Physical Layer packets that have been transmitted from this sector at the specified transmission format. Note: Prospect local key for multicast pegs match those documented for unicast index "rnPerformanceSectorFtcUnicastTxFormatRate", not "rnPerformanceSectorFtcMulticastTxFormatRate".

Data Source

DO-EMS

Source Field

numTxMultiUserPhyPacketsTxFmt

Source Section

RevAMultiUserTXFormats (RnPerformanceMIB)

numTxSingleUserPhyPacketsTxFmt

The number of single user Physical Layer packets that have been transmitted from this sector at the specified Rev-A transmission format.

Data Source

DO-EMS

Source Field

numTxSingleUserPhyPacketsTxFmt

Source Section

RevASingleUserTXFormats (RnPerformanceMIB)

DOM_Sector_Priority Primitive Calculations

The following is a list of primitive calculations for the DOM_Sector_Priority entity.

GRAPHmultiLineSeparator

Special Control Field for Multi-Line Graphs

Calculation

""

NUMDAYS

of days in Report

Calculation

DAYSINREPORT ()

NUMHOURS

of hours in Summation Data

Calculation

rtcSeHiCapBadPhyPkts

Total number of High-Capacity RTC Physical Layer packets received with bad CRC.

Calculation

```
vsum (rtcSeHiCapBadPhyPkts_PktRate01, rtcSeHiCapBadPhyPkts_PktRate02,  
rtcSeHiCapBadPhyPkts_PktRate03, rtcSeHiCapBadPhyPkts_PktRate04,  
rtcSeHiCapBadPhyPkts_PktRate05, rtcSeHiCapBadPhyPkts_PktRate06,  
rtcSeHiCapBadPhyPkts_PktRate07, rtcSeHiCapBadPhyPkts_PktRate08,  
rtcSeHiCapBadPhyPkts_PktRate09, rtcSeHiCapBadPhyPkts_PktRate10,  
rtcSeHiCapBadPhyPkts_PktRate11, rtcSeHiCapBadPhyPkts_PktRate12, 0)
```

rtcSeHiCapGdMacBytes

Total number of RTC MAC bytes received in good High-Capacity packets.

Calculation

```
vsum (rtcSeHiCapGdMacBytes_PktRate01, rtcSeHiCapGdMacBytes_PktRate02,  
rtcSeHiCapGdMacBytes_PktRate03, rtcSeHiCapGdMacBytes_PktRate04,  
rtcSeHiCapGdMacBytes_PktRate05, rtcSeHiCapGdMacBytes_PktRate06,  
rtcSeHiCapGdMacBytes_PktRate07, rtcSeHiCapGdMacBytes_PktRate08,  
rtcSeHiCapGdMacBytes_PktRate09, rtcSeHiCapGdMacBytes_PktRate10,  
rtcSeHiCapGdMacBytes_PktRate11, rtcSeHiCapGdMacBytes_PktRate12, 0)
```

rtcSeHiCapGdPhyPkts

Total number of High-Capacity RTC Physical Layer packets received with good CRC.

Calculation

```
vsum (rtcSeHiCapGdPhyPkts_PktRate01, rtcSeHiCapGdPhyPkts_PktRate02,  
rtcSeHiCapGdPhyPkts_PktRate03, rtcSeHiCapGdPhyPkts_PktRate04,  
rtcSeHiCapGdPhyPkts_PktRate05, rtcSeHiCapGdPhyPkts_PktRate06,  
rtcSeHiCapGdPhyPkts_PktRate07, rtcSeHiCapGdPhyPkts_PktRate08,  
rtcSeHiCapGdPhyPkts_PktRate09, rtcSeHiCapGdPhyPkts_PktRate10,  
rtcSeHiCapGdPhyPkts_PktRate11, rtcSeHiCapGdPhyPkts_PktRate12, 0)
```

rtcSeLoLatBadPhyPkts

Total number of Low-Latency RTC Physical Layer packets received with bad CRC.

Calculation

```
vsum (rtcSeLoLatBadPhyPkts_PktRate01, rtcSeLoLatBadPhyPkts_PktRate02,  
rtcSeLoLatBadPhyPkts_PktRate03, rtcSeLoLatBadPhyPkts_PktRate04,  
rtcSeLoLatBadPhyPkts_PktRate05, rtcSeLoLatBadPhyPkts_PktRate06,  
rtcSeLoLatBadPhyPkts_PktRate07, rtcSeLoLatBadPhyPkts_PktRate08,  
rtcSeLoLatBadPhyPkts_PktRate09, rtcSeLoLatBadPhyPkts_PktRate10,  
rtcSeLoLatBadPhyPkts_PktRate11, rtcSeLoLatBadPhyPkts_PktRate12, 0)
```

rtcSeLoLatGdMacBytes

Total number of RTC MAC bytes received in good Low-Latency packets.

Calculation

```
vsum (rtcSeLoLatGdMacBytes_PktRate01, rtcSeLoLatGdMacBytes_PktRate02,  
rtcSeLoLatGdMacBytes_PktRate03, rtcSeLoLatGdMacBytes_PktRate04,  
rtcSeLoLatGdMacBytes_PktRate05, rtcSeLoLatGdMacBytes_PktRate06,  
rtcSeLoLatGdMacBytes_PktRate07, rtcSeLoLatGdMacBytes_PktRate08,  
rtcSeLoLatGdMacBytes_PktRate09, rtcSeLoLatGdMacBytes_PktRate10,  
rtcSeLoLatGdMacBytes_PktRate11, rtcSeLoLatGdMacBytes_PktRate12, 0)
```

rtcSeLoLatGdPhyPkts

Total number of Low-Latency RTC Physical Layer packets received with good CRC.

Calculation

```
vsum (rtcSeLoLatGdPhyPkts_PktRate01, rtcSeLoLatGdPhyPkts_PktRate02,  
rtcSeLoLatGdPhyPkts_PktRate03, rtcSeLoLatGdPhyPkts_PktRate04,
```

```
rtcSeLoLatGdPhyPkts_PktRate05, rtcSeLoLatGdPhyPkts_PktRate06,  
rtcSeLoLatGdPhyPkts_PktRate07, rtcSeLoLatGdPhyPkts_PktRate08,  
rtcSeLoLatGdPhyPkts_PktRate09, rtcSeLoLatGdPhyPkts_PktRate10,  
rtcSeLoLatGdPhyPkts_PktRate11, rtcSeLoLatGdPhyPkts_PktRate12, 0)
```

DOM_Sector_Priority Peg Counts

The following is a list of peg counts for the DOM_Sector_Priority entity.

ftcSectorBEMacBytes

The cumulative number of MAC layer forward link transmitted BE bytes per inter-user BE priority level per sector, pegged according to the priority level received from the RNC.

Data Source

DO-EMS

Source Field

ftcSectorBEMacBytes

Source Section

RnSectorPerfFTCIUBE (RnPerformanceMIB)

ftcSectorBEPhyBytes

The cumulative number of Physical layer forward link transmitted BE bytes per inter-user BE priority level per sector, pegged according to the priority level received from the RNC.

Data Source

DO-EMS

Source Field

ftcSectorBEPhyBytes

Source Section

RnSectorPerfFTCIUBE (RnPerformanceMIB)

ftcSectorBESlots

The cumulative number of slots used for forward link Physical layer BE packets per inter-user BE priority level per sector, pegged according to the priority level received from the RNC.

Data Source

DO-EMS

Source Field

ftcSectorBESlots

Source Section

RnSectorPerfFTCIUBE (RnPerformanceMIB)

ftcSeSchBEDelHis_Bin0

The cumulative number of FL MAC layer BE bytes which have experienced a delay of 0-7 slots.

Data Source

DO-EMS

Source Field

ftcSeSchBEDelHis where mPfSeIUBESchBinId=0

Source Section

RnSectorPerfDelIUBE (RnPerformanceMIB)

ftcSeSchBEDelHis_Bin1

The cumulative number of FL MAC layer BE bytes which have experienced a delay of 8-15 slots.

Data Source

DO-EMS

Source Field

ftcSeSchBEDelHis where mPfSeIUBESchBinId=1

Source Section

RnSectorPerfDelIUBE (RnPerformanceMIB)

ftcSeSchBEDelHis_Bin2

The cumulative number of FL MAC layer BE bytes which have experienced a delay of 16-31 slots.

Data Source

DO-EMS

Source Field

ftcSeSchBEDelHis where rnPfSeIUBESchBinId=2

Source Section

RnSectorPerfDelIUBE (RnPerformanceMIB)

ftcSeSchBEDelHis_Bin3

The cumulative number of FL MAC layer BE bytes which have experienced a delay of 32-63 slots.

Data Source

DO-EMS

Source Field

ftcSeSchBEDelHis where rnPfSeIUBESchBinId=3

Source Section

RnSectorPerfDelIUBE (RnPerformanceMIB)

ftcSeSchBEDelHis_Bin4

The cumulative number of FL MAC layer BE bytes which have experienced a delay of 64-127 slots.

Data Source

DO-EMS

Source Field

ftcSeSchBEDelHis where rnPfSeIUBESchBinId=4

Source Section

RnSectorPerfDelIUBE (RnPerformanceMIB)

ftcSeSchBEDelHis_Bin5

The cumulative number of FL MAC layer BE bytes which have experienced a delay of 128-255 slots.

Data Source

DO-EMS

Source Field

ftcSeSchBEDelHis where mPfSeIUBESchBinld=5

Source Section

RnSectorPerfDelIUBE (RnPerformanceMIB)

ftcSeSchBEDelHis_Bin6

The cumulative number of FL MAC layer BE bytes which have experienced a delay of 256-511 slots.

Data Source

DO-EMS

Source Field

ftcSeSchBEDelHis where mPfSeIUBESchBinld=6

Source Section

RnSectorPerfDelIUBE (RnPerformanceMIB)

ftcSeSchBEDelHis_Bin7

The cumulative number of FL MAC layer BE bytes which have experienced a delay of 512 and up slots.

Data Source

DO-EMS

Source Field

ftcSeSchBEDelHis where mPfSeIUBESchBinld=7

Source Section

RnSectorPerfDelIUBE (RnPerformanceMIB)

rtcSeHiCapBadPhyPkts_PktRate01

Total number of High-Capacity RTC Physical Layer packets received with bad CRC for RL nominal data rate of 4.8 Kbps per inter-user BE priority level per sector, pegged according to the priority level received from the RNC.

Data Source

DO-EMS

Source Field

rtcSeHiCapBadPhyPkts where rnPfSeRtcIUBEpktRate=1

Source Section

RnSectorPerfRTCIUBE (RnPerformanceMIB)

rtcSeHiCapBadPhyPkts_PktRate02

Total number of High-Capacity RTC Physical Layer packets received with bad CRC for RL nominal data rate of 9.6 Kbps per inter-user BE priority level per sector, pegged according to the priority level received from the RNC.

Data Source

DO-EMS

Source Field

rtcSeHiCapBadPhyPkts where rnPfSeRtcIUBEpktRate=2

Source Section

RnSectorPerfRTCIUBE (RnPerformanceMIB)

rtcSeHiCapBadPhyPkts_PktRate03

Total number of High-Capacity RTC Physical Layer packets received with bad CRC for RL nominal data rate of 19.2 Kbps per inter-user BE priority level per sector, pegged according to the priority level received from the RNC.

Data Source

DO-EMS

Source Field

rtcSeHiCapBadPhyPkts where rnPfSeRtcIUBEpktRate=3

Source Section

RnSectorPerfRTCIUBE (RnPerformanceMIB)

rtcSeHiCapBadPhyPkts_PktRate04

Total number of High-Capacity RTC Physical Layer packets received with bad CRC for RL nominal data rate of 28.8 Kbps per inter-user BE priority level per sector, pegged according to the priority level received from the RNC.

Data Source

DO-EMS

Source Field

rtcSeHiCapBadPhyPkts where mPfSeRtcIUBEPktRate=4

Source Section

RnSectorPerfRTCIUBE (RnPerformanceMIB)

rtcSeHiCapBadPhyPkts_PktRate05

Total number of High-Capacity RTC Physical Layer packets received with bad CRC for RL nominal data rate of 38.4 Kbps per inter-user BE priority level per sector, pegged according to the priority level received from the RNC.

Data Source

DO-EMS

Source Field

rtcSeHiCapBadPhyPkts where mPfSeRtcIUBEPktRate=5

Source Section

RnSectorPerfRTCIUBE (RnPerformanceMIB)

rtcSeHiCapBadPhyPkts_PktRate06

Total number of High-Capacity RTC Physical Layer packets received with bad CRC for RL nominal data rate of 57.6 Kbps per inter-user BE priority level per sector, pegged according to the priority level received from the RNC.

Data Source

DO-EMS

Source Field

rtcSeHiCapBadPhyPkts where mPfSeRtcIUBEPktRate=6

Source Section

RnSectorPerfRTCIUBE (RnPerformanceMIB)

rtcSeHiCapBadPhyPkts_PktRate07

Total number of High-Capacity RTC Physical Layer packets received with bad CRC for RL nominal data rate of 76.8 Kbps per inter-user BE priority level per sector, pegged according to the priority level received from the RNC.

Data Source

DO-EMS

Source Field

rtcSeHiCapBadPhyPkts where mPfSeRtcIUBEPktRate=7

Source Section

RnSectorPerfRTCIUBE (RnPerformanceMIB)

rtcSeHiCapBadPhyPkts_PktRate08

Total number of High-Capacity RTC Physical Layer packets received with bad CRC for RL nominal data rate of 115.2 Kbps per inter-user BE priority level per sector, pegged according to the priority level received from the RNC.

Data Source

DO-EMS

Source Field

rtcSeHiCapBadPhyPkts where mPfSeRtcIUBEPktRate=8

Source Section

RnSectorPerfRTCIUBE (RnPerformanceMIB)

rtcSeHiCapBadPhyPkts_PktRate09

Total number of High-Capacity RTC Physical Layer packets received with bad CRC for RL nominal data rate of 153.6 Kbps per inter-user BE priority level per sector, pegged according to the priority level received from the RNC.

Data Source

DO-EMS

Source Field

rtcSeHiCapBadPhyPkts where rnPfSeRtcIUBEPktRate=9

Source Section

RnSectorPerfRTCIUBE (RnPerformanceMIB)

rtcSeHiCapBadPhyPkts_PktRate10

Total number of High-Capacity RTC Physical Layer packets received with bad CRC for RL nominal data rate of 230.4 Kbps per inter-user BE priority level per sector, pegged according to the priority level received from the RNC.

Data Source

DO-EMS

Source Field

rtcSeHiCapBadPhyPkts where rnPfSeRtcIUBEPktRate=10

Source Section

RnSectorPerfRTCIUBE (RnPerformanceMIB)

rtcSeHiCapBadPhyPkts_PktRate11

Total number of High-Capacity RTC Physical Layer packets received with bad CRC for RL nominal data rate of 307.2 Kbps per inter-user BE priority level per sector, pegged according to the priority level received from the RNC.

Data Source

DO-EMS

Source Field

rtcSeHiCapBadPhyPkts where rnPfSeRtcIUBEPktRate=11

Source Section

RnSectorPerfRTCIUBE (RnPerformanceMIB)

rtcSeHiCapBadPhyPkts_PktRate12

Total number of High-Capacity RTC Physical Layer packets received with bad CRC for RL nominal data rate of 460.8 Kbps per inter-user BE priority level per sector, pegged according to the priority level received from the RNC.

Data Source

DO-EMS

Source Field

rtcSeHiCapBadPhyPkts where mPfSeRtcIUBEpktRate=12

Source Section

RnSectorPerfRTCIUBE (RnPerformanceMIB)

rtcSeHiCapGdMacBytes_PktRate01

Total number of RTC MAC bytes received in good High-Capacity packets for RL nominal data rate of 4.8 Kbps per inter-user BE priority level per sector, pegged according to the priority level received from the RNC.

Data Source

DO-EMS

Source Field

rtcSeHiCapGdMacBytes where mPfSeRtcIUBEpktRate=1

Source Section

RnSectorPerfRTCIUBE (RnPerformanceMIB)

rtcSeHiCapGdMacBytes_PktRate02

Total number of RTC MAC bytes received in good High-Capacity packets for RL nominal data rate of 9.6 Kbps per inter-user BE priority level per sector, pegged according to the priority level received from the RNC.

Data Source

DO-EMS

Source Field

rtcSeHiCapGdMacBytes where mPfSeRtcIUBEpktRate=2

Source Section

RnSectorPerfRTCIUBE (RnPerformanceMIB)

rtcSeHiCapGdMacBytes_PktRate03

Total number of RTC MAC bytes received in good High-Capacity packets for RL nominal data rate of 19.2 Kbps per inter-user BE priority level per sector, pegged according to the priority level received from the RNC.

Data Source

DO-EMS

Source Field

rtcSeHiCapGdMacBytes where mPfSeRtcIUBEpktRate=3

Source Section

RnSectorPerfRTCIUBE (RnPerformanceMIB)

rtcSeHiCapGdMacBytes_PktRate04

Total number of RTC MAC bytes received in good High-Capacity packets for RL nominal data rate of 28.8 Kbps per inter-user BE priority level per sector, pegged according to the priority level received from the RNC.

Data Source

DO-EMS

Source Field

rtcSeHiCapGdMacBytes where mPfSeRtcIUBEpktRate=4

Source Section

RnSectorPerfRTCIUBE (RnPerformanceMIB)

rtcSeHiCapGdMacBytes_PktRate05

Total number of RTC MAC bytes received in good High-Capacity packets for RL nominal data rate of 38.4 Kbps per inter-user BE priority level per sector, pegged according to the priority level received from the RNC.

Data Source

DO-EMS

Source Field

rtcSeHiCapGdMacBytes where mPfSeRtcIUBEpktRate=5

Source Section

RnSectorPerfRTCIUBE (RnPerformanceMIB)

rtcSeHiCapGdMacBytes_PktRate06

Total number of RTC MAC bytes received in good High-Capacity packets for RL nominal data rate of 57.6 Kbps per inter-user BE priority level per sector, pegged according to the priority level received from the RNC.

Data Source

DO-EMS

Source Field

rtcSeHiCapGdMacBytes where mPfSeRtcIUBEPktRate=6

Source Section

RnSectorPerfRTCIUBE (RnPerformanceMIB)

rtcSeHiCapGdMacBytes_PktRate07

Total number of RTC MAC bytes received in good High-Capacity packets for RL nominal data rate of 76.8 Kbps per inter-user BE priority level per sector, pegged according to the priority level received from the RNC.

Data Source

DO-EMS

Source Field

rtcSeHiCapGdMacBytes where mPfSeRtcIUBEPktRate=7

Source Section

RnSectorPerfRTCIUBE (RnPerformanceMIB)

rtcSeHiCapGdMacBytes_PktRate08

Total number of RTC MAC bytes received in good High-Capacity packets for RL nominal data rate of 115.2 Kbps per inter-user BE priority level per sector, pegged according to the priority level received from the RNC.

Data Source

DO-EMS

Source Field

rtcSeHiCapGdMacBytes where mPfSeRtcIUBEpktRate=8

Source Section

RnSectorPerfRTCIUBE (RnPerformanceMIB)

rtcSeHiCapGdMacBytes_PktRate09

Total number of RTC MAC bytes received in good High-Capacity packets for RL nominal data rate of 153.6 Kbps per inter-user BE priority level per sector, pegged according to the priority level received from the RNC.

Data Source

DO-EMS

Source Field

rtcSeHiCapGdMacBytes where mPfSeRtcIUBEpktRate=9

Source Section

RnSectorPerfRTCIUBE (RnPerformanceMIB)

rtcSeHiCapGdMacBytes_PktRate10

Total number of RTC MAC bytes received in good High-Capacity packets for RL nominal data rate of 230.4 Kbps per inter-user BE priority level per sector, pegged according to the priority level received from the RNC.

Data Source

DO-EMS

Source Field

rtcSeHiCapGdMacBytes where mPfSeRtcIUBEpktRate=10

Source Section

RnSectorPerfRTCIUBE (RnPerformanceMIB)

rtcSeHiCapGdMacBytes_PktRate11

Total number of RTC MAC bytes received in good High-Capacity packets for RL nominal data rate of 307.2 Kbps per inter-user BE priority level per sector, pegged according to the priority level received from the RNC.

Data Source

DO-EMS

Source Field

rtcSeHiCapGdMacBytes where mPfSeRtcIUBEPktRate=11

Source Section

RnSectorPerfRTCIUBE (RnPerformanceMIB)

rtcSeHiCapGdMacBytes_PktRate12

Total number of RTC MAC bytes received in good High-Capacity packets for RL nominal data rate of 460.8 Kbps per inter-user BE priority level per sector, pegged according to the priority level received from the RNC.

Data Source

DO-EMS

Source Field

rtcSeHiCapGdMacBytes where mPfSeRtcIUBEPktRate=12

Source Section

RnSectorPerfRTCIUBE (RnPerformanceMIB)

rtcSeHiCapGdPhyPkts_PktRate01

Total number of High-Capacity RTC Physical Layer packets received with good CRC for RL nominal data rate of 4.8 Kbps per inter-user BE priority level per sector, pegged according to the priority level received from the RNC.

Data Source

DO-EMS

Source Field

rtcSeHiCapGdPhyPkts where mPfSeRtcIUBEPktRate=1

Source Section

RnSectorPerfRTCIUBE (RnPerformanceMIB)

rtcSeHiCapGdPhyPkts_PktRate02

Total number of High-Capacity RTC Physical Layer packets received with good CRC for RL nominal data rate of 9.6 Kbps per inter-user BE priority level per sector, pegged according to the priority level received from the RNC.

Data Source

DO-EMS

Source Field

rtcSeHiCapGdPhyPkts where mPfSeRtcIUBEPktRate=2

Source Section

RnSectorPerfRTCIUBE (RnPerformanceMIB)

rtcSeHiCapGdPhyPkts_PktRate03

Total number of High-Capacity RTC Physical Layer packets received with good CRC for RL nominal data rate of 19.2 Kbps per inter-user BE priority level per sector, pegged according to the priority level received from the RNC.

Data Source

DO-EMS

Source Field

rtcSeHiCapGdPhyPkts where mPfSeRtcIUBEPktRate=3

Source Section

RnSectorPerfRTCIUBE (RnPerformanceMIB)

rtcSeHiCapGdPhyPkts_PktRate04

Total number of High-Capacity RTC Physical Layer packets received with good CRC for RL nominal data rate of 28.8 Kbps per inter-user BE priority level per sector, pegged according to the priority level received from the RNC.

Data Source

DO-EMS

Source Field

rtcSeHiCapGdPhyPkts where mPfSeRtcIUBEPktRate=4

Source Section

RnSectorPerfRTCIUBE (RnPerformanceMIB)

rtcSeHiCapGdPhyPkts_PktRate05

Total number of High-Capacity RTC Physical Layer packets received with good CRC for RL nominal data rate of 38.4 Kbps per inter-user BE priority level per sector, pegged according to the priority level received from the RNC.

Data Source

DO-EMS

Source Field

rtcSeHiCapGdPhyPkts where mPfSeRtcIUBEPktRate=5

Source Section

RnSectorPerfRTCIUBE (RnPerformanceMIB)

rtcSeHiCapGdPhyPkts_PktRate06

Total number of High-Capacity RTC Physical Layer packets received with good CRC for RL nominal data rate of 57.6 Kbps per inter-user BE priority level per sector, pegged according to the priority level received from the RNC.

Data Source

DO-EMS

Source Field

rtcSeHiCapGdPhyPkts where mPfSeRtcIUBEPktRate=6

Source Section

RnSectorPerfRTCIUBE (RnPerformanceMIB)

rtcSeHiCapGdPhyPkts_PktRate07

Total number of High-Capacity RTC Physical Layer packets received with good CRC for RL nominal data rate of 76.8 Kbps per inter-user BE priority level per sector, pegged according to the priority level received from the RNC.

Data Source

DO-EMS

Source Field

rtcSeHiCapGdPhyPkts where mPfSeRtcIUBEpktRate=7

Source Section

RnSectorPerfRTCIUBE (RnPerformanceMIB)

rtcSeHiCapGdPhyPkts_PktRate08

Total number of High-Capacity RTC Physical Layer packets received with good CRC for RL nominal data rate of 115.2 Kbps per inter-user BE priority level per sector, pegged according to the priority level received from the RNC.

Data Source

DO-EMS

Source Field

rtcSeHiCapGdPhyPkts where mPfSeRtcIUBEpktRate=8

Source Section

RnSectorPerfRTCIUBE (RnPerformanceMIB)

rtcSeHiCapGdPhyPkts_PktRate09

Total number of High-Capacity RTC Physical Layer packets received with good CRC for RL nominal data rate of 153.6 Kbps per inter-user BE priority level per sector, pegged according to the priority level received from the RNC.

Data Source

DO-EMS

Source Field

rtcSeHiCapGdPhyPkts where mPfSeRtcIUBEpktRate=9

Source Section

RnSectorPerfRTCIUBE (RnPerformanceMIB)

rtcSeHiCapGdPhyPkts_PktRate10

Total number of High-Capacity RTC Physical Layer packets received with good CRC for RL nominal data rate of 230.4 Kbps per inter-user BE priority level per sector, pegged according to the priority level received from the RNC.

Data Source

DO-EMS

Source Field

rtcSeHiCapGdPhyPkts where mPfSeRtcIUBEPktRate=10

Source Section

RnSectorPerfRTCIUBE (RnPerformanceMIB)

rtcSeHiCapGdPhyPkts_PktRate11

Total number of High-Capacity RTC Physical Layer packets received with good CRC for RL nominal data rate of 307.2 Kbps per inter-user BE priority level per sector, pegged according to the priority level received from the RNC.

Data Source

DO-EMS

Source Field

rtcSeHiCapGdPhyPkts where mPfSeRtcIUBEPktRate=11

Source Section

RnSectorPerfRTCIUBE (RnPerformanceMIB)

rtcSeHiCapGdPhyPkts_PktRate12

Total number of High-Capacity RTC Physical Layer packets received with good CRC for RL nominal data rate of 460.8 Kbps per inter-user BE priority level per sector, pegged according to the priority level received from the RNC.

Data Source

DO-EMS

Source Field

rtcSeHiCapGdPhyPkts where mPfSeRtcIUBEPktRate=12

Source Section

RnSectorPerfRTCIUBE (RnPerformanceMIB)

rtcSeLoLatBadPhyPkts_PktRate01

Total number of Low-Latency RTC Physical Layer packets received with bad CRC for RL nominal data rate of 4.8 Kbps per inter-user BE priority level per sector, pegged according to the priority level received from the RNC.

Data Source

DO-EMS

Source Field

rtcSeLoLatBadPhyPkts where mPfSeRtcIUBEPktRate=1

Source Section

RnSectorPerfRTCIUBE (RnPerformanceMIB)

rtcSeLoLatBadPhyPkts_PktRate02

Total number of Low-Latency RTC Physical Layer packets received with bad CRC for RL nominal data rate of 9.6 Kbps per inter-user BE priority level per sector, pegged according to the priority level received from the RNC.

Data Source

DO-EMS

Source Field

rtcSeLoLatBadPhyPkts where mPfSeRtcIUBEPktRate=2

Source Section

RnSectorPerfRTCIUBE (RnPerformanceMIB)

rtcSeLoLatBadPhyPkts_PktRate03

Total number of Low-Latency RTC Physical Layer packets received with bad CRC for RL nominal data rate of 19.2 Kbps per inter-user BE priority level per sector, pegged according to the priority level received from the RNC.

Data Source

DO-EMS

Source Field

rtcSeLoLatBadPhyPkts where mPfSeRtcIUBEPktRate=3

Source Section

RnSectorPerfRTCIUBE (RnPerformanceMIB)

rtcSeLoLatBadPhyPkts_PktRate04

Total number of Low-Latency RTC Physical Layer packets received with bad CRC for RL nominal data rate of 28.8 Kbps per inter-user BE priority level per sector, pegged according to the priority level received from the RNC.

Data Source

DO-EMS

Source Field

rtcSeLoLatBadPhyPkts where mPfSeRtcIUBEPktRate=4

Source Section

RnSectorPerfRTCIUBE (RnPerformanceMIB)

rtcSeLoLatBadPhyPkts_PktRate05

Total number of Low-Latency RTC Physical Layer packets received with bad CRC for RL nominal data rate of 38.4 Kbps per inter-user BE priority level per sector, pegged according to the priority level received from the RNC.

Data Source

DO-EMS

Source Field

rtcSeLoLatBadPhyPkts where mPfSeRtcIUBEPktRate=5

Source Section

RnSectorPerfRTCIUBE (RnPerformanceMIB)

rtcSeLoLatBadPhyPkts_PktRate06

Total number of Low-Latency RTC Physical Layer packets received with bad CRC for RL nominal data rate of 57.6 Kbps per inter-user BE priority level per sector, pegged according to the priority level received from the RNC.

Data Source

DO-EMS

Source Field

rtcSeLoLatBadPhyPkts where mPfSeRtcIUBEPktRate=6

Source Section

RnSectorPerfRTCIUBE (RnPerformanceMIB)

rtcSeLoLatBadPhyPkts_PktRate07

Total number of Low-Latency RTC Physical Layer packets received with bad CRC for RL nominal data rate of 76.8 Kbps per inter-user BE priority level per sector, pegged according to the priority level received from the RNC.

Data Source

DO-EMS

Source Field

rtcSeLoLatBadPhyPkts where mPfSeRtcIUBEPktRate=7

Source Section

RnSectorPerfRTCIUBE (RnPerformanceMIB)

rtcSeLoLatBadPhyPkts_PktRate08

Total number of Low-Latency RTC Physical Layer packets received with bad CRC for RL nominal data rate of 115.2 Kbps per inter-user BE priority level per sector, pegged according to the priority level received from the RNC.

Data Source

DO-EMS

Source Field

rtcSeLoLatBadPhyPkts where mPfSeRtcIUBEPktRate=8

Source Section

RnSectorPerfRTCIUBE (RnPerformanceMIB)

rtcSeLoLatBadPhyPkts_PktRate09

Total number of Low-Latency RTC Physical Layer packets received with bad CRC for RL nominal data rate of 153.6 Kbps per inter-user BE priority level per sector, pegged according to the priority level received from the RNC.

Data Source

DO-EMS

Source Field

rtcSeLoLatBadPhyPkts where mPfSeRtcIUBEPktRate=9

Source Section

RnSectorPerfRTCIUBE (RnPerformanceMIB)

rtcSeLoLatBadPhyPkts_PktRate10

Total number of Low-Latency RTC Physical Layer packets received with bad CRC for RL nominal data rate of 230.4 Kbps per inter-user BE priority level per sector, pegged according to the priority level received from the RNC.

Data Source

DO-EMS

Source Field

rtcSeLoLatBadPhyPkts where mPfSeRtcIUBEPktRate=10

Source Section

RnSectorPerfRTCIUBE (RnPerformanceMIB)

rtcSeLoLatBadPhyPkts_PktRate11

Total number of Low-Latency RTC Physical Layer packets received with bad CRC for RL nominal data rate of 307.2 Kbps per inter-user BE priority level per sector, pegged according to the priority level received from the RNC.

Data Source

DO-EMS

Source Field

rtcSeLoLatBadPhyPkts where mPfSeRtcIUBEPktRate=11

Source Section

RnSectorPerfRTCIUBE (RnPerformanceMIB)

rtcSeLoLatBadPhyPkts_PktRate12

Total number of Low-Latency RTC Physical Layer packets received with bad CRC for RL nominal data rate of 460.8 Kbps per inter-user BE priority level per sector, pegged according to the priority level received from the RNC.

Data Source

DO-EMS

Source Field

rtcSeLoLatBadPhyPkts where mPfSeRtcIUBEPktRate=12

Source Section

RnSectorPerfRTCIUBE (RnPerformanceMIB)

rtcSeLoLatGdMacBytes_PktRate01

Total number of RTC MAC bytes received in good Low-Latency packets for RL nominal data rate of 4.8 Kbps per inter-user BE priority level per sector, pegged according to the priority level received from the RNC.

Data Source

DO-EMS

Source Field

rtcSeLoLatGdMacBytes where mPfSeRtcIUBEPktRate=1

Source Section

RnSectorPerfRTCIUBE (RnPerformanceMIB)

rtcSeLoLatGdMacBytes_PktRate02

Total number of RTC MAC bytes received in good Low-Latency packets for RL nominal data rate of 9.6 Kbps per inter-user BE priority level per sector, pegged according to the priority level received from the RNC.

Data Source

DO-EMS

Source Field

rtcSeLoLatGdMacBytes where mPfSeRtcIUBEPktRate=2

Source Section

RnSectorPerfRTCIUBE (RnPerformanceMIB)

rtcSeLoLatGdMacBytes_PktRate03

Total number of RTC MAC bytes received in good Low-Latency packets for RL nominal data rate of 19.2 Kbps per inter-user BE priority level per sector, pegged according to the priority level received from the RNC.

Data Source

DO-EMS

Source Field

rtcSeLoLatGdMacBytes where rnPfSeRtcIUBEPktRate=3

Source Section

RnSectorPerfRTCIUBE (RnPerformanceMIB)

rtcSeLoLatGdMacBytes_PktRate04

Total number of RTC MAC bytes received in good Low-Latency packets for RL nominal data rate of 28.8 Kbps per inter-user BE priority level per sector, pegged according to the priority level received from the RNC.

Data Source

DO-EMS

Source Field

rtcSeLoLatGdMacBytes where rnPfSeRtcIUBEPktRate=4

Source Section

RnSectorPerfRTCIUBE (RnPerformanceMIB)

rtcSeLoLatGdMacBytes_PktRate05

Total number of RTC MAC bytes received in good Low-Latency packets for RL nominal data rate of 38.4 Kbps per inter-user BE priority level per sector, pegged according to the priority level received from the RNC.

Data Source

DO-EMS

Source Field

rtcSeLoLatGdMacBytes where rnPfSeRtcIUBEPktRate=5

Source Section

RnSectorPerfRTCIUBE (RnPerformanceMIB)

rtcSeLoLatGdMacBytes_PktRate06

Total number of RTC MAC bytes received in good Low-Latency packets for RL nominal data rate of 57.6 Kbps per inter-user BE priority level per sector, pegged according to the priority level received from the RNC.

Data Source

DO-EMS

Source Field

rtcSeLoLatGdMacBytes where rnPfSeRtcIUBEPktRate=6

Source Section

RnSectorPerfRTCIUBE (RnPerformanceMIB)

rtcSeLoLatGdMacBytes_PktRate07

Total number of RTC MAC bytes received in good Low-Latency packets for RL nominal data rate of 76.8 Kbps per inter-user BE priority level per sector, pegged according to the priority level received from the RNC.

Data Source

DO-EMS

Source Field

rtcSeLoLatGdMacBytes where rnPfSeRtcIUBEPktRate=7

Source Section

RnSectorPerfRTCIUBE (RnPerformanceMIB)

rtcSeLoLatGdMacBytes_PktRate08

Total number of RTC MAC bytes received in good Low-Latency packets for RL nominal data rate of 115.2 Kbps per inter-user BE priority level per sector, pegged according to the priority level received from the RNC.

Data Source

DO-EMS

Source Field

rtcSeLoLatGdMacBytes where rnPfSeRtcIUBEPktRate=8

Source Section

RnSectorPerfRTCIUBE (RnPerformanceMIB)

rtcSeLoLatGdMacBytes_PktRate09

Total number of RTC MAC bytes received in good Low-Latency packets for RL nominal data rate of 153.6 Kbps per inter-user BE priority level per sector, pegged according to the priority level received from the RNC.

Data Source

DO-EMS

Source Field

rtcSeLoLatGdMacBytes where rnPfSeRtcIUBEPktRate=9

Source Section

RnSectorPerfRTCIUBE (RnPerformanceMIB)

rtcSeLoLatGdMacBytes_PktRate10

Total number of RTC MAC bytes received in good Low-Latency packets for RL nominal data rate of 230.4 Kbps per inter-user BE priority level per sector, pegged according to the priority level received from the RNC.

Data Source

DO-EMS

Source Field

rtcSeLoLatGdMacBytes where rnPfSeRtcIUBEPktRate=10

Source Section

RnSectorPerfRTCIUBE (RnPerformanceMIB)

rtcSeLoLatGdMacBytes_PktRate11

Total number of RTC MAC bytes received in good Low-Latency packets for RL nominal data rate of 307.2 Kbps per inter-user BE priority level per sector, pegged according to the priority level received from the RNC.

Data Source

DO-EMS

Source Field

rtcSeLoLatGdMacBytes where rnPfSeRtcIUBEpktRate=11

Source Section

RnSectorPerfRTCIUBE (RnPerformanceMIB)

rtcSeLoLatGdMacBytes_PktRate12

Total number of RTC MAC bytes received in good Low-Latency packets for RL nominal data rate of 460.8 Kbps per inter-user BE priority level per sector, pegged according to the priority level received from the RNC.

Data Source

DO-EMS

Source Field

rtcSeLoLatGdMacBytes where rnPfSeRtcIUBEpktRate=12

Source Section

RnSectorPerfRTCIUBE (RnPerformanceMIB)

rtcSeLoLatGdPhyPkts_PktRate01

Total number of Low-Latency RTC Physical Layer packets received with good CRC for RL nominal data rate of 4.8 Kbps per inter-user BE priority level per sector, pegged according to the priority level received from the RNC.

Data Source

DO-EMS

Source Field

rtcSeLoLatGdPhyPkts where rnPfSeRtcIUBEpktRate=1

Source Section

RnSectorPerfRTCIUBE (RnPerformanceMIB)

rtcSeLoLatGdPhyPkts_PktRate02

Total number of Low-Latency RTC Physical Layer packets received with good CRC for RL nominal data rate of 9.6 Kbps per inter-user BE priority level per sector, pegged according to the priority level received from the RNC.

Data Source

DO-EMS

Source Field

rtcSeLoLatGdPhyPkts where rnPfSeRtcIUBEpktRate=2

Source Section

RnSectorPerfRTCIUBE (RnPerformanceMIB)

rtcSeLoLatGdPhyPkts_PktRate03

Total number of Low-Latency RTC Physical Layer packets received with good CRC for RL nominal data rate of 19.2 Kbps per inter-user BE priority level per sector, pegged according to the priority level received from the RNC.

Data Source

DO-EMS

Source Field

rtcSeLoLatGdPhyPkts where rnPfSeRtcIUBEpktRate=3

Source Section

RnSectorPerfRTCIUBE (RnPerformanceMIB)

rtcSeLoLatGdPhyPkts_PktRate04

Total number of Low-Latency RTC Physical Layer packets received with good CRC for RL nominal data rate of 28.8 Kbps per inter-user BE priority level per sector, pegged according to the priority level received from the RNC.

Data Source

DO-EMS

Source Field

rtcSeLoLatGdPhyPkts where rnPfSeRtcIUBEpktRate=4

Source Section

RnSectorPerfRTCIUBE (RnPerformanceMIB)

rtcSeLoLatGdPhyPkts_PktRate05

Total number of Low-Latency RTC Physical Layer packets received with good CRC for RL nominal data rate of 38.4 Kbps per inter-user BE priority level per sector, pegged according to the priority level received from the RNC.

Data Source

DO-EMS

Source Field

rtcSeLoLatGdPhyPkts where rnPfSeRtcIUBEpktRate=5

Source Section

RnSectorPerfRTCIUBE (RnPerformanceMIB)

rtcSeLoLatGdPhyPkts_PktRate06

Total number of Low-Latency RTC Physical Layer packets received with good CRC for RL nominal data rate of 57.6 Kbps per inter-user BE priority level per sector, pegged according to the priority level received from the RNC.

Data Source

DO-EMS

Source Field

rtcSeLoLatGdPhyPkts where rnPfSeRtcIUBEpktRate=6

Source Section

RnSectorPerfRTCIUBE (RnPerformanceMIB)

rtcSeLoLatGdPhyPkts_PktRate07

Total number of Low-Latency RTC Physical Layer packets received with good CRC for RL nominal data rate of 76.8 Kbps per inter-user BE priority level per sector, pegged according to the priority level received from the RNC.

Data Source

DO-EMS

Source Field

rtcSeLoLatGdPhyPkts where rnPfSeRtcIUBEpktRate=7

Source Section

RnSectorPerfRTCIUBE (RnPerformanceMIB)

rtcSeLoLatGdPhyPkts_PktRate08

Total number of Low-Latency RTC Physical Layer packets received with good CRC for RL nominal data rate of 115.2 Kbps per inter-user BE priority level per sector, pegged according to the priority level received from the RNC.

Data Source

DO-EMS

Source Field

rtcSeLoLatGdPhyPkts where rnPfSeRtcIUBEpktRate=8

Source Section

RnSectorPerfRTCIUBE (RnPerformanceMIB)

rtcSeLoLatGdPhyPkts_PktRate09

Total number of Low-Latency RTC Physical Layer packets received with good CRC for RL nominal data rate of 153.6 Kbps per inter-user BE priority level per sector, pegged according to the priority level received from the RNC.

Data Source

DO-EMS

Source Field

rtcSeLoLatGdPhyPkts where rnPfSeRtcIUBEpktRate=9

Source Section

RnSectorPerfRTCIUBE (RnPerformanceMIB)

rtcSeLoLatGdPhyPkts_PktRate10

Total number of Low-Latency RTC Physical Layer packets received with good CRC for RL nominal data rate of 230.4 Kbps per inter-user BE priority level per sector, pegged according to the priority level received from the RNC.

Data Source

DO-EMS

Source Field

rtcSeLoLatGdPhyPkts where rnPfSeRtcIUBEpktRate=10

Source Section

RnSectorPerfRTCIUBE (RnPerformanceMIB)

rtcSeLoLatGdPhyPkts_PktRate11

Total number of Low-Latency RTC Physical Layer packets received with good CRC for RL nominal data rate of 307.2 Kbps per inter-user BE priority level per sector, pegged according to the priority level received from the RNC.

Data Source

DO-EMS

Source Field

rtcSeLoLatGdPhyPkts where rnPfSeRtcIUBEpktRate=11

Source Section

RnSectorPerfRTCIUBE (RnPerformanceMIB)

rtcSeLoLatGdPhyPkts_PktRate12

Total number of Low-Latency RTC Physical Layer packets received with good CRC for RL nominal data rate of 460.8 Kbps per inter-user BE priority level per sector, pegged according to the priority level received from the RNC.

Data Source

DO-EMS

Source Field

rtcSeLoLatGdPhyPkts where rnPfSeRtcIUBEpktRate=12

Source Section

RnSectorPerfRTCIUBE (RnPerformanceMIB)

DOM_TrafficType Primitive Calculations

The following is a list of primitive calculations for the DOM_TrafficType entity.

GRAPHmultiLineSeparator

Special Control Field for Multi-Line Graphs

Calculation

""

NUMDAYS

of days in Report

Calculation

DAYSINREPORT ()

NUMHOURS

of hours in Summation Data

Calculation

DOM_TrafficType Peg Counts

The following is a list of peg counts for the DOM_TrafficType entity.

perModemFlowUsagePerTrafficType

The cumulative number of modem driver flows used per traffic type. The unit is the number of flows.

Data Source

DO-EMS

Source Field

perModemFlowUsagePerTrafficType

Source Section

PerModemFlowUsageTT (RnConnectionResourceUsageMIB)

DPC Primitive Calculations

The following is a list of primitive calculations for the DPC entity.

GRAPHmultiLineSeparator

Special Control Field for Multi-Line Graphs

Calculation

""

NUMDAYS

of days in Report

Calculation

DAYSINREPORT ()

NUMHOURS

of hours in Summation Data

Calculation

DPC Peg Counts

The following is a list of peg counts for the DPC entity.

C7RSCNGU

Records routeset congestion

Data Source

MTX OM, SDM

Source Field

C7RSCNGU

Source Section

C7RTESET

C7RSFAIL

Counts routeset failures where the routeset does not Transmit messages

Data Source

MTX OM, SDM

Source Field

C7RSFAIL

Source Section

C7RTESET

C7RSMANB

Increases when operating company personnel manually busy the routeset

Data Source

MTX OM, SDM

Source Field

C7RSMANB

Source Section

C7RTESET

C7RSUNAU

Records if the routeset transmits messages

Data Source

MTX OM, SDM

Source Field

C7RSUNAU

Source Section

C7RTESET

C7RTERR

Counts messages that the system cannot route through the routeset.

Data Source

MTX OM, SDM

Source Field

C7RTERR

Source Section

C7RTESET

DS1Carrier Primitive Calculations

The following is a list of primitive calculations for the DS1Carrier entity.

GRAPHmultiLineSeparator

Special Control Field for Multi-Line Graphs

Calculation

""

NUMDAYS

of days in Report

Calculation

DAYSINREPORT ()

NUMHOURS

of hours in Summation Data

Calculation

DS1Carrier Peg Counts

The following is a list of peg counts for the DS1Carrier entity.

DS1AIS

Register DS1AIS counts messages the system receives from the PM and indicates that the PM receives an alarm indication signal.

Data Source

MTX OM

Source Field

DS1AIS

Source Section

DS1CARR

DS1BER

Register DS1BER counts messages that the system receives from the PM. The messages indicate that the bit error rate exceeds maintenance or OOS thresholds.

Data Source

MTX OM

Source Field

DS1BER

Source Section

DS1CARR

DS1CBU

Register DS1CBU is a usage register. The scan rate is 100 s. It records if the DS-1 carrier is C-side busy. The DS-1 carrier is C-side busy because the C-side PM of the carrier is OOS.

Data Source

MTX OM

Source Field

DS1CBU

Source Section

DS1CARR

DS1ECF

Register DS1ECF counts the number of echo canceller failures in the DS-1 carrier during a 10 min audit cycle.

Data Source

MTX OM

Source Field

DS1ECF

Source Section

DS1CARR

DS1ES

Register DS1ES counts DS-1 error seconds during XMS-based peripheral module (XPM) audits. Table CARRMTC identifies error second thresholds.

Data Source

MTX OM

Source Field

DS1ES

Source Section

DS1CARR

DS1LCGA

The system reports a local carrier group alarm when the system loses framing on incoming data for 2.5s. The alarm clears when the system regains framing for 10s.

Data Source

MTX OM

Source Field

DS1LCGA

Source Section

DS1CARR

DS1LOF

Register DS1LOF counts occurrences of frame loss on the incoming side of the associated digital carrier.

Data Source

MTX OM

Source Field

DS1LOF

Source Section

DS1CARR

DS1MBU

Register DS1MBU is a usage register. The scan rate is 100 s. It records if a DS-1 carrier is manual busy.

Data Source

MTX OM

Source Field

DS1MBU

Source Section

DS1CARR

DS1PBU

Register DS1PBU is a usage register. The scan rate is 100 s. It records if a DS-1 carrier is P-side busy. A carrier is P-side busy when the carrier remote (P-side) PM is OOS.

Data Source

MTX OM

Source Field

DS1PBU

Source Section

DS1CARR

DS1RCGA

The system reports a remote DS-1 carrier group alarm when DIGIT TWO is zero for all incoming words for 450 ms. The alarm clears when the system removes the far-end DIGIT TWO forcing signal for 75 ms.

Data Source

MTX OM

Source Field

DS1RCGA

Source Section

DS1CARR

DS1SBU

Register DS1SBU is a usage register. The scan rate is 100 s. A carrier system becomes busy when the carrier reaches an OOS threshold.

Data Source

MTX OM

Source Field

DS1SBU

Source Section

DS1CARR

DS1SES

Register DS1SES counts DS-1 severe error seconds during XPM audits.

Data Source

MTX OM

Source Field

DS1SES

Source Section

DS1CARR

DS1SLP

Register DS1SLP counts occurrences of frame slip on an associated digital carrier. Flame slip occurs as a result of overrun or underrun of the incoming bit stream.

Data Source

MTX OM

Source Field

DS1SLP

Source Section

DS1CARR

DS1UAS

Register DS1UAS counts DS-1 unavailable seconds during XPM audits.

Data Source

MTX OM

Source Field

DS1UAS

Source Section

DS1CARR

DSFP Primitive Calculations

The following is a list of primitive calculations for the DSFP entity.

GRAPHmultiLineSeparator

Special Control Field for Multi-Line Graphs

Calculation

""

NUMDAYS

of days in Report

Calculation

DAYSINREPORT ()

NUMHOURS

of hours in Summation Data

Calculation

EIU Primitive Calculations

The following is a list of primitive calculations for the EIU entity.

GRAPHmultiLineSeparator

Special Control Field for Multi-Line Graphs

Calculation

""

NUMDAYS

of days in Report

Calculation

DAYSINREPORT ()

NUMHOURS

of hours in Summation Data

Calculation

EIU Peg Counts

The following is a list of peg counts for the EIU entity.

ECPUOVRL

Pegs when the EIU call processing plus I/O CPU occupancy (EIUCALLP) goes into overload state

Data Source

MTX OM, SDM

Source Field

ECPUOVRL

Source Section

VERFYEIU

EIUCALLP

The average EIU call processing plus I/O occupancy percentage

Data Source

MTX OM, SDM

Source Field

EIUCALLP

Source Section

VERFYEIU

ERDIRECT

Datagram must be encapsulated and routed to another IP MD-IS for roaming

Data Source

MTX OM, SDM

Source Field

ERDIRECT + 65536 * ERDIREOF

Source Section

CAPACEIU

EREADDR

Datagram is received from a redirection and forwarding service on another MD-IS for roaming

Data Source

MTX OM, SDM

Source Field

EREADDR + 65536 * EREADROF

Source Section

CAPACEIU

ESRFWDRP

Router fails to determine the next hop a forward datagram should take

Data Source

MTX OM, SDM

Source Field

ESRFWDRP + 65536 * ESFDRPOF

Source Section

VERFYEIU

ESRFWTOT

Router attempts to process a forward datagram

Data Source

MTX OM, SDM

Source Field

ESRFWTOT + 65536 * ESRFWTOF

Source Section

CAPACEIU

ESRRVDRP

Router fails to send the datagram to the IP stack because of congestion

Data Source

MTX OM, SDM

Source Field

ESRRVDRP + 65536 * ESRVDROF

Source Section

VERFYEIU

ESRRVTOT

Router attempts to process a reverse datagram

Data Source

MTX OM, SDM

Source Field

ESRRVTOT + 65536 * ESRRVTOF

Source Section

CAPACEIU

ESRTBLUP

Addition or deletion or modification is done to the routing table

Data Source

MTX OM, SDM

Source Field

ESRTBLUP

Source Section

CAPACEIU

ENET Primitive Calculations

The following is a list of primitive calculations for the ENET entity.

GRAPHmultiLineSeparator

Special Control Field for Multi-Line Graphs

Calculation

""

NUMDAYS

of days in Report

Calculation

DAYSINREPORT ()

NUMHOURS

of hours in Summation Data

Calculation

ENET Peg Counts

The following is a list of peg counts for the ENET entity.

ENBKG

ENET CPU occupancy attributed to background-related processes.

Data Source

SDM

Source Field

ENBKG

Source Section

ENETOCC

ENCPOCC

ENET CPU occupancy attributed to call processing-related processes.

Data Source

SDM

Source Field

ENCPOCC

Source Section

ENETOCC

ENFORE

ENET CPU occupancy attributed to system-related processes.

Data Source

SDM

Source Field

ENFORE

Source Section

ENETOCC

ENIDLE

ENET CPU occupancy attributed to idler-related processes.

Data Source

SDM

Source Field

ENIDLE

Source Section

ENETOCC

ENMAINT

ENET CPU occupancy attributed to maintenance-related processes.

Data Source

SDM

Source Field

ENMAINT

Source Section

ENETOCC

ENSCHED

ENET CPU occupancy related to scheduler-related processes.

Data Source

SDM

Source Field

ENSCHED

Source Section

ENETOCC

ESelectorCard Primitive Calculations

The following is a list of primitive calculations for the ESelectorCard entity.

ForwardBurstSetupFailureRate

Percentage of forward burst setup failures

Calculation

$$(100.0 * \text{FwdBurstSetupFailures} / \text{FwdBurstSetupAttempts})$$

FwdBurstSetupFailureRate_16X

Percentage of forward 16X data burst setup failures

Calculation

$$(100.0 * \text{FwdBurstSetupFailures}_16\text{X} / \text{FwdBurstSetupAttempts}_16\text{X})$$

FwdBurstSetupFailureRate_2X

Percentage of forward 2X data burst setup failures

Calculation

$$(100.0 * \text{FwdBurstSetupFailures}_2\text{X} / \text{FwdBurstSetupAttempts}_2\text{X})$$

FwdBurstSetupFailureRate_4X

Percentage of forward 4X data burst setup failures

Calculation

$$(100.0 * \text{FwdBurstSetupFailures}_4\text{X} / \text{FwdBurstSetupAttempts}_4\text{X})$$

FwdBurstSetupFailureRate_8X

Percentage of forward 8X data burst setup failures

Calculation

$$(100.0 * \text{FwdBurstSetupFailures}_8\text{X} / \text{FwdBurstSetupAttempts}_8\text{X})$$

GRAPHmultiLineSeparator

Special Control Field for Multi-Line Graphs

Calculation

""

NUMDAYS

of days in Report

Calculation

DAYSINREPORT ()

NUMHOURS

of hours in Summation Data

Calculation

RevBurstSetupFailureRate_16X

Percentage of reverse 16X data burst setup failures

Calculation

$(100.0 * \text{RevBurstSetupFailures}_{16X} / \text{RevBurstSetupAttempts}_{16X})$

RevBurstSetupFailureRate_2X

Percentage of reverse 2X data burst setup failures

Calculation

$(100.0 * \text{RevBurstSetupFailures}_{2X} / \text{RevBurstSetupAttempts}_{2X})$

RevBurstSetupFailureRate_4X

Percentage of reverse 4X data burst setup failures

Calculation

$(100.0 * \text{RevBurstSetupFailures}_{4X} / \text{RevBurstSetupAttempts}_{4X})$

RevBurstSetupFailureRate_8X

Percentage of reverse 8X data burst setup failures

Calculation

$(100.0 * \text{RevBurstSetupFailures}_{8X} / \text{RevBurstSetupAttempts}_{8X})$

ReverseBurstSetupFailureRate

Percentage of reverse burst setup failures

Calculation

$(100.0 * \text{RevBurstSetupFailures} / \text{RevBurstSetupAttempts})$

RLP_SessionSetupFailureRate

Percentage of RLP failed session setups

Calculation

$(100.0 * \text{RLPSetupFailures} / \text{RLPSetupAttempts})$

ESelectorCard Peg Counts

The following is a list of peg counts for the ESelectorCard entity.

FSCH_CFDS_RadioConfig

Pegged if the FSCHBlock reason indicates SCH burst functionality has not been enabled through CFDS

Data Source

NBSS SBSC OMs

Source Field

FSCH_CFDSRadioConfig (EBID Seq# 11)

Source Section

ESEL MO

FSCHLinkDowngrade

Number of FSCH setup attempts that are not granted the requested data rate due to lack of resources but are granted a lower data rate

Data Source

NBSS SBSC OMs

Source Field

FSCHLinkDowngrade (EBID Seq# 3)

Source Section

ESEL MO

FSCHLinkSetupAttempts

Number of forward supplemental channel (FSCH) setup attempts

Data Source

NBSS SBSC OMs

Source Field

FSCHLinkSetupAttempts (EBID Seq# 1)

Source Section

ESEL MO

FSCHLinkSetupBlock

Number of FSCH setup attempts that are blocked for lack of resources

Data Source

NBSS SBSC OMs

Source Field

FSCHLinkSetupBlock (EBID Seq# 2)

Source Section

ESEL MO

FSCHLinkSetupSuccess

Number of FSCH setup successes

Data Source

NBSS SBSC OMs

Source Field

FSCHLinkSetupSuccess (EBID Seq# 4)

Source Section

ESEL MO

FSCHNoFrameOffset

Pegged if the FSCHBlock reason indicates there is no available frame offset

Data Source

NBSS SBSC OMs

Source Field

FSCHNoFrameOffset (EBID Seq# 9)

Source Section

ESEL MO

FSCHNoFwdPower

Pegged if the FSCHBlock reason indicates a lack of available forward power

Data Source

NBSS SBSC OMs

Source Field

FSCHNoFwdPower (EBID Seq# 6)

Source Section

ESEL MO

FSCHNoPhysRes

Pegged if the FSCHBlock reason indicates there are no available channel elements

Data Source

NBSS SBSC OMs

Source Field

FSCHNoPhysRes (EBID Seq# 8)

Source Section

ESEL MO

FSCHNoWalshCode

Pegged if the FSCHBlock reason indicates a lack of available Walsh codes

Data Source

NBSS SBSC OMs

Source Field

FSCHNoWalshCode (EBID Seq# 7)

Source Section

ESEL MO

FSCHRadioLinkAccessFailure

This OM is pegged in the event the resources for the FSCH are set up successfully but the mobile does not arrive on the FSCH

Data Source

NBSS SBSC OMs

Source Field

FSCHRadioLinkAccessFailure (EBID Seq# 5)

Source Section

ESEL MO

FSCHTimeout

Pegged if a response to the BTS resource request is never received

Data Source

NBSS SBSC OMs

Source Field

FSCHTimeout (EBID Seq# 10)

Source Section

ESEL MO

FwdBurstBSC_Downgrade

Request to setup a Forward SCH is downgraded to a lower data rate by the ESEL based on ESEL card capacity limitation

Data Source

NBSS SBSC OMs

Source Field

FwdBurstBSC_Downgrade (Seq# 7)

Source Section

SCH Burst Setup (Group ID 9)

FwdBurstBSC_DowngradeChange

This OM is pegged when the BSC fair share algorithm further downgraded a fwd burst request that was already downgraded before it was queued at the BTS scheduler.

Data Source

NBSS SBSC OMs

Source Field

FwdBurstBSC_DowngradeChange (Seq# 79)

Source Section

SCH Burst Setup (Group ID 9)

FwdBurstBSC_NonDowngrade

Request to setup a Forward SCH is granted by the ESEL without being downgraded based on the ESEL card capacity

Data Source

NBSS SBSC OMs

Source Field

FwdBurstBSC_NonDowngrade (Seq# 8)

Source Section

SCH Burst Setup (Group ID 9)

FwdBurstBSC_NonDowngradeChange

This OM is pegged when the BSC fair share algorithm downgraded a fwd burst request that was not downgraded initially before it was queued at the BTS scheduler.

Data Source

NBSS SBSC OMs

Source Field

FwdBurstBSC_NonDowngradeChange (Seq# 80)

Source Section

SCH Burst Setup (Group ID 9)

FwdBurstBSC_Release_16X

This OM is pegged when the Fwd Burst at 16X is pre-empted due to contention at BSC.

Data Source

NBSS SBSC OMs

Source Field

FwdBurstBSC_Release_16X (Seq# 4)

Source Section

SCH Burst Release (Group ID 20)

FwdBurstBSC_Release_2X

This OM is pegged when the Fwd Burst at 2x is pre-empted due to contention at BSC.

Data Source

NBSS SBSC OMs

Source Field

FwdBurstBSC_Release_2X (Seq# 1)

Source Section

SCH Burst Release (Group ID 20)

FwdBurstBSC_Release_4X

This OM is pegged when the Fwd Burst at 4X is pre-empted due to contention at BSC.

Data Source

NBSS SBSC OMs

Source Field

FwdBurstBSC_Release_4X (Seq# 2)

Source Section

SCH Burst Release (Group ID 20)

FwdBurstBSC_Release_8X

This OM is pegged when the Fwd Burst at 8X is pre-empted due to contention at BSC.

Data Source

NBSS SBSC OMs

Source Field

FwdBurstBSC_Release_8X (Seq# 3)

Source Section

SCH Burst Release (Group ID 20)

FwdBurstBTS_PilotRelease_16X

This OM is pegged when fwd burst at 16x is released if pilots selected by algorithm are not available or due to contention at the BTS.

Data Source

NBSS SBSC OMs

Source Field

FwdBurstBTS_PilotRelease_16X (Seq# 12)

Source Section

SCH Burst Release (Group ID 20)

FwdBurstBTS_PilotRelease_2X

This OM is pegged when fwd burst at 2x is released if pilots selected by algorithm are not available or due to contention at the BTS.

Data Source

NBSS SBSC OMs

Source Field

FwdBurstBTS_PilotRelease_2X (Seq# 9)

Source Section

SCH Burst Release (Group ID 20)

FwdBurstBTS_PilotRelease_4X

This OM is pegged when fwd burst at 4x is released if pilots selected by algorithm are not available or due to contention at the BTS.

Data Source

NBSS SBSC OMs

Source Field

FwdBurstBTS_PilotRelease_4X (Seq# 10)

Source Section

SCH Burst Release (Group ID 20)

FwdBurstBTS_PilotRelease_8X

This OM is pegged when fwd burst at 8x is released if pilots selected by algorithm are not available or due to contention at the BTS.

Data Source

NBSS SBSC OMs

Source Field

FwdBurstBTS_PilotRelease_8X (Seq# 11)

Source Section

SCH Burst Release (Group ID 20)

FwdBurstDelayIndex_1

Forward SCH request waits in the queue for more than zero seconds up to one second

Data Source

NBSS SBSC OMs

Source Field

FwdBurstDelayIndex_1 (Seq# 9)

Source Section

SCH Burst Setup (Group ID 9)

FwdBurstDelayIndex_2

Forward SCH request waits in the queue for more than one second up to three seconds

Data Source

NBSS SBSC OMs

Source Field

FwdBurstDelayIndex_2 (Seq# 10)

Source Section

SCH Burst Setup (Group ID 9)

FwdBurstDelayIndex_3

Forward SCH request waits in the queue for more than three seconds

Data Source

NBSS SBSC OMs

Source Field

FwdBurstDelayIndex_3 (Seq# 11)

Source Section

SCH Burst Setup (Group ID 9)

FwdBurstDowngrade_16X_To_2X

This OM should be pegged whenever a request to setup a Forward 16X SCH is downgraded to 2X by the RCM based only on ESEL-ACP card capacity limitation (i.e. prior to BTS resources considerations).

Data Source

NBSS SBSC OMs

Source Field

FwdBurstDowngrade_16X_To_2X (Seq# 44)

Source Section

SCH Burst Setup (Group ID 9)

FwdBurstDowngrade_16X_To_4X

This OM should be pegged whenever a request to setup a Forward 16X SCH is downgraded to 4X by the RCM based only on ESEL-ACP card capacity limitation (i.e. prior to BTS resources considerations).

Data Source

NBSS SBSC OMs

Source Field

FwdBurstDowngrade_16X_To_4X (Seq# 45)

Source Section

SCH Burst Setup (Group ID 9)

FwdBurstDowngrade_16X_To_8X

This OM should be pegged whenever a request to setup a Forward 16X SCH is downgraded to 8X by the RCM based only on ESEL-ACP card capacity limitation (i.e. prior to BTS resources considerations).

Data Source

NBSS SBSC OMs

Source Field

FwdBurstDowngrade_16X_To_8X (Seq# 46)

Source Section

SCH Burst Setup (Group ID 9)

FwdBurstDowngrade_4X_To_2X

This OM should be pegged whenever a request to setup a Forward 4X SCH is downgraded to 2X by the RCM based only on ESEL-ACP card capacity limitation (i.e. prior to BTS resources considerations).

Data Source

NBSS SBSC OMs

Source Field

FwdBurstDowngrade_4X_To_2X (Seq# 41)

Source Section

SCH Burst Setup (Group ID 9)

FwdBurstDowngrade_8X_To_2X

This OM should be pegged whenever a request to setup a Forward 8X SCH is downgraded to 2X by the RCM based only on ESEL-ACP card capacity limitation (i.e. prior to BTS resources considerations).

Data Source

NBSS SBSC OMs

Source Field

FwdBurstDowngrade_8X_To_2X (Seq# 42)

Source Section

SCH Burst Setup (Group ID 9)

FwdBurstDowngrade_8X_To_4X

This OM should be pegged whenever a request to setup a Forward 8X SCH is downgraded to 4X by the RCM based only on ESEL-ACP card capacity limitation (i.e. prior to BTS resources considerations).

Data Source

NBSS SBSC OMs

Source Field

FwdBurstDowngrade_8X_To_4X (Seq# 43)

Source Section

SCH Burst Setup (Group ID 9)

FwdBurstDowngradeChange_16X_To_4X

This OM is pegged when the BSC fair share algorithm further downgraded a fwd burst request that was already downgraded from 16x to 4x before it was queued at the BTS scheduler.

Data Source

NBSS SBSC OMs

Source Field

FwdBurstDowngradeChange_16X_To_4X (Seq# 82)

Source Section

SCH Burst Setup (Group ID 9)

FwdBurstDowngradeChange_16X_To_8X

This OM is pegged when the BSC fair share algorithm further downgraded a fwd burst request that was already downgraded from 16x to 8x before it was queued at the BTS scheduler.

Data Source

NBSS SBSC OMs

Source Field

FwdBurstDowngradeChange_16X_To_8X (Seq# 83)

Source Section

SCH Burst Setup (Group ID 9)

FwdBurstDowngradeChange_8X_To_4X

This OM is pegged when the BSC fair share algorithm further downgraded a fwd burst request that was already downgraded from 8x to 4x before it was queued at the BTS scheduler.

Data Source

NBSS SBSC OMs

Source Field

FwdBurstDowngradeChange_8X_To_4X (Seq# 81)

Source Section

SCH Burst Setup (Group ID 9)

FwdBurstNonDowngrade_16X

This OM should be pegged whenever a request to setup a Forward 16X SCH is granted by the RCM (at 16X without being downgraded) based only on ESEL-ACP card capacity (i.e. prior to BTS resources considerations).

Data Source

NBSS SBSC OMs

Source Field

FwdBurstNonDowngrade_16X (Seq# 50)

Source Section

SCH Burst Setup (Group ID 9)

FwdBurstNonDowngrade_2X

This OM should be pegged whenever a request to setup a Forward 2X SCH is granted based only on ACP capacity (i.e. prior to BTS resources considerations).

Data Source

NBSS SBSC OMs

Source Field

FwdBurstNonDowngrade_2X (Seq# 47)

Source Section

SCH Burst Setup (Group ID 9)

FwdBurstNonDowngrade_4X

This OM should be pegged whenever a request to setup a Forward 4X SCH is granted (at 4X without being downgraded) based only on ACP capacity (i.e. prior to BTS resources considerations).

Data Source

NBSS SBSC OMs

Source Field

FwdBurstNonDowngrade_4X (Seq# 48)

Source Section

SCH Burst Setup (Group ID 9)

FwdBurstNonDowngrade_8X

This OM should be pegged whenever a request to setup a Forward 8X SCH is granted (at 8X without being downgraded) based only on ACP capacity (i.e. prior to BTS resources considerations).

Data Source

NBSS SBSC OMs

Source Field

FwdBurstNonDowngrade_8X (Seq# 49)

Source Section

SCH Burst Setup (Group ID 9)

FwdBurstNonDowngradeChange_16X

This OM is pegged when the BSC fair share algorithm downgraded a fwd burst request (from 16x to a lower data rate) that was not downgraded initially before it was queued at the BTS scheduler.

Data Source

NBSS SBSC OMs

Source Field

FwdBurstNonDowngradeChange_16X (Seq# 86)

Source Section

SCH Burst Setup (Group ID 9)

FwdBurstNonDowngradeChange_4X

This OM is pegged when the BSC fair share algorithm downgraded a fwd burst request (from 4x to a lower data rate) that was not downgraded initially before it was queued at the BTS scheduler.

Data Source

NBSS SBSC OMs

Source Field

FwdBurstNonDowngradeChange_4X (Seq# 84)

Source Section

SCH Burst Setup (Group ID 9)

FwdBurstNonDowngradeChange_8X

This OM is pegged when the BSC fair share algorithm downgraded a fwd burst request (from 8x to a lower data rate) that was not downgraded initially before it was queued at the BTS scheduler.

Data Source

NBSS SBSC OMs

Source Field

FwdBurstNonDowngradeChange_8X (Seq# 85)

Source Section

SCH Burst Setup (Group ID 9)

FwdBurstSetupAttempts

Pegged when a forward data burst needs to be set up

Data Source

NBSS SBSC OMs

Source Field

FwdBurstSetupAttempts (Seq# 1)

Source Section

SCH Burst Setup (Group ID 9)

FwdBurstSetupAttempts_16X

Forward 16X data burst needs to be set up

Data Source

NBSS SBSC OMs

Source Field

FwdBurstSetupAttempts_16X (Seq# 20)

Source Section

SCH Burst Setup (Group ID 9)

FwdBurstSetupAttempts_2X

Forward 2X data burst needs to be set up

Data Source

NBSS SBSC OMs

Source Field

FwdBurstSetupAttempts_2X (Seq# 17)

Source Section

SCH Burst Setup (Group ID 9)

FwdBurstSetupAttempts_4X

Forward 4X data burst needs to be set up

Data Source

NBSS SBSC OMs

Source Field

FwdBurstSetupAttempts_4X (Seq# 18)

Source Section

SCH Burst Setup (Group ID 9)

FwdBurstSetupAttempts_8X

Forward 8X data burst needs to be set up

Data Source

NBSS SBSC OMs

Source Field

FwdBurstSetupAttempts_8X (Seq# 19)

Source Section

SCH Burst Setup (Group ID 9)

FwdBurstSetupFailures

Pegged when a forward data burst could not be set up

Data Source

NBSS SBSC OMs

Source Field

FwdBurstSetupFailures (Seq# 3)

Source Section

SCH Burst Setup (Group ID 9)

FwdBurstSetupFailures_16X

Forward 16X data burst could not be set up

Data Source

NBSS SBSC OMs

Source Field

FwdBurstSetupFailures_16X (Seq# 28)

Source Section

SCH Burst Setup (Group ID 9)

FwdBurstSetupFailures_2X

Forward 2X data burst could not be set up

Data Source

NBSS SBSC OMs

Source Field

FwdBurstSetupFailures_2X (Seq# 25)

Source Section

SCH Burst Setup (Group ID 9)

FwdBurstSetupFailures_4X

Forward 4X data burst could not be set up

Data Source

NBSS SBSC OMs

Source Field

FwdBurstSetupFailures_4X (Seq# 26)

Source Section

SCH Burst Setup (Group ID 9)

FwdBurstSetupFailures_8X

Forward 8X data burst could not be set up

Data Source

NBSS SBSC OMs

Source Field

FwdBurstSetupFailures_8X (Seq# 27)

Source Section

SCH Burst Setup (Group ID 9)

FwdBurstSetupSuccesses

Pegged when a forward data burst is successfully set up

Data Source

NBSS SBSC OMs

Source Field

FwdBurstSetupSuccesses (Seq# 2)

Source Section

SCH Burst Setup (Group ID 9)

FwdBurstSetupSuccesses_16X

Forward 16X data burst is successfully set up

Data Source

NBSS SBSC OMs

Source Field

FwdBurstSetupSuccesses_16X (Seq# 24)

Source Section

SCH Burst Setup (Group ID 9)

FwdBurstSetupSuccesses_2X

Forward 2X data burst is successfully set up

Data Source

NBSS SBSC OMs

Source Field

FwdBurstSetupSuccesses_2X (Seq# 21)

Source Section

SCH Burst Setup (Group ID 9)

FwdBurstSetupSuccesses_4X

Forward 4X data burst is successfully set up

Data Source

NBSS SBSC OMs

Source Field

FwdBurstSetupSuccesses_4X (Seq# 22)

Source Section

SCH Burst Setup (Group ID 9)

FwdBurstSetupSuccesses_8X

Forward 8X data burst is successfully set up

Data Source

NBSS SBSC OMs

Source Field

FwdBurstSetupSuccesses_8X (Seq# 23)

Source Section

SCH Burst Setup (Group ID 9)

FwdBurstUpgradeAttempts_2X_To_16X

This OM is pegged when the Fwd Burst is taken down from 2x data rate to attempt a Fwd SCH at a higher data rate at 16x.

Data Source

NBSS SBSC OMs

Source Field

FwdBurstUpgradeAttempts_2X_To_16X (Seq# 63)

Source Section

SCH Burst Setup (Group ID 9)

FwdBurstUpgradeAttempts_2X_To_4X

This OM is pegged when the Fwd Burst is taken down from 2x data rate to attempt a Fwd SCH at a higher data rate at 4x.

Data Source

NBSS SBSC OMs

Source Field

FwdBurstUpgradeAttempts_2X_To_4X (Seq# 61)

Source Section

SCH Burst Setup (Group ID 9)

FwdBurstUpgradeAttempts_2X_To_8X

This OM is pegged when the Fwd Burst is taken down from 2x data rate to attempt a Fwd SCH at a higher data rate at 8x.

Data Source

NBSS SBSC OMs

Source Field

FwdBurstUpgradeAttempts_2X_To_8X (Seq# 62)

Source Section

SCH Burst Setup (Group ID 9)

FwdBurstUpgradeAttempts_4X_To_16X

This OM is pegged when the Fwd Burst is taken down from 4x data rate to attempt a Fwd SCH at a higher data rate at 16x.

Data Source

NBSS SBSC OMs

Source Field

FwdBurstUpgradeAttempts_4X_To_16X (Seq# 65)

Source Section

SCH Burst Setup (Group ID 9)

FwdBurstUpgradeAttempts_4X_To_8X

This OM is pegged when the Fwd Burst is taken down from 4x data rate to attempt a Fwd SCH at a higher data rate at 8x.

Data Source

NBSS SBSC OMs

Source Field

FwdBurstUpgradeAttempts_4X_To_8X (Seq# 64)

Source Section

SCH Burst Setup (Group ID 9)

FwdBurstUpgradeAttempts_8X_To_16X

This OM is pegged when the Fwd Burst is taken down from 8x data rate to attempt a Fwd SCH at a higher data rate at 16x.

Data Source

NBSS SBSC OMs

Source Field

FwdBurstUpgradeAttempts_8X_To_16X (Seq# 66)

Source Section

SCH Burst Setup (Group ID 9)

FwdBurstUpgradeFailures_2X_To_16X

This OM is pegged when the when fwd burst upgrade from 2x to 16x data rate failed due to lack of BSC or BTS resources.

Data Source

NBSS SBSC OMs

Source Field

FwdBurstUpgradeFailures_2X_To_16X (Seq# 75)

Source Section

SCH Burst Setup (Group ID 9)

FwdBurstUpgradeFailures_2X_To_4X

This OM is pegged when the when fwd burst upgrade from 2x to 4x data rate failed due to lack of BSC or BTS resources.

Data Source

NBSS SBSC OMs

Source Field

FwdBurstUpgradeFailures_2X_To_4X (Seq# 73)

Source Section

SCH Burst Setup (Group ID 9)

FwdBurstUpgradeFailures_2X_To_8X

This OM is pegged when the when fwd burst upgrade from 2x to 8x data rate failed due to lack of BSC or BTS resources.

Data Source

NBSS SBSC OMs

Source Field

FwdBurstUpgradeFailures_2X_To_8X (Seq# 74)

Source Section

SCH Burst Setup (Group ID 9)

FwdBurstUpgradeFailures_4X_To_16X

This OM is pegged when the when fwd burst upgrade from 4x to 16x data rate failed due to lack of BSC or BTS resources.

Data Source

NBSS SBSC OMs

Source Field

FwdBurstUpgradeFailures_4X_To_16X (Seq# 77)

Source Section

SCH Burst Setup (Group ID 9)

FwdBurstUpgradeFailures_4X_To_8X

This OM is pegged when the when fwd burst upgrade from 4x to 8x data rate failed due to lack of BSC or BTS resources.

Data Source

NBSS SBSC OMs

Source Field

FwdBurstUpgradeFailures_4X_To_8X (Seq# 76)

Source Section

SCH Burst Setup (Group ID 9)

FwdBurstUpgradeFailures_8X_To_16X

This OM is pegged when the when fwd burst upgrade from 8x to 16x data rate failed due to lack of BSC or BTS resources.

Data Source

NBSS SBSC OMs

Source Field

FwdBurstUpgradeFailures_8X_To_16X (Seq# 78)

Source Section

SCH Burst Setup (Group ID 9)

FwdBurstUpgradeSuccesses_2X_To_16X

This OM is pegged when the when fwd burst is upgraded successfully from 2x data rate to a higher data rate at 16x.

Data Source

NBSS SBSC OMs

Source Field

FwdBurstUpgradeSuccesses_2X_To_16X (Seq# 69)

Source Section

SCH Burst Setup (Group ID 9)

FwdBurstUpgradeSuccesses_2X_To_4X

This OM is pegged when the when fwd burst is upgraded successfully from 2x data rate to a higher data rate at 4x.

Data Source

NBSS SBSC OMs

Source Field

FwdBurstUpgradeSuccesses_2X_To_4X (Seq# 67)

Source Section

SCH Burst Setup (Group ID 9)

FwdBurstUpgradeSuccesses_2X_To_8X

This OM is pegged when the when fwd burst is upgraded successfully from 2x data rate to a higher data rate at 8x.

Data Source

NBSS SBSC OMs

Source Field

FwdBurstUpgradeSuccesses_2X_To_8X (Seq# 68)

Source Section

SCH Burst Setup (Group ID 9)

FwdBurstUpgradeSuccesses_4X_To_16X

This OM is pegged when the when fwd burst is upgraded successfully from 4x data rate to a higher data rate at 16x.

Data Source

NBSS SBSC OMs

Source Field

FwdBurstUpgradeSuccesses_4X_To_16X (Seq# 71)

Source Section

SCH Burst Setup (Group ID 9)

FwdBurstUpgradeSuccesses_4X_To_8X

This OM is pegged when the when fwd burst is upgraded successfully from 4x data rate to a higher data rate at 8x.

Data Source

NBSS SBSC OMs

Source Field

FwdBurstUpgradeSuccesses_4X_To_8X (Seq# 70)

Source Section

SCH Burst Setup (Group ID 9)

FwdBurstUpgradeSuccesses_8X_To_16X

This OM is pegged when the when fwd burst is upgraded successfully from 8x data rate to a higher data rate at 16x.

Data Source

NBSS SBSC OMs

Source Field

FwdBurstUpgradeSuccesses_8X_To_16X (Seq# 72)

Source Section

SCH Burst Setup (Group ID 9)

FwdRLPQ_BurstRequestDepth_1

Number of times the RLPQ queue depth is $0 \leq x < 200$ bytes when a forward burst is requested.

Data Source

NBSS SBSC OMs

Source Field

FwdRLPQ_BurstRequestDepth_1 (Seq # 1)

Source Section

SDU Queue Occupancy (Group ID 71)

FwdRLPQ_BurstRequestDepth_10

Number of times the RLPQ queue depth is $2000 \leq x < 2250$ bytes when a forward burst is requested.

Data Source

NBSS SBSC OMs

Source Field

FwdRLPQ_BurstRequestDepth_10 (Seq # 10)

Source Section

SDU Queue Occupancy (Group ID 71)

FwdRLPQ_BurstRequestDepth_11

Number of times the RLPQ queue depth is $2250 \leq x < 2500$ bytes when a forward burst is requested.

Data Source

NBSS SBSC OMs

Source Field

FwdRLPQ_BurstRequestDepth_11 (Seq # 11)

Source Section

SDU Queue Occupancy (Group ID 71)

FwdRLPQ_BurstRequestDepth_12

Number of times the RLPQ queue depth is $2500 \leq x < 2750$ bytes when a forward burst is requested.

Data Source

NBSS SBSC OMs

Source Field

FwdRLPQ_BurstRequestDepth_12 (Seq # 12)

Source Section

SDU Queue Occupancy (Group ID 71)

FwdRLPQ_BurstRequestDepth_13

Number of times the RLPQ queue depth is $2750 \leq x < 3000$ bytes when a forward burst is requested.

Data Source

NBSS SBSC OMs

Source Field

FwdRLPQ_BurstRequestDepth_13 (Seq # 13)

Source Section

SDU Queue Occupancy (Group ID 71)

FwdRLPQ_BurstRequestDepth_14

Number of times the RLPQ queue depth is $3000 \leq x < 3500$ bytes when a forward burst is requested.

Data Source

NBSS SBSC OMs

Source Field

FwdRLPQ_BurstRequestDepth_14 (Seq # 14)

Source Section

SDU Queue Occupancy (Group ID 71)

FwdRLPQ_BurstRequestDepth_15

Number of times the RLPQ queue depth is $3500 \leq x < 4000$ bytes when a forward burst is requested.

Data Source

NBSS SBSC OMs

Source Field

FwdRLPQ_BurstRequestDepth_15 (Seq # 15)

Source Section

SDU Queue Occupancy (Group ID 71)

FwdRLPQ_BurstRequestDepth_16

Number of times the RLPQ queue depth is $4000 \leq x < 4500$ bytes when a forward burst is requested.

Data Source

NBSS SBSC OMs

Source Field

FwdRLPQ_BurstRequestDepth_16 (Seq # 16)

Source Section

SDU Queue Occupancy (Group ID 71)

FwdRLPQ_BurstRequestDepth_17

Number of times the RLPQ queue depth is $4500 \leq x < 5000$ bytes when a forward burst is requested.

Data Source

NBSS SBSC OMs

Source Field

FwdRLPQ_BurstRequestDepth_17 (Seq # 17)

Source Section

SDU Queue Occupancy (Group ID 71)

FwdRLPQ_BurstRequestDepth_18

Number of times the RLPQ queue depth is $5000 \leq x < 7500$ bytes when a forward burst is requested.

Data Source

NBSS SBSC OMs

Source Field

FwdRLPQ_BurstRequestDepth_18 (Seq # 18)

Source Section

SDU Queue Occupancy (Group ID 71)

FwdRLPQ_BurstRequestDepth_19

Number of times the RLPQ queue depth is $7500 \leq x < 10,000$ bytes when a forward burst is requested.

Data Source

NBSS SBSC OMs

Source Field

FwdRLPQ_BurstRequestDepth_19 (Seq # 19)

Source Section

SDU Queue Occupancy (Group ID 71)

FwdRLPQ_BurstRequestDepth_2

Number of times the RLPQ queue depth is $200 \leq x < 400$ bytes when a forward burst is requested.

Data Source

NBSS SBSC OMs

Source Field

FwdRLPQ_BurstRequestDepth_2 (Seq # 2)

Source Section

SDU Queue Occupancy (Group ID 71)

FwdRLPQ_BurstRequestDepth_20

Number of times the RLPQ queue depth is $10,000 \leq x < 15,000$ bytes when a forward burst is requested.

Data Source

NBSS SBSC OMs

Source Field

FwdRLPQ_BurstRequestDepth_20 (Seq # 20)

Source Section

SDU Queue Occupancy (Group ID 71)

FwdRLPQ_BurstRequestDepth_21

Number of times the RLPQ queue depth is $15,000 \leq x < 20,000$ bytes when a forward burst is requested.

Data Source

NBSS SBSC OMs

Source Field

FwdRLPQ_BurstRequestDepth_21 (Seq # 21)

Source Section

SDU Queue Occupancy (Group ID 71)

FwdRLPQ_BurstRequestDepth_22

Number of times the RLPQ queue depth is $20,000 \leq x < 30,000$ bytes when a forward burst is requested.

Data Source

NBSS SBSC OMs

Source Field

FwdRLPQ_BurstRequestDepth_22 (Seq # 22)

Source Section

SDU Queue Occupancy (Group ID 71)

FwdRLPQ_BurstRequestDepth_23

Number of times the RLPQ queue depth is $30,000 \leq x < 40,000$ bytes when a forward burst is requested.

Data Source

NBSS SBSC OMs

Source Field

FwdRLPQ_BurstRequestDepth_23 (Seq # 23)

Source Section

SDU Queue Occupancy (Group ID 71)

FwdRLPQ_BurstRequestDepth_24

Number of times the RLPQ queue depth is $40,000 \leq x < 50,000$ bytes when a forward burst is requested.

Data Source

NBSS SBSC OMs

Source Field

FwdRLPQ_BurstRequestDepth_24 (Seq # 24)

Source Section

SDU Queue Occupancy (Group ID 71)

FwdRLPQ_BurstRequestDepth_25

Number of times the RLPQ queue depth is $50,000 \leq x$ bytes when a forward burst is requested.

Data Source

NBSS SBSC OMs

Source Field

FwdRLPQ_BurstRequestDepth_25 (Seq # 25)

Source Section

SDU Queue Occupancy (Group ID 71)

FwdRLPQ_BurstRequestDepth_3

Number of times the RLPQ queue depth is $400 \leq x < 600$ bytes when a forward burst is requested.

Data Source

NBSS SBSC OMs

Source Field

FwdRLPQ_BurstRequestDepth_3 (Seq # 3)

Source Section

SDU Queue Occupancy (Group ID 71)

FwdRLPQ_BurstRequestDepth_4

Number of times the RLPQ queue depth is $600 \leq x < 800$ bytes when a forward burst is requested.

Data Source

NBSS SBSC OMs

Source Field

FwdRLPQ_BurstRequestDepth_4 (Seq # 4)

Source Section

SDU Queue Occupancy (Group ID 71)

FwdRLPQ_BurstRequestDepth_5

Number of times the RLPQ queue depth is $800 \leq x < 1000$ bytes when a forward burst is requested.

Data Source

NBSS SBSC OMs

Source Field

FwdRLPQ_BurstRequestDepth_5 (Seq # 5)

Source Section

SDU Queue Occupancy (Group ID 71)

FwdRLPQ_BurstRequestDepth_6

Number of times the RLPQ queue depth is $1000 \leq x < 1250$ bytes when a forward burst is requested.

Data Source

NBSS SBSC OMs

Source Field

FwdRLPQ_BurstRequestDepth_6 (Seq # 6)

Source Section

SDU Queue Occupancy (Group ID 71)

FwdRLPQ_BurstRequestDepth_7

Number of times the RLPQ queue depth is $1250 \leq x < 1500$ bytes when a forward burst is requested.

Data Source

NBSS SBSC OMs

Source Field

FwdRLPQ_BurstRequestDepth_7 (Seq # 7)

Source Section

SDU Queue Occupancy (Group ID 71)

FwdRLPQ_BurstRequestDepth_8

Number of times the RLPQ queue depth is $1500 \leq x < 1750$ bytes when a forward burst is requested.

Data Source

NBSS SBSC OMs

Source Field

FwdRLPQ_BurstRequestDepth_8 (Seq # 8)

Source Section

SDU Queue Occupancy (Group ID 71)

FwdRLPQ_BurstRequestDepth_9

Number of times the RLPQ queue depth is $1750 \leq x < 2000$ bytes when a forward burst is requested.

Data Source

NBSS SBSC OMs

Source Field

FwdRLPQ_BurstRequestDepth_9 (Seq # 9)

Source Section

SDU Queue Occupancy (Group ID 71)

FwdRLPQ_SCH_BurstAvgDepth_16x

Provides the average queue depth in percentage over all 16X bursts measured in the forward direction during the OM reporting period.

Data Source

NBSS SBSC OMs

Source Field

FwdRLPQ_SCH_BurstAvgDepth_16x (Seq # 29)

Source Section

SDU Queue Occupancy (Group ID 71)

FwdRLPQ_SCH_BurstAvgDepth_2x

Provides the average queue depth in percentage over all 2X bursts measured in the forward direction during the OM reporting period.

Data Source

NBSS SBSC OMs

Source Field

FwdRLPQ_SCH_BurstAvgDepth_2x (Seq # 26)

Source Section

SDU Queue Occupancy (Group ID 71)

FwdRLPQ_SCH_BurstAvgDepth_4x

Provides the average queue depth in percentage over all 4X bursts measured in the forward direction during the OM reporting period.

Data Source

NBSS SBSC OMs

Source Field

FwdRLPQ_SCH_BurstAvgDepth_4x (Seq # 27)

Source Section

SDU Queue Occupancy (Group ID 71)

FwdRLPQ_SCH_BurstAvgDepth_8x

Provides the average queue depth in percentage over all 8X bursts measured in the forward direction during the OM reporting period.

Data Source

NBSS SBSC OMs

Source Field

FwdRLPQ_SCH_BurstAvgDepth_8x (Seq # 28)

Source Section

SDU Queue Occupancy (Group ID 71)

FwdRLPQ_SCH_BurstPeakDepth_16x

Provides the peak queue depth in percentage for any given 16X burst measured in the forward direction during the OM reporting period.

Data Source

NBSS SBSC OMs

Source Field

FwdRLPQ_SCH_BurstPeakDepth_16x (Seq # 37)

Source Section

SDU Queue Occupancy (Group ID 71)

FwdRLPQ_SCH_BurstPeakDepth_2x

Provides the peak queue depth in percentage for any given 2X burst measured in the forward direction during the OM reporting period.

Data Source

NBSS SBSC OMs

Source Field

FwdRLPQ_SCH_BurstPeakDepth_2x (Seq # 34)

Source Section

SDU Queue Occupancy (Group ID 71)

FwdRLPQ_SCH_BurstPeakDepth_4x

Provides the peak queue depth in percentage for any given 4X burst measured in the forward direction during the OM reporting period.

Data Source

NBSS SBSC OMs

Source Field

FwdRLPQ_SCH_BurstPeakDepth_4x (Seq # 35)

Source Section

SDU Queue Occupancy (Group ID 71)

FwdRLPQ_SCH_BurstPeakDepth_8x

Provides the peak queue depth in percentage for any given 8X burst measured in the forward direction during the OM reporting period.

Data Source

NBSS SBSC OMs

Source Field

FwdRLPQ_SCH_BurstPeakDepth_8x (Seq # 36)

Source Section

SDU Queue Occupancy (Group ID 71)

PLCM_CallDropsBS_Assigned

Pegs after successful call setup when the call fails due to RF related reasons and a response from a request made to the BTS to check for a BTS assigned PLCM type collision indicates a possible collision (BTS assigned PLCM used for call setup already in use by a different mobile).

Data Source

NBSS SBSC OMs

Source Field

PLCM_CallDropsBS_Assigned (Seq# 11)

Source Section

PLCM Performance (Group ID 68)

PLCM_CallDropsMEID

Pegs after successful call setup when the call fails due to RF related reasons and a response from a request made to the BTS to check for a MEID PLCM type collision indicates a possible collision (MEID PLCM used for call setup already in use by a different mobile).

Data Source

NBSS SBSC OMs

Source Field

PLCM_CallDropsMEID (Seq# 12)

Source Section

PLCM Performance (Group ID 68)

PLCM_CallDropsPseudoESN

Pegs after successful call setup when the call fails due to RF related reasons and a response from a request made to the BTS to check for a pESN PLCM type collision indicates a possible collision (pESN PLCM used for call setup already in use by a different mobile).

Data Source

NBSS SBSC OMs

Source Field

PLCM_CallDropsPseudoESN (Seq# 10)

Source Section

PLCM Performance (Group ID 68)

PLCM_CallSetupAttemptsBS_Assigned

Pegs when BSC sends a radio link resource indication message to the CAU (radio link setup response in the case of Hard Handoff) indicating that a BTS assigned PLCM will be used during call setup.

Data Source

NBSS SBSC OMs

Source Field

PLCM_CallSetupAttemptsBS_Assigned (Seq# 2)

Source Section

PLCM Performance (Group ID 68)

PLCM_CallSetupAttemptsMEID

Pegs when BSC sends a radio link resource indication message to the CAU (radio link setup response in the case of Hard Handoff) indicating that a MEID based PLCM will be used during call setup.

Data Source

NBSS SBSC OMs

Source Field

PLCM_CallSetupAttemptsMEID (Seq# 3)

Source Section

PLCM Performance (Group ID 68)

PLCM_CallSetupAttemptsPseudoESN

Pegs when BSC sends a radio link resource indication message to the CAU (radio link setup response in the case of Hard Handoff) indicating that a pESN based PLCM will be used during call setup.

Data Source

NBSS SBSC OMs

Source Field

PLCM_CallSetupAttemptsPseudoESN (Seq# 1)

Source Section

PLCM Performance (Group ID 68)

PLCM_CallSetupFailuresBS_Assigned

Pegs when a call setup fails due to RF related reasons and a response from a request made to the BTS to check for a BTS assigned PLCM type collision indicates a possible collision (BTS assigned PLCM used for call setup already in use by a different mobile).

Data Source

NBSS SBSC OMs

Source Field

PLCM_CallSetupFailuresBS_Assigned (Seq# 8)

Source Section

PLCM Performance (Group ID 68)

PLCM_CallSetupFailuresMEID

Pegs when a call setup fails due to RF related reasons and a response from a request made to the BTS to check for a MEID PLCM type collision indicates a possible collision (MEID PLCM used for call setup already in use by a different mobile).

Data Source

NBSS SBSC OMs

Source Field

PLCM_CallSetupFailuresMEID (Seq# 9)

Source Section

PLCM Performance (Group ID 68)

PLCM_CallSetupFailuresPseudoESN

Pegs when a call setup fails due to RF related reasons and a response from a request made to the BTS to check for a pESN PLCM type collision indicates a possible collision (pESN PLCM used for call setup already in use by a different mobile).

Data Source

NBSS SBSC OMs

Source Field

PLCM_CallSetupFailuresPseudoESN (Seq# 7)

Source Section

PLCM Performance (Group ID 68)

PLCM_CallSetupSuccessesBS_Assigned

Pegs when BSC sends a service connect response message to the CAU indicating that a MEID mobile successfully setup the call on BTS assigned PLCM.

Data Source

NBSS SBSC OMs

Source Field

PLCM_CallSetupSuccessesBS_Assigned (Seq# 5)

Source Section

PLCM Performance (Group ID 68)

PLCM_CallSetupSuccessesMEID

Pegs when BSC sends a service connect response message to the CAU indicating that a MEID mobile successfully setup the call on MEID based PLCM.

Data Source

NBSS SBSC OMs

Source Field

PLCM_CallSetupSuccessesMEID (Seq# 6)

Source Section

PLCM Performance (Group ID 68)

PLCM_CallSetupSuccessesPseudoESN

Pegs when BSC sends a service connect response message to the CAU indicating that a MEID mobile successfully setup the call on pESN based PLCM.

Data Source

NBSS SBSC OMs

Source Field

PLCM_CallSetupSuccessesPseudoESN (Seq# 4)

Source Section

PLCM Performance (Group ID 68)

RevBurstBSC_Downgrade

Request to setup a Reverse SCH is downgraded to a lower data rate by the ESEL based on ESEL card capacity limitation

Data Source

NBSS SBSC OMs

Source Field

RevBurstBSC_Downgrade (Seq# 12)

Source Section

SCH Burst Setup (Group ID 9)

RevBurstBSC_NonDowngrade

Request to setup a Reverse SCH is granted by the ESEL without being downgraded based on the ESEL card capacity

Data Source

NBSS SBSC OMs

Source Field

RevBurstBSC_NonDowngrade (Seq# 13)

Source Section

SCH Burst Setup (Group ID 9)

RevBurstBSC_Release_16X

This OM is pegged when the Rev burst at 16x is pre-empted due to contention at BSC.

Data Source

NBSS SBSC OMs

Source Field

RevBurstBSC_Release_16X (Seq# 8)

Source Section

SCH Burst Release (Group ID 20)

RevBurstBSC_Release_2X

This OM is pegged when the Rev burst at 2x is pre-empted due to contention at BSC.

Data Source

NBSS SBSC OMs

Source Field

RevBurstBSC_Release_2X (Seq# 5)

Source Section

SCH Burst Release (Group ID 20)

RevBurstBSC_Release_4X

This OM is pegged when the Rev burst at 4x is pre-empted due to contention at BSC.

Data Source

NBSS SBSC OMs

Source Field

RevBurstBSC_Release_4X (Seq# 6)

Source Section

SCH Burst Release (Group ID 20)

RevBurstBSC_Release_8X

This OM is pegged when the Rev burst at 8x is pre-empted due to contention at BSC.

Data Source

NBSS SBSC OMs

Source Field

RevBurstBSC_Release_8X (Seq# 7)

Source Section

SCH Burst Release (Group ID 20)

RevBurstBTS_PilotRelease_16X

This OM is pegged when Rev burst at 16x is released if pilots selected by algorithm are not available or due to contention at the BTS.

Data Source

NBSS SBSC OMs

Source Field

RevBurstBTS_PilotRelease_16X (Seq# 16)

Source Section

SCH Burst Release (Group ID 20)

RevBurstBTS_PilotRelease_2X

This OM is pegged when Rev burst at 2x is released if pilots selected by algorithm are not available or due to contention at the BTS.

Data Source

NBSS SBSC OMs

Source Field

RevBurstBTS_PilotRelease_2X (Seq# 13)

Source Section

SCH Burst Release (Group ID 20)

RevBurstBTS_PilotRelease_4X

This OM is pegged when Rev burst at 4x is released if pilots selected by algorithm are not available or due to contention at the BTS.

Data Source

NBSS SBSC OMs

Source Field

RevBurstBTS_PilotRelease_4X (Seq# 14)

Source Section

SCH Burst Release (Group ID 20)

RevBurstBTS_PilotRelease_8X

This OM is pegged when Rev burst at 8x is released if pilots selected by algorithm are not available or due to contention at the BTS.

Data Source

NBSS SBSC OMs

Source Field

RevBurstBTS_PilotRelease_8X (Seq# 15)

Source Section

SCH Burst Release (Group ID 20)

RevBurstDelayIndex_1

Reverse SCH request waits in the queue for more than zero seconds up to one second

Data Source

NBSS SBSC OMs

Source Field

RevBurstDelayIndex_1 (Seq# 14)

Source Section

SCH Burst Setup (Group ID 9)

RevBurstDelayIndex_2

Reverse SCH request waits in the queue for more than one second up to three seconds

Data Source

NBSS SBSC OMs

Source Field

RevBurstDelayIndex_2 (Seq# 15)

Source Section

SCH Burst Setup (Group ID 9)

RevBurstDelayIndex_3

Reverse SCH request waits in the queue for more than three seconds

Data Source

NBSS SBSC OMs

Source Field

RevBurstDelayIndex_3 (Seq# 16)

Source Section

SCH Burst Setup (Group ID 9)

RevBurstDowngrade_16X_To_2X

This OM should be pegged whenever a request to setup a Reverse 16X SCH is downgraded to 2X by the RCM based only on ESEL-ACP card capacity limitation (i.e. prior to BTS resources considerations).

Data Source

NBSS SBSC OMs

Source Field

RevBurstDowngrade_16X_To_2X (Seq# 54)

Source Section

SCH Burst Setup (Group ID 9)

RevBurstDowngrade_16X_To_4X

This OM should be pegged whenever a request to setup a Reverse 16X SCH is downgraded to 4X by the RCM based only on ESEL-ACP card capacity limitation (i.e. prior to BTS resources considerations).

Data Source

NBSS SBSC OMs

Source Field

RevBurstDowngrade_16X_To_4X (Seq# 55)

Source Section

SCH Burst Setup (Group ID 9)

RevBurstDowngrade_16X_To_8X

This OM should be pegged whenever a request to setup a Reverse 16X SCH is downgraded to 8X by the RCM based only on ESEL-ACP card capacity limitation (i.e. prior to BTS resources considerations).

Data Source

NBSS SBSC OMs

Source Field

RevBurstDowngrade_16X_To_8X (Seq# 56)

Source Section

SCH Burst Setup (Group ID 9)

RevBurstDowngrade_4X_To_2X

This OM should be pegged whenever a request to setup a Reverse 4X SCH is downgraded to 2X by the RCM based only on ESEL-ACP card capacity limitation (i.e. prior to BTS resources considerations).

Data Source

NBSS SBSC OMs

Source Field

RevBurstDowngrade_4X_To_2X (Seq# 51)

Source Section

SCH Burst Setup (Group ID 9)

RevBurstDowngrade_8X_To_2X

This OM should be pegged whenever a request to setup a Reverse 8X SCH is downgraded to 2X by the RCM based only on ESEL-ACP card capacity limitation (i.e. prior to BTS resources considerations).

Data Source

NBSS SBSC OMs

Source Field

RevBurstDowngrade_8X_To_2X (Seq# 52)

Source Section

SCH Burst Setup (Group ID 9)

RevBurstDowngrade_8X_To_4X

This OM should be pegged whenever a request to setup a Reverse 8X SCH is downgraded to 4X by the RCM based only on ESEL-ACP card capacity limitation (i.e. prior to BTS resources considerations).

Data Source

NBSS SBSC OMs

Source Field

RevBurstDowngrade_8X_To_4X (Seq# 53)

Source Section

SCH Burst Setup (Group ID 9)

RevBurstNonDowngrade_16X

This OM should be pegged whenever a request to setup a Reverse 16X SCH is granted by the RCM (at 16X without being downgraded) based only on ESEL-ACP card capacity (i.e. prior to BTS resources considerations).

Data Source

NBSS SBSC OMs

Source Field

RevBurstNonDowngrade_16X (Seq# 60)

Source Section

SCH Burst Setup (Group ID 9)

RevBurstNonDowngrade_2X

This OM should be pegged whenever a request to setup a Reverse 2X SCH is granted by the RCM based only on ESEL-ACP card capacity (i.e. prior to BTS resources considerations).

Data Source

NBSS SBSC OMs

Source Field

RevBurstNonDowngrade_2X (Seq# 57)

Source Section

SCH Burst Setup (Group ID 9)

RevBurstNonDowngrade_4X

This OM should be pegged whenever a request to setup a Reverse 4X SCH is granted by the RCM (at 4X without being downgraded) based only on ESEL-ACP card capacity (i.e. prior to BTS resources considerations).

Data Source

NBSS SBSC OMs

Source Field

RevBurstNonDowngrade_4X (Seq# 58)

Source Section

SCH Burst Setup (Group ID 9)

RevBurstNonDowngrade_8X

This OM should be pegged whenever a request to setup a Reverse 8X SCH is granted by the RCM (at 8X without being downgraded) based only on ESEL-ACP card capacity (i.e. prior to BTS resources considerations).

Data Source

NBSS SBSC OMs

Source Field

RevBurstNonDowngrade_8X (Seq# 59)

Source Section

SCH Burst Setup (Group ID 9)

RevBurstSetupAttempts

Pegged when a reverse data burst needs to be set up

Data Source

NBSS SBSC OMs

Source Field

RevBurstSetupAttempts (Seq# 4)

Source Section

SCH Burst Setup (Group ID 9)

RevBurstSetupAttempts_16X

Reverse 16X data burst needs to be set up

Data Source

NBSS SBSC OMs

Source Field

RevBurstSetupAttempts_16X (Seq# 32)

Source Section

SCH Burst Setup (Group ID 9)

RevBurstSetupAttempts_2X

Reverse 2X data burst needs to be set up

Data Source

NBSS SBSC OMs

Source Field

RevBurstSetupAttempts_2X (Seq# 29)

Source Section

SCH Burst Setup (Group ID 9)

RevBurstSetupAttempts_4X

Reverse 4X data burst needs to be set up

Data Source

NBSS SBSC OMs

Source Field

RevBurstSetupAttempts_4X (Seq# 30)

Source Section

SCH Burst Setup (Group ID 9)

RevBurstSetupAttempts_8X

Reverse 8X data burst needs to be set up

Data Source

NBSS SBSC OMs

Source Field

RevBurstSetupAttempts_8X (Seq# 31)

Source Section

SCH Burst Setup (Group ID 9)

RevBurstSetupFailures

Pegged when a reverse data burst could not be set up

Data Source

NBSS SBSC OMs

Source Field

RevBurstSetupFailures (Seq# 6)

Source Section

SCH Burst Setup (Group ID 9)

RevBurstSetupFailures_16X

Reverse 16X data burst could not be set up

Data Source

NBSS SBSC OMs

Source Field

RevBurstSetupFailures_16X (Seq# 40)

Source Section

SCH Burst Setup (Group ID 9)

RevBurstSetupFailures_2X

Reverse 2X data burst could not be set up

Data Source

NBSS SBSC OMs

Source Field

RevBurstSetupFailures_2X (Seq# 37)

Source Section

SCH Burst Setup (Group ID 9)

RevBurstSetupFailures_4X

Reverse 4X data burst could not be set up

Data Source

NBSS SBSC OMs

Source Field

RevBurstSetupFailures_4X (Seq# 38)

Source Section

SCH Burst Setup (Group ID 9)

RevBurstSetupFailures_8X

Reverse 8X data burst could not be set up

Data Source

NBSS SBSC OMs

Source Field

RevBurstSetupFailures_8X (Seq# 39)

Source Section

SCH Burst Setup (Group ID 9)

RevBurstSetupSuccesses

Pegged when a reverse data burst is successfully set up

Data Source

NBSS SBSC OMs

Source Field

RevBurstSetupSuccesses (Seq# 5)

Source Section

SCH Burst Setup (Group ID 9)

RevBurstSetupSuccesses_16X

Reverse 16X data burst is successfully set up

Data Source

NBSS SBSC OMs

Source Field

RevBurstSetupSuccesses_16X (Seq# 36)

Source Section

SCH Burst Setup (Group ID 9)

RevBurstSetupSuccesses_2X

Reverse 2X data burst is successfully set up

Data Source

NBSS SBSC OMs

Source Field

RevBurstSetupSuccesses_2X (Seq# 33)

Source Section

SCH Burst Setup (Group ID 9)

RevBurstSetupSuccesses_4X

Reverse 4X data burst is successfully set up

Data Source

NBSS SBSC OMs

Source Field

RevBurstSetupSuccesses_4X (Seq# 34)

Source Section

SCH Burst Setup (Group ID 9)

RevBurstSetupSuccesses_8X

Reverse 8X data burst is successfully set up

Data Source

NBSS SBSC OMs

Source Field

RevBurstSetupSuccesses_8X (Seq# 35)

Source Section

SCH Burst Setup (Group ID 9)

RevRLPQ_SCH_BurstAvgDepth_16x

Provides the average queue depth in percentage over all 16X bursts measured in the reverse direction during the OM reporting period.

Data Source

NBSS SBSC OMs

Source Field

RevRLPQ_SCH_BurstAvgDepth_16x (Seq# 33)

Source Section

SDU Queue Occupancy (Group ID 71)

RevRLPQ_SCH_BurstAvgDepth_2x

Provides the average queue depth in percentage over all 2X bursts measured in the reverse direction during the OM reporting period.

Data Source

NBSS SBSC OMs

Source Field

RevRLPQ_SCH_BurstAvgDepth_2x (Seq# 30)

Source Section

SDU Queue Occupancy (Group ID 71)

RevRLPQ_SCH_BurstAvgDepth_4x

Provides the average queue depth in percentage over all 4X bursts measured in the reverse direction during the OM reporting period.

Data Source

NBSS SBSC OMs

Source Field

RevRLPQ_SCH_BurstAvgDepth_4x (Seq# 31)

Source Section

SDU Queue Occupancy (Group ID 71)

RevRLPQ_SCH_BurstAvgDepth_8x

Provides the average queue depth in percentage over all 8X bursts measured in the reverse direction during the OM reporting period.

Data Source

NBSS SBSC OMs

Source Field

RevRLPQ_SCH_BurstAvgDepth_8x (Seq# 32)

Source Section

SDU Queue Occupancy (Group ID 71)

RevRLPQ_SCH_BurstPeakDepth_16x

Provides the peak queue depth in percentage for any given 16X burst measured in the reverse direction during the OM reporting period.

Data Source

NBSS SBSC OMs

Source Field

RevRLPQ_SCH_BurstPeakDepth_16x (Seq# 41)

Source Section

SDU Queue Occupancy (Group ID 71)

RevRLPQ_SCH_BurstPeakDepth_2x

Provides the peak queue depth in percentage for any given 2X burst measured in the reverse direction during the OM reporting period.

Data Source

NBSS SBSC OMs

Source Field

RevRLPQ_SCH_BurstPeakDepth_2x (Seq# 38)

Source Section

SDU Queue Occupancy (Group ID 71)

RevRLPQ_SCH_BurstPeakDepth_4x

Provides the peak queue depth in percentage for any given 4X burst measured in the reverse direction during the OM reporting period.

Data Source

NBSS SBSC OMs

Source Field

RevRLPQ_SCH_BurstPeakDepth_4x (Seq# 39)

Source Section

SDU Queue Occupancy (Group ID 71)

RevRLPQ_SCH_BurstPeakDepth_8x

Provides the peak queue depth in percentage for any given 8X burst measured in the reverse direction during the OM reporting period.

Data Source

NBSS SBSC OMs

Source Field

RevRLPQ_SCH_BurstPeakDepth_8x (Seq# 40)

Source Section

SDU Queue Occupancy (Group ID 71)

RLPSetupAttempts

Number of RLP setups attempted

Data Source

NBSS SBSC OMs

Source Field

RLPSetupAttempts (Seq# 1)

Source Section

RLP Setup (Group ID 8)

RLPSetupFailures

Number of failed RLP setups

Data Source

NBSS SBSC OMs

Source Field

RLPSetupFailures (Seq# 3)

Source Section

RLP Setup (Group ID 8)

RLPSetupSuccesses

Number of successful RLP setups

Data Source

NBSS SBSC OMs

Source Field

RLPSetupSuccesses (Seq# 2)

Source Section

RLP Setup (Group ID 8)

RSCH_CFDS_HighSpeed

Pegged if the FSCHBlock reason indicates high speed RSCH has not been enabled through CFDS

Data Source

NBSS SBSC OMs

Source Field

RSCH_CFDSHighSpeed (EBID Seq# 18)

Source Section

ESEL MO

RSCH_CFDS_RadioConfig

Pegged if the FSCHBlock reason indicates SCH functionality has not been enabled through CFDS

Data Source

NBSS SBSC OMs

Source Field

RSCH_CFDSRadioConfig (EBID Seq# 17)

Source Section

ESEL MO

RSCHLinkDowngrade

Number of RSCH setup attempts that are not granted the requested data rate due to lack of resources but are granted a lower data rate

Data Source

NBSS SBSC OMs

Source Field

RSCHLinkDowngrade (EBID Seq# 14)

Source Section

ESEL MO

RSCHLinkSetupAttempt

Number of reverse supplemental channel (RSCH) setup attempts

Data Source

NBSS SBSC OMs

Source Field

RSCHLinkSetupAttempt (EBID Seq# 12)

Source Section

ESEL MO

RSCHLinkSetupBlock

Number of RSCH setup attempts that are blocked for lack of resources

Data Source

NBSS SBSC OMs

Source Field

RSCHLinkSetupBlock (EBID Seq# 13)

Source Section

ESEL MO

RSCHLinkSetupSuccess

Number of RSCH setup successes

Data Source

NBSS SBSC OMs

Source Field

RSCHLinkSetupSuccess (EBID Seq# 15)

Source Section

ESEL MO

RSCHNoFrameOffset

Pegged if the RSCHBlock reason indicates there is no available frame offset

Data Source

NBSS SBSC OMs

Source Field

RSCHNoFrameOffset (EBID Seq# 20)

Source Section

ESEL MO

RSCHNoPhysRes

Pegged if the RSCHBlock reason indicates there are no available channel elements

Data Source

NBSS SBSC OMs

Source Field

RSCHNoPhysRes (EBID Seq# 19)

Source Section

ESEL MO

RSCHRadioLinkAccessFailure

This OM is pegged in the event the resources for the RSCH are setup successfully but the mobile does not arrive on the RSCH

Data Source

NBSS SBSC OMs

Source Field

RSCHRadioLinkAccessFailure (EBID Seq# 16)

Source Section

ESEL MO

RSCHTimeout

Pegged if a response to the BTS resource request is never received

Data Source

NBSS SBSC OMs

Source Field

RSCHTimeout (EBID Seq# 21)

Source Section

ESEL MO

SCHDrop

Pegged if the forward or reverse supplemental channel gets abnormally dropped

Data Source

NBSS SBSC OMs

Source Field

SCHDrop (EBID Seq# 22)

Source Section

ESEL MO

ExtBlocks Primitive Calculations

The following is a list of primitive calculations for the ExtBlocks entity.

GRAPHmultiLineSeparator

Special Control Field for Multi-Line Graphs

Calculation

""

NUMDAYS

of days in Report

Calculation

DAYSINREPORT ()

NUMHOURS

of hours in Summation Data

Calculation

ExtBlocks Peg Counts

The following is a list of peg counts for the ExtBlocks entity.

AVAILBLK

Number of Available Blocks

Data Source

MTX OM, SDM

Source Field

INFO_FIELD

Source Section

EXT

EXTHI

extension block high

Data Source

MTX OM, SDM

Source Field

EXTHI + 65536 * EXTHI2

Source Section

EXT

EXTOVFL

extension block overflow

Data Source

MTX OM, SDM

Source Field

EXTOVFL

Source Section

EXT

EXTSEIZ

extension block seized

Data Source

MTX OM, SDM

Source Field

EXTSEIZ + 65536 * EXTSEIZ2

Source Section

EXT

FA_Service Primitive Calculations

The following is a list of primitive calculations for the FA_Service entity.

GRAPHmultiLineSeparator

Special Control Field for Multi-Line Graphs

Calculation

""

NUMDAYS

of days in Report

Calculation

DAYSINREPORT ()

NUMHOURS

of hours in Summation Data

Calculation

FA_Service Peg Counts

The following is a list of peg counts for the FA_Service entity.

accept_dereg

The total number of requests for de-registration accepted.

Data Source

PDSN16000

Source Section

MIPFA1

Source Field

%accept-dereg%

accept_initial

The total number of initial registration requests accepted.

Data Source

PDSN16000

Source Section

MIPFA1

Source Field

%accept-initial%

accept_renewal

The total number of renewalaccepted. registration requests

Data Source

PDSN16000

Source Section

MIPFA1

Source Field

%accept-renewal%

accept_total

The total number of registration requests accepted.

Data Source

PDSN16000

Source Section

MIPFA1

Source Field

%accept-total%

advert_send

The total number of agent advertisement messages sent to the subscriber mobile node.

Data Source

PDSN16000

Source Section

MIPFA1

Source Field

%advert-send%

auth_attempt

The total number of AAA authentication attempts that were facilitated.

Data Source

PDSN16000

Source Section

MIPFA1

Source Field

%auth-attempt%

auth_failure

The total number of failed AAA authentication attempts that were facilitated.

Data Source

PDSN16000

Source Section

MIPFA1

Source Field

%auth-failure%

auth_success

The total number of successful AAA authentication attempts that were facilitated.

Data Source

PDSN16000

Source Section

MIPFA1

Source Field

%auth-success%

authfail_dereg

The total number of requests for de-registration that failed authentication.

Data Source

PDSN16000

Source Section

MIPFA1

Source Field

%authfail-dereg%

authfail_initial

The total number of initial registration requests that failed authentication.

Data Source

PDSN16000

Source Section

MIPFA1

Source Field

%authfail-initial%

authfail_renewal

The total number of renewal failed authentication. registration requests that

Data Source

PDSN16000

Source Section

MIPFA1

Source Field

%authfail-renewal%

authfail_total

The total number of registration requests that failed authentication.

Data Source

PDSN16000

Source Section

MIPFA1

Source Field

%authfail-total%

denied_dereg

The total number of requests for de-registration denied.

Data Source

PDSN16000

Source Section

MIPFA1

Source Field

%denied-dereg%

denied_ha_badreq

The total number of registration requests for which a HA reply code of 86H (Registration Denied - poorly formed request) was received.

Data Source

PDSN16000

Source Section

MIPFA2

Source Field

%denied-ha-badreq%

denied_ha_dereg

The total number of requests for de-registration that were denied by the HA. Reasons for a HA denial are described later in this table.

Data Source

PDSN16000

Source Section

MIPFA1

Source Field

%denied-ha-dereg%

denied_ha_faauth

The total number of registration requests for which a HA reply code of 84H (Registration Denied - foreign agent failed authentication) was received.

Data Source

PDSN16000

Source Section

MIPFA2

Source Field

%denied-ha-faauth%

denied_ha_initial

The total number of initial registration requests denied by the HA. Reasons for a HA denial are described later in this table.

Data Source

PDSN16000

Source Section

MIPFA1

Source Field

%denied-ha-initial%

denied_ha_mismatchid

The total number of registration requests for which a HA reply code of 85H (Registration Denied - registration Identification mismatch) was received.

Data Source

PDSN16000

Source Section

MIPFA2

Source Field

%denied-ha-mismatchid%

denied_ha_renewal

The total number of renewal registration requests denied by the HA. Reasons for a HA denial are described later in this table.

Data Source

PDSN16000

Source Section

MIPFA1

Source Field

%denied-ha-renewal%

denied_ha_revtununavail

The total number of registration requests for which a HA reply code of 89H (Registration Denied - reverse tunneling unavailable) was received.

Data Source

PDSN16000

Source Section

MIPFA2

Source Field

%denied-ha-revtununavail%

denied_ha_simulbind

The total number of registration requests for which a HA reply code of 87H (Registration Denied - too many simultaneous mobility bindings) was received.

Data Source

PDSN16000

Source Section

MIPFA2

Source Field

%denied-ha-simulbind%

denied_ha_total

The total number of registration requests that have been denied by the Home Agent (HA). Reasons for a HA denial are described later in this table.

Data Source

PDSN16000

Source Section

MIPFA1

Source Field

%denied-ha-total%

denied_ha_unknownha

The total number of registration requests for which a HA reply code of 88H (Registration Denied - unknown home agent address) was received.

Data Source

PDSN16000

Source Section

MIPFA2

Source Field

%denied-ha-unknownha%

denied_initial

The total number of initial registration requests denied.

Data Source

PDSN16000

Source Section

MIPFA1

Source Field

%denied-initial%

denied_pdsn_admin

The total number of registration requests for which a FA reply code of 41H (Registration Denied- administratively prohibited) was sent.

Data Source

PDSN16000

Source Section

MIPFA1

Source Field

%denied-pdsn-admin%

denied_pdsn_badreply

The total number of registration requests for which a FA reply code of 47H (Registration Denied - poorly formed reply) was sent.

Data Source

PDSN16000

Source Section

MIPFA1

Source Field

%denied-pdsn-badreply%

denied_pdsn_badreq

The total number of registration requests for which a FA reply code of 46H (Registration Denied- administratively prohibited) was sent.

Data Source

PDSN16000

Source Section

MIPFA1

Source Field

%denied-pdsn-badreq%

denied_pdsn_dereg

The total number of requests for de-registration that were denied by the PDSN/FA. Reasons for a PDSN/FA denial are described later in this table.

Data Source

PDSN16000

Source Section

MIPFA1

Source Field

%denied-pdsn-dereg%

denied_pdsn_encapunavail

The total number of registration requests for which a PDSN reply code of 48H (Registration Denied - requested encapsulation unavailable) was sent.

Data Source

PDSN16000

Source Section

MIPFA2

Source Field

%denied-pdsn-encapunavail%

denied_pdsn_haauth

The total number of registration requests for which a FA reply code of 44H (Registration Denied - home agent authentication failure) was sent.

Data Source

PDSN16000

Source Section

MIPFA1

Source Field

%denied-pdsn-haauth%

denied_pdsn_hahostunreach

The total number of registration requests for which a FA reply code of 51H (Registration Denied - home agent host unreachable (ICMP error received)) was sent.

Data Source

PDSN16000

Source Section

MIPFA1

Source Field

%denied-pdsn-hahostunreach%

denied_pdsn_hanetunreach

The total number of registration requests for which a FA reply code of 50H (Registration Denied - home network unreachable (ICMP error received)) was sent.

Data Source

PDSN16000

Source Section

MIPFA1

Source Field

%denied-pdsn-hanetunreach%

denied_pdsn_haportunreach

The total number of registration requests for which a FA reply code of 52H (Registration Denied - home agent port unreachable (ICMP error received)) was sent.

Data Source

PDSN16000

Source Section

MIPFA2

Source Field

%denied-pdsn-haportunreach%

denied_pdsn_haunreach

The total number of registration requests for which a FA reply code of 58H (Registration Denied - home agent unreachable (other ICMP error received)) was sent.

Data Source

PDSN16000

Source Section

MIPFA2

Source Field

%denied-pdsn-haunreach%

denied_pdsn_initial

The total number of initial registration requests that were denied by the PDSN/FA. Reasons for a PDSN/FA denial are described later in this table.

Data Source

PDSN16000

Source Section

MIPFA1

Source Field

%denied-pdsn-initial%

denied_pdsn_invcoa

The total number of registration requests for which a FA reply code of 4DH (Registration Denied - invalid care-of address) was sent.

Data Source

PDSN16000

Source Section

MIPFA2

Source Field

%denied-pdsn-invcoa%

denied_pdsn_lifetoolong

The total number of registration requests for which a FA reply code of 45H (Registration Denied - requested lifetime too long) was sent.

Data Source

PDSN16000

Source Section

MIPFA1

Source Field

%denied-pdsn-lifetoolong%

denied_pdsn_misschallenge

The total number of registration requests for which a FA reply code of 69H (Registration Denied - missing challenge) was sent.

Data Source

PDSN16000

Source Section

MIPFA1

Source Field

%denied-pdsn-misschallenge%

denied_pdsn_misshomeaddr

The total number of registration requests for which a FA reply code of 60H (Registration Denied - missing home address) was sent.

Data Source

PDSN16000

Source Section

MIPFA1

Source Field

%denied-pdsn-misshomeaddr%

denied_pdsn_misshomeagent

The total number of registration requests for which a FA reply code of 62H (Registration Denied - missing home agent) was sent.

Data Source

PDSN16000

Source Section

MIPFA1

Source Field

%denied-pdsn-misshomeagent%

denied_pdsn_missnai

The total number of registration requests for which a FA reply code of 61H (Registration Denied - missing NAI) was sent.

Data Source

PDSN16000

Source Section

MIPFA1

Source Field

%denied-pdsn-missnai%

denied_pdsn_mnauth

The total number of registration requests for which a FA reply code of 43H (Registration Denied - mobile node failed authentication) was sent.

Data Source

PDSN16000

Source Section

MIPFA1

Source Field

%denied-pdsn-mnauth%

denied_pdsn_mntoodistant

The total number of registration requests for which a FA reply code of 4CH (Registration Denied - reverse tunneling mobile node too distant) was sent.

Data Source

PDSN16000

Source Section

MIPFA1

Source Field

%denied-pdsn-mntoodistant%

denied_pdsn_renewal

The total number of renewal registration requests denied by the PDSN/FA. Reasons for a PDSN/FA denial are described later in this table.

Data Source

PDSN16000

Source Section

MIPFA1

Source Field

%denied-pdsn-renewal%

denied_pdsn_resource

The total number of registration requests for which a FA reply code of 42H (Registration Denied - insufficient resources) was sent.

Data Source

PDSN16000

Source Section

MIPFA1

Source Field

%denied-pdsn-resource%

denied_pdsn_revtunmand

The total number of registration requests for which a PDSN reply code of 4BH (Registration Denied - reverse tunnel is mandatory and Tbit not set) was sent.

Data Source

PDSN16000

Source Section

MIPFA2

Source Field

%denied-pdsn-revtunmand%

denied_pdsn_revtununavail

The total number of registration requests for which a PDSN reply code of 4AH (Registration Denied - requested reverse tunnel unavailable) was sent.

Data Source

PDSN16000

Source Section

MIPFA2

Source Field

%denied-pdsn-revtununavail%

denied_pdsn_stalechallenge

The total number of registration requests for which a FA reply code of 6AH (Registration Denied - stale challenge) was sent.

Data Source

PDSN16000

Source Section

MIPFA1

Source Field

%denied-pdsn-stalechallenge%

denied_pdsn_styleunavail

The total number of registration requests for which a FA reply code of 4FH (Registration Denied - reverse tunneling delivery style unavailable) was sent.

Data Source

PDSN16000

Source Section

MIPFA1

Source Field

%denied-pdsn-styleunavail%

denied_pdsn_timeout

The total number of registration requests for which a FA reply code of 4EH (Registration Denied - registration timeout) was sent.

Data Source

PDSN16000

Source Section

MIPFA1

Source Field

%denied-pdsn-timeout%

denied_pdsn_total

The total number of registration requests that have been denied by the Packet Data Service Node/Foreign Agent (PDSNFA). Reasons for a PDSN/FA denial are described later in this table.

Data Source

PDSN16000

Source Section

MIPFA1

Source Field

%denied-pdsn-total%

denied_pdsn_unkchallenge

The total number of registration requests for which a FA reply code of 68H (Registration Denied - unknown challenge) was sent.

Data Source

PDSN16000

Source Section

MIPFA1

Source Field

%denied-pdsn-unkchallenge%

denied_pdsn_unspec

The total number of registration requests for which an FA reply code of 40H (Registration Denied - reason unspecified) was sent.

Data Source

PDSN16000

Source Section

MIPFA1

Source Field

%denied-pdsn-unspec%

denied_renewal

The total number of renewal registration requests denied.

Data Source

PDSN16000

Source Section

MIPFA1

Source Field

%denied-renewal%

denied_total

The total number of registration requests denied.

Data Source

PDSN16000

Source Section

MIPFA1

Source Field

%denied-total%

disc_admin

The total number of sessions that were disconnected due to an administrative clearing of calls (i.e. executing the clear subscribercommand).

Data Source

PDSN16000

Source Section

MIPFA1

Source Field

%disc-admin%

disc_dereg

The total number of sessions that were disconnected due to de-registrations.

Data Source

PDSN16000

Source Section

MIPFA1

Source Field

%disc-dereg%

disc_expiry

The total number of sessions that were disconnected due to the expiration of their lifetime setting.

Data Source

PDSN16000

Source Section

MIPFA1

Source Field

%disc-expiry%

discard_dereg

The total number of requests for de-registration discarded.

Data Source

PDSN16000

Source Section

MIPFA1

Source Field

%discard-dereg%

discard_initial

The total number of initial registration requests discarded.

Data Source

PDSN16000

Source Section

MIPFA1

Source Field

%discard-initial%

discard_renewal

The total number of renewal discarded. registration requests

Data Source

PDSN16000

Source Section

MIPFA1

Source Field

%discard-renewal%

discard_total

The total number of registration requests that were discarded.

Data Source

PDSN16000

Source Section

MIPFA1

Source Field

%discard-total%

recv_dereg

The total number of requests for de-registration received.

Data Source

PDSN16000

Source Section

MIPFA1

Source Field

%recv-dereg%

recv_initial

The total number of initial registration requests received.

Data Source

PDSN16000

Source Section

MIPFA1

Source Field

%recv-initial%

recv_renewal

The total received. number of renewal

Data Source

PDSN16000

Source Section

MIPFA1

Source Field

%recv-renewal%

recv_total

The total number of registration requests received.

Data Source

PDSN16000

Source Section

MIPFA1

Source Field

%recv-total%

relayed_dereg

The total number of requests for de-registration relayed.

Data Source

PDSN16000

Source Section

MIPFA1

Source Field

%relayed-dereg%

relayed_initial

The total number of initial registration requests relayed.

Data Source

PDSN16000

Source Section

MIPFA1

Source Field

%relayed-initial%

relayed_renewal

The total number of renewal registration requests relayed.

Data Source

PDSN16000

Source Section

MIPFA1

Source Field

%relayed-renewal%

relayed_total

The total number of registration requests that have been relayed.

Data Source

PDSN16000

Source Section

MIPFA1

Source Field

%relayed-total%

replyrcv_dereg

The total number of replies for de-registration received.

Data Source

PDSN16000

Source Section

MIPFA2

Source Field

%replyrcv-dereg%

replyrcv_deregreelayed

The total number of replies for de-registration relayed.

Data Source

PDSN16000

Source Section

MIPFA2

Source Field

%replyrcv-deregreelayed%

replyrcv_errors

The total number of registration replies that contained errors.

Data Source

PDSN16000

Source Section

MIPFA2

Source Field

%replyrcv-errors%

replyrcv_initial

The total number of initial registration replies received.

Data Source

PDSN16000

Source Section

MIPFA2

Source Field

%replyrcv-initial%

replyrcv_initialrelayed

The total number of initial registration replies relayed.

Data Source

PDSN16000

Source Section

MIPFA2

Source Field

%replyrcv-initialrelayed%

replyrcv_renewal

The total number of renewal registration replies received.

Data Source

PDSN16000

Source Section

MIPFA2

Source Field

%replyrcv-renewal%

replyrcv_renewalrelayed

The total number of renewal registration replies relayed.

Data Source

PDSN16000

Source Section

MIPFA2

Source Field

%replyrcv-renewalrelayed%

replyrcv_total

The total number of registration replies received. This total includes initial, renewal and de-registration registration replies.

Data Source

PDSN16000

Source Section

MIPFA2

Source Field

%replyrcv-total%

replyrcv_totalrelayed

The total number of registration replies relayed. This total includes initial, renewal and de-registration registration replies.

Data Source

PDSN16000

Source Section

MIPFA2

Source Field

%replyrcv-totalrelayed%

repliesent_acceptdereg

The total number of successful de-registration replies sent.

Data Source

PDSN16000

Source Section

MIPFA2

Source Field

%repliesent-acceptdereg%

repliesent_acceptreg

The total number of successful registration replies sent.

Data Source

PDSN16000

Source Section

MIPFA2

Source Field

%repliesent-acceptreg%

repliesent_adminprohib

The total number of denied registration replies that were sent with a reply code of 41H (Registration Denied - administratively prohibited).

Data Source

PDSN16000

Source Section

MIPFA2

Source Field

%repliesent-adminprohib%

repliesent_badreply

The total number of denied registration replies sent with an FA reply code of 47H (Registration Denied - poorly formed reply).

Data Source

PDSN16000

Source Section

MIPFA2

Source Field

%repliesent-badreply%

repliesent_badreq

The total number of denied registration replies that were sent with a reply code of 46H (Registration Denied - poorly formed reply).

Data Source

PDSN16000

Source Section

MIPFA2

Source Field

%repliesent-badreq%

repliesent_haauthfail

The total number of denied registration replies that were sent with a reply code of 44H (Registration Denied - home agent failed authentication).

Data Source

PDSN16000

Source Section

MIPFA2

Source Field

%repliesent-haauthfail%

repliesent_hahostunreach

The total number of registration requests sent with an FA reply code of 51H (Registration Denied - home agent host unreachable (ICMP error received)).

Data Source

PDSN16000

Source Section

MIPFA2

Source Field

%repliesent-hahostunreach%

repliesent_hanetunreach

The total number of registration requests sent with an FA reply code of 50H (Registration Denied - home network unreachable (ICMP error received)).

Data Source

PDSN16000

Source Section

MIPFA2

Source Field

%repliesent-hanetunreach%

repliesent_haportunreach

The total number of registration requests sent with an FA reply code of 52H (Registration Denied - home agent port unreachable (ICMP error received)).

Data Source

PDSN16000

Source Section

MIPFA2

Source Field

%repliesent-haportunreach%

repliesent_haunreach

The total number of registration requests sent with an FA reply code of 58H (Registration Denied - home agent unreachable (other ICMP error received)).

Data Source

PDSN16000

Source Section

MIPFA2

Source Field

%repliesent-haunreach%

replysent_invcoa

The total number of denied registration replies sent with a reply code of 4DH (Registration Denied - invalid care-of address).

Data Source

PDSN16000

Source Section

MIPFA2

Source Field

%replysent-invcoa%

replysent_lifetoolong

The total number of denied registration replies that were sent with a reply code of 45H (Registration Denied - requested lifetime too long).

Data Source

PDSN16000

Source Section

MIPFA2

Source Field

%replysent-lifetoolong%

replysent_misschallenge

The total number of denied registration replies sent with a reply code of 69H (Registration Denied - missing challenge).

Data Source

PDSN16000

Source Section

MIPFA2

Source Field

%replysent-misschallenge%

repliesent_misshomeaddr

The total number of denied registration replies sent with a reply code of 60H (Registration Denied - missing home address).

Data Source

PDSN16000

Source Section

MIPFA2

Source Field

%repliesent-misshomeaddr%

repliesent_misshomeagent

The total number of denied registration replies sent with a reply code of 62H (Registration Denied - missing home agent).

Data Source

PDSN16000

Source Section

MIPFA2

Source Field

%repliesent-misshomeagent%

repliesent_missnai

The total number of denied registration replies sent with a reply code of 61H (Registration Denied - missing NAI).

Data Source

PDSN16000

Source Section

MIPFA2

Source Field

%repliesent-missnai%

repliesent_mnauthfail

The total number of denied registration replies that were sent with a reply code of 43H (Registration Denied - mobile node failed authentication).

Data Source

PDSN16000

Source Section

MIPFA2

Source Field

%repliesent-mnauthfail%

repliesent_mntoodistant

The total number of denied registration replies sent with a reply code of 4CH (Registration Denied - reverse tunneling mobile node too distant).

Data Source

PDSN16000

Source Section

MIPFA2

Source Field

%repliesent-mntoodistant%

repliesent_noresources

The total number of denied registration replies that were sent with a reply code of 42H (Registration Denied - insufficient resources).

Data Source

PDSN16000

Source Section

MIPFA2

Source Field

%repliesent-noresources%

repliesent_regtimeout

The total number of denied registration replies sent with a reply code of 4EH (Registration Denied - registration timeout).

Data Source

PDSN16000

Source Section

MIPFA2

Source Field

%repliesent-regtimeout%

repliesent_revtunmand

The total number of denied registration replies that were sent with a reply code of 4BH (Registration Denied - reverse tunneling mandatory).

Data Source

PDSN16000

Source Section

MIPFA2

Source Field

%repliesent-revtunmand%

repliesent_revtununavail

The total number of denied registration replies that were sent with a reply code of 4AH (Registration Denied - reverse tunneling unavailable).

Data Source

PDSN16000

Source Section

MIPFA2

Source Field

%repliesent-revtununavail%

replysent_senderrors

The total replies. number of errors that occurred while sending

Data Source

PDSN16000

Source Section

MIPFA2

Source Field

%replysent-senderrors%

replysent_stalechallenge

The total number of denied registration replies sent with a reply code of 6AH (Registration Denied - challenge).

Data Source

PDSN16000

Source Section

MIPFA2

Source Field

%replysent-stalechallenge%

replysent_total

The total number of registration replies sent.

Data Source

PDSN16000

Source Section

MIPFA2

Source Field

%replysent-total%

repliesent_unkchallenge

The total number of denied registration replies sent with a reply code of 68H (Registration Denied - unknown challenge).

Data Source

PDSN16000

Source Section

MIPFA2

Source Field

%repliesent-unkchallenge%

reqsent_dereg

The total sent. number of FA de-registration requests that were

Data Source

PDSN16000

Source Section

MIPFA2

Source Field

%reqsent-dereg%

reqsent_dereg_noresend

The total number of FA de-registration requests that were not re-sent.

Data Source

PDSN16000

Source Section

MIPFA2

Source Field

%reqsent-dereg-noresend%

reqsent_dereg_resend

The total re-sent. number of FA de-registration requests that were

Data Source

PDSN16000

Source Section

MIPFA2

Source Field

%reqsent-dereg-resend%

reqsent_initial

The total number of initial FA registration requests sent.

Data Source

PDSN16000

Source Section

MIPFA2

Source Field

%reqsent-initial%

reqsent_initial_noresend

The total number of initial FA registration requests that were not re-sent.

Data Source

PDSN16000

Source Section

MIPFA2

Source Field

%reqsent-initial-noresend%

reqsent_initial_resend

The total number of initial FA registration requests re-sent.

Data Source

PDSN16000

Source Section

MIPFA2

Source Field

%reqsent-initial-resend%

reqsent_renew

The total number of FA registration renewal requests that were sent.

Data Source

PDSN16000

Source Section

MIPFA2

Source Field

%reqsent-renew%

reqsent_renew_noresend

The total number of FA registration renewal requests that were not re-sent.

Data Source

PDSN16000

Source Section

MIPFA2

Source Field

%reqsent-renew-noresend%

reqsent_renew_resend

The total number of FA registration renewal requests that were re-sent.

Data Source

PDSN16000

Source Section

MIPFA2

Source Field

%reqsent-renew-resend%

vpnid

The identification number of the context configured on the system that is currently facilitating the FA service. This is an internal reference number.

Data Source

PDSN16000

Source Section

MIPFA1

Source Field

%vpnid%

FunctionalProc Primitive Calculations

The following is a list of primitive calculations for the FunctionalProc entity.

NUMDAYS

of days in Report

Calculation

DAYSINREPORT ()

NUMHOURS

of hours in Summation Data

Calculation

GWC Primitive Calculations

The following is a list of primitive calculations for the GWC entity.

GetTerminalAttSuccGWC

Number of successful attempts to get DPT terminal from node

Calculation

$(DPTGTAT - DPTGTFL - DPTGTFLO)$

GRAPHmultiLineSeparator

Special Control Field for Multi-Line Graphs

Calculation

""

NUMDAYS

of days in Report

Calculation

$DAYSINREPORT()$

NUMHOURS

of hours in Summation Data

Calculation

pGetTerminalAttSuccGWC

Percentage of successful attempts to get a DPT Terminal from node

Calculation

$vsum(DPTGTAT, -1 * DPTGTFL, -1 * DPTGTFLO, 0) * 100.0 / DPTGTAT$

GWC Peg Counts

The following is a list of peg counts for the GWC entity.

AVGCPOCC

Average call processing occupancy (AVGCPOCC)

Data Source

SDM

Source Field

AVGCPOCC

Source Section

XPMOCC

AVGLPOCC

Average low occupancy processing (AVGLPOCC)

Data Source

SDM

Source Field

AVGLPOCC

Source Section

XPMOCC

CPUCP100

CPU call processing 100 (CPUCP100)

Data Source

SDM

Source Field

CPUCP100

Source Section

XPMOCC

CPUCP30

CPU call processing 30 (CPUCP30)

Data Source

SDM

Source Field

CPUCP30

Source Section

XPMOCC

CPUCP40

CPU call processing 40 (CPUCP40)

Data Source

SDM

Source Field

CPUCP40

Source Section

XPMOCC

CPUCP50

CPU call processing 50 (CPUCP50)

Data Source

SDM

Source Field

CPUCP50

Source Section

XPMOCC

CPUCP60

CPU call processing 60 (CPUCP60)

Data Source

SDM

Source Field

CPUCP60

Source Section

XPMOCC

CPUCP70

CPU call processing 70 (CPUCP70)

Data Source

SDM

Source Field

CPUCP70

Source Section

XPMOCC

CPUCP80

CPU call processing 80 (CPUCP80)

Data Source

SDM

Source Field

CPUCP80

Source Section

XPMOCC

CPUCP85

CPU call processing 85 (CPUCP85)

Data Source

SDM

Source Field

CPUCP85

Source Section

XPMOCC

CPUCP90

CPU call processing 90 (CPUCP90)

Data Source

SDM

Source Field

CPUCP90

Source Section

XPMOCC

CPUCP95

CPU call processing 95 (CPUCP95)

Data Source

SDM

Source Field

CPUCP95

Source Section

XPMOCC

CPUTOTL

CPU total (CPUTOTL)

Data Source

SDM

Source Field

CPUTOTL

Source Section

XPMOCC

DELAYQOS

Sum of the DELAYQOS threshold crossing data per GWC

Data Source

SDM

Source Field

DELAYQOS

Source Section

GWCTRKOM

DPTGTAT

Number of requests to get a terminal

Data Source

MTX OM, SDM

Source Field

DPTGTAT + 65536 * DPTGTAT2

Source Section

DPTNODE

DPTGTFL

Number of failed attempts to get a non-optimized terminal

Data Source

MTX OM, SDM

Source Field

DPTGTFL

Source Section

DPTNODE

DPTGTFLO

Number of terminals that are call processing busy and call processing deloading

Data Source

MTX OM, SDM

Source Field

DPTGTFLO

Source Section

DPTNODE

DPTHWT

Terminal usage high watermark

Data Source

MTX OM, SDM

Source Field

DPTHWT

Source Section

DPTNODE

DPTUSAG

Number of failed attempts to get an optimized DPT terminal

Data Source

MTX OM, SDM

Source Field

$DPTUSAG + 65536 * DPTUSAG2$

Source Section

DPTNODE

GWCSHED1

Number of calls shed by the GWC on behalf of an overloaded core.

Data Source

SDM

Source Field

$GWCSHED1 + 65536 * GWCSHED2$

Source Section

ISUPSOC

JITTER

Sum of the number of times that the jitter threshold has been exceeded per GWC

Data Source

SDM

Source Field

JITTER

Source Section

GWCTRKOM

MSGDSCRD

Total number of received messages that were discarded

Data Source

SDM

Source Field

MSGDSCRD + 65536 * MSGDSCR2

Source Section

GWCDVCON

MSGRECV

Total number of messages received to GWC

Data Source

SDM

Source Field

MSGRECV + 65536 * MSGRECV2

Source Section

GWCDVCON

MSGSENT

Total number of messages sent from GWC

Data Source

SDM

Source Field

MSGSENT + 65536 * MSGSENT2

Source Section

GWCDVCON

MSGUKNGW

Total number of messages received from unknown GWs

Data Source

SDM

Source Field

MSGUKNGW + 65536 * MSGUKGW2

Source Section

GWCDVCON

NUMRPTS

Number reports (NUMRPTS)

Data Source

SDM

Source Field

NUMRPTS

Source Section

XPMOCC

PARSEERR

Total number of received messages that encountered parser errors

Data Source

SDM

Source Field

PARSEERR + 65536 * PARSERR2

Source Section

GWCDVCON

PKTLOSS

Sum of total packet loss per GWC

Data Source

SDM

Source Field

PKTLOSS

Source Section

GWCTRKOM

PMORIGS

Total call origination attempts (PMORIGS). (New OM group XPMOCC2 provides extension registers to existing OM group XPMOCC)

Data Source

MTX OM, SDM

Source Field

nullvalue(vsum(XPMOCC2.PMORIGS1, 65536 * XPMOCC2.PMORIGS2),
XPMOCC.PMORIGS)

Source Section

XPMOCC2

PMSGIPC

Number of messages lost as a result of interprocess communication (IPC) buffer congestion.
(New OM group XPMOVL2 provides extension registers to existing OM group XPMOVL)

Data Source

SDM

Source Field

nullvalue(vsum(XPMOVLD2.PMSGIPC1, 65536 * XPMOVLD2.PMSGIPC2),
XPMOVLD.PMSGIPC)

Source Section

XPMOVLD2

PMTERMS

PM terminations (PMTERMS). (New OM group XPMOCC2 provides extension registers to existing OM group XPMOCC)

Data Source

MTX OM, SDM

Source Field

nullvalue(vsum(XPMOCC2.PMTERMS1, 65536 * XPMOCC2.PMTERMS2),
XPMOCC.PMTERMS)

Source Section

XPMOCC2

PORGDLY

Number of originations delayed. (New OM group XPMOVLD2 provides extension registers to existing OM group XPMOVLD)

Data Source

SDM

Source Field

nullvalue(vsum(XPMOVLD2.PORGDLY1, 65536 * XPMOVLD2.PORGDLY2),
XPMOVLD.PORGDLY)

Source Section

XPMOVLD2

PORGIPC

Number of originations lost as a result of interprocess communication (IPC) buffer congestion. (New OM group XPMOVLD2 provides extension registers to existing OM group XPMOVLD)

Data Source

SDM

Source Field

nullvalue(vsum(XPMOVLD2.PORGIPC1, 65536 * XPMOVLD2.PORGIPC2),
XPMOVLD.PORGIPC)

Source Section

XPMOVLD2

PORGLCM

Number of originations lost as a result of line concentrating module overload. (New OM group XPMOVLD2 provides extension registers to existing OM group XPMOVLD)

Data Source

SDM

Source Field

nullvalue(vsum(XPMOVLD2.PORGLCM1, 65536 * XPMOVLD2.PORGLCM2),
XPMOVLD.PORGLCM)

Source Section

XPMOVLD2

PORGMISC

Number of originations lost for miscellaneous reasons. (New OM group XPMOVLD2 provides extension registers to existing OM group XPMOVLD)

Data Source

SDM

Source Field

nullvalue(vsum(XPMOVLD2.PORMISC1, 65536 * XPMOVLD2.PORMISC2),
XPMOVLD.PORGMISC)

Source Section

XPMOVLD2

PORGMSG

Number of originations lost because too many messages are present in the flow control system. (New OM group XPMOVL2 provides extension registers to existing OM group XPMOVL)

Data Source

SDM

Source Field

nullvalue(vsum(XPMOVL2.PORGMSG1, 65536 * XPMOVL2.PORGMSG2),
XPMOVL.PORGMSG)

Source Section

XPMOVL2

PORGPTQ

Number of originations lost because of the limit on the number of messages allowed per terminal in the flow control system. (New OM group XPMOVL2 provides extension registers to existing OM group XPMOVL)

Data Source

SDM

Source Field

nullvalue(vsum(XPMOVL2.PORGPTQ1, 65536 * XPMOVL2.PORGPTQ2),
XPMOVL.PORGPTQ)

Source Section

XPMOVL2

PORGSLC

Number of originations lost as a result of site line load control. (New OM group XPMOVL2 provides extension registers to existing OM group XPMOVL)

Data Source

SDM

Source Field

nullvalue(vsum(XPMOVL2.PORGSLC1, 65536 * XPMOVL2.PORGSLC2),
XPMOVL.PORGSLC)

Source Section

XPMOVLD2

PTRMDLY

Number of terminations delayed. (New OM group XPMOVLD2 provides extension registers to existing OM group XPMOVLD)

Data Source

SDM

Source Field

nullvalue(vsum(XPMOVLD2.PTRMDLY1, 65536 * XPMOVLD2.PTRMDLY2),
XPMOVLD.PTRMDLY)

Source Section

XPMOVLD2

PTRMMISC

Number of terminations for miscellaneous reasons. (New OM group XPMOVLD2 provides extension registers to existing OM group XPMOVLD)

Data Source

SDM

Source Field

nullvalue(vsum(XPMOVLD2.PTRMMISC1, 65536 * XPMOVLD2.PTRMMISC2),
XPMOVLD.PTRMMISC)

Source Section

XPMOVLD2

PTRMMSG

Number of terminations lost because too many messages are present in the flow control system. (New OM group XPMOVLD2 provides extension registers to existing OM group XPMOVLD)

Data Source

SDM

Source Field

nullvalue(vsum(XPMOVLD2.PTRMMSG1, 65536 * XPMOVLD2.PTRMMSG2),
XPMOVLD.PTRMMSG)

Source Section

XPMOVLD2

PTRMPTQ

Number of terminations lost because of the limit on the number of messages allowed per terminal in the flow control system. (New OM group XPMOVLD2 provides extension registers to existing OM group XPMOVLD)

Data Source

SDM

Source Field

nullvalue(vsum(XPMOVLD2.PTRMPTQ1, 65536 * XPMOVLD2.PTRMPTQ2),
XPMOVLD.PTRMPTQ)

Source Section

XPMOVLD2

RETRANS

Total number of protocol message retransmissions

Data Source

SDM

Source Field

RETRANS + 65536 * RETRANS2

Source Section

GWCDVCON

SAFNACKS

Service affecting negative acknowledgements received from GWC

Data Source

SDM

Source Field

SAFNACKS

Source Section

GWCDVCON

SNONACKS

Non Service Affecting negative acknowledgements received from GWC

Data Source

SDM

Source Field

SNONACKS

Source Section

GWCDVCON

SOCOVFL1

Number of times the SOC LIFO queue overflow occurred.

Data Source

SDM

Source Field

SOCOVFL1 + 65536 * SOCOVFL2

Source Section

ISUPSOC

USRABDN1

Number of calls abandoned by the user, because of delayed/no dial tone.

Data Source

SDM

Source Field

USRABDN1 + 65536 * USRABDN2

Source Section

ISUPSOC

VORGOFRD

Counts the number of incoming voice origination messages at ISUP-GWC.

Data Source

SDM

Source Field

VORGOFRD

Source Section

GWCMOVLD

VORGSLED

Counts the number of incoming voice origination messages shed at ISUP-GWC due to CM System Overload Control (SOC).

Data Source

SDM

Source Field

VORGSLED

Source Section

GWCMOVLD

VTRMOFRD

Counts the number of page messages for voice call came at ISUP-GWC.

Data Source

SDM

Source Field

VTRMOFRD

Source Section

GWCMOVLD

VTRMSHED

Counts the number of incoming page messages for voice call shed at ISUP-GWC due to CM System Overload Control (SOC).

Data Source

SDM

Source Field

VTRMSHED

Source Section

GWCMOVLD

HA_Service Primitive Calculations

The following is a list of primitive calculations for the HA_Service entity.

GRAPHmultiLineSeparator

Special Control Field for Multi-Line Graphs

Calculation

""

NUMDAYS

of days in Report

Calculation

DAYSINREPORT ()

NUMHOURS

of hours in Summation Data

Calculation

HA_Service Peg Counts

The following is a list of peg counts for the HA_Service entity.

accept_dereg

The total number of requests for de-registration accepted.

Data Source

PDSN16000

Source Section

MIPHA

Source Field

%accept-dereg%

accept_ho

The total number of handoff registration requests accepted.

Data Source

PDSN16000

Source Section

MIPHA

Source Field

%accept-ho%

accept_reg

The total number of initial registration requests accepted.

Data Source

PDSN16000

Source Section

MIPHA

Source Field

%accept-reg%

accept_renew

The total number of renewal registration requests accepted.

Data Source

PDSN16000

Source Section

MIPHA

Source Field

%accept-renew%

accept_total

The total number of registration requests accepted.

Data Source

PDSN16000

Source Section

MIPHA

Source Field

%accept-total%

admindrop

The total number of sessions that were disconnected due to an administrative clearing of calls (i.e. executing the clear subscribercommand).

Data Source

PDSN16000

Source Section

MIPHA

Source Field

%admindrop%

denied_dereg

The total number of requests for de-registration denied.

Data Source

PDSN16000

Source Section

MIPHA

Source Field

%denied-dereg%

denied_ho

The total number of handoff registration requests denied.

Data Source

PDSN16000

Source Section

MIPHA

Source Field

%denied-ho%

denied_initial

The total number of initial registration requests denied.

Data Source

PDSN16000

Source Section

MIPHA

Source Field

%denied-initial%

denied_renew

The total number of renewal registration requests denied.

Data Source

PDSN16000

Source Section

MIPHA

Source Field

%denied-renew%

denied_total

The total number of registration requests that were denied.

Data Source

PDSN16000

Source Section

MIPHA

Source Field

%denied-total%

dereg

The total number of sessions that were disconnected due to de-registrations.

Data Source

PDSN16000

Source Section

MIPHA

Source Field

%dereg%

discard_total

The total number of registration requests that were discarded.

Data Source

PDSN16000

Source Section

MIPHA

Source Field

%discard-total%

disconnects

The total number of sessions that were disconnected.

Data Source

PDSN16000

Source Section

MIPHA

Source Field

%disconnects%

expiry

The total number of sessions that were disconnected due to the expiration of their lifetime setting.

Data Source

PDSN16000

Source Section

MIPHA

Source Field

%expiry%

farevocation

The total number of FA revocations that occurred.

Data Source

PDSN16000

Source Section

MIPHA

Source Field

%farevocation%

num_sessions

The current total number of Mobile IP HA sessions.

Data Source

PDSN16000

Source Section

MIPHA

Source Field

%num-sessions%

recv_dereg

The total number of requests for de-registration received.

Data Source

PDSN16000

Source Section

MIPHA

Source Field

%recv-dereg%

recv_ho

The total number of handoff requests received

Data Source

PDSN16000

Source Section

MIPHA

Source Field

%recv-ho%

recv_initial

The total number of initial registration requests received.

Data Source

PDSN16000

Source Section

MIPHA

Source Field

%recv-initial%

recv_renew

The total number of renewal registration requests received.

Data Source

PDSN16000

Source Section

MIPHA

Source Field

%recv-renew%

recv_total

The total number of registration requests received.

Data Source

PDSN16000

Source Section

MIPHA

Source Field

%recv-total%

reply_acceptdereg

The total number of successful de-registration replies sent.

Data Source

PDSN16000

Source Section

MIPHA

Source Field

%reply-acceptdereg%

reply_acceptreg

The total number of successful registration replies sent.

Data Source

PDSN16000

Source Section

MIPHA

Source Field

%reply-acceptreg%

reply_adminprohib

The total number of denied registration replies that were sent with a reply code of 81H (Registration Denied - administratively prohibited).

Data Source

PDSN16000

Source Section

MIPHA

Source Field

%reply-adminprohib%

reply_badreq

The total number of denied registration replies that were sent with a reply code of 86H (Registration Denied - poorly formed request).

Data Source

PDSN16000

Source Section

MIPHA

Source Field

%reply-badreq%

reply_denied

The total number of denied registration replies sent.

Data Source

PDSN16000

Source Section

MIPHA

Source Field

%reply-denied%

reply_encapunavail

The total number of denied registration replies that were sent with a reply code of 8BH (Registration Denied - reverse tunneling encapsulation style unavailable).

Data Source

PDSN16000

Source Section

MIPHA

Source Field

%reply-encapunavail%

reply_error

The total number of reply errors that occurred.

Data Source

PDSN16000

Source Section

MIPHA

Source Field

%reply-error%

reply_faauthfail

The total number of denied registration replies that were sent with a reply code of 84H (Registration Denied - home agent failed authentication).

Data Source

PDSN16000

Source Section

MIPHA

Source Field

%reply-faauthfail%

reply_mismatchid

The total number of denied registration replies that were sent with a reply code of 85H (Registration Denied - registration identification mismatch).

Data Source

PDSN16000

Source Section

MIPHA

Source Field

%reply-mismatchid%

reply_mnauthfail

The total number of denied registration replies that were sent with a reply code of 83H (Registration Denied - mobile node failed authentication).

Data Source

PDSN16000

Source Section

MIPHA

Source Field

%reply-mnauthfail%

reply_noresource

The total number of denied registration replies that were sent with a reply code of 82H (Registration Denied - insufficient resources).

Data Source

PDSN16000

Source Section

MIPHA

Source Field

%reply-noresource%

reply_revtunmand

The total number of denied registration replies that were sent with a reply code of 8AH (Registration Denied - reverse tunneling mandatory).

Data Source

PDSN16000

Source Section

MIPHA

Source Field

%reply-revtunmand%

reply_revtununavail

The total number of denied registration replies that were sent with a reply code of 89H (Registration Denied - reverse tunneling unavailable).

Data Source

PDSN16000

Source Section

MIPHA

Source Field

%reply-revtununavail%

reply_senderror

The total number of errors that occurred while sending replies.

Data Source

PDSN16000

Source Section

MIPHA

Source Field

%reply-senderror%

reply_simulbind

The total number of denied registration replies that were sent with a reply code of 87H (Registration Denied - too many simultaneous mobility bindings).

Data Source

PDSN16000

Source Section

MIPHA

Source Field

%reply-simulbind%

reply_total

The total number of registration replies sent.

Data Source

PDSN16000

Source Section

MIPHA

Source Field

%reply-total%

reply_unknownha

The total number of denied registration replies that were sent with a reply code of 88H (Registration Denied - unknown home agent address).

Data Source

PDSN16000

Source Section

MIPHA

Source Field

%reply-unknownha%

reply_unspecerr

The total number of denied registration replies that were sent with a reply code of 80H (Registration Denied - reason unspecified).

Data Source

PDSN16000

Source Section

MIPHA

Source Field

%reply-unspecerr%

vpnid

The identification number of the context configured on the system that is currently facilitating the HA service. This is an internal reference number.

Data Source

PDSN16000

Source Section

MIPHA

Source Field

%vpnid%

HIOP Primitive Calculations

The following is a list of primitive calculations for the HIOP entity.

GRAPHmultiLineSeparator

Special Control Field for Multi-Line Graphs

Calculation

""

NUMDAYS

of days in Report

Calculation

DAYSINREPORT ()

NUMHOURS

of hours in Summation Data

Calculation

HIOP Peg Counts

The following is a list of peg counts for the HIOP entity.

IO_SERVICE_TYPE

IO Service type, taken from 2nd part of key/info field.

Data Source

SDM

Source Field

Key field

Source Section

IOCAP

IOHWM

This OM refers to the highest level that the corresponding utilization has reached in the sample period.

Data Source

SDM

Source Field

IOHWM

Source Section

IOCAP

IOTHRESH

This OM is pegged every time the service average utilization for one minute exceeds the value of the new OFCENG office parameter IO_WARNING_THRESHOLD.

Data Source

SDM

Source Field

IOTHRESH

Source Section

IOCAP

IOUTIL

This OM refers to percentage utilization of the services on the switch.

Data Source

SDM

Source Field

IOUTIL

Source Section

IOCAP

RXMSGPS

This OM reports the average receive message rates through the service.

Data Source

SDM

Source Field

RXMSGPS

Source Section

IOCAP

RXSIZE

This OM reports the average receive message sizes through the service.

Data Source

SDM

Source Field

RXSIZE

Source Section

IOCAP

TXMSGPS

This OM reports the average transmit message rates through the service.

Data Source

SDM

Source Field

TXMSGPS

Source Section

IOCAP

TXSIZE

This OM reports the average transmit message sizes through the service.

Data Source

SDM

Source Field

TXSIZE

Source Section

IOCAP

HoSector Primitive Calculations

The following is a list of primitive calculations for the HoSector entity.

GRAPHmultiLineSeparator

Special Control Field for Multi-Line Graphs

Calculation

""

NUMDAYS

of days in Report

Calculation

DAYSINREPORT ()

NUMHOURS

of hours in Summation Data

Calculation

HoSector Peg Counts

The following is a list of peg counts for the HoSector entity.

HOACNT

Pegs when the cell reports that it is serving a mobile that should be handed off

Data Source

MTX OM, SDM

Source Field

HOACNTxx

Source Section

HODACNTR

HOCCNT

Pegs when the mobile is handed off to the nth cell in the HOCELLS vector

Data Source

MTX OM, SDM

Source Field

HOCCNTxx

Source Section

HODCCNTR

HONHTL

Pegs when the normalized RSSI is greater than PCPTL of the target, but not better than the relative criteria. Also, the normalized RSSI is greater than the HOTL of the target.

Data Source

SDM

Source Field

HONHTLxx

Source Section

HOLOHOTL

HONPCP

Handoff completions that occur to a lower RSSI, when the RSSI in the target is above the PCPTL of the target cell and not above the HOTL of the target cell.

Data Source

SDM

Source Field

HONPCPxx

Source Section

HOLPCPTL

MACSUM

Pegs when the RSSI value of a mobile is accepted by the corresponding cell specified

Data Source

MTX OM, SDM

Source Field

MACSUMxx

Source Section

MASUMCAN

MASSUM

Pegs when the RSSI value of a mobile is accepted by the corresponding cell specified

Data Source

MTX OM, SDM

Source Field

MASSUMxx

Source Section

MASUMSRV

MHOCAN

Pegs when a candidate cell is reported by the base station to have passed MAHO prescreening as a possible handoff target cell

Data Source

MTX OM, SDM

Source Field

MHOCANxx

Source Section

MAHOCAND

MHOCMP

Pegs when a candidate cell is reported by the base station as the handoff target cell

Data Source

MTX OM, SDM

Source Field

MHOCMPxx

Source Section

MAHOCMPT

NBHOAT

Number of normal burst handoffs attempted from a particular serving cell to an adjacent cell.

Data Source

SDM

Source Field

NBHOATxx

Source Section

NBHOATTS

NBHOCP

Number of completed normal burst handoffs to a particular adjacent cell from a particular serving cell.

Data Source

SDM

Source Field

NBHOCPxx

Source Section

NBHOCOMP

RSICAN

Received signal strength indication target subcell sum

Data Source

MTX OM, SDM

Source Field

RSICANxx

Source Section

SMRSICAN

RSISRV

Received signal strength indication serving subcell sum

Data Source

MTX OM, SDM

Source Field

RSISRVxx

Source Section

SMRSISRV

ICP Primitive Calculations

The following is a list of primitive calculations for the ICP entity.

GRAPHmultiLineSeparator

Special Control Field for Multi-Line Graphs

Calculation

""

NUMDAYS

of days in Report

Calculation

DAYSINREPORT ()

NUMHOURS

of hours in Summation Data

Calculation

ICP Peg Counts

The following is a list of peg counts for the ICP entity.

CSLK0TRG

Pegs when the C-side link resource transitions to level 0 overload condition

Data Source

MTX OM

Source Field

CSLK0TRG

Source Section

ICPOVLD

CSLK1TRG

Pegs when the C-side link resource transitions to level 1 overload condition

Data Source

MTX OM

Source Field

CSLK1TRG

Source Section

ICPOVLD

CSLK2TRG

Pegs when the C-side link resource transitions to level 2 overload condition

Data Source

MTX OM

Source Field

CSLK2TRG

Source Section

ICPOVLD

CSLK3TRG

Pegs when the C-side link resource transitions to level 3 overload condition

Data Source

MTX OM

Source Field

CSLK3TRG

Source Section

ICPOVLD

EISP0TRG

Pegs when the EISP transitions to level 0 overload condition

Data Source

MTX OM

Source Field

EISP0TRG

Source Section

ICPOVLD

EISP1TRG

Pegs when the EISP transitions to level 1 overload condition

Data Source

MTX OM

Source Field

EISP1TRG

Source Section

ICPOVLD

EISP2TRG

Pegs when the EISP transitions to level 2 overload condition

Data Source

MTX OM

Source Field

EISP2TRG

Source Section

ICPOVLD

EISP3TRG

Pegs when the EISP transitions to level 3 overload condition

Data Source

MTX OM

Source Field

EISP3TRG

Source Section

ICPOVLD

IPBF0TRG

Num in this register shows the Num of times the ISP buffer resource transitioned

Data Source

MTX OM

Source Field

IPBF0TRG

Source Section

ICPOVLD

IPBF1TRG

Num in this register shows the Num of times the ISP buffer resource transitioned

Data Source

MTX OM

Source Field

IPBF1TRG

Source Section

ICPOVLD

IPBF2TRG

Num in this register shows the Num of times the ISP buffer resource transitioned

Data Source

MTX OM

Source Field

IPBF2TRG

Source Section

ICPOVLD

IPBF3TRG

Num in this register shows the Num of times the ISP buffer resource transitioned

Data Source

MTX OM

Source Field

IPBF3TRG

Source Section

ICPOVLD

LBUF0TRG

Pegs when the ICP long-buffer resource transitions to level 1 overload condition

Data Source

MTX OM

Source Field

LBUF0TRG

Source Section

ICPOVLD

LBUF1TRG

Pegs when the ICP long-buffer resource transitions to level 1 overload condition

Data Source

MTX OM

Source Field

LBUF1TRG

Source Section

ICPOVLD

LBUF2TRG

Pegs when the ICP long-buffer resource enters a level 2 overload condition

Data Source

MTX OM

Source Field

LBUF2TRG

Source Section

ICPOVLD

LBUF3TRG

Pegs when the ICP long-buffer resource enters a level 3 overload condition

Data Source

MTX OM

Source Field

LBUF3TRG

Source Section

ICPOVLD

OVDIRHO

Pegs when a locate request msg due to directed handoff is discarded during an overload condition

Data Source

MTX OM

Source Field

OVDIRHO

Source Section

ICPOVLD2

OVHOV

Pegs when a handover event is discarded during an overload condition

Data Source

MTX OM

Source Field

OVHOV

Source Section

ICPOVLD2

OVINZONE

Pegs when a zone Pg in zone page request is discarded during an overload condition

Data Source

MTX OM

Source Field

OVINZONE

Source Section

ICPOVLD2

OVLCREQS

Pegs when a locate request msg is discarded during an overload condition

Data Source

MTX OM

Source Field

OVLCREQS

Source Section

ICPOVLD2

OVLCRESP

Pegs when a locate response msg is discarded during an overload condition

Data Source

MTX OM

Source Field

OVLCRESP

Source Section

ICPOVLD2

OVMWI

Pegs when a msg waiting request msg is discarded during an overload condition

Data Source

MTX OM

Source Field

OVMWI

Source Section

ICPOVLD2

OVORIG

Pegs when an origination msg is discarded during an overload condition

Data Source

MTX OM

Source Field

OVORIG

Source Section

ICPOVLD2

OVOUTZON

Pegs when a zone Pg system page request is discarded during an overload condition

Data Source

MTX OM

Source Field

OVOUTZON

Source Section

ICPOVLD2

OVPGREQS

Pegs when a page request msg is discarded during an overload condition

Data Source

MTX OM

Source Field

OVPGRESQ

Source Section

ICPOVLD2

OVPGRES

Pegs when a page response msg is discarded during an overload condition

Data Source

MTX OM

Source Field

OVPGRES

Source Section

ICPOVLD2

OVRDYN

Pegs when a ready new cell msg is discarded during an overload condition

Data Source

MTX OM

Source Field

OVRDYNC

Source Section

ICPOVLD2

OVREPAGE

Pegs when a repage msg is discarded during an overload condition

Data Source

MTX OM

Source Field

OVREPAGE

Source Section

ICPOVLD2

OVSM136

Pegs when an IS 136 SMS page request is discarded during an overload condition

Data Source

MTX OM

Source Field

OVSM136

Source Section

ICPOVLD2

OVSM136R

DCCH SMS RACH page response sent from the TRU to the ICP that is discarded

Data Source

MTX OM

Source Field

OVSM136R

Source Section

ICPOVLD2

OVSM91

Pegs when an IS 91 SMS page request is discarded during an overload condition

Data Source

MTX OM

Source Field

OVSM91

Source Section

ICPOVLD2

OVSMDCCH

DCCH SMS forward data delivery msg sent from the CM to the ICP that is discarded

Data Source

MTX OM

Source Field

OVSMDCCH

Source Section

ICPOVLD2

OVSMDCCR

DCCH SMS R-data resp sent from the TRU to the ICP is discarded due to oveload condition

Data Source

MTX OM

Source Field

OVSMDCCR

Source Section

ICPOVLD2

OVSMDCPG

Pegs when an IS 136 SMS data call page is discarded due to an overload condition

Data Source

MTX OM

Source Field

OVSMDCPG

Source Section

ICPOVLD2

OVSMDTCH

Pegs when a DTCH in call/data call data delivery msg sent from the CM to the ICP

Data Source

MTX OM

Source Field

OVSMDTCH

Source Section

ICPOVLD2

OVSMDTCR

Pegs when a DTCH in call/data call R-data response sent from the TRU to the ICP

Data Source

MTX OM

Source Field

OVSMDTCR

Source Section

ICPOVLD2

OVSMORDD

SMS data delivery origination response is discarded due to overload condition

Data Source

MTX OM

Source Field

OVSMORDD

Source Section

ICPOVLD2

OVSMORRD

RACH/DTCH R-data SMS origination is discarded during an overload condition

Data Source

MTX OM

Source Field

OVSMORRD

Source Section

ICPOVLD2

OVSSDUPD

Pegs when a Ctl channel SSD update is discarded during an overload condition

Data Source

MTX OM

Source Field

OVSSDUPD

Source Section

ICPOVLD2

OVSVPRT

Pegs when a locate request msg to a serving partition is discarded during an overload Condition

Data Source

MTX OM

Source Field

OVSVPRT

Source Section

ICPOVLD2

OVUNIQCH

Pegs when a Ctl channel unique challenge is discarded during an overload condition

Data Source

MTX OM

Source Field

OVUNIQCH

Source Section

ICPOVLD2

PROC0TRG

Pegs when the main processor transitions to level 0 overload condition

Data Source

MTX OM

Source Field

PROC0TRG

Source Section

ICPOVLD

PROC1TRG

Pegs when the main processor transitions to level 1 overload condition

Data Source

MTX OM

Source Field

PROC1TRG

Source Section

ICPOVLD

PROC2TRG

Pegs when the main processor transitions to level 2 overload condition

Data Source

MTX OM

Source Field

PROC2TRG

Source Section

ICPOVLD

PROC3TRG

Pegs when the main processor transitions to level 3 overload condition

Data Source

MTX OM

Source Field

PROC3TRG

Source Section

ICPOVLD

SBUF0TRG

Pegs when the ICP short buffer resource transitions to level 0 overload condition

Data Source

MTX OM

Source Field

SBUF0TRG

Source Section

ICPOVLD

SBUF1TRG

Pegs when the ICP short buffer resource transitions to level 1 overload condition

Data Source

MTX OM

Source Field

SBUF1TRG

Source Section

ICPOVLD

SBUF2TRG

Pegs when the ICP short buffer resource transitions to level 2 overload condition

Data Source

MTX OM

Source Field

SBUF2TRG

Source Section

ICPOVLD

SBUF3TRG

Pegs when the ICP short buffer resource transitions to level 3 overload condition

Data Source

MTX OM

Source Field

SBUF3TRG

Source Section

ICPOVLD

IS41 Primitive Calculations

The following is a list of primitive calculations for the IS41 entity.

ACUSUCC

AC unique challenge successes

Calculation

(ACUCSUCC)

CFPRIVIC

Pegs when the HLR receives a ConnectionFailureReport INVOKE message from the MSC.

Calculation

(CFRPIVIC)

CFPRIVOG

Pegs when the MSC sends a ConnectionFailureReport INVOKE message to the SCP.

Calculation

(CFRPIVOG)

GRAPHmultiLineSeparator

Special Control Field for Multi-Line Graphs

Calculation

""

NUMDAYS

of days in Report

Calculation

DAYSINREPORT ()

NUMHOURS

of hours in Summation Data

Calculation

IS41 Peg Counts

The following is a list of peg counts for the IS41 entity.

ACAKEYCM

AC OTASPREQ request for A-key commit

Data Source

MTX OM, SDM

Source Field

ACAKEYCM

Source Section

AUTHCTR2

ACAKEYFA

AC OTASPREQ A-key commit failure

Data Source

MTX OM, SDM

Source Field

ACAKEYFA

Source Section

AUTHCTR2

ACAKEYGE

AC OTASPREQ request for A-key generation

Data Source

MTX OM, SDM

Source Field

ACAKEYGE

Source Section

AUTHCTR2

ACAUTHRM

AC authentication failure, AUTHR mismatch

Data Source

MTX OM, SDM

Source Field

ACAUTHRM

Source Section

AUTHCTR

ACAUTHRQ

authentication center (AC) authentication requests

Data Source

MTX OM, SDM

Source Field

ACAUTHRQ

Source Section

AUTHCTR

ACAUTHSC

AC authentication successes

Data Source

MTX OM, SDM

Source Field

ACAUTHSC

Source Section

AUTHCTR

ACDENY

AC denied access

Data Source

MTX OM, SDM

Source Field

ACDENY

Source Section

AUTHCTR

ACFLSHRQ

AC authentication request for a flash

Data Source

MTX OM, SDM

Source Field

ACFLSHRQ

Source Section

AUTHCTR

ACMAPRM

MSC authentication failure, missing authentication parameters

Data Source

MTX OM, SDM

Source Field

ACMAPRM

Source Section

AUTHCTR

ACMARMM

MSC authentication failure, AUTHR mismatch

Data Source

MTX OM, SDM

Source Field

ACMARMM

Source Section

AUTHCTR

ACMOFAIL

MSC authentication failure, other

Data Source

MTX OM, SDM

Source Field

ACMOFAIL

Source Section

AUTHCTR

ACMRCMM

MSC authentication failure, RANDC mismatch

Data Source

MTX OM, SDM

Source Field

ACMRCMM

Source Section

AUTHCTR

ACMUCFL

MSC unique challenge failures

Data Source

MTX OM, SDM

Source Field

ACMUCFL

Source Section

AUTHCTR

ACMUCNR

MSC unique challenge no response

Data Source

MTX OM, SDM

Source Field

ACMUCNR

Source Section

AUTHCTR

ACMUNBSC

MSC authentication failure, unsolicited base station challenge

Data Source

MTX OM, SDM

Source Field

ACMUNBSC

Source Section

AUTHCTR

ACNOAUTH

AC no authentication

Data Source

MTX OM, SDM

Source Field

ACNOAUTH

Source Section

AUTHCTR

ACOFAIL

AC authentication failure, other

Data Source

MTX OM, SDM

Source Field

ACOFAIL

Source Section

AUTHCTR

ACORIGRQ

AC authentication request for an origination

Data Source

MTX OM, SDM

Source Field

ACORIGRQ

Source Section

AUTHCTR

ACOTAOFA

AC OTASPREQ request failure, other

Data Source

MTX OM, SDM

Source Field

ACOTAOFA

Source Section

AUTHCTR2

ACOTAPEV

AC OTASPREQ request for public encryption value generation

Data Source

MTX OM, SDM

Source Field

ACOTAPEV

Source Section

AUTHCTR2

ACOTAREQ

AC OTASPREQ request

Data Source

MTX OM, SDM

Source Field

ACOTAREQ

Source Section

AUTHCTR2

ACOTASCC

AC OTASPREQ request successes

Data Source

MTX OM, SDM

Source Field

ACOTASCC

Source Section

AUTHCTR2

ACREAUTH

AC OTASPREQ request for re-authentication

Data Source

MTX OM, SDM

Source Field

ACREAUTH

Source Section

AUTHCTR2

ACREGRQ

AC authentication request for a registration

Data Source

MTX OM, SDM

Source Field

ACREGRQ

Source Section

AUTHCTR

ACREQUC

AC requested unique challenge

Data Source

MTX OM

Source Field

ACREQUC

Source Section

AVPNWKIC

ACRESREL

AC OTASPREQ request for resource release

Data Source

MTX OM, SDM

Source Field

ACRESREL

Source Section

AUTHCTR2

ACRGASIG

AC OTASPREQ Request for Generate Authentication SIGNature

Data Source

MTX OM, SDM

Source Field

ACRGASIG

Source Section

AUTHCTR2

ACSSDERR

AC SSD update error

Data Source

MTX OM, SDM

Source Field

ACSSDERR

Source Section

AUTHCTR

ACSSDUFL

AC SSD update failure

Data Source

MTX OM, SDM

Source Field

ACSSDUFL

Source Section

AUTHCTR

ACSSDUNA

AC SSD update not attempted

Data Source

MTX OM, SDM

Source Field

ACSSDUNA

Source Section

AUTHCTR

ACSSDUNC

AC SSD update note completed

Data Source

MTX OM, SDM

Source Field

ACSSDUNC

Source Section

AUTHCTR

ACSSDUPD

AC OTASPREQ request for SSD update

Data Source

MTX OM, SDM

Source Field

ACSSDUPD

Source Section

AUTHCTR2

ACSSDURQ

AC initiated SSD update request

Data Source

MTX OM, SDM

Source Field

ACSSDURQ

Source Section

AUTHCTR

ACSSDUSC

AC SSD update success

Data Source

MTX OM, SDM

Source Field

ACSSDUSC

Source Section

AUTHCTR

ACTERMRQ

AC authentication request for a termination

Data Source

MTX OM, SDM

Source Field

ACTERMRQ

Source Section

AUTHCTR

ACUCFAIL

ACU unique challenge failures

Data Source

MTX OM, SDM

Source Field

ACUCFAIL

Source Section

AUTHCTR

ACUCNA

AC unique challenge not attempted

Data Source

MTX OM, SDM

Source Field

ACUCNA

Source Section

AUTHCTR

ACUCNR

AC unique challenge no response

Data Source

MTX OM, SDM

Source Field

ACUCNR

Source Section

AUTHCTR

ACUCREQ

AC initiated unique challenges

Data Source

MTX OM, SDM

Source Field

ACUCREQ

Source Section

AUTHCTR

ACUCSUCC

AC unique challenge successes

Data Source

MTX OM, SDM

Source Field

ACUCSUCC

Source Section

AUTHCTR

ACUNSPRQ

AC authentication request for unspecified access

Data Source

MTX OM, SDM

Source Field

ACUNSPRQ

Source Section

AUTHCTR

ADIRIVIC

authentication directive invoke

Data Source

MTX OM

Source Field

ADIRIVIC + 65536 * ADIRIVI2

Source Section

AVPNWKIC

ADIRIVOG

Authentication directive invoke

Data Source

MTX OM, SDM

Source Field

ADIRIVOG + 65536 * ADIRIVO2

Source Section

AVPNWKOG

ADIRIVOG_ACN

Authentication directive invoke

Data Source

MTX OM, SDM

Source Field

ADIRIVOG + 65536 * ADIRIVO2

Source Section

ACNWK

ADIRRRIC

Authentication directive return result

Data Source

MTX OM

Source Field

ADIRRRIC + 65536 * ADIRRRI2

Source Section

AVPNWKIC

ADIRRRIC_ACN

Authentication directive return result

Data Source

MTX OM, SDM

Source Field

ADIRRRIC + 65536 * ADIRRR12

Source Section

ACNWK

ADIRRROG

Authentication directive return result

Data Source

MTX OM, SDM

Source Field

ADIRRROG + 65536 * ADIRRRO2

Source Section

AVPNWKOG

AFRIVIC

Authentication failure report invoke

Data Source

MTX OM

Source Field

AFRIVIC + 65536 * AFRIVIC2

Source Section

AVPNWKIC

AFRIVIC_ACN

Authentication failure report invoke

Data Source

MTX OM, SDM

Source Field

AFRIVIC + 65536 * AFRIVIC2

Source Section

ACNWK

AFRIVOG

Authentication failure report invoke

Data Source

MTX OM, SDM

Source Field

AFRIVOG

Source Section

AVPNWKOG

AFRRRIC

Authentication failure report return result

Data Source

MTX OM

Source Field

AFRRRIC + 65536 * AFRRRIC2

Source Section

AVPNWKIC

AFRRROG

Authentication failure report return result

Data Source

MTX OM, SDM

Source Field

AFRRROG

Source Section

AVPNWKOG

AFRRROG_ACN

Authentication failure report return result

Data Source

MTX OM, SDM

Source Field

AFRRROG + 65536 * AFRRROG2

Source Section

ACNWK

ANALYZIC

Pegs when an analyzed information return result message is received at the analyzed information detection point.

Data Source

MTX OM, SDM

Source Field

ANALYZIC + 65536 * NWKICX.ANALYZI2

Source Section

NWKIC3

ANALYZOOG

ANALYZOOG

Data Source

MTX OM, SDM

Source Field

ANLYZOOG + 65536 * ANLYZOO2

Source Section

TDPOG1

ANLYZDIC

AnlyzdInfoOrig Incoming Messages

Data Source

MTX OM, SDM

Source Field

ANLYZDIC + 65536 * ANLYZDI2

Source Section

TDPIC1

ANLYZDOG

Pegs when an analyzed information invoke message is sent upon trigger detection at the analyzed information detection point.

Data Source

MTX OM, SDM

Source Field

ANALYZOG + 65536 * NWKOGX.ANALYZO2

Source Section

NWKOG3

ANLYZDOG_TDPOG1

AnlyzdInfoOrig Outgoing Messages

Data Source

MTX OM, SDM

Source Field

ANLYZDOG + 65536 * ANLYZDO2

Source Section

TDPOG1

ANLYZOIC

Analyzed Information Term Return Result Messages

Data Source

MTX OM, SDM

Source Field

ANLYZOIC + 65536 * ANLYZOI2

Source Section

TDPIC1

ARQSSDUP

AC requested SSD update

Data Source

MTX OM

Source Field

ARQSSDUP

Source Section

AVPNWKIC

ASRIVIC

Authentication status report invoke

Data Source

MTX OM

Source Field

ASRIVIC + 65536 * ASRIVIC2

Source Section

AVPNWKIC

ASRIVIC_ACN

Authentication status report invoke

Data Source

MTX OM, SDM

Source Field

ASRIVIC + 65536 * ASRIVIC2

Source Section

ACNWK

ASRIVOG

Authentication status report invoke

Data Source

MTX OM, SDM

Source Field

ASRIVOG

Source Section

AVPNWKOG

ASRRRIC

Authentication status report return result

Data Source

MTX OM

Source Field

ASRRRIC + 65536 * ASRRRIC2

Source Section

AVPNWKIC

ASRRROG

Authentication status report return result

Data Source

MTX OM, SDM

Source Field

ASRRROG

Source Section

AVPNWKOG

ASRRROG_ACN

Authentication status report return result

Data Source

MTX OM, SDM

Source Field

ASRRROG + 65536 * ASRRROG2

Source Section

ACNWK

AUTHIVIC

Authentication request invoke

Data Source

MTX OM

Source Field

AUTHIVIC + 65536 * AUTHIVI2

Source Section

AVPNWKIC

AUTHIVICAC_ACN

Authentication request invoke

Data Source

MTX OM, SDM

Source Field

AUTHIVIC + 65536 * AUTHIVI2

Source Section

ACNWK

AUTHIVOG

Authentication request invoke

Data Source

MTX OM, SDM

Source Field

AUTHIVOG + 65536 * AUTHIVO2

Source Section

AVPNWKOG

AUTHRRIC

Authentication request return result

Data Source

MTX OM

Source Field

AUTHRRIC + 65536 * AUTHRRI2

Source Section

AVPNWKIC

AUTHRROG

Authentication request return result

Data Source

MTX OM, SDM

Source Field

AUTHRROG + 65536 * AUTHRRO2

Source Section

AVPNWKOG

AUTHRROG_ACN

Authentication request return result

Data Source

MTX OM, SDM

Source Field

AUTHRROG + 65536 * AUTHRRO2

Source Section

ACNWK

BLKREQIC

block request incoming

Data Source

MTX OM, SDM

Source Field

BLKREQIC + 65536 * BLKREQI2

Source Section

NWKOAMIC

BLKREQOG

block request outgoing

Data Source

MTX OM, SDM

Source Field

BLKREQOG + 65536 * BLKREQO2

Source Section

NWKOAMOG

BLKRESIC

block response incoming

Data Source

MTX OM, SDM

Source Field

BLKRESIC + 65536 * BLKRESI2

Source Section

NWKOAMIC

BLKRESOG

block response outgoing

Data Source

MTX OM, SDM

Source Field

BLKRESOG + 65536 * BLKRESO2

Source Section

NWKOAMOG

BLLREQIC

Pegs when a valid billing request invoke message is received

Data Source

MTX OM, SDM

Source Field

BLLREQIC

Source Section

MTXNWKIC

BLREQROG

Pegs when a valid billing request return result message is sent

Data Source

MTX OM, SDM

Source Field

BLREQROG

Source Section

MTXNWKOG

BSCHIVIC

Base station challenge invoke

Data Source

MTX OM

Source Field

BSCHIVIC + 65536 * BSCHIVI2

Source Section

AVPNWKIC

BSCHIVIC_ACN

Base station challenge invoke

Data Source

MTX OM, SDM

Source Field

BSCHIVIC + 65536 * BSCHIVI2

Source Section

ACNWK

BSCHIVOG

Base station challenge request invoke

Data Source

MTX OM, SDM

Source Field

BSCHIVOG + 65536 * BSCHIVO2

Source Section

AVPNWKOG

BSCHRRIC

Base station challenge request return result

Data Source

MTX OM

Source Field

BSCHRRIC + 65536 * BSCHRR12

Source Section

AVPNWKIC

BSCHRROG

Base station challenge request return result

Data Source

MTX OM, SDM

Source Field

BSCHRROG + 65536 * BSCHRRO2

Source Section

AVPNWKOG

BSCHRROG_ACN

Base station challenge return result

Data Source

MTX OM, SDM

Source Field

BSCHRROG + 65536 * BSCHRRO2

Source Section

ACNWK

CCDRIVIC

Pegs when a CCDIR invoke is received.

Data Source

MTX OM, SDM

Source Field

CCDRIVIC

Source Section

NWKIC3

CCDRRROG

Pegs when a ccdir return result is sent.

Data Source

MTX OM, SDM

Source Field

CCDRRROG

Source Section

NWKOG3

CFRPVIC

Pegs when the HLR receives a ConnectionFailureReport INVOKE message from the MSC.

Data Source

MTX OM, SDM

Source Field

CFRPVIC

Source Section

NWKIC3

CFRPVOG

Pegs when the MSC sends a ConnectionFailureReport INVOKE message to the SCP.

Data Source

MTX OM, SDM

Source Field

CFRPIVOG

Source Section

NWKOG3

CNAPIVOG

CNAPIVOG

Data Source

MTX OM, SDM

Source Field

CNAPIVOG

Source Section

NWKOG3

CNAPRRIC

Incoming Servreq with CNAP

Data Source

MTX OM, SDM

Source Field

CNAPRRIC

Source Section

NWKIC3

CNTRIVIC

Count request invoke

Data Source

MTX OM

Source Field

CNTRIVIC

Source Section

AVPNWKIC

CNTRIVOG

Count request invoke

Data Source

MTX OM, SDM

Source Field

CNTRIVOG

Source Section

AVPNWKOG

CNTRIVOG_ACN

Count request invoke

Data Source

MTX OM, SDM

Source Field

CNTRIVOG + 65536 * CNTRIVO2

Source Section

ACNWK

CNTRRRIC

Count request return result

Data Source

MTX OM

Source Field

CNTRRRIC

Source Section

AVPNWKIC

CNTRRRIC_ACN

Count request return result

Data Source

MTX OM, SDM

Source Field

CNTRRRIC + 65536 * CNTRRRI2

Source Section

ACNWK

CNTRRROG

Count request return result

Data Source

MTX OM, SDM

Source Field

CNTRRROG

Source Section

AVPNWKOG

COLLCTIC

Collected Info Incoming Messages

Data Source

MTX OM, SDM

Source Field

COLLCTIC

Source Section

TDPIC1

COLLCTOG

Collected Info Outgoing Messages

Data Source

MTX OM, SDM

Source Field

COLLCTOG

Source Section

TDPOG1

CRESIVIC

Pegs when the MSC receives a ConnectResource INVOKE message from the SCP.

Data Source

MTX OM, SDM

Source Field

CRESIVIC

Source Section

NWKIC3

CRESIVOG

Pegs when the HLR forwards a ConnectResource INVOKE message to the MSC.

Data Source

MTX OM, SDM

Source Field

CRESIVOG

Source Section

NWKOG3

CSSIIVIC

Pegs when a valid CSS inactive request invoke message is received

Data Source

MTX OM, SDM

Source Field

CSSIIVIC + 65536 * NWKICX.CSSIIV12

Source Section

NWKIC2

CSSIIVOG

Pegs when a valid cellular subscriber station (CSS) inactive request invoke message is sent

Data Source

MTX OM, SDM

Source Field

CSSIIVOG + 65536 * NWKOGX.CSSIIVO2

Source Section

NWKOG2

CSSIRRIC

Pegs when a valid CSS inactive return result message is received

Data Source

MTX OM, SDM

Source Field

CSSIRRIC + 65536 * NWKICX.CSSIRRI2

Source Section

NWKIC2

CSSIRROG

Pegs when a valid CSS inactive return result message is sent

Data Source

MTX OM, SDM

Source Field

CSSIRROG + 65536 * NWKOGX.CSSIRRO2

Source Section

NWKOG2

CTRIVOG

CTRIVOG

Data Source

MTX OM, SDM

Source Field

CTRIVOG

Source Section

NWKOG3

CTRRRIC

CALLTERMREP Return Result Incoming

Data Source

MTX OM, SDM

Source Field

CTRRRIC

Source Section

NWKIC3

DENACCIC

Deny access due to indication in incoming Authentication message

Data Source

MTX OM

Source Field

DENACCIC

Source Section

AVPNWKIC

DENACCOG

Deny access indication included in outgoing authentication message

Data Source

MTX OM, SDM

Source Field

DENACCOG

Source Section

AVPNWKOG

DH512AKY

Pegged on an MSC Server 2000 platform for each Diffie-Hellman A-Key Generation request from an Authentication Center using 512-bit modulus, 160-bit primitive, and 160-bit exponents.

Data Source

MTX OM, SDM

Source Field

DH512AKY

Source Section

AUTHCTR2

DH512PRM

Pegged on an MSC Server 2000 platform for each Diffie-Hellman Parameter Request from an Authentication Center of 512-bit modulus, 160-bit primitive, 160-bit exponents and 512-bit base station key.

Data Source

MTX OM, SDM

Source Field

DH512PRM

Source Section

AUTHCTR2

DH768AKY

Pegged on an MSC Server 2000 platform for each Diffie-Hellman A-Key Generation request from an Authentication Center using 768-bit modulus, 160-bit primitive, and 160-bit exponents.

Data Source

MTX OM, SDM

Source Field

DH768AKY

Source Section

AUTHCTR2

DH768PRM

Pegged on an MSC Server 2000 platform for each Diffie-Hellman Parameter Request from an Authentication Center of 768-bit modulus, 160-bit primitive, 160-bit exponents and 768-bit base station key.

Data Source

MTX OM, SDM

Source Field

DH768PRM

Source Section

AUTHCTR2

DRESIVIC

Pegs when the MSC receives a DisconnectResource INVOKE message from the SCP.

Data Source

MTX OM, SDM

Source Field

DRESIVIC

Source Section

NWKIC3

DRESIVOG

Pegs when the HLR forwards a DisconnectResource INVOKE message to the MSC.

Data Source

MTX OM, SDM

Source Field

DRESIVOG

Source Section

NWKOG3

DRPRESIC

This OM register is used to measure the number of incoming dropserv RETURN RESULT messages.

Data Source

MTX OM, SDM

Source Field

DRPRESIC

Source Section

NWKIC3

DRPRESOG

Pegged for a 1X packet data call when DROPSERV message is received by the MTX and dropserv RETURN RESULT is sent to the other MSC.

Data Source

MTX OM, SDM

Source Field

DRPRESOG

Source Section

NWKOG2

DRPSRVIC

This OM register is used to measure the number of incoming DROP SERVICE Invoke messages.

Data Source

MTX OM, SDM

Source Field

DRPSRVIC

Source Section

NWKIC3

DRPSRVOG

Peg when target system sends Drop Service Message with option "session over clear backward" or anchor system sends a notification to the target with option "Anchor Msc was removed.."

Data Source

MTX OM, SDM

Source Field

DRPSRVOG

Source Section

NWKOG2

FAVAILIC

Favail Incoming Messages

Data Source

MTX OM, SDM

Source Field

FAVAILIC + 65536 * FAVAILI2

Source Section

TDPIC1

FAVAILOG

Favail Outgoing Messages

Data Source

MTX OM, SDM

Source Field

FAVAILOG + 65536 * FAVAILO2

Source Section

TDPOG1

FLSHIVIC

Pegs when a valid flash request invoke message is received

Data Source

MTX OM, SDM

Source Field

FLSHIVIC

Source Section

MTXNWKIC

FLSHIVOG

Pegs when a valid flash request invoke message is sent

Data Source

MTX OM, SDM

Source Field

FLSHIVOG

Source Section

MTXNWKOG

FLSHRRIC

FLSHRRIC

Data Source

MTX OM, SDM

Source Field

FLSHRRIC

Source Section

NWKIC2

FLSHRROG

FLSHRROG

Data Source

MTX OM, SDM

Source Field

FLSHRROG

Source Section

NWKOG2

FTRREQIC

FTRREQIC

Data Source

MTX OM, SDM

Source Field

FTRREQIC

Source Section

MTXNWKIC

FTRREQOG

FTRREQOG

Data Source

MTX OM, SDM

Source Field

FTRREQOG

Source Section

MTXNWKOG

FTRRESIC

FTRRESIC

Data Source

MTX OM, SDM

Source Field

FTRRESIC

Source Section

MTXNWKIC

FTRRESOG

FTRRESOG

Data Source

MTX OM, SDM

Source Field

FTRRESOG

Source Section

MTXNWKOG

GETLOCIC

ServiceRequest RETURN RESULT Messages

Data Source

MTX OM, SDM

Source Field

GETLOCIC

Source Section

TDPIC1

GETLOCOG

ServiceRequest RETURN RESULT Messages

Data Source

MTX OM, SDM

Source Field

GETLOCOG + 65536 * GETLOCO2

Source Section

TDPOG1

HOTTIVIC

Pegs when a HandOff To Third request is received

Data Source

MTX OM, SDM

Source Field

HOTTIVIC

Source Section

NWKIC2

HOTTRROG

Pegs when a HandOff To Third request is sent

Data Source

MTX OM, SDM

Source Field

HOTTRROG

Source Section

NWKOG2

IANSIVIC

Pegs when a valid ISANSWER invoke is received by the MTX

Data Source

MTX OM, SDM

Source Field

IANSIVIC

Source Section

NWKIC2

IANSIVOG

Pegs when a valid ISANSWER invoke is sent by the MTX switch

Data Source

MTX OM, SDM

Source Field

IANSIVOG

Source Section

NWKOG2

IANSRRIC

Pegs when a valid IANSRRIC return result is received by the MTX

Data Source

MTX OM, SDM

Source Field

IANSRRIC

Source Section

NWKIC2

IANSRROG

Pegs when a valid ISANSWER return result is sent by the MTX

Data Source

MTX OM, SDM

Source Field

IANSRROG

Source Section

NWKOG2

IFWDIVIC

Pegs when the DMS-MTX switch receives a valid Information forwards invoke

Data Source

MTX OM, SDM

Source Field

IFWDIVIC

Source Section

NWKIC2

IFWDIVOG

Pegs when the DMS-MTX switch sends a valid Information forward invoke

Data Source

MTX OM, SDM

Source Field

IFWDIVOG

Source Section

NWKOG2

IFWDRRIC

Pegs when the DMS-MTX switch receives a valid Information forward return result

Data Source

MTX OM, SDM

Source Field

IFWDRRIC

Source Section

NWKIC2

IFWDRROG

Pegs when the DMS-MTX switch sends a valid Information forward return result

Data Source

MTX OM, SDM

Source Field

IFWDRROG

Source Section

NWKOG2

IHATTSIC

number of intersystem handoff attempts directed to a target MSC

Data Source

MTX OM, SDM

Source Field

IHATTSIC

Source Section

MTXNWKIC

IHATTSOG

when a valid facilities directive (FACDIR) message is sent to the target MSC

Data Source

MTX OM, SDM

Source Field

IHATTSOG

Source Section

MTXNWKOG

IHCOMPIC

number of successful incoming intersystem handoff completions on the target MSC

Data Source

MTX OM, SDM

Source Field

IHCOMPIC

Source Section

MTXNWKIC

IHCOMPOG

after a valid mobile on channel message has been received and the handoff is successful

Data Source

MTX OM, SDM

Source Field

IHCOMPOG

Source Section

MTXNWKOG

IHFAILIC

miscellaneous intersystem handoff errors that are not pegged by IHTRKFIC or IHSATFIC

Data Source

MTX OM, SDM

Source Field

IHFAILIC

Source Section

MTXNWKIC

IHFAILLOG

miscellaneous intersystem handoff error not pegged by IHTRKFOG and IHSATFOG

Data Source

MTX OM, SDM

Source Field

IHFAILLOG

Source Section

MTXNWKOG

IHFTRAIC

an incoming vertical feature intersystem handoff attempt is received by an MSC

Data Source

MTX OM, SDM

Source Field

IHFTRAIC

Source Section

MTXNWKIC

IHFTRAOG

when an outgoing vertical feature intersystem handoff attempt is made by an MSC

Data Source

MTX OM, SDM

Source Field

IHFTRAOG

Source Section

MTXNWKOG

IHFTRCIC

an incoming vertical feature intersystem handoff completion is received by an MSC

Data Source

MTX OM, SDM

Source Field

IHFTRCIC

Source Section

MTXNWKIC

IHFTRCOG

Pegs when an outgoing vertical feature intersystem handoff is completed on an MSC

Data Source

MTX OM, SDM

Source Field

IHFTRCOG

Source Section

MTXNWKOG

IHSATFIC

when receive a valid FACREL message from the target MSC indicating mobile failure

Data Source

MTX OM, SDM

Source Field

IHSATFIC

Source Section

MTXNWKIC

IHSATFOG

Pegs on the target MSC when the subscriber unit fails to tune to the new VCH

Data Source

MTX OM, SDM

Source Field

IHSATFOG

Source Section

MTXNWKOG

IHTRKFIC

when a valid FACDIR message timeout occurs or a FACDIR return error message is received

Data Source

MTX OM, SDM

Source Field

IHTRKFIC

Source Section

MTXNWKIC

IHTRKFOG

when a FACDIR message is received and the intersystem trunk is unavailable

Data Source

MTX OM, SDM

Source Field

IHTRKFOG

Source Section

MTXNWKOG

IP2B1DAT

This register counts the number of CDMA Data First Page Attempts initiated by an ISPAGE2 message.

Data Source

MTX OM, SDM

Source Field

IP2B1DAT

Source Section

CDMABIPG

IP2B1DRL

This register counts the number of CDMA Data First Page Attempts abandoned as a result of receiving a RELEASE message from the serving MSC.

Data Source

MTX OM, SDM

Source Field

IP2B1DRL

Source Section

CDMABIPG

IP2B1DRS

This register counts the number of successful CDMA Data First Page Responses whose Page Request was initiated by an ISPAGE2 message.

Data Source

MTX OM, SDM

Source Field

IP2B1DRS

Source Section

CDMABIPG

IP2B1DTO

This register counts the number of CDMA Data Page Attempt time-outs resulting from an ISPAGE2 initiated voice page.

Data Source

MTX OM, SDM

Source Field

IP2B1DTO

Source Section

CDMABIPG

IP2B1SAT

Pegs when the first page attempt is made in the Border system for SMS.

Data Source

SDM

Source Field

IP2B1SAT + 65536 * IP2B1SA2

Source Section

SMSBIPG

IP2B1SFL

Pegs when the Border system encounters a paging problem during the 1st page attempt and send an ISPAGE2 Return Result message (for SMS) to the Anchor system indicating the paging failure reason.

Data Source

MTX OM, SDM

Source Field

IP2B1SFL

Source Section

SMSBIPG

IP2B1SRL

Pegs when the Border system cancels paging for the first attempt made in the Border system for SMS.

Data Source

MTX OM, SDM

Source Field

IP2B1SRL

Source Section

SMSBIPG

IP2B1SRS

Pegs when a page response is received for the first page attempt made in the Border system for SMS.

Data Source

SDM

Source Field

IP2B1SRS + 65536 * IP2B1SR2

Source Section

SMSBIPG

IP2B1STO

Pegs when the Border system times out waiting for the page response for the first page attempt made in the Border system for SMS.

Data Source

SDM

Source Field

IP2B1STO + 65536 * IP2B1ST2

Source Section

SMSBIPG

IP2B1VAT

This register counts the number of CDMA Voice First Page Attempts to an MS initiated by an ISPAGE2 message.

Data Source

MTX OM, SDM

Source Field

IP2B1VAT

Source Section

CDMABIPG

IP2B1VRL

This register counts the number of CDMA Voice First Page Attempts abandoned as a result of receiving a RELEASE message from the serving MSC.

Data Source

MTX OM, SDM

Source Field

IP2B1VRL

Source Section

CDMABIPG

IP2B1VRS

This register counts the number of successful CDMA Voice First Page Responses whose Page Request was initiated by an ISPAGE2 message.

Data Source

MTX OM, SDM

Source Field

IP2B1VRS

Source Section

CDMABIPG

IP2B1VTO

This register counts the number of CDMA Voice Page Attempt time-outs resulting from an ISPAGE2 initiated voice page.

Data Source

MTX OM, SDM

Source Field

IP2B1VTO

Source Section

CDMABIPG

IP2B2DAT

This register counts the number of CDMA Data Second Page Attempts initiated by an ISPAGE2 message.

Data Source

MTX OM, SDM

Source Field

IP2B2DAT

Source Section

CDMABIPG

IP2B2DRL

This register counts the number of CDMA Data Second Page Attempts abandoned as a result of receiving a RELEASE message from the serving MSC.

Data Source

MTX OM, SDM

Source Field

IP2B2DRL

Source Section

CDMABIPG

IP2B2DRS

This register counts the number of successful CDMA Data Second Page Responses whose Page Request was initiated by an ISPAGE2 message.

Data Source

MTX OM, SDM

Source Field

IP2B2DRS

Source Section

CDMABIPG

IP2B2DTO

This register counts the number of CDMA Data Page Attempt time-outs resulting from an ISPAGE2 initiated voice page.

Data Source

MTX OM, SDM

Source Field

IP2B2DTO

Source Section

CDMABIPG

IP2B2SAT

Pegs when the second page attempt is made in the Border system for SMS.

Data Source

SDM

Source Field

IP2B2SAT + 65536 * IP2B2SA2

Source Section

SMSBIPG

IP2B2SFL

Pegs when the Border system encounters a paging problem during the 1st page attempt and send an ISPAGE2 Return Result message (for SMS) to the Anchor system indicating the paging failure reason.

Data Source

MTX OM, SDM

Source Field

IP2B2SFL

Source Section

SMSBIPG

IP2B2SRL

Pegs when the Border system cancels paging for the second attempt made in the Border system for SMS.

Data Source

MTX OM, SDM

Source Field

IP2B2SRL

Source Section

SMSBIPG

IP2B2SRS

Pegs when a page response is received for the second page attempt made in the Border system for SMS.

Data Source

SDM

Source Field

IP2B2SRS + 65536 * IP2B2SR2

Source Section

SMSBIPG

IP2B2STO

Pegs when the Border system times out waiting for the page response for the second page attempt made in the Border system for SMS.

Data Source

SDM

Source Field

IP2B2STO + 65536 * IP2B2ST2

Source Section

SMSBIPG

IP2B2VAT

This register counts the number of CDMA Voice Second Page Attempts to an MS initiated by an ISPAGE2 message.

Data Source

MTX OM, SDM

Source Field

IP2B2VAT

Source Section

CDMABIPG

IP2B2VRL

This register counts the number of CDMA Voice Second Page Attempts abandoned as a result of receiving a RELEASE message from the serving MSC.

Data Source

MTX OM, SDM

Source Field

IP2B2VRL

Source Section

CDMABIPG

IP2B2VRS

This register counts the number of successful CDMA Voice Second Page Responses whose Page Request was initiated by an ISPAGE2 message.

Data Source

MTX OM, SDM

Source Field

IP2B2VRS

Source Section

CDMABIPG

IP2B2VTO

This register counts the number of CDMA Voice Page Attempt time-outs resulting from an ISPAGE2 initiated voice page.

Data Source

MTX OM, SDM

Source Field

IP2B2VTO

Source Section

CDMABIPG

IP2B3DAT

This register counts the number of CDMA Data Third Page Attempts initiated by an ISPAGE2 message.

Data Source

MTX OM, SDM

Source Field

IP2B3DAT

Source Section

CDMABIPG

IP2B3DRL

This register counts the number of CDMA Data Third Page Attempts abandoned as a result of receiving a RELEASE message from the serving MSC.

Data Source

MTX OM, SDM

Source Field

IP2B3DRL

Source Section

CDMABIPG

IP2B3DRS

This register counts the number of successful CDMA Data Third Page Responses whose Page Request was initiated by an ISPAGE2 message.

Data Source

MTX OM, SDM

Source Field

IP2B3DRS

Source Section

CDMABIPG

IP2B3DTO

This register counts the number of CDMA Data Page Attempt time-outs resulting from an ISPAGE2 initiated voice page.

Data Source

MTX OM, SDM

Source Field

IP2B3DTO

Source Section

CDMABIPG

IP2B3VAT

This register counts the number of CDMA Voice Third Page Attempts to an MS initiated by an ISPAGE2 message.

Data Source

MTX OM, SDM

Source Field

IP2B3VAT

Source Section

CDMABIPG

IP2B3VRL

This register counts the number of CDMA Voice Third Page Attempts abandoned as a result of receiving a RELEASE message from the serving MSC.

Data Source

MTX OM, SDM

Source Field

IP2B3VRL

Source Section

CDMABIPG

IP2B3VRS

This register counts the number of successful CDMA Voice Third Page Responses whose Page Request was initiated by an ISPAGE2 message.

Data Source

MTX OM, SDM

Source Field

IP2B3VRS

Source Section

CDMABIPG

IP2B3VTO

This register counts the number of CDMA Voice Page Attempt time-outs resulting from an ISPAGE2 initiated voice page.

Data Source

MTX OM, SDM

Source Field

IP2B3VTO

Source Section

CDMABIPG

IPG2IVIC

Pegs when a valid ISPAGE2 invoke is received by the MTX

Data Source

MTX OM, SDM

Source Field

IPG2IVIC

Source Section

NWKIC2

IPG2IVOG

Pegs when a valid ISPAGE2 invoke is sent by the MTX

Data Source

MTX OM, SDM

Source Field

IPG2IVOG

Source Section

NWKOG2

IPG2IVRT

Pegs when an ispage2 Return Result message is received in response to an ISPAGE2 messages sent on to a page retry

Data Source

MTX OM, SDM

Source Field

IPG2IVRT

Source Section

NWKOG2

IPG2RRBY

ISPAGE2 Response returns busy

Data Source

MTX OM, SDM

Source Field

IPG2RRBY

Source Section

NWKIC3

IPG2RRIC

Pegs when a valid ISPAGE2 return result is received by the MTX

Data Source

MTX OM, SDM

Source Field

IPG2RRIC

Source Section

NWKIC2

IPG2RROG

Pegs when a valid ISPAGE2 return result is sent by the MTX

Data Source

MTX OM, SDM

Source Field

IPG2RROG

Source Section

NWKOG2

IPG2RRRT

Pegs when an ispage2 Return Result message is received in response to an ISPAGE2 messages sent on a page retry.

Data Source

MTX OM, SDM

Source Field

IPG2RRRT

Source Section

NWKIC2

IPRFIVIC

ISPOSREQ Forward Invoke Incoming

Data Source

MTX OM, SDM

Source Field

IPRFIVIC

Source Section

NWKIC3

IPRFIVOG

IPRFIVOG

Data Source

MTX OM, SDM

Source Field

IPRFIVOG

Source Section

NWKOG3

IPRFRRIC

ISPOSREQ Forward Return Result Incoming

Data Source

MTX OM, SDM

Source Field

IPRFRRIC

Source Section

NWKIC3

IPRFRROG

IPRFRROG

Data Source

MTX OM, SDM

Source Field

IPRFRROG

Source Section

NWKOG3

IPRQIVIC

ISPOSREQ Invoke Incoming

Data Source

MTX OM, SDM

Source Field

IPRQIVIC + 65536 * NWKICX2.IPRQIVI2

Source Section

NWKIC3

IPRQIVOG

IPRQIVOG

Data Source

MTX OM, SDM

Source Field

IPRQIVOG

Source Section

NWKOG3

IPRQRRIC

ISPOSREQ Return Result Incoming

Data Source

MTX OM, SDM

Source Field

IPRQRRIC

Source Section

NWKIC3

IPRQRROG

IPRQRROG

Data Source

MTX OM, SDM

Source Field

IPRQRROG + 65536 * NWKOGX2.IPRQRRO2

Source Section

NWKOG3

ISETIVIC

Pegs when a valid ISSETUP invoke is received by the MTX

Data Source

MTX OM, SDM

Source Field

ISETIVIC

Source Section

NWKIC2

ISETIVOG

Pegs when a valid ISSETUP invoke is sent by the MTX

Data Source

MTX OM, SDM

Source Field

ISETIVOG

Source Section

NWKOG2

ISETRRIC

Pegs when a valid ISSETUP return result is received by the MTX

Data Source

MTX OM, SDM

Source Field

ISETRRIC

Source Section

NWKIC2

ISETRROG

Pegs when a valid ISSETUP return result is sent by the MTX

Data Source

MTX OM, SDM

Source Field

ISETRROG

Source Section

NWKOG2

ISSMIVIC

Number of incoming ISSMDPP INVOKE messages received by the Border MSC from the Anchor MSC.

Data Source

MTX OM, SDM

Source Field

ISSMIVIC

Source Section

NWKIC3

ISSMIVOG

Number of incoming ISSMDPP INVOKE messages sent from an Anchor MSC to a Border MSC.

Data Source

MTX OM, SDM

Source Field

ISSMIVOG

Source Section

NWKOG3

ISSMRRIC

Number of ISSMDPP RETURN RESULT messages received from a Border MSC in response to a ISSMDPP INVOKE message sent from the Anchor MSC.

Data Source

MTX OM, SDM

Source Field

ISSMRRIC

Source Section

NWKIC3

ISSMRROG

Number of ISSMDPP RETURN RESULT messages sent from a Border MSC in response to a ISSMDPP INVOKE message received from the Anchor MSC.

Data Source

MTX OM, SDM

Source Field

ISSMRROG

Source Section

NWKOG3

IVHOATTD

This OM register is used to measure the number of 3G -3G Packet Data Inter-system Handoff Attempts with the Nortel MSC as the anchor switch as per the IS-880 standards.

Data Source

MTX OM, SDM

Source Field

IVHOATTD

Source Section

NWKIVHHO

IVHOATTV

This OM register is used to measure the number of 3G -3G Voice Call Handoff Attempts with the Nortel MSC as the anchor switch as per the IS- 880 standards.

Data Source

MTX OM, SDM

Source Field

IVHOATTV

Source Section

NWKIVVHO

IVHOBLKD

This OM register is used to measure the number of 3G -3G Packet Data Inter-system Handoff which are blocked on the target switch with the Nortel MSC as the anchor switch as per the IS-880 standards.

Data Source

MTX OM, SDM

Source Field

IVHOBLKD

Source Section

NWKIVVHO

IVHOBLKV

This OM register is used to measure the number of 3G -3G Data Call Handoff Blocks with the Nortel MSC as the anchor switch as per the IS- 880 standards.

Data Source

MTX OM, SDM

Source Field

IVHOBLKV

Source Section

NWKIVVHO

IVHOFLRD

This OM register is used to measure the number of 3G -3G Packet Data Inter-System Handoff Failures on the target system with the Nortel MSC as the anchor switch as per the IS-880 standards.

Data Source

MTX OM, SDM

Source Field

IVHOFLRD

Source Section

NWKIVVHO

IVHOFLRV

This OM register is used to measure the number of 3G -3G Data Call Handoff Failures with the Nortel MSC as the anchor switch as per the IS-880 standards.

Data Source

MTX OM, SDM

Source Field

IVHOFLRV

Source Section

NWKIVVHO

IVHOSUCD

This OM register is used to measure the number of 3G -3G Packet Data Inter-system Handoff Successes with the Nortel MSC as the anchor switch as per the IS-880 standards.

Data Source

MTX OM, SDM

Source Field

IVHOSUCD

Source Section

NWKIVVHO

IVHOSUCV

This OM register is used to measure the number of 3G -3G Voice Call Handoff Successes with the Nortel MSC as the anchor switch as per the IS- 880 standards.

Data Source

MTX OM, SDM

Source Field

IVHOSUCV

Source Section

NWKIVHHO

LNKLSTOG

when network link transmission failure and fail to sent message across the networking link

Data Source

MTX OM, SDM

Source Field

LNKLSTOG

Source Section

MTXNWKOG

LOCREQIC

Pegs when a valid location request message is received.

Data Source

MTX OM, SDM

Source Field

LOCREQIC + 65536 * NWKICX.LOCREQI2

Source Section

MTXNWKIC

LOCREQOG

Pegs when a valid location request invoke message is sent

Data Source

MTX OM, SDM

Source Field

LOCREQOG + 65536 * NWKOGX.LOCREQO2

Source Section

MTXNWKOG

LOCRESIC

Pegs when a valid location request return result message is received.

Data Source

MTX OM, SDM

Source Field

LOCRESIC + 65536 * NWKICX.LOCRESI2

Source Section

MTXNWKIC

LOCRESOG

Pegs when a valid location request return result message is sent

Data Source

MTX OM, SDM

Source Field

LOCRESOG + 65536 * NWKOGX.LOCRESO2

Source Section

MTXNWKOG

LPRQIVIC

LPREQ Invoke Incoming

Data Source

MTX OM, SDM

Source Field

LPRQIVIC

Source Section

NWKIC3

LPRQRROG

This OM is pegged when lpreq is sent by the HLR.

Data Source

MTX OM, SDM

Source Field

LPRQRROG

Source Section

NWKOG3

LRSSIRIC

Pegs when a late RSSI measurement response is received from an adjacent system

Data Source

MTX OM, SDM

Source Field

LRSSIRIC

Source Section

NWKIC2

LTMSG1IC

LTMSG1IC

Data Source

MTX OM, SDM

Source Field

LTMSG1IC

Source Section

NWKIC2

MEASIVIC

Pegs when a valid handoff measurement request invoke message is received.

Data Source

MTX OM, SDM

Source Field

MEASIVIC + 65536 * NWKICX.MEASIVI2

Source Section

MTXNWKIC

MEASIVOG

Pegs when a valid handoff measurement request invoke message is sent

Data Source

MTX OM, SDM

Source Field

MEASIVOG + 65536 * NWKOGX.MEASIVO2

Source Section

MTXNWKOG

MEASRRIC

Pegs when a valid handoff measurement request return result is received.

Data Source

MTX OM, SDM

Source Field

MEASRRIC + 65536 * NWKICX.MEASRRIC2

Source Section

MTXNWKIC

MEASRROG

Pegs when a valid handoff measurement request return result message is sent

Data Source

MTX OM, SDM

Source Field

MEASRROG + 65536 * NWKOGX.MEASRRO2

Source Section

MTXNWKOG

MRNTDBIC

Pegs when multiple registrations are received in the HLR in a zero to two-second time frame

Data Source

MTX OM, SDM

Source Field

MRNTDBIC

Source Section

NWKIC2

MRNTDFIC

Pegs when multiple registrations are received in the HLR in a time span of two seconds

Data Source

MTX OM, SDM

Source Field

MRNTDFIC

Source Section

NWKIC2

MSSDREQ

HLR receives a MessageDirective INVOKE message

Data Source

MTX OM, SDM

Source Field

MSSDREQ + 65536 * NWKICX.MSSDRQ2

Source Section

NWKIC3

MSSDRESP

HLR sends a MessageDirective RETURN RESULT message back to the VMS.

Data Source

MTX OM, SDM

Source Field

MSSDRESP + 65536 * NWKOGX.MSSDRSP2

Source Section

NWKOG3

NBPATTIC

NBPATTIC

Data Source

MTX OM, SDM

Source Field

NBPATTIC

Source Section

MTXNWKIC

NBPATTOG

NBPATTOG

Data Source

MTX OM, SDM

Source Field

NBPATTOG

Source Section

MTXNWKOG

NBPCMPIC

NBPCMPIC

Data Source

MTX OM, SDM

Source Field

NBPCMPIC

Source Section

MTXNWKIC

NBPCMPOG

NBPCMPOG

Data Source

MTX OM, SDM

Source Field

NBPCMPOG

Source Section

MTXNWKOG

NBPREQIC

Pegs when a valid network boundary paging request is received

Data Source

MTX OM, SDM

Source Field

NBPREQIC

Source Section

MTXNWKIC

NBPREQOG

Pegs when a valid network boundary paging request is sent

Data Source

MTX OM, SDM

Source Field

NBPREQOG

Source Section

MTXNWKOG

NBPRSPIC

Pegs when a valid network boundary paging response message is received by the MSC-S

Data Source

MTX OM, SDM

Source Field

NBPRSPIC

Source Section

MTXNWKIC

NBPRSPOG

Pegs when a valid network boundary paging response Message is sent

Data Source

MTX OM, SDM

Source Field

NBPRSPOG

Source Section

MTXNWKOG

OANSWRIC

O_Answer Incoming Messages

Data Source

MTX OM, SDM

Source Field

OANSWRIC + 65536 * OANSWRI2

Source Section

TDPIC1

OANSWROG

O_Answer Outgoing Messages

Data Source

MTX OM, SDM

Source Field

OANSWROG + 65536 * OANSWRO2

Source Section

TDPOG1

OCPBIVOG

This register is pegged when a OCalledPartyBusy invoke message is sent.

Data Source

MTX OM, SDM

Source Field

OCPBIVOG

Source Section

NWKOG3

OCPBRRIC

OCPBRRIC

Data Source

MTX OM, SDM

Source Field

OCPBRRIC

Source Section

NWKIC3

OCPBSYIC

OCPBSYIC

Data Source

MTX OM, SDM

Source Field

OCPBSYIC

Source Section

TDPIC1

OCPBSYOG

OCPBSYOG

Data Source

MTX OM, SDM

Source Field

OCPBSYOG

Source Section

TDPOG1

ODISCTIC

O_Disconnect Incoming Messages

Data Source

MTX OM, SDM

Source Field

ODISCTIC + 65536 * ODISCTI2

Source Section

TDPIC1

ODISCTOG

O_Disconnect Outgoing Messages

Data Source

MTX OM, SDM

Source Field

ODISCTOG + 65536 * ODISCTO2

Source Section

TDPOG1

ONOAIVOG

This register is pegged when a ONoAnswer invoke message is sent.

Data Source

MTX OM, SDM

Source Field

ONOAIVOG

Source Section

NWKOG3

ONOANSIC

ONOANSIC

Data Source

MTX OM, SDM

Source Field

ONOANSIC

Source Section

TDPIC1

ONOANSOG

ONOANSOG

Data Source

MTX OM, SDM

Source Field

ONOANSOG

Source Section

TDPOG1

ONOARRIC

ONOARRIC

Data Source

MTX OM, SDM

Source Field

ONOARRIC

Source Section

NWKIC3

OREQIVIC

Pegs when an ORREQ is received by the HLR for a mobile during origination.

Data Source

MTX OM, SDM

Source Field

OREQIVIC + 65536 * NWKICX.OREQIVI2

Source Section

NWKIC3

OREQIVOG

Pegs when a QRREQ is sent by the MSC-O/S or the HLR for a mobile during an origination.

Data Source

MTX OM, SDM

Source Field

OREQIVOG + 65536 * NWKOGX.OREQIVO2

Source Section

NWKOG3

OREQRRIC

Pegs when an ORREQ is received by the HLR or the MSC-O/S in response to an ORREQ.

Data Source

MTX OM, SDM

Source Field

OREQRRIC + 65536 * NWKICX.OREQRRI2

Source Section

NWKIC3

OREQRROG

Pegs when an orreq is sent by the HLR for a mobile during an origination.

Data Source

MTX OM, SDM

Source Field

OREQRROG + 65536 * NWKOGX.OREQRRO2

Source Section

NWKOG3

ORIGAAIC

Orig Attempt Authorized Incoming Messages

Data Source

MTX OM, SDM

Source Field

ORIGAAIC + 65536 * ORIGAAI2

Source Section

TDPIC1

ORIGAAOG

Orig Attempt Authorized Outgoing Messages

Data Source

MTX OM, SDM

Source Field

ORIGAAOG + 65536 * ORIGAAO2

Source Section

TDPOG1

ORIGATIC

Orig Attempt Incoming Messages

Data Source

MTX OM, SDM

Source Field

ORIGATIC

Source Section

TDPIC1

ORIGATOG

Orig Attempt Outgoing Messages

Data Source

MTX OM, SDM

Source Field

ORIGATOG

Source Section

TDPOG1

OTAIVIC

OTASP request invoke

Data Source

MTX OM, SDM

Source Field

OTAIVIC + 65536 * OTAIVIC2

Source Section

ACNWK

OTARROG

OTASP request return result

Data Source

MTX OM, SDM

Source Field

OTARROG + 65536 * OTARROG2

Source Section

ACNWK

OTASIVIC

OTASPREQ invoke incoming

Data Source

MTX OM

Source Field

OTASIVIC + 65536 * OTASIVI2

Source Section

AVPNWKIC

OTASIVOG

OTASPREQ invoke outgoing

Data Source

MTX OM, SDM

Source Field

OTASIVOG + 65536 * OTASIVO2

Source Section

AVPNWKOG

OTASRRIC

OTASPREQ return result incoming

Data Source

MTX OM

Source Field

OTASRRIC + 65536 * OTASRRI2

Source Section

AVPNWKIC

OTASRROG

OTASPREQ return result outgoing

Data Source

MTX OM, SDM

Source Field

OTASRROG + 65536 * OTASRRO2

Source Section

AVPNWKOG

PDIRIVIC

Pegs when a valid service profile directive invoke message is received

Data Source

MTX OM, SDM

Source Field

PDIRIVIC

Source Section

NWKIC2

PDIRIVOG

Pegs when a valid service profile directive invoke message is sent

Data Source

MTX OM, SDM

Source Field

PDIRIVOG

Source Section

NWKOG2

PDIRRRIC

Pegs when a valid service profile directive return result message is received

Data Source

MTX OM, SDM

Source Field

PDIRRRIC

Source Section

NWKIC2

PDIRRROG

Pegs when a valid service profile directive return result message is sent

Data Source

MTX OM, SDM

Source Field

PDIRRROG

Source Section

NWKOG2

PREQIVIC

Pegs when a valid profile request invoke message is received

Data Source

MTX OM, SDM

Source Field

PREQIVIC

Source Section

MTXNWKIC

PREQIVOG

Pegs when a valid profile request invoke message is sent

Data Source

MTX OM, SDM

Source Field

PREQIVOG

Source Section

MTXNWKOG

PREQRRIC

Pegs when a valid profile request return result message is received

Data Source

MTX OM, SDM

Source Field

PREQRRIC

Source Section

MTXNWKIC

PREQRROG

Pegs when a valid profile request return result message is sent

Data Source

MTX OM, SDM

Source Field

PREQRROG

Source Section

MTXNWKOG

QDIRIVIC

Pegs when a valid qualification directive invoke message is received

Data Source

MTX OM, SDM

Source Field

QDIRIVIC + 65536 * NWKICX.QDIRIVI2

Source Section

NWKIC2

QDIRIVOG

Pegs when a valid qualification directive invoke message is sent

Data Source

MTX OM, SDM

Source Field

QDIRIVOG + 65536 * NWKOGX.QDIRIVO2

Source Section

NWKOG2

QDIRRRIC

Pegs when a valid qualification directive return result message is received

Data Source

MTX OM, SDM

Source Field

QDIRRRIC + 65536 * NWKICX.QDIRRRI2

Source Section

NWKIC2

QDIRRROG

Pegs when a valid qualification directive return result message is sent

Data Source

MTX OM, SDM

Source Field

QDIRRROG + 65536 * NWKOGX.QDIRRRO2

Source Section

NWKOG2

QREQIVIC

Pegs when a valid qualification request invoke message is received

Data Source

MTX OM, SDM

Source Field

QREQIVIC

Source Section

NWKIC2

QREQIVOG

Pegs when a valid qualification request invoke message is sent

Data Source

MTX OM, SDM

Source Field

QREQIVOG

Source Section

NWKOG2

QREQRRIC

Pegs when a valid qualification request return result message is received

Data Source

MTX OM, SDM

Source Field

QREQRRIC

Source Section

NWKIC2

QREQRROG

Pegs when a valid qualification request return result message is sent

Data Source

MTX OM, SDM

Source Field

QREQRROG

Source Section

NWKOG2

RDNDACIC

Pegs when a valid roamer do not disturb cancellation invoke message is received

Data Source

MTX OM, SDM

Source Field

RDNDACIC

Source Section

NWKIC2

RDNDACOG

Pegs when a valid roamer do not disturb (RDND) cancellation invoke message is sent

Data Source

MTX OM, SDM

Source Field

RDNDACOG

Source Section

NWKOG2

REDRIVIC

Pegs a valid redirection request invoke message is received

Data Source

MTX OM, SDM

Source Field

REDRIVIC + 65536 * NWKICX.REDRIVI2

Source Section

MTXNWKIC

REDRIVOG

Pegs when a valid redirection request invoke message is sent

Data Source

MTX OM, SDM

Source Field

REDRIVOG + 65536 * NWKOGX.REDRIVO2

Source Section

MTXNWKOG

REDRRRIC

Pegs when a valid redirection request return result message is received

Data Source

MTX OM, SDM

Source Field

REDRRRIC + 65536 * NWKICX.REDRRRI2

Source Section

MTXNWKIC

REDRRROG

Pegs when a valid redirection request return result message is sent

Data Source

MTX OM, SDM

Source Field

REDRRROG + 65536 * NWKOGX.REDRRRO2

Source Section

MTXNWKOG

REGNIVIC

Pegs when a valid registration notification invoke message is received.

Data Source

MTX OM, SDM

Source Field

REGNIVIC + 65536 * NWKICX.REGNIVI2

Source Section

MTXNWKIC

REGNIVOG

Pegs when a valid registration notification invoke message is sent

Data Source

MTX OM, SDM

Source Field

REGNIVOG + 65536 * NWKOGX.REGNIVO2

Source Section

MTXNWKOG

REGNRRIC

Pegs when a valid registration notification return result message is received

Data Source

MTX OM, SDM

Source Field

REGNRRIC + 65536 * NWKICX.REGNRRI2

Source Section

MTXNWKIC

REGNRROG

Pegs when a valid registration notification return result Message is sent

Data Source

MTX OM, SDM

Source Field

REGNRROG + 65536 * NWKOGX.REGNRRO2

Source Section

MTXNWKOG

REJCTIC

When valid transaction capabilities application part (TCAP) reject message is received

Data Source

MTX OM, SDM

Source Field

REJCTIC

Source Section

NWKIC2

REJCTOG

Pegs when a valid transaction capabilities application part (TCAP) reject message is sent

Data Source

MTX OM, SDM

Source Field

REJCTOG

Source Section

NWKOG2

RELIVIC

Counts the number of RELEASE INVOKE messages received at the border MSC in order to cancel a border page initiated by a previously received ISPAGE2 message.

Data Source

MTX OM, SDM

Source Field

RELIVIC

Source Section

NWKIC2

RELIVOG

The sending of a RELEASE message at a serving MSC to cancel border page requests.

Data Source

MTX OM, SDM

Source Field

RELIVOG

Source Section

NWKOG2

RELRRIC

Counts the number of RELEASE RETURN RESULT messages that are received at the MSC-S in response to an intersystem page canceled by a RELEASE message.

Data Source

MTX OM, SDM

Source Field

RELRRIC

Source Section

NWKIC2

RELRROG

The sending of a release RETURN RESULT message at a border MSC in response to a border page cancel request.

Data Source

MTX OM, SDM

Source Field

RELRROG

Source Section

NWKOG2

RESTIVIC

Pegs when the MSC receives a ResetTimer INVOKE message from the SCP.

Data Source

MTX OM, SDM

Source Field

RESTIVIC

Source Section

NWKIC3

RESTIVOG

Pegs when the HLR forwards a ResetTimer INVOKE message to the MSC.

Data Source

MTX OM, SDM

Source Field

RESTIVOG

Source Section

NWKOG3

RFCREQIC

Pegs when a valid remote feature control invoke message is received

Data Source

MTX OM, SDM

Source Field

RFCREQIC

Source Section

MTXNWKIC

RFCREQOG

Pegs when a valid remote feature control invoke message is sent

Data Source

MTX OM, SDM

Source Field

RFCREQOG

Source Section

MTXNWKOG

RFCRESIC

Pegs when a valid remote feature control return result is received

Data Source

MTX OM, SDM

Source Field

RFCRESIC

Source Section

MTXNWKIC

RFCRESOG

Pegs when a valid remote feature control return result is sent

Data Source

MTX OM, SDM

Source Field

RFCRESOG

Source Section

MTXNWKOG

RGCNIVIC

Pegs when a valid registration cancellation invoke message is received.

Data Source

MTX OM, SDM

Source Field

RGCNIVIC + 65536 * NWKICX.RGCNIVI2

Source Section

NWKIC2

RGCNIVOG

Pegs when a valid registration cancellation invoke message is sent

Data Source

MTX OM, SDM

Source Field

RGCNIVOG + 65536 * NWKOGX.RGCNIVO2

Source Section

NWKOG2

RGCNRRIC

Pegs when a valid registration cancellation return result message is received.

Data Source

MTX OM, SDM

Source Field

RGCNRRIC + 65536 * NWKICX.RGCNRRI2

Source Section

NWKIC2

RGCNRROG

Pegs when a valid registration cancellation return result message is sent

Data Source

MTX OM, SDM

Source Field

RGCNRROG + 65536 * NWKOGX.RGCNRRO2

Source Section

NWKOG2

RSCREQIC

reset circuit request incoming

Data Source

MTX OM, SDM

Source Field

RSCREQIC + 65536 * RSCREQI2

Source Section

NWKOAMIC

RSCREQOG

reset circuit request outgoing

Data Source

MTX OM, SDM

Source Field

RSCREQOG + 65536 * RSCREQO2

Source Section

NWKOAMOG

RSCRESIC

reset circuit response incoming

Data Source

MTX OM, SDM

Source Field

RSCRESIC + 65536 * RSCRESI2

Source Section

NWKOAMIC

RSCRESOG

reset circuit response outgoing

Data Source

MTX OM, SDM

Source Field

RSCRESOG + 65536 * RSCRESO2

Source Section

NWKOAMOG

RTEREQIC

Pegs when a valid routing request invoke message is received.

Data Source

MTX OM, SDM

Source Field

RTEREQIC + 65536 * NWKICX.RTEREQI2

Source Section

MTXNWKIC

RTEREQOG

Pegs when a valid routing request invoke message is sent

Data Source

MTX OM, SDM

Source Field

RTEREQOG + 65536 * NWKOGX.RTEREQO2

Source Section

MTXNWKOG

RTERESIC

Pegs when a valid routing request return result message is received.

Data Source

MTX OM, SDM

Source Field

RTERESIC + 65536 * NWKICX.RTERESI2

Source Section

MTXNWKIC

RTERESOG

Pegs when a valid routing request return result message is sent

Data Source

MTX OM, SDM

Source Field

RTERESOG + 65536 * NWKOGX.RTERESO2

Source Section

MTXNWKOG

RTNERRIC

Pegs when a valid TCAP return error message is received

Data Source

MTX OM, SDM

Source Field

RTNERRIC

Source Section

NWKIC2

RTNERROG

Pegs when a TCAP return error message is sent

Data Source

MTX OM, SDM

Source Field

RTNERROG

Source Section

NWKOG2

SMBKIIC

Pegs a valid SMDBACK backward invoke when it is received by the MTX.

Data Source

MTX OM, SDM

Source Field

SMBKIIC + 65536 * NWKICX.SMBKII2

Source Section

NWKIC3

SMBKIOG

Pegs when a valid SMDBACK invoke is sent by the MTX.

Data Source

MTX OM, SDM

Source Field

SMBKIOG + 65536 * NWKOGX.SMBKIO2

Source Section

NWKOG3

SMBKRRIC

Pegs a valid SMDBACK return result when it is received by the MTX.

Data Source

MTX OM, SDM

Source Field

SMBKRRIC + 65536 * NWKICX.SMBKRRI2

Source Section

NWKIC3

SMBKRROG

Pegs when a valid SMDBACK return result is sent by the MTX.

Data Source

MTX OM, SDM

Source Field

SMBKRROG + 65536 * NWKOGX.SMBKRRO2

Source Section

NWKOG3

SMFWIIC

Pegs a valid SMDFWD invoke when it is received by the MTX.

Data Source

MTX OM, SDM

Source Field

SMFWIIC + 65536 * NWKICX.SMFWII2

Source Section

NWKIC3

SMFWIOG

Pegs when a valid SMDFWD invoke is sent by the MTX.

Data Source

MTX OM, SDM

Source Field

SMFWIOG + 65536 * NWKOGX.SMFWIO2

Source Section

NWKOG3

SMFWRRIC

Pegs when a valid SMDFWD return result is received by the MTX.

Data Source

MTX OM, SDM

Source Field

SMFWRRIC + 65536 * NWKICX.SMFWRR12

Source Section

NWKIC3

SMFWRROG

Pegs when a valid SMDFWD return result is sent by the MTX.

Data Source

MTX OM, SDM

Source Field

SMFWRROG + 65536 * NWKOGX.SMFWRRO2

Source Section

NWKOG3

SMNTIOG

Pegs when a valid SMSNOT invoke is sent by the MTX.

Data Source

MTX OM, SDM

Source Field

SMNTIOG + 65536 * NWKOGX.SMNTIO2

Source Section

NWKOG3

SMNTRRIC

Pegs when a valid SMSNOT return result is received by the MTX.

Data Source

MTX OM, SDM

Source Field

SMNTRRIC + 65536 * NWKICX.SMNTRRI2

Source Section

NWKIC3

SMPPHIC

Pegs for incoming SMS mobile text messaging.

Data Source

MTX OM, SDM

Source Field

SMPPHIC + 65536 * NWKICX.SMPPHI2

Source Section

NWKIC3

SMPPIOG

Pegs when a SMS mobile text message invoke outgoing message is sent.

Data Source

MTX OM, SDM

Source Field

SMPPIOG + 65536 * NWKOGX.SMPIO2

Source Section

NWKOG3

SMPPRRIC

Pegs for SMS incoming return results mobile text messaging.

Data Source

MTX OM, SDM

Source Field

SMPPRRIC + 65536 * NWKICX.SMPPRI2

Source Section

NWKIC3

SMPPRROG

Pegs when a SMS mobile text message outgoing return result message is sent.

Data Source

MTX OM, SDM

Source Field

SMPPRROG + 65536 * NWKOGX.SMPPRRO2

Source Section

NWKOG3

SMRQIIC

Pegs when a valid SMSREQ invoke is received by the MTX.

Data Source

MTX OM, SDM

Source Field

SMRQIIC + 65536 * NWKICX.SMRQII2

Source Section

NWKIC3

SMRQIOG

Pegs when a valid incoming SMSREQ invoke is sent by the system.

Data Source

MTX OM, SDM

Source Field

SMRQIOG + 65536 * NWKOGX.SMRQIO2

Source Section

NWKOG3

SMRQRRIC

Pegs when a valid incoming SMSREQ return result is received by the MTX.

Data Source

MTX OM, SDM

Source Field

SMRQRRIC + 65536 * NWKICX.SMRQRRIC2

Source Section

NWKIC3

SMRQRROG

Pegs when a valid SMSREQ return result is sent by the MTX.

Data Source

MTX OM, SDM

Source Field

SMRQRROG + 65536 * NWKOGX.SMRQRRO2

Source Section

NWKOG3

SMSBDDAT

Pegs when a Forward Data Delivery (FDD) message is sent by the Border system to the mobile.

Data Source

SDM

Source Field

SMSBDDAT + 65536 * SMSBDDA2

Source Section

SMSBIPG

SMSBDDFL

Pegs when a Reverse Data Delivery (RDD) message is not received from the mobile (i.e. the Border system times out) or the RDD contains a failure cause code.

Data Source

SDM

Source Field

SMSBDDFL + 65536 * SMSBDDF2

Source Section

SMSBIPG

SMSBDDRS

Pegs when a Reverse Data Delivery (RDD) message is received from the mobile indicating that the SMS was successfully received by the mobile.

Data Source

SDM

Source Field

SMSBDDRS + 65536 * SMSBDDR2

Source Section

SMSBIPG

SPDIRIC

UIDIR Incoming Messages

Data Source

MTX OM, SDM

Source Field

SPDIRIC

Source Section

TDPIC1

SSRIVIC

Security status report invoke

Data Source

MTX OM

Source Field

SSRIVIC

Source Section

AVPNWKIC

SSRIVOG

Security status report invoke

Data Source

MTX OM, SDM

Source Field

SSRIVOG

Source Section

AVPNWKOG

SSRRRIC

Security status report return result

Data Source

MTX OM

Source Field

SSRRRIC

Source Section

AVPNWKIC

SSRRROG

Security status report return result

Data Source

MTX OM, SDM

Source Field

SSRRROG

Source Section

AVPNWKOG

STINIVIC

Pegs when a valid status information invoke message is received

Data Source

MTX OM, SDM

Source Field

STINIVIC

Source Section

NWKIC2

STINIVOG

Pegs when a valid status information invoke message is sent

Data Source

MTX OM, SDM

Source Field

STINIVOG

Source Section

NWKOG2

STINRRIC

Pegs when a valid status information return result message is received

Data Source

MTX OM, SDM

Source Field

STINRRIC

Source Section

NWKIC2

STINRROG

Pegs when a valid status information return result message is sent

Data Source

MTX OM, SDM

Source Field

STINRROG

Source Section

NWKOG2

TANSWRIC

T_Answer Incoming Messages

Data Source

MTX OM, SDM

Source Field

TANSWRIC + 65536 * TANSWRI2

Source Section

TDPIC1

TANSWROG

O_Answer Outgoing Messages

Data Source

MTX OM, SDM

Source Field

TANSWROG + 65536 * TANSWRO2

Source Section

TDPOG1

TBUSYIC

Termination Busy Incoming Messages

Data Source

MTX OM, SDM

Source Field

TBUSYIC

Source Section

TDPIC1

TBUSYOG

Termination Busy Outgoing Messages

Data Source

MTX OM, SDM

Source Field

TBUSYOG

Source Section

TDPOG1

TDISCTIC

T_Disconnect Incoming Messages

Data Source

MTX OM, SDM

Source Field

TDISCTIC + 65536 * TDISCTI2

Source Section

TDPIC1

TDISCTOG

T_Disconnect Outgoing Messages

Data Source

MTX OM, SDM

Source Field

TDISCTOG + 65536 * TDISCTO2

Source Section

TDPOG1

TNANSIC

Termination No Answer Incoming Messages

Data Source

MTX OM, SDM

Source Field

TNANSIC

Source Section

TDPIC1

TNANSOG

Termination No Answer Incoming Messages

Data Source

MTX OM, SDM

Source Field

TNANSOG

Source Section

TDPOG1

TRANIVIC

Pegs when a valid transfer to number request invoke message is received.

Data Source

MTX OM, SDM

Source Field

TRANIVIC + 65536 * NWKICX.TRANIVI2

Source Section

MTXNWKIC

TRANIVOG

Pegs when a valid transfer to number request invoke message is sent

Data Source

MTX OM, SDM

Source Field

TRANIVOG + 65536 * NWKOGX.TRANIVO2

Source Section

MTXNWKOG

TRANRRIC

Pegs when a valid transfer to number return result message is received.

Data Source

MTX OM, SDM

Source Field

TRANRRIC + 65536 * NWKICX.TRANRRI2

Source Section

MTXNWKIC

TRANRROG

Pegs when a valid transfer to number request return result message is sent

Data Source

MTX OM, SDM

Source Field

TRANRROG + 65536 * NWKOGX.TRANRRO2

Source Section

MTXNWKOG

TSTREQIC

test request incoming

Data Source

MTX OM, SDM

Source Field

TSTREQIC + 65536 * TSTREQI2

Source Section

NWKOAMIC

TSTREQOG

test request outgoing

Data Source

MTX OM, SDM

Source Field

TSTREQOG + 65536 * TSTREQO2

Source Section

NWKOAMOG

TSTRESIC

test request circuit response incoming

Data Source

MTX OM, SDM

Source Field

TSTRESIC + 65536 * TSTRESI2

Source Section

NWKOAMIC

TSTRESOG

test response outgoing

Data Source

MTX OM, SDM

Source Field

TSTRESOG + 65536 * TSTRESO2

Source Section

NWKOAMOG

TTDREQIC

trunk test disconnect request

Data Source

MTX OM, SDM

Source Field

TTDREQIC + 65536 * TTDREQI2

Source Section

NWKOAMIC

TTDREQOG

trunk test disconnect request outgoing

Data Source

MTX OM, SDM

Source Field

TTDREQOG + 65536 * TTDREQO2

Source Section

NWKOAMOG

TTDRESIC

trunk test disconnect response incoming

Data Source

MTX OM, SDM

Source Field

TTDRESIC + 65536 * TTDRESI2

Source Section

NWKOAMIC

TTDRESOG

trunk test disconnect response outgoing

Data Source

MTX OM, SDM

Source Field

TTDRESOG + 65536 * TTDRESO2

Source Section

NWKOAMOG

UBLREQIC

unblock request incoming

Data Source

MTX OM, SDM

Source Field

UBLREQIC + 65536 * UBLREQI2

Source Section

NWKOAMIC

UBLREQOG

unblock request outgoing

Data Source

MTX OM, SDM

Source Field

UBLREQOG + 65536 * UBLREQO2

Source Section

NWKOAMOG

UBLRESIC

unblock response incoming

Data Source

MTX OM, SDM

Source Field

UBLRESIC + 65536 * UBLRESI2

Source Section

NWKOAMIC

UBLRESOG

unblock response outgoing

Data Source

MTX OM, SDM

Source Field

UBLRESOG + 65536 * UBLRESO2

Source Section

NWKOAMOG

URELIVIC

unreliable roamer data directive invoke received

Data Source

MTX OM, SDM

Source Field

URELIVIC + 65536 * URELIVI2

Source Section

NWKOAMIC

URELIVOG

unreliable roamer data directive invoke sent

Data Source

MTX OM, SDM

Source Field

URELIVOG + 65536 * URELIVO2

Source Section

NWKOAMOG

URELRRIC

unreliable roamer data directive return result received

Data Source

MTX OM, SDM

Source Field

URELRRIC + 65536 * URELRI2

Source Section

NWKOAMIC

URELRROG

unreliable roamer data directive return result sent

Data Source

MTX OM, SDM

Source Field

URELRROG + 65536 * URELRO2

Source Section

NWKOAMOG

ISHO_Pair Primitive Calculations

The following is a list of primitive calculations for the ISHO_Pair entity.

GRAPHmultiLineSeparator

Special Control Field for Multi-Line Graphs

Calculation

""

NUMDAYS

of days in Report

Calculation

DAYSINREPORT ()

NUMHOURS

of hours in Summation Data

ISHO_Pair Peg Counts

The following is a list of peg counts for the ISHO_Pair entity.

IHOC

Inter-system per-cell-pair handoff completions.

Data Source

SDM

Source Field

IHOCxx

Source Section

IHOC

IHO CF

IS-41 handoff measurement request responses with target cell and signal quality parameter information that fail to meet both relative criteria and the border cell HOTL criteria only.

Data Source

SDM

Source Field

IHO CF_{xx}

Source Section

IHO CF

IHO HC

Inter-system HO per-cell-pair completion events where the IS-41 handoff measurement request response includes target cell and signal quality parameter information that meet the border cell HOTL criteria.

Data Source

SDM

Source Field

IHO HC_{xx}

Source Section

IHO HC

IHO PTF

Per-cell-pair threshold low (PCPTL) failures of the serving cell when IS-41 handoff measurement request responses are received.

Data Source

SDM

Source Field

IHO PTF_{xx}

Source Section

IHO PTF

IHORC

Inter-system HO per-cell-pair completion events where the IS-41 handoff measurement request response includes target cell and signal quality parameter information that meet the relative criteria.

Data Source

SDM

Source Field

IHORCxx

Source Section

IHORC

ISUPMSG Primitive Calculations

The following is a list of primitive calculations for the ISUPMSG entity.

GRAPHmultiLineSeparator

Special Control Field for Multi-Line Graphs

Calculation

""

NUMDAYS

of days in Report

Calculation

DAYSINREPORT ()

NUMHOURS

of hours in Summation Data

Calculation

ISUPMSG Peg Counts

The following is a list of peg counts for the ISUPMSG entity.

ISMSGIN

Incoming ISUP messages

Data Source

MTX OM, SDM

Source Field

ISMSGIN + 65536 * ISMSGIN2

Source Section

ISUPUSAG

ISMSGOUT

Outgoing ISUP messages

Data Source

MTX OM, SDM

Source Field

ISMSGOUT + 65536 * ISMSGOT2

Source Section

ISUPUSAG

IW_BridgePool Primitive Calculations

The following is a list of primitive calculations for the IW_BridgePool entity.

GRAPHmultiLineSeparator

Special Control Field for Multi-Line Graphs

Calculation

""

NUMDAYS

of days in Report

Calculation

DAYSINREPORT ()

NUMHOURS

of hours in Summation Data

Calculation

IW_BridgePool Peg Counts

The following is a list of peg counts for the IW_BridgePool entity.

IWABATE1

Interworking bridge abate 1. Indicates that the total number of IW bridges in use is less than 65% of the total system bridges.

Data Source

SDM

Source Field

IWABATE1

Source Section

IWBM

IWABATE2

Interworking bridge abate 2. Indicates that the total number of IW bridges in use is less than 85% of the total system bridges.

Data Source

SDM

Source Field

IWABATE2

Source Section

IWBM

IWBCNFAN

IW bridge for conference or announcement usage counts the number of times a packet agent uses an IW bridge for access to conference or announcement facilities present on the ENET.

Data Source

SDM

Source Field

IWBCNFAN

Source Section

IWBM

IWBTLTST

IW bridge for trunk and line test counts the number of times a packet agent uses an IW bridge for access to trunk or line test facilities present on the ENET.

Data Source

SDM

Source Field

IWBTLTST

Source Section

IWBM

IWFABRT

Interworking free_bridge attempts aborted.

Data Source

SDM

Source Field

IWFABRT

Source Section

IWBM

IWFBATT

Interworking free_bridge attempts.

Data Source

SDM

Source Field

IWFBATT + 65536 * IWFBATT2

Source Section

IWBM

IWFBFAIL

Interworking free_bridge attempts failed.

Data Source

SDM

Source Field

IWFBFAIL

Source Section

IWBM

IWFMBU

The number of bridges in manual busy state. This register is pegged by the fast sample accumulator at an interval of 10 seconds.

Data Source

SDM

Source Field

IWFMBU + 65536 * IWFMBU2

Source Section

IWBM

IWFBSBU

The number of bridges in system busy state. This register is pegged by the fast sample accumulator at an interval of 10 seconds.

Data Source

SDM

Source Field

IWFSBU + 65536 * IWFSBU2

Source Section

IWBM

IWFTRU

The number of bridges in CPB state. This register is pegged by the fast sample accumulator at an interval of 10 seconds.

Data Source

SDM

Source Field

IWFTRU + 65536 * IWFTRU2

Source Section

IWBM

IWGBABRT

Interworking get_bridge attempts aborted.

Data Source

SDM

Source Field

IWGBABRT

Source Section

IWBM

IWGBATT

Interworking get_bridge attempts. Lists the number of get_bridge attempts.

Data Source

SDM

Source Field

IWGBATT + 65536 * IWGBATT2

Source Section

IWBM

IWGBFAIL

Interworking get_bridge attempts failed.

Data Source

SDM

Source Field

IWGBFAIL

Source Section

IWBM

IWNCSHED

Counts the number of calls shed as a result of overload.

Data Source

SDM

Source Field

IWNCSHED

Source Section

IWBM

IWONSET1

Interworking onset 1. Indicates that the number of in use IW bridges exceeds 70% of the system bridges.

Data Source

SDM

Source Field

IWONSET1

Source Section

IWBM

IWONSET2

Interworking onset 2. Indicates that the number of in use IW bridges exceeds 90% of the system bridges.

Data Source

SDM

Source Field

IWONSET2

Source Section

IWBM

IW_SPM Primitive Calculations

The following is a list of primitive calculations for the IW_SPM entity.

GRAPHmultiLineSeparator

Special Control Field for Multi-Line Graphs

Calculation

""

NUMDAYS

of days in Report

Calculation

DAYSINREPORT ()

NUMHOURS

of hours in Summation Data

Calculation

IW_SPM Peg Counts

The following is a list of peg counts for the IW_SPM entity.

ABDN

Counts the number of call processing (callp) abandon messages.

Data Source

SDM

Source Field

ABDN

Source Section

SPMUSAGE

ATMPTS

Counts the total number of attempts to allocate an echo canceller resource from the ECAN pool on the SPM.

Data Source

SDM

Source Field

$ATMPTS + 65536 * ATMPTSOV$

Source Section

ECANRMAN

AVGCEMAP

Measures the average CEM occupancy used by the application class over a transfer period.

Data Source

SDM

Source Field

AVGCEMAP

Source Section

SPMACT

AVGCEMBK

Measures the average CEM occupancy used by the background class over a transfer period.

Data Source

SDM

Source Field

AVGCEMBK

Source Section

SPMACT

AVGCEMSY

Measures the average CEM occupancy used by the system class over a transfer period.

Data Source

SDM

Source Field

AVGCEMSY

Source Section

SPMACT

AVGORIG

Measures the average call origination rate (calls per minute) over a transfer period.

Data Source

SDM

Source Field

AVGORIG

Source Section

SPMACT

AVGTERM

Measures the average call termination rate (calls per minute) over a transfer period.

Data Source

SDM

Source Field

AVGTERM

Source Section

SPMACT

CAPINDEX

Capacity Index contains one of the following CEM capacity levels: 0 - Standard, 1 - Enhanced, 2 - Premium

Data Source

SDM

Source Field

CAPINDEX

Source Section

SPMACT

CEMAPPHI

Measures the high water mark CEM occupancy reached by the application class.

Data Source

SDM

Source Field

CEMAPPHI

Source Section

SPMACT

CEMBAKHI

Measures the high water mark CEM occupancy reached by the background class.

Data Source

SDM

Source Field

CEMBAKHI

Source Section

SPMACT

CEMSYSHI

Measures the high water mark CEM occupancy reached by the system class.

Data Source

SDM

Source Field

CEMSYSHI

Source Section

SPMACT

CLSABDN

Calls Abandoned counts the number of calls that were abandoned by the node in the flow control component.

Data Source

SDM

Source Field

CLSABDN

Source Section

SPMOVLD

CLSDLYD

Calls Delayed counts the number of calls delayed by the node due to the flow control component.

Data Source

SDM

Source Field

CLSDLYD

Source Section

SPMOVLD

CLSDND

Calls Denied counts the number of calls that were denied caused by too many calls in the flow control component.

Data Source

SDM

Source Field

CLSDND

Source Section

SPMOVLD

CLSMSC

Calls Miscellaneous counts the number of calls lost to miscellaneous resource failures in the flow control component.

Data Source

SDM

Source Field

CLSMSC

Source Section

SPMOVLD

CLSPTQ

Calls Per Terminal Queue counts the number of calls denied caused by too many messages on a Per Terminal Queue in the flow control component.

Data Source

SDM

Source Field

CLSPTQ

Source Section

SPMOVLD

CONF

Counts the number of callp confusion messages.

Data Source

SDM

Source Field

CONF

Source Section

SPMUSAGE

ECANDENY

Counts the number of denied ECAN requests.

Data Source

SDM

Source Field

ECANDENY

Source Section

ECANRMAN

ECANFAIL

Counts the number of ECAN failures to converge SOS events.

Data Source

SDM

Source Field

ECANFAIL

Source Section

ECANRMAN

ECANHI

Counts the highest number of ECAN resources allocated from the node-level pool during a collection/transfer period.

Data Source

SDM

Source Field

ECANHI

Source Section

ECANRMAN

ECANLOST

Counts the ECAN resources removed from SPM resource management users (such as call processing) due to sparing actions.

Data Source

SDM

Source Field

ECANLOST

Source Section

ECANRMAN

ECANLOW

Counts the low-water-mark threshold violations on the SPM node-level pool of ECAN resources since the last collection period.

Data Source

SDM

Source Field

ECANLOW

Source Section

ECANRMAN

ECANUTIL

Calculates the percentage of the total ECAN resources in the node-level pool allocated to resource management users (such as call processing).

Data Source

SDM

Source Field

ECANUTIL

Source Section

ECANRMAN

EXIT

Counts the number of callp exit messages.

Data Source

SDM

Source Field

EXIT, EXIT_MSG

Source Section

SPMUSAGE

IWCRLVL1

Duration in secs for which the callrate is below 14 Hcps.

Data Source

SDM

Source Field

IWCRLVL1

Source Section

IWBMNODE

IWCRLVL2

Duration in secs for which the callrate is greater than or equal to 14 Hcps and less than 24 Hcps.

Data Source

SDM

Source Field

IWCRLVL2

Source Section

IWBMNODE

IWCRLVL3

Duration in secs for which the callrate is greater than or equal to 24 Hcps and less than 34 Hcps.

Data Source

SDM

Source Field

IWCRLVL3

Source Section

IWBMNODE

IWCRLVL4

Duration in secs for which the callrate is greater than 34 Hcps.

Data Source

SDM

Source Field

IWCRLVL4

Source Section

IWBMNODE

IWGBNAT

Successful get bridge attempts.

Data Source

SDM

Source Field

IWGBNAT + 65536 * IWGBNAT1

Source Section

IWBMNODE

IWGBNDF

Register for the deferred get bridge attempts.

Data Source

SDM

Source Field

IWGBNDF + 65536 * IWGBNDF1

Source Section

IWBMNODE

NETFND

Counts the number of callp network integrity found.

Data Source

SDM

Source Field

NETFND

Source Section

SPMUSAGE

NETINTG

Counts the number of callp integrity loses.

Data Source

SDM

Source Field

NETINTG

Source Section

SPMUSAGE

NETNFND

Counts the number of callp network integrity not found.

Data Source

SDM

Source Field

NETNFND

Source Section

SPMUSAGE

NETPAR

Counts the number of callp parity errors.

Data Source

SDM

Source Field

NETPAR

Source Section

SPMUSAGE

NUMREPTS_ACT

Contains the number of reports in an accumulation period.

Data Source

SDM

Source Field

NUMREPTS

Source Section

SPMACT

NUMREPTS_USAGE

Contains the number of reports (OM transfer periods).

Data Source

SDM

Source Field

NUMREPTS

Source Section

SPMUSAGE

ORIGHI

Measures the high water mark call origination rate

Data Source

SDM

Source Field

ORIGHI

Source Section

SPMACT

OVLDNUM

Overload Number counts the number of times the node entered overload due to the flow control component.

Data Source

SDM

Source Field

OVLDNUM

Source Section

SPMOVLD

OVLDPNUM

Overload Pending Number counts the number of times the node entered ???overload pending??? due to the flow control component

Data Source

SDM

Source Field

OVLDPNUM

Source Section

SPMOVLD

OVLDPUSG

Overload Pending Usage measures the number of seconds the node was in ???overload pending??? due to the flow control component.

Data Source

SDM

Source Field

OVLDPUSG

Source Section

SPMOVLD

OVLDUSG

Overload Usage measures the number of seconds the node was in overload due to the flow control component.

Data Source

SDM

Source Field

OVLDUSG

Source Section

SPMOVLD

RELCAL

Counts the number of callp release call messages.

Data Source

SDM

Source Field

RELCAL

Source Section

SPMUSAGE

SCLSABDN

SOC Calls Abandoned counts the number of calls that were abandoned due to the system overload component.

Data Source

SDM

Source Field

SCLSABDN

Source Section

SPMOVLD

SCLSDLYD

SOC Calls Delayed counts the number of calls delayed by the system overload component.

Data Source

SDM

Source Field

SCLSDLYD

Source Section

SPMOVLD

SCLSDND

SOC Calls Denied counts the number of calls that were lost for any reason.

Data Source

SDM

Source Field

SCLSDND

Source Section

SPMOVLD

SHDROVFL

SOC Header Overflow counts the number of messages of any type that were lost due to system overload control header array overflow.

Data Source

SDM

Source Field

SHDROVFL

Source Section

SPMOVLD

SMSGLOST

SOC Messages Lost counts the number of messages that were of messages lost because of system overload control limits.

Data Source

SDM

Source Field

SMSGLOST

Source Section

SPMOVLD

SMSGPTQ

SOC Message PTQ counts the number of messages of any type that were lost due to PTQ overflow.

Data Source

SDM

Source Field

SMSGPTQ

Source Section

SPMOVLD

SNUMORIG

SOC Number of Originations counts the number of originations passing through the system overload component whether or not they were delayed.

Data Source

SDM

Source Field

SNUMORIG

Source Section

SPMOVLD

SOVLDNUM

SOC Overload Number counts the number of times the node entered overload

Data Source

SDM

Source Field

SOVLDNUM

Source Section

SPMOVLD

SOVLDUSG

SOC Overload Usage counts the number of messages that were processed by the system overload component while the CEM was in a beyond capacity state.

Data Source

SDM

Source Field

SOVLDUSG

Source Section

SPMOVLD

TERMHI

Measures the high water mark call termination rate

Data Source

SDM

Source Field

TERMHI

Source Section

SPMACT

TOTLORIG

Measures the total call originations for a transfer period.

Data Source

SDM

Source Field

TOTLORIG

Source Section

SPMACT

TOTLTERM

Measures the total call terminations for a transfer period.

Data Source

SDM

Source Field

TOTLTERM

Source Section

SPMACT

TXFAIL

Counts the number of callp deny messages.

Data Source

SDM

Source Field

TXFAIL

Source Section

SPMUSAGE

USGSECS

Counts the total of seconds during the collection period for which at least one ECAN was allocated.

Data Source

SDM

Source Field

USGSECS

Source Section

ECANRMAN

LocationArea Primitive Calculations

The following is a list of primitive calculations for the LocationArea entity.

GRAPHmultiLineSeparator

Special Control Field for Multi-Line Graphs

Calculation

""

NUMDAYS

of days in Report

Calculation

DAYSINREPORT ()

NUMHOURS

of hours in Summation Data

Calculation

LocationArea Peg Counts

The following is a list of peg counts for the LocationArea entity.

BORP1RES

Number of page responses received from Border MSC during the first local page attempt.

Data Source

SDM

Source Field

BORP1RES

Source Section

CDMAPGZN

BORP2RES

Number of page responses received from Border MSC during the second local page attempt.

Data Source

SDM

Source Field

BORP2RES

Source Section

CDMAPGZN

BORP3RES

Number of page responses received from Border MSC during the third local page attempt.

Data Source

SDM

Source Field

BORP3RES

Source Section

CDMAPGZX

MWI_FSYSRGRQ

This register measure the number of first page requests for a forced system wide paging.

Data Source

SDM

Source Field

FSYSPGRQ

Source Section

MWIZONPG

MWI_FSYSPTO

This register measures the number of Timeout after first page for a forced system wide paging.

Data Source

SDM

Source Field

FSYSPTO

Source Section

MWIZONPG

MWI_FSYSPRES

This register measures the number of first page responses for a forced system wide paging.

Data Source

SDM

Source Field

FSYSPRES

Source Section

MWIZONPG

MWI_PGZNRQ

This register measures the number of CDMA Page Zone requests on a initial MWI page. It is used in part to determine how effective the Page Zone attempt is on the first page.

Data Source

MTX OM, SDM

Source Field

PGZNREQ + 65536 * PGZNREQ2

Source Section

MWIZONPG

MWI_PGZNRES

This register measures the number of CDMA Page Zone responses from a initial MWI page. It is used to determine how effective the Page Zone attempt is on the first page.

Data Source

MTX OM, SDM

Source Field

PGZNRES + 65536 * PGZNRES2

Source Section

MWIZONPG

MWI_PGZNT0

This register measures the number of CDMA Page Zone timeouts on a initial MWI page. It is used to determine how effective the Page Zone attempt is on the first page.

Data Source

MTX OM, SDM

Source Field

PGZNT0

Source Section

MWIZONPG

MWI_REPGTO

This register measures the number of CDMA repage time outs for either a system or a zone MWI repage and is used in part to determine the effectiveness of the MWI repage attempt.

Data Source

MTX OM, SDM

Source Field

REPGTO

Source Section

MWIZONPG

MWI_RPGZNREQ

This register measures the number of MWI repage zone requests performed when the initial MWI Page Zone has timed out. It is used in to determine the effectiveness of the repage zone attempt.

Data Source

MTX OM, SDM

Source Field

RPGZNREQ + 65536 * RPGZNRQ2

Source Section

MWIZONPG

MWI_RPGZNRES

This register measures the number of MWI Page Zone responses from a zone MWI repage. It is used in part to determine the effectiveness of the zone repage attempt.

Data Source

MTX OM, SDM

Source Field

RPGZNRES + 65536 * RPGZNR2

Source Section

MWIZONPG

MWI_RPSYSRQ

This register measures the number of MWI system page retry request, for the orig zone. It is used in part to determine the number of out of Page Zone attempt is on the repage.

Data Source

MTX OM, SDM

Source Field

RPSYSRQ + 65536 * RPSYSRQ2

Source Section

MWIZONPG

MWI_RPSYSRS

This register measures the number of CDMA System Page responses from a system repage. It is used in part to determine how many in zone system Page responses are received.

Data Source

MTX OM, SDM

Source Field

RPSYSRS + 65536 * RPSYRS2

Source Section

MWIZONPG

PG3LPAT

Counts the number of attempts of a Zone plus List Page for the Third Page attempt.

Data Source

MTX OM, SDM

Source Field

PG3LPAT + 65536 * CDMAPGZX.PG3LPATX

Source Section

CDMAPGZN

PG3LPIR

Counts the number of page responses in Zone for a Zone plus List Page for the Third Page attempt.

Data Source

MTX OM, SDM

Source Field

PG3LPIR + 65536 * CDMAPGZX.PG3LPIRX

Source Section

CDMAPGZN

PG3LPOR

Counts the number of responses out of Zone for a Zone plus List Page for the Third Page attempt.

Data Source

MTX OM, SDM

Source Field

PG3LPOR + 65536 * CDMAPGZX.PG3LPORX

Source Section

CDMAPGZN

PG3SYSRI

Counts the number of page responses in Zone for a System Page on the Third Page attempt.

Data Source

MTX OM, SDM

Source Field

PG3SYSRI + 65536 * CDMAPGZX.PG3SYRIX

Source Section

CDMAPGZN

PG3SYSRO

Counts the number of page responses out of Zone for a System Page on the Third Page attempt.

Data Source

MTX OM, SDM

Source Field

PG3SYSRO + 65536 * CDMAPGZX.PG3SYROX

Source Section

CDMAPGZN

PG3SYSRQ

Counts the number of page attempts for a System Page for the Third Page attempt.

Data Source

MTX OM, SDM

Source Field

PG3SYSRQ + 65536 * CDMAPGZX.PG3SYRQX

Source Section

CDMAPGZN

PG3ZNAB

Counts the number of abandons on the Third Page attempt.

Data Source

MTX OM, SDM

Source Field

PG3ZNAB + 65536 * CDMAPGZX.PG3ZNABX

Source Section

CDMAPGZN

PG3ZNREQ

Counts the number of Zone page attempts on the Third Page attempt.

Data Source

MTX OM, SDM

Source Field

PG3ZNREQ + 65536 * CDMAPGZX.PG3ZNRQX

Source Section

CDMAPGZN

PG3ZNRES

Counts the number of page responses for a Zone Page on the Third Page attempt.

Data Source

MTX OM, SDM

Source Field

PG3ZNRES + 65536 * CDMAPGZX.PG3ZNREX

Source Section

CDMAPGZN

PG3ZNT0

Counts the number of time-outs on the Third Page attempt.

Data Source

MTX OM, SDM

Source Field

PG3ZNT0 + 65536 * CDMAPGZX.PG3ZNTX

Source Section

CDMAPGZN

PGZNAB

Counts the number of abandons on the First Page attempt.

Data Source

MTX OM, SDM

Source Field

PGZNAB + 65536 * CDMAPGZX.PGZNABX

Source Section

CDMAPGZN

PGZNIDR

Counts the number of In-Zone delayed page responses received for page attempt 1.

Data Source

MTX OM, SDM

Source Field

PGZNIDR

Source Section

CDMAPGZ2

PGZNLPAT

Counts the number of attempts of a Zone plus List Page for the First Page attempt.

Data Source

MTX OM, SDM

Source Field

PGZNLPAT + 65536 * CDMAPGZX.PGZNLPA

Source Section

CDMAPGZN

PGZNLPIR

Counts the number of page responses in Zone for a Zone plus List Page for the First Page attempt.

Data Source

MTX OM, SDM

Source Field

PGZNLPIR + 65536 * CDMAPGZX.PGZNLPIX

Source Section

CDMAPGZN

PGZNLPOR

Counts the number of responses out of Zone for a Zone plus List Page for the First Page attempt.

Data Source

MTX OM, SDM

Source Field

PGZNLPOR + 65536 * CDMAPGZX.PGZNLPOX

Source Section

CDMAPGZN

PGZNODR

Counts the number of Out-of-Zone delayed page responses received for page attempt 1.

Data Source

MTX OM, SDM

Source Field

PGZNODR

Source Section

CDMAPGZ2

PGZNREQ

Measures the number of CDMA Page Zone requests on an initial page

Data Source

MTX OM, SDM

Source Field

PGZNREQ + 65536 * CDMAPGZX.PGZNREQX

Source Section

CDMAPGZN

PGZNRES

Measures the number of CDMA Page Zone responses from an initial page

Data Source

MTX OM, SDM

Source Field

PGZNRES + 65536 * CDMAPGZX.PGZNRESX

Source Section

CDMAPGZN

PGZNSYIR

Counts the number of page responses in Zone for a System Page on the First Page attempt.

Data Source

MTX OM, SDM

Source Field

PGZNSYIR + 65536 * CDMAPGZX.PGZNSYIX

Source Section

CDMAPGZN

PGZNSYOR

Counts the number of page responses out of Zone for a System Page on the First Page attempt.

Data Source

MTX OM, SDM

Source Field

PGZNSYOR + 65536 * CDMAPGZX.PGZNSYOX

Source Section

CDMAPGZN

PGZNSYRQ

Counts the number of page attempts for a System Page for the First Page attempt.

Data Source

MTX OM, SDM

Source Field

PGZNSYRQ + 65536 * CDMAPGZX.PGZNSYRX

Source Section

CDMAPGZN

PGZNTO

Measures the number of CDMA Page Zone timeouts on an initial page

Data Source

MTX OM, SDM

Source Field

PGZNTO + 65536 * CDMAPGZX.PGZNTOX

Source Section

CDMAPGZN

PGZSDB3G

Measures the number of Page Zone Short Data Bursts for 3G Data Call

Data Source

MTX OM, SDM

Source Field

PGZSDB3G

Source Section

CDMAPGZN

REPGTO

Pegs when no response is received for a repage is done for a zone

Data Source

MTX OM, SDM

Source Field

REPGTO + 65536 * CDMAPGZX.REPGTOX

Source Section

CDMAPGZN

RPGLPAT

Counts the number of attempts of a Zone plus List Page for the Second Page attempt.

Data Source

MTX OM, SDM

Source Field

RPGLPAT + 65536 * CDMAPGZX.RPGLPATX

Source Section

CDMAPGZN

RPGLPIR

Counts the number of page responses in Zone for a Zone plus List Page for the Second Page attempt.

Data Source

MTX OM, SDM

Source Field

RPGLPIR + 65536 * CDMAPGZX.RPGLPIRX

Source Section

CDMAPGZN

RPGLPOR

Counts the number of responses out of Zone for a Zone plus List Page for the Second Page attempt.

Data Source

MTX OM, SDM

Source Field

RPGLPOR + 65536 * CDMAPGZX.RPGLPORX

Source Section

CDMAPGZN

RPGSYSTO

Measures the number of CDMA System Page timeouts on a repage

Data Source

MTX OM, SDM

Source Field

RPGSYSTO

Source Section

CDMAPGZN

RPGZNAB

Counts the number of abandons on the Second Page attempt.

Data Source

MTX OM, SDM

Source Field

RPGZNAB + 65536 * CDMAPGZX.RPGZNABX

Source Section

CDMAPGZN

RPGZNREQ

Measures # CDMA repage zone requests performed when initial Page Zone timed out

Data Source

MTX OM, SDM

Source Field

RPGZNRREQ + 65536 * CDMAPGZX.RPGZNRQX

Source Section

CDMAPGZN

RPGZNRRES

Measures the number of CDMA Page Zone responses from a zone repage

Data Source

MTX OM, SDM

Source Field

RPGZNRRES + 65536 * CDMAPGZX.RPGZNRQX

Source Section

CDMAPGZN

RPGZNTO

Measures the number of CDMA repage zone time outs on a repage

Data Source

MTX OM, SDM

Source Field

RPGZNTO

Source Section

CDMAPGZN

RPSYSRQ

Measures the number of CDMA out of zone repage requests

Data Source

MTX OM, SDM

Source Field

RPSYSRQ + 65536 * CDMAPGZX.RPSYSRQX

Source Section

CDMAPGZN

RPSYSRS

Number of system page retry responses

Data Source

MTX OM, SDM

Source Field

RPSYSRS

Source Section

CDMAPGZN

RPSYSRSI

Number of system page retry response that came within the original zone

Data Source

MTX OM, SDM

Source Field

RPSYSRSI + 65536 * CDMAPGZX.RPSYSRIX

Source Section

CDMAPGZN

RPSYSRSO

Number of system page retry response that came from outside the original zone

Data Source

MTX OM, SDM

Source Field

RPSYSRSO + 65536 * CDMAPGZX.RPSYSROX

Source Section

CDMAPGZN

RPZNIDR

Counts the number of In-Zone delayed page responses received for page attempt 2.

Data Source

MTX OM, SDM

Source Field

RPZNIDR

Source Section

CDMAPGZ2

RPZNODR

Counts the number of Out-of-Zone delayed page responses received for page attempt 2.

Data Source

MTX OM, SDM

Source Field

RPZNODR

Source Section

CDMAPGZ2

SMS_BORP1RES

This register measures the number of page responses from Border MSC for first page attempt.

Data Source

SDM

Source Field

BORP1RES

Source Section

SMSZONPG

SMS_BORP2RES

This register measures the number of page responses from Border MSC for second page attempt.

Data Source

SDM

Source Field

BORP2RES

Source Section

SMSZONPG

SMS_PGZNAB

This register counts the number of abandons on the First Page attempt and is only used on the Border System for incoming release abandons.

Data Source

MTX OM, SDM

Source Field

PGZNAB + 65536 * SMSZONPX.PGZNABX

Source Section

SMSZONPG

SMS_PGZNREQ

This register measures the number of CDMA Page Zone requests on a initial page. It is used in part to determine how effective the Page Zone attempt is on the first page.

Data Source

MTX OM, SDM

Source Field

PGZNREQ + 65536 * SMSZONPX.PGZNREQX

Source Section

SMSZONPG

SMS_PGZNRES

This register measures the number of CDMA Page Zone responses from a initial page. It is used to determine how effective the Page Zone attempt is on the first page.

Data Source

MTX OM, SDM

Source Field

PGZNRES + 65536 * SMSZONPX.PGZNRESX

Source Section

SMSZONPG

SMS_PGZNSYIR

This register counts the number of page responses in Zone for a System page on the First Page attempt.

Data Source

MTX OM, SDM

Source Field

PGZNSYIR + 65536 * SMSZONPX.PGZNSYIX

Source Section

SMSZONPG

SMS_PGZNSYOR

This register counts the number of page responses out of Zone for a System page on the First Page attempt.

Data Source

MTX OM, SDM

Source Field

PGZNSYOR + 65536 * SMSZONPX.PGZNSYOX

Source Section

SMSZONPG

SMS_PGZNSYRQ

This register counts the number of page attempts for a System page for the First Page attempt.

Data Source

MTX OM, SDM

Source Field

PGZNSYRQ + 65536 * SMSZONPX.PGZNSYRX

Source Section

SMSZONPG

SMS_PGZNTO

This register measures the number of CDMA Page Zone timeouts on a initial page. It is used to determine how effective the Page Zone attempt is on the first page.

Data Source

MTX OM, SDM

Source Field

PGZNTO + 65536 * SMSZONPX.PGZNTOX

Source Section

SMSZONPG

SMS_PGZSDB3G

This register will be pegged for any SDB attempts from a mobile.

Data Source

MTX OM, SDM

Source Field

PGZSDB3G

Source Section

SMSZONPG

SMS_REPGTO

This register measures the number of system or zone retry time-out for the original zone.

Data Source

MTX OM, SDM

Source Field

REPGTO + 65536 * SMSZONPX.REPGTOX

Source Section

SMSZONPG

SMS_RPGZNAB

This register counts the number of abandons on the Second Page attempt and is only used on the Border System for incoming release abandons.

Data Source

MTX OM, SDM

Source Field

RPGZNAB + 65536 * SMSZONPX.RPGZNABX

Source Section

SMSZONPG

SMS_RPGZNREQ

This register measures the number of CDMA repage zone requests performed when the initial Page Zone has timed out. It is used in to determine the effectiveness of the repage zone attempt.

Data Source

MTX OM, SDM

Source Field

RPGZNREQ + 65536 * SMSZONPX.RPGZNRQX

Source Section

SMSZONPG

SMS_RPGZNRES

This register measures the number of CDMA Page Zone responses from a zone repage. It is used in part to determine the effectiveness of the zone repage attempt.

Data Source

MTX OM, SDM

Source Field

RPGZNRES + 65536 * SMSZONPX.RPGZNRX

Source Section

SMSZONPG

SMS_RPSYSRQ

This register measures the number of CDMA out of zone repage requests. It is used in part to determine the number of out of Page Zone attempt is on the repage.

Data Source

MTX OM, SDM

Source Field

RPSYSRQ + 65536 * SMSZONPX.RPSYSRQX

Source Section

SMSZONPG

SMS_RPSYSRS

This register measures the number of CDMA System Page responses from a system repage. It is used in part to determine how many in zone system Page responses are received.

Data Source

MTX OM, SDM

Source Field

RPSYSRS

Source Section

SMSZONPG

SMS_RPSYSRSI

This register counts the number of page responses in Zone for a System page on the Second Page attempt.

Data Source

MTX OM, SDM

Source Field

RPSYSRSI + 65536 * SMSZONPX.RPSYSRIX

Source Section

SMSZONPG

SMS_RPSYSRSO

This register counts the number of page responses out of Zone for a System page on the Second Page attempt.

Data Source

MTX OM, SDM

Source Field

RPSYSRSO + 65536 * SMSZONPX.RPSYSROX

Source Section

SMSZONPG

MG_CARD Primitive Calculations

The following is a list of primitive calculations for the MG_CARD entity.

GRAPHmultiLineSeparator

Special Control Field for Multi-Line Graphs

Calculation

""

NUMDAYS

of days in Report

Calculation

DAYSINREPORT ()

NUMHOURS

of hours in Summation Data

Calculation

MG_CARD Peg Counts

The following is a list of peg counts for the MG_CARD entity.

CARDUTILAVG

Average CPU utilization.

Data Source

SN07 NTM

Source Section

NTM Statistics

Source Field

CARDUTILAVG

LMBUTIL

Average percentage of local message blocks in use

Data Source

SN07 NTM

Source Section

NTM Statistics

Source Field

LMBUTIL

MG_FABRIC_CARD Primitive Calculations

The following is a list of primitive calculations for the MG_FABRIC_CARD entity.

GRAPHmultiLineSeparator

Special Control Field for Multi-Line Graphs

Calculation

""

NUMDAYS

of days in Report

Calculation

DAYSINREPORT ()

NUMHOURS

of hours in Summation Data

Calculation

MG_FABRIC_CARD Peg Counts

The following is a list of peg counts for the MG_FABRIC_CARD entity.

MAXTEMP

Maximum temperature in degrees Celsius of the fabric card during the last interval

Data Source

SN07 NTM

Source Section

NTM Statistics

Source Field

MAXTEMP

MG_IP_Interface Primitive Calculations

The following is a list of primitive calculations for the MG_IP_Interface entity.

GRAPHmultiLineSeparator

Special Control Field for Multi-Line Graphs

Calculation

""

NUMDAYS

of days in Report

Calculation

DAYSINREPORT ()

NUMHOURS

of hours in Summation Data

Calculation

MG_IP_Interface Peg Counts

The following is a list of peg counts for the MG_IP_Interface entity.

INARPPACKETSLOCAL

The number of ARP packets destined for the shelf

Data Source

SN07 NTM

Source Section

NTM Statistics

Source Field

INARPPACKETSLOCAL

INBYTES

The total number of bytes incoming to the physical interface during the last interval.

Data Source

SN07 NTM

Source Section

NTM Statistics

Source Field

INBYTES

INFWDEXCEPTIONS

The number of packets received that have a forwarding exception

Data Source

SN07 NTM

Source Section

NTM Statistics

Source Field

INFWDEXCEPTIONS

INICMPPACKETSLOCAL

The number of ICMP packets destined for the shelf

Data Source

SN07 NTM

Source Section

NTM Statistics

Source Field

INICMPPACKETSLOCAL

INLOCALEXCEPTIONS

The number of packets received that require exception handling

Data Source

SN07 NTM

Source Section

NTM Statistics

Source Field

INLOCALEXCEPTIONS

INOSPFPACKETSLOCAL

The number of OSPF packets destined for the shelf

Data Source

SN07 NTM

Source Section

NTM Statistics

Source Field

INOSPFPACKETSLOCAL

INOTHERPACKETSLOCAL

The number of other packets destined for the shelf

Data Source

SN07 NTM

Source Section

NTM Statistics

Source Field

INOTHERPACKETSLOCAL

INPACKETS

The total number of packets incoming to the interface during the last interval.

Data Source

SN07 NTM

Source Section

NTM Statistics

Source Field

INPACKETS

INPACKETSDIS

The number of malformed IP packets incoming to the interface during the last interval.

Data Source

SN07 NTM

Source Section

NTM Statistics

Source Field

INPACKETSDIS

INTCPPACKETSLOCAL

The number of TCP packets destined for the shelf

Data Source

SN07 NTM

Source Section

NTM Statistics

Source Field

INTCPPACKETSLOCAL

INUDPPACKETSLOCAL

The number of UDP packets destined for the shelf

Data Source

SN07 NTM

Source Section

NTM Statistics

Source Field

INUDPPACKETSLOCAL

IPLINKCAP

The maximum bandwidth of an ATM interface.

Data Source

SN07 NTM

Source Section

NTM Statistics

Source Field

IPLINKCAP

OUTARPPACKETSLOCAL

The number of ARP packets leaving the IP interface

Data Source

SN07 NTM

Source Section

NTM Statistics

Source Field

OUTARPPACKETSLOCAL

OUTBYTES

The total number of bytes outgoing to the physical interface during the last interval.

Data Source

SN07 NTM

Source Section

NTM Statistics

Source Field

OUTBYTES

OUTICMPPACKETSLOCAL

The number of ICMP packets leaving the IP interface

Data Source

SN07 NTM

Source Section

NTM Statistics

Source Field

OUTICMPPACKETSLOCAL

OUTOSPFPACKETSLOCAL

The number of OSPF packets leaving the IP interface

Data Source

SN07 NTM

Source Section

NTM Statistics

Source Field

OUTOSPFPACKETSLOCAL

OUTOTHERPACKETSLOCAL

The number of other packets leaving the IP interface

Data Source

SN07 NTM

Source Section

NTM Statistics

Source Field

OUTOTHERPACKETSLOCAL

OUTPACKETS

The total number of packets outgoing to the interface during the last interval.

Data Source

SN07 NTM

Source Section

NTM Statistics

Source Field

OUTPACKETS

OUTPACKETSDIS

The number of packets attempting to exit the interface but which are rejected instead during the last interval.

Data Source

SN07 NTM

Source Section

NTM Statistics

Source Field

OUTPACKETSDIS

OUTTCPPACKETSLOCAL

The number of TCP packets leaving the IP interface

Data Source

SN07 NTM

Source Section

NTM Statistics

Source Field

OUTTCPPACKETSLOCAL

OUTUDPPACKETSLOCAL

The number of UDP packets leaving the IP interface

Data Source

SN07 NTM

Source Section

NTM Statistics

Source Field

OUTUDPPACKETSLOCAL

MG_VSP_CARD Primitive Calculations

The following is a list of primitive calculations for the MG_VSP_CARD entity.

GRAPHmultiLineSeparator

Special Control Field for Multi-Line Graphs

Calculation

""

NUMDAYS

of days in Report

Calculation

DAYSINREPORT ()

NUMHOURS

of hours in Summation Data

Calculation

PVG_AvgHoldTime

Average call holding time (seconds)

Calculation

((ACTIVECALLAVG / CALLSETUPS) * 1800)

PVG_CCS

PVG usage in CCS

Calculation

(ACTIVECALLAVG * 36)

MG_VSP_CARD Peg Counts

The following is a list of peg counts for the MG_VSP_CARD entity.

ACTIVECALLAVG

The average number of active media calls.

Data Source

SN07 NTM

Source Section

NTM Statistics

Source Field

ACTIVECALLAVG

ACTIVECALLMAX

The maximum number of active media calls.

Data Source

SN07 NTM

Source Section

NTM Statistics

Source Field

ACTIVECALLMAX

ACTIVECALLMIN

The minimum number of active media calls.

Data Source

SN07 NTM

Source Section

NTM Statistics

Source Field

ACTIVECALLMIN

CALLFAILSNET

The number of connections lost to Gatewaydetectable network failures in the IP core.

Data Source

SN07 NTM

Source Section

NTM Statistics

Source Field

CALLFAILSNET

CALLFAILTDM

The number of connections lost due to failure of a time division multiplexing (TDM) port.

Data Source

SN07 NTM

Source Section

NTM Statistics

Source Field

CALLFAILTDM

CALLSETUPS

The number of media connections successfully established by this Media Gateway card, and acknowledged by the media gateway controller.

Data Source

SN07 NTM

Source Section

NTM Statistics

Source Field

CALLSETUPS

CONGSECS

The number of seconds during which new media connection requests are rejected because the Media Gateway card is busy.

Data Source

SN07 NTM

Source Section

NTM Statistics

Source Field

CONGSECS

DIGITREJECT

The number of digit collection requests rejected because of lack of resources.

Data Source

SN07 NTM

Source Section

NTM Statistics

Source Field

DIGITREJECT

FAILOVERS

The number of times a Media Gateway card performs fail-over procedures and attempts contact with another controller, since an H.248 component is activated.

Data Source

SN07 NTM

Source Section

NTM Statistics

Source Field

FAILOVERS

INH248RETRAN

The number of media gateway control (MGC) protocol retransmissions sent by the Media Gateway card.

Data Source

SN07 NTM

Source Section

NTM Statistics

Source Field

INH248RETRAN

OUTH248RETRAN

The number of media gateway control (MGC) protocol retransmissions by the Media Gateway card.

Data Source

SN07 NTM

Source Section

NTM Statistics

Source Field

OUTH248RETRAN

OVLDCMDSREJECTED

The number of control protocol commands that are rejected due to overload of the input message buffer.

Data Source

SN07 NTM

Source Section

NTM Statistics

Source Field

OVLDCMDSREJECTED

MG_VSP_PROCBLOCK Primitive Calculations

The following is a list of primitive calculations for the MG_VSP_PROCBLOCK entity.

GRAPHmultiLineSeparator

Special Control Field for Multi-Line Graphs

Calculation

""

NUMDAYS

of days in Report

Calculation

DAYSINREPORT ()

NUMHOURS

of hours in Summation Data

Calculation

MG_VSP_PROCBLOCK Peg Counts

The following is a list of peg counts for the MG_VSP_PROCBLOCK entity.

VSPUTILAVG

The average CPU utilization of the on-board processor on the VSP card.

Data Source

SN07 NTM

Source Section

NTM Statistics

Source Field

VSPUTILAVG

MobileManufacCode Primitive Calculations

The following is a list of primitive calculations for the MobileManufacCode entity.

GRAPHmultiLineSeparator

Special Control Field for Multi-Line Graphs

Calculation

""

NUMDAYS

of days in Report

Calculation

DAYSINREPORT ()

NUMHOURS

of hours in Summation Data

Calculation

MobProtocolVer Primitive Calculations

The following is a list of primitive calculations for the MobProtocolVer entity.

GRAPHmultiLineSeparator

Special Control Field for Multi-Line Graphs

Calculation

""

NUMDAYS

of days in Report

Calculation

DAYSINREPORT ()

NUMHOURS

of hours in Summation Data

Calculation

MobProtocolVer Peg Counts

The following is a list of peg counts for the MobProtocolVer entity.

DPGRES1

Number of CDMA first Page Attempts that received delayed responses during the second or third page attempts.

Data Source

MTX OM, SDM

Source Field

DPGRES1

Source Section

CDMAPAGE

DPGRES2

Number of CDMA second Page Attempts that received delayed responses during the third page attempt.

Data Source

MTX OM, SDM

Source Field

DPGRES2

Source Section

CDMAPAGE

ORGTRM1

Page request Release for the first page

Data Source

MTX OM, SDM

Source Field

ORGTRM1 + 65536 * ORGTRM1X

Source Section

CDMAPAGE

ORGTRM2

Page request Release for the first page

Data Source

MTX OM, SDM

Source Field

ORGTRM2 + 65536 * ORGTRM2X

Source Section

CDMAPAGE

ORGTRM3

Page request Release for the third page

Data Source

MTX OM, SDM

Source Field

ORGTRM3 + 65536 * ORGTRM3X

Source Section

CDMAPAGE

PGATTM1

First page requests

Data Source

MTX OM, SDM

Source Field

PGATTM1 + 65536 * PGATTM1X

Source Section

CDMAPAGE

PGATTM2

Second page requests

Data Source

MTX OM, SDM

Source Field

PGATTM2 + 65536 * PGATTM2X

Source Section

CDMAPAGE

PGATTM3

Third page requests

Data Source

MTX OM, SDM

Source Field

PGATTM3 + 65536 * PGATTM3X

Source Section

CDMAPAGE

PGRESP1

Page responses for the first page attempt

Data Source

MTX OM, SDM

Source Field

PGRESP1 + 65536 * PGRESP1X

Source Section

CDMAPAGE

PGRESP2

Page responses for the first page attempt

Data Source

MTX OM, SDM

Source Field

PGRESP2 + 65536 * PGRESP2X

Source Section

CDMAPAGE

PGRESP3

Page responses for the third page attempt

Data Source

MTX OM, SDM

Source Field

PGRESP3 + 65536 * PGRESP3X

Source Section

CDMAPAGE

PGTMOT1

Timeout for the first page

Data Source

MTX OM, SDM

Source Field

PGTMOT1 + 65536 * PGTMOT1X

Source Section

CDMAPAGE

PGTMOT2

Timeout for the first page

Data Source

MTX OM, SDM

Source Field

PGTMOT2 + 65536 * PGTMOT2X

Source Section

CDMAPAGE

PGTMOT3

Timeout for the third page

Data Source

MTX OM, SDM

Source Field

PGTMOT3 + 65536 * PGTMOT3X

Source Section

CDMAPAGE

MPC Primitive Calculations

The following is a list of primitive calculations for the MPC entity.

GRAPHmultiLineSeparator

Special Control Field for Multi-Line Graphs

Calculation

""

NUMDAYS

of days in Report

Calculation

DAYSINREPORT ()

NUMHOURS

of hours in Summation Data

Calculation

MPC Peg Counts

The following is a list of peg counts for the MPC entity.

L2LACKTO

link 2 link acknowledgment timeout

Data Source

MTX OM, SDM

Source Field

L2LACKTO

Source Section

MPCLINK2

L2LDISC

link 2 link disconnect

Data Source

MTX OM, SDM

Source Field

L2LDISC

Source Section

MPCLINK2

L2LDOWN

link 2 link down

Data Source

MTX OM, SDM

Source Field

L2LDOWN

Source Section

MPCLINK2

L2LLVIO

link 2 link local violations

Data Source

MTX OM, SDM

Source Field

L2LLVIO

Source Section

MPCLINK2

L2LRCV

link 2 messages received

Data Source

MTX OM, SDM

Source Field

L2LRCV

Source Section

MPCLINK2

L2LRVIO

link 2 link remote violations

Data Source

MTX OM, SDM

Source Field

L2LRVIO

Source Section

MPCLINK2

L2LRXMIT

link 2 link retransmission

Data Source

MTX OM, SDM

Source Field

L2LRXMIT

Source Section

MPCLINK2

L2LSETUP

link 2 link setup

Data Source

MTX OM, SDM

Source Field

L2LSETUP

Source Section

MPCLINK2

L2LXMIT

link 2 messages transmitted

Data Source

MTX OM, SDM

Source Field

L2LXMIT

Source Section

MPCLINK2

L2MSGLST

link 2 messages lost

Data Source

MTX OM, SDM

Source Field

L2MSGLST

Source Section

MPCLINK2

L2NURCV

link 2 user data received

Data Source

MTX OM, SDM

Source Field

L2NURCV

Source Section

MPCLINK2

L2NUXMIT

link 2 link user data transmitted

Data Source

MTX OM, SDM

Source Field

L2NUXMIT

Source Section

MPCLINK2

L2PABORT

physical abort on link 2

Data Source

MTX OM, SDM

Source Field

L2PABORT

Source Section

MPCLINK2

L2PDOWN

link 2 physical time down

Data Source

MTX OM, SDM

Source Field

L2PDOWN

Source Section

MPCLINK2

L2PHWERR

link 2 physical hardware error

Data Source

MTX OM, SDM

Source Field

L2PHWERR

Source Section

MPCLINK2

L2PSYNC

link 2 physical synchronization error

Data Source

MTX OM, SDM

Source Field

L2PSYNC

Source Section

MPCLINK2

L3LACKTO

link 3 link acknowledgment timeout

Data Source

MTX OM, SDM

Source Field

L3LACKTO

Source Section

MPCLINK3

L3LDISC

link 3 link disconnect

Data Source

MTX OM, SDM

Source Field

L3LDISC

Source Section

MPCLINK3

L3LDOWN

link 3 link down

Data Source

MTX OM, SDM

Source Field

L3LDOWN

Source Section

MPCLINK3

L3LLVIO

link 3 link local violations

Data Source

MTX OM, SDM

Source Field

L3LLVIO

Source Section

MPCLINK3

L3LRCV

link 3 messages received

Data Source

MTX OM, SDM

Source Field

L3LRCV

Source Section

MPCLINK3

L3LRVIO

link 3 link remote violations

Data Source

MTX OM, SDM

Source Field

L3LRVIO

Source Section

MPCLINK3

L3LRXMIT

link 3 link retransmission

Data Source

MTX OM, SDM

Source Field

L3LRXMIT

Source Section

MPCLINK3

L3LSETUP

link 3 link setup

Data Source

MTX OM, SDM

Source Field

L3LSETUP

Source Section

MPCLINK3

L3LXMIT

link 3 messages transmitted

Data Source

MTX OM, SDM

Source Field

L3LXMIT

Source Section

MPCLINK3

L3MSGLST

link 3 messages lost

Data Source

MTX OM, SDM

Source Field

L3MSGLST

Source Section

MPCLINK3

L3NURCV

link 3 user data received

Data Source

MTX OM, SDM

Source Field

L3NURCV

Source Section

MPCLINK3

L3NUXMIT

link 3 user data transmitted

Data Source

MTX OM, SDM

Source Field

L3NUXMIT

Source Section

MPCLINK3

L3PABORT

link 3 physical abort

Data Source

MTX OM, SDM

Source Field

L3PABORT

Source Section

MPCLINK3

L3PDOWN

link 3 physical time down

Data Source

MTX OM, SDM

Source Field

L3PDOWN

Source Section

MPCLINK3

L3PHWERR

link 3 physical hardware error

Data Source

MTX OM, SDM

Source Field

L3PHWERR

Source Section

MPCLINK3

L3PSYNC

link 3 physical synchronization error

Data Source

MTX OM, SDM

Source Field

L3PSYNC

Source Section

MPCLINK3

MSC Primitive Calculations

The following is a list of primitive calculations for the MSC entity.

BSCFails

Call setup failures due to BSC time-out and software faults

Calculation

`(vsum(sum(PM,RMSRMNAK), sum(PM,RMSRMTO),
sum(BSC.BTS.BTS_Cell.Cell_Sector,CAUESWFL),0))`

COTPNOT

Cdma OTaPa NOTification

Calculation

`(COTAPNOT)`

GetTerminalAttSuccOFC

Number of successful attempts to get DPT terminal

Calculation

`(DPGTAT - DPGTFL - DPGTFLO)`

GRAPHmultiLineSeparator

Special Control Field for Multi-Line Graphs

Calculation

`""`

INVATT

Invalid call attempts for all call types (2G, 3G voice and Packet calls).

Calculation

`vsum (INVATT_2G, INVATT_3GV, INVATT_Packet, PM.INVATT, 0)`

MCFDOFR

Pegged when the opportunity to forward the call is detected by the MSC

Calculation

`(MCFDOFR)`

MiscBlocks

Call setup failures due to miscellaneous reasons

Calculation

`(vsum(sum(BSC.BTS.BTS_Cell.Cell_Sector,CAUOBLKS),
sum(BSC.BTS.BTS_Cell.Cell_Sector,CAUTBLKS),
sum(BSC.BTS.BTS_Cell.Cell_Sector,CAUHBLKS),0) -
(vsum(sum(BSC.BTS.BTS_Cell.Cell_Sector,CAUERSFL), sum(PM,RMNORREQ),`

```
sum (PM,RMSRMNAK) , sum (PM,RMSRMT0) ,  
sum (BSC.BTS.BTS_Cell.Cell_Sector,CAUESWFL) ,0))
```

NORESSO

Attempts where there are no resources provisioned but the user is authorized, for all call types (2G, 3G voice and Packet calls).

Calculation

```
vsum (NORESSO_2G, NORESSO_3GV, NORESSO_Packet, PM.NORESSO, 0)
```

NUMDAYS

of days in Report

Calculation

```
DAYSINREPORT ()
```

NUMHOURS

of hours in Summation Data

Calculation

OTAORIGA

OTA origination attempt

Calculation

```
(OTAORIGA)
```

pBSCFails

Call setup failure percentage due to BSC time-outs and software faults

Calculation

```
(100.0 * BSCFails / vsum(sum(BSC.BTS.BTS_Cell.Cell_Sector,CAUOATTS) ,  
sum (BSC.BTS.BTS_Cell.Cell_Sector,CAUPGRES) ,  
sum (BSC.BTS.BTS_Cell.Cell_Sector,CAUHATTS) ,0))
```

pCDMACallDelivery

CDMA Call Delivery Percentage

Calculation

```
vsum (CDMAPRS1, CDMAPRS2, CDMAPRS3, IS41.ISETIVOG, CDPG1RES, CDPG2RES,  
CDPG3RES) * 100.0 / vsum (CDMAPREQ, CDPG1REQ, CDPG2REQ, CDPG3REQ)
```

pGetTerminalAttSuccOFC

Percentage of successful attempts to get a DPT Terminal

Calculation

```
vsum (DPGTAT, -1 * DPGTFL, -1 * DPGTFLO, 0) * 100.0 / DPGTAT
```

pMiscBlocks

Call setup failure percentage due to miscellaneous reasons

Calculation

```
(100.0 * MiscBlocks / vsum(sum(BSC.BTS.BTS_Cell.Cell_Sector,CAUOATTS),  
sum(BSC.BTS.BTS_Cell.Cell_Sector,CAUPGRES),  
sum(BSC.BTS.BTS_Cell.Cell_Sector,CAUHATTS),0))
```

pPSTNBlock

Percentage of calls the system routes to the generalized no circuit treatment

Calculation

```
(100.0 * TRSGNCT / vsum(sum(BSC.BTS.BTS_Cell.Cell_Sector,CAUOSUCC),  
sum(BSC.BTS.BTS_Cell.Cell_Sector,CAUTSUCC),  
sum(BSC.BTS.BTS_Cell.Cell_Sector,CAUHSUCC),0))
```

proc_type

Processor Type - pcal of processor_type

Calculation

```
processor_type
```

pSBSBlocks

SBS resource allocation request failure percentage due to lack of resources

Calculation

```
(100.0 * SBSBlocks / vsum(sum(BSC.BTS.BTS_Cell.Cell_Sector,CAUOATTS),  
sum(BSC.BTS.BTS_Cell.Cell_Sector,CAUPGRES),  
sum(BSC.BTS.BTS_Cell.Cell_Sector,CAUHATTS),0))
```

PSTNBlock

Number of calls the system routes to the generalized no circuit treatment

Calculation

```
(TRSGNCT)
```

RFLossPerErlg

RF Losses per Erlang of Usage

Calculation

$$(1.0 * (\text{sum}(\text{Cell.Sector}, \text{RFLossQ})) / (\text{sum}(\text{TrunkGroup}, \text{TfUsage})))$$

SBSBlocks

SBS resource allocation request failure due to lack of resources

Calculation

$$\text{sum}(\text{PM}, \text{RMNORREQ})$$

TRKOFAIL

Call setup failures due to PSTN blocking for all call types.

Calculation

$$\text{vsum}(\text{TRKOFAIL_2G}, \text{TRKOFAIL_3GV}, \text{TRKOFAIL_Packet}, \text{PM.TRKOFAIL}, 0)$$

UNSUBSO

User requested a service option that is not authorized for this user for all call types.

Calculation

$$\text{vsum}(\text{UNSUBSO_2G}, \text{UNSUBSO_3GV}, \text{UNSUBSO_Packet}, \text{PM.UNSUBSO}, 0)$$

XACMIC

Number of CMIC packet faults detected on the XA-Core.

Calculation

$$(\text{XCMIC})$$

XARTIF

Number of RTIF packet faults detected on the XA-Core system.

Calculation

$$(\text{XRTIF})$$

MSC Peg Counts

The following is a list of peg counts for the MSC entity.

A2FACH

This register tracks the number of A2 interface connection setup failures after the mobile arrives on the traffic channel. This OM is pegged when an error descriptor is present in the H.248 Modify Reply message from the MGW with the termination ID validated. The error occurs on the BSC-facing endpoint during origination, termination, or hard handoff.

Data Source

SDM

Source Field

A2FACH

Source Section

MTXMGSYS

A2FBCHH

This register tracks the number of A2 interface connection setup failures during hard handoff and before the mobile arrives on the traffic channel. This OM is pegged when an error descriptor is present in the H.248 Add Reply message from the MGW received on the BSC-facing endpoint during originator or terminator hard handoffs.

Data Source

SDM

Source Field

A2FBCHH

Source Section

MTXMGSYS

A2FBCHO

This register tracks the number of A2 interface connection setup failures during origination and before the mobile arrives on the traffic channel. This OM is pegged when an error descriptor is present in the H.248 Add Reply message from the MGW received on the BSC-facing endpoint during origination.

Data Source

SDM

Source Field

A2FBCHO

Source Section

MTXMGSYS

A2FBCHT

This register tracks the number of A2 interface connection setup failures during termination and before the mobile arrives on the traffic channel. This OM is pegged when an error descriptor is present in the H.248 Add Reply message from the MGW received on the BSC-facing endpoint during termination.

Data Source

SDM

Source Field

A2FBCHT

Source Section

MTXMGSYS

ACCLLCT

Account code collect

Data Source

MTX OM, SDM

Source Field

ACCLLCT

Source Section

OMMTXSYS

ACCPREDL

Account code collected pre dialing

Data Source

MTX OM, SDM

Source Field

ACCPREDL

Source Section

OMMTXSYS

ACT100_B95%lim

Indicates the 95% background limit (ms)

Data Source

MTX Log

Source Field

B95%lim

Source Section

ACT100

ACT100_BAvgDel

The background average delay (ms)

Data Source

MTX Log

Source Field

BAvgDel

Source Section

ACT100

ACT100_Catmphr

Number of call attempts per hour

Data Source

MTX Log

Source Field

Catmphr

Source Section

ACT100

ACT100_Catmphr1

Number of call attempts per hour Sample1

Data Source

MTX Log

Source Field

Catmphr

Source Section

ACT100

ACT100_Catmphr10

Number of call attempts per hour Sample10

Data Source

MTX Log

Source Field

Catmphr

Source Section

ACT100

ACT100_Catmphr11

Number of call attempts per hour Sample11

Data Source

MTX Log

Source Field

Catmphr

Source Section

ACT100

ACT100_Catmphr12

Number of call attempts per hour Sample12

Data Source

MTX Log

Source Field

Catmphr

Source Section

ACT100

ACT100_Catmphr13

Number of call attempts per hour Sample13

Data Source

MTX Log

Source Field

Catmphr

Source Section

ACT100

ACT100_Catmphr14

Number of call attempts per hour Sample14

Data Source

MTX Log

Source Field

Catmphr

Source Section

ACT100

ACT100_Catmphr15

Number of call attempts per hour Sample15

Data Source

MTX Log

Source Field

Catmphr

Source Section

ACT100

ACT100_Catmphr2

Number of call attempts per hour Sample2

Data Source

MTX Log

Source Field

Catmphr

Source Section

ACT100

ACT100_Catmphr3

Number of call attempts per hour Sample3

Data Source

MTX Log

Source Field

Catmphr

Source Section

ACT100

ACT100_Catmphr4

Number of call attempts per hour Sample4

Data Source

MTX Log

Source Field

Catmphr

Source Section

ACT100

ACT100_Catmphr5

Number of call attempts per hour Sample5

Data Source

MTX Log

Source Field

Catmphr

Source Section

ACT100

ACT100_Catmphr6

Number of call attempts per hour Sample6

Data Source

MTX Log

Source Field

Catmphr

Source Section

ACT100

ACT100_Catmphr7

Number of call attempts per hour Sample7

Data Source

MTX Log

Source Field

Catmphr

Source Section

ACT100

ACT100_Catmphr8

Number of call attempts per hour Sample8

Data Source

MTX Log

Source Field

Catmphr

Source Section

ACT100

ACT100_Catmphr9

Number of call attempts per hour Sample9

Data Source

MTX Log

Source Field

Catmphr

Source Section

ACT100

ACT100_Conctr

The connection ratio of calls (percent)

Data Source

MTX Log

Source Field

Conctr

Source Section

ACT100

ACT100_Cploovfl

The number of CP letter origination overflows, origination messages denied a CP letter.

Data Source

MTX Log

Source Field

Cploovfl

Source Section

ACT100

ACT100_Cpocc

Processing CPU occupancy and percentage of direct CPU that the call processing function uses

Data Source

MTX Log

Source Field

Cpocc

Source Section

ACT100

ACT100_Cpocc1

Processing CPU occupancy and percentage of direct CPU that the call processing function uses
Sample 1

Data Source

MTX Log

Source Field

Cpocc

Source Section

ACT100

ACT100_Cpocc10

Processing CPU occupancy and percentage of direct CPU that the call processing function uses
Sample 10

Data Source

MTX Log

Source Field

Cpocc

Source Section

ACT100

ACT100_Cpocc11

Processing CPU occupancy and percentage of direct CPU that the call processing function uses
Sample 11

Data Source

MTX Log

Source Field

Cpocc

Source Section

ACT100

ACT100_Cpocc12

Processing CPU occupancy and percentage of direct CPU that the call processing function uses
Sample 12

Data Source

MTX Log

Source Field

Cpocc

Source Section

ACT100

ACT100_Cpocc13

Processing CPU occupancy and percentage of direct CPU that the call processing function uses
Sample 13

Data Source

MTX Log

Source Field

Cpocc

Source Section

ACT100

ACT100_Cpocc14

Processing CPU occupancy and percentage of direct CPU that the call processing function uses
Sample 14

Data Source

MTX Log

Source Field

Cpocc

Source Section

ACT100

ACT100_Cpocc15

Processing CPU occupancy and percentage of direct CPU that the call processing function uses
Sample 15

Data Source

MTX Log

Source Field

Cpocc

Source Section

ACT100

ACT100_Cpocc2

Processing CPU occupancy and percentage of direct CPU that the call processing function uses
Sample 2

Data Source

MTX Log

Source Field

Cpocc

Source Section

ACT100

ACT100_Cpocc3

Processing CPU occupancy and percentage of direct CPU that the call processing function uses
Sample 3

Data Source

MTX Log

Source Field

Cpocc

Source Section

ACT100

ACT100_Cpocc4

Processing CPU occupancy and percentage of direct CPU that the call processing function uses
Sample 4

Data Source

MTX Log

Source Field

Cpocc

Source Section

ACT100

ACT100_Cpocc5

Processing CPU occupancy and percentage of direct CPU that the call processing function uses
Sample 5

Data Source

MTX Log

Source Field

Cpocc

Source Section

ACT100

ACT100_Cpocc6

Processing CPU occupancy and percentage of direct CPU that the call processing function uses
Sample 6

Data Source

MTX Log

Source Field

Cpocc

Source Section

ACT100

ACT100_Cpocc7

Processing CPU occupancy and percentage of direct CPU that the call processing function uses
Sample 7

Data Source

MTX Log

Source Field

Cpocc

Source Section

ACT100

ACT100_Cpocc8

Processing CPU occupancy and percentage of direct CPU that the call processing function uses
Sample 8

Data Source

MTX Log

Source Field

Cpocc

Source Section

ACT100

ACT100_Cpocc9

Processing CPU occupancy and percentage of direct CPU that the call processing function uses
Sample 9

Data Source

MTX Log

Source Field

Cpocc

Source Section

ACT100

ACT100_Cpsuic

Number of call suicides

Data Source

MTX Log

Source Field

Cpsuic

Source Section

ACT100

ACT100_CPtrap

The number of CP traps.

Data Source

MTX Log

Source Field

CPtrap

Source Section

ACT100

ACT100_Inefdeny

The number of ineffective denials, when an originating call was denied because of a pending abandon.

Data Source

MTX Log

Source Field

Inefdeny

Source Section

ACT100

ACT100_LCMdtsr

The percentage of calls, originated in a LCM, that wait longer than 3s between off-hook and dial tone.

Data Source

MTX Log

Source Field

LCMdtsr

Source Section

ACT100

ACT100_LMdtsr

The percentage of calls, originated in an LM, that wait longer than 3s between off-hook and dial tone.

Data Source

MTX Log

Source Field

LMdtsr

Source Section

ACT100

ACT100_Lorig

Number of call originations on line

Data Source

MTX Log

Source Field

Lorig

Source Section

ACT100

ACT100_O95%lim

Indicates the 95% originating limit (ms)

Data Source

MTX Log

Source Field

O95%lim

Source Section

ACT100

ACT100_O95plim1

Indicates the 95% originating limit (ms) Sample1

Data Source

MTX Log

Source Field

O95%lim

Source Section

ACT100

ACT100_O95plim10

Indicates the 95% originating limit (ms) Sample10

Data Source

MTX Log

Source Field

O95%lim

Source Section

ACT100

ACT100_O95plim11

Indicates the 95% originating limit (ms) Sample11

Data Source

MTX Log

Source Field

O95%lim

Source Section

ACT100

ACT100_O95plim12

Indicates the 95% originating limit (ms) Sample12

Data Source

MTX Log

Source Field

O95%lim

Source Section

ACT100

ACT100_O95plim13

Indicates the 95% originating limit (ms) Sample13

Data Source

MTX Log

Source Field

O95%lim

Source Section

ACT100

ACT100_O95plim14

Indicates the 95% originating limit (ms) Sample14

Data Source

MTX Log

Source Field

O95%lim

Source Section

ACT100

ACT100_O95plim15

Indicates the 95% originating limit (ms) Sample15

Data Source

MTX Log

Source Field

O95%lim

Source Section

ACT100

ACT100_O95plim2

Indicates the 95% originating limit (ms) Sample2

Data Source

MTX Log

Source Field

O95%lim

Source Section

ACT100

ACT100_O95plim3

Indicates the 95% originating limit (ms) Sample3

Data Source

MTX Log

Source Field

O95%lim

Source Section

ACT100

ACT100_O95plim4

Indicates the 95% originating limit (ms) Sample4

Data Source

MTX Log

Source Field

O95%lim

Source Section

ACT100

ACT100_O95plim5

Indicates the 95% originating limit (ms) Sample5

Data Source

MTX Log

Source Field

O95%lim

Source Section

ACT100

ACT100_O95plim6

Indicates the 95% originating limit (ms) Sample6

Data Source

MTX Log

Source Field

O95%lim

Source Section

ACT100

ACT100_O95plim7

Indicates the 95% originating limit (ms) Sample7

Data Source

MTX Log

Source Field

O95%lim

Source Section

ACT100

ACT100_O95plim8

Indicates the 95% originating limit (ms) Sample8

Data Source

MTX Log

Source Field

O95%lim

Source Section

ACT100

ACT100_O95plim9

Indicates the 95% originating limit (ms) Sample9

Data Source

MTX Log

Source Field

O95%lim

Source Section

ACT100

ACT100_OAvgDel

Average delay on the CCB originating queue (ms)

Data Source

MTX Log

Source Field

OAvgDel

Source Section

ACT100

ACT100_OAvgDel1

Average delay on the CCB originating queue (ms) S1

Data Source

MTX Log

Source Field

OAvgDel

Source Section

ACT100

ACT100_OAvgDel10

Average delay on the CCB originating queue (ms) S10

Data Source

MTX Log

Source Field

OAvgDel

Source Section

ACT100

ACT100_OAvgDel11

Average delay on the CCB originating queue (ms) S11

Data Source

MTX Log

Source Field

OAvgDel

Source Section

ACT100

ACT100_OAvgDel12

Average delay on the CCB originating queue (ms) S12

Data Source

MTX Log

Source Field

OAvgDel

Source Section

ACT100

ACT100_OAvgDel13

Average delay on the CCB originating queue (ms) S13

Data Source

MTX Log

Source Field

OAvgDel

Source Section

ACT100

ACT100_OAvgDel14

Average delay on the CCB originating queue (ms) S14

Data Source

MTX Log

Source Field

OAvgDel

Source Section

ACT100

ACT100_OAvgDel15

Average delay on the CCB originating queue (ms) S15

Data Source

MTX Log

Source Field

OAvgDel

Source Section

ACT100

ACT100_OAvgDel2

Average delay on the CCB originating queue (ms) S2

Data Source

MTX Log

Source Field

OAvgDel

Source Section

ACT100

ACT100_OAvgDel3

Average delay on the CCB originating queue (ms) S3

Data Source

MTX Log

Source Field

OAvgDel

Source Section

ACT100

ACT100_OAvgDel4

Average delay on the CCB originating queue (ms) S4

Data Source

MTX Log

Source Field

OAvgDel

Source Section

ACT100

ACT100_OAvgDel5

Average delay on the CCB originating queue (ms) S5

Data Source

MTX Log

Source Field

OAvgDel

Source Section

ACT100

ACT100_OAvgDel6

Average delay on the CCB originating queue (ms) S6

Data Source

MTX Log

Source Field

OAvgDel

Source Section

ACT100

ACT100_OAvgDel7

Average delay on the CCB originating queue (ms) S7

Data Source

MTX Log

Source Field

OAvgDel

Source Section

ACT100

ACT100_OAvgDel8

Average delay on the CCB originating queue (ms) S8

Data Source

MTX Log

Source Field

OAvgDel

Source Section

ACT100

ACT100_OAvgDel9

Average delay on the CCB originating queue (ms) S9

Data Source

MTX Log

Source Field

OAvgDel

Source Section

ACT100

ACT100_Origdeny

The number of origination denials, when an originating call is denied immediate service to protection overload

Data Source

MTX Log

Source Field

Origdeny

Source Section

ACT100

ACT100_P95%lim

Indicates the 95% progress limit (ms)

Data Source

MTX Log

Source Field

P95%lim

Source Section

ACT100

ACT100_PAvgDel

The average delay on the CCB progress queue (ms)

Data Source

MTX Log

Source Field

PAvgDel

Source Section

ACT100

ACT100_RTrip

The sound trip average delay (ms)

Data Source

MTX Log

Source Field

RTrip

Source Section

ACT100

ACT100_ToAnn

Number of tones or announcements given

Data Source

MTX Log

Source Field

ToAnn

Source Section

ACT100

ACT100_Torig

Number of call originations on trunks

Data Source

MTX Log

Source Field

Torig

Source Section

ACT100

ACT102_B95%lim

Indicates the 95% background limit (ms)

Data Source

MTX Log

Source Field

B95%lim

Source Section

ACT102

ACT102_BAvgDel

The background average delay (ms)

Data Source

MTX Log

Source Field

BAvgDel

Source Section

ACT102

ACT102_Catmphr

Number of call attempts per hour

Data Source

MTX Log

Source Field

Catmphr

Source Section

ACT102

ACT102_Conctr

The connection ratio of calls (percent)

Data Source

MTX Log

Source Field

Conctr

Source Section

ACT102

ACT102_Cploovfl

The number of CP letter origination overflows, origination messages denied a CP letter.

Data Source

MTX Log

Source Field

Cploovfl

Source Section

ACT102

ACT102_Cpocc

Processing CPU occupancy and percentage of direct CPU that the call processing function uses

Data Source

MTX Log

Source Field

Cpocc

Source Section

ACT102

ACT102_Cpsuic

Number of call suicides

Data Source

MTX Log

Source Field

Cpsuic

Source Section

ACT102

ACT102_CPtrap

The number of CP traps.

Data Source

MTX Log

Source Field

CPtrap

Source Section

ACT102

ACT102_Inefdeny

The number of ineffective denials, when an originating call was denied because of a pending abandon.

Data Source

MTX Log

Source Field

Inefdeny

Source Section

ACT102

ACT102_LCMdtsr

The percentage of calls, originated in a LCM, that wait longer than 3s between off-hook and dial tone.

Data Source

MTX Log

Source Field

LCMdtsr

Source Section

ACT102

ACT102_LMdtsr

The percentage of calls, originated in an LM, that wait longer than 3s between off-hook and dial tone.

Data Source

MTX Log

Source Field

LMdtsr

Source Section

ACT102

ACT102_Lorig

Number of call originations on line

Data Source

MTX Log

Source Field

Lorig

Source Section

ACT102

ACT102_O95%lim

Indicates the 95% originating limit (ms)

Data Source

MTX Log

Source Field

O95%lim

Source Section

ACT102

ACT102_OAvgDel

Average delay on the CCB originating queue (ms)

Data Source

MTX Log

Source Field

OAvgDel

Source Section

ACT102

ACT102_Origdeny

The number of origination denials, when an originating call is denied immediate service to protection overload

Data Source

MTX Log

Source Field

Origdeny

Source Section

ACT102

ACT102_P95%lim

Indicates the 95% progress limit (ms)

Data Source

MTX Log

Source Field

P95%lim

Source Section

ACT102

ACT102_PAvgDel

The average delay on the CCB progress queue (ms)

Data Source

MTX Log

Source Field

PAvgDel

Source Section

ACT102

ACT102_RTrip

The sound trip average delay (ms)

Data Source

MTX Log

Source Field

RTrip

Source Section

ACT102

ACT102_ToAnn

Number of tones or announcements given

Data Source

MTX Log

Source Field

ToAnn

Source Section

ACT102

ACT102_Torig

Number of call originations on trunks

Data Source

MTX Log

Source Field

Torig

Source Section

ACT102

ADMOBFLD

Subscriber unit VLR entry cannot be added to the VLR because the VLR is full

Data Source

MTX OM, SDM

Source Field

ADMOBFLD + 65536 * ADMBFLD2

Source Section

MTXVLR

ADMOBORG

New subscriber unit VLR entry is added because of a subscriber unit origination

Data Source

MTX OM, SDM

Source Field

ADMOBORG + 65536 * ADMBORG2

Source Section

MTXVLR

ADMOBREG

Subscriber unit VLR entry is added because of registration

Data Source

MTX OM, SDM

Source Field

ADMOBREG + 65536 * ADMBREG2

Source Section

MTXVLR

AHRPFLAS

The total number of Active Handoff RP Session Setup Failures After Setup.

Data Source

MTX OM, SDM

Source Field

AHRPFLAS

Source Section

MTXPDSYS

AHRPFLBS

The total number of Active Handoff RP Session Setup Failures before Setup.

Data Source

MTX OM, SDM

Source Field

AHRPFLBS

Source Section

MTXPDSYS

AMAEMTR

AMA emergency transfer

Data Source

MTX OM, SDM

Source Field

AMAEMTR

Source Section

AMA

AMAENT

AMA record entries

Data Source

MTX OM, SDM

Source Field

AMAENT + 65536 * AMAENT2

Source Section

AMA

AMAFREE

AMA free of charge

Data Source

MTX OM, SDM

Source Field

AMAFREE

Source Section

AMA

AMAROUTE

AMA calls routed to TOPS

Data Source

MTX OM, SDM

Source Field

AMAROUTE

Source Section

AMA

AMASCRN

AMA records screened

Data Source

MTX OM, SDM

Source Field

AMASCRN

Source Section

AMA

AMPSRESP

Records when a page response as a result of CDMA repaging is Rcvd from an AMPS cell

Data Source

MTX OM, SDM

Source Field

AMPSRESP + 65536 * MTXSYSX.AMPSRSP2

Source Section

MTXSYS1

AMPSTO

Records when a page timeout as a result of CDMA repaging AMPS occurs

Data Source

MTX OM, SDM

Source Field

AMPSTO + 65536 * MTXSYSX.AMPSTO2

Source Section

MTXSYS1

BAMF100

Pegs for the 76-100 bytes of DDS Data sent over BAM F-CCCH channel.

Data Source

MTX OM

Source Field

BAMF100 + 65536 * DDSLFRBX.BAMF100X

Source Section

DDSLFRBC

BAMF125

Pegs for the 101-125 bytes of DDS Data sent over BAM F-CCCH channel.

Data Source

MTX OM

Source Field

BAMF125 + 65536 * DDSLFRBX.BAMF125X

Source Section

DDSLFRBC

BAMF150

Pegs for the 126-150 bytes of DDS Data sent over BAM F-CCCH channel.

Data Source

MTX OM

Source Field

BAMF150 + 65536 * DDSLFRBX.BAMF150X

Source Section

DDSLFRBC

BAMF175

Pegs for the 151-175 bytes of DDS Data sent over BAM F-CCCH channel.

Data Source

MTX OM

Source Field

BAMF175 + 65536 * DDSLFRBX.BAMF175X

Source Section

DDSLFRBC

BAMF200

Pegs for the 176-200 bytes of DDS Data sent over BAM F-CCCH channel.

Data Source

MTX OM

Source Field

BAMF200 + 65536 * DDSLFRBX.BAMF200X

Source Section

DDSLFRBC

BAMF225

Pegs for the 201-225 bytes of DDS Data sent over BAM F-CCCH channel.

Data Source

MTX OM

Source Field

BAMF225 + 65536 * DDSLFRBX.BAMF225X

Source Section

DDSLFRBC

BAMF25

Pegs for the 11-25 bytes of DDS Data sent over BAM F-CCCH channel.

Data Source

MTX OM

Source Field

BAMF25 + 65536 * DDSLFRBX.BAMF25X

Source Section

DDSLFRBC

BAMF255

Pegs for the 226-255 bytes of DDS Data sent over BAM F-CCCH channel.

Data Source

MTX OM

Source Field

BAMF255 + 65536 * DDSLFRBX.BAMF255X

Source Section

DDSLFRBC

BAMF50

Pegs for the 26-50 bytes of DDS Data sent over BAM F-CCCH channel.

Data Source

MTX OM

Source Field

BAMF50 + 65536 * DDSLFRBX.BAMF50X

Source Section

DDSLFRBC

BAMF75

Pegs for the 51-75 bytes of DDS Data sent over BAM F-CCCH channel.

Data Source

MTX OM

Source Field

BAMF75 + 65536 * DDSLFRBX.BAMF75X

Source Section

DDSLFRBC

BAMR100

Pegs for the 76-100 bytes of DDS Data sent over BAM R-EACH channel.

Data Source

MTX OM

Source Field

BAMR100 + 65536 * DDSLFRBX.BAMR100X

Source Section

DDSLFRBC

BAMR125

Pegs for the 101-125 bytes of DDS Data sent over BAM R-EACH channel.

Data Source

MTX OM

Source Field

BAMR125 + 65536 * DDSLFRBX.BAMR125X

Source Section

DDSLFRBC

BAMR150

Pegs for the 126-150 bytes of DDS Data sent over BAM R-EACH channel.

Data Source

MTX OM

Source Field

BAMR150 + 65536 * DDSLFRBX.BAMR150X

Source Section

DDSLFRBC

BAMR175

Pegs for the 151-175 bytes of DDS Data sent over BAM R-EACH channel.

Data Source

MTX OM

Source Field

BAMR175 + 65536 * DDSLFRBX.BAMR175X

Source Section

DDSLFRBC

BAMR200

Pegs for the 176-200 bytes of DDS Data sent over BAM R-EACH channel.

Data Source

MTX OM

Source Field

BAMR200 + 65536 * DDSLFRBX.BAMR200X

Source Section

DDSLFRBC

BAMR225

Pegs for the 201-225 bytes of DDS Data sent over BAM R-EACH channel.

Data Source

MTX OM

Source Field

BAMR225 + 65536 * DDSLFRBX.BAMR225X

Source Section

DDSLFRBC

BAMR25

Pegs for the 11-25 bytes of DDS Data sent over BAM R-EACH channel.

Data Source

MTX OM

Source Field

BAMR25 + 65536 * DDSLFRBX.BAMR25X

Source Section

DDSLFRBC

BAMR255

Pegs for the 226-255 bytes of DDS Data sent over BAM R-EACH channel.

Data Source

MTX OM

Source Field

BAMR255 + 65536 * DDSLFRBX.BAMR255X

Source Section

DDSLFRBC

BAMR50

Pegs for the 26-50 bytes of DDS Data sent over BAM R-EACH channel.

Data Source

MTX OM

Source Field

BAMR50 + 65536 * DDSLFRBX.BAMR50X

Source Section

DDSLFRBC

BAMR75

Pegs for the 51-75 bytes of DDS Data sent over BAM R-EACH channel.

Data Source

MTX OM

Source Field

BAMR75 + 65536 * DDSLFRBX.BAMR75X

Source Section

DDSLFRBC

BLKCCCFU

This register pegs when the CM detects the incoming call is a collect call and CFU is active on the mobile. This is limited to CCITT Brazilian ISUP variant.

Data Source

SDM

Source Field

BLKCCCFU

Source Section

CALLMIX

BRSAUXCP

BRISC auxiliary call processing class

Data Source

MTX OM, SDM

Source Field

BRSAUXCP

Source Section

BRSTAT

BRSCAP

BRISC call capacity

Data Source

MTX OM, SDM

Source Field

BRSCAP

Source Section

BRSTAT

BRSCMPLX

BRISC call complexity ratio

Data Source

MTX OM, SDM

Source Field

BRSCMPLX

Source Section

BRSTAT

BRSDNC

BRISC network operating system file transfer class

Data Source

MTX OM, SDM

Source Field

BRSDNC

Source Section

BRSTAT

BRSFORE

BRISC foreground usage

Data Source

MTX OM, SDM

Source Field

BRSFORE

Source Section

BRSTAT

BMSGTERM

BRISC guaranteed terminal class

Data Source

MTX OM, SDM

Source Field

BMSGTERM

Source Section

BRSTAT

BRSIDLE

BRISC idle periods

Data Source

MTX OM, SDM

Source Field

BRSIDLE

Source Section

BRSTAT

BRSKBKG

BRISC background class

Data Source

MTX OM, SDM

Source Field

BRSKBKG

Source Section

BRSTAT

BRSMAINT

BRISC maintenance class

Data Source

MTX OM, SDM

Source Field

BRSMAINT

Source Section

BRSTAT

BRSNETM

BRISC network maintenance

Data Source

MTX OM, SDM

Source Field

BRSNETM

Source Section

BRSTAT

BRSSOM

BRISC operational measurements class

Data Source

MTX OM, SDM

Source Field

BRSSOM

Source Section

BRSTAT

BRSSCHED

BRISC scheduler overhead

Data Source

MTX OM, SDM

Source Field

BRSSCHED

Source Section

BRSTAT

BRSSNIP

BRISC CPU status of SNIP class

Data Source

MTX OM, SDM

Source Field

BRSSNIP

Source Section

BRSTAT

BTSKPSHD

Number of TASKP messages shed due to lack of buffer space before it could be queued

Data Source

MTX OM, SDM

Source Field

BTSKPSHD + 65536 * BTSKPSH2

Source Section

MTXOVLD

CAP100_CATMPDHR

Summary of capacity activity for total data call attempts

Data Source

MTX Log

Source Field

CATMPDHR

Source Section

CAP100

CAP100_CATMPVHR

Summary of capacity activity for total voice call attempts

Data Source

MTX Log

Source Field

CATMPVHR

Source Section

CAP100

CAP100_UTIL

A percentage representing summary of capacity activity

Data Source

MTX Log

Source Field

UTIL

Source Section

CAP100

CAP101_Avg_CATMPDHR

Average Call Attempts Data per hour

Data Source

MTX Log

Source Field

CATMPDHR

Source Section

CAP101

CAP101_Avg_CATMPHR

Average Call Attempts per hour

Data Source

MTX Log

Source Field

CATMPHR

Source Section

CAP101

CAP101_Avg_CATMPVHR

Average Call Attempts Voice per hour

Data Source

MTX Log

Source Field

CATMPVHR

Source Section

CAP101

CAP101_Avg_ENGCATMP

Average Projected engineered call attempts per hour

Data Source

MTX Log

Source Field

ENGCATMP

Source Section

CAP101

CAP101_Avg_ENGCATMPD

Average Projected engineered data call attempts per hour

Data Source

MTX Log

Source Field

ENGCATMPD

Source Section

CAP101

CAP101_Avg_ENGCATMPV

Average Projected engineered voice call attempts per hour

Data Source

MTX Log

Source Field

ENGCATMPV

Source Section

CAP101

CAP101_Avg_UTIL

Average current switch utilization

Data Source

MTX Log

Source Field

UTIL

Source Section

CAP101

CAP101_CATMPDHR

Call Attempts Data per hour

Data Source

MTX Log

Source Field

CATMPDHR

Source Section

CAP101

CAP101_CATMPDHR1

Call Attempts Data per hour Sample 1

Data Source

MTX Log

Source Field

CATMPDHR

Source Section

CAP101

CAP101_CATMPDHR10

Call Attempts Data per hour Sample 10

Data Source

MTX Log

Source Field

CATMPDHR

Source Section

CAP101

CAP101_CATMPDHR11

Call Attempts Data per hour Sample 11

Data Source

MTX Log

Source Field

CATMPDHR

Source Section

CAP101

CAP101_CATMPDHR12

Call Attempts Data per hour Sample 12

Data Source

MTX Log

Source Field

CATMPDHR

Source Section

CAP101

CAP101_CATMPDHR13

Call Attempts Data per hour Sample 13

Data Source

MTX Log

Source Field

CATMPDHR

Source Section

CAP101

CAP101_CATMPDHR14

Call Attempts Data per hour Sample 14

Data Source

MTX Log

Source Field

CATMPDHR

Source Section

CAP101

CAP101_CATMPDHR15

Call Attempts Data per hour Sample 15

Data Source

MTX Log

Source Field

CATMPDHR

Source Section

CAP101

CAP101_CATMPDHR2

Call Attempts Data per hour Sample 2

Data Source

MTX Log

Source Field

CATMPDHR

Source Section

CAP101

CAP101_CATMPDHR3

Call Attempts Data per hour Sample 3

Data Source

MTX Log

Source Field

CATMPDHR

Source Section

CAP101

CAP101_CATMPDHR4

Call Attempts Data per hour Sample 4

Data Source

MTX Log

Source Field

CATMPDHR

Source Section

CAP101

CAP101_CATMPDHR5

Call Attempts Data per hour Sample 5

Data Source

MTX Log

Source Field

CATMPDHR

Source Section

CAP101

CAP101_CATMPDHR6

Call Attempts Data per hour Sample 6

Data Source

MTX Log

Source Field

CATMPDHR

Source Section

CAP101

CAP101_CATMPDHR7

Call Attempts Data per hour Sample 7

Data Source

MTX Log

Source Field

CATMPDHR

Source Section

CAP101

CAP101_CATMPDHR8

Call Attempts Data per hour Sample 8

Data Source

MTX Log

Source Field

CATMPDHR

Source Section

CAP101

CAP101_CATMPDHR9

Call Attempts Data per hour Sample 9

Data Source

MTX Log

Source Field

CATMPDHR

Source Section

CAP101

CAP101_CATMPHR

Call Attempts per hour.

Data Source

MTX Log

Source Field

CATMPHR

Source Section

CAP101

CAP101_CATMPHR1

Call Attempts per hour Sample 1

Data Source

MTX Log

Source Field

CATMPHR

Source Section

CAP101

CAP101_CATMPHR10

Call Attempts per hour Sample 10

Data Source

MTX Log

Source Field

CATMPHR

Source Section

CAP101

CAP101_CATMPHR11

Call Attempts per hour Sample 11

Data Source

MTX Log

Source Field

CATMPHR

Source Section

CAP101

CAP101_CATMPHR12

Call Attempts per hour Sample 12

Data Source

MTX Log

Source Field

CATMPHR

Source Section

CAP101

CAP101_CATMPHR13

Call Attempts per hour Sample 13

Data Source

MTX Log

Source Field

CATMPHR

Source Section

CAP101

CAP101_CATMPHR14

Call Attempts per hour Sample 14

Data Source

MTX Log

Source Field

CATMPHR

Source Section

CAP101

CAP101_CATMPHR15

Call Attempts per hour Sample 15

Data Source

MTX Log

Source Field

CATMPHR

Source Section

CAP101

CAP101_CATMPHR2

Call Attempts per hour Sample 2

Data Source

MTX Log

Source Field

CATMPHR

Source Section

CAP101

CAP101_CATMPHR3

Call Attempts per hour Sample 3

Data Source

MTX Log

Source Field

CATMPHR

Source Section

CAP101

CAP101_CATMPHR4

Call Attempts per hour Sample 4

Data Source

MTX Log

Source Field

CATMPHR

Source Section

CAP101

CAP101_CATMPHR5

Call Attempts per hour Sample 5

Data Source

MTX Log

Source Field

CATMPHR

Source Section

CAP101

CAP101_CATMPHR6

Call Attempts per hour Sample 6

Data Source

MTX Log

Source Field

CATMPHR

Source Section

CAP101

CAP101_CATMPHR7

Call Attempts per hour Sample 7

Data Source

MTX Log

Source Field

CATMPHR

Source Section

CAP101

CAP101_CATMPHR8

Call Attempts per hour Sample 8

Data Source

MTX Log

Source Field

CATMPHR

Source Section

CAP101

CAP101_CATMPHR9

Call Attempts per hour Sample 9

Data Source

MTX Log

Source Field

CATMPHR

Source Section

CAP101

CAP101_CATMPVHR

Call Attempts Voice per hour

Data Source

MTX Log

Source Field

CATMPVHR

Source Section

CAP101

CAP101_CATMPVHR1

Call Attempts Voice per hour Sample 1

Data Source

MTX Log

Source Field

CATMPVHR

Source Section

CAP101

CAP101_CATMPVHR10

Call Attempts Voice per hour Sample 10

Data Source

MTX Log

Source Field

CATMPVHR

Source Section

CAP101

CAP101_CATMPVHR11

Call Attempts Voice per hour Sample 11

Data Source

MTX Log

Source Field

CATMPVHR

Source Section

CAP101

CAP101_CATMPVHR12

Call Attempts Voice per hour Sample 12

Data Source

MTX Log

Source Field

CATMPVHR

Source Section

CAP101

CAP101_CATMPVHR13

Call Attempts Voice per hour Sample 13

Data Source

MTX Log

Source Field

CATMPVHR

Source Section

CAP101

CAP101_CATMPVHR14

Call Attempts Voice per hour Sample 14

Data Source

MTX Log

Source Field

CATMPVHR

Source Section

CAP101

CAP101_CATMPVHR15

Call Attempts Voice per hour Sample 15

Data Source

MTX Log

Source Field

CATMPVHR

Source Section

CAP101

CAP101_CATMPVHR2

Call Attempts Voice per hour Sample 2

Data Source

MTX Log

Source Field

CATMPVHR

Source Section

CAP101

CAP101_CATMPVHR3

Call Attempts Voice per hour Sample 3

Data Source

MTX Log

Source Field

CATMPVHR

Source Section

CAP101

CAP101_CATMPVHR4

Call Attempts Voice per hour Sample 4

Data Source

MTX Log

Source Field

CATMPVHR

Source Section

CAP101

CAP101_CATMPVHR5

Call Attempts Voice per hour Sample 5

Data Source

MTX Log

Source Field

CATMPVHR

Source Section

CAP101

CAP101_CATMPVHR6

Call Attempts Voice per hour Sample 6

Data Source

MTX Log

Source Field

CATMPVHR

Source Section

CAP101

CAP101_CATMPVHR7

Call Attempts Voice per hour Sample 7

Data Source

MTX Log

Source Field

CATMPVHR

Source Section

CAP101

CAP101_CATMPVHR8

Call Attempts Voice per hour Sample 8

Data Source

MTX Log

Source Field

CATMPVHR

Source Section

CAP101

CAP101_CATMPVHR9

Call Attempts Voice per hour Sample 9

Data Source

MTX Log

Source Field

CATMPVHR

Source Section

CAP101

CAP101_CCOVRLD

Boolean, indicating the status of the central control overload controls.

Data Source

MTX Log

Source Field

CCOVRLD

Source Section

CAP101

CAP101_CMICOVRLD

Boolean, indicating the status of the core module inter-connection overload controls.

Data Source

MTX Log

Source Field

CMICOVRLD

Source Section

CAP101

CAP101_ENGCATMP

Projected engineered call attempts per hour.

Data Source

MTX Log

Source Field

ENGCATMP

Source Section

CAP101

CAP101_ENGCATMP1

Projected call attempts as a percentage of engineered call attempts Sample1

Data Source

MTX Log

Source Field

ENGCATMP

Source Section

CAP101

CAP101_ENGCATMP10

Projected call attempts as a percentage of engineered call attempts Sample10

Data Source

MTX Log

Source Field

ENGCATMP

Source Section

CAP101

CAP101_ENGCATMP11

Projected call attempts as a percentage of engineered call attempts Sample11

Data Source

MTX Log

Source Field

ENGCATMP

Source Section

CAP101

CAP101_ENGCATMP12

Projected call attempts as a percentage of engineered call attempts Sample12

Data Source

MTX Log

Source Field

ENGCATMP

Source Section

CAP101

CAP101_ENGCATMP13

Projected call attempts as a percentage of engineered call attempts Sample13

Data Source

MTX Log

Source Field

ENGCATMP

Source Section

CAP101

CAP101_ENGCATMP14

Projected call attempts as a percentage of engineered call attempts Sample14

Data Source

MTX Log

Source Field

ENGCATMP

Source Section

CAP101

CAP101_ENGCATMP15

Projected call attempts as a percentage of engineered call attempts Sample15

Data Source

MTX Log

Source Field

ENGCATMP

Source Section

CAP101

CAP101_ENGCATMP2

Projected call attempts as a percentage of engineered call attempts Sample2

Data Source

MTX Log

Source Field

ENGCATMP

Source Section

CAP101

CAP101_ENGCATMP3

Projected call attempts as a percentage of engineered call attempts Sample3

Data Source

MTX Log

Source Field

ENGCATMP

Source Section

CAP101

CAP101_ENGCATMP4

Projected call attempts as a percentage of engineered call attempts Sample4

Data Source

MTX Log

Source Field

ENGCATMP

Source Section

CAP101

CAP101_ENGCATMP5

Projected call attempts as a percentage of engineered call attempts Sample5

Data Source

MTX Log

Source Field

ENGCATMP

Source Section

CAP101

CAP101_ENGCATMP6

Projected call attempts as a percentage of engineered call attempts Sample6

Data Source

MTX Log

Source Field

ENGCATMP

Source Section

CAP101

CAP101_ENGCATMP7

Projected call attempts as a percentage of engineered call attempts Sample7

Data Source

MTX Log

Source Field

ENGCATMP

Source Section

CAP101

CAP101_ENGCATMP8

Projected call attempts as a percentage of engineered call attempts Sample8

Data Source

MTX Log

Source Field

ENGCATMP

Source Section

CAP101

CAP101_ENGCATMP9

Projected call attempts as a percentage of engineered call attempts Sample9

Data Source

MTX Log

Source Field

ENGCATMP

Source Section

CAP101

CAP101_ENGCATMPD

Projected engineered data call attempts per hour.

Data Source

MTX Log

Source Field

ENGCATMPD

Source Section

CAP101

CAP101_ENGCATMPD1

Projected data call attempts as a percentage of engineered data call attempts Sample1

Data Source

MTX Log

Source Field

ENGCATMPD

Source Section

CAP101

CAP101_ENGCATMPD10

Projected data call attempts as a percentage of engineered data call attempts Sample10

Data Source

MTX Log

Source Field

ENGCATMPD

Source Section

CAP101

CAP101_ENGCATMPD11

Projected data call attempts as a percentage of engineered data call attempts Sample11

Data Source

MTX Log

Source Field

ENGCATMPD

Source Section

CAP101

CAP101_ENGCATMPD12

Projected data call attempts as a percentage of engineered data call attempts Sample12

Data Source

MTX Log

Source Field

ENGCATMPD

Source Section

CAP101

CAP101_ENGCATMPD13

Projected data call attempts as a percentage of engineered data call attempts Sample13

Data Source

MTX Log

Source Field

ENGCATMPD

Source Section

CAP101

CAP101_ENGCATMPD14

Projected data call attempts as a percentage of engineered data call attempts Sample14

Data Source

MTX Log

Source Field

ENGCATMPD

Source Section

CAP101

CAP101_ENGCATMPD15

Projected data call attempts as a percentage of engineered data call attempts Sample15

Data Source

MTX Log

Source Field

ENGCATMPD

Source Section

CAP101

CAP101_ENGCATMPD2

Projected data call attempts as a percentage of engineered data call attempts Sample2

Data Source

MTX Log

Source Field

ENGCATMPD

Source Section

CAP101

CAP101_ENGCATMPD3

Projected data call attempts as a percentage of engineered data call attempts Sample3

Data Source

MTX Log

Source Field

ENGCATMPD

Source Section

CAP101

CAP101_ENGCATMPD4

Projected data call attempts as a percentage of engineered data call attempts Sample4

Data Source

MTX Log

Source Field

ENGCATMPD

Source Section

CAP101

CAP101_ENGCATMPD5

Projected data call attempts as a percentage of engineered data call attempts Sample5

Data Source

MTX Log

Source Field

ENGCATMPD

Source Section

CAP101

CAP101_ENGCATMPD6

Projected data call attempts as a percentage of engineered data call attempts Sample6

Data Source

MTX Log

Source Field

ENGCATMPD

Source Section

CAP101

CAP101_ENGCATMPD7

Projected data call attempts as a percentage of engineered data call attempts Sample7

Data Source

MTX Log

Source Field

ENGCATMPD

Source Section

CAP101

CAP101_ENGCATMPD8

Projected data call attempts as a percentage of engineered data call attempts Sample8

Data Source

MTX Log

Source Field

ENGCATMPD

Source Section

CAP101

CAP101_ENGCATMPD9

Projected data call attempts as a percentage of engineered data call attempts Sample9

Data Source

MTX Log

Source Field

ENGCATMPD

Source Section

CAP101

CAP101_ENGCATMPV

Projected engineered voice call attempts per hour.

Data Source

MTX Log

Source Field

ENGCATMPV

Source Section

CAP101

CAP101_ENGCATMPV1

Projected voice call attempts as a percentage of engineered voice call attempts Sample1

Data Source

MTX Log

Source Field

ENGCATMPV

Source Section

CAP101

CAP101_ENGCATMPV10

Projected voice call attempts as a percentage of engineered voice call attempts Sample10

Data Source

MTX Log

Source Field

ENGCATMPV

Source Section

CAP101

CAP101_ENGCATMPV11

Projected voice call attempts as a percentage of engineered voice call attempts Sample11

Data Source

MTX Log

Source Field

ENGCATMPV

Source Section

CAP101

CAP101_ENGCATMPV12

Projected voice call attempts as a percentage of engineered voice call attempts Sample12

Data Source

MTX Log

Source Field

ENGCATMPV

Source Section

CAP101

CAP101_ENGCATMPV13

Projected voice call attempts as a percentage of engineered voice call attempts Sample13

Data Source

MTX Log

Source Field

ENGCATMPV

Source Section

CAP101

CAP101_ENGCATMPV14

Projected voice call attempts as a percentage of engineered voice call attempts Sample14

Data Source

MTX Log

Source Field

ENGCATMPV

Source Section

CAP101

CAP101_ENGCATMPV15

Projected voice call attempts as a percentage of engineered voice call attempts Sample15

Data Source

MTX Log

Source Field

ENGCATMPV

Source Section

CAP101

CAP101_ENGCATMPV2

Projected voice call attempts as a percentage of engineered voice call attempts Sample2

Data Source

MTX Log

Source Field

ENGCATMPV

Source Section

CAP101

CAP101_ENGCATMPV3

Projected voice call attempts as a percentage of engineered voice call attempts Sample3

Data Source

MTX Log

Source Field

ENGCATMPV

Source Section

CAP101

CAP101_ENGCATMPV4

Projected voice call attempts as a percentage of engineered voice call attempts Sample4

Data Source

MTX Log

Source Field

ENGCATMPV

Source Section

CAP101

CAP101_ENGCATMPV5

Projected voice call attempts as a percentage of engineered voice call attempts Sample5

Data Source

MTX Log

Source Field

ENGCATMPV

Source Section

CAP101

CAP101_ENGCATMPV6

Projected voice call attempts as a percentage of engineered voice call attempts Sample6

Data Source

MTX Log

Source Field

ENGCATMPV

Source Section

CAP101

CAP101_ENGCATMPV7

Projected voice call attempts as a percentage of engineered voice call attempts Sample7

Data Source

MTX Log

Source Field

ENGCATMPV

Source Section

CAP101

CAP101_ENGCATMPV8

Projected voice call attempts as a percentage of engineered voice call attempts Sample8

Data Source

MTX Log

Source Field

ENGCATMPV

Source Section

CAP101

CAP101_ENGCATMPV9

Projected voice call attempts as a percentage of engineered voice call attempts Sample9

Data Source

MTX Log

Source Field

ENGCATMPV

Source Section

CAP101

CAP101_ENGLEVEL

Boolean, indicating whether utilization is above or below the value set for office parameter
CC_ENGLEVEL_WARNING_THRESHOLD.

Data Source

MTX Log

Source Field

ENGLEVEL

Source Section

CAP101

CAP101_IOOVRD

Boolean, indicating the status of the io overload controls.

Data Source

MTX Log

Source Field

IOOVRD

Source Section

CAP101

CAP101_Max_CATMPDHR

Maximum Data Call Attempts per hour

Data Source

MTX Log

Source Field

CATMPDHR

Source Section

CAP101

CAP101_Max_CATMPHR

Maximum Call Attempts per hour

Data Source

MTX Log

Source Field

CATMPHR

Source Section

CAP101

CAP101_Max_CATMPVHR

Maximum Voice Call Attempts per hour

Data Source

MTX Log

Source Field

CATMPVHR

Source Section

CAP101

CAP101_Max_ENGCATMP

Maximum Projected engineered call attempts per hour

Data Source

MTX Log

Source Field

ENGCATMP

Source Section

CAP101

CAP101_Max_ENGCATMPD

Maximum Projected engineered data call attempts per hour

Data Source

MTX Log

Source Field

ENGCATMPD

Source Section

CAP101

CAP101_Max_ENGCATMPV

Maximum Projected engineered voice call attempts per hour

Data Source

MTX Log

Source Field

ENGCATMPV

Source Section

CAP101

CAP101_Max_UTIL

Maximum current switch utilization

Data Source

MTX Log

Source Field

UTIL

Source Section

CAP101

CAP101_PESC

Boolean, indicating whether a PE state change occurred.

Data Source

MTX Log

Source Field

PESC

Source Section

CAP101

CAP101_UTIL

Current call attempts as a percentage of engineered call attempts

Data Source

MTX Log

Source Field

UTIL

Source Section

CAP101

CAP101_UTIL1

Current call attempts as a percentage of engineered call attempts Sample1

Data Source

MTX Log

Source Field

UTIL

Source Section

CAP101

CAP101_UTIL10

Current call attempts as a percentage of engineered call attempts Sample10

Data Source

MTX Log

Source Field

UTIL

Source Section

CAP101

CAP101_UTIL11

Current call attempts as a percentage of engineered call attempts Sample11

Data Source

MTX Log

Source Field

UTIL

Source Section

CAP101

CAP101_UTIL12

Current call attempts as a percentage of engineered call attempts Sample12

Data Source

MTX Log

Source Field

UTIL

Source Section

CAP101

CAP101_UTIL13

Current call attempts as a percentage of engineered call attempts Sample13

Data Source

MTX Log

Source Field

UTIL

Source Section

CAP101

CAP101_UTIL14

Current call attempts as a percentage of engineered call attempts Sample14

Data Source

MTX Log

Source Field

UTIL

Source Section

CAP101

CAP101_UTIL15

Current call attempts as a percentage of engineered call attempts Sample15

Data Source

MTX Log

Source Field

UTIL

Source Section

CAP101

CAP101_UTIL2

Current call attempts as a percentage of engineered call attempts Sample2

Data Source

MTX Log

Source Field

UTIL

Source Section

CAP101

CAP101_UTIL3

Current call attempts as a percentage of engineered call attempts Sample3

Data Source

MTX Log

Source Field

UTIL

Source Section

CAP101

CAP101_UTIL4

Current call attempts as a percentage of engineered call attempts Sample4

Data Source

MTX Log

Source Field

UTIL

Source Section

CAP101

CAP101_UTIL5

Current call attempts as a percentage of engineered call attempts Sample5

Data Source

MTX Log

Source Field

UTIL

Source Section

CAP101

CAP101_UTIL6

Current call attempts as a percentage of engineered call attempts Sample6

Data Source

MTX Log

Source Field

UTIL

Source Section

CAP101

CAP101_UTIL7

Current call attempts as a percentage of engineered call attempts Sample7

Data Source

MTX Log

Source Field

UTIL

Source Section

CAP101

CAP101_UTIL8

Current call attempts as a percentage of engineered call attempts Sample8

Data Source

MTX Log

Source Field

UTIL

Source Section

CAP101

CAP101_UTIL9

Current call attempts as a percentage of engineered call attempts Sample9

Data Source

MTX Log

Source Field

UTIL

Source Section

CAP101

CAP103_95%Blim

This represents the 95% high water mark for the Background ready queue

Data Source

MTX Log

Source Field

95%Blim

Source Section

CAP103

CAP103_95%Mlim

This represents the 95% high water mark for the Maintenance ready queue

Data Source

MTX Log

Source Field

95%Mlim

Source Section

CAP103

CAP103_95%Olim

This represents the 95% high water mark for the CCB originating queue

Data Source

MTX Log

Source Field

95%Olim

Source Section

CAP103

CAP103_95%PLim

This represents the 95% high water mark for the CCB progress queue

Data Source

MTX Log

Source Field

95%PLim

Source Section

CAP103

CAP103_95pOlim1

This represents the 95% high water mark for the CCB originating queue Sample1

Data Source

MTX Log

Source Field

95%Olim

Source Section

CAP103

CAP103_95pOlim10

This represents the 95% high water mark for the CCB originating queue Sample10

Data Source

MTX Log

Source Field

95%Olim

Source Section

CAP103

CAP103_95pOlim11

This represents the 95% high water mark for the CCB originating queue Sample11

Data Source

MTX Log

Source Field

95%Olim

Source Section

CAP103

CAP103_95pOlim12

This represents the 95% high water mark for the CCB originating queue Sample12

Data Source

MTX Log

Source Field

95%Olim

Source Section

CAP103

CAP103_95pOlim13

This represents the 95% high water mark for the CCB originating queue Sample13

Data Source

MTX Log

Source Field

95%Olim

Source Section

CAP103

CAP103_95pOlim14

This represents the 95% high water mark for the CCB originating queue Sample14

Data Source

MTX Log

Source Field

95%Olim

Source Section

CAP103

CAP103_95pOlim15

This represents the 95% high water mark for the CCB originating queue Sample15

Data Source

MTX Log

Source Field

95%Olim

Source Section

CAP103

CAP103_95pOlim2

This represents the 95% high water mark for the CCB originating queue Sample2

Data Source

MTX Log

Source Field

95%Olim

Source Section

CAP103

CAP103_95pOlim3

This represents the 95% high water mark for the CCB originating queue Sample3

Data Source

MTX Log

Source Field

95%Olim

Source Section

CAP103

CAP103_95pOlim4

This represents the 95% high water mark for the CCB originating queue Sample4

Data Source

MTX Log

Source Field

95%Olim

Source Section

CAP103

CAP103_95pOlim5

This represents the 95% high water mark for the CCB originating queue Sample5

Data Source

MTX Log

Source Field

95%Olim

Source Section

CAP103

CAP103_95pOlim6

This represents the 95% high water mark for the CCB originating queue Sample6

Data Source

MTX Log

Source Field

95%Olim

Source Section

CAP103

CAP103_95pOlim7

This represents the 95% high water mark for the CCB originating queue Sample7

Data Source

MTX Log

Source Field

95%Olim

Source Section

CAP103

CAP103_95pOlim8

This represents the 95% high water mark for the CCB originating queue Sample8

Data Source

MTX Log

Source Field

95%Olim

Source Section

CAP103

CAP103_95pOlim9

This represents the 95% high water mark for the CCB originating queue Sample9

Data Source

MTX Log

Source Field

95%Olim

Source Section

CAP103

CAP103_BAvgDel

Weighted average waiting time in the Background (BKGCLASS) ready queue

Data Source

MTX Log

Source Field

BAvgDel

Source Section

CAP103

CAP103_MAvgDel

Weighted average waiting time on the Maintenance (MAINTCLASS) ready queue

Data Source

MTX Log

Source Field

MAvgDel

Source Section

CAP103

CAP103_OAvgDel

Weighted average waiting time on the CCB originating queue

Data Source

MTX Log

Source Field

OAvgDel

Source Section

CAP103

CAP103_OAvgDel1

Weighted average waiting time on the CCB originating queue Sample1

Data Source

MTX Log

Source Field

OAvgDel

Source Section

CAP103

CAP103_OAvgDel10

Weighted average waiting time on the CCB originating queue Sample10

Data Source

MTX Log

Source Field

OAvgDel

Source Section

CAP103

CAP103_OAvgDel11

Weighted average waiting time on the CCB originating queue Sample11

Data Source

MTX Log

Source Field

OAvgDel

Source Section

CAP103

CAP103_OAvgDel12

Weighted average waiting time on the CCB originating queue Sample12

Data Source

MTX Log

Source Field

OAvgDel

Source Section

CAP103

CAP103_OAvgDel13

Weighted average waiting time on the CCB originating queue Sample13

Data Source

MTX Log

Source Field

OAvgDel

Source Section

CAP103

CAP103_OAvgDel14

Weighted average waiting time on the CCB originating queue Sample14

Data Source

MTX Log

Source Field

OAvgDel

Source Section

CAP103

CAP103_OAvgDel15

Weighted average waiting time on the CCB originating queue Sample15

Data Source

MTX Log

Source Field

OAvgDel

Source Section

CAP103

CAP103_OAvgDel2

Weighted average waiting time on the CCB originating queue Sample2

Data Source

MTX Log

Source Field

OAvgDel

Source Section

CAP103

CAP103_OAvgDel3

Weighted average waiting time on the CCB originating queue Sample3

Data Source

MTX Log

Source Field

OAvgDel

Source Section

CAP103

CAP103_OAvgDel4

Weighted average waiting time on the CCB originating queue Sample4

Data Source

MTX Log

Source Field

OAvgDel

Source Section

CAP103

CAP103_OAvgDel5

Weighted average waiting time on the CCB originating queue Sample5

Data Source

MTX Log

Source Field

OAvgDel

Source Section

CAP103

CAP103_OAvgDel6

Weighted average waiting time on the CCB originating queue Sample6

Data Source

MTX Log

Source Field

OAvgDel

Source Section

CAP103

CAP103_OAvgDel7

Weighted average waiting time on the CCB originating queue Sample7

Data Source

MTX Log

Source Field

OAvgDel

Source Section

CAP103

CAP103_OAvgDel8

Weighted average waiting time on the CCB originating queue Sample8

Data Source

MTX Log

Source Field

OAvgDel

Source Section

CAP103

CAP103_OAvgDel9

Weighted average waiting time on the CCB originating queue Sample9

Data Source

MTX Log

Source Field

OAvgDel

Source Section

CAP103

CAP103_PAvgDel

Weighted average waiting time on the CCB progress queue

Data Source

MTX Log

Source Field

PAvgDel

Source Section

CAP103

CASAUXCP

Ratio of AUXCP class usage relative to the Auxcp_Cpu_Share office parm

Data Source

SDM

Source Field

CASAUXCP

Source Section

CASTAT

CASBKG

Ratio of background classes usage relative to what has been allocated

Data Source

SDM

Source Field

CASBKG

Source Section

CASSTAT

CASCMPLEX

Payload usage of realtime per unit of throughput (microseconds per 1 unit of throughput where throughput is product customized).

Data Source

SDM

Source Field

CASCMPLEX

Source Section

CASSTAT

CASDNC

Ratio of NOSFT class utilization relative to what has been allocated.

Data Source

SDM

Source Field

CASDNC

Source Section

CASSTAT

CASFORE

Ratio of operating system overhead relative to foreground_at_capacity.

Data Source

SDM

Source Field

CASFORE

Source Section

CASTAT

CASGTERM

Ratio of GTERM class utilization relative to the Guaranteed_Terminal_Cpu_Share office parm.

Data Source

SDM

Source Field

CASGTERM

Source Section

CASTAT

CASIDLE

The number of minutes during which there was some IDLE time

Data Source

SDM

Source Field

CASIDLE

Source Section

CASTAT

CASMAINT

Ratio of maintenance utilization relative to what has been allocated.

Data Source

SDM

Source Field

CASMAINT

Source Section

CASTAT

CASNETM

Ratio of NETMTC class usage relative to what has been allocated

Data Source

SDM

Source Field

CASNETM

Source Section

CASTAT

CASNXFR

The number of transfer periods accumulated in this OM report.

Data Source

SDM

Source Field

CASNXFR

Source Section

CASTAT

CASOM

Ratio of OM class usage relative to what has been allocated.

Data Source

SDM

Source Field

CASOM

Source Section

CASTAT

CASOTHLD

The number of times that the utilization exceeds the office parm setting of
CC_ENGLEVEL_WARNING_THRESHOLD

Data Source

SDM

Source Field

CASOTHLD

Source Section

CASTAT

CASOVER

The number of one minute intervals during which CALLP utilization was greater than 100%

Data Source

SDM

Source Field

CASOVER

Source Section

CASTAT

CASPUTIL

This represents the peak payload utilization over the entire transfer period.

Data Source

SDM

Source Field

CASPUTIL

Source Section

CASTAT

CASSCHED

Ratio of scheduling overhead relative to what is expected at capacity.

Data Source

SDM

Source Field

CASSCHED

Source Section

CASTAT

CASSNIP

Ratio of SNIP class usage relative to what has been allocated

Data Source

SDM

Source Field

CASSNIP

Source Section

CASTAT

CASUTIL

Percentage of call processing capacity used within the engineering recommendation for which grade of service specs are met.

Data Source

SDM

Source Field

CASUTIL

Source Section

CASTAT

CAUDATSH

Counts the number of circuit switched data and packet data messages discarded by the ACE System Overload Control.

Data Source

MTX OM, SDM

Source Field

CAUDATSH + 65536 * CAUDATS2

Source Section

MTXOVLD

CAULSTMT

when the last of a mated pair of CAUs which is ready transitions to a not ready status

Data Source

MTX OM

Source Field

CAULSTMT

Source Section

CDMAOAM

CAUNTRDY

Pegs when a CAU which is ready transitions to a not ready status

Data Source

MTX OM

Source Field

CAUNTRDY

Source Section

CDMAOAM

CAUORGSH

Counts the number of origination messages discarded by the CAU ACE System Overload Control.

Data Source

MTX OM, SDM

Source Field

CAUORGSH + 65536 * CAUORGS2

Source Section

MTXOVLD

CAUPGSH

Counts the number of CAU ACE paging messages discarded by the CAU ACE System Overload Control.

Data Source

MTX OM, SDM

Source Field

CAUPGSH + 65536 * CAUPGSH2

Source Section

MTXOVLD

CAUREGSH

Counts the number of registration messages discarded by the CAU ACE System Overload Control.

Data Source

MTX OM, SDM

Source Field

CAUREGSH + 65536 * CAUREGS2

Source Section

MTXOVLD

CAUSMSSH

Counts the number of SMS messages which are discarded by the CAU ACE System Overload Control.

Data Source

MTX OM, SDM

Source Field

CAUSMSSH + 65536 * CAUSMSS2

Source Section

MTXOVLD

CCBHI

Call condense block high watermark

Data Source

MTX OM, SDM

Source Field

CCBHI + 65536 * CCBHI2

Source Section

CP2

CCBOVFL

Counts the loss of originating msg

Data Source

MTX OM, SDM

Source Field

CCBOVFL

Source Section

CP

CCBSZ

Increases when the system allocates a call condense block to an originating call

Data Source

MTX OM, SDM

Source Field

CCBSZ + 65536 * CCBSZ2

Source Section

CP

CCPAVAIL

Accumulates the CPU CP available occupancies

Data Source

MTX OM, SDM

Source Field

CCPAVAIL

Source Section

CPUSTAT

CCWACTV

Records in the central Control when the Cancel CCW feature is successfully activated

Data Source

MTX OM, SDM

Source Field

CCWACTV

Source Section

OMMTXSY2

CCWFAIL

Records when subscriber has no authorization for CCW feature

Data Source

MTX OM, SDM

Source Field

CCWFAIL

Source Section

OMMTXSY2

CCWHLRF

Records when a CCW is sent to HLR which causes the request to be sent to RFCD

Data Source

MTX OM, SDM

Source Field

CCWHLRF

Source Section

OMMTXSY2

CCWINST

Records when the CCW feature cancels a CWT event

Data Source

MTX OM, SDM

Source Field

CCWINST

Source Section

OMMTXSY2

CDATHFLD

cellular digital packet data authorizations failed

Data Source

MTX OM

Source Field

CDATHFLD

Source Section

FRAUDCC

CDATHOLD

cellular digital packet data registration with old authorization keys

Data Source

MTX OM

Source Field

CDATHOLD

Source Section

FRAUDCC

CDMAPREQ

Counts the total Num of CDMA page Req

Data Source

MTX OM, SDM

Source Field

CDMAPREQ + 65536 * MTXSYSX.CDMAPRQ2

Source Section

MTXSYS1

CDMAPRQ2

CDMA 2nd page attempts

Data Source

MTX OM, SDM

Source Field

CDMAPRQ2

Source Section

MTXSYS1

CDMAPRQ3

CDMA 3rd page attempts

Data Source

MTX OM, SDM

Source Field

CDMAPRQ3

Source Section

MTXSYS1

CDMAPRS1

Counts the total Num of CDMA page Resp on the first page attempt

Data Source

MTX OM, SDM

Source Field

CDMAPRS1 + 65536 * MTXSYSX.CDMAPR12

Source Section

MTXSYS1

CDMAPRS2

Counts the total Num of CDMA Page Resp on the second page attempt

Data Source

MTX OM, SDM

Source Field

CDMAPRS2 + 65536 * MTXSYSX.CDMAPR22

Source Section

MTXSYS1

CDMAPRS3

CDMA 3rd page responses

Data Source

MTX OM, SDM

Source Field

CDMAPRS3

Source Section

MTXSYS1

CDMASYPG

Pegs on the border system when a system-wide page is sent from the Border MSC during a CDMA Border cell termination

Data Source

MTX OM, SDM

Source Field

CDMASYPG

Source Section

MTXSYS1

CDPDVARQ

cellular digital packet data validation and authentication requests

Data Source

MTX OM

Source Field

CDPDVARQ

Source Section

FRAUDCC

CDPG1REQ

This register tracks the number of CDMA system page requests at the MSC-S indicating a first page.

Data Source

MTX OM, SDM

Source Field

CDPG1REQ + 65536 * MTXSYSX.CDP1REQX

Source Section

MTXSYS1

CDPG1RES

This register counts the number of first page responses at the MSC-S in response to a system wide page.

Data Source

MTX OM, SDM

Source Field

CDPG1RES + 65536 * MTXSYSX.CDP1RESX

Source Section

MTXSYS1

CDPG1TO

Counts the page timeout after the first page attempt in the system.

Data Source

SDM

Source Field

CDPG1TO + 65536 * CDPG1TOX

Source Section

MTXSYS3

CDPG2REQ

This register tracks the number of CDMA system page requests at the MSC-S indicating a second page.

Data Source

MTX OM, SDM

Source Field

CDPG2REQ + 65536 * MTXSYSX.CDP2REQX

Source Section

MTXSYS1

CDPG2RES

This register counts the number of second page responses at the MSC-S in response to a system wide page.

Data Source

MTX OM, SDM

Source Field

CDPG2RES + 65536 * MTXSYSX.CDP2RESX

Source Section

MTXSYS1

CDPG2TO

Counts the page timeout after the second page attempt in the system.

Data Source

SDM

Source Field

CDPG2TO + 65536 * CDPG2TOX

Source Section

MTXSYS3

CDPG3REQ

This register tracks the number of CDMA system page requests at the MSC-S indicating a third page.

Data Source

MTX OM, SDM

Source Field

CDPG3REQ + 65536 * MTXSYSX.CDP3REQX

Source Section

MTXSYS1

CDPG3RES

This register counts the number of third page responses at the MSC-S in response to a system wide page.

Data Source

MTX OM, SDM

Source Field

CDPG3RES + 65536 * MTXSYSX.CDP3RESX

Source Section

MTXSYS1

CDPG3TO

Counts the page timeout after the third page attempt in the system.

Data Source

SDM

Source Field

CDPG3TO + 65536 * CDPG3TOX

Source Section

MTXSYS3

CDRA2ATT

Pegs serving switch when a call attempt is made to a roaming A2P mobile.

Data Source

SDM

Source Field

CDRA2ATT + 65536 * CDRA2ATX

Source Section

MTXA2PT2

CDRA2CP

Pegs on serving switch when the call to a roaming A2P mobile is completely setup.

Data Source

SDM

Source Field

CDRA2CP + 65536 * CDRA2CPX

Source Section

MTXA2PT2

CDSA2ATT

Pegs on the originating switch when an A2P mobile makes a call attempt to a roaming mobile.

Data Source

SDM

Source Field

CDSA2ATT + 65536 * CDSA2ATX

Source Section

MTXA2PT2

CDSA2CP

Pegs on the originating switch when a call from an A2P mobile to a roaming mobile is completely setup.

Data Source

SDM

Source Field

CDSA2CP + 65536 * CDSA2CPX

Source Section

MTXA2PT2

CDVALFLD

cellular digital packet data validations failed

Data Source

MTX OM

Source Field

CDVALFLD

Source Section

FRAUDCC

CFARATTS

Number of call forward activation attempts that the MSC receives.

Data Source

SDM

Source Field

CFARATTS

Source Section

MSCCFPAV

CFARBLKD

Number of times the MSC blocks the call forwards activation requests because of validation failure.

Data Source

SDM

Source Field

CFARBLKD

Source Section

MSCCFPAV

CFLREPG

Records when a switch pages a subscriber unit because the supervisory audio tone present msg is not Rcvd by the switch

Data Source

MTX OM, SDM

Source Field

CFLREPG

Source Section

MTXSYS1

CINITC

Counts call condense blocks that were in use during a cold restart

Data Source

MTX OM, SDM

Source Field

CINITC + 65536 * CINITC2

Source Section

CP

CINTEGFL

Counts established calls that are cut off because of loss of speech path accuracy through the switch.

Data Source

SDM

Source Field

CINTEGFL

Source Section

SYSPERF

CIUFLT

Pegs when a CIU transitions to a not ready status

Data Source

MTX OM

Source Field

CIUFLT

Source Section

CDMAOAM

CIULSTMT

Pegs when the last of a mated pair of CIUs transitions to a not ready status

Data Source

MTX OM

Source Field

CIULSTMT

Source Section

CDMAOAM

CM119_Trap

Number SWER events

Data Source

MTX Log

Source Field

traptxt=Trap

Source Section

CM119

CM119_TraponActiveCPU

Number CM119 event with trap on active CPU

Data Source

MTX Log

Source Field

traptxt=TraponActiveCPU

Source Section

CM119

CM119_TrapWhileLock

Number CM119 event with trap while locked

Data Source

MTX Log

Source Field

traptxt=TrapWhileLock

Source Section

CM119

CM119_TrapWhileSync

Number CM119 event with trap while in sync

Data Source

MTX Log

Source Field

traptxt=TrapWhileSync

Source Section

CM119

CNFFAIL

MTX Electronic Surveillance fails to seize conference circuit for a combined CCR.

Data Source

MTX OM, SDM

Source Field

CNFFAIL

Source Section

MNBD

CNFMBU

Number of conference circuits that are in manual busy, seized or network management procedures state.

Data Source

MTX OM, SDM

Source Field

CNFMBU

Source Section

CF3P

CNFOVFL

System cannot satisfy a request for a three-port conference circuit immediately because conference circuits are busy.

Data Source

MTX OM, SDM

Source Field

CNFOVFL

Source Section

CF3P

CNFQABAN

Circuit requests abandoned while the requests wait in the conference circuit queue.

Data Source

MTX OM, SDM

Source Field

CNFQABAN

Source Section

CF3P

CNFQOCC

CF3P queue occupancy. This is a usage register sampled at 10 seconds.

Data Source

MTX OM, SDM

Source Field

CNFQOCC

Source Section

CF3P

CNFQOVFL

Attempts to enter the wait queue when the queue is full.

Data Source

MTX OM, SDM

Source Field

CNFQOVFL

Source Section

CF3P

CNFSBU

CF3P system busy usage. This is a usage register sampled at 10 seconds.

Data Source

MTX OM, SDM

Source Field

CNFSBU

Source Section

CF3P

CNFSUCC

MTX Electronic Surveillance successfully seizes conference circuits for a combined CCR.

Data Source

MTX OM, SDM

Source Field

CNFSUCC

Source Section

MNBD

CNFSZRS

System assigns a circuit in response to a request. The system assigns the circuit before an attempt to set up network paths to the three ports.

Data Source

MTX OM, SDM

Source Field

CNFSZRS

Source Section

CF3P

CNFTRU

CF3P traffic busy usage. This is a usage register sampled at 10 seconds.

Data Source

MTX OM, SDM

Source Field

CNFTRU

Source Section

CF3P

COTAPGRS

Cdma OTaPa PaGe ReSponse

Data Source

MTX OM, SDM

Source Field

COTAPGRS

Source Section

OTASYS

COTAPNOT

Cdma OTaPa NOTification

Data Source

MTX OM, SDM

Source Field

COTAPNOT

Source Section

OTASYS

COTAPREL

Cdma OTaPA RELease

Data Source

MTX OM, SDM

Source Field

COTAPREL

Source Section

OTASYS

COTAPREQ

Cdma OTaPa REQuest

Data Source

MTX OM, SDM

Source Field

COTAPREQ

Source Section

OTASYS

COTPABRT

Cdma OTaPa ABoRTed

Data Source

MTX OM, SDM

Source Field

COTPABRT

Source Section

OTASYS

COTPATPP

Cdma OTaPa ATtemPt Page

Data Source

MTX OM, SDM

Source Field

COTPATPP

Source Section

OTASYS

COTPATPT

Cdma OTaPa ATtemPT

Data Source

MTX OM, SDM

Source Field

COTPATPT

Source Section

OTASYS

COTPDATP

Cdma OTaPa Data delivery ATtemPts

Data Source

MTX OM, SDM

Source Field

COTPDATP

Source Section

OTASYS

COTPDFLR

Cdma OTaPA Data delivery FaiLuRe

Data Source

MTX OM, SDM

Source Field

COTPDFLR

Source Section

OTASYS

COTPDSUC

Cdma OTaPa Delivery SUCcess

Data Source

MTX OM, SDM

Source Field

COTPDSUC

Source Section

OTASYS

COTPNALC

Cdma OTaPA Not ALloCated

Data Source

MTX OM, SDM

Source Field

COTPNALC

Source Section

OTASYS

COTPREQF

Cdma OTaPA REQuest Failure

Data Source

MTX OM, SDM

Source Field

COTPREQF

Source Section

OTASYS

COTPREQS

Cdma OTaPa REQuest Successful

Data Source

MTX OM, SDM

Source Field

COTPREQS

Source Section

OTASYS

COTPRREQ

Cdma OTaPa Redundant REQuest

Data Source

MTX OM, SDM

Source Field

COTPRREQ

Source Section

OTASYS

COTPUNSP

Cdma OTaPa UNSupported

Data Source

MTX OM, SDM

Source Field

COTPUNSP

Source Section

OTASYS

CPHI

Call processes high watermark

Data Source

MTX OM, SDM

Source Field

CPHI

Source Section

CP2

CPLBOOVF

Counts long originations that the system denied to reserve long buffers for long progress msg

Data Source

MTX OM, SDM

Source Field

CPLBOOVF

Source Section

CP

CPLHI

Call processing letters high watermark

Data Source

MTX OM, SDM

Source Field

CPLHI

Source Section

CP2

CPLOOVFL

Counts originating msg that the system did not pass to CP

Data Source

MTX OM, SDM

Source Field

CPLOOVFL

Source Section

CP

CPLOSZ

Counts origination msg correctly attached to a call condense block

Data Source

MTX OM, SDM

Source Field

CPLOSZ + 65536 * CPLOSZ2

Source Section

CP

CPLPOVFL

Counts attempt to send a progress msg to a current call that failed

Data Source

MTX OM, SDM

Source Field

CPLPOVFL

Source Section

CP

CPLSZ

Counts seizures of CP letters that carry msg to calls now in the system

Data Source

MTX OM, SDM

Source Field

CPLSZ + 65536 * CPLSZ2

Source Section

CP

CPOVFL

Number of CallPs that were requested but were not available.

Data Source

MTX OM, SDM

Source Field

CPOVFL

Source Section

XACPOM

CPSAUXCP

Accumulates the CPU status auxiliary CP Occupancies

Data Source

MTX OM, SDM

Source Field

CPSAUXCP

Source Section

CPUSTAT

CPSBKG

Accumulates the CPU status background Occupancies

Data Source

MTX OM, SDM

Source Field

CPSBKG

Source Section

CPUSTAT

CPSAPOCC

Accumulates the CPU call process occupancies in a given time sample

Data Source

MTX OM, SDM

Source Field

CPSAPOCC

Source Section

CPUSTAT

CPSDNC

Accumulates the CPU status dynamic network Ctl Occupancies

Data Source

MTX OM, SDM

Source Field

CPSDNC

Source Section

CPUSTAT

CPSFORE

Accumulates the CPU status foreground Occupancies

Data Source

MTX OM, SDM

Source Field

CPSFORE

Source Section

CPUSTAT

CPSGTERM

Accumulates the CPU status guaranteed terminal Occupancies

Data Source

MTX OM, SDM

Source Field

CPSGTERM

Source Section

CPUSTAT

CPSIDLE

Accumulates the CPU status idler Occupancies

Data Source

MTX OM, SDM

Source Field

CPSIDLE

Source Section

CPUSTAT

CPSMAINT

Accumulates the CPU status maintenance Occupancies

Data Source

MTX OM, SDM

Source Field

CPSMAINT

Source Section

CPUSTAT

CPSNETM

Accumulates CPU status network maintain class

Data Source

MTX OM, SDM

Source Field

CPSNETM

Source Section

CPUSTAT

CPSOM

Accumulates the CPU status operational Measure Occupancies

Data Source

MTX OM, SDM

Source Field

CPSOM

Source Section

CPUSTAT

CPSSCHED

Accumulates the CPU scheduler occupancies

Data Source

MTX OM, SDM

Source Field

CPSSCHED

Source Section

CPUSTAT

CPSSNIP

Accumulates the CPU status of SuperNode IP

Data Source

MTX OM, SDM

Source Field

CPSSNIP

Source Section

CPUSTAT

CPSUIC

Counts calls that fail during call process

Data Source

MTX OM, SDM

Source Field

CPSUIC

Source Section

CP

CPSZ

Records when the system activates a CP

Data Source

MTX OM, SDM

Source Field

CPSZ + 65536 * CPSZ2

Source Section

CP

CPTRAP

Counts calls that fail during call process

Data Source

MTX OM, SDM

Source Field

CPTRAP

Source Section

CP

CPWORKU

Call processing usage in CCS

Data Source

MTX OM, SDM

Source Field

CPWORKU

Source Section

CP2

CRBTATT

The total number of call initiation attempts to the IP-RBT server. Pegged when the MSC sends an IAM or IAI message to the IP-RBT server.

Data Source

SDM

Source Field

CRBTATT + 65536 * CRBTATT2

Source Section

MTXCRBT

CRBTSUC

The total number of successful call completions to the IP-RBT server. Pegged when an ACM or Fast Answer message is received by the IP-RBT server.

Data Source

SDM

Source Field

CRBTSUC + 65536 * CRBTSUC2

Source Section

MTXCRBT

CSC1RESP

Cell site controller 1 response

Data Source

MTX OM, SDM

Source Field

CSC1RESP

Source Section

MTXSYS1

CSC2RESP

Cell site controller 2 response

Data Source

MTX OM, SDM

Source Field

CSC2RESP

Source Section

MTXSYS1

CSCRESP

Records when a page response msg is Rcvd by the switch from cell site Ctl

Data Source

MTX OM, SDM

Source Field

CSCRESP

Source Section

MTXSYS1

CSDCOM2G

The CSDCOM2G OM register is pegged when there is a successful 2G CSD call completion (origination or termination) using NOIS protocol

Data Source

MTX OM, SDM

Source Field

CSDCOM2G

Source Section

CDMACSD

CSDCOM3G

The CSDCOM3G OM register is pegged when there is a successful 3G CSD call completion (origination or termination) using NOIS protocol

Data Source

MTX OM, SDM

Source Field

CSDCOM3G

Source Section

CDMACSD

CSDSPR10

CSDSPR10

Data Source

MTX OM, SDM

Source Field

CSDSPR10

Source Section

CDMACSD

CTBCALLS

Records the total Num of calls which utilize CDMA tiered billing functionality

Data Source

MTX OM, SDM

Source Field

CTBCALLS

Source Section

OMMTXSY2

CTBMXCDR

Records the Num of CDMA tiered billing calls that attempt to exceed the max Num of CDRs

Data Source

MTX OM, SDM

Source Field

CTBMXCDR

Source Section

OMMTXSY2

CWTATT

Call waiting attempts

Data Source

MTX OM, SDM

Source Field

CWTATT + 65536 * MTXSYSX.CWATT2

Source Section

OMMTXSYS

CWTCOMP

Call waiting completions

Data Source

MTX OM, SDM

Source Field

CWTCOMP + 65536 * MTXSYSX.CWTCOMP2

Source Section

OMMTXSYS

CWTREPG

Records when a call wait repage event occurs

Data Source

MTX OM, SDM

Source Field

CWTREPG

Source Section

MTXSYS1

CXRCOMP

Call transfer completions

Data Source

MTX OM, SDM

Source Field

CXRCOMP

Source Section

OMMTXSYS

DARPFLAS

The total number of Domant to Active RP Session Setup Failures After Setup.

Data Source

MTX OM, SDM

Source Field

DARPFLAS

Source Section

MTXPDSYS

DARPFLBS

The total number of Domant to Active RP Session Setup Failures before Setup.

Data Source

MTX OM, SDM

Source Field

DARPFLBS

Source Section

MTXPDSYS

DDSA100

Pegs for the 76-100 bytes of DDS Data sent over the access channel.

Data Source

MTX OM, SDM

Source Field

DDSA100 + 65536 * DDSLFRCC.DDSA100X

Source Section

DDSLFRCC

DDSA25

Pegs for the 11-25 bytes of DDS Data sent over the access channel.

Data Source

MTX OM, SDM

Source Field

DDSA25 + 65536 * DDSLFRCX.DDSA25X

Source Section

DDSLFRCC

DDSA50

Pegs for the 26-50 bytes of DDS Data sent over the access channel.

Data Source

MTX OM, SDM

Source Field

DDSA50 + 65536 * DDSLFRCX.DDSA50X

Source Section

DDSLFRCC

DDSA75

Pegs for the 51-75 bytes of DDS Data sent over the access channel.

Data Source

MTX OM, SDM

Source Field

DDSA75 + 65536 * DDSLFRCX.DDSA75X

Source Section

DDSLFRCC

DDSF100

Pegs for the 76-100 bytes of DDS Data sent over the traffic channel in the forward direction.

Data Source

MTX OM, SDM

Source Field

DDSF100 + 65536 * DDSLFRCX.DDSF100X

Source Section

DDSLFRCC

DDSF125

Pegs for the 101-125 bytes of DDS Data sent over the traffic channel in the forward direction.

Data Source

MTX OM, SDM

Source Field

DDSF125 + 65536 * DDSLFRCC.DDSF125X

Source Section

DDSLFRCC

DDSF150

Pegs for the 126-150 bytes of DDS Data sent over the traffic channel in the forward direction.

Data Source

MTX OM, SDM

Source Field

DDSF150 + 65536 * DDSLFRCC.DDSF150X

Source Section

DDSLFRCC

DDSF175

Pegs for the 151-175 bytes of DDS Data sent over the traffic channel in the forward direction.

Data Source

MTX OM, SDM

Source Field

DDSF175 + 65536 * DDSLFRCC.DDSF175X

Source Section

DDSLFRCC

DDSF200

Pegs for the 176-200 bytes of DDS Data sent over the traffic channel in the forward direction.

Data Source

MTX OM, SDM

Source Field

DDSF200 + 65536 * DDSLFRCC.DDSF200X

Source Section

DDSLFRCC

DDSF225

Pegs for the 201-225 bytes of DDS Data sent over the traffic channel in the forward direction.

Data Source

MTX OM, SDM

Source Field

DDSF225 + 65536 * DDSLFRCC.DDSF225X

Source Section

DDSLFRCC

DDSF25

Pegs for the 11-25 bytes of DDS Data sent over the traffic channel in the forward direction.

Data Source

MTX OM, SDM

Source Field

DDSF25 + 65536 * DDSLFRCC.DDSF25X

Source Section

DDSLFRCC

DDSF255

Pegs for the 226-255 bytes of DDS Data sent over the traffic channel in the forward direction.

Data Source

MTX OM, SDM

Source Field

DDSF255 + 65536 * DDSLFRCC.DDSF255X

Source Section

DDSLFRCC

DDSF50

Pegs for the 26-50 bytes of DDS Data sent over the traffic channel in the forward direction.

Data Source

MTX OM, SDM

Source Field

DDSF50 + 65536 * DDSLFRCC.DDSF50X

Source Section

DDSLFRCC

DDSF75

Pegs for the 51-75 bytes of DDS Data sent over the traffic channel in the forward direction.

Data Source

MTX OM, SDM

Source Field

DDSF75 + 65536 * DDSLFRCC.DDSF75X

Source Section

DDSLFRCC

DDSP100

Pegs for the 76-100 bytes of DDS Data sent over the paging channel.

Data Source

MTX OM, SDM

Source Field

DDSP100 + 65536 * DDSLFRCX.DDSP100X

Source Section

DDSLFRCC

DDSP125

Pegs for the 101-125 bytes of DDS Data sent over the paging channel.

Data Source

MTX OM, SDM

Source Field

DDSP125 + 65536 * DDSLFRCX.DDSP125X

Source Section

DDSLFRCC

DDSP150

Pegs for the 126-150 bytes of DDS Data sent over the paging channel.

Data Source

SDM

Source Field

DDSP150 + 65536 * DDSLFRCX.DDSP150X

Source Section

DDSLFRCC

DDSP175

Pegs for the 151-175 bytes of DDS Data sent over the paging channel.

Data Source

SDM

Source Field

DDSP175 + 65536 * DDSLFRCX.DDSP175X

Source Section

DDSLFRCC

DDSP200

Pegs for the 176-200 bytes of DDS Data sent over the paging channel.

Data Source

SDM

Source Field

DDSP200 + 65536 * DDSLFRCC.DDSP200X

Source Section

DDSLFRCC

DDSP25

Pegs for the 11-25 bytes of DDS Data sent over the paging channel.

Data Source

MTX OM, SDM

Source Field

DDSP25 + 65536 * DDSLFRCC.DDSP25X

Source Section

DDSLFRCC

DDSP50

Pegs for the 26-50 bytes of DDS Data sent over the paging channel.

Data Source

MTX OM, SDM

Source Field

DDSP50 + 65536 * DDSLFRCC.DDSP50X

Source Section

DDSLFRCC

DDSP75

Pegs for the 51-75 bytes of DDS Data sent over the paging channel.

Data Source

MTX OM, SDM

Source Field

DDSP75 + 65536 * DDSLFRCC.DDSP75X

Source Section

DDSLFRCC

DDSR100

Pegs for the 76-100 bytes of DDS Data sent over the traffic channel in the reverse direction.

Data Source

MTX OM, SDM

Source Field

DDSR100 + 65536 * DDSLFRCC.DDSR100X

Source Section

DDSLFRCC

DDSR125

Pegs for the 101-125 bytes of DDS Data sent over the traffic channel in the reverse direction.

Data Source

MTX OM, SDM

Source Field

DDSR125 + 65536 * DDSLFRCC.DDSR125X

Source Section

DDSLFRCC

DDSR150

Pegs for the 126-150 bytes of DDS Data sent over the traffic channel in the reverse direction.

Data Source

MTX OM, SDM

Source Field

DDSR150 + 65536 * DDSLFRCC.DDSR150X

Source Section

DDSLFRCC

DDSR175

Pegs for the 151-175 bytes of DDS Data sent over the traffic channel in the reverse direction.

Data Source

MTX OM, SDM

Source Field

DDSR175 + 65536 * DDSLFRCC.DDSR175X

Source Section

DDSLFRCC

DDSR200

Pegs for the 176-200 bytes of DDS Data sent over the traffic channel in the reverse direction.

Data Source

MTX OM, SDM

Source Field

DDSR200 + 65536 * DDSLFRCC.DDSR200X

Source Section

DDSLFRCC

DDSR225

Pegs for the 201-225 bytes of DDS Data sent over the traffic channel in the reverse direction.

Data Source

MTX OM, SDM

Source Field

DDSR225 + 65536 * DDSLFRCX.DDSR225X

Source Section

DDSLFRCC

DDSR25

Pegs for the 11-25 bytes of DDS Data sent over the traffic channel in the reverse direction.

Data Source

MTX OM, SDM

Source Field

DDSR25 + 65536 * DDSLFRCX.DDSR25X

Source Section

DDSLFRCC

DDSR255

Pegs for the 226-255 bytes of DDS Data sent over the traffic channel in the reverse direction.

Data Source

MTX OM, SDM

Source Field

DDSR255 + 65536 * DDSLFRCX.DDSR255X

Source Section

DDSLFRCC

DDSR50

Pegs for the 26-50 bytes of DDS Data sent over the traffic channel in the reverse direction.

Data Source

MTX OM, SDM

Source Field

DDSR50 + 65536 * DDSLFRCX.DDSR50X

Source Section

DDSLFRCC

DDSR75

Pegs for the 51-75 bytes of DDS Data sent over the traffic channel in the reverse direction.

Data Source

MTX OM, SDM

Source Field

DDSR75 + 65536 * DDSLFRCC.DDSR75X

Source Section

DDSLFRCC

DELRGCAN

Subscriber unit VLR entry is deleted because of registration cancellation

Data Source

MTX OM, SDM

Source Field

DELRGCAN + 65536 * DELRGCN2

Source Section

MTXVLR

DELTMOUT

Subscriber unit VLR entry is deleted because of the timeout

Data Source

MTX OM, SDM

Source Field

DELTMOUT + 65536 * DELTMOT2

Source Section

MTXVLR

DHORPFL

The total number of Domant Handoff RP Session Setup Failures.

Data Source

MTX OM, SDM

Source Field

DHORPFL

Source Section

MTXPDSYS

DIMAATTS

Direct inward mobile access attempts

Data Source

MTX OM, SDM

Source Field

DIMAATTS

Source Section

OMMTXSYS

DIMACOMP

Direct inward mobile access completions

Data Source

MTX OM, SDM

Source Field

DIMACOMP

Source Section

OMMTXSYS

DPDPL

DPDPL

Data Source

MTX OM, SDM

Source Field

DPDPL + 65536 * DPDPL2

Source Section

DPTOFC

DPGTAT

Number of requests to get a terminal

Data Source

MTX OM, SDM

Source Field

DPGTAT + 65536 * DPGTAT2

Source Section

DPTOFC

DPGTFL

Number of failed attempts to get a non-optimized terminal

Data Source

MTX OM, SDM

Source Field

DPGTFL + 65536 * DPGTFL2

Source Section

DPTOFC

DPGTFLO

Number of failed attempts to get an optimized DPT terminal

Data Source

MTX OM, SDM

Source Field

DPGTFLO + 65536 * DPGTFLO2

Source Section

DPTOFC

DPHWT

Terminal usage high watermark

Data Source

MTX OM, SDM

Source Field

DPHWT + 65536 * DPHWT2

Source Section

DPTOFC

DPTR

DPTR

Data Source

MTX OM, SDM

Source Field

DPTR + 65536 * DPTR2

Source Section

OFZ2

DPUSAG

Number of terminals that are call processing busy and call processing deloading

Data Source

MTX OM, SDM

Source Field

DPUSAG + 65536 * DPUSAG2

Source Section

DPTOFC

DSAVAILK

Data store available in kilobytes

Data Source

MTX OM, SDM

Source Field

DSAVAILK

Source Section

STORE

DSAVAILM

Data store available in megabytes

Data Source

MTX OM, SDM

Source Field

DSAVAILM

Source Section

STORE

DSUSEDK

Data store used in kilobytes

Data Source

MTX OM, SDM

Source Field

DSUSEDK

Source Section

STORE

DSUSEDM

Data store used in megabytes

Data Source

MTX OM, SDM

Source Field

DSUSEDM

Source Section

STORE

DTMFFAIL

DTMF receiver is not available or otherwise could not be attached.

Data Source

MTX OM, SDM

Source Field

DTMFFAIL

Source Section

MNBD

DTMFSUCC

DTMF receiver has been successfully attached.

Data Source

MTX OM, SDM

Source Field

DTMFSUCC

Source Section

MNBD

E911SESS

E911 Sessions

Data Source

MTX OM, SDM

Source Field

E911SESS

Source Section

LCSSYS

ECCBOVFL

Extended call control block unsuccessful attempts

Data Source

MTX OM, SDM

Source Field

ECCBOVFL

Source Section

CP2

ECCBSZ

Extended call control blocks successful seizures

Data Source

MTX OM, SDM

Source Field

ECCBSZ + 65536 * ECCBSZ2

Source Section

CP2

ECCBTRU

Extended call control block usage in CCS

Data Source

MTX OM, SDM

Source Field

ECCBTRU

Source Section

CP2

ENCAPSULATOR_MESSBUFFERS

Number of Encapsulator Message Buffers

Data Source

MTX OM, SDM

Source Field

ENCAPSULATOR_MESSBUFFERS (Info field 3)

Source Section

XACPOM

ENCAPSULATORS

Number of Encapsulators

Data Source

MTX OM, SDM

Source Field

ENCAPSULATORS (Info field 2)

Source Section

XACPOM

ENCAPSZ

Number of encapsulators that have been requested and retrieved.

Data Source

MTX OM, SDM

Source Field

ENCAPSZ + 65536 * ENCAPSZ2

Source Section

XACPOM

ENCPOVFL

Number of encapsulators that were requested but were not available.

Data Source

MTX OM, SDM

Source Field

ENCPOVFL

Source Section

XACPOM

ENLKERR

Counts all errors that the system detect on in-service links between the network and PMs.

Data Source

SDM

Source Field

ENLKERR

Source Section

ENETPLNK

ENLKFLT

Counts the number of times the system cannot recover a P-side link between the ENET and a PM.

Data Source

SDM

Source Field

ENLKFLT

Source Section

ENETPLNK

ENLKISOU

Records if the system isolated a PM because of an out-of-service link.

Data Source

SDM

Source Field

ENLKISOU

Source Section

ENETPLNK

ENLKPARU

ENLKPARU

Data Source

SDM

Source Field

ENLKPARU

Source Section

ENETPLNK

ENMBLKU

Increments every 100 seconds, by the number of links which are in MANB state.

Data Source

SDM

Source Field

ENMBLKU

Source Section

ENETPLNK

ENMLKISO

Increments when an in-service ENET P-side link becomes MANB and cause isolation of an SPM.

Data Source

SDM

Source Field

ENMLKISO

Source Section

ENETPLNK

ENMLKPAR

Increments when In Service ENET P-side links become MANB while any link on the mate plane is out of service.

Data Source

SDM

Source Field

ENMLKPAR

Source Section

ENETPLNK

ENMSOVFL

Number of encapsulator message buffers that were requested but were not available.

Data Source

MTX OM, SDM

Source Field

ENMSOVFL

Source Section

XACPOM

ENMSSZ

Record of how many encapsulators message buffers have been requested and retrieved.

Data Source

MTX OM, SDM

Source Field

ENMSSZ

Source Section

XACPOM

ENSBLKU

Increments every 100 seconds, by the number of links which are in SYSB state.

Data Source

SDM

Source Field

ENSBLKU

Source Section

ENETPLNK

ENSLKISO

Increments when an in-service ENET P-side link becomes SYSB and cause isolation of an SPM.

Data Source

SDM

Source Field

ENSLKISO

Source Section

ENETPLNK

ENSLKPAR

Increments when in-service ENET P-side links become SYSB while any link on the mate plane is out of service.

Data Source

SDM

Source Field

ENSLKPAR

Source Section

ENETPLNK

ENSPCHER

Increments when an error is detected on speech connections through the network.

Data Source

SDM

Source Field

ENSPCHER

Source Section

ENETPLNK

ESNATTS

Number of times the CM receives an Origination, Termination, Hard handoff message from a mobile that contains a true ESN.

Data Source

MTX OM, SDM

Source Field

ESNATTS + 65536 * MTXSYSX.ESNATT2

Source Section

MTXSYS2

ESNFRAUD

Electronic serial number fraud

Data Source

MTX OM, SDM

Source Field

ESNFRAUD

Source Section

OMMTXSYS

FLACKIC

This register pegs when a SIP ACK message is received for the 4XX-6XX sent to reject the INVITE message.

Data Source

SDM

Source Field

FLACKIC + 65536 * FLACKI2

Source Section

SIPOFCWD

FLACKOG

This register pegs when a SIP ACK message is sent in response to the received 4XX-6XX for the INVITE message.

Data Source

SDM

Source Field

FLACKOG + 65536 * FLACKO2

Source Section

SIPOFCWD

FREEKB

Free memory in kilobytes

Data Source

MTX OM, SDM

Source Field

FREEKB

Source Section

STORE

FREEMB

Free memory in megabytes

Data Source

MTX OM, SDM

Source Field

FREEMB

Source Section

STORE

FRMISRTE

Number of call attempts to ported DNs that terminate to an unallocated number treatment in the terminating switch.

Data Source

SDM

Source Field

FRMISRTE

Source Section

TRMTFR3

FRNPRSVD

Register FRNPRSVD in OM group TRMTFR3

Data Source

SDM

Source Field

FRNPRSVD

Source Section

TRMTFR3

FRRTEERR

Number of feature-related treatments that are applied that build and send a release (REL) message with a cause value of "exchange routing error".

Data Source

SDM

Source Field

FRRTEERR

Source Section

TRMTFR3

FTRHOATT

Feature handoff attempts

Data Source

MTX OM, SDM

Source Field

FTRHOATT

Source Section

OMMTXSYS

FTRHOCMP

Feature handoff completions

Data Source

MTX OM, SDM

Source Field

FTRHOCMP

Source Section

OMMTXSYS

GCDSENDA

Records the Num of times a call delivery attempt is made on a gateway-MS

Data Source

MTX OM, SDM

Source Field

GCDSENDA + 65536 * MTXSYSX.GCDSNDA2

Source Section

OMMTXSY2

GCDSNDAM

Pegs the number of times a call delivery attempt is made on a gateway-MS

Data Source

MTX OM, SDM

Source Field

GCDSNDAM + 65536 * MTXSYSX.GCDSNA2M

Source Section

OMMTXSY2

GECATTS

Global Emergency Call Attempts

Data Source

MTX OM, SDM

Source Field

GECATTS

Source Section

MTXSYS2

GECRCVD

Global Emergency Call Received

Data Source

MTX OM, SDM

Source Field

GECRCVD

Source Section

MTXSYS2

GECSUCC

Global Emergency Call Success

Data Source

MTX OM, SDM

Source Field

GECSUCC

Source Section

MTXSYS2

GINVOKED

Number of GETS calls originated without the WPS prefix digits.

Data Source

MTX OM, SDM

Source Field

GINVOKED

Source Section

WPSSRVC

GSMLNPMC

(GSM networks) Calls misrouted to a ported number.

Data Source

SDM

Source Field

GSMLNPMC

Source Section

TRMTFR3

H248LST

This register counts the number of incoming H248 messages shed due to messaging buffer congestion.

Data Source

SDM

Source Field

H248LST

Source Section

MTXOVLD

HCDSENDA

Records the Num of times a call delivery attempt is made on a co-located MSC/HLR

Data Source

MTX OM, SDM

Source Field

HCDSENDA + 65536 * MTXSYSX.HCDSNDA2

Source Section

OMMTXSY2

HCDSNDAM

Pegs the number of times a call delivery attempt is made on a co-located MSC/HLR.

Data Source

MTX OM, SDM

Source Field

HCDSNDAM + 65536 * MTXSYSX.HCDSNA2M

Source Section

OMMTXSY2

HIQTHRSH

Handoff input queue threshold.

Data Source

MTX OM, SDM

Source Field

HIQTHRSH

Source Section

OMMTXSYS

HLRCEPRO

Records when the HLR processes a LOCREQ that contains a pilot DN

Data Source

MTX OM, SDM

Source Field

HLRCEPRO

Source Section

MTXHLLR

HLRCEPTM

Records when the HLR processes a CEP group query

Data Source

MTX OM, SDM

Source Field

HLRCEPTM

Source Section

MTXHLLR

HLRDCCWA

Records successful activation/deactivation of the remote feature DCCW is achieved

Data Source

MTX OM, SDM

Source Field

HLRDCCWA

Source Section

MTXHLLR

HLRMOBNP

Records when the HLR discovers that a mobile is inactive during an attempted call delivery

Data Source

MTX OM, SDM

Source Field

HLRMOBNP

Source Section

MTXHLLR

HOQTHRS

Handoff output queue threshold

Data Source

MTX OM, SDM

Source Field

HOQTHRS

Source Section

OMMTXSYS

ICP1RESP

Intelligent cellular peripheral 1 response

Data Source

MTX OM, SDM

Source Field

ICP1RESP

Source Section

MTXSYS1

ICP2REQ

Intelligent cellular peripheral 2 request

Data Source

MTX OM, SDM

Source Field

ICP2REQ

Source Section

MTXSYS1

ICP2RESP

Records when there is a page response from an ICP

Data Source

MTX OM, SDM

Source Field

ICP2RESP

Source Section

MTXSYS1

ICPCCRTY

Intelligent cellular peripheral central control page retry

Data Source

MTX OM, SDM

Source Field

ICPCCRTY

Source Section

MTXSYS1

ICPRESP

Records when there is a page response from an ICP

Data Source

MTX OM, SDM

Source Field

ICPRESP + 65536 * MTXSYSX.ICPRES2

Source Section

MTXSYS1

IMIPRQRR

Immediately Sent Intersystem Position Request Return Results

Data Source

MTX OM, SDM

Source Field

IMIPRQRR

Source Section

LCSSYS

INABNC

Incoming Call Abandoned by Customer

Data Source

MTX OM, SDM

Source Field

INABNC

Source Section

OFZ

INABNM

Incoming Call Abandoned by Machine

Data Source

MTX OM, SDM

Source Field

INABNM

Source Section

OFZ

INACM

This register keeps track of the number of incoming ACM messages over CTUP trunk and incoming ACM messages over CISUP trunk. It pegs on the MSC when the MSC receives an ACM message over CTUP trunk and when the MSC receives an ACM message over CISUP trunk.

Data Source

SDM

Source Field

INACM + 65536 * INACM2

Source Section

MTXOMTK1

INANMC

This register keeps track of the number of incoming ANC messages over CTUP trunk and incoming ANM messages with charge indication over CISUP trunk. It pegs on the MSC when the MSC receives an ANC message over CTUP trunk and when the MSC receives an ANM message with charge indicator over CISUP trunk.

Data Source

SDM

Source Field

INANMC + 65536 * INANMC2

Source Section

MTXOMTK1

INANN

Incoming Calls Routed to an Announcement

Data Source

MTX OM, SDM

Source Field

INANN

Source Section

OFZ

INEFDENY

Ineffective deny

Data Source

MTX OM, SDM

Source Field

INEFDENY

Source Section

CP2

INIAM

This register keeps track of the number of incoming IAI/IAM messages over CTUP trunk and incoming IAM messages over CISUP trunk. It pegs on the MSC when the MSC receives an IAI/IAM message over CTUP trunk and when the MSC receives an IAM message over CISUP trunk.

Data Source

SDM

Source Field

INIAM + 65536 * INIAM2

Source Section

MTXOMTK1

INITDENY

Counts line and trunk call originations that the system loses during cold and warm restarts

Data Source

MTX OM, SDM

Source Field

INITDENY

Source Section

CP

INLBHI

Long buffer high watermark

Data Source

MTX OM, SDM

Source Field

INLBHI

Source Section

CP2

INLBOVFL

Counts Req for a long buffer for an incoming long msg that fail

Data Source

MTX OM, SDM

Source Field

INLBOVFL

Source Section

CP

INLBSZ

Counts successful Req for a long buffer for an incoming long msg

Data Source

MTX OM, SDM

Source Field

INLBSZ + 65536 * INLBSZ2

Source Section

CP

INLKT

Incoming Call Lost Trunk

Data Source

MTX OM, SDM

Source Field

INLKT

Source Section

OFZ

INMOBNPG

Subscriber unit is not paged due to inactivity

Data Source

MTX OM, SDM

Source Field

INMOBNPG + 65536 * INMBNPG2

Source Section

MTXVLR

INOUT

Incoming calls from trunks

Data Source

MTX OM, SDM

Source Field

INOUT + 65536 * INOUT2

Source Section

OFZ

INRELB

This register keeps track of the number of incoming SLB and STB messages over CTUP trunk and incoming REL messages with cause reason 17 (user busy) over CISUP trunk. It pegs on the MSC when the MSC receives a SLB or STB message over CTUP trunk and when the MSC receives a REL message with cause reason 17 (user busy) over CISUP trunk.

Data Source

SDM

Source Field

INRELB + 65536 * INRELB2

Source Section

MTXOMTK1

INTONE

Incoming Calls Routed to a Tone

Data Source

MTX OM, SDM

Source Field

INTONE

Source Section

OFZ

INVATT_2G

Invalid 2G call attempts

Data Source

MTX OM, SDM

Source Field

INVATT where key=2G_CALL

Source Section

INEFATTS

INVATT_3GV

Invalid 3G voice call attempts

Data Source

MTX OM, SDM

Source Field

INVATT where key=3G_VOICE_DATA_CALL

Source Section

INEFATTS

INVATT_Packet

Invalid Packet data call attempts

Data Source

MTX OM, SDM

Source Field

INVATT where key=PACKET_DATA_CALL

Source Section

INEFATTS

IOSTRKFL

Call failures from IOS SBS trunks

Data Source

MTX OM, SDM

Source Field

SYS1SP2 or IOSTRKFL

Source Section

MTXSYS1

ISAEXIT

Number of originating agents that are routed to the ISAX treatment.

Data Source

SDM

Source Field

ISAEXIT

Source Section

TRMTFR3

KATTOUT

Number of KAT timeouts and KASRT timeouts for which a Status Response has been received.

Data Source

MTX OM, SDM

Source Field

KATTOUT

Source Section

NSEPPROG

LCFWDDB

Location Service ForwardLink Data Burst Sent

Data Source

MTX OM, SDM

Source Field

LCFWDDB + 65536 * LCFWDDBX

Source Section

LCSSYS

LCOREQIV

Location Services ORREQs Invoked

Data Source

MTX OM, SDM

Source Field

LCOREQIV

Source Section

LCSSYS

LCPATT

Pegs when a page request is sent using SMS last cell paging for the first page.

Data Source

SDM

Source Field

LCPATT + 65536 * LCPATTX

Source Section

MTXSMSPG

LCPG4CUR

Location Services Paging for Current Information

Data Source

MTX OM, SDM

Source Field

LCPG4CUR

Source Section

LCSSYS

LCPRATT

Pegs when a repage request is sent due to first page using SMS last cell paging failed.

Data Source

SDM

Source Field

LCPRATT + 65536 * LCPRATTX

Source Section

MTXSMSPG

LCPRSUC

Pegs when the repage response is received if the first page was sent using SMS Last Cell Paging.

Data Source

SDM

Source Field

LCPRSUC + 65536 * LCPRSUCX

Source Section

MTXSMSPG

LCPSUC

Pegs when the page response is received for the first page request that was sent using SMS last cell paging.

Data Source

SDM

Source Field

LCPSUC + 65536 * LCPSUCX

Source Section

MTXSMSPG

LCQACTMB

Location Services Query for Active Mobiles

Data Source

MTX OM, SDM

Source Field

LCQACTMB

Source Section

LCSSYS

LCREVDB

Location Service Reverse Link Data Burst Received

Data Source

MTX OM, SDM

Source Field

LCREVDB + 65536 * LCREVDBX

Source Section

LCSSYS

LCSSESS

Location Services Sessions

Data Source

MTX OM, SDM

Source Field

LCSSESS + 65536 * LCSSESSX

Source Section

LCSSYS

LLCALLS

Land to Land Calls

Data Source

MTX OM, SDM

Source Field

LLCALLS + 65536 * LLCALLS2

Source Section

CALLMIX

LMA2ATT

Pegs when a call from a land to an A2P mobile is attempted.

Data Source

SDM

Source Field

LMA2ATT+ 65536 * LMA2ATX

Source Section

MTXA2PT2

LMA2CP

Pegs when a call from a land to an A2P mobile is completely setup.

Data Source

SDM

Source Field

LMA2CP + 65536 * LMA2CPX

Source Section

MTXA2PT2

LMBIA

Land to MBIA Treatment

Data Source

MTX OM, SDM

Source Field

LMBIA + 65536 * LMBIA2

Source Section

CALLMIX

LMCALLS

Land to Mobile Calls

Data Source

MTX OM, SDM

Source Field

LMCALLS + 65536 * LMCALLS2

Source Section

CALLMIX

LORIGSHD

Counts the Num of land originations that were shed

Data Source

MTX OM, SDM

Source Field

LORIGSHD + 65536 * LORIGSH2

Source Section

MTXOVLD

LPGTO

Land to PGTO Treatment

Data Source

MTX OM, SDM

Source Field

LPGTO + 65536 * LPGTO2

Source Section

CALLMIX

LTRT

Land to Treatment

Data Source

MTX OM, SDM

Source Field

LTRT + 65536 * LTRT2

Source Section

CALLMIX

MBTSRIVD

Time stamp of a subscriber unit VLR entry is updated because the initial voice channel Designation was sent to the subscriber unit

Data Source

MTX OM, SDM

Source Field

MBTSRIVD + 65536 * MBTSRIV2

Source Section

MTXVLR

MBTSRSRG

Time stamp of a subscriber unit VLR entry is updated because the subscriber unit is registered

Data Source

MTX OM, SDM

Source Field

MBTSRSRG + 65536 * MBTSRSR2

Source Section

MTXVLR

MCD3100_AvgPktCallConnTime

Average Packet Data Call Connection Time in seconds

Data Source

MTX Log

Source Field

Average of (DISCTIME - ORIGTIME)

Source Section

MCD3100

MCD3100_AvgPktCallDur

Average Packet Data Call Duration in seconds

Data Source

MTX Log

Source Field

Average of CALLDUR

Source Section

MCD3100

MCD3100_NumRecord

Number of MCD3100 records

Data Source

MTX Log

Source Section

MCD3100

MCD3100_PktDataCallConnTime

Packet Data Call ConnectionTime (in minutes) from call origination to disconnection

Data Source

MTX Log

Source Field

$(DISCTIME - ORIGTIME) / 60$

Source Section

MCD3100

MCD3100_PktDataCallDur

Packet Data Call Duration (in minutes) from call origination to disconnection

Data Source

MTX Log

Source Field

CALLDUR / 60

Source Section

MCD3100

MCDAATTS

Call Delivery Activatable Activation Attempts

Data Source

MTX OM, SDM

Source Field

MCDAATTS

Source Section

OMMTXSY2

MCDACOMP

Call Delivery Activatable Activation Completions

Data Source

MTX OM, SDM

Source Field

MCDACOMP

Source Section

OMMTXSY2

MCFAATTS

Call forward all attempts

Data Source

MTX OM, SDM

Source Field

MCFAATTS

Source Section

OMMTXSYS

MCFACOMP

Call forward all completions

Data Source

MTX OM, SDM

Source Field

MCFACOMP

Source Section

OMMTXSYS

MCFBATTs

Call forward busy attempts

Data Source

MTX OM, SDM

Source Field

MCFBATTs

Source Section

OMMTXSYS

MCFBCOMP

Call forward busy completed

Data Source

MTX OM, SDM

Source Field

MCFBCOMP

Source Section

OMMTXSYS

MCFBDATS

Call forward busy/no answer attempts

Data Source

MTX OM, SDM

Source Field

MCFBDATS

Source Section

OMMTXSYS

MCFBDCMP

Call forward busy/no answer completions

Data Source

MTX OM, SDM

Source Field

MCFBDCMP

Source Section

OMMTXSYS

MCFBDFLD

Call forward busy deflected

Data Source

MTX OM, SDM

Source Field

MCFBDFLD

Source Section

OMMTXSYS

MCFBOFRD

Call forward busy offered

Data Source

MTX OM, SDM

Source Field

MCFBOFRD + 65536 * MTXSYSX.MCFBOFR2

Source Section

OMMTXSYS

MCFBOFRM

MTX Call Forwarding_Busy Attempts Offered from Mobile.

Data Source

MTX OM, SDM

Source Field

MCFBOFRM + 65536 * MTXSYSX.MCFBOF2M

Source Section

OMMTXSY2

MCFDFATS

CFDF activation attempts

Data Source

MTX OM, SDM

Source Field

MCFDFATS

Source Section

OMMTXSY2

MCFDFCMP

CFDF activation completions

Data Source

MTX OM, SDM

Source Field

MCFDFCMP

Source Section

OMMTXSY2

MCFDFDFL

Pegged when the call is lost by the MSC

Data Source

MTX OM, SDM

Source Field

MCFDFDFL

Source Section

OMMTXSY2

MCFDFOFR

Pegged when the opportunity to forward the call is detected by the MSC

Data Source

MTX OM, SDM

Source Field

MCFDFOFR

Source Section

OMMTXSY2

MCFNAATS

Call forwarding no answer attempts

Data Source

MTX OM, SDM

Source Field

MCFNAATS

Source Section

OMMTXSYS

MCFNACMP

Call forward no answer completed

Data Source

MTX OM, SDM

Source Field

MCFNACMP + 65536 * MTXSYSX.MCFNACM2

Source Section

OMMTXSYS

MCFNADFL

Call forward no answer attempts deflected

Data Source

MTX OM, SDM

Source Field

MCFNADFL

Source Section

OMMTXSYS

MCFNAOFM

MTX Call Forwarding Do Not Answer attempts offered from mobile.

Data Source

MTX OM, SDM

Source Field

MCFNAOFM + 65536 * MTXSYSX.MCFNAO2M

Source Section

OMMTXSY2

MCFNAOFR

Call forward no answer offered

Data Source

MTX OM, SDM

Source Field

MCFNAOFR + 65536 * MTXSYSX.MCFNAOF2

Source Section

OMMTXSYS

MCFUATTS

Call forward unconditional attempts

Data Source

MTX OM, SDM

Source Field

MCFUATTS

Source Section

OMMTXSYS

MCFUCOMP

Call forward unconditional completions

Data Source

MTX OM, SDM

Source Field

MCFUCOMP

Source Section

OMMTXSYS

MCFUFLD

Call forward unconditional deflected

Data Source

MTX OM, SDM

Source Field

MCFUDFLD

Source Section

OMMTXSYS

MCFUOFRD

Call forward unconditional offered

Data Source

MTX OM, SDM

Source Field

MCFUOFRD + 65536 * MTXSYSX.MCFUOFR2

Source Section

OMMTXSYS

MCFUOFRM

MTX Call Forwarding Attempts Offered from Mobile.

Data Source

MTX OM, SDM

Source Field

MCFUOFRM + 65536 * MTXSYSX.MCFUOF2M

Source Section

OMMTXSY2

MEIDATTS

Number of times the CM receives an Origination, Termination, Hard handoff message from a mobile that contains a MEID.

Data Source

MTX OM, SDM

Source Field

MEIDATTS + 65536 * MTXSYSX.MEIDATT2

Source Section

MTXSYS2

MEIDQRCC

Number of times a Status Request query is sent by the CM to the mobile on the Common Channel.

Data Source

MTX OM, SDM

Source Field

MEIDQRCC

Source Section

MTXSYS2

MEIDQRTC

Number of times a Status Request query is sent by the CM to the mobile on the Traffic Channel.

Data Source

MTX OM, SDM

Source Field

MEIDQRTC

Source Section

MTXSYS2

MEIDQSCC

Number of times a Status Response message is received by the CM on the Common Channel.

Data Source

MTX OM, SDM

Source Field

MEIDQSCC

Source Section

MTXSYS2

MEIDQSTC

Number of times a Status Response message is received by the CM on the Traffic Channel.

Data Source

MTX OM, SDM

Source Field

MEIDQSTC

Source Section

MTXSYS2

MGWRESFH

This register tracks the number of call setup failures due to failing in setting up resources with the MGWs during hard handoff (unsupported codec, no available EVRC or EVRC-B licenses, transcoding location error).

Data Source

SDM

Source Field

MGWRESFH

Source Section

MTXMGSYS

MGWRESFO

This register tracks the number of call setup failures due to failing in setting up resources with the MGWs during origination (unsupported codec, no available EVRC or EVRC-B licenses, transcoding location error).

Data Source

SDM

Source Field

MGWRESFO

Source Section

MTXMGSYS

MGWRESFT

This register tracks the number of call setup failures due to failing in setting up resources with the MGWs during termination (unsupported codec, no available EVRC or EVRC-B licenses, transcoding location error).

Data Source

SDM

Source Field

MGWRESFT

Source Section

MTXMGSYS

MIDTOAAT

3G Pegs when a mobile initiated dormant to active transition occur.

Data Source

MTX OM, SDM

Source Field

MIDTOAAT + 65536 * MIDTOAAX

Source Section

CDMAPDOM

MIDTOAFL

3G Pegs when a mobile initiated dormant to active transition occur.

Data Source

MTX OM, SDM

Source Field

MIDTOAFL + 65536 * MIDTOAFX

Source Section

CDMAPDOM

MIDTOASU

3G Pegs when a mobile initiated dormant to active transition occur.

Data Source

MTX OM, SDM

Source Field

MIDTOASU + 65536 * MIDTOASX

Source Section

CDMAPDOM

MLA2ATT

Pegs when a call from an A2P mobile to a land is attempted.

Data Source

SDM

Source Field

MLA2ATT + 65536 * MLA2ATX

Source Section

MTXA2PT2

MLA2CP

Pegs when a call from an A2P mobile to a land is completely setup.

Data Source

SDM

Source Field

MLA2CP+ 65536 * MLA2CPX

Source Section

MTXA2PT2

MLCALLS

Mobile to Land Calls

Data Source

MTX OM, SDM

Source Field

MLCALLS + 65536 * MLCALLS2

Source Section

CALLMIX

MMBA2ATT

Pegs when a call from an A2P mobile to an A2P mobile is attempted.

Data Source

SDM

Source Field

MMBA2ATT + 65536 * MMBA2ATX

Source Section

MTXA2PT2

MMBA2CP

Pegs when a call from an A2P mobile to an A2P mobile is completely setup.

Data Source

SDM

Source Field

MMBA2CP + 65536 * MMBA2CPX

Source Section

MTXA2PT2

MMBIA

Mobile to MBIA Treatment

Data Source

MTX OM, SDM

Source Field

MMBIA + 65536 * MMBIA2

Source Section

CALLMIX

MMCALLS

Mobile to Mobile Calls

Data Source

MTX OM, SDM

Source Field

MMCALLS + 65536 * MMCALLS2

Source Section

CALLMIX

MMOA2ATT

Pegs when a call attempt is made from an A2P mobile to a non-A2P mobile.

Data Source

SDM

Source Field

MMOA2ATT + 65536 * MMOA2ATX

Source Section

MTXA2PT2

MMOA2CP

Pegs when a call from an A2P mobile to a non-A2P mobile is completely setup.

Data Source

SDM

Source Field

MMOA2CP + 65536 * MMOA2CPX

Source Section

MTXA2PT2

MMT2CP

Pegs when a call from an A2P mobile to an A2P mobile is completely setup and a compressed codec is used on the YY interface.

Data Source

SDM

Source Field

MMT2CP + 65536 * MMT2CPX

Source Section

MTXA2PT2

MMTA2ATT

Pegs when a call from non A2P mobile to an A2P mobile is attempted.

Data Source

SDM

Source Field

MMTA2ATT + 65536 * MMTA2ATX

Source Section

MTXA2PT2

MMTA2CP

Pegs when a call from non-A2P mobile to an A2P mobile is completely setup.

Data Source

SDM

Source Field

MMTA2CP + 65536 * MMTA2CPX

Source Section

MTXA2PT2

MOADRBSY

This register pegs LOCREQ Return Result messages with access denied reason Busy for Mobile origination

Data Source

SDM

Source Field

MOADRBSY

Source Section

LOCRDENY

MOADRINA

This register pegs LOCREQ Return Result messages with access denied reason Inactive for Mobile origination

Data Source

SDM

Source Field

MOADRINA

Source Section

LOCRDENY

MOADRNP

This register pegs LOCREQ Return Result messages with access denied reason No Page Response for mobile origination

Data Source

SDM

Source Field

MOADRNP

Source Section

LOCRDENE

MOADRNU

This register pegs LOCREQ Return Result messages without access denied reason or with access denied reason Not Used for mobile origination

Data Source

SDM

Source Field

MOADRNU + 65536 * MOADRNU2

Source Section

LOCRDENE

MOADRTE

This register pegs LOCREQ Return Result messages with access denied reason Termination Denied for Mobile origination

Data Source

SDM

Source Field

MOADRTE

Source Section

LOCRDENE

MOADRUDN

This register pegs LOCREQ Return Result messages with access denied reason Unassigned Directory Number for Mobile origination

Data Source

SDM

Source Field

MOADRUDN

Source Section

LOCRDENEY

MOADRUNA

This register pegs LOCREQ Return Result messages with access denied reason Unavailable for Mobile origination

Data Source

SDM

Source Field

MOADRUNA

Source Section

LOCRDENEY

MOIDSAME

An origination or a network initiated packet call has been received for a VTID that is already linked to another call.

Data Source

MTX OM, SDM

Source Field

MOIDSAME

Source Section

MTXOVLD

MOIDSHED

An origination or a network initiated packet call has been shed since its VTID is already linked to another call that is being setup.

Data Source

MTX OM, SDM

Source Field

MOIDSHED

Source Section

MTXOVLD

MOIDTOUT

The CM has received notification from the CAU that an origination has timed out during setup.

Data Source

MTX OM, SDM

Source Field

MOIDTOUT

Source Section

MTXOVLD

MOLOCBSY

This register pegs local busy terminations for Mobile origination

Data Source

SDM

Source Field

MOLOCBSY

Source Section

LOCRDENY

MORIGSHD

Counts the Num of mobile originations that were shed

Data Source

MTX OM, SDM

Source Field

MORIGSHD + 65536 * MORIGSH2

Source Section

MTXOVLD

MPGTO

Mobile to PGTO Treatment

Data Source

MTX OM, SDM

Source Field

MPGTO + 65536 * MPGTO2

Source Section

CALLMIX

MROLLINS

Records each time the call forward rollover is instigated

Data Source

MTX OM, SDM

Source Field

MROLLINS

Source Section

OMMTXSY2

MSCCEPAC

cellular extension phone MSC answer call delivery

Data Source

MTX OM, SDM

Source Field

MSCCEPAC

Source Section

MTXMSC

MSCCEPAL

cellular extension phone MSC answer local

Data Source

MTX OM, SDM

Source Field

MSCCEPAL

Source Section

MTXMSC

MSCCEPAP

cellular extension phone MSC answer PSTN

Data Source

MTX OM, SDM

Source Field

MSCCEPAP

Source Section

MTXMSC

MSCCEPCD

cellular extension phone MSC call delivery

Data Source

MTX OM, SDM

Source Field

MSCCEPCD

Source Section

MTXMSC

MSCCEPLO

cellular extension phone MSC local

Data Source

MTX OM, SDM

Source Field

MSCCEPLO

Source Section

MTXMSC

MSCCEPPS

cellular extension phone MSC PSTN

Data Source

MTX OM, SDM

Source Field

MSCCEPPS

Source Section

MTXMSC

MSCCEPTM

cellular extension phone MSC termination

Data Source

MTX OM, SDM

Source Field

MSCCEPTM

Source Section

MTXMSC

MSCMMATT

MSC Metering Message ATTempts

Data Source

SDM

Source Field

MSCMMATT + 65536 * MSCMMAT2

Source Section

MSCPCOMS

MSCMPCOC

MSC count of Metered PCO calls

Data Source

SDM

Source Field

MSCMPCOC + 65536 * MSCMPCO2

Source Section

MSCPCOMS

MSCNACKC

This OM register tracks the count of no ACK timeout. (MTX does not receive ACK for metering message from BTS/BSC within preset timeout period.) This OM register supports both NOIS and IOS configuration. For IOS configuration, this timeout value is datafilled by Office Parameter AIF_PCO_TIMER_VALUE sub-field AIF_PCO_ACK_TIMER in table OFCENG. For NOIS configuration, the timeout value is internally set to 4 sec.

Data Source

SDM

Source Field

MSCNACKC + 65536 * MSCNACK2

Source Section

MSCPCOMS

MSREGNOT

Mobile Station Registered Notification

Data Source

MTX OM, SDM

Source Field

MSREGNOT

Source Section

CDMAPDOM

MTRT

Mobile to Treatment

Data Source

MTX OM, SDM

Source Field

MTRT + 65536 * MTRT2

Source Section

CALLMIX

MULTAUTH

Register MULTAUTH in OM group TRMTFR3

Data Source

SDM

Source Field

MULTAUTH

Source Section

TRMTFR3

MULTHI

Multiblock high watermark

Data Source

MTX OM, SDM

Source Field

MULTHI

Source Section

CP2

MULTOVFL

Counts three-way calling attempt that fail because an idle multiblock is not available

Data Source

MTX OM, SDM

Source Field

MULTOVFL

Source Section

CP

MULTSZ

Counts seizures of a multiblock

Data Source

MTX OM, SDM

Source Field

MULTSZ

Source Section

CP

MV2TCHAT

Move To Traffic Channel Attempts

Data Source

MTX OM, SDM

Source Field

MV2TCHAT + 65536 * MV2TCHTX

Source Section

LCSSYS

MV2TCHSU

Move To Traffic Channel Successes

Data Source

MTX OM, SDM

Source Field

MV2TCHSU

Source Section

LCSSYS

NARPFLAS

The total number of Null to Active RP Session Setup Failures After Setup.

Data Source

MTX OM, SDM

Source Field

NARPFLAS

Source Section

MTXPDSYS

NARPFLBS

The total number of Null to Active RP Session Setup Failures before Setup.

Data Source

MTX OM, SDM

Source Field

NARPFLBS

Source Section

MTXPDSYS

NEGPROFL

Autonomous registration when a VLR entry is created for an unauthorized and unregistered mobile

Data Source

MTX OM, SDM

Source Field

NEGPROFL + 65536 * NEGPROF2

Source Section

MTXVLR

NIDTOAAT

3G Pegs when a network initiated dormant to active transition occur.

Data Source

MTX OM, SDM

Source Field

NIDTOAAT + 65536 * NIDTOAAX

Source Section

CDMAPDOM

NIDTOAFL

3G Pegs when a network initiated dormant to active transition occur.

Data Source

MTX OM, SDM

Source Field

NIDTOAFL + 65536 * NIDTOAFX

Source Section

CDMAPDOM

NIDTOASU

3G Pegs when a network initiated dormant to active transition occur.

Data Source

MTX OM, SDM

Source Field

NIDTOASU + 65536 * NIDTOASX

Source Section

CDMAPDOM

NIFLAMPS

Network initiated Dormant to Active Failure -for mobile in AMPS

Data Source

MTX OM, SDM

Source Field

NIFLAMPS

Source Section

CDMAPDOM

NIFLCLFL

Network Initiated Dormant to Active Failure - Call setup failure reported by CAU.

Data Source

MTX OM, SDM

Source Field

NIFLCLFL

Source Section

CDMAPDOM

NIFLMINA

Network Initiated Dormant to Active Failure - Mobile Inactive

Data Source

MTX OM, SDM

Source Field

NIFLMINA

Source Section

CDMAPDOM

NIFLMRLS

Network Initiated Dormant to Active Failure - Mobile released while waiting for Answer Message.

Data Source

MTX OM, SDM

Source Field

NIFLMRLS

Source Section

CDMAPDOM

NIFLNSOP

Network Initiated Dormant to Active Failure with Nil Service Option in page response.

Data Source

MTX OM, SDM

Source Field

NIFLNSOP

Source Section

CDMAPDOM

NIFLNVLR

Network Initiated Dormant to Active Failure - No VLR entry

Data Source

MTX OM, SDM

Source Field

NIFLNVLR

Source Section

CDMAPDOM

NIFLPGNG

Network Initiated Dormant to Active Failure - Mobile being paged.

Data Source

MTX OM, SDM

Source Field

NIFLPGNG

Source Section

CDMAPDOM

NIFLPGTM

Network Initiated Dormant to Active Failure - Page Timeout

Data Source

MTX OM, SDM

Source Field

NIFLPGTM

Source Section

CDMAPDOM

NIFLSRSP

Network Initiated Dormant to Active Failure - Timeout occurred while waiting for an Answer Message.

Data Source

MTX OM, SDM

Source Field

NIFLSRSP

Source Section

CDMAPDOM

NIFLVCLL

Network Initiated Dormant to Active Failure - Mobile in Voice call.

Data Source

MTX OM, SDM

Source Field

NIFLVCLL

Source Section

CDMAPDOM

NIN

Number of Incoming Calls

Data Source

MTX OM, SDM

Source Field

NIN + 65536 * NIN2

Source Section

OFZ

NINC

Number of all of the incoming NS/EP calls regardless of where the call is destined.

Data Source

MTX OM, SDM

Source Field

NINC

Source Section

NSEPSRVC

NINCASSG

WPS originated and incoming NS/EP calls which terminate to an MS on that MSC and receive terminating radio resources.

Data Source

MTX OM, SDM

Source Field

NINCASSG

Source Section

NSEPSRVC

NINCTERM

Number of incoming NS/EP call termination attempts whose destination is an MS served by that MSC.

Data Source

MTX OM, SDM

Source Field

NINCTERM

Source Section

NSEPSRVC

NNOCKT

Number of NS/EP calls that cannot be routed on an outgoing trunk due to the lack of trunk resources. It gets pegged when it gets route exhaust.

Data Source

MTX OM, SDM

Source Field

NNOCKT

Source Section

NSEPPROG

NNOPRTY

Number of incoming NS/EP calls received without the Precedence parameter and, therefore, assigned with a default priority.

Data Source

MTX OM, SDM

Source Field

NNOPRTY

Source Section

NSEPSRVC

NOITRKFL

Call failures from NOIS SBS trunks

Data Source

MTX OM, SDM

Source Field

SYS1SP1 or NOITRKFL

Source Section

MTXSYS1

NORESSO_2G

2G call attempts that requested an authorized service option, but there are no resources available for this service option

Data Source

MTX OM, SDM

Source Field

NORESSO where key=2G_CALL

Source Section

INEFATTS

NORESSO_3GV

3G voice call attempts that requested an authorized service option, but there are no resources available for this service option

Data Source

MTX OM, SDM

Source Field

NORESSO where key=3G_VOICE_DATA_CALL

Source Section

INEFATTS

NORESSO_Packet

Packet data call attempts that requested an authorized service option, but there are no resources available for this service option

Data Source

MTX OM, SDM

Source Field

NORESSO where key=PACKET_DATA_CALL

Source Section

INEFATTS

NOSATRSP

Records when the switch fails to receive a SATP msg from a subscriber unit

Data Source

MTX OM, SDM

Source Field

NOSATRSP

Source Section

MTXSYS1

NOUTGO

Number of NS/EP and WPS calls that are successfully routed on an outgoing trunk to a switch.
This does not count for glare attempts.

Data Source

MTX OM, SDM

Source Field

NOUTGO

Source Section

NSEPPROG

NOUTIXC

Number of NS/EP calls destined to an IXC that are successfully routed out of the MSC.

Data Source

MTX OM, SDM

Source Field

NOUTIXC

Source Section

NSEPPROG

NOUTIXNC

Number of NS/EP calls destined to the IXC that failed to route on outgoing trunk due to lack of trunk resources and route exhaust is encountered.

Data Source

MTX OM, SDM

Source Field

NOUTIXNC

Source Section

NSEPPROG

NTATTMPT

Number of outgoing PSTN trunk termination attempts for both incoming NS/EP and WPS originated calls. It can be pegged multiple times per WPS origination or incoming NS/EP call.

Data Source

MTX OM, SDM

Source Field

NTATTMPT

Source Section

NSEPPROG

NTERM

Number of both incoming NSEP and WPS originated calls which attempt to terminate to local mobiles

Data Source

MTX OM, SDM

Source Field

NTERM

Source Section

NSEPSRVC

NTQABAND

Number of NS/EP calls that are removed from the trunk queue because the call attempt is abandoned or released.

Data Source

MTX OM, SDM

Source Field

NTQABAND

Source Section

NSEPPROG

NTQOVFL

Number of NS/EP calls that fail to queue for an outgoing trunk because the maximum trunk queue size for that trunk group has been reached. It pegs only for individual trunk full cases, not for the switch-wide trunk resource exhaustion cases.

Data Source

MTX OM, SDM

Source Field

NTQOVFL

Source Section

NSEPPROG

NTQQUED

Number of NS/EP calls that are queued for an outgoing trunk to a switch due to the lack of trunk resources. It pegs for every instance of trunk queuing.

Data Source

MTX OM, SDM

Source Field

NTQQUED

Source Section

NSEPPROG

NTQTOUT

Number of NS/EP calls that are removed from the trunk queue because the call has exceeded the maximum trunk queue time for that trunk group.

Data Source

MTX OM, SDM

Source Field

NTQTOUT

Source Section

NSEPPROG

NULTOAAT

Mobile attempts for Null to Active 1XRTT data transition.

Data Source

MTX OM, SDM

Source Field

NULTOAAT + 65536 * NULTOAAX

Source Section

CDMAPDOM

NULTO AFL

Mobile failures in Null to Active 1XRTT data transition

Data Source

MTX OM, SDM

Source Field

NULTO AFL + 65536 * NULTO AFX

Source Section

CDMAPDOM

NULTOASU

Mobile successes in Null to Active 1XRTT data transition

Data Source

MTX OM, SDM

Source Field

NULTOASU + 65536 * NULTOASX

Source Section

CDMAPDOM

NumCallCondBlks

Number of call condense blocks

Data Source

MTX OM, SDM

Source Field

Key_Info

Source Section

CP

NUMCALLPROC

Number of call Processes

Data Source

MTX OM, SDM

Source Field

NUMCALLPROC (Info field 1)

Source Section

XACPOM

NumCallProcesses

Number of call processes

Data Source

MTX OM, SDM

Source Field

Key_Info

Source Section

CP

NumConfCircuits

Number of software-equipped conference circuits in the office

Data Source

MTX OM, SDM

Source Field

NumConfCircuits

Source Section

CF3P

NumCP_Letters

Number of CP letters

Data Source

MTX OM, SDM

Source Field

Key_Info

Source Section

CP

NumExtdCallCntrlBlks

Number of extended call control blocks

Data Source

MTX OM, SDM

Source Field

Key_Info

Source Section

CP2

NumLongBuffers

Number of long buffers

Data Source

MTX OM, SDM

Source Field

Key_Info

Source Section

CP

NumWakeUpBlocks

Number of wake-up blocks

Data Source

MTX OM, SDM

Source Field

Key_Info

Source Section

CP

NVNRGRTD

Records when fraudulent network roamer timer value specified is too low

Data Source

MTX OM, SDM

Source Field

NVNRGRTD

Source Section

OMMTXSY2

OCMACREL

Pegs on the CM when a Release message from the access side is received at the CM while waiting for the OCM.

Data Source

MTX OM, SDM

Source Field

OCMACREL

Source Section

MTXOCM

OCMCRREL

Pegs on the CM prior to sending a Release message to the CAU in case the CM is waiting for the OCM.

Data Source

MTX OM, SDM

Source Field

OCMCRREL

Source Section

MTXOCM

OCMMSGTO

Pegs on the CM when an OCM timeout occurs at the CM while the CM is waiting for the OCM.

Data Source

MTX OM, SDM

Source Field

OCMMSGTO

Source Section

MTXOCM

OCMOATTS

Pegs on the CM when an origination attempt with OCM is made.

Data Source

MTX OM, SDM

Source Field

OCMOATTS + 65536 * OCMOATT2

Source Section

MTXOCM

OCMOSUCC

Pegs on the CM on successful receipt of the OCM if the corresponding Origination message had been received with MORE_FIELDS set.

Data Source

MTX OM, SDM

Source Field

OCMOSUCC + 65536 * OCMOSUC2

Source Section

MTXOCM

OFZNCBN

No Meridian Digital Centrex trunk available

Data Source

MTX OM, SDM

Source Field

OFZNCBN

Source Section

OFZ2

OFZNCID

No circuit inward dial trunks

Data Source

MTX OM, SDM

Source Field

OFZNCID

Source Section

OFZ2

OFZNCIM

No circuit intermachine trunks

Data Source

MTX OM, SDM

Source Field

OFZNCIM

Source Section

OFZ2

OFZNCIT

No circuit intertoll trunks

Data Source

MTX OM, SDM

Source Field

OFZNCIT

Source Section

OFZ2

OFZNCLT

No circuit local tandem trunks

Data Source

MTX OM, SDM

Source Field

OFZNCLT

Source Section

OFZ2

OFZNCOF

No circuit offnet trunks

Data Source

MTX OM, SDM

Source Field

OFZNCOF

Source Section

OFZ2

OFZNCON

No circuit on-net trunks

Data Source

MTX OM, SDM

Source Field

OFZNCON

Source Section

OFZ2

OFZNCOT

No circuit other trunk

Data Source

MTX OM, SDM

Source Field

OFZNCOT

Source Section

OFZ2

OFZNCRT

No circuit trunks

Data Source

MTX OM, SDM

Source Field

OFZNCRT

Source Section

OFZ2

OFZNCTC

No circuit toll completing trunks

Data Source

MTX OM, SDM

Source Field

OFZNCTC

Source Section

OFZ2

OFZNO SC

No service circuit trunks

Data Source

MTX OM, SDM

Source Field

OFZNOSC

Source Section

OFZ2

ONWKPSHD

Number of IS41 messages shed due to the CM is in overload condition before it could be queued on to the NWKP queue

Data Source

MTX OM, SDM

Source Field

ONWKPSHD + 65536 * ONWKPSH2

Source Section

MTXOVLD

ORIGDENY

Counts originations the CC ignores

Data Source

MTX OM, SDM

Source Field

ORIGDENY

Source Section

CP

OTADCONN

OTA data connection

Data Source

MTX OM, SDM

Source Field

OTADCONN

Source Section

OTASYS

OTAORIGA

OTA origination attempt

Data Source

MTX OM, SDM

Source Field

OTAORIGA

Source Section

OTASYS

OUTACM

This register keeps track of the number of outgoing ACM messages over CTUP trunk and outgoing ACM messages over CISUP trunk. It pegs on the MSC when the MSC sends an ACM message over CTUP trunk and when the MSC sends an ACM message over CISUP trunk.

Data Source

SDM

Source Field

OUTACM + 65536 * OUTACM2

Source Section

MTXOMTK1

OUTANMC

This register keeps track of the number of outgoing ANC messages over CTUP trunk and outgoing ANM messages with charge indication over CISUP trunk. It pegs on the MSC when the MSC sends an ANC message over CTUP trunk and when the MSC send an ANM message with charge indicator over CISUP trunk.

Data Source

SDM

Source Field

OUTANMC + 65536 * OUTANMC2

Source Section

MTXOMTK1

OUTBHI

Outgoing buffer high watermark

Data Source

MTX OM, SDM

Source Field

OUTBHI

Source Section

CP2

OUTBOVFL

Counts outgoing msg that are lost because an idle outgoing buffer was not available

Data Source

MTX OM, SDM

Source Field

OUTBOVFL

Source Section

CP

OUTBSZ

Counts msg for a peripheral modules that the system places in an outgoing buffer

Data Source

MTX OM, SDM

Source Field

OUTBSZ

Source Section

CP

OUTIAM

This register keeps track of the number of outgoing IAI/IAM messages over CTUP trunk and outgoing IAM messages over CISUP trunk. It pegs on the MSC when the MSC sends an IAI/IAM message over CTUP trunk and when the MSC sends an IAM message over CISUP trunk.

Data Source

SDM

Source Field

OUTIAM + 65536 * OUTIAM2

Source Section

MTXOMTK1

OUTMFL

Outgoing retrial match failures

Data Source

MTX OM, SDM

Source Field

OUTMFL

Source Section

OFZ

OUTNWAT

Outgoing Network Attempts

Data Source

MTX OM, SDM

Source Field

OUTNWAT + 65536 * OUTNWAT2

Source Section

OFZ

OUTOSF

Outgoing original seize failures

Data Source

MTX OM, SDM

Source Field

OUTOSF

Source Section

OFZ

OUTRELB

This register keeps track of the number of outgoing SLB and STB messages over CTUP trunk and outgoing REL messages with cause reason 17 (user busy) over CISUP trunk. It pegs on the MSC when the MSC sends a SLB or STB message over CTUP trunk and when the MSC sends a REL message with cause reason 17 (user busy) over CISUP trunk.

Data Source

SDM

Source Field

OUTRELB + 65536 * OUTRELB2

Source Section

MTXOMTK1

OUTRMFL

Outgoing match failures

Data Source

MTX OM, SDM

Source Field

OUTRMFL

Source Section

OFZ

OUTROSF

Outgoing retrial seize failures

Data Source

MTX OM, SDM

Source Field

OUTROSF

Source Section

OFZ

OVRLD

Central control overload

Data Source

MTX OM, SDM

Source Field

OVRLD

Source Section

CP2

PDLM

Machine dialed partial dials

Data Source

MTX OM, SDM

Source Field

PDLM

Source Section

OFZ2

PKTCORFL

This register tracks the number of call setup failures on Packet Core (Y-Y connection) for origination, termination, and hard handoff. This OM is pegged when an error descriptor is present in the H.248 Add or Modify Reply messages from the MGW.

Data Source

SDM

Source Field

PKTCORFL

Source Section

MTXMGSYS

PRECRQST

Number of Precise Requests

Data Source

MTX OM, SDM

Source Field

PRECRQST + 65536 * PRECRQSTX

Source Section

LCSSYS

PSAVAILK

Program store available in kilobytes

Data Source

MTX OM, SDM

Source Field

PSAVAILK

Source Section

STORE

PSAVAILM

Program store available in megabytes

Data Source

MTX OM, SDM

Source Field

PSAVAILM

Source Section

STORE

PSGM

Machine dialed permanent signal

Data Source

MTX OM, SDM

Source Field

PSGM

Source Section

OFZ2

PSMMATT

Pilot Strength Measurement Message Attempts

Data Source

MTX OM, SDM

Source Field

PSMMATT

Source Section

MTXSYS1

PSMMFAIL

Pilot Strength Measurement Message Failures

Data Source

MTX OM, SDM

Source Field

PSMMFAIL

Source Section

MTXSYS1

PSMMSUCC

Pilot Strength Measurement Message Successes

Data Source

MTX OM, SDM

Source Field

PSMMSUCC

Source Section

MTXSYS1

PSUSEDK

Program store used in kilobytes

Data Source

MTX OM, SDM

Source Field

PSUSEDK

Source Section

STORE

PSUSEDM

Program store used in megabytes

Data Source

MTX OM, SDM

Source Field

PSUSEDM

Source Section

STORE

RAHFCDCF

Monitors the packet data call re-establishment that occurs within a time value after HHO failure, call drop or call setup failure.

Data Source

MTX OM, SDM

Source Field

RAHFCDCF

Source Section

CDMPDOM2

REFACDRP

Monitors packet data call re-establishment failure that occurs within a time value after a Call Drop event.

Data Source

MTX OM, SDM

Source Field

REFACDRP

Source Section

CDMPDOM2

REFAHOFL

Monitors packet data call re-establishment failure that occurs within a time value after a HHO failure.

Data Source

MTX OM, SDM

Source Field

REFAHOFL

Source Section

CDMPDOM2

RESACDRP

Monitors packet data call re-establishment success that occurs within a time value after a Call Drop event.

Data Source

MTX OM, SDM

Source Field

RESACDRP

Source Section

CDMPDOM2

RESAHOFL

Monitors packet data call re-establishment success that occurs within a time value after a HHO failure.

Data Source

MTX OM, SDM

Source Field

RESAHOFL

Source Section

CDMPDOM2

RETRIC

This register pegs when a re-transmitted SIP request or response message is received.

Data Source

SDM

Source Field

RETRIC + 65536 * RETRIC2

Source Section

SIPOFCWD

RETROG

This register pegs when a re-transmitted SIP request or response message is sent.

Data Source

SDM

Source Field

RETROG + 65536 * RETROG2

Source Section

SIPOFCWD

ROHFCDCF

Pegs O-release or T-release events during packet data call re-establishments that occur within a time value after a previous HHO failure, call drop or call setup failure.

Data Source

MTX OM, SDM

Source Field

ROHFCDCF

Source Section

CDMPDOM2

RPGAMPS

Records when a CDMA paging times out and the repage must be done over AMPS cells

Data Source

MTX OM, SDM

Source Field

RPGAMPS + 65536 * MTXSYSX.RPGAMPS2

Source Section

MTXSYS1

SAMAENT

Pegs when the system originates an SMS delivery and this SMS delivery should be billed.

Data Source

MTX OM, SDM

Source Field

SAMAENT + 65536 * SAMAENT2

Source Section

MCDMASMS

SAMASCR

Pegs the number of SMS AMA records screened.

Data Source

MTX OM, SDM

Source Field

SAMASCR + 65536 * SAMASCR2

Source Section

MCDMASMS

SIPBSHD

The MSC generates peg counts for the total number of SIP INVITES shed due to buffer exhaustion overload. The INVITES are shed after this OM pegs.

Data Source

SDM

Source Field

SIPBSHD + 65536 * SIPBSHD2

Source Section

SIPOVLD

SIPICSHD

The MSC generates peg counts for the total number of incoming SIP INVITES shed due to overload level. This register pegs when it is determined that the local switch is in overload and an incoming INVITE is to be shed.

Data Source

SDM

Source Field

SIPICSHD + 65536 * SIPICSH2

Source Section

SIPOVLD

SIPMISHD

Number of incoming SIP initial INVITES shed due to memory overload level.

Data Source

SDM

Source Field

SIPMISHD + 65536 * SIPMISH2

Source Section

SIPOVLD

SIPTQSHD

Number of incoming SIP initial INVITES shed due to having total queue delay greater than 1 second.

Data Source

SDM

Source Field

SIPTQSHD + 65536 * SIPTQSH2

Source Section

SIPOVLD

SMACNA

SMS termination for mobile on ACCH no attempt

Data Source

MTX OM, SDM

Source Field

SMACNA

Source Section

MTXSMS3

SMDCDS

SMS data-call delivery success

Data Source

MTX OM, SDM

Source Field

SMDCDS

Source Section

MTXSMS3

SMDCNA

SMS data-call setup/ delivery no attempt

Data Source

MTX OM, SDM

Source Field

SMDCNA

Source Section

MTXSMS3

SMD CPR

SMS data-call setup page response

Data Source

MTX OM, SDM

Source Field

SMD CPR

Source Section

MTXSMS3

SMD CRC

SMS data-call setup/ delivery termination received

Data Source

MTX OM, SDM

Source Field

SMD CRC

Source Section

MTXSMS3

SMD CRP

SMS data-call setup repage

Data Source

MTX OM, SDM

Source Field

SMD CRP

Source Section

MTXSMS3

SMDCSETU

SMS data-call setup complete

Data Source

MTX OM, SDM

Source Field

SMDCSETU

Source Section

MTXSMS3

SMDHDAL1

SMS over DCCH delivery attempt length 1

Data Source

MTX OM, SDM

Source Field

SMDHDAL1

Source Section

MTXSMS3

SMDHDAL2

SMS over DCCH delivery attempt length 2

Data Source

MTX OM, SDM

Source Field

SMDHDAL2

Source Section

MTXSMS3

SMDHDAL3

SMS over DCCH delivery attempt length 3

Data Source

MTX OM, SDM

Source Field

SMDHDAL3

Source Section

MTXSMS3

SMDHDAL4

SMS over DCCH delivery attempt length 4

Data Source

MTX OM, SDM

Source Field

SMDHDAL4

Source Section

MTXSMS3

SMDHDAL5

SMS over DCCH delivery attempt length 5

Data Source

MTX OM, SDM

Source Field

SMDHDAL5

Source Section

MTXSMS3

SMDHDAL6

SMS over DCCH delivery attempt length 6

Data Source

MTX OM, SDM

Source Field

SMDHDAL6

Source Section

MTXSMS3

SMDHDAL7

SMS over DCCCH delivery attempt length 7

Data Source

MTX OM, SDM

Source Field

SMDHDAL7

Source Section

MTXSMS3

SMDHDSL1

SMS over DCCCH delivery response success length 1

Data Source

MTX OM, SDM

Source Field

SMDHDSL1

Source Section

MTXSMS3

SMDHDSL2

SMS over DCCCH delivery response success length 2

Data Source

MTX OM, SDM

Source Field

SMDHDSL2

Source Section

MTXSMS3

SMDHDSL3

SMS over DCCH delivery response success length 3

Data Source

MTX OM, SDM

Source Field

SMDHDSL3

Source Section

MTXSMS3

SMDHDSL4

SMS over DCCH delivery response success length 4

Data Source

MTX OM, SDM

Source Field

SMDHDSL4

Source Section

MTXSMS3

SMDHDSL5

SMS over DCCH delivery response success length 5

Data Source

MTX OM, SDM

Source Field

SMDHDSL5

Source Section

MTXSMS3

SMDHDSL6

SMS over DCCH delivery response success length 6

Data Source

MTX OM, SDM

Source Field

SMDHDSL6

Source Section

MTXSMS3

SMDHDSL7

SMS over DCCH delivery response success length 7

Data Source

MTX OM, SDM

Source Field

SMDHDSL7

Source Section

MTXSMS3

SMDHRC

SMS for mobile on DCCH received

Data Source

MTX OM, SDM

Source Field

SMDHRC

Source Section

MTXSMS3

SMDPOSIC

SMDPP/smdpp Position Determination Incoming Messages

Data Source

MTX OM, SDM

Source Field

SMDPOSIC + 65536 * SMDPSICX

Source Section

LCSSYS

SMDPOSOG

SMDPP/smdpp Position Determination Outgoing Messages

Data Source

MTX OM, SDM

Source Field

SMDPOSOG + 65536 * SMDPSOGX

Source Section

LCSSYS

SMICDAIN

SMS in-call termination delivery attempt initial attempt

Data Source

MTX OM, SDM

Source Field

SMICDAIN

Source Section

MTXSMS2

SMICDAL1

SMS in-call delivery attempt length 1

Data Source

MTX OM, SDM

Source Field

SMICDAL1

Source Section

MTXSMS2

SMICDAL2

SMS in-call delivery attempt length 2

Data Source

MTX OM, SDM

Source Field

SMICDAL2

Source Section

MTXSMS2

SMICDAL3

SMS in-call delivery attempt length 3

Data Source

MTX OM, SDM

Source Field

SMICDAL3

Source Section

MTXSMS2

SMICDAL4

SMS in-call delivery attempt length 4

Data Source

MTX OM, SDM

Source Field

SMICDAL4

Source Section

MTXSMS2

SMICDAL5

SMS in-call delivery attempt length 5

Data Source

MTX OM, SDM

Source Field

SMICDAL5

Source Section

MTXSMS2

SMICDAL6

SMS in-call delivery attempt length 6

Data Source

MTX OM, SDM

Source Field

SMICDAL6

Source Section

MTXSMS2

SMICDART

SMS in-call termination delivery attempt retry

Data Source

MTX OM, SDM

Source Field

SMICDART

Source Section

MTXSMS2

SMICDSIN

SMS in-call termination delivery success initial attempt

Data Source

MTX OM, SDM

Source Field

SMICDSIN

Source Section

MTXSMS2

SMICDSL1

SMS in-call delivery success length 1

Data Source

MTX OM, SDM

Source Field

SMICDSL1

Source Section

MTXSMS2

SMICDSL2

SMS in-call delivery success length 2

Data Source

MTX OM, SDM

Source Field

SMICDSL2

Source Section

MTXSMS2

SMICDSL3

SMS in-call delivery success length 3

Data Source

MTX OM, SDM

Source Field

SMICDSL3

Source Section

MTXSMS2

SMICDSL4

SMS in-call delivery success length 4

Data Source

MTX OM, SDM

Source Field

SMICDSL4

Source Section

MTXSMS2

SMICDSL5

SMS in-call delivery success length 5

Data Source

MTX OM, SDM

Source Field

SMICDSL5

Source Section

MTXSMS2

SMICDSL6

SMS in-call delivery success length 6

Data Source

MTX OM, SDM

Source Field

SMICDSL6

Source Section

MTXSMS2

SMICDSRT

SMS in-call termination delivery success retry.

Data Source

MTX OM, SDM

Source Field

SMICDSRT

Source Section

MTXSMS2

SMICNA

SMS in-call no attempt

Data Source

MTX OM, SDM

Source Field

SMICNA

Source Section

MTXSMS3

SMICRJAV

SMS in-call termination reject, mobile in analog voice call

Data Source

MTX OM, SDM

Source Field

SMICRJAV

Source Section

MTXSMS3

SMS136NA

SMS IS-136 termination no attempt other reasons

Data Source

MTX OM, SDM

Source Field

SMS136NA

Source Section

MTXSMS3

SMS136RC

SMS IS-136 termination received

Data Source

MTX OM, SDM

Source Field

SMS136RC

Source Section

MTXSMS3

SMSBCFAL

Counts the number of Broadcast SMDPP INVOKE messages that are failed to invoke SMS Broadcast delivery to BS

Data Source

MTX OM, SDM

Source Field

SMSBCFAL

Source Section

MCDMASMS

SMSBCREQ

SMSBCREQ is the sum of SMSBCSUC and SMSBCFAL.

Data Source

MTX OM, SDM

Source Field

SMSBCREQ

Source Section

MCDMASMS

SMSBCSNT

Number of Broadcast SMS Messages that are sent to BS

Data Source

MTX OM, SDM

Source Field

SMSBCSNT

Source Section

MCDMASMS

SMSBCSUC

Pegs if the SMS Broadcast Message can be sent to BS.

Data Source

MTX OM, SDM

Source Field

SMSBCSUC

Source Section

MCDMASMS

SMSBOFAL

Counts number of other level alert of CMAS messages failed.

Data Source

SDM

Source Field

SMSBOFAL

Source Section

MCDMASMS

SMSBOREQ

Counts number of other level alert of CMAS messages received.

Data Source

SDM

Source Field

SMSBOREQ

Source Section

MCDMASMS

SMSBPFAL

Counts number of CMAS Broadcast SMDPP INVOKE messages in presidential level that failed to invoke SMS Broadcast delivery to BS.

Data Source

SDM

Source Field

SMSBPFAL

Source Section

MCDMASMS

SMSBPREQ

Counts number of CMAS Broadcast SMDPP INVOKE messages in presidential level received at MSC.

Data Source

SDM

Source Field

SMSBPREQ

Source Section

MCDMASMS

SMSPGBFF

Pegs in the SMS Page throttling functionality whenever the buffer is full.

Data Source

MTX OM, SDM

Source Field

SMSPGBFF

Source Section

MTXOVLD

SMSPGBUF

Pegs in the SMS Page throttling functionality whenever the buffer cannot be emptied within the time specified in DDS_DELAY_PERIOD office parameter.

Data Source

MTX OM, SDM

Source Field

SMSPGBUF

Source Section

MTXOVLD

SMTMATT

This register pegs when the MSC receives a SMDPP for SMS and LCS termination and the SMDPP message is successfully decoded.

Data Source

SDM

Source Field

SMTMATT + 65536 * SMTMATTX

Source Section

MTXNPI

SMTMSUC

This register pegs for the scenarios such as no cause code when sending smdpp return result for LCS and SMS or cause code returned such as DESTINATION BUSY, DESTINATION OUT OF SERVICE, DESTINATION NO LONGER AT THIS ADDRESS, SMS TERMINATION DENIED, etc.

Data Source

SDM

Source Field

SMTMSUC + 65536 * SMTMSUCX

Source Section

MTXNPI

SMTRUNCA

SMS termination bearer data truncation

Data Source

MTX OM, SDM

Source Field

SMTRUNCA

Source Section

MTXSMS3

SOACKSNT

SMS origination acknowledgment sent

Data Source

MTX OM, SDM

Source Field

SOACKSNT

Source Section

MTXSMS4

SODCHLN1

SMS origination DCCH length 1

Data Source

MTX OM, SDM

Source Field

SODCHLN1

Source Section

MTXSMS4

SODCHLN2

SMS origination DCCH length 2

Data Source

MTX OM, SDM

Source Field

SODCHLN2

Source Section

MTXSMS4

SODCHLN3

SMS origination DCCH length 3

Data Source

MTX OM, SDM

Source Field

SODCHLN3

Source Section

MTXSMS4

SODCHLN4

SMS origination DCCH length 4

Data Source

MTX OM, SDM

Source Field

SODCHLN4

Source Section

MTXSMS4

SODCHLN5

SMS origination DCCH length 5

Data Source

MTX OM, SDM

Source Field

SODCHLN5

Source Section

MTXSMS4

SODCHLN6

SMS origination DCCH length 6

Data Source

MTX OM, SDM

Source Field

SODCHLN6

Source Section

MTXSMS4

SODTCLN1

SMS origination DTCH length 1

Data Source

MTX OM, SDM

Source Field

SODTCLN1

Source Section

MTXSMS4

SODTCLN2

SMS origination DTCH length 2

Data Source

MTX OM, SDM

Source Field

SODTCLN2

Source Section

MTXSMS4

SODTCLN3

SMS origination DTCH length 3

Data Source

MTX OM, SDM

Source Field

SODTCLN3

Source Section

MTXSMS4

SODTCLN4

SMS origination DTCH length 4

Data Source

MTX OM, SDM

Source Field

SODTCLN4

Source Section

MTXSMS4

SODTCLN5

SMS origination DTCH length 5

Data Source

MTX OM, SDM

Source Field

SODTCLN5

Source Section

MTXSMS4

SODTCLN6

SMS origination DTCH length 6

Data Source

MTX OM, SDM

Source Field

SODTCLN6

Source Section

MTXSMS4

SONAKSNT

SMS origination negative acknowledgment sent

Data Source

MTX OM, SDM

Source Field

SONAKSNT

Source Section

MTXSMS4

SPAREKB

Spare memory in kilobytes

Data Source

MTX OM, SDM

Source Field

SPAREKB

Source Section

STORE

SPAREMB

Spare memory in megabytes

Data Source

MTX OM, SDM

Source Field

SPAREMB

Source Section

STORE

SRTTOUT

Number of KASRT timer timeouts for which radio traffic channel is not pending or for which radio traffic channel is pending but eventually fails.

Data Source

MTX OM, SDM

Source Field

SRTTOUT

Source Section

NSEPPROG

STIPCERX

Pegs when CA component receives an error message on CCM over TIPC tunnel.

Data Source

SDM

Source Field

STIPCERX + 65536 * STIPERX2

Source Section

CATSPM

STIPCRX

Pegs when CA component successful receives a message on CCM over TIPC tunnel.

Data Source

SDM

Source Field

STIPCRX + 65536 * STIPCRX2

Source Section

CATSPM

STIPCTX

Pegs when CA component successful sends a message on CCM over TIPC tunnel.

Data Source

SDM

Source Field

STIPCTX + 65536 * STIPCTX2

Source Section

CATSPM

SUBCNT

Subscriber count

Data Source

MTX Tables

Source Field

SUBCNT

Source Section

Subscriber Count

SUDPERRX

Pegs when CA component receives an error message on CCM over UDP tunnel.

Data Source

SDM

Source Field

SUDPERRX + 65536 * SUDPERX2

Source Section

CATSPM

SUDPRX

Pegs when when CA component successful receives a message on CCM over UDP tunnel.

Data Source

SDM

Source Field

SUDPRX + 65536 * SUDPRX2

Source Section

CATSPM

SUDPTX

Pegs when CA component successful sends a message on CCM over UDP tunnel.

Data Source

SDM

Source Field

SUDPTX + 65536 * SUDPTX2

Source Section

CATSPM

SYSBP1RS

Counts the Border MSC page response on first page for system wide paging.

Data Source

SDM

Source Field

SYSBP1RS

Source Section

MTXSYS3

SYSBP2RS

Counts the Border MSC page response on second page for system wide paging.

Data Source

SDM

Source Field

SYSBP2RS

Source Section

MTXSYS3

SYSBP3RS

Counts the Border MSC page response on third page for system wide paging.

Data Source

SDM

Source Field

SYSBP3RS

Source Section

MTXSYS3

SYSPG1RQ

Counts the first page requests for system wide paging.

Data Source

SDM

Source Field

$SYSPG1RQ + 65536 * SYSP1RQX$

Source Section

MTXSYS3

SYSPG1RS

Counts the page responses after the first page attempt for system wide paging.

Data Source

SDM

Source Field

$SYSPG1RS + 65536 * SYSP1RSX$

Source Section

MTXSYS3

SYSPG1TO

Counts the page timeout for the first page attempt in the system wide paging.

Data Source

SDM

Source Field

SYSPG1TO + 65536 * SYSP1TOX

Source Section

MTXSYS3

SYSPG2RQ

Counts the second page requests for system wide paging.

Data Source

SDM

Source Field

SYSPG2RQ + 65536 * SYSP2RQX

Source Section

MTXSYS3

SYSPG2RS

Counts the page responses after the second page attempt for system wide paging.

Data Source

SDM

Source Field

SYSPG2RS + 65536 * SYSP2RSX

Source Section

MTXSYS3

SYSPG2TO

Counts the page timeout for the second page attempt in the system wide paging.

Data Source

SDM

Source Field

SYSPG2TO + 65536 * SYSP2TOX

Source Section

MTXSYS3

SYSPG3RQ

Counts the third page requests for system wide paging.

Data Source

SDM

Source Field

SYSPG3RQ + 65536 * SYSP3RQX

Source Section

MTXSYS3

SYSPG3RS

Counts the page responses after the third page attempt for system wide paging.

Data Source

SDM

Source Field

SYSPG3RS + 65536 * SYSP3RSX

Source Section

MTXSYS3

SYSPG3TO

Counts the page timeout for the third page attempt in the system wide paging.

Data Source

SDM

Source Field

SYSPG3TO + 65536 * SYSP3TOX

Source Section

MTXSYS3

SYSREQ

Reflects the total Num of times an attempt is made to terminate to a subscriber unit

Data Source

MTX OM, SDM

Source Field

SYSREQ + 65536 * MTXSYSX.SYSREQ2

Source Section

MTXSYS1

SYSRESP

Records when a page response is Rcvd

Data Source

MTX OM, SDM

Source Field

SYSRESP + 65536 * MTXSYSX.SYSRESP2

Source Section

MTXSYS1

TBCALLS

Records the total Num of calls which generate at least one CDR for tiered billing

Data Source

MTX OM, SDM

Source Field

TBCALLS

Source Section

OMMTXSY2

TBXMxCDR

Records calls that attempt to exceed the max Num of CDPs

Data Source

MTX OM, SDM

Source Field

TBXMxCDR

Source Section

OMMTXSY2

TCMANCT

This peg counts calls that the system routes to ANCT treatment.

Data Source

MTX OM

Source Field

TCMANCT

Source Section

TRMTCM

TCMANTO

This peg counts calls that the system routes to ANTO treatment.

Data Source

MTX OM

Source Field

TCMANTO

Source Section

TRMTCM

TCMATBS

This pegis not in use.

Data Source

MTX OM

Source Field

TCMATBS

Source Section

TRMTCM

TCMATDT

This peg counts calls that the system routes to ATDT treatment because a calling subscriber remained off-hook.

Data Source

MTX OM

Source Field

TCMATDT

Source Section

TRMTCM

TCMBLCL

This peg counts the number of times that BLCL treatment occurs.

Data Source

MTX OM

Source Field

TCMBLCL

Source Section

TRMTCM2

TCMBLDN

This peg counts calls that the system routes to BLDN treatment.

Data Source

MTX OM

Source Field

TCMBLDN

Source Section

TRMTCM

TCMBLPR

This peg counts calls that the system routes to BLPR treatment.

Data Source

MTX OM

Source Field

TCMBLPR

Source Section

TRMTCM

TCMBNEA

This peg counts the number of times that BNEA treatment occurs.

Data Source

MTX OM

Source Field

TCMBNEA

Source Section

TRMTCM2

TCMCBTN

This peg counts calls that the system routes to CBTN treatment for reasons the licensee assigns.

Data Source

MTX OM

Source Field

TCMCBTN

Source Section

TRMTCM

TCMCCRG

This peg counts the times calls route to treatment CCRG.

Data Source

MTX OM

Source Field

TCMCCRG

Source Section

TRMTCM2

TCMCCRH

This peg counts the times calls route to treatment CCRH.

Data Source

MTX OM

Source Field

TCMCCRH

Source Section

TRMTCM2

TCMCCRM

This peg counts the times calls route to treatment CCRM.

Data Source

MTX OM

Source Field

TCMCCRM

Source Section

TRMTCM2

TCMCCRP

This peg counts the times calls route to treatment CCRP.

Data Source

MTX OM

Source Field

TCMCCRP

Source Section

TRMTCM2

TCMCCRT

This peg counts the times calls route to treatment CCRT.

Data Source

MTX OM

Source Field

TCMCCRT

Source Section

TRMTCM2

TCMCFWV

This peg counts calls that the system routes to variable CFWV treatment.

Data Source

MTX OM

Source Field

TCMCFWV

Source Section

TRMTCM

TCMCHAF

This peg counts calls that the system routes to CHAF treatment.

Data Source

MTX OM

Source Field

TCMCHAF

Source Section

TRMTCM

TCMCHAN

This peg counts calls that the system routes to CHAN announcement treatment.

Data Source

MTX OM

Source Field

TCMCHAN

Source Section

TRMTCM

TCMCNAD

This peg counts calls that the system routes to CNAD treatment.

Data Source

MTX OM

Source Field

TCMCNAD

Source Section

TRMTCM

TCMDISC

This peg counts calls that the system routes to DISC treatment.

Data Source

MTX OM

Source Field

TCMDISC

Source Section

TRMTCM

TCMMTBL

This peg counts the times the mobile trouble treatment occurs.

Data Source

MTX OM

Source Field

TCMMTBL

Source Section

TRMTCM2

TCMN9DF

This peg counts calls that the system routes to N9DF treatment.

Data Source

MTX OM

Source Field

TCMN9DF

Source Section

TRMTCM

TCMN9NS

This peg counts calls that the system routes to N9NS treatment.

Data Source

MTX OM

Source Field

TCMN9NS

Source Section

TRMTCM

TCMN9OB

This peg counts calls that the system routes to N9OB treatment.

Data Source

MTX OM

Source Field

TCMN9OB

Source Section

TRMTCM

TCMNC8F

This peg counts calls that the system routes to NC8F treatment.

Data Source

MTX OM

Source Field

TCMNC8F

Source Section

TRMTCM

TCMNCREJ

This peg counts calls that the system routes to CREJ treatment.

Data Source

MTX OM

Source Field

TCMNCREJ

Source Section

TRMTCM

TCMNTRS

This peg counts calls that the system routes to NTRS treatment.

Data Source

MTX OM

Source Field

TCMNTRS

Source Section

TRMTCM

TCMOPRT

This peg counts calls that the system routes to the operator.

Data Source

MTX OM

Source Field

TCMOPRT

Source Section

TRMTCM

TCMOSVR

This peg counts calls that the system routes to OSVR treatment.

Data Source

MTX OM

Source Field

TCMOSVR

Source Section

TRMTCM

TCMPDIL

This peg counts calls the system routes to PDIL treatment.

Data Source

MTX OM

Source Field

TCMPDIL

Source Section

TRMTCM

TCMPODN

This peg counts the number of times that PODN treatment occurs.

Data Source

MTX OM

Source Field

TCMPODN

Source Section

TRMTCM2

TCMPSIG

This peg counts calls that the system routes to PSIG treatment.

Data Source

MTX OM

Source Field

TCMPSIG

Source Section

TRMTCM

TCMRESL

This peg counts the number of times that calls route to treatments RL00 to RL17.

Data Source

MTX OM

Source Field

TCMRESL

Source Section

TRMTCM2

TCMRING

This peg counts calls that the system routes to RING treatment.

Data Source

MTX OM

Source Field

TCMRING

Source Section

TRMTCM

TCMSVCD

This peg counts the number of times that SVCD treatment occurs.

Data Source

MTX OM

Source Field

TCMSVCD

Source Section

TRMTCM2

TCMTDBR

This peg counts calls that the system routes to TDBR treatment.

Data Source

MTX OM

Source Field

TCMTDBR

Source Section

TRMTCM

TCMTRBL

This peg counts calls that the system routes to TRBL treatment.

Data Source

MTX OM

Source Field

TCMTRBL

Source Section

TRMTCM

TCMUNDN

This peg counts calls that the system routes to UNDN treatment.

Data Source

MTX OM

Source Field

TCMUNDN

Source Section

TRMTCM

TCMUNDT

This peg counts calls that the system routes to UNDT treatment.

Data Source

MTX OM

Source Field

TCMUNDT

Source Section

TRMTCM

TCMUPAB

This peg counts calls that the system routes to UPAB treatment.

Data Source

MTX OM

Source Field

TCMUPAB

Source Section

TRMTCM

TCMVACS

This peg counts calls that the system routes to VACS treatment.

Data Source

MTX OM

Source Field

TCMVACS

Source Section

TRMTCM

TCMVACT

This peg counts calls that the system routes to VACT treatment.

Data Source

MTX OM

Source Field

TCMVACT

Source Section

TRMTCM

TCMVCCT

This peg counts calls that the system routes to VCCT treatment.

Data Source

MTX OM

Source Field

TCMVCCT

Source Section

TRMTCM

TCMVPFX

This peg counts calls that receive VPFX treatment.

Data Source

MTX OM

Source Field

TCMVPFX

Source Section

TRMTCM

TCNADENY

Indicates that CallingName was received from the HLR and that the CallingName will not be sent to the MS in the Calling Party Number message

Data Source

MTX OM, SDM

Source Field

TCNADENY

Source Section

OMMTXSY2

TCNAPRES

Indicates that CallingName was received from the HLR and that the CallingName will be sent to the MS in the Calling Party Number message

Data Source

MTX OM, SDM

Source Field

TCNAPRES

Source Section

OMMTXSY2

TCNINAVL

Records when the CNI feature is not possible for the terminator

Data Source

MTX OM, SDM

Source Field

TCNINAVL

Source Section

OMMTXSY2

TCNIPRES

Records when the CNI feature are presented to the terminator

Data Source

MTX OM, SDM

Source Field

TCNIPRES

Source Section

OMMTXSY2

TCNIREST

Records when CNI feature are restricted to the terminator by the originator

Data Source

MTX OM, SDM

Source Field

TCNIREST

Source Section

OMMTXSY2

TCUADBF

This peg counts calls that the system routes to treatment ADBF.

Data Source

MTX OM

Source Field

TCUADBF

Source Section

TRMTCU

TCUANIA

This peg counts calls that the system routes to treatment ANIA.

Data Source

MTX OM

Source Field

TCUANIA

Source Section

TRMTCU

TCUCACE

This peg counts calls that the system routes to treatment CACE.

Data Source

MTX OM

Source Field

TCUCACE

Source Section

TRMTCU

TCUCNDT

This peg counts calls that the system routes to treatment CNDT.

Data Source

MTX OM

Source Field

TCUCNDT

Source Section

TRMTCU

TCUCNOT

This peg counts calls that the system routes to treatment CNOT.

Data Source

MTX OM

Source Field

TCUCNOT

Source Section

TRMTCU

TCUD950

This peg counts calls that the system routes to the treatment D950.

Data Source

MTX OM

Source Field

TCUD950

Source Section

TRMTCU

TCUDACD

This peg counts calls that the system routes to treatment DACD.

Data Source

MTX OM

Source Field

TCUDACD

Source Section

TRMTCU

TCUDCFC

This peg counts calls that the system routes to treatment DCFC.

Data Source

MTX OM

Source Field

TCUDCFC

Source Section

TRMTCU

TCUDNTR

This peg counts calls that the system routes to treatment DNTR.

Data Source

MTX OM

Source Field

TCUDNTR

Source Section

TRMTCU

TCUDODT

This peg counts calls that the system routes to treatment DODT.

Data Source

MTX OM

Source Field

TCUDODT

Source Section

TRMTCU

TCUFDNZ

This peg counts calls that the system routes to treatment FDNZ.

Data Source

MTX OM

Source Field

TCUFDNZ

Source Section

TRMTCU

TCUFNAL

This peg counts calls that the system routes to treatment FNAL.

Data Source

MTX OM

Source Field

TCUFNAL

Source Section

TRMTCU

TCUHNPI

This peg counts calls that the system routes to treatment HNPI.

Data Source

MTX OM

Source Field

TCUHNPI

Source Section

TRMTCU

TCUILRS

This peg counts calls that the system routes to the treatment ILRS.

Data Source

MTX OM

Source Field

TCUILRS

Source Section

TRMTCU

TCUINAC

This peg counts calls that the system routes to treatment INAC.

Data Source

MTX OM

Source Field

TCUINAC

Source Section

TRMTCU

TCUINAU

This peg counts calls that the system routes to treatment INAU.

Data Source

MTX OM

Source Field

TCUINAU

Source Section

TRMTCU

TCUMSCA

This peg counts calls that the system routes to treatment MSCA.

Data Source

MTX OM

Source Field

TCUMSCA

Source Section

TRMTCU

TCUMSLC

This peg counts calls that the system routes to treatment MSLC.

Data Source

MTX OM

Source Field

TCUMSLC

Source Section

TRMTCU

TCUN950

This peg counts calls that the system routes to treatment N950.

Data Source

MTX OM

Source Field

TCUN950

Source Section

TRMTCU

TCUNACD

This peg counts calls that the system routes to treatment NACD.

Data Source

MTX OM

Source Field

TCUNACD

Source Section

TRMTCU

TCUNACK

This peg counts calls that the system routes to treatment NACK when a subscriber attempts to use a custom calling feature.

Data Source

MTX OM

Source Field

TCUNACK

Source Section

TRMTCU

TCUNOCN

This peg counts calls that the system routes to treatment NOCN.

Data Source

MTX OM

Source Field

TCUNOCN

Source Section

TRMTCU

TCUORSS

This peg counts calls that the system routes to ORSS treatment.

Data Source

MTX OM

Source Field

TCUORSS

Source Section

TRMTCU

TCURSDT

This peg counts calls that the system routes to treatment RSDT.

Data Source

MTX OM

Source Field

TCURSDT

Source Section

TRMTCU

TCUTDND

This peg counts calls that the system routes to treatment TDND.

Data Source

MTX OM

Source Field

TCUTDND

Source Section

TRMTCU

TCUTESS

This peg counts calls that the system routes to treatment TESS.

Data Source

MTX OM

Source Field

TCUTESS

Source Section

TRMTCU

TCUTINV

This peg counts calls that the system routes to treatment TINV.

Data Source

MTX OM

Source Field

TCUTINV

Source Section

TRMTCU

TCUUMOB

This peg counts calls that the system routes to treatment UMOB.

Data Source

MTX OM

Source Field

TCUUMOB

Source Section

TRMTCU

TCUUNCA

This peg is not active.

Data Source

MTX OM

Source Field

TCUUNCA

Source Section

TRMTCU

TCUUNIN

This peg counts calls that the system routes to treatment UNIN.

Data Source

MTX OM

Source Field

TCUUNIN

Source Section

TRMTCU

TCUUNOW

This peg counts calls that the system routes to treatment UNOW.

Data Source

MTX OM

Source Field

TCUUNOW

Source Section

TRMTCU

TDENYCM

Call Denial by CM during termination

Data Source

MTX OM, SDM

Source Field

TDENYCM

Source Section

MTXSYS1

TERAIFL

This peg counts calls that the system routes to AIFL treatment.

Data Source

MTX OM

Source Field

TERAIFL

Source Section

TRMTER

TERANFL

This peg counts calls that the system routes to ANFL treatment for reasons that the licensee assigns.

Data Source

MTX OM

Source Field

TERANFL

Source Section

TRMTER

TERC7AP

This peg counts calls that the system routes to C7AP treatment.

Data Source

MTX OM

Source Field

TERC7AP

Source Section

TRMTER

TERCONP

This peg counts calls that the system routes to CONP treatment.

Data Source

MTX OM

Source Field

TERCONP

Source Section

TRMTER

TERDTFL

This peg counts the number of times the system encounters an error in datafill.

Data Source

MTX OM

Source Field

TERDTFL

Source Section

TRMTER

TERERDS

This peg counts calls that the system routes to ERDS treatment.

Data Source

MTX OM

Source Field

TERERDS

Source Section

TRMTER

TERFDER

This peg counts calls that the system routes to FDER treatment.

Data Source

MTX OM

Source Field

TERFDER

Source Section

TRMTER

TERINBT

This peg counts calls that the system routes to INBT treatment.

Data Source

MTX OM

Source Field

TERINBT

Source Section

TRMTER

TERINOC

This peg counts calls that the system routes to INOC treatment.

Data Source

MTX OM

Source Field

TERINOC

Source Section

TRMTER

TERINVM

This peg increases when the system routes a call to protocol error treatment.

Data Source

MTX OM

Source Field

TERINVM

Source Section

TRMTER

TERMTOC

This peg counts calls that the system routes to MTOC treatment for reasons that the licensee assigns.

Data Source

MTX OM

Source Field

TERMTOC

Source Section

TRMTER

TERNCUN

This peg counts calls that the system routes to NCUN treatment.

Data Source

MTX OM

Source Field

TERNCUN

Source Section

TRMTER

TERNMZN

This peg is not active.

Data Source

MTX OM

Source Field

TERNMZN

Source Section

TRMTER

TERNONT

This peg counts calls that the system routes to NONT treatment.

Data Source

MTX OM

Source Field

TERNONT

Source Section

TRMTER

TERPERR

This peg increases when the system routes a call to protocol error treatment.

Data Source

MTX OM

Source Field

TERPERR

Source Section

TRMTER

TERPNOH

This peg is not active.

Data Source

MTX OM

Source Field

TERPNOH

Source Section

TRMTER

TERPTOF

This peg is not active.

Data Source

MTX OM

Source Field

TERPTOF

Source Section

TRMTER

TERQ33A

This peg counts the number of calls sent to treatment.

Data Source

MTX OM

Source Field

TERQ33A

Source Section

TRMTER

TERQ33B

This peg counts the number of calls sent to treatment because of a Q33 fault on an outgoing trunk..

Data Source

MTX OM

Source Field

TERQ33B

Source Section

TRMTER

TERRODR

This peg counts calls the system routes to RODR treatment.

Data Source

MTX OM

Source Field

TERRODR

Source Section

TRMTER

TERSCFL

This peg counts calls that the system routes to database SCFL treatment.

Data Source

MTX OM

Source Field

TERSCFL

Source Section

TRMTER

TERSONI

This peg increases when the system receives a circuit existence indicator that is not correct.

Data Source

MTX OM

Source Field

TERSONI

Source Section

TRMTER

TERSSTO

This peg counts calls that the system routes to SSTO treatment.

Data Source

MTX OM

Source Field

TERSSTO

Source Section

TRMTER

TERSTOB

This peg counts calls that the system routes to STOB treatment.

Data Source

MTX OM

Source Field

TERSTOB

Source Section

TRMTER

TERSTOC

This peg counts calls that the system routes to STOC treatment.

Data Source

MTX OM

Source Field

TERSTOC

Source Section

TRMTER

TERSYFL

This peg counts calls that the system routes to SYFL treatment. The system routes the call to SYFL treatment when the system must abort a call because of a failure of the switching unit.

Data Source

MTX OM

Source Field

TERSYFL

Source Section

TRMTER

TFRACPR

Authcode prompt

Data Source

MTX OM, SDM

Source Field

TFRACPR

Source Section

TRMTFR

TFRACRJ

Counts the Num of rejected calls that the system routes to any caller rejection Treat

Data Source

MTX OM, SDM

Source Field

TFRACRJ

Source Section

TRMTFR2

TFRADPA

Address digits prompt announcement

Data Source

MTX OM, SDM

Source Field

TFRADPA

Source Section

TRMTFR

TFRAIN

Increases when the service Ctl point Req that the service switching point disconnect an AIN call

Data Source

MTX OM, SDM

Source Field

TFRAIN

Source Section

TRMTFR2

TFRAIN

Counts the Num of rejected calls that the system routes to final AIN treatment

Data Source

MTX OM, SDM

Source Field

TFRAINP

Source Section

TRMTFR2

TFRAVPF

TFRAVPF

Data Source

MTX OM, SDM

Source Field

TFRAVPF + 65536 * TFRAVP2

Source Section

TRMTFR2

TFRB900

Number of times the blocked 900 treatment (B900) is offered to the user. The caller is routed to B900 treatment when the caller is screened out by the 900FP feature.

Data Source

SDM

Source Field

TFRB900

Source Section

TRMTFR3

TFRBUSY

Busy line treatment

Data Source

MTX OM, SDM

Source Field

TFRBUSY

Source Section

TRMTFR

TFRCBDN

Call back destination number

Data Source

MTX OM, SDM

Source Field

TFRCBDN

Source Section

TRMTFR

TFRCBFC

Register TFRCBFC in OM group TRMTFR3

Data Source

SDM

Source Field

TFRCBFC

Source Section

TRMTFR3

TFRCCAP

Credit card announcement prompt

Data Source

MTX OM, SDM

Source Field

TFRCCAP

Source Section

TRMTFR

TFRCCDT

Credit card dial tone

Data Source

MTX OM, SDM

Source Field

TFRCCDT

Source Section

TRMTFR

TFRCCTO

Calling card timeout

Data Source

MTX OM, SDM

Source Field

TFRCCTO

Source Section

TRMTFR

TFRCDAF

Records the Num of times the CDA treatment fails

Data Source

MTX OM, SDM

Source Field

TFRCDAF

Source Section

TRMTFR2

TFRCDAS

Records the Num of times the call delivery activation treatment is successful

Data Source

MTX OM, SDM

Source Field

TFRCDAS

Source Section

TRMTFR2

TFRCDDF

Records the Num of times the call delivery deactivation treatment fails

Data Source

MTX OM, SDM

Source Field

TFRCDDF

Source Section

TRMTFR2

TFRCDDS

Records the Num of times the CDA treatment fails

Data Source

MTX OM, SDM

Source Field

TFRCDDS

Source Section

TRMTFR2

TFRCFOV

Call forwarding overflow

Data Source

MTX OM, SDM

Source Field

TFRCFOV

Source Section

TRMTFR

TFRCFWD

Register TFRCFWD is not active

Data Source

MTX OM, SDM

Source Field

TFRCFWD

Source Section

TRMTFR2

TFRCMGA

Number of times the Call Management Group (CMG) end-user line routes to CMG activation (CMGA) treatment.

Data Source

SDM

Source Field

TFRCMGA

Source Section

TRMTFR3

TFRCMGD

Number of times the CMG end-user line routes to CMG Deactivation (CMGD) treatment.

Data Source

SDM

Source Field

TFRCMGD

Source Section

TRMTFR3

TFRCONF

Confirmation tone treatment

Data Source

MTX OM, SDM

Source Field

TFRCONF

Source Section

TRMTFR

TFRDSCN

Register TFRDSCN records the Num of times a call goes to disconnect treatment

Data Source

MTX OM, SDM

Source Field

TFRDSCN

Source Section

TRMTFR2

TFRFCNI

Register TFRFCNI increases when a call goes to the facility-not-implemented treatment

Data Source

MTX OM, SDM

Source Field

TFRFCNI

Source Section

TRMTFR2

TFRFRDR

Feature reorder

Data Source

MTX OM, SDM

Source Field

TFRFRDR

Source Section

TRMTFR

TFRICNF

Invalid conference code

Data Source

MTX OM, SDM

Source Field

TFRICNF

Source Section

TRMTFR

TFRICSA

Number of connections to the in call service activation (ICSA) treatment.

Data Source

SDM

Source Field

TFRICSA

Source Section

TRMTFR3

TFRICSD

Number of connections to the in call service deactivation (ICSD) treatment.

Data Source

SDM

Source Field

TFRICSD

Source Section

TRMTFR3

TFRIIEC

Counts the Num of times a call goes to an invalid Info element component treatment

Data Source

MTX OM, SDM

Source Field

TFRIIEC

Source Section

TRMTFR2

TFRILRR

International line restriction

Data Source

MTX OM, SDM

Source Field

TFRILRR

Source Section

TRMTFR

TFRINER

Pegs when the IN-error treatment is given.

Data Source

SDM

Source Field

TFRINER

Source Section

TRMTFR3

TFRINRF

Counts the Num of times a caller dials a redirection feature code that is not correct

Data Source

MTX OM, SDM

Source Field

TFRINRF

Source Section

TRMTFR2

TFRIWUC

International wake up call

Data Source

MTX OM, SDM

Source Field

TFRIWUC

Source Section

TRMTFR

TFRLDAA

Records when the system routes a call to LDAA treatment

Data Source

MTX OM, SDM

Source Field

TFRLDAA

Source Section

TRMTFR2

TFRLDAD

Records when a call goes to LDAD treatment

Data Source

MTX OM, SDM

Source Field

TFRLDAD

Source Section

TRMTFR2

TFRLECV

Counts calls that go to the local exchange carrier calling card validation (LECV) treatment

Data Source

MTX OM, SDM

Source Field

TFRLECV

Source Section

TRMTFR2

TFRMANL

Manual line treatment

Data Source

MTX OM, SDM

Source Field

TFRMANL

Source Section

TRMTFR

TFRMBIA

Register TFRMBIA counts the Num of times a call goes to the Mobile inactive treatment

Data Source

MTX OM, SDM

Source Field

TFRMBIA

Source Section

TRMTFR2

TFRMHLD

Music on hold

Data Source

MTX OM, SDM

Source Field

TFRMHLD

Source Section

TRMTFR

TFRMWKP

Counts the Num of times a call goes to MWKP treatment

Data Source

MTX OM, SDM

Source Field

TFRMWKP

Source Section

TRMTFR2

TFRNCII

Network communication system invalid identification code

Data Source

MTX OM, SDM

Source Field

TFRNCII

Source Section

TRMTFR

TFRNCIX

Network communication system incoming exclusion

Data Source

MTX OM, SDM

Source Field

TFRNCIX

Source Section

TRMTFR

TFRNCS0

Register TFRNCS0 is not active

Data Source

MTX OM, SDM

Source Field

TFRNCS0

Source Section

TRMTFR2

TFRNCS1

Register TFRNCS1 is not active

Data Source

MTX OM, SDM

Source Field

TFRNCS1

Source Section

TRMTFR2

TFRNCTF

Network communication system translation failure

Data Source

MTX OM, SDM

Source Field

TFRNCTF

Source Section

TRMTFR

TFRNDISC

Number of originating calls that are routed to the normal disconnect treatment.

Data Source

SDM

Source Field

TFRNDISC

Source Section

TRMTFR3

TFRNINT

Changed number intercept

Data Source

MTX OM, SDM

Source Field

TFRNINT

Source Section

TRMTFR

TFRNVIP

Counts the Num of calls that the system routes to not very important person treatment

Data Source

MTX OM, SDM

Source Field

TFRNVIP

Source Section

TRMTFR2

TFRORAC

Originating revertive action for two party lines with coded ringing

Data Source

MTX OM, SDM

Source Field

TFRORAC

Source Section

TRMTFR

TFRORAF

Originating revertive action for two party lines with frequency ringing

Data Source

MTX OM, SDM

Source Field

TFRORAF

Source Section

TRMTFR

TFRORBT

Increases when an E008 call with the Call Overflow feature cannot Comp

Data Source

MTX OM, SDM

Source Field

TFRORBT

Source Section

TRMTFR2

TFRORMC

Originating revertive action for multiparty lines

Data Source

MTX OM, SDM

Source Field

TFRORMC

Source Section

TRMTFR

TFRORMF

Originating revertive action for multiparty lines with frequency ringing

Data Source

MTX OM, SDM

Source Field

TFRORMF

Source Section

TRMTFR

TFROTAE

Treatment feature-related OTASP error

Data Source

SDM

Source Field

TFROTAE

Source Section

TRMTFR3

TFRPAGE

Register TFRPAGE is not active

Data Source

MTX OM, SDM

Source Field

TFRPAGE

Source Section

TRMTFR2

TFRPGAP

Register TFRPGAP in OM group TRMTFR3

Data Source

SDM

Source Field

TFRPGAP

Source Section

TRMTFR3

TFRPGTO

Mobile page timeout

Data Source

MTX OM, SDM

Source Field

TFRPGTO

Source Section

TRMTFR

TFRPMPT

TFRPMPT

Data Source

MTX OM, SDM

Source Field

TFRPMPT

Source Section

TRMTFR

TFRPNUN

Number of times that the "Private_Networks_are unavailable" treatment is applied to a CDMA unprogrammed mobile (VPN cannot be accessed).

Data Source

SDM

Source Field

TFRPNUN

Source Section

TRMTFR3

TFRPRSC

Priority screen fail

Data Source

MTX OM, SDM

Source Field

TFRPRSC

Source Section

TRMTFR

TFRPRTO

Counts the Num of timeouts that occur while the system Waits

Data Source

MTX OM, SDM

Source Field

TFRPRTO

Source Section

TRMTFR2

TFRPSNF

Number of programmable service node (PSN) call failures that resulted in a call treatment being applied.

Data Source

SDM

Source Field

TFRPSNF

Source Section

TRMTFR3

TFRRAGCT

Register TFRRAGCT in OM group TRMTFR3

Data Source

SDM

Source Field

TFRRAGCT

Source Section

TRMTFR3

TFRRFCD

Counts the Num of times the system denies remote feature Ctl

Data Source

MTX OM, SDM

Source Field

TFRRFCD

Source Section

TRMTFR2

TFRRFCE

Counts the Num of errors for remote feature Ctl

Data Source

MTX OM, SDM

Source Field

TFRRFCE

Source Section

TRMTFR2

TFRRFCS

Counts the Num of times the remote feature Ctl treatment is successful

Data Source

MTX OM, SDM

Source Field

TFRRFCS

Source Section

TRMTFR2

TFRRMIA

Number of times the subscriber line routes to RMIA treatment. In order to route to this treatment, the subscriber line must dial the RMICTRL access code (*97/1197) and the RMI line option state must pass from active to inactive.

Data Source

SDM

Source Field

TFRRMIA

Source Section

TRMTFR3

TFRRMID

Number of times the subscriber line is routed to RMID treatment. In order to route to this treatment, the subscriber line must dial the RMICTRL access code (*97/1197) and the RMI line option state must pass from active to inactive.

Data Source

SDM

Source Field

TFRRMID

Source Section

TRMTFR3

TFRRRPA

Revertive ring prefix announcement

Data Source

MTX OM, SDM

Source Field

TFRRRPA

Source Section

TRMTFR

TFRRTE

Redirection tandem Threshold Exceeded

Data Source

MTX OM, SDM

Source Field

TFRRTE

Source Section

TRMTFR2

TFRSCA

Counts calls rejected by SCA screening and the system routes to selective call acceptance

Data Source

MTX OM, SDM

Source Field

TFRSCA

Source Section

TRMTFR2

TFRSCRJ

Selective call rejection

Data Source

MTX OM, SDM

Source Field

TFRSCRJ

Source Section

TRMTFR

TFRSINT

Service interception

Data Source

MTX OM, SDM

Source Field

TFRSINT

Source Section

TRMTFR

TFRSORE

Station origination restriction error

Data Source

MTX OM, SDM

Source Field

TFRSORE

Source Section

TRMTFR

TFRSRRR

Single party revertive ringing

Data Source

MTX OM, SDM

Source Field

TFRSRRR

Source Section

TRMTFR

TFRTRGB

Counts Sprint DMS-250 calls that attempt to use the distributed intelligent network architecture

Data Source

MTX OM, SDM

Source Field

TFRTRGB

Source Section

TRMTFR2

TFRTRRF

Terminating revertive action for coded ringing

Data Source

MTX OM, SDM

Source Field

TFRTRRF

Source Section

TRMTFR

TFRUNPM

Pegs when the UNPROGRAMMED_MOBILE treatment is given.

Data Source

SDM

Source Field

TFRUNPM

Source Section

TRMTFR3

TFRWUCR

Counts the Num of successful wake-up call attempt that the system routes to the wake-up call reminder treatment

Data Source

MTX OM, SDM

Source Field

TFRWUCR

Source Section

TRMTFR2

TKBADDG

Counts incoming calls that fail because of signaling irregularities like additional pulse, mutilated digits or noise.

Data Source

SDM

Source Field

TKBADDG

Source Section

SYSPERF

TKPCBU

Records if a trunk in the peripheral is in the made busy or carrier failed states.

Data Source

SDM

Source Field

TKPCBU

Source Section

SYSPERF

TOADRBSY

This register pegs LOCREQ Return Result messages with access denied reason Busy for PSTN origination

Data Source

SDM

Source Field

TOADRBSY

Source Section

LOCRDENY

TOADRINA

This register pegs LOCREQ Return Result messages with access denied reason Inactive for PSTN origination

Data Source

SDM

Source Field

TOADRINA

Source Section

LOCRDENY

TOADRNP

This register pegs LOCREQ Return Result messages with access denied reason No Page Response for PSTN origination

Data Source

SDM

Source Field

TOADRNP

Source Section

LOCRDENY

TOADRNU

This register pegs LOCREQ Return Result messages without access denied reason or with access denied reason Not Used for PSTN origination

Data Source

SDM

Source Field

TOADRNU + 65536 * TOADRNU2

Source Section

LOCRDENY

TOADR TN

This register pegs LOCREQ Return Result messages with access denied reason Termination Denied for PSTN origination

Data Source

SDM

Source Field

TOADR TN

Source Section

LOCRDENY

TOADRUDN

This register pegs LOCREQ Return Result messages with access denied reason Unassigned Directory Number for PSTN origination

Data Source

SDM

Source Field

TOADRUDN

Source Section

LOCRDENY

TOADRUNA

This register pegs LOCREQ Return Result messages with access denied reason Unavailable for PSTN origination

Data Source

SDM

Source Field

TOADRUNA

Source Section

LOCRDENY

TOLOCBSY

This register pegs local busy terminations for PSTN origination

Data Source

SDM

Source Field

TOLOCBSY

Source Section

LOCRDENY

TOTALKB

Total memory in kilobytes

Data Source

MTX OM, SDM

Source Field

TOTALKB

Source Section

STORE

TOTALMB

Total memory in megabytes

Data Source

MTX OM, SDM

Source Field

TOTALMB

Source Section

STORE

TOTAORPR

TDMA OTA origination for a programmed mobile

Data Source

MTX OM, SDM

Source Field

TOTAORPR

Source Section

OTASYS

TOTAORUP

TDMA OTA origination for an unprogrammed mobile

Data Source

MTX OM, SDM

Source Field

TOTAORUP

Source Section

OTASYS

TRDBFULL

Transient database full

Data Source

MTX OM, SDM

Source Field

TRDBFULL

Source Section

OMMTXSYS

TRDBLUPD

Transient database location updates

Data Source

MTX OM, SDM

Source Field

TRDBLUPD

Source Section

OMMTXSYS

TRKOFAIL_2G

2G call setup failures due to PSTN blocking

Data Source

MTX OM, SDM

Source Field

TRKOFAIL where key=2G_CALL

Source Section

INEFATTS

TRKOFAIL_3GV

3G voice call setup failures due to PSTN blocking

Data Source

MTX OM, SDM

Source Field

TRKOFAIL where key=3G_VOICE_DATA_CALL

Source Section

INEFATTS

TRKOFAIL_Packet

Packet data call setup failures due to PSTN blocking

Data Source

MTX OM, SDM

Source Field

TRKOFAIL where key=PACKET_DATA_CALL

Source Section

INEFATTS

TRNUNAVL

TRN unavailable

Data Source

MTX OM, SDM

Source Field

TRNUNAVL

Source Section

OTASYS

TRSCGRO

Customer group resource overflow treatment

Data Source

MTX OM, SDM

Source Field

TRSCGRO

Source Section

TRMTRS

TRSCHNF

Channel negotiation failure treatment

Data Source

MTX OM, SDM

Source Field

TRSCHNF

Source Section

TRMTRS

TRSCQOV

Num of calls system routes to CAMA queue overflow treatment

Data Source

MTX OM, SDM

Source Field

TRSCQOV

Source Section

TRMTRS

TRSEMR1

Records the Num of calls the system routes to emergency treatment 1

Data Source

MTX OM, SDM

Source Field

TRSEMR1

Source Section

TRMTRS

TRSEMR2

Records the Num of calls the system routes to emergency treatment 2

Data Source

MTX OM, SDM

Source Field

TRSEMR2

Source Section

TRMTRS

TRSEMR3

Records the Num of calls the system routes to emergency treatment 3

Data Source

MTX OM, SDM

Source Field

TRSEMR3

Source Section

TRMTRS

TRSEMR4

Records the Num of calls the system routes to emergency treatment 4

Data Source

MTX OM, SDM

Source Field

TRSEMR4

Source Section

TRMTRS

TRSEMR5

Records the Num of calls the system routes to emergency treatment 5

Data Source

MTX OM, SDM

Source Field

TRSEMR5

Source Section

TRMTRS

TRSEMR6

Records the Num of calls the system routes to emergency treatment 6

Data Source

MTX OM, SDM

Source Field

TRSEMR6

Source Section

TRMTRS

TRSFECG

Far-end congestion treatment

Data Source

MTX OM, SDM

Source Field

TRSFECG

Source Section

TRMTRS

TRSGNCT

Records the Num of calls the system routes to the generalized no circuit treatment

Data Source

MTX OM, SDM

Source Field

TRSGNCT

Source Section

TRMTRS

TRSNBLH

Pegs the Num of calls that go to the network blockage heavy traffic treatment

Data Source

MTX OM, SDM

Source Field

TRSNBLH

Source Section

TRMTRS

TRSNBLN

Pegs the Num of calls that route to NBLH treatment

Data Source

MTX OM, SDM

Source Field

TRSNBLN

Source Section

TRMTRS

TRSNCRT

Records the Num of calls that the system routes to the no circuit treatment

Data Source

MTX OM, SDM

Source Field

TRSNCRT

Source Section

TRMTRS

TRSNECG

Records the Num of calls the system routes to the near-end congestion treatment

Data Source

MTX OM, SDM

Source Field

TRSNECG

Source Section

TRMTRS

TRSNOSC

Records the Num of calls that the system routes to NOSC treatment

Data Source

MTX OM, SDM

Source Field

TRSNOSC

Source Section

TRMTRS

TRSNOSR

Records the Num of calls that route to the no software resource treatment

Data Source

MTX OM, SDM

Source Field

TRSNOSR

Source Section

TRMTRS

TRSONCT

TRSONCT

Data Source

MTX OM, SDM

Source Field

TRSONCT

Source Section

TRMTRS

TRSOTAR

OTASP resources unavailable

Data Source

MTX OM, SDM

Source Field

TRSOTAR

Source Section

TRMTRS

TRSPALA

TRSPALA

Data Source

MTX OM, SDM

Source Field

TRSPALA

Source Section

TRMTRS

TRSSORD

Records the Num of calls that go to the storage overflow reorder treatment

Data Source

MTX OM, SDM

Source Field

TRSSORD

Source Section

TRMTRS

TRSTOVD

Records the Num of calls that go to the toll overload treatment

Data Source

MTX OM, SDM

Source Field

TRSTOVD

Source Section

TRMTRS

TRY100OG

This register pegs when a 100 TRYING is sent in response to an incoming initial INVITE. This register is not pegged for 100 TRYING re-transmissions.

Data Source

SDM

Source Field

TRY100OG + 65536 * TRY100O2

Source Section

SIPOFCWD

TSDAURQR

Two-stage dialing AUTHCODE request received

Data Source

MTX OM, SDM

Source Field

TSDAURQR

Source Section

MTXSYS2

TSDAURQS

Two-stage dialing AUTHCODE request sent

Data Source

MTX OM, SDM

Source Field

TSDAURQS

Source Section

MTXSYS2

TSDAURSR

Two-stage dialing AUTHCODE response received

Data Source

MTX OM, SDM

Source Field

TSDAURSR

Source Section

MTXSYS2

TSDAURSS

Two-stage dialing AUTHCODE response sent

Data Source

MTX OM, SDM

Source Field

TSDAURSS

Source Section

MTXSYS2

TWCCOMP

Three way calling completed

Data Source

MTX OM, SDM

Source Field

TWCCOMP

Source Section

OMMTXSYS

TWCSTART

Three way calling start

Data Source

MTX OM, SDM

Source Field

TWCSTART + 65536 * MTXSYSX.TWSTART2

Source Section

OMMTXSYS

UCSLNPMR

Register UCSLNPMR in OM group TRMTFR3

Data Source

SDM

Source Field

UCSLNPMR

Source Section

TRMTFR3

UNPGATMT

Unprogrammed mobile attempts to originate a packet data call

Data Source

MTX OM, SDM

Source Field

UNPGATMT

Source Section

CDMAPDOM

UNPGATSU

Successful unprogrammed mobile attempts to originate a packet data call

Data Source

MTX OM, SDM

Source Field

UNPGATSU

Source Section

CDMAPDOM

UNSUBSO_2G

2G call attempts that requested an unsubscribed service option

Data Source

MTX OM, SDM

Source Field

UNSUBSO where key=2G_CALL

Source Section

INEFATTS

UNSUBSO_3GV

3G voice call attempts that requested an unsubscribed service option

Data Source

MTX OM, SDM

Source Field

UNSUBSO where key=3G_VOICE_DATA_CALL

Source Section

INEFATTS

UNSUBSO_Packet

Packet data call attempts that requested an unsubscribed service option

Data Source

MTX OM, SDM

Source Field

UNSUBSO where key=PACKET_DATA_CALL

Source Section

INEFATTS

VLRINTEG

Subscriber unit VLR entry is found out of place by the VLR integrity audit

Data Source

MTX OM, SDM

Source Field

VLRINTEG + 65536 * VLRINTG2

Source Section

MTXVLR

VPADATT

VPAD Attempt

Data Source

MTX OM, SDM

Source Field

VPADATT

Source Section

OMMTXSY2

VPADFL

VPAD Failures

Data Source

MTX OM, SDM

Source Field

VPADFL

Source Section

OMMTXSY2

VPADSUC

VPAD Success

Data Source

MTX OM, SDM

Source Field

VPADSUC

Source Section

OMMTXSY2

WAITDENY

Counts calls that the system loses because of brief suspension

Data Source

MTX OM, SDM

Source Field

WAITDENY

Source Section

CP

WAKEHI

Wakeup block high watermark

Data Source

MTX OM, SDM

Source Field

WAKEHI + 65536 * WAKEHI2

Source Section

CP2

WAKEOVFL

Counts unsuccessful CPWAKEUP block seizures

Data Source

MTX OM, SDM

Source Field

WAKEOVFL

Source Section

CP

WAKESZ

Counts CPWAKEUP block seizures

Data Source

MTX OM, SDM

Source Field

WAKESZ + 65536 * WAKESZ2

Source Section

CP

WASSIGND

Total number of successful (i.e. radio traffic channel assigned) WPS calls invoked per system, for a given time interval.

Data Source

MTX OM, SDM

Source Field

WASSIGND

Source Section

WPSOM1

WDASSGND

Total number of successful (i.e. radio traffic channel assigned) WPS CSD call invocations per system, when soc is on.

Data Source

MTX OM, SDM

Source Field

WDASSGND

Source Section

WPSOM1

WDINVOKE

Total number of WPS CSD calls attempted per system when WPS soc is on.

Data Source

MTX OM, SDM

Source Field

WDINVOKE

Source Section

WPSOM1

WGINVOKE

WPS GETS calls originated with the WPS Prefix digits by WPS users.

Data Source

MTX OM, SDM

Source Field

WGINVOKE

Source Section

WPSOM2

WINITC

Counts calls in progress that were lost because of a warm restart

Data Source

MTX OM, SDM

Source Field

WINITC

Source Section

CP

WINVALD

Total WPS Origination Failures with failure reason = Validation failure when, a WPS call request is denied because it failed WPS validation before it was queued.

Data Source

MTX OM, SDM

Source Field

WINVALD

Source Section

WPSOM1

WINVALDQ

Total WPS Origination Failures with failure reason = Validation failure when, a WPS call request is denied because it failed WPS validation while it was queued.

Data Source

MTX OM, SDM

Source Field

WINVALDQ

Source Section

WPSOM1

WINVOKE

Total number of WPS calls invoked per system for a given time interval.

Data Source

MTX OM, SDM

Source Field

WINVOKE

Source Section

WPSOM1

WNOPTY

WPS call origination requests that have no priority specified and therefore are assigned to a default priority.

Data Source

MTX OM, SDM

Source Field

WNOPTY

Source Section

WPSSRVC

WPS2L3WC

WPS invokes on a second leg of a 3WC/CNF call, by an authorized WPS originator or controller

Data Source

MTX OM, SDM

Source Field

WPS2L3WC

Source Section

WPSOM2

WPSORSNQ

Total number of successful (i.e. radio traffic channel assigned) WPS calls invoked per system, for a given time interval.

Data Source

MTX OM, SDM

Source Field

WPSORSNQ

Source Section

WPSOM2

WPSPODRP

Total Public Originations Denied when the public call is denied an attempt to get radio resources due to a H-PURDA algorithm indicating that it is WPS turn.

Data Source

MTX OM, SDM

Source Field

WPSPODRP

Source Section

WPSOM2

WPSPTDRP

Total Public Terminations Denied when the public call is denied radio resources due to a H-PURDA algorithm indicating that it is WPS turn.

Data Source

MTX OM, SDM

Source Field

WPSPTDRP

Source Section

WPSOM2

WPSSVSP1

Spare register 1 for OM group WPSSRVC.

Data Source

MTX OM, SDM

Source Field

WPSSVSP1

Source Section

WPSSRVC

WPSSVSP2

Spare register 2 for OM group WPSSRVC.

Data Source

MTX OM, SDM

Source Field

WPSSVSP2

Source Section

WPSSRVC

WPSTERM

WPS total termination attempts

Data Source

MTX OM, SDM

Source Field

WPSTERM

Source Section

WPSOM2

WPSTMSNQ

WPS total termination successes with no queuing.

Data Source

MTX OM, SDM

Source Field

WPSTMSNQ

Source Section

WPSOM2

WPUBFRSL

Total public calls allowed but failed due to resource limitation.

Data Source

MTX OM, SDM

Source Field

WPUBFRSL

Source Section

WPSOM2

WPUBWPSQ

Number of occurrences of a radio traffic channel becoming available and being allocated to non-NS/EP call when an NS/EP call request(s) is in the WPS queue.

Data Source

MTX OM, SDM

Source Field

WPUBWPSQ

Source Section

NSEPQOM

WQABAND

Number of NS/EP call requests removed from the WPS queue because of Loss of radio contact with either the originating MS while the WPS call is enqueued on the originating side or with the terminating MS while the WPS call is enqueued on the terminating side.

Data Source

MTX OM, SDM

Source Field

WQABAND

Source Section

NSEPQOM

WQABNFAR

Total queuing abandoned due to failure to assign newly available resource.

Data Source

MTX OM, SDM

Source Field

WQABNFAR

Source Section

WPSOM2

WQABNINC

Total queuing abandoned due to user initiating new calls.

Data Source

MTX OM, SDM

Source Field

WQABNINC

Source Section

WPSOM2

WQABNLC

Total queuing abandoned due to loss of channel.

Data Source

MTX OM, SDM

Source Field

WQABNLC

Source Section

WPSOM2

WQABNRIC

Total queuing abandoned due to release of incoming call.

Data Source

MTX OM, SDM

Source Field

WQABNRIC

Source Section

WPSOM2

WQABNUA

Total queuing abandoned due to user abandonment.

Data Source

MTX OM, SDM

Source Field

WQABNUA

Source Section

WPSOM2

WQOVFL

The MSC generates peg counts for the WPS failures with failure reason = queue failure when a call needs to be queued and the queue is full.

Data Source

MTX OM, SDM

Source Field

WQOVFL

Source Section

WPSOM1

WQTOUT

The MSC generates peg counts for the WPS failures with failure reason = queue failure when a call fails because it has spent the maximum time allowed on the queue.

Data Source

MTX OM, SDM

Source Field

WQTOUT

Source Section

WPSOM1

WQUEUED

Total number of WPS calls that are queued successfully due to an immediate lack of SBS or BTS resources.

Data Source

MTX OM, SDM

Source Field

WQUEUED

Source Section

WPSOM1

WRETRIES

Number of WPS Retries due to a Resource Allocation failure. This register pegs when the CM sends WPS Setup Conversation message to the CAU.

Data Source

MTX OM, SDM

Source Field

WRETRIES

Source Section

WPSOM1

WTATTMPT

Number of originated WPS calls that attempt to terminate to outgoing PSTN trunks. It can be pegged multiple times per WPS origination.

Data Source

MTX OM, SDM

Source Field

WTATTMPT

Source Section

NSEPPROG

WVALID

WPS call requests from VALID users.

Data Source

MTX OM, SDM

Source Field

WVALID

Source Section

WPSSRVC

XADISK

Number of disk faults detected on the XA-Core system.

Data Source

MTX OM, SDM

Source Field

XADISK

Source Section

XACORE

XAIOP

Counts critical IOP faults on XACORE and HIOP circuit packs

Data Source

MTX OM, SDM

Source Field

XAIOP

Source Section

XACORE

XALKMAJU

The length of time a MScomm (message switch communication) major alarm condition exists on the XA-Core.

Data Source

MTX OM, SDM

Source Field

XALKMAJU

Source Section

XACSRVC

XALOCP

Number of critical faults on the local port of the Reset Terminal Interface (RTIF) packet.

Data Source

MTX OM, SDM

Source Field

XALOCP

Source Section

XACORE

XAMCINI

The number of cold restarts that result from a manual action.

Data Source

MTX OM, SDM

Source Field

XAMCINI

Source Section

XACSRVC

XAMDCRIU

The length of time (in 100 second increments) that an AMDI critical alarm condition exists on the XA-Core.

Data Source

MTX OM, SDM

Source Field

XAMDCRIU

Source Section

XACSRVC

XAMDI

Number of critical AMDI packet faults detected on the XA-Core.

Data Source

MTX OM, SDM

Source Field

XAMDI

Source Section

XACORE

XAMDILNK

Number of critical AMDI link faults detected on the XA-Core.

Data Source

MTX OM, SDM

Source Field

XAMDILNK

Source Section

XACORE

XAMDIPRT

Number of critical AMDI port faults detected on the XA-Core.

Data Source

MTX OM, SDM

Source Field

XAMDIPRT

Source Section

XACORE

XAMDMAJU

The length of time (in 100 second increments) that an AMDI major alarm condition exists on the XA-Core.

Data Source

SDM

Source Field

XAMDMAJU

Source Section

XACSRVC

XAMSMPXU

The length of time a simplex shared memory (SM) condition exists on the XA-Core as a result of a manual action.

Data Source

MTX OM, SDM

Source Field

XAMSMPXU

Source Section

XACSRVC

XAMWINI

The number of warm restarts that result from a manual action.

Data Source

MTX OM, SDM

Source Field

XAMWINI

Source Section

XACSRVC

XAPE

Number of processor element (PE) faults detected on the XA-Core.

Data Source

MTX OM, SDM

Source Field

XAPE

Source Section

XACORE

XAPECRIU

The length of time that a LowPE critical alarm condition exists on the XA Core.

Data Source

MTX OM, SDM

Source Field

XAPECRIU

Source Section

XACSRVC

XAPEMAJU

The length of time (in 100 second increments) that a LowPE major alarm condition exists on the XA-Core.

Data Source

MTX OM, SDM

Source Field

XAPEMAJU

Source Section

XACSRVC

XAREMP

Number of critical faults on a Reset Terminal Interface (RTIF) remote port.

Data Source

MTX OM, SDM

Source Field

XAREMP

Source Section

XACORE

XARSMPXU

The length of time that a simplex shared memory condition exists on the XA-Core as a result of the REx test.

Data Source

MTX OM, SDM

Source Field

XARSMPXU

Source Section

XACSRVC

XARXABRT

Number of times the system Routine Exercise (REx) test aborts.

Data Source

MTX OM, SDM

Source Field

XARXABRT

Source Section

XACORE

XARXALL

Number of times the REx ALL class test failed.

Data Source

MTX OM, SDM

Source Field

XARXALL

Source Section

XACORE

XARXBASE

Number of times the REx Base hardware class test fails.

Data Source

MTX OM, SDM

Source Field

XARXBASE

Source Section

XACORE

XARXFULL

Number of times the REx Full class test fails.

Data Source

MTX OM, SDM

Source Field

XARXFULL

Source Section

XACORE

XARXIO

Number of times the REx IO Class test failed.

Data Source

MTX OM, SDM

Source Field

XARXIO

Source Section

XACORE

XARXPE

Number of times that the processor element (PE) Routine Exercise (REx) class test fails.

Data Source

MTX OM, SDM

Source Field

XARXPE

Source Section

XACORE

XARXSM

Number of times the shared memory (SM) routine exercise (REx) class test fails.

Data Source

MTX OM, SDM

Source Field

XARXSM

Source Section

XACORE

XASAUXCP

Ratio of AUXCP usage compared to the AUXCP_CPU_SHARE office parameter

Data Source

MTX OM, SDM

Source Field

XASAUXCP

Source Section

XASTAT

XASBKG

Ratio of background class usage compared to allocation

Data Source

MTX OM, SDM

Source Field

XASBKG

Source Section

XASTAT

XASCINI

The number of cold restarts that result from a system action.

Data Source

MTX OM, SDM

Source Field

XASCINI

Source Section

XACSRVC

XASC MPLX

Ratio of complexity of the observed call mix compared to the standard office

Data Source

MTX OM, SDM

Source Field

XASC MPLX

Source Section

XASTAT

XASDNC

Ratio of NOSFT usage compared to allocation

Data Source

MTX OM, SDM

Source Field

XASDNC

Source Section

XASTAT

XASFORE

Ratio of operating system overhead compared to the overhead allocated at capacity

Data Source

MTX OM, SDM

Source Field

XASFORE

Source Section

XASTAT

XASGTERM

Ratio of GTerm usage compared to GUARANTEED_TERMINAL_CPU_SHARE office parameter

Data Source

MTX OM, SDM

Source Field

XASGTERM

Source Section

XASTAT

XASM

Number of critical shared memory faults detected on the XA-Core system.

Data Source

MTX OM, SDM

Source Field

XASM

Source Section

XACORE

XASMAINT

Ratio of maintenance usage compared to allocation

Data Source

MTX OM, SDM

Source Field

XASMAINT

Source Section

XASTAT

XASMCRIU

The length of time a low shared memory critical alarm condition exists on the XA-Core.

Data Source

MTX OM, SDM

Source Field

XASMCRIU

Source Section

XACSRVC

XASNETM

Ratio of NETMTC usage compared to allocation

Data Source

MTX OM, SDM

Source Field

XASNETM

Source Section

XASTAT

XASNXFR

Number of transfer periods

Data Source

MTX OM, SDM

Source Field

XASNXFR

Source Section

XASTAT

XASOM

Ratio of OM usage compared to allocation

Data Source

MTX OM, SDM

Source Field

XASOM

Source Section

XASTAT

XASOTHLD

One minute intervals during which system utilization exceeded the office parameter
CC_ENGLEVEL_WARNING_THRESHOLD

Data Source

MTX OM, SDM

Source Field

XASOTHLD

Source Section

XASTAT

XASOVER

Number of minutes that XASUTIL exceeds 100

Data Source

MTX OM, SDM

Source Field

XASOVER

Source Section

XASTAT

XASPESC

One minute intervals during the transfer period in which a PE state change occurred

Data Source

MTX OM, SDM

Source Field

XASPESC

Source Section

XASTAT

XASPUTIL

XA-Core peak call processing usage

Data Source

MTX OM, SDM

Source Field

XASPUTIL

Source Section

XASTAT

XASSCHED

Ratio of scheduling overhead compared to the expected capacity

Data Source

MTX OM, SDM

Source Field

XASSCHED

Source Section

XASTAT

XASSMPXU

The length of time a simplex shared memory condition exists on the XA Core as a result of a system action.

Data Source

MTX OM, SDM

Source Field

XASSMPXU

Source Section

XACSRVC

XASSNIP

Ratio of SNIP usage compared to allocation

Data Source

MTX OM, SDM

Source Field

XASSNIP

Source Section

XASTAT

XASUTIL

Percentage of call processing capacity used within the provisioned recommendation for the grade of service specifications

Data Source

MTX OM, SDM

Source Field

XASUTIL

Source Section

XASTAT

XASWINI

The number of warm restarts that result from a system action.

Data Source

MTX OM, SDM

Source Field

XASWINI

Source Section

XACSRVC

XATAPE

Number of critical Tape faults detected on the XA-Core.

Data Source

MTX OM, SDM

Source Field

XATAPE

Source Section

XACORE

XATRAP

The number of trap interrupts in The XA-Core system.

Data Source

MTX OM, SDM

Source Field

XATRAP

Source Section

XACSRVC

XCMIC

Number of CMIC packet faults detected on the XA-Core.

Data Source

MTX OM, SDM

Source Field

XCMIC

Source Section

XACORE

XCMICLNK

Number of CMIC link faults detected on the XA-Core.

Data Source

MTX OM, SDM

Source Field

XCMICLNK

Source Section

XACORE

XCMICPRT

Number of CMIC port faults detected on the XA-Core.

Data Source

MTX OM, SDM

Source Field

XCMICPRT

Source Section

XACORE

XETHR

Number of critical ethernet packet faults detected on the XA-Core.

Data Source

MTX OM, SDM

Source Field

XETHR

Source Section

XACORE

XETHRCRU

The length of time (in 100 second increments) that an ETHR critical alarm condition exists on the XA-Core.

Data Source

MTX OM, SDM

Source Field

XETHRCRU

Source Section

XACSRVC

XETHRLNK

Number of critical ethernet link faults detected on the XA-Core.

Data Source

MTX OM, SDM

Source Field

XETHRLNK

Source Section

XACORE

XETHRMJU

The length of time (in 100 second increments) that an ETHR major alarm condition exists on the XA-Core.

Data Source

MTX OM, SDM

Source Field

XETHRMJU

Source Section

XACSRVC

XETHRPRT

Number of critical ethernet port faults detected on the XA-Core.

Data Source

MTX OM, SDM

Source Field

XETHRPRT

Source Section

XACORE

XRTIF

Number of RTIF packet faults detected on the XA-Core system.

Data Source

MTX OM, SDM

Source Field

XRTIF

Source Section

XACORE

XRTIFLNK

Number of RTIF link faults detected on the XA-Core.

Data Source

MTX OM, SDM

Source Field

XRTIFLNK

Source Section

XACORE

XRTIFPRT

Number of RTIF port faults detected on the XA-Core.

Data Source

MTX OM, SDM

Source Field

XRTIFPRT

Source Section

XACORE

MSC Roll-up Fields

The following is a list of roll-up fields for the MSC entity.

DDRPCALS

Pegs when a call is Drp due to digital SAT fade

DIRETRY

Pegs when a directed retry msg is sent by the serving subcell to the CCH in response to origination/page response msg

DMBORACO

Digital-capable mobile receives a request msg that was comp on an analog channel

DMBTRACO

Digital-capable mobile receives a pg response msg that was comp on an analog channel

DROPCALL

Active call is Drp due to loss of SAT for an analog call or loss of DVCC for a digital call

DROPHO

Call is Drp during Ho because the target subcell fails to receive a SAT for an analog call

HONOVCH

Handoff no voice channels

LMATTS

Pegs when a call is made to connect a land line trunk to a subscriber unit

LMCOMPS

Pegs when a call is Comp from a land line trunk to a subscriber unit

LPANNONE

LPI analog voice channel request not allocated

MBLORG

ICP receives from the CCH an origination msg from a SU

MBLORGCO

ICP receives a SAT present msg from the CCH for an originating SU

MBLREORD

ICP sends a reorder msg to the CCHs in response to access attempt from SU

MBLTERCO

Pegs when a call terminated to a SU and the SU successfully tunes to a voice channel

MLATTS

Pegs when a call is made from the serving subcell to a land trunk

MLCOMPS

Pegs when a call is successfully Comp from a serving subcell to a land trunk

MMATTS

Pegs when a call is made from a subscriber unit to another subscriber unit

MMCOMPS

Pegs when a call is successfully Comp from a subscriber unit to another subscriber unit

PAGERESP

Pegs when an ICP receives a page response msg from the CCHs

STIMEOUT

Pegs when the switch receives a SAT failure msg or a DVCC failure msg from the serving subcell during call setup

TRU

Every 100s records if a trunk is call processing busy/call processing busy deload/locked for Sector Trunks

TRU_TRUNK

Every 100s records if a trunk is call processing busy/call processing busy deload/locked for All Trunks

MSC_MGW Primitive Calculations

The following is a list of primitive calculations for the MSC_MGW entity.

GRAPHmultiLineSeparator

Special Control Field for Multi-Line Graphs

Calculation

""

NUMDAYS

of days in Report

Calculation

DAYSINREPORT ()

NUMHOURS

of hours in Summation Data

Calculation

MSC_MGW Peg Counts

The following is a list of peg counts for the MSC_MGW entity.

ALFRESND

This register pegs the number of H.248 ALF resend messages.

Data Source

SDM

Source Field

ALFRESND

Source Section

H248OM

HEARTFLD

This register pegs the number of Heart Beat Failures.

Data Source

SDM

Source Field

HEARTFLD

Source Section

H248OM

HEARTRCV

This register pegs the number of Heart Beat Recoveries.

Data Source

SDM

Source Field

HEARTRCV

Source Section

H248OM

ICREPLY

This register pegs the number of incoming H.248 reply messages.

Data Source

SDM

Source Field

ICREPLY + 65536 * ICREPLY2

Source Section

H248OM

ICREQST

This register pegs the number of incoming H.248 request messages.

Data Source

SDM

Source Field

ICREQST + 65536 * ICREQST2

Source Section

H248OM

NOICTRID

This register pegs the incoming TRID shortage scenario.

Data Source

SDM

Source Field

NOICTRID

Source Section

H248OM

NOOGTRID

This register pegs the outgoing TRID shortage scenario.

Data Source

SDM

Source Field

NOOGTRID

Source Section

H248OM

OGREPLY

This register pegs the number of outgoing H.248 reply messages.

Data Source

SDM

Source Field

OGREPLY + 65536 * OGREPLY2

Source Section

H248OM

OGREQST

This register pegs the number of outgoing H.248 requests messages.

Data Source

SDM

Source Field

OGREQST + 65536 * OGREQST2

Source Section

H248OM

OGRQRSND

This register pegs the resent encoded requests due to timeout.

Data Source

SDM

Source Field

OGRQRSND

Source Section

H248OM

PORGFAIL

This register pegs when H.248 fails through the MSC on mobile originations or originator HHOs. There are two instances in which an H.248 in mobile origination or originator HHO may fail resulting in the call being taken down: (a) an error descriptor is present in the H.248 Add or Modify Reply messages, or (b) a H.248 transaction timeout has occurred in the H.248 Add or Modify Reply messages.

Data Source

SDM

Source Field

PORGFAIL

Source Section

H248OM

PORIGATT

This register pegs for each H.248 attempt through the MSC on mobile originations or originator HHOs after successfully obtaining an MTID. MTID is an identifier of the call which contains MGW related information.

Data Source

SDM

Source Field

PORIGATT + 65536 * PORIGAT2

Source Section

H248OM

PTERMATT

This register pegs for each H.248 attempt through the MSC on mobile terminations or terminator HHOs after successfully obtaining an MTID. MTID is an identifier of the call which contains MGW related information.

Data Source

SDM

Source Field

PTERMATT + 65536 * PTERMAT2

Source Section

H248OM

PTRMFAIL

This register pegs when when the H.248 fails through the MSC on mobile terminations or terminator HHOs. There are two instances in which an H.248 in mobile termination or terminator HHO may fail resulting in the call being taken down: (a) an error descriptor is present in the H.248 Add or Modify Reply messages, or (b) a H.248 transaction timeout has occurred in the H.248 Add or Modify Reply messages.

Data Source

SDM

Source Field

PTRMFAIL

Source Section

H248OM

TRIDTO

This register pegs the number of transaction timeouts.

Data Source

SDM

Source Field

TRIDTO

Source Section

H248OM

MSC_ServiceOption Primitive Calculations

The following is a list of primitive calculations for the MSC_ServiceOption entity.

GRAPHmultiLineSeparator

Special Control Field for Multi-Line Graphs

Calculation

""

NUMDAYS

of days in Report

Calculation

DAYSINREPORT ()

NUMHOURS

of hours in Summation Data

Calculation

MSC_ServiceOption Peg Counts

The following is a list of peg counts for the MSC_ServiceOption entity.

DCIWFREL

Pegs when interworking function (IWF) release causes a data call fault

Data Source

MTX OM, SDM

Source Field

DCIWFREL

Source Section

MTXDCELL

DCMITACK

Pegs when an acknowledgment is received for trunk setup of a data call

Data Source

MTX OM, SDM

Source Field

DCMITACK

Source Section

MTXDCELL

DCMITREQ

Pegs when an attempt is made by mobile for trunk setup of a data call

Data Source

MTX OM, SDM

Source Field

DCMITREQ

Source Section

MTXDCALL

DCMOATT

Pegs when an attempt is made by the mobile to originate a data call

Data Source

MTX OM, SDM

Source Field

DCMOATT

Source Section

MTXDCALL

DCMOCOM

Pegs when a data call originated by a mobile is successfully set up

Data Source

MTX OM, SDM

Source Field

DCMOCOM

Source Section

MTXDCALL

DCMPRRO

Pegs when a paging channel Redirection is sent out for the mobile to move to a carrier on the alternate band and re-send a page response

Data Source

MTX OM, SDM

Source Field

DCMPRRO

Source Section

MTXDCELL

DCMPRRT

Pegs when a paging channel Redirection is sent out to the mobile to move to a carrier on the alternate band and re-send a page response

Data Source

MTX OM, SDM

Source Field

DCMPRRT

Source Section

MTXDCELL

DCMPRSO

Pegs when the mobile re-send an origination message after the mobile was redirected to the alternate band

Data Source

MTX OM, SDM

Source Field

DCMPRSO

Source Section

MTXDCELL

DCMPRST

Pegs when the mobile re-sends a page response after the mobile was redirected to the alternate band

Data Source

MTX OM, SDM

Source Field

DCMPRST

Source Section

MTXDCELL

DCMTATT

Pegs when the mobile attempts termination of a data call

Data Source

MTX OM, SDM

Source Field

DCMTATT

Source Section

MTXDCELL

DCMTCOM

Pegs when the mobile completes termination of a data call

Data Source

MTX OM, SDM

Source Field

DCMTCOM

Source Section

MTXDCELL

OCMDAREL

OCM Data Access Release

Data Source

MTX OM, SDM

Source Field

OCMDAREL

Source Section

MTXDALL

OCMDCREL

OCM Data Core Release

Data Source

MTX OM, SDM

Source Field

OCMDCREL

Source Section

MTXDALL

OCMDMGTO

OCM Data Message Timeout

Data Source

MTX OM, SDM

Source Field

OCMDMGTO

Source Section

MTXDALL

OCMDOATT

OCM Data Origination Attempts

Data Source

MTX OM, SDM

Source Field

OCMDOATT

Source Section

MTXDCELL

OCMDOSUC

OCM Data Origination Success

Data Source

MTX OM, SDM

Source Field

OCMDOSUC

Source Section

MTXDCELL

MSC_USP Primitive Calculations

The following is a list of primitive calculations for the MSC_USP entity.

GRAPHmultiLineSeparator

Special Control Field for Multi-Line Graphs

Calculation

""

NUMDAYS

of days in Report

Calculation

DAYSINREPORT ()

NUMHOURS

of hours in Summation Data

Calculation

MSC_USP Peg Counts

The following is a list of peg counts for the MSC_USP entity.

AltRoutingonCongCount

This OM measures the number of times a message is routed to the backup system because the routeset to the primary system is congested.

Data Source

USP

Source Section

SCCPGTT

Source Field

AltRoutingonCongCount

ConnOrientIPDistViolCount

This OM measures the number of IP originated connection-oriented messages that were discarded because they requested SCCP distribution

Data Source

USP

Source Section

SCCPSystemTotals

Source Field

ConnOrientIPDistViolCount

ConnOrientMsgHandledCount

This OM measures the number of connection-oriented messages that were successfully routed

Data Source

USP

Source Section

SCCPSystemTotals

Source Field

ConnOrientMsgHandledCount

ConnOrientMsgRtgFailCount

This OM measures the number of connection-oriented messages that the USP was unable to route

Data Source

USP

Source Section

SCCPSystemTotals

Source Field

ConnOrientMsgRtgFailCount

GTTPerformedCount

This OM measures the total number of MSUs that successfully completedGTT (that is, a match was found for the global title). The count is kept across all translation types.

Data Source

USP

Source Section

SCCPGTT

Source Field

GTTPerformedCount

HopCounterViolationCount

This OM measures the number of times that a SCCP hop counterviolation has occurred.

Data Source

USP

Source Section

SCCPGTT

Source Field

HopCounterViolationCount

LUDTMsgRcvdCount

This OM measures the number of LUDT messages that the SCCP level received.

Data Source

USP

Source Section

SCCPSystemTotals

Source Field

LUDTMsgRcvdCount

LUDTMsgSentCount

This OM measures the number of LUDT messages that the SCCP level sent.

Data Source

USP

Source Section

SCCPSystemTotals

Source Field

LUDTMsgSentCount

LUDTSMsgSentCount

This OM measures the number of LUDTS messages that the SCCP level sent.

Data Source

USP

Source Section

SCCPSystemTotals

Source Field

LUDTSMsgSentCount

MsgIncompatibility

This OM measures the number of LUDTS messages that the SCCP level sent.

Data Source

USP

Source Section

SCCPSystemTotals

Source Field

MsgIncompatibility

Msgtoolargeforsegmentation

This OM measures the number of times segmentation fails due to an over-long message.

Data Source

USP

Source Section

SCCPSystemTotals

Source Field

Msgtoolargeforsegmentation

MSUsDiscUnrecSCCPMsgCount

This OM measures the number of MSUs discarded because of an unrecognized SCCP message type.

Data Source

USP

Source Section

SCCPSystemTotals

Source Field

MSUsDiscUnrecSCCPMsgCount

NoRouteMSUDiscardCount

This OM measures the number of MSUs discarded due to routing failure of various causes (for example, an inaccessible DPC).

Data Source

USP

Source Section

SystemTotals

Source Field

NoRouteMSUDiscardCount

NoTranslationforAddrCount

This OM measures the number of times a match could not be found for the GTA in the translation table. The count is kept across all translation types.

Data Source

USP

Source Section

SCCPGTT

Source Field

NoTranslationforAddrCount

OutofsequenceSCCPmsgcount

This OM measures the number of times Segments are received out of sequence

Data Source

USP

Source Section

SCCPSystemTotals

Source Field

OutofsequenceSCCPmsgcount

Reassemblybufferunavailable

This OM measures the number of times Reassembly resources unavailable occurred

Data Source

USP

Source Section

SCCPSystemTotals

Source Field

Reassemblybufferunavailable

Reassemblyfailed

This OM measures the number of times Reassembly fails for any non specified reason.

Data Source

USP

Source Section

SCCPSystemTotals

Source Field

Reassemblyfailed

ReassemblyTimerExpired

This OM measures the number of times Reassembly Timer expired

Data Source

USP

Source Section

SCCPSystemTotals

Source Field

ReassemblyTimerExpired

RoutingFailureUnequipUser

This OM measures the number of times SCCP Routing control fails to find a subsystem to route the message.

Data Source

USP

Source Section

SCCPSystemTotals

Source Field

RoutingFailureUnequipUser

SCCPRoutingFailureCount

This OM measures the number of messages that SCCP was unable to route.

Data Source

USP

Source Section

SCCPSystemTotals

Source Field

SCCPRoutingFailureCount

Segmentationfailed

This OM measures the number of times segmentation fails for any non specified reason.

Data Source

USP

Source Section

SCCPSystemTotals

Source Field

Segmentationfailed

SSAReceivedCount

This OM measures the number of subsystem-allowed (SSA) messages received.

Data Source

USP

Source Section

SCCPSystemTotals

Source Field

SSAReceivedCount

SSATransmittedCount

This OM measures the number of subsystem-allowed (SSA) messages transmitted.

Data Source

USP

Source Section

SCCPSystemTotals

Source Field

SSATransmittedCount

SSPReceivedCount

This OM measures the number of subsystem-prohibited (SSP) messages received.

Data Source

USP

Source Section

SCCPSystemTotals

Source Field

SSPReceivedCount

SSPTransmittedCount

This OM measures the number of subsystem-prohibited (SSP) messages transmitted.

Data Source

USP

Source Section

SCCPSystemTotals

Source Field

SSPTransmittedCount

SSTReceivedCount

This OM measures the number of subsystem-status-test (SST)messages received.

Data Source

USP

Source Section

SCCPSystemTotals

Source Field

SSTReceivedCount

SSTTransmittedCount

This OM measures the number of subsystem-status-test (SST)messages transmitted.

Data Source

USP

Source Section

SCCPSystemTotals

Source Field

SSTTransmittedCount

Totalmessageshandled

This OM measures all messages processed by SCCP routing control in both incoming and outgoing directions, whether or not the message is processed or delivered successfully.

Data Source

USP

Source Section

SCCPSystemTotals

Source Field

Totalmessageshandled

TransTypeNotFoundCount

This OM measures the number of times the translation type specified in the MSU was not supported by the USP.

Data Source

USP

Source Section

SCCPGTT

Source Field

TransTypeNotFoundCount

UDTMsgRcvdCount

This OM measures the number of UDT messages that the SCCP level received.

Data Source

USP

Source Section

SCCPSystemTotals

Source Field

UDTMsgRcvdCount

UDTMsgSentCount

This OM measures the number of UDT messages sent from the SCCP level.

Data Source

USP

Source Section

SCCPSystemTotals

Source Field

UDTMsgSentCount

UDTSMsgRcvdCount

This OM measures the number of UDTS messages that the SCCP level received.

Data Source

USP

Source Section

SCCPSystemTotals

Source Field

UDTSMsgRcvdCount

UDTSMsgSentCount

This OM measures the number of UDTS messages sent from the SCCP level.

Data Source

USP

Source Section

SCCPSystemTotals

Source Field

UDTSMsgSentCount

XUDTMsgRcvdCount

This OM measures the number of XUDT messages that the SCCP level received.

Data Source

USP

Source Section

SCCPSystemTotals

Source Field

XUDTMsgRcvdCount

XUDTMsgSentCount

This OM measures the number of XUDT messages sent from the SCCP level.

Data Source

USP

Source Section

SCCPSystemTotals

Source Field

XUDTMsgSentCount

XUDTSMsgRcvdCount

This OM measures the number of XUDTS messages that the SCCP level received.

Data Source

USP

Source Section

SCCPSystemTotals

Source Field

XUDTSMsgRcvdCount

XUDTSMsgSentCount

This OM measures the number of XUDTS messages sent from the SCCP level.

Data Source

USP

Source Section

SCCPSystemTotals

Source Field

XUDTSMsgSentCount

MSC_USP_ASP Primitive Calculations

The following is a list of primitive calculations for the MSC_USP_ASP entity.

GRAPHmultiLineSeparator

Special Control Field for Multi-Line Graphs

Calculation

""

NUMDAYS

of days in Report

Calculation

DAYSINREPORT ()

NUMHOURS

of hours in Summation Data

Calculation

MSC_USP_ASPPath Primitive Calculations

The following is a list of primitive calculations for the MSC_USP_ASPPath entity.

GRAPHmultiLineSeparator

Special Control Field for Multi-Line Graphs

Calculation

""

NUMDAYS

of days in Report

Calculation

DAYSINREPORT ()

NUMHOURS

of hours in Summation Data

Calculation

MSC_USP_ASPPath Peg Counts

The following is a list of peg counts for the MSC_USP_ASPPath entity.

DAUDReceivedCount

This OM measures the number of destination audit (DAUD) messages transmitted.

Data Source

USP

Source Section

ASPPathUtilization

Source Field

DAUDReceivedCount

DAVATransmittedCount

This OM measures the number of destination available (DAVA) messages transmitted.

Data Source

USP

Source Section

ASPPathUtilization

Source Field

DAVATransmittedCount

DiscardedMSUsCount

This OM measures the total number of received MSUs on an ASP Path which were discarded because the Network Appearance(or System Identity) associated with the incoming message was not found on the USP

Data Source

USP

Source Section

ASPPATHTraffic

Source Field

DiscardedMSUsCount

DUNATransmittedCount

This OM measures the number of destination unavailable messages transmitted.

Data Source

USP

Source Section

ASPPATHUtilization

Source Field

DUNATransmittedCount

OriginatedMSUsCount

This OM measures the number of originated MSUs (MSUs that contain the PC or capability code for the USP in the OPC field) that are successfully passed to the ASP Path for transmission(for example, network management messages).

Data Source

USP

Source Section

ASPPATHTraffic

Source Field

OriginatedMSUsCount

PathDownTime

Path Down Time

Data Source

USP

Source Section

ASPPathManagement

Source Field

PathDownTime

PathenteredDownstate

This OM measures the total number of times per measurement period that a Path entered the Down state.

Data Source

USP

Source Section

ASPPathManagement

Source Field

PathenteredDownstate

PathenteredRestoringstate

This OM measures the total number of times per measurement period that a Path entered the Restoring state.

Data Source

USP

Source Section

ASPPathManagement

Source Field

PathenteredRestoringstate

PathenteredUpstate

This OM measures the total number of times per measurement period that a Path entered the Up state.

Data Source

USP

Source Section

ASPPathManagement

Source Field

PathenteredUpstate

PathRestoreTime

Path Restore Time

Data Source

USP

Source Section

ASPPathManagement

Source Field

PathRestoreTime

PathUpTime

Path Up Time

Data Source

USP

Source Section

ASPPathManagement

Source Field

PathUpTime

ReceivedMSUsCount

This OM measures the total number of received MSUs on an ASP Path

Data Source

USP

Source Section

ASPPATHTraffic

Source Field

ReceivedMSUsCount

SCONTransmittedCount

This OM measures the number of Signaling Congestion (SCON) messages transmitted.

Data Source

USP

Source Section

ASPPATHUtilization

Source Field

SCONTransmittedCount

SentMSUsCount

This OM measures the total number of sent MSUs on an ASP Path

Data Source

USP

Source Section

ASPPATHTraffic

Source Field

SentMSUsCount

TerminatedMSUsCount

This OM measures the number of terminated MSUs (acknowledged, incoming MSUs that contain the PC or capability code of the USP in the DPC field) received.

Data Source

USP

Source Section

ASPPATHTRAFFIC

Source Field

TERMINATEDMSUSCOUNT

ThroughSwitchedMSUsCount

This OM measures the number of through-switched MSUs (MSUs that do not contain the PC or capability code for the USP in either the OPC or DPC) that are acknowledged, translated, and successfully passed to the ASP Path for transmission.

Data Source

USP

Source Section

ASPPATHTRAFFIC

Source Field

ThroughSwitchedMSUsCount

MSC_USP_Link Primitive Calculations

The following is a list of primitive calculations for the MSC_USP_Link entity.

GRAPHMultiLineSeparator

Special Control Field for Multi-Line Graphs

Calculation

""

NUMDAYS

of days in Report

Calculation

DAYSINREPORT ()

NUMHOURS

of hours in Summation Data

Calculation

MSC_USP_Link Peg Counts

The following is a list of peg counts for the MSC_USP_Link entity.

ACMReceivedCount

This OM measures the number of ISUP Address Complete Messages (ACM)received from the SS7 Network.

Data Source

USP

Source Section

ISUPReceivedMessageCounts

Source Field

ACMReceivedCount

ALTReceivedCount

This OM measures the number of ISUP Altering Messages (ALT)received from the SS7 Network.

Data Source

USP

Source Section

ISUPReceivedMessageCounts

Source Field

ALTReceivedCount

ANMReceivedCount

This OM measures the number of ISUP Answer Messages (ANM)received from the SS7 Network.

Data Source

USP

Source Section

ISUPReceivedMessageCounts

Source Field

ANMReceivedCount

BICCCallPReceived_Count

This OM measures the number of BICC call processing messages received from the SS7 Network.

Data Source

USP

Source Section

BICCCReceivedMessageCounts

Source Field

BICCCallPReceivedCount

BICCErrNoOPC_Route

This OM measures the number of BICC messages discarded as a result of not being able to find the associated OPC route for the received BICC message.

Data Source

USP

Source Section

BICCCReceivedMessageCounts

Source Field

BICCErrNoOPCRoute

BICCErrNoPath

This OM measures the number of BICC messages discarded as a result of not being able to find an inservice path to a given AS.

Data Source

USP

Source Section

BICCRceivedMessageCounts

Source Field

BICCErrrorNoPath

BICCErrrorNoRoute

This OM measures the number of BICC messages discarded as a result of not being able to find a route to a given AS.

Data Source

USP

Source Section

BICCRceivedMessageCounts

Source Field

BICCErrrorNoRoute

BICCMaintReceivedCount

This OM measures the number of BICC maintenance messages received from the SS7 Network.

Data Source

USP

Source Section

BICCRceivedMessageCounts

Source Field

BICCMaintReceivedCount

BICCWrrongNEReceivedCount

This OM measures the number of BICC messages discarded as a result of not receiving the message for a SG Network Element.

Data Source

USP

Source Section

BICCRceivedMessageCounts

Source Field

WrongNERceivedCount

BLAReceivedCount

This OM measures the number of ISUP Blocking Acknowledgement (BLA)received from the SS7 Network.

Data Source

USP

Source Section

ISUPReceivedMessageCounts

Source Field

BLAReceivedCount

BLOReceivedCount

This OM measures the number of ISUP Blocking Messages (BLO)received from the SS7 Network.

Data Source

USP

Source Section

ISUPReceivedMessageCounts

Source Field

BLOReceivedCount

BTUPCallPReceivedCount

This OM measures the number of BTUP call processing messages received from the SS7 Network.

Data Source

USP

Source Section

TUPReceivedMessageCounts

Source Field

BTUPCallReceivedCount

BTUPErrorNoASforOPCCIC

This OM measures the number of TUP messages discarded as a result of not being able to find a valid AS for a given OPC-CIC.

Data Source

USP

Source Section

TUPReceivedMessageCounts

Source Field

BTUPErrorNoASforOPCCIC

BTUPErrorNoOPCCICData

This OM measures the number of TUP and BTUP messages discarded as a result of missing database entry for a given OPC or OPC-CIC.

Data Source

USP

Source Section

TUPReceivedMessageCounts

Source Field

BTUPErrorNoOPCCICData

BTUPErrorNoPath

This OM measures the number of TUP and BTUP messages discarded as a result of not being able to find an inservice path to a given AS.

Data Source

USP

Source Section

TUPReceivedMessageCounts

Source Field

BTUPErroNoPath

BTUPErroNoRoute

This OM measures the number of TUP messages discarded as a result of not being able to find a route to a given AS.

Data Source

USP

Source Section

TUPReceivedMessageCounts

Source Field

BTUPErroNoRoute

BTUPMaintReceivedCount

This OM measures the number of BTUP maintenance messages received from the SS7 Network.

Data Source

USP

Source Section

TUPReceivedMessageCounts

Source Field

BTUPMaintReceivedCount

CCRReceivedCount

This OM measures the number of ISUP Continuity Check Request Messages (CCR) received from the SS7 Network.

Data Source

USP

Source Section

ISUPReceivedMessageCounts

Source Field

CCRReceivedCount

CFNReceivedCount

This OM measures the number of ISUP Confusion Messages (CFN) received from the SS7 Network.

Data Source

USP

Source Section

ISUPReceivedMessageCounts

Source Field

CFNReceivedCount

CGBAReceivedCount

This OM measures the number of ISUP Circuit Group Blocking Acknowledgement Messages (CGBA) received from the SS7 Network.

Data Source

USP

Source Section

ISUPReceivedMessageCounts

Source Field

CGBAReceivedCount

CGBReceivedCount

This OM measures the number of ISUP Circuit Group Blocking Messages (CGB) received from the SS7 Network.

Data Source

USP

Source Section

ISUPReceivedMessageCounts

Source Field

CGBReceivedCount

CGUAReceivedCount

This OM measures the number of ISUP Circuit Group Unblocking Acknowledgement Messages (CGUA) received from the SS7 Network.

Data Source

USP

Source Section

ISUPReceivedMessageCounts

Source Field

CGUAReceivedCount

CGUReceivedCount

This OM measures the number of ISUP Circuit Group Unblocking Messages (CGU) received from the SS7 Network.

Data Source

USP

Source Section

ISUPReceivedMessageCounts

Source Field

CGUReceivedCount

ChangeoverProcedureCount

This OM measures the number of times the changeover procedure is used to move traffic from a link taken out of service to one or more alternate in-service links.

Data Source

USP

Source Section

LinkManagement

Source Field

ChangeoverProcedureCount

CMCReceivedCount

This OM measures the number of ISUP Call Modification Completed Messages (CMC)received from the SS7 Network.

Data Source

USP

Source Section

ISUPReceivedMessageCounts

Source Field

CMCReceivedCount

CMRJReceivedCount

This OM measures the number of ISUP Call Modification Rejected Messages (CMRJ)received from the SS7 Network.

Data Source

USP

Source Section

ISUPReceivedMessageCounts

Source Field

CMRJReceivedCount

CMRReceivedCount

This OM measures the number of ISUP Call Modification Request Messages (CMR)received from the SS7 Network.

Data Source

USP

Source Section

ISUPReceivedMessageCounts

Source Field

CMRReceivedCount

CONReceivedCount

This OM measures the number of ISUP Connect Messages (CON)received from the SS7 Network.

Data Source

USP

Source Section

ISUPReceivedMessageCounts

Source Field

CONReceivedCount

COTReceivedCount

This OM measures the number of ISUP Continuity Test Messages (COT)received from the SS7 Network.

Data Source

USP

Source Section

ISUPReceivedMessageCounts

Source Field

COTReceivedCount

CPGReceivedCount

This OM measures the number of ISUP Call Progress Messages (CPG)received from the SS7 Network.

Data Source

USP

Source Section

ISUPReceivedMessageCounts

Source Field

CPGReceivedCount

CQMReceivedCount

This OM measures the number of ISUP Circuit Query Messages (CQM)received from the SS7 Network.

Data Source

USP

Source Section

ISUPReceivedMessageCounts

Source Field

CQMReceivedCount

CQRReceivedCount

This OM measures the number of ISUP Circuit Query Response Messages (CQR)received from the SS7 Network.

Data Source

USP

Source Section

ISUPReceivedMessageCounts

Source Field

CQRReceivedCount

CRAReservedCount

This OM measures the number of ISUP Circuit Reservation Acknowledgement Messages (CRA) received from the SS7 Network.

Data Source

USP

Source Section

ISUPReceivedMessageCounts

Source Field

CRAReceivedCount

CRGReceivedCount

This OM measures the number of ISUP Charge Information Messages (CRG) received from the SS7 Network.

Data Source

USP

Source Section

ISUPReceivedMessageCounts

Source Field

CRGReceivedCount

CRMReceivedCount

This OM measures the number of ISUP Circuit Reservation Messages (CRM) received from the SS7 Network.

Data Source

USP

Source Section

ISUPReceivedMessageCounts

Source Field

CRMReceivedCount

CSVRReceivedCount

This OM measures the number of ISUP Closed User Group Selection and Validation Request Messages (CSVR) received from the SS7 Network.

Data Source

USP

Source Section

ISUPReceivedMessageCounts

Source Field

CSVRReceivedCount

CSVSReceivedCount

This OM measures the number of ISUP Closed User Group Selection and Validation Response Messages (CSVS) received from the SS7 Network.

Data Source

USP

Source Section

ISUPReceivedMessageCounts

Source Field

CSVSReceivedCount

CumDurofFEProcessorOut

This OM measures the cumulative duration in seconds during which the use of the link was precluded due to a remote (far-end) processor outage condition, summed across all far-end processor outage events.

Data Source

USP

Source Section

SAALLinkManagement

Source Field

CumDurofFEProcessorOut

CumDurofLackofCredit

This OM measures the cumulative duration of time in seconds during which SSCOP had PDUs to send to its peer but could not do so because it was not given credit by the far end, summed over all the Lack-of-Credit event occurring during the measurement interval.

Data Source

USP

Source Section

SAALLinkManagement

Source Field

CumDurofLackofCredit

CVRReceivedCount

This OM measures the number of ISUP Circuit Validation Response Messages (CVR)received from the SS7 Network.

Data Source

USP

Source Section

ISUPReceivedMessageCounts

Source Field

CVRReceivedCount

CVTReceivedCount

This OM measures the number of ISUP Circuit Validation Test Messages (CVT)received from the SS7 Network.

Data Source

USP

Source Section

ISUPReceivedMessageCounts

Source Field

CVTReceivedCount

DisallowedCldPartyAddrCount

This OM measures the number of MSUs rejected on a particular link,because of disallowed SCCP Called Party Addresses.

Data Source

USP

Source Section

GatewayScreeningResults

Source Field

DisallowedCldPartyAddrCount

DisallowedISUPCount

This OM measures the number of MSUs rejected on a particular link, because of a disallowed ISDN User Part message type.

Data Source

USP

Source Section

GatewayScreeningResults

Source Field

DisallowedISUPCount

DisallowedTransTypeCount

This OM measures the number of MSUs rejected on a particular link, because of a disallowed SCCP GTT type.

Data Source

USP

Source Section

GatewayScreeningResults

Source Field

DisallowedTransTypeCount

DiscardedcellswithHECViol

This OM measures the number of ATM cells discarded due to Header Error Control (HEC) violations.

Data Source

USP

Source Section

ATMLinkTraffic

Source Field

DiscardedcellswithHECViol

DiscardedcellswithProtErrs

This OM measures the number of cells discarded due to Protocol(ATMLayer Header) Errors.

Data Source

USP

Source Section

ATMLinkTraffic

Source Field

DiscardedcellswithProtErrs

DRSReceivedCount

This OM measures the number of ISUP Delayed Release Messages (DRS)received from the SS7 Network.

Data Source

USP

Source Section

ISUPReceivedMessageCounts

Source Field

DRSReceivedCount

DurationofLinkinService

This OM measures the number of seconds the link is regarded in service.

Data Source

USP

Source Section

SAALLinkManagement

Source Field

DurationofLinkinService

EXMReceivedCount

This OM measures the number of ISUP Exit Messages (EXM)received from the SS7 Network.

Data Source

USP

Source Section

ISUPReceivedMessageCounts

Source Field

EXMReceivedCount

FAAReceivedCount

This OM measures the number of ISUP Facility Accepted Messages (FAA)received from the SS7 Network.

Data Source

USP

Source Section

ISUPReceivedMessageCounts

Source Field

FAAReceivedCount

FACReceivedCount

This OM measures the number of ISUP Facility Messages (FAC)received from the SS7 Network.

Data Source

USP

Source Section

ISUPReceivedMessageCounts

Source Field

FACReceivedCount

FADReceivedCount

This OM measures the number of ISUP Facility Deactivated Messages (FAD) received from the SS7 Network.

Data Source

USP

Source Section

ISUPReceivedMessageCounts

Source Field

FADReceivedCount

FAIReceivedCount

This OM measures the number of ISUP Facility Information Messages (FAM) received from the SS7 Network.

Data Source

USP

Source Section

ISUPReceivedMessageCounts

Source Field

FAIReceivedCount

FarEndMgmtInhibitCount

This OM measures the number of times a link was successfully inhibited from the far end.

Data Source

USP

Source Section

LinkManagement

Source Field

FarEndMgmtInhibitCount

FARReceivedCount

This OM measures the number of ISUP Facility Request Messages (FAR)received from the SS7 Network.

Data Source

USP

Source Section

ISUPReceivedMessageCounts

Source Field

FARReceivedCount

FOTReceivedCount

This OM measures the number of ISUP Forward Transfer Messages (FOT)received from the SS7 Network.

Data Source

USP

Source Section

ISUPReceivedMessageCounts

Source Field

FOTReceivedCount

FRJReceivedCount

This OM measures the number of ISUP Facility Rejected Messages (FRJ)received from the SS7 Network.

Data Source

USP

Source Section

ISUPReceivedMessageCounts

Source Field

FRJReceivedCount

GRAReceivedCount

This OM measures the number of ISUP Circuit Group Reset Acknowledgement Messages (GRA) received from the SS7 Network.

Data Source

USP

Source Section

ISUPReceivedMessageCounts

Source Field

GRAReceivedCount

GRSReceivedCount

This OM measures the number of ISUP Circuit Group Reset Messages (GRS) received from the SS7 Network.

Data Source

USP

Source Section

ISUPReceivedMessageCounts

Source Field

GRSReceivedCount

IAMN1ReceivedCount

This OM measures the number of ISUP Initial Address Message NotPriority One Messages (IAMN1) received from the SS7 Network.

Data Source

USP

Source Section

ISUPReceivedMessageCounts

Source Field

IAMN1ReceivedCount

IAMReceivedCount

This OM measures the number of ISUP Initial Address Message Messages (IAM) received from the SS7 Network.

Data Source

USP

Source Section

ISUPReceivedMessageCounts

Source Field

IAMReceivedCount

IDRReceivedCount

This OM measures the number of ISUP Identification Request Messages (IDR) received from the SS7 Network.

Data Source

USP

Source Section

ISUPReceivedMessageCounts

Source Field

IDRReceivedCount

IncomingATMUIcells

This OM measures the number of incoming ATM User Information (UI) cells.

Data Source

USP

Source Section

ATMLinkTraffic

Source Field

IncomingATMUIcells

INFReceivedCount

This OM measures the number of ISUP Information Messages (INF)received from the SS7 Network.

Data Source

USP

Source Section

ISUPReceivedMessageCounts

Source Field

INFReceivedCount

InNDCvalidcellsonHSLVCL

This OM measures the number of incoming Network Data Collection (NDC)valid cells on the High Speed Links (HSL) VCL.

Data Source

USP

Source Section

ATMLinkTraffic

Source Field

InNDCvalidcellsonHSLVCL

INRReceivedCount

This OM measures the number of ISUP Information Request Messages (INR)received from the SS7 Network.

Data Source

USP

Source Section

ISUPReceivedMessageCounts

Source Field

INRReceivedCount

InvalidAffctDestinationCount

This OM measures the number of MSUs rejected on a particular link, because the destination fields in signaling-routeset-test, TFX-TCx, or TFC messages from the MSUs did not pass GWS checking based on the provisioned criteria.

Data Source

USP

Source Section

GatewayScreeningResults

Source Field

InvalidAffctDestinationCount

InvalidAffctPCSSNCount

This OM measures the number of MSUs rejected on a particular link, because the affected PCs in SCCP subsystem-prohibited (SSP) and subsystem-allowed (SSA) messages and an invalid PC or SSN in SCCP subsystem-status-test (SST) messages from the MSUs did not pass GWS checking based on the provisioned criteria.

Data Source

USP

Source Section

GatewayScreeningResults

Source Field

InvalidAffctPCSSNCount

InvalidCngPartyAddrCount

This OM measures the number of MSUs rejected on a particular link, because the Calling Party Addresses (PC or SSN) from the MSUs did not pass GWS checking based on the provisioned criteria.

Data Source

USP

Source Section

GatewayScreeningResults

Source Field

InvalidCngPartyAddrCount

InvalidDPCCount

This OM measures the number of MSUs rejected on a particular link, because the DPCs from the MSUs did not pass GWS checking based on the provisioned criteria.

Data Source

USP

Source Section

GatewayScreeningResults

Source Field

InvalidDPCCount

InvalidOPCCount

This OM measures the number of MSUs rejected on a particular link, because the OPCs from the MSUs did not pass GWS checking based on the provisioned criteria.

Data Source

USP

Source Section

GatewayScreeningResults

Source Field

InvalidOPCCount

InvalidSIOCount

This OM measures the number of MSUs rejected on a particular link, because the SIOs from the MSUs did not pass GWS checking based on the provisioned criteria.

Data Source

USP

Source Section

GatewayScreeningResults

Source Field

InvalidSIOCount

InvalidSSCOPPDUsRx

This OM measures the number of Invalid SSCOP PDUs Received.

Data Source

USP

Source Section

SAALLinkManagement

Source Field

InvalidSSCOPPDUsRx

IRSReceivedCount

This OM measures the number of ISUP Identification Response Messages (IRS) received from the SS7 Network.

Data Source

USP

Source Section

ISUPReceivedMessageCounts

Source Field

IRSReceivedCount

ISUPErrorNoASforOPCCIC

This OM measures the number of ISUP messages discarded as a result of not being able to find a valid AS for a given OPC-CIC.

Data Source

USP

Source Section

ISUPReceivedMessageCounts

Source Field

ISUPErrorNoASforOPCCIC

ISUPErrorNoOPCCICData

This OM measures the number of ISUP messages discarded as a result of missing database entry for a given OPC-CIC.

Data Source

USP

Source Section

ISUPReceivedMessageCounts

Source Field

ISUPErrorNoOPCCICData

ISUPErrorNoPath

This OM measures the number of ISUP messages discarded as a result of not being able to find a path to a given AS.

Data Source

USP

Source Section

ISUPReceivedMessageCounts

Source Field

ISUPErrorNoPath

ISUPErrorNoRoute

This OM measures the number of ISUP messages discarded as a result of not being able to find a route to a given AS.

Data Source

USP

Source Section

ISUPReceivedMessageCounts

Source Field

ISUPErrorNoRoute

ISUPErrorUnknownMessage

This OM measures the number of unrecognized ISUP Messages received from the SS7 Network.

Data Source

USP

Source Section

ISUPReceivedMessageCounts

Source Field

ISUPErrorUnknownMessage

ISUPWrongNEReceivedCount

This OM measures the number of ISUP Messages discarded as a result of not receiving the message for a SG Network Element.

Data Source

USP

Source Section

ISUPReceivedMessageCounts

Source Field

WrongNEReceivedCount

LackofCreditEvents

This OM measures the number of Lack-of-Credit Events.

Data Source

USP

Source Section

SAALLinkManagement

Source Field

LackofCreditEvents

Level1CongestionCount

This OM measures the number of times a link entered Level 1 congestion from no congestion.

Data Source

USP

Source Section

LinkManagement

Source Field

Level1CongestionCount

Level1CongestionDuration

This OM measures the total time, in seconds, a link was in Level 1 congestion.

Data Source

USP

Source Section

LinkManagement

Source Field

Level1CongestionDuration

Level2CongestionCount

This OM measures the number of times a link entered Level 2 congestion from no congestion.

Data Source

USP

Source Section

LinkManagement

Source Field

Level2CongestionCount

Level2CongestionDuration

This OM measures the total time, in seconds, a link was in Level 2 congestion.

Data Source

USP

Source Section

LinkManagement

Source Field

Level2CongestionDuration

Level3CongestionCount

This OM measures the number of times a link entered Level 3 congestion from no congestion.

Data Source

USP

Source Section

LinkManagement

Source Field

Level3CongestionCount

Level3CongestionDuration

This OM measures the total time, in seconds, a link was in Level 3 congestion.

Data Source

USP

Source Section

LinkManagement

Source Field

Level3CongestionDuration

LinkAvailableDuration

This OM measures the total time, in seconds, a link was available to MTP Level 3.

Data Source

USP

Source Section

LinkManagement

Source Field

LinkAvailableDuration

LinkDeactivatedDuration

This OM measures the total time, in seconds, a link was manually made unavailable to MTP Level 3 by deactivation.

Data Source

USP

Source Section

LinkManagement

Source Field

LinkDeactivatedDuration

LinkLocalInhibitDuration

This OM measures the total time, in seconds, a link was manually made unavailable to MTP Level 3 by local inhibition.

Data Source

USP

Source Section

LinkManagement

Source Field

LinkLocalInhibitDuration

LinkRemoteInhibitDuration

This OM measures the total time, in seconds, a link was manually made unavailable to MTP Level 3 by remote inhibition.

Data Source

USP

Source Section

LinkManagement

Source Field

LinkRemoteInhibitDuration

Linkutilization

This OM provides percentage of link utilization. For LSL it is calculated in erlangs while for HSL it is calculated as percentage of processor utilization.

Data Source

USP

Source Section

LinkTraffic

Source Field

Linkutilization

LOPReceivedCount

This OM measures the number of ISUP Loop Prevention Messages (LOP) received from the SS7 Network.

Data Source

USP

Source Section

ISUPReceivedMessageCounts

Source Field

LOPReceivedCount

LPAReceivedCount

This OM measures the number of ISUP Loop Back Acknowledgement Messages (LPA) received from the SS7 Network.

Data Source

USP

Source Section

ISUPReceivedMessageCounts

Source Field

LPAReceivedCount

MSUsReceivedCount

This OM measures the number of MSUs received on a link, including those MSUs for which retransmission was requested in the SS7 network. For the SAAL-based High Speed Links, the above description applies to Messages (MTP User Data + MTP L3 Data) instead of MSUs (MTP User Data + MTP L3 Data + MTP L2 Data).

Data Source

USP

Source Section

LinkTraffic

Source Field

MSUsReceivedCount

MSUsRequiringGTTCount

This OM measures the number of incoming MSUs that require GTT, regardless of the outcome of any GWS operation. For the SAAL-based High Speed Links, this count applies to Messages (MTP User Data + MTP L3 Data) instead of MSUs (MTP User Data + MTP L3 Data + MTP L2 Data).

Data Source

USP

Source Section

LinkTraffic

Source Field

MSUsRequiringGTTCount

MSUsTransmittedCount

This OM measures the number of MSUs transmitted to the far end, including those MSUs that were retransmitted in the SS7 network. For the SAAL-based High Speed Links, the above description applies to Messages (MTP User Data + MTP L3 Data) instead of MSUs (MTP User Data + MTP L3 Data + MTP L2 Data).

Data Source

USP

Source Section

LinkTraffic

Source Field

MSUsTransmittedCount

NearEndForcedUnavailableCou

This OM measures the number of times a link was manually made unavailable to MTP Level 3.

Data Source

USP

Source Section

LinkManagement

Source Field

NearEndForcedUnavailableCou

NetworkIndicatorDiscardCount

This OM measures the number of received MSUs which were discarded due to a mismatch between the MSUs network indicator (NI) and the NI provisioned in this system. The NI may be

provisioned on a network appearance basis. For the SAAL-based High Speed Links, this count applies to Messages (MTP User Data + MTP L3 Data) instead of MSUs (MTP User Data + MTP L3 Data + MTP L2 Data).

Data Source

USP

Source Section

LinkTraffic

Source Field

NetworkIndicatorDiscardCount

NRMReceivedCount

This OM measures the number of ISUP Network Resource Management Messages (NRM) received from the SS7 Network.

Data Source

USP

Source Section

ISUPReceivedMessageCounts

Source Field

NRMReceivedCount

Numberofnegativeackreceived

This OM measures number of negative acknowledgements received on the link indicating that the far end did not receive the message correctly.

Data Source

USP

Source Section

LinkFaultsandPerformance

Source Field

Numberofnegativeackreceived

NumberOfSUsreceivedinerror

This OM measures signaling units on a link, received in error.

Data Source

USP

Source Section

LinkFaultsandPerformance

Source Field

NumberOfSUsreceivedinerror

OCDAnomalies

This OM measures the number of Out of Cell Delineation (OCD) anomalies.

Data Source

USP

Source Section

ATMLinkTraffic

Source Field

OCDAnomalies

OctetsReceivedCount

This OM measures the total number of octets actually received for all MSUs counted in the MSUs Received Count OM, before the octets are removed in MTP Level 2 processing for the SS7 network. For the MTP2-based links, this count accounts for MTP User Data + MTP L3 Data + MTP L2 Data octets. For the SAAL-based High Speed Links, this count applies to Message octets (MTP User Data + MTP L3 Data octets).

Data Source

USP

Source Section

LinkTraffic

Source Field

OctetsReceivedCount

OctetsRequiringGTTCount

This OM measures the total number of MSU octets received for MSUs requiring GTT, including octets removed in MTPLevel 2 processing. For the MTP2-based links, this count applies to MSU octets (MTP User Data + MTP L3 Data + MTP L2 Data octets). For the SAAL-based High Speed Links, this count applies to Message octets (MTP User Data + MTP L3 Data octets).

Data Source

USP

Source Section

LinkTraffic

Source Field

OctetsRequiringGTTCount

OctetsRetransmitted

This OM counts number of bytes that are retransmitted. This count includes SIO, SIF, opening flags and check bits.

Data Source

USP

Source Section

LinkFaultsandPerformance

Source Field

OctetsRetransmitted

OctetsTransmittedCount

This OM measures the total number of octets actually transmitted for all MSUs counted in the MSUs Transmitted Count OM, including octets added in MTP Level 2 processing for the SS7 network. For the MTP2-based links, this count accounts for MTP User Data + MTP L3 Data + MTP L2 Data octets. For the SAAL-based High Speed Links, this count applies to Message octets (MTP User Data + MTP L3 Data octets).

Data Source

USP

Source Section

LinkTraffic

Source Field

OctetsTransmittedCount

OriginatedMSUOctetsCount

This OM measures the total number of originated MSU octets (MSU that contains the PC or capability code of this system in the OPC field) transmitted, including those octets that were added in MTP Level 2 processing for the SS7 network. For the MTP2-based links, this count accounts for MTP User Data + MTP L3 Data + MTP L2 Data octets. For the SAAL-based High Speed Links, this count applies to Message octets (MTP User Data + MTP L3 Data octets).

Data Source

USP

Source Section

LinkTraffic

Source Field

OriginatedMSUOctetsCount

OriginatedMSUsCount

This OM measures the number of originated MSUs (MSUs that contain the PC or capability code of this system in the OPC field) that are successfully passed to Level 2 for transmission (for example, network management messages and MSUs completing GTT) in the SS7 network. For the MTP2-based links, this count applies to MSU octets (MTP User Data + MTP L3 Data + MTP L2 Data octets). For the SAAL-based High Speed Links, this count applies to Message octets (MTP User Data + MTP L3 Data octets).

Data Source

USP

Source Section

LinkTraffic

Source Field

OriginatedMSUsCount

OutgoingATMUIcells

This OM measures the number of outgoing ATM User Information (UI) cells.

Data Source

USP

Source Section

ATMLinkTraffic

Source Field

OutgoingATMUIcells

OutNDCvalidcellsonHSLVCL

This OM measures the number of outgoing Network Data Collection (NDC)valid cells on the High Speed Links (HSL) VCL.

Data Source

USP

Source Section

ATMLinkTraffic

Source Field

OutNDCvalidcellsonHSLVCL

PAMReceivedCount

This OM measures the number of ISUP Pass Along Message Messages (PAM)received from the SS7 Network.

Data Source

USP

Source Section

ISUPReceivedMessageCounts

Source Field

PAMReceivedCount

PDUOctetsRTx

This OM measures the number of octets associated with retransmitted SSCOP Sequenced Data PDUs.

Data Source

USP

Source Section

SAALLinkTraffic

Source Field

PDUOctetsRTx

PDUOctetsRx

This OM measures the number of octets associated with SSCOP Sequenced Data PDUs received.

Data Source

USP

Source Section

SAALLinkTraffic

Source Field

PDUOctetsRx

PDUOctetsTx

This OM measures the number of octets associated with SSCOP Sequenced Data PDUs transmitted, including retransmissions.

Data Source

USP

Source Section

SAALLinkTraffic

Source Field

PDUOctetsTx

PDU_sRT_x

This OM measures the number of SSCOP Sequenced Data PDUs retransmitted.

Data Source

USP

Source Section

SAALLinkTraffic

Source Field

PDU_sRT_x

PDU_sR_x

This OM measures the number of SSCOP Sequenced Data PDUs received.

Data Source

USP

Source Section

SAALLinkTraffic

Source Field

PDU_sR_x

PDU_sT_x

This OM measures the number of SSCOP Sequenced Data PDUs transmitted including retransmissions.

Data Source

USP

Source Section

SAALLinkTraffic

Source Field

PDU_sT_x

PDUstxRequiringRTx

This OM measures the number of SSCOP PDUs transmitted that required retransmission because they were not acknowledged by the far-end SSCOP peer.

Data Source

USP

Source Section

SAALLinkManagement

Source Field

PDUstxRequiringRTx

PRGReceivedCount

This OM measures the number of ISUP Progresse Messages (PRG)received from the SS7 Network.

Data Source

USP

Source Section

ISUPReceivedMessageCounts

Source Field

PRGReceivedCount

Pri0MSUInbdDiscardCount

This OM measures the number of priority 0 MSUs discarded by the inbound link due to congestion at levels 1, 2, or 3 in the transmit buffers for the outbound link in the SS7 network. For the SAAL-based High Speed Links, this count applies to Messages (MTP User Data + MTP L3 Data) instead of MSUs(MTP User Data + MTP L3 Data + MTP L2 Data).

Data Source

USP

Source Section

LinkTraffic

Source Field

Pri0MSUInbdDiscardCount

Pri0MSUOutbdDiscardCount

This OM measures the number of priority 0 MSUs discarded due to congestion at levels 1, 2, or 3 in the SS7 network. For the SAAL-based High Speed Links, this count applies to Messages (MTP User Data + MTP L3 Data) instead of MSUs (MTP User Data + MTP L3 Data + MTP L2 Data).

Data Source

USP

Source Section

LinkTraffic

Source Field

Pri0MSUOutbdDiscardCount

Pri1MSUInbdDiscardCount

This OM measures the number of priority 1 MSUs discarded by the inbound link due to congestion at levels 1, 2, or 3 in the transmit buffers for the outbound link in the SS7 network. For the SAAL-based High Speed Links, this count applies to Messages (MTP User Data + MTP L3 Data) instead of MSUs (MTP User Data + MTP L3 Data + MTP L2 Data).

Data Source

USP

Source Section

LinkTraffic

Source Field

Pri1MSUInbdDiscardCount

Pri1MSUOutbdDiscardCount

This OM measures the number of priority 1 MSUs discarded due to congestion at levels 1, 2, or 3 in the SS7 network. For the SAAL-based High Speed Links, this count applies to Messages (MTP User Data + MTP L3 Data) instead of MSUs (MTP User Data + MTP L3 Data + MTP L2 Data).

Data Source

USP

Source Section

LinkTraffic

Source Field

Pri1MSUOutbdDiscardCount

Pri2MSUInbdDiscardCount

This OM measures the number of priority 2 MSUs discarded by the inbound link due to congestion at levels 1, 2, or 3 in the transmit buffers for the outbound link in the SS7 network. For the SAAL-based High Speed Links, this count applies to Messages (MTP User Data + MTP L3 Data) instead of MSUs (MTP User Data + MTP L3 Data + MTP L2 Data).

Data Source

USP

Source Section

LinkTraffic

Source Field

Pri2MSUInbdDiscardCount

Pri2MSUOutbdDiscardCount

This OM measures the number of priority 2 MSUs discarded due to congestion at levels 1, 2, or 3 in the SS7 network. For the SAAL-based High Speed Links, this count applies to Messages (MTP User Data + MTP L3 Data) instead of MSUs (MTP User Data + MTP L3 Data + MTP L2 Data).

Data Source

USP

Source Section

LinkTraffic

Source Field

Pri2MSUOutbdDiscardCount

Pri3MSUInbdDiscardCount

This OM measures the number of priority 3 MSUs discarded by the inbound link due to congestion at levels 1, 2, or 3 in the transmit buffers for the outbound link in the SS7 network. For the SAAL-based High Speed Links, this count applies to Messages (MTP User Data + MTP L3 Data) instead of MSUs (MTP User Data + MTP L3 Data + MTP L2 Data).

Data Source

USP

Source Section

LinkTraffic

Source Field

Pri3MSUInbdDiscardCount

Pri3MSUOutbdDiscardCount

This OM measures the number of priority 3 MSUs discarded due to congestion at levels 1, 2, or 3 in the SS7 network. For the SAAL-based High Speed Links, this count applies to Messages (MTP User Data + MTP L3 Data) instead of MSUs (MTP User Data + MTP L3 Data + MTP L2 Data).

Data Source

USP

Source Section

LinkTraffic

Source Field

Pri3MSUOutbdDiscardCount

RELReceivedCount

This OM measures the number of ISUP Release Messages (RLC) received from the SS7 Network.

Data Source

USP

Source Section

ISUPReceivedMessageCounts

Source Field

RELReceivedCount

RESReceivedCount

This OM measures the number of ISUP Resume Messages (RES)received from the SS7 Network.

Data Source

USP

Source Section

ISUPReceivedMessageCounts

Source Field

RESReceivedCount

RLCReceivedCount

This OM measures the number of ISUP Release Complete Messages (RLC)received from the SS7 Network.

Data Source

USP

Source Section

ISUPReceivedMessageCounts

Source Field

RLCReceivedCount

RPMReceivedCount

This OM measures the number of ISUP Reconfiguration Progress Message Messages (ACM) received from the SS7 Network.

Data Source

USP

Source Section

ISUPReceivedMessageCounts

Source Field

RPMReceivedCount

RPOCount

This OM measures the number of times a link was manually made unavailable to MTP Level 3.

Data Source

USP

Source Section

LinkManagement

Source Field

RP0Count

RPOCumulativeDuration

This OM measures the total time, in seconds, that a link was unavailable to MTP Level 3 after the system received SIPO from the far end.

Data Source

USP

Source Section

LinkManagement

Source Field

RP0CumulativeDuration

RSCReceivedCount

This OM measures the number of ISUP Reset Circuit Messages (RSC) received from the SS7 Network.

Data Source

USP

Source Section

ISUPReceivedMessageCounts

Source Field

RSCReceivedCount

SAMReceivedCount

This OM measures the number of ISUP Subsequent Address Message Messages (SAM)received from the SS7 Network.

Data Source

USP

Source Section

ISUPReceivedMessageCounts

Source Field

SAMReceivedCount

SGMReceivedCount

This OM measures the number of ISUP Segmentation Messages (SGM)received from the SS7 Network.

Data Source

USP

Source Section

ISUPReceivedMessageCounts

Source Field

SGMReceivedCount

SignalingLinkAligFailures

This OM measures the number of Signaling Link Alignment Failures.

Data Source

USP

Source Section

SAALLinkManagement

Source Field

SignalingLinkAligFailures

SLalignmentorprovingfailure

This OM measures link synchronization failures during alignment or proving and indicates a signaling data link fault which prevents the SdL moving into service.

Data Source

USP

Source Section

LinkFaultsandPerformance

Source Field

SLalignmentorprovingfailure

SLfailureAbnormalFIBRBSNR

This OM measures link synchronization failures and indicates complex failures in transmission or an intermittent hardware fault or even designer error.

Data Source

USP

Source Section

LinkFaultsandPerformance

Source Field

SLfailureAbnormalFIBRBSNR

SLfailureAllreasons

This OM measures in_service link failures due to any reason.

Data Source

USP

Source Section

LinkFaultsandPerformance

Source Field

SLfailureAllreasons

SLfailureExcdelayofack

This OM measures link synchronization failures and indicates serious disturbances or an interruption of signaling data link.

Data Source

USP

Source Section

LinkFaultsandPerformance

Source Field

SLfailureExcdelayofack

SLfailureExcdurationofcong

This OM measures link synchronization failures caused by prolonged congestion on the link.

Data Source

USP

Source Section

LinkFaultsandPerformance

Source Field

SLfailureExcdurationofcong

SLfailureExcessiveerrorrate

This OM measures link synchronization failures and indicates noisy link.

Data Source

USP

Source Section

LinkFaultsandPerformance

Source Field

SLfailureExcessiveerrorrate

SLfailureOtherreasons

This OM measures link synchronization failures due to reasons other than Abnormal FIBR/BSNR, Excessive delay of ack, Excessive error rate or Excessive duration of congestion .

Data Source

USP

Source Section

LinkFaultsandPerformance

Source Field

SLfailureOtherreasons

SSCOPConnectionDisconnects

This OM measures the number of SSCOP Connection Disconnects which are characterized by the expiry of Timer_NO_RESPONSE.

Data Source

USP

Source Section

SAALLinkManagement

Source Field

SSCOPConnectionDisconnects

SSCOPConnectionInitFails

This OM measures the number of SSCOP Initiation Failures, i.e. The inability to establish an SSCOP Connection.

Data Source

USP

Source Section

SAALLinkManagement

Source Field

SSCOPConnectionInitFails

SSCOPConnectionReestResync

This OM measures the number of SSCOP Reestablishments-Resynchronizations.

Data Source

USP

Source Section

SAALLinkManagement

Source Field

SSCOPConnectionReestResync

SSCOPConnectionSumofErrors

This OM measures the total number of SSCOP Connection Disconnects, Connection Initiation Failures and Connection Reestablishment- Resynchronization.

Data Source

USP

Source Section

SAALLinkManagement

Source Field

SSCOPConnectionSumofErrors

SSCOPPDUsSumofErrors

This OM measures the total number of Unexpected SSCOP PDUs, Invalid SSCOP PDUs and SSCOP PDUs with Other-List Element Errors.

Data Source

USP

Source Section

SAALLinkManagement

Source Field

SSCOPPDUsSumofErrors

SSCOPPDUswithListElemErrs

This OM measures the number of SSCOP PDUs Received with List Element Errors.

Data Source

USP

Source Section

SAALLinkManagement

Source Field

SSCOPPDUswithListElemErrs

SUSReceivedCount

This OM measures the number of ISUP Suspend Messages (SUS)received from the SS7 Network.

Data Source

USP

Source Section

ISUPReceivedMessageCounts

Source Field

SUSReceivedCount

TerminatedMSUOctetsCount

This OM measures the total number of terminated MSU octets(acknowledged, incoming MSU that contains the PC or capability code of this system in the DPC field) received, including octets removed in MTP Level 2 processing for the SS7 network.For the MTP2-based links, this count accounts for MTP User Data +MTP L3 Data + MTP L2 Data octets.For the SAAL-based High Speed Links, this count applies to Message octets (MTP User Data + MTP L3 Data octets).

Data Source

USP

Source Section

LinkTraffic

Source Field

TerminatedMSUOctetsCount

TerminatedMSUsCount

This OM measures the number of terminated MSUs(acknowledged, incoming MSUs that contain the PC or capability code of this system in the DPC field) received from the SS7 network.For the MTP2-based links, this count applies to MSUs(MTP User Data + MTP L3 Data + MTP L2 Data).For the SAAL-based High Speed Links, this count applies to Messages (MTP User Data + MTP L3 Data).

Data Source

USP

Source Section

LinkTraffic

Source Field

TerminatedMSUsCount

ThroughSwitchedMSUsCount

This OM measures the number of through-switched MSUs(MSUs that do not contain the PC or capability code of this system in either the OPC or DPC) that are acknowledged,translated, and successfully passed to MTP Level 2 for transmission in the SS7 network.For the MTP2-based links, this count applies to MSUs(MTP User Data + MTP L3 Data + MTP L2 Data).For the SAAL-based High Speed Links, this count applies to Messages (MTP User Data + MTP L3 Data).

Data Source

USP

Source Section

LinkTraffic

Source Field

ThroughSwitchedMSUsCount

ThruSwitchedMSUOctetsCount

This OM measures the total number of through-switched MSU octets (MSU that does not contain the PC or capability code of this system in either the OPC or DPC) received, including those octets that were added in MTP Level 2 processing for the SS7 network. For the MTP2-based links, this count accounts for MTP User Data + MTP L3 Data + MTP L2 Data octets. For the SAAL-based High Speed Links, this count applies to Message octets (MTP User Data + MTP L3 Data octets).

Data Source

USP

Source Section

LinkTraffic

Source Field

ThruSwitchedMSUOctetsCount

TotalPDUOctetsRx

This OM measures the number of octets associated with received SSCOP PDUs of all types.

Data Source

USP

Source Section

SAALLinkTraffic

Source Field

TotalPDUOctetsRx

TotalPDUOctetsTx

This OM measures the number of octets associated with transmitted SSCOP PDUs of all types which may include Sequenced Data PDU retransmissions.

Data Source

USP

Source Section

SAALLinkTraffic

Source Field

TotalPDUOctetsTx

TotalPDUssRx

This OM measures the number of SSCOP PDUs of all types received.

Data Source

USP

Source Section

SAALLinkTraffic

Source Field

TotalPDUssRx

TotalPDUssTx

This OM measures the number of transmitted SSCOP PDUs of all types including Sequenced Data PDU retransmissions.

Data Source

USP

Source Section

SAALLinkTraffic

Source Field

TotalPDUssTx

TUPCallPRceivedCount

This OM measures the number of TUP call processing messages received from the SS7 Network.

Data Source

USP

Source Section

TUPReceivedMessageCounts

Source Field

TUPCallPReceivedCount

TUPMaintReceivedCount

This OM measures the number of TUP maintenance messages received from the SS7 Network.

Data Source

USP

Source Section

TUPReceivedMessageCounts

Source Field

TUPMaintReceivedCount

UBAReceivedCount

This OM measures the number of ISUP Unblocking Acknowledgement Messages (UBA)received from the SS7 Network.

Data Source

USP

Source Section

ISUPReceivedMessageCounts

Source Field

UBAReceivedCount

UBLReceivedCount

This OM measures the number of ISUP Unblocking Messages (UBL)received from the SS7 Network.

Data Source

USP

Source Section

ISUPReceivedMessageCounts

Source Field

UBLReceivedCount

UCICReceivedCount

This OM measures the number of ISUP Unequipped Circuit Identification CodeMessages (UCIC) received from the SS7 Network.

Data Source

USP

Source Section

ISUPReceivedMessageCounts

Source Field

UCICReceivedCount

UnavailableDuration

This OM measures the total time, in seconds, a link was unavailable (automatically or manually made unavailable) to MTP Level 3.

Data Source

USP

Source Section

LinkManagement

Source Field

UnavailableDuration

UnexpectedSSCOPPDUsRx

This OM measures the number of Unexpected SSCOP PDUs Received.

Data Source

USP

Source Section

SAALLinkManagement

Source Field

UnexpectedSSCOPPDUsRx

UPAReceivedCount

This OM measures the number of ISUP User Part Available Messages (UPA) received from the SS7 Network.

Data Source

USP

Source Section

ISUPReceivedMessageCounts

Source Field

UPAReceivedCount

UPTReceivedCount

This OM measures the number of ISUP User Part Test Messages (UPT) received from the SS7 Network.

Data Source

USP

Source Section

ISUPReceivedMessageCounts

Source Field

UPTReceivedCount

USRReceivedCount

This OM measures the number of ISUP User-to-User Information Messages (USR) received from the SS7 Network.

Data Source

USP

Source Section

ISUPReceivedMessageCounts

Source Field

USRReceivedCount

WrongNEReceivedCount

This OM measures the number of TUP messages discarded as a result of not receiving the message for a SG Network Element

Data Source

USP

Source Section

TUPReceivedMessageCounts

Source Field

WrongNEReceivedCount

MSC_USP_Linkset Primitive Calculations

The following is a list of primitive calculations for the MSC_USP_Linkset entity.

GRAPHmultiLineSeparator

Special Control Field for Multi-Line Graphs

Calculation

""

NUMDAYS

of days in Report

Calculation

DAYSINREPORT ()

NUMHOURS

of hours in Summation Data

Calculation

MSC_USP_Linkset Peg Counts

The following is a list of peg counts for the MSC_USP_Linkset entity.

LinksetInactivityDuration

This OM measures the total time, in seconds, that all links in the linkset were unavailable (automatically or manually made unavailable) to MTP Level 3.

Data Source

USP

Source Section

LinksetUtilization

Source Field

LinksetInactivityDuration

RSTReceivedCount

This OM measures the number of restart (RST) messages received.

Data Source

USP

Source Section

LinksetUtilization

Source Field

RSTReceivedCount

RSTTransmittedCount

This OM measures the number of restart (RST) messages transmitted.

Data Source

USP

Source Section

LinksetUtilization

Source Field

RSTTransmittedCount

TFAandTCAReceivedCount

This OM measures the number of transfer-allowed (TFA) and transfercluster- allowed (TCA) messages received.

Data Source

USP

Source Section

LinksetUtilization

Source Field

TFAandTCAReceivedCount

TFAandTCATransmittedCount

This OM measures the number of transfer-allowed (TFA) and transfercluster- allowed (TCA) messages transmitted.

Data Source

USP

Source Section

LinksetUtilization

Source Field

TFAandTCATransmittedCount

TFCReceivedCount

This OM measures the number of transfer-controlled (TFC) messages received by the gateway, listed by the originating network.

Data Source

USP

Source Section

LinksetUtilization

Source Field

TFCReceivedCount

TFCTransmittedCount

This OM measures the number of transfer-controlled (TFC) messages transmitted by the gateway, listed by the destination network.

Data Source

USP

Source Section

LinksetUtilization

Source Field

TFCTransmittedCount

TFPandTCPReceivedCount

This OM measures the number of transfer-prohibited (TFP) and transfer-cluster-prohibited (TCP) messages received.

Data Source

USP

Source Section

LinksetUtilization

Source Field

TFPandTCPReceivedCount

TFPandTCPTransmittedCount

This OM measures the number of transfer-prohibited (TFP) and transfer-cluster-prohibited (TCP) messages transmitted.

Data Source

USP

Source Section

LinksetUtilization

Source Field

TFPandTCPTransmittedCount

TFRandTCRReceivedCount

This OM measures the number of transfer-restricted (TFR) and transfercluster- restricted (TCR) messages received.

Data Source

USP

Source Section

LinksetUtilization

Source Field

TFRandTCRReceivedCount

TFRandTCRTransmittedCount

This OM measures the number of transfer-restricted (TFR) and transfercluster- restricted (TCR) messages transmitted.

Data Source

USP

Source Section

LinksetUtilization

Source Field

TFRandTCRTransmittedCount

MSC_USP_Node Primitive Calculations

The following is a list of primitive calculations for the MSC_USP_Node entity.

GRAPHmultiLineSeparator

Special Control Field for Multi-Line Graphs

Calculation

""

NUMDAYS

of days in Report

Calculation

DAYSINREPORT ()

NUMHOURS

of hours in Summation Data

Calculation

MSC_USP_Node Peg Counts

The following is a list of peg counts for the MSC_USP_Node entity.

AssociationAbortedCount

This OM measures the number of associations that are aborted by the application, the peer connection or a failure in the network.

Data Source

USP

Source Section

SCTPManagementTrafficCounts

Source Field

AssociationAbortedCount

AssociationEstablishAttempts

This OM measures the number of associations which the user or peer SCTP tried to established.

Data Source

USP

Source Section

SCTPManagementTrafficCounts

Source Field

AssociationEstablishAttempts

AssociationTerminatedCount

This OM measures the number of associations that are terminated by the application or the peer connection.

Data Source

USP

Source Section

SCTPManagementTrafficCounts

Source Field

AssociationTerminatedCount

ChunkRetransmittedCount

This OM measures the number of SCTP chunks retransmitted due to SCTP Packets or SCTP Sacks lost in the network. Note: A SCTP packet may contain more than one chunk.

Data Source

USP

Source Section

SCTPManagementTrafficCounts

Source Field

ChunkRetransmittedCount

ChunksReceivedCount

This OM measures the number of SCTP chunks received. Note: A SCTP packet may contain more than one chunk.

Data Source

USP

Source Section

SCTPManagementTrafficCounts

Source Field

ChunksReceivedCount

ChunksTransmittedCount

This OM measures the number of SCTP chunks transmitted. Note: A SCTP packet may contain more than one chunk.

Data Source

USP

Source Section

SCTPManagementTrafficCounts

Source Field

ChunksTransmittedCount

CollectionPeriodDuration

This OM measures the total number of milliseconds for an OM collection period. This OM can be used to calculate the percentage of use for all the other Task Management OMs.

Data Source

USP

Source Section

TaskManagement

Source Field

CollectionPeriodDuration

CriticalAlarmsAckCount

This OM measures the number of critical alarms acknowledged by the Log server.

Data Source

USP

Source Section

LogServer

Source Field

CriticalAlarmsAckCount

CriticalAlarmsClearedCount

This OM measures the number of critical alarms cleared by the Log server.

Data Source

USP

Source Section

LogServer

Source Field

CriticalAlarmsClearedCount

CriticalAlarmsReceivedCount

This OM measures the number of critical alarms received by the Log server.

Data Source

USP

Source Section

LogServer

Source Field

CriticalAlarmsReceivedCount

DisabledLockedDuration

This OM measures the number of seconds that a specific RTC, CC, or application system node is disabled and locked.

Data Source

USP

Source Section

SystemNodeState

Source Field

DisabledLockedDuration

DisabledUnlockedDuration

This OM measures the number of seconds that a specific RTC, CC, or application system node is disabled and unlocked.

Data Source

USP

Source Section

SystemNodeState

Source Field

DisabledUnlockedDuration

DuplicateMessagesCount

This OM measures the number of duplicate messages.

Data Source

USP

Source Section

ATMDriverMessaging

Source Field

DuplicateMessagesCount

EnabledLockedDuration

This OM measures the number of seconds that a specific RTC, CC, or application system node is enabled and locked.

Data Source

USP

Source Section

SystemNodeState

Source Field

EnabledLockedDuration

EnabledUnlockedDuration

This OM measures the number of seconds that a specific RTC, CC, or application system node is enabled and unlocked.

Data Source

USP

Source Section

SystemNodeState

Source Field

EnabledUnlockedDuration

EstablishedAssociationCount

This OM measures the number of associations which are in a established state.

Data Source

USP

Source Section

SCTPManagementTrafficCounts

Source Field

EstablishedAssociationCount

FarEndLineErroredSeconds

This OM measures the Far End Performance data:Far End Errored Seconds - Line.

Data Source

USP

Source Section

Carrier

Source Field

FarEndLineErroredSeconds

FarEndPathCodeViolations

This OM measures the Far End Performance data:Far End Code Violations - Path.

Data Source

USP

Source Section

Carrier

Source Field

FarEndPathCodeViolations

FarEndPathControlledSlips

This OM measures the Far End Performance data:Far End Controlled Slips - Path

Data Source

USP

Source Section

Carrier

Source Field

FarEndPathControlledSlips

FarEndPathErroredSeconds

This OM measures the Far End Performance data:Far End Errored Seconds - Path.

Data Source

USP

Source Section

Carrier

Source Field

FarEndPathErroredSeconds

FarEndPathFailureCount

This OM measures the Far End Performance data:Far End Failure Count - Path.

Data Source

USP

Source Section

Carrier

Source Field

FarEndPathFailureCount

FarEndPSeverelyErrSecs

This OM measures the Far End Performance data:Far End Severely Errored Seconds - Path.

Data Source

USP

Source Section

Carrier

Source Field

FarEndPSeverelyErrSecs

FarEndPSevErrFrmAISSec

This OM measures the Far End Performance data:Far End Severely Errored Frame-AIS Seconds - Path.

Data Source

USP

Source Section

Carrier

Source Field

FarEndPSevErrFrmAISSec

FarEndPUnavailableSeconds

This OM measures the Far End Performance data:Far End Unavailable Seconds - Path.

Data Source

USP

Source Section

Carrier

Source Field

FarEndPUnavailableSeconds

FullSocketCount

This OM measures the number of counts that the udpstat full_socket variable has changed in the om period.

Data Source

USP

Source Section

UDP

Source Field

FullSocketCount

IdleTaskDuration

This OM measures the number of milliseconds spent in idle time.

Data Source

USP

Source Section

TaskManagement

Source Field

IdleTaskDuration

IPMessageCount

This OM measures the number of incoming IP messages.

Data Source

USP

Source Section

ATMDriverMessaging

Source Field

IPMessageCount

Level0PriorityTaskDuration

This OM measures the number of milliseconds spent in Level 0 prioritytask(s).

Data Source

USP

Source Section

TaskManagement

Source Field

Level0PriorityTaskDuration

Level1PriorityTaskDuration

This OM measures the number of milliseconds spent in Level 1 prioritytask(s).

Data Source

USP

Source Section

TaskManagement

Source Field

Level1PriorityTaskDuration

Level2PriorityTaskDuration

This OM measures the number of milliseconds spent in Level 2 prioritytask(s).

Data Source

USP

Source Section

TaskManagement

Source Field

Level2PriorityTaskDuration

Level3PriorityTaskDuration

This OM measures the number of milliseconds spent in Level 3 prioritytask(s).

Data Source

USP

Source Section

TaskManagement

Source Field

Level3PriorityTaskDuration

Level4PriorityTaskDuration

This OM measures the number of milliseconds spent in Level 4 prioritytask(s).

Data Source

USP

Source Section

TaskManagement

Source Field

Level4PriorityTaskDuration

Level5PriorityTaskDuration

This OM measures the number of milliseconds spent in Level 5 prioritytask(s).

Data Source

USP

Source Section

TaskManagement

Source Field

Level5PriorityTaskDuration

Level6PriorityTaskDuration

This OM measures the number of milliseconds spent in Level 6 prioritytask(s).

Data Source

USP

Source Section

TaskManagement

Source Field

Level6PriorityTaskDuration

Level7PriorityTaskDuration

This OM measures the number of milliseconds spent in Level 7 prioritytask(s).

Data Source

USP

Source Section

TaskManagement

Source Field

Level7PriorityTaskDuration

Level8PriorityTaskDuration

This OM measures the number of milliseconds spent in Level 8 prioritytask(s).

Data Source

USP

Source Section

TaskManagement

Source Field

Level8PriorityTaskDuration

Level9PriorityTaskDuration

This OM measures the number of milliseconds spent in Level 9 prioritytask(s).

Data Source

USP

Source Section

TaskManagement

Source Field

Level9PriorityTaskDuration

LineCodeViolations

This OM measures the Near End Performance data:Code Violations - Line.

Data Source

USP

Source Section

Carrier

Source Field

LineCodeViolations

LineErroredSeconds

This OM measures the Near End Performance data:Errored Seconds - Line.

Data Source

USP

Source Section

Carrier

Source Field

LineErroredSeconds

LineLossofSignalSeconds

This OM measures the Near End Performance data:Loss of Signal Seconds - Line.All performance parameters including this parameter are defined in ANSI T1.231-1997 Digital Hierarchy - Layer 1 in-Service Digital Transmission Performance Monitoring.

Data Source

USP

Source Section

Carrier

Source Field

LineLossofSignalSeconds

LineSeverelyErroredSeconds

This OM measures the Near End Performance data:Severely Errored Seconds - Line.

Data Source

USP

Source Section

Carrier

Source Field

LineSeverelyErroredSeconds

LockedOfflineDuration

This OM measures the number of seconds that a specific RTC, CC, or application system node is locked and off-line.

Data Source

USP

Source Section

SystemNodeState

Source Field

LockedOfflineDuration

MajorAlarmsAckCount

This OM measures the number of major alarms acknowledged by the Log server.

Data Source

USP

Source Section

LogServer

Source Field

MajorAlarmsAckCount

MajorAlarmsClearedCount

This OM measures the number of major alarms cleared by the Log server.

Data Source

USP

Source Section

LogServer

Source Field

MajorAlarmsClearedCount

MajorAlarmsReceivedCount

This OM measures the number of major alarms received by the Log server.

Data Source

USP

Source Section

LogServer

Source Field

MajorAlarmsReceivedCount

MinorAlarmsAckCount

This OM measures the number of minor alarms acknowledged by the Log server.

Data Source

USP

Source Section

LogServer

Source Field

MinorAlarmsAckCount

MinorAlarmsClearedCount

This OM measures the number of minor alarms cleared by the Log server.

Data Source

USP

Source Section

LogServer

Source Field

MinorAlarmsClearedCount

MinorAlarmsReceivedCount

This OM measures the number of minor alarms received by the Log server.

Data Source

USP

Source Section

LogServer

Source Field

MinorAlarmsReceivedCount

OSSystemTasksDuration

This OM measures the number of milliseconds spent in VxWorks OS tasks.

Data Source

USP

Source Section

TaskManagement

Source Field

OSSystemTasksDuration

OutofBlueSCTPPacket

This OM measures the number of SCTP packets that are received but are not able to identify the association to which they belong.

Data Source

USP

Source Section

SCTPManagementTrafficCounts

Source Field

OutofBlueSCTPPacket

PathAISSeconds

This OM measures the Near End Performance data:AIS Seconds - Path.

Data Source

USP

Source Section

Carrier

Source Field

PathAISSeconds

PathCodeViolations

This OM measures the Near End Performance data:Code Violations - Path.

Data Source

USP

Source Section

Carrier

Source Field

PathCodeViolations

PathErroredSeconds

This OM measures the Near End Performance data:Errored Seconds - Path.

Data Source

USP

Source Section

Carrier

Source Field

PathErroredSeconds

PathFailureCount

This OM measures the Near End Performance data:Failure Count - Path.

Data Source

USP

Source Section

Carrier

Source Field

PathFailureCount

PathSeverelyErroredSeconds

This OM measures the Near End Performance data:Severely Errored Seconds - Path.

Data Source

USP

Source Section

Carrier

Source Field

PathSeverelyErroredSeconds

PathUnavailableSeconds

This OM measures the Near End Performance data:Unavailable Seconds - Path.

Data Source

USP

Source Section

Carrier

Source Field

PathUnavailableSeconds

PercentageEnabled

This OM measures the percentage of time that a specific RTC, CC, or application system node is enabled, or busy (for the Processor Utilization OM, GR-82-CORE section 6.4.5, item 10). The value for this OM ranges from 0 to 100 percent.

Data Source

USP

Source Section

SystemNodeState

Source Field

PercentageEnabled

Plane1CRCErrorCount

This OM measures the number of Plane 1 CRC errors.

Data Source

USP

Source Section

ATMDriverMessaging

Source Field

Plane1CRCErrCount

Plane1MessagesCount

This OM measures the number of incoming Plane 1 messages.

Data Source

USP

Source Section

ATMDriverMessaging

Source Field

Plane1MessagesCount

Plane2CRCErrCount

This OM measures the number of Plane 2 CRC errors.

Data Source

USP

Source Section

ATMDriverMessaging

Source Field

Plane2CRCErrCount

Plane2MessagesCount

This OM measures the number of incoming Plane 2 messages.

Data Source

USP

Source Section

ATMDriverMessaging

Source Field

Plane2MessagesCount

PSeverelyErrFrameAISSecs

This OM measures the Near End Performance data: Severely Errored Frame-AIS Seconds - Path.

Data Source

USP

Source Section

Carrier

Source Field

PSeverelyErrFrameAISSecs

RawCellCount

This OM measures the number of raw cells. Raw cells are typically bad cells or OAM cells.

Data Source

USP

Source Section

ATMDriverMessaging

Source Field

RawCellCount

RawMessageCount

This OM measures the number of ATM raw messages. Raw messages are messages not assigned to a protocol.

Data Source

USP

Source Section

ATMDriverMessaging

Source Field

RawMessageCount

RTC12PassiveAuditCount

This OM hooks into the node maintenance audit, and is pegged on the control shelf CCs, when it does not receive audit request from RTC12 even once. Thus this is a passive audit of RTC

Data Source

USP

Source Section

RTCSanity

Source Field

RTC12PassiveAuditCount

RTC15PassiveAuditCount

This OM hooks into the node maintenance audit, and is pegged on both the control shelf CCs, when it does not receive audit request from RTC15 even once. Thus this is a passive audit of RTC.

Data Source

USP

Source Section

RTCSanity

Source Field

RTC15PassiveAuditCount

SequenceNumberResetCount

This OM measures the number of times the sequence numbers are reset due to the receipt of five consecutive duplicate cells.

Data Source

USP

Source Section

ATMDriverMessaging

Source Field

SequenceNumberResetCount

SSCOPMessageCount

This OM measures the number of incoming SSCOP messages.

Data Source

USP

Source Section

ATMDriverMessaging

Source Field

SSCOPMessageCount

MSC_USP_RouteSet Primitive Calculations

The following is a list of primitive calculations for the MSC_USP_RouteSet entity.

GRAPHmultiLineSeparator

Special Control Field for Multi-Line Graphs

Calculation

""

NUMDAYS

of days in Report

Calculation

DAYSINREPORT ()

NUMHOURS

of hours in Summation Data

Calculation

MSC_USP_RouteSet Peg Counts

The following is a list of peg counts for the MSC_USP_RouteSet entity.

RouteSetCongestedCount

This OM measures the number of times, a route set went into congestion.

Data Source

USP

Source Section

RouteSetManagement

Source Field

RouteSetCongestedCount

RoutesetManbusiedCount

This OM measures the number of times a route set was manually made unavailable.

Data Source

USP

Source Section

RouteSetManagement

Source Field

RoutesetManbusiedCount

RoutesetUnavailabilityCount

This OM measures the number of times a route set was unavailable.

Data Source

USP

Source Section

RouteSetManagement

Source Field

RoutesetUnavailabilityCount

RoutesetUnavailabilityDur

This OM measures the total time, in seconds, a route set was unavailable.

Data Source

USP

Source Section

RouteSetManagement

Source Field

RoutesetUnavailabilityDur

MsgIfType Primitive Calculations

The following is a list of primitive calculations for the MsgIfType entity.

GRAPHmultiLineSeparator

Special Control Field for Multi-Line Graphs

Calculation

""

NUMDAYS

of days in Report

Calculation

DAYSINREPORT ()

NUMHOURS

of hours in Summation Data

Calculation

MsgIfType Peg Counts

The following is a list of peg counts for the MsgIfType entity.

AVGRATE

The Average Message Rate

Data Source

MTX OM, SDM

Source Field

AVGRATE

Source Section

XPMMMSGOC

HQ00

The Holding Queue 0%

Data Source

MTX OM, SDM

Source Field

HQ00

Source Section

XPMMMSGOC

HQ05

The Holding Queue 5%

Data Source

MTX OM, SDM

Source Field

HQ05

Source Section

XPMMMSGOC

HQ10

The Holding Queue 10%

Data Source

MTX OM, SDM

Source Field

HQ10

Source Section

XPMMMSGOC

HQ20

The Holding Queue 20%

Data Source

MTX OM, SDM

Source Field

HQ20

Source Section

XPMMMSGOC

HQ30

The Holding Queue 30%

Data Source

MTX OM, SDM

Source Field

HQ30

Source Section

XPMMMSGOC

HQ40

The Holding Queue 40%

Data Source

MTX OM, SDM

Source Field

HQ40

Source Section

XPMMMSGOC

HQABV40

The Holding Queue Above 40%

Data Source

MTX OM, SDM

Source Field

HQABV40

Source Section

XPMMMSGOC

MAXRATE

The Maximum Message Rate

Data Source

MTX OM, SDM

Source Field

MAXRATE

Source Section

XPMMMSGOC

NUMREPTS

The Number of Reports

Data Source

MTX OM, SDM

Source Field

NUMREPTS

Source Section

XPMMMSGOC

NIU Primitive Calculations

The following is a list of primitive calculations for the NIU entity.

GRAPHmultiLineSeparator

Special Control Field for Multi-Line Graphs

Calculation

""

NUMDAYS

of days in Report

Calculation

DAYSINREPORT ()

NUMHOURS

of hours in Summation Data

Calculation

NIU Peg Counts

The following is a list of peg counts for the NIU entity.

MCHCAPFL

Channel capacity flag is set due to registration capacity reached on the MD-IS

Data Source

MTX OM

Source Field

MCHCAPFL

Source Section

VERFYNIU

MNLPRDTO

Home MD-IS fails to receive a timely RDR in response to its RDQ

Data Source

MTX OM

Source Field

MNLPRDTO

Source Section

VERFYNIU

MNLPTO

MSF fails to receive a timely RDC in response to its RDR

Data Source

MTX OM

Source Field

MNLPTO

Source Section

VERFYNIU

MSFESQTO

MD-IS fails to receive a timely ESH in response to its ESQ

Data Source

MTX OM

Source Field

MSFESQTO

Source Section

VERFYNIU

NCPUOVR

Pegs when the NIU call processing plus I/O CPU occupancy has gone into overload state

Data Source

MTX OM

Source Field

NCPUOVR

Source Section

VERFYNIU

NDUPCLXF

Cell transfer attempt is made in the NIU and a cell transfer is already in progress on that TEI

Data Source

MTX OM, SDM

Source Field

NDUPCLXF

Source Section

CAPACNIU

NEIAUDFL

NEI does not reset the register count and NEI is removed

Data Source

MTX OM, SDM

Source Field

NEIAUDFL

Source Section

CAPACNIU

NEIESB

End System Bye packet is received for an already registered NEI

Data Source

MTX OM, SDM

Source Field

NEIESB

Source Section

CAPACNIU

NEIESQ

End System Query is sent to visitor M-ES by the MSF

Data Source

MTX OM, SDM

Source Field

NEIESQ

Source Section

CAPACNIU

NEIMHFFL

RDF is received from the network and NEI is removed

Data Source

MTX OM, SDM

Source Field

NEIMHFFL

Source Section

CAPACNIU

NEIREREG

ESH packet is received by the NEI that is already registered

Data Source

MTX OM, SDM

Source Field

NEIREREG + 65536 * NEIRRGOF

Source Section

CAPACNIU

NEIRGDNY

New registrations denied because the MD-IS is incapable of supporting the additional data traffic

Data Source

MTX OM

Source Field

NEIRGDNY + 65536 * NERGDYOF

Source Section

VERFYNIU

NEIRGFL

Total Registration Failures

Data Source

MTX OM

Source Field

NEIRGFL + 65536 * NERGFLOF

Source Section

VERFYNIU

NEITOTDR

Number of deregistrations

Data Source

MTX OM, SDM

Source Field

NEITOTDR + 65536 * NEITDROF

Source Section

CAPACNIU

NEITOTRG

Registration request received by the mobile serving function

Data Source

MTX OM, SDM

Source Field

NEITOTRG + 65536 * NEITRGOF

Source Section

CAPACNIU

NHLDFULL

Allocated holding buffers in the NSM are full prior to the NIU internal timer going off

Data Source

MTX OM, SDM

Source Field

NHLDFULL

Source Section

CAPACNIU

NIUBREQT

Broadcast requests received by the NIU

Data Source

MTX OM, SDM

Source Field

NIUBREQT

Source Section

CAPACNIU

NIUCALLP

The average NIU call processing plus I/O CPU occupancy percentage

Data Source

MTX OM

Source Field

NIUCALLP

Source Section

VERFYNIU

NIUTHRSH

Router capacity threshold is reached in the CDPD system

Data Source

MTX OM

Source Field

NIUTHRSH + 65536 * NIUTHROF

Source Section

VERFYNIU

NNAMFULL

New entry cannot be allocated from the accounting resources in the NAM

Data Source

MTX OM, SDM

Source Field

NNAMFULL

Source Section

CAPACNIU

NNAMRECS

Records received from the XLIU accounting meter

Data Source

MTX OM

Source Field

NNAMRECS

Source Section

VERFYNIU

RDCIC

RDC packets received by the MSF

Data Source

MTX OM, SDM

Source Field

RDCIC

Source Section

CAPACNIU

RDCOG

RDC packets sent by the MHF

Data Source

MTX OM, SDM

Source Field

RDCOG

Source Section

CAPACNIU

RDCOGEXT

RDC packets sent to the external MTX

Data Source

MTX OM, SDM

Source Field

RDCOGEXT

Source Section

CAPACNIU

RDCOGINT

RDC packets sent to the same MTX

Data Source

MTX OM, SDM

Source Field

RDCOGINT

Source Section

CAPACNIU

RDEIC

RDE is received from the home MD-IS

Data Source

MTX OM, SDM

Source Field

RDEIC

Source Section

CAPACNIU

RDEOG

RDE packets transmitted by the MSF

Data Source

MTX OM, SDM

Source Field

RDEOG

Source Section

CAPACNIU

RDFIC

RDF packets received by the MSF

Data Source

MTX OM, SDM

Source Field

RDFIC

Source Section

CAPACNIU

RDFOG

RDF packets sent by the MHF to the MSF

Data Source

MTX OM, SDM

Source Field

RDFOG

Source Section

CAPACNIU

RDQIC

RDQ is received by the serving MD-IS

Data Source

MTX OM, SDM

Source Field

RDQIC

Source Section

CAPACNIU

RDQOG

RDQ is sent to the serving MD-IS by the home MD-IS

Data Source

MTX OM, SDM

Source Field

RDQOG

Source Section

CAPACNIU

RDRIC

RDR packets received by the MSF

Data Source

MTX OM, SDM

Source Field

RDRIC

Source Section

CAPACNIU

RDROG

RDR packet transmitted by the MSF

Data Source

MTX OM, SDM

Source Field

RDROG

Source Section

CAPACNIU

TEIREQRX

TEI requests received by the NIU

Data Source

MTX OM, SDM

Source Field

TEIREQRX

Source Section

CAPACNIU

PagingChan Primitive Calculations

The following is a list of primitive calculations for the PagingChan entity.

GRAPHmultiLineSeparator

Special Control Field for Multi-Line Graphs

Calculation

""

NUMDAYS

of days in Report

Calculation

DAYSINREPORT ()

NUMHOURS

of hours in Summation Data

Calculation

PagingChan Peg Counts

The following is a list of peg counts for the PagingChan entity.

AUCMDropped

Number of Authentication Challenge messages dropped.

Data Source

NBSS MO

Source Field

PCHMessagesReceivedDropped (Seq# 301[24])

Source Section

Advanced Sector MO

AUCMReceived

Number of Authentication Challenge messages received.

Data Source

NBSS MO

Source Field

PCHMessagesReceivedDropped (Seq# 301[23])

Source Section

Advanced Sector MO

BSACKORDMDropped

Number of Base Station Acknowledgement Order messages dropped.

Data Source

NBSS MO

Source Field

PCHMessagesReceivedDropped (Seq# 301[19])

Source Section

Advanced Sector MO

BSACKORDMReceived

Number of Base Station Acknowledgement Order messages received.

Data Source

NBSS MO

Source Field

PCHMessagesReceivedDropped (Seq# 301[17])

Source Section

Advanced Sector MO

BufferOverloadPeriod

The period of time (in seconds) that the paging channel was using an excessive number of buffers

Data Source

NBSS BTS MO

Source Field

BufferOverloadPeriod (Seq# 152[5])

Source Section

Advanced Sector MO

CAMDropped

Number of Channel Assignment messages dropped by the reason of out of buffer.

Data Source

NBSS BTS MO

Source Field

PCHMessagesReceivedDropped (Seq# 301[12])

Source Section

Advanced Sector MO

CAMReceived

Number of Channel Assignment messages received.

Data Source

NBSS BTS MO

Source Field

PCHMessagesReceivedDropped (Seq# 301[11])

Source Section

Advanced Sector MO

CAMRepeatStaleDropped

Number of 2nd and 3rd attempt of Channel Assignment messages dropped by the reason of being too old (or being a stale message).

Data Source

NBSS BTS MO

Source Field

PCHMessagesReceivedDropped (Seq# 301[13])

Source Section

Advanced Sector MO

DBMDropped

Number of Data Burst messages dropped.

Data Source

NBSS BTS MO

Source Field

PCHMessagesReceivedDropped (Seq# 301[5])

Source Section

Advanced Sector MO

DBMReceived

Number of Data Burst messages received.

Data Source

NBSS BTS MO

Source Field

PCHMessagesReceivedDropped (Seq# 301[4])

Source Section

Advanced Sector MO

ECAMDropped

Number of Extended Channel Assignment messages dropped by the reason of out of buffer.

Data Source

NBSS BTS MO

Source Field

PCHMessagesReceivedDropped (Seq# 301[9])

Source Section

Advanced Sector MO

ECAMReceived

Number of Extended Channel Assignment messages received.

Data Source

NBSS BTS MO

Source Field

PCHMessagesReceivedDropped (Seq# 301[8])

Source Section

Advanced Sector MO

ECAMRepeatStaleDropped

Number of 2nd and 3rd attempt of Extended Channel Assignment messages dropped by the reason of being too old (or being a stale message).

Data Source

NBSS BTS MO

Source Field

PCHMessagesReceivedDropped (Seq# 301[10])

Source Section

Advanced Sector MO

FNMDropped

Number of Feature Notification messages dropped.

Data Source

NBSS BTS MO

Source Field

PCHMessagesReceivedDropped (Seq# 301[7])

Source Section

Advanced Sector MO

FNMReceived

Number of Feature Notification messages received.

Data Source

NBSS BTS MO

Source Field

PCHMessagesReceivedDropped (Seq# 301[6])

Source Section

Advanced Sector MO

FPCHMessages_AUCMDropped

Authentication Challenge Messages Dropped

Data Source

NBSS BTS MO

Source Field

FPCHMessagesReceivedDropped (Seq# 354[23])

Source Section

Advanced Sector MO

FPCHMessages_AUCMReceived

Authentication Challenge Messages Received

Data Source

NBSS BTS MO

Source Field

FPCHMessagesReceivedDropped (Seq# 354[22])

Source Section

Advanced Sector MO

FPCHMessages_BCDBMDropped

BCDBM Dropped

Data Source

NBSS BTS MO

Source Field

FPCHMessagesReceivedDropped (Seq# 354[27])

Source Section

Advanced Sector MO

FPCHMessages_BCDBMReceived

BCDBM Received

Data Source

NBSS BTS MO

Source Field

FPCHMessagesReceivedDropped (Seq# 354[26])

Source Section

Advanced Sector MO

FPCHMessages_BSACKORDMDropped

Base Station Acknowledgement Order Dropped

Data Source

NBSS BTS MO

Source Field

FPCHMessagesReceivedDropped (Seq# 354[18])

Source Section

Advanced Sector MO

FPCHMessages_BSACKORDMReceived

Base Station Acknowledgement Order Received

Data Source

NBSS BTS MO

Source Field

FPCHMessagesReceivedDropped (Seq# 354[16])

Source Section

Advanced Sector MO

FPCHMessages_CAMDropped

CAM Dropped due to lack of buffers

Data Source

NBSS BTS MO

Source Field

FPCHMessagesReceivedDropped (Seq# 354[11])

Source Section

Advanced Sector MO

FPCHMessages_CAMReceived

CAM Received

Data Source

NBSS BTS MO

Source Field

FPCHMessagesReceivedDropped (Seq# 354[10])

Source Section

Advanced Sector MO

FPCHMessages_CAMRepeatStaleDropped

CAM Repeat Dropped due to being stale

Data Source

NBSS BTS MO

Source Field

FPCHMessagesReceivedDropped (Seq# 354[12])

Source Section

Advanced Sector MO

FPCHMessages_DBMDropped

Data Burst Messages Dropped

Data Source

NBSS BTS MO

Source Field

FPCHMessagesReceivedDropped (Seq# 354[4])

Source Section

Advanced Sector MO

FPCHMessages_DBMReceived

Data Burst Messages Received

Data Source

NBSS BTS MO

Source Field

FPCHMessagesReceivedDropped (Seq# 354[3])

Source Section

Advanced Sector MO

FPCHMessages_ECAMDropped

ECAM Dropped due to lack of buffers

Data Source

NBSS BTS MO

Source Field

FPCHMessagesReceivedDropped (Seq# 354[8])

Source Section

Advanced Sector MO

FPCHMessages_ECAMReceived

ECAM Received

Data Source

NBSS BTS MO

Source Field

FPCHMessagesReceivedDropped (Seq# 354[7])

Source Section

Advanced Sector MO

FPCHMessages_ECAMRepeatStaleDropped

ECAM Repeat Dropped due to being stale

Data Source

NBSS BTS MO

Source Field

FPCHMessagesReceivedDropped (Seq# 354[9])

Source Section

Advanced Sector MO

FPCHMessages_FNMDropped

Feature Notification Messages Dropped

Data Source

NBSS BTS MO

Source Field

FPCHMessagesReceivedDropped (Seq# 354[6])

Source Section

Advanced Sector MO

FPCHMessages_FNMReceived

Feature Notification Messages Received

Data Source

NBSS BTS MO

Source Field

FPCHMessagesReceivedDropped (Seq# 354[5])

Source Section

Advanced Sector MO

FPCHMessages_GPMDropped

General Page Messages Dropped

Data Source

NBSS BTS MO

Source Field

FPCHMessagesReceivedDropped (Seq# 354[2])

Source Section

Advanced Sector MO

FPCHMessages_GPMReceived

General Page Messages Received

Data Source

NBSS BTS MO

Source Field

FPCHMessagesReceivedDropped (Seq# 354[1])

Source Section

Advanced Sector MO

FPCHMessages_MECAMDropped

MECAM Dropped due to lack of buffers

Data Source

NBSS BTS MO

Source Field

FPCHMessagesReceivedDropped (Seq# 354[14])

Source Section

Advanced Sector MO

FPCHMessages_MECAMReceived

MECAM Received

Data Source

NBSS BTS MO

Source Field

FPCHMessagesReceivedDropped (Seq# 354[13])

Source Section

Advanced Sector MO

FPCHMessages_MECAMRepeatStaleDropped

MECAM Repeat Dropped due to being stale

Data Source

NBSS BTS MO

Source Field

FPCHMessagesReceivedDropped (Seq# 354[15])

Source Section

Advanced Sector MO

FPCHMessages_OtherORDMDropped

Other Order Messages Dropped

Data Source

NBSS BTS MO

Source Field

FPCHMessagesReceivedDropped (Seq# 354[19])

Source Section

Advanced Sector MO

FPCHMessages_OtherORDMReceived

Other Order Messages Received

Data Source

NBSS BTS MO

Source Field

FPCHMessagesReceivedDropped (Seq# 354[17])

Source Section

Advanced Sector MO

FPCHMessages_SRDMDropped

Service Redirection Messages Dropped

Data Source

NBSS BTS MO

Source Field

FPCHMessagesReceivedDropped (Seq# 354[25])

Source Section

Advanced Sector MO

FPCHMessages_SRDMDReceived

Service Redirection Messages Received

Data Source

NBSS BTS MO

Source Field

FPCHMessagesReceivedDropped (Seq# 354[24])

Source Section

Advanced Sector MO

FPCHMessages_STRQMDropped

Status Request Messages Dropped

Data Source

NBSS BTS MO

Source Field

FPCHMessagesReceivedDropped (Seq# 354[21])

Source Section

Advanced Sector MO

FPCHMessages_STRQMReceived

Status Request Messages Received

Data Source

NBSS BTS MO

Source Field

FPCHMessagesReceivedDropped (Seq# 354[20])

Source Section

Advanced Sector MO

FPCHMessagesDropped_BroadcastQueueOverflow

Paging Channel Messages dropped by CEM at BTS, with reason Broadcast Queue Overflow

Data Source

NBSS BTS MO

Source Field

FPCHMessagesDroppedByReason (Seq# 355[5])

Source Section

Advanced Sector MO

FPCHMessagesDropped_EROC Paging

Paging Channel Messages dropped by CEM at BTS, with reason EROC Paging

Data Source

NBSS BTS MO

Source Field

FPCHMessagesDroppedByReason (Seq# 355[3])

Source Section

Advanced Sector MO

FPCHMessagesDropped_OutOfBuffer

Paging Channel Messages dropped by CEM at BTS, with reason out of Buffers

Data Source

NBSS BTS MO

Source Field

FPCHMessagesDroppedByReason (Seq# 355[1])

Source Section

Advanced Sector MO

FPCHMessagesDropped_SizeLimit

Paging Channel Messages dropped by CEM at BTS, with reason Size Limit

Data Source

NBSS BTS MO

Source Field

FPCHMessagesDroppedByReason (Seq# 355[4])

Source Section

Advanced Sector MO

FPCHMessagesDropped_StaleMessages

Paging Channel Messages dropped by CEM at BTS, with reason Stale Message

Data Source

NBSS BTS MO

Source Field

FPCHMessagesDroppedByReason (Seq# 355[2])

Source Section

Advanced Sector MO

FPCHSMSBMsgRecvDrop_HighPriorityDrop

Counts the number of high-priority Broadcast SMS messages dropped.

Data Source

NBSS BTS MO

Source Field

FPCHSMSBMsgsReceivedDropped (Seq# 372[6])

Source Section

Advanced Sector MO

FPCHSMSBMsgRecvDrop_HighPriorityRecv

Counts the number of high-priority Broadcast SMS messages received.

Data Source

NBSS BTS MO

Source Field

FPCHSMSBMsgsReceivedDropped (Seq# 372[5])

Source Section

Advanced Sector MO

FPCHSMSBMsgRecvDrop_OtherLevelDrop

Counts the number of Broadcast SMS messages in other CMAS level except for presidential level dropped.

Data Source

NBSS BTS MO

Source Field

FPCHSMSBMsgsReceivedDropped (Seq# 372[4])

Source Section

Advanced Sector MO

FPCHSMSBMsgRecvDrop_OtherLevelRecv

Counts the number of Broadcast SMS messages in other CMAS level except for presidential level received.

Data Source

NBSS BTS MO

Source Field

FPCHSMSBMsgsReceivedDropped (Seq# 372[3])

Source Section

Advanced Sector MO

FPCHSMSBMsgRecvDrop_OverallFiltered

Counts the number of Broadcast SMS messages filtered due to message size limit, paging rate = half rate, Cell Id is not destined or BCAST_INDEX =0 and the corresponding SMSBPriorityMapping is 255.

Data Source

NBSS BTS MO

Source Field

FPCHSMSBMsgsReceivedDropped (Seq# 372[7])

Source Section

Advanced Sector MO

FPCHSMSBMsgRecvDrop_PresidLevelDrop

Counts the number of Broadcast SMS messages in presidential level dropped.

Data Source

NBSS BTS MO

Source Field

FPCHSMSBMsgsReceivedDropped (Seq# 372[2])

Source Section

Advanced Sector MO

FPCHSMSBMsgRecvDrop_PresidLevelRecv

Counts the number of Broadcast SMS messages in presidential level received.

Data Source

NBSS BTS MO

Source Field

FPCHSMSBMsgsReceivedDropped (Seq# 372[1])

Source Section

Advanced Sector MO

GPMDropped

Number of General Page messages dropped.

Data Source

NBSS BTS MO

Source Field

PCHMessagesReceivedDropped (Seq# 301[3])

Source Section

Advanced Sector MO

GPMReceived

Number of General Page messages received.

Data Source

NBSS BTS MO

Source Field

PCHMessagesReceivedDropped (Seq# 301[2])

Source Section

Advanced Sector MO

LevelOnePeriod

The period of time (in seconds) that the paging channel was at an overload level of 1

Data Source

NBSS BTS MO

Source Field

LevelOnePeriod (Seq# 152[2])

Source Section

Advanced Sector MO

LevelThreePeriod

The period of time (in seconds) that the paging channel was at an overload level of 3

Data Source

NBSS BTS MO

Source Field

LevelThreePeriod (Seq# 152[4])

Source Section

Advanced Sector MO

LevelTwoPeriod

The period of time (in seconds) that the paging channel was at an overload level of 2

Data Source

NBSS BTS MO

Source Field

LevelTwoPeriod (Seq# 152[3])

Source Section

Advanced Sector MO

MECAMOutOfBufferDropped

Number of MEID Enhanced Channel Assignment messages dropped by the reason of out of buffer.

Data Source

NBSS BTS MO

Source Field

PCHMessagesReceivedDropped (Seq# 301[15])

Source Section

Advanced Sector MO

MECAMReceived

Number of MEID Enhanced Channel Assignment messages received.

Data Source

NBSS BTS MO

Source Field

PCHMessagesReceivedDropped (Seq# 301[14])

Source Section

Advanced Sector MO

MECAMRepeatStaleDropped

Number of 2nd and 3rd attempt of MEID Enhanced Channel Assignment messages dropped by the reason of being too old (or being a stale message).

Data Source

NBSS BTS MO

Source Field

PCHMessagesReceivedDropped (Seq# 301[16])

Source Section

Advanced Sector MO

OtherORDMDropped

Number of Order messages (other than Base Station Acknowledgement Order messages) dropped.

Data Source

NBSS MO

Source Field

PCHMessagesReceivedDropped (Seq# 301[20])

Source Section

Advanced Sector MO

OtherORDMReceived

Number of Order messages (except Base Station Acknowledgement Order) received.

Data Source

NBSS MO

Source Field

PCHMessagesReceivedDropped (Seq# 301[18])

Source Section

Advanced Sector MO

PagingChannelMessageDroppedCount

Number of paging messages received by the paging channel element.

Data Source

NBSS BTS MO

Source Field

PagingChannelMessageDroppedCount (Seq# 269)

Source Section

Advanced Sector MO

PagingChannelMessageReceivedCount

Number of paging messages dropped by the paging channel element.

Data Source

NBSS BTS MO

Source Field

PagingChannelMessageReceivedCount (Seq# 268)

Source Section

Advanced Sector MO

PagingChanPeakDuration

The number of seconds indicating how long the paging channel was operating within the peak occupancy range

Data Source

NBSS BTS MO

Source Field

PagingChanPeakDuration (Seq# 141[3])

Source Section

Advanced Sector MO

PagingChanPeakOccupancy

The lower bound of the peak occupancy range for the paging channel

Data Source

NBSS BTS MO

Source Field

PagingChanPeakOccupancy (Seq# 141[2])

Source Section

Advanced Sector MO

PagingChanRange0to4

The number of seconds that the paging channel was operating within the occupancy range of 0% to 4%

Data Source

NBSS BTS MO

Source Field

PagingChanRange0to4 (Seq# 141[6])

Source Section

Advanced Sector MO

PagingChanRange10to14

The number of seconds that the paging channel was operating within the occupancy range of 10% to 14%

Data Source

NBSS BTS MO

Source Field

PagingChanRange10to14 (Seq# 141[8])

Source Section

Advanced Sector MO

PagingChanRange15to19

The number of seconds that the paging channel was operating within the occupancy range of 15% to 19%

Data Source

NBSS BTS MO

Source Field

PagingChanRange15to19 (Seq# 141[9])

Source Section

Advanced Sector MO

PagingChanRange20to24

The number of seconds that the paging channel was operating within the occupancy range of 20% to 24%

Data Source

NBSS BTS MO

Source Field

PagingChanRange20to24 (Seq# 141[10])

Source Section

Advanced Sector MO

PagingChanRange25to29

The number of seconds that the paging channel was operating within the occupancy range of 25% to 29%

Data Source

NBSS BTS MO

Source Field

PagingChanRange25to29 (Seq# 141[11])

Source Section

Advanced Sector MO

PagingChanRange30to34

The number of seconds that the paging channel was operating within the occupancy range of 30% to 34%

Data Source

NBSS BTS MO

Source Field

PagingChanRange30to34 (Seq# 141[12])

Source Section

Advanced Sector MO

PagingChanRange35to39

The number of seconds that the paging channel was operating within the occupancy range of 35% to 39%

Data Source

NBSS BTS MO

Source Field

PagingChanRange35to39 (Seq# 141[13])

Source Section

Advanced Sector MO

PagingChanRange40to44

The number of seconds that the paging channel was operating within the occupancy range of 40% to 44%

Data Source

NBSS BTS MO

Source Field

PagingChanRange40to44 (Seq# 141[14])

Source Section

Advanced Sector MO

PagingChanRange45to49

The number of seconds that the paging channel was operating within the occupancy range of 45% to 49%

Data Source

NBSS BTS MO

Source Field

PagingChanRange45to49 (Seq# 141[15])

Source Section

Advanced Sector MO

PagingChanRange50to54

The number of seconds that the paging channel was operating within the occupancy range of 50% to 54%

Data Source

NBSS BTS MO

Source Field

PagingChanRange50to54 (Seq# 141[16])

Source Section

Advanced Sector MO

PagingChanRange55to59

The number of seconds that the paging channel was operating within the occupancy range of 55% to 59%

Data Source

NBSS BTS MO

Source Field

PagingChanRange55to59 (Seq# 141[17])

Source Section

Advanced Sector MO

PagingChanRange5to9

The number of seconds that the paging channel was operating within the occupancy range of 5% to 9%

Data Source

NBSS BTS MO

Source Field

PagingChanRange5to9 (Seq# 141[7])

Source Section

Advanced Sector MO

PagingChanRange60to64

The number of seconds that the paging channel was operating within the occupancy range of 60% to 64%

Data Source

NBSS BTS MO

Source Field

PagingChanRange60to64 (Seq# 141[18])

Source Section

Advanced Sector MO

PagingChanRange65to69

The number of seconds that the paging channel was operating within the occupancy range of 65% to 69%

Data Source

NBSS BTS MO

Source Field

PagingChanRange65to69 (Seq# 141[19])

Source Section

Advanced Sector MO

PagingChanRange70to74

The number of seconds that the paging channel was operating within the occupancy range of 70% to 74%

Data Source

NBSS BTS MO

Source Field

PagingChanRange70to74 (Seq# 141[20])

Source Section

Advanced Sector MO

PagingChanRange75to79

The number of seconds that the paging channel was operating within the occupancy range of 75% to 79%

Data Source

NBSS BTS MO

Source Field

PagingChanRange75to79 (Seq# 141[21])

Source Section

Advanced Sector MO

PagingChanRange80to84

The number of seconds that the paging channel was operating within the occupancy range of 80% to 84%

Data Source

NBSS BTS MO

Source Field

PagingChanRange80to84 (Seq# 141[22])

Source Section

Advanced Sector MO

PagingChanRange85to89

The number of seconds that the paging channel was operating within the occupancy range of 85% to 89%

Data Source

NBSS BTS MO

Source Field

PagingChanRange85to89 (Seq# 141[23])

Source Section

Advanced Sector MO

PagingChanRange90to94

The number of seconds that the paging channel was operating within the occupancy range of 90% to 94%

Data Source

NBSS BTS MO

Source Field

PagingChanRange90to94 (Seq# 141[24])

Source Section

Advanced Sector MO

PagingChanRange95to99

The number of seconds that the paging channel was operating within the occupancy range of 95% to 99%

Data Source

NBSS BTS MO

Source Field

PagingChanRange95to99 (Seq# 141[25])

Source Section

Advanced Sector MO

PchMessageDroppedCountAtCm

Total number of paging messages dropped due to overload control at the Control Module.

Data Source

NBSS BTS MO

Source Field

PchMessageDroppedCountAtCm (Seq# 271)

Source Section

Advanced Sector MO

PchMessageReceivedCountAtCm

Total number of paging messages received at the Control Module.

Data Source

NBSS BTS MO

Source Field

PchMessageReceivedCountAtCm (Seq# 270)

Source Section

Advanced Sector MO

PgChanLowerBoundOfAvgOccupancy

The lower bound of the average occupancy for the paging channel

Data Source

NBSS BTS MO

Source Field

PgChanLowerBoundOfAvgOccupancy (Seq# 141[4])

Source Section

Advanced Sector MO

PgChanUpperBoundOfAvgOccupancy

The upper bound of the average occupancy for the paging channel

Data Source

NBSS BTS MO

Source Field

PgChanUpperBoundOfAvgOccupancy (Seq# 141[5])

Source Section

Advanced Sector MO

SRDMDropped

Number of Service Redirection messages received.

Data Source

NBSS BTS MO

Source Field

PCHMessagesReceivedDropped (Seq# 301[26])

Source Section

Advanced Sector MO

SRDMReceived

Number of Service Redirection messages dropped.

Data Source

NBSS BTS MO

Source Field

PCHMessagesReceivedDropped (Seq# 301[25])

Source Section

Advanced Sector MO

STRQMDropped

Number of Status Request messages dropped.

Data Source

NBSS BTS MO

Source Field

PCHMessagesReceivedDropped (Seq# 301[22])

Source Section

Advanced Sector MO

STRQMReceived

Number of Status Request messages received.

Data Source

NBSS BTS MO

Source Field

PCHMessagesReceivedDropped (Seq# 301[21])

Source Section

Advanced Sector MO

PCU Primitive Calculations

The following is a list of primitive calculations for the PCU entity.

GRAPHmultiLineSeparator

Special Control Field for Multi-Line Graphs

Calculation

""

NUMDAYS

of days in Report

Calculation

DAYSINREPORT ()

NUMHOURS

of hours in Summation Data

Calculation

R_P_PktSessionSetupFailureRate

Percentage of packet session setup failures

Calculation

$(100.0 * \text{TotalSessionSetupFailures} / \text{vsum}(\text{TotalSessionSetupInitialAttempts}, \text{TotalSessionSetupReconnectAttempts}, 0))$

PCU Peg Counts

The following is a list of peg counts for the PCU entity.

ActiveSessionTransitionsQueued

This OM is pegged whenever a request for Dormant to Active session transition by an individual packet session is queued by the PCU because of being in the Session Throttle Mode.

Data Source

NBSS SBSC OMs

Source Field

ActiveSessionTransitionsQueued (Seq# 11)

Source Section

Packet Session Signaling (Group ID 12)

AttachedActiveUsers

This OM provides number of attached active users on a PCU when Peak number of Dormant users are determined during an OM period.

Data Source

NBSS SBSC OMs

Source Field

AttachedActiveUsers (Seq# 7)

Source Section

Packet Session Data (Group ID 13)

AttachedDormantUsers

This OM provides number of attached dormant users on a PCU when Peak number of Active users are determined during an OM period.

Data Source

NBSS SBSC OMs

Source Field

AttachedDormantUsers (Seq# 9)

Source Section

Packet Session Data (Group ID 13)

AvgActiveDCR_QueueDepth

This OM provides the average queue depth in percentage among all DCRQs measured in the forward direction during the OM reporting period.

Data Source

NBSS SBSC OMs

Source Field

AvgActiveDCR_QueueDepth (Seq# 12)

Source Section

PCU Queue Occupancy (Group ID 72)

AvgActiveRR_QueueDepth

This OM provides the average queue depth in percentage among all RRQs measured in the reverse direction during the OM reporting period.

Data Source

NBSS SBSC OMs

Source Field

AvgActiveRR_QueueDepth (Seq# 14)

Source Section

PCU Queue Occupancy (Group ID 72)

DCR_NumOfStopTransmitMsgsSent

Number of Stop Transmit messages sent from RLPQ

Data Source

NBSS SBSC OMs

Source Field

DCR_NumOfStopTransmitMsgsSent (Seq# 4)

Source Section

Packet Session Data (Group ID 13)

DCRBufferOverflows

Number of DCR buffer overflows

Data Source

NBSS SBSC OMs

Source Field

DCRBufferOverflows (Seq# 3)

Source Section

Packet Session Data (Group ID 13)

DormantDCR_QueueAtD2A_10

This OM provides the number of times the percentage DCRQ queue depth is $0 \leq x < 10$ percent.

Data Source

NBSS SBSC OMs

Source Field

DormantDCR_QueueAtD2A_10 (Seq# 1)

Source Section

PCU Queue Occupancy (Group ID 72)

DormantDCR_QueueAtD2A_100

This OM provides the number of times the percentage DCRQ queue depth is $90 \leq x < 100$ percent.

Data Source

NBSS SBSC OMs

Source Field

DormantDCR_QueueAtD2A_100 (Seq# 10)

Source Section

PCU Queue Occupancy (Group ID 72)

DormantDCR_QueueAtD2A_20

This OM provides the number of times the percentage DCRQ queue depth is $10 \leq x < 20$ percent.

Data Source

NBSS SBSC OMs

Source Field

DormantDCR_QueueAtD2A_20 (Seq# 2)

Source Section

PCU Queue Occupancy (Group ID 72)

DormantDCR_QueueAtD2A_30

This OM provides the number of times the percentage DCRQ queue depth is $20 \leq x < 30$ percent.

Data Source

NBSS SBSC OMs

Source Field

DormantDCR_QueueAtD2A_30 (Seq# 3)

Source Section

PCU Queue Occupancy (Group ID 72)

DormantDCR_QueueAtD2A_40

This OM provides the number of times the percentage DCRQ queue depth is $30 \leq x < 40$ percent.

Data Source

NBSS SBSC OMs

Source Field

DormantDCR_QueueAtD2A_40 (Seq# 4)

Source Section

PCU Queue Occupancy (Group ID 72)

DormantDCR_QueueAtD2A_50

This OM provides the number of times the percentage DCRQ queue depth is $40 \leq x < 50$ percent.

Data Source

NBSS SBSC OMs

Source Field

DormantDCR_QueueAtD2A_50 (Seq# 5)

Source Section

PCU Queue Occupancy (Group ID 72)

DormantDCR_QueueAtD2A_60

This OM provides the number of times the percentage DCRQ queue depth is $50 \leq x < 60$ percent.

Data Source

NBSS SBSC OMs

Source Field

DormantDCR_QueueAtD2A_60 (Seq# 6)

Source Section

PCU Queue Occupancy (Group ID 72)

DormantDCR_QueueAtD2A_70

This OM provides the number of times the percentage DCRQ queue depth is $60 \leq x < 70$ percent.

Data Source

NBSS SBSC OMs

Source Field

DormantDCR_QueueAtD2A_70 (Seq# 7)

Source Section

PCU Queue Occupancy (Group ID 72)

DormantDCR_QueueAtD2A_80

This OM provides the number of times the percentage DCRQ queue depth is $70 \leq x < 80$ percent.

Data Source

NBSS SBSC OMs

Source Field

DormantDCR_QueueAtD2A_80 (Seq# 8)

Source Section

PCU Queue Occupancy (Group ID 72)

DormantDCR_QueueAtD2A_90

This OM provides the number of times the percentage DCRQ queue depth is $80 \leq x < 90$ percent.

Data Source

NBSS SBSC OMs

Source Field

DormantDCR_QueueAtD2A_90 (Seq# 9)

Source Section

PCU Queue Occupancy (Group ID 72)

DormantReleaseIndDroppedDueToFullTxWindow

This OM is pegged whenever the transport layer discards the DormantReleaseInd message due to a full Tx window.

Data Source

NBSS SBSC OMs

Source Field

DormantReleaseIndDroppedDueToFullTxWindow (Seq# 16)

Source Section

Packet Session Signaling (Group ID 12)

DormantToActiveIndDroppedDueToFullTxWindow

This OM is pegged whenever the transport layer discards the DormantToActiveInd message due to a full Tx window.

Data Source

NBSS SBSC OMs

Source Field

DormantToActiveIndDroppedDueToFullTxWindow (Seq# 15)

Source Section

Packet Session Signaling (Group ID 12)

EnteredActiveSessionTransitionThrottleMode

This OM is pegged whenever the individual PCU can no longer grant Dormant to Active Session Transitions immediately because it has exceeded the maximum rate of Session transitions.

Data Source

NBSS SBSC OMs

Source Field

EnteredActiveSessionTransitionThrottleMode (Seq# 9)

Source Section

Packet Session Signaling (Group ID 12)

EnteredNullSessionTransitionThrottleMode

This OM is pegged whenever the individual PCU can no longer grant a Session Transition request to Null state.

Data Source

NBSS SBSC OMs

Source Field

EnteredNullSessionTransitionThrottleMode (Seq# 10)

Source Section

Packet Session Signaling (Group ID 12)

EnteredSessionTransitionThrottleMode

EnteredSessionTransitionThrottleMode

Data Source

NBSS SBSC OMs

Source Field

EnteredSessionTransitionThrottleMode (Seq# 11)

Source Section

Packet Session Data (Group ID 13)

EnteredSessionTransitionTypeOneThrottleMode

This OM is pegged whenever the individual PCU can no longer grant either Dormant to Active or Active to Null session transitions because it has exceeded the maximum session transition rate.

Data Source

NBSS SBSC OMs

Source Field

EnteredSessionTransitionTypeOneThrottleMode (Seq# 17)

Source Section

Packet Session Signaling (Group ID 12)

EnteredSessionTransitionTypeTwoThrottleMode

This OM is pegged whenever the individual PCU can no longer grant Dormant to Null session transitions because it has exceeded the maximum session transition rate.

Data Source

NBSS SBSC OMs

Source Field

EnteredSessionTransitionTypeTwoThrottleMode (Seq# 18)

Source Section

Packet Session Signaling (Group ID 12)

ExitedActiveSessionTransitionThrottleMode

This OM is pegged whenever the Individual PCU which was in a throttle mode exits out of this mode.

Data Source

NBSS SBSC OMs

Source Field

ExitedActiveSessionTransitionThrottleMode (Seq# 13)

Source Section

Packet Session Signaling (Group ID 12)

ExitedNullSessionTransitionThrottleMode

This OM is pegged whenever the Individual PCU which was in a throttle mode exits out of this mode.

Data Source

NBSS SBSC OMs

Source Field

ExitedNullSessionTransitionThrottleMode (Seq# 14)

Source Section

Packet Session Signaling (Group ID 12)

ExitedSessionTransitionThrottleMode

ExitedSessionTransitionThrottleMode

Data Source

NBSS SBSC OMs

Source Field

ExitedSessionTransitionThrottleMode (Seq# 13)

Source Section

Packet Session Data (Group ID 13)

ExitedSessionTransitionTypeOneThrottleMode

This OM is pegged whenever the individual PCU which was in an Session transition Type One Throttle mode exits out of this mode.

Data Source

NBSS SBSC OMs

Source Field

ExitedSessionTransitionTypeOneThrottleMode (Seq# 21)

Source Section

Packet Session Signaling (Group ID 12)

ExitedSessionTransitionTypeTwoThrottleMode

This OM is pegged whenever the individual PCU which was in an Session transition Type Two Throttle mode exits out of this mode.

Data Source

NBSS SBSC OMs

Source Field

ExitedSessionTransitionTypeTwoThrottleMode (Seq# 22)

Source Section

Packet Session Signaling (Group ID 12)

NIDTA_AckTimeout

This OM is pegged when the PCU does not receive an acknowledgement for a NIDTA request.

Data Source

NBSS SBSC OMs

Source Field

NIDTA_AckTimeout (Seq# 22)

Source Section

Packet Session Signaling Overload (Group ID 69)

NIDTA_FailureCAU_Internal

This OM is pegged when the PCU receives a failure response with CAU Internal Failure reason code for a NIDTA request.

Data Source

NBSS SBSC OMs

Source Field

NIDTA_FailureCAU_Internal (Seq# 19)

Source Section

Packet Session Signaling Overload (Group ID 69)

NIDTA_FailureCM_Internal

This OM is pegged when the PCU receives a failure response with CM Internal Failure reason code for a NIDTA request.

Data Source

NBSS SBSC OMs

Source Field

NIDTA_FailureCM_Internal (Seq# 20)

Source Section

Packet Session Signaling Overload (Group ID 69)

NIDTA_FailurePagingTimeout

This OM is pegged when the PCU receives a failure response with Page Timeout reason code for a NIDTA request.

Data Source

NBSS SBSC OMs

Source Field

NIDTA_FailurePagingTimeout (Seq# 17)

Source Section

Packet Session Signaling Overload (Group ID 69)

NIDTA_FailureRMU_NoResource

This OM is pegged when the PCU receives a failure response with RMU No Resource reason code for a NIDTA request.

Data Source

NBSS SBSC OMs

Source Field

NIDTA_FailureRMU_NoResource (Seq# 18)

Source Section

Packet Session Signaling Overload (Group ID 69)

NIDTA_FailureRMU_Overload

This OM is pegged when the PCU receives a failure response with RMU Overload or RMU Internal failure reason code for a NIDTA request.

Data Source

NBSS SBSC OMs

Source Field

NIDTA_FailureRMU_Overload (Seq# 21)

Source Section

Packet Session Signaling Overload (Group ID 69)

NIDTA_MaxAckTimeout

This OM captures the High Water Mark for the number of NIDTA Failures when the PCU does not receive acknowledgements for a NIDTA request occurring per queue monitoring period.

Data Source

NBSS SBSC OMs

Source Field

NIDTA_MaxAckTimeout (Seq# 28)

Source Section

Packet Session Signaling Overload (Group ID 69)

NIDTA_MaxFailureCAU_Internal

This OM captures the High Water Mark for the number of NIDTA Failures due to CAU Internal failure reason occurring per queue monitoring period.

Data Source

NBSS SBSC OMs

Source Field

NIDTA_MaxFailureCAU_Internal (Seq# 26)

Source Section

Packet Session Signaling Overload (Group ID 69)

NIDTA_MaxFailureRMU_Overload

This OM captures the High Water Mark for the number of NIDTA Failures due to RMU Overload or RMU Internal failure reason occurring per queue monitoring period.

Data Source

NBSS SBSC OMs

Source Field

NIDTA_MaxFailureRMU_Overload (Seq# 25)

Source Section

Packet Session Signaling Overload (Group ID 69)

NIDTA_MaxTransportError

This OM captures the High Water Mark for the number of NIDTA Failures due to Transport Error occurring per queue monitoring period.

Data Source

NBSS SBSC OMs

Source Field

NIDTA_MaxTransportError (Seq# 27)

Source Section

Packet Session Signaling Overload (Group ID 69)

NIDTA_OtherFailures

This OM is pegged when the PCU receives a failure response for a NIDTA request with the failure codes of Unknown Failure, Mobile Power Down, Active Voice, Mobile Trouble, Mobile

Inactive, Cell Site Trouble, No VLR, Mobile in AMPS, Active Data or Page Response in Border.

Data Source

NBSS SBSC OMs

Source Field

NIDTA_OtherFailures (Seq# 24)

Source Section

Packet Session Signaling Overload (Group ID 69)

NIDTA_Timeout

This OM is pegged when the PCU times out on receiving the trigger to transition from dormant to active state after the PCU has received an acknowledgement from the CAU for the NIDTA request.

Data Source

NBSS SBSC OMs

Source Field

NIDTA_Timeout (Seq# 23)

Source Section

Packet Session Signaling Overload (Group ID 69)

NIDTAArrivalRateCriticalThreshold

This OM is pegged when the NIDTA transitions arrival rate exceeds the predefined critical threshold level at the PCU.

Data Source

NBSS SBSC OMs

Source Field

NIDTA_ArrivalRateCriticalThreshold (Seq# 4)

Source Section

Packet Session Signaling Overload (Group ID 69)

NIDTAArrivalRateMajorThreshold

This OM is pegged when the NIDTA transitions arrival rate exceeds the predefined major threshold level at the PCU.

Data Source

NBSS SBSC OMs

Source Field

NIDTA_ArrivalRateMajorThreshold (Seq# 3)

Source Section

Packet Session Signaling Overload (Group ID 69)

NIDTAArrivalRateMinorThreshold

This OM is pegged when the NIDTA transitions arrival rate exceeds the predefined minor threshold level at the PCU.

Data Source

NBSS SBSC OMs

Source Field

NIDTA_ArrivalRateMinorThreshold (Seq# 2)

Source Section

Packet Session Signaling Overload (Group ID 69)

NIDTAArrivals

This OM is pegged on every NIDTA Request arrival at the PCU.

Data Source

NBSS SBSC OMs

Source Field

NIDTA_Arrivals (Seq# 1)

Source Section

Packet Session Signaling Overload (Group ID 69)

NIDTAAttemptsForwardedToMTX

This OM is pegged when a NIDTA request is forwarded to the MTX by the PCU.

Data Source

NBSS SBSC OMs

Source Field

NIDTA_AttemptsForwardedToMTX (Seq# 16)

Source Section

Packet Session Signaling Overload (Group ID 69)

NIDTADiscarded

This OM is pegged whenever the NIDTA transition is discarded at the PCU.

Data Source

NBSS SBSC OMs

Source Field

NIDTA_Discarded (Seq# 6)

Source Section

Packet Session Signaling Overload (Group ID 69)

NIDTADiscardedDueToAckTimeout

This OM is pegged when a NIDTA request is discarded at the PCU because the number of NIDTA Failures due to ACK Timeout reason exceeds the predefined threshold.

Data Source

NBSS SBSC OMs

Source Field

NIDTA_DiscardedDueToAckTimeout (Seq# 15)

Source Section

Packet Session Signaling Overload (Group ID 69)

NIDTADiscardedDueToCAUFailure

This OM is pegged when a NIDTA request is discarded at the PCU because the number of NIDTA Failures due to CAU Failure reason exceeds the predefined threshold.

Data Source

NBSS SBSC OMs

Source Field

NIDTA_DiscardedDueToCAUFailure (Seq# 14)

Source Section

Packet Session Signaling Overload (Group ID 69)

NIDTADiscardedDueToResponsePending

This OM is pegged when a NIDTA request is discarded due to NIDTA Request Response Pending Queue Length exceeding a predefined threshold at the PCU.

Data Source

NBSS SBSC OMs

Source Field

NIDTA_DiscardedDueToResponsePending (Seq# 11)

Source Section

Packet Session Signaling Overload (Group ID 69)

NIDTADiscardedDueToRMU_Overload

This OM is pegged when a NIDTA request is discarded at the PCU because the number of NIDTA Failures due to RMU Overload reason exceeds the predefined threshold.

Data Source

NBSS SBSC OMs

Source Field

NIDTA_DiscardedDueToRMU_Overload (Seq# 12)

Source Section

Packet Session Signaling Overload (Group ID 69)

NIDTADiscardedDueToTransportError

This OM is pegged when a NIDTA request is discarded at the PCU because the number of NIDTA Failures due to AWS Failure reason exceeds the predefined threshold.

Data Source

NBSS SBSC OMs

Source Field

NIDTA_DiscardedDueToTransportError (Seq# 13)

Source Section

Packet Session Signaling Overload (Group ID 69)

NIDTADiscardedRateCriticalThreshold

This OM is pegged when the NIDTA transitions discard rate exceeds the predefined critical threshold level at the PCU.

Data Source

NBSS SBSC OMs

Source Field

NIDTA_DiscardedRateCriticalThreshold (Seq# 9)

Source Section

Packet Session Signaling Overload (Group ID 69)

NIDTADiscardedRateMajorThreshold

This OM is pegged when the NIDTA transitions discard rate exceeds the predefined major threshold level at the PCU.

Data Source

NBSS SBSC OMs

Source Field

NIDTA_DiscardedRateMajorThreshold (Seq# 8)

Source Section

Packet Session Signaling Overload (Group ID 69)

NIDTADiscardedRateMinorThreshold

This OM is pegged when the NIDTA transitions discard rate exceeds the predefined minor threshold level at the PCU.

Data Source

NBSS SBSC OMs

Source Field

NIDTA_DiscardedRateMinorThreshold (Seq# 7)

Source Section

Packet Session Signaling Overload (Group ID 69)

NIDTAMaxArrivalRate

This OM records highest value of the NIDTA Arrival rate for the OM period at the PCU.

Data Source

NBSS SBSC OMs

Source Field

NIDTA_MaxArrivalRate (Seq# 5)

Source Section

Packet Session Signaling Overload (Group ID 69)

NIDTAMaxDiscardRate

This OM records the highest value of the NIDTA transitions discard rate for the OM period at the PCU.

Data Source

NBSS SBSC OMs

Source Field

NIDTA_MaxDiscardRate (Seq# 10)

Source Section

Packet Session Signaling Overload (Group ID 69)

NullSessionTransitionsQueued

This OM is pegged whenever a request for session transition, Active to Null or Dormant to Null, by an individual packet session is queued by the PCU because of being in the Session Throttle Mode.

Data Source

NBSS SBSC OMs

Source Field

NullSessionTransitionsQueued (Seq# 12)

Source Section

Packet Session Signaling (Group ID 12)

NumberOfDormantCallsGoingActive

This OM provides information regarding the total number of dormant calls going to active over the OM period.

Data Source

NBSS SBSC OMs

Source Field

NumberOfDormantCallsGoingActive (Seq# 10)

Source Section

Packet Session Data (Group ID 13)

PeakActiveDCR_QueueDepth

This OM provides the peak queue depth in percentage among all DCRQs measured in the forward direction during the OM reporting period.

Data Source

NBSS SBSC OMs

Source Field

PeakActiveDCR_QueueDepth (Seq# 11)

Source Section

PCU Queue Occupancy (Group ID 72)

PeakActiveRR_QueueDepth

This OM provides the peak queue depth in percentage among all RRQs measured in the reverse direction during the OM reporting period.

Data Source

NBSS SBSC OMs

Source Field

PeakActiveRR_QueueDepth (Seq# 13)

Source Section

PCU Queue Occupancy (Group ID 72)

PeakNumberOfAttachedActiveUsers

This OM provides peak number of attached Active users on a PCU at a given time during an OM period. This is a high watermark which represents peak number of Active sessions supported by a PCU at a given time.

Data Source

NBSS SBSC OMs

Source Field

PeakNumberOfAttachedActiveUsers (Seq# 8)

Source Section

Packet Session Data (Group ID 13)

PeakNumberOfAttachedDormantUsers

This OM provides peak number of attached Dormant users on a PCU at a given time during an OM period. This is a high watermark which represents peak number of Dormant sessions supported by a PCU at a given time.

Data Source

NBSS SBSC OMs

Source Field

PeakNumberOfAttachedDormantUsers (Seq# 6)

Source Section

Packet Session Data (Group ID 13)

RP_DormantSessionDeletions

This OM is pegged for the number of old dormant RP-sessions that were released so that the requested dormant RP-session could be setup.

Data Source

NBSS SBSC OMs

Source Field

RP_DormantSessionDeletions (Seq# 23)

Source Section

Packet Session Signaling (Group ID 12)

RRBufferOverflows

Number of RR buffer overflows

Data Source

NBSS SBSC OMs

Source Field

RRBufferOverflows (Seq# 5)

Source Section

Packet Session Data (Group ID 13)

SessionTransitionsQueued

SessionTransitionsQueued

Data Source

NBSS SBSC OMs

Source Field

SessionTransitionsQueued (Seq# 12)

Source Section

Packet Session Data (Group ID 13)

SessionTransitionsTypeOneQueued

This OM is pegged whenever a request for Dormant to Active or Active to Null session transition by an individual packet session is queued by the PCU because of being in the session throttle mode.

Data Source

NBSS SBSC OMs

Source Field

SessionTransitionsTypeOneQueued (Seq# 19)

Source Section

Packet Session Signaling (Group ID 12)

SessionTransitionsTypeTwoQueued

This OM is pegged whenever a request for Dormant to Null session transition by an individual packet session is queued by the PCU because of being in the session throttle mode.

Data Source

NBSS SBSC OMs

Source Field

SessionTransitionsTypeTwoQueued (Seq# 20)

Source Section

Packet Session Signaling (Group ID 12)

TotalActiveSessionSeconds

This OM is a cumulative count of the total number of active session seconds per PCU.

Data Source

NBSS SBSC OMs

Source Field

TotalActiveSessionSeconds (Seq# 15)

Source Section

Packet Session Data (Group ID 13)

TotalDormantBufferLimitOverflows

This OM provides the number of times the Dormant buffer overflows.

Data Source

NBSS SBSC OMs

Source Field

TotalDormantBufferLimitOverflows (Seq# 14)

Source Section

Packet Session Data (Group ID 13)

TotalDormantSessionSeconds

This OM is a cumulative count of the total number of dormant session seconds per PCU.

Data Source

NBSS SBSC OMs

Source Field

TotalDormantSessionSeconds (Seq# 16)

Source Section

Packet Session Data (Group ID 13)

TotalFwdPacketsDropped

Number of PPP packets dropped in the forward direction

Data Source

NBSS SBSC OMs

Source Field

TotalFwdPacketsDropped (Seq# 1)

Source Section

Packet Session Data (Group ID 13)

TotalInitialRPSessionSetupFailures

Measures number of PDSN Session Setup Failures per PCU.

Data Source

NBSS SBSC OMs

Source Field

TotalInitialRPSessionSetupFailures (Seq# 5)

Source Section

Packet Session Signaling (Group ID 12)

TotalReleasesBeforeHandoffSessionSetup

The number of user-initiated data call releases before the RP Session was completely setup during the Handoffs.

Data Source

NBSS SBSC OMs

Source Field

TotalReleasesBeforeHandoffSessionSetup (Seq# 8)

Source Section

Packet Session Signaling (Group ID 12)

TotalReleasesBeforeInitialSessionSetup

The number of user-initiated data call releases before the initial RP session was completely setup.

Data Source

NBSS SBSC OMs

Source Field

TotalReleasesBeforeInitialSessionSetup (Seq# 7)

Source Section

Packet Session Signaling (Group ID 12)

TotalRevPacketsDropped

Number of PPP packets dropped in the reverse direction

Data Source

NBSS SBSC OMs

Source Field

TotalRevPacketsDropped (Seq# 2)

Source Section

Packet Session Data (Group ID 13)

TotalRPSessionHandoffFailures

Pegged when the PCU gives up on an Inter-PCU or Inter-PDSN handoff attempts.

Data Source

NBSS SBSC OMs

Source Field

TotalRPSessionHandoffFailures (Seq# 6)

Source Section

Packet Session Signaling (Group ID 12)

TotalSessionSetupFailures

Number of failed packet session setups

Data Source

NBSS SBSC OMs

Source Field

TotalSessionSetupFailures (Seq# 4)

Source Section

Packet Session Signaling (Group ID 12)

TotalSessionSetupInitialAttempts

Number of packet session setups attempted during initial session setup

Data Source

NBSS SBSC OMs

Source Field

TotalSessionSetupInitialAttempts (Seq# 1)

Source Section

Packet Session Signaling (Group ID 12)

TotalSessionSetupReconnectAttempts

Number of packet session setups attempted when reconnecting to an existing PPP session

Data Source

NBSS SBSC OMs

Source Field

TotalSessionSetupReconnectAttempts (Seq# 2)

Source Section

Packet Session Signaling (Group ID 12)

TotalSessionSetupSuccess

Number of successful packet session setups either by initial or reconnect attempts

Data Source

NBSS SBSC OMs

Source Field

TotalSessionSetupSuccess (Seq# 3)

Source Section

Packet Session Signaling (Group ID 12)

PCU_PCUIFP Primitive Calculations

The following is a list of primitive calculations for the PCU_PCUIFP entity.

GRAPHmultiLineSeparator

Special Control Field for Multi-Line Graphs

Calculation

""

NUMDAYS

of days in Report

Calculation

DAYSINREPORT ()

NUMHOURS

of hours in Summation Data

Calculation

PCU_PCUIFP Peg Counts

The following is a list of peg counts for the PCU_PCUIFP entity.

ActiveSessionTransitionsQueued

This OM is pegged whenever a request for Dormant to Active session transition by an individual packet session is queued by the PCU because of being in the Session Throttle Mode.

Data Source

CPDS

Source Field

ActiveSessionTransitionsQueued (Seq# 11)

Source Section

Packet Session Signaling (Group ID 12)

AttachedActiveUsers

Number of attached active users when Peak number of Dormant users are determined during OM period

Data Source

CPDS

Source Field

AttachedActiveUsers (Seq# 7)

Source Section

Packet Session Data (Group ID 13)

AttachedDormantUsers

Number of attached dormant users when Peak number of Active users are determined during OM period

Data Source

CPDS

Source Field

AttachedDormantUsers (Seq# 9)

Source Section

Packet Session Data (Group ID 13)

AvgActiveDCR_QueueDepth

This OM provides the average queue depth in percentage among all DCRQs measured in the forward direction during the OM reporting period.

Data Source

CPDS

Source Field

AvgActiveDCR_QueueDepth (Seq# 12)

Source Section

PCU Queue Occupancy (Group ID 72)

AvgActiveRR_QueueDepth

This OM provides the average queue depth in percentage among all RRQs measured in the reverse direction during the OM reporting period.

Data Source

CPDS

Source Field

AvgActiveRR_QueueDepth (Seq# 14)

Source Section

PCU Queue Occupancy (Group ID 72)

CPU_UsageExceededThreshold

The number of times the CPU Usage has exceeded a pre-defined CPU threshold for a certain monitoring timeperiod.

Data Source

CPDS

Source Field

CPU_UsageExceededThreshold (Seq# 8)

Source Section

CPU Usage (Group ID 19)

CPU_UsageIndex_1

The number of times the CPU Usage in a monitoring period is less than 30%

Data Source

CPDS

Source Field

CPU_UsageIndex_1 (Seq# 1)

Source Section

CPU Usage (Group ID 19)

CPU_UsageIndex_2

The number of times the CPU Usage in a monitoring period is greater than 30% and less than equal to 40%.

Data Source

CPDS

Source Field

CPU_UsageIndex_2 (Seq# 2)

Source Section

CPU Usage (Group ID 19)

CPU_UsageIndex_3

The number of times the CPU Usage in a monitoring period is greater than 40% and less than equal to 50%.

Data Source

CPDS

Source Field

CPU_UsageIndex_3 (Seq# 3)

Source Section

CPU Usage (Group ID 19)

CPU_UsageIndex_4

The number of times the CPU Usage in a monitoring period is greater than 50% and less than equal to 60%.

Data Source

CPDS

Source Field

CPU_UsageIndex_4 (Seq# 4)

Source Section

CPU Usage (Group ID 19)

CPU_UsageIndex_5

The number of times the CPU Usage in a monitoring period is greater than 60% and less than equal to 70%.

Data Source

CPDS

Source Field

CPU_UsageIndex_5 (Seq# 5)

Source Section

CPU Usage (Group ID 19)

CPU_UsageIndex_6

The number of times the CPU Usage in a monitoring period is greater than 70% and less than equal to 80%.

Data Source

CPDS

Source Field

CPU_UsageIndex_6 (Seq# 6)

Source Section

CPU Usage (Group ID 19)

CPU_UsageIndex_7

The number of times the CPU Usage in a monitoring period is greater than 80%

Data Source

CPDS

Source Field

CPU_UsageIndex_7 (Seq# 7)

Source Section

CPU Usage (Group ID 19)

DCRBufferOverflows

Number of DCR buffer overflows per PCU

Data Source

CPDS

Source Field

DCRBufferOverflows (Seq# 3)

Source Section

Packet Session Data (Group ID 13)

DCRNumOfStopTransmitMsgsSent

Number of Stop Transmit messages sent from RLPQ per PCU

Data Source

CPDS

Source Field

DCRNumOfStopTransmitMsgsSent (Seq# 4)

Source Section

Packet Session Data (Group ID 13)

DormantDCR_QueueAtD2A_10

This OM provides the number of times the percentage DCRQ queue depth is $0 \leq x < 10$ percent.

Data Source

CPDS

Source Field

DormantDCR_QueueAtD2A_10 (Seq# 1)

Source Section

PCU Queue Occupancy (Group ID 72)

DormantDCR_QueueAtD2A_100

This OM provides the number of times the percentage DCRQ queue depth is $90 \leq x < 100$ percent.

Data Source

CPDS

Source Field

DormantDCR_QueueAtD2A_100 (Seq# 10)

Source Section

PCU Queue Occupancy (Group ID 72)

DormantDCR_QueueAtD2A_20

This OM provides the number of times the percentage DCRQ queue depth is $10 \leq x < 20$ percent.

Data Source

CPDS

Source Field

DormantDCR_QueueAtD2A_20 (Seq# 2)

Source Section

PCU Queue Occupancy (Group ID 72)

DormantDCR_QueueAtD2A_30

This OM provides the number of times the percentage DCRQ queue depth is $20 \leq x < 30$ percent.

Data Source

CPDS

Source Field

DormantDCR_QueueAtD2A_30 (Seq# 3)

Source Section

PCU Queue Occupancy (Group ID 72)

DormantDCR_QueueAtD2A_40

This OM provides the number of times the percentage DCRQ queue depth is $30 \leq x < 40$ percent.

Data Source

CPDS

Source Field

DormantDCR_QueueAtD2A_40 (Seq# 4)

Source Section

PCU Queue Occupancy (Group ID 72)

DormantDCR_QueueAtD2A_50

This OM provides the number of times the percentage DCRQ queue depth is $40 \leq x < 50$ percent.

Data Source

CPDS

Source Field

DormantDCR_QueueAtD2A_50 (Seq# 5)

Source Section

PCU Queue Occupancy (Group ID 72)

DormantDCR_QueueAtD2A_60

This OM provides the number of times the percentage DCRQ queue depth is $50 \leq x < 60$ percent.

Data Source

CPDS

Source Field

DormantDCR_QueueAtD2A_60 (Seq# 6)

Source Section

PCU Queue Occupancy (Group ID 72)

DormantDCR_QueueAtD2A_70

This OM provides the number of times the percentage DCRQ queue depth is $60 \leq x < 70$ percent.

Data Source

CPDS

Source Field

DormantDCR_QueueAtD2A_70 (Seq# 7)

Source Section

PCU Queue Occupancy (Group ID 72)

DormantDCR_QueueAtD2A_80

This OM provides the number of times the percentage DCRQ queue depth is $70 \leq x < 80$ percent.

Data Source

CPDS

Source Field

DormantDCR_QueueAtD2A_80 (Seq# 8)

Source Section

PCU Queue Occupancy (Group ID 72)

DormantDCR_QueueAtD2A_90

This OM provides the number of times the percentage DCRQ queue depth is $80 \leq x < 90$ percent.

Data Source

CPDS

Source Field

DormantDCR_QueueAtD2A_90 (Seq# 9)

Source Section

PCU Queue Occupancy (Group ID 72)

DormantReleaseIndDroppedDueToFullTxWindow

This OM is pegged whenever the transport layer discards the DormantReleaseInd message due to a full Tx window.

Data Source

CPDS

Source Field

DormantReleaseIndDroppedDueToFullTxWindow (Seq# 16)

Source Section

Packet Session Signaling (Group ID 12)

DormantToActiveIndDroppedDueToFullTxWindow

This OM is pegged whenever the transport layer discards the DormantToActiveInd message due to a full Tx window.

Data Source

CPDS

Source Field

DormantToActiveIndDroppedDueToFullTxWindow (Seq# 15)

Source Section

Packet Session Signaling (Group ID 12)

DormantToActiveTrasitionsInhibited

Pegged whenever a request for Dormant to Active transition by a packet session is inhibited by PCU due to overload condition

Data Source

CPDS

Source Field

DormantToActiveTrasitionsInhibited (Seq# 4)

Source Section

PCU Overload (Group ID 25)

EACH_RSDB_Histogram_1

Pegs when a R-SDB (sent by the mobile on the R-EACH) of size 1-25 bytes is received by the PCU (PCUFP).

Data Source

CPDS

Source Field

EACH_RSDB_Histogram_1 (Seq# 1)

Source Section

Short Data Burst (Group ID 66)

EACH_RSDB_Histogram_10

Pegs when a R-SDB (sent by the mobile on the R-EACH) of size 226-255 bytes is received by the PCU (PCUFP).

Data Source

CPDS

Source Field

EACH_RSDB_Histogram_10 (Seq# 10)

Source Section

Short Data Burst (Group ID 66)

EACH_RSDB_Histogram_2

Pegs when a R-SDB (sent by the mobile on the R-EACH) of size 26-50 bytes is received by the PCU (PCUFP).

Data Source

CPDS

Source Field

EACH_RSDB_Histogram_2 (Seq# 2)

Source Section

Short Data Burst (Group ID 66)

EACH_RSDB_Histogram_3

Pegs when a R-SDB (sent by the mobile on the R-EACH) of size 51-75 bytes is received by the PCU (PCUFP).

Data Source

CPDS

Source Field

EACH_RSDB_Histogram_3 (Seq# 3)

Source Section

Short Data Burst (Group ID 66)

EACH_RSDB_Histogram_4

Pegs when a R-SDB (sent by the mobile on the R-EACH) of size 76-100 bytes is received by the PCU (PCUFP).

Data Source

CPDS

Source Field

EACH_RSDB_Histogram_4 (Seq# 4)

Source Section

Short Data Burst (Group ID 66)

EACH_RSDB_Histogram_5

Pegs when a R-SDB (sent by the mobile on the R-EACH) of size 101-125 bytes is received by the PCU (PCUFP).

Data Source

CPDS

Source Field

EACH_RSDB_Histogram_5 (Seq# 5)

Source Section

Short Data Burst (Group ID 66)

EACH_RSDB_Histogram_6

Pegs when a R-SDB (sent by the mobile on the R-EACH) of size 126-150 bytes is received by the PCU (PCUFP).

Data Source

CPDS

Source Field

EACH_RSDB_Histogram_6 (Seq# 6)

Source Section

Short Data Burst (Group ID 66)

EACH_RSDB_Histogram_7

Pegs when a R-SDB (sent by the mobile on the R-EACH) of size 151-175 bytes is received by the PCU (PCUFP).

Data Source

CPDS

Source Field

EACH_RSDB_Histogram_7 (Seq# 7)

Source Section

Short Data Burst (Group ID 66)

EACH_RSDB_Histogram_8

Pegs when a R-SDB (sent by the mobile on the R-EACH) of size 176-200 bytes is received by the PCU (PCUFP).

Data Source

CPDS

Source Field

EACH_RSDB_Histogram_8 (Seq# 8)

Source Section

Short Data Burst (Group ID 66)

EACH_RSDB_Histogram_9

Pegs when a R-SDB (sent by the mobile on the R-EACH) of size 201-225 bytes is received by the PCU (PCUFP).

Data Source

CPDS

Source Field

EACH_RSDB_Histogram_9 (Seq# 9)

Source Section

Short Data Burst (Group ID 66)

EnteredActiveSessionTransitionThrottleMode

This OM is pegged whenever the individual PCU can no longer grant Dormant to Active Session Transitions immediately because it has exceeded the maximum rate of Session transitions.

Data Source

CPDS

Source Field

EnteredActiveSessionTransitionThrottleMode (Seq# 9)

Source Section

Packet Session Signaling (Group ID 12)

EnteredNullSessionTransitionThrottleMode

This OM is pegged whenever the individual PCU can no longer grant a Session Transition request to Null state.

Data Source

CPDS

Source Field

EnteredNullSessionTransitionThrottleMode (Seq# 10)

Source Section

Packet Session Signaling (Group ID 12)

EnteredSessionTransitionTypeOneThrottleMode

This OM is pegged whenever the individual PCU can no longer grant either Dormant to Active or Active to Null session transitions because it has exceeded the maximum session transition rate.

Data Source

CPDS

Source Field

EnteredSessionTransitionTypeOneThrottleMode (Seq# 17)

Source Section

Packet Session Signaling (Group ID 12)

EnteredSessionTransitionTypeTwoThrottleMode

This OM is pegged whenever the individual PCU can no longer grant Dormant to Null session transitions because it has exceeded the maximum session transition rate.

Data Source

CPDS

Source Field

EnteredSessionTransitionTypeTwoThrottleMode (Seq# 18)

Source Section

Packet Session Signaling (Group ID 12)

EntSessTransitionThrottleMode

Pegged when individual PCU can no longer grant Session Transitions because it has exceeded the maximum rate of Session transitions.

Data Source

CPDS

Source Field

EnteredSessionTransitionThrottleMode (Seq# 11)

Source Section

Packet Session Data (Group ID 13)

ESL_CongestedSignalingConnFailure

Number of congested ESL signaling connection failures.

Data Source

CPDS

Source Field

ESL_CongestedSignalingConnectionFailure (Seq# 12)

Source Section

BCN Enhanced Socket Layer (Group ID 26)

ESL_CongestedSignalingRelAckWaitTO

Number of times the socket timed out waiting for an Ack to a reliable congested ESL signaling message.

Data Source

CPDS

Source Field

ESL_CongestedSignalingReliableAckWaitTimeout (Seq# 15)

Source Section

BCN Enhanced Socket Layer (Group ID 26)

ESL_CongestedSignalingReliableRxMsg

Number of reliable ESL congested signaling messages received.

Data Source

CPDS

Source Field

ESL_CongestedSignalingReliableRxMsg (Seq# 11)

Source Section

BCN Enhanced Socket Layer (Group ID 26)

ESL_CongestedSignalingReliableTxMsg

Number of reliable ESL congested signaling messages sent.

Data Source

CPDS

Source Field

ESL_CongestedSignalingReliableTxMsg (Seq# 10)

Source Section

BCN Enhanced Socket Layer (Group ID 26)

ESL_CongestedSignalingTxMsgFailure

Number of congested ESL signaling messages unsuccessfully sent.

Data Source

CPDS

Source Field

ESL_CongestedSignalingTxMsgFailure (Seq# 14)

Source Section

BCN Enhanced Socket Layer (Group ID 26)

ESL_CongestedSignalingUnknDestMsg

Number of congested ESL signaling messages received without a socket registered for it.

Data Source

CPDS

Source Field

ESL_CongestedSignalingUnknownDestinationMsg (Seq# 13)

Source Section

BCN Enhanced Socket Layer (Group ID 26)

ESL_InvalidMsgRx

Number of invalid ESL messages received.

Data Source

CPDS

Source Field

ESL_InvalidMsgRx (Seq# 19)

Source Section

BCN Enhanced Socket Layer (Group ID 26)

ESL_NodeInitRxMsg

Number of ESL Node Init messages received.

Data Source

CPDS

Source Field

ESL_NodeInitRxMsg (Seq# 17)

Source Section

BCN Enhanced Socket Layer (Group ID 26)

ESL_NodeInitTxMsg

Number of ESL Node Init messages sent.

Data Source

CPDS

Source Field

ESL_NodeInitTxMsg (Seq# 16)

Source Section

BCN Enhanced Socket Layer (Group ID 26)

ESL_NodeInitTxMsgFailure

Number of ESL Node Init messages unsuccessfully sent.

Data Source

CPDS

Source Field

ESL_NodeInitTxMsgFailure (Seq# 18)

Source Section

BCN Enhanced Socket Layer (Group ID 26)

ESL_SignalingConnectionFailure

Number of connection failures for ESL signaling messages.

Data Source

CPDS

Source Field

ESL_SignalingConnectionFailure (Seq# 5)

Source Section

BCN Enhanced Socket Layer (Group ID 26)

ESL_SignalingReliableAckWaitTimeout

Number of times the socket timed out waiting for an Ack to a reliable ESL signaling message.

Data Source

CPDS

Source Field

ESL_SignalingReliableAckWaitTimeout (Seq# 9)

Source Section

BCN Enhanced Socket Layer (Group ID 26)

ESL_SignalingReliableRxMsg

Number of reliable ESL signaling messages received.

Data Source

CPDS

Source Field

ESL_SignalingReliableRxMsg (Seq# 2)

Source Section

BCN Enhanced Socket Layer (Group ID 26)

ESL_SignalingReliableTxMsg

Number of reliable ESL signaling messages sent.

Data Source

CPDS

Source Field

ESL_SignalingReliableTxMsg (Seq# 1)

Source Section

BCN Enhanced Socket Layer (Group ID 26)

ESL_SignalingReliableTxMsgFailure

Number off ESL signaling messages successfully sent.

Data Source

CPDS

Source Field

ESL_SignalingReliableTxMsgFailure (Seq# 7)

Source Section

BCN Enhanced Socket Layer (Group ID 26)

ESL_SignalingUnknownDestinationMsg

Number of ESL signaling messages received without a socket registered for it.

Data Source

CPDS

Source Field

ESL_SignalingUnknownDestinationMsg (Seq# 6)

Source Section

BCN Enhanced Socket Layer (Group ID 26)

ESL_SignalingUnreliableRxMsg

Number of unreliable ESL signaling messages received.

Data Source

CPDS

Source Field

ESL_SignalingUnreliableRxMsg (Seq# 4)

Source Section

BCN Enhanced Socket Layer (Group ID 26)

ESL_SignalingUnreliableTxMsg

Number of unreliable ESL signaling messages sent.

Data Source

CPDS

Source Field

ESL_SignalingUnreliableTxMsg (Seq# 3)

Source Section

BCN Enhanced Socket Layer (Group ID 26)

ESL_SignalingUnReliableTxMsgFailure

Number off ESL signaling messages unsuccessfully sent.

Data Source

CPDS

Source Field

ESL_SignalingUnReliableTxMsgFailure (Seq# 8)

Source Section

BCN Enhanced Socket Layer (Group ID 26)

ExitedActiveSessionTransitionThrottleMode

This OM is pegged whenever the Individual PCU which was in a throttle mode exits out of this mode.

Data Source

CPDS

Source Field

ExitedActiveSessionTransitionThrottleMode (Seq# 13)

Source Section

Packet Session Signaling (Group ID 12)

ExitedNullSessionTransitionThrottleMode

This OM is pegged whenever the Individual PCU which was in a throttle mode exits out of this mode.

Data Source

CPDS

Source Field

ExitedNullSessionTransitionThrottleMode (Seq# 14)

Source Section

Packet Session Signaling (Group ID 12)

ExitedSessionTransitionTypeOneThrottleMode

This OM is pegged whenever the individual PCU which was in an Session transition Type One Throttle mode exits out of this mode.

Data Source

CPDS

Source Field

ExitedSessionTransitionTypeOneThrottleMode (Seq# 21)

Source Section

Packet Session Signaling (Group ID 12)

ExitedSessionTransitionTypeTwoThrottleMode

This OM is pegged whenever the individual PCU which was in an Session transition Type Two Throttle mode exits out of this mode.

Data Source

CPDS

Source Field

ExitedSessionTransitionTypeTwoThrottleMode (Seq# 22)

Source Section

Packet Session Signaling (Group ID 12)

ExitSessTransitionThrottleMode

Pegged when individual PCU which was in a throttle mode exits out of this mode

Data Source

CPDS

Source Field

ExitedSessionTransitionThrottleMode (Seq# 13)

Source Section

Packet Session Data (Group ID 13)

GRE_DataDiscardMode

Pegged when PCU enters bearer traffic discard mode, an overload condition where the PCU cannot accept any more incoming data messages

Data Source

CPDS

Source Field

GRE_DataDiscardMode (Seq# 1)

Source Section

PCU Overload (Group ID 25)

GRE_ExitDataDiscardMode

Pegged when PCU exits GRE data discard mode

Data Source

CPDS

Source Field

GRE_ExitDataDiscardMode (Seq# 3)

Source Section

PCU Overload (Group ID 25)

LL_CongestedSignaling_FrameRx

Number of Signaling frames received (for STL-B).

Data Source

CPDS

Source Field

LL_CongestedSignaling_FrameRx (Seq# 5)

Source Section

BCN Link Layer (Group ID 18)

LL_CongestedSignaling_FrameTx

Number of Signaling frames sent (for STL-B).

Data Source

CPDS

Source Field

LL_CongestedSignaling_FrameTx (Seq# 4)

Source Section

BCN Link Layer (Group ID 18)

LL_DataFrameRx

Number of Data frames received (for STL-D).

Data Source

CPDS

Source Field

LL_DataFrameRx (Seq# 11)

Source Section

BCN Link Layer (Group ID 18)

LL_DataFrameTx

Number of Data frames sent (for STL-D).

Data Source

CPDS

Source Field

LL_DataFrameTx (Seq# 10)

Source Section

BCN Link Layer (Group ID 18)

LL_InvalidFrameType

Number of frames with an invalid type tag7.

Data Source

CPDS

Source Field

LL_InvalidFrameType (Seq# 1)

Source Section

BCN Link Layer (Group ID 18)

LL_NodeInitFrameRx

Number of Node Init frames received.

Data Source

CPDS

Source Field

LL_NodeInitFrameRx (Seq# 3)

Source Section

BCN Link Layer (Group ID 18)

LL_NodeInitFrameTx

Number of Node Init frames sent.

Data Source

CPDS

Source Field

LL_NodeInitFrameTx (Seq# 2)

Source Section

BCN Link Layer (Group ID 18)

LL_SignalingFrameRx

Number of Signaling frames received (for STL-A).

Data Source

CPDS

Source Field

LL_SignalingFrameRx (Seq# 7)

Source Section

BCN Link Layer (Group ID 18)

LL_SignalingFrameTx

Number of Signaling frames sent (for STL-A).

Data Source

CPDS

Source Field

LL_SignalingFrameTx (Seq# 6)

Source Section

BCN Link Layer (Group ID 18)

LL_TrafficFrameRx

Number of Traffic frames received.

Data Source

CPDS

Source Field

LL_TrafficFrameRx (Seq# 9)

Source Section

BCN Link Layer (Group ID 18)

LL_TrafficFrameTx

Number of Traffic frames sent.

Data Source

CPDS

Source Field

LL_TrafficFrameTx (Seq# 8)

Source Section

BCN Link Layer (Group ID 18)

NIDTA_AckTimeout

This OM is pegged when the PCU does not receive an acknowledgement for a NIDTA request.

Data Source

CPDS

Source Field

NIDTA_AckTimeout (Seq# 22)

Source Section

Packet Session Signaling Overload (Group ID 69)

NIDTA_FailureCAU_Internal

This OM is pegged when the PCU receives a failure response with CAU Internal Failure reason code for a NIDTA request.

Data Source

CPDS

Source Field

NIDTA_FailureCAU_Internal (Seq# 19)

Source Section

Packet Session Signaling Overload (Group ID 69)

NIDTA_FailureCM_Internal

This OM is pegged when the PCU receives a failure response with CM Internal Failure reason code for a NIDTA request.

Data Source

CPDS

Source Field

NIDTA_FailureCM_Internal (Seq# 20)

Source Section

Packet Session Signaling Overload (Group ID 69)

NIDTA_FailurePagingTimeout

This OM is pegged when the PCU receives a failure response with Page Timeout reason code for a NIDTA request.

Data Source

CPDS

Source Field

NIDTA_FailurePagingTimeout (Seq# 17)

Source Section

Packet Session Signaling Overload (Group ID 69)

NIDTA_FailureRMU_NoResource

This OM is pegged when the PCU receives a failure response with RMU No Resource reason code for a NIDTA request.

Data Source

CPDS

Source Field

NIDTA_FailureRMU_NoResource (Seq# 18)

Source Section

Packet Session Signaling Overload (Group ID 69)

NIDTA_FailureRMU_Overload

This OM is pegged when the PCU receives a failure response with RMU Overload or RMU Internal failure reason code for a NIDTA request.

Data Source

CPDS

Source Field

NIDTA_FailureRMU_Overload (Seq# 21)

Source Section

Packet Session Signaling Overload (Group ID 69)

NIDTA_MaxAckTimeout

This OM captures the High Water Mark for the number of NIDTA Failures when the PCU does not receive acknowledgements for a NIDTA request occurring per queue monitoring period.

Data Source

CPDS

Source Field

NIDTA_MaxAckTimeout (Seq# 28)

Source Section

Packet Session Signaling Overload (Group ID 69)

NIDTA_MaxFailureCAU_Internal

This OM captures the High Water Mark for the number of NIDTA Failures due to CAU Internal failure reason occurring per queue monitoring period.

Data Source

CPDS

Source Field

NIDTA_MaxFailureCAU_Internal (Seq# 26)

Source Section

Packet Session Signaling Overload (Group ID 69)

NIDTA_MaxFailureRMU_Overload

This OM captures the High Water Mark for the number of NIDTA Failures due to RMU Overload or RMU Internal failure reason occurring per queue monitoring period.

Data Source

CPDS

Source Field

NIDTA_MaxFailureRMU_Overload (Seq# 25)

Source Section

Packet Session Signaling Overload (Group ID 69)

NIDTA_MaxTransportError

This OM captures the High Water Mark for the number of NIDTA Failures due to Transport Error occurring per queue monitoring period.

Data Source

CPDS

Source Field

NIDTA_MaxTransportError (Seq# 27)

Source Section

Packet Session Signaling Overload (Group ID 69)

NIDTA_OtherFailures

This OM is pegged when the PCU receives a failure response for a NIDTA request with the failure codes of Unknown Failure, Mobile Power Down, Active Voice, Mobile Trouble, Mobile Inactive, Cell Site Trouble, No VLR, Mobile in AMPS, Active Data or Page Response in Border.

Data Source

CPDS

Source Field

NIDTA_OtherFailures (Seq# 24)

Source Section

Packet Session Signaling Overload (Group ID 69)

NIDTA_Timeout

This OM is pegged when the PCU times out on receiving the trigger to transition from dormant to active state after the PCU has received an acknowledgement from the CAU for the NIDTA request.

Data Source

CPDS

Source Field

NIDTA_Timeout (Seq# 23)

Source Section

Packet Session Signaling Overload (Group ID 69)

NIDTAArrivalRateCriticalThreshold

This OM is pegged when the NIDTA transitions arrival rate exceeds the predefined critical threshold level at the PCU.

Data Source

CPDS

Source Field

NIDTA_ArrivalRateCriticalThreshold (Seq# 4)

Source Section

Packet Session Signaling Overload (Group ID 69)

NIDTAArrivalRateMajorThreshold

This OM is pegged when the NIDTA transitions arrival rate exceeds the predefined major threshold level at the PCU.

Data Source

CPDS

Source Field

NIDTA_ArrivalRateMajorThreshold (Seq# 3)

Source Section

Packet Session Signaling Overload (Group ID 69)

NIDTAArrivalRateMinorThreshold

This OM is pegged when the NIDTA transitions arrival rate exceeds the predefined minor threshold level at the PCU.

Data Source

CPDS

Source Field

NIDTA_ArrivalRateMinorThreshold (Seq# 2)

Source Section

Packet Session Signaling Overload (Group ID 69)

NIDTAArrivals

This OM is pegged on every NIDTA Request arrival at the PCU.

Data Source

CPDS

Source Field

NIDTA_Arrivals (Seq# 1)

Source Section

Packet Session Signaling Overload (Group ID 69)

NIDTAAttemptsForwardedToMTX

This OM is pegged when a NIDTA request is forwarded to the MTX by the PCU.

Data Source

CPDS

Source Field

NIDTA_AttemptsForwardedToMTX (Seq# 16)

Source Section

Packet Session Signaling Overload (Group ID 69)

NIDTADiscarded

This OM is pegged whenever the NIDTA transition is discarded at the PCU.

Data Source

CPDS

Source Field

NIDTA_Discarded (Seq# 6)

Source Section

Packet Session Signaling Overload (Group ID 69)

NIDTADiscardedDueToAckTimeout

This OM is pegged when a NIDTA request is discarded at the PCU because the number of NIDTA Failures due to ACK Timeout reason exceeds the predefined threshold.

Data Source

CPDS

Source Field

NIDTA_DiscardedDueToAckTimeout (Seq# 15)

Source Section

Packet Session Signaling Overload (Group ID 69)

NIDTADiscardedDueToCAUFailure

This OM is pegged when a NIDTA request is discarded at the PCU because the number of NIDTA Failures due to CAU Failure reason exceeds the predefined threshold.

Data Source

CPDS

Source Field

NIDTA_DiscardedDueToCAUFailure (Seq# 14)

Source Section

Packet Session Signaling Overload (Group ID 69)

NIDTADiscardedDueToResponsePending

This OM is pegged when a NIDTA request is discarded due to NIDTA Request Response Pending Queue Length exceeding a predefined threshold at the PCU.

Data Source

CPDS

Source Field

NIDTA_DiscardedDueToResponsePending (Seq# 11)

Source Section

Packet Session Signaling Overload (Group ID 69)

NIDTADiscardedDueToRMU_Overload

This OM is pegged when a NIDTA request is discarded at the PCU because the number of NIDTA Failures due to RMU Overload reason exceeds the predefined threshold.

Data Source

CPDS

Source Field

NIDTA_DiscardedDueToRMU_Overload (Seq# 12)

Source Section

Packet Session Signaling Overload (Group ID 69)

NIDTADiscardedDueToTransportError

This OM is pegged when a NIDTA request is discarded at the PCU because the number of NIDTA Failures due to AWS Failure reason exceeds the predefined threshold.

Data Source

CPDS

Source Field

NIDTA_DiscardedDueToTransportError (Seq# 13)

Source Section

Packet Session Signaling Overload (Group ID 69)

NIDTADiscardedRateCriticalThreshold

This OM is pegged when the NIDTA transitions discard rate exceeds the predefined critical threshold level at the PCU.

Data Source

CPDS

Source Field

NIDTA_DiscardedRateCriticalThreshold (Seq# 9)

Source Section

Packet Session Signaling Overload (Group ID 69)

NIDTADiscardedRateMajorThreshold

This OM is pegged when the NIDTA transitions discard rate exceeds the predefined major threshold level at the PCU.

Data Source

CPDS

Source Field

NIDTA_DiscardedRateMajorThreshold (Seq# 8)

Source Section

Packet Session Signaling Overload (Group ID 69)

NIDTADiscardedRateMinorThreshold

This OM is pegged when the NIDTA transitions discard rate exceeds the predefined minor threshold level at the PCU.

Data Source

CPDS

Source Field

NIDTA_DiscardedRateMinorThreshold (Seq# 7)

Source Section

Packet Session Signaling Overload (Group ID 69)

NIDTAMaxArrivalRate

This OM records highest value of the NIDTA Arrival rate for the OM period at the PCU.

Data Source

CPDS

Source Field

NIDTA_MaxArrivalRate (Seq# 5)

Source Section

Packet Session Signaling Overload (Group ID 69)

NIDTAMaxDiscardRate

This OM records the highest value of the NIDTA transitions discard rate for the OM period at the PCU.

Data Source

CPDS

Source Field

NIDTA_MaxDiscardRate (Seq# 10)

Source Section

Packet Session Signaling Overload (Group ID 69)

NullSessionTransitionsQueued

This OM is pegged whenever a request for session transition, Active to Null or Dormant to Null, by an individual packet session is queued by the PCU because of being in the Session Throttle Mode.

Data Source

CPDS

Source Field

NullSessionTransitionsQueued (Seq# 12)

Source Section

Packet Session Signaling (Group ID 12)

NumOfDormantCallsGoingActive

Number of dormant calls going to active over the OM period

Data Source

CPDS

Source Field

NumberOfDormantCallsGoingActive (Seq# 10)

Source Section

Packet Session Data (Group ID 13)

PCU_InitiatedSessReleaseOther

This OM is pegged when PCU releases packet session for reasons not described by other pegs.

Data Source

CPDS

Source Field

PCU_InitiatedSessionReleaseOther (Seq# 21)

Source Section

RP Session Signaling (Group ID 22)

PCU_InitiatedSessReleasePacketSessDrop

Pegged when PCU drops packet session due to PCU lock or PDSN deleted actions.

Data Source

CPDS

Source Field

PCU_InitiatedSessionReleasePacketSessionDrop (Seq# 17)

Source Section

RP Session Signaling (Group ID 22)

PCU_InitiatedSessReleasePDSN_Reject

Pegged when PDSN sends RRP with a failure code

Data Source

CPDS

Source Field

PCU_InitiatedSessionReleasePDSN_Reject (Seq# 20)

Source Section

RP Session Signaling (Group ID 22)

PCU_InitSessReleasePacketSessDisconnect

Pegged when the Packet Session on the PCU sends a disconnect request

Data Source

CPDS

Source Field

PCU_InitiatedSessionReleasePacketSessionDisconnect (Seq# 16)

Source Section

RP Session Signaling (Group ID 22)

PeakActiveDCR_QueueDepth

This OM provides the peak queue depth in percentage among all DCRQs measured in the forward direction during the OM reporting period.

Data Source

CPDS

Source Field

PeakActiveDCR_QueueDepth (Seq# 11)

Source Section

PCU Queue Occupancy (Group ID 72)

PeakActiveRR_QueueDepth

This OM provides the peak queue depth in percentage among all RRQs measured in the reverse direction during the OM reporting period.

Data Source

CPDS

Source Field

PeakActiveRR_QueueDepth (Seq# 13)

Source Section

PCU Queue Occupancy (Group ID 72)

PeakNumOfAttachedActiveUsers

Peak number of attached Active users at a given time during OM period

Data Source

CPDS

Source Field

PeakNumberOfAttachedActiveUsers (Seq# 8)

Source Section

Packet Session Data (Group ID 13)

PeakNumOfAttachedDormantUsers

Peak number of attached Dormant users at a given time during OM period

Data Source

CPDS

Source Field

PeakNumberOfAttachedDormantUsers (Seq# 6)

Source Section

Packet Session Data (Group ID 13)

RFCH_RSDB_Histogram_1

Pegs when a R-SDB (sent by the mobile on the R-FCH) of size 1-25 bytes is received by the PCU (PCUFP).

Data Source

CPDS

Source Field

RFCH_RSDB_Histogram_1 (Seq# 11)

Source Section

Short Data Burst (Group ID 66)

RFCH_RSDB_Histogram_10

Pegs when a R-SDB (sent by the mobile on the R-FCH) of size 226-255 bytes is received by the PCU (PCUFP).

Data Source

CPDS

Source Field

RFCH_RSDB_Histogram_10 (Seq# 20)

Source Section

Short Data Burst (Group ID 66)

RFCH_RSDB_Histogram_2

Pegs when a R-SDB (sent by the mobile on the R-FCH) of size 26-50 bytes is received by the PCU (PCUFP).

Data Source

CPDS

Source Field

RFCH_RSDB_Histogram_2 (Seq# 12)

Source Section

Short Data Burst (Group ID 66)

RFCH_RSDB_Histogram_3

Pegs when a R-SDB (sent by the mobile on the R-FCH) of size 51-75 bytes is received by the PCU (PCUFP).

Data Source

CPDS

Source Field

RFCH_RSDB_Histogram_3 (Seq# 13)

Source Section

Short Data Burst (Group ID 66)

RFCH_RSDB_Histogram_4

Pegs when a R-SDB (sent by the mobile on the R-FCH) of size 76-100 bytes is received by the PCU (PCUFP).

Data Source

CPDS

Source Field

RFCH_RSDB_Histogram_4 (Seq# 14)

Source Section

Short Data Burst (Group ID 66)

RFCH_RSDB_Histogram_5

Pegs when a R-SDB (sent by the mobile on the R-FCH) of size 101-125 bytes is received by the PCU (PCUFP).

Data Source

CPDS

Source Field

RFCH_RSDB_Histogram_5 (Seq# 15)

Source Section

Short Data Burst (Group ID 66)

RFCH_RSDB_Histogram_6

Pegs when a R-SDB (sent by the mobile on the R-FCH) of size 126-150 bytes is received by the PCU (PCUFP).

Data Source

CPDS

Source Field

RFCH_RSDB_Histogram_6 (Seq# 16)

Source Section

Short Data Burst (Group ID 66)

RFCH_RSDB_Histogram_7

Pegs when a R-SDB (sent by the mobile on the R-FCH) of size 151-175 bytes is received by the PCU (PCUFP).

Data Source

CPDS

Source Field

RFCH_RSDB_Histogram_7 (Seq# 17)

Source Section

Short Data Burst (Group ID 66)

RFCH_RSDB_Histogram_8

Pegs when a R-SDB (sent by the mobile on the R-FCH) of size 176-200 bytes is received by the PCU (PCUFP).

Data Source

CPDS

Source Field

RFCH_RSDB_Histogram_8 (Seq# 18)

Source Section

Short Data Burst (Group ID 66)

RFCH_RSDB_Histogram_9

Pegs when a R-SDB (sent by the mobile on the R-FCH) of size 201-225 bytes is received by the PCU (PCUFP).

Data Source

CPDS

Source Field

RFCH_RSDB_Histogram_9 (Seq# 19)

Source Section

Short Data Burst (Group ID 66)

RP_DormantSessionDeletions

This OM is pegged for the number of old dormant RP-sessions that were released so that the requested dormant RP-session could be setup.

Data Source

CPDS

Source Field

RP_DormantSessionDeletions (Seq# 23)

Source Section

Packet Session Signaling (Group ID 12)

RPTotalOutOfSequencePacketsReceived

Pegged for all out of sequence GRE packet received in the forward direction sent over RP link.

Data Source

CPDS

Source Field

RPTotalOutOfSequencePacketsReceived (Seq# 1)

Source Section

RP Session Data (Group ID 23)

RPTotalUnreliableBytesReceived

Provides the cumulative number of bytes each R-P session in the PCU received by PDSN

Data Source

CPDS

Source Field

RPTotalUnreliableBytesReceived (Seq# 3)

Source Section

RP Session Data (Group ID 23)

RPTotalUnreliableBytesTransmitted

Provides the cumulative number of bytes each R-P session in the PCU transmitted to PDSN

Data Source

CPDS

Source Field

RPTotalUnreliableBytesTransmitted (Seq# 2)

Source Section

RP Session Data (Group ID 23)

RRBufferOverflows

Number of RR buffer overflows

Data Source

CPDS

Source Field

RRBufferOverflows (Seq# 5)

Source Section

Packet Session Data (Group ID 13)

SessionTransitionsQueued

Pegged when a request for session transition by an individual packet session queued by the PCU because of being in the Session Throttle Mode

Data Source

CPDS

Source Field

SessionTransitionsQueued (Seq# 12)

Source Section

Packet Session Data (Group ID 13)

SessionTransitionsTypeOneQueued

This OM is pegged whenever a request for Dormant to Active or Active to Null session transition by an individual packet session is queued by the PCU because of being in the session throttle mode.

Data Source

CPDS

Source Field

SessionTransitionsTypeOneQueued (Seq# 19)

Source Section

Packet Session Signaling (Group ID 12)

SessionTransitionsTypeTwoQueued

This OM is pegged whenever a request for Dormant to Null session transition by an individual packet session is queued by the PCU because of being in the session throttle mode.

Data Source

CPDS

Source Field

SessionTransitionsTypeTwoQueued (Seq# 20)

Source Section

Packet Session Signaling (Group ID 12)

SL_MaxLargeStreamBufferUsed

Maximum number of Large stream buffer used.

Data Source

CPDS

Source Field

SL_MaxLargeStreamBufferUsed (Seq# 4)

Source Section

BCN Socket Layer (Group ID 15)

SL_MaxMediumStreamBufferUsed

Maximum number of Medium stream buffer used.

Data Source

CPDS

Source Field

SL_MaxMediumStreamBufferUsed (Seq# 5)

Source Section

BCN Socket Layer (Group ID 15)

SL_MaxSmallStreamBufferUsed

Maximum number of Small stream buffer used.

Data Source

CPDS

Source Field

SL_MaxSmallStreamBufferUsed (Seq# 6)

Source Section

BCN Socket Layer (Group ID 15)

SL_STLA_UnknownDestinationMsg

Number of STL-A messages received on this stack but without a socket registered for it.

Data Source

CPDS

Source Field

SL_STLA_UnknownDestinationMsg (Seq# 1)

Source Section

BCN Socket Layer (Group ID 15)

SL_STLB_UnknownDestinationMsg

Number of STL-B messages received on this stack but without a socket registered for it.

Data Source

CPDS

Source Field

SL_STLB_UnknownDestinationMsg (Seq# 2)

Source Section

BCN Socket Layer (Group ID 15)

SL_STLD_UnknownDestinationMsg

Number of STL-D messages received on this stack but without a socket registered for it.

Data Source

CPDS

Source Field

SL_STLD_UnknownDestinationMsg (Seq# 3)

Source Section

BCN Socket Layer (Group ID 15)

SL_StreamBufferAllocFailure

Number of Stream buffer unsuccessfully allocated.

Data Source

CPDS

Source Field

SL_StreamBufferAllocFailure (Seq# 8)

Source Section

BCN Socket Layer (Group ID 15)

SL_StreamBufferAllocSuccess

Number of Stream buffer successfully allocated.

Data Source

CPDS

Source Field

SL_StreamBufferAllocSuccess (Seq# 7)

Source Section

BCN Socket Layer (Group ID 15)

STLA_BestEffortReassemblyTimeout

Number of best effort messages dropped (missing frame(s))

Data Source

CPDS

Source Field

STLA_BestEffortReassemblyTimeout (Seq# 17)

Source Section

BCN STLA Transport Layer (Group ID 16)

STLA_BestEffortRxMsg

Number of Best Effort messages received.(thruput)

Data Source

CPDS

Source Field

STLA_BestEffortRxMsg (Seq# 4)

Source Section

BCN STLA Transport Layer (Group ID 16)

STLA_BestEffortTxMsg

Number of Best Effort messages sent.(thruput)

Data Source

CPDS

Source Field

STLA_BestEffortTxMsg (Seq# 3)

Source Section

BCN STLA Transport Layer (Group ID 16)

STLA_ConnectionFailed

Obsolete in NBSS14. Number of connections that couldn't be set up or that were lost.

Data Source

CPDS

Source Field

STLA_ConnectionFailed (Seq# 22)

Source Section

BCN STLA Transport Layer (Group ID 16)

STLA_ConnectionFailedDueToMaxFaults

Number of connections that could not be set up or that were lost due to the threshold of max faults being exceeded.

Data Source

CPDS

Source Field

STLA_ConnectionFailedDueToMaxFaults (Seq# 23)

Source Section

BCN STLA Transport Layer (Group ID 16)

STLA_ConnectionFailedDueToMaxTxAttempts

Number of connections that could not be set up or that were lost due to the threshold of max transmission attempts being exceeded.

Data Source

CPDS

Source Field

STLA_ConnectionFailedDueToMaxTxAttempts (Seq# 24)

Source Section

BCN STLA Transport Layer (Group ID 16)

STLA_ConnectionFault

Number of faults that occurred in the stack for all the connections.

Data Source

CPDS

Source Field

STLA_ConnectionFault (Seq# 21)

Source Section

BCN STLA Transport Layer (Group ID 16)

STLA_FailedMsgCRC

Number of messages (reliable and best effort) dropped due to a bad CRC.

Data Source

CPDS

Source Field

STLA_FailedMsgCRC (Seq# 20)

Source Section

BCN STLA Transport Layer (Group ID 16)

STLA_MaxOpenRxConnection

Maximum number of open connections to receive messages.

Data Source

CPDS

Source Field

STLA_MaxOpenRxConnection (Seq# 33)

Source Section

BCN STLA Transport Layer (Group ID 16)

STLA_MaxOpenTxConnection

Maximum number of open connections to transmit messages.

Data Source

CPDS

Source Field

STLA_MaxOpenTxConnection (Seq# 34)

Source Section

BCN STLA Transport Layer (Group ID 16)

STLA_MaxRxBuffer

Maximum number of buffers used to receive incoming frames.

Data Source

CPDS

Source Field

STLA_MaxRxBuffer (Seq# 14)

Source Section

BCN STLA Transport Layer (Group ID 16)

STLA_MaxRxQueue

Maximum number of queues to receive messages.

Data Source

CPDS

Source Field

STLA_MaxRxQueue (Seq# 31)

Source Section

BCN STLA Transport Layer (Group ID 16)

STLA_MaxTxLargeBuffer

Maximum number of large buffers used to transmit all the messages.

Data Source

CPDS

Source Field

STLA_MaxTxLargeBuffer (Seq# 11)

Source Section

BCN STLA Transport Layer (Group ID 16)

STLA_MaxTxMediumBuffer

Maximum number of medium buffers used to transmit all the messages.

Data Source

CPDS

Source Field

STLA_MaxTxMediumBuffer (Seq# 10)

Source Section

BCN STLA Transport Layer (Group ID 16)

STLA_MaxTxQueue

Maximum number of queues to transmit messages.

Data Source

CPDS

Source Field

STLA_MaxTxQueue (Seq# 32)

Source Section

BCN STLA Transport Layer (Group ID 16)

STLA_MaxTxSmallBuffer

Maximum number of small buffers used to transmit all the messages.

Data Source

CPDS

Source Field

STLA_MaxTxSmallBuffer (Seq# 9)

Source Section

BCN STLA Transport Layer (Group ID 16)

STLA_OpenRxConnection

Number of Receive connection opened.

Data Source

CPDS

Source Field

STLA_OpenRxConnection (Seq# 6)

Source Section

BCN STLA Transport Layer (Group ID 16)

STLA_OpenTxConnection

Number of Transmit connection opened.

Data Source

CPDS

Source Field

STLA_OpenTxConnection (Seq# 5)

Source Section

BCN STLA Transport Layer (Group ID 16)

STLA_OutOfRxFrameBuffer

Number of received frames rejected due to lack of buffers.

Data Source

CPDS

Source Field

STLA_OutOfRxFrameBuffer (Seq# 13)

Source Section

BCN STLA Transport Layer (Group ID 16)

STLA_OutOfTxBuffer

Number of transmit failures due to lack of transmit message buffers.

Data Source

CPDS

Source Field

STLA_OutOfTxBuffer (Seq# 12)

Source Section

BCN STLA Transport Layer (Group ID 16)

STLA_OutOfWindowMsg

Obsoleted in NBSS14. Number of messages, which were over the window size.

Data Source

CPDS

Source Field

STLA_OutOfWindowMsg (Seq# 15)

Source Section

BCN STLA Transport Layer (Group ID 16)

STLA_OutOfWindowMsgDueToMaxWS

Number of messages which were over the window size due to size of message exceeding the window size.

Data Source

CPDS

Source Field

STLA_OutOfWindowMsgDueToMaxWS (Seq# 26)

Source Section

BCN STLA Transport Layer (Group ID 16)

STLA_OutOfWindowMsgDueToReducedWS

Number of messages which were over the window size due to a reduced window size setting.

Data Source

CPDS

Source Field

STLA_OutOfWindowMsgDueToReducedWS (Seq# 25)

Source Section

BCN STLA Transport Layer (Group ID 16)

STLA_OutOfWindowMsgDueToZeroWS

Number of messages which were over the window size due to the window size being set to zero.

Data Source

CPDS

Source Field

STLA_OutOfWindowMsgDueToZeroWS (Seq# 27)

Source Section

BCN STLA Transport Layer (Group ID 16)

STLA_ProtocolRevisionError

Number of mesaages with protocol revision errors.

Data Source

CPDS

Source Field

STLA_ProtocolRevisionError (Seq# 30)

Source Section

BCN STLA Transport Layer (Group ID 16)

STLA_RefusedRxConnection

Number of connection refused on receives because maximum reached.

Data Source

CPDS

Source Field

STLA_RefusedRxConnection (Seq# 7)

Source Section

BCN STLA Transport Layer (Group ID 16)

STLA_RefusedTxConnection

Number of connection refused on transmits because maximum reached.

Data Source

CPDS

Source Field

STLA_RefusedTxConnection (Seq# 8)

Source Section

BCN STLA Transport Layer (Group ID 16)

STLA_ReliableAckWaitTimeout

Number of missing Ack when transmitting a reliable message.

Data Source

CPDS

Source Field

STLA_ReliableAckWaitTimeout (Seq# 19)

Source Section

BCN STLA Transport Layer (Group ID 16)

STLA_ReliableReassemblyTimeout

Number of reliable messages dropped (missing frame(s)).

Data Source

CPDS

Source Field

STLA_ReliableReassemblyTimeout (Seq# 16)

Source Section

BCN STLA Transport Layer (Group ID 16)

STLA_ReliableRetransmittedMsg

Number of reliable messages, which needed to be retransmitted.

Data Source

CPDS

Source Field

STLA_ReliableRetransmittedMsg (Seq# 18)

Source Section

BCN STLA Transport Layer (Group ID 16)

STLA_ReliableRxMsg

Number of reliable messages received.(thruput)

Data Source

CPDS

Source Field

STLA_ReliableRxMsg (Seq# 2)

Source Section

BCN STLA Transport Layer (Group ID 16)

STLA_ReliableTxMsg

Number of reliable messages sent.(thruput)

Data Source

CPDS

Source Field

STLA_ReliableTxMsg (Seq# 1)

Source Section

BCN STLA Transport Layer (Group ID 16)

STLA_TxWindowReduced

Number of messages with the window shut.

Data Source

CPDS

Source Field

STLA_TxWindowReduced (Seq# 28)

Source Section

BCN STLA Transport Layer (Group ID 16)

STLA_TxWindowShut

Number of messages with a reduced window size.

Data Source

CPDS

Source Field

STLA_TxWindowShut (Seq# 29)

Source Section

BCN STLA Transport Layer (Group ID 16)

STLD_BestEffortReassemblyTimeout

Number of best effort messages dropped (missing frame(s))

Data Source

CPDS

Source Field

STLD_BestEffortReassemblyTimeout (Seq# 11)

Source Section

BCN STLD Transport Layer (Group ID 17)

STLD_BestEffortRxMsg

Number of Best Effort messages received.

Data Source

CPDS

Source Field

STLD_BestEffortRxMsg (Seq# 2)

Source Section

BCN STLD Transport Layer (Group ID 17)

STLD_BestEffortTxMsg

Number of Best Effort messages sent.

Data Source

CPDS

Source Field

STLD_BestEffortTxMsg (Seq# 1)

Source Section

BCN STLD Transport Layer (Group ID 17)

STLD_MaxRxBuffer

Maximum number of buffers used to receive incoming frames.

Data Source

CPDS

Source Field

STLD_MaxRxBuffer (Seq# 10)

Source Section

BCN STLD Transport Layer (Group ID 17)

STLD_MaxRxQueue

Maximum number of queues to receive messages.

Data Source

CPDS

Source Field

STLD_MaxRxQueue (Seq# 12)

Source Section

BCN STLD Transport Layer (Group ID 17)

STLD_MaxTxBufferWithoutCopy

Maximum number of without copy buffers used to transmit all of the messages.

Data Source

CPDS

Source Field

STLD_MaxTxBufferWithoutCopy (Seq# 7)

Source Section

BCN STLD Transport Layer (Group ID 17)

STLD_MaxTxLargeBuffer

Maximum number of large buffers used to transmit all the messages.

Data Source

CPDS

Source Field

STLD_MaxTxLargeBuffer (Seq# 5)

Source Section

BCN STLD Transport Layer (Group ID 17)

STLD_MaxTxMediumBuffer

Maximum number of medium buffers used to transmit all the messages.

Data Source

CPDS

Source Field

STLD_MaxTxMediumBuffer (Seq# 4)

Source Section

BCN STLD Transport Layer (Group ID 17)

STLD_MaxTxQueue

Maximum number of queues to transmit messages.

Data Source

CPDS

Source Field

STLD_MaxTxQueue (Seq# 13)

Source Section

BCN STLD Transport Layer (Group ID 17)

STLD_MaxTxSmallBuffer

Maximum number of small buffers used to transmit all the messages.

Data Source

CPDS

Source Field

STLD_MaxTxSmallBuffer (Seq# 3)

Source Section

BCN STLD Transport Layer (Group ID 17)

STLD_OutOfRxFrameBuffer

Number of received frames rejected due to lack of buffers.

Data Source

CPDS

Source Field

STLD_OutOfRxFrameBuffer (Seq# 9)

Source Section

BCN STLD Transport Layer (Group ID 17)

STLD_OutOfTxBuffer

Number of transmit failures due to lack of transmit message buffers.

Data Source

CPDS

Source Field

STLD_OutOfTxBuffer (Seq# 6)

Source Section

BCN STLD Transport Layer (Group ID 17)

STLD_OutOfTxBufferWithoutCopy

Number of transmit failures due to lack of transmit message without copy buffers.

Data Source

CPDS

Source Field

STLD_OutOfTxBufferWithoutCopy (Seq# 8)

Source Section

BCN STLD Transport Layer (Group ID 17)

TotalActiveSessionSeconds

This OM is a cumulative count of the total number of active session seconds per PCU.

Data Source

CPDS

Source Field

TotalActiveSessionSeconds (Seq# 15)

Source Section

Packet Session Data (Group ID 13)

TotalDormantSessionSeconds

This OM is a cumulative count of the total number of dormant session seconds per PCU.

Data Source

CPDS

Source Field

TotalDormantSessionSeconds (Seq# 16)

Source Section

Packet Session Data (Group ID 13)

TotalFwdPacketsDropped

Number of PPP packets dropped in the forward direction per PCU

Data Source

CPDS

Source Field

TotalFwdPacketsDropped (Seq# 1)

Source Section

Packet Session Data (Group ID 13)

TotalGRE_PacketsDropped

Pegged for each dropped bearer traffic packet when in GRE data pitching mode

Data Source

CPDS

Source Field

TotalGRE_PacketsDropped (Seq# 2)

Source Section

PCU Overload (Group ID 25)

TotalInitialRPSessionSetupFailures

Pegged when a session setup during initial attempt fails.

Data Source

CPDS

Source Field

TotalInitialRPSessionSetupFailures (Seq# 5)

Source Section

Packet Session Signaling (Group ID 12)

TotalRegRequestMsgSent

Pegged every time a registration request message is sent to PDSN after session setup or handoff is complete

Data Source

CPDS

Source Field

TotalRegistrationRequestMsgSent (Seq# 22)

Source Section

RP Session Signaling (Group ID 22)

TotalRegRequestRejectIdMismatch

Pegged every time a registration request message is rejected by PDSN for reason ID Mismatch

Data Source

CPDS

Source Field

TotalRegistrationRequestRejectReasonIdMismatch (Seq# 25)

Source Section

RP Session Signaling (Group ID 22)

TotalRegRequestRejectMobileAuthFailure

Pegged every time a registration request message is rejected by PDSN for reason Mobile Authentication Failure

Data Source

CPDS

Source Field

TotalRegistrationRequestRejectReasonMobileAuthFailure (Seq# 27)

Source Section

RP Session Signaling (Group ID 22)

TotalRegRequestRejectNoResources

Pegged every time a registration request message is rejected by PDSN for reason insufficient resources

Data Source

CPDS

Source Field

TotalRegistrationRequestRejectReasonInsufficientResources (Seq# 26)

Source Section

RP Session Signaling (Group ID 22)

TotalRegRequestRejectOther

Pegged when PCU releases packet session for reasons not specified in other Oms

Data Source

CPDS

Source Field

TotalRegistrationRequestRejectReasonOther (Seq# 24)

Source Section

RP Session Signaling (Group ID 22)

TotalRegRequestRejectPDSN_NotResponding

Pegged every time PDSN does not send response to a registration request message after session setup or handoff is complete

Data Source

CPDS

Source Field

TotalRegistrationRequestRejectReasonPDSN_NotResponding (Seq# 28)

Source Section

RP Session Signaling (Group ID 22)

TotalRegRequestRetries

Pegged every time a registration request message is resent to PDSN

Data Source

CPDS

Source Field

TotalRegistrationRequestRetries (Seq# 23)

Source Section

RP Session Signaling (Group ID 22)

TotalReleasesBeforeHandoffSessionSetup

The number of user-initiated data call releases before the RP Session was completely setup during the Handoffs.

Data Source

CPDS

Source Field

TotalReleasesBeforeHandoffSessionSetup (Seq# 8)

Source Section

Packet Session Signaling (Group ID 12)

TotalReleasesBeforeInitialSessionSetup

The number of user-initiated data call releases before the initial RP session was completely setup.

Data Source

CPDS

Source Field

TotalReleasesBeforeInitialSessionSetup (Seq# 7)

Source Section

Packet Session Signaling (Group ID 12)

TotalRevPacketsDropped

Number of PPP packets dropped in the reverse direction per PCU

Data Source

CPDS

Source Field

TotalRevPacketsDropped (Seq# 2)

Source Section

Packet Session Data (Group ID 13)

TotalRP_SessHandoffAttempts

Pegged for session Handoff attempt, both dormant and active

Data Source

CPDS

Source Field

TotalRP_SessionHandoffAttempts (Seq# 8)

Source Section

RP Session Signaling (Group ID 22)

TotalRP_SessHandoffFailPDSN_NotRespond

Session Handoff Rejection due to PDSN not responding

Data Source

CPDS

Source Field

TotalRP_SessionHandoffFailuresReasonPDSN_NotResponding (Seq# 14)

Source Section

RP Session Signaling (Group ID 22)

TotalRP_SessHandoffRejectAuthFailure

Session Handoff Rejection due to mobile authentication failure

Data Source

CPDS

Source Field

TotalRP_SessionHandoffRejectReasonMobileAuthFailure (Seq# 13)

Source Section

RP Session Signaling (Group ID 22)

TotalRP_SessHandoffRejectIdMismatch

Session Handoff Rejection due to ID Mismatch

Data Source

CPDS

Source Field

TotalRP_SessionHandoffRejectReasonIdMismatch (Seq# 11)

Source Section

RP Session Signaling (Group ID 22)

TotalRP_SessHandoffRejectNoResources

Session Handoff Rejection due to insufficient resources

Data Source

CPDS

Source Field

TotalRP_SessionHandoffRejectReasonInsufficientResources (Seq# 12)

Source Section

RP Session Signaling (Group ID 22)

TotalRP_SessHandoffRejectOther

PDSN Session Handoff Rejection not specified in other Handoff Rejection Oms

Data Source

CPDS

Source Field

TotalRP_SessionHandoffRejectReasonOther (Seq# 10)

Source Section

RP Session Signaling (Group ID 22)

TotalRP_SessHandoffSuccesses

Pegged for successful session Handoff, both dormant and active

Data Source

CPDS

Source Field

TotalRP_SessionHandoffSuccesses (Seq# 9)

Source Section

RP Session Signaling (Group ID 22)

TotalRPSessionHandoffFailures

Pegged when the PCU gives up on a Inter-PCU or Inter-PDSN handoff attempt

Data Source

CPDS

Source Field

TotalRPSessionHandoffFailures (Seq# 6)

Source Section

Packet Session Signaling (Group ID 12)

TotalRSDB_Dropped

Pegs when a R-SDB is not sent by the PCU (PCUFP) to the PDSN.

Data Source

CPDS

Source Field

TotalRSDB_Dropped (Seq# 22)

Source Section

Short Data Burst (Group ID 66)

TotalRSDB_Forwarded

Pegs when a R-SDB is sent by the PCU (PCUFP) to the PDSN.

Data Source

CPDS

Source Field

TotalRSDB_Forwarded (Seq# 21)

Source Section

Short Data Burst (Group ID 66)

TotalSessionSetupFailures

Number of failed R-P session setups either during initial or reconnect attempts

Data Source

CPDS

Source Field

TotalSessionSetupFailures (Seq# 4)

Source Section

Packet Session Signaling (Group ID 12)

TotalSessionSetupInitialAttempts

Number of R-P session setups attempted for initial R-P session setup

Data Source

CPDS

Source Field

TotalSessionSetupInitialAttempts (Seq# 1)

Source Section

Packet Session Signaling (Group ID 12)

TotalSessionSetupReconnectAttempts

Number of R-P session reconnect attempts for PCU or PDSN change

Data Source

CPDS

Source Field

TotalSessionSetupReconnectAttempts (Seq# 2)

Source Section

Packet Session Signaling (Group ID 12)

TotalSessionSetupSuccess

Number of R-P session setups during initial or reconnect attempts

Data Source

CPDS

Source Field

TotalSessionSetupSuccess (Seq# 3)

Source Section

Packet Session Signaling (Group ID 12)

TotalSignallingMsgReceived

Pegged for each signaling message received from a PDSN. Unroutable messages are not included.

Data Source

CPDS

Source Field

TotalSignallingMsgReceived (Seq# 29)

Source Section

RP Session Signaling (Group ID 22)

TotDormantBufferLimitOverflows

Number of forward packets dropped due to the total dormant buffer limit

Data Source

CPDS

Source Field

TotalDormantBufferLimitOverflows (Seq# 14)

Source Section

Packet Session Data (Group ID 13)

TotInitRP_SessSetupAttempts

Should only be pegged when a session setup is attempted for the first time

Data Source

CPDS

Source Field

TotalInitialRP_SessionSetupAttempts (Seq# 1)

Source Section

RP Session Signaling (Group ID 22)

TotInitRP_SessSetupFailPDSN_NotRespond

Setup Failure due to PDSN not responding

Data Source

CPDS

Source Field

TotalInitialRP_SessionSetupFailuresReasonPDSN_NotResponding (Seq# 7)

Source Section

RP Session Signaling (Group ID 22)

TotInitRP_SessSetupRejectAuthFail

PDSN Setup Rejection due to Mobile Authentication Failure

Data Source

CPDS

Source Field

TotalInitialRP_SessionSetupRejectReasonMobileAuthFailure (Seq# 6)

Source Section

RP Session Signaling (Group ID 22)

TotInitRP_SessSetupRejectIdMismatch

PDSN Setup Rejection due to ID Mismatch

Data Source

CPDS

Source Field

TotalInitialRP_SessionSetupRejectReasonIdMismatch (Seq# 4)

Source Section

RP Session Signaling (Group ID 22)

TotInitRP_SessSetupRejectInsuffResources

PDSN Setup Rejection due to insufficient Resources

Data Source

CPDS

Source Field

TotalInitialRP_SessionSetupRejectReasonInsufficientResources (Seq# 5)

Source Section

RP Session Signaling (Group ID 22)

TotInitRP_SessSetupRejectOther

Pegged for Setup Rejections not specified in other rejection Oms

Data Source

CPDS

Source Field

TotalInitialRP_SessionSetupRejectReasonOther (Seq# 3)

Source Section

RP Session Signaling (Group ID 22)

TotInitRP_SessSetupSuccesses

Should only be pegged when a session is successfully setup

Data Source

CPDS

Source Field

TotalInitialRP_SessionSetupSuccesses (Seq# 2)

Source Section

RP Session Signaling (Group ID 22)

PCU_PDSN Primitive Calculations

The following is a list of primitive calculations for the PCU_PDSN entity.

GRAPHmultiLineSeparator

Special Control Field for Multi-Line Graphs

Calculation

""

NUMDAYS

of days in Report

Calculation

DAYSINREPORT ()

NUMHOURS

of hours in Summation Data

Calculation

PCU_PDSN Peg Counts

The following is a list of peg counts for the PCU_PDSN entity.

NumberOfTunnelFailures

The number of times a L2TP tunnel was torn down due to failure of reliable packet transmission per L2TP tunnel

Data Source

NBSS BSC OMs

Source Field

NumberOfTunnelFailures (PCU_PDSN Seq# 7)

Source Section

RP Session L2TP (Group ID 14)

ReliablePacketReceived

The number of messages the PCU received with reliable delivery acknowledgement requested per L2TP tunnel

Data Source

NBSS BSC OMs

Source Field

ReliablePacketReceived (PCU_PDSN Seq# 5 + Seq# 6)

Source Section

RP Session L2TP (Group ID 14)

ReliablePacketReTransmitted

The number of reliable packets that had to be retransmitted because no ACK was received

Data Source

NBSS BSC OMs

Source Field

ReliablePacketReTransmitted (PCU_PDSN Seq# 3 + Seq# 4)

Source Section

RP Session L2TP (Group ID 14)

ReliablePacketSentSuccess

The number of ACKs received as a result of reliable packets being sent

Data Source

NBSS BSC OMs

Source Field

ReliablePacketSentSuccess (PCU_PDSN Seq# 1 + Seq# 2)

Source Section

RP Session L2TP (Group ID 14)

TotalUnreliableBytesReceived

The cumulative number of bytes each session in the PCU received from PCU_PDSN per L2TP tunnel

Data Source

NBSS BSC OMs

Source Field

TotalUnreliableBytesReceived (PCU_PDSN Seq# 10 + Seq# 11)

Source Section

RP Session L2TP (Group ID 14)

TotalUnreliableBytesTransmitted

The cumulative number of bytes each session in the PCU transmitted to PCU_PDSN per L2TP tunnel

Data Source

NBSS BSC OMs

Source Field

TotalUnreliableBytesTransmitted (PCU_PDSN Seq# 8 + Seq# 9)

Source Section

RP Session L2TP (Group ID 14)

PCUFP Primitive Calculations

The following is a list of primitive calculations for the PCUFP entity.

GRAPHmultiLineSeparator

Special Control Field for Multi-Line Graphs

Calculation

""

NUMDAYS

of days in Report

Calculation

DAYSINREPORT ()

NUMHOURS

of hours in Summation Data

Calculation

PDSN16000 Primitive Calculations

The following is a list of primitive calculations for the PDSN16000 entity.

GRAPHmultiLineSeparator

Special Control Field for Multi-Line Graphs

Calculation

""

NUMDAYS

of days in Report

Calculation

DAYSINREPORT ()

NUMHOURS

of hours in Summation Data

Calculation

PDSN16000 Peg Counts

The following is a list of peg counts for the PDSN16000 entity.

a11_curactive

The total number of active sessions currently being facilitated by all A11 Managers.

Data Source

PDSN16000

Source Section

PDSNSystem

Source Field

%a11-curactive%

a11_ttlarrived

The total number of sessions for all A11 Managers that were received.

Data Source

PDSN16000

Source Section

PDSNSystem

Source Field

%a11-ttlarrived%

a11_ttlidemult

The total number of sessions that were successfully setup for all A11 Managers.

Data Source

PDSN16000

Source Section

PDSNSystem

Source Field

%a11-ttldemult%

a11_ttdereg

The total number of sessions for all A11 Managers that were successfully de-registered, or disconnected.

Data Source

PDSN16000

Source Section

PDSNSystem

Source Field

%a11-ttldereg%

a11_ttrejected

The total number of sessions for all A11 Managers that were rejected.

Data Source

PDSN16000

Source Section

PDSNSystem

Source Field

%a11-ttrejected%

fa_curactive

The total number of active sessions currently being facilitated by all FA Managers.

Data Source

PDSN16000

Source Section

PDSNSystem

Source Field

%fa-curactive%

fa_ttlarrived

The total number of sessions for all FA Managers that were received.

Data Source

PDSN16000

Source Section

PDSNSystem

Source Field

%fa-ttlarrived%

fa_ttlidemult

The total number of sessions for all FA Managers that were successfully setup.

Data Source

PDSN16000

Source Section

PDSNSystem

Source Field

%fa-ttlidemult%

fa_ttl dereg

The total number of sessions for all FA Managers that were successfully de-registered, or disconnected.

Data Source

PDSN16000

Source Section

PDSNSystem

Source Field

%fa-ttlldereg%

fa_ttlrejected

The total number of sessions for all FA Managers that were rejected.

Data Source

PDSN16000

Source Section

PDSNSystem

Source Field

%fa-ttlrejected%

ha_curactive

The total number of active sessions currently being facilitated by all HA Managers.

Data Source

PDSN16000

Source Section

PDSNSystem

Source Field

%ha-curactive%

ha_ttlarrived

The total number of sessions for all HA Managers that were received.

Data Source

PDSN16000

Source Section

PDSNSystem

Source Field

%ha-ttlarrived%

ha_ttdemult

The total number of sessions for all HA Managers that were successfully setup.

Data Source

PDSN16000

Source Section

PDSNSystem

Source Field

%ha-ttdemult%

ha_ttdereg

The total number of sessions for all HA Managers that were successfully de-registered, or disconnected.

Data Source

PDSN16000

Source Section

PDSNSystem

Source Field

%ha-ttdereg%

ha_ttlrejected

The total number of sessions for all HA Managers that were rejected.

Data Source

PDSN16000

Source Section

PDSNSystem

Source Field

%ha-ttlrejected%

sess_calldur_12hour

The total number of sessions for all Session Managers that lasted less than 12 hours but were greater than or equal to 4 hours.

Data Source

PDSN16000

Source Section

PDSNSystem

Source Field

%sess-calldur-12hour%

sess_calldur_15min

The total number of sessions for all Session Managers that lasted less than 15 minutes but were greater than or equal to 5 minutes.

Data Source

PDSN16000

Source Section

PDSNSystem

Source Field

%sess-calldur-15min%

sess_calldur_1hour

The total number of sessions for all Session Managers that lasted less than 1 hour but greater than or equal to 15 minutes.

Data Source

PDSN16000

Source Section

PDSNSystem

Source Field

%sess-calldur-1hour%

sess_calldur_1min

The total number of sessions for all that lasted less than 1 minute.

Data Source

PDSN16000

Source Section

PDSNSystem

Source Field

%sess-calldur-1min%

sess_calldur_24hour

The total number of sessions for all Session Managers that lasted less than 24 hours but were greater than or equal to 12 hours.

Data Source

PDSN16000

Source Section

PDSNSystem

Source Field

%sess-calldur-24hour%

sess_calldur_2min

The total number of sessions for all Session Managers that lasted less than 2 minutes but were greater than or equal to 1 minute.

Data Source

PDSN16000

Source Section

PDSNSystem

Source Field

%sess-calldur-2min%

sess_calldur_4hour

The total number of sessions for all Session Managers that lasted less than 4 hours but were greater than or equal to 1 hour.

Data Source

PDSN16000

Source Section

PDSNSystem

Source Field

%sess-calldur-4hour%

sess_calldur_5min

The total number of sessions for all Session Managers that lasted less than 5 minutes but were greater than or equal to 2 minutes.

Data Source

PDSN16000

Source Section

PDSNSystem

Source Field

%sess-calldur-5min%

sess_calldur_over24hour

The total number of sessions for all Session Managers that lasted 24 hours or longer.

Data Source

PDSN16000

Source Section

PDSNSystem

Source Field

%sess-calldur-over24hour%

sess_curactcall

The total number of active sessions for all Session Managers.

Data Source

PDSN16000

Source Section

PDSNSystem

Source Field

%sess-curactcall%

sess_curarrived

The total number of sessions that are at the onset of the registration process for all Session Managers.

Data Source

PDSN16000

Source Section

PDSNSystem

Source Field

%sess-curarrived%

sess_curauth

The total number of sessions for all Session Managers that are in the process of being authenticated.

Data Source

PDSN16000

Source Section

PDSNSystem

Source Field

%sess-curauth%

sess_curauthed

The total number of sessions for all Session Managers that have just completed the authentication phase of the registration process.

Data Source

PDSN16000

Source Section

PDSNSystem

Source Field

%sess-curauthed%

sess_curdisc

The total number of sessions for all Session Managers that are in the process of disconnecting.

Data Source

PDSN16000

Source Section

PDSNSystem

Source Field

%sess-curdisc%

sess_curdormcall

The total number of dormant sessions for all Session Managers.

Data Source

PDSN16000

Source Section

PDSNSystem

Source Field

%sess-curdormcall%

sess_curipcpup

The total number of sessions for all Session Managers that have just completed the Internet Protocol Control Protocol (IPCP) phase of the registration process.

Data Source

PDSN16000

Source Section

PDSNSystem

Source Field

%sess-curipcpup%

sess_curlcpnegot

The total number of sessions for all Session Managers that are in the Link Control Protocol (LCP) negotiation phase of the registration process.

Data Source

PDSN16000

Source Section

PDSNSystem

Source Field

%sess-curlcpnegot%

sess_curlcpup

The total number of sessions for all Session Managers that have just completed the Link Control Protocol (LCP) negotiation phase of the registration process.

Data Source

PDSN16000

Source Section

PDSNSystem

Source Field

%sess-curlcpup%

sess_curmipconn

The total number of Mobile IP data sessions that are currently being supported for all Session Managers.

Data Source

PDSN16000

Source Section

PDSNSystem

Source Field

%sess-curmipconn%

sess_cursipconn

The total number of Simple IP data sessions that are currently being supported for all Session Managers.

Data Source

PDSN16000

Source Section

PDSNSystem

Source Field

%sess-cursipconn%

sess_curtlcalls

The number of calls for all Session Managers that are currently in progress (active, dormant, being set up, or being torn down).

Data Source

PDSN16000

Source Section

PDSNSystem

Source Field

%sess-curtlcalls%

sess_setuptime_100ms

The total number of sessions for all Session Managers that were setup in less than 100 milliseconds.

Data Source

PDSN16000

Source Section

PDSNSystem

Source Field

%sess-setuptime-100ms%

sess_setuptime_10sec

The total number of sessions for all Session Managers for which the setup time was less than 10 seconds but greater than or equal to 8 seconds.

Data Source

PDSN16000

Source Section

PDSNSystem

Source Field

%sess-setuptime-10sec%

sess_setuptime_12sec

The total number of sessions for all Session Managers for which the setup time was less than 12 seconds but greater than or equal to 10 seconds.

Data Source

PDSN16000

Source Section

PDSNSystem

Source Field

%sess-setuptime-12sec%

sess_setuptime_14sec

The total number of sessions for all Session Managers for which the setup time was less than 14 seconds but greater than or equal to 12 seconds.

Data Source

PDSN16000

Source Section

PDSNSystem

Source Field

%sess-setuptime-14sec%

sess_setuptime_16sec

The total number of sessions for all Session Managers for which the setup time was less than 16 seconds but greater than or equal to 12 seconds.

Data Source

PDSN16000

Source Section

PDSNSystem

Source Field

%sess-setuptime-16sec%

sess_setuptime_1sec

The total number of sessions for all Session Managers for which the setup time was less than 1 second but greater than or equal to 200 milliseconds.

Data Source

PDSN16000

Source Section

PDSNSystem

Source Field

%sess-setuptime-1sec%

sess_setuptime_200ms

The total number of sessions for all Session Managers for which the setup time was less than 200 milliseconds but greater than or equal to 100 milliseconds.

Data Source

PDSN16000

Source Section

PDSNSystem

Source Field

%sess-setuptime-200ms%

sess_setuptime_2sec

The total number of sessions for all Session Managers for which the setup time was less than 2 seconds but greater than or equal to 1 second.

Data Source

PDSN16000

Source Section

PDSNSystem

Source Field

%sess-setuptime-2sec%

sess_setuptime_300ms

The total number of sessions for all Session Managers for which the setup time was less than 300 milliseconds but greater than or equal to 200 milliseconds.

Data Source

PDSN16000

Source Section

PDSNSystem

Source Field

%sess-setuptime-300ms%

sess_setuptime_3sec

The total number of sessions for all Session Managers for which the setup time was less than 3 seconds but greater than or equal to 2 seconds.

Data Source

PDSN16000

Source Section

PDSNSystem

Source Field

%sess-setuptime-3sec%

sess_setuptime_400ms

The total number of sessions for all Session Managers for which the setup time was less than 400 milliseconds but greater than or equal to 300 milliseconds.

Data Source

PDSN16000

Source Section

PDSNSystem

Source Field

%sess-setuptime-400ms%

sess_setuptime_4sec

The total number of sessions for all Session Managers for which the setup time was less than 4 seconds but greater than or equal to 3 seconds.

Data Source

PDSN16000

Source Section

PDSNSystem

Source Field

%sess-setuptime-4sec%

sess_setuptime_500ms

The total number of sessions for all Session Managers for which the setup time was less than 500 milliseconds but greater than or equal to 400 milliseconds.

Data Source

PDSN16000

Source Section

PDSNSystem

Source Field

%sess-setuptime-500ms%

sess_setuptime_600ms

The total number of sessions for all Session Managers for which the setup time was less than 600 milliseconds but greater than or equal to 500 milliseconds.

Data Source

PDSN16000

Source Section

PDSNSystem

Source Field

%sess-setuptime-600ms%

sess_setuptime_6sec

The total number of sessions for all Session Managers for which the setup time was less than 6 seconds but greater than or equal to 4 seconds.

Data Source

PDSN16000

Source Section

PDSNSystem

Source Field

%sess-setuptime-6sec%

sess_setuptime_700ms

The total number of sessions for all Session Managers for which the setup time was less than 700 milliseconds but greater than or equal to 600 milliseconds.

Data Source

PDSN16000

Source Section

PDSNSystem

Source Field

%sess-setuptime-700ms%

sess_setuptime_800ms

The total number of sessions for all Session Managers for which the setup time was less than 800 milliseconds but greater than or equal to 700 milliseconds.

Data Source

PDSN16000

Source Section

PDSNSystem

Source Field

%sess-setuptime-800ms%

sess_setuptime_8sec

The total number of sessions for all Session Managers for which the setup time was less than 8 seconds but greater than or equal to 6 seconds.

Data Source

PDSN16000

Source Section

PDSNSystem

Source Field

%sess-setuptime-8sec%

sess_setuptime_900ms

The total number of sessions for all Session Managers for which the setup time was less than 900 milliseconds but greater than or equal to 800 milliseconds.

Data Source

PDSN16000

Source Section

PDSNSystem

Source Field

%sess-setuptime-900ms%

sess_ttlarrived

The total number of calls for all Session Managers for which registration requests were received.

Data Source

PDSN16000

Source Section

PDSNSystem

Source Field

%sess-ttlarrived%

sess_ttlauthfail

The total number of failed authentications for calls for all Session Managers.

Data Source

PDSN16000

Source Section

PDSNSystem

Source Field

%sess-ttlauthfail%

sess_ttlauthsucc

The total number of successful authentications for calls for all Session Managers.

Data Source

PDSN16000

Source Section

PDSNSystem

Source Field

%sess-ttlauthsucc%

sess_ttlconnected

The total number of calls for all Session Managers that are connected (including active, dormant, being set up, and being torn down).

Data Source

PDSN16000

Source Section

PDSNSystem

Source Field

%sess-ttlconnected%

sess_ttlpcpup

The total number of calls for all Session Managers that have completed the Internet Protocol Control Protocol (IPCP) phase of the registration process.

Data Source

PDSN16000

Source Section

PDSNSystem

Source Field

%sess-ttlpcpup%

sess_ttlkeepfail

The total number of keep-alive failures experienced for all calls for all Session Managers.

Data Source

PDSN16000

Source Section

PDSNSystem

Source Field

%sess-ttlkeepfail%

sess_ttlcpup

The total number of calls for all Session Managers that have completed the Link Control Protocol (LCP) phase of the registration process.

Data Source

PDSN16000

Source Section

PDSNSystem

Source Field

%sess-ttlcpup%

sess_ttlrejected

The total number of calls for all Session Managers that were rejected.

Data Source

PDSN16000

Source Section

PDSNSystem

Source Field

%sess-ttlrejected%

sess_ttlsrsviol

The total number of source violations experienced for all calls for all Session Managers.

Data Source

PDSN16000

Source Section

PDSNSystem

Source Field

%sess-ttlsrsviol%

PG_PVG Primitive Calculations

The following is a list of primitive calculations for the PG_PVG entity.

GRAPHmultiLineSeparator

Special Control Field for Multi-Line Graphs

Calculation

""

NUMDAYS

of days in Report

Calculation

DAYSINREPORT ()

NUMHOURS

of hours in Summation Data

Calculation

PG_PVG Peg Counts

The following is a list of peg counts for the PG_PVG entity.

CRITICALCLEARALARMS

Number of critical alarms cleared on the shelf during the last interval

Data Source

SN07 NTM

Source Section

NTM Statistics

Source Field

CRITICALCLEARALARMS

CRITICALSETALARMS

Number of critical alarms raised on the shelf during the last interval

Data Source

SN07 NTM

Source Section

NTM Statistics

Source Field

CRITICALSETALARMS

MAJORCLEARALARMS

Number of major alarms cleared on the shelf during the last interval

Data Source

SN07 NTM

Source Section

NTM Statistics

Source Field

MAJORCLEARALARMS

MAJORSETALARMS

Number of major alarms raised on the shelf during the last interval

Data Source

SN07 NTM

Source Section

NTM Statistics

Source Field

MAJORSETALARMS

MINORCLEARALARMS

Number of minor alarms cleared on the shelf during the last interval

Data Source

SN07 NTM

Source Section

NTM Statistics

Source Field

MINORCLEARALARMS

MINORSETALARMS

Number of minor alarms raised on the shelf during the last interval

Data Source

SN07 NTM

Source Section

NTM Statistics

Source Field

MINORSETALARMS

PG_PVG_ATM_Interface Primitive Calculations

The following is a list of primitive calculations for the PG_PVG_ATM_Interface entity.

AvgInLinkUtil

PVG to ATM core incoming link utilization

Calculation

$((\text{INCLP0_1}) * 100 / (1800 * \text{LINKCAP}))$

AvgOutLinkUtil

PVG to ATM core outgoing link utilization

Calculation

$((\text{OUTCLP0_1}) * 100 / (1800 * \text{LINKCAP}))$

GRAPHmultiLineSeparator

Special Control Field for Multi-Line Graphs

Calculation

""

NUMDAYS

of days in Report

Calculation

$\text{DAYSINREPORT}()$

NUMHOURS

of hours in Summation Data

Calculation

PG_PVG_ATM_Interface Peg Counts

The following is a list of peg counts for the PG_PVG_ATM_Interface entity.

actualRate

Actual bandwidth for the ATM interface component in cells per second.

Data Source

PVG MDM

Source Section

ATM, AtmPortStatistics

Source Field

actualRate

INCBRCLP0_1

The total number of ATM cells of CBR traffic class, with CLP equals 0 or 1 received by the ATM interface

Data Source

SN07 NTM

Source Section

NTM Statistics

Source Field

INCBRCLP0+1

INCBRFAIL

The total of all INFAILxx counts for SETUP messages to setup CBR call, received by the ATM interface.

Data Source

SN07 NTM

Source Section

NTM Statistics

Source Field

INCBRFAIL

INCBRSETUP

The total number of Q.931 SETUP protocol data units to establish a CBR connection received by the ATM interface

Data Source

SN07 NTM

Source Section

NTM Statistics

Source Field

INCBRSETUP

INCLP0_1

The total number of ATM cells with a cell loss priority (CLP) equal to 0_1, received by the ATM interface during the last interval.

Data Source

SN07 NTM

Source Section

NTM Statistics

Source Field

INCLP0+1

INCLP0_1DIS

The total number of ATM cells with any cell loss priority (CLP) value that were discarded during the last interval after being received.

Data Source

SN07 NTM

Source Section

NTM Statistics

Source Field

INCLP0+1DIS

INFAIL100

Failure due to invalid information element contents

Data Source

SN07 NTM

Source Section

NTM Statistics

Source Field

INFAIL100

INFAIL104

Failure due to incorrect message length

Data Source

SN07 NTM

Source Section

NTM Statistics

Source Field

INFAIL104

INFAIL111

Failure due to protocol error or unspecified

Data Source

SN07 NTM

Source Section

NTM Statistics

Source Field

INFAIL111

INFAIL17

Failure due to User busy

Data Source

SN07 NTM

Source Section

NTM Statistics

Source Field

INFAIL17

INFAIL18

Failure due to no user responding

Data Source

SN07 NTM

Source Section

NTM Statistics

Source Field

INFAIL18

INFAIL21

Failure due to call rejected

Data Source

SN07 NTM

Source Section

NTM Statistics

Source Field

INFAIL21

INFAIL27

Failure due to destination out of order

Data Source

SN07 NTM

Source Section

NTM Statistics

Source Field

INFAIL27

INFAIL28

Failure due to invalid number format

Data Source

SN07 NTM

Source Section

NTM Statistics

Source Field

INFAIL28

INFAIL3

Failure due to no route to destination

Data Source

SN07 NTM

Source Section

NTM Statistics

Source Field

INFAIL3

INFAIL35

Failure due to requested VPI or VCI not available

Data Source

SN07 NTM

Source Section

NTM Statistics

Source Field

INFAIL35

INFAIL36

Failure due to VPI or VCI assignment failure

Data Source

SN07 NTM

Source Section

NTM Statistics

Source Field

INFAIL36

INFAIL37

Failure due to user cell rate not available

Data Source

SN07 NTM

Source Section

NTM Statistics

Source Field

INFAIL37

INFAIL41

Failure due to temporary failure

Data Source

SN07 NTM

Source Section

NTM Statistics

Source Field

INFAIL41

INFAIL45

Failure due to no VPI or VCI available

Data Source

SN07 NTM

Source Section

NTM Statistics

Source Field

INFAIL45

INFAIL47

Failure due to resource unavailable or unspecified

Data Source

SN07 NTM

Source Section

NTM Statistics

Source Field

INFAIL47

INFAIL49

Failure due to QOS unavailable

Data Source

SN07 NTM

Source Section

NTM Statistics

Source Field

INFAIL49

INFAIL57

Failure due to bearer capability not authorized

Data Source

SN07 NTM

Source Section

NTM Statistics

Source Field

INFAIL57

INFAIL58

Failure due to bearer capability not presently available

Data Source

SN07 NTM

Source Section

NTM Statistics

Source Field

INFAIL58

INFAIL63

Failure due to service or option not available or unspecified

Data Source

SN07 NTM

Source Section

NTM Statistics

Source Field

INFAIL63

INFAIL65

Failure due to bearer capability not implemented

Data Source

SN07 NTM

Source Section

NTM Statistics

Source Field

INFAIL65

INFAIL73

Failure due to unsupported combination of traffic parameters

Data Source

SN07 NTM

Source Section

NTM Statistics

Source Field

INFAIL73

INFAIL78

Failure due to AAL parameters cannot be supported

Data Source

SN07 NTM

Source Section

NTM Statistics

Source Field

INFAIL78

INFAIL88

Failure due to incompatible destination

Data Source

SN07 NTM

Source Section

NTM Statistics

Source Field

INFAIL88

INFAIL96

Failure due to mandatory information element missing

Data Source

SN07 NTM

Source Section

NTM Statistics

Source Field

INFAIL96

INFAIL99

Failure due to information element non-existent or not implemented

Data Source

SN07 NTM

Source Section

NTM Statistics

Source Field

INFAIL99

INNRTVBRCLP0_1

The total number of ATM cells of CBR traffic class, with CLP equals 0 or 1 received by the ATM interface

Data Source

SN07 NTM

Source Section

NTM Statistics

Source Field

INNRTVBRCLP0+1

INNRTVBRFAIL

The total of all INFAILxx counts for SETUP messages to setup nrtVBR call, received by the ATM interface.

Data Source

SN07 NTM

Source Section

NTM Statistics

Source Field

INNRTVBRFAIL

INNRTVBRSETUP

The total number of Q.931 SETUP protocol data units to establish a nrtVBR connection received by the ATM interface

Data Source

SN07 NTM

Source Section

NTM Statistics

Source Field

INNRTVBRSETUP

INRTVBRCLP0_1

The total number of ATM cells of rtVBR traffic class, with CLP equals 0 or 1 received by the ATM interface

Data Source

SN07 NTM

Source Section

NTM Statistics

Source Field

INRTVBRCLP0+1

INRTVBRFAIL

The total of all INFAILxx counts for SETUP messages to setup rtVBR call, received by the ATM interface.

Data Source

SN07 NTM

Source Section

NTM Statistics

Source Field

INRTVBRFAIL

INRTVBRSETUP

The total number of Q.931 SETUP protocol data units to establish a rtVBR connection received by the ATM interface

Data Source

SN07 NTM

Source Section

NTM Statistics

Source Field

INRTVBRSETUP

INSETUP

The total number of Q.931 SETUP protocol data units received by the ATM interface

Data Source

SN07 NTM

Source Section

NTM Statistics

Source Field

INSETUP

INUBRCLP0_1

The total number of ATM cells of UBR traffic class, with CLP equals 0 or 1 received by the ATM interface

Data Source

SN07 NTM

Source Section

NTM Statistics

Source Field

INUBRCLP0+1

INUBRFAIL

The total of all INFAILxx counts for SETUP messages to setup UBR call, received by the ATM interface.

Data Source

SN07 NTM

Source Section

NTM Statistics

Source Field

INUBRFAIL

INUBRSETUP

The total number of Q.931 SETUP protocol data units to establish a UBR connection received by the ATM interface

Data Source

SN07 NTM

Source Section

NTM Statistics

Source Field

INUBRSETUP

LINKCAP

The configured capacity, in terms of bandwidth, for the ATM interface.

Data Source

SN07 NTM

Source Section

NTM Statistics

Source Field

LINKCAP

OUTCBRCLP0_1

The total number of ATM cells of CBR traffic class with CLP equals 0 or 1, transmitted by the ATM interface

Data Source

SN07 NTM

Source Section

NTM Statistics

Source Field

OUTCBRCLP0+1

OUTCBRCLP0_1DIS

The total number of ATM cells of CBR traffic class with any CLP value that were discarded

Data Source

SN07 NTM

Source Section

NTM Statistics

Source Field

OUTCBRCLP0+1DIS

OUTCBRFAIL

The total of all OUTFAILxx counts for SETUP messages that attempt to setup CBR call

Data Source

SN07 NTM

Source Section

NTM Statistics

Source Field

OUTCBRFAIL

OUTCBRSETUP

The total number of Q.2931 SETUP PDUs to establish a CBR connection transmitted by the ATM interface

Data Source

SN07 NTM

Source Section

NTM Statistics

Source Field

OUTCBRSETUP

OUTCLP0_1

The total number of ATM cells with any cell loss priority (CLP) value, transmitted by the ATM interface

Data Source

SN07 NTM

Source Section

NTM Statistics

Source Field

OUTCLP0+1

OUTCLP0_1DIS

The total number of ATM cells with any cell loss priority (CLP) value that were discarded during the last interval prior to being transmitted.

Data Source

SN07 NTM

Source Section

NTM Statistics

Source Field

OUTCLP0+1DIS

OUTFAIL100

Failure due to invalid information element contents

Data Source

SN07 NTM

Source Section

NTM Statistics

Source Field

OUTFAIL100

OUTFAIL104

Failure due to incorrect message length

Data Source

SN07 NTM

Source Section

NTM Statistics

Source Field

OUTFAIL104

OUTFAIL111

Failure due to protocol error or unspecified

Data Source

SN07 NTM

Source Section

NTM Statistics

Source Field

OUTFAIL111

OUTFAIL17

Failure due to user busy

Data Source

SN07 NTM

Source Section

NTM Statistics

Source Field

OUTFAIL17

OUTFAIL18

Failure due to no user responding

Data Source

SN07 NTM

Source Section

NTM Statistics

Source Field

OUTFAIL18

OUTFAIL21

Failure due to call rejected

Data Source

SN07 NTM

Source Section

NTM Statistics

Source Field

OUTFAIL21

OUTFAIL27

Failure due to destination out of order

Data Source

SN07 NTM

Source Section

NTM Statistics

Source Field

OUTFAIL27

OUTFAIL28

Failure due to invalid number format

Data Source

SN07 NTM

Source Section

NTM Statistics

Source Field

OUTFAIL28

OUTFAIL3

Failure due to no route to destination

Data Source

SN07 NTM

Source Section

NTM Statistics

Source Field

OUTFAIL3

OUTFAIL35

Failure due to requested VPCior VCI not available

Data Source

SN07 NTM

Source Section

NTM Statistics

Source Field

OUTFAIL35

OUTFAIL36

Failure due to VPCI or VCI assignment failure

Data Source

SN07 NTM

Source Section

NTM Statistics

Source Field

OUTFAIL36

OUTFAIL37

Failure due to user cell rate not available

Data Source

SN07 NTM

Source Section

NTM Statistics

Source Field

OUTFAIL37

OUTFAIL41

Failure due to temporary failure

Data Source

SN07 NTM

Source Section

NTM Statistics

Source Field

OUTFAIL41

OUTFAIL45

Failure due to no VPCI or VCI available

Data Source

SN07 NTM

Source Section

NTM Statistics

Source Field

OUTFAIL45

OUTFAIL47

Failure due to resource unavailable or unspecified

Data Source

SN07 NTM

Source Section

NTM Statistics

Source Field

OUTFAIL47

OUTFAIL49

Failure due to QOS unavailable

Data Source

SN07 NTM

Source Section

NTM Statistics

Source Field

OUTFAIL49

OUTFAIL57

Failure due to bearer capability not authorized

Data Source

SN07 NTM

Source Section

NTM Statistics

Source Field

OUTFAIL57

OUTFAIL58

Failure due to bearer capability not presently available

Data Source

SN07 NTM

Source Section

NTM Statistics

Source Field

OUTFAIL58

OUTFAIL63

Failure due to service or option not available or unspecified

Data Source

SN07 NTM

Source Section

NTM Statistics

Source Field

OUTFAIL63

OUTFAIL65

Failure due to bearer capability not implemented

Data Source

SN07 NTM

Source Section

NTM Statistics

Source Field

OUTFAIL65

OUTFAIL73

Failure due to unsupported combination of traffic parameters

Data Source

SN07 NTM

Source Section

NTM Statistics

Source Field

OUTFAIL73

OUTFAIL78

Failure due to AAL parameters cannot be supported

Data Source

SN07 NTM

Source Section

NTM Statistics

Source Field

OUTFAIL78

OUTFAIL88

Failure due to incompatible destination

Data Source

SN07 NTM

Source Section

NTM Statistics

Source Field

OUTFAIL88

OUTFAIL96

Failure due to mandatory information element missing

Data Source

SN07 NTM

Source Section

NTM Statistics

Source Field

OUTFAIL96

OUTFAIL99

Failure due to information element non-existent or not implemented

Data Source

SN07 NTM

Source Section

NTM Statistics

Source Field

OUTFAIL99

OUTNRTVBRCLP0_1

The total number of ATM cells of nrtVBR traffic class with CLP equals 0 or 1, transmitted by the ATM interface

Data Source

SN07 NTM

Source Section

NTM Statistics

Source Field

OUTNRTVBRCLP0+1

OUTNRTVBRCLP0_1DIS

The total number of ATM cells of nrtVBR trafficl class with any CLP value that were discarded

Data Source

SN07 NTM

Source Section

NTM Statistics

Source Field

OUTNRTVBRCLP0+1DIS

OUTNRTVBRFAIL

The total of all OUTFAILxx counts for SETUP messages that attempt to setup nrtVBR call

Data Source

SN07 NTM

Source Section

NTM Statistics

Source Field

OUTNRTVBRFAIL

OUTNRTVBRSETUP

The total number of Q.2931 SETUP PDUs to establish a nrtVBR connection transmitted by the ATM interface

Data Source

SN07 NTM

Source Section

NTM Statistics

Source Field

OUTNRTVBRSETUP

OUTRTVBRCLP0_1

The total number of ATM cells of rtVBR traffic class with CLP equals 0 or 1, transmitted by the ATM interface

Data Source

SN07 NTM

Source Section

NTM Statistics

Source Field

OUTRTVBRCLP0+1

OUTRTVBRCLP0_1DIS

The total number of ATM cells of rtVBR traffic class with any CLP value that were discarded

Data Source

SN07 NTM

Source Section

NTM Statistics

Source Field

OUTRTVBRCLP0+1DIS

OUTRTVBRFAIL

The total of all OUTFAILxx counts for SETUP messages that attempt to setup rtVBR call

Data Source

SN07 NTM

Source Section

NTM Statistics

Source Field

OUTRTVBRFAIL

OUTRTVBRSETUP

The total number of Q.2931 SETUP PDUs to establish a rtVBR connection transmitted by the ATM interface

Data Source

SN07 NTM

Source Section

NTM Statistics

Source Field

OUTRTVBRSETUP

OUTSETUP

The total number of Q.2931 SETUP PDUs transmitted by the ATM interface

Data Source

SN07 NTM

Source Section

NTM Statistics

Source Field

OUTSETUP

OUTUBRCLP0_1

The total number of ATM cells of UBR traffic class with CLP equals 0 or 1, transmitted by the ATM interface

Data Source

SN07 NTM

Source Section

NTM Statistics

Source Field

OUTUBRCLP0+1

OUTUBRCLP0_1DIS

The total number of ATM cells of UBR traffic class with any CLP value that were discarded

Data Source

SN07 NTM

Source Section

NTM Statistics

Source Field

OUTUBRCLP0+1DIS

OUTUBRFAIL

The total of all OUTFAILxx counts for SETUP messages that attempt to setup UBR call

Data Source

SN07 NTM

Source Section

NTM Statistics

Source Field

OUTUBRFAIL

OUTUBRSETUP

The total number of Q.2931 SETUP PDUs to establish a UBR connection transmitted by the ATM interface

Data Source

SN07 NTM

Source Section

NTM Statistics

Source Field

OUTUBRSETUP

provRate

Provisioned link rate for the ATM interface component in cells per second.

Data Source

PVG MDM

Source Section

ATM, AtmPortStatistics

Source Field

provRate

REMOTEATMIFLABEL

The name of the remote side of an ATM interface.

Data Source

SN07 NTM

Source Section

NTM Statistics

Source Field

REMOTEATMIFLABEL

remoteInstance

Name of the remote ATM interface instance.

Data Source

PVG MDM

Source Section

ATM, AtmPortStatistics

Source Field

remoteInstance

rxAvgCellRate

Average receive cell rate where CLP is 0 or 1 during the collection interval in cells per second.

Data Source

PVG MDM

Source Section

ATM, AtmPortStatistics

Source Field

rxAvgCellRate

rxAvgCellRateAbr

Average receive cell rate where CLP is 0 or 1 during the least busy minute of the collection interval in cells per second where service category is Abr.

Data Source

PVG MDM

Source Section

ATM, AtmPortStatistics

Source Field

rxAvgCellRateAbr

rxAvgCellRateCbr

Average receive cell rate where CLP is 0 or 1 during the least busy minute of the collection interval in cells per second where service category is Cbr.

Data Source

PVG MDM

Source Section

ATM, AtmPortStatistics

Source Field

rxAvgCellRateCbr

rxAvgCellRateClp

Average receive cell rate where CLP is 1 during the collection interval in cells per second.

Data Source

PVG MDM

Source Section

ATM, AtmPortStatistics

Source Field

rxAvgCellRateClp

rxAvgCellRateClpAbr

Average receive cell rate where CLP is 1 during the least busy minute of the collection interval in cells per second where service category is Abr.

Data Source

PVG MDM

Source Section

ATM, AtmPortStatistics

Source Field

rxAvgCellRateClpAbr

rxAvgCellRateClpCbr

Average receive cell rate where CLP is 1 during the least busy minute of the collection interval in cells per second where service category is Cbr.

Data Source

PVG MDM

Source Section

ATM, AtmPortStatistics

Source Field

rxAvgCellRateClpCbr

rxAvgCellRateClpNrtvbr

Average receive cell rate where CLP is 1 during the least busy minute of the collection interval in cells per second where service category is Nrtvbr.

Data Source

PVG MDM

Source Section

ATM, AtmPortStatistics

Source Field

rxAvgCellRateClpNrtvbr

rxAvgCellRateClpRtvbr

Average receive cell rate where CLP is 1 during the least busy minute of the collection interval in cells per second where service category is Rtvbr.

Data Source

PVG MDM

Source Section

ATM, AtmPortStatistics

Source Field

rxAvgCellRateClpRtvbr

rxAvgCellRateClpUbr

Average receive cell rate where CLP is 1 during the least busy minute of the collection interval in cells per second where service category is Ubr.

Data Source

PVG MDM

Source Section

ATM, AtmPortStatistics

Source Field

rxAvgCellRateClpUbr

rxAvgCellRateNrtvbr

Average receive cell rate where CLP is 0 or 1 during the least busy minute of the collection interval in cells per second where service category is Nrtvbr.

Data Source

PVG MDM

Source Section

ATM, AtmPortStatistics

Source Field

rxAvgCellRateNrtvbr

rxAvgCellRateRtvbr

Average receive cell rate where CLP is 0 or 1 during the least busy minute of the collection interval in cells per second where service category is Rtvbr.

Data Source

PVG MDM

Source Section

ATM, AtmPortStatistics

Source Field

rxAvgCellRateRtvbr

rxAvgCellRateUbr

Average receive cell rate where CLP is 0 or 1 during the least busy minute of the collection interval in cells per second where service category is Ubr.

Data Source

PVG MDM

Source Section

ATM, AtmPortStatistics

Source Field

rxAvgCellRateUbr

rxCellDiscards

Receive discarded cells where CLP is 0 or 1.

Data Source

PVG MDM

Source Section

ATM, AtmPortStatistics

Source Field

rxCellDiscards

rxCellDiscardsAbr

Receive discarded cells where CLP is 0 or 1 during the collection interval where service category is Abr.

Data Source

PVG MDM

Source Section

ATM, AtmPortStatistics

Source Field

rxCellDiscardsAbr

rxCellDiscardsCbr

Receive discarded cells where CLP is 0 or 1 during the collection interval where service category is Cbr.

Data Source

PVG MDM

Source Section

ATM, AtmPortStatistics

Source Field

rxCellDiscardsCbr

rxCellDiscardsClp

Receive discarded cells where CLP is 1.

Data Source

PVG MDM

Source Section

ATM, AtmPortStatistics

Source Field

rxCellDiscardsClp

rxCellDiscardsClpAbr

Receive discarded cells where CLP is 1 during the collection interval where service category is Abr.

Data Source

PVG MDM

Source Section

ATM, AtmPortStatistics

Source Field

rxCellDiscardsClpAbr

rxCellDiscardsClpCbr

Receive discarded cells where CLP is 1 during the collection interval where service category is Cbr.

Data Source

PVG MDM

Source Section

ATM, AtmPortStatistics

Source Field

rxCellDiscardsClpCbr

rxCellDiscardsClpNrtvbr

Receive discarded cells where CLP is 1 during the collection interval where service category is Nrtvbr.

Data Source

PVG MDM

Source Section

ATM, AtmPortStatistics

Source Field

rxCellDiscardsClpNrtvbr

rxCellDiscardsClpRtvbr

Receive discarded cells where CLP is 1 during the collection interval where service category is Rtvbr.

Data Source

PVG MDM

Source Section

ATM, AtmPortStatistics

Source Field

rxCellDiscardsClpRtvbr

rxCellDiscardsClpUbr

Receive discarded cells where CLP is 1 during the collection interval where service category is Ubr.

Data Source

PVG MDM

Source Section

ATM, AtmPortStatistics

Source Field

rxCellDiscardsClpUbr

rxCellDiscardsNrtvbr

Receive discarded cells where CLP is 0 or 1 during the collection interval where service category is Nrtvbr.

Data Source

PVG MDM

Source Section

ATM, AtmPortStatistics

Source Field

rxCellDiscardsNrtvbr

rxCellDiscardsRtvbr

Receive discarded cells where CLP is 0 or 1 during the collection interval where service category is Rtvbr.

Data Source

PVG MDM

Source Section

ATM, AtmPortStatistics

Source Field

rxCellDiscardsRtvbr

rxCellDiscardsUbr

Receive discarded cells where CLP is 0 or 1 during the collection interval where service category is Ubr.

Data Source

PVG MDM

Source Section

ATM, AtmPortStatistics

Source Field

rxCellDiscardsUbr

rxFrameDiscards

Receive discarded frames where CLP is 0 or 1.

Data Source

PVG MDM

Source Section

ATM, AtmPortStatistics

Source Field

rxFrameDiscards

rxFrameDiscardsAbr

Receive discarded frames where CLP is 0 or 1 during the collection interval where service category is Abr.

Data Source

PVG MDM

Source Section

ATM, AtmPortStatistics

Source Field

rxFrameDiscardsAbr

rxFrameDiscardsCbr

Receive discarded frames where CLP is 0 or 1 during the collection interval where service category is Cbr.

Data Source

PVG MDM

Source Section

ATM, AtmPortStatistics

Source Field

rxFrameDiscardsCbr

rxFrameDiscardsClp

Receive discarded frames where CLP is 1.

Data Source

PVG MDM

Source Section

ATM, AtmPortStatistics

Source Field

rxFrameDiscardsClp

rxFrameDiscardsClpAbr

Receive discarded frames where CLP is 1 during the collection interval where service category is Abr.

Data Source

PVG MDM

Source Section

ATM, AtmPortStatistics

Source Field

rxFrameDiscardsClpAbr

rxFrameDiscardsClpCbr

Receive discarded frames where CLP is 1 during the collection interval where service category is Cbr.

Data Source

PVG MDM

Source Section

ATM, AtmPortStatistics

Source Field

rxFrameDiscardsClpCbr

rxFrameDiscardsClpNrtvbr

Receive discarded frames where CLP is 1 during the collection interval where service category is Nrtvbr.

Data Source

PVG MDM

Source Section

ATM, AtmPortStatistics

Source Field

rxFrameDiscardsClpNrtvbr

rxFrameDiscardsClpRtvbr

Receive discarded frames where CLP is 1 during the collection interval where service category is Rtvbr.

Data Source

PVG MDM

Source Section

ATM, AtmPortStatistics

Source Field

rxFrameDiscardsClpRtvbr

rxFrameDiscardsClpUbr

Receive discarded frames where CLP is 1 during the collection interval where service category is Ubr.

Data Source

PVG MDM

Source Section

ATM, AtmPortStatistics

Source Field

rxFrameDiscardsClpUbr

rxFrameDiscardsNrtvbr

Receive discarded frames where CLP is 0 or 1 during the collection interval where service category is Nrtvbr.

Data Source

PVG MDM

Source Section

ATM, AtmPortStatistics

Source Field

rxFrameDiscardsNrtvbr

rxFrameDiscardsRtvbr

Receive discarded frames where CLP is 0 or 1 during the collection interval where service category is Rtvbr.

Data Source

PVG MDM

Source Section

ATM, AtmPortStatistics

Source Field

rxFrameDiscardsRtvbr

rxFrameDiscardsUbr

Receive discarded frames where CLP is 0 or 1 during the collection interval where service category is Ubr.

Data Source

PVG MDM

Source Section

ATM, AtmPortStatistics

Source Field

rxFrameDiscardsUbr

rxMaxCellRate

Receive cell rate where CLP is 0 or 1 during the busiest minute of the collection interval in cells per second.

Data Source

PVG MDM

Source Section

ATM, AtmPortStatistics

Source Field

rxMaxCellRate

rxMaxCellRateAbr

Receive cell rate where CLP is 0 or 1 during the busiest minute of the collection interval in cells per second where service category is Abr.

Data Source

PVG MDM

Source Section

ATM, AtmPortStatistics

Source Field

rxMaxCellRateAbr

rxMaxCellRateCbr

Receive cell rate where CLP is 0 or 1 during the busiest minute of the collection interval in cells per second where service category is Cbr.

Data Source

PVG MDM

Source Section

ATM, AtmPortStatistics

Source Field

rxMaxCellRateCbr

rxMaxCellRateClp

Receive cell rate where CLP is 1 during the busiest minute of the collection interval in cells per second.

Data Source

PVG MDM

Source Section

ATM, AtmPortStatistics

Source Field

rxMaxCellRateClp

rxMaxCellRateClpAbr

Receive cell rate where CLP is 1 during the busiest minute of the collection interval in cells per second where service category is Abr.

Data Source

PVG MDM

Source Section

ATM, AtmPortStatistics

Source Field

rxMaxCellRateClpAbr

rxMaxCellRateClpCbr

Receive cell rate where CLP is 1 during the busiest minute of the collection interval in cells per second where service category is Cbr.

Data Source

PVG MDM

Source Section

ATM, AtmPortStatistics

Source Field

rxMaxCellRateClpCbr

rxMaxCellRateClpNrtvbr

Receive cell rate where CLP is 1 during the busiest minute of the collection interval in cells per second where service category is Nrtvbr.

Data Source

PVG MDM

Source Section

ATM, AtmPortStatistics

Source Field

rxMaxCellRateClpNrtvbr

rxMaxCellRateClpRtvbr

Receive cell rate where CLP is 1 during the busiest minute of the collection interval in cells per second where service category is Rtvbr.

Data Source

PVG MDM

Source Section

ATM, AtmPortStatistics

Source Field

rxMaxCellRateClpRtvbr

rxMaxCellRateClpUbr

Receive cell rate where CLP is 1 during the busiest minute of the collection interval in cells per second where service category is Ubr.

Data Source

PVG MDM

Source Section

ATM, AtmPortStatistics

Source Field

rxMaxCellRateClpUbr

rxMaxCellRateNrtvbr

Receive cell rate where CLP is 0 or 1 during the busiest minute of the collection interval in cells per second where service category is Nrtvbr.

Data Source

PVG MDM

Source Section

ATM, AtmPortStatistics

Source Field

rxMaxCellRateNrtvbr

rxMaxCellRateRtvbr

Receive cell rate where CLP is 0 or 1 during the busiest minute of the collection interval in cells per second where service category is Rtvbr.

Data Source

PVG MDM

Source Section

ATM, AtmPortStatistics

Source Field

rxMaxCellRateRtvbr

rxMaxCellRateUbr

Receive cell rate where CLP is 0 or 1 during the busiest minute of the collection interval in cells per second where service category is Ubr.

Data Source

PVG MDM

Source Section

ATM, AtmPortStatistics

Source Field

rxMaxCellRateUbr

rxMinCellRate

Receive cell rate where CLP is 0 or 1 during the least busy minute of the collection interval in cells per second.

Data Source

PVG MDM

Source Section

ATM, AtmPortStatistics

Source Field

rxMinCellRate

rxMinCellRateAbr

Receive cell rate where CLP is 0 or 1 during the least busy minute of the collection interval in cells per second where service category is Abr.

Data Source

PVG MDM

Source Section

ATM, AtmPortStatistics

Source Field

rxMinCellRateAbr

rxMinCellRateCbr

Receive cell rate where CLP is 0 or 1 during the least busy minute of the collection interval in cells per second where service category is Cbr.

Data Source

PVG MDM

Source Section

ATM, AtmPortStatistics

Source Field

rxMinCellRateCbr

rxMinCellRateClp

Receive cell rate where CLP is 1 during the least busy minute of the collection interval in cells per second.

Data Source

PVG MDM

Source Section

ATM, AtmPortStatistics

Source Field

rxMinCellRateClp

rxMinCellRateClpAbr

Receive cell rate where CLP is 1 during the least busy minute of the collection interval in cells per second where service category is Abr.

Data Source

PVG MDM

Source Section

ATM, AtmPortStatistics

Source Field

rxMinCellRateClpAbr

rxMinCellRateClpCbr

Receive cell rate where CLP is 1 during the least busy minute of the collection interval in cells per second where service category is Cbr.

Data Source

PVG MDM

Source Section

ATM, AtmPortStatistics

Source Field

rxMinCellRateClpCbr

rxMinCellRateClpNrtvbr

Receive cell rate where CLP is 1 during the least busy minute of the collection interval in cells per second where service category is Nrtvbr.

Data Source

PVG MDM

Source Section

ATM, AtmPortStatistics

Source Field

rxMinCellRateClpNrtvbr

rxMinCellRateClpRtvbr

Receive cell rate where CLP is 1 during the least busy minute of the collection interval in cells per second where service category is Rtvbr.

Data Source

PVG MDM

Source Section

ATM, AtmPortStatistics

Source Field

rxMinCellRateClpRtvbr

rxMinCellRateClpUbr

Receive cell rate where CLP is 1 during the least busy minute of the collection interval in cells per second where service category is Ubr.

Data Source

PVG MDM

Source Section

ATM, AtmPortStatistics

Source Field

rxMinCellRateClpUbr

rxMinCellRateNrtvbr

Receive cell rate where CLP is 0 or 1 during the least busy minute of the collection interval in cells per second where service category is Nrtvbr.

Data Source

PVG MDM

Source Section

ATM, AtmPortStatistics

Source Field

rxMinCellRateNrtvbr

rxMinCellRateRtvbr

Receive cell rate where CLP is 0 or 1 during the least busy minute of the collection interval in cells per second where service category is Rtvbr.

Data Source

PVG MDM

Source Section

ATM, AtmPortStatistics

Source Field

rxMinCellRateRtvbr

rxMinCellRateUbr

Receive cell rate where CLP is 0 or 1 during the least busy minute of the collection interval in cells per second where service category is Ubr.

Data Source

PVG MDM

Source Section

ATM, AtmPortStatistics

Source Field

rxMinCellRateUbr

rxUtilization

Average receive link utilization during the collection interval expressed as a percentage of the provisioned maximum.

Data Source

PVG MDM

Source Section

ATM, AtmPortStatistics

Source Field

rxUtilization

SIGNALLINGCHANNELSTATUS

ATM Signalling Channel status

Data Source

SN07 NTM

Source Section

NTM Statistics

Source Field

SIGNALLINGCHANNELSTATUS

txAvgCellRate

Average transmit cell rate where CLP is 0 or 1 during the collection interval in cells per second.

Data Source

PVG MDM

Source Section

ATM, AtmPortStatistics

Source Field

txAvgCellRate

txAvgCellRateAbr

Average transmit cell rate where CLP is 0 or 1 during the least busy minute of the collection interval in cells per second where service category is Abr.

Data Source

PVG MDM

Source Section

ATM, AtmPortStatistics

Source Field

txAvgCellRateAbr

txAvgCellRateCbr

Average transmit cell rate where CLP is 0 or 1 during the least busy minute of the collection interval in cells per second where service category is Cbr.

Data Source

PVG MDM

Source Section

ATM, AtmPortStatistics

Source Field

txAvgCellRateCbr

txAvgCellRateClp

Average transmit cell rate where CLP is 1 during the collection interval in cells per second.

Data Source

PVG MDM

Source Section

ATM, AtmPortStatistics

Source Field

txAvgCellRateClp

txAvgCellRateClpAbr

Average transmit cell rate where CLP is 1 during the least busy minute of the collection interval in cells per second where service category is Abr.

Data Source

PVG MDM

Source Section

ATM, AtmPortStatistics

Source Field

txAvgCellRateClpAbr

txAvgCellRateClpCbr

Average transmit cell rate where CLP is 1 during the least busy minute of the collection interval in cells per second where service category is Cbr.

Data Source

PVG MDM

Source Section

ATM, AtmPortStatistics

Source Field

txAvgCellRateClpCbr

txAvgCellRateClpNrtvbr

Average transmit cell rate where CLP is 1 during the least busy minute of the collection interval in cells per second where service category is Nrtvbr.

Data Source

PVG MDM

Source Section

ATM, AtmPortStatistics

Source Field

txAvgCellRateClpNrtvbr

txAvgCellRateClpRtvbr

Average transmit cell rate where CLP is 1 during the least busy minute of the collection interval in cells per second where service category is Rtvbr.

Data Source

PVG MDM

Source Section

ATM, AtmPortStatistics

Source Field

txAvgCellRateClpRtvbr

txAvgCellRateClpUbr

Average transmit cell rate where CLP is 1 during the least busy minute of the collection interval in cells per second where service category is Ubr.

Data Source

PVG MDM

Source Section

ATM, AtmPortStatistics

Source Field

txAvgCellRateClpUbr

txAvgCellRateNrtvbr

Average transmit cell rate where CLP is 0 or 1 during the least busy minute of the collection interval in cells per second where service category is Nrtvbr.

Data Source

PVG MDM

Source Section

ATM, AtmPortStatistics

Source Field

txAvgCellRateNrtvbr

txAvgCellRateRtvbr

Average transmit cell rate where CLP is 0 or 1 during the least busy minute of the collection interval in cells per second where service category is Rtvbr.

Data Source

PVG MDM

Source Section

ATM, AtmPortStatistics

Source Field

txAvgCellRateRtvbr

txAvgCellRateUbr

Average transmit cell rate where CLP is 0 or 1 during the least busy minute of the collection interval in cells per second where service category is Ubr.

Data Source

PVG MDM

Source Section

ATM, AtmPortStatistics

Source Field

txAvgCellRateUbr

txCellDiscards

Transmit discarded cells where CLP is 0 or 1.

Data Source

PVG MDM

Source Section

ATM, AtmPortStatistics

Source Field

txCellDiscards

txCellDiscardsAbr

Transmit discarded cells where CLP is 0 or 1 during the collection interval where service category is Abr.

Data Source

PVG MDM

Source Section

ATM, AtmPortStatistics

Source Field

txCellDiscardsAbr

txCellDiscardsCbr

Transmit discarded cells where CLP is 0 or 1 during the collection interval where service category is Cbr.

Data Source

PVG MDM

Source Section

ATM, AtmPortStatistics

Source Field

txCellDiscardsCbr

txCellDiscardsClp

Transmit discarded cells where CLP is 1.

Data Source

PVG MDM

Source Section

ATM, AtmPortStatistics

Source Field

txCellDiscardsClp

txCellDiscardsClpAbr

Transmit discarded cells where CLP is 1 during the collection interval where service category is Abr.

Data Source

PVG MDM

Source Section

ATM, AtmPortStatistics

Source Field

txCellDiscardsClpAbr

txCellDiscardsClpCbr

Transmit discarded cells where CLP is 1 during the collection interval where service category is Cbr.

Data Source

PVG MDM

Source Section

ATM, AtmPortStatistics

Source Field

txCellDiscardsClpCbr

txCellDiscardsClpNrtvbr

Transmit discarded cells where CLP is 1 during the collection interval where service category is Nrtvbr.

Data Source

PVG MDM

Source Section

ATM, AtmPortStatistics

Source Field

txCellDiscardsClpNrtvbr

txCellDiscardsClpRtvbr

Transmit discarded cells where CLP is 1 during the collection interval where service category is Rtvbr.

Data Source

PVG MDM

Source Section

ATM, AtmPortStatistics

Source Field

txCellDiscardsClpRtvbr

txCellDiscardsClpUbr

Transmit discarded cells where CLP is 1 during the collection interval where service category is Ubr.

Data Source

PVG MDM

Source Section

ATM, AtmPortStatistics

Source Field

txCellDiscardsClpUbr

txCellDiscardsNrtvbr

Transmit discarded cells where CLP is 0 or 1 during the collection interval where service category is Nrtvbr.

Data Source

PVG MDM

Source Section

ATM, AtmPortStatistics

Source Field

txCellDiscardsNrtvbr

txCellDiscardsRtvbr

Transmit discarded cells where CLP is 0 or 1 during the collection interval where service category is Rtvbr.

Data Source

PVG MDM

Source Section

ATM, AtmPortStatistics

Source Field

txCellDiscardsRtvbr

txCellDiscardsUbr

Transmit discarded cells where CLP is 0 or 1 during the collection interval where service category is Ubr.

Data Source

PVG MDM

Source Section

ATM, AtmPortStatistics

Source Field

txCellDiscardsUbr

txFrameDiscards

Transmit discarded frames where CLP is 0 or 1.

Data Source

PVG MDM

Source Section

ATM, AtmPortStatistics

Source Field

txFrameDiscards

txFrameDiscardsAbr

Transmit discarded frames where CLP is 0 or 1 during the collection interval where service category is Abr.

Data Source

PVG MDM

Source Section

ATM, AtmPortStatistics

Source Field

txFrameDiscardsAbr

txFrameDiscardsCbr

Transmit discarded frames where CLP is 0 or 1 during the collection interval where service category is Cbr.

Data Source

PVG MDM

Source Section

ATM, AtmPortStatistics

Source Field

txFrameDiscardsCbr

txFrameDiscardsClp

Transmit discarded frames where CLP is 1.

Data Source

PVG MDM

Source Section

ATM, AtmPortStatistics

Source Field

txFrameDiscardsClp

txFrameDiscardsClpAbr

Transmit discarded frames where CLP is 1 during the collection interval where service category is Abr.

Data Source

PVG MDM

Source Section

ATM, AtmPortStatistics

Source Field

txFrameDiscardsClpAbr

txFrameDiscardsClpCbr

Transmit discarded frames where CLP is 1 during the collection interval where service category is Cbr.

Data Source

PVG MDM

Source Section

ATM, AtmPortStatistics

Source Field

txFrameDiscardsClpCbr

txFrameDiscardsClpNrtvbr

Transmit discarded frames where CLP is 1 during the collection interval where service category is Nrtvbr.

Data Source

PVG MDM

Source Section

ATM, AtmPortStatistics

Source Field

txFrameDiscardsClpNrtvbr

txFrameDiscardsClpRtvbr

Transmit discarded frames where CLP is 1 during the collection interval where service category is Rtvbr.

Data Source

PVG MDM

Source Section

ATM, AtmPortStatistics

Source Field

txFrameDiscardsClpRtvbr

txFrameDiscardsClpUbr

Transmit discarded frames where CLP is 1 during the collection interval where service category is Ubr.

Data Source

PVG MDM

Source Section

ATM, AtmPortStatistics

Source Field

txFrameDiscardsClpUbr

txFrameDiscardsNrtvbr

Transmit discarded frames where CLP is 0 or 1 during the collection interval where service category is Nrtvbr.

Data Source

PVG MDM

Source Section

ATM, AtmPortStatistics

Source Field

txFrameDiscardsNrtvbr

txFrameDiscardsRtvbr

Transmit discarded frames where CLP is 0 or 1 during the collection interval where service category is Rtvbr.

Data Source

PVG MDM

Source Section

ATM, AtmPortStatistics

Source Field

txFrameDiscardsRtvbr

txFrameDiscardsUbr

Transmit discarded frames where CLP is 0 or 1 during the collection interval where service category is Ubr.

Data Source

PVG MDM

Source Section

ATM, AtmPortStatistics

Source Field

txFrameDiscardsUbr

txMaxCellRate

Transmit cell rate where CLP is 0 or 1 during the busiest minute of the collection interval in cells per second.

Data Source

PVG MDM

Source Section

ATM, AtmPortStatistics

Source Field

txMaxCellRate

txMaxCellRateAbr

Transmit cell rate where CLP is 0 or 1 during the busiest minute of the collection interval in cells per second where service category is Abr.

Data Source

PVG MDM

Source Section

ATM, AtmPortStatistics

Source Field

txMaxCellRateAbr

txMaxCellRateCbr

Transmit cell rate where CLP is 0 or 1 during the busiest minute of the collection interval in cells per second where service category is Cbr.

Data Source

PVG MDM

Source Section

ATM, AtmPortStatistics

Source Field

txMaxCellRateCbr

txMaxCellRateClp

Transmit cell rate where CLP is 1 during the busiest minute of the collection interval in cells per second.

Data Source

PVG MDM

Source Section

ATM, AtmPortStatistics

Source Field

txMaxCellRateClp

txMaxCellRateClpAbr

Transmit cell rate where CLP is 1 during the busiest minute of the collection interval in cells per second where service category is Abr.

Data Source

PVG MDM

Source Section

ATM, AtmPortStatistics

Source Field

txMaxCellRateClpAbr

txMaxCellRateClpCbr

Transmit cell rate where CLP is 1 during the busiest minute of the collection interval in cells per second where service category is Cbr.

Data Source

PVG MDM

Source Section

ATM, AtmPortStatistics

Source Field

txMaxCellRateClpCbr

txMaxCellRateClpNrtvbr

Transmit cell rate where CLP is 1 during the busiest minute of the collection interval in cells per second where service category is Nrtvbr.

Data Source

PVG MDM

Source Section

ATM, AtmPortStatistics

Source Field

txMaxCellRateClpNrtvbr

txMaxCellRateClpRtvbr

Transmit cell rate where CLP is 1 during the busiest minute of the collection interval in cells per second where service category is Rtvbr.

Data Source

PVG MDM

Source Section

ATM, AtmPortStatistics

Source Field

txMaxCellRateClpRtvbr

txMaxCellRateClpUbr

Transmit cell rate where CLP is 1 during the busiest minute of the collection interval in cells per second where service category is Ubr.

Data Source

PVG MDM

Source Section

ATM, AtmPortStatistics

Source Field

txMaxCellRateClpUbr

txMaxCellRateNrtvbr

Transmit cell rate where CLP is 0 or 1 during the busiest minute of the collection interval in cells per second where service category is Nrtvbr.

Data Source

PVG MDM

Source Section

ATM, AtmPortStatistics

Source Field

txMaxCellRateNrtvbr

txMaxCellRateRtvbr

Transmit cell rate where CLP is 0 or 1 during the busiest minute of the collection interval in cells per second where service category is Rtvbr.

Data Source

PVG MDM

Source Section

ATM, AtmPortStatistics

Source Field

txMaxCellRateRtvbr

txMaxCellRateUbr

Transmit cell rate where CLP is 0 or 1 during the busiest minute of the collection interval in cells per second where service category is Ubr.

Data Source

PVG MDM

Source Section

ATM, AtmPortStatistics

Source Field

txMaxCellRateUbr

txMinCellRate

Transmit cell rate where CLP is 0 or 1 during the least busy minute of the collection interval in cells per second.

Data Source

PVG MDM

Source Section

ATM, AtmPortStatistics

Source Field

txMinCellRate

txMinCellRateAbr

Transmit cell rate where CLP is 0 or 1 during the least busy minute of the collection interval in cells per second where service category is Abr.

Data Source

PVG MDM

Source Section

ATM, AtmPortStatistics

Source Field

txMinCellRateAbr

txMinCellRateCbr

Transmit cell rate where CLP is 0 or 1 during the least busy minute of the collection interval in cells per second where service category is Cbr.

Data Source

PVG MDM

Source Section

ATM, AtmPortStatistics

Source Field

txMinCellRateCbr

txMinCellRateClp

Transmit cell rate where CLP is 1 during the least busy minute of the collection interval in cells per second.

Data Source

PVG MDM

Source Section

ATM, AtmPortStatistics

Source Field

txMinCellRateClp

txMinCellRateClpAbr

Transmit cell rate where CLP is 1 during the least busy minute of the collection interval in cells per second where service category is Abr.

Data Source

PVG MDM

Source Section

ATM, AtmPortStatistics

Source Field

txMinCellRateClpAbr

txMinCellRateClpCbr

Transmit cell rate where CLP is 1 during the least busy minute of the collection interval in cells per second where service category is Cbr.

Data Source

PVG MDM

Source Section

ATM, AtmPortStatistics

Source Field

txMinCellRateClpCbr

txMinCellRateClpNrtvbr

Transmit cell rate where CLP is 1 during the least busy minute of the collection interval in cells per second where service category is Nrtvbr.

Data Source

PVG MDM

Source Section

ATM, AtmPortStatistics

Source Field

txMinCellRateClpNrtvbr

txMinCellRateClpRtvbr

Transmit cell rate where CLP is 1 during the least busy minute of the collection interval in cells per second where service category is Rtvbr.

Data Source

PVG MDM

Source Section

ATM, AtmPortStatistics

Source Field

txMinCellRateClpRtvbr

txMinCellRateClpUbr

Transmit cell rate where CLP is 1 during the least busy minute of the collection interval in cells per second where service category is Ubr.

Data Source

PVG MDM

Source Section

ATM, AtmPortStatistics

Source Field

txMinCellRateClpUbr

txMinCellRateNrtvbr

Transmit cell rate where CLP is 0 or 1 during the least busy minute of the collection interval in cells per second where service category is Nrtvbr.

Data Source

PVG MDM

Source Section

ATM, AtmPortStatistics

Source Field

txMinCellRateNrtvbr

txMinCellRateRtvbr

Transmit cell rate where CLP is 0 or 1 during the least busy minute of the collection interval in cells per second where service category is Rtvbr.

Data Source

PVG MDM

Source Section

ATM, AtmPortStatistics

Source Field

txMinCellRateRtvbr

txMinCellRateUbr

Transmit cell rate where CLP is 0 or 1 during the least busy minute of the collection interval in cells per second where service category is Ubr.

Data Source

PVG MDM

Source Section

ATM, AtmPortStatistics

Source Field

txMinCellRateUbr

txUtilization

Average transmit link utilization during the collection interval expressed as a percentage of the provisioned maximum.

Data Source

PVG MDM

Source Section

ATM, AtmPortStatistics

Source Field

txUtilization

PG_PVG_LogicalProcessor Primitive Calculations

The following is a list of primitive calculations for the PG_PVG_LogicalProcessor entity.

GRAPHmultiLineSeparator

Special Control Field for Multi-Line Graphs

Calculation

""

NUMDAYS

of days in Report

Calculation

DAYSINREPORT ()

NUMHOURS

of hours in Summation Data

Calculation

PG_PVG_LogicalProcessor Peg Counts

The following is a list of peg counts for the PG_PVG_LogicalProcessor entity.

cardStatus

Card status (active or standby) of the Logical processor.

Data Source

PVG MDM

Source Section

LP,LpStatistics

Source Field

cardStatus

cpuUtilAvg

Average processor utilization level.

Data Source

PVG MDM

Source Section

LP,LpStatistics

Source Field

cpuUtilAvg

cpuUtilAvgMax

Maximum processor utilization level.

Data Source

PVG MDM

Source Section

LP,LpStatistics

Source Field

cpuUtilAvgMax

cpuUtilAvgMin

Minimum processor utilization level.

Data Source

PVG MDM

Source Section

LP,LpStatistics

Source Field

cpuUtilAvgMin

localMsgBlockCapacity

Message block memory capacity (in kilobytes) of the processor for local messaging.

Data Source

PVG MDM

Source Section

LP,LpStatistics

Source Field

localMsgBlockCapacity

localMsgBlockUsageAvg

Average memory utilization (in kilobytes) of message blocks of the processor for local messaging.

Data Source

PVG MDM

Source Section

LP,LpStatistics

Source Field

localMsgBlockUsageAvg

localMsgBlockUsageMax

Maximum memory utilization (in kilobytes) of message blocks of the processor for local messaging.

Data Source

PVG MDM

Source Section

LP,LpStatistics

Source Field

localMsgBlockUsageMax

localMsgBlockUsageMin

Minimum memory utilization (in kilobytes) of message blocks of the processor for local messaging.

Data Source

PVG MDM

Source Section

LP,LpStatistics

Source Field

localMsgBlockUsageMin

memoryCapacityFastRam

Memory capacity (in kilobytes) of the processor for memory type = fastRam in the specified collection interval.

Data Source

PVG MDM

Source Section

LP,LpStatistics

Source Field

memoryCapacityFastRam

memoryCapacityNormalRam

Memory capacity (in kilobytes) of the processor for memory type = normalRam in the specified collection interval.

Data Source

PVG MDM

Source Section

LP,LpStatistics

Source Field

memoryCapacityNormalRam

memoryCapacitysharedRam

Memory capacity (in kilobytes) of the processor for memory type = sharedRam in the specified collection interval.

Data Source

PVG MDM

Source Section

LP,LpStatistics

Source Field

memoryCapacitysharedRam

memoryUsageAvgFastRam

Average memory utilization (in kilobytes) of the processor for memory type = fastRam in the specified collection interval.

Data Source

PVG MDM

Source Section

LP,LpStatistics

Source Field

memoryUsageAvgFastRam

memoryUsageAvgMaxFastRam

Maximum memory utilization (in kilobytes) of the processor for memory type = fastRam in the specified collection interval.

Data Source

PVG MDM

Source Section

LP,LpStatistics

Source Field

memoryUsageAvgMaxFastRam

memoryUsageAvgMaxNormalRam

Maximum memory utilization (in kilobytes) of the processor for memory type = normalRam in the specified collection interval.

Data Source

PVG MDM

Source Section

LP,LpStatistics

Source Field

memoryUsageAvgMaxNormalRam

memoryUsageAvgMaxSharedRam

Maximum memory utilization (in kilobytes) of the processor for memory type = sharedRam in the specified collection interval.

Data Source

PVG MDM

Source Section

LP,LpStatistics

Source Field

memoryUsageAvgMaxSharedRam

memoryUsageAvgMinFastRam

Minimum memory utilization (in kilobytes) of the processor for memory type = fastRam in the specified collection interval.

Data Source

PVG MDM

Source Section

LP,LpStatistics

Source Field

memoryUsageAvgMinFastRam

memoryUsageAvgMinNormalRam

Minimum memory utilization (in kilobytes) of the processor for memory type = normalRam in the specified collection interval.

Data Source

PVG MDM

Source Section

LP,LpStatistics

Source Field

memoryUsageAvgMinNormalRam

memoryUsageAvgMinSharedRam

Minimum memory utilization (in kilobytes) of the processor for memory type = sharedRam in the specified collection interval.

Data Source

PVG MDM

Source Section

LP,LpStatistics

Source Field

memoryUsageAvgMinSharedRam

memoryUsageAvgNormalRam

Average memory utilization (in kilobytes) of the processor for memory type = normalRam in the specified collection interval.

Data Source

PVG MDM

Source Section

LP,LpStatistics

Source Field

memoryUsageAvgNormalRam

memoryUsageAvgSharedRam

Average memory utilization (in kilobytes) of the processor for memory type = sharedRam in the specified collection interval.

Data Source

PVG MDM

Source Section

LP,LpStatistics

Source Field

memoryUsageAvgSharedRam

sharedMsgBlockCapacity

Shared message block memory capacity (in kilobytes) of the processor.

Data Source

PVG MDM

Source Section

LP,LpStatistics

Source Field

sharedMsgBlockCapacity

sharedMsgBlockUsageAvg

Average memory utilization (in kilobytes) of the shared message blocks of the processor.

Data Source

PVG MDM

Source Section

LP,LpStatistics

Source Field

sharedMsgBlockUsageAvg

sharedMsgBlockUsageAvgMax

Maximum memory utilization (in kilobytes) of the shared message blocks of the processor.

Data Source

PVG MDM

Source Section

LP,LpStatistics

Source Field

sharedMsgBlockUsageAvgMax

sharedMsgBlockUsageAvgMin

Minimum memory utilization (in kilobytes) of the shared message blocks of the processor.

Data Source

PVG MDM

Source Section

LP,LpStatistics

Source Field

sharedMsgBlockUsageAvgMin

unavailableSeconds

Not In Use.

Data Source

PVG MDM

Source Section

LP,LpStatistics

Source Field

unavailableSeconds

PM Primitive Calculations

The following is a list of primitive calculations for the PM entity.

AvgOccBackgroundCPU

Average CPU Background Occupancy

Calculation

NCMBKG / 30.0

AvgOccCallProcCPU

Average CPU Call Processing Occupancy

Calculation

NCMCPOCC / 30.0

AvgOccIdlerCPU

Average CPU Idler Occupancy

Calculation

NCMIDLE / 30.0

AvgOccIO_InterrptCPU

Average CPU Input-Output Interrupt Occupancy

Calculation

NCMIO / 30.0

AvgOccMaintenanceCPU

Average CPU Maintenance Occupancy

Calculation

NCMMAINT / 30.0

AvgOccSchedulerCPU

Average CPU Scheduler Occupancy

Calculation

NCMSCHED / 30.0

AvgOccSystemCPU

Average CPU System Occupancy

Calculation

NCMSYS / 30.0

GRAPHmultiLineSeparator

Special Control Field for Multi-Line Graphs

Calculation

""

NUMDAYS

of days in Report

Calculation

DAYSINREPORT ()

NUMHOURS

of hours in Summation Data

Calculation

PM Peg Counts

The following is a list of peg counts for the PM entity.

ACEMCACK

ACE Metering Control Acknowledgement pegs when ACE receives Flash with Information Ack message from BSC for line reversal feature.

Data Source

SDM

Source Field

ACEMCACK

Source Section

ACEFTRSY

ACEMCATT

ACE Metering Control Attempt pegs when a subscriber metering message is sent from ACE to BSC. This register shows the numbers of attempts to start the PCO phone ?metering? for line reversal feature.

Data Source

SDM

Source Field

ACEMCATT

Source Section

ACEFTRSY

ACEMCTO

ACE Metering Control Time Out pegs when timer T62 expires for line reversal feature.

Data Source

SDM

Source Field

ACEMCTO

Source Section

ACEFTRSY

ALBADADR

When a message from CIS has a destination ACN address not in the CIU router table

Data Source

MTX OM, SDM

Source Field

ALBADADR

Source Section

CIUPROST

ALFWFL

Cannot be delivered message through the CIU router because TPS buffer not allocated

Data Source

MTX OM, SDM

Source Field

ALFWFL

Source Section

CIUPROST

ALRVFL

When CIUrouter cannot allocate buffer for receiving message from CM or CAU or the buffer cannot be placed on a queue

Data Source

MTX OM, SDM

Source Field

ALRVFL

Source Section

CIUPROST

ALUNRTE

Cannot route message because no entries in CIU router table or BSM OA&M address not available

Data Source

MTX OM, SDM

Source Field

ALUNRTE

Source Section

CIUPROST

ATALG144

Obsoleted in MTX14. Pegs when there is a circuit switched data (CSD) call attempt with Analog Fax @ 14.4k Service option. This

Data Source

MTX OM, SDM

Source Field

ATALG144

Source Section

EBSCDFSO

ATALG96

Obsoleted in MTX14. Pegs when there is a circuit switched data (CSD) call attempt with Analog Fax @ 9.6k Service option. This

Data Source

MTX OM, SDM

Source Field

ATALG96

Source Section

EBSCDFSO

ATASY144

Obsoleted in MTX14. Pegs when there is a circuit switched data (CSD) call attempt with Async Data @ 14.4k.

Data Source

MTX OM, SDM

Source Field

ATASY144

Source Section

EBSCDFSO

ATASYC96

Obsoleted in MTX14. Pegs when there is a circuit switched data (CSD) call attempt with Async Data @ 9.6k Service option.

Data Source

MTX OM, SDM

Source Field

ATASYC96

Source Section

EBSCDFSO

ATASYCIS

Obsoleted in MTX14. Pegs when there is a circuit switched data (CSD) call attempt with IS707 Async Data Service option.

Data Source

MTX OM, SDM

Source Field

ATASYCIS

Source Section

EBSCDFSO

ATEBB13K

Obsoleted in MTX14. The ATEBB13K OM register pegs on CAU when the resource allocation response is received from the NRM with the response code NRM_Success or NRM_Resource_Unavailable for Basic 13K service option.

Data Source

MTX OM, SDM

Source Field

ATEBB13K + 65536 * ATEB13K2

Source Section

EBSCVSO

ATEBB8K

Obsoleted in MTX14. The ATEBB8K OM register pegs on CAU when the resource allocation response is received from the NRM with the response code NRM_Success or NRM_Resource_Unavailable for Basic 8K service option.

Data Source

MTX OM, SDM

Source Field

ATEBB8K + 65536 * ATEB8K2

Source Section

EBSCVSO

ATEBEVRC

Obsoleted in MTX14. The ATEBEVRC OM register pegs on CAU when the resource allocation response is received from the NRM with the response code NRM_Success or NRM_Resource_Unavailable for EVRC service option.

Data Source

MTX OM, SDM

Source Field

ATEBEVRC + 65536 * ATEEVRC2

Source Section

EBSCVSO

ATEBI13K

Obsoleted in MTX14. The ATEBI13K OM register pegs on CAU when the resource allocation response is received from the NRM with the response code NRM_Success or NRM_Resource_Unavailable for IS733 13K service option.

Data Source

MTX OM, SDM

Source Field

ATEBI13K + 65536 * ATEI13K2

Source Section

EBSCVSO

ATEBSMV

Obsoleted in MTX14. The ATEBSMV OM register pegs on CAU when the resource allocation response is received from the NRM with the response code NRM_Success or NRM_Resource_Unavailable for SMV service option.

Data Source

MTX OM, SDM

Source Field

ATEBSMV + 65536 * ATESMV2

Source Section

EBSCVSO

ATGR3144

Obsoleted in MTX14. Pegs when there is a circuit switched data (CSD) call attempt with G3 Fax @ 14.4k Service option.

Data Source

MTX OM, SDM

Source Field

ATGR3144

Source Section

EBSCDFSO

ATGR396

Obsoleted in MTX14. Pegs when there is a circuit switched data (CSD) call attempt with G3 Fax @ 9.6k. This register pegs on CAU when the resource

Data Source

MTX OM, SDM

Source Field

ATGR396

Source Section

EBSCDFSO

ATGR3IS

Obsoleted in MTX14. Pegs when there is a circuit switched data (CSD) call attempt with Group_3_fax_is707. This register pegs on CAU when

Data Source

MTX OM, SDM

Source Field

ATGR3IS

Source Section

EBSCDFSO

ATINPPP

Obsoleted in MTX14. This register stores the number of resource request sent for packet data service calls.

Data Source

MTX OM, SDM

Source Field

ATINPPP

Source Section

EBSCDSO

ATLCS

Obsoleted in MTX14. Pegs on a Location Services calls (LCS) data service call attempt.

Data Source

MTX OM, SDM

Source Field

ATLCS

Source Section

EBSCDSO

ATLPBK13

Obsoleted in MTX14. This OM register pegs when a call is attempted for Test Call service option - Loopback_13K.

Data Source

MTX OM, SDM

Source Field

ATLPBK13

Source Section

EBSCTCSO

ATMKV144

Obsoleted in MTX14. This OM register pegs when a call is attempted for Test Call service option - Markov @ 14.4K.

Data Source

MTX OM, SDM

Source Field

ATMKV144

Source Section

EBSCTCSO

ATMKV96

Obsoleted in MTX14. This OM register pegs when a call is attempted for Test Call service option - Markov @ 9.6K.

Data Source

MTX OM, SDM

Source Field

ATMKV96

Source Section

EBSCTCSO

ATMLPBK

Obsoleted in MTX14. This OM register pegs when a call is attempted for Test Call service option - Loopback.

Data Source

MTX OM, SDM

Source Field

ATMLPBK

Source Section

EBSCDCSO

ATOTAPA

Obsoleted in MTX14. Pegs on a OTAPA data service call attempt.

Data Source

MTX OM, SDM

Source Field

ATOTAPA

Source Section

EBSCDCSO

ATSMS

Obsoleted in MTX14. Pegs on a SMS data service call attempt.

Data Source

MTX OM, SDM

Source Field

ATSMS

Source Section

EBSCDCSO

ATT2G

Obsoleted in MTX14. This register pegs on CAU when the resource allocation response is received from the NRM with the response code NRM_Success or NRM_Resource_Unavailable for 2G voice calls.

Data Source

MTX OM

Source Field

ATT2G

Source Section

EBSCV

ATT3G

Obsoleted in MTX14. This register pegs on CAU when the resource allocation response is received from the NRM with the response code NRM_Success or NRM_Resource_Unavailable for 3G voice calls.

Data Source

MTX OM

Source Field

ATT3G

Source Section

EBSCV

AVGCPOCC

Average call processing occupancy (AVGCPOCC)

Data Source

MTX OM, SDM

Source Field

AVGCPOCC

Source Section

XPMOCC

AVGLPOCC

Average low occupancy processing (AVGLPOCC)

Data Source

MTX OM, SDM

Source Field

AVGLPOCC

Source Section

XPMOCC

BLALG144

Obsoleted in MTX14. Pegs on CAU when resource allocation response is received with the response code NRM_Resource_Unavailable for Analog Fax @ 14.4k service option

Data Source

MTX OM, SDM

Source Field

BLALG144

Source Section

EBSCDFSO

BLALG96

Obsoleted in MTX14. Pegs on CAU when resource allocation response is received with the response code NRM_Resource_Unavailable for Analog Fax @ 9.6k service option.

Data Source

MTX OM, SDM

Source Field

BLALG96

Source Section

EBSCDFSO

BLASY144

Obsoleted in MTX14. Pegs on CAU when resource allocation response is received with the response code NRM_Resource_Unavailable for Async Data @ 14.4k service option.

Data Source

MTX OM, SDM

Source Field

BLASY144

Source Section

EBSCDFSO

BLASYC96

Obsoleted in MTX14. Pegs on CAU when resource allocation response is received with the response code NRM_Resource_Unavailable for Async Data @ 9.6k service option.

Data Source

MTX OM, SDM

Source Field

BLASYC96

Source Section

EBSCDFSO

BLASYCIS

Obsoleted in MTX14. Pegs on CAU when resource allocation response is received with the response code NRM_Resource_Unavailable for IS707 Async Data service option.

Data Source

MTX OM, SDM

Source Field

BLASYCIS

Source Section

EBSCDFSO

BLEBB13K

Obsoleted in MTX14. The BLEBB13K OM register pegs on CAU when resource allocation response is received with the response code NRM_Resource_Unavailable for Basic 13K service option.

Data Source

MTX OM, SDM

Source Field

BLEBB13K + 65536 * BLEB13K2

Source Section

EBSCVSO

BLEBB8K

Obsoleted in MTX14. The BLEBB8K OM register pegs on CAU when resource allocation response is received with the response code NRM_Resource_Unavailable for Basic 8K service option.

Data Source

MTX OM, SDM

Source Field

BLEBB8K + 65536 * BLEB8K2

Source Section

EBSCVSO

BLEBEVRC

Obsoleted in MTX14. The BLEBEVRC OM register pegs on CAU when resource allocation response is received with the response code NRM_Resource_Unavailable for EVRC service option.

Data Source

MTX OM, SDM

Source Field

BLEBEVRC + 65536 * BLEEVRC2

Source Section

EBSCVSO

BLEBI13K

Obsoleted in MTX14. The BLEBI13K OM register pegs on CAU when resource allocation response is received with the response code NRM_Resource_Unavailable for IS733 13K service option.

Data Source

MTX OM, SDM

Source Field

BLEBI13K + 65536 * BLEI13K2

Source Section

EBSCVSO

BLEBSMV

Obsoleted in MTX14. The BLEBSMV OM register pegs on CAU when resource allocation response is received with the response code NRM_Resource_Unavailable for SMV service option.

Data Source

MTX OM, SDM

Source Field

BLEBSMV + 65536 * BLESMV2

Source Section

EBSCVSO

BLGR3144

Obsoleted in MTX14. Pegs on CAU when resource allocation response is received with the response code NRM_Resource_Unavailable for G3 Fax @ 14.4k service option.

Data Source

MTX OM, SDM

Source Field

BLGR3144

Source Section

EBSCDFSO

BLGR396

Obsoleted in MTX14. Pegs on CAU when resource allocation response is received with the response code NRM_Resource_Unavailable for G3 Fax @ 9.6k service option.

Data Source

MTX OM, SDM

Source Field

BLGR396

Source Section

EBSCDFSO

BLGR3IS

Obsoleted in MTX14. Pegs on CAU when resource allocation response is received with the response code NRM_Resource_Unavailable for Group_3_fax_is707 service option.

Data Source

MTX OM, SDM

Source Field

BLGR3IS

Source Section

EBSCDFSO

BLINPPP

Obsoleted in MTX14. Pegs when there is a failure in allocation of resources for setup of Packet data service calls.

Data Source

MTX OM, SDM

Source Field

BLINPPP

Source Section

EBSCDSO

BLK2G

Obsoleted in MTX14. This register pegs for voice calls when the CAU receives a NRM_Resource_Unavailable Response from the NRM for all the voice service options that are in the Attempted list.

Data Source

MTX OM

Source Field

BLK2G

Source Section

EBSCV

BLK3G

Obsoleted in MTX14. This register pegs for voice calls when the CAU receives a NRM_Resource_Unavailable Response from the NRM for all the voice service options that are in the Attempted list.

Data Source

MTX OM

Source Field

BLK3G

Source Section

EBSCV

BLLCS

Obsoleted in MTX14. Pegs on CAU when resource allocation response is received with the response code NRM_Resource_Unavailable for LCS data service option.

Data Source

MTX OM, SDM

Source Field

BLLCS

Source Section

EBSCDSO

BLLPB13

Obsoleted in MTX14. This OM register pegs when there is a failure in allocation of resources for service option - Loopback_13K.

Data Source

MTX OM, SDM

Source Field

BLLPB13

Source Section

EBSCTCSO

BLMKV144

Obsoleted in MTX14. This OM register pegs when there is a failure in allocation of resources for service option - Markov @ 14.4K.

Data Source

MTX OM, SDM

Source Field

BLMKV144

Source Section

EBSCTCSO

BLMKV96

Obsoleted in MTX14. This OM register pegs when there is a failure in allocation of resources for service option - Markov @ 9.6K.

Data Source

MTX OM, SDM

Source Field

BLMKV96

Source Section

EBSCTCSO

BLMLPBK

Obsoleted in MTX14. This OM register pegs when there is a failure in allocation of resources for service option - Loopback.

Data Source

MTX OM, SDM

Source Field

BLMLPBK

Source Section

EBSCTCSO

BLOTAPA

Obsoleted in MTX14. Pegs on CAU when resource allocation response is received with the response code NRM_Resource_Unavailable for OTAPA data service option.

Data Source

MTX OM, SDM

Source Field

BLOTAPA

Source Section

EBSCDSO

BLSMS

Obsoleted in MTX14. Pegs when there is a failure in allocation of resources for setup of SMS data service calls.

Data Source

MTX OM, SDM

Source Field

BLSMS

Source Section

EBSCDSO

CAUAORIG

Pegs when an authenticatable origination message is received from the BTS

Data Source

MTX OM, SDM

Source Field

CAUAORIG

Source Section

CAUAUTH

CAUAPGRS

Reuses registers to measure CPN ACE authentication center service.

Data Source

MTX OM, SDM

Source Field

CAUAPGRS

Source Section

CAUAUTH

CAUAREG

Pegs when an authenticatable registration message is received from the BTS

Data Source

MTX OM, SDM

Source Field

CAUAREG + 65536 * CAUAREG2

Source Section

CAUAUTH

CAUBMWNA

CAUBMWNA

Data Source

MTX OM, SDM

Source Field

CAUBMWNA

Source Section

CAUDATSY

CAUBMWNC

CAUBMWNC

Data Source

MTX OM, SDM

Source Field

CAUBMWNC

Source Section

CAUDATSY

CAUBMWNT

Pegs when the CAU does not receive the acknowledgement for its first MWI page on Last Known Cell.

Data Source

MTX OM, SDM

Source Field

CAUBMWNT

Source Section

CAUDATSY

CAUBSCA

Pegs when an access-channel-originated base station challenge msg received from BTS

Data Source

MTX OM, SDM

Source Field

CAUBSCA

Source Section

CAUAUTH

CAUBSCCM

Pegs when a base station challenge confirmation message is received from CM

Data Source

MTX OM, SDM

Source Field

CAUBSCCM

Source Section

CAUAUTH

CAUBSCCP

Pegs when paging-channel-bound base station challenge message relayed to BTS

Data Source

MTX OM, SDM

Source Field

CAUBSCCP

Source Section

CAUAUTH

CAUBSCCT

Pegs when a traffic-channel-bound base station confirmation message relayed to SBS

Data Source

MTX OM, SDM

Source Field

CAUBSCCT

Source Section

CAUAUTH

CAUBSCT

Pegs when a traffic-channel-originated base station challenge message received from SBS

Data Source

MTX OM, SDM

Source Field

CAUBSCT

Source Section

CAUAUTH

CAUCNICV

Pegs when the CPN relays the CLID during conversation

Data Source

MTX OM, SDM

Source Field

CAUCNICV

Source Section

CAUCPSYS

CAUCNITR

Pegs when CPN relays the CLID during call setup

Data Source

MTX OM, SDM

Source Field

CAUCNITR

Source Section

CAUCPSYS

CAUDATSY_CAUPMWNA

Pegs when CPN attempts on the paging channel to send the MWN to the mobile

Data Source

MTX OM, SDM

Source Field

CAUPMWNA

Source Section

CAUDATSY

CAUDATSY_CAUPMWNC

when CPN receives ack on access channel in first attempt to send MWN to the mobile

Data Source

MTX OM, SDM

Source Field

CAUPMWNC

Source Section

CAUDATSY

CAUDATSY_CAUPMWNR

when CPN receives ack on access channel after a retry to send the MWN to the mobile

Data Source

MTX OM, SDM

Source Field

CAUPMWNR

Source Section

CAUDATSY

CAUDATSY_CAUTMWNA

Pegs when CPN attempts on the traffic channel to send the MWN to the mobile

Data Source

MTX OM, SDM

Source Field

CAUTMWNA

Source Section

CAUDATSY

CAUDATSY_CAUTMWNC

When CPN receives ack on traffic channel in first attempt to send MWN to the mobile

Data Source

MTX OM, SDM

Source Field

CAUTMWNC

Source Section

CAUDATSY

CAUDSP00

Spare Register00

Data Source

MTX OM, SDM

Source Field

CAUDSP00

Source Section

CAUDATSY

CAUDSP01

Spare Register01

Data Source

MTX OM, SDM

Source Field

CAUDSP01

Source Section

CAUDATSY

CAUDUPPG

Pegs when a duplicate page response is received before the call has been set up

Data Source

MTX OM, SDM

Source Field

CAUDUPPG

Source Section

CAUCPSYS

CAUFLASH

Pegs when the SBS sends a flash msg to the CPN to be forwarded to the CM

Data Source

MTX OM, SDM

Source Field

CAUFLASH

Source Section

CAUCPSYS

CAUHOSRC

Pegs when the mobile requests a hard handoff or an Intersystem handoff

Data Source

MTX OM, SDM

Source Field

CAUHOSRC

Source Section

CAUCPSYS

CAUHOTRG

Pegs when the CM requests the CPN to prepare a cell for handoff

Data Source

MTX OM, SDM

Source Field

CAUHOTRG

Source Section

CAUCPSYS

CAUHSOFT

when a mobile has completed a soft/softer Handoff

Data Source

MTX OM, SDM

Source Field

CAUHSOFT

Source Section

CAUCPSYS

CAULRLS

Pegs when a CM-originated call release is received

Data Source

MTX OM, SDM

Source Field

CAULRLS

Source Section

CAUCPSYS

CAUMRLS

Pegs when a mobile initiated call release occurs

Data Source

MTX OM, SDM

Source Field

CAUMRLS

Source Section

CAUCPSYS

CAUMWSIS

Pegs when the MWI not being sent on traffic or paging channel after first MWI timeout on PCH because the call is in an initial setup phase.

Data Source

MTX OM, SDM

Source Field

CAUMWSIS

Source Section

CAUDATSY

CAUOFLRS

Indicates total times of origination failure happened on per CAU basis.

Data Source

MTX OM, SDM

Source Field

CAUOFLRS

Source Section

CAUMISC

CAUORIGS

Pegs when an origination message is received by the CPN

Data Source

MTX OM, SDM

Source Field

CAUORIGS

Source Section

CAUCPSYS

CAUPGREQ

Pegs when a CPN receives a page request from CM CP

Data Source

MTX OM, SDM

Source Field

CAUPGREQ

Source Section

CAUCPSYS

CAUPGRTY

Pegs after CPN not receive any resp. within CDMACONF.CAUPGTO sec. and after the 2nd page request is sent

Data Source

MTX OM, SDM

Source Field

CAUPGRTY

Source Section

CAUCPSYS

CAUPGTO

Pegs after the CPN has timed out both times without receiving a page response

Data Source

MTX OM, SDM

Source Field

CAUPGTO

Source Section

CAUCPSYS

CAUPMWNA

Pegs when CPN attempts on the paging channel to send the MWN to the mobile

Data Source

MTX OM, SDM

Source Field

CAUPMWNA

Source Section

CAUCPSYS

CAUPMWNC

when CPN receives ack on access channel in first attempt to send MWN to the mobile

Data Source

MTX OM, SDM

Source Field

CAUPMWNC

Source Section

CAUCPSYS

CAUPMWRN

when CPN receives ack on access channel after a retry to send the MWN to the mobile

Data Source

MTX OM, SDM

Source Field

CAUPMWNR

Source Section

CAUCPSYS

CAUPMWNT

Pegs when CAU does not receive the acknowledgement for its first MWI system-wide or zone page on PCH.

Data Source

MTX OM, SDM

Source Field

CAUPMWNT

Source Section

CAUDATSY

CAUPMWRA

Pegs when the CAU sends a MWI system-wide or zone page retry attempt on PCH.

Data Source

MTX OM, SDM

Source Field

CAUPMWRA

Source Section

CAUDATSY

CAUPMWRT

Pegs when the CAU does not receive the acknowledgement for its MWI system-wide or zone page retry attempt on PCH.

Data Source

MTX OM, SDM

Source Field

CAUPMWRT

Source Section

CAUDATSY

CAUREGNS

Pegs when a registration message is received

Data Source

MTX OM, SDM

Source Field

CAUREGNS + 65536 * CAUREGN2

Source Section

CAUCPSYS

CAURFDRP

This registers gives the number of RF-related call drops.

Data Source

MTX OM, SDM

Source Field

CAURFDRP

Source Section

CAUMISC

CAUSUCM

Pegs when an SSD update request is received from the CM

Data Source

MTX OM, SDM

Source Field

CAUSUCM

Source Section

CAUAUTH

CAUSUFA

Pegs when an access-channel-originated SSD update failure message received from BTS

Data Source

MTX OM, SDM

Source Field

CAUSUFA

Source Section

CAUAUTH

CAUSUFT

Pegs when a traffic-channel-originated SSD update failure message received from SBS

Data Source

MTX OM, SDM

Source Field

CAUSUFT

Source Section

CAUAUTH

CAUSUP

Pegs when a paging-channel-bound SSD update request is sent to the BTS

Data Source

MTX OM, SDM

Source Field

CAUSUP

Source Section

CAUAUTH

CAUSUSA

when an access-channel- originated SSD update success message received from BTS

Data Source

MTX OM, SDM

Source Field

CAUSUSA

Source Section

CAUAUTH

CAUSUST

Pegs when a traffic-channel-originated SSD update success message received from SBS

Data Source

MTX OM, SDM

Source Field

CAUSUST

Source Section

CAUAUTH

CAUSUT

Pegs when a traffic-channel-bound SSD update request is sent to the SBS

Data Source

MTX OM, SDM

Source Field

CAUSUT

Source Section

CAUAUTH

CAUTFLRS

Indicates total times of termination failure happened on per CAU basis.

Data Source

MTX OM, SDM

Source Field

CAUTFLRS

Source Section

CAUMISC

CAUTMWNA

Pegs when CPN attempts on the traffic channel to send the MWN to the mobile

Data Source

MTX OM, SDM

Source Field

CAUTMWNA

Source Section

CAUCPSYS

CAUTMWNC

When CPN receives ack on traffic channel in first attempt to send MWN to the mobile

Data Source

MTX OM, SDM

Source Field

CAUTMWNC

Source Section

CAUCPSYS

CAUTMWNR

when CPN receives ack on traffic channel after a retry to send the MWN to the mobile

Data Source

MTX OM, SDM

Source Field

CAUTMWNR

Source Section

CAUCPSYS

CAUTMWNT

Pegs in CAU for the MWI attempt timeout on TCH.

Data Source

MTX OM, SDM

Source Field

CAUTMWNT

Source Section

CAUDATSY

CAUTMWRA

Pegs when the CAU sends a MWI retry attempt on TCH after first MWI over PCH timeout.

Data Source

MTX OM, SDM

Source Field

CAUTMWRA

Source Section

CAUDATSY

CAUCCA

when an access-channel-originated unique challenge confirmation message received from BTS

Data Source

MTX OM, SDM

Source Field

CAUUGCA

Source Section

CAUAUTH

CAUUGCM

Pegs when a unique challenge request is received from the CM

Data Source

MTX OM, SDM

Source Field

CAUUGCM

Source Section

CAUAUTH

CAUUCCT

when a traffic-channel-originated unique challenge confirmation message received from SBS

Data Source

MTX OM, SDM

Source Field

CAUUCCT

Source Section

CAUAUTH

CAUUCP

Pegs when a paging-channel-bound unique challenge request is sent to the BTS

Data Source

MTX OM, SDM

Source Field

CAUUCP

Source Section

CAUAUTH

CAUUCT

Pegs when a traffic-channel-bound unique challenge request is sent to the SBS

Data Source

MTX OM, SDM

Source Field

CAUUCT

Source Section

CAUAUTH

CAUUNSO

This registers gives the number of call drops due to unsupported service option.

Data Source

MTX OM, SDM

Source Field

CAUUNSO

Source Section

CAUMISC

CAUUNXPG

Pegs when a page response is received by the CPN and CPN is not expecting the message

Data Source

MTX OM, SDM

Source Field

CAUUNXPG

Source Section

CAUCPSYS

CAUVDSCD

Pegs when a version mismatch occurs on an incoming message to the CAU

Data Source

MTX OM, SDM

Source Field

CAUVDSCD

Source Section

CAUCPSYS

CAUVRJCT

Pegs when a version mismatch occurs and a reject message is sent

Data Source

MTX OM, SDM

Source Field

CAUVRJCT

Source Section

CAUCPSYS

CICCTIDF

CIC to TID mapping fail

Data Source

MTX OM, SDM

Source Field

CICCTIDF

Source Section

EBSCRM

CIUOVL1

Obsoleted in MTX12.

Data Source

MTX OM, SDM

Source Field

CIUOVLD1

Source Section

CIUPROST

CIUOVLD2

Obsoleted in MTX12.

Data Source

MTX OM, SDM

Source Field

CIUOVLD2

Source Section

CIUPROST

CLARTRIG

Pegs when a conditional trigger message is sent from CPN to SBS SEC

Data Source

MTX OM, SDM

Source Field

CLARTRIG

Source Section

CAUCPSYS

CPUCP100

CPU call processing 100 (CPUCP100)

Data Source

MTX OM, SDM

Source Field

CPUCP100

Source Section

XPMOCC

CPUCP30

CPU call processing 30 (CPUCP30)

Data Source

MTX OM, SDM

Source Field

CPUCP30

Source Section

XPMOCC

CPUCP40

CPU call processing 40 (CPUCP40)

Data Source

MTX OM, SDM

Source Field

CPUCP40

Source Section

XPMOCC

CPUCP50

CPU call processing 50 (CPUCP50)

Data Source

MTX OM, SDM

Source Field

CPUCP50

Source Section

XPMOCC

CPUCP60

CPU call processing 60 (CPUCP60)

Data Source

MTX OM, SDM

Source Field

CPUCP60

Source Section

XPMOCC

CPUCP70

CPU call processing 70 (CPUCP70)

Data Source

MTX OM, SDM

Source Field

CPUCP70

Source Section

XPMOCC

CPUCP80

CPU call processing 80 (CPUCP80)

Data Source

MTX OM, SDM

Source Field

CPUCP80

Source Section

XPMOCC

CPUCP85

CPU call processing 85 (CPUCP85)

Data Source

MTX OM, SDM

Source Field

CPUCP85

Source Section

XPMOCC

CPUCP90

CPU call processing 90 (CPUCP90)

Data Source

MTX OM, SDM

Source Field

CPUCP90

Source Section

XPMOCC

CPUCP95

CPU call processing 95 (CPUCP95)

Data Source

MTX OM, SDM

Source Field

CPUCP95

Source Section

XPMOCC

CPUTOTL

CPU total (CPUTOTL)

Data Source

MTX OM, SDM

Source Field

CPUTOTL

Source Section

XPMOCC

CSDCOM2G

Successful 2G CSD call completion on the CAU

Data Source

MTX OM, SDM

Source Field

CSDCOM2G

Source Section

CAUCSDCP

CSDCOM3G

Successful 3G CSD call completion on the CAU

Data Source

MTX OM, SDM

Source Field

CSDCOM3G

Source Section

CAUCSDCP

CSDCOMTO

Successful 2G or 3GCSD call completion on the CAU

Data Source

MTX OM, SDM

Source Field

CSDCOMTO

Source Section

CAUCSDCP

CTCATTS

Pegs when a test call is attempted by either the BSM or a mobile

Data Source

MTX OM, SDM

Source Field

CTCATTS

Source Section

CAUCPSYS

CTCCOMPS

Pegs when a test call is successfully set up

Data Source

MTX OM, SDM

Source Field

CTCCOMPS

Source Section

CAUCPSYS

CTCOTHFL

CDMA test call other failures

Data Source

MTX OM, SDM

Source Field

CTCOTHFL

Source Section

CAUCPSYS

CTCPGTO

Pegs when the second page request for a test call times out

Data Source

MTX OM, SDM

Source Field

CTCPGTO

Source Section

CAUCPSYS

DCORGPD

Pegs when CAU discards SMS Call Origination message during NRM overload situation.

Data Source

SDM

Source Field

DCORGPD + 65536 * DCORGPD2

Source Section

CAUNRMOC

DCORGSM

Pegs when CAU discards Packet Data Call Origination message during NRM overload situation.

Data Source

SDM

Source Field

DCORGSM + 65536 * DCORGSM2

Source Section

CAUNRMOC

DCORGVC

Pegs when CAU discards mobile Call Origination message (includes both voice and CSD calls) during NRM overload situation.

Data Source

SDM

Source Field

DCORGVC + 65536 * DCORGVC2

Source Section

CAUNRMOC

DCPGRPD

Pegs when CAU discards Page Response Messages for Packet Data Call during NRM overload situation.

Data Source

SDM

Source Field

DCPGRPD + 65536 * DCPGRPD2

Source Section

CAUNRMOC

DCPGRSM

Pegs when CAU discards Page Response Messages for SMS service during NRM overload situation.

Data Source

SDM

Source Field

DCPGRSM + 65536 * DCPGRSM2

Source Section

CAUNRMOC

DCPGRVC

Pegs when CAU discards Page Response for Voice and CSD calls during NRM overload situation.

Data Source

SDM

Source Field

DCPGRVC + 65536 * DCPGRVC2

Source Section

CAUNRMOC

DLRVFRDC

Pegs when a frame received from FRAP buffer is discarded

Data Source

MTX OM, SDM

Source Field

DLRVFRDC

Source Section

CIUPROST

DLRXCRC

Pegs when a received frame has CRC errors

Data Source

MTX OM, SDM

Source Field

DLRXCRC

Source Section

CIUPROST

DLRXFBOV

Pegs when a receive FRAP buffer exhaustion is detected

Data Source

MTX OM, SDM

Source Field

DLRXFBOV

Source Section

CIUPROST

DLRXFRCT

Pegs when a frame is received from the CIS

Data Source

MTX OM, SDM

Source Field

DLRXFRCT + 65536 * DLRXFRC2

Source Section

CIUPROST

DLRXFRER

Pegs when a frame entering from the CIS is discarded due to frame error

Data Source

MTX OM, SDM

Source Field

DLRXFRER

Source Section

CIUPROST

DLTXFBOV

Pegs when a transmit FRAP buffer exhaustion is detected

Data Source

MTX OM, SDM

Source Field

DLTXFBOV

Source Section

CIUPROST

DLTXFRCT

Pegs when a frame received from upper layers is transmitted to the CIS

Data Source

MTX OM, SDM

Source Field

DLTXFRCT + 65536 * DLTXFRC2

Source Section

CIUPROST

DORMHAND

Number of dormant handoff attempts processed by MTX whenever there is an origination from a 3G mobile with a dormant data session which indicates that the mobile has no data to send.

Data Source

MTX OM, SDM

Source Field

DORMHAND

Source Section

CAUAUTH,CAUMISC

DPTGTAT

Number of requests to get a terminal

Data Source

MTX OM, SDM

Source Field

DPTGTAT + 65536 * DPTGTAT2

Source Section

DPTNODE

DPTGTFL

Number of failed attempts to get a non-optimized terminal

Data Source

MTX OM, SDM

Source Field

DPTGTFL

Source Section

DPTNODE

DPTGTFLO

Number of terminals that are call processing busy and call processing deloading

Data Source

MTX OM, SDM

Source Field

DPTGTFLO

Source Section

DPTNODE

DPTHWT

Terminal usage high watermark

Data Source

MTX OM, SDM

Source Field

DPTHWT

Source Section

DPTNODE

DPTUSAG

Number of failed attempts to get an optimized DPT terminal

Data Source

MTX OM, SDM

Source Field

DPTUSAG + 65536 * DPTUSAG2

Source Section

DPTNODE

ECSDROPR

Pegs on the CSVS resource platform whenever CAUDROPR is pegged. Captures call dropped because of Radio link failures.

Data Source

MTX OM, SDM

Source Field

ECSDROPR

Source Section

EBPBCPOM

ECSERLFL

Pegs on the CSVS resource platform whenever CAUERFL is pegged. Captures Radio link failures.

Data Source

MTX OM, SDM

Source Field

ECSERLFL

Source Section

EBPBCPOM

ECSESWFL

Pegs on the CSVS platform for voice calls only whenever CAUESWFL is pegged. Captures the failures for SEC setup.

Data Source

MTX OM, SDM

Source Field

ECSESWFL

Source Section

EBPBCPOM

ECSNRSFL

Pegs on the CSVS resource platform whenever NORFSEFL is pegged. Captures Non RF Setup failures.

Data Source

MTX OM, SDM

Source Field

ECSNRSFL

Source Section

EBPBCPOM

ECSVCSS

Pegs on the CSVS resource platform whenever any of CAUOSUCC, CAUTSUCC or CAUHSUCC is pegged. Captures the successful call establishments.

Data Source

MTX OM, SDM

Source Field

ECSVCSS

Source Section

EBPBCPOM

ECSVRASU

Pegs when NRM allocates resources successfully on the CSVS Platform.

Data Source

MTX OM, SDM

Source Field

ECSVRASU

Source Section

EBPBCPOM

ESBDROPR

Pegs on the SBS resource platform whenever CAUDROPR is pegged. Captures call dropped because of Radio link failures.

Data Source

MTX OM, SDM

Source Field

ESBDROPR

Source Section

EBPBCPOM

ESBERLFL

Pegs on the SBS resource platform whenever CAUERFL is pegged. Captures Radio link failures.

Data Source

MTX OM, SDM

Source Field

ESBERLFL

Source Section

EBPBCPOM

ESBESWFL

Pegs on the SBS platform for voice calls only whenever CAUESWFL is pegged. Captures the failures for SEC setup.

Data Source

MTX OM, SDM

Source Field

ESBESWFL

Source Section

EBPBCPOM

ESBNRSFL

Pegs on the SBS resource platform whenever NORFSEFL is pegged. Captures Non RF Setup failures.

Data Source

MTX OM, SDM

Source Field

ESBNRSFL

Source Section

EBPBCPOM

ESBSCSS

Pegs on the SBS resource platform whenever any of CAUOSUCC, CAUTSUCC or CAUHSUCC is pegged. Captures the successful call establishments.

Data Source

MTX OM, SDM

Source Field

ESBSCSS

Source Section

EBPBCPOM

ESBSRASU

Pegs when NRM allocates resources successfully on the SBS Platform for voice calls only.

Data Source

MTX OM, SDM

Source Field

ESBSRASU

Source Section

EBPBCPOM

EVRCOVFL

Valid for MTX12. Pegs each time an attempt to allocate EVRC resources Is unsuccessful

Data Source

MTX OM, SDM

Source Field

EVRCOVFL when key="2G"

Source Section

CAURM

EVRCOVFL_3G

Valid for MTX12. 3G Pegs each time an attempt to allocate EVRC resources Is unsuccessful

Data Source

MTX OM, SDM

Source Field

EVRCOVFL when key="3G"

Source Section

CAURM

EVRCREQ

Valid for MTX12. Pegs each time an attempt to allocate EVRC resources is made

Data Source

MTX OM, SDM

Source Field

EVRCREQ when key="2G"

Source Section

CAURM

EVRCREQ_3G

Valid for MTX12. 3G Pegs each time an attempt to allocate EVRC resources is made

Data Source

MTX OM, SDM

Source Field

EVRCREQ when key="3G"

Source Section

CAURM

FB0RXERR

F-bus 0 receive errors (FB0RXERR)

Data Source

MTX OM, SDM

Source Field

FB0RXERR + 65536 * FB0RXER2

Source Section

ASUFBUS

FB0RXOCT

F-bus 0 receive octets (FB0RXOCT)

Data Source

MTX OM, SDM

Source Field

FB0RXOCT + 65536 * FB0RXOC2

Source Section

ASUFBUS

FB0RXPKT

F-bus 0 receive packets (FB0RXPKT)

Data Source

MTX OM, SDM

Source Field

FB0RXPKT + 65536 * FB0RXP2

Source Section

ASUFBUS

FB0TXCON

F-bus 0 transmit congestion (FB0TXCON)

Data Source

MTX OM, SDM

Source Field

FB0TXCON

Source Section

ASUFBUS

FB0TXENQ

F-bus 0 transmit enqueueing (FB0TXENQ)

Data Source

MTX OM, SDM

Source Field

FB0TXENQ + 65536 * FB0TXEN2

Source Section

ASUFBUS

FB0TXERR

F-bus 0 transmit errors (FB0TXERR)

Data Source

MTX OM, SDM

Source Field

FB0TXERR + 65536 * FB0TXER2

Source Section

ASUFBUS

FB0TXOCT

F-bus 0 transmit octets (FB0TXOCT)

Data Source

MTX OM, SDM

Source Field

FB0TXOCT + 65536 * FB0TXOC2

Source Section

ASUFBUS

FB0TXPKT

F-bus 0 transmit packets (FB0TXPKT)

Data Source

MTX OM, SDM

Source Field

FB0TXPKT + 65536 * FB0TXPK2

Source Section

ASUFBUS

FB0TXPRI

F-bus 0 transmit priority (FB0TXPRI)

Data Source

MTX OM, SDM

Source Field

FB0TXPRI

Source Section

ASUFBUS

FB1RXERR

F-bus 1 receive errors (FB1RXERR)

Data Source

MTX OM, SDM

Source Field

FB1RXERR + 65536 * FB1RXER2

Source Section

ASUFBUS

FB1RXOCT

F-bus 1 receive octets (FB1RXOCT)

Data Source

MTX OM, SDM

Source Field

FB1RXOCT + 65536 * FB1RXOC2

Source Section

ASUFBUS

FB1RXPKT

F-bus 1 receive packets (FB1RXPKT)

Data Source

MTX OM, SDM

Source Field

FB1RXPKT + 65536 * FB1RXP2

Source Section

ASUFBUS

FB1TXCON

F-bus 1 transmit congestion (FB1TXCON)

Data Source

MTX OM, SDM

Source Field

FB1TXCON

Source Section

ASUFBUS

FB1TXENQ

F-bus 1 transmit enqueueing (FB1TXENQ)

Data Source

MTX OM, SDM

Source Field

FB1TXENQ + 65536 * FB1TXEN2

Source Section

ASUFBUS

FB1TXERR

F-bus 1 transmit errors (FB1TXERR)

Data Source

MTX OM, SDM

Source Field

FB1TXERR + 65536 * FB1TXER2

Source Section

ASUFBUS

FB1TXOCT

F-bus 1 transmit octets (FB1TXOCT)

Data Source

MTX OM, SDM

Source Field

FB1TXOCT + 65536 * FB1TXOC2

Source Section

ASUFBUS

FB1TXPKT

F-bus 1 transmit packets (FB1TXPKT)

Data Source

MTX OM, SDM

Source Field

FB1TXPKT + 65536 * FB1TXPK2

Source Section

ASUFBUS

FB1TXPRI

F-bus 1 transmit priority (FB1TXPRI)

Data Source

MTX OM, SDM

Source Field

FB1TXPRI

Source Section

ASUFBUS

FLEVR13K

Number of times the mobile fails to implement a Rate set change from EVRC to 13K service option during the service connect phase.

Data Source

MTX OM, SDM

Source Field

FLEVR13K

Source Section

CAUMISC

FWDOVLD1

FWDOVLD1

Data Source

MTX OM, SDM

Source Field

FWDOVLD1

Source Section

CIUPROST

FWDOVLD2

FWDOVLD2

Data Source

MTX OM, SDM

Source Field

FWDOVLD2

Source Section

CIUPROST

MaxOccBackgroundCPU

Maximum CPU Background Occupancy

Data Source

MTX OM, SDM

Source Field

NCMBKG/30.0

Source Section

NCMCPUST

MaxOccCallProcCPU

Maximum CPU Call Processing Occupancy

Data Source

MTX OM, SDM

Source Field

NCMCPOCC/30.0

Source Section

NCMCPUST

MaxOccIdlerCPU

Maximum CPU Idler Occupancy

Data Source

MTX OM, SDM

Source Field

NCMIDLE/30.0

Source Section

NCMCPUST

MaxOccIO_InterrptCPU

Maximum CPU Input-Output Interrupt Occupancy

Data Source

MTX OM, SDM

Source Field

NCMIO/30.0

Source Section

NCMCPUST

MaxOccMaintenanceCPU

Maximum CPU Maintenance Occupancy

Data Source

MTX OM, SDM

Source Field

NCMMAINT/30.0

Source Section

NCMCPUST

MaxOccSchedulerCPU

Maximum CPU Scheduler Occupancy

Data Source

MTX OM, SDM

Source Field

NCMSCHED/30.0

Source Section

NCMCPUST

MaxOccSystemCPU

Maximum CPU System Occupancy

Data Source

MTX OM, SDM

Source Field

NCMSYS/30.0

Source Section

NCMCPUST

MWIL1DIS

CAU discards of a MWI message due to a CIU Level 1 overload.

Data Source

SDM

Source Field

MWIL1DIS + 65536 * MWIL1DS2

Source Section

CAUDISOL

MWIL2DIS

CAU discards of MWI due to CIU Level 2 overload.

Data Source

SDM

Source Field

MWIL2DIS + 65536 * MWIL2DS2

Source Section

CAUDISOL

NAKSEREQ

Valid for MTX12. NAKSEREQ when key="2G"

Data Source

MTX OM, SDM

Source Field

NAKSEREQ when key="2G"

Source Section

CAURM

NAKSEREQ_3G

Valid for MTX12. NAKSEREQ when key="3G"

Data Source

MTX OM, SDM

Source Field

NAKSEREQ when key="3G"

Source Section

CAURM

NAKSERSP

Valid for MTX12. NAKSERSP when key="2G"

Data Source

MTX OM, SDM

Source Field

NAKSERSP when key="2G"

Source Section

CAURM

NAKSERSP_3G

Valid for MTX12. NAKSERSP when key="3G"

Data Source

MTX OM, SDM

Source Field

NAKSERSP when key="3G"

Source Section

CAURM

NAKSOREQ

Valid for MTX12. NAKSOREQ when key="2G"

Data Source

MTX OM, SDM

Source Field

NAKSOREQ when key="2G"

Source Section

CAURM

NAKSOREQ_3G

Valid for MTX12. NAKSOREQ when key="3G"

Data Source

MTX OM, SDM

Source Field

NAKSOREQ when key="3G"

Source Section

CAURM

NAKSORSP

Valid for MTX12. NAKSORSP when key="2G"

Data Source

MTX OM, SDM

Source Field

NAKSORSRSP when key="2G"

Source Section

CAURM

NAKSORSRSP_3G

Valid for MTX12. NAKSORSRSP when key="3G"

Data Source

MTX OM, SDM

Source Field

NAKSORSRSP when key="3G"

Source Section

CAURM

NCMBKG

Non-CM node background class occupancy expressing time as an integer

Data Source

MTX OM, SDM

Source Field

NCMBKG

Source Section

NCMCPUST

NCMCPOCC

Non-CM node call processing class occupancy expressing time as an integer

Data Source

MTX OM, SDM

Source Field

NCMCPOCC

Source Section

NCMCPUST

NCMIDLE

Non-CM node idler class occupancy expressing time as an integer

Data Source

MTX OM, SDM

Source Field

NCMIDLE

Source Section

NCMCPUST

NCMIO

Non-CM node input/output interrupt occupancy expressing time as an integer

Data Source

MTX OM, SDM

Source Field

NCMIO

Source Section

NCMCPUST

NCMMAINT

Non-CM node maintenance class occupancy expressing time as an integer

Data Source

MTX OM, SDM

Source Field

NCMMAINT

Source Section

NCMCPUST

NCMSCHED

Non-CM node scheduler class occupancy expressing time as an integer

Data Source

MTX OM, SDM

Source Field

NCMSCHED

Source Section

NCMCPUST

NCMSYS

Non-CM node system class occupancy expressing time as an integer

Data Source

MTX OM, SDM

Source Field

NCMSYS

Source Section

NCMCPUST

NISDBATT

Pegs when the MTX receives a short data burst from the network

Data Source

MTX OM, SDM

Source Field

NISDBATT

Source Section

CAUCPSYS

NISDBFL

Pegs when the MTX does not receive an ack from mobile within a pre-defined time of it sending out data to the mobile after receiving a network initiated SDB burst

Data Source

MTX OM, SDM

Source Field

NISDBFL

Source Section

CAUCPSYS

NISDBSC

Pegs when MTX receives an ack from the mobile in response to the data sent to the mobile after receiving a network initiated SDB indication

Data Source

MTX OM, SDM

Source Field

NISDBSC

Source Section

CAUCPSYS

NKSESORQ

Negative acKnowledgement of Selector Element and Service Option ReQuest.

Data Source

MTX OM, SDM

Source Field

NKSESORQ

Source Section

CAURM

NKSESORQ_3G

Valid for MTX12. NKSESORQ when key="3G"

Data Source

MTX OM, SDM

Source Field

NKSESORQ when key="3G"

Source Section

CAURM

NKSESORS

Negative acKnowledgement of Selector Element and Service Option ReSpone.

Data Source

MTX OM, SDM

Source Field

NKSESORS

Source Section

CAURM

NKSESORS_3G

Valid for MTX12. NKSESORS when key="3G"

Data Source

MTX OM, SDM

Source Field

NKSESORS when key="3G"

Source Section

CAURM

NOBEAG14

This OM register on the CAU is needed to determine the number of times an alternate route (in this case would be NRM based BSC) was chosen for resource allocation for the Analog_fax_14_4 SO.

Data Source

MTX OM, SDM

Source Field

NOBEAG14

Source Section

OVFLDSP

NOBEAG96

This OM register on the CAU is needed to determine the number of times an alternate route (in this case would be NRM based BSC) was chosen for resource allocation for the Analog_fax_9_6 SO.

Data Source

MTX OM, SDM

Source Field

NOBEAG96

Source Section

OVFLDSP

NOBEAS14

This OM register on the CAU is needed to determine the number of times an alternate route (in this case would be NRM based BSC) was chosen for resource allocation for the ASYNC_data_14_4 SO.

Data Source

MTX OM, SDM

Source Field

NOBEAS14

Source Section

OVFLDSP

NOBEAS96

This OM register on the CAU is needed to determine the number of times an alternate route (in this case would be NRM based BSC) was chosen for resource allocation for the ASYNC_data_9_6 SO.

Data Source

MTX OM, SDM

Source Field

NOBEAS96

Source Section

OVFLDSP

NOBEASIS

This OM register on the CAU is needed to determine the number of times an alternate route (in this case would be NRM based BSC) was chosen for resource allocation for the ASYNC_data_is707 SO.

Data Source

MTX OM, SDM

Source Field

NOBEASIS

Source Section

OVFLDSP

NOBEB13K

This OM register on the CAU is needed to determine the number of times an alternate route (in this case would be NRM based BSC) was chosen for resource allocation for the Basic_13K voice SO.

Data Source

MTX OM, SDM

Source Field

NOBEB13K

Source Section

OVFLDSP

NOBEB8K

This OM register on the CAU is needed to determine the number of times an alternate route (in this case would be NRM based BSC) was chosen for resource allocation for the Basic_8K voice SO.

Data Source

MTX OM, SDM

Source Field

NOBEB8K

Source Section

OVFLDSP

NOBEEVRC

This OM register on the CAU is needed to determine the number of times an alternate route (in this case would be NRM based BSC) was chosen for resource allocation for the EVRC voice SO.

Data Source

MTX OM, SDM

Source Field

NOBEEVRC

Source Section

OVFLDSP

NOBEG314

This OM register on the CAU is needed to determine the number of times an alternate route (in this case would be NRM based BSC) was chosen for resource allocation for the Group_3_fax_14_4 SO.

Data Source

MTX OM, SDM

Source Field

NOBEG314

Source Section

OVFLDSP

NOBEG396

This OM register on the CAU is needed to determine the number of times an alternate route (in this case would be NRM based BSC) was chosen for resource allocation for the Group_3_fax_9_6 SO.

Data Source

MTX OM, SDM

Source Field

NOBEG396

Source Section

OVFLDSP

NOBEG3IS

This OM register on the CAU is needed to determine the number of times an alternate route (in this case would be NRM based BSC) was chosen for resource allocation for the Group_3_fax_IS707 SO.

Data Source

MTX OM, SDM

Source Field

NOBEG3IS

Source Section

OVFLDSP

NOBEI13K

This OM register on the CAU is needed to determine the number of times an alternate route (in this case would be NRM based BSC) was chosen for resource allocation for the IS733_Voice_13K SO.

Data Source

MTX OM, SDM

Source Field

NOBEI13K

Source Section

OVFLDSP

NOBELB13

Obsoleted in MTX14. This OM register pegs when there is a failure in allocation of resources for setup of Loopback_13K test call on a (legacy) BSC and the call is directed to EBSC depending on alternate subsystem.

Data Source

MTX OM, SDM

Source Field

NOBELB13

Source Section

EBSC TCSO

NOBELBK

Obsoleted in MTX14. This OM register pegs when there is a failure in allocation of resources for setup of Loopback test call on a (legacy) BSC and the call is directed to EBSC depending on alternate subsystem.

Data Source

MTX OM, SDM

Source Field

NOBELBK

Source Section

EBSCTCSO

NOBELCS

Obsoleted in MTX14. This OM register on the CAU is needed to determine the number of times an alternate route (in this case would be NRM based BSC) was chosen for resource allocation for LCS SO (Location services).

Data Source

MTX OM, SDM

Source Field

NOBELCS

Source Section

OVFLDATA

NOBEMV14

Obsoleted in MTX14. This OM register pegs when there is a failure in allocation of resources for setup of Markov 14.4k test call on a (legacy) BSC and the call is directed to EBSC depending on alternate subsystem.

Data Source

MTX OM, SDM

Source Field

NOBEMV14

Source Section

EBSCTCSO

NOBEMV96

Obsoleted in MTX14. This OM register pegs when there is a failure in allocation of resources for setup of Markov 9.6k call on a (legacy) BSC and the call is directed to EBSC depending on alternate subsystem.

Data Source

MTX OM, SDM

Source Field

NOBEMV96

Source Section

EBSCTCSO

NOBEOTA

Obsoleted in MTX14. This OM register on the CAU is needed to determine the number of times an alternate route (in this case would be NRM based BSC) was chosen for resource allocation for OTAPA.

Data Source

MTX OM, SDM

Source Field

NOBEOTA

Source Section

OVFLDATA

NOBEPPP

Obsoleted in MTX14. This OM register on the CAU is needed to determine the number of times an alternate route (in this case would be NRM based BSC) was chosen for resource allocation for packet data SO (PPP data delivery).

Data Source

MTX OM, SDM

Source Field

NOBEPPP

Source Section

OVFLDATA

NOBESMS

Obsoleted in MTX14. This OM register on the CAU is needed to determine the number of times an alternate route (in this case would be NRM based BSC) was chosen for resource allocation for SMS (Short Message Service).

Data Source

MTX OM, SDM

Source Field

NOBESMS

Source Section

OVFLDATA

NOBESMV

Obsoleted in MTX14. This OM register on the CAU is needed to determine the Obsoleted in MTX14. Number of times an alternate route (in this case would be NRM based BSC) was chosen for resource allocation for the SMV voice SO.

Data Source

MTX OM, SDM

Source Field

NOBESMV

Source Section

OVFLDSP

NOEBAG14

Obsoleted in MTX14. Number of times an alternate route was chosen for resource allocation for the Analog_fax_14_4 SO.

Data Source

MTX OM, SDM

Source Field

NOEBAG14

Source Section

OVFLDSP

NOEBAG96

Obsoleted in MTX14. Number of times an alternate route was chosen for resource allocation for the Analog_fax_9_6 SO.

Data Source

MTX OM, SDM

Source Field

NOEBAG96

Source Section

OVFLDSP

NOEBAS14

Obsoleted in MTX14. Number of times an alternate route was chosen for resource allocation for the ASYNC_data_14_4 SO.

Data Source

MTX OM, SDM

Source Field

NOEBAS14

Source Section

OVFLDSP

NOEBAS96

Obsoleted in MTX14. Number of times an alternate route was chosen for resource allocation for the ASYNC_data_9_6 SO.

Data Source

MTX OM, SDM

Source Field

NOEBAS96

Source Section

OVFLDSP

NOEBASIS

Obsoleted in MTX14. Number of times an alternate route was chosen for resource allocation for the ASYNC_data_is707 SO.

Data Source

MTX OM, SDM

Source Field

NOEBASIS

Source Section

OVFLDSP

NOEBB13K

Obsoleted in MTX14. Number of times an alternate route was chosen for resource allocation for the Basic_13K voice SO.

Data Source

MTX OM, SDM

Source Field

NOEBB13K

Source Section

OVFLDSP

NOEBB8K

Obsoleted in MTX14. Number of times an alternate route was chosen for resource allocation for the Basic_8K voice SO.

Data Source

MTX OM, SDM

Source Field

NOEBB8K

Source Section

OVFLDSP

NOEBEVRC

Obsoleted in MTX14. Number of times an alternate route was chosen for resource allocation for the EVRC voice SO.

Data Source

MTX OM, SDM

Source Field

NOEBEVRC

Source Section

OVFLDSP

NOEBG314

Obsoleted in MTX14. Number of times an alternate route was chosen for resource allocation for the Group_3_fax_14_4 SO.

Data Source

MTX OM, SDM

Source Field

NOEBG314

Source Section

OVFLDSP

NOEBG396

Obsoleted in MTX14. Number of times an alternate route was chosen for resource allocation for the Group_3_fax_9_6 SO.

Data Source

MTX OM, SDM

Source Field

NOEBG396

Source Section

OVFLDSP

NOEBG3IS

Obsoleted in MTX14. Number of times an alternate route was chosen for resource allocation for the Group_3_fax_IS707 SO.

Data Source

MTX OM, SDM

Source Field

NOEBG3IS

Source Section

OVFLDSP

NOEBI13K

Obsoleted in MTX14. This OM register on the CAU is needed to determine the Obsoleted in MTX14. Number of times an alternate route (in this case would be RMU based BSC) was chosen for resource allocation for the IS733_Voice_13K SO.

Data Source

MTX OM, SDM

Source Field

NOEBI13K

Source Section

OVFLDSP

NOEBLB13

Obsoleted in MTX14. This OM register pegs when there is a failure in allocation of resources for setup of Loopback_13K test call on EBSC and the call is directed to BSC depending on alternate subsystem.

Data Source

MTX OM, SDM

Source Field

NOEBLB13

Source Section

EBSCTCSO

NOEBLBK

Obsoleted in MTX14. This OM register pegs when there is a failure in allocation of resources for setup of Loopback test call on EBSC and the call is directed to BSC depending on alternate subsystem.

Data Source

MTX OM, SDM

Source Field

NOEBLBK

Source Section

EBSC TCSO

NOEBLCS

Obsoleted in MTX14. This OM register on the CAU is needed to determine the number of times an alternate route (in this case would be RMU based BSC) was chosen for resource allocation for LCS SO (Location services).

Data Source

MTX OM, SDM

Source Field

NOEBLCS

Source Section

OVFLDATA

NOEBMV14

Obsoleted in MTX14. This OM register pegs when there is a failure in allocation of resources for setup of Markov test call @14.4k on EBSC and the call is directed to BSC depending on alternate subsystem.

Data Source

MTX OM, SDM

Source Field

NOEBMV14

Source Section

EBSCTCSO

NOEBMV96

Obsoleted in MTX14. This OM register pegs when there is a failure in allocation of resources for setup of Markov test call @9.6k on EBSC and the call is directed to BSC depending on alternate subsystem.

Data Source

MTX OM, SDM

Source Field

NOEBMV96

Source Section

EBSCTCSO

NOEBOTA

Obsoleted in MTX14. This OM register on the CAU is needed to determine the number of times an alternate route (in this case would be RMU based BSC) was chosen for resource allocation for OTAPA.

Data Source

MTX OM, SDM

Source Field

NOEBOTA

Source Section

OVFLDATA

NOEBPPP

Obsoleted in MTX14. This OM register on the CAU is needed to determine the number of times an alternate route (in this case would be RMU based BSC) was chosen for resource allocation for packet data SO (PPP data delivery).

Data Source

MTX OM, SDM

Source Field

NOEBPPP

Source Section

OVFLDATA

NOEBSMS

Obsoleted in MTX14. This OM register on the CAU is needed to determine the number of times an alternate route (in this case would be RMU based BSC) was chosen for resource allocation for SMS (Short Message Service).

Data Source

MTX OM, SDM

Source Field

NOEBSMS

Source Section

OVFLDATA

NOEBSMV

Obsoleted in MTX14. Number of times an alternate route was chosen for resource allocation for the SMV voice SO.

Data Source

MTX OM, SDM

Source Field

NOEBSMV

Source Section

OVFLDSP

NORREQ3D

Valid for MTX12. Pegs when the Resource Manager has no available resources to allocate for a call for 3G Packet Data Calls

Data Source

MTX OM, SDM

Source Field

NORREQ3D when key="2G"

Source Section

CAURM

NORREQ3D_3G

Valid for MTX12. 3G Pegs when the Resource Manager has no available resources to allocate for a call for 3G Packet Data Calls

Data Source

MTX OM, SDM

Source Field

NORREQ3D when key="3G"

Source Section

CAURM

NORS153K

Obsoleted in MTX14. Pegs when no resources are available for 153K Data Rate for Packet Data.

Data Source

MTX OM, SDM

Source Field

NORS153K + 65536 * NOR153K2

Source Section

EBSC3GPD

NORS19K

Obsoleted in MTX14. Pegs when no resources are available for 19K Data Rate for Packet Data.

Data Source

MTX OM, SDM

Source Field

NORS19K + 65536 * NORS19K2

Source Section

EBSC3GPD

NORS38K

Obsoleted in MTX14. Pegs when no resources are available for 38K Data Rate for Packet Data.

Data Source

MTX OM, SDM

Source Field

NORS38K + 65536 * NORS38K2

Source Section

EBSC3GPD

NORS76K

Obsoleted in MTX14. Pegs when no resources are available for 76K Data Rate for Packet Data.

Data Source

MTX OM, SDM

Source Field

NORS76K + 65536 * NORS76K2

Source Section

EBSC3GPD

NRMANRDS

Number of unsuccessful resource allocation responses received by CAU from NRM due to the lack of requested resources for a data delivery service call.

Data Source

MTX OM, SDM

Source Field

NRMANRDS

Source Section

EBSCRM

NRMANRPD

Number of unsuccessful resource allocation responses received by CAU from NRM due to the lack of requested resources for a packet data call.

Data Source

MTX OM, SDM

Source Field

NRMANRPD

Source Section

EBSCRM

NRMANRV

Number of unsuccessful resource allocation responses received by CAU from NRM due to the lack of requested resources for a voice/CSD call.

Data Source

MTX OM, SDM

Source Field

NRMANRV

Source Section

EBSCRM

NRMARDS

Number of resource allocation requests sent by CAU to NRM for a data delivery service call.

Data Source

MTX OM, SDM

Source Field

NRMARDS + 65536 * NRMARDS2

Source Section

EBSCRM

NRMARPD

Number of resource allocation requests sent by CAU to NRM for a packet data call.

Data Source

MTX OM, SDM

Source Field

NRMARPD + 65536 * NRMARPD2

Source Section

EBSCRM

NRMARV

Number of resource allocation requests sent by CAU to NRM for a voice/CSD call.

Data Source

MTX OM, SDM

Source Field

NRMARV + 65536 * NRMARV2

Source Section

EBSCRM

NRMASDS

Number of successful resource allocation responses received by CAU from NRM for a data delivery service call.

Data Source

MTX OM, SDM

Source Field

NRMASDS + 65536 * NRMASDS2

Source Section

EBSCRM

NRMASPD

Number of successful resource allocation responses received by CAU from NRM for a packet data call.

Data Source

MTX OM, SDM

Source Field

NRMASPD + 65536 * NRMASPD2

Source Section

EBSCRM

NRMASV

Number of successful resource allocation responses received by CAU from NRM for a voice/CSD call.

Data Source

MTX OM, SDM

Source Field

NRMASV + 65536 * NRMASV2

Source Section

EBSCRM

NRMATODS

Number of times CAU times out while waiting for the resource allocation response from NRM for a data delivery service call.

Data Source

MTX OM, SDM

Source Field

NRMATODS

Source Section

EBSCRM

NRMATOPD

Number of times CAU times out while waiting for the resource allocation response from NRM for a packet data call.

Data Source

MTX OM, SDM

Source Field

NRMATOPD

Source Section

EBSCRM

NRMATOV

Number of times CAU times out while waiting for the resource allocation response from NRM for a voice/CSD call.

Data Source

MTX OM, SDM

Source Field

NRMATOV

Source Section

EBSCRM

NRMF CR1

Pegs when Overload Indicator Parameter in the Resource Allocation Response message from NRM indicates Flow Control Rate scale to be level 1.

Data Source

SDM

Source Field

NRMFCR1 + 65536 * NRMFCR12

Source Section

CAUNRMOC

NRMFCR2

Pegs when Overload Indicator Parameter in the Resource Allocation Response message from NRM indicates Flow Control Rate scale to be level 2.

Data Source

SDM

Source Field

NRMFCR2 + 65536 * NRMFCR22

Source Section

CAUNRMOC

NRMFCR3

Pegs when Overload Indicator Parameter in the Resource Allocation Response message from NRM indicates Flow Control Rate scale to be level 3.

Data Source

SDM

Source Field

NRMFCR3 + 65536 * NRMFCR32

Source Section

CAUNRMOC

NRMFCR4

Pegs when Overload Indicator Parameter in the Resource Allocation Response message from NRM indicates Flow Control Rate scale to be level 4.

Data Source

SDM

Source Field

NRMFCR4 + 65536 * NRMFCR42

Source Section

CAUNRMOC

NRMFCR5

Pegs when Overload Indicator Parameter in the Resource Allocation Response message from NRM indicates Flow Control Rate scale to be level 5.

Data Source

SDM

Source Field

NRMFCR5 + 65536 * NRMFCR52

Source Section

CAUNRMOC

NRMFCR6

Pegs when Overload Indicator Parameter in the Resource Allocation Response message from NRM indicates Flow Control Rate scale to be level 6.

Data Source

SDM

Source Field

NRMFCR6 + 65536 * NRMFCR62

Source Section

CAUNRMOC

NRMFCR7

Pegs when Overload Indicator Parameter in the Resource Allocation Response message from NRM indicates Flow Control Rate scale to be level 7.

Data Source

SDM

Source Field

NRMFCR7 + 65536 * NRMFCR72

Source Section

CAUNRMOC

NRMFCR8

Pegs when Overload Indicator Parameter in the Resource Allocation Response message from NRM indicates Flow Control Rate scale to be level 8.

Data Source

SDM

Source Field

NRMFCR8 + 65536 * NRMFCR82

Source Section

CAUNRMOC

NRMFCR9

Pegs when Overload Indicator Parameter in the Resource Allocation Response message from NRM indicates Flow Control Rate scale to be level 9.

Data Source

SDM

Source Field

NRMFCR9 + 65536 * NRMFCR92

Source Section

CAUNRMOC

NRMIANRD

NRMIANRD OM pegs when initial resource allocation request fails due to unavailable resources for packet data call.

Data Source

MTX OM, SDM

Source Field

NRMIANRD

Source Section

EBSCRM

NRMIANRV

NRMIANRV OM pegs when the initial resource allocation request fails due to unavailable resources for voice calls.

Data Source

MTX OM, SDM

Source Field

NRMIANRV

Source Section

EBSCRM

NRMIARD

NRMIARD OM pegs when the CAU sends the initial resource allocation request to NRM for packet data call.

Data Source

MTX OM, SDM

Source Field

NRMIARD + 65536 * NRMIARD2

Source Section

EBSCRM

NRMIARV

NRMIARV OM pegs when the CAU sends the initial resource allocation request to NRM for voice call.

Data Source

MTX OM, SDM

Source Field

NRMIARV + 65536 * NRMIARV2

Source Section

EBSCRM

NRMIASD

NRMIASD OM pegs when the initial resource allocation request to NRM is successful for packet data calls.

Data Source

MTX OM, SDM

Source Field

NRMIASD + 65536 * NRMIASD2

Source Section

EBSCRM

NRMIASV

NRMIASV OM pegs when the initial resource allocation request to NRM is successful for voice calls.

Data Source

MTX OM, SDM

Source Field

NRMIASV + 65536 * NRMIASV2

Source Section

EBSCRM

NRMIATOD

NRMIATOV OM pegs when CAU times out while waiting for the response, after sending the initial allocation request to NRM for packet data calls.

Data Source

MTX OM, SDM

Source Field

NRMIATOD

Source Section

EBSCRM

NRMIATOV

NRMIATOV OM pegs when CAU times out while waiting for the response, after sending the initial allocation request to NRM for voice calls.

Data Source

MTX OM, SDM

Source Field

NRMIATOV

Source Section

EBSCRM

NRMIOEND

NRMIOEND OM pegs for packet data call when initial resource allocation request to NRM failed due to the reasons NRM internal failure or NRM lock and No Retry is attempted on the alternate subsystem.

Data Source

MTX OM, SDM

Source Field

NRMIOEND

Source Section

EBSCRM

NRMIOENV

NRMIOENV OM pegs for voice call when initial resource allocation request to NRM failed due to the reasons NRM internal failure or NRM lock and No Retry is attempted on the alternate subsystem.

Data Source

MTX OM, SDM

Source Field

NRMIOENV

Source Section

EBSCRM

NRMIOERD

NRMIOERD OM pegs for packet data call when initial resource allocation request to NRM failed due to the reasons NRM internal failure or NRM lock and Retry is attempted on the alternate subsystem.

Data Source

MTX OM, SDM

Source Field

NRMIOERD

Source Section

EBSCRM

NRMIOERV

NRMIOERV OM pegs for voice call when initial resource allocation request to NRM failed due to the reasons NRM internal failure or NRM lock and Retry is attempted on the alternate subsystem.

Data Source

MTX OM, SDM

Source Field

NRMIOERV

Source Section

EBSCRM

NRMOEDS

Number of resource allocation failure responses received by CAU due to an error condition for a data delivery service call.

Data Source

MTX OM, SDM

Source Field

NRMOEDS

Source Section

EBSCRM

NRMOEPD

Number of resource allocation failure responses received by CAU due to an error condition for a packet data call.

Data Source

MTX OM, SDM

Source Field

NRMOEPD

Source Section

EBSCRM

NRMOEV

Number of resource allocation failure responses received by CAU due to an error condition for a voice/CSD call.

Data Source

MTX OM, SDM

Source Field

NRMOEV

Source Section

EBSCRM

NRMOLRDS

Number of resource allocation failure responses received by CAU from NRM for data delivery service calls as a rejection due to NRM's Overload condition.

Data Source

MTX OM, SDM

Source Field

NRMOLRDS

Source Section

EBSCRM

NRMOLRPD

Number of resource allocation failure responses received by CAU from NRM for packet data calls as a rejection due to NRM's Overload condition.

Data Source

MTX OM, SDM

Source Field

NRMOLRPD

Source Section

EBSCRM

NRMOLRV

Number of resource allocation failure responses received by CAU from NRM for voice/CSD calls as a rejection due to NRM's Overload condition.

Data Source

MTX OM, SDM

Source Field

NRMOLRV

Source Section

EBSCRM

NRMNRAND

NRMNRAND OM pegs for packet data call when the second resource allocation request fails and no resources are available.

Data Source

MTX OM, SDM

Source Field

NRMNRAND

Source Section

EBSCRM

NRMNRANRV

NRMNRANRV OM pegs when the second resource allocation request to NRM fails because no resources are available for voice calls.

Data Source

MTX OM, SDM

Source Field

NRMNRANRV

Source Section

EBSCRM

NRMRAOED

NRMRAOED OM pegs for packet data call when resource allocation retry to NRM failed due to the reasons NRM internal failure or NRM lock.

Data Source

MTX OM, SDM

Source Field

NRMRAOED

Source Section

EBSCRM

NRMRAOEV

NRMRAOEV OM pegs for voice call when resource allocation retry to NRM failed due to the reasons NRM internal failure or NRM lock.

Data Source

MTX OM, SDM

Source Field

NRMRAOEV

Source Section

EBSCRM

NRMRARD

NRMRARD OM pegs when CAU sends a second resource allocation request to NRM for packet data call.

Data Source

MTX OM, SDM

Source Field

NRMRARD

Source Section

EBSCRM

NRMRARV

NRMRARV OM pegs when CAU sends a second resource allocation request to NRM for voice calls.

Data Source

MTX OM, SDM

Source Field

NRMRARV

Source Section

EBSCRM

NRMRASD

NRMRASD OM pegs when the second resource allocation request to NRM is successful for packet data call.

Data Source

MTX OM, SDM

Source Field

NRMRASD

Source Section

EBSCRM

NRMRASV

NRMRASV OM pegs when the second resource allocation request to NRM is successful for voice calls.

Data Source

MTX OM, SDM

Source Field

NRMRASV

Source Section

EBSCRM

NRMRATOD

NRMRATOD OM pegs when CAU times out while waiting for the response, after sending the retry allocation request to NRM for packet data calls.

Data Source

MTX OM, SDM

Source Field

NRMRATOD

Source Section

EBSCRM

NRMRAOV

NRMRAOV OM pegs when CAU times out while waiting for the response, after sending the retry allocation request to NRM for voice calls.

Data Source

MTX OM, SDM

Source Field

NRMRAOV

Source Section

EBSCRM

NRMSTODS

Number of resource allocation failures responses received by CAU from NRM for data delivery service calls due to NRM timeout during resource allocation with SDRM, CSRM or SBSRM.

Data Source

MTX OM, SDM

Source Field

NRMSTODS

Source Section

EBSCRM

NRMSTOPD

Number of resource allocation failures responses received by CAU from NRM for packet data calls due to NRM timeout during resource allocation with SDRM, CSRM or SBSRM.

Data Source

MTX OM, SDM

Source Field

NRMSTOPD

Source Section

EBSCRM

NRMSTOV

Number of resource allocation failures responses received by CAU from NRM for voice/CSD calls due to NRM timeout during resource allocation with SDRM, CSRM or SBSRM.

Data Source

MTX OM, SDM

Source Field

NRMSTOV

Source Section

EBSCRM

NRMUNSO

Number of responses received by the CAU from the NRM indicating that the service option sent by CAU is not supported at the NRM.

Data Source

MTX OM, SDM

Source Field

NRMUNSO

Source Section

CAUMISC

NUMRPTS

Number reports (NUMRPTS)

Data Source

MTX OM, SDM

Source Field

NUMRPTS

Source Section

XPMOCC

ORIGDIS

CAU discards of the origination message due to RMU overload.

Data Source

SDM

Source Field

ORIGDIS + 65536 * ORIGDIS2

Source Section

CAUDISOL

OVLBEATD

Measures overflows from RMU to NRM for Data Delivery Services.

Data Source

SDM

Source Field

OVLBEATD

Source Section

OVFLVDDS

OVLBEATP

Measures overflows from RMU to NRM for Packet data calls.

Data Source

SDM

Source Field

OVLBEATP

Source Section

OVFLVDDS

OVLBEATV

Measures overflows from RMU to NRM for Voice/CSD calls.

Data Source

SDM

Source Field

OVLBEATV

Source Section

OVFLVDDS

OVLEBATD

Measures overflows from NRM to RMU for Data Delivery Services.

Data Source

SDM

Source Field

OVLEBATD

Source Section

OVFLVDDS

OVLEBATP

Measures overflows from NRM to RMU for Packet data calls.

Data Source

SDM

Source Field

OVLEBATP

Source Section

OVFLVDDS

OVLEBATV

Measures overflows from NRM to RMU for Voice/CSD calls.

Data Source

SDM

Source Field

OVLEBATV

Source Section

OVFLVDDS

PDOGDIS

CAU discards of Packet Data Origination messages due to RMU overload.

Data Source

SDM

Source Field

PDOGDIS + 65536 * PDOGDIS2

Source Section

CAUDISOL

PDTMDIS

CAU discards of Packet Data page response message due to RMU overload.

Data Source

SDM

Source Field

PDTMDIS + 65536 * PDTMDIS2

Source Section

CAUDISOL

PGL1DIS

CAU discards of General re-page messages for mobile termination voice call, network initiated dormant-to-active data call, due to CIU Level 1 overload.

Data Source

SDM

Source Field

PGL1DIS + 65536 * PGL1DS2

Source Section

CAUDISOL

PGL2DIS

CAU discards of General Page (or re-page) message for mobile termination voice call, network initiated dormant-to-active data calls, due to CIU Level 2 overload.

Data Source

SDM

Source Field

PGL2DIS + 65536 * PGL2DS2

Source Section

CAUDISOL

PGRSDIS

CAU discards of the page response message due to RMU overload.

Data Source

SDM

Source Field

PGRSDIS + 65536 * PGRSDIS2

Source Section

CAUDISOL

PMCCTDG

Counts system-initiated diagnostic tests that are run on a line card or trunk card

Data Source

MTX OM, SDM

Source Field

PMCCTDG

Source Section

PM

PMCCTFL

When a system-initiated test determines that PM problem is caused by a fault condition

Data Source

MTX OM, SDM

Source Field

PMCCTFL

Source Section

PM

PMCCTOP

When detect a fault on a line or trunk circuit that is located outside the switching office

Data Source

MTX OM, SDM

Source Field

PMCCTOP

Source Section

PM

PMDRERR

Counts errors in a line drawer that cause the drawer to have in-service trouble

Data Source

MTX OM, SDM

Source Field

PMDRERR

Source Section

PM

PMDRFLT

Counts faults in a line drawer that cause the drawer to be made system busy

Data Source

MTX OM, SDM

Source Field

PMDRFLT

Source Section

PM

PMDRMBU

Every 100s records whether a line drawer is manual busy

Data Source

MTX OM, SDM

Source Field

PMDRMBU

Source Section

PM

PMDRSBU

Every 100s records whether a line drawer is system busy

Data Source

MTX OM, SDM

Source Field

PMDRSBU

Source Section

PM

PMERR

Counts errors in an in-service PM

Data Source

MTX OM, SDM

Source Field

PMERR

Source Section

PM

PMFLT

Counts faults that cause the entire PM or one of its units to be made system busy

Data Source

MTX OM, SDM

Source Field

PMFLT

Source Section

PM

PMINTEG

When the PM detects an integrity failure and reports to the central control

Data Source

MTX OM, SDM

Source Field

PMINTEG

Source Section

PM

PMMBP

Incremented when a PM is manual busy from an in-service or in-service trouble state

Data Source

MTX OM, SDM

Source Field

PMMBP

Source Section

PM

PMMBTCO

Counts subscriber calls that are cut off when a PM is made manual busy

Data Source

MTX OM, SDM

Source Field

PMMBTCO

Source Section

PM

PMMCXFR

Incremented when a manual action causes an XPM to perform a cold SWACT

Data Source

MTX OM, SDM

Source Field

PMMCXFR

Source Section

PM

PMMMBU

Every 100s PMMMBU records whether any PMs are manual busy

Data Source

MTX OM, SDM

Source Field

PMMMBU

Source Section

PM

PMMSBU

Every 100s PMs are scanned and PMMSBU records whether a PM is system busy

Data Source

MTX OM, SDM

Source Field

PMMSBU

Source Section

PM

PMMWXFR

Incremented if manual maintenance forces a dual-unit PM

Data Source

MTX OM, SDM

Source Field

PMMWXFR

Source Section

PM

PMORIGS

Total call origination attempts (PMORIGS). (New OM group XPMOCC2 provides extension registers to existing OM group XPMOCC)

Data Source

MTX OM, SDM

Source Field

nullvalue(vsum(XPMOCC2.PMORIGS1, 65536 * XPMOCC2.PMORIGS2),
XPMOCC.PMORIGS)

Source Section

XPMOCC2

PMPSEERR

Counts errors on the P-side interface of an XPM or on a LIM F-bus

Data Source

MTX OM, SDM

Source Field

PMPSEERR

Source Section

PM

PMPSFLT

Counts faults on the P-side interface of an XPM or on the LIM F-bus

Data Source

MTX OM, SDM

Source Field

PMPSFLT

Source Section

PM

PMRGERR

Errors in ringing generators that supply ringing and ANI coin functions

Data Source

MTX OM, SDM

Source Field

PMRGERR

Source Section

PM

PMRGFLT

Counts service-affecting faults detected in the ringing generators

Data Source

MTX OM, SDM

Source Field

PMRGFLT

Source Section

PM

PMSBP

Incremented when the PM is system busy from an in-service or in-service trouble state

Data Source

MTX OM, SDM

Source Field

PMSBP

Source Section

PM

PMSBTCO

Counts subscriber calls that are cut off when the PM is made system busy

Data Source

MTX OM, SDM

Source Field

PMSBTCO

Source Section

PM

PMSCXFR

Incremented when a system action causes an XPM to perform a cold switch of activity

Data Source

MTX OM, SDM

Source Field

PMSCXFR

Source Section

PM

PMSGIPC

Number of messages lost as a result of interprocess communication (IPC) buffer congestion.
(New OM group XPMOVLD2 provides extension registers to existing OM group XPMOVLD)

Data Source

SDM

Source Field

nullvalue(vsum(XPMOVLD2.PMSGIPC1, 65536 * XPMOVLD2.PMSGIPC2),
XPMOVLD.PMSGIPC)

Source Section

XPMOVLD2

PMSWXFR

Incremented if system maintenance forces a dual-unit PM

Data Source

MTX OM, SDM

Source Field

PMSWXFR

Source Section

PM

PMTERMS

PM terminations (PMTERMS). (New OM group XPMOCC2 provides extension registers to existing OM group XPMOCC)

Data Source

MTX OM, SDM

Source Field

nullvalue(vsum(XPMOCC2.PMTERMS1, 65536 * XPMOCC2.PMTERMS2),
XPMOCC.PMTERMS)

Source Section

XPMOCC2

PMUMBU

Every 100s PMUMBU records the number of times a PM unit is manual busy

Data Source

MTX OM, SDM

Source Field

PMUMBU

Source Section

PM

PMUSBU

Every 100s PMUSBU records the number of times a PM unit is system busy

Data Source

MTX OM, SDM

Source Field

PMUSBU

Source Section

PM

PORGDLY

Number of originations delayed. (New OM group XPMOVLD2 provides extension registers to existing OM group XPMOVLD)

Data Source

SDM

Source Field

nullvalue(vsum(XPMOVLD2.PORGDLY1, 65536 * XPMOVLD2.PORGDLY2),
XPMOVLD.PORGDLY)

Source Section

XPMOVLD2

PORGIPC

Number of originations lost as a result of interprocess communication (IPC) buffer congestion. (New OM group XPMOVLD2 provides extension registers to existing OM group XPMOVLD)

Data Source

SDM

Source Field

nullvalue(vsum(XPMOVLD2.PORGIPC1, 65536 * XPMOVLD2.PORGIPC2),
XPMOVLD.PORGIPC)

Source Section

XPMOVLD2

PORGLCM

Number of originations lost as a result of line concentrating module overload. (New OM group XPMOVLD2 provides extension registers to existing OM group XPMOVLD)

Data Source

SDM

Source Field

nullvalue(vsum(XPMOVLD2.PORGLCM1, 65536 * XPMOVLD2.PORGLCM2),
XPMOVLD.PORGLCM)

Source Section

XPMOVLD2

PORGMISC

Number of originations lost for miscellaneous reasons. (New OM group XPMOVLD2 provides extension registers to existing OM group XPMOVLD)

Data Source

SDM

Source Field

nullvalue(vsum(XPMOVLD2.PORMISC1, 65536 * XPMOVLD2.PORMISC2),
XPMOVLD.PORGMISC)

Source Section

XPMOVLD2

PORGMSG

Number of originations lost because too many messages are present in the flow control system. (New OM group XPMOVLD2 provides extension registers to existing OM group XPMOVLD)

Data Source

SDM

Source Field

nullvalue(vsum(XPMOVLD2.PORGMSG1, 65536 * XPMOVLD2.PORGMSG2),
XPMOVLD.PORGMSG)

Source Section

XPMOVLD2

PORGPTQ

Number of originations lost because of the limit on the number of messages allowed per terminal in the flow control system. (New OM group XPMOVLD2 provides extension registers to existing OM group XPMOVLD)

Data Source

SDM

Source Field

nullvalue(vsum(XPMOVLD2.PORGPTQ1, 65536 * XPMOVLD2.PORGPTQ2),
XPMOVLD.PORGPTQ)

Source Section

XPMOVLD2

PORGSLLC

Number of originations lost as a result of site line load control. (New OM group XPMOVLD2 provides extension registers to existing OM group XPMOVLD)

Data Source

SDM

Source Field

nullvalue(vsum(XPMOVLD2.PORGSLC1, 65536 * XPMOVLD2.PORGSLC2),
XPMOVLD.PORGSLLC)

Source Section

XPMOVLD2

PTRMDLY

Number of terminations delayed. (New OM group XPMOVLD2 provides extension registers to existing OM group XPMOVLD)

Data Source

SDM

Source Field

nullvalue(vsum(XPMOVLD2.PTRMDLY1, 65536 * XPMOVLD2.PTRMDLY2),
XPMOVLD.PTRMDLY)

Source Section

XPMOVLD2

PTRMMISC

Number of terminations for miscellaneous reasons. (New OM group XPMOVLD2 provides extension registers to existing OM group XPMOVLD)

Data Source

SDM

Source Field

nullvalue(vsum(XPMOVLD2.PTRMMISC1, 65536 * XPMOVLD2.PTRMMISC2),
XPMOVLD.PTRMMISC)

Source Section

XPMOVLD2

PTRMMSG

Number of terminations lost because too many messages are present in the flow control system. (New OM group XPMOVLD2 provides extension registers to existing OM group XPMOVLD)

Data Source

SDM

Source Field

nullvalue(vsum(XPMOVLD2.PTRMMSG1, 65536 * XPMOVLD2.PTRMMSG2),
XPMOVLD.PTRMMSG)

Source Section

XPMOVLD2

PTRMPTQ

Number of terminations lost because of the limit on the number of messages allowed per terminal in the flow control system. (New OM group XPMOVLD2 provides extension registers to existing OM group XPMOVLD)

Data Source

SDM

Source Field

nullvalue(vsum(XPMOVLD2.PTRMPTQ1, 65536 * XPMOVLD2.PTRMPTQ2),
XPMOVLD.PTRMPTQ)

Source Section

XPMOVL2

REQ153K

Obsoleted in MTX14. Pegs on a requested 153K Data Rate for Packet Data.

Data Source

MTX OM, SDM

Source Field

REQ153K + 65536 * REQ153K2

Source Section

EBSC3GPD

REQ19K

Obsoleted in MTX14. Pegs on a requested 19K Data Rate for Packet Data.

Data Source

MTX OM, SDM

Source Field

REQ19K + 65536 * REQ19K2

Source Section

EBSC3GPD

REQ38K

Obsoleted in MTX14. Pegs on a requested 38K Data Rate for Packet Data.

Data Source

MTX OM, SDM

Source Field

REQ38K + 65536 * REQ38K2

Source Section

EBSC3GPD

REQ76K

Obsoleted in MTX14. Pegs on a requested 76K Data Rate for Packet Data.

Data Source

MTX OM, SDM

Source Field

REQ76K + 65536 * REQ76K2

Source Section

EBSC3GPD

RMDEPLT

Valid for MTX12. Pegs when the resource manager on the CAU transition from overload to resource deplete

Data Source

MTX OM, SDM

Source Field

RMDEPLT when key="2G"

Source Section

CAURM

RMDEPLT_3G

Valid for MTX12. 3G when the resource manager on the CAU transition from overload to resource deplete

Data Source

MTX OM, SDM

Source Field

RMDEPLT when key="3G"

Source Section

CAURM

RMNOCIU

Pegs when the resource manager cannot route message to any CIU because none are ready

Data Source

MTX OM, SDM

Source Field

RMNOCIU

Source Section

CAURM

RMNOCIU_3G

Valid for MTX12. 3G when the resource manager cannot route message to any CIU because none are ready

Data Source

MTX OM, SDM

Source Field

RMNOCIU when key="3G"

Source Section

CAURM

RMNORM

Valid for MTX12. Resource manager on the CAU has transitioned from overload to normal

Data Source

MTX OM, SDM

Source Field

RMNORM when key="2G"

Source Section

CAURM

RMNORM_3G

Valid for MTX12. 3G Resource manager on the CAU has transitioned from overload to normal

Data Source

MTX OM, SDM

Source Field

RMNORM when key="3G"

Source Section

CAURM

RMNORREQ

Valid for MTX12. when the resource manager fails a Resource allocation request due to lack of resources

Data Source

MTX OM, SDM

Source Field

RMNORREQ when key="2G"

Source Section

CAURM

RMNORREQ_3G

Valid for MTX12. 3G when the resource manager fails a Resource allocation request due to lack of resources

Data Source

MTX OM, SDM

Source Field

RMNORREQ when key="3G"

Source Section

CAURM

RMOVLD

Valid for MTX12. Pegs when the resource manager on the CAU has transitioned from normal to overload

Data Source

MTX OM, SDM

Source Field

RMOVLD when key="2G"

Source Section

CAURM

RMOVLD_3G

Valid for MTX12. 3G Pegs when the resource manager on the CAU has transitioned from normal to overload

Data Source

MTX OM, SDM

Source Field

RMOVLD when key="3G"

Source Section

CAURM

RMSRMNAK

Pegs when the resource manager received negative acknowledgment on a SRM response

Data Source

MTX OM, SDM

Source Field

RMSRMNAK

Source Section

CAURM

RMSRMNAK_3G

Valid for MTX12. 3G when the resource manager received negative acknowledgment on a SRM response

Data Source

MTX OM, SDM

Source Field

RMSRMNAK when key="3G"

Source Section

CAURM

RMSRMTO

Pegs when the resource manager on the CAU has received a timeout on a SRM response

Data Source

MTX OM, SDM

Source Field

RMSRMTO

Source Section

CAURM

RMSRMTO_3G

Valid for MTX12. 3G Pegs when the resource manager on the CAU has received a timeout on a SRM response

Data Source

MTX OM, SDM

Source Field

RMSRMTO when key="3G"

Source Section

CAURM

RMUIANRD

This OM counts the number of initial unsuccessful resource allocation responses from RMU due to lack of resources at RMU subsystem for packet data calls.

Data Source

MTX OM, SDM

Source Field

RMUIANRD

Source Section

BSCRM

RMUIANRV

This OM counts the number of initial unsuccessful resource allocation responses from RMU due to lack of resources at RMU subsystem for voice calls.

Data Source

MTX OM, SDM

Source Field

RMUIANRV

Source Section

BSCRM

RMUIARD

Counts the number of initial resource allocation requests to RMU for packet data calls.

Data Source

MTX OM, SDM

Source Field

RMUIARD + 65536 * RMUIARD2

Source Section

BSCRM

RMUIARV

Pegged when CAU sends the initial resource allocation request to RMU for voice call.

Data Source

MTX OM, SDM

Source Field

RMUIARV + 65536 * RMUIARV2

Source Section

BSCRM

RMUIASD

Counts the number of initial successful resource allocation response from RMU for packet data calls.

Data Source

MTX OM, SDM

Source Field

RMUIASD + 65536 * RMUIASD2

Source Section

BSCRM

RMUIASV

Counts the number of initial successful resource allocation response from RMU for voice calls.

Data Source

MTX OM, SDM

Source Field

RMUIASV + 65536 * RMUIASV2

Source Section

BSCRM

RMUIATOD

This OM counts the number of times CAU time-out while waiting for initial resource allocation response from RMU for packet data calls.

Data Source

MTX OM, SDM

Source Field

RMUIATOD

Source Section

BSCRM

RMUIATOV

This OM counts the number of times CAU time-out while waiting for initial resource allocation response from RMU for voice calls.

Data Source

MTX OM, SDM

Source Field

RMUIATOV

Source Section

BSCRM

RMUINRDS

Number of initial unsuccessful resource allocation responses from RMU for Data Service calls.

Data Source

MTX OM, SDM

Source Field

RMUINRDS

Source Section

BSCRM2

RMUIOEDS

Number of unsuccessful initial resource allocation to RMU subsystem for Data Service calls without a retry.

Data Source

MTX OM, SDM

Source Field

RMUIOEDS

Source Section

BSCRM2

RMUIOEND

This OM counts the number of unsuccessful initial resource allocation to RMU subsystem for packet data calls, without a retry (resource allocation attempt).

Data Source

MTX OM, SDM

Source Field

RMUIOEND

Source Section

BSCRM

RMUIOENV

This OM counts the number of unsuccessful initial resource allocation to RMU subsystem for voice calls, without a retry.

Data Source

MTX OM, SDM

Source Field

RMUIOENV

Source Section

BSCRM

RMUIRDS

Number of initial resource allocation requests to RMU for Data Service calls.

Data Source

MTX OM, SDM

Source Field

RMUIRDS + 65536 * RMUIRDS2

Source Section

BSCRM2

RMUISDS

Number of initial successful resource allocation response from RMU for Data Service calls.

Data Source

MTX OM, SDM

Source Field

RMUISDS + 65536 * RMUISDS2

Source Section

BSCRM2

RMUITODS

Number of times CAU time-out while waiting for initial resource allocation response from RMU for Data Service calls.

Data Source

MTX OM, SDM

Source Field

RMUITODS

Source Section

BSCRM2

RMUNSO

Pegs when the resource mgr receives unknown/invalid/unsupported service option

Data Source

MTX OM, SDM

Source Field

RMUNSO

Source Section

CAURM

RMUNSO_3G

Valid for MTX12. 3G when the resource mgr receives unknown/invalid/unsupported service option

Data Source

MTX OM, SDM

Source Field

RMUNSO when key="3G"

Source Section

CAURM

RMURANRD

This OM counts the number of retry unsuccessful resource allocation responses from RMU due to lack of resources at RMU subsystem for packet data calls.

Data Source

MTX OM, SDM

Source Field

RMURANRD

Source Section

BSCRM

RMURANRV

This OM counts the number of retry unsuccessful resource allocation responses from RMU due to lack of resources at RMU subsystem for voice calls.

Data Source

MTX OM, SDM

Source Field

RMURANRV

Source Section

BSCRM

RMURAOED

This OM counts the number of unsuccessful retry resource allocation on RMU subsystem for packet data call.

Data Source

MTX OM, SDM

Source Field

RMURAOED

Source Section

BSCRM

RMURAOEV

This OM counts the number of unsuccessful retry resource allocation on RMU subsystem for voice call.

Data Source

MTX OM, SDM

Source Field

RMURAOEV

Source Section

BSCRM

RMURARD

This OM counts the number of retry resource allocation requests to RMU for packet data calls.

Data Source

MTX OM, SDM

Source Field

RMURARD

Source Section

BSCRM

RMURARV

This OM counts the number of retry resource allocation requests to RMU for voice calls.

Data Source

MTX OM, SDM

Source Field

RMURARV

Source Section

BSCRM

RMURASD

This OM counts the number of retry successful resource allocation response from RMU for packet data calls.

Data Source

MTX OM, SDM

Source Field

RMURASD

Source Section

BSCRM

RMURASV

This OM counts the number of retry successful resource allocation response from RMU for voice calls.

Data Source

MTX OM, SDM

Source Field

RMURASV

Source Section

BSCRM

RMURATOD

This OM counts the number of times CAU time-out while waiting for retry resource allocation response from RMU for packet data calls.

Data Source

MTX OM, SDM

Source Field

RMURATOD

Source Section

BSCRM

RMURATOV

This OM counts the number of times CAU time-out while waiting for retry resource allocation response from RMU for voice calls.

Data Source

MTX OM, SDM

Source Field

RMURATOV

Source Section

BSCRM

RMURNRDS

Number of retry unsuccessful resource allocation responses from RMU due to lack of resources at RMU subsystem for Data Service calls.

Data Source

MTX OM, SDM

Source Field

RMURNRDS

Source Section

BSCRM2

RMUROEDS

Number of unsuccessful retry resource allocation on RMU subsystem for Data Service calls.

Data Source

MTX OM, SDM

Source Field

RMUROEDS

Source Section

BSCRM2

RMURRDS

Number of retry resource allocation requests to RMU for Data Service calls.

Data Source

MTX OM, SDM

Source Field

RMURRDS

Source Section

BSCRM2

RMURSDS

Number of retry successful resource allocation responses from RMU for Data Service calls.

Data Source

MTX OM, SDM

Source Field

RMURSDS

Source Section

BSCRM2

RMURTODS

Number of times CAU time-out while waiting for retry resource allocation response from RMU for Data Service calls.

Data Source

MTX OM, SDM

Source Field

RMURTODS

Source Section

BSCRM2

RMUUNSO

Number of responses received by the CAU from the RMU indicating that the service option sent by CAU is not supported at the RMU.

Data Source

MTX OM, SDM

Source Field

RMUUNSO

Source Section

CAUMISC

SBSTIDFL

SBS Trunk to Tid mapping fail

Data Source

MTX OM, SDM

Source Field

SBSTIDFL

Source Section

EBSCRM

SEFL2PVS

Number of calls dropped due to loss of traffic between the vocoder (on the 2PVS) and the Selector Element (on the DSFP-V) after a successful call setup on the CSVS platform.

Data Source

MTX OM, SDM

Source Field

SEFL2PVS

Source Section

CAUMISC

SEFLFRAM

Number of dropped calls, it is pegged when CAU receives SOM service release indication message with cause code as first_fwd_frame_loss.

Data Source

SDM

Source Field

SEFLFRAM

Source Section

CAUMISC

SEFLNWK

Number of calls dropped when the vocoder (on the 2PVS) detects network failure that includes TDM failure, ATM bearer failure, DSP failure, etc.

Data Source

MTX OM, SDM

Source Field

SEFLNWK

Source Section

CAUMISC

SLTPGREQ

when CPN receives a page request from CM for a mobile station in slotted mode paging

Data Source

MTX OM, SDM

Source Field

SLTPGREQ

Source Section

CAUCPSYS

SLTPGRTY

Pegs after CPN receives no resp. within CAUPGTO sec. and after 2nd page request is sent

Data Source

MTX OM, SDM

Source Field

SLTPGRTY

Source Section

CAUCPSYS

SLTPGTO

Pegs when a CPN has timed out two times without receiving a page response

Data Source

MTX OM, SDM

Source Field

SLTPGTO

Source Section

CAUCPSYS

SMOCMREQ

Pegs when the CAU sends a SMS mobile origination request to the CM after call setup

Data Source

MTX OM, SDM

Source Field

SMOCMREQ

Source Section

CAUDATSY

SMOCMRES

when CAU receives SMS mobile origination response from the CM after call setup

Data Source

MTX OM, SDM

Source Field

SMOCMRES

Source Section

CAUDATSY

SMOCMRTO

Pegs after the CAU has timed out without receiving a SMS mobile origination response

Data Source

MTX OM, SDM

Source Field

SMOCMRTO

Source Section

CAUDATSY

SMODBRTO

after CAU timed out without receiving SMS mobile origination databurst request

Data Source

MTX OM, SDM

Source Field

SMODBRTO

Source Section

CAUDATSY

SMPRDIS

CAU discards of the SMS page response due to RMU overload.

Data Source

SDM

Source Field

SMPRDIS + 65536 * SMPRDIS2

Source Section

CAUDISOL

SMSODIS

CAU discards of the SMS origination message due to RMU overload. Associated register SMOCSFTC register is pegged in addition to SMSODIS for the RMU overload failure reasons. Validation formula The percentage of SMS Origination DIScard to an SMs Origination Channel Selection Failure over the Traffic Channel is expressed by the following ratio: (Number of SMS Origination DIScard / total SMs Origination Channel Selection Failure over the Traffic

Channel) x 100 Number of SMS Origination DIScard = sum SMSODIS for all CAUs Total SMS
Origination Channel Selection Failure over the Traffic Channel = sum SMOCSFTC for CAUs

Data Source

SDM

Source Field

SMSODIS + 65536 * SMSODIS2

Source Section

CAUDISOL

SMSPGREQ

Pegs when a CPN receives an SMS page request from the CM

Data Source

MTX OM, SDM

Source Field

SMSPGREQ + 65536 * CAUDATSX.SMSPGRQ2

Source Section

CAUDATSY

SMSPGRTO

Pegs SMS Page Response Timeouts

Data Source

MTX OM, SDM

Source Field

SMSPGRTO + 65536 * CAUDATSX.SMSPRTO2

Source Section

CAUDATSY

SMSPGRTY

Pegs SMS Page Retry Attempts

Data Source

MTX OM, SDM

Source Field

SMSPGRTY + 65536 * CAUDATSX.SMSPRTY2

Source Section

CAUDATSY

SMSPGTO

Pegs when the CPN times out without receiving a page Response

Data Source

MTX OM, SDM

Source Field

SMSPGTO + 65536 * CAUDATSX.SMSPGTO2

Source Section

CAUDATSY

SMTL1DIS

CAU discards of SMS re-page messages for mobile termination SMS, due to CIU Level 1 overload. If the CIU is at overload Level 1, only re-page messages are discarded, but not the first SMS Page messages.

Data Source

SDM

Source Field

SMTL1DIS + 65536 * SMTL1DS2

Source Section

CAUDISOL

SMTL2DIS

CAU discards of SMS Page (or re-page) messages for mobile termination SMS, die to CIU Level 2 overload.

Data Source

SDM

Source Field

SMTL2DIS + 65536 * SMTL2DS2

Source Section

CAUDISOL

SRMAV2DP

Valid for MTX12. SRM state transition from Available to Depleted

Data Source

MTX OM, SDM

Source Field

SRMAV2DP when key="2G"

Source Section

CAURM

SRMAV2DP_3G

Valid for MTX12. 3G SRM state transition from Available to Depleted

Data Source

MTX OM, SDM

Source Field

SRMAV2DP when key="3G"

Source Section

CAURM

SRMAV2OV

Valid for MTX12. SRM state transition from Available to Overloaded

Data Source

MTX OM, SDM

Source Field

SRMAV2OV when key="2G"

Source Section

CAURM

SRMAV2OV_3G

Valid for MTX12. 3G SRM state transition from Available to Overloaded

Data Source

MTX OM, SDM

Source Field

SRMAV2OV when key="3G"

Source Section

CAURM

SRMDDSRV

SRM Dynamic Data Sync Received

Data Source

MTX OM, SDM

Source Field

SRMDDSRV

Source Section

CAURM

SRMDDSRV_3G

Valid for MTX12. 3G SRM Dynamic Data Sync Received

Data Source

MTX OM, SDM

Source Field

SRMDDSRV when key="3G"

Source Section

CAURM

SRMDDSSL

Number of SRM Dynamic Data Sync Messages sent out

Data Source

MTX OM, SDM

Source Field

SRMDDSSL

Source Section

CAURM

SRMDDSSL_3G

Valid for MTX12. 3G number of SRM Dynamic Data Sync Messages sent out

Data Source

MTX OM, SDM

Source Field

SRMDDSSL when key="3G"

Source Section

CAURM

SRMDDSSM

Extension register for SRMDDSSL

Data Source

MTX OM, SDM

Source Field

SRMDDSSM

Source Section

CAURM

SRMDDSSM_3G

Valid for MTX12. 3G Extension register for SRMDDSSL

Data Source

MTX OM, SDM

Source Field

SRMDDSSM when key="3G"

Source Section

CAURM

SRMDP2AV

Valid for MTX12. SRM state transition from Depleted to Available

Data Source

MTX OM, SDM

Source Field

SRMDP2AV when key="2G"

Source Section

CAURM

SRMDP2AV_3G

Valid for MTX12. 3G SRM state transition from Depleted to Available

Data Source

MTX OM, SDM

Source Field

SRMDP2AV when key="3G"

Source Section

CAURM

SRMDP2OV

Valid for MTX12. SRM state transition from Depleted to Overloaded

Data Source

MTX OM, SDM

Source Field

SRMDP2OV when key="2G"

Source Section

CAURM

SRMDP2OV_3G

Valid for MTX12. 3G SRM state transition from Depleted to Overloaded

Data Source

MTX OM, SDM

Source Field

SRMDP2OV when key="3G"

Source Section

CAURM

SRMNAK3D

Pegs when the Resource Manager receives a resource allocation failure from the SRMs for 3G Packet Data Calls

Data Source

MTX OM, SDM

Source Field

SRMNAK3D

Source Section

CAURM

SRMNAK3D_3G

Valid for MTX12. 3G Pegs when the Resource Manager receives a resource allocation failure from the SRMs for 3G Packet Data Calls

Data Source

MTX OM, SDM

Source Field

SRMNAK3D when key="3G"

Source Section

CAURM

SRMNNORM

SRM Negative acknowledgment with No Resource available

Data Source

MTX OM, SDM

Source Field

SRMNNORM

Source Section

CAURM

SRMNNORM_3G

Valid for MTX12. 3G SRM Negative acknowledgment with No Resource available

Data Source

MTX OM, SDM

Source Field

SRMNNORM when key="3G"

Source Section

CAURM

SRMOV2AV

Valid for MTX12. SRM state transition from Overloaded to Available

Data Source

MTX OM, SDM

Source Field

SRMOV2AV when key="2G"

Source Section

CAURM

SRMOV2AV_3G

Valid for MTX12. 3G SRM state transition from Overloaded to Available

Data Source

MTX OM, SDM

Source Field

SRMOV2AV when key="3G"

Source Section

CAURM

SRMOV2DP

Valid for MTX12. SRM state transition from Overloaded to Depleted

Data Source

MTX OM, SDM

Source Field

SRMOV2DP when key="2G"

Source Section

CAURM

SRMOV2DP_3G

Valid for MTX12. 3G SRM state transition from Overloaded to Depleted

Data Source

MTX OM, SDM

Source Field

SRMOV2DP when key="3G"

Source Section

CAURM

SRMTO3D

Pegs when the Resource Manager times out waiting on a request for call resources from the SRM for 3G Packet Data Calls

Data Source

MTX OM, SDM

Source Field

SRMTO3D

Source Section

CAURM

SRMTO3D_3G

Valid for MTX12. 3G Pegs when the Resource Manager times out waiting on a request for call resources from the SRM for 3G Packet Data Calls

Data Source

MTX OM, SDM

Source Field

SRMTO3D when key="3G"

Source Section

CAURM

SUALG144

Obsoleted in MTX14. Pegs on CAU when the resource allocation response is received with the response code NRM_Success from the NRM for Analog Fax @ 14.4k Service option.

Data Source

MTX OM, SDM

Source Field

SUALG144

Source Section

EBSCDFSO

SUALG96

Obsoleted in MTX14. Pegs on CAU when the resource allocation response is received with the response code NRM_Success from the NRM for Analog Fax @ 9.6k Service option.

Data Source

MTX OM, SDM

Source Field

SUALG96

Source Section

EBSCDFSO

SUASY144

Obsoleted in MTX14. Pegs on CAU when the resource allocation response is received with the response code NRM_Success from the NRM for Async Data @ 14.4k Service option.

Data Source

MTX OM, SDM

Source Field

SUASY144

Source Section

EBSCDFSO

SUASYC96

Obsoleted in MTX14. Pegs on CAU when the resource allocation response is received with the response code NRM_Success from the NRM for Async Data @ 9.6k Service option.

Data Source

MTX OM, SDM

Source Field

SUASYC96

Source Section

EBSCDFSO

SUASYCIS

Obsoleted in MTX14. Pegs on CAU when the resource allocation response is received with the response code NRM_Success from the NRM for IS707 Async Data Service option.

Data Source

MTX OM, SDM

Source Field

SUASYCIS

Source Section

EBSCDFSO

SUC153K

Obsoleted in MTX14. Pegs on a successful allocation 153K Data Rate for Packet Data.

Data Source

MTX OM, SDM

Source Field

SUC153K + 65536 * SUC153K2

Source Section

EBSC3GPD

SUC19K

Obsoleted in MTX14. Pegs on a successful allocation 19K Data Rate for Packet Data.

Data Source

MTX OM, SDM

Source Field

SUC19K + 65536 * SUC19K2

Source Section

EBSC3GPD

SUC2G

Obsoleted in MTX14. This register pegs when the CAU receives a successful resource allocation response from the NRM for 2G voice calls.

Data Source

MTX OM

Source Field

SUC2G

Source Section

EBSCV

SUC38K

Obsoleted in MTX14. Pegs on a successful allocation 38K Data Rate for Packet Data.

Data Source

MTX OM, SDM

Source Field

SUC38K + 65536 * SUC38K2

Source Section

EBSC3GPD

SUC3G

Obsoleted in MTX14. This register pegs when the CAU receives a successful resource allocation response from the NRM for 3G voice calls.

Data Source

MTX OM

Source Field

SUC3G

Source Section

EBSCV

SUC76K

Obsoleted in MTX14. Pegs on a successful allocation 76K Data Rate for Packet Data.

Data Source

MTX OM, SDM

Source Field

SUC76K + 65536 * SUC76K2

Source Section

EBSC3GPD

SUEBB13K

Obsoleted in MTX14. The SUEBB13K OM register pegs when the CAU receives a resource allocation response with the response code NRM_Success from the NRM with Basic 13K Service option.

Data Source

MTX OM, SDM

Source Field

SUEBB13K + 65536 * SUEB13K2

Source Section

EBSCVSO

SUEBB8K

Obsoleted in MTX14. The SUEBB8K OM register pegs on CAU when the resource allocation response is received with the response code NRM_Success from the NRM for Basic 8K Service option.

Data Source

MTX OM, SDM

Source Field

SUEBB8K + 65536 * SUEB8K2

Source Section

EBSCVSO

SUEBEVRC

Obsoleted in MTX14. The SUEBEVRC OM register pegs on CAU when the resource allocation response is received with the response code NRM_Success from the NRM for EVRC Service option.

Data Source

MTX OM, SDM

Source Field

SUEBEVRC + 65536 * SUEEVRC2

Source Section

EBSCVSO

SUEBI13K

Obsoleted in MTX14. The SUEBI13K OM register pegs on CAU when the resource allocation response is received with the response code NRM_Success from the NRM for IS733 13K Service option.

Data Source

MTX OM, SDM

Source Field

SUEBI13K + 65536 * SUEI13K2

Source Section

EBSCVSO

SUEBSMV

Obsoleted in MTX14. The SUEBSMV OM register pegs on CAU when the resource allocation response is received with the response code NRM_Success from the NRM for SMV Service option.

Data Source

MTX OM, SDM

Source Field

SUEBSMV + 65536 * SUESMV2

Source Section

EBSCVSO

SUGR3144

Obsoleted in MTX14. Pegs on CAU when the resource allocation response is received with the response code NRM_Success from the NRM for G3 Fax @ 14.4k Service option.

Data Source

MTX OM, SDM

Source Field

SUGR3144

Source Section

EBSCDFSO

SUGR396

Obsoleted in MTX14. Pegs on CAU when the resource allocation response is received with the response code NRM_Success from the NRM for G3 Fax @ 9.6k Service option.

Data Source

MTX OM, SDM

Source Field

SUGR396

Source Section

EBSCDFSO

SUGR3IS

Obsoleted in MTX14. Pegs on CAU when the resource allocation response is received with the response code NRM_Success from the NRM for Group_3_fax_is707 Service option.

Data Source

MTX OM, SDM

Source Field

SUGR3IS

Source Section

EBSCDFSO

SUINPPP

Obsoleted in MTX14. Pegs on a successful setup of Packet data service call.

Data Source

MTX OM, SDM

Source Field

SUINPPP

Source Section

EBSCDSO

SULCS

Obsoleted in MTX14. Pegs on CAU when the resource allocation response is received with the response code NRM_Success from the NRM for LCS data Service option.

Data Source

MTX OM, SDM

Source Field

SULCS

Source Section

EBSCDSO

SULPBK13

Obsoleted in MTX14. This OM register pegs on a successful setup of call for Test Call service option - Loopback_13K.

Data Source

MTX OM, SDM

Source Field

SULPBK13

Source Section

EBSCTCSO

SUMKV144

Obsoleted in MTX14. This OM register pegs on a successful setup of call for Test Call service option - Markov @ 14.4k .

Data Source

MTX OM, SDM

Source Field

SUMKV144

Source Section

EBSCTCSO

SUMKV96

Obsoleted in MTX14. This OM register pegs on a successful setup of call for Test Call service option - Markov @ 9.6k .

Data Source

MTX OM, SDM

Source Field

SUMKV96

Source Section

EBSCTCSO

SUMLPBK

Obsoleted in MTX14. This OM register pegs on a successful setup of call for Test Call service option - Loopback.

Data Source

MTX OM, SDM

Source Field

SUMLPBK

Source Section

EBSCTCSO

SUOTAPA

Obsoleted in MTX14. Pegs on CAU when the resource allocation response is received with the response code NRM_Success from the NRM for OTAPA data Service option.

Data Source

MTX OM, SDM

Source Field

SUOTAPA

Source Section

EBSCDSO

SUSMS

Obsoleted in MTX14. Pegs on CAU when the resource allocation response is received with the response code NRM_Success from the NRM for SMS data Service option.

Data Source

MTX OM, SDM

Source Field

SUSMS

Source Section

EBSCDSO

TLBADHDR

Pegs when a packet with a bad header is received

Data Source

MTX OM, SDM

Source Field

TLBADHDR

Source Section

CIUPROST

TLBUFDC

Keep a count of the number of packets that are discarded due to shortage of buffers

Data Source

MTX OM, SDM

Source Field

TLBUFDC

Source Section

CIUPROST

TLCONNDC

Number of connections to be discarded due to connection resources shortage

Data Source

MTX OM, SDM

Source Field

TLCONNDC

Source Section

CIUPROST

TLCONRST

Keep a count of connection recoveries attempted

Data Source

MTX OM, SDM

Source Field

TLCONRST

Source Section

CIUPROST

TLFRGPKT

Keep a count of the number of packets that needed to be fragmented

Data Source

MTX OM, SDM

Source Field

TLFRGPKT + 65536 * TLFRTGPT2

Source Section

CIUPROST

TLMXCONN

TLMXCONN

Data Source

MTX OM, SDM

Source Field

TLMXCONN

Source Section

CIUPROST

TLNACKS

Keep a count of the number of negative acknowledgments received

Data Source

MTX OM, SDM

Source Field

TLNACKS

Source Section

CIUPROST

TLPKTRX

Detect high traffic volume situations and keep a count of the packets received

Data Source

MTX OM, SDM

Source Field

TLPKTRX + 65536 * TLPKTR2

Source Section

CIUPROST

TLPKTTX

Detect high traffic volume situations and to keep a count of the packets sent

Data Source

MTX OM, SDM

Source Field

TLPKTTX + 65536 * TLPKTTX2

Source Section

CIUPROST

TLREXMTS

Keep a count of the number of packets that needed to be retransmitted

Data Source

MTX OM, SDM

Source Field

TLREXMTS

Source Section

CIUPROST

TLRSMPKT

Keep a count of the number of packets that needed to be reassembled

Data Source

MTX OM, SDM

Source Field

TLRSMPKT + 65536 * TLRSMP2

Source Section

CIUPROST

TLTIMOUT

Keep a count of the Timeouts occurring while attempting to send packets

Data Source

MTX OM, SDM

Source Field

TLTIMOUT

Source Section

CIUPROST

UNSSOPKT

Valid for MTX12. pegged for Unsupported Service Option for a 1XRTT packet data call

Data Source

MTX OM, SDM

Source Field

UNSSOPKT when key="2G"

Source Section

CAURM

UNSSOPKT_3G

Valid for MTX12. 3G pegged for Unsupported Service Option for a 1XRTT packet data call

Data Source

MTX OM, SDM

Source Field

UNSSOPKT when key="3G"

Source Section

CAURM

UTRLDLYP

Counts requests for a UTR that are in the queue for a minimum of 3 sec.

Data Source

MTX OM, SDM

Source Field

UTRLDLYP

Source Section

UTR

UTRNUMS

number of UTRs that have software for each PM

Data Source

MTX OM, SDM

Source Field

UTRNUMS (Info field)

Source Section

UTR

UTROVFL

Increases if receivers are not available when the system requests a receiver

Data Source

MTX OM, SDM

Source Field

UTROVFL

Source Section

UTR

UTRQABAN

Increases when the system deletes a UTR request from the wait queue

Data Source

MTX OM, SDM

Source Field

UTRQABAN

Source Section

UTR

UTRQOCC

Records if requests for UTRs are present in the wait queue

Data Source

MTX OM, SDM

Source Field

UTRQOCC

Source Section

UTR

UTRQOVFL

When system denies a UTR request a position in the wait queue because the queue is full

Data Source

MTX OM, SDM

Source Field

UTRQOVFL

Source Section

UTR

UTRRADA

Counts requests for a UTR channel on which the system performs receiver attachment delay record measurements

Data Source

MTX OM, SDM

Source Field

UTRRADA

Source Section

UTR

UTRSAMPL

Increases when the system takes samples of queue occupancy and # of receivers in use

Data Source

MTX OM, SDM

Source Field

UTRSAMPL

Source Section

UTR

UTRSZRS

Increases each time the system supplies a UTR to a call in response to a request

Data Source

MTX OM, SDM

Source Field

UTRSZRS + 65536 * UTRSZRS2

Source Section

UTR

UTRTRU

Represents the total UTRs in use when register UTRSAMPL increases

Data Source

MTX OM, SDM

Source Field

UTRTRU

Source Section

UTR

UTRUDLYP

Counts requests for a UTR that are in the queue for a minimum of 7 sec.

Data Source

MTX OM, SDM

Source Field

UTRUDLYP

Source Section

UTR

PM_Type Primitive Calculations

The following is a list of primitive calculations for the PM_Type entity.

GRAPHmultiLineSeparator

Special Control Field for Multi-Line Graphs

Calculation

""

NUMDAYS

of days in Report

Calculation

DAYSINREPORT ()

NUMHOURS

of hours in Summation Data

Calculation

PM_Type Peg Counts

The following is a list of peg counts for the PM_Type entity.

PMTCCTDG

Counts system-initiated diagnostic tests that are run on a line card or trunk card.

Data Source

SDM

Source Field

PMTCCTDG

Source Section

PMTYP

PMTCCTFL

When a system-initiated test determines that PM problem is caused by a fault condition.

Data Source

SDM

Source Field

PMTCCTFL

Source Section

PMTYP

PMTCCTOP

When detect a fault on a line or trunk circuit that is located outside the switching office.

Data Source

SDM

Source Field

PMTCCCTOP

Source Section

PMTYP

PMTDRERR

Counts errors in a line drawer that cause the drawer to have in-service trouble.

Data Source

SDM

Source Field

PMTDRERR

Source Section

PMTYP

PMTDRFLT

Counts faults in a line drawer that cause the drawer to be made system busy.

Data Source

SDM

Source Field

PMTDRFLT

Source Section

PMTYP

PMTDRMBU

Every 100s records whether a line drawer is manual busy.

Data Source

SDM

Source Field

PMTDRMBU

Source Section

PMTYP

PMTDRSBU

Every 100s records whether a line drawer is system busy.

Data Source

SDM

Source Field

PMTDRSBU

Source Section

PMTYP

PMTERR

Counts errors in an in-service PM.

Data Source

SDM

Source Field

PMTERR

Source Section

PMTYP

PMTFLT

Counts faults that cause the entire PM or one of its units to be made system busy.

Data Source

SDM

Source Field

PMTFLT

Source Section

PMTYP

PMTINTEG

When the PM detects an integrity failure and reports to the central control.

Data Source

SDM

Source Field

PMTINTEG

Source Section

PMTYP

PMTMBP

Incremented when a PM is manual busy from an in-service or in-service trouble state.

Data Source

SDM

Source Field

PMTMBP

Source Section

PMTYP

PMTMBTCO

Counts subscriber calls that are cut off when a PM is made manual busy.

Data Source

SDM

Source Field

PMTMBTCO

Source Section

PMTYP

PMTMCXFR

Incremented when a manual action causes an XPM to perform a cold SWACT.

Data Source

SDM

Source Field

PMTMCXFR

Source Section

PMTYP

PMTMMBU

Increments every 100 seconds by the number of SPMs which are in MANB state.

Data Source

SDM

Source Field

PMTMMBU

Source Section

PMTYP

PMTMSBU

Increments every 100 seconds by the number of SPMs which are in SYSB state.

Data Source

SDM

Source Field

PMTMSBU

Source Section

PMTYP

PMTMWXFR

Incremented if manual maintenance forces a dual-unit PM.

Data Source

SDM

Source Field

PMTMWXFR

Source Section

PMTYP

PMTPSERR

Counts errors on the P-side interface of an XPM or on a LIM F-bus.

Data Source

SDM

Source Field

PMTPSERR

Source Section

PMTYP

PMTPSFLT

Counts faults on the P-side interface of an XPM or on the LIM F-bus.

Data Source

SDM

Source Field

PMTPSFLT

Source Section

PMTYP

PMTRGERR

Errors in ringing generators that supply ringing and ANI coin functions.

Data Source

SDM

Source Field

PMTRGERR

Source Section

PMTYP

PMTRGFLT

Counts service-affecting faults detected in the ringing generators.

Data Source

SDM

Source Field

PMTRGFLT

Source Section

PMTYP

PMTSBP

Incremented when the PM is system busy from an in-service or in-service trouble state.

Data Source

SDM

Source Field

PMTSBP

Source Section

PMTYP

PMTSBTCO

Counts subscriber calls that are cut off when the PM is made system busy.

Data Source

SDM

Source Field

PMTSBTCO

Source Section

PMTYP

PMTSCXFR

Incremented when a system action causes an XPM to perform a cold switch of activity.

Data Source

SDM

Source Field

PMTSCXFR

Source Section

PMTYP

PMTSWXFR

Incremented if system maintenance forces a dual-unit PM.

Data Source

SDM

Source Field

PMTSWXFR

Source Section

PMTYP

PMTUMBU

Increments every 100 seconds by the number of SPMs with at least one unit in MANB state.

Data Source

SDM

Source Field

PMTUMBU

Source Section

PMTYP

PMTUSBU

Increments every 100 seconds by the number of SPMs with at least one unit in SYSB state.

Data Source

SDM

Source Field

PMTUSBU

Source Section

PMTYP

PMTYP_Count

Count of the number of PMs of this type.

Data Source

SDM

Source Field

Infofield

Source Section

PMTYP

PM_Unit Primitive Calculations

The following is a list of primitive calculations for the PM_Unit entity.

GRAPHmultiLineSeparator

Special Control Field for Multi-Line Graphs

Calculation

""

NUMDAYS

of days in Report

Calculation

DAYSINREPORT ()

NUMHOURS

of hours in Summation Data

Calculation

PM_Unit Peg Counts

The following is a list of peg counts for the PM_Unit entity.

NDUERR

Counts the number of errors in an in-service or out-of-service unit of a node.

Data Source

SDM

Source Field

NDUERR

Source Section

NMTCUNIT

NDUFLT

Counts the number of errors that remain after diagnostics run.

Data Source

SDM

Source Field

NDUFLT

Source Section

NMTCUNIT

NDUMBP

Counts the number of times the unit goes into the manual busy (MANB) state.

Data Source

SDM

Source Field

NDUMBP

Source Section

NMTCUNIT

NDUMBU

Counts the length of time that a unit is in the manual busy (MANB) state.

Data Source

SDM

Source Field

NDUMBU

Source Section

NMTCUNIT

NDUMCRST

Counts the number of cold restarts that occur on a unit because of manual operations.

Data Source

SDM

Source Field

NDUMCRST

Source Section

NMTCUNIT

NDUMRRST

Counts the number of reload restarts that occur on a unit because of manual operations.

Data Source

SDM

Source Field

NDUMRRST

Source Section

NMTCUNIT

NDUMWRST

Counts the number of warm restarts that occur on a unit of a node because of manual operations.

Data Source

SDM

Source Field

NDUMWRST

Source Section

NMTCUNIT

NDUNAP

Counts the number of times the system isolates a unit from the DMS.

Data Source

SDM

Source Field

NDUNAP

Source Section

NMTCUNIT

NDUNAU

Counts the length of time the system isolates a unit from the DMS.

Data Source

SDM

Source Field

NDUNAU

Source Section

NMTCUNIT

NDUSBP

Counts the number of times that the system puts a unit into the system busy (SYSB) state.

Data Source

SDM

Source Field

NDUSBP

Source Section

NMTCUNIT

NDUSBU

Counts the length of time a unit is in the system busy (SYSB) state.

Data Source

SDM

Source Field

NDUSBU

Source Section

NMTCUNIT

NDUSCRST

Counts the number of cold restarts that occur on a unit because of system operations.

Data Source

SDM

Source Field

NDUSCRST

Source Section

NMTCUNIT

NDUSRRST

Counts the number of reload restarts that occur on a unit because of system operations.

Data Source

SDM

Source Field

NDUSRST

Source Section

NMTCUNIT

NDUSWERR

Counts the number of software errors that occur on a unit.

Data Source

SDM

Source Field

NDUSWERR

Source Section

NMTCUNIT

NDUSWRST

Counts the number of warm restarts that occur on a unit of a node because of system operations.

Data Source

SDM

Source Field

NDUSWRST

Source Section

NMTCUNIT

NDUTRAP

Counts the number of traps that occur on a unit.

Data Source

SDM

Source Field

NDUTRAP

Source Section

NMTCUNIT

PMC_CNFP Primitive Calculations

The following is a list of primitive calculations for the PMC_CNFP entity.

CPU_Usage_30to40%

The percentage of time that the CPU usage is greater than 30% and less than or equal to 40%.

Calculation

$\text{CPU_UsageIndex_2} * 100.0 / \text{CPU_UsageIndex_Total}$

CPU_Usage_40to50%

The percentage of time that the CPU usage is greater than 40% and less than or equal to 50%.

Calculation

$\text{CPU_UsageIndex_3} * 100.0 / \text{CPU_UsageIndex_Total}$

CPU_Usage_50to60%

The percentage of time that the CPU usage is greater than 50% and less than or equal to 60%.

Calculation

$\text{CPU_UsageIndex_4} * 100.0 / \text{CPU_UsageIndex_Total}$

CPU_Usage_60to70%

The percentage of time that the CPU usage is greater than 60% and less than or equal to 70%.

Calculation

$\text{CPU_UsageIndex_5} * 100.0 / \text{CPU_UsageIndex_Total}$

CPU_Usage_70to80%

The percentage of time that the CPU usage is greater than 70% and less than or equal to 80%.

Calculation

$\text{CPU_UsageIndex_6} * 100.0 / \text{CPU_UsageIndex_Total}$

CPU_Usage_GT80%

The percentage of time that the CPU usage is greater than 80%.

Calculation

`CPU_UsageIndex_7 * 100.0 / CPU_UsageIndex_Total`

CPU_Usage_LTE30%

The percentage of time that the CPU usage is less than or equal to 30%.

Calculation

`CPU_UsageIndex_1 * 100.0 / CPU_UsageIndex_Total`

CPU_Usage_Overload%

The percentage of time that the CPU usage has exceeded a pre-defined CPU threshold (the 'cpuOverloadThreshold' attribute).

Calculation

`CPU_UsageExceededThreshold * 100.0 / CPU_UsageIndex_Total`

CPU_UsageIndex_Total

The sum of the CPU Usage indices.

Calculation

`vsum(CPU_UsageIndex_1, CPU_UsageIndex_2, CPU_UsageIndex_3,
CPU_UsageIndex_4, CPU_UsageIndex_5, CPU_UsageIndex_6, CPU_UsageIndex_7, 0)`

GRAPHmultiLineSeparator

Special Control Field for Multi-Line Graphs

Calculation

""

NUMDAYS

of days in Report

Calculation

`DAYSINREPORT ()`

NUMHOURS

of hours in Summation Data

PMC_CNFP Peg Counts

The following is a list of peg counts for the PMC_CNFP entity.

ACN_NOIS_MsgDiscardedDueToOverload

This OM is pegged whenever the NRM discards every NOIS message (regardless of message type) received over the ACN due to CPU overload condition.

Data Source

CNFP

Source Field

ACN_NOIS_MsgDiscardedDueToOverload (Seq# 1)

Source Section

NRM Message Request Processing (Group ID 62)

AllocationRequestDenied

This OM is pegged when the NRM denies the incoming resource allocation request from the CAU.

Data Source

CNFP

Source Field

AllocationRequestDenied (Seq# 3)

Source Section

Call Resource Request Processing (Group ID 33)

AllocationRequestReceived

This OM is pegged when the NRM receives a resource allocation request message from the CAU.

Data Source

CNFP

Source Field

AllocationRequestReceived (Seq# 1)

Source Section

Call Resource Request Processing (Group ID 33)

AllocationRequestRedirectionCctToPkt

This OM is pegged when resources for circuit connection type are requested by the CAU but instead, the NRM successfully finds resources for packet connection type.

Data Source

CNFP

Source Field

AllocationRequestRedirectionCctToPkt (Seq# 6)

Source Section

Connection Resource Redirection (Group ID 73)

AllocationRequestRedirectionCctToTrFO

This OM is pegged when resources for circuit connection type are requested by the CAU but instead, the NRM successfully finds resources for TrFO connection type.

Data Source

CNFP

Source Field

AllocationRequestRedirectionCctToTrFO (Seq# 5)

Source Section

Connection Resource Redirection (Group ID 73)

AllocationRequestRedirectionPktToCct

This OM is pegged when resources for packet connection type are requested by the CAU but instead, the NRM successfully finds resources for circuit connection type.

Data Source

CNFP

Source Field

AllocationRequestRedirectionPktToCct (Seq# 4)

Source Section

Connection Resource Redirection (Group ID 73)

AllocationRequestRedirectionPktToTrFO

This OM is pegged when resources for packet connection type are requested by the CAU but instead, the NRM successfully finds resources for TrFO connection type.

Data Source

CNFP

Source Field

AllocationRequestRedirectionPktToTrFO (Seq# 3)

Source Section

Connection Resource Redirection (Group ID 73)

AllocationRequestRedirectionTrFO_ToCct

This OM is pegged when resources for TrFO connection type are requested by the CAU but instead, the NRM successfully finds resources for circuit connection type.

Data Source

CNFP

Source Field

AllocationRequestRedirectionTrFO_ToCct (Seq# 1)

Source Section

Connection Resource Redirection (Group ID 73)

AllocationRequestRedirectionTrFO_ToPkt

This OM is pegged when resources for TrFO connection type are requested by the CAU but instead, the NRM successfully finds resources for packet connection type.

Data Source

CNFP

Source Field

AllocationRequestRedirectionTrFO_ToPkt (Seq# 2)

Source Section

Connection Resource Redirection (Group ID 73)

AllocationRequestRedirectionUnspecifiedToCct

This OM is pegged when the CAU requests resources with an empty Connection Type indicator and the NRM successfully finds resources for circuit connection type.

Data Source

CNFP

Source Field

AllocationRequestRedirectionUnspecifiedToCct (Seq# 7)

Source Section

Connection Resource Redirection (Group ID 73)

AllocationRequestRedirectionUnspecifiedToPkt

This OM is pegged when the CAU requests resources with an empty Connection Type indicator and the NRM successfully finds resources for packet connection type.

Data Source

CNFP

Source Field

AllocationRequestRedirectionUnspecifiedToPkt (Seq# 8)

Source Section

Connection Resource Redirection (Group ID 73)

AllocationRequestRedirectionUnspecifiedToTrFO

This OM is pegged when the CAU requests resources with an empty Connection Type indicator and the NRM successfully finds resources for TrFO connection type.

Data Source

CNFP

Source Field

AllocationRequestRedirectionUnspecifiedToTrFO (Seq# 9)

Source Section

Connection Resource Redirection (Group ID 73)

AllocationRequestRejectedDueToOverload

This OM is pegged when the NRM rejects the resource allocation request message from the CAU due to an NRM CPU overload condition.

Data Source

CNFP

Source Field

AllocationRequestRejectedDueToOverload (Seq# 2)

Source Section

Call Resource Request Processing (Group ID 33)

BSC_AllocationRequestDenied

This OM is pegged when the SBSRM denies the incoming resource allocation request from the NRM.

Data Source

CNFP

Source Field

BSC_AllocationRequestDenied (Seq# 3)

Source Section

BSC Resource Request Processing (Group ID 46)

BSC_AllocationRequestDiscardedDueToOverload

This OM is pegged when the SBSRM discards or drops the resource allocation request message from the NRM due to SBSRM CPU overload condition.

Data Source

CNFP

Source Field

BSC_AllocationRequestDiscardedDueToOverload (Seq# 2)

Source Section

BSC Resource Request Processing (Group ID 46)

BSC_AllocationRequestReceived

This OM is pegged when the SBSRM receives a resource allocation request message from the NRM.

Data Source

CNFP

Source Field

BSC_AllocationRequestReceived (Seq# 1)

Source Section

BSC Resource Request Processing (Group ID 46)

CPU_UsageExceededThreshold

The number of times the CPU Usage has exceeded a pre-defined CPU threshold (the 'cpuOverloadThreshold' attribute) for a certain monitoring time-period.

Data Source

CNFP

Source Field

CPU_UsageExceededThreshold (Seq# 8)

Source Section

CPU Usage (Group ID 19)

CPU_UsageIndex_1

The number of times the CPU Usage in a monitoring period is less than or equal to 30%. The CPU Usage is examined every 4 seconds.

Data Source

CNFP

Source Field

CPU_UsageIndex_1 (Seq# 1)

Source Section

CPU Usage (Group ID 19)

CPU_UsageIndex_2

The number of times the CPU Usage in a monitoring period is greater than 30% and less than or equal to 40%. The CPU Usage is examined every 4 seconds.

Data Source

CNFP

Source Field

CPU_UsageIndex_2 (Seq# 2)

Source Section

CPU Usage (Group ID 19)

CPU_UsageIndex_3

The number of times the CPU Usage in a monitoring period is greater than 40% and less than or equal to 50%. The CPU Usage is examined every 4 seconds.

Data Source

CNFP

Source Field

CPU_UsageIndex_3 (Seq# 3)

Source Section

CPU Usage (Group ID 19)

CPU_UsageIndex_4

The number of times the CPU Usage in a monitoring period is greater than 50% and less than or equal to 60%. The CPU Usage is examined every 4 seconds.

Data Source

CNFP

Source Field

CPU_UsageIndex_4 (Seq# 4)

Source Section

CPU Usage (Group ID 19)

CPU_UsageIndex_5

The number of times the CPU Usage in a monitoring period is greater than 60% and less than or equal to 70%. The CPU Usage is examined every 4 seconds.

Data Source

CNFP

Source Field

CPU_UsageIndex_5 (Seq# 5)

Source Section

CPU Usage (Group ID 19)

CPU_UsageIndex_6

The number of times the CPU Usage in a monitoring period is greater than 70% and less than or equal to 80%. The CPU Usage is examined every 4 seconds.

Data Source

CNFP

Source Field

CPU_UsageIndex_6 (Seq# 6)

Source Section

CPU Usage (Group ID 19)

CPU_UsageIndex_7

The number of times the CPU Usage in a monitoring period is greater than 80%. The CPU Usage is examined every 4 seconds.

Data Source

CNFP

Source Field

CPU_UsageIndex_7 (Seq# 7)

Source Section

CPU Usage (Group ID 19)

DHO_AllocationRequestDenied

This OM is pegged when the NRM denies the incoming DHO PCU allocation request from the CAU.

Data Source

CNFP

Source Field

DHO_AllocationRequestDenied (Seq# 3)

Source Section

DHO Call Resource Request Processing (Group ID 51)

DHO_AllocationRequestReceived

This OM is pegged when the NRM receives a DHO PCU allocation request message from the CAU.

Data Source

CNFP

Source Field

DHO_AllocationRequestReceived (Seq# 1)

Source Section

DHO Call Resource Request Processing (Group ID 51)

DHO_AllocationRequestRejectedDueToOverload

Currently there are no scenarios for which this OM is pegged.

Data Source

CNFP

Source Field

DHO_AllocationRequestRejectedDueToOverload (Seq# 2)

Source Section

DHO Call Resource Request Processing (Group ID 51)

DHO_PlatformPreferenceChange

This OM pegs when the Primary and Secondary platforms are exchanged compared to the Platform table configuration.

Data Source

CNFP

Source Field

DHO_PlatformPreferenceChange (Seq# 2)

Source Section

DHO Platform Selection Overload (Group ID 63)

DHO_PlatformSelectionFailuresDueToTQ_Exceeded

This OM pegs when the dormant handoff request fails because the Transaction Queue (TQ) associated with both platforms (EBSC and BSC) exceeds internal thresholds.

Data Source

CNFP

Source Field

DHO_PlatformSelectionFailuresDueToTQ_Exceeded (Seq# 1)

Source Section

DHO Platform Selection Overload (Group ID 63)

DHO_SecondaryPlatformDroppedDueToTQ_Exceeded

This OM pegs when NRM drops the Secondary Platform choice from consideration.

Data Source

CNFP

Source Field

DHO_SecondaryPlatformDroppedDueToTQ_Exceeded (Seq# 3)

Source Section

DHO Platform Selection Overload (Group ID 63)

DTA_PlatformPreferenceChange

This OM pegs when the Primary and Secondary platforms are exchanged compared to the platform requested by the CAU.

Data Source

CNFP

Source Field

DTA_PlatformPreferenceChange (Seq# 2)

Source Section

DTA Platform Selection Overload (Group ID 64)

DTA_PlatformSelectionFailuresDueToTQ_Exceeded

This OM pegs when Resource Allocation fails because the Transaction Queue (TQ) associated with both platforms (EBSC and BSC) exceeds internal thresholds.

Data Source

CNFP

Source Field

DTA_PlatformSelectionFailuresDueToTQ_Exceeded (Seq# 1)

Source Section

DTA Platform Selection Overload (Group ID 64)

DTA_SecondaryPlatformDroppedDueToTQ_Exceeded

This OM pegs when the NRM drops the Secondary Platform choice from consideration.

Data Source

CNFP

Source Field

DTA_SecondaryPlatformDroppedDueToTQ_Exceeded (Seq# 3)

Source Section

DTA Platform Selection Overload (Group ID 64)

EBSC_VoiceAllocationRequestAccepted

This OM is pegged when the CSRM accepts the resource allocation request message from the NRM and continues to process that request.

Data Source

CNFP

Source Field

EBSC_VoiceAllocationRequestAccepted (Seq# 2)

Source Section

EBSC Voice Resource Request Processing (Group ID 61)

EBSC_VoiceAllocationRequestDenied

This OM is pegged when the CSRM denies the incoming resource allocation request from the NRM.

Data Source

CNFP

Source Field

EBSC_VoiceAllocationRequestDenied (Seq# 3)

Source Section

EBSC Voice Resource Request Processing (Group ID 61)

EBSC_VoiceAllocationRequestDiscardedDueToOverload

This OM is pegged when the CSRM discards or drops the resource allocation request message from the NRM due to a CSRM CPU overload condition.

Data Source

CNFP

Source Field

EBSC_VoiceAllocationRequestDiscardedDueToOverload (Seq# 4)

Source Section

EBSC Voice Resource Request Processing (Group ID 61)

EBSC_VoiceAllocationRequestReceived

This OM is pegged when the CSRM receives a resource allocation request message from the NRM.

Data Source

CNFP

Source Field

EBSC_VoiceAllocationRequestReceived (Seq# 1)

Source Section

EBSC Voice Resource Request Processing (Group ID 61)

LL_CongestedSignalingFrameRx

Number of Signaling frames received (for STL-B).

Data Source

CNFP

Source Field

LL_CongestedSignalingFrameRx (Seq# 5)

Source Section

BCN Link Layer (Group ID 18)

LL_CongestedSignalingFrameTx

Number of Signaling frames sent (for STL-B).

Data Source

CNFP

Source Field

LL_CongestedSignalingFrameTx (Seq# 4)

Source Section

BCN Link Layer (Group ID 18)

LL_DataFrameRx

Number of Data frames received (for STL-D).

Data Source

CNFP

Source Field

LL_DataFrameRx (Seq# 11)

Source Section

BCN Link Layer (Group ID 18)

LL_DataFrameTx

Number of Data frames sent (for STL-D).

Data Source

CNFP

Source Field

LL_DataFrameTx (Seq# 10)

Source Section

BCN Link Layer (Group ID 18)

LL_InvalidFrameType

Number of frames with an invalid type tag⁷.

Data Source

CNFP

Source Field

LL_InvalidFrameType (Seq# 1)

Source Section

BCN Link Layer (Group ID 18)

LL_NodeInitFrameRx

Number of Node Init frames received.

Data Source

CNFP

Source Field

LL_NodeInitFrameRx (Seq# 3)

Source Section

BCN Link Layer (Group ID 18)

LL_NodeInitFrameTx

Number of Node Init frames sent.

Data Source

CNFP

Source Field

LL_NodeInitFrameTx (Seq# 2)

Source Section

BCN Link Layer (Group ID 18)

LL_SignalingFrameRx

Number of Signaling frames received (for STL-A).

Data Source

CNFP

Source Field

LL_SignalingFrameRx (Seq# 7)

Source Section

BCN Link Layer (Group ID 18)

LL_SignalingFrameTx

Number of Signaling frames sent (for STL-A).

Data Source

CNFP

Source Field

LL_SignalingFrameTx (Seq# 6)

Source Section

BCN Link Layer (Group ID 18)

LL_TrafficFrameRx

Number of Traffic frames received.

Data Source

CNFP

Source Field

LL_TrafficFrameRx (Seq# 9)

Source Section

BCN Link Layer (Group ID 18)

LL_TrafficFrameTx

Number of Traffic frames sent.

Data Source

CNFP

Source Field

LL_TrafficFrameTx (Seq# 8)

Source Section

BCN Link Layer (Group ID 18)

PlatformPreferenceChange

This OM pegs when the Primary and Secondary platforms are exchanged compared to the Platform table configuration for services that are supported on both platforms.

Data Source

CNFP

Source Field

PlatformPreferenceChange (Seq# 2)

Source Section

Platform Selection Overload (Group ID 65)

PlatformSelectionFailuresDueToTQ_Exceeded

This OM pegs when Resource Allocation fails because the Transaction Queue (TQ) associated with all applicable platforms (EBSC and/or BSC) exceeds internal thresholds.

Data Source

CNFP

Source Field

PlatformSelectionFailuresDueToTQ_Exceeded (Seq# 1)

Source Section

Platform Selection Overload (Group ID 65)

SecondaryPlatformDroppedDueToTQ_Exceeded

This OM pegs when the NRM drops the Secondary Platform choice from consideration for services supported on both platforms.

Data Source

CNFP

Source Field

SecondaryPlatformDroppedDueToTQ_Exceeded (Seq# 3)

Source Section

Platform Selection Overload (Group ID 65)

SL_MaxLargeStreamBufferUsed

Maximum number of Large stream buffer used.

Data Source

CNFP

Source Field

SL_MaxLargeStreamBufferUsed (Seq# 4)

Source Section

BCN Socket Layer (Group ID 15)

SL_MaxMediumStreamBufferUsed

Maximum number of Medium stream buffer used.

Data Source

CNFP

Source Field

SL_MaxMediumStreamBufferUsed (Seq# 5)

Source Section

BCN Socket Layer (Group ID 15)

SL_MaxSmallStreamBufferUsed

Maximum number of Small stream buffer used.

Data Source

CNFP

Source Field

SL_MaxSmallStreamBufferUsed (Seq# 6)

Source Section

BCN Socket Layer (Group ID 15)

SL_STLA_UnknownDestinationMsg

Number of STL-A messages received on this stack but without a socket registered for it.

Data Source

CNFP

Source Field

SL_STLA_UnknownDestinationMsg (Seq# 1)

Source Section

BCN Socket Layer (Group ID 15)

SL_STLB_UnknownDestinationMsg

Number of STL-B messages received on this stack but without a socket registered for it.

Data Source

CNFP

Source Field

SL_STLB_UnknownDestinationMsg (Seq# 2)

Source Section

BCN Socket Layer (Group ID 15)

SL_STLD_UnknownDestinationMsg

Number of STL-D messages received on this stack but without a socket registered for it.

Data Source

CNFP

Source Field

SL_STLD_UnknownDestinationMsg (Seq# 3)

Source Section

BCN Socket Layer (Group ID 15)

SL_StreamBufferAllocFailure

Number of Stream buffer unsuccessfully allocated.

Data Source

CNFP

Source Field

SL_StreamBufferAllocFailure (Seq# 8)

Source Section

BCN Socket Layer (Group ID 15)

SL_StreamBufferAllocSuccess

Number of Stream buffer successfully allocated.

Data Source

CNFP

Source Field

SL_StreamBufferAllocSuccess (Seq# 7)

Source Section

BCN Socket Layer (Group ID 15)

STLA_BestEffortReassemblyTimeout

Number of best effort messages dropped (missing frame(s))

Data Source

CNFP

Source Field

STLA_BestEffortReassemblyTimeout (Seq# 17)

Source Section

BCN STLA Transport Layer (Group ID 16)

STLA_BestEffortRxMsg

Number of Best Effort messages received. (thruput)

Data Source

CNFP

Source Field

STLA_BestEffortRxMsg (Seq# 4)

Source Section

BCN STLA Transport Layer (Group ID 16)

STLA_BestEffortTxMsg

Number of Best Effort messages sent.(thruput)

Data Source

CNFP

Source Field

STLA_BestEffortTxMsg (Seq# 3)

Source Section

BCN STLA Transport Layer (Group ID 16)

STLA_ConnectionFailedDueToMaxFaults

Number of failures that occurred due to maximum number of faults (See BCNSpec for the definition of a failure).

Data Source

CNFP

Source Field

STLA_ConnectionFailedDueToMaxFaults (Seq# 23)

Source Section

BCN STLA Transport Layer (Group ID 16)

STLA_ConnectionFailedDueToMaxTxAttempts

Number of failures that occurred due to maximum number of transmit attempts (See BCNSpec for the definition of a failure).

Data Source

CNFP

Source Field

STLA_ConnectionFailedDueToMaxTxAttempts (Seq# 24)

Source Section

BCN STLA Transport Layer (Group ID 16)

STLA_ConnectionFault

Number of faults that occurred in the stack for all the connections. (See BCNSpec for the definition of a fault).

Data Source

CNFP

Source Field

STLA_ConnectionFault (Seq# 21)

Source Section

BCN STLA Transport Layer (Group ID 16)

STLA_FailedMsgCRC

Number of messages (reliable and best effort) dropped due to a bad CRC.

Data Source

CNFP

Source Field

STLA_FailedMsgCRC (Seq# 20)

Source Section

BCN STLA Transport Layer (Group ID 16)

STLA_MaxOpenRxConnection

Maximum number of open connections to receive messages.

Data Source

CNFP

Source Field

STLA_MaxOpenRxConnection (Seq# 33)

Source Section

BCN STLA Transport Layer (Group ID 16)

STLA_MaxOpenTxConnection

Maximum number of open connections to transmit messages.

Data Source

CNFP

Source Field

STLA_MaxOpenTxConnection (Seq# 34)

Source Section

BCN STLA Transport Layer (Group ID 16)

STLA_MaxRxBuffer

Maximum number of buffers used to receive incoming frames.

Data Source

CNFP

Source Field

STLA_MaxRxBuffer (Seq# 14)

Source Section

BCN STLA Transport Layer (Group ID 16)

STLA_MaxRxQueue

Maximum number of queues to receive messages.

Data Source

CNFP

Source Field

STLA_MaxRxQueue (Seq# 31)

Source Section

BCN STLA Transport Layer (Group ID 16)

STLA_MaxTxLargeBuffer

Maximum number of large buffers used to transmit all the messages.

Data Source

CNFP

Source Field

STLA_MaxTxLargeBuffer (Seq# 11)

Source Section

BCN STLA Transport Layer (Group ID 16)

STLA_MaxTxMediumBuffer

Maximum number of medium buffers used to transmit all the messages.

Data Source

CNFP

Source Field

STLA_MaxTxMediumBuffer (Seq# 10)

Source Section

BCN STLA Transport Layer (Group ID 16)

STLA_MaxTxQueue

Maximum number of queues to transmit messages.

Data Source

CNFP

Source Field

STLA_MaxTxQueue (Seq# 32)

Source Section

BCN STLA Transport Layer (Group ID 16)

STLA_MaxTxSmallBuffer

Maximum number of small buffers used to transmit all the messages.

Data Source

CNFP

Source Field

STLA_MaxTxSmallBuffer (Seq# 9)

Source Section

BCN STLA Transport Layer (Group ID 16)

STLA_OpenRxConnection

Number of Receive connection opened.

Data Source

CNFP

Source Field

STLA_OpenRxConnection (Seq# 6)

Source Section

BCN STLA Transport Layer (Group ID 16)

STLA_OpenTxConnection

Number of Transmit connection opened.

Data Source

CNFP

Source Field

STLA_OpenTxConnection (Seq# 5)

Source Section

BCN STLA Transport Layer (Group ID 16)

STLA_OutOfRxFrameBuffer

Number of received frames rejected due to lack of buffers.

Data Source

CNFP

Source Field

STLA_OutOfRxFrameBuffer (Seq# 13)

Source Section

BCN STLA Transport Layer (Group ID 16)

STLA_OutOfTxBuffer

Number of transmit failures due to lack of transmit message buffers.

Data Source

CNFP

Source Field

STLA_OutOfTxBuffer (Seq# 12)

Source Section

BCN STLA Transport Layer (Group ID 16)

STLA_OutOfWindowMsgDueToMaxWS

Number of messages over the window size where the size of the window is equal to the maximum size (128 messages).

Data Source

CNFP

Source Field

STLA_OutOfWindowMsgDueToMaxWS (Seq# 26)

Source Section

BCN STLA Transport Layer (Group ID 16)

STLA_OutOfWindowMsgDueToReducedWS

Number of messages over the window size where the size of the window is less than the maximum size (128 messages).

Data Source

CNFP

Source Field

STLA_OutOfWindowMsgDueToReducedWS (Seq# 25)

Source Section

BCN STLA Transport Layer (Group ID 16)

STLA_OutOfWindowMsgDueToZeroWS

Number of messages over the window size where the size of the window is 0.

Data Source

CNFP

Source Field

STLA_OutOfWindowMsgDueToZeroWS (Seq# 27)

Source Section

BCN STLA Transport Layer (Group ID 16)

STLA_ProtocolRevisionError

Number of times Protocol Revision error occurred.

Data Source

CNFP

Source Field

STLA_ProtocolRevisionError (Seq# 30)

Source Section

BCN STLA Transport Layer (Group ID 16)

STLA_RefusedRxConnection

Number of connection refused on receives because maximum reached.

Data Source

CNFP

Source Field

STLA_RefusedRxConnection (Seq# 7)

Source Section

BCN STLA Transport Layer (Group ID 16)

STLA_RefusedTxConnection

Number of connection refused on transmits because maximum reached.

Data Source

CNFP

Source Field

STLA_RefusedTxConnection (Seq# 8)

Source Section

BCN STLA Transport Layer (Group ID 16)

STLA_ReliableAckWaitTimeout

Number of missing Ack when transmitting a reliable message.

Data Source

CNFP

Source Field

STLA_ReliableAckWaitTimeout (Seq# 19)

Source Section

BCN STLA Transport Layer (Group ID 16)

STLA_ReliableReassemblyTimeout

Number of reliable messages dropped (missing frame(s)).

Data Source

CNFP

Source Field

STLA_ReliableReassemblyTimeout (Seq# 16)

Source Section

BCN STLA Transport Layer (Group ID 16)

STLA_ReliableRetransmittedMsg

Number of reliable messages, which needed to be retransmitted.

Data Source

CNFP

Source Field

STLA_ReliableRetransmittedMsg (Seq# 18)

Source Section

BCN STLA Transport Layer (Group ID 16)

STLA_ReliableRxMsg

Number of reliable messages received.(thruput)

Data Source

CNFP

Source Field

STLA_ReliableRxMsg (Seq# 2)

Source Section

BCN STLA Transport Layer (Group ID 16)

STLA_ReliableTxMsg

Number of reliable messages sent.(thruput)

Data Source

CNFP

Source Field

STLA_ReliableTxMsg (Seq# 1)

Source Section

BCN STLA Transport Layer (Group ID 16)

STLA_TxWindowReduced

Number of times the window size is reduced.

Data Source

CNFP

Source Field

STLA_TxWindowReduced (Seq# 28)

Source Section

BCN STLA Transport Layer (Group ID 16)

STLA_TxWindowShut

Number of times the window size is set to zero.

Data Source

CNFP

Source Field

STLA_TxWindowShut (Seq# 29)

Source Section

BCN STLA Transport Layer (Group ID 16)

Port Primitive Calculations

The following is a list of primitive calculations for the Port entity.

GRAPHmultiLineSeparator

Special Control Field for Multi-Line Graphs

Calculation

""

NUMDAYS

of days in Report

Calculation

DAYSINREPORT ()

NUMHOURS

of hours in Summation Data

Calculation

Port Peg Counts

The following is a list of peg counts for the Port entity.

bcast_inpackets

The number of broadcast packets received over the port. NOTE: This statistic is not supported for SPIO ports.

Data Source

PDSN16000

Source Section

Port

Source Field

%bcast_inpackets%

bcast_outpackets

The number of broadcast packets sent over the port. NOTE: This statistic is not supported for SPIO ports.

Data Source

PDSN16000

Source Section

Port

Source Field

%bcast_outpackets%

mcast_inpackets

The number of multicast packets received over the port. NOTE: This statistic is not supported for SPIO ports.

Data Source

PDSN16000

Source Section

Port

Source Field

%mcast_inpackets%

mcast_outpackets

The number of multicast packets sent over the port. NOTE: This statistic is not supported for SPIO ports.

Data Source

PDSN16000

Source Section

Port

Source Field

%mcast_outpackets%

rxbytes

The number of bytes received over the port.

Data Source

PDSN16000

Source Field

%rxbytes%

Source Section

Port

rxdisbytes

The number of bytes received over the port that were discarded.

Data Source

PDSN16000

Source Section

Port

Source Field

%rxdisbytes%

rxdiscpackets

The number of packets received over the port that were discarded.

Data Source

PDSN16000

Source Section

Port

Source Field

%rxdiscpackets%

rxpackets

The number of packets received over the port.

Data Source

PDSN16000

Source Field

%rxpackets%

Source Section

Port

txbytes

The number of bytes transmitted over the port.

Data Source

PDSN16000

Source Field

%txbytes%

Source Section

Port

txdisbytes

The number of bytes transmitted over the port that were discarded.

Data Source

PDSN16000

Source Section

Port

Source Field

%txdiscbytes%

txdiscpackets

The number of packets transmitted over the port that were discarded.

Data Source

PDSN16000

Source Section

Port

Source Field

%txdiscpackets%

txpackets

The number of packets transmitted over the port.

Data Source

PDSN16000

Source Field

%txpackets%

Source Section

Port

ucast_inpackets

The number of unicast packets received over the port. NOTE: This statistic is not supported for SPIO ports.

Data Source

PDSN16000

Source Field

%ucast_inpackets%

Source Section

Port

ucast_outpackets

The number of unicast packets sent over the port. NOTE: This statistic is not supported for SPIO ports.

Data Source

PDSN16000

Source Field

%ucast_outpackets%

Source Section

Port

Portable_NPA_Range Primitive Calculations

The following is a list of primitive calculations for the Portable_NPA_Range entity.

GRAPHmultiLineSeparator

Special Control Field for Multi-Line Graphs

Calculation

""

NUMDAYS

of days in Report

Calculation

DAYSINREPORT ()

NUMHOURS

of hours in Summation Data

Calculation

Portable_NPA_Range Peg Counts

The following is a list of peg counts for the Portable_NPA_Range entity.

NPQWLRN

NP Response with LRN

Data Source

MTX OM, SDM

Source Field

NPQWLRN + 65536 * NPQWLRN2

Source Section

MTXNP

NPREQOG

NP Query Outgoing

Data Source

MTX OM, SDM

Source Field

NPREQOG + 65536 * NPREQOG2

Source Section

MTXNP

NPRESIC

NP Response Incoming

Data Source

MTX OM, SDM

Source Field

NPRESIC + 65536 * NPRESIC2

Source Section

MTXNP

PPP_Service Primitive Calculations

The following is a list of primitive calculations for the PPP_Service entity.

GRAPHmultiLineSeparator

Special Control Field for Multi-Line Graphs

Calculation

""

NUMDAYS

of days in Report

Calculation

DAYSINREPORT ()

NUMHOURS

of hours in Summation Data

Calculation

PPP_Service Peg Counts

The following is a list of peg counts for the PPP_Service entity.

abort_auth

The number of sessions that were released during setup due to aborted authentication processes.

Data Source

PDSN16000

Source Section

PPP2

Source Field

%abort-auth%

auth_abort_chap

The number of sessions that aborted authentication while using the Challenge Handshake Authentication Protocol (CHAP).

Data Source

PDSN16000

Source Section

PPP2

Source Field

%auth-abort-chap%

auth_abort_mschap

The number of sessions that aborted authentication while using MicroSoft CHAP (MS CHAP).

Data Source

PDSN16000

Source Section

PPP2

Source Field

%auth-abort-mschap%

auth_abort_pap

The number of sessions that aborted authentication while using the Password Authentication Protocol (PAP).

Data Source

PDSN16000

Source Section

PPP2

Source Field

%auth-abort-pap%

auth_attempt_chap

The number of sessions that attempted to authenticate using the Challenge Handshake Authentication Protocol (CHAP).

Data Source

PDSN16000

Source Section

PPP1

Source Field

%auth-attempt-chap%

auth_attempt_mschap

The number of sessions that attempted to authenticate using MicroSoft CHAP (MS CHAP).

Data Source

PDSN16000

Source Section

PPP1

Source Field

%auth-attempt-mschap%

auth_attempt_ppp

The number of sessions that attempted to authenticate using the Password Authentication Protocol (PAP).

Data Source

PDSN16000

Source Section

PPP1

Source Field

%auth-attempt-ppp%

auth_fail_chap

The number of sessions that failed authentication using the Challenge Handshake Authentication Protocol (CHAP).

Data Source

PDSN16000

Source Section

PPP1

Source Field

%auth-fail-chap%

auth_fail_mschap

The number of sessions that failed authentication using MicroSoft CHAP (MS CHAP).

Data Source

PDSN16000

Source Section

PPP1

Source Field

%auth-fail-mschap%

auth_fail_pap

The number of sessions that failed authentication using the Password Authentication Protocol (PAP).

Data Source

PDSN16000

Source Section

PPP1

Source Field

%auth-fail-pap%

auth_success_chap

The number of sessions that successfully authenticated using the Challenge Handshake Authentication Protocol (CHAP).

Data Source

PDSN16000

Source Section

PPP1

Source Field

%auth-success-chap%

auth_success_mschap

The number of sessions that successfully authenticated using MicroSoft CHAP (MS CHAP).

Data Source

PDSN16000

Source Section

PPP1

Source Field

%auth-success-mschap%

auth_success_pap

The number of sessions that successfully authenticated using the Password Authentication Protocol (PAP).

Data Source

PDSN16000

Source Section

PPP1

Source Field

%auth-success-pap%

comp_defl

The total number of sessions that negotiated the use data compression using the DEFLATE protocol.

Data Source

PDSN16000

Source Section

PPP1

Source Field

%comp-defl%

comp_mppc

The total number of sessions that negotiated the use data compression using the MPPC protocol.

Data Source

PDSN16000

Source Section

PPP1

Source Field

%comp-mppc%

comp_sess_neg

The total number of sessions that negotiated the use of data compression.

Data Source

PDSN16000

Source Section

PPP2

Source Field

%comp-sess-neg%

comp_sess_neg_fail

The total number of sessions for which data compression negotiation failed.

Data Source

PDSN16000

Source Section

PPP2

Source Field

%comp-sess-neg-fail%

comp_stac

The total number of sessions that negotiated the use data compression using the STAC protocol.

Data Source

PDSN16000

Source Section

PPP1

Source Field

%comp-stac%

comp_vjhdr

The total number of sessions that negotiated the use Van Jacobson header compression.

Data Source

PDSN16000

Source Section

PPP1

Source Field

%comp-vjhdr%

disc_abs_timeout

The number of sessions disconnected due to exceeding their absolute timeout limit.

Data Source

PDSN16000

Source Section

PPP1

Source Field

%disc-abs-timeout%

disc_add_flow_fail

The number of sessions that experienced a disconnect due to a flow addition failure.

Data Source

PDSN16000

Source Section

PPP2

Source Field

%disc-add-flow-fail%

disc_admin

The number of sessions for which the system initiated the disconnection.

Data Source

PDSN16000

Source Section

PPP1

Source Field

%disc-admin%

disc_auth_fail

The number of sessions that experienced a disconnect due to PPP authentication failures.

Data Source

PDSN16000

Source Section

PPP2

Source Field

%disc-auth-fail%

disc_bad_dest_vpn

The number of sessions that experienced a disconnect due to the specification of invalid destination context.

Data Source

PDSN16000

Source Section

PPP2

Source Field

%disc-bad-dest-vpn%

disc_bad_src_addr

The number of sessions that experienced a disconnect due to a source address violation.

Data Source

PDSN16000

Source Section

PPP2

Source Field

%disc-bad-src-addr%

disc_idle_timeout

The number of sessions disconnected due to exceeding their idle timeout limit.

Data Source

PDSN16000

Source Section

PPP1

Source Field

%disc-idle-timeout%

disc_lcp_remote

The number of sessions for which the mobile node initiated the disconnection.

Data Source

PDSN16000

Source Section

PPP1

Source Field

%disc-lcp-remote%

disc_long_timeout

The number of sessions that experienced a disconnect due to the expiration of the long-duration timer.

Data Source

PDSN16000

Source Section

PPP2

Source Field

%disc-long-timeout%

disc_max_setup_time

The number of sessions that experienced a disconnect due to exceeding the maximum setup timer.

Data Source

PDSN16000

Source Section

PPP2

Source Field

%disc-max-setup-time%

disc_maxretry_ipcp

The number of sessions that experienced a disconnect due to exceeding the maximum number of IPCP retries.

Data Source

PDSN16000

Source Section

PPP2

Source Field

%disc-maxretry-ipcp%

disc_maxretry_lcp

The number of sessions that experienced a disconnect due to exceeding the maximum number of LCP retries.

Data Source

PDSN16000

Source Section

PPP2

Source Field

%disc-maxretry-lcp%

disc_misc

The number of sessions that were disconnected for reasons other than those listed here.

Data Source

PDSN16000

Source Section

PPP1

Source Field

%disc-misc%

disc_no_remoteaddr

The number of sessions that experienced a disconnect because no remote IP address was specified.

Data Source

PDSN16000

Source Section

PPP2

Source Field

%disc-no-remoteaddr%

disc_no_resource

The number of sessions disconnected due to lack of resources on the local side (CPU and memory).

Data Source

PDSN16000

Source Section

PPP1

Source Field

%disc-no-resource%

disc_opt_neg_ipcp

The number of sessions that experienced a disconnect due to the failed negotiation of an IPCP option.

Data Source

PDSN16000

Source Section

PPP2

Source Field

%disc-opt-neg-ipcp%

disc_opt_neg_lcp

The number of sessions that experienced a disconnect due to the failed negotiation of an LCP option.

Data Source

PDSN16000

Source Section

PPP2

Source Field

%disc-opt-neg-lcp%

disc_ppp_keepalive

The number of sessions disconnected due to keep alive failures.

Data Source

PDSN16000

Source Section

PPP1

Source Field

%disc-ppp-keepalive%

disc_remote

The number of sessions that experienced a remote disconnect at the upper-layers.

Data Source

PDSN16000

Source Section

PPP2

Source Field

%disc-remote%

disc_rp_local

The number of sessions that experienced a disconnect at the lower-layers.

Data Source

PDSN16000

Source Section

PPP2

Source Field

%disc-rp-local%

disc_rp_remote

The number of sessions in which the mobile node disconnected the lower layers of the protocol stack.

Data Source

PDSN16000

Source Section

PPP1

Source Field

%disc-rp-remote%

disc_typedetect_fail

The number of sessions that experienced a disconnect because the system could not identify the call type.

Data Source

PDSN16000

Source Section

PPP2

Source Field

%disc-typedetect-fail%

entered_auth

The number of sessions entering or re-entering the authentication phase of call setup.

Data Source

PDSN16000

Source Section

PPP1

Source Field

%entered-auth%

entered_ipcp

The number of sessions entering or re-entering the Internet Protocol Control Protocol (IPCP) phase of call setup.

Data Source

PDSN16000

Source Section

PPP1

Source Field

%entered-ipcp%

entered_lcp

The number of sessions entering or re-entering the Link Control Protocol (LCP) phase of call setup.

Data Source

PDSN16000

Source Section

PPP1

Source Field

%entered-lcp%

fail_auth

The number of sessions that were released during setup due to subscriber authentication failures.

Data Source

PDSN16000

Source Section

PPP1

Source Field

%fail-auth%

fail_ccp

The number Compression Control Protocol negotiation failures.

Data Source

PDSN16000

Source Section

PPP1

Source Field

%fail-ccp%

fail_reneg

The total number of subscriber sessions that have failed to be re-negotiated by the by the system

Data Source

PDSN16000

Source Section

PPP2

Source Field

%fail-reneg%

failed

The total number of subscriber sessions that the system has/have failed to process.

Data Source

PDSN16000

Source Section

PPP1

Source Field

%failed%

in_discard

The number of inbound packets that were discarded.

Data Source

PDSN16000

Source Section

PPP2

Source Field

%in-discard%

in_discard_oct

The number of inbound octets that were discarded.

Data Source

PDSN16000

Source Section

PPP2

Source Field

%in-discard-oct%

in_nucast

The number of inbound non-unicast (multicast or broadcast) packets received.

Data Source

PDSN16000

Source Section

PPP2

Source Field

%in-nucast%

in_oct

The number of inbound octets received.

Data Source

PDSN16000

Source Section

PPP2

Source Field

%in-oct%

in_pkt

The number of inbound packets that were received.

Data Source

PDSN16000

Source Section

PPP2

Source Field

%in-pkt%

in_ucast

The number of inbound unicast packets received.

Data Source

PDSN16000

Source Section

PPP2

Source Field

%in-ucast%

init

The total number of subscriber sessions that have been received by the by the system for processing.

Data Source

PDSN16000

Source Section

PPP1

Source Field

%init%

ipcp_fail_maxretry

The number of sessions that were released during setup due to the system not receiving a response prior to the expiration of the maximum number of Internet Protocol Control Protocol (IPCP) retries.

Data Source

PDSN16000

Source Section

PPP1

Source Field

%ipcp-fail-maxretry%

ipcp_fail_option

The number of sessions that were released during setup due to failed negotiations between the system and the mobile nodes over Internet Protocol Control Protocol (IPCP) options.

Data Source

PDSN16000

Source Section

PPP1

Source Field

%ipcp-fail-option%

ipcp_fail_unknown

The number of sessions that were released during setup due to failed IPCP negotiations for unknown reasons.

Data Source

PDSN16000

Source Section

PPP2

Source Field

%ipcp-fail-unknown%

lcp_fail_maxretry

The number of sessions that were released during setup due to the system not receiving a response prior to the expiration of the maximum number of Link Control Protocol (LCP) retries.

Data Source

PDSN16000

Source Section

PPP1

Source Field

%lcp-fail-maxretry%

lcp_fail_option

The number of sessions that were released during setup due to failed negotiations between the system and the mobile nodes over Link Control Protocol (LCP) options.

Data Source

PDSN16000

Source Section

PPP1

Source Field

%lcp-fail-option%

lcp_fail_unknown

The number of sessions that were released during setup due to failed LCP negotiations for unknown reasons.

Data Source

PDSN16000

Source Section

PPP2

Source Field

%lcp-fail-unknown%

lcpecho_rep_recved

The total number of LCP echo reply messages received.

Data Source

PDSN16000

Source Section

PPP2

Source Field

%lcpecho-rep-recved%

lcpecho_req_resent

The total number of LCP echo request messages that were re-sent.

Data Source

PDSN16000

Source Section

PPP2

Source Field

%lcpecho-req-resent%

lcpecho_req_total

The total number of LCP echo request messages sent.

Data Source

PDSN16000

Source Section

PPP2

Source Field

%lcpecho-req-total%

lcpecho_timeout

The total number of LCP echo request messages that timed-out prior to the system receiving a response.

Data Source

PDSN16000

Source Section

PPP2

Source Field

%lcpecho-timeout%

misc_fail

The number of session failures that occurred due to reasons other than those listed by the other variables.

Data Source

PDSN16000

Source Section

PPP1

Source Field

%misc-fail%

num_sessions

The current total number of PPP sessions.

Data Source

PDSN16000

Source Section

PPP2

Source Field

%num-sessions%

out_discard

The number of outbound packets that were discarded.

Data Source

PDSN16000

Source Section

PPP2

Source Field

%out-discard%

out_discard_oct

The number of outbound octets that were discarded.

Data Source

PDSN16000

Source Section

PPP2

Source Field

%out-discard-oct%

out_nucast

The number of outbound non-unicast (multicast or broadcast) packets transmitted.

Data Source

PDSN16000

Source Section

PPP2

Source Field

%out-nucast%

out_oct

The number of outbound octets transmitted.

Data Source

PDSN16000

Source Section

PPP2

Source Field

%out-oct%

out_pkt

The number of outbound packets that were transmitted.

Data Source

PDSN16000

Source Section

PPP2

Source Field

%out-pkt%

out_ucast

The number of outbound unicast packets transmitted.

Data Source

PDSN16000

Source Section

PPP2

Source Field

%out-ucast%

rcverr_badaddr

The number of packets received with a bad address field.

Data Source

PDSN16000

Source Section

PPP1

Source Field

%rcverr-badaddr%

rcverr_badctrl

The number of packets received with a bad control field.

Data Source

PDSN16000

Source Section

PPP1

Source Field

%rcvterr-badctrl%

rcvterr_basfcs

The number of packets received with an Check Sequence (FCS). invalid Frame

Data Source

PDSN16000

Source Section

PPP1

Source Field

%rcvterr-basfcs%

rcvterr_unknproto

The number of packets received with an invalid protocol type.

Data Source

PDSN16000

Source Section

PPP1

Source Field

%rcvterr-unknproto%

rcvterr_bad_length

The total number of bad packet in received packets.

Data Source

PDSN16000

Source Section

PPP2

Source Field

%recverr-bad-length%

recverr_ctrl_field

The total number of bad control field errors experienced in received packets.

Data Source

PDSN16000

Source Section

PPP2

Source Field

%recverr-ctrl-field%

released

The total number of subscriber sessions that have been disconnected.

Data Source

PDSN16000

Source Section

PPP1

Source Field

%released%

released_local

The total number of subscriber sessions that have been dropped by the system.

Data Source

PDSN16000

Source Section

PPP1

Source Field

%released-local%

released_remote

The total number of subscriber sessions that have been dropped by the mobile nodes.

Data Source

PDSN16000

Source Section

PPP1

Source Field

%released-remote%

remote_term

The number of sessions for which termination was from the remote (mobile) side.

Data Source

PDSN16000

Source Section

PPP1

Source Field

%remote-term%

reneg

The total number of subscriber sessions that have been re-negotiated by the by the system.

Data Source

PDSN16000

Source Section

PPP1

Source Field

%reneg%

reneg_addrmis

The number of session re-negotiations that occurred due to mis-matched IP addresses.

Data Source

PDSN16000

Source Section

PPP1

Source Field

%reneg-addrmis%

reneg_mobile

The number of session re-negotiations initiated by the mobile nodes.

Data Source

PDSN16000

Source Section

PPP1

Source Field

%reneg-mobile%

reneg_other

The number of session re-negotiations that occurred due to reasons other than those listed here.

Data Source

PDSN16000

Source Section

PPP1

Source Field

%reneg-other%

reneg_pdsn

The number of session re-negotiations initiated by the system.

Data Source

PDSN16000

Source Section

PPP1

Source Field

%reneg-pdsn%

reneg_rp_handoff

The number of session re-negotiations that occurred due to lower-layer handoffs.

Data Source

PDSN16000

Source Section

PPP2

Source Field

%reneg-rp_handoff%

reneg_update

The number of session re-negotiations that occurred due to parameter updates.

Data Source

PDSN16000

Source Section

PPP2

Source Field

%reneg-update%

rp_disc

The number of sessions that were released during setup due to lower-layer disconnects.

Data Source

PDSN16000

Source Section

PPP2

Source Field

%rp-disc%

sess_skip_auth

The number of sessions that skipped the authentication process.

Data Source

PDSN16000

Source Section

PPP2

Source Field

%sess-skip-auth%

success

The total number of subscriber sessions that have been successfully connected by the by the system.

Data Source

PDSN16000

Source Section

PPP1

Source Field

%success%

success_auth

The number of sessions for which authentication was successful.

Data Source

PDSN16000

Source Section

PPP2

Source Field

%success-auth%

success_lcp

The number of sessions for which LCP was successfully negotiated.

Data Source

PDSN16000

Source Section

PPP2

Source Field

%success-lcp%

vpnid

The identification number of the context configured on the system that is currently facilitating the PDSN service processing the subscriber session.

Data Source

PDSN16000

Source Section

PPP1

Source Field

%vpnid%

ProcCard Primitive Calculations

The following is a list of primitive calculations for the ProcCard entity.

NUMDAYS

of days in Report

Calculation

DAYSINREPORT ()

NUMHOURS

of hours in Summation Data

Calculation

ProcCard Peg Counts

The following is a list of peg counts for the ProcCard entity.

CpuUtilAvg

An average processor utilization level.

Data Source

MDP

Source Field

CpuUtilAvg

Source Section

Passport Statistics

CpuUtilAvgMax

The maximum processor utilization level.

Data Source

MDP

Source Field

CpuUtilAvgMax

Source Section

Passport Statistics

CpuUtilAvgMin

The minimum processor utilization level.

Data Source

MDP

Source Field

CpuUtilAvgMin

Source Section

Passport Statistics

LocalMsgBlockCapacity

The processors message block memory capacity (in kilobytes) for local messaging.

Data Source

MDP

Source Field

LocalMsgBlockCapacity

Source Section

Passport Statistics

LocalMsgBlockUsageAvg

The processors average memory utilization (in kilobytes) of message blocks for local messaging.

Data Source

MDP

Source Field

LocalMsgBlockUsageAvg

Source Section

Passport Statistics

LocalMsgBlockUsageMax

The processors maximum memory utilization (in kilobytes) of message blocks for local messaging.

Data Source

MDP

Source Field

LocalMsgBlockUsageMax

Source Section

Passport Statistics

LocalMsgBlockUsageMin

The processors minimum memory utilization (in kilobytes) of message blocks for local messaging.

Data Source

MDP

Source Field

LocalMsgBlockUsageMin

Source Section

Passport Statistics

MemoryCapacityFastRAM

The processors memory capacity (in kilobytes) for Fast RAM memory type.

Data Source

MDP

Source Field

MemoryCapacityFastRAM

Source Section

Passport Statistics

MemoryCapacityNormalRAM

The processors memory capacity (in kilobytes) for Normal RAM memory type.

Data Source

MDP

Source Field

MemoryCapacityNormalRAM

Source Section

Passport Statistics

MemoryCapacitySharedRAM

The processors memory capacity (in kilobytes) for Shared RAM memory type.

Data Source

MDP

Source Field

MemoryCapacitySharedRAM

Source Section

Passport Statistics

MemoryUsageAvgFastRAM

The processors average memory utilization (in kilobytes) for Fast RAM memory type.

Data Source

MDP

Source Field

MemoryUsageAvgFastRAM

Source Section

Passport Statistics

MemoryUsageAvgMaxFastRAM

The processors maximum memory utilization (in kilobytes) for Fast RAM memory type.

Data Source

MDP

Source Field

MemoryUsageAvgMaxFastRAM

Source Section

Passport Statistics

MemoryUsageAvgMaxNormalRAM

The processors maximum memory utilization (in kilobytes) for Normal RAM memory type.

Data Source

MDP

Source Field

MemoryUsageAvgMaxNormalRAM

Source Section

Passport Statistics

MemoryUsageAvgMaxSharedRAM

The processors maximum memory utilization (in kilobytes) for Shared RAM memory type.

Data Source

MDP

Source Field

MemoryUsageAvgMaxSharedRAM

Source Section

Passport Statistics

MemoryUsageAvgMinFastRAM

The processors minimum memory utilization (in kilobytes) for Fast RAM memory type.

Data Source

MDP

Source Field

MemoryUsageAvgMinFastRAM

Source Section

Passport Statistics

MemoryUsageAvgMinNormalRAM

The processors minimum memory utilization (in kilobytes) for Normal RAM memory type.

Data Source

MDP

Source Field

MemoryUsageAvgMinNormalRAM

Source Section

Passport Statistics

MemoryUsageAvgMinSharedRAM

The processors minimum memory utilization (in kilobytes) for Shared RAM memory type.

Data Source

MDP

Source Field

MemoryUsageAvgMinSharedRAM

Source Section

Passport Statistics

MemoryUsageAvgNormalRAM

The processors average memory utilization (in kilobytes) for Normal RAM memory type.

Data Source

MDP

Source Field

MemoryUsageAvgNormalRAM

Source Section

Passport Statistics

MemoryUsageAvgSharedRAM

The processors average memory utilization (in kilobytes) for Shared RAM memory type.

Data Source

MDP

Source Field

MemoryUsageAvgSharedRAM

Source Section

Passport Statistics

SharedMsgBlockCapacity

The processors shared message block memory capacity (in kilobytes).

Data Source

MDP

Source Field

SharedMsgBlockCapacity

Source Section

Passport Statistics

SharedMsgBlockUsageAvg

The processors average memory utilization (in kilobytes) of shared message blocks.

Data Source

MDP

Source Field

SharedMsgBlockUsageAvg

Source Section

Passport Statistics

SharedMsgBlockUsageAvgMax

The processors maximum memory utilization (in kilobytes) of shared message blocks.

Data Source

MDP

Source Field

SharedMsgBlockUsageAvgMax

Source Section

Passport Statistics

SharedMsgBlockUsageAvgMin

The processors minimum memory utilization (in kilobytes) of shared message blocks.

Data Source

MDP

Source Field

SharedMsgBlockUsageAvgMin

Source Section

Passport Statistics

Radio_Sector Primitive Calculations

The following is a list of primitive calculations for the Radio_Sector entity.

GRAPHmultiLineSeparator

Special Control Field for Multi-Line Graphs

Calculation

""

NUMDAYS

of days in Report

Calculation

DAYSINREPORT ()

NUMHOURS

of hours in Summation Data

Radio_Sector Peg Counts

The following is a list of peg counts for the Radio_Sector entity.

SectorPercentPowerLimiting

This OM provides the percentage of time the sector was in a power limiting state over the thirty minute observation period. A sector is defined to be in a power limiting state when all carrier-sectors configured in that sector are in a power limiting state.

Data Source

NBSS BTS MO

Source Field

SectorPercentPowerLimiting (Seq# 23)

Source Section

Radio Sector MO

SectorTxPowerAvg

This OM provides the average sector transmit power at the module output (i.e. at the DPM antenna port) over the thirty minute observation period. Measured in units of dBm/16, the value has a range of 0 to 1120.

Data Source

NBSS BTS MO

Source Field

SectorTxPowerAvg (Seq# 55)

Source Section

Radio Sector MO

SectorTxPowerMax

This OM provides the maximum sector transmit power at the module output (i.e. at the DPM antenna port) during the thirty minute observation period. Range is 0-1120 (Units = dBm/16).

Data Source

NBSS BTS MO

Source Field

SectorTxPowerMax (Seq# 24)

Source Section

Radio Sector MO

VSWRReturnLoss

This OM provides the lowest (worst) return loss measured for the sector during the 30 minute observation period. This OM helps the customer detect changes in the performance of RF equipment external to the MFRM-3 radio (i.e. antennas, cabling, etc.) prior to service impacts. (Units = dB/16).

Data Source

NBSS BTS MO

Source Field

VSWRReturnLoss (Seq# 48)

Source Section

Radio Sector MO

RadioConfiguration Primitive Calculations

The following is a list of primitive calculations for the RadioConfiguration entity.

CEFrameCntFCH_RC1

Frames sent on the forward link for every user on the fundamental channel / number of softer handoff links for RC1 Voice only

Calculation

```
protect (LocalKey = "1" ? nullvalue (sum (RC_Beam, CEFrameCountFCH), CEFrameCntFCH) : 0)
```

CEFrameCntFCH_RC2

Frames sent on the forward link for every user on the fundamental channel / number of softer handoff links for RC2 Voice only

Calculation

```
protect (LocalKey = "2" ? nullvalue (sum (RC_Beam, CEFrameCountFCH), CEFrameCntFCH) : 0)
```

CEFrameCntFCH_RC3

Frames sent on the forward link for every user on the fundamental channel / number of softer handoff links for RC3 Voice only

Calculation

```
protect ((LocalKey = "3D" OR LocalKey = "3V") ? nullvalue (sum (RC_Beam,  
CEFrameCountFCH), CEFrameCntFCH) : 0)
```

CEFrameCntFCH_RC3D

Frames sent on the forward link for every user on the fundamental channel / number of softer handoff links for RC3 Data

Calculation

```
protect (LocalKey = "3D" ? nullvalue (sum (RC_Beam, CEFrameCountFCH), CEFrameCntFCH) : 0)
```

CEFrameCntFCH_RC3V

Frames sent on the forward link for every user on the fundamental channel / number of softer handoff links for RC3 Voice

Calculation

```
protect (LocalKey = "3V" ? nullvalue (sum (RC_Beam, CEFrameCountFCH), CEFrameCntFCH) : 0)
```

CEFrameCntFCH_RC4

Frames sent on the forward link for every user on the fundamental channel / number of softer handoff links for RC4 Voice only

Calculation

```
protect ((LocalKey = "4D" OR LocalKey = "4V") ? nullvalue (sum (RC_Beam,  
CEFrameCountFCH), CEFrameCntFCH) : 0)
```

CEFrameCntFCH_RC4D

Frames sent on the forward link for every user on the fundamental channel / number of softer handoff links for RC4 Data

Calculation

```
protect (LocalKey = "4D" ? nullvalue (sum (RC_Beam, CEFrameCountFCH), CEFrameCntFCH) : 0)
```

CEFrameCntFCH_RC4V

Frames sent on the forward link for every user on the fundamental channel / number of softer handoff links for RC4 Voice

Calculation

```
protect (LocalKey = "4V" ? nullvalue (sum (RC_Beam, CEFrameCountFCH), CEFrameCntFCH) : 0)
```

CEFrameCntFCH_RC5

Frames sent on the forward link for every user on the fundamental channel / number of softer handoff links for RC5 Voice only

Calculation

```
protect ((LocalKey = "5D" OR LocalKey = "5V") ? nullvalue (sum (RC_Beam, CEFrameCountFCH), CEFrameCntFCH) : 0)
```

CEFrameCntFCH_RC5D

Frames sent on the forward link for every user on the fundamental channel / number of softer handoff links for RC5 Data

Calculation

```
protect (LocalKey = "5D" ? nullvalue (sum (RC_Beam, CEFrameCountFCH), CEFrameCntFCH) : 0)
```

CEFrameCntFCH_RC5V

Frames sent on the forward link for every user on the fundamental channel / number of softer handoff links for RC5 Voice

Calculation

```
protect (LocalKey = "5V" ? nullvalue (sum (RC_Beam, CEFrameCountFCH), CEFrameCntFCH) : 0)
```

CEFrameCountFCH

This PCALC returns the aggregated value of peg CEFrameCountFCH in entity RC_Beam (introduced under NBSS14) or if unavailable, the pre-NBSS14 value it replaced in this entity, peg CEFrameCntFCH.

Calculation

```
nullvalue (sum (RC_Beam, CEFrameCountFCH), CEFrameCntFCH)
```

CEFrameCountFwdSCH_16X

This PCALC returns the aggregated value of peg CEFrameCountFwdSCH_16X in entity RC_Beam (introduced under NBSS14) or if unavailable, the pre-NBSS14 value it replaced in this entity, peg CEFrameCntFwdSCH_16X.

Calculation

```
nullvalue (sum (RC_Beam, CEFrameCountFwdSCH_16X), CEFrameCntFwdSCH_16X)
```

CEFrameCountFwdSCH_2X

This PCALC returns the aggregated value of peg CEFrameCountFwdSCH_2X in entity RC_Beam (introduced under NBSS14) or if unavailable, the pre-NBSS14 value it replaced in this entity, peg CEFrameCntFwdSCH_2X.

Calculation

```
nullvalue (sum (RC_Beam, CEFrameCountFwdSCH_2X), CEFrameCntFwdSCH_2X)
```

CEFrameCountFwdSCH_4X

This PCALC returns the aggregated value of peg CEFrameCountFwdSCH_4X in entity RC_Beam (introduced under NBSS14) or if unavailable, the pre-NBSS14 value it replaced in this entity, peg CEFrameCntFwdSCH_4X.

Calculation

```
nullvalue (sum (RC_Beam, CEFrameCountFwdSCH_4X), CEFrameCntFwdSCH_4X)
```

CEFrameCountFwdSCH_8X

This PCALC returns the aggregated value of peg CEFrameCountFwdSCH_8X in entity RC_Beam (introduced under NBSS14) or if unavailable, the pre-NBSS14 value it replaced in this entity, peg CEFrameCntFwdSCH_8X.

Calculation

```
nullvalue (sum (RC_Beam, CEFrameCountFwdSCH_8X), CEFrameCntFwdSCH_8X)
```

CEFrameCountRevSCH_16X

This PCALC returns the aggregated value of peg CEFrameCountRevSCH_16X in entity RC_Beam (introduced under NBSS14) or if unavailable, the pre-NBSS14 value it replaced in this entity, peg CEFrameCntRevSCH_16X.

Calculation

```
nullvalue (sum (RC_Beam, CEFrameCountRevSCH_16X), CEFrameCntRevSCH_16X)
```

CEFrameCountRevSCH_2X

This PCALC returns the aggregated value of peg CEFrameCountRevSCH_2X in entity RC_Beam (introduced under NBSS14) or if unavailable, the pre-NBSS14 value it replaced in this entity, peg CEFrameCntRevSCH_2X.

Calculation

```
nullvalue (sum (RC_Beam, CEFrameCountRevSCH_2X), CEFrameCntRevSCH_2X)
```

CEFrameCountRevSCH_4X

This PCALC returns the aggregated value of peg CEFrameCountRevSCH_4X in entity RC_Beam (introduced under NBSS14) or if unavailable, the pre-NBSS14 value it replaced in this entity, peg CEFrameCntRevSCH_4X.

Calculation

```
nullvalue (sum (RC_Beam, CEFrameCountRevSCH_4X), CEFrameCntRevSCH_4X)
```

CEFrameCountRevSCH_8X

This PCALC returns the aggregated value of peg CEFrameCountRevSCH_8X in entity RC_Beam (introduced under NBSS14) or if unavailable, the pre-NBSS14 value it replaced in this entity, peg CEFrameCntRevSCH_8X.

Calculation

```
nullvalue (sum (RC_Beam, CEFrameCountRevSCH_8X), CEFrameCntRevSCH_8X)
```

DataFchForwardLinkUtilAverage_Aggregated

This PCALC returns the aggregated value of peg DataFchForwardLinkUtilAverage in entity RC_Beam (introduced under NBSS14) or if unavailable, the pre-NBSS14 value it replaced in this entity, peg DataFchForwardLinkUtilAverage.

Calculation

```
nullvalue (sum (RC_Beam, DataFchForwardLinkUtilAverage), DataFchForwardLinkUtilAverage)
```

FrameCntFCH_RC1

Frames sent on the forward link for every user on the fundamental channel for RC1 Voice only

Calculation

```
protect (LocalKey = "1" ? nullvalue (sum (RC_Beam, FrameCountFCH),  
FrameCntFCH) : 0)
```

FrameCntFCH_RC2

Frames sent on the forward link for every user on the fundamental channel for RC2 Voice only

Calculation

```
protect (LocalKey = "2" ? nullvalue (sum (RC_Beam, FrameCountFCH),  
FrameCntFCH) : 0)
```

FrameCntFCH_RC3

Frames sent on the forward link for every user on the fundamental channel for RC3 Voice only

Calculation

```
protect ((LocalKey = "3D" OR LocalKey = "3V") ? nullvalue (sum (RC_Beam,  
FrameCntFCH), FrameCntFCH) : 0)
```

FrameCntFCH_RC3D

Frames sent on the forward link for every user on the fundamental channel for RC3 Data

Calculation

```
protect (LocalKey = "3D" ? nullvalue (sum (RC_Beam, FrameCntFCH),  
FrameCntFCH) : 0)
```

FrameCntFCH_RC3V

Frames sent on the forward link for every user on the fundamental channel for RC3 Voice

Calculation

```
protect (LocalKey = "3V" ? nullvalue (sum (RC_Beam, FrameCntFCH),  
FrameCntFCH) : 0)
```

FrameCntFCH_RC4

Frames sent on the forward link for every user on the fundamental channel for RC4 Voice only

Calculation

```
protect ((LocalKey = "4D" OR LocalKey = "4V") ? nullvalue (sum (RC_Beam,  
FrameCntFCH), FrameCntFCH) : 0)
```

FrameCntFCH_RC4D

Frames sent on the forward link for every user on the fundamental channel for RC4 Data

Calculation

```
protect (LocalKey = "4D" ? nullvalue (sum (RC_Beam, FrameCntFCH),  
FrameCntFCH) : 0)
```

FrameCntFCH_RC4V

Frames sent on the forward link for every user on the fundamental channel for RC4 Voice

Calculation

```
protect (LocalKey = "4V" ? nullvalue (sum (RC_Beam, FrameCntFCH),  
FrameCntFCH) : 0)
```

FrameCntFCH_RC5

Frames sent on the forward link for every user on the fundamental channel for RC5 Voice only

Calculation

```
protect ((LocalKey = "5D" OR LocalKey = "5V") ? nullvalue (sum (RC_Beam,  
FrameCountFCH), FrameCntFCH) : 0)
```

FrameCntFCH_RC5D

Frames sent on the forward link for every user on the fundamental channel for RC5 Data

Calculation

```
protect (LocalKey = "5D" ? nullvalue (sum (RC_Beam, FrameCountFCH),  
FrameCntFCH) : 0)
```

FrameCntFCH_RC5V

Frames sent on the forward link for every user on the fundamental channel for RC5 Voice

Calculation

```
protect (LocalKey = "5V" ? nullvalue (sum (RC_Beam, FrameCountFCH),  
FrameCntFCH) : 0)
```

FrameCountFCH

This PCALC returns the aggregated value of peg FrameCountFCH in entity RC_Beam (introduced under NBSS14) or if unavailable, the pre-NBSS14 value it replaced in this entity, peg FrameCntFCH.

Calculation

```
nullvalue (sum (RC_Beam, FrameCountFCH), FrameCntFCH)
```

FrameCountFwdSCH_16X

This PCALC returns the aggregated value of peg FrameCountFwdSCH_16X in entity RC_Beam (introduced under NBSS14) or if unavailable, the pre-NBSS14 value it replaced in this entity, peg FrameCntFwdSCH_16X.

Calculation

```
nullvalue (sum (RC_Beam, FrameCountFwdSCH_16X), FrameCntFwdSCH_16X)
```

FrameCountFwdSCH_2X

This PCALC returns the aggregated value of peg FrameCountFwdSCH_2X in entity RC_Beam (introduced under NBSS14) or if unavailable, the pre-NBSS14 value it replaced in this entity, peg FrameCntFwdSCH_2X.

Calculation

```
nullvalue (sum (RC_Beam, FrameCountFwdSCH_2X), FrameCntFwdSCH_2X)
```

FrameCountFwdSCH_4X

This PCALC returns the aggregated value of peg FrameCountFwdSCH_4X in entity RC_Beam (introduced under NBSS14) or if unavailable, the pre-NBSS14 value it replaced in this entity, peg FrameCntFwdSCH_4X.

Calculation

```
nullvalue (sum (RC_Beam, FrameCountFwdSCH_4X), FrameCntFwdSCH_4X)
```

FrameCountFwdSCH_8X

This PCALC returns the aggregated value of peg FrameCountFwdSCH_8X in entity RC_Beam (introduced under NBSS14) or if unavailable, the pre-NBSS14 value it replaced in this entity, peg FrameCntFwdSCH_8X.

Calculation

```
nullvalue (sum (RC_Beam, FrameCountFwdSCH_8X), FrameCntFwdSCH_8X)
```

FrameCountRevSCH_16X

This PCALC returns the aggregated value of peg FrameCountRevSCH_16X in entity RC_Beam (introduced under NBSS14) or if unavailable, the pre-NBSS14 value it replaced in this entity, peg FrameCntRevSCH_16X.

Calculation

```
nullvalue (sum (RC_Beam, FrameCountRevSCH_16X), FrameCntRevSCH_16X)
```

FrameCountRevSCH_2X

This PCALC returns the aggregated value of peg FrameCountRevSCH_2X in entity RC_Beam (introduced under NBSS14) or if unavailable, the pre-NBSS14 value it replaced in this entity, peg FrameCntRevSCH_2X.

Calculation

```
nullvalue (sum (RC_Beam, FrameCountRevSCH_2X), FrameCntRevSCH_2X)
```

FrameCountRevSCH_4X

This PCALC returns the aggregated value of peg FrameCountRevSCH_4X in entity RC_Beam (introduced under NBSS14) or if unavailable, the pre-NBSS14 value it replaced in this entity, peg FrameCntRevSCH_4X.

Calculation

```
nullvalue (sum (RC_Beam, FrameCountRevSCH_4X), FrameCntRevSCH_4X)
```

FrameCountRevSCH_8X

This PCALC returns the aggregated value of peg FrameCountRevSCH_8X in entity RC_Beam (introduced under NBSS14) or if unavailable, the pre-NBSS14 value it replaced in this entity, peg FrameCntRevSCH_8X.

Calculation

```
nullvalue (sum (RC_Beam, FrameCountRevSCH_8X), FrameCntRevSCH_8X)
```

GRAPHmultiLineSeparator

Special Control Field for Multi-Line Graphs

Calculation

```
""
```

NUMDAYS

of days in Report

Calculation

```
DAYSINREPORT ()
```

NUMHOURS

of hours in Summation Data

Calculation

PrimaryFrameCntFCH_RC1

Frames sent on the forward link for every user on the fundamental channel/ soft handoff links * softer handoff links for RC1 Voice only

Calculation

```
protect (LocalKey = "1" ? nullvalue (sum (RC_Beam, PrimaryFrameCountFCH),  
PrimaryFrameCntFCH) : 0)
```

PrimaryFrameCntFCH_RC2

Frames sent on the forward link for every user on the fundamental channel/ soft handoff links * softer handoff links for RC2 Voice only

Calculation

```
protect (LocalKey = "2" ? nullvalue (sum (RC_Beam, PrimaryFrameCountFCH),  
PrimaryFrameCntFCH) : 0)
```

PrimaryFrameCntFCH_RC3

Frames sent on the forward link for every user on the fundamental channel/ soft handoff links *
softer handoff links for RC3 Voice only

Calculation

```
protect ((LocalKey = "3D" OR LocalKey = "3V") ? nullvalue (sum (RC_Beam,  
PrimaryFrameCountFCH), PrimaryFrameCntFCH) : 0)
```

PrimaryFrameCntFCH_RC3D

Frames sent on the forward link for every user on the fundamental channel/ soft handoff links *
softer handoff links for RC3 Data

Calculation

```
protect (LocalKey = "3D" ? nullvalue (sum (RC_Beam, PrimaryFrameCountFCH),  
PrimaryFrameCntFCH) : 0)
```

PrimaryFrameCntFCH_RC3V

Frames sent on the forward link for every user on the fundamental channel/ soft handoff links *
softer handoff links for RC3 Voice

Calculation

```
protect (LocalKey = "3V" ? nullvalue (sum (RC_Beam, PrimaryFrameCountFCH),  
PrimaryFrameCntFCH) : 0)
```

PrimaryFrameCntFCH_RC4

Frames sent on the forward link for every user on the fundamental channel/ soft handoff links *
softer handoff links for RC4 Voice only

Calculation

```
protect ((LocalKey = "4D" OR LocalKey = "4V") ? nullvalue (sum (RC_Beam,  
PrimaryFrameCountFCH), PrimaryFrameCntFCH) : 0)
```

PrimaryFrameCntFCH_RC4D

Frames sent on the forward link for every user on the fundamental channel/ soft handoff links *
softer handoff links for RC4 Data

Calculation

```
protect (LocalKey = "4D" ? nullvalue (sum (RC_Beam, PrimaryFrameCountFCH),  
PrimaryFrameCntFCH) : 0)
```

PrimaryFrameCntFCH_RC4V

Frames sent on the forward link for every user on the fundamental channel/ soft handoff links *
softer handoff links for RC4 Voice

Calculation

```
protect (LocalKey = "4V" ? nullvalue (sum (RC_Beam, PrimaryFrameCountFCH),  
PrimaryFrameCntFCH) : 0)
```

PrimaryFrameCntFCH_RC5

Frames sent on the forward link for every user on the fundamental channel/ soft handoff links *
softer handoff links for RC5 Voice only

Calculation

```
protect ((LocalKey = "5D" OR LocalKey = "5V") ? nullvalue (sum (RC_Beam,  
PrimaryFrameCountFCH), PrimaryFrameCntFCH) : 0)
```

PrimaryFrameCntFCH_RC5D

Frames sent on the forward link for every user on the fundamental channel/ soft handoff links *
softer handoff links for RC5 Data

Calculation

```
protect (LocalKey = "5D" ? nullvalue (sum (RC_Beam, PrimaryFrameCountFCH),  
PrimaryFrameCntFCH) : 0)
```

PrimaryFrameCntFCH_RC5V

Frames sent on the forward link for every user on the fundamental channel/ soft handoff links *
softer handoff links for RC5 Voice

Calculation

```
protect (LocalKey = "5V" ? nullvalue (sum (RC_Beam, PrimaryFrameCountFCH),  
PrimaryFrameCntFCH) : 0)
```

PrimaryFrameCountFCH

This PCALC returns the aggregated value of peg PrimaryFrameCountFCH in entity RC_Beam (introduced under NBSS14) or if unavailable, the pre-NBSS14 value it replaced in this entity, peg PrimaryFrameCntFCH.

Calculation

```
nullvalue (sum (RC_Beam, PrimaryFrameCountFCH), PrimaryFrameCntFCH)
```

PrimaryFrameCountFwdSCH_16X

This PCALC returns the aggregated value of peg PrimaryFrameCountFwdSCH_16X in entity RC_Beam (introduced under NBSS14) or if unavailable, the pre-NBSS14 value it replaced in this entity, peg PrimaryFrameCntFwdSCH_16X.

Calculation

```
nullvalue (sum (RC_Beam, PrimaryFrameCountFwdSCH_16X),  
PrimaryFrameCntFwdSCH_16X)
```

PrimaryFrameCountFwdSCH_2X

This PCALC returns the aggregated value of peg PrimaryFrameCountFwdSCH_2X in entity RC_Beam (introduced under NBSS14) or if unavailable, the pre-NBSS14 value it replaced in this entity, peg PrimaryFrameCntFwdSCH_2X.

Calculation

```
nullvalue (sum (RC_Beam, PrimaryFrameCountFwdSCH_2X),  
PrimaryFrameCntFwdSCH_2X)
```

PrimaryFrameCountFwdSCH_4X

This PCALC returns the aggregated value of peg PrimaryFrameCountFwdSCH_4X in entity RC_Beam (introduced under NBSS14) or if unavailable, the pre-NBSS14 value it replaced in this entity, peg PrimaryFrameCntFwdSCH_4X.

Calculation

```
nullvalue (sum (RC_Beam, PrimaryFrameCountFwdSCH_4X),  
PrimaryFrameCntFwdSCH_4X)
```

PrimaryFrameCountFwdSCH_8X

This PCALC returns the aggregated value of peg PrimaryFrameCountFwdSCH_8X in entity RC_Beam (introduced under NBSS14) or if unavailable, the pre-NBSS14 value it replaced in this entity, peg PrimaryFrameCntFwdSCH_8X.

Calculation

```
nullvalue (sum (RC_Beam, PrimaryFrameCountFwdSCH_8X),  
PrimaryFrameCntFwdSCH_8X)
```

PrimaryFrameCountRevSCH_16X

This PCALC returns the aggregated value of peg PrimaryFrameCountRevSCH_16X in entity RC_Beam (introduced under NBSS14) or if unavailable, the pre-NBSS14 value it replaced in this entity, peg PrimaryFrameCntRevSCH_16X.

Calculation

```
nullvalue (sum (RC_Beam, PrimaryFrameCountRevSCH_16X),  
PrimaryFrameCntRevSCH_16X)
```

PrimaryFrameCountRevSCH_2X

This PCALC returns the aggregated value of peg PrimaryFrameCountRevSCH_2X in entity RC_Beam (introduced under NBSS14) or if unavailable, the pre-NBSS14 value it replaced in this entity, peg PrimaryFrameCntRevSCH_2X.

Calculation

```
nullvalue (sum (RC_Beam, PrimaryFrameCountRevSCH_2X),  
PrimaryFrameCntRevSCH_2X)
```

PrimaryFrameCountRevSCH_4X

This PCALC returns the aggregated value of peg PrimaryFrameCountRevSCH_4X in entity RC_Beam (introduced under NBSS14) or if unavailable, the pre-NBSS14 value it replaced in this entity, peg PrimaryFrameCntRevSCH_4X.

Calculation

```
nullvalue (sum (RC_Beam, PrimaryFrameCountRevSCH_4X),  
PrimaryFrameCntRevSCH_4X)
```

PrimaryFrameCountRevSCH_8X

This PCALC returns the aggregated value of peg PrimaryFrameCountRevSCH_8X in entity RC_Beam (introduced under NBSS14) or if unavailable, the pre-NBSS14 value it replaced in this entity, peg PrimaryFrameCntRevSCH_8X.

Calculation

```
nullvalue (sum (RC_Beam, PrimaryFrameCountRevSCH_8X),  
PrimaryFrameCntRevSCH_8X)
```

SchForwardLinkUtilAverage_Aggregated

This PCALC returns the aggregated value of peg SchForwardLinkUtilAverage in entity RC_Beam (introduced under NBSS14) or if unavailable, the pre-NBSS14 value it replaced in this entity, peg SchForwardLinkUtilAverage.

Calculation

```
nullvalue (sum (RC_Beam, SchForwardLinkUtilAverage), SchForwardLinkUtilAverage)
```

VoiceFchForwardLinkUtilAverage_Aggregated

This PCALC returns the aggregated value of peg VoiceFchForwardLinkUtilAverage in entity RC_Beam (introduced under NBSS14) or if unavailable, the pre-NBSS14 value it replaced in this entity, peg VoiceFchForwardLinkUtilAverage.

Calculation

```
nullvalue (sum (RC_Beam, VoiceFchForwardLinkUtilAverage), VoiceFchForwardLinkUtilAverage)
```

RadioConfiguration Peg Counts

The following is a list of peg counts for the RadioConfiguration entity.

CEFrameCntFCH

Frames sent on the forward link for every user on the fundamental channel / number of softer handoff links

Data Source

NBSS BTS MO

Source Field

CEFrameCntFCH (Seq# 130)

Source Section

Advanced Sector MO

CEFrameCntFwdSCH_16X

Equivalent to FrameCntFwdSCH_16X divided by number of softer handoff links

Data Source

NBSS BTS MO

Source Field

CEFrameCntFwdSCH_16X (Seq# 243)

Source Section

Advanced Sector MO

CEFrameCntFwdSCH_2X

Equivalent to FrameCntFwdSCH_2X divided by number of softer handoff links

Data Source

NBSS BTS MO

Source Field

CEFrameCntFwdSCH_2X (Seq# 240)

Source Section

Advanced Sector MO

CEFrameCntFwdSCH_4X

Equivalent to FrameCntFwdSCH_4X divided by number of softer handoff links

Data Source

NBSS BTS MO

Source Field

CEFrameCntFwdSCH_4X (Seq# 241)

Source Section

Advanced Sector MO

CEFrameCntFwdSCH_8X

Equivalent to FrameCntFwdSCH_8X divided by number of softer handoff links

Data Source

NBSS BTS MO

Source Field

CEFrameCntFwdSCH_8X (Seq# 242)

Source Section

Advanced Sector MO

CEFrameCntRevSCH_16X

Equivalent to FrameCntRevSCH_16X divided by number of softer handoff links

Data Source

NBSS BTS MO

Source Field

CEFrameCntRevSCH_16X (Seq# 255)

Source Section

Advanced Sector MO

CEFrameCntRevSCH_2X

Equivalent to FrameCntRevSCH_2X divided by number of softer handoff links

Data Source

NBSS BTS MO

Source Field

CEFrameCntRevSCH_2X (Seq# 252)

Source Section

Advanced Sector MO

CEFrameCntRevSCH_4X

Equivalent to FrameCntRevSCH_4X divided by number of softer handoff links

Data Source

NBSS BTS MO

Source Field

CEFrameCntRevSCH_4X (Seq# 253)

Source Section

Advanced Sector MO

CEFrameCntRevSCH_8X

Equivalent to FrameCntRevSCH_8X divided by number of softer handoff links

Data Source

NBSS BTS MO

Source Field

CEFrameCntRevSCH_8X (Seq# 254)

Source Section

Advanced Sector MO

CEFrameCntSCH

Number of forward frames for each user on the supplemental channel/ number of softer handoff links

Data Source

NBSS BTS MO

Source Field

CEFrameCntSCH (Seq# 131)

Source Section

Advanced Sector MO

DataFchForwardLinkUtilAverage

Average forward power used by Radio Configurations supporting packet data sessions on the fundamental channel

Data Source

NBSS BTS MO

Source Field

DataFchForwardLinkUtilAverage (Seq# 98)

Source Section

Advanced Sector MO

FFCH_BadDataFrames

This OM is the total number of bad forward fundamental channel frames reported by the mobiles, for all packet data calls in a carrier-sector for a specific radio configuration.

Data Source

NBSS BSC OMs

Source Field

FFCH_BadDataFrames (Seq# 5)

Source Section

Reference Sector FER (Group ID 29)

FFCH_BadNonDataFrames

This OM is the total number of bad forward fundamental channel frames reported by the mobiles, for all non-packet data calls in a carrier-sector for a specific radio configuration.

Data Source

NBSS BSC OMs

Source Field

FFCH_BadNonDataFrames (Seq# 1)

Source Section

Reference Sector FER (Group ID 29)

FFCH_TotalDataFrames

This OM is the total number of forward fundamental channel frames reported by the mobiles, for all packet data calls in a carrier-sector for a specific radio configuration.

Data Source

NBSS BSC OMs

Source Field

FFCH_TotalDataFrames (Seq# 6)

Source Section

Reference Sector FER (Group ID 29)

FFCH_TotalNonDataFrames

This OM is the total number of forward fundamental channel frames reported by the mobiles, for all non-packet data calls in a carrier-sector for a specific radio configuration.

Data Source

NBSS BSC OMs

Source Field

FFCH_TotalNonDataFrames (Seq# 2)

Source Section

Reference Sector FER (Group ID 29)

FrameCntFCH

Frames sent on the forward link for every user on the fundamental channel

Data Source

NBSS BTS MO

Source Field

FrameCntFCH (Seq# 128)

Source Section

Advanced Sector MO

FrameCntFwdSCH_16X

Total number of 16X forward frames for every user on the supplemental channel.

Data Source

NBSS BTS MO

Source Field

FrameCntFwdSCH_16X (Seq# 239)

Source Section

Advanced Sector MO

FrameCntFwdSCH_2X

Total number of 2x forward frames for every user on the supplemental channel.

Data Source

NBSS BTS MO

Source Field

FrameCntFwdSCH_2X (Seq# 236)

Source Section

Advanced Sector MO

FrameCntFwdSCH_4X

Total number of 4X forward frames for every user on the supplemental channel.

Data Source

NBSS BTS MO

Source Field

FrameCntFwdSCH_4X (Seq# 237)

Source Section

Advanced Sector MO

FrameCntFwdSCH_8X

Total number of 8X forward frames for every user on the supplemental channel.

Data Source

NBSS BTS MO

Source Field

FrameCntFwdSCH_8X (Seq# 238)

Source Section

Advanced Sector MO

FrameCntRevSCH_16X

Total number of 16X reverse frames for every user on the supplemental channel.

Data Source

NBSS BTS MO

Source Field

FrameCntRevSCH_16X (Seq# 251)

Source Section

Advanced Sector MO

FrameCntRevSCH_2X

Total number of 2x reverse frames for every user on the supplemental channel.

Data Source

NBSS BTS MO

Source Field

FrameCntRevSCH_2X (Seq# 248)

Source Section

Advanced Sector MO

FrameCntRevSCH_4X

Total number of 4X reverse frames for every user on the supplemental channel.

Data Source

NBSS BTS MO

Source Field

FrameCntRevSCH_4X (Seq# 249)

Source Section

Advanced Sector MO

FrameCntRevSCH_8X

Total number of 8X reverse frames for every user on the supplemental channel.

Data Source

NBSS BTS MO

Source Field

FrameCntRevSCH_8X (Seq# 250)

Source Section

Advanced Sector MO

FrameCntSCH

Number of forward frames for each user on the supplemental channel

Data Source

NBSS BTS MO

Source Field

FrameCntSCH (Seq# 129)

Source Section

Advanced Sector MO

FSCH_BadFrames_16X

This OM is the total number of bad forward supplemental channel frames reported by the mobiles, for all 16X packet data calls in a carrier-sector for a specific radio configuration.

Data Source

NBSS BSC OMs

Source Field

FSCH_BadFrames_16X (Seq# 12)

Source Section

Reference Sector FER (Group ID 29)

FSCH_BadFrames_2X

This OM is the total number of bad forward supplemental channel frames reported by the mobiles, for all 2X packet data calls in a carrier-sector for a specific radio configuration

Data Source

NBSS BSC OMs

Source Field

FSCH_BadFrames_2X (Seq# 9)

Source Section

Reference Sector FER (Group ID 29)

FSCH_BadFrames_4X

This OM is the total number of bad forward supplemental channel frames reported by the mobiles, for all 4X packet data calls in a carrier-sector for a specific radio configuration.

Data Source

NBSS BSC OMs

Source Field

FSCH_BadFrames_4X (Seq# 10)

Source Section

Reference Sector FER (Group ID 29)

FSCH_BadFrames_8X

This OM is the total number of bad forward supplemental channel frames reported by the mobiles, for all 8X packet data calls in a carrier-sector for a specific radio configuration.

Data Source

NBSS BSC OMs

Source Field

FSCH_BadFrames_8X (Seq# 11)

Source Section

Reference Sector FER (Group ID 29)

FSCH_TotalFrames_16X

This OM is the total number of forward supplemental channel frames reported by the mobiles, for all 16X packet data calls in a carrier-sector for a specific radio configuration.

Data Source

NBSS BSC OMs

Source Field

FSCH_TotalFrames_16X (Seq# 16)

Source Section

Reference Sector FER (Group ID 29)

FSCH_TotalFrames_2X

This OM is the total number of forward supplemental channel frames reported by the mobiles, for all 2X packet data calls in a carrier-sector for a specific radio configuration.

Data Source

NBSS BSC OMs

Source Field

FSCH_TotalFrames_2X (Seq# 13)

Source Section

Reference Sector FER (Group ID 29)

FSCH_TotalFrames_4X

This OM is the total number of forward supplemental channel frames reported by the mobiles, for all 4X packet data calls in a carrier-sector for a specific radio configuration.

Data Source

NBSS BSC OMs

Source Field

FSCH_TotalFrames_4X (Seq# 14)

Source Section

Reference Sector FER (Group ID 29)

FSCH_TotalFrames_8

This OM is the total number of forward supplemental channel frames reported by the mobiles, for all 8X packet data calls in a carrier-sector for a specific radio configuration.

Data Source

NBSS BSC OMs

Source Field

FSCH_TotalFrames_8X (Seq# 15)

Source Section

Reference Sector FER (Group ID 29)

PrimaryFrameCntFCH

Frames sent on the forward link for every user on the fundamental channel/ soft handoff links *
softer handoff links

Data Source

NBSS BTS MO

Source Field

PrimaryFrameCntFCH (Seq# 132)

Source Section

Advanced Sector MO

PrimaryFrameCntFwdSCH_16X

Equivalent to FrameCntFwdSCH_16X divided by the product of soft and softer handoff links

Data Source

NBSS BTS MO

Source Field

PrimaryFrameCntFwdSCH_16X (Seq# 247)

Source Section

Advanced Sector MO

PrimaryFrameCntFwdSCH_2X

Equivalent to FrameCntFwdSCH_2X divided by the product of soft and softer handoff links

Data Source

NBSS BTS MO

Source Field

PrimaryFrameCntFwdSCH_2X (Seq# 244)

Source Section

Advanced Sector MO

PrimaryFrameCntFwdSCH_4X

Equivalent to FrameCntFwdSCH_4X divided by the product of soft and softer handoff links

Data Source

NBSS BTS MO

Source Field

PrimaryFrameCntFwdSCH_4X (Seq# 245)

Source Section

Advanced Sector MO

PrimaryFrameCntFwdSCH_8X

Equivalent to FrameCntFwdSCH_8X divided by the product of soft and softer handoff links

Data Source

NBSS BTS MO

Source Field

PrimaryFrameCntFwdSCH_8X (Seq# 246)

Source Section

Advanced Sector MO

PrimaryFrameCntRevSCH_16X

Equivalent to FrameCntRevSCH_16X divided by the product of soft and softer handoff links

Data Source

NBSS BTS MO

Source Field

PrimaryFrameCntRevSCH_16X (Seq# 259)

Source Section

Advanced Sector MO

PrimaryFrameCntRevSCH_2X

Equivalent to FrameCntRevSCH_2X divided by the product of soft and softer handoff links

Data Source

NBSS BTS MO

Source Field

PrimaryFrameCntRevSCH_2X (Seq# 256)

Source Section

Advanced Sector MO

PrimaryFrameCntRevSCH_4X

Equivalent to FrameCntRevSCH_4X divided by the product of soft and softer handoff links

Data Source

NBSS BTS MO

Source Field

PrimaryFrameCntRevSCH_4X (Seq# 257)

Source Section

Advanced Sector MO

PrimaryFrameCntRevSCH_8X

Equivalent to FrameCntRevSCH_8X divided by the product of soft and softer handoff links

Data Source

NBSS BTS MO

Source Field

PrimaryFrameCntRevSCH_8X (Seq# 258)

Source Section

Advanced Sector MO

PrimaryFrameCntSCH

Number of forward frames for each user on the supplemental channel/ soft handoff links *
softer handoff links

Data Source

NBSS BTS MO

Source Field

PrimaryFrameCntSCH (Seq# 133)

Source Section

Advanced Sector MO

RFCH_BadDataFrames

This OM is the total number of bad reverse fundamental channel frames, for all packet data calls in a carrier-sector for a specific radio configuration.

Data Source

NBSS BSC OMs

Source Field

RFCH_BadDataFrames (Seq# 7)

Source Section

Reference Sector FER (Group ID 29)

RFCH_BadNonDataFrames

This OM is the total number of bad reverse fundamental channel frames, for all non-packet data calls in a carrier-sector for a specific radio configuration.

Data Source

NBSS BSC OMs

Source Field

RFCH_BadNonDataFrames (Seq# 3)

Source Section

Reference Sector FER (Group ID 29)

RFCH_TotalDataFrames

This OM is the total number of reverse fundamental channel frames, for all packet data calls in a carrier-sector for a specific radio configuration.

Data Source

NBSS BSC OMs

Source Field

RFCH_TotalDataFrames (Seq# 8)

Source Section

Reference Sector FER (Group ID 29)

RFCH_TotalNonDataFrames

This OM is the total number of reverse fundamental channel frames, for all non-packet data calls in a carrier-sector for a specific radio configuration.

Data Source

NBSS BSC OMs

Source Field

RFCH_TotalNonDataFrames (Seq# 4)

Source Section

Reference Sector FER (Group ID 29)

RSCH_BadFrames_16X

This OM is the total number of bad reverse supplemental channel frames, for all 16X packet data calls in a carrier-sector for a specific radio configuration.

Data Source

NBSS BSC OMs

Source Field

RSCH_BadFrames_16X (Seq# 20)

Source Section

Reference Sector FER (Group ID 29)

RSCH_BadFrames_2X

This OM is the total number of bad reverse supplemental channel frames, for all 2X packet data calls in a carrier-sector for a specific radio configuration.

Data Source

NBSS BSC OMs

Source Field

RSCH_BadFrames_2X (Seq# 17)

Source Section

Reference Sector FER (Group ID 29)

RSCH_BadFrames_4X

This OM is the total number of bad reverse supplemental channel frames, for all 4X packet data calls in a carrier-sector for a specific radio configuration.

Data Source

NBSS BSC OMs

Source Field

RSCH_BadFrames_4X (Seq# 18)

Source Section

Reference Sector FER (Group ID 29)

RSCH_BadFrames_8X

This OM is the total number of bad reverse supplemental channel frames, for all 8X packet data calls in a carrier-sector for a specific radio configuration.

Data Source

NBSS BSC OMs

Source Field

RSCH_BadFrames_8X (Seq# 19)

Source Section

Reference Sector FER (Group ID 29)

RSCH_TotalFrames_16X

This OM is the total number of reverse supplemental channel frames, for all 16X packet data calls in a carrier-sector for a specific radio configuration.

Data Source

NBSS BSC OMs

Source Field

RSCH_TotalFrames_16X (Seq# 24)

Source Section

Reference Sector FER (Group ID 29)

RSCH_TotalFrames_2X

This OM is the total number of reverse supplemental channel frames, for all 2X packet data calls in a carrier-sector for a specific radio configuration.

Data Source

NBSS BSC OMs

Source Field

RSCH_TotalFrames_2X (Seq# 21)

Source Section

Reference Sector FER (Group ID 29)

RSCH_TotalFrames_4X

This OM is the total number of reverse supplemental channel frames, for all 4X packet data calls in a carrier-sector for a specific radio configuration.

Data Source

NBSS BSC OMs

Source Field

RSCH_TotalFrames_4X (Seq# 22)

Source Section

Reference Sector FER (Group ID 29)

RSCH_TotalFrames_8X

This OM is the total number of reverse supplemental channel frames, for all 8X packet data calls in a carrier-sector for a specific radio configuration.

Data Source

NBSS BSC OMs

Source Field

RSCH_TotalFrames_8X (Seq# 23)

Source Section

Reference Sector FER (Group ID 29)

SchForwardLinkUtilAverage

Average forward power used by Radio configurations supporting packet data sessions on the supplemental channel

Data Source

NBSS BTS MO

Source Field

SchForwardLinkUtilAverage (Seq# 99)

Source Section

Advanced Sector MO

VoiceFchForwardLinkUtilAverage

Average forward power used by the Radio Configuration supporting voice or circuit-switched data calls on the fundamental channel

Data Source

NBSS BTS MO

Source Field

VoiceFchForwardLinkUtilAverage (Seq# 97)

Source Section

Advanced Sector MO

RC_Beam Primitive Calculations

The following is a list of primitive calculations for the RC_Beam entity.

GRAPHmultiLineSeparator

Special Control Field for Multi-Line Graphs

Calculation

""

NUMDAYS

of days in Report

Calculation

DAYSINREPORT ()

NUMHOURS

of hours in Summation Data

Calculation

RC_Beam Peg Counts

The following is a list of peg counts for the RC_Beam entity.

CEFrameCountFCH

Frames sent on the forward link for every user on the fundamental channel / number of softer handoff links

Data Source

NBSS BTS MO

Source Field

CEFrameCountFCH (Seq# 310)

Source Section

Advanced Sector MO

CEFrameCountFwdSCH_16X

Equivalent to FrameCountFwdSCH_16X divided by number of softer handoff links

Data Source

NBSS BTS MO

Source Field

CEFrameCountFwdSCH_16X (Seq# 319)

Source Section

Advanced Sector MO

CEFrameCountFwdSCH_2X

Equivalent to FrameCountFwdSCH_2X divided by number of softer handoff links

Data Source

NBSS BTS MO

Source Field

CEFrameCountFwdSCH_2X (Seq# 316)

Source Section

Advanced Sector MO

CEFrameCountFwdSCH_4X

Equivalent to FrameCountFwdSCH_4X divided by number of softer handoff links

Data Source

NBSS BTS MO

Source Field

CEFrameCountFwdSCH_4X (Seq# 317)

Source Section

Advanced Sector MO

CEFrameCountFwdSCH_8X

Equivalent to FrameCountFwdSCH_8X divided by number of softer handoff links

Data Source

NBSS BTS MO

Source Field

CEFrameCountFwdSCH_8X (Seq# 318)

Source Section

Advanced Sector MO

CEFrameCountRevSCH_16X

Equivalent to FrameCountRevSCH_16X divided by number of softer handoff links

Data Source

NBSS BTS MO

Source Field

CEFrameCountRevSCH_16X (Seq# 331)

Source Section

Advanced Sector MO

CEFrameCountRevSCH_2X

Equivalent to FrameCountRevSCH_2X divided by number of softer handoff links

Data Source

NBSS BTS MO

Source Field

CEFrameCountRevSCH_2X (Seq# 328)

Source Section

Advanced Sector MO

CEFrameCountRevSCH_4X

Equivalent to FrameCountRevSCH_4X divided by number of softer handoff links

Data Source

NBSS BTS MO

Source Field

CEFrameCountRevSCH_4X (Seq# 329)

Source Section

Advanced Sector MO

CEFrameCountRevSCH_8X

Equivalent to FrameCountRevSCH_8X divided by number of softer handoff links

Data Source

NBSS BTS MO

Source Field

CEFrameCountRevSCH_8X (Seq# 330)

Source Section

Advanced Sector MO

DataFchForwardLinkUtilAverage

Average forward power used by Radio Configurations supporting packet data sessions on the fundamental channel

Data Source

NBSS BTS MO

Source Field

DataFchForwardLinkUtilAverage (Seq# 340)

Source Section

Advanced Sector MO

FrameCountFCH

Frames sent on the forward link for every user on the fundamental channel

Data Source

NBSS BTS MO

Source Field

FrameCountFCH (Seq# 309)

Source Section

Advanced Sector MO

FrameCountFwdSCH_16X

Total number of 16X forward frames for every user on the supplemental channel.

Data Source

NBSS BTS MO

Source Field

FrameCountFwdSCH_16X (Seq# 315)

Source Section

Advanced Sector MO

FrameCountFwdSCH_2X

Total number of 2x forward frames for every user on the supplemental channel.

Data Source

NBSS BTS MO

Source Field

FrameCountFwdSCH_2X (Seq# 312)

Source Section

Advanced Sector MO

FrameCountFwdSCH_4X

Total number of 4X forward frames for every user on the supplemental channel.

Data Source

NBSS BTS MO

Source Field

FrameCountFwdSCH_4X (Seq# 313)

Source Section

Advanced Sector MO

FrameCountFwdSCH_8X

Total number of 8X forward frames for every user on the supplemental channel.

Data Source

NBSS BTS MO

Source Field

FrameCountFwdSCH_8X (Seq# 314)

Source Section

Advanced Sector MO

FrameCountRevSCH_16X

Total number of 16X reverse frames for every user on the supplemental channel.

Data Source

NBSS BTS MO

Source Field

FrameCountRevSCH_16X (Seq# 327)

Source Section

Advanced Sector MO

FrameCountRevSCH_2X

Total number of 2x reverse frames for every user on the supplemental channel.

Data Source

NBSS BTS MO

Source Field

FrameCountRevSCH_2X (Seq# 324)

Source Section

Advanced Sector MO

FrameCountRevSCH_4X

Total number of 4X reverse frames for every user on the supplemental channel.

Data Source

NBSS BTS MO

Source Field

FrameCountRevSCH_4X (Seq# 325)

Source Section

Advanced Sector MO

FrameCountRevSCH_8X

Total number of 8X reverse frames for every user on the supplemental channel.

Data Source

NBSS BTS MO

Source Field

FrameCountRevSCH_8X (Seq# 326)

Source Section

Advanced Sector MO

PrimaryFrameCountFCH

Frames sent on the forward link for every user on the fundamental channel/ soft handoff links *
softer handoff links

Data Source

NBSS BTS MO

Source Field

PrimaryFrameCountFCH (Seq# 311)

Source Section

Advanced Sector MO

PrimaryFrameCountFwdSCH_16X

Equivalent to FrameCountFwdSCH_16X divided by the product of soft and softer handoff links

Data Source

NBSS BTS MO

Source Field

PrimaryFrameCountFwdSCH_16X (Seq# 323)

Source Section

Advanced Sector MO

PrimaryFrameCountFwdSCH_2X

Equivalent to FrameCountFwdSCH_2X divided by the product of soft and softer handoff links

Data Source

NBSS BTS MO

Source Field

PrimaryFrameCountFwdSCH_2X (Seq# 320)

Source Section

Advanced Sector MO

PrimaryFrameCountFwdSCH_4X

Equivalent to FrameCountFwdSCH_4X divided by the product of soft and softer handoff links

Data Source

NBSS BTS MO

Source Field

PrimaryFrameCountFwdSCH_4X (Seq# 321)

Source Section

Advanced Sector MO

PrimaryFrameCountFwdSCH_8X

Equivalent to FrameCountFwdSCH_8X divided by the product of soft and softer handoff links

Data Source

NBSS BTS MO

Source Field

PrimaryFrameCountFwdSCH_8X (Seq# 322)

Source Section

Advanced Sector MO

PrimaryFrameCountRevSCH_16X

Equivalent to FrameCountRevSCH_16X divided by the product of soft and softer handoff links

Data Source

NBSS BTS MO

Source Field

PrimaryFrameCountRevSCH_16X (Seq# 335)

Source Section

Advanced Sector MO

PrimaryFrameCountRevSCH_2X

Equivalent to FrameCountRevSCH_2X divided by the product of soft and softer handoff links

Data Source

NBSS BTS MO

Source Field

PrimaryFrameCountRevSCH_2X (Seq# 332)

Source Section

Advanced Sector MO

PrimaryFrameCountRevSCH_4X

Equivalent to FrameCountRevSCH_4X divided by the product of soft and softer handoff links

Data Source

NBSS BTS MO

Source Field

PrimaryFrameCountRevSCH_4X (Seq# 333)

Source Section

Advanced Sector MO

PrimaryFrameCountRevSCH_8X

Equivalent to FrameCountRevSCH_8X divided by the product of soft and softer handoff links

Data Source

NBSS BTS MO

Source Field

PrimaryFrameCountRevSCH_8X (Seq# 334)

Source Section

Advanced Sector MO

SchForwardLinkUtilAverage

Average forward power used by Radio configurations supporting packet data sessions on the supplemental channel

Data Source

NBSS BTS MO

Source Field

SchForwardLinkUtilAverage (Seq# 341)

Source Section

Advanced Sector MO

VoiceFchForwardLinkUtilAverage

Average forward power used by the Radio Configuration supporting voice or circuit-switched data calls on the fundamental channel

Data Source

NBSS BTS MO

Source Field

VoiceFchForwardLinkUtilAverage (Seq# 339)

Source Section

Advanced Sector MO

RC_ServiceOption Primitive Calculations

The following is a list of primitive calculations for the RC_ServiceOption entity.

GRAPHmultiLineSeparator

Special Control Field for Multi-Line Graphs

Calculation

""

NUMDAYS

of days in Report

Calculation

DAYSINREPORT ()

NUMHOURS

of hours in Summation Data

Calculation

RC_ServiceOption Peg Counts

The following is a list of peg counts for the RC_ServiceOption entity.

RC_ID

RC number

Data Source

NBSS BSC OMs

Source Section

Reference Sector Frame Count (Group ID 28)

ReferenceSectorFrameCount_FFCH

This OM is the total number of forward fundamental channel frames sent to the mobiles in a carrier-sector for a specific radio configuration and service option.

Data Source

NBSS BSC OMs

Source Field

ReferenceSectorFrameCount_FFCH (Seq# 1)

Source Section

Reference Sector Frame Count (Group ID 28)

ReferenceSectorFrameCount_FSCH

This OM is the total number of forward supplemental channel frames sent to the mobiles in a carrier-sector for a specific radio configuration and service option.

Data Source

NBSS BSC OMs

Source Field

ReferenceSectorFrameCount_FSCH (Seq# 2)

Source Section

Reference Sector Frame Count (Group ID 28)

SO_ID

Service Option from lookup

Data Source

NBSS BSC OMs

Source Section

Reference Sector Frame Count (Group ID 28)

RcvrType Primitive Calculations

The following is a list of primitive calculations for the RcvrType entity.

GRAPHmultiLineSeparator

Special Control Field for Multi-Line Graphs

Calculation

""

NUMDAYS

of days in Report

Calculation

DAYSINREPORT ()

NUMHOURS

of hours in Summation Data

RcvrType Peg Counts

The following is a list of peg counts for the RcvrType entity.

RCVMBU

Records if the following trunks use receivers: trunks that a maintenance person (tk_man_busy) removes from service; trunks the system seizes for manual or system action (tk_seized). Register RCVMBU is a usage register. The scan rate is 10 s.

Data Source

MTX OM, SDM

Source Field

RCVMBU

Source Section

RCVR

RCVOVFL

Increases when the system cannot satisfy a request for a receiver because all receivers are busy.

Data Source

MTX OM, SDM

Source Field

RCVOVFL

Source Section

RCVR

RCVQABAN

Increases when the system deletes a request for a receiver from the wait queue because the caller abandons the call.

Data Source

MTX OM, SDM

Source Field

RCVQABAN

Source Section

RCVR

RCVQOCC

Records if receiver requests are in the wait queue. Register RCVQOCC is a usage register. The scan rate is 10 s.

Data Source

MTX OM, SDM

Source Field

RCVQOCC

Source Section

RCVR

RCVQOVFL

Increases when a request for a register fails to enter the wait queue because the queue is full.

Data Source

MTX OM, SDM

Source Field

RCVQOVFL

Source Section

RCVR

RCVR_INFO

RCVR_INFO entered in table RECEIVER indicates the number of different types of receivers

Data Source

MTX OM, SDM

Source Field

RCVR_INFO

Source Section

RCVR

RCVRSZRS

Increases before the system sets a network path from the receiver to the line, trunk, or position.

Data Source

MTX OM, SDM

Source Field

RCVRSZRS + 65536 * RCVSZ2

Source Section

RCVR

RCVSBU

Records if the following trunks uses receivers: trunks that system maintenance (tk_system_busy) removes from service; trunks that are not available to traffic because the associated peripheral modules are out of service (tk_pm_busy); trunks that maintenance slates for use after call processing, but are available now (tk_deloaded). Register RCVSBU is a usage register. The scan rate is 10 s.

Data Source

MTX OM, SDM

Source Field

RCVSBU

Source Section

RCVR

RCVTRU

Records if the following trunks use receivers: trunks that carry traffic (tk_cp_busy); trunks that carry traffic and inform maintenance when idle (tk_cp_busy_deloaded); trunks the far-end office seize for lockout (tk_lockout). Register RCVTRU is a usage register. The scan rate is 10 s.

Data Source

MTX OM, SDM

Source Field

RCVTRU + 65536 * RCVTRU2

Source Section

RCVR

RFM Primitive Calculations

The following is a list of primitive calculations for the RFM entity.

GRAPHmultiLineSeparator

Special Control Field for Multi-Line Graphs

Calculation

""

NUMDAYS

of days in Report

Calculation

DAYSINREPORT ()

NUMHOURS

of hours in Summation Data

RFM Peg Counts

The following is a list of peg counts for the RFM entity.

PerTransmitChainPowerLimitingThreshold

The percentage of time that the power demanded for all carriers in all sectors was greater than the PerTransmitChainPowerLimitingThreshold. Units are percent/200 (0-20000). MFRM3 only.

Data Source

NBSS BTS MO

Source Field

RadioPowerStats (Seq# 71[3])

Source Section

RFM MO

PerTransmitChainPowerLimitingThreshold_minus1dB

The percentage of time that the power demanded for all carriers in all sectors was greater than 1dB below the PerTransmitChainPowerLimitingThreshold. Units are percent/200 (0-20000). MFRM3 only.

Data Source

NBSS BTS MO

Source Field

RadioPowerStats (Seq# 71[2])

Source Section

RFM MO

PerTransmitChainPowerLimitingThreshold_minus2dB

The percentage of time that the power demanded for all carriers in all sectors was greater than 2dB below the PerTransmitChainPowerLimitingThreshold. Units are percent/200 (0-20000). MFRM3 only.

Data Source

NBSS BTS MO

Source Field

RadioPowerStats (Seq# 71[1])

Source Section

RFM MO

PerTransmitChainPowerLimitingThreshold_plus1dB

The percentage of time that the power demanded for all carriers in all sectors was greater than 1dB above the PerTransmitChainPowerLimitingThreshold. Units are percent/200 (0-20000). MFRM3 only.

Data Source

NBSS BTS MO

Source Field

RadioPowerStats (Seq# 71[4])

Source Section

RFM MO

PerTransmitChainPowerLimitingThreshold_plus2dB

The percentage of time that the power demanded for all carriers in all sectors was greater than 2dB above the PerTransmitChainPowerLimitingThreshold. Units are percent/200 (0-20000). MFRM3 only.

Data Source

NBSS BTS MO

Source Field

RadioPowerStats (Seq# 71[5])

Source Section

RFM MO

RadioTxPowerAvg

This OM provides the average transmitted power for the radio over the thirty minute observation period. The radio transmit power is defined as the aggregate sum of power transmitted for all carriers in all sectors. Measured in units of dBm/16, the attribute has a range of 0 to 1120 (0-70 dBm). This OM is collected on MFRM3 only.

Data Source

NBSS BTS MO

Source Field

RadioTxPowerAvg (Seq# 68)

Source Section

RFM MO

RadioTxPowerMax

This OM provides the maximum transmitted power for the radio over the thirty minute observation period. The radio transmit power is defined as the aggregate sum of power transmitted for all carriers in all sectors. Measured in units of dBm/16, the attribute has a range of 0 to 1120 (0-70 dBm). This OM is collected on MFRM3 only.

Data Source

NBSS BTS MO

Source Field

RadioTxPowerMax (Seq# 66)

Source Section

RFM MO

RMU Primitive Calculations

The following is a list of primitive calculations for the RMU entity.

GRAPHmultiLineSeparator

Special Control Field for Multi-Line Graphs

Calculation

""

NUMDAYS

of days in Report

Calculation

DAYSINREPORT ()

NUMHOURS

of hours in Summation Data

Calculation

OTAPA_RATESET_1FailRate

OTAPA_RATESET_1 Failure Rate

Calculation

100* (FLOTAPA / ATOTAPA)

pFSHLVL1

Percentage of packet data resources allocated in threshold level 1

Calculation

(100.0 * FSHLVL1 / FSHTOTAL)

pFSHLVL2

Percentage of packet data resources allocated in threshold level 2

Calculation

$$(100.0 * FSHLVL2 / FSHTOTAL)$$

pFSHLVL3

Percentage of packet data resources allocated in threshold level 3

Calculation

$$(100.0 * FSHLVL3 / FSHTOTAL)$$

RMU Peg Counts

The following is a list of peg counts for the RMU entity.

ATALG144

ATtempts for AnaLoG fax 14.4.

Data Source

SDM

Source Field

ATALG144

Source Section

CDMADFSO

ATALG96

ATtempts for AnaLoG fax 9.6.

Data Source

SDM

Source Field

ATALG96

Source Section

CDMADFSO

ATASY144

ATtempts for ASYnc data 14.4.

Data Source

SDM

Source Field

ATASY144

Source Section

CDMADFSO

ATASYC96

ATtempts for ASYnC data 9.6.

Data Source

SDM

Source Field

ATASYC96

Source Section

CDMADFSO

ATASYCIS

ATtempts for ASYnC data IS707.

Data Source

SDM

Source Field

ATASYCIS

Source Section

CDMADFSO

ATBSC13K

Resource Allocation Attempts for Basic 13K Voice

Data Source

MTX OM, SDM

Source Field

ATBSC13K

Source Section

CDMAVSO

ATBSC8K

Obsoleted in MTX14. Resource Allocation Attempts for Basic 8K Voice

Data Source

MTX OM, SDM

Source Field

ATBSC8K

Source Section

CDMAVSO

ATEVRC

Resource Allocation Attempts for EVRC

Data Source

MTX OM, SDM

Source Field

ATEVRC + 65536 * ATEVRC2

Source Section

CDMAVSO

ATGR3144

ATtempts for GRoup 3 fax 14.4.

Data Source

SDM

Source Field

ATGR3144

Source Section

CDMADFSO

ATGR396

ATtempts for GRoup 3 fax 9.6.

Data Source

SDM

Source Field

ATGR396

Source Section

CDMADFSO

ATGR3IS

ATtempts for GRoup 3 fax IS707.

Data Source

SDM

Source Field

ATGR3IS

Source Section

CDMADFSO

ATINPPP

Pegs when there is an attempt to allocate resources for the CDMA2000_int_ppp_data service option

Data Source

MTX OM, SDM

Source Field

ATINPPP

Source Section

CDMAPDSO

ATIS13K

Resource Allocation Attempts for IS733 13K Voice

Data Source

MTX OM, SDM

Source Field

ATIS13K

Source Section

CDMAVSO

ATLCS

Resource Allocation Attempts for Location Services

Data Source

MTX OM, SDM

Source Field

ATLCS

Source Section

CDMAVSO

ATOTAPA

OTAPA_RATESET_1 service Option attempts

Data Source

MTX OM, SDM

Source Field

ATOTAPA

Source Section

CDMAVSO

ATSMS

Resource Allocation Attempts for Short Message Service

Data Source

MTX OM, SDM

Source Field

ATSMS

Source Section

CDMAVSO

FLALG144

FaiLures for AnaLoG fax 14.4.

Data Source

SDM

Source Field

FLALG144

Source Section

CDMADFSO

FLALG96

FaiLures for AnaLoG fax 9.6.

Data Source

SDM

Source Field

FLALG96

Source Section

CDMADFSO

FLASY144

FaiLures for ASYnc data 14.4.

Data Source

SDM

Source Field

FLASY144

Source Section

CDMADFSO

FLASYC96

FaiLures for ASYnC data 9.6.

Data Source

SDM

Source Field

FLASYC96

Source Section

CDMADFSO

FLASYCIS

FaiLures for ASYnC data IS707.

Data Source

SDM

Source Field

FLASYCIS

Source Section

CDMADFSO

FLBSC13K

Resource Allocation Failures for Basic 13K Voice

Data Source

MTX OM, SDM

Source Field

FLBSC13K

Source Section

CDMAVSO

FLBSC8K

Obsoleted in MTX14. Resource Allocation Failures for Basic 8K Voice

Data Source

MTX OM, SDM

Source Field

FLBSC8K

Source Section

CDMAVSO

FLEVRC

Resource Allocation Failures for EVRC

Data Source

MTX OM, SDM

Source Field

FLEVRC + 65536 * FLEVRC2

Source Section

CDMAVSO

FLGR3144

FaiLures for GRoup 3 fax 14.4.

Data Source

SDM

Source Field

FLGR3144

Source Section

CDMADFSO

FLGR396

FaiLures for GRoup 3 fax 9.6.

Data Source

SDM

Source Field

FLGR396

Source Section

CDMADFSO

FLGR3IS

FaiLures for GRoup 3 fax IS707.

Data Source

SDM

Source Field

FLGR3IS

Source Section

CDMADFSO

FLINPPP

Pegs when the attempt to allocate resources for the CDMA2000_int_ppp_data fails because there are no resources available

Data Source

MTX OM, SDM

Source Field

FLINPPP

Source Section

CDMAPDSO

FLIS13K

Resource Allocation Failures for IS733 13K Voice

Data Source

MTX OM, SDM

Source Field

FLIS13K

Source Section

CDMAVSO

FLLCS

Resource Allocation Failures for Location Services

Data Source

MTX OM, SDM

Source Field

FLLCS

Source Section

CDMAVSO

FLOTAPA

Failed OTAPA_RATESET_1 attempts

Data Source

MTX OM, SDM

Source Field

FLOTAPA

Source Section

CDMAVSO

FLSMS

Resource Allocation Failures for SHort Message Service

Data Source

MTX OM, SDM

Source Field

FLSMS

Source Section

CDMAVSO

FSHLVL1

Number of packet data call attempts for both SBS and CPDS subsystems in threshold level 1 via the Hybrid FairShare during this OM interval

Data Source

MTX OM, SDM

Source Field

FSHLVL1

Source Section

RMU3G

FSHLVL2

Number of packet data call attempts for both SBS and CPDS subsystems in threshold level 2 via the Hybrid FairShare during this OM interval

Data Source

MTX OM, SDM

Source Field

FSHLVL2

Source Section

RMU3G

FSHLVL3

Number of packet data call attempts for both SBS and CPDS subsystems in threshold level 3 via the Hybrid FairShare during this OM interval

Data Source

MTX OM, SDM

Source Field

FSHLVL3

Source Section

RMU3G

FSHTOTAL

Total number of packet data call attempts for both SBS and CPDS subsystems via the Hybrid FairShare during this OM interval

Data Source

MTX OM, SDM

Source Field

FSHTOTAL

Source Section

RMU3G

HCALG144

Hop Count for AnaLoG fax 14.4.

Data Source

SDM

Source Field

HCALG144

Source Section

CDMADFSO

HCALG96

Hop Count for AnaLoG fax 9.6.

Data Source

SDM

Source Field

HCALG96

Source Section

CDMADFSO

HCASY144

Hop Count for ASYnc data 14.4.

Data Source

SDM

Source Field

HCASY144

Source Section

CDMADFSO

HCASYC96

Hop Count for ASYnC data 9.6.

Data Source

SDM

Source Field

HCASYC96

Source Section

CDMADFSO

HCASYCIS

Hop Count for ASYnC data IS707.

Data Source

SDM

Source Field

HCASYCIS

Source Section

CDMADFSO

HCBSC13K

Hop Count for Basic 13K Voice

Data Source

MTX OM, SDM

Source Field

HCBSC13K

Source Section

CDMAVSO

HCBSC8K

Obsoleted in MTX14. Hop Count for Basic 8K Voice

Data Source

MTX OM, SDM

Source Field

HCBSC8K

Source Section

CDMAVSO

HCEVRC

Hop Count for EVRC

Data Source

MTX OM, SDM

Source Field

HCEVRC + 65536 * HCEVRC2

Source Section

CDMAVSO

HCGR3144

Hop Count for GRoup 3 fax 14.4.

Data Source

SDM

Source Field

HCGR3144

Source Section

CDMADFSO

HCGR396

Hop Count for GRoup 3 fax 9.6.

Data Source

SDM

Source Field

HCGR396

Source Section

CDMADFSO

HCGR3IS

Hop Count for GRoup 3 fax IS707.

Data Source

SDM

Source Field

HCGR3IS

Source Section

CDMADFSO

HCINPPP

Pegs whenever there is a search through a pool in a list of pools to find resources for
CDMA2000_int_ppp_data

Data Source

MTX OM, SDM

Source Field

HCINPPP

Source Section

CDMAPDSO

HCIS13K

Hop Count for IS733 13K Voice

Data Source

MTX OM, SDM

Source Field

HCIS13K

Source Section

CDMAVSO

HCLCS

Hop Count for Location Services

Data Source

MTX OM, SDM

Source Field

HCLCS

Source Section

CDMAVSO

HCOTAPA

Hop Counts (i.e. Service Pool searches) required to find OTAPA_RATESET_1 service option

Data Source

MTX OM, SDM

Source Field

HCOTAPA

Source Section

CDMAVSO

HCSMS

Hop Count for Short Message Service

Data Source

MTX OM, SDM

Source Field

HCSMS

Source Section

CDMAVSO

NORS153K

Stores the number of resource allocation attempt failures for a 3G Data call with a requested bandwidth of 153K

Data Source

MTX OM, SDM

Source Field

NORS153K

Source Section

RMU3G

NORS19K

Stores the number of resource allocation attempt failures for a 3G Data call with a requested bandwidth of 19k

Data Source

MTX OM, SDM

Source Field

NORS19K

Source Section

RMU3G

NORS38K

Stores the number of resource allocation attempt failures for a 3G Data call with a requested bandwidth of 38K

Data Source

MTX OM, SDM

Source Field

NORS38K

Source Section

RMU3G

NORS3GV

Stores the number of resource allocations attempt failures for a 3G voice call

Data Source

MTX OM, SDM

Source Field

NORS3GV + 65536 * NORS3GV2

Source Section

RMU3G

NORS76K

Stores the number of resource allocation attempt failures for a 3G Data call with a requested bandwidth of 76K

Data Source

MTX OM, SDM

Source Field

NORS76K

Source Section

RMU3G

REQ153K

Pegs when there is an attempt to perform a 3Gdata call with a requested bandwidth of 153K

Data Source

MTX OM, SDM

Source Field

REQ153K

Source Section

RMU3G

REQ19K

Pegs when there is an attempt to perform a 3Gdata call with a requested bandwidth of 19K

Data Source

MTX OM, SDM

Source Field

REQ19K

Source Section

RMU3G

REQ38K

Pegs when there is an attempt to perform a 3Gdata call with a requested bandwidth of 38K

Data Source

MTX OM, SDM

Source Field

REQ38K

Source Section

RMU3G

REQ3GV

Pegs when there is an attempt to allocate resources for a 3G voice call

Data Source

MTX OM, SDM

Source Field

REQ3GV + 65536 * REQ3GV2

Source Section

RMU3G

REQ76K

Pegs when there is an attempt to perform a 3Gdata call with a requested bandwidth of 76K

Data Source

MTX OM, SDM

Source Field

REQ76K

Source Section

RMU3G

RMU3GSP1

RMU3G Spare Register 01

Data Source

MTX OM, SDM

Source Field

RMU3GSP1

Source Section

RMU3G

RMU3GSP2

RMU3G Spare Register 02

Data Source

MTX OM, SDM

Source Field

RMU3GSP2

Source Section

RMU3G

RMU3GSP3

RMU3G Spare Register 03

Data Source

MTX OM, SDM

Source Field

RMU3GSP3

Source Section

RMU3G

RMU3GSP4

RMU3G Spare Register 04

Data Source

MTX OM, SDM

Source Field

RMU3GSP4

Source Section

RMU3G

RMU3GSP5

RMU3G Spare Register 05

Data Source

MTX OM, SDM

Source Field

RMU3GSP5

Source Section

RMU3G

RMU3GSP6

RMU3G Spare Register 06

Data Source

MTX OM, SDM

Source Field

RMU3GSP6

Source Section

RMU3G

RMU3GSP7

RMU3G Spare Register 07

Data Source

MTX OM, SDM

Source Field

RMU3GSP7

Source Section

RMU3G

SUALG144

SUCCESSFUL resource allocation for AnaLoG fax 14.4.

Data Source

SDM

Source Field

SUALG144

Source Section

CDMADFSO

SUALG96

SUCCESSFUL resource allocation for AnaLoG fax 9.6.

Data Source

SDM

Source Field

SUALG96

Source Section

CDMADFSO

SUASY144

SUCCESSFUL resource allocation for ASYnc data 14.4.

Data Source

SDM

Source Field

SUASY144

Source Section

CDMADFSO

SUASYC96

SUCCESSFUL resource allocation for ASYNc data 9.6.

Data Source

SDM

Source Field

SUASYC96

Source Section

CDMADFSO

SUASYCIS

SUCCESSFUL resource allocation for ASYNc data IS707.

Data Source

SDM

Source Field

SUASYCIS

Source Section

CDMADFSO

SUBSC13K

Successful Resource Allocations for Basic 13K Voice

Data Source

MTX OM, SDM

Source Field

SUBSC13K

Source Section

CDMAVSO

SUBSC8K

Obsoleted in MTX14. Successful Resource Allocations for Basic 8K Voice

Data Source

MTX OM, SDM

Source Field

SUBSC8K

Source Section

CDMAVSO

SUC153K

Stores the number of times 153K worth of bandwidth is allocated for a 3G Data call

Data Source

MTX OM, SDM

Source Field

SUC153K

Source Section

RMU3G

SUC19K

Stores the number of times 19K worth of bandwidth is allocated for a 3G Data call

Data Source

MTX OM

Source Field

SUC19K

Source Section

RMU3G

SUC38K

Stores the number of times 38K worth of bandwidth is allocated for a 3G Data call

Data Source

MTX OM, SDM

Source Field

SUC38K

Source Section

RMU3G

SUC3GV

Stores the number of successful resource allocations for a 3G voice call

Data Source

MTX OM, SDM

Source Field

SUC3GV + 65536 * SUC3GV2

Source Section

RMU3G

SUC76K

Stores the number of times 76K worth of bandwidth is allocated for a 3G Data call

Data Source

MTX OM, SDM

Source Field

SUC76K

Source Section

RMU3G

SUEVRC

Successful Resource Allocations for EVRC

Data Source

MTX OM, SDM

Source Field

SUEVRC + 65536 * SUEVRC2

Source Section

CDMAVSO

SUGR3144

SUCCESSFUL resource allocation for GRoup 3 fax 14.4.

Data Source

SDM

Source Field

SUGR3144

Source Section

CDMADFSO

SUGR396

SUCCESSFUL resource allocation for GRoup 3 fax 9.6.

Data Source

SDM

Source Field

SUGR396

Source Section

CDMADFSO

SUGR3IS

SUCCESSFUL resource allocation for GRoup 3 fax IS707.

Data Source

SDM

Source Field

SUGR3IS

Source Section

CDMADFSO

SUINPPP

Pegs when resources for CDMA2000_int_ppp_data have been successfully allocated

Data Source

MTX OM, SDM

Source Field

SUINPPP

Source Section

CDMAPDSO

SUIS13K

Successful Resource Allocations for IS733 13K Voice

Data Source

MTX OM, SDM

Source Field

SUIS13K

Source Section

CDMAVSO

SULCS

Successful Resource Allocations for Location Services

Data Source

MTX OM, SDM

Source Field

SULCS

Source Section

CDMAVSO

SUOTAPA

Successful OTAPA_RATESET_1 service option attempts

Data Source

MTX OM, SDM

Source Field

SUOTAPA

Source Section

CDMAVSO

SUSMS

Successful Resource Allocations for Short Message Service

Data Source

MTX OM, SDM

Source Field

SUSMS

Source Section

CDMAVSO

RP_Service Primitive Calculations

The following is a list of primitive calculations for the RP_Service entity.

GRAPHmultiLineSeparator

Special Control Field for Multi-Line Graphs

Calculation

""

NUMDAYS

of days in Report

Calculation

DAYSINREPORT ()

NUMHOURS

of hours in Summation Data

Calculation

RP_Service Peg Counts

The following is a list of peg counts for the RP_Service entity.

recv_err_avplen

Tun - Receive Ctrl Pkt Errors - AVP Len Errors

Data Source

PDSN16000

Source Section

CLOSEDRP1

Source Field

%recv-err-avplen%

recv_err_ctrlfield

Tun - Receive Ctrl Pkt Errors - Ctrl Field Errors

Data Source

PDSN16000

Source Section

CLOSEDRP1

Source Field

%recv-err-ctrlfield%

recv_err_invattr

Tun - Receive Ctrl Pkt Errors - Inval Attr Errors

Data Source

PDSN16000

Source Section

CLOSEDRP1

Source Field

%recv-err-invattr%

recv_err_invssid

Tun - Receive Ctrl Pkt Errors - Inval SessID Errors

Data Source

PDSN16000

Source Section

CLOSEDRP1

Source Field

%recv-err-invssid%

recv_err_invstate

Tun - Receive Ctrl Pkt Errors - Inval State Errors

Data Source

PDSN16000

Source Section

CLOSEDRP1

Source Field

%recv-err-invstate%

recv_err_invtunid

Tun - Receive Ctrl Pkt Errors - Inval TunID Errors

Data Source

PDSN16000

Source Section

CLOSEDRP1

Source Field

%recv-err-invtunid%

recv_err_malformed

Tun - Receive Ctrl Pkt Errors - Malformed Packets

Data Source

PDSN16000

Source Section

CLOSEDRP1

Source Field

%recv-err-malformed%

recv_err_md5

Tun - Receive Ctrl Pkt Errors - MD5 Errors

Data Source

PDSN16000

Source Section

CLOSEDRP1

Source Field

%recv-err-md5%

recv_err_pktlen

Tun - Receive Ctrl Pkt Errors - Packet Len Errors

Data Source

PDSN16000

Source Section

CLOSEDRP1

Source Field

%recv-err-pktlen%

recv_err_protover

Tun - Receive Ctrl Pkt Errors - Proto Ver Errors

Data Source

PDSN16000

Source Section

CLOSEDRP1

Source Field

%recv-err-protover%

recv_err_unkattr

Tun - Receive Ctrl Pkt Errors - Unknown Attr Errors

Data Source

PDSN16000

Source Section

CLOSEDRP1

Source Field

%recv-err-unkattr%

recv_err_unkmsg

Tun - Receive Ctrl Pkt Errors - Unknown Msg Errors

Data Source

PDSN16000

Source Section

CLOSEDRP1

Source Field

%recv-err-unkmsg%

recv_err_unmatchpktlen

Tun - Receive Ctrl Pkt Errors - Unmatch Packet Len

Data Source

PDSN16000

Source Section

CLOSEDRP1

Source Field

%recv-err-unmatchpktlen%

sess_admin

Session - Disc/Failures - Administrative

Data Source

PDSN16000

Source Section

CLOSEDRP1

Source Field

%sess-admin%

sess_attempts

Session - Attempts

Data Source

PDSN16000

Source Section

CLOSEDRP1

Source Field

%sess-attempts%

sess_badlen

Session - Disc/Failures - Wrong Length

Data Source

PDSN16000

Source Section

CLOSEDRP2

Source Field

%sess-badlen%

sess_busysig

Session - Disc/Failures - Busy Signal

Data Source

PDSN16000

Source Section

CLOSEDRP2

Source Field

%sess-busysig%

sess_curactive

Session - Active Connections

Data Source

PDSN16000

Source Section

CLOSEDRP1

Source Field

%sess-curactive%

sess_duplless

Session - Disc/Failures - Duplicate Session

Data Source

PDSN16000

Source Section

CLOSEDRP2

Source Field

%sess-duplsess%

sess_failed

Session - Failed to Connect

Data Source

PDSN16000

Source Section

CLOSEDRP1

Source Field

%sess-failed%

sess_hocomplete

Session - Disc/Failures - Handoff Complete

Data Source

PDSN16000

Source Section

CLOSEDRP2

Source Field

%sess-hocomplete%

sess_interpdsnho_attempt

Session Inter-PDSN Handoff - Attempts

Data Source

PDSN16000

Source Section

CLOSEDRP1

Source Field

%sess-interpdsnho-attempt%

sess_intrapdsnho_attempt

Session Intra-PDSN Handoff - Attempts

Data Source

PDSN16000

Source Section

CLOSEDRP1

Source Field

%sess-intrapdsnho-attempt%

sess_intrapdsnho_failed

Session Intra-PDSN Handoff - Failures

Data Source

PDSN16000

Source Section

CLOSEDRP1

Source Field

%sess-intrapdsnho-failed%

sess_intrapdsnho_success

Session Intra-PDSN Handoff - Success

Data Source

PDSN16000

Source Section

CLOSEDRP1

Source Field

%sess-intrapdsnho-success%

sess_invdest

Session - Disc/Failures - Invalid Destination

Data Source

PDSN16000

Source Section

CLOSEDRP2

Source Field

%sess-invdest%

sess_invho

Session - Disc/Failures - Invalid Handoff

Data Source

PDSN16000

Source Section

CLOSEDRP2

Source Field

%sess-invho%

sess_invssid

Session - Disc/Failures - Invalid SessID

Data Source

PDSN16000

Source Section

CLOSEDRP2

Source Field

%sess-invssid%

sess_ipsecdisc

Session - Disc/Failures - IPSEC Disconnects

Data Source

PDSN16000

Source Section

CLOSEDRP2

Source Field

%sess-ipsecdisc%

sess_ipsecfail

Session - Disc/Failures - IPSEC Failures

Data Source

PDSN16000

Source Section

CLOSEDRP2

Source Field

%sess-ipsecfail%

sess_lactimeout

Session - Disc/Failures - LAC Timeout

Data Source

PDSN16000

Source Section

CLOSEDRP2

Source Field

%sess-lactimeout%

sess_license

Session - Disc/Failures - License Exceeded

Data Source

PDSN16000

Source Section

CLOSEDRP2

Source Field

%sess-license%

sess_lossofcarr

Session - Disc/Failures - Loss of Carrier

Data Source

PDSN16000

Source Section

CLOSEDRP1

Source Field

%sess-lossofcarr%

sess_maxtunnel

Session - Disc/Failures - Max Tunnel Limit

Data Source

PDSN16000

Source Section

CLOSEDRP2

Source Field

%sess-maxtunnel%

sess_miscerr

Session - Disc/Failures - Misc Errors

Data Source

PDSN16000

Source Section

CLOSEDRP2

Source Field

%sess-miscerr%

sess_newcallpoldisc

Session - Disc/Failures - New Call Policy Disc

Data Source

PDSN16000

Source Section

CLOSEDRP2

Source Field

%sess-newcallpoldisc%

sess_nocarrier

Session - Disc/Failures - No Carrier Detected

Data Source

PDSN16000

Source Section

CLOSEDRP2

Source Field

%sess-nocarrier%

sess_noctrlconn

Session - Disc/Failures - No Ctrl Conn

Data Source

PDSN16000

Source Section

CLOSEDRP2

Source Field

%sess-noctrlconn%

sess_nodialtone

Session - Disc/Failures - No Dial Tone

Data Source

PDSN16000

Source Section

CLOSEDRP2

Source Field

%sess-nodialtime%

sess_nofacperm

Session - Disc/Failures - No Facility Avl Perm

Data Source

PDSN16000

Source Section

CLOSEDRP2

Source Field

%sess-nofacperm%

sess_nofactmp

Session - Disc/Failures - No Facility Avl Tmp

Data Source

PDSN16000

Source Section

CLOSEDRP2

Source Field

%sess-nofactemp%

sess_noframing

Session - Disc/Failures - No Approp Framing

Data Source

PDSN16000

Source Section

CLOSEDRP2

Source Field

%sess-noframing%

sess_nogeneral

Session - Disc/Failures - No General Error

Data Source

PDSN16000

Source Section

CLOSEDRP1

Source Field

%sess-nogeneral%

sess_noresource

Session - Disc/Failures - Insufficient Resources

Data Source

PDSN16000

Source Section

CLOSEDRP2

Source Field

%sess-noresource%

sess_oor

Session - Disc/Failures - Out of Range

Data Source

PDSN16000

Source Section

CLOSEDRP2

Source Field

%sess-oor%

sess_remoteadmin

Session - Disc/Failures - Remote Administrative

Data Source

PDSN16000

Source Section

CLOSEDRP2

Source Field

%sess-remoteadmin%

sess_servmismatch

Session - Disc/Failures - Service Mismatch

Data Source

PDSN16000

Source Section

CLOSEDRP2

Source Field

%sess-servmismatch%

sess_successful

Session - Successful

Data Source

PDSN16000

Source Section

CLOSEDRP1

Source Field

%sess-successful%

sess_tryanotherlns

Session - Disc/Failures - Try Another LNS

Data Source

PDSN16000

Source Section

CLOSEDRP2

Source Field

%sess-tryanotherlns%

sess_unkavp

Session - Disc/Failures - Unknown AVP with M Bit

Data Source

PDSN16000

Source Section

CLOSEDRP2

Source Field

%sess-unkavp%

sess_vendspec

Session - Disc/Failures - Vendor Specific Errors

Data Source

PDSN16000

Source Section

CLOSEDRP2

Source Field

%sess-vendspec%

tun_badlen

Tun - Disc/Failures - Wrong Length

Data Source

PDSN16000

Source Section

CLOSEDRP1

Source Field

%tun-badlen%

tun_badproto

Tun - Disc/Failures - Bad Protocol Errors

Data Source

PDSN16000

Source Section

CLOSEDRP1

Source Field

%tun-badproto%

tun_conn_attempt

Tun - Connection Attempts

Data Source

PDSN16000

Source Section

CLOSEDRP1

Source Field

%tun-conn-attempt%

tun_conn_curactive

Tun - Active Connections

Data Source

PDSN16000

Source Section

CLOSEDRP1

Source Field

%tun-conn-curactive%

tun_conn_fail

Tun - Failed to Connect

Data Source

PDSN16000

Source Section

CLOSEDRP1

Source Field

%tun-conn-fail%

tun_conn_success

Tun - Successful Connections

Data Source

PDSN16000

Source Section

CLOSEDRP1

Source Field

%tun-conn-success%

tun_ctrlconnexists

Tun - Disc/Failures - Ctrl Conn Exists

Data Source

PDSN16000

Source Section

CLOSEDRP1

Source Field

%tun-ctrlconnexists%

tun_genclear

Tun - Disc/Failures - General Clear

Data Source

PDSN16000

Source Section

CLOSEDRP1

Source Field

%tun-genclear%

tun_ipsecdisc

Tun - Disc/Failures - IPSEC Disconnects

Data Source

PDSN16000

Source Section

CLOSEDRP1

Source Field

%tun-ipsecdisc%

tun_ipsecfail

Tun - Disc/Failures - IPSEC Failures

Data Source

PDSN16000

Source Section

CLOSEDRP1

Source Field

%tun-ipsecfail%

tun_license

Tun - Disc/Failures - License Exceeded

Data Source

PDSN16000

Source Section

CLOSEDRP1

Source Field

%tun-license%

tun_maxretry

Tun - Disc/Failures - Max Retry Exceeded

Data Source

PDSN16000

Source Section

CLOSEDRP1

Source Field

%tun-maxretry%

tun_miscerr

Tun - Disc/Failures - Misc Errors

Data Source

PDSN16000

Source Section

CLOSEDRP1

Source Field

%tun-miscerr%

tun_newcallpoldisc

Tun - Disc/Failures - New Call Policy Disc

Data Source

PDSN16000

Source Section

CLOSEDRP1

Source Field

%tun-newcallpoldisc%

tun_noresource

Tun - Disc/Failures - Insuff Resources

Data Source

PDSN16000

Source Section

CLOSEDRP1

Source Field

%tun-noresource%

tun_oor

Tun - Disc/Failures - Out of Range Errors

Data Source

PDSN16000

Source Section

CLOSEDRP1

Source Field

%tun-oor%

tun_reqshutdown

Tun - Disc/Failures - Requester Shutdown

Data Source

PDSN16000

Source Section

CLOSEDRP1

Source Field

%tun-reqshutdown%

tun_statemacherr

Tun - Disc/Failures - State Machine Errors

Data Source

PDSN16000

Source Section

CLOSEDRP1

Source Field

%tun-statemacherr%

tun_syslimit

Tun - Disc/Failures - Tunnels System Limit

Data Source

PDSN16000

Source Section

CLOSEDRP1

Source Field

%tun-syslimit%

tun_tryanotherlns

Tun - Disc/Failures - Try Another LNS

Data Source

PDSN16000

Source Section

CLOSEDRP1

Source Field

%tun-tryanotherlns%

tun_unauth

Tun - Disc/Failures - Unauthorized Errors

Data Source

PDSN16000

Source Section

CLOSEDRP1

Source Field

%tun-unauth%

tun_unkavp

Tun - Disc/Failures - Unknown AVP with M bit

Data Source

PDSN16000

Source Section

CLOSEDRP1

Source Field

%tun-unkavp%

tun_vendspec

Tun - Disc/Failures - Vendor Specific Errors

Data Source

PDSN16000

Source Section

CLOSEDRP1

Source Field

%tun-vendspec%

vpnid

VPN ID

Data Source

PDSN16000

Source Section

CLOSEDRP1

Source Field

%vpnid%

SBS Primitive Calculations

The following is a list of primitive calculations for the SBS entity.

GRAPHmultiLineSeparator

Special Control Field for Multi-Line Graphs

Calculation

""

NUMDAYS

of days in Report

Calculation

DAYSINREPORT ()

NUMHOURS

of hours in Summation Data

Calculation

SBS_TrunkGroup Primitive Calculations

The following is a list of primitive calculations for the SBS_TrunkGroup entity.

NUMDAYS

of days in Report

Calculation

DAYSINREPORT ()

NUMHOURS

of hours in Summation Data

Calculation

SBS_TrunkGroup Peg Counts

The following is a list of peg counts for the SBS_TrunkGroup entity.

ACCCONG

times a trunk group enters ACC congestion

Data Source

MTX OM, SDM

Source Field

ACCCONG

Source Section

TRK

ANF

Counts incoming centralized-automatic message accounting or TOPS calls

Data Source

MTX OM, SDM

Source Field

ANF

Source Section

TRK

ANSWER

When incoming line/trunk originates a call and an outgoing trunk reports an answer to CM

Data Source

MTX OM, SDM

Source Field

ANSWER + 65536 * TRNK2.ANSWER2

Source Section

TRK

AOF

Counts incoming calls for which the originating office detects an ANI failure

Data Source

MTX OM, SDM

Source Field

AOF

Source Section

TRK

BLKCTRK

Blocked calls on trunk

Data Source

MTX OM, SDM

Source Field

BLKCTRK

Source Section

TRK

CONNECT

Counts outgoing seizure attempts on trunk group that result in successful connection

Data Source

MTX OM, SDM

Source Field

CONNECT + 65536 * TRNK2.CONNECT2

Source Section

TRK

DEFLDCA

Counts calls that the system prevents from accessing the trunk group

Data Source

MTX OM, SDM

Source Field

DEFLDCA + 65536 * TRNK2.DEFLDCA2

Source Section

TRK

DELAY

The number of calls for which the delay QOS statistic has exceeded the datafilled DELAY threshold.

Data Source

SDM

Source Field

DELAYQOS

Source Section

TRKQOSOM

DREU

Every 100s this register records if DRE activates for a two-way trunk group

Data Source

MTX OM, SDM

Source Field

DREU

Source Section

TRK

GLARE

Increases when the system drops a trunk that the system selects at an earlier time

Data Source

MTX OM, SDM

Source Field

GLARE

Source Section

TRK

GUARDQ

Measures the trunk guard queue usage on a per trunk group basis.

Data Source

MTX OM, SDM

Source Field

GUARDQ + 65536 * GUARDQ2

Source Section

MTXOMTRK

INANS

Answered calls for incoming traffic

Data Source

MTX OM, SDM

Source Field

INANS + 65536 * INANS2

Source Section

MTXOMTRK

INCATOT

Counts incoming seizures on a trunk group

Data Source

MTX OM, SDM

Source Field

INCATOT + 65536 * TRNK2.INCATOT2

Source Section

TRK

INFAIL

Increases when any one of the events that can result in call failure occurs on a trunk

Data Source

MTX OM, SDM

Source Field

INFAIL

Source Section

TRK

INTRU

Trunk usage for incoming traffic

Data Source

MTX OM, SDM

Source Field

INTRU + 65536 * INTRU2

Source Section

MTXOMTRK

INVAUTH

Counts authorization codes that are not correct

Data Source

MTX OM, SDM

Source Field

INVAUTH

Source Section

TRK

JITTER

The number of calls for which the jitter QOS statistic has exceeded the datafilled JITTER threshold.

Data Source

SDM

Source Field

JITTER

Source Section

TRKQOSOM

MAXBU

Every 100s increases if # busy circuits exceeds max # the system recorded earlier

Data Source

MTX OM, SDM

Source Field

MAXBU

Source Section

TRK

MBU

Every 100s records if a trunk is in manual busy/seized/network management busy

Data Source

MTX OM, SDM

Source Field

MBU

Source Section

TRK

MIDFAIL

MTX OM, SDM

Data Source

MTX OM, SDM

Source Field

MIDFAIL + 65536 * TRNK2.MIDFAIL2

Source Section

TRK

NATTMPT

Increases when the system routes an outgoing call to a Trunk group

Data Source

MTX OM, SDM

Source Field

NATTMPT + 65536 * TRNK2.NATTMPT2

Source Section

TRK

NCCT

total # trunk circuits in the group

Data Source

MTX OM, SDM

Source Field

NCCT (Info field 2)

Source Section

TRK

NCTFAIL

Records total # failed network call transfers

Data Source

MTX OM, SDM

Source Field

NCTFAIL

Source Section

TRK

NCTPASS

Records the total number of completed network call Transfers

Data Source

MTX OM, SDM

Source Field

NCTPASS

Source Section

TRK

NDEV

devices in the trunk route

Data Source

MTX OM

Source Field

NDEV

Source Section

Devices in TrunkRoute

NOANSWER

No Answer

Data Source

MTX OM, SDM

Source Field

NOANSWER

Source Section

TRK

NOVFLATB

Increases when a call with access to the trunk group overflows the group

Data Source

MTX OM, SDM

Source Field

NOVFLATB

Source Section

TRK

NPBDRTF

NP Routing Error

Data Source

MTX OM, SDM

Source Field

NPBDRTF

Source Section

TRK

NPQUERY

NP Query Initiated

Data Source

MTX OM, SDM

Source Field

NPQUERY + 65536 * TRNK2.NPQUERY2

Source Section

TRK

NPRESP

NP Response Received

Data Source

MTX OM, SDM

Source Field

NPRESP + 65536 * TRNK2.NPRES2

Source Section

TRK

NWCCT

trunk circuits available at end of reporting period

Data Source

MTX OM, SDM

Source Field

NWCCT (Info field 3)

Source Section

TRK

OUTANS

Answered calls for outgoing traffic

Data Source

MTX OM, SDM

Source Field

OUTANS + 65536 * OUTANS2

Source Section

MTXOMTRK

OUTFAIL

Counts attempts to seize an outgo trunk in the trunk group failure

Data Source

MTX OM, SDM

Source Field

OUTFAIL

Source Section

TRK

OUTMTCHF

Counts attempts to find path from an incoming trunk or originating line to a selected trunk that fail

Data Source

MTX OM, SDM

Source Field

OUTMTCHF

Source Section

TRK

OUTTRU

Trunk usage for outgoing traffic

Data Source

MTX OM, SDM

Source Field

OUTTRU + 65536 * OUTTRU2

Source Section

MTXOMTRK

PKTLOSS

The number of calls for which the packet loss QOS statistic has exceeded the datafilled LOSS threshold.

Data Source

SDM

Source Field

PKTLOSS

Source Section

TRKQOSOM

PRERTEAB

Counts incoming attempts system abandons before the system can complete routing

Data Source

MTX OM, SDM

Source Field

PRERTEAB

Source Section

TRK

PREU

Every 100s records if the system turns the PRE on for a two-way trunk group

Data Source

MTX OM, SDM

Source Field

PREU

Source Section

TRK

SBU

100s records if a trunk is in remote busy/PM busy/system busy/carrier fail/deloaded

Data Source

MTX OM, SDM

Source Field

SBU + 65536 * TRNK2.SBU2

Source Section

TRK

TANDEM

Counts incoming calls on a trunk group that first routes to an outgoing trunk group

Data Source

MTX OM, SDM

Source Field

TANDEM + 65536 * TRNK2.TANDEM2

Source Section

TRK

TOTU

Every 100s records if any trunk in the group is busy

Data Source

MTX OM, SDM

Source Field

TOTU + 65536 * TRNK2.TOTU2

Source Section

TRK

TRU

Every 100s records if a trunk is call processing busy/call processing busy deload/locked

Data Source

MTX OM, SDM

Source Field

TRU + 65536 * TRNK2.TRU2

Source Section

TRK

TRU2WIN

Every 100s records if a two-way trunk in a group is call processing busy

Data Source

MTX OM, SDM

Source Field

TRU2WIN + 65536 * TRNK2.TRU2WIN2

Source Section

TRK

Sector Primitive Calculations

The following is a list of primitive calculations for the Sector entity.

AccessAtts

Access Attempts excluding handoffs and access threshold blocks

Calculation

$(\text{vsum}(\text{MBLORG}, \text{PAGERESP}, 0) - \text{PSigQ})$

AccessBlks

Access Attempts blocked due to no traffic channel available

Calculation

$(\text{vsum}(\text{LPANNONE}, \text{HONOVCH}, 0))$

AccessComps

Access Attempts that successfully reach the traffic channel

Calculation

$(\text{vsum}(\text{MBLORGCO}, \text{MBLTERCO}, \text{DMBORACO}, \text{DMBTRACO}, 0))$

AccessFails

Number of mobiles failing to reach the target traffic channel on initial channel assignment only

Calculation

(STIMEOUT)

AllAtts

All Channel assignments including Handoffs

Calculation

$(\text{vsum}(\text{AccessAtts}, \text{HOCOMPS}, 0))$

AllBlks

Primary Attempts Blocked or Redirected

Calculation

$(\text{vsum}(\text{LPANNONE}, \text{DIRETRY}, 0))$

CellName

Name of the parent cell

GRAPHmultiLineSeparator

Special Control Field for Multi-Line Graphs

Calculation

""

ICSrctHoAtts

Number of inter-cell handoff attempts when the sector was the source

Calculation

(HOATTS - DHOATTS)

ICTrgtHoAtts

Number of inter-cell handoff attempts when the sector was the target

Calculation

(HOCOMPS - DHOCOMPS)

ICTrgtHoComps

Number of inter-cell handoff completions when the sector was the target

Calculation

(ICTrgtHoAtts - ICTrgtHoFails)

ICTrgtHoFails

Number of inter-cell handoff failures/drops when the sector was the target

Calculation

(DROPHO - DDROPHO)

LostCalls

Total number of calls dropped

Calculation

(vsum(RFLossQ, TotHoFails, 0))

MACSUMOF

Records when an overflow condition is detected

Calculation

(vsum(MACSUMOF_O, MACSUMOF_N, 0))

MASSUMOF

Records when an overflow condition is detected

Calculation

(vsum(MASSUMOF_O, MASSUMOF_N, 0))

MLAttempts

Land Terminated Call Attempts

Calculation

(vsum(MLATTS, MOATTS, 0))

MLCompletions

Land Terminated Call Completions

Calculation

(vsum(MLCOMPS, MOCOMPS, 0))

NUMDAYS

of days in Report

Calculation

DAYSINREPORT()

NUMHOURS

of hours in Summation Data

Calculation

OrigTermAssAtts

Access Attempts assigned to a traffic channel

Calculation

(AccessAtts - AccessBlks)

OrigTermAtts

Access Attempts including access threshold blocks

Calculation

(vsum(MBLORG, PAGERESP, 0))

OrigTermDenied

Origination and Termination Attempts not completed

Calculation

`(vsum(PSigQ, AccessBlks, AccessFails, 0))`

pAccessBlks

Percentage of access attempts that failed due to no radio channels available

Calculation

`(100.0 * (AccessBlks / AccessAtts))`

pAccessFails

Percentage of access assignments that failed to reach the target channel on access attempt

Calculation

`(100.0 * (AccessFails / (AccessAtts - AccessBlks)))`

pICTrgtHoFails

Percentage of inter-cell handoff failures/drops when the sector was the target

Calculation

`(100.0 * (ICTrgtHoFails / ICTrgtHoAtts))`

pLMCompletions

Percentage of Land Originated Call Completions

Calculation

`(100.0 * (LMCOMPS / LMATTS))`

pLostCallsPerComp

Percentage of Lost Calls per Access Completes

Calculation

`(100.0 * (LostCalls / AccessComps))`

pMLCompletions

Percentage of Land Terminated Call Completions

Calculation

`(100.0 * MLCompletions / MLAttempts)`

pMMCompletions

Percentage of Mobile-to-Mobile Call Completions

Calculation

$(100.0 * \text{MMCOMPS} / \text{MMATTS})$

pOrigTermDenied

Percentage of Origination & Termination Attempts not completed

Calculation

$(100.0 * (\text{OrigTermDenied} / \text{OrigTermAtts}))$

pPSigPerAtt

Percentage of access threshold blocks per access attempt

Calculation

$(100.0 * (\text{PSigQ} / \text{OrigTermAtts}))$

pRegCompletions

Percentage of successful registration attempts

Calculation

$(100.0 * \text{REGCOMPS} / \text{REGATTS})$

pRFLossPerComp

Percentage of RF Losses per Access Completion

Calculation

$(100.0 * (\text{RFLossQ} / \text{AccessComps}))$

PSigQ

Poor Signal Quantity

Calculation

$(\text{vsum}(\text{ORRSSILO}, \text{PGRSSILO}, 0))$

RFLossQ

Sum of Uplink and Downlink RF Losses

Calculation

$(\text{vsum}(\text{DROPCALL}, \text{DDRPCALS}, 0))$

SLNTRTAF

Alternate peg name for SILNTRT2

Calculation

(SILNTRT2)

SRTDBORG

Alternate peg name for SILENTRT

Calculation

(SILENTRT)

TotHoFails

Total Handoff Attempts that did not complete

Calculation

(DROPHO - DDROPHO)

Sector Peg Counts

The following is a list of peg counts for the Sector entity.

ABOVETH

Pegs when a Loc channel Rcvr response msg is Rcvd from the serving subcell

Data Source

MTX OM, SDM

Source Field

ABOVETH

Source Section

OMMTXHO

ADHOFF

Pegs when an analog-to-digital Ho has been Comp against the target subcell

Data Source

MTX OM, SDM

Source Field

ADHOFF

Source Section

OMMTXHO

AMWIFPG

Aif MWI First PaGe

Data Source

MTX OM, SDM

Source Field

AMWIFPG

Source Section

MTXMWI

AMWIFPGR

Aif MWI First PaGe Response

Data Source

MTX OM, SDM

Source Field

AMWIFPGR

Source Section

MTXMWI

AMWIPGRT

Aif MWI PaGe ReTry

Data Source

MTX OM, SDM

Source Field

AMWIPGRT

Source Section

MTXMWI

AMWIPGTO

Aif MWI PaGe TimeOut

Data Source

MTX OM, SDM

Source Field

AMWIPGTO

Source Section

MTXMWI

AMWIPRTO

Aif MWI Page Retry TimeOut

Data Source

MTX OM, SDM

Source Field

AMWIPRTO

Source Section

MTXMWI

AMWIPRTR

Aif MWI Page ReTry Response

Data Source

MTX OM, SDM

Source Field

AMWIPRTR

Source Section

MTXMWI

ANACHUSE

ICP allocates a NES voice channel to handle

Data Source

MTX OM, SDM

Source Field

ANACHUSE

Source Section

ICPCA

AORGAUTH

ICP received Org with authentication parms on an analog control channel.

Data Source

MTX OM

Source Field

AORGAUTH

Source Section

ICPAUTH

APHOATT

Pegs when a HANDOFF command is sent to the mobile for Active Packing Handoff

Data Source

MTX OM

Source Field

APHOATT

Source Section

ICPDHO

APHOCMP

Pegs when DVCC is found on the target VCH for an Active Packing Handoff

Data Source

MTX OM

Source Field

APHOCMP

Source Section

ICPDHO

APHOFAIL

Pegs when DVCC is not found on the target VCH for an Active Packing Handoff

Data Source

MTX OM

Source Field

APHOFAIL

Source Section

ICPDHO

APRAUTH

ICP received page response with authentication parms on an analog control channel

Data Source

MTX OM

Source Field

APRAUTH

Source Section

ICPAUTH

AREGAUTH

ICP received registration with authentication parms on an analog control channel

Data Source

MTX OM

Source Field

AREGAUTH

Source Section

ICPAUTH

ARGPTOAA

Counts # ACCH registrations for mobiles that were previously registered on a PCCH

Data Source

MTX OM, SDM

Source Field

ARGPTOAA

Source Section

OMMTX2

ASMSACPT

ICP receives a successful extended protocol SMS order confirmation message

Data Source

MTX OM, SDM

Source Field

ASMSACPT

Source Section

ICPSMS

ASMSADCO

ICP receives an audit order confirmation from the DRU

Data Source

MTX OM, SDM

Source Field

ASMSADCO

Source Section

ICPSMS

ASMSADOR

ICP sends out an audit order message to the DRU

Data Source

MTX OM, SDM

Source Field

ASMSADOR

Source Section

ICPSMS

ASMSEPMS

ICP sends an extended protocol SMS MS control message to the DRU

Data Source

MTX OM, SDM

Source Field

ASMSEPMS

Source Section

ICPSMS

ASMSEPTO

ICP does not receive an extended protocol SMS order confirmation message within the allotted time

Data Source

MTX OM, SDM

Source Field

ASMSEPTO

Source Section

ICPSMS

ASMSRJCT

ICP receives an unsuccessful extended protocol SMS order confirmation message

Data Source

MTX OM, SDM

Source Field

ASMSRJCT

Source Section

ICPSMS

AUTHSMSF

Authentication on SMS Originations Failures

Data Source

MTX OM, SDM

Source Field

AUTHSMSF

Source Section

OMMTX3

AUTHSMSO

Authentication on SMS Originations attempts

Data Source

MTX OM, SDM

Source Field

AUTHSMSO

Source Section

OMMTX3

AUTHSMSS

Authentication on SMS Originations Successes

Data Source

MTX OM, SDM

Source Field

AUTHSMSS

Source Section

OMMTX3

AVGHOR

Average handoff reserve

Data Source

MTX OM

Source Field

AVGHOR

Source Section

ICPHO2

BEATNESQ

ICP cannot allocate a NES voice channel to handle a call with a NES SU

Data Source

MTX OM, SDM

Source Field

BEATNESQ

Source Section

ICPCA

BLKRSV

Blocks due to HORESrv

Data Source

MTX OM

Source Field

BLKRSV

Source Section

ICPHO2

BORANCPG

Pegs on the border system for the anchor cell used to determine the zone to page

Data Source

MTX OM, SDM

Source Field

BORANCPG

Source Section

OMMTX3

BORPGRES

Pegs on the border system when a page response is received from this sector

Data Source

MTX OM, SDM

Source Field

BORPGRES

Source Section

OMMTX3

BORPGRQ1

Border cell 1st page requests

Data Source

MTX OM, SDM

Source Field

BORPGRQ1

Source Section

OMMTX3

BORPGRQ2

Border cell 2nd page requests

Data Source

MTX OM, SDM

Source Field

BORPGRQ2

Source Section

OMMTX3

BORPGRQ3

Border cell 3rd page requests

Data Source

MTX OM, SDM

Source Field

BORPGRQ3

Source Section

OMMTX3

BORPGRS1

Border cell 1st page responses

Data Source

MTX OM, SDM

Source Field

BORPGRS1

Source Section

OMMTX3

BORPGRS2

Border cell 2nd page responses

Data Source

MTX OM, SDM

Source Field

BORPGRS2

Source Section

OMMTX3

BORPGRS3

Border cell 3rd page responses

Data Source

MTX OM, SDM

Source Field

BORPGRS3

Source Section

OMMTX3

BSCCCCH

ICP sent Base Station Challenge confirmation to MS on CCH

Data Source

MTX OM

Source Field

BSCCCCH

Source Section

ICPAUTH

BSCCCH

ICP received base station challenge from an MS over a CCH

Data Source

MTX OM

Source Field

BSCCCH

Source Section

ICPAUTH

BSCCVCH

ICP sent Base Station Challenge confirmation to MS on VCH

Data Source

MTX OM

Source Field

BSCCVCH

Source Section

ICPAUTH

BSCVCH

ICP received Base Station Challenge from an MS over a VCH

Data Source

MTX OM

Source Field

BSCVCH

Source Section

ICPAUTH

CALLOVER

Call over

Data Source

MTX OM, SDM

Source Field

CALLOVER

Source Section

OMMTXHO

CCEPEATT_A

CCEPEATT

Data Source

MTX OM, SDM

Source Field

MSCSP1

Source Section

AUTHMSC

CCEPESUC_A

CCEPESUC

Data Source

MTX OM, SDM

Source Field

MSCSP2

Source Section

AUTHMSC

CCHMSG

Pegs when a msg is Rcvd by the Ctl channel

Data Source

MTX OM, SDM

Source Field

CCHMSG

Source Section

ICPCP

CCHMSG_MTXom30

Pegs when a msg is Rcvd by the Ctl channel

Data Source

MTX OM

Source Field

CCHMSG_MTXom30

Source Section

ICPCP_MTXom30

CCHMWOA

Pegs when the switch attempt to send an IS-54 Rev B msg

Data Source

MTX OM, SDM

Source Field

CCHMWOA

Source Section

ICPCP

CCHMWOA_MTXom30

Pegs when the switch attempt to send an IS-54 Rev B msg

Data Source

MTX OM

Source Field

CCHMWOA_MTXom30

Source Section

ICPCP_MTXom30

CCHMWOC1

Pegs when a SU responds on a CCH

Data Source

MTX OM, SDM

Source Field

CCHMWOC1

Source Section

ICPCP

CCHMWOC1_MTXom30

Pegs when a SU responds on a CCH

Data Source

MTX OM

Source Field

CCHMWOC1_MTXom30

Source Section

ICPCP_MTXom30

CCHMWOCR

Pegs when a SU responds on a CCH

Data Source

MTX OM, SDM

Source Field

CCHMWOCR

Source Section

ICPCP

CCHMWOCR_MTXom30

Pegs when a SU responds on a CCH

Data Source

MTX OM

Source Field

CCHMWOCR_MTXom30

Source Section

ICPCP_MTXom30

CCHPRMSG

CCHPRMSG

Data Source

MTX OM

Source Field

CCHPRMSG

Source Section

ICPAUTH

CCHPRRPT

CCHPRRPT

Data Source

MTX OM

Source Field

CCHPRRPT

Source Section

ICPAUTH

CCNOEPE

CCNOEPE

Data Source

MTX OM, SDM

Source Field

MSCSP3

Source Section

AUTHMSC

CELL100_MobileSerNoMism

Number of CELL100 events with trouble code of MOBILE_SERNO_MISMATCH

Data Source

MTX Log

Source Field

TRBL=MOBILE_SERNO_MISMATCH

Source Section

CELL100

CELL100_MobileSerNoMism_TSI1

Call state of 1 or 101 (trouble code MOBILE_SERNO_MISMATCH) - Idle

Data Source

MTX Log

Source Field

TSI=1 and TRBL=MOBILE_SERNO_MISMATCH

Source Section

CELL100

CELL100_MobileSerNoMism_TSI10

Call state of 10 or 110 (trouble code MOBILE_SERNO_MISMATCH) - Waiting for a release acknowledgment from the mobile unit

Data Source

MTX Log

Source Field

TSI=10 and TRBL=MOBILE_SERNO_MISMATCH

Source Section

CELL100

CELL100_MobileSerNoMism_TSI11

Call state of 11 or 111 (trouble code MOBILE_SERNO_MISMATCH) -
ACTIVE_RELEASE_SETUP

Data Source

MTX Log

Source Field

TSI=11 and TRBL=MOBILE_SERNO_MISMATCH

Source Section

CELL100

CELL100_MobileSerNoMism_TSI12

Call state of 12 or 112 (trouble code MOBILE_SERNO_MISMATCH) - Waiting for an alert
acknowledgment from the mobile unit (second attempt)

Data Source

MTX Log

Source Field

TSI=12 and TRBL=MOBILE_SERNO_MISMATCH

Source Section

CELL100

CELL100_MobileSerNoMism_TSI13

Call state of 13 or 113 (trouble code MOBILE_SERNO_MISMATCH) - ALERT_2

Data Source

MTX Log

Source Field

TSI=13 and TRBL=MOBILE_SERNO_MISMATCH

Source Section

CELL100

CELL100_MobileSerNoMism_TSI14

Call state of 14 or 114 (trouble code MOBILE_SERNO_MISMATCH) - Waiting for the called address from the mobile unit

Data Source

MTX Log

Source Field

TSI=14 and TRBL=MOBILE_SERNO_MISMATCH

Source Section

CELL100

CELL100_MobileSerNoMism_TSI15

Call state of 15 or 115 (trouble code MOBILE_SERNO_MISMATCH) - Waiting for a setup message from the MTX

Data Source

MTX Log

Source Field

TSI=15 and TRBL=MOBILE_SERNO_MISMATCH

Source Section

CELL100

CELL100_MobileSerNoMism_TSI16

Call state of 16 or 116 (trouble code MOBILE_SERNO_MISMATCH) - The VCH is being used for locating channel receiver (LCR) redundancy

Data Source

MTX Log

Source Field

TSI=16 and TRBL=MOBILE_SERNO_MISMATCH

Source Section

CELL100

CELL100_MobileSerNoMism_TSI17

Call state of 17 or 117 (trouble code MOBILE_SERNO_MISMATCH) - The VCH is undergoing in-service testing

Data Source

MTX Log

Source Field

TSI=17 and TRBL=MOBILE_SERNO_MISMATCH

Source Section

CELL100

CELL100_MobileSerNoMism_TSI18

Call state of 18 or 118 (trouble code MOBILE_SERNO_MISMATCH) - The VCH is waiting for the One-second guard timer to expire after the mobile unit disconnects or hands off. After the timer expires, the mobile unit is put back on the IDLE queue

Data Source

MTX Log

Source Field

TSI=18 and TRBL=MOBILE_SERNO_MISMATCH

Source Section

CELL100

CELL100_MobileSerNoMism_TSI19

Call state of 19 or 119 (trouble code MOBILE_SERNO_MISMATCH) - Failure has occurred during the call. The intelligent cellular peripheral (ICP) sends a CARRIER OFF command to the VCH to put it back into the idle voice task and expects an answer

Data Source

MTX Log

Source Field

TSI=19 and TRBL=MOBILE_SERNO_MISMATCH

Source Section

CELL100

CELL100_MobileSerNoMism_TSI2

Call state of 2 or 102 (trouble code MOBILE_SERNO_MISMATCH) - Waiting for setup acknowledgment from the voice channel (VCH). This state is used

Data Source

MTX Log

Source Field

TSI=2 and TRBL=MOBILE_SERNO_MISMATCH

Source Section

CELL100

CELL100_MobileSerNoMism_TSI20

Call state of 20 or 120 (trouble code MOBILE_SERNO_MISMATCH) - Waiting for a power order confirmation from the VCH in response to a power command to change the transmit power level of the mobile unit

Data Source

MTX Log

Source Field

TSI=20 and TRBL=MOBILE_SERNO_MISMATCH

Source Section

CELL100

CELL100_MobileSerNoMism_TSI21

Call state of 21 or 121 (trouble code MOBILE_SERNO_MISMATCH) - Waiting for a stop alert confirmation from the VCH in response to a stop alert order

Data Source

MTX Log

Source Field

TSI=21 and TRBL=MOBILE_SERNO_MISMATCH

Source Section

CELL100

CELL100_MobileSerNoMism_TSI22

Call state of 22 or 122 (trouble code MOBILE_SERNO_MISMATCH) - Waiting for an audit confirmation from the VCH in response to an audit order

Data Source

MTX Log

Source Field

TSI=22 and TRBL=MOBILE_SERNO_MISMATCH

Source Section

CELL100

CELL100_MobileSerNoMism_TSI23

Call state of 23 or 123 (trouble code MOBILE_SERNO_MISMATCH) - Waiting for a reorder confirmation from the VCH in response to the abbreviated reorder order

Data Source

MTX Log

Source Field

TSI=23 and TRBL=MOBILE_SERNO_MISMATCH

Source Section

CELL100

CELL100_MobileSerNoMism_TSI24

Call state of 24 or 124 (trouble code MOBILE_SERNO_MISMATCH) - Waiting for an intercept confirmation from the VCH in response to the abbreviated intercept order

Data Source

MTX Log

Source Field

TSI=24 and TRBL=MOBILE_SERNO_MISMATCH

Source Section

CELL100

CELL100_MobileSerNoMism_TSI25

Call state of 25 or 125 (trouble code MOBILE_SERNO_MISMATCH) - Waiting for an alert confirmation from the VCH in response to the abbreviated alert order

Data Source

MTX Log

Source Field

TSI=25 and TRBL=MOBILE_SERNO_MISMATCH

Source Section

CELL100

CELL100_MobileSerNoMism_TSI26

Call state of 26 or 126 (trouble code MOBILE_SERNO_MISMATCH) - Waiting for a disconnect message from the mobile unit

Data Source

MTX Log

Source Field

TSI=26 and TRBL=MOBILE_SERNO_MISMATCH

Source Section

CELL100

CELL100_MobileSerNoMism_TSI27

Call state of 27 or 127 (trouble code MOBILE_SERNO_MISMATCH) - A carrier fail message was reported from DS1MTCE

Data Source

MTX Log

Source Field

TSI=27 and TRBL=MOBILE_SERNO_MISMATCH

Source Section

CELL100

CELL100_MobileSerNoMism_TSI28

Call state of 28 or 128 (trouble code MOBILE_SERNO_MISMATCH) - MB_SEIZE. Used to distinguish manual busy and carrier fail from an in-service seize

Data Source

MTX Log

Source Field

TSI=28 and TRBL=MOBILE_SERNO_MISMATCH

Source Section

CELL100

CELL100_MobileSerNoMism_TSI29

Call state of 29 or 129 (trouble code MOBILE_SERNO_MISMATCH) - VCH will be removed after a maintenance handoff

Data Source

MTX Log

Source Field

TSI=29 and TRBL=MOBILE_SERNO_MISMATCH

Source Section

CELL100

CELL100_MobileSerNoMism_TSI3

Call state of 3 or 103 (trouble code MOBILE_SERNO_MISMATCH) - Waiting for setup acknowledgment from the VCH. This state is used on terminations

Data Source

MTX Log

Source Field

TSI=3 and TRBL=MOBILE_SERNO_MISMATCH

Source Section

CELL100

CELL100_MobileSerNoMism_TSI30

Not currently used

Data Source

MTX Log

Source Field

TSI=30 and TRBL=MOBILE_SERNO_MISMATCH

Source Section

CELL100

CELL100_MobileSerNoMism_TSI31

Not currently used

Data Source

MTX Log

Source Field

TSI=31 and TRBL=MOBILE_SERNO_MISMATCH

Source Section

CELL100

CELL100_MobileSerNoMism_TSI32

Call state of 32 or 132 (trouble code MOBILE_SERNO_MISMATCH) - Waiting for a release from the CC after sending it a HANDOFF_JACK

Data Source

MTX Log

Source Field

TSI=32 and TRBL=MOBILE_SERNO_MISMATCH

Source Section

CELL100

CELL100_MobileSerNoMism_TSI4

Call state of 4 or 104 (trouble code MOBILE_SERNO_MISMATCH) - Waiting for SAT_PRESENT on termination

Data Source

MTX Log

Source Field

TSI=4 and TRBL=MOBILE_SERNO_MISMATCH

Source Section

CELL100

CELL100_MobileSerNoMism_TSI5

Call state of 5 or 105 (trouble code MOBILE_SERNO_MISMATCH) - ACTIVE_SAT_WAIT_RELEASE

Data Source

MTX Log

Source Field

TSI=5 and TRBL=MOBILE_SERNO_MISMATCH

Source Section

CELL100

CELL100_MobileSerNoMism_TSI6

Call state of 6 or 106 (trouble code MOBILE_SERNO_MISMATCH) - Waiting for initial SAT detection on the VCH from the originating mobile unit

Data Source

MTX Log

Source Field

TSI=6 and TRBL=MOBILE_SERNO_MISMATCH

Source Section

CELL100

CELL100_MobileSerNoMism_TSI7

Call state of 7 or 107 (trouble code MOBILE_SERNO_MISMATCH) - Waiting for a release acknowledgment from the peripheral

Data Source

MTX Log

Source Field

TSI=7 and TRBL=MOBILE_SERNO_MISMATCH

Source Section

CELL100

CELL100_MobileSerNoMism_TSI8

Call state of 8 or 108 (trouble code MOBILE_SERNO_MISMATCH) - Waiting for an ANSWER MESSAGE from a terminating mobile unit after receiving a SAT_PRESENT message.

Data Source

MTX Log

Source Field

TSI=8 and TRBL=MOBILE_SERNO_MISMATCH

Source Section

CELL100

CELL100_MobileSerNoMism_TSI9

Call state of 9 or 109 (trouble code MOBILE_SERNO_MISMATCH) - The mobile unit is in conversation

Data Source

MTX Log

Source Field

TSI=9 and TRBL=MOBILE_SERNO_MISMATCH

Source Section

CELL100

CELL100_ServNoHOAck

Number of CELL100 events with trouble code of SERV_NO_HO_ACK

Data Source

MTX Log

Source Field

TRBL=SERV_NO_HO_ACK

Source Section

CELL100

CELL100_ServNoHOAck_TSI1

Call state of 1 or 101 (trouble code SERV_NO_HO_ACK) - Idle

Data Source

MTX Log

Source Field

TSI=1 and TRBL=SERV_NO_HO_ACK

Source Section

CELL100

CELL100_ServNoHOAck_TSI10

Call state of 10 or 110 (trouble code SERV_NO_HO_ACK) - Waiting for a release acknowledgment from the mobile unit

Data Source

MTX Log

Source Field

TSI=10 and TRBL=SERV_NO_HO_ACK

Source Section

CELL100

CELL100_ServNoHOAck_TSI11

Call state of 11 or 111 (trouble code SERV_NO_HO_ACK) - ACTIVE_RELEASE_SETUP

Data Source

MTX Log

Source Field

TSI=11 and TRBL=SERV_NO_HO_ACK

Source Section

CELL100

CELL100_ServNoHOAck_TSI12

Call state of 12 or 112 (trouble code SERV_NO_HO_ACK) - Waiting for an alert acknowledgment from the mobile unit (second attempt)

Data Source

MTX Log

Source Field

TSI=12 and TRBL=SERV_NO_HO_ACK

Source Section

CELL100

CELL100_ServNoHOAck_TSI13

Call state of 13 or 113 (trouble code SERV_NO_HO_ACK) - ALERT_2

Data Source

MTX Log

Source Field

TSI=13 and TRBL=SERV_NO_HO_ACK

Source Section

CELL100

CELL100_ServNoHOAck_TSI14

Call state of 14 or 114 (trouble code SERV_NO_HO_ACK) - Waiting for the called address from the mobile unit

Data Source

MTX Log

Source Field

TSI=14 and TRBL=SERV_NO_HO_ACK

Source Section

CELL100

CELL100_ServNoHOAck_TSI15

Call state of 15 or 115 (trouble code SERV_NO_HO_ACK) - Waiting for a setup message from the MTX

Data Source

MTX Log

Source Field

TSI=15 and TRBL=SERV_NO_HO_ACK

Source Section

CELL100

CELL100_ServNoHOAck_TSI16

Call state of 16 or 116 (trouble code SERV_NO_HO_ACK) - The VCH is being used for locating channel receiver (LCR) redundancy

Data Source

MTX Log

Source Field

TSI=16 and TRBL=SERV_NO_HO_ACK

Source Section

CELL100

CELL100_ServNoHOAck_TSI17

Call state of 17 or 117 (trouble code SERV_NO_HO_ACK) - The VCH is undergoing in-service testing

Data Source

MTX Log

Source Field

TSI=17 and TRBL=SERV_NO_HO_ACK

Source Section

CELL100

CELL100_ServNoHOAck_TSI18

Call state of 18 or 118 (trouble code SERV_NO_HO_ACK) - The VCH is waiting for the One-second guard timer to expire after the mobile unit disconnects or hands off. After the timer expires, the mobile unit is put back on the IDLE queue

Data Source

MTX Log

Source Field

TSI=18 and TRBL=SERV_NO_HO_ACK

Source Section

CELL100

CELL100_ServNoHOAck_TSI19

Call state of 19 or 119 (trouble code SERV_NO_HO_ACK) - Failure has occurred during the call. The intelligent cellular peripheral (ICP) sends a CARRIER OFF command to the VCH to put it back into the idle voice task and expects an answer

Data Source

MTX Log

Source Field

TSI=19 and TRBL=SERV_NO_HO_ACK

Source Section

CELL100

CELL100_ServNoHOAck_TSI2

Call state of 2 or 102 (trouble code SERV_NO_HO_ACK) - Waiting for setup acknowledgment from the voice channel (VCH). This state is used

Data Source

MTX Log

Source Field

TSI=2 and TRBL=SERV_NO_HO_ACK

Source Section

CELL100

CELL100_ServNoHOAck_TSI20

Call state of 20 or 120 (trouble code SERV_NO_HO_ACK) - Waiting for a power order confirmation from the VCH in response to a power command to change the transmit power level of the mobile unit

Data Source

MTX Log

Source Field

TSI=20 and TRBL=SERV_NO_HO_ACK

Source Section

CELL100

CELL100_ServNoHOAck_TSI21

Call state of 21 or 121 (trouble code SERV_NO_HO_ACK) - Waiting for a stop alert confirmation from the VCH in response to a stop alert order

Data Source

MTX Log

Source Field

TSI=21 and TRBL=SERV_NO_HO_ACK

Source Section

CELL100

CELL100_ServNoHOAck_TSI22

Call state of 22 or 122 (trouble code SERV_NO_HO_ACK) - Waiting for an audit confirmation from the VCH in response to an audit order

Data Source

MTX Log

Source Field

TSI=22 and TRBL=SERV_NO_HO_ACK

Source Section

CELL100

CELL100_ServNoHOAck_TSI23

Call state of 23 or 123 (trouble code SERV_NO_HO_ACK) - Waiting for a reorder confirmation from the VCH in response to the abbreviated reorder order

Data Source

MTX Log

Source Field

TSI=23 and TRBL=SERV_NO_HO_ACK

Source Section

CELL100

CELL100_ServNoHOAck_TSI24

Call state of 24 or 124 (trouble code SERV_NO_HO_ACK) - Waiting for an intercept confirmation from the VCH in response to the abbreviated intercept order

Data Source

MTX Log

Source Field

TSI=24 and TRBL=SERV_NO_HO_ACK

Source Section

CELL100

CELL100_ServNoHOAck_TSI25

Call state of 25 or 125 (trouble code SERV_NO_HO_ACK) - Waiting for an alert confirmation from the VCH in response to the abbreviated alert order

Data Source

MTX Log

Source Field

TSI=25 and TRBL=SERV_NO_HO_ACK

Source Section

CELL100

CELL100_ServNoHOAck_TSI26

Call state of 26 or 126 (trouble code SERV_NO_HO_ACK) - Waiting for a disconnect message from the mobile unit

Data Source

MTX Log

Source Field

TSI=26 and TRBL=SERV_NO_HO_ACK

Source Section

CELL100

CELL100_ServNoHOAck_TSI27

Call state of 27 or 127 (trouble code SERV_NO_HO_ACK) - A carrier fail message was reported from DS1MTCE

Data Source

MTX Log

Source Field

TSI=27 and TRBL=SERV_NO_HO_ACK

Source Section

CELL100

CELL100_ServNoHOAck_TSI28

Call state of 28 or 128 (trouble code SERV_NO_HO_ACK) - MB_SEIZE. Used to distinguish manual busy and carrier fail from an in-service seize

Data Source

MTX Log

Source Field

TSI=28 and TRBL=SERV_NO_HO_ACK

Source Section

CELL100

CELL100_ServNoHOAck_TSI29

Call state of 29 or 129 (trouble code SERV_NO_HO_ACK) - VCH will be removed after a maintenance handoff

Data Source

MTX Log

Source Field

TSI=29 and TRBL=SERV_NO_HO_ACK

Source Section

CELL100

CELL100_ServNoHOAck_TSI3

Call state of 3 or 103 (trouble code SERV_NO_HO_ACK) - Waiting for setup acknowledgment from the VCH. This state is used on terminations

Data Source

MTX Log

Source Field

TSI=3 and TRBL=SERV_NO_HO_ACK

Source Section

CELL100

CELL100_ServNoHOAck_TSI30

Not currently used

Data Source

MTX Log

Source Field

TSI=30 and TRBL=SERV_NO_HO_ACK

Source Section

CELL100

CELL100_ServNoHOAck_TSI31

Not currently used

Data Source

MTX Log

Source Field

TSI=31 and TRBL=SERV_NO_HO_ACK

Source Section

CELL100

CELL100_ServNoHOAck_TSI32

Call state of 32 or 132 (trouble code SERV_NO_HO_ACK) - Waiting for a release from the CC after sending it a HANDOFF_JACK

Data Source

MTX Log

Source Field

TSI=32 and TRBL=SERV_NO_HO_ACK

Source Section

CELL100

CELL100_ServNoHOAck_TSI4

Call state of 4 or 104 (trouble code SERV_NO_HO_ACK) - Waiting for SAT_PRESENT on termination

Data Source

MTX Log

Source Field

TSI=4 and TRBL=SERV_NO_HO_ACK

Source Section

CELL100

CELL100_ServNoHOAck_TSI5

Call state of 5 or 105 (trouble code SERV_NO_HO_ACK) - ACTIVE_SAT_WAIT_RELEASE

Data Source

MTX Log

Source Field

TSI=5 and TRBL=SERV_NO_HO_ACK

Source Section

CELL100

CELL100_ServNoHOAck_TSI6

Call state of 6 or 106 (trouble code SERV_NO_HO_ACK) - Waiting for initial SAT detection on the VCH from the originating mobile unit

Data Source

MTX Log

Source Field

TSI=6 and TRBL=SERV_NO_HO_ACK

Source Section

CELL100

CELL100_ServNoHOAck_TSI7

Call state of 7 or 107 (trouble code SERV_NO_HO_ACK) - Waiting for a release acknowledgment from the peripheral

Data Source

MTX Log

Source Field

TSI=7 and TRBL=SERV_NO_HO_ACK

Source Section

CELL100

CELL100_ServNoHOAck_TSI8

Call state of 8 or 108 (trouble code SERV_NO_HO_ACK) - Waiting for an ANSWER MESSAGE from a terminating mobile unit after receiving a SAT_PRESENT message.

Data Source

MTX Log

Source Field

TSI=8 and TRBL=SERV_NO_HO_ACK

Source Section

CELL100

CELL100_ServNoHOAck_TSI9

Call state of 9 or 109 (trouble code SERV_NO_HO_ACK) - The mobile unit is in conversation

Data Source

MTX Log

Source Field

TSI=9 and TRBL=SERV_NO_HO_ACK

Source Section

CELL100

CELL101_CellFailure

Number of CELL101 events with trouble code of CELL_FAILURE

Data Source

MTX Log

Source Field

TRBL=CELL_FAILURE

Source Section

CELL101

CELL101_CellFailure_TSI1

Call state of 1 or 101 (trouble code CELL_FAILURE) - Idle

Data Source

MTX Log

Source Field

TSI=1 and TRBL=CELL_FAILURE

Source Section

CELL101

CELL101_CellFailure_TSI10

Call state of 10 or 110 (trouble code CELL_FAILURE) - Waiting for a release acknowledgment from the mobile unit

Data Source

MTX Log

Source Field

TSI=10 and TRBL=CELL_FAILURE

Source Section

CELL101

CELL101_CellFailure_TSI11

Call state of 11 or 111 (trouble code CELL_FAILURE) - ACTIVE_RELEASE_SETUP

Data Source

MTX Log

Source Field

TSI=11 and TRBL=CELL_FAILURE

Source Section

CELL101

CELL101_CellFailure_TSI12

Call state of 12 or 112 (trouble code CELL_FAILURE) - Waiting for an alert acknowledgment from the mobile unit (second attempt)

Data Source

MTX Log

Source Field

TSI=12 and TRBL=CELL_FAILURE

Source Section

CELL101

CELL101_CellFailure_TSI13

Call state of 13 or 113 (trouble code CELL_FAILURE) - ALERT_2

Data Source

MTX Log

Source Field

TSI=13 and TRBL=CELL_FAILURE

Source Section

CELL101

CELL101_CellFailure_TSI14

Call state of 14 or 114 (trouble code CELL_FAILURE) - Waiting for the called address from the mobile unit

Data Source

MTX Log

Source Field

TSI=14 and TRBL=CELL_FAILURE

Source Section

CELL101

CELL101_CellFailure_TSI15

Call state of 15 or 115 (trouble code CELL_FAILURE) - Waiting for a setup message from the MTX

Data Source

MTX Log

Source Field

TSI=15 and TRBL=CELL_FAILURE

Source Section

CELL101

CELL101_CellFailure_TSI16

Call state of 16 or 116 (trouble code CELL_FAILURE) - The VCH is being used for locating channel receiver (LCR) redundancy

Data Source

MTX Log

Source Field

TSI=16 and TRBL=CELL_FAILURE

Source Section

CELL101

CELL101_CellFailure_TSI17

Call state of 17 or 117 (trouble code CELL_FAILURE) - The VCH is undergoing in-service testing

Data Source

MTX Log

Source Field

TSI=17 and TRBL=CELL_FAILURE

Source Section

CELL101

CELL101_CellFailure_TSI18

Call state of 18 or 118 (trouble code CELL_FAILURE) - The VCH is waiting for the One-second guard timer to expire after the mobile unit disconnects or hands off. After the timer expires, the mobile unit is put back on the IDLE queue

Data Source

MTX Log

Source Field

TSI=18 and TRBL=CELL_FAILURE

Source Section

CELL101

CELL101_CellFailure_TSI19

Call state of 19 or 119 (trouble code CELL_FAILURE) - Failure has occurred during the call. The intelligent cellular peripheral (ICP) sends a CARRIER OFF command to the VCH to put it back into the idle voice task and expects an answer

Data Source

MTX Log

Source Field

TSI=19 and TRBL=CELL_FAILURE

Source Section

CELL101

CELL101_CellFailure_TSI2

Call state of 2 or 102 (trouble code CELL_FAILURE) - Waiting for setup acknowledgment from the voice channel (VCH). This state is used

Data Source

MTX Log

Source Field

TSI=2 and TRBL=CELL_FAILURE

Source Section

CELL101

CELL101_CellFailure_TSI20

Call state of 20 or 120 (trouble code CELL_FAILURE) - Waiting for a power order confirmation from the VCH in response to a power command to change the transmit power level of the mobile unit

Data Source

MTX Log

Source Field

TSI=20 and TRBL=CELL_FAILURE

Source Section

CELL101

CELL101_CellFailure_TSI21

Call state of 21 or 121 (trouble code CELL_FAILURE) - Waiting for a stop alert confirmation from the VCH in response to a stop alert order

Data Source

MTX Log

Source Field

TSI=21 and TRBL=CELL_FAILURE

Source Section

CELL101

CELL101_CellFailure_TSI22

Call state of 22 or 122 (trouble code CELL_FAILURE) - Waiting for an audit confirmation from the VCH in response to an audit order

Data Source

MTX Log

Source Field

TSI=22 and TRBL=CELL_FAILURE

Source Section

CELL101

CELL101_CellFailure_TSI23

Call state of 23 or 123 (trouble code CELL_FAILURE) - Waiting for a reorder confirmation from the VCH in response to the abbreviated reorder order

Data Source

MTX Log

Source Field

TSI=23 and TRBL=CELL_FAILURE

Source Section

CELL101

CELL101_CellFailure_TSI24

Call state of 24 or 124 (trouble code CELL_FAILURE) - Waiting for an intercept confirmation from the VCH in response to the abbreviated intercept order

Data Source

MTX Log

Source Field

TSI=24 and TRBL=CELL_FAILURE

Source Section

CELL101

CELL101_CellFailure_TSI25

Call state of 25 or 125 (trouble code CELL_FAILURE) - Waiting for an alert confirmation from the VCH in response to the abbreviated alert order

Data Source

MTX Log

Source Field

TSI=25 and TRBL=CELL_FAILURE

Source Section

CELL101

CELL101_CellFailure_TSI26

Call state of 26 or 126 (trouble code CELL_FAILURE) - Waiting for a disconnect message from the mobile unit

Data Source

MTX Log

Source Field

TSI=26 and TRBL=CELL_FAILURE

Source Section

CELL101

CELL101_CellFailure_TSI27

Call state of 27 or 127 (trouble code CELL_FAILURE) - A carrier fail message was reported from DS1MTCE

Data Source

MTX Log

Source Field

TSI=27 and TRBL=CELL_FAILURE

Source Section

CELL101

CELL101_CellFailure_TSI28

Call state of 28 or 128 (trouble code CELL_FAILURE) - MB_SEIZE. Used to distinguish manual busy and carrier fail from an in-service seize

Data Source

MTX Log

Source Field

TSI=28 and TRBL=CELL_FAILURE

Source Section

CELL101

CELL101_CellFailure_TSI29

Call state of 29 or 129 (trouble code CELL_FAILURE) - VCH will be removed after a maintenance handoff

Data Source

MTX Log

Source Field

TSI=29 and TRBL=CELL_FAILURE

Source Section

CELL101

CELL101_CellFailure_TSI3

Call state of 3 or 103 (trouble code CELL_FAILURE) - Waiting for setup acknowledgment from the VCH. This state is used on terminations

Data Source

MTX Log

Source Field

TSI=3 and TRBL=CELL_FAILURE

Source Section

CELL101

CELL101_CellFailure_TSI30

Not currently used

Data Source

MTX Log

Source Field

TSI=30 and TRBL=CELL_FAILURE

Source Section

CELL101

CELL101_CellFailure_TSI31

Not currently used

Data Source

MTX Log

Source Field

TSI=31 and TRBL=CELL_FAILURE

Source Section

CELL101

CELL101_CellFailure_TSI32

Call state of 32 or 132 (trouble code CELL_FAILURE) - Waiting for a release from the CC after sending it a HANDOFF_JACK

Data Source

MTX Log

Source Field

TSI=32 and TRBL=CELL_FAILURE

Source Section

CELL101

CELL101_CellFailure_TSI4

Call state of 4 or 104 (trouble code CELL_FAILURE) - Waiting for SAT_PRESENT on termination

Data Source

MTX Log

Source Field

TSI=4 and TRBL=CELL_FAILURE

Source Section

CELL101

CELL101_CellFailure_TSI5

Call state of 5 or 105 (trouble code CELL_FAILURE) - ACTIVE_SAT_WAIT_RELEASE

Data Source

MTX Log

Source Field

TSI=5 and TRBL=CELL_FAILURE

Source Section

CELL101

CELL101_CellFailure_TSI6

Call state of 6 or 106 (trouble code CELL_FAILURE) - Waiting for initial SAT detection on the VCH from the originating mobile unit

Data Source

MTX Log

Source Field

TSI=6 and TRBL=CELL_FAILURE

Source Section

CELL101

CELL101_CellFailure_TSI7

Call state of 7 or 107 (trouble code CELL_FAILURE) - Waiting for a release acknowledgment from the peripheral

Data Source

MTX Log

Source Field

TSI=7 and TRBL=CELL_FAILURE

Source Section

CELL101

CELL101_CellFailure_TSI8

Call state of 8 or 108 (trouble code CELL_FAILURE) - Waiting for an ANSWER MESSAGE from a terminating mobile unit after receiving a SAT_PRESENT message.

Data Source

MTX Log

Source Field

TSI=8 and TRBL=CELL_FAILURE

Source Section

CELL101

CELL101_CellFailure_TSI9

Call state of 9 or 109 (trouble code CELL_FAILURE) - The mobile unit is in conversation

Data Source

MTX Log

Source Field

TSI=9 and TRBL=CELL_FAILURE

Source Section

CELL101

CELL101_CellTaskTimeout

Number of CELL101 events with trouble code of CELL_TASK_TIMEOUT

Data Source

MTX Log

Source Field

TRBL=CELL_TASK_TIMEOUT

Source Section

CELL101

CELL101_CellTaskTimeout_TSI1

Call state of 1 or 101 (trouble code CELL_TASK_TIMEOUT) - Idle

Data Source

MTX Log

Source Field

TSI=1 and TRBL=CELL_TASK_TIMEOUT

Source Section

CELL101

CELL101_CellTaskTimeout_TSI10

Call state of 10 or 110 (trouble code CELL_TASK_TIMEOUT) - Waiting for a release acknowledgment from the mobile unit

Data Source

MTX Log

Source Field

TSI=10 and TRBL=CELL_TASK_TIMEOUT

Source Section

CELL101

CELL101_CellTaskTimeout_TSI11

Call state of 11 or 111 (trouble code CELL_TASK_TIMEOUT) - ACTIVE_RELEASE_SETUP

Data Source

MTX Log

Source Field

TSI=11 and TRBL=CELL_TASK_TIMEOUT

Source Section

CELL101

CELL101_CellTaskTimeout_TSI12

Call state of 12 or 112 (trouble code CELL_TASK_TIMEOUT) - Waiting for an alert acknowledgment from the mobile unit (second attempt)

Data Source

MTX Log

Source Field

TSI=12 and TRBL=CELL_TASK_TIMEOUT

Source Section

CELL101

CELL101_CellTaskTimeout_TSI13

Call state of 13 or 113 (trouble code CELL_TASK_TIMEOUT) - ALERT_2

Data Source

MTX Log

Source Field

TSI=13 and TRBL=CELL_TASK_TIMEOUT

Source Section

CELL101

CELL101_CellTaskTimeout_TSI14

Call state of 14 or 114 (trouble code CELL_TASK_TIMEOUT) - Waiting for the called address from the mobile unit

Data Source

MTX Log

Source Field

TSI=14 and TRBL=CELL_TASK_TIMEOUT

Source Section

CELL101

CELL101_CellTaskTimeout_TSI15

Call state of 15 or 115 (trouble code CELL_TASK_TIMEOUT) - Waiting for a setup message from the MTX

Data Source

MTX Log

Source Field

TSI=15 and TRBL=CELL_TASK_TIMEOUT

Source Section

CELL101

CELL101_CellTaskTimeout_TSI16

Call state of 16 or 116 (trouble code CELL_TASK_TIMEOUT) - The VCH is being used for locating channel receiver (LCR) redundancy

Data Source

MTX Log

Source Field

TSI=16 and TRBL=CELL_TASK_TIMEOUT

Source Section

CELL101

CELL101_CellTaskTimeout_TSI17

Call state of 17 or 117 (trouble code CELL_TASK_TIMEOUT) - The VCH is undergoing in-service testing

Data Source

MTX Log

Source Field

TSI=17 and TRBL=CELL_TASK_TIMEOUT

Source Section

CELL101

CELL101_CellTaskTimeout_TSI18

Call state of 18 or 118 (trouble code CELL_TASK_TIMEOUT) - The VCH is waiting for the One-second guard timer to expire after the mobile unit disconnects or hands off. After the timer expires, the mobile unit is put back on the IDLE queue

Data Source

MTX Log

Source Field

TSI=18 and TRBL=CELL_TASK_TIMEOUT

Source Section

CELL101

CELL101_CellTaskTimeout_TSI19

Call state of 19 or 119 (trouble code CELL_TASK_TIMEOUT) - Failure has occurred during the call. The intelligent cellular peripheral (ICP) sends a CARRIER OFF command to the VCH to put it back into the idle voice task and expects an answer

Data Source

MTX Log

Source Field

TSI=19 and TRBL=CELL_TASK_TIMEOUT

Source Section

CELL101

CELL101_CellTaskTimeout_TSI2

Call state of 2 or 102 (trouble code CELL_TASK_TIMEOUT) - Waiting for setup acknowledgment from the voice channel (VCH). This state is used

Data Source

MTX Log

Source Field

TSI=2 and TRBL=CELL_TASK_TIMEOUT

Source Section

CELL101

CELL101_CellTaskTimeout_TSI20

Call state of 20 or 120 (trouble code CELL_TASK_TIMEOUT) - Waiting for a power order confirmation from the VCH in response to a power command to change the transmit power level of the mobile unit

Data Source

MTX Log

Source Field

TSI=20 and TRBL=CELL_TASK_TIMEOUT

Source Section

CELL101

CELL101_CellTaskTimeout_TSI21

Call state of 21 or 121 (trouble code CELL_TASK_TIMEOUT) - Waiting for a stop alert confirmation from the VCH in response to a stop alert order

Data Source

MTX Log

Source Field

TSI=21 and TRBL=CELL_TASK_TIMEOUT

Source Section

CELL101

CELL101_CellTaskTimeout_TSI22

Call state of 22 or 122 (trouble code CELL_TASK_TIMEOUT) - Waiting for an audit confirmation from the VCH in response to an audit order

Data Source

MTX Log

Source Field

TSI=22 and TRBL=CELL_TASK_TIMEOUT

Source Section

CELL101

CELL101_CellTaskTimeout_TSI23

Call state of 23 or 123 (trouble code CELL_TASK_TIMEOUT) - Waiting for a reorder confirmation from the VCH in response to the abbreviated reorder order

Data Source

MTX Log

Source Field

TSI=23 and TRBL=CELL_TASK_TIMEOUT

Source Section

CELL101

CELL101_CellTaskTimeout_TSI24

Call state of 24 or 124 (trouble code CELL_TASK_TIMEOUT) - Waiting for an intercept confirmation from the VCH in response to the abbreviated intercept order

Data Source

MTX Log

Source Field

TSI=24 and TRBL=CELL_TASK_TIMEOUT

Source Section

CELL101

CELL101_CellTaskTimeout_TSI25

Call state of 25 or 125 (trouble code CELL_TASK_TIMEOUT) - Waiting for an alert confirmation from the VCH in response to the abbreviated alert order

Data Source

MTX Log

Source Field

TSI=25 and TRBL=CELL_TASK_TIMEOUT

Source Section

CELL101

CELL101_CellTaskTimeout_TSI26

Call state of 26 or 126 (trouble code CELL_TASK_TIMEOUT) - Waiting for a disconnect message from the mobile unit

Data Source

MTX Log

Source Field

TSI=26 and TRBL=CELL_TASK_TIMEOUT

Source Section

CELL101

CELL101_CellTaskTimeout_TSI27

Call state of 27 or 127 (trouble code CELL_TASK_TIMEOUT) - A carrier fail message was reported from DS1MTCE

Data Source

MTX Log

Source Field

TSI=27 and TRBL=CELL_TASK_TIMEOUT

Source Section

CELL101

CELL101_CellTaskTimeout_TSI28

Call state of 28 or 128 (trouble code CELL_TASK_TIMEOUT) - MB_SEIZE. Used to distinguish manual busy and carrier fail from an in-service seize

Data Source

MTX Log

Source Field

TSI=28 and TRBL=CELL_TASK_TIMEOUT

Source Section

CELL101

CELL101_CellTaskTimeout_TSI29

Call state of 29 or 129 (trouble code CELL_TASK_TIMEOUT) - VCH will be removed after a maintenance handoff

Data Source

MTX Log

Source Field

TSI=29 and TRBL=CELL_TASK_TIMEOUT

Source Section

CELL101

CELL101_CellTaskTimeout_TSI3

Call state of 3 or 103 (trouble code CELL_TASK_TIMEOUT) - Waiting for setup acknowledgment from the VCH. This state is used on terminations

Data Source

MTX Log

Source Field

TSI=3 and TRBL=CELL_TASK_TIMEOUT

Source Section

CELL101

CELL101_CellTaskTimeout_TSI30

Not currently used

Data Source

MTX Log

Source Field

TSI=30 and TRBL=CELL_TASK_TIMEOUT

Source Section

CELL101

CELL101_CellTaskTimeout_TSI31

Not currently used

Data Source

MTX Log

Source Field

TSI=31 and TRBL=CELL_TASK_TIMEOUT

Source Section

CELL101

CELL101_CellTaskTimeout_TSI32

Call state of 32 or 132 (trouble code CELL_TASK_TIMEOUT) - Waiting for a release from the CC after sending it a HANDOFF_JACK

Data Source

MTX Log

Source Field

TSI=32 and TRBL=CELL_TASK_TIMEOUT

Source Section

CELL101

CELL101_CellTaskTimeout_TSI4

Call state of 4 or 104 (trouble code CELL_TASK_TIMEOUT) - Waiting for SAT_PRESENT on termination

Data Source

MTX Log

Source Field

TSI=4 and TRBL=CELL_TASK_TIMEOUT

Source Section

CELL101

CELL101_CellTaskTimeout_TSI5

Call state of 5 or 105 (trouble code CELL_TASK_TIMEOUT) - ACTIVE_SAT_WAIT_RELEASE

Data Source

MTX Log

Source Field

TSI=5 and TRBL=CELL_TASK_TIMEOUT

Source Section

CELL101

CELL101_CellTaskTimeout_TSI6

Call state of 6 or 106 (trouble code CELL_TASK_TIMEOUT) - Waiting for initial SAT detection on the VCH from the originating mobile unit

Data Source

MTX Log

Source Field

TSI=6 and TRBL=CELL_TASK_TIMEOUT

Source Section

CELL101

CELL101_CellTaskTimeout_TSI7

Call state of 7 or 107 (trouble code CELL_TASK_TIMEOUT) - Waiting for a release acknowledgment from the peripheral

Data Source

MTX Log

Source Field

TSI=7 and TRBL=CELL_TASK_TIMEOUT

Source Section

CELL101

CELL101_CellTaskTimeout_TSI8

Call state of 8 or 108 (trouble code CELL_TASK_TIMEOUT) - Waiting for an ANSWER MESSAGE from a terminating mobile unit after receiving a SAT_PRESENT message.

Data Source

MTX Log

Source Field

TSI=8 and TRBL=CELL_TASK_TIMEOUT

Source Section

CELL101

CELL101_CellTaskTimeout_TSI9

Call state of 9 or 109 (trouble code CELL_TASK_TIMEOUT) - The mobile unit is in conversation

Data Source

MTX Log

Source Field

TSI=9 and TRBL=CELL_TASK_TIMEOUT

Source Section

CELL101

CELL101_ForcedHODisc

Number of CELL101 events with trouble code of FORCED_HANDOFF_DISCONNECT

Data Source

MTX Log

Source Field

TRBL=FORCED_HANDOFF_DISCONNECT

Source Section

CELL101

CELL101_ForcedHODisc_TSI1

Call state of 1 or 101 (trouble code FORCED_HANDOFF_DISCONNECT) - Idle

Data Source

MTX Log

Source Field

TSI=1 and TRBL=FORCED_HANDOFF_DISCONNECT

Source Section

CELL101

CELL101_ForcedHODisc_TSI10

Call state of 10 or 110 (trouble code FORCED_HANDOFF_DISCONNECT) - Waiting for a release acknowledgment from the mobile unit

Data Source

MTX Log

Source Field

TSI=10 and TRBL=FORCED_HANDOFF_DISCONNECT

Source Section

CELL101

CELL101_ForcedHODisc_TSI11

Call state of 11 or 111 (trouble code FORCED_HANDOFF_DISCONNECT) - ACTIVE_RELEASE_SETUP

Data Source

MTX Log

Source Field

TSI=11 and TRBL=FORCED_HANDOFF_DISCONNECT

Source Section

CELL101

CELL101_ForcedHODisc_TSI12

Call state of 12 or 112 (trouble code FORCED_HANDOFF_DISCONNECT) - Waiting for an alert acknowledgment from the mobile unit (second attempt)

Data Source

MTX Log

Source Field

TSI=12 and TRBL=FORCED_HANDOFF_DISCONNECT

Source Section

CELL101

CELL101_ForcedHODisc_TSI13

Call state of 13 or 113 (trouble code FORCED_HANDOFF_DISCONNECT) - ALERT_2

Data Source

MTX Log

Source Field

TSI=13 and TRBL=FORCED_HANDOFF_DISCONNECT

Source Section

CELL101

CELL101_ForcedHODisc_TSI14

Call state of 14 or 114 (trouble code FORCED_HANDOFF_DISCONNECT) - Waiting for the called address from the mobile unit

Data Source

MTX Log

Source Field

TSI=14 and TRBL=FORCED_HANDOFF_DISCONNECT

Source Section

CELL101

CELL101_ForcedHODisc_TSI15

Call state of 15 or 115 (trouble code FORCED_HANDOFF_DISCONNECT) - Waiting for a setup message from the MTX

Data Source

MTX Log

Source Field

TSI=15 and TRBL=FORCED_HANDOFF_DISCONNECT

Source Section

CELL101

CELL101_ForcedHODisc_TSI16

Call state of 16 or 116 (trouble code FORCED_HANDOFF_DISCONNECT) - The VCH is being used for locating channel receiver (LCR) redundancy

Data Source

MTX Log

Source Field

TSI=16 and TRBL=FORCED_HANDOFF_DISCONNECT

Source Section

CELL101

CELL101_ForcedHODisc_TSI17

Call state of 17 or 117 (trouble code FORCED_HANDOFF_DISCONNECT) - The VCH is undergoing in-service testing

Data Source

MTX Log

Source Field

TSI=17 and TRBL=FORCED_HANDOFF_DISCONNECT

Source Section

CELL101

CELL101_ForcedHODisc_TSI18

Call state of 18 or 118 (trouble code FORCED_HANDOFF_DISCONNECT) - The VCH is waiting for the One-second guard timer to expire after the mobile unit disconnects or hands off. After the timer expires, the mobile unit is put back on the IDLE queue

Data Source

MTX Log

Source Field

TSI=18 and TRBL=FORCED_HANDOFF_DISCONNECT

Source Section

CELL101

CELL101_ForcedHODisc_TSI19

Call state of 19 or 119 (trouble code FORCED_HANDOFF_DISCONNECT) - Failure has occurred during the call. The intelligent cellular peripheral (ICP) sends a CARRIER OFF command to the VCH to put it back into the idle voice task and expects an answer

Data Source

MTX Log

Source Field

TSI=19 and TRBL=FORCED_HANDOFF_DISCONNECT

Source Section

CELL101

CELL101_ForcedHODisc_TSI2

Call state of 2 or 102 (trouble code FORCED_HANDOFF_DISCONNECT) - Waiting for setup acknowledgment from the voice channel (VCH). This state is used

Data Source

MTX Log

Source Field

TSI=2 and TRBL=FORCED_HANDOFF_DISCONNECT

Source Section

CELL101

CELL101_ForcedHODisc_TSI20

Call state of 20 or 120 (trouble code FORCED_HANDOFF_DISCONNECT) - Waiting for a power order confirmation from the VCH in response to a power command to change the transmit power level of the mobile unit

Data Source

MTX Log

Source Field

TSI=20 and TRBL=FORCED_HANDOFF_DISCONNECT

Source Section

CELL101

CELL101_ForcedHODisc_TSI21

Call state of 21 or 121 (trouble code FORCED_HANDOFF_DISCONNECT) - Waiting for a stop alert confirmation from the VCH in response to a stop alert order

Data Source

MTX Log

Source Field

TSI=21 and TRBL=FORCED_HANDOFF_DISCONNECT

Source Section

CELL101

CELL101_ForcedHODisc_TSI22

Call state of 22 or 122 (trouble code FORCED_HANDOFF_DISCONNECT) - Waiting for an audit confirmation from the VCH in response to an audit order

Data Source

MTX Log

Source Field

TSI=22 and TRBL=FORCED_HANDOFF_DISCONNECT

Source Section

CELL101

CELL101_ForcedHODisc_TSI23

Call state of 23 or 123 (trouble code FORCED_HANDOFF_DISCONNECT) - Waiting for a reorder confirmation from the VCH in response to the abbreviated reorder order

Data Source

MTX Log

Source Field

TSI=23 and TRBL=FORCED_HANDOFF_DISCONNECT

Source Section

CELL101

CELL101_ForcedHODisc_TSI24

Call state of 24 or 124 (trouble code FORCED_HANDOFF_DISCONNECT) - Waiting for an intercept confirmation from the VCH in response to the abbreviated intercept order

Data Source

MTX Log

Source Field

TSI=24 and TRBL=FORCED_HANDOFF_DISCONNECT

Source Section

CELL101

CELL101_ForcedHODisc_TSI25

Call state of 25 or 125 (trouble code FORCED_HANDOFF_DISCONNECT) - Waiting for an alert confirmation from the VCH in response to the abbreviated alert order

Data Source

MTX Log

Source Field

TSI=25 and TRBL=FORCED_HANDOFF_DISCONNECT

Source Section

CELL101

CELL101_ForcedHODisc_TSI26

Call state of 26 or 126 (trouble code FORCED_HANDOFF_DISCONNECT) - Waiting for a disconnect message from the mobile unit

Data Source

MTX Log

Source Field

TSI=26 and TRBL=FORCED_HANDOFF_DISCONNECT

Source Section

CELL101

CELL101_ForcedHODisc_TSI27

Call state of 27 or 127 (trouble code FORCED_HANDOFF_DISCONNECT) - A carrier fail message was reported from DS1MTCE

Data Source

MTX Log

Source Field

TSI=27 and TRBL=FORCED_HANDOFF_DISCONNECT

Source Section

CELL101

CELL101_ForcedHODisc_TSI28

Call state of 28 or 128 (trouble code FORCED_HANDOFF_DISCONNECT) - MB_SEIZE. Used to distinguish manual busy and carrier fail from an in-service seize

Data Source

MTX Log

Source Field

TSI=28 and TRBL=FORCED_HANDOFF_DISCONNECT

Source Section

CELL101

CELL101_ForcedHODisc_TSI29

Call state of 29 or 129 (trouble code FORCED_HANDOFF_DISCONNECT) - VCH will be removed after a maintenance handoff

Data Source

MTX Log

Source Field

TSI=29 and TRBL=FORCED_HANDOFF_DISCONNECT

Source Section

CELL101

CELL101_ForcedHODisc_TSI3

Call state of 3 or 103 (trouble code FORCED_HANDOFF_DISCONNECT) - Waiting for setup acknowledgment from the VCH. This state is used on terminations

Data Source

MTX Log

Source Field

TSI=3 and TRBL=FORCED_HANDOFF_DISCONNECT

Source Section

CELL101

CELL101_ForcedHODisc_TSI30

Not currently used

Data Source

MTX Log

Source Field

TSI=30 and TRBL=FORCED_HANDOFF_DISCONNECT

Source Section

CELL101

CELL101_ForcedHODisc_TSI31

Not currently used

Data Source

MTX Log

Source Field

TSI=31 and TRBL=FORCED_HANDOFF_DISCONNECT

Source Section

CELL101

CELL101_ForcedHODisc_TSI32

Call state of 32 or 132 (trouble code FORCED_HANDOFF_DISCONNECT) - Waiting for a release from the CC after sending it a HANDOFF_JACK

Data Source

MTX Log

Source Field

TSI=32 and TRBL=FORCED_HANDOFF_DISCONNECT

Source Section

CELL101

CELL101_ForcedHODisc_TSI4

Call state of 4 or 104 (trouble code FORCED_HANDOFF_DISCONNECT) - Waiting for SAT_PRESENT on termination

Data Source

MTX Log

Source Field

TSI=4 and TRBL=FORCED_HANDOFF_DISCONNECT

Source Section

CELL101

CELL101_ForcedHODisc_TSI5

Call state of 5 or 105 (trouble code FORCED_HANDOFF_DISCONNECT) - ACTIVE_SAT_WAIT_RELEASE

Data Source

MTX Log

Source Field

TSI=5 and TRBL=FORCED_HANDOFF_DISCONNECT

Source Section

CELL101

CELL101_ForcedHODisc_TSI6

Call state of 6 or 106 (trouble code FORCED_HANDOFF_DISCONNECT) - Waiting for initial SAT detection on the VCH from the originating mobile unit

Data Source

MTX Log

Source Field

TSI=6 and TRBL=FORCED_HANDOFF_DISCONNECT

Source Section

CELL101

CELL101_ForcedHODisc_TSI7

Call state of 7 or 107 (trouble code FORCED_HANDOFF_DISCONNECT) - Waiting for a release acknowledgment from the peripheral

Data Source

MTX Log

Source Field

TSI=7 and TRBL=FORCED_HANDOFF_DISCONNECT

Source Section

CELL101

CELL101_ForcedHODisc_TSI8

Call state of 8 or 108 (trouble code FORCED_HANDOFF_DISCONNECT) - Waiting for an ANSWER MESSAGE from a terminating mobile unit after receiving a SAT_PRESENT message.

Data Source

MTX Log

Source Field

TSI=8 and TRBL=FORCED_HANDOFF_DISCONNECT

Source Section

CELL101

CELL101_ForcedHODisc_TSI9

Call state of 9 or 109 (trouble code FORCED_HANDOFF_DISCONNECT) - The mobile unit is in conversation

Data Source

MTX Log

Source Field

TSI=9 and TRBL=FORCED_HANDOFF_DISCONNECT

Source Section

CELL101

CELL101_TDMAAcquisFail

Number of CELL101 events with trouble code of TDMA_ACQUISITION_FAILURE

Data Source

MTX Log

Source Field

TRBL=TDMA_ACQUISITION_FAILURE

Source Section

CELL101

CELL101_TDMAAcquisFail_TSI1

Call state of 1 or 101 (trouble code TDMA_ACQUISITION_FAILURE) - Idle

Data Source

MTX Log

Source Field

TSI=1 and TRBL=TDMA_ACQUISITION_FAILURE

Source Section

CELL101

CELL101_TDMAAcquisFail_TSI10

Call state of 10 or 110 (trouble code TDMA_ACQUISITION_FAILURE) - Waiting for a release acknowledgment from the mobile unit

Data Source

MTX Log

Source Field

TSI=10 and TRBL=TDMA_ACQUISITION_FAILURE

Source Section

CELL101

CELL101_TDMAAcquisFail_TSI11

Call state of 11 or 111 (trouble code TDMA_ACQUISITION_FAILURE) - ACTIVE_RELEASE_SETUP

Data Source

MTX Log

Source Field

TSI=11 and TRBL=TDMA_ACQUISITION_FAILURE

Source Section

CELL101

CELL101_TDMAAcquisFail_TSI12

Call state of 12 or 112 (trouble code TDMA_ACQUISITION_FAILURE) - Waiting for an alert acknowledgment from the mobile unit (second attempt)

Data Source

MTX Log

Source Field

TSI=12 and TRBL=TDMA_ACQUISITION_FAILURE

Source Section

CELL101

CELL101_TDMAAcquisFail_TSI13

Call state of 13 or 113 (trouble code TDMA_ACQUISITION_FAILURE) - ALERT_2

Data Source

MTX Log

Source Field

TSI=13 and TRBL=TDMA_ACQUISITION_FAILURE

Source Section

CELL101

CELL101_TDMAAcquisFail_TSI14

Call state of 14 or 114 (trouble code TDMA_ACQUISITION_FAILURE) - Waiting for the called address from the mobile unit

Data Source

MTX Log

Source Field

TSI=14 and TRBL=TDMA_ACQUISITION_FAILURE

Source Section

CELL101

CELL101_TDMAAcquisFail_TSI15

Call state of 15 or 115 (trouble code TDMA_ACQUISITION_FAILURE) - Waiting for a setup message from the MTX

Data Source

MTX Log

Source Field

TSI=15 and TRBL=TDMA_ACQUISITION_FAILURE

Source Section

CELL101

CELL101_TDMAAcquisFail_TSI16

Call state of 16 or 116 (trouble code TDMA_ACQUISITION_FAILURE) - The VCH is being used for locating channel receiver (LCR) redundancy

Data Source

MTX Log

Source Field

TSI=16 and TRBL=TDMA_ACQUISITION_FAILURE

Source Section

CELL101

CELL101_TDMAAcquisFail_TSI17

Call state of 17 or 117 (trouble code TDMA_ACQUISITION_FAILURE) - The VCH is undergoing in-service testing

Data Source

MTX Log

Source Field

TSI=17 and TRBL=TDMA_ACQUISITION_FAILURE

Source Section

CELL101

CELL101_TDMAAcquisFail_TSI18

Call state of 18 or 118 (trouble code TDMA_ACQUISITION_FAILURE) - The VCH is waiting for the One-second guard timer to expire after the mobile unit disconnects or hands off. After the timer expires, the mobile unit is put back on the IDLE queue

Data Source

MTX Log

Source Field

TSI=18 and TRBL=TDMA_ACQUISITION_FAILURE

Source Section

CELL101

CELL101_TDMAAcquisFail_TSI19

Call state of 19 or 119 (trouble code TDMA_ACQUISITION_FAILURE) - Failure has occurred during the call. The intelligent cellular peripheral (ICP) sends a CARRIER OFF command to the VCH to put it back into the idle voice task and expects an answer

Data Source

MTX Log

Source Field

TSI=19 and TRBL=TDMA_ACQUISITION_FAILURE

Source Section

CELL101

CELL101_TDMAAcquisFail_TSI2

Call state of 2 or 102 (trouble code TDMA_ACQUISITION_FAILURE) - Waiting for setup acknowledgment from the voice channel (VCH). This state is used

Data Source

MTX Log

Source Field

TSI=2 and TRBL=TDMA_ACQUISITION_FAILURE

Source Section

CELL101

CELL101_TDMAAcquisFail_TSI20

Call state of 20 or 120 (trouble code TDMA_ACQUISITION_FAILURE) - Waiting for a power order confirmation from the VCH in response to a power command to change the transmit power level of the mobile unit

Data Source

MTX Log

Source Field

TSI=20 and TRBL=TDMA_ACQUISITION_FAILURE

Source Section

CELL101

CELL101_TDMAAcquisFail_TSI21

Call state of 21 or 121 (trouble code TDMA_ACQUISITION_FAILURE) - Waiting for a stop alert confirmation from the VCH in response to a stop alert order

Data Source

MTX Log

Source Field

TSI=21 and TRBL=TDMA_ACQUISITION_FAILURE

Source Section

CELL101

CELL101_TDMAAcquisFail_TSI22

Call state of 22 or 122 (trouble code TDMA_ACQUISITION_FAILURE) - Waiting for an audit confirmation from the VCH in response to an audit order

Data Source

MTX Log

Source Field

TSI=22 and TRBL=TDMA_ACQUISITION_FAILURE

Source Section

CELL101

CELL101_TDMAAcquisFail_TSI23

Call state of 23 or 123 (trouble code TDMA_ACQUISITION_FAILURE) - Waiting for a reorder confirmation from the VCH in response to the abbreviated reorder order

Data Source

MTX Log

Source Field

TSI=23 and TRBL=TDMA_ACQUISITION_FAILURE

Source Section

CELL101

CELL101_TDMAAcquisFail_TSI24

Call state of 24 or 124 (trouble code TDMA_ACQUISITION_FAILURE) - Waiting for an intercept confirmation from the VCH in response to the abbreviated intercept order

Data Source

MTX Log

Source Field

TSI=24 and TRBL=TDMA_ACQUISITION_FAILURE

Source Section

CELL101

CELL101_TDMAAcquisFail_TSI25

Call state of 25 or 125 (trouble code TDMA_ACQUISITION_FAILURE) - Waiting for an alert confirmation from the VCH in response to the abbreviated alert order

Data Source

MTX Log

Source Field

TSI=25 and TRBL=TDMA_ACQUISITION_FAILURE

Source Section

CELL101

CELL101_TDMAAcquisFail_TSI26

Call state of 26 or 126 (trouble code TDMA_ACQUISITION_FAILURE) - Waiting for a disconnect message from the mobile unit

Data Source

MTX Log

Source Field

TSI=26 and TRBL=TDMA_ACQUISITION_FAILURE

Source Section

CELL101

CELL101_TDMAAcquisFail_TSI27

Call state of 27 or 127 (trouble code TDMA_ACQUISITION_FAILURE) - A carrier fail message was reported from DS1MTCE

Data Source

MTX Log

Source Field

TSI=27 and TRBL=TDMA_ACQUISITION_FAILURE

Source Section

CELL101

CELL101_TDMAAcquisFail_TSI28

Call state of 28 or 128 (trouble code TDMA_ACQUISITION_FAILURE) - MB_SEIZE. Used to distinguish manual busy and carrier fail from an in-service seize

Data Source

MTX Log

Source Field

TSI=28 and TRBL=TDMA_ACQUISITION_FAILURE

Source Section

CELL101

CELL101_TDMAAcquisFail_TSI29

Call state of 29 or 129 (trouble code TDMA_ACQUISITION_FAILURE) - VCH will be removed after a maintenance handoff

Data Source

MTX Log

Source Field

TSI=29 and TRBL=TDMA_ACQUISITION_FAILURE

Source Section

CELL101

CELL101_TDMAAcquisFail_TSI3

Call state of 3 or 103 (trouble code TDMA_ACQUISITION_FAILURE) - Waiting for setup acknowledgment from the VCH. This state is used on terminations

Data Source

MTX Log

Source Field

TSI=3 and TRBL=TDMA_ACQUISITION_FAILURE

Source Section

CELL101

CELL101_TDMAAcquisFail_TSI30

Not currently used

Data Source

MTX Log

Source Field

TSI=30 and TRBL=TDMA_ACQUISITION_FAILURE

Source Section

CELL101

CELL101_TDMAAcquisFail_TSI31

Not currently used

Data Source

MTX Log

Source Field

TSI=31 and TRBL=TDMA_ACQUISITION_FAILURE

Source Section

CELL101

CELL101_TDMAAcquisFail_TSI32

Call state of 32 or 132 (trouble code TDMA_ACQUISITION_FAILURE) - Waiting for a release from the CC after sending it a HANDOFF_JACK

Data Source

MTX Log

Source Field

TSI=32 and TRBL=TDMA_ACQUISITION_FAILURE

Source Section

CELL101

CELL101_TDMAAcquisFail_TSI4

Call state of 4 or 104 (trouble code TDMA_ACQUISITION_FAILURE) - Waiting for SAT_PRESENT on termination

Data Source

MTX Log

Source Field

TSI=4 and TRBL=TDMA_ACQUISITION_FAILURE

Source Section

CELL101

CELL101_TDMAAcquisFail_TSI5

Call state of 5 or 105 (trouble code TDMA_ACQUISITION_FAILURE) - ACTIVE_SAT_WAIT_RELEASE

Data Source

MTX Log

Source Field

TSI=5 and TRBL=TDMA_ACQUISITION_FAILURE

Source Section

CELL101

CELL101_TDMAAcquisFail_TSI6

Call state of 6 or 106 (trouble code TDMA_ACQUISITION_FAILURE) - Waiting for initial SAT detection on the VCH from the originating mobile unit

Data Source

MTX Log

Source Field

TSI=6 and TRBL=TDMA_ACQUISITION_FAILURE

Source Section

CELL101

CELL101_TDMAAcquisFail_TSI7

Call state of 7 or 107 (trouble code TDMA_ACQUISITION_FAILURE) - Waiting for a release acknowledgment from the peripheral

Data Source

MTX Log

Source Field

TSI=7 and TRBL=TDMA_ACQUISITION_FAILURE

Source Section

CELL101

CELL101_TDMAAcquisFail_TSI8

Call state of 8 or 108 (trouble code TDMA_ACQUISITION_FAILURE) - Waiting for an ANSWER MESSAGE from a terminating mobile unit after receiving a SAT_PRESENT message.

Data Source

MTX Log

Source Field

TSI=8 and TRBL=TDMA_ACQUISITION_FAILURE

Source Section

CELL101

CELL101_TDMAAcquisFail_TSI9

Call state of 9 or 109 (trouble code TDMA_ACQUISITION_FAILURE) - The mobile unit is in conversation

Data Source

MTX Log

Source Field

TSI=9 and TRBL=TDMA_ACQUISITION_FAILURE

Source Section

CELL101

CELLTRBL

CELLTRBL

Data Source

MTX OM, SDM

Source Field

CELLTRBL

Source Section

OMMTX3

CHOBLKS

CHOBLKS

Data Source

MTX OM

Source Field

CHOBLKS

Source Section

OMMTXHO2

CHONSRCR

CHONSRCR

Data Source

MTX OM

Source Field

CHONSRCR

Source Section

OMMTXHO2

CHOREJCT_A

Register CHOSRTRY is pegged when HO is cancelled.

Data Source

MTX OM

Source Field

CHOREJCT

Source Section

OMMTXHO2

CHOSRCAT

CHOSRCAT

Data Source

MTX OM

Source Field

CHOSRCAT

Source Section

OMMTXHO2

CHOSRCFL

CHOSRCFL

Data Source

MTX OM

Source Field

CHOSRCFL

Source Section

OMMTXHO2

CHOSRCSU

CHOSRCSU

Data Source

MTX OM

Source Field

CHOSRCSU

Source Section

OMMTXHO2

CHOSRRLS

CHOSRRLS

Data Source

MTX OM

Source Field

CHOSRRLS

Source Section

OMMTXHO2

CIDATT

handoff candidate msg comes from the ICP

Data Source

MTX OM, SDM

Source Field

CIDATT

Source Section

CIBEROM

CIDCOMP

handoff Comp msg comes from the ICP

Data Source

MTX OM, SDM

Source Field

CIDCOMP

Source Section

CIBEROM

CIDINTA

C/I drop ratio causes a handoff from one partition to another

Data Source

MTX OM, SDM

Source Field

CIDINTA

Source Section

CIBEROM

CIDINTR

C/I drop ratio causes a handoff within the cell partition

Data Source

MTX OM, SDM

Source Field

CIDINTR

Source Section

CIBEROM

CINATT

ICP sends a handoff candidate msg that C/I noise ratio has caused an attempt to handoff

Data Source

MTX OM, SDM

Source Field

CINATT

Source Section

CIBEROM

CINCOMP

ICP sends a handoff candidate msg that C/I noise ratio has caused a handoff Comp

Data Source

MTX OM, SDM

Source Field

CINCOMP

Source Section

CIBEROM

CININTA

C/I noise ratio triggers an intra-partition Ho

Data Source

MTX OM, SDM

Source Field

CININTA

Source Section

CIBEROM

CININTR

C/I noise ratio triggers an interpartition handoff

Data Source

MTX OM, SDM

Source Field

CININTR

Source Section

CIBEROM

CLFL100_MobileFade

Number of CLFL100 events with trouble code of SERV_NO_HO_ACK

Data Source

MTX Log

Source Field

TRBL=MOBILEFADE

Source Section

CLFL100

CLFL100_TSI1

Call state of 1 or 101 - Idle

Data Source

MTX Log

Source Field

TSI=1 and TRBL=MOBILEFADE

Source Section

CLFL100

CLFL100_TSI10

Call state of 10 or 110 - Waiting for a release acknowledgment from the mobile unit

Data Source

MTX Log

Source Field

TSI=10 and TRBL=MOBILEFADE

Source Section

CLFL100

CLFL100_TSI11

Call state of 11 or 111 - ACTIVE_RELEASE_SETUP

Data Source

MTX Log

Source Field

TSI=11 and TRBL=MOBILEFADE

Source Section

CLFL100

CLFL100_TSI12

Call state of 12 or 112 - Waiting for an alert acknowledgment from the mobile unit (second attempt)

Data Source

MTX Log

Source Field

TSI=12 and TRBL=MOBILEFADE

Source Section

CLFL100

CLFL100_TSI13

Call state of 13 or 113 - ALERT_2

Data Source

MTX Log

Source Field

TSI=13 and TRBL=MOBILEFADE

Source Section

CLFL100

CLFL100_TSI14

Call state of 14 or 114 - Waiting for the called address from the mobile unit

Data Source

MTX Log

Source Field

TSI=14 and TRBL=MOBILEFADE

Source Section

CLFL100

CLFL100_TSI15

Call state of 15 or 115 - Waiting for a setup message from the MTX

Data Source

MTX Log

Source Field

TSI=15 and TRBL=MOBILEFADE

Source Section

CLFL100

CLFL100_TSI16

Call state of 16 or 116 - The VCH is being used for locating channel receiver (LCR) redundancy

Data Source

MTX Log

Source Field

TSI=16 and TRBL=MOBILEFADE

Source Section

CLFL100

CLFL100_TSI17

Call state of 17 or 117 - The VCH is undergoing in-service testing

Data Source

MTX Log

Source Field

TSI=17 and TRBL=MOBILEFADE

Source Section

CLFL100

CLFL100_TSI18

Call state of 18 or 118 - The VCH is waiting for the One-second guard timer to expire after the mobile unit disconnects or hands off. After the timer expires, the mobile unit is put back on the IDLE queue

Data Source

MTX Log

Source Field

TSI=18 and TRBL=MOBILEFADE

Source Section

CLFL100

CLFL100_TSI19

Call state of 19 or 119 - Failure has occurred during the call. The intelligent cellular peripheral (ICP) sends a CARRIER OFF command to the VCH to put it back into the idle voice task and expects an answer

Data Source

MTX Log

Source Field

TSI=19 and TRBL=MOBILEFADE

Source Section

CLFL100

CLFL100_TSI2

Call state of 2 or 102 - Waiting for setup acknowledgment from the voice channel (VCH). This state is used

Data Source

MTX Log

Source Field

TSI=2 and TRBL=MOBILEFADE

Source Section

CLFL100

CLFL100_TSI20

Call state of 20 or 120 - Waiting for a power order confirmation from the VCH in response to a power command to change the transmit power level of the mobile unit

Data Source

MTX Log

Source Field

TSI=20 and TRBL=MOBILEFADE

Source Section

CLFL100

CLFL100_TSI21

Call state of 21 or 121 - Waiting for a stop alert confirmation from the VCH in response to a stop alert order

Data Source

MTX Log

Source Field

TSI=21 and TRBL=MOBILEFADE

Source Section

CLFL100

CLFL100_TSI22

Call state of 22 or 122 - Waiting for an audit confirmation from the VCH in response to an audit order

Data Source

MTX Log

Source Field

TSI=22 and TRBL=MOBILEFADE

Source Section

CLFL100

CLFL100_TSI23

Call state of 23 or 123 - Waiting for a reorder confirmation from the VCH in response to the abbreviated reorder order

Data Source

MTX Log

Source Field

TSI=23 and TRBL=MOBILEFADE

Source Section

CLFL100

CLFL100_TSI24

Call state of 24 or 124 - Waiting for an intercept confirmation from the VCH in response to the abbreviated intercept order

Data Source

MTX Log

Source Field

TSI=24 and TRBL=MOBILEFADE

Source Section

CLFL100

CLFL100_TSI25

Call state of 25 or 125 - Waiting for an alert confirmation from the VCH in response to the abbreviated alert order

Data Source

MTX Log

Source Field

TSI=25 and TRBL=MOBILEFADE

Source Section

CLFL100

CLFL100_TSI26

Call state of 26 or 126 - Waiting for a disconnect message from the mobile unit

Data Source

MTX Log

Source Field

TSI=26 and TRBL=MOBILEFADE

Source Section

CLFL100

CLFL100_TSI27

Call state of 27 or 127 - A carrier fail message was reported from DS1MTCE

Data Source

MTX Log

Source Field

TSI=27 and TRBL=MOBILEFADE

Source Section

CLFL100

CLFL100_TSI28

Call state of 28 or 128 - MB_SEIZE. Used to distinguish manual busy and carrier fail from an in-service seize

Data Source

MTX Log

Source Field

TSI=28 and TRBL=MOBILEFADE

Source Section

CLFL100

CLFL100_TSI29

Call state of 29 or 129 - VCH will be removed after a maintenance handoff

Data Source

MTX Log

Source Field

TSI=29 and TRBL=MOBILEFADE

Source Section

CLFL100

CLFL100_TSI3

Call state of 3 or 103 - Waiting for setup acknowledgment from the VCH. This state is used on terminations

Data Source

MTX Log

Source Field

TSI=3 and TRBL=MOBILEFADE

Source Section

CLFL100

CLFL100_TSI30

Not currently used

Data Source

MTX Log

Source Field

TSI=30 and TRBL=MOBILEFADE

Source Section

CLFL100

CLFL100_TSI31

Not currently used

Data Source

MTX Log

Source Field

TSI=31 and TRBL=MOBILEFADE

Source Section

CLFL100

CLFL100_TSI32

Call state of 32 or 132 - Waiting for a release from the CC after sending it a HANDOFF_JACK

Data Source

MTX Log

Source Field

TSI=32 and TRBL=MOBILEFADE

Source Section

CLFL100

CLFL100_TSI4

Call state of 4 or 104 - Waiting for SAT_PRESENT on termination

Data Source

MTX Log

Source Field

TSI=4 and TRBL=MOBILEFADE

Source Section

CLFL100

CLFL100_TSI5

Call state of 5 or 105 - ACTIVE_SAT_WAIT_RELEASE

Data Source

MTX Log

Source Field

TSI=5 and TRBL=MOBILEFADE

Source Section

CLFL100

CLFL100_TSI6

Call state of 6 or 106 - Waiting for initial SAT detection on the VCH from the originating mobile unit

Data Source

MTX Log

Source Field

TSI=6 and TRBL=MOBILEFADE

Source Section

CLFL100

CLFL100_TSI7

Call state of 7 or 107 - Waiting for a release acknowledgment from the peripheral

Data Source

MTX Log

Source Field

TSI=7 and TRBL=MOBILEFADE

Source Section

CLFL100

CLFL100_TSI8

Call state of 8 or 108 - Waiting for an ANSWER MESSAGE from a terminating mobile unit after receiving a SAT_PRESENT message.

Data Source

MTX Log

Source Field

TSI=8 and TRBL=MOBILEFADE

Source Section

CLFL100

CLFL100_TSI9

Call state of 9 or 109 - The mobile unit is in conversation

Data Source

MTX Log

Source Field

TSI=9 and TRBL=MOBILEFADE

Source Section

CLFL100

CLFL101_MobileTimeout

Number of CLFL101 events with trouble code of SERV_NO_HO_ACK

Data Source

MTX Log

Source Field

TRBL=MOBILETIMEOUT

Source Section

CLFL101

CLFL101_TSI1

Call state of 1 or 101 - Idle

Data Source

MTX Log

Source Field

TSI=1 and TRBL=MOBILETIMEOUT

Source Section

CLFL101

CLFL101_TSI10

Call state of 10 or 110 - Waiting for a release acknowledgment from the mobile unit

Data Source

MTX Log

Source Field

TSI=10 and TRBL=MOBILETIMEOUT

Source Section

CLFL101

CLFL101_TSI11

Call state of 11 or 111 - ACTIVE_RELEASE_SETUP

Data Source

MTX Log

Source Field

TSI=11 and TRBL=MOBILETIMEOUT

Source Section

CLFL101

CLFL101_TSI12

Call state of 12 or 112 - Waiting for an alert acknowledgment from the mobile unit (second attempt)

Data Source

MTX Log

Source Field

TSI=12 and TRBL=MOBILETIMEOUT

Source Section

CLFL101

CLFL101_TSI13

Call state of 13 or 113 - ALERT_2

Data Source

MTX Log

Source Field

TSI=13 and TRBL=MOBILETIMEOUT

Source Section

CLFL101

CLFL101_TSI14

Call state of 14 or 114 - Waiting for the called address from the mobile unit

Data Source

MTX Log

Source Field

TSI=14 and TRBL=MOBILETIMEOUT

Source Section

CLFL101

CLFL101_TSI15

Call state of 15 or 115 - Waiting for a setup message from the MTX

Data Source

MTX Log

Source Field

TSI=15 and TRBL=MOBILETIMEOUT

Source Section

CLFL101

CLFL101_TSI16

Call state of 16 or 116 - The VCH is being used for locating channel receiver (LCR) redundancy

Data Source

MTX Log

Source Field

TSI=16 and TRBL=MOBILETIMEOUT

Source Section

CLFL101

CLFL101_TSI17

Call state of 17 or 117 - The VCH is undergoing in-service testing

Data Source

MTX Log

Source Field

TSI=17 and TRBL=MOBILETIMEOUT

Source Section

CLFL101

CLFL101_TSI18

Call state of 18 or 118 - The VCH is waiting for the One-second guard timer to expire after the mobile unit disconnects or hands off. After the timer expires, the mobile unit is put back on the IDLE queue

Data Source

MTX Log

Source Field

TSI=18 and TRBL=MOBILETIMEOUT

Source Section

CLFL101

CLFL101_TSI19

Call state of 19 or 119 - Failure has occurred during the call. The intelligent cellular peripheral (ICP) sends a CARRIER OFF command to the VCH to put it back into the idle voice task and expects an answer

Data Source

MTX Log

Source Field

TSI=19 and TRBL=MOBILETIMEOUT

Source Section

CLFL101

CLFL101_TSI2

Call state of 2 or 102 - Waiting for setup acknowledgment from the voice channel (VCH). This state is used

Data Source

MTX Log

Source Field

TSI=2 and TRBL=MOBILETIMEOUT

Source Section

CLFL101

CLFL101_TSI20

Call state of 20 or 120 - Waiting for a power order confirmation from the VCH in response to a power command to change the transmit power level of the mobile unit

Data Source

MTX Log

Source Field

TSI=20 and TRBL=MOBILETIMEOUT

Source Section

CLFL101

CLFL101_TSI21

Call state of 21 or 121 - Waiting for a stop alert confirmation from the VCH in response to a stop alert order

Data Source

MTX Log

Source Field

TSI=21 and TRBL=MOBILETIMEOUT

Source Section

CLFL101

CLFL101_TSI22

Call state of 22 or 122 - Waiting for an audit confirmation from the VCH in response to an audit order

Data Source

MTX Log

Source Field

TSI=22 and TRBL=MOBILETIMEOUT

Source Section

CLFL101

CLFL101_TSI23

Call state of 23 or 123 - Waiting for a reorder confirmation from the VCH in response to the abbreviated reorder order

Data Source

MTX Log

Source Field

TSI=23 and TRBL=MOBILETIMEOUT

Source Section

CLFL101

CLFL101_TSI24

Call state of 24 or 124 - Waiting for an intercept confirmation from the VCH in response to the abbreviated intercept order

Data Source

MTX Log

Source Field

TSI=24 and TRBL=MOBILETIMEOUT

Source Section

CLFL101

CLFL101_TSI25

Call state of 25 or 125 - Waiting for an alert confirmation from the VCH in response to the abbreviated alert order

Data Source

MTX Log

Source Field

TSI=25 and TRBL=MOBILETIMEOUT

Source Section

CLFL101

CLFL101_TSI26

Call state of 26 or 126 - Waiting for a disconnect message from the mobile unit

Data Source

MTX Log

Source Field

TSI=26 and TRBL=MOBILETIMEOUT

Source Section

CLFL101

CLFL101_TSI27

Call state of 27 or 127 - A carrier fail message was reported from DS1MTCE

Data Source

MTX Log

Source Field

TSI=27 and TRBL=MOBILETIMEOUT

Source Section

CLFL101

CLFL101_TSI28

Call state of 28 or 128 - MB_SEIZE. Used to distinguish manual busy and carrier fail from an in-service seize

Data Source

MTX Log

Source Field

TSI=28 and TRBL=MOBILETIMEOUT

Source Section

CLFL101

CLFL101_TSI29

Call state of 29 or 129 - VCH will be removed after a maintenance handoff

Data Source

MTX Log

Source Field

TSI=29 and TRBL=MOBILETIMEOUT

Source Section

CLFL101

CLFL101_TSI3

Call state of 3 or 103 - Waiting for setup acknowledgment from the VCH. This state is used on terminations

Data Source

MTX Log

Source Field

TSI=3 and TRBL=MOBILETIMEOUT

Source Section

CLFL101

CLFL101_TSI30

Not currently used

Data Source

MTX Log

Source Field

TSI=30 and TRBL=MOBILETIMEOUT

Source Section

CLFL101

CLFL101_TSI31

Not currently used

Data Source

MTX Log

Source Field

TSI=31 and TRBL=MOBILETIMEOUT

Source Section

CLFL101

CLFL101_TSI32

Call state of 32 or 132 - Waiting for a release from the CC after sending it a HANDOFF_JACK

Data Source

MTX Log

Source Field

TSI=32 and TRBL=MOBILETIMEOUT

Source Section

CLFL101

CLFL101_TSI4

Call state of 4 or 104 - Waiting for SAT_PRESENT on termination

Data Source

MTX Log

Source Field

TSI=4 and TRBL=MOBILETIMEOUT

Source Section

CLFL101

CLFL101_TSI5

Call state of 5 or 105 - ACTIVE_SAT_WAIT_RELEASE

Data Source

MTX Log

Source Field

TSI=5 and TRBL=MOBILETIMEOUT

Source Section

CLFL101

CLFL101_TSI6

Call state of 6 or 106 - Waiting for initial SAT detection on the VCH from the originating mobile unit

Data Source

MTX Log

Source Field

TSI=6 and TRBL=MOBILETIMEOUT

Source Section

CLFL101

CLFL101_TSI7

Call state of 7 or 107 - Waiting for a release acknowledgment from the peripheral

Data Source

MTX Log

Source Field

TSI=7 and TRBL=MOBILETIMEOUT

Source Section

CLFL101

CLFL101_TSI8

Call state of 8 or 108 - Waiting for an ANSWER MESSAGE from a terminating mobile unit after receiving a SAT_PRESENT message.

Data Source

MTX Log

Source Field

TSI=8 and TRBL=MOBILETIMEOUT

Source Section

CLFL101

CLFL101_TSI9

Call state of 9 or 109 - The mobile unit is in conversation

Data Source

MTX Log

Source Field

TSI=9 and TRBL=MOBILETIMEOUT

Source Section

CLFL101

CLFL102_MobileHOFail

Number of CLFL102 events with trouble code of SERV_NO_HO_ACK

Data Source

MTX Log

Source Field

TRBL=MOBILEHOFAIL

Source Section

CLFL102

CLFL102_TSI1

Call state of 1 or 101 - Idle

Data Source

MTX Log

Source Field

TSI=1 and TRBL=MOBILEHOFAIL

Source Section

CLFL102

CLFL102_TSI10

Call state of 10 or 110 - Waiting for a release acknowledgment from the mobile unit

Data Source

MTX Log

Source Field

TSI=10 and TRBL=MOBILEHOFAIL

Source Section

CLFL102

CLFL102_TSI11

Call state of 11 or 111 - ACTIVE_RELEASE_SETUP

Data Source

MTX Log

Source Field

TSI=11 and TRBL=MOBILEHOFAIL

Source Section

CLFL102

CLFL102_TSI12

Call state of 12 or 112 - Waiting for an alert acknowledgment from the mobile unit (second attempt)

Data Source

MTX Log

Source Field

TSI=12 and TRBL=MOBILEHOFAIL

Source Section

CLFL102

CLFL102_TSI13

Call state of 13 or 113 - ALERT_2

Data Source

MTX Log

Source Field

TSI=13 and TRBL=MOBILEHOFAIL

Source Section

CLFL102

CLFL102_TSI14

Call state of 14 or 114 - Waiting for the called address from the mobile unit

Data Source

MTX Log

Source Field

TSI=14 and TRBL=MOBILEHOFAIL

Source Section

CLFL102

CLFL102_TSI15

Call state of 15 or 115 - Waiting for a setup message from the MTX

Data Source

MTX Log

Source Field

TSI=15 and TRBL=MOBILEHOFAIL

Source Section

CLFL102

CLFL102_TSI16

Call state of 16 or 116 - The VCH is being used for locating channel receiver (LCR) redundancy

Data Source

MTX Log

Source Field

TSI=16 and TRBL=MOBILEHOFAIL

Source Section

CLFL102

CLFL102_TSI17

Call state of 17 or 117 - The VCH is undergoing in-service testing

Data Source

MTX Log

Source Field

TSI=17 and TRBL=MOBILEHOFAIL

Source Section

CLFL102

CLFL102_TSI18

Call state of 18 or 118 - The VCH is waiting for the One-second guard timer to expire after the mobile unit disconnects or hands off. After the timer expires, the mobile unit is put back on the IDLE queue

Data Source

MTX Log

Source Field

TSI=18 and TRBL=MOBILEHOFAIL

Source Section

CLFL102

CLFL102_TSI19

Call state of 19 or 119 - Failure has occurred during the call. The intelligent cellular peripheral (ICP) sends a CARRIER OFF command to the VCH to put it back into the idle voice task and expects an answer

Data Source

MTX Log

Source Field

TSI=19 and TRBL=MOBILEHOFAIL

Source Section

CLFL102

CLFL102_TSI2

Call state of 2 or 102 - Waiting for setup acknowledgment from the voice channel (VCH). This state is used

Data Source

MTX Log

Source Field

TSI=2 and TRBL=MOBILEHOFAIL

Source Section

CLFL102

CLFL102_TSI20

Call state of 20 or 120 - Waiting for a power order confirmation from the VCH in response to a power command to change the transmit power level of the mobile unit

Data Source

MTX Log

Source Field

TSI=20 and TRBL=MOBILEHOFAIL

Source Section

CLFL102

CLFL102_TSI21

Call state of 21 or 121 - Waiting for a stop alert confirmation from the VCH in response to a stop alert order

Data Source

MTX Log

Source Field

TSI=21 and TRBL=MOBILEHOFAIL

Source Section

CLFL102

CLFL102_TSI22

Call state of 22 or 122 - Waiting for an audit confirmation from the VCH in response to an audit order

Data Source

MTX Log

Source Field

TSI=22 and TRBL=MOBILEHOFAIL

Source Section

CLFL102

CLFL102_TSI23

Call state of 23 or 123 - Waiting for a reorder confirmation from the VCH in response to the abbreviated reorder order

Data Source

MTX Log

Source Field

TSI=23 and TRBL=MOBILEHOFAIL

Source Section

CLFL102

CLFL102_TSI24

Call state of 24 or 124 - Waiting for an intercept confirmation from the VCH in response to the abbreviated intercept order

Data Source

MTX Log

Source Field

TSI=24 and TRBL=MOBILEHOFAIL

Source Section

CLFL102

CLFL102_TSI25

Call state of 25 or 125 - Waiting for an alert confirmation from the VCH in response to the abbreviated alert order

Data Source

MTX Log

Source Field

TSI=25 and TRBL=MOBILEHOFAIL

Source Section

CLFL102

CLFL102_TSI26

Call state of 26 or 126 - Waiting for a disconnect message from the mobile unit

Data Source

MTX Log

Source Field

TSI=26 and TRBL=MOBILEHOFAIL

Source Section

CLFL102

CLFL102_TSI27

Call state of 27 or 127 - A carrier fail message was reported from DS1MTCE

Data Source

MTX Log

Source Field

TSI=27 and TRBL=MOBILEHOFAIL

Source Section

CLFL102

CLFL102_TSI28

Call state of 28 or 128 - MB_SEIZE. Used to distinguish manual busy and carrier fail from an in-service seize

Data Source

MTX Log

Source Field

TSI=28 and TRBL=MOBILEHOFAIL

Source Section

CLFL102

CLFL102_TSI29

Call state of 29 or 129 - VCH will be removed after a maintenance handoff

Data Source

MTX Log

Source Field

TSI=29 and TRBL=MOBILEHOFAIL

Source Section

CLFL102

CLFL102_TSI3

Call state of 3 or 103 - Waiting for setup acknowledgment from the VCH. This state is used on terminations

Data Source

MTX Log

Source Field

TSI=3 and TRBL=MOBILEHOFAIL

Source Section

CLFL102

CLFL102_TSI30

Not currently used

Data Source

MTX Log

Source Field

TSI=30 and TRBL=MOBILEHOFAIL

Source Section

CLFL102

CLFL102_TSI31

Not currently used

Data Source

MTX Log

Source Field

TSI=31 and TRBL=MOBILEHOFAIL

Source Section

CLFL102

CLFL102_TSI32

Call state of 32 or 132 - Waiting for a release from the CC after sending it a HANDOFF_JACK

Data Source

MTX Log

Source Field

TSI=32 and TRBL=MOBILEHOFAIL

Source Section

CLFL102

CLFL102_TSI4

Call state of 4 or 104 - Waiting for SAT_PRESENT on termination

Data Source

MTX Log

Source Field

TSI=4 and TRBL=MOBILEHOFAIL

Source Section

CLFL102

CLFL102_TSI5

Call state of 5 or 105 - ACTIVE_SAT_WAIT_RELEASE

Data Source

MTX Log

Source Field

TSI=5 and TRBL=MOBILEHOFAIL

Source Section

CLFL102

CLFL102_TSI6

Call state of 6 or 106 - Waiting for initial SAT detection on the VCH from the originating mobile unit

Data Source

MTX Log

Source Field

TSI=6 and TRBL=MOBILEHOFAIL

Source Section

CLFL102

CLFL102_TSI7

Call state of 7 or 107 - Waiting for a release acknowledgment from the peripheral

Data Source

MTX Log

Source Field

TSI=7 and TRBL=MOBILEHOFAIL

Source Section

CLFL102

CLFL102_TSI8

Call state of 8 or 108 - Waiting for an ANSWER MESSAGE from a terminating mobile unit after receiving a SAT_PRESENT message.

Data Source

MTX Log

Source Field

TSI=8 and TRBL=MOBILEHOFAIL

Source Section

CLFL102

CLFL102_TSI9

Call state of 9 or 109 - The mobile unit is in conversation

Data Source

MTX Log

Source Field

TSI=9 and TRBL=MOBILEHOFAIL

Source Section

CLFL102

CLFL103_MobileStateIncor

Number of CLFL103 events with trouble code of SERV_NO_HO_ACK

Data Source

MTX Log

Source Field

TRBL=MOBILESTATEINCOR

Source Section

CLFL103

CLFL103_TSI1

Call state of 1 or 101 - Idle

Data Source

MTX Log

Source Field

TSI=1 and TRBL=MOBILESTATEINCOR

Source Section

CLFL103

CLFL103_TSI10

Call state of 10 or 110 - Waiting for a release acknowledgment from the mobile unit

Data Source

MTX Log

Source Field

TSI=10 and TRBL=MOBILESTATEINCOR

Source Section

CLFL103

CLFL103_TSI11

Call state of 11 or 111 - ACTIVE_RELEASE_SETUP

Data Source

MTX Log

Source Field

TSI=11 and TRBL=MOBILESTATEINCOR

Source Section

CLFL103

CLFL103_TSI12

Call state of 12 or 112 - Waiting for an alert acknowledgment from the mobile unit (second attempt)

Data Source

MTX Log

Source Field

TSI=12 and TRBL=MOBILESTATEINCOR

Source Section

CLFL103

CLFL103_TSI13

Call state of 13 or 113 - ALERT_2

Data Source

MTX Log

Source Field

TSI=13 and TRBL=MOBILESTATEINCOR

Source Section

CLFL103

CLFL103_TSI14

Call state of 14 or 114 - Waiting for the called address from the mobile unit

Data Source

MTX Log

Source Field

TSI=14 and TRBL=MOBILESTATEINCOR

Source Section

CLFL103

CLFL103_TSI15

Call state of 15 or 115 - Waiting for a setup message from the MTX

Data Source

MTX Log

Source Field

TSI=15 and TRBL=MOBILESTATEINCOR

Source Section

CLFL103

CLFL103_TSI16

Call state of 16 or 116 - The VCH is being used for locating channel receiver (LCR) redundancy

Data Source

MTX Log

Source Field

TSI=16 and TRBL=MOBILESTATEINCOR

Source Section

CLFL103

CLFL103_TSI17

Call state of 17 or 117 - The VCH is undergoing in-service testing

Data Source

MTX Log

Source Field

TSI=17 and TRBL=MOBILESTATEINCOR

Source Section

CLFL103

CLFL103_TSI18

Call state of 18 or 118 - The VCH is waiting for the One-second guard timer to expire after the mobile unit disconnects or hands off. After the timer expires, the mobile unit is put back on the IDLE queue

Data Source

MTX Log

Source Field

TSI=18 and TRBL=MOBILESTATEINCOR

Source Section

CLFL103

CLFL103_TSI19

Call state of 19 or 119 - Failure has occurred during the call. The intelligent cellular peripheral (ICP) sends a CARRIER OFF command to the VCH to put it back into the idle voice task and expects an answer

Data Source

MTX Log

Source Field

TSI=19 and TRBL=MOBILESTATEINCOR

Source Section

CLFL103

CLFL103_TSI2

Call state of 2 or 102 - Waiting for setup acknowledgment from the voice channel (VCH). This state is used

Data Source

MTX Log

Source Field

TSI=2 and TRBL=MOBILESTATEINCOR

Source Section

CLFL103

CLFL103_TSI20

Call state of 20 or 120 - Waiting for a power order confirmation from the VCH in response to a power command to change the transmit power level of the mobile unit

Data Source

MTX Log

Source Field

TSI=20 and TRBL=MOBILESTATEINCOR

Source Section

CLFL103

CLFL103_TSI21

Call state of 21 or 121 - Waiting for a stop alert confirmation from the VCH in response to a stop alert order

Data Source

MTX Log

Source Field

TSI=21 and TRBL=MOBILESTATEINCOR

Source Section

CLFL103

CLFL103_TSI22

Call state of 22 or 122 - Waiting for an audit confirmation from the VCH in response to an audit order

Data Source

MTX Log

Source Field

TSI=22 and TRBL=MOBILESTATEINCOR

Source Section

CLFL103

CLFL103_TSI23

Call state of 23 or 123 - Waiting for a reorder confirmation from the VCH in response to the abbreviated reorder order

Data Source

MTX Log

Source Field

TSI=23 and TRBL=MOBILESTATEINCOR

Source Section

CLFL103

CLFL103_TSI24

Call state of 24 or 124 - Waiting for an intercept confirmation from the VCH in response to the abbreviated intercept order

Data Source

MTX Log

Source Field

TSI=24 and TRBL=MOBILESTATEINCOR

Source Section

CLFL103

CLFL103_TSI25

Call state of 25 or 125 - Waiting for an alert confirmation from the VCH in response to the abbreviated alert order

Data Source

MTX Log

Source Field

TSI=25 and TRBL=MOBILESTATEINCOR

Source Section

CLFL103

CLFL103_TSI26

Call state of 26 or 126 - Waiting for a disconnect message from the mobile unit

Data Source

MTX Log

Source Field

TSI=26 and TRBL=MOBILESTATEINCOR

Source Section

CLFL103

CLFL103_TSI27

Call state of 27 or 127 - A carrier fail message was reported from DS1MTCE

Data Source

MTX Log

Source Field

TSI=27 and TRBL=MOBILESTATEINCOR

Source Section

CLFL103

CLFL103_TSI28

Call state of 28 or 128 - MB_SEIZE. Used to distinguish manual busy and carrier fail from an in-service seize

Data Source

MTX Log

Source Field

TSI=28 and TRBL=MOBILESTATEINCOR

Source Section

CLFL103

CLFL103_TSI29

Call state of 29 or 129 - VCH will be removed after a maintenance handoff

Data Source

MTX Log

Source Field

TSI=29 and TRBL=MOBILESTATEINCOR

Source Section

CLFL103

CLFL103_TSI3

Call state of 3 or 103 - Waiting for setup acknowledgment from the VCH. This state is used on terminations

Data Source

MTX Log

Source Field

TSI=3 and TRBL=MOBILESTATEINCOR

Source Section

CLFL103

CLFL103_TSI30

Not currently used

Data Source

MTX Log

Source Field

TSI=30 and TRBL=MOBILESTATEINCOR

Source Section

CLFL103

CLFL103_TSI31

Not currently used

Data Source

MTX Log

Source Field

TSI=31 and TRBL=MOBILESTATEINCOR

Source Section

CLFL103

CLFL103_TSI32

Call state of 32 or 132 - Waiting for a release from the CC after sending it a HANDOFF_JACK

Data Source

MTX Log

Source Field

TSI=32 and TRBL=MOBILESTATEINCOR

Source Section

CLFL103

CLFL103_TSI4

Call state of 4 or 104 - Waiting for SAT_PRESENT on termination

Data Source

MTX Log

Source Field

TSI=4 and TRBL=MOBILESTATEINCOR

Source Section

CLFL103

CLFL103_TSI5

Call state of 5 or 105 - ACTIVE_SAT_WAIT_RELEASE

Data Source

MTX Log

Source Field

TSI=5 and TRBL=MOBILESTATEINCOR

Source Section

CLFL103

CLFL103_TSI6

Call state of 6 or 106 - Waiting for initial SAT detection on the VCH from the originating mobile unit

Data Source

MTX Log

Source Field

TSI=6 and TRBL=MOBILESTATEINCOR

Source Section

CLFL103

CLFL103_TSI7

Call state of 7 or 107 - Waiting for a release acknowledgment from the peripheral

Data Source

MTX Log

Source Field

TSI=7 and TRBL=MOBILESTATEINCOR

Source Section

CLFL103

CLFL103_TSI8

Call state of 8 or 108 - Waiting for an ANSWER MESSAGE from a terminating mobile unit after receiving a SAT_PRESENT message.

Data Source

MTX Log

Source Field

TSI=8 and TRBL=MOBILESTATEINCOR

Source Section

CLFL103

CLFL103_TSI9

Call state of 9 or 109 - The mobile unit is in conversation

Data Source

MTX Log

Source Field

TSI=9 and TRBL=MOBILESTATEINCOR

Source Section

CLFL103

CLFL104_MobileFail

Number of CLFL104 events with trouble code of SERV_NO_HO_ACK

Data Source

MTX Log

Source Field

TRBL=MOBILEFAIL

Source Section

CLFL104

CLFL104_TSI1

Call state of 1 or 101 - Idle

Data Source

MTX Log

Source Field

TSI=1 and TRBL=MOBILEFAIL

Source Section

CLFL104

CLFL104_TSI10

Call state of 10 or 110 - Waiting for a release acknowledgment from the mobile unit

Data Source

MTX Log

Source Field

TSI=10 and TRBL=MOBILEFAIL

Source Section

CLFL104

CLFL104_TSI11

Call state of 11 or 111 - ACTIVE_RELEASE_SETUP

Data Source

MTX Log

Source Field

TSI=11 and TRBL=MOBILEFAIL

Source Section

CLFL104

CLFL104_TSI12

Call state of 12 or 112 - Waiting for an alert acknowledgment from the mobile unit (second attempt)

Data Source

MTX Log

Source Field

TSI=12 and TRBL=MOBILEFAIL

Source Section

CLFL104

CLFL104_TSI13

Call state of 13 or 113 - ALERT_2

Data Source

MTX Log

Source Field

TSI=13 and TRBL=MOBILEFAIL

Source Section

CLFL104

CLFL104_TSI14

Call state of 14 or 114 - Waiting for the called address from the mobile unit

Data Source

MTX Log

Source Field

TSI=14 and TRBL=MOBILEFAIL

Source Section

CLFL104

CLFL104_TSI15

Call state of 15 or 115 - Waiting for a setup message from the MTX

Data Source

MTX Log

Source Field

TSI=15 and TRBL=MOBILEFAIL

Source Section

CLFL104

CLFL104_TSI16

Call state of 16 or 116 - The VCH is being used for locating channel receiver (LCR) redundancy

Data Source

MTX Log

Source Field

TSI=16 and TRBL=MOBILEFAIL

Source Section

CLFL104

CLFL104_TSI17

Call state of 17 or 117 - The VCH is undergoing in-service testing

Data Source

MTX Log

Source Field

TSI=17 and TRBL=MOBILEFAIL

Source Section

CLFL104

CLFL104_TSI18

Call state of 18 or 118 - The VCH is waiting for the One-second guard timer to expire after the mobile unit disconnects or hands off. After the timer expires, the mobile unit is put back on the IDLE queue

Data Source

MTX Log

Source Field

TSI=18 and TRBL=MOBILEFAIL

Source Section

CLFL104

CLFL104_TSI19

Call state of 19 or 119 - Failure has occurred during the call. The intelligent cellular peripheral (ICP) sends a CARRIER OFF command to the VCH to put it back into the idle voice task and expects an answer

Data Source

MTX Log

Source Field

TSI=19 and TRBL=MOBILEFAIL

Source Section

CLFL104

CLFL104_TSI2

Call state of 2 or 102 - Waiting for setup acknowledgment from the voice channel (VCH). This state is used

Data Source

MTX Log

Source Field

TSI=2 and TRBL=MOBILEFAIL

Source Section

CLFL104

CLFL104_TSI20

Call state of 20 or 120 - Waiting for a power order confirmation from the VCH in response to a power command to change the transmit power level of the mobile unit

Data Source

MTX Log

Source Field

TSI=20 and TRBL=MOBILEFAIL

Source Section

CLFL104

CLFL104_TSI21

Call state of 21 or 121 - Waiting for a stop alert confirmation from the VCH in response to a stop alert order

Data Source

MTX Log

Source Field

TSI=21 and TRBL=MOBILEFAIL

Source Section

CLFL104

CLFL104_TSI22

Call state of 22 or 122 - Waiting for an audit confirmation from the VCH in response to an audit order

Data Source

MTX Log

Source Field

TSI=22 and TRBL=MOBILEFAIL

Source Section

CLFL104

CLFL104_TSI23

Call state of 23 or 123 - Waiting for a reorder confirmation from the VCH in response to the abbreviated reorder order

Data Source

MTX Log

Source Field

TSI=23 and TRBL=MOBILEFAIL

Source Section

CLFL104

CLFL104_TSI24

Call state of 24 or 124 - Waiting for an intercept confirmation from the VCH in response to the abbreviated intercept order

Data Source

MTX Log

Source Field

TSI=24 and TRBL=MOBILEFAIL

Source Section

CLFL104

CLFL104_TSI25

Call state of 25 or 125 - Waiting for an alert confirmation from the VCH in response to the abbreviated alert order

Data Source

MTX Log

Source Field

TSI=25 and TRBL=MOBILEFAIL

Source Section

CLFL104

CLFL104_TSI26

Call state of 26 or 126 - Waiting for a disconnect message from the mobile unit

Data Source

MTX Log

Source Field

TSI=26 and TRBL=MOBILEFAIL

Source Section

CLFL104

CLFL104_TSI27

Call state of 27 or 127 - A carrier fail message was reported from DS1MTCE

Data Source

MTX Log

Source Field

TSI=27 and TRBL=MOBILEFAIL

Source Section

CLFL104

CLFL104_TSI28

Call state of 28 or 128 - MB_SEIZE. Used to distinguish manual busy and carrier fail from an in-service seize

Data Source

MTX Log

Source Field

TSI=28 and TRBL=MOBILEFAIL

Source Section

CLFL104

CLFL104_TSI29

Call state of 29 or 129 - VCH will be removed after a maintenance handoff

Data Source

MTX Log

Source Field

TSI=29 and TRBL=MOBILEFAIL

Source Section

CLFL104

CLFL104_TSI3

Call state of 3 or 103 - Waiting for setup acknowledgment from the VCH. This state is used on terminations

Data Source

MTX Log

Source Field

TSI=3 and TRBL=MOBILEFAIL

Source Section

CLFL104

CLFL104_TSI30

Not currently used

Data Source

MTX Log

Source Field

TSI=30 and TRBL=MOBILEFAIL

Source Section

CLFL104

CLFL104_TSI31

Not currently used

Data Source

MTX Log

Source Field

TSI=31 and TRBL=MOBILEFAIL

Source Section

CLFL104

CLFL104_TSI32

Call state of 32 or 132 - Waiting for a release from the CC after sending it a HANDOFF_JACK

Data Source

MTX Log

Source Field

TSI=32 and TRBL=MOBILEFAIL

Source Section

CLFL104

CLFL104_TSI4

Call state of 4 or 104 - Waiting for SAT_PRESENT on termination

Data Source

MTX Log

Source Field

TSI=4 and TRBL=MOBILEFAIL

Source Section

CLFL104

CLFL104_TSI5

Call state of 5 or 105 - ACTIVE_SAT_WAIT_RELEASE

Data Source

MTX Log

Source Field

TSI=5 and TRBL=MOBILEFAIL

Source Section

CLFL104

CLFL104_TSI6

Call state of 6 or 106 - Waiting for initial SAT detection on the VCH from the originating mobile unit

Data Source

MTX Log

Source Field

TSI=6 and TRBL=MOBILEFAIL

Source Section

CLFL104

CLFL104_TSI7

Call state of 7 or 107 - Waiting for a release acknowledgment from the peripheral

Data Source

MTX Log

Source Field

TSI=7 and TRBL=MOBILEFAIL

Source Section

CLFL104

CLFL104_TSI8

Call state of 8 or 108 - Waiting for an ANSWER MESSAGE from a terminating mobile unit after receiving a SAT_PRESENT message.

Data Source

MTX Log

Source Field

TSI=8 and TRBL=MOBILEFAIL

Source Section

CLFL104

CLFL104_TSI9

Call state of 9 or 109 - The mobile unit is in conversation

Data Source

MTX Log

Source Field

TSI=9 and TRBL=MOBILEFAIL

Source Section

CLFL104

CLFL105_MobileRelTimeout

Number of CLFL105 events with trouble code of SERV_NO_HO_ACK

Data Source

MTX Log

Source Field

TRBL=MOBILERELTIMEOUT

Source Section

CLFL105

CLFL105_TSI1

Call state of 1 or 101 - Idle

Data Source

MTX Log

Source Field

TSI=1 and TRBL=MOBILERELTIMEOUT

Source Section

CLFL105

CLFL105_TSI10

Call state of 10 or 110 - Waiting for a release acknowledgment from the mobile unit

Data Source

MTX Log

Source Field

TSI=10 and TRBL=MOBILERELTIMEOUT

Source Section

CLFL105

CLFL105_TSI11

Call state of 11 or 111 - ACTIVE_RELEASE_SETUP

Data Source

MTX Log

Source Field

TSI=11 and TRBL=MOBILERELTIMEOUT

Source Section

CLFL105

CLFL105_TSI12

Call state of 12 or 112 - Waiting for an alert acknowledgment from the mobile unit (second attempt)

Data Source

MTX Log

Source Field

TSI=12 and TRBL=MOBILERELTIMEOUT

Source Section

CLFL105

CLFL105_TSI13

Call state of 13 or 113 - ALERT_2

Data Source

MTX Log

Source Field

TSI=13 and TRBL=MOBILERELTIMEOUT

Source Section

CLFL105

CLFL105_TSI14

Call state of 14 or 114 - Waiting for the called address from the mobile unit

Data Source

MTX Log

Source Field

TSI=14 and TRBL=MOBILERELTIMEOUT

Source Section

CLFL105

CLFL105_TSI15

Call state of 15 or 115 - Waiting for a setup message from the MTX

Data Source

MTX Log

Source Field

TSI=15 and TRBL=MOBILERELTIMEOUT

Source Section

CLFL105

CLFL105_TSI16

Call state of 16 or 116 - The VCH is being used for locating channel receiver (LCR) redundancy

Data Source

MTX Log

Source Field

TSI=16 and TRBL=MOBILERELTIMEOUT

Source Section

CLFL105

CLFL105_TSI17

Call state of 17 or 117 - The VCH is undergoing in-service testing

Data Source

MTX Log

Source Field

TSI=17 and TRBL=MOBILERELTIMEOUT

Source Section

CLFL105

CLFL105_TSI18

Call state of 18 or 118 - The VCH is waiting for the One-second guard timer to expire after the mobile unit disconnects or hands off. After the timer expires, the mobile unit is put back on the IDLE queue

Data Source

MTX Log

Source Field

TSI=18 and TRBL=MOBILERELTIMEOUT

Source Section

CLFL105

CLFL105_TSI19

Call state of 19 or 119 - Failure has occurred during the call. The intelligent cellular peripheral (ICP) sends a CARRIER OFF command to the VCH to put it back into the idle voice task and expects an answer

Data Source

MTX Log

Source Field

TSI=19 and TRBL=MOBILERELTIMEOUT

Source Section

CLFL105

CLFL105_TSI2

Call state of 2 or 102 - Waiting for setup acknowledgment from the voice channel (VCH). This state is used

Data Source

MTX Log

Source Field

TSI=2 and TRBL=MOBILERELTIMEOUT

Source Section

CLFL105

CLFL105_TSI20

Call state of 20 or 120 - Waiting for a power order confirmation from the VCH in response to a power command to change the transmit power level of the mobile unit

Data Source

MTX Log

Source Field

TSI=20 and TRBL=MOBILERELTIMEOUT

Source Section

CLFL105

CLFL105_TSI21

Call state of 21 or 121 - Waiting for a stop alert confirmation from the VCH in response to a stop alert order

Data Source

MTX Log

Source Field

TSI=21 and TRBL=MOBILERELTIMEOUT

Source Section

CLFL105

CLFL105_TSI22

Call state of 22 or 122 - Waiting for an audit confirmation from the VCH in response to an audit order

Data Source

MTX Log

Source Field

TSI=22 and TRBL=MOBILERELTIMEOUT

Source Section

CLFL105

CLFL105_TSI23

Call state of 23 or 123 - Waiting for a reorder confirmation from the VCH in response to the abbreviated reorder order

Data Source

MTX Log

Source Field

TSI=23 and TRBL=MOBILERELTIMEOUT

Source Section

CLFL105

CLFL105_TSI24

Call state of 24 or 124 - Waiting for an intercept confirmation from the VCH in response to the abbreviated intercept order

Data Source

MTX Log

Source Field

TSI=24 and TRBL=MOBILERELTIMEOUT

Source Section

CLFL105

CLFL105_TSI25

Call state of 25 or 125 - Waiting for an alert confirmation from the VCH in response to the abbreviated alert order

Data Source

MTX Log

Source Field

TSI=25 and TRBL=MOBILERELTIMEOUT

Source Section

CLFL105

CLFL105_TSI26

Call state of 26 or 126 - Waiting for a disconnect message from the mobile unit

Data Source

MTX Log

Source Field

TSI=26 and TRBL=MOBILERELTIMEOUT

Source Section

CLFL105

CLFL105_TSI27

Call state of 27 or 127 - A carrier fail message was reported from DS1MTCE

Data Source

MTX Log

Source Field

TSI=27 and TRBL=MOBILERELTIMEOUT

Source Section

CLFL105

CLFL105_TSI28

Call state of 28 or 128 - MB_SEIZE. Used to distinguish manual busy and carrier fail from an in-service seize

Data Source

MTX Log

Source Field

TSI=28 and TRBL=MOBILERELTIMEOUT

Source Section

CLFL105

CLFL105_TSI29

Call state of 29 or 129 - VCH will be removed after a maintenance handoff

Data Source

MTX Log

Source Field

TSI=29 and TRBL=MOBILERELTIMEOUT

Source Section

CLFL105

CLFL105_TSI3

Call state of 3 or 103 - Waiting for setup acknowledgment from the VCH. This state is used on terminations

Data Source

MTX Log

Source Field

TSI=3 and TRBL=MOBILERELTIMEOUT

Source Section

CLFL105

CLFL105_TSI30

Not currently used

Data Source

MTX Log

Source Field

TSI=30 and TRBL=MOBILERELTIMEOUT

Source Section

CLFL105

CLFL105_TSI31

Not currently used

Data Source

MTX Log

Source Field

TSI=31 and TRBL=MOBILERELTIMEOUT

Source Section

CLFL105

CLFL105_TSI32

Call state of 32 or 132 - Waiting for a release from the CC after sending it a HANDOFF_JACK

Data Source

MTX Log

Source Field

TSI=32 and TRBL=MOBILERELTIMEOUT

Source Section

CLFL105

CLFL105_TSI4

Call state of 4 or 104 - Waiting for SAT_PRESENT on termination

Data Source

MTX Log

Source Field

TSI=4 and TRBL=MOBILERELTIMEOUT

Source Section

CLFL105

CLFL105_TSI5

Call state of 5 or 105 - ACTIVE_SAT_WAIT_RELEASE

Data Source

MTX Log

Source Field

TSI=5 and TRBL=MOBILERELTIMEOUT

Source Section

CLFL105

CLFL105_TSI6

Call state of 6 or 106 - Waiting for initial SAT detection on the VCH from the originating mobile unit

Data Source

MTX Log

Source Field

TSI=6 and TRBL=MOBILERELTIMEOUT

Source Section

CLFL105

CLFL105_TSI7

Call state of 7 or 107 - Waiting for a release acknowledgment from the peripheral

Data Source

MTX Log

Source Field

TSI=7 and TRBL=MOBILERELTIMEOUT

Source Section

CLFL105

CLFL105_TSI8

Call state of 8 or 108 - Waiting for an ANSWER MESSAGE from a terminating mobile unit after receiving a SAT_PRESENT message.

Data Source

MTX Log

Source Field

TSI=8 and TRBL=MOBILERELTIMEOUT

Source Section

CLFL105

CLFL105_TSI9

Call state of 9 or 109 - The mobile unit is in conversation

Data Source

MTX Log

Source Field

TSI=9 and TRBL=MOBILERELTIMEOUT

Source Section

CLFL105

CMWIFPG

Number of MWI First Page messages sent by the MSC on a per Sector basis.

Data Source

MTX OM, SDM

Source Field

CMWIFPG

Source Section

MTXMWI

CMWIFPGR

Number of MWI First Page Response messages received by the MSC on a per Sector basis.

Data Source

MTX OM, SDM

Source Field

CMWIFPGR

Source Section

MTXMWI

CMWIPGRT

Number of MWI Page Retry messages sent by the MSC on a per Sector basis.

Data Source

MTX OM, SDM

Source Field

CMWIPGRT

Source Section

MTXMWI

CMWIPGTO

Number of MWI First Page Timer Expiry in the MSC on a per Sector basis.

Data Source

MTX OM, SDM

Source Field

CMWIPGTO

Source Section

MTXMWI

CMWIPRTO

Number of MWI Page Retry Timer Expiry in the MSC on a per Sector basis.

Data Source

MTX OM, SDM

Source Field

CMWIPRTO

Source Section

MTXMWI

CMWIPRTR

Number of MWI Page Retry Response messages received by the MSC on a per Sector basis.

Data Source

MTX OM, SDM

Source Field

CMWIPRTR

Source Section

MTXMWI

CNIACONV

Pegs when the switch sends the CNI msg to an IS-54-capable SU during an active call

Data Source

MTX OM

Source Field

CNIACONV

Source Section

ICPCP2

CNIATERM

Pegs when the switch sends the CNIP msg to an IS-54-capable SU during call setup

Data Source

MTX OM

Source Field

CNIATERM

Source Section

ICPCP2

CNIDCONV

Pegs when the switch sends the CNI msg to an IS-54-capable SU during an active call

Data Source

MTX OM

Source Field

CNIDCONV

Source Section

ICPCP2

CNIDTERM

Pegs when the switch sends the CNIP msg to an IS-54-capable SU during call setup

Data Source

MTX OM

Source Field

CNIDTERM

Source Section

ICPCP2

COCHNL

ICP is forced to allocate a NES voice channel that is in cochannel interference state

Data Source

MTX OM, SDM

Source Field

COCHNL

Source Section

ICPCA

COCHNLSZ

NES voice channel reports that it is in a cochannel interference state

Data Source

MTX OM, SDM

Source Field

COCHNLSZ

Source Section

ICPCA

COMHOAMP

Handoff is comp and the SU is at the maximum Pwr

Data Source

MTX OM

Source Field

COMHOAMP

Source Section

ICPHO2

COMHOBMP

Handoff is comp and the SU is below the maximum Pwr

Data Source

MTX OM

Source Field

COMHOBMP

Source Section

ICPHO2

COMPHO

Compl handoffs

Data Source

MTX OM, SDM

Source Field

COMPHO

Source Section

ICPHO

D2ACAACT

Pegs when a digital-capable mobile's RSSI value is below D2AHOTL

Data Source

MTX OM

Source Field

D2ACAACT

Source Section

ICPCP2

D2ACASET

Pegs when a digital-capable mobile's RSSI value is below DMINRSSI

Data Source

MTX OM

Source Field

D2ACASET

Source Section

ICPCP2

DAHOATTS

Pegs when a system-requested digital-to-analog interpartition handoff is attempted

Data Source

MTX OM, SDM

Source Field

DAHOATTS

Source Section

CIBEROM

DAHOCOMP

Pegs when a system-requested digital-to-analog interpartition handoff is successfully Comp

Data Source

MTX OM, SDM

Source Field

DAHOCOMP

Source Section

CIBEROM

DAHOFF

Pegs when a digital-to-analog handoff has been Comp for the target subcell

Data Source

MTX OM, SDM

Source Field

DAHOFF

Source Section

OMMTXHO

DAVGLOAD

Shows the average load the non-pooled DLRs have experienced in percentage value

Data Source

MTX OM

Source Field

DAVGLOAD

Source Section

ICPDFC

DBREGRCV

Double registration received

Data Source

MTX OM, SDM

Source Field

DBREGRCV

Source Section

OMMTX2

DCCHMSG

Num of registrations and pg Resp and originations transmitted

Data Source

MTX OM, SDM

Source Field

DCCHMSG

Source Section

DCCICPCP

DCCHMWOA

Numof attempt to send a msg waiting order to a mobile

Data Source

MTX OM, SDM

Source Field

DCCHMWOA

Source Section

DCCICPCP

DCCMBOAC

Num of analog call compls when a digital resource is requested

Data Source

MTX OM, SDM

Source Field

DCCMBOAC

Source Section

DCCICPCP

DCCMBODC

For digital originations on a DCCH this is the Num of Digital call compls

Data Source

MTX OM, SDM

Source Field

DCCMBODC

Source Section

DCCICPCP

DCCMBORG

Num of times mobile stations request services accessing the DMS-MTX system

Data Source

MTX OM, SDM

Source Field

DCCMBORG

Source Section

DCCICPCP

DCCMBTAC

Mobile Termination Analog Comp

Data Source

MTX OM, SDM

Source Field

DCCMBTAC

Source Section

DCCICPCP

DCCMBTDC

Mobile Termination Digital Comp

Data Source

MTX OM, SDM

Source Field

DCCMBTDC

Source Section

DCCICPCP

DCCMWOC1

Pegs when a mobile responds on a DCCH to the first attempt by the serving DMS-MTX system

Data Source

MTX OM, SDM

Source Field

DCCMWOC1

Source Section

DCCICPCP

DCCMWOCR

Pegs when a mobile responds on a DCCH to a retry attempt

Data Source

MTX OM, SDM

Source Field

DCCMWOCR

Source Section

DCCICPCP

DCCPGRES

Num Of page Resp Rcvd by the ICP

Data Source

MTX OM, SDM

Source Field

DCCPGRES

Source Section

DCCICPCP

DCCRMHOF

Num of the mobile maintenance hard Handoffs

Data Source

MTX OM, SDM

Source Field

DCCRMHOF

Source Section

DCCICPCP

DCCOCHNL

ICP is forced to allocate a Tch that is in a cochannel interference state

Data Source

MTX OM, SDM

Source Field

DCOCHNL

Source Section

ICPCA

DCOCHSZ

NES voice channel reports that it is in a cochannel interference state

Data Source

MTX OM, SDM

Source Field

DCOCHSZ

Source Section

ICPCA

DCOMPHO

Pegs when the ICP receives a DVCC present msg from the target subcell

Data Source

MTX OM

Source Field

DCOMPHO

Source Section

ICPDHO

DCPGRESP

DCCH page responses

Data Source

MTX OM, SDM

Source Field

DCPGRESP

Source Section

MTXDCCH

DCRGATTS

Reg attempt

Data Source

MTX OM, SDM

Source Field

DCRGATTS

Source Section

DCCICPCP

DDHOFF

Pegs when a digital-to-digital handoff has been Comp for the target subcell

Data Source

MTX OM, SDM

Source Field

DDHOFF

Source Section

OMMTXHO

DDHOST

Voice channel Occu for the serving subcell exceeds the threshold value specified

Data Source

MTX OM, SDM

Source Field

DDHOST

Source Section

ICPCA

DDIRETRY

Num of directed retry msg that are sent by the ICP

Data Source

MTX OM, SDM

Source Field

DDIRETRY

Source Section

DCCICPCP

DDROPHO

Pegs when a DVCC timeout occurs during a handoff

Data Source

MTX OM, SDM

Source Field

DDROPHO

Source Section

OMMTX

DDROPHO_MTXom30

Pegs when a DVCC timeout occurs during a handoff

Data Source

MTX OM

Source Field

DDROPHO_MTXom30

Source Section

OMMTX_MTXom30

DDRPCALS

Pegs when a call is Drp due to digital SAT fade

Data Source

MTX OM, SDM

Source Field

DDRPCALS

Source Section

OMMTX

DDRPCALS_MTXom30

Pegs when a call is Drp due to digital SAT fade

Data Source

MTX OM

Source Field

DDRPCALS_MTXom30

Source Section

OMMTX_MTXom30

DDRTST

Voice channel Occu for the serving subcell exceeds the threshold value specified

Data Source

MTX OM, SDM

Source Field

DDRTST

Source Section

ICPCA

DFBRDATT

DFBRDATT

Data Source

MTX OM, SDM

Source Field

DFBRDATT

Source Section

CIBEROM2

DFBRDCMP

DFBRDCMP

Data Source

MTX OM, SDM

Source Field

DFBRDCMP

Source Section

CIBEROM2

DFBRNATT

DFBRNATT

Data Source

MTX OM, SDM

Source Field

DFBRNATT

Source Section

CIBEROM2

DFBRNCMP

DFBRNCMP

Data Source

MTX OM, SDM

Source Field

DFBRNCMP

Source Section

CIBEROM2

DHANDOST

Pegs when the voice channel Occu for serving subcell exceeds the threshold value specified

Data Source

MTX OM, SDM

Source Field

DHANDOST

Source Section

ICPCA

DHCMDSNT

Pegs when the ICP receives a Ho CM_d from the serving subcell

Data Source

MTX OM

Source Field

DHCMDSNT

Source Section

ICPDHO

DHOACK

Serving subcell receives a HOACK msg from the serving DRU on any handoff order

Data Source

MTX OM

Source Field

DHOACK

Source Section

ICPDHO

DHOATTS

Pegs when there is a handoff attempt to a target subcell

Data Source

MTX OM, SDM

Source Field

DHOATTS

Source Section

OMMTX

DHOATTS_MTXom30

Pegs when there is a handoff attempt to a target subcell

Data Source

MTX OM

Source Field

DHOATTS_MTXom30

Source Section

OMMTX_MTXom30

DHOCOMPS

Pegs when a handoff to the target subcell successfully completes or fails

Data Source

MTX OM, SDM

Source Field

DHOCOMPS

Source Section

OMMTX

DHOCOMPS_MTXom30

Pegs when a handoff to the target subcell successfully completes or fails

Data Source

MTX OM

Source Field

DHOCOMPS_MTXom30

Source Section

OMMTX_MTXom30

DHONACK

Pegs when a serving subcell sends both Ho orders to the serving DRU

Data Source

MTX OM

Source Field

DHONACK

Source Section

ICPDHO

DHONOACK

Digital handoff no acknowledgement

Data Source

MTX OM

Source Field

DHONOACK

Source Section

ICPDHO

DHONOST

Digital handoff no signaling

Data Source

MTX OM

Source Field

DHONOST

Source Section

ICPDHO

DHONOVCH

Pegs when a handoff fails because of a lack of available VCHs

Data Source

MTX OM

Source Field

DHONOVCH

Source Section

ICPDHO

DHONRESP

Pegs when a serving subcell sends a Ho to the voice channel on the target subcell

Data Source

MTX OM

Source Field

DHONRESP

Source Section

ICPDHO

DHOREQS

Pegs when a handoff request is sent to the switch

Data Source

MTX OM

Source Field

DHOREQS

Source Section

ICPDHO

DHORFBRD

Pegs when a handoff request msg is Rcvd from the serving DRU

Data Source

MTX OM

Source Field

DHORFBRD

Source Section

ICPDHO

DHORFBRN

Pegs when a handoff request msg is Rcvd from the serving DRU

Data Source

MTX OM

Source Field

DHORFBRN

Source Section

ICPDHO

DHORQRSS

Pegs when the serving ICP receives a handoff request msg from the serving DRU

Data Source

MTX OM

Source Field

DHORQRSS

Source Section

ICPDHO

DHORRBRD

Pegs when the serving ICP receives a handoff request msg from the serving DRU

Data Source

MTX OM

Source Field

DHORRBRD

Source Section

ICPDHO

DHORRBRN

Pegs when the serving ICP receives a handoff request msg from the serving DRU

Data Source

MTX OM

Source Field

DHORRBRN

Source Section

ICPDHO

DICCHMSG

Pegs when an ICP receives a CCH msg from a digital-capable SU

Data Source

MTX OM

Source Field

DICCHMSG

Source Section

ICPDCP

DIGCHUSE

ICP allocates a NES traffic voice channel to handle

Data Source

MTX OM, SDM

Source Field

DIGCHUSE

Source Section

ICPCA

DINCPGRE

Num of incorrect page Resp transmitted

Data Source

MTX OM, SDM

Source Field

DINCPGRE

Source Section

DCCICPCP

DIRCOMB

Pegs when the voice channe001 Occu for the serving subcell exceeds the threshold value

Data Source

MTX OM, SDM

Source Field

DIRCOMB

Source Section

ICPCA

DIRETRY

Pegs when a directed retry msg is sent by the serving subcell to the CCH in response to origination/page response msg

Data Source

MTX OM, SDM

Source Field

DIRETRY

Source Section

ICPCP

DIRETRY_MTXom30

Pegs when a directed retry msg is sent by the serving subcell to the CCH in response to origination/page response msg

Data Source

MTX OM

Source Field

DIRETRY_MTXom30

Source Section

ICPCP_MTXom30

DIRHOS

Directed handoffs

Data Source

MTX OM, SDM

Source Field

DIRHOS

Source Section

ICPHO

DISTBREG

Pegs when the mobile Reg type is distance-based Reg

Data Source

MTX OM, SDM

Source Field

DISTBREG

Source Section

OMMTX3

DLATRSSI

ICP receives a LCR RSSI response msg after the associated two-second Measure timer expires

Data Source

MTX OM

Source Field

DLATRSSI

Source Section

ICPDFC

DLCRALOC

Pegs when the ICP sends an analog RSSI request msg to a digital-capable LCR in the ICP

Data Source

MTX OM

Source Field

DLCRALOC

Source Section

ICPDFC

DLCRARES

ICP receives an analog RSSI response msg from a digital-capable LCR in the ICP

Data Source

MTX OM

Source Field

DLCRARES

Source Section

ICPDFC

DLCRDLOC

Pegs when the ICP sends a digital RSSI request msg to an LCR

Data Source

MTX OM

Source Field

DLCRDLOC

Source Section

ICPDFC

DLCRDLOW

Pegs in the LCR when the measured RSSI is below the threshold specified

Data Source

MTX OM

Source Field

DLCRDLOW

Source Section

ICPDFC

DLCRDRES

Pegs when the ICP receives a RSSI response msg from the LCR

Data Source

MTX OM

Source Field

DLCRDRES

Source Section

ICPDFC

DLCRDVCC

Pegs in the LCR when the measured DVCC does not match that in the request msg

Data Source

MTX OM

Source Field

DLCRDVCC

Source Section

ICPDFC

DLCRPRGE

ICP receives a msg for the LCR but discards this msg because it has been in the queue too long

Data Source

MTX OM

Source Field

DLCRPRGE

Source Section

ICPDFC

DLCRREQ

Pegs in the LCR when a request is Rcvd by the LCR from the ICP

Data Source

MTX OM

Source Field

DLCRREQ

Source Section

ICPDFC

DLCRRETS

Pegs in the LCR when a response is returned to the ICP

Data Source

MTX OM

Source Field

DLCRRETS

Source Section

ICPDFC

DLCRTIMO

ICP sends a locate request msg to the LCR but the LCR has not responded to this msg

Data Source

MTX OM

Source Field

DLCRTIMO

Source Section

ICPDFC

DLRNORSP

Records whenever a DLR request times-out with no DLR reporting

Data Source

MTX OM

Source Field

DLRNORSP

Source Section

OMMTXHO2

DMAXLOAD

DLR Max Load

Data Source

MTX OM

Source Field

DMAXLOAD

Source Section

ICPDFC

DMBLORG

Pegs when the serving subcell receives an origination msg from a digital-capable mobile

Data Source

MTX OM

Source Field

DMBLORG

Source Section

ICPDCP

DMBLORGC

Numof calls that originate from a mobile

Data Source

MTX OM, SDM

Source Field

DMBLORGC

Source Section

DCCICPCP

DMBLTERC

Num of calls that terminate to a mobile

Data Source

MTX OM, SDM

Source Field

DMBLTERC

Source Section

DCCICPCP

DMBORACO

Digital-capable mobile receives a request msg that was comp on an analog channel

Data Source

MTX OM

Source Field

DMBORACO

Source Section

ICPDCP

DMBORDCO

Digital-capable mobile receives a request msg that was comp on an digital channel

Data Source

MTX OM

Source Field

DMBORDCO

Source Section

ICPDCP

DMBORIGS

Pegs when the switch receives an origination msg from a digital-capable subscriber unit

Data Source

MTX OM, SDM

Source Field

DMBORIGS

Source Section

OMMTX

DMBORIGS_MTXom30

Pegs when the switch receives an origination msg from a digital-capable subscriber unit

Data Source

MTX OM

Source Field

DMBORIGS_MTXom30

Source Section

OMMTX_MTXom30

DMBTRACO

Digital-capable mobile receives a pg response msg that was comp on an analog channel

Data Source

MTX OM

Source Field

DMBTRACO

Source Section

ICPDCP

DMBTRDCO

Digital-capable mobile receives a pg response msg that was comp on an digital channel

Data Source

MTX OM

Source Field

DMBTRDCO

Source Section

ICPDCP

DMMHO

Pegs when a DMM attempt to handoff to a VCH

Data Source

MTX OM

Source Field

DMMHO

Source Section

ICPHO2

DMMMSWAP

Pegs the Num of DMM mode swaps

Data Source

MTX OM

Source Field

DMMMSWAP

Source Section

ICPCP2

DMORIGS

DCCH mobile originations

Data Source

MTX OM, SDM

Source Field

DMORIGS

Source Section

MTXDCCH

DORGAUTH

ICP received Org with authentication parms on a DCCH

Data Source

MTX OM

Source Field

DORGAUTH

Source Section

ICPAUTH

DOUBORIG

Double origination

Data Source

MTX OM, SDM

Source Field

DOUBORIG

Source Section

OMMTX2

DOUBPAGE

Double page

Data Source

MTX OM, SDM

Source Field

DOUBPAGE

Source Section

OMMTX2

DOVLDST

Pegs when the voice channel Occu for the serving subcell is 100%

Data Source

MTX OM, SDM

Source Field

DOVLDST

Source Section

ICPCA

DPAGEREQ

Num Of page Req Rcvd from the CM by the ICP

Data Source

MTX OM, SDM

Source Field

DPAGEREQ

Source Section

DCCICPCP

DPAGRESP

Pegs when the serving subcell receives a page response msg from a digital-capable mobile

Data Source

MTX OM

Source Field

DPAGRESP

Source Section

ICPDCP

DPGRADPA

Num of page Resp Rcvd on the retry of ACCHs

Data Source

MTX OM, SDM

Source Field

DPGRADPA

Source Section

DCCICPCP

DPGREQS

DCCH page requests

Data Source

MTX OM, SDM

Source Field

DPGREQS

Source Section

MTXDCCH

DPGRESP

Pegs when the switch receives a page response msg from a digital-capable subscriber unit

Data Source

MTX OM, SDM

Source Field

DPGRESP

Source Section

OMMTX

DPGRESP_MTXom30

Pegs when the switch receives a page response msg from a digital-capable subscriber unit

Data Source

MTX OM

Source Field

DPGRESP_MTXom30

Source Section

OMMTX_MTXom30

DPGRESPV

DCCH page responses (pegged against last VMLA cell)

Data Source

MTX OM, SDM

Source Field

DPGRESPV

Source Section

MTXDCCH

DPGRETRY

DCCH page retries

Data Source

MTX OM, SDM

Source Field

DPGRETRY

Source Section

MTXDCCH

DPGREXPA

Num of page Resp Rcvd on an expanded area

Data Source

MTX OM, SDM

Source Field

DPGREXPA

Source Section

DCCICPCP

DPGRTRSP

DCCH page retry responses

Data Source

MTX OM, SDM

Source Field

DPGRTRSP

Source Section

MTXDCCH

DPRADPA

Num of page retries on ACCHs

Data Source

MTX OM, SDM

Source Field

DPRADPA

Source Section

DCCICPCP

DPRAUTH

ICP received page response with authentication parms on a DCCH

Data Source

MTX OM

Source Field

DPRAUTH

Source Section

ICPAUTH

DPREXPA

Num of page retries on an expanded area

Data Source

MTX OM, SDM

Source Field

DPREXPA

Source Section

DCCICPCP

DPRIVMLA

DCCH page retry responses received inside VMLA

Data Source

MTX OM, SDM

Source Field

DPRIVMLA

Source Section

MTXDCCH

DPROVMLA

DCCH page retry responses received outside VMLA

Data Source

MTX OM, SDM

Source Field

DPROVMLA

Source Section

MTXDCCH

DPRSPACC

ACCH page responses received after initial DCCH page timed out

Data Source

MTX OM, SDM

Source Field

DPRSPACC

Source Section

MTXDCCH

DRBRDATT

DRBRDATT

Data Source

MTX OM, SDM

Source Field

DRBRDATT

Source Section

CIBEROM2

DRBRDCMP

DRBRDCMP

Data Source

MTX OM, SDM

Source Field

DRBRDCMP

Source Section

CIBEROM2

DRBRNATT

DRBRNATT

Data Source

MTX OM, SDM

Source Field

DRBRNATT

Source Section

CIBEROM2

DRBRNCMP

DRBRNCMP

Data Source

MTX OM, SDM

Source Field

DRBRNCMP

Source Section

CIBEROM2

DRDATATO

SMS R data reject or R data accept is not received in the ICP within the allotted time

Data Source

MTX OM, SDM

Source Field

DRDATATO

Source Section

ICPSMS

DREGAUTH

ICP received registration with authentication parms on a DCCH

Data Source

MTX OM

Source Field

DREGAUTH

Source Section

ICPAUTH

DRETRYST

Pegs when the voice channel Occu for serving subcell exceeds the threshold value specified

Data Source

MTX OM, SDM

Source Field

DRETRYST

Source Section

ICPCA

DREU

Every 100s this register records if DRE activates for a two-way trunk group

Data Source

MTX OM, SDM

Source Field

DREU

Source Section

TRK

DRGACPT

DCCH registration accepts

Data Source

MTX OM, SDM

Source Field

DRGACPT

Source Section

MTXDCCH

DRGATODA

DCCH registration from ACCH to DCCH attempts

Data Source

MTX OM, SDM

Source Field

DRGATODA

Source Section

MTXDCCH

DRGATODR

DCCH registration from ACCH to DCCH rejects

Data Source

MTX OM, SDM

Source Field

DRGATODR

Source Section

MTXDCCH

DRGATTS

DCCH registration attempts

Data Source

MTX OM, SDM

Source Field

DRGATTS

Source Section

MTXDCCH

DRGDERA

DCCH registration deregistration attempts

Data Source

MTX OM, SDM

Source Field

DRGDERA

Source Section

MTXDCCH

DRGDERR

DCCH registration deregistration rejects

Data Source

MTX OM, SDM

Source Field

DRGDERR

Source Section

MTXDCCH

DRGFORA

DCCH Forced Registration Request Message

Data Source

MTX OM, SDM

Source Field

DRGFORA

Source Section

MTXDCCH

DRGLAA

DCCH registration location area attempts

Data Source

MTX OM, SDM

Source Field

DRGLAA

Source Section

MTXDCCH

DRGLAR

DCCH registration location area rejects

Data Source

MTX OM, SDM

Source Field

DRGLAR

Source Section

MTXDCCH

DRGNHYPA

digital registrations hyperband attempted

Data Source

MTX OM, SDM

Source Field

DRGNHYPA

Source Section

MTXDCCH

DRGNHYPR

digital registrations hyperband rejected

Data Source

MTX OM, SDM

Source Field

DRGNHYPR

Source Section

MTXDCCH

DRGNSYSA

DCCH registration new system attempts

Data Source

MTX OM, SDM

Source Field

DRGNSYSA

Source Section

MTXDCCH

DRGNSYSR

DCCH registration new system rejects

Data Source

MTX OM, SDM

Source Field

DRGNSYSR

Source Section

MTXDCCH

DRGPDNA

DCCH registration power-down attempts

Data Source

MTX OM, SDM

Source Field

DRGPDNA

Source Section

MTXDCCH

DRGPDNR

DCCH registration power-down rejects

Data Source

MTX OM, SDM

Source Field

DRGPDNR

Source Section

MTXDCCH

DRGPERA

DCCH registration periodic attempts

Data Source

MTX OM, SDM

Source Field

DRGPERA

Source Section

MTXDCCH

DRGPERR

DCCH registration periodic rejects

Data Source

MTX OM, SDM

Source Field

DRGPERR

Source Section

MTXDCCH

DRGPSRSA

DCCH registration PSID/RSID attempts

Data Source

MTX OM, SDM

Source Field

DRGPSRSA

Source Section

MTXDCCH

DRGPSRSR

DCCH registration PSID/RSID rejects

Data Source

MTX OM, SDM

Source Field

DRGPSRSR

Source Section

MTXDCCH

DRGPUPA

DCCH registration power-up attempts

Data Source

MTX OM, SDM

Source Field

DRGPUPA

Source Section

MTXDCCH

DRGPUPR

DCCH registration power-up rejects

Data Source

MTX OM, SDM

Source Field

DRGPUPR

Source Section

MTXDCCH

DRGREJS

DCCH registration rejects

Data Source

MTX OM, SDM

Source Field

DRGREJS

Source Section

MTXDCCH

DROP100_AuditDisable

Number DROP100 events - audit disable

Data Source

MTX Log

Source Field

AuditDisable

Source Section

DROP100

DROP100_AuditNotAck

Number DROP100 events - audit not acknowledged

Data Source

MTX Log

Source Field

AuditNotAck

Source Section

DROP100

DROP100_AvgCILong

Average long-term carrier to interference (dB)

Data Source

MTX Log

Source Field

CILongterm

Source Section

DROP100

DROP100_AvgCIShort

Average short-term carrier to interference (dB)

Data Source

MTX Log

Source Field

CIShortterm

Source Section

DROP100

DROP100_AvgCurCellPwr

Average current base station power level at drop call time

Data Source

MTX Log

Source Field

CurCellPwr

Source Section

DROP100

DROP100_AvgCurMobilePwr

Average current mobile power level at drop call time

Data Source

MTX Log

Source Field

CurMobilePwr

Source Section

DROP100

DROP100_AvgIdleChanRSSI

Average Idle channel RSSI (dB)

Data Source

MTX Log

Source Field

IdleChanRSSI

Source Section

DROP100

DROP100_AvgMaxCellPwr

Average of the max base station power level at drop call time

Data Source

MTX Log

Source Field

MaxCellPwr

Source Section

DROP100

DROP100_AvgMaxMobilePwr

Average max mobile power level at drop call time

Data Source

MTX Log

Source Field

MaxMobilePwr

Source Section

DROP100

DROP100_AvgVchRSSICallDropLong

Average long-term voice channel received signal strength indicator at call drop time (dB)

Data Source

MTX Log

Source Field

VchRSSICallDropLongterm

Source Section

DROP100

DROP100_AvgVchRSSICallDrpShort

Average short-term voice channel received signal strength indicator at call drop time (dB)

Data Source

MTX Log

Source Field

VchRSSICallDrpShortterm

Source Section

DROP100

DROP100_AvgVchRSSIValidSATLong

Average long-term voice channel received signal strength indicator at last valid SAT drop time (dB)

Data Source

MTX Log

Source Field

VchRSSIValidSATLongterm

Source Section

DROP100

DROP100_AvgVchRSSIValidSATShort

Average short-term voice channel received signal strength indicator at last valid SAT drop time (dB)

Data Source

MTX Log

Source Field

VchRSSIValidSATShortterm

Source Section

DROP100

DROP100_MobileSATLoss

Number DROP100 events - Mobile SAT Loss

Data Source

MTX Log

Source Field

MobileSATLoss

Source Section

DROP100

DROP100_MobileSATLossAN

Number DROP100 events - Mobile SAT Loss with call mode of analog

Data Source

MTX Log

Source Field

MobileSATLossAN

Source Section

DROP100

DROP100_MobileSATLossCD

Number DROP100 events - Mobile SAT Loss with call mode of TDMA circuit switched data

Data Source

MTX Log

Source Field

MobileSATLossCD

Source Section

DROP100

DROP100_MobileSATLossDF

Number DROP100 events - Mobile SAT Loss with call mode of digital full rate

Data Source

MTX Log

Source Field

MobileSATLossDF

Source Section

DROP100

DROP100_MobileSATLossEF

Number DROP100 events - Mobile SAT Loss with call model of EFRC full rate

Data Source

MTX Log

Source Field

MobileSATLossEF

Source Section

DROP100

DROP100_RSSIIgnoreThres

Number DROP100 events - RSSI less then or equal ignore threshold

Data Source

MTX Log

Source Field

RSSIIgnoreThres

Source Section

DROP100

DROP100_XcvrFailDetectCfgSAT

Number DROP100 events - transceiver has failed to detected the configured SAT

Data Source

MTX Log

Source Field

XcvrFailDetectCfgSAT

Source Section

DROP100

DROP200_AvgCurCellPwr

Average current base station power level at drop call time

Data Source

MTX Log

Source Field

CurCellPwr

Source Section

DROP200

DROP200_AvgCurMobilePwr

Average current mobile power level at drop call time

Data Source

MTX Log

Source Field

CurMobilePwr

Source Section

DROP200

DROP200_AvgFwdMAHOBERLong

Average forward MAHO long term BER (%)

Data Source

MTX Log

Source Field

FwdMAHOBERLongterm

Source Section

DROP200

DROP200_AvgFwdMAHOBERShort

Average forward MAHO short term BER (%)

Data Source

MTX Log

Source Field

FwdMAHOBERShortterm

Source Section

DROP200

DROP200_AvgMaxCellPwr

Average of the max base station power level at drop call time

Data Source

MTX Log

Source Field

MaxCellPwr

Source Section

DROP200

DROP200_AvgMaxMobilePwr

Average max mobile power level at drop call time

Data Source

MTX Log

Source Field

MaxMobilePwr

Source Section

DROP200

DROP200_AvgMobileMeaRSSI

Average mobile measured RSSI (dB)

Data Source

MTX Log

Source Field

MobileMeaRSSI

Source Section

DROP200

DROP200_AvgRevBERLong

Average reverse long term BER (%)

Data Source

MTX Log

Source Field

RevBERLong

Source Section

DROP200

DROP200_AvgRevBERShort

Average reverse short term BER (%)

Data Source

MTX Log

Source Field

RevBERShort

Source Section

DROP200

DROP200_DVCCBurstNotDetected

Number DROP200 events - Mobile DVCC Loss - Shortened burst not detected from mobile

Data Source

MTX Log

Source Field

DVCCQualifier

Source Section

DROP200

DROP200_DVCCDSPConfigFail

Number DROP200 events - Mobile DVCC Loss - DSP configuration failure in DRU

Data Source

MTX Log

Source Field

DVCCQualifier

Source Section

DROP200

DROP200_DVCCNotReceived

Number DROP200 events - Mobile DVCC Loss - Digital voice color code (DVCC) not received from mobile

Data Source

MTX Log

Source Field

DVCCQualifier

Source Section

DROP200

DROP200_DVCCSlotRateMism

Number DROP200 events - Mobile DVCC Loss - Slot/Rate mismatch during callsetup, DSP configuration failure in DRU, or Synthesizers failed to achieve lock

Data Source

MTX Log

Source Field

DVCCQualifier

Source Section

DROP200

DROP200_DVCCSyncFail

Number DROP200 events - Mobile DVCC Loss - Synthesizers failed to achieve lock

Data Source

MTX Log

Source Field

DVCCQualifier

Source Section

DROP200

DROP200_MobileDVCCLoss

Number DROP200 events - Mobile DVCC Loss

Data Source

MTX Log

Source Field

MobileDVCCLoss

Source Section

DROP200

DROP200_MobileDVCCLossAN

Number DROP200 events - Mobile DVCC Loss with call mode of analog

Data Source

MTX Log

Source Field

Mode=AN

Source Section

DROP200

DROP200_MobileDVCCLossCD

Number DROP200 events - Mobile DVCC Loss with call mode of TDMA circuit switched data

Data Source

MTX Log

Source Field

Mode=CD

Source Section

DROP200

DROP200_MobileDVCCLossDF

Number DROP200 events - Mobile DVCC Loss with call mode of digital full rate

Data Source

MTX Log

Source Field

Mode=DF

Source Section

DROP200

DROP200_MobileDVCCLossEF

Number DROP200 events - Mobile DVCC Loss with call model of EFRC full rate

Data Source

MTX Log

Source Field

Mode=EF

Source Section

DROP200

DROPCALL

Active call is Drp due to loss of SAT for an analog call or loss of DVCC for a digital call

Data Source

MTX OM, SDM

Source Field

DROPCALL

Source Section

OMMTX

DROPCALL_MTXom30

Active call is Drp due to loss of SAT for an analog call or loss of DVCC for a digital call

Data Source

MTX OM

Source Field

DROPCALL_MTXom30

Source Section

OMMTX_MTXom30

DROPHO

Call is Drp during Ho because the target subcell fails to receive a SAT for an analog call

Data Source

MTX OM, SDM

Source Field

DROPHO

Source Section

OMMTX

DROPHO_MTXom30

Call is Drp during Ho because the target subcell fails to receive a SAT for an analog call

Data Source

MTX OM

Source Field

DROPHO_MTXom30

Source Section

OMMTX_MTXom30

DRSSICRI

Pegs when the ICP receives a response from the LCR

Data Source

MTX OM

Source Field

DRSSICRI

Source Section

ICPDFC

DSBITMIS

Num of times that page Resp/Originations or Reg msg from the mobile are rejected

Data Source

MTX OM, SDM

Source Field

DSBITMIS

Source Section

DCCICPCP

DSMSACPT

SMS R-data accept message is received in the ICP through the RACH

Data Source

MTX OM, SDM

Source Field

DSMSACPT

Source Section

ICPSMS

DSMSCONF

ICP receives an SMS SPACH confirmation

Data Source

MTX OM, SDM

Source Field

DSMSCONF

Source Section

ICPSMS

DSMSNOTF

ICP sends out an SMS SPACH notification

Data Source

MTX OM, SDM

Source Field

DSMSNOTF

Source Section

ICPSMS

DSMSRDAT

ICP sends an SMS R-data message

Data Source

MTX OM, SDM

Source Field

DSMSRDAT

Source Section

ICPSMS

DSMSRJCT

SMS R-data reject message is received in the ICP through the RACH

Data Source

MTX OM, SDM

Source Field

DSMSRJCT

Source Section

ICPSMS

DTSTRGA

DCCH test registration attempts

Data Source

MTX OM, SDM

Source Field

DTSTRGA

Source Section

MTXDCCH

DUNEXPGR

Num of unexpected page Resp Rcvd by the ICP

Data Source

MTX OM, SDM

Source Field

DUNEXPGR

Source Section

DCCICPCP

DVCCTO

Pegs when a call is Drp due to digital SAT timeout

Data Source

MTX OM, SDM

Source Field

DVCCTO

Source Section

OMMTX

DVCCTO_MTXom30

Pegs when a call is Drp due to digital SAT timeout

Data Source

MTX OM

Source Field

DVCCTO_MTXom30

Source Section

OMMTX_MTXom30

DVCCTOS

Pegs when an ITCD msg is sent and no DVCC msg is detected on the digital channel

Data Source

MTX OM

Source Field

DVCCTOS

Source Section

ICPDCP

EAVGHOR

Outputs the average value of the digital EFRC handoff reserve over the OM transfer time

Data Source

MTX OM

Source Field

EAVGHOR

Source Section

ICPDHO

EBITMIS

Pegs when the serving subcell rejects an orgn/pg response msg from a SU

Data Source

MTX OM, SDM

Source Field

EBITMIS

Source Section

ICPCP

EBITMIS_MTXom30

Pegs when the serving subcell rejects an orgn/pg response msg from a SU

Data Source

MTX OM

Source Field

EBITMIS_MTXom30

Source Section

ICPCP_MTXom30

EBLKRSV

Pegs when a digital EFRC origination or termination is blocked

Data Source

MTX OM

Source Field

EBLKRSV

Source Section

ICPDHO

EFBRDATT

Pegs anytime a handoff is attempted as the result of a forward drop

Data Source

MTX OM, SDM

Source Field

EFBRDATT

Source Section

CIBEROM2

EFBRDCMP

Pegs anytime a handoff is Comp and the handoff was triggered by a forward drop

Data Source

MTX OM, SDM

Source Field

EFBRDCMP

Source Section

CIBEROM2

EFBRNATT

Pegs anytime a handoff is attempted as the result of a forward noise

Data Source

MTX OM, SDM

Source Field

EFBRNATT

Source Section

CIBEROM2

EFBRNCMP

Pegs anytime a handoff is Comp and the handoff was triggered by a forward noise

Data Source

MTX OM, SDM

Source Field

EFBRNCMP

Source Section

CIBEROM2

EHOCHREQ

Pegs when an incoming digital EFRC Ho Ch request is attempted in a target subcell

Data Source

MTX OM

Source Field

EHOCHREQ

Source Section

ICPDHO

EHOQFAIL

Incoming digital EFRC queued Ho Ch request fail to receive a Channel before being removed

Data Source

MTX OM

Source Field

EHOQFAIL

Source Section

ICPDHO

EMAXHOR

Outputs the max value of the digital EFRC handoff reserve over the OM transfer time

Data Source

MTX OM

Source Field

EMAXHOR

Source Section

ICPDHO

ENUMQHO

Pegs when an incoming digital EFRC Ho channel request is placed on the queue

Data Source

MTX OM

Source Field

ENUMQHO

Source Section

ICPDHO

EPESYSFL

EPESYSFL

Data Source

MTX OM, SDM

Source Field

MSCSP8

Source Section

AUTHMSC

ERBRDATT

Pegs anytime a handoff is attempted as the result of a reverse drop

Data Source

MTX OM, SDM

Source Field

ERBRDATT

Source Section

CIBEROM2

ERBRDCMP

Pegs anytime a handoff is Comp and the handoff was triggered by a reverse drop

Data Source

MTX OM, SDM

Source Field

ERBRDCMP

Source Section

CIBEROM2

ERBRNATT

Pegs anytime a handoff is attempted as the result of a reverse noise

Data Source

MTX OM, SDM

Source Field

ERBRNATT

Source Section

CIBEROM2

ERBRNCMP

Pegs anytime a handoff is Comp and the handoff was triggered by a reverse noise

Data Source

MTX OM, SDM

Source Field

ERBRNCMP

Source Section

CIBEROM2

ESRVRSV

Incoming digital EFRC Ho channel is given service by a channel that is reserved for Ho

Data Source

MTX OM

Source Field

ESRVRSV

Source Section

ICPDHO

EXCOCH

ICP allocates an ES voice channel in COCHNL status

Data Source

MTX OM, SDM

Source Field

EXCOCH

Source Section

ICPCA

EXCOCHSZ

ES voice channel reports the potential for cochannel interference

Data Source

MTX OM, SDM

Source Field

EXCOCHSZ

Source Section

ICPCA

EXPATTS

ICP allocates an ES channel to handle an originating or terminating call

Data Source

MTX OM, SDM

Source Field

EXPATTS

Source Section

ICPCA

EXPDCOCH

ICP is forced to allocate an ES voice channel

Data Source

MTX OM, SDM

Source Field

EXPDCOCH

Source Section

ICPCA

EXPDCOSZ

ES voice channel reports the average RSSI has exceeded the threshold value specified

Data Source

MTX OM, SDM

Source Field

EXPDCOSZ

Source Section

ICPCA

EXPDIGUS

ICP allocates an ES voice channel to handle

Data Source

MTX OM, SDM

Source Field

EXPDIGUS

Source Section

ICPCA

EXPUSE

ICP allocates an ES voice channel to handle a call for the serving subcell

Data Source

MTX OM, SDM

Source Field

EXPUSE

Source Section

ICPCA

EXSPATTS

Pegs when there is an attempt to allocate an expanded spectrum channel

Data Source

MTX OM, SDM

Source Field

EXSPATTS

Source Section

OMMTX

EXSPATTS_MTXom30

Pegs when there is an attempt to allocate an expanded spectrum channel

Data Source

MTX OM

Source Field

EXSPATTS_MTXom30

Source Section

OMMTX_MTXom30

EXSPCOMP

Pegs when an expanded spectrum channel is Alloc and the call is successfully comp

Data Source

MTX OM, SDM

Source Field

EXSPCOMP

Source Section

OMMTX

EXSPCOMP_MTXom30

Pegs when an expanded spectrum channel is Alloc and the call is successfully comp

Data Source

MTX OM

Source Field

EXSPCOMP_MTXom30

Source Section

OMMTX_MTXom30

FB_0_P5

Number of FRBER measurements between 0 and 0.5

Data Source

MTX OM

Source Field

FB_0_P5

Source Section

ICPBER

FB_1_2

Number of FRBER measurements between 1.0 and 2.0

Data Source

MTX OM

Source Field

FB_1_2

Source Section

ICPBER

FB_2_4

Number of FRBER measurements between 2.0 and 4.0

Data Source

MTX OM

Source Field

FB_2_4

Source Section

ICPBER

FB_GT4

Number of FRBER measurements greater than 4.0 in this partition

Data Source

MTX OM

Source Field

FB_GT4

Source Section

ICPBER

FB_P5_1

Number of FRBER measurements between 0.5 and 1.0

Data Source

MTX OM

Source Field

FB_P5_1

Source Section

ICPBER

FBRDATT

Pegs when the ICP sends the switch a handoff candidate msg

Data Source

MTX OM, SDM

Source Field

FBRDATT

Source Section

CIBEROM

FBRDCOMP

Pegs when the ICP sends the switch a handoff comp msg

Data Source

MTX OM, SDM

Source Field

FBRDCOMP

Source Section

CIBEROM

FBRDINTA

FBRDINTA

Data Source

MTX OM, SDM

Source Field

FBRDINTA

Source Section

CIBEROM

FBRNATT

ICP sends the DMS-MTX switch a handoff-candidate msg

Data Source

MTX OM, SDM

Source Field

FBRNATT

Source Section

CIBEROM

FBRNCOMP

ICP sends the DMS-MTX switch a handoff Comp msg

Data Source

MTX OM, SDM

Source Field

FBRNCOMP

Source Section

CIBEROM

FBRNINTA

FBRNINTA

Data Source

MTX OM, SDM

Source Field

FBRNINTA

Source Section

CIBEROM

FBRNINTR

FBRNINTR

Data Source

MTX OM, SDM

Source Field

FBRNINTR

Source Section

CIBEROM

FCPGREQS

Pegs when a page request is sent to the serving subcell of a fixed SU

Data Source

MTX OM, SDM

Source Field

FCPGREQS

Source Section

OMMTX2

FCPRSPAC

when a CC receives a page response msg from a subcell adjacent to the serving subcell of a SU with no mobility

Data Source

MTX OM, SDM

Source Field

FCPRSPAC

Source Section

OMMTX2

FCPRSPHC

when a CC receives a page response msg from the serving subcell of a SU with no mobility

Data Source

MTX OM, SDM

Source Field

FCPRSPHC

Source Section

OMMTX2

FCPRSPTO

when a CC is timed out after page the serving subcell and adjacent subcells for a SU with no mobility

Data Source

MTX OM, SDM

Source Field

FCPRSPTO

Source Section

OMMTX2

HANDIN

HandIn to an inner tier

Data Source

MTX OM, SDM

Source Field

HANDIN

Source Section

ICPHO

HANDMTC

Handoff maintenance

Data Source

MTX OM, SDM

Source Field

HANDMTC

Source Section

ICPHO

HANDOUT

Handout to an outer tier

Data Source

MTX OM, SDM

Source Field

HANDOUT

Source Section

ICPHO

HANDOVER

Handover into an adjacent sector

Data Source

MTX OM, SDM

Source Field

HANDOVER

Source Section

ICPHO

HDIRREQ

Pegs when the switch receives a handoff directed request msg

Data Source

MTX OM, SDM

Source Field

HDIRREQ

Source Section

OMMTXHO

HDIRRTRY

Switch sends a Ho retry msg to the serving subcell after the Ho request msg to the switch

Data Source

MTX OM, SDM

Source Field

HDIRRTRY

Source Section

OMMTXHO

HINREQ

Pegs when a subscriber unit Req a handoff from an outer tier to an inner tier of a cell

Data Source

MTX OM, SDM

Source Field

HINREQ

Source Section

OMMTXHO

HINRTRY

Pegs when no voice channel is available on an inner tier for a handin for a subscriber unit

Data Source

MTX OM, SDM

Source Field

HINRTRY

Source Section

OMMTXHO

HMTCREQ

Switch receives a request to Ho a subscriber unit to another voice channel

Data Source

MTX OM, SDM

Source Field

HMTCREQ

Source Section

OMMTXHO

HMTCRTRY

Pegs when no voice channel is available for the serving subcell to perform a maintenance

Data Source

MTX OM, SDM

Source Field

HMTCRTRY

Source Section

OMMTXHO

HOACKSWB

Num of times that the connection had to be switched back to the serving port

Data Source

MTX OM, SDM

Source Field

HOACKSWB

Source Section

OMMTXHO

HOATTS

Switch orders the subscriber unit to handoff from the serving subcell

Data Source

MTX OM, SDM

Source Field

HOATTS

Source Section

OMMTX

HOATTS_MTXom30

Switch orders the subscriber unit to handoff from the serving subcell

Data Source

MTX OM

Source Field

HOATTS_MTXom30

Source Section

OMMTX_MTXom30

HOCHREQ

Incoming analog handoff channel request is attempted in a target subcell

Data Source

MTX OM

Source Field

HOCHREQ

Source Section

ICPHO2

HOCMDSNT

Handoff command sent

Data Source

MTX OM, SDM

Source Field

HOCMDSNT

Source Section

ICPHO

HOCOMPS

Pegs a handoff from the serving subcell to a target subcell

Data Source

MTX OM, SDM

Source Field

HOCOMPS

Source Section

OMMTX

HOCOMPS_MTXom30

Pegs a handoff from the serving subcell to a target subcell

Data Source

MTX OM

Source Field

HOCOMPS_MTXom30

Source Section

OMMTX_MTXom30

HOFCAND1

Pegs when the subcell serving a Pwr class 1 SU reports that the SU is a Ho candidate

Data Source

MTX OM

Source Field

HOFCAND1

Source Section

MTXPC1

HOFCAND2

Pegs when the subcell serving a Pwr class 2 SU reports that the SU is a Ho candidate

Data Source

MTX OM

Source Field

HOFCAND2

Source Section

MTXPC2

HOFCAND3

Pegs when the subcell serving a Pwr class 3 SU reports that the SU is a Ho candidate

Data Source

MTX OM

Source Field

HOFCAND3

Source Section

MTXPC3

HOFCAND4

Pegs when the subcell serving a Pwr class 4 SU reports that the SU is a Ho candidate

Data Source

MTX OM

Source Field

HOFCAND4

Source Section

MTXPC4

HOFCAND5

Pegs when the subcell serving a Pwr class 5 SU reports that the SU

Data Source

MTX OM

Source Field

HOFCAND5

Source Section

MTXPC5

HOFCAND6

Pegs when the subcell serving a Pwr class 6 SU reports that the SU is a Ho candidate

Data Source

MTX OM

Source Field

HOFCAND6

Source Section

MTXPC6

HOFCAND7

Pegs when the subcell serving a Pwr class 7 SU reports that the SU is a Ho candidate

Data Source

MTX OM

Source Field

HOFCAND7

Source Section

MTXPC7

HOFCAND8

Pegs when the subcell serving a Pwr class 8 SU reports that the SU is a Ho candidate

Data Source

MTX OM

Source Field

HOF CAND8

Source Section

MTX PC8

HOF CNT

Handoff Count

Data Source

MTX OM, SDM

Source Field

HOF CNT

Source Section

HOD ACNTR

HOFFCANC

Pegs when a LCR response msg is Rcvd from the serving subcell

Data Source

MTX OM

Source Field

HOFFCANC

Source Section

OMMTXHO2

HOFFREQ

Pegs when the RSSI of a subscriber unit is below the value specified

Data Source

MTX OM, SDM

Source Field

HOFFREQ

Source Section

OMMTXHO

HOFFRESP

Pegs when an LCR response msg is Rcvd from the serving subcell on below-HOTL handoffs

Data Source

MTX OM

Source Field

HOFFRESP

Source Section

OMMTXHO2

HOFFRTRY

Pegs when a below handoff threshold handoff has to be retried

Data Source

MTX OM, SDM

Source Field

HOFFRTRY

Source Section

OMMTXHO

HOFFSENT

Pegs when at least one LCR response msg is Rcvd from serving subcell below-HOTL Ho

Data Source

MTX OM

Source Field

HOFFSENT

Source Section

OMMTXHO2

HOFL2SZT

Handoff candidate failed to seize target channel

Data Source

MTX OM, SDM

Source Field

HOFL2SZT

Source Section

ICPHO

HOFORDR1

Pegs when a Pwr class 1 SU is instructed to tune to another VCH during Ho

Data Source

MTX OM

Source Field

HOFORDR1

Source Section

MTXPC1

HOFORDR2

Pegs when a Pwr class 2 SU is instructed to tune to another VCH during Ho

Data Source

MTX OM

Source Field

HOFORDR2

Source Section

MTXPC2

HOFORDR3

Pegs when a Pwr class 3 SU is instructed to tune to another VCH during Ho

Data Source

MTX OM

Source Field

HOFORDR3

Source Section

MTXPC3

HOFORDR4

Pegs when a Pwr class 4 SU is instructed to tune to another VCH during Ho

Data Source

MTX OM

Source Field

HOFORDR4

Source Section

MTXPC4

HOFORDR5

Pegs when a Pwr class 5 SU is instructed to tune to another VCH during Ho

Data Source

MTX OM

Source Field

HOFORDR5

Source Section

MTXPC5

HOFORDR6

Pegs when a Pwr class 6 SU is instructed to tune to another VCH during Ho

Data Source

MTX OM

Source Field

HOFORDR6

Source Section

MTXPC6

HOFORDR7

Pegs when a Pwr class 7 SU is instructed to tune to another VCH during Ho

Data Source

MTX OM

Source Field

HOFORDR7

Source Section

MTXPC7

HOFORDR8

Pegs when a Pwr class 8 SU is instructed to tune to another VCH during Ho

Data Source

MTX OM

Source Field

HOFORDR8

Source Section

MTXPC8

HOICDPRV

Handoff intelligent CP clear drops prevented

Data Source

MTX OM, SDM

Source Field

HOICDPRV

Source Section

ICPHO

HOINOST

Handoff serving intelligent CP no signaling tone

Data Source

MTX OM, SDM

Source Field

HOINOST

Source Section

ICPHO

HOINTER8

Pegs when an inter-partition handoff request to a 1900MHz partition is unsuccessful due to lack of resources and the partner 800MHz partition is requested to serve the handoff

Data Source

MTX OM, SDM

Source Field

HOINTER8

Source Section

OMMTXHO

HOIORDER

Handoff intelligent cellular peripheral order

Data Source

MTX OM, SDM

Source Field

HOIORDER

Source Section

ICPHO

HOISATFL

Handoff intelligent CP supervisory audio tone falsing

Data Source

MTX OM, SDM

Source Field

HOISATFL

Source Section

ICPHO

HOISATP

Handoff intelligent CP supervisory audio tone present

Data Source

MTX OM, SDM

Source Field

HOISATP

Source Section

ICPHO

HOIST

Handoff intelligent CP signaling tone

Data Source

MTX OM, SDM

Source Field

HOIST

Source Section

ICPHO

HOIST1

HOIST on the 1st handoff order

Data Source

MTX OM, SDM

Source Field

HOIST1

Source Section

ICPHO

HOIST2

HOIST on the 2nd handoff order

Data Source

MTX OM, SDM

Source Field

HOIST2

Source Section

ICPHO

HOIST3

HOIST on the 3rd handoff order

Data Source

MTX OM, SDM

Source Field

HOIST3

Source Section

ICPHO

HOIST4

HOIST on the 4th handoff order

Data Source

MTX OM, SDM

Source Field

HOIST4

Source Section

ICPHO

HONOACK

Handoff no acknowledgement

Data Source

MTX OM, SDM

Source Field

HONOACK

Source Section

ICPHO

HONORESP

Handoff no response.

Data Source

MTX OM, SDM

Source Field

HONORESP

Source Section

ICPHO

HONOSAT

Handoff failure due to no supervisory audio tone detected by mobile

Data Source

MTX OM, SDM

Source Field

HONOSAT

Source Section

ICPHO

HONOST

Handoff no signaling tone

Data Source

MTX OM, SDM

Source Field

HONOST

Source Section

ICPHO

HONOVCH

Handoff no voice channels

Data Source

MTX OM, SDM

Source Field

HONOVCH

Source Section

ICPHO

HOPL19

Pegs when an intra-partition BER handoff channel pooling request is sent by the 1900MHz cell to its 800MHz partner

Data Source

MTX OM

Source Field

HOPL19

Source Section

ICPCP2

HOPL8

Pegs when an intra-partition BER handoff channel pooling request is received by an 800MHz partition

Data Source

MTX OM

Source Field

HOPL8

Source Section

ICPCP2

HOPLAN8

Pegs when an intra-partition BER handoff channel pooling request is served by an analog channel in the 800MHz partition

Data Source

MTX OM

Source Field

HOPLAN8

Source Section

ICPCP2

HOPLEF8

Pegs when an intra-partition BER handoff channel pooling request is served by an EFRC channel in the 800MHz partition

Data Source

MTX OM

Source Field

HOPLEF8

Source Section

ICPCP2

HOPLNSV8

Pegs when an intra-partition BER handoff channel pooling request is not served by the 800MHz partition and the call attempt is blocked

Data Source

MTX OM

Source Field

HOPLNSV8

Source Section

ICPCP2

HOPLREJ8

Pegs when an intra-partition BER handoff request to a 1900MHz partition is unsuccessful due to lack of resources and the partner 800MHz partition is chosen to serve the handoff but the mobile is not capable of service in the 800MHz band

Data Source

MTX OM, SDM

Source Field

HOPLREJ8

Source Section

OMMTXHO

HOQFAIL

Handoff queue failures

Data Source

MTX OM

Source Field

HOQFAIL

Source Section

ICPHO2

HOREQAMP

Num handoff request msg is rcvd from a transceiver

Data Source

MTX OM

Source Field

HOREQAMP

Source Section

ICPHO2

HOREQBMP

Num handoff request msg is rcvd from an XCVR

Data Source

MTX OM

Source Field

HOREQBMP

Source Section

ICPHO2

HOREQS

Handoff requests

Data Source

MTX OM, SDM

Source Field

HOREQS

Source Section

ICPHO

HORQCID

Handoff request carrier/interface Dropped

Data Source

MTX OM, SDM

Source Field

HORQCID

Source Section

ICPHO

HORQCIN

Handoff request carrier/interface noise

Data Source

MTX OM, SDM

Source Field

HORQCIN

Source Section

ICPHO

HORQRSSI

Handoff request RSSI

Data Source

MTX OM, SDM

Source Field

HORQRSSI

Source Section

ICPHO

HOSENTCP

Handoff sent to call processing

Data Source

MTX OM, SDM

Source Field

HOSENTCP

Source Section

OMMTXHO

HOSIEZET

Handoff candidate has seized target channel

Data Source

MTX OM, SDM

Source Field

HOSIEZET

Source Section

ICPHO

HOUTREQ

Pegs when the switch rqst a Ho from the inner tier to the outer tier of the serving subcell

Data Source

MTX OM, SDM

Source Field

HOUTREQ

Source Section

OMMTXHO

HOUTRTRY

Voice channel is not available on the outer tier of the serving subcell to Ho a subscriber unit

Data Source

MTX OM, SDM

Source Field

HOUTRTRY

Source Section

OMMTXHO

HOVCAND1

Pegs when the subcell serving a Pwr class 1 SU reports that the SU is a handover cand

Data Source

MTX OM

Source Field

HOVCAND1

Source Section

MTXPC1

HOVCAND2

Pegs when the subcell serving a Pwr class 2 SU reports that the SU is a handover candidate

Data Source

MTX OM

Source Field

HOVCAND2

Source Section

MTXPC2

HOVCAND3

Pegs when the subcell serving a Pwr class 3 SU reports that the SU is a handover candidate

Data Source

MTX OM

Source Field

HOVCAND3

Source Section

MTXPC3

HOVCAND4

Pegs when the subcell serving a Pwr class 4 SU reports that the SU is a handover candidate

Data Source

MTX OM

Source Field

HOVCAND4

Source Section

MTXPC4

HOVCAND5

Pegs when the subcell serving a Pwr class 5 SU reports that the SU is a handover candidate

Data Source

MTX OM

Source Field

HOVCAND5

Source Section

MTXPC5

HOVCAND6

Pegs when the subcell serving a Pwr class 6 SU reports that the SU is a handover candidate

Data Source

MTX OM

Source Field

HOVCAND6

Source Section

MTXPC6

HOVCAND7

Pegs when the subcell serving a Pwr class 7 SU reports that the SU is a handover candidate

Data Source

MTX OM

Source Field

HOVCAND7

Source Section

MTXPC7

HOVCAND8

Pegs when the subcell serving a Pwr class 8 SU reports that the SU is a handover candidate

Data Source

MTX OM

Source Field

HOVCAND8

Source Section

MTXPC8

HOVORDR1

Pegs when a Pwr class 1 SU is instructed to tune to another VCH during handover

Data Source

MTX OM

Source Field

HOVORDR1

Source Section

MTXPC1

HOVORDR2

Pegs when a Pwr class 2 SU is instructed to tune to another VCH during handover

Data Source

MTX OM

Source Field

HOVORDR2

Source Section

MTXPC2

HOVORDR3

Pegs when a Pwr class 3 SU is instructed to tune to another VCH during handover

Data Source

MTX OM

Source Field

HOVORDR3

Source Section

MTXPC3

HOVORDR4

Pegs when a Pwr class 4 SU is instructed to tune to another VCH during handover

Data Source

MTX OM

Source Field

HOVORDR4

Source Section

MTXPC4

HOVORDR5

Pegs when a Pwr class 5 SU is instructed to tune to another VCH during handover

Data Source

MTX OM

Source Field

HOVORDR5

Source Section

MTXPC5

HOVORDR6

Pegs when a Pwr class 6 SU is instructed to tune to another VCH during handover

Data Source

MTX OM

Source Field

HOVORDR6

Source Section

MTXPC6

HOVORDR7

Pegs when a Pwr class 7 SU is instructed to tune to another VCH during handover

Data Source

MTX OM

Source Field

HOVORDR7

Source Section

MTXPC7

HOVORDR8

Pegs when a Pwr class 8 SU is instructed to tune to another VCH during handover

Data Source

MTX OM

Source Field

HOVORDR8

Source Section

MTXPC8

HOVRCANC

Pegs when a LCR response msg is Rcvd from the serving subcell

Data Source

MTX OM

Source Field

HOVRCANC

Source Section

OMMTXHO2

HOVRHOTL

Pegs when a below HOTL Ho request is Rcvd and the Ho is attempted to another sector

Data Source

MTX OM, SDM

Source Field

HOVRHOTL

Source Section

OMMTXHO

HOVRREQ

Switch receives a request to Ho a subscriber unit from one sector to another sector

Data Source

MTX OM, SDM

Source Field

HOVRREQ

Source Section

OMMTXHO

HOVRRESP

Pegs when an LCR response msg is Rcvd from the serving subcell for above-HOTL handover

Data Source

MTX OM

Source Field

HOVRRESP

Source Section

OMMTXHO2

HOVRRTRY

Pegs when a handover has to be retried

Data Source

MTX OM, SDM

Source Field

HOVRRTRY

Source Section

OMMTXHO

HOVRSENT

Pegs when the switch has attempted to handover a call from the serving subcell to an adjacent subcell for above-HOTL handovers

Data Source

MTX OM

Source Field

HOVRSENT

Source Section

OMMTXHO2

HSATOUT1

Pegs when a call failure msg due to a SAT timeout is reported for a Pwr class 1 SU while attempting a handoff

Data Source

MTX OM

Source Field

HSATOUT1

Source Section

MTXPC1

HSATOUT2

Pegs when a call failure msg due to a SAT timeout is reported for a Pwr class 2 SU

Data Source

MTX OM

Source Field

HSATOUT2

Source Section

MTXPC2

HSATOUT3

Pegs when a call failure msg due to a SAT timeout is reported for a Pwr class 3 SU

Data Source

MTX OM

Source Field

HSATOUT3

Source Section

MTXPC3

HSATOUT4

Pegs when a call failure msg due to a SAT timeout is reported for a Pwr class 4 SU

Data Source

MTX OM

Source Field

HSATOUT4

Source Section

MTXPC4

HSATOUT5

Pegs when a call failure msg due to a SAT timeout is reported for a Pwr class 5 SU

Data Source

MTX OM

Source Field

HSATOUT5

Source Section

MTXPC5

HSATOUT6

Pegs when a call failure msg due to a SAT timeout is reported for a Pwr class 6 SU

Data Source

MTX OM

Source Field

HSATOUT6

Source Section

MTXPC6

HSATOUT7

Pegs when a call failure msg due to a SAT timeout is reported for a Pwr class 7 SU while attempting to handoff

Data Source

MTX OM

Source Field

HSATOUT7

Source Section

MTXPC7

HSATOUT8

Call fail msg due to a SAT timeout is reported for a Pwr class 8 SU while attempting to Ho

Data Source

MTX OM

Source Field

HSATOUT8

Source Section

MTXPC8

INCPGRES

Pegs when a page response msg is Rcvd by the ICP

Data Source

MTX OM, SDM

Source Field

INCPGRES

Source Section

ICPCP

INCPGRES_MTXom30

Pegs when a page response msg is Rcvd by the ICP

Data Source

MTX OM

Source Field

INCPGRES_MTXom30

Source Section

ICPCP_MTXom30

INLPIE

Pegs when there is no clear inactive channel and there is at least one noisy LPI channel

Data Source

MTX OM

Source Field

INLPIE

Source Section

ICPCELTR

INMPIE

There is no clear inactive MPI channel and there is at least one noisy MPI channel

Data Source

MTX OM

Source Field

INMPIE

Source Section

ICPCELTR

INVDVCC

Serving subcell receives an invalid DVCC msg from a digital-capable mobile

Data Source

MTX OM

Source Field

INVDVCC

Source Section

ICPDCP

INVSATDT

Pegs when an ICP receives a SAT (SAT) failure msg

Data Source

MTX OM, SDM

Source Field

INVSATDT

Source Section

ICPCP

INVSATDT_MTXom30

Pegs when an ICP receives a SAT (SAT) failure msg

Data Source

MTX OM

Source Field

INVSATDT_MTXom30

Source Section

ICPCP_MTXom30

IVHODATT_A

Number of 3G -3G Packet Data Call Handoff Attempts with the Nortel MSC as the anchor switch as per the IS-880 standards.

Data Source

MTX OM

Source Field

IVHODATT

Source Section

OMMTXHO2

IVHODBLK_A

Number of 3G -3G Packet Data Call Handoff Blocks on the target switch with the Nortel MSC as the anchor switch as per the IS-880 standards.

Data Source

MTX OM

Source Field

IVHODBLK

Source Section

OMMTXHO2

IVHODFLR_A

Number of 3G -3G Packet Data Call Handoff Failures on the target system with the Nortel MSC as the anchor switch as per the IS-880 standards.

Data Source

MTX OM

Source Field

IVHODFLR

Source Section

OMMTXHO2

IVHODSUC_A

Number of 3G -3G Packet Data Call Handoff Successes with the Nortel MSC as the anchor switch as per the IS-880 standards.

Data Source

MTX OM

Source Field

IVHODSUC

Source Section

OMMTXHO2

IVHOVATT_A

Number of 3G -3G Voice Call Handoff Attempts with the Nortel MSC as the anchor switch as per the IS-880 standards.

Data Source

MTX OM

Source Field

IVHOVATT

Source Section

OMMTXHO2

IVHOVBLK_A

Number of 3G -3G Voice Call Handoff Blocks with the Nortel MSC as the anchor switch as per the IS-880 standards.

Data Source

MTX OM

Source Field

IVHOVBLK

Source Section

OMMTXHO2

IVHOVFLR_A

Number of 3G -3G Voice Call Handoff Failures with the Nortel MSC as the anchor switch as per the IS-880 standards.

Data Source

MTX OM

Source Field

IVHOVFLR

Source Section

OMMTXHO2

IVHOVSUC_A

Number of 3G -3G Voice Call Handoff Successes with the Nortel MSC as the anchor switch as per the IS-880 standards.

Data Source

MTX OM

Source Field

IVHOVSUC

Source Section

OMMTXHO2

LATERSSI

Pegs when the ICP receives a LCR RSSI response msg

Data Source

MTX OM

Source Field

LATERSSI

Source Section

ICPFC

LCRDLOW

Pegs in the LCR when the LCR does not respond to the ICP

Data Source

MTX OM

Source Field

LCRDLOW

Source Section

ICPFC

LCRDSAT

Pegs when the LCR does not respond to the ICP

Data Source

MTX OM

Source Field

LCRDSAT

Source Section

ICPFC

LCRLOCRQ

Pegs in the LCR when the ICP sends a RSSI request to the LCR

Data Source

MTX OM

Source Field

LCRLOCRQ

Source Section

ICPFC

LCRPURGE

Pegs when the ICP receives a msg for the LCR

Data Source

MTX OM

Source Field

LCRPURGE

Source Section

ICPFC

LCRREQ

Pegs in the LCR when the LCR receives an RSSI request msg

Data Source

MTX OM

Source Field

LCRREQ

Source Section

ICPFC

LCRREQS

Pegs when an LCR request msg is sent by the switch to the target subcell

Data Source

MTX OM, SDM

Source Field

LCRREQS

Source Section

OMMTXHO

LCRRESP

Pegs when the ICP receives an RSSI response msg from the LCR

Data Source

MTX OM

Source Field

LCRRESP

Source Section

ICPFC

LCRRESPS

Pegs when the switch receives an LCR response msg from the target subcell

Data Source

MTX OM, SDM

Source Field

LCRRESPS

Source Section

OMMTXHO

LCRRETS

Pegs in the LCR when the LCR sends a response msg to the ICP

Data Source

MTX OM

Source Field

LCRRETS

Source Section

ICPFC

LCRTIMO

Pegs when the ICP sends a locate request msg to the LCR

Data Source

MTX OM

Source Field

LCRTIMO

Source Section

ICPFC

LMATTS

Pegs when a call is made to connect a land line trunk to a subscriber unit

Data Source

MTX OM, SDM

Source Field

LMATTS

Source Section

OMMTX

LMATTS_MTXom30

Pegs when a call is made to connect a land line trunk to a subscriber unit

Data Source

MTX OM

Source Field

LMATTS_MTXom30

Source Section

OMMTX_MTXom30

LMCOMPS

Pegs when a call is Comp from a land line trunk to a subscriber unit

Data Source

MTX OM, SDM

Source Field

LMCOMPS

Source Section

OMMTX

LMCOMPS_MTXom30

Pegs when a call is Comp from a land line trunk to a subscriber unit

Data Source

MTX OM

Source Field

LMCOMPS_MTXom30

Source Section

OMMTX_MTXom30

LPANLPAN

LPI analog voice channel allocated

Data Source

MTX OM, SDM

Source Field

LPANLPAN

Source Section

LPICHUSG

LPANLPEF

LPI EFRC digital voice channel allocated

Data Source

MTX OM, SDM

Source Field

LPANLPEF

Source Section

LPICHUSG

LPANLPVS

LPI VSELP digital voice channel allocated

Data Source

MTX OM, SDM

Source Field

LPANLPVS

Source Section

LPICHUSG

LPANMPAN

MPI analog voice channel allocated

Data Source

MTX OM, SDM

Source Field

LPANMPAN

Source Section

LPICHUSG

LPANMPEF

MPI EFRC digital voice channel allocated

Data Source

MTX OM, SDM

Source Field

LPANMPEF

Source Section

LPICHUSG

LPANMPVS

MPI VSELP digital voice channel allocated.

Data Source

MTX OM, SDM

Source Field

LPANMPVS

Source Section

LPICHUSG

LPANNONE

LPI analog voice channel request not allocated

Data Source

MTX OM, SDM

Source Field

LPANNONE

Source Section

LPICHUSG

LPANREQ

LPI analog voice channel request

Data Source

MTX OM, SDM

Source Field

LPANREQ

Source Section

LPICHUSG

LPEFLPAN

LPI analog voice channel allocated

Data Source

MTX OM, SDM

Source Field

LPEFLPAN

Source Section

LPICHUSG

LPEFLPEF

LPI EFRC digital voice channel allocated

Data Source

MTX OM, SDM

Source Field

LPEFLPEF

Source Section

LPICHUSG

LPEFLPVS

LPI VSELP digital voice channel allocated

Data Source

MTX OM, SDM

Source Field

LPEFLPVS

Source Section

LPICHUSG

LPEFMPAN

MPI analog voice channel allocated

Data Source

MTX OM, SDM

Source Field

LPEFMPAN

Source Section

LPICHUSG

LPEFMPEF

MPI EFRC digital voice channel allocated

Data Source

MTX OM, SDM

Source Field

LPEFMPEF

Source Section

LPICHUSG

LPEFMPVS

MPI VSELP digital voice channel allocated

Data Source

MTX OM, SDM

Source Field

LPEFMPVS

Source Section

LPICHUSG

LPEFNONE

LPI EFRC digital voice channel request not allocated

Data Source

MTX OM, SDM

Source Field

LPEFNONE

Source Section

LPICHUSG

LPEFOVFL

LPI EFRC overflow

Data Source

MTX OM, SDM

Source Field

LPEFOVFL

Source Section

LPICHUSG

LPEFREQ

LPI EFRC digital voice channel request

Data Source

MTX OM, SDM

Source Field

LPEFREQ

Source Section

LPICHUSG

LPFDLPFD

LPFDLPFD

Data Source

MTX OM, SDM

Source Field

LPFDLPFD

Source Section

LPICHUSG

LPFDMPFD

LPFDMPFD

Data Source

MTX OM, SDM

Source Field

LPFDMPFD

Source Section

LPICHUSG

LPFDNONE

LPFDNONE

Data Source

MTX OM, SDM

Source Field

LPFDNONE

Source Section

LPICHUSG

LPFDREQ

LPFDREQ

Data Source

MTX OM, SDM

Source Field

LPFDREQ

Source Section

LPICHUSG

LPIACMPI

Pegs when there is no clear inactive LPI Ch and there is at least 1 clear inactive MPI Ch

Data Source

MTX OM

Source Field

LPIACMPI

Source Section

ICPCELTR

LPIMISC

Pegs when there is at least one clear inactive LPI channel and no clear inactive MPI channel

Data Source

MTX OM

Source Field

LPIMISC

Source Section

ICPCELTR

LPIREQ

Records when a request for an LPI channel for any mobile whose RSSI is below the MPT

Data Source

MTX OM

Source Field

LPIREQ

Source Section

ICPCELTR

LPVSLPAN

LPI analog voice channel allocated

Data Source

MTX OM, SDM

Source Field

LPVSLPAN

Source Section

LPICHUSG

LPVSLPVS

LPI VSELP digital voice channel allocated

Data Source

MTX OM, SDM

Source Field

LPVSLPVS

Source Section

LPICHUSG

LPVSMPAN

MPI analog voice channel allocated

Data Source

MTX OM, SDM

Source Field

LPVSMPAN

Source Section

LPICHUSG

LPVSMPVS

MPI VSELP digital voice channel allocated

Data Source

MTX OM, SDM

Source Field

LPVSMPVS

Source Section

LPICHUSG

LPVSNONE

LPI VSELP digital voice channel request not allocated

Data Source

MTX OM, SDM

Source Field

LPVSNONE

Source Section

LPICHUSG

LPVSOVFL

LPI VSELP overflow

Data Source

MTX OM, SDM

Source Field

LPVSOVFL

Source Section

LPICHUSG

LPVSREQ

LPI VSELP digital voice channel request

Data Source

MTX OM, SDM

Source Field

LPVSREQ

Source Section

LPICHUSG

MACELPRS

message waiting indication analog channel cell page response

Data Source

MTX OM, SDM

Source Field

MACELPRS

Source Section

MTXMWI

MAFRSPG

message waiting indication analog channel first page

Data Source

MTX OM, SDM

Source Field

MAFRSPG

Source Section

MTXMWI

MAFRSPGR

message waiting indication analog channel first page response

Data Source

MTX OM, SDM

Source Field

MAFRSPGR

Source Section

MTXMWI

MAHOATT

Handoff is attempted to MAHO selected handoff candidate

Data Source

MTX OM, SDM

Source Field

MAHOATT

Source Section

OMMTXHO

MAHOCMP

Handoff is successful when the target subcell is selected using MAHO-selected candidate

Data Source

MTX OM, SDM

Source Field

MAHOCMP

Source Section

OMMTXHO

MAOZPRS

message waiting indication analog channel out of zone page response

Data Source

MTX OM, SDM

Source Field

MAOZPRS

Source Section

MTXMWI

MAPGRT

message waiting indication analog channel page retry

Data Source

MTX OM, SDM

Source Field

MAPGRT

Source Section

MTXMWI

MAPGRTR

message waiting indication analog channel page retry response

Data Source

MTX OM, SDM

Source Field

MAPGRTR

Source Section

MTXMWI

MATHFLSH_A

MATHFLSH

Data Source

MTX OM, SDM

Source Field

MATHFLSH

Source Section

AUTHMSC

MATHORIG_A

MATHORIG

Data Source

MTX OM, SDM

Source Field

MATHORIG + 65536 * AUTHMSCX.MATHORG2

Source Section

AUTHMSC

MATHREG_A

Number of mobile registrations with authentication enabled

Data Source

MTX OM, SDM

Source Field

MATHREG + 65536 * AUTHMSCX.MATHREG2

Source Section

AUTHMSC

MATHRMM_A

MSC AUTHR mismatch failure

Data Source

MTX OM, SDM

Source Field

MATHRMM

Source Section

AUTHMSC

MATHSUCC_A

MSC authentication successful (shared SSD)

Data Source

MTX OM, SDM

Source Field

MATHSUCC + 65536 * AUTHMSCX.MATHSUC2

Source Section

AUTHMSC

MATHTERM_A

MSC mobile termination with authentication parms.

Data Source

MTX OM, SDM

Source Field

MATHTERM

Source Section

AUTHMSC

MAXBU

Every 100s increases if # busy circuits exceeds max # the system recorded earlier

Data Source

MTX OM, SDM

Source Field

MAXBU

Source Section

TRK

MAXHOR

Maximum handoff reserve

Data Source

MTX OM

Source Field

MAXHOR

Source Section

ICPHO2

MAZNPRS

message waiting indication analog channel zone page response

Data Source

MTX OM, SDM

Source Field

MAZNPRS

Source Section

MTXMWI

MBINCPTM

Mobile intercept message

Data Source

MTX OM, SDM

Source Field

MBINCPTM

Source Section

OMMTX2

MBLFTSRC

Mobile left serving channel

Data Source

MTX OM, SDM

Source Field

MBLFTSRC

Source Section

ICPHO

MBLINCPT

ICP sends an intercept msg to the CCHs in response to an origination msg from a SU

Data Source

MTX OM, SDM

Source Field

MBLINCPT

Source Section

ICPCP

MBLINCPT_MTXom30

ICP sends an intercept msg to the CCHs in response to an origination msg from a SU

Data Source

MTX OM

Source Field

MBLINCPT_MTXom30

Source Section

ICPCP_MTXom30

MBLORG

ICP receives from the CCH an origination msg from a SU

Data Source

MTX OM, SDM

Source Field

MBLORG

Source Section

ICPCP

MBLORG_MTXom30

ICP receives from the CCH an origination msg from a SU

Data Source

MTX OM

Source Field

MBLORG_MTXom30

Source Section

ICPCP_MTXom30

MBLORGCO

ICP receives a SAT present msg from the CCH for an originating SU

Data Source

MTX OM, SDM

Source Field

MBLORGCO

Source Section

ICPCP

MBLORGCO_MTXom30

ICP receives a SAT present msg from the CCH for an originating SU

Data Source

MTX OM

Source Field

MBLORGCO_MTXom30

Source Section

ICPCP_MTXom30

MBLORIG

Mobile low received signal strength indicator origination or page response

Data Source

MTX OM, SDM

Source Field

MBLORIG

Source Section

OMMTX2

MBLREGR

Pegs when an ICP receives a Reg msg from a SU

Data Source

MTX OM, SDM

Source Field

MBLREGR

Source Section

ICPCP

MBLREGR_MTXom30

Pegs when an ICP receives a Reg msg from a SU

Data Source

MTX OM

Source Field

MBLREGR_MTXom30

Source Section

ICPCP_MTXom30

MBLREORD

ICP sends a reorder msg to the CCHs in response to access attempt from SU

Data Source

MTX OM, SDM

Source Field

MBLREORD

Source Section

ICPCP

MBLREORD_MTXom30

ICP sends a reorder msg to the CCHs in response to access attempt from SU

Data Source

MTX OM

Source Field

MBLREORD_MTXom30

Source Section

ICPCP_MTXom30

MBLTERCO

Pegs when a call terminated to a SU and the SU successfully tunes to a voice channel

Data Source

MTX OM, SDM

Source Field

MBLTERCO

Source Section

ICPCP

MBLTERCO_MTXom30

Pegs when a call terminated to a SU and the SU successfully tunes to a voice channel

Data Source

MTX OM

Source Field

MBLTERCO_MTXom30

Source Section

ICPCP_MTXom30

MBORIG1

Pegs when a Pwr class 1 SU originates a Call

Data Source

MTX OM

Source Field

MBORIG1

Source Section

MTXPC1

MBORIG2

Increments when a Pwr class 2 SU originates a Call

Data Source

MTX OM

Source Field

MBORIG2

Source Section

MTXPC2

MBORIG3

Pegs when a Pwr class 3 SU originates a Call

Data Source

MTX OM

Source Field

MBORIG3

Source Section

MTXPC3

MBORIG4

Pegs when a Pwr class 4 SU originates a Call

Data Source

MTX OM

Source Field

MBORIG4

Source Section

MTXPC4

MBORIG5

Pegs when a Pwr class 5 SU originates a Call

Data Source

MTX OM

Source Field

MBORIG5

Source Section

MTXPC5

MBORIG6

Pegs when a Pwr class 6 SU originates a call

Data Source

MTX OM

Source Field

MBORIG6

Source Section

MTXPC6

MBORIG7

Pegs when a Pwr class 7 SU originates a call

Data Source

MTX OM

Source Field

MBORIG7

Source Section

MTXPC7

MBORIG8

Pegs when a Pwr class 8 SU originates a Call

Data Source

MTX OM

Source Field

MBORIG8

Source Section

MTXPC8

MBORIGS

Pegs when the switch receives a call Org msg From the serving subcell

Data Source

MTX OM, SDM

Source Field

MBORIGS

Source Section

OMMTX

MBORIGS_MTXom30

Pegs when the switch receives a call Org msg From the serving subcell

Data Source

MTX OM

Source Field

MBORIGS_MTXom30

Source Section

OMMTX_MTXom30

MBREGMSG

Mobile registration message

Data Source

MTX OM, SDM

Source Field

MBREGMSG

Source Section

OMMTX2

MBU

Every 100s records if a trunk is in manual busy/seized/network management busy

Data Source

MTX OM, SDM

Source Field

MBU

Source Section

TRK

MDCELPRS

message waiting indication digital channel cell page response

Data Source

MTX OM, SDM

Source Field

MDCELPRS

Source Section

MTXMWI

MDFRSPG

message waiting indication digital channel first page

Data Source

MTX OM, SDM

Source Field

MDFRSPG

Source Section

MTXMWI

MDFRSPGR

message waiting indication digital channel first page response

Data Source

MTX OM, SDM

Source Field

MDFRSPGR

Source Section

MTXMWI

MDPGRT

message waiting indication digital page retry

Data Source

MTX OM, SDM

Source Field

MDPGRT

Source Section

MTXMWI

MDPGRTR

message waiting indication digital channel page retry response

Data Source

MTX OM, SDM

Source Field

MDPGRTR

Source Section

MTXMWI

MDVMPRS

message waiting indication digital channel virtual mobile location area page response

Data Source

MTX OM, SDM

Source Field

MDVMPRS

Source Section

MTXMWI

MLATTS

Pegs when a call is made from the serving subcell to a land trunk

Data Source

MTX OM, SDM

Source Field

MLATTS

Source Section

OMMTX

MLATTS_MTXom30

Pegs when a call is made from the serving subcell to a land trunk

Data Source

MTX OM

Source Field

MLATTS_MTXom30

Source Section

OMMTX_MTXom30

MLCOMPS

Pegs when a call is successfully Comp from a serving subcell to a land trunk

Data Source

MTX OM, SDM

Source Field

MLCOMPS

Source Section

OMMTX

MLCOMPS_MTXom30

Pegs when a call is successfully Comp from a serving subcell to a land trunk

Data Source

MTX OM

Source Field

MLCOMPS_MTXom30

Source Section

OMMTX_MTXom30

MMATHPRM_A

MSC system access with Missing Authentication Parameters

Data Source

MTX OM, SDM

Source Field

MMATHPRM

Source Section

AUTHMSC

MMATTS

Pegs when a call is made from a subscriber unit to another subscriber unit

Data Source

MTX OM, SDM

Source Field

MMATTS

Source Section

OMMTX

MMATTS_MTXom30

Pegs when a call is made from a subscriber unit to another subscriber unit

Data Source

MTX OM

Source Field

MMATTS_MTXom30

Source Section

OMMTX_MTXom30

MMCOMPS

Pegs when a call is successfully Comp from a subscriber unit to another subscriber unit

Data Source

MTX OM, SDM

Source Field

MMCOMPS

Source Section

OMMTX

MMCOMPS_MTXom30

Pegs when a call is successfully Comp from a subscriber unit to another subscriber unit

Data Source

MTX OM

Source Field

MMCOMPS_MTXom30

Source Section

OMMTX_MTXom30

MNSELATH_A

MNSELATH_A

Data Source

MTX OM, SDM

Source Field

MNSELATH

Source Section

AUTHMSC

MOATTS

Pegs when a call is made from a subscriber unit to an operator

Data Source

MTX OM, SDM

Source Field

MOATTS

Source Section

OMMTX

MOATTS_MTXom30

Pegs when a call is made from a subscriber unit to an operator

Data Source

MTX OM

Source Field

MOATTS_MTXom30

Source Section

OMMTX_MTXom30

MOBANS

Mobile is involved in a call as a Trm and answers the call as indicated by answer msg

Data Source

MTX OM, SDM

Source Field

MOBANS

Source Section

OMMTX

MOBANS_MTXom30

Mobile is involved in a call as a Trm and answers the call as indicated by answer msg

Data Source

MTX OM

Source Field

MOBANS_MTXom30

Source Section

OMMTX_MTXom30

MOCOMPS

Pegs when a call is successfully Comp from a subscriber unit to an operator

Data Source

MTX OM, SDM

Source Field

MOCOMPS

Source Section

OMMTX

MOCOMPS_MTXom30

Pegs when a call is successfully Comp from a subscriber unit to an operator

Data Source

MTX OM

Source Field

MOCOMPS_MTXom30

Source Section

OMMTX_MTXom30

MPANLPAN

Request for a MPI analog voice channel is filled by allocating a LPI analog voice channel

Data Source

MTX OM, SDM

Source Field

MPANLPAN

Source Section

MPICHUSG

MPANLPEF

Request for MPI analog voice channel is filled by allocating LPI EFRC digital voice channel

Data Source

MTX OM, SDM

Source Field

MPANLPEF

Source Section

MPICHUSG

MPANLPVS

Request for MPI analog voice channel is filled by allocating LPI VSELP digital voice channel

Data Source

MTX OM, SDM

Source Field

MPANLPVS

Source Section

MPICHUSG

MPANMPAN

Request for a MPI analog voice channel is filled by allocating a MPI analog voice channel

Data Source

MTX OM, SDM

Source Field

MPANMPAN

Source Section

MPICHUSG

MPANMPEF

Request for MPI analog voice channel is filled by allocating MPI EFRC digital voice channel

Data Source

MTX OM, SDM

Source Field

MPANMPEF

Source Section

MPICHUSG

MPANMPVS

Request for MPI analog voice channel is filled by allocating a MPI VSELP digital voice channel

Data Source

MTX OM, SDM

Source Field

MPANMPVS

Source Section

MPICHUSG

MPANNONE

Request for a MPI analog voice channel is not filled

Data Source

MTX OM, SDM

Source Field

MPANNONE

Source Section

MPICHUSG

MPANREQ

Request to allocate a MPI analog voice channel arrives at the RM

Data Source

MTX OM, SDM

Source Field

MPANREQ

Source Section

MPICHUSG

MPEFLPAN

Request for a MPI EFRC digital voice channel is filled by allocating a LPI analog voice channel

Data Source

MTX OM, SDM

Source Field

MPEFLPAN

Source Section

MPICHUSG

MPEFLPEF

Request for a MPI EFRC digital voice channel is filled by allocating a LPI VSELP digital voice channel

Data Source

MTX OM, SDM

Source Field

MPEFLPEF

Source Section

MPICHUSG

MPEFLPVS

Request for a MPI EFRC digital voice channel is filled by allocating a LPI VSELP digital voice channel

Data Source

MTX OM, SDM

Source Field

MPEFLPVS

Source Section

MPICHUSG

MPEFMPAN

Request for a MPI EFRC digital voice channel is filled by allocating a MPI analog voice channel

Data Source

MTX OM, SDM

Source Field

MPEFMPAN

Source Section

MPICHUSG

MPEFMPEF

Request for a MPI EFRC digital voice channel is filled by allocating a MPI EFRC digital voice channel

Data Source

MTX OM, SDM

Source Field

MPEFMPEF

Source Section

MPICHUSG

MPEFMPVS

Request for a MPI EFRC digital voice channel is filled by allocating a MPI VSELP digital voice channel

Data Source

MTX OM, SDM

Source Field

MPEFMPVS

Source Section

MPICHUSG

MPEFNONE

Request for a MPI EFRC digital voice channel is not filled

Data Source

MTX OM, SDM

Source Field

MPEFNONE

Source Section

MPICHUSG

MPEFOVFL

Pegs when a digital voice channel is allocated from the common pool of resources

Data Source

MTX OM, SDM

Source Field

MPEFOVFL

Source Section

MPICHUSG

MPEFREQ

Request to allocate a MPI EFRC digital voice channel arrives at the RM

Data Source

MTX OM, SDM

Source Field

MPEFREQ

Source Section

MPICHUSG

MPFDLPFD

MPFDLPFD

Data Source

MTX OM, SDM

Source Field

MPFDLPFD

Source Section

MPICHUSG

MPFDMPF

MPFDMPF

Data Source

MTX OM, SDM

Source Field

MPFDMPFD

Source Section

MPICHUSG

MPFDNONE

MPFDNONE

Data Source

MTX OM, SDM

Source Field

MPFDNONE

Source Section

MPICHUSG

MPFDREQ

MPFDREQ

Data Source

MTX OM, SDM

Source Field

MPFDREQ

Source Section

MPICHUSG

MPIACLPI

There is no clear inactive MPI channel but there is at least one clear inactive LPI channel

Data Source

MTX OM

Source Field

MPIACLPI

Source Section

ICPCELTR

MPIMISC

Pegs when there is at least one clear inactive MPI channel no clear inactive LPI channel

Data Source

MTX OM

Source Field

MPIMISC

Source Section

ICPCELTR

MPIREQ

Records when a request for an MPI channel for any mobile whose RSSI is above the MPT

Data Source

MTX OM

Source Field

MPIREQ

Source Section

ICPCELTR

MPVSLPAN

Request for MPI VSELP digital voice channel is filled by allocating LPI analog voice channel

Data Source

MTX OM, SDM

Source Field

MPVSLPAN

Source Section

MPICHUSG

MPVSLPVS

Request for MPI VSELP digital voice channel is filled by allocating LPI VSELP digital voice channel

Data Source

MTX OM, SDM

Source Field

MPVSLPVS

Source Section

MPICHUSG

MPVSMPAN

Request for MPI VSELP digital voice channel is filled by allocating a MPI analog voice channel

Data Source

MTX OM, SDM

Source Field

MPVSMPAN

Source Section

MPICHUSG

MPVSMPVS

Request for MPI VSELP digital voice channel is filled by allocating MPI VSELP digital voice channel

Data Source

MTX OM, SDM

Source Field

MPVSMPVS

Source Section

MPICHUSG

MPVSNONE

Request for a MPI VSELP digital voice channel is not filled

Data Source

MTX OM, SDM

Source Field

MPVSNONE

Source Section

MPICHUSG

MPVSOVFL

Pegs when a digital voice channel is allocated from the common pool of resources

Data Source

MTX OM, SDM

Source Field

MPVSOVFL

Source Section

MPICHUSG

MPVSREQ

Request to allocate a MPI VSELP digital voice channel arrives at the RM

Data Source

MTX OM, SDM

Source Field

MPVSREQ

Source Section

MPICHUSG

MRANDMBC_A

MRANDMBC

Data Source

MTX OM, SDM

Source Field

MRANDMBC

Source Section

AUTHMSC

MRANDMM_A

MSC RANDC Mismatch

Data Source

MTX OM, SDM

Source Field

MRANDMM

Source Section

AUTHMSC

MRANDMUC_A

MSC RANDC Mismatch occurring in an MSCinitiated Unique Challenge

Data Source

MTX OM, SDM

Source Field

MRANDMUC

Source Section

AUTHMSC

MSCUCIN_A

MSC Unique Challenge attempted that is not part of SSD update.

Data Source

MTX OM, SDM

Source Field

MSCUCIN

Source Section

AUTHMSC

MSCUCNC_A

MSC Unique Challenge Not Completed

Data Source

MTX OM, SDM

Source Field

MSCUCNC

Source Section

AUTHMSC

MSCVP1

MSCVP1

Data Source

MTX OM, SDM

Source Field

MSCVP1

Source Section

AUTHMSC

MSCVP2

MSCVP2

Data Source

MTX OM, SDM

Source Field

MSCVP2

Source Section

AUTHMSC

MSSDUPFL_A

MSC SSD Update Failed

Data Source

MTX OM, SDM

Source Field

MSSDUPFL

Source Section

AUTHMSC

MSSDUPIN_A

MSC SSD Update initiated

Data Source

MTX OM, SDM

Source Field

MSSDUPIN

Source Section

AUTHMSC

MSSDUPNA_A

MSC SSD Update Not Attempted

Data Source

MTX OM, SDM

Source Field

MSSDUPNA

Source Section

AUTHMSC

MSSDUPNC_A

MSC SSD Update Not Completed

Data Source

MTX OM, SDM

Source Field

MSSDUPNC

Source Section

AUTHMSC

MSSDUPSC_A

MSC SSD Update successful

Data Source

MTX OM, SDM

Source Field

MSSDUPSC

Source Section

AUTHMSC

MTRMT

Pegs when a call origination msg is Rcvd by the serving subcell

Data Source

MTX OM, SDM

Source Field

MTRMT

Source Section

OMMTX

MTRMT_MTXom30

Pegs when a call origination msg is Rcvd by the serving subcell

Data Source

MTX OM

Source Field

MTRMT_MTXom30

Source Section

OMMTX_MTXom30

MTSELATH_A

MSC terminations eligible for selective authentication that have not been authenticated

Data Source

MTX OM, SDM

Source Field

MTSELATH

Source Section

AUTHMSC

MUCFAIL_A

MSC Unique Challenge Failed

Data Source

MTX OM, SDM

Source Field

MUCFAIL

Source Section

AUTHMSC

MUCNINIT_A

MSC Unique Challenge Not Initiated

Data Source

MTX OM, SDM

Source Field

MUCNINIT

Source Section

AUTHMSC

MUCSUCC_A

MSC Unique Challenge successful

Data Source

MTX OM, SDM

Source Field

MUCSUCC

Source Section

AUTHMSC

NBPDRETI

Network boundary paging directed retry intersystem

Data Source

MTX OM, SDM

Source Field

NBPDRETI

Source Section

ICPHO

NBPREQI

Pegs when an ICP responds to a network boundary page

Data Source

MTX OM, SDM

Source Field

NBPREQI

Source Section

ICPCP

NBPREQI_MTXom30

Pegs when an ICP responds to a network boundary page

Data Source

MTX OM

Source Field

NBPREQI_MTXom30

Source Section

ICPCP_MTXom30

NBPRSPI

ICP sends a Pg request msg to a SU for NBP and the SU sends a Pg response msg to the ICP

Data Source

MTX OM, SDM

Source Field

NBPRSPI

Source Section

ICPCP

NBPRSPI_MTXom30

ICP sends a Pg request msg to a SU for NBP and the SU sends a Pg response msg to the ICP

Data Source

MTX OM

Source Field

NBPRSPI_MTXom30

Source Section

ICPCP_MTXom30

NLPIMISC

Pegs when at least one clear inactive LPI Ch and there is no noisy inactive LPI channel

Data Source

MTX OM

Source Field

NLPIMISC

Source Section

ICPCELTR

NMPIMISC

Pegs when there is at least one clear inactive MPI Ch and there is no noisy inactive MPI Ch

Data Source

MTX OM

Source Field

NMPIMISC

Source Section

ICPCELTR

NOADJCEL

Pegs when there are no adjacent cells that can receive a handoff from a subscriber unit

Data Source

MTX OM, SDM

Source Field

NOADJCEL

Source Section

OMMTXHO

NOEPEKEY

NOEPEKEY

Data Source

MTX OM, SDM

Source Field

MSCSP7

Source Section

AUTHMSC

NORDATA

No received data

Data Source

MTX OM, SDM

Source Field

NORDATA

Source Section

ICPHO

NORESP

Pegs when no RSSI Resp are Rcvd from adjacent subcells in the LCR response timer

Data Source

MTX OM, SDM

Source Field

NORESP

Source Section

OMMTXHO

NORMALST

Voice channel Occu for serving subcell falls below the threshold value specified

Data Source

MTX OM, SDM

Source Field

NORMALST

Source Section

ICPCA

NOVOICE

Pegs when there is no Ho because there is not an available voice channel in a responding cell

Data Source

MTX OM, SDM

Source Field

NOVOICE

Source Section

OMMTXHO

NUMQHO

Incoming analog handoff channel request is placed in the queue

Data Source

MTX OM

Source Field

NUMQHO

Source Section

ICPHO2

ORIGMWT

Pegs when the tone info for MWT goes to the peripheral for an origination msg about the SU

Data Source

MTX OM, SDM

Source Field

ORIGMWT

Source Section

OMMTX2

ORRSSILO

Switch receives an orig msg and the CCH RSSI value is less than CCHRSSI in CELLDATA tbl

Data Source

MTX OM, SDM

Source Field

ORRSSILO

Source Section

OMMTX2

OSATOUT1

Pegs when a call fail msg due to a SAT timeout is reported for a Pwr class 1 SU

Data Source

MTX OM

Source Field

OSATOUT1

Source Section

MTXPC1

OSATOUT2

Incremented when a call failure msg due to a SAT timeout is reported for a Pwr class 2 SU

Data Source

MTX OM

Source Field

OSATOUT2

Source Section

MTXPC2

OSATOUT3

Pegs when a call failure msg due to a SAT timeout is reported for a Pwr class 3 SU

Data Source

MTX OM

Source Field

OSATOUT3

Source Section

MTXPC3

OSATOUT4

Pegs when a call failure msg due to a SAT timeout is reported for a Pwr class 4 SU

Data Source

MTX OM

Source Field

OSATOUT4

Source Section

MTXPC4

OSATOUT5

Pegs when a call failure msg due to a SAT timeout is reported for a Pwr class 5 SU

Data Source

MTX OM

Source Field

OSATOUT5

Source Section

MTXPC5

OSATOUT6

Pegs when a call failure msg due to a SAT timeout is reported for a Pwr class 6 SU during origination

Data Source

MTX OM

Source Field

OSATOUT6

Source Section

MTXPC6

OSATOUT7

Pegs when a call failure msg due to a SAT timeout is reported for a Pwr class 7 SU during origination

Data Source

MTX OM

Source Field

OSATOUT7

Source Section

MTXPC7

OSATOUT8

Pegs when a call failure msg due to a SAT timeout is reported for a Pwr class 8 SU during origination

Data Source

MTX OM

Source Field

OSATOUT8

Source Section

MTXPC8

OTPL19

Pegs when an origination or termination channel pooling request is sent by the 1900MHz cell to its 800MHz partner

Data Source

MTX OM

Source Field

OTPL19

Source Section

ICPCP2

OTPL8

Pegs when an origination or termination channel pooling request is received by an 800MHz partition

Data Source

MTX OM

Source Field

OTPL8

Source Section

ICPCP2

OTPLAN8

Pegs when an origination or termination channel pooling request is served by an analog channel in the 800MHz partition

Data Source

MTX OM

Source Field

OTPLAN8

Source Section

ICPCP2

OTPLBLK8

Pegs when an origination or termination channel pooling request is not served by the 800MHz partition and the call attempt is blocked

Data Source

MTX OM

Source Field

OTPLBLK8

Source Section

ICPCP2

OTPLEF8

Pegs when an origination or termination channel pooling request is served by an EFRC channel in the 800MHz partition

Data Source

MTX OM

Source Field

OTPLEF8

Source Section

ICPCP2

OTPLREJ8

Pegs when an origination or termination request to a 1900MHz partition is unsuccessful due to lack of resources and the partner 800MHz is chosen to serve the request but the mobile is not capable of service in the 800MHz band

Data Source

MTX OM, SDM

Source Field

OTPLREJ8

Source Section

OMMTX

OTPLREJ8_MTXom30

Pegs when an origination or termination request to a 1900MHz partition is unsuccessful due to lack of resources and the partner 800MHz is chosen to serve the request but the mobile is not capable of service in the 800MHz band

Data Source

MTX OM

Source Field

OTPLREJ8_MTXom30

Source Section

OMMTX_MTXom30

OVL DST

Pegs when the voice channel Occu for the serving subcell is 100%

Data Source

MTX OM, SDM

Source Field

OVL DST

Source Section

ICPCA

PAGEREQ

Pegs when an ICP sends a page request msg to the CCHs

Data Source

MTX OM, SDM

Source Field

PAGEREQ

Source Section

ICPCP

PAGEREQ_MTXom30

Pegs when an ICP sends a page request msg to the CCHs

Data Source

MTX OM

Source Field

PAGEREQ_MTXom30

Source Section

ICPCP_MTXom30

PAGERESP

Pegs when an ICP receives a page response msg from the CCHs

Data Source

MTX OM, SDM

Source Field

PAGERESP

Source Section

ICPCP

PAGERESP_MTXom30

Pegs when an ICP receives a page response msg from the CCHs

Data Source

MTX OM

Source Field

PAGERESP_MTXom30

Source Section

ICPCP_MTXom30

PARMCHRG

Pegs when the mobile Reg type is parameter change Reg

Data Source

MTX OM, SDM

Source Field

PARMCHRG

Source Section

OMMTX3

PAVGLOAD

PAVGLOAD

Data Source

MTX OM

Source Field

PAVGLOAD

Source Section

ICPDFC

PDLRDISC

Pegs every time the DLR must discard a Measure request

Data Source

MTX OM

Source Field

PDLRDISC

Source Section

ICPDFC

PDLRQUED

Pegs every time Measure to a pooled DLR is placed on the ICP flow Ctl queue

Data Source

MTX OM

Source Field

PDLRQUED

Source Section

ICPDFC

PGHASH

Pegs when a Pg data block hashing algorithm fails to choose the Pg data

Data Source

MTX OM, SDM

Source Field

PGHASH

Source Section

ICPCP

PGHASH_MTXom30

Pegs when a Pg data block hashing algorithm fails to choose the Pg data

Data Source

MTX OM

Source Field

PGHASH_MTXom30

Source Section

ICPCP_MTXom30

PGHASHTO

Pegs when a collision occurs for paging data block hashing algorithms

Data Source

MTX OM, SDM

Source Field

PGHASHTO

Source Section

ICPCP

PGHASHTO_MTXom30

Pegs when a collision occurs for paging data block hashing algorithms

Data Source

MTX OM

Source Field

PGHASHTO_MTXom30

Source Section

ICPCP_MTXom30

PGOUTMSR

Pegs when a page response msg is rcvd from outside a mobile service region

Data Source

MTX OM, SDM

Source Field

PGOUTMSR

Source Section

OMMTX2

PGREQS

Pegs when a page request msg is sent to a target subcell

Data Source

MTX OM, SDM

Source Field

PGREQS

Source Section

OMMTX

PGREQS_MTXom30

Pegs when a page request msg is sent to a target subcell

Data Source

MTX OM

Source Field

PGREQS_MTXom30

Source Section

OMMTX_MTXom30

PGRESP1

Pegs when a Pwr class 1 SU responds to a page request

Data Source

MTX OM

Source Field

PGRESP1

Source Section

MTXPC1

PGRESP2

Pegs when a Pwr class 2 SU responds to a page request

Data Source

MTX OM

Source Field

PGRESP2

Source Section

MTXPC2

PGRESP3

Pegs when a Pwr class 3 SU responds to a page request

Data Source

MTX OM

Source Field

PGRESP3

Source Section

MTXPC3

PGRESP4

Pegs when a Pwr class 4 SU responds to a page request

Data Source

MTX OM

Source Field

PGRESP4

Source Section

MTXPC4

PGRESP5

Pegs when a Pwr class 5 SU responds to a page request

Data Source

MTX OM

Source Field

PGRESP5

Source Section

MTXPC5

PGRESP6

Pegs when a Pwr class 6 SU responds to a page request

Data Source

MTX OM

Source Field

PGRESP6

Source Section

MTXPC6

PGRESP7

Pegs when a Pwr class 7 SU responds to a page request

Data Source

MTX OM

Source Field

PGRESP7

Source Section

MTXPC7

PGRESP8

Pegs when a Pwr class 8 SU responds to a page request

Data Source

MTX OM

Source Field

PGRESP8

Source Section

MTXPC8

PGRESPS

Pegs when a page response msg is Rcvd from a target subcell

Data Source

MTX OM, SDM

Source Field

PGRESPS

Source Section

OMMTX

PGRESPS_MTXom30

Pegs when a page response msg is Rcvd from a target subcell

Data Source

MTX OM

Source Field

PGRESPS_MTXom30

Source Section

OMMTX_MTXom30

PGRQWRTF

ICP receives a Pg request msg from the switch and fwd this request to serving subcell set to 0

Data Source

MTX OM

Source Field

PGRQWRTF

Source Section

ICPCP2

PGRQWRTO

ICP receives a Pg request msg from the switch and fwd this request to serving subcell set to 1

Data Source

MTX OM

Source Field

PGRQWRTO

Source Section

ICPCP2

PGRSAFRT

ICP sends a page retry msg to a mobile and the mobile returns a pg response msg to the ICP

Data Source

MTX OM

Source Field

PGRSAFRT

Source Section

ICPCP2

PGRSBFRT

ICP sends a Pg retry msg to a mobile and the mobile returns a pg response msg to the ICP

Data Source

MTX OM

Source Field

PGRSBFRT

Source Section

ICPCP2

PGRSSILO

Switch receives a page response msg and the CCH RSSI value is less CCHRSSI in CELLDATA

Data Source

MTX OM, SDM

Source Field

PGRSSILO

Source Section

OMMTX2

PMAXLOAD

Shows the max load the pooled DLRs have experienced in percentage value

Data Source

MTX OM

Source Field

PMAXLOAD

Source Section

ICPDFC

PREU

Every 100s records if the system turns the PRE on for a two-way trunk group

Data Source

MTX OM, SDM

Source Field

PREU

Source Section

TRK

PSATOUT1

Pegs when a call failure msg due to a SAT timeout is reported for a Pwr class 1 SU after responding to a page request

Data Source

MTX OM

Source Field

PSATOUT1

Source Section

MTXPC1

PSATOUT2

Incremented when a call failure msg due to a SAT timeout is reported for a Pwr class 2 SU

Data Source

MTX OM

Source Field

PSATOUT2

Source Section

MTXPC2

PSATOUT3

Pegs when a call failure msg due to a SAT timeout is reported for a Pwr class 3 SU

Data Source

MTX OM

Source Field

PSATOUT3

Source Section

MTXPC3

PSATOUT4

Pegs when a call failure msg due to a SAT timeout is reported for a Pwr class 4 SU

Data Source

MTX OM

Source Field

PSATOUT4

Source Section

MTXPC4

PSATOUT5

Pegs when a call failure msg due to a SAT timeout is reported for a Pwr class 5 SU

Data Source

MTX OM

Source Field

PSATOUT5

Source Section

MTXPC5

PSATOUT6

Pegs when a call failure msg due to a SAT timeout is reported for a Pwr class 6 SU

Data Source

MTX OM

Source Field

PSATOUT6

Source Section

MTXPC6

PSATOUT7

Pegs when a call failure msg due to a SAT timeout is reported for a Pwr class 7 SU after responding to a page request

Data Source

MTX OM

Source Field

PSATOUT7

Source Section

MTXPC7

PSATOUT8

Pegs when a call failure msg due to a SAT timeout is reported for a Pwr class 8 SU after responding to a page request

Data Source

MTX OM

Source Field

PSATOUT8

Source Section

MTXPC8

PUBNOR

Successful radio resource allocation on origination and/or termination events for a public call when H-PURDA is active and initial usage count does not change.

Data Source

SDM

Source Field

PUBNOR

Source Section

WPSOM3

PUBSCT

Successful radio resource allocation on origination and/or termination events for a public call when H-PURDA is active and initial usage count changes.

Data Source

SDM

Source Field

PUBSCT

Source Section

WPSOM3

PWRDNREG

Pegs when the switch receives a pwr-down registration msg from the SU

Data Source

MTX OM, SDM

Source Field

PWRDNREG

Source Section

OMMTX2

PWRDNREL

Pegs when an ICP receives a pwr-down release msg from a DRU and passes it to the switch

Data Source

MTX OM, SDM

Source Field

PWRDNREL

Source Section

OMMTX2

PWRUPREG

Pegs when the mobile Reg type is Pwr-up Reg

Data Source

MTX OM, SDM

Source Field

PWRUPREG

Source Section

OMMTX3

RB_0_1

Number of RBER measurements between 0 and 1.0

Data Source

MTX OM

Source Field

RB_0_1

Source Section

ICPBER

RB_1_2

Number of RBER measurements between 1.0 and 2.0

Data Source

MTX OM

Source Field

RB_1_2

Source Section

ICPBER

RB_2_2P5

Number of RBER measurements between 2.0 and 2.5

Data Source

MTX OM

Source Field

RB_2_2P5

Source Section

ICPBER

RB_2P5_3

Number of RBER measurements between 2.5 and 3.0

Data Source

MTX OM

Source Field

RB_2P5_3

Source Section

ICPBER

RB_3_3P5

Number of RBER measurements between 3.0 and 3.5

Data Source

MTX OM

Source Field

RB_3_3P5

Source Section

ICPBER

RB_3P5_4

Number of RBER measurements between 3.5 and 4.0

Data Source

MTX OM

Source Field

RB_3P5_4

Source Section

ICPBER

RB_4_5

Number of RBER measurements between 4.0 and 5.0

Data Source

MTX OM

Source Field

RB_4_5

Source Section

ICPBER

RB_GT5

Number of RBER measurements greater than 5.0

Data Source

MTX OM

Source Field

RB_GT5

Source Section

ICPBER

RBRDATT

Handoff attempt triggered by the reverse-measured BER drop ratio

Data Source

MTX OM, SDM

Source Field

RBRDATT

Source Section

CIBEROM

RBRDCOMP

Handoff Comp triggered by the reverse-measured BER drop ratio

Data Source

MTX OM, SDM

Source Field

RBRDCOMP

Source Section

CIBEROM

RBRDINTA

Reverse-measured BER drop ratio triggers an intra-partition handoff

Data Source

MTX OM, SDM

Source Field

RBRDINTA

Source Section

CIBEROM

RBRDINTR

Pegs when a reverse-measured BER drop ratio triggers an inter-partition handoff

Data Source

MTX OM, SDM

Source Field

RBRDINTR

Source Section

CIBEROM

RBRNATT

Pegs when the ICP sends the switch a handoff-candidate msg

Data Source

MTX OM, SDM

Source Field

RBRNATT

Source Section

CIBEROM

RBRNCOMP

Pegs when the ICP sends the switch a handoff-comp Msg

Data Source

MTX OM, SDM

Source Field

RBRNCOMP

Source Section

CIBEROM

RBRNINTA

Reverse-measured BER noise ratio triggers an intra-partition handoff

Data Source

MTX OM, SDM

Source Field

RBRNINTA

Source Section

CIBEROM

RBRNINTR

Reverse-measured BER noise ratio triggers an inter-partition handoff

Data Source

MTX OM, SDM

Source Field

RBRNINTR

Source Section

CIBEROM

RDYNCAMP

New cell designators received at max power

Data Source

MTX OM

Source Field

RDYNCAMP

Source Section

ICPHO2

RDYNCBMP

Receives a handoff initiation msg from switch and the SU is below the max Pwr

Data Source

MTX OM

Source Field

RDYNCBMP

Source Section

ICPHO2

REGATTS

Pegs when the switch receives a Reg attempt msg from the serving subcell

Data Source

MTX OM, SDM

Source Field

REGATTS

Source Section

OMMTX

REGATTS_MTXom30

Pegs when the switch receives a Reg attempt msg from the serving subcell

Data Source

MTX OM

Source Field

REGATTS_MTXom30

Source Section

OMMTX_MTXom30

REGCOMPS

Pegs when the switch successfully processes a Reg msg from the serving subcell

Data Source

MTX OM, SDM

Source Field

REGCOMPS

Source Section

OMMTX

REGCOMPS_MTXom30

Pegs when the switch successfully processes a Reg msg from the serving subcell

Data Source

MTX OM

Source Field

REGCOMPS_MTXom30

Source Section

OMMTX_MTXom30

RESPOVFL

Pegs when an LCR response msg is Rcvd by the serving subcell after seven response msgs have been sent

Data Source

MTX OM

Source Field

RESPOVFL

Source Section

OMMTXHO2

RGRSSILO

Registration received signal strength indicator low

Data Source

MTX OM, SDM

Source Field

RGRSSILO

Source Section

OMMTX2

RSPLSHRQ

Received splash request

Data Source

MTX OM, SDM

Source Field

RSPLSHRQ

Source Section

ICPCP

RSPLSHSC

Received splash service call

Data Source

MTX OM, SDM

Source Field

RSPLSHSC

Source Section

ICPCP

RSSICRI

Pegs when the ICP receives a RSSI request msg from the LCR

Data Source

MTX OM

Source Field

RSSICRI

Source Section

ICPFC

SACELPRS

Counts the Num of ACCH audit order confirms Rcvd on the cell to which the 1st Pg is sent

Data Source

MTX OM, SDM

Source Field

SACELPRS

Source Section

MTXSMS

SADDLVY

Counts the Num of ACCH data delivery msg sent that responded to the page attempt

Data Source

MTX OM, SDM

Source Field

SADDLVY

Source Section

MTXSMS

SADDRS

Counts the Num of ACCH data delivery Resp Rcvd on this partition

Data Source

MTX OM, SDM

Source Field

SADDRS

Source Section

MTXSMS

SAFRSPG

Counts the Num of SMS ACCH initial audit order attempt sent to this partition

Data Source

MTX OM, SDM

Source Field

SAFRSPG

Source Section

MTXSMS

SAFRSPGR

Counts the Num of SMS ACCH audit order confirmation messages

Data Source

MTX OM, SDM

Source Field

SAFRSPGR

Source Section

MTXSMS

SAOZPRS

Counts the Num of ACCH SMS page Resp that came from outside the partition

Data Source

MTX OM, SDM

Source Field

SAOZPRS

Source Section

MTXSMS

SAPGRT

Counts the SMS CM ACCH audit order retries sent to this partition

Data Source

MTX OM, SDM

Source Field

SAPGRT

Source Section

MTXSMS

SAPGRTR

Counts the Num of ACCH SMS audit order confirms Rcvd on the partition

Data Source

MTX OM, SDM

Source Field

SAPGRTR

Source Section

MTXSMS

SATFADE1

Pegs when a call failure msg due to a SAT fade is reported for a Pwr class 1 SU

Data Source

MTX OM

Source Field

SATFADE1

Source Section

MTXPC1

SATFADE2

Increment when a call failure msg due to a SAT fade is reported for a Pwr class 2 SU

Data Source

MTX OM

Source Field

SATFADE2

Source Section

MTXPC2

SATFADE3

Pegs when a call failure msg due to a SAT fade is reported for a Pwr class 3 SU

Data Source

MTX OM

Source Field

SATFADE3

Source Section

MTXPC3

SATFADE4

Pegs when a call failure msg due to a SAT fade is reported for a Pwr class 4 SU

Data Source

MTX OM

Source Field

SATFADE4

Source Section

MTXPC4

SATFADE5

Pegs when a call failure msg due to a SAT fade is reported for a Pwr class 5 SU

Data Source

MTX OM

Source Field

SATFADE5

Source Section

MTXPC5

SATFADE6

Pegs when a call failure msg due to a SAT fade is reported for a Pwr class 6 SU

Data Source

MTX OM

Source Field

SATFADE6

Source Section

MTXPC6

SATFADE7

Pegs when a call failure msg due to a SAT fade is reported for a Pwr class 7 SU

Data Source

MTX OM

Source Field

SATFADE7

Source Section

MTXPC7

SATFADE8

Pegs when a call failure msg due to a SAT fade is reported for a Pwr class 8 SU

Data Source

MTX OM

Source Field

SATFADE8

Source Section

MTXPC8

SATTOS

Pegs when an ICP receives a timeout msg from the voice channel indicating a SAT Failure msg

Data Source

MTX OM, SDM

Source Field

SATTOS

Source Section

ICPCP

SATTOS_MTXom30

Pegs when an ICP receives a timeout msg from the voice channel indicating a SAT Failure msg

Data Source

MTX OM

Source Field

SATTOS_MTXom30

Source Section

ICPCP_MTXom30

SAZNPRS

Counts the Num ACCH page Resp that come from the partition that was sent the page

Data Source

MTX OM, SDM

Source Field

SAZNPRS

Source Section

MTXSMS

SBITMIS

Pegs when an ICP rejects an origination/page response msg from a SU

Data Source

MTX OM, SDM

Source Field

SBITMIS

Source Section

ICPCP

SBITMIS_MTXom30

Pegs when an ICP rejects an origination/page response msg from a SU

Data Source

MTX OM

Source Field

SBITMIS_MTXom30

Source Section

ICPCP_MTXom30

SBU

100s records if a trunk is in remote busy/PM busy/system busy/carrier fail/deloaded

Data Source

MTX OM, SDM

Source Field

SBU + 65536 * TRNK2.SBU2

Source Section

TRK

SDCELPRS

Counts the Num of DCCH SPACH confirmation messages Rcvd on the cell

Data Source

MTX OM, SDM

Source Field

SDCELPRS

Source Section

MTXSMS

SDDDLVY

Counts the Num of DCCH R-data msg sent to the partition that responded to the page attempt

Data Source

MTX OM, SDM

Source Field

SDDDLVY

Source Section

MTXSMS

SDDDRS

Counts the Num of DCCH R-data confirmation messages Rcvd on this partition

Data Source

MTX OM, SDM

Source Field

SDDDRS

Source Section

MTXSMS

SDFRSPG

Counts the Num of SMS DCCH initial SPACH notification message attempt sent

Data Source

MTX OM, SDM

Source Field

SDFRSPG

Source Section

MTXSMS

SDFRSPGR

Counts Num of SMS DCCH SPACH confirmation msg the partition receives

Data Source

MTX OM, SDM

Source Field

SDFRSPGR

Source Section

MTXSMS

SDPGRT

Counts Num of SMS CM DCCH SPACH notification msg retries sent to this partition

Data Source

MTX OM, SDM

Source Field

SDPGRT

Source Section

MTXSMS

SDPGRTR

Counts Num of DCCH SMS SPACH confirmation msg Rcvd on the partition

Data Source

MTX OM, SDM

Source Field

SDPGRTR

Source Section

MTXSMS

SDVMPRS

Counts the Num DCCH SPACH confirmation messages that come from the VMLA

Data Source

MTX OM, SDM

Source Field

SDVMPRS

Source Section

MTXSMS

SECTOVFL

Sector overflow

Data Source

MTX OM, SDM

Source Field

SECTOVFL

Source Section

ICPHO

SFAILQRY

RSSI value was measured on a voice channel is between the delta thresholds specified

Data Source

MTX OM, SDM

Source Field

SFAILQRY

Source Section

ICPCP

SFAILQRY_MTXom30

RSSI value was measured on a voice channel is between the delta thresholds specified

Data Source

MTX OM

Source Field

SFAILQRY_MTXom30

Source Section

ICPCP_MTXom30

SIGNORED

RSSI value that was measured on the voice channel is weaker than the threshold value

Data Source

MTX OM, SDM

Source Field

SIGNORED

Source Section

ICPCP

SIGNORED_MTXom30

RSSI value that was measured on the voice channel is weaker than the threshold value

Data Source

MTX OM

Source Field

SIGNORED_MTXom30

Source Section

ICPCP_MTXom30

SILENTRT

An origination attempt is received while a previous origination had been received from the same mobile within a time interval defined by the Office Parameter

Data Source

MTX OM, SDM

Source Field

SILENTRT

Source Section

OMMTX3

SILNTRT2

An origination attempt is received while a previous origination had been received from the same mobile within a time interval defined by the Office Parameter

Data Source

MTX OM, SDM

Source Field

SILNTRT2

Source Section

OMMTX3

SLNTRT2G

Silent Retry 2G

Data Source

MTX OM, SDM

Source Field

SLNTRT2G

Source Section

OMMTX3

SLNTRT2G_A

This register counts the number of silent retries due to access failures for a 2G Voice / CSD call.

Data Source

MTX OM, SDM

Source Field

SLNTRT2G

Source Section

OMMTX3

SLNTRT3D

Silent Retry 3G Data

Data Source

MTX OM, SDM

Source Field

SLNTRT3D

Source Section

OMMTX3

SLNTRT3D_A

This register counts the number of silent retries due to access failures for a 3G data call.

Data Source

MTX OM, SDM

Source Field

SLNTRT3D

Source Section

OMMTX3

SLNTRT3V

Silent Retry 3G Voice

Data Source

MTX OM, SDM

Source Field

SLNTRT3V

Source Section

OMMTX3

SLNTRT3V_A

This register counts the number of silent retries due to access failures for a 3G voice call.

Data Source

MTX OM, SDM

Source Field

SLNTRT3V

Source Section

OMMTX3

SLNTRTAF_A

This register counts the number of silent retry access failures made by a mobile as part of a single call attempt on a MSC.

Data Source

MTX OM, SDM

Source Field

SLNTRTAF

Source Section

OMMTX3

SMCANOFL

count of target subcell received signal strength indication sum overflows

Data Source

MTX OM, SDM

Source Field

SMCANOFL

Source Section

SMRSICAN

SMDCPG

IS-136 SMS data-call pages/ repages sent for the purpose of setting up a DTCH for data-call delivery of an IS-136 SMS termination

Data Source

MTX OM, SDM

Source Field

SMDCPG

Source Section

ICPSMS2

SMD CPR

IS-136 SMS data-call page/repage responses received for the purpose of setting up a DTCH for data-call delivery of an IS-136 SMS termination

Data Source

MTX OM, SDM

Source Field

SMD CPR

Source Section

ICPSMS2

SMD CRD

IS-136 SMS DTCH data-call delivery R-data accept messages sent

Data Source

MTX OM, SDM

Source Field

SMDCRD

Source Section

ICPSMS2

SMDCRDAC

IS-136 SMS DTCH data-call delivery R-data accept messages received

Data Source

MTX OM, SDM

Source Field

SMDCRDAC

Source Section

ICPSMS2

SMDCRDRJ

IS-136 SMS DTCH data-call delivery R-data reject messages received

Data Source

MTX OM, SDM

Source Field

SMDCRDRJ

Source Section

ICPSMS2

SMDCTCAL

DTCs successfully allocated for IS-136 SMS data-call delivery

Data Source

MTX OM, SDM

Source Field

SMDCTCAL

Source Section

ICPSMS2

SMICRD

DTCH in-call SMS R-data messages sent from the ICP

Data Source

MTX OM, SDM

Source Field

SMICRD

Source Section

ICPSMS2

SMICRDAC

DTCH in-call R-data accepts received from a mobile

Data Source

MTX OM, SDM

Source Field

SMICRDAC

Source Section

ICPSMS2

SMICRDRJ

DTCH in-call R-data rejects received from a mobile

Data Source

MTX OM, SDM

Source Field

SMICRDRJ

Source Section

ICPSMS2

SMSNOVLR

Counts the number of SMS origination attempts with no VLR or HLRCONFIRM field in the VLR set to N.

Data Source

MTX OM, SDM

Source Field

SMSNOVLR

Source Section

OMMTX3

SMSRVOFL

Count of serving subcell received signal strength indication sum overflows

Data Source

MTX OM, SDM

Source Field

SMSRVOFL

Source Section

SMRSISRV

SORDDC

SMS RACH R-data messages received

Data Source

MTX OM, SDM

Source Field

SORDDC

Source Section

ICPSMS2

SORDDCAC

SMS R-data accept messages sent over the DCCH

Data Source

MTX OM, SDM

Source Field

SORDDCAC

Source Section

ICPSMS2

SORDDCRJ

SMS R-data reject messages sent over the DCCH

Data Source

MTX OM, SDM

Source Field

SORDDCRJ

Source Section

ICPSMS2

SORDDT

SMS DTCH R-data messages received

Data Source

MTX OM, SDM

Source Field

SORDDT

Source Section

ICPSMS2

SORDDTAC

SMS R-data accept messages sent over the DTCH

Data Source

MTX OM, SDM

Source Field

SORDDTAC

Source Section

ICPSMS2

SORDDTRJ

SMS R-data reject messages sent over the DTCH

Data Source

MTX OM, SDM

Source Field

SORDDTRJ

Source Section

ICPSMS2

SPASSQRY

RSSI value that was measured on the voice channel is btwn the delta threshold specified

Data Source

MTX OM, SDM

Source Field

SPASSQRY

Source Section

ICPCP

SPASSQRY_MTXom30

RSSI value that was measured on the voice channel is btwn the delta threshold specified

Data Source

MTX OM

Source Field

SPASSQRY_MTXom30

Source Section

ICPCP_MTXom30

SRTDBO2G

Double Origination 2G

Data Source

MTX OM, SDM

Source Field

SRTDBO2G

Source Section

OMMTX3

SRTDBO2G_A

This register counts the number of silent retries double originations for a 2G Voice/CSD Call.

Data Source

MTX OM, SDM

Source Field

SRTDBO2G

Source Section

OMMTX3

SRTDBO3D

Double Origination 3G Data

Data Source

MTX OM, SDM

Source Field

SRTDBO3D

Source Section

OMMTX3

SRTDBO3D_A

This register counts the number of silent retries double originations for a 3G Data Call.

Data Source

MTX OM, SDM

Source Field

SRTDBO3D

Source Section

OMMTX3

SRTDBO3V

Double Origination 3G Voice

Data Source

MTX OM, SDM

Source Field

SRTDBO3V

Source Section

OMMTX3

SRTDBO3V_A

This register counts the number of silent retries double originations for a 3G Voice Call.

Data Source

MTX OM, SDM

Source Field

SRTDBO3V

Source Section

OMMTX3

SRTDBORG_A

This register counts the number of silent retries due to double originations

Data Source

MTX OM, SDM

Source Field

SRTDBORG

Source Section

OMMTX3

SRVRSV

Handoffs served by HORESrv

Data Source

MTX OM

Source Field

SRVRSV

Source Section

ICPHO2

SSDINVLD

ICP did not attempt SSD update because VCH or CCH was not in a valid state

Data Source

MTX OM

Source Field

SSDINVLD

Source Section

ICPAUTH

SSDUBST

ICP did not attempt SSD update because VCH was not authentication capable

Data Source

MTX OM

Source Field

SSDUBST

Source Section

ICPAUTH

SSDUCCH

ICP sent SSD update command to an MS over a CCH

Data Source

MTX OM

Source Field

SSDUCCH

Source Section

ICPAUTH

SSDUFCCCH

ICP received SSD update failure confirmation from an MS on a CCH

Data Source

MTX OM

Source Field

SSDUFCCCH

Source Section

ICPAUTH

SSDUFVCH

ICP received SSD update failure confirmation from an MS on a VCH

Data Source

MTX OM

Source Field

SSDUFVCH

Source Section

ICPAUTH

SSDUPCCH

ICP received SSD update successful confirmation from MS on a CCH

Data Source

MTX OM

Source Field

SSDUPCCH

Source Section

ICPAUTH

SSDUPVCH

ICP received SSD update successful confirmation from an MS on a VCH

Data Source

MTX OM

Source Field

SSDUPVCH

Source Section

ICPAUTH

SSDUVCH

ICP sent SSD update command to an MS over a VCH

Data Source

MTX OM

Source Field

SSDUVCH

Source Section

ICPAUTH

STIMEOUT

Pegs when the switch receives a SAT failure msg or a DVCC failure msg from the serving subcell during call setup

Data Source

MTX OM, SDM

Source Field

STIMEOUT

Source Section

OMMTX

STIMEOUT_MTXom30

Pegs when the switch receives a SAT failure msg or a DVCC failure msg from the serving subcell during call setup

Data Source

MTX OM

Source Field

STIMEOUT_MTXom30

Source Section

OMMTX_MTXom30

TCEPEATT

TCEPEATT

Data Source

MTX OM, SDM

Source Field

MSCSP4

Source Section

AUTHMSC

TCEPESUC

TCEPESUC

Data Source

MTX OM, SDM

Source Field

MSCSP5

Source Section

AUTHMSC

TCHPRMSG

TCHPRMSG

Data Source

MTX OM

Source Field

TCHPRMSG

Source Section

ICPAUTH

TCHPRRPT

TCHPRRPT

Data Source

MTX OM

Source Field

TCHPRRPT

Source Section

ICPAUTH

TCNOEPE

TCNOEPE

Data Source

MTX OM, SDM

Source Field

MSCSP6

Source Section

AUTHMSC

TERMMWT

The tone info of a MWT msg is sent to the peripheral stating the term of a call for a SU

Data Source

MTX OM, SDM

Source Field

TERMMWT

Source Section

OMMTX2

TG1CLLI

Trunkgroup Name for Trunkgroup 1

Data Source

MTX OM, SDM

Source Field

TG1CLLI

Source Section

TRK

TG1DREU

Trkgrp1 Every 100s this register records if DRE activates for a two-way trunk group

Data Source

MTX OM, SDM

Source Field

TG1DREU

Source Section

TRK

TG1MAXBU

Trkgrp1 Every 100s increases if # busy circuits exceeds max # the system recorded earlier

Data Source

MTX OM, SDM

Source Field

TG1MAXBU

Source Section

TRK

TG1MBU

Trkgrp1 Every 100s records if a trunk is in manual busy/seized/network management busy

Data Source

MTX OM, SDM

Source Field

TG1MBU

Source Section

TRK

TG1PREU

Trkgrp1 Every 100s records if the system turns the PRE on for a two-way trunk group

Data Source

MTX OM, SDM

Source Field

TG1PREU

Source Section

TRK

TG1SBU

Trkgrp1 100s records if a trunk is in remote busy/PM busy/system busy/carrier fail/deloaded

Data Source

MTX OM, SDM

Source Field

SBU + 65536 * TRNK2.SBU2

Source Section

TRK

TG1TOTU

Trkgrp1 Every 100s records if any trunk in the group is busy

Data Source

MTX OM, SDM

Source Field

TOTU + 65536 * TRNK2.TOTU2

Source Section

TRK

TG1TRU

Every 100s records if a trunk is call processing busy/call processing busy deload/locked for Trunkgroup 1

Data Source

MTX OM, SDM

Source Field

TRU + 65536 * TRNK2.TRU2

Source Section

TRK

TG1TRU2WIN

Trkgrp1 Every 100s records if a two-way trunk in a group is call processing busy

Data Source

MTX OM, SDM

Source Field

TRU2WIN + 65536 * TRNK2.TRU2WIN2

Source Section

TRK

TG2CLLI

Trunkgroup Name for Trunkgroup 2

Data Source

MTX OM, SDM

Source Field

TG2CLLI

Source Section

TRK

TG2DREU

Trkgrp2 Every 100s this register records if DRE activates for a two-way trunk group

Data Source

MTX OM, SDM

Source Field

TG2DREU

Source Section

TRK

TG2MAXBU

Trkgrp2 Every 100s increases if # busy circuits exceeds max # the system recorded earlier

Data Source

MTX OM, SDM

Source Field

TG2MAXBU

Source Section

TRK

TG2MBU

Trkgrp2 Every 100s records if a trunk is in manual busy/seized/network management busy

Data Source

MTX OM, SDM

Source Field

TG2MBU

Source Section

TRK

TG2PREU

Trkgrp2 Every 100s records if the system turns the PRE on for a two-way trunk group

Data Source

MTX OM, SDM

Source Field

TG2PREU

Source Section

TRK

TG2SBU

Trkgrp2 100s records if a trunk is in remote busy/PM busy/system busy/carrier fail/deloaded

Data Source

MTX OM, SDM

Source Field

SBU + 65536 * TRNK2.SBU2

Source Section

TRK

TG2TOTU

Trkgrp2 Every 100s records if any trunk in the group is busy

Data Source

MTX OM, SDM

Source Field

TOTU + 65536 * TRNK2.TOTU2

Source Section

TRK

TG2TRU

Every 100s records if a trunk is call processing busy/call processing busy deload/locked for Trunkgroup 2

Data Source

MTX OM, SDM

Source Field

TRU + 65536 * TRNK2.TRU2

Source Section

TRK

TG2TRU2WIN

Trkgrp2 Every 100s records if a two-way trunk in a group is call processing busy

Data Source

MTX OM, SDM

Source Field

TRU2WIN + 65536 * TRNK2.TRU2WIN2

Source Section

TRK

TG3CLLI

Trunkgroup Name for Trunkgroup 3

Data Source

MTX OM, SDM

Source Field

TG3CLLI

Source Section

TRK

TG3DREU

Trkgrp3 Every 100s this register records if DRE activates for a two-way trunk group

Data Source

MTX OM, SDM

Source Field

TG3DREU

Source Section

TRK

TG3MAXBU

Trkgrp3 Every 100s increases if # busy circuits exceeds max # the system recorded earlier

Data Source

MTX OM, SDM

Source Field

TG3MAXBU

Source Section

TRK

TG3MBU

Trkgrp3 Every 100s records if a trunk is in manual busy/seized/network management busy

Data Source

MTX OM, SDM

Source Field

TG3MBU

Source Section

TRK

TG3PREU

Trkgrp3 Every 100s records if the system turns the PRE on for a two-way trunk group

Data Source

MTX OM, SDM

Source Field

TG3PREU

Source Section

TRK

TG3SBU

Trkgrp3 100s records if a trunk is in remote busy/PM busy/system busy/carrier fail/deloaded

Data Source

MTX OM, SDM

Source Field

SBU + 65536 * TRNK2.SBU2

Source Section

TRK

TG3TOTU

Trkgrp3 Every 100s records if any trunk in the group is busy

Data Source

MTX OM, SDM

Source Field

TOTU + 65536 * TRNK2.TOTU2

Source Section

TRK

TG3TRU

Every 100s records if a trunk is call processing busy/call processing busy deload/locked for Trunkgroup 3

Data Source

MTX OM, SDM

Source Field

TRU + 65536 * TRNK2.TRU2

Source Section

TRK

TG3TRU2WIN

Trkgrp3 Every 100s records if a two-way trunk in a group is call processing busy

Data Source

MTX OM, SDM

Source Field

TRU2WIN + 65536 * TRNK2.TRU2WIN2

Source Section

TRK

TG4CLLI

Trunkgroup Name for Trunkgroup 4

Data Source

MTX OM, SDM

Source Field

TG4CLLI

Source Section

TRK

TG4DREU

Trkgrp4 Every 100s this register records if DRE activates for a two-way trunk group

Data Source

MTX OM, SDM

Source Field

TG4DREU

Source Section

TRK

TG4MAXBU

Trkgrp4 Every 100s increases if # busy circuits exceeds max # the system recorded earlier

Data Source

MTX OM, SDM

Source Field

TG4MAXBU

Source Section

TRK

TG4MBU

Trkgrp4 Every 100s records if a trunk is in manual busy/seized/network management busy

Data Source

MTX OM, SDM

Source Field

TG4MBU

Source Section

TRK

TG4PREU

Trkgrp4 Every 100s records if the system turns the PRE on for a two-way trunk group

Data Source

MTX OM, SDM

Source Field

TG4PREU

Source Section

TRK

TG4SBU

Trkgrp4 100s records if a trunk is in remote busy/PM busy/system busy/carrier fail/deloaded

Data Source

MTX OM, SDM

Source Field

SBU + 65536 * TRNK2.SBU2

Source Section

TRK

TG4TOTU

Trkgrp4 Every 100s records if any trunk in the group is busy

Data Source

MTX OM, SDM

Source Field

TOTU + 65536 * TRNK2.TOTU2

Source Section

TRK

TG4TRU

Every 100s records if a trunk is call processing busy/call processing busy deload/locked for Trunkgroup 4

Data Source

MTX OM, SDM

Source Field

TRU + 65536 * TRNK2.TRU2

Source Section

TRK

TG4TRU2WIN

Trkgrp4 Every 100s records if a two-way trunk in a group is call processing busy

Data Source

MTX OM, SDM

Source Field

TRU2WIN + 65536 * TRNK2.TRU2WIN2

Source Section

TRK

TIMBSREG

Pegs when the mobile Reg type is timer-based Reg

Data Source

MTX OM, SDM

Source Field

TIMBSREG

Source Section

OMMTX3

TOTU

Every 100s records if any trunk in the group is busy

Data Source

MTX OM, SDM

Source Field

TOTU + 65536 * TRNK2.TOTU2

Source Section

TRK

TRU

Every 100s records if a trunk is call processing busy/call processing busy deload/locked

Data Source

MTX OM, SDM

Source Field

TRU + 65536 * TRNK2.TRU2

Source Section

TRK

TRU2WIN

Every 100s records if a two-way trunk in a group is call processing busy

Data Source

MTX OM, SDM

Source Field

TRU2WIN + 65536 * TRNK2.TRU2WIN2

Source Section

TRK

UCBST

ICP did not attempt unique challenge because VCH was not authentication capable

Data Source

MTX OM

Source Field

UCBST

Source Section

ICPAUTH

UCCCH

ICP sent unique challenge command to an MS on a CCH

Data Source

MTX OM

Source Field

UCCCH

Source Section

ICPAUTH

UCINVLD

ICP did not attempt unique challenge because VCH or CCH was not in a valid state

Data Source

MTX OM

Source Field

UCINVLD

Source Section

ICPAUTH

UCPCCH

ICP received unique challenge confirmation from an MS on a CCH

Data Source

MTX OM

Source Field

UCPCCH

Source Section

ICPAUTH

UCPVCH

ICP received unique challenge confirmation from an MS on a VCH

Data Source

MTX OM

Source Field

UCPVCH

Source Section

ICPAUTH

UCVCH

ICP sent unique challenge command to an MS on a VCH

Data Source

MTX OM

Source Field

UCVCH

Source Section

ICPAUTH

UDLYOVFL

ICP has to allocate a macrocell VCH because the underlay minicell has no available VCHs

Data Source

MTX OM

Source Field

UDLYOVFL

Source Section

ICPCP2

UNEXPGI

Pegs when an ICP receives an unexpected page response msg from one of its cells

Data Source

MTX OM, SDM

Source Field

UNEXPGI

Source Section

ICPCP

UNEXPGI_MTXom30

Pegs when an ICP receives an unexpected page response msg from one of its cells

Data Source

MTX OM

Source Field

UNEXPGI_MTXom30

Source Section

ICPCP_MTXom30

UPLORSSI

ICP receives a page response msg from a SU but the ICP was not expecting this msg

Data Source

MTX OM

Source Field

UPLORSSI

Source Section

ICPCP2

UXPGATCC

Pegs when an unexpected page response msg occurs on the serving subcell

Data Source

MTX OM, SDM

Source Field

UXPGATCC

Source Section

OMMTX2

UZPOAL

This register pegs when packet data call is allowed to be set up after user zone screening for origination message from Limited Mobility mobile.

Data Source

SDM

Source Field

UZPOAL

Source Section

UZLMOM

UZPOAT

This register pegs when the MSC receives a packet data call origination message from a Limited Mobility mobile.

Data Source

SDM

Source Field

UZPOAT

Source Section

UZLMOM

UZPODN

This register pegs when packet data call is NOT allowed to be set up after user zone screening for origination message from Limited Mobility mobile.

Data Source

SDM

Source Field

UZPODN

Source Section

UZLMOM

UZPTAL

This register pegs when packet data call is allowed to be set up after user zone screening for page response message from a Limited Mobility mobile.

Data Source

SDM

Source Field

UZPTAL

Source Section

UZLMOM

UZPTAT

This register pegs when the MSC receives an packet data call page response message from a Limited Mobility mobile.

Data Source

SDM

Source Field

UZPTAT

Source Section

UZLMOM

UZPTDN

This register pegs when packet data call is NOT allowed to be set up after user zone screening for page response message from Limited Mobility mobile.

Data Source

SDM

Source Field

UZPTDN

Source Section

UZLMOM

UZSHOAL

This register pegs when MSC is notified with a soft/softer handoff for limited mobility user and the call is allowed to continue after user zone screening for handoff target cell.

Data Source

SDM

Source Field

UZSHOAL

Source Section

UZLMOM

UZSHOAT

This register pegs when MSC is notified with a soft/softer handoff for limited mobility user during voice call or packet data call.

Data Source

SDM

Source Field

UZSHOAT

Source Section

UZLMOM

UZSHODN

This register pegs when the MSC is notified with a soft/softer handoff for limited mobility user and the call is not allowed to continue after user zone screening for handoff target cell.

Data Source

SDM

Source Field

UZSHODN

Source Section

UZLMOM

UZVOAL

This register pegs when voice call is allowed to be set up after user zone screening for origination message from a Limited Mobility mobile.

Data Source

SDM

Source Field

UZVOAL

Source Section

UZLMOM

UZVOAT

This register pegs when the MSC receives an voice call origination message from a Limited Mobility mobile.

Data Source

SDM

Source Field

UZVOAT

Source Section

UZLMOM

UZVODN

This register pegs when voice call is NOT allowed to be set up after user zone screening for origination message from a Limited Mobility mobile.

Data Source

SDM

Source Field

UZVODN

Source Section

UZLMOM

UZVTAL

This register pegs when voice call is allowed to be set up after user zone screening for page response message from a Limited Mobility mobile.

Data Source

SDM

Source Field

UZVTAL

Source Section

UZLMOM

UZVTAT

This register pegs when the MSC receives an voice call page response message from a Limited Mobility mobile.

Data Source

SDM

Source Field

UZVTAT

Source Section

UZLMOM

UZVTDN

This register pegs when voice call is NOT allowed to be set up after user zone screening for page response message from a Limited Mobility mobile.

Data Source

SDM

Source Field

UZVTDN

Source Section

UZLMOM

VAVGHOR

Outputs the average value of the digital VSELP handoff reserve over the OM transfer time

Data Source

MTX OM

Source Field

VAVGHOR

Source Section

ICPDHO

VBLKRSV

Pegs when a digital VSELP origination or termination is blocked

Data Source

MTX OM

Source Field

VBLKRSV

Source Section

ICPDHO

VCHMWOA

Pegs when the switch attempt to send an IS-54 Rev

Data Source

MTX OM, SDM

Source Field

VCHMWOA

Source Section

ICPCP

VCHMWOA_MTXom30

Pegs when the switch attempt to send an IS-54 Rev

Data Source

MTX OM

Source Field

VCHMWOA_MTXom30

Source Section

ICPCP_MTXom30

VCHMWOC1

Pegs when a SU responds on a voice channel to the first attempt by the switch

Data Source

MTX OM, SDM

Source Field

VCHMWOC1

Source Section

ICPCP

VCHMWOC1_MTXom30

Pegs when a SU responds on a voice channel to the first attempt by the switch

Data Source

MTX OM

Source Field

VCHMWOC1_MTXom30

Source Section

ICPCP_MTXom30

VCHMWOCR

Pegs when a SU responds on a voice channel to a retry attempt

Data Source

MTX OM, SDM

Source Field

VCHMWOCR

Source Section

ICPCP

VCHMWOCR_MTXom30

Pegs when a SU responds on a voice channel to a retry attempt

Data Source

MTX OM

Source Field

VCHMWOCR_MTXom30

Source Section

ICPCP_MTXom30

VFBRDATT

Pegs anytime a handoff is attempted as the result of a forward drop BER trigger

Data Source

MTX OM, SDM

Source Field

VFBRDATT

Source Section

CIBEROM2

VFBRDCMP

Pegs anytime a Ho is Comp and the Ho was triggered by a forward drop

Data Source

MTX OM, SDM

Source Field

VFBRDCMP

Source Section

CIBEROM2

VFBRNATT

Anytime a Ho is attempted as the result of a forward noise

Data Source

MTX OM, SDM

Source Field

VFBRNATT

Source Section

CIBEROM2

VFBRNCMP

Pegs anytime a handoff is Comp

Data Source

MTX OM, SDM

Source Field

VFBRNCMP

Source Section

CIBEROM2

VHOCHREQ

Pegs when an incoming digital VSELP handoff channel request is attempted in a target subcell

Data Source

MTX OM

Source Field

VHOCHREQ

Source Section

ICPDHO

VHOQFAIL

Pegs when an incoming digital VSELP queued handoff channel request fails

Data Source

MTX OM

Source Field

VHOQFAIL

Source Section

ICPDHO

VMAXHOR

Outputs the maxvalue of the digital VSELP Ho reserve over the OM transfer time

Data Source

MTX OM

Source Field

VMAXHOR

Source Section

ICPDHO

VNUMQHO

Pegs when an incoming digital VSELP handoff channel request is placed on the queue

Data Source

MTX OM

Source Field

VNUMQHO

Source Section

ICPDHO

VPADIC

Incoming voice calls which cause the data call preemption by the VPAD feature

Data Source

MTX OM, SDM

Source Field

VPADIC

Source Section

OMMTX2

VRBRDATT

Pegs anytime a handoff is attempted as the result of a reverse drop

Data Source

MTX OM, SDM

Source Field

VRBRDATT

Source Section

CIBEROM2

VRBRDCMP

Pegs anytime a handoff is Comp and the handoff was triggered by a reverse drop

Data Source

MTX OM, SDM

Source Field

VRBRDCMP

Source Section

CIBEROM2

VRBRNATT

Pegs anytime a handoff is attempted as the result of a reverse noise

Data Source

MTX OM, SDM

Source Field

VRBRNATT

Source Section

CIBEROM2

VRBRNCMP

Pegs anytime a handoff is Comp and the handoff was triggered by a reverse noise

Data Source

MTX OM, SDM

Source Field

VRBRNCMP

Source Section

CIBEROM2

VSRVRSV

Incoming digital VSELP Ho Ch request is given service by a Ch that is reserved for Ho

Data Source

MTX OM

Source Field

VSRVRSV

Source Section

ICPDHO

WPSNOR

Successful radio resource allocation on origination and/or termination events for a WPS call when H-PURDA is active and initial usage count does not change.

Data Source

SDM

Source Field

WPSNOR

Source Section

WPSOM3

WPSSCT

Successful radio resource allocation on origination and/or termination events for a WPS call when H-PURDA is active and initial usage count changes.

Data Source

SDM

Source Field

WPSSCT

Source Section

WPSOM3

ZONEBREG

Pegs when the mobile Reg type is zone-based Reg

Data Source

MTX OM, SDM

Source Field

ZONEBREG

Source Section

OMMTX3

Sector_Carrier Primitive Calculations

The following is a list of primitive calculations for the Sector_Carrier entity.

AccFails_fq

RF Access Failures by carrier during Origination and Termination and Hard Handoff

Calculation

$(\text{vsum}(\text{MCTERLFL}, \text{MCTHRLFL}, 0))$

AccFails_fq3GD

3G Data RF Access Failures by carrier during Origination and Termination and Hard Handoff

Calculation

$(\text{vsum}(\text{MCTERLFL3GD}, \text{MCTHRLFL3GD}, 0))$

AccFails_fq3GV

3G Voice RF Access Failures by carrier during Origination and Termination and Hard Handoff

Calculation

(vsum(MCTERLFL3GV, MCTHRLFL3GV, 0))

BTS_CellName

Name of the parent BTS_Cell

CallCont

Peg when an MCTA frequency is successfully selected by the Carrier Determination Algorithm

Calculation

(vsum(MCTOATTS, MCTTATTS, MCTHATTS, 0))

CallCont3GD

Peg for 3G Data when an MCTA frequency is successfully selected by the Carrier Determination Algorithm

Calculation

(vsum(MCTOATTS3GD, MCTTATTS3GD, MCTHATTS3GD, 0))

CallCont3GV

Peg for 3G Voice when an MCTA frequency is successfully selected by the Carrier Determination Algorithm

Calculation

(vsum(MCTOATTS3GV, MCTTATTS3GV, MCTHATTS3GV, 0))

CallDrops_fq

Calls dropped per carrier due to RF-related call failure reasons

Calculation

(MCTDROPR)

CallDrops_fq3GD

3G data calls dropped per carrier due to RF-related call failure reasons

Calculation

(MCTDROPR3GD)

CallDrops_fq3GV

3G Voice calls dropped per carrier due to RF-related call failure reasons

Calculation

(MCTDROPR3GV)

CallSucc_fq

Total successful established calls per carrier including origination and termination and handoff successes

Calculation

(vsum(MCTOSUCC, MCTTSUCC, MCTHSUCC, 0))

CallSucc_fq3GD

Total 3G Data successful established calls per carrier including origination and termination and hard handoff successes

Calculation

(vsum(MCTOSUCC3GD, MCTTSUCC3GD, MCTHSUCC3GD, 0))

CallSucc_fq3GV

Total 3G Voice successful established calls per carrier including origination and termination and hard handoff successes

Calculation

(vsum(MCTOSUCC3GV, MCTTSUCC3GV, MCTHSUCC3GV, 0))

CallUsageCCS

Total Call Usage in CCS

Calculation

vsum(PrimaryFrameCntFCH_RC1, PrimaryFrameCntFCH_RC2,
PrimaryFrameCntFCH_RC3, PrimaryFrameCntFCH_RC4, PrimaryFrameCntFCH_RC5, 0)
/ 5000.0

CallUsageErlangs

Total Call Usage in Erlangs

Calculation

vsum(PrimaryFrameCntFCH_RC1, PrimaryFrameCntFCH_RC2,
PrimaryFrameCntFCH_RC3, PrimaryFrameCntFCH_RC4, PrimaryFrameCntFCH_RC5, 0)
/ 180000.0

CDMA_CHANNEL

CDMA_CHANNEL

Calculation

CE_USER_SC

Channel Elements per User for sector carrier entity

Calculation

$(1.0 * \text{MOU_CE_SC} / \text{MOU_TRAFFIC_SC})$

CEFrameCntFCH_RC1

Frames sent on the forward link for every user on the fundamental channel / number of softer handoff links for RC1 Voice only

Calculation

$\text{sum}(\text{RadioConfiguration}, \text{CEFrameCntFCH_RC1})$

CEFrameCntFCH_RC2

Frames sent on the forward link for every user on the fundamental channel / number of softer handoff links for RC2 Voice only

Calculation

$\text{sum}(\text{RadioConfiguration}, \text{CEFrameCntFCH_RC2})$

CEFrameCntFCH_RC3

Frames sent on the forward link for every user on the fundamental channel / number of softer handoff links for RC3 Voice only

Calculation

$\text{sum}(\text{RadioConfiguration}, \text{CEFrameCntFCH_RC3})$

CEFrameCntFCH_RC3D

Frames sent on the forward link for every user on the fundamental channel / number of softer handoff links for RC3 Data

Calculation

$\text{sum}(\text{RadioConfiguration}, \text{CEFrameCntFCH_RC3D})$

CEFrameCntFCH_RC3V

Frames sent on the forward link for every user on the fundamental channel / number of softer handoff links for RC3 Voice

Calculation

$\text{sum}(\text{RadioConfiguration}, \text{CEFrameCntFCH_RC3V})$

CEFrameCntFCH_RC4

Frames sent on the forward link for every user on the fundamental channel / number of softer handoff links for RC4 Voice only

Calculation

sum (RadioConfiguration, CEFrameCntFCH_RC4)

CEFrameCntFCH_RC4D

Frames sent on the forward link for every user on the fundamental channel / number of softer handoff links for RC4 Data

Calculation

sum (RadioConfiguration, CEFrameCntFCH_RC4D)

CEFrameCntFCH_RC4V

Frames sent on the forward link for every user on the fundamental channel / number of softer handoff links for RC4 Voice

Calculation

sum (RadioConfiguration, CEFrameCntFCH_RC4V)

CEFrameCntFCH_RC5

Frames sent on the forward link for every user on the fundamental channel / number of softer handoff links for RC5 Voice only

Calculation

sum (RadioConfiguration, CEFrameCntFCH_RC5)

CEFrameCntFCH_RC5D

Frames sent on the forward link for every user on the fundamental channel / number of softer handoff links for RC5 Data

Calculation

sum (RadioConfiguration, CEFrameCntFCH_RC5D)

CEFrameCntFCH_RC5V

Frames sent on the forward link for every user on the fundamental channel / number of softer handoff links for RC5 Voice

Calculation

sum (RadioConfiguration, CEFrameCntFCH_RC5V)

ConfiguredFwdCallBlockingThreshold_Aggregated

This PCALC returns the aggregated value of peg ConfiguredFwdCallBlockingThreshold in entity Beam (introduced under NBSS14) or if unavailable, the pre-NBSS14 value it replaced in this entity, peg ConfiguredFwdCallBlockingThreshold.

Calculation

```
nullvalue (sum (Beam, ConfiguredFwdCallBlockingThreshold), ConfiguredFwd-  
CallBlockingThreshold)
```

ConfiguredFwdDataCallBlockingThreshold_Aggregated

This PCALC returns the aggregated value of peg ConfiguredFwdDataCallBlockingThreshold in entity Beam (introduced under NBSS14) or if unavailable, the pre-NBSS14 value it replaced in this entity, peg ConfiguredFwdDataCallBlockingThreshold.

Calculation

```
nullvalue (sum (Beam, ConfiguredFwdDataCallBlockingThreshold), ConfiguredF-  
wdDataCallBlockingThreshold)
```

ConfiguredFwdHandoffBlockingThreshold_Aggregated

This PCALC returns the aggregated value of peg ConfiguredFwdHandoffBlockingThreshold in entity Beam (introduced under NBSS14) or if unavailable, the pre-NBSS14 value it replaced in this entity, peg ConfiguredFwdHandoffBlockingThreshold.

Calculation

```
nullvalue (sum (Beam, ConfiguredFwdHandoffBlockingThreshold), ConfiguredF-  
wdHandoffBlockingThreshold)
```

ConfiguredFwdVoiceCallBlockingThreshold_Aggregated

This PCALC returns the aggregated value of peg ConfiguredFwdVoiceCallBlockingThreshold in entity Beam (introduced under NBSS14) or if unavailable, the pre-NBSS14 value it replaced in this entity, peg ConfiguredFwdVoiceCallBlockingThreshold.

Calculation

```
nullvalue (sum (Beam, ConfiguredFwdVoiceCallBlockingThreshold), Configured-  
FwdVoiceCallBlockingThreshold)
```

DataUsageCCS3G

3G Data Only Usage in CCS

Calculation

```
vsum(PrimaryFrameCntFCH_RC3D , PrimaryFrameCntFCH_RC4D ,  
PrimaryFrameCntFCH_RC5D, 0)/5000.0
```

DataUsageErlangs3G

3G Data Only Usage in Erlangs

Calculation

```
vsum(PrimaryFrameCntFCH_RC3D , PrimaryFrameCntFCH_RC4D ,  
PrimaryFrameCntFCH_RC5D, 0)/180000.0
```

ForwardTxPowerUsageHistogram_00_09

This PCALC returns the aggregated value of peg ForwardTxPowerUsageHistogram_00_09 in entity Beam (introduced under NBSS14) or if unavailable, the pre-NBSS14 value it replaced in this entity, peg ForwardTxPowerUsageHist_0_9.

Calculation

```
nullvalue (sum (Beam, ForwardTxPowerUsageHistogram_00_09),  
ForwardTxPowerUsageHist_0_9)
```

ForwardTxPowerUsageHistogram_10_19

This PCALC returns the aggregated value of peg ForwardTxPowerUsageHistogram_10_19 in entity Beam (introduced under NBSS14) or if unavailable, the pre-NBSS14 value it replaced in this entity, peg ForwardTxPowerUsageHist_10_19.

Calculation

```
nullvalue (sum (Beam, ForwardTxPowerUsageHistogram_10_19),  
ForwardTxPowerUsageHist_10_19)
```

ForwardTxPowerUsageHistogram_20_29

This PCALC returns the aggregated value of peg ForwardTxPowerUsageHistogram_20_29 in entity Beam (introduced under NBSS14) or if unavailable, the pre-NBSS14 value it replaced in this entity, peg ForwardTxPowerUsageHist_20_29.

Calculation

```
nullvalue (sum (Beam, ForwardTxPowerUsageHistogram_20_29),  
ForwardTxPowerUsageHist_20_29)
```

ForwardTxPowerUsageHistogram_30_39

This PCALC returns the aggregated value of peg ForwardTxPowerUsageHistogram_30_39 in entity Beam (introduced under NBSS14) or if unavailable, the pre-NBSS14 value it replaced in this entity, peg ForwardTxPowerUsageHist_30_39.

Calculation

```
nullvalue (sum (Beam, ForwardTxPowerUsageHistogram_30_39),  
ForwardTxPowerUsageHist_30_39)
```

ForwardTxPowerUsageHistogram_40_49

This PCALC returns the aggregated value of peg ForwardTxPowerUsageHistogram_40_49 in entity Beam (introduced under NBSS14) or if unavailable, the pre-NBSS14 value it replaced in this entity, peg ForwardTxPowerUsageHist_40_49.

Calculation

```
nullvalue (sum (Beam, ForwardTxPowerUsageHistogram_40_49),  
ForwardTxPowerUsageHist_40_49)
```

ForwardTxPowerUsageHistogram_50_59

This PCALC returns the aggregated value of peg ForwardTxPowerUsageHistogram_50_59 in entity Beam (introduced under NBSS14) or if unavailable, the pre-NBSS14 value it replaced in this entity, peg ForwardTxPowerUsageHist_50_59.

Calculation

```
nullvalue (sum (Beam, ForwardTxPowerUsageHistogram_50_59),  
ForwardTxPowerUsageHist_50_59)
```

ForwardTxPowerUsageHistogram_60_69

This PCALC returns the aggregated value of peg ForwardTxPowerUsageHistogram_60_69 in entity Beam (introduced under NBSS14) or if unavailable, the pre-NBSS14 value it replaced in this entity, peg ForwardTxPowerUsageHist_60_69.

Calculation

```
nullvalue (sum (Beam, ForwardTxPowerUsageHistogram_60_69),  
ForwardTxPowerUsageHist_60_69)
```

ForwardTxPowerUsageHistogram_70_79

This PCALC returns the aggregated value of peg ForwardTxPowerUsageHistogram_70_79 in entity Beam (introduced under NBSS14) or if unavailable, the pre-NBSS14 value it replaced in this entity, peg ForwardTxPowerUsageHist_70_79.

Calculation

```
nullvalue (sum (Beam, ForwardTxPowerUsageHistogram_70_79),  
ForwardTxPowerUsageHist_70_79)
```

ForwardTxPowerUsageHistogram_80_89

This PCALC returns the aggregated value of peg ForwardTxPowerUsageHistogram_80_89 in entity Beam (introduced under NBSS14) or if unavailable, the pre-NBSS14 value it replaced in this entity, peg ForwardTxPowerUsageHist_80_89.

Calculation

```
nullvalue (sum (Beam, ForwardTxPowerUsageHistogram_80_89),  
ForwardTxPowerUsageHist_80_89)
```

ForwardTxPowerUsageHistogram_90_100

This PCALC returns the aggregated value of peg ForwardTxPowerUsageHistogram_90_100 in entity Beam (introduced under NBSS14) or if unavailable, the pre-NBSS14 value it replaced in this entity, peg ForwardTxPowerUsageHist_90_99.

Calculation

```
nullvalue (sum (Beam, ForwardTxPowerUsageHistogram_90_100),  
ForwardTxPowerUsageHist_90_99)
```

FrameCntFCH_RC1

Frames sent on the forward link for every user on the fundamental channel for RC1 Voice only

Calculation

```
sum (RadioConfiguration, FrameCntFCH_RC1)
```

FrameCntFCH_RC2

Frames sent on the forward link for every user on the fundamental channel for RC2 Voice only

Calculation

```
sum (RadioConfiguration, FrameCntFCH_RC2)
```

FrameCntFCH_RC3

Frames sent on the forward link for every user on the fundamental channel for RC3 Voice only

Calculation

```
sum (RadioConfiguration, FrameCntFCH_RC3)
```

FrameCntFCH_RC3D

Frames sent on the forward link for every user on the fundamental channel for RC3 Data

Calculation

```
sum (RadioConfiguration, FrameCntFCH_RC3D)
```

FrameCntFCH_RC3V

Frames sent on the forward link for every user on the fundamental channel for RC3 Voice

Calculation

```
sum (RadioConfiguration, FrameCntFCH_RC3V)
```

FrameCntFCH_RC4

Frames sent on the forward link for every user on the fundamental channel for RC4 Voice only

Calculation

sum (RadioConfiguration, FrameCntFCH_RC4)

FrameCntFCH_RC4D

Frames sent on the forward link for every user on the fundamental channel for RC4 Data

Calculation

sum (RadioConfiguration, FrameCntFCH_RC4D)

FrameCntFCH_RC4V

Frames sent on the forward link for every user on the fundamental channel for RC4 Voice

Calculation

sum (RadioConfiguration, FrameCntFCH_RC4V)

FrameCntFCH_RC5

Frames sent on the forward link for every user on the fundamental channel for RC5 Voice only

Calculation

sum (RadioConfiguration, FrameCntFCH_RC5)

FrameCntFCH_RC5D

Frames sent on the forward link for every user on the fundamental channel for RC5 Data

Calculation

sum (RadioConfiguration, FrameCntFCH_RC5D)

FrameCntFCH_RC5V

Frames sent on the forward link for every user on the fundamental channel for RC5 Voice

Calculation

sum (RadioConfiguration, FrameCntFCH_RC5V)

FSCH_CFDSRadioConfig

Description

Calculation

vsum (FSCH_CFDS_RadioConfig, 0.0)

FSCH_DataRateDowngradeRate

Percentage of F-SCH data rate downgrades

Calculation

$(100.0 * \text{FSCHLinkDowngrade} / \text{FSCHLinkSetupAttempts})$

FSCH_RadioAccessFailureRate

Percentage of F-SCH radio access failures

Calculation

$(100.0 * \text{FSCHRadioLinkAccessFailure} / \text{FSCHLinkSetupAttempts})$

FSCH_RadioAccessFailureRate_2X

Percentage of 2X F-SCH radio access failures

Calculation

$(100.0 * \text{FSCHRadioLinkAccessFailure}_2\text{X} / \text{FSCHLinkSetupAttempts}_2\text{X})$

FSCH_RadioAccessFailureRate_4X

Percentage of 4X F-SCH radio access failures

Calculation

$(100.0 * \text{FSCHRadioLinkAccessFailure}_4\text{X} / \text{FSCHLinkSetupAttempts}_4\text{X})$

FSCH_RadioAccessFailureRate_8X

Percentage of 8X F-SCH radio access failures

Calculation

$(100.0 * \text{FSCHRadioLinkAccessFailure}_8\text{X} / \text{FSCHLinkSetupAttempts}_8\text{X})$

FSCH_SetupFailDueCFDSConfigRate

Percentage of F-SCH setup failures due to CFDS configuration

Calculation

$(100.0 * \text{FSCH_CFDS_RadioConfig} / \text{FSCHLinkSetupAttempts})$

FSCH_SetupFailDueToTimeoutRate

Percentage of F-SCH setup failures due to resource request timeouts

Calculation

$(100.0 * \text{FSCHTimeout} / \text{FSCHLinkSetupAttempts})$

FSCH_SetupFailLackofPhysResrcRate

Percentage of F-SCH setup failures due to lack of available channel resources

Calculation

$$(100.0 * \text{FSCHNoPhysRes} / \text{FSCHLinkSetupAttempts})$$

FSCH_SetupFailLackofWalshCodeRate

Percentage of F-SCH setup failures due to lack of available Walsh codes

Calculation

$$(100.0 * \text{FSCHNoWalshCode} / \text{FSCHLinkSetupAttempts})$$

FSCH_SetupFailNoFrameOffsetAvlRate

Percentage of F-SCH setup failures due to lack of available frame offset

Calculation

$$(100.0 * \text{FSCHNoFrameOffset} / \text{FSCHLinkSetupAttempts})$$

FSCH_SetupFailureLackofFwdPwrRate

Percentage of F-SCH setup failures due to lack of available forward power

Calculation

$$(100.0 * \text{FSCHNoFwdPower} / \text{FSCHLinkSetupAttempts})$$

FSCH_SetupFailureRate

Percentage of overall F-SCH setup failures

Calculation

$$(100.0 * \text{FSCHLinkSetupBlock} / \text{FSCHLinkSetupAttempts})$$

FSCH_SetupFailureRate_16X

Percentage of overall 16X F-SCH setup failures

Calculation

$$(100.0 * \text{FSCHLinkSetupBlock}_16\text{X} / \text{FSCHLinkSetupAttempts}_16\text{X})$$

FSCH_SetupFailureRate_2X

Percentage of overall 2X F-SCH setup failures

Calculation

$$(100.0 * \text{FSCHLinkSetupBlock}_2\text{X} / \text{FSCHLinkSetupAttempts}_2\text{X})$$

FSCH_SetupFailureRate_4X

Percentage of overall 4X F-SCH setup failures

Calculation

$(100.0 * \text{FSCHLinkSetupBlock_4X} / \text{FSCHLinkSetupAttempts_4X})$

FSCH_SetupFailureRate_8X

Percentage of overall 8X F-SCH setup failures

Calculation

$(100.0 * \text{FSCHLinkSetupBlock_8X} / \text{FSCHLinkSetupAttempts_8X})$

FSCHRadioAccessFailureRate_16X

Percentage of 16X F-SCH radio access failures

Calculation

$(100.0 * \text{FSCHRadioLinkAccessFailure_16X} / \text{FSCHLinkSetupAttempts_16X})$

GRAPHmultiLineSeparator

Special Control Field for Multi-Line Graphs

Calculation

""

LowerBoundFwdAvgTXPower

LowerBoundFwdAvgTXPower

Calculation

$((\text{ForwardTxPowerUsageHist_0_9} * 0) + (\text{ForwardTxPowerUsageHist_10_19} * 10) + (\text{ForwardTxPowerUsageHist_20_29} * 20) + (\text{ForwardTxPowerUsageHist_30_39} * 30) + (\text{ForwardTxPowerUsageHist_40_49} * 40) + (\text{ForwardTxPowerUsageHist_50_59} * 50) + (\text{ForwardTxPowerUsageHist_60_69} * 60) + (\text{ForwardTxPowerUsageHist_70_79} * 70) + (\text{ForwardTxPowerUsageHist_80_89} * 80) + (\text{ForwardTxPowerUsageHist_90_99} * 90)) / (\text{vsum}(\text{ForwardTxPowerUsageHist_0_9}, \text{ForwardTxPowerUsageHist_10_19}, \text{ForwardTxPowerUsageHist_20_29}, \text{ForwardTxPowerUsageHist_30_39}, \text{ForwardTxPowerUsageHist_40_49}, \text{ForwardTxPowerUsageHist_50_59}, \text{ForwardTxPowerUsageHist_60_69}, \text{ForwardTxPowerUsageHist_70_79}, \text{ForwardTxPowerUsageHist_80_89}, \text{ForwardTxPowerUsageHist_90_99}))$

LowerBoundWCUsage

Lower Bound of WC Distribution

Calculation

$((\text{WalshCodeUsageDistribution0to30} * 0) + (\text{WalshCodeUsageDistribution31to60} * 31) + (\text{WalshCodeUsageDistribution61to70} * 61) + (\text{WalshCodeUsageDistribution71to80} * 71) + (\text{WalshCodeUsageDistribution81to90} * 81) + (\text{WalshCodeUsageDistribution91to100} * 91) +$

```
(WalshCodeUsageDistribution101to110 * 101) +  
(WalshCodeUsageDistribution111to120 * 111) +  
(WalshCodeUsageDistribution121to128 * 121)) /  
(vsum(WalshCodeUsageDistribution0to30,WalshCodeUsageDistribution31to60,WalshCodeUsageDistribution61to70,WalshCodeUsageDistribution71to80,WalshCodeUsageDistribution81to90,WalshCodeUsageDistribution91to100,WalshCodeUsageDistribution101to110,WalshCodeUsageDistribution111to120,WalshCodeUsageDistribution121to128))
```

MOU_ALPHA_SC

Minutes of Use of User traffic on the Alpha Sector per carrier for sector_carrier entity

Calculation

```
(vsum(SC_HandoffTimeSoft1Softer1Alpha,  
vsum(SC_HandoffTimeSoft1Softer2AlphaBeta,  
SC_HandoffTimeSoft1Softer2GammaAlpha, SC_HandoffTimeSoft2Softer1Alpha,0) /  
2 , vsum(SC_HandoffTimeSoft1Softer3, SC_HandoffTimeSoft3Softer1Alpha,0) / 3  
 , vsum(SC_HandoffTimeSoft2Softer2AlphaBeta,  
SC_HandoffTimeSoft2Softer2GammaAlpha, SC_HandoffTimeSoft4Softer1Alpha,0) /  
4 , SC_HandoffTimeSoft5Softer1Alpha / 5 , vsum(SC_HandoffTimeSoft2Softer3,  
SC_HandoffTimeSoft3Softer2AlphaBeta, SC_HandoffTimeSoft3Softer2GammaAlpha,  
SC_HandoffTimeSoft6Softer1Alpha,0) / 6,  
vsum(SC_HandoffTimeSoft4Softer2AlphaBeta,  
SC_HandoffTimeSoft4Softer2GammaAlpha,0) / 8, SC_HandoffTimeSoft3Softer3 / 9  
 , vsum(SC_HandoffTimeSoft5Softer2AlphaBeta,  
SC_HandoffTimeSoft5Softer2GammaAlpha,0) / 10 , SC_HandoffTimeSoft4Softer3 /  
12,0) * 20.0 / 60000)
```

MOU_BETA_SC

Minutes of Use of User traffic on the Beta Sector per carrier for sector_carrier entity

Calculation

```
(vsum(SC_HandoffTimeSoft1Softer1Beta,  
vsum(SC_HandoffTimeSoft1Softer2AlphaBeta,  
SC_HandoffTimeSoft1Softer2BetaGamma, SC_HandoffTimeSoft2Softer1Beta,0) / 2  
 , vsum(SC_HandoffTimeSoft1Softer3, SC_HandoffTimeSoft3Softer1Beta,0) / 3 ,  
vsum(SC_HandoffTimeSoft2Softer2AlphaBeta  
 ,SC_HandoffTimeSoft2Softer2BetaGamma, SC_HandoffTimeSoft4Softer1Beta,0) / 4  
 , SC_HandoffTimeSoft5Softer1Beta / 5 , vsum(SC_HandoffTimeSoft2Softer3,  
SC_HandoffTimeSoft3Softer2AlphaBeta, SC_HandoffTimeSoft3Softer2BetaGamma,  
SC_HandoffTimeSoft6Softer1Beta,0) / 6 ,  
vsum(SC_HandoffTimeSoft4Softer2AlphaBeta,  
SC_HandoffTimeSoft4Softer2BetaGamma,0) / 8 , SC_HandoffTimeSoft3Softer3 / 9  
 , vsum(SC_HandoffTimeSoft5Softer2AlphaBeta,  
SC_HandoffTimeSoft5Softer2BetaGamma,0) / 10 , SC_HandoffTimeSoft4Softer3 /  
12,0) * 20.0 / 60000)
```

MOU_CE_SC

Minutes of Use on Channel Element per carrier for sector_carrier entity

Calculation

```
(vsum(vsum(SC_HandoffTimeSoft1Softer1Alpha,  
SC_HandoffTimeSoft1Softer1Beta, SC_HandoffTimeSoft1Softer1Gamma,  
SC_HandoffTimeSoft1Softer2AlphaBeta, SC_HandoffTimeSoft1Softer2BetaGamma,  
SC_HandoffTimeSoft1Softer2GammaAlpha, SC_HandoffTimeSoft1Softer3,0) ,  
vsum(SC_HandoffTimeSoft2Softer1Alpha, SC_HandoffTimeSoft2Softer1Beta,  
SC_HandoffTimeSoft2Softer1Gamma, SC_HandoffTimeSoft2Softer2AlphaBeta,  
SC_HandoffTimeSoft2Softer2BetaGamma, SC_HandoffTimeSoft2Softer2GammaAlpha,  
SC_HandoffTimeSoft2Softer3,0) , vsum(SC_HandoffTimeSoft3Softer1Alpha,  
SC_HandoffTimeSoft3Softer1Beta, SC_HandoffTimeSoft3Softer1Gamma,  
SC_HandoffTimeSoft3Softer2AlphaBeta, SC_HandoffTimeSoft3Softer2BetaGamma,  
SC_HandoffTimeSoft3Softer2GammaAlpha, SC_HandoffTimeSoft3Softer3,0) ,  
vsum(SC_HandoffTimeSoft4Softer1Alpha, SC_HandoffTimeSoft4Softer1Beta,  
SC_HandoffTimeSoft4Softer1Gamma, SC_HandoffTimeSoft4Softer2AlphaBeta,  
SC_HandoffTimeSoft4Softer2BetaGamma,  
SC_HandoffTimeSoft4Softer2GammaAlpha, SC_HandoffTimeSoft4Softer3,0) ,  
vsum(SC_HandoffTimeSoft5Softer1Alpha, SC_HandoffTimeSoft5Softer1Beta,  
SC_HandoffTimeSoft5Softer1Gamma, SC_HandoffTimeSoft5Softer2AlphaBeta,  
SC_HandoffTimeSoft5Softer2BetaGamma,  
SC_HandoffTimeSoft5Softer2GammaAlpha,0) ,  
vsum(SC_HandoffTimeSoft6Softer1Alpha, SC_HandoffTimeSoft6Softer1Beta,  
SC_HandoffTimeSoft6Softer1Gamma,0),0) * 20.0 / 60000)
```

MOU_GAMMA_SC

Minutes of Use of User traffic on the Gamma sector_carrier entity

Calculation

```
(vsum(SC_HandoffTimeSoft1Softer1Gamma,  
vsum(SC_HandoffTimeSoft1Softer2BetaGamma,  
SC_HandoffTimeSoft1Softer2GammaAlpha, SC_HandoffTimeSoft2Softer1Gamma,0) /  
2 , vsum(SC_HandoffTimeSoft1Softer3, SC_HandoffTimeSoft3Softer1Gamma,0) /  
3 , vsum(SC_HandoffTimeSoft2Softer2BetaGamma,  
SC_HandoffTimeSoft2Softer2GammaAlpha, SC_HandoffTimeSoft4Softer1Gamma,0) /  
4 , SC_HandoffTimeSoft5Softer1Gamma / 5 , vsum(SC_HandoffTimeSoft2Softer3,  
SC_HandoffTimeSoft3Softer2BetaGamma, SC_HandoffTimeSoft3Softer2GammaAlpha,  
SC_HandoffTimeSoft6Softer1Gamma,0) / 6 ,  
vsum(SC_HandoffTimeSoft4Softer2BetaGamma,  
SC_HandoffTimeSoft4Softer2GammaAlpha,0) / 8 , SC_HandoffTimeSoft3Softer3 /  
9 , vsum(SC_HandoffTimeSoft5Softer2BetaGamma,  
SC_HandoffTimeSoft5Softer2GammaAlpha,0) / 10 , SC_HandoffTimeSoft4Softer3 /  
12,0) * 20.0 / 60000)
```

MOU_TRAFFIC_SC

Minutes of Use of User traffic per carrier for sector_carrier entity

Calculation

```
(vsum(MOU_ALPHA_SC, MOU_BETA_SC, MOU_GAMMA_SC,0))
```

NUMDAYS

of days in Report

Calculation

DAYSINREPORT ()

NUMHOURS

of hours in Summation Data

Calculation

OCNSForwardLinkUtilTWavg

This PCALC returns the aggregated value of peg OCNSForwardLinkUtilTWavg in entity Beam (introduced under NBSS14) or if unavailable, the pre-NBSS14 value it replaced in this entity, peg OCNSForwardLinkUtilUWavg.

Calculation

nullvalue (sum (Beam, OCNSForwardLinkUtilTWavg), OCNSForwardLinkUtilUWavg)

OverheadForwardLinkUtilUWavg_Aggregated

This PCALC returns the aggregated value of peg OverheadForwardLinkUtilUWavg in entity Beam (introduced under NBSS14) or if unavailable, the pre-NBSS14 value it replaced in this entity, peg OverheadForwardLinkUtilUWavg.

Calculation

nullvalue (sum (Beam, OverheadForwardLinkUtilUWavg), OverheadForwardLinkUtilUWavg)

pAccFails_fq

RF Access Fail percentage per carrier during Origination and Termination and Hard Handoff

Calculation

(100.0 * AccFails_fq / CallCont)

pAccFails_fq3GD

3G Data RF Access Fail percentage per carrier during Origination and Termination and Hard Handoff

Calculation

(100.0 * AccFails_fq3GD / CallCont3GD)

pAccFails_fq3GV

3G Voice RF Access Fail percentage per carrier during Origination and Termination and Hard Handoff

Calculation

$(100.0 * \text{AccFails_fq3GV} / \text{CallCont3GV})$

PagingChannelMessageDroppedCount

This PCALC returns the aggregated value of peg PagingChannelMessageDroppedCount in entity PagingChan (introduced under NBSS14) or if unavailable, the pre-NBSS14 value it replaced in this entity, peg PagingChannelMessagesDropped.

Calculation

$\text{nullvalue}(\text{sum}(\text{PagingChan}, \text{PagingChannelMessageDroppedCount}), \text{PagingChannelMessagesDropped})$

PagingChannelMessageReceivedCount

This PCALC returns the aggregated value of peg PagingChannelMessageReceivedCount in entity PagingChan (introduced under NBSS14) or if unavailable, the pre-NBSS14 value it replaced in this entity, peg PagingChannelMessageCount.

Calculation

$\text{nullvalue}(\text{sum}(\text{PagingChan}, \text{PagingChannelMessageReceivedCount}), \text{PagingChannelMessageCount})$

pCallDrops_fq

Percentage of calls dropped per carrier due to RF-related call failure reason

Calculation

$(100.0 * \text{CallDrops_fq} / \text{CallSucc_fq})$

pCallDrops_fq3GD

Percentage of 3G Data calls dropped per carrier due to RF-related call failure reason

Calculation

$(100.0 * \text{CallDrops_fq3GD} / \text{CallSucc_fq3GD})$

pCallDrops_fq3GV

Percentage of 3G Voice calls dropped per carrier due to RF-related call failure reason

Calculation

$(100.0 * \text{CallDrops_fq3GV} / \text{CallSucc_fq3GV})$

pCallSucc_fq

Successful call established percentage per carrier including origination and termination and hard handoff successes

Calculation

$(100.0 * \text{CallSucc_fq} / \text{CallCont})$

pCallSucc_fq3GD

Successful 3G Data call established percentage per carrier including origination and termination and hard handoff successes

Calculation

$(100.0 * \text{CallSucc_fq3GD} / \text{CallCont3GD})$

pCallSucc_fq3GV

Successful 3G Voice call established percentage per carrier including origination and termination and hard handoff successes

Calculation

$(100.0 * \text{CallSucc_fq3GV} / \text{CallCont3GV})$

PercentTimeAboveFwdCallBlockingThreshold

This PCALC returns the aggregated value of peg PercentTimeAboveFwdCallBlockingThreshold in entity Beam (introduced under NBSS14) or if unavailable, the pre-NBSS14 value it replaced in this entity, peg PercentTimeAboveFwdCallBlockThrshld.

Calculation

$\text{nullvalue}(\text{sum}(\text{Beam}, \text{PercentTimeAboveFwdCallBlockingThreshold}), \text{PercentTimeAboveFwdCallBlockThrshld})$

PercentTimeAboveFwdDataCallBlockingThreshold

This PCALC returns the aggregated value of peg PercentTimeAboveFwdDataCallBlockingThreshold in entity Beam (introduced under NBSS14) or if unavailable, the pre-NBSS14 value it replaced in this entity, peg PercentTimeAboveFwdDataCallBlockThrshld.

Calculation

$\text{nullvalue}(\text{sum}(\text{Beam}, \text{PercentTimeAboveFwdDataCallBlockingThreshold}), \text{PercentTimeAboveFwdDataCallBlockThrshld})$

PercentTimeAboveFwdHandoffBlockingThreshold

This PCALC returns the aggregated value of peg PercentTimeAboveFwdHandoffBlockingThreshold in entity Beam (introduced under NBSS14) or if unavailable, the pre-NBSS14 value it replaced in this entity, peg PercentTimeAboveFwdHandoffBlockThrshld.

Calculation

```
nullvalue (sum (Beam, PercentTimeAboveFwdHandoffBlockingThreshold),  
PercentTimeAboveFwdHandoffBlockThrshld)
```

PercentTimeAboveFwdVoiceCallBlockingThreshold

This PCALC returns the aggregated value of peg PercentTimeAboveFwdVoiceCallBlockingThreshold in entity Beam (introduced under NBSS14) or if unavailable, the pre-NBSS14 value it replaced in this entity, peg PercentTimeAboveFwdVoiceCallBlockThrshld.

Calculation

```
nullvalue (sum (Beam, PercentTimeAboveFwdVoiceCallBlockingThreshold),  
PercentTimeAboveFwdVoiceCallBlockThrshld)
```

pFwdCap

Percentage of MCTA call setup failures due to lack of forward link capacity after a frequency has been selected

Calculation

```
(100.0 * MCTFWCAP / CallCont)
```

pFwdCap3GD

Percentage of 3G Data MCTA call setup failures due to lack of forward link capacity after a frequency has been selected

Calculation

```
(100.0 * MCTFWCAP3GD / CallCont3GD)
```

pFwdCap3GV

Percentage of 3G Voice MCTA call setup failures due to lack of forward link capacity after a frequency has been selected

Calculation

```
(100.0 * MCTFWCAP3GV / CallCont3GV)
```

pHandoff

Percentage of MCTA hard handoff RF access failures after a frequency has been selected

Calculation

```
(100.0 * MCTHRLFL / CallCont)
```


pHandoff3GD

Percentage of 3G Data MCTA hard handoff RF access failures after a frequency has been selected

Calculation

$$(100.0 * MCTHRLFL3GD / CallCont3GD)$$

pHandoff3GV

Percentage of 3G Voice MCTA hard handoff RF access failures after a frequency has been selected

Calculation

$$(100.0 * MCTHRLFL3GV / CallCont3GV)$$

pHrdHandoffAccFail

Percentage of MCTA hard handoff RF access failures after a frequency has been selected

Calculation

$$(100.0 * MCTHRLFL / CallCont)$$

pHrdHandoffAccFail3GD

Percentage of 3G Data MCTA hard handoff RF access failures after a frequency has been selected

Calculation

$$(100.0 * MCTHRLFL3GD / CallCont3GD)$$

pHrdHandoffAccFail3GV

Percentage of 3G Voice MCTA hard handoff RF access failures after a frequency has been selected

Calculation

$$(100.0 * MCTHRLFL3GV / CallCont3GV)$$

pOrgTrm

Percentage of MCTA origination and termination RF access failures after a frequency has been selected

Calculation

$$(100.0 * MCTERLFL / CallCont)$$

pOrgTrm3GD

Percentage of 3G Data origination and termination RF access failures after a frequency has been selected

Calculation

$(100.0 * MCTERLFL3GD / CallCont3GD)$

pOrgTrm3GV

Percentage of 3G Voice origination and termination RF access failures after a frequency has been selected

Calculation

$(100.0 * MCTERLFL3GV / CallCont3GV)$

pRevCap

Percentage of MCTA call setup failures due to lack of reverse link capacity after a frequency has been selected

Calculation

$(100.0 * MCTRECAP / CallCont)$

pRevCap3GD

Percentage of 3G Data MCTA call setup failures due to lack of reverse link capacity after a frequency has been selected

Calculation

$(100.0 * MCTRECAP3GD / CallCont3GD)$

pRevCap3GV

Percentage of 3G Voice MCTA call setup failures due to lack of reverse link capacity after a frequency has been selected

Calculation

$(100.0 * MCTRECAP3GV / CallCont3GV)$

PrimaryFrameCntFCH_RC1

Frames sent on the forward link for every user on the fundamental channel/ soft handoff links * softer handoff links for RC1 Voice only

Calculation

$sum (RadioConfiguration, PrimaryFrameCntFCH_RC1)$

PrimaryFrameCntFCH_RC2

Frames sent on the forward link for every user on the fundamental channel/ soft handoff links *
softer handoff links for RC2 Voice only

Calculation

sum (RadioConfiguration, PrimaryFrameCntFCH_RC2)

PrimaryFrameCntFCH_RC3

Frames sent on the forward link for every user on the fundamental channel/ soft handoff links *
softer handoff links for RC3 Voice only

Calculation

sum (RadioConfiguration, PrimaryFrameCntFCH_RC3)

PrimaryFrameCntFCH_RC3D

Frames sent on the forward link for every user on the fundamental channel/ soft handoff links *
softer handoff links for RC3 Data

Calculation

sum (RadioConfiguration, PrimaryFrameCntFCH_RC3D)

PrimaryFrameCntFCH_RC3V

Frames sent on the forward link for every user on the fundamental channel/ soft handoff links *
softer handoff links for RC3 Voice

Calculation

sum (RadioConfiguration, PrimaryFrameCntFCH_RC3V)

PrimaryFrameCntFCH_RC4

Frames sent on the forward link for every user on the fundamental channel/ soft handoff links *
softer handoff links for RC4 Voice only

Calculation

sum (RadioConfiguration, PrimaryFrameCntFCH_RC4)

PrimaryFrameCntFCH_RC4D

Frames sent on the forward link for every user on the fundamental channel/ soft handoff links *
softer handoff links for RC4 Data

Calculation

sum (RadioConfiguration, PrimaryFrameCntFCH_RC4D)

PrimaryFrameCntFCH_RC4V

Frames sent on the forward link for every user on the fundamental channel/ soft handoff links *
softer handoff links for RC4 Voice

Calculation

sum (RadioConfiguration, PrimaryFrameCntFCH_RC4V)

PrimaryFrameCntFCH_RC5

Frames sent on the forward link for every user on the fundamental channel/ soft handoff links *
softer handoff links for RC5 Voice only

Calculation

sum (RadioConfiguration, PrimaryFrameCntFCH_RC5)

PrimaryFrameCntFCH_RC5D

Frames sent on the forward link for every user on the fundamental channel/ soft handoff links *
softer handoff links for RC5 Data

Calculation

sum (RadioConfiguration, PrimaryFrameCntFCH_RC5D)

PrimaryFrameCntFCH_RC5V

Frames sent on the forward link for every user on the fundamental channel/ soft handoff links *
softer handoff links for RC5 Voice

Calculation

sum (RadioConfiguration, PrimaryFrameCntFCH_RC5V)

pSoftHo_SC

Soft Handoff Overhead Percentage for sector_carrier entity

Calculation

$(100.0 * (CE_USER_SC - 1) / (CE_USER_SC))$

pTCE

Percentage of MCTA call setup failures due to lack of appropriate BTS CE resources after a
frequency has been selected

Calculation

$(100.0 * MCTNOTCE / CallCont)$

pTCE3GD

Percentage of 3G Data MCTA call setup failures due to lack of appropriate BTS CE resources after a frequency has been selected

Calculation

$$(100.0 * \text{MCTNOTCE3GD} / \text{CallCont3GD})$$

pTCE3GV

Percentage of 3G Voice MCTA call setup failures due to lack of appropriate BTS CE resources after a frequency has been selected

Calculation

$$(100.0 * \text{MCTNOTCE3GV} / \text{CallCont3GV})$$

pTotalBlocks_fq

Total call setup failures percentage per carrier due to resource shortage on originations and terminations and hard handoffs

Calculation

$$(100.0 * \text{TotalBlocks_fq} / \text{CallCont})$$

pTotalBlocks_fq3GD

Total 3G Data call setup failures percentage per carrier due to resource shortage on originations and terminations and hard handoffs

Calculation

$$(100.0 * \text{TotalBlocks_fq3GD} / \text{CallCont3GD})$$

pTotalBlocks_fq3GV

Total 3G Voice call setup failures percentage per carrier due to resource shortage on originations and terminations and hard handoffs

Calculation

$$(100.0 * \text{TotalBlocks_fq3GV} / \text{CallCont3GV})$$

pTrafDist

Percentage of total traffic distributed by carrier

Calculation

$$(100.0 * \text{vsum}(\text{MCTOATTS}, \text{MCTTATTS}, \text{MCTHATTS}, 0) / \text{vsum}(\text{sum}(\text{Cell_Sector.Sector_Carrier}, \text{MCTOATTS}), \text{sum}(\text{Cell_Sector.Sector_Carrier}, \text{MCTTATTS}), \text{sum}(\text{Cell_Sector.Sector_Carrier}, \text{MCTHATTS}), 0))$$

pTrafDist3GD

Percentage of total 3G Data traffic distributed by carrier

Calculation

```
(100.0 * vsum(MCTOATTS3GD, MCTTATTS3GD, MCTHATTS3GD,0) /  
vsum(sum(Cell_Sector.Sector_Carrier,MCTOATTS3GD),  
sum(Cell_Sector.Sector_Carrier,MCTTATTS3GD),  
sum(Cell_Sector.Sector_Carrier,MCTHATTS3GD),0))
```

pTrafDist3GV

Percentage of total 3G Voice traffic distributed by carrier

Calculation

```
(100.0 * vsum(MCTOATTS3GV, MCTTATTS3GV, MCTHATTS3GV,0) /  
vsum(sum(Cell_Sector.Sector_Carrier,MCTOATTS3GV),  
sum(Cell_Sector.Sector_Carrier,MCTTATTS3GV),  
sum(Cell_Sector.Sector_Carrier,MCTHATTS3GV),0))
```

pWCD

Percentage of MCTA call setup failures due to lack of walsh codes after a frequency has been selected

Calculation

```
(100.0 * MCTNOWCD / CallCont)
```

pWCD3GD

Percentage of 3G Data MCTA call setup failures due to lack of walsh codes after a frequency has been selected

Calculation

```
(100.0 * MCTNOWCD3GD / CallCont3GD)
```

pWCD3GV

Percentage of 3G Voice MCTA call setup failures due to lack of walsh codes after a frequency has been selected

Calculation

```
(100.0 * MCTNOWCD3GV / CallCont3GV)
```

RSCH_CFDSHighSpeed

Description

Calculation

$\text{vsum}(\text{RSCH_CFDS_HighSpeed}, 0.0)$

RSCH_CFDSRadioConfig

Description

Calculation

$\text{vsum}(\text{RSCH_CFDS_RadioConfig}, 0.0)$

RSCH_DataRateDowngradesRate

Percentage of R-SCH data rate downgrades

Calculation

$(100.0 * \text{RSCHLinkDowngrade} / \text{RSCHLinkSetupAttempt})$

RSCH_RadioAccessFailuresRate

Percentage of R-SCH radio access failures

Calculation

$(100.0 * \text{RSCHRadioLinkAccessFailure} / \text{RSCHLinkSetupAttempt})$

RSCH_RadioAccessFailuresRate_2X

Percentage of 2X R-SCH radio access failures

Calculation

$(100.0 * \text{RSCHRadioLinkAccessFailure}_2\text{X} / \text{RSCHLinkSetupAttempts}_2\text{X})$

RSCH_RadioAccessFailuresRate_4X

Percentage of 4X R-SCH radio access failures

Calculation

$(100.0 * \text{RSCHRadioLinkAccessFailure}_4\text{X} / \text{RSCHLinkSetupAttempts}_4\text{X})$

RSCH_RadioAccessFailuresRate_8X

Percentage of 8X R-SCH radio access failures

Calculation

$(100.0 * \text{RSCHRadioLinkAccessFailure}_8\text{X} / \text{RSCHLinkSetupAttempts}_8\text{X})$

RSCH_SetupFailDueCFDSConfigRate

Percentage of R-SCH setup failures due to CFDS configuration

Calculation

$(100.0 * \text{RSCH_CFDS_RadioConfig} / \text{RSCHLinkSetupAttempt})$

RSCH_SetupFailDueToTimeoutRate

Percentage of R-SCH setup failures due to resource request timeouts

Calculation

$(100.0 * \text{RSCHTimeout} / \text{RSCHLinkSetupAttempt})$

RSCH_SetupFailLackofPhysResrcRate

Percentage of R-SCH setup failures due to lack of available channel resources

Calculation

$(100.0 * \text{RSCHNoPhysRes} / \text{RSCHLinkSetupAttempt})$

RSCH_SetupFailNoFrameOffsetAvlRate

Percentage of R-SCH setup failures due to lack of available frame offset

Calculation

$(100.0 * \text{RSCHNoFrameOffset} / \text{RSCHLinkSetupAttempt})$

RSCH_SetupFailRvsHiSpdCFDS_CfgRate

Percentage of R-SCH setup failures due to reverse high speed CFDS configuration

Calculation

$(100.0 * \text{RSCH_CFDS_HighSpeed} / \text{RSCHLinkSetupAttempt})$

RSCH_SetupFailureRate

Percentage of overall R-SCH setup failures

Calculation

$(100.0 * \text{RSCHLinkSetupBlock} / \text{RSCHLinkSetupAttempt})$

RSCH_SetupFailureRate_16X

Percentage of overall 16X R-SCH setup failures

Calculation

$(100.0 * \text{RSCHLinkSetupBlock_16X} / \text{RSCHLinkSetupAttempts_16X})$

RSCH_SetupFailureRate_2X

Percentage of overall 2X R-SCH setup failures

Calculation

$(100.0 * \text{RSCHLinkSetupBlock_2X} / \text{RSCHLinkSetupAttempts_2X})$

RSCH_SetupFailureRate_4X

Percentage of overall 4X R-SCH setup failures

Calculation

$(100.0 * \text{RSCHLinkSetupBlock_4X} / \text{RSCHLinkSetupAttempts_4X})$

RSCH_SetupFailureRate_8X

Percentage of overall 8X R-SCH setup failures

Calculation

$(100.0 * \text{RSCHLinkSetupBlock_8X} / \text{RSCHLinkSetupAttempts_8X})$

RSCHRadioAccessFailuresRate_16X

Percentage of 16X R-SCH radio access failures

Calculation

$(100.0 * \text{RSCHRadioLinkAccessFailure_16X} / \text{RSCHLinkSetupAttempts_16X})$

SCH_DropRate

Percentage of SCH Drops

Calculation

$(100.0 * \text{SCHDrop} / (\text{vsum}(\text{FSCHLinkSetupSuccess}, \text{RSCHLinkSetupSuccess}, 0) - \text{vsum}(\text{FSCHRadioLinkAccessFailure}, \text{RSCHRadioLinkAccessFailure}, 0)))$

SCH_DropRate_16X

Percentage of 16X SCH Drops

Calculation

$(100.0 * \text{SCHDrop_16X} / (\text{vsum}(\text{FSCHLinkSetupSuccess_16X}, \text{RSCHLinkSetupSuccess_16X}, 0) - \text{vsum}(\text{FSCHRadioLinkAccessFailure_16X}, \text{RSCHRadioLinkAccessFailure_16X}, 0)))$

SCH_DropRate_2X

Percentage of 2X SCH Drops

Calculation

$(100.0 * \text{SCHDrop_2X} / (\text{vsum}(\text{FSCHLinkSetupSuccess_2X}, \text{RSCHLinkSetupSuccess_2X}, 0) - \text{vsum}(\text{FSCHRadioLinkAccessFailure_2X}, \text{RSCHRadioLinkAccessFailure_2X}, 0)))$

SCH_DropRate_4X

Percentage of 4X SCH Drops

Calculation

```
(100.0 * SCHDrop_4X /  
(vsum(FSCHLinkSetupSuccess_4X,RSCHLinkSetupSuccess_4X,0) -  
vsum(FSCHRadioLinkAccessFailure_4X,RSCHRadioLinkAccessFailure_4X,0)))
```

SCH_DropRate_8X

Percentage of 8X SCH Drops

Calculation

```
(100.0 * SCHDrop_8X /  
(vsum(FSCHLinkSetupSuccess_8X,RSCHLinkSetupSuccess_8X,0) -  
vsum(FSCHRadioLinkAccessFailure_8X,RSCHRadioLinkAccessFailure_8X,0)))
```

TCEForwardLinkUtilUWavg_Aggregated

This PCALC returns the aggregated value of peg TCEForwardLinkUtilUWavg in entity Beam (introduced under NBSS14) or if unavailable, the pre-NBSS14 value it replaced in this entity, peg TCEForwardLinkUtilUWavg.

Calculation

```
nullvalue (sum (Beam, TCEForwardLinkUtilUWavg), TCEForwardLinkUtilUWavg)
```

TotalBlocks_fq

Total call setup failures per carrier due to resource shortage on originations and terminations and hard handoffs

Calculation

```
(vsum(MCTNOTCE, MCTNOWCD, MCTFWCAP, MCTRECAP,0))
```

TotalBlocks_fq3GD

Total 3G Data call setup failures per carrier due to resource shortage on originations and terminations and hard handoffs

Calculation

```
(vsum(MCTNOTCE3GD, MCTNOWCD3GD, MCTFWCAP3GD, MCTRECAP3GD,0))
```

TotalBlocks_fq3GV

Total 3G Voice call setup failures per carrier due to resource shortage on originations and terminations and hard handoffs

Calculation

$(vsum(MCTNOTCE3GV, MCTNOWCD3GV, MCTFWCAP3GV, MCTRECAP3GV, 0))$

UpperBoundFwdAvgTXPower

UpperBoundFwdAvgTXPower

Calculation

$((ForwardTxPowerUsageHist_{0_9} * 9) + (ForwardTxPowerUsageHist_{10_19} * 19) + (ForwardTxPowerUsageHist_{20_29} * 29) + (ForwardTxPowerUsageHist_{30_39} * 39) + (ForwardTxPowerUsageHist_{40_49} * 49) + (ForwardTxPowerUsageHist_{50_59} * 59) + (ForwardTxPowerUsageHist_{60_69} * 69) + (ForwardTxPowerUsageHist_{70_79} * 79) + (ForwardTxPowerUsageHist_{80_89} * 89) + (ForwardTxPowerUsageHist_{90_99} * 100)) / (vsum(ForwardTxPowerUsageHist_{0_9}, ForwardTxPowerUsageHist_{10_19}, ForwardTxPowerUsageHist_{20_29}, ForwardTxPowerUsageHist_{30_39}, ForwardTxPowerUsageHist_{40_49}, ForwardTxPowerUsageHist_{50_59}, ForwardTxPowerUsageHist_{60_69}, ForwardTxPowerUsageHist_{70_79}, ForwardTxPowerUsageHist_{80_89}, ForwardTxPowerUsageHist_{90_99}))$

UpperBoundWCUsage

Upper Bound of WC Distribution

Calculation

$((WalshCodeUsageDistribution0to30 * 30) + (WalshCodeUsageDistribution31to60 * 60) + (WalshCodeUsageDistribution61to70 * 70) + (WalshCodeUsageDistribution71to80 * 80) + (WalshCodeUsageDistribution81to90 * 90) + (WalshCodeUsageDistribution91to100 * 100) + (WalshCodeUsageDistribution101to110 * 110) + (WalshCodeUsageDistribution111to120 * 120) + (WalshCodeUsageDistribution121to128 * 128)) / (vsum(WalshCodeUsageDistribution0to30, WalshCodeUsageDistribution31to60, WalshCodeUsageDistribution61to70, WalshCodeUsageDistribution71to80, WalshCodeUsageDistribution81to90, WalshCodeUsageDistribution91to100, WalshCodeUsageDistribution101to110, WalshCodeUsageDistribution111to120, WalshCodeUsageDistribution121to128))$

UsageErlangs2G

2G Usage in Erlangs

Calculation

$vsum(PrimaryFrameCntFCH_RC1, PrimaryFrameCntFCH_RC2, 0) / 180000.0$

VoiceUsageErlangs3G

3G Voice Only Usage in Erlangs

Calculation

```
vsum(PrimaryFrameCntFCH_RC3V , PrimaryFrameCntFCH_RC4V ,  
PrimaryFrameCntFCH_RC5V, 0)/180000.0
```

WC_UsageErlangs

Total Walsh Code Usage in Erlangs

Calculation

```
vsum(FrameCntFCH_RC1, FrameCntFCH_RC2, FrameCntFCH_RC3, FrameCntFCH_RC4,  
FrameCntFCH_RC5, 0)/180000.0
```

Sector_Carrier Peg Counts

The following is a list of peg counts for the Sector_Carrier entity.

AccChanOverloadControlLevel0

The period of time (in seconds) that the sector spent in overload control level 0

Data Source

NBSS BTS MO

Source Field

AccChanOverloadControlLevel (Seq# 158[0])

Source Section

Advanced Sector MO

AccChanOverloadControlLevel1

The period of time (in seconds) that the sector spent in overload control level 1

Data Source

NBSS BTS MO

Source Field

AccChanOverloadControlLevel (Seq# 158[1])

Source Section

Advanced Sector MO

AccChanOverloadControlLevel2

The period of time (in seconds) that the sector spent in overload control level 2

Data Source

NBSS BTS MO

Source Field

AccChanOverloadControlLevel (Seq# 158[2])

Source Section

Advanced Sector MO

AccChanOverloadControlLevel3

The period of time (in seconds) that the sector spent in overload control level 3

Data Source

NBSS BTS MO

Source Field

AccChanOverloadControlLevel (Seq# 158[3])

Source Section

Advanced Sector MO

AccChanOverloadControlLevel4

The period of time (in seconds) that the sector spent in overload control level 4

Data Source

NBSS BTS MO

Source Field

AccChanOverloadControlLevel (Seq# 158[4])

Source Section

Advanced Sector MO

AccChanOverloadControlLevel5

The period of time (in seconds) that the sector spent in overload control level 5

Data Source

NBSS BTS MO

Source Field

AccChanOverloadControlLevel (Seq# 158[5])

Source Section

Advanced Sector MO

AccChanOverloadControlLevel6

The period of time (in seconds) that the sector spent in overload control level 6

Data Source

NBSS BTS MO

Source Field

AccChanOverloadControlLevel (Seq# 158[6])

Source Section

Advanced Sector MO

AccChanOverloadControlLevel7

The period of time (in seconds) that the sector spent in overload control level 7

Data Source

NBSS BTS MO

Source Field

AccChanOverloadControlLevel (Seq# 158[7])

Source Section

Advanced Sector MO

AccChanOverloadControlLevel8

The period of time (in seconds) that the sector spent in overload control level 8

Data Source

NBSS BTS MO

Source Field

AccChanOverloadControlLevel (Seq# 158[8])

Source Section

Advanced Sector MO

AccRing1AttemptsCnt

Access attempts for Rural Cell access ring 1 in the sector

Data Source

NBSS BTS MO

Source Field

AccRing1AttemptsCnt (Seq# 70[0])

Source Section

Advanced Sector MO

AccRing1FailureCnt

Access failures for Rural Cell access ring 1 in the sector

Data Source

NBSS BTS MO

Source Field

AccRing1FailureCnt (Seq# 70[2])

Source Section

Advanced Sector MO

AccRing1SuccessCnt

Access successes for Rural Cell access ring 1 in the sector

Data Source

NBSS BTS MO

Source Field

AccRing1SuccessCnt (Seq# 70[1])

Source Section

Advanced Sector MO

AccRing2AttemptsCnt

Access attempts for Rural Cell access ring 2 in the sector

Data Source

NBSS BTS MO

Source Field

AccRing2AttemptsCnt (Seq# 70[3])

Source Section

Advanced Sector MO

AccRing2FailureCnt

Access failures for Rural Cell access ring 2 in the sector

Data Source

NBSS BTS MO

Source Field

AccRing2FailureCnt (Seq# 70[5])

Source Section

Advanced Sector MO

AccRing2SuccessCnt

Access successes for Rural Cell access ring 2 in the sector

Data Source

NBSS BTS MO

Source Field

AccRing2SuccessCnt (Seq# 70[4])

Source Section

Advanced Sector MO

AccRing3AttemptsCnt

Access attempts for Rural Cell access ring 3 in the sector

Data Source

NBSS BTS MO

Source Field

AccRing3AttemptsCnt (Seq# 70[6])

Source Section

Advanced Sector MO

AccRing3FailureCnt

Access failures for Rural Cell access ring 3 in the sector

Data Source

NBSS BTS MO

Source Field

AccRing3FailureCnt (Seq# 70[8])

Source Section

Advanced Sector MO

AccRing3SuccessCnt

Access successes for Rural Cell access ring 3 in the sector

Data Source

NBSS BTS MO

Source Field

AccRing3SuccessCnt (Seq# 70[7])

Source Section

Advanced Sector MO

AccRing4AttemptsCnt

Access attempts for Rural Cell access ring 4 in the sector

Data Source

NBSS BTS MO

Source Field

AccRing4AttemptsCnt (Seq# 70[9])

Source Section

Advanced Sector MO

AccRing4FailureCnt

Access failures for Rural Cell access ring 4 in the sector

Data Source

NBSS BTS MO

Source Field

AccRing4FailureCnt (Seq# 70[11])

Source Section

Advanced Sector MO

AccRing4SuccessCnt

Access successes for Rural Cell access ring 4 in the sector

Data Source

NBSS BTS MO

Source Field

AccRing4SuccessCnt (Seq# 70[10])

Source Section

Advanced Sector MO

AvgTxPowerAboveMaxSPP

The average transmit power transmitted above the configured power limiting threshold for a carrier-sector. Measured in units of dB/16, the value has a range of 0 to 160. This OM is collected on MFRM3 only.

Data Source

NBSS BTS MO

Source Field

AvgTxPowerAboveMaxSPP (Seq# 94)

Source Section

Power Management MO

BAMSBSAT

Pegs when a call originated and terminated on a frequency regardless of where the resources for the call were setup.

Data Source

MTX OM

Source Field

BAMSBSAT

Source Section

BAMCPFRQ

BAMSBSFL

Tracks the access failures for the attempts that are tracked by BAMSBSFL.

Data Source

MTX OM

Source Field

BAMSBSFL

Source Section

BAMCPFRQ

BAMSCSAT

Pegs if a call originated or terminated on a frequency, and resources for the call were setup on the same originating frequency.

Data Source

MTX OM

Source Field

BAMSCSAT

Source Section

BAMCPFRQ

BAMSCSFL

Tracks the access failures for the attempts that are tracked by BAMSCSAT.

Data Source

MTX OM

Source Field

BAMSCSFL

Source Section

BAMCPFRQ

BlockedFchHandoffs2G0

2G handoffs blocked on the fundamental channel due to no physical resources

Data Source

NBSS BTS MO

Source Field

BlockedFchHandoffs2G0 (Seq# 118[0])

Source Section

Advanced Sector MO

BlockedFchHandoffs2G1

2G handoffs blocked on the fundamental channel due to no forward capacity

Data Source

NBSS BTS MO

Source Field

BlockedFchHandoffs2G1 (Seq# 118[1])

Source Section

Advanced Sector MO

BlockedFchHandoffs2G10

2G handoffs blocked on the fundamental channel due to BTS queue full

Data Source

NBSS BTS MO

Source Field

BlockedFchHandoffs2G10 (Seq# 118[10])

Source Section

Advanced Sector MO

BlockedFchHandoffs2G11

2G handoffs blocked on the fundamental channel due to exceed BCN capacity

Data Source

NBSS BTS MO

Source Field

BlockedFchHandoffs2G10 (Seq# 118[11])

Source Section

Advanced Sector MO

BlockedFchHandoffs2G12

2G handoffs blocked on the fundamental channel due to exceed backhaul capacity

Data Source

NBSS BTS MO

Source Field

BlockedFchHandoffs2G10 (Seq# 118[12])

Source Section

Advanced Sector MO

BlockedFchHandoffs2G13

2G handoffs blocked on the fundamental channel due to out of ACN addresses.

Data Source

NBSS BTS MO

Source Field

BlockedFchHandoffs2G10 (Seq# 118[13])

Source Section

Advanced Sector MO

BlockedFchHandoffs2G2

2G handoffs blocked on the fundamental channel due to no reverse capacity

Data Source

NBSS BTS MO

Source Field

BlockedFchHandoffs2G2 (Seq# 118[2])

Source Section

Advanced Sector MO

BlockedFchHandoffs2G3

2G handoffs blocked on the fundamental channel due to no walsh code

Data Source

NBSS BTS MO

Source Field

BlockedFchHandoffs2G3 (Seq# 118[3])

Source Section

Advanced Sector MO

BlockedFchHandoffs2G4

2G handoffs blocked on the fundamental channel because of no frame offset

Data Source

NBSS BTS MO

Source Field

BlockedFchHandoffs2G4 (Seq# 118[4])

Source Section

Advanced Sector MO

BlockedFchHandoffs2G5

2G handoffs blocked on the fundamental channel due to no extended Cell support

Data Source

NBSS BTS MO

Source Field

BlockedFchHandoffs2G5 (Seq# 118[5])

Source Section

Advanced Sector MO

BlockedFchHandoffs2G6

2G handoffs blocked on the fundamental channel due to CFDS radio config state

Data Source

NBSS BTS MO

Source Field

BlockedFchHandoffs2G6 (Seq# 118[6])

Source Section

Advanced Sector MO

BlockedFchHandoffs2G7

2G handoffs blocked on the fundamental channel due to high data rate screening

Data Source

NBSS BTS MO

Source Field

BlockedFchHandoffs2G7 (Seq# 118[7])

Source Section

Advanced Sector MO

BlockedFchHandoffs2G8

2G handoffs blocked on the fundamental channel due to max data rate exceeded

Data Source

NBSS BTS MO

Source Field

BlockedFchHandoffs2G8 (Seq# 118[8])

Source Section

Advanced Sector MO

BlockedFchHandoffs2G9

2G handoffs blocked on the fundamental channel due to CPU capacity exceeded

Data Source

NBSS BTS MO

Source Field

BlockedFchHandoffs2G9 (Seq# 118[9])

Source Section

Advanced Sector MO

BlockedFchHandoffs3GData0

3G data handoffs blocked on the fundamental channel due to no physical resources

Data Source

NBSS BTS MO

Source Field

BlockedFchHandoffs3GData0 (Seq# 122[0])

Source Section

Advanced Sector MO

BlockedFchHandoffs3GData1

3G data handoffs blocked on the fundamental channel due to no forward capacity

Data Source

NBSS BTS MO

Source Field

BlockedFchHandoffs3GData1 (Seq# 122[1])

Source Section

Advanced Sector MO

BlockedFchHandoffs3GData10

3G data handoffs blocked on the fundamental channel due to BTS queue full

Data Source

NBSS BTS MO

Source Field

BlockedFchHandoffs3GData10 (Seq# 122[10])

Source Section

Advanced Sector MO

BlockedFchHandoffs3GData11

3G data handoffs blocked on the fundamental channel due to exceed BCN capacity

Data Source

NBSS BTS MO

Source Field

BlockedFchHandoffs3GData10 (Seq# 122[11])

Source Section

Advanced Sector MO

BlockedFchHandoffs3GData12

3G data handoffs blocked on the fundamental channel due to exceed backhaul capacity

Data Source

NBSS BTS MO

Source Field

BlockedFchHandoffs3GData10 (Seq# 122[12])

Source Section

Advanced Sector MO

BlockedFchHandoffs3GData13

3G data handoffs blocked on the fundamental channel due to out of ACN addresses.

Data Source

NBSS BTS MO

Source Field

BlockedFchHandoffs3GData10 (Seq# 122[13])

Source Section

Advanced Sector MO

BlockedFchHandoffs3GData2

3G data handoffs blocked on the fundamental channel due to no reverse capacity

Data Source

NBSS BTS MO

Source Field

BlockedFchHandoffs3GData2 (Seq# 122[2])

Source Section

Advanced Sector MO

BlockedFchHandoffs3GData3

3G data handoffs blocked on the fundamental channel due to no walsh code

Data Source

NBSS BTS MO

Source Field

BlockedFchHandoffs3GData3 (Seq# 122[3])

Source Section

Advanced Sector MO

BlockedFchHandoffs3GData4

3G data handoffs blocked on the fundamental channel because of no frame offset

Data Source

NBSS BTS MO

Source Field

BlockedFchHandoffs3GData4 (Seq# 122[4])

Source Section

Advanced Sector MO

BlockedFchHandoffs3GData5

3G data handoffs blocked on the fundamental channel due to no extended Cell support

Data Source

NBSS BTS MO

Source Field

BlockedFchHandoffs3GData5 (Seq# 122[5])

Source Section

Advanced Sector MO

BlockedFchHandoffs3GData6

3G data handoffs blocked on the fundamental channel due to CFDS radio config state

Data Source

NBSS BTS MO

Source Field

BlockedFchHandoffs3GData6 (Seq# 122[6])

Source Section

Advanced Sector MO

BlockedFchHandoffs3GData7

3G data handoffs blocked on the fundamental channel due to high data rate screening

Data Source

NBSS BTS MO

Source Field

BlockedFchHandoffs3GData7 (Seq# 122[7])

Source Section

Advanced Sector MO

BlockedFchHandoffs3GData8

3G data handoffs blocked on the fundamental channel due to max data rate exceeded

Data Source

NBSS BTS MO

Source Field

BlockedFchHandoffs3GData8 (Seq# 122[8])

Source Section

Advanced Sector MO

BlockedFchHandoffs3GData9

3G data handoffs blocked on the fundamental channel due to CPU capacity exceeded

Data Source

NBSS BTS MO

Source Field

BlockedFchHandoffs3GData9 (Seq# 122[9])

Source Section

Advanced Sector MO

BlockedFchHandoffs3GVoice0

3G voice call handoffs blocked on the fundamental channel due to no physical resources

Data Source

NBSS BTS MO

Source Field

BlockedFchHandoffs3GVoice0 (Seq# 121[0])

Source Section

Advanced Sector MO

BlockedFchHandoffs3GVoice1

3G voice call handoffs blocked on the fundamental channel due to no forward capacity

Data Source

NBSS BTS MO

Source Field

BlockedFchHandoffs3GVoice1 (Seq# 121[1])

Source Section

Advanced Sector MO

BlockedFchHandoffs3GVoice10

3G voice call blocked on the fundamental channel due to BTS queue full

Data Source

NBSS BTS MO

Source Field

BlockedFchHandoffs3GVoice10 (Seq# 121[10])

Source Section

Advanced Sector MO

BlockedFchHandoffs3GVoice11

3G voice call blocked on the fundamental channel due to exceed BCN capacity

Data Source

NBSS BTS MO

Source Field

BlockedFchHandoffs3GVoice10 (Seq# 121[11])

Source Section

Advanced Sector MO

BlockedFchHandoffs3GVoice12

3G voice call blocked on the fundamental channel due to exceed backhaul capacity

Data Source

NBSS BTS MO

Source Field

BlockedFchHandoffs3GVoice10 (Seq# 121[12])

Source Section

Advanced Sector MO

BlockedFchHandoffs3GVoice13

3G voice call blocked on the fundamental channel due to out of ACN addresses.

Data Source

NBSS BTS MO

Source Field

BlockedFchHandoffs3GVoice10 (Seq# 121[13])

Source Section

Advanced Sector MO

BlockedFchHandoffs3GVoice2

3G voice call handoffs blocked on the fundamental channel due to no reverse capacity

Data Source

NBSS BTS MO

Source Field

BlockedFchHandoffs3GVoice2 (Seq# 121[2])

Source Section

Advanced Sector MO

BlockedFchHandoffs3GVoice3

3G voice call handoffs blocked on the fundamental channel due to no walsh code

Data Source

NBSS BTS MO

Source Field

BlockedFchHandoffs3GVoice3 (Seq# 121[3])

Source Section

Advanced Sector MO

BlockedFchHandoffs3GVoice4

3G voice call handoffs blocked on the fundamental channel because of no frame offset

Data Source

NBSS BTS MO

Source Field

BlockedFchHandoffs3GVoice4 (Seq# 121[4])

Source Section

Advanced Sector MO

BlockedFchHandoffs3GVoice5

3G voice call handoffs blocked on the fundamental channel due to no extended Cell support

Data Source

NBSS BTS MO

Source Field

BlockedFchHandoffs3GVoice5 (Seq# 121[5])

Source Section

Advanced Sector MO

BlockedFchHandoffs3GVoice6

3G voice call handoffs blocked on the fundamental channel due to CFDS radio config state

Data Source

NBSS BTS MO

Source Field

BlockedFchHandoffs3GVoice6 (Seq# 121[6])

Source Section

Advanced Sector MO

BlockedFchHandoffs3GVoice7

3G voice call handoffs blocked on the fundamental channel due to high data rate screening

Data Source

NBSS BTS MO

Source Field

BlockedFchHandoffs3GVoice7 (Seq# 121[7])

Source Section

Advanced Sector MO

BlockedFchHandoffs3GVoice8

3G voice call blocked on the fundamental channel due to max data rate exceeded

Data Source

NBSS BTS MO

Source Field

BlockedFchHandoffs3GVoice8 (Seq# 121[8])

Source Section

Advanced Sector MO

BlockedFchHandoffs3GVoice9

3G voice call blocked on the fundamental channel due to CPU capacity exceeded

Data Source

NBSS BTS MO

Source Field

BlockedFchHandoffs3GVoice9 (Seq# 121[9])

Source Section

Advanced Sector MO

BlockedFchOriginations2G0

2G call attempts blocked on the fundamental channel due to no physical resources

Data Source

NBSS BTS MO

Source Field

BlockedFchOriginations2G0 (Seq# 117[0])

Source Section

Advanced Sector MO

BlockedFchOriginations2G1

2G call attempts blocked on the fundamental channel due to no forward capacity

Data Source

NBSS BTS MO

Source Field

BlockedFchOriginations2G1 (Seq# 117[1])

Source Section

Advanced Sector MO

BlockedFchOriginations2G10

2G call attempts blocked on the fundamental channel due to BTS queue full

Data Source

NBSS BTS MO

Source Field

BlockedFchOriginations2G7 (Seq# 117[10])

Source Section

Advanced Sector MO

BlockedFchOriginations2G11

2G call attempts blocked on the fundamental channel due to exceed BCN capacity

Data Source

NBSS BTS MO

Source Field

BlockedFchOriginations2G7 (Seq# 117[11])

Source Section

Advanced Sector MO

BlockedFchOriginations2G12

2G call attempts blocked on the fundamental channel due to exceed backhaul capacity

Data Source

NBSS BTS MO

Source Field

BlockedFchOriginations2G7 (Seq# 117[12])

Source Section

Advanced Sector MO

BlockedFchOriginations2G13

2G call attempts blocked on the fundamental channel due to out of ACN addresses.

Data Source

NBSS BTS MO

Source Field

BlockedFchOriginations2G7 (Seq# 117[13])

Source Section

Advanced Sector MO

BlockedFchOriginations2G2

2G call attempts blocked on the fundamental channel due to no reverse capacity

Data Source

NBSS BTS MO

Source Field

BlockedFchOriginations2G2 (Seq# 117[2])

Source Section

Advanced Sector MO

BlockedFchOriginations2G3

2G call attempts blocked on the fundamental channel due to no walsh code

Data Source

NBSS BTS MO

Source Field

BlockedFchOriginations2G3 (Seq# 117[3])

Source Section

Advanced Sector MO

BlockedFchOriginations2G4

2G call attempts blocked on the fundamental channel because of no frame offset

Data Source

NBSS BTS MO

Source Field

BlockedFchOriginations2G4 (Seq# 117[4])

Source Section

Advanced Sector MO

BlockedFchOriginations2G5

2G call attempts blocked on the fundamental channel due to no extended Cell support

Data Source

NBSS BTS MO

Source Field

BlockedFchOriginations2G5 (Seq# 117[5])

Source Section

Advanced Sector MO

BlockedFchOriginations2G6

2G call attempts blocked on the fundamental channel due to CFDS radio config state

Data Source

NBSS BTS MO

Source Field

BlockedFchOriginations2G6 (Seq# 117[6])

Source Section

Advanced Sector MO

BlockedFchOriginations2G7

2G call attempts blocked on the fundamental channel due to high data rate screening

Data Source

NBSS BTS MO

Source Field

BlockedFchOriginations2G7 (Seq# 117[7])

Source Section

Advanced Sector MO

BlockedFchOriginations2G8

2G call attempts blocked on the fundamental channel due to exceed max data rate

Data Source

NBSS BTS MO

Source Field

BlockedFchOriginations2G7 (Seq# 117[8])

Source Section

Advanced Sector MO

BlockedFchOriginations2G9

2G call attempts blocked on the fundamental channel due to exceed CPU capacity

Data Source

NBSS BTS MO

Source Field

BlockedFchOriginations2G7 (Seq# 117[9])

Source Section

Advanced Sector MO

BlockedFchOriginations3GData0

3G data sessions blocked on the fundamental channel due to no physical resources

Data Source

NBSS BTS MO

Source Field

BlockedFchOriginations3GData0 (Seq# 120[0])

Source Section

Advanced Sector MO

BlockedFchOriginations3GData1

3G data sessions blocked on the fundamental channel due to no forward capacity

Data Source

NBSS BTS MO

Source Field

BlockedFchOriginations3GData1 (Seq# 120[1])

Source Section

Advanced Sector MO

BlockedFchOriginations3GData10

3G data session blocked on the fundamental channel due to BTS queue full

Data Source

NBSS BTS MO

Source Field

BlockedFchOriginations3GData10 (Seq# 120[10])

Source Section

Advanced Sector MO

BlockedFchOriginations3GData11

3G data session blocked on the fundamental channel due to exceed BCN capacity

Data Source

NBSS BTS MO

Source Field

BlockedFchOriginations3GData10 (Seq# 120[11])

Source Section

Advanced Sector MO

BlockedFchOriginations3GData12

3G data session blocked on the fundamental channel due to exceed backhaul capacity

Data Source

NBSS BTS MO

Source Field

BlockedFchOriginations3GData10 (Seq# 120[12])

Source Section

Advanced Sector MO

BlockedFchOriginations3GData13

3G data session blocked on the fundamental channel due to out of ACN addresses.

Data Source

NBSS BTS MO

Source Field

BlockedFchOriginations3GData10 (Seq# 120[13])

Source Section

Advanced Sector MO

BlockedFchOriginations3GData2

3G data sessions blocked on the fundamental channel due to no reverse capacity

Data Source

NBSS BTS MO

Source Field

BlockedFchOriginations3GData2 (Seq# 120[2])

Source Section

Advanced Sector MO

BlockedFchOriginations3GData3

3G data sessions blocked on the fundamental channel due to no walsh code

Data Source

NBSS BTS MO

Source Field

BlockedFchOriginations3GData3 (Seq# 120[3])

Source Section

Advanced Sector MO

BlockedFchOriginations3GData4

3G data sessions blocked on the fundamental channel because of no frame offset

Data Source

NBSS BTS MO

Source Field

BlockedFchOriginations3GData4 (Seq# 120[4])

Source Section

Advanced Sector MO

BlockedFchOriginations3GData5

3G data sessions blocked on the fundamental channel due to no extended Cell support

Data Source

NBSS BTS MO

Source Field

BlockedFchOriginations3GData5 (Seq# 120[5])

Source Section

Advanced Sector MO

BlockedFchOriginations3GData6

3G data sessions blocked on the fundamental channel due to CFDS radio config state

Data Source

NBSS BTS MO

Source Field

BlockedFchOriginations3GData6 (Seq# 120[6])

Source Section

Advanced Sector MO

BlockedFchOriginations3GData7

3G data sessions blocked on the fundamental channel due to high data rate screening

Data Source

NBSS BTS MO

Source Field

BlockedFchOriginations3GData7 (Seq# 120[7])

Source Section

Advanced Sector MO

BlockedFchOriginations3GData8

3G data session blocked on the fundamental channel due to max data rate exceeded

Data Source

NBSS BTS MO

Source Field

BlockedFchOriginations3GData8 (Seq# 120[8])

Source Section

Advanced Sector MO

BlockedFchOriginations3GData9

3G data session blocked on the fundamental channel due to CPU capacity exceeded

Data Source

NBSS BTS MO

Source Field

BlockedFchOriginations3GData9 (Seq# 120[9])

Source Section

Advanced Sector MO

BlockedFchOriginations3GVoice0

3G voice call attempts blocked on the fundamental channel due to no physical resources

Data Source

NBSS BTS MO

Source Field

BlockedFchOriginations3GVoice0 (Seq# 119[0])

Source Section

Advanced Sector MO

BlockedFchOriginations3GVoice1

3G voice call attempts blocked on the fundamental channel due to no forward capacity

Data Source

NBSS BTS MO

Source Field

BlockedFchOriginations3GVoice1 (Seq# 119[1])

Source Section

Advanced Sector MO

BlockedFchOriginations3GVoice10

3G Voice call attempts blocked on the fundamental channel due to BTS queue full

Data Source

NBSS BTS MO

Source Field

BlockedFchOriginations3GVoice8 (Seq# 119[10])

Source Section

Advanced Sector MO

BlockedFchOriginations3GVoice11

3G Voice call attempts blocked on the fundamental channel due to exceed BCN capacity

Data Source

NBSS BTS MO

Source Field

BlockedFchOriginations3GVoice8 (Seq# 119[11])

Source Section

Advanced Sector MO

BlockedFchOriginations3GVoice12

3G Voice call attempts blocked on the fundamental channel due to exceed backhaul capacity

Data Source

NBSS BTS MO

Source Field

BlockedFchOriginations3GVoice8 (Seq# 119[12])

Source Section

Advanced Sector MO

BlockedFchOriginations3GVoice13

3G Voice call attempts blocked on the fundamental channel due to out of ACN addresses.

Data Source

NBSS BTS MO

Source Field

BlockedFchOriginations3GVoice8 (Seq# 119[13])

Source Section

Advanced Sector MO

BlockedFchOriginations3GVoice2

3G voice call attempts blocked on the fundamental channel due to no reverse capacity

Data Source

NBSS BTS MO

Source Field

BlockedFchOriginations3GVoice2 (Seq# 119[2])

Source Section

Advanced Sector MO

BlockedFchOriginations3GVoice3

3G voice call attempts blocked on the fundamental channel due to no walsh code

Data Source

NBSS BTS MO

Source Field

BlockedFchOriginations3GVoice3 (Seq# 119[3])

Source Section

Advanced Sector MO

BlockedFchOriginations3GVoice4

3G voice call attempts blocked on the fundamental channel because of no frame offset

Data Source

NBSS BTS MO

Source Field

BlockedFchOriginations3GVoice4 (Seq# 119[4])

Source Section

Advanced Sector MO

BlockedFchOriginations3GVoice5

3G voice call attempts blocked on the fundamental channel due to no extended Cell support

Data Source

NBSS BTS MO

Source Field

BlockedFchOriginations3GVoice5 (Seq# 119[5])

Source Section

Advanced Sector MO

BlockedFchOriginations3GVoice6

3G voice call attempts blocked on the fundamental channel due to CFDS radio config state

Data Source

NBSS BTS MO

Source Field

BlockedFchOriginations3GVoice6 (Seq# 119[6])

Source Section

Advanced Sector MO

BlockedFchOriginations3GVoice7

3G voice call attempts blocked on the fundamental channel due to high data rate screening

Data Source

NBSS BTS MO

Source Field

BlockedFchOriginations3GVoice7 (Seq# 119[7])

Source Section

Advanced Sector MO

BlockedFchOriginations3GVoice8

3G Voice call attempts blocked on the fundamental channel due to max data rate exceeded

Data Source

NBSS BTS MO

Source Field

BlockedFchOriginations3GVoice8 (Seq# 119[8])

Source Section

Advanced Sector MO

BlockedFchOriginations3GVoice9

3G Voice call attempts blocked on the fundamental channel due to CPU capacity exceeded

Data Source

NBSS BTS MO

Source Field

BlockedFchOriginations3GVoice8 (Seq# 119[9])

Source Section

Advanced Sector MO

BlockedHandoffsNoFwdCap

Number of soft handoffs blocked due to lack of fwd airlink capacity

Data Source

NBSS BTS MO

Source Field

BlockedHandoffsNoFwdCap (Seq# 63)

Source Section

Advanced Sector MO

BlockedHandoffsNoRevCap

Number of soft handoffs blocked due to lack of rvs airlink capacity

Data Source

NBSS BTS MO

Source Field

BlockedHandoffsNoRevCap (Seq# 64)

Source Section

Advanced Sector MO

BlockedHandoffsNoTCE

Number of soft handoffs blocked due to lack of channel elements

Data Source

NBSS BTS MO

Source Field

BlockedHandoffsNoTCE (Seq# 62)

Source Section

Advanced Sector MO

BlockedHandoffsNoWC

Number of soft handoffs blocked due to the lack of Walsh codes

Data Source

NBSS BTS MO

Source Field

BlockedHandoffsNoWC (Seq# 67)

Source Section

Advanced Sector MO

BlockedOriginationsNoFwdCap

Number of originations or terminations blocked due to lack of fwd air-link capacity

Data Source

NBSS BTS MO

Source Field

BlockedOriginationsNoFwdCap (Seq# 60)

Source Section

Advanced Sector MO

BlockedOriginationsNoRevCap

Number of originations or terminations blocked due to lack of reverse air-link capacity. This is currently not supported.

Data Source

NBSS BTS MO

Source Field

BlockedOriginationsNoRevCap (Seq# 61)

Source Section

Advanced Sector MO

BlockedOriginationsNoTCE

Number of originations or terminations blocked due to lack of channel elements

Data Source

NBSS BTS MO

Source Field

BlockedOriginationsNoTCE (Seq# 59)

Source Section

Advanced Sector MO

BlockedOriginationsNoWC

Number of originations or terminations blocked due to lack of Walsh codes

Data Source

NBSS BTS MO

Source Field

BlockedOriginationsNoWC (Seq# 68)

Source Section

Advanced Sector MO

BlockedSchBursts_CFDS_HS_RSCH

BlockedSCHBursts Reason: Valid only for RSCH Bursts and EnableHSReverseSchFeature is set to FALSE

Data Source

NBSS BTS MO

Source Field

BlockedSchBursts (Seq# 123[7])

Source Section

Advanced Sector MO

BlockedSchBursts_CFDS_RCState

BlockedSCHBursts Reason: CFDS RadioConfigState attribute does not allow the type of call requested to be set up

Data Source

NBSS BTS MO

Source Field

BlockedSchBursts (Seq# 123[6])

Source Section

Advanced Sector MO

BlockedSchBursts_ExceedCPUCap

BlockedSCHBursts Reason: XCEM CPU could not support additional burst

Data Source

NBSS BTS MO

Source Field

BlockedSchBursts (Seq# 123[9])

Source Section

Advanced Sector MO

BlockedSchBursts_ExceedMaxRate

BlockedSCHBursts Reason: This element is currently not a valid blocking reason

Data Source

NBSS BTS MO

Source Field

BlockedSchBursts (Seq# 123[8])

Source Section

Advanced Sector MO

BlockedSchBursts_NoExtCellSupport

BlockedSCHBursts Reason: This element is currently not a valid blocking reason

Data Source

NBSS BTS MO

Source Field

BlockedSchBursts (Seq# 123[5])

Source Section

Advanced Sector MO

BlockedSchBursts_NoFrameOff

BlockedSCHBursts Reason: XCEM could not support needed frame offset

Data Source

NBSS BTS MO

Source Field

BlockedSchBursts (Seq# 123[4])

Source Section

Advanced Sector MO

BlockedSchBursts_NoFwdCap

BlockedSCHBursts Reason: BTS Fwd Power surpassed level defined by call blocking threshold or MaxDataResources

Data Source

NBSS BTS MO

Source Field

BlockedSchBursts (Seq# 123[1])

Source Section

Advanced Sector MO

BlockedSchBursts_NoPhyRes

BlockedSCHBursts Reason: XCEMs could not support additional calls

Data Source

NBSS BTS MO

Source Field

BlockedSchBursts (Seq# 123[0])

Source Section

Advanced Sector MO

BlockedSchBursts_NoRevCap

BlockedSCHBursts Reason: Reverse Link Blocking is currently not supported

Data Source

NBSS BTS MO

Source Field

BlockedSchBursts (Seq# 123[2])

Source Section

Advanced Sector MO

BlockedSchBursts_NoWC

BlockedSCHBursts Reason: No Walsh Codes available

Data Source

NBSS BTS MO

Source Field

BlockedSchBursts (Seq# 123[3])

Source Section

Advanced Sector MO

BlockedSchBursts_QueueFull

BlockedSCHBursts Reason: BTS resources unavailable and queue is full

Data Source

NBSS BTS MO

Source Field

BlockedSchBursts (Seq# 123[10])

Source Section

Advanced Sector MO

BlockedSchBursts0

3G data bursts blocked on the supplemental channel due to no physical resources

Data Source

NBSS BTS MO

Source Field

BlockedSchBursts0 (Seq# 123[0])

Source Section

Advanced Sector MO

BlockedSchBursts1

3G data bursts blocked on the supplemental channel due to no forward capacity

Data Source

NBSS BTS MO

Source Field

BlockedSchBursts1 (Seq# 123[1])

Source Section

Advanced Sector MO

BlockedSchBursts10

3G data bursts blocked on the supplemental channel due to BTS queue full

Data Source

NBSS BTS MO

Source Field

BlockedSchBursts10 (Seq# 123[10])

Source Section

Advanced Sector MO

BlockedSchBursts11

3G data bursts blocked on the supplemental channel due to exceed BCN capacity

Data Source

NBSS BTS MO

Source Field

BlockedSchBursts10 (Seq# 123[11])

Source Section

Advanced Sector MO

BlockedSchBursts12

3G data bursts blocked on the supplemental channel due to exceed backhaul capacity

Data Source

NBSS BTS MO

Source Field

BlockedSchBursts10 (Seq# 123[12])

Source Section

Advanced Sector MO

BlockedSchBursts13

3G data bursts blocked on the supplemental channel due to out of ACN addresses.

Data Source

NBSS BTS MO

Source Field

BlockedSchBursts10 (Seq# 123[13])

Source Section

Advanced Sector MO

BlockedSchBursts2

3G data bursts blocked on the supplemental channel due to no reverse capacity

Data Source

NBSS BTS MO

Source Field

BlockedSchBursts2 (Seq# 123[2])

Source Section

Advanced Sector MO

BlockedSchBursts3

3G data bursts blocked on the supplemental channel due to no walsh code

Data Source

NBSS BTS MO

Source Field

BlockedSchBursts3 (Seq# 123[3])

Source Section

Advanced Sector MO

BlockedSchBursts4

3G data bursts blocked on the supplemental channel because of no frame offset

Data Source

NBSS BTS MO

Source Field

BlockedSchBursts4 (Seq# 123[4])

Source Section

Advanced Sector MO

BlockedSchBursts5

3G data bursts blocked on the supplemental channel due to no extended Cell support

Data Source

NBSS BTS MO

Source Field

BlockedSchBursts5 (Seq# 123[5])

Source Section

Advanced Sector MO

BlockedSchBursts6

3G data bursts blocked on the supplemental channel due to CFDS radio config state

Data Source

NBSS BTS MO

Source Field

BlockedSchBursts6 (Seq# 123[6])

Source Section

Advanced Sector MO

BlockedSchBursts7

3G data bursts blocked on the supplemental channel due to high data rate screening

Data Source

NBSS BTS MO

Source Field

BlockedSchBursts7 (Seq# 123[7])

Source Section

Advanced Sector MO

BlockedSchBursts8

3G data bursts blocked on the supplemental channel due to max data rate exceeded

Data Source

NBSS BTS MO

Source Field

BlockedSchBursts8 (Seq# 123[8])

Source Section

Advanced Sector MO

BlockedSchBursts9

3G data bursts blocked on the supplemental channel due to CPU capacity exceeded

Data Source

NBSS BTS MO

Source Field

BlockedSchBursts9 (Seq# 123[9])

Source Section

Advanced Sector MO

BlockedSchHandoffs_CFDS_HS_RSCH

BlockedSchHandoffs Reason: Valid only for RSCH Bursts and EnableHSReverseSchFeature is set to FALSE

Data Source

NBSS BTS MO

Source Field

BlockedSchHandoffs (Seq# 124[7])

Source Section

Advanced Sector MO

BlockedSchHandoffs_CFDS_RCState

BlockedSchHandoffs Reason: CFDS RadioConfigState attribute does not allow the type of call requested to be set up

Data Source

NBSS BTS MO

Source Field

BlockedSchHandoffs (Seq# 124[6])

Source Section

Advanced Sector MO

BlockedSchHandoffs_ExceedCPUCap

BlockedSchHandoffs Reason: XCEM CPU could not support additional burst

Data Source

NBSS BTS MO

Source Field

BlockedSchHandoffs (Seq# 124[9])

Source Section

Advanced Sector MO

BlockedSchHandoffs_ExceedMaxRate

BlockedSchHandoffs Reason: This element is currently not a valid blocking reason

Data Source

NBSS BTS MO

Source Field

BlockedSchHandoffs (Seq# 124[8])

Source Section

Advanced Sector MO

BlockedSchHandoffs_NoExtCellSupport

BlockedSchHandoffs Reason: This element is currently not a valid blocking reason

Data Source

NBSS BTS MO

Source Field

BlockedSchHandoffs (Seq# 124[5])

Source Section

Advanced Sector MO

BlockedSchHandoffs_NoFrameOff

BlockedSchHandoffs Reason: XCEM could not support needed frame offset

Data Source

NBSS BTS MO

Source Field

BlockedSchHandoffs (Seq# 124[4])

Source Section

Advanced Sector MO

BlockedSchHandoffs_NoFwdCap

BlockedSchHandoffs Reason: BTS Fwd Power surpassed level defined by call blocking threshold or MaxDataResources

Data Source

NBSS BTS MO

Source Field

BlockedSchHandoffs (Seq# 124[1])

Source Section

Advanced Sector MO

BlockedSchHandoffs_NoPhyRes

BlockedSchHandoffs Reason: XCEMs could not support additional calls

Data Source

NBSS BTS MO

Source Field

BlockedSchHandoffs (Seq# 124[0])

Source Section

Advanced Sector MO

BlockedSchHandoffs_NoRevCap

BlockedSchHandoffs Reason: Reverse Link Blocking is currently not supported

Data Source

NBSS BTS MO

Source Field

BlockedSchHandoffs (Seq# 124[2])

Source Section

Advanced Sector MO

BlockedSchHandoffs_NoWC

BlockedSchHandoffs Reason: No Walsh Codes available

Data Source

NBSS BTS MO

Source Field

BlockedSchHandoffs (Seq# 124[3])

Source Section

Advanced Sector MO

BlockedSchHandoffs_QueueFull

BlockedSchHandoffs Reason: BTS resources unavailable and queue is full

Data Source

NBSS BTS MO

Source Field

BlockedSchHandoffs (Seq# 124[10])

Source Section

Advanced Sector MO

BlockedSchHandoffs0

3G data handoffs blocked on the supplemental channel due to no physical resources

Data Source

NBSS BTS MO

Source Field

BlockedSchHandoffs0 (Seq# 124[0])

Source Section

Advanced Sector MO

BlockedSchHandoffs1

3G data handoffs blocked on the supplemental channel due to no forward capacity

Data Source

NBSS BTS MO

Source Field

BlockedSchHandoffs1 (Seq# 124[1])

Source Section

Advanced Sector MO

BlockedSchHandoffs10

3G data handoffs blocked on the supplemental channel due to BTS queue full

Data Source

NBSS BTS MO

Source Field

BlockedSchHandoffs10 (Seq# 124[10])

Source Section

Advanced Sector MO

BlockedSchHandoffs11

3G data handoffs blocked on the supplemental channel due to exceed BCN capacity

Data Source

NBSS BTS MO

Source Field

BlockedSchHandoffs10 (Seq# 124[11])

Source Section

Advanced Sector MO

BlockedSchHandoffs12

3G data handoffs blocked on the supplemental channel due to exceed backhaul capacity

Data Source

NBSS BTS MO

Source Field

BlockedSchHandoffs10 (Seq# 124[12])

Source Section

Advanced Sector MO

BlockedSchHandoffs13

3G data handoffs blocked on the supplemental channel due to out of ACN addresses.

Data Source

NBSS BTS MO

Source Field

BlockedSchHandoffs10 (Seq# 124[13])

Source Section

Advanced Sector MO

BlockedSchHandoffs2

3G data handoffs blocked on the supplemental channel due to no reverse capacity

Data Source

NBSS BTS MO

Source Field

BlockedSchHandoffs2 (Seq# 124[2])

Source Section

Advanced Sector MO

BlockedSchHandoffs3

3G data handoffs blocked on the supplemental channel due to no walsh code

Data Source

NBSS BTS MO

Source Field

BlockedSchHandoffs3 (Seq# 124[3])

Source Section

Advanced Sector MO

BlockedSchHandoffs4

3G data handoffs blocked on the supplemental channel because of no frame offset

Data Source

NBSS BTS MO

Source Field

BlockedSchHandoffs4 (Seq# 124[4])

Source Section

Advanced Sector MO

BlockedSchHandoffs5

3G data handoffs blocked on the supplemental channel due to no extended Cell support

Data Source

NBSS BTS MO

Source Field

BlockedSchHandoffs5 (Seq# 124[5])

Source Section

Advanced Sector MO

BlockedSchHandoffs6

3G data handoffs blocked on the supplemental channel due to CFDS radio config state

Data Source

NBSS BTS MO

Source Field

BlockedSchHandoffs6 (Seq# 124[6])

Source Section

Advanced Sector MO

BlockedSchHandoffs7

3G data handoffs blocked on the supplemental channel due to high data rate screening

Data Source

NBSS BTS MO

Source Field

BlockedSchHandoffs7 (Seq# 124[7])

Source Section

Advanced Sector MO

BlockedSchHandoffs8

3G data handoffs blocked on the supplemental channel due to max data rate exceeded

Data Source

NBSS BTS MO

Source Field

BlockedSchHandoffs8 (Seq# 124[8])

Source Section

Advanced Sector MO

BlockedSchHandoffs9

3G data handoffs blocked on the supplemental channel due to CPU capacity exceeded

Data Source

NBSS BTS MO

Source Field

BlockedSchHandoffs9 (Seq# 124[9])

Source Section

Advanced Sector MO

BRTDATT

Pegs when the CM receives the handoff candidates message indicating that a Border RTD hard handoff is being requested.

Data Source

MTX OM, SDM

Source Field

BRTDATT

Source Section

OMMTXHO3

BRTDBLK

Pegs when the CM receives an indication that a handoff setup failure has occurred due to a target cell resource allocation problem. This can happen when either a response is not received at all or when the response indicates resource shortages. Pegs for Border RTD hard handoff trigger only.

Data Source

MTX OM, SDM

Source Field

BRTDBLK

Source Section

OMMTXHO3

BRTDNSR

Pegs when neither the SAT Present message (from the target cell) nor the handoff response message (from the source cell) is received within 10 seconds of the handoff process starting. Indicates that a handoff never occurred and does not indicate a dropped call. Pegs for Border RTD hard handoff trigger only.

Data Source

MTX OM, SDM

Source Field

BRTDNSR

Source Section

OMMTXHO3

BRTDRJT

Pegs in rare conditions when the CM cannot allocate the handoff data block due to resource problems or any other reasons, or when CM is processing the handoff candidate message it finds that the VLR entry for the request MIN is not found, or when CM is in outpulsing, dialing, or collecting state when the handoff candidate message is received. Pegs for Border RTD hard handoff trigger only.

Data Source

MTX OM, SDM

Source Field

BRTDRJT

Source Section

OMMTXHO3

BRTDRLS

Pegs when the call is released from either one of the mobiles after a hard handoff has been initiated. Pegs for Border RTD hard handoff trigger only.

Data Source

MTX OM, SDM

Source Field

BRTDRLS

Source Section

OMMTXHO3

BRTDSFL

Pegs when the mobile does not arrive on the target traffic channel. Also pegs when CM call processing does not receive a SAT Present message from the CAU (intrasystem) or from the IS41 link (intersystem). Pegs for Border RTD hard handoff trigger only.

Data Source

MTX OM, SDM

Source Field

BRTDSFL

Source Section

OMMTXHO3

BRTDSUC

Pegs when the CM receives an indication that the mobile arrived on the target traffic channel. Also pegs when the CM receives a SAT Present message from the CAU (intrasystem) or from a IS41 link (intersystem) for Border RTD hard handoff trigger.

Data Source

MTX OM, SDM

Source Field

BRTDSUC

Source Section

OMMTXHO3

CallAttInReplcFreq_OrigAtt

Counts the number of Origination messages received from the replaced frequency by CM.

Data Source

NBSS BTS MO

Source Field

CallAttemptInReplacedFrequency (Seq# 370[0])

Source Section

Advanced Sector MO

CallAttInReplcFreq_TermAtt

Counts the number of Page response messages received from the replaced frequency CM.

Data Source

NBSS BTS MO

Source Field

CallAttemptInReplacedFrequency (Seq# 370[1])

Source Section

Advanced Sector MO

CallExclByEcIoScreen_FirstExcluded

Pegged when call origination is firstly excluded by Ec/Io screening and Service Redirection Message is sent to the mobile.

Data Source

NBSS BTS MO

Source Field

CallExcludedByEcIoScreening (Seq# 369[0])

Source Section

Advanced Sector MO

CallExclByEcIoScreen_ReExcluded

Pegged when call origination is excluded after first time by Ec/Io screening and another Service Redirection Message is sent to the mobile.

Data Source

NBSS BTS MO

Source Field

CallExcludedByEcIoScreening (Seq# 369[1])

Source Section

Advanced Sector MO

CarrierRx0PowerAvg

Average receive power for diversity branch 0

Data Source

NBSS BTS MO

Source Field

CarrierRx0PowerAvg (Seq# 62)

Source Section

Power Management MO

CarrierRx0PowerMax

Maximum receive power for diversity branch 0

Data Source

NBSS BTS MO

Source Field

CarrierRx0PowerMax (Seq# 64)

Source Section

Power Management MO

CarrierRx1PowerAvg

Average receive power for diversity branch 1

Data Source

NBSS BTS MO

Source Field

CarrierRx1PowerAvg (Seq# 63)

Source Section

Power Management MO

CarrierRx1PowerMax

Maximum receive power for diversity branch 1

Data Source

NBSS BTS MO

Source Field

CarrierRx1PowerMax (Seq# 65)

Source Section

Power Management MO

CarrierTxPowerAvg

Average analog transmit power

Data Source

NBSS BTS MO

Source Field

CarrierTxPowerAvg (Seq# 59)

Source Section

Power Management MO

CarrierTxPowerMax

Maximum analog transmit power

Data Source

NBSS BTS MO

Source Field

CarrierTxPowerMax (Seq# 60)

Source Section

Power Management MO

CEFrameCntFSCH_RC3

Total number of forward frames on the FSCH divided by soft handoff links RC3. Increments proportionally, ie 2X frame peps 2, 4X peps 4 ,etc.

Data Source

NBSS BTS MO

Source Field

CEFrameCntFSCH (Seq# 131[0])

Source Section

Advanced Sector MO

CEFrameCntFSCH_RC4

Total number of forward frames on the FSCH divided by soft handoff links RC4. Increments proportionally, ie 2X frame pgs 2, 4X pgs 4 ,etc.

Data Source

NBSS BTS MO

Source Field

CEFrameCntFSCH (Seq# 131[1])

Source Section

Advanced Sector MO

CEFrameCntFSCH_RC5

Total number of forward frames on the FSCH divided by soft handoff links RC5. Increments proportionally, ie 2X frame pgs 2, 4X pgs 4 ,etc.

Data Source

NBSS BTS MO

Source Field

CEFrameCntFSCH (Seq# 131[2])

Source Section

Advanced Sector MO

CEFrameCntRSCH_RC3

RC3 Traffic Frame Count, divided by way-softer, summed across all RSCH

Data Source

NBSS BTS MO

Source Field

CEFrameCntRSCH (Seq# 205[0])

Source Section

Advanced Sector MO

CEFrameCntRSCH_RC4

RC4 Traffic Frame Count, divided by way-softer, summed across all RSCH

Data Source

NBSS BTS MO

Source Field

CEFrameCntRSCH (Seq# 205[1])

Source Section

Advanced Sector MO

ConfiguredFwdCallBlockingThreshold

Total amount of power available for new originations and terminations in bits squared

Data Source

NBSS BTS MO

Source Field

ConfiguredFwdCallBlockingThreshold (Seq# 104)

Source Section

Advanced Sector MO

ConfiguredFwdDataCallBlockingThreshold

Amount of power available for data originations terminations and handoffs into the BTS

Data Source

NBSS BTS MO

Source Field

ConfiguredFwdDataCallBlockingThreshold (Seq# 107)

Source Section

Advanced Sector MO

ConfiguredFwdHandoffBlockingThreshold

Total amount of power available for soft and hard handoff attempts into the BTS

Data Source

NBSS BTS MO

Source Field

ConfiguredFwdHandoffBlockingThreshold (Seq# 105)

Source Section

Advanced Sector MO

ConfiguredFwdVoiceCallBlockingThreshold

Amount of power available for voice originations terminations and handoffs into the BTS

Data Source

NBSS BTS MO

Source Field

ConfiguredFwdVoiceCallBlockingThreshold (Seq# 106)

Source Section

Advanced Sector MO

ConfiguredPowerLimitingThresholdSPP

The power level at which power limiting in the carrier-sector will be activated referenced on the module output (i.e. at the DPM antenna port). Measured in mW. This OM is collected on MFRM3 only.

Data Source

NBSS BTS MO

Source Field

ConfiguredPowerLimitingThresholdSPP (Seq# 103)

Source Section

Power Management MO

ConfiguredPwrLimitingThreshold

Power level in mW at which power limiting will be activated

Data Source

NBSS BTS MO

Source Field

ConfiguredPwrLimitingThreshold (Seq# 91)

Source Section

Power Management MO

DeliveredPowerPercentTimeAboveConfiguredPowerLimitingThreshold

The percentage of time the delivered transmit power in the carrier-sector was above ConfiguredPowerLimitingThreshold. Units are percent/10 (0-1000). MFRM3 only.

Data Source

NBSS BTS MO

Source Field

DeliveredPowerStats (Seq# 105[7])

Source Section

Power Management MO

DeliveredPowerStats_50thPercentile

For 50% of the time, the delivered transmit power in the carrier-sector was less than or equal to this power value. Units are percentage of ConfiguredPowerLimitingThreshold/10. MFRM3 only.

Data Source

NBSS BTS MO

Source Field

DeliveredPowerStats (Seq# 105[1])

Source Section

Power Management MO

DeliveredPowerStats_80thPercentile

For 80% of the time, the delivered transmit power in the carrier-sector was less than or equal to this power value. Units are percentage of ConfiguredPowerLimitingThreshold/10. MFRM3 only.

Data Source

NBSS BTS MO

Source Field

DeliveredPowerStats (Seq# 105[2])

Source Section

Power Management MO

DeliveredPowerStats_90thPercentile

For 90% of the time, the delivered transmit power in the carrier-sector was less than or equal to this power value. Units are percentage of ConfiguredPowerLimitingThreshold/10. MFRM3 only.

Data Source

NBSS BTS MO

Source Field

DeliveredPowerStats (Seq# 105[3])

Source Section

Power Management MO

DeliveredPowerStats_95thPercentile

For 95% of the time, the delivered transmit power in the carrier-sector was less than or equal to this power value. Units are percentage of ConfiguredPowerLimitingThreshold/10. MFRM3 only.

Data Source

NBSS BTS MO

Source Field

DeliveredPowerStats (Seq# 105[4])

Source Section

Power Management MO

DeliveredPowerStats_98thPercentile

For 98% of the time, the delivered transmit power in the carrier-sector was less than or equal to this power value. Units are percentage of ConfiguredPowerLimitingThreshold/10. MFRM3 only.

Data Source

NBSS BTS MO

Source Field

DeliveredPowerStats (Seq# 105[5])

Source Section

Power Management MO

DeliveredPowerStats_99thPercentile

For 99% of the time, the delivered transmit power in the carrier-sector was less than or equal to this power value. Units are percentage of ConfiguredPowerLimitingThreshold/10. MFRM3 only.

Data Source

NBSS BTS MO

Source Field

DeliveredPowerStats (Seq# 105[6])

Source Section

Power Management MO

DemandedPowerPercentTimeAboveConfiguredPowerLimitingThreshold

The percentage of time the demanded transmit power in the carrier-sector was above ConfiguredPowerLimitingThreshold. Units are percent/10 (0-1000). MFRM3 only.

Data Source

NBSS BTS MO

Source Field

DemandedPowerStats (Seq# 104[7])

Source Section

Power Management MO

DemandedPowerPercentTimeAboveConfiguredPowerLimitingThresholdSPP

The percentage of time the demanded transmit power in the carrier-sector was above ConfiguredPowerLimitingThresholdSPP. Units are percent/10 (0-1000). MFRM3 only.

Data Source

NBSS BTS MO

Source Field

DemandedPowerStats (Seq# 104[8])

Source Section

Power Management MO

DemandedPowerStats_50thPercentile

For 50% of the time, the demanded transmit power in the carrier-sector was less than or equal to this power value. Units are percentage of ConfiguredPowerLimitingThreshold/10. MFRM3 only.

Data Source

NBSS BTS MO

Source Field

DemandedPowerStats (Seq# 104[1])

Source Section

Power Management MO

DemandedPowerStats_80thPercentile

For 80% of the time, the demanded transmit power in the carrier-sector was less than or equal to this power value. Units are percentage of ConfiguredPowerLimitingThreshold/10. MFRM3 only.

Data Source

NBSS BTS MO

Source Field

DemandedPowerStats (Seq# 104[2])

Source Section

Power Management MO

DemandedPowerStats_90thPercentile

For 90% of the time, the demanded transmit power in the carrier-sector was less than or equal to this power value. Units are percentage of ConfiguredPowerLimitingThreshold/10. MFRM3 only.

Data Source

NBSS BTS MO

Source Field

DemandedPowerStats (Seq# 104[3])

Source Section

Power Management MO

DemandedPowerStats_95thPercentile

For 95% of the time, the demanded transmit power in the carrier-sector was less than or equal to this power value. Units are percentage of ConfiguredPowerLimitingThreshold/10. MFRM3 only.

Data Source

NBSS BTS MO

Source Field

DemandedPowerStats (Seq# 104[4])

Source Section

Power Management MO

DemandedPowerStats_98thPercentile

For 98% of the time, the demanded transmit power in the carrier-sector was less than or equal to this power value. Units are percentage of ConfiguredPowerLimitingThreshold/10. MFRM3 only.

Data Source

NBSS BTS MO

Source Field

DemandedPowerStats (Seq# 104[5])

Source Section

Power Management MO

DemandedPowerStats_99thPercentile

For 99% of the time, the demanded transmit power in the carrier-sector was less than or equal to this power value. Units are percentage of ConfiguredPowerLimitingThreshold/10. MFRM3 only.

Data Source

NBSS BTS MO

Source Field

DemandedPowerStats (Seq# 104[6])

Source Section

Power Management MO

DistOf16XDataRateDelay_10

Distribution of delay of Resources for 16XData, interval 8-10 seconds

Data Source

NBSS BTS MO

Source Field

DistributionOf16XDataRateDelay (Seq# 201[4])

Source Section

Advanced Sector MO

DistOf16XDataRateDelay_15

Distribution of delay of Resources for 16XData, interval 10-15 seconds

Data Source

NBSS BTS MO

Source Field

DistributionOf16XDataRateDelay (Seq# 201[5])

Source Section

Advanced Sector MO

DistOf16XDataRateDelay_2

Distribution of delay of Resources for 16XData, interval 0-2 seconds

Data Source

NBSS BTS MO

Source Field

DistributionOf16XDataRateDelay (Seq# 201[0])

Source Section

Advanced Sector MO

DistOf16XDataRateDelay_20

Distribution of delay of Resources for 16XData, interval 15-20 seconds

Data Source

NBSS BTS MO

Source Field

DistributionOf16XDataRateDelay (Seq# 201[6])

Source Section

Advanced Sector MO

DistOf16XDataRateDelay_30

Distribution of delay of Resources for 16XData, interval 20-30 seconds

Data Source

NBSS BTS MO

Source Field

DistributionOf16XDataRateDelay (Seq# 201[7])

Source Section

Advanced Sector MO

DistOf16XDataRateDelay_4

Distribution of delay of Resources for 16XData, interval 2-4 seconds

Data Source

NBSS BTS MO

Source Field

DistributionOf16XDataRateDelay (Seq# 201[1])

Source Section

Advanced Sector MO

DistOf16XDataRateDelay_6

Distribution of delay of Resources for 16XData, interval 4-6 seconds

Data Source

NBSS BTS MO

Source Field

DistributionOf16XDataRateDelay (Seq# 201[2])

Source Section

Advanced Sector MO

DistOf16XDataRateDelay_8

Distribution of delay of Resources for 16XData, interval 6-8 seconds

Data Source

NBSS BTS MO

Source Field

DistributionOf16XDataRateDelay (Seq# 201[3])

Source Section

Advanced Sector MO

DistOf16XDataRateDelay_gt30

Distribution of delay of Resources for 16XData, interval 30+ seconds

Data Source

NBSS BTS MO

Source Field

DistributionOf16XDataRateDelay (Seq# 201[8])

Source Section

Advanced Sector MO

DistOf2XDataRateDelay_10

Distribution of delay of Resources for 2XData, interval 8-10 seconds

Data Source

NBSS BTS MO

Source Field

DistributionOf2XDataRateDelay (Seq# 198[4])

Source Section

Advanced Sector MO

DistOf2XDataRateDelay_15

Distribution of delay of Resources for 2XData, interval 10-15 seconds

Data Source

NBSS BTS MO

Source Field

DistributionOf2XDataRateDelay (Seq# 198[5])

Source Section

Advanced Sector MO

DistOf2XDataRateDelay_2

Distribution of delay of Resources for 2XData, interval 0-2 seconds

Data Source

NBSS BTS MO

Source Field

DistributionOf2XDataRateDelay (Seq# 198[0])

Source Section

Advanced Sector MO

DistOf2XDataRateDelay_20

Distribution of delay of Resources for 2XData, interval 15-20 seconds

Data Source

NBSS BTS MO

Source Field

DistributionOf2XDataRateDelay (Seq# 198[6])

Source Section

Advanced Sector MO

DistOf2XDataRateDelay_30

Distribution of delay of Resources for 2XData, interval 20-30 seconds

Data Source

NBSS BTS MO

Source Field

DistributionOf2XDataRateDelay (Seq# 198[7])

Source Section

Advanced Sector MO

DistOf2XDataRateDelay_4

Distribution of delay of Resources for 2XData, interval 2-4 seconds

Data Source

NBSS BTS MO

Source Field

DistributionOf2XDataRateDelay (Seq# 198[1])

Source Section

Advanced Sector MO

DistOf2XDataRateDelay_6

Distribution of delay of Resources for 2XData, interval 4-6 seconds

Data Source

NBSS BTS MO

Source Field

DistributionOf2XDataRateDelay (Seq# 198[2])

Source Section

Advanced Sector MO

DistOf2XDataRateDelay_8

Distribution of delay of Resources for 2XData, interval 6-8 seconds

Data Source

NBSS BTS MO

Source Field

DistributionOf2XDataRateDelay (Seq# 198[3])

Source Section

Advanced Sector MO

DistOf2XDataRateDelay_gt30

Distribution of delay of Resources for 2XData, interval 30+ seconds

Data Source

NBSS BTS MO

Source Field

DistributionOf2XDataRateDelay (Seq# 198[8])

Source Section

Advanced Sector MO

DistOf4XDataRateDelay_10

Distribution of delay of Resources for 4XData, interval 8-10 seconds

Data Source

NBSS BTS MO

Source Field

DistributionOf4XDataRateDelay (Seq# 199[4])

Source Section

Advanced Sector MO

DistOf4XDataRateDelay_15

Distribution of delay of Resources for 4XData, interval 10-15 seconds

Data Source

NBSS BTS MO

Source Field

DistributionOf4XDataRateDelay (Seq# 199[5])

Source Section

Advanced Sector MO

DistOf4XDataRateDelay_2

Distribution of delay of Resources for 4XData, interval 0-2 seconds

Data Source

NBSS BTS MO

Source Field

DistributionOf4XDataRateDelay (Seq# 199[0])

Source Section

Advanced Sector MO

DistOf4XDataRateDelay_20

Distribution of delay of Resources for 4XData, interval 15-20 seconds

Data Source

NBSS BTS MO

Source Field

DistributionOf4XDataRateDelay (Seq# 199[6])

Source Section

Advanced Sector MO

DistOf4XDataRateDelay_30

Distribution of delay of Resources for 4XData, interval 20-30 seconds

Data Source

NBSS BTS MO

Source Field

DistributionOf4XDataRateDelay (Seq# 199[7])

Source Section

Advanced Sector MO

DistOf4XDataRateDelay_4

Distribution of delay of Resources for 4XData, interval 2-4 seconds

Data Source

NBSS BTS MO

Source Field

DistributionOf4XDataRateDelay (Seq# 199[1])

Source Section

Advanced Sector MO

DistOf4XDataRateDelay_6

Distribution of delay of Resources for 4XData, interval 4-6 seconds

Data Source

NBSS BTS MO

Source Field

DistributionOf4XDataRateDelay (Seq# 199[2])

Source Section

Advanced Sector MO

DistOf4XDataRateDelay_8

Distribution of delay of Resources for 4XData, interval 6-8 seconds

Data Source

NBSS BTS MO

Source Field

DistributionOf4XDataRateDelay (Seq# 199[3])

Source Section

Advanced Sector MO

DistOf4XDataRateDelay_gt30

Distribution of delay of Resources for 4XData, interval 30+ seconds

Data Source

NBSS BTS MO

Source Field

DistributionOf4XDataRateDelay (Seq# 199[8])

Source Section

Advanced Sector MO

DistOf8XDataRateDelay_10

Distribution of delay of Resources for 8XData, interval 8-10 seconds

Data Source

NBSS BTS MO

Source Field

DistributionOf8XDataRateDelay (Seq# 200[4])

Source Section

Advanced Sector MO

DistOf8XDataRateDelay_15

Distribution of delay of Resources for 8XData, interval 10-15 seconds

Data Source

NBSS BTS MO

Source Field

DistributionOf8XDataRateDelay (Seq# 200[5])

Source Section

Advanced Sector MO

DistOf8XDataRateDelay_2

Distribution of delay of Resources for 8XData, interval 0-2 seconds

Data Source

NBSS BTS MO

Source Field

DistributionOf8XDataRateDelay (Seq# 200[0])

Source Section

Advanced Sector MO

DistOf8XDataRateDelay_20

Distribution of delay of Resources for 8XData, interval 15-20 seconds

Data Source

NBSS BTS MO

Source Field

DistributionOf8XDataRateDelay (Seq# 200[6])

Source Section

Advanced Sector MO

DistOf8XDataRateDelay_30

Distribution of delay of Resources for 8XData, interval 20-30 seconds

Data Source

NBSS BTS MO

Source Field

DistributionOf8XDataRateDelay (Seq# 200[7])

Source Section

Advanced Sector MO

DistOf8XDataRateDelay_4

Distribution of delay of Resources for 8XData, interval 2-4 seconds

Data Source

NBSS BTS MO

Source Field

DistributionOf8XDataRateDelay (Seq# 200[1])

Source Section

Advanced Sector MO

DistOf8XDataRateDelay_6

Distribution of delay of Resources for 8XData, interval 4-6 seconds

Data Source

NBSS BTS MO

Source Field

DistributionOf8XDataRateDelay (Seq# 200[2])

Source Section

Advanced Sector MO

DistOf8XDataRateDelay_8

Distribution of delay of Resources for 8XData, interval 6-8 seconds

Data Source

NBSS BTS MO

Source Field

DistributionOf8XDataRateDelay (Seq# 200[3])

Source Section

Advanced Sector MO

DistOf8XDataRateDelay_gt30

Distribution of delay of Resources for 8XData, interval 30+ seconds

Data Source

NBSS BTS MO

Source Field

DistributionOf8XDataRateDelay (Seq# 200[8])

Source Section

Advanced Sector MO

DistOfPriorityClass0Delay_10

Distribution of delay of Resources for PriorityClass0, interval 8-10 seconds

Data Source

NBSS BTS MO

Source Field

DistributionOfPriorityClass0Delay (Seq# 184[4])

Source Section

Advanced Sector MO

DistOfPriorityClass0Delay_15

Distribution of delay of Resources for PriorityClass0, interval 10-15 seconds

Data Source

NBSS BTS MO

Source Field

DistributionOfPriorityClass0Delay (Seq# 184[5])

Source Section

Advanced Sector MO

DistOfPriorityClass0Delay_2

Distribution of delay of Resources for PriorityClass0, interval 0-2 seconds

Data Source

NBSS BTS MO

Source Field

DistributionOfPriorityClass0Delay (Seq# 184[0])

Source Section

Advanced Sector MO

DistOfPriorityClass0Delay_20

Distribution of delay of Resources for PriorityClass0, interval 15-20 seconds

Data Source

NBSS BTS MO

Source Field

DistributionOfPriorityClass0Delay (Seq# 184[6])

Source Section

Advanced Sector MO

DistOfPriorityClass0Delay_30

Distribution of delay of Resources for PriorityClass0, interval 20-30 seconds

Data Source

NBSS BTS MO

Source Field

DistributionOfPriorityClass0Delay (Seq# 184[7])

Source Section

Advanced Sector MO

DistOfPriorityClass0Delay_4

Distribution of delay of Resources for PriorityClass0, interval 2-4 seconds

Data Source

NBSS BTS MO

Source Field

DistributionOfPriorityClass0Delay (Seq# 184[1])

Source Section

Advanced Sector MO

DistOfPriorityClass0Delay_6

Distribution of delay of Resources for PriorityClass0, interval 4-6 seconds

Data Source

NBSS BTS MO

Source Field

DistributionOfPriorityClass0Delay (Seq# 184[2])

Source Section

Advanced Sector MO

DistOfPriorityClass0Delay_8

Distribution of delay of Resources for PriorityClass0, interval 6-8 seconds

Data Source

NBSS BTS MO

Source Field

DistributionOfPriorityClass0Delay (Seq# 184[3])

Source Section

Advanced Sector MO

DistOfPriorityClass0Delay_gt30

Distribution of delay of Resources for PriorityClass0, interval 30+ seconds

Data Source

NBSS BTS MO

Source Field

DistributionOfPriorityClass0Delay (Seq# 184[8])

Source Section

Advanced Sector MO

DistOfPriorityClass10Delay_10

Distribution of delay of Resources for PriorityClass10, interval 8-10 seconds

Data Source

NBSS BTS MO

Source Field

DistributionOfPriorityClass10Delay (Seq# 194[4])

Source Section

Advanced Sector MO

DistOfPriorityClass10Delay_15

Distribution of delay of Resources for PriorityClass10, interval 10-15 seconds

Data Source

NBSS BTS MO

Source Field

DistributionOfPriorityClass10Delay (Seq# 194[5])

Source Section

Advanced Sector MO

DistOfPriorityClass10Delay_2

Distribution of delay of Resources for PriorityClass10, interval 0-2 seconds

Data Source

NBSS BTS MO

Source Field

DistributionOfPriorityClass10Delay (Seq# 194[0])

Source Section

Advanced Sector MO

DistOfPriorityClass10Delay_20

Distribution of delay of Resources for PriorityClass10, interval 15-20 seconds

Data Source

NBSS BTS MO

Source Field

DistributionOfPriorityClass10Delay (Seq# 194[6])

Source Section

Advanced Sector MO

DistOfPriorityClass10Delay_30

Distribution of delay of Resources for PriorityClass10, interval 20-30 seconds

Data Source

NBSS BTS MO

Source Field

DistributionOfPriorityClass10Delay (Seq# 194[7])

Source Section

Advanced Sector MO

DistOfPriorityClass10Delay_4

Distribution of delay of Resources for PriorityClass10, interval 2-4 seconds

Data Source

NBSS BTS MO

Source Field

DistributionOfPriorityClass10Delay (Seq# 194[1])

Source Section

Advanced Sector MO

DistOfPriorityClass10Delay_6

Distribution of delay of Resources for PriorityClass10, interval 4-6 seconds

Data Source

NBSS BTS MO

Source Field

DistributionOfPriorityClass10Delay (Seq# 194[2])

Source Section

Advanced Sector MO

DistOfPriorityClass10Delay_8

Distribution of delay of Resources for PriorityClass10, interval 6-8 seconds

Data Source

NBSS BTS MO

Source Field

DistributionOfPriorityClass10Delay (Seq# 194[3])

Source Section

Advanced Sector MO

DistOfPriorityClass10Delay_gt30

Distribution of delay of Resources for PriorityClass10, interval 30+ seconds

Data Source

NBSS BTS MO

Source Field

DistributionOfPriorityClass10Delay (Seq# 194[8])

Source Section

Advanced Sector MO

DistOfPriorityClass11Delay_10

Distribution of delay of Resources for PriorityClass11, interval 8-10 seconds

Data Source

NBSS BTS MO

Source Field

DistributionOfPriorityClass11Delay (Seq# 195[4])

Source Section

Advanced Sector MO

DistOfPriorityClass11Delay_15

Distribution of delay of Resources for PriorityClass11, interval 10-15 seconds

Data Source

NBSS BTS MO

Source Field

DistributionOfPriorityClass11Delay (Seq# 195[5])

Source Section

Advanced Sector MO

DistOfPriorityClass11Delay_2

Distribution of delay of Resources for PriorityClass11, interval 0-2 seconds

Data Source

NBSS BTS MO

Source Field

DistributionOfPriorityClass11Delay (Seq# 195[0])

Source Section

Advanced Sector MO

DistOfPriorityClass11Delay_20

Distribution of delay of Resources for PriorityClass11, interval 15-20 seconds

Data Source

NBSS BTS MO

Source Field

DistributionOfPriorityClass11Delay (Seq# 195[6])

Source Section

Advanced Sector MO

DistOfPriorityClass11Delay_30

Distribution of delay of Resources for PriorityClass11, interval 20-30 seconds

Data Source

NBSS BTS MO

Source Field

DistributionOfPriorityClass11Delay (Seq# 195[7])

Source Section

Advanced Sector MO

DistOfPriorityClass11Delay_4

Distribution of delay of Resources for PriorityClass11, interval 2-4 seconds

Data Source

NBSS BTS MO

Source Field

DistributionOfPriorityClass11Delay (Seq# 195[1])

Source Section

Advanced Sector MO

DistOfPriorityClass11Delay_6

Distribution of delay of Resources for PriorityClass11, interval 4-6 seconds

Data Source

NBSS BTS MO

Source Field

DistributionOfPriorityClass11Delay (Seq# 195[2])

Source Section

Advanced Sector MO

DistOfPriorityClass11Delay_8

Distribution of delay of Resources for PriorityClass11, interval 6-8 seconds

Data Source

NBSS BTS MO

Source Field

DistributionOfPriorityClass11Delay (Seq# 195[3])

Source Section

Advanced Sector MO

DistOfPriorityClass11Delay_gt30

Distribution of delay of Resources for PriorityClass11, interval 30+ seconds

Data Source

NBSS BTS MO

Source Field

DistributionOfPriorityClass11Delay (Seq# 195[8])

Source Section

Advanced Sector MO

DistOfPriorityClass12Delay_10

Distribution of delay of Resources for PriorityClass12, interval 8-10 seconds

Data Source

NBSS BTS MO

Source Field

DistributionOfPriorityClass12Delay (Seq# 196[4])

Source Section

Advanced Sector MO

DistOfPriorityClass12Delay_15

Distribution of delay of Resources for PriorityClass12, interval 10-15 seconds

Data Source

NBSS BTS MO

Source Field

DistributionOfPriorityClass12Delay (Seq# 196[5])

Source Section

Advanced Sector MO

DistOfPriorityClass12Delay_2

Distribution of delay of Resources for PriorityClass12, interval 0-2 seconds

Data Source

NBSS BTS MO

Source Field

DistributionOfPriorityClass12Delay (Seq# 196[0])

Source Section

Advanced Sector MO

DistOfPriorityClass12Delay_20

Distribution of delay of Resources for PriorityClass12, interval 15-20 seconds

Data Source

NBSS BTS MO

Source Field

DistributionOfPriorityClass12Delay (Seq# 196[6])

Source Section

Advanced Sector MO

DistOfPriorityClass12Delay_30

Distribution of delay of Resources for PriorityClass12, interval 20-30 seconds

Data Source

NBSS BTS MO

Source Field

DistributionOfPriorityClass12Delay (Seq# 196[7])

Source Section

Advanced Sector MO

DistOfPriorityClass12Delay_4

Distribution of delay of Resources for PriorityClass12, interval 2-4 seconds

Data Source

NBSS BTS MO

Source Field

DistributionOfPriorityClass12Delay (Seq# 196[1])

Source Section

Advanced Sector MO

DistOfPriorityClass12Delay_6

Distribution of delay of Resources for PriorityClass12, interval 4-6 seconds

Data Source

NBSS BTS MO

Source Field

DistributionOfPriorityClass12Delay (Seq# 196[2])

Source Section

Advanced Sector MO

DistOfPriorityClass12Delay_8

Distribution of delay of Resources for PriorityClass12, interval 6-8 seconds

Data Source

NBSS BTS MO

Source Field

DistributionOfPriorityClass12Delay (Seq# 196[3])

Source Section

Advanced Sector MO

DistOfPriorityClass12Delay_gt30

Distribution of delay of Resources for PriorityClass12, interval 30+ seconds

Data Source

NBSS BTS MO

Source Field

DistributionOfPriorityClass12Delay (Seq# 196[8])

Source Section

Advanced Sector MO

DistOfPriorityClass13Delay_10

Distribution of delay of Resources for PriorityClass13, interval 8-10 seconds

Data Source

NBSS BTS MO

Source Field

DistributionOfPriorityClass13Delay (Seq# 197[4])

Source Section

Advanced Sector MO

DistOfPriorityClass13Delay_15

Distribution of delay of Resources for PriorityClass13, interval 10-15 seconds

Data Source

NBSS BTS MO

Source Field

DistributionOfPriorityClass13Delay (Seq# 197[5])

Source Section

Advanced Sector MO

DistOfPriorityClass13Delay_2

Distribution of delay of Resources for PriorityClass13, interval 0-2 seconds

Data Source

NBSS BTS MO

Source Field

DistributionOfPriorityClass13Delay (Seq# 197[0])

Source Section

Advanced Sector MO

DistOfPriorityClass13Delay_20

Distribution of delay of Resources for PriorityClass13, interval 15-20 seconds

Data Source

NBSS BTS MO

Source Field

DistributionOfPriorityClass13Delay (Seq# 197[6])

Source Section

Advanced Sector MO

DistOfPriorityClass13Delay_30

Distribution of delay of Resources for PriorityClass13, interval 20-30 seconds

Data Source

NBSS BTS MO

Source Field

DistributionOfPriorityClass13Delay (Seq# 197[7])

Source Section

Advanced Sector MO

DistOfPriorityClass13Delay_4

Distribution of delay of Resources for PriorityClass13, interval 2-4 seconds

Data Source

NBSS BTS MO

Source Field

DistributionOfPriorityClass13Delay (Seq# 197[1])

Source Section

Advanced Sector MO

DistOfPriorityClass13Delay_6

Distribution of delay of Resources for PriorityClass13, interval 4-6 seconds

Data Source

NBSS BTS MO

Source Field

DistributionOfPriorityClass13Delay (Seq# 197[2])

Source Section

Advanced Sector MO

DistOfPriorityClass13Delay_8

Distribution of delay of Resources for PriorityClass13, interval 6-8 seconds

Data Source

NBSS BTS MO

Source Field

DistributionOfPriorityClass13Delay (Seq# 197[3])

Source Section

Advanced Sector MO

DistOfPriorityClass13Delay_gt30

Distribution of delay of Resources for PriorityClass13, interval 30+ seconds

Data Source

NBSS BTS MO

Source Field

DistributionOfPriorityClass13Delay (Seq# 197[8])

Source Section

Advanced Sector MO

DistOfPriorityClass1Delay_10

Distribution of delay of Resources for PriorityClass1, interval 8-10 seconds

Data Source

NBSS BTS MO

Source Field

DistributionOfPriorityClass1Delay (Seq# 185[4])

Source Section

Advanced Sector MO

DistOfPriorityClass1Delay_15

Distribution of delay of Resources for PriorityClass1, interval 10-15 seconds

Data Source

NBSS BTS MO

Source Field

DistributionOfPriorityClass1Delay (Seq# 185[5])

Source Section

Advanced Sector MO

DistOfPriorityClass1Delay_2

Distribution of delay of Resources for PriorityClass1, interval 0-2 seconds

Data Source

NBSS BTS MO

Source Field

DistributionOfPriorityClass1Delay (Seq# 185[0])

Source Section

Advanced Sector MO

DistOfPriorityClass1Delay_20

Distribution of delay of Resources for PriorityClass1, interval 15-20 seconds

Data Source

NBSS BTS MO

Source Field

DistributionOfPriorityClass1Delay (Seq# 185[6])

Source Section

Advanced Sector MO

DistOfPriorityClass1Delay_30

Distribution of delay of Resources for PriorityClass1, interval 20-30 seconds

Data Source

NBSS BTS MO

Source Field

DistributionOfPriorityClass1Delay (Seq# 185[7])

Source Section

Advanced Sector MO

DistOfPriorityClass1Delay_4

Distribution of delay of Resources for PriorityClass1, interval 2-4 seconds

Data Source

NBSS BTS MO

Source Field

DistributionOfPriorityClass1Delay (Seq# 185[1])

Source Section

Advanced Sector MO

DistOfPriorityClass1Delay_6

Distribution of delay of Resources for PriorityClass1, interval 4-6 seconds

Data Source

NBSS BTS MO

Source Field

DistributionOfPriorityClass1Delay (Seq# 185[2])

Source Section

Advanced Sector MO

DistOfPriorityClass1Delay_8

Distribution of delay of Resources for PriorityClass1, interval 6-8 seconds

Data Source

NBSS BTS MO

Source Field

DistributionOfPriorityClass1Delay (Seq# 185[3])

Source Section

Advanced Sector MO

DistOfPriorityClass1Delay_gt30

Distribution of delay of Resources for PriorityClass1, interval 30+ seconds

Data Source

NBSS BTS MO

Source Field

DistributionOfPriorityClass1Delay (Seq# 185[8])

Source Section

Advanced Sector MO

DistOfPriorityClass2Delay_10

Distribution of delay of Resources for PriorityClass2, interval 8-10 seconds

Data Source

NBSS BTS MO

Source Field

DistributionOfPriorityClass2Delay (Seq# 186[4])

Source Section

Advanced Sector MO

DistOfPriorityClass2Delay_15

Distribution of delay of Resources for PriorityClass2, interval 10-15 seconds

Data Source

NBSS BTS MO

Source Field

DistributionOfPriorityClass2Delay (Seq# 186[5])

Source Section

Advanced Sector MO

DistOfPriorityClass2Delay_2

Distribution of delay of Resources for PriorityClass2, interval 0-2 seconds

Data Source

NBSS BTS MO

Source Field

DistributionOfPriorityClass2Delay (Seq# 186[0])

Source Section

Advanced Sector MO

DistOfPriorityClass2Delay_20

Distribution of delay of Resources for PriorityClass2, interval 15-20 seconds

Data Source

NBSS BTS MO

Source Field

DistributionOfPriorityClass2Delay (Seq# 186[6])

Source Section

Advanced Sector MO

DistOfPriorityClass2Delay_30

Distribution of delay of Resources for PriorityClass2, interval 20-30 seconds

Data Source

NBSS BTS MO

Source Field

DistributionOfPriorityClass2Delay (Seq# 186[7])

Source Section

Advanced Sector MO

DistOfPriorityClass2Delay_4

Distribution of delay of Resources for PriorityClass2, interval 2-4 seconds

Data Source

NBSS BTS MO

Source Field

DistributionOfPriorityClass2Delay (Seq# 186[1])

Source Section

Advanced Sector MO

DistOfPriorityClass2Delay_6

Distribution of delay of Resources for PriorityClass2, interval 4-6 seconds

Data Source

NBSS BTS MO

Source Field

DistributionOfPriorityClass2Delay (Seq# 186[2])

Source Section

Advanced Sector MO

DistOfPriorityClass2Delay_8

Distribution of delay of Resources for PriorityClass2, interval 6-8 seconds

Data Source

NBSS BTS MO

Source Field

DistributionOfPriorityClass2Delay (Seq# 186[3])

Source Section

Advanced Sector MO

DistOfPriorityClass2Delay_gt30

Distribution of delay of Resources for PriorityClass2, interval 30+ seconds

Data Source

NBSS BTS MO

Source Field

DistributionOfPriorityClass2Delay (Seq# 186[8])

Source Section

Advanced Sector MO

DistOfPriorityClass3Delay_10

Distribution of delay of Resources for PriorityClass3, interval 8-10 seconds

Data Source

NBSS BTS MO

Source Field

DistributionOfPriorityClass3Delay (Seq# 187[4])

Source Section

Advanced Sector MO

DistOfPriorityClass3Delay_15

Distribution of delay of Resources for PriorityClass3, interval 10-15 seconds

Data Source

NBSS BTS MO

Source Field

DistributionOfPriorityClass3Delay (Seq# 187[5])

Source Section

Advanced Sector MO

DistOfPriorityClass3Delay_2

Distribution of delay of Resources for PriorityClass3, interval 0-2 seconds

Data Source

NBSS BTS MO

Source Field

DistributionOfPriorityClass3Delay (Seq# 187[0])

Source Section

Advanced Sector MO

DistOfPriorityClass3Delay_20

Distribution of delay of Resources for PriorityClass3, interval 15-20 seconds

Data Source

NBSS BTS MO

Source Field

DistributionOfPriorityClass3Delay (Seq# 187[6])

Source Section

Advanced Sector MO

DistOfPriorityClass3Delay_30

Distribution of delay of Resources for PriorityClass3, interval 20-30 seconds

Data Source

NBSS BTS MO

Source Field

DistributionOfPriorityClass3Delay (Seq# 187[7])

Source Section

Advanced Sector MO

DistOfPriorityClass3Delay_4

Distribution of delay of Resources for PriorityClass3, interval 2-4 seconds

Data Source

NBSS BTS MO

Source Field

DistributionOfPriorityClass3Delay (Seq# 187[1])

Source Section

Advanced Sector MO

DistOfPriorityClass3Delay_6

Distribution of delay of Resources for PriorityClass3, interval 4-6 seconds

Data Source

NBSS BTS MO

Source Field

DistributionOfPriorityClass3Delay (Seq# 187[2])

Source Section

Advanced Sector MO

DistOfPriorityClass3Delay_8

Distribution of delay of Resources for PriorityClass3, interval 6-8 seconds

Data Source

NBSS BTS MO

Source Field

DistributionOfPriorityClass3Delay (Seq# 187[3])

Source Section

Advanced Sector MO

DistOfPriorityClass3Delay_gt30

Distribution of delay of Resources for PriorityClass3, interval 30+ seconds

Data Source

NBSS BTS MO

Source Field

DistributionOfPriorityClass3Delay (Seq# 187[8])

Source Section

Advanced Sector MO

DistOfPriorityClass4Delay_10

Distribution of delay of Resources for PriorityClass4, interval 8-10 seconds

Data Source

NBSS BTS MO

Source Field

DistributionOfPriorityClass4Delay (Seq# 188[4])

Source Section

Advanced Sector MO

DistOfPriorityClass4Delay_15

Distribution of delay of Resources for PriorityClass4, interval 10-15 seconds

Data Source

NBSS BTS MO

Source Field

DistributionOfPriorityClass4Delay (Seq# 188[5])

Source Section

Advanced Sector MO

DistOfPriorityClass4Delay_2

Distribution of delay of Resources for PriorityClass4, interval 0-2 seconds

Data Source

NBSS BTS MO

Source Field

DistributionOfPriorityClass4Delay (Seq# 188[0])

Source Section

Advanced Sector MO

DistOfPriorityClass4Delay_20

Distribution of delay of Resources for PriorityClass4, interval 15-20 seconds

Data Source

NBSS BTS MO

Source Field

DistributionOfPriorityClass4Delay (Seq# 188[6])

Source Section

Advanced Sector MO

DistOfPriorityClass4Delay_30

Distribution of delay of Resources for PriorityClass4, interval 20-30 seconds

Data Source

NBSS BTS MO

Source Field

DistributionOfPriorityClass4Delay (Seq# 188[7])

Source Section

Advanced Sector MO

DistOfPriorityClass4Delay_4

Distribution of delay of Resources for PriorityClass4, interval 2-4 seconds

Data Source

NBSS BTS MO

Source Field

DistributionOfPriorityClass4Delay (Seq# 188[1])

Source Section

Advanced Sector MO

DistOfPriorityClass4Delay_6

Distribution of delay of Resources for PriorityClass4, interval 4-6 seconds

Data Source

NBSS BTS MO

Source Field

DistributionOfPriorityClass4Delay (Seq# 188[2])

Source Section

Advanced Sector MO

DistOfPriorityClass4Delay_8

Distribution of delay of Resources for PriorityClass4, interval 6-8 seconds

Data Source

NBSS BTS MO

Source Field

DistributionOfPriorityClass4Delay (Seq# 188[3])

Source Section

Advanced Sector MO

DistOfPriorityClass4Delay_gt30

Distribution of delay of Resources for PriorityClass4, interval 30+ seconds

Data Source

NBSS BTS MO

Source Field

DistributionOfPriorityClass4Delay (Seq# 188[8])

Source Section

Advanced Sector MO

DistOfPriorityClass5Delay_10

Distribution of delay of Resources for PriorityClass5, interval 8-10 seconds

Data Source

NBSS BTS MO

Source Field

DistributionOfPriorityClass5Delay (Seq# 189[4])

Source Section

Advanced Sector MO

DistOfPriorityClass5Delay_15

Distribution of delay of Resources for PriorityClass5, interval 10-15 seconds

Data Source

NBSS BTS MO

Source Field

DistributionOfPriorityClass5Delay (Seq# 189[5])

Source Section

Advanced Sector MO

DistOfPriorityClass5Delay_2

Distribution of delay of Resources for PriorityClass5, interval 0-2 seconds

Data Source

NBSS BTS MO

Source Field

DistributionOfPriorityClass5Delay (Seq# 189[0])

Source Section

Advanced Sector MO

DistOfPriorityClass5Delay_20

Distribution of delay of Resources for PriorityClass5, interval 15-20 seconds

Data Source

NBSS BTS MO

Source Field

DistributionOfPriorityClass5Delay (Seq# 189[6])

Source Section

Advanced Sector MO

DistOfPriorityClass5Delay_30

Distribution of delay of Resources for PriorityClass5, interval 20-30 seconds

Data Source

NBSS BTS MO

Source Field

DistributionOfPriorityClass5Delay (Seq# 189[7])

Source Section

Advanced Sector MO

DistOfPriorityClass5Delay_4

Distribution of delay of Resources for PriorityClass5, interval 2-4 seconds

Data Source

NBSS BTS MO

Source Field

DistributionOfPriorityClass5Delay (Seq# 189[1])

Source Section

Advanced Sector MO

DistOfPriorityClass5Delay_6

Distribution of delay of Resources for PriorityClass5, interval 4-6 seconds

Data Source

NBSS BTS MO

Source Field

DistributionOfPriorityClass5Delay (Seq# 189[2])

Source Section

Advanced Sector MO

DistOfPriorityClass5Delay_8

Distribution of delay of Resources for PriorityClass5, interval 6-8 seconds

Data Source

NBSS BTS MO

Source Field

DistributionOfPriorityClass5Delay (Seq# 189[3])

Source Section

Advanced Sector MO

DistOfPriorityClass5Delay_gt30

Distribution of delay of Resources for PriorityClass5, interval 30+ seconds

Data Source

NBSS BTS MO

Source Field

DistributionOfPriorityClass5Delay (Seq# 189[8])

Source Section

Advanced Sector MO

DistOfPriorityClass6Delay_10

Distribution of delay of Resources for PriorityClass6, interval 8-10 seconds

Data Source

NBSS BTS MO

Source Field

DistributionOfPriorityClass6Delay (Seq# 190[4])

Source Section

Advanced Sector MO

DistOfPriorityClass6Delay_15

Distribution of delay of Resources for PriorityClass6, interval 10-15 seconds

Data Source

NBSS BTS MO

Source Field

DistributionOfPriorityClass6Delay (Seq# 190[5])

Source Section

Advanced Sector MO

DistOfPriorityClass6Delay_2

Distribution of delay of Resources for PriorityClass6, interval 0-2 seconds

Data Source

NBSS BTS MO

Source Field

DistributionOfPriorityClass6Delay (Seq# 190[0])

Source Section

Advanced Sector MO

DistOfPriorityClass6Delay_20

Distribution of delay of Resources for PriorityClass6, interval 15-20 seconds

Data Source

NBSS BTS MO

Source Field

DistributionOfPriorityClass6Delay (Seq# 190[6])

Source Section

Advanced Sector MO

DistOfPriorityClass6Delay_30

Distribution of delay of Resources for PriorityClass6, interval 20-30 seconds

Data Source

NBSS BTS MO

Source Field

DistributionOfPriorityClass6Delay (Seq# 190[7])

Source Section

Advanced Sector MO

DistOfPriorityClass6Delay_4

Distribution of delay of Resources for PriorityClass6, interval 2-4 seconds

Data Source

NBSS BTS MO

Source Field

DistributionOfPriorityClass6Delay (Seq# 190[1])

Source Section

Advanced Sector MO

DistOfPriorityClass6Delay_6

Distribution of delay of Resources for PriorityClass6, interval 4-6 seconds

Data Source

NBSS BTS MO

Source Field

DistributionOfPriorityClass6Delay (Seq# 190[2])

Source Section

Advanced Sector MO

DistOfPriorityClass6Delay_8

Distribution of delay of Resources for PriorityClass6, interval 6-8 seconds

Data Source

NBSS BTS MO

Source Field

DistributionOfPriorityClass6Delay (Seq# 190[3])

Source Section

Advanced Sector MO

DistOfPriorityClass6Delay_gt30

Distribution of delay of Resources for PriorityClass6, interval 30+ seconds

Data Source

NBSS BTS MO

Source Field

DistributionOfPriorityClass6Delay (Seq# 190[8])

Source Section

Advanced Sector MO

DistOfPriorityClass7Delay_10

Distribution of delay of Resources for PriorityClass7, interval 8-10 seconds

Data Source

NBSS BTS MO

Source Field

DistributionOfPriorityClass7Delay (Seq# 191[4])

Source Section

Advanced Sector MO

DistOfPriorityClass7Delay_15

Distribution of delay of Resources for PriorityClass7, interval 10-15 seconds

Data Source

NBSS BTS MO

Source Field

DistributionOfPriorityClass7Delay (Seq# 191[5])

Source Section

Advanced Sector MO

DistOfPriorityClass7Delay_2

Distribution of delay of Resources for PriorityClass7, interval 0-2 seconds

Data Source

NBSS BTS MO

Source Field

DistributionOfPriorityClass7Delay (Seq# 191[0])

Source Section

Advanced Sector MO

DistOfPriorityClass7Delay_20

Distribution of delay of Resources for PriorityClass7, interval 15-20 seconds

Data Source

NBSS BTS MO

Source Field

DistributionOfPriorityClass7Delay (Seq# 191[6])

Source Section

Advanced Sector MO

DistOfPriorityClass7Delay_30

Distribution of delay of Resources for PriorityClass7, interval 20-30 seconds

Data Source

NBSS BTS MO

Source Field

DistributionOfPriorityClass7Delay (Seq# 191[7])

Source Section

Advanced Sector MO

DistOfPriorityClass7Delay_4

Distribution of delay of Resources for PriorityClass7, interval 2-4 seconds

Data Source

NBSS BTS MO

Source Field

DistributionOfPriorityClass7Delay (Seq# 191[1])

Source Section

Advanced Sector MO

DistOfPriorityClass7Delay_6

Distribution of delay of Resources for PriorityClass7, interval 4-6 seconds

Data Source

NBSS BTS MO

Source Field

DistributionOfPriorityClass7Delay (Seq# 191[2])

Source Section

Advanced Sector MO

DistOfPriorityClass7Delay_8

Distribution of delay of Resources for PriorityClass7, interval 6-8 seconds

Data Source

NBSS BTS MO

Source Field

DistributionOfPriorityClass7Delay (Seq# 191[3])

Source Section

Advanced Sector MO

DistOfPriorityClass7Delay_gt30

Distribution of delay of Resources for PriorityClass7, interval 30+ seconds

Data Source

NBSS BTS MO

Source Field

DistributionOfPriorityClass7Delay (Seq# 191[8])

Source Section

Advanced Sector MO

DistOfPriorityClass8Delay_10

Distribution of delay of Resources for PriorityClass8, interval 8-10 seconds

Data Source

NBSS BTS MO

Source Field

DistributionOfPriorityClass8Delay (Seq# 192[4])

Source Section

Advanced Sector MO

DistOfPriorityClass8Delay_15

Distribution of delay of Resources for PriorityClass8, interval 10-15 seconds

Data Source

NBSS BTS MO

Source Field

DistributionOfPriorityClass8Delay (Seq# 192[5])

Source Section

Advanced Sector MO

DistOfPriorityClass8Delay_2

Distribution of delay of Resources for PriorityClass8, interval 0-2 seconds

Data Source

NBSS BTS MO

Source Field

DistributionOfPriorityClass8Delay (Seq# 192[0])

Source Section

Advanced Sector MO

DistOfPriorityClass8Delay_20

Distribution of delay of Resources for PriorityClass8, interval 15-20 seconds

Data Source

NBSS BTS MO

Source Field

DistributionOfPriorityClass8Delay (Seq# 192[6])

Source Section

Advanced Sector MO

DistOfPriorityClass8Delay_30

Distribution of delay of Resources for PriorityClass8, interval 20-30 seconds

Data Source

NBSS BTS MO

Source Field

DistributionOfPriorityClass8Delay (Seq# 192[7])

Source Section

Advanced Sector MO

DistOfPriorityClass8Delay_4

Distribution of delay of Resources for PriorityClass8, interval 2-4 seconds

Data Source

NBSS BTS MO

Source Field

DistributionOfPriorityClass8Delay (Seq# 192[1])

Source Section

Advanced Sector MO

DistOfPriorityClass8Delay_6

Distribution of delay of Resources for PriorityClass8, interval 4-6 seconds

Data Source

NBSS BTS MO

Source Field

DistributionOfPriorityClass8Delay (Seq# 192[2])

Source Section

Advanced Sector MO

DistOfPriorityClass8Delay_8

Distribution of delay of Resources for PriorityClass8, interval 6-8 seconds

Data Source

NBSS BTS MO

Source Field

DistributionOfPriorityClass8Delay (Seq# 192[3])

Source Section

Advanced Sector MO

DistOfPriorityClass8Delay_gt30

Distribution of delay of Resources for PriorityClass8, interval 30+ seconds

Data Source

NBSS BTS MO

Source Field

DistributionOfPriorityClass8Delay (Seq# 192[8])

Source Section

Advanced Sector MO

DistOfPriorityClass9Delay_10

Distribution of delay of Resources for PriorityClass9, interval 8-10 seconds

Data Source

NBSS BTS MO

Source Field

DistributionOfPriorityClass9Delay (Seq# 193[4])

Source Section

Advanced Sector MO

DistOfPriorityClass9Delay_15

Distribution of delay of Resources for PriorityClass9, interval 10-15 seconds

Data Source

NBSS BTS MO

Source Field

DistributionOfPriorityClass9Delay (Seq# 193[5])

Source Section

Advanced Sector MO

DistOfPriorityClass9Delay_2

Distribution of delay of Resources for PriorityClass9, interval 0-2 seconds

Data Source

NBSS BTS MO

Source Field

DistributionOfPriorityClass9Delay (Seq# 193[0])

Source Section

Advanced Sector MO

DistOfPriorityClass9Delay_20

Distribution of delay of Resources for PriorityClass9, interval 15-20 seconds

Data Source

NBSS BTS MO

Source Field

DistributionOfPriorityClass9Delay (Seq# 193[6])

Source Section

Advanced Sector MO

DistOfPriorityClass9Delay_30

Distribution of delay of Resources for PriorityClass9, interval 20-30 seconds

Data Source

NBSS BTS MO

Source Field

DistributionOfPriorityClass9Delay (Seq# 193[7])

Source Section

Advanced Sector MO

DistOfPriorityClass9Delay_4

Distribution of delay of Resources for PriorityClass9, interval 2-4 seconds

Data Source

NBSS BTS MO

Source Field

DistributionOfPriorityClass9Delay (Seq# 193[1])

Source Section

Advanced Sector MO

DistOfPriorityClass9Delay_6

Distribution of delay of Resources for PriorityClass9, interval 4-6 seconds

Data Source

NBSS BTS MO

Source Field

DistributionOfPriorityClass9Delay (Seq# 193[2])

Source Section

Advanced Sector MO

DistOfPriorityClass9Delay_8

Distribution of delay of Resources for PriorityClass9, interval 6-8 seconds

Data Source

NBSS BTS MO

Source Field

DistributionOfPriorityClass9Delay (Seq# 193[3])

Source Section

Advanced Sector MO

DistOfPriorityClass9Delay_gt30

Distribution of delay of Resources for PriorityClass9, interval 30+ seconds

Data Source

NBSS BTS MO

Source Field

DistributionOfPriorityClass9Delay (Seq# 193[8])

Source Section

Advanced Sector MO

EHOBLKS

This register is pegged when a handoff is blocked due to no resources or no response for enhanced hard handoffs.

Data Source

MTX OM, SDM

Source Field

EHOBLKS

Source Section

OMMTXHO3

EHONSR

This register is pegged when there is no SAT and no handoff response for enhanced hard handoff.

Data Source

MTX OM, SDM

Source Field

EHONSR

Source Section

OMMTXHO3

EHOSATT

This register counts the number of hard handoff attempts based on enhanced handoff triggers.

Data Source

MTX OM, SDM

Source Field

EHOSATT

Source Section

OMMTXHO3

EHOSFL

This register is pegged after SAT timeout for enhanced hard handoffs.

Data Source

MTX OM, SDM

Source Field

EHOSFL

Source Section

OMMTXHO3

EHOSRJT

This register is pegged when an enhanced hard handoff is cancelled, failed, or ignored.

Data Source

MTX OM, SDM

Source Field

EHOSRJT

Source Section

OMMTXHO3

EHOSRLS

This register is pegged when the call is released after an enhanced hard handoff has been initiated.

Data Source

MTX OM, SDM

Source Field

EHOSRLS

Source Section

OMMTXHO3

EHOSSU

This register counts the number of hard handoff successes based on enhanced handoff triggers.

Data Source

MTX OM, SDM

Source Field

EHOSSU

Source Section

OMMTXHO3

FchHandoffNoBlocking2G0

Number of successful BTS resource allocations for a 2G non VPN based soft handoff

Data Source

NBSS BTS MO

Source Field

FchHandoffNoBlocking2G0 (Seq# 109)

Source Section

Advanced Sector MO

FchHandoffNoBlocking2G1

Number of successful BTS resource allocations for a 2G VPN based soft handoff

Data Source

NBSS BTS MO

Source Field

FchHandoffNoBlocking2G1 (Seq# 109)

Source Section

Advanced Sector MO

FchHandoffNonBlocking3GData

Number of successful BTS resource allocations for 3G data handoffs on the fundamental channel

Data Source

NBSS BTS MO

Source Field

FchHandoffNonBlocking3GData (Seq# 114)

Source Section

Advanced Sector MO

FchHandoffNonBlocking3GVoice

Number of successful BTS resource allocations for 3G voice handoffs on the fundamental channel

Data Source

NBSS BTS MO

Source Field

FchHandoffNonBlocking3GVoice (Seq# 113)

Source Section

Advanced Sector MO

FchOriginationNonBlocking2G

Number of successful BTS resource allocations for 2G calls

Data Source

NBSS BTS MO

Source Field

FchOriginationNonBlocking2G (Seq# 108)

Source Section

Advanced Sector MO

FchOriginationNonBlocking3GData

Number of successful BTS resource allocations for 3G data calls on the fundamental channel

Data Source

NBSS BTS MO

Source Field

FchOriginationNonBlocking3GData (Seq# 111)

Source Section

Advanced Sector MO

FchOriginationNonBlocking3GDowngrade2G

Number of successful BTS resource allocations for fundamental channel 2G calls which were downgraded from 3G call attempts

Data Source

NBSS BTS MO

Source Field

FchOriginationNonBlocking3GDowngrade2G (Seq# 112)

Source Section

Advanced Sector MO

FchOriginationNonBlocking3gDowngrade2gNoAcn

Pegged when FCH downgrade from 3G Voice to 2G Voice due to the lack of ACN addresses.

Data Source

NBSS BTS MO

Source Field

FchOriginationNonBlocking3gDowngrade2gNoAcn (Seq# 264)

Source Section

Advanced Sector MO

FchOriginationNonBlocking3gDowngrade2gNoBcn

Pegged when FCH downgrade from 3G Voice to 2G Voice due to the lack of BCN link capacity.

Data Source

NBSS BTS MO

Source Field

FchOriginationNonBlocking3gDowngrade2gNoBcn (Seq# 265)

Source Section

Advanced Sector MO

FchOriginationNonBlocking3GVoice

Number of successful BTS resource allocations for 3G voice calls on the fundamental channel.

Data Source

NBSS BTS MO

Source Field

FchOriginationNonBlocking3GVoice (Seq# 110)

Source Section

Advanced Sector MO

FFCH_PhysicalFrames

Physical frames with RLP data that are sent on all forward FCH setup

Data Source

NBSS BSC OMs

Source Field

FFCH_PhysicalFrames (Seq# 1)

Source Section

RLP Data Throughput (Group ID 11)

FFCH_ReTxRLP_DataBytes

Retransmitted RLP user-databytes (bearer data only) sent on all forward FCH setup

Data Source

NBSS BSC OMs

Source Field

FFCH_ReTxRLP_DataBytes (Seq# 11)

Source Section

RLP Data Throughput (Group ID 11)

FFCH_RLP_DataBytes

Original (excluding retransmitted) RLP user-databytes (bearer data only) sent on all forward FCH setup

Data Source

NBSS BSC OMs

Source Field

FFCH_RLP_DataBytes (Seq# 6)

Source Section

RLP Data Throughput (Group ID 11)

FFCH_RLP_Frames

RLP frames (containing bearer data) sent on all forward FCH setup

Data Source

NBSS BSC OMs

Source Field

FFCH_RLP_Frames (Seq# 16)

Source Section

RLP Data Throughput (Group ID 11)

FFCH_RLP_OverheadFrames

This OM provides the number of RLP overhead signaling frames sent over FCH in the forward direction.

Data Source

NBSS BSC OMs

Source Field

FFCH_RLP_OverheadFrames (Seq# 41)

Source Section

RLP Data Throughput (Group ID 11)

FFCH_RLP_ZeroPayloadFrames

This OM provides the number of RLP zero payload frames sent over FCH in the forward direction.

Data Source

NBSS BSC OMs

Source Field

FFCH_RLP_ZeroPayloadFrames (Seq# 42)

Source Section

RLP Data Throughput (Group ID 11)

ForwardTxPowerUsageHist_0_9

Forward transmit power usage histogram

Data Source

NBSS BTS MO

Source Field

ForwardTxPowerUsageHistogram (Seq# 235[0])

Source Section

Advanced Sector MO

ForwardTxPowerUsageHist_10_19

Forward transmit power usage histogram

Data Source

NBSS BTS MO

Source Field

ForwardTxPowerUsageHistogram (Seq# 235[1])

Source Section

Advanced Sector MO

ForwardTxPowerUsageHist_20_29

Forward transmit power usage histogram

Data Source

NBSS BTS MO

Source Field

ForwardTxPowerUsageHistogram (Seq# 235[2])

Source Section

Advanced Sector MO

ForwardTxPowerUsageHist_30_39

Forward transmit power usage histogram

Data Source

NBSS BTS MO

Source Field

ForwardTxPowerUsageHistogram (Seq# 235[3])

Source Section

Advanced Sector MO

ForwardTxPowerUsageHist_40_49

Forward transmit power usage histogram

Data Source

NBSS BTS MO

Source Field

ForwardTxPowerUsageHistogram (Seq# 235[4])

Source Section

Advanced Sector MO

ForwardTxPowerUsageHist_50_59

Forward transmit power usage histogram

Data Source

NBSS BTS MO

Source Field

ForwardTxPowerUsageHistogram (Seq# 235[5])

Source Section

Advanced Sector MO

ForwardTxPowerUsageHist_60_69

Forward transmit power usage histogram

Data Source

NBSS BTS MO

Source Field

ForwardTxPowerUsageHistogram (Seq# 235[6])

Source Section

Advanced Sector MO

ForwardTxPowerUsageHist_70_79

Forward transmit power usage histogram

Data Source

NBSS BTS MO

Source Field

ForwardTxPowerUsageHistogram (Seq# 235[7])

Source Section

Advanced Sector MO

ForwardTxPowerUsageHist_80_89

Forward transmit power usage histogram

Data Source

NBSS BTS MO

Source Field

ForwardTxPowerUsageHistogram (Seq# 235[8])

Source Section

Advanced Sector MO

ForwardTxPowerUsageHist_90_99

Forward transmit power usage histogram

Data Source

NBSS BTS MO

Source Field

ForwardTxPowerUsageHistogram (Seq# 235[9])

Source Section

Advanced Sector MO

FrameCntFSCH_RC3

Total number of forward frames for every user on the FSCH RC3. Increments proportionally, ie 2X frame pegs 2, 4X pegs 4 ,etc.

Data Source

NBSS BTS MO

Source Field

FrameCntFSCH (Seq# 129[0])

Source Section

Advanced Sector MO

FrameCntFSCH_RC4

Total number of forward frames for every user on the FSCH RC4. Increments proportionally, ie 2X frame pegs 2, 4X pegs 4 ,etc.

Data Source

NBSS BTS MO

Source Field

FrameCntFSCH (Seq# 129[1])

Source Section

Advanced Sector MO

FrameCntFSCH_RC5

Total number of forward frames for every user on the FSCH RC5. Increments proportionally, ie 2X frame pegs 2, 4X pegs 4 ,etc.

Data Source

NBSS BTS MO

Source Field

FrameCntFSCH (Seq# 129[2])

Source Section

Advanced Sector MO

FrameCntRSCH_RC3

RC3 Traffic Frame Count, summed across all users on sector

Data Source

NBSS BTS MO

Source Field

FrameCntRSCH (Seq# 204[0])

Source Section

Advanced Sector MO

FrameCntRSCH_RC4

RC4 Traffic Frame Count, summed across all users on sector

Data Source

NBSS BTS MO

Source Field

FrameCntRSCH (Seq# 204[1])

Source Section

Advanced Sector MO

FrameErrorRateGroupPeggingAttempts

This OM is the total number of attempts to peg the reference sector FER OM group for a specific EBID.

Data Source

NBSS BSC OMs

Source Field

FrameErrorRateGroupPeggingAttempts (Seq# 3)

Source Section

Pegging Limitation Exceeded (Group ID 31)

FrameErrorRateGroupPeggingFailures

This OM is the total number of failures to peg the reference sector FER OM group for a specific EBID.

Data Source

NBSS BSC OMs

Source Field

FrameErrorRateGroupPeggingFailures (Seq# 4)

Source Section

Pegging Limitation Exceeded (Group ID 31)

FSCH_BTS_Release_16X

This OM is pegged when the Fwd leg at 16x is pre-empted due to contention at BTS.

Data Source

NBSS BSC OMs

Source Field

FSCH_BTS_Release_16X (Seq# 8)

Source Section

SCH Radio Link Release (Group ID 21)

FSCH_BTS_Release_2X

This OM is pegged when the Fwd leg at 2x is pre-empted due to contention at BTS.

Data Source

NBSS BSC OMs

Source Field

FSCH_BTS_Release_2X (Seq# 5)

Source Section

SCH Radio Link Release (Group ID 21)

FSCH_BTS_Release_4X

This OM is pegged when the Fwd leg at 4x is pre-empted due to contention at BTS.

Data Source

NBSS BSC OMs

Source Field

FSCH_BTS_Release_4X (Seq# 6)

Source Section

SCH Radio Link Release (Group ID 21)

FSCH_BTS_Release_8X

This OM is pegged when the Fwd leg at 8x is pre-empted due to contention at BTS.

Data Source

NBSS BSC OMs

Source Field

FSCH_BTS_Release_8X (Seq# 7)

Source Section

SCH Radio Link Release (Group ID 21)

FSCH_CFDS_RadioConfig

Pegged if the FSCHBlock reason indicates SCH burst functionality has not been enabled through CFDS

Data Source

NBSS BSC OMs

Source Field

FSCH_CFDS_RadioConfig (Seq# 11)

Source Section

SCH Primary Radio Link Setup (Group ID 10)

FSCH_PhysicalFrames_16X

Physical frames with RLP data that are sent on all forward 16X SCH setup

Data Source

NBSS BSC OMs

Source Field

FSCH_PhysicalFrames_16X (Seq# 5)

Source Section

RLP Data Throughput (Group ID 11)

FSCH_PhysicalFrames_2X

Physical frames with RLP data that are sent on all forward 2X SCH setup

Data Source

NBSS BSC OMs

Source Field

FSCH_PhysicalFrames_2X (Seq# 2)

Source Section

RLP Data Throughput (Group ID 11)

FSCH_PhysicalFrames_4X

Physical frames with RLP data that are sent on all forward 4X SCH setup

Data Source

NBSS BSC OMs

Source Field

FSCH_PhysicalFrames_4X (Seq# 3)

Source Section

RLP Data Throughput (Group ID 11)

FSCH_PhysicalFrames_8X

Physical frames with RLP data that are sent on all forward 8X SCH setup

Data Source

NBSS BSC OMs

Source Field

FSCH_PhysicalFrames_8X (Seq# 4)

Source Section

RLP Data Throughput (Group ID 11)

FSCH_PilotRelease_16X

This OM is pegged when fwd burst at 16x is released if pilots selected by algorithm are not available.

Data Source

NBSS BSC OMs

Source Field

FSCH_PilotRelease_16X (Seq# 16)

Source Section

SCH Radio Link Release (Group ID 21)

FSCH_PilotRelease_2X

This OM is pegged when fwd burst at 2x is released if pilots selected by algorithm are not available.

Data Source

NBSS BSC OMs

Source Field

FSCH_PilotRelease_2X (Seq# 13)

Source Section

SCH Radio Link Release (Group ID 21)

FSCH_PilotRelease_4X

This OM is pegged when fwd burst at 4x is released if pilots selected by algorithm are not available.

Data Source

NBSS BSC OMs

Source Field

FSCH_PilotRelease_4X (Seq# 14)

Source Section

SCH Radio Link Release (Group ID 21)

FSCH_PilotRelease_8X

This OM is pegged when fwd burst at 8x is released if pilots selected by algorithm are not available.

Data Source

NBSS BSC OMs

Source Field

FSCH_PilotRelease_8X (Seq# 15)

Source Section

SCH Radio Link Release (Group ID 21)

FSCH_RequestRetract_16X

This OM is pegged when BSC retracts the queued 16x Forward burst request from BTS.

Data Source

NBSS BSC OMs

Source Field

FSCH_RequestRetract_16X (Seq# 4)

Source Section

SCH Radio Link Release (Group ID 21)

FSCH_RequestRetract_2X

This OM is pegged when BSC retracts the queued 2x Forward burst request from BTS.

Data Source

NBSS BSC OMs

Source Field

FSCH_RequestRetract_2X (Seq# 1)

Source Section

SCH Radio Link Release (Group ID 21)

FSCH_RequestRetract_4X

This OM is pegged when BSC retracts the queued 4x Forward burst request from BTS.

Data Source

NBSS BSC OMs

Source Field

FSCH_RequestRetract_4X (Seq# 2)

Source Section

SCH Radio Link Release (Group ID 21)

FSCH_RequestRetract_8X

This OM is pegged when BSC retracts the queued 8x Forward burst request from BTS.

Data Source

NBSS BSC OMs

Source Field

FSCH_RequestRetract_8X (Seq# 3)

Source Section

SCH Radio Link Release (Group ID 21)

FSCH_ReTxRLP_DataBytes_16X

Retransmitted RLP user-data-bytes (bearer data only) sent on all forward 16X SCH setup

Data Source

NBSS BSC OMs

Source Field

FSCH_ReTxRLP_DataBytes_16X (Seq# 15)

Source Section

RLP Data Throughput (Group ID 11)

FSCH_ReTxRLP_DataBytes_2X

Retransmitted RLP user-databytes (bearer data only) sent on all forward 2X SCH setup

Data Source

NBSS BSC OMs

Source Field

FSCH_ReTxRLP_DataBytes_2X (Seq# 12)

Source Section

RLP Data Throughput (Group ID 11)

FSCH_ReTxRLP_DataBytes_4X

Retransmitted RLP user-databytes (bearer data only) sent on all forward 4X SCH setup

Data Source

NBSS BSC OMs

Source Field

FSCH_ReTxRLP_DataBytes_4X (Seq# 13)

Source Section

RLP Data Throughput (Group ID 11)

FSCH_ReTxRLP_DataBytes_8X

Retransmitted RLP user-data-bytes (bearer data only) sent on all forward 8X SCH setup

Data Source

NBSS BSC OMs

Source Field

FSCH_ReTxRLP_DataBytes_8X (Seq# 14)

Source Section

RLP Data Throughput (Group ID 11)

FSCH_RLP_DataBytes_16X

Original (excluding retransmitted) RLP user-databytes (bearer data only) sent on all forward 16X SCH setup

Data Source

NBSS BSC OMs

Source Field

FSCH_RLP_DataBytes_16X (Seq# 10)

Source Section

RLP Data Throughput (Group ID 11)

FSCH_RLP_DataBytes_2X

Original (excluding retransmitted) RLP user-databytes (bearer data only) sent on all forward 2X SCH setup

Data Source

NBSS BSC OMs

Source Field

FSCH_RLP_DataBytes_2X (Seq# 7)

Source Section

RLP Data Throughput (Group ID 11)

FSCH_RLP_DataBytes_4X

Original (excluding retransmitted) RLP user-databytes (bearer data only) sent on all forward 4X SCH setup

Data Source

NBSS BSC OMs

Source Field

FSCH_RLP_DataBytes_4X (Seq# 8)

Source Section

RLP Data Throughput (Group ID 11)

FSCH_RLP_DataBytes_8X

Original (excluding retransmitted) RLP user-databytes (bearer data only) sent on all forward 8X SCH setup

Data Source

NBSS BSC OMs

Source Field

FSCH_RLP_DataBytes_8X (Seq# 9)

Source Section

RLP Data Throughput (Group ID 11)

FSCH_RLP_Frames_16X

RLP frames (containing bearer data) sent on all forward 16X SCH setup

Data Source

NBSS BSC OMs

Source Field

FSCH_RLP_Frames_16X (Seq# 20)

Source Section

RLP Data Throughput (Group ID 11)

FSCH_RLP_Frames_2X

RLP frames (containing bearer data) sent on all forward 2X SCH setup

Data Source

NBSS BSC OMs

Source Field

FSCH_RLP_Frames_2X (Seq# 17)

Source Section

RLP Data Throughput (Group ID 11)

FSCH_RLP_Frames_4X

RLP frames (containing bearer data) sent on all forward 4X SCH setup

Data Source

NBSS BSC OMs

Source Field

FSCH_RLP_Frames_4X (Seq# 18)

Source Section

RLP Data Throughput (Group ID 11)

FSCH_RLP_Frames_8X

RLP frames (containing bearer data) sent on all forward 8X SCH setup

Data Source

NBSS BSC OMs

Source Field

FSCH_RLP_Frames_8X (Seq# 19)

Source Section

RLP Data Throughput (Group ID 11)

FSCH_UpgradeRelease_2X_To_16X

This OM is pegged when the Fwd Burst is taken down from 2x data rate to attempt a Fwd SCH at a higher data rate at 16x.

Data Source

NBSS BSC OMs

Source Field

FSCH_UpgradeRelease_2X_To_16X (Seq# 23)

Source Section

SCH Radio Link Release (Group ID 21)

FSCH_UpgradeRelease_2X_To_4X

This OM is pegged when the Fwd Burst is taken down from 2x data rate to attempt a Fwd SCH at a higher data rate at 4x.

Data Source

NBSS BSC OMs

Source Field

FSCH_UpgradeRelease_2X_To_4X (Seq# 21)

Source Section

SCH Radio Link Release (Group ID 21)

FSCH_UpgradeRelease_2X_To_8X

This OM is pegged when the Fwd Burst is taken down from 2x data rate to attempt a Fwd SCH at a higher data rate at 8x.

Data Source

NBSS BSC OMs

Source Field

FSCH_UpgradeRelease_2X_To_8X (Seq# 22)

Source Section

SCH Radio Link Release (Group ID 21)

FSCH_UpgradeRelease_4X_To_16X

This OM is pegged when the Fwd Burst is taken down from 4x data rate to attempt a Fwd SCH at a higher data rate at 16x.

Data Source

NBSS BSC OMs

Source Field

FSCH_UpgradeRelease_4X_To_16X (Seq# 25)

Source Section

SCH Radio Link Release (Group ID 21)

FSCH_UpgradeRelease_4X_To_8X

This OM is pegged when the Fwd Burst is taken down from 4x data rate to attempt a Fwd SCH at a higher data rate at 8x.

Data Source

NBSS BSC OMs

Source Field

FSCH_UpgradeRelease_4X_To_8X (Seq# 24)

Source Section

SCH Radio Link Release (Group ID 21)

FSCH_UpgradeRelease_8X_To_16X

This OM is pegged when the Fwd Burst is taken down from 8x data rate to attempt a Fwd SCH at a higher data rate at 16x.

Data Source

NBSS BSC OMs

Source Field

FSCH_UpgradeRelease_8X_To_16X (Seq# 26)

Source Section

SCH Radio Link Release (Group ID 21)

FSCHAcnIdExhaustion

Pegged when the FSCHBlock reason indicates the setup request failed due to ACN ID Exhaustion.

Data Source

NBSS BSC OMs

Source Field

FSCHAcnIdExhaustion (Seq# 64)

Source Section

SCH Primary Radio Link Setup (Group ID 10)

FSCHBackHaulExhaustion

Pegged when the FSCHBlock reason indicates the setup request failed due to BackHaul Exhaustion.

Data Source

NBSS BSC OMs

Source Field

FSCHBackHaulExhaustion (Seq# 62)

Source Section

SCH Primary Radio Link Setup (Group ID 10)

FSCHBCNLinkExhaustion

Pegged when the FSCHBlock reason indicates the setup request failed due to BCNLink Exhaustion.

Data Source

NBSS BSC OMs

Source Field

FSCHBCNLinkExhaustion (Seq# 63)

Source Section

SCH Primary Radio Link Setup (Group ID 10)

FschDowngradeDuetoFwdPwr16x_2x

F-SCH Downgrade from 16x to 2x due to lack of enough forward power on BTS

Data Source

NBSS BTS MO

Source Field

FschDowngradeDuetoFwdPwr2 (Seq# 159[2])

Source Section

Advanced Sector MO

FschDowngradeDuetoFwdPwr16x_4x

F-SCH Downgrade from 16x to 4x due to lack of enough forward power on BTS

Data Source

NBSS BTS MO

Source Field

FschDowngradeDuetoFwdPwr1 (Seq# 159[1])

Source Section

Advanced Sector MO

FschDowngradeDuetoFwdPwr16x_8x

F-SCH Downgrade from 16x to 8x due to lack of enough forward power on BTS

Data Source

NBSS BTS MO

Source Field

FschDowngradeDuetoFwdPwr0 (Seq# 159[0])

Source Section

Advanced Sector MO

FschDowngradeDuetoFwdPwr4x_2x

F-SCH Downgrade from 4x to 2x due to lack of enough forward power on BTS

Data Source

NBSS BTS MO

Source Field

FschDowngradeDuetoFwdPwr5 (Seq# 159[5])

Source Section

Advanced Sector MO

FschDowngradeDuetoFwdPwr8x_2x

F-SCH Downgrade from 8x to 2x due to lack of enough forward power on BTS

Data Source

NBSS BTS MO

Source Field

FschDowngradeDuetoFwdPwr4 (Seq# 159[4])

Source Section

Advanced Sector MO

FschDowngradeDuetoFwdPwr8x_4x

F-SCH Downgrade from 8x to 4x due to lack of enough forward power on BTS

Data Source

NBSS BTS MO

Source Field

FschDowngradeDuetoFwdPwr3 (Seq# 159[3])

Source Section

Advanced Sector MO

FschDowngradeDueToNoBackhaul_16X_2X

Pegged when F-SCH downgrade occurs due to lack of enough Backhaul resources on BTS.

Data Source

NBSS BTS MO

Source Field

FschDowngradeDueToNoBackhaul (Seq# 261[2])

Source Section

Advanced Sector MO

FschDowngradeDueToNoBackhaul_16X_4X

Pegged when F-SCH downgrade occurs due to lack of enough Backhaul resources on BTS.

Data Source

NBSS BTS MO

Source Field

FschDowngradeDueToNoBackhaul (Seq# 261[1])

Source Section

Advanced Sector MO

FschDowngradeDueToNoBackhaul_16X_8X

Pegged when F-SCH downgrade occurs due to lack of enough Backhaul resources on BTS.

Data Source

NBSS BTS MO

Source Field

FschDowngradeDueToNoBackhaul (Seq# 261[0])

Source Section

Advanced Sector MO

FschDowngradeDueToNoBackhaul_4X_2X

Pegged when F-SCH downgrade occurs due to lack of enough Backhaul resources on BTS.

Data Source

NBSS BTS MO

Source Field

FschDowngradeDueToNoBackhaul (Seq# 261[5])

Source Section

Advanced Sector MO

FschDowngradeDueToNoBackhaul_8X_2X

Pegged when F-SCH downgrade occurs due to lack of enough Backhaul resources on BTS.

Data Source

NBSS BTS MO

Source Field

FschDowngradeDueToNoBackhaul (Seq# 261[4])

Source Section

Advanced Sector MO

FschDowngradeDueToNoBackhaul_8X_4X

Pegged when F-SCH downgrade occurs due to lack of enough Backhaul resources on BTS.

Data Source

NBSS BTS MO

Source Field

FschDowngradeDueToNoBackhaul (Seq# 261[3])

Source Section

Advanced Sector MO

FschDowngradeDueToNoBcn_16X_2X

Pegged when F-SCH downgrade occurs due to lack of enough BCN resources on BTS.

Data Source

NBSS BTS MO

Source Field

FschDowngradeDueToNoBcn (Seq# 260[2])

Source Section

Advanced Sector MO

FschDowngradeDueToNoBcn_16X_4X

Pegged when F-SCH downgrade occurs due to lack of enough BCN resources on BTS.

Data Source

NBSS BTS MO

Source Field

FschDowngradeDueToNoBcn (Seq# 260[1])

Source Section

Advanced Sector MO

FschDowngradeDueToNoBcn_16X_8X

Pegged when F-SCH downgrade occurs due to lack of enough BCN resources on BTS.

Data Source

NBSS BTS MO

Source Field

FschDowngradeDueToNoBcn (Seq# 260[0])

Source Section

Advanced Sector MO

FschDowngradeDueToNoBcn_4X_2X

Pegged when F-SCH downgrade occurs due to lack of enough BCN resources on BTS.

Data Source

NBSS BTS MO

Source Field

FschDowngradeDueToNoBcn (Seq# 260[5])

Source Section

Advanced Sector MO

FschDowngradeDueToNoBcn_8X_2X

Pegged when F-SCH downgrade occurs due to lack of enough BCN resources on BTS.

Data Source

NBSS BTS MO

Source Field

FschDowngradeDueToNoBcn (Seq# 260[4])

Source Section

Advanced Sector MO

FschDowngradeDueToNoBcn_8X_4X

Pegged when F-SCH downgrade occurs due to lack of enough BCN resources on BTS.

Data Source

NBSS BTS MO

Source Field

FschDowngradeDueToNoBcn (Seq# 260[3])

Source Section

Advanced Sector MO

FschDowngradeDuetoWC16x_2x

F-SCH Downgrade from 16x to 2x due to lack of enough Walsh Codes on BTS

Data Source

NBSS BTS MO

Source Field

FschDowngradeDuetoWC2 (Seq# 160[2])

Source Section

Advanced Sector MO

FschDowngradeDuetoWC16x_4x

F-SCH Downgrade from 16x to 4x due to lack of enough Walsh Codes on BTS

Data Source

NBSS BTS MO

Source Field

FschDowngradeDuetoWC1 (Seq# 160[1])

Source Section

Advanced Sector MO

FschDowngradeDuetoWC16x_8x

F-SCH Downgrade from 16x to 8x due to lack of enough Walsh Codes on BTS

Data Source

NBSS BTS MO

Source Field

FschDowngradeDuetoWC0 (Seq# 160[0])

Source Section

Advanced Sector MO

FschDowngradeDuetoWC4x_2x

F-SCH Downgrade from 4x to 2x due to lack of enough Walsh Codes on BTS

Data Source

NBSS BTS MO

Source Field

FschDowngradeDuetoWC5 (Seq# 160[5])

Source Section

Advanced Sector MO

FschDowngradeDuetoWC8x_2x

F-SCH Downgrade from 8x to 2x due to lack of enough Walsh Codes on BTS

Data Source

NBSS BTS MO

Source Field

FschDowngradeDuetoWC4 (Seq# 160[4])

Source Section

Advanced Sector MO

FschDowngradeDuetoWC8x_4x

F-SCH Downgrade from 8x to 4x due to lack of enough Walsh Codes on BTS

Data Source

NBSS BTS MO

Source Field

FschDowngradeDuetoWC3 (Seq# 160[3])

Source Section

Advanced Sector MO

FSCHDowngradePowerReqChange_16X_To_2X

This OM is pegged when the BSC downgrades a forward burst from 16X to 2X due to change in power requirements.

Data Source

NBSS BSC OMs

Source Field

FSCHDowngradePowerReqChange_16X_To_2X (Seq# 68)

Source Section

SCH Primary Radio Link Setup (Group ID 10)

FSCHDowngradePowerReqChange_16X_To_4X

This OM is pegged when the BSC downgrades a forward burst from 16X to 4X due to change in power requirements.

Data Source

NBSS BSC OMs

Source Field

FSCHDowngradePowerReqChange_16X_To_4X (Seq# 69)

Source Section

SCH Primary Radio Link Setup (Group ID 10)

FSCHDowngradePowerReqChange_16X_To_8X

This OM is pegged when the BSC downgrades a forward burst from 16X to 8X due to change in power requirements.

Data Source

NBSS BSC OMs

Source Field

FSCHDowngradePowerReqChange_16X_To_8X (Seq# 70)

Source Section

SCH Primary Radio Link Setup (Group ID 10)

FSCHDowngradePowerReqChange_4X_To_2X

This OM is pegged when the BSC downgrades a forward burst from 4X to 2X due to change in power requirements.

Data Source

NBSS BSC OMs

Source Field

FSCHDowngradePowerReqChange_4X_To_2X (Seq# 65)

Source Section

SCH Primary Radio Link Setup (Group ID 10)

FSCHDowngradePowerReqChange_8X_To_2X

This OM is pegged when the BSC downgrades a forward burst from 8X to 2X due to change in power requirements.

Data Source

NBSS BSC OMs

Source Field

FSCHDowngradePowerReqChange_8X_To_2X (Seq# 66)

Source Section

SCH Primary Radio Link Setup (Group ID 10)

FSCHDowngradePowerReqChange_8X_To_4X

This OM is pegged when the BSC downgrades a forward burst from 8X to 4X due to change in power requirements.

Data Source

NBSS BSC OMs

Source Field

FSCHDowngradePowerReqChange_8X_To_4X (Seq# 67)

Source Section

SCH Primary Radio Link Setup (Group ID 10)

FschDwngrdDueToExceedingMaxDataRate4x_2x

F-SCH Downgrade from 4x to 2x due to MaxFwdDataRate attribute limiting the maximum forward data rate

Data Source

NBSS BTS MO

Source Field

FschDowngradeDueToExceedingMaxDataRate (Seq# 162[5])

Source Section

Advanced Sector MO

FschDwngrdDueToExceedingMaxDataRate8x_2x

F-SCH Downgrade from 8x to 2x due to MaxFwdDataRate attribute limiting the maximum forward data rate

Data Source

NBSS BTS MO

Source Field

FschDowngradeDueToExceedingMaxDataRate (Seq# 162[4])

Source Section

Advanced Sector MO

FschDwngrdDueToExceedingMaxDataRate8x_4x

F-SCH Downgrade from 8x to 4x due to MaxFwdDataRate attribute limiting the maximum forward data rate

Data Source

NBSS BTS MO

Source Field

FschDowngradeDueToExceedingMaxDataRate (Seq# 162[3])

Source Section

Advanced Sector MO

FschDwngrdDueToExceedngMaxDataRate16x_2x

F-SCH Downgrade from 16x to 2x due to MaxFwdDataRate attribute limiting the maximum forward data rate

Data Source

NBSS BTS MO

Source Field

FschDowngradeDueToExceedingMaxDataRate (Seq# 162[2])

Source Section

Advanced Sector MO

FschDwngrdDueToExceedngMaxDataRate16x_4x

F-SCH Downgrade from 16x to 4x due to MaxFwdDataRate attribute limiting the maximum forward data rate

Data Source

NBSS BTS MO

Source Field

FschDowngradeDueToExceedingMaxDataRate (Seq# 162[1])

Source Section

Advanced Sector MO

FschDwngrdDueToExceedngMaxDataRate16x_8x

F-SCH Downgrade from 16x to 8x due to MaxFwdDataRate attribute limiting the maximum forward data rate

Data Source

NBSS BTS MO

Source Field

FschDowngradeDueToExceedingMaxDataRate (Seq# 162[0])

Source Section

Advanced Sector MO

FschDwngrdDuetoPhysRes16x_2x

F-SCH Downgrade from 16x to 2x due to lack of enough physical resources on BTS

Data Source

NBSS BTS MO

Source Field

FschDowngradeDuetoPhysRes2 (Seq# 161[2])

Source Section

Advanced Sector MO

FschDwngrdDuetoPhysRes16x_4x

F-SCH Downgrade from 16x to 4x due to lack of enough physical resources on BTS

Data Source

NBSS BTS MO

Source Field

FschDowngradeDuetoPhysRes1 (Seq# 161[1])

Source Section

Advanced Sector MO

FschDwngrdDuetoPhysRes16x_8x

F-SCH Downgrade from 16x to 8x due to lack of enough physical resources on BTS

Data Source

NBSS BTS MO

Source Field

FschDowngradeDuetoPhysRes0 (Seq# 161[0])

Source Section

Advanced Sector MO

FschDwngrdDuetoPhysRes4x_2x

F-SCH Downgrade from 4x to 2x due to lack of enough physical resources on BTS

Data Source

NBSS BTS MO

Source Field

FschDowngradeDuetoPhysRes5 (Seq# 161[5])

Source Section

Advanced Sector MO

FschDwngrdDuetoPhysRes8x_2x

F-SCH Downgrade from 8x to 2x due to lack of enough physical resources on BTS

Data Source

NBSS BTS MO

Source Field

FschDowngradeDuetoPhysRes4 (Seq# 161[4])

Source Section

Advanced Sector MO

FschDwngrdDuetoPhysRes8x_4x

F-SCH Downgrade from 8x to 4x due to lack of enough physical resources on BTS

Data Source

NBSS BTS MO

Source Field

FschDowngradeDuetoPhysRes3 (Seq# 161[3])

Source Section

Advanced Sector MO

FSCHLinkDowngrade

Number of FSCH setup attempts that are not granted the requested data rate due to lack of resources but are granted a lower data rate

Data Source

NBSS BSC OMs

Source Field

FSCHLinkDowngrade (Seq# 3)

Source Section

SCH Primary Radio Link Setup (Group ID 10)

FSCHLinkSetupAttempts

Number of forward supplemental channel (FSCH) setup attempts

Data Source

NBSS BSC OMs

Source Field

FSCHLinkSetupAttempt (Seq# 1)

Source Section

SCH Primary Radio Link Setup (Group ID 10)

FSCHLinkSetupAttempts_16X

Forward 16X supplemental channel (FSCH) setup attempts

Data Source

NBSS BSC OMs

Source Field

FSCHLinkSetupAttempts_16X (Seq# 26)

Source Section

SCH Primary Radio Link Setup (Group ID 10)

FSCHLinkSetupAttempts_2X

Forward 2X supplemental channel (FSCH) setup attempts

Data Source

NBSS BSC OMs

Source Field

FSCHLinkSetupAttempts_2X (Seq# 23)

Source Section

SCH Primary Radio Link Setup (Group ID 10)

FSCHLinkSetupAttempts_4X

Forward 4X supplemental channel (FSCH) setup attempts

Data Source

NBSS BSC OMs

Source Field

FSCHLinkSetupAttempts_4X (Seq# 24)

Source Section

SCH Primary Radio Link Setup (Group ID 10)

FSCHLinkSetupAttempts_8X

Forward 8X supplemental channel (FSCH) setup attempts

Data Source

NBSS BSC OMs

Source Field

FSCHLinkSetupAttempts_8X (Seq# 25)

Source Section

SCH Primary Radio Link Setup (Group ID 10)

FSCHLinkSetupAttempts_Change_16X

This OM is pegged when the ESEL fair share algorithm downgrades a fwd SCH request that was already queued by the scheduler with a requested data rate of 16x.

Data Source

NBSS BSC OMs

Source Field

FSCHLinkSetupAttempts_Change_16X (Seq# 61)

Source Section

SCH Primary Radio Link Setup (Group ID 10)

FSCHLinkSetupAttempts_Change_4X

This OM is pegged when the ESEL fair share algorithm downgrades a fwd SCH request that was already queued by the scheduler with a requested data rate of 4x.

Data Source

NBSS BSC OMs

Source Field

FSCHLinkSetupAttempts_Change_4X (Seq# 59)

Source Section

SCH Primary Radio Link Setup (Group ID 10)

FSCHLinkSetupAttempts_Change_8X

This OM is pegged when the ESEL fair share algorithm downgrades a fwd SCH request that was already queued by the scheduler with a requested data rate of 8x.

Data Source

NBSS BSC OMs

Source Field

FSCHLinkSetupAttempts_Change_8X (Seq# 60)

Source Section

SCH Primary Radio Link Setup (Group ID 10)

FSCHLinkSetupBlock

Number of FSCH setup attempts that are blocked for lack of resources

Data Source

NBSS BSC OMs

Source Field

FSCHLinkSetupBlock (Seq# 2)

Source Section

SCH Primary Radio Link Setup (Group ID 10)

FSCHLinkSetupBlock_16X

16X FSCH setup attempts that are blocked for lack of resources

Data Source

NBSS BSC OMs

Source Field

FSCHLinkSetupBlock_16X (Seq# 30)

Source Section

SCH Primary Radio Link Setup (Group ID 10)

FSCHLinkSetupBlock_2X

2X FSCH setup attempts that are blocked for lack of resources

Data Source

NBSS BSC OMs

Source Field

FSCHLinkSetupBlock_2X (Seq# 27)

Source Section

SCH Primary Radio Link Setup (Group ID 10)

FSCHLinkSetupBlock_4X

4X FSCH setup attempts that are blocked for lack of resources

Data Source

NBSS BSC OMs

Source Field

FSCHLinkSetupBlock_4X (Seq# 28)

Source Section

SCH Primary Radio Link Setup (Group ID 10)

FSCHLinkSetupBlock_8X

8X FSCH setup attempts that are blocked for lack of resources

Data Source

NBSS BSC OMs

Source Field

FSCHLinkSetupBlock_8X (Seq# 29)

Source Section

SCH Primary Radio Link Setup (Group ID 10)

FSCHLinkSetupBlockSW_Error

This OM is pegged when the FSCH blocking reason indicates that the setup request failed due to non-resource and non-timeout related software conditions/erros for primary FSCH links.

Data Source

NBSS BSC OMs

Source Field

FSCHLinkSetupBlockSW_Error (Seq# 71)

Source Section

SCH Primary Radio Link Setup (Group ID 10)

FSCHLinkSetupSuccess

Number of FSCH setup successes

Data Source

NBSS BSC OMs

Source Field

FSCHLinkSetupSuccess (Seq# 4)

Source Section

SCH Primary Radio Link Setup (Group ID 10)

FSCHLinkSetupSuccess_16X

16X FSCH setup successes

Data Source

NBSS BSC OMs

Source Field

FSCHLinkSetupSuccess_16X (Seq# 34)

Source Section

SCH Primary Radio Link Setup (Group ID 10)

FSCHLinkSetupSuccess_2X

2X FSCH setup successes

Data Source

NBSS BSC OMs

Source Field

FSCHLinkSetupSuccess_2X (Seq# 31)

Source Section

SCH Primary Radio Link Setup (Group ID 10)

FSCHLinkSetupSuccess_4X

4X FSCH setup successes

Data Source

NBSS BSC OMs

Source Field

FSCHLinkSetupSuccess_4X (Seq# 32)

Source Section

SCH Primary Radio Link Setup (Group ID 10)

FSCHLinkSetupSuccess_8X

8X FSCH setup successes

Data Source

NBSS BSC OMs

Source Field

FSCHLinkSetupSuccess_8X (Seq# 33)

Source Section

SCH Primary Radio Link Setup (Group ID 10)

FSCHNoFrameOffset

Pegged if the FSCHBlock reason indicates there is no available frame offset

Data Source

NBSS BSC OMs

Source Field

FSCHNoFrameOffset (Seq# 9)

Source Section

SCH Radio Link Setup (Group ID 10)

FSCHNoFwdPower

Pegged if the FSCHBlock reason indicates a lack of available forward power

Data Source

NBSS BSC OMs

Source Field

FSCHNoFwdPower (Seq# 6)

Source Section

SCH Primary Radio Link Setup (Group ID 10)

FSCHNoPhysRes

Pegged if the FSCHBlock reason indicates there are no available channel elements

Data Source

NBSS BSC OMs

Source Field

FSCHNoPhysRes (Seq# 8)

Source Section

SCH Primary Radio Link Setup (Group ID 10)

FSCHNoWalshCode

Pegged if the FSCHBlock reason indicates a lack of available Walsh codes

Data Source

NBSS BSC OMs

Source Field

FSCHNoWalshCode (Seq# 7)

Source Section

SCH Primary Radio Link Setup (Group ID 10)

FSCHRadioLinkAccessFailure

This OM is pegged in the event the resources for the FSCH are set up successfully but the mobile does not arrive on the FSCH

Data Source

NBSS BSC OMs

Source Field

FSCHRadioLinkAccessFailure (Seq# 5)

Source Section

SCH Primary Radio Link Setup (Group ID 10)

FSCHRadioLinkAccessFailure_16X

Resources for the 16X FSCH are set up successfully but the mobile does not arrive on the FSCH

Data Source

NBSS BSC OMs

Source Field

FSCHRadioLinkAccessFailure_16X (Seq# 38)

Source Section

SCH Primary Radio Link Setup (Group ID 10)

FSCHRadioLinkAccessFailure_2X

Resources for the 2X FSCH are set up successfully but the mobile does not arrive on the FSCH

Data Source

NBSS BSC OMs

Source Field

FSCHRadioLinkAccessFailure_2X (Seq# 35)

Source Section

SCH Primary Radio Link Setup (Group ID 10)

FSCHRadioLinkAccessFailure_4X

Resources for the 4X FSCH are set up successfully but the mobile does not arrive on the FSCH

Data Source

NBSS BSC OMs

Source Field

FSCHRadioLinkAccessFailure_4X (Seq# 36)

Source Section

SCH Primary Radio Link Setup (Group ID 10)

FSCHRadioLinkAccessFailure_8X

Resources for the 8X FSCH are set up successfully but the mobile does not arrive on the FSCH

Data Source

NBSS BSC OMs

Source Field

FSCHRadioLinkAccessFailure_8X (Seq# 37)

Source Section

SCH Primary Radio Link Setup (Group ID 10)

FSCHTimeout

Pegged if a response to the BTS resource request is never received

Data Source

NBSS BSC OMs

Source Field

FSCHTimeout (Seq# 10)

Source Section

SCH Primary Radio Link Setup (Group ID 10)

FwdSCHBurstSetupPeakDelay

Maximum value that causes a peg in the DistributionofDataRateDelay

Data Source

NBSS BTS MO

Source Field

FwdSCHBurstSetupPeakDelay (Seq# 202)

Source Section

Advanced Sector MO

H3G2GATT

Pegs when the CM receives the handoff candidates message indicating that a 3G-to-2G hard handoff is being requested.

Data Source

MTX OM, SDM

Source Field

H3G2GATT

Source Section

OMMTXHO3

H3G2GBLK

Pegs when the CM receives an indication that a handoff setup failure has occurred due to a target cell resource allocation problem. This can happen when either a response is not received at all or when the response indicates resource shortages. Pegs for 3G-to-2G hard handoff trigger only.

Data Source

MTX OM, SDM

Source Field

H3G2GBLK

Source Section

OMMTXHO3

H3G2GNSR

Pegs when neither the SAT Present message (from the target cell) nor the handoff response message (from the source cell) is received within 10 seconds of the handoff process starting. Indicates that a handoff never occurred and does not indicate a dropped call. Pegs for 3G-to-2G hard handoff trigger only.

Data Source

MTX OM, SDM

Source Field

H3G2GNSR

Source Section

OMMTXHO3

H3G2GRJT

Pegs in rare conditions when the CM cannot allocate the handoff data block due to resource problems or any other reasons, or when CM is processing the handoff candidate message it finds that the VLR entry for the request MIN is not found, or when CM is in outpulsing, dialing, or collecting state when the handoff candidate message is received. Pegs for 3G-to-2G hard handoff trigger only.

Data Source

MTX OM, SDM

Source Field

H3G2GRJT

Source Section

OMMTXHO3

H3G2GRLS

Pegs when the call is released from either one of the mobiles after a hard handoff has been initiated. Pegs for 3G-to-2G hard handoff trigger only.

Data Source

MTX OM, SDM

Source Field

H3G2GRLS

Source Section

OMMTXHO3

H3G2GSFL

Pegs when the mobile does not arrive on the target traffic channel. Also pegs when CM call processing does not receive a SAT Present message from the CAU (intrasystem) or from the IS41 link (intersystem). Pegs for 3G-to-2G hard handoff trigger only.

Data Source

MTX OM, SDM

Source Field

H3G2GSFL

Source Section

OMMTXHO3

H3G2GSUC

Pegs when the CM receives an indication that the mobile arrived on the target traffic channel. Also pegs when the CM receives a SAT Present message from the CAU (intrasystem) or from a IS41 link (intersystem) for 3G-to-2G hard handoff trigger.

Data Source

MTX OM, SDM

Source Field

H3G2GSUC

Source Section

OMMTXHO3

InitFwdSchBurstQueued16X_CFDS_HS_RSCH

InitialFwdSchBurstQueued16X Reason: Valid only for RSCH Bursts and EnableHSReverseSchFeature is set to FALSE

Data Source

NBSS BTS MO

Source Field

InitialFwdSchBurstQueued16X (Seq# 179[7])

Source Section

Advanced Sector MO

InitFwdSchBurstQueued16X_CFDS_RCState

InitialFwdSchBurstQueued16X Reason: CFDS RadioConfigState attribute does not allow the type of call requested to be set up

Data Source

NBSS BTS MO

Source Field

InitialFwdSchBurstQueued16X (Seq# 179[6])

Source Section

Advanced Sector MO

InitFwdSchBurstQueued16X_ExceedCPUCap

InitialFwdSchBurstQueued16X Reason: XCEM CPU could not support additional burst

Data Source

NBSS BTS MO

Source Field

InitialFwdSchBurstQueued16X (Seq# 179[9])

Source Section

Advanced Sector MO

InitFwdSchBurstQueued16X_ExceedMaxRate

InitialFwdSchBurstQueued16X Reason: This element is currently not a valid blocking reason

Data Source

NBSS BTS MO

Source Field

InitialFwdSchBurstQueued16X (Seq# 179[8])

Source Section

Advanced Sector MO

InitFwdSchBurstQueued16X_NoExtCellSupport

InitialFwdSchBurstQueued16X Reason: This element is currently not a valid blocking reason

Data Source

NBSS BTS MO

Source Field

InitialFwdSchBurstQueued16X (Seq# 179[5])

Source Section

Advanced Sector MO

InitFwdSchBurstQueued16X_NoFrameOff

InitialFwdSchBurstQueued16X Reason: XCEM could not support needed frame offset

Data Source

NBSS BTS MO

Source Field

InitialFwdSchBurstQueued16X (Seq# 179[4])

Source Section

Advanced Sector MO

InitFwdSchBurstQueued16X_NoFwdCap

InitialFwdSchBurstQueued16X Reason: BTS Fwd Power surpassed level defined by call blocking threshold or MaxDataResources

Data Source

NBSS BTS MO

Source Field

InitialFwdSchBurstQueued16X (Seq# 179[1])

Source Section

Advanced Sector MO

InitFwdSchBurstQueued16X_NoPhyRes

InitialFwdSchBurstQueued16X Reason: XCEMs could not support additional calls

Data Source

NBSS BTS MO

Source Field

InitialFwdSchBurstQueued16X (Seq# 179[0])

Source Section

Advanced Sector MO

InitFwdSchBurstQueued16X_NoRevCap

InitialFwdSchBurstQueued16X Reason: Reverse Link Blocking is currently not supported

Data Source

NBSS BTS MO

Source Field

InitialFwdSchBurstQueued16X (Seq# 179[2])

Source Section

Advanced Sector MO

InitFwdSchBurstQueued16X_NoWC

InitialFwdSchBurstQueued16X Reason: No Walsh Codes available

Data Source

NBSS BTS MO

Source Field

InitialFwdSchBurstQueued16X (Seq# 179[3])

Source Section

Advanced Sector MO

InitFwdSchBurstQueued16X_QueueFull

InitialFwdSchBurstQueued16X Reason: BTS resources unavailable and queue is full

Data Source

NBSS BTS MO

Source Field

InitialFwdSchBurstQueued16X (Seq# 179[10])

Source Section

Advanced Sector MO

InitFwdSchBurstQueued2X_CFDS_HS_RSCH

InitialFwdSchBurstQueued2X Reason: Valid only for RSCH Bursts and EnableHSReverseSchFeature is set to FALSE

Data Source

NBSS BTS MO

Source Field

InitialFwdSchBurstQueued2X (Seq# 176[7])

Source Section

Advanced Sector MO

InitFwdSchBurstQueued2X_CFDS_RCState

InitialFwdSchBurstQueued2X Reason: CFDS RadioConfigState attribute does not allow the type of call requested to be set up

Data Source

NBSS BTS MO

Source Field

InitialFwdSchBurstQueued2X (Seq# 176[6])

Source Section

Advanced Sector MO

InitFwdSchBurstQueued2X_ExceedCPUCap

InitialFwdSchBurstQueued2X Reason: XCEM CPU could not support additional burst

Data Source

NBSS BTS MO

Source Field

InitialFwdSchBurstQueued2X (Seq# 176[9])

Source Section

Advanced Sector MO

InitFwdSchBurstQueued2X_ExceedMaxRate

InitialFwdSchBurstQueued2X Reason: This element is currently not a valid blocking reason

Data Source

NBSS BTS MO

Source Field

InitialFwdSchBurstQueued2X (Seq# 176[8])

Source Section

Advanced Sector MO

InitFwdSchBurstQueued2X_NoExtCellSupport

InitialFwdSchBurstQueued2X Reason: This element is currently not a valid blocking reason

Data Source

NBSS BTS MO

Source Field

InitialFwdSchBurstQueued2X (Seq# 176[5])

Source Section

Advanced Sector MO

InitFwdSchBurstQueued2X_NoFrameOff

InitialFwdSchBurstQueued2X Reason: XCEM could not support needed frame offset

Data Source

NBSS BTS MO

Source Field

InitialFwdSchBurstQueued2X (Seq# 176[4])

Source Section

Advanced Sector MO

InitFwdSchBurstQueued2X_NoFwdCap

InitialFwdSchBurstQueued2X Reason: BTS Fwd Power surpassed level defined by call blocking threshold or MaxDataResources

Data Source

NBSS BTS MO

Source Field

InitialFwdSchBurstQueued2X (Seq# 176[1])

Source Section

Advanced Sector MO

InitFwdSchBurstQueued2X_NoPhyRes

InitialFwdSchBurstQueued2X Reason: XCEMs could not support additional calls

Data Source

NBSS BTS MO

Source Field

InitialFwdSchBurstQueued2X (Seq# 176[0])

Source Section

Advanced Sector MO

InitFwdSchBurstQueued2X_NoRevCap

InitialFwdSchBurstQueued2X Reason: Reverse Link Blocking is currently not supported

Data Source

NBSS BTS MO

Source Field

InitialFwdSchBurstQueued2X (Seq# 176[2])

Source Section

Advanced Sector MO

InitFwdSchBurstQueued2X_NoWC

InitialFwdSchBurstQueued2X Reason: No Walsh Codes available

Data Source

NBSS BTS MO

Source Field

InitialFwdSchBurstQueued2X (Seq# 176[3])

Source Section

Advanced Sector MO

InitFwdSchBurstQueued2X_QueueFull

InitialFwdSchBurstQueued2X Reason: BTS resources unavailable and queue is full

Data Source

NBSS BTS MO

Source Field

InitialFwdSchBurstQueued2X (Seq# 176[10])

Source Section

Advanced Sector MO

InitFwdSchBurstQueued4X_CFDS_HS_RSCH

InitialFwdSchBurstQueued4X Reason: Valid only for RSCH Bursts and
EnableHSReverseSchFeature is set to FALSE

Data Source

NBSS BTS MO

Source Field

InitialFwdSchBurstQueued4X (Seq# 177[7])

Source Section

Advanced Sector MO

InitFwdSchBurstQueued4X_CFDS_RCState

InitialFwdSchBurstQueued4X Reason: CFDS RadioConfigState attribute does not allow the type of call requested to be set up

Data Source

NBSS BTS MO

Source Field

InitialFwdSchBurstQueued4X (Seq# 177[6])

Source Section

Advanced Sector MO

InitFwdSchBurstQueued4X_ExceedCPUCap

InitialFwdSchBurstQueued4X Reason: XCEM CPU could not support additional burst

Data Source

NBSS BTS MO

Source Field

InitialFwdSchBurstQueued4X (Seq# 177[9])

Source Section

Advanced Sector MO

InitFwdSchBurstQueued4X_ExceedMaxRate

InitialFwdSchBurstQueued4X Reason: This element is currently not a valid blocking reason

Data Source

NBSS BTS MO

Source Field

InitialFwdSchBurstQueued4X (Seq# 177[8])

Source Section

Advanced Sector MO

InitFwdSchBurstQueued4X_NoExtCellSupport

InitialFwdSchBurstQueued4X Reason: This element is currently not a valid blocking reason

Data Source

NBSS BTS MO

Source Field

InitialFwdSchBurstQueued4X (Seq# 177[5])

Source Section

Advanced Sector MO

InitFwdSchBurstQueued4X_NoFrameOff

InitialFwdSchBurstQueued4X Reason: XCEM could not support needed frame offset

Data Source

NBSS BTS MO

Source Field

InitialFwdSchBurstQueued4X (Seq# 177[4])

Source Section

Advanced Sector MO

InitFwdSchBurstQueued4X_NoFwdCap

InitialFwdSchBurstQueued4X Reason: BTS Fwd Power surpassed level defined by call blocking threshold or MaxDataResources

Data Source

NBSS BTS MO

Source Field

InitialFwdSchBurstQueued4X (Seq# 177[1])

Source Section

Advanced Sector MO

InitFwdSchBurstQueued4X_NoPhyRes

InitialFwdSchBurstQueued4X Reason: XCEMs could not support additional calls

Data Source

NBSS BTS MO

Source Field

InitialFwdSchBurstQueued4X (Seq# 177[0])

Source Section

Advanced Sector MO

InitFwdSchBurstQueued4X_NoRevCap

InitialFwdSchBurstQueued4X Reason: Reverse Link Blocking is currently not supported

Data Source

NBSS BTS MO

Source Field

InitialFwdSchBurstQueued4X (Seq# 177[2])

Source Section

Advanced Sector MO

InitFwdSchBurstQueued4X_NoWC

InitialFwdSchBurstQueued4X Reason: No Walsh Codes available

Data Source

NBSS BTS MO

Source Field

InitialFwdSchBurstQueued4X (Seq# 177[3])

Source Section

Advanced Sector MO

InitFwdSchBurstQueued4X_QueueFull

InitialFwdSchBurstQueued4X Reason: BTS resources unavailable and queue is full

Data Source

NBSS BTS MO

Source Field

InitialFwdSchBurstQueued4X (Seq# 177[10])

Source Section

Advanced Sector MO

InitFwdSchBurstQueued8X_CFDS_HS_RSCH

InitialFwdSchBurstQueued8X Reason: Valid only for RSCH Bursts and EnableHSReverseSchFeature is set to FALSE

Data Source

NBSS BTS MO

Source Field

InitialFwdSchBurstQueued8X (Seq# 178[7])

Source Section

Advanced Sector MO

InitFwdSchBurstQueued8X_CFDS_RCState

InitialFwdSchBurstQueued8X Reason: CFDS RadioConfigState attribute does not allow the type of call requested to be set up

Data Source

NBSS BTS MO

Source Field

InitialFwdSchBurstQueued8X (Seq# 178[6])

Source Section

Advanced Sector MO

InitFwdSchBurstQueued8X_ExceedCPUCap

InitialFwdSchBurstQueued8X Reason: XCEM CPU could not support additional burst

Data Source

NBSS BTS MO

Source Field

InitialFwdSchBurstQueued8X (Seq# 178[9])

Source Section

Advanced Sector MO

InitFwdSchBurstQueued8X_ExceedMaxRate

InitialFwdSchBurstQueued8X Reason: This element is currently not a valid blocking reason

Data Source

NBSS BTS MO

Source Field

InitialFwdSchBurstQueued8X (Seq# 178[8])

Source Section

Advanced Sector MO

InitFwdSchBurstQueued8X_NoExtCellSupport

InitialFwdSchBurstQueued8X Reason: This element is currently not a valid blocking reason

Data Source

NBSS BTS MO

Source Field

InitialFwdSchBurstQueued8X (Seq# 178[5])

Source Section

Advanced Sector MO

InitFwdSchBurstQueued8X_NoFrameOff

InitialFwdSchBurstQueued8X Reason: XCEM could not support needed frame offset

Data Source

NBSS BTS MO

Source Field

InitialFwdSchBurstQueued8X (Seq# 178[4])

Source Section

Advanced Sector MO

InitFwdSchBurstQueued8X_NoFwdCap

InitialFwdSchBurstQueued8X Reason: BTS Fwd Power surpassed level defined by call blocking threshold or MaxDataResources

Data Source

NBSS BTS MO

Source Field

InitialFwdSchBurstQueued8X (Seq# 178[1])

Source Section

Advanced Sector MO

InitFwdSchBurstQueued8X_NoPhyRes

InitialFwdSchBurstQueued8X Reason: XCEMs could not support additional calls

Data Source

NBSS BTS MO

Source Field

InitialFwdSchBurstQueued8X (Seq# 178[0])

Source Section

Advanced Sector MO

InitFwdSchBurstQueued8X_NoRevCap

InitialFwdSchBurstQueued8X Reason: Reverse Link Blocking is currently not supported

Data Source

NBSS BTS MO

Source Field

InitialFwdSchBurstQueued8X (Seq# 178[2])

Source Section

Advanced Sector MO

InitFwdSchBurstQueued8X_NoWC

InitialFwdSchBurstQueued8X Reason: No Walsh Codes available

Data Source

NBSS BTS MO

Source Field

InitialFwdSchBurstQueued8X (Seq# 178[3])

Source Section

Advanced Sector MO

InitFwdSchBurstQueued8X_QueueFull

InitialFwdSchBurstQueued8X Reason: BTS resources unavailable and queue is full

Data Source

NBSS BTS MO

Source Field

InitialFwdSchBurstQueued8X (Seq# 178[10])

Source Section

Advanced Sector MO

MaxFSCHQueueLength

Maximum number of queued burst requests over the reporting period

Data Source

NBSS BTS MO

Source Field

MaximumFSCHQueueLength (Seq# 203)

Source Section

Advanced Sector MO

MctaFull

Number of times that the CDA determined that the sector carrier could not support an additional call

Data Source

NBSS BTS MO

Source Field

MctaFull (Seq# 125)

Source Section

Advanced Sector MO

MctaFull_Excluded2G

Pegged when the carrier is excluded by BSC due to RTD filtering from Carrier Determination Algorithm (CDA) for 2G calls.

Data Source

NBSS BTS MO

Source Field

2G_MctaFull (Seq# 143[10])

Source Section

Advanced Sector MO

MctaFull_Excluded3GD

Pegged when the carrier is excluded by BSC due to RTD filtering from Carrier Determination Algorithm (CDA) for 3G data calls.

Data Source

NBSS BTS MO

Source Field

3GD_MctaFull (Seq# 145[10])

Source Section

Advanced Sector MO

MctaFull_Excluded3GV

Pegged when the carrier is excluded by BSC due to RTD filtering from Carrier Determination Algorithm (CDA) for 3G voice calls.

Data Source

NBSS BTS MO

Source Field

3GV_MctaFull (Seq# 144[10])

Source Section

Advanced Sector MO

MctaFull_GSRFiltered2G

Pegged when the carrier is excluded due to GSR/EGSR filtering from Carrier Determination Algorithm (CDA) for 2G calls.

Data Source

NBSS BTS MO

Source Field

2G_MctaFull (Seq# 143[9])

Source Section

Advanced Sector MO

MctaFull_GSRFiltered3GD

Pegged when the carrier is excluded due to GSR/EGSR filtering from Carrier Determination Algorithm (CDA) for 3G data calls.

Data Source

NBSS BTS MO

Source Field

3GD_MctaFull (Seq# 145[9])

Source Section

Advanced Sector MO

MctaFull_GSRFiltered3GV

Pegged when the carrier is excluded due to GSR/EGSR filtering from Carrier Determination Algorithm (CDA) for 3G voice calls.

Data Source

NBSS BTS MO

Source Field

3GV_MctaFull (Seq# 144[9])

Source Section

Advanced Sector MO

MctaFull_NoACN2G

Pegged when the capacity estimate for the carrier is zero due to no ACN resource

Data Source

NBSS BTS MO

Source Field

2G_MctaFull (Seq# 143[8])

Source Section

Advanced Sector MO

MctaFull_NoACN3GD

Pegged when the capacity estimate for the carrier is zero due to no ACN resource

Data Source

NBSS BTS MO

Source Field

3GD_MctaFull (Seq# 145[8])

Source Section

Advanced Sector MO

MctaFull_NoACN3GV

Pegged when the capacity estimate for the carrier is zero due to no ACN resource

Data Source

NBSS BTS MO

Source Field

3GV_MctaFull (Seq# 144[8])

Source Section

Advanced Sector MO

MctaFull_NoBackhaul2G

Pegged when the capacity estimate for the carrier is zero due to no Backhaul resource

Data Source

NBSS BTS MO

Source Field

2G_MctaFull (Seq# 143[7])

Source Section

Advanced Sector MO

MctaFull_NoBackhaul3GD

Pegged when the capacity estimate for the carrier is zero due to no Backhaul resource

Data Source

NBSS BTS MO

Source Field

3GD_MctaFull (Seq# 145[7])

Source Section

Advanced Sector MO

MctaFull_NoBackhaul3GV

Pegged when the capacity estimate for the carrier is zero due to no Backhaul resource

Data Source

NBSS BTS MO

Source Field

3GV_MctaFull (Seq# 144[7])

Source Section

Advanced Sector MO

MctaFull_NoBCN2G

Pegged when the capacity estimate for the carrier is zero due to no BCN resource

Data Source

NBSS BTS MO

Source Field

2G_MctaFull (Seq# 143[6])

Source Section

Advanced Sector MO

MctaFull_NoBCN3GD

Pegged when the capacity estimate for the carrier is zero due to no BCN resource

Data Source

NBSS BTS MO

Source Field

3GD_MctaFull (Seq# 145[6])

Source Section

Advanced Sector MO

MctaFull_NoBCN3GV

Pegged when the capacity estimate for the carrier is zero due to no BCN resource

Data Source

NBSS BTS MO

Source Field

3GV_MctaFull (Seq# 144[6])

Source Section

Advanced Sector MO

MctaFullFWCAP2G

Pegged when the capacity estimate for the carrier is zero due to no forward capacity (i.e. power) available for the carrier

Data Source

NBSS BTS MO

Source Field

MctaFullFWCAP2G (Seq# 143[3])

Source Section

Advanced Sector MO

MctaFullFWCAP3GD

Pegged when the capacity estimate for the carrier is zero due to no forward capacity (i.e. power) available for the carrier

Data Source

NBSS BTS MO

Source Field

MctaFullFWCAP3GD (Seq# 145[3])

Source Section

Advanced Sector MO

MctaFullFWCAP3GV

Pegged when the capacity estimate for the carrier is zero due to no forward capacity (i.e. power) available for the carrier.

Data Source

NBSS BTS MO

Source Field

MctaFullFWCAP3GV (Seq# 144[3])

Source Section

Advanced Sector MO

MctaFullMctaAttempt2G

Pegged every time a carrier is queried as a result of either Capacity Request or Resource Request

Data Source

NBSS BTS MO

Source Field

MctaFullMctaAttempt2G (Seq# 143[0])

Source Section

Advanced Sector MO

MctaFullMctaAttempt3GD

Pegged every time a carrier is queried as a result of either Capacity Request or Resource Request

Data Source

NBSS BTS MO

Source Field

MctaFullMctaAttempt3GD (Seq# 145[0])

Source Section

Advanced Sector MO

MctaFullMctaAttempt3GV

Pegged every time a carrier is queried as a result of either Capacity Request or Resource Request

Data Source

NBSS BTS MO

Source Field

MctaFullMctaAttempt3GV (Seq# 144[0])

Source Section

Advanced Sector MO

MctaFullNoTCE2G

Pegged when the capacity estimate for the carrier is zero due to no TCE available for the carrier.

Data Source

NBSS BTS MO

Source Field

MctaFullNoTCE2G (Seq# 143[1])

Source Section

Advanced Sector MO

MctaFullNoTCE3GD

Pegged when the capacity estimate for the carrier is zero due to no TCE available for the carrier

Data Source

NBSS BTS MO

Source Field

MctaFullNoTCE3GD (Seq# 145[1])

Source Section

Advanced Sector MO

MctaFullNoTCE3GV

Pegged when the capacity estimate for the carrier is zero due to no TCE available for the carrier

Data Source

NBSS BTS MO

Source Field

MctaFullNoTCE3GV (Seq# 144[1])

Source Section

Advanced Sector MO

MctaFullNoWCD2G

Pegged when the capacity estimate for the carrier is zero due to noWalsh Codes available for the carrier.

Data Source

NBSS BTS MO

Source Field

MctaFullNoWCD2G (Seq# 143[2])

Source Section

Advanced Sector MO

MctaFullNoWCD3GD

Pegged when the capacity estimate for the carrier is zero due to no Walsh Codes available for the carrier

Data Source

NBSS BTS MO

Source Field

MctaFullNoWCD3GD (Seq# 145[2])

Source Section

Advanced Sector MO

MctaFullNoWCD3GV

Pegged when the capacity estimate for the carrier is zero due to no Walsh Codes available for the carrier

Data Source

NBSS BTS MO

Source Field

MctaFullNoWCD3GV (Seq# 144[2])

Source Section

Advanced Sector MO

MctaFullRadio_Config2G

Pegged when the capacity estimate for the carrier is zero due to no Radio Config for the carrier that does not allow the type of call being requested.

Data Source

NBSS BTS MO

Source Field

MctaFullRadio_Config2G (Seq# 143[5])

Source Section

Advanced Sector MO

MctaFullRadio_Config3GD

Pegged when the capacity estimate for the carrier is zero due to no Radio Config for the carrier that does not allow the type of call being requested.

Data Source

NBSS BTS MO

Source Field

MctaFullRadio_Config3GD (Seq# 145[5])

Source Section

Advanced Sector MO

MctaFullRadio_Config3GV

Pegged when the capacity estimate for the carrier is zero due to no Radio Config for the carrier that does not allow the type of call being requested

Data Source

NBSS BTS MO

Source Field

MctaFullRadio_Config3GV (Seq# 144[5])

Source Section

Advanced Sector MO

MctaFullRECAP2G

Pegged when the capacity estimate for the carrier is zero due to no reverse capacity available for the carrier

Data Source

NBSS BTS MO

Source Field

MctaFullRECAP2G (Seq# 143[4])

Source Section

Advanced Sector MO

MctaFullRECAP3GD

Pegged when the capacity estimate for the carrier is zero due to no reverse capacity available for the carrier

Data Source

NBSS BTS MO

Source Field

MctaFullRECAP3GD (Seq# 145[4])

Source Section

Advanced Sector MO

MctaFullRECAP3GV

Pegged when the capacity estimate for the carrier is zero due to no reverse capacity available for the carrier.

Data Source

NBSS BTS MO

Source Field

MctaFullRECAP3GV (Seq# 144[4])

Source Section

Advanced Sector MO

MCTAREQN

Capacity request is either full or not available when the MCTA succ selects an alternative frequency

Data Source

MTX OM, SDM

Source Field

MCTAREQN

Source Section

CAUCPFRQ

MCTAREQN3GD

3GD Capacity request is either full or not available when the MCTA succ selects an alternative frequency

Data Source

MTX OM, SDM

Source Field

MCTAREQN

Source Section

CAUFRQ3D

MCTAREQN3GV

3GV Capacity request is either full or not available when the MCTA succ selects an alternative frequency

Data Source

MTX OM, SDM

Source Field

MCTAREQN

Source Section

CAUFRQ3V

MCTAREQT

Timeout is identified and the MCTA successfully selects an alternative frequency

Data Source

MTX OM, SDM

Source Field

MCTAREQT

Source Section

CAUCPFRQ

MCTAREQT3GD

3GD Timeout is identified and the MCTA successfully selects an alternative frequency

Data Source

MTX OM, SDM

Source Field

MCTAREQT

Source Section

CAUFRQ3D

MCTAREQT3GV

3GV Timeout is identified and the MCTA successfully selects an alternative frequency

Data Source

MTX OM, SDM

Source Field

MCTAREQT

Source Section

CAUFRQ3V

MCTAROFB

This OM counts the number of re-originations received on the same Frequency Band as prior to the MMTA cross-band redirection for 2G Voice Call. This OM is pegged on CAU while handling the Setup Conversation message. MCTAROFB OM is pegged on a per cell per sector per frequency.

Data Source

SDM

Source Field

MCTAROFB

Source Section

CAUXTRFQ

MCTAROFB3GD

This OM counts the number of re-originations received on the same Frequency Band as prior to the MMTA cross-band redirection for 3G Data Call. This OM is pegged on CAU while handling the Setup Conversation message. MCTAROFB OM is pegged on a per cell per sector per frequency.

Data Source

SDM

Source Field

MCTAROFB

Source Section

CAUXTF3D

MCTAROFB3GV

This OM counts the number of re-originations received on the same Frequency Band as prior to the MMTA cross-band redirection for 3G Voice Call. This OM is pegged on CAU while handling the Setup Conversation message. MCTAROFB OM is pegged on a per cell per sector per frequency.

Data Source

SDM

Source Field

MCTAROFB

Source Section

CAUXTF3V

MCTARPFB

This OM counts the number of re-page responses received on the same Frequency Band as prior to the MMTA cross-band redirection. The OM is pegged on CAU while handling the Setup and wait for answer message. MCTARPFB OM is pegged on a per cell per sector per frequency.

Data Source

SDM

Source Field

MCTARPFB

Source Section

CAUXTFRQ

MCTARPFB3GD

This OM counts the number of re-page responses received on the same Frequency Band as prior to the MMTA cross-band redirection. The OM is pegged on CAU while handling the Setup and wait for answer message. MCTARPFB OM is pegged on a per cell per sector per frequency.

Data Source

SDM

Source Field

MCTARPFB

Source Section

CAUXTF3D

MCTARPF3GV

This OM counts the number of re-page responses received on the same Frequency Band as prior to the MMTA cross-band redirection. The OM is pegged on CAU while handling the Setup and wait for answer message. MCTARPF3 OM is pegged on a per cell per sector per frequency.

Data Source

SDM

Source Field

MCTARPF3

Source Section

CAUXTF3V

MCTARQFN

Pegs when the MCTA fails to select a frequency and capacity is full

Data Source

MTX OM, SDM

Source Field

MCTARQFN

Source Section

CAUCPFRQ

MCTARQFN3GD

3GD Pegs when the MCTA fails to select a frequency and capacity is full

Data Source

MTX OM, SDM

Source Field

MCTARQFN

Source Section

CAUFRQ3D

MCTARQFN3GV

3GV Pegs when the MCTA fails to select a frequency and capacity is full

Data Source

MTX OM, SDM

Source Field

MCTARQFN

Source Section

CAUFRQ3V

MCTBTSBK

Pegs when a BTS blocking reason is reported in a failure response message from the Radio Link Manager during a call setup attempt.

Data Source

MTX OM, SDM

Source Field

MCTBTSBK

Source Section

CAUCPFRQ

MCTBTSBK3GD

3GD Pegs when a BTS blocking reason is reported in a failure response message from the Radio Link Manager during a call setup attempt.

Data Source

MTX OM, SDM

Source Field

MCTBTSBK

Source Section

CAUFRQ3D

MCTBTSBK3GV

3GV Pegs when a BTS blocking reason is reported in a failure response message from the Radio Link Manager during a call setup attempt.

Data Source

MTX OM, SDM

Source Field

MCTBTSBK

Source Section

CAUFRQ3V

MCTDROPR

Pegs when a MCTA call Drp during conversation

Data Source

MTX OM, SDM

Source Field

MCTDROPR

Source Section

CAUCPFRQ

MCTDROPR3GD

3GD Pegs when a MCTA call Drp during conversation

Data Source

MTX OM, SDM

Source Field

MCTDROPR

Source Section

CAUFRQ3D

MCTDROPR3GV

3GV Pegs when a MCTA call Drp during conversation

Data Source

MTX OM, SDM

Source Field

MCTDROPR

Source Section

CAUFRQ3V

MCTERLFL

Pegs when a radio link failure occurs

Data Source

MTX OM, SDM

Source Field

MCTERLFL

Source Section

CAUCPFRQ

MCTERLFL3GD

3GD Pegs when a radio link failure occurs

Data Source

MTX OM, SDM

Source Field

MCTERLFL

Source Section

CAUFRQ3D

MCTERLFL3GV

3GV Pegs when a radio link failure occurs

Data Source

MTX OM, SDM

Source Field

MCTERLFL

Source Section

CAUFRQ3V

MCTERSFL

MCTERSFL

Data Source

MTX OM, SDM

Source Field

MCTERSFL

Source Section

CAUCPFRQ

MCTERSFL3GD

3GD MCTERSFL

Data Source

MTX OM, SDM

Source Field

MCTERSFL

Source Section

CAUFRQ3D

MCTERSFL3GV

3GV MCTERSFL

Data Source

MTX OM, SDM

Source Field

MCTERSFL

Source Section

CAUFRQ3V

MCTFWCAP

Pegs when the forward capacity is full

Data Source

MTX OM, SDM

Source Field

MCTFWCAP

Source Section

CAUCPFRQ

MCTFWCAP3GD

3GD Pegs when the forward capacity is full

Data Source

MTX OM, SDM

Source Field

MCTFWCAP

Source Section

CAUFRQ3D

MCTFWCAP3GV

3GV Pegs when the forward capacity is full

Data Source

MTX OM, SDM

Source Field

MCTFWCAP

Source Section

CAUFRQ3V

MCTHATTS

Pegs when hard handoff attempt continue on a frequency chosen by the MCTA

Data Source

MTX OM, SDM

Source Field

MCTHATTS

Source Section

CAUCPFRQ

MCTHATTS3GD

3GD Pegs when hard handoff attempt continue on a frequency chosen by the MCTA

Data Source

MTX OM, SDM

Source Field

MCTHATTS

Source Section

CAUFRQ3D

MCTHATTS3GV

3GV Pegs when hard handoff attempt continue on a frequency chosen by the MCTA

Data Source

MTX OM, SDM

Source Field

MCTHATTS

Source Section

CAUFRQ3V

MCTHCATT

MCTHCATT

Data Source

MTX OM, SDM

Source Field

MCTHCATT

Source Section

CAUCPFRQ

MCTHCATT3GD

3GD MCTHCATT

Data Source

MTX OM, SDM

Source Field

MCTHCATT

Source Section

CAUFRQ3D

MCTHCATT3GV

3GV MCTHCATT

Data Source

MTX OM, SDM

Source Field

MCTHCATT

Source Section

CAUFRQ3V

MCTHRLFL

Pegs when a hard handoff radio link setup failure occurs on an MCTA frequency

Data Source

MTX OM, SDM

Source Field

MCTHRLFL

Source Section

CAUCPFRQ

MCTHRLFL3GD

3GD Pegs when a hard handoff radio link setup failure occurs on an MCTA frequency

Data Source

MTX OM, SDM

Source Field

MCTHRLFL

Source Section

CAUFRQ3D

MCTHRLFL3GV

3GV Pegs when a hard handoff radio link setup failure occurs on an MCTA frequency

Data Source

MTX OM, SDM

Source Field

MCTHRLFL

Source Section

CAUFRQ3V

MCTHSUCC

Pegs when hard handoff resources are successfully Alloc on an MCTA frequency

Data Source

MTX OM, SDM

Source Field

MCTHSUCC

Source Section

CAUCPFRQ

MCTHSUCC3GD

3GD Pegs when hard handoff resources are successfully Alloc on an MCTA frequency

Data Source

MTX OM, SDM

Source Field

MCTHSUCC

Source Section

CAUFRQ3D

MCTHSUCC3GV

3GV Pegs when hard handoff resources are successfully Alloc on an MCTA frequency

Data Source

MTX OM, SDM

Source Field

MCTHSUCC

Source Section

CAUFRQ3V

MCTNOFOF

Pegs when a MCTA 3G call produces a No Frame Offset

Data Source

MTX OM, SDM

Source Field

MCTNOFOF

Source Section

CAUCPFRQ

MCTNOFOF3GD

3GD Pegs when a MCTA 3G call produces a No Frame Offset

Data Source

MTX OM, SDM

Source Field

MCTNOFOF

Source Section

CAUFRQ3D

MCTNOFOF3GV

3GV Pegs when a MCTA 3G call produces a No Frame Offset

Data Source

MTX OM, SDM

Source Field

MCTNOFOF

Source Section

CAUFRQ3V

MCTNOTCE

Pegs when there is no Tch available

Data Source

MTX OM, SDM

Source Field

MCTNOTCE

Source Section

CAUCPFRQ

MCTNOTCE3GD

3GD Pegs when there is no Tch available

Data Source

MTX OM, SDM

Source Field

MCTNOTCE

Source Section

CAUFRQ3D

MCTNOTCE3GV

3GV Pegs when there is no Tch available

Data Source

MTX OM, SDM

Source Field

MCTNOTCE

Source Section

CAUFRQ3V

MCTNOWCD

Pegs when Walsh code is not available

Data Source

MTX OM, SDM

Source Field

MCTNOWCD

Source Section

CAUCPFRQ

MCTNOWCD3GD

3GD Pegs when Walsh code is not available

Data Source

MTX OM, SDM

Source Field

MCTNOWCD

Source Section

CAUFRQ3D

MCTNOWCD3GV

3GV Pegs when Walsh code is not available

Data Source

MTX OM, SDM

Source Field

MCTNOWCD

Source Section

CAUFRQ3V

MCTOATTS

Pegs when an origination attempt continues on a frequency chosen by the MCTA

Data Source

MTX OM, SDM

Source Field

MCTOATTS

Source Section

CAUCPFRQ

MCTOATTS3GD

3GD Pegs when an origination attempt continues on a frequency chosen by the MCTA

Data Source

MTX OM, SDM

Source Field

MCTOATTS

Source Section

CAUFRQ3D

MCTOATTS3GV

3GV Pegs when an origination attempt continues on a frequency chosen by the MCTA

Data Source

MTX OM, SDM

Source Field

MCTOATTS

Source Section

CAUFRQ3V

MCTORIGS

Pegs when a mobile originates on an MCTA frequency

Data Source

MTX OM, SDM

Source Field

MCTORIGS

Source Section

CAUCPFRQ

MCTORIGS3GD

3GD Pegs when a mobile originates on an MCTA frequency

Data Source

MTX OM, SDM

Source Field

MCTORIGS

Source Section

CAUFRQ3D

MCTORIGS3GV

3GV Pegs when a mobile originates on an MCTA frequency

Data Source

MTX OM, SDM

Source Field

MCTORIGS

Source Section

CAUFRQ3V

MCTOSUCC

Pegs when a resource is successfully Alloc on an MCTA frequency for origination

Data Source

MTX OM, SDM

Source Field

MCTOSUCC

Source Section

CAUCPFRQ

MCTOSUCC3GD

3GD Pegs when a resource is successfully Alloc on an MCTA frequency for origination

Data Source

MTX OM, SDM

Source Field

MCTOSUCC

Source Section

CAUFRQ3D

MCTOSUCC3GV

3GV Pegs when a resource is successfully Alloc on an MCTA frequency for origination

Data Source

MTX OM, SDM

Source Field

MCTOSUCC

Source Section

CAUFRQ3V

MCTPGRES

Pegs when the MCTA sends a page response

Data Source

MTX OM, SDM

Source Field

MCTPGRES

Source Section

CAUCPFRQ

MCTPGRES3GD

3GD Pegs when the MCTA sends a page response

Data Source

MTX OM, SDM

Source Field

MCTPGRES

Source Section

CAUFRQ3D

MCTPGRES3GV

3GV Pegs when the MCTA sends a page response

Data Source

MTX OM, SDM

Source Field

MCTPGRES

Source Section

CAUFRQ3V

MCTPRRO

When TCR is disabled, this OM is pegged when a paging channel redirection is sent out to the mobile in order for the mobile to move to a carrier on the alternate band and re-send an origination message. When TCR is enabled, this OM is pegged on In-Band carrier when MTX receives radio link resource indicator or radio link setup response indicating TCR has been triggered for this call origination in BSC/EBSC.

Data Source

MTX OM, SDM

Source Field

MCTPRRO

Source Section

CAUXTFRQ

MCTPRRO3GD

3G data pegs - When TCR is disabled, this OM is pegged when a paging channel redirection is sent out to the mobile in order for the mobile to move to a carrier on the alternate band and re-send an origination message. When TCR is enabled, this OM is pegged on In-Band carrier when MTX receives radio link resource indicator or radio link setup response indicating TCR has been triggered for this call origination in BSC/EBSC.

Data Source

MTX OM, SDM

Source Field

MCTPRRO

Source Section

CAUXTF3D

MCTPRRO3GV

3G voice pegs - When TCR is disabled, this OM is pegged when a paging channel redirection is sent out to the mobile in order for the mobile to move to a carrier on the alternate band and re-send an origination message. When TCR is enabled, this OM is pegged on In-Band carrier when MTX receives radio link resource indicator or radio link setup response indicating TCR has been triggered for this call origination in BSC/EBSC.

Data Source

MTX OM, SDM

Source Field

MCTPRRO

Source Section

CAUXTF3V

MCTPRRT

When TCR is disabled, this OM is pegged when a paging channel redirection is sent out to the mobile in order for the mobile to move to a carrier on the alternate band and re-sends a page response. When TCR is enabled, this OM is pegged on the In-Band carrier when MTX receives radio link resource indicator or radio link setup response indicating TCR has been triggered for this call termination in BSC/EBSC.

Data Source

MTX OM, SDM

Source Field

MCTPRRT

Source Section

CAUXTRFQ

MCTPRRT3GD

3G data pegs - When TCR is disabled, this OM is pegged when a paging channel redirection is sent out to the mobile in order for the mobile to move to a carrier on the alternate band and re-sends a page response. When TCR is enabled, this OM is pegged on the In-Band carrier when MTX receives radio link resource indicator or radio link setup response indicating TCR has been triggered for this call termination in BSC/EBSC.

Data Source

MTX OM, SDM

Source Field

MCTPRRT

Source Section

CAUXTF3D

MCTPRRT3GV

3G voice peps - When TCR is disabled, this OM is pegged when a paging channel redirection is sent out to the mobile in order for the mobile to move to a carrier on the alternate band and re-sends a page response. When TCR is enabled, this OM is pegged on the In-Band carrier when MTX receives radio link resource indicator or radio link setup response indicating TCR has been triggered for this call termination in BSC/EBSC.

Data Source

MTX OM, SDM

Source Field

MCTPRRT

Source Section

CAUXTF3V

MCTPRSO

Pegs when the mobile re-send an origination message after the mobile was redirected to the alternate band.

Data Source

MTX OM, SDM

Source Field

MCTPRSO

Source Section

CAUXTFRQ

MCTPRSO3GD

3G data pegs when the mobile re-send a page response after the mobile was redirected to the alternate band.

Data Source

MTX OM, SDM

Source Field

MCTPRSO

Source Section

CAUXTF3D

MCTPRSO3GV

3G voice pegs when the mobile re-send an origination message after the mobile was redirected to the alternate band

Data Source

MTX OM, SDM

Source Field

MCTPRSO

Source Section

CAUXTF3V

MCTPRST

Pegs when the mobile re-send a page response after the mobile was redirected to the alternate band.

Data Source

MTX OM, SDM

Source Field

MCTPRST

Source Section

CAUXTFRQ

MCTPRST3GD

3G data pegs when the mobile re-send a page response after the mobile was redirected to the alternate band.

Data Source

MTX OM, SDM

Source Field

MCTPRST

Source Section

CAUXTF3D

MCTPRST3GV

3G voice pegs when the mobile re-send a page response after the mobile was redirected to the alternate band

Data Source

MTX OM, SDM

Source Field

MCTPRST

Source Section

CAUXTF3V

MCTRECAP

Pegs when the reverse capacity is full

Data Source

MTX OM, SDM

Source Field

MCTRECAP

Source Section

CAUCPFRQ

MCTRECAP3GD

3GD Pegs when the reverse capacity is full

Data Source

MTX OM, SDM

Source Field

MCTRECAP

Source Section

CAUFRQ3D

MCTRECAP3GV

3GV Pegs when the reverse capacity is full

Data Source

MTX OM, SDM

Source Field

MCTRECAP

Source Section

CAUFRQ3V

MCTREGIS

Pegs when there is a Reg from an MCTA frequency

Data Source

MTX OM, SDM

Source Field

MCTREGIS

Source Section

CAUCPFRQ

MCTREGIS3GD

3GD Pegs when there is a Reg from an MCTA frequency

Data Source

MTX OM, SDM

Source Field

MCTREGIS

Source Section

CAUFRQ3D

MCTREGIS3GV

3GV Pegs when there is a Reg from an MCTA frequency

Data Source

MTX OM, SDM

Source Field

MCTREGIS

Source Section

CAUFRQ3V

MCTRSOO

When TCR is enabled, this OM is pegged on the out-band carrier when MTX receives radio link resource indicator or radio link setup response indicating TCR has been triggered for this call origination in BSC/EBSC.

Data Source

SDM

Source Field

MCTRSOO

Source Section

CAUXTRQ

MCTRSOO3GD

3G data pegs - When TCR is enabled, this OM is pegged on the out-band carrier when MTX receives radio link resource indicator or radio link setup response indicating TCR has been triggered for this call origination in BSC/EBSC.

Data Source

SDM

Source Field

MCTRSOO

Source Section

CAUXTF3D

MCTRSOO3GV

3G voice peps - When TCR is enabled, this OM is pegged on the out-band carrier when MTX receives radio link resource indicator or radio link setup response indicating TCR has been triggered for this call origination in BSC/EBSC.

Data Source

SDM

Source Field

MCTRSOO

Source Section

CAUXTF3V

MCTRSTO

When TCR is enabled, this OM is pegged on the out-band carrier when MTX receives radio link resource indicator or radio link setup response indicating TCR has been triggered for this call termination in BSC.

Data Source

SDM

Source Field

MCTRSTO

Source Section

CAUXTFRQ

MCTRSTO3GD

3G data pegs - When TCR is enabled, this OM is pegged on the out-band carrier when MTX receives radio link resource indicator or radio link setup response indicating TCR has been triggered for this call termination in BSC.

Data Source

SDM

Source Field

MCTRSTO

Source Section

CAUXTF3D

MCTRSTO3GV

3G voice pegs - When TCR is enabled, this OM is pegged on the out-band carrier when MTX receives radio link resource indicator or radio link setup response indicating TCR has been triggered for this call termination in BSC.

Data Source

SDM

Source Field

MCTRSTO

Source Section

CAUXTF3V

MCTTATTS

Pegs when a termination attempt continues on a frequency chosen by the MCTA

Data Source

MTX OM, SDM

Source Field

MCTTATTS

Source Section

CAUCPFRQ

MCTTATTS3GD

3GD Pegs when a termination attempt continues on a frequency chosen by the MCTA

Data Source

MTX OM, SDM

Source Field

MCTTATTS

Source Section

CAUFRQ3D

MCTTATTS3GV

3GV Pegs when a termination attempt continues on a frequency chosen by the MCTA

Data Source

MTX OM, SDM

Source Field

MCTTATTS

Source Section

CAUFRQ3V

MCTTSUCC

Pegs when resources are successfully Alloc on an MCTA frequency for termination

Data Source

MTX OM, SDM

Source Field

MCTTSUCC

Source Section

CAUCPFRQ

MCTTSUCC3GD

3GD Pegs when resources are successfully Alloc on an MCTA frequency for termination

Data Source

MTX OM, SDM

Source Field

MCTTSUCC

Source Section

CAUFRQ3D

MCTTSUCC3GV

3GV Pegs when resources are successfully Alloc on an MCTA frequency for termination

Data Source

MTX OM, SDM

Source Field

MCTTSUCC

Source Section

CAUFRQ3V

MCWPSORY

Number of Multi-carrier WPS origination retries.

Data Source

MTX OM, SDM

Source Field

MCWPSORY

Source Section

CAUCPFRQ

MCWPSORY3GD

3GD Number of Multi-carrier WPS origination retries.

Data Source

MTX OM, SDM

Source Field

MCWPSORY

Source Section

CAUFRQ3D

MCWPSORY3GV

3GV Number of Multi-carrier WPS origination retries.

Data Source

MTX OM, SDM

Source Field

MCWPSORY

Source Section

CAUFRQ3V

MCWPSTRY

Number of Multi-carrier WPS termination retries.

Data Source

MTX OM, SDM

Source Field

MCWPSTRY

Source Section

CAUCPFRQ

MCWPSTRY3GD

3GD Number of Multi-carrier WPS termination retries.

Data Source

MTX OM, SDM

Source Field

MCWPSTRY

Source Section

CAUFRQ3D

MCWPSTRY3GV

3GV Number of Multi-carrier WPS termination retries.

Data Source

MTX OM, SDM

Source Field

MCWPSTRY

Source Section

CAUFRQ3V

MPRBLKS

If TCR is disabled, this OM is pegged when traffic channel setup fails due to resource blocking after mobile re-originate successfully on the out-band carrier. If TCR is enabled, this OM is pegged when traffic channel setup on the out-band carrier fails due to resource shortage after cross-band carrier is chosen successfully.

Data Source

MTX OM, SDM

Source Field

MPRBLKS

Source Section

CAUXTRFQ

MPRBLKS3GD

3G data pegs - If TCR is disabled, this OM is pegged when traffic channel setup fails due to resource blocking after mobile re-originate successfully on the out-band carrier. If TCR is enabled, this OM is pegged when traffic channel setup on the out-band carrier fails due to resource shortage after cross-band carrier is chosen successfully.

Data Source

MTX OM, SDM

Source Field

MPRBLKS

Source Section

CAUXTF3D

MPRBLKS3GV

3G voice pegs - If TCR is disabled, this OM is pegged when traffic channel setup fails due to resource blocking after mobile re-originate successfully on the out-band carrier. If TCR is enabled, this OM is pegged when traffic channel setup on the out-band carrier fails due to resource shortage after cross-band carrier is chosen successfully.

Data Source

MTX OM, SDM

Source Field

MPRBLKS

Source Section

CAUXTF3V

MPRFL

Pegs in both the cases (i.e. when TCR is enabled/disabled), when a redirection attempt succeeds setting up the resources but the mobile fails to arrive on the traffic channel.

Data Source

MTX OM, SDM

Source Field

MPRFL

Source Section

CAUXTFRQ

MPRFL3GD

3G data pegs in both the cases (i.e. when TCR is enabled/disabled), when a redirection attempt succeeds setting up the resources but the mobile fails to arrive on the traffic channel.

Data Source

MTX OM, SDM

Source Field

MPRFL

Source Section

CAUXTF3D

MPRFL3GV

3G voice peps in both the cases (i.e. when TCR is enabled/disabled), when a redirection attempt succeeds setting up the resources but the mobile fails to arrive on the traffic channel.

Data Source

MTX OM, SDM

Source Field

MPRFL

Source Section

CAUXTF3V

MPRSUCC

Peps in both the cases (i.e. when TCR is enabled/disabled), when a redirection attempt succeeds in setting up the resources and the mobile arrives on the traffic channel.

Data Source

MTX OM, SDM

Source Field

MPRSUCC

Source Section

CAUXTFRQ

MPRSUCC3GD

3G data peps in both the cases (i.e. when TCR is enabled/disabled), when a redirection attempt succeeds in setting up the resources and the mobile arrives on the traffic channel.

Data Source

MTX OM, SDM

Source Field

MPRSUCC

Source Section

CAUXTF3D

MPRSUCC3GV

3G voice peps in both the cases (i.e. when TCR is enabled/disabled), when a redirection attempt succeeds in setting up the resources and the mobile arrives on the traffic channel.

Data Source

MTX OM, SDM

Source Field

MPRSUCC

Source Section

CAUXTF3V

MRETATTS

Peps when CDA selects the originating carrier for the call setup

Data Source

MTX OM, SDM

Source Field

MRETATTS

Source Section

CAUXTFRQ

MRETATTS3GD

3G data peps when CDA selects the originating carrier for the callsetup

Data Source

MTX OM, SDM

Source Field

MRETATTS

Source Section

CAUXTF3D

MRETATTS3GV

3G voice pegs when CDA selects the originating carrier for the call setup

Data Source

MTX OM, SDM

Source Field

MRETATTS

Source Section

CAUXTF3V

MRETBLKS

Pegs when CDA selects the originating carrier for the call setup but the call setup fails due to BTS resources shortage.

Data Source

MTX OM, SDM

Source Field

MRETBLKS

Source Section

CAUXTFRQ

MRETBLKS3GD

3G data pegs when CDA selects the originating carrier for the call setup but the call setup fails due to BTS resources shortage.

Data Source

MTX OM, SDM

Source Field

MRETBLKS

Source Section

CAUXTF3D

MRETBLKS3GV

3G voice peps when CDA selects the originating carrier for the call setup fails due to BTS resources shortage

Data Source

MTX OM, SDM

Source Field

MRETBLKS

Source Section

CAUXTF3V

MRETFL

Peps when CDA selects the originating carrier for the call setup and the setup is successful but the mobile fail to arrive on the traffic channel.

Data Source

MTX OM, SDM

Source Field

MRETFL

Source Section

CAUXTFRQ

MRETFL3GD

3G data peps when CDA selects the originating carrier for the call setup and the setup is successful but the mobile fail to arrive on the traffic channel

Data Source

MTX OM, SDM

Source Field

MRETFL

Source Section

CAUXTF3D

MRETFL3GV

3G voice pegs when CDA selects the originating carrier for the call setup and the setup is successful but the mobile fail to arrive on the traffic channel

Data Source

MTX OM, SDM

Source Field

MRETFL

Source Section

CAUXTF3V

MRETHATT

Pegs when CDA selects the originating carrier for the call setup only in case of HHO

Data Source

MTX OM, SDM

Source Field

MRETHATT

Source Section

CAUXTFRQ

MRETHATT3GD

3G data pegs when CDA selects the originating carrier for the call setup only in case of HHO.

Data Source

MTX OM, SDM

Source Field

MRETHATT

Source Section

CAUXTF3D

MRETHATT3GV

3G voice pegs when CDA selects the originating carrier for the call setup only in case of HHO

Data Source

MTX OM, SDM

Source Field

MRETHATT

Source Section

CAUXTF3V

MRETHBLK

Pegs when CDA selects the originating carrier for the call setup but the call setup fails due to BTS resources shortage only in case of HHO

Data Source

MTX OM, SDM

Source Field

MRETHBLK

Source Section

CAUXTFRQ

MRETHBLK3GD

3G data pegs when CDA selects the originating carrier for the call setup but the call setup fails due to BTS resources shortage only in case of HHO.

Data Source

MTX OM, SDM

Source Field

MRETHBLK

Source Section

CAUXTF3D

MRETHBLK3GV

3G voice peps when CDA selects the originating carrier for the call setup but the call setup fails due to BTS resources shortage only in case of HHO

Data Source

MTX OM, SDM

Source Field

MRETHBLK

Source Section

CAUXTF3V

MRETHFL

Peps when CDA selects the originating carrier for the call setup and the setup is successful but the mobile fail to arrive on the traffic channel only in case of HHO

Data Source

MTX OM, SDM

Source Field

MRETHFL

Source Section

CAUXTFRQ

MRETHFL3GD

3G data peps when CDA selects the originating carrier for the call setup and the setup is successful but the mobile fail to arrive on the traffic channel only in case of HHO.

Data Source

MTX OM, SDM

Source Field

MRETHFL

Source Section

CAUXTF3D

MRETHFL3GV

3G voice peps when CDA selects the originating carrier for the call setup and the setup is successful but the mobile fail to arrive on the traffic channel only in case of HHO.

Data Source

MTX OM, SDM

Source Field

MRETHFL

Source Section

CAUXTF3V

MRETHSUC

Peps when CDA selects the originating carrier for the call setup and the setup is successful and the mobile arrives successfully on the traffic channel only in case of HHO

Data Source

MTX OM, SDM

Source Field

MRETHSUC

Source Section

CAUXTFRQ

MRETHSUC3GD

3G data peps when CDA selects the originating carrier for the call setup and the setup is successful and the mobile arrives successfully on the traffic channel only in case of HHO.

Data Source

MTX OM, SDM

Source Field

MRETHSUC

Source Section

CAUXTF3D

MRETHSUC3GV

3G voice peps when CDA selects the originating carrier for the call setup and the setup is successful and the mobile arrives successfully on the traffic channel only in case of HHO.

Data Source

MTX OM, SDM

Source Field

MRETHSUC

Source Section

CAUXTF3V

MRETSUCC

Peps when CDA selects the originating carrier for the call setup and the setup is successful and the mobile arrives successfully on the traffic channel.

Data Source

MTX OM, SDM

Source Field

MRETSUCC

Source Section

CAUXTFRQ

MRETSUCC3GD

3G data peps when CDA selects the originating carrier for the call setup and the setup is successful and the mobile arrives successfully on the traffic channel.

Data Source

MTX OM, SDM

Source Field

MRETSUCC

Source Section

CAUXTF3D

MRETSUCC3GV

3G voice peps when CDA selects the originating carrier for the call setup and the setup is successful and the mobile arrives successfully on the traffic channel.

Data Source

MTX OM, SDM

Source Field

MRETSUCC

Source Section

CAUXTF3V

NMCTATTS

Peps when CDA determines that the originating carrier for the call attempt has MCTA flag turned OFF.

Data Source

MTX OM, SDM

Source Field

NMCTATTS

Source Section

CAUXTFRQ

NMCTATTS3GD

3G data peps when CDA determines that the originating carrier for the call attempt has MCTA flag turned OFF.

Data Source

MTX OM, SDM

Source Field

NMCTATTS

Source Section

CAUXTF3D

NMCTATTS3GV

3G voice peps when CDA determines that the originating carrier for the call attempt has MCTA flag turned OFF.

Data Source

MTX OM, SDM

Source Field

NMCTATTS

Source Section

CAUXTF3V

NMCTBLKS

Peps when CDA determines that the originating carrier for the call attempt has MCTA flag turned OFF and also there were no BTS resources available for the call setup

Data Source

MTX OM, SDM

Source Field

NMCTBLKS

Source Section

CAUXTFRQ

NMCTBLKS3GD

3G data peps when CDA determines that the originating carrier for the call attempt has MCTA flag turned OFF and also there were no BTS resources available for the call setup.

Data Source

MTX OM, SDM

Source Field

NMCTBLKS

Source Section

CAUXTF3D

NMCTBLKS3GV

3G voice peps when CDA determines that the originating carrier for the call attempt has MCTA flag turned OFF and also there was no BTS resources available for the call setup

Data Source

MTX OM, SDM

Source Field

NMCTBLKS

Source Section

CAUXTF3V

NonQueuedFwdSchBurstNonBlocking3G_16X

16X SCH Burst allocated without being queued

Data Source

NBSS BTS MO

Source Field

NonQueuedFwdSchBurstNonBlocking3G (Seq# 207[3])

Source Section

Advanced Sector MO

NonQueuedFwdSchBurstNonBlocking3G_2X

2X SCH Burst allocated without being queued

Data Source

NBSS BTS MO

Source Field

NonQueuedFwdSchBurstNonBlocking3G (Seq# 207[0])

Source Section

Advanced Sector MO

NonQueuedFwdSchBurstNonBlocking3G_4X

4X SCH Burst allocated without being queued

Data Source

NBSS BTS MO

Source Field

NonQueuedFwdSchBurstNonBlocking3G (Seq# 207[1])

Source Section

Advanced Sector MO

NonQueuedFwdSchBurstNonBlocking3G_8X

8X SCH Burst allocated without being queued

Data Source

NBSS BTS MO

Source Field

NonQueuedFwdSchBurstNonBlocking3G (Seq# 207[2])

Source Section

Advanced Sector MO

NORFSEFL

Non-RF failures during origination or termination call setup.

Data Source

MTX OM, SDM

Source Field

NORFSEFL

Source Section

CAUCPFRQ

NORFSEFL3GD

3GD Non-RF failures during origination or termination call setup.

Data Source

MTX OM, SDM

Source Field

NORFSEFL

Source Section

CAUFRQ3D

NORFSEFL3GV

3GV Non-RF failures during origination or termination call setup.

Data Source

MTX OM, SDM

Source Field

NORFSEFL

Source Section

CAUFRQ3V

NumberOfPagingChannels

The number of configured paging channels

Data Source

NBSS BTS MO

Source Field

NumberOfPagingChannels (Seq# 141[0])

Source Section

Advanced Sector MO

OCNSForwardLinkUtilUWAvg

Average of sum of digital gain squared for all OCNS channels

Data Source

NBSS BTS MO

Source Field

OCNSForwardLinkUtilUWAvg (Seq# 49)

Source Section

Advanced Sector MO

OverheadForwardLinkUtilUWAvg

Average of sum of digital gain squared for all overhead channels

Data Source

NBSS BTS MO

Source Field

OverheadForwardLinkUtilUWAvg (Seq# 48)

Source Section

Advanced Sector MO

PagingChannelMessageCount

Number of paging messages received by the paging channel element

Data Source

NBSS BTS MO

Source Field

PagingChannelMessageCount (Seq# 126)

Source Section

Advanced Sector MO

PagingChannelMessagesDropped

Paging paging channel messages dropped by the paging channel element due to paging channel overload

Data Source

NBSS BTS MO

Source Field

PagingChannelMessagesDropped (Seq# 127)

Source Section

Advanced Sector MO

PBCONATT

Pegs when the CM receives the handoff candidates message indicating that a Pilot Beacon hard handoff is being requested.

Data Source

MTX OM, SDM

Source Field

PBCONATT

Source Section

OMMTXHO3

PBCONBLK

Pegs when the CM receives an indication that a handoff setup failure has occurred due to a target cell resource allocation problem. This can happen when either a response is not received at all or when the response indicates resource shortages. Pegs for Pilot Beacon hard handoff trigger only.

Data Source

MTX OM, SDM

Source Field

PBCONBLK

Source Section

OMMTXH03

PBCONNSR

Pegs when neither the SAT Present message (from the target cell) nor the handoff response message (from the source cell) is received within 10 seconds of the handoff process starting. Indicates that a handoff never occurred and does not indicate a dropped call. Pegs for Pilot Beacon hard handoff trigger only.

Data Source

MTX OM, SDM

Source Field

PBCONNSR

Source Section

OMMTXH03

PBCONRJT

Pegs in rare conditions when the CM cannot allocate the handoff data block due to resource problems or any other reasons, or when CM is processing the handoff candidate message it finds that the VLR entry for the request MIN is not found, or when CM is in outpulsing, dialing, or collecting state when the handoff candidate message is received. Pegs for Pilot Beacon hard handoff trigger only.

Data Source

MTX OM, SDM

Source Field

PBCONRJT

Source Section

OMMTXH03

PBCONRLS

Pegs when the call is released from either one of the mobiles after a hard handoff has been initiated. Pegs for Pilot Beacon hard handoff trigger only.

Data Source

MTX OM, SDM

Source Field

PBCONRLS

Source Section

OMMTXHO3

PBCONSFL

Pegs when the mobile does not arrive on the target traffic channel. Also pegs when CM call processing does not receive a SAT Present message from the CAU (intrasystem) or from the IS41 link (intersystem). Pegs for Pilot Beacon hard handoff trigger only.

Data Source

MTX OM, SDM

Source Field

PBCONSFL

Source Section

OMMTXHO3

PBCONSUC

Pegs when the CM receives an indication that the mobile arrived on the target traffic channel. Also pegs when the CM receives a SAT Present message from the CAU (intrasystem) or from a IS41 link (intersystem) for Pilot Beacon hard handoff trigger.

Data Source

MTX OM, SDM

Source Field

PBCONSUC

Source Section

OMMTXHO3

PeakWalshCodeUsage

Highest number of Walsh Codes in simultaneous use during the collection period

Data Source

NBSS BTS MO

Source Field

PeakWalshCodeUsage (Seq# 165[0])

Source Section

Advanced Sector MO

PercentPowerLimiting

The percentage of time the RFM is in a power limiting mode in a 30 minute interval

Data Source

NBSS BTS MO

Source Field

PercentPowerLimiting (Seq# 67)

Source Section

Power Management MO

PercentTimeAboveFwdCallBlockThrshld

The percentage of the measuring interval time based on 2-second samples that forward link power exceeds the forward call blocking threshold.

Data Source

NBSS BTS MO

Source Field

PercentTimeAboveFwdCallBlockThrshld (Seq# 100)

Source Section

Advanced Sector MO

PercentTimeAboveFwdDataCallBlockThrshld

The percentage of time during the interval time that data calls would be blocked

Data Source

NBSS BTS MO

Source Field

PercentTimeAboveFwdDataCallBlockThrshld (Seq# 103)

Source Section

Advanced Sector MO

PercentTimeAboveFwdHandoffBlockThrshld

The percentage of the measuring interval time based on 2-second samples that forward link power exceeds the forward handoff blocking threshold.

Data Source

NBSS BTS MO

Source Field

PercentTimeAboveFwdHandoffBlockThrshld (Seq# 101)

Source Section

Advanced Sector MO

PercentTimeAboveFwdVoiceCallBlockThrshld

The percentage of time during the interval time that voice and 2G circuit switched data calls would be blocked

Data Source

NBSS BTS MO

Source Field

PercentTimeAboveFwdVoiceCallBlockThrshld (Seq# 102)

Source Section

Advanced Sector MO

PrimaryFrameCntFSCH_RC3

Total number of forward frames on the FSCH divided by the produce of soft and softer handoff links RC3. Increments proportionally, ie 2X frame pgs 2, 4X pgs 4 ,etc.

Data Source

NBSS BTS MO

Source Field

PrimaryFrameCntFSCH (Seq# 133[0])

Source Section

Advanced Sector MO

PrimaryFrameCntFSCH_RC4

Total number of forward frames on the FSCH divided by the produce of soft and softer handoff links RC4. Increments proportionally, ie 2X frame pegs 2, 4X pegs 4 ,etc.

Data Source

NBSS BTS MO

Source Field

PrimaryFrameCntFSCH (Seq# 133[1])

Source Section

Advanced Sector MO

PrimaryFrameCntFSCH_RC5

Total number of forward frames on the FSCH divided by the produce of soft and softer handoff links RC5. Increments proportionally, ie 2X frame pegs 2, 4X pegs 4 ,etc.

Data Source

NBSS BTS MO

Source Field

PrimaryFrameCntFSCH (Seq# 133[2])

Source Section

Advanced Sector MO

PrimaryFrameCntRSCH_RC3

RC3 Traffic Frame Count, divided by (way-soft,way-softer), summed across all RSCH

Data Source

NBSS BTS MO

Source Field

PrimaryFrameCntRSCH (Seq# 206[0])

Source Section

Advanced Sector MO

PrimaryFrameCntRSCH_RC4

RC4 Traffic Frame Count, divided by (way-soft,way-softer), summed across all RSCH

Data Source

NBSS BTS MO

Source Field

PrimaryFrameCntRSCH (Seq# 206[1])

Source Section

Advanced Sector MO

QueuedFwdSchBurstNonBlocking3G_16X

16X SCH Burst allocated after being queued by BTS scheduler

Data Source

NBSS BTS MO

Source Field

QueuedFwdSchBurstNonBlocking3G (Seq# 208[3])

Source Section

Advanced Sector MO

QueuedFwdSchBurstNonBlocking3G_2X

2X SCH Burst allocated after being queued by BTS scheduler

Data Source

NBSS BTS MO

Source Field

QueuedFwdSchBurstNonBlocking3G (Seq# 208[0])

Source Section

Advanced Sector MO

QueuedFwdSchBurstNonBlocking3G_4X

4X SCH Burst allocated after being queued by BTS scheduler

Data Source

NBSS BTS MO

Source Field

QueuedFwdSchBurstNonBlocking3G (Seq# 208[1])

Source Section

Advanced Sector MO

QueuedFwdSchBurstNonBlocking3G_8X

8X SCH Burst allocated after being queued by BTS scheduler

Data Source

NBSS BTS MO

Source Field

QueuedFwdSchBurstNonBlocking3G (Seq# 208[2])

Source Section

Advanced Sector MO

RadialHandoffAttempts

Number of radial handoff attempts (ECEMs only)

Data Source

NBSS BTS MO

Source Field

RadialHandoffAttempts (Seq# 71)

Source Section

Advanced Sector MO

RadialHandoffFailures

Number of failed radial handoff attempts (ECEMs only)

Data Source

NBSS BTS MO

Source Field

RadialHandoffFailures (Seq# 73)

Source Section

Advanced Sector MO

RadialHandoffSuccesses

Number of successful radial handoffs attempts (ECEMs only)

Data Source

NBSS BTS MO

Source Field

RadialHandoffSuccesses (Seq# 72)

Source Section

Advanced Sector MO

RefSectorFrameCountGroupPeggingAtts

This OM is the total number of attempts to peg the reference sector frame count OM group for a specific EBID.

Data Source

NBSS BSC OMs

Source Field

RefSectorFrameCountGroupPeggingAtts (Seq# 1)

Source Section

Pegging Limitation Exceeded (Group ID 31)

RefSectorFrameCountGroupPeggingFail

This OM is the total number of failures to peg the reference sector frame count OM group for a specific EBID.

Data Source

NBSS BSC OMs

Source Field

RefSectorFrameCountGroupPeggingFail (Seq# 2)

Source Section

Pegging Limitation Exceeded (Group ID 31)

ResourceReleaseReqTCELlinkError

This OM is pegged whenever the SBS sends a resource release request message to the BTS with an ?error? value in the link status field.

Data Source

NBSS BTS MO

Source Field

ResourceReleaseReqTCELlinkError (Seq# 213)

Source Section

Advanced Sector MO

RevSchBurstBurstNonBlocking3G_16X

16X Rev SCH Burst allocated

Data Source

NBSS BTS MO

Source Field

RevSchBurstBurstNonBlocking3G (Seq# 209[3])

Source Section

Advanced Sector MO

RevSchBurstBurstNonBlocking3G_2X

2X Rev SCH Burst allocated

Data Source

NBSS BTS MO

Source Field

RevSchBurstBurstNonBlocking3G (Seq# 209[0])

Source Section

Advanced Sector MO

RevSchBurstBurstNonBlocking3G_4X

4X Rev SCH Burst allocated

Data Source

NBSS BTS MO

Source Field

RevSchBurstBurstNonBlocking3G (Seq# 209[1])

Source Section

Advanced Sector MO

RevSchBurstBurstNonBlocking3G_8X

8X Rev SCH Burst allocated

Data Source

NBSS BTS MO

Source Field

RevSchBurstBurstNonBlocking3G (Seq# 209[2])

Source Section

Advanced Sector MO

RFCH_PhysicalFrames

Physical frames with RLP data that are sent on all reverse FCH setup

Data Source

NBSS BSC OMs

Source Field

RFCH_PhysicalFrames (Seq# 21)

Source Section

RLP Data Throughput (Group ID 11)

RFCH_ReTxRLP_DataBytes

Retransmitted RLP user-data-bytes (bearer data only) sent on all reverse FCH setup

Data Source

NBSS BSC OMs

Source Field

RFCH_ReTxRLP_DataBytes (Seq# 31)

Source Section

RLP Data Throughput (Group ID 11)

RFCH_RLP_DataBytes

Original (excluding retransmitted) RLP user-databytes (bearer data only) sent on all reverse FCH setup

Data Source

NBSS BSC OMs

Source Field

RFCH_RLP_DataBytes (Seq# 26)

Source Section

RLP Data Throughput (Group ID 11)

RFCH_RLP_Frames

RLP frames (containing bearer data) sent on all reverse FCH setup

Data Source

NBSS BSC OMs

Source Field

RFCH_RLP_Frames (Seq# 36)

Source Section

RLP Data Throughput (Group ID 11)

RFCH_RLP_OverheadFrames

This OM provides the number of RLP overhead signaling frames sent over FCH in the reverse direction.

Data Source

NBSS BSC OMs

Source Field

RFCH_RLP_OverheadFrames (Seq# 43)

Source Section

RLP Data Throughput (Group ID 11)

RFCH_RLP_ZeroPayloadFrames

This OM provides the number of RLP zero payload frames sent over FCH in the reverse direction.

Data Source

NBSS BSC OMs

Source Field

RFCH_RLP_ZeroPayloadFrames (Seq# 44)

Source Section

RLP Data Throughput (Group ID 11)

RFCHGatingDeactivations

This OM is pegged whenever an eighth rate FCH gating is deactivated on soft handoff for a call in progress due to differences in values in reverse power control delay values between 2 BTSs.

Data Source

NBSS BSC OMs

Source Field

RFCHGatingDeactivations (Seq# 5)

Source Section

RFCH Gating (Group ID 27)

RFCHGatingDeniedRequests

This OM is pegged whenever the BTS denies an eighth rate RFCH gating request from the BSC due to the forward power in use being above the ReverseFCHGatingCapacityThreshold set in the AdvancedSector MO of the BTS.

Data Source

NBSS BSC OMs

Source Field

RFCHGatingDeniedRequests (Seq# 3)

Source Section

RFCH Gating (Group ID 27)

RFCHGatingEnabledHandoffs

This OM is pegged when a soft handoff link is added for a call that has eighth rate FCH gating enabled.

Data Source

NBSS BSC OMs

Source Field

RFCHGatingEnabledHandoffs (Seq# 4)

Source Section

RFCH Gating (Group ID 27)

RFCHGatingGrantedRequests

This OM is pegged whenever a call is setup with 1/8 rate FCH gating enabled.

Data Source

NBSS BSC OMs

Source Field

RFCHGatingGrantedRequests (Seq# 2)

Source Section

RFCH Gating (Group ID 27)

RFCHGatingRequests

This OM is pegged for link setups for which gating is requested by the mobile in Origination or Page Response messages.

Data Source

NBSS BSC OMs

Source Field

RFCHGatingRequests (Seq# 1)

Source Section

RFCH Gating (Group ID 27)

RLP_DataThroughputGroupPeggingAttempts

This OM is the total number of attempts to peg the RLP Data Throughput OM group for a specific EBID.

Data Source

NBSS BSC OMs

Source Field

RLP_DataThroughputGroupPeggingAttempts (Seq# 9)

Source Section

Pegging Limitation Exceeded (Group ID 31)

RLP_DataThroughputGroupPeggingFailures

This OM is the total number of failures to peg the RLP Data Throughput OM group for a specific EBID.

Data Source

NBSS BSC OMs

Source Field

RLP_DataThroughputGroupPeggingFailures (Seq# 10)

Source Section

Pegging Limitation Exceeded (Group ID 31)

RSCH_BTS_Release_16X

This OM is pegged when the Rev leg at 16x is pre-empted due to contention at BTS.

Data Source

NBSS BSC OMs

Source Field

RSCH_BTS_Release_16X (Seq# 12)

Source Section

SCH Radio Link Release (Group ID 21)

RSCH_BTS_Release_2X

This OM is pegged when the Rev leg at 2x is pre-empted due to contention at BTS.

Data Source

NBSS BSC OMs

Source Field

RSCH_BTS_Release_2X (Seq# 9)

Source Section

SCH Radio Link Release (Group ID 21)

RSCH_BTS_Release_4X

This OM is pegged when the Rev leg at 4x is pre-empted due to contention at BTS.

Data Source

NBSS BSC OMs

Source Field

RSCH_BTS_Release_4X (Seq# 10)

Source Section

SCH Radio Link Release (Group ID 21)

RSCH_BTS_Release_8X

This OM is pegged when the Rev leg at 8x is pre-empted due to contention at BTS.

Data Source

NBSS BSC OMs

Source Field

RSCH_BTS_Release_8X (Seq# 11)

Source Section

SCH Radio Link Release (Group ID 21)

RSCH_CFDS_HighSpeed

Pegged if the FSCHBlock reason indicates high speed RSCH has not been enabled through CFDS

Data Source

NBSS BSC OMs

Source Field

RSCH_CFDS_HighSpeed (Seq# 18)

Source Section

SCH Primary Radio Link Setup (Group ID 10)

RSCH_CFDS_RadioConfig

Pegged if the FSCHBlock reason indicates SCH functionality has not been enabled through CFDS

Data Source

NBSS BSC OMs

Source Field

RSCH_CFDS_RadioConfig (Seq# 17)

Source Section

SCH Primary Radio Link Setup (Group ID 10)

RSCH_PhysicalFrames_16X

Physical frames with RLP data that are sent on all reverse 16X SCH setup

Data Source

NBSS BSC OMs

Source Field

RSCH_PhysicalFrames_16X (Seq# 25)

Source Section

RLP Data Throughput (Group ID 11)

RSCH_PhysicalFrames_2X

Physical frames with RLP data that are sent on all reverse 2X SCH setup

Data Source

NBSS BSC OMs

Source Field

RSCH_PhysicalFrames_2X (Seq# 22)

Source Section

RLP Data Throughput (Group ID 11)

RSCH_PhysicalFrames_4X

Physical frames with RLP data that are sent on all reverse 4X SCH setup

Data Source

NBSS BSC OMs

Source Field

RSCH_PhysicalFrames_4X (Seq# 23)

Source Section

RLP Data Throughput (Group ID 11)

RSCH_PhysicalFrames_8X

Physical frames with RLP data that are sent on all reverse 8X SCH setup

Data Source

NBSS BSC OMs

Source Field

RSCH_PhysicalFrames_8X (Seq# 24)

Source Section

RLP Data Throughput (Group ID 11)

RSCH_PilotRelease_16X

This OM is pegged when Rev burst at 16x is released if pilots selected by algorithm are not available.

Data Source

NBSS BSC OMs

Source Field

RSCH_PilotRelease_16X (Seq# 20)

Source Section

SCH Radio Link Release (Group ID 21)

RSCH_PilotRelease_2X

This OM is pegged when Rev burst at 2x is released if pilots selected by algorithm are not available.

Data Source

NBSS BSC OMs

Source Field

RSCH_PilotRelease_2X (Seq# 17)

Source Section

SCH Radio Link Release (Group ID 21)

RSCH_PilotRelease_4X

This OM is pegged when Rev burst at 4x is released if pilots selected by algorithm are not available.

Data Source

NBSS BSC OMs

Source Field

RSCH_PilotRelease_4X (Seq# 18)

Source Section

SCH Radio Link Release (Group ID 21)

RSCH_PilotRelease_8X

This OM is pegged when Rev burst at 8x is released if pilots selected by algorithm are not available.

Data Source

NBSS BSC OMs

Source Field

RSCH_PilotRelease_8X (Seq# 19)

Source Section

SCH Radio Link Release (Group ID 21)

RSCH_ReTxRLP_DataBytes_16X

Retransmitted RLP user-data-bytes (bearer data only) sent on all reverse 16X SCH setup

Data Source

NBSS BSC OMs

Source Field

RSCH_ReTxRLP_DataBytes_16X (Seq# 35)

Source Section

RLP Data Throughput (Group ID 11)

RSCH_ReTxRLP_DataBytes_2X

Retransmitted RLP user-data-bytes (bearer data only) sent on all reverse 2X SCH setup

Data Source

NBSS BSC OMs

Source Field

RSCH_ReTxRLP_DataBytes_2X (Seq# 32)

Source Section

RLP Data Throughput (Group ID 11)

RSCH_ReTxRLP_DataBytes_4X

Retransmitted RLP user-data-bytes (bearer data only) sent on all reverse 4X SCH setup

Data Source

NBSS BSC OMs

Source Field

RSCH_ReTxRLP_DataBytes_4X (Seq# 33)

Source Section

RLP Data Throughput (Group ID 11)

RSCH_ReTxRLP_DataBytes_8X

Retransmitted RLP user-data-bytes (bearer data only) sent on all reverse 8X SCH setup

Data Source

NBSS BSC OMs

Source Field

RSCH_ReTxRLP_DataBytes_8X (Seq# 34)

Source Section

RLP Data Throughput (Group ID 11)

RSCH_RLP_DataBytes_16X

Original (excluding retransmitted) RLP user-databytes (bearer data only) sent on all reverse 16X SCH setup

Data Source

NBSS BSC OMs

Source Field

RSCH_RLP_DataBytes_16X (Seq# 30)

Source Section

RLP Data Throughput (Group ID 11)

RSCH_RLP_DataBytes_2X

Original (excluding retransmitted) RLP user-databytes (bearer data only) sent on all reverse 2X SCH setup

Data Source

NBSS BSC OMs

Source Field

RSCH_RLP_DataBytes_2X (Seq# 27)

Source Section

RLP Data Throughput (Group ID 11)

RSCH_RLP_DataBytes_4X

Original (excluding retransmitted) RLP user-databytes (bearer data only) sent on all reverse 4X SCH setup

Data Source

NBSS BSC OMs

Source Field

RSCH_RLP_DataBytes_4X (Seq# 28)

Source Section

RLP Data Throughput (Group ID 11)

RSCH_RLP_DataBytes_8X

Original (excluding retransmitted) RLP user-databytes (bearer data only) sent on all reverse 8X SCH setup

Data Source

NBSS BSC OMs

Source Field

RSCH_RLP_DataBytes_8X (Seq# 29)

Source Section

RLP Data Throughput (Group ID 11)

RSCH_RLP_Frames_16X

RLP frames (containing bearer data) sent on all reverse 16X SCH setup

Data Source

NBSS BSC OMs

Source Field

RSCH_RLP_Frames_16X (Seq# 40)

Source Section

RLP Data Throughput (Group ID 11)

RSCH_RLP_Frames_2X

RLP frames (containing bearer data) sent on all reverse 2X SCH setup

Data Source

NBSS BSC OMs

Source Field

RSCH_RLP_Frames_2X (Seq# 37)

Source Section

RLP Data Throughput (Group ID 11)

RSCH_RLP_Frames_4X

RLP frames (containing bearer data) sent on all reverse 4X SCH setup

Data Source

NBSS BSC OMs

Source Field

RSCH_RLP_Frames_4X (Seq# 38)

Source Section

RLP Data Throughput (Group ID 11)

RSCH_RLP_Frames_8X

RLP frames (containing bearer data) sent on all reverse 8X SCH setup

Data Source

NBSS BSC OMs

Source Field

RSCH_RLP_Frames_8X (Seq# 39)

Source Section

RLP Data Throughput (Group ID 11)

RschedwngrdDueToExceedingMaxDataRate4x_2x

R-SCH Downgrade from 4x to 2x due to lack of enough physical resources on BTS

Data Source

NBSS BTS MO

Source Field

RschedwngrdDueExceedingMaxDR5 (Seq# 164[5])

Source Section

Advanced Sector MO

RschedwngrdDueToExceedingMaxDataRate8x_2x

R-SCH Downgrade from 8x to 2x due to lack of enough physical resources on BTS

Data Source

NBSS BTS MO

Source Field

RschDwngrdDueExceedingMaxDR4 (Seq# 164[4])

Source Section

Advanced Sector MO

RschDwngrdDueToExceedingMaxDataRate8x_4x

R-SCH Downgrade from 8x to 4x due to lack of enough physical resources on BTS

Data Source

NBSS BTS MO

Source Field

RschDwngrdDueExceedingMaxDR3 (Seq# 164[3])

Source Section

Advanced Sector MO

RschDwngrdDueToExceedngMaxDataRate16x_2x

R-SCH Downgrade from 16x to 2x due to lack of enough physical resources on BTS

Data Source

NBSS BTS MO

Source Field

RschDwngrdDueExceedingMaxDR2 (Seq# 164[2])

Source Section

Advanced Sector MO

RschDwngrdDueToExceedngMaxDataRate16x_4x

R-SCH Downgrade from 16x to 4x due to lack of enough physical resources on BTS

Data Source

NBSS BTS MO

Source Field

RschDwngrdDueExceedingMaxDR1 (Seq# 164[1])

Source Section

Advanced Sector MO

RschDwngrdDueToExceedngMaxDataRate16x_8x

R-SCH Downgrade from 16x to 8x due to lack of enough physical resources on BTS

Data Source

NBSS BTS MO

Source Field

RschDwngrdDueExceedingMaxDR0 (Seq# 164[0])

Source Section

Advanced Sector MO

RschDwngrdDuetoPhysRes16x_2x

R-SCH Downgrade from 16x to 2x due to lack of enough physical resources on BTS

Data Source

NBSS BTS MO

Source Field

RschDowngradeDuetoPhysRes2 (Seq# 163[2])

Source Section

Advanced Sector MO

RschDwngrdDuetoPhysRes16x_4x

R-SCH Downgrade from 16x to 4x due to lack of enough physical resources on BTS

Data Source

NBSS BTS MO

Source Field

RschDowngradeDuetoPhysRes1 (Seq# 163[1])

Source Section

Advanced Sector MO

RschDwngrdDuetoPhysRes16x_8x

R-SCH Downgrade from 16x to 8x due to lack of enough physical resources on BTS

Data Source

NBSS BTS MO

Source Field

RschDowngradeDuetoPhysRes0 (Seq# 163[0])

Source Section

Advanced Sector MO

RschDwngrdDuetoPhysRes4x_2x

R-SCH Downgrade from 4x to 2x due to lack of enough physical resources on BTS

Data Source

NBSS BTS MO

Source Field

RschDowngradeDuetoPhysRes5 (Seq# 163[5])

Source Section

Advanced Sector MO

RschDwngrdDuetoPhysRes8x_2x

R-SCH Downgrade from 8x to 2x due to lack of enough physical resources on BTS

Data Source

NBSS BTS MO

Source Field

RschDowngradeDuetoPhysRes4 (Seq# 163[4])

Source Section

Advanced Sector MO

RsSchDwngrdDuetoPhysRes8x_4x

R-SCH Downgrade from 8x to 4x due to lack of enough physical resources on BTS

Data Source

NBSS BTS MO

Source Field

RsSchDowngradeDuetoPhysRes3 (Seq# 163[3])

Source Section

Advanced Sector MO

RSCHLinkDowngrade

Number of RSCH setup attempts that are not granted the requested data rate due to lack of resources but are granted a lower data rate

Data Source

NBSS BSC OMs

Source Field

RSCHLinkDowngrade (Seq# 14)

Source Section

SCH Primary Radio Link Setup (Group ID 10)

RSCHLinkSetupAttempt

Number of reverse supplemental channel (RSCH) setup attempts

Data Source

NBSS BSC OMs

Source Field

RSCHLinkSetupAttempt (Seq# 12)

Source Section

SCH Primary Radio Link Setup (Group ID 10)

RSCHLinkSetupAttempts_16X

Reverse 16X supplemental channel (RSCH) setup attempts

Data Source

NBSS BSC OMs

Source Field

RSCHLinkSetupAttempts_16X (Seq# 42)

Source Section

SCH Primary Radio Link Setup (Group ID 10)

RSCHLinkSetupAttempts_2X

Reverse 2X supplemental channel (RSCH) setup attempts

Data Source

NBSS BSC OMs

Source Field

RSCHLinkSetupAttempts_2X (Seq# 39)

Source Section

SCH Primary Radio Link Setup (Group ID 10)

RSCHLinkSetupAttempts_4X

Reverse 4X supplemental channel (RSCH) setup attempts

Data Source

NBSS BSC OMs

Source Field

RSCHLinkSetupAttempts_4X (Seq# 40)

Source Section

SCH Primary Radio Link Setup (Group ID 10)

RSCHLinkSetupAttempts_8X

Reverse 8X supplemental channel (RSCH) setup attempts

Data Source

NBSS BSC OMs

Source Field

RSCHLinkSetupAttempts_8X (Seq# 41)

Source Section

SCH Primary Radio Link Setup (Group ID 10)

RSCHLinkSetupBlock

Number of RSCH setup attempts that are blocked for lack of resources

Data Source

NBSS BSC OMs

Source Field

RSCHLinkSetupBlock (Seq# 13)

Source Section

SCH Primary Radio Link Setup (Group ID 10)

RSCHLinkSetupBlock_16X

16X RSCH setup attempts that are blocked for lack of resources

Data Source

NBSS BSC OMs

Source Field

RSCHLinkSetupBlock_16X (Seq# 46)

Source Section

SCH Primary Radio Link Setup (Group ID 10)

RSCHLinkSetupBlock_2X

2X RSCH setup attempts that are blocked for lack of resources

Data Source

NBSS BSC OMs

Source Field

RSCHLinkSetupBlock_2X (Seq# 43)

Source Section

SCH Primary Radio Link Setup (Group ID 10)

RSCHLinkSetupBlock_4X

4X RSCH setup attempts that are blocked for lack of resources

Data Source

NBSS BSC OMs

Source Field

RSCHLinkSetupBlock_4X (Seq# 44)

Source Section

SCH Primary Radio Link Setup (Group ID 10)

RSCHLinkSetupBlock_8X

8X RSCH setup attempts that are blocked for lack of resources

Data Source

NBSS BSC OMs

Source Field

RSCHLinkSetupBlock_8X (Seq# 45)

Source Section

SCH Primary Radio Link Setup (Group ID 10)

RSCHLinkSetupBlockSW_Error

This OM is pegged when the RSCH blocking reason indicates that the setup request failed due to non-resource and non-timeout related software conditions/erros for primary RSCH links.

Data Source

NBSS BSC OMs

Source Field

RSCHLinkSetupBlockSW_Error (Seq# 72)

Source Section

SCH Primary Radio Link Setup (Group ID 10)

RSCHLinkSetupSuccess

Number of RSCH setup successes

Data Source

NBSS BSC OMs

Source Field

RSCHLinkSetupSuccess (Seq# 15)

Source Section

SCH Primary Radio Link Setup (Group ID 10)

RSCHLinkSetupSuccess_16X

16X RSCH setup successes

Data Source

NBSS BSC OMs

Source Field

RSCHLinkSetupSuccess_16X (Seq# 50)

Source Section

SCH Primary Radio Link Setup (Group ID 10)

RSCHLinkSetupSuccess_2X

2X RSCH setup successes

Data Source

NBSS BSC OMs

Source Field

RSCHLinkSetupSuccess_2X (Seq# 47)

Source Section

SCH Primary Radio Link Setup (Group ID 10)

RSCHLinkSetupSuccess_4X

4X RSCH setup successes

Data Source

NBSS BSC OMs

Source Field

RSCHLinkSetupSuccess_4X (Seq# 48)

Source Section

SCH Primary Radio Link Setup (Group ID 10)

RSCHLinkSetupSuccess_8X

8X RSCH setup successes

Data Source

NBSS BSC OMs

Source Field

RSCHLinkSetupSuccess_8X (Seq# 49)

Source Section

SCH Primary Radio Link Setup (Group ID 10)

RSCHNoFrameOffset

Pegged if the RSCHBlock reason indicates there is no available frame offset

Data Source

NBSS BSC OMs

Source Field

RSCHNoFrameOffset (Seq# 20)

Source Section

SCH Primary Radio Link Setup (Group ID 10)

RSCHNoPhysRes

Pegged if the RSCHBlock reason indicates there are no available channel elements

Data Source

NBSS BSC OMs

Source Field

RSCHNoPhysRes (Seq# 19)

Source Section

SCH Primary Radio Link Setup (Group ID 10)

RSCHRadioLinkAccessFailure

This OM is pegged in the event the resources for the RSCH are setup successfully but the mobile does not arrive on the RSCH

Data Source

NBSS BSC OMs

Source Field

RSCHRadioLinkAccessFailure (Seq# 16)

Source Section

SCH Primary Radio Link Setup (Group ID 10)

RSCHRadioLinkAccessFailure_16X

Resources for the 16X RSCH are set up successfully but the mobile does not arrive on the RSCH

Data Source

NBSS BSC OMs

Source Field

RSCHRadioLinkAccessFailure_16X (Seq# 54)

Source Section

SCH Primary Radio Link Setup (Group ID 10)

RSCHRadioLinkAccessFailure_2X

Resources for the 2X RSCH are set up successfully but the mobile does not arrive on the RSCH

Data Source

NBSS BSC OMs

Source Field

RSCHRadioLinkAccessFailure_2X (Seq# 51)

Source Section

SCH Primary Radio Link Setup (Group ID 10)

RSCHRadioLinkAccessFailure_4X

Resources for the 4X RSCH are set up successfully but the mobile does not arrive on the RSCH

Data Source

NBSS BSC OMs

Source Field

RSCHRadioLinkAccessFailure_4X (Seq# 52)

Source Section

SCH Primary Radio Link Setup (Group ID 10)

RSCHRadioLinkAccessFailure_8X

Resources for the 8X RSCH are set up successfully but the mobile does not arrive on the RSCH

Data Source

NBSS BSC OMs

Source Field

RSCHRadioLinkAccessFailure_8X (Seq# 53)

Source Section

SCH Primary Radio Link Setup (Group ID 10)

RSCHTimeout

Pegged if a response to the BTS resource request is never received

Data Source

NBSS BSC OMs

Source Field

RSCHTimeout (Seq# 21)

Source Section

SCH Primary Radio Link Setup (Group ID 10)

RTD_AboveRTDmin

This OM is pegged when the measured RTD in the received RTD report becomes greater than the datafilled value of RTDmin.

Data Source

NBSS BSC OMs

Source Field

RTD_AboveRTDmin (Seq# 1)

Source Section

HHO Trigger (Group ID 30)

RTD_DroppedBelowRTDmin

This OM is pegged when the measured RTD in the received RTD report becomes less than the datafilled value of RTDmin.

Data Source

NBSS BSC OMs

Source Field

RTD_DroppedBelowRTDmin (Seq# 2)

Source Section

HHO Trigger (Group ID 30)

RTDdelaytimerHHO_Attempts

Pegged when the call came to this target sector after a successful HHO and the RTD report shows that RTD HHO trigger conditions are met and RTD delay timer has been started.

Data Source

NBSS BSC OMs

Source Field

RTDdelaytimerHHO_Attempts (Seq# 3)

Source Section

HHO Trigger (Group ID 30)

RTDdelaytimerHHO_Blocks

Pegged when the call came to this target sector after a successful HHO and the RTD report shows that RTD HHO trigger conditions are met and RTD delay timer has not been expired.

Data Source

NBSS BSC OMs

Source Field

RTDdelaytimerHHO_Blocks (Seq# 5)

Source Section

HHO Trigger (Group ID 30)

RTDdelaytimerHHO_Triggers

Pegged when the call came to this target sector after a successful HHO and the RTD report shows that RTD HHO trigger conditions are met and RTD delay timer has been expired.

Data Source

NBSS BSC OMs

Source Field

RTDdelaytimerHHO_Triggers (Seq# 4)

Source Section

HHO Trigger (Group ID 30)

SC_HandoffTimeSoft1Softer1Alpha

handoff time with 1 sector at this site (Softer1Alpha) and handoff with one other site (Soft1)

SC_HandoffTimeSoft1Softer1Beta

handoff time with 1 sector at this site (Softer1Beta) and handoff with one other site (Soft1)

SC_HandoffTimeSoft1Softer1Gamma

handoff time with 1 sector at this site (Softer1Gamma) and handoff with one other site (Soft1)

SC_HandoffTimeSoft1Softer2AlphaBeta

handoff time with 2 sectors at this site (Softer2AlphaBeta) and handoff with one other site (Soft1)

SC_HandoffTimeSoft1Softer2BetaGamma

handoff time with 2 sectors at this site (Softer2BetaGamma) and handoff with one other site (Soft1)

SC_HandoffTimeSoft1Softer2GammaAlpha

handoff time with 2 sectors at this site (Softer2GammaAlpha) and handoff with one other site (Soft1)

SC_HandoffTimeSoft1Softer3

handoff time at this site (Softer3) and handoff with one other site (Soft1)

SC_HandoffTimeSoft2Softer1Alpha

handoff time with 1 sector at this site (Softer1Alpha) and handoff with one other site (Soft2)

SC_HandoffTimeSoft2Softer1Beta

handoff time with 1 sector at this site (Softer1Beta) and handoff with one other site (Soft2)

SC_HandoffTimeSoft2Softer1Gamma

handoff time with 1 sector at this site (Softer1Gamma) and handoff with one other site (Soft2)

SC_HandoffTimeSoft2Softer2AlphaBeta

handoff time with 2 sectors at this site (Softer2AlphaBeta) and handoff with one other site (Soft2)

SC_HandoffTimeSoft2Softer2BetaGamma

handoff time with 2 sectors at this site (Softer2BetaGamma) and handoff with one other site (Soft2)

SC_HandoffTimeSoft2Softer2GammaAlpha

handoff time with 2 sectors at this site (Softer2GammaAlpha) and handoff with one other site (Soft2)

SC_HandoffTimeSoft2Softer3

handoff time at this site (Softer3) and handoff with one other site (Soft2)

SC_HandoffTimeSoft3Softer1Alpha

handoff time with 1 sector at this site (Softer1Alpha) and handoff with one other site (Soft3)

SC_HandoffTimeSoft3Softer1Beta

handoff time with 1 sector at this site (Softer1Beta) and handoff with one other site (Soft3)

SC_HandoffTimeSoft3Softer1Gamma

handoff time with 1 sector at this site (Softer1Gamma) and handoff with one other site (Soft3)

SC_HandoffTimeSoft3Softer2AlphaBeta

handoff time with 2 sectors at this site (Softer2AlphaBeta) and handoff with one other site (Soft3)

SC_HandoffTimeSoft3Softer2BetaGamma

handoff time with 2 sectors at this site (Softer2BetaGamma) and handoff with one other site (Soft3)

SC_HandoffTimeSoft3Softer2GammaAlpha

handoff time with 2 sectors at this site (Softer2GammaAlpha) and handoff with one other site (Soft3)

SC_HandoffTimeSoft3Softer3

handoff time at this site (Softer3) and handoff with one other site (Soft3)

SC_HandoffTimeSoft4Softer1Alpha

handoff time with 1 sector at this site (Softer1Alpha) and handoff with one other site (Soft4)

SC_HandoffTimeSoft4Softer1Beta

handoff time with 1 sector at this site (Softer1Beta) and handoff with one other site (Soft4)

SC_HandoffTimeSoft4Softer1Gamma

handoff time with 1 sector at this site (Softer1Gamma) and handoff with one other site (Soft4)

SC_HandoffTimeSoft4Softer2AlphaBeta

handoff time with 2 sectors at this site (Softer2AlphaBeta) and handoff with one other site (Soft4)

SC_HandoffTimeSoft4Softer2BetaGamma

handoff time with 2 sectors at this site (Softer2BetaGamma) and handoff with one other site (Soft4)

SC_HandoffTimeSoft4Softer2GammaAlpha

handoff time with 2 sectors at this site (Softer2GammaAlpha) and handoff with one other site (Soft4)

SC_HandoffTimeSoft4Softer3

handoff time at this site (Softer3) and handoff with one other site (Soft4)

SC_HandoffTimeSoft5Softer1Alpha

handoff time with 1 sector at this site (Softer1Alpha) and handoff with one other site (Soft5)

SC_HandoffTimeSoft5Softer1Beta

handoff time with 1 sector at this site (Softer1Beta) and handoff with one other site (Soft5)

SC_HandoffTimeSoft5Softer1Gamma

handoff time with 1 sector at this site (Softer1Gamma) and handoff with one other site (Soft5)

SC_HandoffTimeSoft5Softer2AlphaBeta

handoff time with 2 sectors at this site (Softer2AlphaBeta) and handoff with one other site (Soft5)

SC_HandoffTimeSoft5Softer2BetaGamma

handoff time with 2 sectors at this site (Softer2BetaGamma) and handoff with one other site (Soft5)

SC_HandoffTimeSoft5Softer2GammaAlpha

handoff time with 2 sectors at this site (Softer2GammaAlpha) and handoff with one other site (Soft5)

SC_HandoffTimeSoft6Softer1Alpha

handoff time with 1 sector at this site (Softer1Alpha) and handoff with one other site (Soft6)

SC_HandoffTimeSoft6Softer1Beta

handoff time with 1 sector at this site (Softer1Beta) and handoff with one other site (Soft6)

SC_HandoffTimeSoft6Softer1Gamma

handoff time with 1 sector at this site (Softer1Gamma) and handoff with one other site (Soft6)

SC_TimeNotInUse

Total time (in 20mS) that all traffic channel elements were idle

SCH_HandoffRadioLinkSetupGroupPeggingAttempts

This OM is the total number of attempts to peg the SCH Handoff Radio Link Setup OM group for a specific EBID.

Data Source

NBSS BSC OMs

Source Field

SCH_HandoffRadioLinkSetupGroupPeggingAttempts (Seq# 7)

Source Section

Pegging Limitation Exceeded (Group ID 31)

SCH_HandoffRadioLinkSetupGroupPeggingFailures

This OM is the total number of failures to peg the SCH Handoff Radio Link Setup OM group for a specific EBID.

Data Source

NBSS BSC OMs

Source Field

SCH_HandoffRadioLinkSetupGroupPeggingFailures (Seq# 8)

Source Section

Pegging Limitation Exceeded (Group ID 31)

SCH_PrimaryRadioLinkSetupGroupPeggingAttempts

This OM is the total number of attempts to peg the SCH Primary Radio Link Setup OM group for a specific EBID.

Data Source

NBSS BSC OMs

Source Field

SCH_PrimaryRadioLinkSetupGroupPeggingAttempts (Seq# 5)

Source Section

Pegging Limitation Exceeded (Group ID 31)

SCH_PrimaryRadioLinkSetupGroupPeggingFailures

This OM is the total number of failures to peg the SCH Primary Radio Link Setup OM group for a specific EBID.

Data Source

NBSS BSC OMs

Source Field

SCH_PrimaryRadioLinkSetupGroupPeggingFailures (Seq# 6)

Source Section

Pegging Limitation Exceeded (Group ID 31)

SchBurstNonBlocking3G

Number of successful BTS resource allocations for 3G data bursts on the supplemental channel

Data Source

NBSS BTS MO

Source Field

SchBurstNonBlocking3G (Seq# 115)

Source Section

Advanced Sector MO

SCHDrop

Pegged if the forward or reverse supplemental channel gets abnormally dropped

Data Source

NBSS BSC OMs

Source Field

SCHDrop (Seq# 22)

Source Section

SCH Primary Radio Link Setup (Group ID 10)

SCHDrop_16X

Forward or reverse 16X supplemental channel gets abnormally dropped

Data Source

NBSS BSC OMs

Source Field

SCHDrop_16X (Seq# 58)

Source Section

SCH Primary Radio Link Setup (Group ID 10)

SCHDrop_2X

Forward or reverse 2X supplemental channel gets abnormally dropped

Data Source

NBSS BSC OMs

Source Field

SCHDrop_2X (Seq# 55)

Source Section

SCH Primary Radio Link Setup (Group ID 10)

SCHDrop_4X

Forward or reverse 4X supplemental channel gets abnormally dropped

Data Source

NBSS BSC OMs

Source Field

SCHDrop_4X (Seq# 56)

Source Section

SCH Primary Radio Link Setup (Group ID 10)

SCHDrop_8X

Forward or reverse 8X supplemental channel gets abnormally dropped

Data Source

NBSS BSC OMs

Source Field

SCHDrop_8X (Seq# 57)

Source Section

SCH Primary Radio Link Setup (Group ID 10)

SchHandoffNonBlocking3G

Number of successful BTS resource allocations for 3G data bursts on the supplemental channel

Data Source

NBSS BTS MO

Source Field

SchHandoffNonBlocking3G (Seq# 116)

Source Section

Advanced Sector MO

SectorRx0PowerAvg

Average receive power for diversity branch 0

Data Source

NBSS BTS MO

Source Field

SectorRx0PowerAvg (Seq# 62)

Source Section

Power Management MO

SectorRx0PowerMax

Maximum receive power for diversity branch 0

Data Source

NBSS BTS MO

Source Field

SectorRx0PowerMax (Seq# 64)

Source Section

Power Management MO

SectorRx1PowerAvg

Average receive power for diversity branch 1

Data Source

NBSS BTS MO

Source Field

SectorRx1PowerAvg (Seq# 63)

Source Section

Power Management MO

SectorRx1PowerMax

Maximum receive power for diversity branch 1

Data Source

NBSS BTS MO

Source Field

SectorRx1PowerMax (Seq# 65)

Source Section

Power Management MO

SectorTxPowerAvg

Average analog transmit power

Data Source

NBSS BTS MO

Source Field

SectorTxPowerAvg (Seq# 59)

Source Section

Power Management MO

SectorTxPowerMax

Maximum analog transmit power

Data Source

NBSS BTS MO

Source Field

SectorTxPowerMax (Seq# 60)

Source Section

Power Management MO

SHO_FSCHAcnIdExhaustion

This OM is pegged when the FSCH blocking reason indicates the setup request failed due to BTS CAN ID Exhaustion.

Data Source

NBSS BSC OMs

Source Field

SHO_FSCHAcnIdExhaustion (Seq# 52)

Source Section

SCH Handoff Radio Link Setup (Group ID 70)

SHO_FSCHBackHaulExhaustion

This OM is pegged when the FSCH blocking reason indicates the setup request failed due to BTS Backhaul Link Exhaustion.

Data Source

NBSS BSC OMs

Source Field

SHO_FSCHBackHaulExhaustion (Seq# 50)

Source Section

SCH Handoff Radio Link Setup (Group ID 70)

SHO_FSCHBCNLinkExhaustion

This OM is pegged when the FSCH blocking reason indicates the setup request failed due to BTS BCN Link Exhaustion.

Data Source

NBSS BSC OMs

Source Field

SHO_FSCHBCNLinkExhaustion (Seq# 51)

Source Section

SCH Handoff Radio Link Setup (Group ID 70)

SHO_FSCHLinkSetupAttempt

This OM provides number of FSCH setup attempts for all data rates combined.

Data Source

NBSS BSC OMs

Source Field

SHO_FSCHLinkSetupAttempt (Seq# 1)

Source Section

SCH Handoff Radio Link Setup (Group ID 70)

SHO_FSCHLinkSetupAttempts_16X

This OM provides number of FSCH setup attempts for the 16X data rate.

Data Source

NBSS BSC OMs

Source Field

SHO_FSCHLinkSetupAttempts_16X (Seq# 21)

Source Section

SCH Handoff Radio Link Setup (Group ID 70)

SHO_FSCHLinkSetupAttempts_2X

This OM provides number of FSCH setup attempts for the 2X data rate.

Data Source

NBSS BSC OMs

Source Field

SHO_FSCHLinkSetupAttempts_2X (Seq# 18)

Source Section

SCH Handoff Radio Link Setup (Group ID 70)

SHO_FSCHLinkSetupAttempts_4X

This OM provides number of FSCH setup attempts for the 4X data rate.

Data Source

NBSS BSC OMs

Source Field

SHO_FSCHLinkSetupAttempts_4X (Seq# 19)

Source Section

SCH Handoff Radio Link Setup (Group ID 70)

SHO_FSCHLinkSetupAttempts_8X

This OM provides number of FSCH setup attempts for the 8X data rate.

Data Source

NBSS BSC OMs

Source Field

SHO_FSCHLinkSetupAttempts_8X (Seq# 20)

Source Section

SCH Handoff Radio Link Setup (Group ID 70)

SHO_FSCHLinkSetupBlock

This OM provides number of FSCH setup attempts that are blocked due to either lack of resources or failed communications between the SBS and BTS, for all data rates combined.

Data Source

NBSS BSC OMs

Source Field

SHO_FSCHLinkSetupBlock (Seq# 2)

Source Section

SCH Handoff Radio Link Setup (Group ID 70)

SHO_FSCHLinkSetupBlock_16X

This OM provides number of FSCH setup attempts at the 16X data rate that are blocked due to lack of resources or failed communications between the SBS and BTS.

Data Source

NBSS BSC OMs

Source Field

SHO_FSCHLinkSetupBlock_16X (Seq# 25)

Source Section

SCH Handoff Radio Link Setup (Group ID 70)

SHO_FSCHLinkSetupBlock_2X

This OM provides number of FSCH setup attempts at the 2X data rate that are blocked due to lack of resources or failed communications between the SBS and BTS.

Data Source

NBSS BSC OMs

Source Field

SHO_FSCHLinkSetupBlock_2X (Seq# 22)

Source Section

SCH Handoff Radio Link Setup (Group ID 70)

SHO_FSCHLinkSetupBlock_4X

This OM provides number of FSCH setup attempts at the 4X data rate that are blocked due to lack of resources or failed communications between the SBS and BTS.

Data Source

NBSS BSC OMs

Source Field

SHO_FSCHLinkSetupBlock_4X (Seq# 23)

Source Section

SCH Handoff Radio Link Setup (Group ID 70)

SHO_FSCHLinkSetupBlock_8X

This OM provides number of FSCH setup attempts at the 8X data rate that are blocked due to lack of resources or failed communications between the SBS and BTS.

Data Source

NBSS BSC OMs

Source Field

SHO_FSCHLinkSetupBlock_8X (Seq# 24)

Source Section

SCH Handoff Radio Link Setup (Group ID 70)

SHO_FSCHLinkSetupBlockSW_Error

This OM is pegged when the FSCH blocking reason indicates that the setup request failed due to non-resource and non-timeout related software conditions/erros for FSCH handoff links.

Data Source

NBSS BSC OMs

Source Field

SHO_FSCHLinkSetupBlockSW_Error (Seq# 53)

Source Section

SCH Handoff Radio Link Setup (Group ID 70)

SHO_FSCHLinkSetupSuccess

This OM provides number of FSCH setup successes for all data rates combined.

Data Source

NBSS BSC OMs

Source Field

SHO_FSCHLinkSetupSuccess (Seq# 3)

Source Section

SCH Handoff Radio Link Setup (Group ID 70)

SHO_FSCHLinkSetupSuccess_16X

This OM provides number of FSCH setup successes for the 16X data rate.

Data Source

NBSS BSC OMs

Source Field

SHO_FSCHLinkSetupSuccess_16X (Seq# 29)

Source Section

SCH Handoff Radio Link Setup (Group ID 70)

SHO_FSCHLinkSetupSuccess_2X

This OM provides number of FSCH setup successes for the 2X data rate.

Data Source

NBSS BSC OMs

Source Field

SHO_FSCHLinkSetupSuccess_2X (Seq# 26)

Source Section

SCH Handoff Radio Link Setup (Group ID 70)

SHO_FSCHLinkSetupSuccess_4X

This OM provides number of FSCH setup successes for the 4X data rate.

Data Source

NBSS BSC OMs

Source Field

SHO_FSCHLinkSetupSuccess_4X (Seq# 27)

Source Section

SCH Handoff Radio Link Setup (Group ID 70)

SHO_FSCHLinkSetupSuccess_8X

This OM provides number of FSCH setup successes for the 8X data rate.

Data Source

NBSS BSC OMs

Source Field

SHO_FSCHLinkSetupSuccess_8X (Seq# 28)

Source Section

SCH Handoff Radio Link Setup (Group ID 70)

SHO_FSCHNoFrameOffset

This OM is pegged if the FSCHBlock reason indicates there is no available frame offset.

Data Source

NBSS BSC OMs

Source Field

SHO_FSCHNoFrameOffset (Seq# 8)

Source Section

SCH Handoff Radio Link Setup (Group ID 70)

SHO_FSCHNoFwdPower

This OM is pegged if the FSCHBlock reason indicates a lack of available forward power.

Data Source

NBSS BSC OMs

Source Field

SHO_FSCHNoFwdPower (Seq# 5)

Source Section

SCH Handoff Radio Link Setup (Group ID 70)

SHO_FSCHNoPhysRes

This OM is pegged if the FSCHBlock reason indicates there are no available channel elements.

Data Source

NBSS BSC OMs

Source Field

SHO_FSCHNoPhysRes (Seq# 7)

Source Section

SCH Handoff Radio Link Setup (Group ID 70)

SHO_FSCHNoWalshCode

This OM is pegged if the FSCHBlock reason indicates a lack of available Walsh codes.

Data Source

NBSS BSC OMs

Source Field

SHO_FSCHNoWalshCode (Seq# 6)

Source Section

SCH Handoff Radio Link Setup (Group ID 70)

SHO_FSCHRadioLinkAccessFailure

This OM is pegged in the event the resources for the FSCH are set up successfully but the mobile does not arrive on the FSCH. It is pegged against each handoff link in the SCH active set for all data rates combined.

Data Source

NBSS BSC OMs

Source Field

SHO_FSCHRadioLinkAccessFailure (Seq# 4)

Source Section

SCH Handoff Radio Link Setup (Group ID 70)

SHO_FSCHRadioLinkAccessFailure_16X

This OM is pegged in the event the resources for the 16X data rate FSCH are set up successfully but the mobile does not arrive on the FSCH. It is pegged against each handoff link in the SCH active set.

Data Source

NBSS BSC OMs

Source Field

SHO_FSCHRadioLinkAccessFailure_16X (Seq# 33)

Source Section

SCH Handoff Radio Link Setup (Group ID 70)

SHO_FSCHRadioLinkAccessFailure_2X

This OM is pegged in the event the resources for the 2X data rate FSCH are set up successfully but the mobile does not arrive on the FSCH. It is pegged against each handoff link in the SCH active set.

Data Source

NBSS BSC OMs

Source Field

SHO_FSCHRadioLinkAccessFailure_2X (Seq# 30)

Source Section

SCH Handoff Radio Link Setup (Group ID 70)

SHO_FSCHRadioLinkAccessFailure_4X

This OM is pegged in the event the resources for the 4X data rate FSCH are set up successfully but the mobile does not arrive on the FSCH. It is pegged against each handoff link in the SCH active set.

Data Source

NBSS BSC OMs

Source Field

SHO_FSCHRadioLinkAccessFailure_4X (Seq# 31)

Source Section

SCH Handoff Radio Link Setup (Group ID 70)

SHO_FSCHRadioLinkAccessFailure_8X

This OM is pegged in the event the resources for the 8X data rate FSCH are set up successfully but the mobile does not arrive on the FSCH. It is pegged against each handoff link in the SCH active set.

Data Source

NBSS BSC OMs

Source Field

SHO_FSCHRadioLinkAccessFailure_8X (Seq# 32)

Source Section

SCH Handoff Radio Link Setup (Group ID 70)

SHO_FSCHTimeout

This OM is pegged if a response to the BTS Resource Request is never received due to failed communications with the BTS.

Data Source

NBSS BSC OMs

Source Field

SHO_FSCHTimeout (Seq# 9)

Source Section

SCH Handoff Radio Link Setup (Group ID 70)

SHO_RSCH_CFDS_HighSpeed

This OM is pegged if the RSCHBlock reason indicates high speed RSCH has not been enabled through CFDS.

Data Source

NBSS BSC OMs

Source Field

SHO_RSCH_CFDS_HighSpeed (Seq# 14)

Source Section

SCH Handoff Radio Link Setup (Group ID 70)

SHO_RSCHLinkSetupAttempt

This OM provides number of RSCH setup attempts for all data rates combined.

Data Source

NBSS BSC OMs

Source Field

SHO_RSCHLinkSetupAttempt (Seq# 10)

Source Section

SCH Handoff Radio Link Setup (Group ID 70)

SHO_RSCHLinkSetupAttempts_16X

This OM provides number of RSCH setup attempts for the 16X data rate.

Data Source

NBSS BSC OMs

Source Field

SHO_RSCHLinkSetupAttempts_16X (Seq# 37)

Source Section

SCH Handoff Radio Link Setup (Group ID 70)

SHO_RSCHLinkSetupAttempts_2X

This OM provides number of RSCH setup attempts for the 2X data rate.

Data Source

NBSS BSC OMs

Source Field

SHO_RSCHLinkSetupAttempts_2X (Seq# 34)

Source Section

SCH Handoff Radio Link Setup (Group ID 70)

SHO_RSCHLinkSetupAttempts_4X

This OM provides number of RSCH setup attempts for the 4X data rate.

Data Source

NBSS BSC OMs

Source Field

SHO_RSCHLinkSetupAttempts_4X (Seq# 35)

Source Section

SCH Handoff Radio Link Setup (Group ID 70)

SHO_RSCHLinkSetupAttempts_8X

This OM provides number of RSCH setup attempts for the 8X data rate.

Data Source

NBSS BSC OMs

Source Field

SHO_RSCHLinkSetupAttempts_8X (Seq# 36)

Source Section

SCH Handoff Radio Link Setup (Group ID 70)

SHO_RSCHLinkSetupBlock

This OM provides number of RSCH setup attempts that are blocked due to either lack of resources or failed communications between the SBS and BTS, for all data rates combined.

Data Source

NBSS BSC OMs

Source Field

SHO_RSCHLinkSetupBlock (Seq# 11)

Source Section

SCH Handoff Radio Link Setup (Group ID 70)

SHO_RSCHLinkSetupBlock_16X

This OM provides number of RSCH setup attempts at the 16X data rate that are blocked due to lack of resources or failed communications between the SBS and BTS.

Data Source

NBSS BSC OMs

Source Field

SHO_RSCHLinkSetupBlock_16X (Seq# 41)

Source Section

SCH Handoff Radio Link Setup (Group ID 70)

SHO_RSCHLinkSetupBlock_2X

This OM provides number of RSCH setup attempts at the 2X data rate that are blocked due to lack of resources or failed communications between the SBS and BTS.

Data Source

NBSS BSC OMs

Source Field

SHO_RSCHLinkSetupBlock_2X (Seq# 38)

Source Section

SCH Handoff Radio Link Setup (Group ID 70)

SHO_RSCHLinkSetupBlock_4X

This OM provides number of RSCH setup attempts at the 4X data rate that are blocked due to lack of resources or failed communications between the SBS and BTS.

Data Source

NBSS BSC OMs

Source Field

SHO_RSCHLinkSetupBlock_4X (Seq# 39)

Source Section

SCH Handoff Radio Link Setup (Group ID 70)

SHO_RSCHLinkSetupBlock_8X

This OM provides number of RSCH setup attempts at the 8X data rate that are blocked due to lack of resources or failed communications between the SBS and BTS.

Data Source

NBSS BSC OMs

Source Field

SHO_RSCHLinkSetupBlock_8X (Seq# 40)

Source Section

SCH Handoff Radio Link Setup (Group ID 70)

SHO_RSCHLinkSetupBlockSW_Error

This OM is pegged when the RSCH blocking reason indicates that the setup request failed due to non-resource and non-timeout related software conditions/errors for RSCH handoff links.

Data Source

NBSS BSC OMs

Source Field

SHO_RSCHLinkSetupBlockSW_Error (Seq# 54)

Source Section

SCH Handoff Radio Link Setup (Group ID 70)

SHO_RSCHLinkSetupSuccess

This OM provides number of RSCH setup successes for all data rates combined.

Data Source

NBSS BSC OMs

Source Field

SHO_RSCHLinkSetupSuccess (Seq# 12)

Source Section

SCH Handoff Radio Link Setup (Group ID 70)

SHO_RSCHLinkSetupSuccess_16X

This OM provides number of RSCH setup successes for the 16X data rate.

Data Source

NBSS BSC OMs

Source Field

SHO_RSCHLinkSetupSuccess_16X (Seq# 45)

Source Section

SCH Handoff Radio Link Setup (Group ID 70)

SHO_RSCHLinkSetupSuccess_2X

This OM provides number of RSCH setup successes for the 2X data rate.

Data Source

NBSS BSC OMs

Source Field

SHO_RSCHLinkSetupSuccess_2X (Seq# 42)

Source Section

SCH Handoff Radio Link Setup (Group ID 70)

SHO_RSCHLinkSetupSuccess_4X

This OM provides number of RSCH setup successes for the 4X data rate.

Data Source

NBSS BSC OMs

Source Field

SHO_RSCHLinkSetupSuccess_4X (Seq# 43)

Source Section

SCH Handoff Radio Link Setup (Group ID 70)

SHO_RSCHLinkSetupSuccess_8X

This OM provides number of RSCH setup successes for the 8X data rate.

Data Source

NBSS BSC OMs

Source Field

SHO_RSCHLinkSetupSuccess_8X (Seq# 44)

Source Section

SCH Handoff Radio Link Setup (Group ID 70)

SHO_RSCHNoFrameOffset

This OM is pegged if the RSCHBlock reason indicates there is no available frame offset.

Data Source

NBSS BSC OMs

Source Field

SHO_RSCHNoFrameOffset (Seq# 16)

Source Section

SCH Handoff Radio Link Setup (Group ID 70)

SHO_RSCHNoPhysRes

This OM is pegged if the RSCHBlock reason indicates there are no available channel elements.

Data Source

NBSS BSC OMs

Source Field

SHO_RSCHNoPhysRes (Seq# 15)

Source Section

SCH Handoff Radio Link Setup (Group ID 70)

SHO_RSCHRadioLinkAccessFailure

This OM is pegged in the event the resources for the RSCH are set up successfully but the mobile does not arrive on the RSCH. It is pegged against each handoff link in the SCH active set for all data rates combined.

Data Source

NBSS BSC OMs

Source Field

SHO_RSCHRadioLinkAccessFailure (Seq# 13)

Source Section

SCH Handoff Radio Link Setup (Group ID 70)

SHO_RSCHRadioLinkAccessFailure_16X

This OM is pegged in the event the resources for the 16X data rate RSCH are set up successfully but the mobile does not arrive on the RSCH. It is pegged against each handoff link in the SCH active set.

Data Source

NBSS BSC OMs

Source Field

SHO_RSCHRadioLinkAccessFailure_16X (Seq# 49)

Source Section

SCH Handoff Radio Link Setup (Group ID 70)

SHO_RSCHRadioLinkAccessFailure_2X

This OM is pegged in the event the resources for the 2X data rate RSCH are set up successfully but the mobile does not arrive on the RSCH. It is pegged against each handoff link in the SCH active set.

Data Source

NBSS BSC OMs

Source Field

SHO_RSCHRadioLinkAccessFailure_2X (Seq# 46)

Source Section

SCH Handoff Radio Link Setup (Group ID 70)

SHO_RSCHRadioLinkAccessFailure_4X

This OM is pegged in the event the resources for the 4X data rate RSCH are set up successfully but the mobile does not arrive on the RSCH. It is pegged against each handoff link in the SCH active set.

Data Source

NBSS BSC OMs

Source Field

SHO_RSCHRadioLinkAccessFailure_4X (Seq# 47)

Source Section

SCH Handoff Radio Link Setup (Group ID 70)

SHO_RSCHRadioLinkAccessFailure_8X

This OM is pegged in the event the resources for the 8X data rate RSCH are set up successfully but the mobile does not arrive on the RSCH. It is pegged against each handoff link in the SCH active set.

Data Source

NBSS BSC OMs

Source Field

SHO_RSCHRadioLinkAccessFailure_8X (Seq# 48)

Source Section

SCH Handoff Radio Link Setup (Group ID 70)

SHO_RSCHTimeout

This OM is pegged if a response to the BTS Resource Request is never received due to failed communications with the BTS.

Data Source

NBSS BSC OMs

Source Field

SHO_RSCHTimeout (Seq# 17)

Source Section

SCH Handoff Radio Link Setup (Group ID 70)

SQECBLKS

Pegs when a handoff is blocked due to no resources or no response for Handoffs with Signal Quality Handoff trigger of type Ec.

Data Source

MTX OM, SDM

Source Field

SQECBLKS

Source Section

OMMTXHO4

SQECNSR

Pegs when there is no SAT and no handoff response for handoffs with Signal Quality Handoff trigger of type Ec.

Data Source

MTX OM, SDM

Source Field

SQECNSR

Source Section

OMMTXHO4

SQECSATT

This OM register is used to measure the number of Outgoing Handoff Attempts for Signal Quality Handoff trigger of type Ec.

Data Source

MTX OM, SDM

Source Field

SQECSATT

Source Section

OMMTXHO4

SQECSFL

Pegs after SAT timeout for handoffs with Signal Quality Handoff trigger of type Ec.

Data Source

MTX OM, SDM

Source Field

SQECSFL

Source Section

OMMTXHO4

SQECSRJT

Pegs when an handoff with Signal Quality Handoff trigger of type Ec is cancelled, failed, or ignored.

Data Source

MTX OM, SDM

Source Field

SQECSRJT

Source Section

OMMTXHO4

SQECSRLS

Pegs when the call is released for handoff with Signal Quality Handoff trigger of type Ec.

Data Source

MTX OM, SDM

Source Field

SQECSRLS

Source Section

OMMTXHO4

SQECSSU

This OM register is used to measure the number of Outgoing Handoff Successes for Signal Quality Handoff trigger of type Ec.

Data Source

MTX OM, SDM

Source Field

SQECSSU

Source Section

OMMTXHO4

SQRMBLKS

Pegs when a handoff is blocked due to no resources or no response for Handoffs with Signal Quality Handoff trigger of type RTDmax.

Data Source

MTX OM, SDM

Source Field

SQRMBLKS

Source Section

OMMTXHO4

SQRMNSR

Pegs when there is no SAT and no handoff response for handoffs with Signal Quality Handoff trigger of type RTDmax.

Data Source

MTX OM, SDM

Source Field

SQRMNSR

Source Section

OMMTXHO4

SQRMSATT

This OM register is used to measure the number of Outgoing Handoff Attempts for Signal Quality Handoff trigger of type RTDmax.

Data Source

MTX OM, SDM

Source Field

SQRMSATT

Source Section

OMMTXHO4

SQRMSFL

Pegs after SAT timeout for handoffs with Signal Quality Handoff trigger of type RTDmax.

Data Source

MTX OM, SDM

Source Field

SQRMSFL

Source Section

OMMTXHO4

SQRMSRJT

Pegs pegged when an handoff with Signal Quality Handoff trigger of type RTDmax is cancelled, failed, or ignored.

Data Source

MTX OM, SDM

Source Field

SQRMSRJT

Source Section

OMMTXHO4

SQRMSRLS

Pegs when when the call is released for handoff with Signal Quality Handoff trigger of type RTDmax.

Data Source

MTX OM, SDM

Source Field

SQRMSRLS

Source Section

OMMTXHO4

SQRMSSU

This OM register is used to measure the number of Outgoing Handoff Successes for Signal Quality Handoff trigger of type RTDmax.

Data Source

MTX OM, SDM

Source Field

SQRMSSU

Source Section

OMMTXHO4

SQRTBLKS

Pegs when a handoff is blocked due to no resources or no response for Handoffs with Signal Quality Handoff trigger of type RTD.

Data Source

MTX OM, SDM

Source Field

SQRTBLKS

Source Section

OMMTXHO4

SQRTNSR

Pegs when there is no SAT and no handoff response for handoffs with Signal Quality Handoff trigger of type RTD.

Data Source

MTX OM, SDM

Source Field

SQRTNSR

Source Section

OMMTXHO4

SQRTSATT

This OM register is used to measure the number of Outgoing Handoff Attempts for Signal Quality Handoff trigger of type RTD.

Data Source

MTX OM, SDM

Source Field

SQRTSATT

Source Section

OMMTXHO4

SQRTSFL

Pegs after SAT timeout for handoffs with Signal Quality Handoff trigger of type RTD.

Data Source

MTX OM, SDM

Source Field

SQRTSFL

Source Section

OMMTXHO4

SQRTSRJT

Pegs when an handoff with Signal Quality Handoff trigger of type RTD is cancelled, failed, or ignored.

Data Source

MTX OM, SDM

Source Field

SQRTSRJT

Source Section

OMMTXHO4

SQRTSRLS

Pegs when when the call is released for handoff with Signal Quality Handoff trigger of type RTD.

Data Source

MTX OM, SDM

Source Field

SQRTSRLS

Source Section

OMMTXHO4

SQRTSSU

This OM register is used to measure the number of Outgoing Handoff Successes for Signal Quality Handoff trigger of type RTD.

Data Source

MTX OM, SDM

Source Field

SQRTSSU

Source Section

OMMTXHO4

SuccessfulHandoffs

Non-blocked Soft Handoffs

Data Source

NBSS BTS MO

Source Field

SuccessfulHandoffs (Seq# 66)

Source Section

Advanced Sector MO

SuccessfulOriginations

Non-blocked Originations and Terminations

Data Source

NBSS BTS MO

Source Field

SuccessfulOriginations (Seq# 65)

Source Section

Advanced Sector MO

TCEForwardLinkUtilUWAvg

Average of sum of digital gain squared for all traffic channels

Data Source

NBSS BTS MO

Source Field

TCEForwardLinkUtilUWAvg (Seq# 47)

Source Section

Advanced Sector MO

TPTL_Mapping

Power level in mW corresponding to a digital gain of 254^2

Data Source

NBSS BTS MO

Source Field

TPTL_Mapping (Seq# 92)

Source Section

Power Management MO

UpdateFwdSchBurstQueued16X_CFDS_HS_RSCH

UpdateFwdSchBurstQueued16X Reason: Valid only for RSCH Bursts and
EnableHSReverseSchFeature is set to FALSE

Data Source

NBSS BTS MO

Source Field

UpdateFwdSchBurstQueued16X (Seq# 183[7])

Source Section

Advanced Sector MO

UpdateFwdSchBurstQueued16X_CFDS_RCState

UpdateFwdSchBurstQueued16X Reason: CFDS RadioConfigState attribute does not allow the type of call requested to be set up

Data Source

NBSS BTS MO

Source Field

UpdateFwdSchBurstQueued16X (Seq# 183[6])

Source Section

Advanced Sector MO

UpdateFwdSchBurstQueued16X_ExceedCPUCap

UpdateFwdSchBurstQueued16X Reason: XCEM CPU could not support additional burst

Data Source

NBSS BTS MO

Source Field

UpdateFwdSchBurstQueued16X (Seq# 183[9])

Source Section

Advanced Sector MO

UpdateFwdSchBurstQueued16X_ExceedMaxRate

UpdateFwdSchBurstQueued16X Reason: This element is currently not a valid blocking reason

Data Source

NBSS BTS MO

Source Field

UpdateFwdSchBurstQueued16X (Seq# 183[8])

Source Section

Advanced Sector MO

UpdateFwdSchBurstQueued16X_NoExtCellSupport

UpdateFwdSchBurstQueued16X Reason: This element is currently not a valid blocking reason

Data Source

NBSS BTS MO

Source Field

UpdateFwdSchBurstQueued16X (Seq# 183[5])

Source Section

Advanced Sector MO

UpdateFwdSchBurstQueued16X_NoFrameOff

UpdateFwdSchBurstQueued16X Reason: XCEM could not support needed frame offset

Data Source

NBSS BTS MO

Source Field

UpdateFwdSchBurstQueued16X (Seq# 183[4])

Source Section

Advanced Sector MO

UpdateFwdSchBurstQueued16X_NoFwdCap

UpdateFwdSchBurstQueued16X Reason: BTS Fwd Power surpassed level defined by call blocking threshold or MaxDataResources

Data Source

NBSS BTS MO

Source Field

UpdateFwdSchBurstQueued16X (Seq# 183[1])

Source Section

Advanced Sector MO

UpdateFwdSchBurstQueued16X_NoPhyRes

UpdateFwdSchBurstQueued16X Reason: XCEMs could not support additional calls

Data Source

NBSS BTS MO

Source Field

UpdateFwdSchBurstQueued16X (Seq# 183[0])

Source Section

Advanced Sector MO

UpdateFwdSchBurstQueued16X_NoRevCap

UpdateFwdSchBurstQueued16X Reason: Reverse Link Blocking is currently not supported

Data Source

NBSS BTS MO

Source Field

UpdateFwdSchBurstQueued16X (Seq# 183[2])

Source Section

Advanced Sector MO

UpdateFwdSchBurstQueued16X_NoWC

UpdateFwdSchBurstQueued16X Reason: No Walsh Codes available

Data Source

NBSS BTS MO

Source Field

UpdateFwdSchBurstQueued16X (Seq# 183[3])

Source Section

Advanced Sector MO

UpdateFwdSchBurstQueued16X_QueueFull

UpdateFwdSchBurstQueued16X Reason: BTS resources unavailable and queue is full

Data Source

NBSS BTS MO

Source Field

UpdateFwdSchBurstQueued16X (Seq# 183[10])

Source Section

Advanced Sector MO

UpdateFwdSchBurstQueued2X_CFDS_HS_RSCH

UpdateFwdSchBurstQueued2X Reason: Valid only for RSCH Bursts and EnableHSReverseSchFeature is set to FALSE

Data Source

NBSS BTS MO

Source Field

UpdateFwdSchBurstQueued2X (Seq# 180[7])

Source Section

Advanced Sector MO

UpdateFwdSchBurstQueued2X_CFDS_RCState

UpdateFwdSchBurstQueued2X Reason: CFDS RadioConfigState attribute does not allow the type of call requested to be set up

Data Source

NBSS BTS MO

Source Field

UpdateFwdSchBurstQueued2X (Seq# 180[6])

Source Section

Advanced Sector MO

UpdateFwdSchBurstQueued2X_ExceedCPUCap

UpdateFwdSchBurstQueued2X Reason: XCEM CPU could not support additional burst

Data Source

NBSS BTS MO

Source Field

UpdateFwdSchBurstQueued2X (Seq# 180[9])

Source Section

Advanced Sector MO

UpdateFwdSchBurstQueued2X_ExceedMaxRate

UpdateFwdSchBurstQueued2X Reason: This element is currently not a valid blocking reason

Data Source

NBSS BTS MO

Source Field

UpdateFwdSchBurstQueued2X (Seq# 180[8])

Source Section

Advanced Sector MO

UpdateFwdSchBurstQueued2X_NoExtCellSupport

UpdateFwdSchBurstQueued2X Reason: This element is currently not a valid blocking reason

Data Source

NBSS BTS MO

Source Field

UpdateFwdSchBurstQueued2X (Seq# 180[5])

Source Section

Advanced Sector MO

UpdateFwdSchBurstQueued2X_NoFrameOff

UpdateFwdSchBurstQueued2X Reason: XCEM could not support needed frame offset

Data Source

NBSS BTS MO

Source Field

UpdateFwdSchBurstQueued2X (Seq# 180[4])

Source Section

Advanced Sector MO

UpdateFwdSchBurstQueued2X_NoFwdCap

UpdateFwdSchBurstQueued2X Reason: BTS Fwd Power surpassed level defined by call blocking threshold or MaxDataResources

Data Source

NBSS BTS MO

Source Field

UpdateFwdSchBurstQueued2X (Seq# 180[1])

Source Section

Advanced Sector MO

UpdateFwdSchBurstQueued2X_NoPhyRes

UpdateFwdSchBurstQueued2X Reason: XCEMs could not support additional calls

Data Source

NBSS BTS MO

Source Field

UpdateFwdSchBurstQueued2X (Seq# 180[0])

Source Section

Advanced Sector MO

UpdateFwdSchBurstQueued2X_NoRevCap

UpdateFwdSchBurstQueued2X Reason: Reverse Link Blocking is currently not supported

Data Source

NBSS BTS MO

Source Field

UpdateFwdSchBurstQueued2X (Seq# 180[2])

Source Section

Advanced Sector MO

UpdateFwdSchBurstQueued2X_NoWC

UpdateFwdSchBurstQueued2X Reason: No Walsh Codes available

Data Source

NBSS BTS MO

Source Field

UpdateFwdSchBurstQueued2X (Seq# 180[3])

Source Section

Advanced Sector MO

UpdateFwdSchBurstQueued2X_QueueFull

UpdateFwdSchBurstQueued2X Reason: BTS resources unavailable and queue is full

Data Source

NBSS BTS MO

Source Field

UpdateFwdSchBurstQueued2X (Seq# 180[10])

Source Section

Advanced Sector MO

UpdateFwdSchBurstQueued4X_CFDS_HS_RSCH

UpdateFwdSchBurstQueued4X Reason: Valid only for RSCH Bursts and EnableHSReverseSchFeature is set to FALSE

Data Source

NBSS BTS MO

Source Field

UpdateFwdSchBurstQueued4X (Seq# 181[7])

Source Section

Advanced Sector MO

UpdateFwdSchBurstQueued4X_CFDS_RCState

UpdateFwdSchBurstQueued4X Reason: CFDS RadioConfigState attribute does not allow the type of call requested to be set up

Data Source

NBSS BTS MO

Source Field

UpdateFwdSchBurstQueued4X (Seq# 181[6])

Source Section

Advanced Sector MO

UpdateFwdSchBurstQueued4X_ExceedCPUCap

UpdateFwdSchBurstQueued4X Reason: XCEM CPU could not support additional burst

Data Source

NBSS BTS MO

Source Field

UpdateFwdSchBurstQueued4X (Seq# 181[9])

Source Section

Advanced Sector MO

UpdateFwdSchBurstQueued4X_ExceedMaxRate

UpdateFwdSchBurstQueued4X Reason: This element is currently not a valid blocking reason

Data Source

NBSS BTS MO

Source Field

UpdateFwdSchBurstQueued4X (Seq# 181[8])

Source Section

Advanced Sector MO

UpdateFwdSchBurstQueued4X_NoExtCellSupport

UpdateFwdSchBurstQueued4X Reason: This element is currently not a valid blocking reason

Data Source

NBSS BTS MO

Source Field

UpdateFwdSchBurstQueued4X (Seq# 181[5])

Source Section

Advanced Sector MO

UpdateFwdSchBurstQueued4X_NoFrameOff

UpdateFwdSchBurstQueued4X Reason: XCEM could not support needed frame offset

Data Source

NBSS BTS MO

Source Field

UpdateFwdSchBurstQueued4X (Seq# 181[4])

Source Section

Advanced Sector MO

UpdateFwdSchBurstQueued4X_NoFwdCap

UpdateFwdSchBurstQueued4X Reason: BTS Fwd Power surpassed level defined by call blocking threshold or MaxDataResources

Data Source

NBSS BTS MO

Source Field

UpdateFwdSchBurstQueued4X (Seq# 181[1])

Source Section

Advanced Sector MO

UpdateFwdSchBurstQueued4X_NoPhyRes

UpdateFwdSchBurstQueued4X Reason: XCEMs could not support additional calls

Data Source

NBSS BTS MO

Source Field

UpdateFwdSchBurstQueued4X (Seq# 181[0])

Source Section

Advanced Sector MO

UpdateFwdSchBurstQueued4X_NoRevCap

UpdateFwdSchBurstQueued4X Reason: Reverse Link Blocking is currently not supported

Data Source

NBSS BTS MO

Source Field

UpdateFwdSchBurstQueued4X (Seq# 181[2])

Source Section

Advanced Sector MO

UpdateFwdSchBurstQueued4X_NoWC

UpdateFwdSchBurstQueued4X Reason: No Walsh Codes available

Data Source

NBSS BTS MO

Source Field

UpdateFwdSchBurstQueued4X (Seq# 181[3])

Source Section

Advanced Sector MO

UpdateFwdSchBurstQueued4X_QueueFull

UpdateFwdSchBurstQueued4X Reason: BTS resources unavailable and queue is full

Data Source

NBSS BTS MO

Source Field

UpdateFwdSchBurstQueued4X (Seq# 181[10])

Source Section

Advanced Sector MO

UpdateFwdSchBurstQueued8X_CFDS_HS_RSCH

UpdateFwdSchBurstQueued8X Reason: Valid only for RSCH Bursts and
EnableHSReverseSchFeature is set to FALSE

Data Source

NBSS BTS MO

Source Field

UpdateFwdSchBurstQueued8X (Seq# 182[7])

Source Section

Advanced Sector MO

UpdateFwdSchBurstQueued8X_CFDS_RCState

UpdateFwdSchBurstQueued8X Reason: CFDS RadioConfigState attribute does not allow the type of call requested to be set up

Data Source

NBSS BTS MO

Source Field

UpdateFwdSchBurstQueued8X (Seq# 182[6])

Source Section

Advanced Sector MO

UpdateFwdSchBurstQueued8X_ExceedCPUCap

UpdateFwdSchBurstQueued8X Reason: XCEM CPU could not support additional burst

Data Source

NBSS BTS MO

Source Field

UpdateFwdSchBurstQueued8X (Seq# 182[9])

Source Section

Advanced Sector MO

UpdateFwdSchBurstQueued8X_ExceedMaxRate

UpdateFwdSchBurstQueued8X Reason: This element is currently not a valid blocking reason

Data Source

NBSS BTS MO

Source Field

UpdateFwdSchBurstQueued8X (Seq# 182[8])

Source Section

Advanced Sector MO

UpdateFwdSchBurstQueued8X_NoExtCellSupport

UpdateFwdSchBurstQueued8X Reason: This element is currently not a valid blocking reason

Data Source

NBSS BTS MO

Source Field

UpdateFwdSchBurstQueued8X (Seq# 182[5])

Source Section

Advanced Sector MO

UpdateFwdSchBurstQueued8X_NoFrameOff

UpdateFwdSchBurstQueued8X Reason: XCEM could not support needed frame offset

Data Source

NBSS BTS MO

Source Field

UpdateFwdSchBurstQueued8X (Seq# 182[4])

Source Section

Advanced Sector MO

UpdateFwdSchBurstQueued8X_NoFwdCap

UpdateFwdSchBurstQueued8X Reason: BTS Fwd Power surpassed level defined by call blocking threshold or MaxDataResources

Data Source

NBSS BTS MO

Source Field

UpdateFwdSchBurstQueued8X (Seq# 182[1])

Source Section

Advanced Sector MO

UpdateFwdSchBurstQueued8X_NoPhyRes

UpdateFwdSchBurstQueued8X Reason: XCEMs could not support additional calls

Data Source

NBSS BTS MO

Source Field

UpdateFwdSchBurstQueued8X (Seq# 182[0])

Source Section

Advanced Sector MO

UpdateFwdSchBurstQueued8X_NoRevCap

UpdateFwdSchBurstQueued8X Reason: Reverse Link Blocking is currently not supported

Data Source

NBSS BTS MO

Source Field

UpdateFwdSchBurstQueued8X (Seq# 182[2])

Source Section

Advanced Sector MO

UpdateFwdSchBurstQueued8X_NoWC

UpdateFwdSchBurstQueued8X Reason: No Walsh Codes available

Data Source

NBSS BTS MO

Source Field

UpdateFwdSchBurstQueued8X (Seq# 182[3])

Source Section

Advanced Sector MO

UpdateFwdSchBurstQueued8X_QueueFull

UpdateFwdSchBurstQueued8X Reason: BTS resources unavailable and queue is full

Data Source

NBSS BTS MO

Source Field

UpdateFwdSchBurstQueued8X (Seq# 182[10])

Source Section

Advanced Sector MO

WalshCodeUsageDistribution0to30

0-30 Walsh Codes in simultaneous use

Data Source

NBSS BTS MO

Source Field

WalshCodeUsageDistribution0 (Seq# 166[0])

Source Section

Advanced Sector MO

WalshCodeUsageDistribution101to110

101-110 Walsh Codes in simultaneous use

Data Source

NBSS BTS MO

Source Field

WalshCodeUsageDistribution6 (Seq# 166[6])

Source Section

Advanced Sector MO

WalshCodeUsageDistribution111to120

111-120 Walsh Codes in simultaneous use

Data Source

NBSS BTS MO

Source Field

WalshCodeUsageDistribution7 (Seq# 166[7])

Source Section

Advanced Sector MO

WalshCodeUsageDistribution121to128

121-128 Walsh Codes in simultaneous use

Data Source

NBSS BTS MO

Source Field

WalshCodeUsageDistribution8 (Seq# 166[8])

Source Section

Advanced Sector MO

WalshCodeUsageDistribution31to60

31-60 Walsh Codes in simultaneous use

Data Source

NBSS BTS MO

Source Field

WalshCodeUsageDistribution1 (Seq# 166[1])

Source Section

Advanced Sector MO

WalshCodeUsageDistribution61to70

61-70 Walsh Codes in simultaneous use

Data Source

NBSS BTS MO

Source Field

WalshCodeUsageDistribution2 (Seq# 166[2])

Source Section

Advanced Sector MO

WalshCodeUsageDistribution71to80

71-80 Walsh Codes in simultaneous use

Data Source

NBSS BTS MO

Source Field

WalshCodeUsageDistribution3 (Seq# 166[3])

Source Section

Advanced Sector MO

WalshCodeUsageDistribution81to90

81-90 Walsh Codes in simultaneous use

Data Source

NBSS BTS MO

Source Field

WalshCodeUsageDistribution4 (Seq# 166[4])

Source Section

Advanced Sector MO

WalshCodeUsageDistribution91to100

91-100 Walsh Codes in simultaneous use

Data Source

NBSS BTS MO

Source Field

WalshCodeUsageDistribution5 (Seq# 166[5])

Source Section

Advanced Sector MO

Sector_Carrier Roll-up Fields

The following is a list of roll-up fields for the Sector_Carrier entity.

CEFrameCntFCH

Frames sent on the forward link for every user on the fundamental channel / number of softer handoff links

PrimaryFrameCntFCH

Frames sent on the forward link for every user on the fundamental channel/ soft handoff links * softer handoff links

WCUsgErl

Walsh Code Usage in Erlangs

ServiceGroup Primitive Calculations

The following is a list of primitive calculations for the ServiceGroup entity.

GRAPHmultiLineSeparator

Special Control Field for Multi-Line Graphs

Calculation

""

NUMDAYS

of days in Report

Calculation

DAYSINREPORT ()

NUMHOURS

of hours in Summation Data

ServiceGroup Peg Counts

The following is a list of peg counts for the ServiceGroup entity.

AllocationRequestAccepted

NRM accepts the resource allocation request message from the CAU and continues to process that request.

Data Source

NBSS BSC OMs

Source Field

AllocationRequestAccepted (Seq# 1)

Source Section

Call Resource Setup (Group ID 34)

AllocationRequestFailures

NRM determines that resources are available to satisfy the CAU's resource allocation request, but fails to allocate them within the system for that request.

Data Source

NBSS BSC OMs

Source Field

AllocationRequestFailures (Seq# 4)

Source Section

Call Resource Setup (Group ID 34)

AllocationRequestResourceUnavailable

NRM has determined that requested service option resources are unavailable in the entire system.

Data Source

NBSS BSC OMs

Source Field

AllocationRequestResourceUnavailable (Seq# 2)

Source Section

Call Resource Setup (Group ID 34)

AllocationRequestSuccesses

NRM is successful in allocating resources for the incoming resource allocation request from the CAU.

Data Source

NBSS BSC OMs

Source Field

AllocationRequestSuccesses (Seq# 3)

Source Section

Call Resource Setup (Group ID 34)

ServiceType Primitive Calculations

The following is a list of primitive calculations for the ServiceType entity.

GRAPHmultiLineSeparator

Special Control Field for Multi-Line Graphs

Calculation

""

NUMDAYS

of days in Report

Calculation

DAYSINREPORT ()

NUMHOURS

of hours in Summation Data

ServiceType Peg Counts

The following is a list of peg counts for the ServiceType entity.

AlternateBSC_AllocationAttempts

NRM sends an alternate resource allocation request to the SBSRM for the required service option, after a failed resource allocation attempt on the initially selected CPDS/ CSVS platform.

Data Source

NBSS BSC OMs

Source Field

AlternateBSC_AllocationAttempts (Seq# 12)

Source Section

Service Resource Setup (Group ID 36)

AlternateBSC_AllocationFailures

NRM fails to allocate the SBS resource, for an alternate resource allocation request (to the SBS platform) that was made after a failed resource allocation attempt on the initially selected CPDS/CSVS platform.

Data Source

NBSS BSC OMs

Source Field

AlternateBSC_AllocationFailures (Seq# 14)

Source Section

Service Resource Setup (Group ID 36)

AlternateBSC_AllocationSuccesses

NRM receives successful resource allocation response from SBSRM for an alternate resource allocation request that was made after a failed resource allocation attempt on the initially selected CPDS/CSVS platform.

Data Source

NBSS BSC OMs

Source Field

AlternateBSC_AllocationSuccesses (Seq# 13)

Source Section

Service Resource Setup (Group ID 36)

AlternateEBSC_AllocationAttempts

NRM sends an alternate resource allocation request to the CSRM (in the case of voice Service group) or SDRM (in the case of a Service group of packetData or other) for the required service option, after a failed resource allocation attempt on the initially selected SBS platform.

Data Source

NBSS BSC OMs

Source Field

AlternateEBSC_AllocationAttempts (Seq# 5)

Source Section

Service Resource Setup (Group ID 36)

AlternateEBSC_AllocationSuccesses

NRM receives successful resource allocation response(s) from both the CSRM and SDRM (voice Service group) or SDRM only (packetData or other) for an alternate resource allocation request that was made after a failed resource allocation attempt on the initially selected SBS platform.

Data Source

NBSS BSC OMs

Source Field

AlternateEBSC_AllocationSuccesses (Seq# 6)

Source Section

Service Resource Setup (Group ID 36)

AlternateEBSC_MG_AllocationFailures

NRM fails to allocate the Media Gateway resource (i.e., DSP, CIC) in the case of voice Service group only, for an alternate resource allocation request (to the CPDS/CSVS platform) that was made after a failed resource allocation attempt on the initially selected SBS platform.

Data Source

NBSS BSC OMs

Source Field

AlternateEBSC_MG_AllocationFailures (Seq# 7)

Source Section

Service Resource Setup (Group ID 36)

AlternateEBSC_SDU_AllocationFailures

NRM fails to allocate the SDU (Selection and Distribution Unit) resource, for an alternate resource allocation request (to the CPDS/CSVS platform) that was made after a failed resource allocation attempt on the initially selected SBS platform.

Data Source

NBSS BSC OMs

Source Field

AlternateEBSC_SDU_AllocationFailures (Seq# 8)

Source Section

Service Resource Setup (Group ID 36)

ResourceCheckAttempts

NRM checks resource availability in the entire system for a service.

Data Source

NBSS BSC OMs

Source Field

ResourceCheckAttempts (Seq# 1)

Source Section

Resource Availability Check (Group ID 47)

ResourceCheckAvailable

NRM determines that the resources are available in the system for a service.

Data Source

NBSS BSC OMs

Source Field

ResourceCheckAvailable (Seq# 3)

Source Section

Resource Availability Check (Group ID 47)

ResourceCheckUnavailable

NRM determines that there are no resources available in the entire system for a service.

Data Source

NBSS BSC OMs

Source Field

ResourceCheckUnavailable (Seq# 2)

Source Section

Resource Availability Check (Group ID 47)

SelectedBSC_AllocationAttempts

NRM has selected the SBS platform for allocating resources and sends a resource allocation request to the SBSRM for the required service option.

Data Source

NBSS BSC OMs

Source Field

SelectedBSC_AllocationAttempts (Seq# 9)

Source Section

Service Resource Setup (Group ID 36)

SelectedBSC_AllocationFailures

NRM fails to allocate the SBS resource, when the SBS platform was initially selected for resource allocation.

Data Source

NBSS BSC OMs

Source Field

SelectedBSC_AllocationFailures (Seq# 11)

Source Section

Service Resource Setup (Group ID 36)

SelectedBSC_AllocationSuccesses

NRM receives successful resource allocation response from SBSRM, where the SBS platform was initially selected for allocating resources.

Data Source

NBSS BSC OMs

Source Field

SelectedBSC_AllocationSuccesses (Seq# 10)

Source Section

Service Resource Setup (Group ID 36)

SelectedEBSC_AllocationAttempts

NRM has selected the CPDS/CSVS platform for allocating resources and sends a resource allocation request to the CSRM or SDRM.

Data Source

NBSS BSC OMs

Source Field

SelectedEBSC_AllocationAttempts (Seq# 1)

Source Section

Service Resource Setup (Group ID 36)

SelectedEBSC_AllocationSuccesses

NRM receives successful resource allocation response(s) from both the CSRM and SDRM (in the case of voice Service group) or SDRM only (in the case of a Service group of packetData or other), where the CPDS/CSVS platform was initially selected for allocating resources.

Data Source

NBSS BSC OMs

Source Field

SelectedEBSC_AllocationSuccesses (Seq# 2)

Source Section

Service Resource Setup (Group ID 36)

SelectedEBSC_MG_AllocationFailures

NRM fails to allocate the Media Gateway resource (i.e., DSP, CIC) in the case of voice Service group only, when the CSVS platform was initially selected for resource allocation.

Data Source

NBSS BSC OMs

Source Field

SelectedEBSC_MG_AllocationFailures (Seq# 3)

Source Section

Service Resource Setup (Group ID 36)

SelectedEBSC_SDU_AllocationFailures

NRM fails to allocate the SDU (Selection and Distribution Unit) resource, when the CSVS/CPDS platform was initially selected for resource allocation.

Data Source

NBSS BSC OMs

Source Field

SelectedEBSC_SDU_AllocationFailures (Seq# 4)

Source Section

Service Resource Setup (Group ID 36)

SelectionAttemptsOnPrimaryPlatform

NRM attempts to select the primary platform for a service.

Data Source

NBSS BSC OMs

Source Field

SelectionAttemptsOnPrimaryPlatform (Seq# 1)

Source Section

Platform Selection (Group ID 48)

SelectionAttemptsOnSecondaryPlatform

NRM attempts to select the secondary platform for a service.

Data Source

NBSS BSC OMs

Source Field

SelectionAttemptsOnSecondaryPlatform (Seq# 3)

Source Section

Platform Selection (Group ID 48)

SelectionSuccessOnPrimaryPlatform

NRM selects the primary platform for a service.

Data Source

NBSS BSC OMs

Source Field

SelectionSuccessOnPrimaryPlatform (Seq# 2)

Source Section

Platform Selection (Group ID 48)

SelectionSuccessOnSecondaryPlatform

NRM selects the secondary platform for a service.

Data Source

NBSS BSC OMs

Source Field

SelectionSuccessOnSecondaryPlatform (Seq# 4)

Source Section

Platform Selection (Group ID 48)

ServingMSC Primitive Calculations

The following is a list of primitive calculations for the ServingMSC entity.

GRAPHmultiLineSeparator

Special Control Field for Multi-Line Graphs

Calculation

""

NUMDAYS

of days in Report

Calculation

DAYSINREPORT ()

NUMHOURS

of hours in Summation Data

Calculation

ServingMSC Peg Counts

The following is a list of peg counts for the ServingMSC entity.

CELL100_MobileSerNoMism

Number of CELL100 events with trouble code of MOBILE_SERNO_MISMATCH

Data Source

MTX Log

Source Field

CELL100_MobileSerNoMism

Source Section

CELL100

CELL100_ServNoHOAck

Number of CELL100 events with trouble code of SERV_NO_HO_ACK

Data Source

MTX Log

Source Field

CELL100_ServNoHOAck

Source Section

CELL100

CLFL100_MobileFade

Number CLFL100 events

Data Source

MTX Log

Source Field

CLFL100_MobileFade

Source Section

CELL100

CLFL101_MobileTimeout

Number CLFL101 events

Data Source

MTX Log

Source Field

CLFL101_MobileTimeout

Source Section

CELL101

CLFL102_MobileHOFail

Number CLFL102 events

Data Source

MTX Log

Source Field

CLFL102_MobileHOFail

Source Section

CELL102

CLFL103_MobileStateIncor

Number CLFL103 events

Data Source

MTX Log

Source Field

CLFL103_MobileStateIncor

Source Section

CELL103

CLFL104_MobileFail

Number CLFL104 events

Data Source

MTX Log

Source Field

CLFL104_MobileFail

Source Section

CELL104

CLFL105_MobileRelTimeout

Number CLFL105 events

Data Source

MTX Log

Source Field

CLFL105_MobileRelTimeout

Source Section

CELL105

DROP100_MobileSATLoss

Number DROP100 events - Mobile SAT Loss

Data Source

MTX Log

Source Field

DROP100_MobileSATLoss

Source Section

DROP100

DROP200_MobileDVCCLoss

Number DROP200 events - Mobile DVCC Loss

Data Source

MTX Log

Source Field

DROP200_MobileDVCCLoss

Source Section

DROP200

SIP_Server Primitive Calculations

The following is a list of primitive calculations for the SIP_Server entity.

GRAPHmultiLineSeparator

Special Control Field for Multi-Line Graphs

Calculation

""

NUMDAYS

of days in Report

Calculation

DAYSINREPORT ()

NUMHOURS

of hours in Summation Data

Calculation

SIP_Server Peg Counts

The following is a list of peg counts for the SIP_Server entity.

ABBYEOG

This register pegs when a BYE message is sent by DPT call processing as a result of a SIP error.

Data Source

SDM

Source Field

ABBYEOG

Source Section

SIPRQTOG

ABCNCLOG

This register pegs when a CANCEL message is sent by DPT call processing as a result of a SIP error.

Data Source

SDM

Source Field

ABCNCLOG

Source Section

SIPRQTOG

ACKREQIC

This register pegs SIP incoming ACK request for 200 OK Response messages

Data Source

SDM

Source Field

ACKREQIC + 65536 * ACKREQI2

Source Section

SIPRQTIC

ACKREQOG

This register pegs SIP Outgoing ACK request for 200 OK Response messages

Data Source

SDM

Source Field

ACKREQOG + 65536 * ACKREQO2

Source Section

SIPRQTOG

BYE200IC

This register pegs for SIP incoming 200 OK for BYE messages.

Data Source

SDM

Source Field

BYE200IC + 65536 * BYE200I2

Source Section

SIPRSPIC

BYE200OG

This register pegs for SIP outgoing 200 OK for BYE messages

Data Source

SDM

Source Field

BYE200OG + 65536 * BYE200O2

Source Section

SIPRSPOG

BYEREQIC

This register pegs SIP incoming BYE Request messages

Data Source

SDM

Source Field

BYEREQIC + 65536 * BYEREQI2

Source Section

SIPRQTIC

BYEREQOG

This register pegs SIP Outgoing BYE Request messages

Data Source

SDM

Source Field

BYEREQOG + 65536 * BYEREQO2

Source Section

SIPRQTOG

CAN200IC

This register pegs for SIP incoming 200 OK for CANCEL messages.

Data Source

SDM

Source Field

CAN200IC

Source Section

SIPRSPIC

CAN200OG

This register pegs for SIP outgoing 200 OK for CANCEL messages

Data Source

SDM

Source Field

CAN200OG

Source Section

SIPRSPOG

CANCELIC

This register pegs SIP incoming CANCEL messages

Data Source

SDM

Source Field

CANCELIC

Source Section

SIPRQTIC

CANCELOG

This register pegs for SIP outgoing CANCEL messages.

Data Source

SDM

Source Field

CANCELOG

Source Section

SIPRQTOG

FLABNIIC

This register pegs for SIP incoming abnormal failure (any 4xx/5xx/6xx failure except for 404, 480, 486, 487, 503, 600 and 604) for initial INVITE messages.

Data Source

SDM

Source Field

FLABNIIC + 65536 * FLABNII2

Source Section

SIPRSPIC

FLABNIOG

This register pegs for SIP outgoing abnormal failure (any 4xx/5xx/6xx failure except for 404, 480, 486, 487, 503, 600 and 604) for initial INVITE messages

Data Source

SDM

Source Field

FLABNIOG + 65536 * FLABNIO2

Source Section

SIPRSPOG

FLABNNIC

This register pegs SIP incoming abnormal failure (any 4xx/5xx/6xx failure except for 487 and 491) for non-INITIAL INVITE messages.

Data Source

SDM

Source Field

FLABNNIC + 65536 * FLABNNI2

Source Section

SIPRSPIC

FLABNNOG

This register pegs for SIP outgoing abnormal failure (any 4xx/5xx/6xx failure except for 487 and 491) for non-initial INVITE messages

Data Source

SDM

Source Field

FLABNNOG + 65536 * FLABNNO2

Source Section

SIPRSPOG

FLNRMIIC

This register pegs SIP incoming normal failure (404, 480, 486, 487, 503, 600 and 604 failures) for initial INVITE messages.

Data Source

SDM

Source Field

FLNRMIIC + 65536 * FLNRMIIC2

Source Section

SIPRSPIC

FLNRMIOG

This register pegs for SIP outgoing normal failure (404, 480, 486, 487, 503, 600 and 604 failures) for initial INVITE messages

Data Source

SDM

Source Field

FLNRMIOG + 65536 * FLNRMIO2

Source Section

SIPRSPOG

FLNRMNIC

This register pegs SIP incoming normal failure (487 and 491) for non-INITIAL INVITE messages.

Data Source

SDM

Source Field

FLNRMNIC + 65536 * FLNRMNI2

Source Section

SIPRSPIC

FLNRMNOG

This register pegs for SIP outgoing normal failure (487 and 491) for non-initial INVITE messages

Data Source

SDM

Source Field

FLNRMNOG + 65536 * FLNRMNO2

Source Section

SIPRSPOG

INF200IC

This register pegs for SIP incoming 200 OK for INFO messages.

Data Source

SDM

Source Field

INF200IC + 65536 * INF200I2

Source Section

SIPRSPIC

INF200OG

This register pegs for SIP outgoing 200 OK for INFO messages

Data Source

SDM

Source Field

INF200OG + 65536 * INF200O2

Source Section

SIPRSPOG

INFOMSIC

This register pegs SIP incoming INFO messages

Data Source

SDM

Source Field

INFOMSIC + 65536 * INFOMSI2

Source Section

SIPRQTIC

INFOMSOG

This register pegs SIP Outgoing INFO messages

Data Source

SDM

Source Field

INFOMSOG + 65536 * INFOMSO2

Source Section

SIPRQTOG

INV200IC

This register pegs for SIP incoming 200 OK for initial INVITE messages.

Data Source

SDM

Source Field

INV200IC + 65536 * INV200I2

Source Section

SIPRSPIC

INV200OG

This register pegs for SIP outgoing 200 OK for initial INVITE messages

Data Source

SDM

Source Field

INV200OG + 65536 * INV200O2

Source Section

SIPRSPOG

INV3XXIC

This register pegs for SIP incoming 3XX REDIRECT messages.

Data Source

SDM

Source Field

INV3XXIC

Source Section

SIPRSPIC

INVITEIC

This register pegs SIP incoming initial INVITE messages

Data Source

SDM

Source Field

INVITEIC + 65536 * INVITEI2

Source Section

SIPRQTIC

INVITEOG

This register pegs SIP Outgoing initial INVITE messages

Data Source

SDM

Source Field

INVITEOG + 65536 * INVITEO2

Source Section

SIPRQTOG

INVRDROG

This register pegs for SIP outgoing redirected INVITE messages

Data Source

SDM

Source Field

INVRDROG

Source Section

SIPRQTOG

OPT200IC

This register pegs for SIP incoming 200 OK for OPTIONS messages.

Data Source

SDM

Source Field

OPT200IC

Source Section

SIPRSPIC

OPT200OG

This register pegs for SIP outgoing 200 OK for OPTIONS messages

Data Source

SDM

Source Field

OPT200OG

Source Section

SIPRSPOG

OPTIONIC

This register pegs SIP incoming OPTIONS messages (for heartbeat mechanism)

Data Source

SDM

Source Field

OPTIONIC

Source Section

SIPRQTIC

OPTIONOG

This register pegs SIP Outgoing OPTIONS messages (for heartbeat mechanism)

Data Source

SDM

Source Field

OPTIONOG

Source Section

SIPRQTOG

PRA200IC

This register pegs for SIP incoming 200 OK for PRACK messages.

Data Source

SDM

Source Field

PRA200IC + 65536 * PRA200I2

Source Section

SIPRSPIC

PRA200OG

This register pegs for SIP outgoing 200 OK for PRACK messages

Data Source

SDM

Source Field

PRA200OG + 65536 * PRA200O2

Source Section

SIPRSPOG

PRACKINC

This register pegs SIP incoming PRACK messages

Data Source

SDM

Source Field

PRACKINC + 65536 * PRACKIC2

Source Section

SIPRQTIC

PRACKOG

This register pegs SIP Outgoing PRACK messages

Data Source

SDM

Source Field

PRACKOG + 65536 * PRACKOG2

Source Section

SIPRQTOG

REINVTIC

This register pegs SIP RE-INVITE messages

Data Source

SDM

Source Field

REINVTIC + 65536 * REINVTI2

Source Section

SIPRQTIC

REINVTOG

This register pegs SIP RE-INVITE messages

Data Source

SDM

Source Field

REINVTOG + 65536 * REINVTO2

Source Section

SIPRQTOG

RIV200IC

This register pegs for SIP incoming 200 OK for RE-INVITE messages.

Data Source

SDM

Source Field

RIV200IC + 65536 * RIV200I2

Source Section

SIPRSPIC

RIV200OG

This register pegs for SIP outgoing 200 OK for RE-INVITE messages

Data Source

SDM

Source Field

RIV200OG + 65536 * RIV200O2

Source Section

SIPRSPOG

RSP180IC

This register pegs for SIP incoming 180 RESPONSE messages.

Data Source

SDM

Source Field

RSP180IC + 65536 * RSP180I2

Source Section

SIPRSPIC

RSP180OG

This register pegs for SIP outgoing 180 RESPONSE messages

Data Source

SDM

Source Field

RSP180OG + 65536 * RSP180O2

Source Section

SIPRSPOG

RSP18XIC

This register pegs for SIP incoming 181, 182 and 183 RESPONSE messages.

Data Source

SDM

Source Field

RSP18XIC + 65536 * RSP18XI2

Source Section

SIPRSPIC

RSP18XOG

This register pegs for 181/182/183 RESPONSE messages

Data Source

SDM

Source Field

RSP18XOG + 65536 * RSP18XO2

Source Section

SIPRSPOG

SIPOGSHD

This register pegs for SIP outgoing initial INVITE messages that could not be sent to remote server due to remote server is overloaded.

Data Source

SDM

Source Field

SIPOGSHD + 65536 * SIPOGSH2

Source Section

SIPRQTOG

TRY100IC

This register pegs for SIP incoming 100 TRYING messages.

Data Source

SDM

Source Field

TRY100IC + 65536 * TRY100I2

Source Section

SIPRSPIC

UNSUPTIC

This OM pegs any SIP incoming Unsupported request message

Data Source

SDM

Source Field

UNSUPTIC

Source Section

SIPRQTIC

UPD200IC

This register pegs for SIP incoming 200 OK for UPDATE messages

Data Source

SDM

Source Field

UPD200IC + 65536 * UPD200I2

Source Section

SIPRSPIC

UPD200OG

This register pegs for SIP outgoing 200 OK for UPDATE messages

Data Source

SDM

Source Field

UPD200OG + 65536 * UPD200O2

Source Section

SIPRSPOG

UPDATEIC

This register pegs SIP incoming UPDATE messages

Data Source

SDM

Source Field

UPDATEIC + 65536 * UPDATEI2

Source Section

SIPRQTIC

UPDATEOG

This register pegs SIP Outgoing UPDATE messages

Data Source

SDM

Source Field

UPDATEOG + 65536 * UPDATEO2

Source Section

SIPRQTOG

SLLNK_Pool Primitive Calculations

The following is a list of primitive calculations for the SLLNK_Pool entity.

GRAPHmultiLineSeparator

Special Control Field for Multi-Line Graphs

Calculation

""

NUMDAYS

of days in Report

Calculation

DAYSINREPORT ()

NUMHOURS

of hours in Summation Data

Calculation

SLLNK_Pool Peg Counts

The following is a list of peg counts for the SLLNK_Pool entity.

SLLNKBAD

SL-100 link bad incoming

Data Source

MTX OM, SDM

Source Field

SLLNKBAD

Source Section

SLLNKINC

SLLNKIOF

SL-100 link incoming okay overflow An extension of SLLNKINC.SLLNKIOK.

Data Source

MTX OM, SDM

Source Field

SLLNKIOF

Source Section

SLLNKINC

SLLNKIOK

SL-100 link incoming okay

Data Source

MTX OM, SDM

Source Field

SLLNKIOK

Source Section

SLLNKINC

SLLNKIOV

SL-100 link incoming overflow

Data Source

MTX OM, SDM

Source Field

SLLNKIOV

Source Section

SLLNKINC

SLLNKIQU

SL-100 link incoming queued

Data Source

MTX OM, SDM

Source Field

SLLNKIQU

Source Section

SLLNKINC

SLLNK_XferType Primitive Calculations

The following is a list of primitive calculations for the SLLNK_XferType entity.

GRAPHmultiLineSeparator

Special Control Field for Multi-Line Graphs

Calculation

""

NUMDAYS

of days in Report

Calculation

DAYSINREPORT ()

NUMHOURS

of hours in Summation Data

Calculation

SLLNK_XferType Peg Counts

The following is a list of peg counts for the SLLNK_XferType entity.

SLLNKOK

SL-100 link okay

Data Source

MTX OM, SDM

Source Field

SLLNKOK

Source Section

SLLNK

SLLNKOVF

SL-100 link overflow

Data Source

MTX OM, SDM

Source Field

SLLNKOVF

Source Section

SLLNK

SLLNKQU

SL-100 link queued

Data Source

MTX OM, SDM

Source Field

SLLNKQU

Source Section

SLLNK

SoftwareModule Primitive Calculations

The following is a list of primitive calculations for the SoftwareModule entity.

GRAPHmultiLineSeparator

Special Control Field for Multi-Line Graphs

Calculation

""

NUMDAYS

of days in Report

Calculation

DAYSINREPORT ()

NUMHOURS

of hours in Summation Data

Calculation

SoftwareModule Peg Counts

The following is a list of peg counts for the SoftwareModule entity.

SWER_Count

Number SWER events

Data Source

MTX Log

Source Field

SWER_Count

Source Section

SWER

SS7Link Primitive Calculations

The following is a list of primitive calculations for the SS7Link entity.

GRAPHmultiLineSeparator

Special Control Field for Multi-Line Graphs

Calculation

""

HSL_OccupancyRx

High Speed SS7 Link Receive Occupancy Rate

Calculation

$(\text{vsum}(\text{LUPARX} / 1032.0 , \text{LSCCPRX} / 900.0 , 0.0) / 1800.0) * 100.0$

HSL_OccupancyTx

High Speed SS7 Link Transmit Occupancy Rate

Calculation

$(\text{vsum}(\text{LUPATX} / 1032.0 , \text{LSCCPTX} / 900.0 , 0.0) / 1800.0) * 100.0$

HSL_UtilizationRx

High Speed SS7 Link Receive Utilization Rate

Calculation

$((\text{vsum}(\text{LUPARX} / 1032.0 , \text{LSCCPRX} / 900.0, 0.0) / 1800.0) * 100.0) / 40.0$

HSL_UtilizationTx

High Speed SS7 Link Transmit Utilization Rate

Calculation

$((\text{vsum}(\text{LUPATX} / 1032.0 , \text{LSCCPTX} / 900.0, 0.0) / 1800.0) * 100.0) / 40.0$

NUMDAYS

of days in Report

Calculation

DAYSINREPORT ()

NUMHOURS

of hours in Summation Data

Calculation

SS7Link Peg Counts

The following is a list of peg counts for the SS7Link entity.

C7ABATE1

When ST transmission buffer congestion falls below the first abatement threshold

Data Source

MTX OM, SDM

Source Field

C7ABATE1

Source Section

C7LINK2

C7ABATE2

When ST transmission buffer congestion falls below the second abatement threshold

Data Source

MTX OM, SDM

Source Field

C7ABATE2

Source Section

C7LINK2

C7ABATE3

When ST transmission buffer congestion falls below the third abatement threshold

Data Source

MTX OM, SDM

Source Field

C7ABATE3

Source Section

C7LINK2

C7ABATEV

When ST transmission buffer congestion falls below the overflow threshold

Data Source

MTX OM, SDM

Source Field

C7ABATEV

Source Section

C7LINK2

C7ABNRFB

Counts CCS7 link sync failures FIB or BSN that the ST receives cause the failures

Data Source

MTX OM, SDM

Source Field

C7ABNRFB

Source Section

C7LINK1

C7AISSP

AIS Seconds-Path: AISS-P

Data Source

MTX OM, SDM

Source Field

C7AISSP

Source Section

C7HSLCAR

C7ALIGNF

Counts CCS7 link sync failures when the system checks links for synchronization

Data Source

MTX OM, SDM

Source Field

C7ALIGNF

Source Section

C7LINK1

C7AUTOCO

Counts CCS7 automatic changeovers (traffic reroutes) away from the link

Data Source

MTX OM, SDM

Source Field

C7AUTOCO

Source Section

C7LINK1

C7BFOVFL

CCS7 buffer overflow

Data Source

MTX OM, SDM

Source Field

C7BFOVFL

Source Section

C7LINK3

C7BSYOFF

Counts the busy signal transmission stops at the ST

Data Source

MTX OM, SDM

Source Field

C7BSYOFF

Source Section

C7LINK1

C7BSYON

Counts the busy signal transmission starts at the ST

Data Source

MTX OM, SDM

Source Field

C7BSYON

Source Section

C7LINK1

C7BYTRT

Counts bytes that the ST transmits again

Data Source

MTX OM, SDM

Source Field

$C7BYTRT + 65536 * C7BYTRT2$

Source Section

C7LINK2

C7BYTRX

Counts bytes that the ST receives

Data Source

MTX OM, SDM

Source Field

$C7BYTRX + 65536 * C7BYTRX2$

Source Section

C7LINK2

C7BYTTX

Counts bytes that the ST transmits

Data Source

MTX OM, SDM

Source Field

$C7BYTTX + 65536 * C7BYTTX2$

Source Section

C7LINK2

C7CBK

Counts changebacks on the link

Data Source

MTX OM, SDM

Source Field

C7CBK

Source Section

C7LINK1

C7CDFEPO

Cumulative Duration of Far-end Processor Outage

Data Source

MTX OM, SDM

Source Field

C7CDFEPO

Source Section

C7HSLAL2

C7CDLOC

Cumulative Duration of Lack of Credit

Data Source

MTX OM, SDM

Source Field

C7CDLOC

Source Section

C7HSLAL2

C7CDLPO

Cumulative Duration of Local Processor Outage

Data Source

MTX OM, SDM

Source Field

C7CDLPO

Source Section

C7HSLAL2

C7CLB

Number of times that controlled link blocking was applied to the link During an OM period

Data Source

MTX OM, SDM

Source Field

C7CLB

Source Section

C7LINK1

C7CLBU

The duration that controlled link blocking is applied to the link during an OM period

Data Source

MTX OM, SDM

Source Field

C7CLBU

Source Section

C7LINK3

C7COV

Counts changeovers (traffic reroutes) away from the link

Data Source

MTX OM, SDM

Source Field

C7COV

Source Section

C7LINK1

C7CSPF

Far-end Controlled Slips-Path: CS-PFE

Data Source

MTX OM, SDM

Source Field

C7CSPF

Source Section

C7HSLCAR

C7CVL

Code Violations-Line: CV-L

Data Source

MTX OM, SDM

Source Field

C7CVL

Source Section

C7HSLCAR

C7CVP

Code Violations-Path: CV-P

Data Source

MTX OM, SDM

Source Field

C7CVP

Source Section

C7HSLCAR

C7CVPF

Far-end Code Violations-Path: CV-PFE

Data Source

MTX OM, SDM

Source Field

C7CVPF

Source Section

C7HSLCAR

C7DISHEC

Number of Cells Discarded Due to Header Error Control (HEC) Violations

Data Source

MTX OM, SDM

Source Field

C7DISHEC

Source Section

C7HSLATM

C7DISPE

Number of Cells Discarded Due to Protocol (ATM-layer Header) Errors

Data Source

MTX OM, SDM

Source Field

C7DISPE

Source Section

C7HSLATM

C7ERRSEC

Reports the time the system detects a minimum of one in-service error on a signaling link

Data Source

MTX OM, SDM

Source Field

C7ERRSEC

Source Section

C7LINK1

C7ESL

Errored Seconds-Line: ES-L

Data Source

MTX OM, SDM

Source Field

C7ESL

Source Section

C7HSLCAR

C7ESLF

Far-end Errored Seconds-Line: ES-LFE

Data Source

MTX OM, SDM

Source Field

C7ESLF

Source Section

C7HSLCAR

C7ESP

Errored Seconds-Path: ES-P

Data Source

MTX OM, SDM

Source Field

C7ESP

Source Section

C7HSLCAR

C7ESPF

Far-end Errored Seconds-Path: ES-PFE

Data Source

MTX OM, SDM

Source Field

C7ESPF

Source Section

C7HSLCAR

C7EXCONG

Counts CCS7 link sync that fail because of prolonged congestion on the link

Data Source

MTX OM, SDM

Source Field

C7EXCONG

Source Section

C7LINK1

C7EXDLAY

Counts CCS7 link synchronizations that fail

Data Source

MTX OM, SDM

Source Field

C7EXDLAY

Source Section

C7LINK1

C7EXERR

Counts CCS7 link sync that fail because the ST detects excessive signal unit errors

Data Source

MTX OM, SDM

Source Field

C7EXERR

Source Section

C7LINK1

C7FCP

Failure Count-Path: FC-P

Data Source

MTX OM, SDM

Source Field

C7FCP

Source Section

C7HSLCAR

C7FCPF

Far-end Failure Count-Path: FC-PFE

Data Source

MTX OM, SDM

Source Field

C7FCPF

Source Section

C7HSLCAR

C7HTSCSC

Hourly Marginal Performance Thresholds Exceeded for SSCOP Connection Sum-of-errors Counter.

Data Source

MTX OM, SDM

Source Field

C7HTSCSC

Source Section

C7HSLAL2

C7HTSEPC

Hourly Marginal Performance Thresholds Exceeded for SSCOP Errored PDUs Sum-of-errors Counter

Data Source

MTX OM, SDM

Source Field

C7HTSEPC

Source Section

C7HSLAL2

C7HTSPRR

Hourly Marginal Performance Thresholds Exceeded for SSCOP SD PDUs Transmitted Requiring Retransmission

Data Source

MTX OM, SDM

Source Field

C7HTSPRR

Source Section

C7HSLAL2

C7HWILLP

CCS7 high water mark for Inter link to link protocol (ILLP) interface

Data Source

MTX OM, SDM

Source Field

C7HWILLP

Source Section

C7LINK3

C7HWMTS

CCS7 high water mark for message transport system (MTS) interface

Data Source

MTX OM, SDM

Source Field

C7HWMTS

Source Section

C7LINK3

C7HWST

CCS7 high water mark for signaling terminal (ST) interface

Data Source

MTX OM, SDM

Source Field

C7HWST

Source Section

C7LINK3

C7HWTOT

CCS7 high water mark total interfaces

Data Source

MTX OM, SDM

Source Field

C7HWTOT

Source Section

C7LINK3

C7ISPDUR

Invalid SSCOP PDUs Received

Data Source

MTX OM, SDM

Source Field

C7ISPDUR

Source Section

C7HSLAL2

C7LINH

Increases when local inhibit is applied to the link

Data Source

MTX OM, SDM

Source Field

C7LINH

Source Section

C7LINK1

C7LINKTU

Documentation for register C7LINKTU in OM group C7LINK1 is not available.

Data Source

MTX OM, SDM

Source Field

C7LINKTU

Source Section

C7LINK1

C7LKFAIL

Counts CCS7 link synchronization failures This register counts in-service link failures

Data Source

MTX OM, SDM

Source Field

C7LKFAIL

Source Section

C7LINK1

C7LKSYNU

Records if a CCS7 link is synchronized and able to carry signaling units to the far-end ST

Data Source

MTX OM, SDM

Source Field

C7LKSYNU

Source Section

C7LINK1

C7LKUNAU

Records if a link is not available for traffic

Data Source

MTX OM, SDM

Source Field

C7LKUNAU

Source Section

C7LINK1

C7LOCE

Lack of Credit Events

Data Source

MTX OM, SDM

Source Field

C7LOCE

Source Section

C7HSLAL2

C7LOSSL

Loss of Signal Seconds-Line: LOSS-L

Data Source

MTX OM, SDM

Source Field

C7LOSSL

Source Section

C7HSLCAR

C7LPO

Counts local processor outages (LPO) that the ST detects

Data Source

MTX OM, SDM

Source Field

C7LPO

Source Section

C7LINK1

C7LPOU

CCS7 local processor outages

Data Source

MTX OM, SDM

Source Field

C7LPOU

Source Section

C7LINK3

C7LUNINH

Increases when local inhibiting status is removed from the link

Data Source

MTX OM, SDM

Source Field

C7LUNINH

Source Section

C7LINK1

C7LV1CGU

CCS7 level 1 link congestion

Data Source

MTX OM, SDM

Source Field

C7LV1CGU

Source Section

C7LINK3

C7LV2CGU

CCS7 level 2 link congestion

Data Source

MTX OM, SDM

Source Field

C7LV2CGU

Source Section

C7LINK3

C7LV3CGU

CCS7 level 3 link congestion

Data Source

MTX OM, SDM

Source Field

C7LV3CGU

Source Section

C7LINK3

C7MANB

Increases when the link is manual busy

Data Source

MTX OM, SDM

Source Field

C7MANB

Source Section

C7LINK1

C7MSBRET

CCS7 message switch buffer retrieval

Data Source

MTX OM, SDM

Source Field

C7MSBRET

Source Section

C7LINK2

C7MSGLOS

Counts lost messages on paths from incoming LIU7 link to outgoing LIU7 links in the STP

Data Source

MTX OM, SDM

Source Field

C7MSGLOS

Source Section

C7LINK2

C7MSGMSQ

Counts messages not sequenced correctly on paths from all incoming LIU7 links

Data Source

MTX OM, SDM

Source Field

C7MSGMSQ

Source Section

C7LINK2

C7MSOR

CCS7 MSU octets originated

Data Source

MTX OM, SDM

Source Field

C7MSOR + 65536 * C7MSOR2

Source Section

C7LINK3

C7MSTE

CCS7 MSU octets terminated

Data Source

MTX OM, SDM

Source Field

C7MSTE + 65536 * C7MSTE2

Source Section

C7LINK3

C7MSTS

CCS7 MSU octets through switched

Data Source

MTX OM, SDM

Source Field

C7MSTS + 65536 * C7MSTS2

Source Section

C7LINK3

C7MSUBOV

CCS7 MSU buffer overflow

Data Source

MTX OM, SDM

Source Field

C7MSUBOV

Source Section

C7LINK3

C7MSUDC1

CCS7 message signal units discarded because of congestion level 1

Data Source

MTX OM, SDM

Source Field

C7MSUDC1

Source Section

C7LINK2

C7MSUDC2

CCS7 message signal units discarded because of congestion level 2

Data Source

MTX OM, SDM

Source Field

C7MSUDC2

Source Section

C7LINK2

C7MSUDC3

CCS7 message signal units discarded because of congestion level 3

Data Source

MTX OM, SDM

Source Field

C7MSUDC3

Source Section

C7LINK2

C7MSUDSC

Counts message signal units that the ST discards

Data Source

MTX OM, SDM

Source Field

C7MSUDSC

Source Section

C7LINK2

C7MSUOR

Counts message signal units that originate at the ST

Data Source

MTX OM, SDM

Source Field

C7MSUOR + 65536 * C7MSUOR2

Source Section

C7LINK2

C7MSURX

Counts message signal units the ST received

Data Source

MTX OM, SDM

Source Field

C7MSURX + 65536 * C7MSURX2

Source Section

C7LINK2

C7MSUTE

Counts message signal units that terminate at an STP

Data Source

MTX OM, SDM

Source Field

C7MSUTE + 65536 * C7MSUTE2

Source Section

C7LINK2

C7MSUTS

Counts message signal units that an STP relays to other signaling points (through-switched)

Data Source

MTX OM, SDM

Source Field

C7MSUTS + 65536 * C7MSUTS2

Source Section

C7LINK2

C7MSUTX

Counts message signal units that the ST transmits

Data Source

MTX OM, SDM

Source Field

C7MSUTX + 65536 * C7MSUTX2

Source Section

C7LINK2

C7NACKRX

Counts negative acknowledgements received from the far-end ST

Data Source

MTX OM, SDM

Source Field

C7NACKRX

Source Section

C7LINK1

C7NETCON

Increases when link sync fails because of failure to connect with the network

Data Source

MTX OM, SDM

Source Field

C7NETCON

Source Section

C7LINK1

C7NUCFL

Increases when link activation cannot establish a permanent network connection

Data Source

MTX OM, SDM

Source Field

C7NUCFL

Source Section

C7LINK1

C7OCDAN

Out-of-cell Delineation (OCD) Anomalies

Data Source

MTX OM, SDM

Source Field

C7OCDAN

Source Section

C7HSLATM

C7ONSET1

Increases when ST transmission buffer congestion passes the first onset threshold

Data Source

MTX OM, SDM

Source Field

C7ONSET1

Source Section

C7LINK2

C7ONSET2

Increases when ST transmission buffer congestion passes the second onset threshold

Data Source

MTX OM, SDM

Source Field

C7ONSET2

Source Section

C7LINK2

C7ONSET3

Increases when ST transmission buffer congestion passes the third onset threshold

Data Source

MTX OM, SDM

Source Field

C7ONSET3

Source Section

C7LINK2

C7ONSETV

Increases when message signal units overflow the ST transmission buffer

Data Source

MTX OM, SDM

Source Field

C7ONSETV

Source Section

C7LINK2

C7RCAUI

Total Received ATM User Information Cells

Data Source

MTX OM, SDM

Source Field

$C7RCAUI + 65536 * C7RCAUI2$

Source Section

C7HSLATM

C7RCNDCV

Total Received NDC-valid ATM Cells

Data Source

MTX OM, SDM

Source Field

$C7RCNDCV + 65536 * C7RCNDC2$

Source Section

C7HSLATM

C7RINH

Increases when operating company personnel apply remote inhibit to the link

Data Source

MTX OM, SDM

Source Field

C7RINH

Source Section

C7LINK1

C7RPO

Counts remote processor outages ST reports

Data Source

MTX OM, SDM

Source Field

C7RPO

Source Section

C7LINK1

C7RPOU

CCS7 remote processor outages

Data Source

MTX OM, SDM

Source Field

C7RPOU

Source Section

C7LINK3

C7RTOVLD

CCS7 real time overload

Data Source

MTX OM, SDM

Source Field

C7RTOVLD

Source Section

C7LINK3

C7RUNINH

Increases when remote inhibiting is removed from a link

Data Source

MTX OM, SDM

Source Field

C7RUNINH

Source Section

C7LINK1

C7SASP

Severely Errored Frame/AIS Seconds-Path: SAS-P

Data Source

MTX OM, SDM

Source Field

C7SASP

Source Section

C7HSLCAR

C7SCDIS

SSCOP Connection Disconnect

Data Source

MTX OM, SDM

Source Field

C7SCDIS

Source Section

C7HSLAL2

C7SCIFL

SSCOP Connection Initiation Failure

Data Source

MTX OM, SDM

Source Field

C7SCIFL

Source Section

C7HSLAL2

C7SCRRSY

SSCOP Connection Re-establishment/Resynchronization

Data Source

MTX OM, SDM

Source Field

C7SCRRSY

Source Section

C7HSLAL2

C7SCSEC

SSCOP Connection Sum-of-errors Counter

Data Source

MTX OM, SDM

Source Field

C7SCSEC

Source Section

C7HSLAL2

C7SDISS

Duration in the In-service State

Data Source

MTX OM, SDM

Source Field

C7SDISS + 65536 * C7SDISS2

Source Section

C7HSLAL2

C7SEFSPF

Far-end Severely Errored Frame Seconds-Path: SEFS-PFE

Data Source

MTX OM, SDM

Source Field

C7SEFSPF

Source Section

C7HSLCAR

C7SEPSEC

SSCOP Errored PDUs Sum-of-errors Counter

Data Source

MTX OM, SDM

Source Field

C7SEPSEC

Source Section

C7HSLAL2

C7SESL

Severely Errored Seconds-Line: SES-L

Data Source

MTX OM, SDM

Source Field

C7SESL

Source Section

C7HSLCAR

C7SESP

Severely Errored Seconds-Path: SES-P

Data Source

MTX OM, SDM

Source Field

C7SESP

Source Section

C7HSLCAR

C7SESPF

Far-end Severely Errored Seconds-Path: SES-PFE

Data Source

MTX OM, SDM

Source Field

C7SESPF

Source Section

C7HSLCAR

C7SLTFL

Increases when signaling cannot take place because of a signaling link test (SLT) failure

Data Source

MTX OM, SDM

Source Field

C7SLTFL

Source Section

C7LINK1

C7SPDURR

SSCOP SD PDUs Transmitted Requiring Retransmission

Data Source

MTX OM, SDM

Source Field

C7SPDURR

Source Section

C7HSLAL2

C7SPOR1

SSCOP SD PDU Octets Received

Data Source

MTX OM, SDM

Source Field

C7SPOR1 + 65536 * C7SPOR2

Source Section

C7HSLAL1

C7SPORT1

SSCOP SD PDU Octets Retransmitted

Data Source

MTX OM, SDM

Source Field

C7SPORT1 + 65536 * C7SPORT2

Source Section

C7HSLAL1

C7SPR1

SSCOP SD PDUs Received

Data Source

MTX OM, SDM

Source Field

C7SPR1 + 65536 * C7SPR2

Source Section

C7HSLAL1

C7SPRLEE

SSCOP PDUs Received with List Element Errors

Data Source

MTX OM, SDM

Source Field

C7SPRLEE

Source Section

C7HSLAL2

C7SSPOT1

SSCOP SD PDU Octets Transmitted

Data Source

MTX OM, SDM

Source Field

C7SSPOT1 + 65536 * C7SSPOT2

Source Section

C7HSLAL1

C7SSPRT1

SSCOP SD PDUs Retransmitted

Data Source

MTX OM, SDM

Source Field

C7SSPRT1 + 65536 * C7SSPRT2

Source Section

C7HSLAL1

C7SSPT1

SSCOP SD PDUs Transmitted

Data Source

MTX OM, SDM

Source Field

C7SSPT1 + 65536 * C7SSPT2

Source Section

C7HSLAL1

C7STALFL

Increases when signaling cannot take place because the ST cannot be allocated

Data Source

MTX OM, SDM

Source Field

C7STALFL

Source Section

C7LINK1

C7STPOR1

Total SSCOP PDU Octets Received

Data Source

MTX OM, SDM

Source Field

C7STPOR1 + 65536 * C7STPOR2

Source Section

C7HSLAL1

C7STPOT1

Total SSCOP PDU Octets Transmitted

Data Source

MTX OM, SDM

Source Field

C7STPOT1 + 65536 * C7STPOT2

Source Section

C7HSLAL1

C7STPR1

Total SSCOP PDUs Received

Data Source

MTX OM, SDM

Source Field

C7STPR1 + 65536 * C7STPR2

Source Section

C7HSLAL1

C7STPT1

Total SSCOP PDUs Transmitted

Data Source

MTX OM, SDM

Source Field

C7STPT1 + 65536 * C7STPT2

Source Section

C7HSLAL1

C7STRET

CCS7 signal terminal retrieval

Data Source

MTX OM, SDM

Source Field

C7STRET

Source Section

C7LINK2

C7SUERR

Counts signal units on a link received in error

Data Source

MTX OM, SDM

Source Field

C7SUERR

Source Section

C7LINK1

C7TCAUI

Total Transmitted ATM User Information Cells

Data Source

MTX OM, SDM

Source Field

C7TCAUI + 65536 * C7TCAUI2

Source Section

C7HSLATM

C7TCNDCV

Total Transmitted NDC-valid ATM Cells

Data Source

MTX OM, SDM

Source Field

C7TCNDCV + 65536 * C7TCNDC2

Source Section

C7HSLATM

C7TLALFL

Increases when signaling cannot take place

Data Source

MTX OM, SDM

Source Field

C7TLALFL

Source Section

C7LINK1

C7UASP

Unavailable Seconds-Path: UAS-P

Data Source

MTX OM, SDM

Source Field

C7UASP

Source Section

C7HSLCAR

C7UASPF

Far-end Unavailable Seconds-Path: UAS-PFE

Data Source

MTX OM, SDM

Source Field

C7UASPF

Source Section

C7HSLCAR

C7USPDUR

Unexpected SSCOP PDUs Received

Data Source

MTX OM, SDM

Source Field

C7USPDUR

Source Section

C7HSLAL2

LSCCPRX

Incoming SCCP messages accumulated

Data Source

MTX OM, SDM

Source Field

LSCCPRX + 65536 * LSCCPRX2

Source Section

C7LINK3

LSCCPTX

Outgoing SCCP messages accumulated

Data Source

MTX OM, SDM

Source Field

LSCCPTX + 65536 * LSCCPTX2

Source Section

C7LINK3

LUPARX

Incoming user part messages

Data Source

MTX OM, SDM

Source Field

LUPARX + 65536 * LUPARX2

Source Section

C7LINK3

LUPATX

Outgoing user part messages accumulated

Data Source

MTX OM, SDM

Source Field

LUPATX + 65536 * LUPATX2

Source Section

C7LINK3

VALIDLK

Validity of the new OM data in table C7LINK3

Data Source

MTX OM, SDM

Source Field

VALIDLK

Source Section

C7LINK3

SS7LinkSet Primitive Calculations

The following is a list of primitive calculations for the SS7LinkSet entity.

GRAPHmultiLineSeparator

Special Control Field for Multi-Line Graphs

Calculation

""

NUMDAYS

of days in Report

Calculation

DAYSINREPORT ()

NUMHOURS

of hours in Summation Data

Calculation

SS7LinkSet Peg Counts

The following is a list of peg counts for the SS7LinkSet entity.

C7LSEMRU

CCS7 linkset out/routeset traffic blocked

Data Source

MTX OM, SDM

Source Field

C7LSEMURU

Source Section

C7LKSET

C7LSFAIL

Counts links that are out of service

Data Source

MTX OM, SDM

Source Field

C7LSFAIL

Source Section

C7LKSET

C7LSUNAU

Records when the linkset does not transmit messages to the routesets

Data Source

MTX OM, SDM

Source Field

C7LSUNAU

Source Section

C7LKSET

SS7Route Primitive Calculations

The following is a list of primitive calculations for the SS7Route entity.

GRAPHmultiLineSeparator

Special Control Field for Multi-Line Graphs

Calculation

""

NUMDAYS

of days in Report

Calculation

DAYSINREPORT ()

NUMHOURS

of hours in Summation Data

Calculation

SS7Route Peg Counts

The following is a list of peg counts for the SS7Route entity.

C7CNTRER

Counts controlled rerouting procedures for a route

Data Source

MTX OM, SDM

Source Field

C7CNTRER

Source Section

C7ROUTE

C7FRCRER

Counts forced rerouting procedures undertaken for a route

Data Source

MTX OM, SDM

Source Field

C7FRCRER

Source Section

C7ROUTE

C7RTUNAU

Records if the route transmits messages

Data Source

MTX OM, SDM

Source Field

C7RTUNAU

Source Section

C7ROUTE

C7TFA

Counts transfer allowed status messages received for a route

Data Source

MTX OM, SDM

Source Field

C7TFA

Source Section

C7ROUTE

C7TFC0

Counts transfer controlled level 0 congestion status messages received for a specified route

Data Source

MTX OM, SDM

Source Field

C7TFC0

Source Section

C7ROUTE

C7TFC1

Counts transfer controlled level 1 congestion status messages received for a specified route

Data Source

MTX OM, SDM

Source Field

C7TFC1

Source Section

C7ROUTE

C7TFC2

Counts transfer controlled level 2 congestion status messages received for a specified route

Data Source

MTX OM, SDM

Source Field

C7TFC2

Source Section

C7ROUTE

C7TFC3

Counts transfer controlled level 3 congestion status messages received for a specified route

Data Source

MTX OM, SDM

Source Field

C7TFC3

Source Section

C7ROUTE

C7TFP

Counts transfer prohibited (TFP) status messages received for a route

Data Source

MTX OM, SDM

Source Field

C7TFP

Source Section

C7ROUTE

C7TFR

Counts transfer restricted status messages received for a route

Data Source

MTX OM, SDM

Source Field

C7TFR

Source Section

C7ROUTE

C7XTFA

Number of transfer-allowed messages received for partial-point-code routes

Data Source

MTX OM, SDM

Source Field

C7XTFA

Source Section

C7ROUTE

C7XTFP

Number of transfer-prohibited messages received for partial-point-code routes

Data Source

MTX OM, SDM

Source Field

C7XTFP

Source Section

C7ROUTE

C7XTFR

Number of transfer-restricted messages received for partial-point-code routes

Data Source

MTX OM, SDM

Source Field

C7XTFR

Source Section

C7ROUTE

System Primitive Calculations

The following is a list of primitive calculations for the System entity.

GRAPHmultiLineSeparator

Special Control Field for Multi-Line Graphs

Calculation

""

NUMDAYS

of days in Report

Calculation

DAYSINREPORT ()

NUMHOURS

of hours in Summation Data

Calculation

T1E1Trunk Primitive Calculations

The following is a list of primitive calculations for the T1E1Trunk entity.

CodeViolationLine

Code Violation Line. Count of BPV+EXZ

Calculation

vsum(CodeViolationLineI, CodeViolationLineII)

CodeViolationPath

Code Violation Path. (T1 SF:Count of FE; T1 ESF: Count of CRC6 errors; E1 DoubleFrame: Count of FE; E1 MultiFrame: Count of CRC4 errors)

Calculation

vsum(CodeViolationPathI, CodeViolationPathII)

ErroredSecondLine

Errored second line. Count of 1-second intervals with BPV>=1 or EXZ>=1 or LOS>=1

Calculation

vsum(EroredSecondLineI, EroredSecondLineII)

ErroredSecondPath

Errored seconds path

Calculation

vsum(EroredSecondPathI, EroredSecondPathII)

GRAPHmultiLineSeparator

Special Control Field for Multi-Line Graphs

Calculation

""

NUMDAYS

of days in Report

Calculation

DAYSINREPORT ()

NUMHOURS

of hours in Summation Data

Calculation

PeakLinkUtilization

Number of not necessarily contiguous seconds that link utilization exceeds the high water mark.

Calculation

`vsum(PeakLinkUtilizationI, PeakLinkUtilizationII)`

SEFAISSecondPath

SAS-P. Count of 1-second intervals with SEF \geq 1 or AIS \geq 1

Calculation

`vsum(SEFAISSecondPathI, SEFAISSecondPathII)`

SeverelyErroredSecondLine

Severely errored second -line. Count of 1-second intervals with BPV+EXZ=1544 or LOS \geq 1

Calculation

`vsum(SeverelyErroredSecondLineI, SeverelyErroredSecondLineII)`

SeverelyErroredSecondPath

SES-P. Severly errored second path

Calculation

`vsum(SeverelyErroredSecondPathI, SeverelyErroredSecondPathII)`

UnavailableSecondPath

UAS-P. Count of 1-second intervals for which DS1 path is unavailable.

Calculation

`vsum(UnavailableSecondPathI, UnavailableSecondPathII)`

T1E1Trunk Peg Counts

The following is a list of peg counts for the T1E1Trunk entity.

AverageLinkUtilizationI

Average link utilization in percent over the first 15-minute interval of 30-minute interval

Data Source

NBSS BTS MO

Source Field

AverageUtilizationPercentI (Seq# 40)

Source Section

T1E1Trunk MO

AverageLinkUtilizationII

Average link utilization in percent over the first 15-minute interval of 30-minute interval I.e. average of AverageLinkUtilizationI and AverageLinkUtilizationII

Data Source

NBSS BTS MO

Source Field

AverageUtilizationPercentI (Seq# 41)

Source Section

T1E1Trunk MO

CodeViolationLineI

CV-L Over the first 15-minute interval of the 30-minute period. Count of BPV+EXZ

Data Source

NBSS BTS MO

Source Field

CodeViolationLineI (Seq# 44)

Source Section

T1E1Trunk MO

CodeViolationLineII

CV-L Over the second 15-minute interval of the 30-minute period. Count of BPV+EXZ

Data Source

NBSS BTS MO

Source Field

CodeViolationLineII (Seq# 45)

Source Section

T1E1Trunk MO

CodeViolationPathI

CV-P over the first 15-minute interval of the 30-minute period (T1 SF:Count of FE; T1 ESF: Count of CRC6 errors; E1 DoubleFrame: Count of FE; E1 MultiFrame: Count of CRC4 errors)

Data Source

NBSS BTS MO

Source Field

CodeViolationPathI (Seq# 50)

Source Section

T1E1Trunk MO

CodeViolationPathII

CV-P over the first 15-minute interval of the 30-minute period (T1 SF:Count of FE; T1 ESF: Count of CRC6 errors; E1 DoubleFrame: Count of FE; E1 MultiFrame: Count of CRC4 errors)

Data Source

NBSS BTS MO

Source Field

CodeViolationPathI (Seq# 51)

Source Section

T1E1Trunk MO

ErroredSecondLineI

ES-L over the first 15-minute interval of the 30-minute period. Count of 1-second intervals with BPV>=1 or EXZ>=1 or LOS>=1

Data Source

NBSS BTS MO

Source Field

ErroredSecondLine1 (Seq# 46)

Source Section

T1E1Trunk MO

ErroredSecondLineII

ES-L over the second 15-minute interval of the 30-minute period. Count of 1-second intervals with BPV>=1 or EXZ>=1 or LOS>=1

Data Source

NBSS BTS MO

Source Field

ErroredSecondLine1 (Seq# 47)

Source Section

T1E1Trunk MO

ErroredSecondPathI

ES-P over the first 15-minute interval of the 30-minute period

Data Source

NBSS BTS MO

Source Field

ErroredSecondPathI (Seq# 52)

Source Section

T1E1Trunk MO

ErroredSecondPathII

ES-P over the second 15-minute interval of the 30-minute period

Data Source

NBSS BTS MO

Source Field

ErroredSecondPathI (Seq# 53)

Source Section

T1E1Trunk MO

MaxLinkUtilization

Maximum link utilization in percent, calculated by applying the function $\max(\text{AverageLinkUtilizationI}, \text{AverageLinkUtilizationII})$

Data Source

NBSS BTS MO

Source Field

$\max(\text{AverageUtilizationPercentI}, \text{AverageUtilizationPercentII})$

Source Section

T1E1Trunk MO

PeakLinkUtilizationI

Number of not necessarily contiguous seconds that link utilization exceeds the high water mark over the first 15-minute interval of the hour.

Data Source

NBSS BTS MO

Source Field

PeakLinkUtilizationCounterI (Seq# 42)

Source Section

T1E1Trunk MO

PeakLinkUtilizationII

Number of not necessarily contiguous seconds that link utilization exceeds the high water mark over the second 15-minute interval of the hour.

Data Source

NBSS BTS MO

Source Field

PeakLinkUtilizationCounterII (Seq# 43)

Source Section

T1E1Trunk MO

SEFAISSecondPathI

SAS-P over the first 15-minute interval of the 30-minute period. Count of 1-second intervals with SEF>=1 or AIS>=1

Data Source

NBSS BTS MO

Source Field

SEFAISSecondPathI (Seq# 56)

Source Section

T1E1Trunk MO

SEFAISSecondPathII

SAS-P over the second 15-minute interval of the 30-minute period. Count of 1-second intervals with SEF>=1 or AIS>=1

Data Source

NBSS BTS MO

Source Field

SEFAISSecondPathII (Seq# 57)

Source Section

T1E1Trunk MO

SeverelyErroredSecondLineI

SES-L over the first 15-minute interval of the 30-minute period. Count of 1-second intervals with BPV+EXZ=1544 or LOS>=1

Data Source

NBSS BTS MO

Source Field

SeverelyErroredSecondLineI (Seq# 48)

Source Section

T1E1Trunk MO

SeverelyErroredSecondLineII

SES-L over the second 15-minute interval of the 30-minute period. Count of 1-second intervals with BPV+EXZ=1544 or LOS>=1

Data Source

NBSS BTS MO

Source Field

SeverelyErroredSecondLineI (Seq# 49)

Source Section

T1E1Trunk MO

SeverelyErroredSecondPathI

SES-P over the first 15-minute interval of the 30-minute period

Data Source

NBSS BTS MO

Source Field

SeverelyErroredSecondPathI (Seq# 54)

Source Section

T1E1Trunk MO

SeverelyErroredSecondPathII

SES-P over the second 15-minute interval of the 30-minute period

Data Source

NBSS BTS MO

Source Field

SeverelyErroredSecondPathI (Seq# 55)

Source Section

T1E1Trunk MO

UnavailableSecondPathI

UAS-P over the first 15-minute interval of the 30-minute period. Count of 1-second intervals for which DS1 path is unavailable.

Data Source

NBSS BTS MO

Source Field

UnavailableSecondPathI (Seq# 58)

Source Section

T1E1Trunk MO

UnavailableSecondPathII

UAS-P over the first 15-minute interval of the 30-minute period. Count of 1-second intervals for which DS1 path is unavailable.

Data Source

NBSS BTS MO

Source Field

UnavailableSecondPathII (Seq# 59)

Source Section

T1E1Trunk MO

TLDN_Pool Primitive Calculations

The following is a list of primitive calculations for the TLDN_Pool entity.

GRAPHmultiLineSeparator

Special Control Field for Multi-Line Graphs

Calculation

""

NUMDAYS

of days in Report

Calculation

DAYSINREPORT ()

NUMHOURS

of hours in Summation Data

Calculation

TLDN_Pool Peg Counts

The following is a list of peg counts for the TLDN_Pool entity.

TLDNATTS

when there is a successful TLDN allocation for call delivery for each TLDN pool

Data Source

MTX OM, SDM

Source Field

TLDNATTS + 65536 * TLDNATT2

Source Section

TLDNPOM

TLDNCOMP

Pegs when a call delivery is completed to the TLDN for each a TLDN pool

Data Source

MTX OM, SDM

Source Field

TLDNCOMP + 65536 * TLDNCOM2

Source Section

TLDNPOM

TLDNMAX

The maximum number of TLDNs that were simultaneously seized for this TLDN pool

Data Source

MTX OM, SDM

Source Field

TLDNMAX

Source Section

TLDNPOM

TLDNOVFL

Pegs when a TLDN request was not accommodated due to no available DNs

Data Source

MTX OM, SDM

Source Field

TLDNOVFL

Source Section

TLDNPOM

TLDNTMO

when a TLDN is released and returned to the TLDN pool due to a call delivery timeout

Data Source

MTX OM, SDM

Source Field

TLDNTMO

Source Section

TLDNPOM

TrafSubRange Primitive Calculations

The following is a list of primitive calculations for the TrafSubRange entity.

NUMDAYS

of days in Report

Calculation

DAYSINREPORT ()

NUMHOURS

of hours in Summation Data

Calculation

TotalTxPacketTrfSubRange

The number of packets transmitted from the BCN interface including discarded packets per traffic sub range

Calculation

vsum(vsum(TxPacketsTrfSubRange,0), vsum(TxPacketDiscardsTrfSubRange,0),0)

TrafSubRange Peg Counts

The following is a list of peg counts for the TrafSubRange entity.

TxAvgPacketRateTrfSubRange

The average transmitted packet rate in pkt/s per traffic sub range.

Data Source

MDP

Source Field

TxAvgPacketRateTrfSubRange

Source Section

Passport Statistics

TxPacketDiscardPriority1TrfSubRange

The number of priority 1 packets that could not be transmitted due to queue congestion and HEC errors per traffic sub range.

Data Source

MDP

Source Field

TxPacketDiscardPriority1TrfSubRange

Source Section

Passport Statistics

TxPacketDiscardPriority2TrfSubRange

The number of priority 2 packets that could not be transmitted due to queue congestion and HEC errors per traffic sub range.

Data Source

MDP

Source Field

TxPacketDiscardPriority2TrfSubRange

Source Section

Passport Statistics

TxPacketDiscardsTrfSubRange

The number of packets that could not be transmitted due to protocol errors or lack of resources per traffic sub range.

Data Source

MDP

Source Field

TxPacketDiscardsTrfSubRange

Source Section

Passport Statistics

TxPacketsTrfSubRange

The number of packets transmitted from the BCN interface per traffic sub range.

Data Source

MDP

Source Field

TxPacketsTrfSubRange

Source Section

Passport Statistics

TxPeakPacketRateTrfSubRange

The transmitted packet rate in pkt/s per traffic sub range.

Data Source

MDP

Source Field

TxPeakPacketRateTrfSubRange

Source Section

Passport Statistics

TrunkGroup Primitive Calculations

The following is a list of primitive calculations for the TrunkGroup entity.

ADMININFO

TrunkGroup AdminInf

AllTrkBsyMin

Number of minutes when all the circuits in the trunk group were busy

Calculation

$(MAXBU * 100.0 / 60.0)$

AvgHoldTimeSec

Average hold time on trunks in secs

Calculation

$((TfUsage * 3600.0) / TotCallAtts)$

EngCapB

Engineering Capacity Erlang B

Calculation

$capacityB(NDEV, GOS)$

EngCapP

Engineering Capacity Poisson

Calculation

$capacityP(NDEV, GOS)$

GOS

Grade of Service

GRAPHmultiLineSeparator

Special Control Field for Multi-Line Graphs

Calculation

""

NChanDis

Max. number of Traffic Channels disabled during the reporting time interval

Calculation

$(NCCT - NWCCT)$

NUMDAYS

of days in Report

Calculation

$DAYSINREPORT ()$

NUMHOURS

of hours in Summation Data

Calculation

OffCapB

Offered Capacity Erlang B

Calculation

$(\text{capacity}(\text{NDEV}, \text{GOS}) / (1 - \text{GOS}))$

OffCapP

Offered Capacity Poisson

Calculation

$(\text{capacityP}(\text{NDEV}, \text{GOS}) / (1 - \text{GOS}))$

OgSigFailCnt

Number of signaling protocol failures

Calculation

$(\text{vsum}(\text{OUTFAIL}, \text{GLARE}, 0))$

pTotCallComps

Total Call Completion percentage

Calculation

$((\text{TotCallComp} / \text{TotCallAtts}) * 100.0)$

pTrkOvf

Percentage of Trunks overflow per attempt (M-L)

Calculation

$(100.0 * \text{NOVFLATB} / \text{NATTMPT})$

TfUsage

Traffic Usage in Erlangs

Calculation

$(\text{TRU} / 36.0)$

TotCallAtts

Total Call Attempts

Calculation

$(\text{vsum}(\text{NATTMPT}, \text{INCATOT}, 0))$

TotCallComp

Total Calls Completed

Calculation

(INCATOT + NATTMPT - INFAIL - OUTFAIL)

TotCallFails

Total Call Failures

Calculation

(vsum(INFAIL, OUTFAIL, 0))

TrunkGroup Peg Counts

The following is a list of peg counts for the TrunkGroup entity.

A2PDELAY

This register pegs each time the delayqos value in the end of call statistics for the associated A2P interface exceeds the DELAY threshold value defined in office parameter MTX_MGW_QOS_THRESHOLDS.

Data Source

SDM

Source Field

A2PDELAY

Source Section

MGWQOS

A2PJITER

This register pegs each time the jitter value in end of call statistics for the associated A2P interface exceeds the JITTER threshold value defined in office parameter MTX_MGW_QOS_THRESHOLDS.

Data Source

SDM

Source Field

A2PJITER

Source Section

MGWQOS

A2PLOSS

This register pegs each time the packet loss value in end of call statistics for the associated A2P interface exceeds the Packet LOSS threshold value defined in office parameter MTX_MGW_QOS_THRESHOLDS.

Data Source

SDM

Source Field

A2PLOSS

Source Section

MGWQOS

ACCCONG

times a trunk group enters ACC congestion

Data Source

MTX OM, SDM

Source Field

ACCCONG

Source Section

TRK

ANF

Counts incoming centralized-automatic message accounting or TOPS calls

Data Source

MTX OM, SDM

Source Field

ANF

Source Section

TRK

ANSWER

When incoming line/trunk originates a call and an outgoing trunk reports an answer to CM

Data Source

MTX OM, SDM

Source Field

ANSWER + 65536 * TRNK2.ANSWER2

Source Section

TRK

AOF

Counts incoming calls for which the originating office detects an ANI failure

Data Source

MTX OM, SDM

Source Field

AOF

Source Section

TRK

BLKCTRK

Blocked calls on trunk

Data Source

MTX OM, SDM

Source Field

BLKCTRK

Source Section

TRK

CELL100_MobileSerNoMism

Number of CELL100 events with trouble code of MOBILE_SERNO_MISMATCH

Data Source

MTX Log

Source Field

TRBL=MOBILE_SERNO_MISMATCH

Source Section

CELL100

CELL100_MobileSerNoMism_TSI1

Call state of 1 or 101 (trouble code MOBILE_SERNO_MISMATCH) - Idle

Data Source

MTX Log

Source Field

TSI=1 and TRBL=MOBILE_SERNO_MISMATCH

Source Section

CELL100

CELL100_MobileSerNoMism_TSI10

Call state of 10 or 110 (trouble code MOBILE_SERNO_MISMATCH) - Waiting for a release acknowledgment from the mobile unit

Data Source

MTX Log

Source Field

TSI=10 and TRBL=MOBILE_SERNO_MISMATCH

Source Section

CELL100

CELL100_MobileSerNoMism_TSI11

Call state of 11 or 111 (trouble code MOBILE_SERNO_MISMATCH) -
ACTIVE_RELEASE_SETUP

Data Source

MTX Log

Source Field

TSI=11 and TRBL=MOBILE_SERNO_MISMATCH

Source Section

CELL100

CELL100_MobileSerNoMism_TSI12

Call state of 12 or 112 (trouble code MOBILE_SERNO_MISMATCH) - Waiting for an alert
acknowledgment from the mobile unit (second attempt)

Data Source

MTX Log

Source Field

TSI=12 and TRBL=MOBILE_SERNO_MISMATCH

Source Section

CELL100

CELL100_MobileSerNoMism_TSI13

Call state of 13 or 113 (trouble code MOBILE_SERNO_MISMATCH) - ALERT_2

Data Source

MTX Log

Source Field

TSI=13 and TRBL=MOBILE_SERNO_MISMATCH

Source Section

CELL100

CELL100_MobileSerNoMism_TSI14

Call state of 14 or 114 (trouble code MOBILE_SERNO_MISMATCH) - Waiting for the called address from the mobile unit

Data Source

MTX Log

Source Field

TSI=14 and TRBL=MOBILE_SERNO_MISMATCH

Source Section

CELL100

CELL100_MobileSerNoMism_TSI15

Call state of 15 or 115 (trouble code MOBILE_SERNO_MISMATCH) - Waiting for a setup message from the MTX

Data Source

MTX Log

Source Field

TSI=15 and TRBL=MOBILE_SERNO_MISMATCH

Source Section

CELL100

CELL100_MobileSerNoMism_TSI16

Call state of 16 or 116 (trouble code MOBILE_SERNO_MISMATCH) - The VCH is being used for locating channel receiver (LCR) redundancy

Data Source

MTX Log

Source Field

TSI=16 and TRBL=MOBILE_SERNO_MISMATCH

Source Section

CELL100

CELL100_MobileSerNoMism_TSI17

Call state of 17 or 117 (trouble code MOBILE_SERNO_MISMATCH) - The VCH is undergoing in-service testing

Data Source

MTX Log

Source Field

TSI=17 and TRBL=MOBILE_SERNO_MISMATCH

Source Section

CELL100

CELL100_MobileSerNoMism_TSI18

Call state of 18 or 118 (trouble code MOBILE_SERNO_MISMATCH) - The VCH is waiting for the One-second guard timer to expire after the mobile unit disconnects or hands off. After the timer expires, the mobile unit is put back on the IDLE queue

Data Source

MTX Log

Source Field

TSI=18 and TRBL=MOBILE_SERNO_MISMATCH

Source Section

CELL100

CELL100_MobileSerNoMism_TSI19

Call state of 19 or 119 (trouble code MOBILE_SERNO_MISMATCH) - Failure has occurred during the call. The intelligent cellular peripheral (ICP) sends a CARRIER OFF command to the VCH to put it back into the idle voice task and expects an answer

Data Source

MTX Log

Source Field

TSI=19 and TRBL=MOBILE_SERNO_MISMATCH

Source Section

CELL100

CELL100_MobileSerNoMism_TSI2

Call state of 2 or 102 (trouble code MOBILE_SERNO_MISMATCH) - Waiting for setup acknowledgment from the voice channel (VCH). This state is used

Data Source

MTX Log

Source Field

TSI=2 and TRBL=MOBILE_SERNO_MISMATCH

Source Section

CELL100

CELL100_MobileSerNoMism_TSI20

Call state of 20 or 120 (trouble code MOBILE_SERNO_MISMATCH) - Waiting for a power order confirmation from the VCH in response to a power command to change the transmit power level of the mobile unit

Data Source

MTX Log

Source Field

TSI=20 and TRBL=MOBILE_SERNO_MISMATCH

Source Section

CELL100

CELL100_MobileSerNoMism_TSI21

Call state of 21 or 121 (trouble code MOBILE_SERNO_MISMATCH) - Waiting for a stop alert confirmation from the VCH in response to a stop alert order

Data Source

MTX Log

Source Field

TSI=21 and TRBL=MOBILE_SERNO_MISMATCH

Source Section

CELL100

CELL100_MobileSerNoMism_TSI22

Call state of 22 or 122 (trouble code MOBILE_SERNO_MISMATCH) - Waiting for an audit confirmation from the VCH in response to an audit order

Data Source

MTX Log

Source Field

TSI=22 and TRBL=MOBILE_SERNO_MISMATCH

Source Section

CELL100

CELL100_MobileSerNoMism_TSI23

Call state of 23 or 123 (trouble code MOBILE_SERNO_MISMATCH) - Waiting for a reorder confirmation from the VCH in response to the abbreviated reorder order

Data Source

MTX Log

Source Field

TSI=23 and TRBL=MOBILE_SERNO_MISMATCH

Source Section

CELL100

CELL100_MobileSerNoMism_TSI24

Call state of 24 or 124 (trouble code MOBILE_SERNO_MISMATCH) - Waiting for an intercept confirmation from the VCH in response to the abbreviated intercept order

Data Source

MTX Log

Source Field

TSI=24 and TRBL=MOBILE_SERNO_MISMATCH

Source Section

CELL100

CELL100_MobileSerNoMism_TSI25

Call state of 25 or 125 (trouble code MOBILE_SERNO_MISMATCH) - Waiting for an alert confirmation from the VCH in response to the abbreviated alert order

Data Source

MTX Log

Source Field

TSI=25 and TRBL=MOBILE_SERNO_MISMATCH

Source Section

CELL100

CELL100_MobileSerNoMism_TSI26

Call state of 26 or 126 (trouble code MOBILE_SERNO_MISMATCH) - Waiting for a disconnect message from the mobile unit

Data Source

MTX Log

Source Field

TSI=26 and TRBL=MOBILE_SERNO_MISMATCH

Source Section

CELL100

CELL100_MobileSerNoMism_TSI27

Call state of 27 or 127 (trouble code MOBILE_SERNO_MISMATCH) - A carrier fail message was reported from DS1MTCE

Data Source

MTX Log

Source Field

TSI=27 and TRBL=MOBILE_SERNO_MISMATCH

Source Section

CELL100

CELL100_MobileSerNoMism_TSI28

Call state of 28 or 128 (trouble code MOBILE_SERNO_MISMATCH) - MB_SEIZE. Used to distinguish manual busy and carrier fail from an in-service seize

Data Source

MTX Log

Source Field

TSI=28 and TRBL=MOBILE_SERNO_MISMATCH

Source Section

CELL100

CELL100_MobileSerNoMism_TSI29

Call state of 29 or 129 (trouble code MOBILE_SERNO_MISMATCH) - VCH will be removed after a maintenance handoff

Data Source

MTX Log

Source Field

TSI=29 and TRBL=MOBILE_SERNO_MISMATCH

Source Section

CELL100

CELL100_MobileSerNoMism_TSI3

Call state of 3 or 103 (trouble code MOBILE_SERNO_MISMATCH) - Waiting for setup acknowledgment from the VCH. This state is used on terminations

Data Source

MTX Log

Source Field

TSI=3 and TRBL=MOBILE_SERNO_MISMATCH

Source Section

CELL100

CELL100_MobileSerNoMism_TSI30

Not currently used

Data Source

MTX Log

Source Field

TSI=30 and TRBL=MOBILE_SERNO_MISMATCH

Source Section

CELL100

CELL100_MobileSerNoMism_TSI31

Not currently used

Data Source

MTX Log

Source Field

TSI=31 and TRBL=MOBILE_SERNO_MISMATCH

Source Section

CELL100

CELL100_MobileSerNoMism_TSI32

Call state of 32 or 132 (trouble code MOBILE_SERNO_MISMATCH) - Waiting for a release from the CC after sending it a HANDOFF_JACK

Data Source

MTX Log

Source Field

TSI=32 and TRBL=MOBILE_SERNO_MISMATCH

Source Section

CELL100

CELL100_MobileSerNoMism_TSI4

Call state of 4 or 104 (trouble code MOBILE_SERNO_MISMATCH) - Waiting for SAT_PRESENT on termination

Data Source

MTX Log

Source Field

TSI=4 and TRBL=MOBILE_SERNO_MISMATCH

Source Section

CELL100

CELL100_MobileSerNoMism_TSI5

Call state of 5 or 105 (trouble code MOBILE_SERNO_MISMATCH) - ACTIVE_SAT_WAIT_RELEASE

Data Source

MTX Log

Source Field

TSI=5 and TRBL=MOBILE_SERNO_MISMATCH

Source Section

CELL100

CELL100_MobileSerNoMism_TSI6

Call state of 6 or 106 (trouble code MOBILE_SERNO_MISMATCH) - Waiting for initial SAT detection on the VCH from the originating mobile unit

Data Source

MTX Log

Source Field

TSI=6 and TRBL=MOBILE_SERNO_MISMATCH

Source Section

CELL100

CELL100_MobileSerNoMism_TSI7

Call state of 7 or 107 (trouble code MOBILE_SERNO_MISMATCH) - Waiting for a release acknowledgment from the peripheral

Data Source

MTX Log

Source Field

TSI=7 and TRBL=MOBILE_SERNO_MISMATCH

Source Section

CELL100

CELL100_MobileSerNoMism_TSI8

Call state of 8 or 108 (trouble code MOBILE_SERNO_MISMATCH) - Waiting for an ANSWER MESSAGE from a terminating mobile unit after receiving a SAT_PRESENT message.

Data Source

MTX Log

Source Field

TSI=8 and TRBL=MOBILE_SERNO_MISMATCH

Source Section

CELL100

CELL100_MobileSerNoMism_TSI9

Call state of 9 or 109 (trouble code MOBILE_SERNO_MISMATCH) - The mobile unit is in conversation

Data Source

MTX Log

Source Field

TSI=9 and TRBL=MOBILE_SERNO_MISMATCH

Source Section

CELL100

CELL100_ServNoHOAck

Number of CELL100 events with trouble code of SERV_NO_HO_ACK

Data Source

MTX Log

Source Field

TRBL=SERV_NO_HO_ACK

Source Section

CELL100

CELL100_ServNoHOAck_TSI1

Call state of 1 or 101 (trouble code SERV_NO_HO_ACK) - Idle

Data Source

MTX Log

Source Field

TSI=1 and TRBL=SERV_NO_HO_ACK

Source Section

CELL100

CELL100_ServNoHOAck_TSI10

Call state of 10 or 110 (trouble code SERV_NO_HO_ACK) - Waiting for a release acknowledgment from the mobile unit

Data Source

MTX Log

Source Field

TSI=10 and TRBL=SERV_NO_HO_ACK

Source Section

CELL100

CELL100_ServNoHOAck_TSI11

Call state of 11 or 111 (trouble code SERV_NO_HO_ACK) - ACTIVE_RELEASE_SETUP

Data Source

MTX Log

Source Field

TSI=11 and TRBL=SERV_NO_HO_ACK

Source Section

CELL100

CELL100_ServNoHOAck_TSI12

Call state of 12 or 112 (trouble code SERV_NO_HO_ACK) - Waiting for an alert acknowledgment from the mobile unit (second attempt)

Data Source

MTX Log

Source Field

TSI=12 and TRBL=SERV_NO_HO_ACK

Source Section

CELL100

CELL100_ServNoHOAck_TSI13

Call state of 13 or 113 (trouble code SERV_NO_HO_ACK) - ALERT_2

Data Source

MTX Log

Source Field

TSI=13 and TRBL=SERV_NO_HO_ACK

Source Section

CELL100

CELL100_ServNoHOAck_TSI14

Call state of 14 or 114 (trouble code SERV_NO_HO_ACK) - Waiting for the called address from the mobile unit

Data Source

MTX Log

Source Field

TSI=14 and TRBL=SERV_NO_HO_ACK

Source Section

CELL100

CELL100_ServNoHOAck_TSI15

Call state of 15 or 115 (trouble code SERV_NO_HO_ACK) - Waiting for a setup message from the MTX

Data Source

MTX Log

Source Field

TSI=15 and TRBL=SERV_NO_HO_ACK

Source Section

CELL100

CELL100_ServNoHOAck_TSI16

Call state of 16 or 116 (trouble code SERV_NO_HO_ACK) - The VCH is being used for locating channel receiver (LCR) redundancy

Data Source

MTX Log

Source Field

TSI=16 and TRBL=SERV_NO_HO_ACK

Source Section

CELL100

CELL100_ServNoHOAck_TSI17

Call state of 17 or 117 (trouble code SERV_NO_HO_ACK) - The VCH is undergoing in-service testing

Data Source

MTX Log

Source Field

TSI=17 and TRBL=SERV_NO_HO_ACK

Source Section

CELL100

CELL100_ServNoHOAck_TSI18

Call state of 18 or 118 (trouble code SERV_NO_HO_ACK) - The VCH is waiting for the One-second guard timer to expire after the mobile unit disconnects or hands off. After the timer expires, the mobile unit is put back on the IDLE queue

Data Source

MTX Log

Source Field

TSI=18 and TRBL=SERV_NO_HO_ACK

Source Section

CELL100

CELL100_ServNoHOAck_TSI19

Call state of 19 or 119 (trouble code SERV_NO_HO_ACK) - Failure has occurred during the call. The intelligent cellular peripheral (ICP) sends a CARRIER OFF command to the VCH to put it back into the idle voice task and expects an answer

Data Source

MTX Log

Source Field

TSI=19 and TRBL=SERV_NO_HO_ACK

Source Section

CELL100

CELL100_ServNoHOAck_TSI2

Call state of 2 or 102 (trouble code SERV_NO_HO_ACK) - Waiting for setup acknowledgment from the voice channel (VCH). This state is used

Data Source

MTX Log

Source Field

TSI=2 and TRBL=SERV_NO_HO_ACK

Source Section

CELL100

CELL100_ServNoHOAck_TSI20

Call state of 20 or 120 (trouble code SERV_NO_HO_ACK) - Waiting for a power order confirmation from the VCH in response to a power command to change the transmit power level of the mobile unit

Data Source

MTX Log

Source Field

TSI=20 and TRBL=SERV_NO_HO_ACK

Source Section

CELL100

CELL100_ServNoHOAck_TSI21

Call state of 21 or 121 (trouble code SERV_NO_HO_ACK) - Waiting for a stop alert confirmation from the VCH in response to a stop alert order

Data Source

MTX Log

Source Field

TSI=21 and TRBL=SERV_NO_HO_ACK

Source Section

CELL100

CELL100_ServNoHOAck_TSI22

Call state of 22 or 122 (trouble code SERV_NO_HO_ACK) - Waiting for an audit confirmation from the VCH in response to an audit order

Data Source

MTX Log

Source Field

TSI=22 and TRBL=SERV_NO_HO_ACK

Source Section

CELL100

CELL100_ServNoHOAck_TSI23

Call state of 23 or 123 (trouble code SERV_NO_HO_ACK) - Waiting for a reorder confirmation from the VCH in response to the abbreviated reorder order

Data Source

MTX Log

Source Field

TSI=23 and TRBL=SERV_NO_HO_ACK

Source Section

CELL100

CELL100_ServNoHOAck_TSI24

Call state of 24 or 124 (trouble code SERV_NO_HO_ACK) - Waiting for an intercept confirmation from the VCH in response to the abbreviated intercept order

Data Source

MTX Log

Source Field

TSI=24 and TRBL=SERV_NO_HO_ACK

Source Section

CELL100

CELL100_ServNoHOAck_TSI25

Call state of 25 or 125 (trouble code SERV_NO_HO_ACK) - Waiting for an alert confirmation from the VCH in response to the abbreviated alert order

Data Source

MTX Log

Source Field

TSI=25 and TRBL=SERV_NO_HO_ACK

Source Section

CELL100

CELL100_ServNoHOAck_TSI26

Call state of 26 or 126 (trouble code SERV_NO_HO_ACK) - Waiting for a disconnect message from the mobile unit

Data Source

MTX Log

Source Field

TSI=26 and TRBL=SERV_NO_HO_ACK

Source Section

CELL100

CELL100_ServNoHOAck_TSI27

Call state of 27 or 127 (trouble code SERV_NO_HO_ACK) - A carrier fail message was reported from DS1MTCE

Data Source

MTX Log

Source Field

TSI=27 and TRBL=SERV_NO_HO_ACK

Source Section

CELL100

CELL100_ServNoHOAck_TSI28

Call state of 28 or 128 (trouble code SERV_NO_HO_ACK) - MB_SEIZE. Used to distinguish manual busy and carrier fail from an in-service seize

Data Source

MTX Log

Source Field

TSI=28 and TRBL=SERV_NO_HO_ACK

Source Section

CELL100

CELL100_ServNoHOAck_TSI29

Call state of 29 or 129 (trouble code SERV_NO_HO_ACK) - VCH will be removed after a maintenance handoff

Data Source

MTX Log

Source Field

TSI=29 and TRBL=SERV_NO_HO_ACK

Source Section

CELL100

CELL100_ServNoHOAck_TSI3

Call state of 3 or 103 (trouble code SERV_NO_HO_ACK) - Waiting for setup acknowledgment from the VCH. This state is used on terminations

Data Source

MTX Log

Source Field

TSI=3 and TRBL=SERV_NO_HO_ACK

Source Section

CELL100

CELL100_ServNoHOAck_TSI30

Not currently used

Data Source

MTX Log

Source Field

TSI=30 and TRBL=SERV_NO_HO_ACK

Source Section

CELL100

CELL100_ServNoHOAck_TSI31

Not currently used

Data Source

MTX Log

Source Field

TSI=31 and TRBL=SERV_NO_HO_ACK

Source Section

CELL100

CELL100_ServNoHOAck_TSI32

Call state of 32 or 132 (trouble code SERV_NO_HO_ACK) - Waiting for a release from the CC after sending it a HANDOFF_JACK

Data Source

MTX Log

Source Field

TSI=32 and TRBL=SERV_NO_HO_ACK

Source Section

CELL100

CELL100_ServNoHOAck_TSI4

Call state of 4 or 104 (trouble code SERV_NO_HO_ACK) - Waiting for SAT_PRESENT on termination

Data Source

MTX Log

Source Field

TSI=4 and TRBL=SERV_NO_HO_ACK

Source Section

CELL100

CELL100_ServNoHOAck_TSI5

Call state of 5 or 105 (trouble code SERV_NO_HO_ACK) - ACTIVE_SAT_WAIT_RELEASE

Data Source

MTX Log

Source Field

TSI=5 and TRBL=SERV_NO_HO_ACK

Source Section

CELL100

CELL100_ServNoHOAck_TSI6

Call state of 6 or 106 (trouble code SERV_NO_HO_ACK) - Waiting for initial SAT detection on the VCH from the originating mobile unit

Data Source

MTX Log

Source Field

TSI=6 and TRBL=SERV_NO_HO_ACK

Source Section

CELL100

CELL100_ServNoHOAck_TSI7

Call state of 7 or 107 (trouble code SERV_NO_HO_ACK) - Waiting for a release acknowledgment from the peripheral

Data Source

MTX Log

Source Field

TSI=7 and TRBL=SERV_NO_HO_ACK

Source Section

CELL100

CELL100_ServNoHOAck_TSI8

Call state of 8 or 108 (trouble code SERV_NO_HO_ACK) - Waiting for an ANSWER MESSAGE from a terminating mobile unit after receiving a SAT_PRESENT message

Data Source

MTX Log

Source Field

TSI=8 and TRBL=SERV_NO_HO_ACK

Source Section

CELL100

CELL100_ServNoHOAck_TSI9

Call state of 9 or 109 (trouble code SERV_NO_HO_ACK) - The mobile unit is in conversation

Data Source

MTX Log

Source Field

TSI=9 and TRBL=SERV_NO_HO_ACK

Source Section

CELL100

CELL101_CellFailure

Number of CELL101 events with trouble code of CELL_FAILURE

Data Source

MTX Log

Source Field

TRBL=CELL_FAILURE

Source Section

CELL101

CELL101_CellFailure_TSI1

Call state of 1 or 101 (trouble code CELL_FAILURE) - Idle

Data Source

MTX Log

Source Field

TSI=1 and TRBL=CELL_FAILURE

Source Section

CELL101

CELL101_CellFailure_TSI10

Call state of 10 or 110 (trouble code CELL_FAILURE) - Waiting for a release acknowledgment from the mobile unit

Data Source

MTX Log

Source Field

TSI=10 and TRBL=CELL_FAILURE

Source Section

CELL101

CELL101_CellFailure_TSI11

Call state of 11 or 111 (trouble code CELL_FAILURE) - ACTIVE_RELEASE_SETUP

Data Source

MTX Log

Source Field

TSI=11 and TRBL=CELL_FAILURE

Source Section

CELL101

CELL101_CellFailure_TSI12

Call state of 12 or 112 (trouble code CELL_FAILURE) - Waiting for an alert acknowledgment from the mobile unit (second attempt)

Data Source

MTX Log

Source Field

TSI=12 and TRBL=CELL_FAILURE

Source Section

CELL101

CELL101_CellFailure_TSI13

Call state of 13 or 113 (trouble code CELL_FAILURE) - ALERT_2

Data Source

MTX Log

Source Field

TSI=13 and TRBL=CELL_FAILURE

Source Section

CELL101

CELL101_CellFailure_TSI14

Call state of 14 or 114 (trouble code CELL_FAILURE) - Waiting for the called address from the mobile unit

Data Source

MTX Log

Source Field

TSI=14 and TRBL=CELL_FAILURE

Source Section

CELL101

CELL101_CellFailure_TSI15

Call state of 15 or 115 (trouble code CELL_FAILURE) - Waiting for a setup message from the MTX

Data Source

MTX Log

Source Field

TSI=15 and TRBL=CELL_FAILURE

Source Section

CELL101

CELL101_CellFailure_TSI16

Call state of 16 or 116 (trouble code CELL_FAILURE) - The VCH is being used for locating channel receiver (LCR) redundancy

Data Source

MTX Log

Source Field

TSI=16 and TRBL=CELL_FAILURE

Source Section

CELL101

CELL101_CellFailure_TSI17

Call state of 17 or 117 (trouble code CELL_FAILURE) - The VCH is undergoing in-service testing

Data Source

MTX Log

Source Field

TSI=17 and TRBL=CELL_FAILURE

Source Section

CELL101

CELL101_CellFailure_TSI18

Call state of 18 or 118 (trouble code CELL_FAILURE) - The VCH is waiting for the One-second guard timer to expire after the mobile unit disconnects or hands off. After the timer expires, the mobile unit is put back on the IDLE queue

Data Source

MTX Log

Source Field

TSI=18 and TRBL=CELL_FAILURE

Source Section

CELL101

CELL101_CellFailure_TSI19

Call state of 19 or 119 (trouble code CELL_FAILURE) - Failure has occurred during the call. The intelligent cellular peripheral (ICP) sends a CARRIER OFF command to the VCH to put it back into the idle voice task and expects an answer

Data Source

MTX Log

Source Field

TSI=19 and TRBL=CELL_FAILURE

Source Section

CELL101

CELL101_CellFailure_TSI2

Call state of 2 or 102 (trouble code CELL_FAILURE) - Waiting for setup acknowledgment from the voice channel (VCH). This state is used

Data Source

MTX Log

Source Field

TSI=2 and TRBL=CELL_FAILURE

Source Section

CELL101

CELL101_CellFailure_TSI20

Call state of 20 or 120 (trouble code CELL_FAILURE) - Waiting for a power order confirmation from the VCH in response to a power command to change the transmit power level of the mobile unit

Data Source

MTX Log

Source Field

TSI=20 and TRBL=CELL_FAILURE

Source Section

CELL101

CELL101_CellFailure_TSI21

Call state of 21 or 121 (trouble code CELL_FAILURE) - Waiting for a stop alert confirmation from the VCH in response to a stop alert order

Data Source

MTX Log

Source Field

TSI=21 and TRBL=CELL_FAILURE

Source Section

CELL101

CELL101_CellFailure_TSI22

Call state of 22 or 122 (trouble code CELL_FAILURE) - Waiting for an audit confirmation from the VCH in response to an audit order

Data Source

MTX Log

Source Field

TSI=22 and TRBL=CELL_FAILURE

Source Section

CELL101

CELL101_CellFailure_TSI23

Call state of 23 or 123 (trouble code CELL_FAILURE) - Waiting for a reorder confirmation from the VCH in response to the abbreviated reorder order

Data Source

MTX Log

Source Field

TSI=23 and TRBL=CELL_FAILURE

Source Section

CELL101

CELL101_CellFailure_TSI24

Call state of 24 or 124 (trouble code CELL_FAILURE) - Waiting for an intercept confirmation from the VCH in response to the abbreviated intercept order

Data Source

MTX Log

Source Field

TSI=24 and TRBL=CELL_FAILURE

Source Section

CELL101

CELL101_CellFailure_TSI25

Call state of 25 or 125 (trouble code CELL_FAILURE) - Waiting for an alert confirmation from the VCH in response to the abbreviated alert order

Data Source

MTX Log

Source Field

TSI=25 and TRBL=CELL_FAILURE

Source Section

CELL101

CELL101_CellFailure_TSI26

Call state of 26 or 126 (trouble code CELL_FAILURE) - Waiting for a disconnect message from the mobile unit

Data Source

MTX Log

Source Field

TSI=26 and TRBL=CELL_FAILURE

Source Section

CELL101

CELL101_CellFailure_TSI27

Call state of 27 or 127 (trouble code CELL_FAILURE) - A carrier fail message was reported from DS1MTCE

Data Source

MTX Log

Source Field

TSI=27 and TRBL=CELL_FAILURE

Source Section

CELL101

CELL101_CellFailure_TSI28

Call state of 28 or 128 (trouble code CELL_FAILURE) - MB_SEIZE. Used to distinguish manual busy and carrier fail from an in-service seize

Data Source

MTX Log

Source Field

TSI=28 and TRBL=CELL_FAILURE

Source Section

CELL101

CELL101_CellFailure_TSI29

Call state of 29 or 129 (trouble code CELL_FAILURE) - VCH will be removed after a maintenance handoff

Data Source

MTX Log

Source Field

TSI=29 and TRBL=CELL_FAILURE

Source Section

CELL101

CELL101_CellFailure_TSI3

Call state of 3 or 103 (trouble code CELL_FAILURE) - Waiting for setup acknowledgment from the VCH. This state is used on terminations

Data Source

MTX Log

Source Field

TSI=3 and TRBL=CELL_FAILURE

Source Section

CELL101

CELL101_CellFailure_TSI30

Not currently used

Data Source

MTX Log

Source Field

TSI=30 and TRBL=CELL_FAILURE

Source Section

CELL101

CELL101_CellFailure_TSI31

Not currently used

Data Source

MTX Log

Source Field

TSI=31 and TRBL=CELL_FAILURE

Source Section

CELL101

CELL101_CellFailure_TSI32

Call state of 32 or 132 (trouble code CELL_FAILURE) - Waiting for a release from the CC after sending it a HANDOFF_JACK

Data Source

MTX Log

Source Field

TSI=32 and TRBL=CELL_FAILURE

Source Section

CELL101

CELL101_CellFailure_TSI4

Call state of 4 or 104 (trouble code CELL_FAILURE) - Waiting for SAT_PRESENT on termination

Data Source

MTX Log

Source Field

TSI=4 and TRBL=CELL_FAILURE

Source Section

CELL101

CELL101_CellFailure_TSI5

Call state of 5 or 105 (trouble code CELL_FAILURE) - ACTIVE_SAT_WAIT_RELEASE

Data Source

MTX Log

Source Field

TSI=5 and TRBL=CELL_FAILURE

Source Section

CELL101

CELL101_CellFailure_TSI6

Call state of 6 or 106 (trouble code CELL_FAILURE) - Waiting for initial SAT detection on the VCH from the originating mobile unit

Data Source

MTX Log

Source Field

TSI=6 and TRBL=CELL_FAILURE

Source Section

CELL101

CELL101_CellFailure_TSI7

Call state of 7 or 107 (trouble code CELL_FAILURE) - Waiting for a release acknowledgment from the peripheral

Data Source

MTX Log

Source Field

TSI=7 and TRBL=CELL_FAILURE

Source Section

CELL101

CELL101_CellFailure_TSI8

Call state of 8 or 108 (trouble code CELL_FAILURE) - Waiting for an ANSWER MESSAGE from a terminating mobile unit after receiving a SAT_PRESENT message.

Data Source

MTX Log

Source Field

TSI=8 and TRBL=CELL_FAILURE

Source Section

CELL101

CELL101_CellFailure_TSI9

Call state of 9 or 109 (trouble code CELL_FAILURE) - The mobile unit is in conversation

Data Source

MTX Log

Source Field

TSI=9 and TRBL=CELL_FAILURE

Source Section

CELL101

CELL101_CellTaskTimeout

Number of CELL101 events with trouble code of CELL_TASK_TIMEOUT

Data Source

MTX Log

Source Field

TRBL=CELL_TASK_TIMEOUT

Source Section

CELL101

CELL101_CellTaskTimeout_TSI1

Call state of 1 or 101 (trouble code CELL_TASK_TIMEOUT) - Idle

Data Source

MTX Log

Source Field

TSI=1 and TRBL=CELL_TASK_TIMEOUT

Source Section

CELL101

CELL101_CellTaskTimeout_TSI10

Call state of 10 or 110 (trouble code CELL_TASK_TIMEOUT) - Waiting for a release acknowledgment from the mobile unit

Data Source

MTX Log

Source Field

TSI=10 and TRBL=CELL_TASK_TIMEOUT

Source Section

CELL101

CELL101_CellTaskTimeout_TSI11

Call state of 11 or 111 (trouble code CELL_TASK_TIMEOUT) -
ACTIVE_RELEASE_SETUP

Data Source

MTX Log

Source Field

TSI=11 and TRBL=CELL_TASK_TIMEOUT

Source Section

CELL101

CELL101_CellTaskTimeout_TSI12

Call state of 12 or 112 (trouble code CELL_TASK_TIMEOUT) - Waiting for an alert
acknowledgment from the mobile unit (second attempt)

Data Source

MTX Log

Source Field

TSI=12 and TRBL=CELL_TASK_TIMEOUT

Source Section

CELL101

CELL101_CellTaskTimeout_TSI13

Call state of 13 or 113 (trouble code CELL_TASK_TIMEOUT) - ALERT_2

Data Source

MTX Log

Source Field

TSI=13 and TRBL=CELL_TASK_TIMEOUT

Source Section

CELL101

CELL101_CellTaskTimeout_TSI14

Call state of 14 or 114 (trouble code CELL_TASK_TIMEOUT) - Waiting for the called address from the mobile unit

Data Source

MTX Log

Source Field

TSI=14 and TRBL=CELL_TASK_TIMEOUT

Source Section

CELL101

CELL101_CellTaskTimeout_TSI15

Call state of 15 or 115 (trouble code CELL_TASK_TIMEOUT) - Waiting for a setup message from the MTX

Data Source

MTX Log

Source Field

TSI=15 and TRBL=CELL_TASK_TIMEOUT

Source Section

CELL101

CELL101_CellTaskTimeout_TSI16

Call state of 16 or 116 (trouble code CELL_TASK_TIMEOUT) - The VCH is being used for locating channel receiver (LCR) redundancy

Data Source

MTX Log

Source Field

TSI=16 and TRBL=CELL_TASK_TIMEOUT

Source Section

CELL101

CELL101_CellTaskTimeout_TSI17

Call state of 17 or 117 (trouble code CELL_TASK_TIMEOUT) - The VCH is undergoing in-service testing

Data Source

MTX Log

Source Field

TSI=17 and TRBL=CELL_TASK_TIMEOUT

Source Section

CELL101

CELL101_CellTaskTimeout_TSI18

Call state of 18 or 118 (trouble code CELL_TASK_TIMEOUT) - The VCH is waiting for the One-second guard timer to expire after the mobile unit disconnects or hands off. After the timer expires, the mobile unit is put back on the IDLE queue

Data Source

MTX Log

Source Field

TSI=18 and TRBL=CELL_TASK_TIMEOUT

Source Section

CELL101

CELL101_CellTaskTimeout_TSI19

Call state of 19 or 119 (trouble code CELL_TASK_TIMEOUT) - Failure has occurred during the call. The intelligent cellular peripheral (ICP) sends a CARRIER OFF command to the VCH to put it back into the idle voice task and expects an answer

Data Source

MTX Log

Source Field

TSI=19 and TRBL=CELL_TASK_TIMEOUT

Source Section

CELL101

CELL101_CellTaskTimeout_TSI2

Call state of 2 or 102 (trouble code CELL_TASK_TIMEOUT) - Waiting for setup acknowledgment from the voice channel (VCH). This state is used

Data Source

MTX Log

Source Field

TSI=2 and TRBL=CELL_TASK_TIMEOUT

Source Section

CELL101

CELL101_CellTaskTimeout_TSI20

Call state of 20 or 120 (trouble code CELL_TASK_TIMEOUT) - Waiting for a power order confirmation from the VCH in response to a power command to change the transmit power level of the mobile unit

Data Source

MTX Log

Source Field

TSI=20 and TRBL=CELL_TASK_TIMEOUT

Source Section

CELL101

CELL101_CellTaskTimeout_TSI21

Call state of 21 or 121 (trouble code CELL_TASK_TIMEOUT) - Waiting for a stop alert confirmation from the VCH in response to a stop alert order

Data Source

MTX Log

Source Field

TSI=21 and TRBL=CELL_TASK_TIMEOUT

Source Section

CELL101

CELL101_CellTaskTimeout_TSI22

Call state of 22 or 122 (trouble code CELL_TASK_TIMEOUT) - Waiting for an audit confirmation from the VCH in response to an audit order

Data Source

MTX Log

Source Field

TSI=22 and TRBL=CELL_TASK_TIMEOUT

Source Section

CELL101

CELL101_CellTaskTimeout_TSI23

Call state of 23 or 123 (trouble code CELL_TASK_TIMEOUT) - Waiting for a reorder confirmation from the VCH in response to the abbreviated reorder order

Data Source

MTX Log

Source Field

TSI=23 and TRBL=CELL_TASK_TIMEOUT

Source Section

CELL101

CELL101_CellTaskTimeout_TSI24

Call state of 24 or 124 (trouble code CELL_TASK_TIMEOUT) - Waiting for an intercept confirmation from the VCH in response to the abbreviated intercept order

Data Source

MTX Log

Source Field

TSI=24 and TRBL=CELL_TASK_TIMEOUT

Source Section

CELL101

CELL101_CellTaskTimeout_TSI25

Call state of 25 or 125 (trouble code CELL_TASK_TIMEOUT) - Waiting for an alert confirmation from the VCH in response to the abbreviated alert order

Data Source

MTX Log

Source Field

TSI=25 and TRBL=CELL_TASK_TIMEOUT

Source Section

CELL101

CELL101_CellTaskTimeout_TSI26

Call state of 26 or 126 (trouble code CELL_TASK_TIMEOUT) - Waiting for a disconnect message from the mobile unit

Data Source

MTX Log

Source Field

TSI=26 and TRBL=CELL_TASK_TIMEOUT

Source Section

CELL101

CELL101_CellTaskTimeout_TSI27

Call state of 27 or 127 (trouble code CELL_TASK_TIMEOUT) - A carrier fail message was reported from DS1MTCE

Data Source

MTX Log

Source Field

TSI=27 and TRBL=CELL_TASK_TIMEOUT

Source Section

CELL101

CELL101_CellTaskTimeout_TSI28

Call state of 28 or 128 (trouble code CELL_TASK_TIMEOUT) - MB_SEIZE. Used to distinguish manual busy and carrier fail from an in-service seize

Data Source

MTX Log

Source Field

TSI=28 and TRBL=CELL_TASK_TIMEOUT

Source Section

CELL101

CELL101_CellTaskTimeout_TSI29

Call state of 29 or 129 (trouble code CELL_TASK_TIMEOUT) - VCH will be removed after a maintenance handoff

Data Source

MTX Log

Source Field

TSI=29 and TRBL=CELL_TASK_TIMEOUT

Source Section

CELL101

CELL101_CellTaskTimeout_TSI3

Call state of 3 or 103 (trouble code CELL_TASK_TIMEOUT) - Waiting for setup acknowledgment from the VCH. This state is used on terminations

Data Source

MTX Log

Source Field

TSI=3 and TRBL=CELL_TASK_TIMEOUT

Source Section

CELL101

CELL101_CellTaskTimeout_TSI30

Not currently used

Data Source

MTX Log

Source Field

TSI=30 and TRBL=CELL_TASK_TIMEOUT

Source Section

CELL101

CELL101_CellTaskTimeout_TSI31

Not currently used

Data Source

MTX Log

Source Field

TSI=31 and TRBL=CELL_TASK_TIMEOUT

Source Section

CELL101

CELL101_CellTaskTimeout_TSI32

Call state of 32 or 132 (trouble code CELL_TASK_TIMEOUT) - Waiting for a release from the CC after sending it a HANDOFF_JACK

Data Source

MTX Log

Source Field

TSI=32 and TRBL=CELL_TASK_TIMEOUT

Source Section

CELL101

CELL101_CellTaskTimeout_TSI4

Call state of 4 or 104 (trouble code CELL_TASK_TIMEOUT) - Waiting for SAT_PRESENT on termination

Data Source

MTX Log

Source Field

TSI=4 and TRBL=CELL_TASK_TIMEOUT

Source Section

CELL101

CELL101_CellTaskTimeout_TSI5

Call state of 5 or 105 (trouble code CELL_TASK_TIMEOUT) - ACTIVE_SAT_WAIT_RELEASE

Data Source

MTX Log

Source Field

TSI=5 and TRBL=CELL_TASK_TIMEOUT

Source Section

CELL101

CELL101_CellTaskTimeout_TSI6

Call state of 6 or 106 (trouble code CELL_TASK_TIMEOUT) - Waiting for initial SAT detection on the VCH from the originating mobile unit

Data Source

MTX Log

Source Field

TSI=6 and TRBL=CELL_TASK_TIMEOUT

Source Section

CELL101

CELL101_CellTaskTimeout_TSI7

Call state of 7 or 107 (trouble code CELL_TASK_TIMEOUT) - Waiting for a release acknowledgment from the peripheral

Data Source

MTX Log

Source Field

TSI=7 and TRBL=CELL_TASK_TIMEOUT

Source Section

CELL101

CELL101_CellTaskTimeout_TSI8

Call state of 8 or 108 (trouble code CELL_TASK_TIMEOUT) - Waiting for an ANSWER MESSAGE from a terminating mobile unit after receiving a SAT_PRESENT message.

Data Source

MTX Log

Source Field

TSI=8 and TRBL=CELL_TASK_TIMEOUT

Source Section

CELL101

CELL101_CellTaskTimeout_TSI9

Call state of 9 or 109 (trouble code CELL_TASK_TIMEOUT) - The mobile unit is in conversation

Data Source

MTX Log

Source Field

TSI=9 and TRBL=CELL_TASK_TIMEOUT

Source Section

CELL101

CELL101_ForcedHODisc

Number of CELL101 events with trouble code of FORCED_HANDOFF_DISCONNECT

Data Source

MTX Log

Source Field

TRBL=FORCED_HANDOFF_DISCONNECT

Source Section

CELL101

CELL101_ForcedHODisc_TSI1

Call state of 1 or 101 (trouble code FORCED_HANDOFF_DISCONNECT) - Idle

Data Source

MTX Log

Source Field

TSI=1 and TRBL=FORCED_HANDOFF_DISCONNECT

Source Section

CELL101

CELL101_ForcedHODisc_TSI10

Call state of 10 or 110 (trouble code FORCED_HANDOFF_DISCONNECT) - Waiting for a release acknowledgment from the mobile unit

Data Source

MTX Log

Source Field

TSI=10 and TRBL=FORCED_HANDOFF_DISCONNECT

Source Section

CELL101

CELL101_ForcedHODisc_TSI11

Call state of 11 or 111 (trouble code FORCED_HANDOFF_DISCONNECT) - ACTIVE_RELEASE_SETUP

Data Source

MTX Log

Source Field

TSI=11 and TRBL=FORCED_HANDOFF_DISCONNECT

Source Section

CELL101

CELL101_ForcedHODisc_TSI12

Call state of 12 or 112 (trouble code FORCED_HANDOFF_DISCONNECT) - Waiting for an alert acknowledgment from the mobile unit (second attempt)

Data Source

MTX Log

Source Field

TSI=12 and TRBL=FORCED_HANDOFF_DISCONNECT

Source Section

CELL101

CELL101_ForcedHODisc_TSI13

Call state of 13 or 113 (trouble code FORCED_HANDOFF_DISCONNECT) - ALERT_2

Data Source

MTX Log

Source Field

TSI=13 and TRBL=FORCED_HANDOFF_DISCONNECT

Source Section

CELL101

CELL101_ForcedHODisc_TSI14

Call state of 14 or 114 (trouble code FORCED_HANDOFF_DISCONNECT) - Waiting for the called address from the mobile unit

Data Source

MTX Log

Source Field

TSI=14 and TRBL=FORCED_HANDOFF_DISCONNECT

Source Section

CELL101

CELL101_ForcedHODisc_TSI15

Call state of 15 or 115 (trouble code FORCED_HANDOFF_DISCONNECT) - Waiting for a setup message from the MTX

Data Source

MTX Log

Source Field

TSI=15 and TRBL=FORCED_HANDOFF_DISCONNECT

Source Section

CELL101

CELL101_ForcedHODisc_TSI16

Call state of 16 or 116 (trouble code FORCED_HANDOFF_DISCONNECT) - The VCH is being used for locating channel receiver (LCR) redundancy

Data Source

MTX Log

Source Field

TSI=16 and TRBL=FORCED_HANDOFF_DISCONNECT

Source Section

CELL101

CELL101_ForcedHODisc_TSI17

Call state of 17 or 117 (trouble code FORCED_HANDOFF_DISCONNECT) - The VCH is undergoing in-service testing

Data Source

MTX Log

Source Field

TSI=17 and TRBL=FORCED_HANDOFF_DISCONNECT

Source Section

CELL101

CELL101_ForcedHODisc_TSI18

Call state of 18 or 118 (trouble code FORCED_HANDOFF_DISCONNECT) - The VCH is waiting for the One-second guard timer to expire after the mobile unit disconnects or hands off. After the timer expires, the mobile unit is put back on the IDLE queue

Data Source

MTX Log

Source Field

TSI=18 and TRBL=FORCED_HANDOFF_DISCONNECT

Source Section

CELL101

CELL101_ForcedHODisc_TSI19

Call state of 19 or 119 (trouble code FORCED_HANDOFF_DISCONNECT) - Failure has occurred during the call. The intelligent cellular peripheral (ICP) sends a CARRIER OFF command to the VCH to put it back into the idle voice task and expects an answer

Data Source

MTX Log

Source Field

TSI=19 and TRBL=FORCED_HANDOFF_DISCONNECT

Source Section

CELL101

CELL101_ForcedHODisc_TSI2

Call state of 2 or 102 (trouble code FORCED_HANDOFF_DISCONNECT) - Waiting for setup acknowledgment from the voice channel (VCH). This state is used

Data Source

MTX Log

Source Field

TSI=2 and TRBL=FORCED_HANDOFF_DISCONNECT

Source Section

CELL101

CELL101_ForcedHODisc_TSI20

Call state of 20 or 120 (trouble code FORCED_HANDOFF_DISCONNECT) - Waiting for a power order confirmation from the VCH in response to a power command to change the transmit power level of the mobile unit

Data Source

MTX Log

Source Field

TSI=20 and TRBL=FORCED_HANDOFF_DISCONNECT

Source Section

CELL101

CELL101_ForcedHODisc_TSI21

Call state of 21 or 121 (trouble code FORCED_HANDOFF_DISCONNECT) - Waiting for a stop alert confirmation from the VCH in response to a stop alert order

Data Source

MTX Log

Source Field

TSI=21 and TRBL=FORCED_HANDOFF_DISCONNECT

Source Section

CELL101

CELL101_ForcedHODisc_TSI22

Call state of 22 or 122 (trouble code FORCED_HANDOFF_DISCONNECT) - Waiting for an audit confirmation from the VCH in response to an audit order

Data Source

MTX Log

Source Field

TSI=22 and TRBL=FORCED_HANDOFF_DISCONNECT

Source Section

CELL101

CELL101_ForcedHODisc_TSI23

Call state of 23 or 123 (trouble code FORCED_HANDOFF_DISCONNECT) - Waiting for a reorder confirmation from the VCH in response to the abbreviated reorder order

Data Source

MTX Log

Source Field

TSI=23 and TRBL=FORCED_HANDOFF_DISCONNECT

Source Section

CELL101

CELL101_ForcedHODisc_TSI24

Call state of 24 or 124 (trouble code FORCED_HANDOFF_DISCONNECT) - Waiting for an intercept confirmation from the VCH in response to the abbreviated intercept order

Data Source

MTX Log

Source Field

TSI=24 and TRBL=FORCED_HANDOFF_DISCONNECT

Source Section

CELL101

CELL101_ForcedHODisc_TSI25

Call state of 25 or 125 (trouble code FORCED_HANDOFF_DISCONNECT) - Waiting for an alert confirmation from the VCH in response to the abbreviated alert order

Data Source

MTX Log

Source Field

TSI=25 and TRBL=FORCED_HANDOFF_DISCONNECT

Source Section

CELL101

CELL101_ForcedHODisc_TSI26

Call state of 26 or 126 (trouble code FORCED_HANDOFF_DISCONNECT) - Waiting for a disconnect message from the mobile unit

Data Source

MTX Log

Source Field

TSI=26 and TRBL=FORCED_HANDOFF_DISCONNECT

Source Section

CELL101

CELL101_ForcedHODisc_TSI27

Call state of 27 or 127 (trouble code FORCED_HANDOFF_DISCONNECT) - A carrier fail message was reported from DS1MTCE

Data Source

MTX Log

Source Field

TSI=27 and TRBL=FORCED_HANDOFF_DISCONNECT

Source Section

CELL101

CELL101_ForcedHODisc_TSI28

Call state of 28 or 128 (trouble code FORCED_HANDOFF_DISCONNECT) - MB_SEIZE. Used to distinguish manual busy and carrier fail from an in-service seize

Data Source

MTX Log

Source Field

TSI=28 and TRBL=FORCED_HANDOFF_DISCONNECT

Source Section

CELL101

CELL101_ForcedHODisc_TSI29

Call state of 29 or 129 (trouble code FORCED_HANDOFF_DISCONNECT) - VCH will be removed after a maintenance handoff

Data Source

MTX Log

Source Field

TSI=29 and TRBL=FORCED_HANDOFF_DISCONNECT

Source Section

CELL101

CELL101_ForcedHODisc_TSI3

Call state of 3 or 103 (trouble code FORCED_HANDOFF_DISCONNECT) - Waiting for setup acknowledgment from the VCH. This state is used on terminations

Data Source

MTX Log

Source Field

TSI=3 and TRBL=FORCED_HANDOFF_DISCONNECT

Source Section

CELL101

CELL101_ForcedHODisc_TSI30

Not currently used

Data Source

MTX Log

Source Field

TSI=30 and TRBL=FORCED_HANDOFF_DISCONNECT

Source Section

CELL101

CELL101_ForcedHODisc_TSI31

Not currently used

Data Source

MTX Log

Source Field

TSI=31 and TRBL=FORCED_HANDOFF_DISCONNECT

Source Section

CELL101

CELL101_ForcedHODisc_TSI32

Call state of 32 or 132 (trouble code FORCED_HANDOFF_DISCONNECT) - Waiting for a release from the CC after sending it a HANDOFF_JACK

Data Source

MTX Log

Source Field

TSI=32 and TRBL=FORCED_HANDOFF_DISCONNECT

Source Section

CELL101

CELL101_ForcedHODisc_TSI4

Call state of 4 or 104 (trouble code FORCED_HANDOFF_DISCONNECT) - Waiting for SAT_PRESENT on termination

Data Source

MTX Log

Source Field

TSI=4 and TRBL=FORCED_HANDOFF_DISCONNECT

Source Section

CELL101

CELL101_ForcedHODisc_TSI5

Call state of 5 or 105 (trouble code FORCED_HANDOFF_DISCONNECT) - ACTIVE_SAT_WAIT_RELEASE

Data Source

MTX Log

Source Field

TSI=5 and TRBL=FORCED_HANDOFF_DISCONNECT

Source Section

CELL101

CELL101_ForcedHODisc_TSI6

Call state of 6 or 106 (trouble code FORCED_HANDOFF_DISCONNECT) - Waiting for initial SAT detection on the VCH from the originating mobile unit

Data Source

MTX Log

Source Field

TSI=6 and TRBL=FORCED_HANDOFF_DISCONNECT

Source Section

CELL101

CELL101_ForcedHODisc_TSI7

Call state of 7 or 107 (trouble code FORCED_HANDOFF_DISCONNECT) - Waiting for a release acknowledgment from the peripheral

Data Source

MTX Log

Source Field

TSI=7 and TRBL=FORCED_HANDOFF_DISCONNECT

Source Section

CELL101

CELL101_ForcedHODisc_TSI8

Call state of 8 or 108 (trouble code FORCED_HANDOFF_DISCONNECT) - Waiting for an ANSWER MESSAGE from a terminating mobile unit after receiving a SAT_PRESENT message.

Data Source

MTX Log

Source Field

TSI=8 and TRBL=FORCED_HANDOFF_DISCONNECT

Source Section

CELL101

CELL101_ForcedHODisc_TSI9

Call state of 9 or 109 (trouble code FORCED_HANDOFF_DISCONNECT) - The mobile unit is in conversation

Data Source

MTX Log

Source Field

TSI=9 and TRBL=FORCED_HANDOFF_DISCONNECT

Source Section

CELL101

CELL101_TDMAAcquisFail

Number of CELL101 events with trouble code of TDMA_ACQUISITION_FAILURE

Data Source

MTX Log

Source Field

TRBL=TDMA_ACQUISITION_FAILURE

Source Section

CELL101

CELL101_TDMAAcquisFail_TSI1

Call state of 1 or 101 (trouble code TDMA_ACQUISITION_FAILURE) - Idle

Data Source

MTX Log

Source Field

TSI=1 and TRBL=TDMA_ACQUISITION_FAILURE

Source Section

CELL101

CELL101_TDMAAcquisFail_TSI10

Call state of 10 or 110 (trouble code TDMA_ACQUISITION_FAILURE) - Waiting for a release acknowledgment from the mobile unit

Data Source

MTX Log

Source Field

TSI=10 and TRBL=TDMA_ACQUISITION_FAILURE

Source Section

CELL101

CELL101_TDMAAcquisFail_TSI11

Call state of 11 or 111 (trouble code TDMA_ACQUISITION_FAILURE) - ACTIVE_RELEASE_SETUP

Data Source

MTX Log

Source Field

TSI=11 and TRBL=TDMA_ACQUISITION_FAILURE

Source Section

CELL101

CELL101_TDMAAcquisFail_TSI12

Call state of 12 or 112 (trouble code TDMA_ACQUISITION_FAILURE) - Waiting for an alert acknowledgment from the mobile unit (second attempt)

Data Source

MTX Log

Source Field

TSI=12 and TRBL=TDMA_ACQUISITION_FAILURE

Source Section

CELL101

CELL101_TDMAAcquisFail_TSI13

Call state of 13 or 113 (trouble code TDMA_ACQUISITION_FAILURE) - ALERT_2

Data Source

MTX Log

Source Field

TSI=13 and TRBL=TDMA_ACQUISITION_FAILURE

Source Section

CELL101

CELL101_TDMAAcquisFail_TSI14

Call state of 14 or 114 (trouble code TDMA_ACQUISITION_FAILURE) - Waiting for the called address from the mobile unit

Data Source

MTX Log

Source Field

TSI=14 and TRBL=TDMA_ACQUISITION_FAILURE

Source Section

CELL101

CELL101_TDMAAcquisFail_TSI15

Call state of 15 or 115 (trouble code TDMA_ACQUISITION_FAILURE) - Waiting for a setup message from the MTX

Data Source

MTX Log

Source Field

TSI=15 and TRBL=TDMA_ACQUISITION_FAILURE

Source Section

CELL101

CELL101_TDMAAcquisFail_TSI16

Call state of 16 or 116 (trouble code TDMA_ACQUISITION_FAILURE) - The VCH is being used for locating channel receiver (LCR) redundancy

Data Source

MTX Log

Source Field

TSI=16 and TRBL=TDMA_ACQUISITION_FAILURE

Source Section

CELL101

CELL101_TDMAAcquisFail_TSI17

Call state of 17 or 117 (trouble code TDMA_ACQUISITION_FAILURE) - The VCH is undergoing in-service testing

Data Source

MTX Log

Source Field

TSI=17 and TRBL=TDMA_ACQUISITION_FAILURE

Source Section

CELL101

CELL101_TDMAAcquisFail_TSI18

Call state of 18 or 118 (trouble code TDMA_ACQUISITION_FAILURE) - The VCH is waiting for the One-second guard timer to expire after the mobile unit disconnects or hands off. After the timer expires, the mobile unit is put back on the IDLE queue

Data Source

MTX Log

Source Field

TSI=18 and TRBL=TDMA_ACQUISITION_FAILURE

Source Section

CELL101

CELL101_TDMAAcquisFail_TSI19

Call state of 19 or 119 (trouble code TDMA_ACQUISITION_FAILURE) - Failure has occurred during the call. The intelligent cellular peripheral (ICP) sends a CARRIER OFF command to the VCH to put it back into the idle voice task and expects an answer

Data Source

MTX Log

Source Field

TSI=19 and TRBL=TDMA_ACQUISITION_FAILURE

Source Section

CELL101

CELL101_TDMAAcquisFail_TSI2

Call state of 2 or 102 (trouble code TDMA_ACQUISITION_FAILURE) - Waiting for setup acknowledgment from the voice channel (VCH). This state is used

Data Source

MTX Log

Source Field

TSI=2 and TRBL=TDMA_ACQUISITION_FAILURE

Source Section

CELL101

CELL101_TDMAAcquisFail_TSI20

Call state of 20 or 120 (trouble code TDMA_ACQUISITION_FAILURE) - Waiting for a power order confirmation from the VCH in response to a power command to change the transmit power level of the mobile unit

Data Source

MTX Log

Source Field

TSI=20 and TRBL=TDMA_ACQUISITION_FAILURE

Source Section

CELL101

CELL101_TDMAAcquisFail_TSI21

Call state of 21 or 121 (trouble code TDMA_ACQUISITION_FAILURE) - Waiting for a stop alert confirmation from the VCH in response to a stop alert order

Data Source

MTX Log

Source Field

TSI=21 and TRBL=TDMA_ACQUISITION_FAILURE

Source Section

CELL101

CELL101_TDMAAcquisFail_TSI22

Call state of 22 or 122 (trouble code TDMA_ACQUISITION_FAILURE) - Waiting for an audit confirmation from the VCH in response to an audit order

Data Source

MTX Log

Source Field

TSI=22 and TRBL=TDMA_ACQUISITION_FAILURE

Source Section

CELL101

CELL101_TDMAAcquisFail_TSI23

Call state of 23 or 123 (trouble code TDMA_ACQUISITION_FAILURE) - Waiting for a reorder confirmation from the VCH in response to the abbreviated reorder order

Data Source

MTX Log

Source Field

TSI=23 and TRBL=TDMA_ACQUISITION_FAILURE

Source Section

CELL101

CELL101_TDMAAcquisFail_TSI24

Call state of 24 or 124 (trouble code TDMA_ACQUISITION_FAILURE) - Waiting for an intercept confirmation from the VCH in response to the abbreviated intercept order

Data Source

MTX Log

Source Field

TSI=24 and TRBL=TDMA_ACQUISITION_FAILURE

Source Section

CELL101

CELL101_TDMAAcquisFail_TSI25

Call state of 25 or 125 (trouble code TDMA_ACQUISITION_FAILURE) - Waiting for an alert confirmation from the VCH in response to the abbreviated alert order

Data Source

MTX Log

Source Field

TSI=25 and TRBL=TDMA_ACQUISITION_FAILURE

Source Section

CELL101

CELL101_TDMAAcquisFail_TSI26

Call state of 26 or 126 (trouble code TDMA_ACQUISITION_FAILURE) - Waiting for a disconnect message from the mobile unit

Data Source

MTX Log

Source Field

TSI=26 and TRBL=TDMA_ACQUISITION_FAILURE

Source Section

CELL101

CELL101_TDMAAcquisFail_TSI27

Call state of 27 or 127 (trouble code TDMA_ACQUISITION_FAILURE) - A carrier fail message was reported from DS1MTCE

Data Source

MTX Log

Source Field

TSI=27 and TRBL=TDMA_ACQUISITION_FAILURE

Source Section

CELL101

CELL101_TDMAAcquisFail_TSI28

Call state of 28 or 128 (trouble code TDMA_ACQUISITION_FAILURE) - MB_SEIZE. Used to distinguish manual busy and carrier fail from an in-service seize

Data Source

MTX Log

Source Field

TSI=28 and TRBL=TDMA_ACQUISITION_FAILURE

Source Section

CELL101

CELL101_TDMAAcquisFail_TSI29

Call state of 29 or 129 (trouble code TDMA_ACQUISITION_FAILURE) - VCH will be removed after a maintenance handoff

Data Source

MTX Log

Source Field

TSI=29 and TRBL=TDMA_ACQUISITION_FAILURE

Source Section

CELL101

CELL101_TDMAAcquisFail_TSI3

Call state of 3 or 103 (trouble code TDMA_ACQUISITION_FAILURE) - Waiting for setup acknowledgment from the VCH. This state is used on terminations

Data Source

MTX Log

Source Field

TSI=3 and TRBL=TDMA_ACQUISITION_FAILURE

Source Section

CELL101

CELL101_TDMAAcquisFail_TSI30

Not currently used

Data Source

MTX Log

Source Field

TSI=30 and TRBL=TDMA_ACQUISITION_FAILURE

Source Section

CELL101

CELL101_TDMAAcquisFail_TSI31

Not currently used

Data Source

MTX Log

Source Field

TSI=31 and TRBL=TDMA_ACQUISITION_FAILURE

Source Section

CELL101

CELL101_TDMAAcquisFail_TSI32

Call state of 32 or 132 (trouble code TDMA_ACQUISITION_FAILURE) - Waiting for a release from the CC after sending it a HANDOFF_JACK

Data Source

MTX Log

Source Field

TSI=32 and TRBL=TDMA_ACQUISITION_FAILURE

Source Section

CELL101

CELL101_TDMAAcquisFail_TSI4

Call state of 4 or 104 (trouble code TDMA_ACQUISITION_FAILURE) - Waiting for SAT_PRESENT on termination

Data Source

MTX Log

Source Field

TSI=4 and TRBL=TDMA_ACQUISITION_FAILURE

Source Section

CELL101

CELL101_TDMAAcquisFail_TSI5

Call state of 5 or 105 (trouble code TDMA_ACQUISITION_FAILURE) - ACTIVE_SAT_WAIT_RELEASE

Data Source

MTX Log

Source Field

TSI=5 and TRBL=TDMA_ACQUISITION_FAILURE

Source Section

CELL101

CELL101_TDMAAcquisFail_TSI6

Call state of 6 or 106 (trouble code TDMA_ACQUISITION_FAILURE) - Waiting for initial SAT detection on the VCH from the originating mobile unit

Data Source

MTX Log

Source Field

TSI=6 and TRBL=TDMA_ACQUISITION_FAILURE

Source Section

CELL101

CELL101_TDMAAcquisFail_TSI7

Call state of 7 or 107 (trouble code TDMA_ACQUISITION_FAILURE) - Waiting for a release acknowledgment from the peripheral

Data Source

MTX Log

Source Field

TSI=7 and TRBL=TDMA_ACQUISITION_FAILURE

Source Section

CELL101

CELL101_TDMAAcquisFail_TSI8

Call state of 8 or 108 (trouble code TDMA_ACQUISITION_FAILURE) - Waiting for an ANSWER MESSAGE from a terminating mobile unit after receiving a SAT_PRESENT message.

Data Source

MTX Log

Source Field

TSI=8 and TRBL=TDMA_ACQUISITION_FAILURE

Source Section

CELL101

CELL101_TDMAAcquisFail_TSI9

Call state of 9 or 109 (trouble code TDMA_ACQUISITION_FAILURE) - The mobile unit is in conversation

Data Source

MTX Log

Source Field

TSI=9 and TRBL=TDMA_ACQUISITION_FAILURE

Source Section

CELL101

CLFL100_MobileFade

Number of CLFL100 events with trouble code of SERV_NO_HO_ACK

Data Source

MTX Log

Source Field

TRBL=MOBILEFADE

Source Section

CLFL100

CLFL100_TSI1

Call state of 1 or 101 - Idle

Data Source

MTX Log

Source Field

TSI=1 and TRBL=MOBILEFADE

Source Section

CLFL100

CLFL100_TSI10

Call state of 10 or 110 - Waiting for a release acknowledgment from the mobile unit

Data Source

MTX Log

Source Field

TSI=10 and TRBL=MOBILEFADE

Source Section

CLFL100

CLFL100_TSI11

Call state of 11 or 111 - ACTIVE_RELEASE_SETUP

Data Source

MTX Log

Source Field

TSI=11 and TRBL=MOBILEFADE

Source Section

CLFL100

CLFL100_TSI12

Call state of 12 or 112 - Waiting for an alert acknowledgment from the mobile unit (second attempt)

Data Source

MTX Log

Source Field

TSI=12 and TRBL=MOBILEFADE

Source Section

CLFL100

CLFL100_TSI13

Call state of 13 or 113 - ALERT_2

Data Source

MTX Log

Source Field

TSI=13 and TRBL=MOBILEFADE

Source Section

CLFL100

CLFL100_TSI14

Call state of 14 or 114 - Waiting for the called address from the mobile unit

Data Source

MTX Log

Source Field

TSI=14 and TRBL=MOBILEFADE

Source Section

CLFL100

CLFL100_TSI15

Call state of 15 or 115 - Waiting for a setup message from the MTX

Data Source

MTX Log

Source Field

TSI=15 and TRBL=MOBILEFADE

Source Section

CLFL100

CLFL100_TSI16

Call state of 16 or 116 - The VCH is being used for locating channel receiver (LCR) redundancy

Data Source

MTX Log

Source Field

TSI=16 and TRBL=MOBILEFADE

Source Section

CLFL100

CLFL100_TSI17

Call state of 17 or 117 - The VCH is undergoing in-service testing

Data Source

MTX Log

Source Field

TSI=17 and TRBL=MOBILEFADE

Source Section

CLFL100

CLFL100_TSI18

Call state of 18 or 118 - The VCH is waiting for the One-second guard timer to expire after the mobile unit disconnects or hands off. After the timer expires, the mobile unit is put back on the IDLE queue

Data Source

MTX Log

Source Field

TSI=18 and TRBL=MOBILEFADE

Source Section

CLFL100

CLFL100_TSI19

Call state of 19 or 119 - Failure has occurred during the call. The intelligent cellular peripheral (ICP) sends a CARRIER OFF command to the VCH to put it back into the idle voice task and expects an answer

Data Source

MTX Log

Source Field

TSI=19 and TRBL=MOBILEFADE

Source Section

CLFL100

CLFL100_TSI2

Call state of 2 or 102 - Waiting for setup acknowledgment from the voice channel (VCH). This state is used

Data Source

MTX Log

Source Field

TSI=2 and TRBL=MOBILEFADE

Source Section

CLFL100

CLFL100_TSI20

Call state of 20 or 120 - Waiting for a power order confirmation from the VCH in response to a power command to change the transmit power level of the mobile unit

Data Source

MTX Log

Source Field

TSI=20 and TRBL=MOBILEFADE

Source Section

CLFL100

CLFL100_TSI21

Call state of 21 or 121 - Waiting for a stop alert confirmation from the VCH in response to a stop alert order

Data Source

MTX Log

Source Field

TSI=21 and TRBL=MOBILEFADE

Source Section

CLFL100

CLFL100_TSI22

Call state of 22 or 122 - Waiting for an audit confirmation from the VCH in response to an audit order

Data Source

MTX Log

Source Field

TSI=22 and TRBL=MOBILEFADE

Source Section

CLFL100

CLFL100_TSI23

Call state of 23 or 123 - Waiting for a reorder confirmation from the VCH in response to the abbreviated reorder order

Data Source

MTX Log

Source Field

TSI=23 and TRBL=MOBILEFADE

Source Section

CLFL100

CLFL100_TSI24

Call state of 24 or 124 - Waiting for an intercept confirmation from the VCH in response to the abbreviated intercept order

Data Source

MTX Log

Source Field

TSI=24 and TRBL=MOBILEFADE

Source Section

CLFL100

CLFL100_TSI25

Call state of 25 or 125 - Waiting for an alert confirmation from the VCH in response to the abbreviated alert order

Data Source

MTX Log

Source Field

TSI=25 and TRBL=MOBILEFADE

Source Section

CLFL100

CLFL100_TSI26

Call state of 26 or 126 - Waiting for a disconnect message from the mobile unit

Data Source

MTX Log

Source Field

TSI=26 and TRBL=MOBILEFADE

Source Section

CLFL100

CLFL100_TSI27

Call state of 27 or 127 - A carrier fail message was reported from DS1MTCE

Data Source

MTX Log

Source Field

TSI=27 and TRBL=MOBILEFADE

Source Section

CLFL100

CLFL100_TSI28

Call state of 28 or 128 - MB_SEIZE. Used to distinguish manual busy and carrier fail from an in-service seize

Data Source

MTX Log

Source Field

TSI=28 and TRBL=MOBILEFADE

Source Section

CLFL100

CLFL100_TSI29

Call state of 29 or 129 - VCH will be removed after a maintenance handoff

Data Source

MTX Log

Source Field

TSI=29 and TRBL=MOBILEFADE

Source Section

CLFL100

CLFL100_TSI3

Call state of 3 or 103 - Waiting for setup acknowledgment from the VCH. This state is used on terminations

Data Source

MTX Log

Source Field

TSI=3 and TRBL=MOBILEFADE

Source Section

CLFL100

CLFL100_TSI30

Not currently used

Data Source

MTX Log

Source Field

TSI=30 and TRBL=MOBILEFADE

Source Section

CLFL100

CLFL100_TSI31

Not currently used

Data Source

MTX Log

Source Field

TSI=31 and TRBL=MOBILEFADE

Source Section

CLFL100

CLFL100_TSI32

Call state of 32 or 132 - Waiting for a release from the CC after sending it a HANDOFF_JACK

Data Source

MTX Log

Source Field

TSI=32 and TRBL=MOBILEFADE

Source Section

CLFL100

CLFL100_TSI4

Call state of 4 or 104 - Waiting for SAT_PRESENT on termination

Data Source

MTX Log

Source Field

TSI=4 and TRBL=MOBILEFADE

Source Section

CLFL100

CLFL100_TSI5

Call state of 5 or 105 - ACTIVE_SAT_WAIT_RELEASE

Data Source

MTX Log

Source Field

TSI=5 and TRBL=MOBILEFADE

Source Section

CLFL100

CLFL100_TSI6

Call state of 6 or 106 - Waiting for initial SAT detection on the VCH from the originating mobile unit

Data Source

MTX Log

Source Field

TSI=6 and TRBL=MOBILEFADE

Source Section

CLFL100

CLFL100_TSI7

Call state of 7 or 107 - Waiting for a release acknowledgment from the peripheral

Data Source

MTX Log

Source Field

TSI=7 and TRBL=MOBILEFADE

Source Section

CLFL100

CLFL100_TSI8

Call state of 8 or 108 - Waiting for an ANSWER MESSAGE from a terminating mobile unit after receiving a SAT_PRESENT message.

Data Source

MTX Log

Source Field

TSI=8 and TRBL=MOBILEFADE

Source Section

CLFL100

CLFL100_TSI9

Call state of 9 or 109 - The mobile unit is in conversation

Data Source

MTX Log

Source Field

TSI=9 and TRBL=MOBILEFADE

Source Section

CLFL100

CLFL101_MobileTimeout

Number of CLFL101 events with trouble code of SERV_NO_HO_ACK

Data Source

MTX Log

Source Field

TRBL=MOBILETIMEOUT

Source Section

CLFL101

CLFL101_TSI1

Call state of 1 or 101 - Idle

Data Source

MTX Log

Source Field

TSI=1 and TRBL=MOBILETIMEOUT

Source Section

CLFL101

CLFL101_TSI10

Call state of 10 or 110 - Waiting for a release acknowledgment from the mobile unit

Data Source

MTX Log

Source Field

TSI=10 and TRBL=MOBILETIMEOUT

Source Section

CLFL101

CLFL101_TSI11

Call state of 11 or 111 - ACTIVE_RELEASE_SETUP

Data Source

MTX Log

Source Field

TSI=11 and TRBL=MOBILETIMEOUT

Source Section

CLFL101

CLFL101_TSI12

Call state of 12 or 112 - Waiting for an alert acknowledgment from the mobile unit (second attempt)

Data Source

MTX Log

Source Field

TSI=12 and TRBL=MOBILETIMEOUT

Source Section

CLFL101

CLFL101_TSI13

Call state of 13 or 113 - ALERT_2

Data Source

MTX Log

Source Field

TSI=13 and TRBL=MOBILETIMEOUT

Source Section

CLFL101

CLFL101_TSI14

Call state of 14 or 114 - Waiting for the called address from the mobile unit

Data Source

MTX Log

Source Field

TSI=14 and TRBL=MOBILETIMEOUT

Source Section

CLFL101

CLFL101_TSI15

Call state of 15 or 115 - Waiting for a setup message from the MTX

Data Source

MTX Log

Source Field

TSI=15 and TRBL=MOBILETIMEOUT

Source Section

CLFL101

CLFL101_TSI16

Call state of 16 or 116 - The VCH is being used for locating channel receiver (LCR) redundancy

Data Source

MTX Log

Source Field

TSI=16 and TRBL=MOBILETIMEOUT

Source Section

CLFL101

CLFL101_TSI17

Call state of 17 or 117 - The VCH is undergoing in-service testing

Data Source

MTX Log

Source Field

TSI=17 and TRBL=MOBILETIMEOUT

Source Section

CLFL101

CLFL101_TSI18

Call state of 18 or 118 - The VCH is waiting for the One-second guard timer to expire after the mobile unit disconnects or hands off. After the timer expires, the mobile unit is put back on the IDLE queue

Data Source

MTX Log

Source Field

TSI=18 and TRBL=MOBILETIMEOUT

Source Section

CLFL101

CLFL101_TSI19

Call state of 19 or 119 - Failure has occurred during the call. The intelligent cellular peripheral (ICP) sends a CARRIER OFF command to the VCH to put it back into the idle voice task and expects an answer

Data Source

MTX Log

Source Field

TSI=19 and TRBL=MOBILETIMEOUT

Source Section

CLFL101

CLFL101_TSI2

Call state of 2 or 102 - Waiting for setup acknowledgment from the voice channel (VCH). This state is used

Data Source

MTX Log

Source Field

TSI=2 and TRBL=MOBILETIMEOUT

Source Section

CLFL101

CLFL101_TSI20

Call state of 20 or 120 - Waiting for a power order confirmation from the VCH in response to a power command to change the transmit power level of the mobile unit

Data Source

MTX Log

Source Field

TSI=20 and TRBL=MOBILETIMEOUT

Source Section

CLFL101

CLFL101_TSI21

Call state of 21 or 121 - Waiting for a stop alert confirmation from the VCH in response to a stop alert order

Data Source

MTX Log

Source Field

TSI=21 and TRBL=MOBILETIMEOUT

Source Section

CLFL101

CLFL101_TSI22

Call state of 22 or 122 - Waiting for an audit confirmation from the VCH in response to an audit order

Data Source

MTX Log

Source Field

TSI=22 and TRBL=MOBILETIMEOUT

Source Section

CLFL101

CLFL101_TSI23

Call state of 23 or 123 - Waiting for a reorder confirmation from the VCH in response to the abbreviated reorder order

Data Source

MTX Log

Source Field

TSI=23 and TRBL=MOBILETIMEOUT

Source Section

CLFL101

CLFL101_TSI24

Call state of 24 or 124 - Waiting for an intercept confirmation from the VCH in response to the abbreviated intercept order

Data Source

MTX Log

Source Field

TSI=24 and TRBL=MOBILETIMEOUT

Source Section

CLFL101

CLFL101_TSI25

Call state of 25 or 125 - Waiting for an alert confirmation from the VCH in response to the abbreviated alert order

Data Source

MTX Log

Source Field

TSI=25 and TRBL=MOBILETIMEOUT

Source Section

CLFL101

CLFL101_TSI26

Call state of 26 or 126 - Waiting for a disconnect message from the mobile unit

Data Source

MTX Log

Source Field

TSI=26 and TRBL=MOBILETIMEOUT

Source Section

CLFL101

CLFL101_TSI27

Call state of 27 or 127 - A carrier fail message was reported from DS1MTCE

Data Source

MTX Log

Source Field

TSI=27 and TRBL=MOBILETIMEOUT

Source Section

CLFL101

CLFL101_TSI28

Call state of 28 or 128 - MB_SEIZE. Used to distinguish manual busy and carrier fail from an in-service seize

Data Source

MTX Log

Source Field

TSI=28 and TRBL=MOBILETIMEOUT

Source Section

CLFL101

CLFL101_TSI29

Call state of 29 or 129 - VCH will be removed after a maintenance handoff

Data Source

MTX Log

Source Field

TSI=29 and TRBL=MOBILETIMEOUT

Source Section

CLFL101

CLFL101_TSI3

Call state of 3 or 103 - Waiting for setup acknowledgment from the VCH. This state is used on terminations

Data Source

MTX Log

Source Field

TSI=3 and TRBL=MOBILETIMEOUT

Source Section

CLFL101

CLFL101_TSI30

Not currently used

Data Source

MTX Log

Source Field

TSI=30 and TRBL=MOBILETIMEOUT

Source Section

CLFL101

CLFL101_TSI31

Not currently used

Data Source

MTX Log

Source Field

TSI=31 and TRBL=MOBILETIMEOUT

Source Section

CLFL101

CLFL101_TSI32

Call state of 32 or 132 - Waiting for a release from the CC after sending it a HANDOFF_JACK

Data Source

MTX Log

Source Field

TSI=32 and TRBL=MOBILETIMEOUT

Source Section

CLFL101

CLFL101_TSI4

Call state of 4 or 104 - Waiting for SAT_PRESENT on termination

Data Source

MTX Log

Source Field

TSI=4 and TRBL=MOBILETIMEOUT

Source Section

CLFL101

CLFL101_TSI5

Call state of 5 or 105 - ACTIVE_SAT_WAIT_RELEASE

Data Source

MTX Log

Source Field

TSI=5 and TRBL=MOBILETIMEOUT

Source Section

CLFL101

CLFL101_TSI6

Call state of 6 or 106 - Waiting for initial SAT detection on the VCH from the originating mobile unit

Data Source

MTX Log

Source Field

TSI=6 and TRBL=MOBILETIMEOUT

Source Section

CLFL101

CLFL101_TSI7

Call state of 7 or 107 - Waiting for a release acknowledgment from the peripheral

Data Source

MTX Log

Source Field

TSI=7 and TRBL=MOBILETIMEOUT

Source Section

CLFL101

CLFL101_TSI8

Call state of 8 or 108 - Waiting for an ANSWER MESSAGE from a terminating mobile unit after receiving a SAT_PRESENT message.

Data Source

MTX Log

Source Field

TSI=8 and TRBL=MOBILETIMEOUT

Source Section

CLFL101

CLFL101_TSI9

Call state of 9 or 109 - The mobile unit is in conversation

Data Source

MTX Log

Source Field

TSI=9 and TRBL=MOBILETIMEOUT

Source Section

CLFL101

CLFL102_MobileHOFail

Number of CLFL102 events with trouble code of SERV_NO_HO_ACK

Data Source

MTX Log

Source Field

TRBL=MOBILEHOFAIL

Source Section

CLFL102

CLFL102_TSI1

Call state of 1 or 101 - Idle

Data Source

MTX Log

Source Field

TSI=1 and TRBL=MOBILEHOFAIL

Source Section

CLFL102

CLFL102_TSI10

Call state of 10 or 110 - Waiting for a release acknowledgment from the mobile unit

Data Source

MTX Log

Source Field

TSI=10 and TRBL=MOBILEHOFAIL

Source Section

CLFL102

CLFL102_TSI11

Call state of 11 or 111 - ACTIVE_RELEASE_SETUP

Data Source

MTX Log

Source Field

TSI=11 and TRBL=MOBILEHOFAIL

Source Section

CLFL102

CLFL102_TSI12

Call state of 12 or 112 - Waiting for an alert acknowledgment from the mobile unit (second attempt)

Data Source

MTX Log

Source Field

TSI=12 and TRBL=MOBILEHOFAIL

Source Section

CLFL102

CLFL102_TSI13

Call state of 13 or 113 - ALERT_2

Data Source

MTX Log

Source Field

TSI=13 and TRBL=MOBILEHOFAIL

Source Section

CLFL102

CLFL102_TSI14

Call state of 14 or 114 - Waiting for the called address from the mobile unit

Data Source

MTX Log

Source Field

TSI=14 and TRBL=MOBILEHOFAIL

Source Section

CLFL102

CLFL102_TSI15

Call state of 15 or 115 - Waiting for a setup message from the MTX

Data Source

MTX Log

Source Field

TSI=15 and TRBL=MOBILEHOFAIL

Source Section

CLFL102

CLFL102_TSI16

Call state of 16 or 116 - The VCH is being used for locating channel receiver (LCR) redundancy

Data Source

MTX Log

Source Field

TSI=16 and TRBL=MOBILEHOFAIL

Source Section

CLFL102

CLFL102_TSI17

Call state of 17 or 117 - The VCH is undergoing in-service testing

Data Source

MTX Log

Source Field

TSI=17 and TRBL=MOBILEHOFAIL

Source Section

CLFL102

CLFL102_TSI18

Call state of 18 or 118 - The VCH is waiting for the One-second guard timer to expire after the mobile unit disconnects or hands off. After the timer expires, the mobile unit is put back on the IDLE queue

Data Source

MTX Log

Source Field

TSI=18 and TRBL=MOBILEHOFAIL

Source Section

CLFL102

CLFL102_TSI19

Call state of 19 or 119 - Failure has occurred during the call. The intelligent cellular peripheral (ICP) sends a CARRIER OFF command to the VCH to put it back into the idle voice task and expects an answer

Data Source

MTX Log

Source Field

TSI=19 and TRBL=MOBILEHOFAIL

Source Section

CLFL102

CLFL102_TSI2

Call state of 2 or 102 - Waiting for setup acknowledgment from the voice channel (VCH). This state is used

Data Source

MTX Log

Source Field

TSI=2 and TRBL=MOBILEHOFAIL

Source Section

CLFL102

CLFL102_TSI20

Call state of 20 or 120 - Waiting for a power order confirmation from the VCH in response to a power command to change the transmit power level of the mobile unit

Data Source

MTX Log

Source Field

TSI=20 and TRBL=MOBILEHOFAIL

Source Section

CLFL102

CLFL102_TSI21

Call state of 21 or 121 - Waiting for a stop alert confirmation from the VCH in response to a stop alert order

Data Source

MTX Log

Source Field

TSI=21 and TRBL=MOBILEHOFAIL

Source Section

CLFL102

CLFL102_TSI22

Call state of 22 or 122 - Waiting for an audit confirmation from the VCH in response to an audit order

Data Source

MTX Log

Source Field

TSI=22 and TRBL=MOBILEHOFAIL

Source Section

CLFL102

CLFL102_TSI23

Call state of 23 or 123 - Waiting for a reorder confirmation from the VCH in response to the abbreviated reorder order

Data Source

MTX Log

Source Field

TSI=23 and TRBL=MOBILEHOFAIL

Source Section

CLFL102

CLFL102_TSI24

Call state of 24 or 124 - Waiting for an intercept confirmation from the VCH in response to the abbreviated intercept order

Data Source

MTX Log

Source Field

TSI=24 and TRBL=MOBILEHOFAIL

Source Section

CLFL102

CLFL102_TSI25

Call state of 25 or 125 - Waiting for an alert confirmation from the VCH in response to the abbreviated alert order

Data Source

MTX Log

Source Field

TSI=25 and TRBL=MOBILEHOFAIL

Source Section

CLFL102

CLFL102_TSI26

Call state of 26 or 126 - Waiting for a disconnect message from the mobile unit

Data Source

MTX Log

Source Field

TSI=26 and TRBL=MOBILEHOFAIL

Source Section

CLFL102

CLFL102_TSI27

Call state of 27 or 127 - A carrier fail message was reported from DS1MTCE

Data Source

MTX Log

Source Field

TSI=27 and TRBL=MOBILEHOFAIL

Source Section

CLFL102

CLFL102_TSI28

Call state of 28 or 128 - MB_SEIZE. Used to distinguish manual busy and carrier fail from an in-service seize

Data Source

MTX Log

Source Field

TSI=28 and TRBL=MOBILEHOFAIL

Source Section

CLFL102

CLFL102_TSI29

Call state of 29 or 129 - VCH will be removed after a maintenance handoff

Data Source

MTX Log

Source Field

TSI=29 and TRBL=MOBILEHOFAIL

Source Section

CLFL102

CLFL102_TSI3

Call state of 3 or 103 - Waiting for setup acknowledgment from the VCH. This state is used on terminations

Data Source

MTX Log

Source Field

TSI=3 and TRBL=MOBILEHOFAIL

Source Section

CLFL102

CLFL102_TSI30

Not currently used

Data Source

MTX Log

Source Field

TSI=30 and TRBL=MOBILEHOFAIL

Source Section

CLFL102

CLFL102_TSI31

Not currently used

Data Source

MTX Log

Source Field

TSI=31 and TRBL=MOBILEHOFAIL

Source Section

CLFL102

CLFL102_TSI32

Call state of 32 or 132 - Waiting for a release from the CC after sending it a HANDOFF_JACK

Data Source

MTX Log

Source Field

TSI=32 and TRBL=MOBILEHOFAIL

Source Section

CLFL102

CLFL102_TSI4

Call state of 4 or 104 - Waiting for SAT_PRESENT on termination

Data Source

MTX Log

Source Field

TSI=4 and TRBL=MOBILEHOFAIL

Source Section

CLFL102

CLFL102_TSI5

Call state of 5 or 105 - ACTIVE_SAT_WAIT_RELEASE

Data Source

MTX Log

Source Field

TSI=5 and TRBL=MOBILEHOFAIL

Source Section

CLFL102

CLFL102_TSI6

Call state of 6 or 106 - Waiting for initial SAT detection on the VCH from the originating mobile unit

Data Source

MTX Log

Source Field

TSI=6 and TRBL=MOBILEHOFAIL

Source Section

CLFL102

CLFL102_TSI7

Call state of 7 or 107 - Waiting for a release acknowledgment from the peripheral

Data Source

MTX Log

Source Field

TSI=7 and TRBL=MOBILEHOFAIL

Source Section

CLFL102

CLFL102_TSI8

Call state of 8 or 108 - Waiting for an ANSWER MESSAGE from a terminating mobile unit after receiving a SAT_PRESENT message.

Data Source

MTX Log

Source Field

TSI=8 and TRBL=MOBILEHOFAIL

Source Section

CLFL102

CLFL102_TSI9

Call state of 9 or 109 - The mobile unit is in conversation

Data Source

MTX Log

Source Field

TSI=9 and TRBL=MOBILEHOFAIL

Source Section

CLFL102

CLFL103_MobileStateIncor

Number of CLFL103 events with trouble code of SERV_NO_HO_ACK

Data Source

MTX Log

Source Field

TRBL=MOBILESTATEINCOR

Source Section

CLFL103

CLFL103_TSI1

Call state of 1 or 101 - Idle

Data Source

MTX Log

Source Field

TSI=1 and TRBL=MOBILESTATEINCOR

Source Section

CLFL103

CLFL103_TSI10

Call state of 10 or 110 - Waiting for a release acknowledgment from the mobile unit

Data Source

MTX Log

Source Field

TSI=10 and TRBL=MOBILESTATEINCOR

Source Section

CLFL103

CLFL103_TSI11

Call state of 11 or 111 - ACTIVE_RELEASE_SETUP

Data Source

MTX Log

Source Field

TSI=11 and TRBL=MOBILESTATEINCOR

Source Section

CLFL103

CLFL103_TSI12

Call state of 12 or 112 - Waiting for an alert acknowledgment from the mobile unit (second attempt)

Data Source

MTX Log

Source Field

TSI=12 and TRBL=MOBILESTATEINCOR

Source Section

CLFL103

CLFL103_TSI13

Call state of 13 or 113 - ALERT_2

Data Source

MTX Log

Source Field

TSI=13 and TRBL=MOBILESTATEINCOR

Source Section

CLFL103

CLFL103_TSI14

Call state of 14 or 114 - Waiting for the called address from the mobile unit

Data Source

MTX Log

Source Field

TSI=14 and TRBL=MOBILESTATEINCOR

Source Section

CLFL103

CLFL103_TSI15

Call state of 15 or 115 - Waiting for a setup message from the MTX

Data Source

MTX Log

Source Field

TSI=15 and TRBL=MOBILESTATEINCOR

Source Section

CLFL103

CLFL103_TSI16

Call state of 16 or 116 - The VCH is being used for locating channel receiver (LCR) redundancy

Data Source

MTX Log

Source Field

TSI=16 and TRBL=MOBILESTATEINCOR

Source Section

CLFL103

CLFL103_TSI17

Call state of 17 or 117 - The VCH is undergoing in-service testing

Data Source

MTX Log

Source Field

TSI=17 and TRBL=MOBILESTATEINCOR

Source Section

CLFL103

CLFL103_TSI18

Call state of 18 or 118 - The VCH is waiting for the One-second guard timer to expire after the mobile unit disconnects or hands off. After the timer expires, the mobile unit is put back on the IDLE queue

Data Source

MTX Log

Source Field

TSI=18 and TRBL=MOBILESTATEINCOR

Source Section

CLFL103

CLFL103_TSI19

Call state of 19 or 119 - Failure has occurred during the call. The intelligent cellular peripheral (ICP) sends a CARRIER OFF command to the VCH to put it back into the idle voice task and expects an answer

Data Source

MTX Log

Source Field

TSI=19 and TRBL=MOBILESTATEINCOR

Source Section

CLFL103

CLFL103_TSI2

Call state of 2 or 102 - Waiting for setup acknowledgment from the voice channel (VCH). This state is used

Data Source

MTX Log

Source Field

TSI=2 and TRBL=MOBILESTATEINCOR

Source Section

CLFL103

CLFL103_TSI20

Call state of 20 or 120 - Waiting for a power order confirmation from the VCH in response to a power command to change the transmit power level of the mobile unit

Data Source

MTX Log

Source Field

TSI=20 and TRBL=MOBILESTATEINCOR

Source Section

CLFL103

CLFL103_TSI21

Call state of 21 or 121 - Waiting for a stop alert confirmation from the VCH in response to a stop alert order

Data Source

MTX Log

Source Field

TSI=21 and TRBL=MOBILESTATEINCOR

Source Section

CLFL103

CLFL103_TSI22

Call state of 22 or 122 - Waiting for an audit confirmation from the VCH in response to an audit order

Data Source

MTX Log

Source Field

TSI=22 and TRBL=MOBILESTATEINCOR

Source Section

CLFL103

CLFL103_TSI23

Call state of 23 or 123 - Waiting for a reorder confirmation from the VCH in response to the abbreviated reorder order

Data Source

MTX Log

Source Field

TSI=23 and TRBL=MOBILESTATEINCOR

Source Section

CLFL103

CLFL103_TSI24

Call state of 24 or 124 - Waiting for an intercept confirmation from the VCH in response to the abbreviated intercept order

Data Source

MTX Log

Source Field

TSI=24 and TRBL=MOBILESTATEINCOR

Source Section

CLFL103

CLFL103_TSI25

Call state of 25 or 125 - Waiting for an alert confirmation from the VCH in response to the abbreviated alert order

Data Source

MTX Log

Source Field

TSI=25 and TRBL=MOBILESTATEINCOR

Source Section

CLFL103

CLFL103_TSI26

Call state of 26 or 126 - Waiting for a disconnect message from the mobile unit

Data Source

MTX Log

Source Field

TSI=26 and TRBL=MOBILESTATEINCOR

Source Section

CLFL103

CLFL103_TSI27

Call state of 27 or 127 - A carrier fail message was reported from DS1MTCE

Data Source

MTX Log

Source Field

TSI=27 and TRBL=MOBILESTATEINCOR

Source Section

CLFL103

CLFL103_TSI28

Call state of 28 or 128 - MB_SEIZE. Used to distinguish manual busy and carrier fail from an in-service seize

Data Source

MTX Log

Source Field

TSI=28 and TRBL=MOBILESTATEINCOR

Source Section

CLFL103

CLFL103_TSI29

Call state of 29 or 129 - VCH will be removed after a maintenance handoff

Data Source

MTX Log

Source Field

TSI=29 and TRBL=MOBILESTATEINCOR

Source Section

CLFL103

CLFL103_TSI3

Call state of 3 or 103 - Waiting for setup acknowledgment from the VCH. This state is used on terminations

Data Source

MTX Log

Source Field

TSI=3 and TRBL=MOBILESTATEINCOR

Source Section

CLFL103

CLFL103_TSI30

Not currently used

Data Source

MTX Log

Source Field

TSI=30 and TRBL=MOBILESTATEINCOR

Source Section

CLFL103

CLFL103_TSI31

Not currently used

Data Source

MTX Log

Source Field

TSI=31 and TRBL=MOBILESTATEINCOR

Source Section

CLFL103

CLFL103_TSI32

Call state of 32 or 132 - Waiting for a release from the CC after sending it a HANDOFF_JACK

Data Source

MTX Log

Source Field

TSI=32 and TRBL=MOBILESTATEINCOR

Source Section

CLFL103

CLFL103_TSI4

Call state of 4 or 104 - Waiting for SAT_PRESENT on termination

Data Source

MTX Log

Source Field

TSI=4 and TRBL=MOBILESTATEINCOR

Source Section

CLFL103

CLFL103_TSI5

Call state of 5 or 105 - ACTIVE_SAT_WAIT_RELEASE

Data Source

MTX Log

Source Field

TSI=5 and TRBL=MOBILESTATEINCOR

Source Section

CLFL103

CLFL103_TSI6

Call state of 6 or 106 - Waiting for initial SAT detection on the VCH from the originating mobile unit

Data Source

MTX Log

Source Field

TSI=6 and TRBL=MOBILESTATEINCOR

Source Section

CLFL103

CLFL103_TSI7

Call state of 7 or 107 - Waiting for a release acknowledgment from the peripheral

Data Source

MTX Log

Source Field

TSI=7 and TRBL=MOBILESTATEINCOR

Source Section

CLFL103

CLFL103_TSI8

Call state of 8 or 108 - Waiting for an ANSWER MESSAGE from a terminating mobile unit after receiving a SAT_PRESENT message.

Data Source

MTX Log

Source Field

TSI=8 and TRBL=MOBILESTATEINCOR

Source Section

CLFL103

CLFL103_TSI9

Call state of 9 or 109 - The mobile unit is in conversation

Data Source

MTX Log

Source Field

TSI=9 and TRBL=MOBILESTATEINCOR

Source Section

CLFL103

CLFL104_MobileFail

Number of CLFL104 events with trouble code of SERV_NO_HO_ACK

Data Source

MTX Log

Source Field

TRBL=MOBILEFAIL

Source Section

CLFL104

CLFL104_TSI1

Call state of 1 or 101 - Idle

Data Source

MTX Log

Source Field

TSI=1 and TRBL=MOBILEFAIL

Source Section

CLFL104

CLFL104_TSI10

Call state of 10 or 110 - Waiting for a release acknowledgment from the mobile unit

Data Source

MTX Log

Source Field

TSI=10 and TRBL=MOBILEFAIL

Source Section

CLFL104

CLFL104_TSI11

Call state of 11 or 111 - ACTIVE_RELEASE_SETUP

Data Source

MTX Log

Source Field

TSI=11 and TRBL=MOBILEFAIL

Source Section

CLFL104

CLFL104_TSI12

Call state of 12 or 112 - Waiting for an alert acknowledgment from the mobile unit (second attempt)

Data Source

MTX Log

Source Field

TSI=12 and TRBL=MOBILEFAIL

Source Section

CLFL104

CLFL104_TSI13

Call state of 13 or 113 - ALERT_2

Data Source

MTX Log

Source Field

TSI=13 and TRBL=MOBILEFAIL

Source Section

CLFL104

CLFL104_TSI14

Call state of 14 or 114 - Waiting for the called address from the mobile unit

Data Source

MTX Log

Source Field

TSI=14 and TRBL=MOBILEFAIL

Source Section

CLFL104

CLFL104_TSI15

Call state of 15 or 115 - Waiting for a setup message from the MTX

Data Source

MTX Log

Source Field

TSI=15 and TRBL=MOBILEFAIL

Source Section

CLFL104

CLFL104_TSI16

Call state of 16 or 116 - The VCH is being used for locating channel receiver (LCR) redundancy

Data Source

MTX Log

Source Field

TSI=16 and TRBL=MOBILEFAIL

Source Section

CLFL104

CLFL104_TSI17

Call state of 17 or 117 - The VCH is undergoing in-service testing

Data Source

MTX Log

Source Field

TSI=17 and TRBL=MOBILEFAIL

Source Section

CLFL104

CLFL104_TSI18

Call state of 18 or 118 - The VCH is waiting for the One-second guard timer to expire after the mobile unit disconnects or hands off. After the timer expires, the mobile unit is put back on the IDLE queue

Data Source

MTX Log

Source Field

TSI=18 and TRBL=MOBILEFAIL

Source Section

CLFL104

CLFL104_TSI19

Call state of 19 or 119 - Failure has occurred during the call. The intelligent cellular peripheral (ICP) sends a CARRIER OFF command to the VCH to put it back into the idle voice task and expects an answer

Data Source

MTX Log

Source Field

TSI=19 and TRBL=MOBILEFAIL

Source Section

CLFL104

CLFL104_TSI2

Call state of 2 or 102 - Waiting for setup acknowledgment from the voice channel (VCH). This state is used

Data Source

MTX Log

Source Field

TSI=2 and TRBL=MOBILEFAIL

Source Section

CLFL104

CLFL104_TSI20

Call state of 20 or 120 - Waiting for a power order confirmation from the VCH in response to a power command to change the transmit power level of the mobile unit

Data Source

MTX Log

Source Field

TSI=20 and TRBL=MOBILEFAIL

Source Section

CLFL104

CLFL104_TSI21

Call state of 21 or 121 - Waiting for a stop alert confirmation from the VCH in response to a stop alert order

Data Source

MTX Log

Source Field

TSI=21 and TRBL=MOBILEFAIL

Source Section

CLFL104

CLFL104_TSI22

Call state of 22 or 122 - Waiting for an audit confirmation from the VCH in response to an audit order

Data Source

MTX Log

Source Field

TSI=22 and TRBL=MOBILEFAIL

Source Section

CLFL104

CLFL104_TSI23

Call state of 23 or 123 - Waiting for a reorder confirmation from the VCH in response to the abbreviated reorder order

Data Source

MTX Log

Source Field

TSI=23 and TRBL=MOBILEFAIL

Source Section

CLFL104

CLFL104_TSI24

Call state of 24 or 124 - Waiting for an intercept confirmation from the VCH in response to the abbreviated intercept order

Data Source

MTX Log

Source Field

TSI=24 and TRBL=MOBILEFAIL

Source Section

CLFL104

CLFL104_TSI25

Call state of 25 or 125 - Waiting for an alert confirmation from the VCH in response to the abbreviated alert order

Data Source

MTX Log

Source Field

TSI=25 and TRBL=MOBILEFAIL

Source Section

CLFL104

CLFL104_TSI26

Call state of 26 or 126 - Waiting for a disconnect message from the mobile unit

Data Source

MTX Log

Source Field

TSI=26 and TRBL=MOBILEFAIL

Source Section

CLFL104

CLFL104_TSI27

Call state of 27 or 127 - A carrier fail message was reported from DS1MTCE

Data Source

MTX Log

Source Field

TSI=27 and TRBL=MOBILEFAIL

Source Section

CLFL104

CLFL104_TSI28

Call state of 28 or 128 - MB_SEIZE. Used to distinguish manual busy and carrier fail from an in-service seize

Data Source

MTX Log

Source Field

TSI=28 and TRBL=MOBILEFAIL

Source Section

CLFL104

CLFL104_TSI29

Call state of 29 or 129 - VCH will be removed after a maintenance handoff

Data Source

MTX Log

Source Field

TSI=29 and TRBL=MOBILEFAIL

Source Section

CLFL104

CLFL104_TSI3

Call state of 3 or 103 - Waiting for setup acknowledgment from the VCH. This state is used on terminations

Data Source

MTX Log

Source Field

TSI=3 and TRBL=MOBILEFAIL

Source Section

CLFL104

CLFL104_TSI30

Not currently used

Data Source

MTX Log

Source Field

TSI=30 and TRBL=MOBILEFAIL

Source Section

CLFL104

CLFL104_TSI31

Not currently used

Data Source

MTX Log

Source Field

TSI=31 and TRBL=MOBILEFAIL

Source Section

CLFL104

CLFL104_TSI32

Call state of 32 or 132 - Waiting for a release from the CC after sending it a HANDOFF_JACK

Data Source

MTX Log

Source Field

TSI=32 and TRBL=MOBILEFAIL

Source Section

CLFL104

CLFL104_TSI4

Call state of 4 or 104 - Waiting for SAT_PRESENT on termination

Data Source

MTX Log

Source Field

TSI=4 and TRBL=MOBILEFAIL

Source Section

CLFL104

CLFL104_TSI5

Call state of 5 or 105 - ACTIVE_SAT_WAIT_RELEASE

Data Source

MTX Log

Source Field

TSI=5 and TRBL=MOBILEFAIL

Source Section

CLFL104

CLFL104_TSI6

Call state of 6 or 106 - Waiting for initial SAT detection on the VCH from the originating mobile unit

Data Source

MTX Log

Source Field

TSI=6 and TRBL=MOBILEFAIL

Source Section

CLFL104

CLFL104_TSI7

Call state of 7 or 107 - Waiting for a release acknowledgment from the peripheral

Data Source

MTX Log

Source Field

TSI=7 and TRBL=MOBILEFAIL

Source Section

CLFL104

CLFL104_TSI8

Call state of 8 or 108 - Waiting for an ANSWER MESSAGE from a terminating mobile unit after receiving a SAT_PRESENT message.

Data Source

MTX Log

Source Field

TSI=8 and TRBL=MOBILEFAIL

Source Section

CLFL104

CLFL104_TSI9

Call state of 9 or 109 - The mobile unit is in conversation

Data Source

MTX Log

Source Field

TSI=9 and TRBL=MOBILEFAIL

Source Section

CLFL104

CLFL105_MobileRelTimeout

Number of CLFL105 events with trouble code of SERV_NO_HO_ACK

Data Source

MTX Log

Source Field

TRBL=MOBILERELTIMEOUT

Source Section

CLFL105

CLFL105_TSI1

Call state of 1 or 101 - Idle

Data Source

MTX Log

Source Field

TSI=1 and TRBL=MOBILERELTIMEOUT

Source Section

CLFL105

CLFL105_TSI10

Call state of 10 or 110 - Waiting for a release acknowledgment from the mobile unit

Data Source

MTX Log

Source Field

TSI=10 and TRBL=MOBILERELTIMEOUT

Source Section

CLFL105

CLFL105_TSI11

Call state of 11 or 111 - ACTIVE_RELEASE_SETUP

Data Source

MTX Log

Source Field

TSI=11 and TRBL=MOBILERELTIMEOUT

Source Section

CLFL105

CLFL105_TSI12

Call state of 12 or 112 - Waiting for an alert acknowledgment from the mobile unit (second attempt)

Data Source

MTX Log

Source Field

TSI=12 and TRBL=MOBILERELTIMEOUT

Source Section

CLFL105

CLFL105_TSI13

Call state of 13 or 113 - ALERT_2

Data Source

MTX Log

Source Field

TSI=13 and TRBL=MOBILERELTIMEOUT

Source Section

CLFL105

CLFL105_TSI14

Call state of 14 or 114 - Waiting for the called address from the mobile unit

Data Source

MTX Log

Source Field

TSI=14 and TRBL=MOBILERELTIMEOUT

Source Section

CLFL105

CLFL105_TSI15

Call state of 15 or 115 - Waiting for a setup message from the MTX

Data Source

MTX Log

Source Field

TSI=15 and TRBL=MOBILERELTIMEOUT

Source Section

CLFL105

CLFL105_TSI16

Call state of 16 or 116 - The VCH is being used for locating channel receiver (LCR) redundancy

Data Source

MTX Log

Source Field

TSI=16 and TRBL=MOBILERELTIMEOUT

Source Section

CLFL105

CLFL105_TSI17

Call state of 17 or 117 - The VCH is undergoing in-service testing

Data Source

MTX Log

Source Field

TSI=17 and TRBL=MOBILERELTIMEOUT

Source Section

CLFL105

CLFL105_TSI18

Call state of 18 or 118 - The VCH is waiting for the One-second guard timer to expire after the mobile unit disconnects or hands off. After the timer expires, the mobile unit is put back on the IDLE queue

Data Source

MTX Log

Source Field

TSI=18 and TRBL=MOBILERELTIMEOUT

Source Section

CLFL105

CLFL105_TSI19

Call state of 19 or 119 - Failure has occurred during the call. The intelligent cellular peripheral (ICP) sends a CARRIER OFF command to the VCH to put it back into the idle voice task and expects an answer

Data Source

MTX Log

Source Field

TSI=19 and TRBL=MOBILERELTIMEOUT

Source Section

CLFL105

CLFL105_TSI2

Call state of 2 or 102 - Waiting for setup acknowledgment from the voice channel (VCH). This state is used

Data Source

MTX Log

Source Field

TSI=2 and TRBL=MOBILERELTIMEOUT

Source Section

CLFL105

CLFL105_TSI20

Call state of 20 or 120 - Waiting for a power order confirmation from the VCH in response to a power command to change the transmit power level of the mobile unit

Data Source

MTX Log

Source Field

TSI=20 and TRBL=MOBILERELTIMEOUT

Source Section

CLFL105

CLFL105_TSI21

Call state of 21 or 121 - Waiting for a stop alert confirmation from the VCH in response to a stop alert order

Data Source

MTX Log

Source Field

TSI=21 and TRBL=MOBILERELTIMEOUT

Source Section

CLFL105

CLFL105_TSI22

Call state of 22 or 122 - Waiting for an audit confirmation from the VCH in response to an audit order

Data Source

MTX Log

Source Field

TSI=22 and TRBL=MOBILERELTIMEOUT

Source Section

CLFL105

CLFL105_TSI23

Call state of 23 or 123 - Waiting for a reorder confirmation from the VCH in response to the abbreviated reorder order

Data Source

MTX Log

Source Field

TSI=23 and TRBL=MOBILERELTIMEOUT

Source Section

CLFL105

CLFL105_TSI24

Call state of 24 or 124 - Waiting for an intercept confirmation from the VCH in response to the abbreviated intercept order

Data Source

MTX Log

Source Field

TSI=24 and TRBL=MOBILERELTIMEOUT

Source Section

CLFL105

CLFL105_TSI25

Call state of 25 or 125 - Waiting for an alert confirmation from the VCH in response to the abbreviated alert order

Data Source

MTX Log

Source Field

TSI=25 and TRBL=MOBILERELTIMEOUT

Source Section

CLFL105

CLFL105_TSI26

Call state of 26 or 126 - Waiting for a disconnect message from the mobile unit

Data Source

MTX Log

Source Field

TSI=26 and TRBL=MOBILERELTIMEOUT

Source Section

CLFL105

CLFL105_TSI27

Call state of 27 or 127 - A carrier fail message was reported from DS1MTCE

Data Source

MTX Log

Source Field

TSI=27 and TRBL=MOBILERELTIMEOUT

Source Section

CLFL105

CLFL105_TSI28

Call state of 28 or 128 - MB_SEIZE. Used to distinguish manual busy and carrier fail from an in-service seize

Data Source

MTX Log

Source Field

TSI=28 and TRBL=MOBILERELTIMEOUT

Source Section

CLFL105

CLFL105_TSI29

Call state of 29 or 129 - VCH will be removed after a maintenance handoff

Data Source

MTX Log

Source Field

TSI=29 and TRBL=MOBILERELTIMEOUT

Source Section

CLFL105

CLFL105_TSI3

Call state of 3 or 103 - Waiting for setup acknowledgment from the VCH. This state is used on terminations

Data Source

MTX Log

Source Field

TSI=3 and TRBL=MOBILERELTIMEOUT

Source Section

CLFL105

CLFL105_TSI30

Not currently used

Data Source

MTX Log

Source Field

TSI=30 and TRBL=MOBILERELTIMEOUT

Source Section

CLFL105

CLFL105_TSI31

Not currently used

Data Source

MTX Log

Source Field

TSI=31 and TRBL=MOBILERELTIMEOUT

Source Section

CLFL105

CLFL105_TSI32

Call state of 32 or 132 - Waiting for a release from the CC after sending it a HANDOFF_JACK

Data Source

MTX Log

Source Field

TSI=32 and TRBL=MOBILERELTIMEOUT

Source Section

CLFL105

CLFL105_TSI4

Call state of 4 or 104 - Waiting for SAT_PRESENT on termination

Data Source

MTX Log

Source Field

TSI=4 and TRBL=MOBILERELTIMEOUT

Source Section

CLFL105

CLFL105_TSI5

Call state of 5 or 105 - ACTIVE_SAT_WAIT_RELEASE

Data Source

MTX Log

Source Field

TSI=5 and TRBL=MOBILERELTIMEOUT

Source Section

CLFL105

CLFL105_TSI6

Call state of 6 or 106 - Waiting for initial SAT detection on the VCH from the originating mobile unit

Data Source

MTX Log

Source Field

TSI=6 and TRBL=MOBILERELTIMEOUT

Source Section

CLFL105

CLFL105_TSI7

Call state of 7 or 107 - Waiting for a release acknowledgment from the peripheral

Data Source

MTX Log

Source Field

TSI=7 and TRBL=MOBILERELTIMEOUT

Source Section

CLFL105

CLFL105_TSI8

Call state of 8 or 108 - Waiting for an ANSWER MESSAGE from a terminating mobile unit after receiving a SAT_PRESENT message.

Data Source

MTX Log

Source Field

TSI=8 and TRBL=MOBILERELTIMEOUT

Source Section

CLFL105

CLFL105_TSI9

Call state of 9 or 109 - The mobile unit is in conversation

Data Source

MTX Log

Source Field

TSI=9 and TRBL=MOBILERELTIMEOUT

Source Section

CLFL105

CONNECT

Counts outgoing seizure attempts on trunk group that result in successful connection

Data Source

MTX OM, SDM

Source Field

CONNECT + 65536 * TRNK2.CONNECT2

Source Section

TRK

DEFLDCA

Counts calls that the system prevents from accessing the trunk group

Data Source

MTX OM, SDM

Source Field

DEFLDCA + 65536 * TRNK2.DEFLDCA2

Source Section

TRK

DELAY

The number of calls for which the delay QOS statistic has exceeded the datafilled DELAY threshold.

Data Source

SDM

Source Field

DELAYQOS

Source Section

TRKQOSOM

DREU

Every 100s this register records if DRE activates for a two-way trunk group

Data Source

MTX OM, SDM

Source Field

DREU

Source Section

TRK

DROP100_AuditDisable

Number DROP100 events - audit disable

Data Source

MTX Log

Source Field

AuditDisable

Source Section

DROP100

DROP100_AuditNotAck

Number DROP100 events - audit not acknowledged

Data Source

MTX Log

Source Field

AuditNotAck

Source Section

DROP100

DROP100_AvgCILong

Average long-term carrier to interference (dB)

Data Source

MTX Log

Source Field

CILongterm

Source Section

DROP100

DROP100_AvgCIShort

Average short-term carrier to interference (dB)

Data Source

MTX Log

Source Field

CIShortterm

Source Section

DROP100

DROP100_AvgCurCellPwr

Average current base station power level at drop call time

Data Source

MTX Log

Source Field

CurCellPwr

Source Section

DROP100

DROP100_AvgCurMobilePwr

Average current mobile power level at drop call time

Data Source

MTX Log

Source Field

CurMobilePwr

Source Section

DROP100

DROP100_AvgIdleChanRSSI

Average Idle channel RSSI (dB)

Data Source

MTX Log

Source Field

IdleChanRSSI

Source Section

DROP200

DROP100_AvgMaxCellPwr

Average of the max base station power level at drop call time

Data Source

MTX Log

Source Field

MaxCellPwr

Source Section

DROP100

DROP100_AvgMaxMobilePwr

Average max mobile power level at drop call time

Data Source

MTX Log

Source Field

MaxMobilePwr

Source Section

DROP100

DROP100_AvgVchRSSICallDropLong

Average long-term voice channel received signal strength indicator at call drop time (dB)

Data Source

MTX Log

Source Field

VchRSSICallDropLongterm

Source Section

DROP100

DROP100_AvgVchRSSICallDrpShort

Average short-term voice channel received signal strength indicator at call drop time (dB)

Data Source

MTX Log

Source Field

VchRSSICallDrpShortterm

Source Section

DROP100

DROP100_AvgVchRSSIValidSATLong

Average long-term voice channel received signal strength indicator at last valid SAT drop time (dB)

Data Source

MTX Log

Source Field

VchRSSIValidSATLongterm

Source Section

DROP100

DROP100_AvgVchRSSIValidSATShort

Average short-term voice channel received signal strength indicator at last valid SAT drop time (dB)

Data Source

MTX Log

Source Field

VchRSSIValidSATShortterm

Source Section

DROP100

DROP100_MobileSATLoss

Number DROP100 events - Mobile SAT Loss

Data Source

MTX Log

Source Field

MobileSATLoss

Source Section

DROP100

DROP100_MobileSATLossAN

Number DROP100 events - Mobile SAT Loss with call mode of analog

Data Source

MTX Log

Source Field

MobileSATLossAN

Source Section

DROP100

DROP100_MobileSATLossCD

Number DROP100 events - Mobile SAT Loss with call mode of TDMA circuit switched data

Data Source

MTX Log

Source Field

MobileSATLossCD

Source Section

DROP100

DROP100_MobileSATLossDF

Number DROP100 events - Mobile SAT Loss with call mode of digital full rate

Data Source

MTX Log

Source Field

MobileSATLossDF

Source Section

DROP100

DROP100_MobileSATLossEF

Number DROP100 events - Mobile SAT Loss with call model of EFRC full rate

Data Source

MTX Log

Source Field

MobileSATLossEF

Source Section

DROP100

DROP100_RSSIIgnoreThres

Number DROP100 events - RSSI less then or equal ignore threshold

Data Source

MTX Log

Source Field

RSSIIgnoreThres

Source Section

DROP100

DROP100_XcvrFailDetectCfgSAT

Number DROP100 events - transceiver has failed to detected the configured SAT

Data Source

MTX Log

Source Field

XcvrFailDetectCfgSAT

Source Section

DROP100

DROP200_AvgCurCellPwr

Average current base station power level at drop call time

Data Source

MTX Log

Source Field

CurCellPwr

Source Section

DROP200

DROP200_AvgCurMobilePwr

Average current mobile power level at drop call time

Data Source

MTX Log

Source Field

CurMobilePwr

Source Section

DROP200

DROP200_AvgFwdMAHOBERLong

Average forward MAHO long term BER (%)

Data Source

MTX Log

Source Field

FwdMAHOBERLongterm

Source Section

DROP200

DROP200_AvgFwdMAHOBERShort

Average forward MAHO short term BER (%)

Data Source

MTX Log

Source Field

FwdMAHOBERShortterm

Source Section

DROP200

DROP200_AvgMaxCellPwr

Average of the max base station power level at drop call time

Data Source

MTX Log

Source Field

MaxCellPwr

Source Section

DROP200

DROP200_AvgMaxMobilePwr

Average max mobile power level at drop call time

Data Source

MTX Log

Source Field

MaxMobilePwr

Source Section

DROP200

DROP200_AvgMobileMeaRSSI

Average mobile measured RSSI (dB)

Data Source

MTX Log

Source Field

MobileMeaRSSI

Source Section

DROP200

DROP200_AvgRevBERLong

Average reverse long term BER (%)

Data Source

MTX Log

Source Field

RevBERLong

Source Section

DROP200

DROP200_AvgRevBERShort

Average reverse short term BER (%)

Data Source

MTX Log

Source Field

RevBERShort

Source Section

DROP200

DROP200_DVCCBurstNotDetected

Number DROP200 events - Mobile DVCC Loss - Shortened burst not detected from mobile

Data Source

MTX Log

Source Field

DVCCQualifier

Source Section

DROP200

DROP200_DVCCDSPConfigFail

Number DROP200 events - Mobile DVCC Loss - DSP configuration failure in DRU

Data Source

MTX Log

Source Field

DVCCQualifier

Source Section

DROP200

DROP200_DVCCNotReceived

Number DROP200 events - Mobile DVCC Loss - Digital voice color code (DVCC) not received from mobile

Data Source

MTX Log

Source Field

DVCCQualifier

Source Section

DROP200

DROP200_DVCCSlotRateMism

Number DROP200 events - Mobile DVCC Loss - Slot/Rate mismatch during callsetup, DSP configuration failure in DRU, or Synthesizers failed to achieve lock

Data Source

MTX Log

Source Field

DVCCQualifier

Source Section

DROP200

DROP200_DVCCSyncFail

Number DROP200 events - Mobile DVCC Loss - Synthesizers failed to achieve lock

Data Source

MTX Log

Source Field

DVCCQualifier

Source Section

DROP200

DROP200_MobileDVCCLoss

Number DROP200 events - Mobile DVCC Loss

Data Source

MTX Log

Source Field

MobileDVCCLoss

Source Section

DROP200

DROP200_MobileDVCCLossAN

Number DROP200 events - Mobile DVCC Loss with call mode of analog

Data Source

MTX Log

Source Field

Mode=AN

Source Section

DROP200

DROP200_MobileDVCCLossCD

Number DROP200 events - Mobile DVCC Loss with call mode of TDMA circuit switched data

Data Source

MTX Log

Source Field

Mode=CD

Source Section

DROP200

DROP200_MobileDVCCLossDF

Number DROP200 events - Mobile DVCC Loss with call mode of digital full rate

Data Source

MTX Log

Source Field

Mode=DF

Source Section

DROP200

DROP200_MobileDVCCLossEF

Number DROP200 events - Mobile DVCC Loss with call model of EFRC full rate

Data Source

MTX Log

Source Field

Mode=EF

Source Section

DROP200

GLARE

Increases when the system drops a trunk that the system selects at an earlier time

Data Source

MTX OM, SDM

Source Field

GLARE

Source Section

TRK

GUARDQ

Measures the trunk guard queue usage on a per trunk group basis.

Data Source

MTX OM, SDM

Source Field

GUARDQ + 65536 * GUARDQ2

Source Section

MTXOMTRK

INANS

Answered calls for incoming traffic

Data Source

MTX OM, SDM

Source Field

INANS + 65536 * INANS2

Source Section

MTXOMTRK

INCATOT

Counts incoming seizures on a trunk group

Data Source

MTX OM, SDM

Source Field

INCATOT + 65536 * TRNK2.INCATOT2

Source Section

TRK

INFAIL

Increases when any one of the events that can result in call failure occurs on a trunk

Data Source

MTX OM, SDM

Source Field

INFAIL

Source Section

TRK

INTRU

Trunk usage for incoming traffic

Data Source

MTX OM, SDM

Source Field

INTRU + 65536 * INTRU2

Source Section

MTXOMTRK

INVAUTH

Counts authorization codes that are not correct

Data Source

MTX OM, SDM

Source Field

INVAUTH

Source Section

TRK

JITTER

The number of calls for which the jitter QOS statistic has exceeded the datafilled JITTER threshold.

Data Source

SDM

Source Field

JITTER

Source Section

TRKQOSOM

MAXBU

Every 100s increases if # busy circuits exceeds max # the system recorded earlier

Data Source

MTX OM, SDM

Source Field

MAXBU

Source Section

TRK

MBU

Every 100s records if a trunk is in manual busy/seized/network management busy

Data Source

MTX OM, SDM

Source Field

MBU

Source Section

TRK

MIDFAIL

MTX OM, SDM

Data Source

MTX OM, SDM

Source Field

MIDFAIL + 65536 * TRNK2.MIDFAIL2

Source Section

TRK

NATTMPT

Increases when the system routes an outgoing call to a Trunk group

Data Source

MTX OM, SDM

Source Field

NATTMPT + 65536 * TRNK2.NATTMPT2

Source Section

TRK

NCCT

total # trunk circuits in the group

Data Source

MTX OM, SDM

Source Field

NCCT (Info field 2)

Source Section

TRK

NCTFAIL

Records total # failed network call transfers

Data Source

MTX OM, SDM

Source Field

NCTFAIL

Source Section

TRK

NCTPASS

Records the total number of completed network call Transfers

Data Source

MTX OM, SDM

Source Field

NCTPASS

Source Section

TRK

NDEV

devices in the trunk route

Data Source

MTX OM

Source Field

NDEV

Source Section

Devices in TrunkRoute

NOANSWER

No Answer

Data Source

MTX OM, SDM

Source Field

NOANSWER

Source Section

TRK

NOECFES

Number of times the ECAN was disabled by the far-end switch

Data Source

SDM

Source Field

NOECFES

Source Section

ECANOM

NOECSUP

Number of times the ECAN was disabled by the GWC

Data Source

SDM

Source Field

NOECSUP + 65536 * NOECSUP2

Source Section

ECANOM

NOVFLATB

Increases when a call with access to the trunk group overflows the group

Data Source

MTX OM, SDM

Source Field

NOVFLATB

Source Section

TRK

NPBDRTF

NP Routing Error

Data Source

MTX OM, SDM

Source Field

NPBDRTF

Source Section

TRK

NPQUERY

NP Query Initiated

Data Source

MTX OM, SDM

Source Field

NPQUERY + 65536 * TRNK2.NPQUERY2

Source Section

TRK

NPRESP

NP Response Received

Data Source

MTX OM, SDM

Source Field

NPRESP + 65536 * TRNK2.NPRES2

Source Section

TRK

NWCCT

trunk circuits available at end of reporting period

Data Source

MTX OM, SDM

Source Field

NWCCT (Info field 3)

Source Section

TRK

OUTANS

Answered calls for outgoing traffic

Data Source

MTX OM, SDM

Source Field

OUTANS + 65536 * OUTANS2

Source Section

MTXOMTRK

OUTFAIL

Counts attempts to seize an outgo trunk in the trunk group failure

Data Source

MTX OM, SDM

Source Field

OUTFAIL

Source Section

TRK

OUTMTCHF

Counts attempts to find path from an incoming trunk or originating line to a selected trunk that fail

Data Source

MTX OM, SDM

Source Field

OUTMTCHF

Source Section

TRK

OUTTRU

Trunk usage for outgoing traffic

Data Source

MTX OM, SDM

Source Field

OUTTRU + 65536 * OUTTRU2

Source Section

MTXOMTRK

PKTLOSS

The number of calls for which the packet loss QOS statistic has exceeded the datafilled LOSS threshold.

Data Source

SDM

Source Field

PKTLOSS

Source Section

TRKQOSOM

PRERTEAB

Counts incoming attempts system abandons before the system can complete routing

Data Source

MTX OM, SDM

Source Field

PRERTEAB

Source Section

TRK

PREU

Every 100s records if the system turns the PRE on for a two-way trunk group

Data Source

MTX OM, SDM

Source Field

PREU

Source Section

TRK

QOSDROP

This register pegs each time a QoS report is dropped from the internal QoS queue. This register indicates that the QoS Report has not been sent to any of the QCA servers. This register will equal the total amount of QoS report that are not sent to the QCA for both the A2P and YY interface.

Data Source

SDM

Source Field

QOSDROP

Source Section

MGWQOS

QOSSENT

This register pegs each time a QoS report is sent to the QoS Collector Application (QCA). This register will equal the total amount of QoS report sent to the QCA for both the A2P and YY interface.

Data Source

SDM

Source Field

QOSSENT

Source Section

MGWQOS

SBU

100s records if a trunk is in remote busy/PM busy/system busy/carrier fail/deloaded

Data Source

MTX OM, SDM

Source Field

SBU + 65536 * TRNK2.SBU2

Source Section

TRK

TANDEM

Counts incoming calls on a trunk group that first routes to an outgoing trunk group

Data Source

MTX OM, SDM

Source Field

TANDEM + 65536 * TRNK2.TANDEM2

Source Section

TRK

TOTU

Every 100s records if any trunk in the group is busy

Data Source

MTX OM, SDM

Source Field

TOTU + 65536 * TRNK2.TOTU2

Source Section

TRK

TRKDIR

trunk group direction

Data Source

MTX OM, SDM

Source Field

TRKDIR (Info field 1)

Source Section

TRK

TRU

Every 100s records if a trunk is call processing busy/call processing busy deload/locked

Data Source

MTX OM, SDM

Source Field

TRU + 65536 * TRNK2.TRU2

Source Section

TRK

TRU2WIN

Every 100s records if a two-way trunk in a group is call processing busy

Data Source

MTX OM, SDM

Source Field

TRU2WIN + 65536 * TRNK2.TRU2WIN2

Source Section

TRK

YYDELAY

This register pegs each time the delayqos value in the end of call statistics for the associated YY interface exceeds the DELAY threshold value defined in office parameter MTX_MGW_QOS_THRESHOLDS.

Data Source

SDM

Source Field

YYDELAY

Source Section

MGWQOS

YYJITER

This register pegs each time the jitter value in end of call statistics for the associated YY interface exceeds the JITTER threshold value defined in office parameter MTX_MGW_QOS_THRESHOLDS.

Data Source

SDM

Source Field

YYJITER

Source Section

MGWQOS

YYLOSS

This register pegs each time the packet loss value in end of call statistics for the associated YY interface exceeds the packet LOSS threshold value defined in office parameter MTX_MGW_QOS_THRESHOLDS.

Data Source

SDM

Source Field

YYLOSS

Source Section

MGWQOS

UAS Primitive Calculations

The following is a list of primitive calculations for the UAS entity.

GRAPHmultiLineSeparator

Special Control Field for Multi-Line Graphs

Calculation

""

NUMDAYS

of days in Report

Calculation

DAYSINREPORT ()

NUMHOURS

of hours in Summation Data

Calculation

UAS Peg Counts

The following is a list of peg counts for the UAS entity.

norUasAckfail

Number of negative acknowledgements (nacks) received.

Data Source

UAS_PM

Source Field

norUasAckfail

norUasAudioSegmentFailed

Number of failed attempts to play audio.

Data Source

UAS_PM

Source Field

norUasAudioSegmentFailed

norUasAudioSegmentPlayed

Number of successful attempts to play audio.

Data Source

UAS_PM

Source Field

norUasAudioSegmentPlayed

norUasCallControlMessageSendFailures

Number of times the call control message maximum retransmission count was exceeded.

Data Source

UAS_PM

Source Field

norUasCallControlMessageSendFailures

norUasComperror

The number of times the call engine failed to build a response to a call agent message.

Data Source

UAS_PM

Source Field

norUasComperror

norUasConfLackOfResourceRejections

The number of times a conference request was rejected due to lack of resources since the last application restart.

Data Source

UAS_PM

Source Field

norUasConfLackOfResourceRejections

norUasConfPlays

The total number of plays made into conferences since the last application restart.

Data Source

UAS_PM

Source Field

norUasConfPlays

norUasConfTotal

The total number of conferences processed since the last application restart.

Data Source

UAS_PM

Source Field

norUasConfTotal

norUasConndeleted

Number of times that the call engine receives a bad connection id from the call agent.

Data Source

UAS_PM

Source Field

norUasConndeleted

norUasEndpointsInUse

Number of endpoints that the call engine is currently using for all packet network-related functions.

Data Source

UAS_PM

Source Field

norUasEndpointsInUse

norUasMgcpMessageRetransmissionFailures

Number of times a retransmitted media gateway control protocol message was not acknowledged.

Data Source

UAS_PM

Source Field

norUasMgcpMessageRetransmissionFailures

norUasMgcpMessageRetransmissions

Number of retransmissions of media gateway control protocol messages.

Data Source

UAS_PM

Source Field

norUasMgcpMessageRetransmissions

norUasNumberOfPlayRecordErrors

The total number of failed play record operations.

Data Source

UAS_PM

Source Field

norUasNumberOfPlayRecordErrors

norUasNumberOfPlayRecords

The total number of play record operations.

Data Source

UAS_PM

Source Field

norUasNumberOfPlayRecords

norUasNumDupsForCompletedTransactions

The number of times a duplicate transaction request was received after the initial transaction had already been completed.

Data Source

UAS_PM

Source Field

norUasNumDupsForCompletedTransactions

norUasNumDupsForOutstandingTransactions

The number of times a duplicate transaction request was received while the initial transaction was outstanding, that is, still in progress.

Data Source

UAS_PM

Source Field

norUasNumDupsForOutstandingTransactions

norUasProterror

Number of call control protocol errors detected.

Data Source

UAS_PM

Source Field

norUasProterror

norUasProtocolMessageValidationErrors

Number of times an incoming call control message had valid syntax, but failed validation.

Data Source

UAS_PM

Source Field

norUasProtocolMessageValidationErrors

norUasProtocolSyntaxErrors

Number of syntax errors detected in incoming call control messages.

Data Source

UAS_PM

Source Field

norUasProtocolSyntaxErrors

norUasRestart

Number of abnormal restarts of one of two critical threads in the call processing process.

Data Source

UAS_PM

Source Field

norUasRestart

norUasTimeout

Number of times the call engine timed out waiting for an acknowledgement

Data Source

UAS_PM

Source Field

norUasTimeout

norUasUdpReceiveErrors

Number of times there was a failure in receiving a call control message.

Data Source

UAS_PM

Source Field

norUasUdpReceiveErrors

norUasUdpSendErrors

Number of times there was a failure in sending a call control message.

Data Source

UAS_PM

Source Field

norUasUdpSendErrors

UAS_Resource Primitive Calculations

The following is a list of primitive calculations for the UAS_Resource entity.

GRAPHmultiLineSeparator

Special Control Field for Multi-Line Graphs

Calculation

""

NUMDAYS

of days in Report

Calculation

DAYSINREPORT ()

NUMHOURS

of hours in Summation Data

Calculation

UAS_Resource Peg Counts

The following is a list of peg counts for the UAS_Resource entity.

norUasRequestCount

The number of requests for endpoints that have been made on this pool.

Data Source

UAS_PM

Source Field

norUasRequestCount

norUasRequestsFailed

The number of resource requests for endpoints on this pool that failed.

Data Source

UAS_PM

Source Field

norUasRequestsFailed

XIU Primitive Calculations

The following is a list of primitive calculations for the XIU entity.

GRAPHmultiLineSeparator

Special Control Field for Multi-Line Graphs

Calculation

""

NUMDAYS

of days in Report

Calculation

DAYSINREPORT ()

NUMHOURS

of hours in Summation Data

Calculation

SUCCXLFR

Inter XLIU cell transfer requests successful per XLIU

Calculation

(SUCCXLFR)

XLIUCALLP

The average IPF call processing plus I/O CPU occupancy percentage

Calculation

(XLIUCALLP)

XIU Peg Counts

The following is a list of peg counts for the XIU entity.

MDLPFDR

Forward MDLP frames dropped at the XLIU Traffic Interface

Data Source

MTX OM, SDM

Source Field

MDLPFDR + 65536 * MDLPFDOF

Source Section

VERFYXIU

MDLPFWD

MDLP frames transmitted in the forward direction to the radio

Data Source

MTX OM, SDM

Source Field

MDLPFWD + 65536 * MDLPFOF

Source Section

CAPACXIU

MDLPRDR

Reverse MDLP frames dropped in the CDPD protocol stack because of depleted memory in the XLIU

Data Source

MTX OM, SDM

Source Field

MDLPRDR + 65536 * MDLPRDOF

Source Section

VERFYXIU

MDLPREV

MDLP frames received in the reverse direction from the radio

Data Source

MTX OM, SDM

Source Field

MDLPREV + 65536 * MDLPROF

Source Section

CAPACXIU

MDLPRTRY

MDLP layer resends after a previous attempt to send that frame has failed

Data Source

MTX OM, SDM

Source Field

MDLPRTRY + 65536 * MDLPRTOF

Source Section

VERFYXIU

REQCLXFR

Inter XLIU cell transfer requests per XLIU

Data Source

MTX OM, SDM

Source Field

REQCLXFR

Source Section

CAPACXIU

RIXCLXFR

XLIU receives an intra-XLIU cell transfer notification message from the HFP

Data Source

MTX OM, SDM

Source Field

RIXCLXFR

Source Section

CAPACXIU

SNDCPFDR

Forward SNDCP frames dropped in the CDPD protocol stack because of depleted memory in the XLIU

Data Source

MTX OM, SDM

Source Field

SNDCPFDR + 65536 * SNDCFDOF

Source Section

VERFYXIU

SNDCPFWD

SNDCP frames received in the forward direction from the slave router.

Data Source

MTX OM, SDM

Source Field

SNDCPFWD + 65536 * SNDCPFOF

Source Section

CAPACXIU

SNDCPRDR

Reverse SNCDP frames dropped in the CDPD protocol stack because of depleted memory in the XLIU

Data Source

MTX OM, SDM

Source Field

SNDCPRDR + 65536 * SNDCRDOF

Source Section

VERFYXIU

SNDCPREV

SNDCP frames received in the reverse direction from the MDLP layer

Data Source

MTX OM, SDM

Source Field

SNDCPREV + 65536 * SNDCPROF

Source Section

CAPACXIU

SN DIPFDR

Forward IP packets dropped in the SNDCP layer of the CDPD stack

Data Source

MTX OM, SDM

Source Field

SN DIPFDR + 65536 * SN DIFDOF

Source Section

VERFYXIU

SUCCLXFR

Inter XLIU cell transfer requests successful per XLIU

Data Source

MTX OM

Source Field

SUCCLXFR

Source Section

CAPACXIU

XAMFRPKT

New entries for accounting cannot be allocated in the AM in the XLIU

Data Source

MTX OM, SDM

Source Field

XAMFRPKT

Source Section

VERFYXIU

XCHCAPFL

Channel capacity flag is set due to the registrations on a particular XLIU reaching capacity

Data Source

MTX OM, SDM

Source Field

XCHCAPFL

Source Section

VERFYXIU

XCPUOVR

IPF call processing plus I/O CPU occupancy goes into overload state

Data Source

MTX OM, SDM

Source Field

XCPUOVR

Source Section

VERFYXIU

XHOLDFUL

Accounting holding buffers full on the XLIU

Data Source

MTX OM, SDM

Source Field

XHOLDFUL

Source Section

CAPACXIU

XIUCALLP

The average IPF call processing plus I/O CPU occupancy percentage

Data Source

MTX OM

Source Field

XIUCALLP

Source Section

VERFYXIU

XLIBREQT

Broadcast requests received by the XLIU

Data Source

MTX OM, SDM

Source Field

XLIBREQT

Source Section

CAPACXIU

XMEMOVRL

XLIU CDPD protocol stack enters memory overload condition

Data Source

MTX OM, SDM

Source Field

XMEMOVRL

Source Section

VERFYXIU

XPITCHMD

XLIU CDPD protocol stack enters data frame pitching condition because of lack of memory

Data Source

MTX OM, SDM

Source Field

XPITCHMD

Source Section

VERFYXIU

XSRFWRDP

Router fails to determine the destination of a forward datagram or is under congestion

Data Source

MTX OM, SDM

Source Field

XSRFWRDP + 65536 * XSFWDPOF

Source Section

VERFYXIU

XSRFWTOT

Router attempts to process each forward datagram

Data Source

MTX OM, SDM

Source Field

XSRFWTOT + 65536 * XSRFWTOF

Source Section

CAPACXIU

XSRRVDRP

Router fails to determine the next hop a reverse datagram should take or is under congestion

Data Source

MTX OM, SDM

Source Field

XSRRVDRP + 65536 * XSRVDPOF

Source Section

VERFYXIU

XSRRVTOT

Router attempts to process each reverse datagram

Data Source

MTX OM, SDM

Source Field

XSRRVTOT + 65536 * XSRRVTOF

Source Section

CAPACXIU

XSRTBLUP

Entry in the slave router table is either deleted or added

Data Source

MTX OM, SDM

Source Field

XSRTBLUP

Source Section

CAPACXIU

PERFORMANCE DATA REFERENCE
Prospect® 8.0 for Nortel AMPS/TDMA/CDMA/MTX 17

Index

A

AccChan	
peg counts	327
primitive calculations	327
ACP_DSFP	
peg counts	342
primitive calculations	340
AirAbisPeer	
primitive calculations	458
Announcement	
peg counts	459
primitive calculations	459
audience	315
AudioServer	
peg counts	462
primitive calculations	461

B

BcnIf	
peg counts	467
primitive calculations	467
Beam	
peg counts	475
primitive calculations	475
BIU	
primitive calculations	483
BorderPaging	
peg counts	484
primitive calculations	484
BSC	
peg counts	496
primitive calculations	494
roll-up fields	539
BSC_Carrier	
peg counts	552
primitive calculations	552
BSC_MGW	
peg counts	555
primitive calculations	554
BSC_PDSN	
peg counts	564
primitive calculations	564

BTS	
primitive calculations	581
BTS_Cell	
peg counts	582
primitive calculations	582
BTS_Name	
primitive calculations	586

C

CAC_DSFP	
peg counts	588
primitive calculations	587
CAC_PCUFP	
peg counts	646
primitive calculations	645
CallType	
peg counts	678
primitive calculations	677
Card	
peg counts	682
primitive calculations	681
CAVU	
peg counts	684
primitive calculations	683
CBRS	
primitive calculations	685
CDSU_Card	
primitive calculations	690
CDSU_Shelf	
primitive calculations	691
CDSU_T1Port	
peg counts	692
primitive calculations	692
Cell	
peg counts	697
primitive calculations	696
Cell_Carrier	
peg counts	710
primitive calculations	706
Cell_HO_Pair	
peg counts	730
primitive calculations	729
Cell_Sector	
peg counts	745
primitive calculations	731
roll-up fields	1068

PERFORMANCE DATA REFERENCE
Prospect® 8.0 for Nortel AMPS/TDMA/CDMA/MTX 17

CNFP		DO_RNC_Source	
peg counts	1132	peg counts	1987
primitive calculations	1070	primitive calculations	1986
Context		DO_RNC_TrafficType	
primitive calculations	1222	peg counts	2027
D		primitive calculations	2027
DCG		documentation	
peg counts	1236	assumptions about prior knowledge	315
primitive calculations	1223	font usage	316
DISCO		typographical conventions	316
primitive calculations	1378	user	317
DO_AAAServer		viewing HTML Help	317
peg counts	1379	viewing PDF	318
primitive calculations	1379	DOM	
DO_BTS		peg counts	2045
primitive calculations	1383	primitive calculations	2036
DO_PDSN		DOM_Card	
peg counts	1384	peg counts	2106
primitive calculations	1384	primitive calculations	2105
DO_RNC		DOM_Card_Resource	
peg counts	1414	peg counts	2109
primitive calculations	1409	primitive calculations	2108
DO_RNC_Card		DOM_CardPort	
peg counts	1647	primitive calculations	2110
primitive calculations	1636	DOM_ChanNo	
DO_RNC_Card_Resource		primitive calculations	2111
peg counts	1939	DOM_CPU	
primitive calculations	1939	peg counts	2112
DO_RNC_Card_TrafficType		primitive calculations	2111
peg counts	1944	DOM_If	
primitive calculations	1943	peg counts	2118
DO_RNC_CardPort		primitive calculations	2114
primitive calculations	1964	DOM_QosQueue	
DO_RNC_CPU		peg counts	2128
peg counts	1965	primitive calculations	2128
primitive calculations	1965	DOM_RNC	
DO_RNC_If		peg counts	2130
peg counts	1971	primitive calculations	2130
primitive calculations	1967	DOM_Sector	
DO_RNC_Priority		peg counts	2158
peg counts	1982	primitive calculations	2134
primitive calculations	1981	DOM_Sector_FormatRate	
DO_RNC_QosQueue		peg counts	2453
peg counts	1985	primitive calculations	2453
primitive calculations	1984	DOM_Sector_Priority	
		peg counts	2457
		primitive calculations	2455

PERFORMANCE DATA REFERENCE
Prospect® 8.0 for Nortel AMPS/TDMA/CDMA/MTX 17

DOM_TrafficType		HoSector	
peg counts	2487	peg counts	2639
primitive calculations	2487	primitive calculations	2638
DPC		HTML Help format	317
peg counts	2488	I	
primitive calculations	2488	ICP	
DS1Carrier		peg counts	2643
peg counts	2490	primitive calculations	2643
primitive calculations	2490	IS41	
DSFP		peg counts	2659
primitive calculations	2495	primitive calculations	2658
E		ISHO_Pair	
EIU		peg counts	2779
peg counts	2496	primitive calculations	2779
primitive calculations	2496	ISUPMSG	
ENET		peg counts	2781
peg counts	2500	primitive calculations	2781
primitive calculations	2499	IW_BridgePool	
ESelectorCard		peg counts	2783
peg counts	2504	primitive calculations	2782
primitive calculations	2501	IW_SPM	
ExtBlocks		peg counts	2789
peg counts	2564	primitive calculations	2788
primitive calculations	2563	L	
F		LocationArea	
FA_Service		peg counts	2807
peg counts	2566	primitive calculations	2807
primitive calculations	2565	M	
font usage		MG_CARD	
documentation	316	peg counts	2831
FunctionalProc		primitive calculations	2830
primitive calculations	2603	MG_FABRIC_CARD	
G		peg counts	2832
GWC		primitive calculations	2831
peg counts	2604	MG_IP_Interface	
primitive calculations	2603	peg counts	2833
H		primitive calculations	2832
HA_Service		MG_VSP_CARD	
peg counts	2622	peg counts	2840
primitive calculations	2621	primitive calculations	2840
HIOP		MG_VSP_PROCBLOCK	
peg counts	2635	peg counts	2845
primitive calculations	2635	primitive calculations	2844

PERFORMANCE DATA REFERENCE
Prospect® 8.0 for Nortel AMPS/TDMA/CDMA/MTX 17

MobileManufacCode		P	
primitive calculations	2845	PagingChan	
MobProtocolVer		peg counts	3389
peg counts	2846	primitive calculations	3389
primitive calculations	2846	PCU	
MPC		peg counts	3421
peg counts	2851	primitive calculations	3420
primitive calculations	2851	PCU_PCUFP	
MSC		peg counts	3448
peg counts	2865	primitive calculations	3447
primitive calculations	2861	PCU_PDSN	
roll-up fields	3254	peg counts	3522
MSC_MGW		primitive calculations	3522
peg counts	3256	PCUFP	
primitive calculations	3256	primitive calculations	3525
MSC_ServiceOption		PDF format	318
peg counts	3262	PDSN16000	
primitive calculations	3261	peg counts	3526
MSC_USP		primitive calculations	3525
peg counts	3268	peg counts	
primitive calculations	3267	AccChan	327
MSC_USP_ASP		ACP_DSFP	342
primitive calculations	3280	Announcement	459
MSC_USP_ASPPath		AudioServer	462
peg counts	3281	BcnIf	467
primitive calculations	3280	Beam	475
MSC_USP_Link		BorderPaging	484
peg counts	3287	BSC	496
primitive calculations	3286	BSC_Carrier	552
MSC_USP_Linkset		BSC_MGW	555
peg counts	3346	BSC_PDSN	564
primitive calculations	3345	BTS_Cell	582
MSC_USP_Node		CAC_DSFP	588
peg counts	3350	CAC_PCUFP	646
primitive calculations	3349	CallType	678
MSC_USP_RouteSet		Card	682
peg counts	3372	CAVU	684
primitive calculations	3372	CDSU_T1Port	692
MsgIfType		Cell	697
peg counts	3374	Cell_Carrier	710
primitive calculations	3374	Cell_HO_Pair	730
N		Cell_Sector	745
NIU		CNFP	1132
peg counts	3378	DCG	1236
primitive calculations	3377	DO_AAAServer	1379
		DO_PDSN	1384
		DO_RNC	1414

PERFORMANCE DATA REFERENCE
 Prospect® 8.0 for Nortel AMPS/TDMA/CDMA/MTX 17

DO_RNC_Card	1647	MSC_ServiceOption	3262
DO_RNC_Card_Resource	1939	MSC_USP	3268
DO_RNC_Card_TrafficType	1944	MSC_USP_ASPPath	3281
DO_RNC_CPU	1965	MSC_USP_Link	3287
DO_RNC_If	1971	MSC_USP_Linkset	3346
DO_RNC_Priority	1982	MSC_USP_Node	3350
DO_RNC_QosQueue	1985	MSC_USP_RouteSet	3372
DO_RNC_Source	1987	MsgIfType	3374
DO_RNC_TrafficType	2027	NIU	3378
DOM	2045	PagingChan	3389
DOM_Card	2106	PCU	3421
DOM_Card_Resource	2109	PCU_PCUIFP	3448
DOM_CPU	2112	PCU_PDSN	3522
DOM_If	2118	PDSN16000	3526
DOM_QosQueue	2128	PG_PVG	3547
DOM_RNC	2130	PG_PVG_ATM_Interface	3550
DOM_Sector	2158	PG_PVG_LogicalProcessor	3620
DOM_Sector_FormatRate	2453	PM	3630
DOM_Sector_Priority	2457	PM_Type	3803
DOM_TrafficType	2487	PM_Unit	3812
DPC	2488	PMC_CNFP	3818
DS1Carrier	2490	Port	3848
EIU	2496	Portable_NPA_Range	3854
ENET	2500	PPP_Service	3855
ESelectorCard	2504	ProcCard	3887
ExtBlocks	2564	Radio_Sector	3894
FA_Service	2566	RadioConfiguration	3908
GWC	2604	RC_Beam	3928
HA_Service	2622	RC_ServiceOption	3938
HIOP	2635	RcvrType	3939
HoSector	2639	RFM	3943
ICP	2643	RMU	3947
IS41	2659	RP_Service	3976
ISHO_Pair	2779	SBS_TrunkGroup	4000
ISUPMSG	2781	Sector	4019
IW_BridgePool	2783	Sector_Carrier	4456
IW_SPM	2789	ServiceGroup	4788
LocationArea	2807	ServiceType	4790
MG_CARD	2831	ServingMSC	4798
MG_FABRIC_CARD	2832	SIP_Server	4802
MG_IP_Interface	2833	SLLNK_Pool	4819
MG_VSP_CARD	2840	SLLNK_XferType	4821
MG_VSP_PROCBLOCK	2845	SoftwareModule	4823
MobProtocolVer	2846	SS7Link	4824
MPC	2851	SS7LinkSet	4864
MSC	2865	SS7Route	4866
MSC_MGW	3256	T1E1Trunk	4872

Updated: 2009-06-03

PERFORMANCE DATA REFERENCE
Prospect® 8.0 for Nortel AMPS/TDMA/CDMA/MTX 17

TLDN_Pool	4880	BorderPaging	484
TrafSubRange	4882	BSC	494
TrunkGroup	4887	BSC_Carrier	552
UAS	5049	BSC_MGW	554
UAS_Resource	5055	BSC_PDSN	564
XIU	5056	BTS	581
PG_PVG		BTS_Cell	582
peg counts	3547	BTS_Name	586
primitive calculations	3547	CAC_DSFP	587
PG_PVG_ATM_Interface		CAC_PCUFP	645
peg counts	3550	CallType	677
primitive calculations	3549	Card	681
PG_PVG_LogicalProcessor		CAVU	683
peg counts	3620	CBRS	685
primitive calculations	3620	CDSU_Card	690
PM		CDSU_Shelf	691
peg counts	3630	CDSU_T1Port	692
primitive calculations	3628	Cell	696
PM_Type		Cell_Carrier	706
peg counts	3803	Cell_HO_Pair	729
primitive calculations	3802	Cell_Sector	731
PM_Unit		CNFP	1070
peg counts	3812	Context	1222
primitive calculations	3811	DCG	1223
PMC_CNFP		DISCO	1378
peg counts	3818	DO_AAAServer	1379
primitive calculations	3817	DO_BTS	1383
Port		DO_PDSN	1384
peg counts	3848	DO_RNC	1409
primitive calculations	3848	DO_RNC_Card	1636
Portable_NPA_Range		DO_RNC_Card_Resource	1939
peg counts	3854	DO_RNC_Card_TrafficType	1943
primitive calculations	3853	DO_RNC_CardPort	1964
PPP_Service		DO_RNC_CPU	1965
peg counts	3855	DO_RNC_If	1967
primitive calculations	3855	DO_RNC_Priority	1981
prerequisites		DO_RNC_QosQueue	1984
assumptions in documentation	315	DO_RNC_Source	1986
primitive calculations		DO_RNC_TrafficType	2027
AccChan	327	DOM	2036
ACP_DSFP	340	DOM_Card	2105
AirAbisPeer	458	DOM_Card_Resource	2108
Announcement	459	DOM_CardPort	2110
AudioServer	461	DOM_ChanNo	2111
BcnIf	467	DOM_CPU	2111
Beam	475	DOM_If	2114
BIU	483	DOM_QosQueue	2128

PERFORMANCE DATA REFERENCE
Prospect® 8.0 for Nortel AMPS/TDMA/CDMA/MTX 17

DOM_RNC	2130	PCU_PCUFP	3447
DOM_Sector	2134	PCU_PDSN	3522
DOM_Sector_FormatRate	2453	PCUFP	3525
DOM_Sector_Priority	2455	PDSN16000	3525
DOM_TrafficType	2487	PG_PVG	3547
DPC	2488	PG_PVG_ATM_Interface	3549
DS1Carrier	2490	PG_PVG_LogicalProcessor	3620
DSFP	2495	PM	3628
EIU	2496	PM_Type	3802
ENET	2499	PM_Unit	3811
ESelectorCard	2501	PMC_CNFP	3817
ExtBlocks	2563	Port	3848
FA_Service	2565	Portable_NPA_Range	3853
FunctionalProc	2603	PPP_Service	3855
GWC	2603	ProcCard	3886
HA_Service	2621	Radio_Sector	3894
HIOP	2635	RadioConfiguration	3896
HoSector	2638	RC_Beam	3927
ICP	2643	RC_ServiceOption	3937
IS41	2658	RcvrType	3939
ISHO_Pair	2779	RFM	3943
ISUPMSG	2781	RMU	3946
IW_BridgePool	2782	RP_Service	3975
IW_SPM	2788	SBS	3999
LocationArea	2807	SBS_TrunkGroup	3999
MG_CARD	2830	Sector	4013
MG_FABRIC_CARD	2831	Sector_Carrier	4426
MG_IP_Interface	2832	ServiceGroup	4788
MG_VSP_CARD	2840	ServiceType	4790
MG_VSP_PROCBLOCK	2844	ServingMSC	4797
MobileManufacCode	2845	SIP_Server	4801
MobProtocolVer	2846	SLLNK_Pool	4818
MPC	2851	SLLNK_XferType	4821
MSC	2861	SoftwareModule	4822
MSC_MGW	3256	SS7Link	4823
MSC_ServiceOption	3261	SS7LinkSet	4864
MSC_USP	3267	SS7Route	4865
MSC_USP_ASP	3280	System	4870
MSC_USP_ASPPath	3280	T1E1Trunk	4870
MSC_USP_Link	3286	TLDN_Pool	4879
MSC_USP_Linkset	3345	TrafSubRange	4882
MSC_USP_Node	3349	TrunkGroup	4884
MSC_USP_RouteSet	3372	UAS	5048
MsgIfType	3374	UAS_Resource	5055
NIU	3377	XIU	5056
PagingChan	3389	ProcCard	
PCU	3420	peg counts	3887

Updated: 2009-06-03

PERFORMANCE DATA REFERENCE
Prospect® 8.0 for Nortel AMPS/TDMA/CDMA/MTX 17

primitive calculations	3886	Sector_Carrier	
product support	318	peg counts	4456
product training	318	primitive calculations	4426
publications		roll-up fields	4788
user	317	ServiceGroup	
R		peg counts	4788
Radio_Sector		primitive calculations	4788
peg counts	3894	ServiceType	
primitive calculations	3894	peg counts	4790
RadioConfiguration		primitive calculations	4790
peg counts	3908	ServingMSC	
primitive calculations	3896	peg counts	4798
RC_Beam		primitive calculations	4797
peg counts	3928	SIP_Server	
primitive calculations	3927	peg counts	4802
RC_ServiceOption		primitive calculations	4801
peg counts	3938	skills required documentation	
primitive calculations	3937	assumptions about prior knowledge	315
RcvrType		SLLNK_Pool	
peg counts	3939	peg counts	4819
primitive calculations	3939	primitive calculations	4818
RFM		SLLNK_XferType	
peg counts	3943	peg counts	4821
primitive calculations	3943	primitive calculations	4821
RMU		software	315
peg counts	3947	SoftwareModule	
primitive calculations	3946	peg counts	4823
roll-up fields		primitive calculations	4822
BSC	539	SS7Link	
Cell_Sector	1068	peg counts	4824
MSC	3254	primitive calculations	4823
Sector_Carrier	4788	SS7LinkSet	
RP_Service		peg counts	4864
peg counts	3976	primitive calculations	4864
primitive calculations	3975	SS7Route	
S		peg counts	4866
SBS		primitive calculations	4865
primitive calculations	3999	support	318
SBS_TrunkGroup		System	
peg counts	4000	primitive calculations	4870
primitive calculations	3999	T	
Sector		T1E1Trunk	
peg counts	4019	peg counts	4872
primitive calculations	4013	primitive calculations	4870
		TLDN_Pool	
		peg counts	4880

primitive calculations	.4879
TrafSubRange	
peg counts	.4882
primitive calculations	.4882
training	.318
TrunkGroup	
peg counts	.4887
primitive calculations	.4884
typographical conventions	.316

U

UAS	
peg counts	.5049
primitive calculations	.5048
UAS_Resource	
peg counts	.5055
primitive calculations	.5055
user publications	.317

X

XIU	
peg counts	.5056
primitive calculations	.5056

PERFORMANCE DATA REFERENCE
Prospect® 8.0 for Nortel AMPS/TDMA/CDMA/MTX 17
