



2007 System z Summit

DESTINATION z



Leveraging the Value of the Mainframe to Deliver Information On Demand

DESTINATION z



Leveraging the Value of the Mainframe to Deliver Information On Demand

- **Business Update**
- **Client Perspectives**
- **Technology Update**
- **Your Questions**





Business Update

Ambuj Goyal
General Manager
IBM Information Management Software

DESTINATION z



IBM Information Management Software

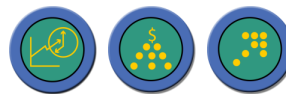
Leveraging the Strengths of System z to Drive Growth and Client Value

z Business Momentum

- Continued YTY Growth for DB2 & IMS
- Tools: Strong Growth
- 1,000+ DB2 for z/OS SAP Installations
- Strong zIIP Adoption since July '06 Availability
- Strong Version Penetration with DB2 8 for z/OS



***Quality of Service
TCO, Reuse
New Workloads***



IBM Information Management Software

Leveraging the Strengths of System z to Drive Growth and Client Value

z Business Momentum

- Continued YTY Growth for DB2 & IMS
- Tools: Strong Growth
- 1,000+ DB2 for z/OS SAP Installations
- Strong zIIP Adoption since July '06 Availability
- Strong Version Penetration with DB2 8 for z/OS



Quality of Service
TCO, Reuse
New Workloads



Workload Consolidation



- 80+ Intel servers
- 30% decrease in IT costs
- Faster time-to-market with new applications

SOA Data Serving



- Exposed Legacy IMS through Web Services
- TCO and Customer Service Improvements

Linux on System z



- SAP on Linux on System z
- Significant IT Savings

Warehousing



- Co-located OLTP & DW
- Move to System z decreased reporting times 80%

IBM Information Management Software

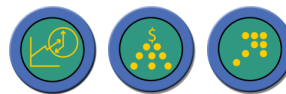
Leveraging the Strengths of System z to Drive Growth and Client Value

z Business Momentum

- Continued YTY Growth for DB2 & IMS
- Tools: Strong Growth
- 1,000+ DB2 for z/OS SAP Installations
- Strong zIIP Adoption since July '06 Availability
 - Over 138,000 MIPs
- Strong Version Penetration with DB2 8 for z/OS



Quality of Service
TCO, Reuse
New Workloads



Workload Consolidation

- Data Server Optimizations
- IMS V10 Customer Partnership Program 1/07
- DB2 9 Generally Available 3/07

SOA Data Serving

- DB2 9 for z/OS pureXML
- IMS XML Enhancements
- 1st Class Data Lifecycle Management

Linux on System z

- DB2 on Linux on System z Data Partitioning
- Content Manager, CM OnDemand
- 4Q07 Target

Warehousing on System z

- Over 50 Warehousing features in DB2 for z/OS 8 & 9
- Robust Warehouse Foundation for Dynamic Warehousing

Client Perspectives

DESTINATION z





Technology Update

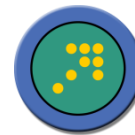
Jeff Josten
Distinguished Engineer, DB2 for z/OS Development
IBM Information Management Software

DESTINATION z



System z Addresses Key Customer Requirements

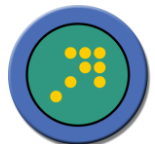
- **Workload consolidation**
- **Integrating data via SOA**
- **Reduced total cost of ownership**
- **Next generation warehousing**



IMS

Continues Growth as an SOA Server

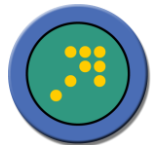
<p>IMS 9 Currently Available</p>	<ul style="list-style-type: none"> • XML Database Support • Publish Transactions/Data as Web Services • Performance and Availability Enhancements • Tooling to easily develop/deploy/manage applications at low cost
<p>2006 Deliveries</p>	<ul style="list-style-type: none"> • SOA Enhanced Integration and Transformation <ul style="list-style-type: none"> – SOAP Gateway, XML Adapter, XQuery Preview, +++ • Further Enhancements for Integration, Manageability, Scalability
<p>IMS 10 Customer Partnership Program 1/07</p>	<ul style="list-style-type: none"> • SOA Support Enhancements <ul style="list-style-type: none"> – XQuery, XML, Web Services, PL/I Trx., IMS as a Client – Composite Business Application Support – Security Enhancements • Continued Focus on Availability • Continued Focus to Simplify Skill Requirements



DB2 9 for z/OS

Addressing Corporate Data Goals

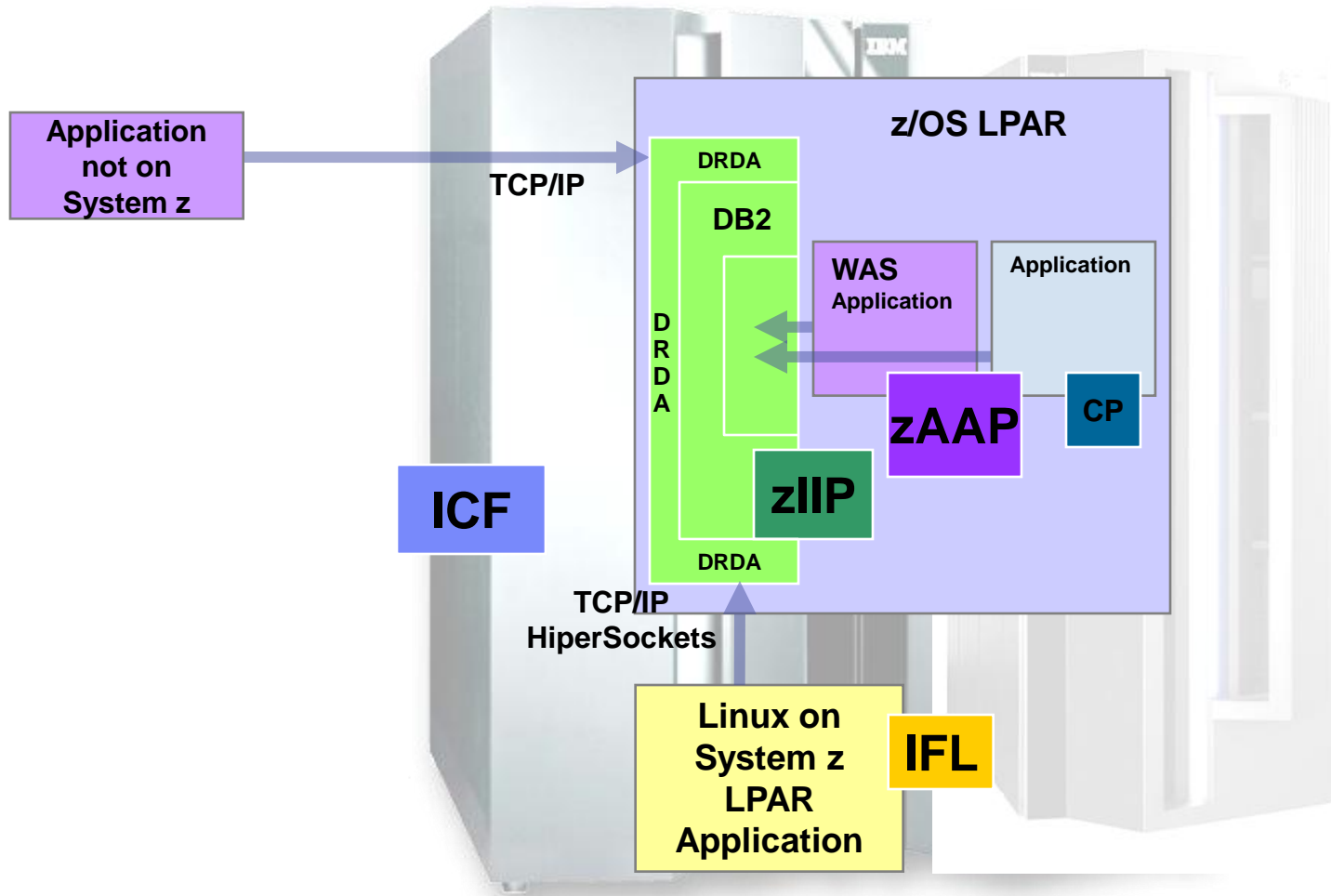
Workload Consolidation	<ul style="list-style-type: none"> • More online schema changes • Online REBUILD INDEX • Trusted context and ROLEs • Parallel Sysplex clustering improvements
Simplification, Reduced TCO	<ul style="list-style-type: none"> • Index compression • Partition By Growth tables • Cloned tables • Volume based backup / recovery
SOA Enablement	<ul style="list-style-type: none"> • pureXML • Optimistic locking for WebSphere • LOB performance, usability
Dynamic Warehousing	<ul style="list-style-type: none"> • Many SQL improvements • Dynamic index ANDing • Histogram statistics • New built-in OLAP functions • Optimization Service Center





System z:

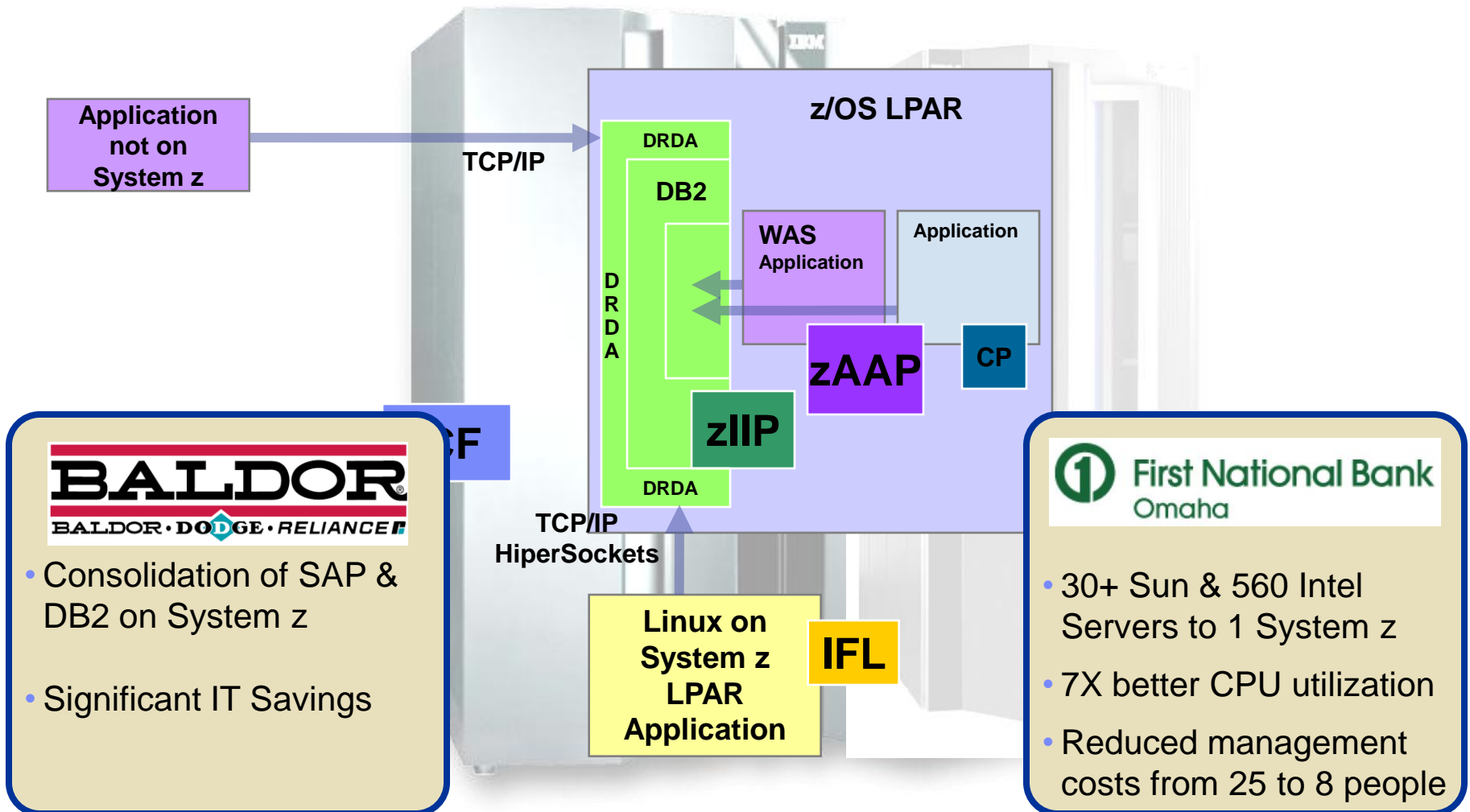
The Premier Platform for Workload Consolidation





System z:

The Premier Platform for Workload Consolidation



BALDOR
BALDOR • DODGE • RELIANCE

- Consolidation of SAP & DB2 on System z
- Significant IT Savings

1 First National Bank Omaha

- 30+ Sun & 560 Intel Servers to 1 System z
- 7X better CPU utilization
- Reduced management costs from 25 to 8 people



DB2 for z/OS 9 pureXML

"...We have evaluated the new native XML support and view this as a major technological advancement to integrate XML data into a format that will allow for more robust and efficient usage by applications..."



"...This is not a bolt-on or band-aid approach, DB2 9 for z/OS is XML without compromise..."



* New!



DB2 for z/OS 9 pureXML *Industry Bundles*

- **Quick start for customers and partners based on popular industry standard XML**
 - ACORD for Insurance (enabled for DB2 for z/OS)
 - FIXML (enabled for DB2 for z/OS) for Banking
 - CDISC for Clinical Data
 - FpML and MISMO for Financial Services
- **Demonstrations and samples using industry standard XML formats with DB2 pureXML**
- **Data Model with registered XML schemas and XML documents stored in DB2 pureXML database**
- **Sample XML queries**
- **Example services**
 - Create, Replace, Update, Delete and Query
 - Atom feeds
 - XForms



Learn more:

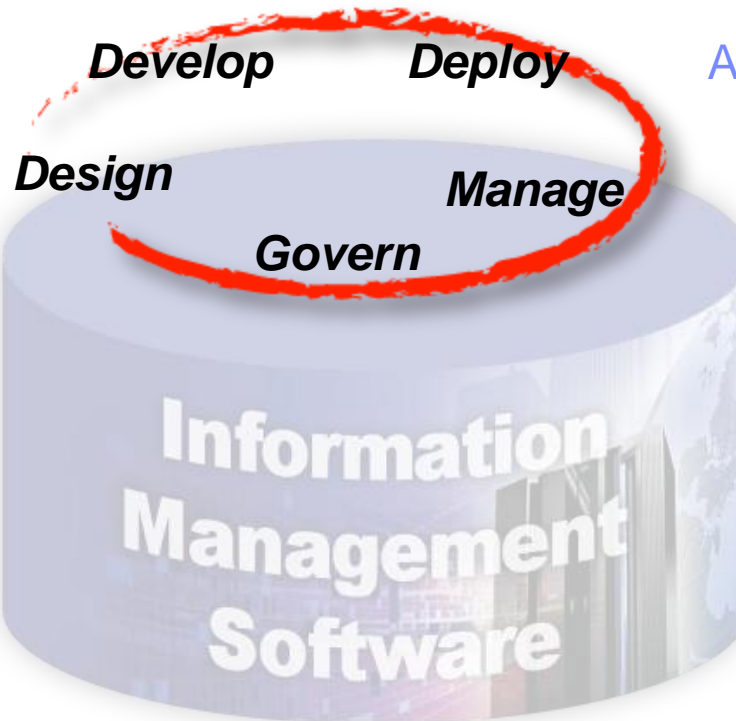
<http://www.alphaworks.ibm.com/tech/purexml>

1st Class Data Lifecycle Management

Integrated Tools to Address Data Lifecycle Tasks



Architects,
Developers



Administrators,
Operators



Eclipse Based...Metadata Driven...Web2.0 Enabled



1st Class Data Lifecycle Management

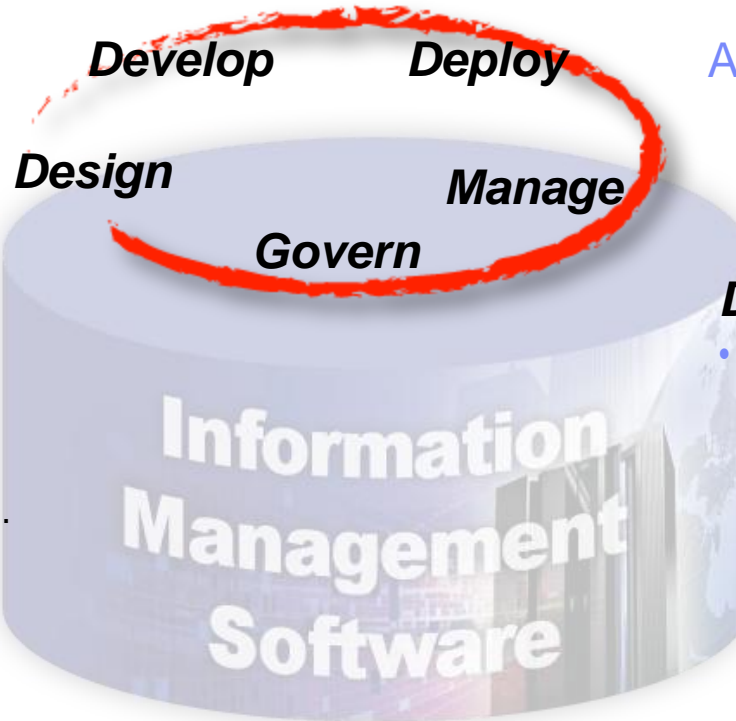
Integrated Tools to Address Data Lifecycle Tasks



Architects,
Developers

Database Development

- Java (JDBC / SQLJ)
- .NET (C#, VB .NET)
- COBOL, PL/I, REXX, C, C++
- PHP, Perl, Python, Ruby on Rails...



Administrators,
Operators



Database Mgmt. Tools

- Administration, Utilities, Performance, Recovery, Information Integration, Application Data, Transactions



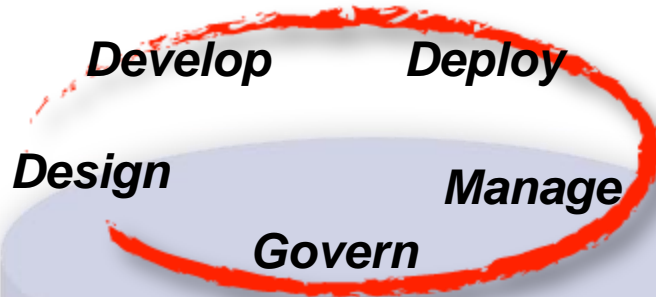


1st Class Data Lifecycle Management

Integrated Tools to Address Data Lifecycle Tasks



Architects,
Developers



Administrators,
Operators



Database Development

- Java (JDBC / SQLJ)
- .NET (C#, VB .NET)
- COBOL, PL/I, REXX, C, C++
- PHP, Perl, Python, Ruby on Rails...

Database Mgmt. Tools

- Administration, Utilities, Performance, Recovery, Information Integration, Application Data, Transactions

Data Lifecycle Tool Priorities

- Developer Productivity, SOA Data Access, Common Administration
- Common across IBM Data Servers
- DB2 for z/OS, Linux, Unix, Windows, iSeries, Informix IDS

Eclipse Based...Metadata Driven...Web2.0 Enabled

Optimize Infrastructure, Skills & Cost

System z Excellence

Enables growth of System z SAP workloads through resource optimization



SAP and DB2 for z/OS

IBM investment of up to \$40 million over the next 5 years

Test, enable and support SAP applications on System z solutions

Enhance existing SAP technical centers

Over 50 DB2 8 & 40 DB2 9 items driven by SAP requirements...

“
proc

We
avai

the new zIIP
on z clients.

it becomes
new values
of service.”

President

DB/OS Platform Development, SAP AG



System z Provides Unique Advantages for Dynamic Warehousing

- **Need to Leverage Operational Data on System z**
 - Minimize latency and costs
 - Maximize availability & resiliency

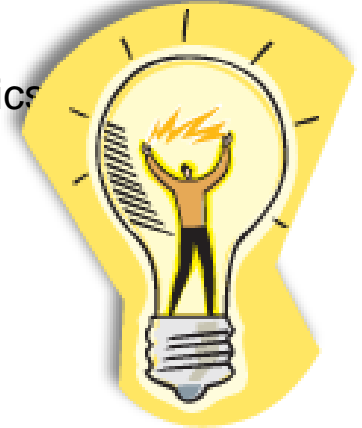
- **DB2 8 and DB2 9 include over 50 Data Warehousing Features**
 - Performance & Availability
 - Ease-of-use, Programming
 - Many SQL improvements, Dynamic index ANDing, Histogram statistics
 - New built-in OLAP functions, Optimization Service Center

- **System z and SAP Optimization**
 - Using SAP BW when SAP R/3 is on System z

- **System z Security**

- **Robust Information Integration Software Portfolio**

- **Major skill set on System z**



Emerging Directions

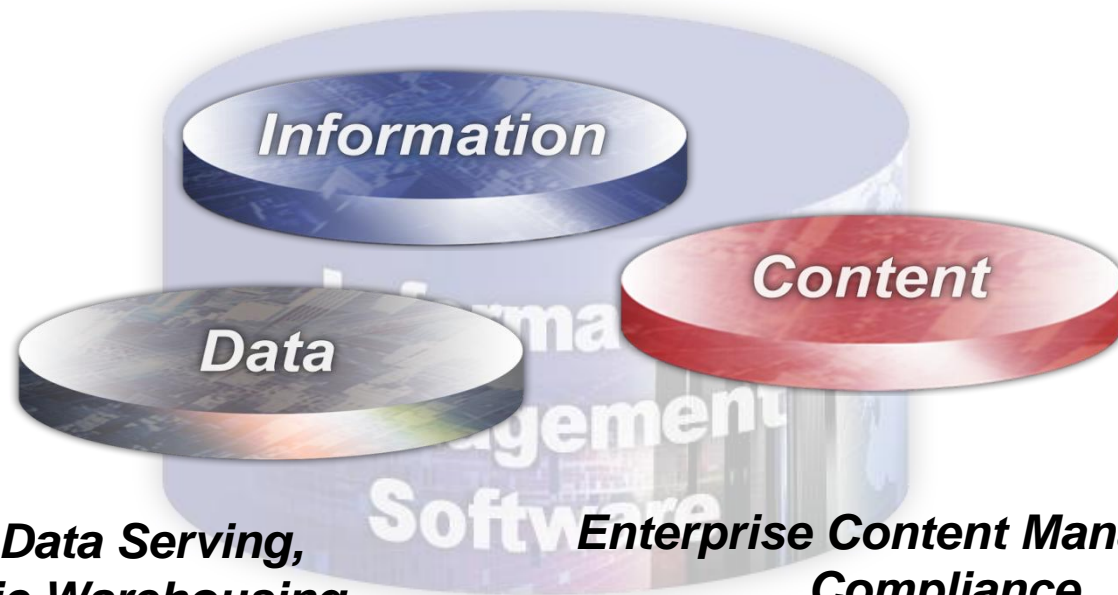
Ambuj Goyal

DESTINATION z



IBM is Investing to Deliver Information On Demand

***Meta-Data Driven Information Integration,
Master Data Management, Industry Models***

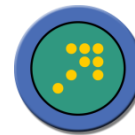


***SOA Data Serving,
Dynamic Warehousing,
SAP and ISV Optimization...***

***Enterprise Content Management,
Compliance,
Content-Centric BPM***

Summary

- ***System z Provides Unique Capabilities to Optimize Value***
 - Workload Consolidation
 - SOA Data Serving
 - Dynamic Warehousing
- ***IBM is Delivering a Rich Software Infrastructure for System z and the Enterprise to Help Create Value from Information***
 - Quality of Service
 - Total Cost of Operations
 - New Workloads Supporting Business Innovation



Questions

Thank
YOU