



Check Model Guide

Rational StateMate Check Model Guide



Before using the information in this manual, be sure to read the “Notices” section of the Help or the PDF file available from **Help > List of Books**.

This edition applies to IBM® Rational® Statemate® 4.6 and to all subsequent releases and modifications until otherwise indicated in new editions.

© Copyright IBM Corporation 1997, 2009.

US Government Users Restricted Rights - Use, duplication or disclosure restricted by GSA ADP Schedule Contract with IBM Corp.

Contents

Using the Check Model Tool	1
Performing a Check on a Single Chart	2
Creating Check Model Profiles	2
Customizing Check Model Profiles	4
Exclude from Check Model Scope	4
Performing a Check on a Profile	5
Analyzing Results and Fixing Errors	7
Automatic Population of Info-Flow	8
Suppressing Check Model Checks	9
Enabling and Disabling Checks	10
Changing Settings for a Specific Profile	11
Changing Global Settings	13
General Check Model Preferences	14
Check Model Test Settings File	16
Charts and GDS Relation Checks	17
(C7601) Loop in chart usage	17
(C7603) Illegal usage type of charts	17
(C7605) Multiple offpage instances	18
(C7607) Inconsistent usage of chart	18
(C7609) Inconsistency of parameter bindings in different generic instances	19
(C7611) Mutual references in global definition sets	19
(C7701) Multiple root charts in Workarea	20
(C7703) Missing charts in Workarea	20
(C7705) Multiple subroutines with the same name	21
(C7707) Procedural charts not connected to any subroutine	21
(C7709) Procedural charts connected to more than one subroutine	22
Statechart Checks	23

Table of Contents

(C1001) Loops in element definition	23
(C1003) Aliases defined as non variable	23
(C1005) Arrays with an out of range index	24
(C1007) Arrays with indices in reverse order	24
(C1009) Constants with inconsistent definition	25
(C1010) Data elements defined as arrays of bit	25
(C1011) Elements using uninitialized context variables	26
(C1013) Elements containing infinite while loops	26
(C1015) Elements containing for loops with erroneous range indices	27
(C1017) Numeric expressions using bit-arrays longer than 32 bits	27
(C1019) Expressions containing operation between arrays with unequal length.	28
(C1021) Loops in index definition	28
(C1023) Defined data elements that are used incorrectly	29
(C1025) Data elements without type definition that are used inconsistently	29
(C1027) Predefined Statemate functions that are used incorrectly	30
(C1029) Subroutines that are used incorrectly.	30
(C1031) Loops in compound transitions.	30
(C1033) Default transitions with illegal sources.	31
(C1035) Default transitions with illegal targets.	32
(C1037) Compound transitions with nonorthogonal sources.	33
(C1039) Compound transitions with nonorthogonal targets.	34
(C1041) Or states without a default entrance	35
(C1043) The tested statechart has multiple top-level states and no default entrance	36
(C1045) Instance off-page connectors with same name as in-page connector	36
(C1047) Multiple instance off-page connectors with conflicting arrow directions	37
(C1049) Definition off-page connectors with same name as in-page connector	38
(C1051) Definition off-page connectors with conflicting arrow directions in instance off-page connector	39
(C1053) Generic instances with inconsistent parameter binding.	40
(C1055) The tested chart has combinational assignments and it is instantiated by states.	40
(C1057) Combinational elements aliases of registered elements or vice versa	41
(C1059) Combinational elements assigned a value multiple times in the same entity.	41

(C1061) Elements using field references that do not appear in the record/union definition . . .	42
(C1062) Elements erroneously using field references.	42
(C1063) Formal parameters whose data-type is not global.	43
(C1065) Actual binding whose data-type is not global	43
(C1067) Empty Records/Unions.	44
(C1071) Tasks/Procedures that are used incorrectly.	44
(C1075) Elements containing out of range assignments of enumerated values.	45
(C1077) Procedures/Functions that are used incorrectly	45
(C1079) Callback procedures that are used/defined incorrectly.	46
(C1081) Elements containing subroutine calls with conflicting length of parameters.	46
(C1083) Procedural statechart without termination connector.	47
(C1085) Elements not declared as parameters or as variables.	47
(C1087) Local variables overriding parameters or global definitions	48
(C1089) Subroutines using recursive calls.	48
(C1091) Subroutines using elements not declared as parameters, local-variables or globals .	49
(C1093) Subroutines that contain references to activities	49
(C1095) Subroutines with illegal parameter type or return type.	50
(C1097) Subroutines with illegal local variables type	51
(C1099) Local variables with illegal type.	51
(C1101) Subroutines with illegal/missing return command	52
(C1103) Subroutines that call other subroutines whose global elements are missing from the calling subroutine definition.	52
(C1105) Subroutines with local variables/parameters overriding parameters/globals.	52
(C1107) Subroutines with illegal combination of type and implementation	53
(C1109) Elements containing a truth table with illegal factorization structure	53
(C1111) Elements containing a truth table with illegal combination of inputs	53
(C1113) Elements containing a truth table with illegal combination of outputs	54
(C1115) Elements containing out of range integer/real assignments	54
(C1117) Transitions without a return command whose target is a termination connector	55
(C1119) Transitions containing a return command whose target is not a termination connector	55
(C1121) Transitions with incomplete source definition.	55
(C1123) Transitions with incomplete target definition.	56

Table of Contents

(C1125) Switch/Case structure contains more than one default entry	56
(C1127) Illegal switch structure: contains conditional break	57
(C1129) More than one arrow with the 'else' trigger exit single source.	57
(C1131) Illegal switch structure: non-unique selected entries	58
(C1133) Inconsistent initial value.	58
(C1135) Inconsistent range definition	59
(C1137) Empty information-flows	60
(C1139) Transitions with priority settings which violate Statechart semantics	61
(C1141) 'else' Transitions with priority	62
(C2001) Missing actual values	63
(C2003) Elements with incorrect or incomplete attribute definitions.	63
(C2004) Elements with non-unique attribute definitions	63
(C2005) Elements that are not referenced in Statemate expressions and definitions	64
(C2007) Elements using redundant context variables	64
(C2009) Elements that could be defined lower in the hierarchy of charts	64
(C2011) Elements that reference unnamed boxes	65
(C2013) Elements containing references to components of non-array elements.	65
(C2015) Elements containing comparisons of unions: (not supported in Code Generation) . .	65
(C2021) Unlabeled transitions exiting from selection or condition connectors	66
(C2023) Compound transitions without a trigger	66
(C2025) States without incoming transitions	67
(C2027) Basic states with a history connector	67
(C2029) Basic states that are "history-cleared"	67
(C2031) States with incomplete static reactions	68
(C2033) States with static reaction triggered by condition	68
(C2035) Isolated connectors.	68
(C2037) Junction, selection, condition, history or diagram connectors with exits but no entrance	69
(C2039) Junction, selection, condition, or diagram connectors with entrances but no exit . . .	69
(C2041) Junction connectors with a single entrance and a single exit	70
(C2043) Selection and condition connectors with entrances but only a single exit.	70
(C2045) Unresolved elements	70
(C2047) The tested chart is a definition chart with multiple top-level boxes.	71

(C2049) The tested chart is a definition chart with empty top-level box	72
(C2051) Instance off-page connectors without a matching definition off-page connector	72
(C2053) “In” parameters not used in the chart.	72
(C2055) “Out” parameters not affected (generated or modified) in the chart	73
(C2057) Elements that are used in the chart are neither “in” parameter nor affected (generated or modified) internally	73
(C2058) Elements affected (generated or modified) by the chart, but are neither “out” parameter nor used internally	74
(C2059) “In” parameters affected (generated or modified) in the chart.	74
(C2060) “Out” parameters used in the chart.	74
(C2061) Data elements with incomplete type definition	75
(C2063) Constant parameter arrays with incomplete length definition	75
(C2065) Defined elements that can be merged with elements from ancestor charts	76
(C2067) The tested statechart contains termination connector	76
(C2069) States with “throughout” or “within” activities	76
(C2071) The tested Statechart contains actions, events or conditions related to activities . . .	77
(C2073) The tested statecharts contains combinational assignments	77
(C2075) Elements overriding global definitions	77
(C2077) The tested statechart contains no states	78
(C2079) Subroutines not implemented in any language	78
(C2081) Elements containing triggers that use functions with potential side effects	78
(C2083) Subroutines containing parameters defined as a nonunique User-defined type	79
(C2085) Enumerated Types with nonunique value names	79
(C2086) Data-Elements with Enumerated Value names.	80
(C2087) Local variables that are not used.	80
(C2089) Local variables used but not affected (generated or modified)	81
(C2091) Local variables affected (generated or modified) but not used	81
(C2093) Textual subroutines using uninitialized local variables	82
(C2095) Textual subroutines using redundant local variables	82
(C2097) Subroutines containing wrong usage of parameters or globals	83
(C2099) Subroutines with incomplete type definition	83
(C2101) Local variables not used in the subroutine	84
(C2103) Elements with illegal “Selected Implementation”	84

Table of Contents

(C2105) Elements containing a truth table with empty default row	84
(C2106) Elements containing a truth table with no inputs	85
(C2107) Elements containing a truth table with empty cells	85
(C2111) “when others” not last in case structure	85
(C2113) Switch/Case structure missing default entry	86
(C2115) Prioritized Transitions with illegal (non-state) source/target	86
(C2117) Arrows with illegal Transition Priority value	87
(C2119) Complex Data elements not defined by User-type	87
(C2121) ‘else’ Transitions exiting from connector (‘else’ is alternative to transitions exiting the connector, not the source state)	88
(C15000) Events marked as ‘Task Event’ are not connected with EXTENDED Task	90
(C15001) Event(s), ‘Its Task’ is defined as ‘default’	90
(C15002) Either ‘send’ or ‘receive’ are operated on non-message elements	90
(C15003) Either ‘get’ or ‘release’ are operated on non-resource elements	91
(C15004) Data-items and/or conditions mapping to external symbol, which is not unique	91
(C15005) Operands in expressions, defined neither as double-buffered nor as having buffered access mode	91
(C15006) Multiple events, that are ‘Task Event’, with the same ‘Its Task’ and the same ‘Event Mask’	92
(C15007) Events that their its task is not appropriate	93
(C15008) Derived events that their its task is not appropriate	93
(C15009) Elements unnecessarily defined as double-buffered	94
(C16000) Boxes contain ‘Combinational assignment’ — Usage of incompatible feature	94
(C16003) Functions implemented with incompatible language	95
(C16007) Usage of incompatible operators/functions	95
(C16008) Usage of incompatible operators on a record data-item	96
Flow Chart Checks	97
(C17001) Missing actual values for parameters	97
(C17003) Elements with incorrect or incomplete attribute definitions	97
(C17004) Elements with non-unique attribute definitions	98
(C17005) Elements are not referenced in Statemate expressions and definitions	98
(C17007) Elements using redundant context variables	99

(C17009) Elements that could be defined lower in the hierarchy of charts	99
(C17011) Elements that reference unnamed boxes	100
(C17013) Elements containing references to components of non-array elements.	100
(C17015) Elements containing comparisons of unions: (not supported in Code Generation)	101
(C17017) Transitions with incomplete source definition	101
(C17019) Transitions with incomplete target definition	102
(C17025) States without incoming transitions	102
(C17045) Unresolved elements	102
(C17049) The tested chart is a definition with empty top-level box	103
(C17051) Instance off-page connectors without a matching definition off-page connector	103
(C17053) “In” parameters not used in the chart.	103
(C17055) “Out” parameters not affected (generated or modified) in the chart	104
(C17057) Elements that are used in the chart but are neither “in” parameter not affected (generated or modified) internally.	104
(C17058) Elements affected (generated or modified) by the chart but are neither “out” parameter not used internally	105
(C17059) “In parameters affected (generated or modified) in the chart.	105
(C17060) “Out” parameters used in the chart.	106
(C17061) data elements with incomplete type definition.	106
(C17063) Constant parameter arrays with incomplete length definition	106
(C17065) Defined elements that can be merged with elements from ancestor charts	107
(C17071) The tested statechart contains actions, events, or conditions related to activities	107
(C17075) Elements overriding global definition	108
(C17077) The test flowchart contains no flow-boxes.	108
(C17079) Subroutines not implemented in any language	109
(C17081) Elements containing triggers that use functions with potential side affects	109
(C17083) Subroutines containing parameters defined as a nonunique User-defined type	110
(C17085) Enumerated Types with nonunique value names	110
(C17086) Data-Elements with Enumerated Value names.	111
(C17087) Local variables that are not used.	111
(C17089) Local variables used but not affected (generate or modified)	112
(C17091) Local variables affected (generated or modified) but not used	112
(C17093) Textual subroutines using uninitialized local variables	113

Table of Contents

(C17095) Textual subroutines using redundant local variables	113
(C17097) Subroutines containing wrong usage of parameters or globals	114
(C17099) Subroutines with incomplete type definition	114
(C17101) Local variables not used in the subroutine	115
(C17103) Elements with illegal “Selected Implementation”	115
(C17105) Elements containing a truth table with empty default	116
(C17107) Elements containing a truth table with empty cells	116
(C17108) Elements containing a truth table with no inputs	117
(C17109) “when others” not last in case structure	117
(C17111) Switch/case structure is missing default entry	118
(C17113) Complex Data elements not defined by User-type	118
(C18000) Compound boxes with no start arrow and not default transition	119
(C18001) Compound boxes with no end connector	119
(C18002) Arrows crossing box boundaries	120
(C18003) Loops in element definition	121
(C18004) Aliases defined as non variable or non bit-array	121
(C18005) Arrays with an out of range index	122
(C18007) Arrays with indices in reverse order	122
(C18009) Constants in inconsistent definition	123
(C18010) Data elements defined as arrays of bit	123
(C18011) Elements using uninitialized context variables	124
(C18013) Elements containing infinite while loops	124
(C18015) Elements containing for loops with erroneous range indices	125
(C18017) Numeric expressions using bit-arrays longer than 32 bits	125
(C18019) Expressions containing operation between arrays with unequal length	126
(C18021) Loops in index definition	126
(C18023) Defined data elements that are used incorrectly	127
(C18025) Data elements without type definition that are used inconsistently	128
(C18027) Predefined Statemate functions that are used incorrectly	128
(C18029) Subroutines that are used incorrectly	129
(C18031) Decision box(es) with same boolean value on both exiting arrows	129
(C18033) Default transitions with illegal sources	130

(C18043) The tested statechart has multiple top-level states and no default entrance	131
(C18045) Instance off-page connectors with same name as in-page connector	131
(C18047) Multiple instance off-page connectors with conflicting arrow directions	132
(C18049) Definition off-page connectors with same name as in-page connectors	133
(C18051) Definition off-page connectors with conflicting arrow directions in instance off-page connector	134
(C18053) Generic instances with inconsistent parameter binding.	135
(C18057) Combinational elements aliases of registered elements or vice versa	135
(C18061) Elements using field references that do not appear in the record/union definition .	136
(C18062) Elements erroneously using field references.	136
(C18063) Formal parameters whose data-type is not global.	137
(C18065) Actual binding whose data-type is not global	137
(C18067) Empty Records/Unions.	138
(C18075) Elements containing out of range assignments of enumerated values.	138
(C18077) procedures/Functions that are used incorrectly	139
(C18079) Callback procedures that are used/defined incorrectly.	139
(C18081) Elements containing subroutine calls with conflicting length of parameters.	140
(C18085) Elements not declared as parameters or as variables.	140
(C18087) Local variables overriding parameters or global definitions	141
(C18089) Subroutine using recursive calls.	141
(C18091) Subroutines using elements not declared as parameters, local-variables, or globals	142
(C18093) Subroutines that contain references to activities	142
(C18095) Subroutines with illegal parameter type or return type.	143
(C18097) Subroutines with illegal local variable type	144
(C18099) Local variables with illegal type.	144
(C18101) Subroutines with illegal/missing return command	145
(C18103) Subroutines that call other subroutines whose global elements are missing from the calling subroutine definition	145
(C18105) Subroutines with local variables/parameters overriding parameters/globals.	146
(C18107) Subroutine with illegal combination of type and implementation	146
(C18109) Elements containing a truth table with illegal factorization structure	147
(C18111) Elements containing a truth table with illegal combination of inputs	147
(C18113) Elements containing a truth table with illegal combination of outputs	148

Table of Contents

(C18115) Elements containing out of range integer/real assignments	148
(C18117) Switch/Case structure contains more than one default entry.	149
(C18119) Illegal switch structure: contains conditional break	150
(C18121) Illegal switch structure: non-unique selected entries	151
(C18123) Inconsistent initial value.	151
(C18125) Inconsistent range definition	152
(C18127) Arrays with illegal indices	154
(C19000) Events(s), 'Its Task' is defined as 'default'	154
(C19001) Events marked as 'Task Event' are not connected with ENTENDED Task.	156
(C19002) Either 'send' or receive' are operated on non-message elements	156
(C19003) Either 'get' or 'release', are operated on non-resource elements	157
(C19004) Data-items or/and conditions, mapping to external symbol, which is not unique . .	157
(C19005) Operands in expression, defined neither as double-buffered nor as having buffered access mode.	158
(C19006) Multiple events, that are 'Task Event', with the same 'Its Task' and the same 'Event Mask'	158
(C19007) Events that their its task is not appropriate	159
(C19008) Event(s), that are not 'Task Event", used in flowchart	159
(C19009) Derived events that their its task is not appropriate	159
(C19010) Elements unnecessarily defined as double-buffered	160
(C20003) Usage of incompatible operators/functions	160
(C20004) Usage of incompatible operators on a record data-item.	161
Activity Chart Checks	163
(C3001) Loops in element definition	163
(C3003) Aliases defined as non variable or non bit-array	164
(C3005) Arrays with an out of range index	164
(C3007) Arrays with indices in reverse order	165
(C3009) Constants with inconsistent definition	166
(C3010) Data elements defined as arrays of bit	166
(C3011) Elements using uninitialized context variables	167
(C3013) Elements containing infinite While Loops	168
(C3015) Elements containing For Loops with erroneous range indices	169

(C3017) Numeric expressions using bit-arrays longer than 32 bits	169
(C3019) Expressions containing operations between arrays with unequal length.	170
(C3021) Loops in index definition	170
(C3023) Defined data elements that are used incorrectly	171
(C3025) Data elements without type definition that are used inconsistently	172
(C3027) Predefined functions that are used incorrectly	173
(C3029) Subroutines that are used incorrectly.	174
(C3031) Loops in compound flow-lines.	175
(C3033) Compound flow-lines with identical sources and targets.	176
(C3035) Flow-line segments with illegal joints	177
(C3037) Flow-lines between data-stores	178
(C3039) Flow-lines between external activities	179
(C3041) Conflicting labels on flow-line components	180
(C3043) Composition connectors with multiple entrances and multiple exits	181
(C3045) Instance off-page connectors with same name as in-page connector	181
(C3047) Multiple instance off-page connectors with conflicting arrow directions	183
(C3049) Definition off-page connectors with same name as in-page connector	184
(C3051) Definition off-page connectors with conflicting arrow directions in instance off-page connector	184
(C3053) Elements that flow to/from instance with contradicting source/target name in definition chart.	185
(C3055) Elements that flow to/from definition with contradicting source/target name in instance chart	187
(C3059) Generic instances with inconsistent parameter binding.	188
(C3061) Controlled-termination activities that contain stop action	189
(C3063) Self-termination activities that do not contain stop action	189
(C3065) Combinational elements aliases of registered elements or vice versa	190
(C3067) Combinational elements assigned a value multiple times in the same entity.	191
(C3069) Elements using field references that do not appear in the record / union definition .	192
(C3070) Elements erroneously using field references.	193
(C3071) Formal parameters whose data-type is not global.	193
(C3073) Actual binding whose data-type is not global	194
(C3075) Empty Records/Unions.	194

Table of Contents

(C3077) Non-generic instance blocks with explicit ports	195
(C3079) Blocks containing multiple ports with same name	195
(C3081) Bus/Signal flowing between two “in ports”	195
(C3083) Bus/Signal flowing between two “out ports”	196
(C3085) Sub-types that conflict with enumerated type definition.	196
(C3087) Tasks/procedures that are used incorrectly.	197
(C3089) Elements containing out-of-range assignments of enumerated values	198
(C3091) Procedures/Functions that are used incorrectly	199
(C3093) External activities in generic chart with “User-Added Code Bindings”.	200
(C3095) Callback procedures that are used/defined incorrectly.	201
(C3097) Elements containing subroutine calls with conflicting length of parameters.	202
(C3099) Subroutines using recursive calls.	203
(C3101) Subroutines that are used incorrectly.	204
(C3105) Subroutines that contain references to activities	205
(C3107) Subroutines with illegal parameter type or return type.	206
(C3109) Subroutines with illegal local variables type	207
(C3111) Subroutines with illegal/missing RETURN command	208
(C3113) Subroutines that call other subroutines whose global elements are missing from the calling subroutine definition.	208
(C3115) Subroutines with local variables/parameters overriding parameters/globals.	209
(C3117) Subroutines with illegal combination of type and implementation	209
(C3119) Elements containing a truth table with illegal factorization structure	210
(C3121) Elements containing a truth table with illegal combination of outputs	212
(C3123) Elements containing a truth table with illegal combination of inputs	213
(C3125) Elements containing out of range integer/real assignments	214
(C3127) Activities that contain more than one control activity.	214
(C3129) Activities that contain sub-activities with the same name	216
(C3131) Illegal usage of components	217
(C3133) Instance components with illegal port bindings	217
(C3135) Continuous instances with inconsistent parameter binding	218
(C3137) Illegal switch structure contains conditional break.	219
(C3138) Switch/Case structure contain more than one default entry.	220

(C3138) Switch/Case structure contains more than one default entry	221
(C3139) Illegal switch structure: non-unique selected entries	222
(C3141) Inconsistent initial value.	223
(C3143) Inconsistent range definition	224
(C3145) Arrays with illegal indices	226
(C4001) Empty information-flows	227
(C4003) Missing actual values for parameters	227
(C4005) Elements with incomplete attribute definitions	227
(C4006) Elements with non-unique attribute definitions	228
(C4007) Elements that are not referenced.	228
(C4009) Elements using redundant context variables	229
(C4011) Elements that could be defined lower in the hierarchy of charts	230
(C4013) Elements containing references to components of non-array elements.	231
(C4015) Elements containing comparisons of unions: (not supported in Code Generation . .	231
(C4017) Unlabeled compound flow-lines	232
(C4019) Unlabeled flow-lines entering or exiting composition connectors.	233
(C4020) Arrows not a component of any compound data-flow	233
(C4021) Flow-lines with incomplete source definition.	234
(C4023) Flow-lines with incomplete target definition.	235
(C4025) Compound flow-lines with identical sources	236
(C4027) Compound flow-lines with identical targets	237
(C4029) Basic activities without any output	238
(C4031) Data-stores without incoming flow-lines or without outgoing flow-lines	239
(C4033) Activities with a single subactivity or data-store	240
(C4035) Activities containing “to-control” connector without control-activity	240
(C4037) Composition connectors with illegally located sources or targets	241
(C4039) Isolated connectors.	241
(C4041) Connectors with an entrance and no exit	242
(C4043) Connectors with an exit and no entrance	242
(C4045) Junction or composition connectors with a single entrance and a single exit.	243
(C4047) Composition connectors with missing flow elements.	244
(C4048) Unresolved elements	245

Table of Contents

(C4049) The tested chart is a definition chart with multiple top-level boxes.	246
(C4050) The tested chart is a definition chart with empty top-level box	246
(C4051) Instance off-page connectors without a matching definition off-page connector . . .	247
(C4052) In parameters not used in the chart.	248
(C4053) Out parameters not affected (generated or modified) in the chart.	248
(C4054) In parameters not used in the chart.	249
(C4055) Out parameters not affected in the chart	249
(C4056) In parameters affected in the chart	249
(C4057) Out parameters used in the chart	250
(C4058) Elements that flow from/to instance without a matching flow in definition chart. . .	250
(C4059) Elements that flow from/to definition without a matching flow in instance chart. . .	252
(C4061) Elements that are input to an activity and output of another activity without a flow-line between the two activities	253
(C4063) Actual parameters not flowing to/from generic instance	254
(C4065) Elements that flow to/from generic instance but are not used as actual parameters	255
(C4067) External elements not declared as formal parameters	256
(C4069) Formal parameters not appearing on external flow-lines	256
(C4071) Elements affected by an activity but are neither used internally nor output.	257
(C4073) Elements that are used by an activity but are neither input nor affected internally. .	258
(C4075) Elements output from activity that are not affected internally	259
(C4076) Flow of empty Information flow	260
(C4077) Elements input to activity that are not used internally	260
(C4079) Data elements with incomplete type definition	261
(C4081) Constant parameter arrays with incomplete length definition	261
(C4083) Defined elements that can be merged with elements from ancestor charts	263
(C4085) Activities whose mini-specs contain `started' trigger or `stop' action (in HW style) .	263
(C4087) Procedure-like or self-terminated activities (in HW style).	264
(C4089) Activities with combinational assignments	264
(C4091) The tested activity chart contains no activities	264
(C4093) Elements overriding global definitions	265
(C4095) Subroutines not implemented in any language	265
(C4097) Elements containing triggers that use functions with potential side effects	266

(C4099) Textual subroutines using uninitialized local variables	267
(C4101) Textual subroutines using redundant local variables	268
(C4103) Subroutines containing parameters defined as a non-unique user-defined type.	269
(C4105) Enumerated types with non-unique value names	269
(C4106) Data-Elements with Enumerated Value names.	270
(C4107) Subroutines containing wrong usage of parameters or globals	270
(C4109) Subroutines with incomplete type definition	271
(C4111) Local variable not used in the subroutine	271
(C4113) Elements with illegal “Selected Implementation”	272
(C4115) Elements containing a truth table with empty default row	272
(C4117) Elements containing a truth table with empty cells.	273
(C4118) Elements containing a truth table with no inputs	273
(C4119) Activities with attribute TRANSPARENT_LEVEL set to ON which are not instances of an off-page activity chart.	274
(C4121) Continuous instances with Algebraic loops.	275
(C4123) Actual port binding not flowing to/from continuous diagram instance.	276
(C4125) Elements that flow to/from continuous instance but are not used as actual parameters	276
(C4129) “When others” not last in case structure	277
(C4131) Switch/Case structure missing default entry	278
(C4132) Elements input to router that are not output	279
(C4133) Elements output from router that are not input	280
(C4135) Elements that flow from/to router without a matching flow in descendant chart.	281
(C4137) Elements that flow from/to router without a matching flow in ancestor chart	282
(C4139) Elements that flow from/to instance without a matching flow in descendant chart.	283
(C4141) Elements that flow from/to definition chart without a matching flow in ancestor chart	283
(C4143) Elements flowing to router from basic activity without flowing from the router to another target	284
(C4145) Elements flowing from router to basic activity without flowing to the router from another source.	284
(C4147) Complex Data elements not defined by User-type.	285
(C13000) Events marked as ‘Task Event’ are not connected with EXTENDED Task	286
(C13001) Multiple tasks with the same priority.	286
(C13002) Nested tasks	287

Table of Contents

(C13003) Event(s), 'Its Task' is defined as default	287
(C13004) Either 'send' or 'receive' are operated on non-message elements	287
(C13005) Either 'get' or 'release' are operated on non-resource elements	288
(C13006) Data-items or/and conditions, mapping to external symbol, which is not unique ..	288
(C13007) Operands in expressions, defined neither as double-buffered nor as having buffered access mode	289
(C13008) Multiple events, that are 'Task Event', with the same 'Its Task' and the same 'Event Mask'	289
(C13009) Events that their its task is not appropriate	290
(C13010) Derived events that their task is not appropriate	290
(C13011) Elements unnecessary defined as double-buffered	291
(C14002) Functions implemented with incompatible language	291
(C14006) Usage of incompatible operators/functions	292
(C14007) Usage of incompatible operators on a record data-item	292
Module Chart Checks	293
(C5001) Loops in element definition	293
(C5003) Aliases defined as non variable or non bit-array	294
(C5005) Arrays with an out of range index	294
(C5007) Arrays with indices in reverse order	295
(C5009) Constants with inconsistent definition	295
(C5010) Data elements defined as arrays of bit	296
(C5011) Elements using uninitialized context variables	296
(C5013) Elements containing infinite While Loops	297
(C5015) Elements containing For Loops with erroneous range indices	297
(C5017) Numeric expressions using bit-arrays longer than 32 bits	298
(C5019) Expressions containing operation between arrays with unequal length	298
(C5021) Loops in index definition	299
(C5023) Defined data elements that are used incorrectly	299
(C5025) Data elements without type definition that are used inconsistently	300
(C5027) Predefined Statemate functions that are used incorrectly	300
(C5029) Subroutines that are used incorrectly	301
(C5031) Loops in compound flow-lines	301

(C5033) Compound flow-lines with identical sources and targets	302
(C5035) Flow-line segments with illegal joints	302
(C5037) Flow-lines between storage modules	302
(C5039) Flow-lines between environment modules	303
(C5041) Conflicting labels on flow-line components	303
(C5043) Composition connectors with multiple entrances and multiple exits	303
(C5045) Instance off-page connectors with same name as in-page connector	304
(C5047) Multiple instance off-page connectors with conflicting arrow directions	304
(C5049) Definition off-page connectors with same name as in-page connector	305
(C5051) Definition off-page connectors with conflicting arrow directions in instance off-page connector	305
(C5053) Elements that flow to/from instance with contradicting source/target name in definition chart	306
(C5055) Elements that flow to/from definition with contradicting source/target name in instance chart	306
(C5057) Instance modules with contradicting information in definition module	307
(C5059) Generic instances with inconsistent parameter binding.	307
(C5061) Elements using field references that do not appear in the record / union definition .	308
(C5062) Elements erroneously using field references.	308
(C5063) Formal parameters whose data-type is not global.	309
(C5065) Actual binding whose data-type is not global	309
(C5067) Empty Records/Unions.	310
(C5069) Sub-types that conflict with enumerated type definition.	310
(C5071) Tasks/Procedures that are used incorrectly.	311
(C5075) Elements containing out of range assignments of enumerated values.	312
(C5077) Procedures/functions that are used incorrectly.	312
(C5079) Callback procedures that are used/defined incorrectly.	313
(C5081) Elements containing subroutine calls with conflicting length of parameters.	314
(C5083) Subroutines using recursive calls.	314
(C5085) Subroutines using element not declared as parameters, local variables or globals .	315
(C5087) Subroutines that contain references to activities	316
(C5089) Subroutines with illegal parameter type or return type.	316
(C5091) Subroutines with illegal local variables type	317

Table of Contents

(C5093) Subroutines with illegal/missing RETURN command	318
(C5095) Subroutines that call other subroutines whose global elements are missing from the calling subroutine definition	318
(C5097) Subroutines with local variables/parameters overriding parameters/globals	319
(C5099) Subroutines with illegal combination of type and implementation	319
(C5101) Elements containing a truth table with illegal factorization structure	320
(C5103) Elements containing a truth table with illegal combination of inputs	320
(C5105) Elements containing a truth table with illegal combination of outputs	321
(C5107) Elements containing out of range integer/real assignments	321
(C5109) Inconsistent initial value	322
(C5111) Inconsistent range definition	322
(C5113) Empty information-flows	324
(C6001) Empty information-flows	325
(C6003) Missing actual values for parameters	325
(C6005) Elements with incorrect or incomplete attribute definitions	326
(C6006) Elements with non-unique attribute definitions	326
(C6007) Elements that are never referenced	326
(C6009) Elements using redundant context variables	327
(C6011) Elements that could be defined lower in the hierarchy of charts	327
(C6013) Elements containing references to components of non-array elements	328
(C6015) Elements containing comparisons of unions: (not supported in Code Generation)	328
(C6017) Unlabeled compound flow-lines	329
(C6019) Unlabeled flow-lines entering or exiting composition connectors	329
(C6021) Flow-lines with incomplete source definition	329
(C6023) Flow-lines with incomplete target definition	330
(C6025) Compound flow-lines with identical sources	330
(C6027) Compound flow-lines with identical targets	330
(C6029) Composition connectors with illegally located sources or targets	331
(C6031) Isolated connectors	331
(C6033) Connectors with an entrance and no exit	331
(C6035) Connectors with an exit and no entrance	332
(C6037) Junction or composition connectors with a single entrance and a single exit	332

(C6039) Composition connectors with missing flow elements.	333
(C6041) Unresolved elements	333
(C6043) The tested chart is a definition chart with multiple top-level boxes.	334
(C6045) The tested chart is a definition chart with empty top-level box	334
(C6047) Instance off-page connectors without a matching definition off-page connector . . .	335
(C6049) Elements that flow from/to instance without a matching flow in definition chart. . .	335
(C6051) Elements that flow from/to definition without a matching flow in instance chart. . .	336
(C6053) Actual parameters not flowing to/from generic instance	336
(C6055) Elements that flow to/from generic instance but are not used as actual parameters	337
(C6057) External elements not declared as formal parameters	337
(C6059) Formal parameters not appearing on external flow-lines	338
(C6061) Data elements with incomplete type definition	338
(C6063) Constant parameter arrays with incomplete length definition	339
(C6065) Defined elements that can be merged with elements from ancestor charts	339
(C6067) The tested Module chart contains no modules	340
(C6069) Elements overriding global definitions	340
(C6071) Subroutines not implemented in any language	341
(C6073) Subroutine parameters of a non-unique user-defined type	341
(C6075) Enumerated types with non-unique user-defined type	343
(C6076) Data-Elements with Enumerated Value names.	343
(C6077) Textual subroutines using uninitialized local variables	344
(C6079) Textual subroutine using redundant local variables	345
(C6081) Subroutines containing wrong usage of parameters or globals	345
(C6083) Subroutines with incomplete type definition	346
(C6085) Local variables not used in the subroutine	346
(C6087) Elements with illegal "Selected Implementation"	347
(C6089) Elements containing a truth table with empty default row	347
(C6091) Elements containing a truth table with empty cells.	348
(C6093) Elements containing a truth table with no inputs	348
(C6095) Complex Data elements not defined by User-type.	349
Global Definition Set Checks	351

(C7001) Elements with incorrect or incomplete attribute definitions	351
(C7002) Elements containing references to components of non-array elements.	351
(C7003) The tested global definition set contains no elements	352
(C7004) Elements that are not referenced in Statemate Expressions and Definitions.	352
(C7005) Unresolved elements	352
(C7006) Elements with non-unique attribute definitions	353
(C7007) Data elements with incomplete type definition	353
(C7009) Subroutines not implemented in any language	353
(C7011) Subroutines containing parameters defined as a non-unique User-defined type . . .	354
(C7013) Enumerated types with non-unique value names	354
(C7014) Data-Elements with Enumerated Value names.	355
(C7015) Textual subroutines using uninitialized local variables	355
(C7017) Textual subroutines using redundant local variables	356
(C7019) Subroutines containing wrong usage of parameters or globals	356
(C7020) Subroutines with incomplete type definition	357
(C7021) Local variables not used in the subroutine	357
(C7022) Elements containing a truth table with no inputs	358
(C7023) Elements with illegal "Selected Implementation"	358
(C7024) Elements containing a truth table with empty default row	359
(C7025) Elements containing a truth table with empty cells.	359
(C7027) Complex Data elements not defined by User-type.	360
(C7101) Loops in element definition	361
(C7103) Arrays with indices in reverse order	361
(C7105) Constants with inconsistent definition	362
(C7106) Data elements defined as arrays of bits	362
(C7107) Defined data elements that are used incorrectly	363
(C7109) Data elements without type definition that are used inconsistently	363
(C7110) Subroutines that are used incorrectly.	364
(C7111) Elements having multiple definitions	365
(C7112) Elements using field references that do not appear in the record/union definition . .	365
(C7113) Empty Records/Unions.	365
(C7114) Elements erroneously using field references.	366

(C7116) Tasks/Procedures that are used incorrectly	366
(C7119) Elements containing subroutine calls with conflicting length of parameters	367
(C7121) Subroutines using recursive calls	367
(C7123) Subroutines using elements not declared as parameters, local variables, or globals	368
(C7125) Subroutines that contain references to activities	368
(C7127) Subroutines with illegal parameter type or return type	369
(C7129) Subroutines with illegal local variables type	370
(C7131) Subroutines with illegal/missing RETURN command	370
(C7133) Subroutines with local variables/parameters overriding parameters/globals	371
(C7134) Subroutines with illegal combination of type and implementation	371
(C7135) Elements containing a truth table with illegal factorization structure	372
(C7136) Elements containing a truth table with illegal combination of inputs	372
(C7137) Elements containing a truth table with illegal combination of outputs	373
(C7139) Elements containing out of range integer/real assignments	373
(C7141) Inconsistent initial value	374
(C7143) Inconsistent range definition	374
(C7145) Empty information-flows	376
Sequence Diagram Checks	377
(C7801) Unlabeled message-lines	377
(C7802) Message-lines with incomplete source definition	377
(C7803) Message-lines with incomplete target definition	378
(C7804) Unlabeled timing constraints	378
(C7805) Life-Lines without any input or output	378
(C7806) The tested sequence-diagram contains no life-lines	379
(C7807) Unresolved elements	379
Statechart and Activity Chart Relation Checks	381
(C7201) The control activity is not connected to a statechart	381
(C7203) The control activity is connected to an unresolved statechart	381
(C7205) Unresolved elements	382
(C7207) Input elements not used in the statechart	382
(C7209) Output elements not affected by the statechart	382

(C7211) Elements that are used in a statechart but are neither input nor affected internally .	383
(C7213) Elements affected by the statechart that are neither used nor output.	383
(C7215) Elements affected and used in the statechart but are neither input nor output	384
(C7217) Subactivities not activated by the statechart	384
(C7219) Missing termination connector in the statechart of a self-terminated activity	385
(C7221) Controlled-termination subactivities that are not stopped by the statechart	385
(C7223) Procedure-like subactivities that are stopped by the statechart	386
(C7225) Activities suspended by the Statechart but not resumed, or vice versa	386
(C7227) Empty controlling statechart	387
(C7301) Controlled-termination subactivities of self-terminating activity	387
(C7303) Elements containing references to transparent activities.	388
Activity and Module Chart Relation Checks	389
(C7401) Unresolved elements	389
(C7403) Elements that flow in the activity chart without corresponding flow in the module chart	390
(C7405) Elements that flow in the module chart without corresponding flow in the activity chart	390
(C7407) Basic activities not allocated to any module	391
(C7409) Data-stores not allocated to any module	391
(C7411) Basic modules to which no activity or data-store is allocated	391
(C7501) Activities or data-stores whose allocation in modules violates the hierarchy rules .	392
Index	393

Using the Check Model Tool

The IBM® Rational® StateMate® Check Model tool is an error-handling tool that enables you to check for errors and warnings in Rational StateMate models. While designing model charts and diagrams, the Rational StateMate graphical editors handle simple, syntactical errors. Use Check Model to both detect and resolve more complex errors in relational elements of models.

Check Model performs the following types of checks:

- ◆ **Correctness** - Checks for inconsistencies in the model. Correctness checks return errors.
- ◆ **Completeness** - Checks for redundancy and incompleteness in the model. Completeness checks return warnings.
- ◆ **Design** - Checks for design problems in the model. This type of check is available in Rational StateMate extended mode. Design checks return warnings.
- ◆ **Rational StateMate MicroC Compatibility** - Reports on Rational StateMate features used that are not supported in MicroC code generation.

Correctness checks detect illegal situations regarded as errors, whereas most completeness checks warn of possible oversights in your System Under Design specifications. Some completeness warnings might have minimal or no impact on a model's overall design or the behavior of a system.

This section describes how to check Rational StateMate models using the Check Model tool. The topics are as follows:

- ◆ [Performing a Check on a Single Chart](#)
- ◆ [Creating Check Model Profiles](#)
- ◆ [Customizing Check Model Profiles](#)
- ◆ [Analyzing Results and Fixing Errors](#)
- ◆ [Enabling and Disabling Checks](#)
- ◆ [Check Model Test Settings File](#)

Performing a Check on a Single Chart

At any stage during your work on an individual chart, you can easily run Check Model. Best practices advise running Check Model frequently during the design process to ensure that errors are caught before models become too complex and errors compound.

To check an individual chart, do the following:


1. Open the chart within its graphic editor.
2. Select **Tools > Check Model**.

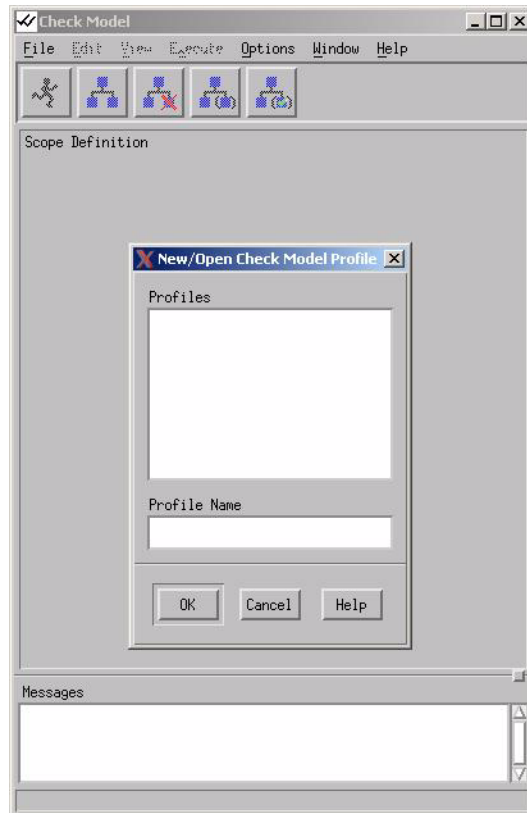
Check Model runs a check on the chart and all its elements and reports the number of errors in correctness or warnings in completeness in the **Messages** field. In addition, a list of check names and numbers for erroneous elements open in a text editor.

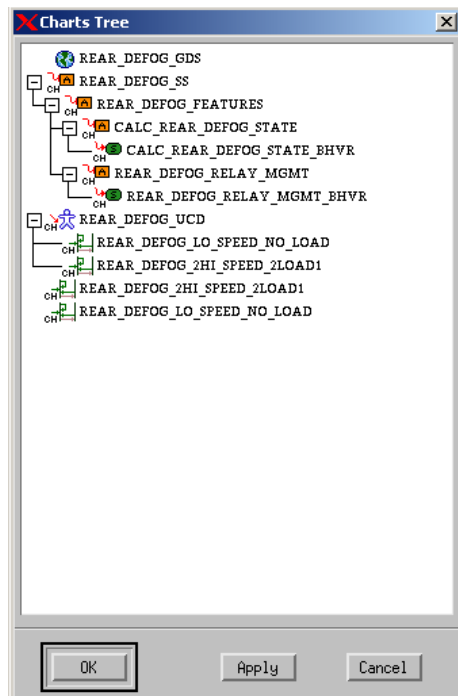
Creating Check Model Profiles

Check Model enables you to create a configuration of charts and diagrams to check and recheck by using profiles. Each Check Model profile displays the scope of all the charts and diagrams to be checked.

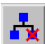
To create a Check Model profile, do the following:

1. Open the Check Model tool, then select **File > New Profile**. The New Check Model Profile dialog box opens.
2. Enter a **Name** for the profile, then click **OK**.
3. Click **Add Selected Chart with Descendants to Profile** . The Charts Tree dialog box opens. See the following figure.
4. Select the **names** of the charts you want to check in the chart tree. To include additional charts within a profile's scope, even if those charts are not hierarchically related, select the chart names from the chart tree.
5. Click **OK**. The Charts Tree dialog box closes.
6. Select **File > Save**.





Customizing Check Model Profiles

To delete charts from a profile's scope, select the chart name and click **Remove Selected Objects from Profile** . The profile editor removes the selected chart and all its children charts from the profile.

Exclude from Check Model Scope

Exclude from Scope allows trimming of the activity chart's hierarchy at a defined activity chart. The result is a scope that includes only a part of the model hierarchy.

The activity chart that was excluded from the scope is marked with a special icon and does not show any of its descendants.

To exclude an activity chart from the scope, select **Edit > Exclude from Scope**.

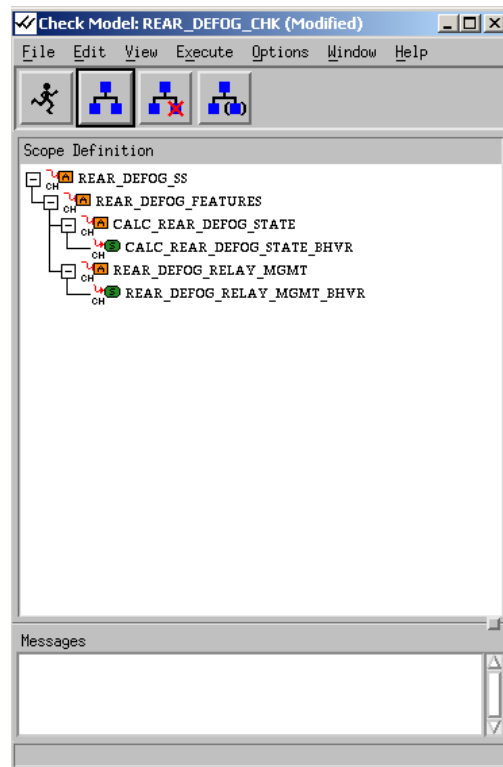
To include the activity chart back into the scope, select **Edit > Include in Scope**.

Performing a Check on a Profile

Rational StateMate enables you to check multiple charts and diagrams, and the relation of their elements, using the Check Model profile.

To perform a check on a configuration of charts in a model, do the following:

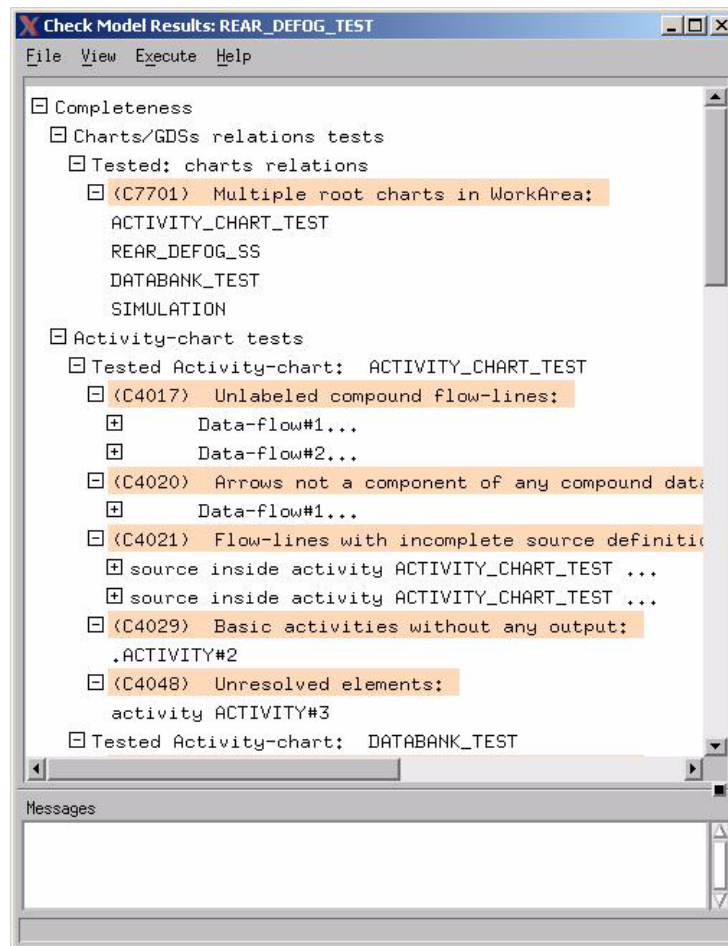
1. Create a new profile or open a saved profile of the charts you want to check.



2. Click **Execute Current Check Model Profile** .

The Check Model Results window opens (see the following figure) and reports correctness errors and completeness warnings for specific elements, listed by check number and name.

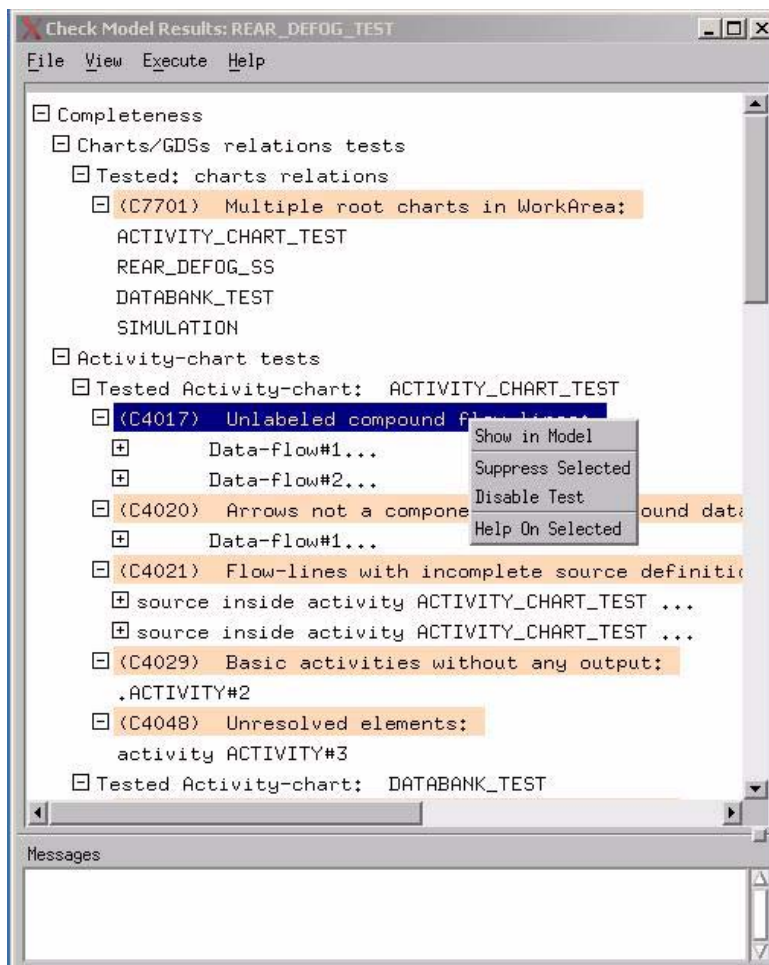
To sort the results, select **View > Sort**.



Analyzing Results and Fixing Errors

The **Check Model Results** window reports correctness errors and completeness warnings for model elements by check number and name. After running a check, Check Model lists the erroneous element and its location in the model for each error.

You can examine and edit the properties of these erroneous elements through the Check Model Results window by right-clicking on the element name and clicking **Properties** or opening the graphic editor or property in which it appears.



For descriptions of each Check Model check by chart and chart relation, see the following sections:

- ◆ [Charts and GDS Relation Checks](#)

- ◆ [Statechart Checks](#)
- ◆ [Activity Chart Checks](#)
- ◆ [Module Chart Checks](#)
- ◆ [Global Definition Set Checks](#)
- ◆ [Sequence Diagram Checks](#)
- ◆ [Statechart and Activity Chart Relation Checks](#)
- ◆ [Activity and Module Chart Relation Checks](#)

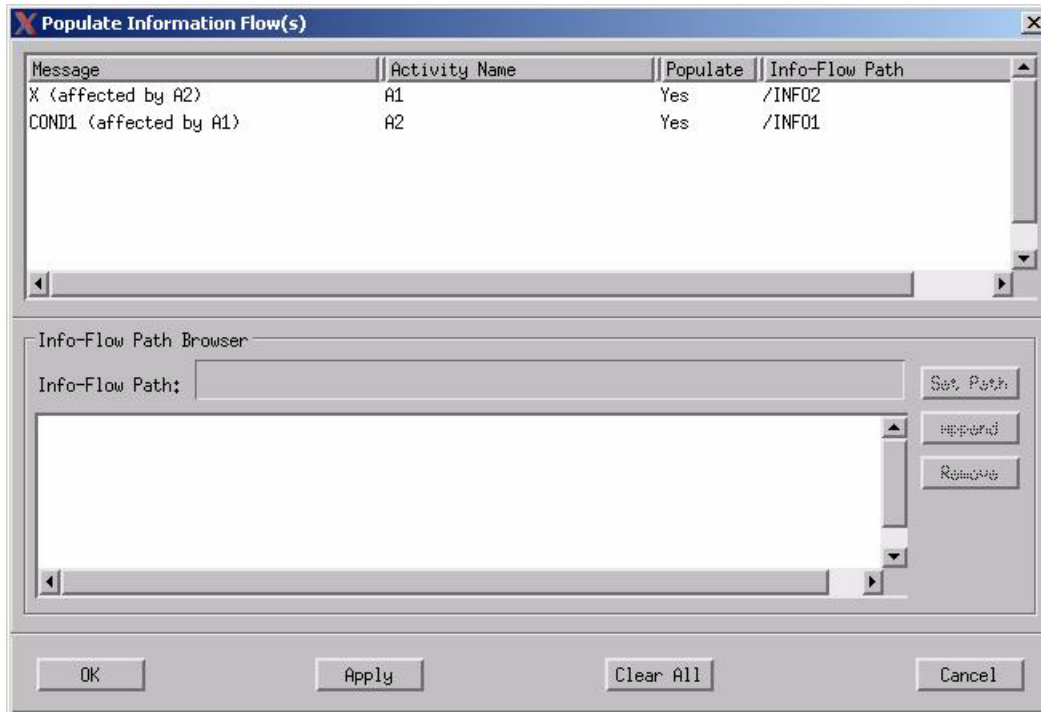
Automatic Population of Info-Flow

This feature enables a quick resolution for the following check-model errors, using the check-model suggested actions mechanism:

- ◆ (C4071) Elements affected by an activity but are neither used internally nor output
- ◆ (C4073) Elements that are used by an activity but are neither input nor affected internally

When the tool is able to suggest an information-flow path resolving these errors, a new default action is offered on the error node, called Populate Information Flow(s).

To open the Populate Information Flow dialog box, right-click on the error node in the Check-Model tree view and select **Populate Information Flow(s) > Set Information Flow Path**. This dialog box enables you to define alternate information-flow paths to resolve the check-model error. When the dialog box opens, it displays the first possible path that resolves the error. You can modify this suggested information-flow path or select an alternate route.



To apply the default, suggested path, select **Populate Information Flow(s) > Set Default Path**.

Suppressing Check Model Checks

To further isolate which errors the tool reports, you can suppress selected errors from the report as follows:

1. Execute a check on a model profile.
2. Right-click the check name or erroneous error, then select **Suppress Selected**.

Check Model runs an analysis on suppressed checks, but does not report them. Suppressed errors remain not visible in the report until you unsuppress them.

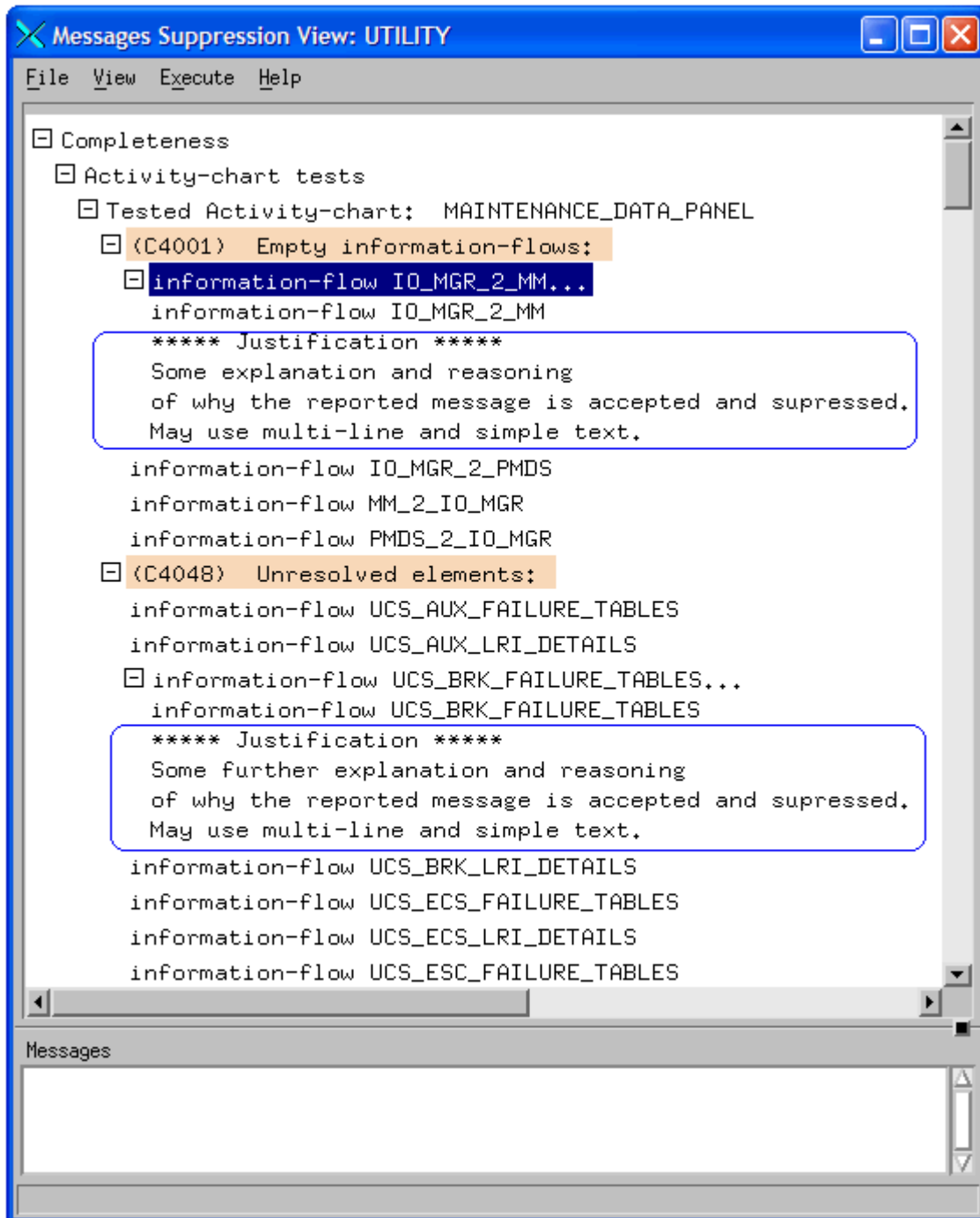
To view suppressed errors, select **View > Messages Suppression View** from the Check Model Results window (see the following figure).

To unsuppress a check or error, right-click and select **Unsuppress Selected**.

To add justification as to the rationale behind user's decision to suppress particular error/warning, right click and select **Edit Justification**.

The justification text is displayed in the "Message Suppression View" just under the error/warning report and is saved in the Check Model Profile, under the specific error/warning section of the

message suppression view. Users may access that data by reading/parsing the Check Model Profile.



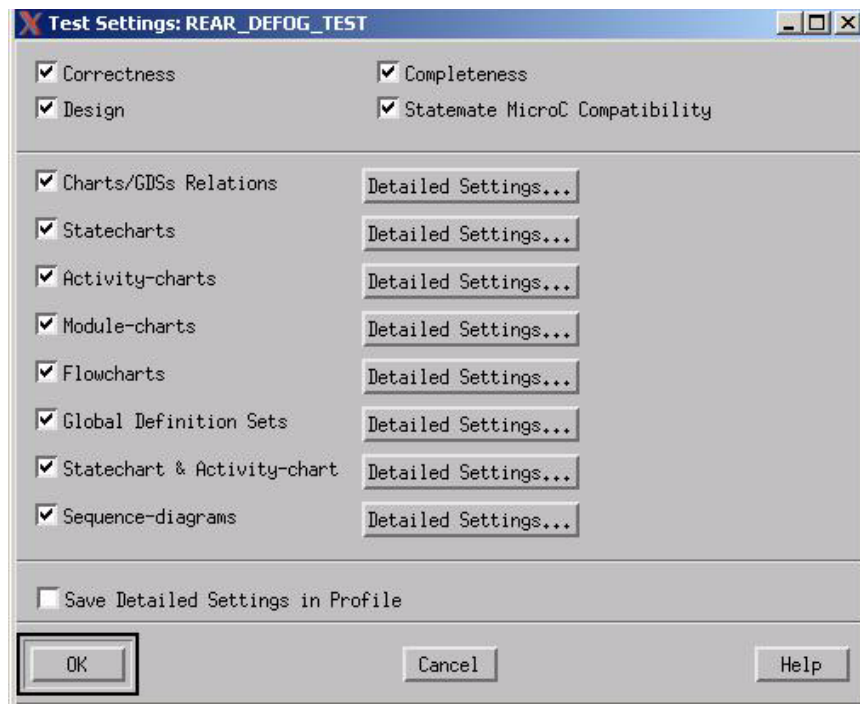
Enabling and Disabling Checks

To refine the focus of a scan for errors in a model, the Check Model tool provides the option of configuring which checks run in a given analysis. You can enable or disable any Check Model check, either for specified profiles or globally, for checks of all model elements within a project, by a user, or on a system.

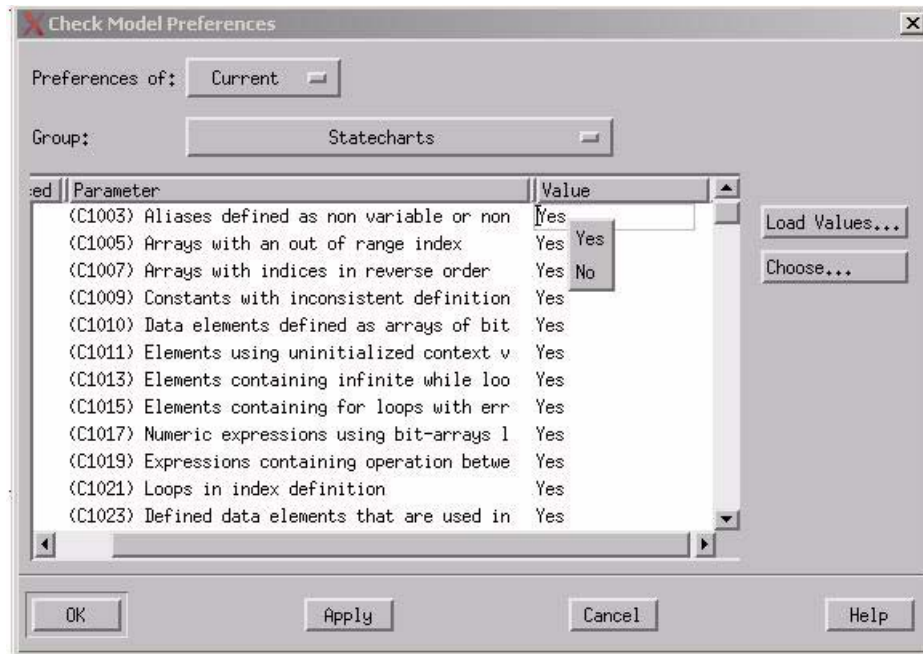
Changing Settings for a Specific Profile

To set check options for a specific profile:

1. Open the profile in Check Model, then select **Options > Test Settings**. The Test Settings dialog box opens for the profile, as shown in the following figure.



2. Select the **type of check** to run and the **type of charts** to check.
3. Disable and enable specific checks by clicking **Detailed Settings**, then selecting **Yes** or **No** in the **Value** column.



4. Click **OK** to save your changes and close the dialog box.
5. Select **Save Detailed Settings In Profile** to save the preferences for this specific profile without changing the preference settings in the User Check Model preferences.
6. Click **OK** to dismiss the Test Settings dialog box.

Changing Global Settings

To set check preferences globally for all charts and diagrams:

1. From the Check Model profile, select **Options > Preferences Management**.

Alternatively, from the Rational Statemate browser, select **Options > Preferences Management > Check Model** to open the Check Model Preferences dialog box.

2. Select the environment for the configuration of your check preferences in the **Preferences of** drop-down menu. The possible options are as follows:
 - ◆ **System** - Retrieves the configuration for all checks set on a system
 - ◆ **Project** - Retrieves the configuration for all checks set within the currently selected project
 - ◆ **User** - Sets the configuration for all checks set by a user
 - ◆ **Default** - Resets the default configuration for all checks
 - ◆ **Current** - Displays the current preferences of the active window session

Note: **System** and **Project** settings are permission-sensitive.

3. Select the chart configuration you want to display from the Group drop-down menu
4. Enable or disable checks in the Value column.
5. Click **Apply**, then **OK**.

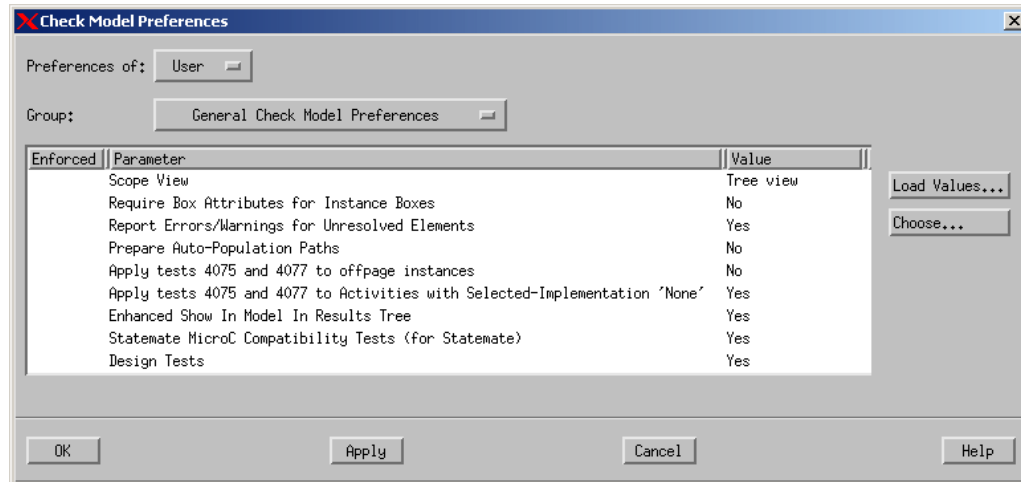
Note

System and Project preferences can be enforced (values cannot be changed by the user). This information is displayed in the Enforced column.

General Check Model Preferences

Check Model also provides a means so that the user can control some preferences that are not specific to any checks.

To access these preferences, select from the Main window **Project > Preference Management > Check Model**.



- ◆ **Scope View** controls the method that test results are displayed to the screen.
- ◆ **Require Box Attributes for Instance Boxes:**
 - Set to **No** when you want to eliminate the Check Model tests 6005, 4005, 2003, 17003 (“Elements with incorrect or incomplete attribute definitions”) for instance boxes.
 - Set to **Yes** for the Check Model tool to check for box attributes also in instance boxes.
- ◆ **Report Errors/Warnings for Unresolved Elements:**
 - Set to **Yes** when you want the Check Model tool to report various Warnings and Errors regarding the element, according to the selected Check Model checks.
 - Set to **No** when you want the Check Model tool to report only those elements that are unresolved. No other Warnings or Errors are generated for the unresolved elements.
- ◆ **Prepare Auto-Population Paths** controls the calculation of the C4073/C4071 default-action (calculation of possible information flow paths) with a preference. In order to enable the feature of automatic population, set to **Yes**. The default value is **No**.

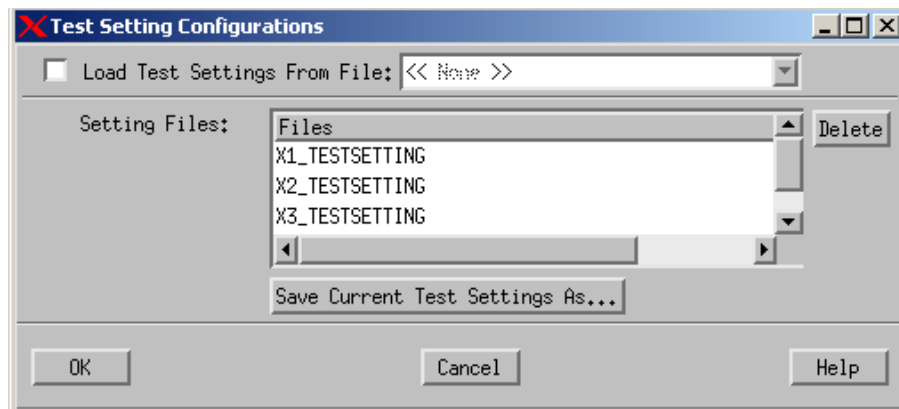
- ◆ **Apply tests 4075 and 4077 to offpage instances** controls whether or not to expand the following tests also for nonbasic activities (off-page):
 - (C4075) Elements output from activity that are not affected (generated or modified) internally.
 - (C4077) Elements input to activity that are not used internally.
- ◆ **Apply tests 4075 and 4077 to Activities with Selected Implementation ‘None’** controls the execution of Check Model tests 4075 and 4077 for activities with Selected-Implementation ‘None’. When set to No, tests 4075 and 4077 will not check activities with selected implementation ‘None’. The default is Yes.
- ◆ **Enhanced Show In Model In Results Tree** controls the availability of the **Show in Model** option from the Check Model results tree for an enhanced list of tests.
- ◆ **Rational Statemate MicroC Compatibility Tests (for Rational Statemate)** controls the execution of Rational Statemate MicroC compatibility tests in Rational Statemate Classic. The default is No.
- ◆ **Design Tests** controls the execution of the “Design” tests of the Check Model tool. A new Check Model profile reads this preference and uses its value as the default value for the Design check box on the Test Settings dialog box (to open, select Options > Test Settings). The default is Yes.

Check Model Test Settings File

You can create and use Check-Model test-sets. Test-sets are files that define enabled/disabled Check-Model tests that are saved in the Rational StateMate Preferences directory and are available for all users using that directory.

To manage test setting files:

1. Choose **Tools > Check Model** to open the Check Model dialog box and the New/Open Check Model Profile dialog box.
2. On the New/Open Check Model Profile dialog box, select a profile or create a new one.
3. On the Check Model dialog box, choose **Options > Test Setting Configurations** to open the Test Settings Configuration dialog box, as shown in the following figure:



4. Depending on what you want to do, you can:
 - ◆ Choose a test setting file from which to load test settings for the current session; click the **Load Test Settings From File** check box.
 - ◆ Save the current test settings (as defined on the Test Setting dialog box, which you open by choosing **Options > Test Settings**) as a test settings file; click the **Save Current Test Settings As** button.
 - ◆ Delete a test setting file; click **Delete**.

Charts and GDS Relation Checks

This section provides the Check Model checks for chart and Global Definition Set (GDS) relations. The checks are listed in numerical order:

(C7601) Loop in chart usage

There are generic/off-page charts whose usage of each other causes a loop.

Error In:

Correctness

Example:

AAA is an off-page chart used in a generic chart GGG; BBB is an off-page chart used in chart AAA. GGG (generic) is instantiated in chart BBB.

Erroneous Elements:

All charts in the loop

(C7603) Illegal usage type of charts

Charts that exist in the model are used as charts of another type.

Error In:

Correctness

Example:

Activity-chart AAA is used as an off-page chart of a state $S@AAA$. Generic chart GGG is used as an off-page chart $S@GGG$.

Erroneous Elements:

Charts

(C7605) Multiple offpage instances

There are charts referenced as off-page charts of more than one box.

Error In:

Correctness

Example:

SSS is a statechart. There are two states in the model using this statechart as an off-page chart, S1@SSS and S2@SSS.

Erroneous Elements:

Charts

(C7607) Inconsistent usage of chart

Charts that are not defined in the model are used inconsistently, both as off-page and generic, or in one place as a statechart and in another as an activity-chart.

Error In:

Correctness

Example:

SSS does not exist in the model. There are two states in the model: S1@SSS and S2<SSS.

AAA does not exist in the model. There is a control activity CTRL@AAA (AAA is used as a statechart) and a regular activity A1@AAA (AAA is used as an activity-chart).

Erroneous Elements:

Charts

(C7609) Inconsistency of parameter bindings in different generic instances

Instance boxes of the same generic chart have an inconsistent binding to the same formal parameter.

Error In:

Correctness

Example:

A<GGG and B<GGG are two instances of the generic GGG.

- ◆ In A, event E is bound to formal parameter P1 and in B, data-item D is bound to P1.
- ◆ In A, event G is bound to P2 and in B, there is no actual binding to P2.

Erroneous Elements:

Instance boxes

(C7611) Mutual references in global definition sets

Global Definition Sets (GDSs) have references to elements in other global definition sets (in a “circular” manner).

Error In:

Correctness

Example:

GLOBAL_TYPES is a GDS that contains the following definitions:

- ◆ BIG_ARRAY is an integer array from 1 to K.
- ◆ MY_INT is an integer from 1 to 10.

CONSTANTS is a GDS that contains the following definitions:

- ◆ K is defined as a constant integer equal to 5.
- ◆ M is defined to be of type MY_INT.

GLOBAL_TYPES and CONSTANTS are two global definition sets that have mutual references.

Erroneous Elements:

Global definition sets

(C7701) Multiple root charts in Workarea

The workarea contains multiple regular charts (non-generic) that are *not* used as off-page charts of other boxes. Therefore, the static structure of charts has multiple roots.

Error In:

Completeness

Erroneous Elements:

Charts

(C7703) Missing charts in Workarea

Charts are referenced as generics or off-page, but are not defined in the workarea.

Error In:

Completeness

Erroneous Elements:

Charts

(C7705) Multiple subroutines with the same name

Subroutines are defined in different charts with the same name.

Error In:

Completeness

Format:

The format is as follows:

```
<subroutine name>  
<Task/Procedure/Function> <chart name>:<subroutine name>
```

Example:

```
MULT  
Function SCH:MULT  
Function SCH_ADA:MULT
```

Erroneous Elements:

Subroutines

(C7707) Procedural charts not connected to any subroutine

Procedural statecharts/flowcharts are not connected to any subroutine.

Error In:

Completeness

Erroneous Elements:

Charts

(C7709) Procedural charts connected to more than one subroutine

Procedural statecharts/flowcharts are connected to more than one subroutine.

Error In:

Completeness

Erroneous Elements:

Charts

Statechart Checks

This section provides the Check Model checks for statecharts. The checks are listed in numerical order.

(C1001) Loops in element definition

Textual elements use themselves in their own definition, via a “chain” definition.

Error In:

Correctness

Example:

Compound event **E1** is defined as `E2 or E3`; **E2** is defined as `E1 or E4`.

Erroneous Elements:

All textual elements in the loop

(C1003) Aliases defined as non variable

Aliases are illegally defined because the element appearing in the definition of the alias is defined as a non-variable compound or constant, or it is not a bit-array.

Error In:

Correctness

Erroneous Elements:

Data-items

(C1005) Arrays with an out of range index

Arrays or bit-arrays are used with an index value that is out of the defined index range.

Error In:

Correctness

Example:

A is an integer array from 1 to 100. The model contains the following action:

$$A(101)=1$$

Erroneous Elements:

Data-items, fields, conditions, and events

(C1007) Arrays with indices in reverse order

There are arrays or bit-arrays for which there are references to slices whose borders are in a reverse order relative to their type definition.

Error In:

Correctness

Example:

A is a bit-array from 31 down to 0. The model contains the following action:

$$A(0..7)=3$$

Erroneous Elements:

Data-items, fields, conditions, and events

(C1009) Constants with inconsistent definition

There are either constant data-items or conditions whose values do not match their type definition; constant strings, arrays, or integers whose length does not match their defined length; or a constant integer whose value is not in the defined value range.

Error In:

Correctness

Erroneous Elements:

Data-item or condition

(C1010) Data elements defined as arrays of bit

Elements are defined as array of a user-defined type (UDT), which is defined as bit.

Error In:

Correctness

Example:

DI1 defined as array of BIT1, which is defined as bit.

Erroneous Elements:

Data-items, UDTs, and fields

(C1011) Elements using uninitialized context variables

Elements contain action expressions that use an uninitialized context variable.

Error In:

Correctness

Example:

There is a transition labeled with the following label:

```
E / Y=$X; $X=Z
```

\$X is used before any value is assigned to it.

Erroneous Elements:

States, transitions, and actions

(C1013) Elements containing infinite while loops

This check detects cases in which the `while` loop control expression does not contain a context variable and there is no `break` statement in the loop.

Error In:

Correctness

Erroneous Elements:

States, transitions, and actions

(C1015) Elements containing for loops with erroneous range indices

Elements contain action expressions in which there are `for` loop statements with invalid ranges.

Error In:

Correctness

Example:

There is an action that contains the following `for` loop statements:

```
for $I in 10 to 1 loop
...
for $I in 1 down to 10 loop
...
```

Erroneous Elements:

States, transitions, and actions

(C1017) Numeric expressions using bit-arrays longer than 32 bits

There are elements containing numeric expressions that use bit-arrays longer than 32 bits. There is an automatic conversion from a bit-array to a numeric value only for a bit-array that is less than or equal to 32 bits.

Error In:

Correctness

Erroneous Elements:

States, transitions, and actions

(C1019) Expressions containing operation between arrays with unequal length

Elements contain assignments or comparisons between arrays or array slices of different lengths.

Error In:

Correctness

Example:

There is an action that contains the assignment $A=B$, where A is defined as an array from 1 to 3, and B is an array from 1 to 5.

Erroneous Elements:

States, transitions, and actions

(C1021) Loops in index definition

Data elements use constants in their definition in a “circular” manner.

Error In:

Correctness

Example:

AR is an array from 1 to N , while N is defined as `rindex (AR)`.

Erroneous Elements:

Data-items, conditions, events, and user-defined types

(C1023) Defined data elements that are used incorrectly

Elements contain expressions in which data-items that are explicitly defined to be of some data-type are used in a way that does not match the type consistency and conversion rules.

Error In:

Correctness

Example:

\mathbb{I} is defined as an integer; s is defined as a string. There is an action that contains the following assignment:

$\mathbb{I} = s$

Erroneous Elements:

States, transitions, events, conditions, data-items, and actions

(C1025) Data elements without type definition that are used inconsistently

There are unresolved or explicitly defined data-items with no type definition that are used in expressions in an inconsistent manner.

Error In:

Correctness

Example:

D is an unresolved element (it is not explicitly defined); \mathbb{I} is an integer; s is a string. D appears in the following assignments:

$D = \mathbb{I}$; $D = s$

Erroneous Elements:

Data-items, conditions, and user-defined types

(C1027) Predefined Statemate functions that are used incorrectly

Predefined Rational Statemate functions are used with parameters of a wrong type, the wrong number of parameters, or the wrong return type.

Error In:

Correctness

Erroneous Elements:

Functions

(C1029) Subroutines that are used incorrectly

User functions are used inconsistently in different expressions (for example, with different return type, different parameter type, or a different number of parameters).

Note: When working with MicroC components, this test also reports situations where a subroutine is called with an actual 'out' parameter that is bound to an external symbol with get/set APIs.

Error In:

Correctness

Erroneous Elements:

Functions

(C1031) Loops in compound transitions

A group of transition segments, linked through connectors, creates a loop (cycle) that does not contain a state.

Error In:

Correctness

Erroneous Elements:

Transition segments in the loops

(C1033) Default transitions with illegal sources

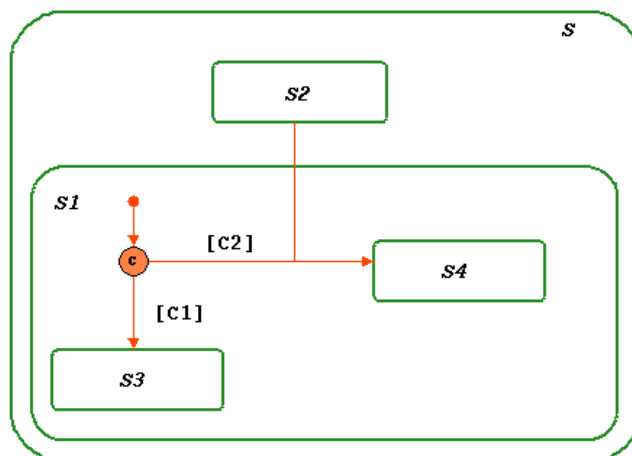
Transitions have multiple sources and one of them is either a conditional connector or a history connector.

Error In:

Correctness

Example:

In the following figure, the compound transition entering s_4 (whose source set consists of the default connector in s_1 and the state s_2) is an erroneous transition.



Erroneous Elements:

Components of the erroneous transitions

(C1035) Default transitions with illegal targets

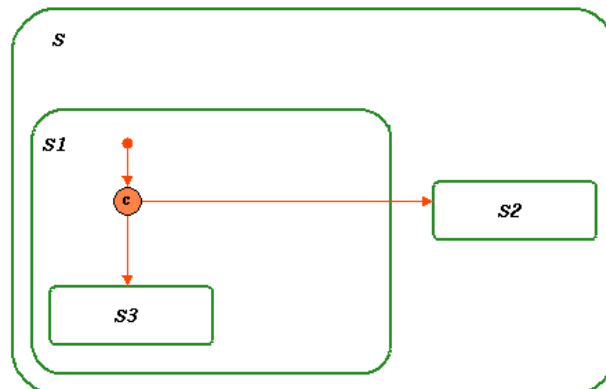
There are transitions whose source is a conditional connector or a history connector, and whose targets are not descendants of the state in which the source connector resides.

Error In:

Correctness

Example:

In the following figure, there are two possible default states when entering $s1$. One entrance leads to $s3$ (which is a substate of $s1$) and the other leads to $s2$ (which is not a descendant of $s1$ and is therefore an invalid transition).



Erroneous Elements:

Components of the erroneous transitions

(C1037) Compound transitions with nonorthogonal sources

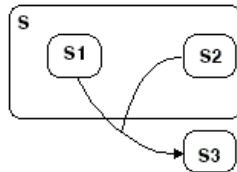
There are compound transitions whose source set of states contains nonorthogonal (exclusive-or) states.

Error In:

Correctness

Example:

In the following figure, s_1 and s_2 are nonorthogonal states whose exiting transitions are contained in an illegal compound transition.



Erroneous Elements:

Components of the erroneous transitions

(C1039) Compound transitions with nonorthogonal targets

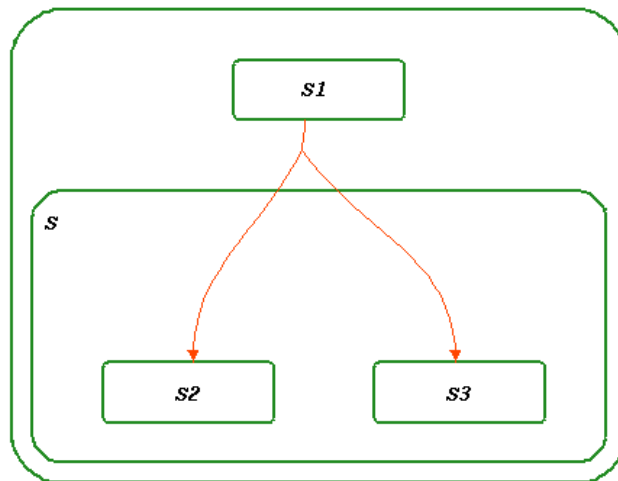
There are compound transitions whose target set of states contains nonorthogonal (exclusive-or) states.

Error In:

Correctness

Example:

In the following figure, the target states of $s1$ contain the exclusive-or states $s2$ and $s3$.



Erroneous Elements:

Components of the erroneous transitions

(C1041) Or states without a default entrance

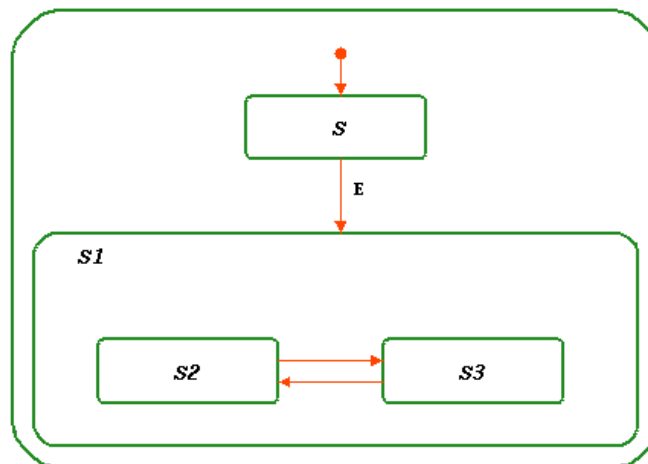
There are states of type “or” (decomposed into exclusive states) with entering transitions but with no “default” entrance.

Error In:

Correctness

Example:

In the following figure, s_1 is an or state consisting of s_2 and s_3 . A transition triggered by event E enters s_1 , but because s_1 has no default entrance, the actual target of this transition is not defined.



Erroneous Elements:

States

(C1043) The tested statechart has multiple top-level states and no default entrance

There are several top-level states in the statechart and no default transition is drawn to any of them.

Error In:

Correctness

Erroneous Elements:

The test chart

(C1045) Instance off-page connectors with same name as in-page connector

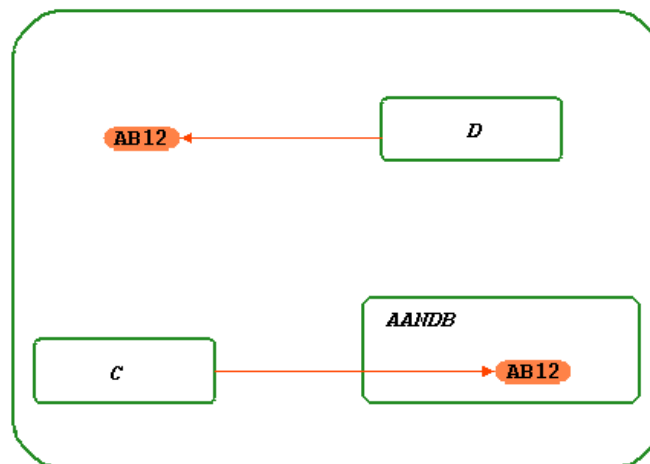
Diagram connectors drawn in an instance state have the same name as another in-page connector in the chart.

Error In:

Correctness

Example:

In the following figure, the instance off-page connector AB12 erroneously has the same name as the in-page connector, the target of the transition from D.



Erroneous Elements:

Instance connectors

(C1047) Multiple instance off-page connectors with conflicting arrow directions

Diagram connectors are drawn in an instance state in which another connector having the same name but conflicting arrow directions is drawn.

Error In:

Correctness

Erroneous Elements:

Instance connectors

(C1049) Definition off-page connectors with same name as in-page connector

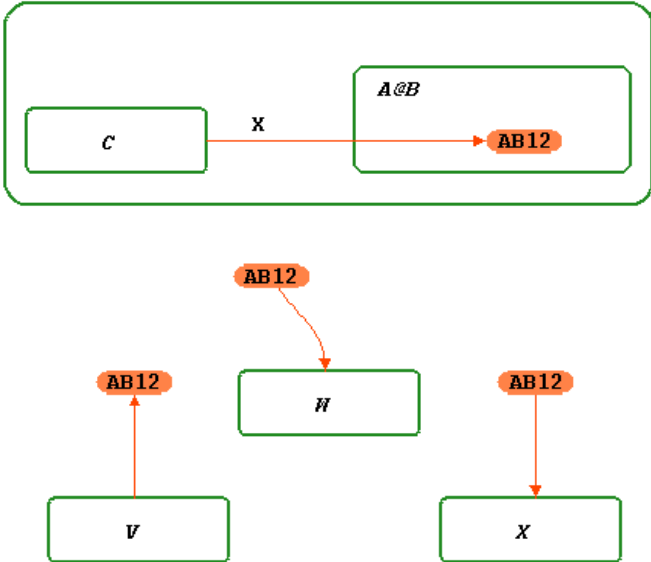
Definition off-page connectors match to an instance off-page connector and have the same name as an in-page diagram connector.

Error In:

Correctness

Example:

In the following figure, the definition chart B has an off-page diagram connector AB12. The off-page connector has the same name as the in-page connector and is therefore illegal.



Erroneous Elements:

Connectors

(C1051) Definition off-page connectors with conflicting arrow directions in instance off-page connector

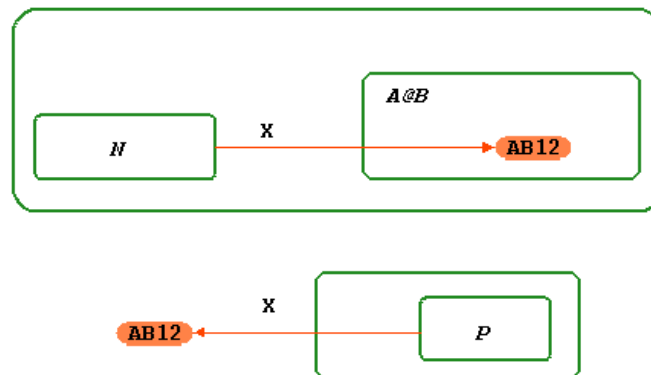
There are definition off-page connectors whose matching connector in the instance chart has a conflicting arrow direction.

Error In:

Correctness

Example:

In the following figure, the instance $A@B$ has an arrow entering the diagram connector $AB12$. Its definition chart B , however, has an arrow exiting the top-level box to the connector $AB12$.



Erroneous Elements:

Definition off-page connectors

(C1053) Generic instances with inconsistent parameter binding

There is inconsistency between the actual bindings in the instance box and the defined formal parameters in the generic chart.

Error In:

Correctness

Erroneous Elements:

Instance boxes

(C1055) The tested chart has combinational assignments and it is instantiated by states

The tested chart contains combinational assignments and is used on an off-page chart for some state. This situation is illegal because it is misleading.

Error In:

Correctness

Erroneous Elements:

The tested chart

(C1057) Combinational elements aliases of registered elements or vice versa

An alias data-item is used as a combinational element—it is assigned a value in a combinational assignment, whereas the element that appears in its definition is used as a registered element, or vice versa.

Error In:

Correctness

Erroneous Elements:

Data-items

(C1059) Combinational elements assigned a value multiple times in the same entity

A data-item is assigned a value in two separate combinational assignments in the tested statechart.

Error In:

Correctness

Erroneous Elements:

Data-items

(C1061) Elements using field references that do not appear in the record/union definition

Elements contain expressions in which a field of an explicitly defined record or union is used, but the field does not appear in the record or union definition.

Error In:

Correctness

Erroneous elements:

States, transitions, and textual elements

(C1062) Elements erroneously using field references

Elements erroneously reference fields.

Error In:

Completeness

Erroneous Elements:

Any element referencing fields.

(C1063) Formal parameters whose data-type is not global

Formal parameters are defined to be of some User-Defined Type (UDT), but the UDT is defined in the generic chart. The UDT is not visible outside the generic chart; therefore, an actual binding cannot have this type.

Error In:

Correctness

Erroneous Elements:

Data-items (formal parameters)

(C1065) Actual binding whose data-type is not global

Data-items used as actual bindings in an instance box are defined to be of some User-defined Type (UDT), but the UDT is not global (it is defined in some chart, and not in a GDS). This UDT is not visible to the generic chart; therefore, a formal parameter cannot have this type.

Error In:

Correctness

Erroneous Elements:

Data-items

(C1067) Empty Records/Unions

Data-items or data-types are defined to be a record or union, but there are no fields defined in the structure. This is a correctness error because it is a fatal error situation for some tools.

Error In:

Correctness

Erroneous Elements:

Data-items or user-defined types

(C1071) Tasks/Procedures that are used incorrectly

Tasks can be bound only to activities. Any other usage (for example, in expressions) is incorrect. Procedures and functions cannot be bound to activities.

Error In:

Correctness

Example:

TASK PRINTER is used as procedure/function in the definition of SCH:AN1.

Erroneous Elements:

Subroutines

(C1075) Elements containing out of range assignments of enumerated values

An element of some subtype is assigned a value that belongs to the enumerated type, but is not in the range of the subtype.

Error In:

Correctness

Example:

```
in definition of SCH_ADA:ACTION WORKING_DAY=SAT
```

Erroneous Elements:

Textual elements, boxes, and arrows

(C1077) Procedures/Functions that are used incorrectly

Either procedures are used as functions (treated in some expression as if they return a value), or functions are used as procedures (called in expression where an action is expected).

Error In:

Correctness

Example:

```
Function FACTORIAL used as Procedure in definition of SCH_ADA:ACTION:  
FACTORIAL(Y)
```

Erroneous Elements:

Subroutines

(C1079) Callback procedures that are used/defined incorrectly

Procedures are used as callbacks, whose first parameter is not of type string or not of mode Input.

Error In:

Correctness

Example:

```
CALLBACK P1, is an "Output" parameter
```

Erroneous Elements:

Subroutines

(C1081) Elements containing subroutine calls with conflicting length of parameters

There are subroutine calls where the actual parameter's length conflicts with the corresponding formal parameter definition, or whose length is unknown.

Error In:

Correctness

Example:

```
STATE1  
CALLBACK(A, ARRAY, 3)  
ARRAY - Unknown length
```

Erroneous Elements:

Textual elements, boxes, and arrows

(C1083) Procedural statechart without termination connector

There is a procedural statechart with no termination connector. This means that any call to the connected subroutine will never end.

Error In:

Correctness

Erroneous Elements:

Charts

(C1085) Elements not declared as parameters or as variables

There are elements used in the tested procedural statechart/flowchart that are not declared as local variables, parameters, or global data of the connected procedure.

Error In:

Correctness

Example:

```
data-item L2  
condition C
```

Erroneous Elements:

Data-items and conditions

(C1087) Local variables overriding parameters or global definitions

A local variable of the tested procedural statechart/flowchart overrides a parameter or global definition of the connected procedure.

Error In:

Correctness

Example:

P1 overriding parameter

Erroneous Elements:

Local variables

(C1089) Subroutines using recursive calls

Subroutines use recursive calls (either directly or by other subroutines).

Error In:

Correctness

Example:

SR3 called from SR2
SR2 called from SR3

Erroneous Elements:

Subroutines

(C1091) Subroutines using elements not declared as parameters, local-variables or globals

Subroutines that use elements are not declared as parameters, local-variables, or globals. All elements used in the subroutine code should be declared, including constant data-items and conditions, enumerated values, other subroutines, and user-defined types.

Error In:

Correctness

Example:

```
subroutine F L2
```

Erroneous Elements:

Subroutines

(C1093) Subroutines that contain references to activities

The subroutine contains references to activities.

Error In:

Correctness

Erroneous Elements:

Subroutines

(C1095) Subroutines with illegal parameter type or return type

There is a subroutine where a User-Defined Type (UDT) is the return type, or the type of a parameter. The following table below lists the illegal definitions for UDTs.

Type	Return Type	Parameter
UDT array of string	(*)	**Illegal**
UDT array of bit-array	(*)	**Illegal**
UDT array of direct R/U	(*)	**Illegal**
UDT queue of anything	**Illegal**	**Illegal**
Array of queue (any dimension)	**Illegal**	**Illegal**

(*) In these cases, a middle UDT is needed. For example, if the return type of a function should be an array of string, it should be defined as:

```
UDT array of STR_UDT, and STR_UDT, a string
```

Error In:

Correctness

Format:

```
subroutine <subroutine name>
return type <user-def type>, defined as <type>
  <user-def type>, type of parameter <parameter>,
  defined as <type>
```

Example:

```
subroutine F1
return type ARR_STR1, defined as array of string
  STR_QUEUE1, type of parameter P1, defined as queue
```

Erroneous Elements:

Subroutines

(C1097) Subroutines with illegal local variables type

Local variables are defined as a User-Defined Type (UDT), as a queue, or an array (of any dimension) of a queue.

Error In:

Correctness

Erroneous Elements:

Subroutines

(C1099) Local variables with illegal type

Local variables are defined as a user-defined type (UDT), as a queue, or an array (of any dimension) of a queue.

Error In:

Correctness

Example:

```
subroutine F1
  STR_QUEUE1, type of local variable LV1, defined
  as queue
```

Erroneous Elements:

Subroutines

(C1101) Subroutines with illegal/missing return command

There are functions without a `RETURN` command, procedures with a `RETURN` command, or a function with a return type that conflicts with the returned value's type.

Error In:

Correctness

Erroneous Elements:

Subroutines

(C1103) Subroutines that call other subroutines whose global elements are missing from the calling subroutine definition

Global elements of a subroutine, `SUB`, must be declared as global elements of any other subroutine that calls `SUB`.

Error In:

Correctness

Erroneous Elements:

Subroutines

(C1105) Subroutines with local variables/parameters overriding parameters/globals

There are subroutines with local variables that override parameters or globals, or there are parameters that override globals.

Error In:

Correctness

Erroneous Elements:

Subroutines

(C1107) Subroutines with illegal combination of type and implementation

There are subroutines with an illegal combination of type and implementation.

Error In:

Correctness

Erroneous Elements:

Subroutines

(C1109) Elements containing a truth table with illegal factorization structure

United input cells are not nested in a previous union; or, there are two or more rows that share the same input section, but have different output sections.

Error In:

Correctness

Erroneous Elements:

Subroutines and actions

(C1111) Elements containing a truth table with illegal combination of inputs

Elements are described by truth tables using the same element twice as an input (via aliases). This check ensures that the same element is not used twice as a whole, but does not check overlapping of slices.

Error In:

Correctness

Erroneous Elements:

Subroutines and actions

(C1113) Elements containing a truth table with illegal combination of outputs

Elements are described by truth tables using the same element twice as an output (via aliases).

Error In:

Correctness

Erroneous Elements:

Subroutines and actions

(C1115) Elements containing out of range integer/real assignments

Elements contain assignments of integers, where an out-of-range value is assigned to a restricted range integer, or one restricted range integer is assigned to another where there is no intersection of ranges. It tests if an integer or real value is compared with a value outside its range, as well as values assigned to integer or real variable.

Error In:

Correctness

Erroneous Elements:

States, actions, data-items, and transitions

(C1117) Transitions without a return command whose target is a termination connector

If a procedural statechart implements a function and not a procedure, any transition that ends in a termination connector must return a value. Otherwise, the function is terminated without a return value.

Error In:

Correctness

Erroneous Elements:

Transitions

(C1119) Transitions containing a return command whose target is not a termination connector

Functions end, but not in a termination connector.

Error In:

Correctness

Erroneous Elements:

Transitions

(C1121) Transitions with incomplete source definition

There are transitions whose source is not connected to a state or connector. The source of such a transition appears in the statechart as a small line perpendicular to the transition.

Error In:

Completeness

Erroneous Elements:

Transitions

(C1123) Transitions with incomplete target definition

There are transitions whose target is not connected to a state or connector. The target of such a transition appears in the statechart as a small line perpendicular to the transition.

Error In:

Completeness

Erroneous Elements:

Transitions

(C1125) Switch/Case structure contains more than one default entry

The `switch_c` statement has more than one `default` case entry, or the `case_ada` statement has more than one `others when_ada` entry.

Error In:

Correctness

Example:

```
switch_c (X)
{
  case_c 1:
    Y=1;
  default:
    Y=0;
  case_c 2:
    Y=2;
  default:
    Y=3;
}
```

Erroneous Elements:

Actions, states, and transition labels

(C1127) Illegal switch structure: contains conditional break

The `break` action is not supported in `if` blocks.

Error In:

Correctness

Example:

```
switch(X) {  
  case RED: y=5;  
    if(COND1) then break  
  endif;  
  break  
  .  
  .
```

Erroneous Elements:

Actions, states, and transition labels

(C1129) More than one arrow with the 'else' trigger exit single source

There is more than one arrow with the 'else' trigger that are exiting from the same source.

Error In:

Correctness

Erroneous Elements:

Transitions, Flow Arrows

(C1131) Illegal switch structure: non-unique selected entries

The `switch_c` structure contains a case entry that is repeated. Only the first entry will be executed.

Error In:

Correctness

Example:

```
switch_c (X)
{
  case_c 1:
    Y=1;
  case_c 1:
    Y=2;
  default:
    Y=3;
}
```

Erroneous Elements:

Actions, states, and transition labels

(C1133) Inconsistent initial value

An element has a default value that is inconsistent with its type and range definition.

Error In:

Correctness

Example:

Integer data-item `x` has a minimum value of 0, maximum value of 20, and a default value `A`. Integer data-item `A` is a constant set to 40. Because `A` is outside the minimum and maximum for `x`, it is an inconsistent initial value.

Erroneous Elements:

Integer and real data-items

(C1135) Inconsistent range definition

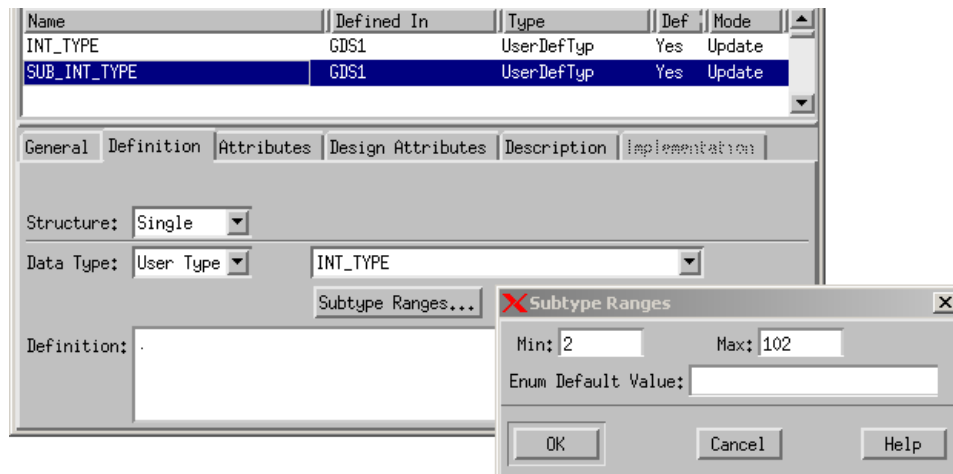
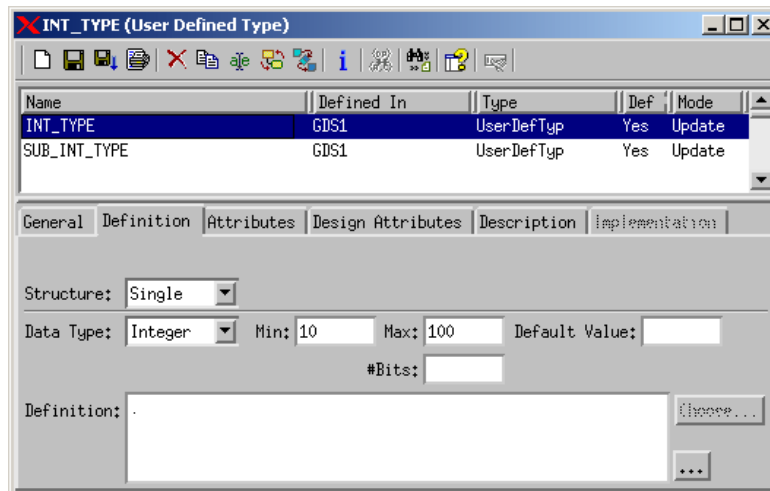
This test warns about user-defined type definitions where the sub-type ranges are inconsistent with the parent type definition.

Error In:

Correctness

Example:

INT_TYPE is an integer User Defined Type and has a defined minimum/maximum range of 10 - 100 (as shown in the first figure below). SUB_INT_TYPE is a User Defined Type of INT_TYPE and has a range defined outside of 10 - 100 (as shown in the second figure below).



Erroneous Elements:

User-defined types

(C1137) Empty information-flows

Array index expression does not result in an integer or contain elements with illegal type.

Error In:

Correctness

Example:

Case I:

Arr2 is an integer array from LeftInd2 to RightInd2.

LeftInd2 is defined as:

Single, Constant, with Data Type set to None, and definition set to SubDef2

SubDef2 is defined as:

Single None Constant with definition set to 2.34

Case II:

Arr1 is an integer array from LeftInd to RightInd.

LeftInd is defined as:

Single, Constant, with Data Type set to None, and definition set to SubDef

SubDef is defined as:

Single String Constant with definition set to 'My Definition'

(C1139) Transitions with priority settings which violate Statechart semantics

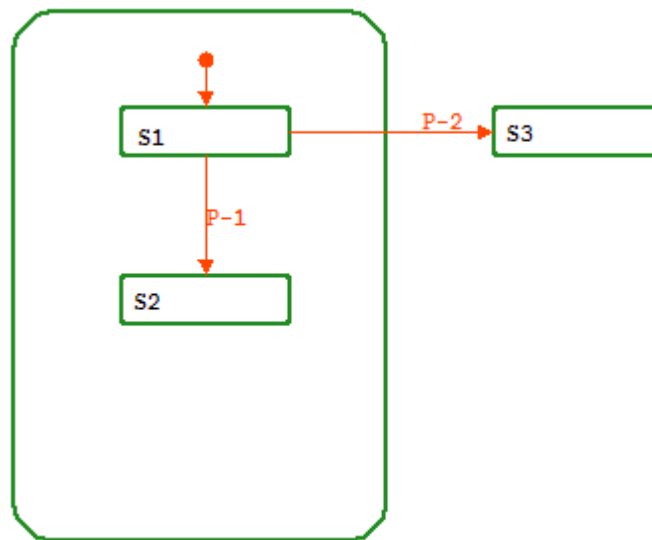
Transitions whose priority settings contradict the Statechart hierarchical Transition Priority rule, by which priority is given to the transition for which the parent state common to both source and target states is of a higher hierarchical level.

Error In:

Correctness

Example:

In the following figure, according to the Statechart hierarchy Transition Priority rule the transition to S3 has higher priority than the transition to S2, but the user-defined priority is lower, and thus prioritization will be ignored.



Erroneous Elements:

Transitions

(C1141) 'else' Transitions with priority

Prioritized transition labeled with 'else' trigger.
Prioritization of 'else' triggered transitions is not supported.

Error In:

Correctness

Erroneous Elements:

Transitions

(C1143) Default Transitions with priority (not supported)

Prioritization of default transitions is not supported.

Error In:

Correctness

Erroneous Elements:

Default Transitions

(C2001) Missing actual values

There is an instance box in whose property sheet there are formal parameters, without an actual binding.

Error In:

Completeness

Erroneous Elements:

Instance boxes

(C2003) Elements with incorrect or incomplete attribute definitions

There are elements in whose property sheet there is an attribute name without a corresponding attribute value, or vice-versa.

Error In:

Completeness

Erroneous Elements:

Elements of all types

(C2004) Elements with non-unique attribute definitions

Element contains more than one attribute with the same name.

Error In:

Completeness

Erroneous Elements:

Any element with attributes

(C2005) Elements that are not referenced in Statestate expressions and definitions

There are textual elements explicitly defined in the properties, but there is no reference to them in the model.

Error In:

Completeness

Erroneous Elements:

Textual elements

(C2007) Elements using redundant context variables

Elements contain actions with context variables that are assigned a value, but not used in the action.

Error In:

Completeness

Erroneous Elements:

States, transitions, and actions

(C2009) Elements that could be defined lower in the hierarchy of charts

There are textual elements explicitly defined in the tested chart that are used only in other charts, which could be defined in the lower chart hierarchy without changing the resolution results.

The lowest chart in which they could be defined is the lowest common ancestor of all the charts in which references to this element exist.

Error In:

Completeness

Erroneous Elements:

Textual elements

(C2011) Elements that reference unnamed boxes

Elements contain references to states that have no names. This situation can occur if a name of a referenced state is deleted.

Error In:

Completeness

Erroneous Elements:

Events, conditions, actions, states, and transitions

(C2013) Elements containing references to components of non-array elements

Error In:

Completeness

Description:

Elements contain data-item expressions with indices, but the accessed data-item is not an array.

Erroneous Elements:

Actions, states, conditions, and transitions

(C2015) Elements containing comparisons of unions: (not supported in Code Generation)

Elements contain comparisons of two union data-items. The comparisons of two unions is ambiguous because the result depends on which field of the unions is the current field in each element.

Error In:

Completeness

Erroneous Elements:

Actions, states, conditions, and transitions

(C2021) Unlabeled transitions exiting from selection or condition connectors

There are transition segments whose source is either a selection connector or a condition connector, and no label is attached to them.

Error In:

Completeness

Erroneous Elements:

Transitions

(C2023) Compound transitions without a trigger

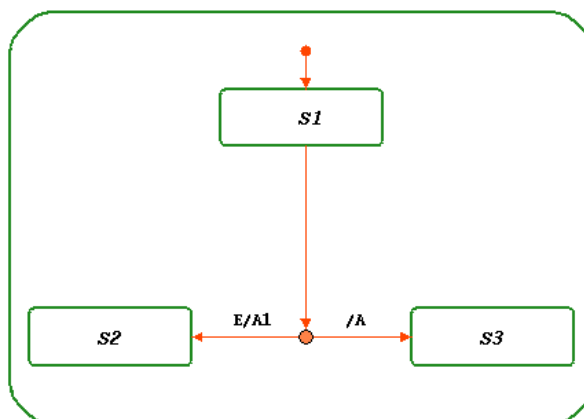
There are compound transitions, none of whose segments contains a trigger part in their labels.

Error In:

Completeness

Example:

The following figure shows two compound transitions, where the second transition is in correct. The transition from $s1$ to $s2$ contains the trigger event E . The transition from $s1$ to $s3$ is labeled with an action A , but the trigger is missing.



Erroneous Elements:

Components of the erroneous transitions

(C2025) States without incoming transitions

There are states with no entering transition. Therefore, they are unreachable.

Error In:

Completeness

Erroneous Elements:

States

(C2027) Basic states with a history connector

There are states that have no descendants, but have a history or deep history connector.

Error In:

Completeness

Erroneous Elements:

States

(C2029) Basic states that are “history-cleared”

There are states that have no descendants, but are referenced in a clear history (`hc!`) action.

Error In:

Completeness

Erroneous Elements:

States

(C2031) States with incomplete static reactions

There are states in which there is a static reaction that contains either a trigger or action, but not both.

Error In:

Completeness

Erroneous Elements:

States

(C2033) States with static reaction triggered by condition

There are states with a static reaction whose trigger contains a condition without a preceding event (for example, `[C]`). When the condition is true, it is possible that a stationary situation is never reached. The static reaction is performed repeatedly, unless the condition changes its value or an event occurs that causes an exit from the state.

Error In:

Completeness

Erroneous Elements:

States

(C2035) Isolated connectors

There are connectors with no entrances and no exits.

Error In:

Completeness

Erroneous Elements:

Connectors

(C2037) Junction, selection, condition, history or diagram connectors with exits but no entrance

There are junction, selection, condition, or history connectors, or a group of in-page diagram connectors with the same name, having exits but no entrance. Therefore, there is no compound transition between states, including the existing transitions.

Error In:

Completeness

Erroneous Elements:

Connectors

(C2039) Junction, selection, condition, or diagram connectors with entrances but no exit

There are junction, selection, or condition connectors or a group of in-page diagram connectors with the same name, having entrances but no exit. Therefore, there is no compound transition between states, including the entering transitions.

Error In:

Completeness

Erroneous Elements:

Connectors

(C2041) Junction connectors with a single entrance and a single exit

There are junction connectors with a single entrance and a single exit. Therefore, they are probably redundant.

Error In:

Completeness

Erroneous Elements:

Connectors

(C2043) Selection and condition connectors with entrances but only a single exit

There are selection and condition connectors with entrances, but only a single exit. Therefore, they are probably redundant.

Error In:

Completeness

Erroneous Elements:

Connectors

(C2045) Unresolved elements

The referenced element is not defined.

Error In:

Completeness

Erroneous Elements:

All types of elements

(C2047) The tested chart is a definition chart with multiple top-level boxes

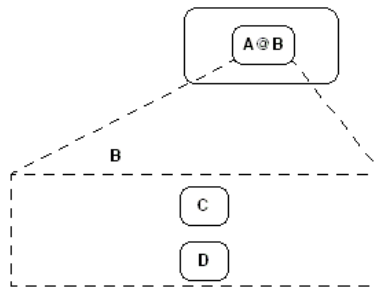
The tested chart is used as an off-page definition of an instance state and has multiple top-level states.

Error In:

Completeness

Example:

In the following figure, the off-page chart B erroneously has more than one top level box (C and D).



Erroneous Elements:

The tested chart

(C2049) The tested chart is a definition chart with empty top-level box

The tested chart is used as an off-page definition of an instance state and has a single, empty, top-level state with no static reactions.

Error In:

Completeness

Erroneous Elements:

The tested chart

(C2051) Instance off-page connectors without a matching definition off-page connector

Instance off-page connectors have no matching definition diagram connector.

Error In:

Completeness

Erroneous Elements:

The tested chart

(C2053) “In” parameters not used in the chart

Input or InOut parameters are not used in the statechart.

Error In:

Completeness

Erroneous Elements:

Textual elements and activities (parameters)

(C2055) “Out” parameters not affected (generated or modified) in the chart

Output or InOut parameters are not generated or modified in the statechart.

Error In:

Completeness

Erroneous Elements:

Textual elements and activities (parameters)

(C2057) Elements that are used in the chart are neither “in” parameter nor affected (generated or modified) internally

Elements are used in a statechart but are neither input parameters nor affected internally.

Error In:

Completeness

Erroneous Elements:

Events, conditions, data-items, and activities

(C2058) Elements affected (generated or modified) by the chart, but are neither “out” parameter nor used internally

Elements affected by the statechart are neither output parameters nor used internally.

Error In:

Completeness

Erroneous Elements:

Events, conditions, data-items, and activities

(C2059) “In” parameters affected (generated or modified) in the chart

Input or InOut parameters are generated or modified in the statechart.

Error In:

Completeness

Erroneous Elements:

Textual elements and activities (parameters)

(C2060) “Out” parameters used in the chart

Output or InOut parameters are used in the statechart.

Error In:

Completeness

Erroneous Elements:

Textual elements and activities (parameters)

(C2061) Data elements with incomplete type definition

There are data elements whose type definition is missing or incomplete.

Error In:

Completeness

Erroneous Elements:

Events, conditions, data-items, and user-defined types

(C2063) Constant parameter arrays with incomplete length definition

There are constant parameter arrays where either the definition of the formal parameter in the generic chart is incomplete, or they are bound to an actual parameter of undefined length.

Error In:

Completeness

Erroneous Elements:

Data-items and conditions

(C2065) Defined elements that can be merged with elements from ancestor charts

Textual elements are explicitly defined in a chart that have matching, explicitly defined elements with the same name in ancestor charts. Both elements have the same type in both charts; therefore, they could probably be merged.

Error In:

Completeness

Erroneous Elements:

Textual elements

(C2067) The tested statechart contains termination connector

The tested statechart contains a termination connector. This is improper in HW style, where all activities are always active.

Error In:

Completeness

Erroneous Elements:

The tested statechart

(C2069) States with “throughout” or “within” activities

There are states with “throughout” or “within” activities. This is improper in HW style, where all activities are always active.

Error In:

Completeness

Erroneous Elements:

States

(C2071) The tested Statechart contains actions, events or conditions related to activities

The tested statechart contains actions, events, or conditions related to activities. This is improper in HW style, where all activities are always active.

Error In:

Completeness

Erroneous Elements:

The tested statechart

(C2073) The tested statecharts contains combinational assignments

The tested statechart contains combinational assignments.

Error In:

Completeness

Erroneous Elements:

The tested statechart

(C2075) Elements overriding global definitions

There are textual elements with the same name as elements that are defined in a global definition set.

Error In:

Completeness

Erroneous Elements:

Textual elements

(C2077) The tested statechart contains no states

The tested statechart contains no states.

Error In:

Completeness

Erroneous Elements:

The tested statechart

(C2079) Subroutines not implemented in any language

There are subroutines that have no implementation in the Rational StateMate Action Language, Procedural Statechart/Flowchart, Ada Code, K&R C Code, or ANSI C Code.

Error In:

Completeness

Example:

```
CALLBACK
```

Erroneous Elements:

Subroutines

(C2081) Elements containing triggers that use functions with potential side effects

There are functions used in the trigger part of labels, static- reactions, or mini-specs that have side-effects (they affect global data).

Error In:

Completeness

Example:

```
activity A1 Function F1 accessing global data,  
  used in trigger: [Y==F1(X)]
```

Erroneous Elements:

States, activities, and transitions

(C2083) Subroutines containing parameters defined as a nonunique User-defined type

A parameter of a subroutine is defined as a user-defined type, whose name is not unique in the model.

Error In:

Completeness

Example:

```
P2 parameter of procedure CALLBACK
Using nonunique user-defined type DAYS
```

Erroneous Elements:

Subroutines

(C2085) Enumerated Types with nonunique value names

Enumerated types with values appear in other, unrelated enumerated type definitions (that is, not in a subtype).

Error In:

Completeness

Example:

```
user-defined type COLORS has a value of BLUE
UDT MOODS also has a value of BLUE
```

Erroneous Elements:

User-defined types

(C2086) Data-Elements with Enumerated Value names

Textual element has same name as enumerated values.

Error In:

Correctness

Erroneous Elements:

Textual elements

(C2087) Local variables that are not used

Local variables of a procedural statechart/flowchart are not used.

Error In:

Completeness

Example:

```
LOCAL1
```

Erroneous Elements:

Local variables

(C2089) Local variables used but not affected (generated or modified)

Local variables are used, but not generated or modified anywhere (any such usage is uninitialized).

Error In:

Completeness

Example:

```
LOCAL1
```

Erroneous Elements:

Local variables

(C2091) Local variables affected (generated or modified) but not used

Local variables are generated or modified, but are not used anywhere. These variables are redundant.

Error In:

Completeness

Example:

```
LOCAL1
```

Erroneous Elements:

Local variables

(C2093) Textual subroutines using uninitialized local variables

Local variables of a textual procedure or function are used before they are assigned some value.

Error In:

Completeness

Example:

```
LOCAL1 in F1
```

Erroneous Elements:

Subroutines

(C2095) Textual subroutines using redundant local variables

Local variables of a textual procedure or function are generated or modified, but are not used.

Error In:

Completeness

Example:

```
LOCAL1 in F1
```

Erroneous Elements:

Subroutines

(C2097) Subroutines containing wrong usage of parameters or globals

In/Out/InOut parameters are not generated or modified, or are not used by the subroutine.

Error In:

Completeness

Example:

```
subroutine CALLBACK  
Input parameter P1 not used
```

Erroneous Elements:

Subroutines

(C2099) Subroutines with incomplete type definition

There are subroutines with incomplete type definitions.

Error In:

Completeness

Erroneous Elements:

Subroutines

(C2101) Local variables not used in the subroutine

Local variables are not used in the subroutine code.

Error In:

Completeness

Example:

```
subroutine A
  Local variable L3 not used
```

Erroneous Elements:

Subroutines

(C2103) Elements with illegal “Selected Implementation”

The selected implementation is not one of the existing implementations of the element.

Error In:

Completeness

Erroneous Elements:

Subroutines, actions, and activities

(C2105) Elements containing a truth table with empty default row

Elements described by truth tables contain a default row with the output columns blank and the action section empty.

Error In:

Completeness

Erroneous Elements:

Subroutines and actions

(C2106) Elements containing a truth table with no inputs

Elements contain a truth table with no input column(s).

Error In:

Completeness

Erroneous Elements:

Elements containing truth tables

(C2107) Elements containing a truth table with empty cells

Elements described by truth tables contain cells that are blank (cells that are not part of the default row).

Error In:

Completeness

Erroneous Elements:

Subroutines and actions

(C2111) “when others” not last in case structure

Textual elements use themselves in their own definition, via a “chain” definition.

Error In:

Completeness

Example:

```
case_ada (X) is
  when_ada 1 =>
    Y=1;
  when_ada others =>
    Y=3;
  when_ada 2 =>
    Y=2;
end case_ada;
```

Erroneous Elements:

Actions, states, and transition labels

(C2113) Switch/Case structure missing default entry

The `switch_c` statement is missing the `default` case entry, or the `case_ada` statement is missing the `others when_ada` entry.

Error In:

Completeness

Example:

```
switch_c (X)
{
  case_c 1:
    Y=1;
  case_c 2:
    Y=2;
}
```

Erroneous Elements:

Actions, states, and transition labels

(C2115) Prioritized Transitions with illegal (non-state) source/target

Prioritized transitions which their source or target is not a state (e.g. connector).

Error In:

Completeness

Erroneous Elements:

Transitions

(C2117) Arrows with illegal Transition Priority valuet

Prioritized transitions which their priority value is not a positive integer value.

Error In:

Completeness

Erroneous Elements:

Transitions

(C2119) Complex Data elements not defined by User-type

There are data elements defined directly as Record, Union or Array of non-primitive type (not Integer or Real), and not by User-defined types.

Error In:

Completeness

Erroneous Elements:

Data-items, Conditions, Record or Union fields, Subroutine parameters and local-variables

(C2121) 'else' Transitions exiting from connector (‘else’ is alternative to transitions exiting the connector, not the source state)

There are ‘else’ labeled transitions exiting from connectors, not from states.

Error In:

Completeness

Example:

The following 2 figures seem similar, but figure 2 may run into non-determinism. The 'else' transition checks negation of all other arrows exiting the same source, connector in this case, not negation of all transitions exiting the same source state. When execution is in state S1 and E2 is generated, figure 1 will transition to S5, whereas figure 2 will create non-determinism between S5 and S3 (the 'else' trigger evaluates to 'not E1').

Figure 1

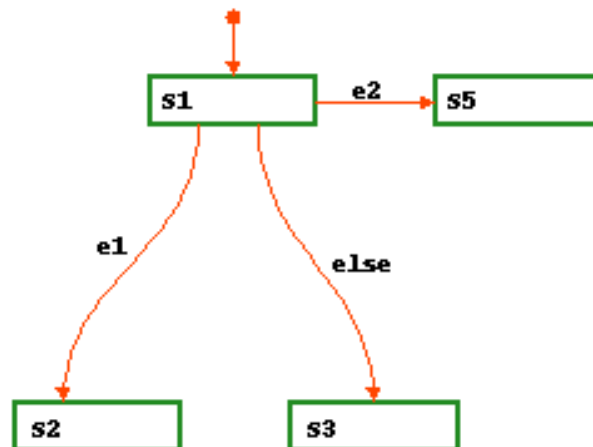
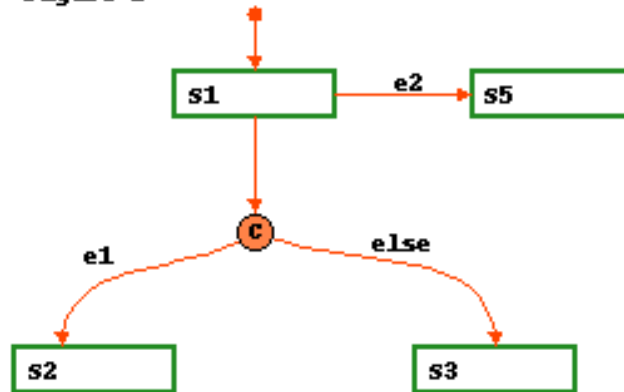


Figure 2



Erroneous Elements:

'else' labeled transitions

(C15000) Events marked as ‘Task Event’ are not connected with EXTENDED Task

There are Events, which their “Its Task” Design-Attribute is not referring to a Task of type “Extended.”

Error In:

Design

Erroneous Elements:

Events

(C15001) Event(s), ‘Its Task’ is defined as ‘default’

There are Events with their “Its Task” Design-Attribute set to “default.”

Error In:

Design

Erroneous Elements:

Events

(C15002) Either ‘send’ or ‘receive’ are operated on non-message elements

There are Data-Items, which are used with the operators send (sn!()) or receive (rc!()), without being defined as Messages in their Design-Attributes.

Error In:

Design

Erroneous Elements:

Data-Items

(C15003) Either 'get' or 'release' are operated on non-resource elements

There are Conditions, which are used with the operators get (gt!()) or release (rl!()), without being defined as Resources in their Design-Attributes.

Error In:

Design

Erroneous Elements:

Conditions

(C15004) Data-items and/or conditions mapping to external symbol, which is not unique

There is more than one Element with the same value to their "Bind Symbol Name" Design-Attribute.

Error In:

Design

Erroneous Elements:

Data-Items and Conditions

(C15005) Operands in expressions, defined neither as double-buffered nor as having buffered access mode

There are Elements that are used with the operators changed (ch()), became-true (tr()) or became-false (fs()), and are not defined as "Double Buffered" or "Buffered Access" in their Design-Attributes.

Error In:

Design

Erroneous Elements:

Data-Items and Conditions

(C15006) Multiple events, that are ‘Task Event’, with the same ‘Its Task’ and the same ‘Event Mask’

There is more than one Event that are defined as “Task Event” in their Design-Attributes, and have the same value in their “Event Mask” Design-Attribute.

Error In:

Design

Erroneous Elements:

Events

(C15007) Events that their its task is not appropriate

There are Events, which their “Its Task” Design-Attribute is set to an invalid “Task” name.

Error In:

Design

Erroneous Elements:

Events

(C15008) Derived events that their its task is not appropriate

There are Events that their “Its-Task” Design-Attribute value is referring to a Task that is not any ancestor Activity.

Error In:

Design

Erroneous Elements:

Data-Items and Conditions

(C15009) Elements unnecessarily defined as double-buffered

There are Elements that defined as “Double Buffered” in their Design-Attributes unnecessarily.

Error In:

Design

Example:

Data-Item DI1 has its Design-Attribute “Double Buffered” set to “yes”, but it is not used with any of the operators tr(), fs() or ch().

Erroneous Elements:

Data-Items and Conditions

(C16000) Boxes contain ‘Combinational assignment’ — Usage of incompatible feature

A state or statechart contains a combinational assignment that is not supported by the MicroC Code Generator.

Error In:

Compatibility between MicroC and Rational Statemate

Erroneous Elements:

Statecharts or states

(C16003) Functions implemented with incompatible language

A subroutine is implemented using a language such as Ada, which is not supported by the MicroC Code Generator.

Error In:

Compatibility between MicroC and Rational StateMate

Erroneous Elements:

Subroutines

(C16007) Usage of incompatible operators/functions

A statechart is using a built-in operator or function that is not supported by the MicroC Code Generator.

Error In:

Compatibility between MicroC and Rational StateMate

Erroneous Elements:

Actions, conditions, data-items, states, subroutines, and transition labels

(C16008) Usage of incompatible operators on a record data-item

A statechart is using a built-in operator on a data-item of type `record`, which is not supported by the MicroC Code Generator.

Error In:

Compatibility between MicroC and Rational Statemate

Erroneous Elements:

Actions, conditions, data-items, states, subroutines, and transition labels

Flow Chart Checks

This section documents the Check Model checks for flow charts. The checks are listed in numerical order.

(C17001) Missing actual values for parameters.

Error In:

Completeness

Description:

There is an instance box in whose property sheet there are formal parameters, without an actual binding.

Erroneous Elements:

Instance boxes

(C17003) Elements with incorrect or incomplete attribute definitions

Error In:

Completeness

Description:

There are elements in whose property sheet there is an attribute name without a corresponding attribute value, or vice-versa.

Erroneous Elements:

Elements of all types

(C17004) Elements with non-unique attribute definitions

Error In:

Completeness

Description:

Element contains more than one attribute with the same name.

Erroneous Elements:

Any element with attributes

(C17005) Elements are not referenced in Statemate expressions and definitions

Error In:

Completeness

Description:

There are textual elements explicitly defined in the properties, but there is no reference to them in the model.

Erroneous Elements:

Textual elements

(C17007)Elements using redundant context variables

Error In:

Completeness

Description:

Elements contain actions with context variables that are assigned a value, but not used in the action.

Erroneous Elements:

States, transitions, and actions

(C17009) Elements that could be defined lower in the hierarchy of charts

Error In:

Completeness

Description:

There are textual elements explicitly defined in the tested chart that are used only in other charts, which could be defined in the lower chart hierarchy without changing the resolution results.

The lowest chart in which they could be defined is the lowest common ancestor of all the charts in which references to this element exist.

Erroneous Elements:

Textual elements

(C17011) Elements that reference unnamed boxes

Error In:

Completeness

Description:

Elements contain references to states that have no names. This situation can occur if a name of a referenced state is deleted.

Erroneous Elements:

Events, conditions, actions, states, and transitions

(C17013) Elements containing references to components of non-array elements

Error In:

Completeness

Description:

Elements contain data-item expressions with indices, but the accessed data-item is not an array.

Erroneous Elements:

Actions, states, conditions, and transitions

(C17015) Elements containing comparisons of unions: (not supported in Code Generation)

Error In:

Completeness

Description:

Elements contain comparisons of two union data-items. The comparisons of two unions is ambiguous because the result depends on which field of the unions is the current field in each element.

Erroneous Elements:

Actions, states, conditions, and transitions

(C17017) Transitions with incomplete source definition

Error In:

Completeness

Description:

There are transitions whose source is not connected to a state or connector. The source of such a transition appears in the statechart as a small line perpendicular to the transition.

Erroneous Elements:

Transitions

(C17019) Transitions with incomplete target definition

Error In:

Completeness

Description:

There are transitions whose target is not connected to a state or connector. The target of such a transition appears in the statechart as a small line perpendicular to the transition.

Erroneous Elements:

Transitions

(C17025) States without incoming transitions

Error In:

Completeness

Description:

There are states with no entering transition. Therefore, they are unreachable.

Erroneous Elements:

States

(C17045) Unresolved elements

Error In:

Completeness

Description:

The referenced element is not defined.

Erroneous Elements:

All types of elements

(C17049) The tested chart is a definition with empty top-level box

Error In:

Completeness

Description:

The tested chart is used as an off-page definition of an instance state and has a single, empty, top-level state with no static reactions.

Erroneous Elements:

The tested chart

(C17051) Instance off-page connectors without a matching definition off-page connector

Error In:

Completeness

Description:

Instance off-page connectors without a matching definition off-page connector.

Erroneous Elements:

The tested chart

(C17053) “In” parameters not used in the chart

Error In:

Completeness

Description:

Input or InOut parameters are not used in the statechart.

Erroneous Elements:

Textual elements and activities (parameters)

(C17055) “Out” parameters not affected (generated or modified) in the chart

Error In:

Completeness

Description:

Output or InOut parameters are not generated or modified in the statechart.

Erroneous Elements:

Textual elements and activities (parameters)

(C17057) Elements that are used in the chart but are neither “in” parameter not affected (generated or modified) internally

Error In:

Completeness

Description:

Elements that are used in the chart but are neither “in” parameter nor affected (generated or modified) internally.

Erroneous Elements:

Events, conditions, data-items, and activities

(C17058) Elements affected (generated or modified) by the chart but are neither “out” parameter not used internally

Error In:

Completeness

Description:

Elements affected (generated or modified) by the chart but are neither “out” parameter nor used internally.

Erroneous Elements:

Events, conditions, data-items, and activities

(C17059) “In parameters affected (generated or modified) in the chart

Error In:

Completeness

Description:

Input or InOut parameters are generated or modified in the statechart.

Erroneous Elements:

Textual elements and activities (parameters)

(C17060) “Out” parameters used in the chart

Error In:

Completeness

Description:

Output or InOut parameters are used in the statechart.

Erroneous Elements:

Textual elements and activities (parameters)

(C17061) data elements with incomplete type definition

Error In:

Completeness

Description:

There are data elements whose type definition is missing or incomplete.

Erroneous Elements:

Events, conditions, data-items, and user-defined types

(C17063) Constant parameter arrays with incomplete length definition

Error In:

Completeness

Description:

There are constant parameter arrays where either the definition of the formal parameter in the generic chart is incomplete, or they are bound to an actual parameter of undefined length.

Erroneous Elements:

Data-items and conditions

(C17065) Defined elements that can be merged with elements from ancestor charts

Error In:

Completeness

Description:

Textual elements are explicitly defined in a chart that have matching, explicitly defined elements with the same name in ancestor charts. Both elements have the same type in both charts; therefore, they could probably be merged.

Erroneous Elements:

Textual elements

(C17071) The tested statechart contains actions, events, or conditions related to activities

Error In:

Completeness

Description:

The tested statechart contains actions, events, or conditions related to activities. This is improper in HW style, where all activities are always active.

Erroneous Elements:

The tested statechart

(C17075) Elements overriding global definition

Error In:

Completeness

Description:

There are textual elements with the same name as elements that are defined in a global definition set.

Erroneous Elements:

Textual elements

(C17077) The test flowchart contains no flow-boxes

Error In:

Completeness

Description:

The tested flowchart contains no flow-boxes.

Erroneous Elements:

The tested flow chart

(C17079) Subroutines not implemented in any language

Error In:

Completeness

Description:

There are subroutines that have no implementation in the Rational StateMate Action Language, Procedural Statechart/Flowchart, Ada Code, K&R C Code, or ANSI C Code.

Example:

```
CALLBACK
```

Erroneous Elements:

Subroutines

(C17081) Elements containing triggers that use functions with potential side affects

Error In:

Completeness

Description:

There are functions used in the trigger part of labels, static- reactions, or mini-specs that have side-effects (they affect global data).

Example:

```
activity A1 Function F1 accessing global data,  
used in trigger: [Y==F1(X)]
```

Erroneous Elements:

States, activities, and transitions

(C17083) Subroutines containing parameters defined as a nonunique User-defined type

Error In:

Completeness

Description:

A parameter of a subroutine is defined as a user-defined type, whose name is not unique in the model.

Example:

```
P2 parameter of procedure CALLBACK  
Using nonunique user-defined type DAYS
```

Erroneous Elements:

Subroutines

(C17085) Enumerated Types with nonunique value names

Error In:

Completeness

Description:

Enumerated types with values appear in other, unrelated enumerated type definitions (that is, not in a subtype).

Example:

```
user-defined type COLORS has a value of BLUE  
UDT MOODS also has a value of BLUE
```

Erroneous Elements:

User-defined type

(C17086) Data-Elements with Enumerated Value names

Error In:

Correctness

Description:

Textual element has same name as enumerated values.

Erroneous Elements:

Textual elements

(C17087) Local variables that are not used

Error In:

Completeness

Description:

Local variables of a procedural statechart/flowchart are not used.

Example:

LOCAL1

Erroneous Elements:

Local variables

(C17089) Local variables used but not affected (generate or modified)

Error In:

Completeness

Description:

Local variables are used, but not generated or modified anywhere (any such usage is uninitialized).

Example:

```
LOCAL1
```

Erroneous Elements:

Local variables

(C17091) Local variables affected (generated or modified) but not used

Error In:

Completeness

Description:

Local variables are generated or modified, but are not used anywhere. These variables are redundant.

Example:

```
LOCAL1
```

Erroneous Elements:

Local variables

(C17093) Textual subroutines using uninitialized local variables

Error In:

Completeness

Description:

Local variables of a textual procedure or function are used before they are assigned some value.

Example:

```
LOCAL1 in F1
```

Erroneous Elements:

Subroutines

(C17095) Textual subroutines using redundant local variables

Error In:

Completeness

Description:

Local variables of a textual procedure or function are generated or modified, but are not used.

Example:

```
LOCAL1 in F1
```

Erroneous Elements:

Subroutines

(C17097) Subroutines containing wrong usage of parameters or globals

Error In:

Completeness

Description:

In/Out/InOut parameters are not generated or modified, or are not used by the subroutine.

Example:

```
subroutine CALLBACK  
Input parameter P1 not used
```

Erroneous Elements:

Subroutines

(C17099) Subroutines with incomplete type definition

Error In:

Completeness

Description:

There are subroutines with incomplete type definitions.

Erroneous Elements:

Subroutines

(C17101) Local variables not used in the subroutine

Error In:

Completeness

Description:

Local variables are not used in the subroutine code.

Example:

```
subroutine A  
Local variable L3 not used
```

Erroneous Elements:

Subroutines

(C17103) Elements with illegal “Selected Implementation”

Error In:

Completeness

Description:

The selected implementation is not one of the existing implementations of the element.

Erroneous Elements:

Subroutines, actions, and activities

(C17105) Elements containing a truth table with empty default

Error In:

Completeness

Description:

Elements described by truth tables contain a default row with the output columns blank and the action section empty.

Erroneous Elements:

Subroutines and actions

(C17107) Elements containing a truth table with empty cells

Error In:

Completeness

Description:

Elements described by truth tables contain cells that are blank (cells that are not part of the default row).

Erroneous Elements:

Subroutines and actions

(C17108) Elements containing a truth table with no inputs

Error In:

Completeness

Description:

Elements contain a truth table with no input column(s).

Erroneous Elements:

Elements containing truth tables

(C17109) “when others” not last in case structure

Error In:

Completeness

Description:

Textual elements use themselves in their own definition, via a “chain” definition.

Example:

```
case_ada (X) is
  when_ada 1 =>
    Y=1;
  when_ada others =>
    Y=3;
  when_ada 2 =>
    Y=2;
end case_ada;
```

Erroneous Elements:

Actions, states, and transition labels

(C17111) Switch/case structure is missing default entry

Error In:

Completeness

Description:

The `switch_c` statement is missing the `default` case entry, or the `case_ada` statement is missing the `others when_ada` entry.

Example:

```
switch_c (X)
{
  case_c 1:
    Y=1;
  case_c 2:
    Y=2;
}
```

Erroneous Elements:

Actions, states, and transition labels

(C17113) Complex Data elements not defined by User-type

There are data elements defined directly as Record, Union or Array of non-primitive type (not Integer or Real), and not by User-defined types.

Error In:

Completeness

Erroneous Elements:

Data-items, Conditions, Record or Union fields, Subroutine parameters and local-variables

(C18000) Compound boxes with no start arrow and not default transition

Error In:

Completeness

Description:

Compound boxes with no start arrow and not default transition.

Erroneous Elements:

(C18001) Compound boxes with no end connector

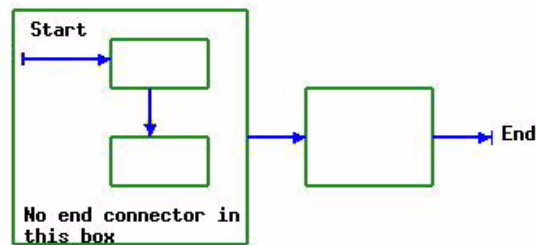
Error In:

Correctness

Description:

Compound box does not contain an end connector.

Example:



Erroneous Elements:

Flow chart compound box

(C18002) Arrows crossing box boundaries

Error In:

Correctness

Description:

Arrow starts inside one box and ends in another box.

Erroneous Elements:

Arrows

(C18003) Loops in element definition

Error In:

Correctness

Description:

Textual elements use themselves in their own definition, via a “chain” definition.

Example:

Compound event E1 is defined as ‘E2 or E3’; E2 is defined as ‘E1 or E4’.

Erroneous Elements:

All textual elements in the loop

(C18004) Aliases defined as non variable or non bit-array

Error In:

Correctness

Description:

Aliases are illegally defined because the element appearing in the definition of the alias is defined as a non-variable compound or constant, or it is not a bit-array.

Erroneous Elements:

Data-items

(C18005) Arrays with an out of range index

Error In:

Correctness

Description:

Arrays or bit-arrays are used with an index value that is out of the defined index range.

Example:

A is an integer array from 1 to 100. The model contains the following action:

$$A(101)=1$$

Erroneous Elements:

Data-items, fields, conditions, and events

(C18007) Arrays with indices in reverse order

Error In:

Correctness

Description:

There are arrays or bit-arrays for which there are references to slices whose borders are in a reverse order relative to their type definition.

Example:

A is a bit-array from 31 down to 0. The model contains the following action:

$$A(0..7)=3$$

Erroneous Elements:

Data-items, fields, conditions, and events

(C18009) Constants in inconsistent definition

Error In:

Correctness

Description:

There are either constant data-items or conditions whose values do not match their type definition; constant strings, arrays, or integers whose length does not match their defined length; or a constant integer whose value is not in the defined value range.

Erroneous Elements:

Data-item or condition

(C18010) Data elements defined as arrays of bit

Error In:

Correctness

Description:

Elements are defined as array of a User-Defined Type (UDT), which is defined as bit.

Example:

DI1 defined as array of BIT1, which is defined as bit.

Erroneous Elements:

Data-items, UDTs, and fields

(C18011) Elements using uninitialized context variables

Error In:

Correctness

Description:

Elements contain action expressions that use an uninitialized context variable.

Example:

There is a transition labeled with the following label:

```
E / Y=$X; $X=Z
```

\$X is used before any value is assigned to it.

Erroneous Elements:

States, transitions, and actions

(C18013) Elements containing infinite while loops

Error In:

Correctness

Description:

This check detects cases in which the `while` loop control expression does not contain a context variable and there is no `break` statement in the loop.

Erroneous Elements:

States, transitions, and actions

(C18015) Elements containing for loops with erroneous range indices

Error In:

Correctness

Description:

Elements contain action expressions in which there are `for` loop statements with invalid ranges.

Example:

There is an action that contains the following `for` loop statements:

```
for $I in 10 to 1 loop
...
for $I in 1 down to 10 loop
...
```

Erroneous Elements:

States, transitions, and actions

(C18017) Numeric expressions using bit-arrays longer than 32 bits

Error In:

Correctness

Description:

There are elements containing numeric expressions that use bit-arrays longer than 32 bits. There is an automatic conversion from a bit-array to a numeric value only for a bit-array that is less than or equal to 32 bits.

Erroneous Elements:

States, transitions, and actions

(C18019) Expressions containing operation between arrays with unequal length

Error In:

Correctness

Description:

Elements contain assignments or comparisons between arrays or array slices of different lengths.

Example:

There is an action that contains the assignment $A=B$, where A is defined as an array from 1 to 3, and B is an array from 1 to 5.

Erroneous Elements:

States, transitions, and actions

(C18021) Loops in index definition

Error In:

Correctness

Description:

Data elements use constants in their definition in a “circular” manner.

Example:

AR is an array from 1 to N , while N is defined as $rindex(AR)$.

Erroneous Elements:

Data-items, conditions, events, and user-defined types

(C18023) Defined data elements that are used incorrectly

Error In:

Correctness

Description:

Elements contain expressions in which data-items that are explicitly defined to be of some data-type are used in a way that does not match the type consistency and conversion rules.

Example:

`i` is defined as an integer; `s` is defined as a string. There is an action that contains the following assignment:

```
i=s
```

Erroneous Elements:

States, transitions, events, conditions, data-items, and actions

(C18025) Data elements without type definition that are used inconsistently

Error In:

Correctness

Description:

There are unresolved or explicitly defined data-items with no type definition that are used in expressions in an inconsistent manner.

Example:

D is an unresolved element (it is not explicitly defined); I is an integer; S is a string. D appears in the following assignments:

```
D=I ; D=S
```

Erroneous Elements:

Data-items, conditions, and user-defined types

(C18027) Predefined Statemate functions that are used incorrectly

Error In:

Correctness

Description:

Predefined Rational Statemate functions are used with parameters of a wrong type, the wrong number of parameters, or the wrong return type.

Erroneous Elements:

Functions

(C18029) Subroutines that are used incorrectly

Error In:

Correctness

Description:

User functions are used inconsistently in different expressions (for example, with different return type, different parameter type, or a different number of parameters).

Note

When working with MicroC components, this test also reports situations where a subroutine is called with an actual 'out' parameter that is bound to an external symbol with get/set APIs.

Erroneous Elements:

Functions

(C18031) Decision box(es) with same boolean value on both exiting arrows

Error In:

Correctness

Description:

A decision box has two exiting arrows with the same value.

Example:

```
<---yes---^---yes--->  
          |  
          v
```

Erroneous Elements:

Decision box

(C18033) Default transitions with illegal sources

Error In:

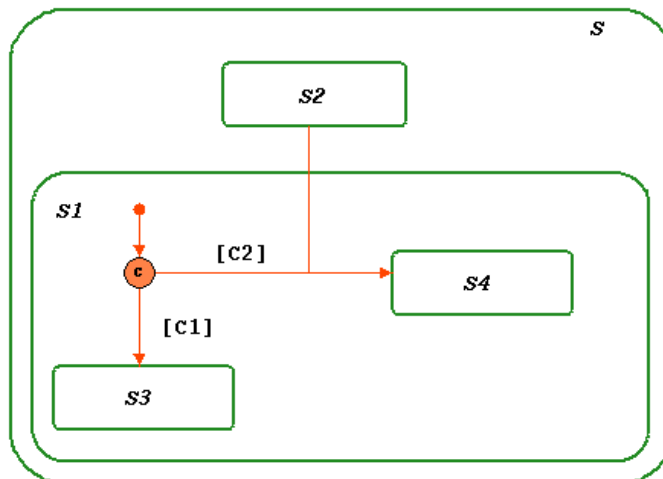
Correctness

Description:

Transitions have multiple sources and one of them is either a conditional connector or a history connector.

Example:

In the following figure, the compound transition entering s_4 (whose source set consists of the default connector in s_1 and the state s_2) is an erroneous transition.



Erroneous Elements:

Components of the erroneous transitions

(C18043) The tested statechart has multiple top-level states and no default entrance

Error In:

Correctness

Description:

There are several top-level states in the statechart and no default transition is drawn to any of them.

Erroneous Elements:

The test chart

(C18045) Instance off-page connectors with same name as in-page connector

Error In:

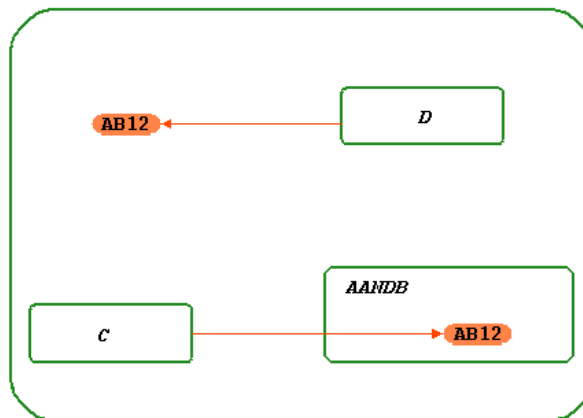
Correctness

Description:

Diagram connectors drawn in an instance state have the same name as another in-page connector in the chart.

Example:

In the following figure, the instance off-page connector AB12 erroneously has the same name as the in-page connector, the target of the transition from D.



Erroneous Elements:

Instance connectors

(C18047) Multiple instance off-page connectors with conflicting arrow directions

Error In:

Correctness

Description:

Diagram connectors are drawn in an instance state in which another connector having the same name but conflicting arrow directions is drawn.

Erroneous Elements:

Instance connectors

(C18049) Definition off-page connectors with same name as in-page connectors

Error In:

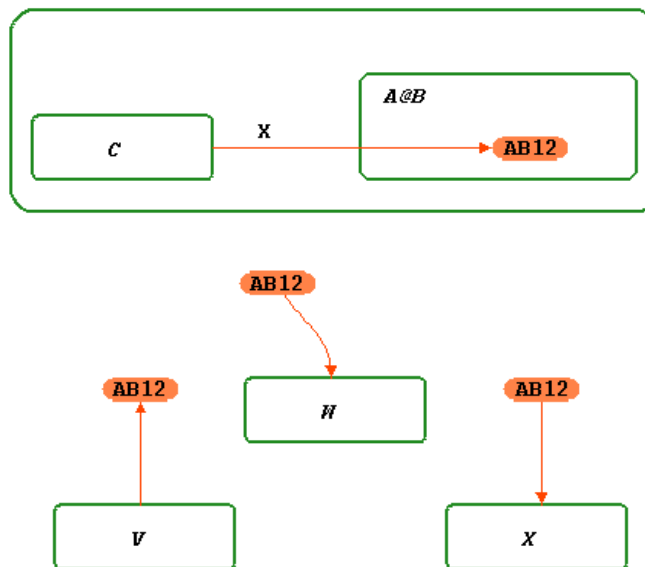
Correctness

Description:

Definition off-page connectors match to an instance off-page connector and have the same name as an in-page diagram connector.

Example:

In the following figure, the definition chart B has an off-page diagram connector $AB12$. The off-page connector has the same name as the in-page connector and is therefore illegal.



Erroneous Elements:

Connectors

(C18051) Definition off-page connectors with conflicting arrow directions in instance off-page connector

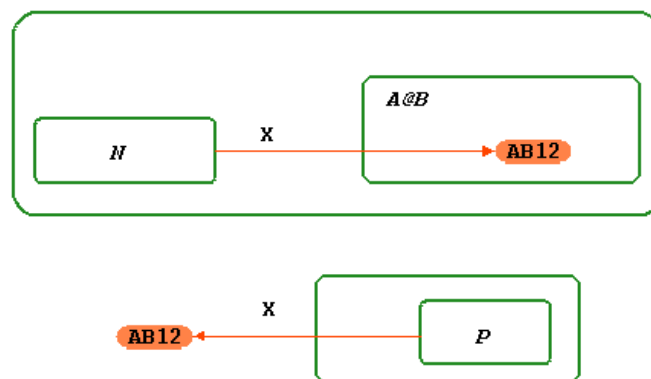
Error In:

Correctness

Description:

There are definition off-page connectors whose matching connector in the instance chart has a conflicting arrow direction.

Example



Erroneous Elements:

Definition off-page connectors

(C18053) Generic instances with inconsistent parameter binding

Error In:

Correctness

Description:

There is inconsistency between the actual bindings in the instance box and the defined formal parameters in the generic chart.

Erroneous Elements:

Instance boxes

(C18057) Combinational elements aliases of registered elements or vice versa

Error In:

Correctness

Description:

An alias data-item is used as a combinational element—it is assigned a value in a combinational assignment, whereas the element that appears in its definition is used as a registered element, or vice versa.

Erroneous Elements:

Data-items

(C18061) Elements using field references that do not appear in the record/union definition

Error In:

Correctness

Description:

Elements contain expressions in which a field of an explicitly defined record or union is used, but the field does not appear in the record or union definition.

Erroneous Elements:

States, transitions, and textual elements

(C18062) Elements erroneously using field references

Error In:

Completeness

Description:

Elements erroneously reference fields.

Erroneous Elements:

Any element referencing fields.

(C18063) Formal parameters whose data-type is not global

Error In:

Correctness

Description:

Formal parameters are defined to be of some User-Defined Type (UDT), but the UDT is defined in the generic chart. The UDT is not visible outside the generic chart; therefore, an actual binding cannot have this type.

Erroneous Elements:

Data-items (formal parameters)

(C18065) Actual binding whose data-type is not global

Error In:

Correctness

Description:

Data-items used as actual bindings in an instance box are defined to be of some User-Defined Type (UDT), but the UDT is not global (it is defined in some chart, and not in a GDS). This UDT is not visible to the generic chart; therefore, a formal parameter cannot have this type.

Erroneous Elements:

Data-items

(C18067) Empty Records/Unions

Error In:

Correctness

Description:

Data-items or data-types are defined to be a record or union, but there are no fields defined in the structure. This is a correctness error because it is a fatal error situation for some tools.

Erroneous Elements:

Data-items or user-defined types

(C18075) Elements containing out of range assignments of enumerated values

Error In:

Correctness

Description:

An element of some subtype is assigned a value that belongs to the enumerated type, but is not in the range of the subtype.

Example:

```
in definition of SCH_ADA:ACTION WORKING_DAY=SAT
```

Erroneous Elements:

Textual elements, boxes, and arrows

(C18077) procedures/Functions that are used incorrectly

Error In:

Correctness

Description:

Either procedures are used as functions (treated in some expression as if they return a value), or functions are used as procedures (called in expression where an action is expected).

Example:

Function FACTORIAL used as Procedure in definition of SCH_ADA:ACTION:
FACTORIAL(Y)

Erroneous Elements:

Subroutines

(C18079) Callback procedures that are used/defined incorrectly

Error In:

Correctness

Description:

Procedures are used as callbacks, whose first parameter is not of type string or not of mode Input.

Example:

CALLBACK P1, is an "Output" parameter

Erroneous Elements:

Subroutines

(C18081) Elements containing subroutine calls with conflicting length of parameters

Error In:

Correctness

Description:

There are subroutine calls where the actual parameter's length conflicts with the corresponding formal parameter definition, or whose length is unknown.

Example:

```
STATE1  
CALLBACK(A, ARRAY, 3)  
ARRAY - Unknown length
```

Erroneous Elements:

Textual elements, boxes, and arrows

(C18085) Elements not declared as parameters or as variables

Error In:

Correctness

Description:

There are elements used in the tested procedural statechart/flowchart that are not declared as local variables, parameters, or global data of the connected procedure.

Example:

```
data-item L2  
condition C
```

Erroneous Elements:

Data-items and conditions

(C18087) Local variables overriding parameters or global definitions

Error In:

Correctness

Description:

A local variable of the tested procedural statechart/flowchart overrides a parameter or global definition of the connected procedure.

Example:

```
P1 overriding parameter
```

Erroneous Elements:

Local variables

(C18089) Subroutine using recursive calls

Error In:

Correctness

Description:

Subroutines use recursive calls (either directly or by other subroutines).

Example:

```
SR3 called from SR2  
SR2 called from SR3
```

Erroneous Elements:

Subroutines

(C18091) Subroutines using elements not declared as parameters, local-variables, or globals

Error In:

Correctness

Description:

Subroutines that use elements are not declared as parameters, local-variables, or globals. All elements used in the subroutine code should be declared, including constant data-items and conditions, enumerated values, other subroutines, and user-defined types.

Example:

```
subroutine F L2
```

Erroneous Elements:

Subroutines

(C18093) Subroutines that contain references to activities

Error In:

Correctness

Description:

The subroutine contains references to activities.

Example:

```
subroutine F  
Activity A used in GLOBAL1
```

Erroneous Elements:

Subroutines

(C18095) Subroutines with illegal parameter type or return type

Error In:

Correctness

Description:

There is a subroutine where a User-Defined Type (UDT) is the return type, or the type of a parameter. The following table below lists the illegal definitions for UDTs.

Type	Return Type	Parameter
UDT array of string	(*)	**Illegal**
UDT array of bit-array	(*)	**Illegal**
UDT array of direct R/U	(*)	**Illegal**
UDT queue of anything	**Illegal**	**Illegal**
Array of queue (any dimension)	**Illegal**	**Illegal**

(*) In these cases, a middle UDT is needed. For example, if the return type of a function should be an array of string, it should be defined as:

```
UDT array of STR_UDT, and STR_UDT, a string
```

Format:

```
subroutine <subroutine name>  
return type <user-def type>, defined as <type>  
    <user-deftype>, type of parameter <parameter>,  
    defined as <type>
```

Example:

```
subroutine F1  
return type ARR_STR1, defined as array of string  
    STR_QUEUE1, type of parameter P1, defined as queue
```

Erroneous Elements:

Subroutines

(C18097) Subroutines with illegal local variable type

Error In:

Correctness

Description:

Local variables are defined as a User-Defined Type (UDT), as a queue, or an array (of any dimension) of a queue.

Erroneous Elements:

Subroutines

(C18099) Local variables with illegal type

Error In:

Correctness

Description:

Local variables are defined as a user-defined type (UDT), as a queue, or an array (of any dimension) of a queue.

Example:

```
subroutine F1
  STR_QUEUE1, type of local variable LV1, defined
  as queue
```

Erroneous Elements:

Subroutines

(C18101) Subroutines with illegal/missing return command

Error In:

Correctness

Description:

There are functions without a RETURN command, procedures with a RETURN command, or a function with a return type that conflicts with the returned value's type.

Erroneous Elements:

Subroutines

(C18103) Subroutines that call other subroutines whose global elements are missing from the calling subroutine definition

Error In:

Correctness

Description:

Global elements of a subroutine, SUB, must be declared as global elements of any other subroutine that calls SUB.

Erroneous Elements:

Subroutines

(C18105) Subroutines with local variables/parameters overriding parameters/globals

Error In:

Correctness

Description:

There are subroutines with local variables that override parameters or globals, or there are parameters that override globals.

Erroneous Elements:

Subroutines

(C18107) Subroutine with illegal combination of type and implementation

Error In:

Correctness

Description:

There are subroutines with an illegal combination of type and implementation.

Erroneous Elements:

Subroutines

(C18109) Elements containing a truth table with illegal factorization structure

Error In:

Correctness

Description:

United input cells are not nested in a previous union; or, there are two or more rows that share the same input section, but have different output sections.

Erroneous Elements:

Subroutines and actions

(C18111) Elements containing a truth table with illegal combination of inputs

Error In:

Correctness

Description:

Elements are described by truth tables using the same element twice as an input (via aliases). This check ensures that the same element is not used twice as a whole, but does not check overlapping of slices.

Erroneous Elements:

Subroutines and actions

(C18113) Elements containing a truth table with illegal combination of outputs

Error In:

Correctness

Description:

Elements are described by truth tables using the same element twice as an output (via aliases).

Erroneous Elements:

Subroutines and actions

(C18115) Elements containing out of range integer/real assignments

Error In:

Correctness

Description:

Elements contain assignments of integers, where an out-of-range value is assigned to a restricted range integer, or one restricted range integer is assigned to another where there is no intersection of ranges. It tests if an integer or real value is compared with a value outside its range, as well as values assigned to integer or real variable.

Erroneous Elements:

States, actions, data-items, and transitions

(C18117) Switch/Case structure contains more than one default entry

Error In:

Correctness

Description:

The `switch_c` statement has more than one `default` case entry, or the `case_ada` statement has more than one `others when_ada` entry.

Example:

```
switch_c (X)
{
  case_c 1:
    Y=1;
  default:
    Y=0;
  case_c 2:
    Y=2;
  default:
    Y=3;
}
```

Erroneous Elements:

Actions, states, and transition labels

(C18119) Illegal switch structure: contains conditional break

Error In:

Correctness

Description:

The break action is not supported in if blocks.

Example:

```
switch(X) {  
  case RED: y=5;  
    if(COND1) then break  
  endif;  
  break  
  .  
  .
```

Erroneous Elements:

Actions, states, and transition labels

(C18121) Illegal switch structure: non-unique selected entries

Error In:

Correctness

Description:

The `switch_c` structure contains a case entry that is repeated. Only the first entry will be executed.

Example:

```
switch_c (X)
{
  case_c 1:
    Y=1;
  case_c 1:
    Y=2;
  default:
    Y=3;
}
```

Erroneous Elements:

Actions, states, and transition labels

(C18123) Inconsistent initial value

Error In:

Correctness

Description:

An element has a default value that is inconsistent with its type and range definition.

Example:

Integer data-item `x` has a minimum value of 0, maximum value of 20, and a default value `A`. Integer data-item `A` is a constant set to 40. Because `A` is outside the minimum and maximum for `x`, it is an inconsistent initial value.

Erroneous Elements:

Integer and real data-items

(C18125) Inconsistent range definition

Error In:

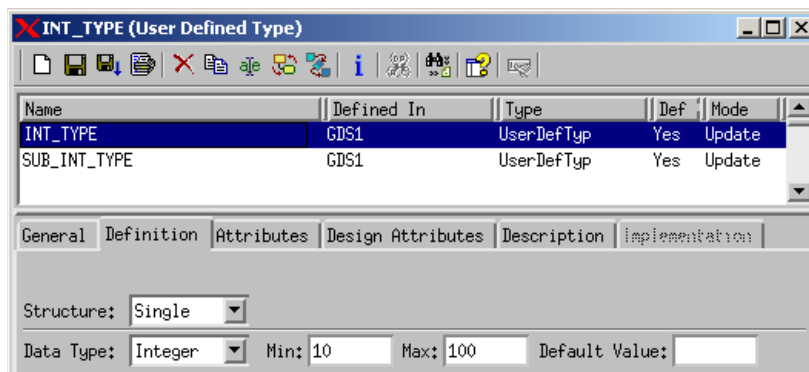
Correctness

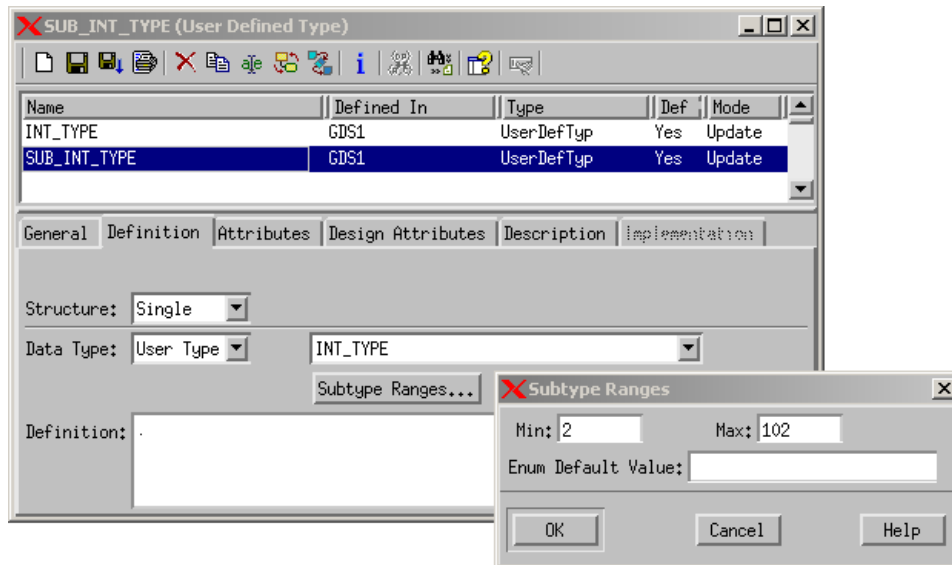
Description:

This test warns about user-defined type definitions where the sub-type ranges are inconsistent with the parent type definition.

Example:

INT_TYPE is an integer User Defined Type and has a defined minimum/maximum range of 10 - 100 (as shown in the first figure below). SUB_INT_TYPE is a User Defined Type of INT_TYPE and has a range defined outside of 10 - 100 (as shown in the second figure below).





Erroneous Elements:

User-defined types

(C18127) Arrays with illegal indices

Error In:

Correctness

Description:

Array index expression does not result in an integer or contain elements with illegal type.

Example:

Case I:

Arr2 is an integer array from LeftInd2 to RightInd2.

LeftInd2 is defined as:

Single, Constant, with Data Type set to None, and definition set to SubDef2

SubDef2 is defined as:

Single None Constant with definition set to 2.34

Case II:

Arr1 is an integer array from LeftInd to RightInd.

LeftInd is defined as:

Single, Constant, with Data Type set to None, and definition set to SubDef

SubDef is defined as:

Single String Constant with definition set to 'My Definition'

(C19000) Events(s), 'Its Task' is defined as 'default'

Error In:

Design

Description:

There are Events with their "Its Task" Design-Attribute set to "default".

Erroneous Elements:

Events

(C19001) Events marked as 'Task Event' are not connected with EXTENDED Task.

Error In:

Design

Description:

There are Events, which their "Its Task" Design-Attribute is not referring to a Task of type "Extended".

Erroneous Elements:

Events

(C19002) Either 'send' or receive' are operated on non-message elements

Error In:

Design

Description:

There are Data-Items, which are used with the operators send (sn!()) or receive (rc!()), without being defined as Messages in their Design-Attributes.

Erroneous Elements:

Data-Items

(C19003) Either 'get' or 'release', are operated on non-resource elements

Error In:

Design

Description:

There are Conditions, which are used with the operators get (gt!()) or release (rl!()), without being defined as Resources in their Design-Attributes.

Erroneous Elements:

Conditions

(C19004) Data-items or/and conditions, mapping to external symbol, which is not unique

Error In:

Design

Description:

There is more than one Element with the same value to their "Bind Symbol Name" Design-Attribute.

Erroneous Elements:

Data-Items and Conditions

(C19005) Operands in expression, defined neither as double-buffered nor as having buffered access mode

Error In:

Design

Description:

There are Elements that are used with the operators changed (ch()), became-true (tr()) or became-false (fs()), and are not defined as “Double Buffered” or “Buffered Access” in their Design-Attributes.

Erroneous Elements:

Data-Items and Conditions

(C19006) Multiple events, that are ‘Task Event’, with the same ‘Its Task’ and the same ‘Event Mask’

Error In:

Design

Description:

There is more than one Event that are defined as “Task Event” in their Design-Attributes, and have the same value in their “Event Mask” Design-Attribute.

Erroneous Elements:

Events

(C19007) Events that their its task is not appropriate

Error In:

Design

Description:

There are Events, which their “Its Task” Design-Attribute is set to an invalid “Task” name.

Erroneous Elements:

Events

(C19008) Event(s), that are not ‘Task Event’, used in flowchart

Error In:

Design

Description:

Event element is defined in a flow chart but in not used as a “Task Event”.

Erroneous Elements:

Event Element

(C19009) Derived events that their its task is not appropriate

Error In:

Design

Description:

There are Events that their “Its-Task” Design-Attribute value is referring to a Task that is not any ancestor Activity.

Erroneous Elements:

Data-Items and Conditions

(C19010) Elements unnecessarily defined as double-buffered

Error In:

Design

Description:

There are Elements that defined as “Double Buffered” in their Design-Attributes unnecessarily.

Example:

Data-Item DI1 has its Design-Attribute “Double Buffered” set to “yes”, but it is not used with any of the operators tr(), fs() or ch().

Erroneous Elements:

Data-Items and Conditions

(C20003) Usage of incompatible operators/functions

Error In:

Compatibility between MicroC and Rational Statemate

Description:

A statechart is using a built-in operator or function that is not supported by the MicroC Code Generator.

Erroneous Elements:

Actions, conditions, data-items, states, subroutines, and transition labels

(C20004) Usage of incompatible operators on a record data-item

Error In:

Compatibility between MicroC and Rational Statemate

Description:

A statechart is using a built-in operator on a data-item of type `record`, which is not supported by the MicroC Code Generator.

Erroneous Elements:

Actions, conditions, data-items, states, subroutines, and transition labels

Activity Chart Checks

This section documents the Check Model checks for activity charts. The checks are listed in numerical order.

(C3001) Loops in element definition

Error In:

Correctness

Description:

Textual elements use themselves in their definition via “chain” definitions.

Example:

Compound event E1 is defined as ‘E2 or E3’; E2 is defined as ‘E1 or E4.’

Erroneous Elements:

All textual elements in the loop

(C3003) Aliases defined as non variable or non bit-array

Error In:

Correctness

Description:

Aliases, illegally defined because of the element appearing in the definition of the alias, are defined as non-variable (compound or constant) or non-bit-array.

Example:

x2 is a single bit-array from 1 to 14, defined in chart TOP. X2_INIT is a single integer, with usage of Alias, defined in chart TOP to be X2(2). The error occurs on data-item X2_INIT.

Erroneous Elements:

Data-items

(C3005) Arrays with an out of range index

Error In:

Correctness

Description:

Arrays or bit-arrays are used with an index value out of the defined index range.

Example:

```
A is an integer array from 1 to 100. There is an action in the model:  
A(101)=1
```

Erroneous Elements:

Data-items, fields, conditions, and events

(C3007) Arrays with indices in reverse order

Error In:

Correctness

Description:

Arrays or bit-arrays reference slices whose borders are in reverse order relative to their type definition.

Example:

A is a bit-array from 31 down to 0. There is an action in the model:

$$A(0..7)=3$$

Erroneous Elements:

Data-items, fields, conditions, and events

(C3009) Constants with inconsistent definition

Error In:

Correctness

Description:

One of the following situations:

- ◆ There are constant data-items or conditions whose values do not match their type definition.
- ◆ There are constant strings, arrays, or integers whose length does not match their defined length.
- ◆ There are constant integers whose values are not in the defined value range.

Erroneous Elements:

Data-items and conditions

(C3010) Data elements defined as arrays of bit

Error In:

Correctness

Description:

There are elements defined as arrays of a user-defined type (UDT) that is defined as bit.

Example:

DI1 defined as array of BIT1, which is defined as bit

Erroneous Elements:

Data-items, user-defined types, and fields

(C3011) Elements using uninitialized context variables

Error In:

Correctness

Description:

Elements contain action expressions in which an uninitialized context variable is used.

Example:

A transition has the following label:

$E/Y=\$X; \$X=Z$

$\$x$ is used before any value is assigned to it.

Erroneous Elements:

Activities and actions

(C3013) Elements containing infinite While Loops

Error In:

Correctness

Description:

Elements contain action expressions that have infinite `while` loop statements. The check detects cases where the `while` loop control expression does not contain a context variable or a `break` statement in the loop.

Example:

A mini-spec contains the following expression:

```
EV / while COND1 loop
A=B;
end loop
```

The expression contains no context variable or `break` statement.

Erroneous Elements:

Activities and actions

(C3015) Elements containing For Loops with erroneous range indices

Error In:

Correctness

Description:

Elements contain action expressions that have `for` loops statements with an invalid range.

Example:

An action contains the following `for` loop statement:

```
for $I in 10 to 1 loop
```

The correct statement would use `downto`.

Erroneous Elements:

Activities and actions

(C3017) Numeric expressions using bit-arrays longer than 32 bits

Error In:

Correctness

Description:

Elements contain numeric expressions that have bit-arrays longer than 32 bits. Conversion occurs automatically from a bit-array to a numeric value only for a bit-array with less than or equal to 32 bits.

Erroneous Elements:

Activities and actions

(C3019) Expressions containing operations between arrays with unequal length

Error In:

Correctness

Description:

Elements contain assignments or comparisons between arrays or array slices of different lengths.

Example:

An action contains the following assignment:

```
A=B  
when A is defined as an array from 1 to 3,  
and B is an array from 1 to 5.
```

Erroneous Elements:

Activities, events, conditions, and actions

(C3021) Loops in index definition

Error In:

Correctness

Description:

Data elements use constants in their definition in a “circular” manner.

Example:

```
AR is an array from 1 to N  
while N is defined as rindex (AR)
```

Erroneous Elements:

Data-items, conditions, events, and user-defined types

(C3023) Defined data elements that are used incorrectly

Error In:

Correctness

Description:

Elements contain expressions in which data-items that are explicitly defined to be of some data-type are used in a way that does not match the type consistency and conversion rules.

Note

This is reported even if the definition chart of the regarded element is not included in the profile, but charts using that element are in the profile.

Example:

\mathbb{I} is defined as an integer; s is defined as a string. There is an action that contains the following assignment:

$$I=S$$

Erroneous Elements:

Activities, events, conditions, data-items, and actions

(C3025) Data elements without type definition that are used inconsistently

Error In:

Correctness

Description:

Unresolved or explicitly defined data-items with no type definition or specified type are used in expressions in an inconsistent manner.

Example:

D is an unresolved or not explicitly defined element. I is an integer; S is a string. D appears in the following assignments:

$$D=I ; D=S$$

Erroneous Elements:

Data-items, conditions, and user-defined types

(C3027) Predefined functions that are used incorrectly

Error In:

Correctness

Description:

Predefined functions are used with parameters of a wrong type, the wrong number of parameters, or an incorrect return type.

Example:

A mini-spec contains the following expression, where `THETA` is defined as a real and `c` is defined as a condition:

```
EV /C = sin(THETA)
C should be a real.
```

Erroneous Elements:

Functions

(C3029) Subroutines that are used incorrectly

Error In:

Correctness

Description:

User functions are used inconsistently in different expressions as in a different return type, parameter type, or number of parameters.

Note

When working with MicroC components, this test also reports situations where a subroutine is called with an actual 'out' parameter that is bound to an external symbol with get/set APIs.

Example:

A subroutine `SUB_1` is defined as a function with two input parameters that returns an integer. An activity `ACT_1` contains the following mini-spec, where `y` is defined as an integer:

```
EV_1/Y=SUB_1(A1,B1)
```

A second activity on the same chart contains the following mini-spec, where `z` is defined as a condition:

```
EV_2/Z=SUB_1(A2,B2)
```

The error is generated on the `SUB_1` function because the return type is used as an integer in the first activity and as a condition in the second activity.

A third activity on the same chart contains the following mini-spec:

```
EV_3/W=SUB_1(A3,B3,C3)
```

The error is also generated in this case due to an inconsistent number of parameters.

Erroneous Elements:

Functions

(C3031) Loops in compound flow-lines

Error In:

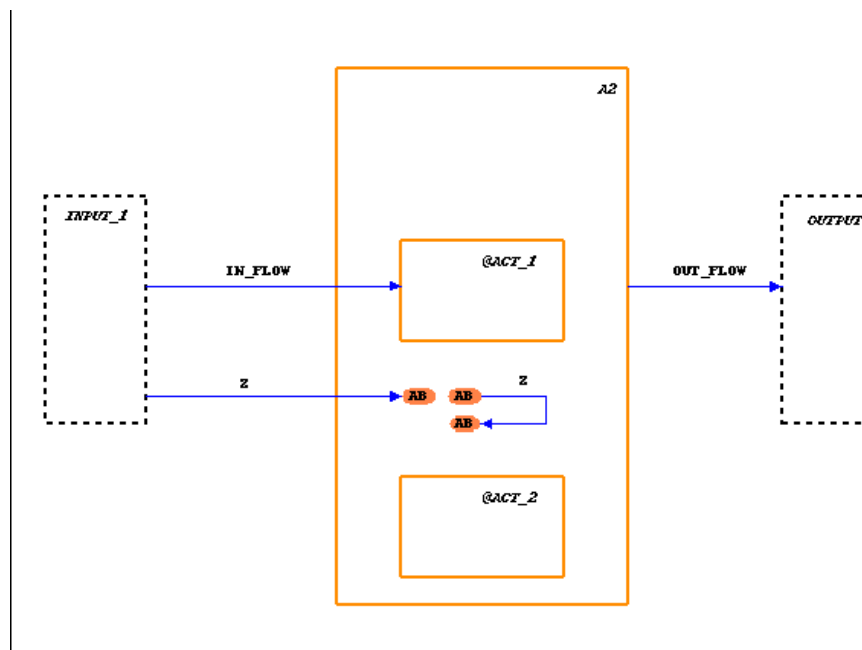
Correctness

Description:

A group of flow-line segments, linked through connectors, create a loop or cycle that does not contain an activity or data-store.

Example:

In the following figure, the data-flow with label *z* is shown as having the same source and target (diagram connector *AB*), thus creating a loop.



Erroneous Elements:

Flow-line segments in loops.

(C3033) Compound flow-lines with identical sources and targets

Error In:

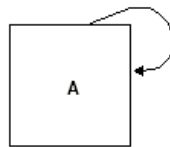
Correctness

Description:

Compound flow-lines with identical sources and targets (loopback flow-lines).

Example:

The following figure shows the simplest case:



Erroneous Elements:

Compound flow-lines

(C3035) Flow-line segments with illegal joints

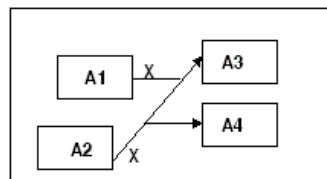
Error In:

Correctness

Description:

Compound flow-lines are constructed by using joint connectors in a confusing order.

Example:



Erroneous Elements:

Components of the erroneous flow-lines

(C3037) Flow-lines between data-stores

Error In:

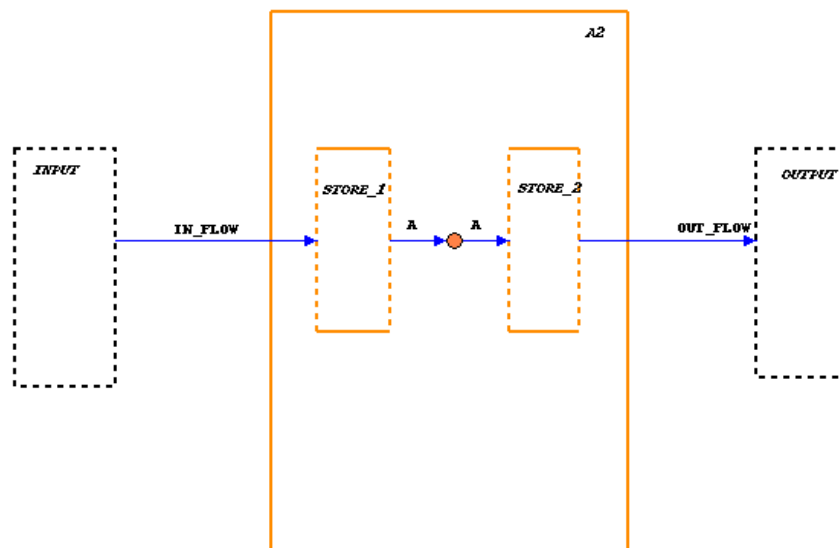
Correctness

Description:

Compound flow-lines denote a flow of information between data-stores, which are passive elements.

Example:

In the following figure, data-item A is shown flowing from STORE_1 to STORE_2 via a junction connector.



(C3039) Flow-lines between external activities

Error In:

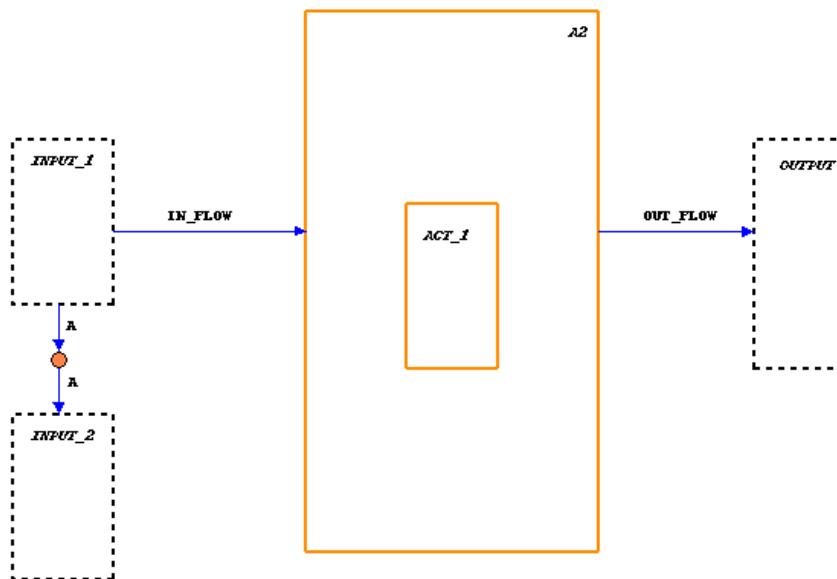
Correctness

Description:

There are compound flow-lines between external activities. These flow-lines, even if they exist, should not be specified in the chart where the source and target activities are external, and therefore out of the description scope.

Example:

In the following figure, data-item A is shown flowing between external activities INPUT_1 and INPUT_2.



Erroneous Elements:

- ◆ Components of the erroneous flow-lines

(C3041) Conflicting labels on flow-line components

Error In:

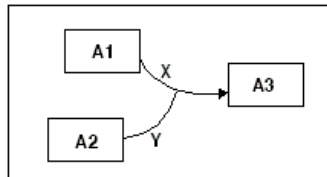
Correctness

Description:

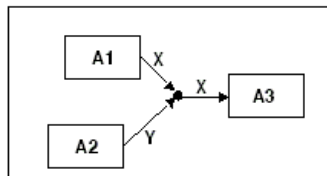
There are compound flow-lines whose segments are labeled with conflicting labels.

Example:

In the following figure, if x and y include different data elements (such as events, conditions, or data-items), the flow-line from A1 and A2 to A3 is incorrect.



As shown in the following figure, the compound flow-line from A2 to A3 is incorrect because its labels are x and y. However, the compound flow-line from A1 to A3 is correct.



Erroneous Elements:

Components of the erroneous flow-lines

(C3043) Composition connectors with multiple entrances and multiple exits

Error In:

Correctness

Description:

There are composition connectors with multiple entering flow-lines and multiple exiting flow-lines.

Erroneous Elements:

Connectors

(C3045) Instance off-page connectors with same name as in-page connector

Error In:

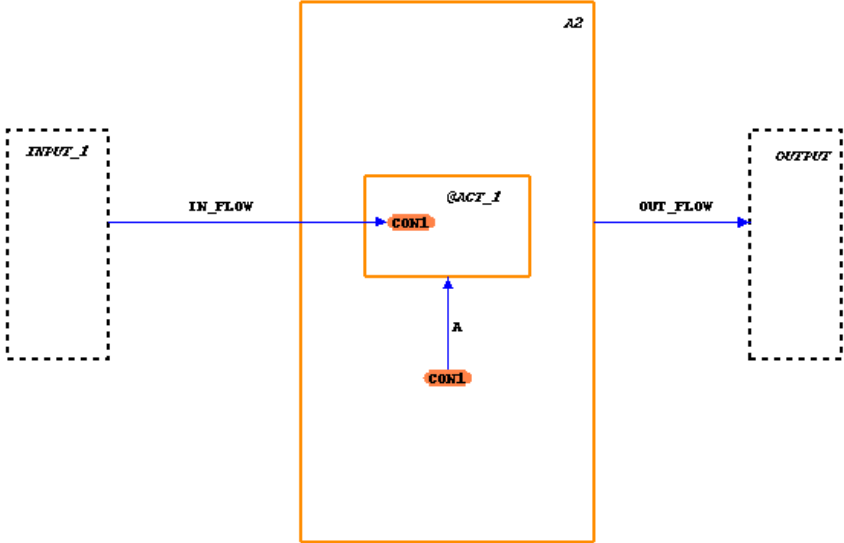
Correctness

Description:

There are off-page diagram connectors drawn in an instance activity that have the same name as another in-page connector in the chart.

Example:

As shown on the following figure, the off-page diagram connector drawn in @ACT_1 has the same name as the in-page connector CON1.



Erroneous Elements:

Instance connectors

(C3047) Multiple instance off-page connectors with conflicting arrow directions

Error In:

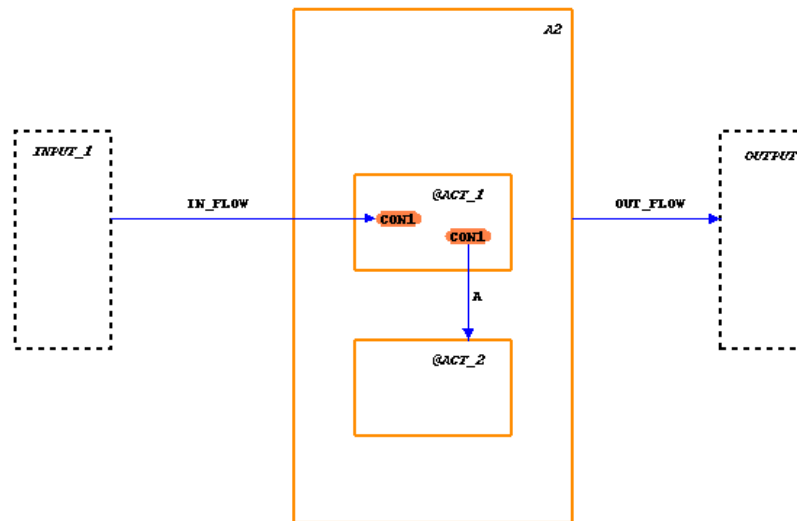
Correctness

Description:

There are off-page diagram connectors drawn in an instance activity in which another connector with the same name, but conflicting arrow directions, is drawn.

Example:

The following figure shows an off-page diagram connector drawn in @ACT_1 with an incoming arrow, which conflicts with a second off-page diagram connector with an outgoing arrow.



Erroneous Elements:

Instance connectors

(C3049) Definition off-page connectors with same name as in-page connector

Error In:

Correctness

Description:

There is a definition off-page connector that matches an instance off-page connector and has the same name as an in-page diagram connector.

This check is performed only when you specify with definition charts. The error is reported in the definition chart.

Erroneous Elements:

Connectors

(C3051) Definition off-page connectors with conflicting arrow directions in instance off-page connector

Error In:

Correctness

Description:

There are definition off-page connectors whose matching connector in the instance chart has a conflicting arrow direction.

This check is performed only when you specify with definition charts. The error is reported in the definition chart.

Erroneous Elements:

Definition off-page connectors

(C3053) Elements that flow to/from instance with contradicting source/target name in definition chart

Error In:

Correctness

Description:

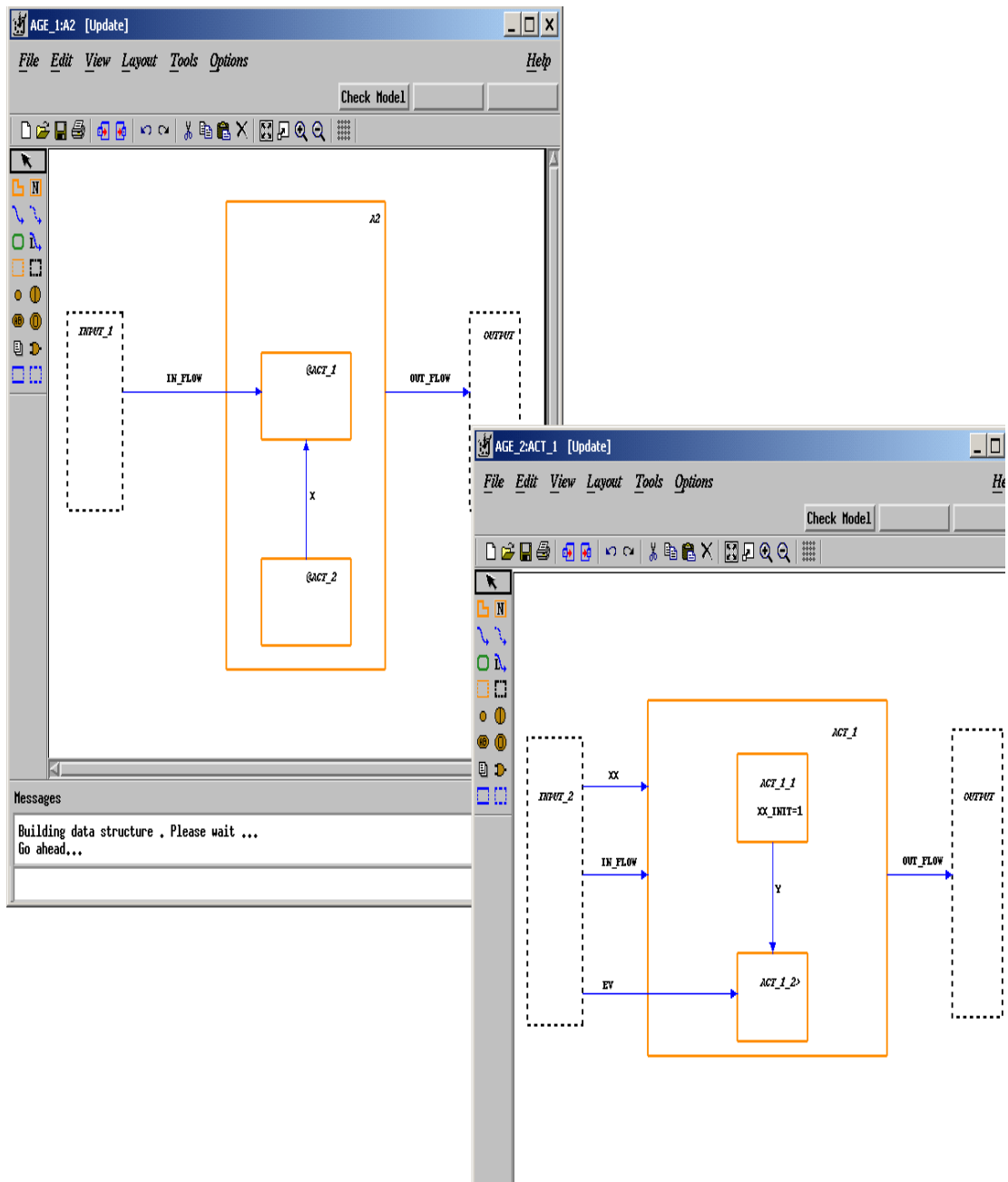
There are elements that flow to or from both an instance activity and an external activity in the off-page definition chart, but the source or target name in the off-page definition chart is not the same as the name or synonym in the instance chart.

This check is performed only when you specify with definition charts. The error is reported in the instance chart.

Example:

In the following figure, this error is generated when testing chart A2, where `IN_FLOW` flows from external activity `INPUT_1` to instance activity `ACT_1`. However, in the off-page definition chart, `IN_FLOW` is shown flowing from external activity `INPUT_2`.

Activity Chart Checks



Erroneous Elements:

Events, conditions, data-items, information-flows, and fields

(C3055) Elements that flow to/from definition with contradicting source/target name in instance chart

Error In:

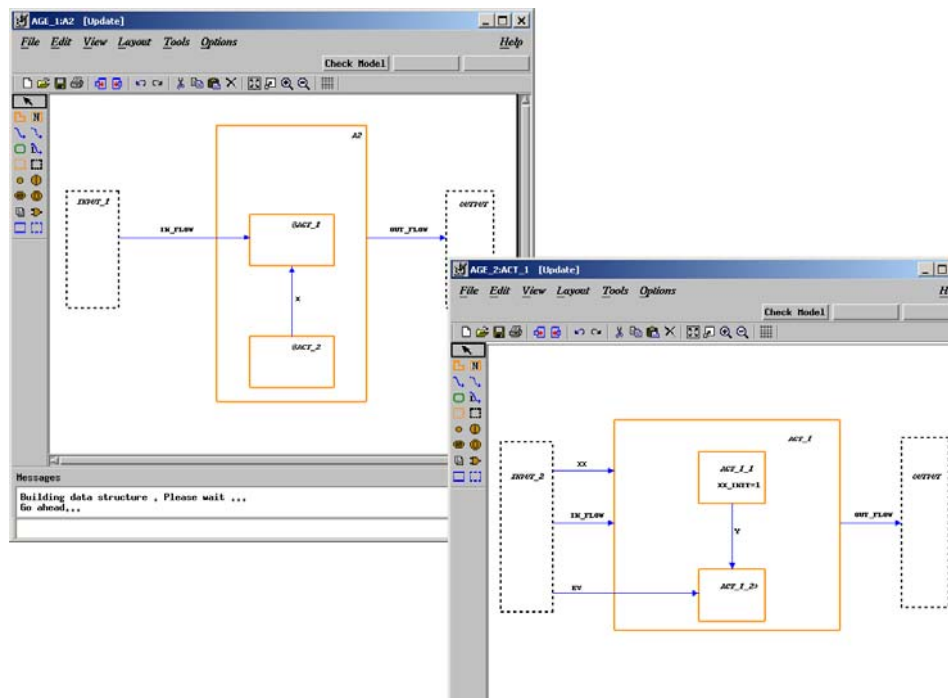
Correctness

Description:

There are elements that flow to or from both an external activity in the off-page definition chart and the instance activity, but the source or target and the name or synonym in the instance are not the same as the name in the off-page definition chart. This check is performed only when you specify with definition charts. The error is reported in the definition chart.

Example:

In the following figure, this error is generated when testing chart AXT1, where IN_FLOW flows from external activity INPUT_2 to activity ACT_1. However, in the off-page definition chart, IN_FLOW is shown flowing from external activity INPUT_1.



Erroneous Elements:

Events, conditions, data-items, and information-flows

(C3059) Generic instances with inconsistent parameter binding

Error In:

Correctness

Description:

There is inconsistency between the actual bindings in the instance box and the defined, formal parameters in the generic chart.

Example:

A generic activity chart has a formal parameter x , which is defined as an integer. An activity chart contains an instance of this generic chart and has an actual parameter $x1$, which is bound to x . The actual parameter $x1$ is defined as a condition and is, therefore, inconsistent with the formal parameter definition.

Erroneous Elements:

Instance boxes

(C3061) Controlled-termination activities that contain stop action

Error In:

Correctness

Description:

There are activities of reactive-controlled termination type, with `STOP (sp!)` action in their mini-spec.

Erroneous Elements:

Activities

(C3063) Self-termination activities that do not contain stop action

Error In:

Correctness

Description:

There are activities of reactive-self termination type, but there is no `STOP (sp!)` action in their mini-spec.

Erroneous Elements:

Activities

(C3065) Combinational elements aliases of registered elements or vice versa

Error In:

Correctness

Description:

An alias data-item is used as a combinational element and assigned a value in a combinational assignment, but the element that appears in its definition is used as a registered element, or vice versa.

Example:

In the following figure:

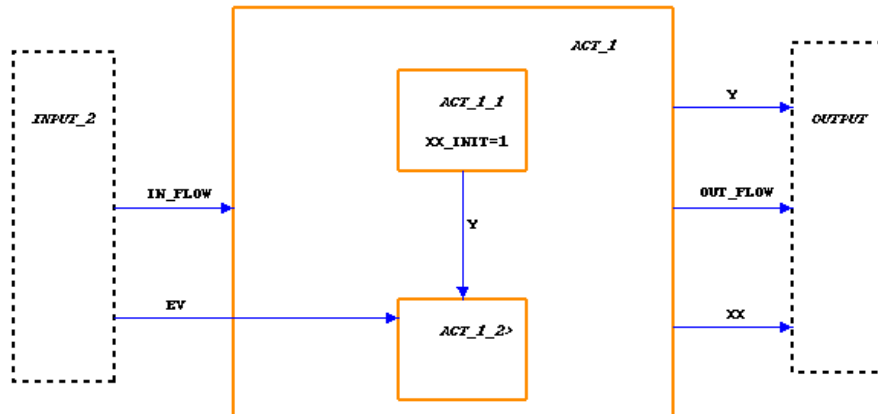
- ◆ `xx` is defined as a bit-array from 1 to 10.
- ◆ `xx_INIT` is defined as a single bit alias of `xx` defined as `xx(1)`.
- ◆ Activity `ACT_1_1` contains the following combinational assignment:

```
xx_INIT=1
```

- ◆ Activity `ACT_1_2` contains the following mini-spec:

```
EV/xx(1)=1
```

The error is reported on `xx_INIT`.



Erroneous Elements:

Data-items

(C3067) Combinational elements assigned a value multiple times in the same entity

Error In:

Correctness

Description:

A combinational assignment is assigned a value in two separate, combinational assignments in the tested activity.

Erroneous Elements:

Data-items

(C3069) Elements using field references that do not appear in the record / union definition

Error In:

Correctness

Description:

There are elements that contain expressions in which a field of an explicitly defined record or union is used, but the field does not appear in the definition of the record or union.

Example:

A record data-item `REC_1` flows from activity `ACT_1`. `REC_1` is defined to have two fields, `F1` and `F2`, both of which are integers. The activity `ACT_1` contains the following mini-spec:

```
EV/REC.F3 = 4
```

The error occurs because `F3` does not appear in the definition of `REC_1`.

Erroneous Elements:

Activities and textual elements

(C3070) Elements erroneously using field references

Error In:

Completeness

Description:

Elements erroneously reference fields.

Erroneous Elements:

Any element referencing fields.

(C3071) Formal parameters whose data-type is not global

Error In:

Correctness

Description:

Formal parameters are defined in terms of a User-Defined Type (UDT), but the UDT is defined in the generic chart. Because the UDT is not visible outside the generic chart, any actual binding cannot have this type. The error is generated in the tested generic chart.

Note

UDTs are normally defined in a Global Definition Set (GDS).

Erroneous Elements:

Data-items with formal parameters

(C3073) Actual binding whose data-type is not global

Error In:

Correctness

Description:

Data-items, used as actual bindings in an instance box, are defined to be of some User-Defined Type (UDT), but the UDT is not global. It is defined in some chart, not in a GDS. Because this UDT is not visible to the generic chart, a formal parameter cannot have this type.

Note

UDTs are normally defined in a GDS.

Erroneous Elements:

Data-items

(C3075) Empty Records/Unions

Error In:

Correctness

Description:

There are data-items or data-types defined to be a record or union, but there are no fields defined in the structure. (This is a correctness error because it is a fatal error situation for some tools.)

Erroneous Elements:

Data-items and user-defined types

(C3077) Non-generic instance blocks with explicit ports

Error In:

Correctness

Description:

There are blocks that are not instances of generic charts and have explicit ports.

Erroneous Elements:

Blocks

(C3079) Blocks containing multiple ports with same name

Error In:

Correctness

Description:

Instance blocks of generic charts have more than one port with the same name.

Erroneous Elements:

Blocks

(C3081) Bus/Signal flowing between two “in ports”

Error In:

Correctness

Description:

There is a bus or signal flowing between two “in” ports.

Erroneous Elements:

The components of the erroneous buses or signals

(C3083) Bus/Signal flowing between two “out ports”

Error In:

Correctness

Description:

There is a bus or signal flowing between two “out” ports.

Erroneous Elements:

The components of the erroneous buses or signals

(C3085) Sub-types that conflict with enumerated type definition

Error In:

Correctness

Description:

One of the following situations:

- ◆ Values that do not appear in the definition of an enumerated type are used.
- ◆ Values in the subtype definition are not in the same order as in the definition of the enumerated type.
- ◆ Values are missing from the subtype definition.

Format:

```
<subtype name> (sub range of <enumerated-type name>):  
<enum-value> - missing in <enumerated-type name>  
<enum-value> - missing in <subtype name>  
<enum-value> - incorrect ordinal in <subtype name>
```

Example:

```
WORKING_DAYS (sub range of DAYS)  
MONDAY - missing in DAYS  
TUE - missing in WORKING_DAYS  
WED - incorrect ordinal in WORKING_DAYS
```

Erroneous Elements:

User-defined types

(C3087) Tasks/procedures that are used incorrectly

Error In:

Correctness

Description:

Tasks can be bound only to activities. Any other usage, including expressions, is incorrect. Procedures and functions cannot be bound to activities.

Format:

```
<subroutine name> (defined as <task/procedure/ function>) used as <procedure/  
function/task> in definition of <element name>
```

Example:

A procedure `PROC_1` is bound (using subroutine binding) to a reactive activity `ACT_1`.

Erroneous Elements:

Subroutines

(C3089) Elements containing out-of-range assignments of enumerated values

Error In:

Correctness

Description:

An element of some subtype is assigned a value that belongs to the enumerated type, but is not in the range of the subtype.

Format:

```
in <definition/mini-spec...> of <element name>  
<the assignment expression>
```

Example:

An enumerated type `DAYS` is defined as `{MON, TUE, WED, THU, FRI, SAT, SUN}`. `WEEKEND` is defined as a subtype of `DAYS` `{SAT, SUN}`. A mini-spec contains the following expression:

```
EV / WEEKEND = MON ;
```

Erroneous Elements:

Textual elements, boxes, and arrows

(C3091) Procedures/Functions that are used incorrectly

Error In:

Correctness

Description:

Procedures are used as functions or treated in some expression as if they return a value. Functions are used as procedures, or called in expressions where an action is expected.

Format:

```
<Function/Procedure> <subroutine name>  
used as <Procedure/Function> in definition of  
<element name> <expression of subroutine call>
```

Example:

Function FACTORIAL (returning an integer) is used as a procedure in the following mini-spec:

```
EV/FACTORIAL(X, Y)
```

Erroneous Elements:

Subroutines

(C3093) External activities in generic chart with “User-Added Code Bindings”

Error In:

Correctness

Description:

External activities defined in generic charts (or descendants of generic charts) have a subroutine binding to a task, function, or procedure. The error is reported in the tested generic chart.

Format:

`<Function/Procedure> <subroutine name>`

Erroneous Elements:

Activities

(C3095) Callback procedures that are used/defined incorrectly

Error In:

Correctness

Description:

Procedures are used as callbacks, whose first parameter is either not of type string or of mode Input.

Format:

```
<subroutine name> <parameter name>,  
is an <"Output"/"InOut"> parameter
```

Example:

An activity ACT_1 has a callback binding to a subroutine defined as a procedure:

```
C_BACK(X1, Y1)
```

The subroutine is defined with the following parameters:

- ◆ x - A string output parameter
- ◆ y - An integer output parameter

The error is generated because the first parameter, x1, should be an input string.

Erroneous Elements:

Subroutines

(C3097) Elements containing subroutine calls with conflicting length of parameters

Error In:

Correctness

Description:

There are subroutine calls where the actual parameter's length conflicts with the corresponding formal parameter definition, or whose length is unknown.

Format:

```
<element name>  
<expression of subroutine call>  
<actual parameters> - Unknown length
```

Example:

Activity ACT_1 contains the following mini-spec:

```
EV/SUB_LEN(X1 , Y1 )
```

In this mini-spec:

- ◆ x1 is an unbounded array of integers.
- ◆ Y1 is a string.
- ◆ SUB_LEN is a subroutine with the following parameters:
 - x - An array of integers, from 1 to 5
 - y - A string

The error is generated because x1 is of unknown length.

Erroneous Elements:

Textual elements, boxes, and arrows

(C3099) Subroutines using recursive calls

Error In:

Correctness

Description:

Subroutines use recursive calls, either directly or by other subroutines.

Format:

```
<subroutine name1> called from <subroutine name2>  
<subroutine name2> called from <subroutine name1>
```

Example:

```
SR3 called from SR2  
SR2 called from SR3
```

Erroneous Elements:

Subroutines

(C3101) Subroutines that are used incorrectly

Error In:

Correctness

Description:

Subroutines use elements that are not declared as parameters, local variables, or globals. All elements used in the subroutine code should be declared, including constant data-items or conditions, enumerated values, other subroutines, and user-defined types.

Format:

```
subroutine <subroutine name>  
<used element name>
```

Erroneous Elements:

Subroutines

(C3105) Subroutines that contain references to activities

Error In:

Correctness

Description:

Subroutines contain references to activities. This can happen only by using a global variable that contains a reference to an activity.

Format:

```
subroutine <subroutine name> Activity <activity name>  
used in <global variable name>
```

Example:

```
subroutine F  
Activity A used in GLOBAL1
```

Erroneous Elements:

Subroutines

(C3107) Subroutines with illegal parameter type or return type

Error In:

Correctness

Description:

A subroutine uses an illegal parameter type or return type. The following table lists the illegal definitions for UDTs.

Type	Return Type	Parameter
UDT array of string	(*)	** Illegal **
UDT array of bit-array	(*)	** Illegal **
UDT array of direct record or union	(*)	** Illegal **
UDT queue of anything	** Illegal **	** Illegal **
Array of queue (any dimension)	** Illegal **	** Illegal **

(*) In these cases, an interim UDT is needed. For example, if the return type of a function should be an array of string, it should be defined as `UDT array of STR_UDT`, and `STR_UDT`, a string.

Format:

```
subroutine <subroutine name>
return type <user-def type>, defined as <type> <user-def type>, type of
parameter <parameter>, defined as <type>
```

Example:

A subroutine, defined as a function, has a return type `T_ARR_STR`. `T_ARR_STR` is defined as an array of strings from 1 to 5. The error is generated because `T_ARR_STR` is defined directly. To correct this error, an intermediate UDT is required:

```
T_ARR_STR is defined as an array from 1 to 5 of UDT T_STR
T_STR is defined as a string
```

Erroneous Elements:

Subroutines

(C3109) Subroutines with illegal local variables type

Error In:

Correctness

Description:

Local variables are defined as a user-defined type (UDT) that is a queue or an array (of any dimension) of a queue.

Format:

```
subroutine <subroutine name>  
<user-def type>, type of local variable  
<local variable>, defined as <type>
```

Example:

A subroutine F1, defined as a procedure, has a local variable LV1 defined in terms of a UDT T_LV1. T_LV1 is defined as a queue of integers, which is an illegal type for local variables.

Erroneous Elements:

Subroutines

(C3111) Subroutines with illegal/missing RETURN command

Error In:

Correctness

Description:

There are functions without a `RETURN` command, procedures with a `RETURN` command, or a function with a return type that conflicts with the returned value's type.

Erroneous Elements:

Subroutines

(C3113) Subroutines that call other subroutines whose global elements are missing from the calling subroutine definition

Error In:

Correctness

Description:

Global elements of a subroutine, `SUB`, must be declared as global elements of any other subroutine calling `SUB`.

Erroneous Elements:

Subroutines

(C3115) Subroutines with local variables/parameters overriding parameters/globals

Error In:

Correctness

Description:

There are subroutines with local variables that override parameters or globals, or parameters overriding globals.

Erroneous Elements:

Subroutines

(C3117) Subroutines with illegal combination of type and implementation

Error In:

Correctness

Description:

There are subroutines with an illegal combination of type and implementation.

Example:

A subroutine is defined as a task, having an implementation of procedural statechart. Procedural statecharts can be only the implementation of either a function or a procedure.

Erroneous Elements:

Subroutines

(C3119) Elements containing a truth table with illegal factorization structure

Error In:

Correctness

Description:

Either joined input cells are not nested in a previous join or there are two or more rows that share the same input section, but have different output sections.

Example:

The following figure show the truth table definition for activity `ACT_1`. An error is generated because the joined cells in column 2 are not a subset of any previous join. The tool will warn of this situation when you save the truth table.

(C3119) Elements containing a truth table with illegal factorization structure

Truth Table of ACT_1_3

File Edit Worksheet Help

	Input		Output	
	CO_1	CO_2	CON_1	DATA_2
1	true	true	true	100
2	false		false	150
	1	2	3	4

Messages

Truth Table of ACT_1_3

File Edit Worksheet Help

	Input		Output	
	CO_1	CO_2	CON_1	DATA_2
1	true	1	false	50
2		2	true	100
3	false		false	150
4		3	true	200
	1	2	3	4

Messages

(I0267) Truth Table of ACT_1_3 successfully saved

Erroneous Elements:

Subroutines, actions, and activities

(C3121) Elements containing a truth table with illegal combination of outputs

Error In:

Correctness

Description:

Elements described by truth tables use the same element twice as an output, via aliases.

Note

This check ensures that the same element is not used twice as a whole. The check does *not* compare overlapping of slices.

Example:

The following figure shows the truth table definition for activity ACT_1. CO_2 is defined to be an integer. AL_CO_2 is defined to be an alias of CO_2. An error is generated because CO_2 is the same as AL_CO_2.

	Input		Output	
	CO2	AL_CO_2	CON_1	DATA_1
1	3	1	false	70
2	4	2	true	80
	1	2	3	4

Messages

Erroneous Elements:

Subroutines, actions, and activities

(C3123) Elements containing a truth table with illegal combination of inputs

Error In:

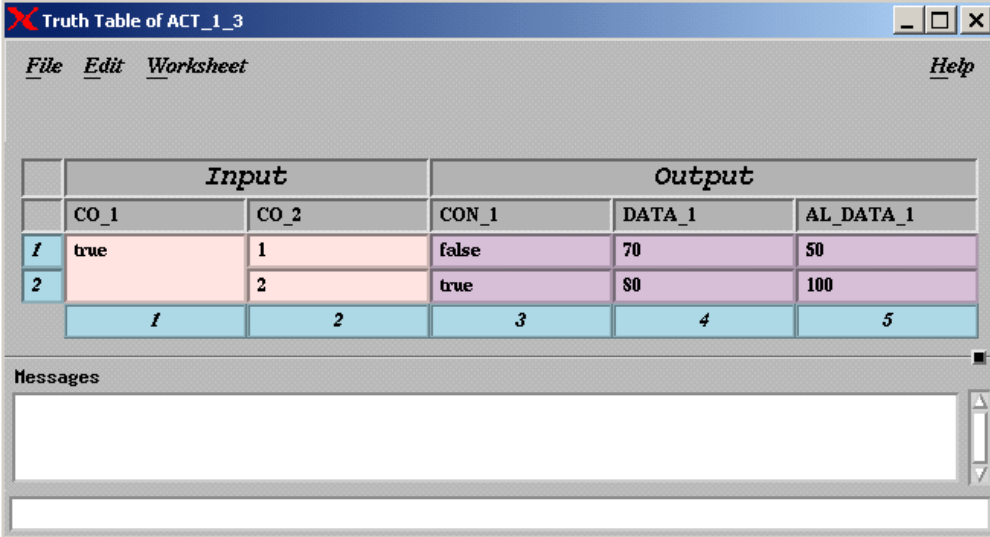
Correctness

Description:

Elements described by truth tables use the same element twice as an input, via aliases.

Example:

The following figure shows the truth table definition for activity ACT_1. DATA_1 is defined to be an integer. AL_DATA_1 is defined to be an alias of DATA_1. An error is generated because DATA_1 is the same as AL_DATA_1.



The screenshot shows a window titled "Truth Table of ACT_1_3" with a menu bar containing "File", "Edit", "Worksheet", and "Help". The main area contains a table with the following structure:

	Input		Output		
	CO_1	CO_2	CON_1	DATA_1	AL_DATA_1
1	true	1	false	70	50
2		2	true	80	100
	1	2	3	4	5

Below the table is a "Messages" section with a scrollable area.

Erroneous Elements:

Subroutines, actions, and activities

(C3125) Elements containing out of range integer/real assignments

Error In:

Correctness

Description:

Elements contain assignments of integers, where an out-of-range value is assigned to a restricted range integer, or one restricted range integer is assigned to another where there is no intersection of ranges. It tests if an integer or real value is compared with a value outside its range, as well as values assigned to integer or real variable.

Erroneous Elements:

States, actions, data-items, and transitions

(C3127) Activities that contain more than one control activity

Error In:

Correctness

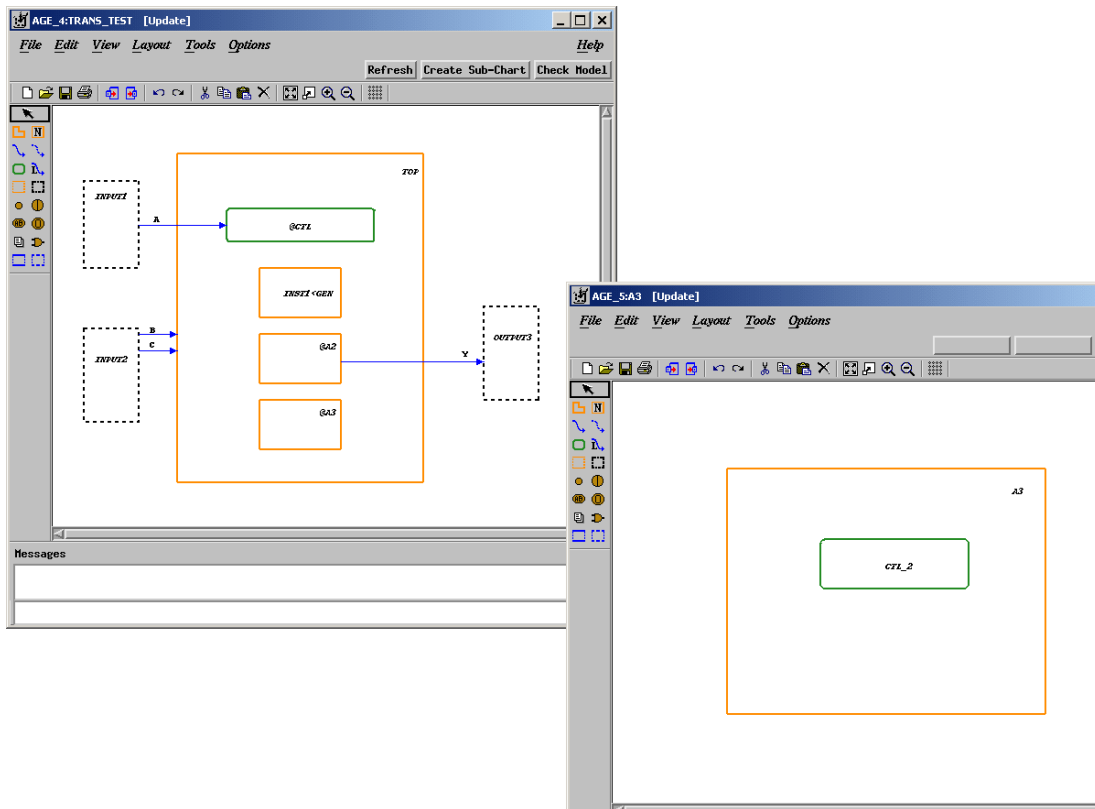
Description:

Activities contain more than one control activity, via transparent activities.

Example:

As shown in the following figure, the top-level activity `TOP` contains a control activity `CTL` and subactivity `A3`. `A3` is defined within its property as being transparent. The definition chart `A3` also contains a control activity `CTL_2`. The error is generated because activity `TOP` effectively contains two control activities (because `A3` is transparent).

(C3127) Activities that contain more than one control activity



Erroneous Elements:

Activities

(C3129) Activities that contain sub-activities with the same name

Error In:

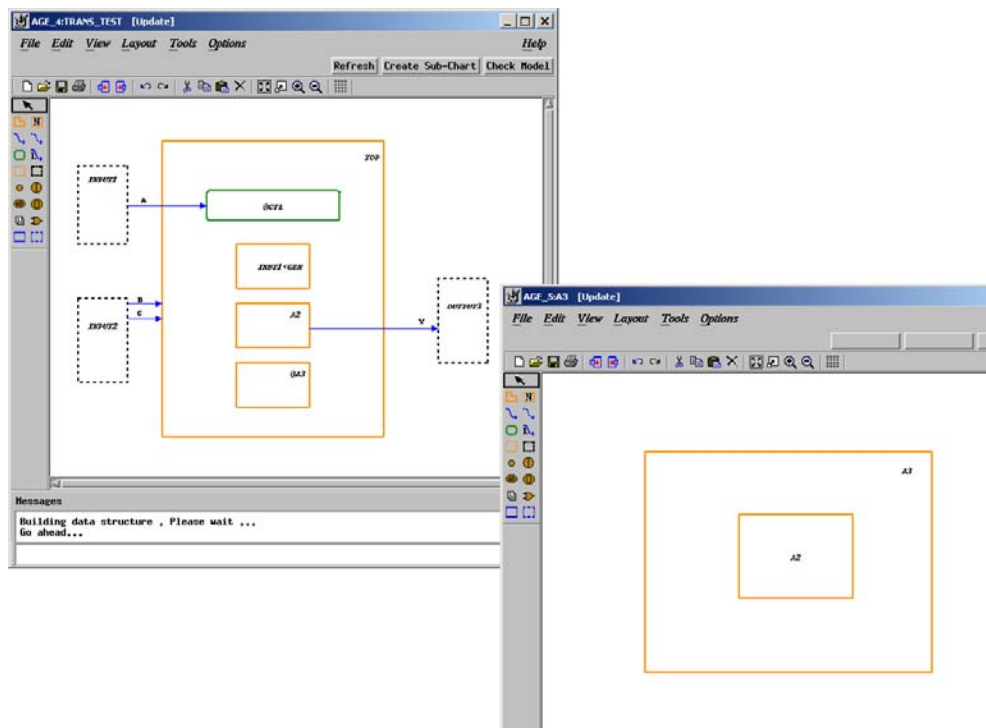
Correctness

Description:

Activities contain subactivities with the same name, via transparent activities.

Example:

As shown in the following figure, the top-level activity `TOP` contains subactivities `A2` and `A3`. `A3` is defined within its property as being transparent. The definition chart `A3` also contains a subactivity `A2`. The error is generated because activity `TOP` effectively contains two subactivities with the same name (because `A3` is transparent).



Erroneous Elements:

Activities

(C3131) Illegal usage of components

Error In:

Correctness

Description:

Illegal usage of components.

Erroneous Elements:

Components

(C3133) Instance components with illegal port bindings

Error In:

Correctness

Description:

A component instance activity has a port connected to an element of incorrect type.

Example:

A port of type integer data-item has been connected to a data-flow flowing to a string data-item.

Erroneous Elements:

Component instance activities

(C3135) Continuous instances with inconsistent parameter binding

Error In:

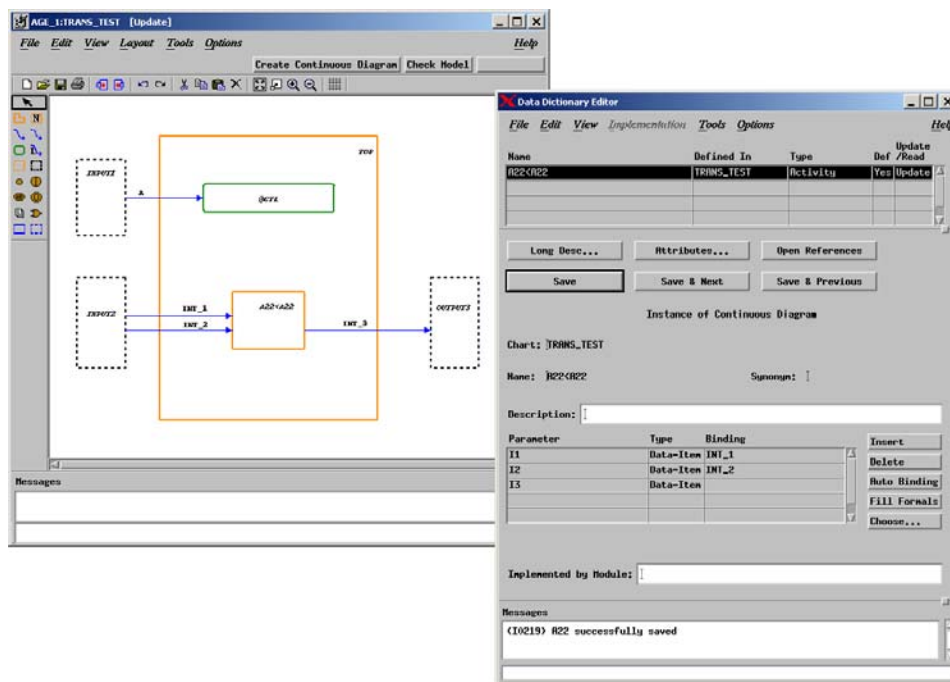
- ◆ Correctness

Description:

There are continuous instances where the actual parameters are not consistent with the formal parameters of the definition continuous diagram. Parameter bindings might be missing, or parameter types might be inconsistent.

Example:

In the figure, A22<A22 is a continuous instance with actual parameters INT_1, INT_2, and INT_3, all integers. As shown in the properties for this instance, the actual parameter INT_3 is not bound to formal parameter I3, and an error is generated. Similarly, binding I1 (a real) to INT_1 (an integer) also generates this warning.



Erroneous Elements:

Continuous instances

(C3137) Illegal switch structure contains conditional break

Error In:

Correctness

Description:

Switch/Case structures within an activity's mini-spec have a conditional break action.

Example:

Activity ACT_1 contains the following mini-spec:

```
ch(SWITCH_VAL)/switch_c (SWITCH_VAL) {  
  case_c 1: OUT1=RED;break;  
  case_c 2: OUT1=AMBER;break;if COND1 then break;end if;  
  case_c 3: OUT1=GREEN;break;  
  default  : OUT=AMBER;}
```

The error is generated because there is a conditional break action statement for case_c=2.

Erroneous Elements:

Switch/Case structures

(C3138) Switch/Case structure contain more than one default entry

Error In:

Correctness

Description:

Switch/Case expression with more than one “default” entry.

Example:

The following Rational StateMate Language expression is illegal:

```
/switch_c (DI) {  
    case_c 1:  
        DI++;  
        break;  
    default :  
        DI--;  
        break;  
    default :  
        DI--;  
        break;  
}
```

Erroneous Elements:

Activities, States, Action-Box, Transition, Action

(C3138) Switch/Case structure contains more than one default entry

Error In:

Correctness

Description:

Switch/Case structures within an activity's mini-spec have more than one default statement.

Example:

Activity ACT_1 contains the following mini-spec:

```
(SWITCH_VAL)/switch_c (SWITCH_VAL) {  
  case_c 1: OUT1=RED;break;  
  case_c 2: OUT1=AMBER;break;  
  case_c 3: OUT1=GREEN;break;  
  default : OUT1=RED;  
  default  : OUT=AMBER;}
```

The error is generated because there is more than one default statement.

Erroneous Elements:

Switch/Case structures

(C3139) Illegal switch structure: non-unique selected entries

Error In:

Correctness

Description:

Switch/Case structures within an activity's mini-spec have non-unique entries.

Example:

Activity ACT_1 contains the following mini-spec:

```
ch(SWITCH_VAL)/switch_c (SWITCH_VAL) {
  case_c 1: OUT1=RED;break;
  case_c 2: OUT1=AMBER;break;
  case_c 2: OUT1=GREEN;break;
  default  : OUT=AMBER;}
```

The error is generated because two statements reference case_c=2.

Erroneous Elements:

Switch/Case structures

(C3141) Inconsistent initial value

Error In:

Correctness

Description:

Checks that the default or initial value of integer and real data-items is consistent with the minimum and maximum value definitions. Note that this error is likely to occur when constructing data definitions outside of Rational Statemate (for example, when using Dataport). The tool checks that no default value outside the minimum and maximum ranges can be entered using the GUI.

Example:

An integer data-item is defined with a minimum value of 1, maximum value of 5, and an initial or default value of 7.

Erroneous Elements:

Integer and real data-items

(C3143) Inconsistent range definition

Error In:

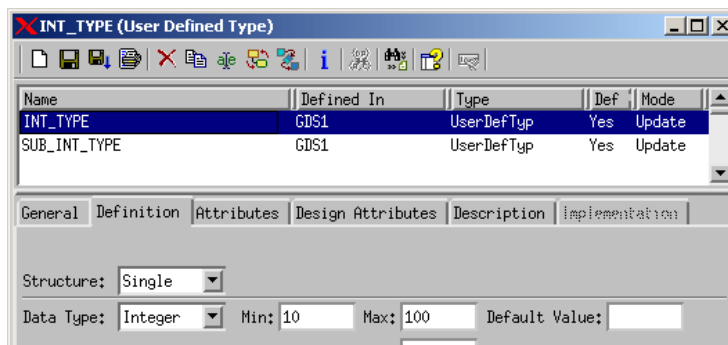
Correctness

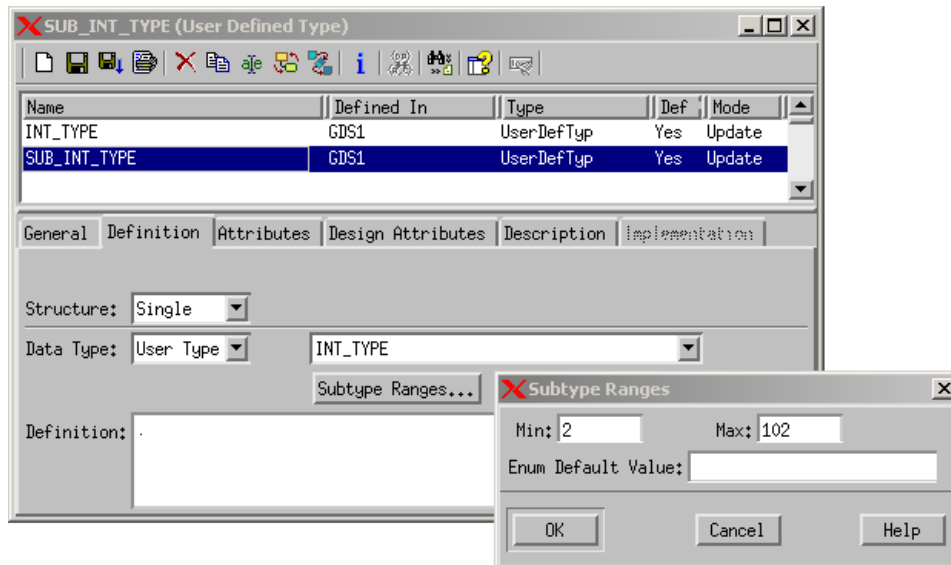
Description:

This test warns about user-defined type definitions where the sub-type ranges are inconsistent with the parent type definition.

Example:

INT_TYPE is an integer User Defined Type and has a defined minimum/maximum range of 10 - 100 (as shown in the first figure below). SUB_INT_TYPE is a User Defined Type of INT_TYPE and has a range defined outside of 10 - 100 (as shown in the second figure below).





Erroneous Elements:

User-defined types

(C3145) Arrays with illegal indices

Error In:

Correctness

Description:

Array index expression does not result in an integer or contain elements with illegal type.

Example:

Case I:

Arr2 is an integer array from LeftInd2 to RightInd2.

LeftInd2 is defined as:

Single, Constant, with Data Type set to None, and definition set to SubDef2

SubDef2 is defined as:

Single None Constant with definition set to 2.34

Case II:

Arr1 is an integer array from LeftInd to RightInd.

LeftInd is defined as:

Single, Constant, with Data Type set to None, and definition set to SubDef

SubDef is defined as:

Single String Constant with definition set to 'My Definition'

(C4001) Empty information-flows

Error In:

Completeness

Description:

There are information-flows whose Consists of field in the properties is empty.

Erroneous Elements:

Information-flows

(C4003) Missing actual values for parameters

Error In:

Completeness

Description:

There is a generic instance activity in whose properties there are formal parameters, but no actual binding.

Erroneous Elements:

Instance activities

(C4005) Elements with incomplete attribute definitions

Error In:

Completeness

Description:

There are elements in whose properties there is an attribute name without a corresponding attribute value, or vice versa.

Erroneous Elements:

Elements of all types

(C4006) Elements with non-unique attribute definitions

Error In:

Completeness

Description:

Element contains more than one attribute with the same name.

Erroneous Elements:

Any element with attributes

(C4007) Elements that are not referenced

Error In:

Completeness

Description:

Textual elements are explicitly defined in the properties, but there is no reference to them in the model.

Erroneous Elements:

Textual elements

(C4009) Elements using redundant context variables

Error In:

Completeness

Description:

Elements contain actions with context variables that are assigned values, but not used in the action.

Example:

```
TICK/$I=0;$J=0;  
for $J in 1 to 60 loop  
    ARRAY($J)=0;  
end loop;
```

Erroneous Elements:

Activities and actions

(C4011) Elements that could be defined lower in the hierarchy of charts

Error In:

Completeness

Description:

Textual elements explicitly defined in the tested chart are used only in other charts, and could be defined lower in the chart hierarchy without changing the resolution results. The lowest chart in which these could be defined is the lowest common ancestor of all the charts in which references to this element exist.

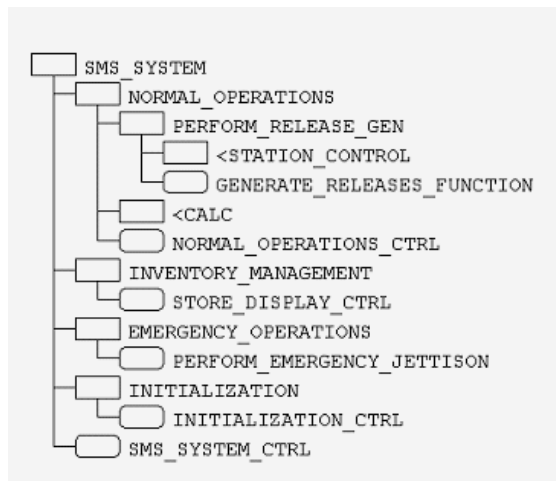
Example:

Consider the following hierarchy of charts:

An element defined in `SMS_SYSTEM` but used only in `PERFORM_RELEASE_GEN` and its descendants should be defined in `PERFORM_RELEASE_GEN`.

Erroneous Elements:

Textual elements



(C4013) Elements containing references to components of non-array elements

Error In:

Completeness

Description:

Elements contain data-item expressions with indices, but the accessed data-item is not an array.

Erroneous Elements:

Actions, activities, conditions, and events

(C4015) Elements containing comparisons of unions: (not supported in Code Generation)

Error In:

Completeness

Description:

Elements contain comparisons of two union data-items. The comparisons of two unions is ambiguous, because the result depends on which field of the unions is the current field in each.

Erroneous Elements:

Actions, activities, conditions, and events

(C4017) Unlabeled compound flow-lines

Error In:

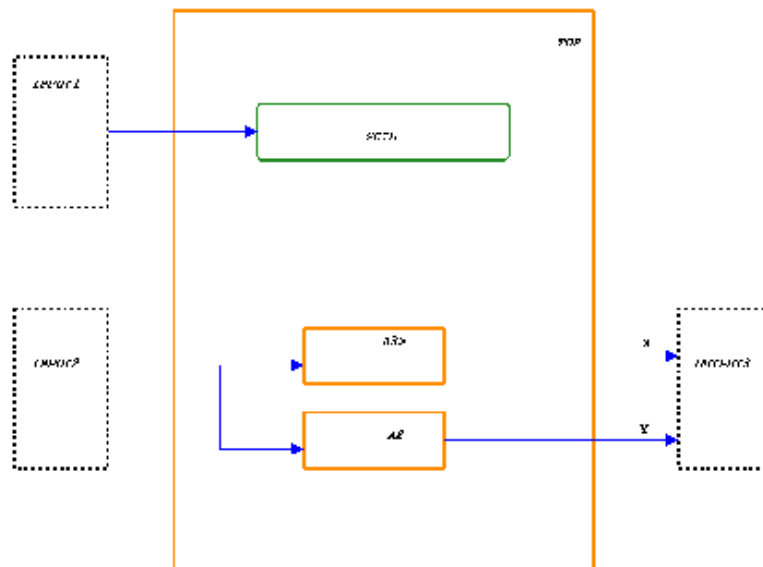
Completeness

Description:

There are compound flow-lines that have unlabeled components.

Example:

Consider the following activity chart.



Erroneous Elements:

Components of erroneous flow-lines

(C4019) Unlabeled flow-lines entering or exiting composition connectors

Error In:

Completeness

Description:

There are flow-line segments whose source or target is a composition connector and to which no label is attached.

Erroneous Elements:

Unlabeled flow-line segments

(C4020) Arrows not a component of any compound data-flow

Error In:

Completeness

Description:

This test is pointing out flow-lines in activity charts which are not recognized as valid flow-lines, and in some cases might cause other Check Model errors like C4058 and C4059.

Erroneous Elements:

Flow Lines

(C4021) Flow-lines with incomplete source definition

Error In:

Completeness

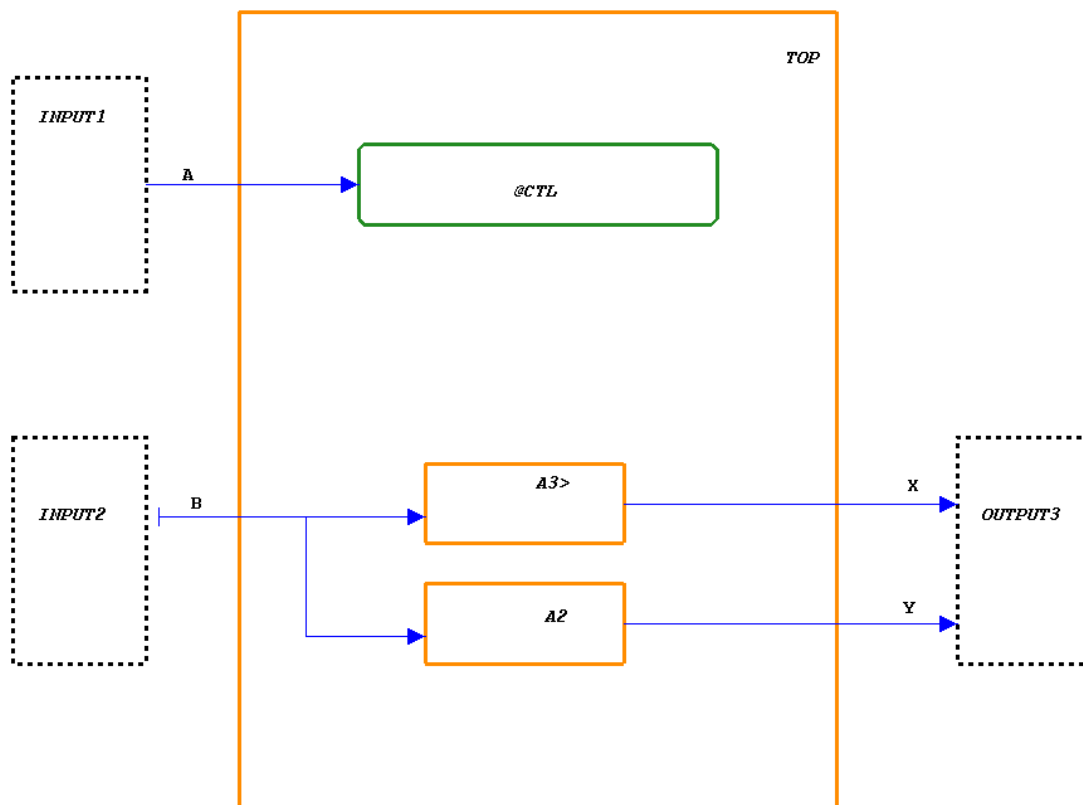
Description:

There are flow-lines whose source is not connected to an activity, data-store, or connector. The source of such flow-lines appears in the activity chart as a small line perpendicular to the flow-line.

Erroneous Elements:

Flow-lines

Example:



(C4023) Flow-lines with incomplete target definition

Error In:

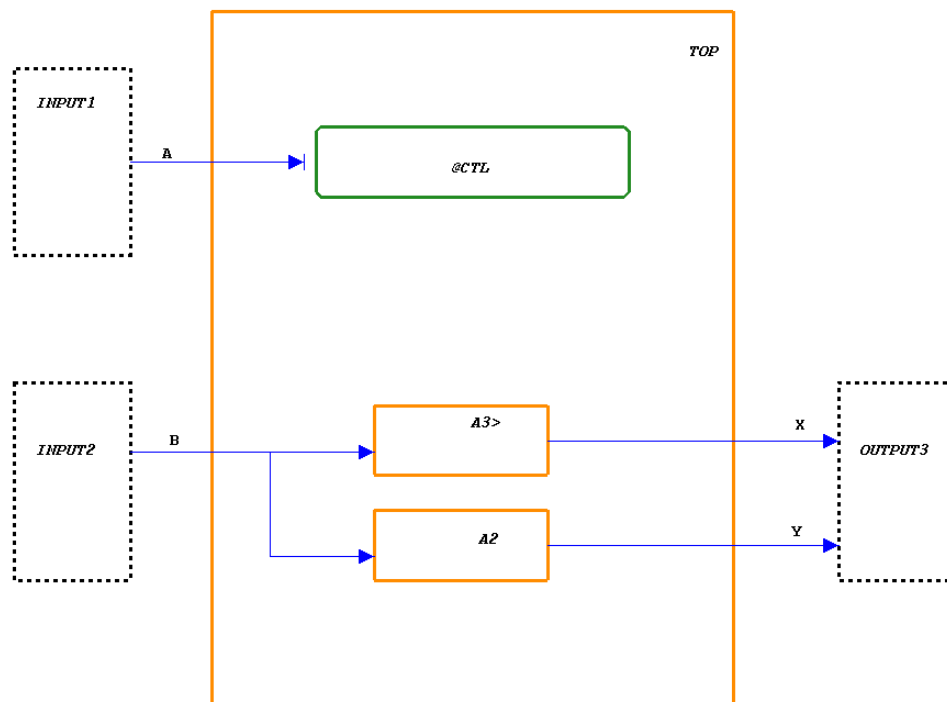
Completeness

Description:

There are flow-lines whose target is not connected to an activity, data-store, or connector. The target of such flow-lines appears in the activity chart as a small line perpendicular to the flow-line.

Example:

See the following figure.



Erroneous Elements:

Flow-lines

(C4025) Compound flow-lines with identical sources

Error In:

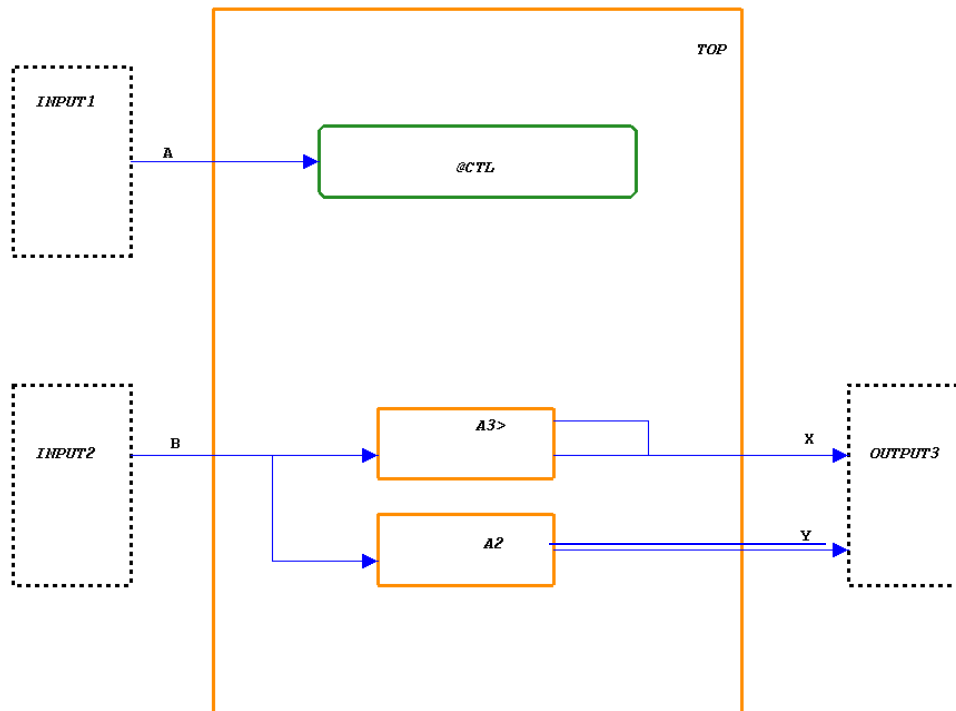
Completeness

Description:

There are compound flow-lines whose source set contains the same activity more than once, or an activity and one of its descendants.

Example:

Components of flow-line x in the following chart:



(C4027) Compound flow-lines with identical targets

Error In:

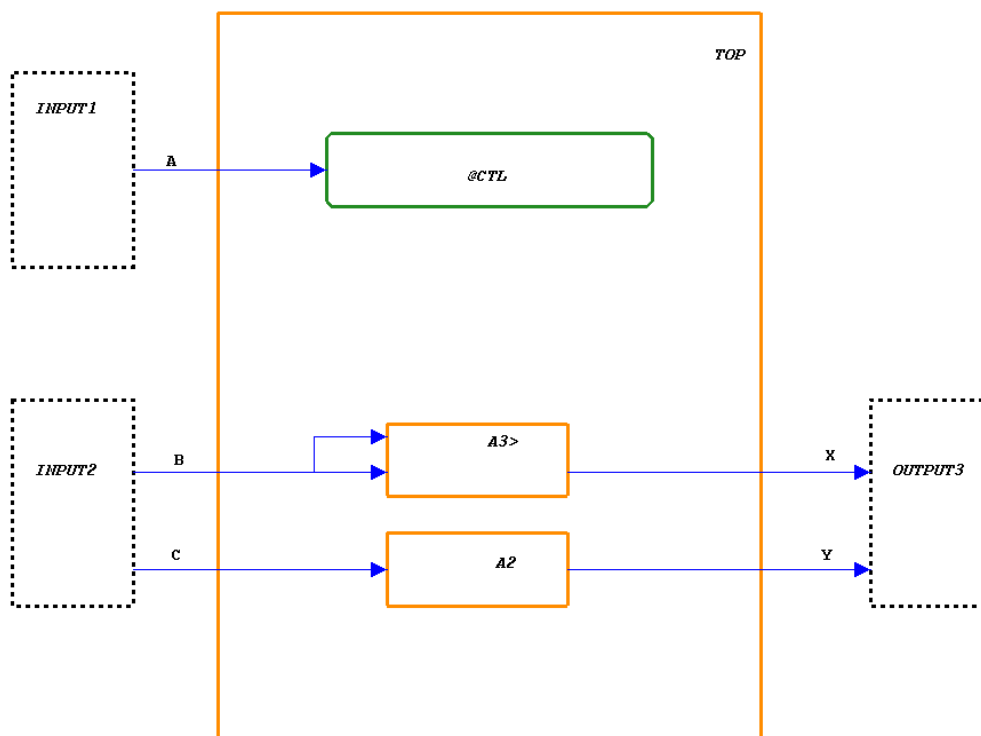
Completeness

Description:

There are compound flow-lines whose target set contains the same activity more than once, or an activity and one of its descendants.

Example:

Components of flow-line B in the following chart.



Erroneous Elements:

Components of compound flow-lines

(C4029) Basic activities without any output

Error In:

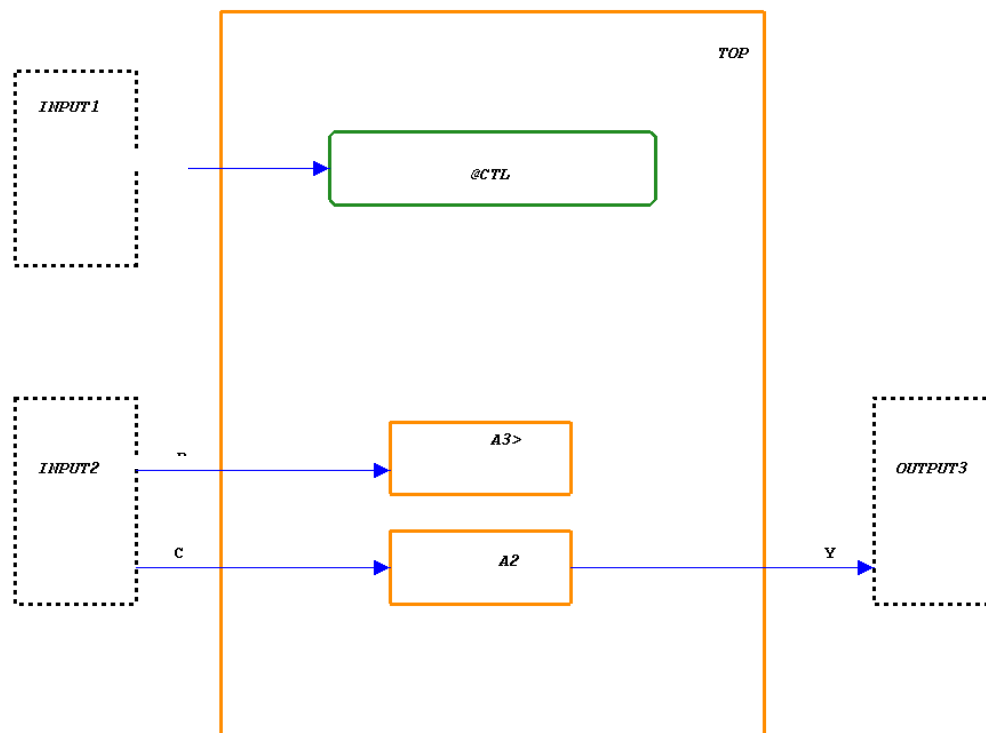
Completeness

Description:

Basic activities and their ancestors have no outgoing flow-lines.

Example:

The output of activity A3 in the following chart. See the following figure.



Erroneous Elements:

Activities

(C4031) Data-stores without incoming flow-lines or without outgoing flow-lines

Error In:

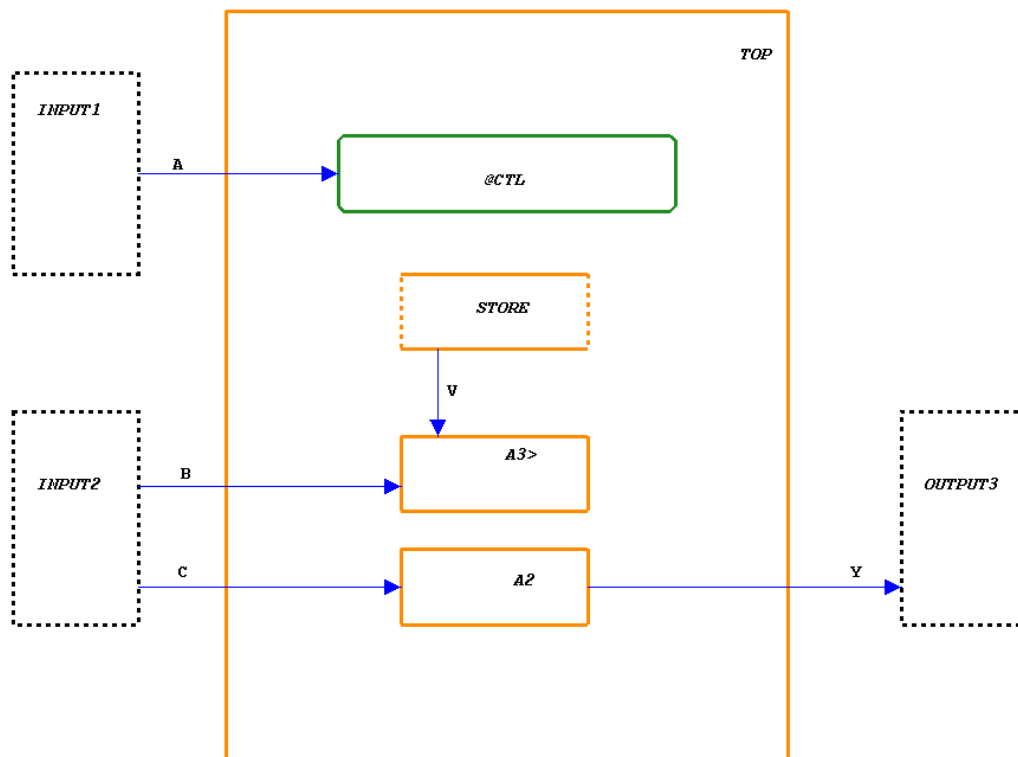
Completeness

Description:

There are data-stores for which there are no input flow-lines, or there are no output flow-lines. Both inputs and outputs must exist.

Example:

The data-store *STORE* has no input in the following chart. See the following figure.



Erroneous Elements:

Data-stores

(C4033) Activities with a single subactivity or data-store

Error In:

Completeness

Description:

Activities contain a single subelement: an internal activity or a data-store. Activities that contain a control activity but no other subactivities are allowed.

Erroneous Elements:

Activities

(C4035) Activities containing “to-control” connector without control-activity

Error In:

Completeness

Description:

There are activities in which a “to-control” connector is drawn, but do not contain a control activity.

Erroneous Elements:

Activities

(C4037) Composition connectors with illegally located sources or targets

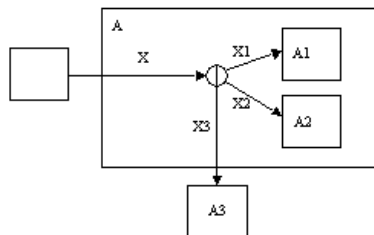
Error In:

Completeness

Description:

There are composition connectors whose components flow from sources or to targets that are outside the activity in which the connectors reside.

Example:



Erroneous Elements:

Connectors

(C4039) Isolated connectors

Error In:

Completeness

Description:

There are connectors with no entrances and no exits.

Erroneous Elements:

Connectors

(C4041) Connectors with an entrance and no exit

Error In:

Completeness

Description:

There are junction or composition connectors, or a group of in-page diagram connectors with the same name, with an entrance but no exit.

Erroneous Elements:

Connectors

(C4043) Connectors with an exit and no entrance

Error In:

Completeness

Description:

There are junction or composition connectors, or a group of in-page diagram connectors of the same name, with an exit but no entrance.

Erroneous Elements:

Connectors

(C4045) Junction or composition connectors with a single entrance and a single exit

Error In:

Completeness

Description:

There are junction or composition connectors with a single entrance and a single exit. Therefore, they are redundant.

Erroneous Elements:

Connectors

(C4047) Composition connectors with missing flow elements

Error In:

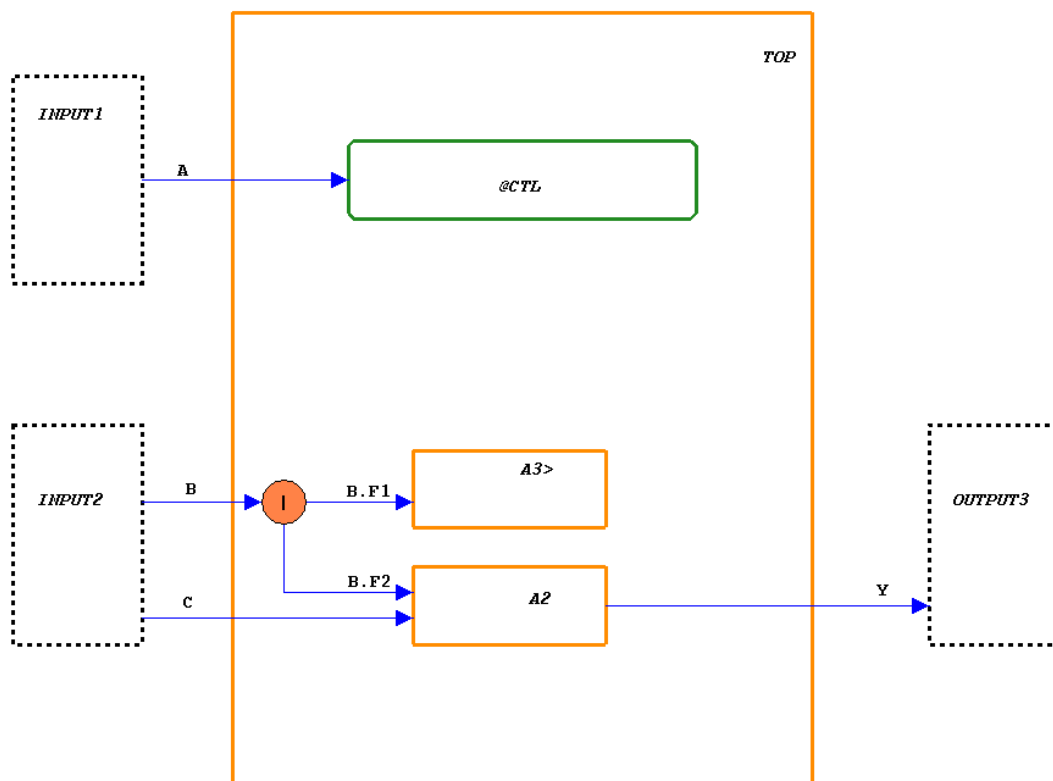
Completeness

Description:

There are composition connectors whose record decomposition is not complete.

Example:

In the figure, data-item B is defined in terms of a record having three fields - F1, F2, and F3. Field F3 is missing from the chart.



Erroneous Elements:

Data-items

(C4048) Unresolved elements

Error In:

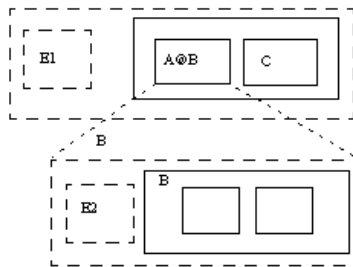
Completeness

Description:

There are reference elements for which no element with the same name is explicitly defined in the relevant scope. This check also checks resolution of external activities in an off-page chart to activities, data-stores, or modules in the parent chart.

Example:

The following figure shows that the external activity E_2 in the definition chart B has no matching external activity in the instance chart.



Example 2:

A data-item, used within the mini-spec of an activity, is not defined in the relevant scope. The data-item appears as textual in the properties.

Erroneous Elements:

All types of elements

(C4049) The tested chart is a definition chart with multiple top-level boxes

Error In:

Completeness

Description:

The tested chart is used as an off-page definition of an instance module and has multiple top-level modules.

This check is performed only when you specify with definition charts. The error is reported in the definition chart.

Erroneous Elements:

The tested chart

(C4050) The tested chart is a definition chart with empty top-level box

Error In:

Completeness

Description:

Either the tested chart is used as an off-page definition of an instance activity and has a single, empty, top-level activity; or, a single activity chart is tested that has a single, empty, top-level activity.

This check is performed only when you specify with definition charts. The error is reported in the definition chart.

Erroneous Elements:

The tested chart

(C4051) Instance off-page connectors without a matching definition off-page connector

Error In:

Completeness

Description:

There are instance off-page connectors that have no matching definition diagram connector.

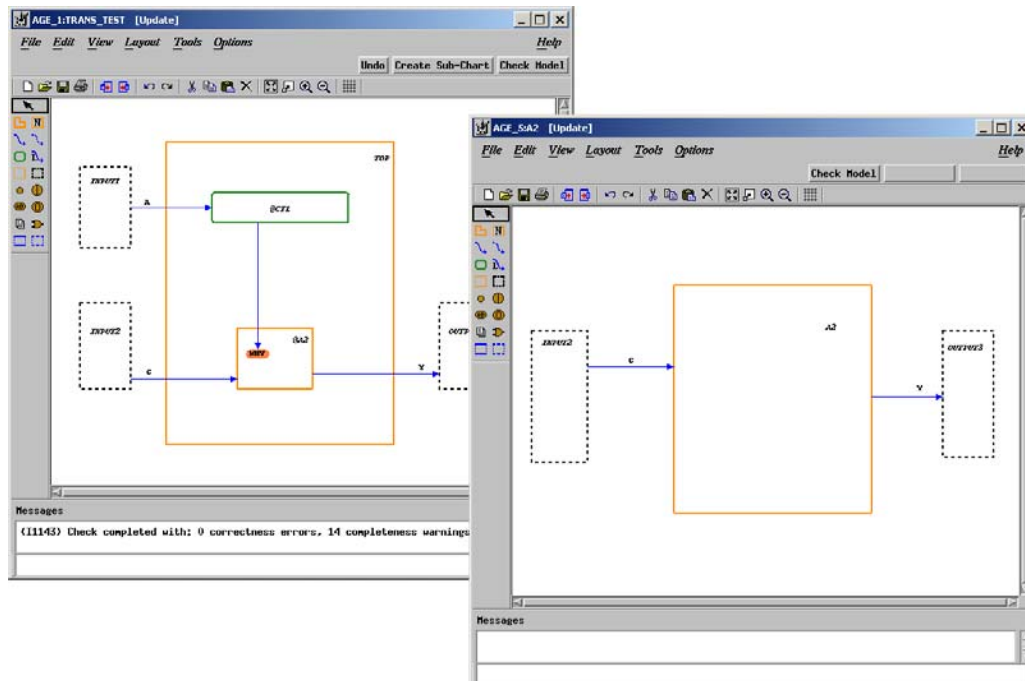
This check is performed only when you specify with definition charts. Both instance and definition charts should be included in the Check Model profile. The error is reported in the instance chart.

Example:

Considering the decomposition of activity $\Delta 2$, the diagram connector shown on the instance chart is not shown on the definition chart.

Erroneous Elements:

Tested chart



(C4052) In parameters not used in the chart

Error In:

Completeness

Description:

There are Input or InOut parameters of a generic chart that are not used (as part of the trigger in any mini-spec or statechart) within the chart. The error is reported when performing a standalone test of the generic chart and when the chart containing the generic instance is tested. The error is reported in the generic definition chart.

Erroneous Elements:

Generic parameters - events, conditions, and data-items

(C4053) Out parameters not affected (generated or modified) in the chart

Error In:

Completeness

Description:

There are Output or InOut parameters of a generic chart that are not affected (as part of the action in any mini-spec or statechart) within the chart. The error is reported when performing a standalone test of the generic chart and when the chart containing the generic instance is tested. The error is reported in the generic definition chart.

Erroneous Elements:

Generic parameters - events, conditions, and data-items

(C4054) In parameters not used in the chart

Error In:

Completeness

Description:

There are Input or InOut parameters that are not used in the chart.

Erroneous Elements:

Textual elements and activities parameters

(C4055) Out parameters not affected in the chart

Error In:

Completeness

Description:

There are Output or InOut parameters that are not affected (modified or generated) in the chart.

Erroneous Elements:

Textual elements and activities parameters

(C4056) In parameters affected in the chart

Error In:

Completeness

Description:

There are Input or InOut parameters that are affected (modified or generated) in the chart.

Erroneous Elements:

Textual elements and activities parameters

(C4057) Out parameters used in the chart

Error In:

Completeness

Description:

There are Output or InOut parameters that are used in the chart.

Erroneous Elements:

Textual elements and activities parameters

(C4058) Elements that flow from/to instance without a matching flow in definition chart

Error In:

Completeness

Description:

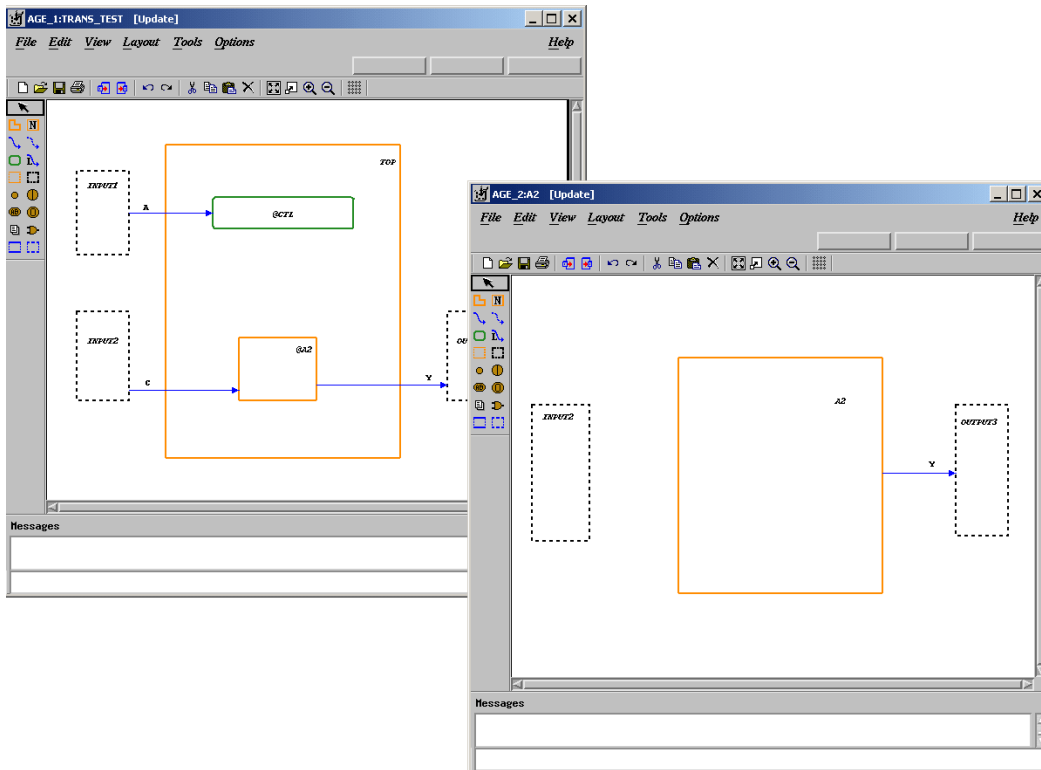
There are elements that flow from or to the instance activity without matching flow-lines to or from an external activity in the off-page definition chart. Note that the elements flowing on flow-lines are matched, *not* the sources or targets of the flow.

This check is performed only when you specify with definition charts. The error is reported in the instance chart.

Example:

In the following figure, c is an input to the instance @A2. In the off-page definition chart A2, there is no matching flow from an external activity.

(C4058) Elements that flow from/to instance without a matching flow in definition chart



Erroneous Elements:

Events, conditions, data-items, information-flows, and fields

(C4059) Elements that flow from/to definition without a matching flow in instance chart

Error In:

Completeness

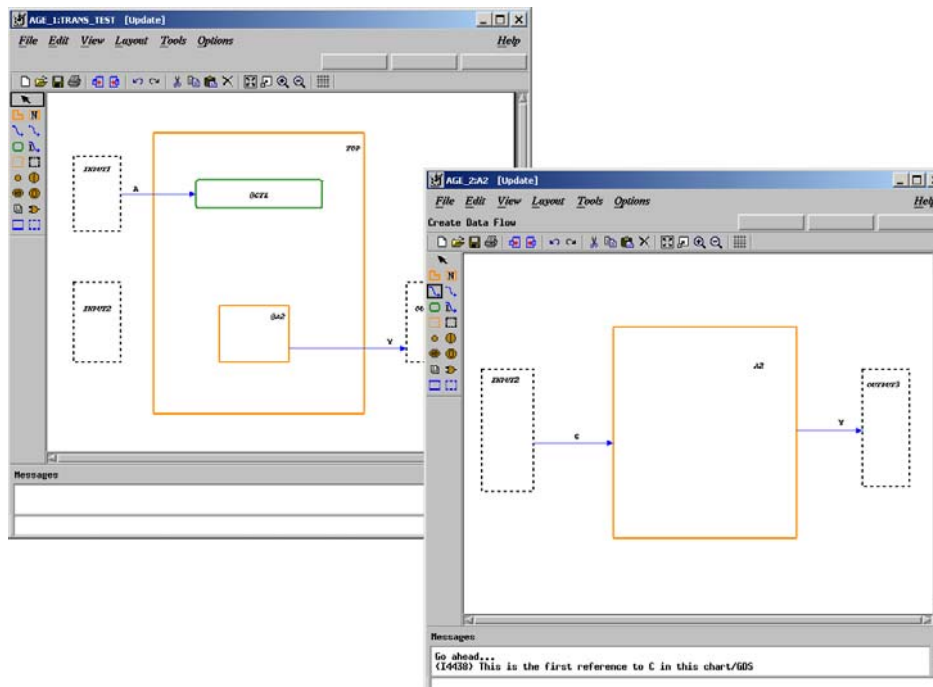
Description:

There are elements that flow to or from an external activity in the definition chart without matching flow-lines from or to the instance. Note that the elements flowing on the flow-lines are matched, *not* the sources or targets of the flow.

This check is performed only when you specify with definition charts. The error is reported in the definition chart.

Example:

In the following figure, c is an input to an activity A2 in the off-page definition chart. However, in the chart containing the instance @A2, there is no matching flow.



Erroneous Elements:

Events, conditions, data-items, information-flows, and fields

(C4061) Elements that are input to an activity and output of another activity without a flow-line between the two activities

Error In:

Completeness

Description:

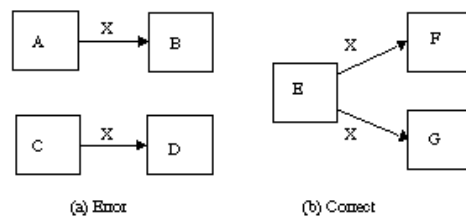
There are elements that flow on separate flow-lines.

If an activity that is a source of one flow-line changes the value of the element and this value is used by a target activity of the other flow-line, the drawing might be misleading.

Example:

In Figure a, x is changed by activity A and is used by D, but there is no flow-line between A and D. Therefore, an error is generated.

However, the separate flow-lines in Figure b are allowed because they have the same source. Therefore, no error is generated.



Erroneous Elements:

Events, conditions, data-items, information-flows, and fields

(C4063) Actual parameters not flowing to/from generic instance

Error In:

Completeness

Description:

There are actual parameters bound to some Input/Output formal parameter in an instance box, but are not shown graphically as being Input/Output to that box. Parameters must be defined.

Example:

In the following figure, the actual parameters P1 and S1 are bound to the formal parameters in the properties, but they are not shown as being input or output to the instance box in chart A2.

The screenshot displays two windows. The left window, titled 'AGE_2:A2 [Update]', shows an activity chart with a central instance box labeled 'INST1<GEN'. The chart has two input arrows labeled 'c' and 'y' pointing to the instance box, and two output arrows labeled 'INST1<GEN' pointing away from it. The right window, titled 'Data Dictionary Editor', shows the configuration for the instance activity of generic chart. It includes a table with the following data:

Name	Defined In	Type	Update
INST1<GEN	#2	Activity	Yes Update

Below the table, there are buttons for 'Long Desc...', 'Attributes...', 'Open References', 'Save', 'Save & Next', and 'Save & Previous'. The 'Instance Activity of Generic Chart' section shows 'Chart: #2' and 'Name: INST1<GEN'. The 'Parameter' table is as follows:

Parameter	Type	Binding	Insert
P	Data-Item	P1	Delete
S	Data-Item	S1	Auto Binding
			Fill Formals
			Choose...

The 'Messages' pane at the bottom of the Data Dictionary Editor shows the message: '(10219) INST1 successfully saved'.

Erroneous Elements:

Events, conditions, data-items, and fields

(C4065) Elements that flow to/from generic instance but are not used as actual parameters

Error In:

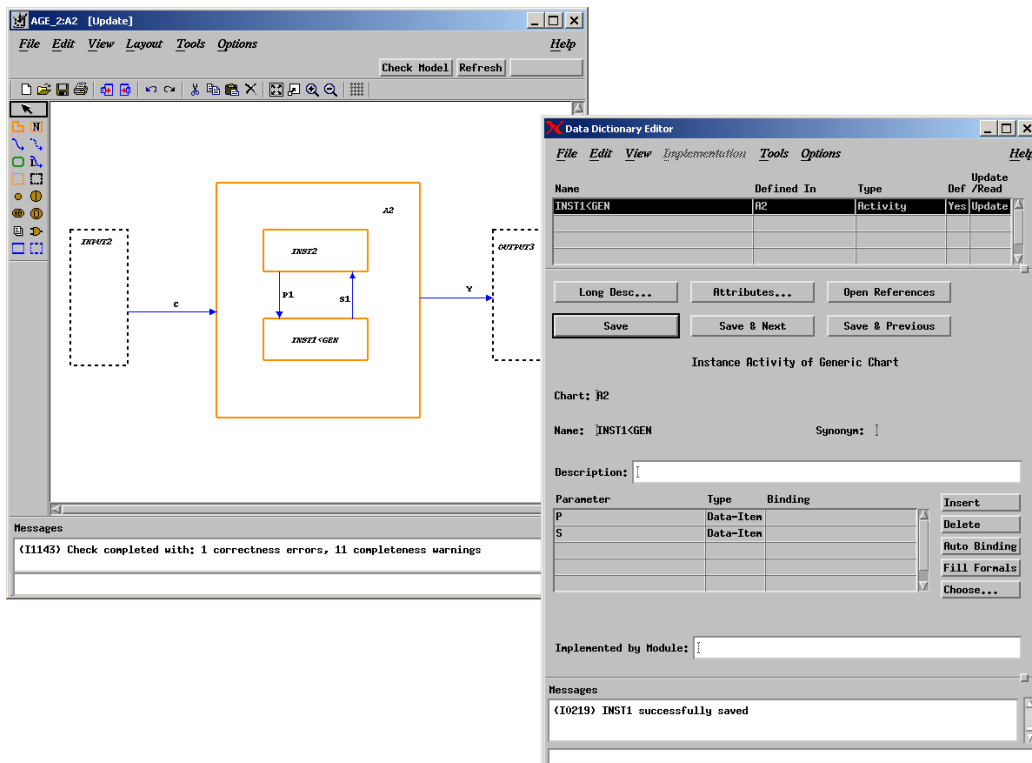
Completeness

Description:

There are elements that flow into or from an instance box of a generic chart, but are not declared as actual Input or Output parameters. Parameters *must* be defined.

Example:

In the following figure, the actual parameters P1 and S1 are shown as being input/output to the instance box in chart A2, but they have not been bound to the formal parameters in the properties.



Erroneous Elements:

Events, conditions, data-items, and fields

(C4067) External elements not declared as formal parameters

Error In:

Completeness

Description:

There are elements that flow to or from an external activity, to or from the top-level activity in a generic chart, but do not appear as In or Out formal parameters of the generic chart.

Erroneous Elements:

Events, conditions, and data-items

(C4069) Formal parameters not appearing on external flow-lines

Error In:

Completeness

Description:

There are elements declared as In or Out parameters of a generic activity chart, but they do not flow into or out of the top-level activity to an external box in the generic chart.

Erroneous Elements:

Events, conditions, and data-items

(C4071) Elements affected by an activity but are neither used internally nor output

Error In:

Completeness

Description:

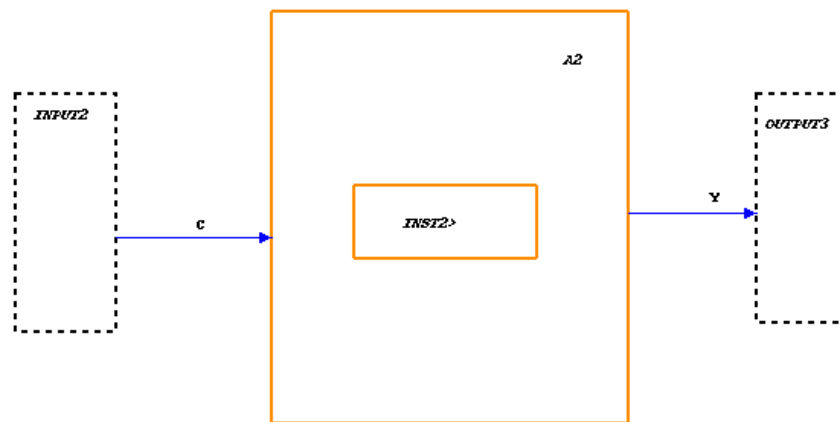
There are elements that are affected (modified or generated) in the mini-spec of an activity, but are neither used in this mini-spec nor as output of the activity.

Example:

In the figure, activity `INST2` has the following mini-spec:

`C/X=4;Y=2`

`X` is not shown as an output on the chart and is not used internally within the mini-spec; however, it is affected by `INST2`.



Erroneous Elements:

Events, conditions, and data-items

(C4073) Elements that are used by an activity but are neither input nor affected internally

Error In:

Completeness

Description:

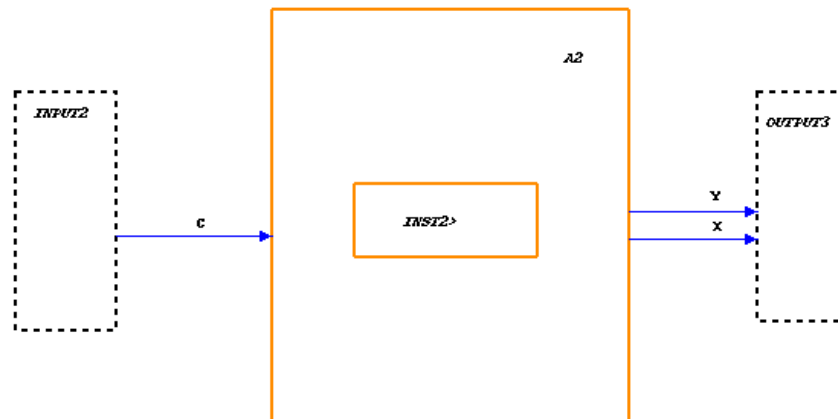
There are elements used in the mini-spec of an activity, but they are neither input nor affected (modified or generated) in the mini-spec.

Example:

In the figure, activity `INST2` has the following mini-spec:

`C` and `D/X=4;Y=2`

`D` is not shown as an input to the chart and is not affected internally within the mini-spec; however, it is used by `INST2`.



Erroneous Elements:

Events, conditions, and data-items

(C4075) Elements output from activity that are not affected internally

Error In:

Completeness

Description:

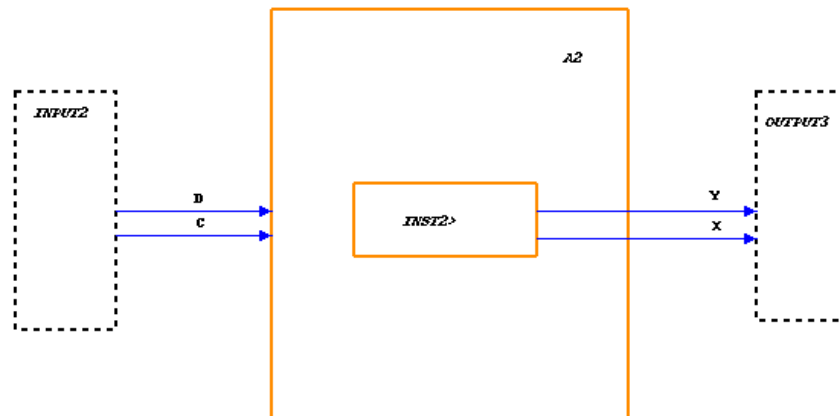
There are elements that are output of an activity, but they are not affected (modified or generated) in its mini-spec.

Example:

In the figure, activity `INST2` has the following mini-spec:

`C` and `D/Y=2`

`x` is shown as an output from activity `INST2`, but is not affected within the mini-spec of `INST2`.



Erroneous Elements:

Events, conditions, and data-items

(C4076) Flow of empty Information flow

Error In:

Completeness

Description:

There are Information-Flows with no Elements in their “Consist Of” matrix.

Erroneous Elements:

low-lines

(C4077) Elements input to activity that are not used internally

Error In:

Completeness

Description:

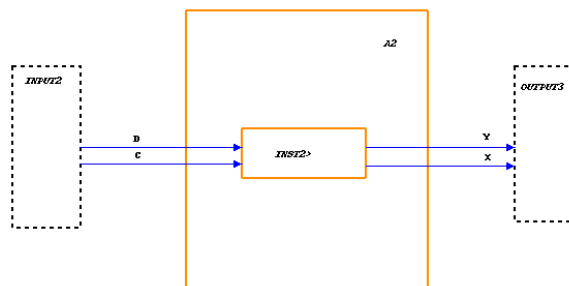
There are elements that are input to an activity, but they are not used in its mini-spec.

Example:

In the figure, activity INST2 has the following mini-spec:

$C/X=4; Y=2$

D is shown as an input to activity INST2, but is not used within the mini-spec of INST2.



Erroneous Elements:

Events, conditions, and data-items

(C4079) Data elements with incomplete type definition

Error In:

Completeness

Description:

There are data elements whose type definition is missing or incomplete.

Example:

Element x is defined within the chart $\Lambda 2$. x is defined in terms of a user-defined type (UDT) T_x , where T_x has not been defined.

Erroneous Elements:

Events, conditions, data-items, and UDTs

(C4081) Constant parameter arrays with incomplete length definition

Error In:

Completeness

Description:

There are constant parameter arrays where either the definition of the formal parameter in the generic chart is incomplete, or they are bound to an actual parameter of undefined length.

Erroneous Elements:

Data-items and conditions

(C4083) Defined elements that can be merged with elements from ancestor charts

Error In:

Completeness

Description:

There are textual elements explicitly defined in a chart that have matching, explicitly defined elements with the same name in ancestor charts. Both elements have the same type in both charts; therefore, they could probably be merged.

Erroneous Elements:

Textual elements

(C4085) Activities whose mini-specs contain `started' trigger or `stop' action (in HW style)

Error In:

Completeness

Description:

There are activities whose mini-specs contain started triggers or stop actions. This is improper in HW style, where all activities are always active.

Erroneous Elements:

Activities

(C4087) Procedure-like or self-terminated activities (in HW style)

Error In:

Completeness

Description:

There are activities defined in the properties as procedure-like or reactive self-terminated activities. This is improper in HW style, where all activities are always active.

Erroneous Elements:

Activities

(C4089) Activities with combinational assignments

Error In:

Completeness

Description:

There are activities with combinational assignments.

Erroneous Elements:

Activities

(C4091) The tested activity chart contains no activities

Error In:

Completeness

Description:

The tested activity chart contains no activities.

Erroneous Elements:

The tested activity chart

(C4093) Elements overriding global definitions

Error In:

Completeness

Description:

There are textual elements with the same name as elements defined in a global definition set.

Erroneous Elements:

Textual elements

(C4095) Subroutines not implemented in any language

Error In:

Completeness

Description:

There are subroutines that have no implementation in the Rational StateMate Action Language, Procedural Statechart/Flowchart, Ada Code, K&R C Code, ANSI C Code, and so on.

Erroneous Elements:

Subroutines

(C4097) Elements containing triggers that use functions with potential side effects

Error In:

Completeness

Description:

Functions are used in the trigger part of labels, static reactions, or mini-specs and have side effects (that is, they affect global data).

Format:

```
<element name>  
Function <function name> accessing global data, used in trigger: <trigger  
expression>
```

Example:

Activity A1 has the following mini-spec, where F1 is a function returning an integer that accesses global data (through Globals Usage in the properties):

```
EV and [F1(X)==6]/Y=4
```

Erroneous Elements:

States, activities, and transitions

(C4099) Textual subroutines using uninitialized local variables

Error In:

Completeness

Description:

Local variables of a textual subroutines are used before they are affected or assigned a value.

Format:

```
<local variable name> in <subroutine name>
```

Example:

Subroutine F1 is defined to be a function with input parameter x that returns an integer y and has two local variables (A and B) defined:

```
A=B;  
B=X+3;  
Y=B;  
return(Y)
```

In this case, B is used before it is initialized.

Erroneous Elements:

Subroutines

(C4101) Textual subroutines using redundant local variables

Error In:

Completeness

Description:

Local variables of a textual subroutines are affected (modified or generated) but not used.

Format:

```
<local variable name> in <subroutine name>
```

Example:

Subroutine F1 is defined to be a function with input parameter x that returns an integer y and has two local variables (A and B) defined:

```
A=B;  
B=X+3;  
Y=B;  
return(Y)
```

In this case, A is a redundant local variable.

Erroneous Elements:

Subroutines

(C4103) Subroutines containing parameters defined as a non-unique user-defined type

Error In:

Completeness

Description:

A parameter of a subroutine is defined as a user-defined type (UDT), whose name is not unique in the model.

Example:

DAYS, a parameter of function F1 is defined in terms of a UDT T_DAYS. This UDT is defined twice in the model and therefore is not unique.

Erroneous Elements:

Subroutines

(C4105) Enumerated types with non-unique value names

Error In:

Completeness

Description:

There are enumerated types with values that appear in other unrelated enumerated type definitions (not in a subtype).

Example:

The enumerated value BLUE exists in both UDTs COLORS and MOOD.

Erroneous Elements:

User-defined types

(C4106) Data-Elements with Enumerated Value names

Error In:

Correctness

Description:

Textual element has same name as enumerated value.

Note

This is reported even if the definition chart of the regarded element is not included in the profile, but charts using that element are in the profile.

Erroneous Elements:

Textual elements

(C4107) Subroutines containing wrong usage of parameters or globals

Error In:

Completeness

Description:

Subroutines contain the wrong usage of parameters or globals. For example:

- ◆ In parameters that are affected by the subroutine.
- ◆ In parameters that are not used by the subroutine.
- ◆ Out parameters that are used by the subroutine.
- ◆ Out parameters that are not affected by the subroutine.
- ◆ InOut parameters that are not used by the subroutine.
- ◆ InOut parameters that are not affected by the subroutine

Example:

DAYS, an input parameter of function FUNC1, is not used within the subroutine.

Erroneous Elements:

Subroutines

(C4109) Subroutines with incomplete type definition

Error In:

Completeness

Description:

Local variables are not used in the subroutine code.

Example:

DAYS, an input parameter of function FUNC1, is not defined within the model.

Erroneous Elements:

Subroutines

(C4111) Local variable not used in the subroutine

Error In:

Completeness

Description:

Local variables are not used in the subroutine code.

Format:

```
subroutine <subrtn name> Local variable <local var name> not used
```

Example:

DAYS, a local variable of function FUNC1, is not used within the model.

Erroneous Elements:

Subroutines

(C4113) Elements with illegal “Selected Implementation”

Error In:

Completeness

Description:

The selected implementation is not one of the existing implementations of the element.

Example:

Subroutine function `FUNC1` is described with an implementation of action language. However, the Selected Implementation in the properties is set to procedural statechart, an implementation that does not actually exist.

Erroneous Elements:

Subroutines

(C4115) Elements containing a truth table with empty default row

Error In:

Completeness

Description:

Elements described by truth tables contain a default row with the output columns blank and the action section empty.

Erroneous Elements:

Subroutines and actions

(C4117) Elements containing a truth table with empty cells

Error In:

Completeness

Description:

Elements described by truth tables contain blank cells (that is, cells that are not part of the default row).

Erroneous Elements:

Subroutines and actions

(C4118) Elements containing a truth table with no inputs

Error In:

Completeness

Description:

Elements contain a truth table with no input column(s).

Erroneous Elements:

Elements containing truth tables

(C4119) Activities with attribute `TRANSPARENT_LEVEL` set to ON which are not instances of an off-page activity chart

Error In:

Completeness

Description:

Activities contain an attribute named `TRANSPARENT_LEVEL` that is set to ON when there are not instances of an off-page activity chart.

Note

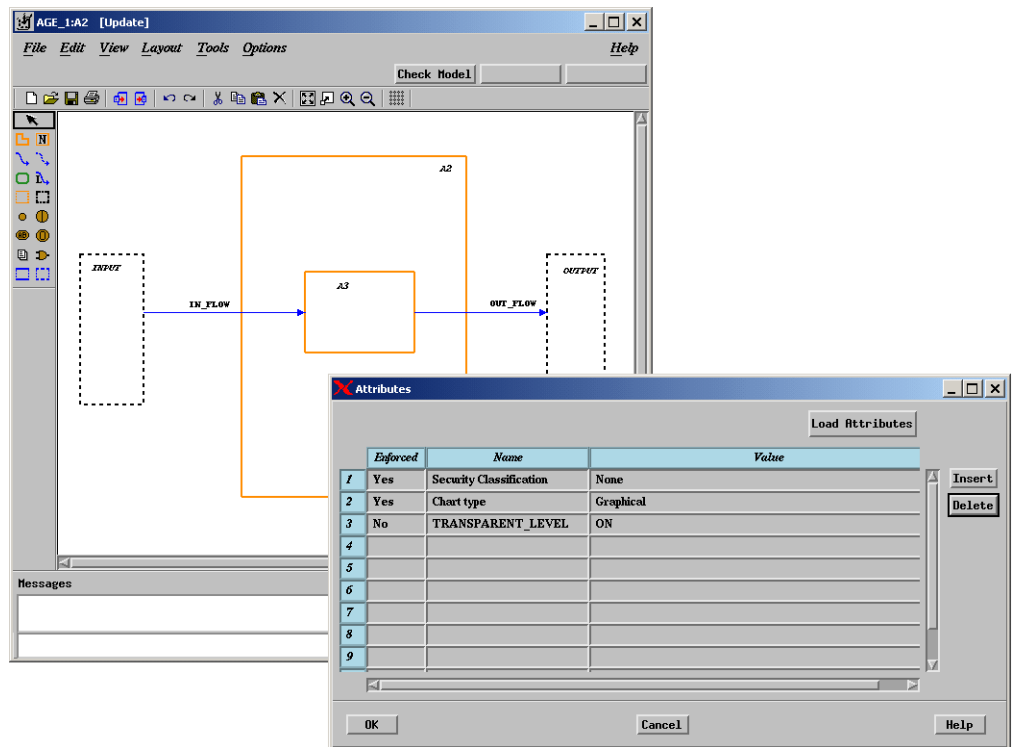
Check Model does not report on top-level activities of transparent activities.

Example:

The following chart contains an activity `A3`, which has an attribute called `TRANSPARENT_LEVEL` set to ON. However, `A3` is not decomposed onto an off-page chart (no @ symbol); therefore, the warning is generated.

Erroneous Elements:

Activities



(C4121) Continuous instances with Algebraic loops

Error In:

Completeness

Description:

The logic in a continuous diagram contains an algebraic loop, which makes it impossible to calculate the output values.

Erroneous Elements:

Continuous diagrams

(C4123) Actual port binding not flowing to/from continuous diagram instance

Error In:

Completeness

Description:

Textual elements, bound to the parameters of a continuous diagram, are not shown as flowing to or from the continuous instance.

Example:

Activity chart `A2` contains an instance of a continuous diagram `CALC`. A data-item is bound to one of the parameters of `CALC` in the properties of the instance. However, `x` is not shown flowing to the instance of `CALC` in chart `A2`.

Erroneous Elements:

Textual elements

(C4125) Elements that flow to/from continuous instance but are not used as actual parameters

Error In:

Completeness

Description:

Textual elements, flowing to or from a continuous instance, are not used as actual parameters.

Example:

Activity chart `A2` contains an instance of a continuous diagram `CALC`. Data-item `x` is shown flowing into the instance of `CALC`; however, `x` is not bound to one of the parameters of `CALC` in the properties of the instance.

Erroneous Elements:

Textual elements

(C4129) “When others” not last in case structure

Error In:

Completeness

Description:

In a Switch/Case expression written in the Ada style, `when_others` must be the last statement in the expression.

Example:

The following expression within an activity’s mini-spec will generate an error:

```
ch(SWITCH_VAL)/case_ada SWITCH_VAL is
  when_ada 1      => OUT1=RED;
  when_ada 2      => OUT1=GREEN;
  when_ada others => OUT1=NONE;
  when_ada 3      => OUT1=AMBER;
end case_ada;
```

It can be corrected as follows:

```
ch(SWITCH_VAL)/case_ada SWITCH_VAL is
  when_ada 1      => OUT1=RED;
  when_ada 2      => OUT1=GREEN;
  when_ada 3      => OUT1=AMBER;
  when_ada others => OUT1=NONE;
end case_ada;
```

Erroneous Elements:

Mini-specs

(C4131) Switch/Case structure missing default entry

Error In:

Completeness

Description:

A Switch/Case expression within an activity's mini-spec has no `default` statement.

Example:

The following expression will generate an error:

```
ch(SWITCH_VAL)/switch_c SWITCH_VAL {
  case_c 1: OUT1=RED;break;
  case_c 2: OUT1=GREEN;break;
  case_c 3: OUT1=AMBER;break;
}
```

It can be corrected as follows:

```
ch(SWITCH_VAL)/switch_c SWITCH_VAL {
  case_c 1: OUT1=RED;break;
  case_c 2: OUT1=GREEN;break;
  case_c 3: OUT1=AMBER;break;
  default: OUT1:NONE;
}
```

Erroneous Elements:

Mini-specs

(C4132) Elements input to router that are not output

Error In:

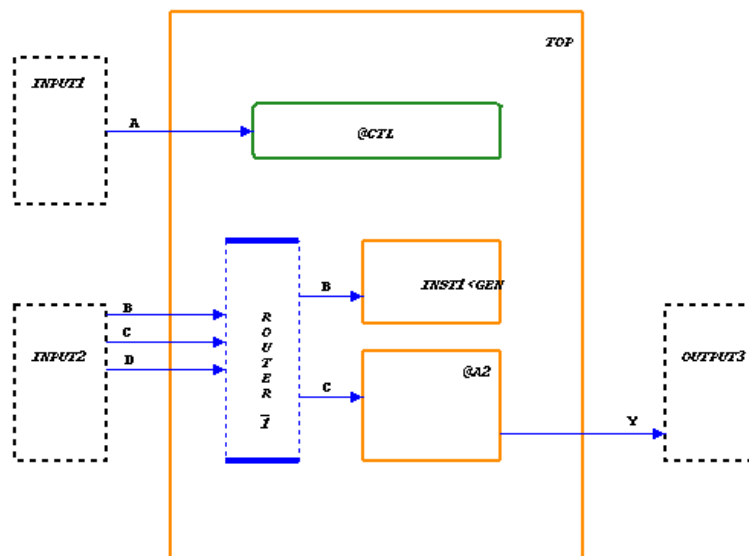
Completeness

Description:

Textual elements (data-items, conditions, and events) that are shown flowing into a router on an activity chart are not shown flowing out.

Example:

In the figure, data-item D is shown as an input to ROUTER_1, but is not shown flowing out of ROUTER_1.



Erroneous Elements:

Textual elements

(C4133) Elements output from router that are not input

Error In:

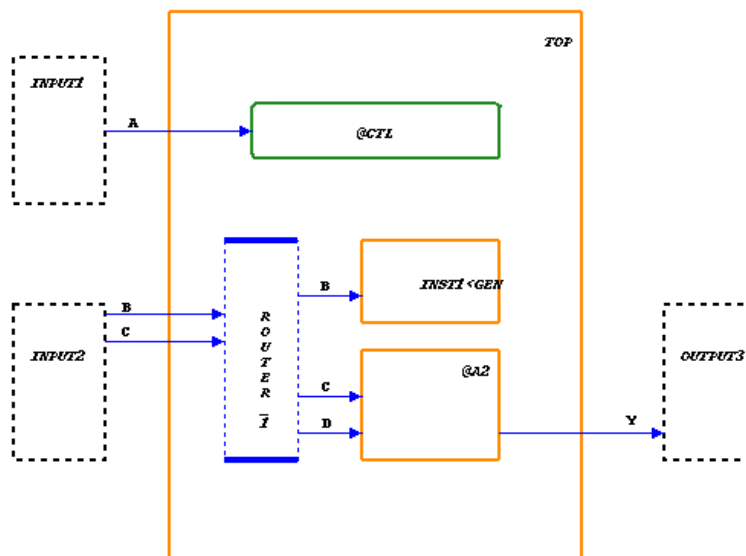
Completeness

Description:

Textual elements (data-items, conditions, and events) that are shown flowing out of a router on an activity chart are not shown flowing in.

Example:

In the figure, data-item D is shown as an output of ROUTER_1, but is not shown flowing into ROUTER_1.



Erroneous Elements:

Textual elements

(C4135) Elements that flow from/to router without a matching flow in descendant chart

Error In:

Completeness

Description:

There are elements that flow from or to the router without matching flow-lines in descendant charts lower in the hierarchy.

Note that this test avoids warnings for empty information-flows. (This behavior is consistent with Check-Model tests C4058 and C4059.)

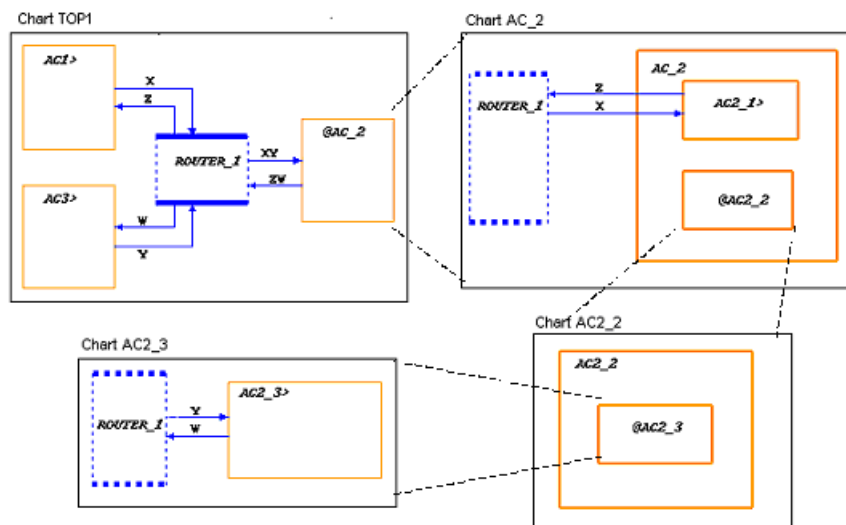
Example:

Consider the example in the following figure - Tested Activity-chart: TOP1

(C4135) Elements that flow from/to router without a matching flow in descendant chart:

Y flows to @AC_2 through ROUTER_1 from AC3

W flows from @AC_2 through ROUTER_1 to AC3



Erroneous Elements:

Events, conditions, data-items, information-flows, and fields

(C4137) Elements that flow from/to router without a matching flow in ancestor chart

Error In:

Completeness

Description:

There are elements that flow from or to the router without matching flow-lines higher in the hierarchy.

Note that this test avoids warnings for empty information-flows. (This behavior is consistent with Check-Model tests C4058 and C4059.)

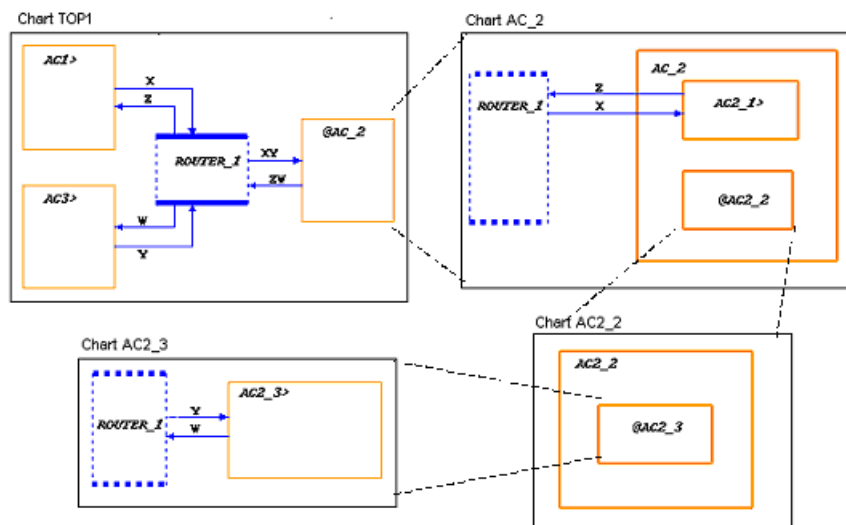
Example:

Consider the example in the following figure - Tested Activity-chart: AC2_3

(C4137) Elements that flow from/to router without a matching flow in ancestor chart:

Y flows from ROUTER_1 to AC2_3

W flows from AC2_3 to ROUTER_1



Erroneous Elements:

Events, conditions, data-items, information-flows, and fields

(C4139) Elements that flow from/to instance without a matching flow in descendant chart

Error In:

Completeness

Description:

There are elements that flow from or to the instance activity without matching flow-lines to or from an external activity in a descendant chart.

This test is similar to C4058, but is reported when working in “Non-Strict External-Activity Resolution” mode, or when the regarded flow-lines pass through routers.

Erroneous Elements:

Events, conditions, data-items, information-flows, and fields

(C4141) Elements that flow from/to definition chart without a matching flow in ancestor chart

Error In:

Completeness

Description:

There are elements that flow to or from an external activity in the definition chart without matching flow-lines in an ancestor chart higher in the hierarchy.

This test is similar to C4059, but is reported when working in “Non-Strict External-Activity Resolution” mode, or when the regarded flow-lines pass through routers.

Erroneous Elements:

Events, conditions, data-items, information-flows, and fields

(C4143) Elements flowing to router from basic activity without flowing from the router to another target

Error In:

Completeness

Description:

This test warns about elements that flow to a router from a basic activity and the only possible target is the same basic activity (flow-line loopback).

Erroneous Elements:

Events, conditions, data-items, information-flows, and fields

(C4145) Elements flowing from router to basic activity without flowing to the router from another source

Error In:

Completeness

Description:

This test warns about elements that flow from a Router to a basic activity and the only possible source is the same basic activity (flow-line loopback).

Erroneous Elements:

Events, conditions, data-items, information-flows, and fields

(C4147) Complex Data elements not defined by User-type

Error In:

Completeness

Description:

There are data elements defined directly as Record, Union or Array of non-primitive type (not Integer or Real), and not by User-defined types.

Erroneous Elements:

Data-items, Conditions, Record or Union fields, Subroutine parameters and local-variables

(C13000) Events marked as 'Task Event' are not connected with EXTENDED Task

Error In:

Design

Description:

There are Events, which their "Its Task" Design-Attribute is not referring to a Task of type "Extended".

Erroneous Elements:

Events

(C13001) Multiple tasks with the same priority

Error In:

Design

Description:

There is more than one Activity defined as "Task" in its Design-Attributes, and that have the same value in their "Priority" Design-Attribute.

Erroneous Elements:

Activities

(C13002) Nested tasks

Error In:

Design

Description:

There is an Activity defined as “Task” in its Design-Attributes, and that have a Parent Activity that is defined as “Task” too.

Erroneous Elements:

Activities

(C13003) Event(s), ‘Its Task’ is defined as default

Error In:

Design

Description:

There are Events, which their “Its Task” Design-Attribute is set to “default”.

Erroneous Elements:

Events

(C13004) Either ‘send’ or ‘receive’ are operated on non-message elements

Error In:

Design

Description:

There are Data-Items, which are used with the operators send (sn!()) or receive (rc!()), without being defined as Messages in their Design-Attributes.

Erroneous Elements:

Data-Items

(C13005) Either 'get' or 'release' are operated on non-resource elements

Error In:

Design

Description:

There are Conditions, which are used with the operators get (gt!()) or release (rl!()), without being defined as Resources in their Design-Attributes.

Erroneous Elements:

Conditions

(C13006) Data-items or/and conditions, mapping to external symbol, which is not unique

Error In:

Design

Description:

There is more than one Element with the same value to their "Bind Symbol Name" Design-Attribute.

Erroneous Elements:

Data-Items and Conditions

(C13007) Operands in expressions, defined neither as double-buffered nor as having buffered access mode

Error In:

Design

Description:

There are Elements that are used with the operators changed (ch()), became-true (tr()) or became-false (fs()), and are not defined as “Double Buffered” or “Buffered Access” in their Design-Attributes.

Erroneous Elements:

Data-Items and Conditions

(C13008) Multiple events, that are ‘Task Event’, with the same ‘Its Task’ and the same ‘Event Mask’

Error In:

Design

Description:

There is more than one Event that are defined as “Task Event” in their Design-Attributes, and have the same value in their “Event Mask” Design-Attribute.

Erroneous Elements:

Events

(C13009) Events that their its task is not appropriate

Error In:

Design

Description:

There are Events, which their “Its Task” Design-Attribute is set to an invalid “Task” name.

Erroneous Elements:

Events

(C13010) Derived events that their task is not appropriate

Error In:

Design

Description:

There are Events that their “Its-Task” Design-Attribute value is referring to a Task that is not any ancestor Activity.

Erroneous Elements:

Data-Items and Conditions

(C13011) Elements unnecessary defined as double-buffered

Error In:

Design

Description:

There are Elements that defined as “Double Buffered” in their Design-Attributes unnecessarily.

Example:

Data-Item DI1 has its Design-Attribute “Double Buffered” set to “yes”, but it is not used with any of the operators tr(), fs() or ch().

Erroneous Elements:

Data-Items and Conditions

(C14002) Functions implemented with incompatible language

Error In:

Compatibility between MicroC and Rational Statemate

Description:

A subroutine is implemented using a language such as Ada, that is not supported by the MicroC Code Generator.

Erroneous Elements:

Subroutine

(C14006) Usage of incompatible operators/functions

Error In:

Unsupported functions in MicroC Code Generation

Description:

An activity chart is using a built-in operator or function that is not supported in the MicroC Code Generator.

Erroneous Elements:

Actions, activities, conditions, data-items, and subroutines

(C14007) Usage of incompatible operators on a record data-item

Error In:

Unsupported operators in MicroC Code Generation

Description:

An activity chart is using a built-in operator on a data-item of type record that is not supported by the MicroC code generator.

Erroneous Elements:

Actions, activities, conditions, data-items, and subroutines

Module Chart Checks

This section documents the Check Model checks for module charts. The checks are listed in numerical order.

(C5001) Loops in element definition

Error In:

Correctness

Description:

Textual elements use themselves in their own definition, via the “chain” definitions.

Example:

```
Compound event E1 is defined as 'E2 or E3'  
E2 is defined as 'E1 or E4'
```

Erroneous Elements:

All textual elements in the loop

(C5003) Aliases defined as non variable or non bit-array

Error In:

Correctness

Description:

Aliases are illegally defined because the element appearing in the definition of the alias is defined as a non-variable compound or constant, or it is not a bit-array.

Erroneous Elements:

Data-items

(C5005) Arrays with an out of range index

Error In:

Correctness

Description:

Arrays or bit-arrays are used with an index value that is out of the defined index range.

Example:

```
A is an integer array from 1 to 100
There is an action in the model: \A(101):=1
```

Erroneous Elements:

Data-items, fields, conditions, and events

(C5007) Arrays with indices in reverse order

Error In:

Correctness

Description:

There are arrays or bit-arrays for which there are references to slices whose borders are in a reverse order relative to their type definition.

Example:

```
A is a bit-array from 31 down to 0
There is an action in the model:
A(0.. 7):=3
```

Erroneous Elements:

Data-items, fields, conditions, and events

(C5009) Constants with inconsistent definition

Error In:

Correctness

Description:

There are either constant data-items or conditions whose values do not match their type definition; constant strings, arrays, or integers whose length does not match their defined length; or a constant integer whose value is not in the defined value range.

Erroneous Elements:

Data-items and conditions

(C5010) Data elements defined as arrays of bit

Error In:

Correctness

Description:

Elements are defined as array of a user-defined type (UDT), which is defined as bit.

Example:

`DI1 defined as array of BIT1, which is defined as bit`

Erroneous Elements:

Data-items, user-defined types, and fields

(C5011) Elements using uninitialized context variables

Error In:

Correctness

Description:

Elements contain action expressions that use an uninitialized context variable.

Example:

There is a transition labeled as follows:

`E / Y:=$X; $X:=Z`

`$x` is used before any value is assigned to it.

Erroneous Elements:

Actions

(C5013) Elements containing infinite While Loops

Error In:

Correctness

Description:

Elements contain action expressions in which there are infinite `while` loop statements. This check detects cases in which the `while` loop control expression does not contain a context variable and there is no `break` statement in the loop.

Erroneous Elements:

Actions

(C5015) Elements containing For Loops with erroneous range indices

Error In:

Correctness

Description:

Elements contain action expressions in which there are `for` loops statements with invalid ranges.

Example:

There is an action that contains the following `for` loop statements:

```
for $I in 10 to 1 loop
...
for $I in 1 down to 10 loop
...
```

Erroneous Elements:

Actions

(C5017) Numeric expressions using bit-arrays longer than 32 bits

Error In:

Correctness

Description:

There are elements containing numeric expressions that use bit-arrays longer than 32 bits. There is an automatic conversion from a bit-array to a numeric value only for bit-array with less than or equal to 32 bits.

Erroneous Elements:

Actions

(C5019) Expressions containing operation between arrays with unequal length

Error In:

Correctness

Description:

Elements contain assignments or comparisons between arrays or array slices of different lengths.

Example:

An action that contains the assignment $A=B$, where A is defined as an array from 1 to 3, and B is an array from 1 to 5.

Erroneous Elements:

Events, conditions, and actions

(C5021) Loops in index definition

Error In:

Correctness

Description:

Data elements use constants in their definition in a “circular” manner.

Example:

AR is an array from 1 to N, while N is defined as `rindex(AR)`.

Erroneous Elements:

Data-items, conditions, events, and user-defined types

(C5023) Defined data elements that are used incorrectly

Error In:

Correctness

Description:

Elements contain expressions in which data-items that are explicitly defined to be of some data-type are used in a way that does not match the type consistency and conversion rules.

Example:

I is defined as an integer; s is defined as a string. There is an action that contains the following assignment:

I=S

Erroneous Elements:

Events, conditions, data-items, and actions

(C5025) Data elements without type definition that are used inconsistently

Error In:

Correctness

Description:

There are unresolved or explicitly defined data-items with no type definition that are used in expressions in an inconsistent manner.

Example:

D is an unresolved element (it is not explicitly defined); I is an integer; S is a string. D appears in the following assignments:

$$D=I ; D=S$$

Erroneous Elements:

Data-items, conditions, and user-defined types

(C5027) Predefined Statemate functions that are used incorrectly

Error In:

Correctness

Description:

Predefined Rational Statemate functions are used with parameters of a wrong type, the wrong number of parameters, or the wrong return type.

Erroneous Elements:

Functions

(C5029) Subroutines that are used incorrectly

Error In:

Correctness

Description:

User functions are used inconsistently in different expressions (for example, with different return type, different parameter type, or different number of parameters).

Erroneous Elements:

Functions

(C5031) Loops in compound flow-lines

Error In:

Correctness

Description:

A group of flow-line segments, linked through connectors, create a loop or cycle that does not contain a module.

Erroneous Elements:

Flow-line segments in the loops

(C5033) Compound flow-lines with identical sources and targets

Error In:

Correctness

Description:

There are compound flow-lines, each of whose source set and target set contain the same basic module.

Erroneous Elements:

Compound flow-lines

(C5035) Flow-line segments with illegal joints

Error In:

Correctness

Description:

Compound flow-lines are constructed by using joint connectors in a confusing order.

Erroneous Elements:

Components of the erroneous flow-lines

(C5037) Flow-lines between storage modules

Error In:

Correctness

Description:

Compound flow-lines denote a flow of information between storage modules, which are passive elements.

Erroneous Elements:

Components of the erroneous flow-lines.

(C5039) Flow-lines between environment modules

Error In:

Correctness

Description:

There are compound flow-lines between external modules. These flow-lines, even if they exist, should not be specified in the chart where the source and target modules are external and, therefore, out of the description scope.

Erroneous Elements:

Components of the erroneous flow-lines

(C5041) Conflicting labels on flow-line components

Error In:

Correctness

Description:

There are compound flow-lines whose segments are labeled with conflicting labels.

Erroneous Elements:

Components of the erroneous flow-lines

(C5043) Composition connectors with multiple entrances and multiple exits

Error In:

Correctness

Description:

There are composition connectors with multiple entering and exiting flow-lines.

Erroneous Elements:

Connectors

(C5045) Instance off-page connectors with same name as in-page connector

Error In:

Correctness

Description:

Off-page diagram connectors drawn in an instance module have the same name as another in-page connector in the chart.

Erroneous Elements

: Instance connectors

(C5047) Multiple instance off-page connectors with conflicting arrow directions

Error In:

Correctness

Description:

Off-page diagram connectors are drawn in an instance module in which another connector having the same name, but conflicting arrow directions, is drawn.

Erroneous Elements:

Instance connectors

(C5049) Definition off-page connectors with same name as in-page connector

Error In:

Correctness

Description:

Definition off-page connectors match to an instance off-page connector and have the same name as an in-page diagram connector.

The test is performed only when “with definition charts” is specified. The error is reported in the definition chart.

Erroneous Elements:

Connectors

(C5051) Definition off-page connectors with conflicting arrow directions in instance off-page connector

Error In:

Correctness

Description:

There are definition off-page connectors whose matching connector in the instance chart has a conflicting arrow direction.

The test is performed only when “with definition charts” is specified. The error is reported in the definition chart.

Erroneous Elements:

Definition off-page connectors

(C5053) Elements that flow to/from instance with contradicting source/target name in definition chart

Error In:

Correctness

Description:

There are elements that flow to or from an instance module and an external module in the off-page definition chart, but the source or target name in the off-page definition chart is not the same as the name or synonym in the instance chart.

The test is performed only when “with definition charts” is specified. The error is reported in the instance chart.

Erroneous Elements:

Events, conditions, data-items, information-flows, and fields

(C5055) Elements that flow to/from definition with contradicting source/target name in instance chart

Error In:

Correctness

Description:

There are elements that flow to or from an external module in the off-page definition chart and the instance module, but the source or target name in the instance chart is not the same as the name or synonym in the off-page definition chart.

The test is performed only when “with definition charts” is specified. The error is reported in the definition chart.

Erroneous Elements:

Events, conditions, data-items, information-flows, and fields

(C5057) Instance modules with contradicting information in definition module

Error In:

Correctness

Description:

There are instance modules whose type or describing activity chart is different from the type or describing activity chart entered in the properties of the top-level module in the off-page definition chart.

This test is performed only when “with definition charts” is specified. The error is reported in the instance chart.

Erroneous Elements:

Instance modules

(C5059) Generic instances with inconsistent parameter binding

Error In:

Correctness

Description:

There is inconsistency between the actual bindings in the instance box and the defined formal parameters in the generic chart.

Erroneous Elements:

Instance boxes

(C5061) Elements using field references that do not appear in the record / union definition

Error In:

Correctness

Description:

Elements contain expressions in which a field of an explicitly defined record or union is used, but the field does not appear in the record or union definition.

Erroneous Elements:

Textual elements

(C5062) Elements erroneously using field references

Error In:

Completeness

Description:

Elements erroneously reference fields.

Erroneous Elements:

Any element referencing fields.

(C5063) Formal parameters whose data-type is not global

Error In:

Correctness

Description:

Formal parameters are defined to be a particular user-defined type (UDT), but the UDT is defined in the generic chart. Because the UDT is not visible outside the generic chart, an actual binding cannot have this type.

Erroneous Elements:

Data-items of formal parameters

(C5065) Actual binding whose data-type is not global

Error In:

Correctness

Description:

Data-items, used as actual bindings in an instance box, are defined to be a particular user-defined type (UDT), but the UDT is not global (the UDT is defined in a chart, not in a GDS). Because this UDT is not visible to the generic chart, a formal parameter cannot have this type.

Erroneous Elements:

Data-items

(C5067) Empty Records/Unions

Error In:

Correctness

Description:

Data-items or data-types are defined to be a record or union, but there are no fields defined in the structure. This is a correctness error because it is a fatal error situation for some tools.

Erroneous Elements:

Data-items and user-defined types

(C5069) Sub-types that conflict with enumerated type definition

Error In:

Correctness

Description:

One of the following situations:

- ◆ Values do not appear in the definition of the enumerated type.
- ◆ Values in the subtype definition are not in the same order as in the enumerated type definition.
- ◆ Values are missing from subtype definition.

Format:

```
<subtype name> (sub range of <enumerated-type name>):  
<enum-value> - missing in <enumerated-type name>  
<enum-value> - missing in <subtype name>  
<enum-value> - incorrect ordinal in <subtype name>
```

Example:

```
WORKING_DAYS (sub range of DAYS)
MONDAY - missing in DAYS
TUE - missing in WORKING_DAYS
WED - incorrect ordinal in WORKING_DAYS
```

Erroneous Elements:

User-defined types

(C5071) Tasks/Procedures that are used incorrectly

Error In:

Correctness

Description:

Tasks can be bound only to activities; any other usage, such as expressions, is erroneous.
Procedures and functions cannot be bound to activities.

Format:

```
<subroutine name> (defined as <task/procedure/function>)  
used as <procedure/function/task> in definition of <element name>
```

Example:

```
TASK PRINTER is used as procedure/function in definition of SCH:AN1
```

Erroneous Elements:

Subroutines

(C5075) Elements containing out of range assignments of enumerated values

Error In:

Correctness

Description:

An element of some subtype is assigned a value that belongs to the enumerated type, but is not in the range of the subtype.

Example:

```
In definition of SCH_ADA:ACTION WORKING_DAY:=SAT
```

Erroneous Elements:

Textual elements, boxes, and arrows

(C5077) Procedures/functions that are used incorrectly

Error In:

Correctness

Description:

Procedures are used as functions and treated in some expression as if they return a value, or functions are used as procedures and called in an expression where an action is expected.

Format:

```
<Function/Procedure> <subroutine name>  
used as <Procedure/Function> in definition of  
<element name>:<expression of subroutine call>
```

Example:

```
Function FACTORIAL  
used as Procedure in definition of  
SCH_ADA:ACTION: FACTORIAL(Y)
```

Erroneous Elements:

Subroutines

(C5079) Callback procedures that are used/defined incorrectly

Error In:

Correctness

Description:

Procedures are used as callbacks, whose first parameter is either not of type string or of mode Input.

Erroneous Elements:

Element

(C5081) Elements containing subroutine calls with conflicting length of parameters

Error In:

Correctness

Description:

There are subroutine calls where the actual parameter's length conflicts with the corresponding formal parameter definition, or whose length is unknown.

Example:

```
STATE1  
CALLBACK(A, ARRAY, 3)  
ARRAY - Unknown length
```

Erroneous Elements:

Textual elements, boxes, and arrows

(C5083) Subroutines using recursive calls

Error In:

Correctness

Description:

Subroutines use recursive calls either directly or by other subroutines.

Example:

```
SR3 called from SR2  
SR2 called from SR3
```

Erroneous Elements:

Subroutines

(C5085) Subroutines using element not declared as parameters, local variables or globals

Error In:

Correctness

Description:

Subroutines use elements not declared as parameters, local variables, or globals. All elements used in the subroutine code should be declared, including constant data-items and conditions, enumerated values, other subroutines, and user-defined types.

Format:

```
subroutine <subroutine name><used element name>
```

Example:

```
subroutine F L2
```

Erroneous Elements:

Subroutines

(C5087) Subroutines that contain references to activities

Error In:

Correctness

Description:

Subroutines contain references to activities. This occurs only when using a global variable, which contains a reference to an activity.

Example:

```
subroutine F
Activity A used in GLOBAL1
```

Erroneous Elements:

Subroutines

(C5089) Subroutines with illegal parameter type or return type

Error In:

Correctness

Description:

There is a subroutine where a User-Defined Type (UDT) is the return type, or the type of a parameter. The following table below lists the illegal definitions for UDTs.

Type	Return Type	Parameter
UDT array of string	(*)	**Illegal**
UDT array of bit-array	(*)	**Illegal**
UDT array of direct R/U	(*)	**Illegal**
UDT queue of anything	**Illegal**	**Illegal**
Array of queue (any dimension)	**Illegal**	**Illegal**

(*) In these cases, a middle UDT is needed. For example, if the return type of a function should be an array of string, it should be defined as:

```
UDT array of STR_UDT, and STR_UDT, a string
```

Example:

```
subroutine F1  
return type ARR_STR1, defined as array of string STR_QUEUE1,  
type of parameter P1, defined as queue
```

Erroneous Elements:

Subroutines

(C5091) Subroutines with illegal local variables type

Error In:

Correctness

Description:

Local variables are defined as a user-defined type (UDT), as a queue or an array (of any dimension) of a queue.

Example:

```
subroutine F1  
STR_QUEUE1, type of local variable LV1,  
defined as queue
```

Erroneous Elements:

Subroutines

(C5093) Subroutines with illegal/missing RETURN command

Error In:

Correctness

Description:

There are functions without a RETURN command, procedures with a RETURN command, or a function with return type that conflicts with the returned value's type.

Erroneous Elements:

Subroutines

(C5095) Subroutines that call other subroutines whose global elements are missing from the calling subroutine definition

Error In:

Correctness

Description:

Global elements of a subroutine, SUB, must be declared as global elements of any other subroutine calling SUB.

Erroneous Elements:

Subroutines

(C5097) Subroutines with local variables/parameters overriding parameters/globals

Error In:

Correctness

Description:

There are subroutines with local variables that override parameters or globals, or there are parameters that override globals.

Erroneous Elements:

Subroutines

(C5099) Subroutines with illegal combination of type and implementation

Error In:

Correctness

Description:

There are subroutines with an illegal combination of type and implementation.

Erroneous Elements:

Subroutines

(C5101) Elements containing a truth table with illegal factorization structure

Error In:

Correctness

Description:

United input cells are not nested in a previous union; or, there are two or more rows that share the same input section, but have different output sections.

Erroneous Elements:

Subroutines and actions

(C5103) Elements containing a truth table with illegal combination of inputs

Error In:

Correctness

Description:

Elements are described by truth tables using the same element twice as an input (via aliases). This check ensures that the same element is not used twice as a whole, but does not compare overlapping of slices.

Erroneous Elements:

Subroutines and actions

(C5105) Elements containing a truth table with illegal combination of outputs

Error In:

Correctness

Description:

Elements are described by truth tables using the same element twice as an output (via aliases).

Erroneous Elements:

Subroutines and actions

(C5107) Elements containing out of range integer/real assignments

Error In:

Correctness

Description:

Elements contain assignments of integers, where an out-of-range value is assigned to a restricted range integer, or one restricted range integer is assigned to another where there is no intersection of ranges. It tests if an integer or real value is compared with a value outside its range, as well as values assigned to integer or real variable.

Erroneous Elements:

States, actions, data-items, and transitions

(C5109) Inconsistent initial value

Error In:

Correctness

Description:

There is a Data-Item, with one of the following data in its definition:

- ◆ Its “Min” value is smaller than its “Default Value” value.
- ◆ Its “Max” value is greater than its “Default Value” value.
- ◆ Its “Default Value” needs more bits than defined in the “Bits#” field.

Erroneous Elements:

Data-Items

(C5111) Inconsistent range definition

Error In:

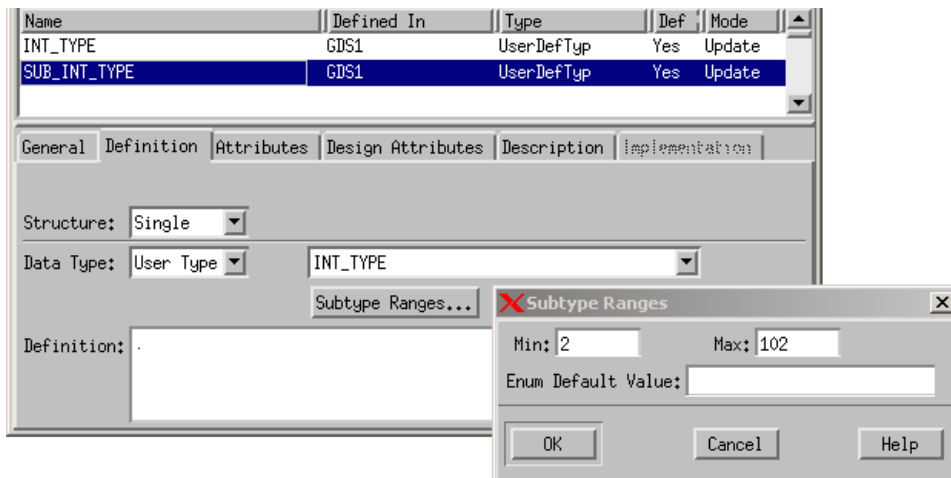
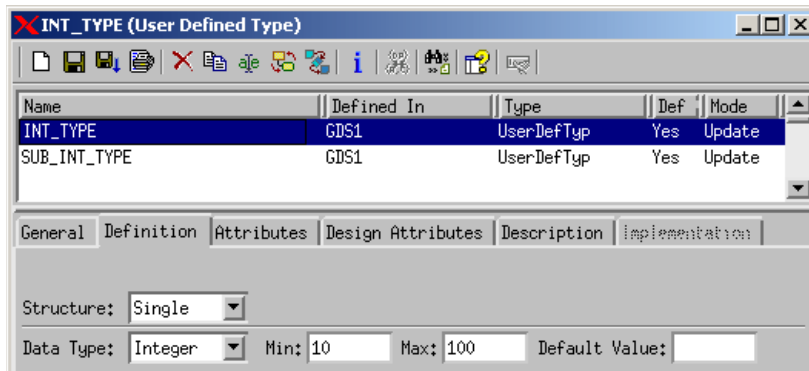
Correctness

Description:

This test warns about user-defined type definitions where the sub-type ranges are inconsistent with the parent type definition.

Example:

INT_TYPE is an integer User Defined Type and has a defined minimum/maximum range of 10 - 100 (as shown in the first figure below). SUB_INT_TYPE is a User Defined Type of INT_TYPE and has a range defined outside of 10 - 100 (as shown in the second figure).



Erroneous Elements:

User-defined types

(C5113) Empty information-flows

Error In:

Correctness

Description:

Array index expression does not result in an integer or contain elements with illegal type.

Example:

Case I:

Arr2 is an integer array from LeftInd2 to RightInd2.

LeftInd2 is defined as:

Single, Constant, with Data Type set to None, and definition set to SubDef2

SubDef2 is defined as:

Single None Constant with definition set to 2.34

Case II:

Arr1 is an integer array from LeftInd to RightInd.

LeftInd is defined as:

Single, Constant, with Data Type set to None, and definition set to SubDef

SubDef is defined as:

Single String Constant with definition set to 'My Definition'

(C6001) Empty information-flows

Error In:

Completeness

Description:

There are information-flows whose Consists of field in the properties is empty.

Erroneous Elements:

Information-flows

(C6003) Missing actual values for parameters

Error In:

Completeness

Description:

There is an instance box in whose properties there are formal parameters without actual bindings.

Erroneous Elements:

Instance boxes

(C6005) Elements with incorrect or incomplete attribute definitions

Error In:

Completeness

Description:

There are elements in whose properties there is an attribute name without a corresponding attribute value, or vice-versa.

Erroneous Elements:

Elements of all types

(C6006) Elements with non-unique attribute definitions

Error In:

Completeness

Description:

Element contains more than one attribute with the same name.

Erroneous Elements:

Any element with attributes

(C6007) Elements that are never referenced

Error In:

Completeness

Description:

Textual elements are explicitly defined in the properties, but are not referenced in the model.

Erroneous Elements:

Textual elements

(C6009) Elements using redundant context variables

Error In:

Completeness

Description:

Elements contain actions with context variables that are assigned a value, but are not used in the action.

Erroneous Elements:

Actions

(C6011) Elements that could be defined lower in the hierarchy of charts

Error In:

Completeness

Description:

There are textual elements explicitly defined in the tested chart that are used only in other charts, which could be defined in the lower chart hierarchy without changing the resolution results.

The lowest chart in which they could be defined is the lowest common ancestor of all the charts in which references to this element exist.

Erroneous Elements:

Textual elements

(C6013) Elements containing references to components of non-array elements

Error In:

Completeness

Description:

Elements contain data-item expressions with indices, but the accessed data-item is not an array.

Erroneous Elements:

Actions, conditions, and events

(C6015) Elements containing comparisons of unions: (not supported in Code Generation)

Error In:

Completeness

Description:

Elements contain comparisons of two union data-items. The comparisons of two unions is ambiguous because the result depends on which field of the unions is the current field in each element.

Erroneous Elements:

Actions, conditions, and events

(C6017) Unlabeled compound flow-lines

Error In:

Completeness

Description:

There are compound flow-lines, all of whose components are unlabeled.

Erroneous Elements:

Components of erroneous flow-lines

(C6019) Unlabeled flow-lines entering or exiting composition connectors

Error In:

Completeness

Description:

There are flow-line segments whose source or target is a composition connector and to which no label is attached.

Erroneous Elements:

Unlabeled flow-line segments

(C6021) Flow-lines with incomplete source definition

Error In:

Completeness

Description:

There are flow-lines whose source is not connected to a module or connector. The source of such flow-lines appears in the module chart as a small line perpendicular to the flow-line.

Erroneous Elements:

Flow-lines

(C6023) Flow-lines with incomplete target definition

Error In:

Completeness

Description:

There are flow-lines whose target is not connected to a module or connector. The target of such flow-lines appears in the activity chart as a small line perpendicular to the flow-line.

Erroneous Elements:

Flow-lines

(C6025) Compound flow-lines with identical sources

Error In:

Completeness

Description:

There are compound flow-lines whose source set contains the same module more than once, or a module and one of its descendants.

Erroneous Elements:

Components of the erroneous flow-lines

(C6027) Compound flow-lines with identical targets

Error In:

Completeness

Description:

There are compound flow-lines whose target set contains the same module more than once, or a module and one of its descendants.

Erroneous Elements:

Components of the erroneous flow-lines

(C6029) Composition connectors with illegally located sources or targets

Error In:

Completeness

Description:

There are composition connectors whose components flow from sources or to targets that are outside the module in which the connector resides.

Erroneous Elements:

Connectors

(C6031) Isolated connectors

Error In:

Completeness

Description:

There are connectors with no entrances and no exits.

Erroneous Elements:

Connectors

(C6033) Connectors with an entrance and no exit

Error In:

Completeness

Description:

There are junction or composition connectors, or a group of in-page diagram connectors with the same name, with an entrance, but no exit.

Erroneous Elements:

Connectors

(C6035) Connectors with an exit and no entrance

Error In:

Completeness

Description:

There are junction or composition connectors, or a group of in-page diagram connectors, with the same name, with an exit, but no entrance.

Erroneous Elements:

Connectors

(C6037) Junction or composition connectors with a single entrance and a single exit

Error In:

Completeness

Description:

There are junction or composition connectors with a single entrance and a single exit and, therefore, are probably redundant.

Erroneous Elements:

Connectors

(C6039) Composition connectors with missing flow elements

Error In:

Completeness

Description:

There are composition connectors whose record decomposition is not complete.

Erroneous Elements:

Data-items

(C6041) Unresolved elements

Error In:

Completeness

Description:

There are reference elements for which no element with the same name is explicitly defined in the relevant scope. This check also checks resolution of external modules in an off-page chart to modules in the parent chart.

Erroneous Elements:

All types of elements

(C6043) The tested chart is a definition chart with multiple top-level boxes

Error In:

Completeness

Description:

The tested chart is used as an off-page definition of an instance module and has multiple top-level modules.

The test is performed only when “with definition charts” is specified. The error is reported in the definition chart.

Erroneous Elements:

Tested chart

(C6045) The tested chart is a definition chart with empty top-level box

Error In:

Completeness

Description:

The tested charts is used as an off-page definition of an instance module and has a single, empty, top-level module.

The test is performed only when “with definition charts” is specified. The error is reported in the definition chart.

Erroneous Elements:

Tested chart

(C6047) Instance off-page connectors without a matching definition off-page connector

Error In:

Completeness

Description:

Instance off-page connectors have no matching definition diagram connector.

The test is performed only when “with definition charts” is specified. The error is reported in the definition chart.

Erroneous Elements:

Connectors

(C6049) Elements that flow from/to instance without a matching flow in definition chart

Error In:

Completeness

Description:

There are elements that flow from or to the instance module without matching flow-lines to or from an external module in the off-page definition chart. Note that the elements flowing on flow-lines are matched, not the sources or targets of the flow.

The test is performed only when “with definition charts” is specified. The error is reported in the instance chart.

Erroneous Elements:

Events, conditions, data-items, information-flows, and fields

(C6051) Elements that flow from/to definition without a matching flow in instance chart

Error In:

Completeness

Description:

There are elements that flow to or from an external module in the definition chart without matching flow-lines from or to the instance. Note that the elements flowing on the flow-lines are matched, not the sources or targets of the flow.

The test is performed only when “with definition charts” is specified. The error is reported in the definition chart.

Erroneous Elements:

Events, conditions, data-items, information-flows, and fields

(C6053) Actual parameters not flowing to/from generic instance

Error In:

Completeness

Description:

Actual parameters are bound to some Input or Output formal parameter in an instance box, but are not specified as Input or Output to that box.

Erroneous Elements:

Events, conditions, data-items, and fields

(C6055) Elements that flow to/from generic instance but are not used as actual parameters

Error In:

Completeness

Description:

There are elements flowing into or out of an instance box of a generic chart, but they are not declared as an actual input or output parameter.

Erroneous Elements:

Events, conditions, data-items, and fields

(C6057) External elements not declared as formal parameters

Error In:

Completeness

Description:

There are elements that flow from or to an external module, to or from the top-level module in a generic chart, but do not appear as In or Out formal parameters of the generic chart.

Erroneous Elements:

Events, conditions, and data-items

(C6059) Formal parameters not appearing on external flow-lines

Error In:

Completeness

Description:

There are elements declared as In or Out parameters of a generic module chart, but they do not flow into or out of the top-level module to an external box in the generic chart.

Erroneous Elements:

Events, conditions, and data-items

(C6061) Data elements with incomplete type definition

Error In:

Completeness

Description:

There are data elements whose type definition is missing or incomplete.

Erroneous Elements:

Events, conditions, data-items, and user-defined types

(C6063) Constant parameter arrays with incomplete length definition

Error In:

Completeness

Description:

There are constant parameter arrays where either the definition of the formal parameter in the generic chart is incomplete, or they are bound to an actual parameter of undefined length.

Erroneous Elements:

Data-items and conditions

(C6065) Defined elements that can be merged with elements from ancestor charts

Error In:

Completeness

Description:

There are textual elements explicitly defined in a chart that have matching, explicitly defined elements with the same name in ancestor charts. Both elements have the same type in both charts; therefore, they could probably be merged.

Erroneous Elements:

Textual elements

(C6067) The tested Module chart contains no modules

Error In:

Completeness

Description:

The tested module chart contains no modules.

Erroneous Elements:

Tested module chart

(C6069) Elements overriding global definitions

Error In:

Completeness

Description:

There are textual elements with the same name as elements defined in a global definition set.

Erroneous Elements:

Textual elements

(C6071) Subroutines not implemented in any language

Error In:

Completeness

Description:

There are subroutines that have no implementation in the Rational StateMate Action Language, Procedural Statechart/Flowchart, Ada Code, K&R C Code, ANSI C Code, and so on.

Format:

<subroutine name>

Example:

CALLBACK

Erroneous Elements:

Subroutines

(C6073) Subroutine parameters of a non-unique user-defined type

Error In:

Completeness

Description:

A parameter of a subroutine is defined as a user-defined type (UDT), whose name is not unique in the model.

Example:

P2 parameter of procedure CALLBACK
Using nonunique user-defined type DAYS

Erroneous Elements:

Subroutines

(C6075) Enumerated types with non-unique user-defined type

Error In:

Completeness

Description:

There are enumerated types with values that appear in other unrelated enumerated type definitions (not in a subtype).

Example:

```
user-defined type COLORS  
BLUE, exists also in SCH:MOODS
```

Erroneous Elements:

User-defined types

(C6076) Data-Elements with Enumerated Value names

Error In:

Correctness

Description:

Textual element has same name as enumerated values.

Erroneous Elements:

Textual elements

(C6077) Textual subroutines using uninitialized local variables

Error In:

Completeness

Description:

Local variables of a textual subroutine are used before they are affected or assigned some value.

Format:

`<local variable name> in <subroutine name>`

Example:

`LOCAL1 in F1`

Erroneous Elements:

Subroutines

(C6079) Textual subroutine using redundant local variables

Error In:

Completeness

Description:

Local variables of a textual subroutine are affected, but not used.

Format:

```
<local variable name> in <subroutine name>
```

Example:

```
LOCAL1 in F1
```

Erroneous Elements:

Subroutines

(C6081) Subroutines containing wrong usage of parameters or globals

Error In:

Completeness

Description:

Subroutines contain the wrong usage of parameters or globals. For example:

- ◆ In parameters that are affected by the subroutine.
- ◆ In parameters that are not used by the subroutine.
- ◆ Out parameters that are used by the subroutine.
- ◆ Out parameters that are not affected by the subroutine.
- ◆ InOut parameters that are not used by the subroutine.
- ◆ InOut parameters that are not affected by the subroutine.

Example:

```
subroutine CALLBACK  
Input parameter P1 not used
```

Erroneous Elements:

Subroutines

(C6083) Subroutines with incomplete type definition

Error In:

Completeness

Description:

There are subroutines with incomplete type definitions.

Erroneous Elements:

Subroutines

(C6085) Local variables not used in the subroutine

Error In:

Completeness

Description:

Local variables are not used in the subroutine code.

Example:

```
subroutine A Local variable L3 not used
```

Erroneous Elements:

Subroutines

(C6087) Elements with illegal “Selected Implementation”

Error In:

Completeness

Description:

The selected implementation is not one of the existing implementations of the element.

Erroneous Elements:

Subroutines

(C6089) Elements containing a truth table with empty default row

Error In:

Completeness

Descriptions:

Elements described by truth tables contain a default row with its the output columns blank and the action section empty.

Erroneous Elements:

Subroutines and actions

(C6091) Elements containing a truth table with empty cells

Error In:

Completeness

Description:

Elements described by truth tables contain blank cells (that is, cells that are not part of the default row).

Erroneous Elements:

Subroutines and actions

(C6093) Elements containing a truth table with no inputs

Error In:

Completeness

Description:

Elements contain a truth table with no input column(s).

Erroneous Elements:

Elements containing truth tables

(C6095) Complex Data elements not defined by User-type

There are data elements defined directly as Record, Union or Array of non-primitive type (not Integer or Real), and not by User-defined types.

Error In:

Completeness

Erroneous Elements:

Data-items, Conditions, Record or Union fields, Subroutine parameters and local-variables

Global Definition Set Checks

This section documents the Check Model checks for Global Definition Sets (GDSs). The checks are listed in numerical order.

(C7001) Elements with incorrect or incomplete attribute definitions

Error In:

Completeness

Description:

There are elements whose properties contain an attribute name without a corresponding attribute value, or vice-versa.

Erroneous Elements:

Elements of all types

(C7002) Elements containing references to components of non-array elements

Error In:

Completeness

Description:

Elements contain data-item expressions with indices, but the accessed data-item is not an array.

Erroneous Elements:

Element

(C7003) The tested global definition set contains no elements

Error In:

Completeness

Description:

There are no elements defined in the tested global definition set (GDS).

Erroneous Elements:

The tested GDS

(C7004) Elements that are not referenced in Statemate Expressions and Definitions

Error In:

Completeness

Description:

Checks for elements that are defined in GDS but are not referenced in the model.

Erroneous Elements:

Element

(C7005) Unresolved elements

Error In:

Completeness

Description:

There are reference elements for which no elements with the same name are explicitly defined in the relevant scope.

Erroneous Elements:

All types of elements

(C7006) Elements with non-unique attribute definitions

Error In:

Completeness

Description:

Element contains more than one attribute with the same name.

Erroneous Elements:

Any element with attributes

(C7007) Data elements with incomplete type definition

Error In:

Completeness

Description:

There are data elements whose type definition is missing or incomplete.

Erroneous Elements:

Conditions, data-items, and user-defined types

(C7009) Subroutines not implemented in any language

Error In:

Completeness

Description:

Subroutines have no implementation in the Rational StateMate Action Language, Procedural Statechart/Flowchart, Ada Code, K&R C Code, ANSI C Code, and so on.

Example:

CALLBACK

Erroneous Elements:

Subroutines

(C7011) Subroutines containing parameters defined as a non-unique User-defined type

Error In:

Completeness

Description:

A parameter of a subroutine is defined a user-defined type, but its name is not unique in the model.

Example:

```
P2 parameter of procedure CALLBACK  
Using nonunique user-defined type DAYS
```

Erroneous Elements:

Subroutines

(C7013) Enumerated types with non-unique value names

Error In:

Completeness

Description:

Enumerated types with values appear in other, unrelated enumerated type definitions (not in a subtype).

Example:

```
user-defined type COLORS  
BLUE, exists also in SCH:MOODS
```

Erroneous Elements:

User-defined types

(C7014) Data-Elements with Enumerated Value names

Error In:

Correctness

Description:

Textual element has same name as enumerated values.

Erroneous Elements:

Textual elements

(C7015) Textual subroutines using uninitialized local variables

Error In:

Completeness

Description:

Local variables of a textual subroutine are used before they are affected or assigned some value.

Example:

```
LOCAL1 in F1
```

Erroneous Elements:

Subroutines

(C7017) Textual subroutines using redundant local variables

Error In:

Completeness

Description:

Local variables of a textual subroutine are affected, but not used.

Example:

```
LOCAL1 in F1
```

Erroneous Elements:

Subroutines

(C7019) Subroutines containing wrong usage of parameters or globals

Error In:

Completeness

Description:

Subroutines contain the wrong usage of parameters or globals, such as:

- ◆ In parameters that are affected by the subroutine.
- ◆ In parameters that are not used by the subroutine.
- ◆ Out parameters that are used by the subroutine.
- ◆ Out parameters that are not affected by the subroutine
- ◆ InOut parameters that are not used by the subroutine
- ◆ InOut parameters that are not affected by the subroutine

Example:

```
subroutine CALLBACK  
Input parameter P1 not used
```

Erroneous Elements:

Subroutines

(C7020) Subroutines with incomplete type definition

Error In:

Completeness

Description:

There are subroutines with incomplete type definitions.

Erroneous Elements:

Subroutines

(C7021) Local variables not used in the subroutine

Error In:

Completeness

Description:

A subroutine's selected implementation defines a local variable that is never used in the implementation.

Erroneous Elements:

Subroutine

(C7022) Elements containing a truth table with no inputs

Error In:

Completeness

Description:

Elements contain a truth table with no input column(s).

Erroneous Elements:

Elements containing truth tables

(C7023) Elements with illegal “Selected Implementation”

Error In:

Completeness

Description:

The selected implementation is not one of the existing implementations of the element.

Erroneous Elements:

Subroutines, actions, and truth tables

(C7024) Elements containing a truth table with empty default row

Error In:

Completeness

Description:

The element is described by a truth table that contains an empty default row (the output columns are blank and the action section is empty).

Erroneous Elements:

Subroutines, actions, and truth tables

(C7025) Elements containing a truth table with empty cells

Error In:

Completeness

Description:

The element is described by a truth table that contains empty cells that are not part of the default row.

Erroneous Elements:

Subroutines, actions, and truth tables

(C7027) Complex Data elements not defined by User-type

There are data elements defined directly as Record, Union or Array of non-primitive type (not Integer or Real), and not by User-defined types.

Error In:

Completeness

Erroneous Elements:

Data-items, Conditions, Record or Union fields, Subroutine parameters and local-variables

(C7101) Loops in element definition

Error In:

Correctness

Description:

Elements use themselves in their definition, via chain definitions.

Example:

Data-type τ_1 is defined as integer with a minimum value of κ_1 and a maximum value of κ_2 ; κ_1 a constant data-item defined to be of type τ_1 .

Erroneous Elements:

All elements in the loop

(C7103) Arrays with indices in reverse order

Error In:

Correctness

Description:

There are arrays or bit-arrays for which there are references to slices whose borders are in a reverse order, relative to their type definition.

Example:

A is a bit-array from 31 down to 0. There is an action in the model:

$A(0..7)=3$

Erroneous Elements:

Data-items, fields, conditions, and events

(C7105) Constants with inconsistent definition

Error In:

Correctness

Description:

One of the following:

- ◆ There are constant data-items or conditions whose values do not match their type definition.
- ◆ There are constant strings, arrays, or integers whose length do not match their defined length.
- ◆ There are constant integers whose values are not in the defined value range.

Erroneous Elements:

Data-items and conditions

(C7106) Data elements defined as arrays of bits

Error In:

Correctness

Description:

Elements are defined as an array of a user-defined type (UDT) defined as bit.

Example:

```
DI1 defined as array of BIT1, which is defined as bit
```

Erroneous Elements:

Data-items, UDTs, and fields

(C7107) Defined data elements that are used incorrectly

Error In:

Correctness

Description:

Elements contain expressions in which data-items explicitly defined as a particular data-type are used in a way that does not match the type consistency and conversion rules.

Example:

`i` is defined as an integer; `s` is defined as a string. There is an action that contains the following assignment:

```
i=s
```

Erroneous Elements:

States, transitions, events, conditions, data-items, and actions

(C7109) Data elements without type definition that are used inconsistently

Error In:

Correctness

Description:

Elements contain expressions in which data-items are not explicitly defined to be of a particular data-type are used in a way that does not match the type consistency and conversion rules.

Example:

`i` is used as an integer; `s` is used as a string. There is an action that contains the following assignment:

```
I=S
```

Erroneous Elements:

States, transitions, events, conditions, data-items, and actions

(C7110) Subroutines that are used incorrectly

Error In:

Correctness

Description:

There are subroutine calls with expressions, constants, or compound elements used as Out or InOut parameters. Only variable/alias data-items or conditions can be used as output parameters.

Example:

```
subroutine SR1
Output parameter P1:
assigned the expression A1+B in ACH:ACT2:
SR1(A1+B)
```

Erroneous Elements:

Subroutines

(C7111) Elements having multiple definitions

Error In:

Correctness

Description:

Elements with the same name appear in multiple global definition sets.

Erroneous Elements:

User-defined types, data-items, and conditions

(C7112) Elements using field references that do not appear in the record/union definition

Error In:

Correctness

Description:

There are elements that contain expressions in which a field of an explicitly defined record or union is used, but the field does not appear in the definition of the record or union.

(C7113) Empty Records/Unions

Error In:

Correctness

Description:

Data-types are defined to be a record or union, but there are no fields defined in the structure. This is a correctness error because it is a fatal error situation for some tools.

Erroneous Elements:

User-defined types

(C7114) Elements erroneously using field references

Error In:

Completeness

Description:

Elements erroneously reference fields.

Erroneous Elements:

Any element referencing fields.

(C7116) Tasks/Procedures that are used incorrectly

Error In:

Correctness

Description:

Tasks can be bound to activities only. Any other usage, such as in expressions, is incorrect. Procedures and functions cannot be bound to activities.

Example:

TASK PRINTER is used as procedure/function in definition of SCH:AN1

Erroneous Elements:

Subroutines

(C7119) Elements containing subroutine calls with conflicting length of parameters

Error In:

Correctness

Description:

There are subroutine calls where the actual parameter's length conflicts with the corresponding formal parameter definition, or whose length is unknown.

Example:

```
STATE1  
CALLBACK(A, ARRAY, 3)  
ARRAY - Unknown length
```

Erroneous Elements:

Textual elements, boxes, and arrows

(C7121) Subroutines using recursive calls

Error In:

Correctness

Description:

There are subroutines using recursive calls (either directly or by other subroutines).

Example:

```
SR3 called from SR2  
SR2 called from SR3
```

Erroneous Elements:

Subroutines

(C7123) Subroutines using elements not declared as parameters, local variables, or globals

Error In:

Correctness

Description:

Subroutines use elements that are not declared as parameters, local variables, or globals. All elements used in the subroutine code should be declared, including constant data-items and conditions, enumerated values, other subroutines, and user-defined types.

Example:

```
subroutine F L2
```

Erroneous Elements:

Subroutines

(C7125) Subroutines that contain references to activities

Error In:

Correctness

Description:

Subroutines contain references to activities. This is possible only when using a global variable, which contains a reference to an activity.

Example:

```
subroutine F  
Activity A used in GLOBAL1
```

Erroneous Elements:

Subroutines

(C7127) Subroutines with illegal parameter type or return type

Error In:

Correctness

Description:

In a subroutine where a UDT is the return type or the type of a parameter, the UDT has an illegal definition. The following table lists the illegal definitions for UDTs.

Type	Return Type	Parameter
UDT array of string	(*)	** Illegal **
UDT array of bit-array	(*)	** Illegal **
UDT array of direct R/U	(*)	** Illegal **
UDT queue of anything	** Illegal **	** Illegal **
Array of queue (any dimension)	** Illegal **	** Illegal **

(*) In these cases, a middle user-defined type, is needed. For example, if the return type of a function is an array of string, it should be defined as:

```
UDT array of STR_UDT, and STR_UDT, a string
```

Example:

```
subroutine F1  
return type ARR_STR1, defined as array of string STR_QUEUE1,  
type of parameter P1, defined as queue
```

Erroneous Elements:

Subroutines

(C7129) Subroutines with illegal local variables type

Error In:

Correctness

Description:

A local variable is defined as a user-defined type (UDT), which is a queue or an array (of any dimension) of a queue.

Example:

```
subroutine F1  
STR_QUEUE1, type of local variable LV1, defined as queue
```

Erroneous Elements:

Subroutines

(C7131) Subroutines with illegal/missing RETURN command

Error In:

Correctness

Description:

There are functions without a RETURN command, procedures with a RETURN command, or a function with a return type that conflicts with the returned value's type.

Erroneous Elements:

Subroutines

(C7133) Subroutines with local variables/parameters overriding parameters/globals

Error In:

Correctness

Description:

There are subroutines with local variables that override parameters or globals, or parameters override globals.

Erroneous Elements:

Subroutines

(C7134) Subroutines with illegal combination of type and implementation

Error In:

Correctness

Description:

A subroutine has a selected implementation that is not supported for the subroutine type (task, function, or procedure).

Erroneous Elements:

Subroutine

(C7135) Elements containing a truth table with illegal factorization structure

Error In:

Correctness

Description:

United input cells are not nested in a previous union, or two or more rows share the same input section, but have different output sections.

Erroneous Elements:

Subroutines, actions, and truth tables

(C7136) Elements containing a truth table with illegal combination of inputs

Error In:

Correctness

Description:

Elements described by truth tables use the same element twice as an input, via aliases. The check ensures that the same element is not used twice as a whole (but the check will not compare overlapping of slices).

Erroneous Elements:

Subroutines, actions, and truth tables

(C7137) Elements containing a truth table with illegal combination of outputs

Error In:

Correctness

Description:

Elements described by truth tables use the same element twice as an output, via aliases.

Erroneous Elements:

Subroutines, actions, and truth tables

(C7139) Elements containing out of range integer/real assignments

Error In:

Correctness

Description:

Elements contain assignments of integers, where an out-of-range value is assigned to a restricted range integer; or one restricted range integer is assigned to another, where there is no intersection of ranges. It tests if an integer or real value is compared with a value outside its range, as well as values assigned to integer or real variable.

Erroneous Elements:

States, actions, data-items, transitions, and subroutines.

Global elements of a subroutine, `SUB`, must be declared as global elements of any other subroutine calling `SUB`.

(C7141) Inconsistent initial value

Error In:

Correctness

Description:

An element has a default value that is inconsistent with its type and range definition.

Example:

Integer data-type x has a minimum value of 0, and max value 20 and Default Value A. Integer data-item A is a constant set to 40. A is outside the Min and Max for X so it is an inconsistent initial value.

Erroneous Elements:

Integer and real data-items

(C7143) Inconsistent range definition

Error In:

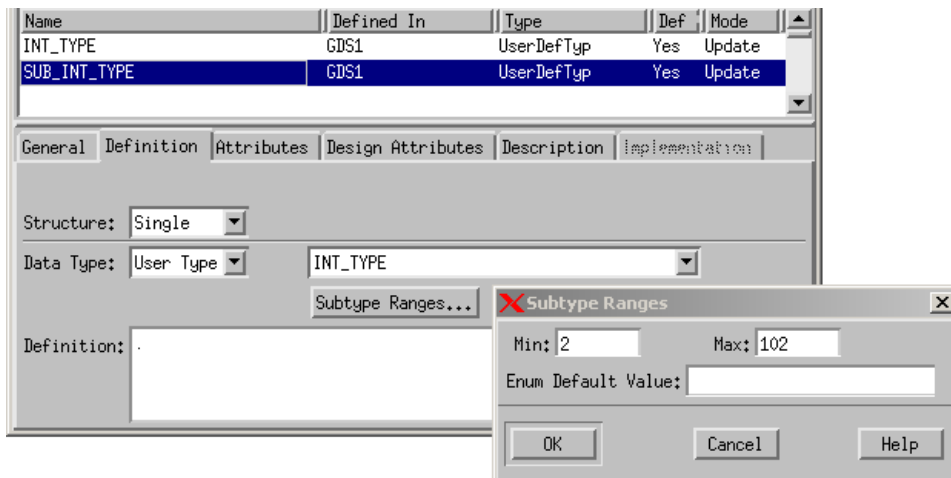
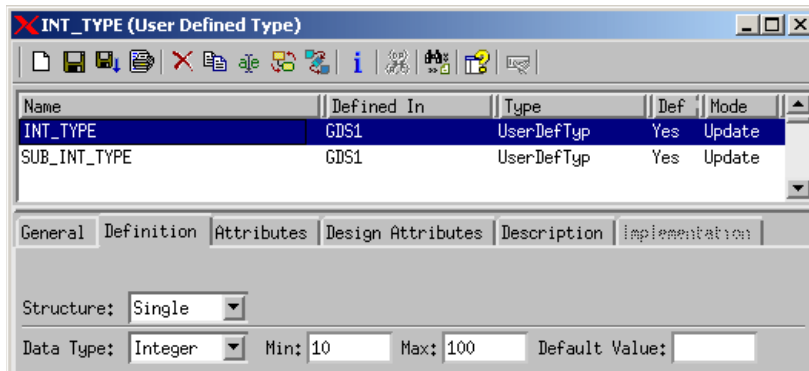
Correctness

Description:

This test warns about user-defined type definitions where the sub-type ranges are inconsistent with the parent type definition.

Example:

INT_TYPE is an integer User Defined Type and has a defined minimum/maximum range of 10 - 100 (as shown in the first figure below). SUB_INT_TYPE is a User Defined Type of INT_TYPE and has a range defined outside of 10 - 100 (as shown in the second figure below).



Erroneous Elements:

User-defined types

(C7145) Empty information-flows

Error In:

Correctness

Description:

Array index expression does not result in an integer or contain elements with illegal type.

Example:

Case I:

Arr2 is an integer array from LeftInd2 to RightInd2.

LeftInd2 is defined as:

Single, Constant, with Data Type set to None, and definition set to SubDef2

SubDef2 is defined as:

Single None Constant with definition set to 2.34

Case II:

Arr1 is an integer array from LeftInd to RightInd.

LeftInd is defined as:

Single, Constant, with Data Type set to None, and definition set to SubDef

SubDef is defined as:

Single String Constant with definition set to 'My Definition'

Sequence Diagram Checks

This section documents the Check Model checks for sequence diagrams. The checks are listed in numerical order:

(C7801) Unlabeled message-lines

Error In:

Completeness

Description:

A message line was drawn but not labeled.

Erroneous Elements:

Message lines

(C7802) Message-lines with incomplete source definition

Error In:

Completeness

Description:

The source of a message line was not drawn on a life-line. The offending message line is indicated on the sequence diagram with a small “x” at its source and target.

Erroneous Elements:

Message lines

(C7803) Message-lines with incomplete target definition

Error In:

Completeness

Description:

The target of a message line was not drawn on a life-line. The offending message line is indicated on the sequence diagram with a small “x” at its source and target.

Erroneous Elements:

Message-lines

(C7804) Unlabeled timing constraints

Error In:

Completeness

Description:

A timing constraint was drawn but not labeled.

Erroneous Elements:

Timing constraints

(C7805) Life-Lines without any input or output

Error In:

Completeness

Description:

A life-line in a sequence diagram is neither the source nor the target for any message lines.

Erroneous Elements:

Life-lines

(C7806) The tested sequence-diagram contains no life-lines

Error In:

Completeness

Description:

A sequence diagram was created, but no life-lines were drawn in the diagram.

Erroneous Elements:

Sequence diagrams

(C7807) Unresolved elements

Error In:

Completeness

Description:

The sequence diagram contains references to elements that are not explicitly defined in the relevant scope. The scope for a sequence diagram is set in the chart properties for the sequence diagram.

Erroneous Elements:

All life-lines and all elements used in message-line labels

Statechart and Activity Chart Relation Checks

This section documents the Check Model checks for Statechart (SC) and Activity Chart (AC) relation checks. The checks are listed in numerical order:

(C7201) The control activity is not connected to a statechart

Error In:

Completeness

Description:

The control activity of the tested activity is not connected to a statechart.

Erroneous Elements:

Control activity

(C7203) The control activity is connected to an unresolved statechart

Error In:

Completeness

Description:

The control activity of the tested activity is connected to a statechart that does not exist in the workarea.

Erroneous Elements:

Control activity

(C7205) Unresolved elements

Error In:

Completeness

Description:

Activities referenced by the statechart are not defined in the activity controlled by the statechart.

Erroneous Elements:

Activities

(C7207) Input elements not used in the statechart

Error In:

Completeness

Description:

Data elements specified in the activity chart as direct input to the control activity of the tested activity are not used inside the statechart.

Erroneous Elements:

Events, conditions, data-items, and information-flows

(C7209) Output elements not affected by the statechart

Error In:

Completeness

Description:

Data elements specified in the activity chart as direct output of the control activity of the tested activity are not affected, changed, or generated inside the statechart.

Erroneous Elements:

Events, conditions, data-items, and information-flows

(C7211) Elements that are used in a statechart but are neither input nor affected internally

Error In:

Completeness

Description:

Variable events, conditions, or data-items are used (evaluated) in the statechart, but are not specified in the activity chart as input to the control activity (directly or to one of its ancestors), nor are they generated or modified by actions in the statechart.

Erroneous Elements:

Events, conditions, and data-items

(C7213) Elements affected by the statechart that are neither used nor output

Error In:

Completeness

Description:

Elements are affected (modified or generated in actions) by the statechart, but they are neither specified as output of the control activity nor used in the statechart.

Erroneous Elements:

Events, conditions, and data-items

(C7215) Elements affected and used in the statechart but are neither input nor output

Error In:

Completeness

Description:

Elements are affected in actions and are used in the statechart (for example, in triggers), but are defined outside the statechart (in an ancestor activity chart) and do not flow into or from the control activity described by the statechart.

Erroneous Elements:

Events, conditions, and data-items

(C7217) Subactivities not activated by the statechart

Error In:

Completeness

Description:

Subactivities of the tested activity are neither started in any action, nor performed throughout or within any state in the controlling statechart.

Erroneous Elements:

Activities

(C7219) Missing termination connector in the statechart of a self-terminated activity

Error In:

Completeness

Description:

The tested activity is defined with termination type reactive self, but there is no termination connector in the statechart connected to the control activity.

Erroneous Elements:

Tested activity

(C7221) Controlled-termination subactivities that are not stopped by the statechart

Error In:

Completeness

Description:

Activities with termination type reactive controlled (which are subactivities of the tested activity) are neither stopped in any action, nor performed throughout any state in the statechart connected to the control activity.

Erroneous Elements:

Activities

(C7223) Procedure-like subactivities that are stopped by the statechart

Error In:

Completeness

Description:

Activities with a procedure-like termination type are stopped in actions or static reactions in the statechart connected to the control activity.

Erroneous Elements:

Activities

(C7225) Activities suspended by the Statechart but not resumed, or vice versa

Error In:

Completeness

Description:

Activities are suspended by actions in the controlling statechart, but are not resumed in actions, or vice versa.

Erroneous Elements:

Activities

(C7227) Empty controlling statechart

Error In:

Completeness

Description:

The statechart that describes the control activity contains no states.

Erroneous Elements:

Controlling statechart

(C7301) Controlled-termination subactivities of self-terminating activity

Error In:

Correctness

Description:

This check is generated when an activity of termination type reactive controlled (which is a subactivity of an activity of termination type reactive self) has no control activity.

Erroneous Elements:

Activities

(C7303) Elements containing references to transparent activities

Error In:

Correctness

Description:

The control activity contains references to an activity defined to be a transparent level. The references should be made to the activity's nontransparent subactivities.

Erroneous Elements:

Activities

Activity and Module Chart Relation Checks

This section documents the Check Model tests for activity-chart and module chart relation checks. The checks are listed in numerical order.

(C7401) Unresolved elements

Error In:

Completeness

Description:

Activities, data-stores, and modules referenced in the properties in the fields is activity/data-store and implemented by module are not found in the expected scope in the workarea.

The modules are searched in the entire workarea; the activities and data-stores are searched only in the activity-chart that describes the implementing module.

Erroneous Elements:

Activities, data-stores, and modules

(C7403) Elements that flow in the activity chart without corresponding flow in the module chart

Error in:

Correctness

Description:

Data elements are specified as flowing between activities in the activity-chart, but they do not flow between the corresponding modules in the module chart.

Example:

In the following figure, assume that A1 is implemented by M1 and A2 is implemented by M2. X flows between A1 and A2 in the activity-chart. X will be detected as an erroneous element because it does not flow between the modules that implement A1 and A2.



Erroneous Elements:

Events, conditions, data-items, and information-flows

(C7405) Elements that flow in the module chart without corresponding flow in the activity chart

Error In:

Completeness

Description:

Data elements specified as flowing between modules in the module chart do not flow between the corresponding activities in the activity-chart.

Erroneous Elements:

Events, conditions, data-items, and information-flows

(C7407) Basic activities not allocated to any module

Error In:

Completeness

Description:

There are activities that are not decomposed into other activities and data-stores, and are not specified as implemented by any module.

Erroneous Elements:

Activities

(C7409) Data-stores not allocated to any module

Error In:

Completeness

Description:

There are data-stores that do not reside in any module.

Erroneous Elements:

Data-stores

(C7411) Basic modules to which no activity or data-store is allocated

Error In:

Completeness

Description:

There are basic modules (descendants of the module described by the tested activity-chart) that implement no activity and in which no data-store resides.

Erroneous Elements:

Modules

(C7501) Activities or data-stores whose allocation in modules violates the hierarchy rules

Error In:

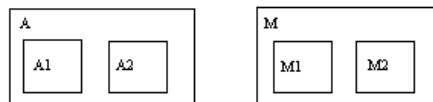
Correctness

Description:

There are activities and data-stores whose hierarchy as specified in the activity-chart is not consistent with the hierarchy of modules to which they are allocated.

Example:

In the following figure, **A** represents an activity and **M** is a module. Assume that it is specified in the properties that “**A** is implemented by **M1**” and “**A1** is implemented by **M2**”. Because **A1** is a subactivity of **A**, this does not match the relation between **M1** and **M2**.



Erroneous Elements:

Activities and data-stores

Index

A

Activity chart relation checks

- C7401 389
- C7403 390
- C7405 390
- C7407 391
- C7409 391
- C7411 391
- C7501 392

Activity charts 163

- checks 163
- hierarchy 4
- no activities 264
- relation checks 381, 389
- router on 279

Analyzing results 7

C

- C1001 23
- C1003 23
- C1005 24
- C1007 24
- C1009 25
- C1010 25
- C1011 26
- C1013 26
- C1015 27
- C1017 27
- C1019 28
- C1021 28
- C1023 29
- C1025 29
- C1027 30
- C1029 30
- C1031 30
- C1033 31
- C1035 32
- C1037 33
- C1039 34
- C1041 35
- C1043 36
- C1045 36
- C1047 37
- C1049 38

- C1051 39
- C1053 40
- C1055 40
- C1057 41
- C1059 41
- C1061 42
- C1062 42
- C1063 43
- C1065 43
- C1067 44
- C1071 44
- C1075 45
- C1077 45
- C1079 46
- C1081 46
- C1083 47
- C1085 47
- C1087 48
- C1089 48
- C1093 49
- C1095 50
- C1097 51
- C1099 51
- C1101 52
- C1103 52
- C1105 52
- C1107 53
- C1109 53
- C1111 53
- C1113 54
- C1115 54
- C1117 55
- C1119 55
- C1123 56
- C1125 56
- C1127 57
- C1133 58
- C1135 59
- C1137 60, 61, 62
- C14002 291
- C14006 292
- C14007 292
- C16000 94
- C16003 95
- C16007 95
- C16008 96

Index

C17001	97	C18017	125
C17003	97	C18019	126
C17004	98	C18021	126
C17005	98	C18023	127
C17007	99	C18025	128
C17009	99	C18027	128
C17011	100	C18029	129
C17013	100	C18031	129
C17015	101	C18033	130
C17017	101	C18043	131
C17019	102	C18045	131
C17025	102	C18047	132
C17045	102	C18049	133
C17051	103	C18051	134
C17053	103	C18053	135
C17055	104	C18057	135
C17057	104	C18061	136
C17058	105	C18062	136
C17059	105	C18063	137
C17060	106	C18065	137
C17061	106	C18067	138
C17063	106	C18075	138
C17065	107	C18077	139
C17071	107	C18079	139
C17075	108	C18081	140
C17077	108	C18085	140
C17079	109	C18086	140
C17081	109	C18087	141
C17083	110	C18089	141
C17085	110	C18091	142
C17086	111	C18093	142
C17087	111	C18095	143
C17089	112	C18097	144
C17091	112	C18099	144
C17093	113	C18101	145
C17095	113	C18103	145
C17097	114	C18105	146
C17099	114	C18107	146
C17101	115	C18109	147
C17103	115	C18111	147
C17105	116	C18113	148
C17107	116	C18115	148
C17108	117	C18117	149
C17109	117	C18119	150
C17111	118	C18121	151
C18000	119	C18123	151
C18001	119	C18125	152
C18002	120	C18127	154
C18003	121	C19000	154
C18004	121	C19001	156
C18005	122	C19002	156
C18007	122	C19003	157
C18009	123	C19004	157
C18010	123	C19005	158
C18011	124	C19006	158
C18013	124	C19007	159
C18015	125	C19008	159

C19009	159	C2099	83
C19010	160	C2101	84
C20003	160	C2103	84
C20004	161	C2105	84
C2001	63	C2106	85
C2003	63	C2107	85
C2004	63	C2111	85
C2005	64	C2113	86, 87, 88, 118, 285, 349, 360
C2007	64	C3001	163
C2009	64	C3003	164
C2011	65	C3005	164
C2013	65	C3007	165
C2015	65	C3009	166
C2017	55	C3010	166
C2021	66	C3011	167
C2023	66	C3013	168
C2025	67	C3015	169
C2027	67	C3017	169
C2028	58	C3019	170
C2029	67	C3021	170
C2031	68	C3023	171
C2033	68	C3025	172
C2035	68	C3027	173
C2037	69	C3029	174
C2039	69	C3031	175
C2041	70	C3033	176
C2043	70	C3035	177
C2045	70	C3037	178
C2047	71	C3039	179
C2049	72	C3041	180
C2051	72	C3043	181
C2053	72	C3045	181
C2055	73	C3047	183
C2057	73	C3049	184
C2058	74	C3051	184
C2059	74	C3053	185
C2060	74	C3055	187
C2061	75	C3059	188
C2063	75	C3061	189
C2065	76	C3063	189
C2067	76	C3065	190
C2069	76	C3067	191
C2071	77	C3069	192
C2073	77	C3070	193
C2075	77	C3071	193
C2077	78	C3073	194
C2079	78	C3075	194
C2081	78	C3077	195
C2083	79	C3079	195
C2085	79	C3081	195
C2086	80	C3083	196
C2087	80	C3085	196
C2089	81	C3087	197
C2091	81	C3089	198
C2093	82	C3091	199
C2095	82	C3093	200
C2097	83	C3095	201

Index

C3097	202	C4057	250
C3099	203	C4058	250
C3101	204	C4059	252
C3105	205	C4061	253
C3107	206	C4063	254
C3111	208	C4065	255
C3113	208	C4067	256
C3115	209	C4069	256
C3117	209	C4071	257
C3119	210	C4073	258
C3121	212	C4075	259
C3123	213	C4076	260
C3125	214	C4077	260
C3127	214	C4079	261
C3129	216	C4081	261
C3131	217	C4083	263
C3133	217	C4085	263
C3135	218	C4087	264
C3137	219	C4089	264
C3138	221	C4091	264
C3139	222	C4093	265
C3141	223	C4095	265
C3143	224	C4097	266
C3145	226	C4099	267
C4001	227	C4101	268
C4003	227	C4103	269
C4005	227	C4105	269
C4006	228	C4106	270
C4007	228	C4107	270
C4009	229	C4109	271
C4011	230	C4111	271
C4013	231	C4113	272
C4015	231	C4115	272
C4017	232	C4117	273
C4019	233	C4118	273
C4021	234	C4119	274
C4023	235	C4121	275
C4025	236	C4123	276
C4027	237	C4125	276
C4029	238	C4129	277
C4031	239	C4131	278
C4033	240	C4132	279
C4035	240	C4133	280
C4037	241	C4135	281
C4039	241	C4137	282
C4041	242	C4139	283
C4043	242	C4141	283
C4045	243	C4143	118, 284, 285, 360
C4047	244	C5001	293
C4048	245	C5003	294
C4049	246	C5005	294
C4050	246	C5007	295
C4051	247	C5009	295
C4052	248	C5010	296
C4053	248	C5011	296
C4055	249	C5013	297
C4056	249	C5015	297

C5017	298	C6017	329
C5019	298	C6019	329
C5021	299	C6021	329
C5023	299	C6023	330
C5025	300	C6025	330
C5027	300	C6027	330
C5029	301	C6029	331
C5031	301	C6031	331
C5033	302	C6033	331
C5035	302	C6035	332
C5037	302	C6037	332
C5039	303	C6039	333
C5041	303	C6041	333
C5043	303	C6043	334
C5045	304	C6045	334
C5047	304	C6047	335
C5049	305	C6049	335
C5051	305	C6051	336
C5053	306	C6053	336
C5055	306	C6055	337
C5057	307	C6057	337
C5059	307	C6059	338
C5061	308	C6061	338
C5062	308	C6063	339
C5063	309	C6065	339
C5065	309	C6067	340
C5067	310	C6069	340
C5069	310	C6071	341
C5071	311	C6073	341
C5075	312	C6075	343
C5077	312	C6076	343
C5079	313	C6077	344
C5081	314	C6079	345
C5083	314	C6081	345
C5085	315	C6083	346
C5087	316	C6085	346
C5089	316	C6087	347
C5091	317	C6089	347
C5093	318	C6091	348
C5095	318	C6093	348
C5097	319	C7001	351
C5099	319	C7002	351
C5101	320	C7003	352
C5103	320	C7005	352
C5105	321	C7006	353
C5107	321	C7007	353
C5111	322	C7009	353
C5113	324	C7011	354
C6001	325	C7013	354
C6003	325	C7014	355
C6005	326	C7015	355
C6006	326	C7017	356
C6007	326	C7019	356
C6009	327	C7020	357
C6011	327	C7021	357
C6013	328	C7022	358
C6015	328	C7023	358

- C7024 359
- C7025 359
- C7101 361
- C7103 361
- C7105 362
- C7106 362
- C7107 363
- C7109 363
- C7110 364
- C7111 365
- C7112 365
- C7113 365
- C7114 366
- C7116 366
- C7119 367
- C7121 367
- C7123 368
- C7125 368
- C7127 369
- C7129 370
- C7131 370
- C7133 371
- C7134 371
- C7135 372
- C7136 372
- C7137 373
- C7141 374
- C7143 374
- C7145 376
- C7201 381
- C7203 381
- C7205 382
- C7207 382
- C7209 382
- C7211 383
- C7213 383
- C7215 384
- C7217 384
- C7219 385
- C7221 385
- C7223 386
- C7225 386
- C7227 387
- C7301 387
- C7303 388
- C7401 389
- C7403 390
- C7405 390
- C7407 391
- C7409 391
- C7411 391
- C7501 392
- C7601 17
- C7603 17
- C7605 18
- C7607 18
- C7609 19
- C7611 19
- C7701 20
- C7703 20
- C7705 21
- C7707 21
- C7708 22
- C7801 377
- C7802 377
- C7803 378
- C7804 378
- C7805 378
- C7806 379
- C7807 379
- C9101 49
- Charts 1
 - checking a single 2
 - checks 17
 - illegal usage type 17
 - inconsistent usage 18
 - missing in workarea 20
- Charts relation checks
 - C7601 17
 - C7603 17
 - C7605 18
 - C7607 18
 - C7609 19
 - C7611 19
 - C7701 20
 - C7705 21
 - C7707 21
 - C7709 22
- Check model 1
 - activity chart checks 163
 - activity chart relation checks 381, 389
 - chart checks 17
 - creating profile 2
 - enabling and disabling checks 10
 - GDS checks 351
 - general preferences 14
 - module chart relation checks 389
 - results 7
 - scope 4
 - sequence diagram checks 377
 - statechart checks 23
 - test sets 16
- Checks 1
 - enabling and disabling 10
 - global definition set 351
 - sequence diagrams 377
 - single chart 2
 - suppressing 9
- Configure test settings 16
- D**
- Diagrams 1
 - continuous 276

global settings 13
sequence 377
Disable checks 10

E

Enable checks 10
Errors
 fixing 7
 unresolved elements setting 14
Exclude from scope 4

F

Flow charts checks

C17001	97	C17108	117
C17003	97	C17109	117
C17004	98	C17111	118
C17005	98	C18000	119
C17007	99	C18001	119
C17009	99	C18002	120
C17011	100	C18003	121
C17013	100	C18004	121
C17015	101	C18005	122
C17017	101	C18007	122
C17019	102	C18009	123
C17025	102	C18010	123
C17045	102	C18011	124
C17051	103	C18013	124
C17053	103	C18015	125
C17055	104	C18017	125
C17057	104	C18019	126
C17058	105	C18021	126
C17059	105	C18023	127
C17060	106	C18025	128
C17061	106	C18027	128
C17063	106	C18029	129
C17065	107	C18031	129
C17071	107	C18033	130
C17075	108	C18043	131
C17077	108	C18045	131
C17079	109	C18047	132
C17081	109	C18049	133
C17083	110	C18051	134
C17085	110	C18053	135
C17086	111	C18057	135
C17087	111	C18061	136
C17089	112	C18062	136
C17091	112	C18063	137
C17093	113	C18065	137
C17095	113	C18067	138
C17097	114	C18075	138
C17099	114	C18077	139
C17101	115	C18079	139
C17103	115	C18081	140
C17105	116	C18085	140
C17107	116	C18087	141
		C18089	141
		C18091	142
		C18093	142
		C18095	143
		C18097	144
		C18099	144
		C18101	145
		C18103	145
		C18105	146
		C18107	146
		C18109	147
		C18111	147
		C18113	148
		C18115	148
		C18117	149

C18119 150
C18121 151
C18123 151
C18125 152
C19000 154
C19001 156
C19002 156
C19003 157
C19004 157
C19005 158
C19006 158
C19007 159
C19008 159
C19009 159
C19010 160
C20003 160
C20004 161

G

GDS checks 351
 7013 354
 7015 355
 7019 356
 C7001 351
 C7002 351
 C7003 352
 C7005 352
 C7006 353
 C7007 353
 C7009 353
 C7011 354
 C7014 355
 C7017 356
 C7020 357
 C7021 357
 C7022 358
 C7023 358
 C7024 359
 C7025 359
 C7101 361
 C7103 361
 C7105 362
 C7106 362
 C7107 363
 C7109 363
 C7110 364
 C7111 365
 C7112 365
 C7113 365
 C7114 366
 C7116 366
 C7119 367
 C7121 367
 C7123 368
 C7125 368
 C7127 369

C7129 370
C7131 370
C7133 371
C7134 371
C7135 372
C7136 372
C7137 373
C7141 374
C7143 374
C7145 376
GDS relation checks
 C7601 17
 C7603 17
 C7605 18
 C7607 18
 C7609 19
 C7611 19
 C7701 20
 C7703 20
 C7705 21
 C7707 21
 C7709 22

Global
 definition set checks 351
 settings 13

I

Include in Scope 4
Incompatible operators 292
Information flows 8

M

Model profiles 4
Module chart checks 389
Module chart relation check
 C7401 389
 C7403 390
 C7405 390
 C7407 391
 C7409 391
 C7411 391
 C7501 392

O

Operators, incompatible 292

P

Populate Information flows 8
Port binding 276
Preferences 14
Profiles 4
 creating 2

settings 11
using to perform a check 5

R

Relation

chart checks 17
GDS checks 17

Results 7

Router input 279

S

Sequence diagram checks

C7801 377
C7802 377
C7803 378
C7804 378
C7805 378
C7806 379
C7807 379

Sequence diagrams 377

checks 377
life-lines 378
unresolved elements 379

Settings

check model 14
global 13
profiles 11

Statecharts 23

procedural 21, 22
unresolved 381

Subroutines

contain references to activities 49
incomplete type definition 83
missing globals 52
nonunique user-defined type 79

not implemented in any language 78

same name 21

used incorrectly 30

using elements not declared as parameters, local variables, or globals 49

using recursive calls 48

using redundant local variables 82

using uninitialized local variables 82

with illegal combination of type and implementation 53

with illegal local variables type 51

with illegal parameter type or return type 50

with illegal/missing return command 52

with local variables/parameters 52

wrong usage of parameters or globals 83

Suppress check 9

Switch case 86, 87, 88, 118, 285, 349, 360

Ada language 277

T

Test setting configurations 16

Textual elements 276, 279

Types

charts 17
of checks 1

U

Unresolved elements 14, 29

sequence diagrams 379

W

WorkareaCharts relation checks

C7703 20

