



DB2 Performance Monitor for OS/390

# Command Reference

*Version 6*

**Note**

Before using this information and the product it supports, be sure to read the information in "Appendix. Notices" on page 93.

**Second Edition, April 2000**

This edition applies to Version 6 of IBM DATABASE 2 Performance Monitor for OS/390, a feature of IBM DATABASE 2 Universal Database Server for OS/390 Version 6 (5645-DB2), and to all subsequent releases and modifications until otherwise indicated in new editions.

This edition replaces SC26-9166-00

© Copyright International Business Machines Corporation 1985, 2000. All rights reserved.

US Government Users Restricted Rights – Use, duplication or disclosure restricted by GSA ADP Schedule Contract with IBM Corp.

---

# Contents

<b>About This Book</b> . . . . .	<b>v</b>	Audit Commands . . . . .	26
How to Send Your Comments . . . . .	v	Explain Commands. . . . .	33
<b>Chapter 1. Common Defaults and Attributes</b> . . . . .	<b>1</b>	I/O Activity Commands . . . . .	40
Subcommand Defaults . . . . .	2	Locking Commands . . . . .	45
GLOBAL Command Defaults . . . . .	3	Record Trace Commands . . . . .	52
REDUCE Subcommand Defaults. . . . .	4	SQL Activity Commands . . . . .	56
REPORT Subcommand Defaults . . . . .	5	Statistics Commands . . . . .	62
TRACE Subcommand Defaults . . . . .	6	Utility Activity Commands . . . . .	70
FILE Subcommand Defaults . . . . .	7	The EXEC Command . . . . .	77
SAVE Subcommand Defaults . . . . .	8	<b>Chapter 3. Auxiliary Commands</b> . . . . .	<b>79</b>
RESTORE Subcommand Defaults . . . . .	9	<b>Chapter 4. Troubleshooting Commands</b>	<b>89</b>
Options for LEVEL . . . . .	10	<b>Appendix. Notices</b> . . . . .	<b>93</b>
Options for ORDER . . . . .	11	Trademarks . . . . .	95
Options for TYPE . . . . .	12	<b>Bibliography</b> . . . . .	<b>97</b>
Options for INCLUDE/EXCLUDE. . . . .	13	<b>Readers' Comments — We'd Like to Hear from You</b> . . . . .	<b>99</b>
DB2 PM Identifier Attributes . . . . .	14		
DD Statement Attributes . . . . .	15		
<b>Chapter 2. DB2 PM Commands</b> . . . . .	<b>17</b>		
Accounting Commands . . . . .	17		



---

## About This Book

This command reference contains a subset of the material in the *DB2 PM Report Reference*. It is intended to be used as a quick reference by experienced users of DB2 PM.

Information on how to read the syntax diagrams is contained in the *DB2 PM Report Reference*.

This book is divided into four chapters:

**“Chapter 1. Common Defaults and Attributes” on page 1**

This section contains common DB2 PM defaults for commands, subcommands, and options, as well as DB2 PM identifier attributes and DD statement attributes.

**“Chapter 2. DB2 PM Commands” on page 17**

This section contains syntax diagrams of DB2 PM commands.

**“Chapter 3. Auxiliary Commands” on page 79**

This section contains syntax diagrams of DB2 PM auxiliary commands.

**“Chapter 4. Troubleshooting Commands” on page 89**

This section contains syntax diagrams of DB2 PM troubleshooting commands.

---

## How to Send Your Comments

Your feedback is important in helping to provide the most accurate and high-quality information. If you have any comments about this book or any other DB2 PM documentation, send your comments by using:

- Internet. The address is: [swsdid@de.ibm.com](mailto:swsdid@de.ibm.com).
- IBM Mail Exchange. The address is: DEIBM3P3 at IBMMAIL.
- The form at the back of this book. Return it by mail or fax, or give it to an IBM representative. The fax number is: +49-7031-164892.

Be sure to include the name of the book, the version of DB2 PM, and, if applicable, the specific location of the text you are commenting on (for example, a page number or a table number).



---

## Chapter 1. Common Defaults and Attributes

For detailed information, refer to the *DB2 PM Report Reference*.

The following abbreviations are used in the tables of this section:

<b>Ac</b>	Accounting
<b>Au</b>	Audit
<b>Ex</b>	Explain
<b>I/O</b>	I/O activity
<b>Lo</b>	Locking
<b>RT</b>	Record trace
<b>SQ</b>	SQL activity
<b>St</b>	Statistics
<b>Ut</b>	Utility activity
<b>Gl</b>	Global

## Subcommand Defaults

---

### Subcommand Defaults

*Table 1. Default Subcommands for All Commands*

<b>Command</b>	<b>Default Subcommands</b>
ACCOUNTING	REDUCE - REPORT
AUDIT	REDUCE - REPORT
IOACTIVITY	REDUCE - REPORT
LOCKING	REDUCE - REPORT
RETRACE	TRACE
SQLACTIVITY	TRACE
STATISTICS	REDUCE - REPORT
UTILITY	REDUCE - REPORT



---

## GLOBAL Command Defaults

*Table 2. GLOBAL Command Defaults*

Option	Default for Option
FROM date/time	Default is the beginning of the input data.
TO date/time	Default is the end of the input data.
INTERVAL	Default is 0 minutes (that is, form only one interval).
BOUNDARY	Default is 60.
PRESORTED	Default is NO.
INPUTDD	Default is INPUTDD.
DISTDD	Default is DISTDD.
SYSPRMDD	Default is SYSPRMDD.
PAGESIZE	Default is 60.
PLANEXPLAIN	Default is DB2PMEX.
LEVEL	Default is DETAIL.
INDEX	Default is YES.
TIMEZONE	Default is 0. When the default is used, no adjustment is made to the DB2(R) timestamp.
INCLUDE/EXCLUDE	Default is not to filter any data records. That is, use all records presented to the report set.

---

## REDUCE Defaults

### REDUCE Subcommand Defaults

Table 3. REDUCE Subcommand Defaults

Option	Default for Option
FROM date/time	Default is the date and time specified in the GLOBAL command. If no date and time is specified in the GLOBAL command, all records are included.
TO date/time	Default is the date and time specified in the GLOBAL command. If no date and time is specified in the GLOBAL command, all records are included.
INTERVAL	Default is the INTERVAL specified in the GLOBAL command. The default for INTERVAL in GLOBAL is 0 minutes.
BOUNDARY	Default is the BOUNDARY specified in the GLOBAL command. If no boundary is specified in GLOBAL, the default is 60.
TYPE	Default is ALL.
NOMERGE/MERGE	Default is NOMERGE.
INCLUDE/EXCLUDE	Default is the DB2 PM identifiers specified in GLOBAL. If no DB2 PM identifiers are specified in GLOBAL, INCLUDE/EXCLUDE defaults to include all DB2 PM identifiers valid for the individual report sets.

## REPORT Subcommand Defaults

Table 4. REPORT Subcommand Defaults

Option	Default for Option
FROM date/time	Default is the FROM date and time specified in the REDUCE subcommand. If no FROM date/time is specified in REDUCE, the FROM date/time defaults to the FROM date/time specified in the GLOBAL command. If no date and time are specified in GLOBAL, all newly reduced and restored records are included.
TO date/time	Default is the TO date and time specified in the REDUCE subcommand. If no TO date/time is specified in REDUCE, the TO date/time defaults to the TO date/time specified in the GLOBAL command. If no date and time are specified in GLOBAL, all newly reduced and restored records are included.
LEVEL	Ut-SUMMARY, Au-SUMMARY, IO-SUMMARY, Lo-SUSPENSION
ORDER	PRIMAUTH-PLANNAME
INCLUDE/EXCLUDE	Default is the DB2 PM identifiers specified in GLOBAL. If no DB2 PM identifiers are specified in GLOBAL, INCLUDE/EXCLUDE defaults to include all DB2 PM identifiers valid for the report set being processed.
TYPE	Au-ALL, Ut-BIND UTILITY
DDNAME	ACRPTDD, AURPTDD, IORPTDD, LORPTDD, SQRPTDD, STRPTDD, UTRPTDD
LAYOUT	Default is the short layout.
NOEXCEPTION/EXCEPTION	Default is NOEXCEPTION.
NOMERGE/MERGE	Default is NOMERGE.
TOP	Default is 10 INDB2ET.
SCOPE	Default is MEMBER.
SUMMARIZEBY	Default is PROGRAM.
SORTBY	Default is DEFAULT.
WORKLOAD	Default is NONE.

## TRACE Defaults

### TRACE Subcommand Defaults

Table 5. TRACE Subcommand Defaults

Option	Default for Option
FROM date/time	Default is the FROM date/time specified in the REDUCE subcommand. If no FROM date/time is specified in REDUCE, the FROM date/time defaults to the FROM date/time specified in the GLOBAL command. If no date and time is specified in the GLOBAL command, all available records are included.
TO date/time	Default is the TO date and time specified in the REDUCE subcommand. If no TO date/time is specified in REDUCE, the TO date/time defaults to the TO date/time specified in the GLOBAL command. If no date and time is specified in the GLOBAL command, all available records are included.
LEVEL	Lo-LOCKOUT, Rt-SHORT, Ut-SHORT
TYPE	Au-ALL, Ut-BIND UTILITY
ORDER	PRIMAUTH-PLANNAME
LIMIT	10
INCLUDE/EXCLUDE	Default is the DB2 PM identifiers specified in GLOBAL. If no DB2 PM identifiers are specified in GLOBAL, INCLUDE/EXCLUDE defaults to include all DB2 PM identifiers valid for the report set being processed.
DDNAME	ACTRCDD1-5, AUTRCDD1-5, LOTRCDD1-5, RTTRCDD1-5, SQTRCDD1-5, STTRCDD1-5, UTTRCDD1-5
LAYOUT	Default is the short layout.
NOEXCEPTION/EXCEPTION	Default is NOEXCEPTION.
NOMERGE/MERGE	Default is NOMERGE.
SCOPE	Default is MEMBER.
SUMMARIZEBY	Default is OCCURRENCE.
WORKLOAD	Default is NONE.
SORTBY	SQ-DEFAULT, RT-TIMESTAMP
TOP	Default is 10 INDB2ET.

---

## FILE Subcommand Defaults

Table 6. FILE Subcommand Defaults

Option	Default for Option
FROM date/time	Default is the date and time specified in REDUCE and GLOBAL. If no times are specified, FROM defaults first to the date and time specified in REDUCE, and then to the date and time specified in GLOBAL. If no date and time are specified in either REDUCE or GLOBAL, all records are included.
TO date/time	Default is the date and time specified in REDUCE and GLOBAL. If no times are specified, TO defaults first to the date and time specified in REDUCE, and then to the date and time specified in GLOBAL. If no date and time are specified in either REDUCE or GLOBAL, all records are included.
NOEXCEPTION/EXCEPTION	Default is NOEXCEPTION.
TYPE	ALL
INCLUDE/EXCLUDE	Default is the DB2 PM identifiers specified in GLOBAL. If no DB2 PM identifiers are specified in GLOBAL, INCLUDE/EXCLUDE defaults to all DB2 PM identifiers valid for the individual report set.
DDNAME	ACFILDD1, AUFILDD1-7, LOFILDD1, STFILDD1, RTFILDD1

## SAVE Defaults

---

### SAVE Subcommand Defaults

*Table 7. SAVE Subcommand Defaults*

Option	Default for Option
DDNAME	Ac-ACSAVDD, St-STSAVDD

---

## RESTORE Subcommand Defaults

*Table 8. RESTORE Subcommand Defaults*

---

Option	Default for Option
DDNAME	Ac-ACRSTDD, St-STRSTDD

---

## LEVEL (Options)

### Options for LEVEL

Table 9. Options for LEVEL

Command	Subcom	Specification
AUDIT	REPORT	<u>SUMMARY</u> , DETAIL
EXPLAIN		<u>DETAIL</u>   BASIC   INDEXES   KEYDIST   SQL   SUMMARY   NORAWXPL
IOACTIVITY	REPORT	<u>SUMMARY</u> , ACTLOG, ARCLOG, BUFFER, EDM, XI
LOCKING	REPORT	<u>SUSPENSION</u> , LOCKOUT
LOCKING	TRACE	<u>LOCKOUT</u>   SUSPENSION   DETAIL   DEADLOCK   TIMEOUT
RETRACE	TRACE	<u>SHORT</u>   LONG   SUMMARY   DUMP

**Notes:**

1. The symbol '|' in Table 9 signifies that only one of the specifications can be used for each level command.
2. The default level specification is underlined.



## Options for ORDER

Table 10. Options for ORDER

Option	Ac	Au	I/O	Lo	SQ	St	UT
CONNECT	.	.	.	.	.		.
CONNTYPE	.	.	.	.	.		.
CORRNAME	.	.	.	.	.		.
CORRNMBR	.	.	.	.	.		.
DATABASE			.	.			
ENDUSER	.	.		.	.		
INSTANCE							.
INTERVAL	.					.	
MAINPACK	.						
ORIGAUTH	.	.	.	.	.		.
PACKAGE or PROGRAM	.						
PAGESET			.	.			
PLANNAME	.	.	.	.	.		.
PRMAUTH or AUTHID	.	.	.	.	.		.
REQLOC	.	.	.	.	.		.
DATASET			.				
OBJECT		.					
BPID			.				
TRANSACT	.	.		.	.		
WSNAME	.	.		.	.		

**Note:** In the utility activity report set, INSTANCE is valid for the ORDER option of TRACE only.

## TYPE (Options)

### Options for TYPE

Table 11. Options for TYPE

Command	Subcom	Specification
AUDIT	REDUCE	<u>ALL</u> , AUTHCHG, AUTHCNTL, AUTHFAIL, BIND, DDL, DML, UTILITY
AUDIT	TRACE	<u>ALL</u> , AUTHCHG, AUTHCNTL, AUTHFAIL, BIND, DDL, DML, UTILITY
AUDIT	REPORT	<u>ALL</u> , AUTHCHG, AUTHCNTL, AUTHFAIL, BIND, DDL, DML, UTILITY
AUDIT	FILE	<u>ALL</u> , AUTHCHG, AUTHCNTL, AUTHFAIL, BIND, DDL, DML, UTILITY
UTILITY	TRACE	<u>BIND UTILITY</u>
UTILITY	REPORT	<u>BIND UTILITY</u>

**Note:** The default type specification is underlined.

## Options for INCLUDE/EXCLUDE

The following table shows the DB2 PM identifiers and the report sets where these identifiers are applicable to select records. Each DB2 PM identifier can be used with certain subcommands, which are abbreviated in the table as follows:

**r** REDUCE  
**t** TRACE  
**p** REPORT  
**f** FILE  
**yes** applies to the command.

Table 12. DB2 PM Identifiers Used with DB2 PM Commands

Identifier	Ac	Au	I/O	Lo	RT	SQ	St	UT	GI
ACE					t,f	r,t,p			yes
CLASS					t,f				yes
CONNECT	r,t,p,f	r,t,p,f	r,p	r,t,p,f	t,f	r,t,p		r,t,p	yes
CONNTYPE	r,t,p,f	r,t,p,f	r,p	r,t,p,f	t,f	r,t,p		r,t,p	yes
CORRNAME	r,t,p,f	r,t,p,f	r,p	r,t,p,f	t,f	r,t,p		r,t,p	yes
CORRNMBR	r,t,p,f	r,t,p,f	r,p	r,t,p,f	t,f	r,t,p		r,t,p	yes
DATABASE			r,p	r,t,p,f					yes
DATASET			r,p						yes
ENDUSER	r,t,p,f	r,t,p,f		r,t,p,f	t,f	r,t,p		r,t,p	yes
FIELD					t,f				yes
GROUP	r,t,p,f	r,t,p,f	r,p	r,t,p,f	t,f	r,t,p	r,t,p,f	r,t,p	yes
IFCID					t,f	r,t,p			yes
INSTANCE	r,t,f	r,t,p,f		t,f	t,f	r,t,p		r,t,p	yes
LOCATION	r,t,p,f	r,t,p,f	r,p	r,t,p,f	t,f	r,t,p	r,t,p,f	r,t,p	yes
MAINPACK	r,t,p,f								
MEMBER	r,t,p,f	r,t,p,f	r,p	r,t,p,f	t,f	r,t,p	r,t,p,f	r,t,p	yes
ORIGAUTH	r,t,p,f	r,t,p,f	r,p	r,t,p,f	t,f	r,t,p		r,t,p	yes
PACKAGE or PROGRAM	r,t,p,f								
PAGESET			r,p	r,t,p,f					yes
PLANNAME	r,t,p,f	r,t,p,f	r,p	r,t,p,f	t,f	r,t,p		r,t,p	yes
PRIMAUTH or AUTHID	r,t,p,f	r,t,p,f	r,p	r,t,p,f	t,f	r,t,p		r,t,p	yes
REQLOC	r,t,p,f	r,t,p,f	r,p	r,t,p,f	t,f	r,t,p		r,t,p	yes
RESOURCETYPE				r,t,p,f					
RMID					t,f				yes
SUBSYSTEMID	r,t,p,f	r,t,p,f	r,p	r,t,p,f	t,f	r,t,p	r,t,p,f	r,t,p	yes
THREADTYPE	r,t,p,f	r,t,p,f	r,p	r,t,p,f	t,f	r,t,p		r,t,p	
TRANSACT	r,t,p,f	r,t,p,f		r,t,p,f	t,f	r,t,p		r,t,p	yes
TYPE				r,t,f					
WSNAME	r,t,p,f	r,t,p,f		r,t,p,f	t,f	r,t,p		r,t,p	yes

## DB2 PM Identifier Attributes

### DB2 PM Identifier Attributes

Table 13. DB2 PM Identifier Attributes

Identifier	Max Length	Data Type
ACE	8	Hexadecimal
CLASS	2	Numeric
CONNECT	8	Alphanumeric
CONNTYPE	8	Alphanumeric
CORRNAME	8	Alphanumeric
CORRNMBR	8	Alphanumeric
DATABASE	8	Alphanumeric
DATASET	8	Alphanumeric
ENDUSER	16	Alphanumeric
FIELD	8	Alphanumeric
GROUP	8	Alphanumeric
IFCID	3	Numeric
INSTANCE	12	Hexadecimal
LOCATION	16	Alphanumeric
MAINPACK	8	Alphanumeric
MEMBER	8	Alphanumeric
ORIGAUTH	8	Alphanumeric
PACKAGE OR PROGRAM	54	Alphanumeric
PAGESET	8	Alphanumeric
PLANNAME	8	Alphanumeric
PRIMAUTH or AUTHID	8	Alphanumeric
RESOURCETYPE	8	Alphanumeric
REQLOC	16	Alphanumeric
RMID	2	Numeric
SUBSYSTEMID	8	Alphanumeric
THREADTYPE	8	Alphanumeric
TRANSACT	32	Alphanumeric
TYPE	8	Alphanumeric
WSNAME	18	Alphanumeric

---

**DD Statement Attributes**

<b>DPMOUTDD</b>		<b>EXPLAIN</b>		<b>SYSIN</b>		<b>xxTRCDDx</b>	
RECFM:	VBS	RECFM:	FBA	RECFM:	FB	RECFM:	FBA
LRECL:	32 756	LRECL:	133	LRECL:	80	LRECL:	133
BLKSIZE:	6233	BLKSIZE:	6251	BLKSIZE:	6160	BLKSIZE:	6251
<b>DPMPARMS *</b>		<b>EXTRCDD1</b>		<b>SYSOUT</b>		<b>xxFILDDx</b>	
RECFM:	FB	RECFM:	FBA	RECFM:	FBA	RECFM:	VB
LRECL:	80	LRECL:	133	LRECL:	133	LRECL:	9072
BLKSIZE:	6160	BLKSIZE:	6251	BLKSIZE:	6251	BLKSIZE:	9076
<b>EXCPTDD</b>		<b>JOBSUMDD</b>		<b>DPMLOG</b>		<b>xxRPTDD</b>	
RECFM:	VB	RECFM:	FBA	RECFM:	FBA	RECFM:	FBA
LRECL:	255	LRECL:	133	LRECL:	133	LRECL:	133
BLKSIZE:	6233	BLKSIZE:	6251	BLKSIZE:	6251	BLKSIZE:	6251
<b>EXFILDD1</b>		<b>OUTPUT</b>		<b>SYSPRMDD</b>		<b>xxxWORK</b>	
RECFM:	VB	RECFM:	VBS	RECFM:	FBA	RECFM:	VBS
LRECL:	512	LRECL:	32 756	LRECL:	133	LRECL:	32 756
BLKSIZE:	4096	BLKSIZE:	6233	BLKSIZE:	6251	BLKSIZE:	6233

\* For the DPMPARMS data set, you are recommended to specify at least 5 directory blocks. If you intend to tailor many report layouts, increase the number of directory blocks accordingly.



---

## Chapter 2. DB2 PM Commands

The DB2 PM commands and subcommands are described in detail in the *DB2 PM Report Reference*.

---

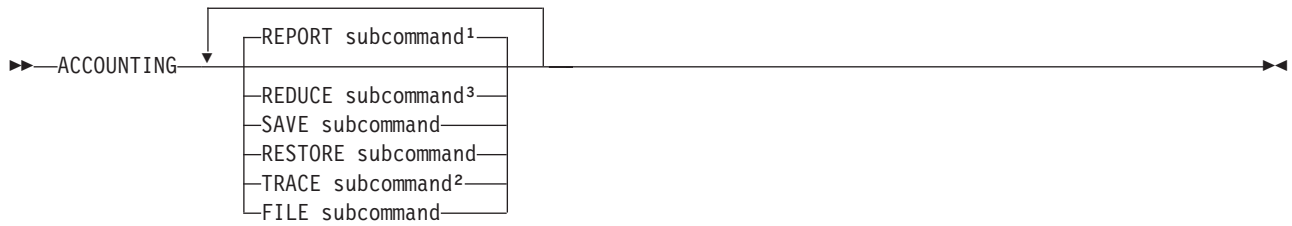
### Accounting Commands

The accounting report set supports the following commands and subcommands:

- ACCOUNTING
  - REDUCE
  - TRACE
  - REPORT
    - ORDER
  - FILE
  - SAVE
  - RESTORE

Syntax diagrams of the commands and subcommands listed above are presented on the following pages.

## ACCOUNTING



### Notes:

1. You can specify REPORT up to 35 times.
2. You can specify TRACE up to 5 times.
3. You cannot specify REDUCE without specifying at least one REPORT or SAVE.

SAVE, FILE, RESTORE, and REDUCE can be specified only once.

*Figure 1. Syntax of the ACCOUNTING Command*



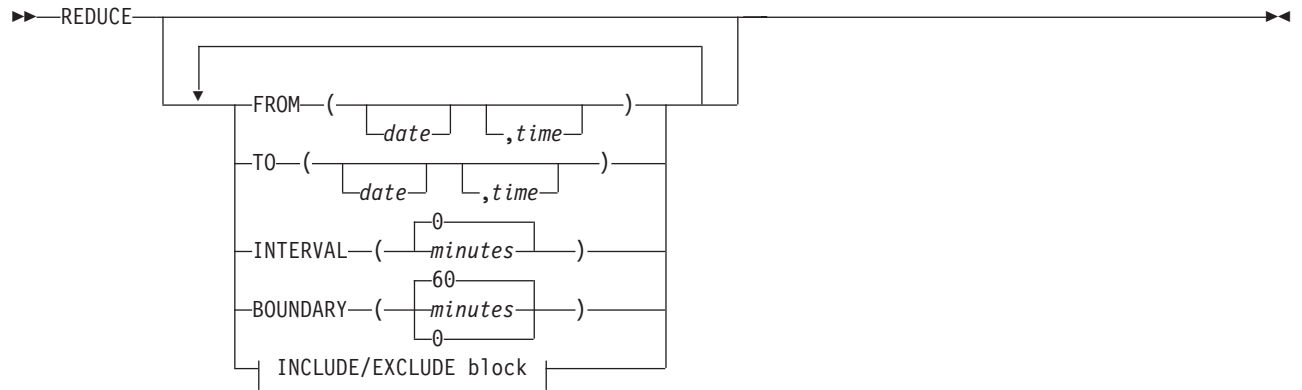


Figure 2. Syntax of the Accounting REDUCE Subcommand

## ACCOUNTING

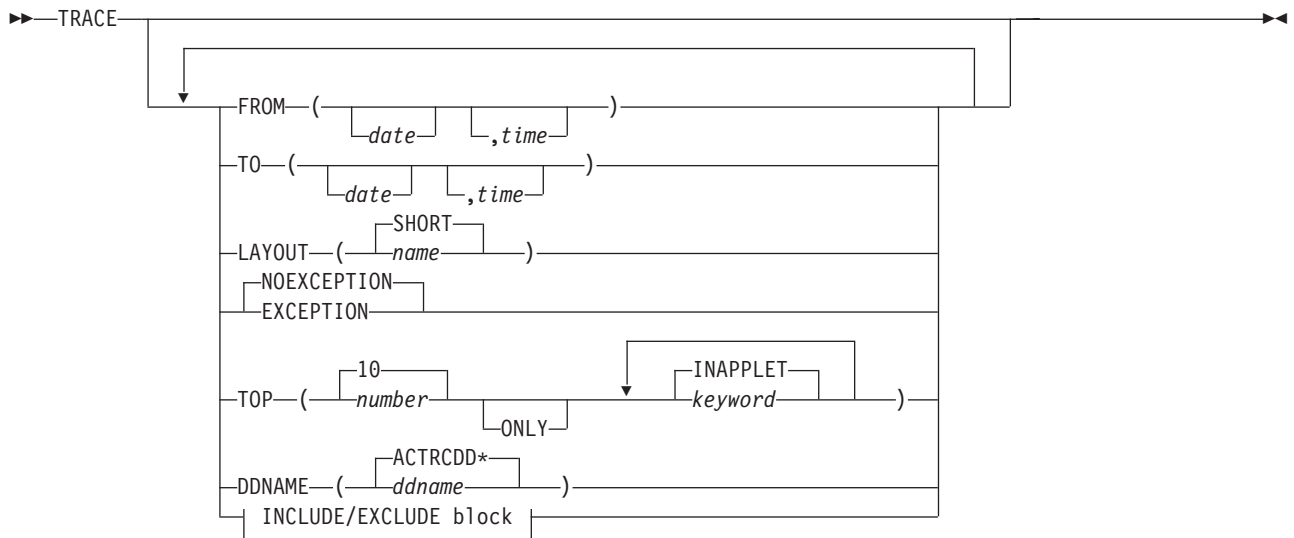


Figure 3. Syntax of the Accounting TRACE Subcommand

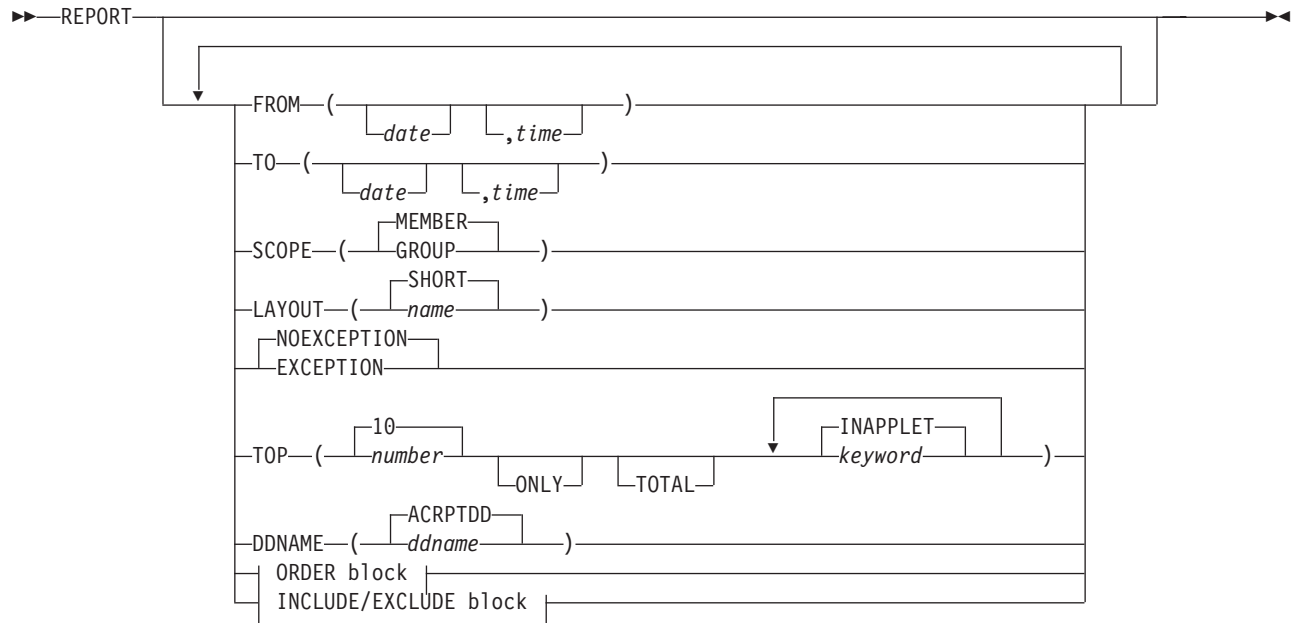


Figure 4. Syntax of the Accounting REPORT Subcommand

## ACCOUNTING

### ORDER Block:

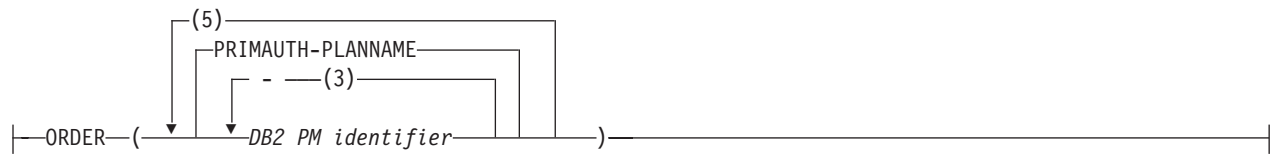


Figure 5. Syntax of the Accounting ORDER Option

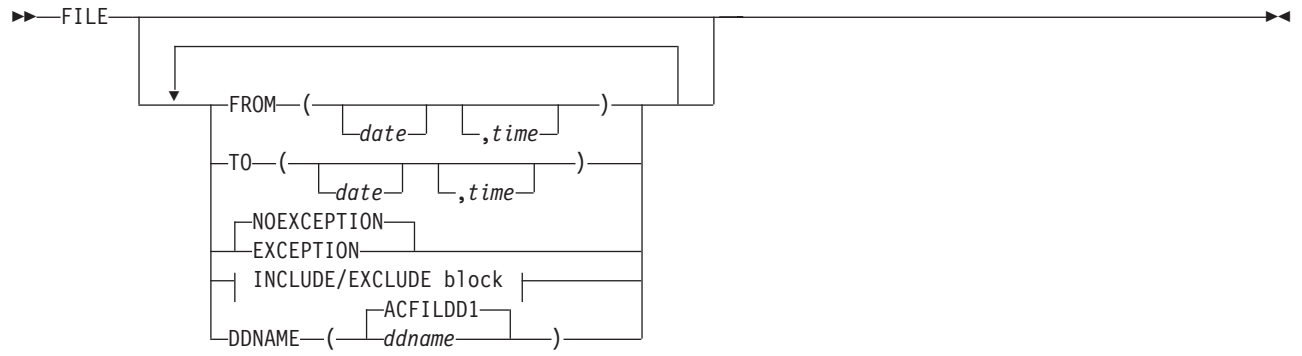


Figure 6. Syntax of the Accounting FILE Subcommand

## ACCOUNTING



Figure 7. Syntax of the Accounting SAVE Subcommand



Figure 8. Syntax of the Accounting RESTORE Subcommand

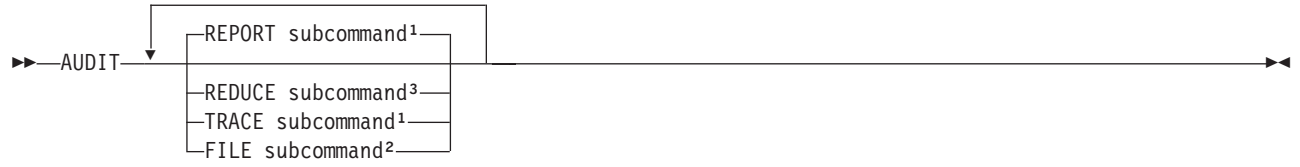
### Audit Commands

The audit report set supports the following commands and subcommands:

- AUDIT
  - REDUCE
  - TRACE
  - REPORT
    - ORDER
  - FILE

Syntax diagrams of the commands and subcommands listed above are presented on the following pages.



**Notes:**

1. You can specify both REPORT and TRACE up to 5 times.
2. You can specify FILE up to 7 times.
3. You cannot specify REDUCE without specifying at least one REPORT, TRACE, or FILE. REDUCE can be specified only once.

*Figure 9. Syntax of the AUDIT Command*

# AUDIT

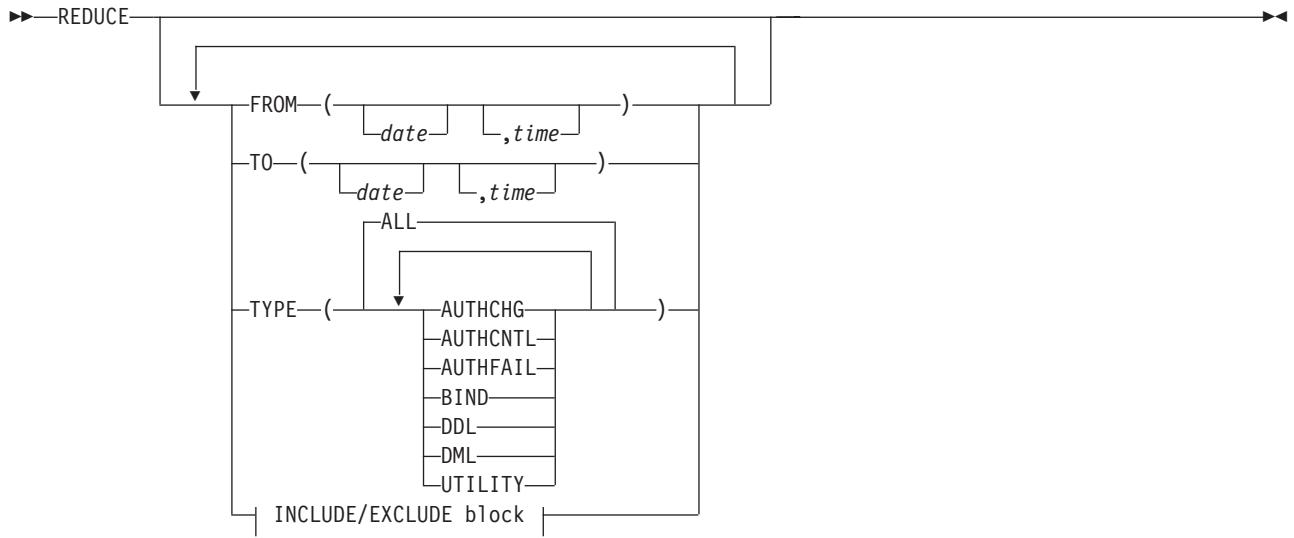


Figure 10. Syntax of the Audit REDUCE Subcommand

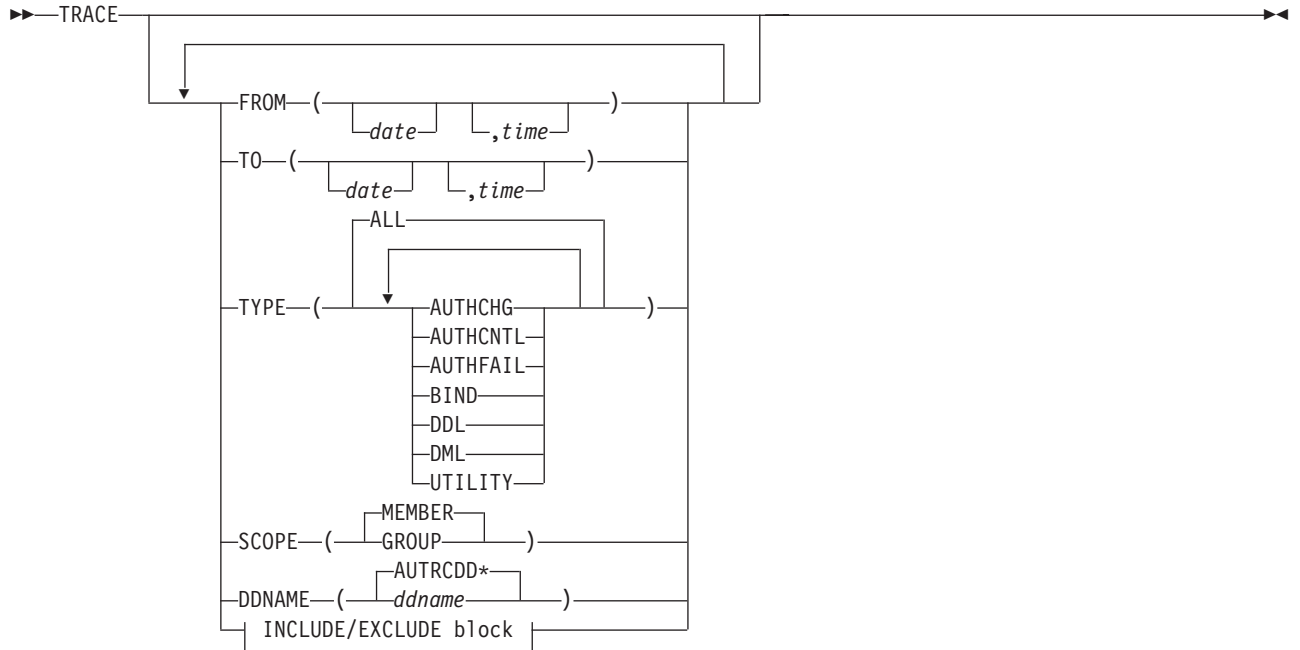


Figure 11. Syntax of the Audit TRACE Subcommand

# AUDIT

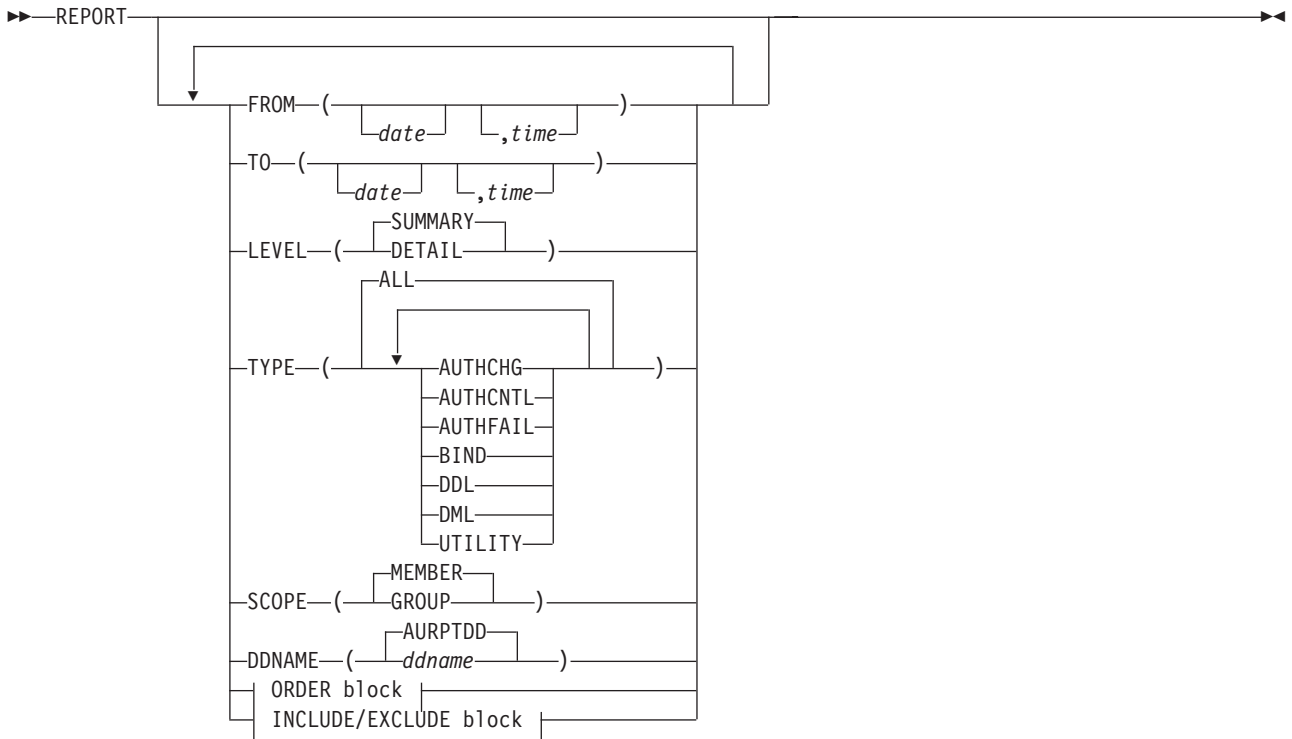


Figure 12. Syntax of the Audit REPORT Subcommand

**ORDER Block:**

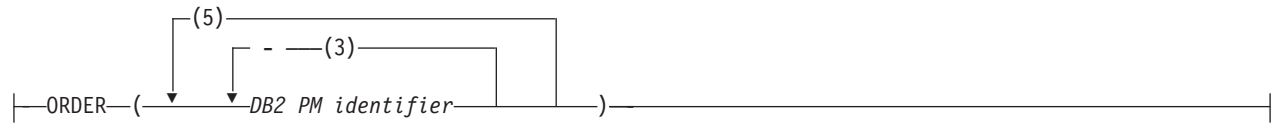


Figure 13. Syntax of the Audit ORDER Option

# AUDIT

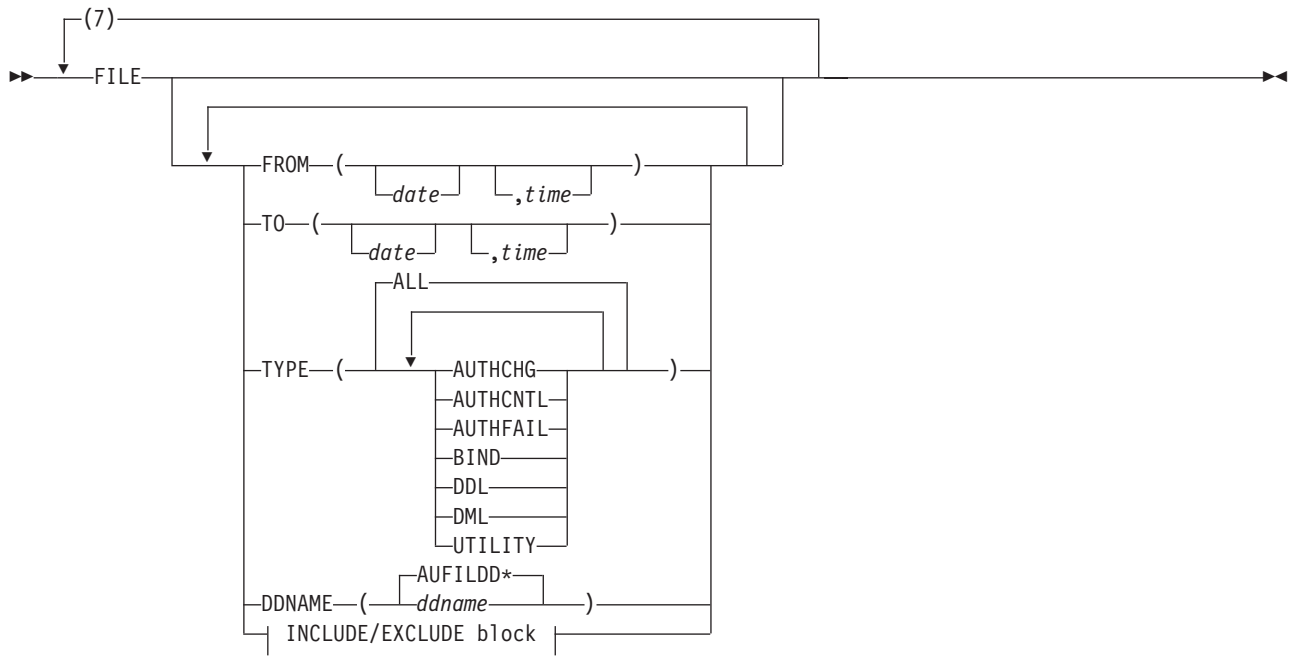


Figure 14. Syntax of the Audit FILE Subcommand

---

## Explain Commands

The explain report set supports the following commands:

- EXPLAIN PLAN
- EXPLAIN PACKAGE
- EXPLAIN QMFQUERY
- EXPLAIN SQLSTMT
- EXPLAIN QUERYNO

Syntax diagrams of the commands listed above are presented on the following pages.

## EXPLAIN

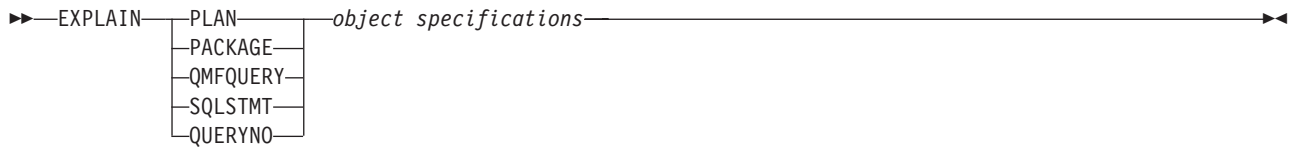


Figure 15. Syntax of the EXPLAIN Command



## EXPLAIN

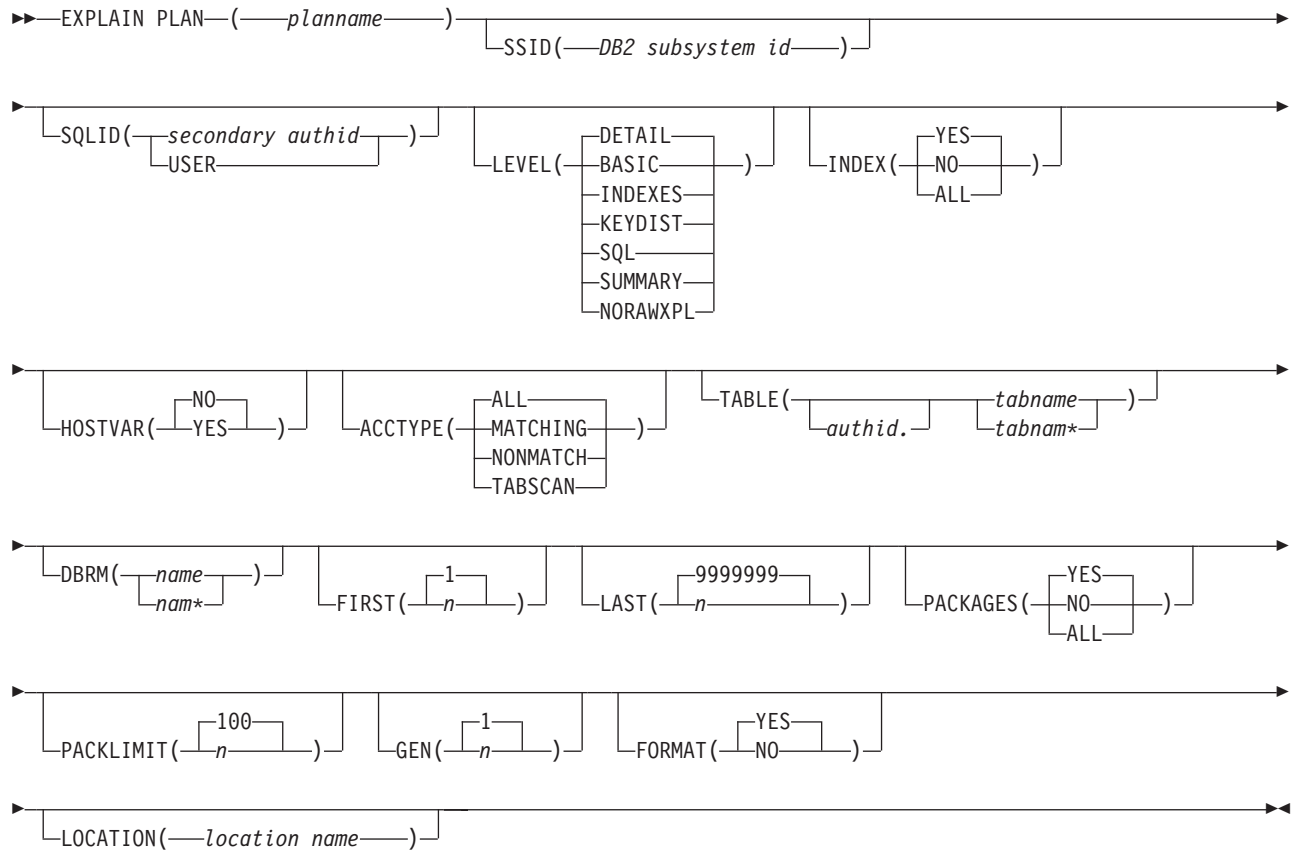


Figure 16. Syntax of the EXPLAIN PLAN Specification

# EXPLAIN

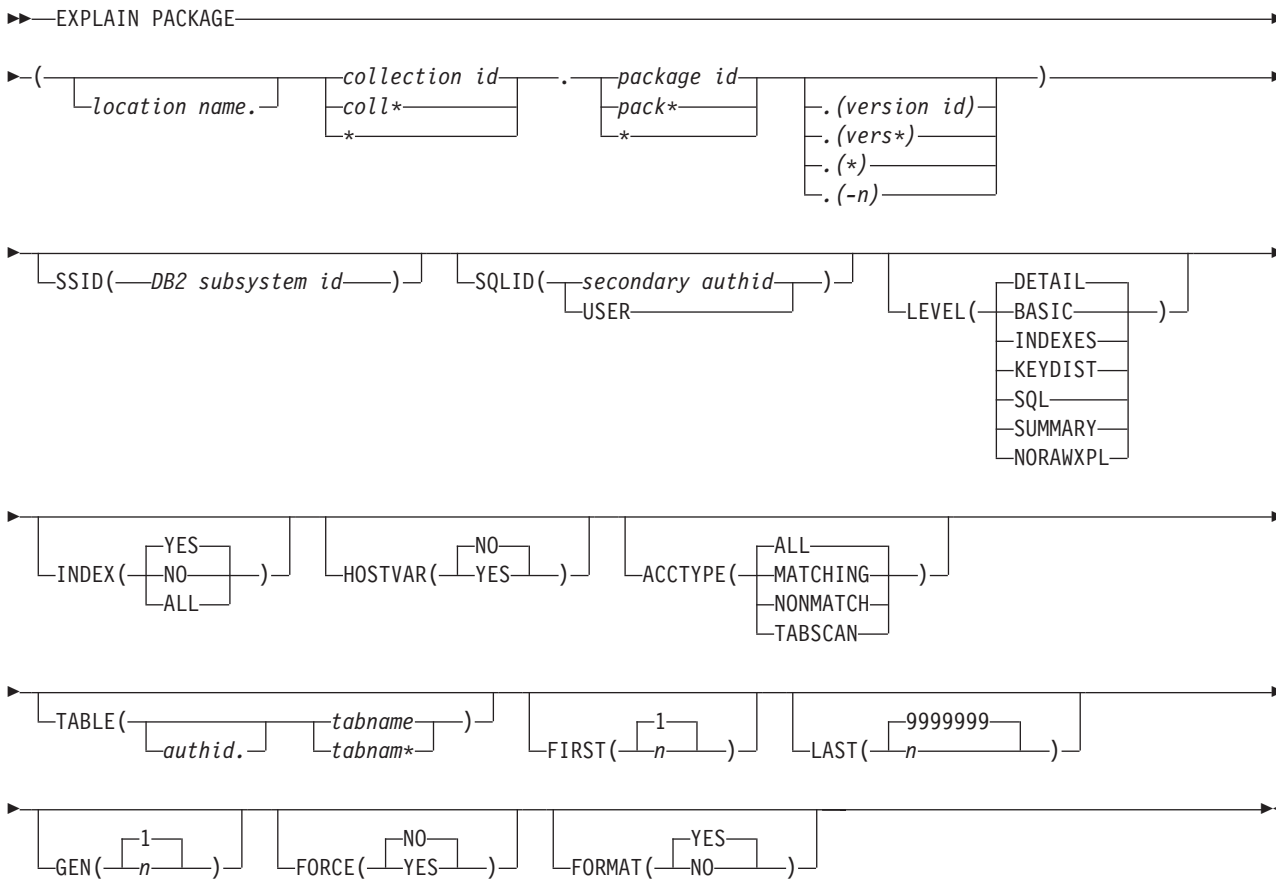


Figure 17. Syntax of the EXPLAIN PACKAGE Specification

# EXPLAIN

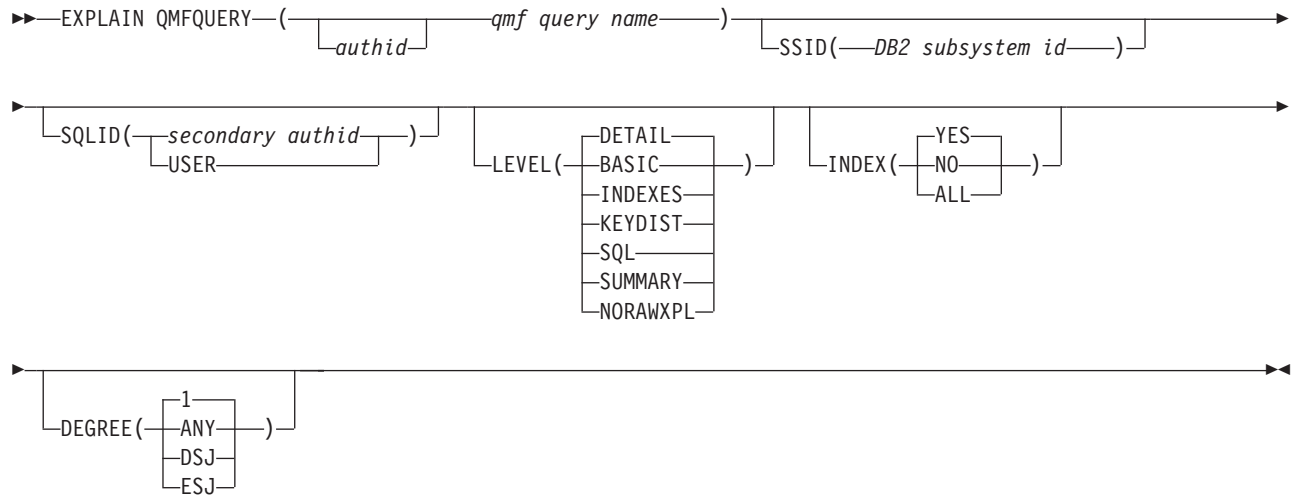


Figure 18. Syntax of the EXPLAIN QMFQUERY Specification

## EXPLAIN

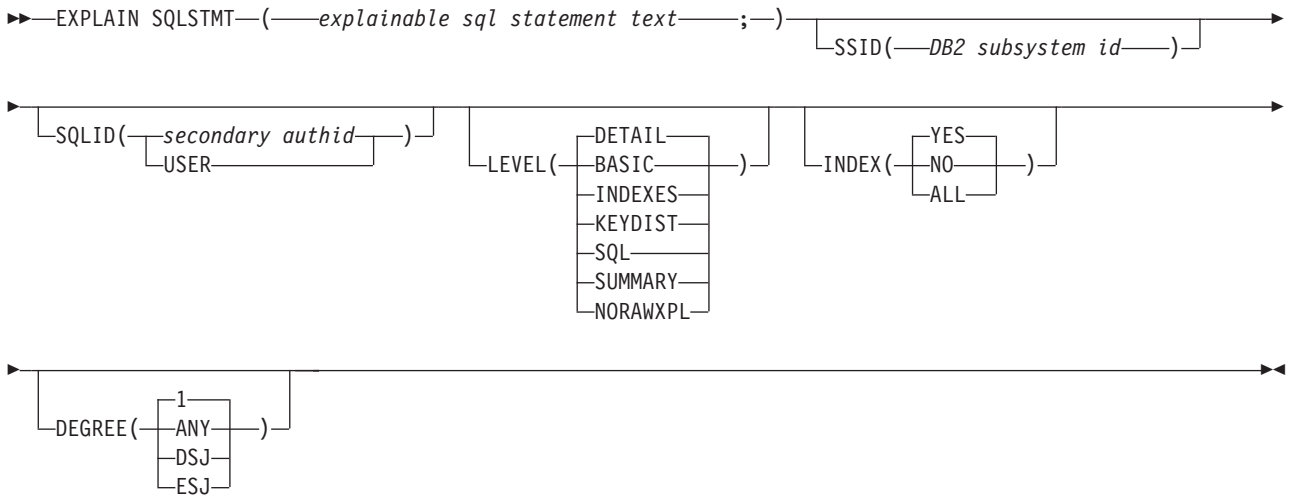


Figure 19. Syntax of the EXPLAIN SQLSTMT Specification

# EXPLAIN

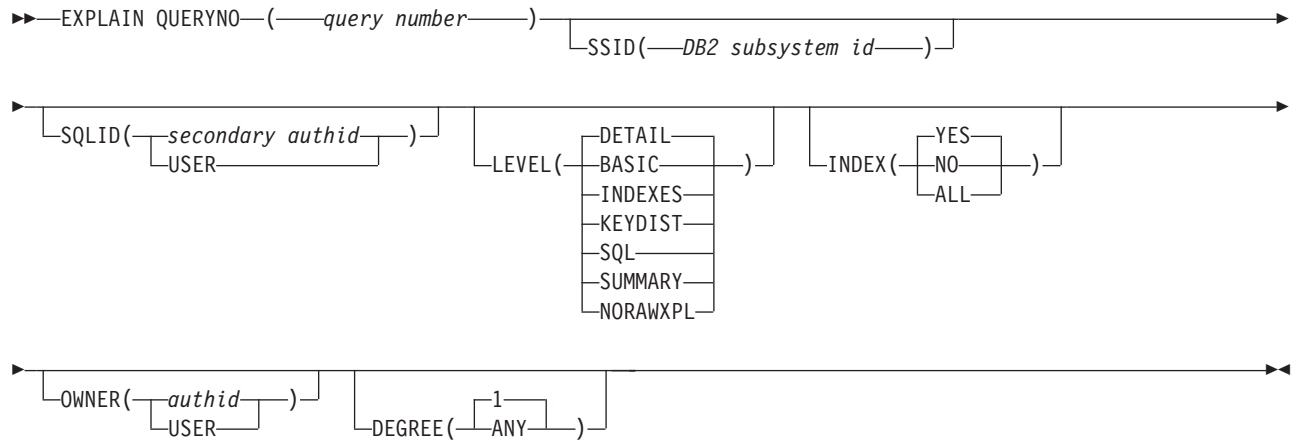


Figure 20. Syntax of the EXPLAIN QUERYNO Specification

### **I/O Activity Commands**

The I/O activity report set supports the following commands and subcommands:

- IOACTIVITY
  - REDUCE
  - REPORT
  - ORDER

Syntax diagrams of the commands and subcommands listed above are presented on the following pages.

**Notes:**

1. You can specify REPORT up to 5 times.
2. You cannot specify REDUCE without specifying at least one REPORT. REDUCE can be specified only once.

*Figure 21. Syntax of the IOACTIVITY Command*

## IOACTIVITY

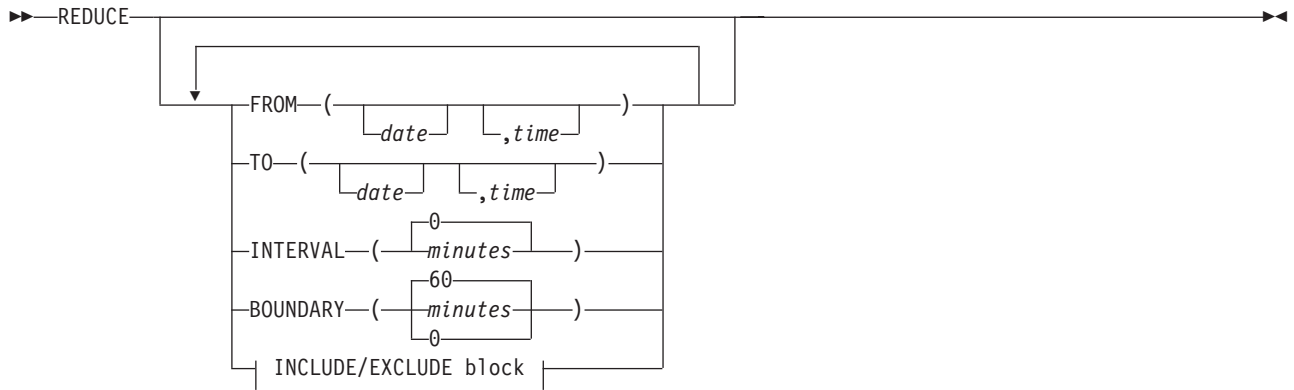


Figure 22. Syntax of the I/O Activity `REDUCE` Subcommand



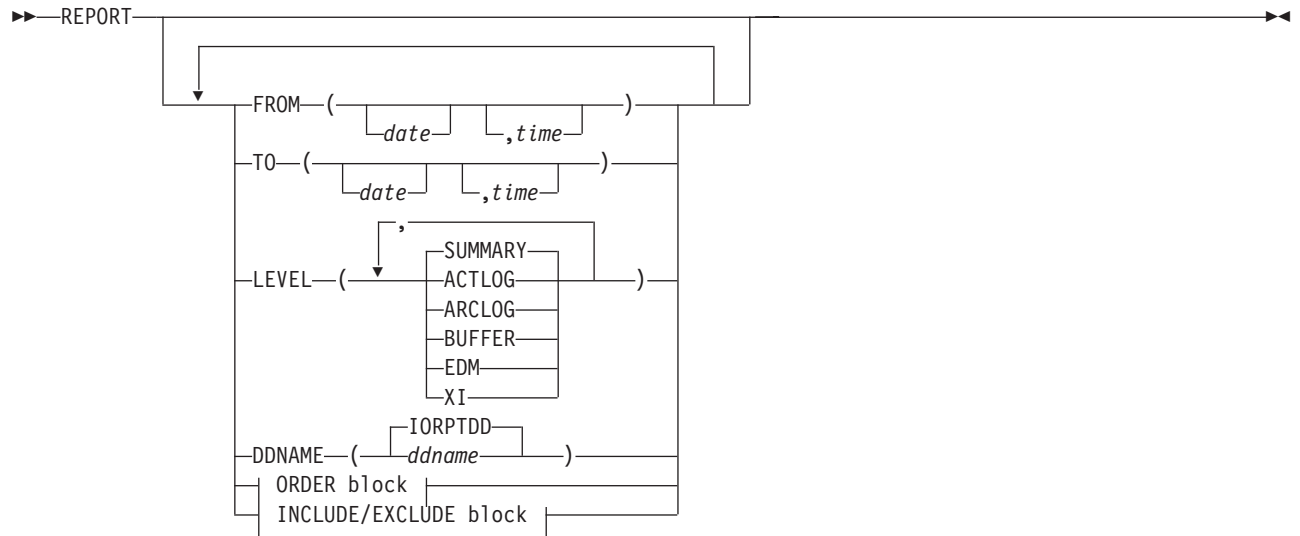


Figure 23. Syntax of the I/O Activity REPORT Subcommand

## IOACTIVITY

### ORDER Block:

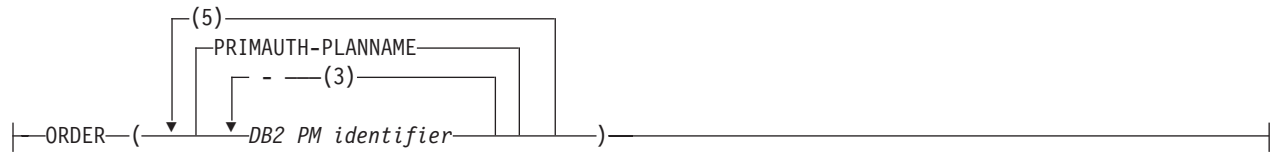


Figure 24. Syntax of the I/O Activity ORDER Option

---

## Locking Commands

The locking report set supports the following commands and subcommands:

- LOCKING
  - REDUCE
  - TRACE
  - REPORT
    - ORDER
  - FILE

Syntax diagrams of the commands and subcommands listed above are presented on the following pages.

## LOCKING



### Notes:

1. You can specify both REPORT and TRACE up to 5 times.
2. You cannot specify REDUCE without specifying at least one REPORT.

REDUCE and FILE can be specified only once.

*Figure 25. Syntax of the LOCKING Command*

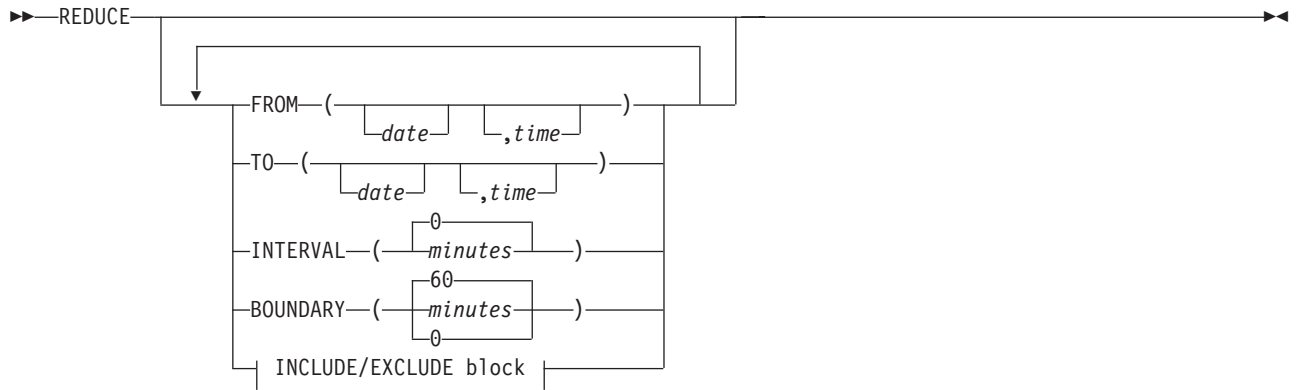


Figure 26. Syntax of the Locking REDUCE Subcommand

## LOCKING

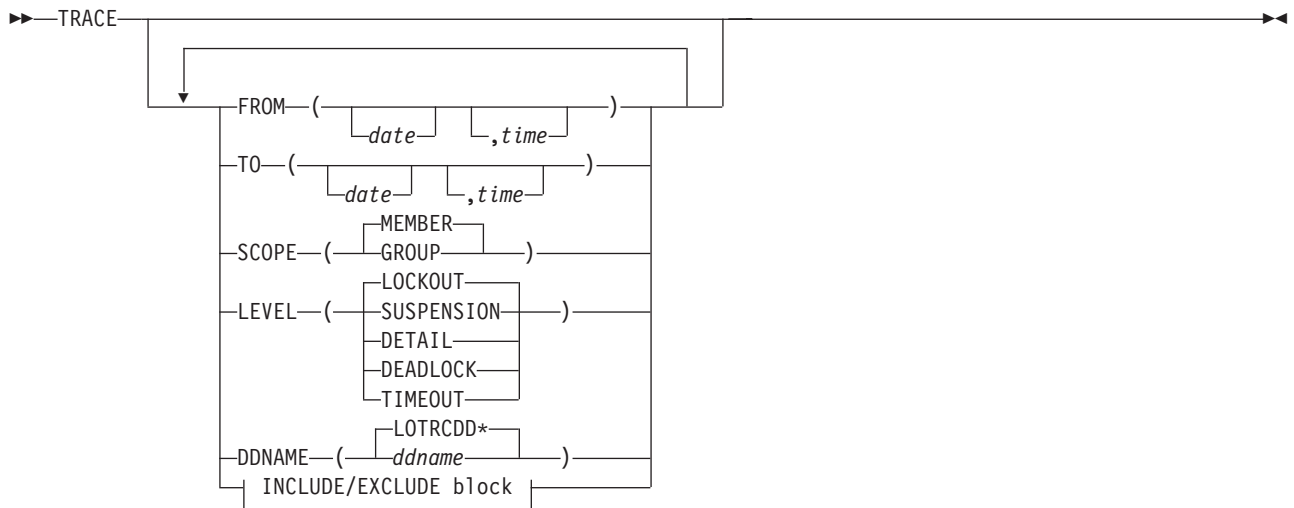


Figure 27. Syntax of the Locking TRACE Subcommand

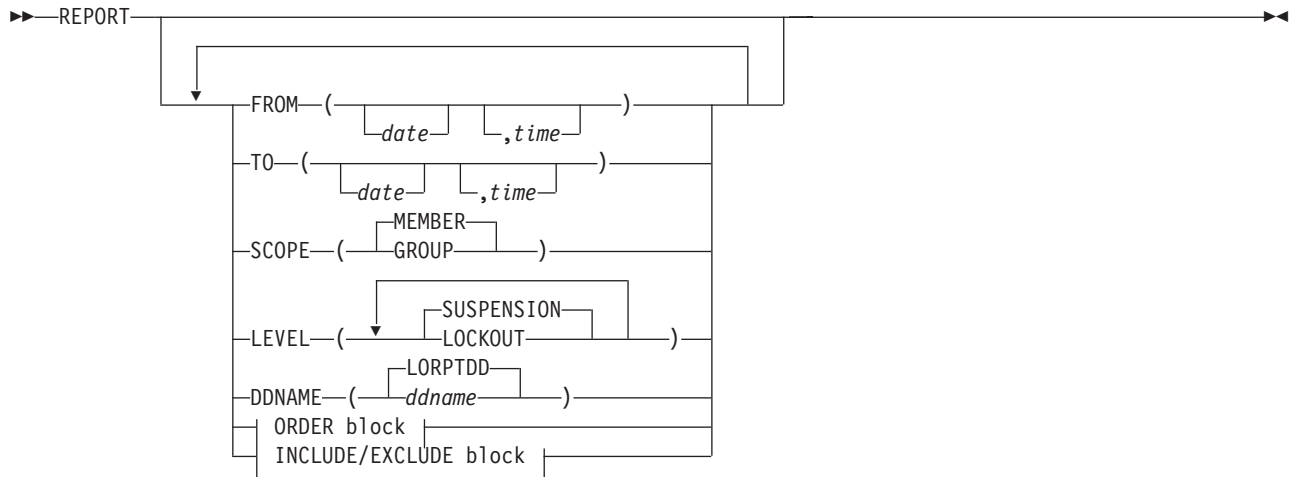


Figure 28. Syntax of the Locking REPORT Subcommand

## LOCKING

### ORDER Block:

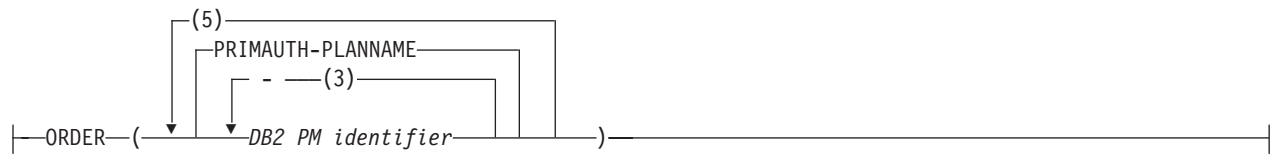


Figure 29. Syntax of the Locking ORDER Option



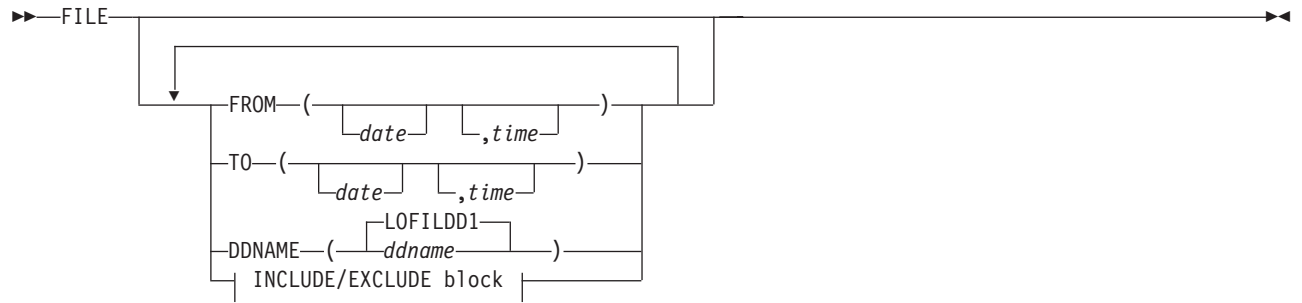


Figure 30. Syntax of the Locking FILE Subcommand

### Record Trace Commands

The record trace report set supports the following commands and subcommands:

- RECTRACE
  - TRACE
  - FILE

Syntax diagrams of the commands and subcommands listed above are presented on the following pages.



**Notes:**

1. You can specify TRACE up to 5 times.
2. FILE can be specified only once.

*Figure 31. Syntax of the RECTRACE Command*

## RECTRACE

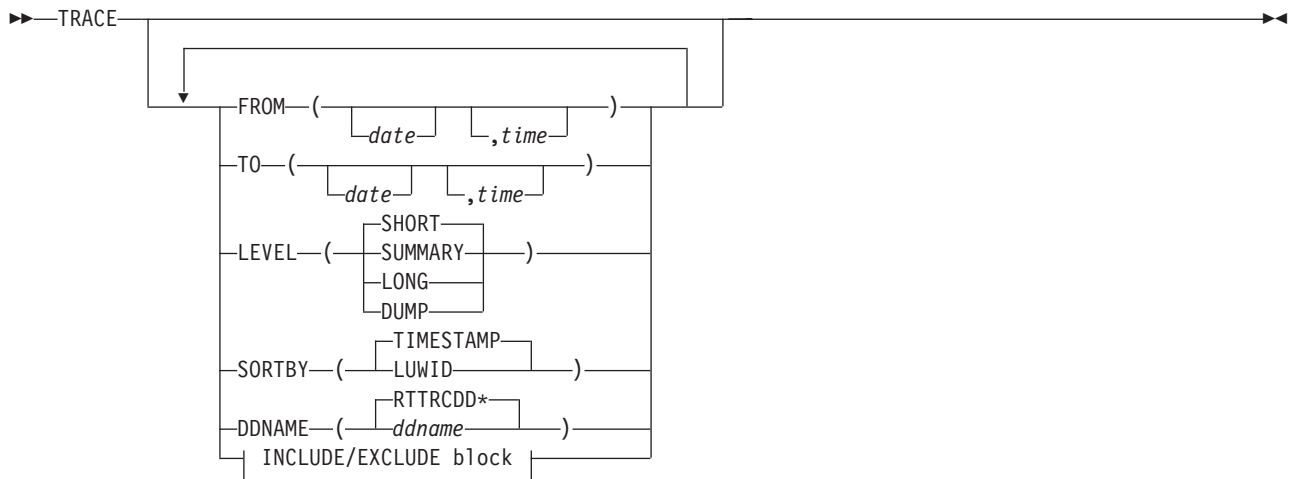


Figure 32. Syntax of the Record Trace TRACE Subcommand

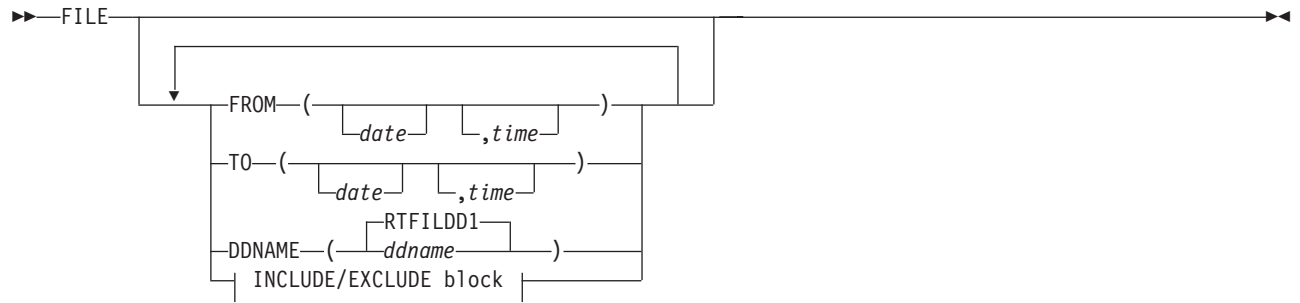


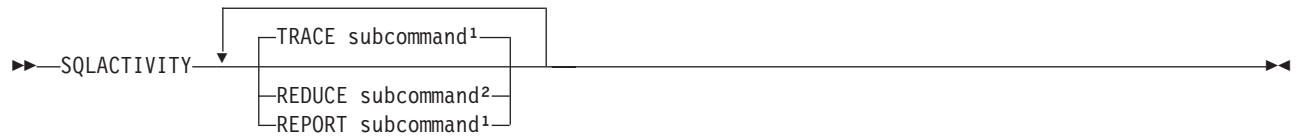
Figure 33. Syntax of the Record Trace FILE Subcommand

### SQL Activity Commands

The SQL activity report set supports the following commands and subcommands:

- SQLACTIVITY
  - REDUCE
  - TRACE
  - REPORT
    - ORDER

Syntax diagrams of the commands and subcommands listed above are presented on the following pages.

**Notes:**

1. You can specify both TRACE and REPORT up to 5 times.
2. You cannot specify REDUCE without specifying at least one REPORT or one TRACE. REDUCE can be specified only once.

*Figure 34. Syntax of the SQLACTIVITY Command*

## SQLACTIVITY

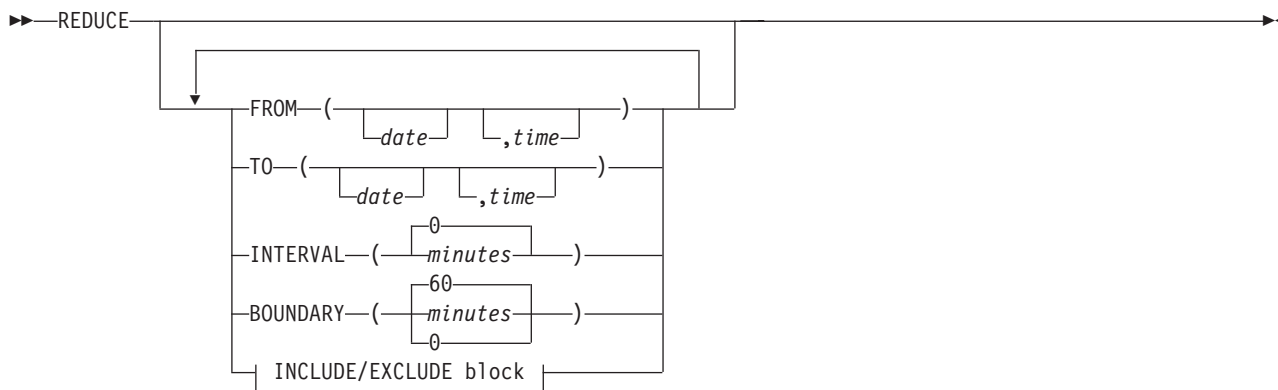


Figure 35. Syntax of the SQL Activity `REDUCE` Subcommand



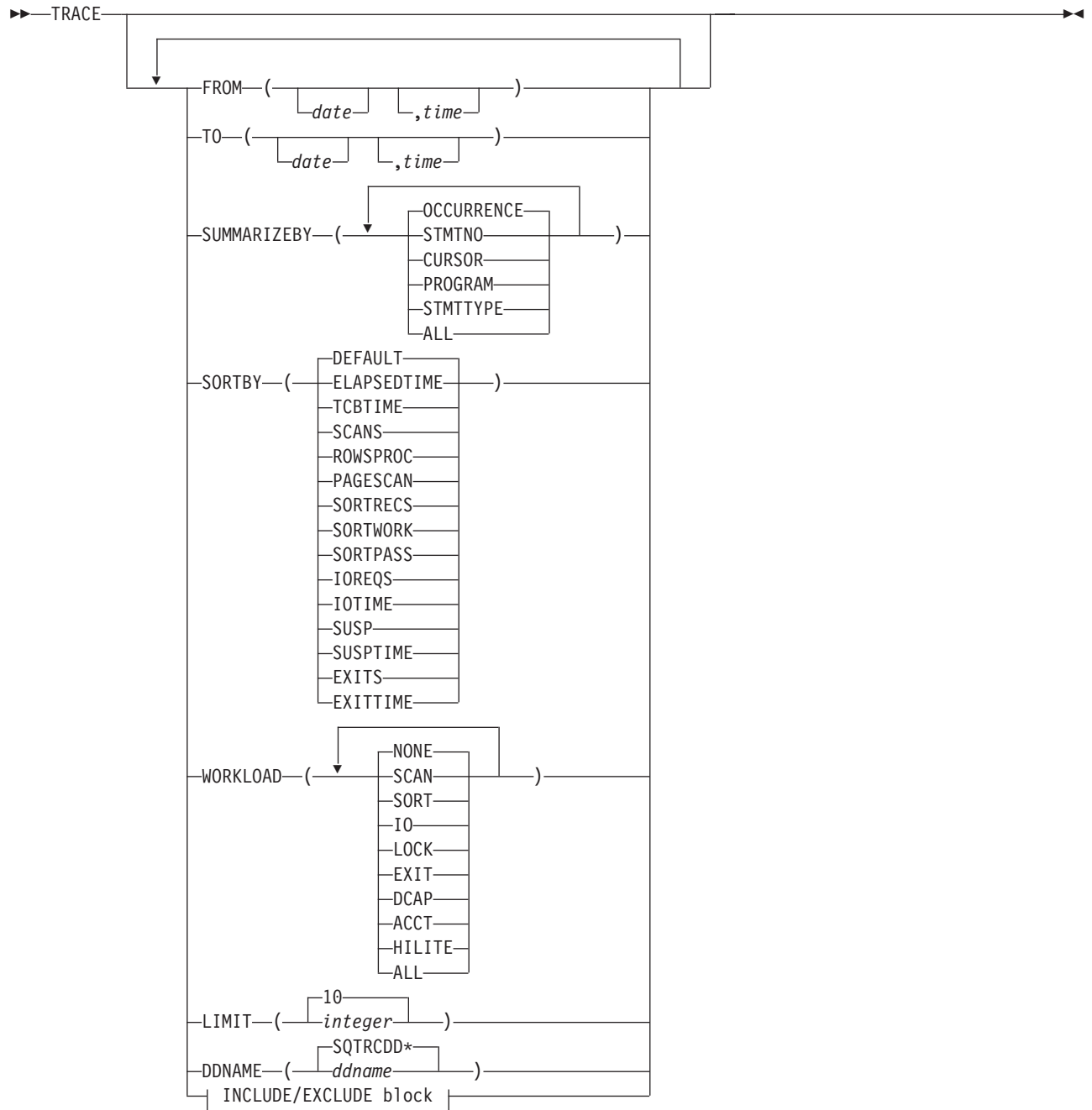


Figure 36. Syntax of the SQL Activity TRACE Subcommand

# SQLACTIVITY

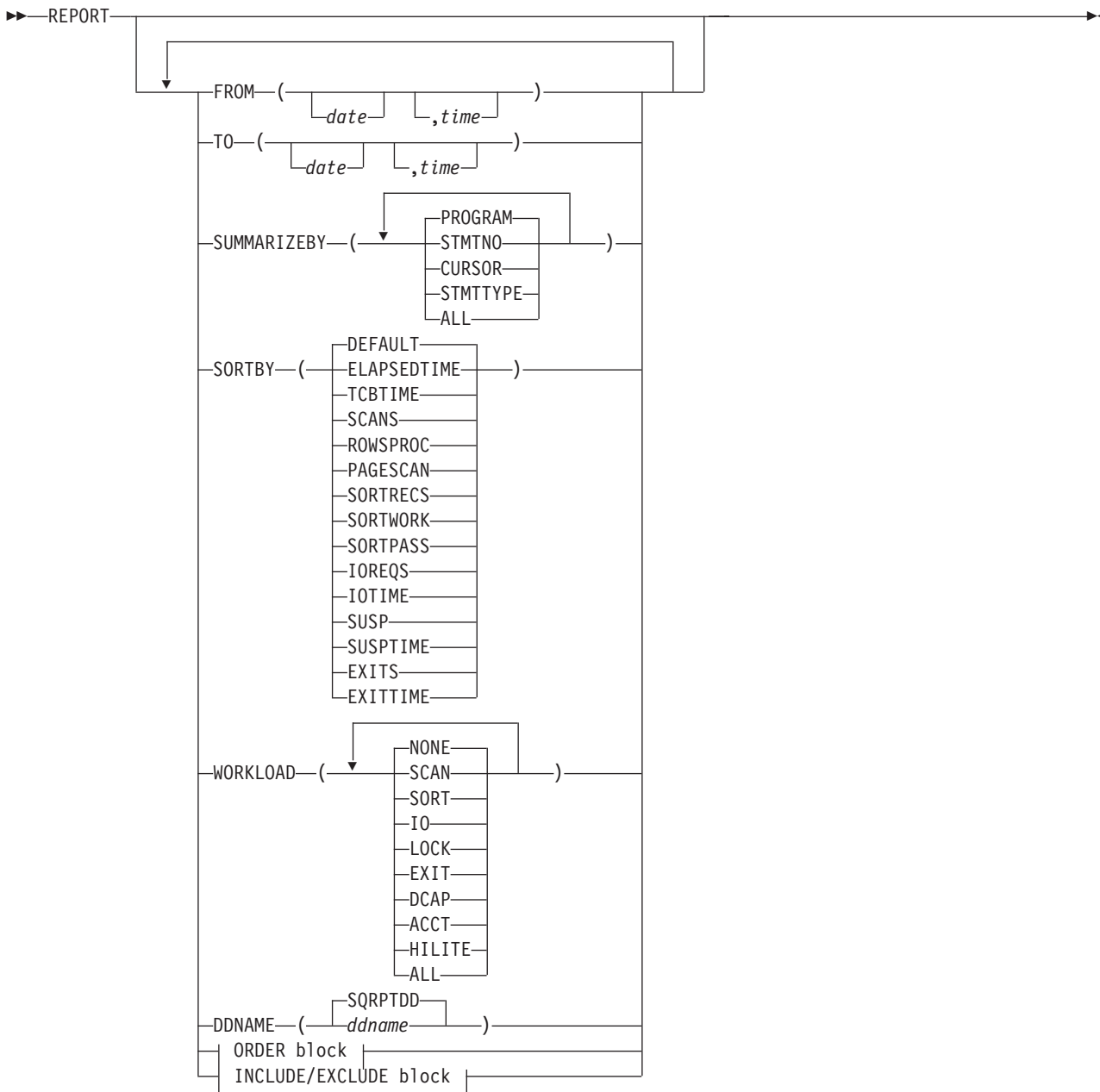


Figure 37. Syntax of the SQL Activity REPORT Subcommand

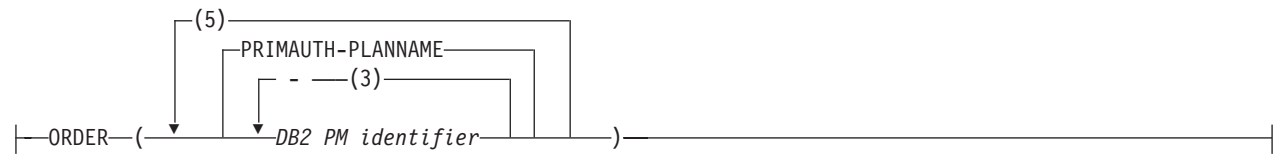
**ORDER Block:**

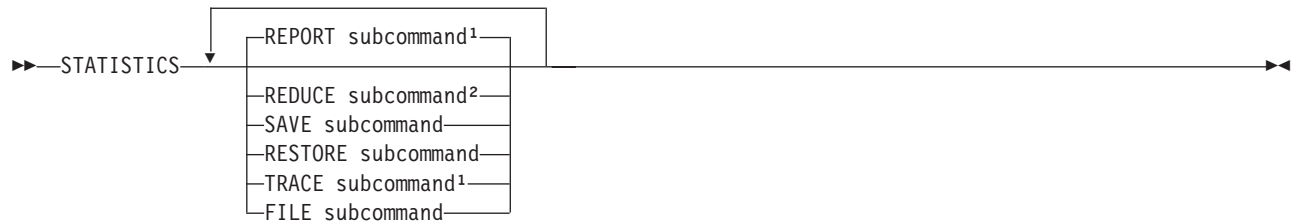
Figure 38. Syntax of the SQL Activity ORDER Option

### Statistics Commands

The statistics report set supports the following commands and subcommands:

- STATISTICS
  - REDUCE
  - TRACE
  - REPORT
  - FILE
  - SAVE
  - RESTORE

Syntax diagrams of the commands and subcommands listed above are presented on the following pages.



**Notes:**

1. You can specify both REPORT and TRACE up to 5 times.
2. You cannot specify REDUCE without specifying at least one REPORT or SAVE.

SAVE, RESTORE, FILE, and REDUCE can be specified only once.

*Figure 39. Syntax of the STATISTICS Command*

## STATISTICS

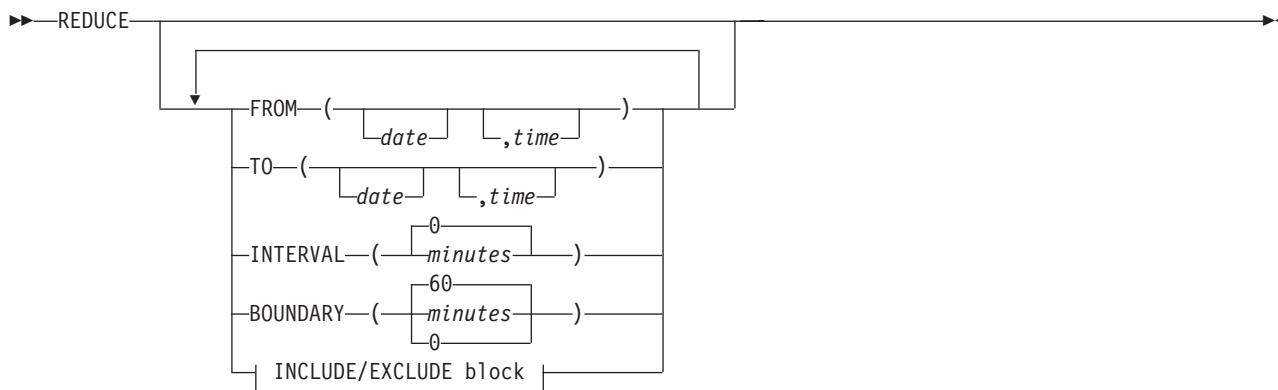


Figure 40. Syntax of the Statistics `REDUCE` Subcommand

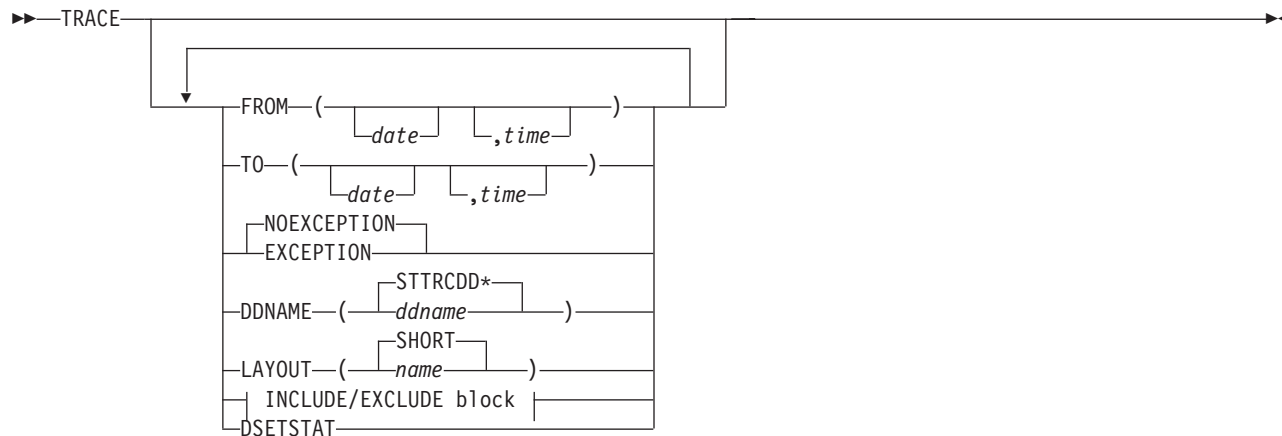


Figure 41. Syntax of the Statistics TRACESUB Subcommand

## STATISTICS

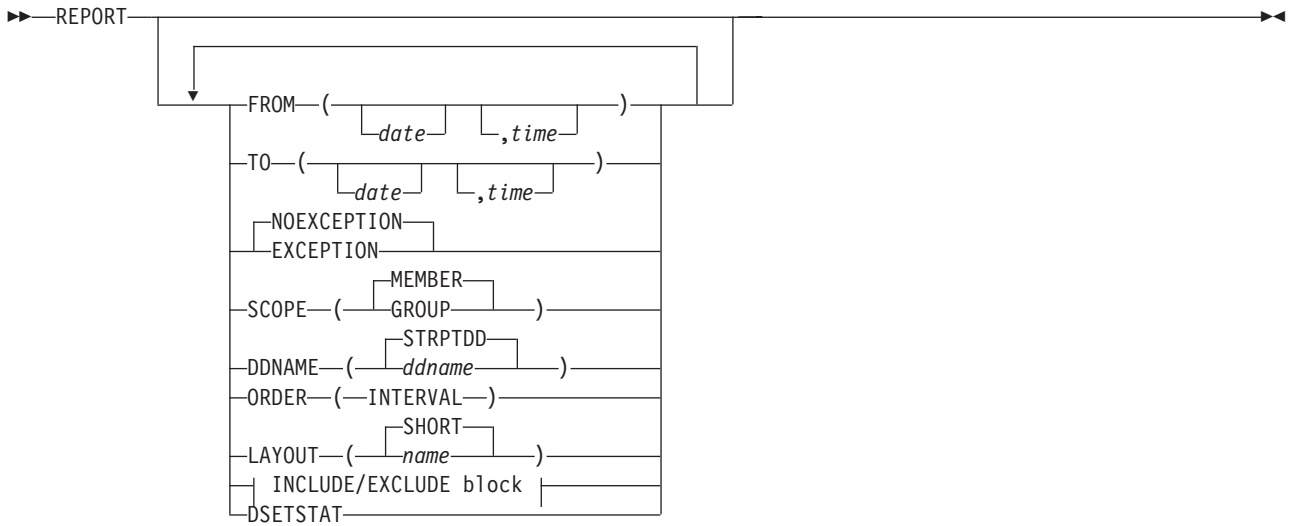


Figure 42. Syntax of the Statistics REPORT Subcommand



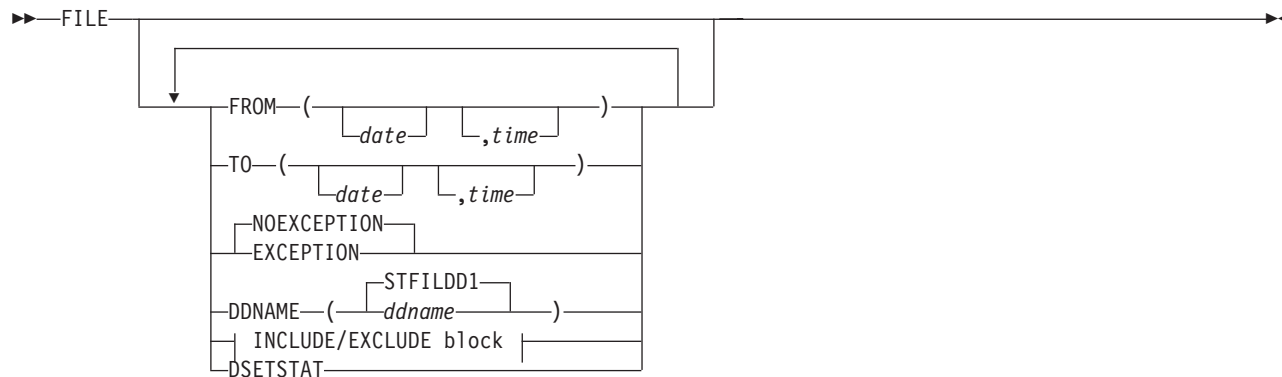


Figure 43. Syntax of the Statistics FILE Subcommand

## STATISTICS



Figure 44. Syntax of the Statistics *SAVE* Subcommand



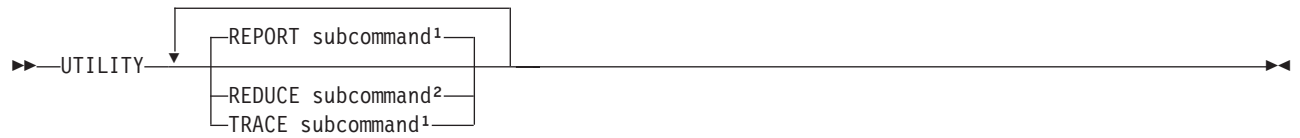
Figure 45. Syntax of the Statistics RESTORE Subcommand

### Utility Activity Commands

The utility activity report set supports the following commands and subcommands:

- UTILITY
  - REDUCE
  - TRACE
    - ORDER
  - REPORT
    - ORDER

Syntax diagrams of the commands and subcommands listed above are presented on the following pages.

**Notes:**

1. You can specify both REPORT and TRACE up to 5 times.
2. You cannot specify REDUCE without specifying at least one REPORT. REDUCE can be specified only once.

*Figure 46. Syntax of the UTILITY Command*

## UTILITY

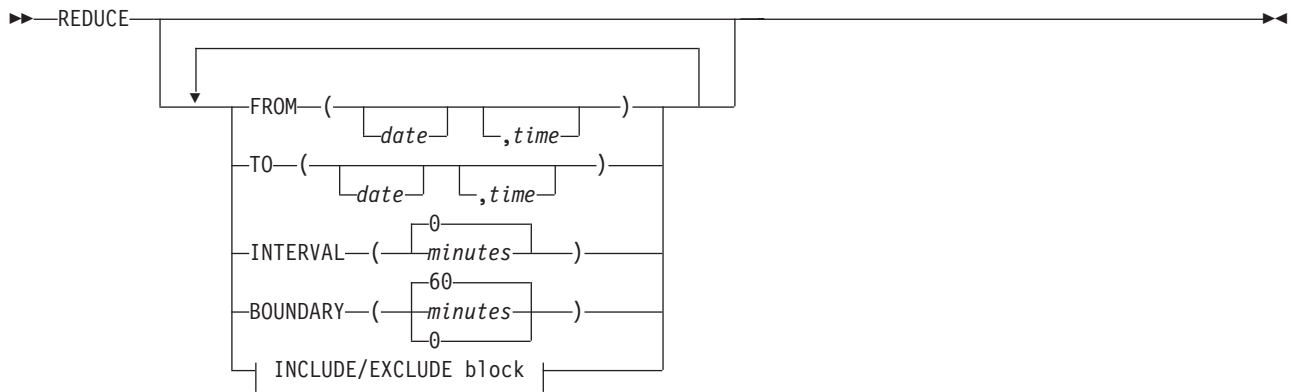


Figure 47. Syntax of the Utility Activity `REDUCE` Subcommand

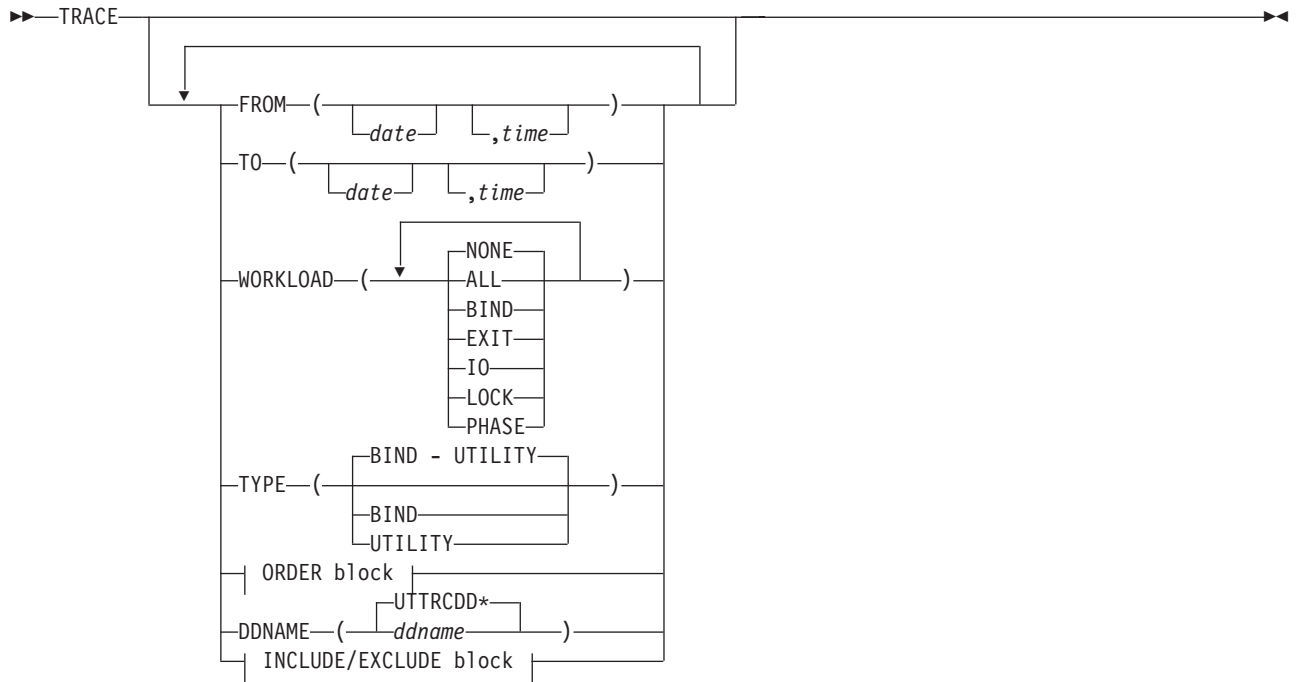


Figure 48. Syntax of the Utility Activity TRACE Subcommand

## UTILITY

### ORDER Block:



Figure 49. Syntax of the Utility Activity Trace ORDER Option



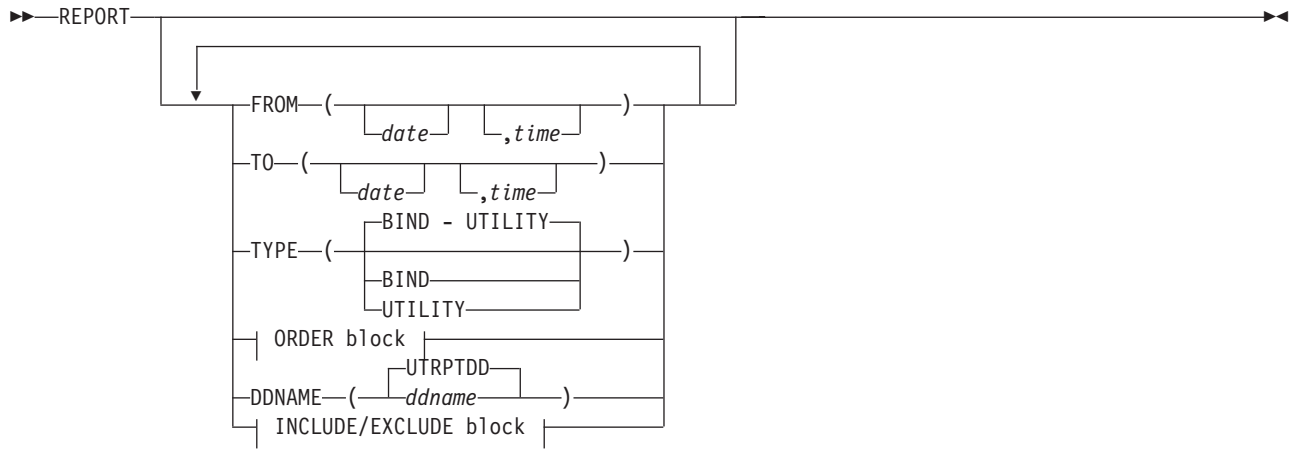


Figure 50. Syntax of the Utility Activity REPORT Subcommand

## UTILITY

### ORDER Block:

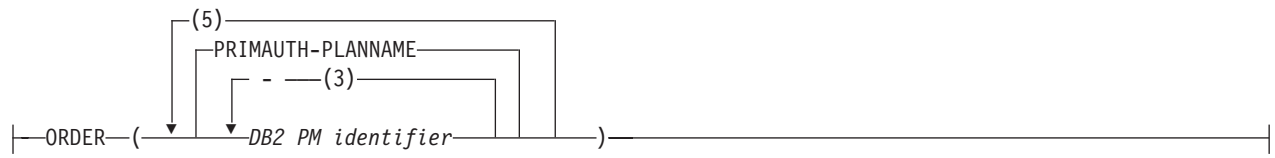


Figure 51. Syntax of the Utility Activity Report ORDER Option

---

## The EXEC Command

The syntax of the EXEC command is shown in Figure 52.



*Figure 52. Syntax of the EXEC Command*

**EXEC**

---

## Chapter 3. Auxiliary Commands

For detailed information, refer to the *DB2 PM Report Reference*.

The following abbreviations are used in all the tables in this section:

<b>Ac</b>	Accounting
<b>Au</b>	Audit
<b>I/O</b>	I/O activity
<b>Lo</b>	Locking
<b>RT</b>	Record trace
<b>SQ</b>	SQL activity
<b>St</b>	Statistics
<b>Ut</b>	Utility activity

The auxiliary commands valid with different report sets are listed in Table 14 on page 80.

## Auxiliary Commands

*Table 14. Auxiliary Commands Valid with Different Report Sets*

Command	Ac	Au	Ex	I/O	Lo	RT	SQ	St	Ut
CASE	•	•	•	•	•	•	•	•	•
GLOBAL	•	•	•	•	•	•	•	•	•
DISTRIBUTE	•			•	•		•		•
GROUP	•	•		•	•	•	•	•	•
LIST	•	•		•	•	•	•	•	•
FIELD						•			

Syntax diagrams of the CASE, GLOBAL, DISTRIBUTE, GROUP, LIST, and FIELD commands as well as syntax diagrams of the INCLUDE/EXCLUDE and EXPLAIN options are presented on the following pages.

If the CASE command is specified, it must be the first command in the DB2 PM command sequence and the syntax diagram looks as follows:



*Figure 53. Syntax of the CASE Command*

If no CASE command is specified, then CASE(ANY) is assumed by default.

## Auxiliary Commands

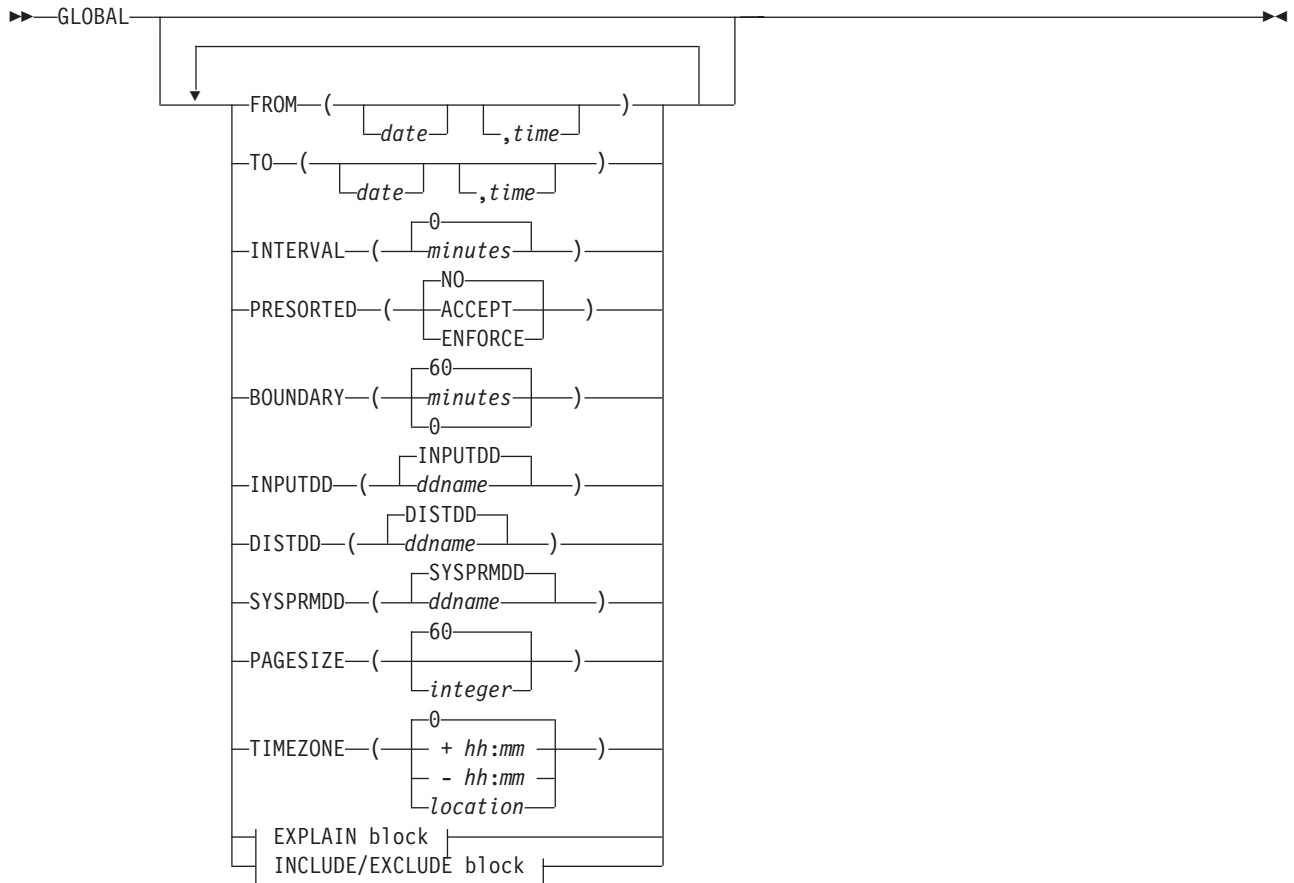
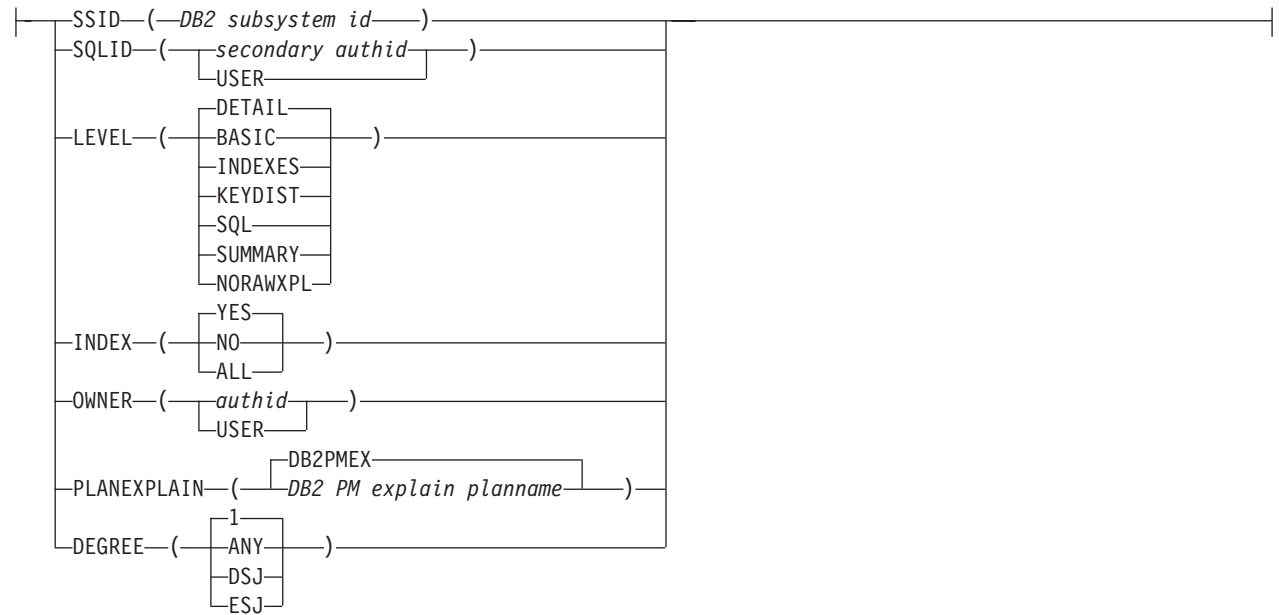


Figure 54. Syntax of the GLOBAL Command



**EXPLAIN Block:**



**Note:** SSID is required unless specified in a preceding GLOBAL command.

Figure 55. Syntax of the EXPLAIN Option

## Auxiliary Commands

### INCLUDE/EXCLUDE Block:

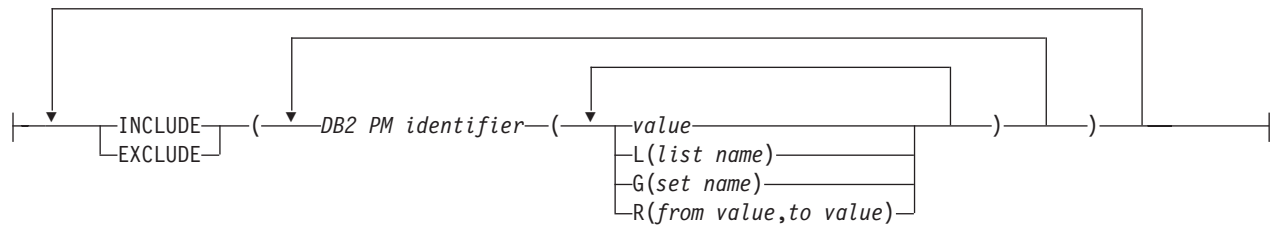
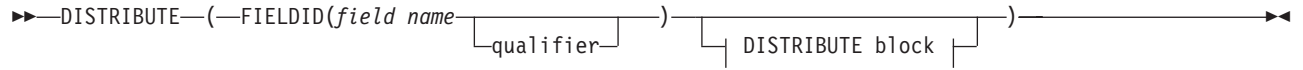
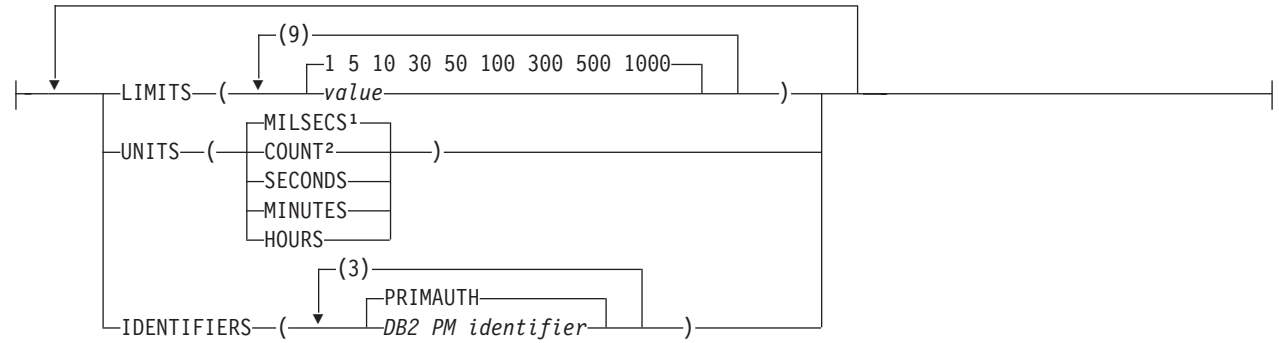


Figure 56. Syntax of the INCLUDE/EXCLUDE Option



**DISTRIBUTE Block:**



**Notes:**

1. MILSECS is the default for time fields.
2. COUNT is the default for numeric fields.

Figure 57. Syntax of the DISTRIBUTE Command

## Auxiliary Commands

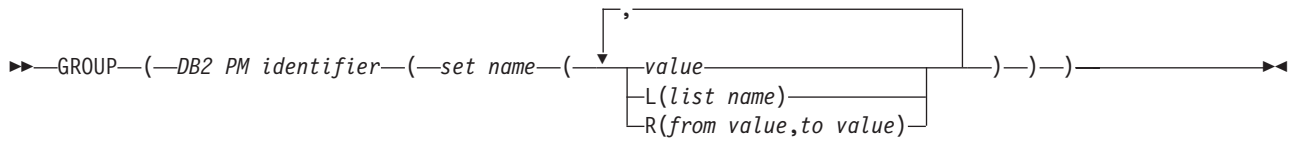


Figure 58. Syntax of the GROUP Command

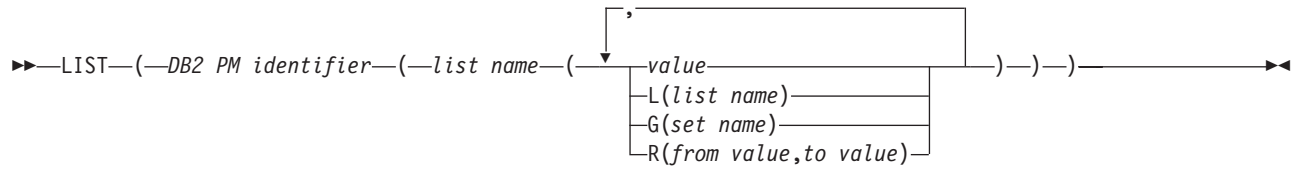


Figure 59. Syntax of the LIST Command

## Auxiliary Commands

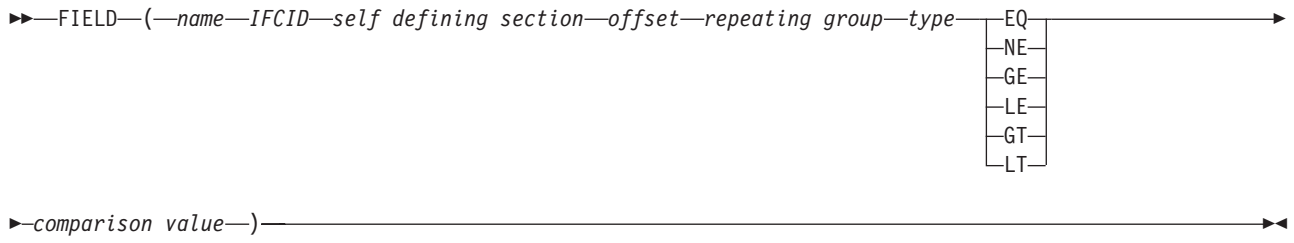


Figure 60. Syntax of the FIELD Command

---

## Chapter 4. Troubleshooting Commands

Syntax diagrams of the DUMP and TAPECOPY commands are presented on the following pages.

## Troubleshooting Commands

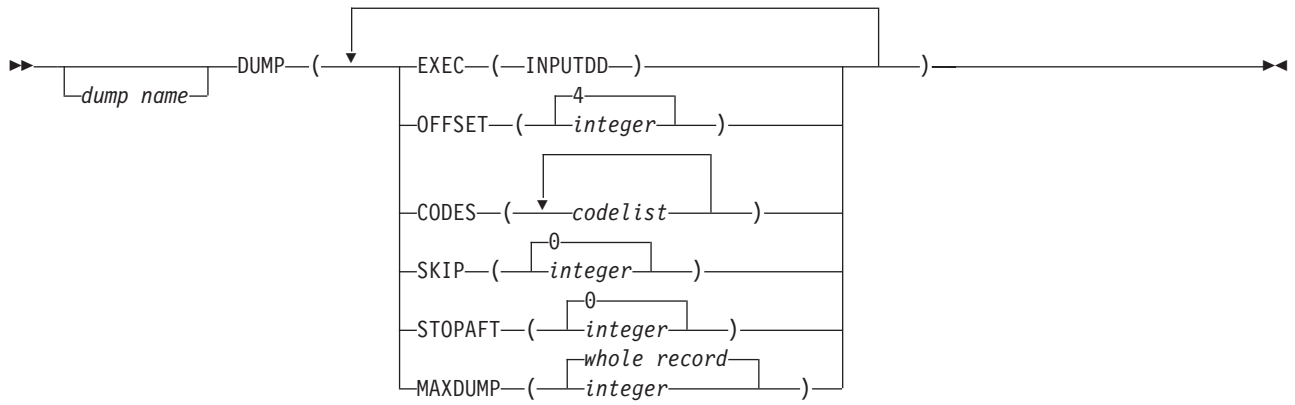


Figure 61. Syntax of the DUMP Command



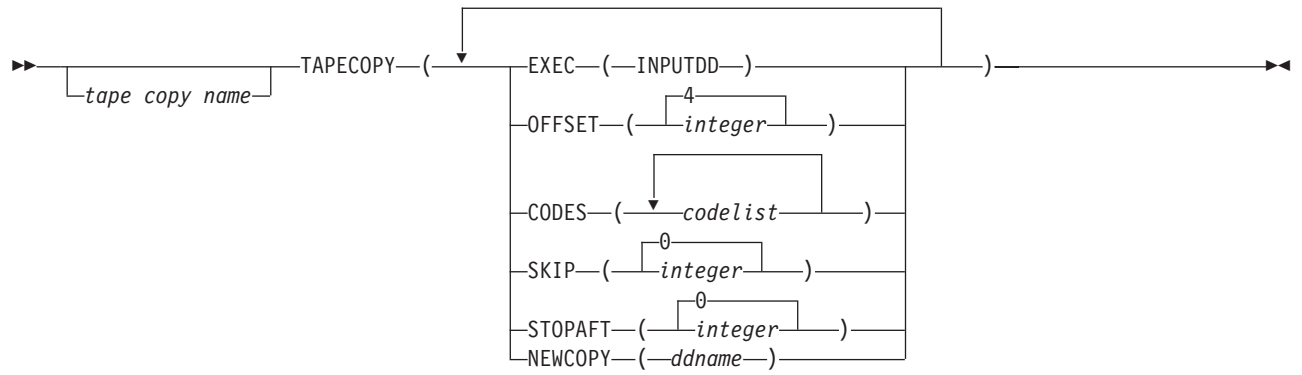


Figure 62. Syntax of the TAPECOPY Command



---

## Appendix. Notices

This information was developed for products and services offered in the U.S.A. IBM may not offer the products, services, or features discussed in this document in other countries. Consult your local IBM representative for information on the products and services currently available in your area. Any reference to an IBM product, program, or service is not intended to state or imply that only that IBM product, program, or service may be used. Any functionally equivalent product, program, or service that does not infringe any IBM intellectual property right may be used instead. However, it is the user's responsibility to evaluate and verify the operation of any non-IBM product, program, or service.

IBM may have patents or pending patent applications covering subject matter described in this document. The furnishing of this document does not give you any license to these patents. You can send license inquiries, in writing, to:

IBM Director of Licensing  
IBM Corporation  
North Castle Drive  
Armonk, NY 10504-1785  
U.S.A.

For license inquiries regarding double-byte (DBCS) information, contact the IBM Intellectual Property Department in your country or send inquiries, in writing, to:

IBM World Trade Asia Corporation  
Licensing  
2-31 Roppongi 3-chome, Minato-ku  
Tokyo 106, Japan

**The following paragraph does not apply to the United Kingdom or any other country where such provisions are inconsistent with local law:**

INTERNATIONAL BUSINESS MACHINES CORPORATION PROVIDES THIS PUBLICATION "AS IS" WITHOUT WARRANTY OF ANY KIND, EITHER EXPRESS OR IMPLIED, INCLUDING, BUT NOT LIMITED TO, THE IMPLIED WARRANTIES OF NON-INFRINGEMENT, MERCHANTABILITY OR FITNESS FOR A PARTICULAR PURPOSE. Some states do not allow disclaimer of express or implied warranties in certain transactions, therefore, this statement may not apply to you.

This information could include technical inaccuracies or typographical errors. Changes are periodically made to the information herein; these changes will be incorporated in new editions of the publication. IBM may make improvements and/or changes in the product(s) and/or the program(s) described in this publication at any time without notice.

Licensees of this program who wish to have information about it for the purpose of enabling: (i) the exchange of information between independently created programs and other programs (including this one) and (ii) the mutual use of the information which has been exchanged, should contact:

IBM Deutschland  
Informationssysteme GmbH  
Department 3982  
Pascalstrasse 100  
70569 Stuttgart  
Germany

Such information may be available, subject to appropriate terms and conditions, including in some cases, payment of a fee.

The licensed program described in this information and all licensed material available for it are provided by IBM under terms of the IBM Customer Agreement, IBM International Program License Agreement, or any equivalent agreement between us.

Any performance data contained herein was determined in a controlled environment. Therefore, the results obtained in other operating environments may vary significantly. Some measurements may have been made on development-level systems and there is no guarantee that these measurements will be the same on generally available systems. Furthermore, some measurement may have been estimated through extrapolation. Actual results may vary. Users of this document should verify the applicable data for their specific environment.

Information concerning non-IBM products was obtained from the suppliers of those products, their published announcements or other publicly available sources. IBM has not tested those products and cannot confirm the accuracy of performance, compatibility or any other claims related to non-IBM products. Questions on the capabilities of non-IBM products should be addressed to the suppliers of those products.

This information contains examples of data and reports used in daily business operations. To illustrate them as completely as possible, the examples include the names of individuals, companies, brands, and products. All of these names are fictitious and any similarity to the names and addresses used by an actual business enterprise is entirely coincidental.

#### COPYRIGHT LICENSE:

This information contains sample application programs in source language, which illustrates programming techniques on various operating platforms. You may copy, modify, and distribute these sample programs in any form without payment to IBM, for the purposes of developing, using, marketing or distributing application programs conforming to the application programming interface for the operating platform for which the sample programs are written. These examples have not been thoroughly tested under all conditions. IBM, therefore, cannot guarantee or imply reliability, serviceability, or function of these programs.

If you are viewing this information softcopy, the photographs and color illustrations may not appear.

---

## Trademarks

The following terms are trademarks of the IBM Corporation in the United States or other countries or both:

DATABASE 2  
IBM

DB2  
OS/390

Microsoft, Windows, Windows NT, and the Windows logo are trademarks of Microsoft Corporation in the United States and/or other countries.

PC Direct is a trademark of Ziff Communications Company in the United States and/or other countries and is used by IBM Corporation under license.

UNIX is a registered trademark in the United States and/or other countries licensed exclusively through The Open Group.

C-bus is a trademark of Corollary, Inc. in the United States and/or other countries.

Java and all Java-based trademarks and logos are trademarks of Sun Microsystems, Inc. in the United States and/or other countries.

Other company, product or service names may be trademarks or service marks of others.



---

## Bibliography

- IBM DB2 Performance Monitor for OS/390 Version 6 Report Reference Volume 1, SC26-9164*
- IBM DB2 Performance Monitor for OS/390 Version 6 Report Reference Volume 2, SC26-9165*
- IBM DB2 Performance Monitor for OS/390 Version 6 Online Monitor User's Guide, SC26-9168*
- IBM DB2 Performance Monitor for OS/390 Version 6 Batch User's Guide, SC26-9167*
- IBM DB2 Performance Monitor for OS/390 Version 6 Command Reference, SC26-9166*
- IBM DB2 Performance Monitor for OS/390 Version 6 Messages, SC26-9169*
- IBM DB2 Performance Monitor for OS/390 Version 6 Using the Workstation Online Monitor, SC26-9170*
- IBM DB2 Performance Monitor for OS/390 Version 6 Installation and Customization, SC26-9171*
- IBM DB2 Performance Monitor for OS/390 Version 6 General Information, GC26-9172*
- IBM DB2 Performance Monitor for OS/390 Version 6 Data Collector Application Programming Interface Guide, SC26-9173*
- Program Directory for IBM DB2 UDB Server for OS/390 DB2 Performance Monitor DB2 Workstation Analysis and Tuning Version 6, GI10-8183*
- IBM DB2 Universal Database Server for OS/390 Version 6 Administration Guide, SC26-9003*
- IBM DB2 Universal Database Server for OS/390 Version 6 Command Reference, SC26-9006*
- IBM DB2 Universal Database Server for OS/390 Version 6 SQL Reference, SC26-9014*
- IBM DB2 Universal Database Server for OS/390 Version 6 Application Programming and SQL Guide, SC26-9004*
- IBM DB2 Universal Database Server for OS/390 Version 6 Data Sharing: Planning and Administration, SC26-9007*
- IBM DB2 Universal Database Server for OS/390 Version 6 Installation Guide, GC26-9008*
- IBM DB2 Universal Database Server for OS/390 Version 6 Utility Guide and Reference, SC26-9015*
- IBM DB2 Universal Database Server for OS/390 Version 6 Diagnosis Guide and Reference, LY36-3736*
- IBM DB2 Universal Database Server for OS/390 Version 6 Messages and Codes, GC26-9011*
- DFSMS/MVS Macro Instructions for Data Sets, SC26-4913*
- OS/390 MVS System Management Facilities (SMF), GC28-1783*
- DFSMS/MVS Access Method Services for ICF, SC26-4906*
- DFSMS/MVS Access Method Services for VSAM, SC26-4905*
- OS/390 MVS Initialization and Tuning Guide, SC28-1751*
- OS/390 MVS System Codes, GC28-1780*
- OS/390 MVS Programming: Authorized Assembler Services Guide, GC28-1763*
- OS/390 MVS Programming: Authorized Assembler Services Reference, GC28-1764 to GC28-1767*

## Bibliography

*OS/390 MVS Writing Transaction Programs for APPC/MVS*, GC28-1775  
*OS/390 ISPF Dialog Developer's Guide and Reference*, SC28-1273  
*OS/390 ISPF Services Guide*, SC28-1272  
*OS/390 TSO/E Messages*, GC28-1978  
*VTAM for MVS/ESA Resource Definition Reference*, SC31-6552  
*OS/390 TSO/E REXX Reference*, SC28-1975  
*TCP/IP for MVS: Application Programming Interface Reference*, SC31-7187  
*TCP/IP Tutorial and Technical Overview*, GG24-3376  
*ITSC - A Beginner's Guide to MVS TCP/IP Socket Programming*, GG24-2561  
*Graphic Data Display Manager/Presentation Graphics Feature: Interactive Chart Facility User's Guide*, SC33-0111  
*IBM Dictionary of Computing*, New York: McGraw-Hill, 1994



---

## Readers' Comments — We'd Like to Hear from You

DB2 Performance Monitor for OS/390  
Command Reference

Publication No. SC26-9166-01

Overall, how satisfied are you with the information in this book?

	Very Satisfied	Satisfied	Neutral	Dissatisfied	Very Dissatisfied
Overall satisfaction	<input type="checkbox"/>	<input type="checkbox"/>	<input type="checkbox"/>	<input type="checkbox"/>	<input type="checkbox"/>

How satisfied are you that the information in this book is:

	Very Satisfied	Satisfied	Neutral	Dissatisfied	Very Dissatisfied
Accurate	<input type="checkbox"/>	<input type="checkbox"/>	<input type="checkbox"/>	<input type="checkbox"/>	<input type="checkbox"/>
Complete	<input type="checkbox"/>	<input type="checkbox"/>	<input type="checkbox"/>	<input type="checkbox"/>	<input type="checkbox"/>
Easy to find	<input type="checkbox"/>	<input type="checkbox"/>	<input type="checkbox"/>	<input type="checkbox"/>	<input type="checkbox"/>
Easy to understand	<input type="checkbox"/>	<input type="checkbox"/>	<input type="checkbox"/>	<input type="checkbox"/>	<input type="checkbox"/>
Well organized	<input type="checkbox"/>	<input type="checkbox"/>	<input type="checkbox"/>	<input type="checkbox"/>	<input type="checkbox"/>
Applicable to your tasks	<input type="checkbox"/>	<input type="checkbox"/>	<input type="checkbox"/>	<input type="checkbox"/>	<input type="checkbox"/>

Please tell us how we can improve this book:

Thank you for your responses. May we contact you?  Yes  No

When you send comments to IBM, you grant IBM a nonexclusive right to use or distribute your comments in any way it believes appropriate without incurring any obligation to you.

\_\_\_\_\_  
Name

\_\_\_\_\_  
Address

\_\_\_\_\_  
Company or Organization

\_\_\_\_\_  
Phone No.



Fold and Tape

**Please do not staple**

Fold and Tape

PLACE  
POSTAGE  
STAMP  
HERE

IBM Deutschland Entwicklung GmbH  
Information Development, Dept. 0446  
Schoenaicher Strasse 220  
71032 Boeblingen  
Germany

Fold and Tape

**Please do not staple**

Fold and Tape





Program Number: 5645-DB2

Printed in the United States of America

SC26-9166-01

