

Enterprise cloud computing and Bluemix

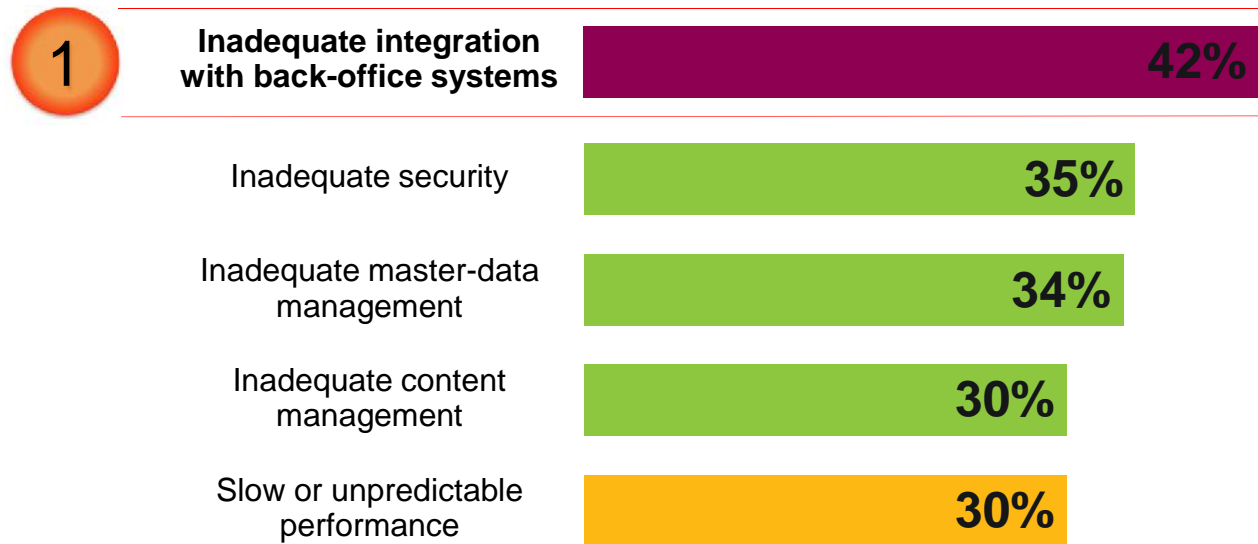
Kyle Charlet

IBM Distinguished Engineer
Cloud, mobile, analytics for IMS and z Systems



System of record integration

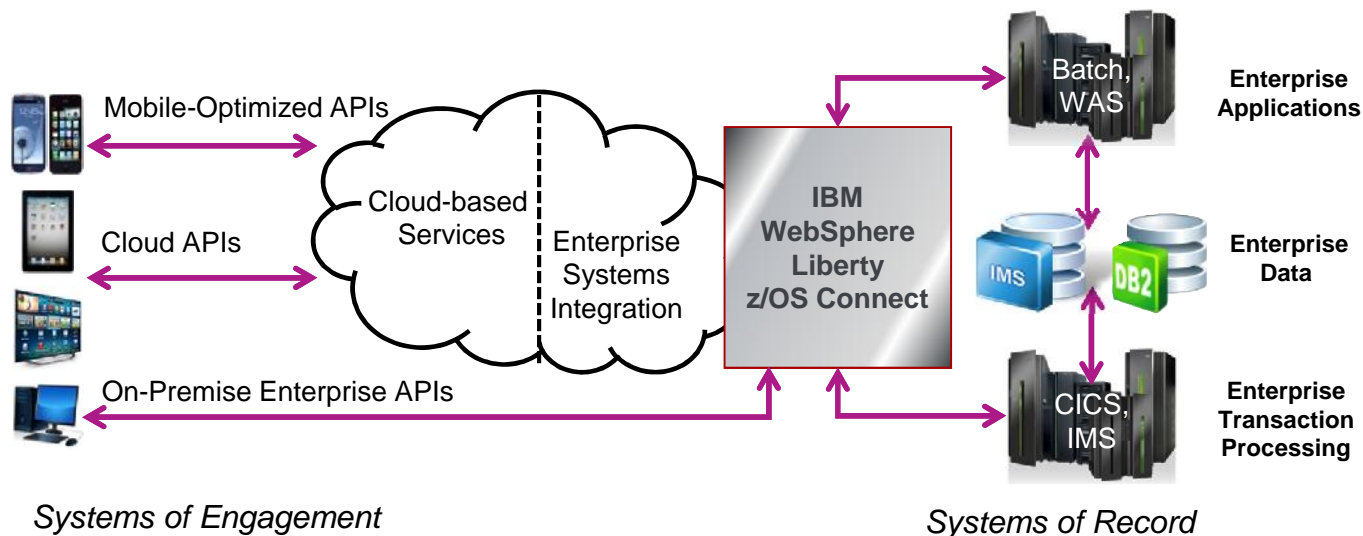
The most significant technical barrier to creating effective customer-facing systems



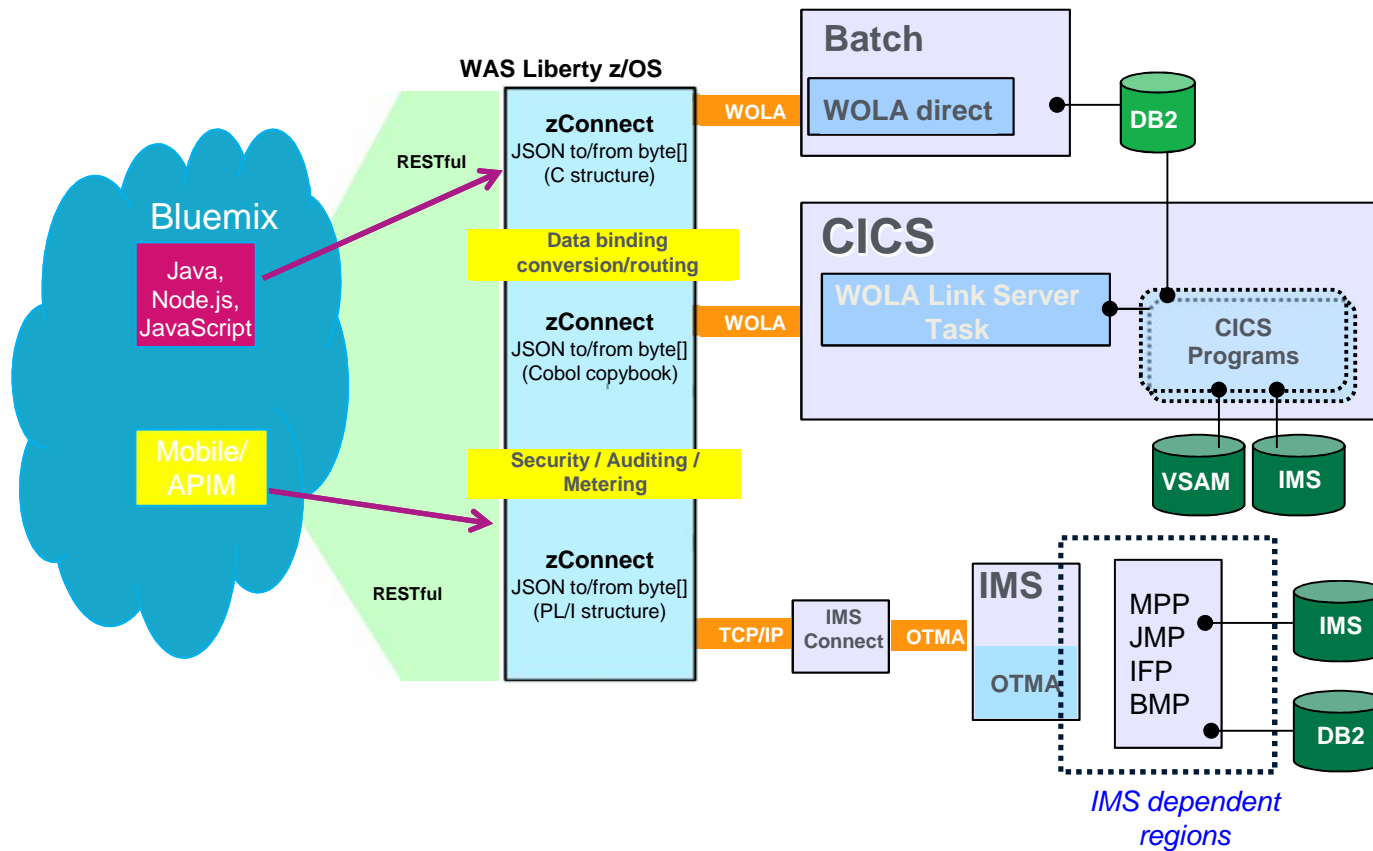
91% of CIOs said new customer client-facing apps will access the mainframe

Consistent enterprise connectivity for mobile and cloud

- *IBM WebSphere Liberty z/OS Connect* – Shipped with WAS, CICS, and IMS
- *Unifies z/OS connectors* – a common solution for mobile, cloud, and web
- *Simplified integration* – Hide complexity of connecting to z/OS using REST



WebSphere Liberty z/OS Connect

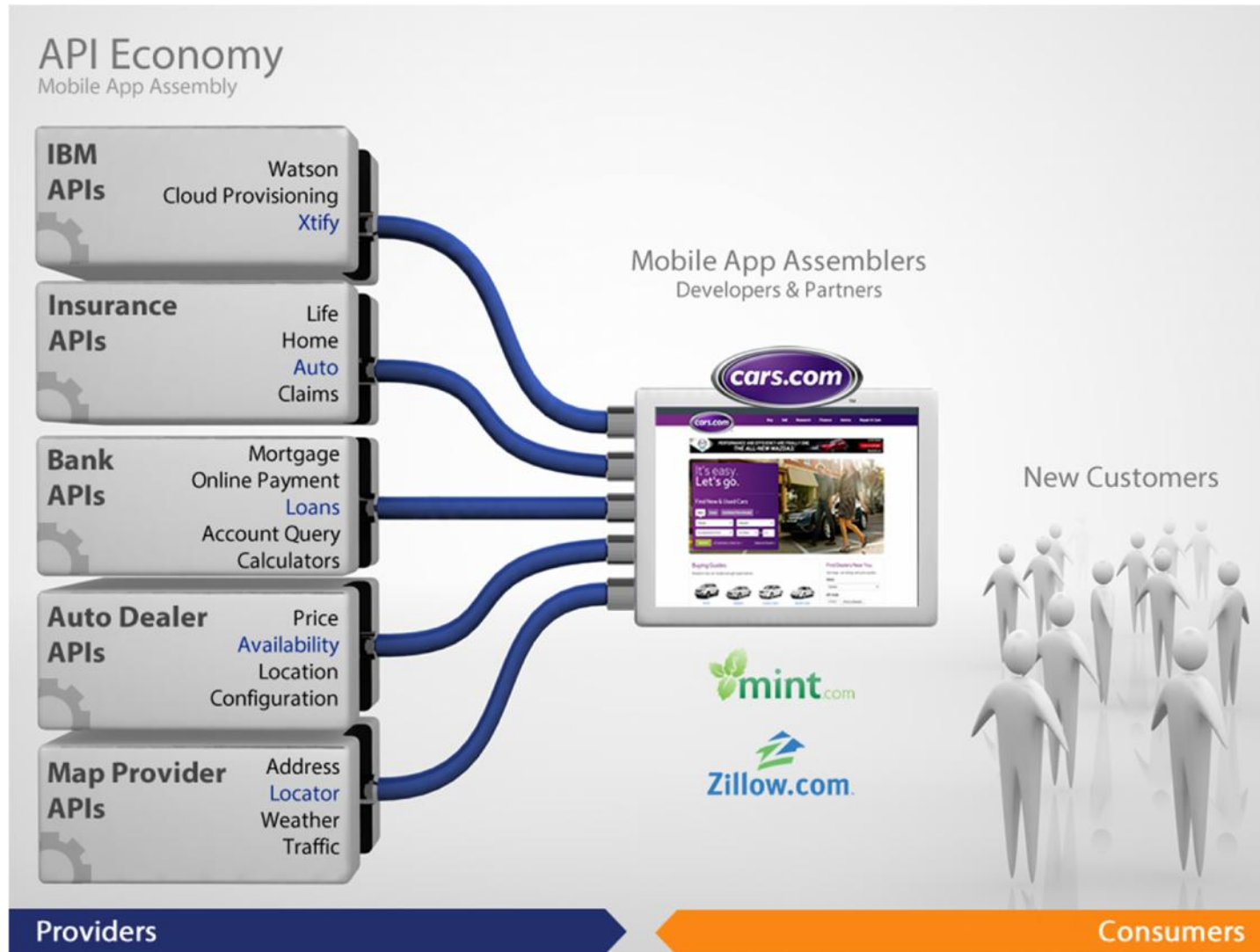


Secure connectivity to systems of record

- *Combine mobile and cloud for best of both* – mobile applications in the cloud linked to the enterprise is your competitive advantage
- *Fast time to market of cloud based applications* – combined with the trusted transactions of traditional mainframe systems
- *Securely connect* – leverage data from your existing enterprise systems



API economy



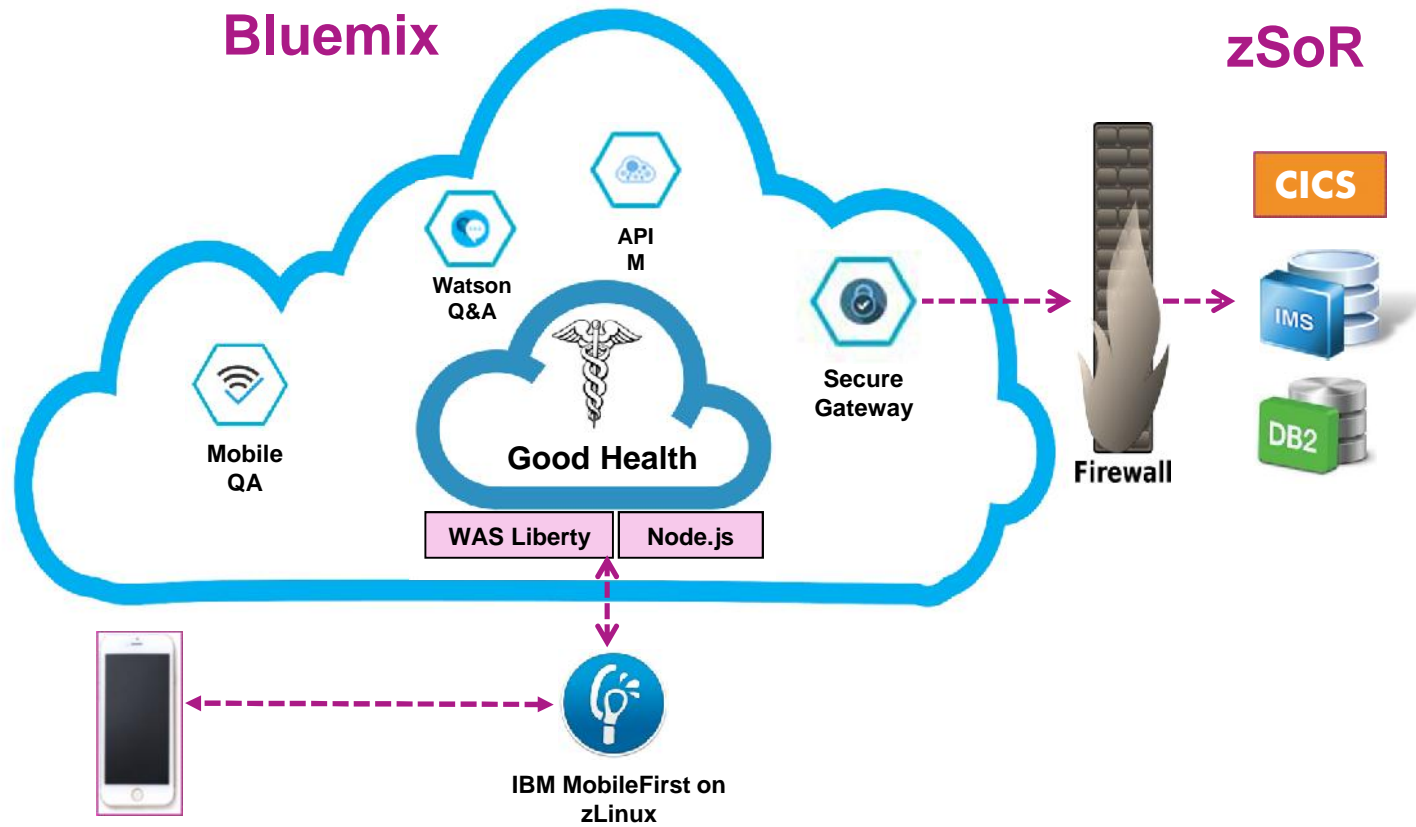
Swagger



A POWERFUL INTERFACE TO YOUR API

Swagger is a simple yet powerful representation of your RESTful API. With the largest ecosystem of API tooling on the planet, thousands of developers are supporting Swagger in almost every modern programming language and deployment environment. With a Swagger-enabled API, you get interactive documentation, client SDK generation and discoverability.

GoodHealth application



Bluemix APIm and secure gateway services

