

MQSeries for SunOS



# System Management Guide

*Version 2 Release 2*



MQSeries for SunOS



# System Management Guide

*Version 2 Release 2*

**Note!**

Before using this information and the product it supports, be sure to read the general information under Appendix H, "Notices" on page 271.

**First edition (June 1996)**

This edition applies to the following product:

- MQSeries for SunOS Version 2 Release 2

and to any subsequent releases and modifications until otherwise indicated in new editions.

Order publications through your IBM representative or the IBM branch office serving your locality. Publications are not stocked at the address given below.

At the back of this publication is a page titled "Sending your comments to IBM". If you want to make comments, but the methods described are not available to you, please address them to:

IBM United Kingdom Laboratories, Information Development,  
Mail Point 095, Hursley Park, Winchester, Hampshire, England,  
SO21 2JN

When you send information to IBM, you grant IBM a nonexclusive right to use or distribute the information in any way it believes appropriate without incurring any obligation to you.

© **Copyright International Business Machines Corporation 1996. All rights reserved.**

Note to U.S. Government Users — Documentation related to restricted rights — Use, duplication or disclosure is subject to restrictions set forth in GSA ADP Schedule Contract with IBM Corp.

---

# Contents

<b>About this book</b> . . . . .	xi
Who this book is for . . . . .	xi
What you need to know to understand this book . . . . .	xi
How to use this book . . . . .	xii
MQSeries publications . . . . .	xiii
Evaluating products . . . . .	xiii
Planning . . . . .	xiii
Administration . . . . .	xiii
Application programming . . . . .	xiv
Problem determination . . . . .	xiv
Special topics . . . . .	xiv
Other MQSeries Version 1 publications . . . . .	xiv
Information about MQSeries on the Internet . . . . .	xv

---

<b>Part 1. Guidance</b> . . . . .	1
<b>Chapter 1. Introduction</b> . . . . .	3
MQSeries and message queuing . . . . .	3
Messages and queues . . . . .	4
Objects . . . . .	5
System default objects . . . . .	10
Administration . . . . .	10
Clients and servers . . . . .	11
Extending queue manager facilities . . . . .	11
Security . . . . .	12
MQSeries for SunOS and related products . . . . .	12
<b>Chapter 2. Installing MQSeries for SunOS</b> . . . . .	13
Components you can install . . . . .	13
Installation requirements . . . . .	14
Preparing for installation . . . . .	14
Installation . . . . .	15
Kernel configuration . . . . .	16
Directories that exist after installation . . . . .	16
Translated messages . . . . .	18
Verifying your installation . . . . .	18
Installing clients . . . . .	20
<b>Chapter 3. Customizing your system</b> . . . . .	23
Things you can customize . . . . .	24

<b>Chapter 4. Understanding administration command sets</b> . . . . .	31
Control commands . . . . .	31
MQSeries commands (MQSC) . . . . .	32
PCF commands . . . . .	33
Comparing command sets . . . . .	34
<b>Chapter 5. Managing queue managers</b> . . . . .	37
Getting started . . . . .	37
Guidelines for creating queue managers . . . . .	37
Understanding MQSeries file names . . . . .	40
Working with queue managers . . . . .	41
Managing the command server for remote administration . . . . .	45
<b>Chapter 6. Administering local MQSeries objects</b> . . . . .	47
Supporting application programs that use the MQI . . . . .	47
Issuing MQSC commands for administration . . . . .	48
Running MQSC commands from text files . . . . .	51
If you have problems with MQSC . . . . .	55
Working with local queues . . . . .	56
Working with alias queues . . . . .	64
Working with model queues . . . . .	66
Managing objects for triggering . . . . .	67
<b>Chapter 7. Administering remote MQSeries objects</b> . . . . .	71
Understanding channels and remote queuing . . . . .	71
Remote administration . . . . .	72
Creating a local definition of a remote queue . . . . .	78
Using remote queue definitions as aliases . . . . .	81
<b>Chapter 8. Security</b> . . . . .	83
Before you begin . . . . .	83
Why you need to protect MQSeries resources . . . . .	84
Understanding the Object Authority Manager . . . . .	84
Using the Object Authority Manager commands . . . . .	87
Object Authority Manager guidelines . . . . .	89
Understanding the authorization specification tables . . . . .	93
Understanding authorization files . . . . .	98
<b>Chapter 9. Instrumentation events</b> . . . . .	103
What instrumentation events are . . . . .	103
Why use events? . . . . .	104

<b>Chapter 10. Transactional support and messaging</b> . . . . .	109
Interfaces to external synpoint coordinators . . . . .	109
<b>Chapter 11. The MQSeries dead-letter queue handler</b> . . . . .	111
Invoking the DLQ handler . . . . .	111
The DLQ handler rules table . . . . .	112
How the rules table is processed . . . . .	119
An example DLQ handler rules table . . . . .	120
<b>Chapter 12. Recovery and restart</b> . . . . .	123
Making sure that messages are not lost (logging) . . . . .	123
Checkpointing – ensuring complete recovery . . . . .	126
Managing logs . . . . .	128
Using the log for recovery . . . . .	130
Backup and restore . . . . .	132
Recovery scenarios . . . . .	134
<b>Chapter 13. Configuration files</b> . . . . .	137
What configuration files are . . . . .	137
MQSeries configuration file . . . . .	137
Queue manager configuration file . . . . .	139
Editing configuration files . . . . .	142
Configuring the logs . . . . .	142
Specifying log file sizes . . . . .	146
<b>Chapter 14. Problem Determination</b> . . . . .	147
Preliminary checks . . . . .	147
Common programming errors . . . . .	150
What to do next . . . . .	151
Application design considerations . . . . .	154
Incorrect output . . . . .	155
Error logs . . . . .	159
Dead-letter queues . . . . .	161
Configuration files and problem determination . . . . .	161
Using trace . . . . .	162
First failure support technology . . . . .	163
Problem determination with clients . . . . .	165

---

<b>Part 2. Reference</b> .....	167
<b>Chapter 15. MQSeries control commands</b> .....	169
Names .....	169
How to read syntax diagrams .....	169
Syntax help .....	171
crtmqcvx (Data conversion) .....	172
crtmqm (Create queue manager) .....	174
dlmqm (Delete queue manager) .....	178
dspmqaut (Display authority) .....	180
dspmqcsv (Display command server) .....	184
dspmqfls (Display MQSeries files) .....	185
dspmqtrc (Display MQSeries formatted trace output) .....	187
dspmqtrn (Display MQSeries transactions) .....	188
endmqcsv (End command server) .....	189
endmqm (End queue manager) .....	191
endmqtrc (End MQSeries trace) .....	193
rcdmqimg (Record media image) .....	194
rcrmqobj (Recreate object) .....	196
rsvmqtrn (Resolve MQSeries transactions) .....	198
runmqchi (Run channel initiator) .....	200
runmqchl (Run channel) .....	201
runmqdlq (Run dead-letter queue handler) .....	202
runmqlsr (Run listener) .....	204
runmqsc (Run MQSeries commands) .....	205
runmqtmc (Start client trigger monitor) .....	208
runmqtrm (Start trigger monitor) .....	209
setmqaut (Set/reset authority) .....	210
strmqcsv (Start command server) .....	216
strmqm (Start queue manager) .....	217
strmqtrc (Start MQSeries trace) .....	218



---

<b>Part 3. Appendixes</b> .....	221
<b>Appendix A. MQSeries for SunOS at a glance</b> .....	223
<b>Appendix B. System defaults</b> .....	225
<b>Appendix C. Directory structure</b> .....	227
Queue manager log directory structure .....	229
<b>Appendix D. Sample MQI programs and MQSC files</b> .....	231
<b>Appendix E. Support for different codesets on MQSeries for SunOS</b> ..	233
<b>Appendix F. Stopping and removing queue managers manually</b> .....	235
Stopping a queue manager manually .....	235
Removing queue managers manually .....	235
<b>Appendix G. Messages</b> .....	237
Message format .....	237
Structure of messages .....	237
MQSeries messages .....	238
<b>Appendix H. Notices</b> .....	271
Trademarks .....	272

---

<b>Part 4. Glossary and index</b> .....	273
<b>Glossary of terms and abbreviations</b> .....	275
<b>Index</b> .....	285

# Contents

---

## Figures

1.	Kernel parameter values	16
2.	Default directory structure for the product files	17
3.	Queues, messages, and applications	47
4.	Extract from the MQSC command file, myprog.in	52
5.	Extract from the MQSC report file, myprog.out.	53
6.	Remote administration	73
7.	Setting up channels and queues for remote administration	74
8.	Understanding instrumentation events	104
9.	Monitoring queue managers across different platforms, on a single node	105
10.	An example rule from a DLQ handler rules table	114
11.	Checkpointing	126
12.	Checkpointing with a long-running transaction	127
13.	Example MQSeries configuration file	139
14.	Example queue manager configuration file	141
15.	Sample MQSeries for SunOS trace	163
16.	Sample MQSeries for SunOS First Failure Symptom Report	164
17.	Default directory structure after a queue manager has been started	227

---

## Tables

1.	Commands for queue manager administration	34
2.	Commands for command server administration	34
3.	Commands for queue administration	34
4.	Commands for process administration	35
5.	Commands for channel administration	35
6.	Other control commands	35
7.	Security authorization needed for MQI calls	94
8.	MQSC commands and security authorization needed	96
9.	PCF commands and security authorization needed	97
10.	Log overhead sizes	146
11.	How to read syntax diagrams	170
12.	Security authorities from the dspmqaut command	181
13.	Specifying authorizations for different object types	212
14.	Objects included in amqscoma.tst	225
15.	MQSC command files	231
16.	Sample programs - source files	231
17.	Samples for transaction processing with CICS and Encina	232
18.	Miscellaneous files	232
19.	Locales and CCSIDs	233

## Tables

---

## About this book

IBM MQSeries for SunOS Version 2.2—referred to in this book as MQSeries for SunOS or simply MQSeries, as the context permits—is part of the MQSeries family of products. These products provide application programming services that enable application programs to communicate with each other using *message queues*. This form of communication is referred to as *commercial messaging*. The applications involved can exist on different nodes on a wide variety of machine and operating system types. They use a common application programming interface, called the Message Queuing Interface or MQI, so that programs developed on one platform can readily be transferred to another.

This book describes the system administration aspects of IBM MQSeries for SunOS Version 2.2 and the services it provides to support commercial messaging in an SunOS environment. This includes managing the queues that applications use to receive their messages, and ensuring that applications have access to the queues that they require.

---

## Who this book is for

Primarily, this book is for system administrators, and system programmers who manage the configuration and administration tasks for MQSeries. It is also useful to application programmers who must have some understanding of MQSeries administration tasks.

---

## What you need to know to understand this book

To use this book, you should have a good understanding of the SunOS operating system, and utilities associated with it. You do not need to have worked with message queuing products before, but you should have an understanding of the basic concepts of message queuing.

### System restrictions

The following restrictions apply to the use of Sun OS facilities with the MQSeries product:

1. MQSeries uses the UNIX subroutine `ftok` to generate standard inter-process communication keys. Using `ftok` exclusively within a node ensures that these keys are unique, which is a requirement for MQSeries on SunOS. Therefore, do not use any code that generates interprocess keys in a different way.
2. MQCONN sets up its own signal handler for the signals:

SIGSEGV  
SIGBUS

User's handles for these are restored after every MQI call.

The remaining signals are handled differently.

SIGINT  
SIGQUIT  
SIGFPE  
SIGTERM  
SIGHUP

If any handler for this second group of signals receives an interrupt within an MQI call, the application handler must exit the application. MQI may not be called.

3. For each MQI call, MQSeries uses the UNIX interval timer `ITIMER_REAL` to generate `SIGALRM` signals. Any previous `SIGALRM` handler and timer interval is saved on entry to MQI and restored on exit. Any timer interval set is therefore frozen while within MQI.

---

## How to use this book

Read Chapter 1, "Introduction" on page 3 first for an understanding of MQSeries for SunOS.

The sections of this book contain information about:

- How to manage your MQSeries system, including information on:
  - Install and set up the product
  - Manage queue managers and queues
  - Monitor queue managers using instrumentation events
  - Set up security
  - Recover from a system failure
  - Analyze any problems that arise
- The MQSeries control commands, including railroad syntax diagrams.
- Sample resource definitions.

---

## MQSeries publications

### Evaluating products

*MQSeries Brochure*, G511-1908

*MQSeries: An Introduction to Messaging and Queuing*, GC33-0805

*MQSeries Message Queue Interface Technical Reference*, SC33-0850

### Planning

*MQSeries Planning Guide*, GC33-1349

*MQSeries for MVS/ESA Version 1 Release 1.4 Licensed Program Specifications*, GC33-1350

*MQSeries for OS/400 Version 3 Release 1 (and later) Licensed Program Specifications*, GC33-1360 (softcopy only)

### Administration

*MQSeries Clients*, GC33-1632

*MQSeries Command Reference*, SC33-1369

*MQSeries Programmable System Management*, SC33-1482

*MQSeries for AIX Version 2.2.1 System Management Guide*, SC33-1373

*MQSeries for AT&T GIS UNIX Version 2.2 System Management Guide*, SC33-1642

*MQSeries for HP-UX Version 2.2.1 System Management Guide*, GC33-1633

*MQSeries for OS/2 Version 2.0.1 System Management Guide*, SC33-1371

*MQSeries for SINIX and DC/OSx Version 2.2 System Management Guide*, GC33-1768

*MQSeries for SunOS Version 2.2 System Management Guide*, GC33-1772

*MQSeries for Sun Solaris Version 2.2 System Management Guide*, GC33-1800

*MQSeries for Windows NT Version 2.0 System Management Guide*, SC33-1643

*MQSeries for MVS/ESA Version 1 Release 1.4 Program Directory*

*MQSeries for MVS/ESA Version 1 Release 1.4 System Management Guide*, SC33-0806

*MQSeries for OS/400 Version 3 Release 2 Administration Guide*, GC33-1361

*MQSeries for OS/400 Version 3 Release 6 Administration Guide*, SC33-1361

*MQSeries for OS/400 Version 3 Release 6 Programmable Command Formats*, SC33-1228

*MQSeries Three Tier Administration Guide*, SC33-1451

*MQSeries Three Tier Reference Summary*, SX33-6098

## **Application programming**

*MQSeries Application Programming Guide*, SC33-0807

*MQSeries Application Programming Reference*, SC33-1673

*MQSeries Application Programming Reference Summary*, SX33-6095

*MQSeries for OS/400 Version 3 Release 1 (and later) Application Programming Reference (RPG)*, SC33-1362

*MQSeries for OS/400 Version 3 Release 6 Application Programming Reference (C and COBOL)*, SC33-1363

*MQSeries Three Tier Application Design*, SC33-1636

*MQSeries Three Tier Application Programming*, SC33-1452

*MQSeries Three Tier Reference Summary*, SX33-6098

## **Problem determination**

*MQSeries for AIX Version 2.2.1 System Management Guide*, SC33-1373

*MQSeries for AT&T GIS UNIX Version 2.2 System Management Guide*, SC33-1642

*MQSeries for HP-UX Version 2.2.1 System Management Guide*, GC33-1633

*MQSeries for OS/2 Version 2.0.1 System Management Guide*, SC33-1371

*MQSeries for SINIX and DC/OSx Version 2.2 System Management Guide*, GC33-1768

*MQSeries for SunOS Version 2.2 System Management Guide*, GC33-1772

*MQSeries for Sun Solaris Version 2.2 System Management Guide*, GC33-1800

*MQSeries for Windows NT Version 2.0 System Management Guide*, SC33-1643

*MQSeries for MVS/ESA Version 1 Release 1.4 Messages and Codes*, GC33-0819

*MQSeries for MVS/ESA Version 1 Release 1.4 Problem Determination Guide*, GC33-0808

*MQSeries for OS/400 Version 3 Release 2 Administration Guide*, GC33-1361

*MQSeries for OS/400 Version 3 Release 6 Administration Guide*, SC33-1361

*MQSeries Three Tier Administration Guide*, SC33-1451

## **Special topics**

*MQSeries Distributed Queuing Guide*, SC33-1139

## **Other MQSeries Version 1 publications**

For information about other MQSeries platforms, see the following publications:

*MQSeries: Concepts and Architecture*, GC33-1141

*MQSeries Version 1 Products for UNIX Operating Systems Messages and Codes*, SC33-1754

*MQSeries for Digital VMS VAX User's Guide*, SC33-1144



*MQSeries for SCO UNIX User's Guide, SC33-1378*

*MQSeries for Tandem NonStop Kernel User's Guide, SC33-1755*

*MQSeries for UnixWare User's Guide, SC33-1379*

*MQSeries for VSE/ESA Version 1 Release 3.1 License Program Specifications, GC33-1483*

*MQSeries for VSE/ESA Version 1 Release 3.1 User's Guide, SC33-1142*

---

## Information about MQSeries on the Internet

### The MQSeries home page

The URL of the MQSeries product family home page is:

<http://www.software.ibm.com/ts/mqseries/>



---

## Part 1. Guidance



---

## Chapter 1. Introduction

This chapter introduces MQSeries for SunOS from an administrator's perspective, and describes the basic concepts of MQSeries and messaging. It contains these sections:

- "MQSeries and message queuing"
- "Messages and queues" on page 4
- "Objects" on page 5
- "System default objects" on page 10
- "Administration" on page 10
- "Clients and servers" on page 11
- "Extending queue manager facilities" on page 11
- "Security" on page 12

---

### MQSeries and message queuing

MQSeries lets SunOS applications use message queuing to participate in message-driven processing. Applications can communicate across different platforms by using the appropriate message queuing software products. For example, SunOS and MVS/ESA applications can communicate through MQSeries for SunOS and MQSeries for MVS/ESA respectively. The applications are shielded from the mechanics of the underlying communications.

MQSeries products implement a common application programming interface (message queue interface or MQI) whatever platform the applications are run on. This makes it easier to port applications from one platform to another.

The MQI is described in detail in the *MQSeries Application Programming Reference* manual.

### Time-independent applications

With message queuing, the exchange of messages between the sending and receiving programs is time independent. This means that the sending and receiving applications are decoupled so that the sender can continue processing without having to wait for the receiver to acknowledge the receipt of the message. In fact, the target application does not even have to be running when the message is sent. It can retrieve the message after it is started.

### Message-driven processing

Applications can be automatically started by messages arriving on a queue using a mechanism known as *triggering*. If necessary, the applications can be stopped when the message or messages have been processed.

## Messages and queues

Messages and queues are the basic components of a message queuing system.

### What messages are

A *message* is a string of bytes that has meaning to the applications that use it. Messages are used for transferring information from one application to another (or to different parts of the same application). The applications can be running on the same platform, or on different platforms.

MQSeries messages have two parts; the *application data* and a *message descriptor*. The content and structure of the application data is defined by the application programs that use them. The message descriptor identifies the message and contains other control information, such as the type of message and the priority assigned to the message by the sending application.

The format of the message descriptor is defined by MQSeries for SunOS. For a complete description of the message descriptor, see the *MQSeries Application Programming Reference* manual.

### Message lengths

In MQSeries for SunOS, the maximum message length is 4 MB (where 1 MB equals 1 048 576 bytes). In practice, the message length may be limited by:

- The maximum message length defined for the receiving queue.
- The maximum message length defined for the queue manager.
- The maximum message length defined by either the sending or receiving application.
- The amount of storage available for the message.

It may take several messages to send all the information that an application requires.

### What queues are

A *queue* is a data structure that stores zero or more messages. The messages may be put on the queue by applications or by a queue manager as part of its normal operation.

Each queue belongs to a *queue manager*, which is responsible for maintaining it. The queue manager puts the messages it receives on the appropriate queues.

Applications send and receive messages using MQI calls. For example, one application can put a message on a queue, and another application can retrieve the message from the same queue. The sending application opens the queue for put operations by making an MQOPEN call. Then it issues an MQPUT call to put the message onto that queue. When the receiving application opens the same queue for gets, it can retrieve the message from the queue by issuing an MQGET call.

For more information about MQI calls, see the *MQSeries Application Programming Reference* manual.

## Predefined and dynamic queues

Queues can be characterized by the way they are created:

- *Predefined queues* are created by an administrator using the appropriate command set. For example, the MQSC command DEFINE QLOCAL creates a predefined local queue. Predefined queues are permanent; they exist independently of the applications that use them and survive MQSeries for SunOS restarts.
- *Dynamic queues* are created when an application issues an open request specifying the name of a model queue. The queue created is based on a template queue definition, which is the model queue. You can create a model queue using the MQSC command DEFINE QMODEL. The attributes of a model queue, for example the maximum number of messages that can be stored on it, are inherited by any dynamic queue that is created from it.

Model queues have an attribute that specifies whether the dynamic queue is to be permanent or temporary. Permanent queues survive application and queue manager restarts; temporary queues can be lost or damaged by a restart.

## Retrieving messages from queues

In MQSeries for SunOS, suitably authorized applications can retrieve messages from a queue according to these retrieval algorithms:

- First-in-first-out (FIFO).
- Message priority, as defined in the message descriptor. Messages that have the same priority are retrieved on a FIFO basis.
- A program request for a specific message.

The MQGET request from the application determines the method used.

## Objects

Many of the tasks described in this book involve manipulating MQSeries *objects*. In MQSeries for SunOS, there are four different types of objects:

- Queue managers; see “MQSeries queue managers” on page 6.
- Queues; see “MQSeries queues” on page 7.
- Process definitions; see “Process definitions” on page 9.
- Channels; see “Channels” on page 10.

## Object names

Each instance of a queue manager is known by its name. This name must be unique within the network of interconnected queue managers, so that one queue manager can unambiguously identify the target queue manager to which any given message should be sent.

For the other types of objects, each object has a name associated with it and can be referenced in MQSeries for SunOS by that name. These names must be unique within one queue manager and object type. For example, you can have a queue and a process with the same name, but you cannot have two queues with the same name.

## Objects

In MQSeries, names can have a maximum of 48 characters, with the exception of *channels*, that have a maximum of 20 characters. For more information about names see “Names” on page 169.

## Managing objects

MQSeries provides commands for creating, altering, displaying, and deleting objects. These include:

- MQSeries commands (MQSC), which can be typed in from a keyboard or read from a file.
- Programmable Command Format (PCF) commands, which can be used in a program.

For more information, see Chapter 4, “Understanding administration command sets” on page 31.

### Object attributes

The properties of an object are defined by its attributes. Some you can specify, others you can only view. For example, the maximum message length that a queue can accommodate is defined by its *MaxMsgLength* attribute; you can specify this attribute when you create a queue. The *DefinitionType* attribute specifies how the queue was created; you can only display this attribute.

In MQSeries, there are two ways of referring to an attribute:

- Using its PCF name, for example, *MaxMsgLength*.
- Using its MQSC name, for example, MAXMSGL.

The formal name of an attribute is its PCF name. Because using the MQSC facility is an important part of this book, you are more likely to see the MQSC name in examples than the PCF name of a given attribute.

## MQSeries queue managers

A queue manager provides queuing services to applications, and manages the queues that belong to it. It ensures that:

- Object attributes are changed according to the commands received.
- Special events such as trigger events or instrumentation events are generated when the appropriate conditions are met.
- Messages are put on the correct queue, as requested by the application making the MQPUT call. The application is informed if this cannot be done, and an appropriate reason code is given.

Each queue belongs to a single queue manager and is said to be a *local queue* to that queue manager. The queue manager to which an application is connected is said to be the local queue manager for that application. For the application, the queues that belong to its local queue manager are local queues. A *remote queue* is simply a queue that belongs to another queue manager. A *remote queue manager* is any queue manager other than the local queue manager. A remote queue manager may exist on a remote machine across the network or it may exist on the same machine as the local queue manager. MQSeries for SunOS supports multiple queue managers on the same machine.



## MQI calls

A queue manager object may be used in some MQI calls. For example, you can inquire about the attributes of the queue manager object using the MQI call MQINQ.

**Note:** You cannot put messages on a queue manager object; messages are always put on queue objects, not on queue manager objects.

## MQSeries queues

Queues are defined to MQSeries using the appropriate MQSC DEFINE command or the PCF Create Queue command. The command specifies the type of queue and its attributes. For example, a local queue object has attributes that specify what happens when applications reference that queue in MQI calls. Examples of attributes are:

- Whether applications can retrieve messages from the queue (GET enabled).
- Whether applications can put messages on the queue (PUT enabled).
- Whether access to the queue is exclusive to one application or shared between applications.
- The maximum number of messages that can be stored on the queue at the same time (maximum queue depth).
- The maximum length of messages that can be put on the queue.

For further details about defining queue objects, see the *MQSeries Command Reference* or the *MQSeries Programmable System Management* manual.

## Using queue objects

In MQSeries, there are four types of queue object. Each type of object can be manipulated by the product commands and is associated with real queues in different ways:

1. A *local queue* object identifies a local queue belonging to the queue manager to which the application is connected. All queues are local queues in the sense that each queue belongs to a queue manager and, for that queue manager, the queue is a local queue.
2. A *remote queue object* identifies a queue belonging to another queue manager. This queue must be defined as a local queue to that queue manager. The information you specify when you define a remote queue object allows the local queue manager to find the remote queue manager, so that any messages destined for the remote queue go to the correct queue manager.

You must also define a transmission queue and channels between the queue managers, before applications can send messages to a queue on another queue manager.

3. An *alias queue object* allows applications to access a queue by referring to it indirectly in MQI calls. When an alias queue name is used in an MQI call, the name is resolved to the name of either a local or a remote queue at run time. This allows you to change the queues that applications use without changing the application in any way—you merely change the alias queue definition to reflect the name of the new queue to which the alias resolves.

An alias queue is not a queue, but an object that you can use to access another queue.

4. A *model queue object* defines a set of queue attributes that are used as a template for creating a dynamic queue. Dynamic queues are created by the queue manager when an application issues an MQOPEN request specifying a queue name that is the name of a model queue. The dynamic queue that is created in this way is a local queue whose attributes are taken from the model queue definition. The dynamic queue name can be specified by the application or the queue manager can generate the name and return it to the application.

Dynamic queues defined in this way may be temporary queues, which do not survive product restarts, or permanent queues, which do.

### Specific local queues used by MQSeries

MQSeries uses some local queues for specific purposes related to its operation. You *must* define them before MQSeries can use them.

**Application queues:** A queue that is used by an application (through the MQI) is referred to as an *application queue*. This can be a local queue on the queue manager to which an application is linked, or it can be a remote queue that is owned by another queue manager.

Applications can put messages on local or remote queues. However, they can only get messages from a local queue.

**Initiation queues:** *Initiation queues* are queues that are used in triggering. A queue manager puts a trigger message on an initiation queue when a trigger event occurs. A trigger event is a logical combination of conditions that is detected by a queue manager. For example, a trigger event may be generated when the number of messages on a queue reaches a predefined depth. This event causes the queue manager to put a trigger message on a specified initiation queue. This trigger message is retrieved by a *trigger monitor*, a special application that monitors an initiation queue. The trigger monitor then starts up the application program that was specified in the trigger message.

If a queue manager is to use triggering, at least one initiation queue must be defined for that queue manager.

See “Managing objects for triggering” on page 67, and “runmqtrm (Start trigger monitor)” on page 209. For more information about triggering, see the *MQSeries Application Programming Guide*.

**Transmission queues:** A *transmission queue* temporarily stores messages that are destined for a remote queue manager. You must define at least one transmission queue for each remote queue manager to which the local queue manager is to send messages directly. These queues are also used in remote administration; see “Remote administration” on page 72. For information about the use of transmission queues in distributed queuing, see the *MQSeries Distributed Queuing Guide*.

**Dead-letter queues:** A *dead-letter queue* stores messages that cannot be routed to their correct destinations. This occurs when, for example, the destination queue is full. The supplied dead-letter queue is called SYSTEM.DEAD.LETTER.QUEUE. These queues are also referred to as undelivered-message queues on other platforms.

For distributed queuing, you should define a dead-letter queue on each queue manager involved.

**Command queues:** The command queue, named `SYSTEM.ADMIN.COMMAND.QUEUE`, is a local queue to which suitably authorized applications can send MQSeries for SunOS commands for processing. These commands are then retrieved by an MQSeries component called the command server. The command server validates the commands, passes the valid ones on for processing by the queue manager, and returns any responses to the appropriate reply-to queue.

You can define a command queue for each queue manager by running the supplied command file `amqscoma.tst`.

**Reply-to queues:** When an application sends a request message, the application that receives the message can send back a reply message to the sending application. This message is put on a queue, called a reply-to queue, which is normally a local queue to the sending application. The name of the reply-to queue is specified by the sending application as part of the message descriptor.

**Event queues:** MQSeries for SunOS supports instrumentation events, which can be used to monitor queue managers independently of MQI applications. instrumentation events can be generated in several ways, for example:

- An application attempting to put a message on a queue that is not available or does not exist.
- A queue becoming full.
- A channel being started.

When an instrumentation event occurs, the queue manager puts an event message on an event queue. This message can then be read by a monitoring application which may inform an administrator or initiate some remedial action if the event indicates a problem.

**Note:** Trigger events are quite different from instrumentation events in that trigger events are not caused by the same conditions, and do not generate event messages.

For more information about instrumentation events, see the *MQSeries Programmable System Management* manual.

## Process definitions

A *process definition object* defines an application that is to be started in response to a trigger event on an MQSeries for SunOS queue manager. See "Initiation queues" on page 8 for more information.

The process definition attributes include the application ID, the application type, and data specific to the application.

Use the MQSC command `DEFINE PROCESS` or the PCF command `Create Process` to create a process definition.

### Channels

*Channels* are objects that provide a communication path from one queue manager to another. Channels are used in distributed message queuing to move messages from one queue manager to another. They shield applications from the underlying communications protocols. The queue managers may exist on the same, or different, platforms. For queue managers to communicate with one another, you must define one channel object at the queue manager that is to send messages, and another, complementary one, at the queue manager that is to receive them.

For information on channels and how to use them, see the *MQSeries Distributed Queuing Guide*, and also “Preparing channels and transmission queues for remote administration” on page 73.

---

### System default objects

The *system default objects* are a set of object definitions that can be created for each queue manager, using the command file `amqscoma.tst`, which is supplied with MQSeries. You can copy and modify any of these object definitions for use in applications at your installation. Default object names have the stem `SYSTEM.DEF`; for example, the default local queue is `SYSTEM.DEFAULT.LOCAL.QUEUE`; the default receiver channel is `SYSTEM.DEF.RECEIVER`. You cannot rename these objects; default objects of these names are required.

When you define an object, any attributes that you do not specify explicitly are copied from the appropriate default object. For example, if you define a local queue, the attributes you do not specify are taken from the default queue `SYSTEM.DEFAULT.LOCAL.QUEUE`.

---

### Administration

In MQSeries, you carry out administration tasks by issuing *commands*. Three command sets are provided, depending on which tasks you want to perform and how you want to perform them. The command sets are described in Chapter 4, “Understanding administration command sets” on page 31. Administration tasks include:

- Starting and stopping queue managers.
- Creating objects, particularly queues, for applications.
- Working with channels to create communication paths to queue managers on other (remote) systems. This is described in detail in the *MQSeries Distributed Queuing Guide*.

### Local and remote administration

Local administration means carrying out administration tasks on any queue managers you have defined on your local system. You can access other systems, for example through the TCP/IP terminal emulation program **telnet**, and carry out administration there. In MQSeries, you can consider this as local administration because no channels are involved, that is, the communication is managed by the operating system.

MQSeries supports administration from a single point through what is known as *remote administration*. This allows you to issue commands from your local system that are processed on another system. You do not have to log on to that system, although you do need to have the appropriate channels defined. The queue manager and command server on the target system must be running. For example, you can issue a remote command to change a queue definition on a remote queue manager.

Some commands cannot be issued in this way, in particular, creating or starting queue managers and starting command servers. To perform this type of task, you must either log onto the remote system and issue the commands from there or create a process that can issue the commands for you.

---

## Clients and servers

MQSeries for SunOS supports client-server configurations for MQSeries applications.

An *MQSeries client* is a part of the MQSeries product that is installed on a machine to accept MQI calls from applications and pass them to an *MQI server* machine. There they are processed by a queue manager. Typically, the client and server reside on different machines but they can also exist on the same machine.

An *MQI server* is a queue manager that provides queuing services to one or more clients. All the MQSeries objects, for example queues, exist only on the queue manager machine, that is, on the MQI server machine. A server can support normal local MQSeries applications as well.

The difference between an MQI server and an ordinary queue manager is that a server has a dedicated communications link with each client. For more information about creating channels for clients and servers, see the *MQSeries Distributed Queuing Guide*

## MQSeries applications in a client-server environment

When linked to a server, client MQSeries applications can issue MQI calls in the same way as local applications. The client application issues an MQCONN call to connect to a specified queue manager. Any additional MQI calls that specify the connection handle returned from the connect request are then processed by this queue manager. You must link your applications to the appropriate client libraries. See the *MQSeries Application Programming Guide* for further information.

---

## Extending queue manager facilities

The facilities provided by a queue manager can be extended by:

- User exits
- Installable services

## User exits

User exits provide a mechanism for users to insert their own code into a queue manager function. Two types of user exits are supported:

- *Channel exits*, which change the way that channels operate.
- *Data conversion exits*, which create source code fragments that can be put into application programs to convert data from one format to another.

Both types of exit are related to distributed queueing. For more information about these exits and how to use them, see the *MQSeries Distributed Queuing Guide*.

## Installable services

Installable services are more extensive than exits in that they have formalized interfaces (an API) with multiple entry points.

An implementation of an installable service is called a *service component*. You can use the components supplied with the product, or you can write your own component to perform the functions that you require. Currently, the following installable service is provided:

- The **authorization service**, which allows you to build your own security facility. The default service component that implements the service is the Object Authority Manager (OAM), which is supplied with the product. By default, the OAM is active, that is, you do not have to do anything to configure it. You can use the authorization service interface to create other components to replace or augment the OAM.

See the *MQSeries Programmable System Management* manual.

---

## Security

Authorization for using MQI calls, commands, and access to objects is provided by the Object Authority Manager (OAM), which by default is enabled. Access to MQSeries entities is controlled through MQSeries for SunOS user groups and the OAM. A command line interface is provided to enable administrators to grant or revoke authorizations as required.

---

## MQSeries for SunOS and related products

The operation of MQSeries for SunOS can be extended by using it with the Tuxedo product.

MQSeries for SunOS can support full 2-phase commit in a transaction when used with an XA-compliant coordinator running under SunOS. See Chapter 10, "Transactional support and messaging" on page 109 for more information.

---

## Chapter 2. Installing MQSeries for SunOS

This chapter tells you how to install MQSeries for SunOS and how to verify that your installation has been successful.

### Notes for installers

You should see the README file for information concerning the latest information about this product.

Installers should be aware that the license agreement covering MQSeries has a usage restriction. A Server Extended Authorization **must** be obtained for each server that accepts MQI requests from MQSeries clients.

Server Extended Authorization means the use of an MQSeries server by applications on any number of MQSeries client machines through a message queue interface (MQI) channel.

“Use” is defined as an application connecting to MQSeries by issuing an MQCONN command.

---

## Components you can install

When you install MQSeries for SunOS you can choose which components to install. The components are as follows:

### Base product and server

The MQSeries for SunOS server code is automatically installed with the base code to support client connection.

### man

man pages for control commands, MQI calls, and MQSC commands.

### SunOS client

Support for SunOS clients with a SunOS server. Installable onto a SunOS client machine, or machines, from the installation media.

### Desktop clients

Support for:

- DOS clients with a SunOS server. Installable onto a DOS client machine, or machines, from the installation media.
- OS/2 clients with a SunOS server. Installable onto an OS/2 client machine, or machines, from the installation media.
- Windows 3.1 clients with a SunOS server. Installable onto a Windows client machine, or machines, from the installation media.

### Samples

Samples

### French

MQSeries messages - French

### German

MQSeries messages - German

## Installation

### Spanish

MQSeries messages - Spanish

Typically, a particular SunOS machine is designated as either an MQSeries client or server. This means that in most cases you install either the SunOS client component or the base product and server component.

---

## Installation requirements

The installation requirements depend on which components you install and how much working space you need. This, in turn, depends on the number of queues that you use, the number and size of the messages on the queues, and whether the messages are persistent or not. You also require archiving capacity on disk, tape, or other media.

## Disk storage

These are the approximate storage requirements:

- Base code and server:

A minimum of 25MB of disk space must be available for the product code and data in the `/usr/mqm` directory.

- Clients:

If you are installing client code, the storage required on the client machines is:

DOS      240KB on the DOS machine

OS/2     1.2MB on the OS/2 machine

Windows 552KB on the Windows machine

Working data for MQSeries for SunOS is stored by default in `/var/mqm`. See Figure 17 on page 227 for the directory structure.

**Note:** For added confidence in the integrity of your data, you are strongly advised to put your logs onto a *different* physical drive from the one that you use for the queues.

---

## Preparing for installation

This section guides you through some of the steps you must perform before you install MQSeries for SunOS.

### Before installation...

Before you can install MQSeries for SunOS you:

- Must create a SunOS group with the name `mqm`
- Must create a SunOS user ID with the name `mqm`
- Are recommended to create and mount a `/var/mqm` filesystem, or a `/var/mqm` and `/var/mqm/log`

After installation, this user ID (`mqm`) owns the directories and files that contain the resources associated with the product. This group and user must be defined for



any machine on which the MQSeries software is to be installed, whether the machine is a client or a server machine.

If you want to run any administration commands, for example, **crtmqm** (create queue manager) or **strmqm** (start queue manager), your user ID must be a member of group `mqm`.

For stand-alone machines, you can create the new user and group IDs locally. For machines administered in a network information services (NIS) domain, you can create the user and group IDs on the NIS master server machine.

---

## Installation

### Notes:

1. You need to have root authority to perform the installation procedure. You must log in as root or become the superuser.
2. In the following example, the name of the CD-ROM drive device is `sr0`, and the directory being used is `/cdrom`.
3. If the `/cdrom` directory has not been created, create it with the following command – `mkdir /cdrom`

Carry out the following procedure:

1. Mount the CD-ROM using the following command:
 

```
/usr/etc/mount -t hfs -o ro /dev/sr0 /cdrom
```
2. Run the installation script `amqinst.sh` by using the following command:
 

```
/bin/sh /cdrom/amqinst.sh
```
3. If you are loading the whole product select **all** from the install menu.  
If you only want to install part, or parts, of the product, enter the appropriate keyword or keywords.

## Removing MQSeries

**Note:** You need to have root authority to perform the uninstall procedure. You must log in as root or become the superuser.

To remove all instances of MQSeries components from the machine, issue the following command:

```
mqc_decustomize -all
```

To remove only the MQSeries binaries and libraries, issue the following command:

```
mqc_decustomize -mqc-execs
```

To remove only the queue manager directories issue the following command:

```
mqc_decustomize -mqc-dirs
```

---

### Kernel configuration

MQSeries makes use of semaphores and shared memory and it is, therefore, possible that the default kernel configuration is not adequate.

The recommended values of the kernel parameters are given in Figure 1.

After installation, you should review the machine's configuration and increase the values if necessary.

```
#
# Enable the System V IPC facilities
#
options IPCMESSAGE      # System V IPC message facility
options IPCSEMAPHORE    # System V IPC semaphore facility
options IPCSHMEM        # System V IPC shared-memory facility
#
# Set the values of IPC configuration parameters
#
options "SEMMAP=514"     # of entries in semaphore map
options "SEMMNI=512"     # of semaphore identifiers
options "SEMMNS=8000"   # of semaphores in system
options "SEMMNU=60"     # of undo structures in system
options "SEMUME=36"     # max # of undo entries per process
#
options "SHMMNI=200"    # of shared memory identifiers
options "SHMSIZE=65536" # {SHMMAX = (SHMSIZE * 1024)}
```

Figure 1. Kernel parameter values

See the SunOS documentation for details on how to change these values.

Once you have made the changes, you must rebuild the kernel and restart the system.

---

### Directories that exist after installation

When you install MQSeries for SunOS, the directories shown in Figure 2 on page 17 are created or added to the product files.

For information about the other MQSeries directories see Figure 17 on page 227.

When you install the product, you also receive:

- A set of man pages for the following entities:
  - MQSeries control commands
  - MQSeries commands (MQSC)
  - Message Queue Interface (MQI) calls
- A set of MQSeries books for SunOS in PostScript format, enabling you to print the books on a Postscript printer, or view the book with a suitable viewer.

**Note:** The books are **not** installed with the remainder of the product.

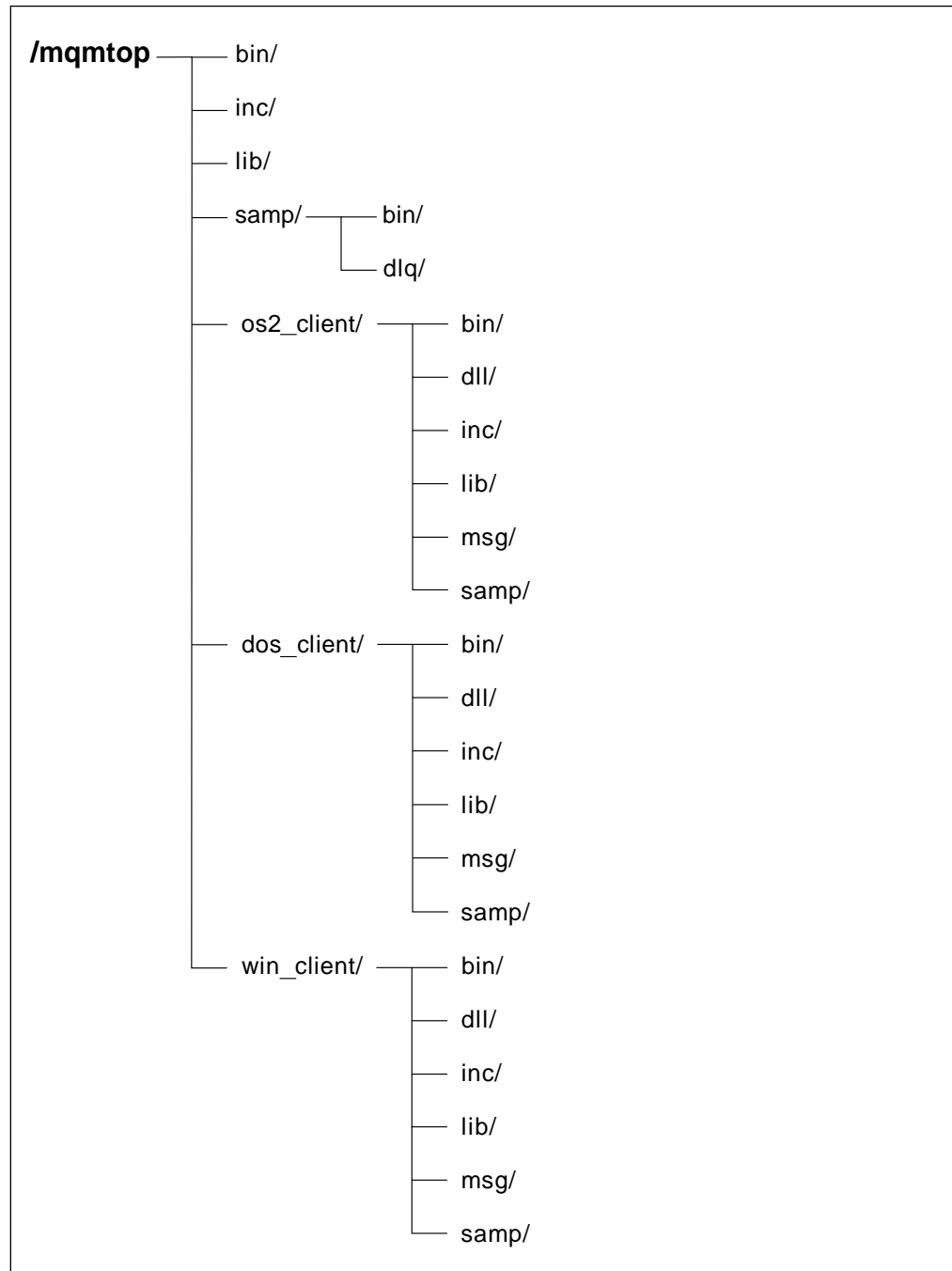


Figure 2. Default directory structure for the product files

The books available are stored under \cdrom\DOCS with the following filenames:

<b>Filename</b>	<b>Book</b>
<b>MQAPG.PS</b>	<i>MQSeries Application Programming Guide</i>
<b>MQAPRM.PS</b>	<i>MQSeries Application Programming Reference</i>
<b>MQAPRS.PS</b>	<i>MQSeries Application Programming Reference Summary</i>
<b>MQCLIENT.PS</b>	<i>MQSeries Clients</i>
<b>MQCMDREF.PS</b>	<i>MQSeries Command Reference</i>
<b>MQDQMGDE.PS</b>	<i>MQSeries Distributed Queuing Guide</i>
<b>MQPLNGDE.PS</b>	<i>MQSeries Planning Guide</i>
<b>MQPSM.PS</b>	<i>MQSeries Programmable System Management</i>
<b>MQSUNSMG.PS</b>	<i>MQSeries for SunOS Version 2 System Management Guide</i>

---

## Translated messages

Messages in US English are always available. If you require another of the languages that is supported by MQSeries for SunOS Version 2, you *must* ensure that your NLSPATH environment variable includes the appropriate directory. See Appendix E, "Support for different codesets on MQSeries for SunOS" on page 233 for a list of the languages supported.

For example, if you want messages in German:

```
export LANG=De_DE
export NLSPATH=/usr/share/lib/locale/LC_MESSAGES/%L/%N
```

---

## Verifying your installation

When you have installed the MQSeries for SunOS base, server and samples components, you should verify that the installation has completed successfully. The steps below tell you how to do this using the MQSC command file `amqscoma.tst`. The commands in this file initialize your MQSeries system and set up the default objects that your system requires. The objects that `amqscoma.tst` creates for you are listed in Appendix B, "System defaults" on page 225.

When you have completed the verification, you should delete the queue manager to leave a 'clean' system, that is, a system with no objects, including queue managers, defined.

**Note:** Deleting the queue manager does not delete the installation. You can, therefore, use this procedure even if it has been run before, by you or someone else.

## Follow these steps to verify your installation

The commands shown here are case-sensitive; type each command exactly as you see it.

These instructions assume that you are creating a queue manager called `QMNAME`. If you are creating a different queue manager, replace each occurrence of `QMNAME` with the chosen name in the following steps. Remember that a queue manager name must be unique within your network.

1. Create a queue manager called QMNAME using this command:

```
crtmqm -q QMNAME
```

**Notes:**

- a. The queue manager name is case-sensitive.
  - b. The -q flag denotes that this is the default queue manager. It is not essential to have a default queue manager, but it is recommended practice to have one.
  - c. For a detailed description of the **crtmqm** command and options see “crtmqm (Create queue manager)” on page 174.
2. Start the queue manager using this command:

```
strmqm QMNAME
```

The **strmqm** command returns control when the queue manager has started and is ready to accept connect requests.

3. Create the default objects for this queue manager by typing this command:

```
runmqsc QMNAME < /usr/mqm/samp/amqscoma.tst > defobj.out
```

The file `amqscoma.tst` contains a series of MQSC commands that define the system default objects for the queue manager QMNAME. The output from the MQSC commands is sent to a report file `defobj.out`. Examine the last two lines of the output file to verify that all commands were processed without error. If errors have occurred, you should examine the rest of this file, checking the confirmation messages for each MQSC command. For example:

```
AMQ8006 MQSeries queue created
```

If no errors are indicated, all commands were successful and you have verified that your installation was successful.

You may wish to modify a copy of `amqscoma.tst` to meet your own requirements for system defaults. If you do, you may have to reinstall the toolkit component of the product later.

4. Stop the queue manager using the command:

```
endmqm QMNAME
```

5. Delete the queue manager using the command:

```
dltmqm QMNAME
```

This command deletes the queue manager and its associated objects including the system default objects that you created in step 3.

### What to do if your installation was not a success

If any of the commands, including those run from the file `amqscoma.tst`, were not successful, look at the following:

- **Did you type in the commands correctly?** Try running one or more of the commands again. Remember that these commands and most parameters are case-sensitive. If you create a queue manager with an upper-case name, you must specify this as an upper-case name in any commands referring to this queue manager. For example, if you create a queue manager called `QMNAME`, you cannot use `'qmname'` or `'QMname'`.
- **Do you have enough disk space or memory to run the verification?** Check any error messages for an indication of this. If error message **AMQ7065 Insufficient space on disk** is returned, use the `df` command to display the current size of the `/var` directory. If there is less than 15 MB of free space, increase the size of your `/var` file system.
- **Do the required directories for the installed product exist?** Check these, and if they do not exist, attempt to reinstall.
- **Do you have the required authority to run the commands?** Check that your user ID is a member of group `mqm`.

---

## Installing clients

When you install MQSeries for SunOS, the files for the following clients are also provided. They are:

- OS/2
- DOS
- Windows 3.1

You can install SunOS client software directly from the CD-ROM onto the SunOS machine.

You also install the supported clients for DOS, OS/2, and Windows 3.1 on a SunOS machine in the usual way, but from here the client files are copied to the build and run environment on the client platform.

The required files are located in these directories.

- For DOS:

```
/usr/mqm/dos_client/lib  
/usr/mqm/dos_client/bin  
/usr/mqm/dos_client/inc  
/usr/mqm/dos_client/msg
```

- For OS/2:

```
/usr/mqm/os2_client/lib  
/usr/mqm/os2_client/bin  
/usr/mqm/os2_client/dll  
/usr/mqm/os2_client/inc  
/usr/mqm/os2_client/msg
```

- For Windows:

```
/usr/mqm/win_client/lib  
/usr/mqm/win_client/bin  
/usr/mqm/win_client/dll  
/usr/mqm/win_client/inc  
/usr/mqm/win_client/msg
```

Further information about clients can be found in the *MQSeries Clients* book.





---

## Chapter 3. Customizing your system

This chapter lists the tasks involved in customizing a queue manager to meet your requirements.

### Do I need to customize?

When you have installed the product, you can use it without having to customize it in any way. The default configuration provides all the facilities you need to build a working system that can participate in message queuing with other MQSeries systems.

However, you must have set up the required SunOS user and group IDs. See “Specifying user groups for security administration” on page 29 for more information.

### When do I customize?

Some customization tasks must be performed **before** you create a queue manager; others require you to stop and restart the queue manager. Check each task in turn, to see when you need to perform it.

### What are configuration files?

There are two types of configuration files. One contains information about the way your MQSeries system is set up or configured; this file is created when MQSeries is installed. The other contains information about the attributes of an individual queue manager. This file is generated when a queue manager is created.

“Things you can customize” on page 24 specifies which of these files to modify for each relevant configuration task. For more information about the files themselves, see Chapter 13, “Configuration files” on page 137.

### What do I do now?

Check each item in the list in the next topic to see if any of the things that you can customize apply to you. If not, you do not need to do anything else at this time and you can go on to Chapter 4, “Understanding administration command sets” on page 31.

### Things you can customize

Read through the following list to determine if any of the following aspects apply to systems within your enterprise:

- Configuring an authorization service component.
- Enabling communications support, see page 25.
- Implementing data conversion, see page 25.
- Defining the default and system objects, see page 27.
- Specifying a default prefix for queue manager objects, see page 27.
- Specifying log parameters, see page 28.
- Configuring a queue manager, see page 28.
- User groups for security administration, see page 29.

The terms in this list are explained in the following sections.

### Configuring an authorization service component

- *This task is not required on your first pass through this book.*
  - *By default, authority checking is turned on.*

The authorization service supports authority checking on commands and MQI calls for the user ID associated with the command or call. The names of the authorization service and the component that implements the service are specified in the queue manager configuration file (`qm.ini`).

By default, the active authorization service component is the Object Authority Manager (OAM), which is supplied with the product.

#### Changing the authorization service component

You can edit the configuration file for a specific queue manager to:

- Remove the OAM and therefore all security checking.
- Replace the OAM with a user-written authorization service component.
- Add a user-written authorization service component to augment the OAM.

These tasks are not required, unless you have specific security requirements that cannot be accommodated by the OAM.

For more information about the queue manager configuration file, see “Queue manager configuration file” on page 139. For information about writing your own authorization service component, refer to the *MQSeries Programmable System Management* manual.

**Note:** You can change the configuration file `qm.ini` after you have created and started the queue manager to which it relates. This has no effect until the queue manager is stopped and restarted. However, you should not create or change objects when the authorization service is off and then turn authorization back on again. If you do, you may compromise the security of your system.

## Enabling communications support

- *This task is required before you can communicate with other queue managers.*
- *You must stop and restart the queue manager to perform this task.*
- *By default, the communications protocols are not defined.*

You must specify the name of the communications protocol and other parameters that are to be used for communication with other queue managers. This includes the LAN protocol name, which must be one the following:

- LU 6.2
- TCP/IP

## Implementing data conversion

- *This task is not normally required on your first pass through this book.*
- *You do not need data conversion to communicate between similar nodes.*

If you are using MQSeries with systems that have different encodings, you need to use a data conversion exit. The conversion of messages is based on message formats—specified in the message descriptor—and all IBM message queuing formats are converted automatically. However, user formats are not converted so that even ASCII-to-EBCDIC conversion must be done using an exit (one per format).

You can use the supplied conversion exit utility if you wish to communicate with queue managers using MQI calls or remote commands, where the systems involved have formats outside those supported by MQSeries. The conversion exit utility allows you to create the required conversions as C source code. Refer to the *MQSeries Application Programming Guide* for more information. You can leave this task until run time. However, if you do, you may not be able to communicate between the two different machines until then.

### Supported codesets

MQSeries for SunOS Version 4.1.3 or above only supports the ISO 8859/1 (ISO Latin 1) character set.

Details of the supported codesets are given in Appendix E, "Support for different codesets on MQSeries for SunOS" on page 233.

### Adding information about coded character sets on SunOS

MQSeries stores information about the coded character sets that your operating system supports. If future versions of your operating system support additional coded character sets, you may need to update the information that MQSeries stores.

To update coded character set information edit the file `ccsid.tbl` in the SunOS directory `/var/mqm/conv/table`.

#### *Example of `ccsid.tbl`*

```
# Licensed Materials - Property of IBM
#
# (C) Copyright IBM Corp. 1994, 1995
#
# US Government Users Restricted Rights - Use, duplication or
# disclosure restricted by GSA ADP Schedule Contract with IBM Corp.
#
# This file is used to add newly supported CCSID values to the system.
# To be used the file should be placed in the /var/mqm/conv/table
# directory. CCSID and encoding values can be found in the CDRA
# documentation (SC09-1390). For mixed CCSIDs the "SBCS part" field
# should be set to the SBCS CCSID, otherwise this field should be 0.
# The codeset name is the name by which this CCSID is known on this
# operating system.
#
# The file can also be used to modify data stored for existing CCSIDs.
#
# Decimal      Hexadecimal      Decimal      Codeset
# CCSID        Encoding system  SBCS part    name
850            0x2100           0            ib850
437            0x2100           0            ib437
```

## Defining the default and system objects

- *This task is required, but is part of the standard administration procedures, see Chapter 5, “Managing queue managers” on page 37.*

MQSeries for SunOS provides an MQSC command file that you can use to set up the default and system objects. Typically, when you define an object, you do not define all the possible attributes. The ones you do not specify are inherited from the corresponding default object. The supplied command file `amqscoma.tst`, when used with the `runmqsc` command, creates a set of default and system objects. See “Running the supplied MQSC command files” on page 54 for information about running this sample.

If you change the attributes of the default object, any objects of the same type you create inherit the new values.

Do not attempt this if you are not familiar with the different commands and command sets provided on MQSeries for SunOS.

### Modifying the `amqscoma.tst` command file

You should consider modifying the command file `amqscoma.tst` if, for example:

- You have a large number of objects to create that have similar values that are not the same as those of the supplied default `amqscoma.tst` values.
- You have some specific requirements or limitations on the size of certain resources.

To modify `amqscoma.tst`, make a backup copy, make the required changes, and then use the new version of the file to create the default objects. See also “Creating the default and system objects” on page 42.

## Specifying prefixes for queue manager objects

- *This task is not normally required on your first pass through this book.*
- *By default, the prefixes are already set.*
- *You should not perform this task if you have existing MQSeries objects.*

The prefix for queue manager objects specifies the first part of the path to the files associated with a queue manager. You specify this when you install the product. Then, when you create any objects, this prefix is the first part of the path to the files associated with those objects. The prefix is specified in the `QueueManager` stanza in the MQSeries configuration file, `mqs.ini`.

If you change this prefix, all the objects are created at the locations specified by the new prefix. Unless you change it, the default prefix for queue manager objects is: `/var/mqm`.

**Attention:** To modify the locations of queue manager objects, you must update the *QueueManager* stanza in `mqs.ini` file **before** you create any objects. Do not change this stanza if you have already created objects for this queue manager.

### Specifying a default prefix

You can specify a default prefix, so that when you create a new queue manager its prefix is taken from the default. The default prefix is specified in the *DefaultPrefix* stanza in the `mqs.ini` file. Unless you have changed it, the default prefix is:  
`/var/mqm.`

## Specifying logging parameters

- *This task is not normally required on your first pass through this book.*
- *By default, the logging parameters are adequate.*
- *You must stop and restart the queue manager to perform this task.*

The logging parameters determine the type and size of the logs your system will use. These are specified in the configuration files `mqs.ini` and `qm.ini`, which are read when a queue manager is started. See “Log configuration stanzas” on page 143 for more information.

**Note:** User ID `mqm` and group `mqm` must have full authorities to the log files. If you change the locations of these files, you must give these authorities yourself. This is not required if the logs files are in the default locations supplied with the product.

## Sharing queues using the name service

- *This task is not normally required on your first pass through this book.*
- *You must stop and restart the queue manager to perform this task.*

The name service is an installable service that enables an application to access a queue on another queue manager as if it were a local queue. For MQI requests, applications can then treat this queue like a local queue, without being aware of its exact location.

The service name and the component to be invoked for that service are specified by stanzas in the `qm.ini` configuration file. By default, this service is not active. For information about configuration file stanzas and writing your own name service, see *MQSeries Programmable System Management* manual.

## Configuring a queue manager

- *This task is required, but is part of the standard administration procedures, see Chapter 5, “Managing queue managers” on page 37.*

When you create a queue manager, using the **crtmqm** command, you can specify certain properties for that queue manager. For example, you can specify the name of the dead-letter queue, and the default transmission queue.

Once you have created a queue manager, you may need to modify its properties. For more information, see “Guidelines for creating queue managers” on page 37 and Chapter 13, “Configuration files” on page 137.

## Specifying user groups for security administration

- You **must** perform this task before you install the queue manager.

You must create the user and group ID `mqm` before you install the product. (You should have already done this.) See “Preparing for installation” on page 14 for more information.

At this stage, you should also consider creating groups for user IDs for applications and administrators. You can, however, perform this task at any time.





---

## Chapter 4. Understanding administration command sets

Read this chapter for an overview of the different methods that you can use to perform system administration tasks on MQSeries objects. This chapter also helps you to understand the different methods, and when each should be used.

Administration tasks include creating, starting, altering, viewing, stopping, and deleting MQSeries objects, that is, queue managers, queues, processes, and channels. To perform these tasks, you must select the appropriate command from one of the supplied command sets.

MQSeries for SunOS provides three command sets for invoking administration tasks:

- Control commands
- MQSC commands
- PCF commands

This chapter describes the command sets that are available and provides a summary of the different commands in “Comparing command sets” on page 34.

---

### Control commands

Control commands fall into three categories:

- *Queue manager commands*, including commands for creating, starting, stopping, and deleting queue managers and command servers.
- *Channel commands*, including commands for starting and ending channels and channel initiators.
- *Utility commands*, including commands associated with:
  - Running MQSC commands
  - Conversion exits
  - Authority management
  - Recording and recovering media images of queue manager resources
  - Displaying and resolving transactions
  - Trigger monitors
  - Displaying the file names of MQSeries objects

### Using control commands

You type in control commands in a shell window. Control commands are case-sensitive, including the command name, the flags, and any arguments. For example, in the command:

```
crtmqm -u SYSTEM.DEAD.LETTER.QUEUE jupiter.queue.manager
```

- The command name must be `crtmqm`, not `CRTMQM`.
- The flag must be `-u`, not `-U`.
- The dead-letter queue is `SYSTEM.DEAD.LETTER.QUEUE`.

## MQSeries commands

- The argument is specified as `jupiter.queue.manager`; this is different from `JUPITER.queue.manager`.

Therefore, take care to type the commands exactly as you see them in the examples.

Chapter 15, “MQSeries control commands” on page 169 describes the syntax and purpose of each command.

---

## MQSeries commands (MQSC)

You use the MQSeries (MQSC) commands to manage queue manager objects, including the queue manager itself, channels, queues, and process definitions. For example, there are commands to define, alter, display, and delete a specified queue.

When you display a queue, using the `DISPLAY QUEUE` command, you display the queue *attributes*. For example, the `MAXMSGL` attribute specifies the maximum length of a message that can be put on the queue. The command does not show you the messages on the queue.

MQSC commands are available on other platforms including OS/2, AS/400, and MVS/ESA.

These commands are summarized in “Comparing command sets” on page 34. For detailed information about each MQSC command, see *MQSeries Command Reference*.

## Running MQSC commands

You run MQSC commands by invoking the control command `runmqsc` from an SunOS shell prompt. You can run MQSC commands:

- Interactively by typing them at the keyboard. See “Using the MQSC facility interactively” on page 49.
- As a sequence of commands from an ASCII text file. See “Running MQSC commands from text files” on page 51.

You can run the `runmqsc` command in three modes, depending on the flags set on the command:

- *Verification mode*, where the MQSC commands are verified on a local queue manager, but are not actually run.
- *Direct mode*, where the MQSC commands are run on a local queue manager.
- *Indirect mode*, where the MQSC commands are run on a remote queue manager.

For more information about using the MQSC facility and text files, see “Using the MQSC facility interactively” on page 49. For more information about the `runmqsc` command, see “runmqsc (Run MQSeries commands)” on page 205.

---

## PCF commands

The purpose of the MQSeries programmable command format (PCF) commands is to allow administration tasks to be programmed into an administration program. In this way you can create queues and process definitions, and change queue managers, from a program. In fact, PCF commands cover the same range of functions that are provided by the MQSC facility. You can therefore write a program to issue PCF commands to any queue manager in the network from a single node. In this way, you can both centralize and automate administration tasks.

Each PCF command is a data structure that is embedded in the application data part of an MQSeries message. Each command is sent to the target queue manager using the MQI function MQPUT in the same way as any other message. The command server on the queue manager receiving the message interprets it as a command message and runs the command. To get the replies, the application issues an MQGET call and the reply data is returned in another data structure. The application can then process the reply and act accordingly.

**Note:** Unlike MQSC commands, PCF commands and their replies are not in a text format that you can read.

Briefly, these are some of the things the application programmer must specify to create a PCF command message:

### Message descriptor

This is a standard MQSeries message descriptor, in which:

Message type specifies a *management request*.

Message format specifies *administration commands*.

### Application data

Contains the PCF message including the PCF header, in which:

The PCF message type specifies *command*.

The command identifier specifies the command, for example, *Change Queue*.

For a complete description of the PCF data structures and how to implement them, see the *MQSeries Programmable System Management* manual.

## Attributes in MQSC and PCFs

Object attributes specified in MQSC are shown in this book in uppercase, for example RQMNAME, although they are not case-sensitive. These attribute names are limited to eight characters, so it is not easy to work out the meaning of some of them, for example, QDPHIEV. Object attributes in PCF are shown in italics, are not limited to eight characters, and are therefore easier to read. The PCF equivalent of RQMNAME, is *RemoteQMgrName* and of QDPHIEV is *QDepthHighEvent*.

## Escape PCFs

Escape PCFs are PCF commands that contain MQSC commands within the message text. You can use PCFs to send commands to a remote queue manager. For more information about using escape PCFs, see the *MQSeries Programmable System Management* manual.

### Comparing command sets

The following tables compare the facilities available from the different administration command sets.

**Note:** Only MQSC commands that apply to MQSeries for SunOS are shown.

PCF	MQSC	Control
Change Queue Manager	ALTER QMGR	–
(Create queue manager)*	–	crtmqm
(Delete queue manager)*	–	dltmqm
Inquire Queue Manager	DISPLAY QMGR	–
(Stop queue manager)*	–	endmqm
Ping Queue Manager	PING QMGR	–
(Start queue manager)*	–	strmqm

**Note:** \* Not available as PCF commands.

Description	Control
Display command server	dspmqcsv
Start command server	strmqcsvg
Stop command server	endmqcsvg

**Note:** Functions in this group are available only as control commands. There are no equivalent MQSC or PCF commands in this group.

PCF	MQSC
Change Queue	ALTER QLOCAL ALTER QALIAS ALTER QMODEL ALTER QREMOTE
Clear Queue	CLEAR QUEUE
Copy Queue	DEFINE QLOCAL(x) LIKE(y) DEFINE QALIAS(x) LIKE(y) DEFINE QMODEL(x) LIKE(y) DEFINE QREMOTE(x) LIKE(y)
Create Queue	DEFINE QLOCAL DEFINE QALIAS DEFINE QMODEL DEFINE QREMOTE
Delete Queue	DELETE QLOCAL DELETE QALIAS DELETE QMODEL DELETE QREMOTE
Inquire Queue	DISPLAY QUEUE
Inquire Queue Names	DISPLAY QUEUE

**Note:** There are no equivalent control commands in this group.

<i>Table 4. Commands for process administration</i>	
PCF	MQSC
Change Process	ALTER PROCESS
Copy Process	DEFINE PROCESS(x) LIKE(y)
Create Process	DEFINE PROCESS
Delete Process	DELETE PROCESS
Inquire Process	DISPLAY PROCESS
Inquire Process Names	DISPLAY PROCESS
<b>Note:</b> There are no equivalent control commands in this group.	

<i>Table 5. Commands for channel administration</i>		
PCF	MQSC	Control
Change Channel	ALTER CHANNEL	–
Copy Channel	DEFINE CHANNEL(x) LIKE(y)	–
Create Channel	DEFINE CHANNEL	–
Delete Channel	DELETE CHANNEL	–
Inquire Channel	DISPLAY CHANNEL	–
Inquire Channel Names	DISPLAY CHANNEL	–
Ping Channel	PING CHANNEL	–
Reset Channel	RESET CHANNEL	–
Resolve Channel	RESOLVE CHANNEL	–
Start Channel	START CHANNEL	runmqchl
Start Channel Initiator	START CHINIT	runmqchi
Start Channel Listener	–	runmqlsr
Stop Channel	STOP CHANNEL	–

<i>Table 6. Other control commands</i>	
Description	Control
Create MQSeries conversion exit	crtmqcvx
Display authority	dspmqaout
Display files used by objects	dspmqlfs
Display MQSeries transactions	dspmqtrn
Record media image	rcdmqimg
Recreate media object	rcrmqobj
Resolve MQSeries transactions	rsvmqtrn
Run MQSC commands	runmqsc
Run trigger monitor	runmqtrm
Run client trigger monitor	runmqtmc
Set or reset authority	setmqaut
<b>Note:</b> Functions in this group are available only as control commands. There are no direct PCF or MQSC equivalents.	

## Comparing command sets

---

## Chapter 5. Managing queue managers

This chapter describes how you can perform operations on queue managers and command servers. It contains these sections:

- “Getting started”
- “Guidelines for creating queue managers”
- “Understanding MQSeries file names” on page 40
- “Working with queue managers” on page 41
- “Managing the command server for remote administration” on page 45

---

### Getting started

Before you can do anything with messages and queues, you must create at least one queue manager. Once the installation process is complete, you can use the MQSeries control commands to create a queue manager and start it. Then you can use MQSC commands to create the required default objects and system objects. Default objects form the basis of any object definitions that you make; system objects are required for queue manager operation. You must create these objects for each queue manager you create. The supplied command file `amqscoma.tst`, when used with the `runmqsc` command, creates a set of default and system objects. See “Running the supplied MQSC command files” on page 54 for information about running this sample.

See Chapter 4, “Understanding administration command sets” on page 31 for more information about commands that can be used with MQSeries for SunOS, and the different methods of invoking them.

---

### Guidelines for creating queue managers

A queue manager manages the resources associated with it, in particular the queues that it owns. It provides queuing services to applications for Message Queuing Interface (MQI) calls and commands to create, modify, display, and delete MQSeries objects. You create a queue manager using the `crtmqm` command. However, before you try this, especially in a production environment, work through this checklist:

- Specifying a unique queue manager name.
- Limiting the number of queue managers.
- Specifying a default queue manager.
- Specifying a dead-letter queue.
- Specifying a default transmission queue.
- Specifying the required logging parameters.
- Backing up configuration files after creating a queue manager.

The tasks in this list are explained in the sections that follow.

### Specifying a unique queue manager name

When you create a queue manager, you must ensure that no other queue manager has the same name, anywhere in your network. Queue manager names are not checked at create time, and non-unique names will prevent you from creating channels for distributed queuing.

One method of ensuring uniqueness is to prefix each queue manager name with its own (unique) node name. For example, if a node is called `accounts`, you could name your queue manager `accounts.saturn.queue.manager`, where `saturn` identifies a particular queue manager and `queue.manager` is an extension you can give to all queue managers. Alternatively, you can omit this, but note that `accounts.saturn` and `accounts.saturn.queue.manager` are *different* queue manager names.

If you are using MQSeries for communicating with other enterprises, you can also include your own enterprise as a prefix. We do not actually do this in the examples, because it makes them more difficult to follow.

**Note:** Queue manager names in control commands are case-sensitive. This means that you could create two queue managers with the names `jupiter.queue.manager` and `JUPITER.queue.manager`. Such complications are best avoided.

### Limiting the number of queue managers

In MQSeries for SunOS, you can create as many queue managers as resources allow. However, because each queue manager requires its own resources, it is generally better to have one queue manager with 100 queues than ten queue managers with ten queues each. In production systems, many nodes will be run with a single queue manager, but larger server machines may run with multiple queue managers.

### Specifying the default queue manager

Each node should have a default queue manager, though it is possible to configure MQSeries on a node without one.

To create a default queue manager, specify the `-q` flag on the `crtmqm` command. For a detailed description of this command and its parameters, see “`crtmqm` (Create queue manager)” on page 174.

#### What is a default queue manager?

The default queue manager is the queue manager that applications connect to if they do not specify a queue manager name in an MQCONN call. It is also the queue manager that processes MQSC commands when you invoke the `runmqsc` command without specifying a queue manager name.

#### How do you specify a default queue manager?

You include the `-q` flag on the `crtmqm` command to specify that the queue manager you are creating is the default queue manager. Omit this flag if you do not want to create a default queue manager.

Specifying a queue manager as the default *replaces* any existing default queue manager specification for the node.



**What happens if I make another queue manager the default?**

If you change the default queue manager, this can affect other users or applications. The change has no effect on currently-connected applications, because they can use the handle from their original connect call in any further MQI calls. This handle ensures that the calls are directed to the same queue manager. Any applications connecting after the change connect to the new default queue manager.

This may be what you intend, but you should take this into account before you change the default.

**Specifying a dead-letter queue**

The dead-letter queue is a local queue where messages are put if they cannot be routed to their correct destination.

**Attention:** It is vitally important to have a dead-letter queue on each queue manager in your network. Failure to do so may mean that errors in application programs cause channels to be closed or that replies to administration commands are not received.

For example, if an application attempts to put a message on a queue on another queue manager, but the wrong queue name is given, the channel is stopped, and the message remains on the transmission queue. Other applications cannot then use this channel for their messages.

The channels are not affected if the queue managers have dead-letter queues. The undelivered message is simply put on the dead-letter queue at the receiving end, leaving the channel and its transmission queue available.

Therefore, when you create a queue manager you should use the `-u` flag to specify the name of the dead-letter queue. You can also use an MQSC command to alter the attributes of a queue manager and specify the dead-letter queue to be used. See “Altering queue manager attributes” on page 51 for an example of an MQSC ALTER command.

A sample dead-letter queue definition is provided with the supplied sample `amqscoma.tst`. The queue is called `SYSTEM.DEAD.LETTER.QUEUE`. See “Creating the default and system objects” on page 42 for information about running this sample. When you find messages on a dead-letter queue, you can use the dead-letter queue handler, supplied with MQSeries, to process these messages. See Chapter 11, “The MQSeries dead-letter queue handler” on page 111 for further information about the dead-letter queue handler itself, and how to reduce the number of messages that might otherwise be placed on the dead-letter queue.

**Specifying a default transmission queue**

A transmission queue is a local queue on which messages in transit to a remote queue manager are queued pending transmission. The default transmission queue is the queue that is used when no transmission queue is explicitly defined. Each queue manager can be assigned a default transmission queue.

When you create a queue manager you should use the `-d` flag to specify the name of the default transmission queue. This does not actually create the queue; you have to do this explicitly later on. See “Working with local queues” on page 56 for more information.

### Specifying the required logging parameters

You can specify logging parameters on the **crtmqm** command, including the type of logging, and the path and size of the log files. In a development environment, the default logging parameters should be adequate. However, you can change the defaults if, for example:

- You have a low-end system configuration that cannot support large logs.
- You anticipate a large number of long messages being on your queues at the same time.

For more information about specifying logging parameters:

- On the **crtmqm** command, see “crtmqm (Create queue manager)” on page 174.
- Using configuration files, see “Log configuration stanzas” on page 143.

### Backing up configuration files after creating a queue manager

There are two configuration files to consider:

1. When you install the product, the MQSeries configuration file (mqs.ini) is created. It contains a list of queue managers, which is updated each time you create or delete a queue manager. There is one mqs.ini file per node.
2. When you create a new queue manager, a new queue manager configuration file (qm.ini) is automatically created. This contains configuration parameters for the queue manager.

You should make a backup of these files. If, later on, you create another queue manager that causes you problems, you can reinstate the backups when you have removed the source of the problem. As a general rule, you should back up your configuration files each time you create a new queue manager.

For more information about configuration files, see Chapter 13, “Configuration files” on page 137.

---

### Understanding MQSeries file names

The path to a queue manager directory is formed from the following:

- A prefix - the first part of the name:  
`/var/mqm`  
This prefix is defined in the queue manager configuration file.
- A literal:  
`qmgrs`
- A coded queue manager name, which is the queue manager name transformed into a valid directory name. For example, the queue manager:  
`queue.manager`  
would be represented as:  
`queue!manager`

This process is referred to as *name transformation*.

## Queue manager name transformation

In MQSeries you can give a queue manager a name containing up to 48 characters. For example, you could name a queue manager:

```
QUEUE.MANAGER.ACCOUNTING.SERVICES
```

However, each queue manager is represented by a file and there are limitations to the maximum length a file name can be, and to the characters that can be used in the name. As a result, the names of files representing objects are automatically transformed to meet the requirements of the file system.

The rules governing the transformation of a queue manager name, using the example of a queue manager with the name `queue.manager`, are as follows:

1. Transform individual characters:
  - . becomes !
  - / becomes &
2. If the name is still not valid:
  - a. Truncate it to eight characters
  - b. Append a three-character numeric suffix

For example, assuming the default prefix, the queue manager name becomes:

```
/var/mqm/qmgrs/queue!manager
```

The transformation algorithm also allows distinction between names that differ only in case, on file systems that are not case sensitive.

## Object name transformation

Object names are not necessarily valid file system names. Therefore the object names may need to be transformed. The method used is different from that for queue manager names because, although there only a few queue manager names per machine, there can be a large number of other objects for each queue manager. Only process definitions and queues are represented in the file system; channels are not affected by these considerations.

When a new name is generated by the transformation process there is no simple relationship with the original object name. You can use the **dspmqls** command to convert between real and transformed object names.

The queue files names start with the letter "q".

---

## Working with queue managers

MQSeries provides control commands for creating, starting, ending, and deleting queue managers. You can also display a queue manager's attributes using the MQSC command **DISPLAY QMGR** and change them using **ALTER QMGR**. See "Displaying queue manager attributes" on page 50 and "Altering queue manager attributes" on page 51.

### Creating a default queue manager

The following command creates a default queue manager called `saturn.queue.manager` and specifies the names of both its default transmission queue and its dead-letter queue:

```
crtmqm -q -d MY.DEFAULT.XMIT.QUEUE -u SYSTEM.DEAD.LETTER.QUEUE saturn.queue.manager
```

where:

`-q`

Indicates that this queue manager is the default queue manager.

`-d MY.DEFAULT.XMIT.QUEUE`

is the name of the default transmission queue.

`-u SYSTEM.DEAD.LETTER.QUEUE`

Is the name of the dead-letter queue.

`saturn.queue.manager`

Is the name of this queue manager. For `crtmqm`, this must be the last parameter in the command.

### Starting a queue manager

Although you have created a queue manager, it cannot process commands or MQI calls until it has been started. Start the queue manager by typing in this command:

```
strmqm saturn.queue.manager
```

The `strmqm` command does not return control until the queue manager has started and is ready to accept connect requests.

### Creating the default and system objects

You must create a set of default and system objects for each queue manager you create. To do this, use the `runmqsc` command specifying both the name of the queue manager and the name of the command file containing the commands. (You can specify `amqscoma.tst`, which is supplied as part of the product.) The following command creates the default and system objects:

```
runmqsc saturn.queue.manager < /usr/mqm/samp/amqscoma.tst > defobj.out
```

You can run this command immediately after the `strmqm` command has completed.

The file `defobj.out` is created, if it does not already exist. When the command has completed, `defobj.out` contains the output from the MQSC file. You should check that all the commands ran successfully before continuing.

For more information about running the MQSC facility (`runmqsc`), see “Running MQSC commands from text files” on page 51.

## Looking at object files

Each MQSeries queue, queue manager, or process object is represented by a file. Because these object names are not necessarily valid file names, the queue manager converts the object name into a valid file name, where necessary. This is described in “Understanding MQSeries file names” on page 40.

To find out how to display the real file name of an object, see “dspmqfls (Display MQSeries files)” on page 185.

## Stopping a queue manager

To stop a queue manager, use the **endmqm** command. For example, to stop a queue manager called `saturn.queue.manager` use this command:

```
endmqm saturn.queue.manager
```

By default, this command performs a *controlled* or *quiesced* shutdown of the specified queue manager. This may take a while to complete—a controlled shutdown waits until *all* connected applications have disconnected.

Optionally, this **endmqm** command can have a flag that specifies how the shutdown is to be carried out.

### If you have problems

Problems in shutting down a queue manager are often caused by applications. For example, when applications:

- Do not check MQI return codes properly.
- Do not request a notification of a quiesce.
- Terminate without disconnecting from the queue manager (by issuing an MQDISC call).

## Immediate and preemptive queue manager shutdowns

If a shutdown of a queue manager is very slow, or you believe that the queue manager is not going to stop, you can break out of the **endmqm** command using Ctrl-C. You can then issue another **endmqm** command, but this time with a flag specifying either an immediate or a preemptive shutdown.

For an *immediate shutdown* any current MQI calls are allowed to complete, but any new calls fail. This type of shutdown does not wait for applications to disconnect from the queue manager. For an immediate shutdown, the command is:

```
endmqm -i saturn.queue.manager
```

If an immediate shutdown does not work, you must resort to a *preemptive* shutdown, specifying the `-p` flag. For example:

```
endmqm -p saturn.queue.manager
```

## Working with queue managers

**Attention:** Do not use this method unless all other attempts to stop the queue manager using the **endmqm** command have failed. This method can have unpredictable consequences for connected applications.

If this method still does not work, see “Stopping a queue manager manually” on page 235 for an alternative.

For a detailed description of the **endmqm** command and its options, see “endmqm (End queue manager)” on page 191.

## Restarting a queue manager

To restart a queue manager, use the command:

```
strmqm saturn.queue.manager
```

## Making an existing queue manager the default

When you create a default queue manager, the name of the default queue manager is inserted in the *DefaultQueueManager* stanza in the MQSeries configuration file (mqs.ini). The stanza and its contents are automatically created if they do not exist.

You may need to edit this stanza:

- To make an existing queue manager the default. To do this you have to change the queue manager name in this stanza to the name of the new default queue manager. You must do this manually, using a text editor.
- If you do not have a default queue manager on the node, and you want to make an existing queue manager the default. To do this you must create the *DefaultQueueManager* stanza—with the required name—yourself.
- If you accidentally make another queue manager the default and wish to revert to the original default queue manager. To do this, edit the *DefaultQueueManager* stanza in the MQSeries configuration file, replacing the name of the unwanted default queue manager with that of the one you do want.

See Chapter 13, “Configuration files” on page 137 for information about configuration files.

When the stanza contains the required information, stop the queue manager and restart it.

## Deleting a queue manager

To delete a queue manager, first stop it, then use the following command:

```
dltmqm saturn.queue.manager
```

**Attention:** Deleting a queue manager is a drastic step, because you also delete all the resources associated with it. This includes not only all queues and their messages, but also all object definitions.

For a description of the **dltmqm** command and its options, see “dltmqm (Delete queue manager)” on page 178. You should ensure that only trusted administrators have the authority to use this command.

If the usual methods for deleting a queue manager do not work, see “Removing queue managers manually” on page 235 for an alternative.

---

## Managing the command server for remote administration

Each queue manager has a command server associated with it. A command server processes any incoming commands from remote queue managers, or PCF commands from applications. It presents the commands to the queue manager for processing and returns a completion code or operator message depending on the origin of the command. There are separate control commands for starting and stopping the command server.

**Note:** For remote administration, you must ensure that the target queue manager is running. Otherwise, the messages containing commands cannot leave the queue manager from which they are issued. Instead, these messages are queued in the local transmission queue that serves the remote queue manager. This situation should be avoided, if at all possible.

### Starting the command server

To start the command server use this command:

```
strmqcsv saturn.queue.manager
```

where `saturn.queue.manager` is the queue manager for which the command server is being started.

### Displaying the status of the command server

For remote administration, you must ensure that the command server on the target queue manager is running. If it is not running, no remote commands can be processed. Any messages containing commands are queued in the target queue manager's command queue.

To display the status of the command server for a queue manager, called here `saturn.queue.manager`, the command is:

```
dspmqcsv saturn.queue.manager
```

You must issue this command on the target machine. If the command server is running, the following message is returned:

```
AMQ8027    MQSeries Command Server Status ...: Running
```

### Stopping a command server

To end a command server, the command, using the previous example is:

```
endmqcsv saturn.queue.manager
```

You can stop the command server in two different ways:

- For a controlled stop, use the **endmqcsv** command with the -c flag. This is the default.
- For an immediate stop, use the **endmqcsv** command with the -i flag.



## Chapter 6. Administering local MQSeries objects

This chapter describes how to administer local MQSeries objects to support application programs that use the Message Queuing Interface (MQI). In this context, local administration means creating, displaying, changing, copying, and deleting MQSeries objects.

This chapter contains these sections:

- “Supporting application programs that use the MQI”
- “Issuing MQSC commands for administration” on page 48
- “Running MQSC commands from text files” on page 51
- “If you have problems with MQSC” on page 55
- “Working with local queues” on page 56
- “Working with alias queues” on page 64
- “Working with model queues” on page 66
- “Managing objects for triggering” on page 67

### Supporting application programs that use the MQI

MQSeries application programs need certain objects before they can run successfully. For example, Figure 3 shows an application that removes messages from a queue, processes them, and then sends some results to another queue on the same queue manager.

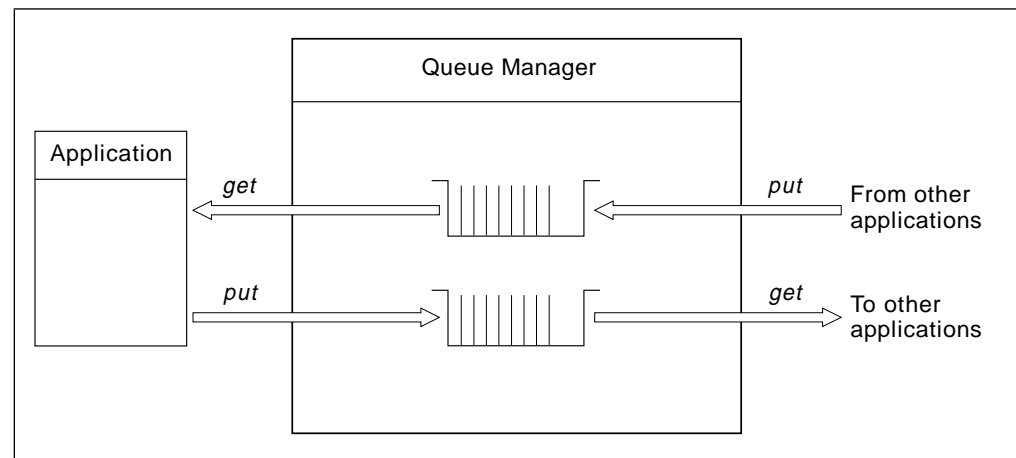


Figure 3. Queues, messages, and applications

Whereas applications can put (using MQPUT) messages on local or remote queues, they can only get (using MQGET) messages directly from local queues.

Before this application can be run, these conditions must be satisfied:

- The queue manager must exist and be running.
- The first application queue, from which the messages are to be removed, must be defined.
- The second queue, on which the application puts the messages, must also be defined.

## Issuing MQSC commands

- The application must be able to connect to the queue manager. To do this it must be linked to the product code. See the *MQSeries Application Programming Guide* for more information.
- The applications that put the messages on the first queue must also connect to a queue manager. If they are remote, they must also be set up with transmission queues and channels. This part of the system is not shown in Figure 3 on page 47.

---

## Issuing MQSC commands for administration

In this section, we assume that you will be issuing commands using the **runmqsc** command. You can do this interactively—entering the commands at the keyboard—or you can redirect the standard input device (stdin) to run a sequence of commands from an ASCII text file. In both cases, the format of the commands is the same.

The *MQSeries Command Reference* manual contains a description of each MQSC command and its syntax.

### Before you start

Before you can run MQSC commands, you must have created and started the queue manager that is going to run the commands, see “Creating a default queue manager” on page 42.

#### MQSeries object names

In examples, we use some long names for objects. This is to help you identify what type of object it is you are dealing with.

When you are issuing MQSC commands, you need only specify the local name of the queue. In our examples, we use queue names such as:

```
ORANGE.LOCAL.QUEUE
```

The LOCAL.QUEUE part of the name is simply to illustrate that this queue is a local queue. It is *not* required for the names of local queues in general.

We also use the name saturn.queue.manager as a queue manager name.

The queue.manager part of the name is simply to illustrate that this object is a queue manager. It is *not* required for the names of queue managers in general.

You do not have to use these names, but if you do not, you must modify any commands in examples that specify them.

#### Case-sensitivity in MQSC commands

MQSC commands, including their attributes, can be written in upper or lower case. Object names in MQSC commands are folded (that is, QUEUE and queue are not differentiated), unless the names are put in single quotes. If quotes are not used, the object is processed with a name in uppercase. See the *MQSeries Command Reference* manual for more information.

However, the **runmqsc** command that invokes the MQSC facility is case-sensitive; see “Using control commands” on page 31.

## Standard input and output

The *standard input device*, also referred to as `stdin`, is the device from which input to the system is taken. Typically, this is the keyboard, but you can redirect it to come from a serial port, a (disk) file, and so on. The *standard output device*, also referred to as `stdout`, is the device to which output from the system is sent. Typically, this is a display, but it can be redirected to a serial port, a file, and so on.

On a shell command the '`<`' operator redirects input. If this operator is followed by a file name, input is taken from the file. Similarly, the '`>`' operator redirects output; if this operator is followed by a file name, the output is sent to the file.

## Using the MQSC facility interactively

To enter commands interactively, open a shell and type:

```
runmqsc
```

In this command, a queue manager name has not been specified, therefore the MQSC commands will be processed by the default queue manager. Now you can type in any MQSC commands, as required. For example, try this one:

```
DEFINE QLOCAL (ORANGE.LOCAL.QUEUE)
```

## Feedback from MQSC commands

When you issue commands from the MQSC facility, the queue manager returns operator messages that confirm your actions or tell you about the errors you have made. For example:

```
AMQ8006: MQSeries queue created
.
.
.
AMQ8405: Syntax error detected at or near end of command segment below:-
Z
```

The first message confirms that a queue has been created; the second indicates that you have made a syntax error. These messages are sent to the standard output device. If you have not entered the command correctly, refer to the *MQSeries Command Reference* manual for the correct syntax.

## Ending interactive input to MQSC

If you are using MQSC interactively, you can exit by typing the EOF character CTRL+D.

If you are redirecting input from other sources, such as a text file, you do not have to do this.

### Displaying queue manager attributes

To display the attributes of the queue manager specified on the `runmqsc` command, use the following MQSC command:

```
DISPLAY QMGR ALL
```

A typical output is:

```
1 : display qmgr all
AMQ8408: Display Queue Manager details.
DESCR( )
DEADQ(SYSTEM.DEAD.LETTER.QUEUE)
DEFXMITQ(MY.DEFAULT.XMIT.QUEUE)
COMMANDQ(SYSTEM.ADMIN.COMMAND.QUEUE)
QMNAME(saturn.queue.manager)
TRIGINT(999999999)
MAXHANDS(256)
MAXUMSGS(10000)
AUTHOREV(DISABLED)
INHIBTEV(DISABLED)
LOCALEV(DISABLED)
REMOTEEV(DISABLED)
PERFMEV(DISABLED)
STRSTPEV(ENABLED)
MAXPRTY(9)
CCSID(850)
MAXMSGL(4194304)
CMDLEVEL(100)
PLATFORM(UNIX)
SYNCPT
```

The ALL parameter on the DISPLAY QMGR command causes all the queue manager attributes to be displayed. In particular, the output tells us the default queue manager name (`saturn.queue.manager`), and the names of the dead-letter queue (`SYSTEM.DEAD.LETTER.QUEUE`) and the command queue (`SYSTEM.ADMIN.COMMAND.QUEUE`). Both these queues should have been created when you ran the sample `amqscoma.tst`; see “Creating the default and system objects” on page 42.

Before you go further, confirm that these queues have been created by typing the command:

```
DISPLAY QUEUE (SYSTEM.*)
```

This displays a list of queues that match the stem ‘SYSTEM.\*’. The parentheses are required.

## Using a queue manager that is not the default

You can specify the queue manager name on the **runmqsc** command to run MQSC commands on a local queue manager other than the default. For example, to run MQSC commands on queue manager `jupiter.queue.manager`, use the command:

```
runmqsc jupiter.queue.manager
```

After this, all the MQSC commands you type in are processed by this queue manager—assuming that it is on the same node and is already running.

You can also run MQSC commands on a remote queue manager; see “Issuing MQSC commands remotely” on page 76.

## Altering queue manager attributes

To alter the attributes of the queue manager specified on the **runmqsc** command, use the MQSC command **ALTER QMGR**, specifying the attributes and values that you want to change. For example, use the following commands to alter the attributes of `jupiter.queue.manager`:

```
runmqsc jupiter.queue.manager  
  
ALTER QMGR DEADQ (ANOTHERDLQ) INHIBTEV (ENABLED)
```

The **ALTER QMGR** command changes the dead-letter queue used, and enables inhibit events.

---

## Running MQSC commands from text files

Running MQSC commands interactively is suitable for quick tests, but if you have very long commands, or commands that you want to repeat, over again, you should redirect `stdin` from a text file. (See “Standard input and output” on page 49 for information about `stdin` and `stdout`.) To do this, first create a text file containing the MQSC commands using your familiar text editor. When you use the **runmqsc** command, use the shell redirection operators. For example, the following command runs a sequence of commands contained in the text file `myprog.in`:

```
runmqsc < myprog.in
```

Similarly, you can also redirect the output to a file. A file containing the MQSC commands for input is called an *MQSC command file*. The output file containing replies from the queue manager is called the *report file*.

## Running MQSC commands

To redirect both `stdin` and `stdout` on the `runmqsc` command, use this form of the command:

```
runmqsc < myprog.in > myprog.out
```

This command invokes the MQSC commands contained in the MQSC command file `myprog.in`. Because we have not specified a queue manager name, the MQSC commands are run against the default queue manager. The output is sent to the report file `myprog.out`. Figure 4 shows an extract from the MQSC command file `myprog.in` and Figure 5 on page 53 shows the corresponding extract of the output in `myprog.out`.

To redirect `stdin` and `stdout` on the `runmqsc` command, for a queue manager (`saturn.queue.manager`) that is not the default, use this form of the command:

```
runmqsc saturn.queue.manager < myprog.in > myprog.out
```

## MQSC command files

MQSC commands are written in human-readable form, that is, in ASCII text. Figure 4 is an extract from an MQSC command file showing an MQSC command (`DEFINE QLOCAL`) with its attributes. The *MQSeries Command Reference* manual contains a description of each MQSC command and its syntax.

```
.  
. .  
DEFINE QLOCAL(ORANGE.LOCAL.QUEUE) REPLACE +  
  DESCR(' ') +  
  PUT(ENABLED) +  
  DEFPRTY(0) +  
  DEFPSIST(NO) +  
  GET(ENABLED) +  
  MAXDEPTH(5000) +  
  MAXMSGL(1024) +  
  DEFSOPT(SHARED) +  
  NOHARDENBO +  
  USAGE(NORMAL) +  
  NOTRIGGER  
. . .
```

Figure 4. Extract from the MQSC command file, `myprog.in`

You must limit lines to maximum of 80 characters. The plus sign indicates that the command is continued on the next line.

## MQSC reports

The `runmqsc` command returns a *report*, which is sent to `stdout`. The report contains:

- A header identifying MQSC as the source of the report:  
Starting MQSeries Commands.
- An optional numbered listing of the MQSC commands issued. By default, the text of the input is echoed to the output. Within this output, each command is prefixed by a sequence number, as shown in Figure 5. However, you can use the `-e` flag on the `runmqsc` command to suppress the output.
- A syntax error message for any commands found to be in error.
- An *operator message* indicating the outcome of running each command. For example, the operator message for the successful completion of a `DEFINE QLOCAL` command is:

```
AMQ8006: MQSeries queue created.
```

- Other messages resulting from general errors when running the script file.
- A brief statistical summary of the report indicating the number of commands read, the number of commands with syntax errors, and the number of commands that could not be processed.

**Note:** The queue manager only attempts to process those commands that have no syntax errors.

```
Starting MQSeries Commands.
.
.
12:    DEFINE QLOCAL('RED.LOCAL.QUEUE') REPLACE +
:      DESCR(' ') +
:      PUT(ENABLED) +
:      DEFPRTY(0) +
:      DEFPSIST(NO) +
:      GET(ENABLED) +
:      MAXDEPTH(5000) +
:      MAXMSGL(1024) +
:      DEFSOPT(SHARED) +
:      USAGE(NORMAL) +
:      NOTRIGGER
AMQ8006: MQSeries queue created.
:
.
.
15 MQSC commands read.
0 commands have a syntax error.
0 commands cannot be processed.
```

Figure 5. Extract from the MQSC report file, `myprog.out`.

### Running the supplied MQSC command files

When you install MQSeries for SunOS, these MQSC command files are supplied:

amqscoma.tst	Default and system objects.
amqscos0.tst	Definitions of objects used by sample programs.

The files are located in the directory `/usr/mqm/samp`.

You should already have run **runmqsc** against the command file `amqscoma.tst`. If you have not done this, or if you have deleted any of the objects created from it, run it again by typing:

```
runmqsc < /usr/mqm/samp/amqscoma.tst
```

The DEFINE commands in `amqscoma.tst` specify the REPLACE option, which overwrites the existing definitions, if possible. See the *MQSeries Command Reference* manual for more information about REPLACE.

### Using runmqsc to verify commands

You can use the **runmqsc** command to verify MQSC commands on a local queue manager without actually running them. To do this, set the `-v` flag in the **runmqsc** command, for example:

```
runmqsc -v < myprog.in > myprog.out
```

When you invoke **runmqsc** against an MQSC command file, the queue manager verifies each command and returns a report without actually running the MQSC commands. This allows you to check the syntax of all the commands in your command file. This is particularly important if you are:

- Running a large number of commands from a command file.
- Using an MQSC command file many times over.

This report is similar to that shown in Figure 5 on page 53.

You cannot use this method to verify MQSC commands remotely. For example, if you attempt this command:

```
runmqsc -w 30 -v jupiter.queue.manager < myprog.in > myprog.out
```

the `-w` flag is ignored, and the command is run locally.



## If you have problems with MQSC

If you cannot get your MQSC commands to run, use the following checklist to see if any of these common problems apply to you. It is not always obvious what the problem is when you read the error generated.

When you use the **runmqsc** command, remember:

- Check your file paths. By default, the **runmqsc** executable program is located in directory **/usr/mqm/bin**, and this is symbolically linked, using **symlink**, to **/usr/bin**,
- Use the indirection operator **<** when redirecting input from a file. Otherwise, the queue manager interprets the file name as a queue manager name. For example:

```
runmqsc amqscoma.tst

5697-A03 (C) Copyright IBM Corp. 1995. ALL RIGHTS RESERVED.
Starting MQSeries Commands.

AMQ8118: MQSeries queue manager does not exist.
0 MQSC commands read.
0 commands have a syntax error.
0 commands cannot be processed.
```

- If you redirect output to a file, use the **>** indirection operator. By default, the output goes to the directory from which you ran the **runmqsc** command. Specify a fully-qualified file name to send your output to a specific file and directory. For example:

```
runmqsc < /usr/mqm/samp/amqscoma.tst > /u/zorg/myfile.output
```

- Check that you really have created the queue manager that is going to run the commands.
 

To do this, look in the configuration file **mq5.ini**, which by default is located in the **/var/mqm** directory. This file contains the names of the queue managers and the name of the default queue manager, if you have one.
- The queue manager should already be started, if it is not, start it; see “Starting a queue manager” on page 42. You get an error message if it is already started.

## Working with local queues

- Specify a queue manager name on the **runmqsc** command if you have not defined a default queue manager, otherwise you get this error:

```
runmqsc <amqscoma.tst

5697-A03 (C) Copyright IBM Corp. 1995. ALL RIGHTS RESERVED.
Starting MQSeries Commands.

AMQ8146: MQSeries queue manager not available.
0 MQSC commands read.
0 commands have a syntax error.
0 commands cannot be processed.
```

To correct this type of problem, see “Making an existing queue manager the default” on page 44.

- You cannot specify an MQSC command as a **runmqsc** parameter:

```
runmqsc DEFINE QLOCAL(FRED)
```

- You cannot enter MQSC commands from the shell before you issue the **runmqsc** command. For example:

```
DEFINE QLOCAL(Queue1)

ksh: DEFINE: not found.
```

- You cannot run control commands from **runmqsc**. For example, you cannot start a queue manager once you are running MQSC interactively:

```
runmqsc
5697-A03 (C) Copyright IBM Corp. 1995. ALL RIGHTS RESERVED.
Starting MQSeries Commands.

strmqm saturn.queue.manager
  1 : strmqm saturn.queue.manager
AMQ8405: Syntax error detected at or near end of command segment below:
s
```

See also “If you have problems using MQSC remotely” on page 78.

---

## Working with local queues

This section contains examples of some of the MQSC commands that you can use. Refer to the *MQSeries Command Reference* for a complete description of these commands.

## Defining a local queue

For an application, the local queue manager is the queue manager to which the application is connected. Queues that are managed by the local queue manager are said to be local to that queue manager.

Use the MQSC command DEFINE QLOCAL to create a definition of a local queue and also to create the data structure that is called a queue. You can also modify the queue characteristics from those of the default local queue.

In this example, the queue we define, ORANGE.LOCAL.QUEUE, is specified to have these characteristics:

- It is enabled for gets, disabled for puts, and operates on a first-in-first-out (FIFO) basis.
- It is an 'ordinary' queue, that is, it is not an initiation queue or a transmission queue, and it does not generate trigger messages.
- The maximum queue depth is 1000 messages; the maximum message length is 2000 bytes.

The following MQSC command does this:

```
DEFINE QLOCAL (ORANGE.LOCAL.QUEUE) +
  DESCR('Queue for messages from other systems') +
  PUT (DISABLED) +
  GET (ENABLED) +
  NOTRIGGER +
  MSGDLVSQ (FIFO) +
  MAXDEPTH (1000) +
  MAXMSGL (2000) +
  USAGE (NORMAL)
```

### Notes:

1. Most of these attributes are the defaults as supplied with the product. However, they are shown here for purposes of illustration. You can omit them if you are sure that the defaults are what you want or have not been changed. See also "Displaying default object attributes" on page 58.
2. USAGE (NORMAL) indicates that this queue is not a transmission queue.
3. If you already have a local queue on the same queue manager with the name ORANGE.LOCAL.QUEUE, this command fails. Use the REPLACE attribute, if you want to overwrite the existing definition of a queue, but see also "Changing local queue attributes" on page 59.

## Defining a dead-letter queue

Each queue manager should have a local queue to be used as a dead-letter queue so that messages that cannot be delivered to their correct destination can be stored for later retrieval. You must explicitly tell the queue manager about the dead-letter queue. You can do this by specifying a dead-letter queue on the **crtmqmqm** command or you can use the ALTER QMGR command to specify one later. You must also define the dead-letter queue before it can be used.

## Working with local queues

A sample dead-letter queue called `SYSTEM.DEAD.LETTER.QUEUE` is supplied with the product in the file `amqscoma.tst`. This queue is automatically created when you run the sample. You can modify this definition if required. There is no need to rename it, although you can if you like.

A dead-letter queue has no special requirements except that it must be a local queue and its `MAXMSGL` (maximum message length) attribute must enable the queue to accommodate the largest messages that the queue manager has to handle.

MQSeries provides a dead-letter queue handler that allows you to specify how messages found on a dead-letter queue are to be processed or removed. For further information, see Chapter 11, “The MQSeries dead-letter queue handler” on page 111.

## Displaying default object attributes

When you define an MQSeries object, it takes any attributes that you do not specify from the default object. For example, when you define a local queue, the queue inherits any attributes that you omit in the definition from the default local queue, which is called `SYSTEM.DEFAULT.LOCAL.QUEUE`. To see exactly what these attributes are, use the following command:

```
DISPLAY QUEUE (SYSTEM.DEFAULT.LOCAL.QUEUE) ALL
```

**Note:** The syntax of this command is different from that of the corresponding `DEFINE` command.

You can selectively display attributes by specifying them individually. For example:

```
DISPLAY QUEUE (ORANGE.LOCAL.QUEUE) +  
    MAXDEPTH +  
    MAXMSGL +  
    CURDEPTH
```

This command displays the three specified attributes as follows:

```
AMQ8409: Display Queue details.  
    QUEUE(ORANGE.LOCAL.QUEUE)  
    MAXDEPTH(1000)  
    MAXMSGL(2000)  
    CURDEPTH(0)
```

`CURDEPTH` is the current queue depth, that is, the number of messages on the queue. This is a useful attribute to display, because by monitoring the queue depth you can ensure that the queue does not become full.

## Copying a local queue definition

You can copy a queue definition using the LIKE attribute on the DEFINE command. For example:

```
DEFINE QLOCAL (MAGENTA.QUEUE) +
  LIKE (ORANGE.LOCAL.QUEUE)
```

This command creates a queue with the same attributes as our original queue ORANGE.LOCAL.QUEUE, rather than those of the system default local queue.

You can also use this form of the DEFINE command to copy a queue definition, but substituting one or more changes to the attributes of the original. For example:

```
DEFINE QLOCAL (THIRD.QUEUE) +
  LIKE (ORANGE.LOCAL.QUEUE) +
  MAXMSGL(1024)
```

This command copies the attributes of the queue ORANGE.LOCAL.QUEUE to the queue THIRD.QUEUE, but specifies that the maximum message length on the new queue is to be 1024 bytes, rather than 2000.

### Notes:

1. When you use the LIKE attribute on a DEFINE command, you are copying the queue attributes only. You are not copying the messages on the queue.
2. If you define a local queue, without specifying LIKE, it is the same as DEFINE LIKE(SYSTEM.DEFAULT.LOCAL.QUEUE).

## Changing local queue attributes

You can change queue attributes in two ways, using either the ALTER QLOCAL command or the DEFINE QLOCAL command with the REPLACE attribute. In “Defining a local queue” on page 57, we defined the queue ORANGE.LOCAL.QUEUE. Suppose, for example, you wanted to increase the maximum message length on this queue to 10 000 bytes.

- Using the ALTER command:

```
ALTER QLOCAL (ORANGE.LOCAL.QUEUE) MAXMSGL(10000)
```

This command changes a single attribute, that of the maximum message length; all the other attributes remain the same.

- Using the DEFINE command with the REPLACE option, for example:

```
DEFINE QLOCAL (ORANGE.LOCAL.QUEUE) MAXMSGL(10000) REPLACE
```

This command changes not only the maximum message length, but all the other attributes, which are given their default values. The queue is now put

## Working with local queues

enabled whereas previously it was put inhibited. Put enabled is the default, as specified by the queue SYSTEM.DEFAULT.LOCAL.QUEUE, unless you have changed it.

If you **decrease** the maximum message length on an existing queue, existing messages are not affected. Any new messages, however, must meet the new criteria.

## Clearing a local queue

To delete all the messages from a local queue called MAGENTA.QUEUE, use the following command:

```
CLEAR QLOCAL (MAGENTA.QUEUE)
```

You cannot clear a queue if:

- There are uncommitted messages that have been put on the queue under syncpoint.
- An application currently has the queue open.

## Deleting a local queue

Use the MQSC command DELETE QLOCAL to delete a local queue. A queue cannot be deleted if it has uncommitted messages on it. However, if the queue has one or more committed messages, and no uncommitted messages, it can only be deleted if you specify the PURGE option. For example:

```
DELETE QLOCAL (PINK.QUEUE) PURGE
```

Specifying NOPURGE instead of PURGE ensures that the queue is not deleted if it contains any committed messages.

## Browsing queues

If you need to look at the contents of the messages on a queue, MQSeries for SunOS provides a sample queue browser for this purpose. The browser is supplied both as source and as a module that can be run. By default, the file names and paths are:

```
Source          /usr/mqm/samp/amqsbcg0.c  
Executable     /usr/mqm/samp/bin/amqsbcg
```

The sample takes two parameters, which are the:

- Queue manager name, for example, snooker
- Queue name, for example, SYSTEM.ADMIN.RESPQ.tpp01.

as shown in the following command:

```
amqsbcg snooker SYSTEM.ADMIN.RESPQ.tpp01
```

There are no defaults; both parameters are required. Typical results from this commands are:









---

### Working with alias queues

An alias queue (also known as a queue alias) provides a method of redirecting MQI calls. An alias queue is not a real queue but a definition that resolves to a real queue. The alias queue definition contains a target queue name which is specified by the TARGQ attribute (*BaseQName* in PCF). When an application specifies an alias queue in an MQI call, the queue manager resolves the real queue name at run time.

For example, an application has been developed to put messages on a queue called MY.ALIAS.QUEUE. It specifies the name of this queue when it makes an MQOPEN request and, indirectly, if it puts a message on this queue. The application is not aware that the queue is an alias queue. For each MQI call using this alias, the queue manager resolves the real queue name, which could be either a local queue or a remote queue defined at this queue manager.

By changing the value of the TARGQ attribute, you can redirect MQI calls to another queue, possibly on another queue manager. This is useful for maintenance, migration, and load-balancing.

### Defining an alias queue

The following command creates an alias queue:

```
DEFINE QALIAS (MY.ALIAS.QUEUE) TARGQ (YELLOW.QUEUE)
```

This command redirects MQI calls that specify MY.ALIAS.QUEUE, to the queue YELLOW.QUEUE. The command does not create the target queue; the MQI calls fail if the queue YELLOW.QUEUE does not exist at run time.

If you change the alias definition, you can redirect the MQI calls to another queue. For example:

```
DEFINE QALIAS (MY.ALIAS.QUEUE) TARGQ (MAGENTA.QUEUE) REPLACE
```

This command redirects MQI calls to another queue, MAGENTA.QUEUE.

You can also use alias queues to make a single queue (the target queue) appear to have different attributes for different applications. You do this by defining two aliases, one for each application. Suppose there are two applications:

- Application ALPHA can put messages on YELLOW.QUEUE, but is not allowed to get messages from it.
- Application BETA can get messages from YELLOW.QUEUE, but is not allowed to put messages on it.

You can do this using the following commands:

```
* This alias is put enabled and get disabled for application ALPHA

DEFINE QALIAS (ALPHAS.ALIAS.QUEUE) +
  TARGQ (YELLOW.QUEUE) +
  PUT (ENABLED) +
  GET (DISABLED)

* This alias is put disabled and get enabled for application BETA

DEFINE QALIAS (BETAS.ALIAS.QUEUE) +
  TARGQ (YELLOW.QUEUE) +
  PUT (DISABLED) +
  GET (ENABLED)
```

ALPHA uses the queue name ALPHAS.ALIAS.QUEUE in its MQI calls; BETA uses the queue name BETAS.ALIAS.QUEUE. They both access the same queue, but in different ways.

You can use the LIKE and REPLACE attributes when you define queue aliases, in the same way that you use them with local queues.

## Using other commands with queue aliases

You can use the appropriate MQSC commands to display or alter queue alias attributes, or delete the queue alias object. For example:

```
* Display the queue alias' attributes
* ALL = Display all attributes

DISPLAY QUEUE (ALPHAS.ALIAS.QUEUE) ALL

* ALTER the base queue name, to which the alias resolves.
* FORCE = Force the change even if the queue is open.

ALTER QALIAS (ALPHAS.ALIAS.QUEUE) TARGQ(ORANGE.LOCAL.QUEUE) FORCE

* Delete this queue alias, if you can.

DELETE QALIAS (ALPHAS.ALIAS.QUEUE)
```

You cannot delete a queue alias if, for example, an application currently has the queue open or has a queue open that resolves to this queue. See the *MQSeries Command Reference* manual for more information about this and other queue alias commands.

---

### Working with model queues

A queue manager creates a *dynamic queue* if it receives an MQI call from an application specifying a queue name that has been defined as a model queue. The name of the new dynamic queue is generated by the queue manager when the queue is created. A *model queue* is a template that specifies the attributes of any dynamic queues created from it.

Model queues provide a convenient method for applications to create queues as they are required.

### Defining a model queue

You define a model queue with a set of attributes in the same way that you define a local queue. Model queues and local queues have the same set of attributes except that on model queues you can specify whether the dynamic queues created are temporary or permanent. (Permanent queues are maintained across queue manager restarts, temporary ones are not). For example:

```
DEFINE QMODEL (GREEN.MODEL.QUEUE) +
  DESCR('Queue for messages from application X') +
  PUT (DISABLED) +
  GET (ENABLED) +
  NOTRIGGER +
  MSGDLVSQ (FIFO) +
  MAXDEPTH (1000) +
  MAXMSGL (2000) +
  USAGE (NORMAL) +
  DEFTYPE (PERDYN)
```

This command creates a model queue definition. From the DEFTYPE attribute, the actual queues created from this template are permanent dynamic queues.

**Note:** The attributes not specified are automatically copied from the SYSYSTEM.DEFAULT.MODEL.QUEUE default queue.

You can use the LIKE and REPLACE attributes when you define model queues, in the same way that you use them with local queues.

### Using other commands with model queues

You can use the appropriate MQSC commands to display or alter a model queue's attributes, or delete the model queue object. For example:

```

* Display the model queue's attributes
* ALL = Display all attributes

DISPLAY QUEUE (GREEN.MODEL.QUEUE) ALL

* ALTER the model to enable puts on any
* dynamic queue created from this model.

ALTER QMODEL (BLUE.MODEL.QUEUE) PUT(ENABLED)

* Delete this model queue:

DELETE QMODEL (RED.MODEL.QUEUE)

```

## Managing objects for triggering

MQSeries provides a facility for starting an application automatically when certain conditions on a queue are met. One example of the conditions is when the number of messages on a queue reaches a specified number. This facility is called *triggering* and is described in detail in the *MQSeries Application Programming Guide*. This section describes how to set up the required objects to support triggering on MQSeries for SunOS.

## Defining an application queue for triggering

An application queue is a local queue that is used by applications for messaging, through the MQI. Triggering requires a number of queue attributes to be defined on the application queue. Triggering itself is enabled by the *Trigger* attribute (TRIGGER in MQSC).

In this example, a trigger event is to be generated when there are 100 messages of priority 5 or greater on the local queue MOTOR.INSURANCE.QUEUE, as follows:

```

DEFINE QLOCAL (MOTOR.INSURANCE.QUEUE) +
  PROCESS (MOTOR.INSURANCE.QUOTE.PROCESS) +
  MAXMSGL (2000) +
  DEFPSIST (YES) +
  INITQ (MOTOR.INS.INIT.QUEUE) +
  TRIGGER +
  TRIGTYPE (DEPTH) +
  TRIGDPTH (100)+
  TRIGMPRI (5)

```

Where:

QLOCAL (MOTOR.INSURANCE.QUEUE)

Specifies the name of the application queue being defined.

## Managing objects for triggering

PROCESS (MOTOR.INSURANCE.QUOTE.PROCESS)

Specifies the name of the application to be started by a trigger monitor program.

MAXMSGL (2000)

Specifies the maximum length of messages on the queue.

DEFPSIST (YES)

Specifies that messages are persistent on this queue.

INITQ (MOTOR.INS.INIT.QUEUE)

Is the name of the initiation queue on which the queue manager is to put the trigger message.

TRIGGER

Is the trigger attribute value.

TRIGTYPE (DEPTH)

Specifies that a trigger event is generated when the number of messages of the required priority (TRIMPRI) reaches the number specified in TRIGDPTH.

TRIGDPTH (100)

Specifies the number of messages required to generate a trigger event.

TRIGMPRI (5)

Is the priority of messages that are to be counted by the queue manager in deciding whether to generate a trigger event. Only messages with priority 5 or higher are counted.

## Defining an initiation queue

When a trigger event occurs, the queue manager puts a trigger message on the initiation queue specified in the application queue definition. Initiation queues have no special settings, but you can use the following definition of the local queue MOTOR.INS.INIT.QUEUE for guidance:

```
DEFINE QLOCAL(MOTOR.INS.INIT.QUEUE) +
  GET (ENABLED) +
  NOSHARE +
  NOTRIGGER +
  MAXMSGL (2000) +
  MAXDEPTH(10)
```

## Creating a process definition

Use the DEFINE PROCESS command to create a process definition. A process definition associates an application queue with the application that is to process messages from the queue. This is done through the PROCESS attribute on the application queue MOTOR.INSURANCE.QUEUE. The following MQSC command defines the required process, MOTOR.INSURANCE.QUOTE.PROCESS, identified in this example:

```
DEFINE PROCESS (MOTOR.INSURANCE.QUOTE.PROCESS) +
DESCR ('Insurance request message processing') +
APPLTYPE (UNIX) +
APPLICID ('/u/admin/test/IRMP01') +
USERDATA ('open, close, 235')
```

Where:

MOTOR.INSURANCE.QUOTE.PROCESS

Is the name of the process definition.

DESCR ('Insurance request message processing')

Is the descriptive text of the application program to which the definition relates, following the keyword. This text is displayed when you use the DISPLAY PROCESS command. This can help you to identify what the process does. If you use spaces in the string, you must enclose the string in single quotes.

APPLTYPE (UNIX)

Is the type of the application that runs on SunOS

APPLICID ('/u/admin/test/IRMP01')

Is the name of the application executable program.

USERDATA ('open, close, 235')

Is user-defined data, which can be used by the application.

## Displaying your process definition

Use the DISPLAY PROCESS command, with the ALL keyword, to examine the results of your definition. For example:

```
DISPLAY PROCESS (MOTOR.INSURANCE.QUOTE.PROCESS) ALL
```

```
24 : DISPLAY PROCESS (MOTOR.INSURANCE.QUOTE.PROCESS) ALL
```

```
AMQ8407: Display Process details.
```

```
DESCR ('Insurance request message processing') +
```

```
APPLICID ('/u/admin/test/IRMP01') +
```

```
USERDATA (open, close, 235) +
```

```
PROCESS (MOTOR.INSURANCE.QUOTE.PROCESS) +
```

```
APPLTYPE (UNIX)
```

You can also use the MQSC command ALTER PROCESS to alter an existing process definition and DELETE PROCESS to delete a process definition.

## Managing objects for triggering



---

## Chapter 7. Administering remote MQSeries objects

This chapter describes how to administer MQSeries objects on another queue manager. It also describes how you can use remote queue objects to control the destination of messages and reply messages.

It contains these sections:

- “Understanding channels and remote queuing”
- “Remote administration” on page 72
- “Creating a local definition of a remote queue” on page 78
- “Using remote queue definitions as aliases” on page 81

For more information about channels, their attributes, and how to set them up, refer to the *MQSeries Distributed Queuing Guide*.

---

### Understanding channels and remote queuing

Queue managers communicate with each other using channels. For example, if an application is to put a message on a queue managed by a remote queue manager, a channel must be set up between the two queue managers. The channel is defined to the queue managers at each end of the connection. Each channel is named and has a number of attributes that define, for example, the type of channel and the protocol to be used for communication.

Channels are used for sending messages between queue managers. These messages may originate from:

- User-written application programs that transfer data from one node to another.
- User-written administration applications that use PCFs.
- Queue managers sending:
  - Instrumentation event messages to another queue manager.
  - MQSC commands issued from a **runmqsc** command in indirect mode—where the commands are run on another queue manager.

Channels are unidirectional, that is, messages can only be sent in one direction. Channel definitions are made in complementary pairs, one at each end of the connection. For example, if one end is a sender, the other must be a receiver.

Channels are ‘linked’ to queue managers (and therefore the applications they serve) by transmission queues and remote queue definitions. A transmission queue is used to forward messages (through a channel) to another queue manager. A remote queue definition identifies a queue on another queue manager. To give you an idea of how these things can fit together:

- A remote queue definition specifies a transmission queue.
- A channel serves a transmission queue, which is specified when the channel is defined.

“Preparing channels and transmission queues for remote administration” on page 73 shows how to use these definitions to set up remote administration.

## Remote administration

You define a channel using the DEFINE CHANNEL MQSC command. Channels, their attributes, and how you use them in distributed queuing, are discussed at length in the *MQSeries Distributed Queuing Guide*. In this section, the examples concerned with channels use the default channel attributes unless otherwise specified.

---

## Remote administration

This section tells you how to administer a remote queue manager from a local queue manager. You can implement remote administration from a local node using:

- MQSC commands
- PCF commands

Preparing the queues and channels is essentially the same for both methods. In this book, the examples show MQSC commands, because they are easier to understand. However, you can convert the examples to PCFs if you wish. For more information about writing administration programs using PCFs, see the *MQSeries Programmable System Management*.

In remote administration you send MQSC commands to a remote queue manager—either interactively or from a text file containing the commands. The remote queue manager may be on the same machine or, more typically, on a different machine. You can remotely administer queue managers in different MQSeries environments, including AIX, AS/400, MVS/ESA, and OS/2.

To implement remote administration, you must create certain objects. Unless you have specialized requirements, you should find that the default values (for example, for message length) are sufficient.

## Preparing queue managers for remote administration

Figure 6 on page 73 shows the configuration of queue managers and channels that are required for remote administration. `source.queue.manager` is the *source* queue manager from which you can issue MQSC commands and to which the results of these commands (operator messages) are returned, if possible. `target.queue.manager` is the destination queue manager, which processes the commands and generates any operator messages.

**Note:** `source.queue.manager` *must* be the default queue manager. For further information on creating a queue manager, see “`crtmqm (Create queue manager)`” on page 174.

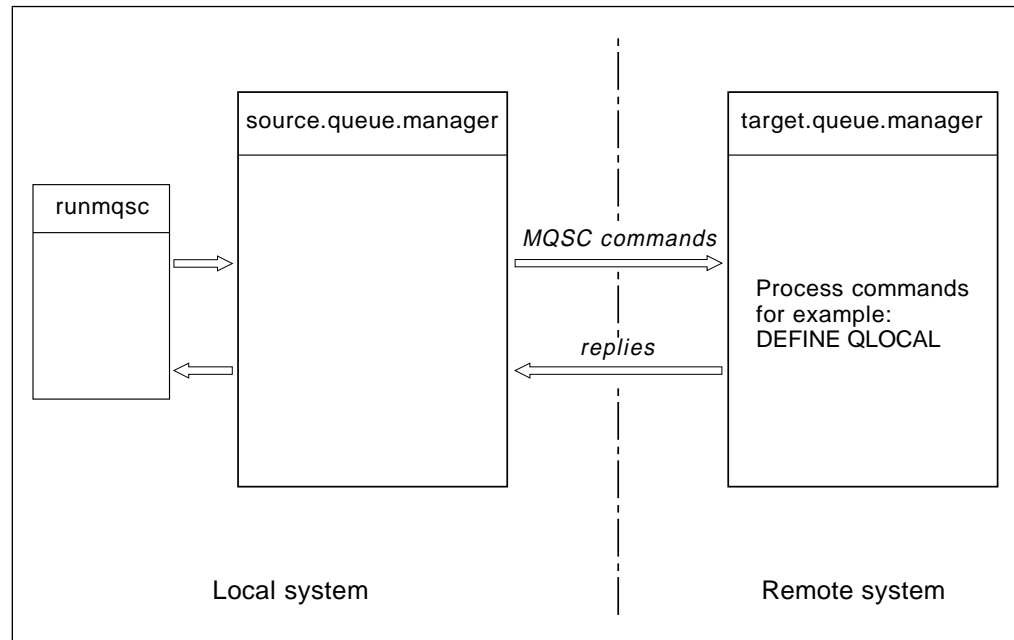


Figure 6. Remote administration

On both systems, if you have not already done so, you must:

- Create the queue manager, using the **crtmqm** command.
- Start the queue manager, using the **strmqm** command.
- Run the sample amqscoma.tst, using the **runmqsc** command.

See “Creating the default and system objects” on page 42 for more information about these steps. You have to run these commands locally or over a network facility, for example Telnet.

On the destination queue manager:

- The command queue, SYSTEM.ADMIN.COMMAND.QUEUE, must be present. This is created from the sample command file amqscoma.tst.
- The command server must be started, using the **strmqcsv** command.

## Preparing channels and transmission queues for remote administration

To run MQSC commands remotely, you must set up two channels, one for each direction, and their associated transmission queues. This example assumes that TCP/IP is being used as the transport type and that you know the TCP/IP address involved.

The channel `source.to.target` is for sending MQSC commands from the source queue manager to the destination. Its sender is at `source.queue.manager` and its receiver is at queue manager `target.queue.manager`. The channel `target.to.source` is for returning the output from commands and any operator messages that are generated to the source queue manager. You must also define a transmission queue for each sender. This queue is a local queue that is given the name of the receiving queue manager. Figure 7 on page 74 summarizes this configuration. However, you should be aware that the `SYSTEM.MQSC.REPLY.QUEUE` is the name of the model queue in

## Remote administration

AMQSCOMA.TST that is used by MQSC to develop its own dynamic reply queue. This queue name varies and is internal to MQSC.

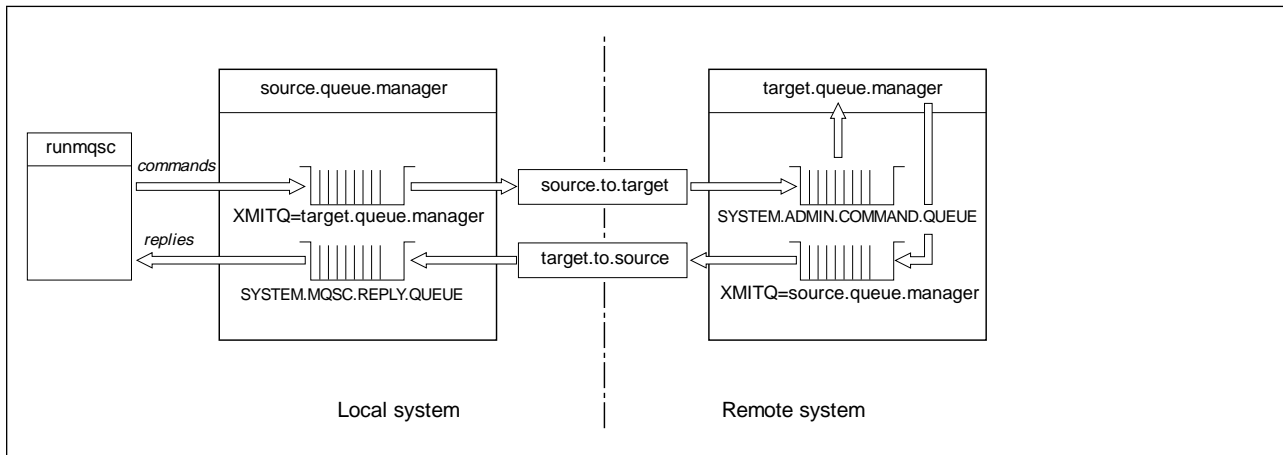


Figure 7. Setting up channels and queues for remote administration

See the *MQSeries Distributed Queuing Guide* for more information about setting up remote channels.

## Defining channels and transmission queues

On the source queue manager, issue these MQSC commands to define the channels and the transmission queue:

```
* Define the sender channel at the source queue manager

DEFINE CHANNEL ('source.to.target') +
  CHLTYPE(SDR) +
  CONNAME (RHX5498) +
  XMITQ ('target.queue.manager') +
  TRPTYPE(TCP)

* Define the receiver channel at the source queue manager

DEFINE CHANNEL ('target.to.source') +
  CHLTYPE(RCVR) +
  TRPTYPE(TCP)

* Define the transmission queue on the source

DEFINE QLOCAL ('target.queue.manager') +
  USAGE (XMITQ)
```

Issue these commands on the destination queue manager (`target.queue.manager`), to create the channels and the transmission queue there:

```

* Define the sender channel on the destination queue manager

DEFINE CHANNEL ('target.to.source') +
  CHLTYPE(SDR) +
  CONNAME (RHX7721) +
  XMITQ ('source.queue.manager') +
  TRPTYPE(TCP)

* Define the receiver channel on the destination queue manager

DEFINE CHANNEL ('source.to.target') +
  CHLTYPE(RCVR) +
  TRPTYPE(TCP)

* Define the transmission queue on the destination queue manager

DEFINE QLOCAL ('source.queue.manager') +
  USAGE (XMITQ)

```

**Note:** The TCP/IP connection names specified for the CONNAME attribute in the sender channel definitions are for illustration only. This is the network name of the machine at the *other* end of the connection. Use the values appropriate for your network.

## Start the channels

The following description assumes that both ends of the channel are running on MQSeries for SunOS. If this is not the case, refer to the relevant documentation for the non-SunOS end of the channel.

### Starting the listener for LU 6.2 channels

Start a listener as a background process at the receiver end of each channel.

- On the source queue manager, type:

```
start runmqtsr -n Tpname -m source.queue.manager -g sna_gateway_name
```

- On the destination queue.manager, type:

```
start runmqtsr -n Tpname -m target.queue.manager -g sna_gateway_name
```

### Starting the channels

To start the two channels, first ensure that the SunOS inetd daemons have been configured for MQSeries on both nodes, and are running at both ends of the connections (if you are using TCP/IP channels), or that the listener process has been started if you are using LU 6.2 channels.

Then start the channels, again as background processes:

- On the source queue manager, type:

```
runmqchl -c source.to.target &
```

- On the destination queue manager, type:

```
runmqchl -c target.to.source &
```

The **runmqchl** command is an MQSeries for SunOS control command. It cannot be issued using **runmqsc**.

## Issuing MQSC commands remotely

The command server **must** be running on the destination queue manager, if it is going to process MQSC commands remotely. (This is not necessary on the source queue manager.)

- On the destination queue manager, type:

```
strmqcsv target.queue.manager
```

- On the source queue manager, you can then run MQSC interactively in queued mode by typing:

```
runmqsc -w 30 target.queue.manager
```

This form of the **runmqsc** command—with the **-w** flag—runs the MQSC commands in queued mode, where commands are put (in a modified form) on the command-server input queue and executed in order.

When you type in an MQSC command, it is redirected to the remote queue manager, in this case, `target.queue.manager`. The timeout is set to 30 seconds; if a reply is not received within 30 seconds, the following message is generated on the local (source) queue manager:

```
AMQ8416: MQSC timed out waiting for a response from the command server.
```

At the end of the MQSC session, the local queue manager displays any timed-out responses that have arrived. When the MQSC session is finished, any further responses are discarded.

In queued mode, you can also run an MQSC command file on a remote queue manager. For example:

```
runmqsc -w 60 target.queue.manager < mycomds.in > report.out
```

where `mycomds.in` is a file containing MQSC commands and `report.out` is the report file.

## Working with queue managers on MVS/ESA

You can issue MQSC commands to an MVS/ESA queue manager from an MQSeries for SunOS queue manager. However, to do this, you must modify the `runmqsc` command and the channel definitions at the sender.

In particular, you add the `-x` flag to the `runmqsc` command on an SunOS node:

```
runmqsc -w 30 -x target.queue.manager
```

On the sender channel, set the `CONVERT` attribute to `YES`. This specifies that the required data conversion between the systems is performed at the SunOS end. The channel definition command now becomes:

```
* Define the sender channel at the source queue manager on SunOS

DEFINE CHANNEL (source.to.target) +
  CHLTYPE(SDR) +
  CONNAME (RHX5498) +
  XMITQ (target.queue.manager) +
  TRPTYPE(TCP) +
  CONVERT (YES)
```

You must also define the receiver channel and the transmission queue at the source queue manager as before. Again, this example assumes that TCP/IP is the transmission protocol being used.

### Recommendations for remote queuing

When you are implementing remote queuing:

1. Put the MQSC commands to be run on the remote system in a command file.
2. Verify your MQSC commands locally, by specifying the `-v` flag on the **runmqsc** command.

You cannot use **runmqsc** to verify MQSC commands on another queue manager.

3. Check, as far as possible, that the command file runs locally without error.
4. Finally, run the command file against the remote system.

### If you have problems using MQSC remotely

If you have difficulty in running MQSC commands remotely, use the following checklist to see if you have:

- Started the command server on the destination queue manager.
- Defined a valid transmission queue.
- Defined the two ends of the message channels for both:
  - The channel along which the commands are being sent.
  - The channel along which the replies are to be returned.
- Specified the correct connection name (CONNNAME) in the channel definition.
- Started the listeners before you started the message channels.
- Checked that the disconnect interval has not expired, for example, if a channel started but then shut down after some time. This is especially important if you start the channels manually.

See also “If you have problems with MQSC” on page 55.

---

## Creating a local definition of a remote queue

You can use a remote queue definition as a local definition of a remote queue. You create a remote queue object on your local queue manager to identify a local queue on another queue manager.

### Understanding how local definitions of remote queues work

An application connects to a local queue manager and then issues an MQOPEN call. In the open call, the queue name specified is that of a remote queue definition on the local queue manager. The remote queue definition supplies the names of the destination queue, the destination queue manager, and optionally, a transmission queue. To put a message on the remote queue, the application issues an MQPUT call, specifying the handle returned from the MQOPEN call. The queue manager appends the remote queue name and the remote queue manager name to a transmission header in the message. This information is used to route the message to its correct destination in the network.

As administrator, you can control the destination of the message by altering the remote queue definition.



## Example

**Purpose:** An application is required to put a message on a queue owned by a remote queue manager.

**How it works:** The application connects to a queue manager, for example, saturn.queue.manager. The destination queue is owned by another queue manager.

On the MQOPEN call, the application specifies these fields:

Field value	Description
<i>ObjectName</i> CYAN.REMOTE.QUEUE	Specifies the local name of the remote queue object. This defines the destination queue and the destination queue manager.
<i>ObjectType</i> (Queue)	Identifies this object as a queue.
<i>ObjectQmgrName</i> Blank or saturn.queue.manager	This field is optional.  If blank, the name of the local queue manager is assumed. (This is the queue manager on which the remote queue definition was made and to which the application is connected).  If not blank, the name of the local queue manager must be specified.

After this, the application issues an MQPUT call to put a message on to this queue.

On the local queue manager, you can create a local definition of a remote queue using the following MQSC commands:

```
DEFINE QREMOTE (CYAN.REMOTE.QUEUE) +
  DESCR ('Queue for auto insurance requests from the branches') +
  RNAME (AUTOMOBILE.INSURANCE.QUOTE.QUEUE) +
  RQMNAME (jupiter.queue.manager) +
  XMITQ (INQUOTE.XMIT.QUEUE)
```

Where:

QREMOTE (CYAN.REMOTE.QUEUE)

Specifies the local name of the remote queue object. This is the name that applications connected to this queue manager must specify in the MQOPEN call to open the queue AUTOMOBILE.INSURANCE.QUOTE.QUEUE on the remote queue manager jupiter.queue.manager.

DESCR ('Queue for auto insurance requests from the branches')

Additional text that describes the use of the queue.

RNAME (AUTOMOBILE.INSURANCE.QUOTE.QUEUE)

Specifies the name of the destination queue on the remote queue manager. This is the real destination queue for messages that are sent by applications that specify the queue name CYAN.REMOTE.QUEUE. The queue AUTOMOBILE.INSURANCE.QUOTE.QUEUE must be defined as a local queue on the remote queue manager.

## Local definition of remote queue

RQMNAME (jupiter.queue.manager)

Specifies the name of the remote queue manager that owns the destination queue AUTOMOBILE.INSURANCE.QUOTE.QUEUE.

XMITQ (INQUOTE.XMIT.QUEUE)

Specifies the name of the transmission queue. This is optional; if not specified, a queue with the same name as the remote queue manager is used.

In either case, the appropriate transmission queue must be defined as a local queue with a *Usage* attribute specifying that it is a transmission queue (USAGE(XMIT) in MQSC).

## An alternative way of putting messages on a remote queue

Using a local definition of a remote queue is not the only way of putting messages on a remote queue. Applications can specify the full queue name, which includes the remote queue manager name, as part of the MQOPEN call. In this case, a local definition of a remote queue is not required. However, this alternative means that applications must either know or have access to the name of the remote queue manager at run time.

## Using other commands with remote queues

You can use the appropriate MQSC commands to display or alter the attributes of a remote queue object, or you can delete the remote queue object. For example:

- \* Display the remote queue's attributes.
- \* ALL = Display all attributes

```
DISPLAY QUEUE (CYAN.REMOTE.QUEUE) ALL
```

- \* ALTER the remote queue to enable puts.
- \* This does not affect the destination queue,
- \* only applications that specify this remote queue.

```
ALTER QREMOTE (CYAN.REMOTE.QUEUE) PUT(ENABLED)
```

- \* Delete this remote queue
- \* This does not affect the destination queue
- \* only its local definition

```
DELETE QREMOTE (CYAN.REMOTE.QUEUE)
```

**Note:** If you delete a remote queue, you only delete the local representation of the remote queue. You do not delete the remote queue itself or any messages on it.

## Creating a transmission queue

A transmission queue is a local queue that is used when a queue manager forwards messages to a remote queue manager through a message channel. The channel provides a one-way link to the remote queue manager. Messages are queued at the transmission queue until the channel can accept them. When you define a channel, you must specify a transmission queue name at the sending end of the message channel.

The *Usage* attribute (USAGE in MQSC) defines whether a queue is a transmission queue or a normal queue.

### Default transmission queues

Optionally, you can specify a transmission queue in a remote queue object, using the *XmitQName* attribute (XMITQ in MQSC). If no transmission queue is defined, a default is used. When applications put messages on a remote queue, if a transmission queue with the same name as the destination queue manager exists, that queue is used. If this queue does not exist, the queue specified by the *DefaultXmitQ* attribute (DEFXMITQ in MQSC) on the local queue manager is used.

For example, the following MQSC command creates a default transmission queue on `source.queue.manager` for messages going to `target.queue.manager`:

```
DEFINE QLOCAL ('target.queue.manager') +
DESCR ('Default transmission queue for target qm') +
USAGE (XMITQ)
```

Applications can put messages directly on a transmission queue, or they can be put there indirectly, for example, through a remote queue definition. See also “Creating a local definition of a remote queue” on page 78.

---

## Using remote queue definitions as aliases

In addition to locating a queue on another queue manager, you can also use a local definition of a remote queue for both:

- Queue manager aliases
- Reply-to queue aliases

Both types of aliases are resolved through the local definition of a remote queue.

As usual in remote queuing, the appropriate channels must be set up if the message is to arrive at its destination.

## Queue manager aliases

An alias is the process by which the name of the destination queue manager—is specified in a message—is modified by a queue manager on the message route. Queue manager aliases are important because you can use them to control the destination of messages within a network of queue managers.

You do this by altering the remote queue definition on the queue manager at the point of control. The sending application is not aware that the queue manager name specified is an alias.

## Aliases

For more information about queue manager aliases, see the *MQSeries Distributed Queuing Guide*.

### Reply-to queue aliases

Optionally, an application can specify the name of a reply-to queue when it puts a *request message* on a queue. If the application that processes the message extracts the name of the reply-to queue, it knows where to send the *reply message*, if required.

A reply-to queue alias is the process by which a reply-to queue – as specified in a request message – is altered by a queue manager on the message route. The sending application is not aware that the reply-to queue name specified is an alias.

A reply-to queue alias lets you alter the name of the reply-to queue and optionally its queue manager. This in turn lets you control which route is used for reply messages.

For more information about request messages, reply messages, and reply-to queues, see the *MQSeries Application Programming Reference*. For more information about reply-to queue aliases, see the *MQSeries Distributed Queuing Guide*.

---

## Chapter 8. Security

This chapter describes the features of security control in MQSeries for SunOS and how you can implement this control.

It contains these sections:

- “Before you begin”
- “Why you need to protect MQSeries resources” on page 84
- “Understanding the Object Authority Manager” on page 84
- “Using the Object Authority Manager commands” on page 87
- “Object Authority Manager guidelines” on page 89
- “Understanding the authorization specification tables” on page 93
- “Understanding authorization files” on page 98

---

### Before you begin

All queue manager resources run with these IDs:

User ID	mqm
Group	mqm

You must create this SunOS user ID and group before you can access any queue manager object. For more information about setting the IDs, see “Preparing for installation” on page 14.

### User IDs in MQSeries for SunOS user group mqm

If your user ID belongs to SunOS group mqm, you have all authorities to all resources. Your user ID *must* belong to SunOS group mqm to be able to use all the MQSeries for SunOS control commands except **crtmqcvx**. In particular, you need this authority to:

- Use the **runmqsc** command to run MQSC commands.
- Administer authorities on MQSeries for SunOS using the **setmqaut** command.

If you are sending channel commands to queue managers on a remote SunOS system, you must ensure that your user ID is a member of SunOS group mqm on the target system. For a list of PCF and MQSC channel commands, see “Channel command security” on page 92.

It is not essential for your user ID to belong to group mqm for issuing:

- PCF commands—including Escape PCFs—from an administration program
- MQI calls from an application program

### For more information

For more information about:

- MQSeries for SunOS command sets, see Chapter 4, “Understanding administration command sets” on page 31.
- MQSeries for SunOS control commands, see Part 2, “Reference” on page 167.

## Object authority manager

- PCF commands and Escape PCFs, see the *MQSeries Programmable System Management* manual.
- MQI calls, see the *MQSeries Application Programming Guide* and *MQSeries Application Programming Reference* manuals.

---

### Why you need to protect MQSeries resources

Because MQSeries queue managers handle the transfer of information that is potentially valuable, you need the safeguard of an authority system. This ensures that the resources that a queue manager owns and manages are protected from unauthorized access, which could lead to the loss or disclosure of the information. In a secure system, it is essential that none of the following are accessed or changed by any unauthorized user or application:

- Connections to a queue manager.
- Access to MQSeries objects such as queues, channels, and processes.
- Commands for queue manager administration, including MQSC commands and PCF commands.
- Access to MQSeries messages.
- Context information associated with messages.

You should develop your own policy with respect to which users have access to which resources.

---

### Understanding the Object Authority Manager

By default, access to queue manager resources is controlled through an authorization service installable component. This component is formally called the Object Authority Manager (OAM) for MQSeries for SunOS. It is supplied with MQSeries for SunOS and is automatically installed and enabled for each queue manager you create, unless you specify otherwise. In this chapter, the term OAM is used to denote the Object Authority Manager supplied with this product.

The OAM is an *installable component* of the authorization service. Providing the OAM as an installable service gives you the flexibility to:

- Replace the supplied OAM with your own authorization service component using the interface provided.
- Augment the facilities supplied by the OAM with those of your own authorization service component, again using the interface provided.
- Remove or disable the OAM and run with no authorization service at all.

For more information on installable services, see the *MQSeries Programmable System Management* manual.

The OAM manages users' authorizations to manipulate MQSeries objects, including queues, process definitions, and channels. It also provides a command interface through which you can grant or revoke access authority to an object for a specific group of users. The decision to allow access to a resource is made by the OAM, and the queue manager follows that decision. If the OAM cannot make a decision, the queue manager prevents access to that resource.

## How the OAM works

The OAM works by exploiting the security features of the underlying SunOS operating system. In particular, the OAM uses SunOS user and group IDs. Users can access queue manager objects only if they have the required authority.

## Managing access through user groups

In the command interface, we use the term *principal* rather than user ID. The reason for this is that authorities granted to a user ID can also be granted to other entities, for example, an application program that issues MQI calls, or an administration program that issues PCF commands. In these cases, the principal associated with the program is not necessarily the user ID that was used when the program was started. However, in this discussion, principals and user IDs are always SunOS user IDs.

### Group sets and the primary group

Managing access permissions to MQSeries resources is based on SunOS *user groups*, that is, groups of principals. A principal can belong to one or more SunOS groups. If it belongs to more than one group, the groups to which it belongs are known as its group set. One of the groups in the group set is chosen to be the *primary group*.

The OAM maintains authorizations at the level of groups rather than individual principals. The mapping of principals to group names is carried out within the OAM and operations are carried out at the group level. You can, however, display the authorizations of an individual principal.

### When a principal belongs to more than one group

The authorizations that a principal has are the union of the authorizations of all the groups of which it is a member, that is, its group set. Whenever a principal requests access to a resource, the OAM computes this union, and then checks the authorization against it. You can use the control command **setmqaut** to set the authorizations for a specific principal, however, this also gives the same authorizations to the principal's primary group.

**Note:** Any changes made using the **setmqaut** command take immediate effect, unless the object is in use. In this case, the change comes into force when the object is next opened. However, changes to the membership of a group do not come into effect until a queue manager is reset, that is, stopped and restarted.

The group authorizations associated with a principal are cached when they are computed by the OAM. Any changes made to a group's authorizations after it has been cached are not recognized until the queue manager is restarted. Avoid changing any authorizations while the queue manager is running.

## Default user group

The OAM recognizes a default user group to which all users are nominally assigned. This group has a group ID of 'nobody'. By default, no authorizations are given to this group. Users without specific authorizations can be granted access to MQSeries resources through this group ID.

### Resources you can protect with the OAM

Through OAM you can control:

- Access to MQSeries objects through the MQI. When an application program attempts to access an object, the OAM checks if the user ID making the request has the authorization (through its user group) for the operation requested.  
  
In particular, this means that queues, and the messages on queues, can be protected from unauthorized access.
- Permission to use MQSC commands; only members of user group mqm can execute queue manager administration commands, for example, to create a queue.
- Permission to use control commands; only members of user group mqm can execute control commands, for example, creating a queue manager, starting a command server, or using **runmqsc**.
- Permission to use PCF commands.

Different groups of users may be granted different kinds of access authority to the same object. For example, for a specific queue, one group may be allowed to perform both put and get operations; another group may only be allowed to browse the queue (MQGET with browse option). Similarly, some groups may have get and put authority to a queue, but are not allowed to alter or delete the queue.

### Using groups for authorizations

Using groups, rather than individual principals, for authorization reduces the amount of administration required. Typically, a particular kind of access is required by more than one principal. For example, you might define a group consisting of end users who want to run a particular application. New users can be given access simply by adding the appropriate group to their SunOS user ID.

Try to keep the number of groups as small as possible. For example, dividing principals into one group for application users and one for administrators is a good place to start.

**Attention:** When you change the authorization of a principal you also change the authorization of its primary group. This makes it especially important to ensure that you do not change the authorization of a principal inadvertently, simply because it belongs to the same primary group as the principal you specified when you changed an authorization. To avoid this problem, 'think groups'

### Disabling the object authority manager

By default, the OAM is enabled. You can disable it by setting the SunOS operating system variable MQSNOAUT before the queue manager is created, as follows:

```
export MQSNOAUT=yes
```

However, if you do this you cannot, in general, restart the OAM later. A much better approach is to have the OAM enabled and ensure that all users and applications have access through an appropriate user ID.



You can also disable the OAM for testing purposes only by removing the authorization service stanza in the queue manager configuration file (qm.ini).

---

## Using the Object Authority Manager commands

The OAM provides a command interface for granting and revoking authority. Before you can use these commands, you must be suitably authorized—your user ID must belong to the SunOS group mqm. This group should have been set up when you installed the product, see “Preparing for installation” on page 14.

If your user ID is a member of mqm, you have a ‘super user’ authority to the queue manager. This means that you are authorized to issue any MQI request or command from your user ID.

The OAM provides two commands that you can invoke from your SunOS shell to manage the authorizations of users. These are:

- **setmqaut** (Set or reset authority)
- **dspmqaut** (Display authority)

Authority checking occurs in the following calls: MQCONN, MQOPEN, MQPUT1, and MQCLOSE.

Authority checking is only performed at the first instance of any of these calls, and authority is not amended until you reset (that is, close and reopen) the object.

Therefore, any changes made to the authority of an object using **setmqaut** do not take effect until you reset the object.

## What you specify when you use the OAM commands

The authority commands apply to the specified queue manager; if you do not specify a queue manager, the default queue manager is used. On these commands, you must specify the object uniquely, that is, you must specify the object name and its type. You also have to specify the principal or group name to which the authority applies.

### Authorization lists

On the **setmqaut** command you specify a list of authorizations. This is simply a shorthand way of specifying whether authorization is to be granted or revoked, and which resources the authorization applies to. Each authorization in the list is specified as a lowercase keyword, prefixed with a + or – sign. Use a + sign to add the specified authorization or a – sign to remove the authorization. You can specify any number of authorizations in a single command. For example:

```
+browse -get +put
```

### Using the setmqaut command

Provided you have the required authorization, you can use the **setmqaut** command to grant or revoke authorization of a principal or user group to access a particular object. The following example shows how the **setmqaut** command is used:

```
setmqaut -m saturn.queue.manager -t queue -n RED.LOCAL.QUEUE -g GroupA +browse -get +put
```

In this example:

This term...	Specifies the...
saturn.queue.manager	Queue manager name.
queue	Object type.
RED.LOCAL.QUEUE	Object name.
GroupA	ID of the group to be given the authorizations.
+browse -get +put	Authorization list for the specified queue. There must be no spaces between the '+' or '-' signs and the keyword.

The authorization list specifies the authorizations to be given, where:

This term...	Does this...
+browse	Adds authorization to browse (MQGET with browse option) messages on the queue.
-get	Removes authorization to get (MQGET) messages from the queue.
+put	Adds authorization to put (MQPUT) messages on the queue.

This means that applications started with user IDs that belong to SunOS user group GroupA have these authorizations.

You can specify one or more principals and, at the same time, one or more groups. For example, the following command revokes put authority on the queue MyQueue to the principal FvUser and to groups GroupA and GroupB.

```
setmqaut -m saturn.queue.manager -t queue -n MyQueue -p FvUser -g GroupA -g GroupB -put
```

**Note:** This command also revokes put authority for all principals in the primary group of FvUser.

For a formal definition of the command and its syntax, see “setmqaut (Set/reset authority)” on page 210.

#### Authority commands and installable services

The **setmqaut** command takes an additional parameter that specifies the name of the installable service component to which the update applies. You must specify this parameter if you have multiple installable components running at the same time. By default, this is not the case. If the parameter is omitted, the update is made to the first installable service of that type, if one exists. By default, this is the supplied OAM.

## Access authorizations

Authorizations defined by the authorization list associated with the **setmqaut** command can be categorized as follows:

- Authorizations related to MQI calls
- Authorization related administration commands
- Context authorizations
- General authorizations, that is, for MQI calls, for commands, or both

Each authorization is specified by a keyword used with the **setmqaut** and **dspmqaut** commands. These are described in “setmqaut (Set/reset authority)” on page 210.

## Display authority command

You can use the command **dspmqaut** to view the authorizations that a specific principal or group has for a particular object. The flags have the same meaning as those in the **setmqaut** command. Authorization can only be displayed for one group or principal at a time. See “dspmqaut (Display authority)” on page 180 for a formal specification of this command.

For example, the following command displays the authorizations that the group GpAdmin has to a process definition named Annuities on queue manager QueueMan1.

```
dspmqaut -m QueueMan1 -t process -n Annuities -g GpAdmin
```

The keywords displayed as a result of this command identify the authorizations that are active.

---

## Object Authority Manager guidelines

Some operations are particularly sensitive and should be limited to privileged users. For example,

- Starting and stopping queue managers.
- Accessing certain special queues, such as transmission queues or the command queue SYSTEM.ADMIN.COMMAND.QUEUE.
- Programs that use full MQI context options.
- In general, creating and copying application queues.

## User IDs

The special user ID mqm that you create is intended for use by the product only. It should never be available to non-privileged users.

If an MQ process is associated with a login session, then the authorization routines check the real (logged-in) user ID. Users can alter their real user ID with the **su(1)** command.

If an MQ process is not associated with a login session, for example, if the process is invoked from a daemon like inetd, the effective user ID is used for authorization.

### Queue manager directories

The directory containing queues and other queue manager data is private to the product. Objects in this directory have SunOS user authorizations that relate to their OAM authorizations. However, do not use standard SunOS commands to grant or evoke authorizations to MQI resources because:

- MQSeries objects are not necessarily the same as the corresponding system object name. See “Understanding MQSeries file names” on page 40 for more information about this.
- All objects are owned by user ID mqm.

### Queues

The authority to a dynamic queue is based on—but not necessarily the same as—that of the model queue from which it is derived. See the notes following Table 7 on page 94 for more information.

For alias queues and remote queues, the authorization is that of the object itself, not the queue to which the alias or remote queue resolves. It is, therefore, possible to authorize a user ID to access an alias queue that resolves to a local queue to which the user ID has no access permissions.

You should limit the authority to create queues to privileged users. If you do not, some users may bypass the normal access control simply by creating an alias.

### Alternate user authority

Alternate user authority controls whether one user ID can use the authority of another user ID when accessing an MQSeries object. This is essential where a server receives requests from a program and the server wishes to ensure that the program has the required authority for the request. The server may have the required authority, but it needs to know whether the program has the authority for the actions it has requested.

For example:

- A server program running under user ID PAYSERV retrieves a request message from a queue that was put on the queue by user ID USER1.
- When the server program gets the request message, it processes the request and puts the reply back into the reply-to queue specified with the request message.
- Instead of using its own user ID (PAYSERV) to authorize opening the reply-to queue, the server can specify some other user ID, in this case, USER1. In this example, you can use alternate user authority to control whether PAYSERV is allowed to specify USER1 as an alternate user ID when it opens the reply-to queue.

The alternate user ID is specified on the *AlternateUserId* field of the object descriptor.

**Note:** You can use alternate user IDs on any MQSeries object. Use of an alternate user ID does not affect the user ID used by any other resource managers.

## Context authority

Context is information that applies to a particular message and is contained in the message descriptor, MQMD, which is part of the message. The context information comes in two sections:

**Identity section** This part specifies who the message came from. It consists of the following fields:

- *UserIdentifier*
- *AccountingToken*
- *ApplIdentityData*

**Origin section** This section specifies where the message came from, and when it was put onto the queue. It consists of the following fields:

- *PutApplType*
- *PutApplName*
- *PutDate*
- *PutTime*
- *ApplOriginData*

Applications can specify the context data when either an MQOPEN or an MQPUT call is made. This data may be generated by the application, it may be passed on from another message, or it may be generated by the queue manager by default. For example, context data can be used by server programs to check the identity of the requester, testing whether the message came from an application, running under an authorized user ID.

A server program can use the *UserIdentifier* to determine the user ID of an alternate user.

You use context authorization to control whether the user can specify any of the context options on any MQOPEN or MQPUT1 call. For information about the context options, see the *MQSeries Application Programming Guide*. For descriptions of the message descriptor fields relating to context, see the *MQSeries Application Programming Reference* manual.

## Remote security considerations

For remote security, you should consider:

**Put authority** For security across queue managers you can specify the put authority that is used when a channel receives a message sent from another queue manager.

Specify the channel attribute PUTAUT as follows:

**DEF** Default user ID. This is the user ID that the message channel agent is running under.

**CTX** The user ID in the message context.

### Transmission queues

Queue managers automatically put remote messages on a transmission queue; no special authority is required for this. However, putting a message directly on a transmission queue requires special authorization; see Table 7 on page 94.

**Channel exits** Channel exits can be used for added security.

For more information, see the *MQSeries Distributed Queuing Guide*.

## Channel command security

Channel commands can be issued as PCF commands, MQSC commands, and control commands.

### PCF commands

You can issue PCF channel commands by sending a PCF message to the SYSTEM.ADMIN.COMMAND.QUEUE on a remote SunOS system. The user ID, as specified in the message descriptor of the PCF message, must belong to group mqm on the target system. These commands are:

- *ChangeChannel*
- *CopyChannel*
- *CreateChannel*
- *DeleteChannel*
- *PingChannel*
- *ResetChannel*
- *StartChannel*
- *StartChannelInitiator*
- *StopChannel*
- *ResolveChannel*

See the *MQSeries Programmable System Management* manual for the PCF security requirements.

### MQSC channel commands

You can issue MQSC channel commands to a remote SunOS system either by sending the command directly in a PCF escape message or by issuing the command using **runmqsc** in indirect mode. The user ID as specified in the message descriptor of the associated PCF message must belong to group mqm on the target system. (PCF commands are implicit in MQSC commands issued from **runmqsc** in indirect mode.) These commands are:

- ALTER CHANNEL
- DEFINE CHANNEL
- DELETE CHANNEL
- PING CHANNEL
- RESET CHANNEL
- START CHANNEL
- START CHINIT
- STOP CHANNEL
- RESOLVE CHANNEL

For MQSC commands issued from the **runmqsc** command, the user ID in the PCF message is normally that of the current user.

## Control commands for channels

For the control commands for channels, the user ID that issues them must belong to user group mqm. These commands are:

- **runmqchi** (Run channel initiator)
- **runmqchl** (Run channel)

---

## Understanding the authorization specification tables

The authorization specification tables starting on page 94 define precisely how the authorizations work and the restrictions that apply. The tables apply to these situations:

- Applications that issue MQI calls.
- Administration programs that issue MQSC commands as escape PCFs.
- Administration programs that issue PCF commands.

In this section, the information is presented as a set of tables that specify the following:

<b>Action to be performed</b>	MQI option, MQSC command, or PCF command.
<b>Access control object</b>	Queue, process, or queue manager.
<b>Authorization required</b>	Expressed as an 'MQZAO_' constant.

In the tables, the constants prefixed by MQZAO\_ correspond to the keywords in the authorization list for the **setmqaut** command for the particular entity. For example, MQZAO\_BROWSE corresponds to the keyword +browse; similarly, the keyword MQZAO\_SET\_ALL\_CONTEXT corresponds to the keyword +setall and so on. These constants are defined in the header file cmqzc.h, which is supplied with the product. See “What the authorization files contain” on page 99 for more information.

## MQI authorizations

An application is only allowed to issue certain MQI calls and options if the user identifier under which it is running (or whose authorizations it is able to assume) has been granted the relevant authorization.

Four MQI calls may require authorization checks: MQCONN, MQOPEN, MQPUT1, and MQCLOSE.

For MQOPEN and MQPUT1, the authority check is made on the name of the object being opened, and not on the name, or names, resulting after a name has been resolved. For example, an application may be granted authority to open an alias queue without having authority to open the base queue to which the alias resolves. The rule is that the check is carried out on the first definition encountered during the process of name resolution that is not a queue-manager alias, unless the queue-manager alias definition is opened directly; that is, its name appears in the *ObjectName* field of the object descriptor. Authority is always needed for the particular object being opened; in some cases additional queue-independent authority—which is obtained through an authorization for the queue-manager object—is required.

Table 7 on page 94 summarizes the authorizations needed for each call.

## Authorization specification tables

<i>Table 7. Security authorization needed for MQI calls</i>			
Authorization required for :	Queue object (1)	Process object	Queue manager object
<b>MQCONN option</b>	Not applicable	Not applicable	MQZAO_CONNECT
<b>MQOPEN Option</b>			
MQOO_INQUIRE	MQZAO_INQUIRE (2)	MQZAO_INQUIRE (2)	MQZAO_INQUIRE (2)
MQOO_BROWSE	MQZAO_BROWSE	Not applicable	No check
MQOO_INPUT_*	MQZAO_INPUT	Not applicable	No check
MQOO_SAVE_ ALL_CONTEXT (3)	MQZAO_INPUT	Not applicable	No check
MQOO_OUTPUT (Normal queue) (4)	MQZAO_OUTPUT	Not applicable	No check
MQOO_PASS_ IDENTITY_CONTEXT (5)	MQZAO_PASS_ IDENTITY_ CONTEXT	Not applicable	No check
MQOO_PASS_ ALL_CONTEXT (5, 6)	MQZAO_PASS_ ALL_CONTEXT	Not applicable	No check
MQOO_SET_ IDENTITY_CONTEXT (5, 6)	MQZAO_SET_ IDENTITY_ CONTEXT	Not applicable	MQZAO_SET_ IDENTITY_ CONTEXT (7)
MQOO_SET_ ALL_CONTEXT (5, 8)	MQZAO_SET_ ALL_CONTEXT	Not applicable	MQZAO_SET_ ALL_CONTEXT (7)
MQOO_OUTPUT (Transmission queue) (9)	MQZAO_SET_ ALL_CONTEXT	Not applicable	MQZAO_SET_ ALL_CONTEXT (7)
MQOO_SET	MQZAO_SET	Not applicable	No check
MQOO_ALTERNATE_ USER_AUTHORITY	(10)	(10)	MQZAO_ALTERNATE_ USER_ AUTHORITY (10, 11)
<b>MQPUT1 Option</b>			
MQPMO_PASS_ IDENTITY_CONTEXT	MQZAO_PASS_ IDENTITY_ CONTEXT (12)	Not applicable	No check
MQPMO_PASS_ ALL_CONTEXT	MQZAO_PASS_ ALL_CONTEXT (12)	Not applicable	No check
MQPMO_SET_ IDENTITY_CONTEXT	MQZAO_SET_ IDENTITY_ CONTEXT (12)	Not applicable	MQZAO_SET_ IDENTITY_ CONTEXT (7)
MQPMO_SET_ ALL_CONTEXT	MQZAO_SET_ ALL_CONTEXT (12)	Not applicable	MQZAO_SET_ ALL_CONTEXT (7)
(Transmission queue) (9)	MQZAO_SET_ ALL_CONTEXT	Not applicable	MQZAO_SET_ ALL_CONTEXT (7)
MQPMO_ALTERNATE_ USER_AUTHORITY	(13)	Not applicable	MQZAO_ALTERNATE_ USER_ AUTHORITY (11)
<b>MQCLOSE Option</b>			
MQCO_DELETE	MQZAO_DELETE (14)	Not applicable	Not applicable
MQCO_DELETE_PURGE	MQZAO_DELETE (14)	Not applicable	Not applicable



**Specific notes:**

1. If a model queue is being opened:
  - MQZAO\_DISPLAY authority is needed for the model queue, in addition to whatever other authorities (also for the model queue) are required for the open options specified.
  - MQZAO\_CREATE authority is not needed to create the dynamic queue.
  - The user identifier used to open the model queue is automatically granted all of the queue-specific authorities (equivalent to MQZAO\_ALL) for the dynamic queue created.
2. Either the queue, process, or queue manager object is checked, depending on the type of object being opened.
3. MQOO\_INPUT\_\* must also be specified. This is valid for a local, model, or alias queue.
4. This check is performed for all output cases, except the case specified in note 9.
5. MQOO\_OUTPUT must also be specified.
6. MQOO\_PASS\_IDENTITY\_CONTEXT is also implied by this option.
7. This authority is required for both the queue manager object and the particular queue.
8. MQOO\_PASS\_IDENTITY\_CONTEXT, MQOO\_PASS\_ALL\_CONTEXT, and MQOO\_SET\_IDENTITY\_CONTEXT are also implied by this option.
9. This check is performed for a local or model queue that has a *Usage* queue attribute of MQUS\_TRANSMISSION, and is being opened directly for output. It does not apply if a remote queue is being opened (either by specifying the names of the remote queue manager and remote queue, or by specifying the name of a local definition of the remote queue).
10. At least one of MQOO\_INQUIRE (for any object type), or (for queues) MQOO\_BROWSE, MQOO\_INPUT\_\*, MQOO\_OUTPUT, or MQOO\_SET must also be specified. The check carried out is as for the other options specified, using the supplied alternate user identifier for the specific-named object authority, and the current application authority for the MQZAO\_ALTERNATE\_USER\_IDENTIFIER check.
11. This authorization allows any *AlternateUserId* to be specified.
12. An MQZAO\_OUTPUT check is also carried out, if the queue does not have a *Usage* queue attribute of MQUS\_TRANSMISSION.
13. The check carried out is as for the other options specified, using the supplied alternate user identifier for the specific-named queue authority, and the current application authority for the MQZAO\_ALTERNATE\_USER\_IDENTIFIER check.
14. The check is carried out only if both of the following are true:
  - A permanent dynamic queue is being closed and deleted.
  - The queue was not created by the MQOPEN which returned the object handle being used.

Otherwise, there is no check.

## Authorization specification tables

### General notes:

1. The special authorization MQZAO\_ALL\_MQI includes all of the following that are relevant to the object type:
  - MQZAO\_CONNECT
  - MQZAO\_INQUIRE
  - MQZAO\_SET
  - MQZAO\_BROWSE
  - MQZAO\_INPUT
  - MQZAO\_OUTPUT
  - MQZAO\_PASS\_IDENTITY\_CONTEXT
  - MQZAO\_PASS\_ALL\_CONTEXT
  - MQZAO\_SET\_IDENTITY\_CONTEXT
  - MQZAO\_SET\_ALL\_CONTEXT
  - MQZAO\_ALTERNATE\_USER\_AUTHORITY
2. MQZAO\_DELETE (see note 14 on page 95) and MQZAO\_DISPLAY are classed as administration authorizations. They are not therefore included in MQZAO\_ALL\_MQI.
3. 'No check' means that no authorization checking is carried out.
4. 'Not applicable' means that authorization checking is not relevant to this operation. For example, you cannot issue an MQPUT call to a process object.

## Administration authorizations

These authorizations allow a user to issue administration commands. This can be an MQSC command as an escape PCF message or as a PCF command itself. These methods allow a program to send an administration command as a message to a queue manager, for execution on behalf of that user.

## Authorizations for MQSC commands in escape PCFs

Table 8 summarizes the authorizations needed for each MQSC command that is contained in Escape PCF.

(2) Authorization required for:	Queue object	Process object	Queue manager object
<b>MQSC command</b>			
ALTER object	MQZAO_CHANGE	MQZAO_CHANGE	MQZAO_CHANGE
CLEAR QLOCAL	MQZAO_CLEAR	Not applicable	Not applicable
DEFINE object NOREPLACE (3)	MQZAO_CREATE (4)	MQZAO_CREATE (4)	Not applicable
DEFINE object REPLACE (3, 5)	MQZAO_CHANGE	MQZAO_CHANGE	Not applicable
DELETE object	MQZAO_DELETE	MQZAO_DELETE	Not applicable
DISPLAY object	MQZAO_DISPLAY	MQZAO_DISPLAY	MQZAO_DISPLAY

### Specific notes:

1. The user identifier, under which the program (for example, **runmqsc**) which submits the command is running, must also have MQZAO\_CONNECT authority to the queue manager.
2. Either the queue, process, or queue manager object is checked, depending on the type of object.

3. For DEFINE commands, MQZAO\_DISPLAY authority is also needed for the LIKE object if one is specified, or on the appropriate SYSTEM.DEFAULT.xxx object if LIKE is omitted.
4. The MQZAO\_CREATE authority is not specific to a particular object or object type. Create authority is granted for all objects, for a specified queue manager, by specifying an object type of QMGR on the SETMQAUT command.
5. This applies if the object to be replaced does in fact already exist. If it does not, the check is as for DEFINE object NOREPLACE.

**General notes:**

1. To perform any PCF command, you must have DISPLAY authority on the queue manager.
2. The authority to execute an escape PCF depends on the MQSC command within the text of the escape PCF message.
3. 'Not applicable' means that authorization checking is not relevant to this operation. For example, you cannot issue a CLEAR QLOCAL on a queue manager object.

**Authorizations for PCF commands**

Table 9 summarizes the authorizations needed for each PCF command.

<i>Table 9. PCF commands and security authorization needed</i>			
(2) Authorization required for:	Queue object	Process object	Queue manager object
<b>PCF command</b>			
Change object	MQZAO_CHANGE	MQZAO_CHANGE	MQZAO_CHANGE
Clear Queue	MQZAO_CLEAR	Not applicable	Not applicable
Copy object (without replace) (3)	MQZAO_CREATE (4)	MQZAO_CREATE (4)	Not applicable
Copy object (with replace) (3, 6)	MQZAO_CHANGE	MQZAO_CHANGE	Not applicable
Create object (without replace) (5)	MQZAO_CREATE (4)	MQZAO_CREATE (4)	Not applicable
Create object (with replace) (5, 6)	MQZAO_CHANGE	MQZAO_CHANGE	Not applicable
Delete object	MQZAO_DELETE	MQZAO_DELETE	Not applicable
Inquire object	MQZAO_DISPLAY	MQZAO_DISPLAY	MQZAO_DISPLAY
Inquire object names	No check	No check	No check
Reset queue statistics	MQZAO_DISPLAY and MQZAO_CHANGE	Not applicable	Not applicable

**Specific notes:**

1. The user identifier under which the program submitting the command is running must also have authority to connect to its local queue manager, and to open the command admin queue for output.
2. Either the queue, process, or queue-manager object is checked, depending on the type of object.
3. For Copy commands, MQZAO\_DISPLAY authority is also needed for the From object.
4. The MQZAO\_CREATE authority is not specific to a particular object or object type. Create authority is granted for all objects, for a specified queue manager, by specifying an object type of QMGR on the SETMQAUT command.

## Authorization files

5. For Create commands, MQZAO\_DISPLAY authority is also needed for the appropriate SYSTEM.DEFAULT.\* object.
6. This applies if the object to be replaced already exists. If it does not, the check is as for Copy or Create without replace.

### General notes:

1. To perform any PCF command, you must have DISPLAY authority on the queue manager.
2. The special authorization MQZAO\_ALL\_ADMIN includes all of the following that are relevant to the object type:
  - MQZAO\_CHANGE
  - MQZAO\_CLEAR
  - MQZAO\_DELETE
  - MQZAO\_DISPLAYMQZAO\_CREATE is not included, because it is not specific to a particular object or object type.
3. 'No check' means that no authorization checking is carried out.
4. 'Not applicable' means that authorization checking is not relevant to this operation. For example, you cannot use a Clear Queue command on a process object.

---

## Understanding authorization files

**Note:** The information in this section is given for problem determination. Under normal circumstances, use authorization commands to view and change authorization information.

MQSeries for SunOS uses a specific file structure to implement security. You do not have to do anything with these files, except to ensure that all the authorization files are themselves secure.

Security is implemented by authorization files. From this perspective, there are three types of authorization:

- Authorizations applying to single object, for example, the authority to put a message on an queue.
- Authorizations applying to a class of objects, for example, the authority to create a queue.
- Authorizations applying across all classes of objects, for example, the authority to perform operations on behalf of different users.

## Authorization file paths

The path to an authorization file depends on its type. When you specify an authorization for an object, for example, the queue manager creates the appropriate authorization files. It puts these files into a sub-directory, the path of which is defined by the queue manager name, the type of authorization, and where appropriate, the object name.

Not all authorizations apply directly to instances of objects. For example, the authorization to create an object applies to the class of objects rather than to an

individual instance. Also, some authorizations apply across the entire queue manager, for example, alternate user authority means that a user can assume the authorities associated with another user.

### Authorization directories

By default, the authorization directories, for a queue manager called saturn are:

<code>/var/mqm/qmgrs/saturn/auth/queues</code>	Authorization files for queues.
<code>/var/mqm/qmgrs/saturn/auth/procdef</code>	Authorization files for process definitions.
<code>/var/mqm/qmgrs/saturn/auth/qmanager</code>	Authorization files for the queue manager.
<code>/var/mqm/qmgrs/saturn/auth/@aclass</code>	Authorizations applying to all classes.

In the object directories, the @class files hold the authorizations related to the entire class.

**Note:** There is a difference between @class (the authorization file that specifies authorization for a particular class) and @aclass (the directory that contains a file that specifies authorizations to all classes)

The paths of the object authorization files are based on those of the object itself, where auth is inserted ahead of the object type directory. You can use the **dspmqls** command to display the path to a specified object.

For example, if the name and path of SYSTEM.DEFAULT.LOCAL.QUEUE is:

```
/var/mqm/qmgrs/saturn/queues/SYSTEM!DEFAULT!LOCAL!QUEUE
```

the name and path of the corresponding authorization file is:

```
/var/mqm/qmgrs/saturn/auth/queues/SYSTEM!DEFAULT!LOCAL!QUEUE
```

**Note:** In this case, the actual names of the files associated with the queue are not the same as the name of the queue itself. See “Understanding MQSeries file names” on page 40 for details.

## What the authorization files contain

The authorizations of a particular group are defined by a set of stanzas in the authorization file. See “Understanding authorization files” on page 98 for more information. The authorizations apply to the object associated with this file. For example:

```
groupB:
  Authority=0x0040007
```

## Authorization files

This stanza defines the authority for the group `groupB`. The authority specification is the union of the individual bit patterns based on the following assignments:

Authorization keyword	Formal name	Hexadecimal Value
<code>connect</code>	<code>MQZAO_CONNECT</code>	<code>0x00000001</code>
<code>browse</code>	<code>MQZAO_BROWSE</code>	<code>0x00000002</code>
<code>get</code>	<code>MQZAO_INPUT</code>	<code>0x00000004</code>
<code>put</code>	<code>MQZAO_OUTPUT</code>	<code>0x00000008</code>
<code>inq</code>	<code>MQZAO_INQUIRE</code>	<code>0x00000010</code>
<code>set</code>	<code>MQZAO_SET</code>	<code>0x00000020</code>
<code>passid</code>	<code>MQZAO_PASS_IDENTITY_CONTEXT</code>	<code>0x00000040</code>
<code>passall</code>	<code>MQZAO_PASS_ALL_CONTEXT</code>	<code>0x00000080</code>
<code>setid</code>	<code>MQZAO_SET_IDENTITY_CONTEXT</code>	<code>0x00000100</code>
<code>setall</code>	<code>MQZAO_SET_ALL_CONTEXT</code>	<code>0x00000200</code>
<code>altusr</code>	<code>MQZAO_ALTERNATE_USER_AUTHORITY</code>	<code>0x00000400</code>
<code>allmqi</code>	<code>MQZAO_ALL_MQI</code>	<code>0x000007FF</code>
<code>crt</code>	<code>MQZAO_CREATE</code>	<code>0x00010000</code>
<code>dlt</code>	<code>MQZAO_DELETE</code>	<code>0x00020000</code>
<code>dsp</code>	<code>MQZAO_DISPLAY</code>	<code>0x00040000</code>
<code>chg</code>	<code>MQZAO_CHANGE</code>	<code>0x00080000</code>
<code>clr</code>	<code>MQZAO_CLEAR</code>	<code>0x00100000</code>
<code>chgaut</code>	<code>MQZAO_AUTHORIZE</code>	<code>0x00800000</code>
<code>alladm</code>	<code>MQZAO_ALL_ADMIN</code>	<code>0x009E0000</code>
<code>none</code>	<code>MQZAO_NONE</code>	<code>0x00000000</code>
<code>all</code>	<code>MQZAO_ALL</code>	<code>0x009E07FF</code>

These definitions are made in the header file `cmqzc.h`. In the following example, `groupB` has been granted authorizations based on the hexadecimal number `0x40007`. This corresponds to:

<code>MQZAO_CONNECT</code>	<code>0x00000001</code>
<code>MQZAO_BROWSE</code>	<code>0x00000002</code>
<code>MQZAO_INPUT</code>	<code>0x00000004</code>
<code>MQZAO_DISPLAY</code>	<code>0x00040000</code>
	<code>-----</code>
Authority is:	<code>0x00040007</code>

These access rights mean that anyone in `groupB` can issue the MQI calls:

```
MQCONN
MQGET (with browse)
MQPUT
```

They also have `DISPLAY` authority for the object associated with this authorization file.

## Class authorization files

The *class authorization files* hold authorizations that relate to the entire class. These files are called “@class” and exist in the same directory as the files for specific objects. The entry MQZAO\_CRT in the @class file gives authorization to create an object in the class. This is the only class authority.

## All class authorization files

The *all class authorization file* holds authorizations that apply to an entire queue manager. This file is called “@aclass” and exists in the auth subdirectory of the queue manager.

The following authorizations apply to the entire queue manager and are held in the all class authorization file:

### The entry...

Gives authorization to...

### MQZAO\_ALTERNATE\_USER\_AUTHORITY

Assume the identity of another user when interacting with MQSeries objects.

### MQZAO\_SET\_ALL\_CONTEXT

Set the context of a message when issuing MQPUT.

### MQZAO\_SET\_IDENTITY\_CONTEXT

Set the identity context of a message when issuing MQPUT.

## Managing authorization files

Here are some pointers that you need to take into consideration when managing your authorization files:

1. You must ensure that the authorization files are secure and not write-accessible by non-trusted general users. See “Authorizations to authorization files.”
2. To be able to reproduce your file authorizations, ensure that you do at least one of the following:
  - Back up the auth subdirectory after any significant updates
  - Retain shell scripts containing the commands used
3. You can copy and edit authorization files. However, you should not normally have to create or repair them manually. Should an emergency occur, you can use the information given here to recover lost or damaged authorization files.

## Authorizations to authorization files

Authorization files must be readable by any principal. However, only the mqm user ID and the mqm group should be allowed to update these files.

The permissions on authorization files, created by the OAM, are:

```
-rw-rw-r--      mqm      mqm
```

Do not alter these permissions without reviewing carefully whether there are any security exposures.

To alter authorizations using the command supplied with MQSeries for SunOS, your SunOS user ID must either be mqm or it must belong to the mqm group.

## Authorization files



---

## Chapter 9. Instrumentation events

You can use the MQSeries instrumentation events to monitor the operation of queue managers. This chapter provides a short introduction to instrumentation events. For a more complete description, see the section on instrumentation events in the *MQSeries Programmable System Management* manual.

---

### What instrumentation events are

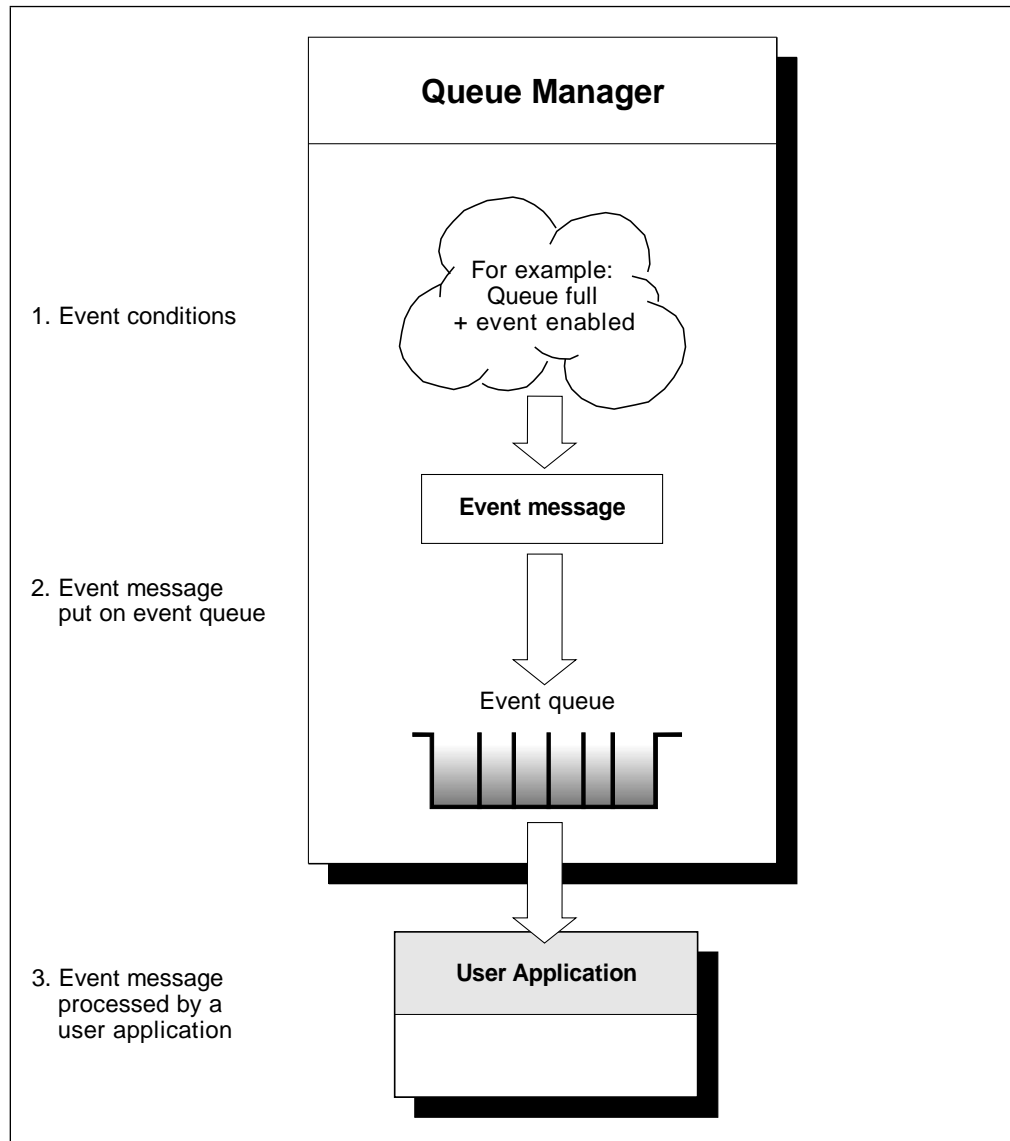
Instrumentation events cause special messages, called *event messages*, to be generated whenever the queue manager detects a predefined set of conditions. For example, the following conditions give rise to a *Queue Full* event:

- Queue Full events are enabled for a specified queue.
- An application issues an MQPUT call to put a message on that queue, but the call fails because the queue is full.

Other conditions that can give rise to instrumentation events include:

- A threshold limit for the number of messages on a queue being reached.
- A queue not being serviced within a specified time period.
- A channel instance being started or stopped.
- In MQSeries for a UNIX system, an application attempting to open a queue specifying a user ID that is not authorized.

With the exception of channel events, all instrumentation events must be enabled before they can be generated.



*Figure 8. Understanding instrumentation events. When a queue manager detects that the conditions for an event have been met, it puts an event message on the appropriate event queue.*

The event message, which contains information about the conditions giving rise to the event, is put onto an *event queue*. An application can retrieve the event message from this queue for analysis.

---

## Why use events?

If you specify your event queues as remote queues, you can put all the event queues on a single queue manager (for those nodes that support instrumentation events). You can then use the events generated to monitor a network of queue managers from a single node. Figure 9 on page 105 illustrates this.

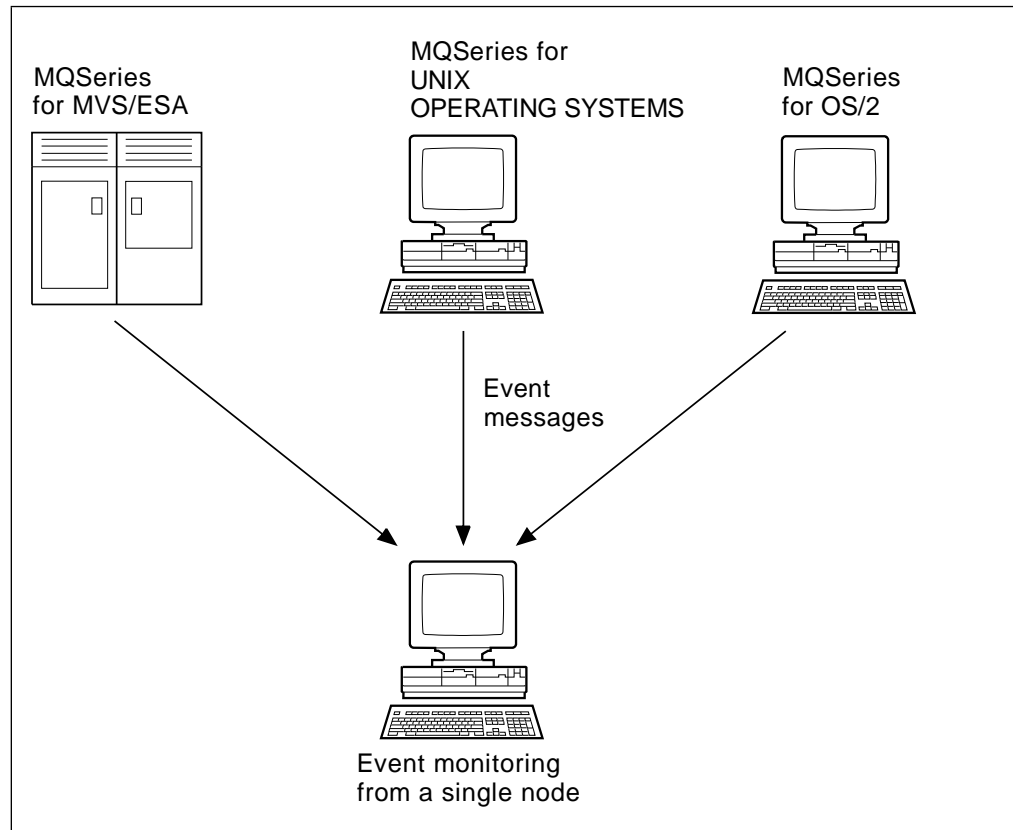


Figure 9. Monitoring queue managers across different platforms, on a single node

## Types of events

MQSeries events may be categorized as follows:

### Queue manager events

These events are related to the definitions of resources within queue managers. For example, an application attempts to put a message to a queue that does not exist.

### Performance events

These events are notifications that a threshold condition has been reached by a resource. For example, a queue depth limit has been reached or, following a get, the queue was not serviced within a predefined time limit.

### Channel events

These events are reported by channels as a result of conditions detected during their operation. For example, when a channel instance is stopped.

### Trigger events

When we discuss triggering in this and other MQSeries books, we sometimes refer to a *trigger event*. This occurs when a queue manager detects that the conditions for a trigger event have been met. For example, a queue can be configured to generate a trigger event each time a message arrives. (The conditions for trigger events and instrumentation events are quite different.)

A trigger event causes a trigger message to be put on an initiation queue and, optionally, an application program is started.

## Event notification through event queues

When an event occurs, the queue manager puts an event message on the appropriate event queue, if defined. The event message contains information about the event that you can retrieve by writing a suitable MQI application program that:

- Gets the message from the queue.
- Processes the message to extract the event data. For a description of event message formats, see the *MQSeries Programmable System Management* manual.

Each category of event has its own event queue. All events in that category result in an event message being put onto the same queue.

#### This event queue...

SYSTEM.ADMIN.QMGR.EVENT  
SYSTEM.ADMIN.PERFM.EVENT  
SYSTEM.ADMIN.CHANNEL.EVENT

#### Contains messages from...

Queue manager events  
Performance events  
Channel events

You can define event queues as either local or remote queues. If you define all your event queues as remote queues on the same queue manager, you can centralize your monitoring activities.

## Using triggered event queues

You can set up the event queues with triggers so that, when an event is generated, the event message being put onto the event queue starts a (user-written) monitoring application. This application can process the event messages and take appropriate action. For example, certain events may require that an operator be informed, other events may start an application that performs some administration tasks automatically.

## Enabling and disabling events

You enable and disable events by specifying the appropriate values for the queue manager, or queue attributes, or both, depending on the type of event. You do this using either of the following:

- MQSC commands. For more information, see the *MQSeries Command Reference* manual.
- PCF commands for queue managers on UNIX systems and OS/2. For more information, see the *MQSeries Programmable System Management* manual.

Enabling an event depends on the category of the event:

- Queue manager events are enabled by setting attributes on the queue manager.
- Performance events as a whole must be enabled on the queue manager, or no performance events can occur. You then enable the specific performance events by setting the appropriate queue attribute. You also have to specify the conditions that give rise to the event, for example, a queue depth high limit.
- Channel events occur automatically; they do not need to be enabled. If you do not want to monitor channel events, you can put-inhibit the channel event queue.

## Event messages

Event messages contain information relating to the origin of an event, including the type of event, the name of the application that caused the event, and for performance events a short statistics summary for the queue.

The format of event messages is similar to that of PCF response messages. The message data can be retrieved from them by user-written administration programs using the data structures described in the *MQSeries Programmable System Management* manual.

## Use of events

---

## Chapter 10. Transactional support and messaging

In applications that use the MQI, put and get operations can be performed under syncpoint control. In MQSeries for SunOS, there are two methods for initiating commit and rollback:

- Using the MQI calls MQCMIT and MQBACK. This provides a single-phase commit facility, with only the local queue manager involved.
- Using an XA-compliant external syncpoint coordinator, for example, Tuxedo, providing a full two-phase commit. MQSeries for SunOS supports the external syncpoint coordinators through the X/Open XA interface. This means that MQI calls can be included in a transaction where queue manager resources are committed or rolled back as directed by the external coordinator.

### Notes:

1. If an external coordinator is used, the MQCMIT and MQBACK calls become unavailable.
2. Some XA transaction managers require that each XA resource manager supplies its name. This is the string called name in the XA switch structure. The MQSeries for SunOS resource manager name is "MQSeries\_XA\_RMI".

---

## Interfaces to external syncpoint coordinators

In an XA configuration, MQSeries for SunOS is an XA resource manager that works like other XA resource managers, for example, a database. An XA syncpoint coordinator can manage a set of XA resource managers, and synchronize commit or rollback of transactions in each resource manager. This is how it works:

1. An application informs the syncpoint coordinator that it wants to start a transaction.
2. The syncpoint coordinator informs the resource managers about the current transaction.
3. The application issues calls (for example, MQGET in syncpoint) to the resource managers that are associated with the current transaction.
4. The application requests the syncpoint coordinator to commit or rollback the transaction.
5. The syncpoint coordinator completes the transaction by issuing the appropriate calls to each resource manager using 2-phase commit protocols.

XA requires each resource manager to provide a structure called an **XA Switch**. This structure declares the capabilities of the resource manager, and the functions which are to be called by the syncpoint coordinator. This structure is located in the following library:

`libmqmxa.a`                      MQSeries for SunOS XA library

## Transactional support

MQSeries for SunOS supplies two versions of this structure, both of which are contained in the library:

1. *MQRMIXASwitch* for static XA resource management.
2. *MQRMIXASwitchDynamic* for dynamic XA resource management.

The method used to link the structure to a specific XA syncpoint coordinator is defined by the coordinator. For details, consult the documentation supplied with the XA syncpoint coordinator.

The **xa\_info** structure that is passed on any **xa\_open** call by the syncpoint coordinator specifies the name of the queue manager that is to be administered. This takes the same form as the queue manager name passed to MQCONN, and may be blank if the default queue manager is to be used.

The following restrictions apply:

1. Only one queue manager may be administered by an external syncpoint coordinator at a time. The coordinator has an effective connection to each queue manager, and is therefore subject to the rule that only one connection is allowed at a time.
2. All applications that are run using the syncpoint coordinator can only connect to the queue manager that is administered by the coordinator. They are already effectively connected to that queue manager. They must issue an MQCONN to obtain a connection handle and should issue MQDISC before they exit.
3. The queue manager administered by an external syncpoint coordinator should be started before the coordinator starts. The syncpoint coordinator should be ended before the queue manager is ended.

## Abnormal termination of XA syncpoint coordinator

Because of the nature of the XA interface, abnormal termination of some XA syncpoint coordinators can result in uncommitted transaction branches started before the coordinator terminated, remaining active in MQSeries once the coordinator has been restarted.

The symptom of this is that there may be uncommitted message operations performed under these transaction branches that cannot be resolved by normal means.

If you are using an XA syncpoint coordinator that terminates abnormally, you should stop and restart your queue manager before restarting the syncpoint coordinator to resolve any such transaction branches.

See the *MQSeries Application Programming Guide* for further information on using Tuxedo as your syncpoint coordinator.



---

## Chapter 11. The MQSeries dead-letter queue handler

A *dead-letter queue* (DLQ), sometimes referred to as an *undelivered-message queue*, is a holding queue for messages that cannot be delivered to their destination queues. Every queue manager in a network should have an associated DLQ.<sup>1</sup>

Messages can be put on the DLQ by queue managers, by message channel agents (MCAs), and by applications. All messages on the DLQ should be prefixed with a *dead-letter header* structure, MQDLH. Messages put on the DLQ by a queue manager or by a message channel agent always have an MQDLH; applications putting messages on the DLQ are strongly recommended to supply an MQDLH. The *Reason* field of the MQDLH structure contains a reason code that identifies why the message is on the DLQ.

In all MQSeries environments, there should be a routine that runs regularly to process messages on the DLQ. MQSeries supplies a default routine, called the *dead-letter queue handler* (the DLQ handler), which you invoke using the **runmqdlq** command. Instructions for processing messages on the DLQ are supplied to the DLQ handler by means of a user-written *rules table*. That is, the DLQ handler matches messages on the DLQ against entries in the rules table: when a DLQ message matches an entry in the rules table, the DLQ handler performs the action associated with that entry.

This chapter contains the following sections:

- “Invoking the DLQ handler”
- “The DLQ handler rules table” on page 112
- “How the rules table is processed” on page 119
- “An example DLQ handler rules table” on page 120

---

### Invoking the DLQ handler

You invoke the DLQ handler using the **runmqdlq** command. You can name the DLQ you want to process and the queue manager you want to use in two ways:

- As parameters to **runmqdlq** from the command prompt. For example:

```
runmqdlq ABC1.DEAD.LETTER.QUEUE ABC1.QUEUE.MANAGER <rule.rul
```

- In the rules table. For example:

```
INPUTQ(ABC1.DEAD.LETTER.QUEUE) INPUTQM(ABC1.QUEUE.MANAGER)
```

The above examples apply to the DLQ called ABC1.DEAD.LETTER.QUEUE, owned by the queue manager ABC1.QUEUE.MANAGER.

---

<sup>1</sup> It is often preferable to avoid placing messages on a DLQ. For information about the use and avoidance of DLQs, see the *MQSeries Application Programming Guide*.

If you do not specify the DLQ or the queue manager as shown above, the default queue manager for the installation is used along with the DLQ belonging to that queue manager.

The **runmqdlq** command takes its input from `stdin`: you associate the rules table with **runmqdlq** by redirecting `stdin` from the rules table.

In order to run the DLQ handler, you must be authorized to access both the DLQ itself and any message queues to which messages on the DLQ are forwarded. Furthermore, if the DLQ handler is to be able to put messages on queues with the authority of the user ID in the message context, you must be authorized to assume the identity of other users.

For more information about the **runmqdlq** command, see “runmqdlq (Run dead-letter queue handler)” on page 202.

### The sample DLQ handler, **amqsdq**

In addition to the DLQ handler invoked using the **runmqdlq** command, MQSeries provides the source of a sample DLQ handler, **amqsdq**, whose function is similar to that provided via **runmqdlq**. You can customize **amqsdq** to provide a DLQ handler that meets specific, local requirements. For example, you might decide that you want a DLQ handler that can process messages without dead-letter headers. (Both the default DLQ handler and the sample, **amqsdq**, process only those messages on the DLQ that begin with a dead-letter header, MQDLH. Messages that do not begin with an MQDLH are identified as being in error, and remain on the DLQ indefinitely.)

The source of **amqsdq** is supplied in the directory:

```
/usr/mqm/samp/dlq
```

and the compiled version is supplied in the directory:

```
/usr/mqm/samp/bin
```

---

## The DLQ handler rules table

The DLQ handler rules table defines how the DLQ handler is to process messages that arrive on the DLQ. There are two types of entry in a rules table:

- The first entry in the table, which is optional, contains *control data*.
- All other entries in the table are *rules* for the DLQ handler to follow. Each rule consists of a *pattern* (a set of message characteristics) that a message is matched against, and an *action* to be taken when a message on the DLQ matches the specified pattern. There must be at least one rule in a rules table.

Each entry in the rules table comprises one or more keywords.

### Control data

This section describes the keywords that you can include in a control-data entry in a DLQ handler rules table. Please note the following:

- The default value for a keyword, if any, is underlined.
- The vertical line (|) separates alternatives, only one of which can be specified.
- All keywords are optional.

**INPUTQ** (*QueueName*[' \_ '])

Allows you to name the DLQ you want to process:

1. If you specify an INPUTQ value as a parameter to the **runmqdlq** command, this overrides any INPUTQ value in the rules table.
2. If you do not specify an INPUTQ value as a parameter to the **runmqdlq** command but you *do* specify a value in the rules table, the INPUTQ value in the rules table is used.
3. If no DLQ is specified or you specify INPUTQ(' ') in the rules table, the name of the DLQ belonging to the queue manager whose name is supplied as a parameter to the **runmqdlq** command is used.
4. If you do not specify an INPUTQ value as a parameter to the **runmqdlq** command or as a value in the rules table, the DLQ belonging to the queue manager named on the INPUTQM keyword in the rules table is used.

**INPUTQM** (*QueueManagerName*[' \_ '])

Allows you to name the queue manager that owns the DLQ named on the INPUTQ keyword:

1. If you specify an INPUTQM value as a parameter to the **runmqdlq** command, this overrides any INPUTQM value in the rules table.
2. If you do not specify an INPUTQM value as a parameter to the **runmqdlq** command, the INPUTQM value in the rules table is used.
3. If no queue manager is specified or you specify INPUTQM(' ') in the rules table, the default queue manager for the installation is used.

**RETRYINT** (*Interval***[60]**)

Is the interval, in seconds, at which the DLQ handler should attempt to reprocess messages on the DLQ that could not be processed at the first attempt, and for which repeated attempts have been requested. By default, the retry interval is 60 seconds.

**WAIT** (**YES**|**NO**|*nnn*)

Indicates whether the DLQ handler should wait for further messages to arrive on the DLQ when it detects that there are no further messages that it can process.

<b>YES</b>	Causes the DLQ handler to wait indefinitely.
<b>NO</b>	Causes the DLQ handler to terminate when it detects that the DLQ is either empty or contains no messages that it can process.
<i>nnn</i>	Causes the DLQ handler to wait for <i>nnn</i> seconds for new work to arrive before terminating, after it detects that the queue is either empty or contains no messages that it can process.

You are recommended to specify WAIT (YES) for busy DLQs, and WAIT (NO) or WAIT (*nnn*) for DLQs that have a low level of activity. If the DLQ handler is allowed to terminate, you are recommended to reinvoke it by means of triggering.

As an alternative to including control data in the rules table, you can supply the names of the DLQ and its queue manager as input parameters of the **runmqdlq** command. If any value is specified both in the rules table and on input to the **runmqdlq** command, the value specified on the **runmqdlq** command takes precedence.

**Note:** If a control-data entry is included in the rules table, it *must* be the first entry in the table.

## Rules (patterns and actions)

Figure 10 shows an example rule from a DLQ handler rules table.

```
PERSIST(MQPER_PERSISTENT) REASON (MQRC_PUT_INHIBITED) +  
ACTION (RETRY) RETRY (3)
```

*Figure 10. An example rule from a DLQ handler rules table. This rule instructs the DLQ handler to make 3 attempts to deliver to its destination queue any persistent message that was put on the DLQ because MQPUT and MQPUT1 were inhibited.*

All keywords that you can use on a rule are described in the remainder of this section. Please note the following:

- The default value for a keyword, if any, is underlined. For most keywords, the default value is \* (asterisk), which matches any value.
- The vertical line (|) separates alternatives, only one of which can be specified.
- All keywords except ACTION are optional.

This section begins with a description of the pattern-matching keywords (those against which messages on the DLQ are matched), and then describes the action keywords (those that determine how the DLQ handler is to process a matching message).

### The pattern-matching keywords

The pattern-matching keywords, which you use to specify values against which messages on the DLQ are matched, are described below. All pattern-matching keywords are optional.

#### **APPLIDAT** (*ApplIdentityData*\*)

Is the *ApplIdentityData* value specified in the message descriptor, MQMD, of the message on the DLQ.

#### **APPLNAME** (*PutAppName*\*)

Is the name of the application that issued the MQPUT or MQPUT1 call, as specified in the *PutAppName* field of the message descriptor, MQMD, of the message on the DLQ.

#### **APPLTYPE** (*PutAppType*\*)

Is the *PutAppType* value specified in the message descriptor, MQMD, of the message on the DLQ.

#### **DESTQ** (*QueueName*\*)

Is the name of the message queue for which the message is destined.

**DESTQM** (*QueueManagerName*[\*])

Is the name of the queue manager of the message queue for which the message is destined.

**FEEDBACK** (*Feedback*[\*])

When the *MsgType* value is MQFB\_REPORT, *Feedback* describes the nature of the report.

Symbolic names can be used. For example, you can use the symbolic name MQFB\_COA to identify those messages on the DLQ that require confirmation of their arrival on their destination queues.

**FORMAT** (*Format*[\*])

Is the name that the sender of the message uses to describe the format of the message data.

**MSGTYPE** (*MsgType*[\*])

Is the message type of the message on the DLQ.

Symbolic names can be used. For example, you can use the symbolic name MQMT\_REQUEST to identify those messages on the DLQ that require replies.

**PERSIST** (*Persistence*[\*])

Is the persistence value of the message. (The persistence of a message determines whether it survives restarts of the queue manager.)

Symbolic names can be used. For example, you can use the symbolic name MQPER\_PERSISTENT to identify those messages on the DLQ that are persistent.

**REASON** (*ReasonCode*[\*])

Is the reason code that describes why the message was put to the DLQ.

Symbolic names can be used. For example, you can use the symbolic name MQRC\_Q\_FULL to identify those messages placed on the DLQ because their destination queues were full.

**REPLYQ** (*QueueName*[\*])

Is the name of the reply-to queue specified in the message descriptor, MQMD, of the message on the DLQ.

**REPLYQM** (*QueueManagerName*[\*])

Is the name of the queue manager of the reply-to queue, as specified in the message descriptor, MQMD, of the message on the DLQ.

**USERID** (*UserIdentifier*[\*])

Is the user ID of the user who originated the message on the DLQ, as specified in the message descriptor, MQMD.

**The action keywords**

The action keywords, which you use to describe how a matching message is to be processed, are described below.

**ACTION** (DISCARD|IGNORE|RETRY|FWD)

Is the action to be taken for any message on the DLQ that matches the pattern defined in this rule.

**DISCARD** Causes the message to be deleted from the DLQ.

- IGNORE** Causes the message to be left on the DLQ.
- RETRY** Causes the DLQ handler to try again to put the message on its destination queue.
- FWD** Causes the DLQ handler to forward the message to the queue named on the FWDQ keyword.

The ACTION keyword must be specified. The number of attempts made to implement an action is governed by the RETRY keyword. The interval between attempts is controlled by the RETRYINT keyword of the control data.

#### **FWDQ** (*QueueName*|&DESTQ|&REPLYQ)

Is the name of the message queue to which the message should be forwarded when ACTION (FWD) is requested.

##### *QueueName*

Is the name of a message queue. FWDQ(' ') is not valid.

- &DESTQ** Causes the queue name to be taken from the *DestQName* field in the MQDLH structure.
- &REPLYQ** Causes the name to be taken from the *ReplyToQ* field in the message descriptor, MQMD.
- To avoid error messages when a rule specifying FWDQ (&REPLYQ) matches a message with a blank *ReplyToQ* field, you can specify REPLYQ (?\*) in the message pattern.

#### **FWDQM** (*QueueManagerName*|&DESTQM|&REPLYQM|' \_')

Identifies the queue manager of the queue to which a message is to be forwarded.

##### *QueueManagerName*

Is the name of the queue manager of the queue to which a message is to be forwarded when ACTION (FWD) is requested.

##### **&DESTQM**

Causes the queue manager name to be taken from the *DestQMName* field in the MQDLH structure.

##### **&REPLYQM**

Causes the name to be taken from the *ReplyToQMGr* field in the message descriptor, MQMD.

- ' ' FWDQM(' '), which is the default value, identifies the local queue manager.

#### **HEADER** (YES|NO)

Specifies whether the MQDLH should remain on a message for which ACTION (FWD) is requested. By default, the MQDLH remains on the message. The HEADER keyword is not valid for actions other than FWD.

#### **PUTAUT** (DEF|CTX)

Defines the authority with which messages should be put by the DLQ handler:

- DEF** Causes messages to be put with the authority of the DLQ handler itself.

**CTX** Causes the messages to be put with the authority of the user ID in the message context. If you specify PUTAUT (CTX), you must be authorized to assume the identity of other users.

**RETRY** (*RetryCount***1**)

Is the number of times, in the range 1–999,999,999, that an action should be attempted (at the interval specified on the RETRYINT keyword of the control data).

**Note:** The count of attempts made by the DLQ handler to implement any particular rule is specific to the current instance of the DLQ handler; the count does not persist across restarts. If the DLQ handler is restarted, the count of attempts made to apply a rule is reset to zero.

## Rules table conventions

The rules table must adhere to the following conventions regarding its syntax, structure, and contents:

- A rules table must contain at least one rule.
- Keywords can occur in any order.
- A keyword can be included once only in any rule.
- Keywords are not case-sensitive.
- A keyword and its parameter value must be separated from other keywords by at least one blank or comma.
- Any number of blanks can occur at the beginning or end of a rule, and between keywords, punctuation, and values.
- Each rule must begin on a new line.
- For reasons of portability, the significant length of a line should not be greater than 72 characters.
- Use the plus sign (+) as the last nonblank character on a line to indicate that the rule continues from the first nonblank character in the next line. Use the minus sign (–) as the last nonblank character on a line to indicate that the rule continues from the start of the next line. Continuation characters can occur within keywords and parameters.
- Comment lines, which begin with an asterisk (\*), can occur anywhere in the rules table.
- Blank lines are ignored.
- Each entry in the DLQ handler rules table comprises one or more keywords and their associated parameters. The parameters must follow these syntax rules:
  - Each parameter value must include at least one significant character. The delimiting quotation marks in quoted values are not considered significant. For example, these parameters are valid:

```

FORMAT('ABC') 3 significant characters
FORMAT(ABC)   3 significant characters
FORMAT('A')   1 significant character
FORMAT(A)     1 significant character
FORMAT(' ')   1 significant character

```

These parameters are invalid because they contain no significant characters:

```
FORMAT(' ')
FORMAT( )
FORMAT()
FORMAT
```

- Wildcard characters are supported: you can use the question mark (?) in place of any single character, except a trailing blank; you can use the asterisk (\*) in place of zero or more adjacent characters. The asterisk (\*) and the question mark (?) are **always** interpreted as wildcard characters in parameter values.
- Wildcard characters cannot be included in the parameters of these keywords: ACTION, HEADER, RETRY, FWDQ, FWDQM, and PUTAUT.
- Trailing blanks in parameter values, and in the corresponding fields in the message on the DLQ, are not significant when performing wildcard matches. However, leading and embedded blanks within strings in quotation marks are significant to wildcard matches.
- Numeric parameters cannot include the question mark (?) wildcard character. The asterisk (\*) can be used in place of an entire numeric parameter, but cannot be included as part of a numeric parameter. For example, these are valid numeric parameters:

```
MSGTYPE(2)    Only reply messages are eligible
MSGTYPE(*)    Any message type is eligible
MSGTYPE('*')  Any message type is eligible
```

However, MSGTYPE('2\*') is not valid, because it includes an asterisk (\*) as part of a numeric parameter.

- Numeric parameters must be in the range 0–999,999,999. If the parameter value is in this range, it is accepted, even if it is not currently valid in the field to which the keyword relates. Symbolic names can be used for numeric parameters.
- If a string value is shorter than the field in the MQDLH or MQMD to which the keyword relates, the value is padded with blanks to the length of the field. If the value, excluding asterisks, is longer than the field, an error is diagnosed. For example, these are all valid string values for an 8-character field:

```
'ABCDEFGH'           8 characters
'A*C*E*G*I'         5 characters excluding asterisks
'*A*C*E*G*I*K*M*O*' 8 characters excluding asterisks
```

- Strings that contain blanks, lowercase characters, or special characters other than period (.), forward slash (/), underscore (\_), and percent sign (%) must be enclosed in single quotation marks. Lowercase characters not enclosed in quotation marks are folded to uppercase. If the string includes a quotation, two single quotation marks must be used to denote both the beginning and the end of the quotation. When the length of the string is calculated, each occurrence of double quotation marks is counted as a single character.



---

## How the rules table is processed

The DLQ handler searches the rules table for a rule whose pattern matches a message on the DLQ. The search begins with the first rule in the table, and continues sequentially through the table. When a rule with a matching pattern is found, the action from that rule is attempted. The DLQ handler increments the retry count for a rule by 1 whenever it attempts to apply that rule. If the first attempt fails, the attempt is repeated until the count of attempts made matches the number specified on the RETRY keyword. If all attempts fail, the DLQ handler searches for the next matching rule in the table.

This process is repeated for subsequent matching rules until an action is successful. When each matching rule has been attempted the number of times specified on its RETRY keyword, and all attempts have failed, ACTION (IGNORE) is assumed. ACTION (IGNORE) is also assumed if no matching rule is found.

### Notes:

1. Matching rule patterns are sought only for messages on the DLQ that begin with an MQDLH. Messages that do not begin with an MQDLH are reported periodically as being in error, and remain on the DLQ indefinitely.
2. All pattern keywords can be allowed to default, such that a rule may consist of an action only. Note, however, that action-only rules are applied to all messages on the queue that have MQDLHs and that have not already been processed in accordance with other rules in the table.
3. The rules table is validated when the DLQ handler is started, and errors are flagged at that time. (Error messages issued by the DLQ handler are described in Appendix G, "Messages" on page 237.) You can make changes to the rules table at any time, but those changes do not come into effect until the DLQ handler is restarted.
4. The DLQ handler does not alter the content of messages, of the MQDLH, or of the message descriptor. The DLQ handler always puts messages to other queues with the message option MQPMO\_PASS\_ALL\_CONTEXT.
5. The DLQ handler opens the DLQ with the MQOO\_INPUT\_AS\_Q\_DEF option.
6. Multiple instances of the DLQ handler could run concurrently against the same queue, using the same rules table. However, it is more usual for there to be a one-to-one relationship between a DLQ and a DLQ handler.

## Ensuring that all DLQ messages are processed

The DLQ handler keeps a record of all messages on the DLQ that have been seen but not removed. If you use the DLQ handler as a filter to extract a small subset of the messages from the DLQ, the DLQ handler still has to keep a record of those messages on the DLQ that it did not process. Also, the DLQ handler cannot guarantee that new messages arriving on the DLQ will be seen, even if the DLQ is defined as first-in-first-out (FIFO). Therefore, if the queue is not empty, a periodic rescan of the DLQ is performed to check all messages. For these reasons, you should try to ensure that the DLQ contains as few messages as possible; if messages that cannot be discarded or forwarded to other queues (for whatever reason) are allowed to accumulate on the queue, the workload of the DLQ handler increases and the DLQ itself is in danger of filling up.

You can take specific measures to enable the DLQ handler to empty the DLQ. For example, try not to use ACTION (IGNORE), which simply leaves messages on the DLQ. (Remember that ACTION (IGNORE) is assumed for messages that are not explicitly addressed by other rules in the table.) Instead, for those messages that you would otherwise ignore, use an action that moves the messages to another queue. For example:

```
ACTION (FWD) FWDQ (IGNORED.DEAD.QUEUE) HEADER (YES)
```

Similarly, the final rule in the table should be a catchall to process messages that have not been addressed by earlier rules in the table. For example, the final rule in the table could be something like this:

```
ACTION (FWD) FWDQ (REALLY.DEAD.QUEUE) HEADER (YES)
```

This action causes messages that fall through to the final rule in the table to be forwarded to the queue REALLY.DEAD.QUEUE, where they can be processed manually. If you do not have such a rule, messages are likely to remain on the DLQ indefinitely.

---

## An example DLQ handler rules table

Here is an example rules table that contains a single control-data entry and several rules:

```
*****
*           An example rules table for the runmqdlq command           *
*****
* Control data entry
* -----
* If no queue manager name is supplied as an explicit parameter to
* runmqdlq, use the default queue manager for the machine.
* If no queue name is supplied as an explicit parameter to runmqdlq,
* use the DLQ defined for the local queue manager.
*
inputqm(' ') inputq(' ')

* Rules
* -----
* We include rules with ACTION (RETRY) first to try to
* deliver the message to the intended destination.

* If a message is placed on the DLQ because its destination
* queue is full, attempt to forward the message to its
* destination queue. Make 5 attempts at approximately
* 60-second intervals (the default value for RETRYINT).

REASON(MQRC_Q_FULL) ACTION(RETRY) RETRY(5)

* If a message is placed on the DLQ because of a put inhibited
* condition, attempt to forward the message to its
* destination queue. Make 5 attempts at approximately
* 60-second intervals (the default value for RETRYINT).
```

```
REASON(MQRC_PUT_INHIBITED) ACTION(RETRY) RETRY(5)
```

- \* The AAAA corporation are always sending messages with incorrect
- \* addresses. When we find a request from the AAAA corporation,
- \* we return it to the DLQ (DEADQ) of the reply-to queue manager
- \* (&REPLYQM).
- \* The AAAA DLQ handler attempts to redirect the message.

```
MSGTYPE(MQMT_REQUEST) REPLYQM(AAAA.*) +
  ACTION(FWD) FWDQ(DEADQ) FWDQM(&REPLYQM)
```

- \* The BBBB corporation never do things by half measures. If
- \* the queue manager BBBB.1 is unavailable, try to
- \* send the message to BBBB.2

```
DESTQM(bbbb.1) +
  action(fwd) fwdq(&DESTQ) fwdqm(bbbb.2) header(no)
```

- \* The CCCC corporation considers itself very security
- \* conscious, and believes that none of its messages
- \* will ever end up on one of our DLQs.
- \* Whenever we see a message from a CCCC queue manager on our
- \* DLQ, we send it to a special destination in the CCCC organization
- \* where the problem is investigated.

```
REPLYQM(CCCC.*) +
  ACTION(FWD) FWDQ(ALARM) FWDQM(CCCC.SYSTEM)
```

- \* Messages that are not persistent run the risk of being
- \* lost when a queue manager terminates. If an application
- \* is sending nonpersistent messages, it should be able
- \* to cope with the message being lost, so we can afford to
- \* discard the message.

```
PERSIST(MQPER_NOT_PERSISTENT) ACTION(DISCARD)
```

- \* For performance and efficiency reasons, we like to keep
- \* the number of messages on the DLQ small.
- \* If we receive a message that has not been processed by
- \* an earlier rule in the table, we assume that it
- \* requires manual intervention to resolve the problem.
- \* Some problems are best solved at the node where the
- \* problem was detected, and others are best solved where
- \* the message originated. We don't have the message origin,
- \* but we can use the REPLYQM to identify a node that has
- \* some interest in this message.
- \* Attempt to put the message onto a manual intervention
- \* queue at the appropriate node. If this fails,
- \* put the message on the manual intervention queue at
- \* this node.

```
REPLYQM('?*') +
  ACTION(FWD) FWDQ(DEADQ.MANUAL.INTERVENTION) FWDQM(&REPLYQM)
```

```
ACTION(FWD) FWDQ(DEADQ.MANUAL.INTERVENTION)
```

## DLQ handler

---

## Chapter 12. Recovery and restart

A messaging system ensures that messages entered into the system are delivered to their destination. This means that it must provide a method of tracking the messages in the system, and of recovering messages if the system fails for any reason.

MQSeries ensures that messages are not lost by maintaining records (logs) of the activities of the queue managers that handle the receipt, transmission, and delivery of messages. It uses these logs for three types of recovery:

1. *Restart recovery*, when you stop MQSeries in a planned way.
2. *Crash recovery*, when MQSeries is stopped by an unexpected failure.
3. *Media recovery*, to restore damaged objects.

In all cases, the recovery restores the queue manager to the state it was in when the queue manager stopped. Any in-flight transactions are rolled back, removing from the queues any messages that were not committed at the time the queue manager stopped. Recovery restores all persistent messages; non-persistent messages are lost during the process.

The rest of this chapter introduces the concepts of recovery and restart in more detail and then tells you how to recover if problems occur. It covers the following topics:

- “Making sure that messages are not lost (logging)”
- “Checkpointing – ensuring complete recovery” on page 126
- “Managing logs” on page 128
- “Using the log for recovery” on page 130
- “Backup and restore” on page 132
- “Recovery scenarios” on page 134

---

### Making sure that messages are not lost (logging)

MQSeries records all significant changes to the data controlled by the queue manager in a log. This includes the creation and deletion of objects, all persistent message updates, transaction states, changes to object attributes, and channel activities. Therefore, the log contains the information you need to recover all updates to message queues by:

- Keeping records of queue manager changes.
- Keeping records of queue updates for use by the restart process.
- Enabling you to restore data after a hardware or software failure.

This section tells you more about logs, including:

- “What logs look like” on page 124
- “Types of logging” on page 124
- “Checkpointing – ensuring complete recovery” on page 126
- “Media recovery” on page 130
- “Managing logs” on page 128
- “Managing log files” on page 129

### What logs look like

An MQSeries log consists of two components:

1. One or more files of log data
2. A log control file

There are a number of log files which contain the data being recorded. You can define the number and size (as explained in Chapter 13, “Configuration files” on page 137), or take the system default of 3 files, each 4MB in size.

When you create a queue manager, the number of log files you define is the number of *primary* log files allocated. If you do not specify a number, the default value is used. If you have not changed the log path, they are created in the directory:

```
/var/mqm/1og/QmName
```

MQSeries starts with these primary log files, but, if the log starts to get full, allocates *secondary* log files. It does this dynamically, and removes them when the demand for log space reduces. By default, up to 2 secondary log files can be allocated, providing a further 8MB of disk space. The default number can also be changed, see Chapter 13, “Configuration files” on page 137.

The log control file contains the information needed to monitor the use of log files: their size and location, the name of the next available file, and so on.

**Note:** You should ensure that the logs created when you start a queue manager are large enough to accommodate the size and volume of messages that your applications will handle. The default log numbers and sizes will require modification to meet your requirements. How to change the default values is described on page 142.

### Types of logging

In MQSeries, the number of files that are used for logging depends on the file size, the number of messages you have received, and the length of the messages. There are two ways of maintaining records of queue manager activities: circular logging and linear logging.

#### Circular logging

Use circular logging if all you want is restart recovery, using the log to roll back transactions that were in progress when the system stopped.

Circular logging keeps all restart data in a ring of log files. Logging fills the first file in the ring, then moves on to the next, and so on, until all the files are filled. It then goes back to the first file in the ring and starts again. This continues as long as the product is in use and has the advantage that you never run out of log files.

The above is a simple explanation of circular logging. However, there is a complication. The log entries required to restart the queue manager without loss of data are kept until they are no longer required to ensure queue manager data recovery. The mechanism for releasing log files for reuse is described in “Checkpointing – ensuring complete recovery” on page 126. For now, you should know that MQSeries uses secondary log files to extend the log capacity as necessary.

## Linear logging

Use linear logging if you want both restart recovery and media or forward recovery (recreating lost or damaged data by replaying the contents of the log).

Linear logging keeps the log data in a continuous sequence of files. Space is not reused, so you can always retrieve any record logged from the time that the queue manager was created.

As disk space is finite, you may have to think about some form of archiving. It is an administrative task to manage your disk space for the log, reusing or extending the existing space as necessary.

The number of log files used with linear logging can be very large depending on your message flow and the age of your queue manager. However, there are a number of files which are said to be active. Active files contain the log entries required to restart the queue manager. The number of active log files is usually the same as the number of primary log files as defined in the configuration files. (See Chapter 13, “Configuration files” on page 137 for further details of how to define the number.)

The key event that controls whether a log file is termed active or not is a *checkpoint*. An MQSeries checkpoint is a group of log records containing information to allow a successful restart of the queue manager. Any information recorded previously is not required to restart the queue manager and can therefore be termed inactive. (See “Checkpointing – ensuring complete recovery” on page 126 for further information about checkpointing.)

You must decide when inactive log files are no longer required. You may select to archive them, or you may delete them as being no longer of interest to your operation. Refer to “Managing logs” on page 128 for further information about the disposition of log files.

If a new checkpoint is recorded in the second, or later, primary log file, then the first file becomes inactive and a new primary file is formatted and added to the end of the primary pool, restoring the number of primary files available for logging. In this way the primary log file pool can be seen to be a current set of files in an ever extending list of log files. Again, it is an administrative task to manage the inactive files according to the requirements of your operation.

Although secondary log files are defined for linear logging, they are not used in normal operation. If a situation should arise when, probably due to long-lived transactions, it is not possible to free a file from the active pool because it may still be required for a restart, secondary files are formatted and added to the active log file pool.

If the number of secondary files available is used up, requests for most further operations requiring log activity will be refused with an MQRC\_RESOURCE\_PROBLEM being returned to the application.

Both types of logging can cope with unexpected loss of power assuming that there is no hardware failure.

## Checkpointing – ensuring complete recovery

Persistent updates to message queues happen in two stages. First, the records representing the update are written to the log, then the queue file is updated. The log files can thus become more up-to-date than the queue files. To ensure that restart processing begins from a consistent point, MQSeries uses checkpoints. A checkpoint is a point in time when the record described in the log is the same as the record in the queue. The checkpoint itself consists of the series of log records needed to restart the queue manager; for example, the state of all transactions active at the time of the checkpoint.

Checkpoints are generated automatically by MQSeries. They are taken when the queue manager starts, at shutdown, when logging space is running low, and after every 1000 operations logged. As the queues handle further messages, the checkpoint record becomes inconsistent with the current state of the queues.

When MQSeries is restarted, it locates the latest checkpoint record in the log. This information is held in the checkpoint file that is updated at the end of every checkpoint. The checkpoint record represents the most recent point of consistency between the log and the data. The data from this checkpoint is used to rebuild the queues as they existed at the checkpoint time. When the queues are recreated, the log is then played forward to bring the queues back to the state they were in before system failure or close down.

MQSeries maintains internal pointers to the head and tail of the log. It moves the head pointer to the most recent checkpoint that is consistent with recovering message data.

Checkpoints are used to make recovery more efficient, and to control the reuse of primary and secondary log files.

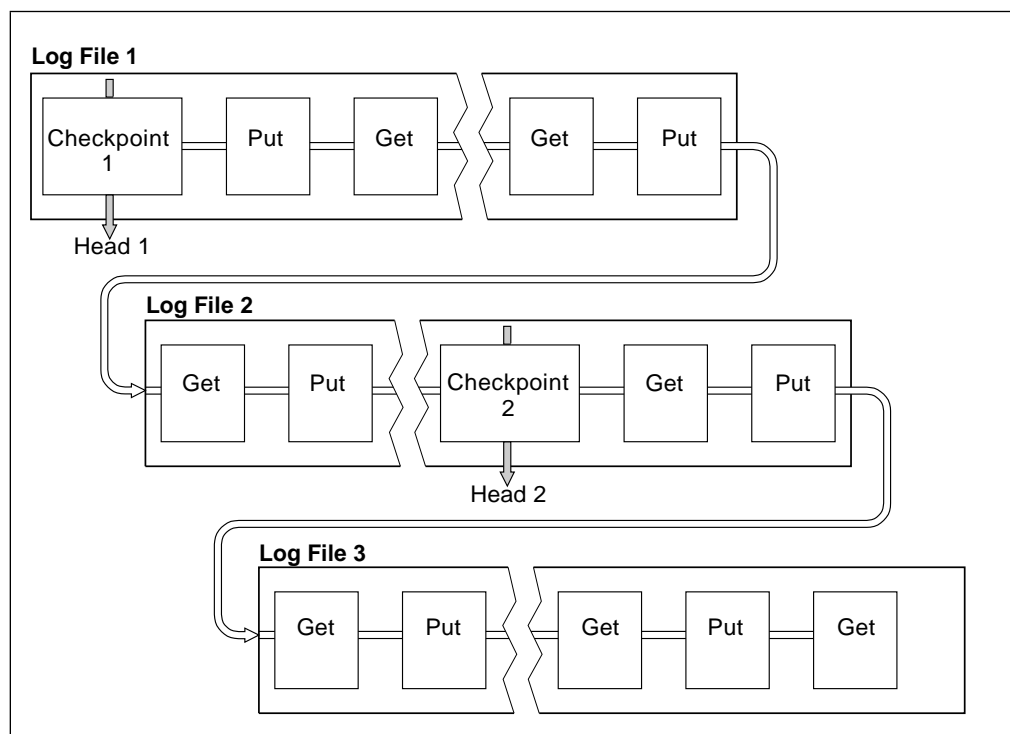


Figure 11. Checkpointing. For simplicity, only the ends of the log files are shown.



In Figure 11, all records before the latest checkpoint, checkpoint 2, are no longer needed by MQSeries. The queues can be recovered from the checkpoint information and any later log entries. For circular logging, any freed files prior to the checkpoint can be reused. For a linear log, the freed log files no longer need to be accessed for normal operation and become inactive. In the example, the queue head pointer is moved to point at the latest checkpoint, Checkpoint 2, which then becomes the new queue head, head 2. Log File 1 can now be reused.

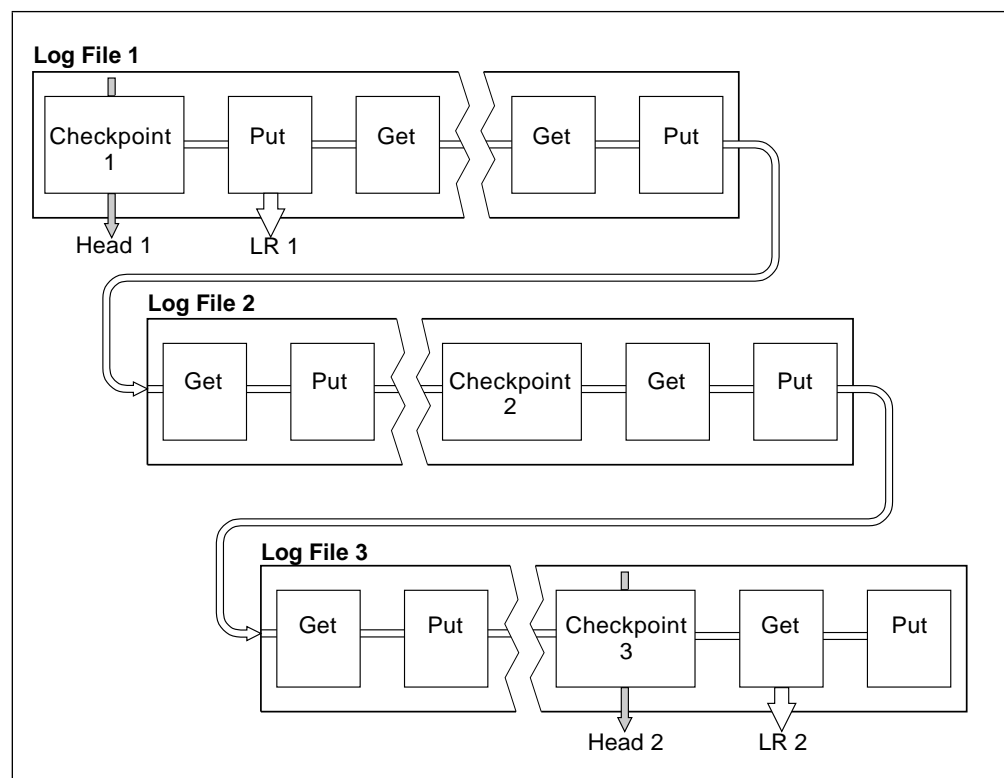


Figure 12. Checkpointing with a long-running transaction. For simplicity, only the ends of the log files are shown.

Figure 12 shows how a long-running transaction affects reuse of log files. In the example, a long-running transaction has caused an entry to the log, shown as LR 1, after the first checkpoint shown. The transaction does not complete, shown as LR 2, until after the third checkpoint. All the log information from LR 1 onwards is retained to allow recovery of that transaction, if necessary, until it has completed.

After the long-running transaction has completed, at LR 2, the head of the log is moved to checkpoint 3, the latest logged checkpoint. The files containing log records prior to checkpoint 3, Head 2, are no longer needed. If you are using circular logging, the space can be reused.

If the primary log files are completely filled before the long-running transaction completes, secondary log files are used to avoid the risk of a log full situation if possible.

When the log head is moved and you are using circular logging, the primary log files may become eligible for reuse and the logger, after filling the current file, reuses the first primary file available to it. If instead you are using linear logging, the log head is still moved down the active pool and the first file becomes inactive.

## Managing logs

A new primary file is formatted and added to the bottom of the pool in readiness for future logging activities.

---

## Managing logs

Over time, some of the log records written become unnecessary for restarting the queue manager, and the queue manager reclaims freed space in the log files. This activity is transparent to the user and you do not usually see the amount of disk space used reduce because the space allocated is quickly reused.

Of the log records, only those written since the start of the last complete checkpoint, and those written by any active transactions, are needed to restart the queue manager. Thus, the log may fill if a checkpoint has not been taken for a long time, or if a long-running transaction wrote a log record a long time ago. The queue manager tries to take checkpoints sufficiently frequently to avoid the first problem.

When a long-running transaction fills the log, attempts to write log records fail and some MQI calls return `MQRC_RESOURCE_PROBLEM`. (Space is reserved to commit or rollback all in-flight transactions, so `MQCMIT` or `MQBACK` should not fail.)

The queue manager rolls back transactions that consume too much log space. An application whose transaction is rolled back in this way is unable to perform subsequent `MQPUT` or `MQGET` operations specifying syncpoint under the same transaction. An attempt to put or get a message under syncpoint in this state returns `MQRC_BACKED_OUT`. The application may then issue `MQCMIT`, which returns `MQRC_BACKED_OUT`, or `MQBACK` and start a new transaction. When the transaction consuming too much log space has been rolled back, its log space is released and the queue manager continues to operate normally.

If the log fills, a message is issued (`AMQ7463`). In addition, if the log fills because a long-running transaction has prevented the space being released, message `AMQ7465` is issued.

Finally, if records are being written to the log faster than the asynchronous housekeeping processes can handle them, message `AMQ7466` is issued. If you see this message, you should increase the number of log files or reduce the amount of data being processed by the queue manager.

## What happens when a disk gets full

The queue manager logging component can cope with a full disk, and with full log files. If the disk containing the log fills, the queue manager issues message `AMQ6708` and an error record is taken.

The log files are created at their maximum size, rather than being extended as log records are written to them. This means that MQSeries can only run out of disk space when it is creating a new file. It therefore cannot run out of space when it is writing a record to the log. MQSeries always knows how much space is available in the existing log files and manages the space within the files accordingly.

If you fill the drive containing the log files, you may be able to free some disk space. If you are using a linear log, there may be some inactive log files in the log

directory which you can copy to another drive or device. If you still run out of space, check that the configuration of the log in the queue manager configuration file is correct. You may be able to reduce the number of primary or secondary log files so that the log does not outgrow the available space. Note that it is not possible to alter the size of the log files for an existing queue manager. The queue manager assumes that all log files are the same size.

## Managing log files

If you are using circular logging, ensure that there is sufficient space to hold the log files. You do this when you configure your system (see “Log configuration stanzas” on page 143). The amount of disk space used by the log does not increase beyond the configured size, including space for secondary files to be created when required.

If you are using a linear log, the log files are added continually as data is logged, and the amount of disk space used increases with time. If the rate of data being logged is high, disk space is consumed rapidly by new log files.

Over time, the older log files for a linear log are no longer required to restart the queue manager or perform media recovery of any damaged objects. Periodically, the queue manager issues a pair of messages to indicate which of the log files is required:

- Message AMQ7467 gives the name of the oldest log file needed to restart the queue manager. This log file and all newer log files must be available during queue manager restart.
- Message AMQ7468 gives the name of the oldest log file needed to do media recovery.

Any log files older than these do not need to be online. You can copy them to an archive medium such as tape for disaster recovery, and remove them from the active log directory. Any log files needed for media recovery but not for restart can also be off-loaded to an archive.

If any log file that is needed cannot be found, operator message AMQ6767 is issued. Make the log file, and all subsequent log files, available to the queue manager and retry the operation.

**Note:** When performing media recovery, all the required log files must be available in the log file directory at the same time. Make sure that you take regular media images of any objects you may wish to recover to avoid running out of disk space to hold all the required log files.

### Log file location

When choosing a location for your log files, remember that operation is severely impacted if MQSeries fails to format a new log because of lack of disk space.

If you are using a circular log, ensure that there is sufficient space on the drive for at least the configured primary log files. You should also leave space for at least one secondary log file which is needed if the log has to grow.

If you are using a linear log, you should allow considerably more space; the space consumed by the log increases continuously as data is logged.

## Using the log

Ideally, the log files should be placed on a separate disk drive from the queue manager data. This has benefits in terms of performance. It may also be possible to place the log files on multiple disk drives in a mirrored arrangement. This gives protection against failure of the drive containing the log. Without mirroring, you could be forced to go back to the last backup of your MQSeries system.

---

## Using the log for recovery

There are several ways that your data can be damaged. MQSeries for SunOS helps you recover from:

- A damaged data object
- A power loss in the system
- A communications failure
- A damaged log volume

This section looks at how the logs are used to recover from these problems.

## Recovering from problems

MQSeries can recover from both communications failures and loss of power. In addition, it is sometimes possible to recover from other types of problem, such as inadvertent deletion of a file.

In the case of a communications failure, messages remain on queues until they are removed by a receiving application. If the message is being transmitted, it remains on the transmission queue until it can be successfully transmitted. To recover from a communications failure, it is normally sufficient simply to restart the channels using the link that failed.

If you lose power, when the queue manager is restarted MQSeries restores the queues to their state at the time of the failure. This ensures that no persistent messages are lost. Nonpersistent messages are discarded; they do not survive when MQSeries stops.

There are ways in which an MQSeries object can become unusable, for example due to inadvertent damage. You then have to recover either your complete system or some part of it. The action required depends on when the damage is detected, whether the log method selected supports media recovery, and which objects are damaged.

## Media recovery

Media recovery means recreating objects from information recorded in a linear log. For example, if an object file is inadvertently deleted, or becomes unusable for some other reason, media recovery can be used to recreate it. The information in the log required for media recovery of an object is called a *media image*. Media images can be recorded manually, using the **rctdmqing** command, or automatically in certain circumstances.

A media image is a sequence of log records containing an image of an object from which the object itself can be recreated.

The first log record required to recreate an object is known as its *media recovery record*; it is the start of the latest media image for the object. The media recovery

record of each object is one of the pieces of information recorded during a checkpoint.

When recreating an object from its media image, it is also necessary to replay any log records describing updates performed on the object since the last image was taken.

Consider, for example, a local queue that has an image of the queue object taken before a persistent message is put onto the queue. In order to recreate the latest image of the object, it is necessary to replay the log entries recording the putting of the message to the queue, as well as replaying the image itself.

When an object is created, the log records written contain enough information to completely recreate the object. These records make up the object's first media image. Subsequently, media images are recorded automatically by the queue manager when:

- Images of all process objects and non-local queues are taken at each shutdown.
- Local queue images are taken when the queue becomes empty.

Media images can also be recorded manually using the **rcdmqimg** command, described in “rcdmqimg (Record media image)” on page 194.

### Recovering media images

MQSeries automatically recovers some objects from their media image if it finds that they are corrupt or damaged. In particular, this applies to objects found to be damaged during the normal queue manager startup. If any transaction was incomplete at the time of the last shutdown of the queue manager, any queue affected is also recovered automatically in order to complete the startup operation.

You must recover other objects manually, using the **rcrmqobj** command. This command replays the records in the log to recreate the MQSeries object. The object is recreated from its latest image found in the log, together with all applicable log events between the time the image was saved and the time the recreate command is issued. Should an MQSeries object become damaged, the only valid actions that can be performed are either to delete it or to recreate it by this method. Note, however, that nonpersistent messages cannot be recovered in this way.

See “rcrmqobj (Recreate object)” on page 196 for further details of the **rcrmqobj** command.

It is important to remember that you must have the log file containing the media recovery record, and all subsequent log files, available in the log file directory when attempting media recovery of an object. If a required file cannot be found, operator message AMQ6767 is issued and the media recovery operation fails. If you do not take regular media images of the objects that you may wish to recreate, you can get into the situation where you have insufficient disk space to hold all the log files required to recreate an object.

### Recovering damaged objects during startup

If the queue manager discovers a damaged object during startup, the action it takes depends on the type of object and whether the queue manager is configured to support media recovery.

If the queue manager object is damaged, the queue manager cannot start unless it can recover the object. If the queue manager is configured with a linear log, and thus supports media recovery, MQSeries automatically tries to recreate the MQSeries object from its media images. If the log method selected does not support media recovery, you can either restore a backup of the queue manager or delete the queue manager.

If any transactions were active when the queue manager stopped, the local queues containing the persistent, uncommitted messages put or got inside these transactions are also needed to start the queue manager successfully. If any of these local queues are found to be damaged, and the queue manager supports media recovery, it automatically attempts to recreate them from their media images. If any of the queues cannot be recovered, MQSeries cannot start.

If any damaged local queues containing uncommitted messages are discovered during startup processing on a queue manager that does not support media recovery, the queues are marked as damaged objects and the uncommitted messages on them are ignored. This is because it is not possible to perform media recovery of damaged objects on such a queue manager and the only action left is to delete them. Message AMQ7472 is issued to report any damage.

### Recovering damaged objects at other times

Media recovery of objects is only automatic during startup. At other times, when object damage is detected, operator message AMQ7472 is issued and most operations using the object fail. If the queue manager object is damaged at any time after the queue manager has started, the queue manager performs a preemptive shutdown. When an object has been damaged you may delete it or, if the queue manager is using a linear log, attempt to recover it from its media image using the **rcrmqobj** command (see “rcrmqobj (Recreate object)” on page 196 for further details).

---

## Backup and restore

Periodically, you may want to take a backup of your queue manager data to provide protection against possible corruption due to hardware failures. However, because message data is often short-lived, you may choose not to take backups.

### Backing up MQSeries

To take a backup of a queue manager's data, you must:

1. Ensure that the queue manager is not running.

If your queue manager is running, stop it with the **endmqm** command.

**Note:** If you try to take a backup of a running queue manager, the backup may not be consistent due to updates in progress when the files were copied.

2. Locate the directories under which the queue manager places its data and its log files.

You can use the information in the configuration files to determine these directories. For more information about this, see Chapter 13, “Configuration files” on page 137.

**Note:** You may have some difficulty in understanding the names that appear in the directory. This is because the names are transformed to ensure that they are compatible with the platform on which you are using MQSeries. For more information about name transformations, see “Understanding MQSeries file names” on page 40.

3. Take copies of all the queue manager’s data and log file directories, including all subdirectories.

Make sure that you do not miss any of the files, especially the log control file and the configuration files. Some of the directories may be empty, but they will all be required if you restore the backup at a later date, so it is advisable to save them too.

4. Ensure that you preserve the ownerships of the files. You can do this with the **tar** command.

## Restoring MQSeries

To restore a backup of a queue manager’s data, you must:

1. Ensure that the queue manager is not running.
2. Locate the directories under which the queue manager places its data and its log files. This information is held in the configuration file.
3. Clear out the directories into which you are going to place the backed up data.
4. Copy the backed up queue manager data and log files into the correct places.

Check the resulting directory structure to ensure that you have all of the required directories.

See Appendix C, “Directory structure” on page 227 for more information about MQSeries directories and subdirectories.

Make sure that you have a log control file as well as the log files. Also check that the MQSeries and queue manager configuration files are consistent so that MQSeries can look in the correct places for the restored data.

If the data was backed up and restored correctly, the queue manager will now start.

**Note:** Even though the queue manager data and log files are held in different directories, you should back up and restore the directories at the same time. If the queue manager data and log files have different ages, the queue manager is not in a valid state and will probably not start. If it does start, your data will almost certainly be corrupt.

---

### Recovery scenarios

This section looks at a number of possible problems and indicates how to recover from them.

#### Disk drive failures

You may suffer problems with a disk drive containing either the queue manager data, the log, or both. Problems can include data loss or corruption. The three cases differ only in the part of the data that survives, if any.

In **all** cases you must first check the directory structure for any damage and, if necessary, repair such damage. If you lose queue manager data, there is a danger that the queue manager directory structure has been damaged. If so, you must recreate the directory tree manually before you try to restart the queue manager. Having checked for structural damage, there are a number of alternative things you can do, depending on the type of logging that you use.

- **Where there is major damage to the directory structure or any damage to the log**, remove all the old files back to the QMgrName level, including the configuration files, the log, and the queue manager directory, restore the last backup, and try to restart the queue manager.
- **For linear logging with media recovery**, ensure the directory structure is intact and try to restart the queue manager. If the queue manager does not restart, restore a backup. If the queue manager restarts, check whether any other objects have been damaged using MQSC. Recover the ones you find, using the **rcrmqobj** command, for example:

```
rcrmqobj -m QMgrName -t * *
```

where QMgrName is the queue manager being recovered. -t \* \* indicates that any object of any type will be recovered. If only one or two objects have been reported as damaged, you may want to specify those objects by name and type here.

**Note:** These commands do not apply to channels.

- **For linear logging with media recovery and with an undamaged log**, you may be able to restore a backup of the queue manager data leaving the existing log files and log control file unchanged. Starting the queue manager applies the changes from the log to bring the queue manager back to its state when the failure occurred.

This method relies on two facts. Firstly, it is vital that the checkpoint file be restored as part of the queue manager data. This file contains the information determining how much of the data in the log must be applied to give a consistent queue manager.

Secondly, you must have the oldest log file which was required to start the queue manager at the time of the backup, and all subsequent log files, available in the log file directory.

If this is not possible, you must restore a backup of both the queue manager data and the log, both of which were taken at the same time.



- **For circular logging, or linear logging without media recovery**, you must restore the queue manager from the latest backup that you have. Once you have restored the backup, restart the queue manager and check as above for damaged objects. However, because you do not have media recovery, you must find other ways of recreating the damaged objects.

## Damaged queue manager object

If the queue manager object has been reported as damaged during normal operation, the queue manager performs a preemptive shutdown. There are two ways of recovering in these circumstances depending on the type of logging you use:

- **For linear logging only**, manually delete the file containing the damaged object and restart the queue manager. Media recovery of the damaged object is automatic.
- **For circular or linear logging**, restore the last backup of the queue manager data and log and restart the queue manager.

## Damaged single object

If a single object is reported as damaged during normal operation, there are two ways of recovering, depending on the type of logging you use:

- **For linear logging**, recreate the object from its media image.
- **For circular logging**, restore the last backup of the queue manager data and log and restart the queue manager.

## Automatic media recovery failure

If a local queue required for queue manager startup with a linear log is damaged, and the automatic media recovery fails, restore the last backup of the queue manager data and log and restart the queue manager.

## Recovery scenarios

---

## Chapter 13. Configuration files

MQSeries for SunOS uses *configuration files* to hold basic product configuration information. This chapter describes what they are and how you can use them to change the way that queue managers operate. It contains the following sections:

- “What configuration files are”
- “MQSeries configuration file”
- “Queue manager configuration file” on page 139
- “Editing configuration files” on page 142
- “Configuring the logs” on page 142
- “Specifying log file sizes” on page 146

---

### What configuration files are

Configuration files define optional values for individual queue managers and for MQSeries on the node as a whole. These files have file name extensions of “ini” and are also referred to as ini files or stanza files.

A configuration file contains one or more *stanzas*, where a stanza is simply a group of lines in the file that together have a common function or define part of a system. For example, there are stanzas associated with logs, with channels, and installable services.

Configuration files may be modified automatically by commands that change the configuration of queue managers on the node and also by editing them manually.

Configuration files can be one of the following:

- The *MQSeries configuration file*, which specifies values for the MQSeries on the node as a whole. There is one MQSeries configuration file per node.
- *Queue manager configuration files*, which specify values for specific queue managers. There is one queue manager configuration file for each queue manager on the node.

---

### MQSeries configuration file

The MQSeries configuration file `mqs.ini` contains information relevant to all the queue managers on a node. It is created automatically during installation. In particular, the MQSeries configuration file is used to locate the data associated with each queue manager. The MQSeries configuration file is located in the `mqm` directory, by default `/var/mqm`.

### What the MQSeries configuration file contains

The `mqs.ini` file contains the names of the queue managers, the name of the default queue manager, and the location of the files associated with each of them. The following stanzas can appear in `mqs.ini`:

#### **AllQueueManagers**

Specifies the path to the `qmgrs` directory where the files associated with a queue manager are stored.

### **DefaultQueueManager**

Specifies the default queue manager for the node. This queue manager processes any commands where a queue manager name is not explicitly specified. The stanza is automatically updated if you create a new default queue manager. If you inadvertently create a default queue manager and then wish to revert to the original, you must alter this stanza manually.

### **QueueManager**

There is one such stanza for each queue manager. This specifies the queue manager name and the location of the files associated with that queue manager. The names of these files are based on the queue manager name but are transformed if the queue manager name is not a valid filename. See “Understanding MQSeries file names” on page 40.

### **LogDefaults**

Specifies the default log parameters for the node. The *DefaultPrefix* and *DefaultPath* entries allow for the queue manager and its log to be on different physical drives. This is recommended, although by default they are on the same drive. See “Configuring the logs” on page 142 for more information about the log file stanzas.

Figure 13 on page 139, shows an example of an MQSeries configuration file, in which MQSeries on the node is using the default locations for queue managers and for the logs.

The queue manager `saturn.queue.manager` is the default queue manager for the node. The directory for files associated with this queue manager has been automatically transformed into a valid file name for the file system.

**Attention** Because the MQSeries configuration file is used to locate the data associated with queue managers, a nonexistent or incorrect configuration file can cause some or all MQSeries commands to fail. Also, applications cannot connect to a queue manager that is not defined in the MQSeries configuration file.

```

#####
#* Module Name: mqs.ini                                     *#
#* Type       : MQSeries Configuration File               *#
#* Function   : Define MQSeries resources for the node   *#
#*                                                   *#
#####
#* Notes      :                                           *#
#* 1) This is an example MQSeries configuration file     *#
#*                                                   *#
#####
AllQueueManagers:
#####
#* The path to the qmgrs directory, below which queue manager data *#
#* is stored                                           *#
#####
DefaultPrefix=/var/mqm

LogDefaults:
  LogPrimaryFiles=3
  LogSecondaryFiles=2
  LogFilePages=1024
  LogType=CIRCULAR
  LogBufferPages=17
  LogDefaultPath=/var/mqm/log

QueueManager:
  Name=saturn.queue.manager
  Prefix=/var/mqm
  Directory=saturn!queue!manager

QueueManager:
  Name=pluto.queue.manager
  Prefix=/var/mqm
  Directory=pluto!queue!manager

DefaultQueueManager:
  Name=saturn.queue.manager

```

Figure 13. Example MQSeries configuration file

## Queue manager configuration file

A queue manager configuration file, `qm.ini`, contains information relevant to a specific queue manager. There is one queue manager configuration file for each queue manager. It is created automatically when the queue manager with which it is associated is created.

The file is held in the root of the directory tree occupied by the queue manager. For example, the path and name for a configuration file for a queue manager called `QMNAME` is:

```
/var/mqm/qmgrs/QMNAME/qm.ini
```

**Note:** The queue manager name can be up to 48 characters in length. However, this does not guarantee that the name is valid or unique. Therefore, a directory name is generated based on the queue manager name. This process is known as name transformation; for a description, see “Understanding MQSeries file names” on page 40.

### What the queue manager configuration file contains

The stanzas that can appear in a queue manager configuration file, `qm.ini` are as follows:

#### Service

Specifies the name of one of the installable services, and the number of entry points to that service. There is one stanza for each service. These services are available:

- Authorization service
- Name service

The authorization service stanza and its associated *ServiceComponent* stanza are added automatically when the queue manager is created.

Once the Object Authority Manager (OAM) has been enabled, you can **only** disable it by:

1. Deleting the queue manager (using the **dltmqm** command)
2. Creating the queue manager again (using the **crtmqm** command) with the `MQSNOAUT` variable.

The name service stanza must be added manually, if you wish to enable the supplied name service.

#### ServiceComponent

These stanzas define the service component associated with a particular service. There can be more than one service component stanza for each service, but each service component stanza must match the corresponding service stanza. See the *MQSeries Programmable System Management* manual for more information. By default, the authorization service stanza is present and the associated component, the OAM is active.

#### Log

Specifies the default log parameters for this queue manager. The fields in this stanza are same as those in the `LogDefaults` stanza in the `mqs.ini` file. The values can be changed, if required. See “Configuring the logs” on page 142 for more information about the log file stanzas.

#### Channels

This stanza contains information about the channels. As well as defining the maximum number of channels (`MaxChannels`) that can be defined for the queue manager, a second parameter (`MaxActiveChannels`) limits the number of channels that can be active at any time.

See the *MQSeries Distributed Queuing Guide* for more information about channels.

#### LU6.2 and TCP

Specifies network protocol configuration parameters. These stanzas override the default parameters for channels. Only stanzas representing changed default values are actually present.

`KeepAlive`, if specified, causes TCP/IP to periodically check that the other end of the connection is still available. If it is not, the channel is closed.

See the *MQSeries Distributed Queuing Guide* for more information.

Figure 14 on page 141 shows how the stanzas might be arranged in a queue manager configuration file.

```

#####
#* Module Name: qm.ini                                     *#
#* Type       : MQSeries queue manager configuration file *#
# Function    : Define the configuration of a single queue manager *#
#*                                                   *#
#####
#* Notes      :                                           *#
#* 1) This file defines the configuration of the queue manager *#
#*                                                   *#
#####
Service:
  Name=AuthorizationService
  EntryPoints=9

ServiceComponent:
  Service=AuthorizationService
  Name=MQSeries.UNIX.auth.service
  Module=/usr/mqm/bin/amzfu.o
  ComponentDataSize=0

Service:
  Name=NameService
  EntryPoints=9

ServiceComponent:
  Service=NameService
  Name=MQSeries.UNIX.name.service
  Module=/u/opman/abctest
  ComponentDataSize=128

Log:
  LogPrimaryFiles=3
  LogSecondaryFiles=2
  LogFilePages=1024
  LogType=CIRCULAR
  LogBufferPages=17
  LogPath=/var/mqm/log/saturn!queue!manager/

CHANNELS:
  MaxChannels = 20           ; Maximum number of Channels allowed,
                             ; the default number is 100
  MaxActiveChannels = 10    ; Maximum number of Channels allowed to be
                             ; active at any time. The default is the
                             ; value of MaxChannels.

TCP:
                             ; TCP/IP entries
  Port = 1800                ; use port 1800 instead of the default 1414
  KeepAlive = Yes            ; Switch KeepAlive on

```

Figure 14. Example queue manager configuration file

### Editing configuration files

You can edit the default configuration files to alter the system defaults. However, before editing any configuration file, make sure that you have a backup that you can revert to.

In some circumstances, you may have to edit your configuration files. For example:

- If you lose a configuration file; recover from backup if possible.
- If you need to move one or more queue managers to a new directory.
- If you need to change your default queue manager; this could happen if you accidentally delete the existing queue manager.
- When advised to do so by your IBM Support Center.

### Changing the default prefix

If you change the default prefix, `DefaultPrefix`, for the message queue manager, you must replicate the directory structure that was created at installation time (see Figure 17 on page 227). In particular, the `qmgrs` structure must be created. You must stop MQSeries before changing the default prefix. Only restart MQSeries after the structures have been moved to the new location and the default prefix has been changed.

### Implementing changes to configuration files

If you edit a configuration file, the changes are not implemented immediately by the queue manager. Changes made to the MQSeries configuration file are only implemented when MQSeries is started. Changes made to a queue manager configuration file are implemented when the queue manager is started. If the queue manager is running when you make the changes, you must stop and then restart the queue manager for any changes to be recognized by the system.

### Recommendations for configuration files

When you create a new queue manager, you should:

- Back up the MQSeries configuration file
- Back up the new queue manager configuration file

---

## Configuring the logs

The log parameters in the MQSeries configuration file are used as default values when you create a queue manager. These defaults can be overridden if you specify the log parameters on the `crtmqm` command. See “`crtmqm` (Create queue manager)” on page 174 for details of this command.

The values specified in the queue manager configuration file are read when the queue manager is started. The file is created when the queue manager is created.

The values in a configuration file are set according to these priorities:

1. Parameters entered on the command line override both the queue manager configuration file and the MQSeries configuration file.
2. The queue manager configuration file overrides the MQSeries configuration file.



3. The MQSeries configuration file contains the supplied default values.

**Note:** User ID mqm and group mqm must have full authorities to the log files. If you change the locations of these files, you must give these authorities yourself. This is not required if the logs files are in the default locations supplied with the product.

If you use a value that is not valid in a configuration file, it is ignored. The effect is the same as missing out the value entirely. An operator message is issued to indicate the problem.

You can edit the MQSeries configuration file after installation and change the default values to your own requirements.

## Log configuration stanzas

The size and location of the log is configured by stanzas in the MQSeries and queue manager configuration files. These stanzas specify the type of logging to be used, the log file size, and the log path.

The MQSeries configuration file contains a stanza called *LogDefaults* with the following format:

```
LogDefaults:
  LogPrimaryFiles=3
  LogSecondaryFiles=2
  LogFilePages=1024
  LogType=CIRCULAR
  LogBufferPages=17
  LogDefaultPath=/var/mqm/log
```

The values specified in the MQSeries configuration file are read whenever a queue manager is created, started, or deleted.

Each queue manager configuration file has a stanza called *Log*, which has the following format:

```
Log:
  LogPrimaryFiles=3
  LogSecondaryFiles=2
  LogFilePages=1024
  LogType=CIRCULAR
  LogBufferPages=17
  LogPath=/var/mqm/log/<QM_Dir_Name>/
```

<QM\_Dir\_Name> is the subdirectory name for this queue manager, providing a unique path to the logs. This is the queue manager name if it is valid for the file system; otherwise, it is a transformed name. See “Understanding MQSeries file names” on page 40.

### LogPrimaryFiles

Primary log files are the log files allocated during creation for future use.

The default number is 3. The default can be overridden by editing the *LogPrimaryFiles* value in the product and queue manager configuration files.

The value is examined when the queue manager is created or started. You can increase or decrease it after the queue manager has been created. However, a change in the value is not effective until the queue manager is restarted and the effect may not be immediate.

The minimum number of primary log files is 2 and the maximum is 62. The total number of primary and secondary log files must not exceed 63, and must not be less than 3.

### LogSecondaryFiles

Secondary log files are the log files allocated when the primary files are exhausted.

The default number is 2. The default can be overridden using the *LogSecondaryFiles* value in the product and queue manager configuration files.

The value is examined when the queue manager is created or started. You can change this value, but changes are not effective until the queue manager is restarted, and the effect may not be immediate.

The minimum number of secondary log files is 1 and the maximum is 61. The total number of primary and secondary log files must not exceed 63, and must not be less than 3.

### LogFilePages

The log data is held in a series of files called log files.

The default number of log file pages is 1024, equating to a log file size of 4 MB. The minimum number of log file pages is 64 and the maximum is 16 384.

The log file size is specified in units of 4 KB pages. It can be specified only during queue manager creation and the value used is obtained by taking the default (1024) and overriding it with the value in the *LogFilePages* attribute in the MQSeries configuration file, or by overriding with the value specified on the **crtmqm** command using the **-lf** flag.

**Note:** The size of the log files is specified during queue manager creation and cannot be changed for an existing queue manager.

### LogType

The *LogType* parameter is used to define the type to be used, either CIRCULAR or LINEAR. The default is CIRCULAR.

If you want to change the default, you can either edit the MQSeries configuration file or specify linear logging with the **crtmqm** command. You cannot change the logging method after a queue manager has been created.

### LogBufferPages

The amount of memory allocated to buffer records for writing is configurable. The size of the buffers is specified in units of 4 KB pages.

The default number of buffer pages is 17, equating to 68 KB.

The default can be overridden using the *LogBufferPages* value in the MQSeries and queue manager configuration files.

The value is examined when the queue manager is created or started and may be increased or decreased at either of these times. However, a change in the value is not effective until the queue manager is restarted.

The minimum number of buffer pages is 4 and the maximum is 32. Larger buffers lead to higher throughput, especially for larger messages.

### LogPath

You can specify the directory in which the log files for a queue manager reside. The directory should exist on a local device to which the queue manager can write and, preferably, should be on a different drive from the message queues. Specifying a different drive gives added protection in case of system failure.

The default is `/var/mqm/log`.

You can specify the name of a directory in the **crtmqm** command using the `-ld` flag. When a queue manager is created, a directory is also created under the queue manager directory, and this is used to hold the log files. The name of this directory is based on the queue manager name. This ensures that the Log File Path is unique, and also that it conforms to any limitations on directory name lengths.

If you do not specify `-ld` on the **crtmqm** command, the value of the *LogDefaultPath* attribute in the MQSeries configuration file is used. If this attribute is missing, the default of `/var/mqm/log` is used. The queue manager name is appended to the directory name to ensure that multiple queue managers use different log directories.

When the queue manager has been created, a *LogPath* value is created in the log stanza in the queue manager configuration file giving the complete directory name for the queue manager's log. This value is used to locate the log when the queue manager is started or deleted.

---

### Specifying log file sizes

The size of the log file that you require depends on the number and size of messages that are to be handled by your system. Each operation adds an overhead to the size of the log. For example, when a persistent message is put to a queue, the message data must be written to the log to make recovery of the message possible. The message descriptor is also logged together with some internal information that describes the effect of putting the message on the queue.

There is a trade-off between the size of your log files and the number of files that you have. Larger files are more difficult to handle but are more efficient.

Table 10 shows approximate values for the header information required for various types of operation.

<b>Operation</b>	<b>Size</b>
Put persistent message	600 bytes + message length If the message is large, it is divided into segments of 15700 bytes, each with a 300-byte overhead.
Get message	260 bytes
Syncpoint, commit	750 bytes
Syncpoint, roll-back	1000 bytes + 12 bytes for each get or put to be rolled back
Create object	1500 bytes
Delete object	300 bytes
Alter attributes	1024 bytes
Record media image	800 bytes + image The image is divided into segments of 15700 bytes, each having a 300-byte overhead.
Checkpoint	750 bytes + 200 bytes for each active unit of work. Additional data may be logged for any uncommitted puts or gets that have been buffered for performance reasons.

---

## Chapter 14. Problem Determination

This chapter suggests reasons for any transient problems you may have using MQSeries for SunOS. The process of problem determination is that you start with the symptoms and trace them back to their cause. Not all problems can be solved immediately, for example, performance problems caused by the limitations of your hardware. Also, if you think that the cause of the problem is in the MQSeries code, contact your IBM Support Center. This chapter contains these sections:

- “Preliminary checks”
- “Common programming errors” on page 150
- “What to do next” on page 151
- “Application design considerations” on page 154
- “Incorrect output” on page 155
- “Error logs” on page 159
- “Dead-letter queues” on page 161
- “Configuration files and problem determination” on page 161
- “Using trace” on page 162
- “First failure support technology” on page 163
- “Problem determination with clients” on page 165

---

### Preliminary checks

The cause of your problem could be in:

- MQSeries
- The network
- The application

The sections that follow raise some fundamental questions that you need to consider. Work through the questions, making a note of anything that might be relevant to the problem.

#### Has MQSeries for SunOS run successfully before?

If MQSeries has not run successfully before, it is likely that you have not yet set it up correctly. See Chapter 2, “Installing MQSeries for SunOS” on page 13 to check that you have carried out all the steps correctly.

#### Are there any error messages?

MQSeries uses error logs to capture messages concerning the operation of MQSeries itself, any queue managers that you start, and error data coming from the channels that are in use. Check the error logs to see if any messages have been recorded that are associated with your problem.

See “Error logs” on page 159 for information about the contents of the error logs and their locations.

### Are there any return codes explaining the problem?

If your application gets a return code indicating that a Message Queue Interface (MQI) call has failed, refer to the *MQSeries Application Programming Reference* manual for a description of that return code.

### Can you reproduce the problem?

If you reproduce the problem, consider the conditions under which it can be reproduced:

- Is it caused by a command or an equivalent administration request?  
Does the operation work if it is entered by another method? If the command works if it is entered on the command line, but not otherwise, check that the command server has not stopped, and that the queue definition of the `SYSTEM.ADMIN.COMMAND.QUEUE` has not been changed.
- Is it caused by a program? Does it fail on all MQSeries systems and all queue managers, or only on some?
- Can you identify any application that always seems to be running in the system when the problem occurs? If so, examine the application to see if it is in error.

### Have any changes been made since the last successful run?

When you are considering changes that might recently have been made, think about the MQSeries system, and also about the other programs it interfaces with, the hardware, and any new applications. Consider also the possibility that a new application that you are not aware of might have been run on the system.

- Have you changed, added, or deleted any queue definitions?
- Have you changed or added any channel definitions? Changes may have been made to either MQSeries channel definitions or any underlying communications definitions required by your application.
- Do your applications deal with return codes that they might get as a result of any changes you have made?

### Has the application run successfully before?

If the problem appears to involve one particular application, consider whether the application has run successfully before.

Before you answer **Yes** to this question, consider the following:

- Have any changes been made to the application since it last ran successfully?  
If so, it is likely that the error lies somewhere in the new or modified part of the application. Take a look at the changes and see if you can find an obvious reason for the problem. Is it possible to retry using a backlevel of the application?
- Have all the functions of the application been fully exercised before?  
Could it be that the problem occurred when part of the application that had never been invoked before was used for the first time? If so, it is likely that the error lies in that part of the application. Try to find out what the application was doing when it failed, and check the source code in that part of the program for errors.

If a program has been run successfully on many previous occasions, check the current queue status, and the files that were being processed when the error occurred. It is possible that they contain some unusual data value that causes a rarely used path in the program to be invoked.

- Does the application check all return codes?

Has your MQSeries system been changed, perhaps in a minor way, but your application does not check the return codes it receives as a result of the change. For example; does your application assume that the queues it accesses are shareable? If a queue has been redefined as exclusive, can your application deal with return codes indicating that it can no longer access that queue?

- Does the application run on other MQSeries systems?

Could it be that there is something different about the way that this MQSeries system is set up which is causing the problem? For example, have the queues been defined with the same message length or priority?

### **If the application has not run successfully before**

If your application has not yet run successfully, you need to examine it carefully to see if you can find any errors.

Before you look at the code, and depending upon which programming language the code is written in, examine the output from the translator, or the compiler and linkage editor, if applicable, to see if any errors have been reported.

If your application fails to translate, compile, or link-edit into the load library, it will also fail to run if you attempt to invoke it. See the *MQSeries Application Programming Reference* manual for information about building your application.

If the documentation shows that each of these steps was accomplished without error, you should consider the coding logic of the application. Do the symptoms of the problem indicate the function that is failing and, therefore, the piece of code in error? See “Common programming errors” on page 150 for some examples of common errors that cause problems with MQSeries applications.

### **Does the problem affect specific parts of the network?**

You might be able to identify specific parts of the network that are affected by the problem (remote queues, for example). If the link to a remote message queue manager is not working, the messages cannot flow to a remote queue.

Check that the connection between the two systems is available, and that the intercommunication component of MQSeries has been started.

Check that messages are reaching the transmission queue, and check the local queue definition of the transmission queue and any remote queues.

Have you made any network-related changes that might account for the problem or changed any MQSeries definitions?

### Does the problem occur at specific times of the day?

If the problem occurs at specific times of day, it could be that it is dependent on system loading. Typically, peak system loading is at midmorning and midafternoon, so these are the times when load-dependent problems are most likely to occur. (If your MQSeries network extends across more than one time zone, peak system loading might seem to occur at some other time of day.)

### Is the problem intermittent?

An intermittent problem could be caused by failing to take into account the fact that processes can run independently of each other. For example, a program may issue an **MQGET** call, without specifying a wait option, before an earlier process has completed. An intermittent problem may also be seen if your application tries to get a message from a queue while the call that put the message is in-doubt (that is, before it has been committed or backed out).

### Have you applied any service updates?

If a service update has been applied to MQSeries, check that the update action completed successfully and that no error message was produced.

- Did the update have any special instructions?
- Was any test run to verify that the update had been applied correctly and completely?
- Does the problem still exist if MQSeries is restored to the previous service level?
- If the installation was successful, check with the IBM Support Center for any patch error.
- If a patch has been applied to any other program, consider the effect it might have on the way MQSeries interfaces with it.

---

## Common programming errors

The examples that follow illustrate the most common causes of problems encountered while running MQSeries programs. You should consider the possibility that the problem with your MQSeries system could be caused by one or more of these errors:

- Assuming that queues can be shared, when they are in fact exclusive.
- Passing incorrect parameters in an MQI call.
- Passing insufficient parameters in an MQI call. This may mean that MQI cannot set up completion and reason codes for your application to process.
- Failing to check return codes from MQI requests.
- Passing variables with incorrect lengths specified.
- Passing parameters in the wrong order.
- Failing to initialize *MsgId* and *CorrelId* correctly.



## Problems with commands

You should be careful when including special characters in descriptive text for some commands. For example, back slash, \, and double quote, ", characters. If you use either of these in descriptive text, precede them with a \, that is, enter \\ or \" if you want \ or " in your text.

---

## What to do next

Perhaps the preliminary checks have enabled you to find the cause of the problem. If so, you should now be able to resolve it, possibly with the help of other books in the MQSeries library (see "MQSeries publications" on page xiii) and in the libraries of other licensed programs.

If you have not yet found the cause, you must start to look at the problem in greater detail.

The purpose of this section is to help you identify the cause of your problem if the preliminary checks have not enabled you to find it.

When you have established that no changes have been made to your system, and that there are no problems with your application programs, choose the option that best describes the symptoms of your problem.

- "Have you obtained some incorrect output?"
- "Have you failed to receive a response from a PCF command?" on page 152
- "Does the problem affect only remote queues?" on page 153
- "Is your application or operating system running slowly?" on page 154

If none of these symptoms describe your problem, consider whether it might have been caused by another component of your system.

## Have you obtained some incorrect output?

In this book, "incorrect output" refers to your application:

- Not receiving a message that it was expecting.
- Receiving a message containing unexpected or corrupted information.
- Receiving a message that it was not expecting, for example, one that was destined for a different application.

In all cases, check that any queue or queue manager aliases that your applications are using are correctly specified and accommodate any changes that have been made to your network.

If an MQSeries error message is generated, all of which are prefixed with the letters AMQ, you should look in the error log. See "Error logs" on page 159 for further information.

### Have you failed to receive a response from a PCF command?

If you have issued a command but you have not received a response, consider the following questions:

- Is the command server running?

Work with the **dspmqcsv** command to check the status of the command server.

- If the response to this command indicates that the command server is not running, use the **strmqcsv** command to start it.
- If the response to the command indicates that the `SYSTEM.ADMIN.COMMAND.QUEUE` is not enabled for **MQGET** requests, enable the queue for **MQGET** requests.

- Has a reply been sent to the dead-letter queue?

The dead-letter queue header structure contains a reason or feedback code describing the problem. See the *MQSeries Application Programming Reference* manual for information about the dead-letter queue header structure (MQDLH).

If the dead-letter queue contains messages, you can use the browse sample application (AMQSBCG) provided to browse the messages using the *MQGET* call. The sample application steps through all the messages on a named queue for a named queue manager, displaying both the message descriptor and the message context fields for all the messages on the named queue.

- Has a message been sent to the error log? See “Error logs” on page 159 for further information.
- Are the queues enabled for put and get operations?
- Is the *WaitInterval* set to a sufficient length?

If your **MQGET** call has timed out, a completion code of MQCC\_FAILED and a reason code of MQRC\_NO\_MSG\_AVAILABLE are returned. (See the *MQSeries Application Programming Reference* manual for information about the *WaitInterval* field, and completion and reason codes from **MQGET**.)

- If you are using your own application program to put commands onto the `SYSTEM.ADMIN.COMMAND.QUEUE`, do you need to take a syncpoint?

Unless you have specifically excluded your request message from syncpoint, you need to take a syncpoint before attempting to receive reply messages.

- Are the MAXDEPTH and MAXMSGL attributes of your queues set sufficiently high?
- Are you using the *CorrelId* and *MsgId* fields correctly?

Set the values of *MsgId* and *CorrelId* in your application to ensure that you receive all messages from the queue.

Try stopping the command server and then restarting it, responding to any error messages that are produced.

If the system still does not respond, the problem could be with either a queue manager or the whole of the MQSeries system. First try stopping individual queue managers to try and isolate a failing queue manager. If this does not show the

problem, try stopping and restarting MQSeries, responding to any messages that are produced in the error log.

If the problem still occurs after restart, contact your IBM Support Center for help.

If you suspect that the problem occurs with only a subset of queues, check the local queues that you think are having problems:

1. Display the information about each queue. You can use the MQSC DISPLAY QUEUE command to display the information.
2. Use the data displayed to do the following checks:
  - If CURDEPTH is at MAXDEPTH, this indicates that the queue is not being processed. Check that all applications are running normally.
  - If CURDEPTH is not at MAXDEPTH, check the following queue attributes to ensure that they are correct:
    - If triggering is being used:
      - Is the trigger monitor running?
      - Is the trigger depth too great? That is, not causing a trigger event to be generated often enough?
      - Is the process name correct?
      - Is the process available and operational?
    - Can the queue be shared? If not, another application could already have it open for input.
    - Is the queue enabled appropriately for GET and PUT?
  - If there are no application processes getting messages from the queue, determine why this is so. It could be because the applications need to be started, a connection has been disrupted, or the **MQOPEN** call has failed for some reason.

Check the queue attributes IPPROCS and OPPROCS. These attributes indicate whether the queue has been opened for input and output. If a value is zero, it indicates that no operations of that type can occur. Note that the values may have changed and that the queue was open but is now closed.

You need to check the status at the time you expect to put or get a message.

If you are unable to solve the problem, contact your IBM Support Center for help.

### Does the problem affect only remote queues?

If the problem affects only remote queues, check the following:

- Check that required channels have been started, can be triggered, and that any required initiators are running.
- Check that the programs that should be putting messages to the remote queues have not reported problems.
- If you use triggering to start the distributed queuing process, check that the transmission queue has triggering set on. Also, check that the trigger monitor is running.
- Check the error logs for messages indicating channel errors or problems.

## Problem determination

- If necessary, start the channel manually. See the *MQSeries Distributed Queuing Guide* for information about how to do this.

See the *MQSeries Distributed Queuing Guide* for information about how to define channels.

## Is your application or operating system running slowly?

If your application is running slowly, this could indicate that it is in a loop, or waiting for a resource that is not available.

This could also be caused by a performance problem. Perhaps it is because your system is operating near the limits of its capacity. This type of problem is probably worst at peak system load times, typically at midmorning and midafternoon. (If your network extends across more than one time zone, peak system load might seem to you to occur at some other time.)

A performance problem may be caused by a limitation of your hardware.

If you find that performance degradation is not dependent on system loading, but happens sometimes when the system is lightly loaded, a poorly designed application program is probably to blame. This could manifest itself as a problem that only occurs when certain queues are accessed.

The following symptoms might indicate that MQSeries is running slowly:

- Your system is slow to respond to MQSeries commands.
- Repeated displays of the queue depth indicate that the queue is being processed slowly for an application with which you would expect a large amount of queue activity.

If the performance of your system is still degraded after reviewing the above possible causes, the problem may lie with MQSeries for SunOS itself. If you suspect this, you need to contact your IBM Support Center for assistance.

---

## Application design considerations

There are a number of ways in which poor program design can affect performance. These can be difficult to detect because the program can appear to perform well, while impacting the performance of other tasks. Several problems specific to programs making MQSeries calls are discussed in the following sections.

For more information about application design, see the *MQSeries Application Programming Guide*.

## Effect of message length

Although MQSeries allows messages to hold up to 4MB of data, the amount of data in a message affects the performance of the application that processes the message. To achieve the best performance from your application, you should send only the essential data in a message; for example, in a request to debit a bank account, the only information that may need to be passed from the client to the server application is the account number and the amount of the debit.

## Effect of message persistence

Persistent messages are logged. Logging messages reduces the performance of your application, so you should use persistent messages for essential data only. If the data in a message can be discarded if the queue manager stops or fails, use a nonpersistent message.

## Searching for a particular message

The **MQGET** call usually retrieves the first message from a queue. If you use the message and correlation identifiers (*MsgId* and *CorrelId*) in the message descriptor to specify a particular message, the queue manager has to search the queue until it finds that message. Using the **MQGET** call in this way affects the performance of your application.

## Queues that contain messages of different lengths

If the messages on a queue are of different lengths, to determine the size of a message, your application could use the **MQGET** call with the *BufferLength* field set to zero so that, even though the call fails, it returns the size of the message data. The application could then repeat the call, specifying the identifier of the message it measured in its first call and a buffer of the correct size. However, if there are other applications serving the same queue, you might find that the performance of your application is reduced because its second **MQGET** call spends time searching for a message that another application has retrieved in the time between your two calls.

If your application cannot use messages of a fixed length, another solution to this problem is to use the **MQINQ** call to find the maximum size of messages that the queue can accept, then use this value in your **MQGET** call. The maximum size of messages for a queue is stored in the *MaxMsgLength* attribute of the queue. This method could use large amounts of storage, however, because the value of this queue attribute could be as high as 4MB, the maximum allowed by MQSeries for SunOS.

## Frequency of syncpoints

Programs that issue numerous **MQPUT** calls within syncpoint, without committing them, can cause performance problems. Affected queues can fill up with messages that are currently inaccessible, while other tasks might be waiting to get these messages. This has implications in terms of storage, and in terms of threads tied up with tasks that are attempting to get messages.

## Use of the MQPUT1 call

Use the **MQPUT1** call only if you have a single message to put on a queue. If you want to put more than one message, use the **MQOPEN** call, followed by a series of **MQPUT** calls and a single **MQCLOSE** call.

---

## Incorrect output

The term “incorrect output” can be interpreted in a lot of different ways. The meaning for the purpose of problem determination within this book is explained in “Have you obtained some incorrect output?” on page 151.

## Problem determination

Two types of incorrect output are discussed in this section:

- Messages that do not appear when you are expecting them
- Messages that contain the wrong information, or information that has been corrupted

Additional problems that you might find if your application includes the use of distributed queues are also discussed.

### Messages do not appear on the queue

If messages do not appear when you are expecting them, check for the following:

- Has the message been put on the queue successfully?
  - Has the queue been defined correctly, for example is `MAXMSGL` sufficiently large?
  - Is the queue enabled for putting?
  - Is the queue already full? This could mean that an application was unable to put the required message on the queue.
- Are you able to get any messages from the queue?
  - Do you need to take a syncpoint?

If messages are being put or retrieved within syncpoint, they are not available to other tasks until the unit of recovery has been committed.
  - Is your wait interval long enough?

You can set the wait interval as an option for the `MQGET`. You should ensure that you are waiting long enough for a response.
  - Are you waiting for a specific message that is identified by a message or correlation identifier (*MsgId* or *CorrelId*)?

Check that you are waiting for a message with the correct *MsgId* or *CorrelId*. A successful `MQGET` call sets both these values to that of the message retrieved, so you may need to reset these values in order to get another message successfully.

Also check if you can get other messages from the queue.
  - Can other applications get messages from the queue?
  - Was the message you are expecting defined as persistent?

If not, and MQSeries has been restarted, the message has been lost.
  - Has another application got exclusive access to the queue?

If you are unable to find anything wrong with the queue, and MQSeries is running, make the following checks on the process that you expected to put the message on to the queue:

- Did the application get started?

If it should have been triggered, check that the correct trigger options were specified.
- Did the application stop?
- Is a trigger monitor running?

- Was the trigger process defined correctly?
- Did the application complete correctly?  
Look for evidence of an abnormal end in the job log.
- Did the application commit its changes, or were they backed out?

If multiple transactions are serving the queue, they can conflict with one another. For example, suppose one transaction issues an **MQGET** call with a buffer length of zero to find out the length of the message, and then issues a specific **MQGET** call specifying the *MsgId* of that message. However, in the meantime, another transaction issues a successful **MQGET** call for that message, so the first application receives a reason code of MQRC\_NO\_MSG\_AVAILABLE. Applications that are expected to run in a multi-server environment must be designed to cope with this situation.

Consider that the message could have been received, but that your application failed to process it in some way. For example, did an error in the expected format of the message cause your program to reject it? If this is the case, refer to “Messages contain unexpected or corrupted information.”

## Messages contain unexpected or corrupted information

If the information contained in the message is not what your application was expecting, or has been corrupted in some way, consider the following points:

- Has your application, or the application that put the message onto the queue, changed?

Ensure that all changes are simultaneously reflected on all systems that need to be aware of the change.

For example, the format of the message data may have been changed, in which case, both applications must be recompiled to pick up the changes. If one application has not been recompiled, the data will appear corrupt to the other.

- Is an application sending messages to the wrong queue?

Check that the messages your application is receiving are not really intended for an application servicing a different queue. If necessary, change your security definitions to prevent unauthorized applications from putting messages on to the wrong queues.

If your application has used an alias queue, check that the alias points to the correct queue.

- Has the trigger information been specified correctly for this queue?

Check that your application should have been started; or should a different application have been started?

If these checks do not enable you to solve the problem, you should check your application logic, both for the program sending the message, and for the program receiving it.

### Problems with incorrect output when using distributed queues

If your application uses distributed queues, you should also consider the following points:

- Has MQSeries been correctly installed on both the sending and receiving systems, and correctly configured for distributed queuing?
- Are the links available between the two systems?

Check that both systems are available, and running to MQSeries. Check that the connection between the two systems and the channels between the two queue managers are active.

- Is triggering set on in the sending system?
- Is the message you are waiting for a reply message from a remote system?

Check that triggering is activated in the remote system.

- Is the queue already full?

This could mean that an application was unable to put the required message onto the queue. If this is so, check if the message has been put onto the dead-letter queue.

The dead-letter queue header contains a reason or feedback code explaining why the message could not be put onto the target queue. See the *MQSeries Application Programming Reference* manual for information about the dead-letter queue header structure.

- Is there a mismatch between the sending and receiving queue managers?

For example, the message length could be longer than the receiving queue manager can handle.

- Are the channel definitions of the sending and receiving channels compatible?

For example, a mismatch in sequence number wrap stops the distributed queuing component. See the *MQSeries Distributed Queuing Guide* for more information about distributed queuing.

- Is data conversion involved? If the data formats between the sending and receiving applications differ, data conversion is necessary. Automatic conversion occurs when the **MQGET** is issued if the format is recognized as one of the built-in formats.

If the data set is not recognized for conversion, the data conversion exit is taken to allow you to perform the translation with your own routines.

An exception to the above occurs if you are sending data to MQSeries for MVS/ESA. Here the conversion occurs on message transmission from MQSeries for OS/2.

Refer to the *MQSeries Application Programming Guide* for further details of data conversion.



---

## Error logs

MQSeries for SunOS uses a number of error logs to capture messages concerning the operation of MQSeries itself, any queue managers that you start, and error data coming from the channels that are in use.

The location the error logs are stored in depends on whether the queue manager name is known and whether the error is associated with a client.

1. If the queue manager name is known and the queue manager is available:

`/var/mqm/qmgrs/QMgrName/errors/AMQERR01.LOG`

2. If the queue manager is not available:

`/var/mqm/qmgrs/@SYSTEM/errors/AMQERR01.LOG`

3. If an error has occurred with a client application:

`AMQERR01.LOG`

in the path for the environment.

4. First Failure Support Technology (FFST) – see “How to examine the FFSTs” on page 163.

**Note:** In the case of clients, the errors are stored on the client’s root drive.

## Log files

At installation time an `@SYSTEM/errors` directory is created in the QMGRS file path. The errors subdirectory can contain up to three error log files named:

- `AMQERR01.LOG`
- `AMQERR02.LOG`
- `AMQERR03.LOG`

After you have created a queue manager, three error log files are created when they are needed by the queue manager. These files have the same names as the `@SYSTEM` ones, that is `AMQERR01`, `AMQERR02`, and `AMQERR03`, and each has a capacity of 256KB. The files are placed in the errors subdirectory of each queue manager that you create.

As error messages are generated they are placed in `AMQERR01`. When `AMQERR01` gets bigger than 256KB it is copied to `AMQERR02`. Before the copy, `AMQERR02` is copied to `AMQERR03.LOG`. The previous contents, if any, of `AMQERR03` are discarded.

The latest error messages are thus always placed in `AMQERR01`, the other files being used to maintain a history of error messages.

All messages relating to channels are also placed in the appropriate queue manager’s errors files unless the name of their queue manager is unknown or the queue manager is unavailable. When the queue manager name is unavailable or its name cannot be determined, channel-related messages are placed in the `qmgr/@SYSTEM/errors` subdirectory.

To examine the contents of any error log file, use your usual editor.

### Early errors

There are a number of special cases where the above error logs have not yet been established and an error occurs. MQSeries attempts to record any such errors in an error log. The location of the log depends on how much of a queue manager has been established.

If, due to a corrupt configuration file for example, no location information can be determined, errors are logged to an errors directory that is created at installation time on the root directory, mqm.

If the MQSeries configuration file is readable, and the DefaultPrefix attribute of the AllQueueManagers stanza is readable, errors are logged in the DefaultPrefix/errors directory.

For further information about configuration files, see Chapter 13, "Configuration files" on page 137.

### Operator messages

In MQSeries for SunOS, operator messages identify normal errors, typically caused directly by users doing things like using parameters that are not valid on a command. Operator messages are national language (NLS) enabled, with message catalogs installed in standard locations.

These messages are written to the associated window, if any, and are also written to the error log AMQERR01.LOG in the queue manager directory. For example:

```
/var/mqm/qmgrs/queue!manager/errors
```

Some errors are logged to the AMQERR01.LOG file in the queue manager directory and others to the @SYSTEM directory copy of the error log.

### Example error log

This example shows part of a section of an MQSeries for SunOS error log:

```
...
08/01/95 11:41:56 AMQ8003: MQSeries queue manager started.
EXPLANATION: MQSeries queue manager janet started.
ACTION: None.
-----
08/01/95 11:56:52 AMQ9002: Channel program started.
EXPLANATION: Channel program 'JANET' started.
ACTION: None.
-----
08/01/95 11:57:26 AMQ9208: Error on receive from host 'camelot
(9.20.12.34)'.
EXPLANATION: An error occurred receiving data from 'camelot
(9.20.12.34)' over TCP/IP. This may be due to a communications failure.
ACTION: Record the TCP/IP return code 232 (X'E8') and tell the
systems administrator.
-----
08/01/95 11:57:27 AMQ9999: Channel program ended abnormally.
EXPLANATION: Channel program 'JANET' ended abnormally.
ACTION: Look at previous error messages for channel program
'JANET' in the error files to determine the cause of the failure.
-----
08/01/95 14:28:57 AMQ8004: MQSeries queue manager ended.
```

```

EXPLANATION: MQSeries queue manager janet ended.
ACTION: None.
-----
08/02/95 15:02:49 AMQ9002: Channel program started.
EXPLANATION: Channel program 'JANET' started.
ACTION: None.
-----
08/02/95 15:02:51 AMQ9001: Channel program ended normally.
EXPLANATION: Channel program 'JANET' ended normally.
ACTION: None.
08/02/95 15:09:27 AMQ7030: Request to quiesce the queue manager
accepted. The queue manager will stop when there is no further
work for it to perform.
EXPLANATION: You have requested that the queue manager end when
there is no more work for it. In the meantime, it will refuse
new applications that attempt to start, although it allows those
already running to complete their work.
ACTION: None.
-----
08/02/95 15:09:32 AMQ8004: MQSeries queue manager ended.
EXPLANATION: MQSeries queue manager janet ended.
ACTION: None.
...

```

---

## Dead-letter queues

Messages that cannot be delivered for some reason are placed on the dead-letter queue. You can check whether the queue contains any messages by issuing an MQSC DISPLAY QUEUE command. If the queue contains messages, you can use the browse sample application (AMQSBCG) provided to browse messages on the queue using **MQGET**. The sample application steps through all the messages on a named queue for a named queue manager, displaying both the message descriptor and the message context fields for all the messages on the named queue.

You must decide how to dispose of any messages found on the dead-letter queue, depending on the reasons that the messages have been put on the queue.

Problems may occur if you do not have a dead-letter queue on each queue manager you are using. The supplied sample program amqscoma.tst creates the default objects for a queue manager, including a dead-letter queue called SYSTEM.DEAD.LETTER.QUEUE.

---

## Configuration files and problem determination

Configuration file errors typically prevent queue managers from being found and result in **queue manager unavailable** type errors.

There are several checks you can make on the configuration files:

- Ensure that the configuration files exist
- Ensure that they have appropriate permissions, for example:

```
rw-rw-r-- 1 mqm mqm 1371 Sep 17 14:32 /var/mqm/mqs.ini
```
- Ensure that the MQSeries configuration file references the correct queue manager and log directories

### Using trace

MQSeries for SunOS uses the following commands for the trace facility:

- **strmqtrc** – see “strmqtrc (Start MQSeries trace)” on page 218
- **dspmqtrc** – see “dspmqtrc (Display MQSeries formatted trace output)” on page 187
- **endmqtrc** – see “endmqtrc (End MQSeries trace)” on page 193

The trace facility uses one file for each entity being traced, in which trace information is recorded.

Files associated with trace are created in a fixed location in the file tree, which is `/var/mqm/trace`.

All queue managers, all early tracing and all @SYSTEM tracing takes place to files in this directory.

**Note:** It is possible to accommodate production of large trace files by mounting a temporary filesystem over this directory.

### File names for trace files.

Trace file names are constructed in the following way:

`AMQppppp.TRC`

where **ppppp** is the process id (PID) of the process producing the trace.

#### Notes:

1. The value of the process id can contain fewer, or more, digits than shown in the example.
2. There will be one trace file for each process running as part of the entity being traced.

## Example trace data

The following example is an extract of an MQSeries for SunOS trace:

```

...
ID  ELAPSED_SEC DELTA_MSEC  APPL    SYSCALL KERNEL  INTERRUPT

30D 3.290727552 0.000000  MQS FNC Exit.... 12884.1 xllListenSelectAccept..
30D 3.290787328 0.059776  MQS CEI Entry... 12884.1 xcsFreeQuickCell 0
30D 3.290820736 0.033408  MQS CEI Entry.... 12884.1 xllSpinLockRequest 0
30D 3.290841088 0.020352  MQS CEI Entry..... 12884.1 xllCompareAndSwap 0
30D 3.290861440 0.020352  MQS FNC Exit..... 12884.1 xllCompareAndSwap ..
30D 3.290875520 0.014080  MQS FNC Exit..... 12884.1 xllSpinLockRequest ..
30D 3.291131520 0.256000  MQS FNC Entry.... 12884.1 xstFreeCell 0
30D 3.291151744 0.020224  MQS FNC Exit..... 12884.1 xstFreeCell rc=00000000
30D 3.291255296 0.103552  MQS CEI Entry.... 12884.1 xllSpinLockRelease 0
30D 3.291274112 0.018816  MQS FNC Exit..... 12884.1 xllSpinLockRelease ..
30D 3.291292288 0.018176  MQS CEI Exit.... 12884.1 xcsFreeQuickCell rc=..
30D 3.291317632 0.025344  MQS FNC Exit!.. 12884.1 xllWaitSocketEvent rc=108..
30D 3.291337344 0.019712  MQS CEI Exit!. 12884.1 xcsWaitEventSem rc=10806020
30D 3.291366528 0.029184  MQS CEI Exit! 12884.1 zcpReceiveOnLink rc=20805311
30D 3.291398400 0.031872  MQS FNC Entry 12884.1 zxcProcessChildren 0
30D 3.291752448 0.354048  MQS CEI Entry. 12884.1 xcsRequestMutexSem 0
...

```

Figure 15. Sample MQSeries for SunOS trace

### Notes:

1. In this example the data is truncated. In a real trace, the complete function names and return codes are present.
2. The return codes are given as values, not literals.

## First failure support technology

Information which, on the OS/2 and AIX platforms, is normally recorded in FFST logs is, on MQSeries for SunOS, recorded in a file in the `/var/mqm/errors` directory.

These errors are normally severe, unrecoverable errors and indicate either a configuration problem with the system or an MQSeries internal error.

## How to examine the FFSTs

The files are named `AMQnnnnn.mm.FDC`, where:

- nnnnn is the process id reporting the error
- mm is a sequence number, normally 0.

When a process creates an FFST it also sends a record to syslog. The record contains the name of the FFST file to assist in automatic problem tracking.

The syslog entry is made at the “user.error” level. See the SunOS documentation on `syslog.conf` for details on how to configure this.

A typical FFST is shown in Figure 16 on page 164.

## Problem determination

```
MQSeries First Failure Symptom Report
=====

Date/Time      :- Friday July 14 14:06:52 BST 1995
Host Name      :- unknown
PIDS           :- 5697-A03
LVLS           :- 220
Product Long Name :- MQSeries for SunOS
Vendor         :- IBM
Probe Id       :- XC130003
Application Name :- MQM
Component      :- xehExcepti
Build Date     :- Jul 14 1995
Userid        :- 00000231 (mqm)
Process        :- 00015967
Major Errorcode :- xecSTOP
Minor Errorcode :- OK
Probe Type     :- HALT6109
Probe Severity :- 1
Probe Description :- AMQ6125: An internal MQSeries error has occurred.
Arith1        :- 11 b

MQM Function Stack
xllTidyUpSems
xcsFFST

MQM Trace History
...
```

Figure 16. Sample MQSeries for SunOS First Failure Symptom Report

The Function Stack and Trace History are used by IBM to assist in problem determination. In most cases there is little that the system administrator can do when an FFST is generated, apart from raising problems through the support centers.

However, there is one set of problems that they may be able to solve. If the FFST shows “out of resource”, “out of space on device”, or “invalid parameter” descriptions when calling one of the IPC functions, for example, `semop` or `shmget`, it is likely that the relevant kernel parameter limit has been exceeded.

If the FFST shows a problem with `setitimer`, it is likely that a change to the kernel timer parameters is needed.

To resolve these problems, increase the IPC limits, rebuild the kernel and restart the machine. See “Kernel configuration” on page 16 for further details.

---

## Problem determination with clients

An MQSeries client application receives MQRC\_\* reason codes in the same way as non-client MQSeries applications. However, there are now additional reason codes for error conditions associated with clients. For example:

- Remote machine not responding
- Communications line error
- Invalid machine address

The most common time for errors to occur is when an application issues an **MQCONN** and receives the response MQRC\_Q\_MQR\_NOT\_AVAILABLE. An error message, written to the client log file, explains the cause of the error. Messages may also be logged at the server depending on the nature of the failure.

## Terminating clients

Even though a client has terminated it is still possible for the process at the server to be holding its queues open. Normally, this will only be for a short time until the communications layer detects that the partner has gone.

## Error messages with clients

When an error occurs with a client system, error messages are put into the error files associated with the server, if possible. If the error cannot be placed there, the client code attempts to place the error message in an error log in the root directory of the client machine.

### OS/2 and UNIX systems clients

Error messages for OS/2, and UNIX systems clients are placed in the error logs in the same way as they are for the respective MQSeries server systems. Typically, these files appear in `/var/mqm/errors`.

For more information on clients see the *MQSeries Clients* book.

### DOS and Windows clients

The location of the log file **AMQERR01.LOG** is set by the MQDATA environment variable. The default location, if not overridden by MQDATA, is:

C:\

Working in the DOS environment involves the environment variable MQDATA.

This is the default library used by the client code to store trace and error information; it also holds the directory name that the **qm.ini** file is stored in (needed for NetBIOS setup). If not specified, it defaults to the C drive.

The names of the default files held in this library are:

- |                     |                                          |
|---------------------|------------------------------------------|
| <b>AMQERR01.LOG</b> | For error messages.                      |
| <b>AMQERR01.FDC</b> | For First Failure Data Capture messages. |

## Problem determination



---

## Part 2. Reference



---

## Chapter 15. MQSeries control commands

This chapter contains reference material for the control commands used with MQSeries for SunOS. All commands in this chapter can be issued from an SunOS shell. These commands are case-sensitive.

---

### Names

In general, the names of MQSeries objects can have up to 48 characters. This rule applies to all the following objects:

- Queue managers
- Queues
- Process definitions

The maximum length of channel names is 20 characters.

The characters that can be used for all MQSeries names are:

- Uppercase A–Z
- Lowercase a–z
- Numerics 0–9
- Period (.)
- Underscore (\_)
- Forward slash (/) (see note 1)
- Percent sign (%) (see note 1)

#### Notes:

1. Forward slash and percent are special characters. If you use either of these characters in a name, the name must be enclosed in double quotation marks whenever it is used.
2. Leading or embedded blanks are not allowed.
3. National language characters are not allowed.
4. Names may be enclosed in double quotation marks, but this is only essential if special characters are included in the name.

---

### How to read syntax diagrams

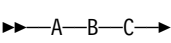
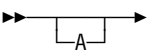
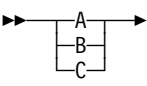
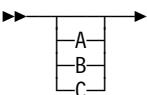
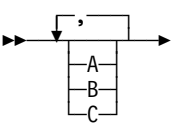
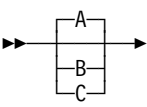
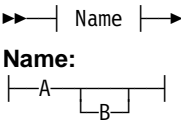
This chapter contains syntax diagrams (sometimes referred to as “railroad” diagrams).

Each syntax diagram begins with a double right arrow and ends with a right and left arrow pair. Lines beginning with a single right arrow are continuation lines. You read a syntax diagram from left to right and from top to bottom, following the direction of the arrows.

Other conventions used in syntax diagrams are:

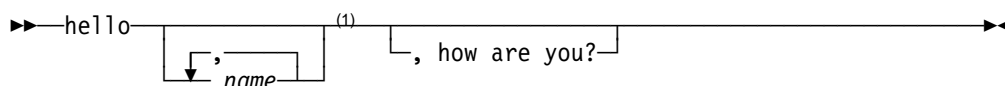
## Syntax diagrams

Table 11. How to read syntax diagrams

Convention	Meaning
	You must specify values A, B, and C. Required values are shown on the main line of a syntax diagram.
	You may specify value A. Optional values are shown below the main line of a syntax diagram.
	Values A, B, and C are alternatives, one of which you must specify.
	Values A, B, and C are alternatives, one of which you may specify.
	You may specify one or more of the values A, B, and C. Any required separator for multiple or repeated values (in this example, the comma (,)) is shown on the arrow.
	Values A, B, and C are alternatives, one of which you may specify. If you specify none of the values shown, the default A (the value shown above the main line) is used.
	The syntax fragment Name is shown separately from the main syntax diagram.

## Example syntax diagram

Here is an example syntax diagram that describes the **hello** command:



### Note:

<sup>1</sup> You can code up to three names.

According to the syntax diagram, these are all valid versions of the **hello** command:

```
hello
hello name
hello name, name
hello name, name, name
hello, how are you?
hello name, how are you?
hello name, name, how are you?
hello name, name, name, how are you?
```

Note that the space before the *name* value is significant, and that if you do not code *name* at all, you must still code the comma before *how are you?*

---

## Syntax help

You can obtain help about the syntax of any of the commands in this chapter by entering the command followed by a question mark. MQSeries responds by listing the syntax required for the selected command. The syntax shows all the parameters and variables associated with the command. Different forms of parentheses are used to indicate whether a parameter is required or not. For example:

```
CmdName [-x OptParam ] ( -c | -b ) { -p principal } argument
```

where:

CmdName           Is the command name for which help has been requested.

[-x OptParam ]    The square brackets indicate that this is an optional parameter.

( -c | -b )        A mandatory field. In this case, you must select one of the flags c or b.

{ -p principal }    An optional list of variables that you may supply, but, if this is shown, at least one variable must be provided when you enter the command.

argument           An argument required to be supplied with this command, mandatory if shown on the response to the query.

### Examples

1. Result of entering endmqm ?

```
endmqm [-z] [-c | -i | -p] QMgrName
```

2. Result of entering rcdmqimg ?

```
rcdmqimg [-z] [-m QMgrName] -t ObjType [GenericObjName]
```

---

## crtmqcvx (Data conversion)

### Purpose

Use the **crtmqcvx** command to create a fragment of code that performs data conversion on data type structures. The command generates a C function that can be used in an exit to convert your C structures.

The command reads an input file containing a structure or structures to be converted. It then writes an output file containing a code fragment or fragments to convert those structures.

For further information about this command and how to use it, refer to the *MQSeries Application Programming Guide*.

### Syntax

```
▶▶—crtmqcvx—SourceFile—TargetFile—◀◀
```

### Required parameters

*SourceFile*

Specifies the input file containing the C structures to be converted.

*TargetFile*

Specifies the output file containing the code fragments generated to convert the structures.

### Return codes

<b>0</b>	Command completed normally
<b>10</b>	Command completed with unexpected results
<b>20</b>	An error occurred during processing

### Examples

The following example shows the results of using the data conversion command against a source C structure. The command issued is:

```
crtmqcvx source.tmp target.c
```

The input file, `source.tmp` looks like this:

```
/* This is a test C structure which can be converted by the */
/* crtmqcvx utility                                         */

struct my_structure
{
    int    code;
    MQLONG value;
};
```

The output file, `target.c`, produced by the command is shown below. You can use these code fragments in your applications to convert data structures. However, if you do so, you should understand that the fragment uses macros supplied in the MQSeries header file `amqsvmha.h`.

```
MQLONG Convertmy_structure(
    PMQBYTE *in_cursor,
    PMQBYTE *out_cursor,
    PMQBYTE in_lastbyte,
    PMQBYTE out_lastbyte,
    MQHCONN hConn,
    MQLONG opts,
    MQLONG MsgEncoding,
    MQLONG ReqEncoding,
    MQLONG MsgCCSID,
    MQLONG ReqCCSID,
    MQLONG CompCode,
    MQLONG Reason)
{
    MQLONG ReturnCode = MQRC_NONE;

    ConvertLong(1); /* code */

    AlignLong();
    ConvertLong(1); /* value */

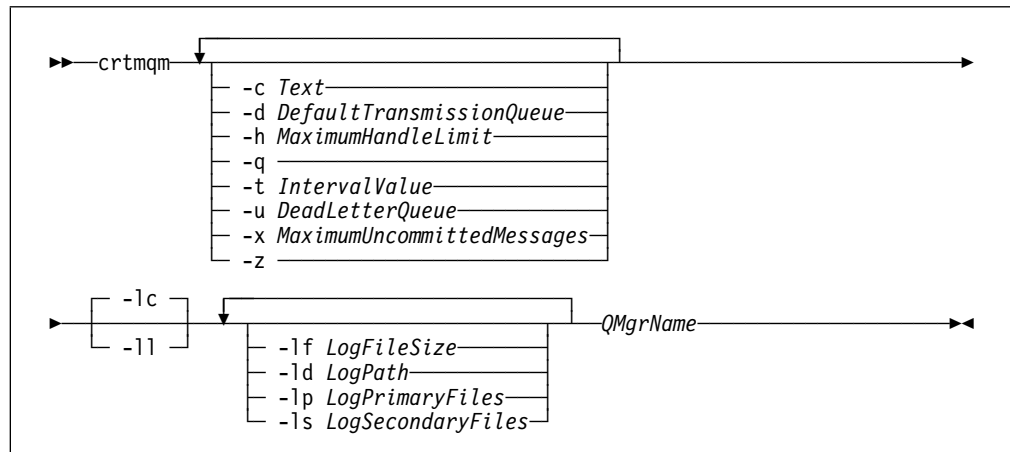
Fail:
    return(ReturnCode);
}
```

## crtmqm (Create queue manager)

### Purpose

Use the **crtmqm** command to create a local queue manager. Once a queue manager has been created, use the **strmqm** command to start it.

### Syntax



### Required parameters

*QMgrName*

Specifies the name of the queue manager to be created. The name can contain up to 48 characters. This must be the last item in the command.

### Optional parameters

**-c** *Text*

Specify some descriptive text for this queue manager. The default is all blanks.

You can use up to 64 characters. If special characters are required, the description must be enclosed in double quotes. The maximum number of characters is reduced if the system is using a double byte character set (DBCS).

**-d** *DefaultTransmissionQueue*

Specifies the name of the local transmission queue that remote messages are placed on if a transmission queue is not explicitly defined for their destination. There is no default.

**-h** *MaximumHandleLimit*

Specifies the maximum number of handles that any one application can have open at the same time.

Specify a value in the range 1 through 999 999 999. The default value is 256.

**-q** Specifies that this queue manager is to be made the default queue manager. The new queue manager replaces any existing queue manager as the default.

If you accidentally use this flag and wish to revert to an existing queue



manager as the default queue manager, you can edit the *DefaultQueueManager* stanza in the MQSeries configuration file. See Chapter 13, “Configuration files” on page 137 for information about configuration files.

**-t** *IntervalValue*

Specifies the trigger time interval in milliseconds for all queues controlled by this queue manager. This value specifies the time after the receipt of a trigger generating message when triggering is suspended. That is, if the arrival of a message on a queue causes a trigger message to be put on the initiation queue, any message arriving on the same queue within the specified interval does not generate another trigger message.

You can use the trigger time interval to ensure that your application is allowed sufficient time to deal with a trigger condition before it is alerted to deal with another on the same queue. You may wish to see all trigger events that happen; if so, set a low or zero value in this field.

Specify a value in the range 0 through 999 999 999. The default is 999 999 999 milliseconds, a time of more than 11 days. Allowing the default to be taken effectively means that triggering is disabled after the first trigger message. However, triggering can be reenabled by an application servicing the queue using an alter queue command to reset the trigger attribute.

**-u** *DeadLetterQueue*

Specifies the name of the local queue that is to be used as the dead-letter (undelivered-message) queue. Messages are put on this queue if they cannot be routed to their correct destination.

The default if the attribute is omitted is no dead-letter queue.

**-x** *MaximumUncommittedMessages*

Specifies the maximum number of uncommitted messages under any one syncpoint. That is, the sum of:

- The number of messages that can be retrieved from queues
- The number of messages that can be put on queues
- Any trigger messages generated within this unit of work

This limit does not apply to messages that are retrieved or put outside a syncpoint.

Specify a value in the range 1 through 10 000. The default value is 1000 uncommitted messages.

**-z** Suppresses error messages.

This flag is normally used within MQSeries to suppress unwanted error messages. As use of this flag could result in loss of information, it is recommended that you do not use it when entering commands on a command line.

The following set of flags is used to define the logging to be used by the queue manager being created. For more information about logs, see “Using the log for recovery” on page 130.

**-lc** Circular logging is to be used. This is the default logging method.

**-ll** Linear logging is to be used.

**-lf** *LogFileSize*

Specifies the size of the log files in units of 4 KB. The minimum value is 64 KB, and the maximum is 16384 KB. The default value is 1024 KB, giving a default log size of 4 MB.

**-ld** *LogPath*

Specifies the directory to be used to hold the log files. The default is `/var/mqm/log`. The default can also be changed when MQSeries is customized.

User ID `mqm` and group `mqm` must have full authorities to the log files. If you change the locations of these files, you must give these authorities yourself. This is done automatically if the log files are in their default locations.

**-lp** *LogPrimaryFiles*

Specifies the number of primary log files to be allocated. The default value is 3, the minimum is 2, and the maximum is 62.

**-ls** *LogSecondaryFiles*

Specifies the number of secondary log files to be allocated. The default value is 2, the minimum is 1, and the maximum is 61.

**Note:** The total number of log files is restricted to 63, regardless of the number requested.

## Return codes

<b>0</b>	Queue manager created
<b>8</b>	Queue manager already exists
<b>49</b>	Queue manager stopping
<b>69</b>	Storage not available
<b>70</b>	Queue space not available
<b>71</b>	Unexpected error
<b>72</b>	Queue manager name error
<b>100</b>	Log location invalid
<b>111</b>	Queue manager created. However, there was a problem processing the default queue manager definition in the product configuration file. The default queue manager specification may be incorrect.
<b>115</b>	Invalid log size

## Examples

1. This command creates a default queue manager named `Paint.queue.manager`, which is given a description of `Paint shop`. It also specifies that linear logging is to be used:

```
crtmqm -c "Paint shop" -ll -q Paint.queue.manager
```

2. This example requests a number of log files. Two primary and three secondary log files are specified.

```
crtmqm -c "Paint shop" -ll -lp 2 -ls 3 -q Paint.queue.manager
```

3. In this example, another queue manager, `travel`, is created. The trigger interval is defined as 5000 milliseconds (or 5 seconds) and its dead-letter queue is specified as `SYSTEM.DEAD.LETTER.QUEUE`.

```
crtmqm -t 5000 -u SYSTEM.DEAD.LETTER.QUEUE travel
```

Once a trigger event has been generated, further trigger events are disabled for five seconds.

## Related commands

<b>strmqm</b>	Start queue manager
<b>endmqm</b>	End queue manager
<b>dltmqm</b>	Delete queue manager

---

## dltmqm (Delete queue manager)

### Purpose

Use the **dltmqm** command to delete a specified queue manager. All objects associated with this queue manager are also deleted. Before you can delete a queue manager you must end it using the **endmqm** command.

### Syntax

```
▶▶ dltmqm [-z] QMgrName ▶▶
```

### Required parameters

*QMGrName*

Specifies the name of the queue manager to be deleted.

### Optional parameters

**-z** Suppresses error messages.

### Return codes

<b>0</b>	Queue manager deleted
<b>3</b>	Queue manager being created
<b>5</b>	Queue manager running
<b>16</b>	Queue manager does not exist
<b>49</b>	Queue manager stopping
<b>69</b>	Storage not available
<b>71</b>	Unexpected error
<b>72</b>	Queue manager name error
<b>100</b>	Log location invalid
<b>112</b>	Queue manager deleted. However, there was a problem processing the default queue manager definition in the product configuration file. The default queue manager specification may be incorrect.

### Examples

1. The following command deletes the queue manager `saturn.queue.manager`.

```
dltmqm saturn.queue.manager
```

2. The following command deletes the queue manager `travel` and also suppresses any messages caused by the command.

```
dltmqm -z travel
```

**Related commands**

**crtmqm** Create queue manager

**strmqm** Start queue manager

**endmqm** End queue manager

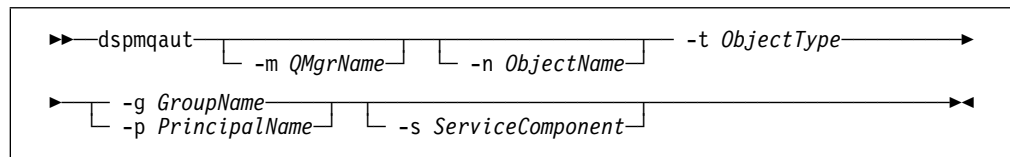
## dspmqaout (Display authority)

### Purpose

Use the **dspmqaout** command to display the current authorizations to a specified object. Only one group may be specified.

If a user ID is a member of more than one group, examine the authorizations of each group to determine all the authorizations that apply to the user ID.

### Syntax



### Required parameters

**-t** *ObjectType*

Specifies the type of object on which the inquiry is to be made. Possible values are:

- queue** or **q**            A queue or queues matching the object type parameter
- qmgr**                    A queue manager object
- process** or **prcs**    A process

### Optional parameters

**-m** *QMgrName*

Specifies the name of the queue manager on which the inquiry is to be made.

**-n** *ObjectName*

Specifies the name of the object on which the inquiry is to be made.

This is a required parameter **unless** it is the queue manager itself.

You must specify the name of a queue manager, queue, or process definition.

**-g** *GroupName*

Specifies the name of the user group on which the inquiry is to be made.

You can only specify **one** name, which must be the name of an existing user group.

**-p** *PrincipalName*

Specifies the name of a user whose authorizations to the specified object are to be displayed.

**-s** *ServiceComponent*

This parameter only applies if you are using installable authorization services, otherwise it is ignored.

If installable authorization services are supported, this parameter specifies the name of the authorization service to which the authorizations apply. This parameter is optional; if it is not specified, the authorization update is made to the first installable component for the service.

## Returned parameters

This command returns an authorization list, which can contain none, one, or more authorization parameters. Each authorization parameter returned means that any user ID in the specified group has the authority to perform the operation defined by that parameter.

Table 12 shows the authorities that can be given to the different object types.

Authority	Queue	Process	Qmgr
all	√	√	√
alladm	√	√	√
allmqi	√	√	√
altusr			√
browse	√		
chg	√	√	√
clr	√		
connect			√
cpy	√	√	√
crt	√	√	√
dlt	√	√	√
dsp	√	√	√
put	√		
inq	√	√	√
get	√		
passall	√		
passid	√		
set	√	√	√
setall	√		√
setid	√		√

The following list defines the authorizations associated with each parameter:

- all**            Use all operations relevant to the object.
- alladm**        Perform all administration operations relevant to the object.
- allmqi**        Use all MQI calls relevant to the object.
- altusr**        Specify an alternate user ID on an MQI call.
- browse**        Retrieve a message from a queue by issuing an MQGET call with the BROWSE option.
- chg**            Change the attributes of the specified object, using the appropriate command set.

<b>chgaut</b>	Specify authorizations for other groups of users on the object, using the <b>setmqaut</b> command.
<b>clr</b>	Clear a queue (PCF command Clear queue only).
<b>connect</b>	Connect the application to the specified queue manager by issuing an MQCONN call.
<b>cpy</b>	Copy the definition of an object, for example, the PCF Copy queue command.
<b>crt</b>	Create objects of the specified type, using the appropriate command set.
<b>dlt</b>	Delete the specified object, using the appropriate command set.
<b>dsp</b>	Display the attributes of the specified object, using the appropriate command set.
<b>get</b>	Retrieve a message from a queue by issuing an MQGET call.
<b>inq</b>	Make an inquiry on a specific queue by issuing an MQINQ call.
<b>passall</b>	Pass all context.
<b>passid</b>	Pass the identity context.
<b>put</b>	Put a message on a specific queue by issuing an MQPUT call.
<b>set</b>	Set attributes on a queue from the MQI by issuing an MQSET call.
<b>setall</b>	Set all context on a queue.
<b>setid</b>	Set the identity context on a queue.

The authorizations for administration operations, where supported, apply to these command sets:

- Control commands
- MQSC commands
- PCF commands

## Return codes

<b>0</b>	Successful operation
<b>36</b>	Invalid arguments supplied
<b>40</b>	Queue manager not available
<b>49</b>	Queue manager stopping
<b>69</b>	Storage not available
<b>71</b>	Unexpected error
<b>72</b>	Queue manager name error
<b>133</b>	Unknown object name
<b>145</b>	Unexpected object name
<b>146</b>	Object name missing
<b>147</b>	Object type missing
<b>148</b>	Invalid object type
<b>149</b>	Entity name missing



## Examples

The following example shows a command to display the authorizations on queue manager saturn.queue.manager associated with user group staff:

```
dspmqaout -m saturn.queue.manager -t qmgr -g staff
```

The results from this command are:

```
Entity staff has the following authorizations for object :  
  get  
  browse  
  put  
  inq  
  set  
  connect  
  altusr  
  passid  
  passall  
  setid
```

## Related commands

**setmqaut**      Set or reset authority

---

## dspmqcsv (Display command server)

### Purpose

Use the **dspmqcsv** command to display the status of the command server for the specified queue manager.

The status can be one of the following:

- Starting
- Running
- Running with SYSTEM.ADMIN.COMMAND.QUEUE not enabled for gets
- Ending
- Stopped

### Syntax

```
▶▶ dspmqcsv QMgrName ▶▶
```

### Required parameters

*QMgrName*

Specifies the name of the local queue manager for which the command server status is being requested.

### Return codes

<b>0</b>	Command completed normally
<b>10</b>	Command completed with unexpected results
<b>20</b>	An error occurred during processing

### Examples

The following command displays the status of the command server associated with `venus.q.mgr`:

```
dspmqcsv venus.q.mgr
```

### Related commands

<b>strmqcsv</b>	Start a command server
<b>endmqcsv</b>	End a command server

## dspmqls (Display MQSeries files)

### Purpose

Use the **dspmqls** command to display the real file system name for all MQSeries objects that match a specified criterion. You can use this command to identify the files associated with a particular MQSeries object. This is useful for backing up specific objects. See “Understanding MQSeries file names” on page 40 for further information about name transformation.

### Syntax

```

  ► dspmqls [-m QMgrName] [-t ObjType] GenericObjName ►

```

### Required parameters

#### *GenericObjName*

Specifies the name of the MQSeries object. The name is a string with no flag and is a required parameter. If the name is omitted an error is returned.

This parameter supports a wild card character \* at the end of the string.

### Optional parameters

#### **-m** *QMgrName*

Specifies the name of the queue manager for which files are to be examined. If omitted, the command operates on the default queue manager.

#### **-t** *ObjType*

Specifies the MQSeries object type. The following list shows the valid object types. The abbreviated name is shown first followed by the full name.

<b>*</b> or <b>all</b>	All object types; this is the default
<b>q</b> or <b>queue</b>	A queue or queues matching the object name parameter
<b>ql</b> or <b>qlocal</b>	A local queue
<b>qa</b> or <b>qalias</b>	An alias queue
<b>qr</b> or <b>qremote</b>	A remote queue
<b>qm</b> or <b>qmodel</b>	A model queue
<b>qmgr</b>	A queue manager object
<b>prcs</b> or <b>process</b>	A process

#### Notes:

1. The **dspmqls** command displays the directory containing the queue, **not** the name of the queue itself.
2. You need to prevent the shell from interpreting the meaning of special characters, for example, '\*'. To accomplish this, use 'quoting'.

There are a number of ways of 'quoting' depending on your shell. For example, single quotation marks, double quotation marks, or a backslash are used by some shells.

## dspmqfls

### Return codes

0	Command completed normally
10	Command completed but not entirely as expected
20	An error occurred during processing

### Examples

1. The following command displays the details of all objects with names beginning SYSTEM.ADMIN that are defined on the default queue manager.

```
dspmqfls SYSTEM.ADMIN*
```

2. The following command displays file details for all processes with names beginning PROC defined on queue manager RADIUS.

```
dspmqfls -m RADIUS -t prcs PROC*
```

---

## dspmqtrc (Display MQSeries formatted trace output)

### Purpose

Use the **dspmqtrc** command to display MQSeries formatted trace output.

### Syntax

```
▶▶ dspmqtrc [-t FormatTemplate] InputFileName ▶▶
```

### Required parameters

*InputFileName*

Specifies the name of the file containing the unformatted trace. For example  
`/var/mqm/trace/AMQ12345.TRC..`

### Optional parameters

`-t FormatTemplate`

Specifies the name of the template file containing details of how to display the trace. The default value is `/usr/mqm/lib/amqtrc.fmt`.

### Related commands

**endmqtrc** End MQSeries trace

**strmqtrc** Start MQSeries trace

---

## dspmqrn (Display MQSeries transactions)

### Purpose

Use the **dspmqrn** command to list the transactions that are in prepared status in a two-phase commit procedure and that are known to a queue manager (see the Attention notice below).

Each transaction is displayed as a transaction number (a human-readable transaction identifier), the transaction state, and the transaction ID. Transaction IDs can be up to 128 characters long, hence the need for a transaction number.

### Syntax

```

▶▶ dspmqrn [ QMgrName ] ▶▶

```

**Attention:** The only time that you can expect to use this command is if you are using an external transaction manager and are involved with two-phase commitment procedures. If you do not use two-phase commit, do not use this command. This command should be used only if the syncpoint manager has failed to resolve a transaction.

### Optional parameters

*QMGrName*

Specifies the name of the queue manager whose transactions are to be examined. If omitted, the command operates on the default queue manager.

### Return codes

<b>0</b>	Successful operation
<b>36</b>	Invalid arguments supplied
<b>40</b>	Queue manager not available
<b>49</b>	Queue manager stopping
<b>69</b>	Storage not available
<b>71</b>	Unexpected error
<b>72</b>	Queue manager name error
<b>102</b>	No transactions found

### Related commands

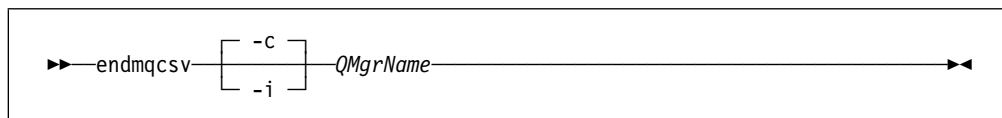
**rsvmqtrn**      Resolve MQSeries transaction

## endmqcsv (End command server)

### Purpose

Use the **endmqcsv** command to stop the command server on the specified queue manager.

### Syntax



### Required parameters

*QMgrName*

Specifies the name of the queue manager for which the command server is to be ended.

### Optional parameters

- c Specifies that the command server is to be stopped in a controlled manner. The command server is allowed to complete the processing of any command message that it has already started. No new message is read from the command queue.  
This is the default.
- i Specifies that the command server is to be stopped immediately. Actions associated with a command message currently being processed may not be completed.

### Return codes

<b>0</b>	Command completed normally
<b>10</b>	Command completed with unexpected results
<b>20</b>	An error occurred during processing

### Examples

1. The following command stops the command server on queue manager saturn.queue.manager:

```
endmqcsv -c saturn.queue.manager
```

The command server can complete processing any command it has already started before it stops. Any new commands received remain unprocessed in the command queue until the command server is restarted.

## endmqcsv

2. The following command stops the command server on queue manager pluto immediately:

```
endmqcsv -i pluto
```

## Related commands

- |                 |                                        |
|-----------------|----------------------------------------|
| <b>strmqcsv</b> | Start a command server                 |
| <b>dspmqcsv</b> | Display the status of a command server |



## endmqm (End queue manager)

### Purpose

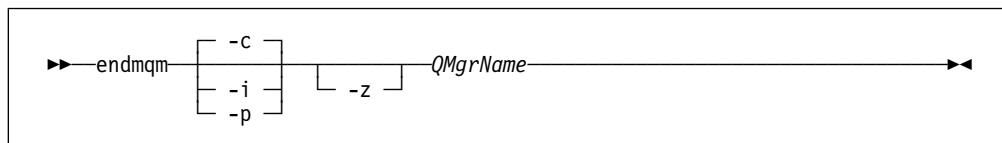
Use the **endmqm** command to end (stop) a specified local queue manager. This command stops a queue manager in one of three modes:

- Normal or quiesced shutdown
- Immediate shutdown
- Preemptive shutdown

The attributes of the queue manager and the objects associated with it are not affected. You can restart the queue manager using the **strmqm** (Start queue manager) command.

To delete a queue manager, you must stop it and then use the **dltmqm** (Delete queue manager) command.

### Syntax



### Required parameters

*QMgrName*

Specifies the name of the message queue manager to be stopped.

### Optional parameters

- c Controlled (or quiesced) shutdown. The queue manager stops but only after all applications have disconnected. Any MQI calls currently being processed are completed. This is the default.
- i Immediate shutdown. The queue manager stops after it has completed all the MQI calls currently being processed. Any MQI requests issued after the command has been issued fail. Any incomplete units of work are rolled back when the queue manager is next started.
- p Preemptive shutdown.  
**Use this type of shutdown only in exceptional circumstances.** For example, when a queue manager does not stop as a result of a normal **endmqm** command.

The queue manager stops without waiting for applications to disconnect or for MQI calls to complete. This can give unpredictable results for MQSeries applications. All processes in the queue manager that fail to stop are terminated 30 seconds after the command is issued.

- z Suppresses error messages on the command.

## endmqm

### Return codes

0	Queue manager ended
3	Queue manager being created
16	Queue manager does not exist
40	Queue manager not available
49	Queue manager stopping
69	Storage not available
71	Unexpected error
72	Queue manager name error

### Examples

The following examples show commands that end (stop) the specified queue managers.

1. This command ends the queue manager named `mercury.queue.manager` in a controlled way. All applications currently connected are allowed to disconnect.

```
endmqm mercury.queue.manager
```

2. This command ends the queue manager named `saturn.queue.manager` immediately. All current MQI calls complete, but no new ones are allowed.

```
endmqm -i saturn.queue.manager
```

### Related commands

<b>crtmqm</b>	Create a queue manager
<b>strmqm</b>	Start a queue manager
<b>dltmqm</b>	Delete a queue manager



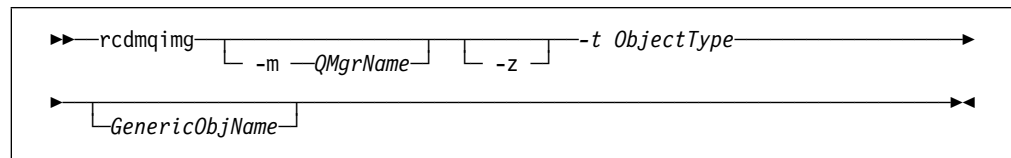
## rcdmqimg (Record media image)

### Purpose

Use the **rcdmqimg** command to write an image of an MQSeries object, or group of objects, to the log for use in media recovery. Use the associated command **rcrmobj** to recreate the object from the image.

This command is used with an active queue manager. Further activity on the queue manager is logged so that, although the image becomes out of date, the log records reflect any changes to the object.

### Syntax



### Required parameters

#### **-t** *ObjectType*

Specifies the type of objects whose images are to be recorded. Valid object types are:

<b>prcs</b> or <b>process</b>	Processes
<b>q</b> or <b>queue</b>	All types of queue
<b>ql</b> or <b>qlocal</b>	Local queues
<b>qa</b> or <b>qalias</b>	Alias queues
<b>qr</b> or <b>qremote</b>	Remote queues
<b>qm</b> or <b>qmodel</b>	Model queues
<b>qmgr</b>	Queue manager object
<b>*</b> or <b>all</b>	All of the above

**Note:** You will need to prevent the shell from interpreting the meaning of special characters, for example, '\*'. To accomplish this, use 'quoting'.

There are a number of ways of 'quoting' depending on your shell. For example, single quotation marks, double quotation marks, or a backslash are used by some shells.

### Optional parameters

#### **-m** *QMgrName*

Specifies the name of the queue manager for which images are to be recorded. If omitted, the command operates on the default queue manager.

**-z** Suppresses error messages.

*GenericObjName*

Specifies the name of the object that is to be recorded. This parameter may have a trailing asterisk to indicate that any objects with names matching the portion of the name prior to the asterisk are to be recorded.

This parameter is required **unless** you are recording a queue manager.

## Return codes

0	Successful operation
36	Invalid arguments supplied
40	Queue manager not available
49	Queue manager stopping
68	Media recovery is not supported
69	Storage not available
71	Unexpected error
72	Queue manager name error
119	User not authorized
128	No objects processed
131	Resource problem
132	Object damaged
135	Temporary object cannot be recorded

## Examples

The following command records an image of the queue manager object saturn.queue.manager in the log.

```
rcdmqimg -t qmgr -m saturn.queue.manager
```

## Related commands

**rcrmqobj**      Recreate a queue manager object

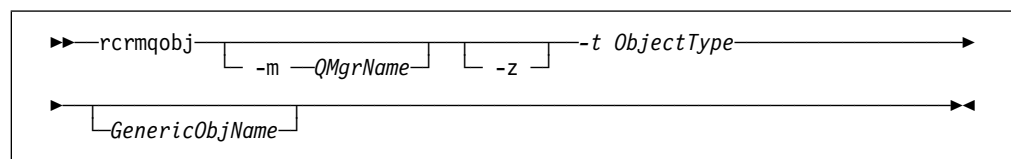
## rcrmqobj (Recreate object)

### Purpose

Use the **rcrmqobj** command to recreate an object, or group of objects, from their images contained in the log. Use the associated command, **rcdmqimg**, to record the object images to the log.

This command must be used on a running queue manager. All activity on the queue manager after the image was recorded is logged. To recreate an object you must replay the log to recreate events that occurred after the object image was captured.

### Syntax



### Required parameters

*-t Object Type*

Specifies the type of objects to be recreated. Valid object types are:

**prcs** or **process** Processes

**q** or **queue** All types of queue

**ql** or **qlocal** Local queues

**qa** or **qalias** Alias queues

**qr** or **qremote** Remote queues

**qm** or **qmodel** Model queues

**\*** or **all** All the above

**syncfile** The channel synchronization file

**Note:** Using this flag causes the channel synchronization file to be regenerated for the queue manager specified. This is necessary because the file is not saved by the **rcdmqimg** command.

**Note:** You will need to prevent the shell from interpreting the meaning of special characters, for example, '\*'. To accomplish this, use 'quoting'.

There are a number of ways of 'quoting' depending on your shell. For example, single quotation marks, double quotation marks, or a backslash are used by some shells.

## Optional parameters

**-m** *QMgrName*

Specifies the name of the queue manager for which objects are to be recreated. If omitted, the command operates on the default queue manager.

**-z** Suppresses error messages.

*GenericObjName*

Specifies the name of the object that is to be recreated. This parameter may have a trailing asterisk to indicate that any objects with names matching the portion of the name prior to the asterisk are to be recreated.

This parameter is required **unless** the object type is the channel synchronization file. If an object name is supplied for this type, it is ignored.

## Return codes

0	Successful operation
36	Invalid arguments supplied
40	Queue manager not available
49	Queue manager stopping
66	Media image not available
68	Media recovery is not supported
69	Storage not available
71	Unexpected error
72	Queue manager name error
119	User not authorized
128	No objects processed
135	Temporary object cannot be recovered
136	Object in use

## Examples

1. The following command recreates all local queues for the default queue manager:

```
rcrmqobj -t ql *
```

2. The following command recreates all remote queues associated with queue manager store:

```
rcrmqobj -m store -t qr
```

## Related commands

**rcdmqimg** Record an MQSeries object in the log

---

## rsvmqtrn (Resolve MQSeries transactions)

### Purpose

Use the **rsvmqtrn** command to give a commit or backout decision to an in-doubt transaction.

#### Notes:

1. This command must be used only in situations where you are certain that the transaction will not be resolved by the normal protocols. Issuing this command may result in the loss of transactional integrity between resource managers for a distributed transaction.
2. The only time that you can expect to use this command is if you are using an external transaction manager and are involved with two-phase commitment procedures.

If you do **not** use two-phase commit, do **not** use this command.

This command should be used only if the syncpoint manager has failed to resolve a transaction.

### Syntax

```

▶▶ rsvmqtrn [-c] [-b] -m QMgrName Transaction

```

### Required parameters

**-c** Specifies a commit decision.

**-b** Specifies a backout decision.

There is no default; you must supply one of these options.

**-m** *QMgrName*

Specifies the name of the queue manager whose transactions are to be resolved. The queue manager name must be specified.

*Transaction*

Specifies the transaction number of the transaction of interest. The number can be determined by using the **dspmqrn** command to display all transactions on a queue manager that have been left in a prepared (in-doubt) state.

### Return codes

<b>0</b>	Successful operation
<b>36</b>	Invalid arguments supplied
<b>40</b>	Queue manager not available
<b>49</b>	Queue manager stopping
<b>69</b>	Storage not available
<b>71</b>	Unexpected error
<b>72</b>	Queue manager name error
<b>85</b>	Transactions not known



## Related commands

**dspmqtrn** Display list of prepared transactions

---

## runmqchi (Run channel initiator)

### Purpose

Use the **runmqchi** command to run a channel initiator process. For more information about the use of this command, refer to the *MQSeries Distributed Queuing Guide*.

### Syntax

```

▶▶—runmqchi [ -q InitiationQName ] [ -m QMgrName ]▶▶

```

### Optional parameters

**-q** *InitiationQName*

Specifies the name of the initiation queue to be processed by this channel initiator. If not specified, SYSTEM.CHANNEL.INITQ is used.

**-m** *QMgrName*

Specifies the name of the queue manager on which the initiation queue exists. If the name is omitted, the default queue manager is used.

### Return codes

<b>0</b>	Command completed normally
<b>10</b>	Command completed with unexpected results
<b>20</b>	An error occurred during processing

If errors occur that result in return codes of either 10 or 20, you should review the queue manager error log that the channel is associated with for the error messages. You should also review the @SYSTEM error log, as problems that occur before the channel is associated with the queue manager are recorded there. For more information about error logs, see “Error logs” on page 159.

---

## runmqchl (Run channel)

### Purpose

Use the **runmqchl** command to run either a Sender (SDR) or a Requester (RQSTR) channel.

The channel runs synchronously. To stop the channel, issue the MQSC command STOP CHANNEL.

### Syntax

```
▶▶—runmqchl— -c ChannelName [ -m QMgrName ]▶▶
```

### Required parameters

**-c** *ChannelName*  
Specifies the name of the channel to run.

### Optional parameters

**-m** *QMgrName*  
Specifies the name of the queue manager with which this channel is associated. If no name is specified, the default queue manager is used.

### Return codes

<b>0</b>	Command completed normally
<b>10</b>	Command completed with unexpected results
<b>20</b>	An error occurred during processing

If return codes 10 or 20 are generated, review the error log of the associated queue manager for the error messages. You should also review the @SYSTEM error log because problems that occur before the channel is associated with the queue manager are recorded there.

## runmqdlq (Run dead-letter queue handler)

### Purpose

Use the **runmqdlq** command to start the dead-letter queue (DLQ) handler, a utility that you can run to monitor and handle messages on a dead-letter queue.

The dead-letter queue handler can be used to perform various actions on selected messages by specifying a set of rules that can both select a message and define the action to be performed on that message.

The **runmqdlq** command takes its input from `stdin`. When the command is processed, the results and a summary are put into a report that is sent to `stdout`.

By taking `stdin` from the keyboard, you can enter **runmqdlq** rules interactively.

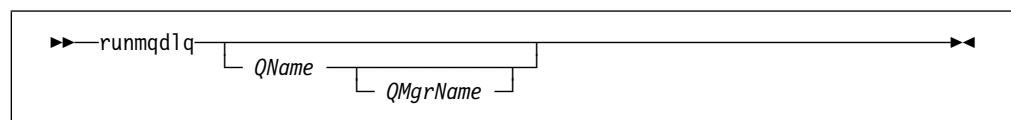
By redirecting the input from a file, you can apply a rules table to the specified queue. The rules table must contain at least one rule.

If the DLQ handler is used without redirecting `stdin` from a file, (the rules table) the DLQ handler:

- Reads its input from the keyboard.
- Does not start to process the named queue until it receives an `end_of_file` (ctrl-D) character.

For more information about rules tables and how to construct them, see “The DLQ handler rules table” on page 112.

### Syntax



### Optional parameters

The MQSC rules for comment lines and for joining lines also apply to the DLQ handler input parameters.

*QName* Specifies the name of the queue to be processed.

If no name is specified the dead letter queue defined for the local queue manager is used. If one or more blanks (' ') are used, the dead letter queue of the local queue manager is explicitly assigned.

A DLQ handler can be used to select particular messages on a dead-letter queue for special processing. For example, you could redirect the messages to different dead-letter queues. Subsequent processing with another instance of the DLQ handler might then process the messages, according to a different rules table.

*QMgrName*

The name of the queue manager that owns the queue to be processed.

If no name is specified, the default queue manager for the installation is used. If one or more blanks ( ' ') are used, the default queue manager for this installation is explicitly assigned.

---

## runmqtsr (Run listener)

### Purpose

The runmqtsr (Run listener) command runs a listener process for inbound LU 6.2 channels.

### Syntax

```
▶▶—runmqtsr— -g Gateway-name— -n TpName— [ -m QMgrName— ]▶▶
```

### Required parameters

**-g** *Gateway-name*

Specifies the gateway name of the machine on which **runmqtsr** is being run.

**-n** *TpName*

Specifies the tpname.

### Optional parameters

**-m** *QMgrName*

Specifies the name of the queue manager with which the listener is associated. If no name is specified, the command operates on the default queue manager.

### Return codes

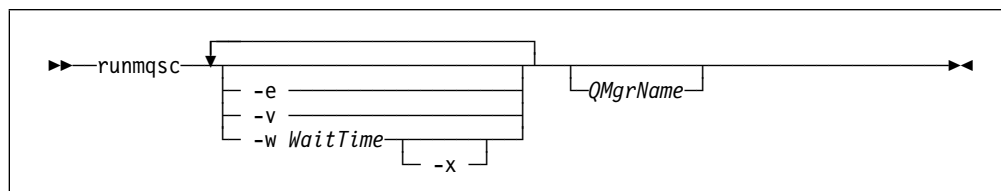
<b>0</b>	Command completed normally
<b>10</b>	Command completed with unexpected results
<b>20</b>	An error occurred during processing

## runmqsc (Run MQSeries commands)

### Purpose

Use the **runmqsc** command to issue MQSC commands to a queue manager. MQSC commands enable you to perform administration tasks, for example defining, altering, or deleting a local queue object. MQSC commands and their syntax are described in the *MQSeries Command Reference*.

### Syntax



### Description

You can invoke the **runmqsc** command in three modes:

- Verify mode** MQSC commands are verified but not actually run. An output report is generated indicating the success or failure of each command. This mode is only available on a local queue manager.
- Direct mode** MQSC commands are sent directly to a local queue manager.
- Indirect mode** MQSC commands are run on a remote queue manager. These commands are put on the command queue on a remote queue manager and are run in the order in which they were queued. Reports from the commands are returned to the local queue manager.

The **runmqsc** command takes its input from `stdin`. When the commands are processed, the results and a summary are put into a report that is sent to `stdout`.

By taking `stdin` from the keyboard, you can enter MQSC commands interactively.

By redirecting the input from a file you can run a sequence of frequently-used commands contained in the file. You can also redirect the output report to a file.

**Note:** To run this command, your user ID must belong to user group `mqm`.

### Optional parameters

- e** Prevents source text for the MQSC commands from being copied into a report. This is useful when you enter commands interactively.
- v** Specifies verification mode; this verifies the specified commands without performing the actions. This mode is only available locally. The **-w** and **-x** flags are ignored if they specified at the same time.
- w *WaitTime***  
Specifies indirect mode, that is, the MQSC commands are to be run on another queue manager. You must have the required channel and transmission queues set up for this. See "Preparing channels and

transmission queues for remote administration” on page 73 for more information.

*WaitTime* Specifies the time, in seconds, that **runmqsc** waits for replies. Any replies received after this are discarded, however, the MQSC commands are still run. Specify a time between 1 and 999 999 seconds.

Each command is sent as an Escape PCF to the command queue (SYSTEM.ADMIN.COMMAND.QUEUE) of the target queue manager.

The replies are received on queue SYSTEM.MQSC.REPLY.QUEUE and the outcome is added to the report. This can be defined as either a local queue or a model queue.

Indirect mode operation is performed through the default queue manager.

This flag is ignored if the -v flag is specified.

- x Specifies that the target queue manager is running under MVS/ESA. This flag applies only in indirect mode. The -w flag must also be specified. In indirect mode, the MQSC commands are written in a form suitable for the MQSeries for MVS/ESA command queue.

*QMgrName*

Specifies the name of the target queue manager on which the MQSC commands are to be run. If omitted, the MQSC commands run on the default queue manager.

## Return codes

- 00 MQSC command file processed successfully.
- 10 MQSC command file processed with errors—report contains reasons for failing commands.
- 20 Error—MQSC command file not run.

## Examples

1. Type in this command at the SunOS command prompt:

```
runmqsc
```

Now you can type MQSC commands directly at the SunOS command prompt. No queue manager name was specified, therefore, the MQSC commands are processed on the default queue manager.



2. Use this command to specify that MQSC commands are verified only:

```
runmqsc -v BANK < /u/users/commfile.in
```

This verifies the MQSC command file `commfile.in` in directory `/u/users`. The queue manager name is `BANK`. The output is displayed in the current window.

3. This command runs the MQSC command file `/var/mqm/mqsc/mqscfile.in` against the default queue manager.

```
runmqsc < /var/mqm/mqsc/mqscfile.in > /var/mqm/mqsc/mqscfile.out
```

In this example, the output is directed to file `/var/mqm/mqsc/mqscfile.out`.

---

## runmqtmc (Start client trigger monitor)

### Purpose

Use the **runmqtmc** command to invoke a trigger monitor for a client. For further information about using trigger monitors, refer to the *MQSeries Application Programming Guide*.

**Note:** This command is available **only** on OS/2 and AIX clients.

### Syntax

```

▶▶—runmqtmc—┌ ─m QMgrName─┐ ┌ ─q InitiationQName─┐ ─▶▶

```

### Optional parameters

**-m** *QMgrName*

Specifies the name of the queue manager on which the client trigger monitor operates. If omitted, the client trigger monitor operates on the default queue manager.

**-q** *InitiationQName*

Specifies the name of the initiation queue to be processed. If omitted, SYSTEM.DEFAULT.INITIATION.QUEUE is used.

### Return codes

<b>0</b>	Not used. The client trigger monitor is designed to run continuously and therefore not to end. The value is reserved.
<b>10</b>	Client trigger monitor interrupted by an error.
<b>20</b>	Error—client trigger monitor not run.

---

## runmqtrm (Start trigger monitor)

### Purpose

Use the **runmqtrm** command to invoke a trigger monitor. For further information about using trigger monitors, refer to the *MQSeries Application Programming Guide*.

### Syntax

```

▶▶—runmqtrm—┌ ─m QMgrName─┐ ┌ ─q InitiationQName─┐ ─▶▶

```

### Optional parameters

**-m** *QMgrName*

Specifies the name of the queue manager on which the trigger monitor operates. If omitted, the trigger monitor operates on the default queue manager.

**-q** *InitiationQName*

Specifies the name of the initiation queue to be processed. If omitted, SYSTEM.DEFAULT.INITIATION.QUEUE is used.

### Return codes

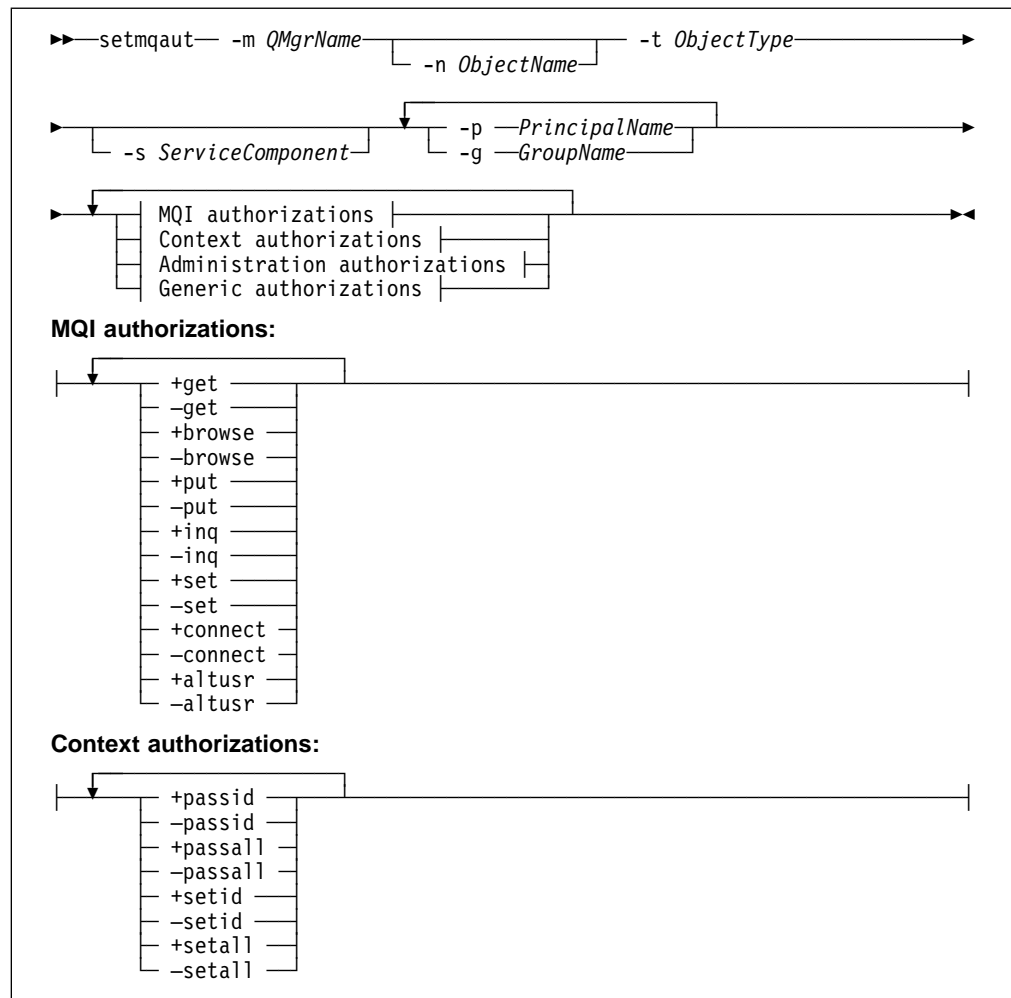
<b>0</b>	Not used. The trigger monitor is designed to run continuously and therefore not to end. Hence a value of 0 would not be seen. The value is reserved.
<b>10</b>	Trigger monitor interrupted by an error.
<b>20</b>	Error—trigger monitor not run.

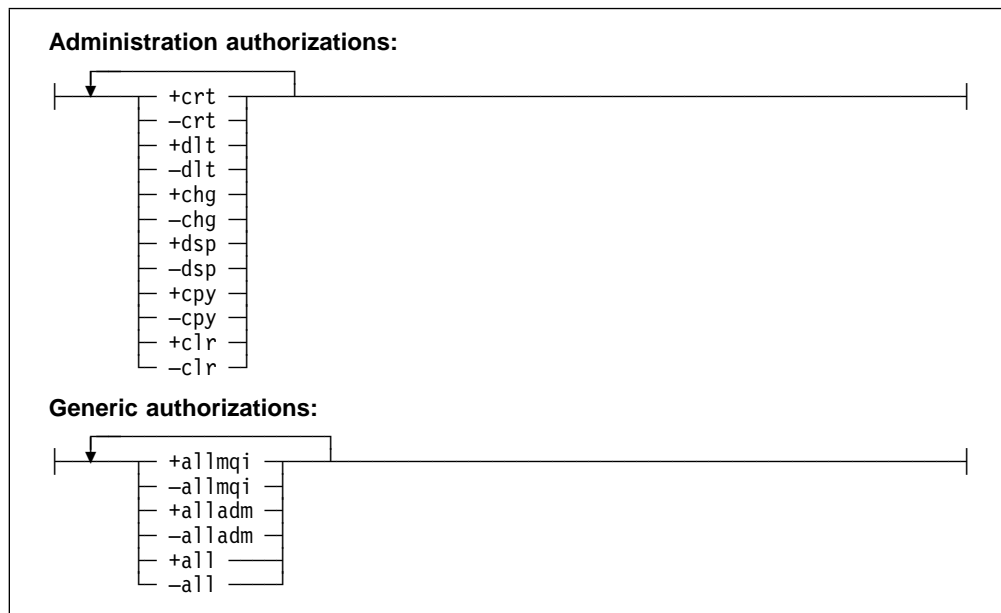
## setmqaut (Set/reset authority)

### Purpose

Use the **setmqaut** command to change the authorizations to an object or to a class of objects. Authorizations can be granted to, or revoked from, any number of principals or groups.

### Syntax





## Description

You can use this command both to *set* an authorization, that is, give a user group or principal permission to perform an operation, and to *reset* an authorization, that is, remove the permission to perform an operation. You must specify the user groups and principals to which the authorizations apply and also the queue manager, object type, and object name of the object. You can specify any number of groups and principals in a single command.

**Attention: If you specify a set of authorizations for a principal, the same authorizations are given to all principals in the same primary group.**

The authorizations that can be given are categorized as follows:

- Authorizations for issuing MQI calls
- Authorizations for MQI context
- Authorizations for issuing commands for administration tasks
- Generic authorizations

Each authorization to be changed is specified in an authorization list as part of the command. Each item in the list is a string prefixed by '+' or '-'. For example, if you include +put in the authorization list, you are giving authority to issue MQPUT calls against a queue. Alternatively, if you include -put in the authorization list, you are removing the authorization to issue MQPUT calls.

Authorizations can be specified in any order provided that they do not clash. For example, specifying allmqi with set causes a clash.

You can specify as many groups or authorizations as you require in a single command.

If a user ID is a member of more than one group, the authorizations that apply are the union of the authorizations of each group to which that user ID belongs.

## Required parameters

**-m** *QMgrName*

Specifies the name of the queue manager of the object for which the authorizations are to be changed. The name can contain up to 48 characters.

**-t** *ObjectType*

Specifies the type of object for which the authorizations are to be changed.

Possible values are:

- **q** or **queue**
- **prcs** or **process**
- **qmgr**

## Optional parameters

**-n** *ObjectName*

Specifies the name of the object for which the authorizations are to be changed.

This is a required parameter **unless** it is the queue manager itself. You must specify the name of a queue manager, queue, or process, but must not use a generic name.

**-p** *PrincipalName*

Specifies the name of the principal for which the authorizations are to be changed.

You must have at least one principal or one group.

**-g** *GroupName*

Specifies the name of the user group whose authorizations are to be changed. You can specify more than one group name, but each name must be prefixed by the -g flag.

**-s** *ServiceComponent*

This parameter applies only if you are using installable authorization services, otherwise it is ignored.

If installable authorization services are supported, this parameter specifies the name of the authorization service to which the authorizations apply.

This parameter is optional; if it is not specified, the authorization update is made to the first installable component for the service.

*Authorizations*

Specifies the authorizations to be given or removed. Each item in the list is prefixed by a '+' indicating that authority is to be given, or a '-', indicating that authorization is to be removed. For example, to give authority to issue an MQPUT call from the MQI, specify +put in the list. To remove authority to issue an MQPUT call, specify -put.

Table 13 shows the authorities that can be given to the different object types.

Authority	Queue	Process	Qmgr
all	√	√	√

*Table 13 (Page 2 of 2). Specifying authorizations for different object types*

<b>Authority</b>	<b>Queue</b>	<b>Process</b>	<b>Qmgr</b>
alladm	√	√	√
allmqi	√	√	√
altusr			√
browse	√		
chg	√	√	√
clr	√		
connect			√
crt	√	√	√
dlt	√	√	√
dsp	√	√	√
put	√		
inq	√	√	√
get	√		
passall	√		
passid	√		
set	√	√	√
setall	√		√
setid	√		√

### Authorizations for MQI calls

- altusr** Use an alternate user ID in a message.  
See the *MQSeries Application Programming Guide* for more information about alternate user IDs.
- browse** Retrieve a message from a queue by issuing an MQGET call with the BROWSE option.
- connect** Connect the application to the specified queue manager by issuing an MQCONN call.
- get** Retrieve a message from a queue by issuing an MQGET call.
- inq** Make an inquiry on a specific queue by issuing an MQINQ call.
- put** Put a message on a specific queue by issuing an MQPUT call.
- set** Set attributes on a queue from the MQI by issuing an MQSET call.

**Note:** If you open a queue for multiple options, you have to be authorized for each of them.

**Authorizations for context**

<b>passall</b>	Pass all context on the specified queue. All the context fields are copied from the original request.
<b>passid</b>	Pass identity context on the specified queue. The identity context is the same as that of the request.
<b>setall</b>	Set all context on the specified queue. This is used by special system utilities.
<b>setid</b>	Set identity context on the specified queue. This is used by special system utilities.

**Authorizations for commands**

<b>chg</b>	Change the attributes of the specified object.
<b>clr</b>	Clear the specified queue (PCF Clear queue command only).
<b>cpy</b>	Copy the attributes of the specified object (PCF Copy commands only).
<b>crt</b>	Create objects of the specified type.
<b>dlt</b>	Delete the specified object.
<b>dsp</b>	Display the attributes of the specified object.

**Authorizations for generic operations**

<b>all</b>	Use all operations applicable to the object.
<b>alladm</b>	Perform all administration operations applicable to the object.
<b>allmqi</b>	Use all MQI calls applicable to the object.

**Return codes**

<b>0</b>	Successful operation
<b>36</b>	Invalid arguments supplied
<b>40</b>	Queue manager not available
<b>49</b>	Queue manager stopping
<b>69</b>	Storage not available
<b>71</b>	Unexpected error
<b>72</b>	Queue manager name error
<b>133</b>	Unknown object name
<b>145</b>	Unexpected object name
<b>146</b>	Object name missing
<b>147</b>	Object type missing
<b>148</b>	Invalid object type
<b>149</b>	Entity name missing
<b>150</b>	Authorization specification missing
<b>151</b>	Invalid authorization specification



## Examples

1. This example shows a command that specifies that the object on which authorizations are being given is the queue orange.queue on queue manager saturn.queue.manager.

```
setmqaut -m saturn.queue.manager -n orange.queue -t queue -g tango +inq +alladm
```

The authorizations are being given to user group tango and the associated authorization list specifies that user group tango:

- Can issue MQINQ calls.
  - Has authority to perform all administration operations on that object.
2. In this example, the authorization list specifies that user group foxy:
    - Cannot issue any calls from the MQI to the specified queue.
    - Has authority to perform all administration operations on the specified queue.

```
setmqaut -m saturn.queue.manager -n orange.queue -t queue -g foxy -allmqi +alladm
```

## Related commands

**dspmqaut**      Display authority

---

## strmqcsv (Start command server)

### Purpose

Use the **strmqcsv** command to start the command server for the specified queue manager. This enables MQSeries to process commands sent to the command queue.

### Syntax

```
▶▶—strmqcsv—QMgrName—◀◀
```

### Required parameters

*QMgrName*

Specifies the name of the queue manager for which the command server is to be started.

### Return codes

<b>0</b>	Command completed normally
<b>10</b>	Command completed with unexpected results
<b>20</b>	An error occurred during processing

### Examples

The following command starts a command server for queue manager earth:

```
strmqcsv earth
```

### Related commands

**endmqcsv** End a command server  
**dspmqcsv** Display the status of a command server

## strmqm (Start queue manager)

### Purpose

Use the **strmqm** command to start a local queue manager.

### Syntax

```

  ▶▶ strmqm [-z] [QMgrName] ▶▶

```

### Optional parameters

#### *QMgrName*

Specifies the name of a local queue manager to be started. If omitted, the default queue manager is started.

**-z** Suppresses error messages.

This flag is used within MQSeries to suppress unwanted error messages. Because using this flag could result in loss of information, you should not use it when entering commands on a command line.

### Return codes

<b>0</b>	Queue manager started
<b>3</b>	Queue manager being created
<b>5</b>	Queue manager running
<b>16</b>	Queue manager does not exist
<b>23</b>	Log not available
<b>49</b>	Queue manager stopping
<b>69</b>	Storage not available
<b>71</b>	Unexpected error
<b>72</b>	Queue manager name error
<b>100</b>	Log location invalid

### Examples

The following command starts the queue manager account:

```
strmqm account
```

### Related commands

<b>crtmqm</b>	Create a queue manager
<b>dltmqm</b>	Delete a queue manager
<b>endmqm</b>	End a queue manager

---

## strmqtrc (Start MQSeries trace)

### Purpose

Use the **strmqtrc** command to enable tracing. This command can be run whether tracing is enabled or not. If tracing is already enabled, the trace options in effect are modified to those specified on the latest invocation of the command.

### Syntax

```

  ▶▶ strmqtrc [ -m QMgrName ] [ -e ] [ -t TraceType ] ▶▶

```

### Optional parameters

#### **-m** *QMgrName*

Is the name of the queue manager to be traced, or is the literal value @SYSTEM used to trace channels and the command server. If the -m flag is omitted, no tracing of queue managers or @SYSTEM occurs. In particular, you cannot trace the default queue manager by omitting the -m flag and queue manager name.

A queue manager name and the -m flag can be specified on the same command as the -e flag. If more than one trace specification applies to a given entity being traced, the actual trace includes all of the specified options.

The queue manager, specified with the -m flag, does not have to be running or even to exist. Consequently, it is possible to trace the creation or startup of a queue manager.

It is an error to omit the -m flag and queue manager name, unless the -e flag is specified.

- e** If this flag is specified, early tracing is requested. This involves trace information being written, before the processes know to which MQSeries component they belong. Any process, belonging to any component of any queue manager, traces its early processing if this flag is specified. The default, if this flag is not specified, is not to perform early tracing.

#### **-t** *TraceType*

Defines which points during processing can be traced. If this flag is omitted, all trace points are enabled and a full trace generated.

Alternatively, one or more of the options in the following list can be supplied.

**Note:** If multiple trace types are supplied, each *must* have its own -t flag. Any number of -t flags can be specified, as long as each has a valid trace type associated with it.

It is not an error to specify the same trace type on multiple -t flags.

- all** Output data for every trace point in the system. This is also the default if the -t flag is not specified.
- api** Output data for trace points associated with the MQI and major queue manager components.

**comms**

Output data for trace points associated with data flowing over communications networks.

**csflows**

Output data for trace points associated with processing flow in common services.

**lqmflows**

Output data for trace points associated with processing flow in the local queue manager.

**remoteflows**

Output data for trace points associated with processing flow in the communications component.

**otherflows**

Output data for trace points associated with processing flow in other components.

**csdata**

Output data for trace points associated with internal data buffers in common services.

**lqmdata**

Output data for trace points associated with internal data buffers in the local queue manager.

**remotedata**

Output data for trace points associated with internal data buffers in the communications component.

**otherdata**

Output data for trace points associated with internal data buffers in other components.

**versiondata**

Output data for trace points associated with the version of MQSeries running.

**commentary**

Output data for trace points associated with comments in the MQSeries components.

## Return codes

**AMQ7024**

This message is issued if arguments that are not valid are supplied to the command.

**AMQ8304**

The maximum number of nine concurrent traces is already running.

## Examples

This command enables tracing of data from common services and the local queue manager, for a queue manager called QM1.

```
strmqtrc -m QM1 -t csdata -t lqmdata
```

**strmqtrc**

## **Related commands**

- dspmqtrc** Display formatted trace output
- endmqtrc** End MQSeries trace

---

## Part 3. Appendixes





---

## Appendix A. MQSeries for SunOS at a glance

### Program and part number

- 5697-A03 MQSeries for SunOS Version 2 Release 2 (Europe, the Middle East and Africa only), part number 83H8551

### Hardware requirements

- Any Sun SPARC hardware with a minimum system disk space of 25MB

### Software requirements

Software requirements are identical for server and client on SunOS environments unless otherwise stated.

Minimum supported levels are shown. Later levels, if any, will be supported unless otherwise stated.

- SunOS Version 4.1.3, and later Version 4.1.x, including TCP/IP

#### *MQSeries Clients*

Client code for SunOS, OS/2, DOS and Windows 3.1 workstations is distributed with the server code.

The Windows 3.1 client can operate under Windows 3.1, Windows 95 or within the WIN-OS/2 environment under OS/2.

Client software provides a remote interface to a LAN server. It may reside at the server or at a file server and be dynamically copied to the client for use, or it may reside on the client disk-space.

Client support does not result in distributed coordination of units of work.

### Connectivity

Network protocols supported are SNA LU6.2 and TCP/IP.

- Any communications hardware supporting SNA LU6.2 and/or TCP/IP

For SNA connectivity:

- Sunlink SNA Peer-to-Peer Version 7.0

### Compilers supported for MQSeries for SunOS applications

- Programs can be written using C or COBOL
- C programs can use the SPARCompiler C 3.0.1
- COBOL programs use the COBOL compiler from MicroFocus Version 3.0

## overview

### Delivery

MQSeries for SunOS is supplied on CD-ROM.

### Installation

MQSeries for SunOS is installed with the ***amqinst.sh*** shell script. The product takes approximately 5 minutes to install.

### Options not prerequisites

- Transaction Processing monitors (coordination via X/Open XA interface)
  - Novell Tuxedo V5.0

## Appendix B. System defaults

The sample MQSC command file `amqscoma.tst` contains definitions for the MQSeries for SunOS default and system objects. The default object definitions contain a complete set of attributes for that object. When you create an object, its attributes are inherited from the default object, except the ones you explicitly specify. The system objects are required for the operation of a queue manager or channel. Table 14 lists the objects defined in `amqscoma.tst`.

You should create these objects for each queue manager on a given node. To create these objects, see “Running the supplied MQSC command files” on page 54.

<i>Table 14. Objects included in amqscoma.tst</i>	
<b>Object name</b>	<b>Description</b>
SYSTEM.DEFAULT.ALIAS.QUEUE	Default alias queue.
SYSTEM.DEFAULT.LOCAL.QUEUE	Default local queue.
SYSTEM.DEFAULT.MODEL.QUEUE	Default model queue.
SYSTEM.DEFAULT.REMOTE.QUEUE	Default remote queue.
SYSTEM.DEAD.LETTER.QUEUE	Sample dead-letter (undelivered-message) queue.
SYSTEM.DEFAULT.PROCESS	Default process definition.
SYSTEM.DEF.SENDER	Default sender channel.
SYSTEM.DEF.SERVER	Default server channel.
SYSTEM.DEF.RECEIVER	Default receiver channel.
SYSTEM.DEF.REQUESTER	Default requester channel.
SYSTEM.DEF.SVRCONN	Default server connection channel.
SYSTEM.DEF.CLNTCONN	Default client connection channel.
SYSTEM.CHANNEL.INITQ	Channel initiation queue.
SYSTEM.CHANNEL.SYNCQ	Channel synchronization queue.
SYSTEM.DEFAULT.INITIATION.QUEUE	Default initiation queue.
SYSTEM.ADMIN.COMMAND.QUEUE	Administration command queue. Used for remote MQSC commands, and PCF commands.
SYSTEM.MQSC.REPLY.QUEUE	MQSC reply-to queue. This is a model queue that creates a temporary dynamic queue for replies to remote MQSC commands.
SYSTEM.ADMIN.QMGR.EVENT	Event queue for queue manager events.
SYSTEM.ADMIN.PERFM.EVENT	Event queue for performance events.
SYSTEM.ADMIN.CHANNEL.EVENT	Event queue for channel events.

## Defaults

## Appendix C. Directory structure

Figure 17 shows the general layout of the data and log directories associated with a specific queue manager. The directories shown apply to the default installation. If you change this, the locations of the files and directories will be modified accordingly. For information about the location of the product files, see Figure 2 on page 17.

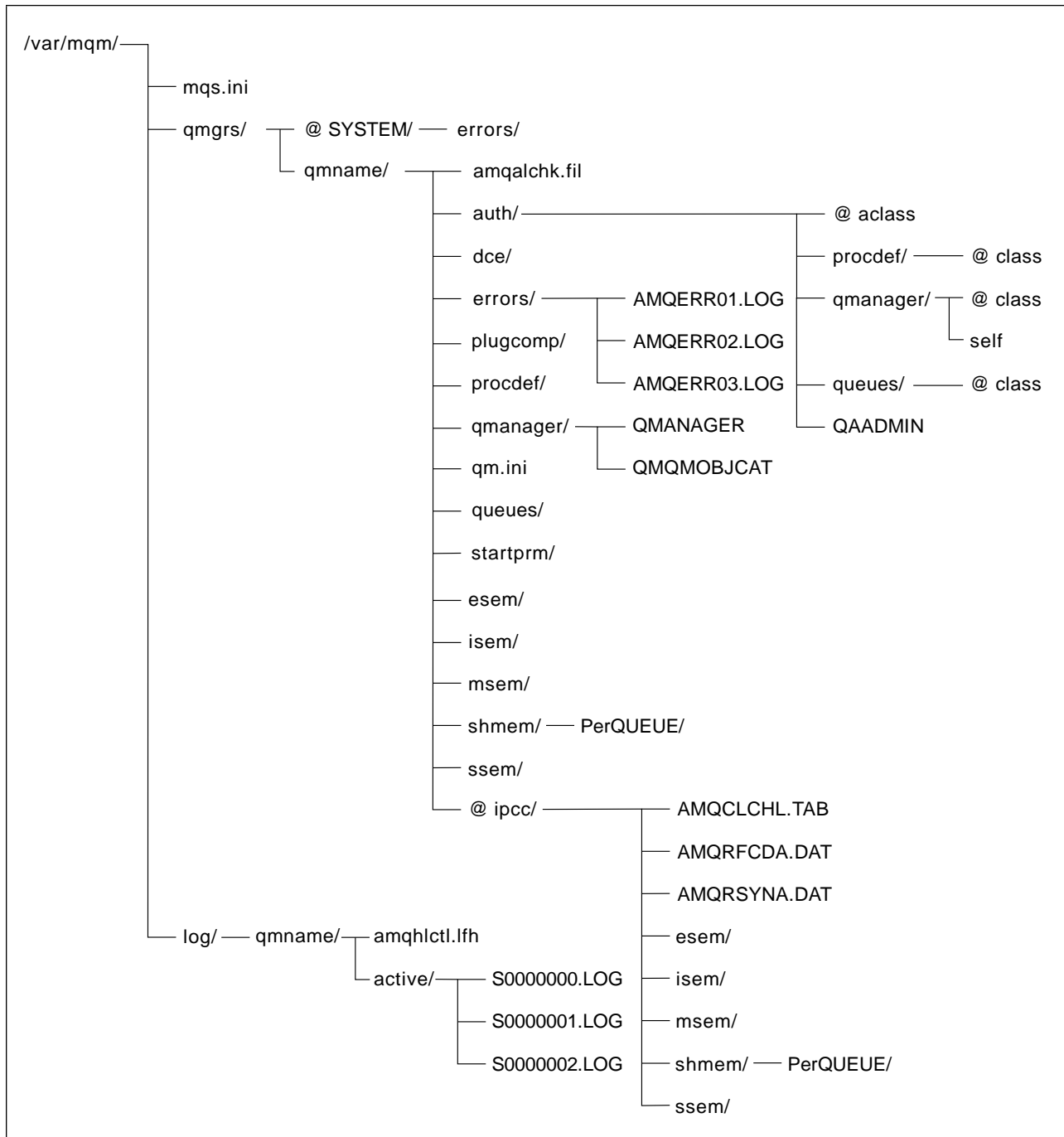


Figure 17. Default directory structure after a queue manager has been started

## Directory structure

In Figure 17, the layout is representative of MQSeries after a queue manager has been in use for some time. The actual structure that you have depends on which operations have occurred on the queue manager.

By default, the following directories and files located in the directory `/var/mqm/qmgrs/qmname/`.

<b>amqalchk.fil</b>	Checkpoint file containing information about last checkpoint.
<b>auth/</b>	This directory contains subdirectories and files associated with authority.
<b>@aclass</b>	This file contains the authority stanzas for all classes.
<b>procdef/</b>	This directory contains a file for each process definition. Each file contains the authority stanzas for the associated process definition.
<b>@class</b>	This file contains the authority stanzas for the process definition class.
<b>qmanager/</b>	
<b>@class</b>	This file contains the authority stanzas for the queue manager class.
<b>self</b>	This file contains the authority stanzas for the queue manager object.
<b>queues/</b>	This directory contains a file for each queue. Each file contains the authority stanzas for the associated queue.
<b>@class</b>	This file contains the authority stanzas for the queue class.
<b>QAADMIN</b>	File used internally for controlling authorizations.
<b>dce/</b>	Empty directory reserved for use by DCE support.
<b>errors/</b>	The operator message files, from newest to oldest: AMQERR01.LOG AMQERR02.LOG AMQERR03.LOG
<b>plugcomp/</b>	Empty directory reserved for use by installable services.
<b>procdef/</b>	Each MQSeries process definition is associated with a file in this directory. The file name matches the process definition name—subject to certain restrictions; see “Understanding MQSeries file names” on page 40.
<b>qmanager/</b>	
<b>QMANAGER</b>	The queue manager object.
<b>QMQMBOBJCAT</b>	The object catalogue containing the list of all MQSeries objects—used internally.
<b>qm.ini</b>	Queue manager configuration file.

<b>queues/</b>	Each queue has a directory in here containing a single file called 'q'.  The file name matches the queue name—subject to certain restrictions; see “Understanding MQSeries file names” on page 40.	
<b>startprm/</b>	Directory containing temporary files used internally.	
<b>esem/</b>	Directories containing files used internally.	
<b>isem/</b>		
<b>msem/</b>		
<b>shmem/</b>		
	<b>PerQUEUE/</b> Directory containing files used internally.	
<b>ssem/</b>	Directory containing files used internally.	
<b>@ipcc/</b>		
	<b>AMQCLCHL.TAB</b>	Client channel table file.
	<b>AMQRFCDA.DAT</b>	Channel table file.
	<b>AMQRSYNA.DAT</b>	Channel synchronization file.
	<b>esem/</b>	Directories containing files used internally.
	<b>msem/</b>	
	<b>ssem/</b>	
	<b>isem/</b>	
	<b>shmem/</b>	
		<b>PerQUEUE/</b> Directory containing files used internally.

---

## Queue manager log directory structure

By default, the following directories and files are found in `/var/mqm/log/qmname/`.

The following subdirectories and files exist after you have installed MQSeries, created and started a queue manager, and have been using that queue manager for some time.

<b>amqhctl.lfh</b>	Log control file.
<b>active/</b>	This directory contains the log files, numbered as follows:  S0000000.LOG S0000001.LOG S0000002.LOG ... and so on.

## Directory structure



## Appendix D. Sample MQI programs and MQSC files

MQSeries for SunOS provides a set of short sample MQI programs and MQSC command files. You can use these directly or modify them for experimental purposes.

### MQSC command file samples

Table 15 lists the MQSC command file samples. These are simply ASCII text files containing MQSC commands. You can invoke the **runmqsc** command against each file in turn to create the objects specified in the file. See “Running the supplied MQSC command files” on page 54.

By default, these files are located in directory `/usr/mqm/samp`.

File name	Purpose
amqscoma.tst	Contains definitions of the default and system objects. These are required. Any object you define inherits attributes from the default objects except the attributes that you specify. The system objects support the operation of a queue manager.
amqscos0.tst	Creates a set of MQI objects for use with the C and COBOL program samples.
amqmdefs.tst	Defines objects for the administration application sample.

### C and COBOL program samples

Table 16 lists the sample MQI source files. By default, the source files are located in directory `/usr/mqm/samp` and the compiled versions in directory `/usr/mqm/samp/bin`. To find out more about what the programs do and how to use them, see the *MQSeries Application Programming Guide* manual.

C	COBOL	Purpose
amqsbcg0.c	–	Reads and then outputs both the message descriptor and message context fields of all the messages on a specified queue.
amqsecha.c	amqmechx.cbl	Echoes a message from a message queue to the reply-to queue. Can be run as a triggered application program.
amqsgbr0.c	amq0gbr0.cbl	Writes messages from a queue to stdout, leaving the messages on the queue. Uses MQGET with the browse option.
amqsget0.c	amq0get0.cbl	Removes the messages from the named queue (using MQGET) and writes them to stdout.
amqsinqa.c	amqminqx.cbl	Reads the triggered queue; each request read as a queue name; responds with information about that queue.

<i>Table 16 (Page 2 of 2). Sample programs - source files</i>		
<b>C</b>	<b>COBOL</b>	<b>Purpose</b>
amqsput0.c	amq0put0.cbl	Copies std in to a message and then puts this message on a specified queue.
amqsreq0.c	amq0req0.cbl	Puts request messages on a specified queue and then displays the reply messages.
amqsseta.c	amqmsetx.cbl	Inhibits puts on a named queue and responds with a statement of the result. Runs as a triggered application.
amqstrg0.c	–	A trigger monitor that reads a named initiation queue and then starts the program associated with each trigger message. Provides a subset of the full triggering function of the supplied <b>runmqtrm</b> command.
amqsvfcx.c	–	A sample C skeleton of a Data Conversion exit routine.
<b>Note:</b> You can create the objects required by these samples using the MQSC command file amqscos0.tst.		

## Supporting Tuxedo for transaction processing

The samples include client transactions and some associated definitions and configuration files.

<i>Table 17. Samples for transaction processing with CICS and Encina</i>	
<b>File name</b>	<b>Purpose</b>
amqstxsx.c	Sample server
amqstxgx.c	Sample GET client application
amqstxpx.c	Sample PUT client application
amqstxvx.c	View definition
amqstxvx.flds	Field definition
ubbstxcx.cfg	Configuration file

## Miscellaneous tools

These tool files are provided to support the formatter and code conversion.

<i>Table 18. Miscellaneous files</i>		
<b>File name</b>	<b>Location</b>	<b>Purpose</b>
amqtrc.fmt	<b>/usr/mqm/lib</b>	Defines MQSeries trace formats.
ccsid.tbl	<b>/var/mqm/conv/table</b>	Edit this file to add any newly supported CSSID values to your MQSeries system. For more information about CCSID, see the CDRA documentation.

---

## Appendix E. Support for different codesets on MQSeries for SunOS

MQSeries for SunOS only supports the ISO 8859/1 (Western European) character set. MQSeries for SunOS provides support for developing and processing applications that operate in native languages whose characters are included in the ISO 8859/1 character set.

Table 19 shows the locales and the CCSIDs that are registered for the codeset used by the locale.

	<b>Locale</b>	<b>codeset</b>	<b>CCSID</b>
English	En_US	ISO 8859-1	819
French	Fr_FR	ISO 8859-1	819
German	De_DE	ISO 8859-1	819
Spanish	Es_ES	ISO 8859-1	819

For further information listing inter-platform support for these locales, see the *MQSeries Application Programming Reference*.

## Supported codesets

---

## Appendix F. Stopping and removing queue managers manually

If the normal methods for stopping and removing queue managers fail, you can resort to the more drastic methods described here.

---

### Stopping a queue manager manually

The normal method of stopping queue managers, using the **endmqm** command, should work even in the event of failures within the queue manager. In exceptional circumstances, if this method of stopping a queue manager fails, use the following procedure to stop it manually:

1. Find the process IDs of the queue manager programs that are still running. Use the MQSeries for SunOS **ps** command. For example, if the queue manager is called QMNAME, the following command can be used:

```
ps -ef | grep QMNAME
```

2. End the queue manager processes which are still running. Use the MQSeries for SunOS **kill** command, together with the process IDs discovered in the previous step.

**Note:** Processes that fail to stop can be ended using **kill -9**.

End the processes in the following order:

- a. amqhasmx – logger
- b. amqharmx – log formatter, used only if the queue manager has linear logging selected
- c. amqz11p0 – checkpoint processor
- d. amqz1aa0 – queue manager agents
- e. amqzma0 – processing controller

**Note:** Manual ending of the queue manager may result in FFSTs being taken, and the production of FDC files in `/var/mqm/errors`. This should not be regarded as a defect in the queue manager.

The queue manager should restart normally, even if it was ended by using the preceding method.

If you want to delete the queue manager after stopping it manually, use the **dltmqm** command as normal. If, for some reason, this command fails to delete the queue manager, the manual process detailed in “Removing queue managers manually” can be used.

---

### Removing queue managers manually

You should note that manual removal of a queue manager is potentially very disruptive, particularly if multiple queue managers are being used on a single system. This is because complete removal of a queue manager requires deletion of files, shared memory and semaphores. As it is impossible to identify which shared memory, and semaphores belong to a particular queue manager, it is necessary to stop all running queue managers.

## Stopping queue managers

If you need to delete a queue manager manually, use the following procedure:

1. Stop all queue managers running on the machine from which you need to remove the queue manager.
2. Locate the queue manager directory from the configuration file `/var/mqm/mqs.ini` and look for the QueueManager stanza naming the queue manager to be deleted.

Its Prefix and Directory attributes identify the queue manager directory. For a Prefix attribute of `<Prefix>` and a Directory attribute of `<Directory>`, the full path to the queue manager directory is

`<Prefix>/qmgrs/<Directory>`

3. Locate the queue manager log directory from the `qm.ini` configuration file in the queue manager directory. The LogPath attribute of the Log stanza identifies this directory.
4. Delete the queue manager directory, all subdirectories and files.
5. Delete the queue manager log directory, all subdirectories and files.
6. Remove the queue manager's QueueManager stanza from the `/var/mqm/mqs.ini` configuration file.
7. If the queue manager being deleted is also the default queue manager, remove the DefaultQueueManager stanza from the `/var/mqm/mqs.ini` configuration file.
8. Either, remove all shared memory and semaphores owned by the mqm user ID and mqm group, or restart the machine. Shared resources can be identified using the `ipcs` command and can be removed with the `ipcrm` command.

---

## Appendix G. Messages

This appendix describes the format of the messages issued by MQSeries and how they are documented.

---

### Message format

The format of the MQSeries messages is as follows:

- The message identifier, where the identifier has two components:
  1. The characters "AMQ," which identify the message as originating from MQSeries
  2. A four-digit decimal code.
- Text of the message

---

### Structure of messages

This section describes the structure of MQSeries messages.

### Message variables

Some messages display text or numbers that vary according to the circumstances giving rise to the message; these are known as *message variables*.

In this book, the message variables are shown as an '&' symbol, followed by a number.

Where there is more than one variable in a message, a different number is added to each '&' symbol.

**Note:** You should always look at the extended help for a message before carrying out any other action, because, in certain cases, the variables are displayed in the extended help only.

### Message information

Where applicable, this information is also provided:

**Explanation:** Why the message was issued.

**User action:** Instructions to the user.

**Note:** The message file may contain the explanation of the message, in addition to the message itself.

### MQSeries messages

MQSeries messages are numbered 5000 through 9999, and they are listed in this book in numeric order. However, not all numbers have been used, and therefore, the list is not continuous.

### Message groups

MQSeries messages are grouped according to the part of MQSeries from which they originate:

**5000 through 5999** Installable services – see page 239.

**6000 through 6999** Common services – see page 241.

**7000 through 7999** The MQSeries product – see page 244.

**8000 through 8999** Administering MQSeries – see page 252.

**9000 through 9999** Remote – see page 263.



## Installable services messages

---

### AMQ5006 Unexpected error: rc = &1

**Explanation:** An unexpected error occurred in an internal function of the product.

**User action:** Save the generated output files and contact your IBM support center.

---

### AMQ5203 An error occurred calling the XA interface.

**Explanation:** The error number is &2 where a value of 1 indicates the supplied flags value of &1 was invalid, 2 indicates that there was an attempt to use threaded and non-threaded libraries in the same process, 3 indicates that there was an error with the supplied queue manager name '&3', 4 indicates that the resource manager id of &1 was invalid and 5 indicates that an attempt was made to use a second queue manager called '&3' when another queue manager was already connected.

**User action:** Correct the error and try the operation again.

---

### AMQ5501 There was not enough storage to satisfy the request

**Explanation:** An internal function of the product attempted to obtain storage, but there was none available.

**User action:** Stop the product and restart it. If this does not resolve the problem, save the generated output files and contact your IBM support center.

---

### AMQ5502 The CDS directory name '&3' is not in the correct format.

**Explanation:** An internal function of the DCE Naming service found a CDS directory name in the wrong format. The name was expected to start with either '/'... for a fully qualified name (from global root), or '/.:' for a qualified name.

**User action:** Save the generated output files and contact your IBM support center.

---

### AMQ5503 The name of the local DCE cell cannot be determined, status = &1

**Explanation:** The DCE Naming Service attempted to determine the name of the local DCE cell by calling 'dce\_cf\_get\_cell\_name()', which returned a nonzero return code.

**User action:** Save the generated output files and contact your IBM support center.

---

### AMQ5504 DCE error. No value for the XDS attribute found.

**Explanation:** The DCE Naming service called om\_get() to get the entry from the object returned by ds\_read(). Although the status was correct, no objects were returned.

**User action:** Save the generated output files and contact your IBM support center.

---

### AMQ5505 DCE error. No value for the XDS attribute number &1 found.

**Explanation:** The DCE Naming service called om\_get() to get the entry from the object returned by ds\_read(). Although the status was correct, no objects were returned.

**User action:** Save the generated output files and contact your IBM support center.

---

### AMQ5506 DCE error. '&3' returned &1 for attribute number &2.

**Explanation:** The DCE Naming service queried an object by calling '&3' which returned a nonzero return code.

**User action:** Save the generated output files and contact your IBM support center.

---

### AMQ5507 DCE error. '&3' failed for an unknown reason.

**Explanation:** An unexpected error occurred in an internal function of the DCE Naming service.

**User action:** Save the generated output files and contact your IBM support center.

---

### AMQ5508 DCE error. The requested attribute is not present.

**Explanation:** The DCE Naming service was attempting to extract the value from an attribute, but the attribute cannot be found in the XDS object.

**User action:** Save the generated output files and contact your IBM support center.

---

### AMQ5509 DCE error. The XDS workspace cannot be initialized.

**Explanation:** The DCE Naming service called 'ds\_initialize()' to initialize the XDS workspace, but 'ds\_initialize()' returned a nonzero return code.

**User action:** Save the generated output files and contact your IBM support center.

---

### AMQ5510 DCE error. '&3' returned with problem &1.

**Explanation:** The DCE Naming service found an unexpected XDS error.

**User action:** Save the generated output files and contact your IBM support center.

---

### AMQ5511 Installable service component '&3' returned '&4'.

**Explanation:** The internal function, that adds a component to a service, called the component initialization process. This process returned an error.

**User action:** Check the component was installed correctly. If it was, and the component was supplied by IBM, then save the generated output files and contact your IBM support center. If the component was not supplied by IBM, save the generated output files and follow the support procedure for that component.

---

### AMQ5512 Installable service component '&3' returned '&4' for queue manager name = '&5'.

**Explanation:** An installable service component returned an unexpected return code.

**User action:** Check the component was installed correctly. If it was, and the component was supplied by IBM, then save the generated output files and contact your IBM support center. If the component was not supplied by IBM, save the generated output files and follow the support procedure for that component.

---

### AMQ5513 '&3' returned &1.

**Explanation:** An unexpected error occurred.

**User action:** Save the generated output files and contact your IBM support center.

---

**AMQ5519 Bad DCE identity. Status = &1, auth = &2, keytab file = '&3', principle = '&4'.**

**Explanation:** The keytab file was not installed correctly, or the MQSeries user ID has a different password from that used to create the keytab file.

**User action:** Make sure that the MQSeries user Id defined when the product was installed has the same password as that defined by the keytab file, and that the keytab file has been installed correctly.

---

**AMQ5520 The system could not load the module '&5' for the installable service '&3' component '&4'. The system return code was &1. The Queue Manager is continuing without this component.**

**Explanation:** The queue manager configuration file 'qm.ini' included a stanza for the installable service '&3' component '&4' with the module '&5'. The system returned &1 when it tried to load this module. The Queue Manager is continuing without this component.

**User action:** Make sure that the module can be loaded. Put the module into a directory where the system can load it, and specify its full path and name in the 'qm.ini' file. Then stop and restart the queue manager.

---

**AMQ5600 Usage: crtmqm [-z] [-q] [-c Text] [-d DefXmitQ] [-h MaxHandles]**

**AMQ5603 Usage: dltnmqm [-z] QMgrName**

**AMQ5604 Usage: dspmqaut [-m QMgrName] [-n ObjName] -t ObjType [-p Principal | -g Group] [-s ServiceName]**

**AMQ5605 Usage: endmqm [-z] [-c | -i | -p] QMgrName**

**AMQ5606 Usage: setmqaut -m QMgrName [-n ObjName] -t ObjType [-p Principal | -g Group] [-s ServiceName] Authorizations**

**AMQ5607 Usage: strmqm [-z] [QMgrName]**

**AMQ5608 Usage: dspmqtrn QMgrName**

**AMQ5609 Usage: rsvmqtrn -m QMgrName (-c | -b) Transaction,Number**

## Common services messages

---

### AMQ6004 An error occurred during MQSeries initialization or ending.

**Explanation:** An error was detected during initialization or ending of MQSeries. The MQSeries error recording routine has been called.

**User action:** Use the standard facilities supplied with your system to record the problem identifier, and to save the generated output files. Contact your IBM support center. Do not discard these files until the problem has been resolved.

---

### AMQ6025 Program not found.

**Explanation:** MQSeries is unable to start program &3 because it was not found.

**User action:** Check the program name is correctly specified and rerun the program.

---

### AMQ6026 A resource shortage prevented the creation of an MQSeries process.

**Explanation:** An attempt to create an MQSeries process was rejected by the operating system due to a process limit (either the number of processes for each user or the total number of processes running system wide), or because the system does not have the resources necessary to create another process.

**User action:** Investigate if a process limit is preventing the creation of the process and if so why the system is constrained in this way. Consider raising this limit or reducing the workload on the system.

---

### AMQ6035 MQSeries failed, no storage available.

**Explanation:** An internal function of the product attempted to obtain storage, but there was none available.

**User action:** Stop the product and restart it. If this does not resolve the problem, save the generated output files and contact your IBM support center.

---

### AMQ6037 MQSeries was unable to obtain enough storage.

**Explanation:** The product is unable to obtain enough storage. The product's error recording routine may have been called.

**User action:** Stop the product and restart it. If this does not resolve the problem see if a problem has been recorded. If a problem has been recorded, use the standard facilities supplied with your system to record the problem identifier, and to save the generated output files. Contact your IBM support center. Do not discard these files until the problem has been resolved.

---

### AMQ6047 Conversion not supported.

**Explanation:** MQSeries is unable to convert string data tagged in CCSID &1 to data in CCSID &2.

**User action:** Check the appropriate National Language Support publications to see if the CCSIDs are supported by your system.

---

### AMQ6048 DBCS error

**Explanation:** MQSeries is unable to convert string data due to a DBCS error. Conversion is from CCSID &1 to CCSID &2.

**User action:** Check the appropriate National Language Support publications to see if the CCSIDs are supported by your system.

---

### AMQ6049 DBCS only string not valid.

**Explanation:** MQSeries is unable to convert string data in CCSID &1 to data in CCSID &2. Message descriptor data must be in single byte form. CCSID &2 is a DBCS only CCSID.

**User action:** Check the CCSID of your job or system and change it to one supporting SBCS or mixed character sets. Refer to the appropriate National Language Support publications for character sets and CCSIDs supported.

---

### AMQ6050 CCSID error.

**Explanation:** MQSeries is unable to convert string data in CCSID &1 to data in CCSID &2.

**User action:** Check the appropriate National Language Support publications to see if the CCSIDs are supported by your system.

---

### AMQ6051 Conversion length error.

**Explanation:** MQSeries is unable to convert string data in CCSID &1 to data in CCSID &2, due to an input length error.

---

### AMQ6052 Conversion length error.

**Explanation:** MQSeries is unable to convert string data in CCSID &1 to data in CCSID &2.

---

### AMQ6053 CCSID error

**Explanation:** MQSeries is unable to convert string data in CCSID &1 to data in CCSID &2.

**User action:** One of the CCSIDs is not supported by the system. Check the appropriate National Language Support publications to see if the CCSIDs are supported by your system.

---

### AMQ6064 An internal MQSeries error has occurred.

**Explanation:** An error has been detected, and the MQSeries error recording routine has been called.

**User action:** Use the standard facilities supplied with your system to record the problem identifier, and to save the generated output files. Contact your IBM support center. Do not discard these files until the problem has been resolved.

---

### AMQ6090 MQSeries was unable to display an error message.

**Explanation:** MQSeries has attempted to display the message associated with return code &6. The return code indicates that there is no message text associated with the message. Associated with the request are inserts &1 : &2 : &3 : &4 : &5.

**User action:** Use the standard facilities supplied with your system to record the problem identifier, and to save the generated output files. Contact your IBM support center. Do not discard these files until the problem has been resolved.

**AMQ6091 An internal MQSeries error has occurred.**

**Explanation:** Private memory has detected an error, and is abending due to &3. The error data is &1.

**User action:** Use the standard facilities supplied with your system to record the problem identifier, and to save the generated output files. Contact your IBM support center. Do not discard these files until the problem has been resolved.

**AMQ6100 An internal MQSeries error has occurred.**

**Explanation:** MQSeries has detected an error, and is abending due to &3. The error data is &1.

**User action:** Use the standard facilities supplied with your system to record the problem identifier, and to save the generated output files. Contact your IBM support center. Do not discard these files until the problem has been resolved.

**AMQ6107 CCSID not supported.**

**Explanation:** MQSeries is unable to convert string data in CCSID &1 to data in CCSID &2, because one of the CCSIDs is not recognized.

**User action:** Check the appropriate National Language Support publications to see if the CCSIDs are supported by your system.

**AMQ6115 An internal MQSeries error has occurred.**

**Explanation:** An error has been detected, and the MQSeries error recording routine has been called.

**User action:** Use the standard facilities supplied with your system to record the problem identifier, and to save the generated output files. Contact your IBM support center. Do not discard these files until the problem has been resolved.

**AMQ6118 An internal MQSeries error has occurred.**

**Explanation:** An error has been detected, and the MQSeries error recording routine has been called.

**User action:** Use the standard facilities supplied with your system to record the problem identifier, and to save the generated output files. Contact your IBM support center. Do not discard these files until the problem has been resolved.

**AMQ6119 An internal MQSeries error has occurred.**

**Explanation:** MQSeries detected an unexpected error when calling the operating system. The MQSeries error recording routine has been called.

**User action:** Use the standard facilities supplied with your system to record the problem identifier, and to save the generated output files. Contact your IBM support center. Do not discard these files until the problem has been resolved.

**AMQ6120 An internal MQSeries error has occurred.**

**Explanation:** An error has been detected, and the MQSeries error recording routine has been called.

**User action:** Use the standard facilities supplied with your system to record the problem identifier, and to save the generated output files. Contact your IBM support center. Do not discard these files until the problem has been resolved.

**AMQ6121 An internal MQSeries error has occurred.**

**Explanation:** An error has been detected, and the MQSeries error recording routine has been called.

**User action:** MQSeries has detected a parameter count of &1 that is not valid. Use the standard facilities supplied with your system to record the problem identifier, and to save the generated output files. Contact your IBM support center. Do not discard these files until the problem has been resolved.

**AMQ6122 An internal MQSeries error has occurred.**

**Explanation:** An error has been detected, and the MQSeries error recording routine has been called.

**User action:** MQSeries has detected parameter &1 that is not valid, having value &2&3. Use the standard facilities supplied with your system to record the problem identifier, and to save the generated output files. Contact your IBM support center. Do not discard these files until the problem has been resolved.

**AMQ6125 An internal MQSeries error has occurred.**

**Explanation:** An internal error has occurred with identifier &1. This message is issued in association with other messages.

**User action:** Use the standard facilities supplied with your system to record the problem identifier, and to save the generated output files. Contact your IBM support center. Do not discard these files until the problem has been resolved.

**AMQ6148 An internal MQSeries error has occurred.**

**Explanation:** MQSeries has detected an error, and is abending due to &3. The error data is &1.

**User action:** Use the standard facilities supplied with your system to record the problem identifier, and to save the generated output files. Contact your IBM support center. Do not discard these files until the problem has been resolved.

**AMQ6172 No codeset found for current locale.**

**Explanation:** No codeset could be determined for the current locale. Check that the locale in use is supported.

**User action:** None.

**AMQ6173 No CCSID found for codeset &3.**

**Explanation:** Codeset &3. has no supported CCSID. Check that the locale in use is supported. CCSIDs can be added by updating the file /var/mqm/conv/table/ccsid.tbl.

**User action:** None.

**AMQ6708 A disk full condition was encountered when formatting a new log file in location &3.**

**Explanation:** The queue manager attempted to format a new log file in directory &3. The drive or file system containing this directory did not have sufficient free space to contain the new log file.

**User action:** Increase the amount of space available for log files and retry the request.

---

**AMQ6710 Queue manager unable to access directory &3.**

**Explanation:** The queue manager was unable to access directory &3 for the log. This could be because the directory does not exist, or because the queue manager does not have sufficient authority.

**User action:** Ensure that the directory exists and that the queue manager has authority to read and write to it. Ensure that the LogPath attribute in the queue manager's configuration file matches the intended log path.

---

**AMQ6767 Log file &3 could not be opened for use.**

**Explanation:** Log file &3 could not be opened for use. Possible reasons include the file being missing, the queue manager being denied permission to open the file or the contents of the file being incorrect.

**User action:** If the log file was required to start the queue manager, ensure that the log file exists and that the queue manager is able to read from and write to it. If the log file was required to recreate an object from its media image and you do not have a copy of the required log file, delete the object instead of recreating it.

## MQSeries product messages

---

### AMQ7001 The location specified for creation of the queue manager is not valid.

**Explanation:** The directory under which queue managers are to be created is not valid. It may not exist, or there may be a problem with authorization.

**User action:** The location is specified in the machine-wide ini file. Correct the file and submit the request again.

---

### AMQ7002 An error occurred manipulating a file.

**Explanation:** An internal error occurred while trying to create or delete a queue manager file. It is likely that the error was caused by there being insufficient space on a disk, or by problems with authorization to the underlying filesystem.

**User action:** Identify the file that caused the error, using problem determination techniques. Correct the error in the filesystem and submit the request again.

---

### AMQ7005 The queue manager is running.

**Explanation:** You tried to perform an action that requires the queue manager stopped, however, it is currently running. You probably tried to delete or start a queue manager that is currently running.

**User action:** If the queue manager should be stopped, stop the queue manager and submit the failed command again.

---

### AMQ7006 Missing attribute &5 on stanza starting on line &1 of ini file &3.

**Explanation:** The &4 stanza starting on line &1 of configuration file &3 is missing the required &5 attribute.

**User action:** Check the contents of the file and retry the operation.

---

### AMQ7008 The queue manager already exists.

**Explanation:** You tried to create a queue manager that already exists.

**User action:** If you specified the wrong queue manager name, correct the name and submit the request again.

---

### AMQ7010 The queue manager does not exist.

**Explanation:** You tried to perform an action against a queue manager that does not exist. You may have specified the wrong queue manager name.

**User action:** If you specified the wrong name, correct it and submit the command again. If the queue manager should exist, create it, and then submit the command again.

---

### AMQ7012 The specified trigger interval is not valid.

**Explanation:** You specified a value for the trigger interval that is not valid. The value must be not less than zero and not greater than 999 999 999.

**User action:** Correct the value and resubmit the request.

---

### AMQ7013 There is an error in the name of the specified dead letter queue.

**Explanation:** You specified a name for the dead letter queue that is not valid.

**User action:** Correct the name and resubmit the request.

---

### AMQ7014 There is an error in the name of the specified default transmission queue.

**Explanation:** You specified a name for the default transmission queue that is not valid.

**User action:** Correct the name and submit the command again.

---

### AMQ7015 There is an error in the maximum number of open object handles specified.

**Explanation:** You specified a value for the maximum number of open object handles to be allowed that is not valid. The value must be not less than zero and not greater than 999 999 999.

**User action:** Correct the value and submit the command again.

---

### AMQ7016 There is an error in the maximum number of uncommitted messages specified.

**Explanation:** You specified a value for the maximum number of uncommitted messages to be allowed that is not valid. The value must be not less than 1 and not greater than 999 999 999.

**User action:** Correct the value and submit the command again.

---

### AMQ7017 Log not available.

**Explanation:** The queue manager was unable to use the log. This could be due to a log file being missing or damaged, or the log path to the queue manager being inaccessible.

**User action:** Ensure that the LogPath attribute in the queue manager configuration file is correct. If a log file is missing or otherwise unusable, restore a backup copy of the file, or the entire queue manager.

---

### AMQ7018 The queue manager has stopped

### AMQ7019 An error occurred while creating the directory structure for the new queue manager.

**Explanation:** During creation of the queue manager an error occurred while trying to create a file or directory.

**User action:** Identify why the queue manager files cannot be created. It is probable that there is insufficient space on the specified disk, or that there is a problem with access control. Correct the problem and submit the command again.

---

### AMQ7021 An error occurred while deleting the directory structure for the queue manager.

**Explanation:** While deleting the queue manager, an error occurred deleting a file or directory. The queue manager may not have been completely deleted.

**User action:** Follow problem determination procedures to identify the file or directory and to complete deletion of the queue manager.

---

### AMQ7024 Arguments supplied to a command are not valid.

**Explanation:** You supplied arguments to a command that it could not interpret. It is probable that you specified a flag not accepted by the command, or that you included extra flags.

**User action:** Correct the command and submit it again.

**AMQ7025 Error in the supplied command description.**

**Explanation:** The descriptive text you supplied on the command was in error.

**User action:** Correct the descriptive text and submit the command again.

**AMQ7026 A principal or group name was invalid.**

**Explanation:** You specified the name of a principal or group which does not exist.

**User action:** Correct the name and resubmit the request.

**AMQ7028 The queue manager is not available for use.**

**Explanation:** You have requested an action that requires the queue manager running, however, the queue manager is not currently running.

**User action:** Start the required queue manager and submit the command again.

**AMQ7030 Request to quiesce the queue manager accepted. The queue manager will stop when there is no further work for it to perform.**

**Explanation:** You have requested that the queue manager end when there is no more work for it. In the meantime, it will refuse new applications that attempt to start, although it allows those already running to complete their work.

**User action:** None.

**AMQ7031 The queue manager is stopping.**

**Explanation:** You issued a command that requires the queue manager running, however, it is currently in the process of stopping. The command cannot be run.

**User action:** None

**AMQ7041 Object already exists.**

**Explanation:** A Define Object operation was performed, but the name selected for the object is already in use by an object that is unknown to MQSeries. The object name selected by MQSeries was &3, in directory &4, of object type &5.

**User action:** Remove the conflicting object from the MQSeries system, then try the operation again.

**AMQ7042 Media image not available for object &3 of type &4.**

**Explanation:** The media image for object &3, type &4, is not available for media recovery. A log file containing part of the media image cannot be accessed.

**User action:** A previous message indicates which log file could not be accessed. Restore a copy of the log file and all subsequent log files from backup. If this is not possible, you must delete the object instead.

**AMQ7044 Media recovery not allowed.**

**Explanation:** Media recovery is not possible on a queue manager using a circular log. Damaged objects must be deleted on such a queue manager.

**User action:** None.

**AMQ7047 An unexpected error was encountered by a command.**

**Explanation:** An internal error occurred during the processing of a command.

**User action:** Follow problem determination procedures to identify the cause of the error.

**AMQ7048 The queue manager name is either not valid or not known**

**Explanation:** Either the specified queue manager name does not conform to the rules required by MQSeries or the queue manager does not exist. The rules for naming MQSeries objects are detailed in the MQSeries Command Reference.

**User action:** Correct the name and submit the command again.

**AMQ7053 The transaction has been committed.**

**Explanation:** The prepared transaction has been committed.

**User action:** None.

**AMQ7054 The transaction has been backed out.**

**Explanation:** The prepared transaction has been backed out.

**User action:** None.

**AMQ7055 The transaction number is not recognized.**

**Explanation:** The number of the transaction you supplied was not recognized as belonging to an in-doubt transaction.

**User action:** Ensure that you entered a valid transaction number. It is possible that the transaction number you entered corresponds to a transaction which was committed or backed out before you issued the command to resolve it.

**AMQ7056 Transaction number &1,&2.**

**Explanation:** This message is used to report the number of an in-doubt transaction.

**User action:** None.

**AMQ7064 Log path not valid or inaccessible.**

**Explanation:** The supplied log path could not be used by the queue manager. Possible reasons for this include the path not existing, the queue manager not being able to write to the path, or the path residing on a remote device.

**User action:** Ensure that the log path exists and that the queue manager has authority to read and write to it. If the queue manager already exists, ensure that the LogPath attribute in the queue manager's configuration file matches the intended log path.

**AMQ7065 Insufficient space on disk.**

**Explanation:** The operation cannot be completed due to shortage of disk space.

**User action:** Either make more disk space available, or reduce the disk requirements of the command you issued.

**AMQ7066 There are no prepared transactions.**

**Explanation:** There are no prepared transactions to be resolved.

**User action:** None.

**AMQ7068 Authority file contains an authority stanza that is not valid.**

**Explanation:** A syntax error has been found in one of the files containing authorization information for the queue manager.

**User action:** Correct the contents of the incorrect authorization file by editing it.

**AMQ7069 The queue manager was created successfully, but cannot be made the default.**

**Explanation:** The queue manager was defined to be the default queue manager for the machine when it was created. However, although the queue manager has been created, an error occurred trying to make it the default. There may not be a default queue manager defined for the machine at present.

**User action:** There is probably a problem with the machine-wide ini file. Verify the existence of the file, its access permissions, and its contents. If its backup file exists, reconcile the contents of the two files and then delete the backup. Finally, either update the machine-wide ini file by hand to specify the desired default queue manager, or delete and recreate the queue manager.

**AMQ7073 Log size not valid.**

**Explanation:** Either the number of log files or the size of the log files was outside the accepted values.

**User action:** Make sure that the log parameters you enter lie within the valid range.

**AMQ7074 Unknown stanza key &4 on line &1 of ini file &3.**

**Explanation:** Line &1 of the configuration file &3 contained a stanza called &3. This stanza is not recognized.

**User action:** Check the contents of the file and retry the operation.

**AMQ7075 Unknown attribute &4 on line &1 of ini file &3.**

**Explanation:** Line &1 of the configuration file &3 contained an attribute called &4 that is not valid. This attribute is not recognized in this context.

**User action:** Check the contents of the file and retry the operation.

**AMQ7076 Value &5 not valid for attribute &4 on line &1 of ini file &3**

**Explanation:** Line &1 of the configuration file &3 contained value &5 that is not valid for the attribute &4.

**User action:** Check the contents of the file and retry the operation.

**AMQ7077 You are not authorized to perform the requested operation.**

**Explanation:** You tried to issue a command for the queue manager. You are not authorized to perform the command.

**User action:** Contact your system administrator to perform the command for you. Alternatively, request authority to perform the command from your system administrator.

**AMQ7080 No objects processed.**

**Explanation:** No objects were processed, either because no objects matched the criteria given, or because the objects found did not require processing.

**User action:** None.

**AMQ7081 Object &3, type &4 recreated.**

**Explanation:** The object &3, type &4 was recreated from its media image.

**User action:** None.

**AMQ7082 Object &3, type &4 is not damaged.**

**Explanation:** Object &3, type &4 cannot be recreated since it is not damaged.

**User action:** None.

**AMQ7083 A resource problem was encountered by a command.**

**Explanation:** The command failed due to a resource problem. Possible causes include the log being full or the command running out of memory.

**User action:** Look at the previous messages to diagnose the problem. Rectify the problem and retry the operation.

**AMQ7084 Object &3, type &4 damaged.**

**Explanation:** The object &3, type &4 was damaged. The object must be deleted or, if the queue manager supports media recovery, recreated from its media image.

**User action:** Delete the object or recreate it from its media image.

**AMQ7085 Object &3, type &4 not found.**

**Explanation:** Object &3, type &4 cannot be found.

**User action:** None.

**AMQ7086 Media image for object &3, type &4 recorded.**

**Explanation:** The media image for object &3, type &4 has been recorded.

**User action:** None.

**AMQ7087 Object &3, type &4 is a temporary object**

**Explanation:** Object &3, type &4 is a temporary object. Media recovery operations are not permitted on temporary objects.

**User action:** None.

**AMQ7088 Object &3, type &4 in use.**

**Explanation:** Object &3, type &4 is in use. Either an application has it open or, if it is a local queue, there are uncommitted messages on it.

**User action:** Ensure that the object is not opened by any applications, and that there are no uncommitted messages on the object, if it is a local queue. Then, retry the operation.

**AMQ7089 Media recovery already in progress.**

**Explanation:** Another media recovery operation is already in progress. Only one media recovery operation is permitted at a time.

**User action:** Wait for the existing media recovery operation to complete and retry the operation.



**AMQ7090 The queue manager CCSID is not valid.**

**Explanation:** The CCSID to be used by the QMGR is not valid, probably because it is a DBCS CCSID.

**User action:** None.

**AMQ7091 You are performing authorization for the queue manager, but you specified an object name.**

**Explanation:** Modification of authorizations for a queue manager can be performed only from that queue manager. You must not specify an object name.

**User action:** Correct the command and submit it again.

**AMQ7092 An object name is required but you did not specify one.**

**Explanation:** The command needs the name of an object, but you did not specify one.

**User action:** Correct the command and submit it again.

**AMQ7093 An object type is required but you did not specify one.**

**Explanation:** The command needs the type of the object, but you did not specify one.

**User action:** Correct the command and submit it again.

**AMQ7094 You specified an object type that is not valid, or more than one object type.**

**Explanation:** Either the type of object you specified was not valid, or you specified multiple object types on a command which supports only one.

**User action:** Correct the command and submit it again.

**AMQ7095 An entity name is required but you did not specify one.**

**Explanation:** The command needs one or more entity names, but you did not specify any. Entities can be principals or groups.

**User action:** Correct the command and submit it again.

**AMQ7096 An authorization specification is required but you did not provide one.**

**Explanation:** The command sets the authorizations on MQSeries objects. However you did not specify which authorizations are to be set.

**User action:** Correct the command and submit it again.

**AMQ7097 You gave an authorization specification that is not valid.**

**Explanation:** The authorization specification you provided to the command contained one or more items that could not be interpreted.

**User action:** Correct the command and submit it again.

**AMQ7098 The command accepts only one entity name. You specified more than one.**

**Explanation:** The command can accept only one principal or group name. You specified more than one.

**User action:** Correct the command and submit it again.

**AMQ7099 Entity &3 has the following authorizations for object &4:**

**Explanation:** Informational message. The list of authorizations follows.

**User action:** None.

**AMQ7305 Trigger message could not be put on an initiation queue.**

**Explanation:** The attempt to put a trigger message on queue &4 on queue manager &5 failed with reason code &1. The message will be put on the dead-letter queue.

**User action:** Ensure that the initiation queue is available, and operational.

**AMQ7306 The dead-letter queue must be a local queue.**

**Explanation:** An undelivered message has not been put on the dead-letter queue &4 on queue manager &5, because the queue is not a local queue. The message will be discarded.

**User action:** Inform your system administrator.

**AMQ7307 A message could not be put on the dead-letter queue.**

**Explanation:** The attempt to put a message on the undelivered-message queue &4 on queue manager &5 failed with reason code &1. The message will be discarded.

**User action:** Ensure that the undelivered-message queue is available, and operational.

**AMQ7308 Trigger condition &1 was not satisfied.**

**Explanation:** At least one of the conditions required for generating a trigger message was not satisfied, so a trigger message was not generated. If you were expecting a trigger message, consult the MQSeries Application Programming Guide for a list of the conditions required. (Note that arranging for condition &1 to be satisfied might not be sufficient because the conditions are checked in an arbitrary order, and checking stops when the first unsatisfied condition is discovered.)

**User action:** If a trigger message is required, ensure that all the conditions for generating one are satisfied.

**AMQ7310 Report message could not be put on a reply-to queue.**

**Explanation:** The attempt to put a report message on queue &4 on queue manager &5 failed with reason code &1. The message will be put on the undelivered-message queue.

**User action:** Ensure that the reply-to queue is available, and operational.

**AMQ7463 The log for queue manager &3 is full.**

**Explanation:** This message is issued when an attempt to write a log record is rejected because the log is full. The queue manager will attempt to resolve the problem.

**User action:** This situation may be encountered during a period of unusually high message traffic. However, if you persistently fill the log, you may have to consider enlarging the size of the log. You can either increase the number of log files by changing the values in the queue manager configuration file. You will then have to stop and restart the queue manager. Alternatively, if you need to make the log files themselves bigger, you will have to delete and recreate the queue manager.

**AMQ7464 The log for queue manager &3 is no longer full.**

**Explanation:** This message is issued when a log was previously full, but an attempt to write a log record has now been accepted. The log full situation has been resolved.

**User action:** None

**AMQ7465 The log for queue manager &3 is full. This is due to the presence of a long-running transaction.**

**Explanation:** This message is issued when an attempt made to resolve a log full situation fails, because the space is occupied by a long-running transaction.

**User action:** Try to ensure that the duration of your transactions is not excessive. Commit or roll back any old transactions to release log space for further log records.

**AMQ7466 The log for queue manager &3 is too small to support the current data rate.**

**Explanation:** This message is issued when the monitoring tasks maintaining the log cannot keep up with the current rate of data being written.

**User action:** The number of primary log files configured should be increased to prevent possible log full situations.

**AMQ7467 The oldest log file required to start queue manager &3 is &4.**

**Explanation:** The log file &4 contains the oldest log record required to restart the queue manager. Log records older than this may be required for media recovery.

**User action:** You can move log files older than &4 to an archive medium to release space in the log directory. If you move any of the log files required to recreate objects from their media images, you will have to restore them to recreate the objects.

**AMQ7468 The oldest log file required to perform media recovery of queue manager &3 is &4.**

**Explanation:** The log file &4 contains the oldest log record required to recreate any of the objects from their media images. Any log files prior to this will not be accessed by media recovery operations.

**User action:** You can move log files older than &4 to an archive medium to release space in the log directory.

**AMQ7469 Transactions rolled back to release log space.**

**Explanation:** The log space for the queue manager is becoming full. One or more long-running transactions have been rolled back to release log space so that the queue manager can continue to process requests.

**User action:** Try to ensure that the duration of your transactions is not excessive. You may consider increasing the size of the log to allow transactions to last longer before the log starts to become full.

**AMQ7472 Object &3, type &4 damaged.**

**Explanation:** Object &3, type &4 has been marked as damaged. This indicates that the queue manager was either unable to access the object in the file system, or that some kind of inconsistency with the data in the object was detected.

**User action:** If a damaged object is detected, the action performed depends on whether the queue manager supports media recovery and when the damage was detected. If the queue manager does not support media recovery, you must

delete the object as no recovery is possible. If the queue manager does support media recovery and the damage is detected during the processing performed when the queue manager is being started, the queue manager will automatically initiate media recovery of the object. If the queue manager supports media recovery and the damage is detected once the queue manager has started, it may be recovered from a media image using the rcrmqobj command or it may be deleted.

**AMQ7901 The data-conversion exit &3 has not loaded.**

**Explanation:** The data-conversion exit program, &3, failed to load. The internal function gave exception &4.

**User action:** Use the standard facilities supplied with your system to record the problem identifier, and to save the generated output files. Contact your IBM support center. Do not discard these files until the problem has been resolved.

**AMQ7902 The data conversion exit &3 was not loaded. The operating system call &4 returned &1.**

**Explanation:**

**User action:** Specify REPLACE to over-write the existing file, or choose a different output file name.

**AMQ7903 The data-conversion exit &3 cannot be found.**

**Explanation:** Message data conversion has been requested for an MQSeries message with a user-defined format, but the necessary data-conversion exit program, &3, cannot be found. The internal function gave exception &4.

**User action:** Check that the necessary data-conversion exit &3 exists.

**AMQ7904 The data conversion exit &3 cannot be found, or loaded.**

**Explanation:** Message data conversion was requested for an MQSeries message with a user-defined format, but the necessary data conversion exit program, &3, was not found, or loaded. The &4 function call gave a return code of &1.

**User action:** Check that the necessary data conversion exit routine exists one of the standard directories for dynamically loaded modules. If necessary, inspect the generated output to examine the message descriptor (MQMD structure) of the MQSeries message for which conversion was requested. This may help you to determine where the message originated.

**AMQ7905 Unexpected exception &4 in data-conversion exit.**

**Explanation:** The data-conversion exit program, &3, ended with an unexpected exception &4. The message has not been converted.

**User action:** Use the standard facilities supplied with your system to record the problem identifier, and to save the generated output files. Contact your IBM support center. Do not discard these files until the problem has been resolved.

**AMQ7907 Unexpected exception in data-conversion exit.**

**Explanation:** The data-conversion exit routine, &3, ended with an unexpected exception. The message has not been converted.

**User action:** Correct the error in the data-conversion exit routine.

**AMQ7921 An internal MQSeries error occurred.**

**Explanation:** The MQDXP structure passed to the Internal Formats Conversion routine contains an incorrect eyecatcher field.

**User action:** Use the standard facilities supplied with your system to record the problem identifier, and to save the generated output files. Contact your IBM support center. Do not discard these files until the problem has been resolved.

**AMQ7922 A PCF message is incomplete.**

**Explanation:** Message data conversion cannot convert a message in Programmable Command Format (PCF) because the message is only &1 bytes long and does not contain a PCF header. The message has either been truncated, or it contains data that is not valid.

**User action:** Use the standard facilities supplied with your system to record the problem identifier, and to save the generated output files. Do not discard these files until the problem has been resolved. Use the file containing the Message Descriptor of the message to determine the source of the message and to see how data that is not valid became included in the message.

**AMQ7923 A message had an unrecognized integer encoding.**

**Explanation:** Message data conversion cannot convert a message because the integer encoding value of the message, &1, was not recognized.

**User action:** Use the standard facilities supplied with your system to record the problem identifier, and to save the generated output files. Do not discard these files until the problem has been resolved. Use the file containing the Message Descriptor of the message to determine the source of the message and to see how data that is not valid became included in the message.

**AMQ7924 Bad length in the PCF header (length = &1).**

**Explanation:** Message data conversion cannot convert a message in Programmable Command Format (PCF) because the PCF header structure contains an incorrect length field. Either the message has been truncated, or it contains data that is not valid.

**User action:** Use the standard facilities supplied with your system to record the problem identifier, and to save the generated output files. Do not discard these files until the problem has been resolved. Use the file containing the Message Descriptor of the message to determine the source of the message and to see how data that is not valid became included in the message.

**AMQ7925 Message version &1 is not supported.**

**Explanation:** Message data conversion cannot convert a message because the Version field of the message contains an incorrect value.

**User action:** Use the standard facilities supplied with your system to record the problem identifier, and to save the generated output files. Do not discard these files until the problem has been resolved. Use the file containing the Message Descriptor of the message to determine the source of the message and to see how data that is not valid became included in the message.

**AMQ7926 A PCF message has an incorrect parameter count value &1.**

**Explanation:** Message data conversion cannot convert a message in Programmable Command Format (PCF) because the parameter count field of the PCF header is incorrect.

**User action:** Use the standard facilities supplied with your system to record the problem identifier, and to save the generated output files. Do not discard these files until the problem has been resolved. Use the file containing the Message Descriptor of the message to determine the source of the message and to see how data that is not valid became included in the message.

**AMQ7927 Bad type in PCF structure number &1 (type = &2).**

**Explanation:** A Programmable Command Format (PCF) structure passed to the Internal Formats Converter contained an incorrect type field.

**User action:** Use the standard facilities supplied with your system to record the problem identifier, and to save the generated output files. Do not discard these files until the problem has been resolved. Use the file containing the Message Descriptor of the message to determine the source of the message and to see how data that is not valid became included in the message.

**AMQ7928 Bad length in PCF structure number &1 (length = &2).**

**Explanation:** A Programmable Command Format (PCF) structure passed to the Internal Formats Converter contained an incorrect length field.

**User action:** Use the standard facilities supplied with your system to record the problem identifier, and to save the generated output files. Do not discard these files until the problem has been resolved. Use the file containing the Message Descriptor of the message to determine the source of the message and to see how data that is not valid became included in the message.

**AMQ7929 A PCF structure is incomplete.**

**Explanation:** Message data conversion cannot convert a message in Programmable Command Format (PCF) because structure number &1, of Type value &2, within the message is incomplete. The message has either been truncated, or it contains data that is not valid.

**User action:** Use the standard facilities supplied with your system to record the problem identifier, and to save the generated output files. Do not discard these files until the problem has been resolved. Use the file containing the Message Descriptor of the message to determine the source of the message and to see how data that is not valid became included in the message.

**AMQ7930 Bad CCSID in PCF structure number &1 (CCSID = &2).**

**Explanation:** A Programmable Command Format (PCF) structure passed to the Internal Formats Converter contains an incorrect CCSID.

**User action:** Use the standard facilities supplied with your system to record the problem identifier, and to save the generated output files. Do not discard these files until the problem has been resolved. Use the file containing the Message Descriptor of the message to determine the source of the message and to see how data that is not valid became included in the message.

**AMQ7931 Bad length in PCF structure number &1 (length = &2).**

**Explanation:** Message data conversion cannot convert a message in Programmable Command Format (PCF) because one of the structures of the message contains an incorrect length field.

**User action:** Use the standard facilities supplied with your system to record the problem identifier, and to save the generated output files. Do not discard these files until the problem has been resolved. Use the file containing the Message Descriptor of the message to determine the source of the message and to see how data that is not valid became included in the message.

**AMQ7932 Bad count in PCF structure number &1 (count = &2).**

**Explanation:** Message data conversion cannot convert a message in Programmable Command Format (PCF) because a StringList structure of the message contains an incorrect count field.

**User action:** Use the standard facilities supplied with your system to record the problem identifier, and to save the generated output files. Do not discard these files until the problem has been resolved. Use the file containing the Message Descriptor, the headers of the message, and the incorrect structure to determine the source of the message, and to see how data that is not valid became included in the message.

**AMQ7933 Bad string length in PCF structure.**

**Explanation:** Message data conversion cannot convert a message in Programmable Command Format (PCF) because structure number &1 of the message contains an incorrect string length value &2.

**User action:** Use the standard facilities supplied with your system to record the problem identifier, and to save the generated output files. Do not discard these files until the problem has been resolved. Use the file containing the Message Descriptor, the headers of the message, and the incorrect structure to determine the source of the message and to see how data that is not valid became included in the message.

**AMQ7934 Wrong combination of MQCCSI\_DEFAULT with MQCCSI\_EMBEDDED.**

**Explanation:** Message data conversion could not convert a message in Programmable Command Format (PCF) because structure &1 of the message contained a CodedCharSetId field of MQCCSI\_DEFAULT while the message itself had a CodedCharSetId of MQCCSI\_EMBEDDED. This is an incorrect combination.

**User action:** Use the standard facilities supplied with your system to record the problem identifier, and to save the generated output files. Do not discard these files until the problem has been resolved. Use the file containing the Message Descriptor, the headers of the message and the incorrect structure to determine the source of the message and to see how data that is not valid became included in the message.

**AMQ7935 Bad CCSID in message header (CCSID = &1).**

**Explanation:** Message data conversion could not convert a message because the Message Descriptor of the message contained an incorrect CodedCharSetId field.

**User action:** Use the standard facilities supplied with your system to record the problem identifier, and to save the generated output files. Do not discard these files until the problem has been resolved. Use the file containing the Message Descriptor of the message to determine the source of the message and to see how data that is not valid became included in the message.

**AMQ7936 The file &3 already exists.**

**Explanation:** The output file already exists, but REPLACE has not been specified.

**User action:** Specify REPLACE to over-write the existing file, or select a different output file name.

**AMQ7943 Usage: crtmqcvx SourceFile TargetFile  
AMQ7953 One structure has been parsed.**

**Explanation:** The crtmqcvx command has parsed one structure.

**User action:** None.

**AMQ7954 &1 structures have been parsed.**

**Explanation:** The crtmqcvx command has parsed %1 structures.

**User action:** None.

**AMQ7955 Unexpected field: &1.**

**Explanation:** The field within the structure is of a type that is not recognized.

**User action:** Correct the field and retry the command.

**AMQ7956 Bad array dimension.**

**Explanation:** An array field of the structure has an incorrect dimension value.

**User action:** Correct the field and retry the command.

**AMQ7957 Warning at line &1.**

**Explanation:** The structure contains another field after a variable length field.

**User action:** Correct the structure and retry the command.

**AMQ7958 Error at line &1 in field &3.**

**Explanation:** Field name '&3' is a field of type 'float'. Fields of type float are not supported by this command.

**User action:** Either correct the structure to eliminate fields of type float, or write your own routine to support conversion of these fields.

**AMQ7959 Error at line &1 in field &3.**

**Explanation:** Field name '&3' is a field of type 'double'. Fields of type double are not supported by this command.

**User action:** Either correct the structure to eliminate fields of type double, or write your own routine to support conversion of these fields.

---

**AMQ7960 Error at line &1 in field &3.**

**Explanation:** Field name '&3' is a 'pointer' field. Fields of type pointer are not supported by this command.

**User action:** Either correct the structure to eliminate fields of type pointer, or write your own routine to support conversion of these fields.

---

**AMQ7961 Error at line &1 in field &3.**

**Explanation:** Field name '&3' is a 'bit' field. Bit fields are not supported by this command.

**User action:** Either correct the structure to eliminate bit fields, or write your own routine to support conversion of these fields.

---

**AMQ7962 No input file specified.**

**Explanation:** This command requires that an input file is specified.

**User action:** Specify the name of the input file and retry the command.

---

**AMQ7963 No output file specified.**

**Explanation:** This command requires that an output file name is specified.

**User action:** Specify the name of the output file and retry the command.

---

**AMQ7964 Unexpected option &3.**

**Explanation:** The option specified is not valid for this command.

**User action:** Retry the command with a valid option.

---

**AMQ7965 Incorrect number of arguments.**

**Explanation:** The command was passed an incorrect number of arguments.

**User action:** Retry the command, passing it the correct number of arguments.

---

**AMQ7968 Cannot open file '&3'.**

**Explanation:** You cannot open the file &3.

**User action:** Check that you have the correct authorization to the file and retry the command.

---

**AMQ7969 Syntax error.**

**Explanation:** This line of the input file contains a language syntax error.

**User action:** Correct the syntax error and retry the command.

---

**AMQ7970 Syntax error on line &1.**

**Explanation:** This message identifies where, in the input file, a previously reported error was detected.

**User action:** Correct the error and retry the command.

---

## Administration messages

---

**AMQ8001 MQSeries queue manager created.**

**Explanation:** MQSeries queue manager &5 created.  
**User action:** None.

---

**AMQ8002 MQSeries queue manager deleted.**

**Explanation:** MQSeries queue manager &5 deleted.  
**User action:** None.

---

**AMQ8003 MQSeries queue manager started.**

**Explanation:** MQSeries queue manager &5 started.  
**User action:** None.

---

**AMQ8004 MQSeries queue manager ended.**

**Explanation:** MQSeries queue manager &5 ended.  
**User action:** None.

---

**AMQ8005 MQSeries queue manager changed.**

**Explanation:** MQSeries queue manager &5 changed.  
**User action:** None.

---

**AMQ8006 MQSeries queue created.**

**Explanation:** MQSeries queue &5 created.  
**User action:** None.

---

**AMQ8007 MQSeries queue deleted.**

**Explanation:** MQSeries queue &5 deleted.  
**User action:** None.

---

**AMQ8008 MQSeries queue changed.**

**Explanation:** MQSeries queue &5 changed.  
**User action:** None.

---

**AMQ8010 MQSeries process created.**

**Explanation:** MQSeries process &5 created.  
**User action:** None.

---

**AMQ8011 MQSeries process deleted.**

**Explanation:** MQSeries process &5 deleted.  
**User action:** None.

---

**AMQ8012 MQSeries process changed.**

**Explanation:** MQSeries process &5 changed.  
**User action:** None.

---

**AMQ8013 MQM process copied.**

**Explanation:** MQM process &5 created in library &3 by copying.  
**User action:** None.

---

**AMQ8014 MQSeries channel created.**

**Explanation:** MQSeries channel &5 created.  
**User action:** None.

---

**AMQ8015 MQSeries channel deleted.**

**Explanation:** MQSeries channel &5 deleted.  
**User action:** None.

---

**AMQ8016 MQSeries channel changed.**

**Explanation:** MQSeries channel &5 changed.  
**User action:** None.

---

**AMQ8018 Start MQSeries channel accepted.**

**Explanation:** MQSeries channel &5 is being started. The start channel function has been initiated. This involves a series of operations across the network before the channel is actually started. The channel status displays "BINDING" for a short period while communication protocols are negotiated with the channel with whom communication is being initiated.  
**User action:** None.

---

**AMQ8019 Stop MQSeries channel accepted.**

**Explanation:** MQSeries channel &5 has been requested to stop.  
**User action:** None.

---

**AMQ8020 Ping MQSeries channel complete.**

**Explanation:** Ping MQSeries channel &5 complete.  
**User action:** None.

---

**AMQ8021 MQSeries Listener program started.**

**Explanation:** The MQSeries channel listener program has been started.  
**User action:** None.

---

**AMQ8022 MQSeries queue cleared.**

**Explanation:** All messages on MQSeries queue &5 have been deleted.  
**User action:** None.

---

**AMQ8023 MQSeries channel reset.**

**Explanation:** MQSeries channel &5 has been reset.  
**User action:** None.

---

**AMQ8024 MQSeries channel initiator started.**

**Explanation:** The channel initiator for MQSeries queue &5 has been started.  
**User action:** None.

---

**AMQ8025 MQSeries channel resolved.**

**Explanation:** In doubt messages for MQSeries channel &5 have been resolved.  
**User action:** None.

---

**AMQ8026 End MQSeries queue manager accepted.**

**Explanation:** A controlled stop request has been initiated for MQSeries queue manager &5.  
**User action:** None.

---

**AMQ8027 MQSeries command server started.**

**Explanation:** The MQSeries command server has been started.  
**User action:** None.

---

**AMQ8028 MQSeries command server ended.**

**Explanation:** The MQSeries command server has been stopped.  
**User action:** None.

---

**AMQ8029 MQSeries authority granted.****Explanation:** Authority for MQSeries object &5 granted.**User action:** None.

---

**AMQ8030 MQSeries authority revoked.****Explanation:** Authority for MQSeries object &5 revoked.**User action:** None.

---

**AMQ8033 MQSeries object recreated.****Explanation:** MQSeries object &5 has been recreated from image.**User action:** None.

---

**AMQ8034 MQSeries object image recorded.****Explanation:** Image of MQSeries object &5 has been recorded.**User action:** None.

---

**AMQ8035 MQSeries Command Server Status . . . :  
Running****AMQ8036 MQSeries command server status . . . :  
Stopping****AMQ8037 MQSeries command server status . . . :  
Starting****AMQ8038 MQSeries command server status . . . :  
Running with queue disabled****AMQ8039 MQSeries command server status . . . :  
Stopped****AMQ8040 MQSeries command server ending.****AMQ8041 The queue manager cannot be restarted because processes, that were previously connected, are still running.****Explanation:** Processes, that were connected to the queue manager the last time it was running, are still active. The queue manager cannot be restarted.**User action:** Stop the processes and try to start the queue manager.

---

**AMQ8042 Process &1 is still running.****AMQ8043 Non runtime application attempted to connect to runtime only queue manager.****Explanation:** A non runtime application attempted to connect to a queue manager on a node where support for non runtime applications has not been installed. The connect attempt will be rejected with a reason of MQRC\_ENVIRONMENT\_ERROR.**User action:** If the node is intended to support only runtime applications then investigate why a non runtime application has attempted to connect to the queue manager. If the node is intended to support non runtime only applications then investigate if the base option has been installed. The base option must be installed if non runtime applications are to run on this node.

---

**AMQ8101 Unexpected error (&1).****Explanation:** An unexpected reason code with hexadecimal value &4 was received from the MQSeries queue manager during command processing. (Note that hexadecimal values in the range X'07D1'-X'0BB7' correspond to MQI reason codes 2001-2999.) More information might be available in the log. If the reason code value indicates that the error was associated with a particular parameter, the parameter concerned is &2.**User action:** Correct the error and then try the command again.

---

**AMQ8102 MQSeries object name specified in &2 not valid.****Explanation:** MQSeries object name &5 specified in &2 is not valid. The length of the name must not exceed 48 characters, or 20 characters if it is a channel name. The name should contain the following characters only: lowercase a-z, uppercase A-Z, numeric 0-9, period (.), forward slash (/), underscore (\_) and percent sign (%).**User action:** Change the length of the parameter value or change the parameter value to contain a valid combination of characters, then try the command again.

---

**AMQ8103 Insufficient storage available.****Explanation:** There was insufficient storage available to perform the requested operation.**User action:** Free some storage and then try the command again.

---

**AMQ8104 MQSeries directory &3 not found.****Explanation:** Directory &3 was not found. This directory is created when MQSeries is installed successfully. Refer to the log for more information.**User action:** Verify that installation of MQSeries was successful. Correct the error and then try the command again.

---

**AMQ8105 Object error.****Explanation:** An object error occurred. Refer to the log for more information.**User action:** Correct the error and then try the command again.

---

**AMQ8106 MQSeries queue manager being created.****Explanation:** The MQSeries queue manager is being created.**User action:** Wait for the creation process to complete and then try the command again.

---

**AMQ8107 MQSeries queue manager running.****Explanation:** The MQSeries queue manager is running.**User action:** None.

---

**AMQ8108 MQSeries queue manager ending.****Explanation:** The MQSeries queue manager is ending.**User action:** Wait for the MQSeries queue manager to end and then try the command again.

---

**AMQ8109 MQSeries queue manager being deleted.****Explanation:** The MQSeries queue manager is being deleted.**User action:** Wait for the deletion process to complete.

---

**AMQ8110 MQSeries queue manager already exists.****Explanation:** MQSeries queue manager &5 already exists.**User action:** None.

**AMQ8117 MQSeries queue manager deletion incomplete.**

**Explanation:** Deletion of MQSeries queue manager &5 was only partially successful. An object was not found, or could not be deleted. Refer to the log for more information.

**User action:** Delete any remaining MQSeries queue manager objects.

**AMQ8118 MQSeries queue manager does not exist.**

**Explanation:** MQSeries queue manager &5 does not exist.

**User action:** Create the message queue manager (crtmqm command) and then try the command again.

**AMQ8135 Not authorized.**

**Explanation:** You are not authorized to perform the requested operation for the MQSeries object &5 specified in &2. Either you are not authorized to perform the requested operation, or you are not authorized to the specified MQSeries object. For a copy command, you may not be authorized to the specified source MQSeries object, or, for a create command, you may not be authorized to the system default MQSeries object of the specified type.

**User action:** Obtain the necessary authority from your security officer or MQSeries administrator. Then try the command again.

**AMQ8137 MQSeries queue manager already starting.**

**Explanation:** The strmqm command was unsuccessful because MQSeries queue manager &5 is already starting.

**User action:** Wait for the strmqm command to complete.

**AMQ8138 The MQSeries queue has an incorrect type.**

**Explanation:** The operation is not valid with MQSeries queue &5 because it is not a local queue.

**User action:** Change the QNAME parameter to specify an MQSeries queue of the correct type.

**AMQ8139 Already connected.**

**Explanation:** A connection to the MQSeries queue manager already exists.

**User action:** None.

**AMQ8140 Resource timeout error.**

**Explanation:** A timeout occurred in the communication between internal MQSeries queue manager components. This is most likely to occur when the system is heavily loaded.

**User action:** Wait until the system is less heavily loaded, then try the command again.

**AMQ8141 MQSeries queue manager starting.**

**Explanation:** MQSeries queue manager &5 is starting.

**User action:** Wait for the MQSeries queue manager startup process to complete and then try the command again.

**AMQ8142 MQSeries queue manager stopped.**

**Explanation:** MQSeries queue manager &5 is stopped.

**User action:** Use the strmqm command to start the MQSeries queue manager, and then try the command again.

**AMQ8143 MQSeries queue not empty.**

**Explanation:** MQSeries queue &5 specified in &2 is not empty or contains uncommitted updates.

**User action:** Commit or rollback any uncommitted updates. If the command is DELETE QLOCAL, use the CLEAR QLOCAL command to clear the messages from the MQSeries queue. Then try the command again.

**AMQ8144 Log not available.**

**Explanation:** The MQSeries logging resource is not available.

**User action:** Use the dltmqm command to delete the MQSeries queue manager and then the crtmqm command to create the MQSeries queue manager. Then try the command again.

**AMQ8145 Connection broken.**

**Explanation:** The connection to the MQSeries queue manager failed during command processing. This may be caused by an endmqm -i command being issued by another user, or by an MQSeries queue manager error.

**User action:** Use the strmqm command to start the message queue manager, wait until the message queue manager has started, and try the command again.

**AMQ8146 MQSeries queue manager not available.**

**Explanation:** The MQSeries queue manager is not available because it has been stopped or has not been created.

**User action:** Use the crtmqm command to create the message queue manager, or the strmqm command to start the message queue manager as necessary. Then try the command again.

**AMQ8147 MQSeries object not found.**

**Explanation:** If the command entered was Change, the MQSeries object &5 specified in &2 does not exist. If the command entered was Copy, the source MQSeries object does not exist. If the command entered was Create, the system default MQSeries object of the specified type does not exist.

**User action:** Correct the MQSeries object name and then try the command again or, if you are creating a new MQSeries queue or process object, either specify all parameters explicitly or ensure that the system default object of the required type exists. The system default queue names are SYSTEM.DEFAULT.LOCAL.QUEUE, SYSTEM.DEFAULT.ALIAS.QUEUE and SYSTEM.DEFAULT.REMOTE.QUEUE. The system default process name is SYSTEM.DEFAULT.PROCESS.

**AMQ8148 MQSeries object in use.**

**Explanation:** MQSeries object &5 specified in &2 is in use by an MQSeries application program.

**User action:** Wait until the MQSeries object is no longer in use and then try the command again, or specify FORCE to force the processing of the MQSeries ALTER command regardless of any application program affected by the change. If the object is the dead-letter queue and the open input count is nonzero, it may be in use by an MQSeries channel. If the object is another MQSeries queue object with a nonzero open output count, it may be in use by an MQSeries channel (of type RCVR or RQSTR). In either case, use the STOP CHANNEL and START CHANNEL commands to stop and restart the channel in order to solve the problem.



**AMQ8149 MQSeries object damaged.**

**Explanation:** The MQSeries object &5 specified in &2 is damaged.

**User action:** The MQSeries object contents are not valid. Issue the DISPLAY CHANNEL, DISPLAY QUEUE, or DISPLAY PROCESS command, as required, to determine the name of the damaged object. Issue the DEFINE command, for the appropriate object type, to replace the damaged object, then try the command again.

**AMQ8150 MQSeries object already exists.**

**Explanation:** MQSeries object &5 specified for &2 could not be created because it already exists.

**User action:** Check that the name is correct and try the command again specifying REPLACE, or delete the MQSeries object. Then try the command again.

**AMQ8151 MQSeries object has different type.**

**Explanation:** The type specified for MQSeries object &5 is different from the type of the object being altered or defined.

**User action:** Use the correct MQSeries command for the object type, and then try the command again.

**AMQ8152 Source MQSeries object has different type.**

**Explanation:** The type of the source MQSeries object is different from that specified.

**User action:** Correct the name of the command, or source MQSeries object name, and then try the command again, or try the command using the REPLACE option.

**AMQ8153 Insufficient disk space for the specified queue.**

**Explanation:** The command failed because there was insufficient disk space available for the specified queue.

**User action:** Release some disk space and then try the command again.

**AMQ8155 Connection limit exceeded.**

**Explanation:** The queue manager connection limit has been exceeded.

**User action:** The maximum limit on the number of MQSeries application programs that may be connected to the MQSeries queue manager has been exceeded. Try the command later.

**AMQ8156 MQSeries queue manager quiescing.**

**Explanation:** The MQSeries queue manager is quiescing.

**User action:** The queue manager was stopping with -c specified for endmqm. Wait until the queue manager has been restarted and then try the command again.

**AMQ8157 Security error.**

**Explanation:** An error was reported by the security manager program.

**User action:** Inform your systems administrator, wait until the problem has been corrected, and then try the command again.

**AMQ8159 MAXDEPTH not allowed with queue type \*ALS or \*RMT.**

**Explanation:** The MAXDEPTH parameter may not be specified for an MQM queue of type \*ALS or \*RMT.

**User action:** Remove the MAXDEPTH parameter from the command or, if the command is CRTMQMQ, specify a different value for QTYPE. Then try the command again.

**AMQ8160 DFTSHARE not allowed with queue type \*ALS or \*RMT.**

**Explanation:** The DFTSHARE parameter may not be specified for an MQM queue of type \*ALS or \*RMT.

**User action:** Remove the DFTSHARE parameter from the command or, if the command is CRTMQMQ, specify a different value for QTYPE. Then try the command again.

**AMQ8172 Already disconnected.**

**Explanation:** The MQI reason code of 2018 was returned from the MQSeries queue manager in response to an MQDISC request issued during command processing.

**User action:** None.

**AMQ8173 No processes to display.**

**Explanation:** There are no matching processes defined on this system.

**User action:** Using the DEFINE PROCESS command to create a process.

**AMQ8174 No queues to display.**

**Explanation:** There are no matching queues defined on this system.

**User action:** Using the appropriate command to define a queue of the type that you require, that is, DEFINE QALIAS, DEFINE QLOCAL, DEFINE QMODEL, or DEFINE QREMOTE.

**AMQ8185 Operating system object already exists.**

**Explanation:** The MQSeries object cannot be created because an object that is not known to MQSeries already exists in the MQSeries directory with the name that should be used for the new object. Refer to the log for previous messages.

**User action:** Remove the non-MQSeries object from the MQSeries library, and try the command again.

**AMQ8186 Image not available for MQSeries object &5.**

**Explanation:** MQSeries object &5 type &3 cannot be recreated because the image is not fully available in the logs that are currently online. Refer to earlier messages in the error log for information about the error logs that need to be brought online for this object to be recreated.

**User action:** Bring the relevant error logs online, and try the command again.

**AMQ8187 MQSeries object &5 is currently open.**

**Explanation:** MQSeries object &5, type &3, is currently in use, so the &1 command cannot be issued against it. If a generic list was presented to the command, the command is still issued against the other objects in the list.

**User action:** Wait until the object is no longer in use, and try the command again.

**AMQ8188 Insufficient authorization to MQSeries object &5.**

**Explanation:** You are not authorized to issue the &1 command against MQSeries object &5 type &3. If a generic list was presented to the command, the command is still issued against the other objects in the list.

**User action:** Obtain sufficient authorization for the object, and retry the command.

**AMQ8189 MQSeries object &5 is damaged.**

**Explanation:** MQSeries object &5 type &3 is damaged and the &1 command cannot be issued against it. If a generic list was presented to the command then the command is still issued against the other objects in the list.

**User action:** Issue the appropriate DEFINE command for the object, specifying REPLACE, and then try the command again.

**AMQ8190 &1 succeeded on &2 objects and failed on &3 objects.**

**Explanation:** An operation performed on a generic list of objects was not completely successful.

**User action:** Examine the log for details of the errors encountered, and take appropriate action.

**AMQ8191 MQSeries command server is starting.**

**Explanation:** The MQSeries command server is starting.

**User action:** Wait for the strmqcsv command to complete and then try the operation again.

**AMQ8192 MQSeries command server already starting.**

**Explanation:** The request to start the MQSeries command server was unsuccessful because the MQSeries command server is already starting.

**User action:** Wait for the strmqcsv command to complete.

**AMQ8193 MQSeries command server is ending.**

**Explanation:** The MQSeries command server is ending.

**User action:** Wait for the endmqcsv command to complete and then try the command again.

**AMQ8194 MQSeries command server already ending.**

**Explanation:** The end MQSeries command server request was unsuccessful because the MQSeries command server is already ending.

**User action:** Wait for the endmqcsv command to complete.

**AMQ8195 MQSeries command server already running.**

**Explanation:** The strmqcsv command was unsuccessful because the MQSeries command server is already running.

**User action:** None.

**AMQ8196 MQSeries command server already stopped.**

**Explanation:** The request to end the MQSeries command server was unsuccessful because the MQSeries command server is already stopped.

**User action:** None.

**AMQ8197 Deleted MQSeries queue damaged.**

**Explanation:** The deleted MQSeries queue &5 was damaged, and any messages it contained have been lost.

**User action:** None.

**AMQ8226 MQSeries channel already exists.**

**Explanation:** MQSeries channel &3 cannot be created because it already exists.

**User action:** Check that the name is correct and try the command again specifying REPLACE, or delete the MQSeries channel and then try the command again.

**AMQ8227 Channel &3 not found.**

**Explanation:** ALTER CHANNEL has been issued for a non-existent channel.

**User action:** Correct the MQSeries channel name and then try the command again.

**AMQ8296 &4 MQSC commands completed successfully.**

**Explanation:** The &1 command has completed successfully. The &4 MQSeries commands from &5 have been processed without error and a report written to the printer spool file.

**User action:** None.

**AMQ8297 &4 MQSC commands verified successfully.**

**Explanation:** The &1 command completed successfully.

The &4 MQSeries commands from &5 have been verified and a report written to the printer spool file.

**User action:** None.

**AMQ8298 Error report generated for MQSC command process.**

**Explanation:** The &1 command attempted to process the sequence of MQSeries commands from &5 and encountered some errors, however, the operation may have partially completed. A report has been written to the printer spool file.

**User action:** Examine the spooled printer file for details of the errors encountered, correct the MQSC source file, and retry the operation.

**AMQ8299 Cannot open &5 for MQSC process.**

**Explanation:** The &1 command failed to open &5 for MQSeries command processing.

**User action:** Check that the intended file exists, and has been specified correctly. Correct the specification or create the object, and try the operation again.

**AMQ8302 Internal failure initializing MQSeries services.**

**Explanation:** An error occurred while attempting to initialize MQSeries services.

**AMQ8303 Insufficient storage available to process request.****AMQ8304 Tracing cannot be started. Too many traces are already running.**

**Explanation:**

**User action:** Stop one or more of the other traces and try the command again.

**AMQ8401 &1 MQSC commands read.**

**Explanation:** The MQSC script contains &1 commands.

**User action:** None.

**AMQ8402 &1 commands have a syntax error.**

**Explanation:** The MQSC script contains &1 commands having a syntax error.

**User action:** None.

**AMQ8403 &1 commands cannot be processed.**

**Explanation:** The MQSC script contains &1 commands that failed to process.

**User action:** None.

**AMQ8404 Command failed.**

**Explanation:** An MQSC command has been recognized, but cannot be processed.

**User action:** None.

**AMQ8405 Syntax error detected at or near end of command segment below:-**

**Explanation:** The MQSC script contains &1 commands having a syntax error.

**User action:** None.

**AMQ8406 Unexpected 'end of input' in MQSC.**

**Explanation:** An MQSC command contains a continuation character, but the 'end of input' has been reached without completing the command.

**User action:** None.

**AMQ8407 Display Process details.**

**Explanation:** The MQSC DISPLAY PROCESS command completed successfully, and details follow this message.

**User action:** None.

**AMQ8408 Display Queue Manager details.**

**Explanation:** The MQSC DISPLAY QMGR command completed successfully, and details follow this message.

**User action:** None.

**AMQ8409 Display Queue details.**

**Explanation:** The MQSC DISPLAY QUEUE command completed successfully, and details follow this message.

**User action:** None.

**AMQ8410 Parser error.**

**Explanation:** The MQSC Parser has an internal error.

**User action:** None.

**AMQ8411 Duplicate Keyword error.**

**Explanation:** A command in the MQSC script contains duplicate keywords.

**User action:** None.

**AMQ8412 Numeric Range error.**

**Explanation:** The value assigned to an MQSC command keyword is out of the permitted range.

**User action:** None.

**AMQ8413 String Length Error.**

**Explanation:** A string assigned to an MQSC keyword is either NULL, or longer than the maximum permitted for that keyword.

**User action:** None.

**AMQ8414 Display Channel details.**

**Explanation:** The MQSC DISPLAY CHL command completed successfully, and details follow this message.

**User action:** None.

**AMQ8415 MQSeries commands are active.**

**Explanation:** The MQSC DISPLAY QMGR command completed successfully, and details follow this message.

**User action:** None.

**AMQ8416 MQSC timed out waiting for a response from the command server.**

**Explanation:** MQSC did not receive a response message from the remote command server in the time specified.

**User action:** None.

**AMQ8417 Display Channel Status details.**

**Explanation:** The MQSC DISPLAY CHANNEL STATUS command completed successfully, and details follow this message.

**User action:** None.

**AMQ8418 &1 command responses received.**

**Explanation:** Running in queued mode, &1 command responses were received from the remote command server.

**User action:** None.

**AMQ8419 The Queue is already in the DCE cell.**

**Explanation:** The Queue is already in the cell, that is, its SCOPE attribute is already CELL.

**User action:** None.

**AMQ8420 Channel Status not found.**

**Explanation:** No status was found for the specified channel(s).

**User action:** None.

**AMQ8421 A required keyword was not specified.**

**Explanation:** A keyword required in this command was not specified.

**User action:** None.

**AMQ8424 Error detected in a name keyword.**

**Explanation:** A keyword in an MQSC command contained a name string which was not valid. This may be because it contained characters which are not accepted in MQ names. Typical keywords which can produce this error are QLOCAL (and the other q types), CHANNEL, XMITQ, INITQ, MCANAME etc.

**User action:** None.

**AMQ8498 Starting MQSeries Commands.**

**Explanation:** The MQSC script contains &1 commands.

**User action:** None.

**AMQ8499 Usage: runmqsc -e“ -v“ -w WaitTime“ -x“ QMgrName**

**Explanation:** None.

**User action:** None.

**AMQ8500 MQSeries Display MQ Files**

**Explanation:** Title for the dspmqfls command.

**User action:** None.

---

**AMQ8501 Common services initialization failed with return code &1.**

**Explanation:** A request by the command server to initialize common services failed with return code &1.  
**User action:** None.

---

**AMQ8502 Connect shared memory failed with return code &1.**

**Explanation:** A request by the command server to connect shared memory failed with return code &1.  
**User action:** None.

---

**AMQ8503 Post event semaphore failed with return code &1.**

**Explanation:** A request by the command server to post an event semaphore failed with return code &1.  
**User action:** None.

---

**AMQ8504 Command server MQINQ failed with reason code &1.**

**Explanation:** An MQINQ request by the command server, for the MQSeries queue &3, failed with reason code &1.  
**User action:** None.

---

**AMQ8505 Reallocate memory failed with return code &1.**

**Explanation:** A request by the command server to reallocate memory failed with return code &1.  
**User action:** None.

---

**AMQ8506 Command server MQGET failed with reason code &1.**

**Explanation:** An MQGET request by the command server, for the MQSeries queue &3, failed with reason code &1.  
**User action:** None.

---

**AMQ8507 Command server MQPUT1 request for an undelivered message failed with reason code &1.**

**Explanation:** An attempt by the command server to put a message to the dead-letter queue, using MQPUT1, failed with reason code &1. The MQDLH reason code was &2.  
**User action:** None.

---

**AMQ8508 Queue Manager Delete Object List failed with return code &1.**

**Explanation:** A request by the command server to delete a queue manager object list failed with return code &1.  
**User action:** None.

---

**AMQ8509 Command server MQCLOSE reply-to queue failed with reason code &1.**

**Explanation:** An MQCLOSE request by the command server for the reply-to queue failed with reason code &1.  
**User action:** None.

---



---

**AMQ8511 Usage: strmqcsv QMgrName**

**AMQ8512 Usage: endmqcsv [-c | -i] QMgrName**

**AMQ8513 Usage: dspmqcsv QMgrName**

**AMQ8514 No response received after &1 seconds.**

**Explanation:** The command server has not reported the status of running, to the start request, before the timeout of &1 seconds was reached.

**User action:** None.

---

**AMQ8601 MQSeries trigger monitor started.**

**Explanation:** The MQSeries trigger monitor has been started.

**User action:** None.

---

**AMQ8602 MQSeries trigger monitor ended.**

**Explanation:** The MQSeries trigger monitor has ended.

**User action:** None.

---

**AMQ8603 Usage: runmqtrm [-m QMgrName] [-q InitQ]**

**AMQ8604 Use of MQSeries trigger monitor not authorized.**

**Explanation:** The MQSeries trigger monitor cannot be run due to lack of authority to the requested queue manager or initiation queue.

**User action:** Obtain the necessary authority from your security officer or MQSeries administrator. Then try the command again.

---

**AMQ8605 Queue manager not available to the MQSeries trigger monitor**

**Explanation:** The queue manager specified for the trigger monitor does not exist, or is not active.

**User action:** Check that you named the correct queue manager. Ask your systems administrator to start it, if it is not active. Then try the command again.

---

**AMQ8606 Insufficient storage available for the MQSeries trigger monitor.**

**Explanation:** There was insufficient storage available for the MQSeries trigger monitor to run.

**User action:** Free some storage and then try the command again.

---

**AMQ8607 MQSeries trigger monitor connection failed.**

**Explanation:** The trigger monitor's connection to the requested queue manager failed because of MQI reason code &1 from MQCONN.

**User action:** Consult your systems administrator about the state of the queue manager.

---

**AMQ8608 MQSeries trigger monitor connection broken.**

**Explanation:** The connection to the queue manager failed while the trigger monitor was running. This may be caused by an endmqm command being issued by another user, or by an MQSeries queue manager error.

**User action:** Consult your systems administrator about the state of the queue manager.

---

**AMQ8609 Initiation queue missing or wrong type**

**Explanation:** The named initiation queue could not be found; or the queue type is not correct for an initiation queue.  
**User action:** Check that the named queue exists, and is a local queue, or that the named queue is an alias for a local queue which exists.

**AMQ8610 Initiation queue in use**

**Explanation:** The MQSeries trigger monitor could not open the initiation queue because the queue is open for exclusive use by another application.  
**User action:** Wait until the queue is no longer in use, and try the command again.

**AMQ8611 Initiation queue could not be opened.**

**Explanation:** The MQSeries trigger monitor could not open the initiation queue; reason code &1 was returned from MQOPEN.  
**User action:** Consult your systems administrator.

**AMQ8612 Waiting for a trigger message**

**Explanation:** The MQSeries trigger monitor is waiting for a message to arrive on the initiation queue.  
**User action:** None.

**AMQ8613 Initiation queue changed or deleted**

**Explanation:** The MQSeries trigger monitor is unable to continue because the initiation queue has been deleted or changed since it was opened.  
**User action:** Retry the command.

**AMQ8614 Initiation queue not enabled for input.**

**Explanation:** The MQSeries trigger monitor cannot read from the initiation queue because input is not enabled.  
**User action:** Ask your systems administrator to enable the queue for input.

**AMQ8615 MQSeries trigger monitor failed to get message.**

**Explanation:** The MQSeries trigger monitor failed because of MQI reason code &1 from MQGET.  
**User action:** Consult your systems administrator.

**AMQ8616 End of application trigger.**

**Explanation:** The action to trigger an application has been completed.  
**User action:** None.

**AMQ8617 Not a valid trigger message.**

**Explanation:** The MQSeries trigger monitor received a message that is not recognized.  
**User action:** Consult your systems administrator.

**AMQ8618 Error starting triggered application.**

**Explanation:** An error was detected when trying to start the application identified in a trigger message.  
**User action:** Check that the application the trigger monitor was trying to start is available.

**AMQ8619 Application type &1 not supported.**

**Explanation:** A trigger message was received which specifies application type &1; the trigger monitor does not support this type.  
**User action:** Use an alternative trigger monitor for this initiation queue.

**AMQ8620 Trigger message with warning &1**

**Explanation:** The trigger monitor received a message with a warning. For example, it may have been truncated or it could not be converted to the trigger monitor's data representation. The reason code for the warning is &1.  
**User action:** None.

**AMQ8621 Usage: runmqtmc [-m QMgrName] [-q InitQ]****AMQ8622 Usage: CICS-Transaction-Name [MQTMC2 structure]****AMQ8701 Usage: rcdmqimg [-z] [-m QMgrName] -t ObjType [GenericObjName]****AMQ8702 Usage: rcrmobj [-z] [-m QMgrName] -t ObjType [GenericObjName]****AMQ8703 Usage: dspmqfls [-m QMgrName] [-t ObjType] GenericObjName****AMQ8708 Dead letter queue handler started to process INPUTQ(&3).**

**Explanation:** The dead letter queue handler (runmqdlq) has been started and has parsed the input file without detecting any errors and is about to start processing the queue identified in the message.  
**User action:** None.

**AMQ8709 Dead letter queue handler ending.**

**Explanation:** The dead letter queue handler (runmqdlq) is ending because the WAIT interval has expired and there are no messages on the dead letter queue, or because the queue manager is shutting down, or because the dead letter queue handler has detected an error. If the dead letter queue handler has detected an error, an earlier message will have identified the error.  
**User action:** None.

**AMQ8721 Dead letter queue message not prefixed by a valid MQDLH.**

**Explanation:** The dead letter queue handler (runmqdlq) retrieved a message from the nominated dead letter queue, but the message was not prefixed by a recognizable MQDLH. This typically occurs because an application is writing directly to the dead letter queue but is not prefixing messages with a valid MQDLH. The message is left on the dead letter queue and the dead letter queue handler continues to process the dead letter queue. Each time the dead letter queue handler repositions itself to a position before this message to process messages that could not be processed on a previous scan it will reprocess the failing message and will consequently reissue this message.  
**User action:** Remove the invalid message from the dead letter queue. Do not write messages to the dead letter queue unless they have been prefixed by a valid MQDLH. If you require a dead letter queue handler that can process messages not prefixed by a valid MQDLH, you must change the sample program called amqsdlq to cater for your needs.

**AMQ8722 Dead letter queue handler unable to put message: Rule &1 Reason &2.**

**Explanation:** This message is produced by the dead letter queue handler when it is requested to redirect a message to another queue but is unable to do so. If the reason that the redirect fails is the same as the reason the message was put to the dead letter queue then it is assumed that no new error has occurred and no message is produced. The retry count for the message will be incremented and the dead letter queue handler will continue.

**User action:** Investigate why the dead letter queue handler was unable to put the message to the dead letter queue. The line number of the rule used to determine the action for the message should be used to help identify to which queue the dead letter queue handler attempted to PUT the message.

**AMQ8741 Unable to connect to queue manager(&3) : CompCode = &1 Reason = &2.**

**Explanation:** The dead letter queue handler (runmqdlq) could not connect to the requested queue manager. This message is typically issued when the requested queue manager has not been started or is quiescing, or if the process does not have sufficient authority. The completion code and the reason can be used to identify the error. The dead letter queue handler ends.

**User action:** Take appropriate action based upon the completion code and reason.

**AMQ8742 Unable to open queue manager: CompCode = &1 Reason = &2.**

**Explanation:** The dead letter queue handler (runmqdlq) could not open the queue manager object. This message is typically issued because of a resource shortage or because the process does not have sufficient authority. The completion code and the reason can be used to identify the error. The dead letter queue handler ends.

**User action:** Take appropriate action based upon the completion code and reason.

**AMQ8743 Unable to inquire on queue manager: CompCode = &1 Reason = &2.**

**Explanation:** The dead letter queue handler (runmqdlq) could not inquire on the queue manager. This message is typically issued because of a resource shortage or because the queue manager is ending. The completion code and the reason can be used to identify the error. The dead letter queue handler ends.

**User action:** Take appropriate action based upon the completion code and reason.

**AMQ8744 Unable to close queue manager: CompCode = &1 Reason = &2.**

**Explanation:** The dead letter queue handler (runmqdlq) could not close the queue manager. This message is typically issued because of a resource shortage or because the queue manager is ending. The completion code and the reason can be used to identify the error. The dead letter queue handler ends.

**User action:** Take appropriate action based upon the completion code and reason.

**AMQ8745 Unable to open dead letter queue(&3) for browse: CompCode = &1 Reason = &2.**

**Explanation:** The dead letter queue handler (runmqdlq) could not open the dead letter queue for browsing. This message is typically issued because another process has opened the dead letter queue for exclusive access, or because an invalid dead letter queue name was specified. Other possible reasons include resource shortages or insufficient authority. The completion code and the reason can be used to identify the error. The dead letter queue handler ends.

**User action:** Take appropriate action based upon the completion code and reason.

**AMQ8746 Unable to close dead letter queue: CompCode = &1 Reason = &2.**

**Explanation:** The dead letter queue handler (runmqdlq) could not close the dead letter queue. This message is typically issued because of a resource shortage or because the queue manager is ending. The completion code and the reason can be used to identify the error. The dead letter queue handler ends.

**User action:** Take appropriate action based upon the completion code and reason.

**AMQ8747 Integer parameter(&2) outside permissible range for &3 on line &1.**

**Explanation:** An integer supplied as input to the dead letter handler was outside of the valid range of values for a particular keyword.

**User action:** Correct the input data and restart the dead letter queue handler.

**AMQ8748 Unable to get message from dead letter queue: CompCode = &1 Reason = &2.**

**Explanation:** The dead letter queue handler (runmqdlq) could not get the next message from the dead letter queue. This message is typically issued because of the queue manager ending, a resource problem, or another process having deleted the dead letter queue. The completion code and the reason can be used to identify the error. The dead letter queue handler ends.

**User action:** Take appropriate action based upon the completion code and reason.

**AMQ8749 Unable to commit/backout action on dead letter queue: CompCode = &1 Reason**

**Explanation:** The dead letter queue handler (runmqdlq) was unable to commit or backout an update to the dead letter queue. This message is typically issued because of the queue manager ending, or because of a resource shortage. If the queue manager has ended, the update to the dead letter queue (and any associated updates) will be backed out when the queue manager restarts. If the problem was due to a resource problem then the updates will be backed out when the dead letter queue handler terminates. The completion code and the reason can be used to identify the error. The dead letter queue handler ends.

**User action:** Take appropriate action based upon the completion code and reason.

**AMQ8750 No valid input provided to runmqdlq.**

**Explanation:** Either no input was provided to runmqdlq, or the input to runmqdlq contained no valid message templates. If input was provided to runmqdlq but was found to be invalid, earlier messages will have been produced explaining the cause of the error. The dead letter queue handler will end.

**User action:** Correct the input data and restart the dead letter queue handler.

**AMQ8751 Unable to obtain private storage.**

**Explanation:** The dead letter queue handler (runmqdlq) was unable to obtain private storage. This problem would typically arise as a result of some more global problem. For example if there is a persistent problem that is causing messages to be written to the DLQ and the same problem (for example queue full) is preventing the dead letter queue handler from taking the requested action with the message, it is necessary for the dead letter queue handler to maintain a large amount of state data to remember the retry counts associated with each message, or if the dead letter queue contains a large number of messages and the rules table has directed the dead letter queue handler to ignore the messages.

**User action:** Investigate if some more global problem exists, and if the dead letter queue contains a large number of messages. If the problem persists contact your support center.

**AMQ8752 Parameter(&3) exceeds maximum length on line &1.**

**Explanation:** A parameter supplied as input to the dead letter handler exceeded the maximum length for parameters of that type.

**User action:** Correct the input data and restart the dead letter queue handler.

**AMQ8753 Duplicate parameter(&3) found on line &1.**

**Explanation:** Two or more parameters of the same type were supplied on a single input line to the dead letter queue handler.

**User action:** Correct the input and restart the dead letter queue handler.

**AMQ8756 Error detected releasing private storage.**

**Explanation:** The dead letter queue handler (runmqdlq) was informed of an error while attempting to release an area of private storage. The dead letter queue handler ends.

**User action:** This message should be preceded by a message or FFST information from the internal routine that detected the error. Take the action associated with the earlier error information.

**AMQ8757 Integer parameter(&3) outside permissible range on line &1.**

**Explanation:** An integer supplied as input to the dead letter handler was outside of the valid range of integers supported by the dead letter queue handler.

**User action:** Correct the input data and restart the dead letter queue handler.

**AMQ8758 &1 errors detected in input to runmqdlq.**

**Explanation:** One or more errors have been detected in the input to the dead letter queue handler(runmqdlq). Error messages will have been generated for each of these errors. The dead letter queue handler ends.

**User action:** Correct the input data and restart the dead letter queue handler.

**AMQ8759 Invalid combination of parameters to dead letter queue handler on line &1.**

**Explanation:** An invalid combination of input parameters has been supplied to the dead letter queue handler. Possible causes are:

no ACTION specified,  
ACTION(FWD) but no FWDQ specified,  
HEADER(YES|NO) specified without ACTION(FWD).

**User action:** Correct the input data and restart the dead letter queue handler.

**AMQ8760 Unexpected failure while initializing process: Reason = &1.**

**Explanation:** The dead letter queue handler (runmqdlq) could not perform basic initialization required to use MQ services because of an unforeseen error. The dead letter queue handler ends.

**User action:** Use the standard facilities supplied with your system to record the problem identifier and to save the generated output files. Contact your support center. Do not discard these files until the problem has been resolved.

**AMQ8761 Unexpected failure while connecting to queue manager: CompCode = &1 Reason**

**Explanation:** The dead letter queue handler (runmqdlq) could not connect to the requested queue manager because of an unforeseen error. The dead letter queue handler ends.

**User action:** Use the standard facilities supplied with your system to record the problem identifier and to save the generated output files. Contact your support center. Do not discard these files until the problem has been resolved.

**AMQ8762 Unexpected error while attempting to open queue manager: CompCode = &1 Reason = &2.**

**Explanation:** The dead letter queue handler (runmqdlq) could not open the queue manager because of an unforeseen error. The completion code and the reason can be used to identify the error. The dead letter queue handler ends.

**User action:** Use the standard facilities supplied with your system to record the problem identifier and to save the generated output files. Contact your support center. Do not discard these files until the problem has been resolved.

**AMQ8763 Unexpected error while inquiring on queue manager: CompCode = &1 Reason = &**

**Explanation:** The dead letter queue handler (runmqdlq) could not inquire on the queue manager because of an unforeseen error. The completion code and the reason can be used to identify the error. The dead letter queue handler ends.

**User action:** Use the standard facilities supplied with your system to record the problem identifier and to save the generated output files. Contact your support center. Do not discard these files until the problem has been resolved.

---

**AMQ8764 Unexpected error while attempting to close queue manager: CompCode = &1 Reason = &2.**

**Explanation:** The dead letter queue handler (runmqdlq) could not close the queue manager because of an unforeseen error. The completion code and the reason can be used to identify the error. The dead letter queue handler ends.

**User action:** Use the standard facilities supplied with your system to record the problem identifier and to save the generated output files. Contact your support center. Do not discard these files until the problem has been resolved.

---

**AMQ8765 Unexpected failure while opening dead letter queue for browse: CompCode = &1 Reason = &2.**

**Explanation:** The dead letter queue handler (runmqdlq) could not open the dead letter queue for browsing because of an unforeseen error. The completion code and the reason can be used to identify the error. The dead letter queue handler ends.

**User action:** Use the standard facilities supplied with your system to record the problem identifier and to save the generated output files. Contact your support center. Do not discard these files until the problem has been resolved.

---

**AMQ8766 Unexpected error while closing dead letter queue: CompCode = &1 Reason = &2**

**Explanation:** The dead letter queue handler (runmqdlq) could not close the dead letter queue because of an unforeseen error. The completion code and the reason can be used to identify the error. The dead letter queue handler ends.

**User action:** Use the standard facilities supplied with your system to record the problem identifier and to save the generated output files. Contact your support center. Do not discard these files until the problem has been resolved.

---

**AMQ8767 Unexpected error while getting message from dead letter queue: CompCode = &1 Reason = &2.**

**Explanation:** The dead letter queue handler (runmqdlq) could not get the next message from the dead letter queue because of an unforeseen error. The completion code and the reason can be used to identify the error. The dead letter queue handler ends.

**User action:** Use the standard facilities supplied with your system to record the problem identifier and to save the generated output files. Contact your support center. Do not discard these files until the problem has been resolved.

---

**AMQ8768 Unexpected error committing/backing out action on dead letter queue: CompCode = &1 Reason = &2.**

**Explanation:** The dead letter queue handler (runmqdlq) was unable to either commit or backout an update to the dead letter queue because of an unforeseen error. The completion code and the reason can be used to identify the error. The dead letter queue handler ends.

**User action:** Use the standard facilities supplied with your system to record the problem identifier and to save the generated output files. Contact your support center. Do not discard these files until the problem has been resolved.

---

**AMQ8769 Unable to disconnect from queue manager: CompCode = &1 Reason = &2.**

**Explanation:** The dead letter queue handler (runmqdlq) was unable to disconnect from the queue manager because of an unexpected error. The completion code and the reason can be used to identify the error. The dead letter queue handler ends.

**User action:** Use the standard facilities supplied with your system to record the problem identifier and to save the generated output files. Contact your support center. Do not discard these files until the problem has been resolved.



## Remote messages

---

### AMQ9001 Channel program ended normally.

**Explanation:** Channel program '&3' ended normally.

**User action:** None.

---

### AMQ9002 Channel program started.

**Explanation:** Channel program '&3' started.

**User action:** None.

---

### AMQ9181 The response set by the exit is not valid.

**Explanation:** The user exit '&3' returned a response code '&1' that is not valid in the ExitResponse field of the channel exit parameters (MQCXP). Message AMQ9190 is issued giving more details, and the channel stops.

**User action:** Investigate why the user exit program set a response code that is not valid.

---

### AMQ9182 The secondary response set by the exit is not valid.

**Explanation:** The user exit '&3' returned a secondary response code '&1' in the ExitResponse2 field of the channel exit parameters (MQCXP) that is not valid. Message AMQ9190 is issued giving more details, and the channel stops.

**User action:** Investigate why the user exit program set a secondary response code that is not valid.

---

### AMQ9184 The exit buffer address set by the exit is not valid.

**Explanation:** The user exit '&3' returned an address '&1' for the exit buffer that is not valid, when the secondary response code in the ExitResponse2 field of the channel exit parameters (MQCXP) is set to MQXR2\_USE\_EXIT\_BUFFER. Message AMQ9190 is issued giving more details, and the channel stops.

**User action:** Investigate why the user exit program set an exit buffer address that is not valid. The most likely cause is the failure to set a value, so that the value is 0.

---

### AMQ9189 The data length set by the exit is not valid.

**Explanation:** The user exit '&3' returned a data length value '&1' that was not greater than zero. Message AMQ9190 is issued giving more details, and the channel stops.

**User action:** Investigate why the user exit program set a data length that is not valid.

---

### AMQ9190 Channel stopping because of an error in the exit.

**Explanation:** The user exit '&3', invoked for channel '&4' with id '&1' and reason '&2', returned values that are not valid, as reported in the preceding messages. The channel stops.

**User action:** Investigate why the user exit program set values that are not valid.

---

### AMQ9196 Data length is larger than the agent buffer length.

**Explanation:** The data length '&1' set by exit '&3' is larger than the agent buffer length. The user exit returned data in the supplied agent buffer, but the length specified is greater than the length of the buffer. Message AMQ9190 is issued giving more details, and the channel stops.

**User action:** Investigate why the user exit program set a data length that is not valid..

---

### AMQ9197 Data length is larger than the exit buffer length.

**Explanation:** The data length '&1' set by exit '&3' is larger than the exit buffer length. The user exit returned data in the supplied exit buffer, but the length specified is greater than the length of the buffer. Message AMQ9190 is issued giving more details, and the channel stops.

**User action:** Investigate why the user exit program set a data length that is not valid.

---

### AMQ9201 Allocate failed to host '&3'.

**Explanation:** The attempt to allocate a conversation using &4 to host '&3' was not successful.

**User action:** The error may be due to an incorrect entry in the &4 parameters contained in the channel definition to host '&3'. Correct the error and try again. If the error persists, record the error values and contact your systems administrator. The return code from &4 was &1 (X'&2'). It may be possible that the listening program at host '&3' is not running. If this is the case, perform the relevant operations to start the listening program for protocol &4 and try again.

---

### AMQ9202 Remote host '&3' not available, retry later.

**Explanation:** The attempt to allocate a conversation using &4 to host '&3' was not successful. However the error may be a transitory one and it may be possible to successfully allocate a &4 conversation later.

**User action:** Try the connection again later. If the failure persists, record the error values and contact your systems administrator. The return code from &4 is &1 (X'&2'). The reason for the failure may be that this host cannot reach the destination host. It may also be possible that the listening program at host '&3' was not running. If this is the case, perform the relevant operations to start the &4 listening program, and try again.

---

### AMQ9203 A configuration error for &4 occurred.

**Explanation:** Allocation of a &4 conversation to host '&3' was not possible.

**User action:** The configuration error may be one of the following: 1. If the communications protocol is LU6.2, it may be that one of the transmission parameters (Mode, or TP Name) is incorrect. Correct the error and try again. The mode name should be the same as the mode defined on host &3. The TP name on &3 should be defined. 2. If the communications protocol is LU6.2, it may be that an LU6.2 session has not been established. Contact your systems administrator. 3. If the communications protocol is TCP/IP, it may be that the host name specified is incorrect. Correct the error and try again. 4. If the communications protocol is TCP/IP, it may be that the host name specified cannot be resolved to a network address. The host name may not be in the nameserver. The return code from &4 is &1 (X'&2'). Record the error values and tell the system administrator.

---

**AMQ9204 Connection to host '&3' rejected.**

**Explanation:** Connection to host '&3' over &4 was rejected.  
**User action:** The remote system might not be configured to allow connections from this host. Check the &4 listener program has been started on host '&3'. If the conversation uses LU6.2, it is possible that either the userid or password supplied to the remote host is incorrect. If the conversation uses TCP/IP, it is possible that the remote host does not recognize the local host as a valid host. The return code from &4 is &1 X('&2'). Record the values and tell the systems administrator.

---

**AMQ9205 The host name supplied is not valid.**

**Explanation:** The supplied &4 host name '&3' could not be resolved into a network address. Either the name server does not contain the host, or the name server was not available.  
**User action:** Check the &4 configuration on your host.

---

**AMQ9206 Error on send to host '&3'.**

**Explanation:** An error occurred sending data over &4 to '&3'. This may be due to a communications failure.  
**User action:** Record the value &1 and the return code &4 and tell your systems administrator.

---

**AMQ9207 The data received from host '&3' is not valid.**

**Explanation:** Incorrect data format received from host '&3' over &4. It may be that an unknown host is attempting to send data. An FFST file has been generated containing the invalid data received.  
**User action:** Tell the systems administrator.

---

**AMQ9208 Error on receive from host '&3'.**

**Explanation:** An error occurred receiving data from '&3' over &4. This may be due to a communications failure.  
**User action:** Record the &4 return code &1 (X'&2') and tell the systems administrator.

---

**AMQ9209 Connection to host '&3' closed.**

**Explanation:** An error occurred receiving data from '&3' over &4. The connection to the remote host has unexpectedly terminated.  
**User action:** Tell the systems administrator.

---

**AMQ9210 Remote attach failed.**

**Explanation:** There was an incoming attach from a remote host but the local host could not complete the bind.  
**User action:** Record the &4 return code &1 (X'&2') and tell the systems administrator who should check the &4 configuration.

---

**AMQ9211 Error allocating storage.**

**Explanation:** The program was unable to obtain enough storage.  
**User action:** Stop some programs which are using storage and retry the operation. If the problem persists contact your Systems Administrator.

---

**AMQ9212 A TCP/IP socket could not be allocated.**

**Explanation:** A TCP/IP socket could not be created, possibly because of a storage problem.  
**User action:** Try the program again. If the failure persists record the value &1 and tell the systems administrator.

---



---

**AMQ9213 A communications error for &4 occurred.**

**Explanation:** An unexpected error occurred in communications.  
**User action:** The return code from the &4&3 call was &1 (X'&2'). Record these values and tell the systems administrator.

---

**AMQ9214 Attempt to use an unsupported communications protocol.**

**Explanation:** An attempt was made to use an unsupported communications protocol type &2.  
**User action:** Check the channel definition file. It may be that the communications protocol entered is not a currently supported one.

---

**AMQ9215 Communications subsystem unavailable.**

**Explanation:** An attempt was made to use the communications subsystem, but it has not been started.  
**User action:** Start the communications subsystem, and rerun the program.

---

**AMQ9216 Usage: &3 [-m QMgrName] [-n TPName]**

**Explanation:** Values passed to the responder channel program are not valid. The parameter string passed to this program is as follows :- [-m QMgrName] [-n TPName] Default values will be used for parameters not supplied.  
**User action:** Correct the parameters passed to the Channel program and retry the operation.

---

**AMQ9217 The TCP/IP listener program could not be started.**

**Explanation:** An attempt was made to start a new instance of the listener program, but the program was rejected.  
**User action:** The failure could be because either the subsystem has not been started (in this case you should start the subsystem), or there are too many programs waiting (in this case you should try to start the listener program later).

---

**AMQ9218 The TCP/IP listener program could not bind to port number &1.**

**Explanation:** An attempt to bind the TCP/IP socket to the listener port was unsuccessful.  
**User action:** The failure could be due to another program using the same port number. Record the return code &2 from the bind and tell the systems administrator.

---

**AMQ9219 The TCP/IP listener program could not create a new connection for the incoming conversation.**

**Explanation:** An attempt was made to create a new socket because an attach request was received, but an error occurred.  
**User action:** The failure may be transitory, try again later. If the problem persists, record the return code &1 and tell the systems administrator. It may be necessary to free some jobs, or restart the communications system.

---

---

**AMQ9220 The &4 communications program could not be loaded.**

**Explanation:** The attempt to load the &4 library or procedure '&3' failed with error code &1.

**User action:** Either the library must be installed on the system or the environment changed to allow the program to locate it.

---

**AMQ9221 Unrecognized protocol was specified.**

**Explanation:** The specified value of '&3' was not recognized as one of the protocols supported.

**User action:** Correct the parameter and retry the operation.

---

**AMQ9222 Cannot find the configuration file.**

**Explanation:** The configuration file '&3' cannot be found. This file contains default definitions for communication parameters. Default values will be used.

**User action:** None.

---

**AMQ9223 Enter a protocol type.**

**Explanation:** The operation you are performing requires that you enter the type of protocol.

**User action:** Add the protocol parameter and retry the operation.

---

**AMQ9224 Unexpected token detected.**

**Explanation:** On line &1 of the INI file keyword '&3' was read when a keyword was expected.

**User action:** Correct the file and retry the operation.

---

**AMQ9225 File syntax error.**

**Explanation:** A syntax error was detected on line &1 while processing the INI file.

**User action:** Correct the problem and retry the operation.

---

**AMQ9226 Usage: &3 [-m QMgrName] -t (TCP | LU62 | NETBIOS) [ProtocolOptions]**

**Explanation:** Values passed to the listener program are invalid. The parameter string passed to this program is as follows :- [-m QMgrName] ( -t TCP [-p Port] | -t LU62 [-n TPName] | -t NETBIOS [-l LocalName] [-e Names] [-s Sessions] [-o Commands] [-a Adaptor] ) Default values will be used for parameters not supplied.

**User action:** Correct the parameters passed to the listener program and retry the operation.

---

**AMQ9227 &3 local host name not provided.**

**Explanation:**

**User action:** Add a local name to the configuration file and retry the operation.

---

**AMQ9228 The &4 responder program could not be started.**

**Explanation:** An attempt was made to start an instance of the responder program, but the program was rejected.

**User action:** The failure could be because either the subsystem has not been started (in this case you should start the subsystem), or there are too many programs waiting (in this case you should try to start the responder program later).

---

---

**AMQ9229 The application has been ended.**

**Explanation:** You have issued a request to end the application.

**User action:** None.

---

**AMQ9230 An unexpected &4 event occurred.**

**Explanation:** During the processing of network events, an unexpected event &1 occurred.

**User action:** None.

---

**AMQ9231 The supplied parameter is not valid.**

**Explanation:** The value of the &4 &5 parameter has the value '&3'. This value has either not been specified or has been specified incorrectly.

**User action:** Check value of the &5 parameter and correct it if necessary. If the fault persists, record the return code (&1,&2) and &4 and tell the systems administrator.

---

**AMQ9232 No &3 specified**

**Explanation:** The operation requires the specification of the &3 field.

**User action:** Specify the &3 and retry the operation.

---

**AMQ9233 Error creating Listener thread for &3.**

**Explanation:** The process attempted to create a new thread for an incoming connection.

**User action:** Contact the systems administrator.

---

**AMQ9235 The supplied Local LU was invalid.**

**Explanation:** The &4 Local LU name '&3' was invalid.

**User action:** Either the Local LU name was entered incorrectly or it was not in the &4 communications configuration. Correct the error and try again.

---

**AMQ9236 The supplied Partner LU was invalid.**

**Explanation:** The &4 Partner LU name '&3' was invalid.

**User action:** Either the Partner LU name was entered incorrectly or it was not in the &4 communications configuration. Correct the error and try again.

---

**AMQ9239 Usage: [-m QMgrName] -n TpName -g Gateway-name**

**Explanation:** Values passed to the listener program are not valid. The parameter string passed to this program is as follows :- [-m QMgrName] -n TpName -g Gateway-name Default values will be used for parameters not supplied.

**User action:** Correct the parameters passed to the listener program and retry the operation.

---

**AMQ9501 Usage: &3 [-m QMgrName] -c ChName.**

**Explanation:** Values passed to the channel program are not valid. The parameter string passed to this program is as follows :- [-m QMgrName] -c ChName Default values will be used for parameters not supplied.

**User action:** Correct the parameters passed to the Channel program and retry the operation.

---

**AMQ9502 Type of channel not suitable for action requested.**

**Explanation:** The operation requested cannot be performed on channel '&3'. Some operations are only valid for certain channel types. For example, you can only ping a channel from the end sending the message.

**User action:** Check whether the channel name is specified correctly. If it is check that the channel has been defined correctly.

**AMQ9503 Channel negotiation failed.**

**Explanation:** Channel '&3' between this machine and the remote machine could not be established due to a negotiation failure.

**User action:** Tell the systems administrator who should look at the log on the remote system for messages explaining the cause of the negotiation failure.

**AMQ9504 A protocol error was detected for channel '&3'.**

**Explanation:** During communications with the remote queue manager, the channel program detected a protocol error. The failure type was &1 with associated data of &2.

**User action:** Contact the systems administrator who should examine the error logs to determine the cause of the failure.

**AMQ9505 Channel sequence number wrap values are different.**

**Explanation:** The sequence number for channel '&3' is &1, but the value specified at the remote location is &2. The two values must be the same before the channel can be started.

**User action:** Change either the local or remote channel definitions so that the values specified for the message sequence number wrap values are the same.

**AMQ9506 Message receipt confirmation failed.**

**Explanation:** Channel '&3' has ended because the remote queue manager did not accept the last batch of messages.

**User action:** The error log for the channel at the remote site will contain an explanation of the failure. Contact the remote Systems Administrator to resolve the problem.

**AMQ9507 Channel '&3' is currently in-doubt.**

**Explanation:** The requested operation cannot complete because the channel is in-doubt with host '&4'.

**User action:** Examine the status of the channel, and either restart a channel to resolve the in-doubt state, or use the RESOLVE CHANNEL command to correct the problem manually.

**AMQ9508 Program cannot connect to the queue manager.**

**Explanation:** The connection attempt to queue manager '&4' failed with reason code &1.

**User action:** Ensure that the queue manager is available and operational.

**AMQ9509 Program cannot open queue manager object.**

**Explanation:** The attempt to open either the queue or queue manager object '&4' on queue manager '&5' failed with reason code &1.

**User action:** Ensure that the queue is available and retry the operation.

**AMQ9510 Messages cannot be retrieved from a queue.**

**Explanation:** The attempt to get messages from queue '&4' on queue manager '&5' failed with reason code &1.

**User action:** Ensure that the required queue is available and operational.

**AMQ9511 Messages cannot be put to a queue.**

**Explanation:** The attempt to put messages to queue '&4' on queue manager '&5' failed with reason code &1.

**User action:** Ensure that the required queue is available and operational.

**AMQ9512 Ping operation is not valid for channel '&3'.**

**Explanation:** Ping may only be issued for SENDER or SERVER channel types.

**User action:** If the local channel is a receiver channel, you must issue the ping from the remote queue manager.

**AMQ9513 Maximum number of channels reached.**

**Explanation:** The maximum number of channels that can be in use simultaneously has been reached.

**User action:** Either wait for some of the operating channels to close or use the stop channel command to close some channels. Retry the operation when some channels are available. The number of permitted channels is a configurable parameter in the queue manager configuration file.

**AMQ9514 Channel '&3' is in use.**

**Explanation:** The requested operation failed because channel '&3' is currently active.

**User action:** Either end the channel manually, or wait for it to close, and retry the operation.

**AMQ9515 Channel '&3' changed.**

**Explanation:** The statistics shown are for the channel requested, but it is a new instance of the channel. The previous channel instance has ended.

**User action:** None.

**AMQ9516 File error occurred.**

**Explanation:** The filesystem returned error code &1 for file '&3'.

**User action:** Record the name of the file '&3' and tell the systems administrator, who should ensure that file '&3' is correct and available.

**AMQ9517 File damaged.**

**Explanation:** The program has detected damage to the contents of file '&3'.

**User action:** Record the values and tell the systems administrator who must restore a saved version of file '&3'. The return code was '&1' and the record length returned was '&2'.

**AMQ9518 File '&3' not found.**

**Explanation:** The program requires that the file '&3' is present and available.

**User action:** Record the name of the file and tell the systems administrator who must ensure that file '&3' is available to the program.

**AMQ9519 Channel '&3' not found.**

**Explanation:** The requested operation failed because the program could not find a definition of channel '&3'.

**User action:** Check that the name is specified correctly and the channel definition is available.

**AMQ9520 Channel not defined remotely.**

**Explanation:** There is no definition of channel '&3' at the remote location.

**User action:** Add an appropriate definition to the remote hosts list of defined channels and retry the operation.

**AMQ9521 Host is not supported by this channel.**

**Explanation:** The connection across channel '&5' was refused because the remote host '&4' did not match the host '&3' specified in the channel definition.

**User action:** Update the channel definition, or remove the explicit mention of the remote machine connection name.

**AMQ9522 Error accessing the status table.**

**Explanation:** The program could not access the channel status table.

**AMQ9523 Remote host detected a protocol error.**

**Explanation:** During communications through channel '&3', the remote queue manager channel program detected a protocol error. The failure type was &1 with associated data of &2.

**User action:** Tell the systems administrator, who should examine the error files to determine the cause of the failure.

**AMQ9524 Remote queue manager unavailable.**

**Explanation:** Channel '&3' cannot start because the remote queue manager is not currently available.

**User action:** Either start the remote queue manager, or retry the operation later.

**AMQ9525 Remote queue manager is ending.**

**Explanation:** Channel '&3' is closing because the remote queue manager is ending.

**User action:** None.

**AMQ9526 Message sequence number error for channel '&3'.**

**Explanation:** The local and remote queue managers do not agree on the next message sequence number. A message with sequence number &1 has been sent when sequence number &2 was expected.

**User action:** Determine the cause of the inconsistency. It could be that the synchronization information has become damaged, or has been backed out to a previous version. If the situation cannot be resolved, the sequence number can be manually reset at the sending end of the channel using the RESET CHANNEL command.

**AMQ9527 Cannot send message through channel '&3'.**

**Explanation:** The channel has closed because the remote queue manager cannot receive a message.

**User action:** Contact the systems administrator who should examine the error files of the remote queue manager, to determine why the message cannot be received, and then restart the channel.

**AMQ9528 User requested closure of channel '&3'.**

**Explanation:** The channel is closing because of a request by the user.

**User action:** None.

**AMQ9529 Target queue unknown on remote host.**

**Explanation:** Communication using channel '&3' has ended because the target queue for a message is unknown at the remote host.

**User action:** Ensure that the remote host contains a correctly defined target queue, and restart the channel.

**AMQ9530 Program could not inquire queue attributes.**

**Explanation:** The attempt to inquire the attributes of queue '&4' on queue manager '&5' failed with reason code &1.

**User action:** Ensure that the queue is available and retry the operation.

**AMQ9531 Transmission queue specification error.**

**Explanation:** Queue '&4' identified as a transmission queue in the channel definition '&3' is not a transmission queue.

**User action:** Ensure that the queue name is specified correctly. If so, alter the queue usage parameter of the queue to that of a transmission queue.

**AMQ9532 Program cannot set queue attributes.**

**Explanation:** The attempt to set the attributes of queue '&4' on queue manager '&5' failed with reason code &1.

**User action:** Ensure that the queue is available and retry the operation.

**AMQ9533 Channel '&3' is not currently active.**

**Explanation:** The channel was not stopped because it was not currently active.

**User action:** None.

**AMQ9534 Channel '&3' is currently not enabled.**

**Explanation:** The channel program ended because the channel is currently not enabled.

**User action:** Issue the START CHANNEL command to re-enable the channel.

**AMQ9535 User exit not valid.**

**Explanation:** Channel program '&3' ended because user exit '&4' is not valid.

**User action:** Ensure that the user exit is specified correctly in the channel definition, and that the user exit program is correct and available.

**AMQ9536 Channel ended by an exit.**

**Explanation:** Channel program '&3' was ended by exit '&4'.

**User action:** None.

**AMQ9537 Usage: &3 [-m QMgrName] [-q InitQ]**

**Explanation:** Values passed to the Channel initiator program are not valid. The parameter string passed to this program is as follows :- [-m QMgrName] [-q InitQ] Default values will be used for parameters not supplied.

**User action:** Correct the parameters passed to the program and retry the operation.

**AMQ9538 Commit control error.**

**Explanation:** An error occurred when attempting to start commitment control. Either exception '&3' was received when querying commitment status, or commitment control could not be started.

**User action:** Refer to the error log for other messages pertaining to this problem.

**AMQ9539 No channels available.**

**Explanation:** The channel initiator program received a trigger message to start an MCA program to process queue '&3'. The program could not find a defined, available channel to start.

**User action:** Ensure that there is a defined channel, which is enabled, to process the transmission queue.

**AMQ9540 Commit failed.**

**Explanation:** The program ended because return code &1 was received when an attempt was made to commit change to the resource managers. The commit ID was '&3'.

**User action:** Tell the systems administrator.

**AMQ9541 CCSID supplied for data conversion not supported.**

**Explanation:** The program ended because, either the source CCSID '&1' or the target CCSID '&2' is not valid, or is not currently supported.

**User action:** Correct the CCSID that is not valid, or ensure that the requested CCSID can be supported.

**AMQ9542 Queue manager is ending.**

**Explanation:** The program will end because the queue manager is quiescing.

**User action:** None.

**AMQ9543 Status table damaged.**

**Explanation:** The channel status table has been damaged.

**User action:** End all running channels and issue a DISPLAY CHSTATUS command to see the status of the channels. Use the standard facilities supplied with your system to record the problem identifier, and to save the generated output files. Contact your IBM support center. Do not discard these files until the problem has been resolved.

**AMQ9544 Messages written to the 'dead-letter queue'.**

**Explanation:** During the processing of channel '&3' one or more messages have been put to a dead-letter queue. The location of the messages is &1, where 1 is the local dead-letter queue and 2 is the remote dead-letter queue.

**User action:** Examine the contents of the dead-letter queue. Each message is contained in a structure that describes why the message was put to the queue, and to where it was originally addressed. The program identifier (PID) of the processing program was '&4'.

**AMQ9545 Disconnect interval expired.**

**Explanation:** Channel '&3' closed because no messages arrived on the transmission queue within the disconnect interval period.

**User action:** None.

**AMQ9546 Error return code received.**

**Explanation:** The program has ended because return code &1 was returned from an internal function.

**User action:** Correct the reason for the failure and retry the operation.

**AMQ9547 Type of remote channel not suitable for action requested.**

**Explanation:** The operation requested cannot be performed because channel '&3' on the remote machine is not of a suitable type. For example, if the local channel is defined as a sender the remote machine must define its channel as either a receiver or requester.

**User action:** Check that the channel name is specified correctly. If it is, check that the remote channel has been defined correctly.

**AMQ9548 Message put to the 'dead-letter queue'.**

**Explanation:** During processing a message has been put to the dead-letter queue.

**User action:** Examine the contents of the dead-letter queue. Each message is contained in a structure that describes why the message was put to the queue, and to where it was originally addressed.

**AMQ9549 Transmission Queue '&3' inhibited for MQGET.**

**Explanation:** An MQGET failed because the transmission queue had been previously inhibited for MQGET.

**User action:** None.

**AMQ9550 Channel program &3 cannot be stopped at this time.**

**Explanation:** The channel program is currently busy and cannot be stopped at the moment.

**User action:** Issue the STOP CHANNEL command again at a later time.

**AMQ9551 Protocol not supported by remote host**

**Explanation:** The operation you are performing over Channel '&3' to the host at '&4' is not supported by the target host.

**User action:** Check that the connection name parameter is specified correctly and that the levels of the products in use are compatible.

**AMQ9552 Security flow not received.**

**Explanation:** During communications through channel '&3' the local security exit requested security data from the remote machine. The security data has not been received so the channel has been closed.

**User action:** Tell the systems administrator who should ensure that the security exit on the remote machine is defined correctly.

**AMQ9553 Not supported.**

**Explanation:** The command or function attempted is not currently supported on this platform.

**User action:** None.

**AMQ9554 User not authorized.**

**Explanation:** You are not authorized to perform the Channel operation.

**User action:** Tell the systems administrator who should ensure that the correct access permissions are available to you, and then retry the operation.

**AMQ9555 File format error.**

**Explanation:** The file '&3' does not have the expected format.

**User action:** Ensure that the file name is specified correctly.

**AMQ9556 Channel synchronization file missing or damaged.**

**Explanation:** The channel synchronization file '&3' is missing or does not correspond to the stored channel information for queue manager '&4'.

**User action:** Rebuild the synchronization file using the rcrmjobj command rcrmjobj -t syncfile (-m q-mgr-name)

**AMQ9557 Queue Manager UserID initialization failed.**

**Explanation:** The call to initialize the user ID failed with CompCode &1 and Reason &2.

**User action:** Correct the error and try again.

**AMQ9558 Remote Channel is not currently available.**

**Explanation:** The channel program ended because the channel '&3' is not currently available on the remote system. This could be because the channel is disabled or that the remote system does not have sufficient resources to run a further channel.

**User action:** Check the remote system to ensure that the channel is available to run and retry the operation.

**AMQ9560 Rebuild Synchronization File - program started**

**Explanation:** Rebuilding the Synchronization file for Queue Manager '&3'.

**User action:** None.

**AMQ9561 Rebuild Synchronization File - program completed normally**

**Explanation:** Rebuild Synchronization File program completed normally.

**User action:** None.

**AMQ9562 Synchronization file in use.**

**Explanation:** The Synchronization file '&3' is in use and cannot be recreated.

**User action:** Stop any channel activity and retry the rcrmjobj command.

**AMQ9563 Synchronization file cannot be deleted**

**Explanation:** The filesystem returned error code &1 for file '&3'.

**User action:** Tell the systems administrator who should ensure that file '&3' is available and not in use.

**AMQ9564 Synchronization File cannot be created**

**Explanation:** The filesystem returned error code &1 for file '&3'.

**User action:** Tell the systems administrator.

**AMQ9565 No dead-letter queue defined.**

**Explanation:** The queue manager '&4' does not have a defined dead-letter queue.

**User action:** Either correct the problem that caused the program to try and write a message to the dead-letter queue or create a dead-letter queue for the queue manager.

**AMQ9566 Invalid MQSERVER value**

**Explanation:** The value of the MQSERVER environment variable was '&3'. The variable should be in the format 'ChannelName/Protocol/ConnectionName'.

**User action:** Correct the MQSERVER value and retry the operation.

**AMQ9572 Message header is not valid.**

**Explanation:** Channel '&3' is stopping because a message header is not valid. During the processing of the channel, a message was found that has a header that is not valid. The dead-letter queue has been defined as a transmission queue, so a loop would be created if the message had been put there.

**User action:** Correct the problem that caused the message to have a header that is not valid.

**AMQ9573 Maximum number of active channels reached.**

**Explanation:** There are too many channels active to start another. The current defined maximum number of active channels is &1.

**User action:** Either wait for some of the operating channels to close or use the stop channel command to close some channels. Retry the operation when some channels are available. The maximum number of active channels is a configurable parameter in the queue manager configuration file.

**AMQ9574 Channel &3 can now be started.**

**Explanation:** Channel &3 has been waiting to start, but there were no channels available because the maximum number of active channels was running. One, or more, of the active channels has now closed so this channel can start.

**User action:**

**AMQ9999 Channel program ended abnormally.**

**Explanation:** Channel program '&3' ended abnormally.

**User action:** Look at previous error messages for channel program '&3' in the error files to determine the cause of the failure.





---

## Appendix H. Notices

**The following paragraph does not apply to any country where such provisions are inconsistent with local law:**

INTERNATIONAL BUSINESS MACHINES CORPORATION PROVIDES THIS PUBLICATION "AS IS" WITHOUT WARRANTY OF ANY KIND, EITHER EXPRESS OR IMPLIED, INCLUDING, BUT NOT LIMITED TO, THE IMPLIED WARRANTIES OF MERCHANTABILITY OR FITNESS FOR A PARTICULAR PURPOSE. Some states do not allow disclaimer of express or implied warranties in certain transactions, therefore this statement may not apply to you.

References in this publication to IBM products, programs, or services do not imply that IBM intends to make these available in all countries in which IBM operates. Any reference to an IBM product, program, or service is not intended to state or imply that only that IBM product, program, or service may be used. Any functionally equivalent product, program, or service that does not infringe any of the intellectual property rights of IBM may be used instead of the IBM product, program, or service. The evaluation and verification of operation in conjunction with other products, except those expressly designated by IBM, are the responsibility of the user.

Licensees of this program who wish to have information about it for the purpose of enabling: (i) the exchange of information between independent created programs and other programs (including this one) and (ii) the mutual use of the information which has been exchanged, should contact Laboratory Counsel, Mail Point 151, IBM United Kingdom Laboratories, Hursley Park, Winchester, Hampshire SO21 2JN, England. Such information may be available, subject to appropriate terms and conditions, including in some cases, payment of a fee.

IBM may have patents or pending patent applications covering subject matter in this document. The furnishing of this document does not give you any license to these patents. You can send license inquiries, in writing, to the IBM Director of Licensing, 500 Columbus Avenue, Thornwood, New York 10594, U.S.A.

---

## Trademarks

The following terms are trademarks of the IBM Corporation in the United States, or other countries, or both:

400	IBM
AIX	AIX/6000
MQSeries	AS/400
MVS/ESA	NetView
CICS	OS/2
CICS/6000	Operating System/2
PS/2	RISC System/6000
SAA	

PC Direct is a trademark of Ziff Communications Company and is used by IBM Corporation under license.

UNIX is a registered trademark in the United States and other countries licensed exclusively through X/Open Company Limited.

C-bus is a trademark of Corollary, Inc.

Microsoft, Windows, and the Windows 95 Logo are trademarks of Microsoft Corporation.

SunOS is a trademark of Sun Microsystems Inc.

Other company, product, and service names, which may be denoted by a double asterisk (\*\*), may be trademarks or service marks of others.

---

## Part 4. Glossary and index



## Glossary of terms and abbreviations

This glossary defines MQSeries terms and abbreviations used in this book. If you do not find the term you are looking for, see the Index or the *IBM Dictionary of Computing*, New York: McGraw-Hill, 1994.

This glossary includes terms and definitions from the *American National Dictionary for Information Systems*, ANSI X3.172-1990, copyright 1990 by the American National Standards Institute (ANSI). Copies may be purchased from the American National Standards Institute, 11 West 42 Street, New York, New York 10036. Definitions are identified by the symbol (A) after the definition.

### A

**administrator commands.** MQSeries commands used to manage MQSeries objects, such as queues, processes, and namelists.

**alert.** A message sent to a management services focal point in a network to identify a problem or an impending problem.

**alias queue object.** An MQSeries object, the name of which is an alias for a base queue defined to the local queue manager. When an application or a queue manager uses an alias queue, the alias name is resolved and the requested operation is performed on the associated base queue.

**alternate user security.** A security feature in which the authority of one user ID can be used by another user ID, for example, to open an MQSeries object.

**APAR.** Authorized program analysis report.

**asynchronous messaging.** A method of communication between programs in which programs place messages on message queues. With asynchronous messaging, the sending program proceeds with its own processing without waiting for a reply to its message. Contrast with *synchronous messaging*.

**attribute.** One of a set of properties that defines the characteristics of an MQSeries object.

**authorization checks.** Security checks that are performed when a user tries to open an MQSeries object.

**authorization file.** In MQSeries on UNIX systems, a file that provides security definitions for an object, a class of objects, or all classes of objects.

**authorization service.** In MQSeries on UNIX systems, MQSeries for OS/2, and MQSeries for Windows NT, provides authority checking of commands and MQI calls for the user identifier associated with the command or call.

**authorized program analysis report (APAR).** A report of a problem caused by a suspected defect in a current, unaltered release of a program.

### B

**back out.** An operation that reverses all the changes made during the current unit of recovery or unit of work. After the operation is complete, a new unit of recovery or unit of work begins.

**basic mapping support (BMS).** An interface between CICS and application programs that formats input and output display data and routes multiple-page output messages without regard for control characters used by various terminals.

**BMS.** Basic mapping support.

**browse.** In message queuing, to use the MQGET call to copy a message without removing it from the queue. See also *get*.

**browse cursor.** In message queuing, an indicator used when browsing a queue to identify the message that is next in sequence.

### C

**call back.** In MQSeries, a requester message channel initiates a transfer from a sender channel by first calling the sender, then closing down and awaiting a call back.

**CCF.** Channel control function.

**CCSID.** Coded character set identifier.

**CDF.** Channel definition file.

**channel.** See *message channel*.

**channel control function (CCF).** In MQSeries, a program to move messages from a transmission queue to a communication link, and from a communication link to a local queue, together with an operator panel interface to allow the setup and control of channels.

**channel definition file (CDF).** In MQSeries, a file containing communication channel definitions that

## channel event • dead-letter queue (DLQ)

associate transmission queues with communication links.

**channel event.** An event that indicates that a channel instance has become available or unavailable. Channel events are generated on the queue managers at both ends of the channel.

**checkpoint.** (1) A time when significant information is written on the log. Contrast with *syncpoint*. (2) In MQSeries on UNIX systems, the point in time when a data record described in the log is the same as the data record in the queue. Checkpoints are generated automatically and are used during the system restart process.

**checkpoint.** A time when significant information is written on the log. Contrast with *syncpoint*.

**circular logging.** In MQSeries on UNIX systems, MQSeries for OS/2, and MQSeries for Windows NT, the process of keeping all restart data in a ring of log files. Logging fills the first file in the ring and then moves on to the next, until all the files are full. At this point, logging goes back to the first file in the ring and starts again, if the space has been freed or is no longer needed. Circular logging is used during restart recovery, using the log to roll back transactions that were in progress when the system stopped. Contrast with *linear logging*.

**client.** A run-time component that provides access to queuing services on a server for local user applications. The queues used by the applications reside on the server. See also *MQSeries client*.

**client application.** An application running on a workstation and linked to a client that gives the application access to queuing services on a server.

**client connection channel type.** The type of MQI channel definition associated with an MQSeries client. See also *server connection channel type*.

**coded character set identifier (CCSID).** The name of a coded set of characters and their code point assignments.

**command.** In MQSeries, an instruction that can be carried out by the queue manager.

**command prefix (CPF).** In MQSeries for MVS/ESA, a character string that identifies the queue manager to which MQSeries for MVS/ESA commands are directed, and from which MQSeries for MVS/ESA operator messages are received.

**command processor.** The MQSeries component that processes commands.

**command server.** The MQSeries component that reads commands from the system-command input queue, verifies them, and passes valid commands to the command processor.

**completion code.** A return code indicating how an MQI call has ended.

**configuration file.** In MQSeries on UNIX systems, MQSeries for OS/2, and MQSeries for Windows NT, a file that contains configuration information related to, for example, logs, communications, or installable services. Synonymous with *.ini file*. See also *stanza*.

**connect.** To provide a queue manager connection handle, which an application uses on subsequent MQI calls. The connection is made either by the MQCONN call, or automatically by the MQOPEN call.

**connection handle.** The identifier, or token, by which a program accesses the queue manager to which it is connected.

**context.** Information about the origin of a message.

**context security.** In MQSeries, a method of allowing security to be handled such that messages are obliged to carry details of their origins in the message descriptor.

**control command.** In MQSeries on UNIX systems, MQSeries for OS/2, and MQSeries for Windows NT, a command that can be entered interactively from the operating system command line. These commands require only that the MQSeries product be installed; they do not require a special utility or program to run them.

**controlled shutdown.** See *quiesced shutdown*.

## D

**data conversion interface (DCI).** The MQSeries interface to which customer- or vendor-written programs that convert application data between different machine encodings and CCSIDs must conform. A part of the MQSeries Framework.

**datagram.** The simplest message that MQSeries supports. This type of message does not require a reply.

**DCE.** Distributed Computing Environment.

**DCI.** Data conversion interface.

**dead-letter queue (DLQ).** A queue to which a queue manager or application sends messages that it cannot deliver to their correct destination.

**dead-letter queue handler.** An MQSeries-supplied utility that monitors a dead-letter queue (DLQ) and processes messages on the queue in accordance with a user-written rules table.

**default object.** A definition of an object (for example, a queue) with all attributes defined. If a user defines an object but does not specify all possible attributes for that object, the queue manager uses default attributes in place of any that were not specified.

**distributed application.** In message queuing, a set of application programs that can each be connected to a different queue manager, but that collectively constitute a single application.

**Distributed Computing Environment (DCE).** Middleware that provides some basic services, making the development of distributed applications easier. DCE is defined by the Open Software Foundation (OSF).

**distributed queue management.** In message queuing, the setup and control of message channels to queue managers on other systems.

**DLQ.** Dead-letter queue.

**dynamic queue.** A local queue that is created when a program opens a model queue object. See also *permanent dynamic queue* and *temporary dynamic queue*.

## E

**event.** See *channel event*, *instrumentation event*, *performance event*, and *queue manager event*.

**event data.** In an event message, the part of the message data that contains information about the event (such as the queue manager name, and the application that gave rise to the event). See also *event header*.

**event header.** In an event message, the part of the message data that identifies the event type of the reason code for the event.

**event message.** Contains information (such as the category of event, the name of the application that caused the event, and queue manager statistics) relating to the origin of an instrumentation event in a network of MQSeries systems.

**event queue.** The queue onto which the queue manager puts an event message after it detects an event. Each category of event (queue manager, performance, or channel event) has its own event queue.

## F

**FFST.** First Failure Support Technology.

**FIFO.** First-in-first-out.

**First Failure Support Technology (FFST).** Used by MQSeries on UNIX systems, MQSeries for OS/2, MQSeries for Windows NT, and MQSeries for OS/400 to detect and report software problems.

**first-in-first-out (FIFO).** A queuing technique in which the next item to be retrieved is the item that has been in the queue for the longest time. (A)

**Framework.** In MQSeries, a collection of programming interfaces that allow customers or vendors to write programs that extend or replace certain functions provided in MQSeries products. The interfaces are:

- MQSeries data conversion interface (DCI)
- MQSeries message channel interface (MCI)
- MQSeries name service interface (NSI)
- MQSeries security enabling interface (SEI)
- MQSeries trigger monitor interface (TMI)

## G

**get.** In message queuing, to use the MQGET call to remove a message from a queue. See also *browse*.

## H

**handle.** See *connection handle* and *object handle*.

## I

**immediate shutdown.** In MQSeries, a shutdown of a queue manager that does not wait for applications to disconnect. Current MQI calls are allowed to complete, but new MQI calls fail after an immediate shutdown has been requested. Contrast with *quiesced shutdown* and *preemptive shutdown*.

**ini file.** See *configuration file*.

**initiation queue.** A local queue on which the queue manager puts trigger messages.

**input/output parameter.** A parameter of an MQI call in which you supply information when you make the call, and in which the queue manager changes the information when the call completes or fails.

**input parameter.** A parameter of an MQI call in which you supply information when you make the call.

## installable services • message priority

**installable services.** In MQSeries on UNIX systems, MQSeries for OS/2, and MQSeries for Windows NT, additional functionality provided as independent components. The installation of each component is optional: in-house or third-party components can be used instead. See also *authorization service*, *name service*, and *user identifier service*.

**instrumentation event.** A facility that can be used to monitor the operation of queue managers in a network of MQSeries systems. MQSeries provides instrumentation events for monitoring queue manager resource definitions, performance conditions, and channel conditions. Instrumentation events can be used by a user-written reporting mechanism in an administration application that displays the events to a system operator. They also allow applications acting as agents for other administration networks to monitor reports and create the appropriate alerts.

## L

**linear logging.** In MQSeries on UNIX systems, MQSeries for OS/2, and MQSeries for Windows NT, the process of keeping restart data in a sequence of files. New files are added to the sequence as necessary. The space in which the data is written is not reused until the queue manager is restarted. Contrast with *circular logging*.

**listener.** In MQSeries distributed queuing, a program that monitors information about incoming network connections.

**local definition.** An MQSeries object that belongs to a local queue manager.

**local definition of a remote queue.** An MQSeries object that belongs to a local queue manager. This object defines the attributes of a queue that is owned by another queue manager. In addition, it is used for queue-manager aliasing and reply-to-queue aliasing.

**locale.** On UNIX systems, a subset of a user's environment that defines conventions for a specific culture (such as time, numeric, or monetary formatting and character classification, collation, or conversion). The queue manager CCSID is derived from the locale of the user ID that created the queue manager.

**local queue.** A queue that belongs to the local queue manager. A local queue can contain a list of messages waiting to be processed. Contrast with *remote queue*.

**local queue manager.** The queue manager to which a program is connected and that provides message queuing services to the program. Queue managers to which a program is not connected are called *remote queue managers*, even if they are running on the same system as the program.

**log.** In MQSeries, records the work done by queue managers while they receive, transmit, and deliver messages.

**log control file.** In MQSeries on UNIX systems, MQSeries for OS/2, and MQSeries for Windows NT, the file containing information needed to monitor the use of log files (for example, their size and location, and the name of the next available file).

**log file.** In MQSeries on UNIX systems, MQSeries for OS/2, and MQSeries for Windows NT, a file in which all significant changes to the data controlled by a queue manager are recorded. If the primary log files become full, MQSeries allocates secondary log files.

**logical unit of work (LUW).** See *unit of work*.

## M

**MCA.** Message channel agent.

**MCI.** Message channel interface.

**media image.** In MQSeries on UNIX systems, MQSeries for OS/2, and MQSeries for Windows NT, the sequence of log records that contain an image of an object. The object can be recreated from this image.

**message.** (1) In message queuing applications, a communication sent between programs. See also *persistent message* and *nonpersistent message*. (2) In system programming, information intended for the terminal operator or system administrator.

**message channel.** In distributed message queuing, a mechanism for moving messages from one queue manager to another. A message channel comprises two message channel agents (a sender and a receiver) and a communication link. Contrast with *MQI channel*.

**message channel agent (MCA).** A program that transmits prepared messages from a transmission queue to a communication link, or from a communication link to a destination queue.

**message channel interface (MCI).** The MQSeries interface to which customer- or vendor-written programs that transmit messages between an MQSeries queue manager and another messaging system must conform. A part of the MQSeries Framework.

**message descriptor.** Control information describing the message format and presentation that is carried as part of an MQSeries message. The format of the message descriptor is defined by the MQMD structure.

**message priority.** In MQSeries, an attribute of a message that can affect the order in which messages



on a queue are retrieved and whether a trigger event is generated.

**message queue.** Synonym for *queue*.

**message queue interface (MQI).** The programming interface provided by the MQSeries queue managers. This programming interface allows application programs to access message queuing services.

**message queuing.** A programming technique in which each program within an application communicates with the other programs by putting messages on queues.

**message sequence numbering.** A programming technique in which messages are given unique numbers during transmission over a communication link. This enables the receiving process to check whether all messages are received, to place them in a queue in the original order, and to discard duplicate messages.

**messaging.** See *synchronous messaging* and *asynchronous messaging*.

**model queue object.** A set of queue attributes that act as a template when a program creates a dynamic queue.

**MQI.** Message queue interface.

**MQI channel.** Connects an MQSeries client to a queue manager on a server system, and transfers only MQI calls and responses in a bidirectional manner. Contrast with *message channel*.

**MQSC.** MQSeries commands.

**MQSeries.** A family of IBM licensed programs that provides message queuing services.

**MQSeries client.** Part of an MQSeries product that can be installed on a system without installing the full queue manager. The MQSeries client accepts MQI calls from applications and communicates with a queue manager on a server system.

**MQSeries commands (MQSC).** Human readable commands, uniform across all platforms, that are used to manipulate MQSeries objects. Contrast with *programmable command format (PCF)*.

## N

**name service.** In MQSeries for AIX, MQSeries for OS/2, and MQSeries for Windows NT, the facility that determines which queue manager owns a specified queue.

**name service interface (NSI).** The MQSeries

interface to which customer- or vendor-written programs that resolve queue-name ownership must conform. A part of the MQSeries Framework.

**name transformation.** In MQSeries on UNIX systems, MQSeries for OS/2, and MQSeries for Windows NT, an internal process that changes a queue manager name so that it is unique and valid for the system being used. Externally, the queue manager name remains unchanged.

**nonpersistent message.** A message that does not survive a restart of the queue manager. Contrast with *persistent message*.

**NSI.** Name service interface.

**null character.** The character that is represented by X'00'.

## O

**OAM.** Object authority manager.

**object.** In MQSeries, an object is a queue manager, a queue, a process definition, a channel, a namelist (MVS/ESA only), or a storage class (MVS/ESA only).

**Object authority manager (OAM).** In MQSeries on UNIX systems and MQSeries for Windows NT, the default authorization service for command and object management. The OAM can be replaced by, or run in combination with, a customer-supplied security service.

**object descriptor.** A data structure that identifies a particular MQSeries object (MQOD). Included in the descriptor are the name of the object and the object type.

**object handle.** The identifier, or token, by which a program accesses the MQSeries object with which it is working.

**output parameter.** A parameter of an MQI call in which the queue manager returns information when the call completes or fails.

## P

**PCF.** Programmable command format.

**PCF command.** See *programmable command format*.

**pending event.** An unscheduled event that occurs as a result of a connect request from a CICS adapter.

**percolation.** In error recovery, the passing along a preestablished path of control from a recovery routine to a higher-level recovery routine.

## performance event • remote queue

**performance event.** A category of event that indicates a limit condition has occurred.

**performance trace.** An MQSeries trace option where the trace data is to be used for performance analysis and tuning.

**permanent dynamic queue.** A dynamic queue that is deleted when it is closed only if deletion is explicitly requested. Permanent dynamic queues are recovered if the queue manager fails, so they can contain persistent messages. Contrast with *temporary dynamic queue*.

**persistent message.** A message that survives a restart of the queue manager. Contrast with *nonpersistent message*.

**ping.** In distributed queuing, a diagnostic aid that uses the exchange of a test message to confirm that a message channel is functioning.

**platform.** In MQSeries, the operating system under which a queue manager is running.

**preemptive shutdown.** In MQSeries, a shutdown of a queue manager that does not wait for connected applications to disconnect, nor for current MQI calls to complete. Contrast with *immediate shutdown* and *quiesced shutdown*.

**principal.** In MQSeries on UNIX systems, MQSeries for OS/2, and MQSeries for Windows NT, a term used for a user identifier (ID). Used by the object authority manager for checking authorizations to system resources.

**process definition object.** An MQSeries object that contains the definition of an MQSeries application. For example, a queue manager uses the definition when it works with trigger messages.

**programmable command format (PCF).** A type of MQSeries message that is used by:

- User administration applications that put PCF commands onto the system command input queue of a specified queue manager.
- User administration applications, to get the results of a PCF command from a specified queue manager.
- A queue manager, as a notification that an event has occurred.

Contrast with *MQSC*.

**program temporary fix (PTF).** A solution or by-pass of a problem diagnosed by IBM field engineering as the result of a defect in a current, unaltered release of a program.

**PTF.** Program temporary fix.

## Q

**queue.** An MQSeries object. Message queuing applications can put messages on, and get messages from, a queue. A queue is owned and maintained by a queue manager. Local queues can contain a list of messages waiting to be processed. Queues of other types cannot contain messages—they point to other queues, or can be used as models for dynamic queues.

**queue manager.** (1) A system program that provides queuing services to applications. It provides an application programming interface so that programs can access messages on the queues that the queue manager owns. See also *local queue manager* and *remote queue manager*. (2) An MQSeries object that defines the attributes of a particular queue manager.

**queue manager event.** An event that indicates:

- An error condition has occurred in relation to the resources used by a queue manager. For example, an error condition caused by a queue being unavailable.
- A significant change has occurred in the queue manager. For example, a queue manager has stopped or started.

**queuing.** See *message queuing*.

**quiesced shutdown.** (1) In MQSeries, a shutdown of a queue manager that allows all connected applications to disconnect. Contrast with *immediate shutdown* and *preemptive shutdown*. (2) A type of shutdown of the CICS adapter where the adapter disconnects from MQSeries, but only after all the currently active tasks have been completed. Contrast with *forced shutdown*.

**quiescing.** In MQSeries, the state of a queue manager prior to it being stopped. In this state, programs are allowed to finish processing, but no new programs are allowed to start.

## R

**RBA.** Relative byte address.

**reason code.** A return code that describes the reason for the failure or partial success of an MQI call.

**receiver channel.** In message queuing, a channel that responds to a sender channel, takes messages from a communication link, and puts them on a local queue.

**remote queue.** A queue that belongs to a remote queue manager. Programs can put messages on remote queues, but they cannot get messages from remote queues. Contrast with *local queue*.

**remote queue manager.** To a program, a queue manager is remote if it is not the queue manager to which the program is connected.

**remote queue object.** See *local definition of a remote queue*.

**remote queuing.** In message queuing, the provision of services to enable applications to put messages on queues belonging to other queue managers.

**reply message.** A type of message used for replies to request messages.

**reply-to queue.** The name of a queue to which the program that issued an MQPUT call wants a reply message or report message sent.

**report message.** A type of message that gives information about another message. A report message can indicate that a message has been delivered, has arrived at its destination, has expired, or could not be processed for some reason.

**requester channel.** In message queuing, a channel that may be started remotely by a sender channel. The requester channel accepts messages from the sender channel over a communication link and puts the messages on the local queue designated in the message. See also *server channel*.

**request message.** A type of message used for requesting a reply from another program.

**resolution path.** The set of queues that are opened when an application specifies an alias or a remote queue on input to the MQOPEN call.

**resource manager.** An application, program, or transaction that manages resources such as memory buffers and data sets. MQSeries, CICS, and IMS are resource managers.

**responder.** In distributed queuing, a program that replies to network connection requests from another system.

**resynch.** In MQSeries, an option to direct a channel to start up and resolve any in-doubt status messages, but without restarting message transfer.

**return codes.** The collective name for completion codes and reason codes.

**rollback.** Synonym for *back out*.

**rules table.** A control file containing one or more rules that the dead-letter queue handler applies to messages on the DLQ.

## S

**security enabling interface (SEI).** The MQSeries interface to which customer- or vendor-written programs that check authorization, supply a user identifier, or perform authentication must conform. A part of the MQSeries Framework.

**SEI.** Security enabling interface.

**sender channel.** In message queuing, a channel that initiates transfers, removes messages from a transmission queue, and moves them over a communication link to a receiver or requester channel.

**sequential delivery.** In MQSeries, a method of transmitting messages with a sequence number so that the receiving channel can reestablish the message sequence when storing the messages. This is required where messages must be delivered only once, and in the correct order.

**sequential number wrap value.** In MQSeries, a method of ensuring that both ends of a communication link reset their current message sequence numbers at the same time. Transmitting messages with a sequence number ensures that the receiving channel can reestablish the message sequence when storing the messages.

**server.** (1) In MQSeries, a queue manager that provides queue services to client applications running on a remote workstation. (2) The program that responds to requests for information in the particular two-program, information-flow model of client/server. See also *client*.

**server channel.** In message queuing, a channel that responds to a requester channel, removes messages from a transmission queue, and moves them over a communication link to the requester channel.

**server connection channel type.** The type of MQI channel definition associated with the server that runs a queue manager. See also *client connection channel type*.

**service interval.** A time interval, against which the elapsed time between a put or a get and a subsequent get is compared by the queue manager in deciding whether the conditions for a service interval event have been met. The service interval for a queue is specified by a queue attribute.

**service interval event.** An event related to the service interval.

**shutdown.** See *immediate shutdown*, *preemptive shutdown*, and *quiesced shutdown*.

## single-phase backout • unit of recovery

**single-phase backout.** A method in which an action that is in progress must not be allowed to finish, and all changes that are part of that action must be undone.

**single-phase commit.** A method in which a program can commit updates to a queue without coordinating those updates with updates the program has made to resources controlled by another resource manager. Contrast with *two-phase commit*.

**SIT.** System initialization table.

**stanza.** A group of lines in a configuration file that assigns a value to a parameter that modifies the behavior of a queue manager, client, or channel. In MQSeries on UNIX systems, MQSeries for OS/2, and MQSeries for Windows NT, a configuration (.ini) file may contain a number of stanzas.

**store and forward.** The temporary storing of packets, messages, or frames in a data network before they are retransmitted toward their destination.

**synchronous messaging.** A method of communication between programs in which programs place messages on message queues. With synchronous messaging, the sending program waits for a reply to its message before resuming its own processing. Contrast with *asynchronous messaging*.

**syncpoint.** An intermediate or end point during processing of a transaction at which the transaction's protected resources are consistent. At a syncpoint, changes to the resources can safely be committed, or they can be backed out to the previous syncpoint.

**system.command.input queue.** A local queue on which application programs can put MQSeries commands. The commands are retrieved from the queue by the command server, which validates them and passes them to the command processor to be run.

**system control commands.** Commands used to manipulate platform-specific entities such as buffer pools, storage classes, and page sets.

**system initialization table (SIT).** A table containing parameters used by CICS on start up.

## T

**temporary dynamic queue.** A dynamic queue that is deleted when it is closed. Temporary dynamic queues are not recovered if the queue manager fails, so they can contain nonpersistent messages only. Contrast with *permanent dynamic queue*.

**thread.** In MQSeries, the lowest level of parallel execution available on an operating system platform.

**time-independent messaging.** See *asynchronous messaging*.

**TMI.** Trigger monitor interface.

**tranid.** See *transaction identifier*.

**transaction identifier.** In CICS, a name that is specified when the transaction is defined, and that is used to invoke the transaction.

**transmission program.** See *message channel agent*.

**transmission queue.** A local queue on which prepared messages destined for a remote queue manager are temporarily stored.

**trigger event.** An event (such as a message arriving on a queue) that causes a queue manager to create a trigger message on an initiation queue.

**triggering.** In MQSeries, a facility that allows a queue manager to start an application automatically when predetermined conditions on a queue are satisfied.

**trigger message.** A message that contains information about the program that a trigger monitor is to start.

**trigger monitor.** A continuously-running application that serves one or more initiation queues. When a trigger message arrives on an initiation queue, the trigger monitor retrieves the message. It uses the information in the trigger message to start a process that serves the queue on which a trigger event occurred.

**trigger monitor interface (TMI).** The MQSeries interface to which customer- or vendor-written trigger monitor programs must conform. A part of the MQSeries Framework.

**two-phase commit.** A protocol for the coordination of changes to recoverable resources when more than one resource manager is used by a single transaction. Contrast with *single-phase commit*.

## U

**undelivered-message queue.** See *dead-letter queue*.

**undo/redo record.** A log record used in recovery. The redo part of the record describes a change to be made to an MQSeries object. The undo part describes how to back out the change if the work is not committed.

**unit of recovery.** A recoverable sequence of operations within a single resource manager. Contrast with *unit of work*.

**unit of work.** A recoverable sequence of operations performed by an application between two points of consistency. A unit of work begins when a transaction starts or after a user-requested syncpoint. It ends either at a user-requested syncpoint or at the end of a transaction. Contrast with *unit of recovery*.

**utility.** In MQSeries, a supplied set of programs that provide the system operator or system administrator with facilities in addition to those provided by the MQSeries commands. Some utilities invoke more than one function.



---

# Index

## A

ACTION keyword, rules table 115  
action keywords, rules table 115  
administration  
  authorizations 96  
  command sets 31  
  control commands 31  
  MQSeries commands (MQSC) 32  
  programmable command format commands (PCF) 33  
  local 47  
  remote 72  
    channels 73  
    objects 71  
    transmission queues 73  
  security, user groups for 29  
alias queues 64  
  authorizations to 90  
  description 7  
aliases  
  queue manager 81  
  reply-to queues 82  
alter queue manager attributes 51  
alternate user authority 90  
amqscoma.tst  
  creating default and system objects 42  
  location 231  
amqsdq, the sample DLQ handler 112  
application  
  data 4  
  design considerations 154  
  MQI administration support 47  
  programming errors, examples of 150  
  time-independent 3  
APPLIDAT keyword, rules table 114  
APPLNAME keyword, rules table 114  
APPLTYPE keyword, rules table 114  
attributes  
  ALL attribute 58  
  altering 51  
  changing 59  
  default 58  
  displaying queue manager 50  
  MQSC and PCFs compared 33  
  queue manager  
    altering 51  
    displaying 50  
  queues 7  
authority  
  alternate user 90  
  commands 88

authority (*continued*)  
  context 91  
  installable services 88  
  set/reset command 210  
authorization  
  administration 96  
  dspmqaut command 89  
  lists 87  
  MQI 93  
  setmqaut command 89  
  user groups 86  
authorization files  
  all class 101  
  authorization to 101  
  class 101  
  contents 99  
  directories 99  
  managing 101  
  paths 98  
  understanding 98  
authorization service, configuring 24

## B

bibliography xiii  
browsing queues 60

## C

case-sensitive control commands 31  
CCSID 233  
ccsid.tbl 26  
changing queue attributes 59  
channel  
  command security requirements 92  
  commands 92  
  configuration 140  
  defining 74  
  description 10, 71  
  escape command authorizations 96  
  events 105  
  remote administration 73  
  run command 201  
  run initiator command 200  
  security 92  
  starting 75  
character set  
  specifying 26  
CICS  
  user ID 89  
circular logging 124

- clearing a local queue 60
- clients 11
  - error messages on DOS and Windows 165
  - installation 20
  - problem determination 165
  - trigger monitor start command 208
- coded character set
  - on SunOS 26
  - table 26
- codeset 233
- command errors 151
- command files 52
- command queue 9
- command server
  - display command 184
  - displaying status 45
  - end command 189
  - remote administration 45
  - start command 216
  - starting 45
  - stopping 46
- command set
  - administration 31
  - comparison 34
- commands
  - comparison of sets 34
  - control 31
  - create queue manager (crtmqm) 174
  - data conversion (crtmqcvx) 172
  - delete queue manager (dltmqm) 178
  - display authority (dspmqaut) 180
  - display command server (dspmqcsv) 184
  - display MQSeries files (dspmqfls) 185
  - display MQSeries formatted trace (dspmqtrc) 187
  - display MQSeries transactions (dspmqtrn) 188
  - end command server (endmqcsv) 189
  - end MQSeries trace (endmqtrc) 193
  - end queue manager (endmqm) 191
  - help with syntax 171
  - MQSC
    - ALTER QLOCAL 59
    - ALTER QREMOTE 80
    - DEFINE CHANNEL 74
    - DEFINE QALIAS 64
    - DEFINE QLOCAL 59
    - DEFINE QLOCAL LIKE 59
    - DEFINE QLOCAL REPLACE 59
    - DEFINE QMODEL 66
    - DEFINE QREMOTE 79
    - DELETE QLOCAL 60
    - DELETE QREMOTE 80
    - DISPLAY QREMOTE 80
  - MQSC command files 53
    - input 52
    - output reports 53
  - MQSeries (MQSC)
    - using 32
- commands (*continued*)
  - MQSeries (MQSC) (*continued*)
    - verifying 54
  - MQSeries commands (MQSC) 32
  - programmable command format (PCF) 33
  - record media image (rcdmqimg) 194
  - recreate object (rcrmqobj) 196
  - resolve MQSeries transactions (rsvmqtrn) 198
  - run channel (runmqchl) 201
  - run channel initiator (runmqchi) 200
  - run dead-letter queue handler 202
  - run DLQ handler (runmqdlq) 111
  - run listener (runmqslr) 204
  - run MQSeries commands (runmqsc) 205
  - runmqsc 49
  - security commands
    - dspmqaut 89
    - setmqaut 87
  - set/reset authority (setmqaut) 88, 210
  - start client trigger monitor (runmqtmc) 208
  - start command server (strmqcsv) 216
  - start MQSeries trace (strmqtrc) 218
  - start queue manager (strmqm) 217
  - start trigger monitor (runmqtrm) 209
- commit
  - single-phase 109
- communications, customizing 25
- configuration
  - kernel 16
  - name service 28
  - size and location of log 142
- configuration files
  - LogPrimaryFile value 144
  - MQSeries (mqs.ini)
    - contents 137
    - LogBufferPages 144
    - LogDefaultPath 145
    - LogDefaults 143
    - LogFilePages 144
    - logging parameters 145
    - LogPath 145
    - LogSecondaryFiles 144
    - overview 137
    - path 55
  - overview 137
- queue manager (qm.ini)
  - contents 139
  - disabling the object authority manager 86
  - Log stanza 143
  - LogBufferPages 144
  - LogDefaultPath 145
  - LogFilePages 144
  - logging parameters 145
  - LogPath 145
  - LogSecondaryFiles 144
  - stanzas 140



- contents of
  - mqs.ini 137
  - qm.ini 140
- context authority 91
- control commands 31
  - case-sensitive 31
  - runmqsc 49
- controlled shutdown 43
- Correlld, performance considerations when using 155
- creating
  - a queue manager 18
  - crtmqm command 174
  - default objects 42
  - groups 14
  - process definitions 68
  - queue manager 37, 42
  - system objects 42
  - users 14
- crtmqcvx command
  - examples 172
  - parameters 172
  - return codes 172
- crtmqm command 174
  - examples 177
  - parameters 174
  - related commands 177
  - return codes 176
- current queue depth 58
- customizing
  - options available 24
  - overview
    - communications 25
    - data conversion 25
    - defining objects 27

**D**

- daemon, inetd 89
- data conversion
  - crtmqcvx command 172
  - customizing 25
- dead-letter header, MQDLH 111
- dead-letter queue
  - description 8
  - handler 202
  - specifying 39
- debugging
  - command syntax errors 151
  - common command errors 151
  - common programming errors 150
  - preliminary checks 147
  - secondary checks 151—154
- default
  - attributes of objects 58
  - objects 10
    - creating 42
    - defining 27
- default (*continued*)
  - overriding the configuration file 142
  - prefix 27
  - queue manager 38
    - accidental change 44
    - accidental deletion 174
    - changing 44, 51
    - commands processed 49
    - system objects 225
    - transmission queue 39
    - user group for authority 85
  - default transmission queue 81
  - DEFINE QUEUE command, REPLACE attribute
  - defining queues 7
  - deleting 60
    - dltmqm command 178
    - local queue 60
    - queue manager 44
  - desktop clients 13
  - DESTQ keyword, rules table 114
  - DESTQM keyword, rules table 115
  - directories 90
    - authorization 99
    - queue manager 90
  - directory structure 227
  - disabling events 106
  - disabling the object authority manager 86
  - disk requirements for installation 14
  - display
    - authority command 180
    - command server command 184
    - MQSeries files command 185
    - MQSeries formatted trace output command 187
    - MQSeries transactions command 188
    - process definitions 69
    - queue manager attributes 50
    - status of command server 45
  - display authority command
    - See dspmqaut command
  - distributed queuing
    - dead-letter queue 8
    - incorrect output 158
    - undelivered-message queue 8
  - DLQ handler
    - invoking 111
    - rules table 112
    - sample, amqsdlq 112
  - dltmqm command 178
    - examples 178
    - parameters 178
    - related commands 179
    - return codes 178
  - DOS clients error messages 165
  - dspmqaut command 180
    - examples 183
    - parameters 180

- dspmqaout command (*continued*)
  - related commands 183
  - return codes 182
  - using 87, 88
- dspmqcsv command 184
  - examples 184
  - parameters 184
  - related commands 184
  - return codes 184
- dspmqls command 185
  - examples 186
  - parameters 185
  - return codes 186
- dspmqrtrc command 187
  - parameters 187
  - related commands 187
- dspmqrtrn command 188
  - parameters 188
  - related commands 188
  - return codes 188
- dynamic queues 5
  - authorizations to 90

**E**

- enabling
  - events 106
  - security 86
- end MQSeries trace 193
- ending a queue manager 43
- ending interactive MQSC commands 49
- endmqcsv command 189
  - examples 189
  - parameters 189
  - related commands 190
  - return codes 189
- endmqm command 43, 191
  - examples 192
  - parameters 191
  - related commands 192
  - return codes 192
- endmqtrc command 193
  - examples 193
  - parameters 193
  - related commands 193
  - return codes 193
- environment variable, disabling security 86
- error log 159
  - error occurring before established 160
  - example 160
- error messages 49
- escape PCFs 33
- event queue 9
- event-driven processing 3
- events
  - channel 105

- events (*continued*)
  - instrumentation
    - description 103
    - enabling and disabling 106
    - message 107
    - types of 105
    - what they are 103
    - why use them 104
  - queues 106
  - trigger 106
  - types of 105
- examples
  - crtmqcvx command 172
  - crtmqm command 177
  - dlmqm command 178
  - dspmqaout command 183
  - dspmqcsv command 184
  - dspmqls command 186
  - endmqcsv command 189
  - endmqm command 192
  - endmqtrc command 193
  - error log 160
  - programming errors 150
  - rcdmqimg command 195
  - rcrmqobj command 197
  - runmqsc command 206
  - setmqaut command 215
  - strmqcsv command 216
  - strmqm command 217
  - strmqtrc command 219
  - trace data (MQSeries for SunOS) 163

**F**

- feedback from MQSC commands 49
- FEEDBACK keyword, rules table 115
- FFST, examining 163
- file paths to objects 28
- file sizes, for logs 146
- files
  - authorization
    - all class 101
    - authorizations to 101
    - class 101
    - contents 99
    - managing 101
    - paths 98
    - understanding 98
  - configuration
    - in problem determination 161
    - overview 137
  - log control 124
  - MQSeries configuration 137
  - queue manager configuration 139
  - understanding names 40

FORMAT keyword, rules table 115  
format of logs 124  
FWDQ keyword, rules table 116  
FWDQM keyword, rules table 116

## G

glossary 275  
group set authorizations  
group sets, for authority 85  
groups, creating 14

## H

hard disk requirements 14  
HEADER keyword, rules table 116  
help for syntax 171

## I

incorrect output 155  
inetd daemon 89  
initiation queue  
  defining 68  
  description 8  
input, standard 49  
INPUTQ keyword, rules table 113  
INPUTQM keyword, rules table 113  
installable component  
  authority manager (OAM) 84  
installable services  
  disabling object authority manager 86  
  disabling 86  
  name 28  
  object authority manager 84  
installation  
  clients 20  
  components 13  
  directory structure 16  
  preparation 14  
  procedure 15  
  requirements 14  
  supported codesets 26  
  unsuccessful 20  
  verifying 18  
instrumentation event  
  description 103  
  enabling 106  
  messages 107  
  types of 105  
  why use them 104  
interactive MQSC  
  ending 49  
  feedback from 49  
  using 49

issuing MQSeries commands 48

## K

kernel configuration 16

## L

LIKE attribute 59  
linear logging 125  
local administration 47  
local queues  
  clearing 60  
  command 9  
  copying definitions 59  
  dead-letter 8  
  defining one 57  
  deleting 60  
  description 7  
  initiation 8  
  transmission 8  
  undelivered-message 8  
locale 233  
locations of objects 28  
log  
  configuration 142  
  error 159  
  error, example of 160  
  file  
    control 124  
    path 145  
    reuse 126  
    size 144  
  file size 146  
  format 124  
  managing 128  
  number of buffers 144  
  overheads 146  
  parameters 28, 40  
  primary files 144  
  queue manager 123  
  secondary files 144  
  type of 144  
  using for recovery 130  
logging  
  checkpoints 126  
  circular 124  
  linear 125  
  media recovery 131  
  types of 124

## M

managing access 85  
managing log files 129

- managing objects for triggering 67
- maximum line length for MQSC commands 52
- media images
  - description 130
  - record 131
  - record command 194
  - recovering 131
- message
  - administration 252—262
  - common service 241—243
  - containing unexpected information 157
  - description 4
  - descriptor 4
  - errors on DOS and Windows clients 165
  - for instrumentation events 107
  - format 237
  - groups 238
  - information 237
  - installable services 239—240
  - lengths of 4
  - MQSeries product 244—251
  - not appearing on queues 156
  - operator 160
  - performance considerations
    - lengths of 154
    - persistent 155
  - queuing 3
  - remote 263—269
  - retrieval algorithms 5
  - searching for particular 155
  - structure 237
  - translated 18
  - undelivered 161
  - variable length 155
  - variables 237
- message length, decreasing 60
- message queue interface (MQI) 3
- message queuing 3
- message-driven processing 3
- model queues
  - defining 66
  - description 7
  - working with 66
- monitoring
  - queue managers 104
- MQDATA 165
- MQDLH, dead-letter header 111
- MQI
  - authorizations 93
  - description 3
  - local administration support 47
  - queue manager calls 7
- mqm
  - user group 83
  - user ID 83, 89
- MQOPEN authorizations 93
- MQPUT and MQPUT1, performance considerations 155
- MQPUT authorizations 93
- mqs.ini
  - See configuration files
- mqs.ini, path to 55
- MQSC 49
  - attributes 33
  - command files
    - input 52
    - output reports 53
    - running 54
  - commands 32
  - ending interactive input 49
  - escape PCFs 33
  - how to issue commands 48
  - issuing commands interactively 49
  - issuing remotely 76
  - maximum line length 52
  - problems
    - local 55
    - remote 78
  - redirecting input and output 51
  - sample files 231
  - security requirements on channels 92
  - timed out command responses 76
  - using commands 51
  - verifying commands 54
- MQSC commands 49
  - ALTER QLOCAL 59
  - ALTER QREMOTE 80
  - DEFINE CHANNEL 74
  - DEFINE QALIAS 64
  - DEFINE QLOCAL 59
  - DEFINE QLOCAL LIKE 59
  - DEFINE QLOCAL REPLACE 59
  - DEFINE QMODEL 66
  - DEFINE QREMOTE 79
  - DELETE QLOCAL 60
  - DELETE QREMOTE 80
  - DISPLAY QREMOTE 80
  - issuing interactively 49
  - maximum line length 52
  - using 32
- MQSeries
  - overview for SunOS 223
  - removing from system 15
  - super user, mqm 83
  - supported transaction managers 12
- MQSeries configuration file
  - See configuration files
- MQSeries publications xiii
- MQSNOAUT environment variable 86
- MQZAO constants and authority 94

Msgld, performance considerations when using 155  
MSGTYPE keyword, rules table 115  
MVS/ESA queue manager 77

## N

name service, configuration of 28  
names  
    allowed for objects 169  
    objects 5  
naming conventions, national language support 169  
national language support  
    naming conventions 169  
nobody, default user group 85  
notification of events 106

## O

OAM 84  
object authority manager 84  
    default user group 85  
    disabling 86  
    dspmqaut command 89  
    how it works 85  
    principals 85  
    sensitive operations 89  
    setmqaut command 87, 88  
objects  
    access to 83  
    customizing 27  
    default  
        attributes 58  
        creating 42  
    for triggering 67  
    media image 130  
    names 5  
    naming conventions 169  
    process definition 9  
    queue 7  
    queue manager  
        MQI calls 7  
        prefixes 27  
    recovery 131  
    recreate command 196  
    remote administration 71  
    system  
        creating 42  
        system default 10, 225  
        types 5  
operating system variable, disabling security 86  
operator commands, no response from 152  
operator messages 160  
output, standard 49  
overheads, for logs 146  
overrides  
    in configuration files 142

overview of MQSeries for SunOS 223

## P

parameters  
    runmqlsr command 204  
pattern-matching keywords, rules table 114  
PCF  
    See programmable command format (PCF)  
performance considerations when using trace 162  
performance events 105  
permanent queues 5  
PERSIST keyword, rules table 115  
predefined queues 5  
preemptive queue manager shutdown 43  
prefix, default 27  
primary group authorizations  
primary group, for authority 85  
primary log files 144  
principals  
    belonging to more than one group 85  
    managing access to 85  
problem determination 147  
    clients 165  
    command errors 151  
    configuration files 161  
    further checks 151—154  
    incorrect output  
        messages containing unexpected  
        information 157  
        messages not appearing on queues 156  
        with distributed queuing 158  
    no response from commands 152  
    programming errors 150  
    things to check first 147—150  
    trace 162  
problems  
    recovering from 130  
    running MQSC commands 55  
    using MQSC locally 55  
    using MQSC remotely 78  
process definitions  
    creating 68  
    description 9  
    displaying 69  
processing, event-driven 3  
programmable command format  
    See programmable command format (PCF)  
programmable command format (PCF)  
    administration with 33  
    attributes 33  
    authorizations 93  
    commands 33  
        description 33  
    escape PCFs 33  
    security requirements 92

- programming errors, examples of 150
- programs, using samples 231
- protected resources 86
- publications
  - MQSeries xiii
- PUTAUT keyword, rules table 116

## Q

- qm.ini
  - See configuration files
- queue depth
  - current 58
  - determining 58
- queue manager
  - alias
    - remote queue 81
  - authorization directories 99
  - authorizations 90
  - circular logging
    - restart recovery 125
  - command server 45
  - configuration file 139
  - configuration files
    - LogPath 145
    - specifying 40
  - configuration overview 28
  - creating 18, 37, 42
    - crtmqm command 174
  - default 38
    - accidental change 44
    - accidental deletion 174
    - changing 44
  - deleting 44
    - dltmqm command 178
  - description 6
  - directories 90
  - endmqm command 191
  - events 105
  - immediate shutdown 43
  - linear logging 125
  - local administration 47
  - logs 123
  - monitoring 104
  - name transformation 41
  - numbers of 38
  - object authority manager
    - description 84
    - disabling 86
  - objects
    - MQI calls 7
    - prefixes 27
  - on MVS/ESA 77
  - preemptive shutdown 43
  - recording media images 131
  - remote administration 71

- queue manager (*continued*)
  - removing
    - manually 235
  - restart 44
  - shutdown 43
    - controlled 43
    - quiesce 43
  - specifying on runmqsc 51
  - starting 42
  - stopping 43
    - manually 235
  - unique name 38
- queue manager configuration file
  - See configuration files
- queued mode, of runmqsc 76
- queues
  - alias 7
  - aliases, working with 64
  - application
    - defining for triggering 67
  - attributes 7
    - changing 59
  - authorizations to 90
  - browsing 60
  - command 9
  - dead-letter 8
    - specifying 39
  - defining 7
  - description 4
  - distributed, incorrect output from 158
  - dynamic 5
  - event 9
    - event notification 106
  - for MQSeries applications 47
  - initiation
    - defining 68
    - trigger messages 8
  - local 7
    - clearing 60
    - copying 59
    - defining 57
    - deleting 60
  - model 7
    - defining 66
    - working with 66
  - objects
    - alias 7
    - local 7
    - model 7
    - remote 7
  - predefined 5
  - remote 7
    - creating 78
    - queue manager alias 81
    - working with 81
  - reply-to 9, 81

- queues (*continued*)
  - temporary 5
  - transmission 8
    - creating 81
    - default 39, 81
    - defining 74
    - remote administration 73
  - undelivered-message 8
    - specifying 39
  - working with 56
- quiesce shutdown 43
  - queue manager 43

## R

- rcdmqimg command 194
  - examples 195
  - parameters 194
  - related commands 195
  - return codes 195
- rcrmqobj command 196, 197
  - examples 197
  - parameters 196
  - related commands 197
  - return codes 197
- REASON keyword, rules table 115
- recovering
  - media images 131
- recovery
  - scenarios 134
    - damaged queue manager object 135
    - damaged single object 135
    - disk drive failures 134
- redirecting input and output, on MQSC commands 51
- remote
  - administration 72
    - of objects 71
  - issuing of MQSC commands 76
  - queue definition
    - creating 78
  - queue object
    - working with 81
  - queues
    - as queue manager aliases 81
    - as reply-to queue aliases 82
  - queuing
    - description 71
    - recommendations 78
    - security considerations 91
- remote administration
  - command server 45
  - initial problems 78
- remote queues
  - authorizations to 90
  - description 7

- removing
  - queue manager
    - manually 235
  - removing MQSeries from the system 15
- REPLACE attribute, DEFINE commands 52
- reply-to queue 9
- reply-to queue aliases 82
- REPLYQ keyword, rules table 115
- REPLYQM keyword, rules table 115
- requirements
  - disk storage 14
  - hardware 223
  - installation 14
  - software 223
- resource manager, XA-compliant 109
- resources
  - protected 86
  - why protect 84
- restart queue manager 44
- restart recovery
  - with circular logging 125
- restrictions 83
  - access to MQM objects 83
  - for Sun Os systems xii
  - object names 169
- retrieval algorithms for messages 5
- RETRY keyword, rules table 117
- RETRYINT keyword, rules table 113
- return codes 148
  - crtmqcvx command 172
  - crtmqm command 176
  - dltmqm command 178
  - dspmqaout command 182
  - dspmqcsv command 184
  - dspmqlfs command 186
  - dspmqrtn command 188
  - endmqcsv command 189
  - endmqm command 192
  - endmqtrc command 193
  - rcdmqimg command 195
  - rcrmqobj command 197
  - rsvmqtrn command 198
  - runmqchi command 200
  - runmqchl command 201
  - runmqlsr command 204
  - runmqsc command 206
  - runmqtrmc command 208
  - runmqtrm command 209
  - setmqaut command 214
  - strmqcsv command 216
  - strmqm command 217
  - strmqtrc command 219
- rollback 109
- rsvmqtrn command 198
  - parameters 198
  - related commands 199

- rsvmqtrn command (*continued*)
  - return codes 198
- rules table, DLQ handler 112
  - See also* DLQ handler
  - control data entry 112
    - INPUTQ keyword 113
    - INPUTQM keyword 113
    - RETRYINT keyword 113
    - WAIT keyword 113
  - example 120
  - patterns and actions (rules) 114
    - ACTION keyword 115
    - APPLIDAT keyword 114
    - APPLNAME keyword 114
    - APPLTYPE keyword 114
    - DESTQ keyword 114
    - DESTQM keyword 115
    - FEEDBACK keyword 115
    - FORMAT keyword 115
    - FWDQ keyword 116
    - FWDQM keyword 116
    - HEADER keyword 116
    - MSGTYPE keyword 115
    - PERSIST keyword 115
    - PUTAUT keyword 116
    - REASON keyword 115
    - REPLYQ keyword 115
    - REPLYQM keyword 115
    - RETRY keyword 117
    - USERID keyword 115
  - processing of 119
  - syntax 117
- run listener (runmqtsr command) 204
- runmqchi command 200
  - parameters 200
  - return codes 200
- runmqchl command 201
  - parameters 201
  - return codes 201
- runmqdlq command 111
- runmqtsr command 204
  - parameters 204
  - return codes 204
  - use of 75
- runmqsc
  - ending 49
  - feedback 49
  - issuing MQSC commands 48
  - problems 55
  - queued mode 76
  - specifying a queue manager 51
  - using 51
  - using interactively 49
  - verifying 54
- runmqsc command 205
  - examples 206

- runmqsc command (*continued*)
  - parameters 205
  - redirecting input and output 51
  - return codes 206
- runmqtsr command 208
  - parameters 208
  - return codes 208
- runmqtrm command 209
  - parameters 209
  - return codes 209

## S

- sample
  - MQSC files 231
  - programs, using 231
- secondary log files 144
- security 83
  - enabling 86
  - remote 91
  - using the commands 87, 89
- set/reset authority command
  - See* setmqaut command
- setmqaut command 210
  - examples 215
  - installable services 88
  - parameters 212
  - related commands 215
  - return codes 214
  - using 87, 88
- shell commands for MQSeries 31
- shutdown
  - queue manager 43
    - controlled 43
    - immediate 43
    - preemptive 43
    - quiesce 43
- single-phase commit 109
- stanzas
  - mqs.ini 137
  - qm.ini 140
- start MQSeries trace command 218
- start queue manager command 217
- starting
  - a queue manager 42
  - channels 75
  - command server 45
  - starting the listener 75
  - stdin, on runmqsc 51
  - stdout, on runmqsc 51
  - stopping
    - command server 46
    - queue manager
      - manually 235
- strmqscsv command 216
  - examples 216



- strmqcsv command (*continued*)
  - parameters 216
  - related commands 216
  - return codes 216
- strmqm command 217
  - examples 217
  - parameters 217
  - related commands 217
  - return codes 217
- strmqtrc command 218
  - examples 219
  - parameters 218
  - related commands 220
  - return codes 219
- Sun OS
  - system restrictions xii
- SunOS
  - hardware required 223
  - overview of 223
  - software required 223
- SunOS logged-in user ID 89
- SunOS user group
  - default, nobody 85
  - mqm 83
- super user (MQSeries)
  - mqm 83
- supported codesets 26
- syncpoint managers with MQSeries for UNIX systems 109
- syncpoint, performance considerations 155
- syntax
  - diagram
    - using 169
  - help 171
- syntax error, in MQSC commands 49
- system
  - objects
    - defining 27
    - restrictions for Sun OS xii
  - system default objects 10
  - system defaults 225
  - system objects
    - creating 42
  - system restrictions xi

**T**

- temporary queues 5
- terminology used in this book 275
- time-independent applications 3
- timed out responses from MQSC commands 76
- trace
  - data example (MQSeries for SunOS) 163
  - performance considerations 162
- transaction support 109

- transactions
  - display MQSeries command 188
  - resolve MQSeries command 198
- translated messages 18
- transmission queue 81
  - creating 81
  - default 39, 81
  - defining 74
  - description 8
  - remote administration 73
- trigger
  - event queues 106
  - events
    - compared with instrumentation events 106
    - messages on initiation queue 8
  - monitor
    - description 8
    - start command 209
- triggering
  - application queue
    - defining 67
    - managing objects for 67
- Tuxedo 109
- two-phase commit 109
- types of event 105
- types of objects 5

## U

- unauthorized access, protecting from 84
- undelivered message queue
  - See dead-letter queue
- updating coded character sets 26
- user group
  - default for authority 85
  - default, nobody 85
  - for authorization 86
  - mqm 83
- user ID
  - authority 83
  - authorization 89
  - belonging to group nobody 85
  - for authorization 89
  - SunOS logged-in user 89
- USERID keyword, rules table 115
- users
  - creating 14
  - groups
    - principals 85
- using syntax diagrams 169

## V

- variable, environment - disabling security 86
- verifying MQSC commands 54

## **W**

WAIT keyword, rules table 113

Windows clients error messages 165

---

## **Sending your comments to IBM**

**MQSeries for SunOS**

**System Management Guide**

**GC33-1772-00**

If you especially like or dislike anything about this book, please use one of the methods listed below to send your comments to IBM.

Feel free to comment on what you regard as specific errors or omissions, and on the accuracy, organization, subject matter, or completeness of this book. Please limit your comments to the information in this book and the way in which the information is presented.

To request additional publications, or to ask questions or make comments about the functions of IBM products or systems, you should talk to your IBM representative or to your IBM authorized remarketer.

When you send comments to IBM, you grant IBM a nonexclusive right to use or distribute your comments in any way it believes appropriate, without incurring any obligation to you.

You can send your comments to IBM in any of the following ways:

- By mail, use the Readers' Comment Form
- By fax:
  - From outside the U.K., after your international access code use 44 1962 870229
  - From within the U.K., use 01962 870229
- Electronically, use the appropriate network ID:
  - IBM Mail Exchange: GBIBM2Q9 at IBMMAIL
  - IBMLink: WINVMD(IDRCF)
  - Internet: idrcf@winvmd.vnet.ibm.com

Whichever you use, ensure that you include:

- The publication number and title
- The page number or topic to which your comment applies
- Your name and address/telephone number/fax number/network ID.



# Readers' Comments

## MQSeries for SunOS

### System Management Guide

#### GC33-1772-00

Use this form to tell us what you think about this manual. If you have found errors in it, or if you want to express your opinion about it (such as organization, subject matter, appearance) or make suggestions for improvement, this is the form to use.

To request additional publications, or to ask questions or make comments about the functions of IBM products or systems, you should talk to your IBM representative or to your IBM authorized remarketer. This form is provided for comments about the information in this manual and the way it is presented.

When you send comments to IBM, you grant IBM a nonexclusive right to use or distribute your comments in any way it believes appropriate without incurring any obligation to you.

Be sure to print your name and address below if you would like a reply.

---

Name

---

Address

---

Company or Organization

---

Telephone

---

Email



**You can send your comments POST FREE on this form from any one of these countries:**

Australia	Finland	Iceland	Netherlands	Singapore	United States
Belgium	France	Israel	New Zealand	Spain	of America
Bermuda	Germany	Italy	Norway	Sweden	
Cyprus	Greece	Luxembourg	Portugal	Switzerland	
Denmark	Hong Kong	Monaco	Republic of Ireland	United Arab Emirates	

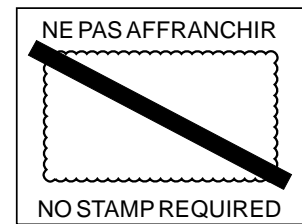
1 Cut along this line

If your country is not listed here, your local IBM representative will be pleased to forward your comments to us. Or you can pay the postage and send the form direct to IBM (this includes mailing in the U.K.).

2 Fold along this line

**By air mail**  
*Par avion*

IBRS/CCRI NUMBER: PHQ - D/1348/SO



**REPONSE PAYEE  
GRANDE-BRETAGNE**

IBM United Kingdom Laboratories  
Information Development Department (MP095)  
Hursley Park,  
WINCHESTER, Hants  
SO21 2ZZ United Kingdom

3 Fold along this line

*From:* Name \_\_\_\_\_  
Company or Organization \_\_\_\_\_  
Address \_\_\_\_\_  
\_\_\_\_\_

EMAIL \_\_\_\_\_  
Telephone \_\_\_\_\_

1 Cut along this line

4 Fasten here with adhesive tape



Printed in the United States of America  
on recycled paper containing 10%  
recovered post-consumer fiber.

GC33-1772-00

