

Query Management Facility™



QMF Reference

Version 7 Release 2

Query Management Facility™



QMF Reference

Version 7 Release 2

Note!

Before using this information and the product it supports, be sure to read the general information under Appendix D, "Notices" on page 353.

Second Edition (March 2002)

This edition applies to Query Management Facility, a feature of Version 7 Release 1 of DB2 Universal Database Server for OS/390 (DB2 UDB for OS/390), 5675-DB2, and of Query Management Facility, a feature of Version 7 Release 1 of DATABASE 2 Server for VM and VSE, (DB2 for VM and VSE), 5697-F42, and to all subsequent releases and modifications until otherwise indicated in new editions.

This edition replaces and makes obsolete the previous edition, SC27-0715-00. The technical changes for this edition are indicated by a vertical bar to the left of the change. A vertical bar to the left of figure caption indicates that the figure has changed. Editorial changes that have no technical significance are not noted.

© Copyright International Business Machines Corporation 1983, 2002. All rights reserved.

US Government Users Restricted Rights – Use, duplication or disclosure restricted by GSA ADP Schedule Contract with IBM Corp.

Contents

The QMF Library	ix	Description	19
About This Book	xi	Notes	19
Prerequisite knowledge	xi	Examples	20
How to send your comments	xi	Connect in OS/390.	20
Chapter 1. QMF Commands	1	Description	21
QMF command environments	1	Notes	21
Entering commands	1	Examples	22
On the command line	1	Connect in CICS	22
With a function key	2	Description	23
On a prompt panel	2	Notes	23
From a procedure	3	Examples	24
From an application.	3	CONNECT	24
Using remote data access	4	Description	26
Confirmation panels.	4	Notes	27
Canceling commands	5	Examples	28
How to read syntax diagrams	5	DELETE	28
Command parameters	7	Notes	29
ADD	8	DESCRIBE	29
Notes	8	Notes	29
BACKWARD	9	DISPLAY	29
Description.	9	Description	31
Notes	9	Notes	31
BATCH	11	Examples	32
BOTTOM	12	DPRE	33
Notes	12	Notes	33
CANCEL	13	DRAW	33
Notes	13	Description	34
CHANGE.	14	Notes	34
Notes	14	Examples	35
CHECK	14	EDIT OBJECT	35
Notes	14	Description	36
Error conditions.	15	Notes	36
Warning conditions	15	Examples	36
CICS	15	Edit a table	37
Description	16	Description	37
Notes	16	Notes	38
Examples	17	Examples	39
CLEAR	17	END	39
Notes	17	Notes	39
CMS	17	ENLARGE	40
Description	18	ERASE.	40
Notes	18	Description	41
Connect in VM	18	Notes	41
		Examples	41
		EXIT	42

EXPORT in CICS	43	Notes	94
Description	47	LIST	94
Notes	49	Description	95
Examples	50	Notes	96
EXPORT in TSO	50	Examples	98
Description	55	MESSAGE	98
Notes	57	Description	99
Examples	58	Notes	100
EXPORT in CMS	59	Examples	100
Description	64	NEXT	100
Notes	66	Description	101
Examples	66	Notes	101
EXTRACT	67	PREVIOUS	101
Description	67	Description	102
Notes	68	Notes	102
FORWARD	68	PRINT in CMS and TSO	102
Description	69	Description	106
Notes	69	Notes	109
GET GLOBAL	69	Examples	110
Description	70	PRINT in CICS	111
Notes	70	Description	116
GETQMF macro	70	Notes	120
Description	71	Examples	121
HELP	71	QMF	121
Description	72	Description	122
Notes	72	Notes	122
IMPORT in CICS	73	Examples	122
Description	76	REDUCE	122
Notes	77	REFRESH	122
Examples	79	Notes	123
IMPORT in TSO	79	RESET GLOBAL	123
Description	82	Description	123
Notes	83	Notes	123
Examples	84	Examples	124
IMPORT in CMS	84	RESET object	124
Description	87	Description	125
Notes	88	Examples	127
Examples	89	RETRIEVE	128
INSERT	89	Description	128
Notes	90	Notes	128
INTERACT	90	Examples	129
Description	90	RIGHT	129
ISPF	91	Description	130
Description	91	Notes	130
LAYOUT	91	RUN	130
Description	92	Description	132
Notes	92	Notes	134
Examples	92	Variable values for the RUN command	135
LEFT	93	System considerations	136
Description	93	Examples	136

SAVE	137	CREATE VIEW	172
Description	140	DELETE	173
Notes	140	DISTINCT	174
Examples	141	DROP	175
SEARCH	142	EXISTS	176
Notes	142	GRANT	177
SET GLOBAL	142	GROUP BY	178
Description	143	HAVING	180
Notes	143	IN	182
Examples	145	INSERT INTO	183
SET PROFILE	146	Insert some column values in a row	183
Description	146	Copy rows from one table to another	184
Notes	150	IS	184
Examples	150	LIKE	184
SHOW	150	Select a string of characters: LIKE '%abc%'	185
Description	152	Ignore characters: LIKE '_a_'	186
Notes	153	MAX and MIN	186
SORT	154	NOT	187
SPECIFY	154	NOT with NULL, LIKE, IN, and	
Description	155	BETWEEN	188
Notes	156	NULL	189
START	156	OR	190
QMF Program Parameters	157	ORDER BY	190
Description	160	Sorting sequence	191
STATE	160	Order by more than one column	191
Notes	160	Order columns by column number	192
SWITCH	161	REVOKE	193
Notes	161	SELECT	194
TOP	161	Select every column from a table.	194
Notes	161	Select columns from a table	194
TSO	162	Add descriptive columns	195
Description	162	Subqueries	196
Notes	162	Examples:	196
Examples	162	SOME	197
		SUM	197
		UNION	198
		Results:	199
		UPDATE	202
		WHERE	203
		Equality and inequality symbols in a	
		WHERE clause.	205
		Calculated results	206
		@IF function	208
		Example	210
		SQL scalar functions	210
		Date/time functions	210
		Conversion functions.	211
		String functions	212
		Concatenation	214
		Examples	214
Chapter 2. SQL Keywords and Functions			
Used in QMF Queries	163		
ADD	163		
ALL	163		
ALTER TABLE	164		
AND	164		
Parentheses	164		
ANY	165		
AS	166		
AVG	166		
BETWEEN x AND y	167		
COUNT	168		
CREATE SYNONYM	169		
DBCS data	169		
CREATE TABLE	169		

Chapter 3. Forms, Reports, and Charts	215	Chapter 4. General Topics	307
Using QMF forms	215	Naming conventions	307
Creating reports in QMF	215	Names with double-byte characters	308
Display a report without any data	215	Commas instead of decimal points	309
Symbols used in reports to indicate errors	216	QMF temporary storage areas	309
Quick reference to form panels for reports	216	Report completion and the incomplete data prompt	310
Creating charts in QMF	218	Changing QMF's response to long-running queries	312
FORM.MAIN	219	Avoiding using nulls as data when editing a QMF object	312
Nonentry Areas	222	Methods of writing queries	312
FORM.BREAKn	223	Prompted query	312
FORM.CALC	232	Query-by-example (QBE)	313
Summary of Editing Expressions	236	Procedures	313
FORM.COLUMNS	237	Procedures with logic	313
Specifying column attributes	244	Linear procedures	314
Printing considerations	248	System initialization procedure	315
FORM.CONDITIONS	249	Printing QMF objects	315
FORM.DETAIL	251	Reports, tables, profiles, procedures, SQL queries, and QBE queries	315
FORM.FINAL	259	Charts	315
FORM.OPTIONS	264	Prompted queries and forms	316
FORM.PAGE	271	The table editor	316
Mistakes on form panels	278	Online help	318
Error conditions	278	Object help	318
Warning conditions	278	Message help	318
Checking for and correcting mistakes	279	Field-sensitive help	319
Form and data incompatibility	279	Remote data access	319
Using REXX with QMF forms	280	Distributed unit of work access (DB2 for OS/390 only)	319
Using calculated values in reports	281	Remote unit of work access	320
How QMF and REXX interact	282	The governor interrupt	320
When expressions are evaluated by REXX	283		
REXX Operators	284	Appendix A. QMF Sample Tables	323
Report calculation expression examples	286	Q.APPLICANT	323
Usage Codes	287	Q.INTERVIEW	324
ACROSS Usage Code	287	Q.ORG	325
Aggregation Usage Codes	288	Q.PARTS	326
BREAK Usage Codes	293	Q.PRODUCTS	327
CALCid Usage Code	294	Q.PROJECT	328
GROUP Usage Code	294	Q.STAFF	329
OMIT Usage Code	295	Q.SUPPLIER	330
Date and Time Usage Codes	295		
Edit Codes	296	Appendix B. QMF Global Variable Tables	333
Edit Codes for Character Data	296	DSQ global variables for profile-related state information	333
Edit Codes for Graphic Data	298	DSQ global variables for state information not related to the profile	335
Edit Codes for Numeric Data	298	DSQ global variables associated with CICS	339
Edit Codes for Date Data	300		
Edit Codes for Time Data	301		
Edit Codes for Timestamp Data	302		
User-Defined Edit Codes	302		
Considerations for Aggregation Functions and Edit Codes	303		
Variables Used in Forms	304		

DSQ global variables related to a message produced by the previous command . . .	339
DSQ global variables associated with table editor	340
DSQ global variables that control how information is displayed on the screen . . .	342
DSQ global variables that control how commands and procedures are executed . .	345
DSQ Global Variables That Show Results of CONVERT QUERY	349
DSQ Global Variables That Show RUN QUERY Error Message Information	350
Appendix C. QMF Functions that Require Specific Support	351
QMF functions not available in CICS . . .	351
Appendix D. Notices	353
Trademarks	356
Glossary of Terms and Acronyms	357

Bibliography	371
APPC Publications	371
CICS Publications	371
COBOL Publications	372
DATABASE 2 Publications	372
DCF Publications	373
DRDA Publications	373
DXT Publications	373
Graphical Data Display Manager (GDDM) Publications	373
HLASM Publications	373
ISPF/PDF Publications	374
OS/390 Publications	374
PL/I Publications	375
REXX Publications	375
ServiceLink Publications	375
VM Publications	375
VSE Publications	375
Index	377

The QMF Library

You can order manuals either through an IBM representative or by calling 1-800-879-2755 in the United States or any of its territories.

Evaluating



Installing, planning for, administering, and diagnosing



Using



Application programming



Online libraries



About This Book

This book is for people who have experience with the Query Management Facility product (QMF). The main topics are:

- QMF Commands
- SQL keywords used in QMF queries
- Forms, reports, and charts (including usage and edit codes)

Commands, keywords, and forms are presented in alphabetic order in their respective chapters.

The appendixes contain QMF sample tables, a list of global variables, information on QMF control tables, and QMF's support requirements for different environments.

Prerequisite knowledge

The book *Using QMF* contains basic QMF information. Knowledge of the concepts in that guide is assumed in this reference book. In addition to the steps necessary to get started with QMF and how to use SQL queries, *Using QMF* contains detailed scenarios showing how to build queries and forms step by step. It also contains information about Query-By-Example.

A complete list of QMF publications is in "The QMF Library" on page ix. QMF publications can be obtained through your IBM® representative or by calling 1-800-879-2755 in the United States or its territories.

How to send your comments

Your feedback is important in helping to provide the most accurate and high-quality information.

Send your comments from the Web

Visit the Web site at:

<http://www.ibm.com./qmf>

The Web site has a feedback page that you can use to enter and send comments.

Send your comments by e-mail

to comments@vnet.ibm.com. Be sure to include the name of the product, the version number of the product, the name and part number of the book (if applicable). If you are commenting on specific

text, please include the location of the text (for example, a chapter and section title, a table number, a page number, or a help topic title).

Complete the readers' comment form

at the back of the book and return it by mail, by fax (800-426-7773 for the United States and Canada), or by giving it to an IBM representative.

Chapter 1. QMF Commands

This chapter contains the following information:

- “QMF command environments”
- “Entering commands”
- “How to read syntax diagrams” on page 5
- “Command parameters” on page 7
- Command descriptions beginning on page 8

QMF command environments

You can enter QMF commands from TSO, CMS, or CICS® environments. In TSO or CMS, you might also be using ISPF. In a small table at the beginning of each command description, an X indicates which environments accept the command. An asterisk (*) indicates that only certain aspects of the command are accepted. For example:

TSO With ISPF	TSO Without ISPF	CMS With ISPF	CMS Without ISPF	CICS
X	X	X	X	*

Entering commands

You can issue QMF commands in several ways:

- On the command line
- With a function key
- On a prompt panel
- From a procedure
- From an application

If your installation has defined a command synonym with the same name as a QMF command, you must precede the command with QMF to override the synonym.

On the command line

Where a command line appears, you can enter any QMF command by typing it in full after the arrow. For example,

```
COMMAND ==>> RUN MYQUERY (FORM=FORM2
```

To run the command, press Enter.

QMF Commands

With a function key

You can enter some commands using function keys. QMF has a default set of function keys for each panel. The function keys that you see when you use QMF can differ from the defaults. This book refers to the default set.

To use parameters with a function key command, type the parameters on the command line, then press the function key. For example, when the query panel is displayed, type (FORM=FORM2, then press the Run function key. This command is run:

```
RUN QUERY (FORM=FORM2
```

On a prompt panel

QMF displays a command prompt panel if you enter a command with a syntactical error or a misspelling twice in succession, or when you enter the command name followed by a question mark on the command line. This prompt panel is useful when entering long commands.

For example, when you enter RUN ? the following command prompt panel is displayed on which you can enter the required information:

RUN Command Prompt 1 to 8 of 8

Type (_____)

Name (_____)+

To run an object from temporary storage, enter its type:
QUERY or PROC.

To run an object from the database, enter its name (and
optionally its type). Type can be QUERY or PROC.

F1=Help F3=End F4=List F7=Backward F8=Forward

If QMF needs additional information to complete a command, a second panel prompts you for command parameters.

You can skip the first panel of this two-step prompt by entering the command, the object type, and the object name, followed by a question mark on the command line. A panel appears containing the parameters that are applicable to that object.

A question mark is not valid in the parameters portion of a command (after the left parenthesis). Also, any parameters following the question mark are ignored. For example, (FORM=FORM2 is ignored in the following command:

```
RUN QUERY MYQUERY ? (FORM=FORM2
```


These three function keys are contained on most prompt panels:

- Help** Displays help information about the message being displayed at the bottom of the screen.
- List** Displays a list of objects from which you can select.
- End** Returns to the panel from which the prompt was issued.

From a procedure

You can include almost any QMF command as a line in a procedure, including a RUN command that runs the same or another procedure. This is helpful when using commands that are too long to enter on the command line.

When you put commands into a procedure, use the full command names, parameters, and values rather than the abbreviations. The minimum acceptable abbreviation for an existing word might change in future releases and cause your procedure to fail.

Commands in procedures with logic

When you use QMF commands in a procedure with logic, the commands:

- *Must* be in uppercase, regardless of the profile setting.
- Can be continued by ending the line with a comma.
- Can contain substitution variables.

Commands in linear procedures

Commands in linear procedures can be continued over more than one line by placing a plus sign (+) as a continuation character in column 1 of each additional line. The continued line then starts in column 3.

For more information on using commands in both types of procedures, see “Procedures” on page 313.

From an application

QMF commands within applications must be entered in uppercase, regardless of the profile setting.

Note to CICS users: The command interface is not available in CICS, as its function depends on ISPF.

Command interface

This interface receives QMF commands from ISPF. QMF must be started before the application, EXEC, or CLIST is run.

Callable interface

Receives QMF commands directly from QMF’s Systems Application Architecture. (SAA) common programming interface (CPI). You can start and stop QMF from your application. ISPF is not required.

QMF Commands

For detailed information on using commands within applications, see *Developing QMF Applications*.

Using remote data access

When issuing commands using distributed unit of work or remote unit of work:

- References to tables and views apply to the current location, unless a three-part name or alias is used to refer to a different location.
- References to QMF procedures, queries, and forms in the database apply to the current location. You cannot refer to a procedure, query, or form with a three-part name.
- Data sets or files named in QMF commands must reside at the system on which QMF is executing.
- CICS data queues named in QMF commands must be defined at the system on which QMF is executing.
- References to stored profile values apply to the current location, except for the TRACE parameter. See the appropriate *Installing and Managing QMF* manual for more information on TRACE.
- When QMF is running in CICS/MVS, all database objects (tables, views, procedures, queries, and forms) at remote DB2 locations are read only.

Confirmation panels

If there is a CONFIRM parameter on a command, you can specify YES or NO (or use the default in your profile). If the command would modify the database and the CONFIRM parameter is YES, a confirmation panel like the following is displayed:

```
                RUN CONFIRMATION

WARNING:
Your RUN command will modify this number of rows in the
database:          1

Do you want to make this change?
1 1. YES - Make the changes permanent in the database.
  2. NO  - Restore the table to what it was before the query
           was run; make no changes.
```

Many QMF confirmation panels for changes to the database are actually prompting you to do a commit (by entering YES to keep the changes) or a rollback (by entering NO).

Because the changes were already made to the database, the database manager holds locks on the data until you reply YES or NO on the confirmation panel.

If you are using DB2 for VM or VSE, the tables you are working with might be in a nonrecoverable dbspace. If so, any changes you make are committed to the database immediately, and you cannot execute a rollback. Therefore, if a table is in a nonrecoverable dbspace, specifying NO on the confirmation panel really doesn't prevent the changes from taking place.

For more information on dbspace, contact your database administrator or see *DB2 Server for VM System Administration*.

Canceling commands

The method you use to cancel a QMF command or query that is currently in process depends on the type of terminal connection you have and your environment.

In CMS and TSO:

- If your terminal is connected directly to the system, press the Reset key, then the PA1 key.
- If your terminal is connected to an SNA network, press the ATTN key.

In CICS, the CICS operator must cancel the QMF transaction like any other CICS transaction. You cannot use the PA1 and ATTN keys in CICS. When a QMF transaction is canceled, all work is lost and the QMF environment is deleted.

How to read syntax diagrams

The following rules apply to the syntax diagrams used in this book:

- Read the syntax diagrams from left to right, from top to bottom, following the path of the line.

The ►— symbol indicates the beginning of a statement.

The —► symbol indicates that the statement syntax is continued on the next line.

The ►— symbol indicates that a statement is continued from the previous line.

The —► symbol indicates the end of a statement.

Diagrams of syntactical units other than complete statements start with the ►— symbol and end with the —► symbol.

- Commands are always on the main path in the diagram. The minimum abbreviation for commands and parameters is shown in uppercase. Variables appear in lowercase italics (for example, *column-name*). They represent user-defined parameters or suboptions.

QMF Commands

When entering commands, separate the parameters and keywords by at least one space if there is no intervening punctuation.

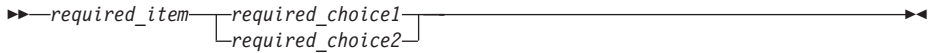
- Enter punctuation marks (slashes, commas, periods, parentheses, quotation marks, equal signs, and so on) and numbers exactly as given.
- Footnotes are shown by a number in parentheses, for example, (1).
- Required items appear on the horizontal line (the main path).



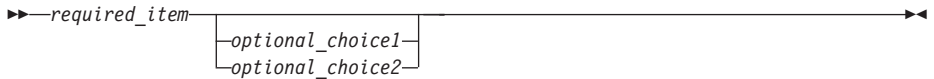
- Optional items appear below the main path.



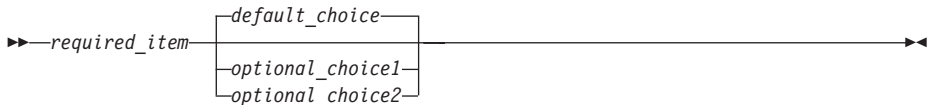
- If you can choose from two or more items, they appear vertically, in a stack. If you are required to choose one of the items, one item of the stack appears on the main path.



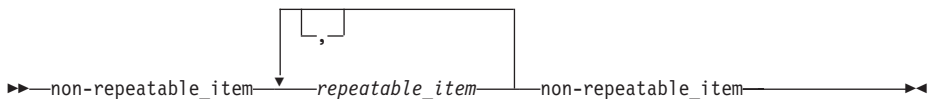
If choosing one of the items is optional, the entire stack appears below the main path.



If choosing one of the items is optional but there is a default value, the default is displayed above the line.



- If an item is repeatable, a left pointing arrow indicates a loop in the diagram. Optionally, the items can be separated with commas.



Command parameters

A command can allow two types of parameters. *Positional parameters* must be placed in a certain position within a command. *Keyword parameters* are assigned a value and can be placed in any order within a command. The first keyword parameter used in a command must be preceded by a left parenthesis.

If a command allows keyword parameters, you can use as many as you need. If you use a keyword parameter more than once in one command and provide different values for the parameter, its last value takes effect. No parameter can be longer than 80 characters.

All parameters are separated from each other with a blank, a comma followed by a blank, or a comma not followed by a blank (if you specified DECIMAL=PERIOD in your profile). For example, all of the following specifications are correct:

```
(MEMBER=member CONFIRM=YES  
(MEMBER=member, CONFIRM=YES  
(MEMBER=member,CONFIRM=YES  
(MEMBER member CONFIRM=YES  
(MEMBER member CONFIRM YES
```

A right parenthesis is not required, but can be used to end the command. Anything you put after it is treated as a comment; it is not processed.

ADD

ADD

TSO With ISPF	TSO Without ISPF	CMS With ISPF	CMS Without ISPF	CICS
X	X	X	X	X

The ADD command:

- Adds rows to a table in the Table Editor.
- Adds global variables to the global variable list.

▶—Add—▶

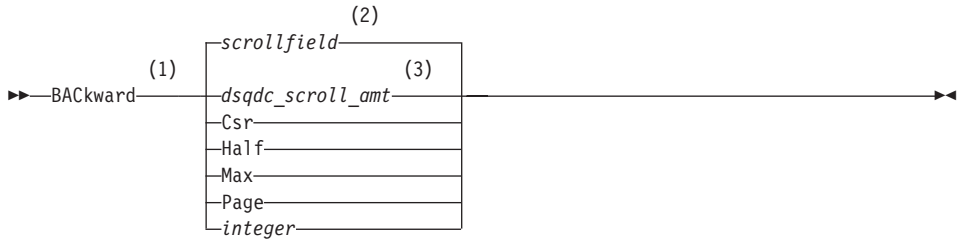
Notes

- In the Table Editor, a transaction is either saved immediately or when you end your Table Editor session, depending on what you specify for the SAVE option on the EDIT command.
- In the Global Variable List, the ADD command displays the Add Variable panel so you can add a new variable.

BACKWARD

TSO With ISPF	TSO Without ISPF	CMS With ISPF	CMS Without ISPF	CICS
X	X	X	X	X

The BACKward command scrolls toward the top of the active panel or to the first field of the current row in the Table Editor. In a panel, you can scroll backward to the cursor position; a half page; to the beginning; a full page; or a specific number of lines.



Notes:

- 1 Specify scroll amounts only when there is a SCROLL field on the active panel. PAGE is assumed in all other situations.
- 2 The value showing in the SCROLL field is used. This value is also maintained in the global variable DSQDC_SCROLL_AMT.
- 3 The value set in this global variable is used.

Description

- CSR** Scrolls the line where the cursor is positioned to the bottom of the scrollable area.
- HALF** Scrolls backward half the depth of the scrollable area or to the top if that is nearer.
- MAX** Scrolls to the top of the scrollable area.
- PAGE** Scrolls backward the depth of the scrollable area or to the top if that is closer.
- integer** Scrolls backward this number of lines on the panel (a positive integer up to 9999).

Notes

- MAX is in effect only for the current command. This value will not remain in the SCROLL field after the command completes. You cannot set the global variable DSQDC_SCROLL_AMT to this value.

BACKWARD

- To scroll backward in the footing text on form panels, position the cursor on the portion of the panel where the footing text is located and enter the BACKWARD command.
- You can also change the scroll amount QMF uses by setting the global variable DSQDC_SCROLL_AMT to Csr, Half, Page, or a positive integer up to 9999.

BATCH

TSO With ISPF	TSO Without ISPF	CMS With ISPF	CMS Without ISPF	CICS
X		X		

BATCH is a QMF-supplied command synonym that accesses the Batch Query or Procedure application. This application lets you run queries and procedures as QMF batch jobs rather than interactively.

For additional information, see the appropriate *Installing and Managing QMF* manual for your operating system.

▶▶—BATch—◀◀

BOTTOM

BOTTOM

TSO With ISPF	TSO Without ISPF	CMS With ISPF	CMS Without ISPF	CICS
X	X	X	X	X

The BOTTOM command scrolls to last line of queries, procedures, reports, global variable lists, and scrollable form panels.

▶▶—Bottom—◀◀

Notes

- BOTTOM is equivalent to FORWARD MAX.
- To scroll to the bottom of footing text on form panels, position the cursor on the portion of the panel where the footing text is located and enter the BOTTOM command.

CANCEL

TSO With ISPF	TSO Without ISPF	CMS With ISPF	CMS Without ISPF	CICS
X	X	X	X	X

Use the CANCEL command to:

- Discard pending modifications made during a Table Editor session.
- Return to a primary QMF panel from a help panel.
- Cancel a confirmation panel for a command. When you press the Cancel function key from a confirmation panel, the command whose action you were asked to confirm is canceled and you return to the QMF panel you entered the command on.

▶▶—Cancel—◀◀

Notes

- The CANCEL command is only available as a function key. You can use the CANCEL function key from the Table Editor, QMF help panels, and confirmation panels.
- CANCEL is available in the Table Editor session depending on the SAVE option specified on the EDIT TABLE command:
 - When SAVE=END, changes are discarded when the Cancel function key is pressed.
 - When SAVE=IMMEDIATE, CANCEL is not accepted.

CHANGE

CHANGE

TSO With ISPF	TSO Without ISPF	CMS With ISPF	CMS Without ISPF	CICS
X	X	X	X	X

In Prompted Query, the CHANGE command displays a panel on which you can make changes.

In the Table Editor, the CHANGE command modifies rows in a table or view.

►—CHAnge—◄

Notes

- In prompted Query, you can use one of the following methods to make changes:
 - Move your cursor to the entry you want to change and press the Change function key.
 - Type change on the command line, move your cursor to the entry you want to change, and press Enter.
- In the Table Editor, when you press the Change function key:
 - When SAVE=IMMEDIATE, changes are saved when the transaction is processed.
 - When SAVE=END, changes are saved when the END command is processed.

CHECK

TSO With ISPF	TSO Without ISPF	CMS With ISPF	CMS Without ISPF	CICS
X	X	X	X	X

The CHECK command checks form panels for mistakes.

►—CHecK—◄

Notes

- When a form panel is displayed, you can enter CHECK on the command line or press the Check function key. QMF checks for detectable errors in the displayed panel and then checks the remaining form panels.

- The message line describes the error that must be corrected before other errors are shown.
- When one error is displayed, you can display any additional errors by correcting the currently displayed error and pressing the Check key.
- CHECK cannot detect all errors. Some errors are not evident until you display the report, when QMF displays an error message.

Error conditions

If a form panel contains an error, QMF displays the panel on which the first error occurs, with the word ERROR at the top of the panel. If only one form panel contains an error, QMF displays the word ERROR on all the form panels. The entry area containing the error is highlighted, and the cursor is positioned next to it. The message on the message line describes the error.

You must correct the error before you can see the next error or create the report. For more information about the error and what you must do to correct it, press the Help function key. To identify the next error, enter the CHECK command again and correct the error. Continue in this way until you correct all errors.

If FORM.CALC, FORM.CONDITIONS, or a column definition panel in FORM.COLUMNS contains an expression with an error, this error might not be detected until QMF passes the values to REXX for evaluation.

Warning conditions

If the form panels have no errors, or if you corrected all of them, QMF checks for warning conditions. If a warning condition is found, QMF displays the form panel on which the first warning condition occurs, with the word WARNING at the top of the panel. In addition, the cursor is positioned next to the entry area containing the conflicting value, and a message describes the condition.

Unlike errors, warnings are not highlighted, and you can see all the warning conditions (without having to change the conflicting values) by repeatedly issuing the CHECK command. You do not need to change values that cause warning conditions—QMF can interpret the values and format your report. However, the report might not show the expected results..

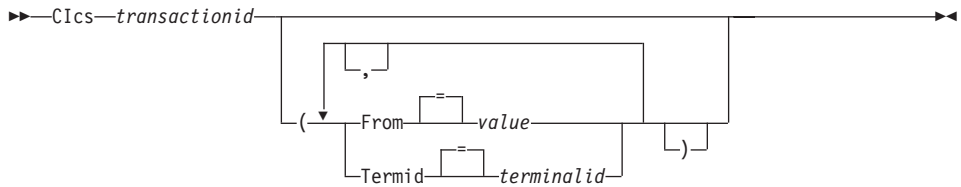
CICS

TSO With ISPF	TSO Without ISPF	CMS With ISPF	CMS Without ISPF	CICS
				X

CICS

The CICS command starts a CICS transaction. The transaction can be started without ending your current QMF session.

Starting a CICS transaction



Description

transactionid

The name of a CICS transaction to be started. This is a 1-4 character value.

FROM

Specifies the data passed to the transaction. Up to 78 characters of data can be passed.

value The character string that makes up the content of your data.

A value that contains blank characters must be surrounded with delimiters. Valid delimiters for a data value are single quotes, parentheses, and double quotes. When the delimiters are double quotes, the double quotes are included as part of the data.

TERMID

Specifies the CICS terminal associated with the transaction.

This option is required for any transaction that must communicate with a terminal. Otherwise omit this option to start the transaction without an associated terminal.

terminalid

A CICS terminal identifier. This is a 1-4 character alphanumeric value.

The current CICS terminal identifier for your QMF session is listed on the QMF CICS command prompt panel.

Notes

- The QMF CICS command parameters (transactionid, FROM, and TERMID) have the same meanings as the CICS START command options (TRANSID, FROM, and TERMID). Refer to the *CICS for VSE/ESA Application Programmer's Reference* manual for more information about the CICS START command.

- The CICS transaction is scheduled to start immediately.
- The CICS transaction must conform to the rules governing CICS Basic Mapping Service, GDDM applications, and the CICS START command.

Examples

- To display a prompt panel for the QMF CICS command:
CICS ?
- To use a global variable in the FROM parameter, surround the global variable with parentheses. For example:
CICS transid (FROM=(&DSQAP_CICS_PQNAME))

Do not surround the global variable with single quotes. It will not resolve correctly.

CLEAR

TSO With ISPF	TSO Without ISPF	CMS With ISPF	CMS Without ISPF	CICS
X	X	X	X	X

Use the CLEAR command to erase input from all fields in the Table Editor.

▶▶—Clear—▶▶

Notes

If the Modify confirmation mode is in effect and changes are made to the panel, a confirmation panel is displayed.

CMS

TSO With ISPF	TSO Without ISPF	CMS With ISPF	CMS Without ISPF	CICS
		X	X	

The CMS command issues a CMS command or exec, or a CP command in the CMS environment without terminating your QMF session.

Warning: Incorrect use of the CMS command can adversely affect your environment.

Issuing a CMS command



Description

commandstring

The command string passed to CMS.

CP

A CMS command used to qualify how CMS interprets commandstring. See your CMS documentation for details.

EXEC

A CMS command used to qualify how CMS interprets commandstring. See your CMS documentation for details.

Notes

- When you specify commandstring starting with the command word CMS the rest of the string is passed to CMS and interpreted there. If the command runs successfully, you receive a confirmation message and return to the active QMF panel.

Connect in VM

TSO With ISPF	TSO Without ISPF	CMS With ISPF	CMS Without ISPF	CICS
		X	X	

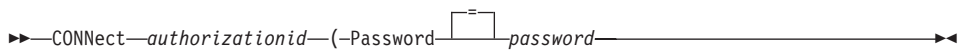
With the CONNECT command you can:

- Connect to any database server that is part of the distributed network from within a QMF session.
- Change the database user for the QMF session.

CONNECT to a database server



Change the database USER



CONNECT to a database server and set the USER

►—CONNECT—*authorizationid*—To—*servername*—⁽¹⁾—(—Password——*password*—►

Notes:

- 1 This parameter must specify a DB2 for VM server.

Description**authorizationid**

The authorization name of a DB2 for VM user. The database user must have been granted CONNECT authority with a password.

The authorization name can be delimited with double quotes. If the authorization name is "TO", or an abbreviation of "TO", it must be enclosed within double quotation marks. For example:

```
CONNECT "T" TO MIAMI ( PASSWORD=password
```

Password

The password for the database user. The password cannot be blank.

The password can be surrounded with delimiters. Valid delimiters are single quotes or double quotes.

servername

The location parameter. The name of a database application server in the distributed network.

The server name can be delimited with double quotes.

A list of server names is available for the location parameter when using the CONNECT command prompt panel. Refer to Example 1. below.

Notes

- Connecting to a database server resets the database authorization ID.
- The default database authorization ID for each server is system defined.
- Changing the database user will change the USER special register. The QMF session will operate with the privileges held by the newly established runtime authorization ID.

This can be useful in the following situations:

- To perform privileged database administration tasks by changing the connection to a DBA userid.
 - In batch jobs to set the database user to something different than the batch machine's userid.
- Your DB2 for VM user password can be set or changed by running a QMF SQL Query with a GRANT SQL statement. For example:

CONNECT in VM

```
GRANT CONNECT TO &DSQAO_CONNECT_ID  
IDENTIFIED BY password
```

- The database authorization ID at a DB2 for OS/390 server can be changed by running a QMF SQL Query with a SET CURRENT SQLID statement. For example:

```
SET CURRENT SQLID = 'QMFADM'
```

The QMF session is connected to a DB2 for OS/390 server when the global variable DSQAO_DB_MANAGER has the value of 2.

- The database authorization ID cannot be changed when the global variable DSQAO_DB_MANAGER has the value of 3 or 4.
- Differences between the CONNECT command and the DSQSDBNM program parameter:
 - The DSQSDBNM parameter establishes the initial database server used for the QMF session.
 - The CONNECT command changes the database server after a QMF session is established.
- The SQL CONNECT statement cannot be used in a QMF query.

Examples

1. To display the CONNECT command prompt panel:

```
CONNECT ?
```
2. To connect to a remote database server with a location name of MIAMI:

```
CONNECT TO MIAMI
```
3. To change the database user to "QMFADM", having a password of "A12ZDT", at the current DB2 for VM location:

```
CONNECT "QMFADM" ( PASSWORD="A12ZDT"
```
4. To connect to another DB2 for VM location and change the database user:

```
CONNECT QMFADM TO MIAMI ( PASSWORD=A12ZDT
```

Connect in OS/390

TSO With ISPF	TSO Without ISPF	CMS With ISPF	CMS Without ISPF	CICS
*	*			*

With the CONNECT command you can connect to any database server that is part of the distributed network from within a QMF session.

CONNECT to a database server

►—Connect—To—servername—◄

Change the database USER

```

(1) (2)
▶—CONNect—authorizationid—(—Password——password—▶

```

Notes:

- 1 The current server must be a DB2 for VM server.
- 2 The SQLINIT PROTOCOL must not be set to DRDA.

CONNECT to a database server and set the USER

```

(1) (2)                                     (***)
▶—CONNect—authorizationid—To—servername—▶

▶—(—Password——password—▶

```

Notes:

- 1 This parameter must specify a DB2 for OS/390 server.
- 2 The SQLINIT PROTOCOL must not be set to DRDA.

Description**servername**

The Location parameter. The name of a database application server in the distributed network.

The server name can be delimited with double quotes.

A list of server names is available for the Location parameter when using the CONNECT command prompt panel. Refer to Example 1. below.

Notes

- Connecting to a database server resets the database authorization ID.
- The default database authorization ID for each server is system defined.
- The database authorization ID at a DB2 for OS/390 server can be changed by running a QMF SQL Query with a SET CURRENT SQLID statement. For example:

```
SET CURRENT SQLID = 'QMFADM'
```

The QMF session is connected to a DB2 for OS/390 server when the global variable DSQAO_DB_MANAGER has the value of 2.

CONNECT in OS/390

- The database authorization ID cannot be changed when the global variable DSQAO_DB_MANAGER has a value other than 2.
- Differences between the CONNECT command and the DSQSDBNM program parameter:
 - The DSQSDBNM parameter establishes the initial database server used for the QMF session.
 - The CONNECT command changes the database server after a QMF session is established.
- The SQL CONNECT statement cannot be used in a QMF query.

Examples

1. To display the CONNECT command prompt panel:
CONNECT ?
2. To connect to a remote database server with a location name of MIAMI:
CONNECT TO MIAMI

Connect in CICS

TSO With ISPF	TSO Without ISPF	CMS With ISPF	CMS Without ISPF	CICS
				*

With the CONNECT command you can:

- Connect to any database server that is part of the distributed network from within a QMF session.
- Change the database user for the QMF session. (VSE only)

CONNECT to a database server

►►CONNECT To *servername*◄◄

Change the database USER (VSE only)

►►*authorizationid* (-Password *password*)◄◄

CONNECT to a server and set the USER (VSE only)

►►CONNECT *authorizationid* To *servername* (-Password *password*)◄◄

Description

authorizationid

The name of a userid at a remote database management system. The userid must possess CONNECT authority to the database.

The userid can be delimited with double quotes. If the userid is "TO", or an abbreviation of "TO", it must be enclosed within double quotation marks. For example:

```
CONNECT "T" TO MIAMI ( PASSWORD=password
```

Password

The password for the database user. The password cannot be blank.

The password can be surrounded with delimiters. Valid delimiters are single quotes or double quotes.

servername

The Location parameter. The name of a database application server in the distributed network.

The server name can be delimited with double quotes.

A list of server names is available for the Location parameter when using the CONNECT command prompt panel. Refer to Example 1. below.

Notes

- When using CICS on OS/390 with a remote database server, all data at the server is restricted to read-only.
- Connecting to a database server resets the database authorization ID.
- The default database authorization ID for each server is system defined.

(VSE only)

To connect to a database server, the current database user must be defined at the remote database system. This is required even when the database user is specified on the CONNECT command.

- The database authorization ID at a DB2 for OS/390 server can be changed by running a QMF SQL Query with a SET CURRENT SQLID statement. For example:

```
SET CURRENT SQLID = 'QMFADM'
```

The QMF session is connected to a DB2 for OS/390 server when the global variable DSQAO_DB_MANAGER has the value of 2.

- (VSE only) Changing the database user will change the USER special register. The QMF session will operate with the privileges held by the newly established runtime authorization ID.

CONNECT in CICS

This can be useful to perform privileged database administration tasks by changing the connection to a DBA userid.

- (VSE only) Your DB2 for VSE user password can be set or changed by running a QMF SQL Query with a GRANT SQL statement. For example:

```
GRANT CONNECT TO &DSQAO_CONNECT_ID  
  IDENTIFIED BY password
```
- Differences between the CONNECT command and the DSQSDBNM program parameter:
 - The DSQSDBNM parameter establishes the initial database server used for the QMF session.
 - The CONNECT command changes the database server after a QMF session is established.
- The SQL CONNECT statement cannot be used in a QMF query.

Examples

1. To display the CONNECT command prompt panel:

```
CONNECT ?
```
2. To connect to a remote database server with a location name of MIAMI:

```
CONNECT TO MIAMI
```
3. (VSE only) To change the database user to "QMFADM", having a password of "A12ZDT":

```
CONNECT "QMFADM" ( PASSWORD="A12ZDT"
```
4. (VSE only) To connect to another location and change the database user:

```
CONNECT QMFADM TO MIAMI ( PASSWORD=A12ZDT
```

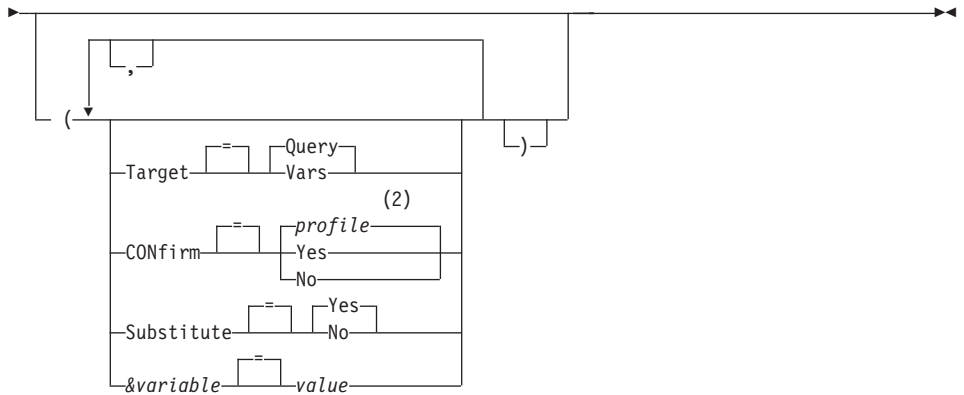
CONVERT

TSO With ISPF	TSO Without ISPF	CMS With ISPF	CMS Without ISPF	CICS
X	X	X	X	X

The CONVERT command converts a Prompted, SQL, or QBE query into a query with standard SQL syntax. Substitution variables can be replaced with values you specify or with values defined by global variables. CONVERT assigns values to variables and removes all original comments from the query.

CONVERT a query in temporary storage

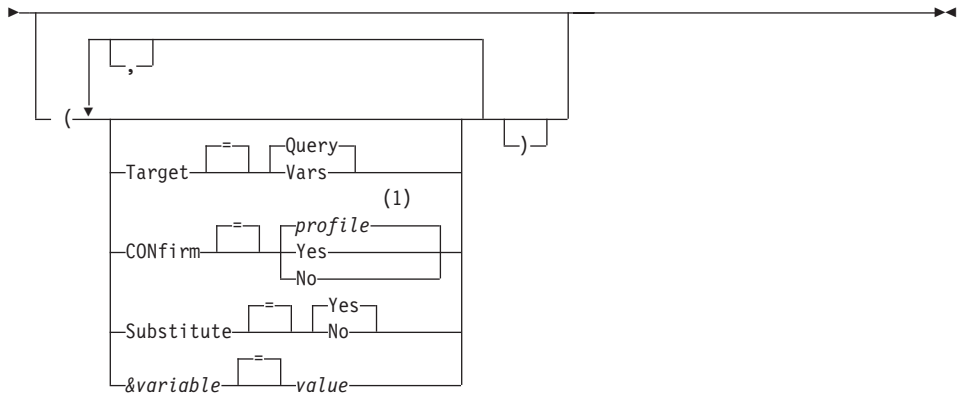




Notes:

- 1 The name of the QMF object panel currently displayed, if appropriate, is used.
- 2 The value set in your profile is used.

CONVERT a query from the database



Notes:

- 1 The value set in your profile is used.

CONVERT

Description

queryname

Name of a query stored in the database. The query stored in the database is unchanged, and the query in QMF temporary storage is replaced with a copy of the stored query.

TARGET

Controls the placement of the converted query.

QUERY

Places the converted query on the SQL query panel. The query in your temporary storage is replaced with the converted query.

VAR Places the converted query and related information about the query in QMF global variables beginning with DSQQC_. (See Appendix B, “QMF Global Variable Tables” on page 333 for more information.) If ISPF is available, the converted query is also placed in the ISPF dialog manager variable pool. ISPF is not available in CICS. The query in your temporary storage is not changed. Only the global variables and the ISPF variable pool are changed.

CONFIRM

Indicates whether a confirmation panel is displayed when this command will replace an existing object in the database.

SUBSTITUTE

Indicates whether to replace substitution variables in your query with values.

YES If you have variables in your query, QMF attempts to substitute values for them. If all the variables are defined, no prompt panel is displayed. If QMF cannot resolve all the variables, it prompts you to enter values. QMF first looks at the command for a variable definition before looking at existing global variables.

NO No variable names in your query are resolved.

&variable

Identifies a substitution variable for the CONVERT command. Variables can be assigned values up to 55 single-byte characters long with this option. Up to ten substitution variables can be specified in a single command.

The variable name must be prefaced with an ampersand. Use two ampersands if you issue the CONVERT command from within a linear procedure.

value The character string that makes up the content of the substitution variable.

A value that contains blank characters must be surrounded with delimiters. Valid delimiters for a substitution variable value are single quotes, double quotes, and parentheses. When the delimiters are quotation marks, the quotation marks are included as part of the value. When the delimiters are parentheses, the parentheses are not included as part of the value.

Notes

- The CONVERT command may also be used to improve the organization of an existing SQL query in temporary storage.
- If you specify more than 10 variables in the CONVERT command, the command is rejected with an error message.
- Variable names that don't match parameters in your query are ignored.

If you defined your variables with the SET GLOBAL command, you do not have to specify them on the CONVERT command. A value specified on the CONVERT command overrides a value set with SET GLOBAL.

If you have variables in your query and do not specify substitution values for all of them on your CONVERT command, a prompt panel is displayed. All supplied parameter values appear on the prompt panel. Any variable names included in your query that aren't assigned values are listed and a message is displayed.
- Queries cannot have three-part names.
- If you provide variables for substitution variables and also specify SUBSTITUTE=NO, an error message is issued.
- Do not enter a query comment as a variable value. Query comments are preceded by two dashes (--), which the database interprets as minus signs.
- When you convert a query and TARGET is specified as:
 - QUERY, the converted query is displayed in QMF temporary storage. If the query you want to convert is in QMF temporary storage, the converted query replaces it. If the query you want to convert is saved in the database, the converted query is placed in QMF temporary storage and displayed.
 - VARS, the converted query is placed into the ISPF dialog manager pool and the global variable pool; it does not replace the query in QMF temporary storage.
- A single QBE insert or delete query can result in multiple SQL queries. These queries are placed into a single SQL query object. However, all of the queries after the first query are turned into comments (each line is preceded by two hyphens).

CONVERT

Examples

1. To convert a query in QMF temporary storage into an SQL query and substitute a value of 38 for the variable DEPT in the converted query:

```
CONVERT QUERY ( &DEPT=38
```

2. To improve the organization of an existing SQL query. For example, suppose the SQL query in temporary storage was:

```
SELECT 'JOB',JOB,'SERIAL',ID FROM Q.STAFF  
WHERE ID<99 ORDER BY 2
```

The converted query after running the CONVERT command would be:

```
SELECT 'JOB', JOB, 'SERIAL', ID  
FROM Q.STAFF  
WHERE ID < 99  
ORDER BY 2
```

3. To convert a query from the database named QBEQUERY into a SQL query in QMF temporary storage:
CONVERT QUERY QBEQUERY
4. To convert a query from the database named MYQUERY into a SQL query, and put it into the ISPF dialog manager pool and the global variable pool:
CONVERT QUERY MYQUERY (TARGET=VARS

DELETE

TSO With ISPF	TSO Without ISPF	CMS With ISPF	CMS Without ISPF	CICS
X	X	X	X	X

The DELETE command removes any of the following:

- A line from an SQL query or a procedure
- A line from a panel in Prompted Query
- A line of column information on FORM.MAIN or FORM.COLUMNS
- A calculation line from a FORM.CALC panel
- A condition from FORM.CONDITIONS
- A text line on FORM.BREAK, FORM.DETAIL, FORM.FINAL, or FORM.PAGE
- An error message displayed below a query
- A row from a table in the database when using the Table Editor

►—DElete—◄

Notes

- To delete a line, position the cursor on the line to be deleted and press the Delete key.
- When using DELETE in the Table Editor, the transaction is saved immediately or when you end your table editor session. You can specify which method you want used with the SAVE option on the EDIT TABLE command.
- If a table or table join is deleted from a prompted query, QMF reevaluates the remaining joins to determine whether remaining tables are still connected (or joined).
 - If so, all remaining joins are left in the query.
 - If not, the only joins left are for the tables connected to the first table selected for the query. The Join Tables panel is displayed to prompt you to build any remaining joins for the other tables.

DESCRIBE

TSO With ISPF	TSO Without ISPF	CMS With ISPF	CMS Without ISPF	CICS
X	X	X	X	X

Use the DESCRIBE command to display information about a QMF object or a column in a table. The Describe function key can be used from a database object list panel or a Prompted Query panel.

▶—DESCRIBE—▶

Notes

Using DESCRIBE on a database object list panel displays detail information about a single object. The amount of information shown is based on the type of object. On a Prompted Query panel, DESCRIBE displays a Column Description panel that shows information about the columns listed.

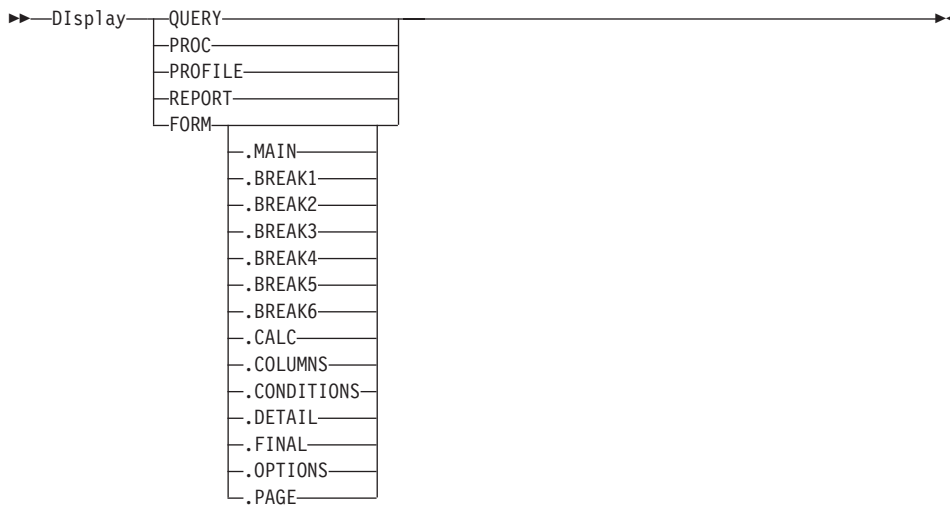
DISPLAY

TSO With ISPF	TSO Without ISPF	CMS With ISPF	CMS Without ISPF	CICS
X	X	X	X	X

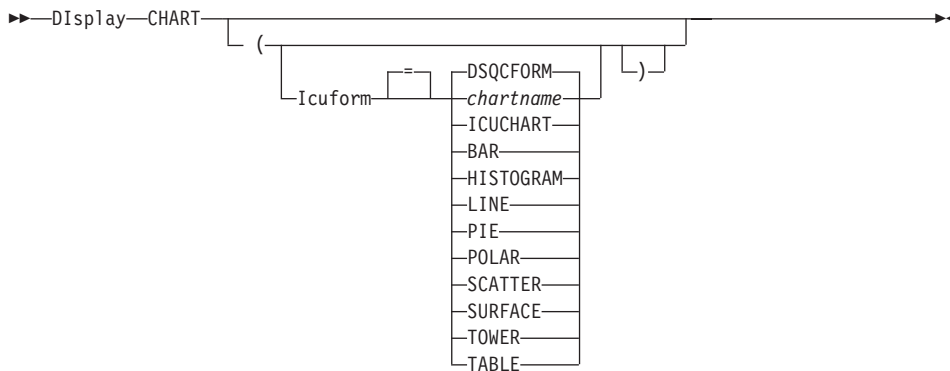
The DISPLAY command displays an object from QMF temporary storage or an object from the database.

DISPLAY

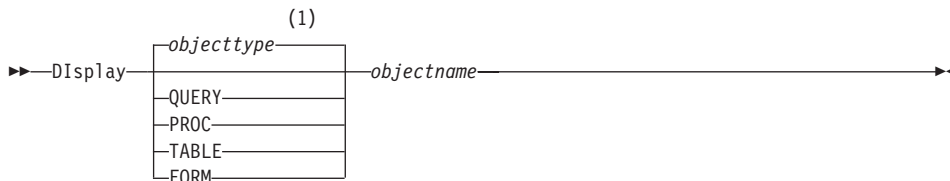
Display a QMF object in temporary storage



Display a CHART



Display an object from the database



Notes:

- 1 The type of the named object, if appropriate, is used. QMF type objects have priority over other types of database objects.

Description**objectname**

The name of an object in the database. Valid objects include:

- QMF objects (PROC, QUERY, FORM)
- Table objects (TABLE, VIEW, SYNONYM, ALIAS)

ICUFORM

Indicates the chart format to use with the GDDM Interactive Chart Utility (ICU). QMF provides several ready to use chart styles.

DSQCFORM

The name of the default chart format provided by QMF. Unless customized by your QMF administrator this will provide a BAR style chart.

ICUCHART

The name of the default chart format provided by ICU.

chartname

Indicates the name of a chart format previously saved in the ICU.

Notes

- A QMF Administrator can display any QMF object saved in the database.
- If the named object is not a table, it replaces the contents of the same object in the QMF temporary storage area.
If the named object is a table, it replaces the contents of the QMF data object and the QMF form object in temporary storage. A new FORM is created to match the data in the table. This form provides default formatting for the displayed report.
- You can display tables owned by other users if you are authorized to do so. Use the owner qualifier to display tables owned by another user.
- If your current database location is a DB2 for OS/390 server, you can display a table from a remote locations. Specify the table object with a three-part name. An example is shown below.
- The SHOW command is similar to the DISPLAY command. The difference is:

SHOW

Shows object panels, global variables, and certain parts of panels in QMF temporary storage.

DISPLAY

DISPLAY

Displays QMF objects or database objects.

- You can modify a displayed SQL query, form, or procedure with the Insert and Delete function keys. You can also type over a form's text or data. Save the changed object with the SAVE command.
- If you previously viewed a form panel, DISPLAY FORM displays the last form panel you viewed. If you have not displayed any part of the current form, DISPLAY FORM displays FORM.MAIN.
- When you use DISPLAY CHART, the contents of DATA as formatted by FORM are displayed. The data can be further formatted by the Interactive Chart Utility (ICU) to represent report data graphically. To display a chart, you must have a graphics terminal.
- After you work on a chart in the ICU and exit, the QMF panel on which you entered the DISPLAY CHART command is displayed again. If you want to return to a form panel, enter the DISPLAY CHART command from that form panel.
- If you enter CHART on the DISPLAY command prompt, the DISPLAY CHART command prompt appears so that you can specify the parameters needed to display your chart.
- If you are displaying a report or chart and the form is incompatible with the data or contains errors, the first form panel containing an error is displayed with the error highlighted. You must correct the first error that is displayed, and then reissue the CHECK command, or try to redisplay the report or chart to see the next error.

Examples

1. To present a prompt panel for the QMF DISPLAY command:
DISPLAY ?
2. To display the current QMF procedure object:
DISPLAY PROC
3. To display a shared QMF query (MONTHLY) owned by another user (JANET):
DISPLAY QUERY JANET.MONTHLY
4. If your current location is a DB2 for OS/390 server, and you wish to display a table (VISION) owned by a user (JOHNSON) located at a remote database location (BOISE):
DISPLAY TABLE BOISE.JOHNSON.VISION

DPRE

TSO With ISPF	TSO Without ISPF	CMS With ISPF	CMS Without ISPF	CICS
X		X		

DPRE is a QMF-supplied command synonym that runs the Display Printed Report application.

▶▶—DPre—▶▶

Notes

This application lets you display a formatted report on your terminal. It displays the report that’s currently in QMF temporary storage.

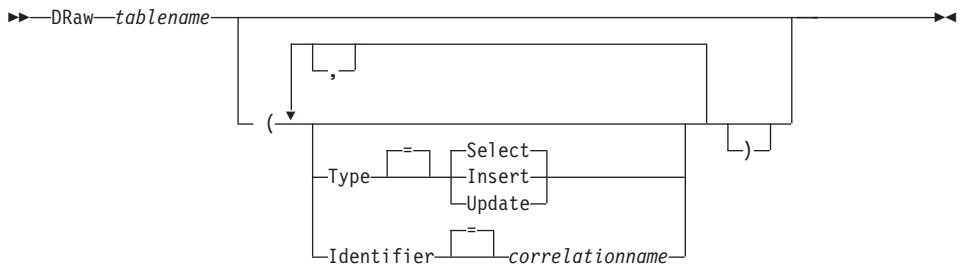
For additional information on using DPRE, see *Installing and Managing QMF* for your system.

DRAW

TSO With ISPF	TSO Without ISPF	CMS With ISPF	CMS Without ISPF	CICS
X	X	X	X	X

The DRAW command helps you compose a basic SQL query or QBE query.

DRaw a SQL Query



DRaw a QBE Query

▶▶—DRaw—tablename—▶▶

DRAW

Description

tablename

The name of a table in the database.

This can be the name of a TABLE, VIEW, SYNONYM, or ALIAS.

TYPE The type of query you want to compose.

SELECT

Composes a basic query for selecting data from the columns of a table or view. Type the other clauses you need when the query is displayed. To select more than one table, use the DRAW command for each table. This is the default query type.

INSERT

Composes a basic query for inserting data into a table or view. When the query is displayed, type the new data to the left of the column names.

UPDATE

Composes a basic query to change the values of specified rows of a table or view. When the query is displayed, type your changes to the right of the column names and delete the lines you do not need.

IDENTIFIER

Specifies an identifier to uniquely designate the table in the composed query. This option is ignored when TYPE=INSERT.

correlationname

A user-defined name that becomes a correlation name for the table in the composed query. This name is used to qualify columns in the query to avoid ambiguity, or to establish a correlated reference for subqueries. It can also be used merely as a better name for the table to improve readability of the query.

If you do not specify this option, no correlation name is added to the composed query.

Notes

- The DRAW command is valid only at a SQL QUERY or a QBE QUERY panel.
- Use the IDENTIFIER option whenever adding another table to an existing SQL SELECT query.
- Some queries require additional information before they can be run.

- You can draw a table or view at another location by including a location qualifier to the table name.
- For information on how the DRAW command works in QBE, press the More Help key.

Examples

1. To draw a SELECT query for the table Q.STAFF uniquely identified by S:

```
DRAW Q.STAFF ( TYPE=SELECT IDENTIFIER=S
```

Here is the result:

```
SELECT S.ID, S.NAME, S.DEPT, S.JOB, S."YEARS" -- S
        , S.SALARY, S.COMM -- S
FROM Q.STAFF S
```

2. If your table names or column names contain:

- special characters
- QMF reserved words
- IBM SQL reserved words
- DB2 reserved words

The DRAW command surrounds the names with double quotes.

```
DRAW MYTABLE
```

Here is the result:

```
SELECT NORMALNAME, KEYWORDFOLLOWS -- USER.MYTABLE
        , "UNION" , "HAS BLANKS IN IT" -- USER.MYTABLE
        , "SPECIAL+CHARS_IN!", "Mixed_Case_%S" -- USER.MYTABLE
FROM USER.MYTABLE
```

EDIT OBJECT

TSO With ISPF	TSO Without ISPF	CMS With ISPF	CMS Without ISPF	CICS
X	*	X	*	

Use the EDIT object command to modify a QMF procedure or an SQL query currently in temporary storage.

EDit a QMF SQL QUERY or PROC



DRAW

Notes:

- 1 The name of the QMF object panel currently displayed, if appropriate, is used.

Description

EDITOR

Specifies the name of the editor used to edit your QMF procedure or SQL query.

PDF Specifies that the ISPF/PDF editor is used to edit the procedure or query. To use the PDF editor to edit a query or procedure, start QMF as an ISPF dialog.

editorname

The name of any other editor available to you. It can also be the name of an EXEC (VM or MVS) or a CLIST (MVS) that starts an editor. For more information about available editors, see your information center.

Notes

- If you want to build a new query or procedure using EDIT, reset the query or procedure first to clear the QMF temporary storage area. Do this by issuing the RESET command with the QUERY or PROC parameter.
- If you want to modify an existing query or procedure, first display the query or procedure to bring it into the QMF temporary storage area. Then use the EDIT command to modify the query or procedure.
- After editing your query or procedure, you can file or save your file or data set. This replaces whatever was in QMF temporary storage. If your query or procedure is too large to fit in QMF's temporary storage area, it is stored in a file. If this happens, a message is displayed telling you the name of the file that your procedure or query is in.
- The SAVE command within the editor is not the same as the QMF SAVE command. The editor only saves (or files) to the QMF temporary storage area. If you want the query or procedure to be saved in the database, you must use the QMF SAVE command.
- Although you cannot use the EDIT command in CICS to edit a QMF query or procedure, you can use the QMF DISPLAY or SHOW command to display such an object, and then modify it using QMF.

Examples

1. To display the EDIT command prompt panel:
EDIT ?
2. To export the current query and place it in the ISPF/PDF editor:
EDIT QUERY

When the edit session ends, the edited file is imported to the current query object.

To use the PDF editor, start QMF as an ISPF dialog.

- To export the current query and place it in the XEDIT editor:

```
EDIT QUERY (EDITOR=XEDIT
```

When the edit session ends, the edited file is imported to the current query object.

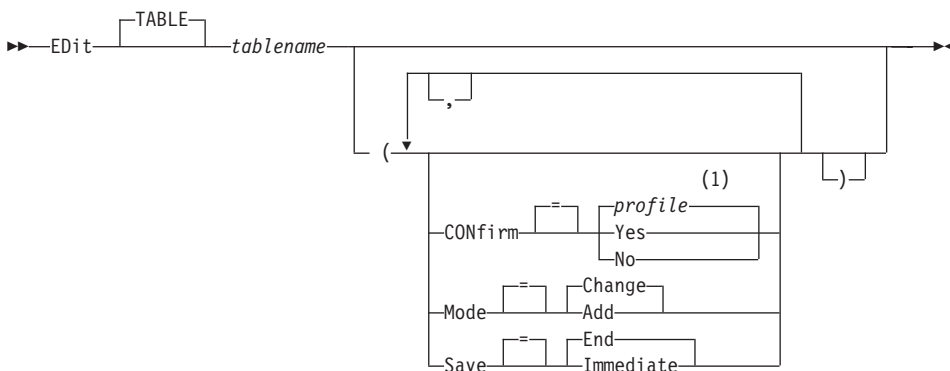
Edit a table

TSO With ISPF	TSO Without ISPF	CMS With ISPF	CMS Without ISPF	CICS
X	X	X	X	*

The EDIT TABLE command invokes the QMF Table Editor. During a Table Editor session you can make additions, changes, or deletions to records in your table using fields on the panels provided.

Issue the END command to exit a Table Editor session.

EDIT a TABLE



Notes:

- The value set in your profile is used.

Description

tablename

The name of a table in the database.

EDIT

MODE

The type of table editor session to run.

CHANGE

Operate the table editor in a mode permitting rows in the table to be changed. Change mode includes the ability to:

- Search for rows
- View data in a row
- Update columns in a row
- Delete a row
- Advance through a set of rows

ADD Operate the table editor in a mode permitting new records to be added to the table.

SAVE Specifies when to commit changes and deletions made during edit session. This option is ignored for Add mode operation.

IMMEDIATE

Changes made during the edit session are processed individually for each row. This choice increases the availability of the table to other users while your edit session is active.

END All changes made during the edit session are held until the session is ended. You have an opportunity to cancel all changes at any time. This choice decreases the availability of the table to other users as your edit session progresses.

CONFIRM

Indicates whether confirmation panels are displayed during the Table Editor session.

There are confirmation panels for these session events:

- ADD a row
- CHANGE a row
- DELETE a row
- Typed entries about to be lost
- Session end

Notes

- QMF provides a set of global variables to individually control the activation of the various edit session confirmation panels. See Appendix B, “QMF Global Variable Tables” on page 333 for more information.
- The Table Editor supports null and default values with specially reserved characters. You can alter the definition of these reserved characters prior to the edit session by changing the values of global variables. See Appendix B, “QMF Global Variable Tables” on page 333 for more information.

Examples

1. To display a prompt panel for the QMF EDIT TABLE command:

```
EDIT TABLE ?
```
2. To add new rows to a table named TABTWO owned by user BILL:

```
EDIT TABLE BILL.TABTWO (MODE=ADD
```

END

TSO With ISPF	TSO Without ISPF	CMS With ISPF	CMS Without ISPF	CICS
X	X	X	X	X

The END command ends the current operation and returns to an earlier state.



Notes

The result of the END command varies depending on what panel you are using and if an initial procedure is executing.

If you enter END (or press the End function key):

- From the QMF Home panel, your QMF session ends.
- From any of the following QMF panels:

QUERY	FORM.MAIN	FORM.COLUMNS
PROC	FORM.CALC	FORM.OPTIONS
PROFILE	FORM.DETAIL	FORM.BREAK.n
REPORT	FORM.FINAL	FORM.CONDITIONS
	FORM.PAGE	Global variable list

the QMF Home panel is displayed.

- From a prompt panel, the panel on which you issued the command that caused the prompt is displayed. (This could be the QMF Home panel, or the panel for FORM, PROC, PROFILE, QUERY, or REPORT.)

If you press the End function key after making an entry on the prompt panel and before pressing enter, the entry you made is not processed.

- From a Table Editor panel, your changes are committed and the panel from which you called the Table Editor is displayed.

When you press the End function key from a Table Editor panel, a confirmation panel is displayed so you can decide whether to end (commit your changes to the database) or not (return to the Table Editor panels).

END

The END command does not work as described above in the following situations:

- If QMF was started with an initial procedure, END reruns the initial procedure without displaying the QMF Home panel.
- If the current panel is the QMF Home panel and END is issued through the QMF command or callable interface, the QMF session is not terminated immediately. Instead, the EXEC, CLIST, or program containing the END command regains control. In this case, the QMF session is not terminated until the EXEC, CLIST, or program ends.
- If END is issued from a new interactive session that was started by the INTERACT command, control is returned to the application or procedure from which the INTERACT command was issued. In this case, END does not terminate the session or display the QMF Home panel.
- If the END command is issued from a new interactive session that was started as the result of issuing a command on the database object list panel, the database object list is displayed. In this case, END does not terminate the session or display the QMF Home panel.

For more information on using END in an interactive session, see *Developing QMF Applications*.

ENLARGE

TSO With ISPF	TSO Without ISPF	CMS With ISPF	CMS Without ISPF	CICS
X	X	X	X	X

The ENLARGE command in QMF increases the size of an example table.

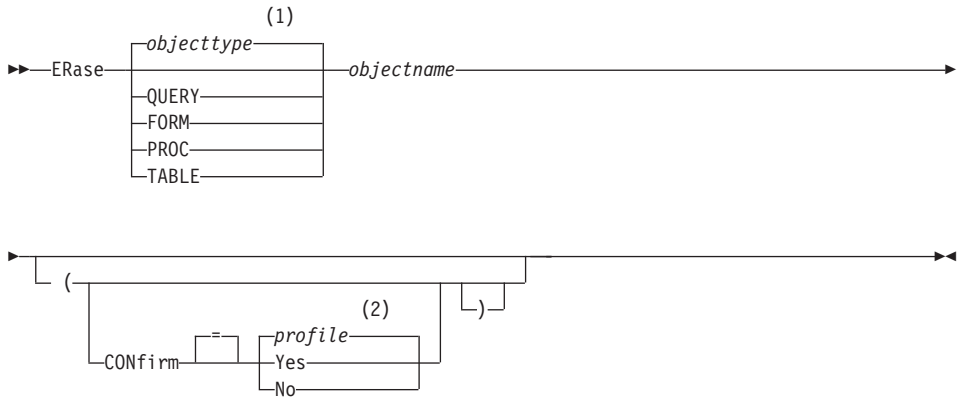
▶▶—ENLARGE—◀◀

ERASE

TSO With ISPF	TSO Without ISPF	CMS With ISPF	CMS Without ISPF	CICS
X	X	X	X	X

The ERASE command removes an object from the database.

ERASE an object from the database



Notes:

- 1 The type of the named object, if appropriate, is used. QMF type objects have priority over other types of database objects.
- 2 The value set in your profile is used.

Description

objectname

The name of the QMF object in the database.

When you specify FORM, all parts of the form are erased immediately.

CONFIRM

Whether or not a confirmation panel is displayed.

YES Displays a confirmation panel if an object in the database will be removed by this command.

NO No confirmation panel is displayed.

Notes

- Objects can be erased only from the current database location. You cannot erase a remote table by using a three-part name. Instead, first connect to the location where the table is located, then type the ERASE command.
- If you specify an object name that doesn't exist, a warning message is issued.

Examples

1. To display a command prompt panel:
ERASE ?

ERASE

2. To erase the table PATTI.TABLEONE:
ERASE TABLE PATTI.TABLEONE
3. To erase a query named JBQUERY and display a confirmation panel.
ERASE JBQUERY (CONFIRM=YES)
4. To erase the table PATTI.TABLETWO at the DALLAS location while your local location is BOISE, you must first connect to DALLAS:
CONNECT TO DALLAS

then issue the ERASE command:

```
ERASE TABLE PATTI.TABLETWO
```

EXIT

TSO With ISPF	TSO Without ISPF	CMS With ISPF	CMS Without ISPF	CICS
X	X	X	X	X

The EXIT command stops your QMF session.

▶—EXIT—▶

You can issue the command on the QMF Home panel, the QUERY, REPORT, FORM, PROFILE, or global variable list panel, or you can put it in a procedure.

You can also enter the EXIT command from the QMF command area of any object on the QMF database object list panel (see “LIST” on page 94). You cannot enter the EXIT command on a command prompt, confirmation, or Help panel.

For users developing QMF applications: If you issue EXIT through the QMF command interface or in a procedure that is run through the command interface, your session is not terminated immediately. Instead, the EXEC, CLIST, or application program that is running from the command interface regains control. Your session is not terminated until the TSO or CMS commands complete.

EXPORT in CICS

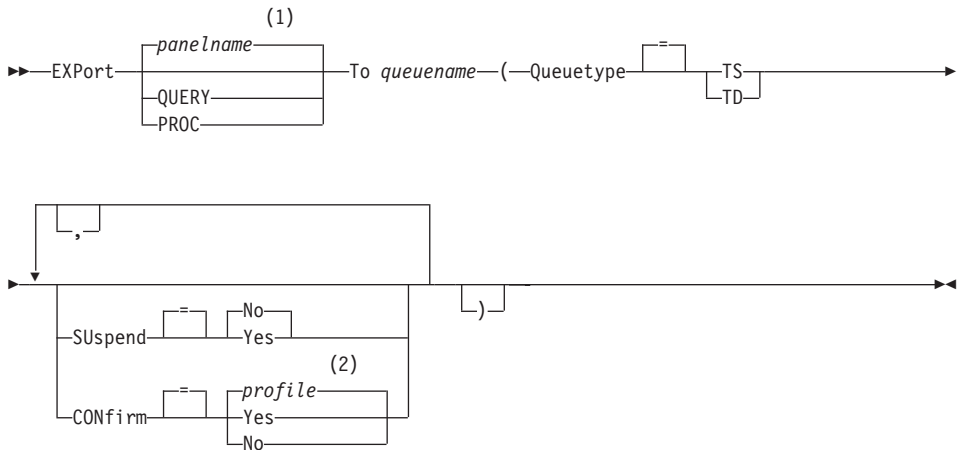
TSO With ISPF	TSO Without ISPF	CMS With ISPF	CMS Without ISPF	CICS
				*

The EXPORT command sends:

- Queries, forms, procedures, reports, and data from QMF temporary storage to a CICS data queue.
- Queries, forms, procedures, and tables from the database to a CICS data queue.
- Charts from QMF to a GDDM library that contains GDF files.

The syntax for exporting objects from QMF temporary storage is different from the syntax for exporting objects from the database.

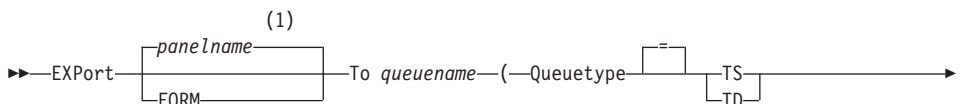
EXPORT a QMF QUERY or PROC from temporary storage



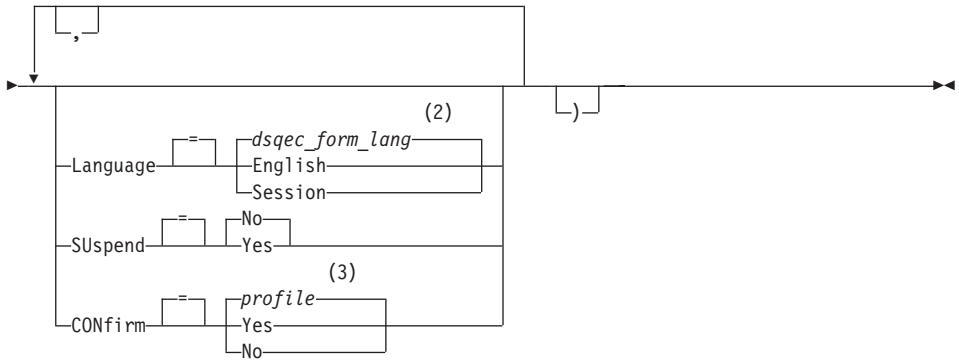
Notes:

- 1 The name of the QMF object panel currently displayed, if appropriate, is used.
- 2 The value set in your profile is used.

EXPORT a QMF FORM from temporary storage



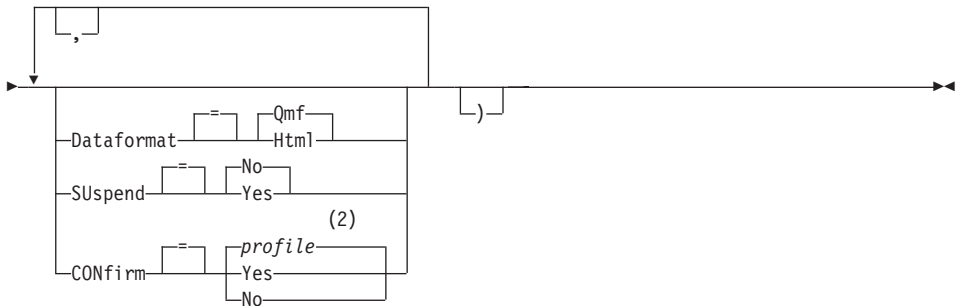
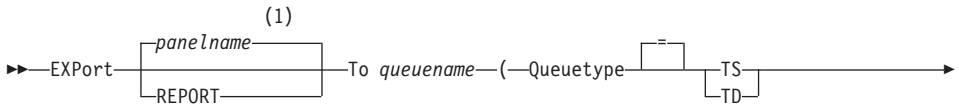
EXPORT in CICS



Notes:

- 1 The name of the QMF object panel currently displayed, if appropriate, is used.
- 2 The value set in this global variable is used.
- 3 The value set in your profile is used.

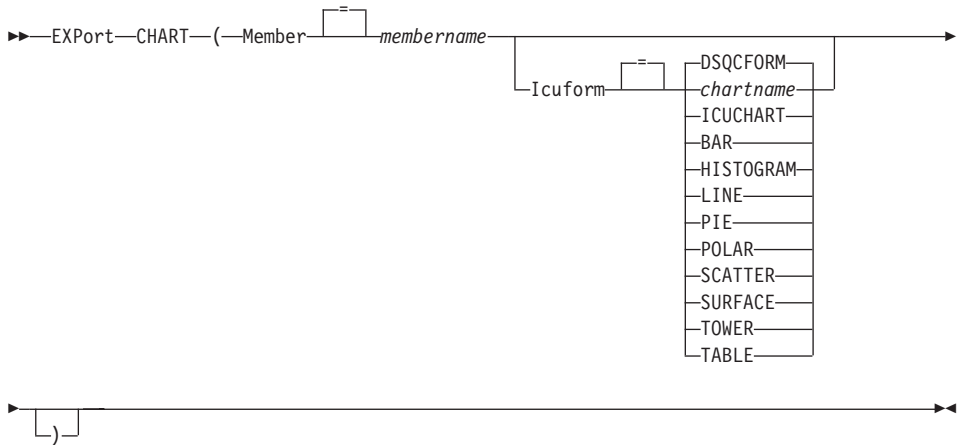
EXPORT a QMF REPORT



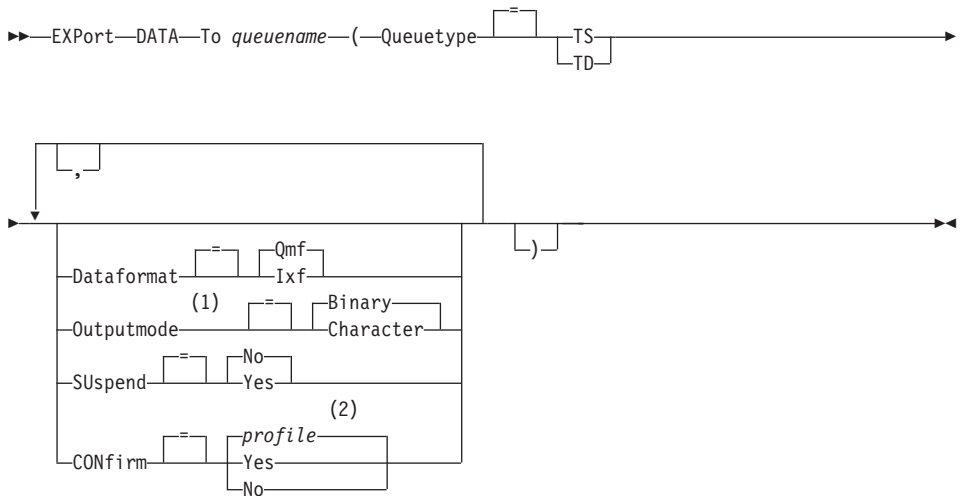
Notes:

- 1 The name of the QMF object panel currently displayed, if appropriate, is used.
- 2 The value set in your profile is used.

EXPORT a QMF CHART



EXPORT QMF DATA

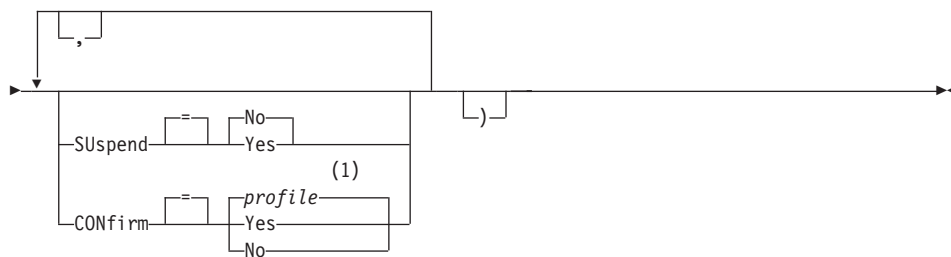


Notes:

- 1 Accepted only when DATAFORMAT=IXF.
- 2 The value set in your profile is used.

EXPORT a QMF QUERY or PROC from the database

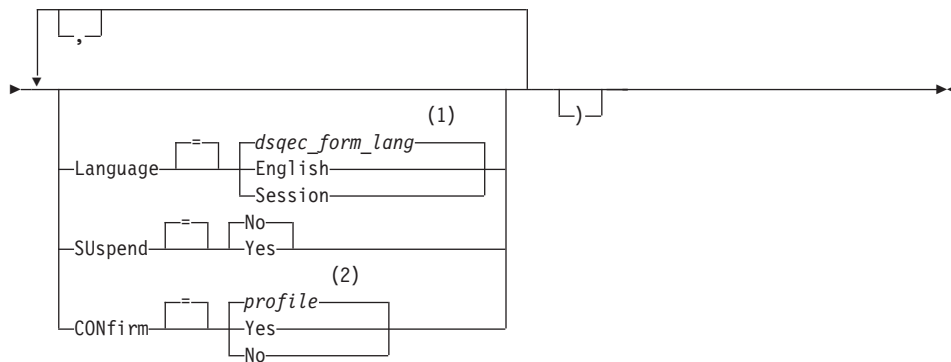
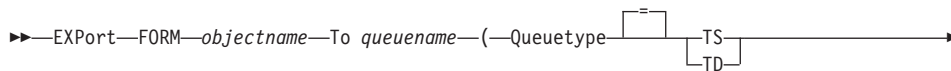
EXPORT in CICS



Notes:

- 1 The value set in your profile is used.

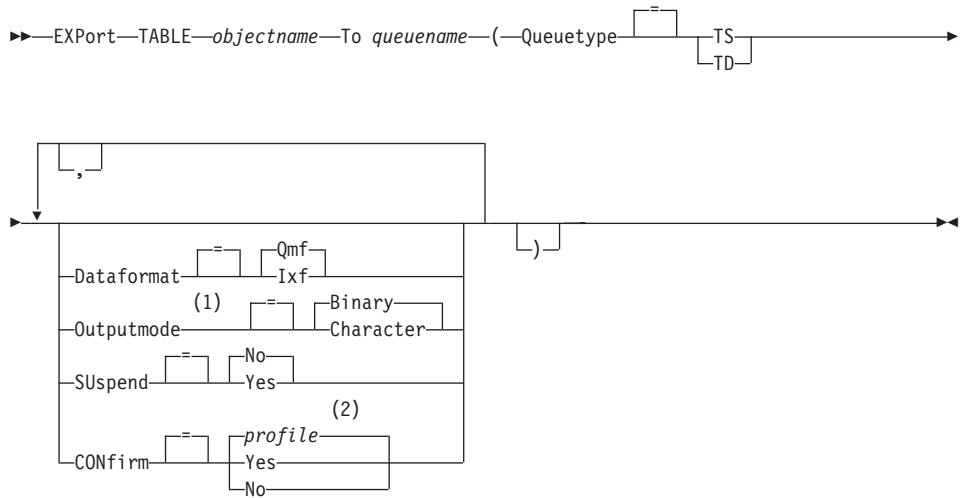
EXPORT a QMF FORM from the database



Notes:

- 1 The value set in this global variable is used.
- 2 The value set in your profile is used.

EXPORT a TABLE from the database



Notes:

- 1 Accepted only when DATAFORMAT=IXF.
- 2 The value set in your profile is used.

Description

objectname

The name of a QMF object in the database.

tablename

The name of a table in the database.

This can be the name of a TABLE, VIEW, SYNONYM, or ALIAS.

queueName

Names the CICS data queue to receive the exported object. The maximum length of the name is:

4 characters when QUEUETYPE is TD.

8 characters when QUEUETYPE is TS.

For a TS queue surround the name in single quotation marks if it contains special characters, such as a period.

The type of storage for the queue must match the type specified with the QUEUETYPE parameter.

QUEUETYPE

Indicates the type of CICS storage used for the data queue receiving the object. There is no default for QUEUETYPE, it must be specified.

TS A CICS temporary storage queue.

EXPORT in CICS

TD A CICS transient data queue.

SUSPEND

Specifies the action to take when the data queue is busy and unavailable.

NO Cancel the export request.

YES Wait until the data queue is available.

MEMBER

Indicates the exported object will be a member in the VSAM file defined by your QMF environment for GDDM GDF (graphics data format) data. If the member already exists it will be replaced.

membername

Names the member that receives the exported object. Member names are limited to 8 characters.

CONFIRM

Indicates whether a confirmation panel is displayed when this command will change or replace the data queue. This option is only valid for CICS temporary storage queues (QUEUETYPE=TS).

LANGUAGE

Indicates whether QMF keywords contained within the exported form are recorded in English or in the current NLF session language.

A QMF form containing QMF keywords in English can be used in any QMF session. A QMF form containing QMF keywords in any other QMF national language can be used only in a session of that same QMF national language.

DATAFORMAT

Specifies the file format to be used for the exported object.

QMF Use the QMF format. This is the default format for exporting a report, the data object or a table.

HTML

Use the HTML format. This can be used only when exporting a report.

IXF Use the Integration Exchange Format. This can be used only when exporting the data object or a table.

OUTPUTMODE

Specifies how to represent numeric data in the exported object.

This option can only be specified when the export file format is IXF.

BINARY

Numeric column data is encoded in its native internal format.

This does not apply to any numeric data in the header records of the exported object. These are always represented in a character format.

CHARACTER

Numeric column data is converted to a character representation in EBCDIC.

ICUFORM

Specifies the name of a chart format. A chart format contains the specifications required to turn data into a chart. Different formats are used to produce different types of charts.

DSQCFORM

The name of the default chart format provided by QMF.

This format can be customized by your QMF administrator. It provides a bar chart if not customized.

chartname

The name of a chart format saved in

ICUCHART

Specifies the default chart format for the GDDM Interactive Chart Facility.

BAR**HISTOGRAM****LINE****PIE****POLAR****SCATTER****SURFACE****TOWER****TABLE**

The name of a chart format provided by QMF.

Notes

- If you export to a transient data queue, the queue must be open, enabled and empty before you issue the EXPORT command. For information about CICS transient data queues, see the CICS/ESA Application Programming Guide.
- If the specified CICS data queue already exists, its contents are replaced with the exported object. See *Developing QMF Applications* for a detailed description of the formats of objects that are exported.
- An empty or partial CICS data queue can result if there is an error in the execution of the EXPORT command.

EXPORT in CICS

- In some cases, if the object is exported to the same data queue from which the current data was imported, you might receive an Incomplete Data prompt. At the prompt, choose the option NO and export the object to a different data queue.
- When a form is exported, all parts of the form are exported. However QMF will drop any FORM.DETAIL panel variations that were not modified from their default values. In this manner, unwanted FORM.DETAIL variations can be dropped by exporting and then importing the same form.
- If you are exporting a report or chart, and the form is incompatible with the data or contains errors, the first form panel containing an error is displayed with the error highlighted. To see other errors, correct the currently displayed error and press the Check key.

Examples

1. To display a command prompt panel for exporting a table:
`EXPORT TABLE ?`
2. To export a query from QMF temporary storage to a transient data queue:
`EXPORT QUERY TO queueName (QUEUETYPE = TD)`
3. To export DATA to a transient data queue with a dataformat of IXF:
`EXPORT DATA TO queueName (QUEUETYPE=TD
CONFIRM=NO DATAFORMAT=IXF`

You can abbreviate the command keywords:

```
EXP DATA TO queueName (QUEUET=TD CONF=N DATA=IXF
```

4. If you are running under CICS/MVS and your current location is DB2 supporting remote data access, you can export a table from a remote DB2 location by including the location qualifier in the object name:
`EXPORT TABLE VENICE.LARA.STATSTAB
TO queueName (QUEUETYPE = TS`
5. To export a table to a TS queue in IXF character format:
`EXPORT TABLE KMMTABLE TO MYQUEUE
(QUEUETYPE=TS DATAFORMAT=IXF OUTPUTMODE=CHARACTER`

EXPORT in TSO

TSO With ISPF	TSO Without ISPF	CMS With ISPF	CMS Without ISPF	CICS
X	X			*

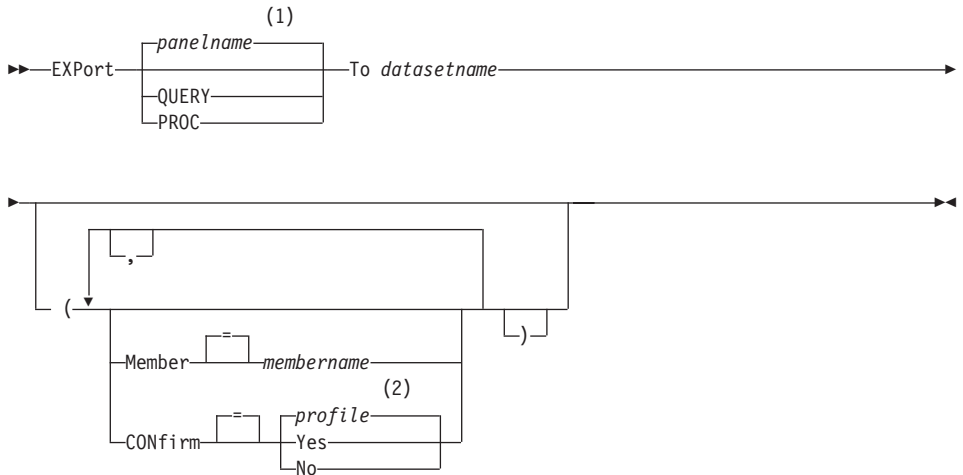
The EXPORT command sends:

- Queries, forms, procedures, reports, and data from QMF temporary storage to a TSO data set.

- Queries, forms, procedures, and tables from the database to a TSO data set.
- Charts from QMF to a GDDM partitioned data set that contains GDF files.

The syntax for exporting objects from QMF temporary storage is different from the syntax for exporting objects from the database.

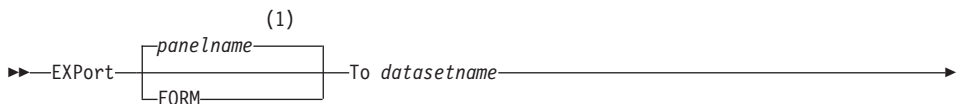
EXPORT a QMF QUERY or PROC from temporary storage



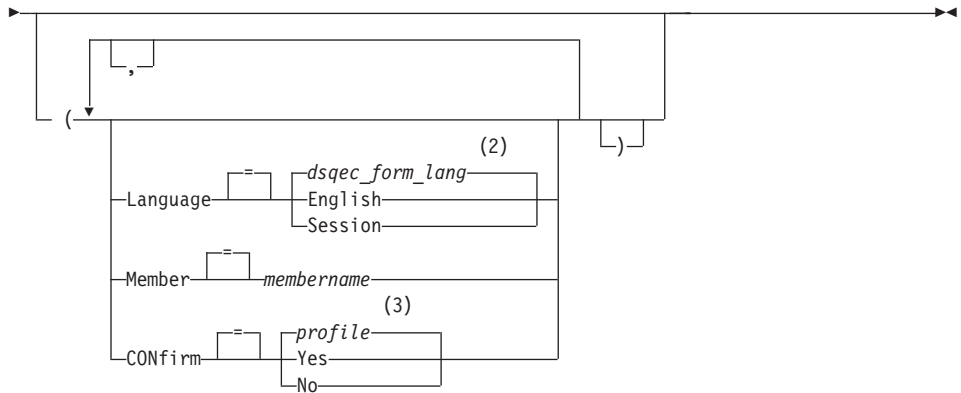
Notes:

- 1 The name of the QMF object panel currently displayed, if appropriate, is used.
- 2 The value set in your profile is used.

EXPORT a QMF FORM from temporary storage



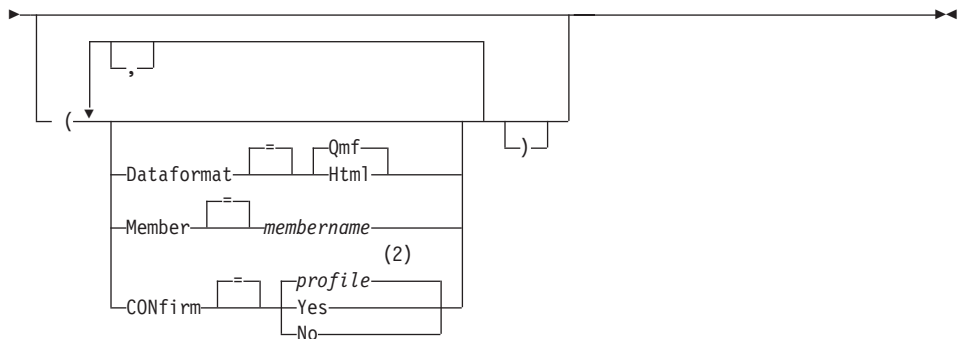
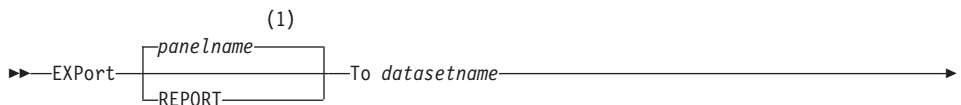
EXPORT in TSO



Notes:

- 1 The name of the QMF object panel currently displayed, if appropriate, is used.
- 2 The value set in this global variable is used.
- 3 The value set in your profile is used.

EXPORT a QMF REPORT

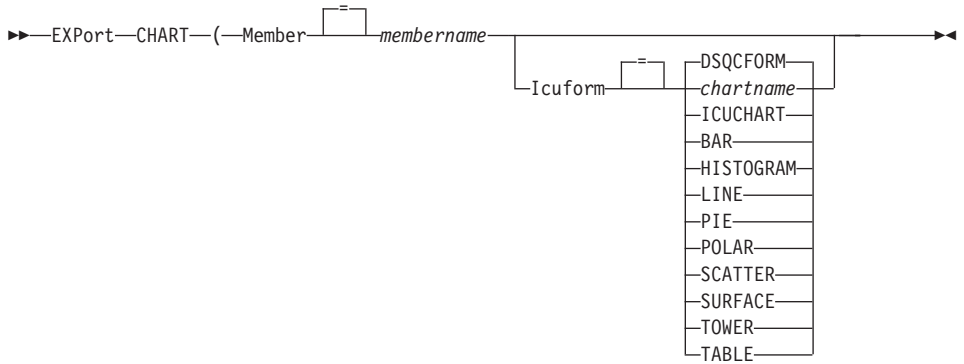


Notes:

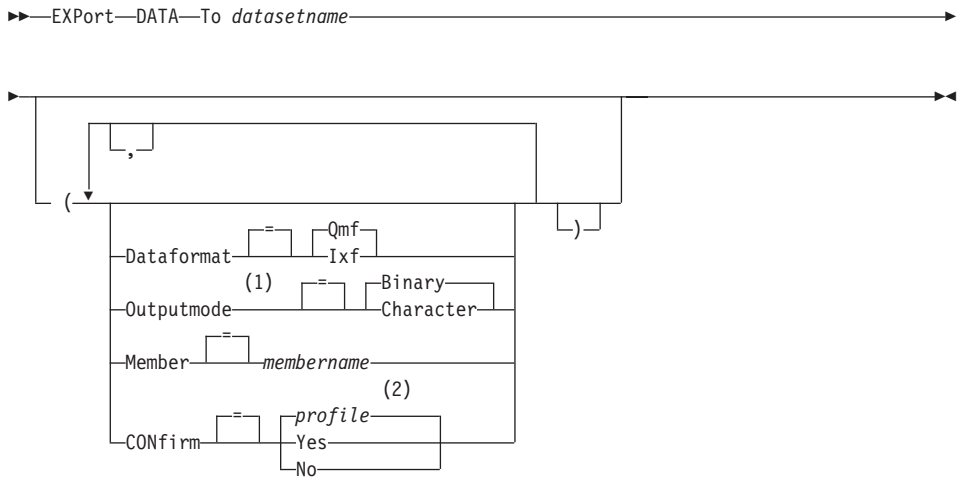
- 1 The name of the QMF object panel currently displayed, if appropriate, is used.

2 The value set in your profile is used.

EXPORT a QMF CHART



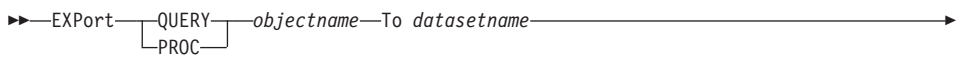
EXPORT QMF DATA



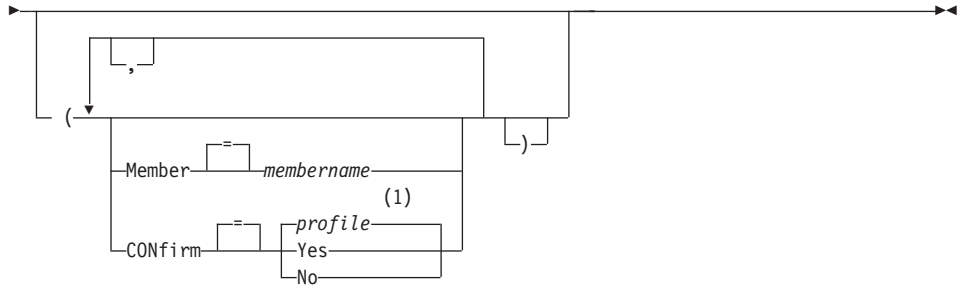
Notes:

- 1 Accepted only when DATAFORMAT=IXF.
- 2 The value set in your profile is used.

EXPORT a QMF QUERY or PROC from the database



EXPORT in TSO

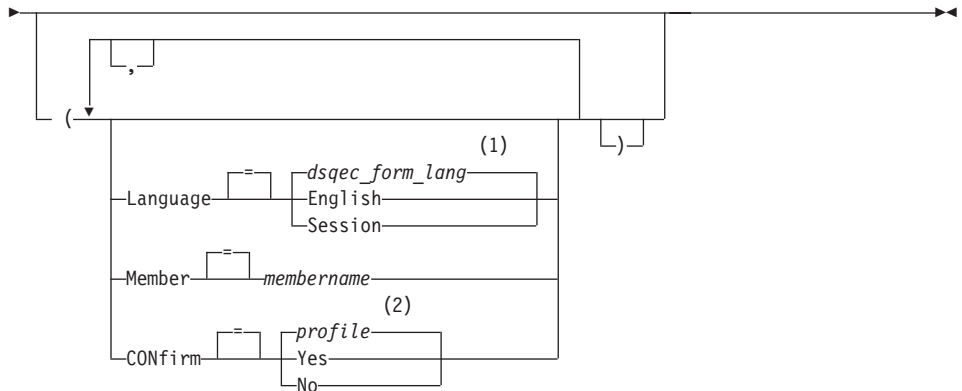


Notes:

- 1 The value set in your profile is used.

EXPORT a QMF FORM from the database

►► EXPORT FORM *formname* To *datasetname* ►►

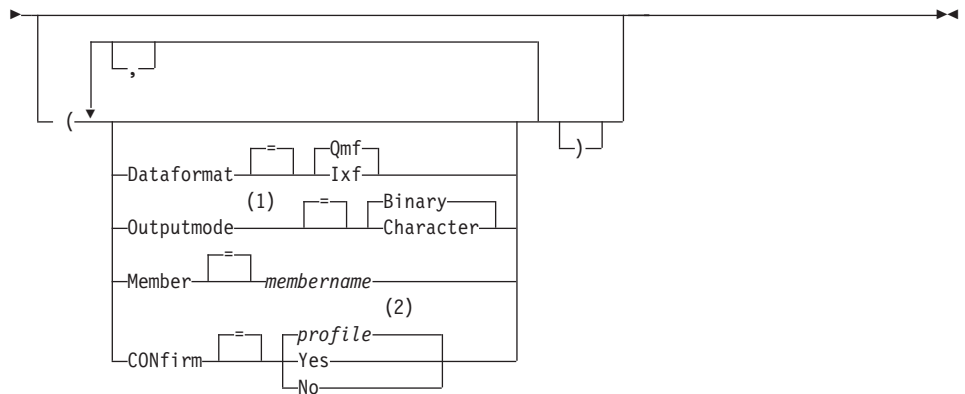


Notes:

- 1 The value set in this global variable is used.
- 2 The value set in your profile is used.

EXPORT a TABLE from the database

►► EXPORT TABLE *tablename* To *datasetname* ►►

**Notes:**

- 1 Accepted only when DATAFORMAT=IXF.
- 2 The value set in your profile is used.

Description**objectname**

The name of a QMF object in the database.

tablename

The name of a table in the database.

This can be the name of a TABLE, VIEW, SYNONYM, or ALIAS.

datasetname

Names the TSO data set to receive the exported object. The data set name is specified in either of the following ways:

- A partial TSO name without single quotation marks.
A fully qualified data set name is generated by using your TSO prefix as the first qualifier and appending the object type as the last qualifier.
- A fully qualified TSO data set name where the entire name is enclosed in single quotation marks.
This form must be used when the data set name has a prefix that is not your own.

MEMBER

Indicates the exported object will be a member in a TSO partitioned data set.

For charts, the exported object will be a member in the partitioned data set defined by your QMF environment for GDDM GDF (graphics data format) data. If the member already exists it will be replaced.

EXPORT in TSO

membername

Names the member that receives the exported object. Member names are limited to 8 characters. The member name is added (in parentheses) as a suffix to the data set name.

CONFIRM

Indicates whether a confirmation panel is displayed when this command will replace an existing TSO data set or partitioned data set member.

LANGUAGE

Indicates whether QMF keywords contained within the exported form are recorded in English or in the current NLF session language.

A QMF form containing QMF keywords in English can be used in any QMF session. A QMF form containing QMF keywords in any other QMF national language can be used only in a session of that same QMF national language.

DATAFORMAT

Specifies the file format to be used for the exported object.

QMF Use the QMF format. This is the default format for exporting a report, the data object or a table.

HTML

Use the HTML format. This can be used only when exporting a report. The TSO data set can then be transferred to a web server for viewing by a web browser.

IXF Use the Integration Exchange Format. This can be used only when exporting the data object or a table.

OUTPUTMODE

Specifies how to represent numeric data in the exported object.

This option can only be specified when the export file format is IXF.

BINARY

Numeric column data is encoded in its native internal format.

This does not apply to any numeric data in the header records of the exported object. These are always represented in a character format.

CHARACTER

Numeric column data is converted to a character representation in EBCDIC.

ICUFORM

Specifies the name of a chart format. A chart format contains the

specifications required to turn data into a chart. Different formats are used to produce different types of charts.

DSQCFORM

The name of the default chart format provided by QMF.

This format can be customized by your QMF administrator. It provides a bar chart if not customized.

chartname

The name of a chart format saved in

ICUCHART

Specifies the default chart format for the GDDM Interactive Chart Facility.

BAR

HISTOGRAM

LINE

PIE

POLAR

SCATTER

SURFACE

TOWER

TABLE

The name of a chart format provided by QMF.

Notes

- QMF dynamically allocates a data set with the specified name if it does not already exist. However, if you are not using the standard DASD device, you must pre-allocate your data sets before using the EXPORT command.
- If the specified data set name already exists, its contents are replaced with the exported object provided that the file attributes are suitable (for example, if the record format and logical record length are large enough to hold the exported data). See *Developing QMF Applications* for required file attributes and a detailed description of the formats of objects that are exported.
- An empty or partial data set (or member of a partitioned data set) can result if there is an error in the execution of the EXPORT command.
- In some cases, if the object is exported to the same data set from which the current data was imported, you might receive an Incomplete Data prompt. At the prompt, choose the option NO and export the object to a different data set.
- When a form is exported, all parts of the form are exported.

EXPORT in TSO

However QMF will drop any FORM.DETAIL panel variations that were not modified from their default values. In this manner, unwanted FORM.DETAIL variations can be dropped by exporting and then importing the same form.

- If you are exporting a report or chart, and the form is incompatible with the data or contains errors, the first form panel containing an error is displayed with the error highlighted. To see other errors, correct the currently displayed error and press the Check key.

Examples

1. To display a command prompt panel for exporting a table:

```
EXPORT TABLE ?
```

2. If you use remote unit of work, you can export an object (table, form, procedure, query, or report) from the current location to a data set at the system in which QMF is executing.

```
EXPORT PROC KATIE.PANELID TO dataset
```

3. If your current location is DB2 supporting remote data access, you can export a table from a remote DB2 location by including the location qualifier in the object name:

```
EXPORT TABLE VENICE.LARA.STATSTAB TO dataset
```

4. If your TSO prefix is TOM and you use the TSO data set 'TOM.LOREN.QUERY(GAMMA)':

```
EXPORT QUERY FIRSTQ TO LOREN (MEMBER=GAMMA)
```

If you have no TSO prefix, your TSO user ID is used.

If your prefix is set to blank, nothing is prefixed to the TSO name.

5. To export data in IXF character format:

```
EXPORT DATA TO JBLP  
(CONFIRM=NO DATAFORMAT=IXF OUTPUTMODE=CHARACTER)
```

6. To export a form using the current session language:

```
EXPORT FORM TO MYFORM (LANGUAGE=SESSION)
```

7. To copy the form FORMA at the current location to the data set FORMS at the system where QMF is executing:

```
EXPORT FORM FORMA TO FORMS.FORM
```

8. To export a table from a remote database that does not support three-part names, first connect to that database:

```
CONNECT TO VENICE
```

then export the table:

```
EXPORT TABLE JULIA.STATSTAB TO NONSTD
```

9. To copy the table OKAMOTO.STATUS at the DB2 database in TOKYO to the data set YOURDATA on the system where QMF is executing:

EXPORT TABLE TOKYO.OKAMOTO.STATUS TO YOURDATA

EXPORT in CMS

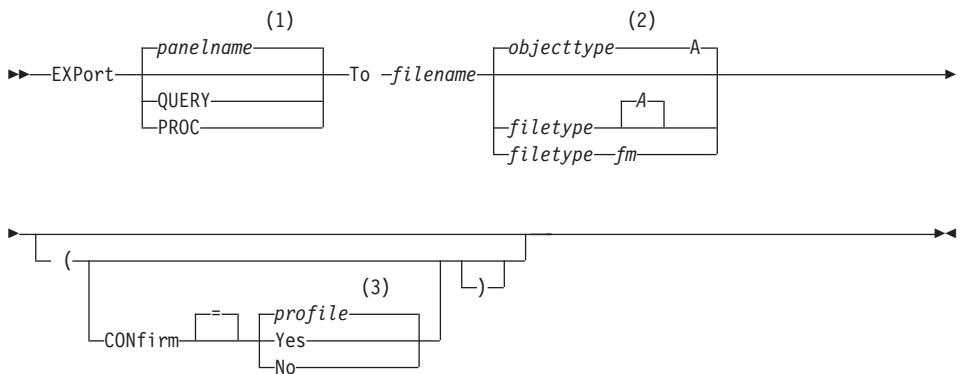
TSO With ISPF	TSO Without ISPF	CMS With ISPF	CMS Without ISPF	CICS
		X	X	

The EXPORT command sends:

- Queries, forms, procedures, data, charts, and reports from QMF temporary storage to a CMS file.
- Queries, forms, procedures, and tables from the database to a CMS file.

The syntax for exporting objects from QMF temporary storage is different from the syntax for exporting objects from the database.

EXPORT a QMF QUERY or PROC from temporary storage

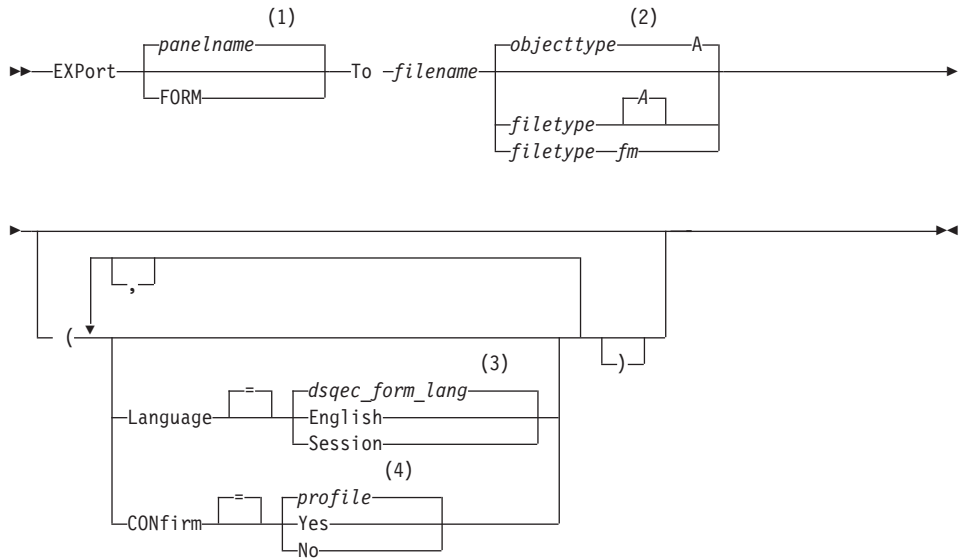


Notes:

- 1 The name of the QMF object panel currently displayed, if appropriate, is used.
- 2 The first 8 characters of the object type name is used.
- 3 The value set in your profile is used.

EXPORT a QMF FORM from temporary storage

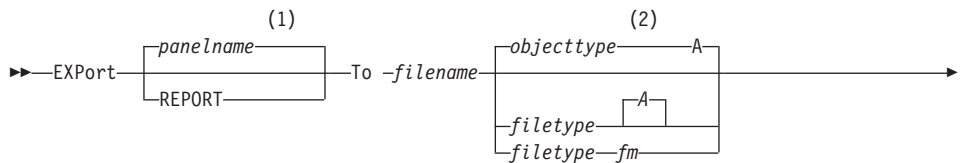
EXPORT in CMS

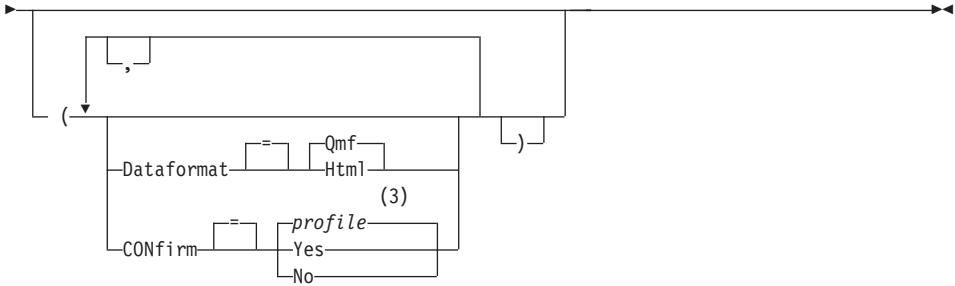


Notes:

- 1 The name of the QMF object panel currently displayed, if appropriate, is used.
- 2 The first 8 characters of the object type name is used.
- 3 The value set in this global variable is used.
- 4 The value set in your profile is used.

EXPORT a QMF REPORT

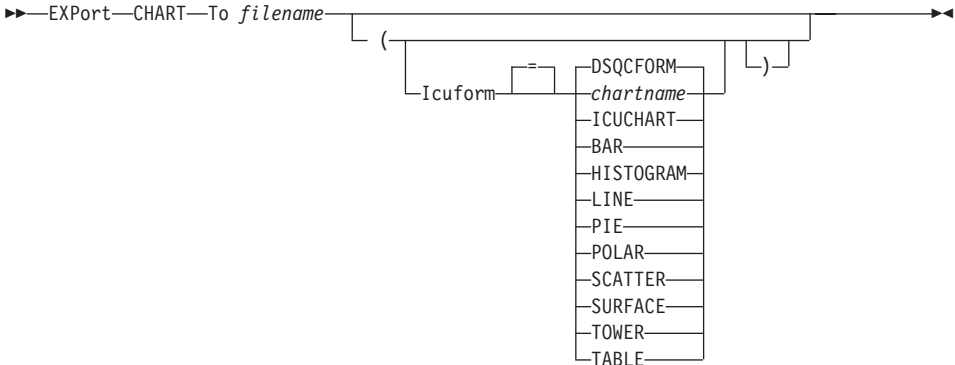




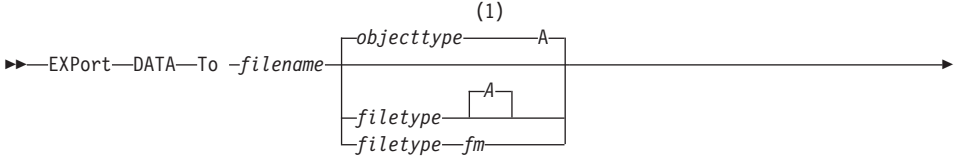
Notes:

- 1 The type of the named object, if appropriate, is used. QMF type objects have priority over other types of database objects.
- 2 The first 8 characters of the object type name is used.
- 3 The value set in your profile is used.

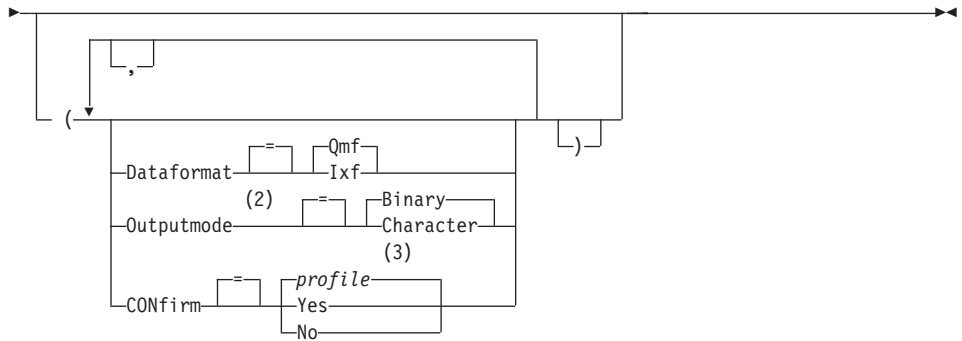
EXPORT a QMF CHART



EXPORT QMF DATA



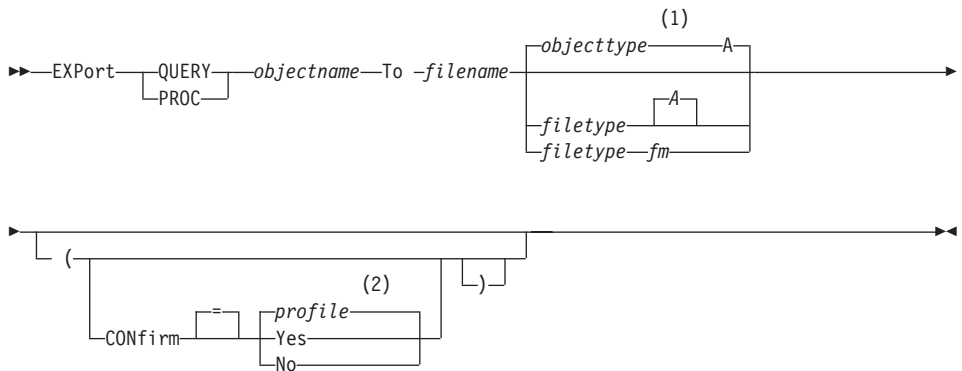
EXPORT in CMS



Notes:

- 1 The first 8 characters of the object type name is used.
- 2 Accepted only when DATAFORMAT=IXF.
- 3 The value set in your profile is used.

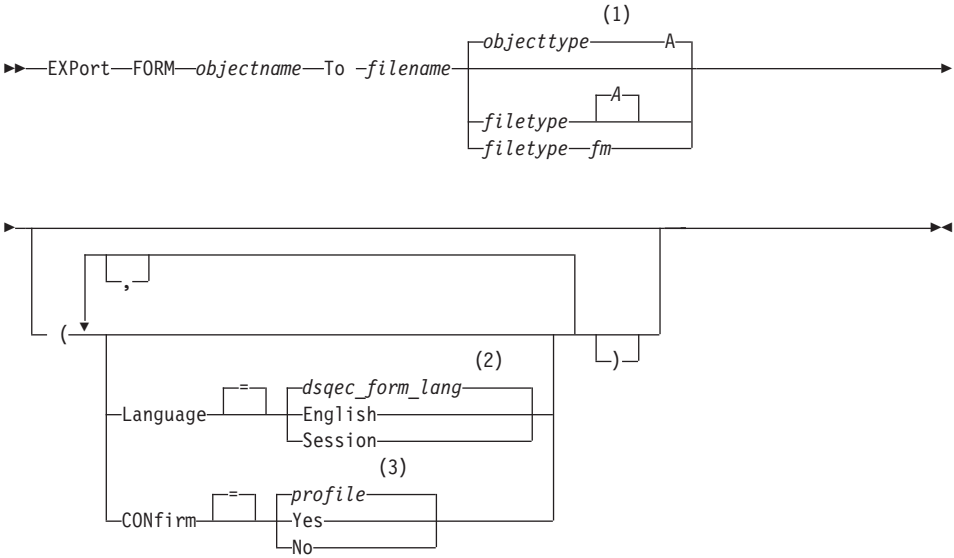
EXPORT a QMF QUERY or PROC from the database



Notes:

- 1 The first 8 characters of the object type name is used.
- 2 The value set in your profile is used.

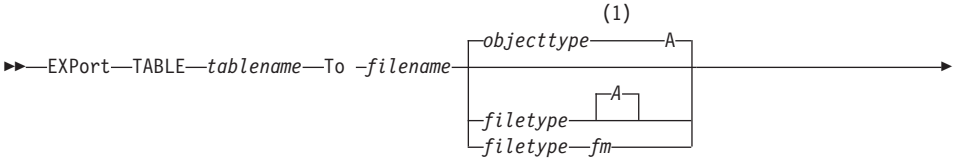
EXPORT a QMF FORM from the database



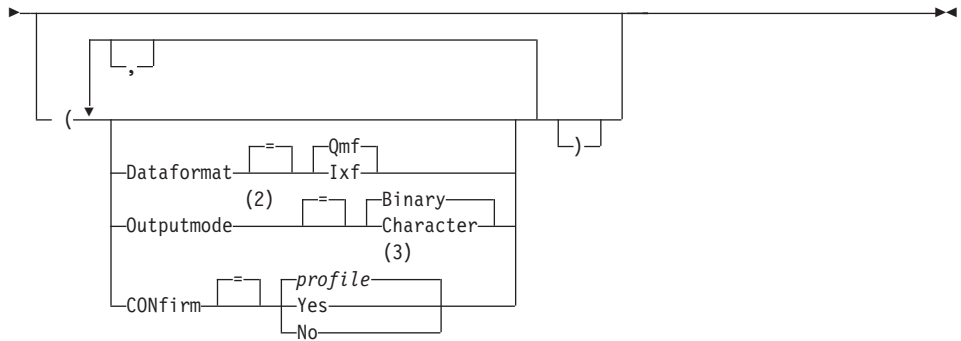
Notes:

- 1 The first 8 characters of the object type name is used.
- 2 The value set in this global variable is used.
- 3 The value set in your profile is used.

EXPORT a TABLE from the database



EXPORT in CMS



Notes:

- 1 The first 8 characters of the object type name is used.
- 2 Accepted only when DATAFORMAT=IXF.
- 3 The value set in your profile is used.

Description

objectname

The name of a QMF object in the database.

tablename

The name of a table in the database.

This can be the name of a TABLE, VIEW, SYNONYM, or ALIAS.

filename filetype fm

Names the CMS file to receive the exported object. The filetype and filemode portion of the name is optional.

For charts, only the filename can be specified. The filetype and filemode are set to "ADMGDF" and "A", respectively. If the file already exists it will be replaced.

CONFIRM

Indicates whether a confirmation panel is displayed when this command will replace an existing CMS file.

LANGUAGE

Indicates whether QMF keywords contained within the exported form are recorded in English or in the current NLF session language.

A QMF form containing QMF keywords in English can be used in any QMF session. A QMF form containing QMF keywords in any other QMF national language can be used only in a session of that same QMF national language.

DATAFORMAT

Specifies the file format to be used for the exported object.

QMF Use the QMF format. This is the default format for exporting a report, the data object or a table.

HTML

Use the HTML format. This can be used only when exporting a report. The CMS file can then be transferred to a web server for viewing by a web browser.

IXF Use the Integration Exchange Format. This can be used only when exporting the data object or a table.

OUTPUTMODE

Specifies how to represent numeric data in the exported object.

This option can only be specified when the export file format is IXF.

BINARY

Numeric column data is encoded in its native internal format.

This does not apply to any numeric data in the header records of the exported object. These are always represented in a character format.

CHARACTER

Numeric column data is converted to a character representation in EBCDIC.

ICUFORM

Specifies the name of a chart format. A chart format contains the specifications required to turn data into a chart. Different formats are used to produce different types of charts.

DSQCFORM

The name of the default chart format provided by QMF.

This format can be customized by your QMF administrator. It provides a bar chart if not customized.

chartname

The name of a chart format saved in

ICUCHART

Specifies the default chart format for the GDDM Interactive Chart Facility.

BAR**HISTOGRAM****LINE****PIE****POLAR**

EXPORT in CMS

SCATTER
SURFACE
TOWER
TABLE

The name of a chart format provided by QMF.

Notes

- In some cases, if the object is exported to the same file from which the current data was imported, you might receive an Incomplete Data prompt. At the prompt, choose the option NO and export the object to a different file.
- When a form is exported, all parts of the form are exported. However QMF will drop any FORM.DETAIL panel variations that were not modified from their default values. In this manner, unwanted FORM.DETAIL variations can be dropped by exporting and then importing the same form.
- If you are exporting a report or chart, and the form is incompatible with the data or contains errors, the first form panel containing an error is displayed with the error highlighted. To see other errors, correct the currently displayed error and press the Check key.

Examples

1. To display a command prompt panel for exporting a form:

```
EXPORT FORM ?
```

When you request command prompting for the EXPORT command, you will receive two prompt panels. On the first panel, you can specify what type of object you want to export. On the second panel, you can specify the parameters associated with that object.

2. If you use remote unit of work, you can export an object (table, form, procedure, query, or report) from the current location to a file at the system in which QMF is executing.

```
EXPORT PROC KATIE.PANELID TO filename
```

3. To send FORM to a CMS file called STANDARD FORM A:

```
EXPORT FORM TO STANDARD
```

Recall that if filetype is omitted, the object type is used.

4. To export data in IXF binary format:

```
EXPORT DATA TO MYFILE (CONFIRM=NO DATAFORMAT=IXF
```

5. To copy the form FORMA at the current location to the file FORMS at the location where QMF is executing:

```
EXPORT FORM FORMA TO FORMS FORM A
```


- If your current location is a DB2 database, you can export a table from a remote DB2 database using a three-part name:

```
EXPORT TABLE VENICE.LARA.STATSTAB TO YOURFILE TABLE A
```

- If your current location is a DB2 database, you can export the table OKAMOTO.STATUS from the DB2 database in TOKYO to the file YOURFILE at the system where QMF is executing by first connecting to the remote location:

```
CONNECT TO TOKYO
```

then exporting the table:

```
EXPORT TABLE OKAMOTO.STATUS TO YOURFILE
```

EXTRACT

TSO With ISPF	TSO Without ISPF	CMS With ISPF	CMS Without ISPF	CICS
X		X		

The EXTRACT command gains access to Data Extract (DXT) End User Dialogs, or sends an extract request to DXT End User Dialogs from QMF. DXT lets you build extract requests that you then submit to have data extracted from various types of databases and files.

Access DXT User Dialogs

▶▶—EXTRACT—

Send an EXTRACT request to DXT

▶▶—EXTRACT—*requestname*—(—Password——*password*—

Description

requestname

The name of the extract request that is to be sent to DXT to be run.

The name can be no longer than 8 characters, and must be the name of an extract request previously defined in DXT.

When name is specified, you do not leave QMF. A message is displayed on your screen indicating whether the extract request was successful.

EXTRACT

The name portion of the EXTRACT command can be left blank. If it is, the DXT End User Dialogs main menu panel is displayed. After exiting your DXT End User Dialogs session, you return to the QMF panel from which you issued the EXTRACT command.

PASSWORD

Indicates the password used with an extract request. A password is required for a relational database table extract.

In VM, DXT generates a SQL CONNECT that uses the password.

In MVS, DXT generates a JOB statement that includes the password.

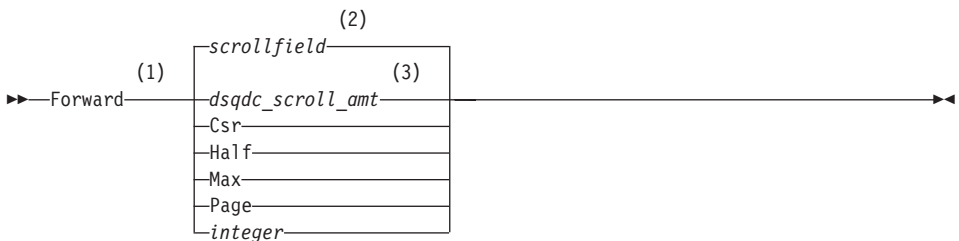
Notes

- To access DXT End User Dialogs, the product must be installed at your installation, and you must be set up as a DXT user.
- If QMF is started as an ISPF dialog, the EXTRACT command is only accepted in CMS and TSO environments.

FORWARD

TSO With ISPF	TSO Without ISPF	CMS With ISPF	CMS Without ISPF	CICS
X	X	X	X	X

The FORWARD command scrolls toward the bottom of a scrollable area. You can scroll until the last line is at the top of your screen.



Notes:

- 1 Specify scroll amounts only when there is a SCROLL field on the active panel. PAGE is assumed in all other situations.
- 2 The value showing in the SCROLL field is used. This value is also maintained in the global variable DSQDC_SCROLL_AMT.
- 3 The value set in this global variable is used.

Description

- CSR** Scrolls the line where the cursor is positioned to the top of the scrollable area.
- HALF** Scrolls forward half the depth of the scrollable area or to the bottom if that is nearer.
- MAX** Scrolls to the bottom of the scrollable area. FORWARD MAX is equivalent to BOTTOM.
- PAGE** Scrolls forward the depth of the scrollable area or to the bottom if that is closer.

integer

Scrolls forward this number of lines on the panel (a whole number ranging from 1 through 9999).

Notes

- MAX is in effect only for the current command. This value will not remain in the SCROLL field after the command completes. The global variable DSQDC_SCROLL_AMT cannot be set to this value.
- To scroll forward in the footing text on form panels, position the cursor on the portion of the panel where the footing text is located and enter the FORWARD command.

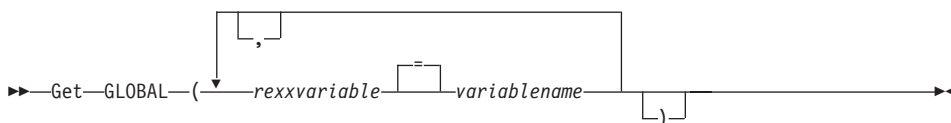
GET GLOBAL

TSO With ISPF	TSO Without ISPF	CMS With ISPF	CMS Without ISPF	CICS
X	X	X	X	X

The GET GLOBAL command assigns values of QMF global variables to REXX variables in applications and procedures written in REXX.

The GET GLOBAL command allows application programs (written in C, COBOL, REXX, FORTRAN, PL/I, or assembler language) to use the callable interface to access data from the QMF global variable pool. See the *Developing QMF Applications* for more information.

Linear syntax used with REXX only



GET GLOBAL

Description

rexxvariable

The name of a REXX variable in your procedure with logic.

variablename

The name of a QMF global variable.

Notes

This command is not valid on the QMF command line.

When accessing multiple variables with the GET GLOBAL command, the following rules apply:

- Equal signs are optional between uservarname and varname.
- Commas are optional between sets of names.
- Delimiters between uservarname and varname must be one or more blanks or an equal sign with or without blanks.
- Delimiters between sets of names (both uservarname and varname) must be one or more blanks or a comma with or without blanks.
- There must be an even number of names in a set. If there is an odd number of names, an error message is issued and no variables are assigned a value.

The GET GLOBAL command does not have an associated command prompt panel. Command prompting is not available for this command.

Although not required by QMF, it is recommended that uppercase be used for all variable names.

Unless there is a synonym specified, QMF considers “get global” (in lowercase) to be an error. For consistency across systems, specify this and all other QMF commands in uppercase (whether in QMF or REXX procedures or in the callable interface).

- In a QMF application written in REXX, this example assigns the value of the QMF global variable DSQAITEM to the REXX variable ITEM:

```
ADDRESS QRW "GET GLOBAL (ITEM = DSQAITEM)"
```

- In a QMF procedure written in REXX, this example assigns the value of the QMF global variable DSQCIQMG to the REXX variable MSG:

```
"GET GLOBAL (MSG = DSQCIQMG)"
```

GETQMF macro

TSO With ISPF	TSO Without ISPF	CMS With ISPF	CMS Without ISPF	CICS
X	X	X	X	

GETQMF is an edit macro, not a QMF command. It inserts a QMF report into a document.

From an edit session, you can issue the GETQMF macro to insert a QMF report into the document being edited without leaving the session. The QMF report to be inserted must be printed within a QMF session before it can be inserted into a document.

GETQMF *type option name*

Description

type Whether SCRIPT/VS control words are inserted.

DCF For a SCRIPT/VS document. Document Composition Facility (DCF) places the SCRIPT/VS control words before and after the QMF report. In addition, each printer page eject is replaced by a SCRIPT/VS page eject, and SCRIPT/VS control words are placed at the heading and footing of each page.

PROFS

For a PROFS document. The PROFS parameter produces the same results as DCF. It is provided in the GETQMF macro for ease of use by PROFS users.

ASIS For a QMF report as it is. If TYPE is not specified, ASIS is assumed.

option name

Whether you are creating a new report or inserting an existing one.

USEQMF

Creates a QMF report dynamically using a procedure that prints a report, where *name* is the name of the saved procedure.

FILE Inserts an existing report from a CMS file, where *name* is the name of the CMS file containing the report.

DSN Inserts an existing report from a TSO data set, where *name* is the name of the TSO data set containing the report.

HELP

TSO With ISPF	TSO Without ISPF	CMS With ISPF	CMS Without ISPF	CICS
X	X	X	X	X

HELP

The HELP command displays information about QMF. Two forms of help information are available.

Topic Help

▶—Help—▶

Message Help

▶—Help—*messageid*—▶

Description

messageid

A QMF message identification. QMF attempts to find message help associated with messageid. If found, it is displayed. If not, an error message is displayed. In QMF batch jobs, the message contains the message number in the L trace file.

A message ID must begin with the three letters "DSQ" followed by a five digit number, for example: DSQ20114. *QMF Messages and Codes* lists message numbers and text.

Notes

The information you see when you issue the HELP command without the messageid parameter depends on what is on your screen at the time.

From the QMF Home panel:

HELP contains a list of topics about QMF and its commands, and about QMF charts, procedures, reports, and forms.

From a panel with an error message on it:

HELP contains information about the error message.

From other help panels:

HELP contains information about the displayed panel. There are separate sequences of HELP for these panels:

- QUERY
- PROC
- PROFILE
- REPORT
- All form panels
- Database object list
- Global variable list
- Prompted Query
- Table Editor

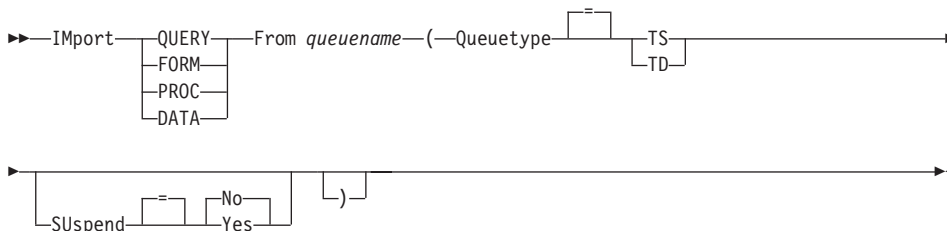
When you specify a message ID with HELP, information about the message is displayed. For example, if you want to display information about error message DSQ20047, issue the command: HELP DSQ20047. Information about that message is displayed.

IMPORT in CICS

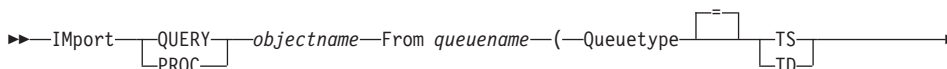
TSO With ISPF	TSO Without ISPF	CMS With ISPF	CMS Without ISPF	CICS
				*

The IMPORT command copies a CICS data queue into QMF temporary storage or into the database.

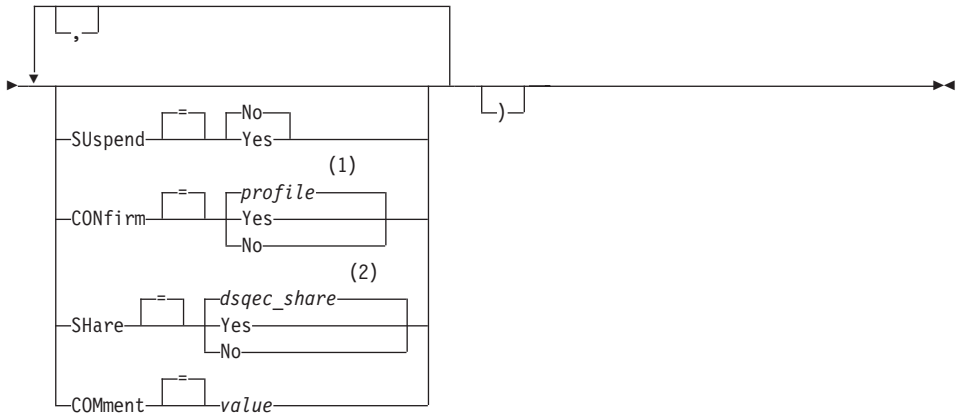
IMPORT a QMF object into temporary storage



IMPORT a QMF QUERY or PROC into the database



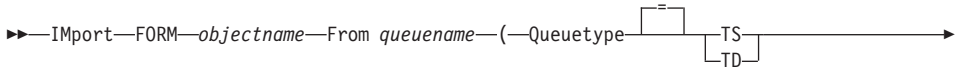
IMPORT in CICS

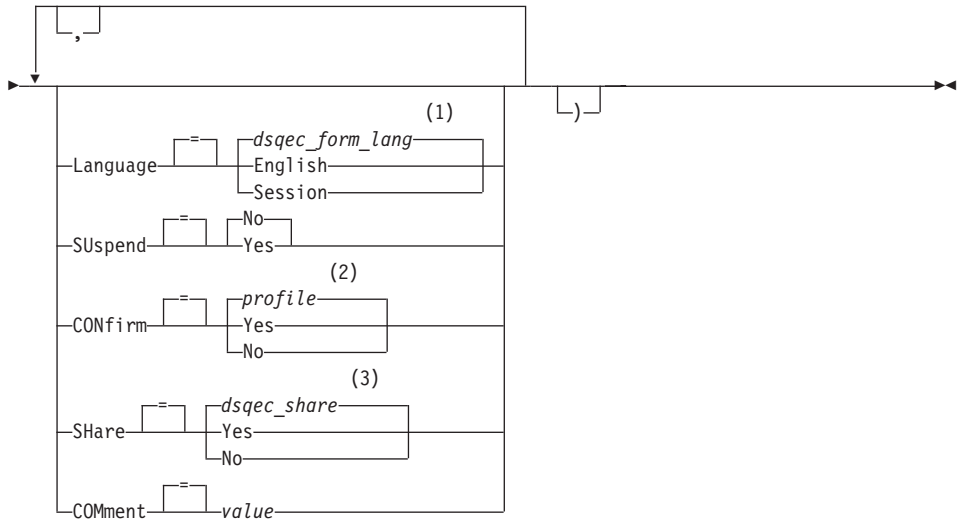


Notes:

- 1 The value set in your profile is used.
- 2 For an object being replaced the current value is left unchanged. Otherwise the value set in this global variable is used.

IMPORT a QMF FORM into the database

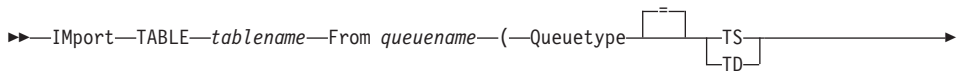




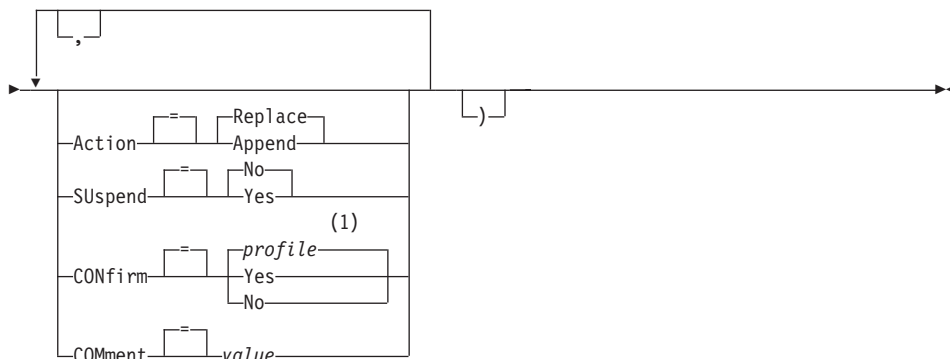
Notes:

- 1 The value set in this global variable is used.
- 2 The value set in your profile is used.
- 3 For an object being replaced the current value is left unchanged. Otherwise the value set in this global variable is used.

IMPORT a TABLE into the database



IMPORT in CICS



Notes:

- 1 The value set in your profile is used.

Description

objectname

The name for the QMF object in the database.

tablename

The name for the table in the database.

For an existing database object this can be the name of a TABLE, VIEW, SYNONYM, or ALIAS.

queuename

The name of a CICS data queue containing the QMF object. The maximum length of the name is:

4 characters when QUEUETYPE is TD.

8 characters when QUEUETYPE is TS.

For a TS queue surround the name in single quotation marks if it contains special characters, such as a period.

QUEUETYPE

Indicates the type of data queue containing the QMF object. There is no default for QUEUETYPE, it must be specified.

TS A CICS temporary storage queue.

TD A CICS transient data queue.

ACTION

Indicates whether to replace the entire database table with the imported data or to append the imported data to the existing table.

LANGUAGE

Indicates whether QMF keywords contained within the imported form are recorded in English or in the current NLF session language.

A QMF form containing QMF keywords in English can be used in any QMF session. A QMF form containing QMF keywords in a QMF national language can be used only in a session of that same QMF national language.

SUSPEND

Specifies the action to take when the data queue is busy and unavailable.

NO Cancel the import request.

YES Wait until the data queue is available.

CONFIRM

Indicates whether a confirmation panel is displayed when this command will replace an existing object in the database.

SHARE

Determines whether other QMF users can access the imported object.

COMMENT

Stores a comment with the imported object. Comments up to 78 single-byte characters long can be recorded with this option.

value The character string that makes up the content of the comment.

A value that contains blank characters must be surrounded with delimiters. Valid delimiters for a comment value are single quotes, parentheses, and double quotes. When the delimiters are double quotes, the double quotes are included as part of the comment.

Notes

- For OS/390, we do not recommend using TSO datasets in CICS. For information on using TSO datasets with QMF in a CICS environment, see the chapter on migration in *Installing and Managing QMF for OS/390*.
- A QMF Administrator can import a QMF object for another user.
- The queue must contain a single, complete QMF object before the IMPORT command is issued.
- When data is imported, a new form is created. Any existing form in temporary storage is replaced.
- If you are connected to a remote location the tables at the server are read-only restricted. Objects cannot be imported into that database. This restriction does not apply when QMF is running in a CICS/VSE environment.

IMPORT in CICS

- When you import into the database and an object already exists with the same name you specify, QMF replaces the object, subject to these conditions:
 - A form can replace only a form.
 - A procedure can replace only a procedure.
 - A query can replace only a query.
 - A table can replace only a similar table object.

A similar table is one with the same number of columns, and corresponding columns each having the same data type and length. Column names and labels do not have to match.
- When you import into an existing table, the column names and labels remain unchanged. If the table does not exist, a new table is created using the column names and labels in the imported object.
- Objects can be imported to a remote location. Use the QMF CONNECT command to make the remote location your current location first, followed by the IMPORT command.

If your current location is a DB2 for OS/390 server, you can import to an existing table at a remote location by specifying a three-part name for the table. You cannot import a new table nor any QMF objects this way.
- You cannot replace a comment on a table you don't own or on a remote table using a three-part name.
- Use the IMPORT command sparingly in CICS because it can negatively affect QMF performance for other users.
- The contents of a CICS TD queue are discarded when errors occur during an import. Be sure to use the correct object type for the object currently in the queue. A mismatch will result in an empty queue and no object imported.
- QMF handles CICS TD queues differently than CICS TS queues:

Transient data queues

QMF imports the entire transient data queue possibly creating a long delay prior to displaying the object. The entire object must fit into your storage or spill area.

- An intrapartition TD queue can hold up to 32K rows of data.
- An extrapartition TD queue can be as large as needed to hold the object.

Temporary storage queues

A temporary storage queue can hold up to 32K rows of data. When importing DATA from a CICS TS queue, QMF pauses after approximately 100 rows of data to display the report. You can complete the import by issuing a BOTTOM command. If there is not enough storage to complete the report, use the QMF RESET command to reset the data.

Examples

1. To display a prompt panel for the QMF IMPORT command:

```
IMPORT ?
```
2. To copy the data queue VTAB to the table REYNOLDS.VISIONS:

```
IMPORT TABLE REYNOLDS.VISIONS FROM VTAB (QUEUETYPE=TD
```
3. To copy the data queue QUERY.A to the query REYNOLDS.QUERYA:

```
IMPORT QUERY REYNOLDS.QUERYA
FROM 'QUERY.A' (QUEUETYPE=TS
```
4. QMF Administrator (QADM) saving a form for another user (JOHN):

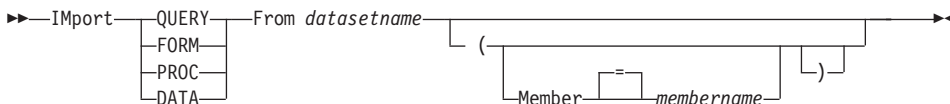
```
SAVE FORM JOHN.REPORT12 (COMMENT=(12 MONTH FORMAT)
```

IMPORT in TSO

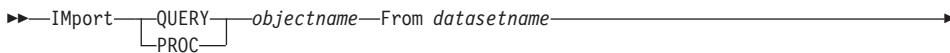
TSO With ISPF	TSO Without ISPF	CMS With ISPF	CMS Without ISPF	CICS
X	X			*

The IMPORT command copies a TSO data set into QMF temporary storage or into the database.

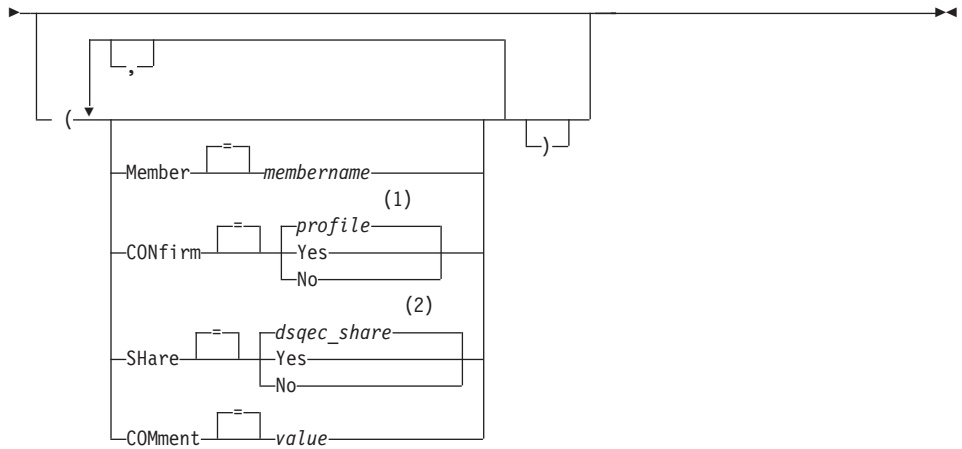
IMPORT a QMF object into temporary storage



IMPORT a QMF QUERY or PROC into the database



IMPORT in TSO

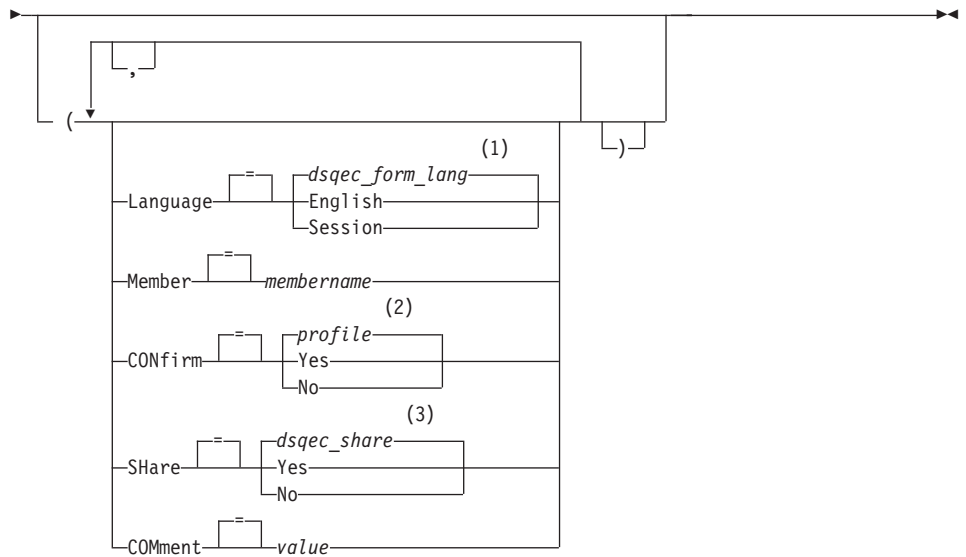


Notes:

- 1 The value set in your profile is used.
- 2 For an object being replaced the current value is left unchanged. Otherwise the value set in this global variable is used.

IMPORT a QMF FORM into the database

►► `IMPORT FORM objectname From datasetname` ►►



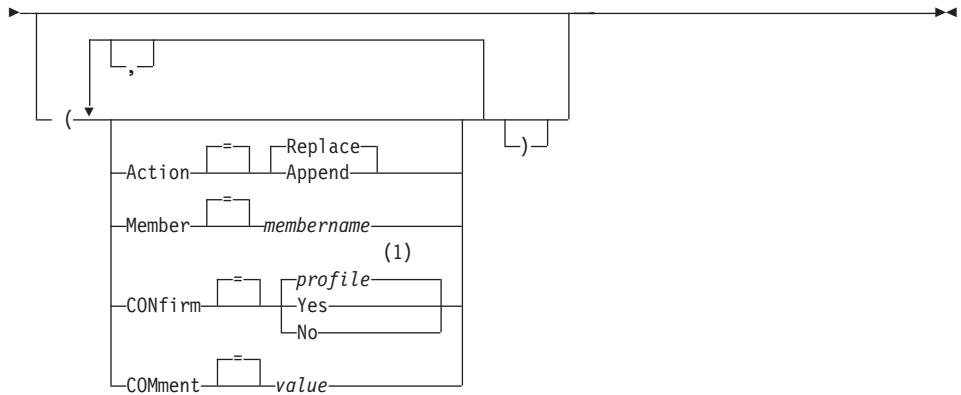
Notes:

- 1 The value set in this global variable is used.
- 2 The value set in your profile is used.
- 3 For an object being replaced the current value is left unchanged. Otherwise the value set in this global variable is used.

IMPORT a TABLE into the database

►► `IMPORT TABLE tablename FROM datasetname` ►►

IMPORT in TSO



Notes:

- 1 The value set in your profile is used.

Description

datasetname

The TSO data set to copy. The data set name is specified in either of the following ways:

- A partial TSO name without single quotation marks.
A fully qualified data set name is generated by using your TSO prefix as the first qualifier and appending the object type as the last qualifier.
- A fully qualified TSO data set name where the entire name is enclosed in single quotation marks.
This form must be used when the data set name has a prefix that is not your own.

objectname

The name for the QMF object in the database.

tablename

The name for the table in the database.

For an existing database object this can be the name of a TABLE, VIEW, SYNONYM, or ALIAS.

ACTION

Indicates whether to replace the entire database table with the imported data or to append the imported data to the existing table.

LANGUAGE

Indicates whether QMF keywords contained within the imported form are recorded in English or in the current NLF session language.

A QMF form containing QMF keywords in English can be used in any QMF session. A QMF form containing QMF keywords in a QMF national language can be used only in a session of that same QMF national language.

MEMBER

Indicates the imported object is a member in a TSO partitioned data set.

membername

The name of the member to import. Member names are limited to 8 characters. The member name is added (in parentheses) as a suffix to the data set name.

CONFIRM

Indicates whether a confirmation panel is displayed when this command will replace an existing object in the database.

SHARE

Determines whether other QMF users can access the imported object.

COMMENT

Stores a comment with the imported object. Comments up to 78 single-byte characters long can be recorded with this option.

value The character string that makes up the content of the comment.

A value that contains blank characters must be surrounded with delimiters. Valid delimiters for a comment value are single quotes, parentheses, and double quotes. When the delimiters are double quotes, the double quotes are included as part of the comment.

Notes

- A QMF Administrator can import a QMF object for another user.
- When data is imported, a new form is created. Any existing form in temporary storage is replaced.
- When you import into the database and an object already exists with the same name you specify, QMF replaces the object, subject to these conditions:
 - A form can replace only a form.
 - A procedure can replace only a procedure.
 - A query can replace only a query.
 - A table can replace only a similar table object.

A similar table is one with the same number of columns, and corresponding columns each having the same data type and length. Column names and labels do not have to match.

IMPORT in TSO

- When you import into an existing table, the column names and labels remain unchanged. If the table does not exist, a new table is created using the column names and labels in the imported object.
- Objects can be imported to a remote location. Use the QMF CONNECT command to make the remote location your current location first, followed by the IMPORT command.

If your current location is a DB2 for OS/390 server, you can import to an existing table at a remote location by specifying a three-part name for the table. You cannot import a new table nor any QMF objects this way.

- You cannot replace a comment on a table you don't own or on a remote table using a three-part name.

Examples

1. To display a prompt panel for the QMF IMPORT command:

```
IMPORT ?
```

2. If your TSO prefix is JULIA, and you want copy a member of your partitioned data set 'JULIA.LOREN.QUERY(GAMMA)' into the database, and give it the name FIRSTQ:

```
IMPORT QUERY FIRSTQ FROM LOREN (MEMBER=GAMMA
```

3. To add data (NEW.ROWS) to a table (MYTABLE):

```
IMPORT TABLE MYTABLE FROM NEW.ROWS A (ACTION=APPEND
```

4. To import a table to a remote database server (VENICE), first connect to that location:

```
CONNECT TO VENICE
```

then import the table:

```
IMPORT TABLE LARA.STATSTAB FROM YOURDATA
```

5. If your current location is a DB2 for OS/390 server, and you wish to copy the data set ('G7.STATS.TABLE') from the system where QMF is executing to an existing table (OKAMOTO.STATUS) at a remote database location (TOKYO):

```
IMPORT TABLE TOKYO.OKAMOTO.STATUS FROM 'G7.STATS.TABLE'
```

6. QMF Administrator (QMFADM) importing a form for another user (JEAN):

```
SAVE FORM JEAN.REPORT12 (COMMENT=(12 MONTH FORMAT)
```

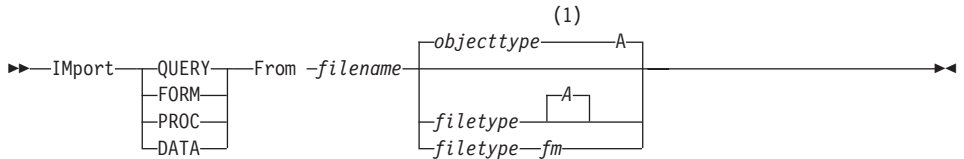
IMPORT in CMS

TSO With ISPF	TSO Without ISPF	CMS With ISPF	CMS Without ISPF	CICS
		X	X	

The IMPORT command copies a CMS file into QMF temporary storage or into the database.

You can import queries, forms, procedures, and data into QMF temporary storage or into the database. When importing a data object, the current form object is replaced by the default form for the imported data object.

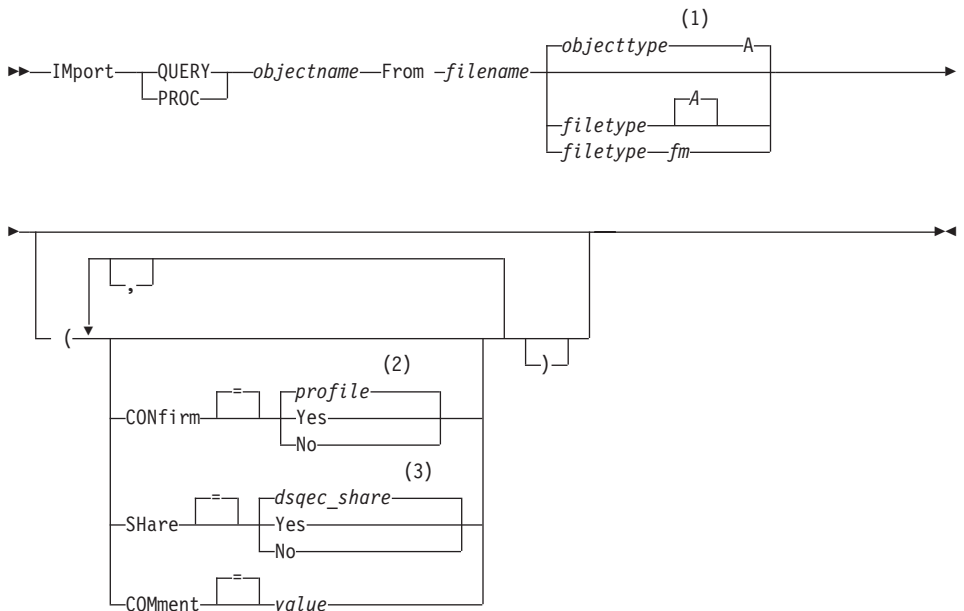
IMPORT a QMF object into temporary storage



Notes:

- 1 The first 8 characters of the object type name is used.

IMPORT a QMF QUERY or PROC into the database



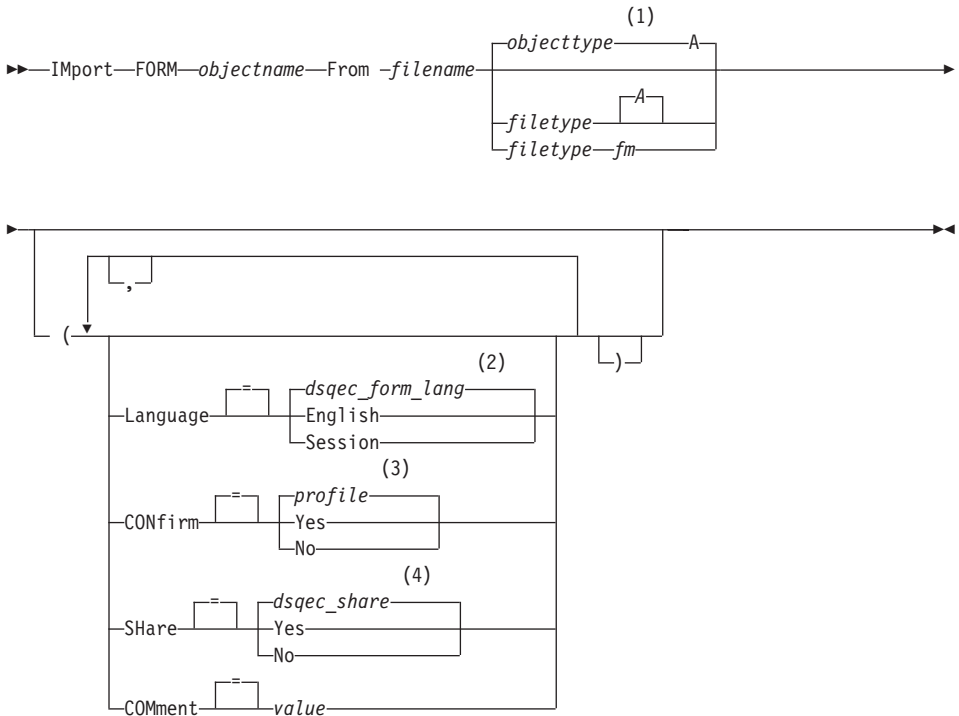
Notes:

- 1 The first 8 characters of the object type name is used.
- 2 The value set in your profile is used.

IMPORT in CMS

- For an object being replaced the current value is left unchanged. Otherwise the value set in this global variable is used.

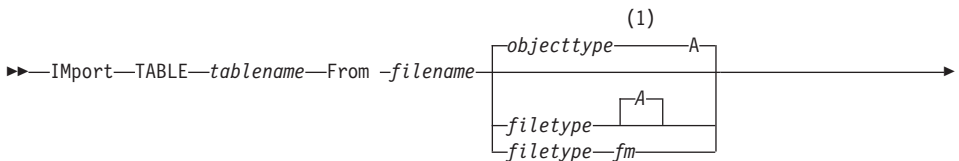
IMPORT a QMF FORM into the database

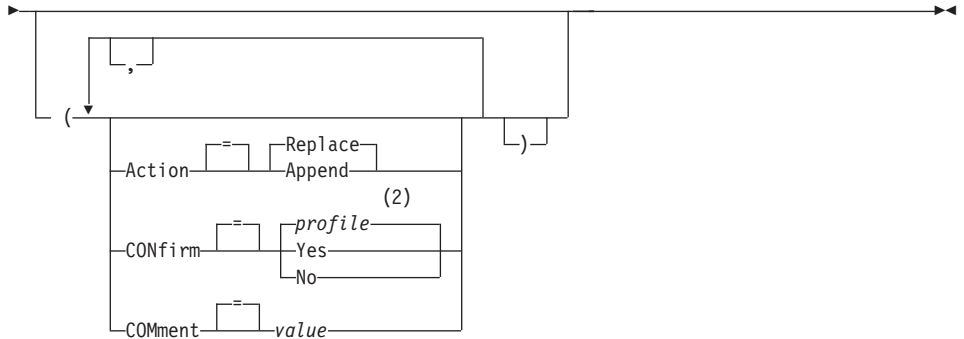


Notes:

- The first 8 characters of the object type name is used.
- The value set in this global variable is used.
- The value set in your profile is used.
- For an object being replaced the current value is left unchanged. Otherwise the value set in this global variable is used.

IMPORT a TABLE into the database





Notes:

- 1 The first 8 characters of the object type name is used.
- 2 The value set in your profile is used.

Description

filename, filetype, fm

The CMS file to be copied.

You can use an asterisk (*) instead of file mode (fm). This tells CMS to search through your accessed disks in the usual order for the first occurrence of a file with the given file name and file type.

objectname

The name for the QMF object in the database.

tablename

The name for the table in the database.

For an existing database object this can be the name of a TABLE, VIEW, SYNONYM, or ALIAS.

ACTION

Indicates whether to replace the entire database table with the imported data or to append the imported data to the existing table.

LANGUAGE

Indicates whether QMF keywords contained within the imported form are recorded in English or in the current NLF session language.

A QMF form containing QMF keywords in English can be used in any QMF session. A QMF form containing QMF keywords in a QMF national language can be used only in a session of that same QMF national language.

IMPORT in CMS

CONFIRM

Indicates whether a confirmation panel is displayed when this command will replace an existing object in the database.

SHARE

Determines whether other QMF users can access the imported object.

COMMENT

Stores a comment with the imported object. Comments up to 78 single-byte characters long can be recorded with this option.

value The character string that makes up the content of the comment.

A value that contains blank characters must be surrounded with delimiters. Valid delimiters for a comment value are single quotes, parentheses, and double quotes. When the delimiters are double quotes, the double quotes are included as part of the comment.

Notes

- A QMF Administrator can import a QMF object into the database for another user.
- When data is imported, a new form is created. Any existing form in temporary storage is replaced.
- When you import into the database and an object already exists with the same name you specify, QMF replaces the object, subject to these conditions:
 - A form can replace only a form.
 - A procedure can replace only a procedure.
 - A query can replace only a query.
 - A table can replace only a similar table object.

A similar table is one with the same number of columns, and corresponding columns each having the same data type and length. Column names and labels do not have to match.
- When you import into an existing table, the column names and labels remain unchanged. If the table does not exist, a new table is created using the column names and labels in the imported object.
- Objects can be imported to a remote location. Use the QMF CONNECT command to make the remote location your current location first, followed by the IMPORT command.

If your current location is a DB2 for OS/390 server, you can import to an existing table at a remote location by specifying a three-part name for the table. You cannot import a new table nor any QMF objects this way.
- You cannot replace a comment on a table you don't own or on a remote table using a three-part name.

Examples

1. To display a prompt panel for the QMF IMPORT command:

```
IMPORT ?
```
2. To copy a CMS file called REPORT7 QUERY A into the database and give it the name FIRSTQ:

```
IMPORT QUERY FIRSTQ FROM REPORT7
```
3. To add data (NEW ROWS) to a table (MYTABLE):

```
IMPORT TABLE MYTABLE FROM NEW ROWS A (ACTION=APPEND
```
4. To import a table to a remote database server (VENICE), first connect to that location:

```
CONNECT TO VENICE
```


then import the table:

```
IMPORT TABLE JEAN.STATSTAB FROM YOURFILE
```
5. If your current location is a DB2 for OS/390 server, and you wish to copy a file (STATS TABLE G) from the system where QMF is executing to an existing table (OKAMOTO.STATUS) at a remote database location (TOKYO):

```
IMPORT TABLE TOKYO.OKAMOTO.STATUS FROM STATS TABLE G
```
6. QMF Administrator (QMFADM) importing a form for another user (JEAN):

```
SAVE FORM JEAN.REPORT12 (COMMENT=(12 MONTH FORMAT)
```

INSERT

TSO With ISPF	TSO Without ISPF	CMS With ISPF	CMS Without ISPF	CICS
X	X	X	X	X

The INSERT command inserts:

- A text line into a FORM.PAGE, FORM.FINAL, FORM.BREAKN, or FORM.DETAIL panel
- A column description line on a FORM.MAIN or FORM.COLUMNS panel
- A line for a report calculation expression on a FORM.CALC or FORMS.CONDITIONS panel
- A line on a SQL query, relational prompted query, or PROC panel.

▶—INsert—◀

INSERT

Notes

- To insert a line at the top of the scrollable area: position the cursor directly above the first line and press the Insert key.
- To insert a calculation line into a FORM.CALC panel, position the cursor on the line above where you want the added line, and press the Insert key. An alternative method is to type INSERT on the command line, then position the cursor on the line above, then press Enter.

INTERACT

TSO With ISPF	TSO Without ISPF	CMS With ISPF	CMS Without ISPF	CICS
X	X	X	X	X

The INTERACT command enables user interaction while a procedure or application is running. Two forms of interaction are available:

Session

Begins an interactive dialog within the current QMF session.

Command

Runs a single command in an interactive dialog.

Session Form of INTERACT

(1)
▶—INTERact—▶

Notes:

- 1 Valid for QMF Procedures or callable interface applications.

Command Form of INTERACT

(1)
▶—INTERact—*qmfcommand*—▶

Notes:

- 1 Use with the command interface (DSQCCI). Has no effect when issued from the callable interface.

Description

qmfcommand

The QMF command to be run.

ISPF

TSO With ISPF	TSO Without ISPF	CMS With ISPF	CMS Without ISPF	CICS
X		X		

ISPF is a QMF-supplied command synonym that calls the Interactive System Product Facility (ISPF).

Call ISPF from QMF

Description

option The initial option to pass to ISPF/PDF. For example, if you enter 3, the third ISPF panel option is selected directly.

If you do not specify an option, the ISPF/PDF primary option menu is displayed.

LAYOUT

TSO With ISPF	TSO Without ISPF	CMS With ISPF	CMS Without ISPF	CICS
X		X		

The LAYOUT command generates a sample QMF Report using just a QMF Form object as input. This can assist in the development of a QMF Form by providing a visual rendering of a representative report. Report development can proceed even before any actual data is loaded into the database.

LAYOUT is a command synonym for a QMF-supplied ISPF application. It analyses the Form and creates sufficient generic data to exercise the basic report features specified in the QMF Form. No query is needed.

LAYOUT a QMF REPORT using the FORM in temporary storage


LAYOUT

LAYOUT a QMF REPORT using a FORM from the database



Description

formname

The name of a QMF Form in the database.

Notes

- After you develop a form that contains the specifications you plan to use for your report, use LAYOUT to generate a sample report before putting any data into it.

You can use your sample form to display a report with various characters representing the data. If there are no breaks in the report, the following characters are displayed:

X Character data
0 Numeric data

If the report contains breaks, the levels are shown using the following characters:

A Character data in first break
1 Numeric data in first break
B Character data in second break
2 Numeric data in second break

After you've seen what your form will look like, you can make changes to it without running a query.

The LAYOUT command creates and imports its data in QMF (binary) data format. This format is described in *Developing QMF Applications*.

Examples

1. To display a prompt panel:

```
LAYOUT ?
```

2. To create a sample report using an existing form (MYFORM) in the database:

```
LAYOUT MYFORM
```

or

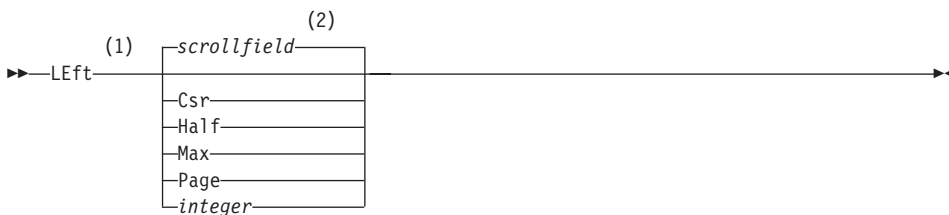
```
LAYOUT FORM MYFORM
```

3. To run the LAYOUT command using the form in temporary storage:
LAYOUT FORM

LEFT

TSO With ISPF	TSO Without ISPF	CMS With ISPF	CMS Without ISPF	CICS
X	X	X	X	X

The LEFT command scrolls toward the left boundary of a report panel or a QBE query.

**Notes:**

- 1 Specify scroll amounts only when there is a SCROLL field on the active panel. PAGE is assumed in all other situations.
- 2 The value showing in the SCROLL field is used. This value is also maintained in the global variable DSQDC_SCROLL_AMT.

Description

CSR Scrolls toward the left, repositioning the column in which the cursor lies to the right edge of the panel. If the cursor is at the left edge of the panel, LEFT CSR has the same effect as LEFT PAGE.

HALF Scrolls toward the left half the width of the panel or to the left boundary if that is nearer.

MAX Scrolls to the left boundary of the panel.

PAGE Scrolls toward the left the width of the panel or to the left boundary if that is nearer.

integer

Scrolls toward the left this number of columns (a whole number ranging from 1 through 9999).

LEFT

Notes

- MAX is in effect only for the current command. This value will not remain in the SCROLL field after the command completes. You cannot set the global variable DSQDC_SCROLL_AMT to this value.
- Use the LEFT function key to scroll left in a report. To specify a scroll amount, type the number of columns you want to scroll on the command line and then press the LEFT function key.

LIST

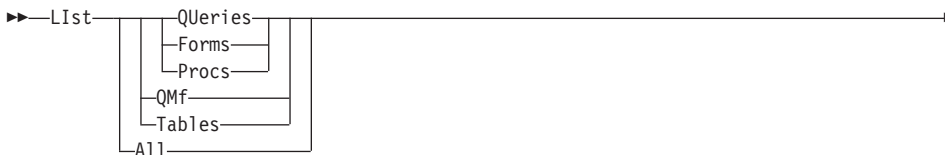
TSO With ISPF	TSO Without ISPF	CMS With ISPF	CMS Without ISPF	CICS
X	X	X	X	X

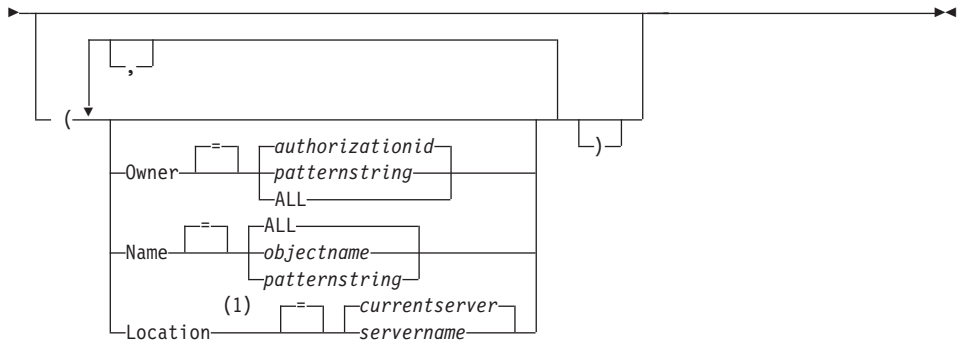
Use the LIST command to display lists of QMF objects and database tables stored in the database.

When you first issue the LIST command in a QMF session, ensure that you use one of these parameters: Queries, Forms, Procs, QMF, Tables, or All.

When you reissue the LIST command without parameters, QMF displays the most recent list you requested.

Create a list of objects from the database



**Notes:**

1 Usage is limited to TABLES.

Display the current list of objects

►►—List—►►

Description

ALL List all objects - QMF objects, and database tables.

TABLES

List only database table objects - tables, views, and aliases.

QMF List only QMF objects - queries, forms, and procedures.

QUERIES

List only QMF queries.

FORMS

List only QMF forms.

PROCS

List only QMF procedures.

OWNER

Specifies the ownership qualifier for objects to list. Your own database authorization id is the default.

authorizationid

The name of a user, a schema, or a database collection.

patternstring

Searches for owner names that have a certain pattern. The

LIST

pattern is specified by a string in which the underscore and percent sign characters have special meanings, as discussed later.

ALL List all objects regardless of owner.

NAME

Specifies the name of objects to list.

ALL List all objects regardless of name.

objectname

The name of a QMF object or a database table.

patternstring

Searches for object names that have a certain pattern. The pattern is specified by a string in which the underscore and percent sign characters have special meanings, as discussed later.

LOCATION

Specifies the location of objects to list. The current database server is the default.

servername

The name of a database application server in the distributed network.

This option can only be used when the current location is a DB2 for OS/390 server. The QMF session is connected to a DB2 for OS/390 server when the global variable DSQAO_DB_MANAGER has the value of 2.

Notes

- QMF objects you do not own are listed only if they were saved with the option SHARE=YES.
- The pattern string used with the OWNER and NAME parameters can be specified as follows:
 - The % symbol represents a string of zero or more characters.
 - The _ symbol represents any single character.
 - Any other character represents itself.

For example, to list all QMF objects with owners that contain the character D in the second position, enter:

```
LIST QMF (OWNER=_D%
```

- When you request a list of objects, QMF displays them in the default order: owner first, then name. To change the default list order, you change the DSQDC_LIST_ORDER global variable.

The DSQDC_LIST_ORDER global variable is a two-character value. The first character specifies the sort characteristic and the second specifies whether the sort is ascending or descending. Changing the value of DSQDC_LIST_ORDER applies only to the current session. The default value is 1A.

The values are:

First character:

value	characteristic (primary key)	sort sequence
1	Default	owner(current owner first) name
2	Owner	owner name
3	Name	name owner
4	Type	type name owner
5	Modified	modified last used owner name type
6	Last used	last used modified owner name type

Second character:

value	sort order
A	Ascending
D	Descending

For example, to create a new list with the most recently modified objects at the top of the list, enter this SET GLOBAL command:

```
SET GLOBAL (DSQDC_LIST_ORDER=5D
```

To create a new list with the current owner's objects at the top of the list, enter this SET GLOBAL command:

```
SET GLOBAL (DSQDC_LIST_ORDER=1A
```

These examples do not change the order of an existing list.

- If you connected to a new location since you created the object list being displayed, your list is now obsolete. You must refresh the list, or cancel it and create a new one. Commands issued in the Action column of an obsolete list are not executed.
- You cannot list queries, procedures, or forms at a remote location using the Location parameter. To list these objects at a remote location, first connect to that location, then use the LIST command.
- When you request a list of tables, QMF uses views to retrieve the information:
 - If your current location is DB2 and you request a list from that location (if LOCATION is not specified or is specified to be the current location), QMF uses the view named in the global variables DSQEC_ALIASES and DSQEC_TABS_LDB2.

LIST

- If your current location is DB2 and you request a list from a different DB2 location, QMF uses the view named in the global variables DSQEC_ALIASES and DSQEC_TABS_RDB2.
- If your current location is DB2 for VM or DB2 for VSE, QMF uses the view named in the global variable DSQEC_TABS_SQL.
- Issuing the LIST command when operating in QMF batch mode results in an error. Also, to issue LIST through the QMF command interface, LIST must be preceded by INTERACT (unless it is used from a Prompted Query dialog panel).

For more information, see the discussion on customizing a user's database object list in the *Installing and Managing QMF* for your operating system.

Examples

1. To get a list of all the forms that you own, enter:
LIST FORMS
2. To get a list of all the queries that begin with the name APP1, regardless of owner, enter:
LIST QUERIES (OWNER=ALL NAME=APP1%)
3. To get a list of all the tables at the Dallas database server, regardless of owner, with the characters CUST in the name, enter:
LIST TABLES (LOCATION=DALLASDB OWNER=ALL NAME=%CUST%)

MESSAGE

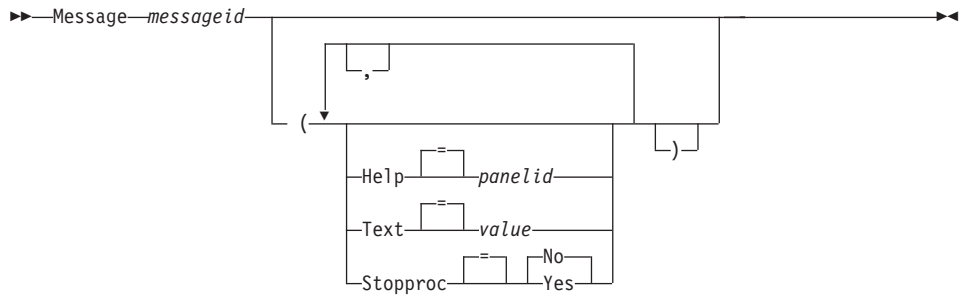
TSO With ISPF	TSO Without ISPF	CMS With ISPF	CMS Without ISPF	CICS
X	*	X	*	*

Use the MESSAGE command from user applications (procedures, programs, EXECs, CLISTs) to pass a message to the QMF message area.

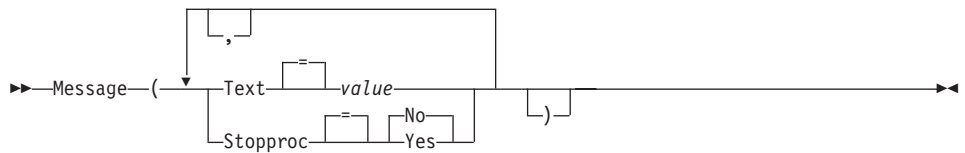
With the MESSAGE command you can:

- Display a message from the ISPF library
- Assign a help panel for an ISPF message
- Generate a QMF-like message
- Suppress execution of QMF linear procedures

Display a message defined to ISPF



Generate a QMF-like message



Description

messageid

The identification number of a message definition in an ISPF message library. The designated library must be concatenated to your ISPMLIB file or data set.

HELP Specifies the help panel to accompany the message. This option will override the tutorial help panel specified in the ISPF message definition.

panelid

The name of a panel in an ISPF panel library. The designated library must be concatenated to your ISPLIB file or data set.

TEXT Defines the message text. Message text up to 78 single-byte characters long can be issued with this option. Message text in excess of 78 characters will be discarded.

When used with an ISPF messageid this option will override the long message specified in the ISPF message definition.

value The character string that makes up the content of the message.

A value that contains blank characters must be surrounded with delimiters. Valid delimiters for a message value are single quotes, parentheses, and double quotes. When the delimiters are double quotes, the double quotes are included as part of the message.

MESSAGE

STOPPROC

Sets a termination switch for QMF linear procedures. The setting remains active until the current application ends or the setting is changed again by the application.

YES Sets the procedure termination switch on. Any QMF linear procedure receiving control ends its execution immediately.

NO Sets the procedure termination switch off. QMF linear procedure execution is not suppressed.

Notes

- The MESSAGE command cannot be issued from the QMF command line.
- The STOPPROC option has limited usage within a linear procedure application. Once the procedure termination switch is set on, the application will end immediately.

For a complete discussion of the MESSAGE command, see *Developing QMF Applications*.

Examples

1. To display ISPF message ISPG053 with your own help panel CMDHELP:
MESSAGE ISPG053 (HELP=CMDHELP)
2. To issue a QMF-like message:
MESSAGE (TEXT=(Sales report for YE '99 is complete.)

NEXT

TSO With ISPF	TSO Without ISPF	CMS With ISPF	CMS Without ISPF	CICS
X	X	X	X	X

The NEXT command:

- Navigates forward through the set of variations associated with the FORM.DETAIL panel.
- Displays the next column or the next definition from the Column Definition or Column Alignment panel.
- Displays the next row in the set of accessed rows in the Table Editor.



Description

COLUMN

Displays the next column from the Column Definition or Column Alignment panel.

DEFINITION

Displays the next column with a non-blank definition expression from the Column Definition panel.

Notes

- Column definition requires REXX facilities and is not supported in CICS.
- The COLUMN and DEFINITION parameters:
 - Direct panel navigation while the FORM.COLUMNS or FORM.DEFINITION panel is active.
 - Are not normally entered on the command line or from an application, although they can be.
- On a FORM.DETAIL panel, the NEXT command:
 - Displays the next panel variation (unless it would result in an error).
 - Can be entered from the command line, by pressing a function key, or from an application.
- In the Table Editor, the NEXT command can only be entered using a function key.

PREVIOUS

TSO With ISPF	TSO Without ISPF	CMS With ISPF	CMS Without ISPF	CICS
X	X	X	X	X

The PREVIOUS command:

- Navigates backward through the set of variations associated with the FORM.DETAIL panel.
- Displays the previous column or the previous definition when the form definition is displayed.
- Displays the row just added (Add Mode) or the most recent successful search criteria (Search Mode) in a Table Editor session.



PREVIOUS

Description

COLUMN

The previous column is displayed from the Column Definition or Column Alignment panel.

DEFINITION

The most recent column with a non-blank definition expression is displayed when in the Definition panel.

Notes

- Column definition requires REXX facilities and is not supported in CICS.
- The Column and Definition parameters provide direct panel navigation while the FORM.COLUMNS or FORM.DEFINITION panel is active.
- On a FORM.DETAIL panel, the PREVIOUS command:
 - Displays the previous panel variation (unless it would result in an error).
 - Can be entered from the command line, by pressing a function key or from an application.
- In the Table Editor, the PREVIOUS command can only be entered using a function key.

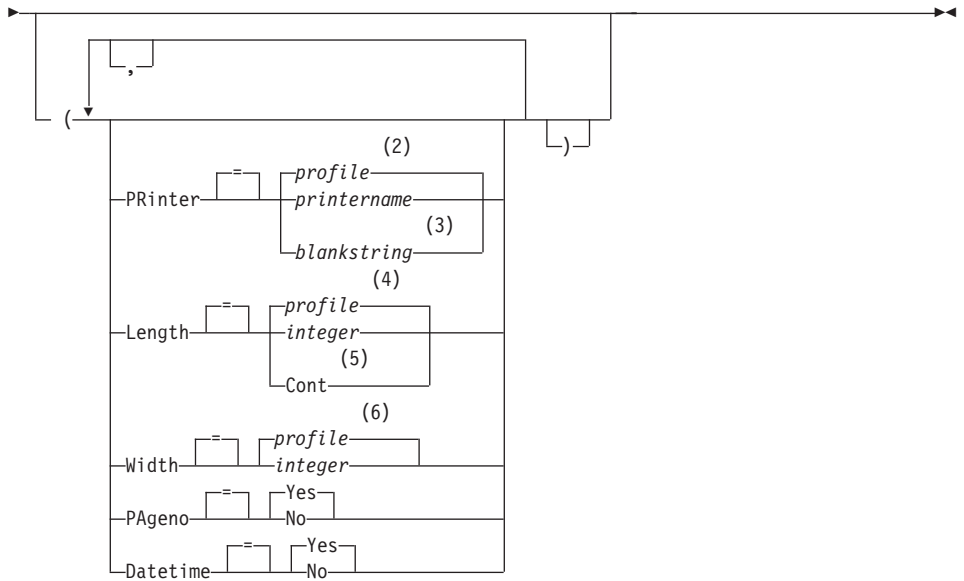
PRINT in CMS and TSO

TSO With ISPF	TSO Without ISPF	CMS With ISPF	CMS Without ISPF	CICS
X	X	X	X	

The PRINT command prints a copy of an object in the QMF temporary storage area or an object stored in the database.

PRINT a QMF object from temporary storage



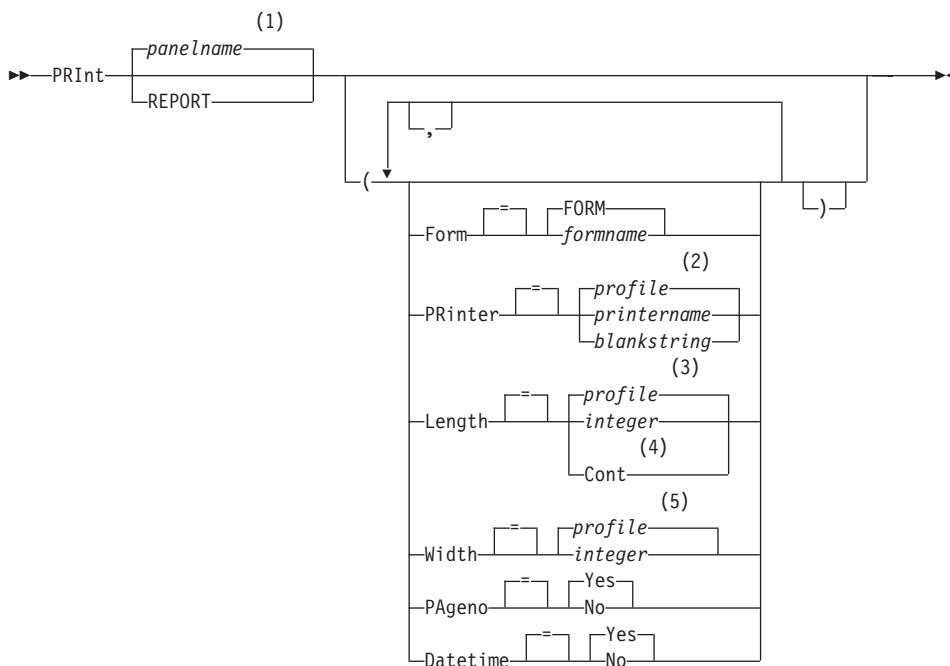


Notes:

- 1 The name of the QMF object panel currently displayed, if appropriate, is used.
- 2 The value set in your profile is used.
- 3 Use of this option is limited. Refer to the description that follows.
- 4 The value set in your profile is used.
- 5 Use of this option is limited. Refer to the description that follows.
- 6 The value set in your profile is used.

PRINT a QMF REPORT from temporary storage

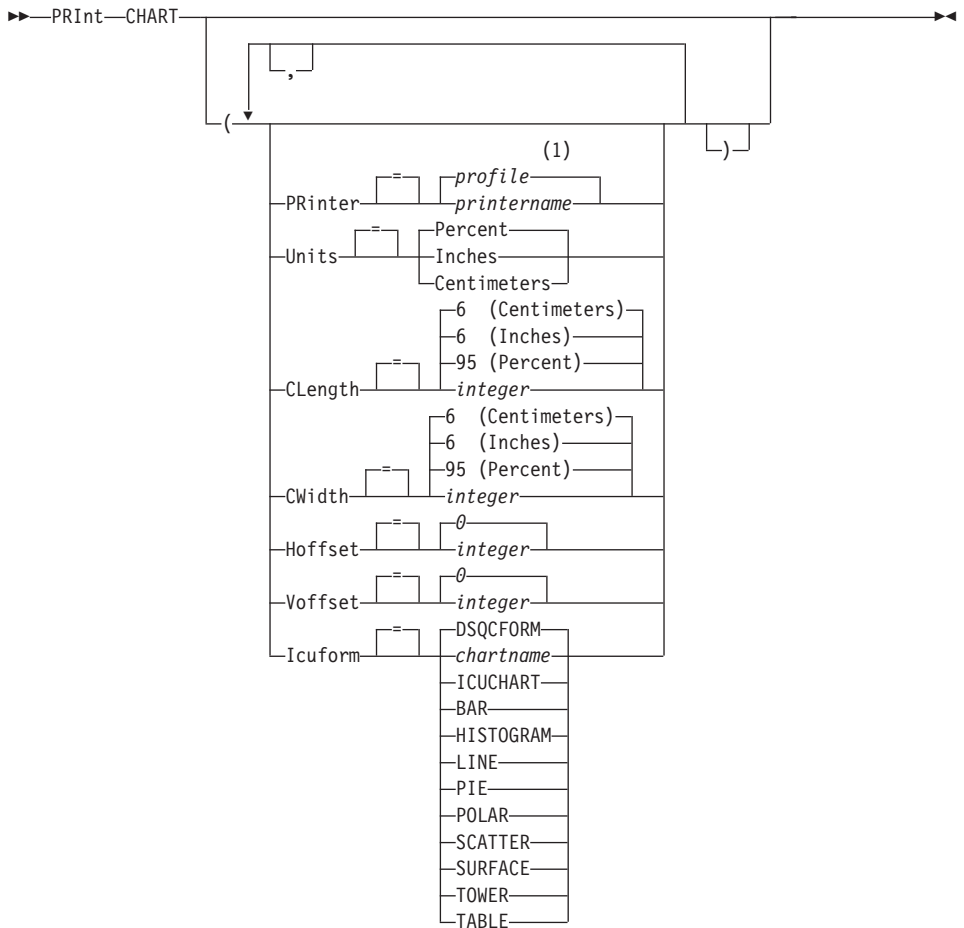
PRINT in CMS and TSO



Notes:

- 1 The name of the QMF object panel currently displayed, if appropriate, is used.
- 2 The value set in your profile is used.
- 3 The value set in your profile is used.
- 4 Use of this option is limited. Refer to the description that follows.
- 5 The value set in your profile is used.

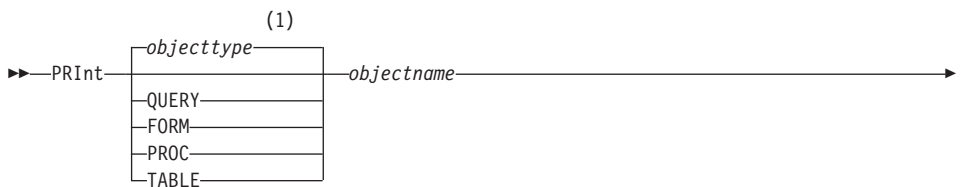
PRINT a CHART



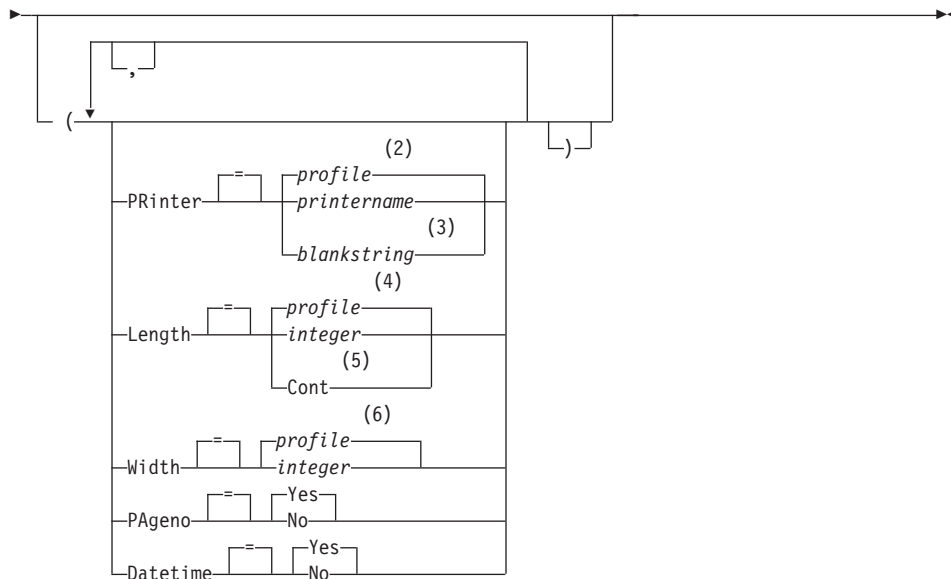
Notes:

- 1 The value set in your profile is used.

PRINT an object from the database



PRINT in CMS and TSO



Notes:

- 1 The type of the named object, if appropriate, is used. QMF type objects have priority over other types of database objects.
- 2 The value set in your profile is used.
- 3 Use of this option is limited. Refer to the description that follows.
- 4 The value set in your profile is used.
- 5 Use of this option is limited. Refer to the description that follows.
- 6 The value set in your profile is used.

Description

objectname

The name of an object in the database. Valid objects include:

- QMF objects (PROC, QUERY, FORM)
- Table objects (TABLE, VIEW, SYNONYM, ALIAS)

PRINTER

Specifies the output destination for the PRINT command.

printername

Specifies a printer destination. This must be the nickname of a GDDM printer.

blankstring

Specifies a file destination. This value must be indicated by a string of 0 to 8 blanks enclosed in single quotes (' ').

The physical destination for the print file is a dataset, a file or a device allocated to the QMF file DSQPRINT. Contact your QMF administrator for details specific to your QMF environment.

This option is not valid for chart, form or prompted query objects.

LENGTH

Specifies the length of a printed page. The unit of length is one line.

integer

Specifies the maximum number of lines between page breaks. The number must be an integer from 1 to 999.

Minimum lengths apply to certain objects:

Form	25
SQL Query	25
Procedure	25
Prompted Query	25
Table	8
QBE Query	7 (5 when print to a file)
Profile	7 (5 when print to a file)

The minimum length for a report varies with the form used and the value of the command options DATETIME and PAGENO.

The maximum length of a printed form is 66.

CONT

Specifies continuous printing, without page breaks.

This option is not valid for chart, form or prompted query objects or whenever a printer name is specified.

WIDTH

Specifies the width of a printed page. The unit of width is one single-byte character.

integer

Specifies the maximum number of characters to be printed on any line. The number must be an integer from 22 to 999.

Lines wider than the value specified are cut off on the right, unless the object you are printing is a report. In that case,

PRINT in CMS and TSO

lines longer than the value specified are formatted on a subsequent page, unless you specified line wrapping on the FORM.OPTIONS panel.

PAGENO

Specifies the inclusion of page numbers with the printed object.

This option is ignored when printing a report and the form contains the variable &PAGE.

YES Page numbers are included at the bottom of the page.

NO Page numbers are suppressed.

DATETIME

Specifies the inclusion of the system date and time on each page of the printed object.

This option is ignored when printing a report and the form contains the variable &DATE. or &TIME.

YES Date and time are included at the bottom of the page.

NO Data and time are not included.

FORM

Specifies the form to use when printing a report.

FORM

The current form object in temporary storage. This is the default.

formname

The name of a QMF Form in the database. This form will replace the current form in temporary storage.

UNITS

Specifies the the unit of measure for chart dimension parameters CLENGTH, CWIDTH, HOFFSET, and VOFFSET.

PERCENT

Chart dimensions are relative to the screen size (100 percent).

CENTIMETERS

Chart dimensions are expressed in centimeters.

INCHES

Chart dimensions are expressed in inches.

CLENGTH

The length of the chart area expressed as a number. The unit of measure is determined by the UNITS parameter. The default varies with the unit of measure.

CWIDTH

The width of the chart area expressed as a number. The unit of measure is determined by the UNITS parameter. The default varies with the unit of measure.

HOFFSET

The horizontal offset of the chart from the left side of the page expressed as a number. The unit of measure is determined by the UNITS parameter.

VOFFSET

The vertical offset of the chart from the top of the page expressed as a number. The unit of measure is determined by the UNITS parameter.

ICUFORM

Specifies the name of a chart format. A chart format contains the specifications required to turn data into a chart. Different formats are used to produce different types of charts.

DSQCFORM

The name of the default chart format provided by QMF.

This format can be customized by your QMF administrator. It provides a bar chart if not customized.

chartname

The name of a chart format saved in

ICUCHART

Specifies the default chart format for the GDDM Interactive Chart Facility.

BAR

HISTOGRAM

LINE

PIE

POLAR

SCATTER

SURFACE

TOWER

TABLE

The name of a chart format provided by QMF.

Notes

- When you print a form, all parts of the form are printed.
- When print a report, the report is printed according to the form specifications.
- When you print a table, the table is formatted using a default form.

PRINT in CMS and TSO

To print a table with other than the default form, display the table, display the desired form, and then issue the PRINT REPORT command. Refer to Example 2. below.

However, if the form requires that the rows of data be in sorted order (for example, the form uses breaks), you must first run a query that selects data from the table in sorted order rather than display the table.

- When you print a chart, the form specifications are applied to the data and the chart is formatted by the GDDM Interactive Chart Utility.
- When printing a report or chart, if the form contains errors, the form panel on which the first error was found is displayed, and the error is highlighted. To see other errors, you must correct the first error displayed. Some errors are not detected until you create a report.
- With a DBCS printer, you can print reports containing DBCS data even if you do not have a terminal that displays DBCS data. Start QMF with the program parameter, DSQSDBCS=YES. Contact your QMF administrator for details on customizing your QMF start procedure.
- If you are using DBCS data and QMF splits the page, printing resumes on the second and subsequent pages of the report at the fourth-byte position from the left side of the page.
- The page number, date, and time can be included in the chart title by specifying &PAGE, &DATE, and &TIME, respectively, on the FORM.PAGE panel.
- A printed report differs from a report displayed on a screen in the following ways:

Part of report	Displayed Report	Printed Report
Number of pages	One page that can be scrolled	One or more pages
Page headings and footings	Appear only once	Appear at the top and bottom of each page
Detail headings	Before the first detail line at the beginning of a report and on every screen following	Before the first detail line of at the beginning of a report and on every page following
Fixed column	Remain in place when report is scrolled horizontally	Repeated on the left side of each page

Examples

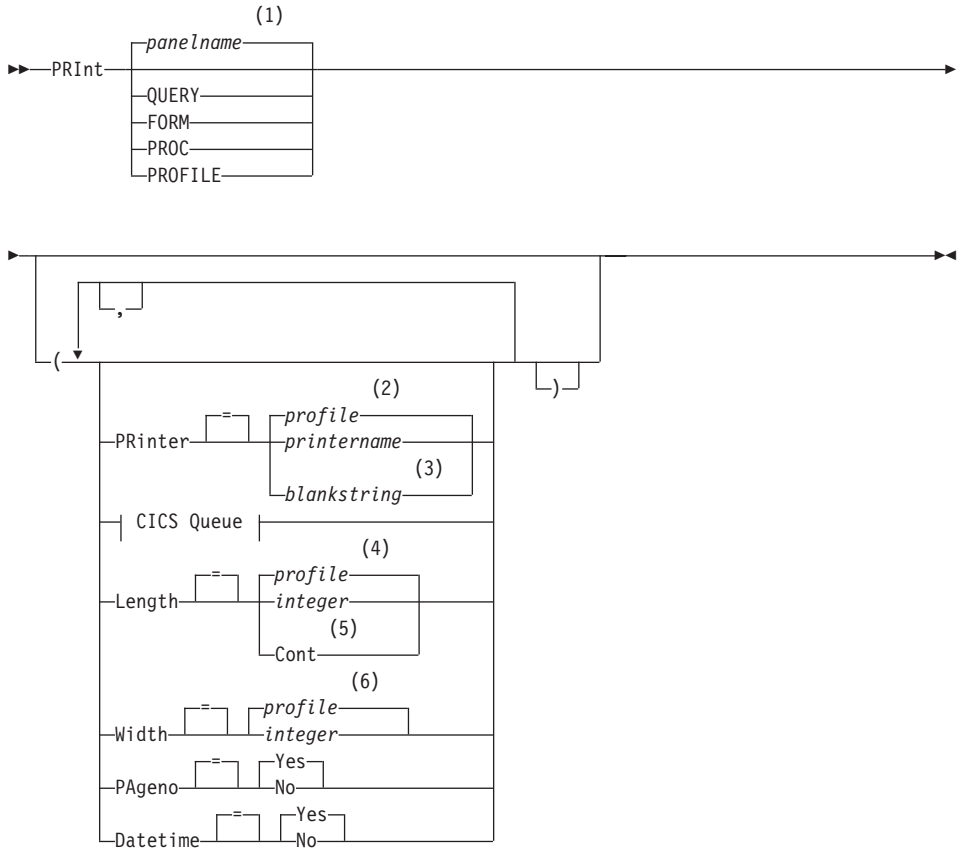
1. To display a prompt panel for the QMF PRINT command:
PRINT ?
2. To print a Table with other than the default form:
DISPLAY tablename
DISPLAY formname
PRINT REPORT

PRINT in CICS

TSO With ISPF	TSO Without ISPF	CMS With ISPF	CMS Without ISPF	CICS
				X

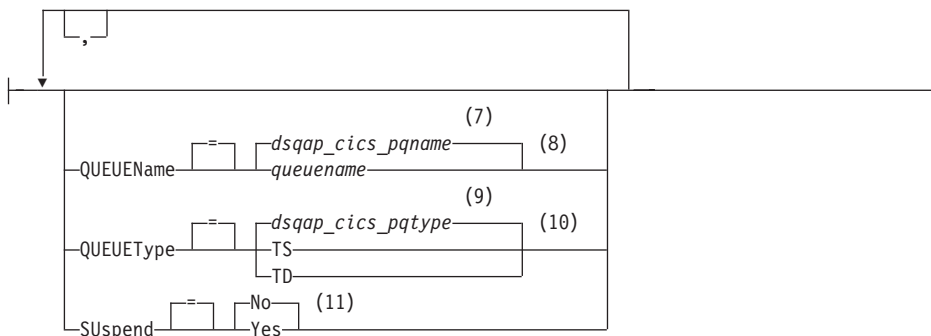
The PRINT command prints a copy of an object in the QMF temporary storage area or an object stored in the database.

PRINT a QMF object from temporary storage



CICS Queue:

PRINT in CICS

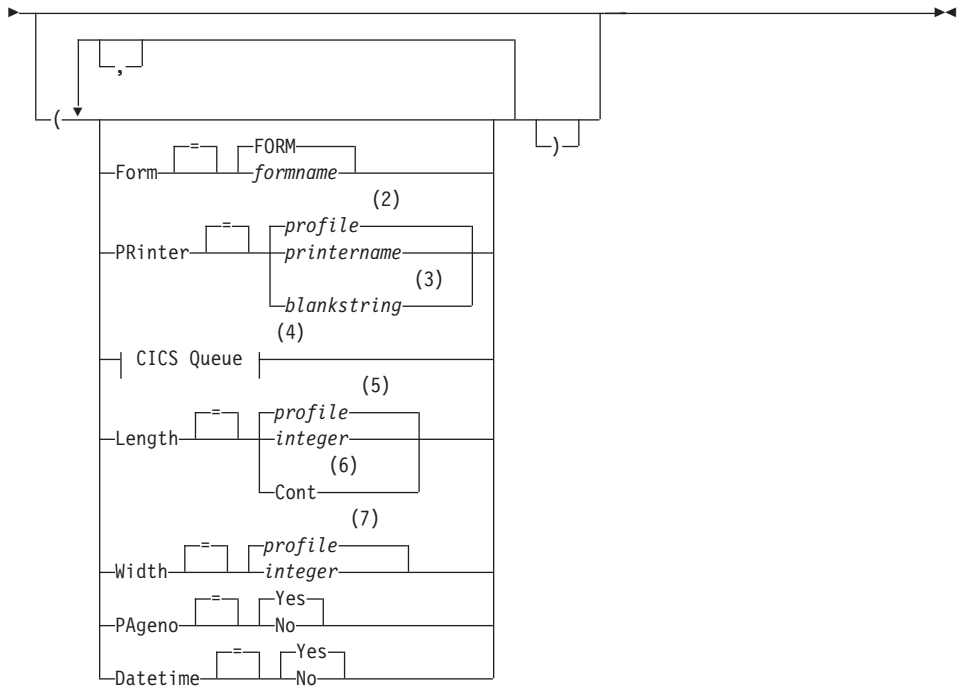


Notes:

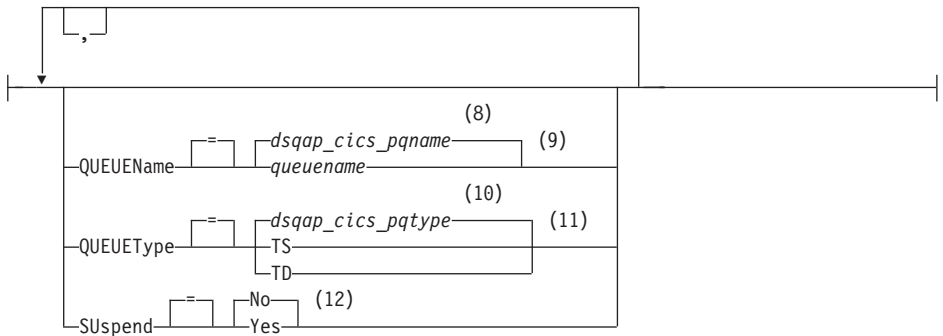
- 1 The name of the QMF object panel currently displayed, if appropriate, is used.
- 2 The value set in your profile is used.
- 3 Use of this option is limited. Refer to the description that follows.
- 4 The value set in your profile is used.
- 5 Use of this option is limited. Refer to the description that follows.
- 6 The value set in your profile is used.
- 7 The value set in this global variable is used.
- 8 The value set in this global variable is used.
- 9 The value set in this global variable is used.
- 10 The value set in this global variable is used.
- 11 Use of this option is limited. Refer to the description that follows.

PRINT a QMF REPORT from temporary storage





CICS Queue:



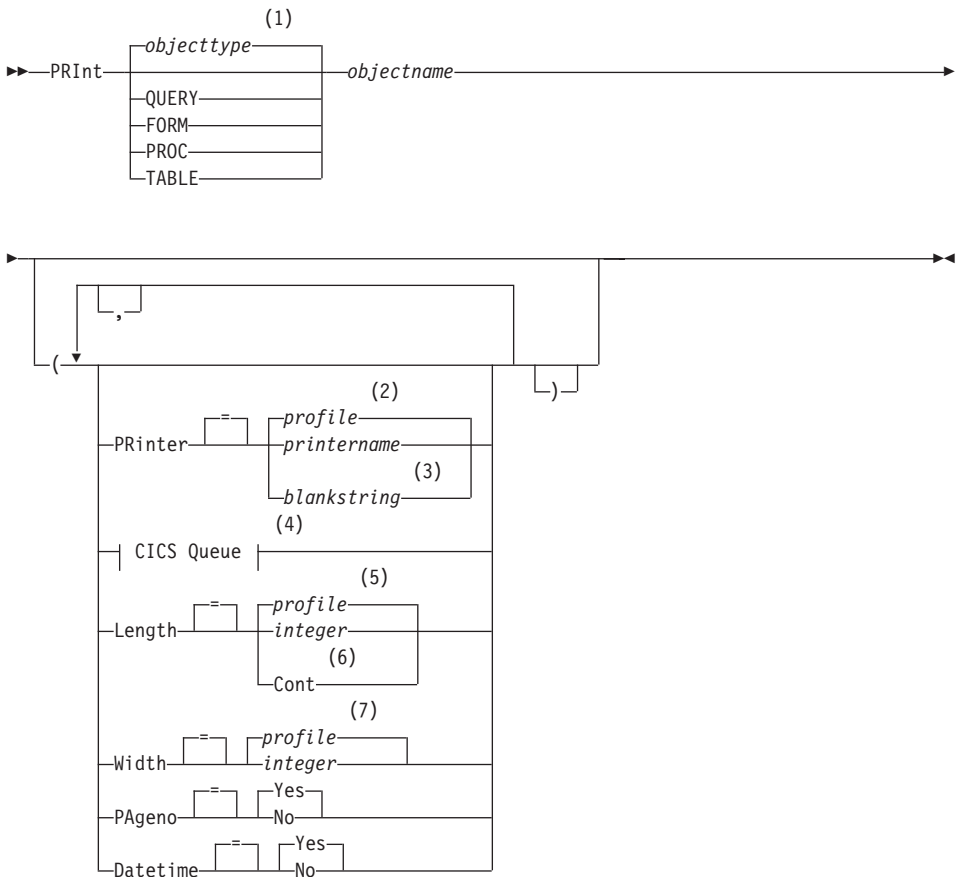
Notes:

- 1 The name of the QMF object panel currently displayed, if appropriate, is used.
- 2 The value set in your profile is used.
- 3 Use of this option is limited. Refer to the description that follows.

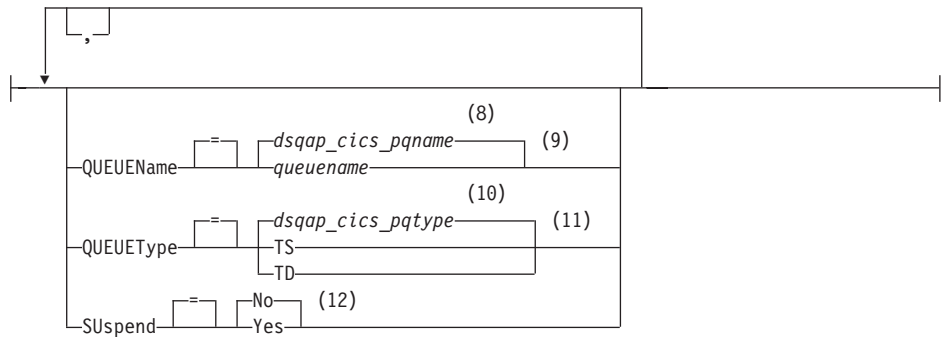
PRINT in CICS

- 4 Use of this option is limited. Refer to the description that follows.
- 5 The value set in your profile is used.
- 6 Use of this option is limited. Refer to the description that follows.
- 7 The value set in your profile is used.
- 8 The value set in this global variable is used.
- 9 Use of this option is limited. Refer to the description that follows.
- 10 The value set in this global variable is used.
- 11 Use of this option is limited. Refer to the description that follows.
- 12 Use of this option is limited. Refer to the description that follows.

PRINT an object from the database



CICS Queue:

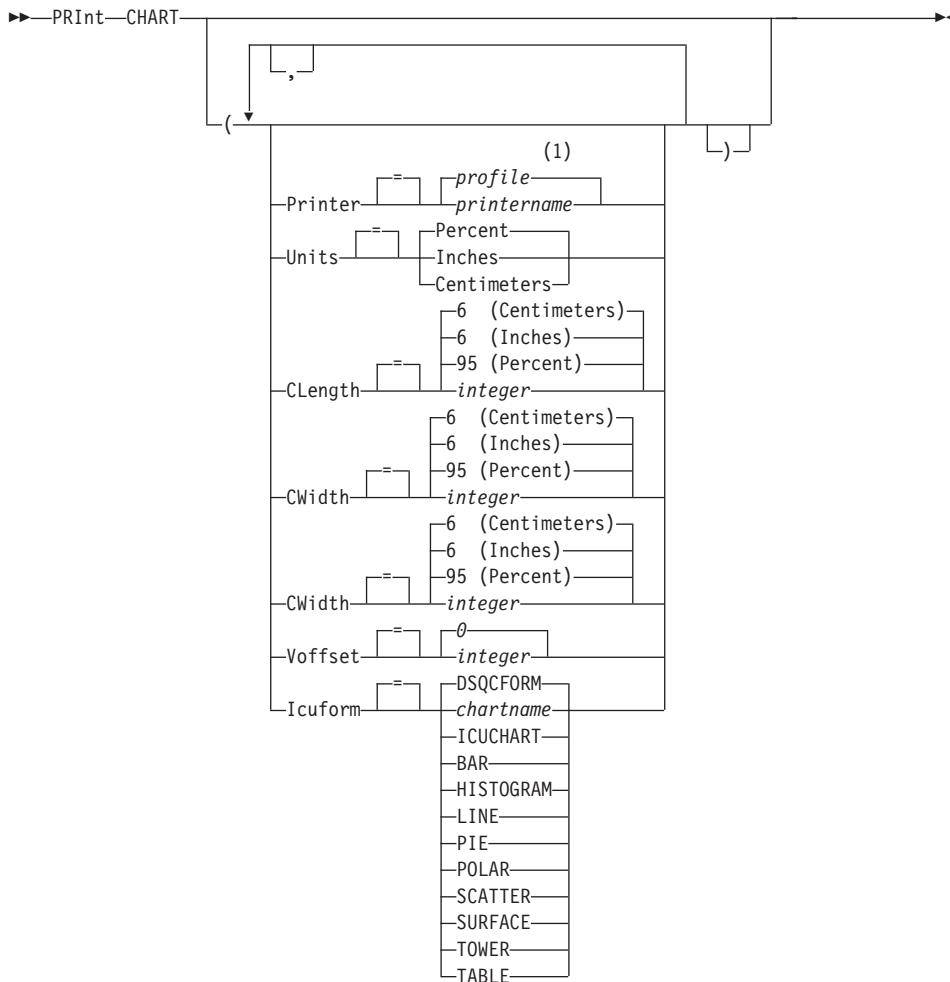


Notes:

- 1 The type of the named object, if appropriate, is used. QMF type objects have priority over other types of database objects.
- 2 The value set in your profile is used.
- 3 Use of this option is limited. Refer to the description that follows.
- 4 Use of this option is limited. Refer to the description that follows.
- 5 The value set in your profile is used.
- 6 Use of this option is limited. Refer to the description that follows.
- 7 The value set in your profile is used.
- 8 The value set in this global variable is used.
- 9 Use of this option is limited. Refer to the description that follows.
- 10 The value set in this global variable is used.
- 11 Use of this option is limited. Refer to the description that follows.
- 12 Use of this option is limited. Refer to the description that follows.

PRINT a CHART

PRINT in CICS



Notes:

- 1 The value set in your profile is used.

Description

objectname

The name of an object in the database. Valid objects include:

- QMF objects (PROC, QUERY, FORM)
- Table objects (TABLE, VIEW, SYNONYM, ALIAS)

PRINTER

Specifies the output destination for the PRINT command.

printername

Specifies a printer destination. This must be the nickname of a GDDM printer.

blankstring

Specifies a queue destination. This value must be indicated by a string of 0 to 8 blanks enclosed in single quotes (' ').

This option is not valid for chart, form or prompted query objects.

These options are valid only when printing to a queue destination (when option PRINTER=blankstring is specified).

QUEUENAME

Specifies the CICS data queue to receive the printed object. The default is the current value of the QMF global variable DSQAP_CICS_PQNAME.

queue name

The name of a CICS data queue. The type of storage for the queue must match the type specified with the QUEUEUETYPE parameter.

QUEUEUETYPE

Identifies the type of CICS storage used for the CICS data queue specified by the QUEUENAME parameter. The default is the current value of the QMF global variable DSQAP_CICS_PQTYPE.

TS Specifies a CICS temporary storage queue on an auxiliary device.

TD Specifies a CICS transient data queue.

SUSPEND

Specifies the action to take when the data queue is busy and unavailable.

NO Cancel the print request.

YES Wait until the data queue is available.

LENGTH

Specifies the length of a printed page. The unit of length is one line.

integer

Specifies the maximum number of lines between page breaks. The number must be an integer from 1 to 999.

Minimum lengths apply to certain objects:

Form	25
SQL Query	25

PRINT in CICS

Procedure	25
Prompted Query	25
Table	8
QBE Query	7 (5 when print to a file)
Profile	7 (5 when print to a file)

The minimum length for a report varies with the form used and the value of the command options DATETIME and PAGENO.

The maximum length of a printed form is 66.

CONT

Specifies continuous printing, without page breaks.

This option is not valid for chart, form or prompted query objects or whenever a printer name is specified.

WIDTH

Specifies the width of a printed page. The unit of width is one single-byte character.

integer

Specifies the maximum number of characters to be printed on any line. The number must be an integer from 22 to 999.

Lines wider than the value specified are cut off on the right, unless the object you are printing is a report. In that case, lines longer than the value specified are formatted on a subsequent page, unless you specified line wrapping on the FORM.OPTIONS panel.

PAGENO

Specifies the inclusion of page numbers with the printed object.

This option is ignored when printing a report and the form contains the variable &PAGE.

YES Page numbers are included at the bottom of the page.

NO Page numbers are suppressed.

DATETIME

Specifies the inclusion of the system date and time on each page of the printed object.

This option is ignored when printing a report and the form contains the variable &DATE. or &TIME.

YES Date and time are included at the bottom of the page.

NO Data and time are not included.

FORM

Specifies the form to use when printing a report.

FORM

The current form object in temporary storage. This is the default.

formname

The name of a QMF Form in the database. This form will replace the current form in temporary storage.

UNITS

Specifies the the unit of measure for chart dimension parameters CLENGTH, CWIDTH, HOFFSET, and VOFFSET.

PERCENT

Chart dimensions are relative to the screen size (100 percent).

CENTIMETERS

Chart dimensions are expressed in centimeters.

INCHES

Chart dimensions are expressed in inches.

CLENGTH

The length of the chart area expressed as a number. The unit of measure is determined by the UNITS parameter. The default varies with the unit of measure.

CWIDTH

The width of the chart area expressed as a number. The unit of measure is determined by the UNITS parameter. The default varies with the unit of measure.

HOFFSET

The horizontal offset of the chart from the left side of the page expressed as a number. The unit of measure is determined by the UNITS parameter.

VOFFSET

The vertical offset of the chart from the top of the page expressed as a number. The unit of measure is determined by the UNITS parameter.

ICUFORM

Specifies the name of a chart format. A chart format contains the specifications required to turn data into a chart. Different formats are used to produce different types of charts.

DSQCFORM

The name of the default chart format provided by QMF.

PRINT in CICS

This format can be customized by your QMF administrator. It provides a bar chart if not customized.

chartname

The name of a chart format saved in

ICUCHART

Specifies the default chart format for the GDDM Interactive Chart Facility.

BAR

HISTOGRAM

LINE

PIE

POLAR

SCATTER

SURFACE

TOWER

TABLE

The name of a chart format provided by QMF.

Notes

- When you print a form, all parts of the form are printed.
- When print a report, the report is printed according to the form specifications.
- When you print a table, the table is formatted using a default form.
To print a table with other than the default form, display the table, display the desired form, and then issue the PRINT REPORT command. Refer to Example 2. below.
However, if the form requires that the rows of data be in sorted order (for example, the form uses breaks), you must first run a query that selects data from the table in sorted order rather than display the table.
- When you print a chart, the form specifications are applied to the data and the chart is formatted by the GDDM Interactive Chart Utility.
- To print to a file or dataset use the QUEUENAME parameter to name a CICS extrapartition transient data queue (QUEUETYPE=TD). The CICS DCT (destination control table) must first have a definition for the data queue that routes the output to a file or dataset.
- When printing a report or chart, if the form contains errors, the form panel on which the first error was found is displayed, and the error is highlighted. To see other errors, you must correct the first error displayed. Some errors are not detected until you create a report.
- With a DBCS printer, you can print reports containing DBCS data even if you do not have a terminal that displays DBCS data. Start QMF with the

program parameter, DSQSDBCS=YES. Contact your QMF administrator for details on customizing your QMF start procedure.

- If you are using DBCS data and QMF splits the page, printing resumes on the second and subsequent pages of the report at the fourth-byte position from the left side of the page.
- The page number, date, and time can be included in the chart title by specifying &PAGE, &DATE, and &TIME, respectively, on the FORM.PAGE panel.
- A printed report differs from a report displayed on a screen in the following ways:

Part of report	Displayed Report	Printed Report
Number of pages	One page that can be scrolled	One or more pages
Page headings and footings	Appear only once	Appear at the top and bottom of each page
Detail headings	Before the first detail line at the beginning of a report and on every screen following	Before the first detail line of at the beginning of a report and on every page following
Fixed column	Remain in place when report is scrolled horizontally	Repeated on the left side of each page

Examples

1. To display a prompt panel for the QMF PRINT command:

```
PRINT ?
```

2. To print a Table with other than the default form:

```
DISPLAY tablename
DISPLAY formname
PRINT REPORT
```

QMF

TSO With ISPF	TSO Without ISPF	CMS With ISPF	CMS Without ISPF	CICS
X	X	X	X	X

Use the QMF command to issue a base QMF command, bypassing command synonym recognition. This avoids ambiguity with any installation-defined commands which have the same name as base QMF commands.

Issue a base QMF command

QMF

►►—Qmf—qmfcommand—◄◄

Description

qmfcommand

The QMF command to be run.

Notes

- You can issue the QMF command from the command line, from a procedure, from the Database Object List panel, or from an application.

Examples

To display the QMF Database Object List when your installation has defined the command LIST to have a different function, enter:

```
QMF LIST
```

REDUCE

TSO With ISPF	TSO Without ISPF	CMS With ISPF	CMS Without ISPF	CICS
X	X	X	X	X

The REDUCE command is used in reports and in QME. See *Using QMF*.

►►—REDuce—◄◄

REFRESH

TSO With ISPF	TSO Without ISPF	CMS With ISPF	CMS Without ISPF	CICS
X	X	X	X	X

REFRESH is used:

- On the database object list to recreate the list.
- On the Table Editor CHANGE panel to discard keyed entries before pressing the Change key. The panel is refreshed with the unchanged values for the row still in the database.

►►—REFresh—◄◄

RESET GLOBAL

Examples

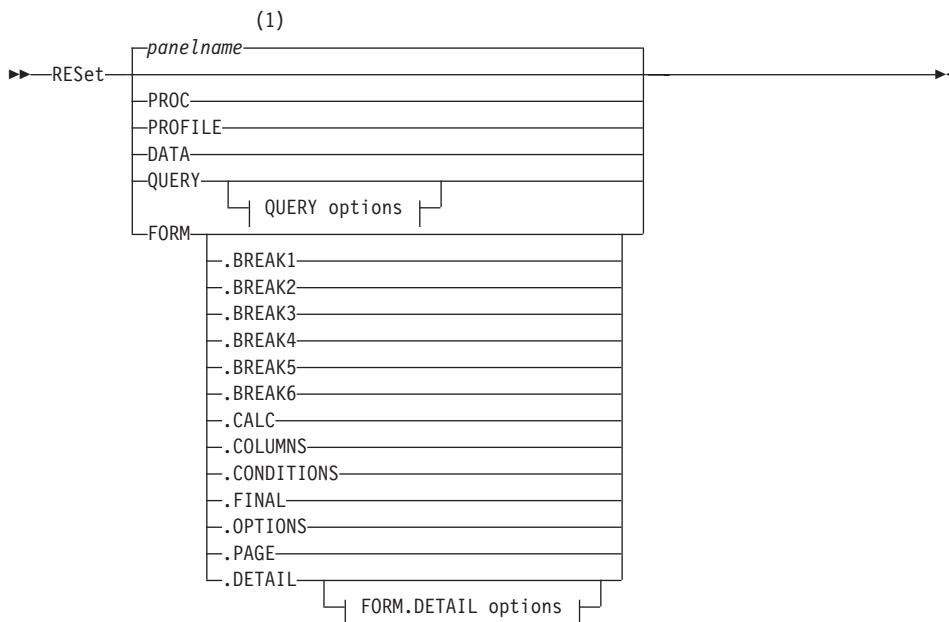
1. To delete the values for all global variables that were previously set.
RESET GLOBAL ALL
2. To delete the values only for the variables named DEPT and LOCATION.
RESET GLOBAL (DEPT LOCATION)

RESET object

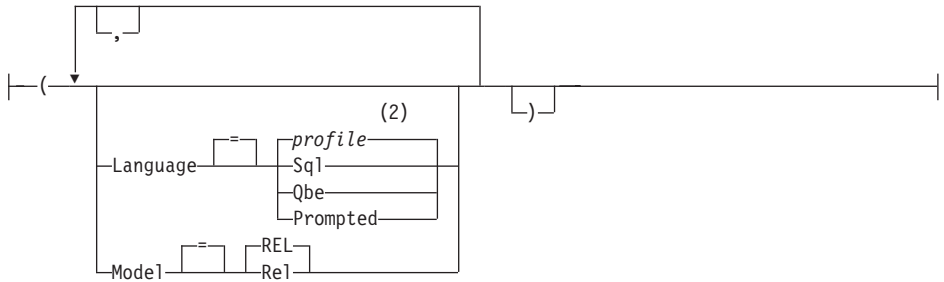
TSO With ISPF	TSO Without ISPF	CMS With ISPF	CMS Without ISPF	CICS
X	X	X	X	X

The RESET command restores an object in temporary storage to its initial state.

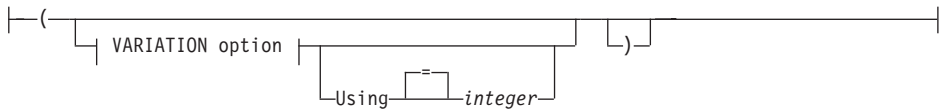
RESET a QMF object in temporary storage



QUERY options:



FORM.DETAIL options:



VARIATION option:



Notes:

- 1 The name of the QMF object panel currently displayed, if appropriate, is used.
- 2 The value set in your profile is used.

Description

PROC Displays an empty procedure panel.

PROFILE

Displays your profile with the values reset to those saved in the database at the current location.

DATA Purges all data in the DATA temporary storage area and closes the database cursor. The REPORT object in temporary storage is discarded. The QMF Home panel is displayed if the RESET command was issued from the REPORT panel.

QUERY

Displays an empty query panel.

QUERY options

RESET Object

LANGUAGE

Specifies which query language to initialize in the query panel.

SQL

QBE

Displays a blank query panel.

PROMPTED

Displays a blank query panel and starts a new Prompted Query dialog.

MODEL

Specifies the data model used for queries. Relational data is the only supported value (REL).

FORM

Displays the FORM.MAIN panel with all parts of the form reset to their default values. The defaults are set to match the column information in the DATA object. If the DATA object is empty there will be no column information in the form.

If the current panel is FORM.MAIN then the default object for the RESET command is FORM.

FORM.COLUMNS

Displays the FORM.COLUMNS panel with just that part of the form reset to match the column information in the DATA object. If the DATA object is empty there will be no column information.

FORM.BREAK1

FORM.BREAK2

FORM.BREAK3

FORM.BREAK4

FORM.BREAK5

FORM.BREAK6

FORM.CALC

FORM.CONDITIONS

FORM.FINAL

FORM.OPTIONS

FORM.PAGE

FORM.DETAIL

Displays the specified form panel with just that part of the form reset to its default values.

FORM.DETAIL options

VARIATION

Specifies a detail variation to display with its fields reset.

If this option is omitted the current detail variation is reset. An exception to this is when more than one detail variation exists and the current panel is not FORM.DETAIL. In this situation you must specify this option.

integer

The number for a detail variation. The number must be an integer from 1 to 99.

If the specified detail variation has not been created yet the number is reduced to the next sequential number following all existing detail variations.

ALL Reset all detail variations to their default values.

USING

Specifies which detail variation to use as a template to reset or create another variation.

This can be helpful if you make a number of modifications to a detail panel and want to create another with similar changes.

integer

The number for an existing detail variation. The number must be an integer from 1 to 99.

Examples

1. To display a prompt panel for the QMF RESET command:
RESET ?
2. To display an empty SQL Query panel:
RESET QUERY (LANGUAGE=SQL
3. To erase the data in QMF temporary storage:
RESET DATA
4. To display a FORM.BREAK6 panel set to the default values for your data:
RESET FORM.BREAK6
5. To reset only FORM.DETAIL variation 1:
RESET FORM.DETAIL (VARIATION=1
6. To reset detail variation 2 using detail variation 1 as a template:
RESET FORM.DETAIL (VARIATION=2 USING=1
7. To reset all detail variations:
RESET FORM.DETAIL (VARIATION=ALL

RETRIEVE

RETRIEVE

TSO With ISPF	TSO Without ISPF	CMS With ISPF	CMS Without ISPF	CICS
X	X	X	X	X

The RETRIEVE command re-displays commands (or parts of commands) that were entered on the command line. RETRIEVE lets you modify commands without having to retype them.

RETRIEVE a previous command line entry



Description

- ? Retrieve the previous command line entry
- ?? Retrieve the second previous command line entry
- ??? Retrieve the third previous command line entry

?keyword

A command token that begins with one or more ? (question mark) characters. It is a request to retrieve any previous command line entry. The number of consecutive question marks corresponds to how far back into your session to go for retrieval, where each additional question mark represents one more historical entry.

Notes

- When two or more identical commands are executed consecutively, only one is re-displayed with the RETRIEVE command.
- Retrieved commands are re-displayed on the command line.
- Using RETRIEVE repeatedly displays commands in reverse order.
- When a function key was used to execute a command, only the text that was entered on the command line at that time is re-displayed. The function key must be pressed again to execute the command.
- Commands for which an error message appeared are retrieved automatically.
- The confirmation message that you receive after entering RETRIEVE indicates how far back the retrieved command was entered relative to the

command that was most recently entered. When the oldest command is retrieved, and the RETRIEVE command is entered again, the most recently entered command is again displayed.

- After the command is retrieved, you can press Enter to reissue the command. If the command is not complete, make sure to modify it before pressing Enter, or press a function key with a command compatible with the text. Characters in retrieved text are converted (or not converted) into uppercase according to the CASE parameter specified in your profile.
- When the RETRIEVE command is used with text already on the command line:
 - A ? or multiple ?? can be entered whether or not there is a space between the ? and the rest of the text. For example, ??SPLAY QUERY is accepted.
 - RET can be entered, but there must be at least one blank space between RET and the rest of the text. For example:
 - RET LAY QUERY is accepted.
 - RETPLAY QUERY is **not** accepted.

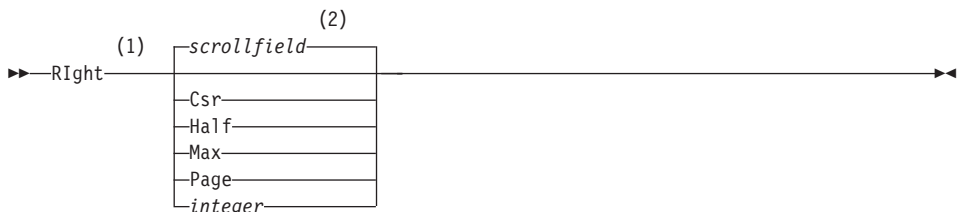
Examples

1. To retrieve commands from any object panel (except the LIST panel) or from the QMF Home panel, enter either:
 RETRIEVE or ?

RIGHT

TSO With ISPF	TSO Without ISPF	CMS With ISPF	CMS Without ISPF	CICS
X	X	X	X	X

The RIGHT command scrolls toward the right boundary of a QBE query or report panel.



Notes:

- 1 Specify scroll amounts only when there is a SCROLL field on the active panel. PAGE is assumed in all other situations.

RIGHT

- The value showing in the SCROLL field is used. This value is also maintained in the global variable DSQDC_SCROLL_AMT.

Description

CSR Scrolls toward the right, repositioning the column in which the cursor lies to the left edge of the panel. If the cursor is at the right edge of the panel, RIGHT CSR has the same effect as RIGHT PAGE.

HALF Scrolls toward the right half the width of the panel or to the right boundary if that is nearer.

MAX Scrolls to the right boundary of the panel.

PAGE Scrolls toward the right the width of the panel or to the right boundary if that is nearer.

integer

Scrolls toward the right this number of columns (a whole number ranging from 1 through 9999).

Notes

- MAX is in effect only for the current command. This value will not remain in the SCROLL field after the command completes. You cannot set the global variable DSQDC_SCROLL_AMT to this value.
- Use the RIGHT function key to scroll right in a report. To specify a scroll amount, type the number of columns you want to scroll on the command line and then press the RIGHT function key.

RUN

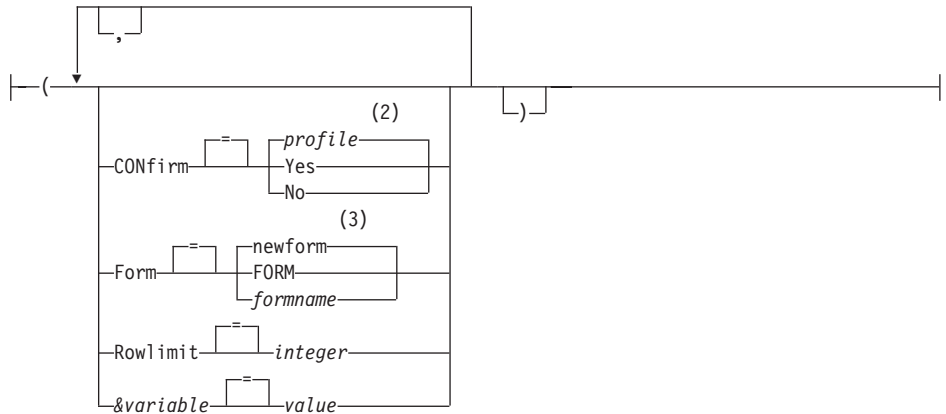
TSO With ISPF	TSO Without ISPF	CMS With ISPF	CMS Without ISPF	CICS
X	X	X	X	*

The RUN command runs queries or procedures from QMF temporary storage or from the database at the current location.

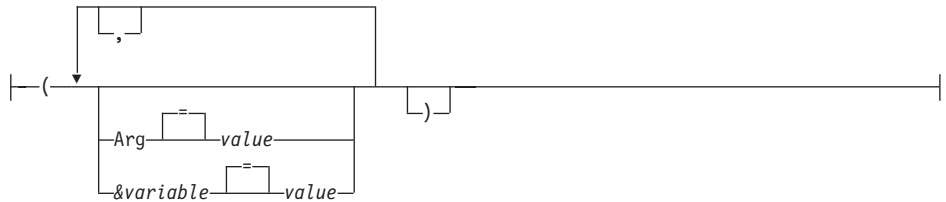
RUN a QMF QUERY or PROC from temporary storage



QUERY Options:



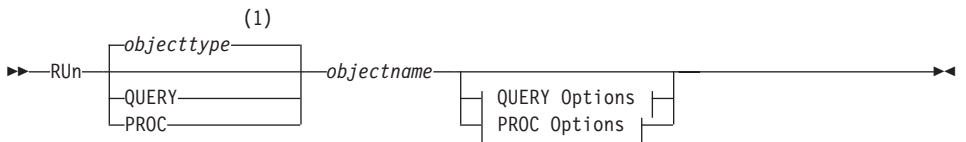
PROC Options:



Notes:

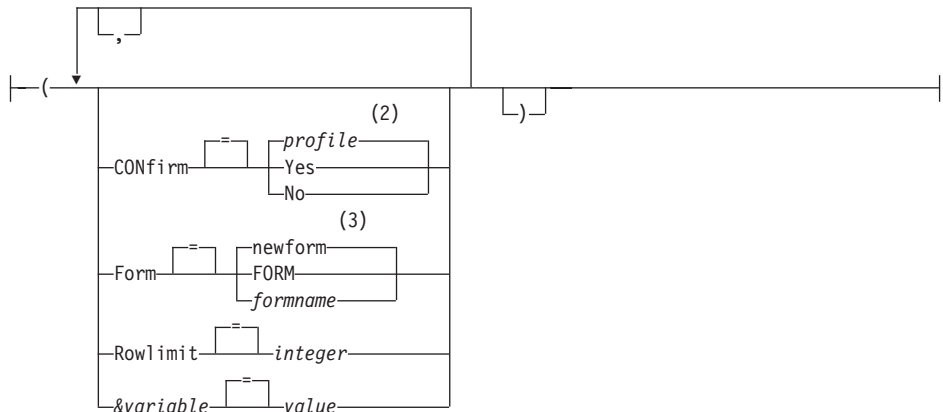
- 1 The name of the QMF object panel currently displayed, if appropriate, is used.
- 2 The value set in your profile is used.
- 3 A new form object is created based upon the selected data.

RUN a QMF QUERY or PROC from the database

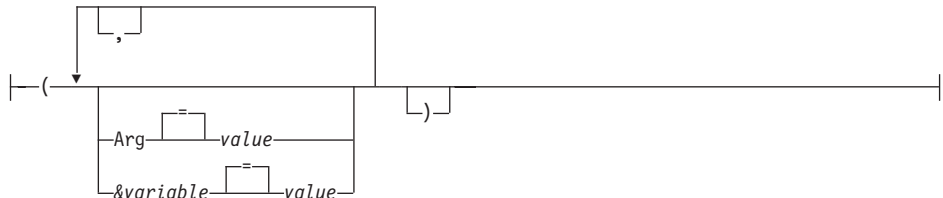


RUN

QUERY Options:



PROC Options:



Notes:

- 1 The type of the named object, if appropriate, is used. QMF type objects have priority over other types of database objects.
- 2 The value set in your profile is used.
- 3 A new form object is created based upon the selected data.

Description

objectname

The name of a QMF object in the database. An object owned by another user must be qualified with the owner's name.

&variable

Identifies a substitution variable for the RUN command. Variables can be assigned values up to 55 single-byte characters long with this option. Up to ten substitution variables can be specified in a single command.

The variable name must be prefaced with an ampersand. Use two ampersands if you issue the RUN command from within a linear procedure.

value The character string that makes up the content of the substitution variable.

A value that contains blank characters must be surrounded with delimiters. Valid delimiters for a substitution variable value are single quotes, double quotes, and parentheses. When the delimiters are quotation marks, the quotation marks are included as part of the value. When the delimiters are parentheses, the parentheses are not included as part of the value.

QUERY Options

CONFIRM

Indicates whether a confirmation panel is displayed when the query will:

- change an existing object in the database.
- exceed a cost estimate limit specified in the Resource Limit Facility (DB2 Predictive Governor).

FORM

Indicates which QMF FORM to use when formatting the selected data.

newform

If this option is omitted QMF creates a new form object, replacing the current form in temporary storage. The new form will match the data selected by the query. It will provide default formatting for the displayed report.

FORM

The QMF FORM currently in temporary storage is used. A FORM must be in temporary storage to use this choice.

The report can be displayed if the current FORM is appropriate for the selected data.

formname

The name of a QMF FORM in the database. A form owned by another user must be qualified with the owner's name.

Additional requirements are:

- The FORM must exist in the database at the current location.
- You must be authorized to use a form owned by another user.

RUN

The FORM specified becomes the current FORM in temporary storage. The report can be displayed if this FORM is appropriate for the selected data.

ROWLIMIT

Sets a limit for the number of data rows returned by a query. Use this option only when you want to restrict how many rows of data are available for the report, from 1 to 99999999 rows.

integer

An integer between 1 and 99999999.

PROC Options

ARG The argument string to pass to a QMF procedure with logic (REXX procedure). One argument up to 80 characters long can be passed with this option.

The argument string is received by the REXX procedure using the REXX command PARSE ARG or the REXX function ARG(1).

value The character string that makes up the content of the argument.

A value that contains blank characters must be surrounded with delimiters. Valid delimiters for an argument value are single quotes, parentheses, and double quotes. When the delimiters are double quotes, the double quotes are included as part of the value.

Notes

- QMF objects can be shared with other users by saving them in the database with the SHARE=YES option of the QMF SAVE command.
- QMF administrative authority does not extend to the RUN command. QMF objects saved in the database with the SHARE=NO option cannot be run directly by a QMF Administrator. However prior to the RUN command a QMF Administrator can use the DISPLAY command to bring any of these objects into temporary storage.
- Any variables used within a QMF query or procedure object must have their values provided before the RUN command will execute. A prompt panel will be displayed to gather values for any variables not already specified by either:
 - an &variable option as part of the command
 - a previously set global variable
- A QMF procedure that contains QMF commands in English can be run in any QMF session when the global variable DSQEC_NLFCMD_LANG is set to 1. However, if it was saved in any other QMF national language, it can be run only in a session of that same national language.

- When you use the RUN command, QMF updates the object's Last Used date. This date, which appears in the database object list, indicates when you last accessed or ran a particular QMF object. QMF updates this field once each day for each object, the first time it is used.
- QMF procedure or query object comments cannot be processed as variables. Do not use two consecutive dashes (--) in variable values. They will be treated as part of the command or query to be run, not as comments.
- QMF procedures with logic (REXX procedures) are not supported in a CICS environment.

Variable values for the RUN command

QMF assumes it is at the end of a value for a variable specified on the RUN command when it finds a blank, comma, left or right parenthesis, single quote, double quote, or an equal sign. If the value is enclosed in quotation marks, they are included in the value. If the value is enclosed in parentheses, the parentheses are not included in the value. To include parentheses in your final value, you must double them.

For example, in processing from the command line, if QMF notices a single or a double quotation mark, it tries to find a match for it. Strings that start with a quotation mark should end with a similar quotation mark. If QMF does not find another quotation mark to pair with the first one, it takes the rest of the command specification and includes it with the beginning quotation mark as part of the value.

To include characters like a blank, comma, right or left parentheses, single quote, double quote, or equal sign in your variable, you can enclose the *value* specification in parentheses. For example, this RUN command considers the value specification for the variable &X ended at the first command, and does not accept NAME as a RUN keyword:

```
RUN QUERY (&X=DEPT,NAME,SALARY
```

The same query can be specified on the command line and is properly processed by adding parentheses:

```
RUN QUERY (&X=(DEPT,NAME,SALARY)
```

When the RUN command within a procedure runs a query, the variable parameter can pass a value to a variable within the query. For example, suppose the query uses a variable named &DEPARTMENT. &&DEPARTMENT = 66 assigns the value 66 to the variable &DEPARTMENT in the query without making &DEPARTMENT a variable of the procedure. &&DEPARTMENT = &DEPT makes &DEPT a variable of the procedure, and assigns its value to &DEPARTMENT in the query. Values for variables can be

RUN

set on the SET GLOBAL command before executing the RUN command. However, a value specified on the RUN command overrides the same value set with SET GLOBAL.

If you do not set values for your variables before running your query or procedure, QMF displays a prompt panel so you can fill in the values. Be sure the value assigned to the variable is no longer than 55 single-byte characters (or the equivalent in double-byte characters).

You can specify values for up to 100 variables in a query or procedure. You can specify up to 10 variables on the RUN command; others must be set using SET GLOBAL. QMF first looks on the command for a value, then it looks for a global value. If the limit is exceeded, the command is rejected with an error message. Variable names that do not match parameters in your query are ignored.

If your linear procedure sets a variable using SET GLOBAL, that value is not available to commands in that same procedure. However, it would be available to queries and procedures called by that procedure.

If you omit the &variable parameter, and the object to be run is a query that uses variables, and no global variables are set for those variables, a prompt panel is displayed on which you can fill in variable values. Variables cannot be replaced by other variables on the RUN command.

System considerations

Any CMS, TSO, or CICS commands contained in the procedure specified in the RUN PROC command are executed on the system where QMF is executing. For example, if you have a procedure CALCS consisting of QMF and TSO commands stored at the DB2 subsystem in Dallas, you cannot run that procedure if QMF is executing on a VM system (TSO commands are not valid on VM).

Examples

1. To display a prompt panel for the QMF RUN command:
RUN ?
2. To run the query currently in QMF temporary storage and format the report with a form from the database (REPORT3) owned by another user (MARIA):
RUN QUERY (FORM=MARIA.REPORT3
3. To run your query from the database (SALESQ) and provide a value for the substitution variable YR:
RUN QUERY SALESQ (&YR=1999

If the same command were placed in a QMF linear procedure it would be written as:

```
RUN QUERY SALESQ ( &&YR=1999
```

- When you issue a RUN QUERY command, it runs a query stored at the current location (optionally using a form found at the current location). For example, if the query STATSCHK contains the following:

```
SELECT * FROM JOHNSON.STATUS
```

the command:

```
RUN QUERY STATSCHK (FORM=FORMCHK
```

retrieves the query, form, and data from the current location.

However, if the query is as follows:

```
SELECT * FROM BILLINGS.JOHNSON.STATUS
```

the command:

```
RUN QUERY STATSCHK (FORM=FORMCHK
```

retrieves the data from the BILLINGS location and the query and form from the current location.

SAVE

TSO With ISPF	TSO Without ISPF	CMS With ISPF	CMS Without ISPF	CICS
X	X	X	X	X

The SAVE command stores objects from QMF temporary storage into the database at the current location.

SAVE a QMF PROFILE in the database

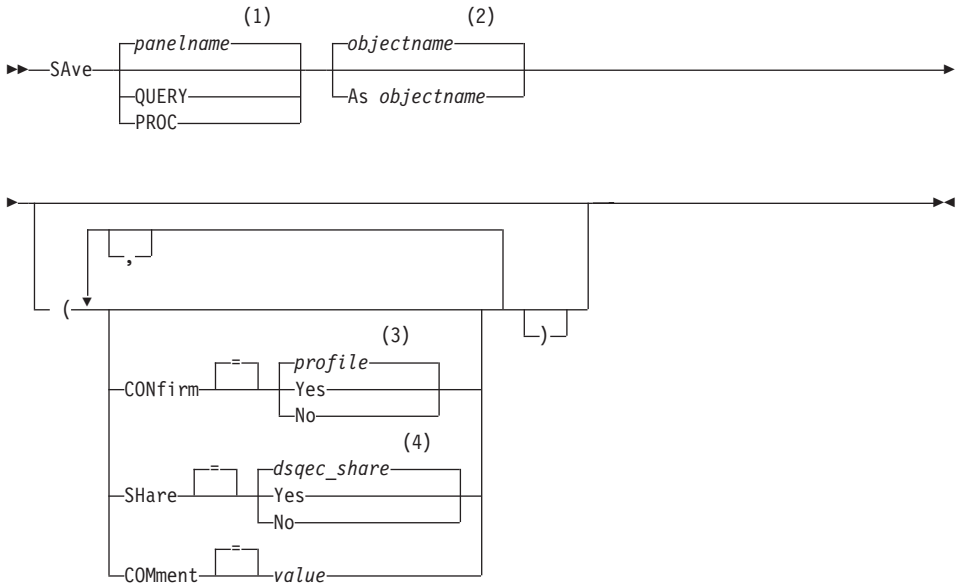


Notes:

- The name of the QMF object panel currently displayed, if appropriate, is used.

SAVE

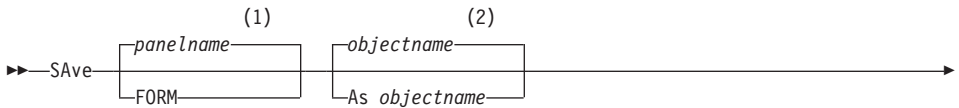
SAVE a QMF QUERY or PROC in the database

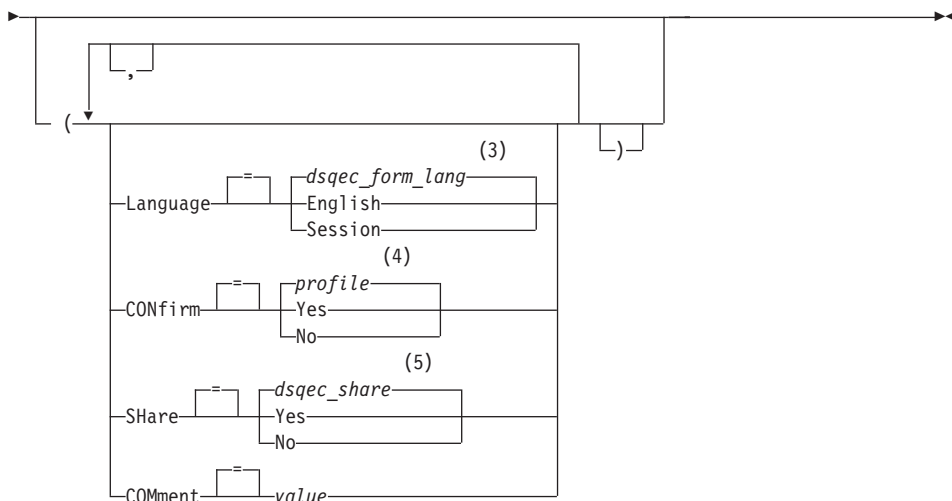


Notes:

- 1 The name of the QMF object panel currently displayed, if appropriate, is used.
- 2 The name of the object currently in QMF temporary storage, if any, is used.
- 3 The value set in your profile is used.
- 4 For an object being replaced the current value is left unchanged. Otherwise the value set in this global variable is used.

SAVE a QMF FORM in the database

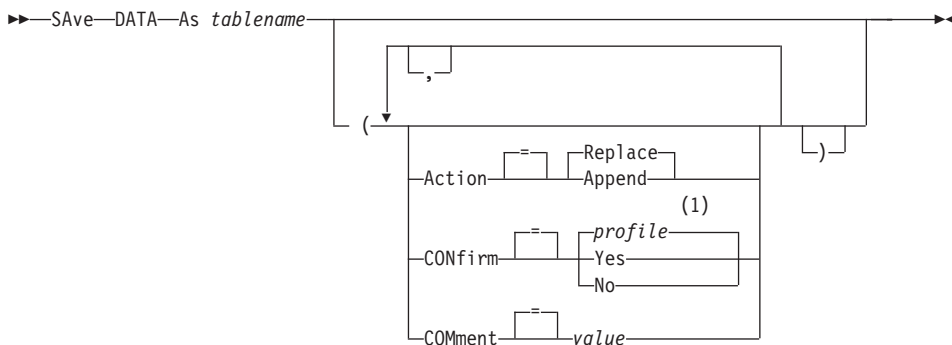




Notes:

- 1 The name of the QMF object panel currently displayed, if appropriate, is used.
- 2 The name of the object currently in QMF temporary storage, if any, is used.
- 3 The value set in this global variable is used.
- 4 The value set in your profile is used.
- 5 For an object being replaced the current value is left unchanged. Otherwise the value set in this global variable is used.

SAVE QMF DATA in the database



SAVE

Notes:

- 1 The value set in your profile is used.

Description

objectname

The name for the QMF object in the database.

tablename

The name for the table in the database.

For an existing database object this can be the name of a TABLE, VIEW, SYNONYM, or ALIAS.

ACTION

Indicates whether to replace the entire database table with the saved data or to append the saved data to the existing table.

LANGUAGE

Indicates whether QMF keywords contained within the saved form are recorded in English or in the current NLF session language.

A QMF form containing QMF keywords in English can be used in any QMF session. A QMF form containing QMF keywords in any other QMF national language can be used only in a session of that same QMF national language.

CONFIRM

Indicates whether a confirmation panel is displayed when this command will replace an existing object in the database.

SHARE

Determines whether other QMF users can access the saved object.

COMMENT

Stores a comment with the saved object. Comments up to 78 single-byte characters long can be recorded with this option.

value The character string that makes up the content of the comment.

A value that contains blank characters must be surrounded with delimiters. Valid delimiters for a comment value are single quotes, parentheses, and double quotes. When the delimiters are double quotes, the double quotes are included as part of the comment.

Notes

- A QMF Administrator can save a QMF object for another user.
- When you save an object that already exists with the same name you specify, QMF replaces the object, subject to these conditions:

- A query can replace only a query.
- A procedure can replace only a procedure.
- A form can replace only a form.
- Data can only replace a similar table object.

A similar table is one with the same number of columns, and corresponding columns each having the same data type and length. Column names and labels do not have to match.

- When you save into an existing table, the column names and labels remain unchanged. If the table does not exist, a new table is created using the column names and labels recorded within the QMF data object.
- Objects can be saved to a remote location. Use the QMF CONNECT command to make the remote location your current location first, followed by the SAVE command.

If your current location is a DB2 for OS/390 server, you can save to an existing table at a remote location by specifying a three-part name for the table. You cannot save a new table nor any QMF objects this way.

- You cannot replace a comment on a table you don't own or on a remote table using a three-part name.

Examples

1. To display a prompt panel for saving a form:


```
SAVE FORM ?
```
2. To include a comment with a saved query:


```
SAVE QUERY MISSING (COMMENT=(WHAT I CAN'T LOCATE))
```
3. To save a query in QMF temporary storage into the database at the current location:


```
SAVE QUERY AS HAZEL.QUERY3
```
4. To save a QMF object to a remote database server (MADRID), first connect to that location:


```
CONNECT TO MADRID
```

then save the object:

```
SAVE FORM AS FORMAT2
```
5. If your current location is DB2 for OS/390, and you want to save your data to an existing table (HAZEL.STATUS) at a remote database location (BILLINGS):


```
SAVE DATA AS BILLINGS.HAZEL.STATUS
```
6. QMF Administrator (QMFADM) saving a procedure for another user (HAZEL):


```
SAVE PROC HAZEL.MONTHLY (COMMENT=(MONTHLY PROCESS))
```

SEARCH

SEARCH

TSO With ISPF	TSO Without ISPF	CMS With ISPF	CMS Without ISPF	CICS
X	X	X	X	X

In the Table Editor, the SEARCH command locates specified information in a database table.

SEARCH for information using the Table Editor

►—SEARCH—◄

Notes

1. When searching for data with a specific ending, be aware of the data type of the column you are searching. If the column has a fixed width and the data in the column varies in width, use a trailing percent sign to represent any blanks that might follow your search criteria. If the column you are searching has a data type of VARCHAR, there are no trailing blanks.
2. When you are in SEARCH mode, enter your search criteria and press the SEARCH function key to retrieve rows whose columns match your search criteria.
3. To search for data when you know only part of a value, use either or both of the following symbols in your search criteria as wildcards for locating patterns;

% (percent)

Represents a position in the string containing any number and combination of characters, including no characters at all.

_ (underscore)

Represents a position in the string that must contain exactly any one single character.

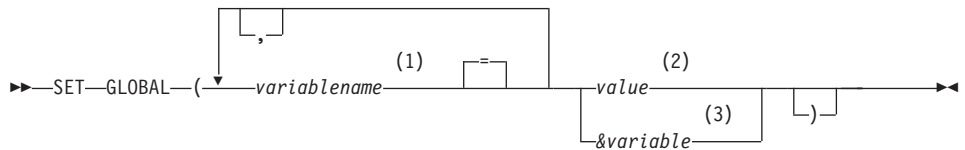
4. You can use both % and _ in the same value. Each can be used multiple times. For example, using a pattern of _OS% as your search criteria might find a match with the column values of ROSS, DOS or BOSLEY.

SET GLOBAL

TSO With ISPF	TSO Without ISPF	CMS With ISPF	CMS Without ISPF	CICS
X	X	X	X	X

The SET GLOBAL command assigns values to global variables from the QMF command line, from a procedure, or through the callable interface. You can define up to ten substitution variables from the QMF command line or in a procedure. In the callable interface, the number of variables is limited only by your environment, and the exact syntax of the command depends on the language used.

Linear syntax used with REXX only



Notes:

- 1 Identifies the global variable to which a value is assigned.
- 2 The character string that makes up the content of the global variable. A value that contains blank characters must be surrounded with delimiters. Valid delimiters for a global variable value are single quotes, parentheses, and double quotes. When the delimiters are double quotes, the double quotes are included as part of the global variable.
- 3 A global variable name which contains the content of the global variable.

Description

variablename

Identifies the global variable to which a value is assigned.

value The character string that makes up the content of the global variable.

A value that contains blank characters must be surrounded with delimiters. Valid delimiters for a global variable value are single quotes, parentheses, and double quotes. When the delimiters are double quotes, the double quotes are included as part of the global variable.

Notes

- Global variables can be used in queries, procedures, and forms. Preface a variable with one or more ampersands (&) when you use it in a QMF object.
- A global variable name can contain a numeric character, but the first character of a global variable name cannot be numeric.
- The first character of a global variable name must be an alphabetic character (A through Z) or one of these special characters:

SET GLOBAL

¢ ! \$ ~ { } ?
@ # % \

- A global variable name cannot contain blanks or any of the following characters:
· , ; : < > () | + - * /
= & - ' "
- Variable names are limited to 17 single-byte characters (or the equivalent in double-byte characters). Character constants do not need to be enclosed in single quotes.
- In REXX, values for global variables are limited to 55 characters.
- On the SET GLOBAL command, variable names are not preceded with an ampersand like they are on the RUN and CONVERT commands.
- Global variable names with question marks are not recognized by the QMF form.
- Global variables set to form variable names or aggregation variable names are not recognized by the QMF form.
- Global variable names cannot begin with DSQ, because QMF reserves these letters for QMF predefined global variables.
- Trailing blanks are not recognized in global variable names.
- If a variable is a character string that is a name (such as the name of a column, a table, or an operator):
 - Double all embedded quotation marks.
 - Enclose the complete string in a set of single quotation marks. (These quotation marks are not considered part of the value.)

For example, if the SELECT statement is:

```
SELECT DEPT, &COL FROM &TABLE
```

The SET GLOBAL command is:

```
SET GLOBAL (COL='NAME', TABLE='Q.STAFF'
```

- If the variable is a character string that is to be used as a value contained within a column (unique to the WHERE clause in an SQL statement) you can use either of two methods to specify a string.

Method 1 (quotes)

1. Start with the original string.
2. Double all quotation marks (if any).
3. Enclose the string in two sets of single quotation marks.
4. Double all the embedded quotes (all but the outermost ones).

Method 2 (parentheses)

1. Start with the original string.
2. Enclose the string in one set of parentheses.

For example, if the SELECT statement is:

```
SELECT DEPT FROM &TABLE WHERE NAME=&ABC
```

The Method 1 SET GLOBAL command is (substituting JAMES for variable ABC):

```
SET GLOBAL (ABC='''JAMES''', TABLE='Q.STAFF'
```

The Method 2 example for the same SELECT statement is (substituting O'BRIEN for variable ABC):

```
SET GLOBAL (ABC=(O'BRIEN), TABLE='Q.STAFF'
```

- If the variable contains a blank, comma, single quote, double quote, or an equal sign, the entire value must be enclosed in a set of parentheses. However, if the value includes an unmatched set of left or right parentheses or begins or ends with a left or right parenthesis respectively, you must use quotes instead.

For example, if the SELECT statement is:

```
SELECT &COLS FROM Q.STAFF
```

The SET GLOBAL command is:

```
SET GLOBAL (COLS=(NAME, JOB, SALARY)
```

- At least one variable must be specified.
- If a quotation mark is required within a variable value, use two single quotation marks.
- Do not use a query comment as variable value. A query comment is preceded by two dashes (--), which the database interprets as minus signs.
- When you are setting many variables, it's easier to keep track of them if you use a procedure.
- If the variable is a numeric string, you do not need to use quotation marks.
- If the variable name is not found in the QMF product global variable pool, a new variable is created.
- If variable name is found, the new value replaces the old value.

Examples

1. To display a prompt panel where you can fill in the variables and values you want to set, issue:


```
SET GLOBAL ?
```
2. To assign a value of 38 to the variable DEPT and a value of 'SALES' to the variable JOB:


```
SET GLOBAL (DEPT = 38, JOB = '''SALES''')
```
3. To assign the value of 'O'BRIEN' to the variable NAME using Method 1 above:


```
SET GLOBAL (NAME ='''O''''BRIEN''')
```

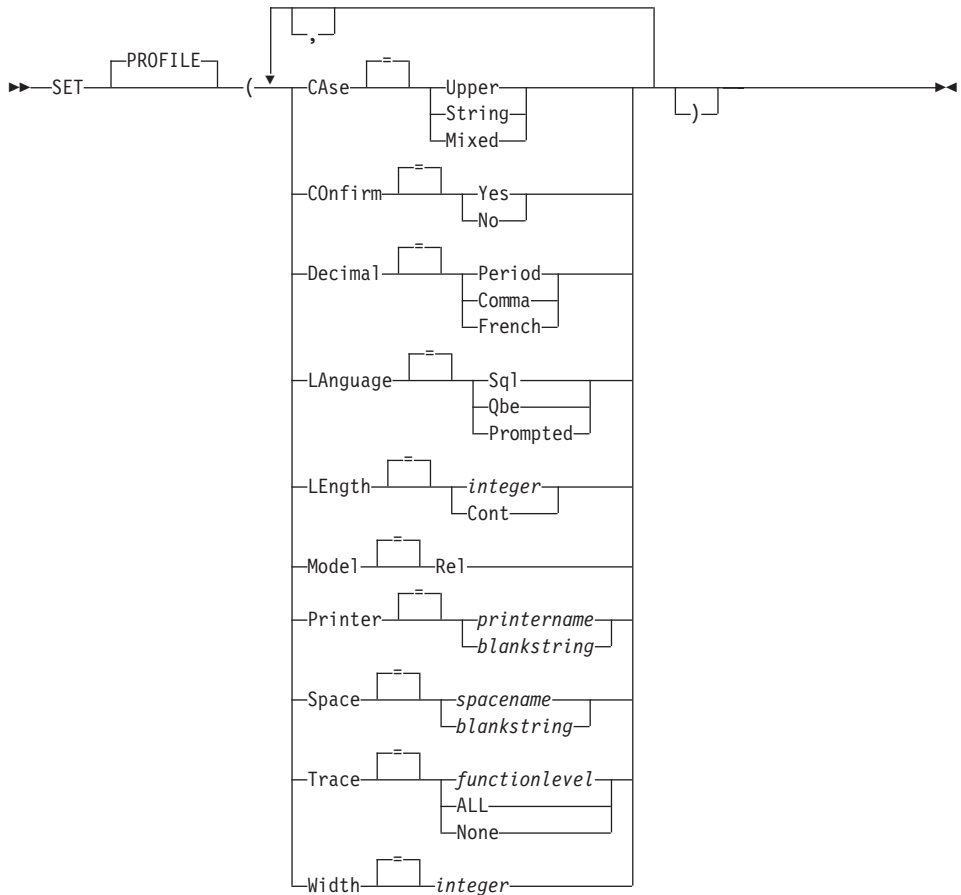
SET PROFILE

SET PROFILE

TSO With ISPF	TSO Without ISPF	CMS With ISPF	CMS Without ISPF	CICS
X	X	X	X	X

The SET PROFILE command changes values in your QMF profile. These values influence the behavior of your QMF session.

Change the QMF profile in temporary storage



Description

CASE Specifies whether commands and input entered into objects are converted to uppercase.

UPPER

Convert all input to uppercase.

STRING

Convert input to uppercase, except for:

- Characters enclosed in single or double quotation marks
- Comments in SQL or QBE queries and procedures
- Column headings, page headings and footings, break headings, or detail headings
- Data entered in the Table Editor
- All text in procedures with logic (REXX)

MIXED

Does not convert input to uppercase. Input is used just as it is typed. When this value is used, all operators in QBE queries, all reserved words, and all QMF commands must be entered in uppercase. Column names in QBE queries must be entered in uppercase unless they are written using lowercase in the database.

CONFIRM

Specifies the default action for confirmation prompting with QMF commands that support the CONFIRM option. This default applies when the commands do not specify the CONFIRM option.

Confirmation prompting provides an opportunity to cancel an irrevocable command action before it takes place. Irrevocable command actions include changing, replacing or purging an object, such as a file, a data set, or something in the database.

YES Confirmation prompting is enabled as the default for your QMF session.

NO Confirmation prompting is disabled as the default for your QMF session.

DECIMAL

Specifies how to punctuate decimal numbers in a report. This option controls the formatting characteristics of the decimal point and the thousands separators for numeric values formatted with the decimal edit codes.

PERIOD

Use a period (.) for the decimal point and comma (,) for the thousands separators.

COMMA

Use a comma (,) for the decimal point and period (.) for the thousands separators.

SET PROFILE

FRENCH

Use a comma (,) for the decimal point and space () for the thousands separators.

LANGUAGE

Specifies the default query language for the query panel.

SQL Structured Query Language

QBE Query By Example

PROMPTED

Prompted Query

LENGTH

Specifies the default length of a printed page. The unit of length is one line.

integer

Specifies the maximum number of lines between page breaks. The number must be an integer from 1 to 999.

CONT

Specifies continuous printing, without page breaks.

MODEL

Specifies the data model used for queries.

REL Relational data model.

PRINTER

Specifies the default output destination of the QMF PRINT command.

printername

Specifies a printer destination. This must be the nickname of a GDDM printer.

blankstring

Specifies a file destination. This value must be indicated by a string of 0 to 8 blanks enclosed in single quotes (' ').

The physical destination for the print output is determined by your QMF environment and tailoring by your QMF administrator:

In TSO or CMS, to the dataset, file or device allocated to the QMF file DSQPRINT.

In CICS, a CICS queue specified by the QUEUENAME option of the PRINT command or its default.

SPACE

Specifies the default storage space in the database to place tables created with the SAVE DATA command.

spacename

The name of a valid storage structure for the current database location. This could be a dbspace name, a database name, a tablespace name or a combination of database and tablespace name.

blankstring

Specifies the storage structure default will be determined by the database at the current location. This value must be indicated by a string of 0 to 50 blanks enclosed in single quotes (' ').

TRACE

Turns the QMF Trace Facility on or off.

functionlevel

Enable trace activity for individual functions and levels.

Specify functionlevel as a list of alternating letters (function codes) and numbers (trace levels) that tell what functions are to be traced and at what levels. Codes and levels are:

A Applications	0 No tracing
C Common Services	1 Trace entry and exit points, and input/output parameters
D Driver Modules	2 Trace internal data as well as level-1 data
E Front End Processor	
F Formatter	
G Graphic Translator	
I Database Interface	
L Messages and Commands	
P Graphics Plotter	
R Radix Partition Tree	
U User Exits	

ALL Enable trace activity for all functions and all levels.

NONE

Disable trace activity.

For more information on TRACE, refer to the *Installing and Managing QMF* for you environment.

WIDTH

Specifies the default width of a printed page. The unit of width is one single-byte character.

integer

Specifies the maximum number of characters to be printed on any line. The number must be an integer from 22 to 999.

Lines wider than the value specified are cut off on the right, unless the object you are printing is a report. In that case,

SET PROFILE

lines longer than the value specified are formatted on a subsequent page, unless you specified line wrapping on the FORM.OPTIONS panel.

Notes

- The changes in effect as a result of the SET PROFILE command remain in effect for the current QMF session. To save these changes in your profile, use the SAVE PROFILE command after you enter SET PROFILE.
- To change values in the QMF profile without using the SET PROFILE command, enter SHOW PROFILE and change any options on the profile panel.
- A trace function level specification of L traces either of the following:
 - messages (L1)
 - messages and QMF commands (L2)

Trace level L can help you find errors in batch-mode procedures.

Examples

Samples of the different notations created by the DECIMAL option when formatting the value 7654321 with two decimal places:

PERIOD	7,654,321.00
COMMA	7.654.321,00
FRENCH	7 654 321,00

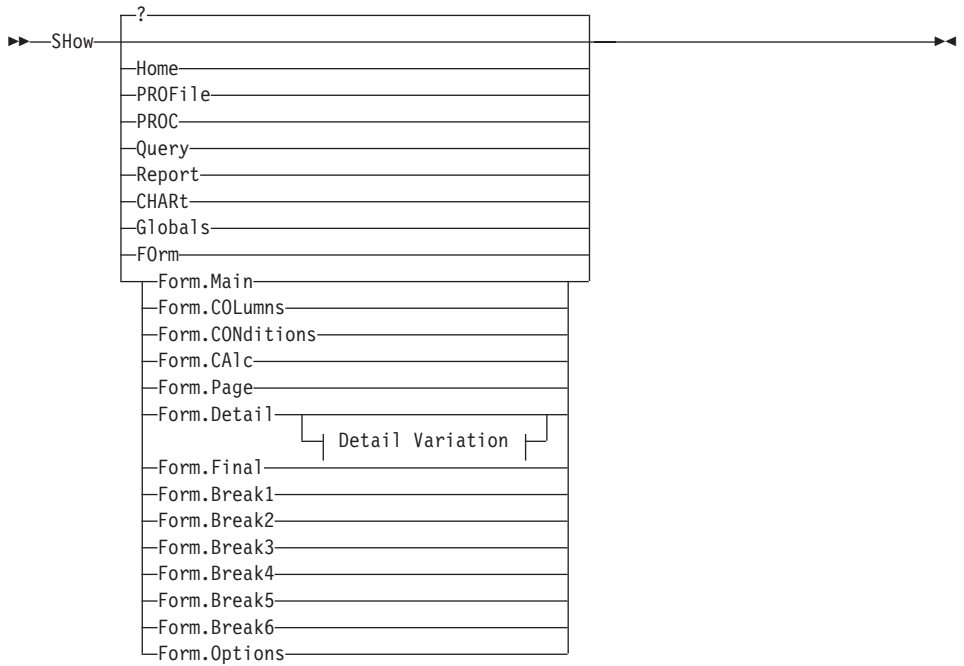
SHOW

TSO With ISPF	TSO Without ISPF	CMS With ISPF	CMS Without ISPF	CICS
X	X	X	X	X

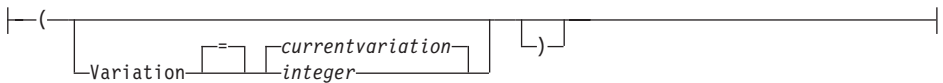
The SHOW command is used to:

- Navigate among object panels.
- Show a list of global variables.
- Show fields that are too long to fit on the panel.
- Show the SQL translation of a relational prompted query.
- Show a command panel from the database object list that lets you specify any QMF command or synonym.
- Show a variation of a FORM.DETAIL panel.

SHOW an object panel



Detail Variation:



SHOW more for fields on certain panels



SHOW the SQL equivalent for a Prompted Query



SHOW Table Editor's Change panel



SHOW

SHOW Table Editor's Search panel

►—SHOW—SEarch—►

SHOW a command entry panel

►—SHOW—COmmand—►
(1)

Notes:

- 1 Valid only from a database object list panel with an action column.

Description

HOME
PROFILE
PROC
QUERY
REPORT
CHART
GLOBALS
FORM.MAIN
FORM.COLUMNS
FORM.CONDITIONS
FORM.CALC
FORM.PAGE
FORM.DETAIL
FORM.FINAL
FORM.BREAK1
FORM.BREAK2
FORM.BREAK3
FORM.BREAK4
FORM.BREAK5
FORM.BREAK6
FORM.OPTIONS

The specified object panel is shown as the current panel.

FORM

The current form object panel is shown as the current panel. This could be any one of the various form parts that was previously shown or displayed.

FIELD

Show additional information for a field on a base panel. This command option is used only with function keys from panels in the following situations:

- To show the characteristics of a column or to enlarge the input area for a long character field when using the Table editor.
- To enlarge the input area when providing comparison values in Prompted Query.
- To enlarge the input area when changing or viewing a global variable value on the global variable list panel.

SQL

Show the SQL statement equivalent of a prompted query. The SQL statement can be viewed but not modified.

CHANGE**SEARCH**

Show the specified Table Editor panel during a change mode edit session. This is used alternately to toggle between the two panels.

This command option is available only by function keys provided with the Table Editor.

COMMAND

Show a QMF command entry panel when using the database object list panel. A QMF command or command synonym can be independently executed without first leaving the object list.

This command option is available only by a function key provided with the Database Object list.

Detail Variation**VARIATION**

Specifies a detail variation to show.

If this option is omitted the current detail variation is shown.

This option does not appear in the SHOW command prompt panel because the number is typed directly on the FORM.DETAIL panel.

integer

The number for a detail variation. The number must be an integer from 1 to 99.

If the specified detail variation has not been created yet the number is reduced to the next sequential number following all existing detail variations.

Notes

- The SHOW command is similar to the DISPLAY command.
 - The SHOW command shows object panels, global variables, and certain parts of panels in QMF temporary storage.

SHOW

- The DISPLAY command displays objects from the database or objects currently in QMF temporary storage.
 - A simple way to create a new FORM.DETAIL variation is to show detail variation number 99.
 - SHOW REPORT and SHOW CHART can fail if the form is incompatible with the data, or if the form contains errors. QMF displays the form panel on which the first error occurs, highlighting the entry area containing the error. To see any remaining errors, correct the first error displayed and press Enter.
1. To display a prompt panel for the QMF SHOW command:
SHOW
or
SHOW ?
 2. To directly navigate to the QMF Home panel:
SHOW HOME
 3. To show variation 2 of FORM.DETAIL:
SHOW FORM.DETAIL (VARIATION=2
 4. To show a new variation of FORM.DETAIL:
SHOW FORM.DETAIL (VARIATION=99

SORT

TSO With ISPF	TSO Without ISPF	CMS With ISPF	CMS Without ISPF	CICS
X	X	X	X	X

The SORT command sorts items in a database object list. You can issue this command only by pressing the Sort function key. When you request sort, a panel is displayed that lets you select the order of the names.

You can set the global sort variable to specify the default sort order.

▶▶—Sort—▶▶

SPECIFY

TSO With ISPF	TSO Without ISPF	CMS With ISPF	CMS Without ISPF	CICS
X	X	X	X	X

The SPECIFY command can be used in Prompted Query, and on FORM.COLUMNS.

SPECIFY with FORM.COLUMNS



SPECIFY with Prompted Query



Description

On the FORM.COLUMNS panel, SPECIFY displays a panel from which you can provide additional information about columns in the form or define new columns in the form:

ALIGNMENT

Displays the column number, column heading, heading alignment, and data alignment values. Only the heading and data alignment values can be modified.

DEFINITION

Displays the column number, column heading, and the definition for the column (if any). Only the definition value can be modified.

In Prompted Query, the SPECIFY command displays a list from which you can specify the panel you want to see.

COLUMNS

Name your columns.

DUPLICATES

Specify whether or not duplicate entries are to be shown.

ROWS

Fill in the rows.

SORT Sort the rows.

TABLES

Name the tables to be used.

SPECIFY

Notes

- To define a column, issue SPECIFY with the cursor on the column information line.
 - For column alignment, the cursor position (when issuing the SPECIFY command) determines which column appears in the alignment panel.
 - For column definition, the cursor position (when issuing the SPECIFY command) determines which column appears in the definition panel.
- If the cursor is not on the column information line, a panel is displayed beginning with the first column.
- On a FORM.COLUMNS panel with column definition, you can do the following:
 - Define a column based on other columns.
 - Group results based on ranges of values.
 - Define user functions against individual data values.
 - Display partial columns.
 - Set control breaks for partial columns.
 - Apply multiple usages to a single column.
- SPECIFY alone displays a list of items from which to select.
- SPECIFY with an object displays the specified panel.

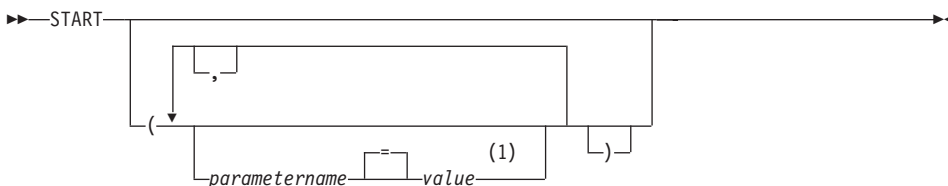
START

TSO With ISPF	TSO Without ISPF	CMS With ISPF	CMS Without ISPF	CICS
X	X	X	X	X

The START command begins a new QMF session. The syntax of the command depends on the language you are using. The linear syntax, which is used by REXX, is shown here.

Languages other than REXX (C, COBOL, FORTRAN, PL/I, or assembler language) use the extended syntax of the START command. See Developing QMF Applications for details.

Starting A QMF session from REXX

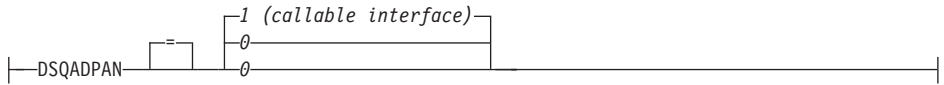


Notes:

- 1 For any parameter the value NULL may be specified to explicitly indicate the default.

QMF Program Parameters

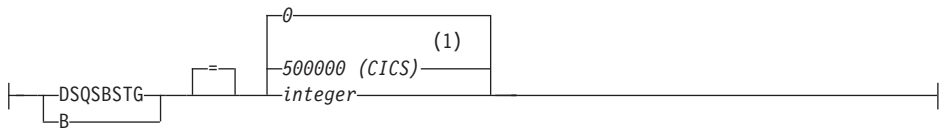
Auto Report Display:



Presiding Language:



Report Storage Limit:



Parameters Exec:



DBCS support:



Initial Database Location:



START

Trace data storage name (CICS):

DSQSDBQN DSQD (1)
queue name

Trace data storage type (CICS):

DSQSDBQT TD (1)
TS

Initial trace:

DSQSDEBUG NONE
T ALL

DCSS name (CMS):

DSQSDCSS QMFvrmI
QMF710EE
dcss name

Rows fetched before display:

DSQSIROW 100
F *integer*

Mode of operation:

DSQSMODE B
M I
INTERACTIVE
BATCH

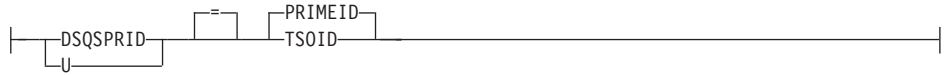
Use the spill file:

DSQSPILL YES (1)
L NO (CICS)
NO

QMF application plan name (TSO):



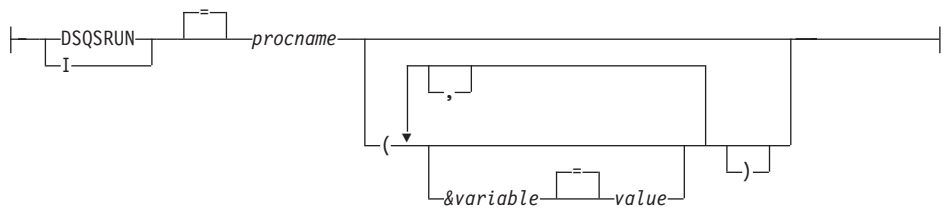
QMF profile key (TSO):



Reserved storage amount (CMS, TSO):



Initial QMF procedure:



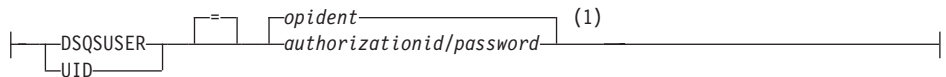
Spill data storage name (CICS):



DB2 subsystem id (TSO):



SQL authorization id (CICS/VSE):



START

Notes:

- 1 Shown for completeness. QMF does not support REXX in a CICS environment.

Description

opident

The 1-3 character operator identification code defined in the CICS signon table (SNT). The default is blank.

QMFvrm

The format for distinguishing the level of QMF, where "vrm" represents the combination of version, release and mod identifiers.

QMFvrml

The format for distinguishing the level of a QMF NLF, where "vrml" represents the combination of version, release, mod and language identifiers.

DSQStermid

The default name for the spill data in a CICS environment, where "termid" represents the 4 character CICS terminal id.

STATE

TSO With ISPF	TSO Without ISPF	CMS With ISPF	CMS Without ISPF	CICS
X		X		

The STATE command saves the values of selected QMF "state" variables in the QMF global variable pool. STATE is an application support command and can be run only through the QMF command interface.

▶—STATE—◀

Notes

Use STATE from an application, an EXEC, or a CLIST.

When the STATE command is issued, new variables are set to the database location associated with the current object.

See Appendix B, "QMF Global Variable Tables" on page 333 for more information.

SWITCH

TSO With ISPF	TSO Without ISPF	CMS With ISPF	CMS Without ISPF	CICS
X	X	X	X	X

Use the SWITCH command to display or remove comments in a database object list and in tables in Prompted Query.

▶▶—Switch—Comments—▶▶

Notes

When the SWITCH command is issued:

- If comments are displayed on the panel, they are removed.
- If no comments are displayed on the panel, the current list panel is displayed again *with* a Comments column. The comments for each object (or blank) are shown on the panel. They are truncated to fit on the screen.

The function key that performs the Switch Comment command is labeled Comments.

TOP

TSO With ISPF	TSO Without ISPF	CMS With ISPF	CMS Without ISPF	CICS
X	X	X	X	X

The TOP command scrolls to the beginning of queries, procedures, reports, global variable lists, and scrollable form panels.

▶▶—Top—▶▶

Notes

- TOP is equivalent to BACKWARD MAX.
- To scroll to the top of footing text on form panels, position the cursor on the portion of the panel where the footing text is located and enter the TOP command.

TSO

TSO

TSO With ISPF	TSO Without ISPF	CMS With ISPF	CMS Without ISPF	CICS
X	X			

The TSO command lets you issue a command in the TSO/E environment without terminating your use of QMF.

Issuing a TSO command



Description

EXEC or EX

Indicates that the value for `commandstring` is the dataset name of a CLIST or REXX exec rather than a TSO/E command.

`commandstring`

A character string that constitutes a valid command or exec in the TSO/E environment.

Notes

- Everything after TSO is sent to TSO/E and interpreted there.
 - If execution is successful, you return to the same panel in QMF from which you entered the TSO command.
 - If execution is not successful, you receive the same error message from TSO/E as you would if you were not going through QMF.

Examples

1. To send userid PEGGY5 a message with the TSO/E SEND command:
TSO SEND 'I RECEIVED YOUR PROC2. THANK YOU.' USER(PEGGY5)
2. To run the REXX exec SAMPLE in dataset KELLY1.EXEC:
TSO EXEC 'KELLY1.EXEC(SAMPLE)'

Chapter 2. SQL Keywords and Functions Used in QMF Queries

Selected SQL keywords that are used in QMF queries are described here. SQL functions are described beginning at “SQL scalar functions” on page 210. Some words are keywords in database management systems. In many cases they cannot be used as the name of a table, view, column, or index in a query, unless they are enclosed in double quotation marks. This is not a complete list of SQL keywords that are available. For more information, see your SQL reference for a list of reserved words in your database manager.

ADD

You can add columns to a table only if you created the table or are specifically authorized to do so. The following example adds one column to the description of table PERS:

```
ALTER TABLE PERS
ADD PHONENO SMALLINT
```

The new column is initially filled with null values. Use the UPDATE statement to provide actual values for the new column.

In DB2, you can define a column as NOT NULL WITH DEFAULT, but you cannot define an added column to be NOT NULL.

NOT NULL WITH DEFAULT is invalid in SQL/DS.

ALL

A subquery generally returns only one value. However, it is possible for a query to return a set of values.

To permit a query to return a set of values, rather than an individual value, use the ALL keyword with the following comparison operators:

= \neq > \geq < \leq

With ALL, each value in the returned set must be satisfied.

The symbol \neq is an alternative symbol for < > (not equal to). It is an American National Standards Institute (ANSI) SQL operator. If you are using remote data access, the preferred symbol is < >.

ALL

The following query produces a report that lists the department with the highest average salary. Use of the ALL keyword specifies that the department selected by the main SELECT statement must have an average salary equal to or greater than all average salaries of other departments.

```
SELECT DEPT, AVG(SALARY) FROM Q.STAFF
GROUP BY DEPT
HAVING AVG(SALARY) >= ALL
      (SELECT AVG(SALARY) FROM Q.STAFF
       GROUP BY DEPT)
```

Operators other than the equal sign (=) can be used with the ALL keyword. If any of the results produced by the subquery are NULL, the result of the condition with ALL is unknown.

ALTER TABLE

You can alter a table only if you created the table or are specifically authorized to do so. The ALTER TABLE statement specifies which existing table to change. For example, following ALTER TABLE, you can use the ADD statement to add a new column on the right side of a table. (See “ADD” on page 163.)

AND

You can select rows based on multiple conditions connected by AND or OR. Two conditions connected by AND select only rows that satisfy both conditions. For example:

This query:

```
SELECT ID, NAME, YEARS, SALARY
FROM Q.STAFF
WHERE YEARS = 10 AND SALARY > 20000
```

Produces this report:

ID	NAME	YEARS	SALARY
50	HANES	10	20659.80
210	LU	10	20010.00

Compare the results using AND with “OR” on page 190.

Parentheses

If you use both AND and OR, use parentheses to specify the order that AND and OR conditions are evaluated. Compare the following examples:

With parentheses:

```
WHERE (JOB='SALES' AND COMM > 1200) OR YEARS > 10
```

Selects employees that satisfy at least one of these conditions:

- Their job is sales and their commission is more than \$1,200
- *OR*, they have more than 10 years of service.

Result: 90, 260, 310, 340.

With the parentheses moved:

WHERE JOB='SALES' AND (COMM > 1200 OR YEARS > 10)

Selects employees that satisfy both these conditions:

- Their job is sales
- *AND*, either their commission is more than \$1,200 or they have more than 10 years of service.

Result: 90, 310, 340.

You can use more than one level of parentheses. The condition is evaluated from the innermost level of nested parentheses outward, as in algebraic expressions.

If you do not use parentheses, all conditions connected by *AND* are evaluated and connected first, and then conditions connected by *OR*. That is, if A, B, and C are conditions, these two phrases produce the same results.

A AND B OR C means (A AND B) OR C

ANY

A subquery generally returns only one value. However, it is possible for a query to return a set of values. To permit a query to return a set of values, rather than an individual value, the *ANY* keyword can be used with the comparison operators:

= \neq > >= < <=

With *ANY*, at least one value in the set returned must be satisfied.

IN can be used in a subquery in place of = *ANY*, and *SOME* is a synonym for *ANY*.

The symbol \neq is an alternative symbol for < > (not equal to). It is an ANSI SQL operator. If you are using remote data access, the preferred symbol is < >.

ANY

The following query produces a list of employees who work in the Eastern division. First, the subquery finds the department numbers in the Eastern division. Then, the main query finds the employees who work in any of these departments.

This query:

```
SELECT NAME, ID
FROM Q.STAFF
WHERE DEPT = ANY
      (SELECT DEPTNUMB FROM Q.ORG WHERE DIVISION='EASTERN')
```

Produces a list of names and IDs of employees who work in the Eastern division.

The keyword ANY was used in this query because there are multiple departments in the Eastern division. If ALL is used instead of ANY, the result is an empty set. No employee works in all the departments of the Eastern division.

AS

You can use an AS clause in a SELECT statement to name or rename a result column in a query. The name must not be qualified and does not have to be unique.

For example:

```
SELECT NAME, SALARY*0.05 AS "RAISE"
FROM Q.STAFF
```

If the AS clause is not specified and the result column is derived from a column name, the result column name is the unqualified name of that column.

AVG

AVG is a column function. The following example includes more than one column function in the SELECT statement. For Department 10, it calculates and displays the sum of employee salaries, the minimum, average, and maximum salary, and the number of employees (COUNT) in the department.

This query:

```
SELECT SUM(SALARY), MIN(SALARY), AVG(SALARY),
      MAX(SALARY), COUNT(*)
FROM Q.STAFF
WHERE DEPT = 10
```

Produces this report:

SUM(SALARY)	MIN(SALARY)	AVG(SALARY)	MAX(SALARY)	COUNT(EXPRESSION)
83463.45	19260.25	20865.8625000000	22959.20	4

Write a column function like this:

`AVG(expression)`

The parentheses are required. *expression* is most often a column name, but can also be:

- An arithmetic expression containing at least one column name.
- DISTINCT, followed by a column name.

A column name in a function must not refer to a long string column or a column derived from a column function (a column of a view can be derived from a function). Column functions cannot be nested within other column functions. Null values are not included in the calculation made by a column function.

BETWEEN x AND y

You can retrieve data from each row whose column, named in a WHERE clause, has a value within two limits. Use BETWEEN in place of an AND condition when using greater than or equal to (\geq) and less than or equal to (\leq).

The limits you specify are inclusive. Enter the lower boundary (smaller value) of the BETWEEN condition first, then the upper boundary (larger value). The following example selects employees who have a salary between \$20,000 and \$21,000. GRAHAM has a salary of exactly \$21,000.

This query:

```
SELECT ID, NAME, SALARY
FROM Q.STAFF
WHERE SALARY BETWEEN 20000 AND 21000
```

Produces this report:

ID	NAME	SALARY
50	HANES	20659.80
210	LU	20010.00
310	GRAHAM	21000.00

Examples:

- Select everyone whose name is alphabetically between HANES and MOLINARE:

BETWEEN

```
SELECT ID, NAME
FROM Q.STAFF
WHERE NAME BETWEEN 'HANES' AND 'MOLINARE'
```

- Select everyone who has between 10 and 12 years of service (inclusive):

```
SELECT ID, NAME, YEARS
FROM Q.STAFF
WHERE YEARS BETWEEN 10 AND 12
```

- Select employees whose salary is *NOT* in the range of \$19,000 to \$21,000:

```
SELECT ID, NAME, YEARS
FROM Q.STAFF
WHERE SALARY NOT BETWEEN 19000 AND 21000
```

Each employee whose salary is less than \$19,000 or more than \$21,000 is included in the report. Employees with salaries between and including \$19,000 and \$21,000 are not included.

COUNT

The COUNT function counts only non-null values. Therefore, the data type of the result of the COUNT function always has the NOT NULL attribute. There are two uses of COUNT:

- COUNT(DISTINCT *colname*) — Counts rows returned in which there is a non-null value in a named column. It eliminates duplicates from the count. This form must be used with a column name; it cannot be used with an expression. See also “DISTINCT” on page 174.

```
SELECT COUNT(DISTINCT DIVISION)
FROM Q.ORG
```

The result is 4.

- COUNT(*) — Counts rows returned regardless of the value of any column. This form is not used with a column name.

```
SELECT SUM(SALARY), MIN(SALARY), AVG(SALARY),
       MAX(SALARY), COUNT(*)
FROM Q.STAFF WHERE DEPT = 10
```

This example includes more than one column function in the SELECT statement. It calculates and displays, for Department 10, the sum of employee salaries, the minimum, average, and maximum salary, and the number of employees (COUNT) in the department, and produces the following report:

```
SUM(SALARY) MIN(SALARY)      AVG(SALARY) MAX(SALARY)
-----
83463.45    19260.25 20865.8625000000    22959.20
```

```
(Continuation of report)                                COUNT(EXPRESSION 1)
-----
```

4

CREATE SYNONYM

The CREATE SYNONYM statement defines an alternative name for a table or view. This lets you refer to a table owned by another user without having to enter the fully qualified name. You can also create synonyms for your own tables and views. The synonym remains defined until it is dropped.

The following example creates a new name for the table Q.APPLICANT.

```
CREATE SYNONYM APPLS FOR Q.APPLICANT
```

After executing this statement, you can write APPLS instead of Q.APPLICANT.

A synonym is only of value when it is shorter than the fully qualified table name (which can be up to 26 characters, not counting the intervening period). It can also be a valuable protection for your queries if you are using tables created by someone else.

For example, suppose that table Q.APPLICANT is dropped and re-created by user BDJ1385L. All your queries were written using the synonym APPLS. If you use SQL/DS, your first step is to drop the synonym by using this command:

```
DROP SYNONYM APPLS
```

If you use SQL/DS or DB2, make this change:

```
CREATE SYNONYM APPLS FOR BDJ1385L.APPLICANT
```

If you share a query that uses a synonym, it will not work for the other user until that user creates the same synonym. You cannot share synonyms you define under your authorization identifier. However, other users can define the same synonyms with the same meanings.

DBCS data

If your installation uses DBCS data, do not create a synonym that contains double-byte characters that are internally represented as double quotation marks unless your database specifically supports double-byte characters in table names. For more information about how to write names containing double-byte characters, see “Names with double-byte characters” on page 308.

CREATE TABLE

The CREATE TABLE statement defines a table. You provide the name of the table and the names and attributes of its columns. You can grant or revoke authorization for other people to use a table you created. See “GRANT” on page 177 and “REVOKE” on page 193.

CREATE TABLE

The syntax of the CREATE TABLE statement is:

```
CREATE TABLE tablename (column1 type1 NOT NULL,  
column2 type2 . . .)  
    IN space-name
```

tablename

The name you assign to the table.

If your installation uses DBCS data, names of tables cannot contain double-byte characters that are internally represented as double quotation marks unless your database specifically supports double-byte characters in table names. (See “Names with double-byte characters” on page 308.)

column1 type1

The name you assign to the first column, and the data type describing it.

If the data type is CHAR, VARCHAR, GRAPHIC, VARGRAPHIC, or DECIMAL, you must specify the maximum length of a data element, in parentheses. For DECIMAL, you must also specify the number of places after the assumed decimal point.

column2 type2

The name you assign to the second column and the data type describing it.

NOT NULL

Optional for any column you define. If you use NOT NULL in the table definition, then any attempt to have no value in the corresponding column of the table produces an error message. Omitting NOT NULL allows null values in the column.

IN *space-name*

Refers to a table space or a dbspace in which the table is to be created. This clause is needed only if your installation does not provide a space to be used by default.

You can find the *space-name* used when QMF creates tables for SAVE DATA or IMPORT TABLE by issuing the QMF command DISPLAY PROFILE. See the appropriate *Installing and Managing QMF* manual for instructions on how to find and provide these names to users.

The following CREATE statement defines a table called PERS. The columns in PERS have the same characteristics as Q.STAFF, but contain no data.

```
CREATE TABLE PERS  
(ID SMALLINT NOT NULL,  
NAME VARCHAR(9),  
DEPT SMALLINT,  
JOB CHAR(5),
```



```
YEARS SMALLINT,
SALARY DECIMAL(7,2),
COMM DECIMAL(7,2))
IN space-name
```

ID The employee number is a small integer and null cannot be specified for it.

NAME The maximum length of the name is nine characters.

DEPT The department number is small integer.

JOB The name of the job has five characters.

YEARS The number of years is small integer.

SALARY A seven digit number with two decimal positions.

COMM A seven digit number with two decimal positions. (Remember the final parenthesis.)

You can use NOT NULL with any set of columns in the CREATE TABLE statement; in the example, it appears with column ID. It means that any row entered into PERS must have, at the very least, an employee number.

This statement defines the Q.APPLICANT table:

```
CREATE TABLE APPLICANT
(TEMPID SMALLINT NOT NULL,
NAME VARCHAR(9),
ADDRESS VARCHAR(17),
EDLEVEL SMALLINT,
COMMENTS VARCHAR(29))
IN space-name
```

This statement defines the Q.INTERVIEW table:

```
CREATE TABLE INTERVIEW
(TEMPID SMALLINT,
INTDATE DATE,
STARTTIME TIME,
ENDTIME TIME,
MANAGER SMALLINT,
DISP VARCHAR(6),
LASTNAME VARCHAR(9),
FIRSTNAME VARCHAR(9))
IN space-name
```

Defining the table does not put data into it. For ways of entering data into it, see "INSERT INTO" on page 183.

CREATE VIEW

CREATE VIEW

A View is an imaginary table that appears to contain data selected from existing tables. The view can rename and rearrange columns, omit unwanted columns or rows, define columns by expressions, group results, and combine more than one table. Views make it possible to view data that exists in parts of one or more tables. No data actually exists in a view.

Any SELECT statement that does not contain ORDER BY can be used as the basis of a view; the selected columns and rows become the columns and rows of the view. In the following example, NAME, ID, and JOB from Q.STAFF become the columns of D42. The column names for D42 are LAST NAME, EMP. ID, and JOB.

```
CREATE VIEW D42
("LAST NAME", "EMP. ID", JOB)
AS SELECT NAME, ID, JOB
FROM Q.STAFF
WHERE DEPT = 42
```

Issue the command:

```
DISPLAY TABLE D42
```

to display this view:

LAST NAME	EMP. ID	JOB
KOONITZ	90	SALES
PLOTZ	100	MGR
YAMAGUCHI	130	CLERK
SCOUTTEN	200	CLERK

There are two main reasons for using a view:

- To simplify writing a query to use its data, as in the example above.
- To prevent access to data. Anyone using the view D42, defined above, cannot see salary data.

Use a view by its name, like you use a table. You can select from it, writing the same kind of SELECT statement as if it were a table. For example, run this query:

```
SELECT * FROM D42
WHERE JOB='CLERK'
```

With a few restrictions, you can insert, update, and delete rows in a view. Corresponding changes are made to the tables the view is based on.

There are a few things you cannot do with a view:

- You cannot insert, update, or delete using a view if the view contains:

- Data from more than one table.
- A column defined by one of the column functions, for example, SUM(SALARY).
- Data selected by the DISTINCT or GROUP BY keywords.
- You cannot update or insert (you can delete) if the view contains a column defined by an expression (like SALARY/12).
- You cannot use UNION when creating a view.
- You cannot join a view that was created using a GROUP BY to another table or view.

DELETE

You can delete rows from a table only if you created the table or are specifically authorized to do so. You can delete information from a table by row. Individual fields in a row or complete columns of information cannot be deleted.

The DELETE statement consists of two parts:

DELETE FROM

The table from which rows are to be deleted.

WHERE

The rows to be deleted.

If DELETE is entered with no WHERE clause specified, all rows of the table are deleted. The table still exists, but it no longer contains any rows.

The following statement deletes employee number 140 from the table PERS.

```
DELETE FROM PERS
WHERE ID = 140
```

In this example, ID, rather than employee name, is used to avoid deleting more rows than anticipated, because there could be more than one employee with the same name.

You can delete more than one row with one DELETE statement. Include a condition to show which rows to delete. The next example deletes everyone in Department 10:

```
DELETE FROM PERS
WHERE DEPT = 10
```

For information about authorization, see "GRANT" on page 177.

DISTINCT

DISTINCT

Use DISTINCT before the column names in a SQL statement to prevent duplicate rows from being selected. The following example specifies, in effect, “List only the unique divisions that exist in the table Q.ORG”:

This query:

```
SELECT DISTINCT DIVISION
FROM Q.ORG
```

Produces this report:

```
DIVISION
-----
CORPORATE
EASTERN
MIDWEST
WESTERN
```

Compare the result in the previous example with the following:

This query:

```
SELECT DIVISION
FROM Q.ORG
```

Produces this report:

```
DIVISION
-----
WESTERN
WESTERN
CORPORATE
EASTERN
EASTERN
EASTERN
MIDWEST
MIDWEST
```

DISTINCT can also select distinct combinations of data, for example:

```
SELECT DISTINCT DEPT, JOB
FROM Q.STAFF
ORDER BY DEPT
```

The report produced from this example shows the jobs represented in every department.

Remember these properties when using DISTINCT:

- DISTINCT comes after SELECT.
- DISTINCT comes before the first column name and is not separated from the column name with a comma.

- DISTINCT applies to all the columns being selected.

DISTINCT is also a special case of COUNT (see “COUNT” on page 168). COUNT is not used with a column name, and COUNT(DISTINCT colname) must be used with a column name and cannot be used with an expression.

Use DISTINCT with other column functions when you want only the DISTINCT values for the columns within a group to be used. For example, AVG(DISTINCT PRICE) ignores duplicate prices in the column and averages a list in which each price appears once. AVG(PRICE) averages all the prices in the column without regard to the fact that some prices are duplicates.

Write a column function like this:

```
COUNT(DISTINCT expression)
```

The parentheses are necessary.

Example of a COUNT(DISTINCT column function):

```
SELECT COUNT(DISTINCT EDLEVEL), AVG(EDLEVEL)
FROM Q.APPLICANT
```

Examples:

- List the different values that appear for YEARS:

```
SELECT DISTINCT YEARS
FROM Q.STAFF
ORDER BY YEARS
```

- List the department numbers for departments in which at least one employee has 10 or more years of service:

```
SELECT DISTINCT DEPT
FROM Q.STAFF
WHERE YEARS >= 10
```

DROP

The DROP statement erases tables, views, synonyms, aliases, and other things (like indexes and authorizations) from the database. You must have the authority to drop tables or views from the database. To drop a synonym, you must be its owner. To drop an alias, you must be the owner or have SYSADM or SYSCTRL authority.

The syntax of the DROP statement is:

```
DROP object object-name
```

object TABLE, VIEW, SYNONYM, or ALIAS

DROP

object-name

The name by which the object is known in the database.

For example:

This statement

Erases this object:

DROP TABLE PERS

The table PERS

DROP VIEW D42

The view D42

DROP SYNONYM APPLS

The synonym APPLS

DROP ALIAS PETROCK

The alias PETROCK

Attention: Use DROP TABLE with extreme caution. Dropping a table destroys the data in it, and destroys any view based on the table. It also revokes any authorization granted on the table or on any view based on the table.

Running any of the following commands:

DROP TABLE *name*

DROP VIEW *name*

DROP SYNONYM *name*

DROP ALIAS *name*

is equivalent to running the single QMF command:

ERASE TABLE *name*

DROP VIEW does not affect any tables the view is based on, and does not destroy tables in the database. A view that was dropped can easily be recreated. However, DROP VIEW revokes any authorization granted on the view.

DROP SYNONYM removes the synonym from a dictionary of synonyms, so it no longer refers to anything in the database. It has no effect on the tables or views the synonym accessed. If APPLS is in the synonym table for Q.APPLICANT, executing the example query DROP SYNONYM APPLS does not affect Q.APPLICANT. The query removes APPLS from a dictionary in the synonym table, so it no longer refers to anything in the database.

EXISTS

The EXISTS statement determines whether a row exists that satisfies a given condition, as shown in the subquery of the following query:

```
SELECT ID, NAME, DEPT
FROM Q.STAFF CORRVAR
WHERE EXISTS
  (SELECT * FROM Q.ORG WHERE MANAGER = CORRVAR.ID)
```

See “IN” on page 182 for other methods of conditionally selecting values.

GRANT

The GRANT statement gives users authorization to perform one or more operations on a table. You must be authorized to INSERT, UPDATE, DELETE, ALTER, or SELECT rows in a table you do not own. Authorization must be granted by the creator of the table or by someone to whom the creator granted such authorization. (See also “REVOKE” on page 193.)

The syntax of the GRANT statement is:

```
GRANT operation-list ON tablename
TO user-list WITH GRANT OPTION
```

operation-list

One or more of the following, separated by commas: ALTER, DELETE, INSERT, SELECT, UPDATE (*column-list*). ALL grants authorization to do all operations.

tablename

Names a table or view for which the authorization is granted.

user-list

Lists each user ID with commas between. PUBLIC can be specified in place of *user-list* to grant authorization to all users.

WITH GRANT OPTION SQL keyword

Authorizes another user to use the GRANT keyword to grant the same authorization to other users. It is optional.

This statement:

```
GRANT SELECT ON PERS TO PUBLIC
```

Grants authorization to all other users to write SELECT queries using table PERS.

This statement:

```
GRANT INSERT, DELETE ON PERS TO HSAM4419
```

Grants authorization to user HSAM4419 to insert and delete rows in PERS.

This statement:

```
GRANT UPDATE ON PERS TO SMITH WITH GRANT OPTION
```

GRANT

Grants authorization to SMITH to update PERS and to grant this authorization to other users.

For more information on granting authorization, see the appropriate *Installing and Managing QMF* manual.

GROUP BY

GROUP BY identifies a selected column to use for grouping results. It divides the data into groups by the values in the column specified, and returns one row of results for each group. You can GROUP BY more than one column name (separate column names with commas). Always place GROUP BY after FROM and WHERE in a query, and before HAVING and ORDER BY.

All selected columns without an associated aggregation must appear in the GROUP BY clause.

GROUP BY accumulates the results by group, but does not necessarily order the groups; you need ORDER BY to do that. When you retrieve multiple rows from a table, the GROUP BY, HAVING, and ORDER BY clauses can be used to indicate:

- How you want the rows grouped (GROUP BY)
- A condition that the rows, as a group, must meet (HAVING)
- The order in which you want the rows returned to you (ORDER BY)

The following query selects the average salary for each department.

This query:

```
SELECT DEPT, AVG(SALARY)
FROM Q.STAFF
GROUP BY DEPT
```

Produces this report:

DEPT	AVG(SALARY)
10	20865.8625000000
15	15482.3325000000
20	16071.5250000000
38	15457.1100000000
42	14592.2625000000
51	17218.1600000000
66	17215.2400000000
84	16536.7500000000

In the above example, GROUP BY divides the table into groups of rows with the same department number, and returns one row of results for each group. DEPT can be selected without a built-in function because it is used with

GROUP BY, and because every member of each group has the same DEPT. As stated above, all column names included in a SELECT clause must either have an associated built-in function or must appear in the GROUP BY clause. For example, if DEPT is not used in the GROUP BY clause (in the example above), the list of average salaries has little meaning.

This is correct:

```
SELECT DEPT, AVG(SALARY), JOB
FROM Q.STAFF
GROUP BY DEPT, JOB
```

This is incorrect:

```
SELECT DEPT, AVG(SALARY), JOB
FROM Q.STAFF
GROUP BY DEPT
```

Generally, GROUP BY produces one row of a report for each different value of the grouping column. When there are several columns named in the GROUP BY clause, a different group of rows is produced each time a value in one of the columns changes. However, if there are null values in the column, each null value is treated as a separate group, consisting of one member.

Using GROUP BY in SQL is an alternative to using the usage code GROUP on the form (as described in “GROUP Usage Code” on page 294). GROUP BY provides an extension to the grouping that can be specified on the form and it allows *conditional* selection of data, which cannot be done on the form. For example, to see the smallest, largest, and average of total department salaries:

1. Write and run this query:

```
SELECT DEPT, SUM(SALARY), SUM(SALARY), SUM(SALARY)
FROM Q.STAFF
GROUP BY DEPT
```

2. And use these usage codes on the form:

NUM	COLUMN HEADING	USAGE
-----		-----
1	DEPT	
2	SUM(SALARY)	MINIMUM
3	SUM(SALARY)1	AVERAGE
4	SUM(SALARY)2	MAXIMUM

The report contains four columns, of which the last three are almost identical. All three show the total salary for each department; but the final row shows the minimum, average, and maximum of the totals.

Examples:

- List the largest and smallest salary by job for each department, excluding managers:

GROUP BY

```
SELECT DEPT, JOB, MIN(SALARY), MAX(SALARY)
FROM Q.STAFF
WHERE JOB < > 'MGR'
GROUP BY DEPT, JOB
```

- List, for each number of years of service, the number of employees with that number of years and their average salaries:

```
SELECT YEARS, COUNT(*), AVG(SALARY)
FROM Q.STAFF
GROUP BY YEARS
```

Remember that HAVING must be used with grouped data. When the HAVING statement and the GROUP BY statement are both used, the HAVING statement must follow the GROUP BY statement.

- List the smallest, largest, and average salary in each department, excluding managers, for departments with an average salary greater than \$12,000:

```
SELECT DEPT, MIN(SALARY), MAX(SALARY), AVG(SALARY)
FROM Q.STAFF
WHERE JOB < > 'MGR'
GROUP BY DEPT
HAVING AVG(SALARY) > 12000
```

- List, for each number of years of service, the number of employees with that number of years and their average salaries, but only for groups with more than two employees:

```
SELECT YEARS, COUNT(*), AVG(SALARY)
FROM Q.STAFF
GROUP BY YEARS
HAVING COUNT(*) > 2
```

HAVING

The HAVING clause filters results obtained by the GROUP BY clause. In the following example, the clause HAVING COUNT(*) > 4 eliminates all departments with four or fewer members from the final result. It is similar to the example shown in “GROUP BY” on page 178.

This query:

```
SELECT DEPT, AVG(SALARY)
FROM Q.STAFF
GROUP BY DEPT
HAVING COUNT(*) > 4
```

Produces this report:

DEPT	AVG(SALARY)
38	15457.1100000000
51	17218.1600000000
66	17215.2400000000

Both WHERE and HAVING eliminate data from your report. The WHERE condition is used with column selection. It determines whether an individual row is included. The HAVING condition is used with built-in functions. It determines whether an entire group is included.

HAVING is always followed by a column function (such as SUM, AVG, MAX, MIN, or COUNT). HAVING can also be followed by a subquery that finds a grouped value to complete the HAVING condition. Use WHERE to eliminate unwanted row data and HAVING to eliminate unwanted grouped data.

For example:

- This is correct: HAVING MIN(YEARS) > 6
- This is incorrect: HAVING YEARS > 6

Example 1

List the smallest, largest, and average salary in each department, excluding managers, for departments with an average salary greater than \$12,000:

```
SELECT DEPT, MIN(SALARY), MAX(SALARY), AVG(SALARY)
FROM Q.STAFF
WHERE JOB < > 'MGR'
GROUP BY DEPT
HAVING AVG(SALARY) > 12000
```

Produces this report:

DEPT	MIN(SALARY)	MAX(SALARY)	AVG(SALARY)
-----	-----	-----	-----
15	12258.50	16502.83	13756.5100000000
20	13504.60	18171.25	15309.5333333333
38	12009.75	18006.00	14944.7000000000
42	10505.90	18001.75	13338.7500000000
51	13369.80	19456.50	16235.2000000000
66	10988.00	21000.00	16880.1750000000
84	13030.50	17844.00	15443.0000000000

Remember that HAVING can only be used with grouped data. When the HAVING statement and the GROUP BY statement are both used, the HAVING statement must follow the GROUP BY statement.

Example 2

List, for each number of years of service, the number of employees with that number of years and their average salaries, but only for groups with more than two employees:

HAVING

```
SELECT YEARS, COUNT(*), AVG(SALARY)
FROM Q.STAFF
GROUP BY YEARS
HAVING COUNT(*) > 2
```

Produces this report:

YEARS	COUNT(EXPRESSION 1)	AVG(SALARY)
5	5	15552.0400000000
6	6	16930.0250000000
7	6	18611.8050000000
10	3	20162.6000000000
-	4	13694.0625000000

IN

You can retrieve data from each row whose column, named in the WHERE clause, has a value equal to one of several listed values using OR. When applying search conditions to a column, sometimes it is easier to use the IN statement instead of multiple OR statements. When IN is used, at least two values must be specified within the parentheses. Enclose the list of values (excluding NULL, which cannot be used with IN) in parentheses. Separate one value from the next with a comma; a blank between values is optional.

The order of the objects in the list is not important; you receive the same rows in any case. The order of objects in the list does not affect the ordering of the result. To order the result, use ORDER BY.

This query:

```
SELECT DEPTNUMB, DEPTNAME
FROM Q.ORG
WHERE DEPTNUMB IN (20, 38, 42)
```

Produces this report:

DEPTNUMB	DEPTNAME
20	MID ATLANTIC
38	SOUTH ATLANTIC
42	GREAT LAKES

In the query above, IN(20, 38, 42) is equivalent to (DEPTNUMB = 20 OR DEPTNUMB = 38 OR DEPTNUMB = 42).

Examples:

- Select every department in the Eastern and Midwestern divisions:

```
SELECT DEPTNAME, DIVISION, LOCATION
FROM Q.ORG
WHERE DIVISION IN ('EASTERN', 'MIDWEST')
```

- Select every salesperson and clerk in departments 15, 20, and 38:


```
SELECT ID, NAME, JOB, DEPT
FROM Q.STAFF
WHERE JOB IN ('CLERK', 'SALES')
AND DEPT IN (15, 20, 38)
```
- Select everyone with 1, 2, or 3 years of service, or whose years value is null:


```
SELECT ID, NAME, YEARS
FROM Q.STAFF
WHERE YEARS IN (1, 2, 3) OR YEARS IS NULL
```

INSERT INTO

INSERT is an SQL statement that adds data to a table.

The INSERT statement has the format:

```
INSERT INTO tablename
VALUES (value1, value2, ...)
```

where *tablename* is the name of the table or view into which you want to insert data, and *value1*, *value2*, and so on, are the values you insert.

The list of data values after VALUES must correspond with the list of columns in the table into which they are inserted. There must be the same number of values as columns, and each value must have a data type that agrees with its column. As shown in the following example, null values can be inserted by writing NULL.

This statement:

```
INSERT INTO PERS
VALUES (400, 'HARRISON', 20, 'SALES', NULL, 18000.66, 0)
```

Inserts this line into the table PERS:

ID	NAME	DEPT	JOB	YEARS	SALARY	COMM
400	HARRISON	20	SALES	-	18000.66	0.00

Table PERS is a copy of Q.STAFF; instructions for creating it are in “CREATE TABLE” on page 169. If you do not want to use the CREATE TABLE statement, you can also create PERS with these two commands:

```
DISPLAY Q.STAFF
SAVE DATA AS PERS
```

Insert some column values in a row

If you want to insert a row without providing values for all of the columns in a row, you can use a list of columns with the INSERT statement.

Specify the values you want to insert into the columns, as in this example:

INSERT INTO

```
INSERT INTO PERS (ID, NAME, JOB, SALARY)
VALUES (510, 'BUCHANAN', 'CLERK', 11500.75)
```

An easy way to create an INSERT query is by using the DRAW command with the option, (TYPE=INSERT. Columns for which values are not specified are given no value (NULL). If a column is defined as NOT NULL, you must specify values for it.

Copy rows from one table to another

Rows can be inserted into a table by copying data from another table and identifying columns to be inserted with a subquery instead of using the VALUES clause with INSERT. The information retrieved by the subquery is placed into the table as if multiple INSERT commands had been entered.

The following statement copies the ID, NAME, JOB, and YEARS columns for members of Department 38 from Q.STAFF into PERS:

```
INSERT INTO PERS (ID, NAME, JOB, YEARS)
SELECT ID, NAME, JOB, YEARS
FROM Q.STAFF
WHERE DEPT = 38
```

Values must be specified for all columns that are defined as NOT NULL.

A one-to-one correspondence does not have to exist between columns being selected and columns being inserted; however, there should not be more columns selected than columns being inserted. If fewer columns are selected than are being inserted, the remaining columns are inserted with nulls. Rows cannot be selected for insertion into the same table.

For information about authorization, see “GRANT” on page 177.

IS

The IS keyword is used only with NULL and NOT NULL. See “NULL” on page 189 for examples.

LIKE

To select character data when you only know part of a value, use LIKE in a WHERE clause, plus a symbol for the unknown data:

- A percent sign (%) is the symbol for any number of characters or none.
- An underscore (_) is the symbol for any single character. Use more than one underscore in succession to represent an exact number of unknown characters.

You can also use % and _ together. For example, to select every name with AN or ON as the second and third letters:

```
SELECT ID, NAME
FROM Q.STAFF
WHERE NAME LIKE '_AN%' OR NAME LIKE '_ON%'
```

LIKE can be used only with character and graphic data. For character data, the value after LIKE must always be enclosed in single quotation marks. If you are using graphic data, the value after LIKE must be preceded by the single-byte character 'G' enclosed in single quotation marks. The percent sign and the underscore must be double-byte characters.

Select a string of characters: LIKE '%abc%'

You can select rows containing a string of characters that might be part of a word or number you know exists in the data. In the following example, WHERE ADDRESS LIKE '%NY' means, “Where the address ends with 'NY' with anything before that.” The percent sign (%) can stand for anything—a number of preceding characters, or none.

This query:

```
SELECT NAME, ADDRESS
FROM Q.APPLICANT
WHERE ADDRESS LIKE '%NY'
```

Produces this report:

NAME	ADDRESS
JACOBS	POUGHKEEPSIE, NY
REID	ENDICOTT, NY
LEEDS	EAST FISHKILL, NY

When using LIKE to search for data with a specific ending, be aware of the data type of the column you are searching. If the column has a fixed width and the data in the column varies in width, add blanks to the character string to match the blanks in the column data.

For example, if the ADDRESS column in the example has a data type of CHAR(17), the width of the column is fixed with blanks filling the space where the data is not as wide as the column. Searching with an ending character string requires that you anticipate, and search for, the string with every possible number of trailing blanks that could be encountered in the data.

If the ADDRESS column has a data type of VARCHAR, the width of the column varies with the data in it, because blanks are not appended to the data. In the database, no blanks follow the data in each row of the column.

LIKE

Example:

Select everyone whose name begins with W:

```
SELECT ID, NAME
FROM Q.STAFF
WHERE NAME LIKE 'W%'
```

Ignore characters: LIKE '_a_'

You can use the underscore (_) to specify a character string that ignores a given number of characters. Use a specific number of underscores to specify the same number of characters that are to be ignored in the search. For example,

```
WHERE PARTNO LIKE '_G2044_ _'
```

is used to search a column of eight character part numbers for the combination “G2044” occurring in positions 2 through 6. The first and last two characters are ignored.

OS/390 requires single quotes around an all-digit value.

Examples:

- Select every name that has an S in some position after the first:

```
SELECT ID, NAME
FROM Q.STAFF
WHERE NAME LIKE '_%S%'
```

- Select every name that ends in SON:

```
SELECT ID, NAME
FROM Q.STAFF
WHERE NAME LIKE '%SON'
```

This example works because the NAME column has data type VARCHAR, which has no blanks following it in the database. If a column has data type CHAR, with a fixed width, the query has to anticipate all lengths of names ending in SON, and has to include those combinations in the search value.

MAX and MIN

MAX and MIN operate on columns that contain character, graphic, numeric, or date/time values.

Here is an example of a column function:

```
MAX(expression) or MIN(expression)
```

The parentheses are required. *expression* is most often a column name, but can be:

- An arithmetic expression containing at least one column name.
- DISTINCT, followed by a column name.

A column name in a function must not refer to a long string column or a column derived from a column function. (A column of a view can be derived from a function.) Column functions cannot be nested within other column functions.

The data type of the result of the MAX or MIN function always allows nulls even if the operand of these functions is NOT NULL. Null values are not included in the calculation made by a built-in function.

The following example includes more than one column function in the SELECT statement. For department 10, it calculates and displays the sum of employee salaries, the minimum, average, and maximum salary, and the number of employees (COUNT) in the department.

```
SELECT SUM(SALARY), MIN(SALARY), AVG(SALARY),
       MAX(SALARY), COUNT(*)
FROM Q.STAFF
WHERE DEPT = 10
```

If you use MAX or MIN with character data, remember that a binary collating sequence is applied when comparing data.

NOT

You can exclude a condition by putting NOT before it. The following example selects all divisions that are not EASTERN or WESTERN.

This query:

```
SELECT DEPTNUMB, LOCATION,
       DIVISION FROM Q.ORG
WHERE NOT
      (DIVISION = 'EASTERN' OR DIVISION = 'WESTERN')
```

Produces this report:

DEPTNUMB	LOCATION	DIVISION
-----	-----	-----
10	NEW YORK	CORPORATE
42	CHICAGO	MIDWEST
51	DALLAS	MIDWEST

To make it clear what the NOT condition applies to, use parentheses. If you use NOT with AND or OR without parentheses, conditions preceded by NOT are negated before they are connected by AND or OR. That is, if A, B, and C are conditions, these two phrases are equivalent:

NOT

NOT A AND
B OR C means ((NOT A) AND B) OR C

With greater than, less than, or equals, NOT must precede the entire condition, as in WHERE NOT YEARS = 10. You can also negate the equal sign with the not symbol (\neg).

These are correct:

- WHERE YEARS \neg > 10
- WHERE NOT YEARS = 10

This is incorrect:

- WHERE YEARS NOT = 10

The symbol \neq is an alternative operator for $< >$ (not equal to). It is an ANSI SQL operator. If you are using remote data access, the preferred symbol is $< >$.

NOT with NULL, LIKE, IN, and BETWEEN

You can use NOT NULL, NOT LIKE, NOT IN, or NOT BETWEEN. For example:

```
WHERE YEARS IS NOT NULL
```

It is only in these cases that NOT can follow the entire condition.

Examples:

- Select everyone whose salary is NOT between \$17,000 and \$21,000:

```
SELECT ID, NAME, SALARY  
FROM Q.STAFF  
WHERE SALARY NOT BETWEEN 17000 AND 21000
```
- Select everyone who does NOT earn a salary less than \$18,000 and also earns a commission of less than \$500:

```
SELECT ID, NAME, SALARY, COMM  
FROM Q.STAFF  
WHERE NOT (SALARY < 18000 AND COMM < 500)
```
- Select only managers in Q.STAFF who are NOT managers of departments in the Q.ORG table:

```
SELECT ID, NAME, DEPT  
FROM Q.STAFF  
WHERE JOB = 'MGR'  
AND ID NOT IN (SELECT MANAGER FROM Q.ORG)
```

NULL

If a table is created and only partially filled with data, the locations in which nothing is entered contain a code word called NULL, meaning value unknown. NULL is not the same as any of these values:

- A numerical value of zero
- A character string of all blanks
- A character string of length zero
- The character string NULL (of length 4)

Each of these values can be entered in a row and column of some table. NULL occurs where no value was entered, or where the value was specifically set to NULL. It prints and displays as a single hyphen (-).

- This is correct: WHERE *columnname* IS NULL
- This is incorrect: WHERE *columnname* = ' '

The VALUE scalar function can be used to change how a null is printed and displayed. See “String functions” on page 212.

To select rows that have NULL in a column, enter:

```
WHERE columnname IS NULL
```

Examples:

- Select everyone who does not receive a commission:

```
SELECT ID, NAME  
FROM Q.STAFF  
WHERE COMM IS NULL
```

- Select everyone whose commission is zero:

```
SELECT ID, NAME  
FROM Q.STAFF  
WHERE COMM = 0
```

0 (zero) is not the same as NULL. No row in the sample table satisfies this condition.

- Select everyone who *does* get a commission:

```
SELECT ID, NAME  
FROM Q.STAFF  
WHERE COMM IS NOT NULL
```

OR

OR

You can select rows based on multiple conditions connected by AND or OR. Two conditions connected by OR select every row that satisfies either one of the conditions.

This query:

```
SELECT ID, NAME, YEARS, SALARY
FROM Q.STAFF
WHERE YEARS = 10 OR SALARY > 20000
```

Produces this report:

ID	NAME	YEARS	SALARY
50	HANES	10	20659.80
140	FRAYE	6	21150.00
160	MOLINARE	7	22959.20
210	LU	10	20010.00
260	JONES	12	21234.00
290	QUILL	10	19818.00
310	GRAHAM	13	21000.00

Compare the results of OR with “AND” on page 164.

For information on how parentheses clarify the meaning of a query, see “Parentheses” on page 164.

ORDER BY

As part of the SQL SELECT statement, you can specify the sequence in which selected rows are displayed. You can also eliminate duplicate rows in a selection.

ORDER BY specifies the order in which rows appear in a report. If you use ORDER BY, it must be the last clause in the entire statement. Any columns named after ORDER BY must also be named after SELECT.

The format of the ORDER BY clause is:

```
ORDER BY columnname DESC      (for descending order)
```

If you do not specify an ordering sequence, ascending order is assumed.

The following report shows rows in *ascending* order.

This query:

```
SELECT NAME, JOB, YEARS
FROM Q.STAFF
WHERE DEPT = 84
ORDER BY JOB
```

Produces this report:

NAME	JOB	YEARS
GAFNEY	CLERK	5
QUILL	MGR	10
DAVIS	SALES	5
EDWARDS	SALES	7

Sorting sequence

The sequence for sorting character data in numeric order is:

1. Special characters, including blank
2. Lowercase letters, in alphabetic order
3. Uppercase letters, in alphabetic order
4. Numbers
5. NULL

The sequence for sorting numbers is ascending order. The sequence for sorting DATE, TIME, and TIMESTAMP values is chronological. The sequence for sorting DBCS data is determined by the internal value of the data and generally is not meaningful.

Examples:

- List employees in descending order by salary:

```
SELECT ID, NAME, SALARY
FROM Q.STAFF
ORDER BY SALARY DESC
```

- List employees in ascending order by last name:

```
SELECT ID, NAME, SALARY
FROM Q.STAFF
ORDER BY NAME
```

Order by more than one column

To order by more than one column, put the column name or the column number in a list after ORDER BY. You can mix column names and column numbers in the same list.

If you want to order by a defined column, you must use its column number. See “Order columns by column number” on page 192.

A column name in an ORDER BY clause, possibly followed by ASC or DESC, is a sort specification. Sort specifications in a list are separated by commas.

ORDER BY

The first column that follows the ORDER BY clause is put in order first, the second column is ordered within the limits of the first ORDER BY column, and so on.

To order by years within job:

```
SELECT NAME, JOB, YEARS
FROM Q.STAFF
WHERE DEPT=84
ORDER BY JOB, YEARS DESC
```

Produces this report:

NAME	JOB	YEARS
GAFNEY	CLERK	5
QUILL	MGR	10
EDWARDS	SALES	7
DAVIS	SALES	5

To order by job within years:

```
SELECT NAME, JOB, YEARS
FROM Q.STAFF
WHERE DEPT=84
ORDER BY YEARS DESC, JOB
```

Produces this report:

NAME	JOB	YEARS
QUILL	MGR	10
EDWARDS	SALES	7
GAFNEY	CLERK	5
DAVIS	SALES	5

Examples:

- List employees in descending order by years of service, and within each year, in descending order by salary:

```
SELECT YEARS, ID, NAME, SALARY
FROM Q.STAFF
ORDER BY YEARS DESC, SALARY DESC
```

- List employees in ascending order by salary within department:

```
SELECT DEPT, ID, NAME, SALARY
FROM Q.STAFF
ORDER BY DEPT, SALARY
```

Order columns by column number

To order by a column defined by an expression, use its column number, as in this example:

```
SELECT ID, NAME, SALARY+COMM
FROM Q.STAFF
WHERE COMM IS NOT NULL
ORDER BY 3
```

You cannot use an expression like SALARY+COMM after ORDER BY.

You can use more than one column number in a list after ORDER BY, and you can use column names and column numbers in the same list. For example, in the query above, SALARY+COMM is column 3 and NAME is column 2. The last line of the query can be written:

```
ORDER BY 3 DESC, NAME
```

To list employees in descending order by salary within a department:

```
SELECT DEPT, ID, NAME, SALARY
FROM Q.STAFF
ORDER BY 1, 4 DESC
```

REVOKE

The REVOKE statement removes authorization allowed by a GRANT statement. The syntax of the REVOKE statement is:

```
REVOKE operation-list ON tablename FROM user-list
```

operation-list

Lists one or more of the following, separated by commas: ALTER, DELETE, INSERT, SELECT, UPDATE, or ALL to revoke authorization to do any operations.

tablename

Names the table or view for which the authorization is revoked.

user-list

Lists each user ID with commas between. PUBLIC can be specified in place of *user-list*. The use of PUBLIC does not revoke a privilege from any user ID for which authorization was specifically granted; such a privilege must also be specifically revoked.

REVOKE and GRANT are similar, with the following exceptions:

- With REVOKE, you cannot specify a column list after UPDATE. UPDATE revokes the authorization to update any column. To revoke authorization to update specific columns and allow it to remain for others:
 1. Revoke the authorization to update any column.
 2. Grant the authorization to update a specific list of columns.
- If you grant an authorization to JONES who grants it to JACOBS, and you revoke the authorization from JONES, authorization is also revoked from JACOBS.

REVOKE

The following statement revokes authorization to write SELECT queries using table PERS from user Jacobs:

```
REVOKE SELECT ON PERS FROM JACOBS
```

The following statement revokes authorization to update any column in PERS from user HSAM4419:

```
REVOKE UPDATE ON PERS FROM HSAM4419
```

SELECT

With the SELECT statement, you can specify the name of each column you want to retrieve from a table. You can name one or more columns from a table or view, or you can select all the columns. Each SELECT statement can select information from several tables. See also “DISTINCT” on page 174.

See the SQL reference for your database manager for table, view, and column limits in a SELECT statement.

If your SELECT statement specifies a table with binary data, QMF displays the table only if you provide a form with appropriate hex, bit, or user edit codes to display it reliably.

Select every column from a table

To retrieve all the columns from a table, use an asterisk (*) instead of naming the columns. The format of a SELECT statement used for this selection is:

```
SELECT * FROM tablename
```

tablename is the name of the table or view you are searching. For example, this statement produces all the columns in Q.ORG:

```
SELECT * FROM Q.ORG
```

This query produces all the columns but only the rows where the department number is 10:

```
SELECT *  
FROM Q.STAFF  
WHERE DEPT = 10
```

Select columns from a table

To select columns from a table enter SELECT, followed by the exact names of the columns in the order (left to right) you want them in your report. Separate column names by a comma.

With automatic reordering, the following statement produces a report with the department names on the left and the department numbers on the right:

```
SELECT DEPTNAME, DEPTNUMB  
FROM Q.ORG
```


You can change the order of columns in the report by changing the form. The order of the columns on the form is the same order in which they are named in the query.

You can select a column more than once; this allows you to use multiple aggregating functions on the form.

You can select up to 750 column names (or expressions) in OS/390 and up to 255 in VM and VSE.

You can use a column name in a WHERE clause without using the column name in the SELECT clause.

Examples:

- Select only the ID and NAME columns from the Q.STAFF table:

```
SELECT ID, NAME
FROM Q.STAFF
```

- Select the NAME and ID columns from the Q.STAFF table, and list NAME first:

```
SELECT NAME, ID
FROM Q.STAFF
```

Add descriptive columns

You can add a column of descriptive information to your report by putting a quoted constant in the column list of your SELECT statement. The constant within surrounding quotation marks can be up to 256 characters in length, and can be alphabetic, numeric, or a combination of the two. The following example lists the names and addresses of people in the Q.APPLICANT table with 14 years of education, and identifies each as an applicant.

This query:

```
SELECT NAME, ADDRESS, 'APPLICANT'
FROM Q.APPLICANT
WHERE EDLEVEL = 14
ORDER BY NAME
```

Produces this report:

NAME	ADDRESS	EXPRESSION 1
-----	-----	-----
CASALS	PALO ALTO,CA	APPLICANT
REID	ENDICOTT,NY	APPLICANT
RICHOWSKI	TUCSON,AZ	APPLICANT

The report includes three columns: one containing names, one containing addresses, and a newly created column containing the word APPLICANT for each row selected. The database manager adds a column name to the newly

SELECT

created column. This name varies, depending on the database manager used at your installation. You can change this column name using the form panels.

Subqueries

Subqueries select data from a table. The data is then used to test a condition in the WHERE clause of the main query. For example, this query produces a list of employees who work in the Eastern division:

```
SELECT NAME, ID
FROM Q.STAFF
WHERE DEPT = SOME
      (SELECT DEPTNUMB
       FROM Q.ORG
       WHERE DIVISION='EASTERN')
```

First, the subquery finds the department numbers in the Eastern division. Then, the main query finds employees who work in any of these departments.

When there are several subqueries, the last one is executed first; the first one is executed last.

Examples:

```
SELECT DEPT, NAME, SALARY
FROM Q.STAFF CORRVAR
WHERE SALARY =
      (SELECT MAX(SALARY)
       FROM Q.STAFF
       WHERE DEPT = CORRVAR.DEPT)
```

```
SELECT ID, NAME
FROM Q.STAFF
WHERE DEPT IN
      (SELECT DISTINCT DEPTNUMB
       FROM Q.ORG
       WHERE DIVISION = 'MIDWEST')
```

```
SELECT DEPT, AVG(SALARY)
FROM Q.STAFF
GROUP BY DEPT
HAVING AVG(SALARY) >
      (SELECT AVG(SALARY) FROM Q.STAFF)
```

```
SELECT DEPT, AVG(SALARY)
FROM Q.STAFF
GROUP BY DEPT
HAVING AVG(SALARY) >
      (SELECT AVG(SALARY) FROM Q.STAFF)
```

SOME

Use the SOME keyword with comparison operators to permit a query to return a set of values rather than a single value. You can use SOME with the following comparison operators:

= \neq > \geq < \leq < >

The symbol \neq is an alternative symbol for < > (not equal to). It is an ANSI SQL operator. If you are using remote data access, the preferred symbol is < >.

ALL, ANY, and IN can also be used to return a set of values:

- When ALL is used, all values in the set returned are satisfied.
- When ANY or SOME is used, at least one value in the set returned is satisfied.
- IN can be used in a subquery in place of either = SOME or = ANY.

The following query produces a list of employees who work in the Eastern division. First, the subquery finds the department numbers in the Eastern division. Then, the main query finds the employees who work in these departments.

```
SELECT NAME, ID
FROM Q.STAFF
WHERE DEPT = SOME
      (SELECT DEPTNUMB FROM Q.ORG WHERE DIVISION='EASTERN')
```

The keyword SOME is used in this query because there are multiple departments in the Eastern Division. If ALL is used instead of SOME (or ANY), the result is an empty set. No employee works in all the departments of the Eastern division.

SUM

SUM is valid only on columns that contain numeric values.

The data type of the result of the SUM always allows nulls, even if the operand of these functions is NOT NULL. Null values are not included in the calculation made by a built-in function.

The following example includes more than one column function in the SELECT statement. For Department 10 it calculates and displays the sum of employee salaries, the minimum, average, and maximum salary, and the number of employees (COUNT) in the department.

This query:

SUM

```
SELECT SUM(SALARY), MIN(SALARY), AVG(SALARY),
       MAX(SALARY), COUNT(*)
FROM Q.STAFF
WHERE DEPT = 10
```

Produces this report:

SUM(SALARY)	MIN(SALARY)	AVG(SALARY)	MAX(SALARY)	COUNT(EXPRESSION)
83463.45	19260.25	20865.8625000000	22959.20	4

You can write a column function like this:

```
SUM(expression)
```

The parentheses are required. *expression* is most often a column name, but can also be:

- An arithmetic expression containing at least one column name.
- DISTINCT, followed by a column name.

A column name in a function must not refer to a long string column or a column derived from a column function (a column of a view can be derived from a function). Column functions cannot be nested within other column functions.

UNION

UNION merges the rows of two or more tables into one report. To make sense, these rows should relate to one another, have the same width, and have the same data type. Using UNION, you can merge values from two or more tables into the same columns, but different rows, of the same report. You can use UNION more than once in a query.

Examples in this section that use UNION ALL require enhanced UNION support. See Appendix C, “QMF Functions that Require Specific Support” on page 351.

The following example selects the name and employee columns from Q.STAFF and the name and applicant columns from Q.APPLICANT.

```
SELECT NAME, 'EMPLOYEE '
FROM Q.STAFF
WHERE YEARS < 3
UNION
SELECT NAME, 'APPLICANT'
FROM Q.APPLICANT
WHERE EDLEVEL > 14
```

Results:

NAME	EXPRESSION 1
-----	-----
BURKE	EMPLOYEE
GASPARD	APPLICANT
JACOBS	APPLICANT

The portion of the query that selects from Q.STAFF also creates a column in the report with the constant EMPLOYEE in it. The portion of the query that selects from Q.APPLICANT does the same with the constant APPLICANT. A default column name is assigned to that column, but can easily be changed on the form.

In any query, the lengths of the columns are matched. In the previous example, EMPLOYEE is padded with a blank to match the length of APPLICANT.

The next example selects from Q.STAFF and Q.INTERVIEW all the managers and the people they interviewed:

```
SELECT NAME, '          '
FROM Q.STAFF, Q.INTERVIEW
WHERE MANAGER = ID
UNION
SELECT NAME, 'NO INTERVIEWS'
FROM Q.STAFF
WHERE JOB = 'MGR'
      AND ID NOT IN (SELECT MANAGER FROM Q.INTERVIEW)
```

Results:

NAME	EXPRESSION 1
-----	-----
DANIELS	NO INTERVIEWS
FRAYE	
HANES	
JONES	NO INTERVIEWS
LEA	
LU	NO INTERVIEWS
MARENGHI	NO INTERVIEWS
MOLINARE	
PLOTZ	
QUILL	
SANDERS	

Retain duplicates in UNION

UNION implies that only DISTINCT rows are selected from the columns named in both SELECT statements.

UNION

If you want to keep duplicates in the result of a UNION operation, specify the optional keyword ALL after UNION. When UNION ALL is specified, duplicate rows are not eliminated from the result.

The following example selects all sales people in Q.STAFF who have been employed for more than five years, or who earn a commission greater than \$850. The sales people who meet both conditions appear twice in the resulting report:

```
SELECT * FROM Q.STAFF
WHERE JOB = 'SALES' AND YEARS > 5
UNION ALL
SELECT * FROM Q.STAFF
WHERE JOB = 'SALES' AND COMM > 850
ORDER BY 2
```

Produces this report:

ID	NAME	DEPT	JOB	YEARS	SALARY	COMM
340	EDWARDS	84	SALES	7	17844.00	1285.00
340	EDWARDS	84	SALES	7	17844.00	1285.00
310	GRAHAM	66	SALES	13	21000.00	200.30
90	KOONITZ	42	SALES	6	18001.75	1386.70
90	KOONITZ	42	SALES	6	18001.75	1386.70
40	O'BRIEN	38	SALES	6	18006.00	846.55
20	PERNAL	20	SALES	8	18171.25	612.45
70	ROTHMAN	15	SALES	7	16502.83	1152.00
70	ROTHMAN	15	SALES	7	16502.83	1152.00
220	SMITH	51	SALES	7	17654.50	992.80
220	SMITH	51	SALES	7	17654.50	992.80
150	WILLIAMS	51	SALES	6	19456.50	637.65
280	WILSON	66	SALES	9	18674.50	811.50

If UNION rather than UNION ALL is specified, determining which sales people satisfied both conditions requires closer inspection, as shown in this report:

ID	NAME	DEPT	JOB	YEARS	SALARY	COMM
340	EDWARDS	84	SALES	7	17844.00	1285.00
310	GRAHAM	66	SALES	13	21000.00	200.30
90	KOONITZ	42	SALES	6	18001.75	1386.70
40	O'BRIEN	38	SALES	6	18006.00	846.55
20	PERNAL	20	SALES	8	18171.25	612.45
70	ROTHMAN	15	SALES	7	16502.83	1152.00
220	SMITH	51	SALES	7	17654.50	992.80
150	WILLIAMS	51	SALES	6	19456.50	637.65
280	WILSON	66	SALES	9	18674.50	811.50

The order of evaluation of each subquery has no effect on the result of the operation. However, when you use UNION ALL and UNION to combine two SELECT queries, the result of the operation depends on the order of

evaluation. Parentheses are resolved first, starting with the innermost one. Then, each clause is resolved from left to right.

For example, the following queries yield different results:

- In this example, all rows of TABLE1 are merged with all rows of TABLE2 to form an intermediate table, which is merged with TABLE3 with the elimination of duplicates.

```
(TABLE1 UNION ALL TABLE2) UNION TABLE3
```

- In this example, all rows of TABLE2 are merged with TABLE3 with the elimination of duplicates, to form an intermediate table that is merged with all rows of TABLE1.

```
TABLE1 UNION ALL (TABLE2 UNION TABLE3)
```

Rules for using UNION

- You can put UNION between two SELECT statements only if the two statements select the same number of columns and the corresponding columns are compatible data types (for example, numeric to numeric or string to string).
- Corresponding columns in select statements merged by UNION do not need to have the same name. Because the names of the interleaved columns are likely to be different, do not use a column name after an ORDER BY. Instead, always use a column number, such as ORDER BY 1.
- The lengths and data types of the columns named in the SELECT statements only need to be comparable. They must both be either numeric, character, graphic, date, time, or timestamp. They cannot be a combination of these groups. For example:

```
SELECT ID
  ⋮
UNION
SELECT DEPT
  ⋮
```

If ID is CHAR(6) and DEPT is CHAR(3), the column in the result table is CHAR(6). The values in the resulting table that are derived from DEPT are padded on the right with blanks.

When to use UNION — when to join

When to use UNION to merge tables and when to join tables depends on what kind of results you want in your report.

- UNION interleaves rows from two queries into one report.
- Joining tables does not interleave the rows, but joins each row from one table horizontally to each row from another table. When joining, it is essential that you use a condition to limit the number of combinations so that every row is not joined to every other row.

UNION

The following query does not produce a report that is as readable or meaningful as the UNION query in “UNION” on page 198. Because no common column was used in the WHERE condition in this query to join the two tables, the report contains duplicates.

This query:

```
SELECT S.NAME, 'EMPLOYEE ', A.NAME, 'APPLICANT'
FROM Q.STAFF S, Q.APPLICANT A
WHERE YEARS < 3 AND EDLEVEL > 14
```

Produces this report:

NAME	EXPRESSION 1	NAME1	EXPRESSION 2
BURKE	EMPLOYEE	JACOBS	APPLICANT
BURKE	EMPLOYEE	GASPARD	APPLICANT

You can also use UNION between two SELECT statements that refer to the same table. For example, to list all employees by number within department, and identify those with ten years of service:

```
SELECT DEPT, ID, NAME, YEARS, 'TEN YEARS'
FROM Q.STAFF
WHERE YEARS = 10
UNION
SELECT DEPT, ID, NAME, YEARS, '
FROM Q.STAFF
WHERE NOT YEARS = 10
ORDER BY 1, 2
```

UPDATE

The UPDATE statement changes the values of specified existing columns in rows of a table. You can update a table only if you created the table, or are specifically authorized to update the table. For information about authorization, see “GRANT” on page 177.

The UPDATE statement consists of three parts:

1. UPDATE specifies the table to update.
2. SET specifies the column to update and the new value to place in the table.
3. WHERE specifies which row to update.

The following example updates table PERS for employee 250: It changes job to Sales and increases salary by 15%.

```
UPDATE PERS
SET JOB='SALES', SALARY=SALARY * 1.15
WHERE ID = 250
```


An easy way to create an UPDATE query is by using the DRAW command with the option, TYPE=UPDATE.

You can use a single UPDATE statement to update more than one row in a table, as shown in the first of the following examples, or to update all rows for a column (when the WHERE clause is omitted).

Examples:

- Give every clerk in PERS a \$300 increase:

```
UPDATE PERS
SET SALARY = SALARY+300
WHERE JOB = 'CLERK'
```

- Increase everyone's years of service by 1 in table PERS:

```
UPDATE PERS
SET YEARS = YEARS + 1
```

WHERE

Use WHERE in your SELECT statement to allow QMF to select just those rows from a table that meet a certain condition or set of conditions, without retrieving every row in a table. The WHERE clause specifies a search condition (one or more selection criteria) that identifies the row or rows you want to retrieve, update, or delete.

The search condition of a WHERE clause specifies that a comparison be made between two values. Usually, a column's value is compared with a fixed value specified in the WHERE clause. The only rows selected are the ones that satisfy the search condition. In the following example, the search condition specifies that the value in the DEPT column must be 20.

This query:

```
SELECT DEPT, NAME, JOB
FROM Q.STAFF
WHERE DEPT = 20
```

Produces this report:

DEPT	NAME	JOB
20	SANDERS	MGR
20	PERNAL	SALES
20	JAMES	CLERK
20	SNEIDER	CLERK

Both WHERE and HAVING eliminate data you do not want in your report:

- The WHERE condition is used with column selection. It determines whether an individual row is included.

WHERE

Use WHERE to eliminate unwanted row data.

- The HAVING condition is used with built-in functions. It determines whether a whole group is included.

HAVING is always followed by a column function (such as, SUM, AVG, MAX, MIN, or COUNT). HAVING can also be followed by a subquery that finds a grouped value to complete the HAVING condition.

Use HAVING to eliminate unwanted grouped data.

For example, to list the smallest, largest, and average salary in each department, excluding managers, for departments with an average salary greater than \$12,000:

This query:

```
SELECT DEPT, MIN(SALARY),  
       MAX(SALARY), AVG(SALARY)  
FROM Q.STAFF  
WHERE JOB < > 'MGR'  
GROUP BY DEPT  
HAVING AVG(SALARY) > 12000
```

Produces this report:

DEPT	MIN(SALARY)	MAX(SALARY)	AVG(SALARY)
15	12258.50	16502.83	13756.5100000000
20	13504.60	18171.25	15309.5333333333
38	12009.75	18006.00	14944.7000000000
42	10505.90	18001.75	13338.7500000000
51	13369.80	19456.50	16235.2000000000
66	10988.00	21000.00	16880.1750000000
84	13030.50	17844.00	15443.0000000000

In addition to making an equality comparison (=), you can compare a column value in the following ways. The condition defined in the first column is specified by entering the corresponding words or symbols in the second column.

Condition

Word or Symbol

Equal to

=

Not equal to

< >

Alternative to not equal to

≠

Greater than

>

Greater than or equal to

>=

Not greater than

¬> (in DB2 only)

Less than

<

Less than or equal to

<=

Not less than

¬< (in DB2 only)

Multiple conditions

AND, OR

Values within a range

BETWEEN x AND y

Values matching any in a list

IN (x, y, z)

Selects a string of characters

LIKE '%abc%'

Ignores certain characters

LIKE '_a_'

Negative conditions

NOT

A not sign (¬) can cause parsing errors in statements passed from one DBMS to another. To avoid this possible problem in statements to be executed at a remote location, substitute an equivalent for any operation in which the not sign appears. For example, substitute <> for ¬=, <= for ¬>, and >= for ¬<.

Values to be compared with columns of character data must be enclosed in single quotes (as in WHERE NAME = 'JONES'). Numeric data is not enclosed in quotes.

If you are using graphic data, the value after WHERE must be preceded by the single-byte character 'G' and be enclosed in single quotation marks. The percent sign and the underscore must be double-byte characters.

Equality and inequality symbols in a WHERE clause

You can write a WHERE search condition using any of the symbols of equality or inequality in "WHERE" on page 203. For example, to select only employees who have made commissions of \$1,000 or more:

WHERE

This query:

```
SELECT ID, COMM
FROM Q.STAFF
WHERE COMM >= 1000
```

Produces this report:

```
   ID      COMM
----  -
   70  1152.00
   90  1386.70
  340  1285.00
```

Additional examples:

- Select everyone with 10 years of service or more:

```
SELECT ID, NAME, YEARS
FROM Q.STAFF
WHERE YEARS >= 10
```
- Select everyone with more than ten years of service:

```
SELECT ID, NAME, YEARS
FROM Q.STAFF
WHERE YEARS > 10
```
- Select every manager:

```
SELECT ID, NAME, YEARS
FROM Q.STAFF
WHERE JOB = 'MGR'
```
- Select everyone whose name occurs later in the alphabet than SMITH:

```
SELECT NAME, ID
FROM Q.STAFF
WHERE NAME > 'SMITH'
```
- Select every employee name in Q.STAFF that is not in department 10:

```
SELECT NAME, ID
FROM Q.STAFF
WHERE DEPT < > 10
```

Calculated results

You can use calculated values as part of a search condition. You can also display them for selected rows just as you display column values.

You can use an arithmetic expression in the SELECT clause or in the WHERE clause of the query:

- When the expression is part of the SELECT clause, the column with the results of the calculation appears in the report.
- When the expression is part of the WHERE clause, it is part of the search condition and does not alter column values.

The following two queries illustrate the use of an arithmetic expression in a SELECT clause.

- This query selects every employee's annual salary from the Q.STAFF table:

```
SELECT ID, SALARY
FROM Q.STAFF
```

- This query selects every employee's monthly salary, which must be calculated:

```
SELECT ID, SALARY/12
FROM Q. STAFF
```

SALARY/12 is called an expression. It means the result of dividing SALARY by 12.

This query:

```
SELECT DEPT, NAME, SALARY
FROM Q.STAFF
WHERE DEPT = 38
```

Produces this report:

DEPT	NAME	SALARY
38	MARENGHI	17506.75
38	O'BRIEN	18006.00
38	QUIGLEY	16808.30
38	NAUGHTON	12954.75
38	ABRAHAMS	12009.75

This query:

```
SELECT DEPT, NAME, SALARY/12
FROM Q.STAFF
WHERE DEPT = 38
```

Produces this report:

DEPT	NAME	EXPRESSION 1
38	MARENGHI	1458.8958333333
38	O'BRIEN	1500.5000000000
38	QUIGLEY	1400.6916666666
38	NAUGHTON	1079.5625000000
38	ABRAHAMS	1000.8125000000

Arithmetic operators:

Operator

Operation

+ add

- subtract

WHERE

- * multiply
- / divide

Within expressions, you can use column names (as in RATE*HOURS), columns and constants (as in RATE*1.07), and built-in functions (as in AVG(SALARY)/2). An expression can consist of numeric constants (such as 3*7) or character constants (such as SALARY + COMM).

When a table is created, each column in it is defined to hold a certain type of data. Arithmetic operations can be performed only on numeric data types, and the results of an operation can depend on the data types of the operands.

Example:

- Select the name and total earnings (salary plus commission) of every employee who earns more than \$20,000 a year:

```
SELECT NAME, SALARY + COMM
FROM Q.STAFF
WHERE SALARY + COMM > 20000
```

The above query does not list anyone whose salary alone is greater than \$20,000 when the amount of commission is null. The result of operating on an unknown is unknown.

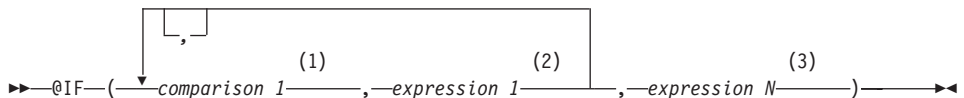
- List anyone whose commission is 5% or more of their total earnings:

```
SELECT NAME, SALARY, COMM
FROM Q.STAFF
WHERE COMM >= 0.05 * (SALARY + COMM)
```

@IF function

The REXX @IF function is used to test for specific values within a REXX expression and then interpret the associated REXX expressions and return the results.

The @IF function can be used anywhere a REXX expression may be entered. REXX expressions can be used in FORM.CALC, FORM.CONDITIONS and FORM.COLUMNS (Column Definition)



Notes:

- 1 A valid REXX expression that can be reduced to a 0 or 1. Typically

contains a REXX comparative operator. The @IF function tests the comparison and if the result is 1, the following expression is evaluated and the results are returned. The @IF function evaluates the comparisons left to right until a true comparison is found. If no comparisons are found to be true, then the last expression is interpreted and the results are returned.

- 2 A valid REXX expression consisting of terms (strings, symbols, and functions) interspersed with operators and parenthesis. If the preceding comparison is true, the expression is interpreted and the results are returned.
- 3 A valid REXX expression as defined above. If no comparisons are true, then expression_N is interpreted and the results are returned.

Notes on the @IF function:

- There must be an odd number of arguments.
- The minimum number of arguments is 3, the maximum is 19.
- The first token must be @IF and it must be immediately followed by a left parenthesis.
- Arguments must be delimited by commas.
- The argument list must end with a right parenthesis.
- The last argument serves as an "otherwise" or default expression.
- If an odd numbered argument is not the last, then it is a comparison.
- If PASS NULLS is set to YES and the expression contains a substitution variable that is null, undefined, overflow, has no instance, or no relationship, then the entire expression will be set to the value that represents that condition. This reduction is performed only on expressions, not comparisons.
- If PASS NULLS is set to YES and the expression contains more than one substitution variable that is null, undefined, overflow, has no instance, or no relationship, then the following order of precedence will be used for expression reduction:
 1. Undefined
 2. Overflow
 3. Null
 4. No instance
 5. No relationship

The use of multiple arguments (comparisons and expressions) passed to the @IF function will eliminate the need to nest @IF functions (nested @IF functions are not supported for expression reduction).

WHERE

Example

Given SELECT ID, NAME, DEPT, SALARY, COMM FROM Q.STAFF, a new column is defined with the following expression and PASS NULLS is set to YES:

```
@If(&3=10,'MGMT',&5=DSQNULL,'N/A',&5/&4*100)
```

This expression can be logically restated as:

```
Select
  When &3 = 10      Return MGMT      /* All Department 10 are managers */
  When &7 is NULL  Return N/A        /* Comission is NULL, mark N/A    */
  Otherwise        Return &7/&6*100 /* All others, calculate Comm % */
```

The results would be displayed as:

ID	NAME	DEPT	SALARY	COMM	%
10	SANDERS	20	18357.50	-	N/A
20	PERNAL	20	18171.25	612.45	3.37
30	MARENGHI	38	17506.75	-	N/A
110	NGAN	15	12508.20	206.60	1.65
120	NAUGHTON	38	12954.75	180.00	1.38
160	MOLINARE	10	22959.20	-	MGMT

SQL scalar functions

Three types of scalar functions are described here:

- Date/time functions
- Conversion functions
- String functions

Date/time functions

The date/time functions do the following:

- DATE, TIME, and TIMESTAMP change the data type of their argument to the associated date/time data type.
- CHAR changes the data type of its argument (a DATE or TIME value) to the CHAR data type.
- DAYS calculates the number of days between one date and another.
- YEAR, MONTH, DAY, HOUR, MINUTE, SECOND, and MICROSECOND select parts of DATE, TIME or TIMESTAMP values.

Each date/time function is followed by an argument enclosed in parentheses. The following example lists the projects, by number, of each project scheduled to begin in 1990. It does this by applying the YEAR date/time function to the STARTD column of the Q.PROJECT table.

This query:


```
SELECT PROJNO, STARTD, ENDD, TIMESTAMP
FROM Q.PROJECT
WHERE YEAR(STARTD) = 1998
```

Produces this report:

PROJNO	STARTD	ENDD	TIMESTAMP
1409	1998-06-15	1999-12-31	1996-03-13-09.12.57.149572
1410	1998-09-29	2000-03-31	1996-03-13-12.18.23.402917

Date/time functions (see Table 1, following) can be used wherever an expression can be used. The first or only argument of each of these functions is an expression giving the value to be manipulated.

Table 1. Date/Time Functions

Function	Argument	Result
DATE	Date, timestamp, or string representation of a date	Date
TIME	Time, timestamp, or string representation of a time	Time
TIMESTAMP	Timestamp, string representation of timestamp, or a date or string representation of a date and a time or string representation of a time	Timestamp
DAY, MONTH, or YEAR	Date or timestamp, or date duration	Day, month, or year part
HOUR, MINUTE, or SECOND	Time or timestamp, or time duration	Hour, minute, or second part
MICROSECOND	Timestamp	Microsecond part
DAYS	Date, timestamp, or string representation of a date	Days since Dec 31, 0000
CHAR	Date or time and the specified date/time output format	String representation in specified date/time format. If format is not specified, ISO format will be returned.

Conversion functions

Scalar functions (see Table 2, following) allow the conversion of a value from one data type to another.

Table 2. Conversion Functions

Function and Syntax	Argument	Result
DECIMAL(V,P,S)	V = A number P = Precision of the result S = Scale of the result	Decimal representation of V

SQL Scalar Functions

Table 2. Conversion Functions (continued)

Function and Syntax	Argument	Result
DIGITS(argument)	A binary integer or decimal number	A character string representing the digits of the argument
FLOAT(argument)	A number	Single-precision floating point number representing the argument
HEX(argument)	Any data type other than a long character or long graphic string	A character string representing actual hex digits of the argument
INTEGER(argument)	A number within the range of binary integers	Fullword representation of the argument
VARGRAPHIC(argument)	Short character string	Graphic string that is the DBCS representation of the argument

This query:

```
SELECT SALARY,          --SALARY
DECIMAL(SALARY,9,3),  --COL1
DIGITS(SALARY),       --COL2
FLOAT(SALARY),        --COL3
HEX(NAME),            --COL4
VARGRAPHIC(JOB)       --COL5
FROM Q.STAFF
WHERE DEPT = 10
```

Produces this report:

SALARY	COL1	COL2	COL3	COL4	COL5
22959.20	22959.200	2295920	2.295920E+04	D4D6D3C9D5C1D9C5	-M-G-R
20010.00	20010.000	2001000	2.001000E+04	D3E4	-M-G-R
19260.25	19260.250	1926025	1.926025E+04	C4C1D5C9C5D3E2	-M-G-R
21234.00	21234.000	2123400	2.123400E+04	D1D6D5C5E2	-M-G-R

String functions

Three scalar functions (see Table 3, following) enable the manipulation and retrieval of string segments: SUBSTR, LENGTH, and VALUE.

Table 3. String Functions

Function and Syntax	Argument	Result
LENGTH(argument)	Any data type	Integer represents the length of V
SUBSTR(S,N,L)	S: Character or graphic string to be evaluated. N: Binary integer represents the starting position of substring in S. L: Binary integer represents the length of substring.	Substring of S
VALUE(arg1,arg2)	Arguments must have compatible data type.	A non-null value representing <i>arg1</i> if <i>arg1</i> is non-null, or representing <i>arg2</i> if <i>arg1</i> is null.

The length function returns the actual variable length of the data if the data type is VARCHAR; it returns the fixed length if the data type is CHAR.

The following statement lists applicant status for each applicant in the Q.INTERVIEW table who was interviewed by manager 270. For any applicant, if the DISP column was not filled in (and therefore, contains a null value), the result for that row is “unknown” rather than the null symbol (-).

```
SELECT VALUE(DISP, 'unknown')
FROM Q.INTERVIEW
WHERE MANAGER = 270
```

The first or only argument of each of these functions is an expression giving the value to be manipulated or retrieved. For LENGTH, the value of this expression can be any data type. For SUBSTR, the value must be a character string or a graphic string. For VALUE, two or more values must be specified, and their data types must be comparable.

For example, this query finds the first initial and last name of an applicant with the temporary ID number 400.

```
SELECT SUBSTR(FIRSTNAME,1,1) || LASTNAME
FROM Q.INTERVIEW
WHERE TEMPID = 400
```

Concatenation

Concatenation

The concatenation operator (CONCAT) joins two values of an expression into a single string. The alternate operator for CONCAT is ||. Because vertical bars can cause parsing errors in statements passed from one DBMS to another, CONCAT is the preferred operator for statements executed at remote locations.

The concatenation operator observes the following rules:

- The operands of a concatenation operator must both be character strings or both be graphic strings.
- The length of the result is the sum of the lengths of the operands.
- The data type of the result is:
 - VARCHAR when one or more operands is VARCHAR
 - CHAR when both operands are CHAR
 - VARGRAPHIC when one or more operands are VARGRAPHIC
 - GRAPHIC when both operands are GRAPHIC
- If either operand is a null value, the result is the null value. For example:
`VALUE(FNAME, 'unknown') CONCAT VALUE(LNAME, 'unknown')`

To avoid a null value, use the VALUE function. For more information on VALUE, see “String functions” on page 212.

- Concatenation cannot be specified in a LIKE clause, nor in the SET clause of an UPDATE statement.

Examples

- If FNAME is CHAR(6) with a value of BEN, and LNAME is CHAR(8) with a value of JOHNSON, FNAME CONCAT LNAME results in BEN JOHNSON with a length of 14. (There are three blank spaces between the first and the last names.)

This example requires a specific release of DB2 or SQL/DS. See Appendix C, “QMF Functions that Require Specific Support” on page 351.

- This query lists all last names in Q.INTERVIEW that begin with letters greater than M, and combines those last names with their respective first names.

```
SELECT LASTNAME CONCAT ' , ' CONCAT FIRSTNAME
FROM Q.INTERVIEW
WHERE LASTNAME > 'M'
```

Chapter 3. Forms, Reports, and Charts

QMF creates reports from data stored in your database. A QMF form consists of a number of panels used to control report formatting. When you select data (by running a query, importing data, or displaying a table or view), you can use QMF form panels to format the data into a report or chart. You can also use form panels to instruct QMF to perform specific calculations on report data, such as adding columns or calculating percentages.

This chapter shows the QMF form panels and describes the entry areas on each panel. The chapter also includes information on using REXX with QMF forms; edit and usage codes; and variables used in forms.

Using QMF forms

QMF automatically generates form panels when a table is displayed or a SELECT query is run without specifying a form. The resulting report is based on certain default choices made by QMF about the format of the report. You can see the default form by typing DISPLAY FORM.MAIN (or DISPLAY FORM) after you run a query without specifying a form name on the RUN command.

Each form panel has entry areas to which information is added or changed. In this chapter (beginning with "FORM.MAIN" on page 219), a letter is assigned to each entry area on a panel (such as **C**) and corresponds to the description following the panel. If there is a default value, it is shown in the entry area on the panel. Each entry area is described in terms of its effect on reports. If an entry area affects charts, that description follows.

Creating reports in QMF

Reports are initially created by applying a default form to the data retrieved from your query. To alter a report's default format (for example, to change the column widths, add page headings, or change the spacing between lines of a report), you change the data displayed on the form panels. Data entered into an entry area can be translated to uppercase, depending on your profile case option setting.

Display a report without any data

With the LAYOUT command, you can view a report before the data is available. Variable data is displayed using the letters A, B, C, D, E, F, and X, and the numbers 0, 1, 2, 3, 4, 5, and 6. All other text (including headings) is displayed as entered. You can tailor the different form panels to produce a representative report independent of the data. Combined with the LAYOUT

Forms, Reports, and Charts

command, forms with complex variables can be used repeatedly. See “LAYOUT” on page 91. For scenarios using the LAYOUT command and using forms to create reports and charts, see the *Using QMF* manual.

Symbols used in reports to indicate errors

When QMF cannot display a value in a report, it displays a special symbol in place of the value. The symbol that is displayed depends on the underlying cause. Refer to Table 4 for a list of the symbols and their meaning.

Table 4. QMF error symbols

Symbol Displayed	Cause
*****	The column is not wide enough to display the formatted value. Only numeric columns display this symbol. (Character columns truncate instead.)
>>>>>>>	The value exceeds the maximum value allowed by the data type for that column. This is called an overflow condition, and is usually detected by QMF.
????????	The value is undefined. The following conditions will result in an undefined value in the report: <ul style="list-style-type: none">• Numeric underflow• Numeric overflow detected by the database• Dividing a value by zero (in a query, calculation, or column definition)• Expressions that REXX is unable to evaluate• REXX expressions that evaluate to a nonnumeric value• Aggregations calculated using undefined values (except FIRST and LAST)
' ' (blanks)	The data has no instance (DSQNOINS) or no relationship (DSQNOREL).

Quick reference to form panels for reports

Table 5 lists some common additions or changes that alter the format of a report, and lists the appropriate form panel (or panels) you should normally use.

Table 5. Report quick reference

To Add or Change:	Use the Form Panel:
Break text	
Default break text	MAIN, OPTIONS
Break text width	OPTIONS
Break heading text	BREAK _n

Table 5. Report quick reference (continued)

To Add or Change:	Use the Form Panel:
Break footing text	MAIN, BREAK n
Break summary	BREAK n
Placement on page	BREAK n
Outlining	MAIN, OPTIONS
Calculations	CALC
Column	
Alignment	COLUMNS (Specify)
Definition	COLUMNS (Specify)
Heading	MAIN, COLUMNS
Usage	MAIN, COLUMNS
Indent	MAIN, COLUMNS
Width	MAIN, COLUMNS
Editing	MAIN, COLUMNS
Sequencing	MAIN, COLUMNS
Automatic ordering	OPTIONS
Headings repeated at breaks	BREAK n
Headings repeated at detail blocks	DETAIL
Conditional formatting	CONDITIONS
Detail block text	
Remove tabular information	DETAIL
Specify placement of tabular information	DETAIL
Include text with column values	DETAIL
Detail heading text	DETAIL

Forms, Reports, and Charts

Table 5. Report quick reference (continued)

To Add or Change:	Use the Form Panel:
Final text	
Placement on page	FINAL
Width	OPTIONS
Final summary	FINAL
Fixed columns	OPTIONS
New page	
For breaks	MAIN, BREAK n
For detail block text	DETAIL
For final text	FINAL
Page heading and footing	MAIN, PAGE
Associate a panel variation with a condition	DETAIL
Separator lines	OPTIONS
Spacing between detail blocks	OPTIONS, DETAIL

Creating charts in QMF

Certain entry areas on the form panels determine what appears on a chart, such as chart headings, legends, axis labels, and data plotted on the X- and Y-axes. However, not all entry areas on all panels affect charts. The descriptions of the form panels (beginning with "FORM.MAIN" on page 219) point out both those panels and panel entry areas that affect charts and how these panels can be modified.

Table 6 lists some common additions or changes that alter your chart within QMF, and lists the appropriate form panel (or panels) you should normally use.

Table 6. Chart Alteration panel quick reference

To Add or Change:	Use the Form Panel:
Legend labels (Y data column headings)	MAIN, COLUMNS
X-axis data labels (BREAK or GROUP columns)	MAIN, COLUMNS
Y-axis data (numeric data columns)	MAIN, COLUMNS
Chart heading (page heading)	MAIN, PAGE
Vertical position of chart heading	PAGE
Function name in legend label	OPTIONS

FORM.MAIN

Use FORM.MAIN to make simple changes to a report or chart. Other panels (see Table 7, below) work with FORM.MAIN to modify the appearance of reports or charts.

Table 7. Report/chart appearance change guide

Form Name	Function	See page
FORM.MAIN	Basic format of a report or chart	219
FORM.BREAK n ($n = 1$ to 6)	Text before and after breaks in a report	223
FORM.CALC	Expressions for calculations in a report	232
FORM.COLUMNS	Use of columns in a report or chart	237
FORM.CONDITIONS	Expressions for conditional formatting	249
FORM.DETAIL	Text included with column values or headings of a report	251
FORM.FINAL	Content and placement of final text in a report	259
FORM.OPTIONS	Miscellaneous adjustments to a report	264
FORM.PAGE	Content and placement of page headings and footings in a report or chart	271

FORM.MAIN

Everything entered on FORM.MAIN is automatically reflected in a corresponding entry area on one of the other form panels. However, not all of the entry areas on the other panels are reflected on FORM.MAIN.

There are two areas on the FORM.MAIN and FORM.COLUMNS panels that are not entry areas. The Total Width of Report Columns and NUM areas are described under "Nonentry Areas" on page 222.

FORM.MAIN

COLUMNS: Total Width of Report Columns: 66

	A	B	C	D	E	F
NUM	COLUMN HEADING	USAGE	INDENT	WIDTH	EDIT	SEQ
1	ID		2	6	L	1
2	NAME		2	9	C	2
3	DEPT		2	6	L	3
4	JOB		2	5	C	4
5	YEARS		2	6	L	5

PAGE: HEADING ==> **G**
FOOTING ==>

FINAL: TEXT ==> **H**

BREAK1: NEW PAGE FOR BREAK? ==> NO
FOOTING ==> **I**

BREAK2: NEW PAGE FOR BREAK? ==> NO
FOOTING ==> **J**

OPTIONS: OUTLINE? ==> YES DEFAULT BREAK TEXT? ==> YES

1=Help 2=Check 3=End 4=Show 5=Chart 6=Query
7=Backward 8=Forward 9= 10=Insert 11=Delete 12=Report

OK, FORM.MAIN is displayed.

COMMAND ==> SCROLL ==> PAGE

Entry areas **A** through **F** correspond to identical entry areas on the FORM.COLUMNS panel. If all the columns in the form are not visible on the FORM.MAIN panel, you can scroll forward and backward to see them.

With these entry areas you can:

- A** Assign column headings (page237)
- B** Choose how to process columns (page239)
- C** Adjust indentation of columns (page240)
- D** Adjust width of columns (page240)
- E** Specify formatting of columns (page242)

F Change the sequence of columns (page244)

Reports: The order of columns in the form is determined by the way they are specified in the query. Change the order of columns in the report by using the automatic reorder option or by changing the sequence (SEQ) column (**F**) on the FORM.MAIN panel. For a description of the automatic reordering option, see page270.

Charts: Of these six entry areas, COLUMN HEADING, USAGE, WIDTH, and EDIT apply to charts. The codes that appear in the USAGE entry area affect processing. For more information, see "FORM.COLUMNS" on page 237; "Usage Codes" on page 287; and "Edit Codes" on page 296.

Entry areas **G** through **J** have corresponding form panels. The page number on which these corresponding form panels are described follows the entry area name.

G PAGE (page271)

Reports: Enter one line of page heading and footing text for a report. QMF determines the horizontal and vertical placement of the heading and footing lines. The PAGE entry area corresponds to two entry areas on the FORM.PAGE panel.

Charts: Whatever appears in the PAGE entry area for a report heading also appears on a chart as the heading. Footing text *cannot* be specified for a chart.

H FINAL (page259)

Reports: Enter one line of final text for a report. The default placement of the line can be changed on the FORM.FINAL panel. The FINAL entry corresponds to one entry on the FORM.FINAL panel.

I BREAK1 and BREAK2 (page223)

Reports: Enter footing text for up to two levels of breaks, and specify whether to start a new page each time the value in the control column changes. QMF determines the horizontal and vertical placement of the break footings. The BREAK1 and BREAK2 entry areas correspond to entry areas on the FORM.BREAK1 and the FORM.BREAK2 panels.

J OPTIONS (page264)

Reports: Change two options that affect the overall format of a report. For reports with breaks, use the OUTLINE option to determine whether QMF displays the value of the break column on each tabular data line of the report. YES displays the value in the BREAK column only when the value itself changes.

For reports with breaks, use the DEFAULT BREAK TEXT option to determine whether to generate default break footing text to mark the

BREAK aggregation line. When you do not enter any break footing text, YES displays a default break footing of asterisks.

This entry area corresponds to two entry areas on the FORM.OPTIONS panel.

Nonentry Areas

Total Width of Report Columns

Reports: This area shows the character width of the columns of the report.

You cannot change this area directly. But when you change INDENT, WIDTH, or edit codes for a column, or use a usage code of OMIT or ACROSS, the new total width of the report columns (in characters) appears after the colon.

If you use an edit code of G with DBCS data, each double-byte character counts as two positions. For more information about calculating the width of a column containing DBCS data, see *Using QMF*.

If you use the usage code ACROSS, the width appears as an algebraic expression of the form: $a + (N \times b)$.

a A constant value

N An unknown that stands for the number of sets of columns that are duplicated across the page, one set for each distinct value in the ACROSS column.

b The width of each group of columns

NUM **Reports:** This area shows the number of each column in the order in which it was selected by the query that was run. You cannot change this area, but you can change the order of your columns by using the SEQ entry area.

You can tell QMF which column you want to use as a substitution variable by using the column number. For example, &6 refers to the sixth column selected by the query, even though it might not appear in the sixth position of the report.

Usually, columns appear on the report from left to right in order by their sequence numbers. However, when you use BREAK, GROUP, or an aggregation function on FORM.MAIN or FORM.COLUMNS and specify YES for Automatic reordering of report columns? on FORM.OPTIONS, QMF automatically reorders the columns in a report.

With automatic column reordering, if you use one or more of the BREAK codes as a usage, the control columns are moved to the left of the report. They appear there in order by their BREAK code numbers.

Also, columns whose usage is one of the aggregating usages (AVERAGE, COUNT, FIRST, LAST, CALC*id*, MAXIMUM, MINIMUM, STDEV, SUM, CPCT, CSUM, PCT, TPCT, or TCPCT) are moved to the right of the report and appear there in order by their column numbers.

For more information about width and order of columns, see **C** *Report text line width* (page266) and **J** *Automatic reordering of report columns* (page270).

FORM.BREAK n

Use the FORM.BREAK n panels to make choices about the text and its placement for up to six breaks in a report. QMF places that text after its associated break in the report.

FORM.BREAK n does not affect charts.

Specify a break usage code in the USAGE entry area (**B**) on FORM.MAIN or FORM.COLUMNS opposite one of the column names (see pages 219 and 237). That column then becomes the *control column* and a break occurs in the report whenever the value in this control column changes.

When evaluating values in VARCHAR columns, QMF differentiates between a value padded with blanks or hexadecimal zeros and the same values without these trailing characters. Using FORM.BREAK n in such cases creates a break.

You can use the same level of break on multiple columns. In this case, a break occurs when a value changes in any one of those columns.

Area **I** on FORM.MAIN specifies footing text for BREAK1 and BREAK2 in a report and whether to start a new page each time the value in the control column changes. Whatever you specify in area **I** of FORM.MAIN is reflected on FORM.BREAK1 and FORM.BREAK2. What you specify on areas **H** and **N** on BREAK1 and BREAK2 is reflected on FORM.MAIN.

There are six FORM.BREAK n panels — one for each possible level of break. They are all the same, except for the panel title.

FORM.BREAK1

```

A New Page for Break?      ==> NO      B Repeat Detail Heading? ==> NO
C Blank Lines Before Heading ==> 0      D Blank Lines After Heading ==> 0
E LINE F ALIGN G BREAK1 HEADING TEXT
-----+-----1-----+-----2-----+-----3-----+-----4-----+-----5-----+
1      LEFT
2      LEFT
3      LEFT
      *** END ***

H New Page for Footing?    ==> NO      I Put Break Summary at Line ==> 1
J Blank Lines Before Footing ==> 0      K Blank Lines After Footing ==> 1
L LINE M ALIGN N BREAK1 FOOTING TEXT
-----+-----1-----+-----2-----+-----3-----+-----4-----+-----5-----+
1      RIGHT
2      RIGHT
3      RIGHT
      *** END ***

1=Help      2=Check      3=End      4=Show      5=Chart      6=Query
7=Backward  8=Forward  9=      10=Insert  11=Delete  12=Report
OK, FORM.BREAK1 is displayed.
COMMAND ==>                                SCROLL ==> PAGE

```

A New page for break?

Specify whether to begin a new page whenever the value in the control column for the break changes. This value affects printed and exported reports. It does not affect displayed reports. A new page is started if the report is not already at the top of the page.

Specifying YES for more than one break level can produce more pages than expected in your printed or exported report. This happens when multiple breaks occur at the same time.

If you specify two or more breaks and also specify YES for New page for break on each break, a page is generated for each specified break whenever the highest break level occurs. Multiple breaks frequently occur together, since the highest break level forces all lower break levels to occur. In particular, all breaks occur for the first row of data in a report.

B Repeat detail heading?

Specify whether the detail heading is to be repeated at the beginning of each new break level following the break heading text and before the detail block text.

In printed reports, if a break begins at the top of a page and you specify YES, only one set of detail headings appears.

Detail headings consist of the detail heading text specified on the FORM.DETAIL panel, plus column headings (unless you suppress column headings on the FORM.DETAIL panel). See “FORM.DETAIL” on page 251.

Specifying YES for Repeat Detail Headings on FORM.DETAIL overrides the specifications given here.

C Blank lines before heading

Enter the number of blank lines before the first line of the break heading text, if specified, or before the first break member line if there is no break heading text. The value can be any number from 0 through 999.

D Blank lines after heading

Enter the number of blank lines after the last line of the break heading text, if specified. This entry can be any number from 0 through 999.

E LINE

Identify the lines of break heading text and specify their position relative to themselves and to the line at which the break heading starts (as indicated in the Blank Lines Before Heading entry area). You can specify any number from 1 through 999 or a blank. If blank, QMF ignores any associated text.

The numbers you choose need not start with 1 or be consecutive.

For example, these values on FORM.BREAK1:

LINE	ALIGN	BREAK1 HEADING TEXT
3	LEFT	DEPARTMENT &4
2	LEFT	BEGINNING OF LISTING

display as:

```
BEGINNING OF LISTING
DEPARTMENT 35
```

Notice that a blank line appears before the first line of text.

F ALIGN

Specify where each line of the break heading text is to be placed horizontally in the report. You can place the lines anywhere in the width of the report. For an online report, the width is the width of the displayed report; for a printed report, the width is the page width.

Left Left-justifies the break heading text.

Right Right-justifies the break heading text.

Center

Centers the break heading text.

n Begins the break heading text in the *n*th position of the line. *n* can be any number from 1 through 999999.

Append

Attaches the line to the end of the previous line of break heading text. If append is used on the first line of break heading text, the line of text is left-justified.

The appended line of text must have the same LINE value as the line of text it is being appended to. If the report is not wide enough to accommodate the appended line of text, some of the text might be truncated.

For example, the following entries on FORM.BREAK1:

```
Blank Lines Before Heading ==> 0
LINE  ALIGN  BREAK1 HEADING TEXT
----  -
1     LEFT   DEPARTMENT
1     APPEND  &4
3     LEFT
```

align the columns in the resulting report as shown:

DEPT	COMM	JOB	SALARY
-----	-----	----	-----
DEPARTMENT 66			
66	55.50	CLERK	10988.00
	-	MGR	18555.50
	844.00	SALES	16858.20
	200.30	SALES	21000.00
	811.50	SALES	18674.50

		*	86076.20
DEPARTMENT 84			
84	188.00	CLERK	13030.50
	-	MGR	19818.00

G BREAK1 HEADING TEXT

Enter the heading text you want associated with the break. Every time the value in the break column changes, the text specified in this entry is displayed in the report. You can add up to 999 lines of break heading text using the INSERT command. Each line of text can be up to 55 characters long. You can add text to the line by using APPEND as the ALIGN value, or by specifying a specific horizontal position.

If your installation supports DBCS data, see “Names with double-byte characters” on page 308.

By default, break heading text extends from the left to the right margin of a report. However, you can choose the width of break heading text on the Report text line width entry on FORM.OPTIONS (see page264).

To make the break heading text appear in a report in uppercase and lowercase, specify in your profile a CASE value of either STRING or MIXED.

STRING

Displays break heading text as entered, but converts any other input to uppercase.

MIXED

Displays all input exactly as entered.

Break heading text can contain the following variables:

Global variables

Use SET GLOBAL to set variables for use in break heading text. See “SET GLOBAL” on page 142 for details about this command.

&n *n* is a number that represents the current row in column *n* on the form used for this report. Column *n* is not necessarily the *n*th column that you see in a report. It is the *n*th column listed on FORM.MAIN and FORM.COLUMNS. For example, this break heading text:

```
BEGINNING OF DEPARTMENT &3
```

might display this line on a report:

```
BEGINNING OF DEPARTMENT 38
```

The following variables can also be used with DATE, TIME, and TIMESTAMP values in break heading text:

&DATE

The current date is formatted according to the installation default, which reflects one of the following date formats:

- USA (United States of America)
- EUR (European)
- ISO (International Standards Organization)
- JIS (Japanese Industrial Standard)
- An alternative date format supplied by your installation

&TIME

The current time is formatted according to the installation default, which reflects one of the formats listed under &DATE.

&PAGE

The page number is printed on each page when the report is formatted.

If a page in a report is wider than either the printer width or the default printing width specified in your PROFILE, QMF splits the page. It gives all parts of the split page the same page number, but with subscripts. (If you are using DBCS data and QMF splits the page, printing resumes on the second and subsequent pages of the report at the fourth byte position from the left side of the page.)

&ROW

The number of the first data row within the current break level is printed or displayed in your report.

H New page for footing?

Specify whether to begin a new page (if the report is printed) before displaying any break footing text specified. A new page is started if the report is not already at the top of the page.

I Put break summary at line

Specify whether the break summary is to be formatted, and, if so, where it is to be placed in relation to the lines of break footing text. The value for this entry can be any number from 1 through 999 or the word NONE (*no* break summary).

J Blank lines before footing

Specify the number of blank lines before the first line of break footing. This entry can be any number from 0 through 999 or the word BOTTOM.

K Blank lines after footing

Specify the number of blank lines after the last line of the break footing text. The value for this entry can be any number from 0 through 999.

If you specify a break *and* you have a column-wrapped column with a usage code of FIRST, LAST, MIN, or MAX, you might need to increase the value in this field to see all the wrapped lines in the break summary. For information on column wrapping, see the CW entry in "Edit Codes for Character Data" on page 296.

L LINE

Identify the lines of break footing text and specify their position relative to themselves and to the line at which the break footing starts (as indicated in the *Blank Lines Before Footing* entry area). You can specify any number from 1 through 999 or a blank. A blank ignores any associated text.

The numbers you choose need not start with 1 or be consecutive.

For example, these values on FORM.BREAK1:

LINE	ALIGN	BREAK1 FOOTING TEXT
3	LEFT	DEPARTMENT &4
2	LEFT	END OF LISTING

Display as:

```
END OF LISTING
DEPARTMENT 35
```

M ALIGN

Specify where each line of the break footing text is to be placed horizontally in the report. For breaks without break summaries, you can place the lines of break footing text anywhere in the width of the report. The width of the report is shown at the top of FORM.MAIN.

For breaks with break summaries created with usage codes (except OMIT, BREAKn, GROUP, or ACROSS), QMF places the lines of break footing text anywhere from the left margin to the beginning of the indent area associated with the leftmost column of summary data.

Left Left-justifies the break footing text.

Right Right-justifies the break footing text.

Center Centers the break footing text.

n Begins the break footing text in the *n*th position of the line. *n* can be any number from 1 through 999999.

Append

Positions the line at the end of the previous line of break footing text. If APPEND is used for a line of text that is not appended to another line, the line of text is left-justified.

The appended line of text must have the same LINE value as the line of text it is being appended to. If the report is not wide enough to accommodate the appended line of text, some of the text might be truncated.

For example, the following entries on FORM.BREAK1:

LINE	ALIGN	BREAK1 FOOTING TEXT
1	RIGHT	TOTAL
1	APPEND	SALARIES--DEPT. &4;
3	RIGHT	
4	RIGHT	
5	RIGHT	

align columns as shown in the resulting report.

DEPT	COMM	JOB	SALARY
66	55.50	CLERK	10988.00
	-	MGR	18555.50
	844.00	SALES	16858.20
	200.30	SALES	21000.00
	811.50	SALES	18674.50
TOTAL SALARIES--DEPT. 66			86076.20
84	188.00	CLERK	13030.50
	-	MGR	19818.00
	806.10	SALES	15454.50
	1285.00	SALES	17844.00
TOTAL SALARIES--DEPT. 84			66147.00

N BREAK1 FOOTING TEXT

Enter the footing text you want associated with the break. Every time the value in the break column changes, the text specified in this entry is displayed in the report. You can add up to 999 lines of break footing text using the INSERT command. Each line of text can be up to 55 characters long. You can add text to the line by using APPEND as the ALIGN value, or by specifying a specific horizontal position.

If your installation supports DBCS data, see “Names with double-byte characters” on page 308.

By default, break footing text extends from the left margin of a report either to the beginning of the break summary data (if any), or to the right margin of a report. However, you can choose the width of break footing text on the Report text line width entry on FORM.OPTIONS (see page264).

To make the break footing text appear in a report in uppercase and lowercase, specify in your profile a CASE value of either STRING or MIXED.

STRING

Displays break footing text as entered, but converts any other input to uppercase.

MIXED

Displays all input exactly as entered.

Break footing text can contain the following variables:

Global variables

Use SET GLOBAL to set variables for use in break footing text. See “SET GLOBAL” on page 142 for details.

&n *n* is a number that stands for the most current value in column *n* on the form used for this report. Column *n* is not necessarily the *n*th column that you see in a report. It is the *n*th column selected from the database, or the *n*th column listed on FORM.MAIN and FORM.COLUMNS.

For example, this break footing text:

```
END OF DEPARTMENT &3
```

Might display this line on a report:

```
END OF DEPARTMENT 38
```

&COUNT

The number of rows retrieved or printed since the last break at the same level. This value increases from data row to data row.

&ROW

The number of the last data row is printed or displayed in your report.

&CALCid

Calculated value

&DATE

The current date

&TIME

The current time

&PAGE

The current page number

For a description of &CALCid, see “FORM.CALC” on page 232.

For descriptions of &DATE, &TIME, and &PAGE, see page 227 under *BREAK1 HEADING TEXT*.

&an *n* is a valid column number and *a* is one of the following QMF aggregation functions: AVG, COUNT, CPCT, CSUM, FIRST, LAST, MAX, MIN, PCT, STDEV, SUM, TCPCT, TPCT. The values of the aggregations are based on running values within the current break level.

For example, assume the fourth column of the report contains salaries and you want to summarize the salaries in each group in break footing text.

Write in the BREAK1 FOOTING TEXT:

```
TOTAL SALARY FOR DEPARTMENT &3 IS &SUM4
```

FORM.BREAKn

For example, the resulting line of break footing text in the report would be:

```
TOTAL SALARY FOR DEPARTMENT 38 IS $77,285.55
```

If you specify the aggregation variable in break footing text, you need not specify that same aggregation as the usage for that column. However, the aggregation must be compatible with the edit code and data type of the column. For example, you cannot specify &SUM3 in your final text if the data in column 3 has a character edit code.

If you use an aggregation variable with percent (PCT, TPCT, or TCPCT) in break footing text, and if you associate it with a column that has a D edit code, QMF formats the percent value as if it had an L edit code. Likewise, if you use the aggregation variable standard deviation and associate it with a column that has a P or a D edit code, QMF formats the standard deviation as if it had an L edit code.

For more information, see the L code under “Edit Codes for Numeric Data” on page 298 and “Variables Used in Forms” on page 304.

FORM.CALC

Note to CICS users

FORM.CALC uses expressions written in REXX, which is not available in CICS.

On the FORM.CALC panel you can enter expressions for report calculations. It initially contains only one row, a place for one expression. However, up to 998 additional rows can be inserted.

Each entry area is described in terms of its effect on reports. FORM.CALC does not affect charts.

FORM.CALC					
A	B	C	D	E	
ID	CALCULATION EXPRESSION	PASS NULLS?	For &CALCid WIDTH	EDIT	
-----		-----	-----	-----	
		NO	10	C	
*** END ***					
1=Help	2=Check	3=End	4=Show	5=Chart	6=Query
7=Backward	8=Forward	9=	10=Insert	11=Delete	12=Report
OK, Cursor positioned.					
COMMAND ==>				SCROLL ==> PAGE	

A ID

Enter a one to three character identifier for the corresponding calculation expression. The identifier is any number from 1 through 999. When appended to the usage code *CALCid* (see “Usage Codes” on page 287) or the *&CALC* variable (*&CALCid*), it identifies which expression on FORM.CALC is to be used in a calculation.

The *&CALCid* variable can be used only in detail block text, final text, and break footing text. *CALCid* and *&CALCid* activate the evaluation of the calculation expression on FORM.CALC whose ID equals *id*.

For an *&CALC* variable, the evaluated result is edited according to the width and edit code specified for the expression in the FORM.CALC panel (subject to the special factors described in “Summary of Editing Expressions” on page 236). For a *CALCid* usage code, the evaluated result is edited according to the width of the columns and the edit code of the CALC.

B CALCULATION EXPRESSION

Enter an expression. It can contain up to 50 characters. You cannot execute QMF commands (using the callable or command interfaces) from within a REXX EXEC used in FORM.CALC.

Other than *&CALCid*, any valid form variable can be used in the expressions. The following variables are valid:

Global variables

Use SET GLOBAL to set variables for use in calculation expressions. See “SET GLOBAL” on page 142 for details about this command.

Column variables: &n

n is a column number.

Aggregation variables: &an

n is a valid column number, and *a* is one of the following

QMF aggregation functions: AVG, COUNT, CPCT, CSUM, FIRST, LAST, MAX, MIN, PCT, STDEV, SUM, TCPCT, TPCT.

&ROW

Print the number of the data row at the time the calculation is evaluated. The &ROW variable is replaced just before the &CALC*id* variable or CALC usage code is evaluated.

&COUNT

Row count

&DATE

The current date

&TIME

The current time

&PAGE

The current page (always 1 for displayed reports)

For a description of &COUNT, see page 231 under *BREAK1 FOOTING TEXT*.

For descriptions of &DATE, &TIME, and &PAGE, see page 227 under *BREAK1 HEADING TEXT*.

When an expression is entered, its variables are validated. Column variables are checked for valid column numbers and for compatible usages or edit codes or both. For example, if the sixth column has an edit code of C and the expression uses &SUM6, an error exists and a message is issued.

Be sure to use substitution variables that are compatible with the expression. QMF does not check for nonnumeric substitution variables in an arithmetic expression.

If you encounter a syntax error on the expression, you must correct it either in the REXX exec itself or in the REXX expression. Be sure to follow the REXX coding rules.

For example, you include in the expression an exec name that does not exist. After you correct the exec name or create the exec, show F.CALC and make any necessary modifications. If you do not need to make any other changes, retype one of the characters in the expression. Doing this causes QMF to validate the variables again to ensure you have built your form correctly. If you do not revalidate your form, you might get unpredictable results.

C PASS NULLS

Enter YES or NO.

YES Allows you to use the following QMF-provided values to change the default handling in the corresponding situations:

Value Situation

DSQNULL

Data is null

DSQUNDEF

Data is undefined

DSQOFLOW

Data has numeric overflow

DSQNOINS

Data has no instance

DSQNOREL

Data has no relationship

For example, any database variable that is null (a database null) is replaced with the character string DSQNULL before the expression is passed to REXX for evaluation. You can provide a REXX expression or EXEC that checks for the string and substitutes 0 (or whatever is appropriate for your purpose) for the database null.

If a null value is returned by the REXX expression, you can pass it to your report.

If the expression contains a substitution value that is null, undefined, overflow, has no instance or no relationship, then the entire expression will be set to that value that represents that condition. This expression reduction is performed only on expressions, not comparisons.

If the expression contains more than one substitution value that is null, undefined, overflow, has no instance or no relationship, then the following order of precedence will be used for expression reduction:

1. Undefined
2. Overflow
3. Null
4. No instance
5. No relationship

If a null value is returned by the REXX expression, you can pass it to your report.

For more information see the “@IF function” on page 208.

FORM.CALC

NO Returns a null for the values listed above. Nothing is passed to REXX for evaluation.

D WIDTH

Enter the width (in single-byte characters) to which the evaluated result of the corresponding expression is edited in report text. It is applicable only to results obtained for `&CALCid` variables. If the `CALCid` usage cannot be edited according to the edit code for the column, the edit code of the `CALCid` is used.

WIDTH is a five character entry field. It must contain a number from 1 through 32767. The default is 10.

E EDIT

Enter the edit code to be used when the evaluated result of the corresponding expression is edited in report text. It is applicable only to results obtained for `&CALCid` variables. Results of `CALCid` usages are edited using the edit code specified for the column on FORM.MAIN or FORM.COLUMNS.

EDIT is a five character field. The default is C for character data when a line is inserted in FORM.COLUMNS. Only the following edit codes are accepted:

- **Numeric**

D E I J K L P

You can use optional suffixes with these numeric edit codes. Z is an optional suffix for all numeric edit codes and can be used to suppress zero values. C is an optional suffix for the **D** edit code and causes QMF to use a currency symbol specified with the global variable DSQDC_CURRENCY instead of the default currency symbol. You can add a decimal scale value from 0 to 99 to any numeric edit code except E.

- **Character**

C Character editing (default)

- **User-defined**

Uxxxx, Vxxxx

User edit codes for numeric or character editing.

Summary of Editing Expressions

Table 8, following, summarizes the results returned when an edit code is applied to an expression. For details on edit codes for calculations, see “Edit Codes” on page 296.

Table 8. Edit code summary

Result from User Expression	Applicable Edit Code	Edited Result	
Numeric	Numeric	Edited according to edit code	
	Nonnumeric	Character representation of result edited according to edit code	
	Uxxxx, Vxxxx	As edited by user edit routine (expression result for Uxxxx is passed to routine as extended floating point data)	
Nonnumeric	Numeric	As if C (character)	
	Nonnumeric	Cxx	Character
		Uxxxx, Vxxxx	As edited by user edit routing

Note: In COBOL, a long floating point format for the first eight bytes of numeric data should provide sufficient accuracy. If not, use the Vxxxx edit code for maximum accuracy.

FORM.COLUMNS

Use FORM.COLUMNS to make choices about the uses of the columns. What you specify on FORM.COLUMNS is reflected on FORM.MAIN. Conversely, what you specify on FORM.MAIN (areas **A** through **F**) is reflected on FORM.COLUMNS.

```

FORM.COLUMNS
COLUMNS:                Total Width of Report Columns: 66
      A                   B   C   D   E   F
NUM  COLUMN HEADING      USAGE  INDENT  WIDTH  EDIT  SEQ
-----
1    ID                   2      6      L      1
2    NAME                  2      9      C      2
3    DEPT                  2      6      L      3
4    JOB                   2      5      C      4
5    YEARS                 2      6      L      5
6    SALARY                2     10     L2     6
7    COMM                  2     10     L2     7
8    Total Earnings       2     12     L2     8
*** END ***

1=Help      2=Check      3=End      4=Show      5=Chart      6=Query
7=Backward  8=Forward     9=Specify 10=Insert   11=Delete   12=Report
OK, FORM.COLUMNS is displayed.
COMMAND ==>                                SCROLL ==> PAGE
    
```

A COLUMN HEADING

Reports: Assign column headings. On the default form, column headings can be any of the following:

- The label assigned to the column (if your installation uses labels)

FORM.COLUMNS

- The name of the column in the table from which it was selected
- A heading constructed by QMF for columns of constants or calculated values

If your installation supports DBCS data, see “Names with double-byte characters” on page 308.

You can enter any new heading of up to 40 characters over a heading shown in the COLUMN HEADING area. The heading, like the original column name, can contain blanks or special characters; of these, the underscore character (_) is reserved for multiple-line headings.

To create multiple-line headings, use an underscore in a column heading to specify a break between lines. For example:

EMPLOYEE_NAME displays as: EMPLOYEE NAME

A single underscore before or after an entire column heading has no effect. For example, _EMPLOYEE NAME does not add a blank line. However, consecutive underscores within text produce one or more blank lines in a column title. You can have up to nine lines in a column heading.

For example, these two column names:

```
1 ONE_TWO_THREE_FOUR_FIVE_SIX_SEVEN
2 SIX_ _LINE_ _ _TITLE
```

Display as:

```
ONE          SIX
TWO
THREE       LINE
FOUR
FIVE
SIX         TITLE
SEVEN
```

If you are using double-byte characters in column headings, you can specify a break between lines if the underscore you use is a single-byte character.

To create column headings in uppercase and lowercase, specify in your PROFILE a CASE value of either STRING or MIXED.

STRING

Displays column heading text as entered, but converts any other input to uppercase.

MIXED

Displays all input exactly as entered.

Headings are aligned (justified) to the left over a column of character data, and to the right over a column of numeric data. If there is more than one line in the heading, the longest line is justified, and shorter lines are centered within the longest line. You can override these defaults by entering a new alignment value. See “Column alignment” on page 244 for more information.

If any line of a heading is longer than the width of the column, it fills the whole width of the column and is cut off on the right.

Global variable substitution is not performed for column headings.

Charts: Most of the preceding information on how changes to COLUMN HEADING affect reports is also true for charts. Column headings for data plotted on the Y-axis appear in the legend of a chart. Therefore, you probably want these column headings to be as concise as possible, or the legend will take up too much space on the chart.

B USAGE

Reports: Specify how you want a column processed for a report. If the usage code for a column is blank, the values in the column are listed with no other processing unless one or more columns in the report has a usage of GROUP and at least one column has an aggregation usage. In that case, blank columns are omitted. A number of aggregation functions, listed in Table 9, can be entered in the area.

Table 9. Aggregation functions

Aggregation	Usage Code	Minimum Abbreviation	Page
Across	ACROSS	AC	287
Average	AVERAGE (or AVG)	AV	288
Break1	BREAK, BREAK1	B, B1	223
Break1x	BREAKX, BREAK1X	BX, B1X	223
Break2	BREAK2	B2	223
Break2x	BREAK2X	B2X	223
Break3	BREAK3	B3	223
Break3x	BREAK3X	B3X	223
Break4	BREAK4	B4	223
Break4x	BREAK4X	B4X	223
Break5	BREAK5	B5	223

Table 9. Aggregation functions (continued)

Aggregation	Usage Code	Minimum Abbreviation	Page
Break5x	BREAK5X	B5X	223
Break6	BREAK6	B6	223
Break6x	BREAK6X	B6X	223
Calculate	CALC <i>id</i>	CA	232
Count	COUNT	CO	288
Cumulative percent	CPCT	CP	289
Cumulative sum	CSUM	CS	289
First	FIRST	F	288
Group	GROUP	G	294
Last	LAST	L	288
Maximum	MAXIMUM	MA	288
Minimum	MINIMUM	MI	288
Omit	OMIT	O	295
Percent	PCT	P	289
Standard deviation	STDEV	ST	288
Sum	SUM	SU	288
Total cumulative percent	TCPCT	TC	289
Total percent	TPCT	TP	289

C INDENT

Reports: Specify the number of blank spaces to the left of a column. The blank spaces separate the column from the previous column or from the left margin. INDENT can be any number from 0 through 999. For columns using a graphic edit code, the minimum indent is 1. The default INDENT for each column is 2.

INDENT is always specified in single-byte characters.

D WIDTH

Reports: Specify the number of character positions reserved for displaying data from a column, or the column heading. WIDTH can be any number from 1 through 32,767.

If the column you are displaying uses a graphic edit code, the width can be any number from 1 through 16,383. For more information about how to calculate the width of a column containing DBCS data, see the *Using QMF* manual.

For a column that uses a graphic edit code, the width of the column, when displayed or printed, is twice the column width, plus one character space.

When assigning a width for numeric data, include space for the following characters as well as for digits:

- A minus sign (except with edit code J)
- A decimal point (when edit codes specify them)
- Separators for groups of thousands (with edit codes D, K, and P)
- A currency symbol (with edit code D)
- A percent sign (with edit code P)

If the length of a value to be displayed exceeds the width of the column:

- If it is numeric data, it is replaced with a row of asterisks (*****)

In some cases, you can avoid a numeric overflow by using a different data type. For example, in an arithmetic operation, if all operands are decimal numbers and an overflow occurs, you can change at least one operand to a floating point number. In this example, the operand can be a floating point constant or a floating point table column.

- If it is character, date, time, or timestamp data, it is cut off at the right or left (depending on the alignment specified for the data)

Resolve column width problems by changing WIDTH and displaying the report again. Alternatively, you can tell QMF to keep the column width the same, but to wrap data that will not fit on a line to the next line in the column. Column wrapping applies only to nonnumeric data. For more information about column wrapping, see “Edit Codes” on page 296.

The width of a column on the default form is at least as great as the longest line in the column heading. Otherwise, the assigned width depends on the data type of the column, as shown in Table 10.

Table 10. Default width of data types

Data Type	Width on Default Form
SMALLINT	6
INTEGER	11
DECIMAL	The width of the column in the database, plus 3 character spaces.
FLOAT	10
CHAR	The width of the column in the database.

FORM.COLUMNS

Table 10. Default width of data types (continued)

Data Type	Width on Default Form
VARCHAR	The maximum width of the column in the database.
LONG VARCHAR	The smaller of: <ul style="list-style-type: none">• The column width• A width determined by QMF, based on the quantity and type of other columns in the report
GRAPHIC	The width of the column in the database.
VARGRAPHIC	The width of the column in the database.
LONG VARGRAPHIC	The smaller of: <ul style="list-style-type: none">• The column width.• A width determined by QMF, based on the quantity and type of other columns in the report.
DATE	10, or if your date format is locally defined by your installation, the larger of: <ul style="list-style-type: none">• The width of the column heading• The width of the locally defined date format
TIME	8, or if your time format is locally defined by your installation, the larger of: <ul style="list-style-type: none">• The width of the column heading• The width of the locally defined time format
TIMESTAMP	26

When inserting a line on FORM.COLUMNS, the default width is 10.

For single-precision floating point data, values with a data type of FLOAT are treated the same for single-precision or double-precision.

Charts: Specify the number of character positions for labels on the X-axis of a chart.

If the width exceeds the allotted space, the labels might be omitted. Truncating the width of column headings is one way to handle the problem of omitted labels. When labels are truncated, more fit in the allotted space.

Single-precision floating point data is treated the same as double-precision floating point data for chart formatting.

Values from columns with DATE, TIME, and TIMESTAMP data types, (treated as character strings) cannot appear on the Y-axis.

E EDIT

Reports: Specify how QMF formats data for display. The default is C when inserting a line in FORM.COLUMNS.

Charts: The X-axis labels come from columns using GROUP or BREAK (or from the leftmost column of the report when there is no GROUP or BREAK). The effect that edit codes have on the data in those columns appears in the X-axis labels. For example, if data selected for the X-axis is column wrapped, only the first line is incorporated into the labels.

Also, numeric columns that are edited with Uxxxx or Vxxxx cannot be used for Y data.

Finally, when column substitution values (*amp;n*) are used in the page heading (and therefore, in the chart heading), they are edited according to the edit code for that column in the form.

Table 11 lists the edit codes that can be specified for each data type and the page that contains more information.

Table 11. Edit Codes for Data Types

Data Type	Edit Codes	Page
Character	C CDx CW CT X B XW BW Uxxxx Vxxxx	296
Graphic	G Uxxxx GW Vxxxx	298
Numeric	E<Z> D<Z><C> I<Z> J<Z> K<Z> L<Z> P<Z> Uxxxx Vxxxx	298
DATE	TDYx C TDMx CW TDDx CT TDYAx CDx TDMAx Uxxxx TDDAx Vxxxx TDL	300
TIME	TTSx C TTCx CW TTAx CT TTAN CDx TTUx Uxxxx TTL Vxxxx	301

FORM.COLUMNS

Table 11. Edit Codes for Data Types (continued)

Data Type	Edit Codes	Page
TIMESTAMP	TSI CDx C Uxxxx CW Vxxxx CT	302

You can use character edit codes with DATE, TIME, and TIMESTAMP columns to allow wrapping of those columns.

F SEQ

Reports: Enter numbers in this column to change the sequence of the columns in your report. Initial settings are the same as for the NUM column. Any numbers from 1 through 999 are allowed. If two numbers are the same, those columns appear in the same order they are listed on the form. The Automatic reordering of report columns option on the FORM.OPTIONS panel must be set to NO (the default) for SEQ to have an effect on column reordering.

When variables are resolved, the column number is taken from NUM, not SEQ.

SEQ numbers are ignored in ACROSS reports.

Specifying column attributes

Using the SPECIFY command, you can change the alignment of a column heading or the data within a column, or you can define a column. There are two ways to access the alignment and definition panels.

- Press the Specify function key to display the Specify panel, then choose Alignment or Definition.
- Enter SPECIFY alignment or SPECIFY definition (or a valid abbreviation) on the command line, then move the cursor to the desired column and press Enter. This bypasses the Specify panel and takes you directly to the Alignment or Definition window.

Column alignment

If you specify alignment, a small panel overlays the FORM.COLUMNS panel showing the alignment specifications for the column you chose. For example:

```

                Alignment
Column number   :      3
Column Heading : DEPT_HEADING_CAN_BE UP TO_40 CHARS LONG!

Heading alignment : [DEFAULT ]
Data alignment   : [LEFT   ]

```

F1=Help F5=Previous Column F6=Next Column F12=Cancel

Choices for heading and data alignment are LEFT, RIGHT, CENTER, and DEFAULT. The default for the heading and data of a column containing character data is right-justified, while the default for the heading and data of a column containing numeric data is left-justified.

To change an alignment value, type the new value over the current value. Use the tab key to move between the heading and data alignment entry fields. from one column alignment specification to another.

Column alignment applies mainly to tabular data. However, if you use **_B** with a substitution variable, the data is aligned as follows:

1. The data is edited according to the edit code and width of the column.
2. If the alignment is not DEFAULT, leading and trailing blanks are removed.
3. The value is aligned according to the specified alignment value.
 - If the data is character, trailing blanks are removed.
 - If the data is numeric, leading blanks are removed.
 - If **&_B** is used, no blanks are removed.

In tabular reports, leading and trailing blanks are removed if the value for data alignment is LEFT, RIGHT, or CENTER. The blanks are not removed if the data alignment value is DEFAULT.

If you are using edited character data with leading blanks, or edited numeric data with trailing blanks, the blanks are not removed regardless of the alignment value.

Column definition

Note to CICS users

Column definition is not available in CICS, because its function depends on REXX.

FORM.COLUMNS

Column definition allows you to define a new column of data using an expression. There are some differences between columns retrieved by a query and columns you define. The main difference is in the data type and length assigned to user-defined columns.

When you define a column, you are prompted to enter an expression to define the column and whether null values should be included when REXX evaluates the expression. QMF determines the data type and column length based on the edit code and column width specified for that column on FORM.COLUMNS. However, if you use a usage code for the defined column that does not agree with the edit code for the column, the usage code determines the data type.

Another difference between user-defined columns and those retrieved from the database is that values for user-defined columns are not retained when the data is saved or exported.

Column wrapping can also appear to work differently for defined columns.

- If the data for a defined column is less than 254 bytes, there is no apparent difference in how column wrapping works.
- If the data for a defined column is greater than 254 bytes and the column width is 254 or less, the data is wrapped up to and including the 254th byte, but the remainder of the data is truncated.
- If the data for a defined column is greater than 254 bytes and the column width is 255 or more, the data is wrapped at the width of the column.

A LONG VARCHAR column can only have a usage code of OMIT (or be left blank).

When you specify Definition from FORM.COLUMNS, a panel is displayed where you can enter an expression (up to 50 characters) defining your new column. For example:

Definition

Column number : 8
Column Heading: Total Earnings

Type an expression to define this column.
Expression [toearn(&6 &7)]
Pass Nulls? [YES]

F1=Help F5=Previous Column F6=Next Column
F10=Previous Definition F11=Next Definition F12=Cancel

You can define the new column in terms of:

- A character or numeric constant
- The following form variables (see page 227 under *BREAK1 HEADING TEXT* for general descriptions of QMF form variables):
 - &n
 - &DATE
 - &TIME
 - &ROW
 - Any global variable conforming to the constraints described in “SET GLOBAL” on page 142
- A valid REXX expression or function
- An expression involving any of the above

If you include a REXX expression in your column definition, you might receive unexpected results if the value returned by REXX is longer than 32,767 characters.

Use the Previous and Next function keys to move from one column definition panel to another.

PASS NULLS: If the PASS NULLS question is answered YES, you can use the following QMF-provided values to change the default handling in the corresponding situations:

Value Situation

DSQNULL

Data is null

DSQUNDEF

Data is undefined

DSQOFLOW

Data has numeric overflow

DSQNOINS

Data has no instance

DSQNOREL

Data has no relationship

For example, any database variable that is null (a database null) is replaced with the character string DSQNULL before the expression is passed to REXX for evaluation. You can provide a REXX expression or exec that checks for the string and substitutes 0 (or whatever is appropriate for your purpose) for the database null.

FORM.COLUMNS

If a null value is returned by the REXX expression, you can pass it to your report.

If PASS NULLS is set to YES and the expression contains a substitution variable that is null, undefined, overflow, has no instance or no relationship, then the entire expression will be set to the value that represents that condition. This expression reduction is performed only on expressions, not comparisons. For more information, see the “@IF function” on page 208.

If the PASS NULLS answer is NO, a null is returned for the values listed above. Nothing is passed to REXX for evaluation.

Edit codes and data types

QMF determines the data type and column length of a defined column based on the edit code and column width specified for that column on the FORM.COLUMNS panel. Table 12, following, summarizes the results.

Table 12. Edit codes and data types

Edit Code	Data Type	
	Column width <=254	Column width >=255
Character (C, CW, CT, CDx, B, BW, X, XW)	VARCHAR (max. length=254)	LONG VARCHAR (max. length=32767)
Numeric (D, E, I, J, K, L, P)	Numeric - Extended floating point	
U and V user edit codes (no numeric usage)	VARCHAR (max. length=254)	LONG VARCHAR (max. length=32767)
U and V user edit codes (at least one numeric usage)	Numeric - Extended floating point	

SQL/DS and DB2 databases do not support an extended floating point data type. Therefore, you might find it advantageous to define a numeric column as extended floating point, for example, when working with data that would ordinarily cause an overflow condition if it were used as a database data type (such as DECIMAL or INTEGER).

Printing considerations

When you print a FORM, the column definition and alignment information are printed on a page following the FORM.COLUMNS instead of the Specify Alignment and Specify Definition windows that appear on your screen. The NUM field is repeated with the column definition and alignments. For example:

```

1
FORM.COLUMNS                                FORM:

NUM      HEADING  DATA      PASS
ALIGN    ALIGN   DEFINITION  NULLS?
-----
1  DEFAULT  DEFAULT    NO
2  CENTER   CENTER     NO
3  DEFAULT  DEFAULT    NO
4  LEFT     DEFAULT    NO
5  DEFAULT  DEFAULT    NO
6  DEFAULT  DEFAULT    NO
7  DEFAULT  DEFAULT    NO
8  RIGHT    RIGHT      &6 + &7    NO
9  DEFAULT  DEFAULT    (&6 + &7) * &5  NO
*** END ***

05/05/91  11:10 AM                                PAGE  3

```

FORM.CONDITIONS

Note to CICS users

FORM.CONDITIONS uses expressions written in REXX, which is not supported in CICS.

Use FORM.CONDITIONS to enter expressions for conditional formatting. Conditional formatting allows you to create expressions that determine when the formatting variations specified in FORM.DETAIL appear.

You can use conditional formatting to specify detail text for grouped data. The condition is evaluated using data from the first row of the group. If the condition evaluates to true, the detail text for that variation is printed. If the condition evaluates to false, the detail text for that variation is not printed for that group.

FORM.CONDITIONS

```
FORM.CONDITIONS

A          B                                     C
ID          CONDITIONAL EXPRESSION                PASS
-----
                                         NULLS?
                                         -----
                                         NO

          *** END ***

1=Help      2=Check    3=End      4=Show    5=Chart    6=Query
7=Backward  8=Forward   9=        10=Insert 11=Delete  12=Report
OK, FORM.CONDITIONS is displayed.
COMMAND ==>>>                                SCROLL ==>>> PAGE
```

A ID

Enter a one to three character identifier for the corresponding conditional expression. The identifier is any number from 1 through 999. When appended to the C selection code in the **N** Select Panel Variation? of the FORM.DETAILED panel (page 258), it identifies which expression in FORM.CONDITIONS determines whether the detail variation gets formatted.

B CONDITIONAL EXPRESSION

Enter a valid REXX expression. The difference between an expression in FORM.CALC and in FORM.CONDITIONS is that a condition results in a value of either true or false. An expression evaluating to 1 is true; an expression evaluating to anything else is assumed to be false. Nonnumeric data, including blanks and nulls, are assumed to be false. You can use any valid global variables in conditional expressions. However, the only QMF form variables you can use in conditional expressions are &ROW, &DATE, &TIME, and amp;n

For more information, see "Using REXX with QMF forms" on page 280.

C PASS NULLS

Enter YES or NO.

YES Allows you to use the following QMF-provided values to change the default handling in the corresponding situations:

Value Situation

DSQNULL

Data is null

DSQUNDEF

Data is undefined

DSQOFLOW

Data has numeric overflow

DSQNOINS

Data has no instance

DSQNOREL

Data has no relationship

For example, any database variable that is null (a database null) is replaced with the character string DSQNULL before the expression is passed to REXX for evaluation. You can provide a REXX expression or exec that checks for the string and substitutes 0 (or whatever is appropriate for your purpose) for the database null.

If the expression contains a substitution value that is null, undefined, overflow, has no instance or no relationship, then the entire expression will be set to that value that represents that condition. This expression reduction is performed only on expressions, not comparisons.

If the expression contains more than one substitution value that is null, undefined, overflow, has no instance or no relationship, then the following order of precedence will be used for expression reduction:

1. Undefined
2. Overflow
3. Null
4. No instance
5. No relationship

If a null value is returned by the REXX expression, you can pass it to your report.

For more information see the “@IF function” on page 208.

NO Returns a null for the values listed above. Nothing is passed to REXX for evaluation.

FORM.DETAIL

Use FORM.DETAIL to:

- Specify text to precede column headings.
- Combine tabular data with text.
- Omit tabular data and show data values entirely as text.

FORM.DETAIL

FORM.DETAIL consists of detail variations that you define. You can create up to 99 variations, and each variation can correspond to conditions entered on FORM.CONDITIONS. Unless each condition is mutually exclusive, different detail variations can be displayed for the same data row.

FORM.DETAIL does not affect charts.

```
FORM.DETAIL A VAR 1 of 1

B Include Column Headings with Detail Heading? ==> YES
C LINE D ALIGN E DETAIL HEADING TEXT
----+-----1-----2-----3-----4-----5-----+
1 LEFT
2 LEFT
*** END ***

F New Page for Detail Block? ==> NO G Repeat Detail Heading? ==> NO
H Keep Block on Page? ==> NO I Blank Lines After Block ==> 0
J Put Tabular Data at Line (Enter 1-999 or NONE) ==> 1
K LINE L ALIGN M DETAIL BLOCK TEXT
----+-----1-----2-----3-----4-----5-----+
1 LEFT
2 LEFT
*** END ***

N Select Panel Variation? ==> YES

1=Help 2=Check 3=End 4=Show 5=Chart 6=Query
7=Backward 8=Forward 9= 10=Insert 11=Delete 12=Report
OK, FORM.DETAIL is displayed.
COMMAND ==> SCROLL ==> PAGE
```

A VAR 1 of 1

The first number represents the current panel variation, and the second represents the total number of variation panels (maximum is 99). The default form displays VAR 1 of 1.

You can create a new detail variation by entering a value one greater than the total number of variation panels over the current panel variation value. New panels must be added sequentially.

You can navigate to existing panel variations by entering the identifying value over the current panel variation value. You can also display different panel variations by entering the NEXT and PREVIOUS commands on the command line. (See "NEXT" on page 100 and "PREVIOUS" on page 101 for more information.)

Sections B through E specify text to be followed in a report by column headings specified on FORM.COLUMNS.

B Include column headings with detail heading?

- YES** Column headings become part of the detail headings. The resulting detail heading is repeated whenever requested on BREAK panels or in **G** *Repeat Detail Heading?* (page255).
- NO** Column headings are suppressed.

C LINE

Identify lines of detail heading text and their relative positions. Any number of lines can be specified. The line numbers can be any number from 1 through 999 or blank.

If you use the same LINE value for more than one line, those lines are joined according to the ALIGN value for the additional line or lines. Lines with the same LINE value overlay each other if they are longer than the report width, or if their ALIGN values conflict.

D ALIGN

Specify where each line of detail heading text is to be placed horizontally in the report. You can place the lines anywhere within the width of the report.

Left Left-justifies the detail heading text.

Right Right-justifies the detail heading text.

Center

Centers the detail heading text.

n Begins the detail heading text in the *n*th position of the line. *n* can be any number from 1 through 999999.

Append

If APPEND is used for a line of text that is not appended to another line, the line of text is left-justified.

The previous line of text and the appended line of text must have the same LINE value if they are to be placed on the same line. If the report is not wide enough to accommodate the appended line of text, some of the text might be truncated.

E DETAIL HEADING TEXT

Specify the detail heading text. You can add up to 999 lines of text using the INSERT command. Each line of text can be up to 55 characters long. You can add text to the line by using APPEND as the ALIGN value, or by specifying a specific horizontal position.

If your installation supports DBCS data, see “Names with double-byte characters” on page 308.

Detail heading text always precedes column headings in a report. Detail headings consist of detail heading text, column headings, or both. Unless omitted, detail heading text and column headings constitute detail headings.

By default, a detail heading can extend from the left margin to the right margin of the report. Any text that extends beyond the right margin is not displayed or printed. You can alter the width by changing the report text width on the FORM.OPTIONS panel. If you do not explicitly specify a width, the right margin is determined by the width of the tabular data.

When printing a report, all the detail headings selected for the current row of data when the page heading is formatted are printed. If the number of lines for the detail heading exceed the number of available lines on the page, the excess detail heading lines are lost.

Detail headings can contain the following variable values:

Global variables

Use SET GLOBAL to set variables for use in detail heading text. See "SET GLOBAL" on page 142 for details about this command.

&n The value in the *n*th column on the form used for this report. For example, this detail heading:

```
ID NUMBER: &1    EMPLOYEE NAME: &2
```

Can produce the following heading in a report:

```
ID NUMBER: 50    EMPLOYEE NAME: HANES
```

The **&n** value is the value of column *n* from the current row at the start of the new page. Detail headings for unconditionally selected variations are shown at the top of each screen in displayed reports. However, the value for **&n** appears only on the first screen of a displayed report. If you want to display the report online with page breaks, issue the DPRE command. See "DPRE" on page 33 for more information on this command.

With this special syntax, the width of the substitution value is determined by the width specified by the associated column on the FORM.COLUMNS or FORM.MAIN panel.

&ROW

The number of the current data row when the detail heading is formatted.

&DATE

The date the print command was executed (in printed reports) or the current date (in displayed reports)

&TIME

The time the print command was executed (in printed reports) or the current time (in displayed reports)

&PAGE

The current page number

For descriptions of &DATE, &TIME, and &PAGE, see page 227 under *BREAK1 HEADING TEXT*.

Sections **F** through **M** specify report data that can be repeated in a report for each data row. This data, called a detail block, is the tabular data (if selected) and text associated with a single data line or a single detail line (for example, a row from a table).

F New page for detail block?

Specify whether to start each occurrence of the detail block on a new page in a printed report. A new page is started if the report is not already at the top of the page.

G Repeat detail heading?

Specify whether to repeat the detail heading before each occurrence of the detail block text. The detail heading includes any detail heading text specified on the FORM.DETAIL panel, followed by column headings (if not suppressed) listed on the FORM.COLUMNS panel.

NO The detail heading is formatted at the beginning of each screen for online reports or each page for printed reports.

YES The detail heading is formatted before each occurrence of detail block text.

H Keep block on page?

Specify whether to keep each detail block text together on one page of your printed report.

NO Detail blocks can be split across two or more pages of your printed report.

YES You can prevent detail blocks from being split across pages. If a detail block is too long to be printed on one page, it is started on a new page.

I Blank lines after block

Specify how many blank lines after detail block text.

The detail spacing option on the FORM.OPTIONS panel also affects the number of blank lines after detail block text.

J Put tabular data at line (Enter 1-999 or NONE)

Specify whether to generate the tabular data (in the tabular format specified on FORM.COLUMNS or FORM.MAIN) and where this tabular data should be placed. The number corresponds to the number of the detail block text line on which the tabular data should be placed. NONE (or N) indicates not to format the tabular data. NONE does not affect break text or aggregation values.

This option can be used to mix text with tabular data. When a number is specified, tabular data overlays or combines with any detail block text on the same line.

If NONE is specified, tabular data is not formatted, but the column values can be included in the detail block text by using column substitution values.

K LINE

Identify the lines of detail block text and specify their relative positions. Any number of tabular data lines can be specified. You can specify any number from 1 through 999 or a blank. See **C** *LINE* on page 253 for additional information.

L ALIGN

Specify where each line of detail block text is to be placed horizontally in the report. You can place the lines anywhere within the width of the report. Valid values are LEFT, RIGHT, CENTER, APPEND, or any number from 1 through 999,999.

The ALIGN values do not affect the horizontal placement of tabular data. To change the placement of tabular data, modify the column widths or indents on FORM.COLUMNS or FORM.MAIN. See **D** *ALIGN* on page 253 for additional information.

M DETAIL BLOCK TEXT

Specify the detail block text. You can add up to 999 lines of detail block text using the INSERT command. Each line of text can be up to 55 characters long. You can add text to the line by using APPEND as the ALIGN value, or by specifying a specific horizontal position.

If your installation supports DBCS data, see “Names with double-byte characters” on page 308.

By default, detail block text extends from the left margin to the right margin of the report. Any text that extends beyond the right margin is not displayed or printed. You can alter the width by changing the

report text width on the FORM.OPTIONS panel. If you do not specify a width, the right margin is determined by the width of the tabular data.

Detail block text can contain literal text along with the following variable values:

Global variables

Use SET GLOBAL to set variables for use in detail block text. See “SET GLOBAL” on page 142 for details about this command.

&n The value in the *n*th column on the form used for this report. For example, this detail block text:

```
DEPARTMENT: &3    EMPLOYEE NAME: &2
```

Could produce the following line in a report:

```
DEPARTMENT: 20    EMPLOYEE NAME: SANDERS
```

&COUNT

The number of rows displayed or printed since the last break. This value is a running count and increases from data row to data row.

&ROW

The number of the data row for the detail block is printed or displayed in your report.

In detail block text with a group summary report, the number of the data row for the last row in the group is printed.

&CALC*id*

Calculated value

&DATE

The current date

&TIME

The current time

&PAGE

The current page number

For a description of &CALC*id*, see “FORM.CALC” on page 232.

For descriptions of &DATE, &TIME, and &PAGE, see page 227 under *BREAK1 HEADING TEXT*.

&an *n* is a valid column number, and *a* is one of the following QMF aggregation functions: AVG, COUNT, CPCT, CSUM,

FIRST, LAST, MAX, MIN, PCT, STDEV, SUM, TCPCT, TPCT. The values of the aggregations are based on running values within the current break level.

In detail block text, the values for aggregations are based on the data values since the last break through the current row. Calculated values such as AVG and STDEV also are based on data values since the last break. For example, &AVG6 is the sum of column six (through the current row) divided by COUNT.

At the detail level, &SUM and &CSUM produce the same result. &SUM6 and &CSUM6 in the detail block text each produces the total value of column 6 through the current row.

If you use an aggregation variable with percent (PCT, TPCT, or TCPCT) in detail block text, and if you associate it with a column that has a D edit code, QMF formats the percent value in the detail block text as if it had an L edit code. Likewise, if you use the aggregation variable standard deviation in detail block text and associate it with a column that has a P or a D edit code, QMF formats the standard deviation in the detail block text as if it had an L edit code.

For more information, see the L code under “Edit Codes for Numeric Data” on page 298 and “Variables Used in Forms” on page 304 .

N Select panel variation

Specify when to select a panel variation. You must enter one of the following allowable values—blanks are not allowed:

- YES** Always selected for formatting in the report. It is the default when the variation number is 1.
- NO** Never selected for formatting. It is the default when the variation number is from 2 through 99. This value can be used to temporarily inhibit the formatting of a variation in a report.

The following two choices allow you to selectively format your report. You can associate an entire panel of detail text and formatting options with a specific condition on the FORM.CONDITIONS panel (conditional formatting), or a specific data column that corresponds to a branch of tree data.

C1-C999

Can be selected to identify a condition on FORM.CONDITIONS. If the condition is true, the associated FORM.DETAIL variation is formatted.

E1-E999

Can be selected for formatting when data exists for the indicated column. The column is identified by the number following E. This number corresponds to the NUM value for a column on FORM.MAIN or FORM.COLUMNS.

FORM.FINAL

Use FORM.FINAL to make detailed choices about the content and placement of a report's final text. QMF places the text at the end of the report, and you can use it, for example, to identify a report's final summary data.

Area **H** on FORM.MAIN (see page219) specifies the final text for a report. Whatever you specify in this area of FORM.MAIN is reflected on FORM.FINAL. Similarly, the first line of final text is reflected on FORM.MAIN.

```

FORM.FINAL

A New Page for Final Text?====> NO      B Put Final Summary at Line ===> 1
C Blank Lines Before Text ===> 0
D LINE E ALIGN F FINAL TEXT
-----+-----1-----+-----2-----+-----3-----+-----4-----+-----5-----+
1          RIGHT
2          RIGHT
3          RIGHT

          *** END ***

1=Help      2=Check      3=End      4=Show      5=Chart      6=Query
7=Backward  8=Forward  9=      10=Insert   11=Delete   12=Report
OK, FORM.FINAL is displayed.
COMMAND ===>                                SCROLL ===> PAGE

```

A New page for final text?

Reports: Specify whether to place the final text on a page separate from the body in a printed report. A new page is started if the report is not already at the top of the page.

B Put final summary at line

Reports: Specify whether to generate the final summary of a report, and, if so, where to place it in relation to the final text. The value for this entry can be any number from 1 through 999 or the word NONE. The number is the number of the line of final text next to which you want to place the final summary. NONE (or N) omits the final summary.

If you expect the final summary value of a wrapped column to be greater than one line long, include final text on the line corresponding

to the last line you expect for your wrapped final summary value. This is only necessary if the wrapped column has a usage code of MAX, MIN, FIRST, or LAST.

For example, if the column NAME (from Q.STAFF) is set to a width of 2, has an edit code of CW, and a usage code of MAX, you must place some final text (perhaps just a period) on the fifth line of FORM.FINAL to see the entire final summary value for that column (YAMAGUCHI).

Two data lines per summary in an across report can appear only if the across summary column and final summary are both present. This occurs when a column in the form has a usage of CSUM, CPCT, PCT, TPCT, or TCPCT.

When the across summary column is omitted on FORM.OPTIONS, the ACROSS-across values are also omitted and only one line is formatted per group (with ACROSS-down values).

When the final summary is omitted on FORM.FINAL, the ACROSS-down values are omitted and only one line is formatted per group (with the ACROSS-across values).

Charts: When there are two summary lines, but only one is charted by the Interactive Chart Utility (ICU), the second summary data line contains values only in columns for which PCT, CPCT, or CSUM is specified. In these columns:

- The value in the first line is the summary value for that category relative to the ACROSS-across (group) total.
- The value in the second line is the summary value for that category relative to the ACROSS-down (category) total.

See the *Using QMF* manual for information about how QMF works with the ICU.

C Blank lines before text

Reports: Specify the number of blank lines between the body of the report and the first line of final text. The value for this entry can be any number from 1 through 999 or the word BOTTOM. The default is 0.

For example, if you want one blank line between the body of the report and the first line of final text, type 1 in this entry. If you want the final text to be separated from the body by two blank lines, type 2 in this entry.

If you want the final text displayed at the bottom of the current page (regardless of where the body of the report ends) type BOTTOM (or B) in this entry.

D LINE

Reports: Identify the lines of final text and specify their position relative to themselves and to the line at which the final text starts (as indicated in *Blank Lines Before Text*).

The numbers you choose need not start with 1 or be consecutive. You can choose spacing between the lines of the final text and between the body of the report and the first line of final text. For example, if you have three lines of final text, and you choose LINE values of 1, 3, and 5 for the text, QMF starts the final text at the line you indicated in Blank Lines Before Text and places one blank line between lines of text. If you do not use 1 as one of your LINE values, QMF does not begin the final text at the line you specified in Blank Lines Before Text. It leaves extra blank lines, up to the first specified line number. A blank LINE value tells QMF to ignore any associated text.

For example, these values on FORM.FINAL:

LINE	ALIGN	FINAL TEXT
---	----	-----
2	LEFT	GRAND TOTALS FOR
3	LEFT	ALL DEPARTMENTS

Display as:

```
GRAND TOTALS FOR
ALL DEPARTMENTS
```

Notice that a blank line appears before the first line of text.

In the example, if you indicated a value of 0 in Blank Lines Before Text, you might expect the text GRAND TOTALS FOR on the line immediately following the body of the report. But, because the first line of text has a LINE value of 2, QMF skips one blank line (for the missing first line of the final text), and then prints the first line from FORM.FINAL on the second line of the final text in the report.

If you use the same LINE value for more than one line, those lines are joined according to the ALIGN value for the additional line or lines. Lines with the same LINE value overlay each other if their ALIGN values are the same or otherwise conflict. For example, you can specify the same LINE value for two lines of final text, with an ALIGN value of LEFT for the first line and an ALIGN value of CENTER for the second line. If the text on the first line extends past the center of the report, the second line overlays part of the first line.

E ALIGN

Reports: Specify where each line of final text is placed horizontally in

a report. If a report contains final summary data, the line length for the final text is from the left margin to the beginning of the summary data.

However, if a report does not contain final summary data, the line length for the final text is the complete length of the line (from the left to the right margin). For an online report, the line length is the width of the displayed report; for a printed report, the line length is the width of the printed report.

Left Left-justifies the line of final text.

Right Right-justifies the line of final text. This is the default.

Center
Centers the line of final text.

n Begins the line of final text in the *n*th position of the line. *n* can be any number from 1 through 999999.

Append
Positions the line at the end of the previous line of final text. If append is used on the first line of final text (that is, on the line of text with the lowest LINE value), the line of text is left-justified.

The appended line of text must have the same LINE value as the line of text it is being appended to. If the report is not wide enough to accommodate the appended line of text, some of the text might be truncated.

For example, the following entries on FORM.FINAL:

```
Blank Lines Before Text ==> 0
LINE  ALIGN  FINAL TEXT
----  -
1     RIGHT  TOTAL
1     APPEND SALARIES
3     RIGHT
```

Produce a report like this:

DEPT	COMM	JOB	SALARY
66	55.50	CLERK	10988.00
		.	
	1285.00	SALES	17844.00
		*	66147.00
			=====
	TOTAL SALARIES		152223.20

F FINAL TEXT

Reports: You can add up to 999 lines of final text using the INSERT command. Each line of text can be up to 55 characters long. You can add text to the line by using APPEND as the ALIGN value, or by specifying a specific horizontal position.

If your installation supports DBCS data, see “Names with double-byte characters” on page 308.

By default, final text extends from the left margin of a report to the beginning of the summary data (if a report has summary data) or to the right margin of a report. However, you can specifically choose the width of final text by changing the Report text line width entry on FORM.OPTIONS (see page 264).

To make the final text appear in a report in uppercase and lowercase, specify a CASE value of either STRING or MIXED in your profile:

STRING

Displays final text as entered, but converts any other input to uppercase.

MIXED

Displays all input exactly as entered.

Final text can contain the following variable values:

Global variables

Use SET GLOBAL to set variables for use in final text. See “SET GLOBAL” on page 142 for details about this command.

&n The last value in the *n*th column on the form used for this report.

&COUNT

The number of rows displayed or printed since the last break. This value is a running count and increases from data row to data row.

&ROW

The number of the last data row of the entire report is printed or displayed in your report.

&CALCid

Calculated value

&DATE

The current date

&TIME

The current time

&PAGE

The current page number

For a description of **&CALCid**, see “FORM.CALC” on page 232.

For descriptions of **&DATE**, **&TIME**, and **&PAGE**, see page 227 under *BREAK1 HEADING TEXT*.

&an *n* is a valid column number, and *a* is one of the following QMF aggregation functions: AVG, COUNT, CPCT, CSUM, FIRST, LAST, MAX, MIN, PCT, STDEV, SUM, TCPCT, TPCT. The values of the aggregations are based on running values within the current break level.

If you use an aggregation variable with percent (PCT, TPCT, or TCPCT) in detail block text, and if you associate it with a column that has a D edit code, QMF formats the percent value in the detail block text as if it had an L edit code. Likewise, if you use the aggregation variable standard deviation in detail block text and associate it with a column that has a P or a D edit code, QMF formats the standard deviation in the detail block text as if it had an L edit code.

For more information, see the L code under “Edit Codes for Numeric Data” on page 298 and “Variables Used in Forms” on page 304.

FORM.OPTIONS

Use FORM.OPTIONS to adjust the appearance of your report.

Area **J** on FORM.MAIN (*OUTLINE* and *DEFAULT BREAK TEXT*— page 219) specifies two options that affect the overall appearance of a report. What you specify in that area of FORM.MAIN is reflected on FORM.OPTIONS. Similarly, some of what you specify on FORM.OPTIONS is reflected on FORM.MAIN.

FORM.OPTIONS

What do you want for

- A** Detail spacing? ==> 1
B Line wrapping width? ==> NONE
C Report text line width? ==> DEFAULT
D Number of fixed columns in report? ==> NONE

Do you want

- E** Outlining for break columns? ==> YES
F Default break text (*)? ==> YES
G Function name in column heading when grouping? ==> YES
H Column wrapped lines kept on a page? ==> YES
I Across summary column? ==> YES
J Automatic reordering of report columns? ==> NO
K Page renumbering at the highest break level? ==> NO

Do you want separators for

- L** Column heading? ==> YES **M** Break summary? ==> YES
N Across heading? ==> YES **O** Final summary? ==> YES

1=Help 2=Check 3=End 4=Show 5=Chart 6=Query
7= 8= 9= 10= 11= 12=Report

OK, FORM.OPTIONS is displayed.

COMMAND ==>

SCROLL ==> PAGE

A Detail spacing?

Reports: Select spacing between tabular data lines or detail blocks. The spacing within detail block text is not affected. The value can be any number from 1 through 999. The default is single spacing with no blank line between each block of text.

The Blank Lines after Block option on the FORM.DETAIL panel (page251) also affects the spacing between detail blocks.

B Line wrapping width?

Reports: Specify whether the columns in a report are to be wrapped, and if so, at what width. The value for this entry can be any number from 1 through 999 or the word NONE. The default is NONE, indicating that the lines in a report are not to be wrapped.

Lines cannot be wrapped in ACROSS reports or reports with column wrapping. Detail heading text and detail block text are not wrapped. They are truncated at the report text line width. However, if the value for report text width is DEFAULT, and the line wrapping width is not NONE, the detail heading text and detail block text are truncated at the line wrapping width.

If the value in this entry area is greater than the print width, the data in the columns of a report is truncated on the right.

FORM.OPTIONS

If you want line wrapping (that is, the detail lines in a report begin on one line and continue on one or more subsequent lines), type a number in this entry area to indicate the maximum width of the lines of data you want in the report. As many whole columns as possible are positioned across the report. Any remaining columns are placed on one or more subsequent lines of the report. All wrapped lines begin with the column indent, then include the tabular data.

If a column and its indent are too wide to fit within the line wrapping width specified, a new line does not begin for the column and the column is cut off on the right.

Only column headings, tabular data, and column summaries are wrapped when you specify a width. All other data in the report is formatted as usual.

Following is part of a report with line wrapping (at a width of 35) and tabular data line spacing of 2.

ID	NAME	DEPT	JOB
160	MOLINARE	10	MGR
7	22959.20		-
210	LU	10	MGR
10	20010.00		-
240	DANIELS	10	MGR
5	19260.25		-

C Report text line width?

Reports: Specify the width of the final text, detail heading text, detail block text, and break text in a report. The values in this entry area can be DEFAULT, COLUMNS, or any number from 1 through 999999.

DEFAULT

Break footing text and final footing text use the full width of all columns *up to the first summary column* as indicated in FORM.COLUMNS and FORM.MAIN.

COLUMNS

All text areas use the full width of all columns as indicated in FORM.COLUMNS and FORM.MAIN. (This option is the same as DEFAULT for detail heading text and detail block text.)

A number from 0 through 999999

The width in characters for all text types. 0 indicates that no text is formatted.

D Number of fixed columns in report?

Reports: Specify the number of columns that remain in place when you scroll reports horizontally on the screen. When fixed columns are specified, the report is divided into a fixed area and a scrollable area. For printed reports of more than one page, fixed columns are repeated on the left side of each page. The scrollable area of a printed report refers to the area that changes during page splitting.

The value can be any number from 1 through 999 or the default NONE.

If the number specified is greater than the number of columns in the report, all columns are fixed. Columns with OMIT usages are not counted as fixed columns.

Fixed columns can be used with column reordering (SEQ). If the columns were reordered and you select a number of columns, n , as fixed columns, the first n columns of the new order are the fixed columns. This applies to automatic reordering and user reordering.

The fixed column area of a report can affect the text of the report. The portions of break, detail, and final text that are within the fixed area are repeated on the left side of any printed pages of the report. The portion of break, detail, and final text that are within the scrollable area appear on the first page of a printed report, but do not appear on subsequent pages when page splitting occurs.

Page heading and footing text are not affected by fixed column settings in either displayed or printed reports.

Fixed columns can conflict with other report options. You cannot use line wrapping with fixed columns (see **B** *Line wrapping width?* on page 265). Also, if the total width of all fixed columns in a report is greater than the displayable screen width, both the displayed and printed versions of the report are affected. For displayed reports, you can scroll the report up and down, but you cannot scroll it to the left or right. For printed reports, this message is displayed:

The report cannot be printed; the fixed area is too wide.

E Outlining for break columns?

Reports: If you assigned a usage code of BREAK to one of your columns, use this entry area to determine whether the value in the BREAK column is to be displayed only when the value changes or on every line in a report.

YES Displays the value in the BREAK column only when the value changes.

FORM.OPTIONS

NO Displays the value in the BREAK column on every tabular data line in the report.

Outlining begins at the top of a page. The value is printed at the top of a page even if it has not changed from the bottom line of the previous page.

F Default break text (*)?

Reports: If a report contains breaks for which you did not indicate break footing text, use this entry area to specify whether to generate break footing text to mark the BREAK aggregation line.

The default break text consists of one asterisk for the highest numbered break level text, two asterisks for the next-highest numbered break level text, and so on.

G Function name in column heading when grouping?

Reports: If a report has combined data (for example, as a result of summing a column) and you use the usage code GROUP to suppress the tabular data lines, this entry area determines the heading of the aggregated column.

YES Displays a word indicating the type of aggregation as part of the column heading.

NO Suppresses the aggregation name in the column heading.

Charts: If you use YES for charts, the function name appears in the legend on a chart. NO is recommended.

H Column wrapped lines kept on a page?

Reports: If you specified column wrapping for one or more columns in a report, this entry area determines whether the wrapped columns can be split between two pages.

YES Unless the wrapped column is longer than the page depth.

NO Allows wrapped columns to be split between pages if necessary.

I Across summary column?

Reports: Specify whether to display the automatically generated across summary column. Across summary column produces additional columns that summarize (total) *across* the specified columns.

In the following ACROSS report, you can read the lines for departments 10 through 84 across to see the average salary for each job and the department average in the last column. The job salary averages are under the final summary separators at the bottom of each column.

	<----- JOB ----->			
	<- CLERK -->	<- MGR ---->	<- SALES -->	<- TOTAL -->
DEPT	AVERAGE SALARY	AVERAGE SALARY	AVERAGE SALARY	AVERAGE SALARY
	-----	-----	-----	-----
10		20865.86		20865.86
15	12383.35	20659.80	16502.83	15482.33
20	13878.68	18357.50	18171.25	16071.53
38	12482.25	17506.75	17407.15	15457.11
42	11007.25	18352.80	18001.75	14592.26
51	13914.90	21150.00	18555.50	17218.16
66	10988.00	18555.50	18844.23	17215.24
84	13030.50	19818.00	16649.25	16536.75
	=====	=====	=====	=====
	12612.61	19805.80	17869.36	16675.64

The across summary column is displayed to the right of the columns in a report.

It is possible to get two data lines per summary in any across report for which at least one column has a usage of PCT, CPCT, or CSUM. However, this only happens if the across summary column and final summary are both present or both absent in the report.

When two data lines per summary are returned, the second summary data line contains values only in those columns for which PCT, CPCT, or CSUM is specified. In such columns, the value in the first line is the summary value for that subcategory relative to the ACROSS-across (group) total. The value in the second line is the summary value for that subcategory relative to the ACROSS-down (subcategory) total.

When the across summary column is omitted (on FORM.OPTIONS), the ACROSS-across values are also omitted and only one line is formatted per group (with the one line containing the ACROSS-down values).

When the final summary is omitted (on FORM.FINAL), the ACROSS-down values are omitted and only one line is formatted per group (with the one line containing the ACROSS-across values).

Charts: Only one of the two possible across summary lines of data can be transferred to the ICU. Charts cannot display both lines of data. If two values exist for a column in each group, the value on the second line (ACROSS-down) is the value that is passed to the ICU and shows on the chart.

You can force the ACROSS-across values to be charted if the final summary is omitted. This causes the ACROSS-down values to be omitted.

J Automatic reordering of report columns?

Reports: Specify whether the columns in a report are automatically reordered when you specify a usage of *BREAK_n*, *GROUP*, or one of the aggregating functions (such as *AVERAGE*, *COUNT*, *FIRST*, *LAST*, *MAXIMUM*, *MINIMUM*, *STDEV*, *SUM*, *CPCT*, *CSUM*, *PCT*, *TPCT*, or *TCPCT*).

The default is *NO*. The columns are not automatically reordered. They appear in a report in the order in which they are shown on *FORM.MAIN* or *FORM.COLUMNS*—even if you use a usage code of *BREAK_n*, *GROUP*, or one of the aggregating functions. If you specify *YES*, the columns are reordered according to the following rules:

- *BREAK_n* columns to the far left
- *GROUP* columns to the left after *BREAK_n* columns
- All nonaggregated columns to the left after *BREAK_n* and *GROUP* columns
- All aggregated columns to the far right

If you use *ACROSS* as a usage, the value in this entry area is ignored because the purpose of an *ACROSS* report is defeated if the columns cannot be reordered.

Charts: If automatic reordering of report columns is set to *YES*, it can have an effect on which *Y* data column is selected for the *X*-axis in a chart. The following conditions must be met for automatic column reordering to have an effect:

- No *GROUP* or *BREAK_n* usage codes are used on the form to select *Y* data columns for the *X*-axis of the chart.
- An aggregation function (such as *AVERAGE*, *SUM*, or *COUNT*) is used on the form with one of the columns.

If these conditions are met, the aggregated columns are moved from the left side of the report to the far right. For example, suppose that *YEARS* originally appeared on the left side of your report; therefore, the *YEARS* column was plotted on the *X*-axis when you displayed your chart. (You did not specify *GROUP* or *BREAK* to select data columns for the *X*-axis.)

Additionally, suppose you decide to use the aggregation function of *AVERAGE* with *YEARS*; the *YEARS* column now moves to the far right of the report. Because it is no longer the leftmost column, it is

not plotted on the X-axis of your chart. The column that now appears at the left of your report is plotted on the X-axis.

K Page renumbering at the highest break level?

Reports: Specify whether a printed report begins a new page beginning with the number 1 whenever the value in the control column with the highest break level changes. The highest break level is the one with the lowest number. This option affects only printed reports, because QMF treats online reports as one long page.

Use the default for this option, NO, to indicate that you do not want to restart the numbering of a report whenever the value in the highest level break column changes; enter YES in this entry area to start page renumbering. If you indicate YES, that value is ignored unless you use at least one BREAK usage on the form and enter YES in the New Page for Break entry area on the corresponding FORM.BREAK n panel.

L Column heading?

Reports: Specify whether the dashed lines that separate the column headings from the tabular data lines in the report are to be displayed.

M Break summary?

Reports: Specify whether the equal signs that separate the break summary from the break member lines are to be displayed.

N Across heading?

Reports: Specify whether the dashed lines and arrows that mark columns in across reports are to be displayed.

O Final summary?

Reports: Specify whether the equal signs that separate the final summary from the body of the report are to be displayed.

FORM.PAGE

Use FORM.PAGE to make detailed choices about the content and placement of the page headings and footings in a report. For online and printed reports, QMF places headings at the top of an online report and footings at the bottom. Headings and footings appear at the top and bottom of each page of a printed report.

Area **G** on the FORM.MAIN panel (see **G** PAGE on page221) specifies page headings and footings for a report. Whatever you specify in area **G** of FORM.MAIN is shown on FORM.PAGE. Similarly, the first line of page heading and footing that you specify on FORM.PAGE is shown on FORM.MAIN.

FORM.PAGE

FORM.PAGE

```
A Blank Lines Before Heading ==> 0      B Blank Lines After Heading ==> 2
C LINE D ALIGN E PAGE HEADING TEXT
-----+-----1-----+-----2-----+-----3-----+-----4-----+-----5-----+
1      CENTER
2      CENTER
3      CENTER
4      CENTER

F Blank Lines Before Footing ==> 2      G Blank Lines After Footing ==> 0
H LINE I ALIGN J PAGE FOOTING TEXT
-----+-----1-----+-----2-----+-----3-----+-----4-----+-----5-----+
1      CENTER
2      CENTER
3      CENTER
4      CENTER
      *** END ***

1=Help      2=Check      3=End      4=Show      5=Chart      6=Query
7=Backward  8=Forward  9=        10=Insert   11=Delete   12=Report
OK, FORM.PAGE is displayed.
COMMAND ==>                                SCROLL ==> PAGE
```

A Blank lines before heading

Reports: Specify the number of blank lines between the top of a page and the first line of the page heading. The value can be any number from 1 through 999.

Charts: An entry in this area determines vertical placement of the heading on the chart. However, too many blank lines can change the labels on the Y-axis.

B Blank lines after heading

Reports: Specify the number of blank lines between the last line of page heading and the body of the report. The value can be any number from 1 through 999. The default is 2.

C LINE

Reports: Identify the lines of page heading text and specify their position relative to themselves and to the line at which the page heading starts (as indicated in the Blank Lines Before Heading entry area).

The numbers you choose need not start with 1 or be consecutive. You can choose spacing between the lines of the page heading and between the top of the page and the first line of page heading text. A blank ignores any associated text.

For example, these values on FORM.PAGE:

LINE	ALIGN	PAGE	HEADING	TEXT
----	-----	----	-----	1-----+-----2-----
4	LEFT		MONTHLY	INVENTORY
4	RIGHT		PAGE	&PAGE
2	CENTER		ABC	COMPANY

Display as:

ABC COMPANY

MONTHLY INVENTORY PAGE 1

Charts: Use LINE to position the lines of heading text vertically relative to themselves and to the line at which the chart (page) heading starts.

D ALIGN

Reports: Specify where each line of the page heading text is placed horizontally in the report. You can place the lines anywhere in the width of the report. For an online report, the width is the width of the displayed report; for a printed report, the width is the page width.

Left Left-justifies the line of page heading text.

Right Right-justifies the line of page heading text.

Center

Centers the line of page heading text.

n Begins the line of page heading text in the *n*th position of the line. *n* can be any number from 1 through 999999.

Append

Attaches the line at the end of the previous line of page heading text. If append is used on the first line of page heading text, the line of text is left-justified.

The appended line of text must have the same LINE value as the line of text it is being appended to. If the report is not wide enough to accommodate the appended line of text, some of the text might be truncated.

For example, the following entries on FORM.PAGE:

LINE	ALIGN	PAGE	HEADING	TEXT
----	-----	----	-----	1-----+-----2-----
1	CENTER		ABC COMPANY MANAGERS	--
1	APPEND		&DATE, &TIME	
3	CENTER			
4	CENTER			
5	CENTER			

Align the columns like this:

ABC COMPANY MANAGERS -- 98/08/04, 14:20

ID	NAME	DEPT	JOB	YEARS	SALARY	COMM
10	SANDERS	20	MGR	7	18357.50	-
30	MARENGHI	38	MGR	5	17506.75	-

Charts: ALIGN does not affect a chart heading, except when LINE is used to place more than one line of text on the same line of the heading.

E PAGE HEADING TEXT

Reports: Enter the text you want to appear either at the top of each page of a printed report or before the first line of a report displayed at a terminal. You can add up to 999 lines of page heading text using the INSERT command. Each line of text can be up to 55 characters long. You can add text to the line by using APPEND as the ALIGN value, or by specifying a specific horizontal position.

If your installation supports DBCS data, see "Names with double-byte characters" on page 308.

To make the page heading text appear in a report in uppercase and lowercase, specify in your PROFILE a CASE value of either STRING or MIXED:

STRING

Displays the page heading text as entered, but converts any other input to uppercase.

MIXED

Displays all input exactly as entered.

Page headings can contain the following variable values:

&n *n* is a number that stands for the first value in column *n* on the current page of this report. Column *n* is the *n*th column selected from the database, or the *n*th column listed on FORM.MAIN and FORM.COLUMNS.

&ROW

The number of the first data row on the current page is printed or displayed in your report.

&DATE

The current date

&TIME

The current time

&PAGE

The current page number

When &DATE, &TIME, or &PAGE are entered in page heading text, the system date, time, or page number do not appear at the bottom of printed reports. This applies only to these three variables entered on FORM.PAGE.

For descriptions of &DATE, &TIME, and &PAGE, see page 227 under *BREAK1 HEADING TEXT*.

Charts: The preceding description regarding PAGE HEADING TEXT applies to charts, except for part of the description of ALIGN. The only time that the value specified for ALIGN affects a chart heading is when LINE is used to place one or more lines of text entered on FORM.PAGE on the same line in the formatted report. If you're not using the LINE function, the chart heading is automatically centered.

F Blank lines before footing

Reports: Specify the number of blank lines between the body of the report and the first line of page footing. The value for this entry can be any number from 1 through 999. The default is 2.

G Blank lines after footing

Reports: Specify the number of blank lines between the last line of page footing and the bottom of the page. The value for this entry can be any number from 1 through 999.

If a report contains break summary data and one or more wrapped columns, you might need to increase the value in this entry area to see all the lines of summary data. For more information, see the CW code under "Edit Codes for Character Data" on page 296.

H LINE

Reports: Identify the lines of page footing text and specify their position relative to themselves and to the line at which the page footing starts (as indicated in the Blank Lines Before Footing entry area). You can specify any number from 1 through 999 or a blank.

For example, these values on FORM.PAGE:

LINE	ALIGN	PAGE FOOTING TEXT
----	-----	-----+-----1-----+-----2-----
3	LEFT	MONTHLY INVENTORY
3	RIGHT	PAGE &PAGE
2	LEFT	ABC COMPANY

Display as:

ABC COMPANY	
MONTHLY INVENTORY	PAGE 1

Notice that a blank line appears before the first line of text.

I ALIGN

Reports: Specify where each line of the page footing text is to be placed horizontally in the report. You can place the lines of text anywhere between the left and right margin. For an online report, the width is the width of the displayed report; for a printed report, the width is the page width.

Left Left-justifies the line of page footing text.

Right Right-justifies the line of page footing text.

Center
Centers the line of page footing text.

n Begins the line of page footing text in the *n*th position of the line. *n* can be any number from 1 through 999999.

Append

Positions the line at the end of the previous line of page footing text. If Append is used on the first line of page footing text (the line of text with the lowest LINE value), the line of text is left-justified.

The appended line of text must have the same LINE value as the line of text it is being appended to. If the report is not wide enough to accommodate the appended line of text, some of the text might be truncated.

For example, the following entries on FORM.PAGE:

```

LINE  ALIGN  PAGE FOOTING TEXT
----  -
1     CENTER  ABC COMPANY MANAGERS --
1     APPEND  &DATE, &TIME
    
```

align columns like this:

ID	NAME	DEPT	JOB	YEARS	SALARY	COMM
10	SANDERS	20	MGR	7	18357.50	-
30	MARENGHI	38	MGR	5	17506.75	-

ABC COMPANY MANAGERS -- 98/08/04, 16:20

J PAGE FOOTING TEXT

Reports: Enter the text you want to appear either at the bottom of

each page of a printed report or before the last line of a report displayed at a terminal. You can add up to 999 lines of page footing text using the INSERT command. Each line of text can be up to 55 characters long. You can add text to the line by using APPEND as the ALIGN value, or by specifying a specific horizontal position.

If your installation supports DBCS data, see “Names with double-byte characters” on page 308.

To make the page footing text appear in a report in uppercase and lowercase, specify in your profile a CASE value of either STRING or MIXED:

STRING

Displays page footing text as entered, but converts any other input to uppercase.

MIXED

Displays all input exactly as entered.

Page footings can contain the following variable values:

Global variables

Use SET GLOBAL to set variables for use in page footing text. See “SET GLOBAL” on page 142 for details about this command.

&*n*

n is a number that represents the last row in column *n* processed for the current page of this report. Column *n* is the *n*th column selected from the database, or the *n*th column listed on FORM.MAIN and FORM.COLUMNS.

&ROW

The number of the last data row on the current page is printed or displayed in your report.

&DATE

The current date

&TIME

The current time

&PAGE

The current page number

When &DATE, &TIME, or &PAGE are entered in page footing text, they appear (instead of the system date, time, or page number) at the bottom of the printed report. This applies only to these three variables entered on FORM.PAGE.

For descriptions of &DATE, &TIME, and &PAGE, see page227 under *BREAK1 HEADING TEXT*.

Mistakes on form panels

QMF distinguishes between two types of mistakes:

Error conditions

Mistakes that require correction before the form can be used

Warning conditions

Mistakes that do not require correction before the form can be used

Error conditions

An error condition results from entering an invalid value in an entry area. For example, typing Y0 in the OUTLINE field on FORM.OPTIONS results in an error because Y0 is not an allowed value for the entry area.

An error can also occur if there is a conflict that prevents the report from being displayed. For example, SUM is a valid entry for USAGE on a numeric column. However, SUM produces an error if entered for a column with character data.

You must correct errors before using the form. However, you can save, import, export, display, and print forms that contain errors.

After you correct errors, QMF identifies any warning conditions.

Warning conditions

A warning condition results when the values in two or more entry areas conflict. Unlike an error, a warning condition need not be corrected before you use the form. Instead, QMF warns you of the conflict and interprets the condition to format the report or chart.

You can either accept the report or chart as is, or change one or more of the conflicting entries to correct the form.

Table 13, following, lists some common warning conditions and how QMF formats the report. These warning conditions can also affect the chart representing that report.

Table 13. Warning conditions

Condition	QMF Action
More than one ACROSS usage	Accepts first ACROSS; omits remaining ACROSS columns from report
ACROSS usage without GROUP usage	Omits ACROSS column from report
GROUP usage without aggregating usage	Omits GROUP column from report

Table 13. Warning conditions (continued)

Condition	QMF Action
ACROSS and GROUP usage with one or more blank usages	If aggregation used, omits columns with blank usages from report; otherwise, omits ACROSS and GROUP columns from report
GROUP usage with at least one aggregation usage and one or more blank usages	Omits columns with blank usages from report
Line wrapping with ACROSS usage or with column wrapping edit code	Ignores line wrapping
ACROSS usage without automatic column reordering	Ignores value of column reordering option; produces standard ACROSS report

Checking for and correcting mistakes

Normally, pressing Enter while displaying a form panel positions the cursor on the command line. However, if you press Enter immediately after entering one or more erroneous values, QMF highlights any errors and sends you a message describing the first one. Pressing Enter does not identify any errors made during a previous interaction.

If you press Enter again (with or without correcting the first error), QMF positions the cursor on the command line. To receive a message about the next error in the form, use the CHECK subcommand (see “CHECK” on page 14).

QMF checks a form for errors whenever you issue a command that uses a form—for example, DISPLAY REPORT, PRINT CHART, PRINT REPORT, EXPORT REPORT, EXPORT CHART, or RUN QUERY with the FORM option. (You can issue the command either by entering it on the command line or by using a function key.) QMF also checks for errors when you display the form.

If a form contains an expression with an error, this error is not detected until QMF passes the values to REXX for evaluation. If you enter a QMF command (other than CHECK, DISPLAY REPORT, DISPLAY CHART, PRINT REPORT, PRINT CHART, or RUN QUERY with the FORM option) while displaying a FORM, QMF processes your command whether or not the FORM contains errors. The displayed message pertains to the command you entered.

Therefore, you can display, save, import, or export a FORM even if the FORM contains errors or warning conditions. Saved, imported, or exported forms are saved or transported in their present state, with mistakes and ERROR and WARNING indicators in place.

Form and data incompatibility

There might be times when you modify a form in such a way that the form is inconsistent with the data. This situation is treated differently from error and warning conditions. There is no error message at the top of the screen when

Mistakes on Form Panels

the cursor is positioned, and the CHECK command does not identify the problem. Instead, when you try to display the report, a message is displayed and the form panel containing the incompatibility is displayed.

Examples of possible incompatibilities:

- The number of columns in the form (excluding defined columns) and in the data must be equal.
- Edit codes in the form must match the data type for each column in the data.
- Every LONG VARCHAR and LONG VARGRAPHIC column in the data must have a blank or an OMIT usage code in the form.

Using REXX with QMF forms

Note to CICS users

FORM.CALC, FORM.CONDITIONS, and Column Definition use expressions written in REXX, which QMF does not support in CICS.

Expressions used in FORM.CALC, FORM.CONDITIONS, and FORM.COLUMNS (Column Definition) can consist of terms (*strings*, *symbols*, and *functions*) interspersed with operators and parentheses. Do not execute QMF commands (using the callable or command interfaces) from within a REXX expression or exec.

Strings are literal constants enclosed in single or double quotation marks. For example, 'High' and "Low".

Symbols are numeric literals (numbers), variables, or nonnumeric literals without quotation marks.

- *Numeric literals* can be expressed in integer, decimal, or exponential notation. For example:

```
123
25.45
.432
1.7E4 (equivalent to 17000)
7.6e-3 (equivalent to .0076)
```

Commas are not allowed, except as decimal points. (QMF allows commas for decimal points only when they are defined as such to the database manager.)

- *Variables* are restricted by how the expression is used. See the table in "Variables Used in Forms" on page 304 for a summary of allowable variables.

- *Nonnumeric literals* are symbols that are neither numbers nor variables. These are handled like strings in the evaluation of expressions.

Functions have the following syntax:

```
function-name([[expression][,][expression][,] ...])
```

where 0 to *n* expression arguments can exist (*n* is the maximum number of comma-separated expressions allowed by REXX).

Function-name must identify either a built-in function or an external function, for example, a REXX program. Evaluation of an expression is left to right, modified by parentheses and by operator precedence in the usual algebraic manner (with the exception of the minus prefix). See “Operator Priorities” on page 285.

Using calculated values in reports

There are three ways to include calculated values in a QMF report:

- Include calculations in the query with SQL statements.
- Define a new column based on an expression.
- Specify and use expressions defined on the FORM.CALC panel.

The first method of including calculations in a report is handled by the database, and the other two are handled by QMF from specifications made on the form. When calculations are specified on the form, they are evaluated using REXX.

QMF verifies conditions, column definitions, and expressions whenever a form is loaded, imported, displayed, or run with a query. When you modify a condition, column definition, or expression, QMF verifies it again. This can result in a REXX error if QMF passes unexpected data during verification. To avoid this kind of REXX error, include your calculation, along with validation statements, in a REXX exec.

When using FORM.CONDITIONS or Column Definition, make sure the expression or exec returns the same value if invoked multiple times with the same parameters. If the exec does not return the same value, breaks might not resolve as expected, and summary values might not match printed results.

There can be a significant difference in performance, capability, and flexibility of calculations performed by the database and those evaluated using REXX. A REXX program can return values dependent upon complex logic or the values processed by REXX functions. Although REXX offers more function and programming options, there can be some drawbacks to relying on REXX for all of the calculations in a report.

Using REXX with QMF Forms

REXX requires a certain amount of resource to evaluate expressions. If REXX is called repeatedly for completion of a report, you might notice an impact on performance. Because of this, you might choose to specify some calculations in the query. For example, to create a new column in a report based on the following:

```
((Column A - Column B) * 100) / Column B
```

you can enter the expression in SQL and rerun the query, or enter the expression as the definition for a new column in the form and display the report. Because the column defined in the form requires a call to REXX for every detail row processed for the report, you might decide to define the new column in the query.

How QMF and REXX interact

QMF interprets REXX expressions by invoking DSQCXPR EXEC as a REXX function. The following sequence of events occur to interpret the expression:

1. PASS NULLS literals are substituted where applicable.
2. All global variables and substitution variables are replaced in the expression and then double quoted.
3. The expression is concatenated to "DSQ\$#VAL=".
4. REXX is invoked, the exec name DSQCXPR and argument list (expression) are passed.
5. DSQCXPR invokes the REXX interprets instruction for the expression.
6. Any syntax errors are captured.
7. The results from the expression via the DSQ\$#VAL symbol or the error results are returned.

The @IF routine will:

- Verify that at least three arguments are passed.
- Verify that an odd number of arguments are passed.
- Odd numbered arguments (comparisons) will be interpreted. If it is true, the the following argument (expression) will be interpreted and returned.
- If no odd numbered arguments are true, the last argument will be interpreted and returned.

For more information, see the "@IF function" on page 208

Executing the same REXX exec in CMS and TSO can produce different results.

Because QMF does not place double quotation marks around numeric values in REXX expressions, any negative values in your expression might not be treated as such. To avoid having negative signs treated as the subtraction arithmetic operator, you can separate the variables that get passed to REXX

with commas (instead of spaces) or enclose any negative values (including substitution variables that might result in negative values) with double quotation marks. For example, `myexec(A -1)` results in an evaluation error, but `myexec(A,-1)` and `myexec("A" "-1")` do not. being interpreted as arithmetic operators. However, if you use commas, be aware that:

- There are limits on the number of commas allowed in an expression.
- You might need to modify your parse statement to include commas.

REXX limits the maximum length of a single string. Therefore, when using columns containing data that exceed this limit, your REXX exec might produce unexpected results. Also, because QMF adds characters to strings (as noted above), a string can exceed the limit after it is processed by QMF.

If REXX passes a string longer than 32,767 bytes to QMF, the string is truncated to 32,767 bytes.

For information about limits on commas and string length in expressions, see the *TSO/E Procedures Language MVS/REXX Reference* (for TSO) or the *Virtual Machine/Enterprise Systems Architecture REXX/VM Reference*.

When using REXX within QMF, performance might be adversely affected. To improve performance, start QMF using the REXX callable interface.

When expressions are evaluated by REXX

Expressions specified on the FORM.CALC panel and used as substitution variables (&CALCn) in text areas of the form are passed to REXX for evaluation at different times, depending on where they are placed in the form.

- Calculations are processed when they are formatted:
 - References on FORM.DETAIL panels with `SELECT=NO` or `SELECT=Cn` (where n condition is false) are not evaluated.
 - If the calculation is listed on separate lines in one variation, it might be evaluated multiple times.
 - If the calculation is referenced on several selected FORM.DETAIL variations (in which the `Select Panel Variation` field is `YES` or `Cn`, where condition n is “true”), the calculation might be evaluated multiple times.
- Expressions specified on the FORM.CALC panel and used as a usage code on the FORM.COLUMNS panel are evaluated by REXX whenever the value is needed for formatting.
- Expressions specified on the FORM.COLUMNS Definition panel to define a new column are evaluated by REXX each time a row is fetched. Rows can be fetched more than once (for example, to support printing a report in which page-splitting is required) or to support a usage code (such as `TCPCT`) that requires all the data to be retrieved first.

Using REXX with QMF Forms

- Expressions specified on the FORM.CONDITIONS panel and referred to on a FORM.DETAIL panel variation are evaluated by REXX at least once for every detail row formatted in a report.

REXX Operators

CICS users — FORM.CALC, FORM.CONDITIONS, and Column Definition use expressions written in REXX, which QMF does not support in CICS.

Each operator (except the prefix operator) acts on two terms. These terms can be symbols, functions, or subexpressions in parentheses. Each prefix operator acts on the term or subexpression that follows it. The following operators are allowed in QMF expressions:

Arithmetic Operators

- + Add
- Subtract
- * Multiply
- / Divide
- % Divide and return only the integer part of the quotient
- // Divide and return only the remainder (not *modulo* because the result can be negative)
- ** Raise a number to a whole-number power (exponentiation)

Prefix –
Negate the following term

Prefix +
Take the following term as is

Comparative Operators

- == Exactly equal (identical)
- = Equal (numerically or when padded)
- ≠, /= Not exactly equal (inverse of ==)
- ≠, /= Not equal (inverse of =)
- > Greater than
- < Less than
- < > Not equal

- >= Greater than or equal
- ¬< Not less than
- <= Less than or equal
- ¬> Not greater than

Concatenation Operator

- || Concatenate terms (can use no blanks or one blank)

REXX provides other concatenation operators. See the *TSO/E Procedures Language MVS/REXX Reference* or the *Virtual Machine/Enterprise Systems Architecture REXX/VM Reference* for more information.

Logical (Boolean) Operators

- & AND (returns 1 if *both* terms are true)
- | Inclusive OR (returns 1 if *either* term is true)
- && Exclusive OR (returns 1 if either term is true, but not both)

Prefix ¬

- Logical NOT (negates; 1 becomes 0 and vice versa)

Operator Priorities

Expression evaluation is from left to right. Modify this by using parentheses and operator priority.

Use parentheses to clarify the meaning when the priority of operators is not obvious. An expression in parentheses is evaluated first.

When the sequence:

```
term1 operator1 term2 operator2 term3 ...
```

is encountered, and operator2 has a higher priority than operator1, the expression (term2 operator2 term3 ...) is evaluated first, applying the same rule repeatedly, as necessary.

For example, * (multiply) has a higher priority than + (add), so 3 +2*5 evaluates to 13, rather than 25, which results if strict left-to-right evaluation occurred.

The order of priority of the operators (from highest to lowest):

- + - ¬ Prefix operators
- ** Exponentiation

Using REXX with QMF Forms

* / % //
Multiply and divide

+ - Add and subtract

|| Concatenation with or without blank

=, >, ...
All comparison operators

& And

!, && Or, exclusive or

The & and && operators must be followed by a blank in calculation expressions to differentiate them from substitution variables.

For operators of equal priority (the multiply and divide operators, for example), the left-to-right rule prevails.

The only difference between these priorities and conventional algebra is that the prefix minus operator has a higher priority than the exponential operator. Thus $-3*2$ evaluates to 9, not -9.

Report calculation expression examples

The following assumptions produce the results shown:

&SUM1 has the value 1600
&SUM2 has the value 400
&DATE has the value "87/12/15"

Expression:

Result:

&SUM2/25

16

&SUM2-&SUM1*.25

0

&SUM1+&SUM2 < 4000

1 (true)

' ' = " 1 (true)

' ' == "

0 (false)

&SUM1+(&DATE<'88')*&SUM2

2000

date(u) (built-in function)

"12/15/87"

And this expression:

```
substr(&DATE,4,5) || "/" ||
substr(&DATE,7,8) || "/" ||
substr(&DATE,1,2)
```

produces the same result as *date(u)*.

See the *Using QMF* manual for additional examples of FORM.CALC.

Usage Codes

QMF usage codes define how to use column data to produce reports and charts.

This section contains brief descriptions of each of the QMF usage codes. For additional information, see *Using QMF*. It contains basic information and exercises on usage codes. It also contains detailed information and examples of how reports and charts can be changed using usage codes.

ACROSS Usage Code

Reports: A column can have a usage of ACROSS only if one or more columns have a usage of GROUP. In that case, the summary line for each group value can contain several sets of results from the columns that use aggregations. There is one set for each group of values in the column that uses ACROSS. The heading for a column that uses ACROSS has three levels:

1. The column heading as entered on the form
2. The set of values within the column
3. For each value in the set, the column headings for columns with aggregations

If more than one column has a usage of ACROSS, QMF accepts the first ACROSS and omits the remaining ACROSS columns from the report. If one column has a usage of ACROSS, no other column should have a blank usage. If you leave a column usage blank in an across report, QMF runs the report but omits all columns with blank usages.

For an example of an across summary report with a usage of AVG, see **I** *Across summary column?* on page 268.

Charts:

The information about reports also applies to charts. ACROSS on charts displays a category of data (such as JOB) broken down into subcategories (such as SALES and CLERK) within a larger category (such as

ACROSS Usage Code

DEPARTMENT). The data for these subcategories is displayed in a bar chart. Color terminals display the bars in different colors for different subcategory bars.

Aggregation Usage Codes

Two types of aggregations are described here:

- Those that summarize the data in a column:

AVERAGE	COUNT	FIRST	LAST
MAXIMUM	MINIMUM	STDEV	SUM

- Those that replace the data value with a calculation and produce interim and final results:

CSUM	PCT	CPCT	TPCT	TCPCT
------	-----	------	------	-------

Table 14, following, shows which aggregation usage codes are valid when used with different data types.

Table 14. Valid Usage Codes for Data Types

Datatype	Valid Usage Codes
Numeric	AVG, COUNT, CPCT, CSUM, FIRST, LAST, MAX, MIN, PCT, STDEV, SUM, TCPCT, TPCT
Character, Date, Time, Timestamp	COUNT, FIRST, LAST, MAX, MIN

Note: LONG VARCHAR and LONG VARGRAPHIC columns cannot be aggregated. The only valid usage codes for these data types are blank and OMIT.

Summarize Data in a Column

Reports: Aggregation usage codes summarize the data in a column. The results of an aggregation can appear in the middle of the report as subtotals or at the end of the report as totals.

AVERAGE

Average of the values in the column

COUNT

Count of the values in the column

FIRST First value in the column

LAST Last value in the column

MAXIMUM

Maximum value in the column

MINIMUM

Minimum value in the column

STDEV

Standard deviation of the values in the column

SUM Sum of the values in the column

When you use MAXIMUM and MINIMUM on character, date, time, timestamp, or graphic data, QMF uses an EBCDIC collating sequence to compare the data. To determine MAXIMUM and MINIMUM for numeric data, QMF uses algebraic compares. Nulls can be included in the result for MAX, MIN, FIRST, and LAST.

A date/time function applied to a DATE, TIME, or TIMESTAMP value changes the data type of that value to numeric. Therefore, the resulting value can be aggregated.

The format of the result is determined by the edit code of the column, except for COUNT, STDEV, and percentage aggregations. COUNT can be applied to data of any type, but always produces an integer result; hence, its result is formatted with edit code K. STDEV, PCT, CPCT, TPCT, and TCPCT are formatted with edit code L. (See “Edit Codes for Numeric Data” on page 298.)

Charts: The information on reports for these usage codes is also true for charts.

AVERAGE, MAXIMUM, MINIMUM, STDEV, and SUM can all be useful in charting QMF data. Entries such as FIRST and LAST might not be useful in a chart format.

The following values are sent as null values to the ICU when you display a chart of the report:

- Null values in a report
- Data values too long for the width of the column
- Undefined values
- Arithmetic overflow values

Replace Data Value with a Calculation

Reports The following codes name aggregations that replace each detail line value in a column with a calculation and show a final result of the aggregation at the end of the report. They can also appear in the middle of the report as subtotals.

CSUM

The cumulative sum for each value in a column.

PCT The percentage each value is of the total:

- In reports with BREAK or ACROSS usages, PCT shows what percentage each value in the break or across group is of the break or across total.
- In all other reports, PCT shows the percentage each value in the column is of the column total.

Aggregation Usage Codes

CPCT The cumulative percentage for each value in a column:

- In reports with BREAK or ACROSS usages, CPCT shows the cumulative percentage of the break or across total for each value in the break or across group.
- In all other reports, CPCT shows the cumulative percentage each value in the column is of the column total.

TPCT The total percentage each value is of the column total:

- In reports with BREAK or ACROSS usages, TPCT shows what percentage each value in the column is of the column total.
- In all other reports, TPCT displays the column total.

TCPCT

The total cumulative percentage for each value in a column:

- In reports with BREAK or ACROSS usages, TCPCT shows the cumulative percentage each value in the column is of the column total.
- In all other reports, TCPCT displays the column total.

These aggregations work only on numeric data. Nulls in the column are not included in the result, but undefined values and numeric overflow are evaluated. The format of the result is determined by the edit code of the column.

Four versions of a report follow. The only difference is a result of the aggregation specified on the form for the salary column.

Report 1:SUM SALARY (Total)

NAME	JOB	SUM SALARY
-----	-----	-----
MOLINARE	MGR	22959.20
LU	MGR	20010.00
DANIELS	MGR	19260.25
JONES	MGR	21234.00
		=====
		83463.45

Report 2:CSUM SALARY (Cumulative Total)

NAME	JOB	CSUM SALARY
-----	-----	-----
MOLINARE	MGR	22959.20
LU	MGR	42969.20
DANIELS	MGR	62229.45


```

JONES      MGR      83463.45
           =====
           83463.45
    
```

Report 3:PCT SALARY (Percentage)

```

           PCT
NAME      JOB      SALARY
-----
MOLINARE  MGR      27.51
LU        MGR      23.97
DANIELS   MGR      23.08
JONES     MGR      25.44
           =====
           100.00
    
```

Report 4:CPCT SALARY (Cumulative Percentage)

```

           CPCT
NAME      JOB      SALARY
-----
MOLINARE  MGR      27.51
LU        MGR      51.48
DANIELS   MGR      74.56
JONES     MGR      100.00
           =====
           100.00
    
```

Two versions of the same report with a break follow.

The first report uses PCT to show:

- The percentage each salary is of its break group total
- The percentage each break group is of the column total

```

           PCT
JOB      NAME      SALARY
-----
CLERK    JAMES      25.71
         KERMISCH  23.34
         NGAN      23.81
         SNEIDER  27.14
         -----
         *      41.61

MGR      HANES      52.95
         SANDERS  47.05
         -----
         *      30.91

SALES    PERNAL     52.41
    
```

Aggregation Usage Codes

```
          ROTHMAN          47.59
          -----
          *          27.47
          =====
          100.00
```

This report uses TPCT to show:

- The percentage each salary is of the column total
- Subtotals at the breaks

```
          TPCT
JOB  NAME          SALARY
-----
CLERK  JAMES          10.70
      KERMISCH         9.71
      NGAN             9.91
      SNEIDER         11.29
      -----
      *          41.61

MGR   HANES           16.37
      SANDERS         14.54
      -----
      *          30.91

SALES PERNAL          14.40
      ROTHMAN         13.08
      -----
      *          27.47
      =====
          100.00
```

Whenever you use a percentage usage code (PCT, CPCT, TPCT, and TCPCT), QMF shows the total percentage as 100. However, occasionally the individual percentages add up to a number slightly higher or lower than 100. That happens because QMF sometimes rounds off the individual percentages when it calculates them.

Charts:

The information on reports for these usage codes is also true for charts. Some of these codes might not be as meaningful in a chart as in a report:

- Cumulative percentages or sums can be difficult to express in a meaningful way graphically.
- Errors that cause undefined data values are considered null values. These values appear as question marks in a report.
- If any of the following symbols are contained in a report to be charted, they are considered null values:

- Hyphens represent null values in a report
- Asterisks represent data values too long for the width of the column
- Greater-than signs (>) represent arithmetic overflow
- Question marks (?) represent undefined values

BREAK Usage Codes

The BREAK usage codes provide six levels of breaks (or groupings) in a report.

Reports:

When usage is BREAK1, it is a control column for level-1 breaks. Any change in the value of the column causes a break: subtotals are displayed for columns whose usage is one of the aggregation usages, and the level-1 break text is displayed.

Rules for using BREAK:

- To show a break in your report for each change of value in a column, your query must use ORDER BY in SQL. The report then shows exactly as many breaks as there are different values in the column. Without ORDER BY, the report could show as many breaks as there are lines in the report.
- If the answer set for the query is large, QMF might perform multiple retrievals of data from the database. To ensure that the data is returned in the same order each time, be sure to include an ORDER BY in the query. Similarly, if BREAK is used on a defined column, ensure that multiple evaluations of the column will result in the same results each time.
- More than one column can have a usage of BREAK. The columns are then considered together for the purpose of determining breaks. For example, if a table contains columns for YEAR, MONTH, and DAY, giving each a usage code of BREAK1 causes a level-1 break at every change in date.
- A usage code of BREAK2 controls the column for level-2 breaks. The column is displayed just to the right of a control column for level-1 breaks (if the automatic column reordering option on FORM.OPTIONS is set to YES). There can be up to six levels of breaks. The sequence of break numbers might have gaps. (You can use BREAK2, BREAK3, and BREAK5 in a form without using BREAK1 or BREAK4.)

The BREAK, GROUP, and aggregation usage codes can change the order of the columns on the report (though not on the form). You can tell QMF to automatically reorder the columns in a report. If you do, control columns are moved to the left of the report, and columns using aggregations are moved to the right. For information, see **J** *Automatically reordering of report columns* (page270).

BREAK Usage Codes

By default, columns are not reordered.

You can use `BREAK n X` ($n=1$ to 6) to omit the control column from a report.

Charts:

The `BREAK1` usage code can be used to modify the chart. The values in a column with a `BREAK` usage code are selected for the X-axis. The remaining numeric columns are plotted as Y-axis data, and remaining nonnumeric columns are ignored.

You can use `BREAK n X` ($n=1$ to 6) to omit the control column from a chart. You can also use it to get evenly spaced X-axis points for numeric data.

The QMF-provided chart formats are tailored to handle discrete versus continuous data.

CALCid Usage Code

Reports:

The `CALC id` usage code activates the evaluation of the calculation expression in `FORM.CALC` whose ID equals id for group, break, or final column summaries in the report. The result is edited according to the edit code specified on `FORM.CALC` and the width given on `FORM.COLUMNS`.

When `CALC id` is used as a usage code, the calculation is applied to the last row of data. If the column value is used in the calculation, only the last row of data is evaluated. This differs from other usage codes in which every row of data is evaluated.

GROUP Usage Code

Reports:

The `GROUP` usage code displays only one line of summary data for each set of values in the column. The summary line can display only values that are the same for each member of the group, such as the value in a control column, or the results of columns whose usage is one of the aggregations.

When you want a report to show a summary line for each group of values in a column, use a query that includes the `GROUP BY` and `ORDER BY SQL` clauses. `GROUP BY` accumulates the results of the query by group; `ORDER BY` orders the groups. The report then shows exactly as many summary lines as there are different values in the column. Without `ORDER BY` in the query, the report could show as many summary lines as there are lines in the report.

Using GROUP BY and ORDER BY can also improve the performance of a query.

Rules for using GROUP:

- The query that selects the data must use ORDER BY in SQL. Without ORDER BY, the report can produce unexpected results.
- More than one column can have usage GROUP. If so, a change in value in *any* column starts a new group. With two usage codes of GROUP, the report could have many more lines of grouped values.
- The report runs but omits all columns with blank usages if all the following are true:
 - One or more columns in a report has usage GROUP
 - Any other column has an aggregation usage
 - Any remaining columns have blank usages
- If any column has usage GROUP and all other columns have blank usage codes, the report omits the column containing the GROUP usage.

Charts:

The effect of GROUP as it is used to format a report is similar to its effect on a chart.

OMIT Usage Code

Reports and charts: If the usage code is OMIT, the column and its values are excluded from the tabular report or chart. The values in the column can still appear in the report by use of form variables (such as &n).

Date and Time Usage Codes

Arithmetic functions *cannot* be specified for DATE, TIME, and TIMESTAMP values.

Usage codes allowed with DATE, TIME, and TIMESTAMP values:

ACROSS

GROUP

BREAK_n (n=1,2,...,6)

LAST

BREAK_nX (n=1,2,...,6)

MAXIMUM

COUNT

MINIMUM

FIRST OMIT

CALCid Usage Code

Usage codes not allowed with DATE, TIME, and TIMESTAMP values:

AVERAGE
STDEV
CPCT SUM
CSUM TCPCT
PCT TPCT

Edit Codes

Edit codes determine the formatting of character, graphic, numeric, and, for installations that support it, date and time data. For information on the effect edit codes have on defined columns, see “Edit codes and data types” on page 248.

Edit Codes for Character Data

Use CW, CT, and CDx edit codes with DATE, TIME, and TIMESTAMP values to allow column wrapping.

- C** Makes no change in the display of a value.
- CW** Makes no change in the display of a value, but if the value cannot fit on one line in the column, tells QMF to wrap the text according to the width of the column. Instead of cutting off the data at the end of the column, QMF puts as much data as it can on a line in the column, and then continues wrapping the data on the next line in the column.

Data in column-wrapped columns (CW, CT, CD, XW, and BW edit codes) is always aligned using default alignment. (Alignment for headings in column wrapped columns can be modified.) LEFT, CENTER, and RIGHT alignment are ignored for these edit codes. (See “Column alignment” on page 244.)

If your installation uses DBCS data, you can use the CW edit code on columns of mixed double-byte and single-byte character data. The minimum width of such a column is 4.

The following examples show a report before and after the width of the LOCATION column is reduced and its edit code changed to CW.

Before column wrapping:

DEPTNAME	LOCATION
HEAD OFFICE	NEW YORK
PACIFIC	SAN FRANCISCO

After column wrapping:

```

DEPTNAME      LOCAT
-----      -
HEAD OFFICE   NEW Y
              ORK
PACIFIC       SAN F
              RANCI
              SCO
    
```

CT Makes no change in the display of a value, but if the value cannot fit on one line in the column, tells QMF to wrap the column according to the text in the column. Instead of cutting off the data at the end of the column, QMF fits as much data as possible on a line, interrupts the line when it finds a blank, and continues wrapping the data on the next line. If a string of data is too long to fit in the column and does not contain a blank, QMF wraps the data by width until it finds a blank and can continue wrapping by text.

If your installation uses DBCS data, you can use the CT edit code on columns of mixed double-byte and single-byte character data. QMF interrupts the line when it finds an SBCS blank. The minimum width of such a column is 4.

The following examples show a report before and after the width of the LOCATION column is reduced and its edit code changed to CT.

Before column wrapping:

```

DEPTNAME      LOCATION
-----      -
HEAD OFFICE   NEW YORK
PACIFIC       SAN FRANCISCO
    
```

After column wrapping:

```

DEPTNAME      LOCAT
-----      -
HEAD OFFICE   NEW
              YORK
PACIFIC       SAN
              FRANCI
              SCO
    
```

CDx Tells QMF to wrap the column according to a delimiter in the text. QMF begins a new line in the column each time it sees a special delimiter in the text. For this edit code, replace the x with the special delimiter. It can be any character, including a blank, and does not appear in the output.

If your installation uses DBCS data, you can use the CDx edit code on columns of mixed double-byte and single-byte character data. The minimum width of such a column is 4, and the delimiter must be outside of the DBCS string.

Edit Codes

If a string of data is too long to fit in the column and does not contain a delimiter, QMF wraps the data by width until it finds a delimiter and can continue wrapping by it. If a string of data contains multiple successive delimiters, QMF shows a blank line for each one after the first. For example, if the data contains two delimiters, QMF begins a new line when it gets to the first delimiter, skips a line when it gets to the second delimiter, and then continues wrapping the output.

The following examples show a report before and after the width of the LOCATION column is reduced and its edit code changed to CD&.

Before column wrapping:

DEPTNAME	LOCATION
HEAD OFFICE	NEW YORK
PACIFIC	SAN FRANCISCO

After column wrapping:

DEPTNAME	LOCATION
HEAD OFFICE	NEW YORK
PACIFIC	SAN FRANCISCO

- X** Formats data as a series of hexadecimal characters.
- XW** Formats data as a series of hexadecimal characters. Column wrapping for XW follows the same rule as for CW.
- B** Formats data as a series of 0's and 1's.
- BW** Formats data as a series of 0's and 1's. Column wrapping for BW follows the same rule as for CW.

When you use edit codes CW, CT, CD, XW, and BW, column wrapping is only performed when tabular data is displayed or printed. A reference to &*n* in a text line only displays the first line of the wrapped data.

Edit Codes for Graphic Data

- G** Makes no change in the display of a value.
- GW** Makes no change in the display of a value, but if the value cannot fit on one line in the column, tells QMF to wrap the text according to the width of the column. Instead of cutting off the data at the end of the column, QMF puts as much data as it can on a line in the column, and then continues wrapping the data on the next line in the column.

Edit Codes for Numeric Data

- E<Z>** Displays numbers in scientific notation. For example, with this code,

the number -1234.56789 would display as -1.234E+03. E is used on the default form for columns with data type FLOAT.

QMF shows up to 17 significant digits when editing floating point data, or up to 34 significant digits when editing extended floating point data, even if the width of the column can accommodate more. The number of significant digits is less for other data types.

Edit code **Z** in the second position suppresses zero values.

D<Z><C>, I<Z>, J<Z>, K<Z>, L<Z>, and P<Z>

Display numbers in decimal notation, with different combinations of leading zeros, minus signs for negative numbers, thousands separators, currency symbols, and percent signs as shown in Table 15 on page 300.

Each code can be followed by a number (from 0 to 99) that tells how many places to allow after the decimal point. Numbers with more places after the decimal are rounded; numbers with fewer places are padded with zeros.

On the default form, **L** is used for all columns with numeric data types other than FLOAT. The number of decimal places used is the same as in the column definition.

You might notice small variances for a value when different edit codes are applied to it. For example, the value 0.068124999 displays as 0.068125 using an edit code of L6. However, using an edit code of L5 results in 0.06812. In this case, the digit 2 is not rounded to 3 because the following digit in the original number is less than five.

Edit code **Z** in the second position suppresses zero values. An optional edit code **C** in the second or third position displays the user-defined currency symbol instead of the standard currency symbol. You can define a currency symbol by using the global variable DSQDC_CURRENCY. If you use both Z and C, C must follow Z.

Table 15, following, shows what edit codes D, I, J, K, L, and P provide, and how each formats the number -1234567.885. The display assumes that:

- WIDTH is 15.
- The value of DECIMAL in the profile is PERIOD. (The characters used for the thousands separators and the decimal point depend on that value.)

Edit Codes

Table 15. Attributes and Examples of Decimal Edit Codes

Edit Code	Leading Zeros	Negative Sign	Thousands Separators	Currency Symbol	Percent Sign	Example
D2	N	Y	Y	Y	N	-\$1,234,567.89
DC2	N	Y	Y	Y	N	-DM1,234,567.89
I2	Y	Y	N	N	N	-00001234567.89
J2	Y	N	N	N	N	000001234567.89
K2	N	Y	Y	N	N	-1,234,567.89
L2	N	Y	N	N	N	-1234567.89
P2	N	Y	Y	N	Y	-1,234,567.89%

Edit Codes for Date Data

In the following edit codes, x represents the character to be used as a delimiter between date values. It can be any special character, including blank, but not letters or numbers.

Default Date Format

TD Displays dates in the format specified at the database requestor.

Four-Digit Year:

TDYx	Year first	YYYYxMMxDD
TDMx	Month first	MMxDDxYYYY
TDDx	Day first	DDxMMxYYYY

Abbreviated Two-Digit Year:

TDYAx	Year first	YYxMMxDD
TDMAx	Month first	MMxDDxYY
TDDAx	Day first	DDxMMxYY

Alternative Date Format:

TDL Locally defined. See your QMF administrator for format information.

Date edit code examples: The examples in Table 16, following, show the date July 17, 1989, formatted with various date edit codes.

Table 16. Date Edit Code Examples

Edit Code	Format	Notes
TDD.	17.07.1989	European format

Table 16. Date Edit Code Examples (continued)

Edit Code	Format	Notes
TDY-	1989-07-17	International Standards Organization (ISO) and Japanese Industrial Standard (JIS) formats
TDM/	07/17/1989	USA format
TDD-	17-07-1989	Four-digit year, day first, delimiter: dash (-)
TDDA/	17/07/89	Two-digit year, day first, delimiter: slash (/)
TDDA.	17.07.89	Two-digit year, day first, delimiter: period (.)
TDDA-	17-07-89	Two-digit year, day first, delimiter: dash (-)
TDDA	17 07 89	Two-digit year, day first, delimiter: blank ()
TDMA/	07/17/89	Two-digit year, month first, delimiter: slash (/)
TDMA-	07-17-89	Two-digit year, month first, delimiter: dash (-)
TDYA/	89/07/17	Two-digit year, year first, delimiter: slash (/)

Edit Codes for Time Data

In Table 17, following, x represents the character to be used as a delimiter between time values. It can be any special character, including blank, but not letters or numbers.

Table 17. Clock Format Edit Codes

Edit Code	Format	Notes
TTSx	HHxMMxSS	24-hour clock, including seconds
TTCx	HHxMMxSS	12-hour clock, including seconds
TTAx	HHxMM	Abbreviated (no seconds)
TTAN	HHMM	Abbreviated (no seconds, no delimiter)
TTUx	HHxMM AM HHxMM PM	USA format
TTL	Locally defined.	See your QMF administrator for format information

Default Time Format

TT Displays time in the format specified at the database requestor.

Time edit code examples

The examples in Table 18, following, show the time, 1:25:10 PM, formatted with various time edit codes.

Edit Codes

Table 18. Time Format Edit Codes

Edit Code	Format	Notes
TTS.	13.25.10	ISO, European formats
TTS:	13:25:10	JIS format
TTU:	01:25 PM	USA format
TTS,	13,25,10	Hours, minutes, seconds (24 hr.), delimiter: comma (,)
TTC:	01:25:10	Hours, minutes, seconds (12 hr.), delimiter: colon (:)
TTA.	13.25	Hours, minutes (24 hr.), delimiter: period (.)
TTA,	13,25	Hours, minutes (24 hr.), delimiter: comma (,)
TTAN	1325	Hours, minutes (24 hr.), no delimiter

Edit Codes for Timestamp Data

The timestamp is a seven-part value designating date and time, including microseconds. There is only one edit code (TSI) for the timestamp data type. The TSI edit code can only be used with columns that have a timestamp data type.

TSI *yyyy-mm-dd-hh.mm.ss.nnnnnn*

yyyy Four-digit value representing the year

mm Two-digit value representing the month

dd Two-digit value representing the day

hh Two-digit value representing the hour

mm Two-digit value representing the minutes

ss Two-digit value representing the seconds

nnnnnn
Six-digit value representing the number of microseconds

The timestamp value:

1991-12-29-23.25.15.123000

Formatted with the TSI edit code:

1991-12-29-23.25.15.123000

User-Defined Edit Codes

Additional edit codes, *Uxxxx* and *Vxxxx*, are available for special purposes. *xxxx* can be any combination of characters, excluding embedded blanks or nulls. See your QMF administrator for the user-edit codes available to you and the type of data each supports. See *Installing and Managing QMF* for your environment *Installing and Managing QMF for VSE/ESA* for more information about user edit codes.

Considerations for Aggregation Functions and Edit Codes

QMF calculates the result of an aggregation function based on the actual values stored in the database table, not on the values resulting from the edit code for a column. To obtain the aggregation result using the values resulting from the edit code for a column, you must use an alternative method such as defining a new column, and then using a REXX function.

For example:

1. Create and save the following query, naming it Q1:
SELECT 10.5 from Q.ORG
2. Issue the command RUN Q1 (ROW 2). The report appears as follows:

```
COL1
-----
 10.5
 10.5
```

3. Issue the command SH F. COL.
4. Position the cursor under COL1, and press the Insert function key.
5. Type COLNEW under COLUMN HEADING, SUM under USAGE for both COL1 and COLNEW, and change the edit code for COLNEW to L as shown below:

FORM.COLUMNS	MODIFIED
Total Width of Report Columns: 20	
NUM COLUMN HEADING	USAGE INDENT WIDTH EDIT SEQ

1 COL1	SUM 2 6 L1 1
2 COLNEW	SUM 2 10 L 1
*** END ***	

6. Position the cursor under COLNEW, and press the Specify function key.
7. Choose Definition, and then press Enter.
8. Type the following REXX expression, and then press Enter:
format(&1,5,0)
9. Press F12 to cancel the Specify window.
10. Press the Report function key to display the following report:

```
COL1      COLNEW
-----  -----
 10.5          11
 10.5          11
=====  =====
 21.0          22
```

Note that COLNEW has rounded values for each row and that the sum is the sum of the rounded values.

Variables

Variables Used in Forms

You can use global variables (both user-defined and QMF-supplied) and form variables in QMF forms. A variable can replace a string of text or a numeric value. You can assign different values to the variable to produce different reports without changing the form.

Single or double quotation marks do not affect variables used in the form.

Global variables in forms make it possible for multiple queries to share the same form. For example, using the SET GLOBAL command, you can set a string of text such as *Annual Report for 1993* to a variable *&ann* and use it in a form. (See “SET GLOBAL” on page 142.) You can use the SHOW GLOBAL command to display some or all of the global variables available.

Normally, QMF removes trailing blanks from character values for substitution variables. For numeric values, leading blanks are removed. To retain leading or trailing blanks in substitution variables in the report, append **_B** to any variable on a form panel. For example: *&3_B*. This special syntax is meaningful only for substitution variables in the form panels. It does not apply to substitution variables used in queries or procedures, or to the variables *&ROW*, *&DATE*, *&TIME*, and *&PAGE*.

QMF supplies variables called *form variables* that return system information or information about your report. The form variables are:

<i>&ROW</i>	<i>&COUNT</i>	<i>&DATE</i>	<i>&CALCid</i>
<i>&TIME</i>	<i>&n</i>	<i>&PAGE</i>	<i>&an</i>

These variables are defined in the context of the form panel they are entered on and where they appear in the report. They are discussed (if applicable) in the individual sections for each form panel.

Table 19 shows which variables are allowed on the various form panels.

Table 19. Variables Allowed on Form Panels

	F.PAGE		F.BREAK _n		F.CALC	F.COLUMNS	F.CONDITIONS	F.DETAIL		F.FINAL
Head	Foot	Head	Foot		Column Definition		Head	Block		
<i>&ROW</i>	x	x	x	x	x	x	x	x	x	x
<i>&DATE</i>	x	x	x	x	x	x	x	x	x	x
<i>&TIME</i>	x	x	x	x	x	x	x	x	x	x
<i>&PAGE</i>	x	x	x	x	x			x	x	x
<i>&COUNT</i>				x	x				x	x
<i>&CALCid</i>				x					x	x

Table 19. Variables Allowed on Form Panels (continued)

	E.PAGE		EBREAK _n		E.CALC	E.COLUMNNS	E.CONDITIONS	E.DETAIL		E.FINAL
Head	Foot	Head	Foot		Column Definition		Head	Block		
&n	x	x	x	x	x	x	x	x	x	x
&an				x	x				x	x
Global variables	x	x	x	x	x	x	x	x	x	x

Variables

Chapter 4. General Topics

This chapter contains information about:

- Naming conventions
- Names with double-byte characters
- Commas instead of decimal points
- QMF temporary storage areas
- Report completion and the incomplete data prompt
- Methods of writing queries
- Procedures
- Printing QMF objects
- The table editor
- Online help
- Remote data access
- The governor interrupt

Naming conventions

The following rules apply when naming objects saved in the database.

- Names for queries, forms, procedures, tables, and views must be unique. (You cannot have a query and a form with the same name.)
- Names cannot start with a number.
- A name enclosed in double quotation marks can start with any character except a double quotation mark or a blank.
- You can use any character in a QMF object name *except* the following special characters:

. , ; : < > () | + - * / = & ~ ' "

In some non-English single-byte character sets, the not sign (~) displays as a circumflex (^); the vertical bar (|) displays as an exclamation point (!).

- Avoid using the special characters listed above in a name. If you use any of the special characters in SQL names, you *must* enclose the entire name in double quotation marks ("name"). Names enclosed in double quotation marks can contain any characters (including blanks) except a double quotation mark. See your SQL reference for rules for using special characters in SQL names.

General Topics

- A name cannot be longer than 18 characters. However, a name can be *qualified* by a location identifier of up to 18 characters and may include a user identifier of up to 8 characters. For example, this is a fully qualified name:

```
NEW_YORK.Q.STAFF
```

It specifies a table owned by the NEW_YORK location created by the user Q with the name of STAFF.

- Do not use QMF reserved words for names because, when used in a QMF command, they will never refer to something in the database. The QMF reserved words are:

```
CHART FORM QUERY DATA TABLE PROC REPORT FORM PROFILE
```

- Do not use SQL reserved words for names. See your SQL reference for a list of reserved words.

Names with double-byte characters

If your installation supports double-byte character set (DBCS) data, you can use double-byte characters alone or mixed with single-byte character set (SBCS) data in your names. The following rules apply when using double-byte characters:

- Names with both double-byte and single-byte characters can contain the same single-byte characters described under “Naming conventions” on page 307.
- You can specify column headings in a form with mixed double-byte and single-byte characters. A heading consisting of double-byte characters only can be up to 19 double-byte characters long.
- Names containing only double-byte characters can contain no more than eight double-byte characters. But a name can be *qualified* by a user identification. The qualifier can contain as many as eight single-byte characters and *cannot* contain double-byte characters.
- If your database specifically supports double-byte characters in table names, all names can contain any double-byte characters.
- If your database does not specifically support DBCS data in table names, all names can contain any double-byte characters *except* those that are represented internally as a double quotation mark (X'7F').

For information on the use and handling of DBCS data, see *Using QMF* .

Commas instead of decimal points

If you use commas instead of decimal points to indicate decimals in the database and a number ends in a comma, the number is interpreted as an integer. For example:

```
RUN PROC (&1=3, is interpreted as: RUN PROC (&1=3
```

If you use commas to indicate decimals in the database, commas used as separators must have a blank after them to distinguish them from decimal indicators.

QMF temporary storage areas

Some objects in QMF are temporary. These temporary objects reside in QMF temporary storage areas. You have to save them or they disappear, either when you exit QMF or when you write something else over them.

When you save the contents of any of these QMF temporary storage areas, they are stored in the database.

There are five QMF temporary storage areas:

QUERY

Holds a query you are writing, recently imported, or recently ran. To display the contents of QUERY, enter SHOW QUERY.

PROC Holds a procedure you are writing, recently imported, or recently ran. To display the contents of PROC, enter SHOW PROC.

PROFILE

Holds your profile. To display the contents of PROFILE, enter SHOW PROFILE.

FORM

Holds an object that specifies how to format data. To display the contents of FORM, enter SHOW FORM.

DATA Holds the data you imported or selected by the last query you ran or displayed. DATA is formatted by FORM to yield a report.

To display the contents of DATA, enter SHOW REPORT. This does not show DATA directly (nothing does); it shows the contents of DATA as formatted by FORM.

To display DATA in chart form using the Interactive Chart Utility (ICU), enter SHOW CHART.

The contents of a QMF temporary storage area are replaced when you do any of the following:

General Topics

- Import a CICS data queue, TSO data set, or a CMS file into QUERY, PROC, DATA, or FORM.
- Run a query from the database. The query in the database replaces the contents of QUERY in QMF temporary storage.
- Run a procedure from the database. The procedure in the database replaces the contents of PROC in QMF temporary storage. And, if the procedure contains a command to run a query, that query replaces the contents of QUERY.
- Run a query that displays data. The new data replaces the contents of DATA (whether you entered the RUN command on the command line or from a procedure). When you change the contents of DATA, you change the contents of FORM.
- Display a table in the database. The data replaces the contents of the DATA object and changes the FORM object.

Tables in the database, such as Q.STAFF, are permanent. You must be authorized to erase tables from the database.

Report completion and the incomplete data prompt

When you run a query or display a table or view, QMF retrieves only enough rows from the database to display the report. This allows QMF to display the report as soon as possible, although QMF might need to retrieve more rows to finish the report.

If you do not complete the report (by either resetting the data or scrolling to the bottom of the report), QMF completes it when you request the next operation that involves the database. The following commands cause QMF to complete the report before the command runs.

CONNECT

DISPLAY

tablename (from the database)

DPRE

DRAW

tablename

EDIT TABLE

ERASE

EXPORT

(from the database)

IMPORT

(to the database)

LIST**PRINT**

(from the database)

REFRESH

(of a database object list)

RUN (an object in the database)**RUN QUERY**

(from the database)

RUN QUERY

(a non-SELECT query)

SAVE (data, form, procedure, or profile)

If the QMF temporary storage area becomes full while QMF completes your report, QMF displays the following Incomplete Data Object prompt.

```

DXYESIR2                INCOMPLETE DATA OBJECT

The temporary storage area does not contain all of the rows of
DATA.  Because there is not enough storage for QMF to capture
all the rows and columns of data, DATA must be RESET or the
current command must be withdrawn.

Do you want to RESET the DATA object?

  1. YES - RESET the DATA object.
  2. NO  - Do not RESET the DATA object.

-----
F1=Help  F12=Cancel

```

YES Removes all the data in QMF temporary storage, so that none of it is available to you. If you are finished with the contents of the DATA object, choose YES.

NO Cancels the command and leaves the DATA object as is.

For information about controlling the capacity of QMF temporary storage, see *Installing and Managing QMF for VM/ESA*, *Installing and Managing QMF for MVS*, or *Installing and Managing QMF for VSE/ESA*.

Changing QMF's response to long-running queries

Some QMF commands will not run until all the rows of a query are stored in the temporary storage area. If a query is in the process of running, and you issue a new command, QMF's default response is to finish the query, and then run the new command. You can change QMF's response to this condition by setting the DSQEC_RESET_RPT global variable as follows:

```
SET GLOBAL DSQEC_RESET_RPT=n
```

where *n* can be:

- 0 Reset Report Prompt Panel is not displayed and QMF runs the query.
- 1 Reset Report Prompt Panel is displayed. This panel prompts the user to stop or continue the query.
- 2 Reset Report Prompt Panel is not displayed and the query is stopped.

Avoiding using nulls as data when editing a QMF object

QMF uses GDDM for its panels, and nulls (X'00') are susceptible to GDDM screen presentation. Therefore, avoid using nulls on QMF panels, such as the Edit Query panel. Instead, use an alternative, such as a constant hex representation or the database HEX function in an SQL query.

For example, to change a byte to a null value (binary zero) in a table named TEST that has a column named FLD1 with a hex value of 03C1549F, run this update statement:

```
UPDATE TEST SET FLD1=X'0300549F' WHERE FLD=X'03C1549F'
```

Now this field can be displayed using the database HEX function:

```
SELECT HEX(FLD1) FROM TEST
```

Methods of writing queries

In addition to writing queries in SQL, you can use Prompted Query or Query-by-Example (QBE).

Prompted query

Prompted Query prompts you step by step to build a query. To start Prompted Query, specify LANGUAGE=PROMPTED on a SET PROFILE or RESET QUERY command.

When you begin working with a new prompted query, QMF displays a dialog panel on the right side of the screen to guide you through creating a query. As you work with the dialog panels, the prompted query is built in the echo area on the left side of the screen.

For detailed scenarios of the process of creating queries with Prompted Query, see *Using QMF*. Online help is also available.

Query-by-example (QBE)

QBE is a graphic alternative to writing queries in SQL. See *Using QMF* for details about how to use Query-by-Example.

Procedures

You can create a procedure that contains a series of QMF commands and run it with a single RUN command. This is helpful when you are using commands that are too long to enter on the command line. However, use caution when you use system-specific commands within a procedure. For example, if a procedure contains CMS commands and QMF is running in TSO, you cannot run the procedure successfully.

When you run a procedure, the contents of QMF temporary storage areas DATA, FORM, and QUERY change just as with commands entered on the command line.

Because minimum unique abbreviations might change in future releases, you should use the full names for commands, options, and values in procedures (rather than abbreviated names).

You can create either of two types of procedures: procedures with logic or linear procedures. If the first statement of a procedure is a REXX comment, QMF assumes it is a *procedure with logic*. Otherwise QMF assumes it is a *linear procedure*.

Procedures with logic and linear procedures can call each other in any combination. A procedure with logic can run a linear procedure and vice versa. There is no limit on the length of any procedure.

Procedures with logic

Note to CICS users

Procedures with logic are not available in CICS, as their function depends on REXX.

Procedures with logic let you use the REXX language to perform conditional logic and calculations, build strings, and pass commands back to the host environment.

Procedures with logic have their own REXX variable pool. You can use procedures with logic to get and set QMF global variables. QMF commands in procedures with logic can contain substitution variables.

General Topics

QMF commands in procedures with logic *must* be in uppercase regardless of your profile setting.

Substitution variables

The value of a substitution variable is found within the QMF command as it is sent back to QMF. It is resolved at the time each command is executed.

It can refer either to a private procedure variable that exists for the duration of the procedure or to a global variable.

Global variables

The value of the global variable is immediately available to the procedure.

Use the GET GLOBAL command to copy a global variable into a variable, or use the SET GLOBAL command to set new global variables.

Return codes and procedure termination

Success or failure of a command is indicated by a return code. You must test the return code and take appropriate action.

You can move to the ERROR label whenever a nonzero return code occurs by using the SIGNAL ON ERROR statement.

Continuation lines

Indicated by a comma at the end of the previous line. Command keywords and substitution variables cannot span lines.

Comments

Indicated by: */*comment*/*

Linear procedures

Linear procedures can contain:

- Any QMF command
- Comment lines
- Blank lines
- RUN commands that run other procedures or queries
- Substitution variables

When a variable is set using SET GLOBAL in a linear procedure, the value is unavailable to commands in that same procedure because all substitution variables in a linear procedure must be resolved before the procedure is run. You are prompted for any unresolved variables in your procedure. However, the variable is available to any queries or procedures called by the procedure in which it was set.

Substitution variables

QMF scans the entire procedure for substitution variables, and the values are resolved before the procedure is run.

Global variables

Access global variable values in linear procedures by using substitution variables.

After the global variables are set, if you need to reset them, you must code a RESET GLOBAL statement at the end of your procedure. Otherwise, the previous set of substitution values will continue to be used.

Return codes and procedure termination

Success or failure of a command is indicated by a return code. If a command is not successful, the procedure ends and the incorrect command is displayed at the top of the procedure area.

Continuation lines

Indicated by a plus sign (+) in column one of the continued line. Command keywords, substitution variables, and comments cannot span lines.

Comments

Indicated by: *--comment*

System initialization procedure

When you start QMF, the system initialization procedure runs to configure the QMF session. For more information, see the version of *Installing and Managing QMF* for your platform.

Printing QMF objects

The rules for printing QMF objects vary depending on the type of object you are printing and the operating system you are using.

Reports, tables, profiles, procedures, SQL queries, and QBE queries

- No printer nickname is required for non-GDDM printing.
- To print without GDDM, enter:
PRINTER=' '
- GDDM gets control only if the nickname is supplied on the PRINT command or in your profile.
- If no nickname is supplied, (PRINTER=' ') output goes to DSQPRINT. If a nickname is used, output goes to GDDM. See *Installing and Managing QMF* for your operating system for more information.

Charts

- A valid GDDM printer nickname is required.

General Topics

- The default printer name in your profile is used if no printer name is supplied.
- Device token must be a valid printer or plotter such as a 3287 printer.
- GDDM Interactive Chart Utility always gets control when the PRINT command is issued. See *Installing and Managing QMF* for your operating system for more information.

Prompted queries and forms

- A valid GDDM printer nickname is required.
- GDDM always gets control when the PRINT command is issued.
- Output goes to:
 - In TSO and CICS/MVS, the ddname associated with the nickname.
 - In CMS, *xxxxxxxx* ADMLIST or ADMPRINT (where *xxxxxxxx* is the nickname).
 - In CICS/VSE, the transient data queue associated with the nickname.

The table editor

The Table Editor provides a convenient method of adding or changing rows in tables. Without writing a query, you can make changes to columns you are authorized to update.

You can add rows to a table, delete rows from a table, or search for and change existing rows in a table.

To access the Table Editor, depending on whether you want to change existing rows or add rows to your table, enter:

```
EDIT tablename (MODE=CHANGE
```

or

```
EDIT tablename (MODE=ADD
```

Use function keys to enter Table Editor commands. A different set of function keys is displayed depending on whether you are in ADD or CHANGE mode. Additionally, in those modes, when you edit columnar data having a type of VARCHAR, VARGRAPHIC, or LONG VARGRAPHIC, Table Editor automatically strips trailing blanks.

When performing a search, you must ensure that the length of your search string equals the column length, or the database will not find a match. If the length of your data is shorter than the column length, you must pad the search string with wildcards to equal the column length. You can use the underscore (`_`) wildcard to represent one character, or the percent sign (`%`) wildcard to represent multiple characters. For example:

- FLD1 is defined as a 5 character field.
- Its value is AB_D, which is 4 characters long and contains the reserved wildcard character "_".
- When doing a search, enter a value that represents all 5 character positions; for example AB_D_, AB_D%, AB_% or AB%. If you enter the actual four character value AB_D, QMF generates:

```
SELECT FLD1 FROM tablename WHERE FLD1 LIKE 'AB_D'
```

The database will not find the match in this case, since FLD1 is a 5 character field. To find the match, you must enter AB_D_ or one of the forms listed previously. For example, with AB_D_, QMF generates:

```
SELECT FLD1 FROM tablename WHERE FLD1 LIKE 'AB_D_'
```

and with AB%, QMF generates:

```
SELECT FLD1 FROM tablename WHERE FLD1 LIKE 'AB%'
```

The database finds the correct row in either case, because the wildcards account for all five character positions required by the database for FLD1.

When you press a function key, a different set of labels appears. For example, you can press a function key labeled SEARCH while in CHANGE mode to look for the rows you want to change. SEARCH displays another set of function keys.

Table 20, following, lists function keys that are displayed on the various panels of the modes indicated.

Table 20. Mode Function Keys

CHANGE Mode	ADD Mode	SEARCH Mode
BACKWARD	ADD	BACKWARD
CANCEL	BACKWARD	CANCEL
CHANGE	CANCEL	CLEAR
DELETE	CLEAR	END
END	END	FORWARD
FORWARD	FORWARD	HELP
HELP	HELP	PREVIOUS
NEXT	PREVIOUS	SEARCH
REFRESH	SHOW FIELD	SHOW CHANGE
SHOW FIELD		SHOW FIELD
SHOW SEARCH		

General Topics

In SHOW FIELD, the Enter key closes the panel and saves the information; the Cancel function closes the panel without saving the information.

You can specify either that you want your changes saved every time you press Enter or not until you are finished with all your changes.

You can specify whether you want a chance to change your mind by having a confirmation panel displayed if the change you make could cause unexpected results.

See *Using QMF* for details about how to use the Table Editor. Online help is also available in the Table Editor.

Online help

There are three general classifications of help in QMF.

Object help

Descriptions of QMF panels

Message help

Explanations of messages generated because of user errors

Field-sensitive help

Information for entry fields on QMF form panels

Object help

You can press the HELP function key for information any time you are viewing a QMF panel that is not displaying an error message. For example, pressing the Help function key when the QMF Home panel is displayed lets you select topics of general interest and specific information about commands, forms, and all other parts of QMF.

For more information about the Help facility, see “HELP” on page 71.

Message help

If you make a typing error, a message appears just above the command line. For example:

```
RNU is not a command.  
COMMAND ==> RNU ROUTINE123
```

You can correct the command on the command line and press Enter.

If the error isn't clear from the message, press the Help function key or enter the HELP command for more information. If you need even more information, press the More Help function key. Press the Cancel function key when you want to return to your panel.

Field-sensitive help

Field-sensitive help provides direct access to online help information for the entry fields on all forms panels. To obtain field-sensitive help, position your cursor in an entry area and press the Help function key.

Remote data access

There are two ways to access data at remote locations: using *distributed unit of work* or *remote unit of work*. Remote data access is fully supported in the VM and OS/390 environments. In the VSE environment, VSE provides DRDA-remote unit of work server functions. Distributed unit of work allows you to access data at a remote location and use it at your current location. Remote unit of work lets you connect to a remote location and access and use data at that location. Additionally, when you make a connection with remote unit of work, you can access data from yet another location and use it at the location you are currently connected to.

Distributed unit of work access (DB2 for OS/390 only)

If your current location is a DB2 for OS/390 database, you can read and update tables and views managed by remote DB2 for OS/390 databases that are part of the communications network defined to your local DB2 for OS/390 database. You cannot access queries, procedures, or forms at a remote location.

In your query, you can specify a remote table or view by using a *three-part name* or an *alias*. A three-part name includes the name of the location where the table exists, the name of the table owner, and the name of the table. The parts are separated by periods:

```
NEW_YORK.JBP.STAMPS
```

An alias is a locally defined name used to refer to a table or view at the same or a remote DB2 for OS/390 database. You can list aliases that are owned by your primary and current DB2 authorization IDs. Authorization to use the table or the view to which the alias refers is checked when you use the alias in queries or QMF commands.

You can access remote tables or views with the following commands:

Command

Restrictions

DISPLAY

Must use TABLE object type

DRAW

Must use TABLE object type

EDIT None

General Topics

EXPORT

Must use TABLE object type

IMPORT

Must use TABLE object type

PRINT

None

SAVE Must use DATA object type

You can replace a remote table using a SAVE or IMPORT command.

Remote unit of work access

QMF allows you to connect to any of the DB2 or SQL/DS databases within a distributed network. When you connect to a remote location, it becomes your *current location*. These connections can be made between “like” (DB2–DB2) and “unlike” (SQL/DS–DB2) locations. You can establish this connection during QMF initialization (using the DSQSDBNM program parameter of the START command) or from within a QMF session (with the QMF CONNECT command).

When you are connected to a remote location, all SQL statements you issue (except CONNECT) are directed to the database at the remote location for processing. Therefore, you can access data and QMF objects at a remote location in much the same way you would access data and objects at your own location. For example, you can create a table or replace comments on a table at a remote location by first connecting to that location with remote unit of work.

For more information on preparing for remote unit of work, see *Installing and Managing QMF for VM/ESA* or *Installing and Managing QMF for MVS*. For more information on using remote unit of work, see *Using QMF*.

The governor interrupt

Your installation can set database resource limits on queries or procedures that you run. If your query or procedure exceeds a time limit or retrieves more rows from the database than the limit set by your installation, processing is interrupted. A panel is displayed that lets you specify whether you want to continue or cancel the query or procedure. In TSO, the elapsed CPU time is shown in seconds.

You can cancel or continue with or without prompting. However, if you continue, the query or procedure can still be canceled by the QMF governor.

The Governor Interrupt display comes from the QMF governor. If your installation has its own governor, your choices might be different. Your

information center can provide more information on the limits set by your installation.

Appendix A. QMF Sample Tables

This appendix contains the following tables:

- Q.APPLICANT
- Q.INTERVIEW
- Q.ORG
- Q.PARTS
- Q.PRODUCTS
- Q.PROJECT
- Q.SALES
- Q.STAFF
- Q.SUPPLIER

These tables contain data about fictional applicants, interviews, parts, products, employees, and suppliers of a fictional company.

Q.APPLICANT

This table provides information about people who have applied for jobs with the company. Each row represents an applicant. The columns are as follows:

TEMPID

Temporary identification of the applicant

NAME

Last name of the applicant

ADDRESS

City and state in which the applicant lives

EDLEVEL

Education level of the applicant

COMMENTS

Notes made by the interviewer

TEMPID	NAME	ADDRESS	EDLEVEL	COMMENTS
-----	-----	-----	-----	-----
400	FROMMHERZ	SAN JOSE,CA	12	NO SALES EXPERIENCE
410	JACOBS	POUGHKEEPSIE,NY	16	GOOD CANDIDATE FOR WASHINGTON
420	MONTEZ	DALLAS,TX	13	OFFER SALES POSITION

Sample Tables

TEMPID	NAME	ADDRESS	EDLEVEL	COMMENTS
430	RICHOWSKI	TUCSON,AZ	14	CAN'T START WORK UNTIL 12/92
440	REID	ENDICOTT,NY	14	1 YEAR SALES EXPERIENCE
450	JEFFREYS	PHILADELPHIA,PA	12	GOOD CLERICAL BACKGROUND
460	STANLEY	CHICAGO,IL	11	WANTS PART-TIME JOB
470	CASALS	PALO ALTO,CA	14	EXPERIENCED SALESMAN
480	LEEDS	EAST FISHKILL,NY	12	NEEDS INTERVIEW WITH BROWN
490	GASPARD	PARIS,TX	16	WORKED HERE FROM 1/90 TO 6/90

Q.INTERVIEW

This table is for installations that support date/time data. It shows dates and times in ISO format. The format of DATE, TIME, and TIMESTAMP data in your reports depends on the format chosen as your installation's default. It can be modified with the DATE, TIME, and TIMESTAMP edit codes. The columns are as follows:

TEMPID

Temporary identification of the applicant

INTDATE

Date of interview

STARTTIME

Time the interview started

ENDTIME

Time the interview ended

MANAGER

Employee number of the manager who interviewed the applicant

DISP Whether or not the applicant will be hired

LASTNAME

Last name of the applicant

FIRSTNAME

First name of the applicant

TEMPID	INTDATE	STARTTIME	ENDTIME	MANAGER	DISP	LASTNAME	FIRSTNAME
-----	-----	-----	-----	-----	-----	-----	-----
400	1990-02-05	13.30.00	15.12.00	270	NOHIRE	FROMMHERZ	RICHARD

TEMPID	INTDATE	STARTTIME	ENDTIME	MANAGER	DISP	LASTNAME	FIRSTNAME
410	1990-02-11	15.00.00	16.18.00	10	HIRE	JACOBS	SUSAN
420	1990-04-07	09.00.00	09.58.00	140	HIRE	MONTEZ	RITA
430	1990-04-24	10.30.00	11.30.00	290	NOHIRE	RICHOWSKI	JOHN
440	1990-03-13	10.15.00	11.23.00	160	HIRE	REID	CATHY
450	1990-09-19	09.45.00	11.00.00	50	HIRE	JEFFREYS	PAUL
460	1990-10-06	14.45.00	16.22.00	100	HIRE	STANLEY	JOHN
470	1990-02-05	16.30.00	18.00.00	270	HIRE	CASALS	DAVID
480	1990-03-13	13.30.00	14.45.00	160	NOHIRE	LEEDS	DIANE
490	1990-09-30	15.00.00	15.44.00	140	NOHIRE	GASPARD	PIERRE

Q.ORG

This table provides information on the organization of the company. Each row represents a department. The columns are as follows:

DEPTNUMB

Number of the department (must be unique)

DEPTNAME

Descriptive name of the department

MANAGER

Employee number of the manager of the department

DIVISION

Division to which the department belongs

LOCATION

Name of the city in which the department is located

DEPTNUMB	DEPTNAME	MANAGER	DIVISION	LOCATION
-----	-----	-----	-----	-----
10	HEAD OFFICE	160	CORPORATE	NEW YORK
15	NEW ENGLAND	50	EASTERN	BOSTON

Sample Tables

DEPTNUMB	DEPTNAME	MANAGER	DIVISION	LOCATION
20	MID ATLANTIC	10	EASTERN	WASHINGTON
38	SOUTH ATLANTIC	30	EASTERN	ATLANTA
42	GREAT LAKES	100	MIDWEST	CHICAGO
51	PLAINS	140	MIDWEST	DALLAS
66	PACIFIC	270	WESTERN	SAN FRANCISCO
84	MOUNTAIN	290	WESTERN	DENVER

Q.PARTS

This table provides information about parts. The columns are as follows:

SUPPNO

Number of the supplier

PARTNAME

Name of the part

PRODUCT

Product for which the part is needed

PRODNO

Number of the product

PROJNO

Number of the project

SUPPNO	PARTNAME	PRODUCT	PRODNO	PROJNO
-----	-----	-----	-----	-----
1100P	PLASTIC	RELAY	30	1501
1100P	STEEL	WRENCHSET	509	1520
1200S	WIRE	GENERATOR	10	1401
1200S	BEARINGS	MOTOR	50	1402
1300S	COPPER	RELAY	30	1501
1300S	BLADES	SAW	205	1510
1400P	MAGNETS	GENERATOR	10	1409

SUPPNO	PARTNAME	PRODUCT	PRODNO	PROJNO
1400P	VALVES	MOTOR	50	1407
1400P	OIL	GEAR	160	1405

Q.PRODUCTS

This table provides information about a few products and their prices. The columns are as follows:

PRODNUM

Number of the product

PRODNAME

Descriptive name of the product

PRODGRP

General type of product

PRODPRI

Price of the product

PRODNUM	PRODNAME	PRODGRP	PRODPRI
-----	-----	-----	-----
10	GENERATOR	ELECTRICAL	45.75
505	SCREWDRIVER	TOOL	3.70
101	SHAFT	MECHANICAL	8.65
20	SWITCH	ELECTRICAL	2.60
30	RELAY	ELECTRICAL	7.55
40	SOCKET	ELECTRICAL	1.40
50	MOTOR	ELECTRICAL	35.80
150	CAM	MECHANICAL	1.15
160	GEAR	MECHANICAL	9.65
190	BUSHING	MECHANICAL	5.90

Sample Tables

PRODNUM	PRODNAME	PRODGRP	PRODPRICE
205	SAW	TOOL	18.90
330	HAMMER	TOOL	9.35
450	CHISEL	TOOL	7.75
509	WRENCHSET	TOOL	25.90

Q.PROJECT

This table provides information about project schedules. The columns are as follows:

PROJNO

Number of the project (must be unique)

PRODNUM

Number of the product

DEPT Number of the department responsible for the project

STARTD

Date the project is to start

ENDD

Date the project is to end

TIMESTAMP

Year, month, day, and time of the report

This table is for installations that support date/time data. It shows dates and times in ISO format. This format is an arbitrary choice. The table you see depends on the choice made by your installation.

PROJNO	PRODNUM	DEPT	STARTD	ENDD	TIMESTAMP
1401	10	20	1996-01-01	1998-03-31	1994-12-18-10.14.44.000001
1402	50	66	1996-01-30	1997-06-30	1994-12-18-10.15.01.999998
1403	150	51	1996-02-02	1999-05-29	1994-12-18-10.22.23.000001
1404	190	38	1997-01-04	1999-06-30	1994-12-18-10.25.43.999999
1405	160	15	1997-04-29	1999-10-30	1995-12-31-14.23.00.999999
1406	20	20	1997-07-11	1998-12-31	1996-01-05-13.31.18.009999
1407	50	42	1997-12-12	2000-06-15	1996-01-05-13.42.27.000000
1408	30	42	1999-03-13	2000-09-30	1996-01-05-13.44.16.999999
1409	10	66	1998-06-15	1999-12-31	1996-03-13-09.12.57.149572
1410	190	10	1998-09-29	2000-03-31	1996-03-13-12.18.23.402917
1501	30	51	1999-01-04	1999-12-31	1996-03-13-12.22.14.201966
1502	150	38	1999-03-01	2000-07-17	1996-03-13-13.17.48.948276

Q.STAFF

This table provides data on the employees. The columns are as follows:

ID Employee serial number (must be unique)

NAME
Name of the employee

DEPT Department number of the employee

JOB Classification of the employee's job

YEARS
Number of years the employee has worked for the company

SALARY
Employee's annual salary in dollars and cents

COMM
Employee's commission in dollars and cents

ID	NAME	DEPT	JOB	YEARS	SALARY	COMM
-----	-----	-----	-----	-----	-----	-----
10	SANDERS	20	MGR	7	18357.50	-
20	PERNAL	20	SALES	8	18171.25	612.45
30	MARENGHI	38	MGR	5	17506.75	-
40	O'BRIEN	38	SALES	6	18006.00	846.55
50	HANES	15	MGR	10	20659.80	-
60	QUIGLEY	38	SALES	-	16808.30	650.25
70	ROTHMAN	15	SALES	7	16502.83	1152.00
80	JAMES	20	CLERK	-	13504.60	128.20
90	KOONITZ	42	SALES	6	18001.75	1386.70
100	PLOTZ	42	MGR	7	18352.80	-
110	NGAN	15	CLERK	5	12508.20	206.60
120	NAUGHTON	38	CLERK	-	12954.75	180.00
130	YAMAGUCHI	42	CLERK	6	10505.90	75.60
140	FRAYE	51	MGR	6	21150.00	-

Sample Tables

ID	NAME	DEPT	JOB	YEARS	SALARY	COMM
150	WILLIAMS	51	SALES	6	19456.50	637.65
160	MOLINARE	10	MGR	7	22959.20	-
170	KERMISCH	15	CLERK	4	12258.50	110.10
180	ABRAHAMS	38	CLERK	3	12009.75	236.50
190	SNEIDER	20	CLERK	8	14252.75	126.50
200	SCOUTTEN	42	CLERK	-	11508.60	84.20
210	LU	10	MGR	10	20010.00	-
220	SMITH	51	SALES	7	17654.50	992.80
230	LUNDQUIST	51	CLERK	3	13369.80	189.65
240	DANIELS	10	MGR	5	19260.25	-
250	WHEELER	51	CLERK	6	14460.00	513.30
260	JONES	10	MGR	12	21234.00	-
270	LEA	66	MGR	9	18555.50	-
280	WILSON	66	SALES	9	18674.50	811.50
290	QUILL	84	MGR	10	19818.00	-
300	DAVIS	84	SALES	5	15454.50	806.10
310	GRAHAM	66	SALES	13	21000.00	200.30
320	GONZALES	66	SALES	4	16858.20	844.00
330	BURKE	66	CLERK	1	10988.00	55.50
340	EDWARDS	84	SALES	7	17844.00	1285.00
350	GAFNEY	84	CLERK	5	13030.50	188.00

Q.SUPPLIER

This table provides data on the suppliers of a company. The columns are as follows:

ACCTNO

The account number of the company

COMPANY

The name of the company

STREET

The street address of the company

CITY The city in which the company is located

STATE

The state in which the company is located

ZIP The company's zip code

NOTES

Information about the company

The form for this table specifies a width of 30 and an edit code of CT for the NOTES column.

ACCTNO	COMPANY	STREET	CITY	STATE	ZIP	NOTES
1100P	WESTCO, INC.	1900 115TH ST.	EMERYVILLE	CA	16600	THIS COMPANY HAS A STRONG HISTORY OF ON-TIME DELIVERY. WESTCO IS GROWING QUICKLY.
1200S	MAJOR ELECTRICS	4250 BENSON ST.	DALLAS	TX	87050	MAJOR ELECTRICS DECLARED BANKRUPTCY IN 1987, BUT HAS RECOVERED. FORESEE NO FURTHER PROBLEMS.
1300S	FRANKLIN, INC.	40025 EASTLAND	DOVER	DE	99000	DUE TO ITS LOCATION ON EASTERN SEABOARD, FRANKLIN HAS EXCELLENT TRANSPORTATION FACILITIES.
1400P	MOTORWORKS, INC.	19503 BESWICK	JOLIET	IL	12000	PROXIMITY TO CHICAGO ENSURES GOOD TRANSPORTATION, BOTH BY RAIL AND TRUCK. A RELIABLE SUPPLIER.

Sample Tables

Appendix B. QMF Global Variable Tables

QMF provides many variables for use in your applications. In Version 3, QMF introduced the current naming convention for the callable interface. The corresponding command interface variable names are still valid.

The callable interface global variable names can be up to 18 characters long. Callable interface users can use either the old (eight character) names or the new (18 character) names; however, using the new names is recommended. Command interface users *must* use the old names.

The new naming convention is **DSQcc_XXXXXXXXXX**

cc Can be any one of the following category identifiers:

- AP** Profile-related state information
- AO** Other (not profile-related) state information
- CM** Information about the message produced by the previous command
- CP** Information about the Table Editor
- DC** Controls how QMF displays information on the screen
- EC** Controls how QMF executes commands and procedures
- QC** Variables produced by a CONVERT QUERY option
- QM** RUN QUERY error message information
- QW** Variables unique to QMF for Windows

_ An underscore character

XXXXXXXXXX

A descriptive name up to 12 characters long

Beginning with Version 3.3, QMF provides a special procedure named Q.SYSTEM_INI that allows you to customize global variables at initialization. See the QMF *Installing and Managing* book for your operating system for more information.

DSQ global variables for profile-related state information

None of these global variables can be modified by the SET GLOBAL command.

QMF Global Variables

Callable Interface Variable Name	Command Interface Variable Name	Length	Description
DSQAP_CASE	DSQAPCAS	01	CASE parameter. Values can be: 1 for UPPER 2 for MIXED 3 for STRING
DSQAP_CONFIRM	DSQAPRMP	01	CONFIRM parameter. Values can be: 0 for NO 1 for YES
DSQAP_DECIMAL	DSQAPDEC	01	DECIMAL parameter. Values can be: 1 for PERIOD 2 for COMMA 3 for FRENCH
DSQAP_LENGTH	DSQAPLEN	18	LENGTH parameter. Its value is that of the parameter. ('1' through '999' or 'CONT')
DSQAP_PFKKEY_TABLE	DSQAPPFK	31	Name of the function keys table
DSQAP_PRINTER	DSQAPPRT	08	PRINTER parameter. Values can be: <ul style="list-style-type: none"> • A nickname for a GDDM printer. • Blanks for the printer associated with DSQPRINT.
DSQAP_QUERY_LANG	DSQAPLNG	01	LANGUAGE parameter. Values can be: 1 for SQL 2 for QBE 3 for PROMPTED
DSQAP_QUERY_MODEL	DSQAMODP	01	MODEL parameter. Value can be '1' for RELATIONAL
DSQAP_RESOURCE_GRP	DSQAPGRP	16	RESOURCE GROUP parameter.
DSQAP_SPACE	DSQAPSPC	50	SPACE parameter. Its value is that of the parameter.
DSQAP_SYNONYM_TBL	DSQAPSYN	31	SYNONYMS parameter.
DSQAP_TRACE	DSQAPTRC	18	TRACE parameter. Values can be: ALL (maximum tracing) NONE (minimum tracing) Specifications for individual QMF components (Example: A2L2C1)
DSQAP_WIDTH	DSQAPWID	18	WIDTH parameter. Its value is that of the parameter. ('22' through '999')

DSQ global variables for state information not related to the profile

None of these global variables can be modified by the SET GLOBAL command.

Callable Interface Variable Name	Command Interface Variable Name	Length	Description
DSQAO_APPL_TRACE	DSQATRAC	01	Application trace level. Values can be: 0 for level A0 1 for level A1 2 for level A2
DSQAO_ATTENTION	DSQCATTN	01	User attention flag.
DSQAO_BATCH	DSQABATC	01	Batch or interactive mode. Value will be: 1 for an interactive session. 2 for a batch-mode session.
DSQAO_CONNECT_ID	DSQAAUTH	08	The user ID used to connect to the database. (This is the user ID under which work is done.)
DSQAO_CONNECT_LOC	none	18	The location name of the database to which the user is currently connected. The name is 18 characters (padded to the right with blanks, if necessary).
DSQAO_CURSOR_OPEN	DSQACRSR	01	Database cursor status. Values can be: 1 if the cursor is open. 2 if the cursor is closed.
DSQAO_DB_MANAGER	DSQADBMG	01	Database manager. Values can be: 1 for DB2 for VM/ESA or VSE/ESA 2 for DB2 for MVS/ESA 3 for workstation database servers
DSQAO_DBCS	DSQADBCS	01	DBCS support status. Values can be: 1 for DBCS support. 2 for no DBCS support.

QMF Global Variables

Callable Interface Variable Name	Command Interface Variable Name	Length	Description
DSQAO_FORM_PANEL	DSQASUBP	02	<p>Current form panel. Values can be:</p> <p>1 for FORM.MAIN</p> <p>2 for FORM.COLUMN</p> <p>3 for FORM.PAGE</p> <p>4 for FORM.FINAL</p> <p>5 for FORM.BREAK1</p> <p>6 for FORM.BREAK2</p> <p>7 for FORM.BREAK3</p> <p>8 for FORM.BREAK4</p> <p>9 for FORM.BREAK5</p> <p>10 for FORM.BREAK6</p> <p>11 for FORM.OPTIONS</p> <p>12 for FORM.CALC</p> <p>13 for FORM.DETAIL</p> <p>14 for FORM.CONDITIONS</p> <p>A blank value means the form does not exist in QMF temporary storage.</p>
DSQAO_INTERACT	DSQAIACT	01	<p>Setting of interact flag. Values can be:</p> <p>0 for no interactive execution.</p> <p>1 for interactive execution allowed.</p>
DSQAO_LOCAL_DB2	none	18	<p>The location name of the local DB2 database. This is the location name for the subsystem named in the variable DSQAO_SUBSYS_ID.</p> <p>In a remote unit of work environment, DSQ_LOCAL_DB2 is the name of the application requester. The name is 16 characters (padded to the right with blanks, if necessary).</p> <p>This field is blank if QMF is running in the VM or VSE environment.</p>
DSQAO_LOCATION	DSQAITLO	16	<p>Location name of the current object, if any. This value is applicable only if a three-part name was used.</p>
DSQAO_NLF_LANG	DSQALANG	01	<p>National language of user. For the English language environment, this is 'E'.</p>

QMF Global Variables

Callable Interface Variable Name	Command Interface Variable Name	Length	Description
DSQAO_NUM_FETCHED	DSQAROWS	16	Fetches data rows. Contains '0' when the DATA object is empty.
DSQAO_OBJ_NAME	DSQAITMN	18	The name of the table (contained in a report), query, procedure, or form shown on the currently displayed panel. If the current panel does not display an object, or if the displayed object has no name, this variable contains blanks.
DSQAO_OBJ_OWNER	DSQAITMO	08	The owner of the table (contained in a report), query, procedure, or form shown on the currently displayed panel. If the current panel does not display an object, or if the displayed object has no owner, this variable contains blanks.
DSQAO_PANEL_TYPE	DSQAITEM	01	Type of current panel. Values can be: 1 for HOME 2 for QUERY 3 for REPORT 4 for FORM 5 for PROC 6 for PROFILE 7 for CHART 8 for LIST 9 for Table Editor A for GLOBALS
DSQAO_QMF_RELEASE	DSQAREVN	02	Numeric release number of QMF. For QMF Version 7.2, this is '12'.
DSQAO_QMF_VER_RLS	DSQAQMF	10	Version and release of QMF. <ul style="list-style-type: none"> • For QMF Version 7.2 • this is 'QMF V7.2'.
DSQAO_QMFADM	none	01	QMF Administrator Authority 0 Current authorization ID does NOT have QMF Administrator authority. 1 Current authorization ID does have QMF Administrator authority.

QMF Global Variables

Callable Interface Variable Name	Command Interface Variable Name	Length	Description
DSQAO_QRY_SUBTYPE	DSQASUBI	01	Query subtype. Values can be: 1 for a subtype of SQL 2 for a subtype of QBE 3 for a subtype of PROMPTED Blank means the current panel is not QUERY.
DSQAO_QUERY_MODEL	DSQAMODL	01	Model of current query. Value can be '1' for RELATIONAL
DSQAO_SAME_CMD	DSQACMDM	01	Values can be: 0 if the two commands are not the same. 1 if the two commands are the same.
DSQAO_SUBSYS_ID	none	04	If QMF is running in TSO, this is the ID of the local DB2 subsystem to which QMF is attached. If you specify a value for the DSQSUBS program parameter from CMS or CICS, this global variable contains that value. This happens because the parameter is tolerated and the value is not processed; that is, the value is placed in the global variable field and nothing is done with it. This logic permits the same EXEC to be used in multiple environments.
DSQAO_SYSTEM_ID	DSQASYST	01	Current operating system. Values can be: 1 for VM/SP 2 for MVS/SP 3 for MVS/XA or MVS/ESA 4 for VM/XA or VM/ESA 5 for CICS
DSQAO_TERMINATE	DSQCSESC	01	QMF termination flag. Values can be: 0 if the session was not marked. 1 if the session was marked.
DSQAO_VARIATION	DSQAVARN	02	Form panel variation number. Blank means FORM.DETAIL is not the current panel.

DSQ global variables associated with CICS

Of the variables in this table, only DSQAP_CICS_PQNAME and DSQAP_CICS_PQTYPE can be modified by the SET GLOBAL command.

When the queue type is TD, the maximum length of the corresponding queue name is 4. For example, if DSQAO_CICS_SQTYPE is TD, the maximum length of DSQAO_CICS_SQNAME is 4.

Callable Interface Variable Name	Command Interface Variable Name	Length	Description
DSQAP_CICS_PQNAME	none	08	Names the CICS data queue to contain the QMF print.
DSQAP_CICS_PQTYPE	none	02	Type of CICS storage used to contain the QMF print. TS writes the QMF print to a CICS temporary storage queue on an "auxiliary" storage device. This is the default. TD writes the QMF print to a CICS transient data queue.
DSQAO_CICS_SQNAME	none	08	Names the CICS data queue to be used as the spill file.
DSQAO_CICS_SQTYPE	none	02	Type of CICS storage used to contain the QMF spill file. TS writes the QMF spill file to a CICS temporary storage queue on an "auxiliary" storage device. This is the default. TD writes the QMF spill file to a CICS transient data queue.
DSQAO_CICS_TQNAME	none	08	Names the CICS data queue to contain the QMF trace.
DSQAO_CICS_TQTYPE	none	02	Type of CICS storage used to contain the QMF trace. TS writes the QMF trace to a CICS temporary storage queue on an "auxiliary" storage device. TD writes the QMF trace to a CICS transient data queue. This is the default.

DSQ global variables related to a message produced by the previous command

None of these global variables can be modified by the SET GLOBAL command.

QMF Global Variables

Callable Interface Variable Name	Command Interface Variable Name	Length	Description
DSQCM_MESSAGE	DSQCIMSG	80	Message text
DSQCM_MSG_HELP	DSQCIMID	08	ID of message help panel
DSQCM_MSG_NUMBER	DSQCIMNO	08	Message number
DSQCM_SUB_TXT_ <i>nn</i>	DSQCIM <i>nn</i>	20	Substitution value <i>nn</i>
DSQCM_SUBST_VARS	DSQCIM00	04	Number of substitution variables in the message

DSQ global variables associated with table editor

All of these global variables can be modified by the SET GLOBAL command.

If the CONFIRM option of the EDIT TABLE command is NO, the Table Editor suppresses the display of all confirmation panels. If the CONFIRM option is YES, the Table Editor determines which categories of confirmation are enabled by checking the values of the global variables shown in this table.

The Table Editor defaults depend on the SAVE keyword from the EDIT TABLE command:

- When SAVE=IMMEDIATE, the default for each category is to enable.
- When SAVE=END, the default for the DELETE, MODIFY, and END/CANCEL categories is to enable; the default for the ADD and CHANGE categories is to disable.

Callable Interface Variable Name	Command Interface Variable Name	Length	Description
DSQCP_TEADD	none	01	Displays a confirmation panel after an ADD subcommand. Values can be: 0 panel is disabled. 1 panel is enabled. 2 panel is enabled or disabled depending on the Table Editor defaults. This is the default.
DSQCP_TECHG	none	01	Displays a confirmation panel after a CHANGE subcommand. Values can be: 0 panel is disabled. 1 panel is enabled. 2 panel is enabled or disabled depending on the Table Editor defaults. This is the default.

Callable Interface Variable Name	Command Interface Variable Name	Length	Description
DSQCP_TEEND	none	01	<p>Displays a confirmation panel when the user issues an END subcommand or a CANCEL subcommand to terminate a Table Editor subsession. The panel can appear in several variations, depending on whether or not END or CANCEL was issued, whether modifications were made to the database, and whether the screen contained modified data when END or CANCEL was issued. Values can be:</p> <p>0 panel is disabled.</p> <p>1 panel is enabled.</p> <p>2 panel is enabled or disabled depending on the Table Editor defaults. This is the default.</p>
DSQCP_TEDEL	none	01	<p>Displays a confirmation panel after a DELETE subcommand. Values can be:</p> <p>0 panel is disabled.</p> <p>1 panel is enabled.</p> <p>2 panel is enabled or disabled depending on the Table Editor defaults. This is the default.</p>
DSQCP_TEDFLT	none	01	<p>The reserved character used to indicate the default value for a column in the Table Editor. Initially set to a plus sign (+) character.</p>
DSQCP_TEDFLT_DBCS	none	04	<p>The reserved DBCS character used to indicate the default value for a graphic string column in the Table Editor. The value must be a four-byte, mixed string, composed of one DBCS character, preceded by the shift-out character, and followed by the shift-in character. Initially set to a DBCS plus sign (+) character. Note that this global variable is used only in a DBCS environment.</p>

QMF Global Variables

Callable Interface Variable Name	Command Interface Variable Name	Length	Description
DSQCP_TEMOD	none	01	Displays a confirmation panel when displayed data is modified and a PREVIOUS, CLEAR, SHOW CHANGE, SHOW SEARCH, REFRESH, or NEXT subcommand is issued. The resulting panel includes the name of the subcommand as part of the panel text. Values can be: 0 panel is disabled. 1 panel is enabled. 2 panel is enabled or disabled depending on the Table Editor defaults.
DSQCP_TENULL	none	01	The reserved character used to indicate the null value for a column in the Table Editor. Initially set to a hyphen (-) character.
DSQCP_TENULL_DBCS	none	04	The reserved DBCS character used to indicate the null value (or, in the context of search criteria, to indicate ignore) for a graphic string column in the Table Editor. The value must be a four-byte, mixed string, composed of one DBCS character, preceded by the shift-out character, and followed by the shift-in character. Initially set to a DBCS hyphen (-) character. Note that this global variable is used only in a DBCS environment.

DSQ global variables that control how information is displayed on the screen

All of these global variables can be modified by the SET GLOBAL command.

Callable Interface Variable Name	Command Interface Variable Name	Length	Description
DSQDC_COST_EST	none	01	Optionally suppress database cost estimate. Values can be: 0 = no—Do not display the cost estimate. 1 = yes—Display the cost estimate. This is the default.

QMF Global Variables

Callable Interface Variable Name	Command Interface Variable Name	Length	Description
DSQDC_CURRENCY	none	18	The currency symbol used when the DC edit code is specified. The value can be a string with a length from 1 to 18 bytes. For English, the default is the euro currency symbol. The default varies for other languages. In a DBCS environment, this value can be a mixed string of SBCS and DBCS characters. The total length of the mixed string, including the shift-out and shift-in characters, cannot exceed 18 bytes.
DSQDC_DISPLAY_RPT	DSQADPAN	01	<p>Display report after RUN QUERY. Values can be:</p> <p>0 if you do not want QMF to display the resulting report from a RUN query command. This is the default if QMF is started interactively with DSQQMFE or in BATCH mode. Changing this variable when QMF is started in BATCH mode will not cause any QMF screen to display.</p> <p>1 if you want QMF to automatically display the report. This is the default if QMF is started with the callable interface. This can be overridden with the DSQADPAN program parameter on the START command.</p> <p>This global variable is for applications only. It has no effect when the RUN QUERY command is entered on the command line.</p>

QMF Global Variables

Callable Interface Variable Name	Command Interface Variable Name	Length	Description
DSQDC_LIST_ORDER	none	02	<p>Sets the default sort order for objects in a list of database objects. Values for the first character can be:</p> <ul style="list-style-type: none"> 1 The list will use the default order 2 The list will be sorted by object owner. 3 The list will be sorted by object name. 4 The list will be sorted by object type. 5 The list will be sorted by date modified. 6 The list will be sorted by date last used. <p>Values for the second character can be:</p> <ul style="list-style-type: none"> A The list will be sorted in ascending order. D The list will be sorted in descending order. <p>This variable applies only to objects that are listed as a result of the LIST command. It does not apply to lists produced in other contexts, such as from a Display prompt panel, and it does not apply to lists of tables.</p>

Callable Interface Variable Name	Command Interface Variable Name	Length	Description
DSQDC_SCROLL_AMT	none	04	<p>Sets the scroll amount for QMF panels. Values can be:</p> <p>Csr Sets scroll amount to cursor. Depending on whether the user scrolls backward, forward, left, or right, QMF scrolls the line or column where the cursor is positioned to the bottom, top, far left, or far right of the scrollable area.</p> <p>Half Sets scroll amount to half the scrollable area.</p> <p>Page Sets scroll amount to a full page. This is the default.</p> <p>n Sets scroll amount to <i>n</i> number of lines or columns. <i>n</i> can be any number from 1 to 9999.</p>
DSQDC_SHOW_PANID	DSQCPDSP	01	<p>Display panel IDs on CUA-like panels. Values can be:</p> <p>0 Suppress panel identifiers. This is the default.</p> <p>1 Display panel identifiers.</p>

DSQ global variables that control how commands and procedures are executed

All of these global variables can be modified by the SET GLOBAL command.

Callable Interface Variable Name	Command Interface Variable Name	Length	Description
DSQEC_ALIASES	none	31	View for retrieving lists of table and view aliases when the user requests a list of tables from a DB2 for MVS/ESA location or if the current server is DB2 for MVS/ESA, or a workstation database server.
DSQEC_COLS_LDB2	none	31	View for retrieving column information for a table at the current location, if that location is DB2.
DSQEC_COLS_RDB2	none	31	View for retrieving column information for a table at a remote DB2 location (if it is not the current location).
DSQEC_COLS_SQL	none	31	View for retrieving column information for a table in a DB2 for VM/ESA or VSE/ESA database.

QMF Global Variables

Callable Interface Variable Name	Command Interface Variable Name	Length	Description
DSQEC_DISABLEADM	none	01	<p>QMF Administrator Authority Suppression. When the value for this global variable is changed, the effect is immediate. Possible values can be:</p> <p>0 QMF Administrator authority is available (if the authid has QMF Administrator authority).</p> <p>1 QMF Administrator authority is suppressed (regardless of the authority of the authid).</p> <p>Note: The initial default value for this global variable may be overridden by the QMF installation exit.</p>
DSQEC_FORM_LANG	none	01	<p>Establishes the default NLF language in a saved or exported form. Values can be:</p> <p>0 The form will use the presiding NLF language.</p> <p>1 The form will use English. This is the default.</p>
DSQEC_ISOLATION	none	01	<p>Default Query isolation level. Values can be:</p> <p>0 Isolation level UR, Uncommitted Read.</p> <p>1 Isolation level CS, Cursor Stability. This is the default.</p> <p>Attention: Setting the value to '0' can introduce non-existent data into a QMF report. Do not set the value to '0' if your QMF reports must be free of non-existent data.</p> <p>Limited support: For QMF 7.2 the use of the value '0' is only effective with the following database servers (those supporting the SQL WITH clause):</p> <ul style="list-style-type: none"> • DB2 for MVS V4 or higher • DB2 for VM/VSE V4 or higher
DSQEC_NLFCMD_LANG	none	01	<p>Set expected NLF language for commands. Values can be:</p> <p>0 Commands must be in the presiding NLF language. This is the default.</p> <p>1 Commands must be in English.</p>

QMF Global Variables

Callable Interface Variable Name	Command Interface Variable Name	Length	Description
DSQEC_PRO_ENABLE	none	01	<p>This is used as a protection enable switch for all QMF objects. Values can be:</p> <p>0 Disable the object protection panel. QMF will prompt the users if an object was modified in temporary storage. This is the default</p> <p>1 Enable the object protection panel. QMF will prompt the users if an object was modified in temporary storage.</p>
DSQEC_PRO_FORM	none	01	<p>This enables the display for FORM object protection. Values can be:</p> <p>0 Disable the object protection panel. QMF will prompt the users if the FORM object was modified in temporary storage.</p> <p>1 Enable the object protection panel. QMF will prompt the users if the FORM object was modified in temporary storage. This is the default.</p>
DSQEC_PRO_PROC	none	01	<p>This allows PROC object protection. Values can be:</p> <p>0 Disable the object protection panel. QMF will prompt the users if the PROC object was modified in temporary storage.</p> <p>1 Enable the object protection panel. QMF will prompt the users if the PROC object was modified in temporary storage. This is the default.</p>

QMF Global Variables

Callable Interface Variable Name	Command Interface Variable Name	Length	Description
DSQEC_PRO_PROF	none	01	<p>This allows PROFILE object protection. Values can be:</p> <p>0 Disable the object protection panel. QMF will prompt the users if the PROFILE object was modified in temporary storage.</p> <p>1 Enable the object protection panel. QMF will prompt the users if the PROFILE object was modified in temporary storage. This is the default.</p>
DSQEC_PRO_QUERY	none	01	<p>This enables QUERY object protection. Values can be:</p> <p>0 Disable the object protection panel. QMF will prompt the users if the QUERY object was modified in temporary storage.</p> <p>1 Enable the object protection panel. QMF will prompt the users if the QUERY object was modified in temporary storage. This is the default.</p>
DSQEC_RERUN_IPROC	none	01	<p>Rerun invocation procedure after the END command. Values can be:</p> <p>0 Suppress rerun of invocation procedure after the END command.</p> <p>1 Rerun the invocation procedure after the END command. This is the default.</p> <p>If you start QMF with an invocation procedure, then set this variable to '0', QMF terminates instead of rerunning the procedure.</p>

Callable Interface Variable Name	Command Interface Variable Name	Length	Description
DSQEC_RESET_RPT	none	31	<p>Determines whether or not QMF prompts the user when an incomplete DATA object in temporary storage appears to be affecting performance. Possible values are:</p> <p>0 Reset Report Prompt Panel is not displayed and QMF completes the running report. This is the default value.</p> <p>1 Reset Report Prompt Panel is displayed. This panel prompts the user to complete or reset the currently running report before starting the new command.</p> <p>2 Reset Report Prompt Panel is not displayed and QMF resets the currently running report.</p>
DSQEC_SHARE	none	31	<p>Specifies the default value for the SHARE parameter. The possible values are:</p> <p>0 Do not share data with other users.</p> <p>1 Do share data with other users.</p> <p>Note: the initial default value for this global variable may be overridden by the QMF installation exit.</p>
DSQEC_TABS_LDB2	none	31	View for retrieving lists of tables and views at the current server, if it is DB2 for MVS/ESA, or a workstation database server.
DSQEC_TABS_RDB2	none	31	View for retrieving lists of tables and views at remote DB2 subsystems.
DSQEC_TABS_SQL	none	31	View for retrieving lists of tables and views for a DB2 for VM/ESA or VSE/ESA database.

DSQ Global Variables That Show Results of CONVERT QUERY

None of these global variables can be modified by the SET GLOBAL command.

QMF Global Variables

Callable Interface Variable Name	Command Interface Variable Name	Length	Description
DSQQC_LENGTH_ <i>nmn</i>	DSQCL <i>nmn</i>	05	Length of converted result <i>nmn</i>
DSQQC_QRY_COUNT	DSQCQCNT	03	Number of queries in converted result. Value must always be '1' unless the original query is a QBE I. or U. query.
DSQQC_QRY_LANG	DSQCQLNG	01	Language of converted query. Values can be: 1 for SQL 2 for QBE 3 for prompted
DSQQC_QRY_TYPE	DSQCQTYP	not specified	First word in converted results
DSQQC_RESULT_ <i>nmn</i>	DSQCQ <i>nmn</i>	not specified	Converted result <i>nmn</i>

DSQ Global Variables That Show RUN QUERY Error Message Information

None of these global variables can be modified by the SET GLOBAL command.

Callable Interface Variable Name	Command Interface Variable Name	Length	Description
DSQQM_MESSAGE	DSQCIQMG	80	Text of query message
DSQQM_MSG_HELP	DSQCIQID	08	ID of message help panel
DSQQM_MSG_NUMBER	DSQCIQNO	08	Message number
DSQQM_SQL_RC	DSQCISQL	16	The SQLCODE from the last command or query.
DSQQM_SQL_STATE	none	05	The SQLSTATE associated with the SQLCODE in DSQQM_SQL_RC, if SQLSTATE is returned by the database manager.
DSQQM_SUB_TXT_ <i>nm</i>	DSQCIQ <i>nm</i>	20	Substitution value <i>nm</i>
DSQQM_SUBST_VARS	DSQCIQ00	04	Number of substitution variables

Appendix C. QMF Functions that Require Specific Support

Table 21. These functions require the support of specific database management systems.

Function Supported	DB2 for OS/390	workstation database servers	SQL/DS
Length of query statement	32,765	32,765	8,192
Number of columns in SELECT statement	750	255	255
Import single-precision floating point numbers	X		X
Long fields with LIKE statement	X		X
Database synonyms	X		X
Database aliases for tables or views	X	X	
SAVE=IMMEDIATE option available in Table Editor (Supports CURSOR HOLD)	X	X	
Distributed Unit of Work (three-part names)	X		
Remote Unit of Work	X	X	on VSE, requires Version 3 Release 4

QMF functions not available in CICS

The following QMF and QMF-related functions are not available in the CICS/ESA[®] or CICS/MVS environment.

- Command interface
- EDIT PROC
- EDIT QUERY
- Document interface
- BATCH application
- Canceling transactions
- EXTRACT
- ISPF

QMF Functions that Require Specific Support

- DPRE
- Report calculations
- External variables
- LAYOUT application
- Conditional formatting
- Column definition
- Procedures with logic

Appendix D. Notices

This information was developed for products and services offered in the U.S.A. IBM may not offer the products, services, or features discussed in this document in other countries. Consult your local IBM representative for information on the products and services currently available in your area. Any reference to an IBM product, program, or service is not intended to state or imply that only that IBM product, program, or service may be used. Any functionally equivalent product, program, or service that does not infringe any IBM intellectual property right may be used instead. However, it is the user's responsibility to evaluate and verify the operation of any non-IBM product, program, or service.

IBM may have patents or pending patent applications covering subject matter described in this document. The furnishing of this document does not give you any license to these patents. You can send license inquiries, in writing, to:

IBM Director of Licensing
IBM Corporation
North Castle Drive
Armonk, NY 10594-1785
U.S.A.

For license inquiries regarding double-byte (DBCS) information, contact the IBM Intellectual Property Department in your country or send inquiries, in writing, to:

IBM World Trade Asia Corporation
Licensing
2-31 Roppongi 3-chome, Minato-ku
Tokyo 106, Japan

The following paragraph does not apply to the United Kingdom or any other country where such provisions are inconsistent with local law: INTERNATIONAL BUSINESS MACHINES CORPORATION PROVIDES THIS PUBLICATION "AS IS" WITHOUT WARRANTY OF ANY KIND, EITHER EXPRESS OR IMPLIED, INCLUDING, BUT NOT LIMITED TO, THE IMPLIED WARRANTIES OF NON-INFRINGEMENT, MERCHANTABILITY OR FITNESS FOR A PARTICULAR PURPOSE. Some states do not allow disclaimer of express or implied warranties in certain transactions, therefore, this statement may not apply to you.

This information could include technical inaccuracies or typographical errors. Changes are periodically made to the information herein; these changes will

be incorporated in new editions of the publication. IBM may make improvements and/or changes in the product(s) and/or the program(s) described in this publication at any time without notice.

Any references in this publication to non-IBM Web sites are provided for convenience only and do not in any manner serve as an endorsement of those Web sites. The materials at those Web sites are not part of the materials for this IBM product and use of those Web sites is as your own risk.

Licenses of this program who wish to have information about it for the purpose of enabling: (i) the exchange of information between independently created programs and other programs (including this one) and (ii) the mutual use of the information which has been exchanged, should contact:

IBM Corporation
J74/G4
555 Bailey Avenue
P.O. Box 49023
San Jose, CA 95161-9023
U.S.A.

Such information may be available, subject to appropriate terms and conditions, including in some cases, payment of a fee.

The licensed program described in this information and all licensed material available for it are provided by IBM under terms of the IBM Customer Agreement, IBM International Program License Agreement, or any equivalent agreement between us.

Any performance data contained herein was determined in a controlled environment. Therefore, the results obtained in other operating environments may vary significantly. Some measurements may have been made on development-level systems and there is no guarantee that these measurements will be the same on generally available systems. Furthermore, some measurement may have been estimated through extrapolation. Actual results may vary. Users of this document should verify the applicable data for their specific environment.

Information concerning non-IBM products was obtained from the suppliers of those products, their published announcements or other publicly available sources. IBM has not tested those products and cannot confirm the accuracy of performance, compatibility or any other claims related to non-IBM products. Questions on the capabilities of non-IBM products should be addressed to the suppliers of those products.

All statements regarding IBM's future direction or intent are subject to change or withdrawal without notice, and represent goals and objectives only.

All IBM prices shown are IBM's suggested retail prices, are current and are subject to change without notice. Dealer prices may vary.

This information is for planning purposes only. The information herein is subject to change before the products described become available.

This information contains examples of data and reports used in daily business operations. To illustrate them as completely as possible, the examples include the names of individuals, companies, brands, and products. All of these names are fictitious and any similarity to the names and addresses used by an actual business enterprise is entirely coincidental.

COPYRIGHT LICENSE:

This information contains sample application programs in source language, which illustrates programming techniques on various operating platforms. You may copy, modify, and distribute these sample programs in any form without payment to IBM, for the purposes of developing, using, marketing or distributing application programs conforming to the application programming interface for the operating platform for which the sample programs are written. These examples have not been thoroughly tested under all conditions. IBM, therefore, cannot guarantee or imply reliability, serviceability, or function of these programs.

If you are viewing this information softcopy, the photographs and color illustrations may not appear.

Trademarks

The following terms are trademarks of the IBM Corporation in the United States or other countries or both:

ACF/VTAM	IBMLink
Advanced Peer-to-Peer Networking	IMS
AIX	Language Environment
AIX/6000	MVS
AS/400	MVS/ESA
C/370	MVS/XA
CICS	OfficeVision/VM
CICS/ESA	OS/2
CICS/MVS	OS/390
CICS/VSE	PL/I
COBOL/370	PROFS
DATABASE 2	QMF
DataJoiner	RACF
DB2	S/390
DB2 Universal Database	SQL/DS
Distributed Relational Database Architecture	Virtual Machine/Enterprise Systems Architecture
DRDA	Visual Basic
DXT	VM/XA
GDDM	VM/ESA
IBM	VSE/ESA
	VTAM

Java or all Java-based trademarks and logos, and Solaris are trademarks of Sun Microsystems, Inc. in the United States, other countries, or both.

Lotus and 1-2-3 are trademarks of Lotus Development Corporation in the United States, other countries, or both.

Microsoft, Windows, and Windows NT are trademarks or registered trademarks of Microsoft Corporation.

Other company, product, and service names, which may be denoted by a double asterisk (**), may be trademarks or service marks of others.

Glossary of Terms and Acronyms

This glossary defines terms as they are used throughout the QMF library. If you do not find the term you are looking for, refer to the index in this book, or to the *IBM Dictionary of Computing*.

abend. The abnormal termination of a task.

ABENDx. The keyword for an abend problem.

Advanced Peer-to-Peer Networking. A distributed network and session control architecture that allows networked computers to communicate dynamically as equals. Compare with Advanced Program-to-Program Communication (APPC). An implementation of the SNA synchronous data link control LU 6.2 protocol that allows interconnected systems to communicate and share the processing of programs.

Advanced Program-to-Program Communication (APPC). An implementation of the SNA synchronous data link control LU 6.2 protocol that allows interconnected systems to communicate and share the processing of programs.

aggregation function. Any of a group of functions that summarizes data in a column. They are requested with these usage codes on the form panels: AVERAGE, CALC, COUNT, FIRST, LAST, MAXIMUM, MINIMUM, STDEV, SUM, CSUM, PCT, CPCT, TPCT, TCPCT.

aggregation variable. An aggregation function that is placed in a report using either the FORM.BREAK, FORM.CALC, FORM.DETAIL, or FORM.FINAL panels. Its value appears as part of the break footing, detail block text, or final text when the report is produced.

alias. In DB2 UDB for OS/390, an alternate name that can be used in SQL statements to refer to a table or view in the same or a remote DB2 UDB for OS/390 subsystem. In OS/2, an alternate name used to identify a object, a database, or a network resource such as an LU. In QMF, a locally defined name used to access a QMF table or view stored on a local or remote DB2 UDB for OS/390 subsystem.

APAR. Authorized Program Analysis Report.

APPC. Advanced Program-to-Program Communication

application. A program written by QMF users that extends the capabilities of QMF without modifying the QMF licensed program. Started from a QMF session by issuing a RUN command for a QMF procedure, an installation-defined command, or a CMS or TSO command that invokes an EXEC or CLIST, respectively.

application requester. (1) A facility that accepts a database request from an application process and passes it to an application server. (2) In DRDA, the source of a request to a remote relational database management system.

The application requester is the DBMS code that handles the QMF end of the distributed connection. The local DB2 UDB for OS/390 subsystem to which QMF attaches is known as the application requester for QMF, because DB2 UDB for OS/390's application requester is installed within the local database

Glossary

manager. Therefore, an entire DB2 UDB for OS/390 subsystem (including data) is associated with the application requester, but the SQL statements are processed at the current location. This subsystem is called the “local DB2 UDB for OS/390”.

With DB2 for VM and VSE the application requester runs in the same virtual machine as QMF; that is, no database is inherently associated with the DB2 for VM and VSE application requester.

application server. The target of a request from an application requester. (1) The local or remote database manager to which the application process is connected. The application server executes at the system containing the desired data. (2) In DRDA, the target of a request from an application requester. With DB2 UDB for OS/390, the application server is part of a full DB2 UDB for OS/390 subsystem.

With DB2 for VM and VSE, the application server is part of a DB2 for VM and VSE database machine.

application-support command. A QMF command that can be used within an application program to exchange information between the application program and QMF. These commands include INTERACT, MESSAGE, STATE, and QMF.

area separator. The barrier that separates the fixed area of a displayed report from the remainder of the report.

argument. An independent variable.

base QMF environment. The English-language environment of QMF, established when QMF is installed. Any other language environment is established after installation.

batch QMF session. A QMF session running in the background. Begins when a specified QMF procedure is invoked and ends when the procedure ends. During a background QMF session, no user interaction and panel display interaction are allowed.

bind. In DRDA, the process by which the SQL statements in an application program are made known to a database management system over application support protocol (and database support protocol) flows. During a bind, output from a precompiler or preprocessor is converted to a control structure called a package. In addition, access paths to the referenced data are selected and some authorization checking is performed. (Optionally in DB2 UDB for OS/390, the output may be an application plan.)

built-in function. Generic term for scalar function or column function. Can also be “function.”

calculation variable. CALCid is a special variable for forms that contains a user-defined calculated value. CALCid is defined on the FORM.CALC panel.

callable interface. A programming interface that provides access to QMF services. An application can access these services even when the application is running outside of a QMF session. Contrast with command interface.

chart. A graphic display of information in a report.

CICS. Customer Information Control System.

client. A functional unit that receives shared services from a server.

CMS. Conversational Monitor System.

column. A vertical set of tabular data. It has a particular data type (for example, character or numeric) and a name. The values in a column all have the same data characteristics.

column function. An operation that is applied once to all values in a column, returns a single value as a result, and is expressed in the form of a function name followed by one or more arguments enclosed in parentheses.

column heading. An alternative to the column name that a user can specify on a form. Not saved in the database, as are the column name and label.

column label. An alternative descriptor for a column of data that is saved in the database. When used, column labels appear by default on the form, but they can be changed by users.

column wrapping. Formatting values in a report so that they occupy several lines within a column. Often used when a column contains values whose length exceeds the column width.

command interface. An interface for running QMF commands. The QMF commands can only be issued from within an active QMF session. Contrast with callable interface.

command synonym. The verb or verb/object part of an installation-defined command. Users enter this for the command, followed by whatever other information is needed.

command synonym table. A table each of whose rows describes an installation-defined command. Each user can be assigned one of these tables.

commit. The process that makes a data change permanent. When a commit occurs, data locks are freed enabling other applications to reference the just-committed data. See also "rollback".

concatenation. The combination of two strings into a single string by appending the second to the first.

connectivity. The enabling of different systems to communicate with each other. For example, connectivity between a DB2 UDB for OS/390 application requester and a DB2 for VM and VSE application server enables a DB2 UDB for OS/390 user to request data from a DB2 for VM and VSE database.

conversation. A logical connection between two programs over an LU 6.2 session that allows them to communicate with each other while processing a transaction.

correlation name. An alias for a table name, specified in the FROM clause of a SELECT query. When concatenated with a column name, it identifies the table to which the column belongs.

CP. The Control Program for VM.

CSECT. Control section.

current location. The application server to which the QMF session is currently connected. Except for connection-type statements, such as CONNECT (which are handled by the application requester), this server processes all the SQL statements. When initializing QMF, the current location is indicated by the DSQSDBNM startup program parameter. (If that parameter is not specified, the local DB2 UDB for OS/390 subsystem)

current object. An object in temporary storage currently displayed. Contrast with saved object.

Glossary

Customer Information Control System (CICS). An IBM licensed program that enables transactions entered at remote terminals to be processed concurrently by user-written application programs. It includes facilities for building, using, and maintaining databases.

DATA. An object in temporary storage that contains the information returned by a retrieval query. Information represented by alphanumeric characters contained in tables and formatted in reports.

database. A collection of data with a given structure for accepting, storing, and providing on demand data for multiple users. In DB2 UDB for OS/390, a created object that contains table spaces and index spaces. In DB2 for VM and VSE, a collection of tables, indexes, and supporting information (such as control information and data recovery information) maintained by the system. In OS/2, a collection of information, such as tables, views, and indexes.

database administrator. The person who controls the content of and access to a database.

database management system. A computer-based system for defining, creating, manipulating, controlling, managing, and using databases. The database management system also has transaction management and data recovery facilities to protect data integrity.

database manager. A program used to create and maintain a database and to communicate with programs requiring access to the database.

database server. (1) In DRDA, the target of a request received from an application server (2) In OS/2, a workstations that provides database services for its local database to database clients.

date. Designates a day, month, and year (a three-part value).

date/time default formats. Date and time formats specified by a database manager installation option. They can be the EUR, ISO, JIS, USA, or LOC (LOCAL) formats.

date/time data. The data in a table column with a DATE, TIME, or TIMESTAMP data type.

DB2 UDB for OS/390. DB2 Universal Database for OS/390 (an IBM relational database management system).

DB2 for AIX. DATABASE2 for AIX. The database manager for QMF's relational data.

DBCS. Double-byte character set.

DBMS. Database management system.

default form. The form created by QMF when a query is run. The default form is not created if a saved form is run with the query.

destination control table (DCT). In CICS, a table containing a definition for each transient data queue.

detail block text. The text in the body of the report associated with a particular row of data.

detail heading text. The text in the heading of a report. Whether or not headings will be printed is specified in FORM.DETAIL.

dialog panel. A panel that overlays part of a Prompted Query primary panel and extends the dialog that helps build a query.

distributed data. Data that is stored in more than one system in a network, and is available to remote users and application programs.

distributed database. A database that appears to users as a logical whole, locally accessible, but is comprised of databases in multiple locations.

distributed relational database. A distributed database where all data is stored according to the relational model.

Distributed Relational Database Architecture. A connection protocol for distributed relational database processing that is used by IBM and vendor relational database products.

distributed unit of work. A method of accessing distributed relational data in which users or applications can, within a single unit of work, submit SQL statements to multiple relational database management systems, but no more than one RDBMS per SQL statement.

DB2 UDB for OS/390 introduced a limited form of distributed unit of work support in its V2R2 called system-directed access, which QMF supports.

DOC. The keyword for a document problem.

double-byte character. An entity that requires two character bytes.

double-byte character set (DBCS). A set of characters in which each character is represented by two bytes. Languages such as Japanese, Chinese, and Korean, which contain more symbols that can be represented by 256 code points, require double-byte character sets. Because each character requires two bytes, the typing, display, and printing of DBCS characters requires hardware and programs that support DBCS. Contrast with single-byte character set.

DRDA. Distributed Relational Database Architecture.

duration. An amount of time expressed as a number followed by one of seven keywords: YEARS, MONTHS, DAYS, HOURS, MINUTES, SECONDS, MICROSECONDS.

EBCDIC. Extended Binary-Coded Decimal Interchange Code.

echo area. The part of the Prompted Query primary panel in which a prompted query is built.

EUR (European) format. A format that represents date and time values as follows:

- Date: dd.mm.yyyy
- Time: hh.mm.ss

extended syntax. QMF command syntax that is used by the QMF callable interface; this syntax defines variables that are stored in the storage acquired by the callable interface application and shared with QMF

example element. A symbol for a value to be used in a calculation or a condition in a QBE query.

example table. The framework of a QBE query.

fixed area. That part of a report that contains fixed columns.

Glossary

fixed columns. The columns of a report that remain in place when the user scrolls horizontally. On multiple-page, printed reports, these columns are repeated on the left side of each page.

form. An object that contains the specifications for printing or displaying a report or chart. A form in temporary storage has the name of FORM.

function key table. A table containing function key definitions for one or more QMF panels, along with text describing the keys. Each user can be assigned one of these tables.

gateway. A functional unit that connects two computer networks of different network architectures. A gateway connects networks or systems of different architectures, as opposed to a bridge, which connects networks or systems with the same or similar architectures.

GDDM. Graphical Data Display Manager.

global variable. A variable that, once set, can be used for an entire QMF session. A global variable can be used in a procedure, query, or form. Contrast with run-time variable.

Graphical Data Display Manager. A group of routines that allows pictures to be defined and displayed procedurally through function routines that correspond to graphic primitives.

grouped row. A row of data in a QBE target or example table that is summarized either by a G. or a built-in function.

HELP. Additional information about an error message, a QMF panel, or a QMF command and its options.

host. A mainframe or mid-size processor that provides services in a network to a workstation.

HTML. Hypertext Markup Language. A standardized markup language for documents displayed on the World Wide Web.

ICU. Interactive Chart Utility.

INCORROUT. The keyword for incorrect output.

index. A collection of data about the locations of records in a table, allowing rapid access to a record with a given key.

initial procedure. A QMF procedure specified by the DSQSRUN parameter on the QMF start command which is executed immediately after QMF is invoked.

initialization program. A program that sets QMF program parameters. This program is specified by DSQSCMD in the callable interface. The default program for interactive QMF is DSQSCMD*n*, where *n* is the qualifier for the presiding language ('E' for English).

installation-defined command. A command created by an installation. QMF will process it as one of its own commands or as a combination of its commands.

installation-defined format. Date and time formats, also referred to as LOCAL formats, that are defined (or built) by the installation.

interactive execution. Execution of a QMF command in which any dialog that should take place between the user and QMF during the command's execution actually does take place.

interactive session. Any QMF session in which the user and QMF can interact. Could be started by another interactive session by using the QMF INTERACT command.

interactive switch. A conceptual switch which, when on, enables an application program to run QMF commands interactively.

invocation CLIST or EXEC. A program that invokes (starts) QMF.

ISO (International Standards Organization) format. A format that represents date and time values as follows:

- Date: yyyy-mm-dd
- Time: hh.mm.ss

ISPF. Interactive System Productivity Facility.

IXF. Integration Exchange Format: A protocol for transferring tabular data among various software products.

JCL. Job control language for OS/390.

job control. In VSE, a program called into storage to prepare each job or job step to be run. Some of its functions are to assign I/O devices to symbolic names, set switches for program use, log (or print) job control statements, and fetch the first phase of each job step.

JIS (Japanese Industrial Standard) format. A format that represents date and time values as follows:

- Date: yyyy-mm-dd
- Time: hh:mm:ss

join. A relational operation that allows retrieval of data from two or more tables based on matching columns that contain values of the same data type.

keyword parameter. An element of a QMF command consisting of a keyword and an assigned value.

like. Pertaining to two or more similar or identical IBM operating environments. For example, like distribution is distribution between two DB2 UDB for OS/390's with compatible server attribute levels. Contrast with "unlike".

literal. In programming languages, a lexical unit that directly represents a value. A character string whose value is given by the characters themselves.

linear procedure. Any procedure *not* beginning with a REXX comment. A linear procedure can contain QMF commands, comments, blank lines, RUN commands, and substitution variables. See also "procedure with logic."

linear syntax. QMF command syntax that is entered in one statement of a program or procedure, or that can be entered on the QMF command line.

Glossary

line wrapping. Formatting table rows in a report so they occupy several lines. The row of column names and each row of column values are split into as many lines as are required by the line length of the report.

local. Pertaining to the relational database, data, or file that resides in the user's processor. See also "local DB2 UDB for OS/390", and contrast with *remote*.

local area network (LAN). (1) Two or more processors connected for local resource sharing (2) A network within a limited geographic area, such as a single office building, warehouse, or campus.

local data. Data that is maintained by the subsystem that is attempting to access the data. Contrast with remote data.

local DB2 UDB for OS/390. With DB2 UDB for OS/390, the application requester is part of a DB2 UDB for OS/390 subsystem that is running in the same MVS system as QMF. Therefore, an entire DB2 UDB for OS/390 subsystem (including data) is associated with the application requester, but the SQL statements are processed at the current location. This subsystem is where the QMF plan is bound.

When QMF runs in TSO, this subsystem is specified using DSQSSUBS startup program parameter. When QMF runs in CICS, this subsystem is identified in the Resource Control Table (RCT). The local DB2 UDB for OS/390 is the subsystem ID of the DB2 UDB for OS/390 that was started in the CICS region.

location. A specific relational database management system in a distributed relational database system. Each DB2 UDB for OS/390 subsystem is considered to be a location.

logical unit (LU). A port through which an end user accesses the SNA network to communicate with another end user and through which the end user accesses the functions provided by system services control points.

Logical Unit type 6.2 (LU 6.2). The SNA logical unit type that supports general communication between programs in a distributed processing environment.

LU. Logical unit.

LU 6.2. Logical Unit type 6.2.

LOOP. The keyword for an endless-loop problem.

MSGx. The keyword for a message problem.

Multiple Virtual Storage. Implies the MVS/ESA product

MVS/ESA. Multiple Virtual Storage/Enterprise System Architecture (IBM operating system).

NCP. Network Control Program.

Network Control Program (NCP). An IBM licensed program that provides communication controller support for single-domain, multiple-domain, and interconnected network capability.

NLF. National Language Feature. Any of several optional features available with QMF that lets the user select a language other than US English.

NLS. National Language Support.

node. In SNA, an end point of a link or a junction common to two or more links in a network. Nodes can be distributed to host processors, communication controllers, cluster controllers, or terminals. Nodes can vary in routing and other functional capabilities.

null. A special value used when there is no value for a given column in a row. *Null* is not the same as zero.

null value. See *null*.

object. A QMF query, form, procedure, profile, report, chart, data, or table. The report, chart, and data objects exist only in temporary storage; they cannot be saved in a database. The table object exists only in a database.

object name. A character string that identifies an object owned by a QMF user. The character string can be a maximum of 18 bytes long and must begin with an alphabetic character. The term “object name” does not include the “owner name” prefix. Users can access other user’s objects only if authorized.

object panel. A QMF panel that can appear online after the execution of one QMF command and before the execution of another. Such panels include the home, report, and chart panels, and all the panels that display a QMF object. They do not include the list, help, prompt, and status panels.

online execution. The execution of a command from an object panel or by pressing a function key.

owner name. The authorization id of the user who creates a given object.

package. The control structure produced when the SQL statements in an application program are bound to a relational database management system. The database management system uses the control structure to process SQL statements encountered during statement execution.

panel. A particular arrangement of information, grouped together for presentation in a window. A panel can contain informational text, entry fields, options the user can choose from, or a mixture of these.

parameter. An element of a QMF command. This term is used generically in QMF documentation to reference a *keyword parameter* or a *positional parameter*.

partner logical unit. In SNA, the remote system in a session.

PERFM. The keyword for a performance problem.

permanent storage. The database where all tables and QMF objects are stored.

plan. A form of package where the SQL statements of several programs are collected together during bind to create a plan.

positional parameter. An element of a QMF command that must be placed in a certain position within the command.

primary panel. The main Prompted Query panel containing your query.

primary QMF session. An interactive session begun from outside QMF. Within this session, other sessions can be started by using the INTERACT command.

Glossary

procedure. An object that contains QMF commands. It can be run with a single RUN command. A procedure in temporary storage has the name of PROC. See also “linear procedure” and “procedure with logic.”

procedure termination switch. A conceptual switch that a QMF MESSAGE command can turn on. While on, every QMF procedure to which control returns terminates immediately.

procedure with logic. Any QMF procedure beginning with a REXX comment. In a procedure with logic, you can perform conditional logic, make calculations, build strings, and pass commands back to the host environment. See also “linear procedure.”

profile. An object that contains information about the characteristics of the user’s session. A stored profile is a profile that has been saved in permanent storage. A profile in temporary storage has the name PROFILE. There can be only one profile for each user.

prompt panel. A panel that is displayed after an incomplete or incorrect QMF command has been issued.

Prompted Query. A query built in accordance with the user’s responses to a set of dialog panels.

protocol. The rules governing the functions of a communication system that must be followed if communication is to be achieved.

PSW. Program status word.

PTF. Program temporary fix.

QBE (Query-By-Example). A language used to write queries graphically. For more information see *Using QMF*

QMF administrative authority. At minimum, insert or delete privilege for the Q.PROFILES control table.

QMF administrator. A QMF user with QMF administrative authority.

QMF command. Refers to any command that is part of the QMF language. Does **not** include installation-defined commands.

QMF session. All interactions between the user and QMF from the time the user invokes QMF until the EXIT command is issued.

qualifier. When referring to a QMF object, the part of the name that identifies the owner. When referring to a TSO data set, any part of the name that is separated from the rest of the name by periods. For example, ‘TCK’, ‘XYZ’, and ‘QUERY’ are all qualifiers in the data set name ‘TCK.XYZ.QUERY’.

query. An SQL or QBE statement, or a statement built from prompting, that performs data inquiries or manipulations. A saved query is an SQL query, QBE query, or Prompted Query that has been saved in a database. A query in temporary storage, has the name QUERY.

RDBMS. Relational database management system

relational database. A database perceived by its users as a collection of tables.

relational database management system (RDBMS). A computer-based system for defining, creating, manipulating, controlling, managing, and using relational databases.

remote. Pertaining to a relational DBMS other than the local relational DBMS.

remote data. Data that is maintained by a subsystem other than the subsystem that is attempting to access the data. Contrast with local data.

remote data access. Methods of retrieving data from remote locations. The two remote data access functions used by QMF are *remote unit of work* and DB2 UDB for OS/390-only distributed unit of work, which is called *system-directed access*.

remote unit of work. (1) The form of SQL distributed processing where the application is on a system different from the relational database and a single application server services all remote unit of work requests within a single logical unit of work. (2) A unit of work that allows for the remote preparation and execution of SQL statements.

report. The formatted data produced when a query is issued to retrieve data or a DISPLAY command is entered for a table or view.

REXX. Restructured extended executor.

rollback. The process that removes uncommitted database changes made by one application or user. When a rollback occurs, locks are freed and the state of the resource being changed is returned to its state at the last commit, rollback, or initiation. See also *commit*.

row. A horizontal set of tabular data.

row operator area. The leftmost column of a QBE target or example table.

run-time variable. A variable in a procedure or query whose value is specified by the user when the procedure or query is run. The value of a run-time variable is only available in the current procedure or query. Contrast with global variable.

sample tables. The tables that are shipped with QMF. Data in the sample tables is used to help new QMF users learn the product.

saved object. An object that has been saved in the database. Contrast with current object.

SBCS. Single-byte character set.

scalar. A value in a column or the value of a literal or an expression involving other scalars.

scalar function. An operation that produces a single value from another value and is expressed in the form of a function name followed by a list of arguments enclosed in parentheses.

screen. The physical surface of a display device upon which information is presented to the user.

scrollable area. The view of a displayed object that can be moved up, down, left, and right.

server. A functional unit that provides shared services to workstations over a network.

session. All interactions between the user and QMF from the time the user logs on until the user logs off.

Glossary

single-byte character. A character whose internal representation consists of one byte. The letters of the Latin alphabet are examples of single-byte characters.

SNA. Systems Network Architecture.

SNAP dump. A dynamic dump of the contents of one or more storage areas that QMF generates during an abend.

sort priority. A specification in a retrieval query that causes the sorted values in one retrieved column to determine the sorting of values in another retrieved column.

SQL. Structured Query Language.

SQLCA. Structured Query Language Communication Area.

SSF. Software Support Facility. An IBM online database that allows for storage and retrieval of information about all current APARs and PTFs.

stored object. An object that has been saved in permanent storage. Contrast with current object.

string. A set of consecutive items of a similar type; for example, a character string.

Structured Query Language. A language used to communicate with DB2 UDB for OS/390 and DB2 for VSE or VM. Used to write queries in descriptive phrases.

subquery. A complete SQL query that appears in a WHERE or HAVING clause of another query (the main query or a higher-level subquery).

substitution variable. (1) A variable in a procedure or query whose value is specified either by a global variable or by a run-time variable. (2) A variable in a form whose value is specified by a global variable.

substring. The part of a string whose beginning and length are specified in the SUBSTR function.

System Log (SYSLOG). A data set or file in which job-related information, operational data, descriptions of unusual occurrences, commands, and messages to and from the operator may be stored.

Systems Network Architecture. The description of the logical structure, formats, protocols, and operational sequences for transmitting information units through and controlling the configuration and operation of networks.

table. A named collection of data under the control of the relational database manager. A table consists of a fixed number of rows and columns.

Table Editor. The QMF interactive editor that lets authorized users make changes to a database without having to write a query.

table name area. The leftmost column of a QBE example table.

tabular data. The data in columns. The content and the form of the data is specified on FORM.MAIN and FORM.COLUMNS.

target table. An empty table in which example elements are used to combine columns, combine rows, or include constant values in a report.

temporary storage. An area where the query, form, procedure, profile, report, chart, and data objects in current use are stored. All but the data object can be displayed.

temporary storage queue. In CICS, a temporary storage area used for transfer of objects between QMF and an application or a system service.

time. Designates a time of day in hours and minutes and possibly seconds (a two- or three-part value).

thread. The DB2 UDB for OS/390 structure that describes an application's connection, traces its progress, provides resource function processing capability, and delimits its accessibility to DB2 UDB for OS/390 resources and services. Most DB2 UDB for OS/390 functions execute under a thread structure.

three-part name. A fully-qualified name of a table or view, consisting of a location name, owner ID, and object name. When supported by the application server (that is, DB2 UDB for OS/390), a three-part name can be used in an SQL statement to retrieve or update the specified table or view at the specified location.

timestamp. A date and a time, and possibly a number of microseconds (a six- or seven-part value).

TP. Transaction Program

TPN. Transaction program name

transaction. The work that occurs between 'Begin Unit of Work' and 'Commit' or 'Rollback'.

transaction program. A program that processes transactions in an SNA network. There are two kinds of transactions programs: application transaction programs and service transaction programs.

transaction program name. The name by which each program participating in an LU 6.2 conversation is known. Normally, the initiator of a connection identifies the name of the program it wants to connect to at the other LU. When used in conjunction with an LU name, it identifies a specific transaction program in the network.

transient data queue. In CICS, a storage area, whose name is defined in the Destination Control Table (DCT), where objects are stored for subsequent internal or external processing.

TSO. Time Sharing Option.

two-phase commit. A protocol used in distributed unit of work to ensure that participating relational database management systems commit or roll back a unit of work consistently.

unit of work. (1) A recoverable sequence of operations within an application process. At any time, an application process is a single unit of work, but the life of an application process may involve many units of work as a result of commit or rollback operations. (2) In DRDA, a sequence of SQL commands that the database manager treats as a single entity. The database manager ensures the consistency of data by verifying that either all the data changes made during a unit of work are performed or none of them are performed.

unlike. Refers to two or more different IBM operating environments. For example, unlike distribution is distribution between DB2 for VM and VSE and DB2 UDB for OS/390. Contrast with *like*.

unnamed column. An empty column added to an example table. Like a target table, it is used to combine columns, combine rows, or include constant values in a report.

Glossary

USA (United States of America) format. A format that represents date and time values as follows:

- Date: mm/dd/yyyy
- Time: hh:mm xM

value. A data element with an assigned row and column in a table.

variation. A data formatting definition specified on a FORM.DETAIL panel that conditionally can be used to format a report or part of a report.

view. An alternative representation of data from one or more tables. It can include all or some of the columns contained in the table or tables on which it is defined. (2) The entity or entities that define the scope of the data to be searched for a query.

Virtual Storage Extended. An operating system that is an extension of Disk Operating System/ Virtual Storage. A VSE consists of (1) VSE/Advanced Functions support and (2) any IBM-supplied and user-written programs that are required to meet the data processing needs of a user. VSE and the hardware it controls form a complete computing system.

VM. Virtual Machine (IBM operating system). The generic term for the VM/ESA environment.

VSE. Virtual Storage Extended (IBM operating system). The generic term for the VSE/ESA environment.

WAIT. The keyword for an endless-wait-state problem.

window. A rectangular portion of the screen in which all or a portion of a panel is displayed. A window can be smaller than or equal to the size of the screen.

Workstation Database Server. The IBM family of DRDA database products on the UNIX and Intel platforms (such as DB2 Universal Database (UDB), DB2 Common Server, DB2 Parallel Edition, and DataJoiner.)

wrapping. See “column wrapping” and “line wrapping”.

Bibliography

The following lists do not include all the books for a particular library. To get copies of any of these books, or to get more information about a particular library, contact your IBM representative.

For a list of QMF publications, see “The QMF Library” on page ix.

APPC Publications

- *Communicating with APPC and CPI-C: A Technical Overview*
- *Networking with APPC: An Overview*

CICS Publications

CICS Transaction Server for OS390

- *CICS/OS390 User's Handbook*
- *CICS/OS390 Application Programmers Reference*
- *CICS/OS390 Application Programming Guide*
- *CICS/OS390 DB2 Guide*
- *CICS/OS390 Resource Definition (Macro)*
- *CICS/OS390 Resource Definition (Online)*
- *CICS/OS390 Problem Determination Guide*
- *CICS/OS390 System Definition Guide*
- *CICS/OS390 Intercommunication Guide*
- *CICS/OS390 Performance Tuning Handbook*

CICS for VSE

- *CICS for VSE/ESA User's Handbook*
- *CICS for VSE/ESA Application Programmer's Reference*
- *CICS for VSE/ESA Application Programming Guide*
- *CICS for VSE/ESA Resource Definition (Macro)*
- *CICS for VSE/ESA Resource Definition (Online)*
- *CICS for VSE/ESA Problem Determination Guide*
- *CICS/OS390 System Definition Guide*
- *CICS for VSE/ESA Intercommunication Guide*
- *CICS for VSE/ESA Performance Tuning Handbook*

Bibliography

COBOL Publications

- *VS COBOL II Application Programming Guide for VSE*
- *COBOL/VSE Language Reference*
- *COBOL/VSE Programming Guide*

DATABASE 2 Publications

DB2 UDB for OS390

- *DB2 UDB for OS390 Installation Guide*
- *DB2 UDB for OS390 Administration Guide*
- *DB2 UDB for OS390 SQL Reference*
- *DB2 UDB for OS390 Command Reference*
- *DB2 UDB for OS390 Application Programming and SQL Guide*
- *DB2 UDB for OS390 Message and Codes*
- *DB2 UDB for OS390 Utility Guide and Reference*
- *DB2 UDB for OS390 Call Level Interface Guide and Reference*
- *DB2 UDB for OS390 Reference for Remote DRDA Requesters and Servers*

DB2 for VSE & VM

- *DB2 Server for VM Installation Guide*
- *DB2 Server for VSE Installation Guide*
- *DB2 Server for VSE & VM Database Administration*
- *DB2 Server for VM System Administration*
- *DB2 Server for VSE System Administration*
- *DB2 Server for VSE & VM Operation*
- *DB2 Server for VSE & VM SQL Reference*
- *DB2 Server for VSE & VM Application Programming*
- *DB2 Server for VSE & VM Interactive SQL Guide and Reference*
- *DB2 Server for VSE & VM Database Services Utility*
- *DB2 Server for VM Message and Codes*
- *DB2 Server for VSE Message and Codes*
- *DB2 Server for VSE & VM Diagnostic Guide and Reference*
- *DB2 Server for VSE & VM Performance Tuning Handbook*

DB2 for AS/400

- *DB2 for AS/400 SQL Reference*
- *DB2 for AS/400 SQL Programming*

Parallel Edition

- *DB2 Parallel Edition Administration Guide and Reference*

DB2 Universal Database

- *DB2 Universal Database Command Reference*
- *DB2 Universal Database SQL Reference*
- *DB2 Universal Database Message Reference*

DataJoiner

- *DataJoiner Application Programming and SQL Reference Supplement*

DCF Publications

- *DCF and DLF General Information*

DRDA Publications

- *DRDA Every Manager's Guide*
- *DRDA Connectivity Guide*

DXT Publications

- *DXT Guide to Dialogs*
- *Data Extract: Planning and Administration Guide for Dialogs*
- *Data Extract: Users Guide*
- *Learning to Use DXT*

Graphical Data Display Manager (GDDM) Publications

- *GDDM General Information*
- *GDDM Base Programming Reference*
- *GDDM Base Programming Guide*
- *GDDM Guide for Users*
- *GDDM Installation and System Management for VSE*
- *GDDM Messages*

HLASM Publications

- *IBM High-Level Assembler Programmer's Guide for OS/390, VM and VSE*
- *IBM High-Level Assembler Language Reference for OS/390, VM and VSE*

Bibliography

ISPF/PDF Publications

OS/390

- *Interactive System Productivity Facility for OS/390 Installation and Customization*
- *Interactive System Productivity Facility for OS/390 Dialog Management Guide*
- *Interactive System Productivity Facility for OS/390 Dialog Management Services and Examples*

VM

- *ISPF for VM Dialog Management Services and Examples*
-

OS/390 Publications

Utilities

- *OS/390 Administration: Utilities*
- *OS/390 Extended Architecture Utilities*

JCL

- *OS/390 Extended Architecture JCL Reference*
- *OS/390 Extended Architecture JCL User's Guide*
- *OS/390 JCL Reference*
- *OS/390 JCL Users Guide*

Pageable Link Pack Area (PLPA)

- *OS/390 Extended Architecture Initialization and Tuning*
- *OS/390 SPL: Initialization and Tuning*

VSAM

- *OS/390 VSAM Administration Guide*
- *OS/390 VSAM Catalog Administration Access Method Services*

TSO

- *OS/390 TSO Primer*
- *OS/390 User's Guide*

SMP/E

- *OS/390 System Modification Program Extended Messages and Codes*
- *OS/390 System Modification Program Extended Primer*
- *OS/390 System Modification Program Extended Reference*
- *OS/390 System Modification Program Extended User's Guide*

PL/I Publications

- *PL/I VSE Language Reference*
- *PL/I VSE Programming Guide*

REXX Publications**OS/390 environment**

- *IBM Compiler and Library for REXX/370: Users Guide and Reference*
- *TSO Extensions REXX/MVS Reference*

VM environment

- *Procedures Language VM/REXX Reference*
- *Procedures Language VM/REXX User's Guide*

ServiceLink Publications

- *ServiceLink User's Guide*

VM Publications

- *Virtual Machine Planning Guide and Reference*
- *Virtual Machine CMS Command and Macro Reference*

VSE Publications

- *VSE Planning Guide*
- *VSE Guide to System Functions*
- *VSE System Utilities*
- *VSE Guide for Solving Problems*

Bibliography

Index

Special Characters

@IF 282

&an variable

- in break footing text 231
- in detail block text 257
- in final text 264

&CALCid variable

- in break footing text 231
- in final text 264

&COUNT variable

- in break footing text 231
- in calculation expressions 233
- in detail block text 257
- in final text 263

&DATE variable

- description 227
- in break footing text 231
- in break heading text 227
- in calculation expressions 233
- in detail block text 257
- in detail heading text 255
- in final text 264
- in page footing text 277

&n variable

- in break footing text 231
- in break heading text 227
- in detail block text 257
- in detail heading text 254
- in final text 263
- in page footing text 277
- in page heading text 274

&PAGE variable

- description 228
- in break footing text 231
- in break heading text 228
- in calculation expressions 233
- in detail block text 257
- in detail heading text 255
- in final text 264
- in page footing text 277

&ROW variable

- description 228, 231
- in break footing text 231
- in break heading text 228
- in detail block text 257
- in detail heading text 254
- in final text 264
- in page footing text 277
- in page heading text 274

&TIME variable

- description 227
- in break footing text 231
- in break heading text 227
- in calculation expressions 233
- in detail block text 257
- in detail heading text 255
- in final text 264
- in page footing text 277

A

abbreviations 5

- for commands 5
- for usage codes 239
- in procedures 3
- minimum for commands 3, 5
- syntax 5
- when not to use 3

ACROSS

- report 268, 271
- usage code
- charts 287
- rules for 287

across report 268, 271

ACROSS usage code 287

ADD command 8, 163, 316

- function key 8
- keyword in SQL 163
- Table Editor 8
- with global variables 8

ADD mode

- in the Table Editor 316

aggregation

- usage codes 239, 288, 289
- variables
- in break footing 231
- in detail block text 257
- in final text 264

alias

- drop 175
- names for tables or views 319
- removing 40

ALIGN entry area

- FORM.BREAKn panel 225, 229
- FORM.DETAIL panel 253, 256
- FORM.FINAL panel 261
- FORM.PAGE panel 273, 276

alignment

- charts 274
- column 244

alignment (*continued*)

- column headings 239
- for break heading text 225
- page headings 273, 274
- reports 273

ALL keyword

SQL 163

ALL SQL keyword 163

ALTER statement

TABLE keyword

- grant authorization 177
- revoke authorization 193

ALTER TABLE SQL keyword

- grant authorization 177
- revoke authorization 193

alternate symbol for not equal (\neq)

- operator 165
- search condition 205

ampersand (&)

- in variable names 307

AND operator (&) 285

AND SQL keyword 164

ANY SQL keyword 165

application

- entering commands in 3
- support commands
- BATCH 11
- DPRE 33
- ISPF 91
- LAYOUT 91
- STATE 160

arithmetic

- expressions 206
- operators 206, 284

AS keyword 166

asterisk (*)

- for default break text 268
- in expressions 206

authorization

- alter 164
- create table 169
- create view 172
- delete 173
- grant 177
- insert 183
- revoke 193
- select 194
- to update table rows 177, 193
- to use a table 177

authorization (*continued*)
 update 202
 automatic reordering of report
 columns 270
 AVERAGE usage code 288
 AVG keyword 166

B

B edit code 298
 B preceded by _ (_B) 304
 BACKWARD command 9
 BATCH command 11
 BETWEEN keyword
 example 188
 values within a range 167
 BETWEEN SQL keyword 167, 188
 bit data type edit codes 243
 blank lines
 after block on FORM.DETAIL
 panel 255
 FORM.BREAKn panel 225, 228
 FORM.FINAL panel 260
 FORM.PAGE panel 272, 275
 in break footing text 228
 in final text 260
 in footing 228, 275
 in heading 225, 272
 Boolean operators 285
 BOTTOM command 12
 break
 columns, outlining 267
 example of 293
 footing text 221, 228, 231
 blank lines 228
 FORM.MAIN 221
 FORM.OPTIONS panel 271
 heading text 225, 226, 227
 in reports 224
 indicated on form 293
 multiple levels 293
 specifying 223
 summary 228, 271
 text
 controlling default 268
 in mixed case 226
 specifying 223
 BREAK usage codes 294
 BREAKn
 entry area on FORM.MAIN
 panel 221
 footing text on FORM.BREAKn
 panel 230
 form panel 223, 230
 heading text on FORM.BREAK1
 panel 226

BREAKn usage code 294
 description 294
 built-in SQL functions
 AVG 166
 COUNT 168
 COUNT(DISTINCT) 174
 MAX 186
 MIN 186
 SUM 197
 BW edit code 298

C

C edit code 296
 CALC form panel 232
 CALCid usage code 294
 calculated values 180
 AVG 166
 COUNT 168
 COUNT(DISTINCT) 174
 for groups 178
 GROUP BY 180, 181
 MAX 186
 MIN 186
 SUM 197
 WHERE clause 206
 calculation
 on FORM.CALC 233
 calculation expression on
 FORM.CALC 233
 calculations 281, 283
 callable interface
 entering a command through 1
 entering commands 3
 GET GLOBAL command 69
 CANCEL command 13
 description of 13
 CANCEL function key 13
 canceling
 commands
 from a terminal 5
 canceling a command or query 312
 canceling commands
 confirmation panels 13
 from a terminal 5
 help 13
 in CICS, CMS, or TSO 5
 in the Table Editor 318
 cancelling
 commands
 help 13
 in the Table Editor 318
 CDx edit code 296
 CHANGE command 14
 prompted query 14
 CHANGE function key 14

CHANGE mode 316
 in the Table Editor 316
 changing
 entries on the Prompted Query
 panel 14
 forms 215
 queries 24
 report format 215
 user ID 18, 20, 22
 changing currency symbols 299
 CHAR
 data type 241
 scalar function 210
 character
 constants 195
 data 296
 column headings right
 justified 239
 edit codes 296
 TCPCT usage code 289
 usage codes for 288, 289
 with LIKE SQL keyword 185
 data type 243
 edit codes 243
 in names 307
 chart
 ACROSS usage code 287
 AVERAGE usage code 289
 BREAK usage code 294
 COUNT usage code 289
 CPCT usage code 292
 CSUM usage code 292
 effects of changing column
 headings 239
 entry areas 218, 220
 exporting 43, 50, 59
 FIRST usage code 289
 FORM.CALC panel 232
 FORM.COLUMNS panel 237
 FORM.MAIN panel 219
 FORM.OPTIONS panel 264
 FORM.PAGE panel 271
 GROUP usage code 295
 heading 221
 generating 221
 LAST usage code 289
 MAXIMUM usage code 289
 MINIMUM usage code 289
 page (chart) heading text 275
 PCT usage code 292
 printing 102, 315
 GDDM 315
 under DBCS 102
 STDEV usage code 289
 SUM usage code 289

- chart *(continued)*
 - TCPCT usage code 292
 - TPCT usage code 292
- CHECK command 15, 279
- CICS
 - command 15
 - data queue
 - importing from 73
 - environment
 - importing objects 73
 - in QMF 15
 - printing 111
 - TOP command 161
- CICS data queue
 - importing from 73
- CLEAR command 17
 - description 17
- codes
 - custom edit 296
 - edit 243, 296
 - usage 239, 287
 - wrapping tabular data 243
- column
 - add to a table 163
 - alignment 239, 244
 - in reports 239, 244
 - defining with CREATE TABLE 169
 - definition 245
 - based on expressions 281
 - SPECIFY command 245
 - differences between user-defined and database 246
 - from two tables 202
 - functions
 - AVG 166
 - COUNT 168
 - COUNT(DISTINCT) 174
 - MAX 186
 - MIN 186
 - SUM 197
 - heading
 - entry area 220
 - FORM.COLUMNS panel 237
 - FORM.DETAIL panel 252
 - FORM.MAIN panel 220
 - FORM.OPTIONS panel 271
 - function name when
 - grouping 268
 - on charts 239, 242
 - truncating 242
 - justification 239
 - number 222
 - order in a report 221, 270
- column *(continued)*
 - select
 - all 194
 - from multiple tables 202
 - maximum number 194
 - sequencing 244
 - specify 244
 - substitution variables 233
 - usage codes 239, 287
 - usage codes for 239, 287
 - wrapping
 - data in a report 296
 - edit codes for 296
 - in defined columns 245
 - lines kept on a page 268
- comma (,) 309
 - in procedures with logic 3
 - instead of decimal point 309
- command
 - ADD 8
 - BACKWARD 9
 - BATCH 11
 - BOTTOM 12
 - CANCEL 13
 - function key 13
 - canceling 5
 - cancelling 13
 - CHANGE 14
 - CHECK 14
 - CICS 15
 - CLEAR 17
 - complete the report 310
 - CONFIRM parameter 4
 - CONNECT 18, 20, 22
 - CONVERT 24
 - to SQL query 24
 - DELETE 28
 - syntax 28
 - DESCRIBE 29
 - DISPLAY 29
 - syntax 29
 - distributed unit of work 18, 20, 22
 - DPRE 33
 - DRAW 33
 - using SQL query 33
 - EDIT 35
 - syntax 35
 - END 39
 - syntax 39
 - ENLARGE 40
 - entering 1
 - environments 1
 - ERASE 40
 - EXIT 42
- command *(continued)*
 - EXPORT 43, 50, 59
 - EXTRACT 67
 - format 5
 - FORWARD 68
 - GET GLOBAL 69
 - GETQMF 70
 - HELP 71, 318
 - online help 318
 - syntax 71
 - IMPORT 73, 79, 84
 - rules 73, 84
 - in procedures 3
 - INSERT 89
 - INTERACT 90
 - interface
 - entering commands in 3
 - entering RETRIEVE from 128
 - EXIT command 42
 - MESSAGE command 98
 - QMF command 121
 - STATE command 160
 - ISPF 91
 - LAYOUT 91
 - LEFT 93
 - line
 - entering QMF command on 121
 - example of 1
 - retrieving commands from 128
 - LIST 94
 - syntax 94
 - MESSAGE 98
 - NEXT 100
 - parameters 7
 - PREVIOUS 101
 - PRINT 102, 111
 - QMF 121
 - REDUCE 122
 - REFRESH 122
 - RESET GLOBAL 123
 - RESET object 124
 - RETRIEVE 128
 - RIGHT 129
 - RUN 130
 - syntax 130
 - SAVE 137
 - syntax 137
 - SEARCH 142
 - SET GLOBAL 142
 - syntax 142
 - SET PROFILE 146
 - SHOW 150
 - SHOW COMMAND 150

- command (*continued*)
 - SHOW ENTITY 150
 - SHOW FIELD 150
 - SHOW VIEW 150
 - SORT 154
 - SPECIFY 154
 - START 156
 - STATE 160
 - structure 5
 - SWITCH 161
 - syntax 5
 - TOP 161
 - used in remote data access 4
- command synonym
 - BATCH 11
 - DPRE 33
 - entering 1
 - ISPF 91
 - LAYOUT 91
- comment
 - displaying 161
 - in commands 7
 - removing 161
 - SWITCH command 161
- comparative operators 284
- completing the report 310
- concatenation
 - in expressions 214
 - operator 214, 285
 - SQL keyword 214
- concatenation (||) 214, 285
- conditions
 - multiple 164, 190
 - AND 164
 - OR 190
 - negative 187
 - validation of 281
 - values in a list 182
 - with concatenation 214
 - with equalities 205
 - with expressions 189
 - with inequalities 205
 - with parentheses 164
 - write 203
 - writing 203
- CONDITIONS form panel 249
- confirmation panel
 - cancelling 13
 - committing changes 4
 - example 4
 - exit from 42
 - in an interactive session 90
 - REFRESH command 122
 - rolling back changes 4
 - with nonrecoverable dbspace 4
- CONNECT command 18, 20, 22
 - issuing 18, 20, 22
- constants in queries 195
- continuation
 - character 3, 313, 315
 - linear procedure 3, 315
 - procedure with logic 3, 313
 - comma (,) in procedure with logic 313
 - line 313, 315
- control
 - column 293
 - with breaks 293
 - resources 320
- converting
 - queries 24
 - queries to SQL 24
- correcting mistakes on forms 279
- corresponding entry areas on forms 219, 223
- COUNT
 - SQL keyword 168
 - usage code 288
- COUNT(DISTINCT) SQL
 - keyword 168
- CPCT usage code 289
- create
 - basic queries 33
 - sample report 215
- CREATE SQL keyword 169, 172
- CREATE statement, SQL
 - SYNONYM 169
 - TABLE 169
 - VIEW 172
- CSR (cursor) parameter
 - BACKWARD command 9
 - LEFT command 93
 - RIGHT command 129
- CSUM usage code 289
- CT edit code 296
- cumulative
 - percentage 289
 - sum 289
- cumulative percentage 289
- currency symbols
 - changing 236, 299
- current
 - panel variation 252
- custom edit codes 296
- CW edit code 296
- D**
- D edit code 298
- data
 - definition 169
- data (*continued*)
 - deletion 173
 - entry
 - deleting rows 173
 - insert rows 184
 - inserting rows 183
 - updating rows 202
 - exporting 43, 50, 59
 - extracting 67
 - in QMF temporary storage 309
 - queue 43
 - RESET object command 124
 - retrieval limits 320
 - SAVE command 137
 - security 172
 - types 241
- data access
 - access
 - issue commands using 4
- data queue
 - exporting to 43
- data retrieval limits 320
- data security with a view 172
- data type
 - character 243
 - column widths for 241
 - edit codes 243
 - graphic 243
 - in CREATE TABLE 169
 - in expressions 208
 - numeric 243
 - SEARCH command 142
 - valid 241
- database
 - accessing remote locations 319
 - and distributed unit of work 319
 - work 319
 - and remote unit of work 319
 - distributed unit of work 319
 - enhancements 351
 - names 177, 307
 - QMF temporary storage
 - area 309
 - release support 351
 - remote data access 319
 - reserved words 307
 - using remote unit of work 320
- database object
 - erasing 40
 - printing 102, 111
 - printing in CICS 111
- database object list
 - DESCRIBE function key 29
 - QMF command 121
 - REFRESH command 122

- database object list (*continued*)
 - SWITCH command 161
 - date
 - description 227
 - edit codes 300
 - in page footing text 277
 - DATE
 - data type 241, 243
 - scalar function 210
 - variable 227, 274
 - date/time
 - data 296
 - date/time data, edit codes for 296
 - DAY scalar function 210
 - DAYS scalar function 210
 - DB2 (IBM DATABASE 2)
 - remote data access 319
 - running queries 130
 - DB2 for AIX
 - specific QMF function support in 351
 - DB2 for OS/390
 - specific QMF function support in 351
 - DBCS (double-byte character set)
 - naming conventions 308
 - synonym 169
 - DBCS (double-byte character set)
 - synonym 169
 - DCF (Document Composition Facility) 70
 - with the GETQMF macro 70
 - decimal
 - notation edit codes 299
 - point specified on FORM 296
 - use of comma 309
 - DECIMAL
 - data type 241
 - SQL scalar function 211
 - default
 - break text on FORM.OPTIONS panel 268
 - form 215
 - defined columns 245, 281
 - defining
 - tables 169
 - defining tables 169
 - DELETE
 - command 28
 - description 28
 - function key 28
 - SQL keyword 173
 - deleting
 - lines 28
 - deleting lines 28
 - DESCRIBE command 29
 - description 29
 - destination control table (DCT) 111
 - detail
 - block text 256, 257
 - using FORM.DETAIL 256
 - heading text
 - FORM.DETAIL panel 253
 - in printed reports 224
 - variables 254
 - spacing on FORM.OPTIONS panel 265
 - variations 252
 - DETAIL form panel 251
 - determine whether a row exists 176
 - dialog panel
 - in Prompted Query 312
 - dialog panel in Prompted Query 312
 - DIGITS scalar function 211
 - display
 - a prompt panel 2, 150
 - a report on your terminal
 - DPRE command 33
 - an object 29
 - database objects 29
 - default form 215
 - information 71
 - QMF temporary storage areas 309
 - DISPLAY command
 - description 29
 - Display Printed Report (DPRE)
 - application 33
 - display printed report application (DPRE) 33
 - DISTINCT SQL keyword 174
 - distributed unit of work
 - CONNECT command 18, 20, 22
 - description of 319
 - divide and return only the remainder (//) 284
 - double-byte character set (DBCS)
 - naming conventions 308
 - DPRE command synonym 33
 - DRAW command 33
 - using SQL query 33
 - DROP SQL keyword 175
 - DSQCXPR EXEC 282
 - DSQEC_RESET_RPT 312
 - DXT (Data Extract) 67
 - EXTRACT command 67
- ## E
- E edit code 298
 - echo area in Prompted Query 312
 - edit
 - expressions 236
 - table 37, 316
 - EDIT
 - command 35, 37
 - entry area
 - FORM.CALC panel 236
 - FORM.COLUMNS panel 243
 - FORM.MAIN panel 220
 - edit codes
 - described 296, 302
 - listing 243
 - on form panel 243
 - user-defined 302
 - eliminate duplicate rows 174
 - eliminating duplicate rows 174
 - END
 - command 90
 - function key 3, 318
 - END command
 - description 90
 - END function key 3, 318
 - ENLARGE command 40
 - entering
 - command synonyms 1
 - commands 1, 4
 - usage codes 239
 - entry
 - areas
 - for charts 218
 - for usage codes 239
 - on form panels 215
 - environments
 - CICS 15
 - of commands 1
 - equalities 205
 - erase
 - an alias 175
 - database objects 40
 - remote data 40
 - error
 - finding 14, 15
 - help for 15, 318
 - messages
 - deleting 28
 - help for 71, 318
 - on a form 15, 279
 - evaluation of expressions, rules 283
 - exactly equal operator (==) 284
 - exclusive OR operator (&&) 285
 - EXISTS SQL keyword 176

- EXIT command
 - when developing QMF applications 42
- exponentiation (**) 284
- EXPORT command 43
 - description 43, 50, 59
- expressions
 - arithmetic 206
 - defining columns based on 281
 - evaluating 206, 280
 - in calculations 280
 - in column definition 280
 - in conditions 189
 - negative values in 280
 - specifying expressions defined on FORM.CALC 281
 - symbols and operations 206
 - used in forms 280, 283
 - validation of 281
 - when evaluated with a REXX program 283
- EXTRACT command 67
- extrapartition destinations 111
- F**
- field-sensitive help 319
- fields, clearing 17
- final
 - entry area on FORM.MAIN panel 221
 - form panel 259
 - summary
 - FORM.FINAL panel 259
 - FORM.OPTIONS panel 271
 - text 221, 263
 - using INSERT 263
 - using FORM.MAIN 221
- finishing the report 310
- FIRST usage code 288
- fixed columns 267
- fixed columns on FORM.OPTIONS panel 267
- FLOAT
 - data type 241
 - SQL scalar function 211
- footing 221
 - add to report 221
- FOR FETCH ONLY clause 130
- form
 - changing 215
 - check for mistakes 14
 - displaying 29
 - entry areas 215
 - erasing 40
 - exit from 42
 - form (*continued*)
 - exporting 43, 50, 59
 - field-sensitive help 319
 - for a sample report 91, 215
 - in QMF temporary storage 309
 - naming 307
 - panel
 - break text 226
 - changing 215
 - column widths 240
 - corresponding entry areas 219
 - edit codes 243, 296
 - entry areas 215
 - field-sensitive help 319
 - footings 277
 - for break text 223
 - for charts 218
 - generating 215
 - GROUP usage code 179
 - indentation 240
 - OUTLINE 267
 - page headings 274
 - punctuation 296
 - quick reference 216
 - scrolling 161
 - sequence columns 244
 - printing 102, 316
 - RESET GLOBAL command 123
 - RESET object command 124
 - SAVE command 137
 - scrolling 9, 12
 - FORM.BREAKn
 - blank lines 225
 - break footing text 228
 - break summary 228
 - deleting lines 28
 - detail heading 224
 - inserting lines 89
 - levels of break 223
 - lines for break footing text 228
 - lines for break heading text 225
 - new page 224
 - panel 223
 - specifying break heading text 226
 - with trailing blanks 223
 - with VARCHAR columns 223
 - FORM.CALC
 - deleting lines 28
 - inserting lines 89
 - panel 232
 - specifying expressions defined on 281
 - FORM.CALC, FORM.CONDITIONS, FORM.COLUMNS 208
 - FORM.COLUMNS
 - deleting lines 28
 - inserting lines 89, 242
 - panel 237
 - FORM.CONDITIONS
 - deleting lines 28
 - inserting lines 89
 - panel 249
 - FORM.DETAIL
 - deleting lines 28
 - inserting lines 89
 - panel 251
 - scrolling 100, 101
 - FORM.FINAL
 - deleting lines 28
 - inserting lines 89
 - panel 259
 - FORM.MAIN
 - changing 219
 - deleting lines 28
 - entry areas for charts 221
 - inserting lines 89
 - nonentry areas 219
 - panel 219
 - FORM.OPTIONS 264
 - FORM.OPTIONS panel 264
 - FORM.PAGE
 - deleting lines 28
 - inserting lines 89
 - panel 271
 - formatting
 - data 215
 - FORWARD command 68
 - FROM SQL keyword 194
 - function keys
 - ADD 8
 - CHANGE 14
 - CHECK 14
 - CLEAR 17
 - default set 2
 - DELETE 28
 - DESCRIBE 29
 - END 3, 39
 - for deleting lines 28
 - for message help 318
 - for object help 318
 - HELP 3
 - in the Table Editor 316
 - INSERT 89
 - LEFT 93
 - LIST 3, 94
 - NEXT 100
 - PREVIOUS 101

function keys (*continued*)

- RIGHT 129
- SEARCH 142
- SWITCH command 161
- to enter QMF commands 2

G

- G edit code 298
- GDDM (Graphical Data Display Manager)
 - printing QMF objects 315
- GET GLOBAL command 69
- GETQMF macro 70
- global variable
 - GET GLOBAL command 69
 - in forms 304
 - list
 - adding 8
 - scrolling 12, 161
 - QMF used through RUW 333
 - RESET GLOBAL command 123
 - saving 160
 - SET GLOBAL command 142
 - STATE command 160
- global variables
 - DSQEC_RESET_RPT 312
- governor interrupt 320
- GRANT SQL keyword 177
- graphic data
 - edit codes 243, 296
 - with LIKE SQL keyword 185
- GRAPHIC data type 241
- greater than symbol (>) 216
- GROUP BY SQL keyword 178
- GROUP usage code 294, 295
 - definition 294
- GW edit code 298

H

- HALF parameter
 - BACKWARD command 9
 - LEFT command 93
 - RIGHT command 129
- HAVING SQL keyword 180
- heading 221, 237
 - entering on FORM.MAIN 221
- help
 - for error messages 318
 - from a prompt panel 3
 - returning to QMF from 13
- HELP
 - command 71
 - function key 3
 - panel, exit from 42

HELP (*continued*)

- parameter for MESSAGE
 - command 98
- hex data type edit codes 243
- HEX scalar function 211
- HOUR scalar function 210
- how to process columns 239

I

- I edit code 298
- ID entry area
 - on FORM.CALC 233
 - on FORM.CONDITIONS 250
- identifier
 - for calculation expression 233
 - for conditional expression 250
- IMPORT command
 - in CICS 73
 - in TSO 79
 - in VM 84
- IN keyword
 - for values in a list 182
 - in CREATE TABLE 170
 - used with NOT 188
- IN SQL keyword
 - for values in a list 182
 - in CREATE TABLE 170
 - used with NOT 188
- include
 - calculations in query,
 - example 281
 - column headings with detail
 - heading 252
 - SQL statements in query 281
- inclusive OR operator (|) 285
- incompatibility between form and data 279
- incomplete data prompt 310, 311
- INDENT entry area
 - FORM.COLUMNS 240
 - FORM.MAIN 220
- inequalities 205
 - in WHERE clause 205
- information
 - displaying 71
- INSERT command 89
- INSERT INTO SQL keyword 183
- INSERT SQL keyword 183
- inserting
 - a line (INSERT command) 89
 - a QMF report (GETQMF macro) 70
- lines 242
- rows 183
- with DRAW command 33

INTEGER

- data type 241
- SQL scalar function 211
- INTERACT command 90
 - description 90
- interactive session 90
- interface
 - callable 3
 - issuing commands in 3
 - command 3
 - issuing commands in 3
- interrupt
 - a command or query 312
 - by the governor 320
- interrupt by the governor 320
- interrupting 5
- IS SQL keyword 188, 189
- ISPF
 - command 91
 - library 98

J

- J edit code 298
- joining tables 198, 202
 - using UNION 198, 202
- justification of column headings 239

K

- K edit code 298
- keep block on page on
 - FORM.DETAIL panel 255
- keywords, SQL
 - ADD 163
 - ALL 163
 - ALTER TABLE 164, 177, 193
 - AND 164
 - ANY 165
 - AS 166
 - AVG 166
 - BETWEEN 167, 188
 - COUNT 168
 - COUNT(DISTINCT) 174
 - CREATE 172
 - CREATE SYNONYM 169
 - CREATE TABLE 169
 - CREATE VIEW 172
 - DELETE 177, 193
 - DELETE FROM 173
 - DISTINCT 174
 - DROP 175
 - FROM 194
 - GRANT 177
 - GROUP BY 178
 - HAVING 180

keywords, SQL (*continued*)

- IN 170, 182, 188
- INSERT 177, 193
- INSERT INTO 183, 184
- IS 184, 188, 189
- LIKE 184, 185, 188
- MAX 186
- MIN 186
- NOT 187
- NOT NULL 163, 171
- NULL 188, 189
- OR 190
- ORDER BY 190, 192, 194
- REVOKE 193
- SELECT 177, 193, 194
- SET 202
- SOME 197
- SUM 197
- SYNONYM 169
- TABLE 169, 175
- UNION 198
- UPDATE 177, 193, 202
- VALUES 183, 184
- VIEW 172, 175
- WHERE 202, 203
- WITH GRANT OPTION SQL
keyword 177
- WITH REVOKE OPTION SQL
keyword 193

L

- L edit code 298
- LANGUAGE parameter
 - RESET command 124
- LAST usage code 288
- LAYOUT command
 - application support 91
 - create a sample report 91
 - in forms 215
- leading blanks, retaining 304
- LEFT command 93
- LENGTH
 - scalar function 212
- levels of break 223
- LIKE SQL keyword 184, 185, 186, 188
- line
 - default width 242
 - entry area
 - FORM.BREAKn panel 225, 228
 - FORM.DETAIL panel 253, 256
 - FORM.FINAL panel 261
 - FORM.PAGE panel 272, 275

line (*continued*)

- wrapping
 - controlling 265
 - width on FORM.OPTIONS panel 265
- linear procedure 3, 313, 315
- list
 - command 94
 - function key 3
 - of special characters 307
 - queries, forms, procedures, and tables 94
- location qualifier 307
- logical not (¬)
 - operator 165
 - search condition 205
- LONG VARCHAR data type 241
- LONG VARGRAPHIC data type 241

M

- macro, GETQMF 70
- make a QBE table bigger 40
- MAX parameter
 - BACKWARD command 9
 - LEFT command 93
 - RIGHT command 129
- MAX SQL keyword 186
- MAXIMUM usage code 288
- merging tables 198
- message
 - displaying 98
 - help 318
- MESSAGE command 98
- MICROSECOND scalar function 210
- MIN SQL keyword 186
- minimum abbreviations 5
 - for commands 3, 5
 - of usage codes 239
- MINIMUM usage code 288
- minus sign (−)
 - in expressions 206
 - operator 207, 284
- MINUTE scalar function 210
- mistakes
 - on form panels 278
 - that display a prompt panel 2
- mixed case
 - for break footing 230
 - for break text 226
 - for column headings 238
 - for final text 263
 - for footings 277

modifications

- cancelling 13
- changing 14
- on charts 219
- on reports 219
- REFRESH command 122
- MONTH scalar function 210
- more help 71, 318
- multiple
 - conditions 164, 190
 - tables 202
- multiplication operator (*) 207

N

- n (number) parameter
 - BACKWARD command 9
 - LEFT command 93
 - RIGHT command 129
- names
 - for database objects 307
 - length 309
 - qualified 177
- naming conventions 307, 308
 - for database objects 307
 - for DBCS data 308
 - for SBCS data 308
- navigate among object panels 150
- negative conditions, NOT SQL keyword 187
- new page
 - for break 224
 - for detail block text 255
 - for final text 259
 - for footing 228
- NEXT command 100
- NEXT function key 100
- nonentry areas on FORM.MAIN 219
- nonnumeric literals 236
- NOT NULL SQL keyword
 - in table definition 171
 - not allowed with ALTER TABLE 164
- NOT SQL keyword 188
- not-equal (<>) 165, 205
- Notices 353
- null
 - definition of 189
 - values
 - from subquery with ALL 163, 165
 - from subquery with SOME 197
 - how represented in output 189

null (*continued*)
 values (*continued*)
 implicit with INSERT 183
 in column added by ALTER TABLE 164
 not included by aggregation usages 288, 289
 prevented by NOT NULL 171
 prints and displays as 189
 what they are 189
 with GROUP BY SQL keyword 179
 with INSERT SQL keyword 183
 with conditions 189
 NULL SQL keyword 188, 189
 NUM area 222
 number of fixed columns in report 267
 numeric
 constants 195
 data
 column headings left justified 239
 edit codes 296, 298
 in expressions 208
 usage codes for 288
 edit codes 243
 literals 236

O

object
 help 318
 list 94
 OMIT usage code 295
 omitting control columns from charts 294
 online help 318
 operators 284, 285
 OPTIONS entry area on FORM.MAIN panel 221
 OR
 operator 285
 SQL keyword 190
 order
 of columns 270
 rows in a report 190, 192
 ORDER BY SQL keyword 190, 192, 194
 OUTLINE area on form 267
 outlining for break columns on FORM.OPTIONS panel 267

overflow
 columns of date/time data types 241
 in a report 216
 of QMF temporary storage 310

P

P edit code 298
 page
 breaks 221
 description 228
 entry area on FORM.MAIN panel 221
 footing 221, 276, 277
 form panel 271
 heading 221, 274
 number
 in page footing text 277
 renumbering at highest break level 271
 renumbering at highest break level 271
 splitting
 how it works 228
 variable 275, 277
 PAGE
 parameter
 BACKWARD command 9
 LEFT command 93
 RIGHT command 129
 panel variations, FORM.DETAIL panel 252
 parameters
 CSR (cursor)
 BACKWARD command 9
 LEFT command 93
 RIGHT command 129
 HALF
 BACKWARD command 9
 LEFT command 93
 RIGHT command 129
 HELP 98
 ISPF-PDF 91
 LANGUAGE
 RESET command 124
 MAX
 BACKWARD command 9
 LEFT command 93
 RIGHT command 129
 n (number) 129
 BACKWARD command 9
 LEFT command 93
 order of 5
 PAGE
 BACKWARD command 9

parameters (*continued*)
 PAGE (*continued*)
 LEFT command 93
 RIGHT command 129
 repeating 5
 STOPPROC 98
 TEXT 98
 TYPE 33
 parentheses
 in command 7
 in conditions 164
 PASS NULLS 209
 entry area
 FORM.CALC panel 234
 FORM.COLUMNS panel 247
 FORM.CONDITIONS panel 250
 PCT usage code 289
 percent sign (%)
 with LIKE SQL keyword 184, 186
 percentage 289
 performing calculations in reports, and REXX 281
 placement of break heading text 225
 plus sign (+)
 in expressions 206
 in linear procedure 315
 in linear procedures 3
 operator 207, 284
 PREVIOUS command 101
 PREVIOUS function key 101
 PRINT command
 in CICS 111
 printing
 destination control table (DCT) 111
 extrapartition destinations 111
 in CICS 111, 315
 in CMS 315, 316
 in TSO 102, 315, 316
 procedures 111
 summary 315
 procedure
 and QMF temporary storage areas 313
 combining 313
 commands in 3, 313
 continuation character
 comma (,) in procedures with logic 3, 313
 plus sign (+) in linear procedure 3, 315
 continuation line 3, 313, 315

procedure (*continued*)
 displaying 29
 editing 35
 entering QMF commands 3
 erasing 40
 exit from 42
 exporting 43, 50, 59
 in QMF temporary storage 309
 inserting lines 89
 length 313
 linear 313
 MESSAGE command 98
 naming 307
 printing 102, 315
 QMF command 121
 RESET GLOBAL command 123
 RESET object command 124
 REXX 313
 running 18, 20, 22, 130
 SAVE command 137
 scrolling 12, 161
 with logic 313
 with variables 313

procedures
 system initialization 315

profile
 displaying 29
 exit from 42
 in QMF temporary storage 309
 printing 102, 315
 RESET object command 124
 SAVE command 137

PROFS 70

prompt panel
 examples 2, 4
 exit from 42
 for commands 2
 RESET GLOBAL command 123
 SET GLOBAL command 142
 SHOW command 150

prompted query
 converting 24
 deleting lines 28
 DESCRIBE function key 29
 inserting lines 89

Prompted Query 312
 CHANGE command 14
 printing 316
 SWITCH command 161

punctuation of numeric data 296

Put Tabular Data at Line
 (FORM.DETAIL panel) 256

Q

Q.APPLICANT sample table 323
 Q.INTERVIEW sample table 324
 Q.ORG sample table 325
 Q.PARTS sample table 326
 Q.PRODUCTS sample table 327
 Q.PROJECT sample table 328
 Q.STAFF sample table 329
 Q.SUPPLIER sample table 330
 Q.SYSTEM_INI 315

QBE query
 help for 318
 RESET object command 124
 scrolling 93, 129

QMF
 batch
 connect for CMS 18
 queries 11
 command 1, 7
 help for 71
 command interface
 entering INTERACT from 90
 display printed report 33
 governor interrupt 320
 interactive session 90
 panels, help for 71
 reserved word list 307
 send a CICS command from 15
 temporary storage area
 DATA 310
 database 309
 printing 102, 111
 replacing contents of 309
 view contents 309

QMF command 121

qualified names
 for database objects 307
 for tables 177
 remote location 319
 VSE support 319

query
 all columns 194
 calculated values 178, 206
 changing 24
 conditions 189, 203
 converting 24
 data definition 169
 data entry
 insert rows 183
 update rows 202
 DELETE FROM 173
 deleting lines 28
 displaying 29
 DRAW command 33
 editing 35

query (*continued*)

eliminate duplicate rows 174
 enlarging 40
 erasing 40
 exit from 42
 exporting 43, 50, 59
 expressions in 206
 grant authorization 177
 in QMF temporary storage 309
 including calculations in,
 example 281
 including SQL statements in 281
 inserting lines 89
 naming 307
 order rows in a report 190, 192
 printing 102, 315
 QBE 315
 RESET GLOBAL command 123
 RESET object command 124
 revoke authorization 193
 running 130
 SAVE command 137
 scrolling 12, 93, 129, 161
 select 194
 on a certain string of
 characters 185
 on concatenation 214
 on conditions 203
 on equality and
 inequality 205
 on multiple conditions 164,
 190
 on negative conditions 187
 on values in a list 182
 on values within a range 167
 specific columns 194
 specific rows 203

SQL 163, 315

subqueries
 with ALL SQL keyword 163
 with ANY SQL keyword 165
 with SOME SQL
 keyword 197
 SWITCH command 161

Query-by-Example (QBE) 312

question mark (?)
 as a symbol 216
 in commands 2
 on RETRIEVE command 128
 SEARCH command 142
 to display a prompt panel 2

quick reference to form panels 216

quit an operation (END
 command) 39

quotation marks
 in object names 307
 with LIKE SQL keyword 185

R

range, values within a 167
re-display a command (RETRIEVE
 command) 128
REDUCE command 122
REFRESH command 122
remote data
 access
 CONNECT command 18, 20,
 22
 distributed unit of work 319
 remote unit of work 319
 erasing 40
remote location
 accessing 319
 table
 aliases 319
 names 316
 three-part names 319
remote unit of work
 CONNECT command 18, 20, 22
 connecting to databases 320
 current location 320
 SQL statements 320
 using 320
remove
 an object from the database 40
 error messages 28
 joins 28
rename tables 169
renumbering, pages, at highest break
 level 271
reordering columns in a report 270,
 293
repeat detail heading
 on FORM.BREAKn panel 224
 on FORM.DETAIL panel 255
report
 across summary 294
 area on FORM.COLUMNS
 panel 222
 asterisks in 216
 calculation expression
 examples 286
 changing 215, 216, 222
 creating 215
 creating a sample 91
 displaying 29
 entry areas 215
 exit from 42
 exporting 43, 50, 59

report (*continued*)
 footing 221
 FORM.MAIN panel 219
 formatting 215, 216, 221
 greater than characters in 216
 heading 221
 inserting 70
 nonentry areas 222
 of report columns 222
 printing 102, 315
 question marks in 216
 REDUCE command 122
 scrolling 12, 129, 161
 summary 294
 symbols in 216
 text line width on
 FORM.OPTIONS panel 266
 width 222
 without data 91
 wrapping column data 296
reserved words 163, 307
reset
 data object 310
 values on variables 123
RESET GLOBAL command 123
RESET object command 124
restore an object to its initial
 state 124
retain leading or trailing blanks (_B)
 in calculation expressions 233
 in forms 304
 in variables 304
RETRIEVE command 128
REVOKE SQL keyword 193
REXX
 calculations 281
 procedure with logic 313
REXX @IF function 208
RIGHT command 129
RIGHT function key 129
rollback 4
rows 164
 authorization to update
 grant 177
 revoke 193
 delete 173
 eliminate duplicates 174
 insert 183, 184
 order 190
 select on conditions
 AND 190
 NULL 189
 OR 190
 SELECT 194
 WHERE 203

rows (*continued*)
 update 202
 with nulls 189
rules for evaluation of
 expressions 283
RUN command 130
running commands 2, 121

S

SAA callable interface 3
sample
 form 91
 report 215
sample tables 323, 333
SAVE command
 QMF temporary storage 137,
 309
scalar functions 210, 211, 212
 conversion 211
 date/time 210
 string 212
scrolling
 BACKWARD command 9
 BOTTOM command 12
 form panels 161
 FORWARD command 68
 GET GLOBAL command 69
 global variable lists 161
 in a QBE query 129
 in a query 93
 in a report 93, 129, 221
 in Table Editor 100, 101
 in the Table Editor 68
 LAYOUT command 91
 LEFT 93
 NEXT command 100
 on a Column Alignment
 panel 100, 101
 on a Column Definition
 panel 100, 101
 on a QMF panel 68
 on FORM.DETAIL 100, 101
 PREVIOUS command 101
 procedure 161
 report 161
 RIGHT command 129
 START command 156
 TOP command 161
SEARCH
 command 142
 function key 142
 mode in the Table Editor 316
SECOND scalar function 210
secure data with a view 172

- select
 - all columns 194
 - maximum number from multiple tables 196
 - on conditions
 - multiple 164, 190
 - negative 187
 - values in a list 182
 - values within a range 167
 - with a certain string of characters 185
 - with concatenation 214
 - with equality and inequality 205
 - panel variation on
 - FORM.DETAIL panel 258
 - specific columns 194
 - specific rows 203
 - with DRAW command 33
 - X-axis column values 294
 - selection symbols
 - with LIKE SQL keyword 184
 - separators 271
 - sequencing columns
 - FORM.MAIN panel 220
 - on form panel 244
 - set
 - profile value 146
 - variables
 - RESET GLOBAL command 123
 - SET GLOBAL command 142
 - SET GLOBAL command 142
 - SET PROFILE command 146
 - SET SQL keyword 202
 - SHOW command 150
 - single-byte character set (SBCS)
 - naming conventions 308
 - slash (/)
 - division operator 207, 284
 - in expressions 206
 - SMALLINT data type 241
 - SOME SQL keyword 197
 - SORT command 154
 - sorting sequence, ORDER BY 190
 - spacing between tabular data
 - lines 265
 - special characters 307
 - SPECIFY command 154
 - Specify function key 244, 245
 - SPECIFY function key 244
 - specifying expressions defined on
 - FORM.CALC panel 281
 - SQL
 - query
 - deleting lines 28
 - help 318
 - RESET object command 124
 - save 163
 - reserved word list 163
 - SQL keywords 163
 - statements 163, 281
 - SQL keywords
 - ADD 163
 - ALL 163
 - ALTER TABLE 164, 177, 193
 - AND 164
 - ANY 165
 - AS 166
 - AVG 166
 - BETWEEN 167, 188
 - COUNT 168
 - COUNT(DISTINCT) 174
 - CREATE 172
 - CREATE SYNONYM 169
 - CREATE TABLE 169
 - CREATE VIEW 172
 - DELETE 177, 193
 - DELETE FROM 173
 - DISTINCT 174
 - DROP 175
 - FROM 194
 - GRANT 177
 - GROUP BY 178
 - HAVING 180
 - IN 170, 182, 188
 - INSERT 177, 193
 - INSERT INTO 183, 184
 - IS 184, 188, 189
 - LIKE 184, 185, 188
 - MAX 186
 - MIN 186
 - NOT 187
 - NOT NULL 163, 171
 - NULL 188, 189
 - OR 190
 - ORDER BY 190, 192, 194
 - REVOKE 193
 - SELECT 177, 193, 194
 - SET 202
 - SOME 197
 - SUM 197
 - SYNONYM 169
 - TABLE 169, 175
 - UNION 198
 - UPDATE 177, 193, 202
 - VALUES 183, 184
 - VIEW 172, 175
 - SQL keywords (*continued*)
 - WHERE 202, 203
 - WITH REVOKE OPTION SQL keyword 193
 - SQL/DS
 - specific QMF function support
 - in 351
 - START command 156
 - STATE command 160
 - STDEV usage code 288
 - stop your QMF session (EXIT command) 42
 - STOPPROC parameter for MESSAGE command 98
 - string
 - functions 212
 - subqueries
 - with ALL SQL keyword 163
 - with ANY SQL keyword 165
 - with SOME SQL keyword 197
 - SUBSTR scalar function 212
 - SUM
 - SQL keyword 197
 - usage code 288
 - summary
 - report 294
 - summary report 294
 - suppressing zero values 299
 - SWITCH command 161
 - SWITCH function key 161
 - symbol
 - in reports 216
 - synonym
 - for table names 169
 - SYNONYM SQL keyword 169
 - syntax diagrams 5
 - system initialization procedure 315
- ## T
- ta access
 - access
 - commands 4
 - issue commands using 4
 - three-part n 4
 - table
 - accessing from a remote location 319
 - add columns 163
 - adding rows to 316
 - alias 175
 - authorization to use 177, 193
 - changing rows in 316
 - create 169
 - delete rows 173
 - deleting lines 28

- table *(continued)*
 - drop 175
 - editing 37, 316
 - erasing 40
 - finding rows in 316
 - insert rows 183, 184
 - listing 94
 - modifying 316
 - multiple 202
 - naming 307
 - printing 315
 - rename 169
 - SWITCH command 161
 - with nulls 189
- TABLE
 - SQL keyword 175
- Table Editor
 - ADD command 8
 - BACKWARD command 9
 - cancelling commands 318
 - cancelling modifications 13
 - CHANGE command 14
 - commands 316
 - confirmation panel 318
 - description 316
 - EDIT command 37
 - function keys 316
 - REFRESH command 122
 - saving changes 318
 - scrolling 68, 100, 101
 - SEARCH command 142
- tables
 - sample 323
 - Q.APPLICANT 323
 - Q.INTERVIEW 324
 - Q.ORG 325
 - Q.PARTS 326
 - Q.PRODUCTS 327
 - Q.PROJECT 328
 - Q.STAFF 329
 - Q.SUPPLIER 330
- tabular data
 - control spacing 265
- tabular data, control spacing 265
- TDDAx edit code 300
- TDDx edit code 300
- TDL edit code 300
- TDMAx edit code 300
- TDMx edit code 300
- TDYAx edit code 300
- TDYx edit code 300
- TEXT parameter for MESSAGE
 - command 98
- three-part names 319
- time
 - description 227
 - edit codes 301
 - in page footing text 277
 - limits 320
- TIME
 - data type 241, 243
 - scalar function 210
 - variable 227, 274
- time limits 320
- times sign (*)
 - as a symbol 216
 - for default break text 268
 - in expressions 206
 - multiplication operator 207, 284
- timestamp
 - edit codes 302
- TIMESTAMP
 - data type 241, 243
 - scalar function 210
- toggle (SWITCH command) 161
- TOP command 161
- total
 - cumulative percentage 289
 - number of panel variations 252
 - percentage 289
- TPCT usage code 289
- trailing blanks
 - in calculation expressions 233
- trailing blanks, retaining 304
- TSI edit code 302
- TSO
 - environment
 - importing objects 79
- TTAN edit code 301
- TTAx edit code 301
- TTCx edit code 301
- TTL edit code 301
- TTSx edit code 301
- TTUx edit code 301
- TYPE parameter for DRAW
 - command 33
- U**
 - undefined values in a report 216
 - underscore (_)
 - for a break between lines 237
 - SEARCH command 142
 - with B (_B) 304
 - with LIKE SQL keyword 184
 - UNION SQL keyword 198
 - merging multiple columns 198
 - update 33, 202
 - UPDATE SQL keyword
 - change rows 202
 - UPDATE SQL keyword *(continued)*
 - grant authorization 177
 - revoke authorization 193
 - updating
 - rows 202
 - with DRAW command 33
 - usage codes
 - descriptions 295
 - entry areas for 220, 239
 - FORM.COLUMNS panel 239
 - FORM.MAIN panel 220
 - GROUP 179
 - user identifier 307
 - user-defined edit codes 302
 - Uxxxx edit code 302
- V**
 - validation of conditions, column
 - definitions, and expressions 281
 - VALUE scalar function 212
 - VALUES SQL keyword 183, 184
 - values, calculated 180, 181, 206
 - GROUP BY 180, 181
 - WHERE clause 206
 - VARCHAR data type 241
 - VARGRAPHIC
 - data type 241
 - SQL scalar function 211
 - variables
 - adding 8
 - aggregating
 - in break footing 231
 - in detail block text 257
 - in final text 264
 - deleting 123
 - form 304
 - global 333
 - in break footing text 231
 - in break heading text 227
 - in detail block text 257
 - in final text 263
 - in forms 304
 - in page footing text 277
 - in page heading text 274
 - in procedures 313
 - naming 307
 - RESET GLOBAL command 123
 - saving 160
 - setting
 - RESET GLOBAL
 - command 123
 - SET GLOBAL command 142
 - STATE command 160
 - view
 - create 172

- view (*continued*)
 - drop 176
 - erasing 40
 - naming 307
 - restrictions 172
- VIEW SQL keyword 172, 175
- VM
 - environment
 - importing objects 84
- Vxxxx edit code 302

W

- warning conditions 14, 15, 278
- warning conditions on FORM 278
- WHERE SQL keyword 202
- width
 - default for data types 241
 - on default form panel 241
- WIDTH
 - entry area
 - FORM.CALC panel 236
 - FORM.COLUMNS panel 240
 - FORM.MAIN panel 220
- WITH GRANT OPTION SQL
 - keyword 177
- WITH REVOKE OPTION SQL
 - keyword 193
- words, reserved for database names 307
- workstation database server
 - specific QMF function support
 - in 351
- wrapping column data in report 296
- writing queries 312

X

- X edit code 298
- XW edit code 298

Y

- YEAR scalar function 210

Z

- zero values
 - suppressing 236, 299

Readers' Comments — We'd Like to Hear from You

Query Management Facility™
QMF Reference
Version 7 Release 2

Publication No. SC27-0715-01

Overall, how satisfied are you with the information in this book?

	Very Satisfied	Satisfied	Neutral	Dissatisfied	Very Dissatisfied
Overall satisfaction	<input type="checkbox"/>	<input type="checkbox"/>	<input type="checkbox"/>	<input type="checkbox"/>	<input type="checkbox"/>

How satisfied are you that the information in this book is:

	Very Satisfied	Satisfied	Neutral	Dissatisfied	Very Dissatisfied
Accurate	<input type="checkbox"/>	<input type="checkbox"/>	<input type="checkbox"/>	<input type="checkbox"/>	<input type="checkbox"/>
Complete	<input type="checkbox"/>	<input type="checkbox"/>	<input type="checkbox"/>	<input type="checkbox"/>	<input type="checkbox"/>
Easy to find	<input type="checkbox"/>	<input type="checkbox"/>	<input type="checkbox"/>	<input type="checkbox"/>	<input type="checkbox"/>
Easy to understand	<input type="checkbox"/>	<input type="checkbox"/>	<input type="checkbox"/>	<input type="checkbox"/>	<input type="checkbox"/>
Well organized	<input type="checkbox"/>	<input type="checkbox"/>	<input type="checkbox"/>	<input type="checkbox"/>	<input type="checkbox"/>
Applicable to your tasks	<input type="checkbox"/>	<input type="checkbox"/>	<input type="checkbox"/>	<input type="checkbox"/>	<input type="checkbox"/>

Please tell us how we can improve this book:

Thank you for your responses. May we contact you? Yes No

When you send comments to IBM, you grant IBM a nonexclusive right to use or distribute your comments in any way it believes appropriate without incurring any obligation to you.

Name

Address

Company or Organization

Phone No.



Fold and Tape

Please do not staple

Fold and Tape



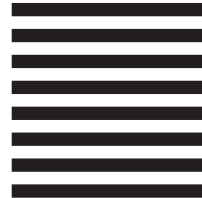
NO POSTAGE
NECESSARY
IF MAILED IN THE
UNITED STATES

BUSINESS REPLY MAIL

FIRST-CLASS MAIL PERMIT NO. 40 ARMONK, NEW YORK

POSTAGE WILL BE PAID BY ADDRESSEE

IBM CORPORATION
Department HHX/H3
555 Bailey Ave.
San Jose, CA
U.S.A.
95141-1003



Fold and Tape

Please do not staple

Fold and Tape



Program Number: 5675-DB2
5675-DB2



Printed in the United States of America
on recycled paper containing 10%
recovered post-consumer fiber.

SC27-0715-01



Spine information:



QMF

QMF Reference

Version 7 Release 2