

E16

Using ETO with Shared Queues and VGR

Glenn N. Galler



Anaheim, California

October 23 - 27, 2000

© IBM CORPORATION 2000

Part E16

Using ETO with Shared Queues and VGR

ETO was initially designed to provide dynamic terminal support for a single IMS system. With IMS Version 6, it is now possible to use ETO with multiple IMS systems, working in a parallel sysplex, to provide a single IMS transaction processing entity. This presentation considers the issues arising when using ETO within an IMS sysplex with Shared Queues and VTAM Generic Resources, and offers advice for achieving a successful ETO implementation in these environments.

Agenda

- **Part A: Basics of SQ and VGR**
- **Part B: Synonym Lterms**
 - ▶ Multiple SIGN-ONs
- **Part C: Significant Status**
 - ▶ Conversations
- **Part D: Printers and Autologon**
 - ▶ Practical Solutions
- **Summary and Recommendations**



© IBM CORPORATION 2000

IMS Technical Conference

Part A

- **The Basics of**
 - ▶ Shared Queues
 - ▶ VTAM Generic Resources

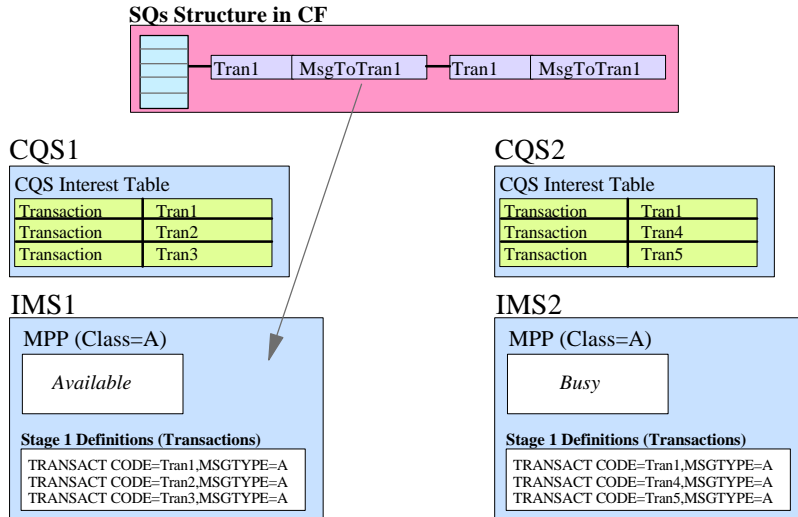


© IBM CORPORATION 2000

IMS Technical Conference

Interest Registration

- IMS Systems register interest in the CF for
 - Transactions ...



.... and

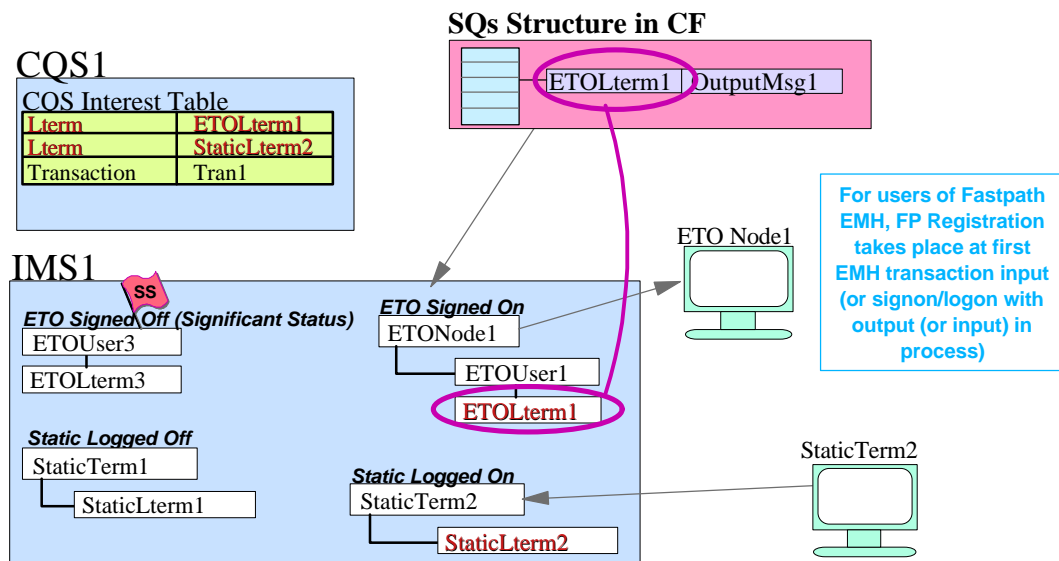


© IBM CORPORATION 2000

IMS Technical Conference

Interest Registration (cont.)

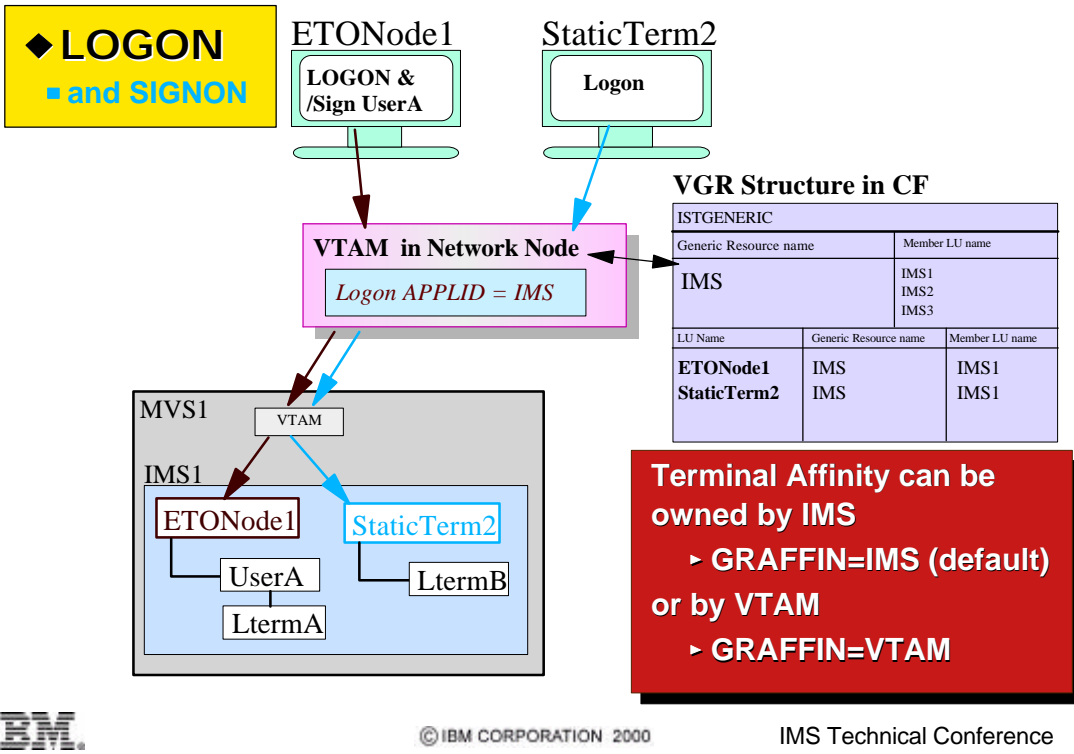
- Terminals = LTERMs



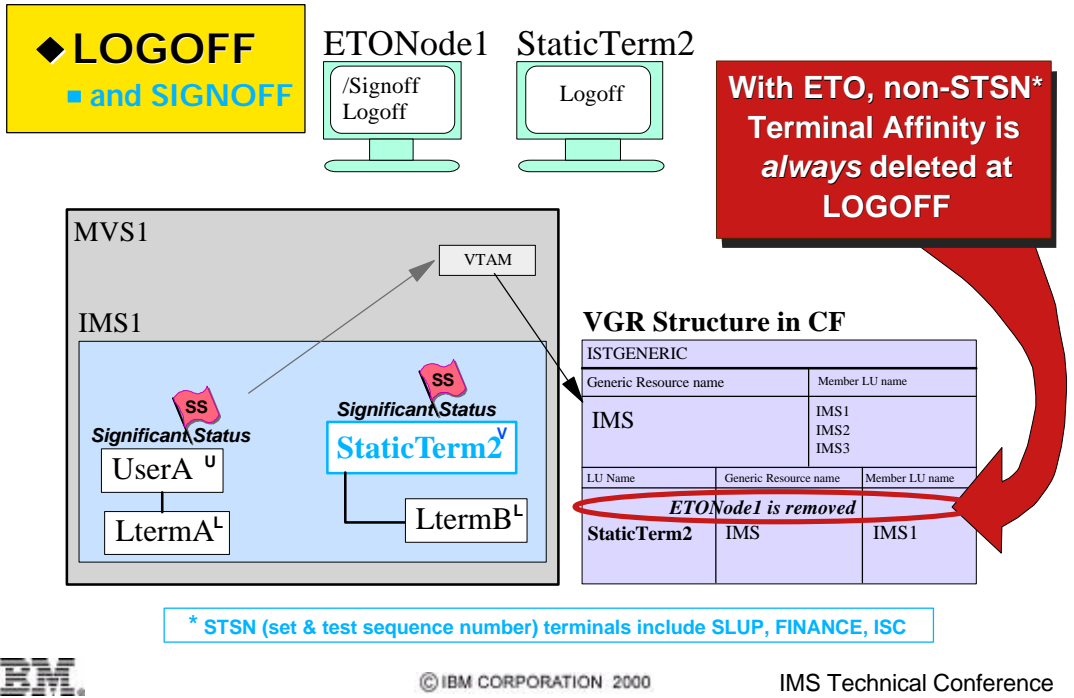
© IBM CORPORATION 2000

IMS Technical Conference

VTAM Generic Resources



VTAM Generic Resources (cont.)



Part B

- Synonym LTERMs
 - ▶ Multiple Sign-ons with same Userid



© IBM CORPORATION 2000

IMS Technical Conference

Synonym LTERMs

- In a single IMS system, each LTERM has a unique name
- But in an IMSplex, the same LTERM name can **exist and be active** in multiple systems

➔ Synonym LTERMs

For example -

- ▶ ETO user logs and signs on multiple times with same userid
 - ➔ each logon is to a different IMS system
- ▶ Applications in multiple systems issue CHNG call to same LTERM with AUTOLOGON
- One particular potential cause is the use of a Session Manager
- Synonym LTERMs can be a good thing if used for printers, but are otherwise a problem to be avoided



© IBM CORPORATION 2000

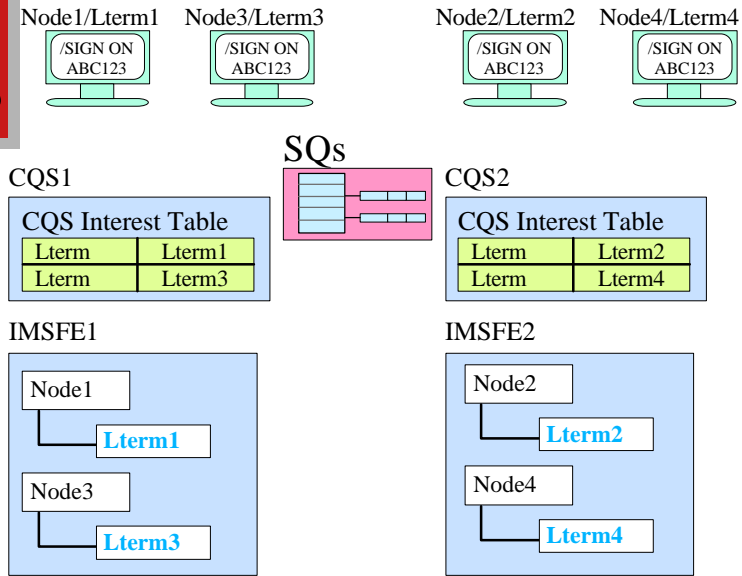
IMS Technical Conference

Multiple SIGN-ONS with Same USERID

Static Terminals

No problems, assuming sensible use of cloned systems

- since a node (and its LTERM) can only be logged on to a single system at any point in time



IBM.

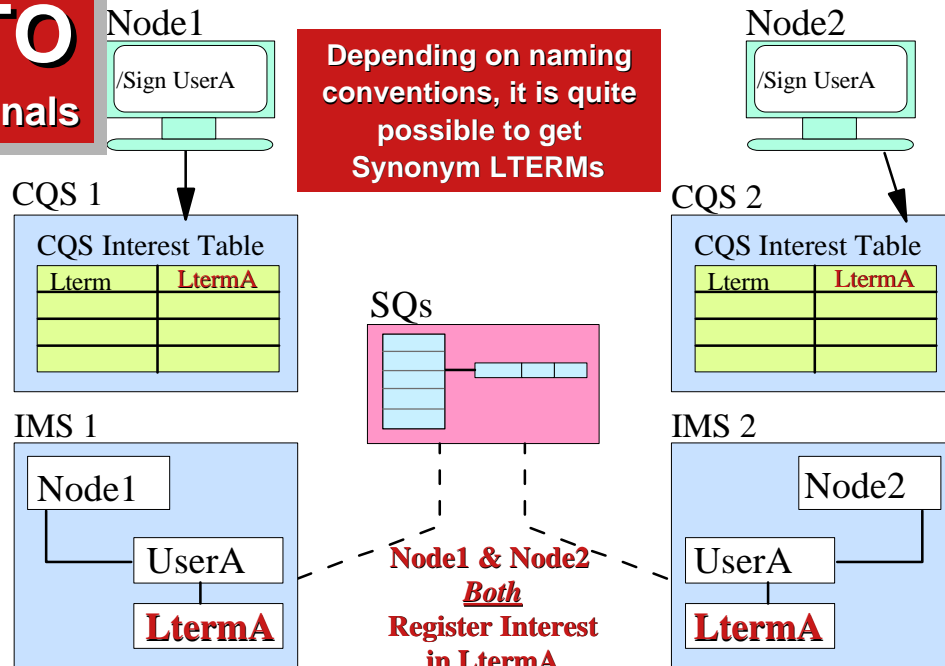
© IBM CORPORATION 2000

IMS Technical Conference

Multiple ETO SIGN-ONS with Same Userid

ETO terminals

Depending on naming conventions, it is quite possible to get Synonym LTERMs



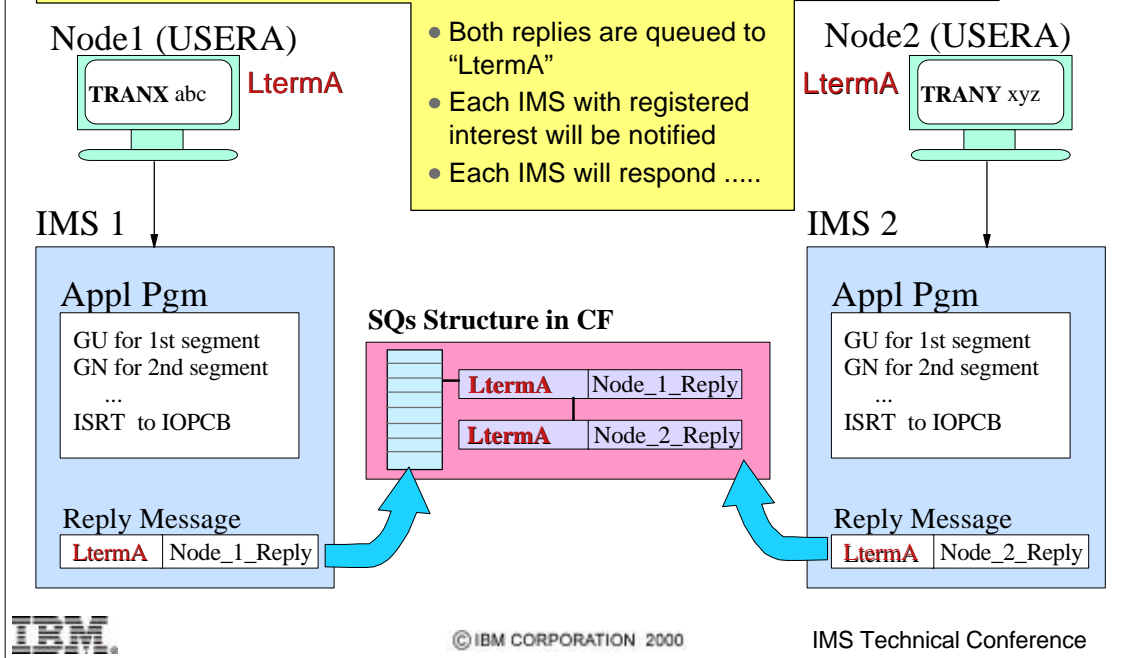
IBM.

© IBM CORPORATION 2000

IMS Technical Conference

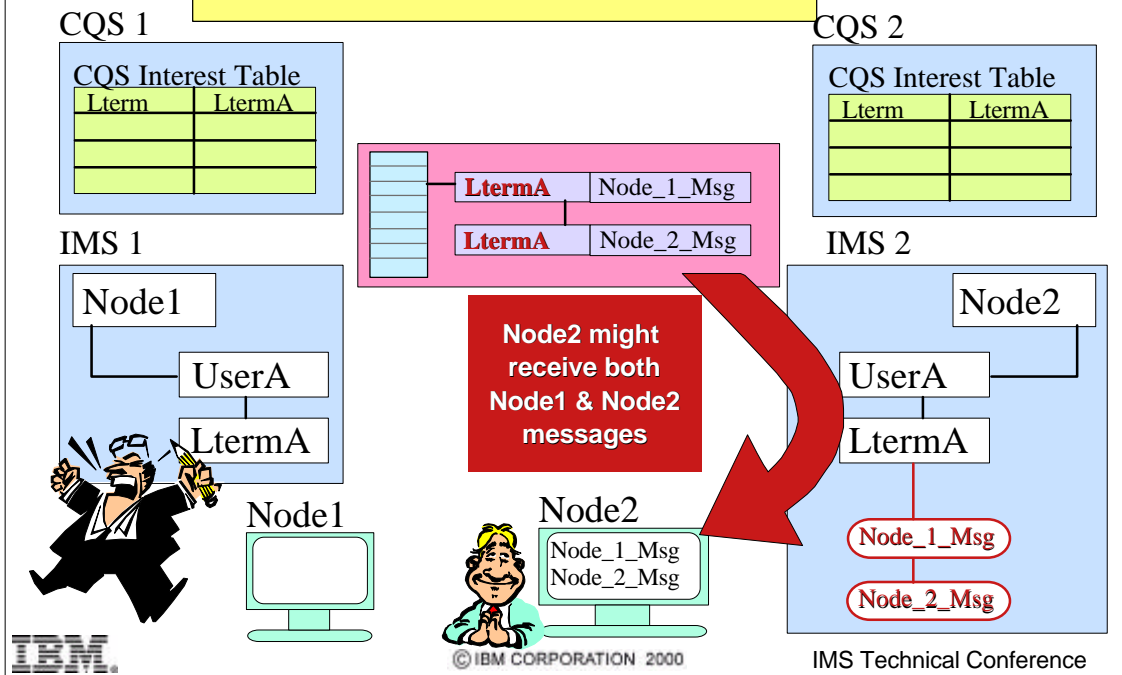
ETO Multiple SIGN-ONS (cont.)

◆ Each system processes a transaction from "LTERM A"



ETO Multiple SIGN-ONS (cont.)

◆ Assume IMS2 responds first



Solutions Overview

Avoiding Problems with Synonym LTERMs



- The end users can take responsibility for not signing on multiple times
→ or else suffer the consequences
- Alternatively, there are system solutions

System Solutions

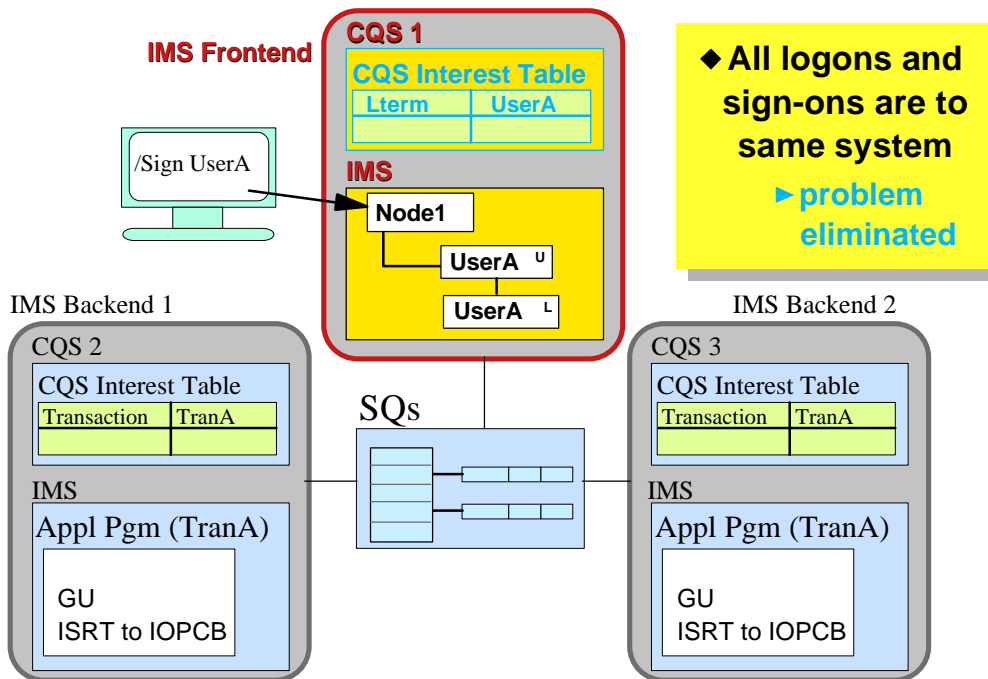
1. Single Frontend IMS
2. Compatibility Mode
3. Smart ETO SIGNON Exit



© IBM CORPORATION 2000

IMS Technical Conference

Solution 1. Single Frontend IMS



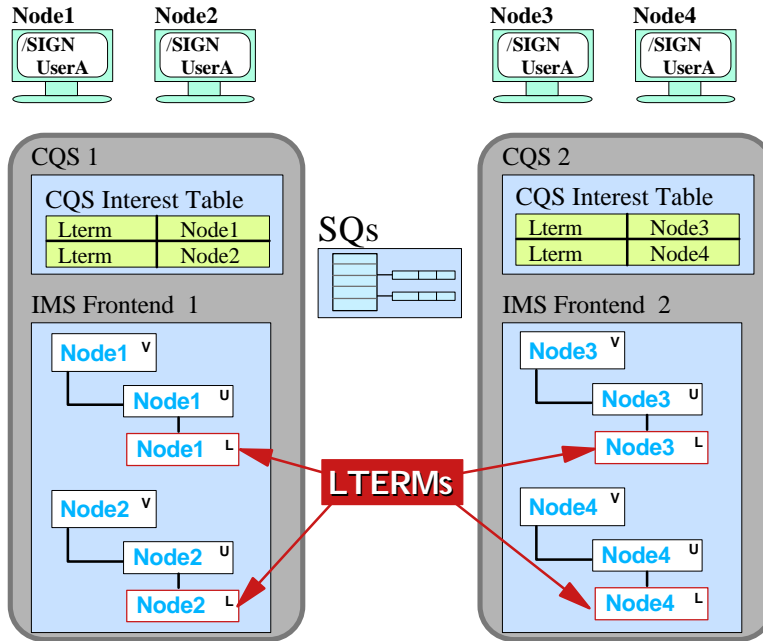
© IBM CORPORATION 2000

IMS Technical Conference

Solution 2. ETO Compatibility* Mode

- Nodenames are always unique
- And so LTERM names will also be unique

*Compatibility Mode is where LTERMname = USERNAME = NODENAME. This is normally set by using the SIGNON Exit.

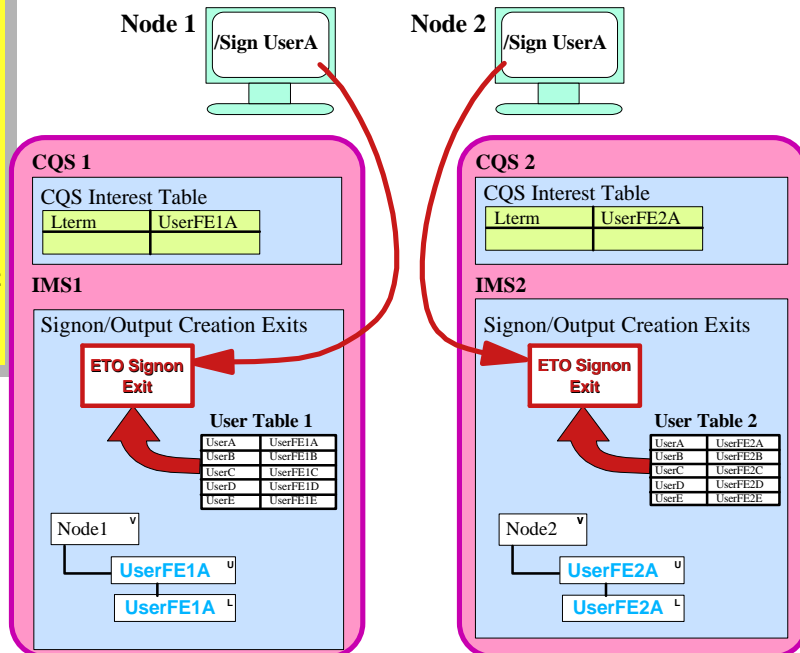


© IBM CORPORATION 2000

IMS Technical Conference

Solution 3. Smart ETO Sign-on Exit

- UserA signs-on twice
- ETO Sign-on Exit sets unique USER/LTERM names
 - ▶ referencing system-dependent user table
 - ▶ using sysid



© IBM CORPORATION 2000

IMS Technical Conference

Part C

Significant Status with ETO

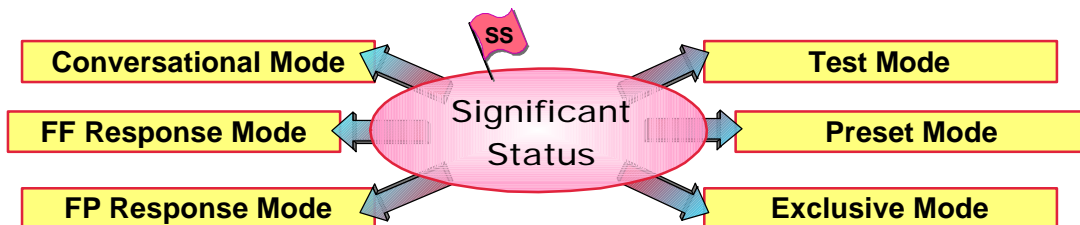
- ▶ Reminder of Basics
- ▶ “Messages on Queue” at Sign-On
- ▶ Conversations



© IBM CORPORATION 2000

IMS Technical Conference

Reminder of the Basics



■ With ETO and SQ

- ▶ Messages waiting on LTERM Queue at SIGNOFF do **not** represent significant status (User Structure can be deleted)

■ With ETO and VGR (for Non-STSN terminals)

- ▶ Significant Status is transferred to USER at SIGN OFF
 - but may be deleted if using GRAFFIN=VTAM
- ▶ Terminal Affinity always deleted for ETO at LOGOFF
 - (For static terminals with, GRAFFIN option determines action)

Fundamental Problem

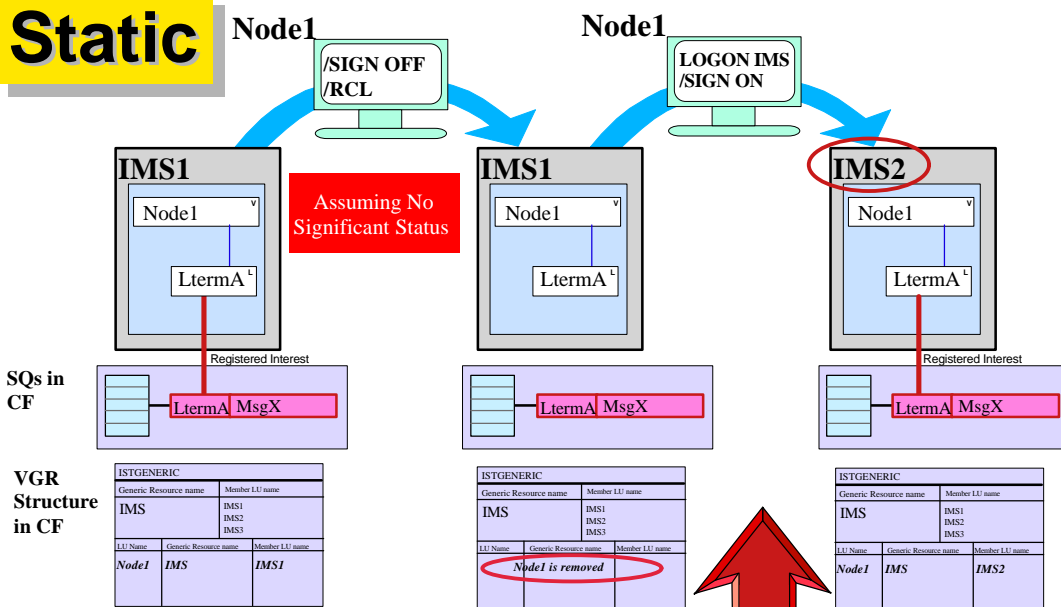
- VGR maintains TERMINAL Affinity
- ETO maintains USER “Affinity”
 - ▶ ie. significant status



© IBM CORPORATION 2000

IMS Technical Conference

Static Terminal Logoff with Messages on SQ



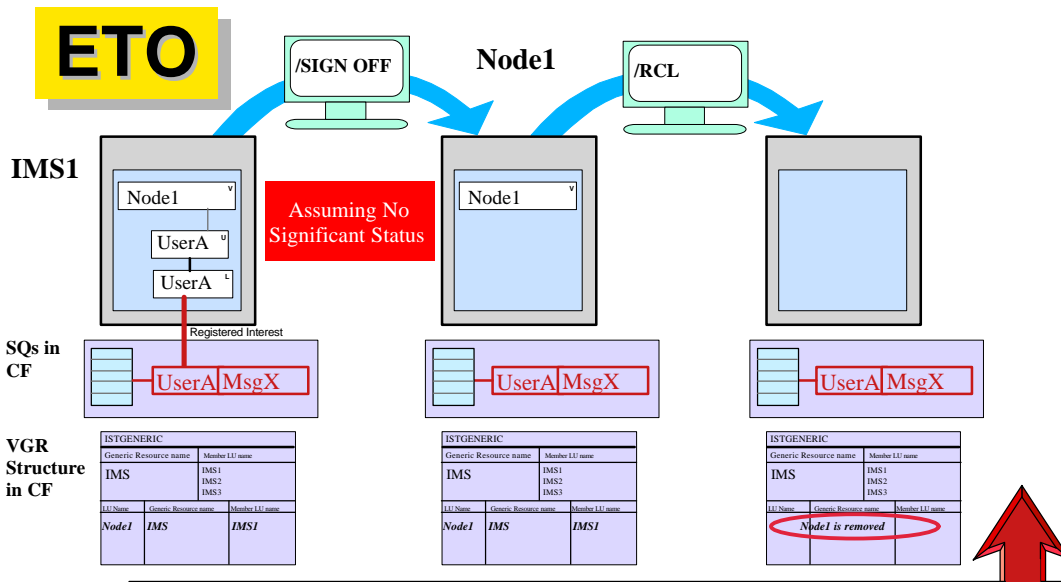
User can Logon/Signon at same terminal to any cloned IMS system (assuming no VTAM Affinity) and receive waiting messages



© IBM CORPORATION 2000

IMS Technical Conference

ETO Sign-Off with Messages on SQ



Any User who Logs on and Signs on to any IMS system and builds LTERMname="UserA", will receive waiting messages



© IBM CORPORATION 2000

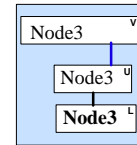
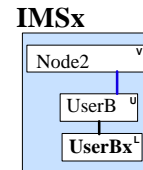
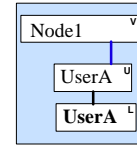
IMS Technical Conference

ETO Sign-On with Messages on SQ

- When LTERM name derived from USERID alone
 - ▶ User can get messages from previous session
 - ▶ But there is danger of getting Synonym Lterms
 - Users must be responsible for not doing multiple sign-ons

- When LTERM name derived from USERID and System Information
 - ▶ User can only get messages created on “this system”
 - ▶ But avoids Synonym Lterms

- When using ETO Compatibility Mode
 - ▶ User can always get messages from previous session but **only at same terminal**
 - same as for Static Terminals



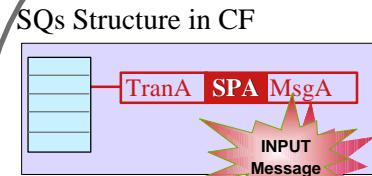
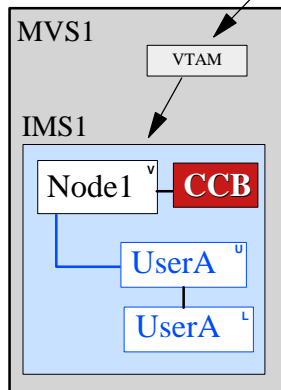
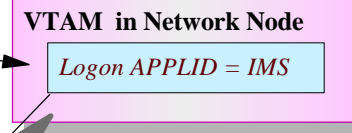
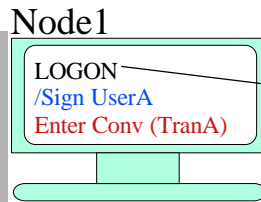
No danger of Synonym Lterms

© IBM CORPORATION 2000

IMS Technical Conference

Conversational Mode (1)

- LOGON
- SIGNON
- Start Conversation



VGR Structure in CF

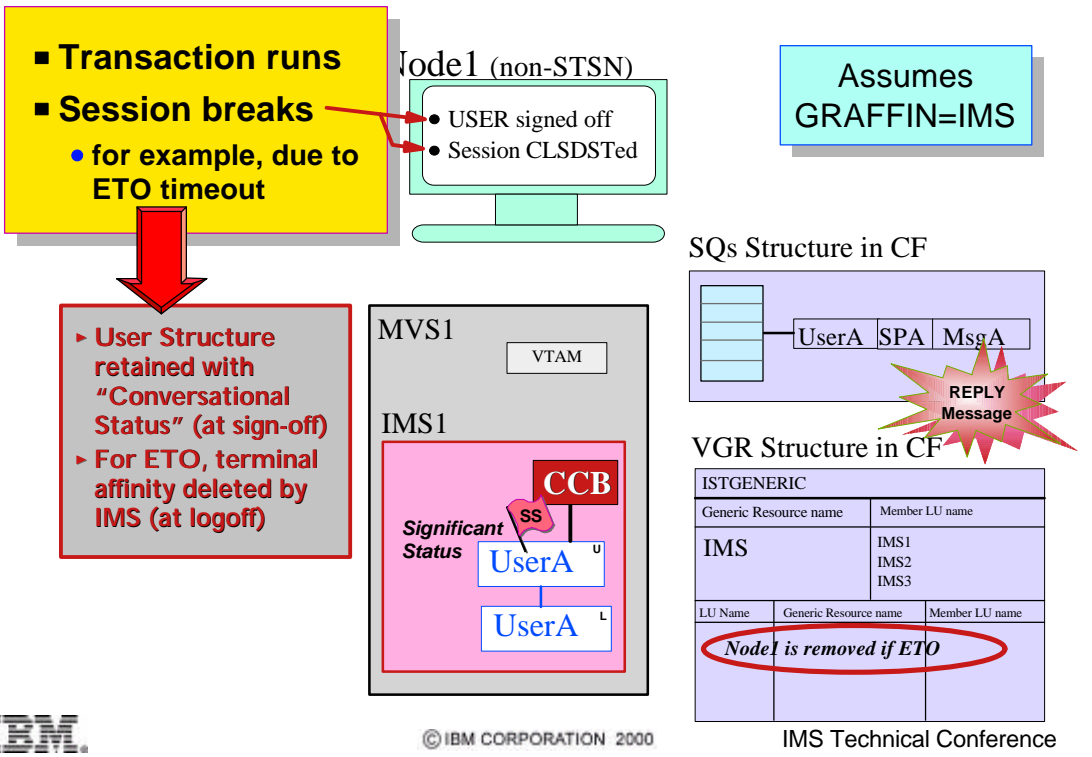
ISTGENERIC		
Generic Resource name	Member LU name	
IMS	IMS1	
	IMS2	
	IMS3	
LU Name	Generic Resource name	Member LU name
Node1	IMS	IMS1



© IBM CORPORATION 2000

IMS Technical Conference

Conversational Mode (2)



© IBM CORPORATION 2000

IMS Technical Conference

The Potential Problem

- With VTAM Generic Resources (VGR)
 - ▶ if the User has significant status
 - ▶ but there is no Terminal Affinity (due to using ETO), then
 - there is the potential for VTAM to reconnect the terminal to a different system from the one that has the "significant status"



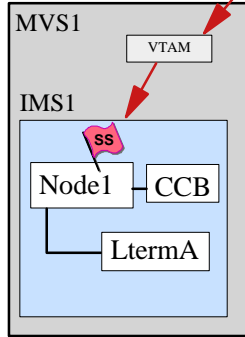
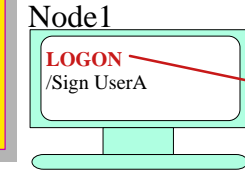
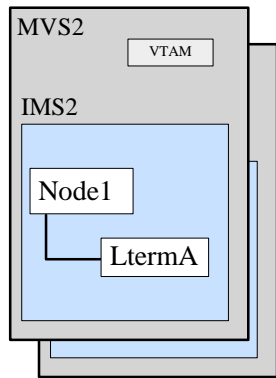
© IBM CORPORATION 2000

IMS Technical Conference

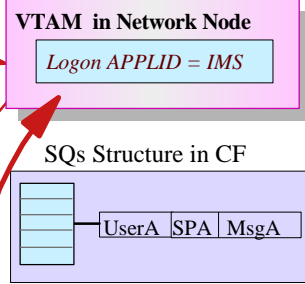
Static Terminal Restart in Conversation

Static Terminal

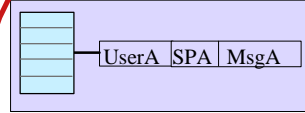
- ▶ Terminal Affinity will have been retained
- ▶ Will logon to correct IMS



Assumes GRAFFIN=IMS



SQs Structure in CF



VGR Structure in CF

ISTGENERIC		
Generic Resource name	Member LU name	
IMS	IMS1	
	IMS2	
	IMS3	
LU Name	Generic Resource name	Member LU name
Node1	IMS	IMS1

NB. If using SQ but not VGR, an attempt to logon to "wrong IMS" will be treated the same as with ETO (see later)



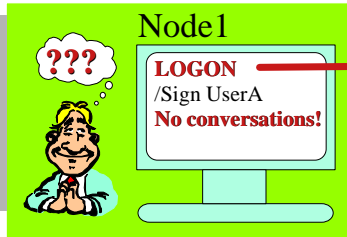
© IBM CORPORATION 2000

IMS Technical Conference

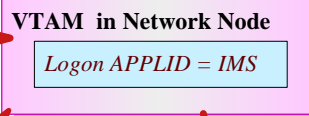
ETO Terminal Restart in Conversation

▶ using VGR but with DASD Queues

VGR can choose "wrong" IMS system

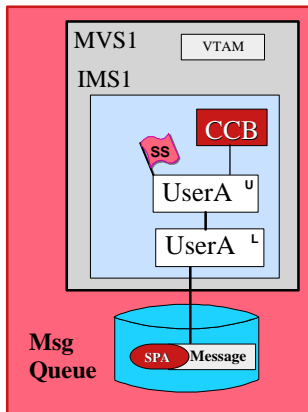


Assumes GRAFFIN=IMS



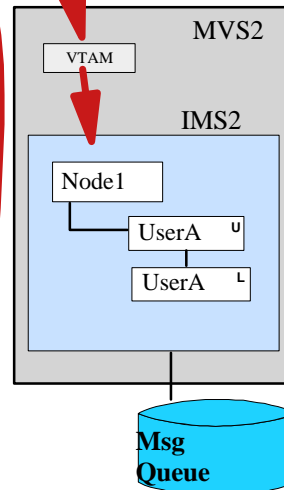
No terminal affinity at LOGON

Original IMS System



VGR Structure in CF

ISTGENERIC		
Generic Resource name	Member LU name	
IMS	IMS1	
	IMS2	
	IMS3	
LU Name	Generic Resource name	Member LU name
Node1	IMS	IMS2

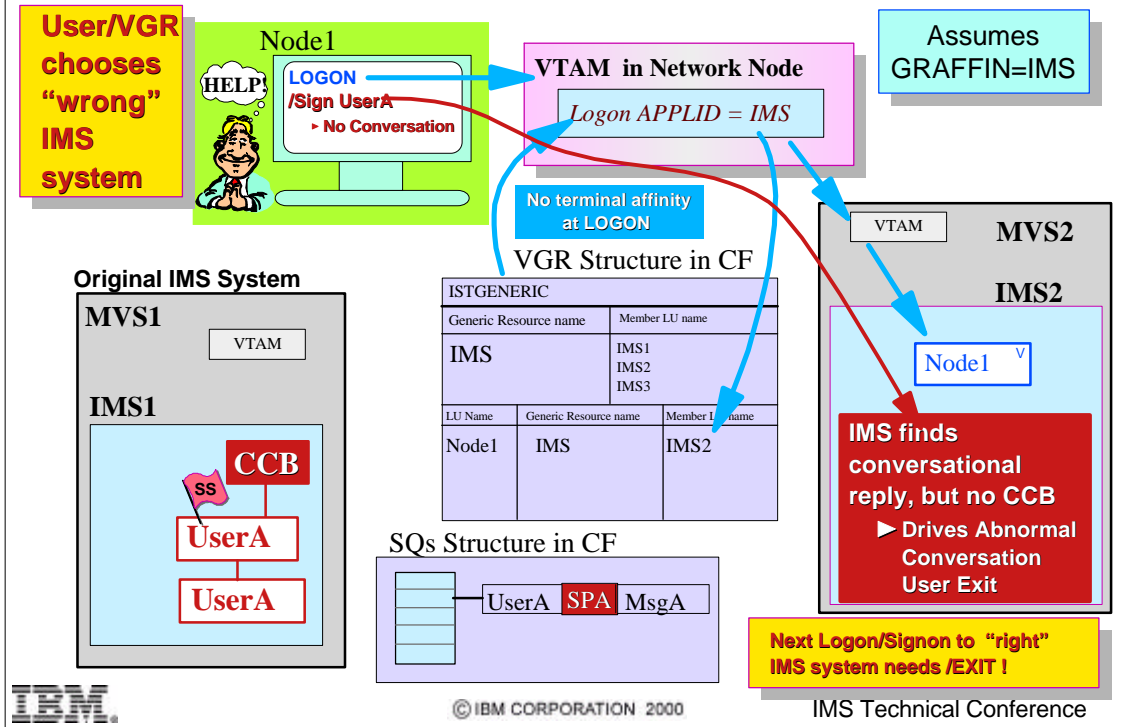


© IBM CORPORATION 2000

IMS Technical Conference

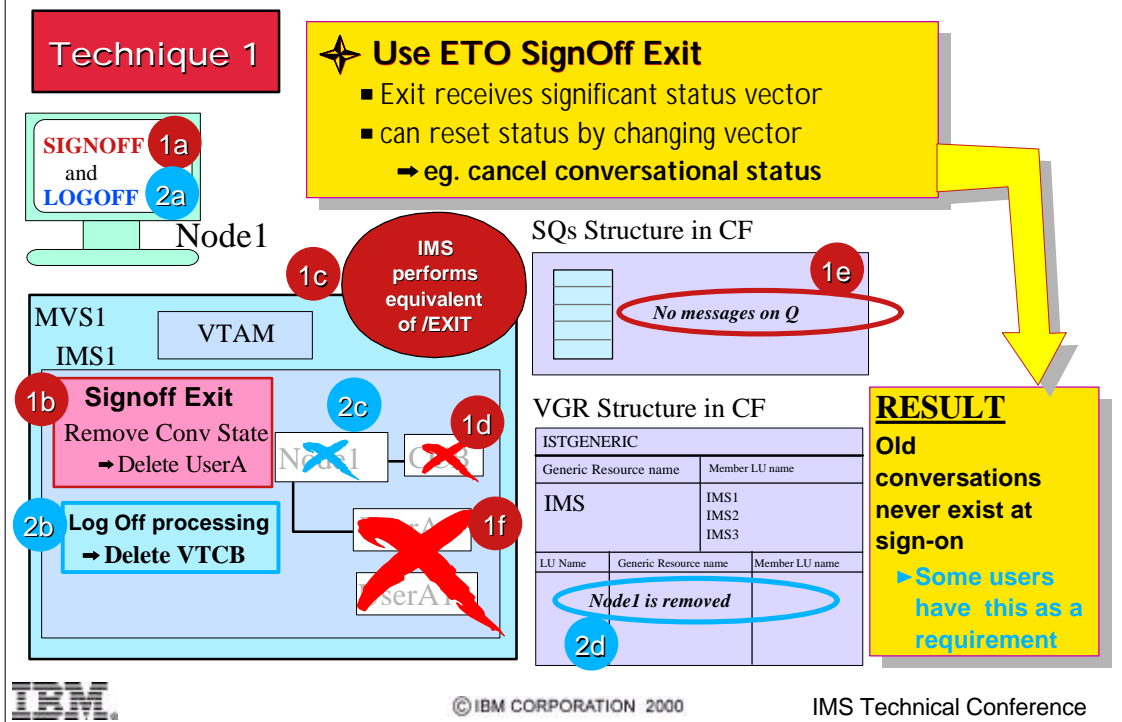
ETO Terminal Restart in Conversation

► Using Shared Queues (with/without VGR)



ETO Terminal Restart in Conversation

► the Solution = Delete Significant Status!



ETO Terminal Restart in Conversation

► the Solution = Delete Significant Status!

Technique 2

“Generic Resource Affinity” option in DFSDCxxx

GRAFFIN=IMS|VTAM

Introduced by
PQ18590

USE

GRAFFIN=IMS → IMS manages the VGR affinities (the default)

GRAFFIN=VTAM → VTAM manages the generic resource affinities
(except for ISC sessions)

- VTAM deletes affinity at terminal logoff (not ISC, but including SLUP/FINANCE)
- For terminals which logged on using Generic IMS Name,
 - IMS deletes all significant status (before signoff/logoff exits, if appropriate)
 - For SLUP/FINANCE terminals, sequence numbers are reset to zero
- Performed at any Signoff/Logoff (exceptionally, done before logon/signon to a failed and restarted IMS - eg. following a CPU power failure)

GRAFFIN=VTAM enables a non-ISC terminal using VGR to immediately logon after a session or IMS failure



NB. GRAFFIN option is system-wide for all non-ISC terminals using VGR

© IBM CORPORATION 2000

IMS Technical Conference

Part D

AUTOLOGON

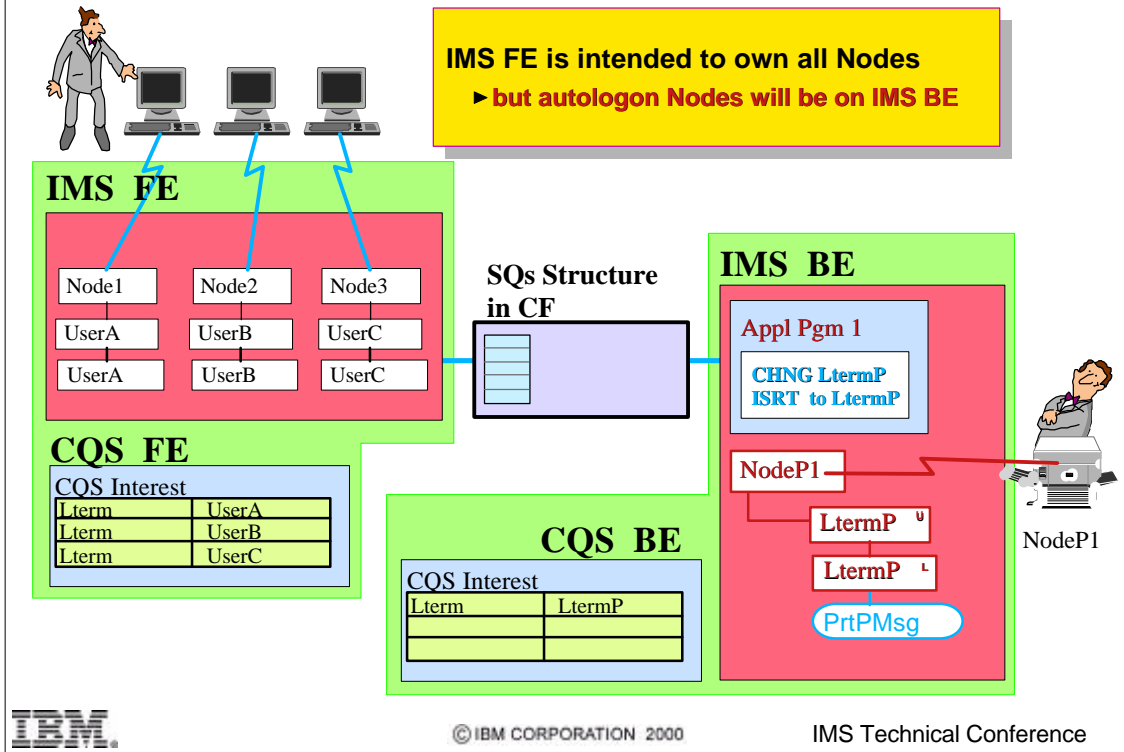
- Autologon applies to any terminal type
 - but most often used for printers
- This section considers printer autologon
 - in a FE/BE implementation
 - in a single IMS system (reminder)
 - in an multiple IMS environment
 - potential problem of excessive printer logons
 - solutions



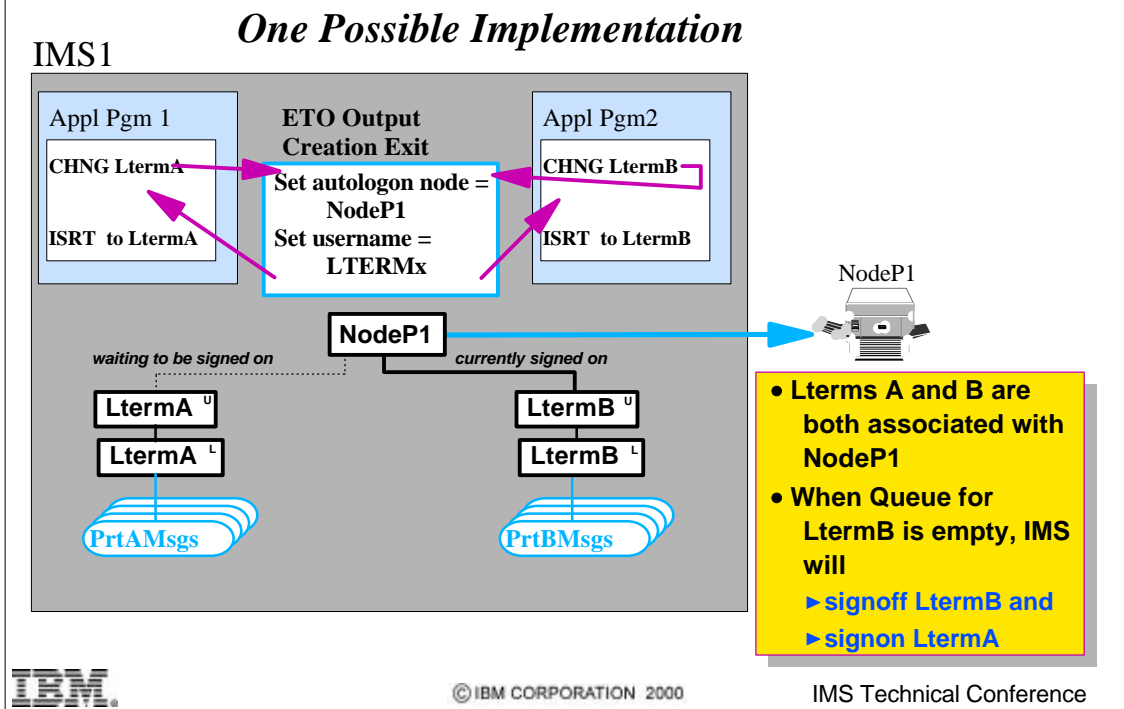
© IBM CORPORATION 2000

IMS Technical Conference

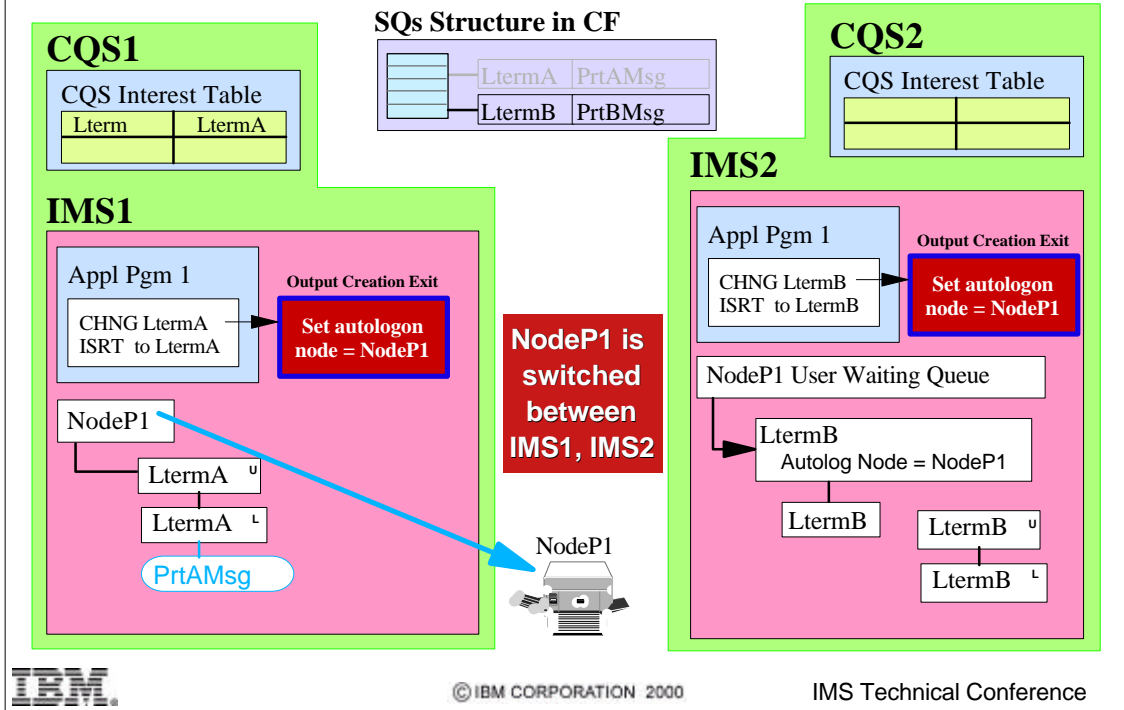
Autologon in FE/BE Implementation



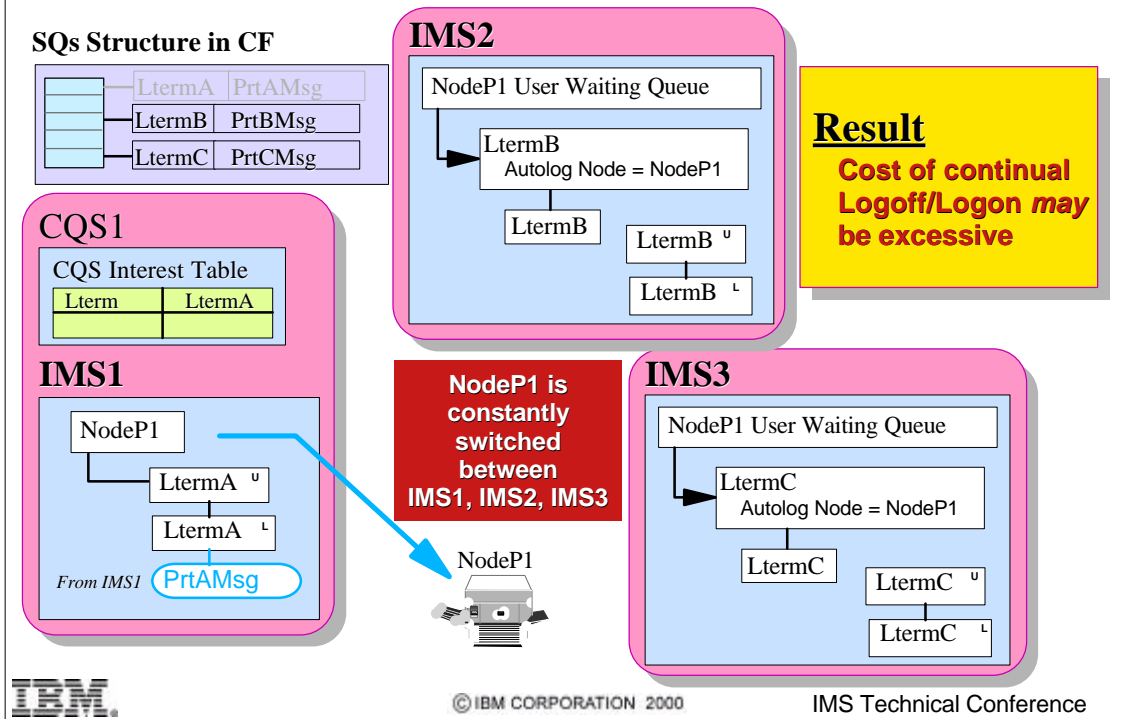
Autologon with a Single IMS (Reminder)



Autologon With SQs and Duplex IMS

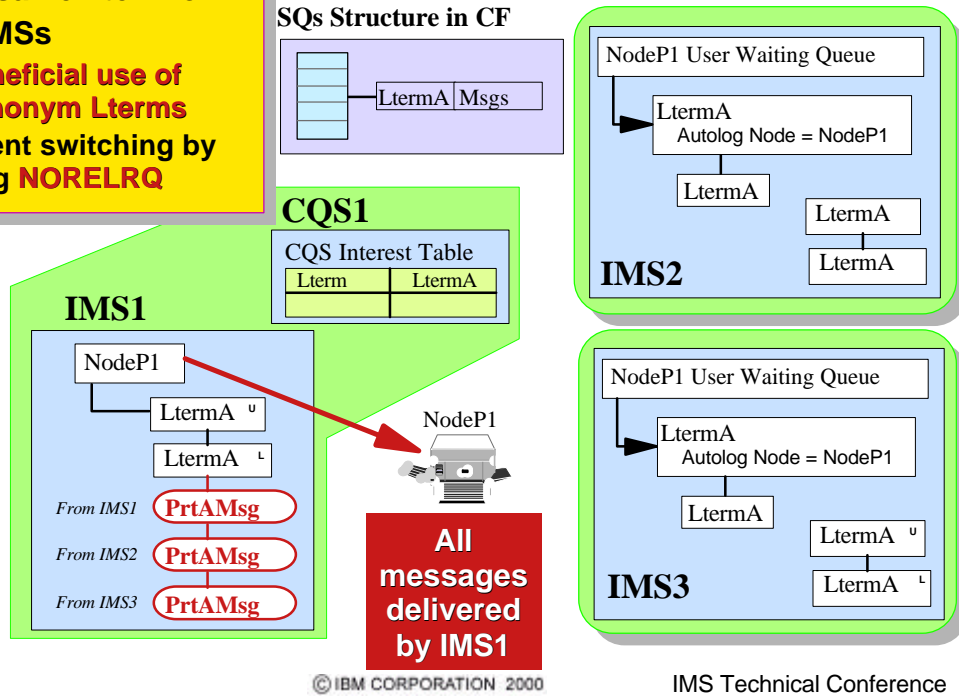


Potential Problem with Multiple IMSs



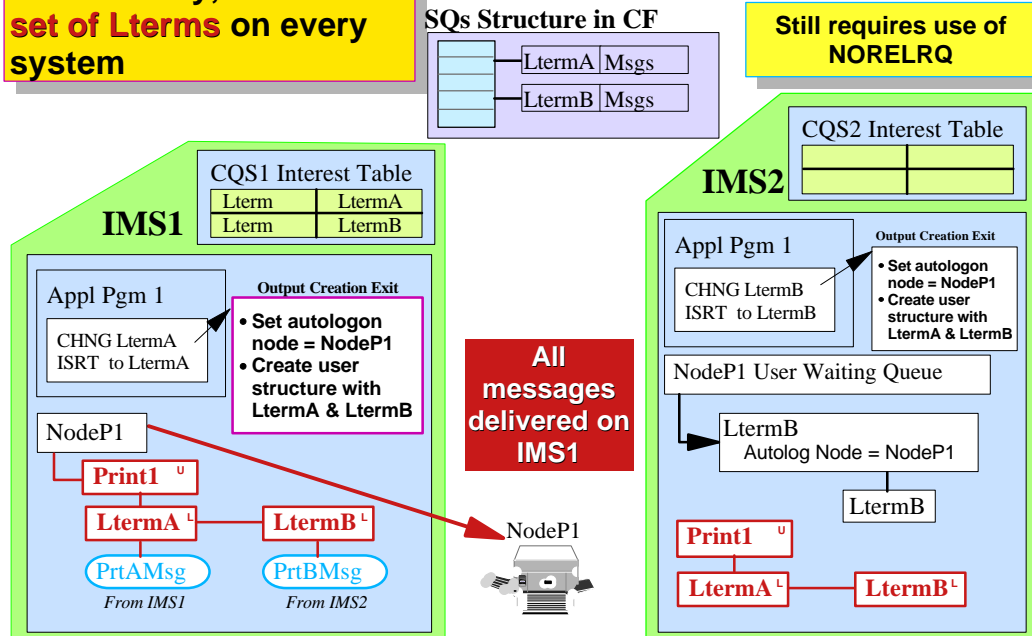
Solution (1)

- Use same Lterm on all IMSs
 - ▶ Beneficial use of Synonym Lterms
- Prevent switching by using NORELRQ



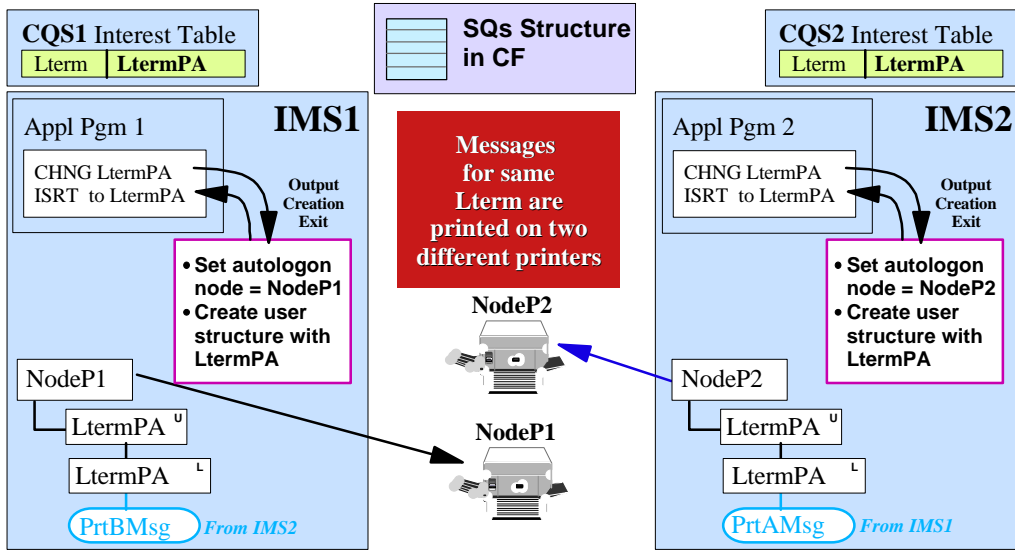
Solution (2)

Alternatively, use same set of Lterms on every system



Solution (3)

This allows **two printers** to be used as a **single resource**. Messages from both IMSs will be intermixed on both printers. It requires a Smart Output Creation exit.

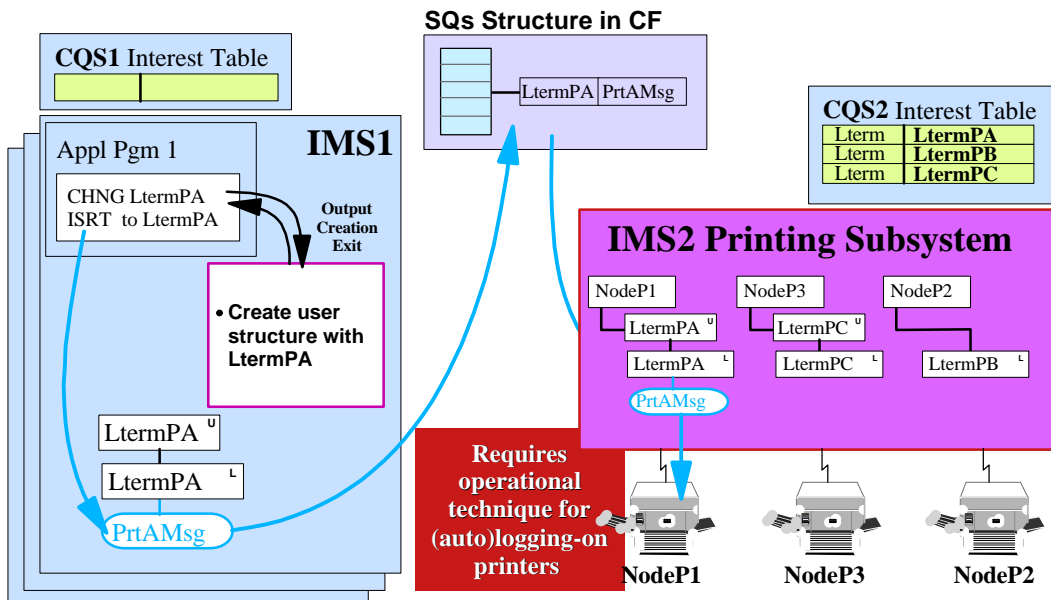


© IBM CORPORATION 2000

IMS Technical Conference

Solution (4)

One IMS (possibly a separate IMS) manages all Printers



© IBM CORPORATION 2000

IMS Technical Conference

Summary

- Synonym LTERMs active in a sysplex may be good or bad
 - ▶ For printers, it may be a good solution
 - ▶ For end-users, it is almost certainly a problem, especially when using Session managers
 - Get end-users to cooperate
 - or use a single front end
 - or use Compatibility Mode
 - or ensure unique names with a smart Signon Exit
- ETO Logoff with Significant Status has strange effects
 - ▶ Delete Status in ETO Signoff exit
 - ▶ or use GRAFFIN=VTAM
 - Also resets SLUP/FINANCE
- ETO Printers
 - ▶ Remember autologon occurs on Transaction Processing system
 - ▶ Beware of printer switching (logoff/logon) between multiple IMS systems

