

Gentran:Viewpoint[®] for zSeries

Installation Guide

Release 6.5

Sterling Commerce
An IBM Company

Sterling Commerce (Mid America), Inc.
4600 Lakehurst Court Dublin, OH 43016-2000 * 614/793-4000
© Copyright 1988 – 2009—Sterling Commerce, Inc.

2223-650-INST01-0000

July 2009

Gentran:Viewpoint for zSeries
© Copyright 1988 – 2009
Sterling Commerce, Inc.
ALL RIGHTS RESERVED

Sterling Commerce Software

Trade Secret Notice

THE GENTRAN:VIEWPOINT AND GENTRAN:BASIC FOR ZSERIES SOFTWARE (“STERLING COMMERCE SOFTWARE”) IS THE CONFIDENTIAL AND TRADE SECRET PROPERTY OF STERLING COMMERCE, INC., ITS AFFILIATED COMPANIES OR ITS OR THEIR LICENSORS, AND IS PROVIDED UNDER THE TERMS OF A LICENSE AGREEMENT. NO DUPLICATION OR DISCLOSURE WITHOUT PRIOR WRITTEN PERMISSION. RESTRICTED RIGHTS.

This documentation, the Sterling Commerce Software it describes, and the information and know-how they contain constitute the proprietary, confidential and valuable trade secret information of Sterling Commerce, Inc., its affiliated companies or its or their licensors, and may not be used for any unauthorized purpose, or disclosed to others without the prior written permission of the applicable Sterling Commerce entity. This documentation and the Sterling Commerce Software that it describes have been provided pursuant to a license agreement that contains prohibitions against and/or restrictions on their copying, modification and use. Duplication, in whole or in part, if and when permitted, shall bear this notice and the Sterling Commerce, Inc. copyright notice.

As and when provided to any governmental entity, government contractor or subcontractor subject to the FARs, this documentation is provided with RESTRICTED RIGHTS under Title 48 CFR 52.227-19. Further, as and when provided to any governmental entity, government contractor or subcontractor subject to DFARs, this documentation and the Sterling Commerce Software it describes are provided pursuant to the customary Sterling Commerce license, as described in Title 48 CFR 227-7202 with respect to commercial software and commercial software documentation.

These terms of use shall be governed by the laws of the State of Ohio, USA, without regard to its conflict of laws provisions. If you are accessing the Sterling Commerce Software under an executed agreement, then nothing in these terms and conditions supersedes or modifies the executed agreement.

Product names mentioned herein may be trademarks and/or registered trademarks of their respective companies. Gentran, Gentran:Basic, Gentran:Control, Gentran:Plus, Gentran:Realtime, Gentran:Structure, and Gentran:Viewpoint are registered trademarks of Sterling Commerce, Inc.

Third Party Software:

Portions of the Sterling Commerce Software may include products, or may be distributed on the same storage media with products, (“Third Party Software”) offered by third parties (“Third Party Licensors”).

Warranty Disclaimer

This documentation and the Sterling Commerce Software which it describes are licensed either "AS IS" or with a limited warranty, as set forth in the Sterling Commerce license agreement. Other than any limited warranties provided, NO OTHER WARRANTY IS EXPRESSED AND NONE SHALL BE IMPLIED, INCLUDING THE WARRANTIES OF MERCHANTABILITY AND FITNESS FOR USE OR FOR A PARTICULAR PURPOSE. The applicable Sterling Commerce entity reserves the right to revise this publication from time to time and to make changes in the content hereof without the obligation to notify any person or entity of such revisions or changes.

The Third Party Software is provided 'AS IS' WITHOUT ANY WARRANTY AND ANY EXPRESSED OR IMPLIED WARRANTIES, INCLUDING BUT NOT LIMITED TO, THE IMPLIED WARRANTIES OF MERCHANTABILITY, AND FITNESS FOR A PARTICULAR PURPOSE ARE DISCLAIMED. FURTHER, IF YOU ARE LOCATED OR ACCESSING THIS SOFTWARE IN THE UNITED STATES, ANY EXPRESS OR IMPLIED WARRANTY REGARDING TITLE OR NON-INFRINGEMENT ARE DISCLAIMED.

Table of Contents

Chapter 1	Getting Started	
	Overview	1-1
	Important Prerequisite	1-1
	Related Documentation	1-2
Chapter 2	Completing the Pre-installation Worksheet	
	Overview	2-1
	Determining Your Installation Path	2-2
	Pre-installation Worksheet	2-4
Chapter 3	Installing Gentran:Viewpoint	
	Overview	3-1
	The Installation Process	3-2
	Performing Initial Procedures	3-3
	Defining Gentran:Viewpoint System Files	3-14
	Establish the Online Environment	3-23
Chapter 4	Installation Verification for Partner/Qualifier Mode	
	Overview	4-1
	Introduction	4-2
	Online Screens	4-3
	Gentran:Basic and Gentran:Plus Processing	4-18
	Gentran:Realtime Processing	4-50
Chapter 5	Installation Verification for Relationship and Mixed Modes	
	Overview	5-1
	Introduction	5-2
	Modifying Parameters Used in Verification Tests	5-3
	Online Screens	5-5
	Gentran:Basic and Gentran:Plus Processing	5-20
	Gentran:Realtime Processing	5-60

Chapter 6 Converting to Release 6.5

Overview 6-1
Convert the Profile File 6-2
Convert the Repository File 6-3
Convert the Master Index File 6-4
Convert the Connect Cross Reference File 6-5
Convert the JCL File 6-6
Convert the Staging Files 6-7
Convert the Trace ID Cross Reference File 6-8
Convert the Trace ID File 6-9
Convert the Online Trace ID File 6-10

Chapter 7 Implementing Gentran:Viewpoint

Deleting Installation Files 7-2
Upgrades for all Gentran Users 7-3
Upgrades for Gentran:Basic Users 7-6
Upgrades for Gentran:Plus Users 7-10
Upgrades for Gentran:Realtime Users 7-13

Appendix A Library Descriptions

JCL Library A-2
Batch Load Library A-4
CICS Load Library A-5
Utility Source Library A-9

Appendix B System Image and Program Image Features

Overview B-2
Implementation B-4

Appendix C Gentran:Viewpoint Files

Data Set Naming Conventions C-1
Production Data Set Names for Gentran:Viewpoint Release 6.5 C-2

Getting Started

Overview

Welcome to Gentran:Viewpoint for zSeries Release 6.5!

Gentran:Viewpoint® provides you with the flexibility, efficiency, and thoroughness required to meet your most demanding requirements.

This Installation Guide assists you with installing Gentran:Viewpoint Release 6.5 and in converting from Gentran:Viewpoint Release 6.3 or 6.4 to Release 6.5.

Step-by-step instructions will guide you through the installation, verification, and conversion procedures. Be sure to follow all the steps required for your particular installation. Test procedures to confirm that the installation has been successful are included. Use them before contacting the Gentran Software Product Support Center.

Sample online screens are included where appropriate to illustrate test results you can expect while performing these installation and conversion procedures.

Important Prerequisite

Gentran:Viewpoint for zSeries Release 6.5 requires that your other Gentran products be Release 6.5 with current maintenance. Prior to beginning the installation of Gentran:Viewpoint Release 6.5, you must ensure that you have either:

- Recently installed Release 6.5 of your other Gentran products
- or
- Recently applied cumulative fixes to your other Gentran Release 6.5 products.

Check with the Gentran Software Support Center for assistance in determining if your Gentran products are current before beginning the installation of Gentran:Viewpoint Release 6.5.

Gentran:Plus Release 6.5 also requires Connect:Enterprise OS/390 version 1.2 or higher. If you plan to implement communications monitoring of Gentran:Plus into your Gentran:Viewpoint system, you must also ensure that you have the Connect communications product properly installed and configured.

Related Documentation

The following documents contain additional information related to using Gentran:Viewpoint with Gentran:Basic, Gentran:Realtime, Gentran:Plus, and Connect:Enterprise. Use the descriptions in this list for help determining which documents contain information you need.

- *Gentran for zSeries Release 6.5 Release Notes and Impact Information*
Contains information about the changes and enhancements made in this release of Gentran:Viewpoint, Gentran:Realtime, Gentran:Basic, and Gentran:Plus, as well as information about the impact this release will have on your operations. The “Impact” sections include such information as file conversions, JCL changes, and CICS table entry changes.
- *Gentran:Viewpoint for zSeries Release 6.5 User’s Guide*
Contains reference information, such as field descriptions and function keys, about the online screens.
- *Gentran:Viewpoint for zSeries Release 6.5 Technical Reference Guide*
Contains detailed reference information on batch programs and file descriptions.
- *Connect:Enterprise OS/390 Installation Guide*
Describes preparing for installation and installing Connect:Enterprise.
- *Connect:Enterprise OS/390 User’s Guide*
Describes Connect:Enterprise configuration, commands, and functions.
- *Connect:Enterprise OS/390 ISPF User’s Guide*
Describes how to run Connect:Enterprise using the ISPF interface.
- *Connect:Enterprise OS/390 CICS User’s Guide*
Describes how to run Connect:Enterprise using the CICS interface.
- *Connect:Enterprise OS/390 Messages and Codes Guide*
Contains the messages received during Connect:Enterprise processing.
- *Connect:Enterprise OS/390 Release Notes*
Lists important notes and last minute changes to the documentation.
- *Gentran:Realtime for zSeries Release 6.5 User’s Guide*
Contains reference information such as field descriptions and function key descriptions about the online screens, as well as program and file descriptions, example programs, and user exits.
- *Gentran:Realtime for zSeries Release 6.5 Technical Reference Guide*
Contains reference information and program and file descriptions.
- *Gentran:Basic for zSeries Release 6.5 User’s Guide*
Contains reference information, such as field descriptions and function key descriptions, about the online screens.
- *Gentran:Basic for zSeries Release 6.5 Technical Reference Guide*
Contains detailed reference information on Gentran:Basic/Realtime batch programs and file descriptions.

- *Gentran:Basic for zSeries Release 6.5 System Message Guide*
Contains sequential reference information on the specific Gentran:Basic/Realtime system messages.
- *Gentran:Plus for zSeries Release 6.5 User's Guide*
Contains reference information, such as field descriptions and function keys, about the online screens. In addition, it contains detailed information on batch programs and file descriptions.

Completing the Pre-installation Worksheet

Overview

This chapter contains an overview of the installation path and a worksheet that you need to complete before you begin to install Gentran:Viewpoint.

The topics outline the recommended installation steps for users new to Gentran:Viewpoint and those users converting from Release 6.3 or 6.4.

The worksheet should be completed by someone who is familiar with the requirements of your organization, as well as the data processing naming and standards conventions of your organization.

Decisions made while completing the worksheet directly affect how various portions of Gentran:Viewpoint are installed. In addition, key information that you enter on the checklist is used to create the proper filenames and values during installation.

The default values provided on this worksheet are appropriate for most installations. If you have any doubt about the appropriate value to use for your installation, use the default value.

Topic	Page
Determining Your Installation Path	2-2
Instructions for New Gentran:Viewpoint Users.....	2-2
Instructions for Existing Gentran:Viewpoint Release 6.3 and 6.4 Users.....	2-3
Instructions for Other Existing Gentran:Viewpoint Users.....	2-3
Pre-installation Worksheet	2-4

Determining Your Installation Path

Before you proceed with the installation of Gentran:Viewpoint Release 6.5, you must determine your specific installation path. The installation path you will use depends on your current release of Gentran:Basic and the processing mode you are currently using or intend to use for Release 6.5.

Note: Processing, or *Trading Profile*, modes you can use in Gentran are *Relationship mode*, *Partner/Qualifier mode*, and *Mixed mode*. If you are not familiar with these concepts, see Chapter 2 in the *Gentran:Basic for zSeries Release 6.5 User's Guide* for information about the differences between the modes.

The instructions on the next two pages explain all of the possible combinations of existing Gentran environments and the corresponding tasks required for installation. Find your specific situation and perform the tasks listed. This is your installation path.

Instructions for New Gentran:Viewpoint Users

Determine the mode in which your Gentran Release 6.5 product is configured.

If Gentran Release 6.5 is configured in Partner/Qualifier mode

1. Complete the steps in Chapter 3 of this guide, "Installing Gentran:Viewpoint."
2. Complete the steps in Chapter 4 of this guide, "Installation Verification for Partner/Qualifier Mode."
3. Complete the steps in Chapter 7 of this guide, "Implementing Gentran:Viewpoint."

If Gentran Release 6.5 is configured in Mixed mode

1. Complete the steps in Chapter 3 of this guide, "Installing Gentran:Viewpoint."
2. Complete the steps in Chapter 5 of this guide, "Installation Verification for Relationship and Mixed Modes."
3. Complete the steps in Chapter 7 of this guide, "Implementing Gentran:Viewpoint."

If Gentran Release 6.5 is configured in Relationship mode

1. Complete the steps in Chapter 3 of this guide, "Installing Gentran:Viewpoint."
2. Complete the steps in Chapter 5 of this guide, "Installation Verification for Relationship and Mixed Modes."
3. Complete the steps in Chapter 7 of this guide, "Implementing Gentran:Viewpoint."

Instructions for Existing Gentran:Viewpoint Release 6.3 and 6.4 Users

Determine the mode in which your Gentran 6.5 product is configured.

If Gentran Release 6.5 is configured in Partner/Qualifier mode

1. Complete the steps in Chapter 3 of this guide, “Installing Gentran:Viewpoint.”
2. Complete the steps in Chapter 4 of this guide, “Installation Verification for Partner/Qualifier Mode.”
3. Complete the steps in Chapter 6 of this guide, “Converting to Release 6.5.”
4. Complete the steps in Chapter 7 of this guide, “Implementing Gentran:Viewpoint.”

If Gentran Release 6.5 is configured in Mixed mode

1. Complete the steps in Chapter 3 of this guide, “Installing Gentran:Viewpoint.”
2. Complete the steps in Chapter 5 of this guide, “Installation Verification for Relationship and Mixed Modes.”
3. Complete the steps in Chapter 6 of this guide, “Converting to Release 6.5.”
4. Complete the steps in Chapter 7 of this guide, “Implementing Gentran:Viewpoint.”

If Gentran Release 6.5 is configured in Relationship mode

1. Complete the steps in Chapter 3 of this guide, “Installing Gentran:Viewpoint.”
2. Complete the steps in Chapter 5 of this guide, “Installation Verification for Relationship and Mixed Modes.”
3. Complete the steps in Chapter 6 of this guide, “Converting to Release 6.5.”
4. Complete the steps in Chapter 7 of this guide, “Implementing Gentran:Viewpoint.”

Instructions for Other Existing Gentran:Viewpoint Users

If your current Gentran:Viewpoint installation is prior to Release 6.3, contact the Gentran Software Product Support Center for information about converting to Release 6.5.

Pre-installation Worksheet

Complete this worksheet before you begin to install Gentran:Viewpoint.

Pre-installation Worksheet	
Completed by: _____ Date: _____ Time: _____	
System Image	Default: SIM Your Value: _____
<p>This 3-character alphanumeric value is used to uniquely identify your Gentran:Viewpoint online system. We recommend that you use “EDI” when possible. However, you can select any value you wish.</p> <p style="text-align: center;">Note: The system image value should match the value established during the installation of Gentran:Basic for zSeries Release 6.5.</p> <p>See <i>Appendix B</i> for a complete description of system image.</p>	
Program Image	Default: PIM Your Value: _____
<p>This 3-character alphanumeric value is used to uniquely identify the programs and mapsets for your Gentran:Viewpoint online system. We recommend that you use “EDI” when possible. If you do not use the recommended value of “EDI,” we recommend that you use the same value that you used for your system image. However, you can select any value you wish.</p> <p style="text-align: center;">Note: The program image value should match the value established during the installation of Gentran:Basic for zSeries Release 6.5.</p> <p>See <i>Appendix B</i> for a complete description of program image.</p>	
High-Level Qualifier for Data Set Names	Default: GENTRAN.V6X5 Your Value: _____
<p>The installation process creates many data sets that are used to generate the Gentran system. All data sets begin with the qualifier GENTRAN.V6X5. Change the qualifier to conform to your requirements.</p> <p>See <i>Appendix C</i> for a complete description of Gentran:Viewpoint files.</p>	

CICS Group Name**Default:** GENVPT**Your Value:** _____

This 8-character alphanumeric value is used when establishing the online environment during the installation of Gentran:Viewpoint. CICS resources are stored in the CICS System Definition (CSD) file using this group name. We recommend that you use “GENVPT” when possible. However, you can select any value you wish, including the value you used during the installation of Gentran:Basic.

External Security Systems**Default:** N/A**Your Value:** _____

After you have determined the system image and the high-level qualifier for the data set names, review any external security system parameters (for example, RACF and ACF2) to ensure that the correct transactions, programs, and data sets can be accessed by the appropriate personnel.

Note: There is no parameter within Gentran:Viewpoint that defines your external security system, but you must identify Gentran:Viewpoint resources to your security system.

Many CICS transactions run in the background. Your CICS administrator can determine whether special security setup considerations in your RACF and ACF2 parameters are required to access the Gentran:Viewpoint files.

Installing Gentran:Viewpoint

Overview

This chapter describes the steps that are required to install Gentran:Viewpoint for zSeries Release 6.5. Review all the steps in this procedure before you perform the installation. After you have read all steps, be sure to perform the steps in the order in which they are presented.

This chapter contains the following topics:

Topic	Page
The Installation Process	3-2
Performing Initial Procedures.....	3-3
Upload Product Distribution Files	3-5
Obtain Product Updates	3-13
Defining Gentran:Viewpoint System Files	3-14
Overview	3-14
Define and Initialize the Exception Management Files	3-15
Define and Initialize the Tracking Management Files.....	3-16
Define and Initialize the Communications Files.....	3-17
Load Test Partners and Maps.....	3-18
Define and Initialize Gentran Databank Files.....	3-19
Update the Configuration File.....	3-20
Load Test Data to the Connect Data Queues	3-21
Define and Initialize the Gentran:Realtime Test Data Files	3-22
Establish the Online Environment.....	3-23
Overview	3-23
CICS Resource Definitions for Gentran:Viewpoint Files.....	3-24
CICS Resource Definitions for Gentran:Viewpoint Programs and Mapsets.....	3-26
CICS Resource Definitions for Gentran:Viewpoint Transactions.....	3-27
Defining Gentran:Viewpoint Resources in the CICS System Definition File.....	3-28
Renaming Gentran:Viewpoint Programs and Mapsets	3-29
Updating the CICS Startup JCL.....	3-30
Installing the Gentran:Viewpoint CICS Group.....	3-31
Verifying the Gentran:Viewpoint CICS Installation	3-32
Customizing Automatic System Start-up Program EDIVPLT	3-34
CICS Resource Definitions for Gentran:Viewpoint Start-up	3-35

The Installation Process

Installing Gentran:Viewpoint involves completing a series of dependent jobs that build individual subsystems. In the initial steps, you will unload files from either the Electronic Software Distribution (ESD) portal or CD-ROM and use them to build sequential files and partitioned data sets on your mainframe. In subsequent steps, you will run jobs on your mainframe that will use these sequential files and partitioned data sets to create and initialize Gentran:Viewpoint system files.

Note: The customer performing this installation should have a working knowledge of JCL, VSAM, and the CICS environment in which the software will be installed.

- If you are installing from ESD, the installation package includes one product file. The product file contains all of the files necessary to install the programs and base files for Gentran:Viewpoint. The file to download is:

Viewpoint_6.5.00_Package.zip

- If you are installing from CD-ROM, the installation package contains one CD-ROM. The product CD-ROM contains all of the files necessary to install the programs and base files for Gentran:Viewpoint. The CD-ROM label reads:

Gentran:Viewpoint for zSeries Release 6.5.00 Product

Performing Initial Procedures

Use this procedure to install Gentran:Viewpoint.

Step 1 Confirm system, hardware and software requirements.

Typically performed by: System Installer

System Requirements

To install Gentran:Viewpoint, you need the following:

- A personal computer running a Microsoft® Windows® operating system
- A CD-ROM drive, if you are installing from the CD-ROM
- 750 MB of available hard disk space
- FTP capability

Hardware Requirements

Gentran:Viewpoint operates on any IBM mainframe running the z/OS operating system.

Host System Disk Space Requirements:

Disk space requirements listed below are based on the use of IBM 3390 disk drives.

Component	Tracks Required
Batch Load Library	30
Connect Load Library	5
Online Load Library	150
System JCL Library	45
System Test Data	06
Utility Source Library	30
VSAM Gentran:Viewpoint Files	500

VSAM space requirements listed above are enough for your initial use of the Gentran:Viewpoint system. As you increase your usage, you may need additional space.

See the sections corresponding to the individual files in the *Gentran:Viewpoint for zSeries Release 6.5 Technical Reference Guide* for specific disk space requirements.

The installation process also requires approximately 18,000 tracks of temporary space for sequential seed and work files. You may delete these temporary files after the Gentran:Viewpoint installation is complete, using the DELFILES job as described in Chapter 7.

Software Requirements

To operate properly, the following software must reside on the host system:

- z/OS operating system
- CICS Transaction Server for z/OS
- Language Environment Run-Time Support

Additional CICS Software Requirements

- CICS command-level support for COBOL and Assembler languages
- CICS Language environment run-time modules
- VSAM support
- 3270-type terminal support
- CICS start-up routine support (PLTPI=nn start-up parameter)
- Standard Level Basic Mapping Support (BMS=STANDARD)
- Auxiliary and main temporary storage to hold data, parameters, tables, and control information

After you ensure that all hardware and software requirements are met, you can proceed with the installation of Gentran:Viewpoint (see **Step 2**).

Completed by: _____

Date: _____ **Time:** _____

Upload Product Distribution Files

Because the Gentran:Viewpoint product is distributed either on a CD-ROM or by downloading from the ESD portal, you must upload the files to your mainframe before you can begin installing the product. This section provides step-by-step instructions for that process.

Step 2 Transfer files to your PC.

Typically performed by: System Installer

Check the box next to each task as you complete it.

- If you are installing from ESD, unzip the **Viewpoint_6.5.00_Package.zip** file that you downloaded from ESD to extract the file name **Viewpoint_6.5.00_Product.exe**. This is a self-extracting .zip file that contains the entire Gentran:Viewpoint product.
- If you are installing from CD-ROM, insert the Gentran:Viewpoint product CD-ROM into your computer's CD-ROM drive and navigate to locate the file named **Viewpoint_6.5.00_Product.exe**. This is a self-extracting .zip file that contains the entire Gentran:Viewpoint product.
- Double click the file name to begin extracting the files onto the local hard disk on your PC. A system message prompts you with a default folder name to which the system will save the files it is extracting. If you want to select a different location, change the default folder name to your desired location in this system message.
- At the completion of the process, note the location. The folder should contain the following files:

File	Description
PCVPTPRD	The Gentran:Viewpoint product
PCVTPD1.TXT	The JCL to allocate the target product file
PCVTPD2.TXT	The JCL to build the sequential product files

Completed by: _____

Date: _____ Time: _____

Step 3 Upload the product JCL files to your mainframe.

To build the sequential product files on your mainframe, you must upload to the mainframe the needed JCL.

Typically performed by: System Installer

Check the box next to each task as you complete it.

- Perform the upload manually from your PC, using FTP configured in an ASCII data transfer mode. The files to upload are:

Note: For FTP, the Carriage Return and Line Feed settings (CR/LF) must be set to Off.

File	Description
PCVPTPD1.TXT	The JCL to allocate the target product file
PCVPTPD2.TXT	The JCL to build the sequential product files

- Choose target file names that are appropriate for your installation requirements.

Completed by: _____

Date: _____ **Time:** _____

Step 4 Allocate the target product file on your mainframe.

Before you can upload the Gentran:Viewpoint product file to your mainframe, the target file must be allocated on it.

Typically performed by: System Installer

Check the box next to the task as you complete it.

- Customize JCL member **PCVPTPD1** that you uploaded in **Step 3**.
- Add a job card.
- Change **DISK** of **UNIT=DISK** as required by your installation.
- Change the text string **XXXXXX** of **VOL=SER=** to an appropriate volume serial number used at your installation.
- Change the data set names as required by your installation. Change only the first two index levels (**GENTRAN.V6X5**).
- Read the comments within the JCL and follow any additional instructions.
- Submit the job.
- Verify the job results. You should never receive a return code greater than 0.

Completed by: _____

Date: _____ **Time:** _____

Step 5 Upload the Gentran:Viewpoint product file from your PC to your mainframe.

Typically performed by: System Installer

Check the box next to the task as you complete it.

- Perform the upload manually from your PC using FTP configured in a BINARY data transfer mode. The target file on the mainframe must be the file that you allocated in **Step 4** (`GENTRAN.V6X5.VPT.UPLOAD.PCPRD`).

The file to be uploaded is:

File	Description
PCVPTPRD	The Gentran:Viewpoint product

- At the completion of the upload, verify the integrity of the file on the mainframe by looking for the following:
- Column 2 of the first record in the file should begin with the value `\INMR01`.
 - The number of bytes transferred should match the size of the source file.

Note: If neither of these are true, or the entire file is unreadable, verify that your FTP session was configured in BINARY data transfer mode. Using an incorrect transfer configuration is the most common cause of a problem with the upload.

- If the file is not acceptable, perform the upload process again and verify the integrity of the uploaded file again until it is acceptable.

Completed by: _____

Date: _____ **Time:** _____

Step 6 Build the sequential Gentran:Viewpoint files on your mainframe.

Typically performed by: System Installer

This step reads the Gentran:Viewpoint product file that you uploaded in the previous step and extracts the files needed to complete the installation of the product on your mainframe.

The following table lists the abbreviated names of the data sets to be extracted. In the job, they are referenced by complete data set name, with the prefix **GENTRAN.V6X5.** followed by the text in the table below (for example, the full name of VPT.BATCH.LOAD is GENTRAN.V6X5.VPT.BATCH.LOAD).

Note: The data set names listed in **bold** type are permanent files that must be retained after the installation is complete. All of the other files are used to initially seed the permanent Gentran:Viewpoint files; you can delete them when the installation is complete.

Data Set Name	Description
VPT.BATCH.LOAD	Partitioned data set that contains all of the batch program load modules. This is a permanent data set; do not delete this data set at the end of installation.
VPT.CONNECT.LOAD	Partitioned data set that contains all of the Connect batch load modules. This is a permanent data set; do not delete this data set at the end of installation.
VPT.CICS.LOAD	Partitioned data set that contains all of the CICS program load modules. This is a permanent data set; do not delete this data set at the end of installation.
VPT.UTILITY.SOURCE	Partitioned data set that contains source code of the utility programs. This is a permanent data set; do not delete this data set at the end of installation.
VPT.JCL	Partitioned data set that contains all of the execution JCL. This is a permanent data set; do not delete this data set at the end of installation.
VPT.SEQ.EDICFC	The sequential data set used to seed the Connect Failure Codes file.
VPT.SEQ.EDICFG	The sequential data set used to seed the System Configuration file.
VPT.SEQ.EDICXRF	The sequential data set used to seed the Connect Cross Reference file.
VPT.SEQ.EDIJCL	The sequential data set used to seed the JCL file.
VPT.SEQ.EDIPRMP	The sequential data set used to seed the Prompt file.
VPT.SEQ.EDIVM	The sequential data set used to seed the Master Index file.

Data Set Name	Description
VPT.SEQ.EDIVP	The sequential data set used to seed the Profile file.
VPT.SEQ.EDIVPPX	The sequential data set used to seed the Trace ID Cross Reference file.
VPT.SEQ.EDIVR	The sequential data set used to seed the Repository file.
VPT.SEQ.EDIVT	The sequential data set used to seed the Trace ID file.
VPT.SEQ.EDIVTO	The sequential data set used to seed the Online Trace ID file.
VPT.MAPIN.TESTDATA	The sequential data set for the sample test data for the inbound mapper processing.
VPT.MAPOUT.TESTDATA	The sequential data set for the sample test data for the outbound mapper processing.
VPT.TUTORIN.TESTDATA	The sequential data set for the sample test data for the inbound tutorial process.
VPT.TUTOROUT.TESTDATA	The sequential data set for the sample test data for the outbound tutorial process.
VPT.RTE.MAPIN.TESTDATA	The sequential data set for the sample test data for the inbound installation verification process for Gentran:Realtime.
VPT.RTE.MAPOUT.TESTDATA	The sequential data set for the sample test data for the outbound installation verification process for Gentran:Realtime.
SEQ.PARTNER	Sequential data set used to seed the Partner file.
SEQ.PARTNER.XREF	Sequential data set used to seed the partner Cross Reference file.
SEQ.CONTROL.INBOUND	Sequential data set used to seed the partner Inbound Control file.
SEQ.CONTROL.OUTBOUND	Sequential data set used to seed the partner Outbound Control file.
SEQ.REL.PARTNER	Sequential data set used to seed the Partner file for Relationship mode.
SEQ.PARTNER.RELATION	Sequential data set used to seed the Partner Relationship file.
SEQ.REL.CNTL.INBOUND	Sequential data set used to seed the partner Inbound Control file for Relationship mode.
SEQ.REL.CNTL.OUTBOUND	Sequential data set used to seed the partner Outbound Control file for Relationship mode.
SEQ.APPL.HEADER	Sequential data set used to seed the Mapping Application Header file.

Data Set Name	Description
SEQ.APPL.RECORD	Sequential data set used to seed the Mapping Application Record file.
SEQ.APPL.FIELD	Sequential data set used to seed the Mapping Application Fields file.
SEQ.APPL.LINK	Sequential data set used to seed the Mapping Application Link file.
SEQ.TRANS.HEADER	Sequential data set used to seed the Mapping Transaction Header file.
SEQ.TRANS.SEGMENT	Sequential data set used to seed the Mapping Transaction Segments file.
SEQ.TRANS.ELEMENT	Sequential data set used to seed the Mapping Transaction Elements file.
SEQ.CODE.DEFINE	Sequential data set used to seed the Mapping Code Definition file.
SEQ.CODE.CODES	Sequential data set used to seed the Mapping Code Translation file.
SEQ.CODE.DATA	Sequential data set used to seed the Mapping Data Translation file.
SEQ.CODE.VALID	Sequential data set used to seed the Mapping Validation file.
SEQ.EDI.EDICA	Sequential data set used to seed the Databank Application Change Audit files.
SEQ.EDI.EDIIECA	Sequential data set used to seed the Databank Inbound EDI Change Audit file.
SEQ.EDI.EDIOECA	Sequential data set used to seed the Databank Outbound EDI Change Audit file.
SEQ.EDI.EDIIAA	Sequential data set used to seed the Databank Inbound Application Directory file.
SEQ.EDI.EDIIEA	Sequential data set used to seed the Databank Inbound EDI Directory file.
SEQ.EDI.EDINRC	Sequential data set used to seed the Databank Network Reconciliation file.
SEQ.EDI.EDIOAA	Sequential data set used to seed the Databank Outbound Application Directory file.
SEQ.EDI.EDIOEA	Sequential data set used to seed the Databank Outbound EDI Directory file.
SEQ.EDI.EDIPND	Sequential data set used to seed the Databank Pending files.

Data Set Name	Description
SEQ.EDI.EDISTORE	Sequential data set used to seed the Databank EDI Message Store files.
SEQ.EDI.APPSTORE	Sequential data set used to seed the Databank Application Message Store files.
SEQ.EDI.EDILINK	Sequential data set used to seed the Databank Link files.

Check the box next to each task as you complete it.

- Customize JCL member **PCVPTPD2** that you uploaded in **Step 3**.
- Add a job card.
- Change **DISK** of **UNIT=DISK** as required by your installation.
- Change the text string **XXXXXX** of **VOL=SER=** to an appropriate volume serial number used at your installation.
- Change the data set names as required by your installation. Change only the first two index levels (**GENTRAN.V6X5**).
- Read the comments within the JCL and follow any additional instructions.
- Submit the job.
- Verify the job results. You should never receive a return code greater than 0.

Completed by: _____

Date: _____ Time: _____

Obtain Product Updates

Before beginning to define the Gentran:Viewpoint system files in the next section, you must obtain the latest product updates. It is important that all product updates be installed before continuing with the installation process. Failure to do so may cause a failure of the installation process or corruption of the Gentran:Viewpoint system that you build. Call the Gentran Software Product Support Center (1-800-GENTRAN) if you have any questions about product updates.

Note: Product updates are available from the Sterling Commerce Customer Center Web site.

Step 7 Check for the latest updates.

Typically performed by: System Installer

Check the box next to each task as you complete it.

- Check for the latest updates for the Gentran:Viewpoint product by going to the Sterling Commerce Customer Center Web site at: <http://customer.sterlingcommerce.com>.

Note: If the Customer Center Web site indicates that there are no updates for the Gentran:Viewpoint product, you may skip the rest of this step and continue with **Step 8**.

- Download all updates from the Customer Center Web site.
- Install the updates. Instructions for how to install the updates can be obtained from the Customer Center Web site.

Completed by: _____

Date: _____ **Time:** _____

Defining Gentran:Viewpoint System Files

Overview

All JCL required to install Gentran:Viewpoint is contained in the partitioned data set GENTRAN.V6X5.VPT.JCL. You must make the following changes to the JCL before you execute the JCL:

- Add an appropriate job card.
- Change DISK of UNIT=DISK as required by your installation.
- Change the text string XXXXXX to the DASD volume that will contain the permanent data sets that are defined.
- Change the data set names to match your installation's internal requirements. Target data sets should reflect Release 6.5 in the name.

Note: Modify only the first two index levels of the data set names (GENTRAN.V6X5). This makes the installation simpler than if you modify the entire data set name.

Carefully read all the comments included within each JCL member. These comments provide valuable information, as well as last-minute changes that were not included in the printed documentation.

Verify the results of each job before you proceed to the next installation step. You should never receive a return code greater than 8.

You define Gentran:Viewpoint system files by executing a number of batch jobs, which are described in the following list.

Batch Job	Description
DEFVPPL	Defines and initializes the files required for the Gentran:Viewpoint interface with Gentran:Plus communications. This is an optional job.
DEFVPRT	Defines and initializes the test data files for the Gentran:Realtime Installation Verification and Tutorial processes. This is an optional job.
DEFVPT	Defines and initializes the files required for the Gentran:Viewpoint Exception Management module.
DEFVPTM	Defines and initializes the files required for the Gentran:Viewpoint Tracking Management module.
LOADTPM	Loads the test partners and maps needed to perform the installation verification procedure for Partner/Qualifier or Mixed mode processing.
LOADTPMR	Loads the test partners and maps needed to perform the installation verification procedure for Relationship mode processing.
LOADVPPL	Loads test data to the Connect data queues. This is an optional job.
UPDCFG	Updates the Gentran Configuration file to add the record for Gentran:Viewpoint.

Define and Initialize the Exception Management Files

Step 8 Customize JCL member **DEFVPT**.

Typically performed by: System Installer

Check the box next to each task as you complete it.

- Modify the job card.
- Change **DISK** of **UNIT=DISK** as required by your installation.
- Change the string **XXXXXX** of the **VOLUME (XXXXXX)** parameter as required by your installation.
- Change data set names as required by your installation. Change only the first two levels of each data set name (**GENTRAN.V6X5**); this simplifies the installation process because it enables you to mass edit data set names.

The following data sets are built by this step:

Default Data Set Name	Description
GENTRAN.V6X5.VPT.VSAM.EDI.EDIJCL	JCL file
GENTRAN.V6X5.VPT.VSAM.EDI.EDI PRMP	Prompt file
GENTRAN.V6X5.VPT.VSAM.EDI.EDIVP	Profile file
GENTRAN.V6X5.VPT.VSAM.EDI.EDIVR	Repository file
GENTRAN.V6X5.VPT.VSAM.EDI.EDIVSF1	Staging file 1
GENTRAN.V6X5.VPT.VSAM.EDI.EDIVSF2	Staging file 2
GENTRAN.V6X5.VPT.VSAM.EDI.EDIVSF3	Staging file 3
GENTRAN.V6X5.VPT.VSAM.EDI.EDIVSF4	Staging file 4
GENTRAN.V6X5.VPT.VSAM.EDI.EDIVSF5	Staging file 5

- Read the comments within the JCL member and follow any additional instructions that are noted.
- Submit the JCL member.
- Verify job results. You should never receive a return code greater than 8.

Completed by: _____

Date: _____ **Time:** _____

Define and Initialize the Tracking Management Files

Step 9 Customize JCL member **DEFVPTM**.

Typically performed by: System Installer

Check the box next to each task as you complete it.

- Modify the job card.
- Change **DISK** of **UNIT=DISK** as required by your installation.
- Change the string **XXXXXX** of the **VOLUME (XXXXXX)** parameter as required by your installation.
- Change data set names as required by your installation. Change only the first two levels of each data set name (**GENTRAN.V6X5**); this simplifies the installation process because it enables you to mass edit data set names.

The following data sets are built by this step:

Default Data Set Name	Description
GENTRAN.V6X5.VPT.VSAM.EDI.EDIVM	Master Index file
GENTRAN.V6X5.VPT.VSAM.EDI.EDIVT	Trace ID file
GENTRAN.V6X5.VPT.VSAM.EDI.EDIVTO	Online Trace ID file

- Read the comments within the JCL member and follow any additional instructions that are noted.
- Submit the JCL member.
- Verify job results. You should never receive a return code greater than 8.

Completed by: _____

Date: _____ Time: _____

Define and Initialize the Communications Files

Note: If Gentran:Plus communication is not being implemented, skip this step and proceed to **Step 11**.

Step 10 Customize JCL member **DEFVPPL**.

Typically performed by: System Installer

Check the box next to each task as you complete it.

- Modify the job card.
- Change **DISK** of **UNIT=DISK** as required by your installation.
- Change the string **XXXXXX** of the **VOLUME (XXXXXX)** parameter as required by your installation.
- Change data set names as required by your installation. Change only the first two levels of each data set name (**GENTRAN.V6X5**); this simplifies the installation process because it enables you to mass edit data set names.

The following data sets are built by this step:

Default Data Set Name	Description
GENTRAN.V6X5.VPT.VSAM.EDI.EDIVCQ	Communications Queue file
GENTRAN.V6X5.VPT.VSAM.EDI.EDIVPPX	Trace ID Cross Reference file
GENTRAN.V6X5.VPT.VSAM.EDI.EDICFC	Connect Failure Codes file
GENTRAN.V6X5.VPT.VSAM.EDI.EDICXRF	Connect Cross Reference file

- Read the comments within the JCL member and follow any additional instructions that are noted.
- Submit the JCL member.
- Verify job results. You should never receive a return code greater than 8.

Completed by: _____

Date: _____ **Time:** _____

Load Test Partners and Maps

Step 11 Customize either JCL member **LOADTPM** or **LOADTPMR**.

The JCL member you use will depend on the Trading Profile Mode setting for your Gentran system. To determine your mode, go to the Configuration Directory screen (EDIM230) and select record type 0 (Online Processing Options) to display the Configuration Maintenance screen (EDIM231). Then press **PF5** to proceed to screen 2.

- For Partner/Qualifier or Mixed mode, use member **LOADTPM**.
- For Relationship mode, use member **LOADTPMR**.

Typically performed by: System Installer

Check the box next to each task as you complete it.

- Modify the job card.
- Change data set names as required by your installation. Change only the first two levels of each data set name (**GENTRAN.V6X5**); this simplifies the installation process because it enables you to mass edit data set names.
- Read the comments within the JCL member and follow any additional instructions that are noted.
- If your Gentran CICS region is active, you must ensure that the following files are closed and disabled before submitting this job.
 - SIMAPFL, SIMAPF1, SIMAPHD, SIMAPRC, SIMAPR1, SIMAPTR, SIMCDCD, SIMCDC1, SIMCDDF, SIMCDDA, SIMCDD1, SIMCDVL, SIMPART, SIMPINB, SIMPOTB, SIMTREL, SIMTRE1, SIMTRHD, SIMTRSG, SIMTRS1
 - SIMPREF and SIMPREF1 if using member **LOADTPM**.
 - SIMPREL and SIMPREL1 if using member **LOADTPMR**.

Note: Replace the first three characters of the file name with your system image characters.

- Submit the JCL member.
- Verify job results. You should never receive a return code greater than 8.
- If you closed and disabled files before submitting the job, open and enable them.

Completed by: _____

Date: _____ **Time:** _____

Define and Initialize Gentran Databank Files

Step 12 Complete the following step to define and initialize Gentran databank files.

Note: This step is not required if these databanks are available in the Gentran:Basic or Gentran:Realtime environment, where the Gentran:Viewpoint verification procedure will be performed.

Typically performed by: System Installer

The Gentran:Viewpoint Installation Verification procedure requires the Inbound and Outbound EDI and Application Databanks in a full configuration.

- For Gentran:Basic users**, complete JCL member **DEFDB** from your Gentran:Basic JCL library and submit for processing. This will define and initialize the required Gentran:Basic databank files.
- For Gentran:Realtime users**, complete JCL member **DEFDBRTE** from your Gentran:Realtime JCL library and submit for processing. This will define and initialize the required Gentran:Realtime databank files.

Note: When these jobs are run, any existing data on your databank files will be deleted.

Completed by: _____

Date: _____ **Time:** _____

Update the Configuration File

This step updates the Gentran Configuration file to include the Gentran:Viewpoint configuration record.

Step 13 Customize JCL member **UPDCFG**.

Typically performed by: System Installer

Check the box next to each task as you complete it.

- Modify the job card.
- Change data set names as required by your installation. Change only the first two levels of each data set name (**GENTRAN.V6X5**); this simplifies the installation process because it enables you to mass edit data set names.
- Read the comments within the JCL member and follow any additional instructions that are noted.
- Close and disable the **SIMCFG** file under CICS if the region containing Gentran is running.

Note: Replace the first three characters of the file name with your system image characters.

- Submit the JCL member.
- Verify that the return codes are **zeroes**.
- Open and enable the **SIMCFG** file if you closed it before submitting the JCL member in this step.

Completed by: _____

Date: _____ **Time:** _____

Load Test Data to the Connect Data Queues

Note: If Gentran:Plus communication is not being implemented, skip this step and proceed to **Step 15**.

Step 14 Customize JCL member **LOADVPPL**.

Typically performed by: System Installer

Check the box next to each task as you complete it.

- Modify the job card.
- Replace the four characters **SRV1** in the parm on the **STOUTL** execute statements to match the VSAM File Server Name specified in the parm of your Connect VSAM File Server.
- Change the **STEPLIB DD** statements for **STOUTL** to reference your Connect load libraries.
- Change the VPF parameter included with the **SYSIN DD** statements for **STOUTL** to reference your Connect VSAM Pointer file.
- Change data set names on the **STOUTL INFILE DD** statements as required by your installation. Change only the first two levels of each data set name (**GENTRAN.V6X5**); this simplifies the installation process because it enables you to mass edit data set names.
- Read the comments within the JCL member and follow any additional instructions that are noted.
- Submit the JCL member.
- Verify job results. You should never receive a return code greater than 8.

Completed by: _____

Date: _____ **Time:** _____

Define and Initialize the Gentran:Realtime Test Data Files

Note: If the Gentran:Realtime interface is not being implemented, skip this step and proceed to the next step.

Step 15 Customize JCL member **DEFVPRT**.

Typically performed by: System Installer

Check the box next to each task as you complete it.

- Modify the job card.
- Change **DISK** of **UNIT=DISK** as required by your installation.
- Change the string **XXXXXX** of the **VOLUME (XXXXXX)** parameter as required by your installation.
- Change data set names as required by your installation. Change only the first two levels of each data set name (**GENTRAN.V6X5**); this simplifies the installation process because it enables you to mass edit data set names.

The following data sets are built by this step:

Default Data Set Name	Description
GENTRAN.V6X5.VPT.VSAM.EDIAPPLV	IVP test data
GENTRAN.V6X5.VPT.VSAM.EDIDATV	IVP test data
GENTRAN.V6X5.VPT.VSAM.EDIAPPLT	Tutorial test data
GENTRAN.V6X5.VPT.VSAM.EDIDATT	Tutorial test data

- Read the comments within the JCL member and follow any additional instructions that are noted.
- Submit the JCL member.
- Verify job results. You should never receive a return code greater than 8.

Completed by: _____

Date: _____ **Time:** _____

Establish the Online Environment

Overview

Gentran:Viewpoint has an extensive CICS online environment that allows for entry, update, and inquiry of partners, maps, standards, databanks, and other administrative functions. This section of the installation procedures describes the steps that you will perform to customize the resources and update your CICS environment to install the application software and files needed to make these functions available.

Your installation will depend upon your release of CICS and how it is configured. Refer to comments within each of the following steps and associated JCL members for information about modifications that you may need to make.

You will need full access to the following items to complete this CICS installation:

- The CICS System Definition file DFHCSD
- The CICS Offline Utility program DFHCSDUP
- The CICS Resource Definition Online transaction CEDA
- The CICS Master Terminal transaction CEMT

It is assumed that a functional CICS region exists and that the system installer has full authorization to access the region and use these items.

CICS Resource Definitions for Gentran:Viewpoint Files

Step 16 Customize JCL member **VPTRDOF**.

Typically performed by: System Installer

Check the box next to each task as you complete it.

- Review each definition for your site requirements.
- If the Gentran:Plus interface is not being implemented and you did not execute the **DEFVPPL** job in **Step 10**, remove the definitions for the **SIMCFC**, **SIMCXRF**, **SIMVCQ**, and **SIMVPPX** files because they are not required.
- If the Gentran:Realtime interface is not being implemented and you did not execute the **DEFVPRT** job in **Step 15**, remove the definitions for the **SIMAPPLT**, **SIMAPPLV**, **SIMDATT**, and **SIMDATV** files because they are not required.
- Globally change the value **SIM** to the three-character system image specified on the Pre-installation Worksheet in Chapter 2.
- Each definition contains the **DSNAME** parameter to specify the names of the data sets to be allocated for the files. You may remove these parameters and instead specify the files using DD statements in the CICS startup JCL. If you wish to do this, **Step 21** provides instructions for updating the CICS startup JCL.

If you elect to retain the **DSNAME** parameters, you must globally change the data set name high-level qualifier **GENTRAN.V6X5** to the value specified on the Pre-installation Worksheet in Chapter 2.

- If you changed the CICS Group Name on the Pre-Installation Worksheet in Chapter 2 from the default value **GENVPT**, globally change the value in the **GROUP** parameter in each definition to the value you are using.
- Review Local Shared Resource Pool IDs for your system. To manage overhead, most Gentran:Viewpoint files are assigned to an LSR pool. Files that cannot be installed in a pool use the parameter **LSRPOOLID (NONE)** in the definitions.

The majority of the files are defined with **LSRPOOLID (NONE)** because they are updated by batch applications. Changing this or enabling the files for any other CICS buffering facility *will* lead to unexpected results and is not recommended.

- If you are installing into an MRO environment, you will need to uncomment the **KEYLENGTH** and **RECORDSIZE** parameters for each resource definition.

You may also need to uncomment the **REMOTESYSTEM (NAME)** parameter for each resource and change the value **NAME** to the 4-character alphanumeric name of the CICS region where the files reside.

In addition, if you are creating a unique group name for each MRO region, you will need to create a duplicate JCL member for each unique group name.

- Read the comments within the JCL member and follow additional instructions.

Completed by: _____

Date: _____ Time: _____

CICS Resource Definitions for Gentran:Viewpoint Programs and Mapsets

Step 17 Customize JCL member **VPTRDOPM**.

Typically performed by: System Installer

Check the box next to each task as you complete it.

- Review each definition for your site requirements.
- All Gentran:Viewpoint CICS applications are identified in this member. Programs and BMS mapsets are included.
- Globally change the value **PIM** to the three-character program image specified on the Pre-installation Worksheet in Chapter 2.
- If you changed the CICS Group Name on the Pre-installation Worksheet in Chapter 2 from the default value **GENVPT**, globally change the value in the **GROUP** parameter in each definition to the value you are using.
- Read the comments within the JCL member and follow additional instructions.

Completed by: _____

Date: _____ **Time:** _____

CICS Resource Definitions for Gentran:Viewpoint Transactions

Step 18 Customize JCL member **VPTRDOT**.

Typically performed by: System Installer

Check the box next to each task as you complete it.

- Review each definition for your site requirements.
- Globally change the value **SIM** to the three-character system image specified on the Pre-installation Worksheet in Chapter 2.
- Globally change the value **PIM** to the three-character program image specified on the Pre-installation Worksheet in Chapter 2.
- If you changed the CICS Group Name on the Pre-installation Worksheet in Chapter 2 from the default value **GENVPT**, globally change the value in the **GROUP** parameter in each definition to the value you are using.
- If you are installing into an MRO environment, you may need to uncomment the **REMOTESYSTEM (NAME)** parameter for each resource and change the value **NAME** to the 4-character alphanumeric name of the CICS region where the transactions reside.
- Read the comments within the JCL member and follow additional instructions.

Completed by: _____

Date: _____ **Time:** _____

Defining Gentran:Viewpoint Resources in the CICS System Definition File

Step 19 Customize JCL member **DEFRDO**.

This step adds the customized JCL members from the previous steps to the System Definition file.

Typically performed by: System Installer

Check the box next to each task as you complete it.

- Add a Job Card.
- Change data set names **YOUR.CICS.SDFHLOAD** and **YOUR.CICS.DFHCS**D as required by your installation.
- Change the data set names as required by your installation. Change only the first two index levels (**GENTRAN.V6X5**).
- If you changed the CICS Group Name on the Pre-installation Worksheet in Chapter 2 from the default value **GENVPT**, substitute your group name in the **DELETE** step in the JCL.
- If you are defining the Gentran:Viewpoint CICS resources in an existing group, you must comment out or remove the **DELETE** step in the JCL. Otherwise, your existing group will be deleted.
- If you are installing into an MRO environment, you may need to run this job multiple times depending on whether or not you are sharing the CSD file among the regions and whether or not you are using different group names in each region. If you do need to run the DEFRDO job multiple times, modify the CSD file name, group name, and/or JCL member names to meet your needs.
- Read the comments within the JCL member and follow additional instructions.
- Submit the JCL member.
- Verify the job results. You should never receive a return code greater than 0 except for the **DELETE** step, which will end with a return code of 4 if the group did not previously exist.

Completed by: _____

Date: _____ Time: _____

Renaming Gentran:Viewpoint Programs and Mapsets

Step 20 Customize JCL member **VPTNAME**. This job will copy and rename all Gentran:Viewpoint online CICS programs and mapsets to reflect the program image.

Note: All online CICS programs and mapsets are supplied with a program image of **EDI**. If you have chosen **EDI** as your program image, you may skip this step.

Typically performed by: System Installer

Check the box next to each task as you complete it.

- Add a job card.
- Change **DISK** of **UNIT=DISK** as required by your installation.
- Change the text string **XXXXXX** of **VOL=SER=** to an appropriate volume serial number used at your installation.
- Change the data set names as required by your installation. Change only the first two index levels (**GENTRAN.V6X5**).
- Globally change the value **PIM** to the three-character program image specified on the Pre-installation Worksheet in Chapter 2.
- Read the comments within the JCL and follow any additional instructions.
- Submit the job.
- Verify the job results. You should never receive a return code greater than 0.

Completed by: _____

Date: _____ **Time:** _____

Updating the CICS Startup JCL

Step 21 Allocate the Gentran:Viewpoint resources to your CICS region.

Typically performed by: System Installer

Check the box next to each task as you complete it.

Add the CICS load library created in **Step 20** to the DFHRPL concatenation. The recommended sequence to specify the load libraries for the Gentran products is:

- Gentran:Viewpoint
- Gentran:Basic
- Gentran:Realtime
- Gentran:Structure
- Gentran:Plus
- Gentran:Control

It is extremely important that the Viewpoint load library is concatenated before all other Gentran load libraries. Your Viewpoint system will not function properly if the Viewpoint load library is not first.

If you elected to remove the **DSNAME** parameters from the file definitions in **Step 16**, you must add DD statements to define the files to CICS. JCL member **VPTCICS** contains DD statements that you may use.

Globally change the value **SIM** to the three-character system image specified on the Pre-installation Worksheet in Chapter 2.

Globally change the data set name high-level qualifier **GENTRAN.V6X5** to the value specified on the Pre-installation Worksheet in Chapter 2.

Start or restart the CICS region.

Completed by: _____

Date: _____ **Time:** _____

Installing the Gentran:Viewpoint CICS Group

Step 22 Use the CEDA transaction to make the Gentran:Viewpoint CICS resources available to your CICS region.

Typically performed by: System Installer

Check the box next to each task as you complete it.

- Log on to CICS as required within your environment to access the CEDA transaction. When you have finished, clear the screen.
- Type the following command to dynamically install the resources. If you changed the CICS Group Name on the Pre-installation Worksheet in Chapter 2 from the default value **GENVPT**, substitute your group name for the value **GENVPT** in the command. Press **Enter** to invoke the command.

CEDA INSTALL GROUP (GENVPT)

Check for the **Install Successful** result from CEDA. When you have finished, press **PF3** and then clear the screen.

- If you defined the Gentran:Viewpoint CICS resources in an existing group that is already specified in a list of groups that CICS installs at startup, you may skip the remainder of this step.
- Type the following command to permanently add the group to a list of groups that CICS installs at startup. If you changed the CICS Group Name on the Pre-installation Worksheet in Chapter 2 from the default value **GENVPT**, substitute your group name for the value **GENVPT** in the command. Also substitute your list name for the value **LISTNAME** in the command. Press **Enter** to invoke the command.

CEDA ADD GROUP (GENVPT) LIST (LISTNAME)

Check for the **Add Successful** result from CEDA. When you have finished, press **PF3** and then clear the screen.

Completed by: _____

Date: _____ **Time:** _____

Verifying the Gentran:Viewpoint CICS Installation

Step 23 The following commands can be used to confirm successful installation. Use them to compare each resource to the input in JCL members VPTRDOF, VPTRDOPM, and VPTRDOT, as appropriate.

Typically performed by: System Installer

Check the box next to each task as you complete it.

- Type the following command to display all the resources in the group. If you changed the CICS Group Name on the Pre-installation Worksheet in Chapter 2 from the default value **GENVPT**, substitute your group name for the value **GENVPT** in the command. Press **Enter** to invoke the command.

```
CEDA DISPLAY GROUP (GENVPT)
```

Review each entry displayed on the screen. When you have finished, press **PF3**, and then clear the screen.

- Type the following commands to open and enable all files used by Gentran:Viewpoint. Change the value **SIM** to the three-character system image specified on the Pre-installation Worksheet in Chapter 2.

```
CEMT SET FILE (SIMJCL) OPE ENA – JCL file
```

```
CEMT SET FILE (SIMPRMP) OPE ENA – Prompt file
```

```
CEMT SET FILE (SIMV*) OPE ENA – Viewpoint files
```

Note: An **Open/Close Failed** message is generated for the SIMVSF6 through SIMVSF20 Staging files because they are defined in CICS but not created during the installation process.

If the Gentran:Plus interface is being implemented, also enter:

```
CEMT SET FILE (SIMCFC) OPE ENA – Connect Failure Codes file
```

```
CEMT SET FILE (SIMCXRF) OPE ENA – Connect Cross Reference file
```

If the Gentran:Realtime interface is being implemented, also enter:

```
CEMT SET FILE (SIMAPPL*) OPE ENA – Realtime Application Test Data files
```

```
CEMT SET FILE (SIMDAT*) OPE ENA – Realtime EDI Test Data files
```

This is an important step in verification. All Gentran:Viewpoint files must be available to CICS before you can continue. If a file allocation problem occurs, check your CICS system log and file definitions. You must resolve all problems.

- Type the following command to load all programs and mapsets. Replace **PIM** with the three-character program image specified on the Pre-installation Worksheet in Chapter 2.

```
CEMT SET PROGRAM (PIM*) NEW
```

If a program fails to load, most likely an error occurred in the virtual system resources or library concatenation. All Gentran:Viewpoint online programs and mapsets must be available to CICS before you can continue.

Review each entry displayed on the screen. When you have finished, press **PF3** and then clear the screen.

Completed by: _____

Date: _____ **Time:** _____

Customizing Automatic System Start-up Program EDIVPLT

Step 24 Gentran:Viewpoint uses an Online Scanner program (EDIX690) to monitor activity and determine when to initiate processing. This program must be started every time your CICS environment is started. We provide a sample Automatic System Start-up program (EDIVPLT) that will start EDIX690. This step will help you customize this program to meet the needs of your environment.

A compiled and link-edited copy of EDIVPLT is included in the Gentran:Viewpoint CICS load library that will 'start' transaction EDIV.

Note: If you have chosen EDI as your system image, you may skip this step and continue with **Step 25**.

Typically performed by: System Installer

Check the box next to each task as you complete it.

- Modify program EDIVPLT. The source for this program can be found in **GENTRAN.V6X5.VPT.UTILITY.SOURCE**. Replace the **EDI** portion of the transaction ID EDIV with the three-character system image specified on the Pre-Installation Worksheet in Chapter 2.
- Compile and link edit EDIVPLT into your CICS load library that was created during installation, **GENTRAN.V6X5.VPT.CICS.LOAD**.

Completed by: _____

Date: _____ **Time:** _____

CICS Resource Definitions for Gentran:Viewpoint Start-up**Step 25** Customize JCL member **VPTPLT**.

We provide a sample entry to add to your Program List Table (PLT) that will invoke the Automatic System Start-up program (EDIVPLT) during CICS startup. This step will help you update your PLT with this entry.

Typically performed by: System Installer

Check the box next to each task as you complete it.

- Review the PLT definition for your site requirements. Insert this PLT definition into the third initialization stage of your site PLT table.
- Globally change the value **PIM** to the three-character program image specified on the Pre-installation Worksheet in Chapter 2.
- Assemble and link the PLT table using your installation's JCL.
- Ensure that the PLT specified in the CICS System Initialization Table (SIT) parameter **PLTPI=xx** (where *xx* is the suffix of the PLT name) contains the Gentran:Viewpoint entry.
- Shut down and restart the CICS region to invoke the new PLT to start the Online Scanner.

Completed by: _____

Date: _____ **Time:** _____

You have completed the initial installation of Gentran:Viewpoint and are now ready to begin the verification procedures described in the next chapter.

Installation Verification for Partner/Qualifier Mode

Overview

After you have completed the installation steps described in Chapter 3, “Installing Gentran:Viewpoint,” you must verify your work. To do this, you execute major Gentran:Viewpoint components and review the resulting batch reports and screens. This chapter describes the verification procedure for Partner/Qualifier mode processing. The verification steps for Relationship mode and Mixed mode processing are provided in Chapter 5, “Installation Verification for Relationship and Mixed Modes.”

This chapter contains the following topics:

Topic	Page
Overview	4-1
Introduction	4-2
Requirements for Verification	4-2
System/Program Image Modifications.....	4-2
Online Screens	4-3
Using Jump Codes	4-3
Log on to Gentran and Update Security	4-4
Verify Gentran:Viewpoint	4-9
Gentran:Basic and Gentran:Plus Processing	4-18
Outbound Processing	4-18
Inbound Processing	4-26
Start the Gentran:Viewpoint Online Scanner/Initiator	4-34
Review the Online Log	4-35
Check the Gentran:Viewpoint Capture Results	4-37
Query the Gentran:Viewpoint Tracked Items	4-43
Gentran:Realtime Processing	4-50
Outbound Processing	4-50
Inbound Processing	4-57
Start the Gentran:Viewpoint Online Scanner/Initiator	4-63
Review the Online Log	4-64
Check the Gentran:Viewpoint Capture Results	4-66
Query the Gentran:Viewpoint Tracked Items	4-73

Introduction

Data on the sample screens and batch reports in this guide will not exactly match the data on your screens and reports for various reasons (your run date and time is different and the install data may have changed since the release of this guide).

This chapter is designed to help you to:

- Verify correct flow from one screen to another.
- Verify correct fields and PF keys set up on each screen, and make sure that the system displays no superfluous text on the screens.
- Familiarize yourself with the system components, including updating the system and navigating more easily through the system.
- Verify correct layout of each report, and make sure that no error messages exist.

When you encounter discrepancies on the screens or batch reports, you will need to review the respective section in Chapter 3, *Installing Gentran:Viewpoint*, in this Installation Guide.

Complete the steps in the installation verification procedure in the order presented.

Requirements for Verification

The installation verification procedure in this chapter requires access to both the online and batch environments. In particular, you need the following:

- A CICS user ID and password enabling access to the Gentran CICS region.
- A Gentran user ID and password providing update access. Obtain this information from your System Administrator (or the person who installed the Gentran CICS feature).
- A TSO or equivalent system, which enables you to submit, monitor, and review batch jobs (for example, ISPF).
- Your CICS region, which contains Gentran, must be running.

System/Program Image Modifications

During the installation of Gentran:Viewpoint if you changed the system and/or program image(s) to use a value other than EDI, you must make certain modifications so that the tests in this chapter will perform according to the provided descriptions:

Replace the value EDI with your system image characters whenever you execute a CICS transaction that begins with the characters EDI.

Online Screens

This section provides you with the steps for testing screens to validate correct set up of all subsystems. This section also includes a summarization that explains jump codes in Gentran:Viewpoint and how to use them.

Using Jump Codes

In Gentran:Viewpoint, most screens have a jump code associated with them, which provide the capability to easily jump from screen to screen. By using jump codes, you will not need to back out of subsystems, bring up the main menu, and then select an option to display another screen. You need only to enter the respective jump code to jump from screen to screen.

A jump code consists of 1 to 10 characters or digits that appear in the upper left corner of the screen, to the right of the screen number. Jump codes are made up of either numeric or alphabetic characters. To use jump codes, perform the following:

1. Press **HOME** to move the cursor to the Jump Code field.
2. Type the jump code of the screen to which you want to jump in the Jump Code field and press **Enter**.

See “Jump Codes” in Chapter 4, “Using the Online Facility,” in the *Gentran:Viewpoint for zSeries Release 6.5 User Guide* for detailed information on jump codes and guidelines for using them.

For a listing of all numeric and alphabetic jump codes by Gentran:Viewpoint screen, see Appendix A of the *Gentran:Viewpoint for zSeries Release 6.5 User Guide*.

Step 1 Log on to Gentran and Update Security

Typically performed by: System Installer

Check the box next to each task as you complete it.

- Bring up the appropriate screen for the CICS terminal and clear the screen. At the insertion point, type the System Image ID and press **Enter** to display the Gentran logon screen.

See Appendix B, “System Image and Program Image Features,” for more information about the System Image feature.

```
EDIM000                                02/01/2008
                                         12:00:00

                                         G E N T R A N

SYSTEM IMAGE: EDI          PROGRAM IMAGE: EDI          DBK CONFIG:FFFF
PAUSE = EXIT PC KYBD      GENTRAN: BASIC 6.5.00      GENTRAN:VPT-EXCP 6.5.00
GENTRAN:VPT-TRACK 6.5.00

User ID: _____ Password:
New Password:

***TRADE SECRET NOTICE***
This software is the confidential and trade secret property of STERLING
COMMERCE (MID AMERICA), INC. and/or the owner of the software, and is
provided under the terms of a license agreement. No duplication or disclosure
without prior written permission. Restricted rights.

Enter                                PF3=Exit
```

Note: The four lines above the User ID and Password fields indicate which options are selected and which Gentran add-on products are installed on your system.

- ☐ Type **ADMIN** in the User ID field and press **TAB**. Type **SECURITY** in the Password field and press **Enter**. The system displays the Gentran Main Menu. You can access all Gentran subsystems from this menu.

```

EDIM001 0.0 _____ GENTRAN MAIN MENU          XXX      02/01/2008
EDI/EDI                               XXXXXXXX    12:00:00

Type the number of your selection below and press ENTER, or
press the PF3 key to Exit.

      1.  Partner Maintenance Menu
      2.  Standards Maintenance Menu
      3.  Databank Maintenance Menu
      4.  Administrative Maintenance
      5.  Mapping Maintenance Menu

      6.  GENTRAN:Plus Main Menu
      7.  GENTRAN:Control Main Menu
      8.  GENTRAN:Realtime Main Menu
      9.  GENTRAN:Viewpoint Main Menu

Enter PF1=Help          PF3=Exit

                                           PF15=Logoff

```

- ☐ The Gentran:Viewpoint subsystem (option 9 on the Gentran Main Menu) must be enabled before proceeding. A subsystem is enabled if it is highlighted and the letters (N/A) are not displayed to the right.

If the Gentran:Viewpoint subsystem is enabled, skip the rest of the tasks in this step and proceed to **Step 2**.

If the Gentran:Viewpoint subsystem is not enabled, proceed with the next task.

- ☐ Type **4** to select Administrative Maintenance from the Gentran Main Menu and press **Enter**. The system displays the Administrative Maintenance Menu.

```

EDIM210 4.0 _____ ADMINISTRATIVE MAIN MENU      XXX      02/01/2008
                                           12:00:00

Type the number of your selection below and press ENTER, or
press the PF3 key to Exit.

      1.  Security Maintenance Menu
      2.  Message Maintenance Menu
      3.  Configuration Directory
      4.  Global Parameter Maintenance
      5.  Relationship Conversion (N/A)
      6.  Upload Process Maintenance
      7.  Separator Menu
      8.  Change Audit Menu
      9.  Message Center Job Summary

Enter PF1=Help          PF3=Exit

                                           PF15=Logoff

```

- Type **1** to select Security Maintenance Menu from the Administrative Maintenance Menu and press **Enter**. The system displays the Security Maintenance Menu.

```

EDIM200 4.1_____ SECURITY MAINTENANCE MENU      XXX      02/01/2008
                                                    12:00:00

Type the number of your selection below and press ENTER, or
press the PF3 key to Exit.

      _  1.  User Id Directory
          2.  User Id Maintenance

Enter PF1=Help      PF3=Exit

                                                    PF15=Logoff
    
```

- Type **2** to select User ID Maintenance from the Security Maintenance Menu and press **Enter**. The system displays the User ID Maintenance screen. In the User Id field, type **ADMIN** and press **Enter**. Verify that the system displays the User ID Maintenance-1 screen.

```

EDIM201 4.1.2_____ USER ID MAINTENANCE-1      XXX      02/01/2008
                                                    12:00:00

User Id..... ADMIN___ Password..      Division.. 000  Initials.. XXX

Last Name.. LAST_____ First.. FIRST_____ MI.. M

Last Update Date..: 02/01/08  User...: XXX

Options                Access      Authority Level
Partner Maintenance    Y (Y/N)  1 (1/2/3)
Standards Maintenance  Y (Y/N)  1 (1/2/3)
Databank Maintenance   Y (Y/N)  1 (1/2/3/4/5/6)
Mapping Integration     Y (Y/N)  1 (1/2/3)
Administrative Maintenance
  Security Maintenance  Y (Y/N)  1 (1/2/3)
  Message Maintenance   Y (Y/N)  1 (1/2/3)
  Configuration File Maintenance
  Global Parameter Maintenance
  Y (Y/N)  1 (1/2/3)

Enter PF1=Help      PF3=Exit PF4=Dir      PF5=More Opts  PF6=Nxt User
                    PF9=Add PF10=Updt PF11=Del
    
```


- ☐ Press **PF5=More Opts** to display the second User ID Maintenance screen.

```

EDIM202 _____ USER ID MAINTENANCE-2          XXX      02/01/2008
                                           12:00:00

User Id..... ADMIN

Last Update Date...: 02/01/08   User...: XXX

Options                                     Access      Authority Level
GENTRAN:Plus                               Y (Y/N)     1 (1/2/3)
GENTRAN:Control                             Y (Y/N)     1 (1/2/3)
GENTRAN:Realtime                           Y (Y/N)     1 (1/2/3)
Realtime Databank Maintenance               Y (Y/N)     1 (1/2/3/4/5/6)
GENTRAN:Viewpoint                           N (Y/N)     4 (1/2/3/4)
      Recipient                               _____ (optional)

Enter PF1=Help          PF3=Exit PF4=Prev
                        PF10=Updt
    
```

- ☐ Tab down to Gentrans:Viewpoint and change the Access code from **N** to **Y** and change the Authority Level to **1**.

```

EDIM202 _____ USER ID MAINTENANCE-2          XXX      02/01/2008
                                           12:00:00

User Id..... ADMIN

Last Update Date...: 02/01/08   User...: XXX

Options                                     Access      Authority Level
GENTRAN:Plus                               Y (Y/N)     1 (1/2/3)
GENTRAN:Control                             Y (Y/N)     1 (1/2/3)
GENTRAN:Realtime                           Y (Y/N)     1 (1/2/3)
Realtime Databank Maintenance               Y (Y/N)     1 (1/2/3/4/5/6)
GENTRAN:Viewpoint                           Y (Y/N)     1 (1/2/3/4)
      Recipient                               _____ (optional)

Enter PF1=Help          PF3=Exit PF4=Prev
                        PF10=Updt
    
```

- Press **PF10=Updt**. Verify that the updated screen is displayed.

```

EDIM202 _____ USER ID MAINTENANCE-2          XXX      02/01/2008
                                                12:00:00

User Id..... ADMIN

Last Update Date...: 02/01/08   User...: XXX

Options                                     Access      Authority Level
GENTRAN:Plus                               Y (Y/N)    1 (1/2/3)
GENTRAN:Control                             Y (Y/N)    1 (1/2/3)
GENTRAN:Realtime                           Y (Y/N)    1 (1/2/3)
Realtime Databank Maintenance              Y (Y/N)    1 (1/2/3/4/5/6)
GENTRAN:Viewpoint                           Y (Y/N)    1 (1/2/3/4)
      Recipient                               _____ (optional)

USER ID UPDATED
Enter PF1=Help                               PF3=Exit PF4=Prev
                                           PF10=Updt
    
```

- You must exit and re-enter the Gentran system for these changes to take effect. Press **HOME** to move the cursor to the Jump Code field, type **EXIT** and press **Enter** to leave the Gentran system.
- Clear the CICS screen. Type the System Image ID and press **Enter** to display the Gentran logon screen.
- On the Gentran logon screen, type **ADMIN** in the User ID field and press **Tab**. Type **SECURITY** in the Password field and press **Enter** to display the Gentran Main Menu (EDIM001).

Completed by: _____

Date: _____ Time: _____

Step 2 Verify Gentran:Viewpoint

Verify the online Gentran:Viewpoint system installation.

Typically performed by: System Installer

The tasks involved in verifying the Gentran:Viewpoint installation are listed below.

Check the box next to each task as you complete it.

- On the Gentran Main Menu, type **9** in the selection field (Gentran:Viewpoint Main Menu) and press **Enter**.

```

EDIM001 0.0_____ GENTRAN MAIN MENU          XXX      02/01/2008
EDI/EDI                XXXXXXXX      12:00:00

Type the number of your selection below and press ENTER, or
press the PF3 key to Exit.

          9  1.  Partner Maintenance Menu
              2.  Standards Maintenance Menu
              3.  Databank Maintenance Menu
              4.  Administrative Maintenance
              5.  Mapping Maintenance Menu

              6.  GENTRAN:Plus Main Menu
              7.  GENTRAN:Control Main Menu
              8.  GENTRAN:Realtime Main Menu
              9.  GENTRAN:Viewpoint Main Menu

Enter PF1=Help          PF3=Exit

                                           PF15=Logoff

```

- The system displays the Viewpoint Main Menu (EDIM600).

```

EDIM600 9.0_____ VIEWPOINT MAIN MENU          02/01/2008

Select one of the following.

          _  1.  System Options
              2.  Extended System Management
              3.  Exception Management
              4.  Exception Inquiry
              5.  Tracking Management
              99. Log Display

F1=Help  F3=Exit  F15=Logoff

```

- On the Viewpoint Main Menu, type **1** in the selection field and press **Enter** to display the System Maintenance screen (EDIM685).

```

EDIM685 9.1_____ VIEWPOINT - SYSTEM OPTIONS 02/01/2008
Type Action, press Enter
  _ 2=Update 8=TSQDir

Description . . . VIEWPOINT_SYSTEM_OPTIONS_____

System Status . . E      (E=Enable, D=Disable)
System Trace . . . E      (E=Enable, D=Disable)

Scan Interval . . 00 : 05 (HH:MM)

Error User Exit _____ Data _____

TRACKING USER EXIT _____

Staging File Control      (E=Enable, D=Disable)
File  1  2  3  4  5  6  7  8  9 10 11 12 13 14 15 16 17 18 19 20
Status E  E  E  E  E  D  D  D  D  D  D  D  D  D  D  D  D  D  D  D
Full   T  T  T  T  T  T  T  T  T  T  T  T  T  T  T  T  T  T  T  T

Staging TSQ Full   T      (T=Terminate, C=Continue)

F1=Help  F3=Exit      F13=Start

```

- Press **PF3=Exit** to return to the Viewpoint Main Menu (EDIM600).

```

EDIM600 9.0_____ VIEWPOINT MAIN MENU 02/01/2008

Select one of the following.

  2  1. System Options
     2. Extended System Management
     3. Exception Management
     4. Exception Inquiry
     5. Tracking Management
    99. Log Display

F1=Help  F3=Exit  F15=Logoff

```

- On the Viewpoint Main Menu, type **2** in the selection field and press **Enter** to display the Extended System Management Menu (EDIM601).

```

EDIM601 9.2_____ EXTENDED SYSTEM MANAGEMENT MENU                                02/01/2008

Select one of the following.

      1  1. STERLING Tracking Point Directory
        2. STERLING Tracking Point Definition
        3. Functional Area Control
        4. Maintenance/Inquiry Options Directory
        5. Maintenance/Inquiry Options Definition
        6. User Tracking Point Directory
        7. User Tracking Point Definition

F1=Help  F3=Exit
    
```

- On the Extended System Management Menu, type **1** in the selection field and press **Enter** to display the Sterling Tracking Point Directory (EDIM602).

```

EDIM602 9.2.1_____ STERLING TRACKING POINT DIRECTORY                            02/01/2008
Type Action, press Enter.
  1=Add  4=Delete  5=Select  6=Enable  7=Disable

System  CONNECT____
Process ALL_____
Status  _ (E=Enabled, D=Disabled)

A System      Process  Description                                     Status
- CONNECT     ALL      CONNECT GENERAL TRACKING                          E
- CONNECT     EDIR314  CONNECT OUTBOUND INTERFACE                        E
- CONNECT     EDIR316  CONNECT INBOUND INTERFACE                         E
- CONNECT     MAILBOX  CONNECT COMMUNICATIONS PRODUCT                    E
- CONNECT     STOUTL  CONNECT OFFLINE UTILITIES                          E
- GENTRAN     ALL      GENTRAN GENERAL TRACKING                          E
- GENTRAN     EBDI001  GENTRAN INBOUND EDITOR                            E
- GENTRAN     EBDI002  GENTRAN OUTBOUND EDITOR                           E
- GENTRAN     EBDI041  GENTRAN INBOUND MAPPER                            E
- GENTRAN     EBDI042  GENTRAN OUTBOUND MAPPER                           E
- GENTRAN     EDID205  GENTRAN OUTBOUND EDI DATABANK EXTRACT              E
- GENTRAN     EDID255  REALTIME OUTBOUND EDI DATABANK EXTRACT              E

F1=Help  F3=Exit  F7=Bkwd  F8=Fwd  F12=Cancel
    
```

- ☐ Press **PF3=Exit** twice to return to the Viewpoint Main Menu (EDIM600).

```
EDIM600 9.0_____ VIEWPOINT MAIN MENU 02/01/2008

Select one of the following.

  3  1. System Options
     2. Extended System Management
     3. Exception Management
     4. Exception Inquiry
     5. Tracking Management
    99. Log Display

F1=Help F3=Exit F15=Logoff
```

- ☐ On the Viewpoint Main Menu, type **3** in the selection field and press **Enter** to display the Exception Management Menu (EDIM620).

```
EDIM620 9.3_____ EXCEPTION MANAGEMENT MENU 02/01/2008

Select one of the following.

  1  1. Exception Profile Directory
     2. Exception Profile Definition
     3. Exception Capture Directory
     4. Exception Capture Definition
     5. Exception Action Directory
     6. Exception Action Definition
     7. User Message Directory
     8. User Message Definition
     9. User Procedure Directory
    10. User Procedure Definition
    11. Usage Cross Reference

F1=Help F3=Exit
```

- On the Exception Management Menu, type **1** in the selection field and press **Enter** to display the Exception Profile Directory (EDIM621).

```

EDIM621 9.3.1_____ EXCEPTION PROFILE DIRECTORY                                02/01/2008
Type Action, press Enter
  1=Add  4=Delete  5=Select  6=Enable  7=Disable

Profile @MODEL-AR_
Status  _ (E=Enabled, D=Disabled)

A Profile      Description                                                    Status
_ @MODEL-AR    ACKNOWLEDGEMENT ERRORS                                          E
_ @MODEL-CM    COMMUNICATIONS ERRORS                                                    E
_ @MODEL-CMI   COMMUNICATIONS ERRORS (CONNECT INBOUND API)                                E
_ @MODEL-CMO   COMMUNICATIONS ERRORS (CONNECT OUTBOUND API)                               E
_ @MODEL-DS    ALL DOCUMENT SUSPENSE ERRORS                                                E
_ @MODEL-GS    ALL GROUP SUSPENSE ERRORS                                                    E
_ @MODEL-IE    INBOUND COMPLIANCE ERRORS                                                    E
_ @MODEL-IM    INBOUND MAPPING ERRORS                                                       E
_ @MODEL-IS    ALL INTERCHANGE SUSPENSE ERRORS                                              E
_ @MODEL-OE    OUTBOUND COMPLIANCE ERRORS                                                    E
_ @MODEL-OEX   OUTBOUND EDI EXTRACT ERRORS                                                  E
_ @MODEL-OM    OUTBOUND MAPPING ERRORS                                                       E
_ @MODEL-OU    COMMUNICATIONS ERRORS (STOUTL)                                              E

F1=Help  F3=Exit  F7=Bkwd  F8=Fwd  F12=Cancel

```

- Press **PF3=Exit** twice to return to the Viewpoint Main Menu (EDIM600).

```

EDIM600 9.0_____ VIEWPOINT MAIN MENU                                    02/01/2008

Select one of the following.

      4  1. System Options
        2. Extended System Management
        3. Exception Management
        4. Exception Inquiry
        5. Tracking Management
        99. Log Display

F1=Help  F3=Exit  F15=Logoff

```

- On the Viewpoint Main Menu, type **4** in the selection field and press **Enter** to display the Exception Inquiry Menu (EDIM645).

```

EDIM645 9.4 _____ EXCEPTION INQUIRY MENU 02/01/2008

Select one of the following.

1 1. Recipient Directory
  2. Exception List

F1=Help F3=Exit
    
```

- On the Exception Inquiry Menu, type **1** in the selection field and press **Enter** to display the Recipient Directory (EDIM646).

```

EDIM646 9.4.1 _____ RECIPIENT DIRECTORY 02/01/2008
Type Action, press Enter. 12:00:00
 4=Delete 5=Select 6=ExcpList

Recipient @ACKREC___

A Recipient Description Excp Last Activity
  Count Date Time
- @ACKREC ACKNOWLEDGEMENT RECONCILIATION ERRORS 00000 00/00/0000 00:00
- @COMM-ERRS COMMUNICATIONS MONITOR 00000 00/00/0000 00:00
- @EDITORS EDI COMPLIANCE MONITOR 00000 00/00/0000 00:00
- @FATAL FATAL ERRORS 00000 00/00/0000 00:00
- @MAPPERIN INBOUND MAPPING ERRORS 00000 00/00/0000 00:00
- @MAPPEROUT OUTBOUND MAPPING ERRORS 00000 00/00/0000 00:00
- @SUSPENSE SUSPENSE ERRORS 00000 00/00/0000 00:00
-
-
-
-
-
-
LAST ENTRY DISPLAYED
F1=Help F3=Exit F7=Bkwd F8=Fwd F12=Cancel Enter=Refresh
    
```


- ☐ Press **PF3=Exit** twice to return to the Viewpoint Main Menu (EDIM600).

```
EDIM600 9.0_____ VIEWPOINT MAIN MENU 02/01/2008

Select one of the following.

  5  1. System Options
     2. Extended System Management
     3. Exception Management
     4. Exception Inquiry
     5. Tracking Management
    99. Log Display

F1=Help F3=Exit F15=Logoff
```

- ☐ On the Viewpoint Main Menu, type **5** in the selection field and press **Enter** to display the Tracking Management Menu (EDIM700).

```
EDIM700 9.5_____ TRACKING MANAGEMENT MENU 02/01/2008

Select one of the following.

  1  1. Query Directory
     2. Query Request

F1=Help F3=Exit
```


- On the viewpoint Main Menu, type **99** in the selection field and press **Enter** to display the Viewpoint Online Log Display (EDIM688).

```

EDIM688 9.99_____ VIEWPOINT ONLINE LOG DISPLAY          XXX   02/01/2008
                                     12:00:00
Start: 02/01/2008 12:00:00 Stop:                               Last: 12:10:00 Scan: 0005
Filters====>  Errors Only:  _  Program: _____
Position      Task #      TranID      Time      Date      Max Count
Criteria====> _____      _____      _____      _____      _____      0450

Task  Tran    Time      Date      Term  Program  Error Code
00001  EDIV    12:00:00  02/01/2008  EDIX690  EDI-50301-I 00
VIEWPOINT SCANNER INITIALIZATION COMPLETE . . . BY PLT
00001  EDIV    12:00:00  02/01/2008  EDIX690  EDI-50303-T 00
VIEWPOINT ONLINE SCANNER ENDS . . . . , DATE: 02/01/2008, TIME: 12:00:00
00002  EDIV    12:05:00  02/01/2008  EDIX690  EDI-50302-T 00
VIEWPOINT ONLINE SCANNER BEGINS . . . , DATE: 02/01/2008, TIME: 12:05:00
00002  EDIV    12:05:00  02/01/2008  EDIX690  EDI-50303-T 00
VIEWPOINT ONLINE SCANNER ENDS . . . . , DATE: 02/01/2008, TIME: 12:05:00
00003  EDIV    12:10:00  02/01/2008  EDIX690  EDI-50302-T 00
VIEWPOINT ONLINE SCANNER BEGINS . . . , DATE: 02/01/2008, TIME: 12:10:00
00003  EDIV    12:10:00  02/01/2008  EDIX690  EDI-50303-T 00
VIEWPOINT ONLINE SCANNER ENDS . . . . , DATE: 02/01/2008, TIME: 12:10:00

Enter PF1=Help          PF3=Exit
      PF7=Bwd   PF8=Fwd
    
```

Note: If the Viewpoint scanner has not been started, there may not be any log records to display. This is acceptable.

- Press **HOME** to move the cursor to the Jump Code field, type **EXIT**, and press **Enter** to exit the Gentran system.

Completed by: _____

Date: _____ Time: _____

Gentran:Basic and Gentran:Plus Processing

Note: If Gentran:Basic is not implemented in your system, skip this topic and proceed to the next topic for Gentran:Realtime processing.

Step 3 Outbound Processing

Typically performed by: System Installer

The Outbound User Application program, Outbound Mapper (EBDI042), Outbound Editor (EBDI002), Outbound Splitter (EBDI016), and Connect Offline Utilities (STOUTL) or Sample Outbound Communications program process sample data provided with the system. The use of the Connect Off-line Utilities program or the sample Outbound Communications program depends on whether you are a Gentran:Plus user; Plus users use STOUTL in the Viewpoint verification process.

The items processed by the Outbound Mapper, Outbound Editor, and Offline Utilities (if applicable) are processed by Gentran:Viewpoint Exception Management. The items processed by each tracking point are tracked by the Gentran:Viewpoint Tracking Management module.

Figure 4.1 illustrates the processing flow of this step.

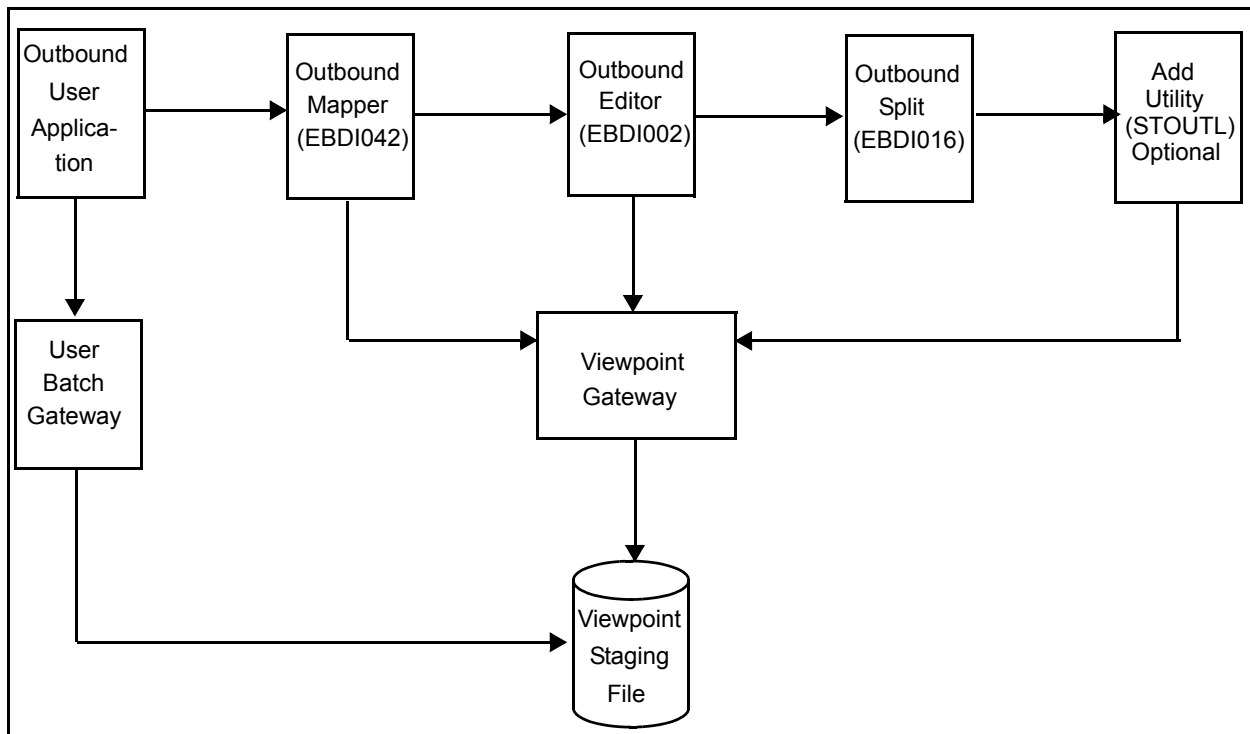


Figure 4.1 Outbound Batch Processing Flow

Perform the following tasks to complete this step. Check the box next to each task as you complete it.

- The JCL member you use will depend on whether you are implementing the Gentran:Plus communications module.
 - If Gentran:Plus is not being implemented, use member **VPVEROUT**. This job uses the Sample Outbound Communications program **VPOBCOMM**.
 - If Gentran:Plus is being implemented, use member **VPVEROPL**. This job replaces the Sample Outbound Communications program with the Connect Offline utility **STOURL**.
- Modify the job card.
- Change **DISK** of **UNIT=DISK** as required by your installation.
- Change the string **XXXXXX** of the **VOL=SER=** parameter as required by your installation.
- Change data set names as required by your installation. Change only the first two levels of each data set name (**GENTRAN.V6X5**); this simplifies the installation process because it enables you to mass-edit data set names.
- If using the **VPVEROPL** JCL for Gentran:Plus, also make the following modifications to the step that executes **STOURL**:
 - Replace **SRV1** in the parm on the execute statement to match the VSAM File Server Name specified in the parm of your Connect VSAM File Server.
 - Change the **STEPLIB DD** statement to reference your Connect load library.
 - If using Connect:Enterprise version 1.4 or higher, comment out the DCB parameter with **LRECL=133** for the **REPORTS DD** statement and uncomment the DCB parameter with **LRECL=173**.
 - Change the VPF parameter included with the **SYSIN DD** statement to reference your Connect VSAM Pointer file.
- Read the comments within the JCL member and follow any additional instructions that are noted.
- Submit the JCL member.
- Verify job results. You should never receive a return code greater than **8**.
- Compare your reports with the sample reports that follow.

Sample SYSOUT output from VPOBAPPL

```
VIEWPOINT PROCESSING COMPLETED
PURCHASE ORDERS CREATED - PROGRAM:VPOBAPPL
```

Sample SYS005 output from EBDI042

```
EBDI042  RUN 02/01/2008  TIME 12:00  ERRORS ENCOUNTERED MAPPING OUTGOING DATA  PAGE 1
ERROR **RECORD**
NUMBER NBR ID  SEQ # ID  SEQ INFORMATION  ERROR MESSAGE
RECEIVER: VENDOR-2
617 11 005 40 PO1 20 QVAL:  APPL REF: PONUMBER-001  DOCUMENT #: 1
        11 005 40 PO1 20  INVALID NUMERIC DATA IN INPUT FIELD - MOVED ZERO TO TARGET FIELD.
626  EA99  UNABLE TO TRANSLATE CODE - MOVED SPACE TO TARGET FIELD.
        TRANSLATION ID: UNITMEAS
PROCESSING ENDED WITH ERRORS - PROCESSING COUNTS BELOW
APPLICATION RECORDS READ ----- 71
APPLICATION RECORDS SUSPENDED - 0
TOTAL RECORDS WRITTEN ----- 130
RETURN CODE FOR MAPPING ----- 4
```

Sample SYS006 output from EBDI042

```

EBDI042  RUN 02/01/2008      TIME 12:00      PROCESSING OPTIONS FOR MAPPING OUTGOING DATA      PAGE 1
APPLICATION TO PROCESS-----POFILE
USER EXIT VERSION SUPPORTED-----1
APPLICATION DECIMAL INDICATOR IS-----
DATABANK PROCESSING CONFIGURATION-----DIRECTORY AND MESSAGE STORE
DATABANK PROCESSING LEVEL-----DIRECTORY AND MESSAGE STORE
DATABANK RUN NUMBER-----00000001
PARTNER PROFILE MODE-----PARTNER/QUALIFIER MODE
PARTNER PROCESSING SEQUENCE-----SEARCH PARTNER FILE
DIRECTORY POSTING OPTION-----POST RECEIVER ONLY
USE MULTIPLE ENVELOPE ID-----N
USE INTERCHANGE PARTNER WITH VERSION-----N
USE GROUP PARTNER WITH VERSION-----N
USE TRANSACTION PARTNER WITH VERSION-----N
ENVELOPE GENERATION OPTION-----MAPPER GENERATES ENVELOPES
VIEWPOINT PROCESSING-----51105 VIEWPOINT STAGING FILE 001% UTILIZED ON FILE : 02
GENERATE RETURN CODE-----Y
CONCURRENCY ENABLED-----N
MESSAGE CENTER ENABLED-----N
EBDI042  RUN 02/01/2008      TIME 12:00      PROCESSING OPTIONS FOR ENVELOPE GENERATION      PAGE 1
NO ENVELOPE PARAMETERS SPECIFIED-----
EBDI042  RUN 02/01/2008      TIME 12:00      SUMMARY CONTROL COUNTS MAPPING OUTGOING DATA      PAGE 1
PROCESSING BEGAN ON 02/01/2008 AT 12:00 PM.
SEQUENTIAL INPUT DOCUMENTS READ ----- 4
SEQUENTIAL INPUT RECORDS READ ----- 71
SEQUENTIAL INPUT CHARACTERS READ ----- 17,750
DOCUMENTS STORED ON DATA BANK ----- 4
RECORDS STORED ON DATA BANK ----- 71
DOCUMENTS REPROCESSED ----- 0
RECORDS REPROCESSED ----- 0
CHARACTERS REPROCESSED ----- 0
DOCUMENTS SUSPENDED ----- 0
RECORDS SUSPENDED ----- 0
CHARACTERS SUSPENDED ----- 0
EDI DOCUMENTS GENERATED ----- 4
EDI PACKAGES GENERATED ----- 0
TOTAL RECORDS WRITTEN ----- 130
NUMBER OF APPLICATIONS PROCESSED ----- 1
NUMBER OF MAP DEFINITIONS PROCESSED ----- 1
NUMBER OF TRADING PARTNERS PROCESSED ----- 3
PROCESSING ENDED ON 02/01/2008 AT 12:00 PM.

```


Sample REPORT1 output from EDIN110 (VPVEROPL only)

```

*** THIS FILE CONTAINS THE REPORTS FOR ALL OF THE OFFLINE UTILITIES EXECUTED ***
DATE 02/01/08 (04336)          TIME 12:00:00          OFFLINE ADD UTILITY REPORT          Release 1.2.00          Page 1
*** Input File Characteristics:
Record Format = Fixed          ,Blocked
Record Size   = 80
Block Size    = 8000
INFILE DD Name = INFILE      DSN = GENTRAN.V6X5.PGM016.SPLIT100
Control Information obtained from INFILE
*** Batches added to Batch Queues:
BATCH STATUS: I=Incomplete, C=Collected Online, A=Added Offline, D=Flagged For Deletion,
N=Nontransmittable, U=Unextractable, R=Requestable, T=Transmitted, E=Extracted, M=Multixmt,
X=Transparent Data, B=BSC, F=FTP, S=SNA, Z=EEDCIC, 0=Structure File, 1=FTP MODE Blocked,
2=FTP MODE Compressed, 3=FTP MODE Streamed, 4=SSL, 8=FTP Structure File, 9=FTP Structure Record,
e=Encrypted when offline added

Mailbox  Batch  User Batch  Input  Input  Output  Output  Date  Date  Time  Status
ID        Number  Identification  VBQ#   Bytes  Records  Bytes  Records  Added  Added  Added  Flags
TEST-2    760  000000000000010  01    1920    24    1840    23  04336  12:00.00  A  R
TEST-3    761  000000000000010  01    1120    14    1040    13  04336  12:00.00  A  R
TEST-4    762  000000000000010  01     960    12     880    11  04336  12:00.00  A  R
Total Batches Added = 3
Total Input Records = 50
CMU013I - Utility completed, highest Return Codes are, this utility 4, this JOB Step 4.
    
```

Sample REPORT2 output from EDIN110 (VPVEROPL only)

```

DATE 02/01/08 (04336)          TIME 12:00:00          CONNECT:Enterprise Offline Utilities          Page
Control Records For This Run:
ADD
VPF='YOUR.CONNECT.VPF.DSNAME'
CMU092I - Batch# = 0000760, Xref# = 0000007
CMU092I - Batch# = 0000761, Xref# = 0000008
CMU092I - Batch# = 0000762, Xref# = 0000009
    
```

Sample EDISUM output from EDIN110 (VPVEROPL only)

```
REPORT DATE: 02/01/2008          PAGE : 00001
REPORT TIME: 12:00:00          VIEWPOINT STOUTL PROCESSOR PROGRAM
REPORT ID : N110SUM           SUMMARY REPORT
                                VERSION: 6.5

                                GENTRAN:VIEWPOINT
                                VIEWPOINT STOUTL PROCESSOR PROGRAM
                                SUMMARY REPORT

OPTIONS USED THIS RUN
-----

PROCESSING SUMMARY
-----
REPORT RECORDS READ           :      22
BATCH RECORDS FOUND          :        3
BATCH RECORDS SELECTED       :        3
REPORT1 RECORDS PRINTED      :      22
REPORT2 RECORDS PRINTED      :        8

NUMBER OF ERRORS THIS RUN     :        0
HIGHEST RETURN CODE THIS RUN :        0
```

Completed by: _____

Date: _____ Time: _____

Step 4 Inbound Processing

Typically performed by: System Installer

The following programs process sample data provided with the Gentran:Viewpoint system:

- Connect Offline Utilities (STOUTL) or sample Inbound User communications program
- Inbound Editor (EBDI001), Inbound Splitter (EBDI015)
- Inbound Mapper (EBDI041)
- The sample Inbound User Application program

Note: The use of the Connect Offline Utilities program or the sample Inbound Communications program depends on whether you are a Gentran:Plus user; Plus users use STOUTL in the Viewpoint verification process.

The items processed by the Offline Utilities (if applicable), Inbound Editor, and Inbound Mapper are captured by Gentran:Viewpoint Exception Management. The items processed by each tracking point are tracked by the Gentran:Viewpoint Tracking Management module.

Figure 4.2 illustrates the processing flow of this step.

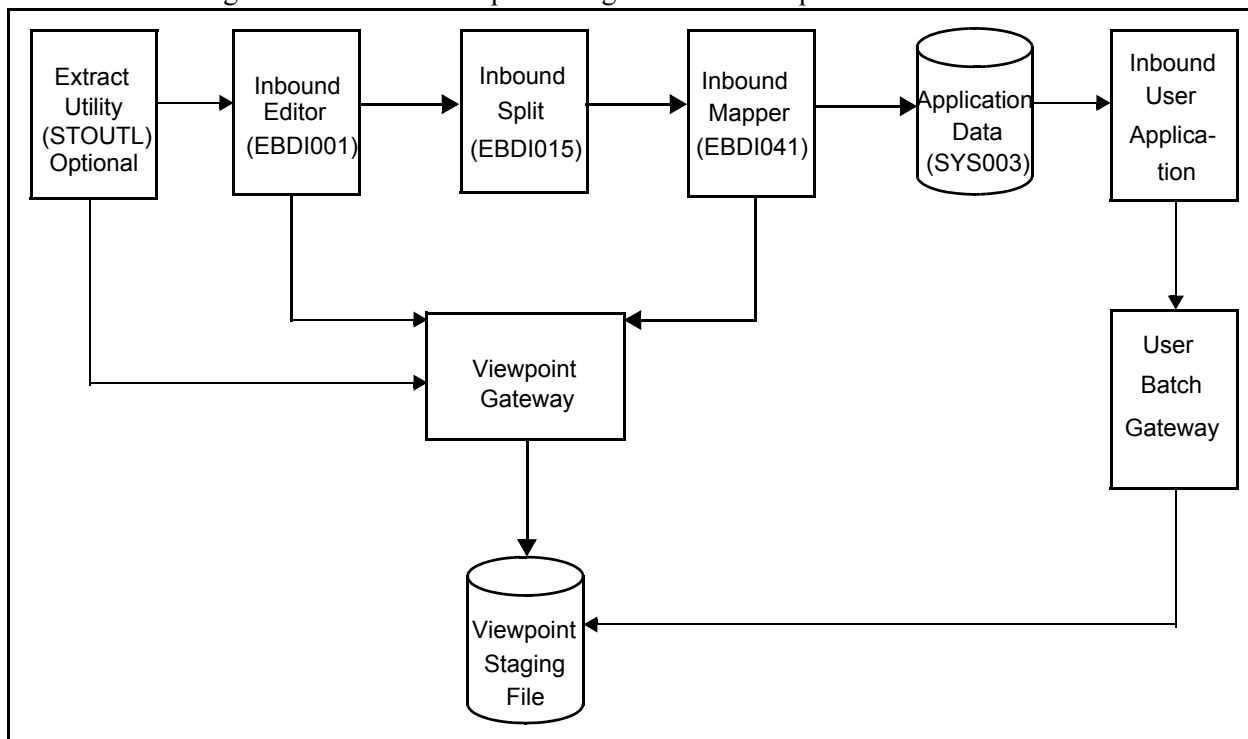


Figure 4.2 Inbound Batch Processing Flow

Check the box next to each task as you complete it.

- The JCL member you use will depend on whether you are implementing the Gentran:Plus communications module.
 - If Gentran:Plus is not being implemented, use member **VPVERIN**. This job uses the Sample Inbound Communications program **VPIBCOMM**.
 - If Gentran:Plus is being implemented, use member **VPVERIPL**. This job replaces the Sample Inbound Communications program with the Connect Offline utility **STOUTL**.
- Modify the job card.
- Change **DISK** of **UNIT=DISK** as required by your installation.
- Change the string **XXXXXX** of the **VOL=SER=** parameter as required by your installation.
- Change data set names as required by your installation. Change only the first two levels of each data set name (**GENTRAN.V6X5**); this simplifies the installation process because it enables you to mass-edit data set names.
- If using the **VPVERIPL** JCL for Gentran:Plus, also make the following modifications to the step that executes **STOUTL**:
 - Replace **SRV1** in the parm on the execute statement to match the VSAM File Server Name specified in the parm of your Connect VSAM File Server.
 - Change the **STEPLIB DD** statement to reference your Connect load library.
 - If using Connect:Enterprise version 1.4 or higher, comment out the DCB parameter with **LRECL=133** for the **REPORTS DD** statement and uncomment the DCB parameter with **LRECL=173**.
 - Change the VPF parameter included with the **SYSIN DD** statement to reference your Connect VSAM Pointer file.
- Read the comments within the JCL member and follow any additional instructions that are noted.
- Submit the JCL member.
- Verify job results. You should never receive a return code greater than **8**.
- Compare your reports with the sample reports that follow.

Sample SYSOUT output from VPIBCOMM (VPVERIN only)

```
VIEWPOINT PROCESSING COMPLETED
INBOUND COMMUNICATIONS RECEIVED
```

Sample SYSPRINT output from STOUTL (VPVERIPL only)

```
DATE 02/01/08 (04336)      TIME 12:00:00      CONNECT:Enterprise Offline Utilities      Page 1
Control Records For This Run:
EXTRACT
GPLUS=YES
ID=TEST
VPF='YOUR.CONNECT.VPF.DSNAME'
```

Sample Report1 output from EDIN110 (VPVERIPL only)

```

*** THIS FILE CONTAINS THE REPORTS FOR ALL OF THE OFFLINE UTILITIES EXECUTED ***
EXTRACT UTILITY REPORT          DATE 102/01/08 (04336)          TIME 12:00:00          Release 1.2.00          Page 1
*** Output File Characteristics:
Record Format = Fixed ,Blocked
Record Size = 80
Block Size = 11440
OUTFILE DD Name = OUTFILE
*** Batches extracted from Batch Queues:
Mailbox Batch User Batch XmitBlk XmitRec XmitByte ExtractRec ExtractByte Time Date Type DD Name
ID Number Identification Count Count Count Count Count Added Added
TEST 755 MAPPING TEST DATA 16 16 1280 17 1360 12:00 04336 HOST OUTFILE
Total number of batches extracted 1, Total number of blocks extracted 16
CMU013I - Utility completed, highest Return Codes are, this utility 0, this JOB Step 0.
    
```

Sample SYS010 output from EBDI001

```

EBDI001  RUN 02/01/2008  TIME 12:00  ERRORS ENCOUNTERED PROCESSING INCOMING DATA  PAGE 1
ERROR RECORD SEG ELT/COMP/REPEAT
NUMBER NUMBER ID NBR INFORMATION ERROR MESSAGE
INTERCHANGE = VENDOR-1 - - TYPE = ISA ENV = 0000000005 VER = 00403 AGY = X
TUTORIAL - XYZ COMPUTER COMPANY
GROUP = VENDOR-1 - - TYPE = IN ENV = 0000000007 VER = 004030 AGY = X
EDI SENDER 121212121
EDI RECEIVER 987654321
TRANSACTION = TEST TYPE = 810 ENV = 000070001 VER = 004030 AGY = X
33 4 BIG 1 2001QQ05 DATE FIELD NOT NUMERIC.
63 11 IT1 3 QQ IN THE IDENTIFIED ELEMENT, AN INVALID CODE WAS FOUND.
61 11 IT1 4 12QQ.99 UNACCEPTABLE CHARACTER FOUND IN INDICATED INPUT ELEMENT.
63 12 IT1 3 QQ IN THE IDENTIFIED ELEMENT, AN INVALID CODE WAS FOUND.
61 16 CTT 1 QQ UNACCEPTABLE CHARACTER FOUND IN INDICATED INPUT ELEMENT.
*** DOCUMENT AUDIT ID AUDIT ID = INV01
*** DATABANK ***** RUN # = 00000001
PROCESSING ENDED WITH ERRORS.
* * * * * END OF REPORT * * *
    
```


Sample SYS005 output from EBDI041

```

EBDI041  RUN 02/01/2008  TIME 12:00  ERRORS ENCOUNTERED MAPPING INCOMING DATA  PAGE 1
ERROR  **RECORD**
NUMBER  NBR ID  SEQ #  ID  SEQ  FIELD  SEG  ELE  INFORMATION  ERROR MESSAGE
INTERCHANGE: VENDOR-1
GROUP      : VENDOR-1
TRANSACTION: 810
626      24      QQ      UNABLE TO TRANSLATE CODE - MOVED SPACE TO TARGET FIELD.
785      9 5      70      TRANSLATION ID: UNITMEAS
          ** WARNING ** MANDATORY FIELD/ELEMENT MISSING.
785      9 5      100     ** WARNING ** MANDATORY FIELD/ELEMENT MISSING.
626      26      QQ      UNABLE TO TRANSLATE CODE - MOVED SPACE TO TARGET FIELD.
785      11 5     70      TRANSLATION ID: UNITMEAS
          ** WARNING ** MANDATORY FIELD/ELEMENT MISSING.
785      19 7     70      ** WARNING ** MANDATORY FIELD/ELEMENT MISSING.

PROCESSING ENDED WITH ERRORS - PROCESSING COUNTS BELOW
EDI RECORDS READ ----- 49
EDI RECORDS SUSPENDED ----- 0
APPLICATION RECORDS WRITTEN ---- 19
RETURN-CODE FOR MAPPING ----- 4
    
```

Sample SYS006 output from EBDI041

```

EBDI041  RUN 02/01/2008  TIME 12:00  PROCESSING OPTIONS FOR MAPPING INCOMING DATA  PAGE 1
APPLICATION TO PROCESS-----INVFILF
ABEND PROGRAM ON SERIOUS ERROR-----N
USER EXIT VERSION SUPPORTED-----1
APPLICATION DECIMAL INDICATOR IS-----
RIGHT JUSTIFY ALL APPLICATION REALS-----N
HANDLE FLOATING NOTES WITHIN A SECTION--Y
DATABANK PROCESSING CONFIGURATION-----DIRECTOR AND MESSAGE STORE
DATABANK PROCESSING LEVEL-----DIRECTOR AND MESSAGE STORE
DATABANK RUN NUMBER-----00000001
DIRECTOR POSTING OPTION-----POST SENDER ONLY
PARTNER PROFILE MODE-----PARTNER/QUALIFIER MODE
PRINT PARTNER NAME-----N
WRITE APPLICATION RECORDS-----Y
VIEWPOINT PROCESSING-----51105 VIEWPOINT STAGING FILE 001% UTILIZED ON FILE : 01
BUSINESS DOCUMENT TRACKING-----N
SUPPORT SINGLE QUOTE-----N
VERIFY PARTNER SPECIFIC MAP VERSION-----N
CONCURRENCY ENABLED-----N
MESSAGE CENTER ENABLED-----N
EBDI041  RUN 02/01/2008  TIME 12:00  SUMMARY CONTROL COUNTS MAPPING INCOMING DATA  PAGE 1
PROCESSING BEGAN ON 02/01/2008 AT 12:00 PM.
INTERCHANGES READ -----
GROUPS READ -----
TRANSACTIONS READ -----
SEGMENTS READ -----
CHARACTERS READ -----
DOCUMENTS STORED ON DATA BANK -----
RECORDS STORED ON DATA BANK -----
APPLICATION DOCUMENTS WRITTEN -----
APPLICATION RECORDS WRITTEN -----
APPLICATION CHARACTERS WRITTEN -----
DOCUMENTS SUSPENDED -----
RECORDS SUSPENDED -----
CHARACTERS SUSPENDED -----
NUMBER OF APPLICATIONS PROCESSED -----
NUMBER OF MAP DEFINITIONS PROCESSED -----
NUMBER OF TRADING PARTNERS PROCESSED --
PROCESSING ENDED ON 02/01/2008 AT 12:00 PM.

```

Sample SYSOUT output from VIPBAPPL

```

VIEWPOINT PROCESSING COMPLETED
INVOICES RECEIVED - PROGRAM:VIPBAPPL

```

Completed by: _____

Date: _____ Time: _____

Step 5 Start the Gentran:Viewpoint Online Scanner/Initiator

Manually start up the background Gentran:Viewpoint CICS system (Online Scanner/Initiator).

Note: If you have updated the PLT tables with the program **EDIVPLT**, skip this step and proceed to **Step 6**.

Typically performed by: System Installer

Check the box next to each task as you complete it.

- From a blank CICS screen, type **EDIV** and press **Enter**.
The message **Viewpoint Scanner Started** will display.
- Press **CLEAR** to clear the screen.

Completed by: _____

Date: _____ **Time:** _____

Step 6 Review the Online Log

Typically performed by: System Installer

Perform the following tasks to verify that the Viewpoint Online Scanner/Initiator is executing and that Viewpoint Post Processors were started for the Outbound and Inbound tests that were performed in the earlier steps.

Check the box next to each task as you complete it.

- Type your system image ID on a blank CICS screen and press **Enter**. The system displays the Gentran logon screen (EDIM000).
- Type your Gentran CICS user ID and password or a user ID of **ADMIN** and a password of **SECURITY**. The system displays the Gentran Main Menu (EDIM001).
- Type **9** to select the Gentran:Viewpoint Main Menu and press **Enter**. The system displays the Viewpoint Main Menu (EDIM600).
- Type **99** to select the Log Display and press **Enter**. The system displays the Viewpoint Online Log Display (EDIM688).

```

EDIM688 9.99_____ VIEWPOINT ONLINE LOG DISPLAY      XXX  02/01/2008
                                           12:00:00
Start: 02/01/2008 12:00:00 Stop:                Last: 12:00:00  Scan: 0005
Filters====>  Errors Only:  _  Program: _____
  Position      Task #      TranID      Time      Date      Max Count
Criteria====>  _____  _____  _____  _____  _____  0450

  Task  Tran   Time      Date      Term  Program  Error Code
00001  EDIV   12:00:00  02/01/2008  EDIX690  EDI-50302-T 00
VIEWPOINT ONLINE SCANNER BEGINS . . . , DATE: 02/01/2008, TIME: 12:00:00
00001  EDIV   12:00:39  02/01/2008  EDIX690  EDI-50303-T 00
VIEWPOINT ONLINE SCANNER ENDS . . . . , DATE: 02/01/2008, TIME: 12:00:00
00002  EDIZ   12:00:00  02/01/2008  EDIX691  EDI-50100-I 00
VIEWPOINT POST PROCESSOR BEGINS . . . EDIVSF1
00002  EDIZ   12:00:00  02/01/2008  EDIX691  EDI-50101-T 00
VIEWPOINT POST PROCESSOR ENDS . . . . EDIVSF1
00003  EDIZ   12:00:00  02/01/2008  EDIX691  EDI-50100-I 00
VIEWPOINT POST PROCESSOR BEGINS . . . EDIVSF2
00003  EDIZ   12:00:00  02/01/2008  EDIX691  EDI-50101-T 00
VIEWPOINT POST PROCESSOR ENDS . . . . EDIVSF2

Enter PF1=Help          PF3=Exit
      PF7=Bwd  PF8=Fwd

```

- The **Start**, **Last**, and **Scan** fields near the top of the screen should show the date and time the scanner was started, the time that it last ran, and the scan interval. If they are blank, the Viewpoint Online Scanner/Initiator is not running. Return to the previous step and start the scanner.

- Gentran:Viewpoint is installed with the System Trace enabled. Scan the Viewpoint Online Log Display to find the following trace messages:
 - The Scanner generates trace message **EDI-50302** when it begins and **EDI-50303** when it ends. The trace messages should be repeated for each scan interval.
 - The Post Processor generates trace message **EDI-50100** when it begins and **EDI-50101** when it ends. Post Processors should have started for the **EDIVSF1** and **EDIVSF2** staging files. If they have not started since you performed the batch outbound and inbound tests, they should start at the next scan interval.

- Press **PF3=Exit** to return to the Viewpoint Main Menu (EDIM600).

Completed by: _____

Date: _____ Time: _____

Step 7 Check the Gentran:Viewpoint Capture Results

Typically performed by: System Installer

In this step, the results captured by Gentran:Viewpoint are displayed from the Gentran:Viewpoint Online Facility.

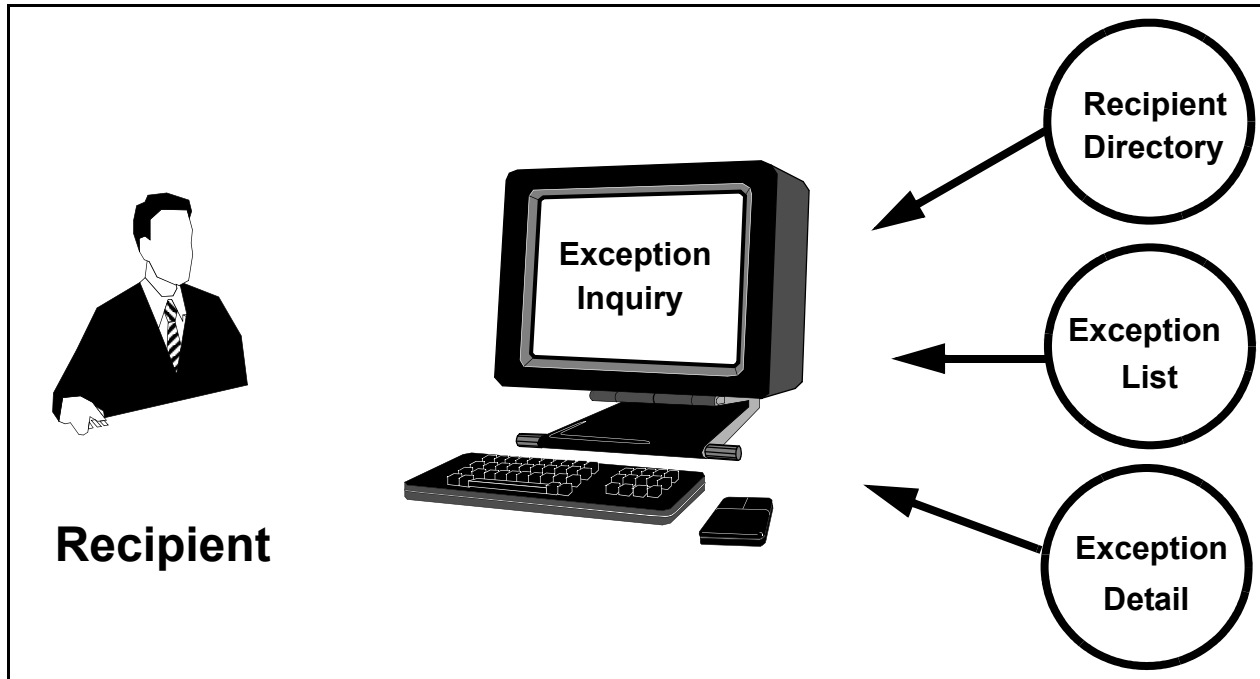


Figure 4.3 Review Capture Results

- ☐ Type **5** in the first A (Action) field and press **Enter**.

The Exception Detail screen for the exception is displayed. Compare the values on this screen with the screen shown below.

```

EDIM649 _____ EXCEPTION DETAIL 02/01/2008
Type Action, press Enter.
  _ 4=Delete 6=MsgList 7=Data 8=UserMsg 9=UserProc 10=ExcpHist 11=Recip.

Recipient . . . : @EDITORS EDI COMPLIANCE MONITOR
Excp Status . . : OPEN 02/01/2008 12:00
Excp Tag . . . : 0000000003
User Reference: 000000005 /000000007 /000070001

System/Process: GENTRAN /EBDI001 Excp. Action:
Date-Time . . . : 02/01/2008 - 12:00 Action Dt-Tm:
Capture ID. . . : @MODEL-IE Databank: GENTRAN
Description . . : INBOUND COMPLIANCE ERRORS

Application : Interchange: 000000005
Network . . . : Group: 000000007
Direction/Set : INBOUND /810 Trans: 000070001
Partner . . . : VENDOR-1
Qual . . . . :

F1=Help F3=Exit F6=Next F12=Cancel

```

- ☐ Type **6** in the A (Action) field and press **Enter**.

The Exception Message List screen for the exception is displayed. Compare the values on this screen with the screen shown below.

```

EDIM650 _____ EXCEPTION MESSAGE LIST 02/01/2008
Type Action, press Enter.
  6=Excp 7=Data 8=UserMsg 9=UserProc 10=ExcpHist

System : GENTRAN
Process : EBDI001
Desc. : INBOUND COMPLIANCE ERRORS
Reference: 000000005 /000000007 /000070001

A Message
___ 33 4 BIG 1 2001QQ05 DATE FIELD NOT NUMERIC.
___ 63 11 IT1 3 QQ IN THE IDENTIFIED ELEMENT, AN I
   NVALID CODE WAS FOUND.
___ 61 11 IT1 4 12QQ.99 UNACCEPTABLE CHARACTER FOUND IN
   INDICATED INPUT ELEMENT.
___ 63 12 IT1 3 QQ IN THE IDENTIFIED ELEMENT, AN I
   NVALID CODE WAS FOUND.
___ 61 16 CTT 1 QQ UNACCEPTABLE CHARACTER FOUND IN
   INDICATED INPUT ELEMENT.
___
___

LAST ENTRY DISPLAYED
F1=Help F3=Exit F6=Next F7=Bkwd F8=Fwd F12=Cancel

```


The Exception Message List screen for the exception is displayed. Compare the values on this screen with the screen shown below.

```

EDIM650 _____ EXCEPTION MESSAGE LIST 02/01/2008
Type Action, press Enter.
 6=Excp 7=Data 8=UserMsg 9=UserProc 10=ExcpHist

System : GENTRAN
Process : EDIR042
Desc. : OUTBOUND MAPPING ERRORS - REALTIME
Reference: PONUMBER-005

A Message
__ 617 11 005 40 POI 20 INVALID NUMERIC DATA
      IN INPUT FIELD - MOVED ZERO TO TARGET FIELD.
__ 626 EA99 UNABLE TO TRANSLATE C
      ODE - MOVED SPACE TO TARGET FIELD.
      TRANSLATION ID: UNITMEAS
__
__
__
__
__
__
__
__

LAST ENTRY DISPLAYED
F1=Help F3=Exit F6=Next F7=Bkwd F8=Fwd F12=Cancel
    
```

- Type **7** in the A (Action) field beside the first message and press **Enter**.

The Exception Data Display screen for the exception is displayed. Compare the values on this screen with the screen shown below.

```

EDIM651 _____ EXCEPTION DATA DISPLAY 02/01/2008
Type Action, press Enter.
__ 6=Excp 7=MsgList 8=UserMsg 9=UserProc 10=ExcpHist

System : GENTRAN
Process : EDIR042
Desc. : OUTBOUND MAPPING ERRORS - REALTIME
Reference: PONUMBER-005

Exception Data
VENDOR-2PONUMBER-0050050000Y00EACH0109999CAT-286-10-10 286/10MHZ/10 MEG
* 617 11 005 40 POI 20 INVALID NUMERIC DATA IN
* INPUT FIELD - MOVED ZERO TO TARGET FIELD.
VENDOR-2PONUMBER-0050050000900EACH0119999CAT-286-10-20 286/10MHZ/20 MEG
VENDOR-2PONUMBER-0050050001200EA990139999CAT-286-12-40 286/12MHZ/40 MEG
* 626 EA99 UNABLE TO TRANSLATE COD
* E - MOVED SPACE TO TARGET FIELD.
* TRANSLATION ID: UNITMEAS
VENDOR-2PONUMBER-0050050001000EACH0134999CAT-286-12-30 286/12MHZ/30 MEG
VENDOR-2PONUMBER-0050050000700EACH0229999CAT-386-16-20 386/16MHZ/20 MEG
VENDOR-2PONUMBER-0050050001000EACH0249999CAT-386-16-40 386/16MHZ/40 MEG

F1=Help F3=Exit F6=Next F7=Bkwd F8=Fwd F12=Cancel
    
```

- Press **HOME** to move the cursor to the Jump Code field. Type **9 . 0** and press **Enter** to return to the Viewpoint Main Menu (EDIM600).

Completed by: _____

Date: _____ Time: _____

Step 8 Query the Gentran:Viewpoint Tracked Items

Typically performed by: System Installer

In this step, the items tracked by Gentran:Viewpoint will be displayed from the Gentran:Viewpoint Online Facility.



Figure 4.4 Review Tracking Items

Perform the following tasks to complete this step:

- From the Viewpoint Main Menu, select **Tracking Management** (option 5), and press **Enter**.
The Tracking Management Menu is displayed.
- Select **Query Directory** (option 1), and press **Enter**.
The Query Directory is displayed.

The Item Process Detail screen for the item is displayed. Compare the values on this screen with the screen shown below.

```

EDIM712 _____ ITEM PROCESS DETAIL 02/01/2008
Type Action, press Enter.
  __ 8=ItemHist 10=MsgList 11=DataDisp 13=ItemRefs 14=Query 15=Excps

Item Identification
Item Type . . . : U:ORDER
Reference . . . : PONUMBER-001
Trace ID . . . : BB00000001 To/From:

System/Process: @POSYSTEM /VPOBAPPL Recip/Action:
Date-Time . . . : 02/01/2008 - 12:00 Action Dt-Tm:
Direction/Set : OUTBOUND/850 Excp. Status:
Application . . : POFILE
Network . . . . :
Partner . . . . : VENDOR-2
Qual . . . . . :

Process Statuses User Fields
U:PGM. STATUS : OK U:ORDER DATE : 010201
U:ORDER STATUS : ORDER GOOD U:SHIP DATE : 010595
U:ORDER QTY. : EXCEEDED U:BUYER PHONE : 614-793-7000

F1=Help F3=Exit F12=Cancel
    
```

- Type **13** in the (Action) field, and press **Enter**.

For non-Gentran:Plus users, the Item Reference History for the item is displayed. Compare the values on this screen with the screen shown below.

```

EDIM711 _____ ITEM REFERENCE HISTORY 02/01/2008
Type Action, press Enter
  8=ItemHist 9=ItemDtl 10=MsgList 11=DataDisp 15=Excps

Reference: PONUMBER-001
Process VPOBAPPL

A Item Process Description Reference
-- U VPOBAPPL SAMPLE OUTBOUND PURC PONUMBER-001
-- D EBDI042 OUTBOUND MAPPER PONUMBER-001
-- T EBDI002 OUTBOUND EDITOR 00000001 /000005862 /000000001
-- F EBDI002 OUTBOUND EDITOR 00000001 /000005862
-- I EBDI002 OUTBOUND EDITOR 00000001
-- U VPOBCOMM SAMPLE OUTBOUND COMM OUTBOUND BATCH 4125
--
--
--
--
--
--
F1=Help F3=Exit F7=Bkwd F8=Fwd F12=Cancel
    
```


For Gentran:Plus users, the Item Status History will be displayed for the purchase order with the Connect communications batch item added by the Offline Utility (STOUTL).

```

EDIM710 _____ ITEM STATUS HISTORY 02/01/2008
Type Action, press Enter
  9=ItemDtl 10=MsgList 11=DataDisp 13=ItemRefs 15=Excps

Reference: PONUMBER-001
Process   VPOBAPPL

A Item Process Description Status Date Time Excp
--- U VPOBAPPL SAMPLE OUTBOUND PURCHASE ORD OK 02/01/2008 12:00 0000
--- D EBDI042 OUTBOUND MAPPER 04 02/01/2008 12:00 0001
--- T EBDI002 OUTBOUND EDITOR 02/01/2008 12:00 0000
--- F EBDI002 OUTBOUND EDITOR 02/01/2008 12:00 0000
--- I EBDI002 OUTBOUND EDITOR 02/01/2008 12:00 0001
--- B STOUTL OFFLINE UTILITIES ADDED 02/01/2008 12:00 0000
---
---
---
---
F1=Help F3=Exit F7=Bkwd F8=Fwd F12=Cancel

```

- Type **9** in the A (Action) field beside the second item, **Outbound Mapper** document, and press **Enter**.

The Item Process Detail screen for the item is displayed. Compare the values on this screen with the values on the screen shown below.

```

EDIM712 _____ ITEM PROCESS DETAIL 02/01/2008
Type Action, press Enter.
  8=ItemHist 10=MsgList 11=DataDisp 13=ItemRefs 14=Query 15=Excps

Item Identification
Item Type . . . : DOCUMENT
Reference . . . : PONUMBER-001
Trace ID . . . : BB00000001 To/From:

System/Process: GENTRAN /EBDI042 Recip/Action: @MAPPEROUT/
Date-Time . . . : 02/01/2008 - 12:00 Action Dt-Tm:
Direction/Set : OUTBOUND/ Excp. Status: OPEN
Application . . : POFILE
Network . . . . :
Partner . . . . : VENDOR-2
Qual . . . . . :
Databank . . . : GENTRAN

Process Statuses
Ack Status . . . : Mapping Status : 04
Comp Status . . . : Network Status :
Env Status . . . : Seq Status . . . :

F1=Help F3=Exit F12=Cancel

```

- Type **11** in the (Action) field, and press **Enter**.

The Item Data Display screen for the item is displayed. Compare the values on this screen with the values on the screen shown in the figure below.

```

EDIM716 _____ ITEM DATA DISPLAY 02/01/2008
Type Action, press Enter.
  __ 8=ItemHist 9=ItemDtl 10=MsgList 13=ItemRefs 15=Excps

System   : GENTRAN
Process  : EBDI042
Desc.    : OUTBOUND MAPPER
Item Type: DOCUMENT
Reference: PONUMBER-005

Item Data
VENDOR-2PONUMBER-005001010201STERLING COMMERCE INC. 4600 LAKEHURST COURT
VENDOR-2PONUMBER-005002#####
VENDOR-2PONUMBER-005002#### PURCHASE ORDER INSTRUCTIONS
VENDOR-2PONUMBER-005002####
VENDOR-2PONUMBER-005002#### ALL ITEMS MUST BE SENT BY REQUESTED SHIP DATE OR
VENDOR-2PONUMBER-005002#### ENTIRE ORDER IS SUBJECT TO CANCELLATION
VENDOR-2PONUMBER-005002####
VENDOR-2PONUMBER-005002#### NO SUBSTITUTION OF ITEMS W/O PRIOR BUYER APPROVAL
VENDOR-2PONUMBER-005002####
VENDOR-2PONUMBER-005002#####
VENDOR-2PONUMBER-0050050000Y00EACH0109999CAT-286-10-10 286/10MHZ/10 MEG

F1=Help F3=Exit F6=Next F7=Bkwd F8=Fwd F12=Cancel

```

- Type **10** in the (Action) field and press **Enter**.

The Item Message List screen for the item is displayed. Compare the values on this screen with the values on the screen shown below.

```

EDIM715 _____ ITEM MESSAGE LIST 02/01/2008
Type Action, press Enter.
  __ 8=ItemHist 9=ItemDtl 11=DataDisp 13=ItemRefs 15=Excps

System   : GENTRAN
Process  : EBDI042
Desc.    : OUTBOUND MAPPER
Item Type: DOCUMENT
Reference: PONUMBER-005

A Message
__ 617      11 005          40 PO1   20          INVALID NUMERIC DATA
                               IN INPUT FIELD - MOVED ZERO TO TARGET FIELD.
__ 626      EA99          UNABLE TO TRANSLATE C
                               ODE - MOVED SPACE TO TARGET FIELD.
                               TRANSLATION ID: UNITMEAS
__
__
__
__
__
__
LAST ENTRY DISPLAYED
F1=Help F3=Exit F7=Bkwd F8=Fwd F12=Cancel

```

- Type **15** in the first A (Action) field, and press **Enter**.

The Item Exception Status screen for the item is displayed. Compare the values on this screen with the values on the screen shown below.

```

EDIM718 _____ ITEM EXCEPTION STATUS 02/01/2008
Type Action, press Enter.
  __ 8=ItemHist 9=ItemDtl 10=MsgList 11=DataDisp 13=ItemRefs 16=ExcpDtl

System   : GENTRAN
Process  : EBDI042
Desc.    : OUTBOUND MAPPER
Item Type: DOCUMENT
Reference: PONUMBER-001

A  Recipient  Action      Status   Date       Time       Capture Id
__ @MAPPEROUT  OPEN      02/01/2008 12:00  @MODEL-OM
__
__
__
__
__
__
__
__

F1=Help  F3=Exit  F7=Bkwd  F8=Fwd  F12=Cancel

```

- Type **16** in the first A (Action) field beside the exception, and press **Enter**.

The Exception Detail screen for the item is displayed. Compare the values on this screen with the values on the screen shown below.

```

EDIM649 _____ EXCEPTION DETAIL 02/01/2008
Type Action, press Enter.
  __ 4=Delete 6=MsgList 7=Data 8=UserMsg 9=UserProc 10=ExcpHist 11=Recip.
  __ 12=ItemExcp

Recipient . . . : @MAPPEROUT OUTBOUND MAPPING ERRORS
Excp Status . . : OPEN 02/01/2008 12:00
Excp Tag . . . : 0000000001
User Reference: PONUMBER-001

System/Process: GENTRAN /EBDI042 Excp. Action:
Date-Time . . . : 02/01/2008 - 12:00 Action Dt-Tm:
Capture ID. . . : @MODEL-OM Databank: GENTRAN
Description . . : OUTBOUND MAPPING ERRORS

Application : POFILE Interchange:
Network . . . : Group:
Direction/Set : OUTBOUND/ Trans:
Partner . . . : VENDOR-2
Qual . . . . :

F1=Help  F3=Exit  F6=Next  F12=Cancel

```

Completed by: _____

Date: _____ Time: _____

You have completed the Installation Verification for Gentran:Basic and Gentran:Plus.

Gentran:Realtime Processing

Note: If Gentran:Realtime is not implemented in your system, skip this topic. Your installation verification procedures are now complete.

Step 9 Outbound Processing

Typically performed by: System Installer

The Realtime Outbound Mapper (EDIR042) and the Realtime Outbound Editor (EDIR002) will process sample data provided with the system. The items processed by the Outbound Mapper and Outbound Editor will be processed by Gentran:Viewpoint Exception Management and Tracking Management.

Figure 4.5 illustrates the processing flow of this step.

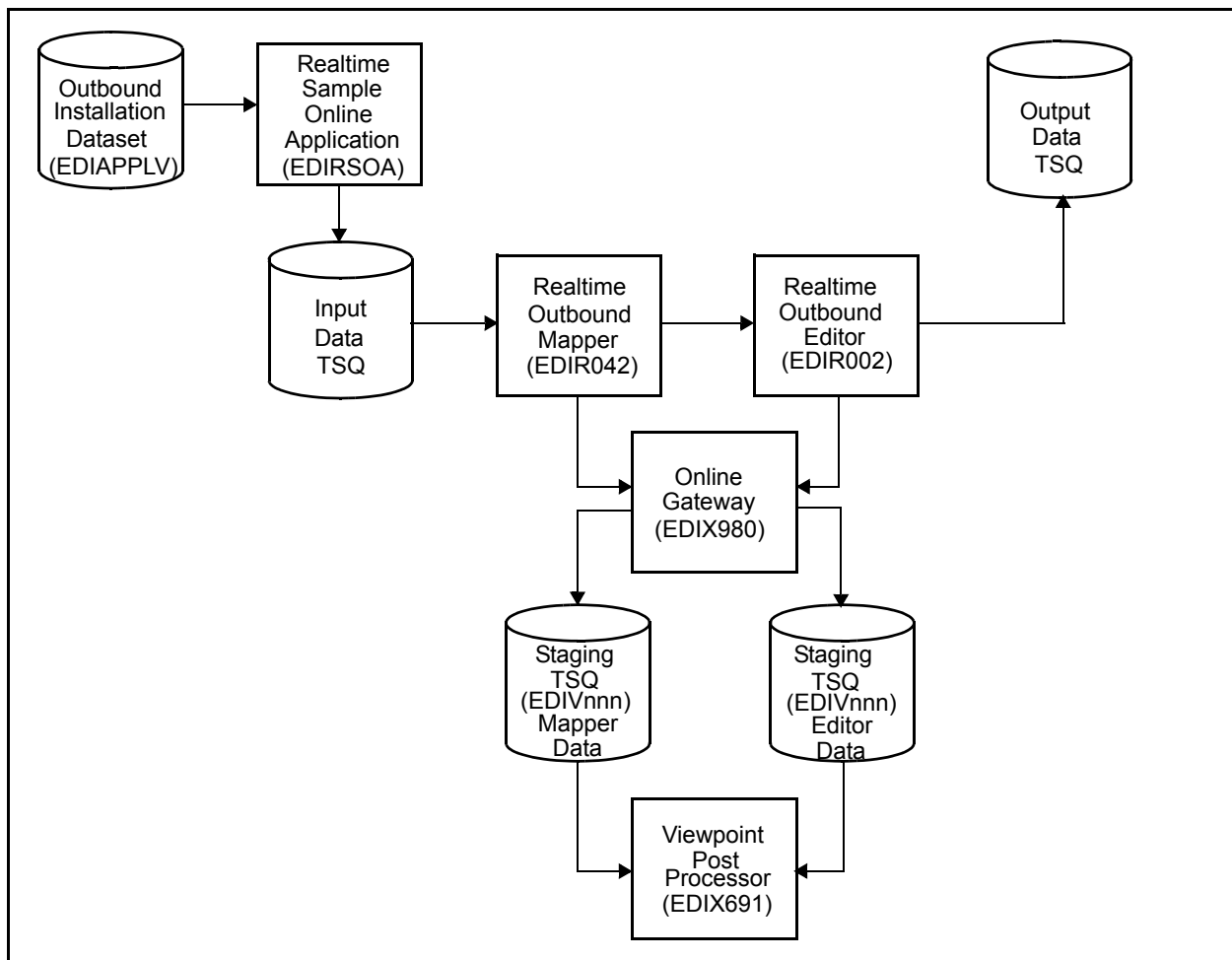


Figure 4.5 Realtime Outbound Processing Flow

Perform the following tasks to complete this step:

- From a blank CICS screen, type **EDITO 200V** and press **Enter**.

Note: If you are using an alternative system image, replace **EDI** with your system image characters.

This step invokes the CICS transaction EDIT which executes the Realtime Sample Online Application (EDIRSOA) program. In this instance, the Sample Online Application is executing Realtime outbound Immediate Option 200 using sample data in a test dataset (GENTRAN.V6X5.VPT.VSAM.EDIAPPLV). The Realtime Sample Online Application program is included in the Realtime CICS Load Library, GENTRAN.V6X5.RTE.CICS.LOAD.

If the sample installation verification data is not available, ensure that the JCL in member DEFVPRT completed successfully during the installation. Refer to “Define and Initialize the Gentran:Realtime Test Data Files” in Chapter 3, “Installing Gentran:Viewpoint”.

The following message will display:

```
BEGINNING PROCESSING      DATE:  YY-MM-DD  TSQNAME:  XXXXXXXX
```

When the transaction is complete, the following message will replace the original display:

```
TRANSFERRING TO EDIR101      RECORD CNT:    00000067

RETURNED FROM EDIR101      COMPLIANCE MESSAGES      PGM= EDIR002
RETURN CODE:      00

STARTING TIME: HH:MM:SS ENDING
TIME: HH:MM:SS DIFFERENCE: SSS.SSS IN SECONDS.
```

- Verify the results of the test by performing the following tasks.

- Type your system image ID on a blank CICS screen and press **Enter**. The system displays the Gentran logon screen.
- Type your Gentran CICS User ID and Password. The system displays the Gentran Main Menu.
- Type **8** to select the Gentran:Realtime Main Menu and press **Enter**. The system displays the Gentran:Realtime Main Menu.
- Type **3** to select Report Selection and press **Enter**. The system displays the Report Selection screen.

Sample Gentran:Realtime EDI42E Report

```

EDIR042  RUN 02/01/2008  TIME 12:00  ERRORS ENCOUNTERED MAPPING OUTGOING DATA  PAGE 1
ERROR **RECORD**  FIELD SEG  ELE
NUMBR  NBR ID  SEQ # ID  SEQ INFORMATION  ERROR MESSAGE
***** APPLICATION DEFINITION - POFILE - LOADED *****
***** TRANSACTION DEFINITION - ANS14030FO - LOADED *****
RECEIVER: VENDOR-2  40 PO1  20  QUAL:  APPL REF: PNUMBER-005  DOCUMENT #: 1
617  11 005
626  EA99  UNABLE TO TRANSLATE CODE - MOVED SPACE TO TARGET FIELD.
      TRANSLATION ID: UNITMEAS
PROCESSING ENDED WITH ERRORS - PROCESSING COUNTS BELOW
APPLICATION RECORDS READ ----- 67
APPLICATION RECORDS SUSPENDED - 0
TOTAL RECORDS WRITTEN ----- 130
RETURN CODE FOR MAPPING ----- 4
    
```

Sample Gentran:Realtime EDI42S Report

```

EDIR042  RUN 02/01/2008  TIME 12:00  PROCESSING OPTIONS FOR MAPPING OUTGOING DATA  PAGE 1
PROGRAM EDIR042  COMPILED ON 02/01/08 AT 12.00.00  VERSION 6.5
PROGRAM EDIR043  COMPILED ON 02/01/08 AT 12.00.00  VERSION 6.5
PROGRAM EDIR045  COMPILED ON 02/01/08 AT 12.00.00  VERSION 6.5
PROGRAM EDIR056  COMPILED ON 02/01/08 AT 12.00.00  VERSION 6.5
APPLICATION TO PROCESS-----POFILE
USER EXIT VERSION SUPPORTED-----1
APPLICATION DECIMAL INDICATOR IS-----.
DATABANK PROCESSING CONFIGURATION-----DIRECTORY AND MESSAGE STORE
DATABANK PROCESSING LEVEL-----DIRECTORY AND MESSAGE STORE
DATABANK RUN NUMBER-----00000001
PARTNER PROFILE MODE-----PARTNER/QUALIFIER MODE
PARTNER PROCESSING SEQUENCE-----SEARCH PARTNER FILE
DIRECTORY POSTING OPTION-----POST RECEIVER ONLY
USE MULTIPLE ENVELOPE ID -----N
USE INTERCHANGE PARTNER WITH VERSION----N
USE GROUP PARTNER WITH VERSION-----N
USE TRANSACTION PARTNER WITH VERSION----N
ENVELOPE GENERATION OPTION-----MAPPER GENERATES ENVELOPES
VIEWPOINT PROCESSING-----TSQ EDIV0001 CREATED NORMALLY
EDIR042  RUN 02/01/2008  TIME 12:00  PROCESSING OPTIONS FOR ENVELOPE GENERATION  PAGE 1
NO ENVELOPE PARAMETERS SPECIFIED -----
GENTRAN:REALTIME PARAMETERS-----ENABLED
REALTIME PROCESSING OPTION-----200
REALTIME PROCESSING PATH-----200
REALTIME PRINT REPORT SWITCH-----NO
EDIR042  RUN 02/01/2008  TIME 12:00  SUMMARY CONTROL COUNTS MAPPING OUTGOING DATA  PAGE 1
PROCESSING BEGAN ON 02/01/2008 AT 12:00 PM.
SEQUENTIAL INPUT DOCUMENTS READ ----- 4
SEQUENTIAL INPUT RECORDS READ ----- 67
SEQUENTIAL INPUT CHARACTERS READ ----- 16,750
DOCUMENTS STORED ON DATA BANK ----- 4
RECORDS STORED ON DATA BANK ----- 67
DOCUMENTS REPROCESSED ----- 0
RECORDS REPROCESSED ----- 0
CHARACTERS REPROCESSED ----- 0
DOCUMENTS SUSPENDED ----- 0
RECORDS SUSPENDED ----- 0
CHARACTERS SUSPENDED ----- 0
EDI DOCUMENTS GENERATED ----- 4
EDI PACKAGES GENERATED ----- 0
TOTAL RECORDS WRITTEN ----- 130
NUMBER OF APPLICATIONS PROCESSED ----- 1
NUMBER OF MAP DEFINITIONS PROCESSED --- 1
NUMBER OF TRADING PARTNERS PROCESSED -- 3
PROCESSING ENDED ON 02/01/2008 AT 12:00 PM.
**** END OF SUMMARY REPORT ***
    
```


Sample Gentran:Realtime EDI02E Report

```

EDIR002  RUN 02/01/2008  TIME 12:00  ERRORS ENCOUNTERED PROCESSING OUTGOING DATA  PAGE 1
ERROR RECORD SEG ELT/COMP  NUMBER ID NBR  INFORMATION  ERROR MESSAGE  VER = 00403  AGY = X
386 16 PO1 3  AUDIT ID = PONUMBER-005  ** DOCUMENT AUDIT ID 2 CONDITIONAL ELEMENT REQUIRED BUT NOT PRESENT IN THIS SEGMENT.  VER = 00403  AGY = X
*** DATABANK ***** RUN # = 00000001  TEST TYPE = 850  ENV = 000000017  VER = 00403  AGY = X
PROCESSING ENDED WITH ERRORS
* * * * * END OF REPORT * * *
    
```

Sample Gentran:Realtime EDI02S Report

```

EDIR002  RUN 02/01/2008  TIME 12:00  RUNTIME GLOBAL PARAMETER OVERRIDES 1
EDIR002  RUN 02/01/2008  TIME 12:00  SYSTEM CONFIGURATION OPTIONS 2
INTCHG VERSION = N
GROUP VERSION = N
TRANSACTION VERSION = N
TRADING PROFILE MODE PARTNER QUALIFIER
MULTIPLE ENVELOPE DISABLED
EDIR002  RUN 02/01/2008  TIME 12:00  GLOBAL PARAMETER LIST 3
VERIFY PARTNER INTERCHANGE OFF
VERIFY PARTNER GROUP OFF
VERIFY PARTNER TRANSACTION OFF
ERROR REPORT ALWAYS
ICS TABLES OFF
CODE CHECK ON
PARTNER DATABANK OFF
COMPRESS TRANSMISSION
OUTPUT FILE LENGTH 080
GS SENDER/RECEIVER QUALIFIER INTERCHANGE
OUTBOUND EDI INTERCHANGE FULL
OUTBOUND EDI GROUP DIRECTORY
OUTBOUND EDI TRANSACTION DIRECTORY
VIEWPOINT PROCESSING - TSQ EDIV0002 CREATED NORMALLY
EDIR002  RUN 02/01/2008  TIME 12:00  SUMMARY CONTROL COUNTS PROCESSING OUTGOING DATA 4
PROGRAM EDIR002 COMPILED ON 02/01/08 AT 12.00.00 VERSION 6.5

PROCESSING BEGAN ON 02/01/2008 AT 12:00 PM.
OVERALL INPUTS AND OUTPUTS SUMMARY
INTERCHANGES READ -----
GROUPS READ -----
TRANSACTIONS READ -----
SEGMENTS READ -----
RECORDS READ -----
CHARACTERS READ -----
INTERCHANGES WRITTEN -----
INTERCHANGES REJECTED -----
INTERCHANGES SUSPENDED -----
GROUPS WRITTEN -----
GROUPS REJECTED -----
GROUPS SUSPENDED -----
TRANSACTIONS WRITTEN -----
TRANSACTIONS REJECTED -----
TRANSACTIONS SUSPENDED -----
SEGMENTS WRITTEN -----
CHARACTERS WRITTEN (WRAPPED OUTPUT) -----
SEGMENTS SUSPENDED -----
MISCELLANEOUS OUTPUT SUMMARY
TOTAL PASS-THRU WRITTEN-----
DIRECTION PASS-THRU WRITTEN 0
ERROR REJECTION PASS-THRU WRITTEN 0
TOTAL RECORDS WRITTEN-----
TOTAL PACKAGES WRITTEN-----
EDITOR PATH USED -----
REALTIME PROCESSING OPTION-----
REALTIME PROCESSING PATH-----
REALTIME PRINT REPORT SWITCH-----
NO

          DATABANK OUTPUT SUMMARY
INTERCHANGES STORED ON DATA BANK -----
REJECTED INTERCHANGES ON DATA BANK -----
GROUPS STORED ON DATA BANK -----
REJECTED GROUPS ON DATA BANK -----
TRANSACTIONS STORED ON DATA BANK -----
REJECTED TRANSACTIONS ON DATA BANK -----
SEGMENTS STORED ON DATA BANK -----
CHARACTERS STORED ON DATA BANK -----
RECORDS STORED ON DATA BANK -----
          3
          3
          4
          118
          130
          3,741
          3
          0
          0
          0
          4
          0
          0
          118
          3,561
          0
          0
          0
          46
          0
          999
          200
          200
          NO

PROCESSING ENDED ON 02/01/2008 AT 12:00 PM.
***** END OF JOB*****
    
```

Step 10 Inbound Processing

Typically performed by: System Installer

The Realtime Inbound Editor (EDIR001) and the Realtime Inbound Mapper (EDIR041) will process sample data provided with the system. The items processed by the Inbound Mapper and Inbound Editor will be processed by Gentran:Viewpoint Exception Management and Tracking Management.

Figure 4.6 illustrates the processing flow of this step.

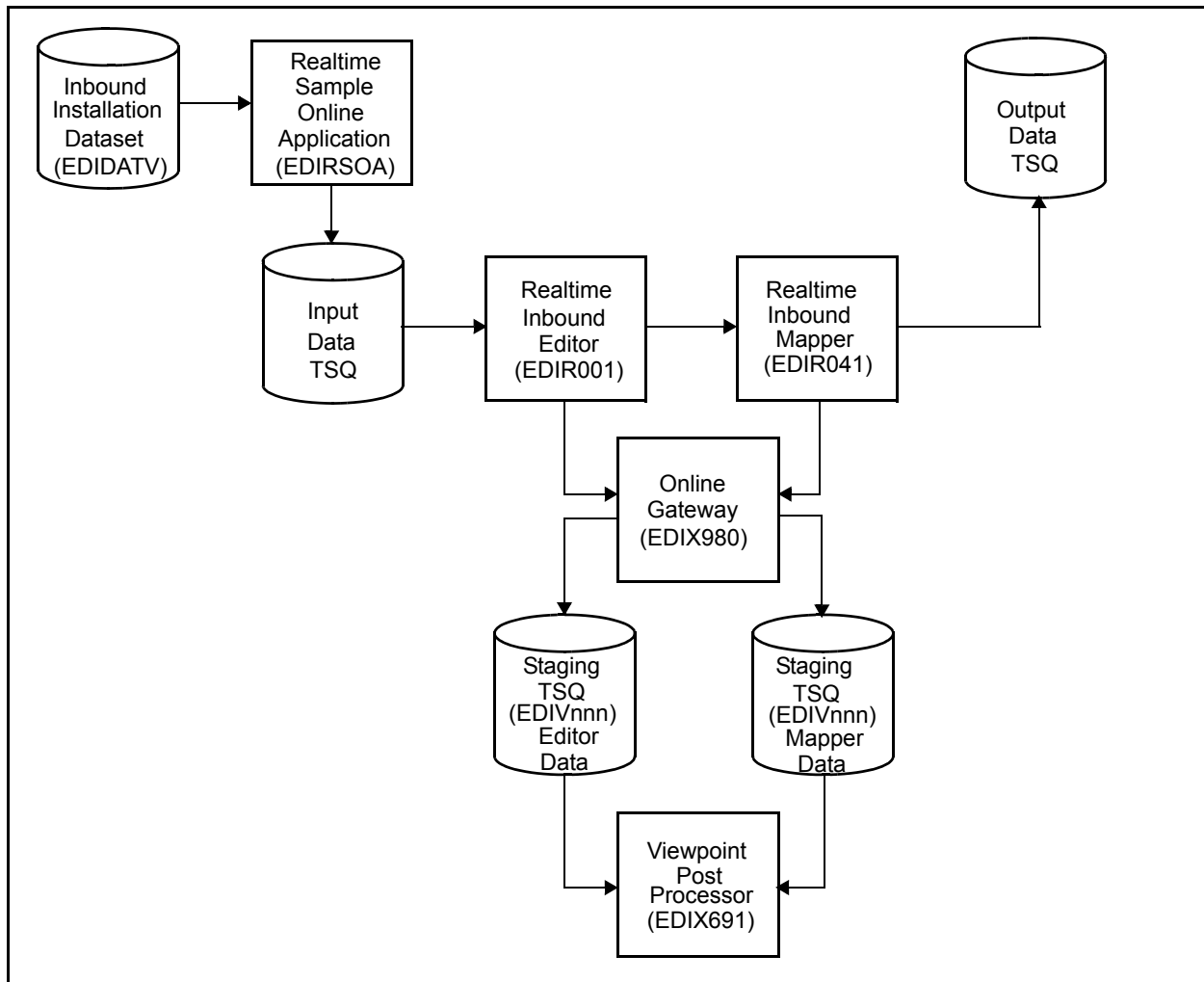


Figure 4.6 Realtime Inbound Processing Flow

Perform the following tasks to complete this step:

- From a blank CICS screen, type **EDITI 203V** and press **Enter**.

Note: If you are using an alternative system image, replace EDI with your system image characters.

This step invokes the CICS transaction EDIT which executes the Realtime Sample Online Application (EDIRSOA) program. In this instance, the Sample Online Application is executing Realtime Inbound Immediate Option 203 using sample data in a test dataset (GENTRAN.V6X5.VPT.VSAM.EDIDATV). The Realtime Sample Online Application program is included in the Realtime CICS Load Library, GENTRAN.V6X5.RTE.CICS.LOAD

If the sample installation verification data is not available, ensure that the JCL in member DEFVPRT completed successfully during the installation. *Refer to “Define and Initialize the Gentran:Realtime Test Data Files” in Chapter 3, “Installing Gentran:Viewpoint”.*

The system displays the following message:

```
BEGINNING PROCESSING      DATE:  YY-MM-DD TSQNAME:  XXXXXXXX
```

When the transaction is complete, the system displays the following message, replacing the original display:

```
TRANSFERRING TO EDIR103  RECORD CNT:      00000016
RETURNED FROM EDIR103    COMPLIANCE MESSAGES      PGM= EDIR001
RETURN CODE:            00
                                                                    STARTING TIME: HH:MM:SS ENDING
TIME: HH:MM:SS DIFFERENCE: SSS.SSS IN SECONDS.
```

- Verify the results of the test by performing the following tasks.
 - Type your system image ID on a blank CICS screen and press **Enter**. The system displays the Gentran logon screen.
 - Type your Gentran CICS User ID and Password. The system displays the Gentran Main Menu.
 - Type **8** to select the Gentran:Realtime Main Menu and press **Enter**. The system displays the Gentran:Realtime Main Menu.
 - Type **3** to select Report Selection and press **Enter**. The system displays the Report Selection screen.

```

Select Print Log Exception Activity
EDIM310 8.3 _____ REPORT SELECTION          XXX   02/01/2008
                                                    12:00:00

Path ID.....: _____ Process....: _____
Line Incrmt...: _____ Cond Code...: _ (Y)
From Date.....: _____ To Date....: _____ (MM/DD/YYYY)
From Time.....: _____ To Time....: _____ (HH:MM:SS)
Task #.....: _____ Max Srch...: 0450
Print Job Name: _____

  Generation      Path  Process   Con  Task      Control
  Date           Time  ID       Name  St Cd    #      Description  Address
-  02/01/2008 12:00:00 203  EDI01S   W 04     1  X12 I/B IVP      1
-  02/01/2008 12:00:00 203  EDI01E   W 04     1  X12 I/B IVP      2
-  02/01/2008 12:00:00 203  ACKFMT    00     1  X12 I/B IVP      3
-  02/01/2008 12:00:00 203  EDI41E   W 04     1  X12 I/B IVP      4
-  02/01/2008 12:00:00 203  EDI41S   W 04     1  X12 I/B IVP      5
-
-
-
-
-
-
-
-
Enter PF1=Help          PF3=Exit          PF5=Action
      PF7=Bwd   PF8=Fwd

```

- Select each of the four reports (**EDI01S**, **EDI01E**, **EDI41E** and **EDI41S**) by moving the cursor to the A (Action Code) field to the left of each report, typing an **S**, and pressing **PF5=Action** to display the Report Display screen. Following are examples of each complete report. You can scroll forward, backward, left, right, up, or down by using the **PF7**, **PF8**, **PF10**, **PF11**, **PF12**, and **PF13** keys to view the entire report. After viewing each report, press **PF3=Exit** to return to the Report Selection screen.
- After verifying all four reports, exit the Gentran:Realtime system by pressing **Home**, typing **Exit** in the Jump Code field, and pressing **Enter**.

Completed by: _____

Date: _____ Time: _____

Sample Gentran:Realtime EDI01S Report

```

EDIR001    RUN 02/01/2008    TIME 12:00    RUNTIME GLOBAL PARAMETER OVERRIDES    PAGE 1
EDIR001    RUN 02/01/2008    TIME 12:00    SYSTEM CONFIGURATION OPTIONS          PAGE 2
INTCHG VERSION = N
GROUP VERSION = N
TRANSACTION VERSION = N
TRADING PROFILE MODE PARTNER QUALIFIER
MULTIPLE ENVELOPE DISABLED
EDIR001    RUN 02/01/2008    TIME 12:00    GLOBAL PARAMETER LIST                  PAGE 3
VERIFY PARTNER INTERCHANGE OFF
VERIFY PARTNER GROUP OFF
VERIFY PARTNER TRANSACTION OFF
VERIFY RECEIVER INTERCHANGE OFF
VERIFY RECEIVER GROUP OFF
ERROR REPORT ALWAYS
OUTPUT MESSAGE ON
DIRECTED OUTPUT FILES
ICS TABLES OFF
CODE CHECK ON
BG PARTNER YES
PARTNER ACKNOWLEDGEMENT
PARTNER DATABANK OFF
GS SENDER/RECEIVER QUALIFIER SPACES
INBOUND EDI INTERCHANGE FULL
INBOUND EDI GROUP DIRECTORY
INBOUND EDI TRANSACTION DIRECTORY
PARTNER SEQUENCE OFF
VIEWPOINT PROCESSING - TSQ EDIV0003 CREATED NORMALLY
EDIR001    RUN 02/01/2008    TIME 12:00    SUMMARY CONTROL COUNTS PROCESSING INCOMING DATA    PAGE 4
PROGRAM EDIR001 COMPILED ON 02/01/08 AT 12.00.00 VERSION 6.5

PROCESSING BEGAN ON 02/01/2008 AT 12:00 PM.
OVERALL INPUTS AND OUTPUTS SUMMARY
INTERCHANGES READ ----- 1
GROUPS READ ----- 1
TRANSACTIONS READ ----- 1
SEGMENTS READ ----- 40
RECORDS READ ----- 16
CHARACTERS READ ----- 1,214
INTERCHANGES WRITTEN ----- 1
INTERCHANGES REJECTED ----- 0
INTERCHANGES SUSPENDED ----- 0
GROUPS WRITTEN ----- 1
GROUPS REJECTED ----- 0
GROUPS SUSPENDED ----- 0
TRANSACTIONS WRITTEN ----- 1
TRANSACTIONS REJECTED ----- 0
TRANSACTIONS SUSPENDED ----- 0
SEGMENTS WRITTEN ----- 40
PACKAGES WRITTEN ----- 0
CHARACTERS WRITTEN (EXPANDED OUTPUT)--- 1,575
MISCELLANEOUS OUTPUT SUMMARY
SEGMENTS SUSPENDED----- 0
NON-EDI RECORDS SUSPENDED----- 0
ERROR RECORDS WRITTEN----- 5
TOTAL PASS-THRU WRITTEN----- 0
DIRECTION PASS-THRU WRITTEN ----- 0
ERROR REJECTION PASS-THRU WRITTEN ---- 0
TOTAL RECORDS WRITTEN----- 48
GENERATED ACKNOWLEDGEMENT SUMMARY
TOTAL ACK. INFORMATION GENERATED ----- 22
DATABANK RUN NUMBER ----- 00000001
EDITOR PATH USED ----- 000
REALTIME PROCESSING OPTION----- 203
REALTIME PROCESSING PATH----- 203
REALTIME PRINT REPORT SWITCH----- NO

PROCESSING ENDED ON 02/01/2008 AT 12:00 PM.
* * * END OF REPORT * * *

DATABANK OUTPUT SUMMARY
INTERCHANGES STORED ON DATA BANK ----- 1
REJECTED INTERCHANGES ON DATA BANK ---- 0
GROUPS STORED ON DATA BANK ----- 1
REJECTED GROUPS ON DATA BANK ----- 0
TRANSACTION STORED ON DATA BANK ----- 1
REJECTED TRANSACTIONS ON DATA BANK ---- 0
SEGMENTS STORED ON DATA BANK ----- 40
CHARACTERS STORED ON DATA BANK ----- 1,280
RECORDS STORED ON DATA BANK ----- 16
    
```

Sample Gentran:Realtime EDI01E Report

```

EDIR001    RUN 02/01/2008    TIME 12:00    ERRORS ENCOUNTERED PROCESSING INCOMING DATA    PAGE 1
ERROR RECORD SEG ELT/COMP/REPEAT
NUMBR NUMBER ID NBR INFORMATION ERROR MESSAGE

INTERCHANGE = VENDOR-1 - TYPE = ISA ENV = 000000006 VER = 00403 AGY = X
              TUTORIAL - XYZ COMPUTER COMPANY
GROUP = VENDOR-1 - TYPE = IN ENV = 000000008 VER = 004030 AGY = X
              EDI SENDER 121212121 -
              EDI RECEIVER 987654321 -
TRANSACTION = TEST TYPE = 810 ENV = 000080001 VER = 004030 AGY = X
 33 3 BIG 1 2001QQ05 DATE FIELD NOT NUMERIC.
 63 10 IT1 3 QQ IN THE IDENTIFIED ELEMENT, AN INVALID CODE WAS FOUND.
 61 10 IT1 4 12QQ.99 UNACCEPTABLE CHARACTER FOUND IN INDICATED INPUT ELEMENT.
 63 11 IT1 3 QQ IN THE IDENTIFIED ELEMENT, AN INVALID CODE WAS FOUND.
 61 15 CTT 1 QQ UNACCEPTABLE CHARACTER FOUND IN INDICATED INPUT ELEMENT.
*** DOCUMENT AUDIT ID AUDIT ID = INV01
*** DATABANK ***** RUN # = 00000001

PROCESSING ENDED WITH ERRORS.

* * * END OF REPORT * * *
    
```

Sample Gentran:Realtime EDI41E Report

```

EDIR041    RUN 02/01/2008    TIME 12:00    ERRORS ENCOUNTERED MAPPING INCOMING DATA    PAGE 1
ERROR **RECORD** FIELD SEG ELE
NUMBR NBR ID SEQ # ID SEQ INFORMATION ERROR MESSAGE
***** APPLICATION DEFINITION - INVFILE - LOADED *****
***** TRANSACTION DEFINITION - ANS14030IN - LOADED *****
INTERCHANGE: VENDOR-1 QUAL: CONTROL NO: 000000006
GROUP : VENDOR-1 QUAL: CONTROL NO: 000000008
TRANSACTION: 810 CONTROL NO: 000080001
 626 23 QQ UNABLE TO TRANSLATE CODE - MOVED SPACE TO TARGET FIELD.
              TRANSLATION ID: UNITMEAS
 785 9 5 70 ** WARNING ** MANDATORY FIELD/ELEMENT MISSING.
 785 9 5 100 ** WARNING ** MANDATORY FIELD/ELEMENT MISSING.
 626 25 QQ UNABLE TO TRANSLATE CODE - MOVED SPACE TO TARGET FIELD.
              TRANSLATION ID: UNITMEAS
 785 11 5 70 ** WARNING ** MANDATORY FIELD/ELEMENT MISSING.
 785 19 7 70 ** WARNING ** MANDATORY FIELD/ELEMENT MISSING.

PROCESSING ENDED WITH ERRORS - PROCESSING COUNTS BELOW
EDIR RECORDS READ ----- 48
EDIR RECORDS SUSPENDED ----- 0
APPLICATION RECORDS WRITTEN ---- 19
RETURN-CODE FOR MAPPING ----- 4
    
```

Sample Gentran:Realtime EDI41S Report

```

EDIR041  RUN  02/01/2008  TIME 12:00  PROCESSING OPTIONS FOR MAPPING INCOMING DATA  PAGE 1
PROGRAM EDIR041  COMPILED ON 02/01/08 AT 12.00.00  VERSION 6.5
PROGRAM EDIR043  COMPILED ON 02/01/08 AT 12.00.00  VERSION 6.5
PROGRAM EDIR044  COMPILED ON 02/01/08 AT 12.00.00  VERSION 6.5
APPLICATION TO PROCESS-----INVFILE
USER EXIT VERSION SUPPORTED-----1
APPLICATION DECIMAL INDICATOR IS-----
RIGHT JUSTIFY ALL APPLICATION REALS-----N
HANDLE FLOATING NOTES WITHIN A SECTION--Y
DATABANK PROCESSING CONFIGURATION-----DIRECTORY AND MESSAGE STORE
DATABANK PROCESSING LEVEL-----DIRECTORY AND MESSAGE STORE
DATABANK RUN NUMBER-----00000001
DIRECTORY POSTING OPTION-----POST SENDER ONLY
PARTNER PROFILE MODE-----PARTNER/QUALIFIER MODE
PRINT PARTNER NAME -----N
WRITE APPLICATION RECORDS-----Y
VIEWPOINT PROCESSING-----TSQ EDIV0004 CREATED NORMALLY
REALTIME PROCESSING OPTION-----203
REALTIME PROCESSING PATH-----203
REALTIME PRINT REPORT SWITCH-----NO
BUSINESS DOCUMENT TRACKING-----N
SUPPORT SINGLE QUOTE -----N
VERIFY PARTNER SPECIFIC MAP VERSION-----N
EDIR041  RUN  02/01/2008  TIME 12:00
PROCESSING BEGAN ON 02/01/2008 AT 12:00 PM.
INTERCHANGES READ -----
GROUPS READ -----
TRANSACTIONS READ -----
SEGMENTS READ -----
CHARACTERS READ -----
  34
  5,654
DOCUMENTS STORED ON DATA BANK -----
  19
RECORDS STORED ON DATA BANK -----
APPLICATION DOCUMENTS WRITTEN -----
  19
APPLICATION RECORDS WRITTEN -----
  1,520
DOCUMENTS SUSPENDED -----
  0
RECORDS SUSPENDED -----
  0
CHARACTERS SUSPENDED -----
  0
NUMBER OF APPLICATIONS PROCESSED -----
  1
NUMBER OF MAP DEFINITIONS PROCESSED ---
  1
NUMBER OF TRADING PARTNERS PROCESSED --
  1
PROCESSING ENDED ON 02/01/2008 AT 12:00 PM.
**** END OF SUMMARY REPORT ****

SUMMARY CONTROL COUNTS MAPPING INCOMING DATA  PAGE 1
    
```


Step 11 Start the Gentran:Viewpoint Online Scanner/Initiator

Manually start up the background Gentran:Viewpoint CICS system (Online Scanner/Initiator).

Note: If you have updated the PLT tables with the program **EDIVPLT**, skip this step and proceed to **Step 12**.

Typically performed by: System Installer

The tasks involved in starting the background Gentran:Viewpoint CICS system are listed below.

Check the box next to each task as you complete it.

From a blank CICS screen, type **EDIV** and press **Enter**.

The message **Viewpoint Scanner Started** will display.

Press **Clear** to clear the screen.

Completed by: _____

Date: _____ **Time:** _____

Step 12 Review the Online Log

Typically performed by: System Installer

Perform the following tasks to verify that the Viewpoint Online Scanner/Initiator is executing and that Viewpoint Post Processors were started for the Outbound and Inbound tests that were performed in the earlier steps.

Check the box next to each task as you complete it.

- Type your system image ID on a blank CICS screen and press **Enter**. The system displays the Gentran logon screen (EDIM000).
- Type your Gentran CICS user ID and password or a user ID of **ADMIN** and a password of **SECURITY**. The system displays the Gentran Main Menu (EDIM001).
- Type **9** to select the Gentran:Viewpoint Main Menu and press **Enter**. The system displays the Viewpoint Main Menu (EDIM600).
- Type **99** to select the Log Display and press **Enter**. The system displays the Viewpoint Online Log Display (EDIM688).

```

EDIM688 9.99_____ VIEWPOINT ONLINE LOG DISPLAY          XXX  02/01/2008
                                     12:00:00
Start: 02/01/2008 12:00:00 Stop:                               Last: 12:00:00  Scan: 0005
Filters==>  Errors Only:  _  Program: _____
Position    Task #    TranID    Time        Date        Max Count
Criteria==> _____  _____  _____  _____  _____  0450

   Task  Tran    Time    Date    Term  Program    Error Code
00001  EDIV   12:00:00  02/01/2008    EDIX690  EDI-50302-T 00
VIEWPOINT ONLINE SCANNER BEGINS . . . , DATE: 02/01/2008, TIME: 12:00:00
00001  EDIV   12:00:39  02/01/2008    EDIX690  EDI-50303-T 00
VIEWPOINT ONLINE SCANNER ENDS . . . . , DATE: 02/01/2008, TIME: 12:00:00
00002  EDIZ   12:00:00  02/01/2008    EDIX691  EDI-50100-I 00
VIEWPOINT POST PROCESSOR BEGINS . . . EDIV0001
00002  EDIZ   12:00:00  02/01/2008    EDIX691  EDI-50101-T 00
VIEWPOINT POST PROCESSOR ENDS . . . . EDIV0001  /GENTRAN  /EDIR042
00003  EDIZ   12:00:00  02/01/2008    EDIX691  EDI-50100-I 00
VIEWPOINT POST PROCESSOR BEGINS . . . EDIV0002
00003  EDIZ   12:00:00  02/01/2008    EDIX691  EDI-50101-T 00
VIEWPOINT POST PROCESSOR ENDS . . . . EDIV0002  /GENTRAN  /EDIR002

Enter PF1=Help          PF3=Exit
      PF7=Bwd  PF8=Fwd

```

```

EDIM688 9.99_____ VIEWPOINT ONLINE LOG DISPLAY          XXX   02/01/2008
                                           12:00:00
Start: 02/01/2008 12:00:00 Stop:                Last: 12:00:00  Scan: 0005
Filters====>  Errors Only:  _  Program: _____
  Position      Task #      TranID      Time          Date          Max Count
Criteria====>  _____      _____      _____      _____      _____      0450

  Task  Tran    Time      Date      Term  Program      Error Code

00004  EDIZ   12:00:00  02/01/2008      EDIX691  EDI-50100-I 00
VIEWPOINT POST PROCESSOR BEGINS . . . EDIV0003
00004  EDIZ   12:00:00  02/01/2008      EDIX691  EDI-50101-T 00
VIEWPOINT POST PROCESSOR ENDS . . . EDIV0003  /GENTRAN  /EDIR001
00005  EDIZ   12:00:00  02/01/2008      EDIX691  EDI-50100-I 00
VIEWPOINT POST PROCESSOR BEGINS . . . EDIV0004
00005  EDIZ   12:00:00  02/01/2008      EDIX691  EDI-50101-T 00
VIEWPOINT POST PROCESSOR ENDS . . . EDIV0004  /GENTRAN  /EDIR041

Enter PF1=Help          PF3=Exit
      PF7=Bwd   PF8=Fwd
    
```

- The **Start**, **Last**, and **Scan** fields near the top of the screen should show the date and time the scanner was started, the time that it last ran, and the scan interval. If they are blank, the Viewpoint Online Scanner/Initiator is not running. Return to the previous step and start the scanner.
- Gentran:Viewpoint is installed with the System Trace enabled. Scan the Viewpoint Online Log Display to find the following trace messages:
 - The Scanner generates trace message **EDI-50302** when it begins and **EDI-50303** when it ends. The trace messages should be repeated for each scan interval.
 - The Post Processor generates trace message **EDI-50100** when it begins and **EDI-50101** when it ends. Post Processors should have started for the EDIV0001, EDIV0002, EDIV0003, and EDIV0004 staging files. If they have not started since you performed the online outbound and inbound tests, they should start at the next scan interval.
- Press **PF3=Exit** to return to the Viewpoint Main Menu (EDIM600).

Completed by: _____

Date: _____ Time: _____

Step 13 Check the Gentran:Viewpoint Capture Results

Typically performed by: System Installer

In this step, the results from the Gentran:Realtime tests, captured by Gentran:Viewpoint will be displayed from the online facility.

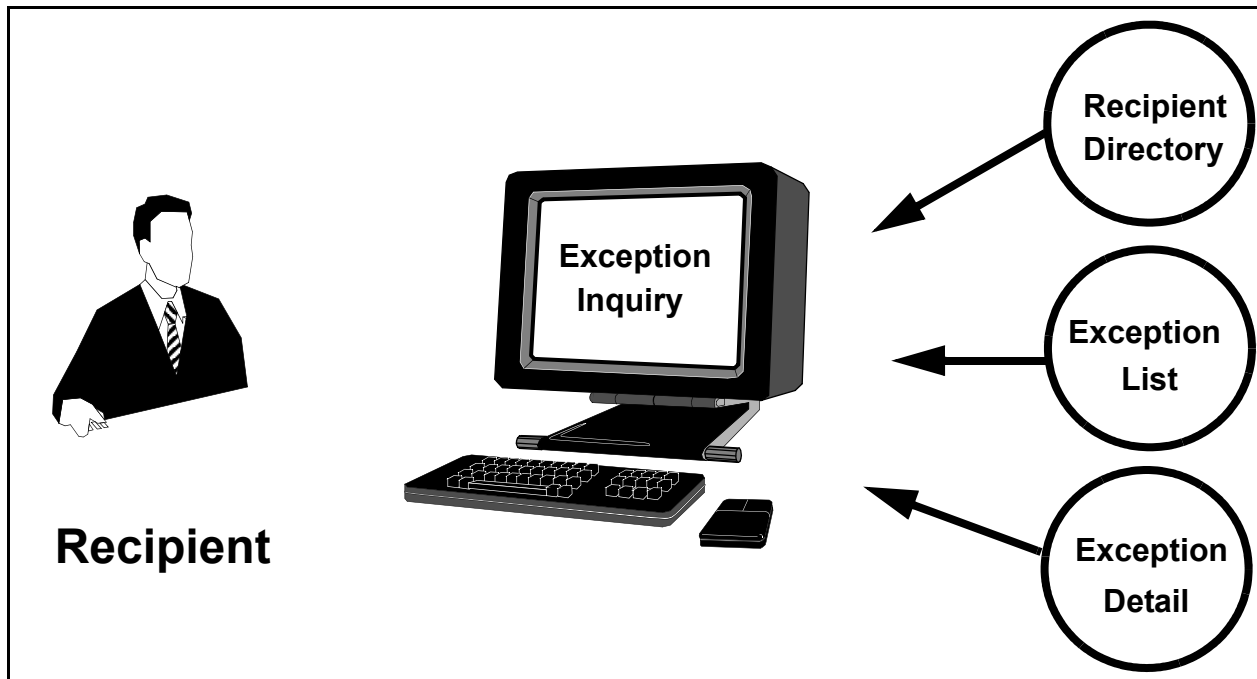


Figure 4.7 Review Capture Results

Perform the following tasks to complete this step:

- From the Viewpoint Main Menu, select **Exception Inquiry** (option 4) and press **Enter**.
The Exception Inquiry Menu is displayed.
- Select **Recipient Directory** (option 1) and press **Enter**.

The Exception Detail screen for the exception is displayed. Compare the values on your screen with the values shown in the following example.

```

EDIM649 _____ EXCEPTION DETAIL 02/01/2008
Type Action, press Enter.
  __ 4=Delete 6=MsgList 7=Data 8=UserMsg 9=UserProc 10=ExcpHist 11=Recip.

Recipient . . . : @EDITORS EDI COMPLIANCE MONITOR
Excp Status . . : OPEN 02/01/2008 12:00
Excp Tag . . . : 0000000007
User Reference: 000000006 /000000008 /000080001

System/Process: GENTRAN /EDIR001 Excp. Action:
Date-Time . . . : 02/01/2008 - 12:00 Action Dt-Tm:
Capture ID. . . : @MODEL-RIE Databank: REALTIME
Description . . : INBOUND COMPLIANCE ERRORS - REALTIME

Application : Interchange: 000000006
Network . . . : Group: 000000008
Direction/Set : INBOUND /810 Trans: 000080001
Partner . . . : VENDOR-1
Qual . . . . : Path / Option: 203/203
Trans ID/Task : EDIT/0000002 Queue File:

F1=Help F3=Exit F6=Next F12=Cancel

```

- Type **6** in the A (Action) field and press **Enter**.

The Exception Message List screen for the exception is displayed. Compare the values on this screen with the values shown on the screen below.

```

EDIM650 _____ EXCEPTION MESSAGE LIST 02/01/2008
Type Action, press Enter.
  6=Excp 7=Data 8=UserMsg 9=UserProc 10=ExcpHist

System : GENTRAN
Process : EDIR001
Desc. : INBOUND COMPLIANCE ERRORS - REALTIME
Reference: 000000006 /000000008 /000080001

A Message
__ 33 3 BIG 1 2001QQ05 DATE FIELD NOT NUMERIC.
__ 63 10 IT1 3 QQ IN THE IDENTIFIED ELEMENT, AN I
   NVALID CODE WAS FOUND.
__ 61 10 IT1 4 12QQ.99 UNACCEPTABLE CHARACTER FOUND IN
   INDICATED INPUT ELEMENT.
__ 63 11 IT1 3 QQ IN THE IDENTIFIED ELEMENT, AN I
   NVALID CODE WAS FOUND.
__ 61 15 CTT 1 QQ UNACCEPTABLE CHARACTER FOUND IN
   INDICATED INPUT ELEMENT.
__
__

LAST ENTRY DISPLAYED
F1=Help F3=Exit F6=Next F7=Bkwd F8=Fwd F12=Cancel

```

- Type **7** in the A (Action) field beside the second message and press **Enter**.

The Exception Message List screen for the exception is displayed. Compare the values on this screen with the values shown on the screen below.

```

EDIM650 _____ EXCEPTION MESSAGE LIST 02/01/2008
Type Action, press Enter.
  6=Excp  7=Data  8=UserMsg  9=UserProc 10=ExcpHist

System   : GENTRAN
Process  : EDIR042
Desc.    : OUTBOUND MAPPING ERRORS - REALTIME
Reference: PONUMBER-005

A Message
__  617      11 005          40 PO1   20          INVALID NUMERIC DATA
      IN INPUT FIELD - MOVED ZERO TO TARGET FIELD.
__  626          EA99          UNABLE TO TRANSLATE C
      ODE - MOVED SPACE TO TARGET FIELD.
      TRANSLATION ID: UNITMEAS
__
__
__
__
__
__
__
__

LAST ENTRY DISPLAYED
F1=Help  F3=Exit  F6=Next  F7=Bkwd  F8=Fwd  F12=Cancel
    
```

- Type **7** in the A (Action) field beside the first message and press **Enter**.

The Exception Data Display screen for the exception is displayed. Compare the values on this screen with the values shown on the screen below.

```

EDIM651 _____ EXCEPTION DATA DISPLAY 02/01/2008
Type Action, press Enter.
  6=Excp  7=MsgList  8=UserMsg  9=UserProc 10=ExcpHist

System   : GENTRAN
Process  : EDIR042
Desc.    : OUTBOUND MAPPING ERRORS - REALTIME
Reference: PONUMBER-005

Exception Data
VENDOR-2PONUMBER-0050050000Y00EACH0109999CAT-286-10-10  286/10MHZ/10 MEG
*  617      11 005          40 PO1   20          INVALID NUMERIC DATA IN
*      INPUT FIELD - MOVED ZERO TO TARGET FIELD.
VENDOR-2PONUMBER-0050050000900EACH0119999CAT-286-10-20  286/10MHZ/20 MEG
VENDOR-2PONUMBER-00500500001200EA990139999CAT-286-12-40  286/12MHZ/40 MEG
*  626          EA99          UNABLE TO TRANSLATE COD
*      E - MOVED SPACE TO TARGET FIELD.
*      TRANSLATION ID: UNITMEAS
VENDOR-2PONUMBER-0050050001000EACH0134999CAT-286-12-30  286/12MHZ/30 MEG
VENDOR-2PONUMBER-0050050000700EACH0229999CAT-386-16-20  386/16MHZ/20 MEG
VENDOR-2PONUMBER-0050050001000EACH0249999CAT-386-16-40  386/16MHZ/40 MEG

F1=Help  F3=Exit  F6=Next  F7=Bkwd  F8=Fwd  F12=Cancel
    
```

- Press **Home** to move the cursor to the Jump Code field. Type **9.0** and press **Enter** to return to the Viewpoint Main Menu (EDIM600).

Completed by: _____

Date: _____ Time: _____

Step 14 Query the Gentran:Viewpoint Tracked Items

Typically performed by: System Installer

In this step, the items from Gentran:Realtime tracked by Gentran:Viewpoint will be displayed from the online facility.



Figure 4.8 Review Tracking Items

Perform the following tasks to complete this step:

- From the Viewpoint Main Menu, select **Tracking Management** (option 5) and press **Enter**.
The Tracking Management Menu is displayed.
- Select **Query Directory** (option 1), and press **Enter**.

The Item Process Detail screen for the item is displayed. Compare the values on this screen with the screen shown below.

```

EDIM712 _____ ITEM PROCESS DETAIL 02/01/2008
Type Action, press Enter.
  __ 8=ItemHist 10=MsgList 11=DataDisp 13=ItemRefs 14=Query 15=Excps

Item Identification
Item Type . . . : DOCUMENT
Reference . . . : PONUMBER-005
Trace ID . . . : AO00000001 To/From:

System/Process: GENTRAN /EDIR042 Recip/Action: @MAPPEROUT/
Date-Time . . . : 02/01/2008 - 12:00 Action Dt-Tm:
Direction/Set : OUTBOUND/ Excp. Status: OPEN
Application . . : POFILE Trans. ID/Task: EDIT/0000001
Network . . . : Path ID/Option: 200/200
Partner . . . : VENDOR-2
Qual . . . . : Queue File:
Databank . . . : REALTIME
Process Statuses
Ack Status . . . : Mapping Status : 04
Comp Status . . . : Network Status :
Env Status . . . : Seq Status . . . :

F1=Help F3=Exit F12=Cancel

```

- Type **11** in the A (Action) field and press **Enter**.

The Item Data Display screen for the item is displayed. Compare the values on the screen with the values on the screen shown below.

```

EDIM716 _____ ITEM DATA DISPLAY 02/01/2008
Type Action, press Enter.
  __ 8=ItemHist 9=ItemDtl 10=MsgList 13=ItemRefs 15=Excps

System : GENTRAN
Process : EDIR042
Desc. : OUTBOUND MAPPER
Item Type: DOCUMENT
Reference: PONUMBER-005

Item Data
VENDOR-2PONUMBER-005001010201STERLING COMMERCE INC. 4600 LAKEHURST COURT
VENDOR-2PONUMBER-005002#####
VENDOR-2PONUMBER-005002#### PURCHASE ORDER INSTRUCTIONS
VENDOR-2PONUMBER-005002####
VENDOR-2PONUMBER-005002#### ALL ITEMS MUST BE SENT BY REQUESTED SHIP DATE OR
VENDOR-2PONUMBER-005002#### ENTIRE ORDER IS SUBJECT TO CANCELLATION
VENDOR-2PONUMBER-005002####
VENDOR-2PONUMBER-005002#### NO SUBSTITUTION OF ITEMS W/O PRIOR BUYER APPROVAL
VENDOR-2PONUMBER-005002####
VENDOR-2PONUMBER-0050050000Y00EACH0109999CAT-286-10-10 286/10MHZ/10 MEG

F1=Help F3=Exit F6=Next F7=Bkwd F8=Fwd F12=Cancel

```

- Type **10** in the A (Action) field and press **Enter**.

The Item Message List screen for the item is displayed. Compare the values on this screen with the screen shown below.

```

EDIM715 _____ ITEM MESSAGE LIST 02/01/2008
Type Action, press Enter.
  8=ItemHist  9=ItemDtl  11=DataDisp  13=ItemRefs  15=Excps

System   : GENTRAN
Process  : EDIR042
Desc.    : OUTBOUND MAPPER
Item Type: DOCUMENT
Reference: PONUMBER-005

A Message
--- 617      11 005          40 PO1   20          INVALID NUMERIC DATA
      IN INPUT FIELD - MOVED ZERO TO TARGET FIELD.
--- 626      EA99          UNABLE TO TRANSLATE C
      ODE - MOVED SPACE TO TARGET FIELD.
      TRANSLATION ID: UNITMEAS
---
---
---
---
LAST ENTRY DISPLAYED
F1=Help  F3=Exit  F7=Bkwd  F8=Fwd  F12=Cancel

```

- Type **15** in the first A (Action) field and press **Enter**.

The Item Exception Status screen for the item is displayed. Compare the values on the screen with the values on the screen shown below.

```

EDIM718 _____ ITEM EXCEPTION STATUS 02/01/2008
Type Action, press Enter.
  8=ItemHist  9=ItemDtl  10=MsgList  11=DataDisp  13=ItemRefs  16=ExcpDtl

System   : GENTRAN
Process  : EDIR042
Desc.    : OUTBOUND MAPPER
Item Type: DOCUMENT
Reference: PONUMBER-005

A Recipient Action      Status  Date       Time      Capture Id
--- @MAPPEROUT          OPEN    02/01/2008 12:00    @MODEL-ROM
---
---
---
---
---
---
---
---
F1=Help  F3=Exit  F7=Bkwd  F8=Fwd  F12=Cancel

```

- Type **16** in the first A (Action) field beside the exception and press **Enter**.

The Exception Detail screen for the item is displayed. Compare the values on this screen with the screen shown below.

```

EDIM649 _____ EXCEPTION DETAIL 02/01/2008
Type Action, press Enter.
  __ 4=Delete 6=MsgList 7=Data 8=UserMsg 9=UserProc 10=ExcpHist 11=Recip.
  __ 12=ItemExcp

Recipient . . . : @MAPPEROUT OUTBOUND MAPPING ERRORS
Excp Status . . : OPEN 02/01/2008 12:00
Excp Tag . . . : 0000000005
User Reference: PONUMBER-005

System/Process: GENTRAN /EDIR042 Excp. Action:
Date-Time . . . : 02/01/2008 - 12:00 Action Dt-Tm:
Capture ID. . . : @MODEL-ROM Databank: REALTIME
Description . . : OUTBOUND MAPPING ERRORS - REALTIME

Application : POFILE Interchange:
Network . . . : Group:
Direction/Set : OUTBOUND/ Trans:
Partner . . . : VENDOR-2
Qual . . . . : Path / Option: 200/200
Trans ID/Task : EDIT/0000001 Queue File:

F1=Help F3=Exit F6=Next F12=Cancel

```

Completed by: _____

Date: _____ Time: _____

You have completed the Installation Verification for Gentran:Realtime.

Installation Verification for Relationship and Mixed Modes

Overview

After you have completed the installation steps described in Chapter 3, "Installing Gentran:Viewpoint", you must verify your work. To do this, you execute major Gentran:Viewpoint components and review the resulting batch reports and screens. This chapter describes the verification procedure for Relationship mode and Mixed mode processing. The verification steps for Partner/Qualifier mode processing are provided in Chapter 4, "Installation Verification for Partner/Qualifier Mode".

This chapter contains the following topics:

Topic	Page
Overview	5-1
Introduction	5-2
Requirements for Verification	5-2
System/Program Image Modifications.....	5-2
Modifying Parameters Used in Verification Tests	5-3
Online Screens	5-5
Using Jump Codes	5-5
Log on to Gentran and Update Security	5-6
Verify Gentran:Viewpoint	5-11
Gentran:Basic and Gentran:Plus Processing	5-20
Outbound Processing	5-20
Inbound Processing	5-31
Start the Gentran:Viewpoint Online Scanner/Initiator	5-42
Review the Online Log	5-43
Check the Gentran:Viewpoint Capture Results	5-45
Query the Gentran:Viewpoint Tracked Items	5-52
Gentran:Realtime Processing	5-60
Outbound Processing	5-60
Inbound Processing	5-69
Start the Gentran:Viewpoint Online Scanner/Initiator	5-76
Review the Online Log	5-77
Check the Gentran:Viewpoint Capture Results	5-79
Query the Gentran:Viewpoint Tracked Items	5-87

Introduction

Data on the sample screens and batch reports in this guide will not exactly match the data on your screens and reports for various reasons (your run date and time is different and the install data may have changed since the release of this guide).

This chapter is designed to help you to:

- Verify correct flow from one screen to another.
- Verify correct fields and PF keys set up on each screen, and make sure that the system displays no superfluous text on the screens.
- Familiarize yourself with the system components, including updating the system and navigating more easily through the system.
- Verify correct layout of each report, and make sure that no error messages exist.

When you encounter discrepancies on the screens or batch reports, you will need to review the respective section in Chapter 3, *Installing Gentran:Viewpoint*, in this Installation Guide.

Complete the steps in the installation verification procedure in the order presented.

Requirements for Verification

The installation verification procedure in this chapter requires access to both the online and batch environments. In particular, you need the following:

- A CICS user ID and password enabling access to the Gentran CICS region.
- A Gentran user ID and password providing update access. Obtain this information from your System Administrator (or the person who installed the Gentran CICS feature).
- A TSO or equivalent system, which enables you to submit, monitor, and review batch jobs (for example, ISPF).
- Your CICS region, which contains Gentran, must be running.

System/Program Image Modifications

During the installation of Gentran:Viewpoint if you changed the system and/or program image(s) to use a value other than EDI, you must make certain modifications so that the tests in this chapter will perform according to the provided descriptions: Replace the value EDI with your system image characters whenever you execute a CICS transaction that begins with the characters EDI.

Modifying Parameters Used in Verification Tests

Note: If Gentran:Realtime is not implemented in your system, skip this step.

Before you can perform the installation verification tests, you must modify the outbound mapping parameters of one of the paths used in the tests, so that they specify the Default User ID.

Step 1 Modify the appropriate outbound mapping parameters.

Typically performed by: System Installer

The tasks involved in performing this modification are listed below. Check the box next to each task as you complete it.

- Type **EDI** on a blank CICS screen and press **Enter**. The system displays the Gentran Logon screen (EDIM000).
- Type your Gentran CICS User ID and Password and press **Enter**. The system displays the Gentran Main Menu (EDIM001).
- Type **8 . 1 . 8** in the Jump Code field and press **Enter**. The system displays the Path Options Directory screen (EDIM830).
- Type **200M** in the Starting Path Option ID field and press **Enter**. The system refreshes the screen display, with Path 200M as the first entry in the directory list.
- Type an **S** in the A (Action Code) field corresponding to Path 200M and press **PF5=Maint**. The system displays the Outbound Mapper-1 Path Maintenance screen (EDIM83D).
- Type **2** in the Transfer To field and press **PF5=Transfer**. The system displays the Outbound Mapper-3 Path Maintenance screen (EDIM83E).
- Type either **YOUR COMPANY** (if you are processing in Relationship mode) or **ISA-PARTNER** (if you are processing in Mixed mode) in the Default User ID field and press **PF10=Uprt**.

The system refreshes the screen display with the message **PATH RECORD UPDATED**.

```
EDIM83E _____ OUTBOUND MAPPER-3 PATH MAINTENANCE XXX 02/01/2008
                                           12:00:00

Path ID.....: 200M X12 O/B IVP (MAPPER PARMS - IMM 200)

Default Partner ID.....: _____ Qual: ____
Default User ID.....: YOUR_COMPANY _____ Qual: ____
Partner Read Switch....: 0 (0=Part/1=Xref/2=PartP/3=XrefP)
Partner Print Switch...: N (Y=Print/N=No Print)
Gen MaxLen GS Time SW..: _ (Y/Blank)
Blank Partner Error SW.: _ (Y/1/Blank)
Default Outbound Ver...: _____
Outbound Env User Exit.: _____
User Exit Version.....: _ (1=Old Linkage/2=New Linkage for User Exit)

                                           Last Update Date: 00/00/00
                                           Time: 00:00:00
                                           User: SCI

PATH RECORD UPDATED
Enter PF1=Help          PF3=Exit PF4=Dir          PF6=Shell
      PF7=Map2 PF8=Map4          PF10=Updt
```

- Type **Exit** in the Jump Code field and press **Enter**. The system displays the sign-off message as you exit the system.

Completed by: _____

Date: _____ Time: _____

Online Screens

This section provides you with the steps for testing screens to validate correct set up of all subsystems. This section also includes a summarization that explains jump codes in Gentran:Viewpoint and how to use them.

Using Jump Codes

In Gentran:Viewpoint, most screens have a jump code associated with them, which provide the capability to easily jump from screen to screen. By using jump codes, you will not need to back out of subsystems, bring up the main menu, and then select an option to display another screen. You need only to enter the respective jump code to jump from screen to screen.

A jump code consists of 1 to 10 characters or digits that appear in the upper left corner of the screen, to the right of the screen number. Jump codes are made up of either numeric or alphabetic characters. To use jump codes, perform the following:

1. Press **Home** to move the cursor to the Jump Code field.
2. Type the jump code of the screen to which you want to jump in the Jump Code field and press **Enter**.

See “Jump Codes” in Chapter 4, “Using the Online Facility,” in the *Gentran:Viewpoint for zSeries Release 6.5 User Guide* for detailed information on jump codes and guidelines for using them.

For a listing of all numeric and alphabetic jump codes by Gentran:Viewpoint screen, see Appendix A of the *Gentran:Viewpoint for zSeries Release 6.5 User Guide*.

Step 2 Log on to Gentran and Update Security

Typically performed by: System Installer

Check the box next to each task as you complete it.

- Bring up the appropriate screen for the CICS terminal and clear the screen. At the insertion point, type the System Image ID, and press **Enter** to display the Gentran logon screen.

See Appendix B, “System Image and Program Image Features,” for more information about the System Image feature.

```
EDIM000                                02/01/2008
                                         12:00:00

                                G E N T R A N

SYSTEM IMAGE: EDI          PROGRAM IMAGE: EDI          DBK CONFIG:FFFF
PAUSE = EXIT PC KYBD     GENTRAN:BASIC 6.5.00        GENTRAN:VPT-EXCP 6.5.00
GENTRAN:VPT-TRACK 6.5.00

                                User ID: _____ Password:
                                         New Password:

                                ***TRADE SECRET NOTICE***
This software is the confidential and trade secret property of STERLING
COMMERCE (MID AMERICA), INC. and/or the owner of the software, and is
provided under the terms of a license agreement. No duplication or disclosure
without prior written permission. Restricted rights.

Enter                                PF3=Exit
```

Note: The four lines above the User ID and Password fields indicate which options are selected and which Gentran add-on products are installed on your system.

- Type **ADMIN** in the User ID field and press **Tab**. Type **SECURITY** in the Password field and press **Enter**.

The system displays the Gentran Main Menu. You can access all Gentran subsystems from this menu.

```

EDIM001 0.0 _____ GENTRAN MAIN MENU          XXX      02/01/2008
EDI/EDI                      XXXXXXXX      12:00:00

Type the number of your selection below and press ENTER, or
press the PF3 key to Exit.

—  1.  Partner Maintenance Menu
    2.  Standards Maintenance Menu
    3.  Databank Maintenance Menu
    4.  Administrative Maintenance
    5.  Mapping Maintenance Menu

    6.  GENTRAN:Plus Main Menu
    7.  GENTRAN:Control Main Menu
    8.  GENTRAN:Realtime Main Menu
    9.  GENTRAN:Viewpoint Main Menu

Enter PF1=Help          PF3=Exit

PF15=Logoff

```

- The Gentran:Viewpoint subsystem (option 9 on the Gentran Main Menu) must be enabled before proceeding. A subsystem is enabled if it is highlighted and the letters (N/A) are not displayed to the right.

If the Gentran:Viewpoint subsystem is enabled, skip the rest of the tasks in this step and proceed to **Step 2**.

If the Gentran:Viewpoint subsystem is not enabled, proceed with the next task.

- Type **4** to select Administrative Maintenance from the Gentran Main Menu and press **Enter**. The system displays the Administrative Maintenance Menu.

```

EDIM210 4.0 _____ ADMINISTRATIVE MAIN MENU      XXX      02/01/2008
                                          12:00:00

Type the number of your selection below and press ENTER, or
press the PF3 key to Exit.

—  1.  Security Maintenance Menu
    2.  Message Maintenance Menu
    3.  Configuration Directory
    4.  Global Parameter Maintenance
    5.  Relationship Conversion (N/A)
    6.  Upload Process Maintenance
    7.  Separator Menu
    8.  Change Audit Menu
    9.  Message Center Job Summary

Enter PF1=Help          PF3=Exit

PF15=Logoff

```

- Type **1** to select Security Maintenance Menu from the Administrative Maintenance Menu, and press **Enter**. The system displays the Security Maintenance Menu.

```

EDIM200 4.1 _____ SECURITY MAINTENANCE MENU XXX 02/01/2008
                                                    12:00:00

Type the number of your selection below and press ENTER, or
press the PF3 key to Exit.

_  1.  User Id Directory
    2.  User Id Maintenance

Enter PF1=Help          PF3=Exit
                                                    PF15=Logoff
    
```

- Type **2** to select User ID Maintenance from the Security Maintenance Menu and press **Enter**. The system displays the User ID Maintenance screen. In the User Id field, type **ADMIN** and press **Enter**. Verify that the system displays the User ID Maintenance-1 screen.

```

EDIM201 4.1.2 _____ USER ID MAINTENANCE-1 XXX 02/01/2008
                                                    12:00:00

User Id..... ADMIN_____ Password..          Division.. 000  Initials.. XXX
Last Name.. LAST_____ First.. FIRST_____ MI.. M
Last Update Date..: 02/01/08  User...: XXX

Options                Access      Authority Level
Partner Maintenance    Y (Y/N)  1 (1/2/3)
Standards Maintenance  Y (Y/N)  1 (1/2/3)
Databank Maintenance  Y (Y/N)  1 (1/2/3/4/5/6)
Mapping Integration    Y (Y/N)  1 (1/2/3)
Administrative Maintenance
  Security Maintenance  Y (Y/N)  1 (1/2/3)
  Message Maintenance  Y (Y/N)  1 (1/2/3)
  Configuration File Maintenance
  Global Parameter Maintenance  Y (Y/N)  1 (1/2/3)

Enter PF1=Help          PF3=Exit PF4=Dir          PF5=More Opts  PF6=Nxt User
                        PF9=Add PF10=Updt PF11=Del
    
```


- ☐ Press **PF5=More Opts** to display the second User ID Maintenance screen.

```

EDIM202 _____ USER ID MAINTENANCE-2          XXX      02/01/2008
                                                12:00:00

User Id..... ADMIN

Last Update Date...: 02/01/08   User...: XXX

Options                                     Access      Authority Level
GENTRAN:Plus                               Y (Y/N)     1 (1/2/3)
GENTRAN:Control                             Y (Y/N)     1 (1/2/3)
GENTRAN:Realtime                            Y (Y/N)     1 (1/2/3)
Realtime Databank Maintenance               Y (Y/N)     1 (1/2/3/4/5/6)
GENTRAN:Viewpoint                           N (Y/N)     4 (1/2/3/4)
      Recipient                               _____ (optional)

Enter PF1=Help          PF3=Exit PF4=Prev
                        PF10=Updt
    
```

- ☐ Tab down to Gentrans:Viewpoint and change the Access code from N to Y and change the Authority Level to 1.

```

EDIM202 _____ USER ID MAINTENANCE-2          XXX      02/01/2008
                                                12:00:00

User Id..... ADMIN

Last Update Date...: 02/01/08   User...: XXX

Options                                     Access      Authority Level
GENTRAN:Plus                               Y (Y/N)     1 (1/2/3)
GENTRAN:Control                             Y (Y/N)     1 (1/2/3)
GENTRAN:Realtime                            Y (Y/N)     1 (1/2/3)
Realtime Databank Maintenance               Y (Y/N)     1 (1/2/3/4/5/6)
GENTRAN:Viewpoint                           Y (Y/N)     1 (1/2/3/4)
      Recipient                               _____ (optional)

Enter PF1=Help          PF3=Exit PF4=Prev
                        PF10=Updt
    
```

- Press **PF10=Updt**. Verify that the updated screen is displayed.

```

a EDIM202 _____ USER ID MAINTENANCE-2          XXX      02/01/2008
                                           12:00:00

User Id..... ADMIN

Last Update Date..: 02/01/08   User...: XXX

Options                                     Access      Authority Level
GENTRAN:Plus                               Y (Y/N)     1 (1/2/3)
GENTRAN:Control                             Y (Y/N)     1 (1/2/3)
GENTRAN:Realtime                            Y (Y/N)     1 (1/2/3)
Realtime Databank Maintenance               Y (Y/N)     1 (1/2/3/4/5/6)
GENTRAN:Viewpoint                           Y (Y/N)     1 (1/2/3/4)
      Recipient                               _____ (optional)

USER ID UPDATED
Enter PF1=Help                               PF3=Exit PF4=Prev
                                           PF10=Updt
    
```

- You must exit and re-enter the Gentran system for these changes to take effect. Press **Home** to move the cursor to the Jump Code field, type **EXIT** and press **Enter** to leave the Gentran system.
- Clear the CICS screen. Type the System Image ID and press **Enter** to display the Gentran logon screen.
- On the Gentran logon screen, type **ADMIN** in the User ID field and press **Tab**. Type **SECURITY** in the Password field and press **Enter** to display the Gentran Main Menu (EDIM001).

Completed by: _____

Date: _____ Time: _____

Step 3 Verify Gentran:Viewpoint

Verify the online Gentran:Viewpoint system installation.

Typically performed by: System Installer

The tasks involved in verifying the Gentran:Viewpoint installation are listed below.

Check the box next to each task as you complete it.

- On the Gentran Main Menu, type **9** in the selection field (Gentran:Viewpoint Main Menu) and press **Enter**.

```
EDIM001 0.0_____ GENTRAN MAIN MENU          XXX      02/01/2008
EDI/EDI                      XXXXXXXX      12:00:00

Type the number of your selection below and press ENTER, or
press the PF3 key to Exit.

  9  1. Partner Maintenance Menu
     2. Standards Maintenance Menu
     3. Databank Maintenance Menu
     4. Administrative Maintenance
     5. Mapping Maintenance Menu

     6. GENTRAN:Plus Main Menu
     7. GENTRAN:Control Main Menu
     8. GENTRAN:Realtime Main Menu
     9. GENTRAN:Viewpoint Main Menu

Enter PF1=Help          PF3=Exit

                                           PF15=Logoff
```

The system displays the Viewpoint Main Menu (EDIM600).

```
EDIM600 9.0_____ VIEWPOINT MAIN MENU          02/01/2008

Select one of the following.

  __ 1. System Options
     2. Extended System Management
     3. Exception Management
     4. Exception Inquiry
     5. Tracking Management
     99. Log Display

F1=Help F3=Exit F15=Logoff
```

- On the Viewpoint Main Menu, type **1** in the selection field and press **Enter** to display the System Maintenance screen (EDIM685).

```

EDIM685 9.1_____ VIEWPOINT - SYSTEM OPTIONS 02/01/2008
Type Action, press Enter
__ 2=Update 8=TSQDir

Description . . . VIEWPOINT_SYSTEM_OPTIONS_____

System Status . . E (E=Enable, D=Disable)
System Trace . . . E (E=Enable, D=Disable)

Scan Interval . . 00 : 05 (HH:MM)

Error User Exit _____ Data _____

TRACKING USER EXIT ____

Staging File Control (E=Enable, D=Disable)
File 1 2 3 4 5 6 7 8 9 10 11 12 13 14 15 16 17 18 19 20
Status E E E E E D D D D D D D D D D D D D D D D
Full T T T T T T T T T T T T T T T T T T T T T

Staging TSQ Full T (T=Terminate, C=Continue)

F1=Help F3=Exit F13=Start
    
```

- Press **PF3=Exit** to return to the Viewpoint Main Menu (EDIM600).

```

EDIM600 9.0_____ VIEWPOINT MAIN MENU 02/01/2008

Select one of the following.

  2  1. System Options
     2. Extended System Management
     3. Exception Management
     4. Exception Inquiry
     5. Tracking Management
    99. Log Display

F1=Help F3=Exit F15=Logoff
    
```

- On the Viewpoint Main Menu, type **2** in the selection field and press **Enter** to display the Extended System Management Menu (EDIM601).

```

EDIM601 9.2_____ EXTENDED SYSTEM MANAGEMENT MENU                                02/01/2008

Select one of the following.

   1  1. STERLING Tracking Point Directory
      2. STERLING Tracking Point Definition
      3. Functional Area Control
      4. Maintenance/Inquiry Options Directory
      5. Maintenance/Inquiry Options Definition
      6. User Tracking Point Directory
      7. User Tracking Point Definition

F1=Help  F3=Exit

```

- On the Extended System Management Menu, type **1** in the selection field and press **Enter** to display the Sterling Tracking Point Directory (EDIM602).

```

EDIM602 9.2.1____ STERLING TRACKING POINT DIRECTORY                                02/01/2008
Type Action, press Enter.
  1=Add  4=Delete  5=Select  6=Enable  7=Disable

System  CONNECT____
Process ALL_____
Status  _ (E=Enabled, D=Disabled)

A System      Process  Description                                     Status
- CONNECT     ALL      CONNECT GENERAL TRACKING                          E
- CONNECT     EDIR314  CONNECT OUTBOUND INTERFACE                         E
- CONNECT     EDIR316  CONNECT INBOUND INTERFACE                          E
- CONNECT     MAILBOX  CONNECT COMMUNICATIONS PRODUCT                     E
- CONNECT     STOUTL  CONNECT OFFLINE UTILITIES                           E
- GENTRAN     ALL      GENTRAN GENERAL TRACKING                           E
- GENTRAN     EBDI001  GENTRAN INBOUND EDITOR                             E
- GENTRAN     EBDI002  GENTRAN OUTBOUND EDITOR                            E
- GENTRAN     EBDI041  GENTRAN INBOUND MAPPER                             E
- GENTRAN     EBDI042  GENTRAN OUTBOUND MAPPER                            E
- GENTRAN     EDID205  GENTRAN OUTBOUND EDI DATABANK EXTRACT              E
- GENTRAN     EDID255  REALTIME OUTBOUND EDI DATABANK EXTRACT             E

F1=Help  F3=Exit  F7=Bkwd  F8=Fwd  F12=Cancel

```

- ❑ Press **PF3=Exit** twice to return to the Viewpoint Main Menu (EDIM600).

```
EDIM600 9.0_____ VIEWPOINT MAIN MENU 02/01/2008

Select one of the following.

  3  1. System Options
     2. Extended System Management
     3. Exception Management
     4. Exception Inquiry
     5. Tracking Management
    99. Log Display

F1=Help F3=Exit F15=Logoff
```

- ❑ On the Viewpoint Main Menu, type **3** in the selection field and press **Enter** to display the Exception Management Menu (EDIM620).

```
EDIM620 9.3_____ EXCEPTION MANAGEMENT MENU 02/01/2008

Select one of the following.

  1  1. Exception Profile Directory
     2. Exception Profile Definition
     3. Exception Capture Directory
     4. Exception Capture Definition
     5. Exception Action Directory
     6. Exception Action Definition
     7. User Message Directory
     8. User Message Definition
     9. User Procedure Directory
    10. User Procedure Definition
    11. Usage Cross Reference

F1=Help F3=Exit
```

- On the Exception Management Menu, type **1** in the selection field and press **Enter** to display the Exception Profile Directory (EDIM621).

```

EDIM621 9.3.1_____ EXCEPTION PROFILE DIRECTORY 02/01/2008
Type Action, press Enter
  1=Add  4=Delete  5=Select  6=Enable  7=Disable

Profile @MODEL-AR_
Status  _ (E=Enabled, D=Disabled)

A Profile      Description                                     Status
- @MODEL-AR   ACKNOWLEDGEMENT ERRORS                          E
- @MODEL-CM   COMMUNICATIONS ERRORS                             E
- @MODEL-CMI  COMMUNICATIONS ERRORS (CONNECT INBOUND API)                E
- @MODEL-CMO  COMMUNICATIONS ERRORS (CONNECT OUTBOUND API)                E
- @MODEL-DS   ALL DOCUMENT SUSPENSE ERRORS                               E
- @MODEL-GS   ALL GROUP SUSPENSE ERRORS                                   E
- @MODEL-IE   INBOUND COMPLIANCE ERRORS                                    E
- @MODEL-IM   INBOUND MAPPING ERRORS                                     E
- @MODEL-IS   ALL INTERCHANGE SUSPENSE ERRORS                             E
- @MODEL-OE   OUTBOUND COMPLIANCE ERRORS                                  E
- @MODEL-OEX  OUTBOUND EDI EXTRACT ERRORS                                  E
- @MODEL-OM   OUTBOUND MAPPING ERRORS                                     E
- @MODEL-OU   COMMUNICATIONS ERRORS (STOUTL)                              E

F1=Help  F3=Exit  F7=Bkwd  F8=Fwd  F12=Cancel

```

- Press **PF3=Exit** twice to return to the Viewpoint Main Menu (EDIM600).

```

EDIM600 9.0_____ VIEWPOINT MAIN MENU 02/01/2008

Select one of the following.

  4  1. System Options
     2. Extended System Management
     3. Exception Management
     4. Exception Inquiry
     5. Tracking Management
    99. Log Display

F1=Help  F3=Exit  F15=Logoff

```


- ☐ Press **PF3=Exit** twice to return to the Viewpoint Main Menu (EDIM600).

```
EDIM600 9.0 _____ VIEWPOINT MAIN MENU 02/01/2008

Select one of the following.

  5  1. System Options
     2. Extended System Management
     3. Exception Management
     4. Exception Inquiry
     5. Tracking Management
    99. Log Display

F1=Help F3=Exit F15=Logoff
```

- ☐ On the Viewpoint Main Menu, type **5** in the selection field and press **Enter** to display the Tracking Management Menu (EDIM700).

```
EDIM700 9.5 _____ TRACKING MANAGEMENT MENU 02/01/2008

Select one of the following.

  1  1. Query Directory
     2. Query Request

F1=Help F3=Exit
```


- On the viewpoint Main Menu, type **99** in the selection field and press **Enter** to display the Viewpoint Online Log Display (EDIM688).

```

EDIM688 9.99_____ VIEWPOINT ONLINE LOG DISPLAY          XXX   02/01/2008
                                     12:00:00
Start: 02/01/2008 12:00:00 Stop:                               Last: 12:10:00 Scan: 0005
Filters==>  Errors Only:  _  Program: _____
  Position   Task #   TranID   Time       Date       Max Count
Criteria==> _____   _____   _____   _____   _____   0450

  Task  Tran   Time       Date       Term   Program   Error Code
00001  EDIV   12:00:00  02/01/2008   EDIX690  EDI-50301-I 00
VIEWPOINT SCANNER INITIALIZATION COMPLETE . . . BY PLT
00001  EDIV   12:00:00  02/01/2008   EDIX690  EDI-50303-T 00
VIEWPOINT ONLINE SCANNER ENDS . . . . , DATE: 02/01/2008, TIME: 12:00:00
00002  EDIV   12:05:00  02/01/2008   EDIX690  EDI-50302-T 00
VIEWPOINT ONLINE SCANNER BEGINS . . . . , DATE: 02/01/2008, TIME: 12:05:00
00002  EDIV   12:05:00  02/01/2008   EDIX690  EDI-50303-T 00
VIEWPOINT ONLINE SCANNER ENDS . . . . , DATE: 02/01/2008, TIME: 12:05:00
00003  EDIV   12:10:00  02/01/2008   EDIX690  EDI-50302-T 00
VIEWPOINT ONLINE SCANNER BEGINS . . . . , DATE: 02/01/2008, TIME: 12:10:00
00003  EDIV   12:10:00  02/01/2008   EDIX690  EDI-50303-T 00
VIEWPOINT ONLINE SCANNER ENDS . . . . , DATE: 02/01/2008, TIME: 12:10:00

Enter PF1=Help          PF3=Exit
      PF7=Bwd  PF8=Fwd
    
```

Note: If the Viewpoint Scanner has not been started, there may not be any log records to display. This is acceptable.

- Press **Home** to move the cursor to the Jump Code field, type **EXIT**, and press **Enter** to exit the Gentran system.

Completed by: _____

Date: _____ Time: _____

Gentran:Basic and Gentran:Plus Processing

Note: If Gentran:Basic is not implemented in your system, skip this topic and proceed to the next topic for Gentran:Realtime processing.

Step 4 Outbound Processing

Typically performed by: System Installer

The Outbound User Application program, Outbound Mapper (EBDI042), Outbound Editor (EBDI002), Outbound Splitter (EBDI016), and Connect Offline Utilities (STOUTL) or Sample Outbound Communications program process sample data provided with the system. The use of the Connect Off-line Utilities program or the sample Outbound Communications program depend on whether you are a Gentran:Plus user; Plus users use STOUTL in the Viewpoint verification process.

The items processed by the Outbound Mapper, Outbound Editor, and Offline Utilities (if applicable) are processed by Gentran:Viewpoint Exception Management. The items processed by each tracking point are tracked by the Gentran:Viewpoint Tracking Management module.

Figure 5.1 illustrates the processing flow of this step.

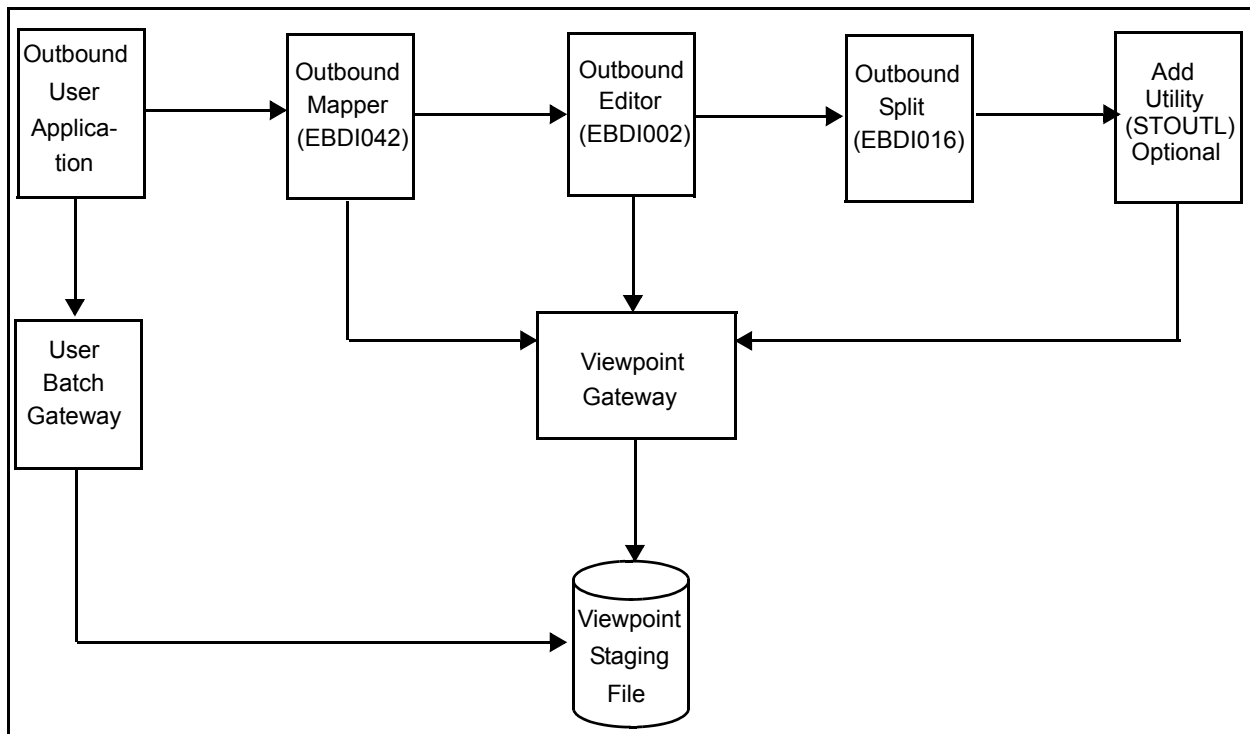


Figure 5.1 Outbound Batch Processing Flow

Check the box next to each task as you complete it.

- The JCL member you use will depend on whether you are implementing the Gentran:Plus communications module.
 - If Gentran:Plus is not being implemented, use member **VPVEROUT**. This job uses the Sample Outbound Communications program VPOBCOMM.
 - If Gentran:Plus is being implemented, use member **VPVEROPL**. This job replaces the Sample Outbound Communications program with the Connect Offline utility STOUTL.
- Modify the job card.
- Change **DISK** of **UNIT=DISK** as required by your installation.
- Change the string **XXXXXX** of the **VOL=SER=** parameter as required by your installation.
- Change data set names as required by your installation. Change only the first two levels of each data set name (**GENTRAN.V6X5**); this simplifies the installation process because it enables you to mass-edit data set names.
- If you are processing in Relationship mode, make the following modifications to the step that executes EBDI042:
 - Comment out the **SYS095 DD** statement for the Partner Cross Reference file and uncomment the **EDIPREL DD** statement for the Partner Relationship file.
 - Modify the second in-stream parameter record with the **SYS001 DD** statement to assign “YOUR COMPANY” as the Default User ID starting in position 40.
- If you are processing in Mixed mode, make the following modification to the step that executes EBDI042:
 - Modify the second in-stream parameter record with the **SYS001 DD** statement to assign “ISA-PARTNER” as the Default User ID starting in position 40.
- If using the **VPVEROPL** JCL for Gentran:Plus, also make the following modifications to the step that executes STOUTL:
 - Replace **SRV1** in the parm on the execute statement to match the VSAM File Server Name specified in the parm of your Connect VSAM File Server.
 - Change the **STEPLIB DD** statement to reference your Connect load library.

- If using Connect:Enterprise version 1.4 or higher, comment out the DCB parameter with LRECL=133 for the REPORTS DD statement and uncomment the DCB parameter with LRECL=173.
 - Change the VPF parameter included with the **SYSIN DD** statement to reference your Connect VSAM Pointer File.
- Read the comments within the JCL member and follow any additional instructions that are noted.
 - Submit the JCL member.
 - Verify job results. You should never receive a return code greater than **8**.
 - Compare your reports with the sample reports that follow.

Sample SYSOUT output from VPOBAPPL

```
VIEWPOINT PROCESSING COMPLETED  
PURCHASE ORDERS CREATED - PROGRAM:VPOBAPPL
```

Sample SYS005 output from EBDI042 (Relationship Mode)

```
EBDI042  RUN 02/01/2008  TIME 12:00  ERRORS ENCOUNTERED MAPPING OUTGOING DATA  PAGE 1
ERROR **RECORD**
NUMBER NBR ID SEQ # ID SEQ INFORMATION ERROR MESSAGE
RECEIVER: YOUR COMPANY /VENDOR-2 40 P01 20 APPL REF: FNUMBER-001 DOCUMENT #: 1
617 11 005 41 P01 20 INVALID NUMERIC DATA IN INPUT FIELD - MOVED ZERO TO TARGET FIELD.
626 EA99 UNABLE TO TRANSLATE CODE - MOVED SPACE TO TARGET FIELD.
TRANSLATION ID: UNITMEAS
PROCESSING ENDED WITH ERRORS - PROCESSING COUNTS BELOW
APPLICATION RECORDS READ ----- 71
APPLICATION RECORDS SUSPENDED - 0
TOTAL RECORDS WRITTEN ----- 130
RETURN CODE FOR MAPPING ----- 4
```

Sample SYS005 output from EBDI042 (Mixed Mode)

```

EBDI042  RUN 02/01/2008  TIME 12:00  ERRORS ENCOUNTERED MAPPING OUTGOING DATA  PAGE 1
ERROR **RECORD**      FIELD SEG ELE
NUMBER  NBR ID      SEQ # ID  SEQ INFORMATION  ERROR MESSAGE
RECEIVER: VENDOR-2  40 F01  20      QUAL:  APPL REF: PONUMBER-001  DOCUMENT #: 1
617      11 005
626      EA99      UNABLE TO TRANSLATE CODE - MOVED SPACE TO TARGET FIELD.
          TRANSLATION ID: UNITMEAS
PROCESSING ENDED WITH ERRORS - PROCESSING COUNTS BELOW
APPLICATION RECORDS READ ----- 71
APPLICATION RECORDS SUSPENDED - 0
TOTAL RECORDS WRITTEN ----- 130
RETURN CODE FOR MAPPING ----- 4
    
```


Sample SYS006 output from EBDI042

```

EBDI042  RUN 02/01/2008  TIME 12:00  PROCESSING OPTIONS FOR MAPPING OUTGOING DATA  PAGE 1
APPLICATION TO PROCESS-----POFILE
USER EXIT VERSION SUPPORTED-----1
APPLICATION DECIMAL INDICATOR IS-----.
DATABANK PROCESSING CONFIGURATION-----DIRECTORY AND MESSAGE STORE
DATABANK PROCESSING LEVEL-----DIRECTORY AND MESSAGE STORE
DATABANK RUN NUMBER-----00000001
PARTNER PROFILE MODE-----RELATIONSHIP MODE
PARTNER PROCESSING SEQUENCE-----SEARCH PARTNER FILE
DIRECTORY POSTING OPTION-----POST USER/PARTNER
DEFAULT USER ID-----YOUR COMPANY
USE MULTIPLE ENVELOPE ID-----N
USE INTERCHANGE PARTNER WITH VERSION-----N
USE GROUP PARTNER WITH VERSION-----N
USE TRANSACTION PARTNER WITH VERSION-----N
ENVELOPE GENERATION OPTION-----MAPPER GENERATES ENVELOPES
VIEWPOINT PROCESSING-----51105 VIEWPOINT STAGING FILE 001% UTILIZED ON FILE : 02
GENERATE RETURN CODE-----Y
CONCURRENCY ENABLED-----N
MESSAGE CENTER ENABLED-----N
EBDI042  RUN 02/01/2008  TIME 12:00  PROCESSING OPTIONS FOR ENVELOPE GENERATION  PAGE 1
NO ENVELOPE PARAMETERS SPECIFIED-----
EBDI042  RUN 02/01/2008  TIME 12:00  SUMMARY CONTROL COUNTS MAPPING OUTGOING DATA  PAGE 1
PROCESSING BEGAN ON 02/01/2008 AT 12:00 PM.
SEQUENTIAL INPUT DOCUMENTS READ ----- 4
SEQUENTIAL INPUT RECORDS READ ----- 71
SEQUENTIAL INPUT CHARACTERS READ ----- 17,750
DOCUMENTS STORED ON DATA BANK ----- 4
RECORDS STORED ON DATA BANK ----- 71
DOCUMENTS REPROCESSED ----- 0
RECORDS REPROCESSED ----- 0
CHARACTERS REPROCESSED ----- 0
DOCUMENTS SUSPENDED ----- 0
RECORDS SUSPENDED ----- 0
CHARACTERS SUSPENDED ----- 0
EDI DOCUMENTS GENERATED ----- 4
EDI PACKAGES GENERATED ----- 0
TOTAL RECORDS WRITTEN ----- 130
NUMBER OF APPLICATIONS PROCESSED ----- 1
NUMBER OF MAP DEFINITIONS PROCESSED ----- 1
NUMBER OF TRADING PARTNERS PROCESSED ----- 3
PROCESSING ENDED ON 02/01/2008 AT 12:00 PM.
    
```

Note: If you are processing in Mixed mode, this report will show the following values in the fields indicated:

Field	Value for Mixed Mode
Partner Profile Mode	Mixed Mode
Directory Posting Option	Post Sender/Receiver
Default User ID	ISA-PARTNER

Sample SYS010 output from EBDI002 (Relationship Mode)

```

EBDI002      RUN 02/01/2008      TIME 12:00      ERRORS ENCOUNTERED PROCESSING OUTGOING DATA      PAGE 1
ERROR RECORD SEG ELT/COMP
NUMBER ID NBR      INFORMATION
INTERCHANGE = YOUR COMPANY      - VENDOR-2
GROUP       = YOUR COMPANY      - VENDOR-2
            EDI SENDER          STERLING
            EDI RECEIVER        BULKEAPR
TRANSACTION = FONUMBER-001
            16 PO1              3
            386
*** DOCUMENT AUDIT ID  AUDIT ID = FONUMBER-001
*** DATABANK *****  RUN # = 00000001
PROCESSING ENDED WITH ERRORS

                * * * * * END OF REPORT * * * * *

                TYPE = ISA      ENV = 000000009      VER = 00403      AGY = X
                TYPE = PO      ENV = 000000009      VER = 004030     AGY = X
                TEST TYPE = 850  ENV = 000000009      VER = 004030     AGY = X
                2 CONDITIONAL ELEMENT REQUIRED BUT NOT PRESENT IN THIS SEGMENT.
    
```

Sample SYS010 output from EBDI002 (Mixed Mode)

```

EBDI002      RUN 02/01/2008      TIME 12:00      ERRORS ENCOUNTERED PROCESSING OUTGOING DATA      PAGE 1
ERROR RECORD SEG ELT/COMP
NUMBER ID NBR INFORMATION      ERROR MESSAGE
INTERCHANGE = VENDOR-2
GROUP       = VENDOR-2
            EDI SENDER          STERLING
            EDI RECEIVER        BULKPAPR
TRANSACTION = FONUMBER-001
            16 PO1              3
            386
*** DOCUMENT AUDIT ID AUDIT ID = FONUMBER-001
*** DATABANK ***** RUN # = 00000001
PROCESSING ENDED WITH ERRORS

                TYPE = ISA      ENV = 000000001      VER = 00403      AGY = X
                TYPE = PO      ENV = 000005862      VER = 004030     AGY = X
                TEST TYPE = 850  ENV = 000000001      VER = 004030     AGY = X
                2 CONDITIONAL ELEMENT REQUIRED BUT NOT PRESENT IN THIS SEGMENT.

* * * * * END OF REPORT * * *
    
```

Sample SYS006 output from EBDI002

```

EBDI002  RUN 02/01/2008  TIME 12:00  RUNTIME GLOBAL PARAMETER OVERRIDES  PAGE 1
TRACK OUTPUT FILES
EBDI002  RUN 02/01/2008  TIME 12:00  SYSTEM CONFIGURATION OPTIONS  PAGE 2
INTCHG VERSION = N
GROUP VERSION = N
TRANSACTION VERSION = N
TRADING PROFILE MODE RELATIONSHIP
MULTIPLE ENVELOPE DISABLED
CONCURRENCY DISABLED
MESSAGE CENTER DISABLED
EBDI002  RUN 02/01/2008  TIME 12:00  GLOBAL PARAMETER LIST  PAGE 3
VERIFY PARTNER INTERCHANGE OFF
VERIFY PARTNER GROUP OFF
VERIFY PARTNER TRANSACTION OFF
ERROR REPORT ALWAYS
ICS TABLES OFF
CODE CHECK ON
PARTNER DATABANK OFF
COMPRESS TRANSMISSION
OUTPUT FILE LENGTH 080
GS SENDER/RECEIVER QUALIFIER INTERCHANGE
OUTBOUND EDI INTERCHANGE FULL
OUTBOUND EDI GROUP DIRECTORY
OUTBOUND EDI TRANSACTION DIRECTORY
TRACK OUTPUT FILES
VIEWPOINT PROCESSING - 51105 VIEWPOINT STAGING FILE 001% UTILIZED ON FILE : 02  PAGE 4
EBDI002  RUN 02/01/2008  TIME 12:00  SUMMARY CONTROL COUNTS PROCESSING OUTGOING DATA

PROCESSING BEGAN ON 02/01/2008 AT 12:00 PM.
OVERALL INPUTS AND OUTPUTS SUMMARY
INTERCHANGES READ ----- 3  DATABANK OUTPUT SUMMARY
GROUPS READ ----- 3  INTERCHANGES STORED ON DATA BANK ----- 3
TRANSACTIONS READ ----- 4  REJECTED INTERCHANGES ON DATA BANK ----- 0
SEGMENTS READ ----- 118  GROUPS STORED ON DATA BANK ----- 3
RECORDS READ ----- 130  REJECTED GROUPS ON DATA BANK ----- 0
CHARACTERS READ ----- 3,741  TRANSACTIONS STORED ON DATA BANK ----- 4
INTERCHANGES WRITTEN ----- 3  REJECTED TRANSACTIONS ON DATA BANK ----- 0
INTERCHANGES REJECTED ----- 0  SEGMENTS STORED ON DATA BANK ----- 118
INTERCHANGES SUSPENDED ----- 0  CHARACTERS STORED ON DATA BANK ----- 3,680
GROUPS WRITTEN ----- 3  RECORDS STORED ON DATA BANK ----- 46
GROUPS REJECTED ----- 0
GROUPS SUSPENDED ----- 0
TRANSACTIONS WRITTEN ----- 4
TRANSACTIONS REJECTED ----- 0
TRANSACTIONS SUSPENDED ----- 0
SEGMENTS WRITTEN ----- 118
CHARACTERS WRITTEN (WRAPPED OUTPUT)----- 3,555
SEGMENTS SUSPENDED ----- 0
MISCELLANEOUS OUTPUT SUMMARY
TOTAL PASS-THRU WRITTEN----- 0
DIRECTION PASS-THRU WRITTEN ----- 0
ERROR REJECTION PASS-THRU WRITTEN ----- 0
TOTAL RECORDS WRITTEN----- 47
TOTAL PACKAGES WRITTEN----- 0

PROCESSING ENDED ON 02/01/2008 AT 12:00 PM.
    
```

Note: If you are processing in Mixed mode, this report will show the following values in the fields indicated:

Field	Value for Mixed Mode
Trading Profile Mode	Mixed

Sample SYSOUT output from VPOBCOMM (VPVEROUT only)

VIEWPOINT PROCESSING COMPLETED
 OUTBOUND COMMUNICATIONS SENT

Sample REPORT1 output from EDIN110 (VPVEROPL only)

```

*** THIS FILE CONTAINS THE REPORTS FOR ALL OF THE OFFLINE UTILITIES EXECUTED ***
DATE 02/01/08 (03335)          TIME 12:00:00          OFFLINE ADD UTILITY REPORT          Page 1
*** Input File Characteristics:
Record Format = Fixed          ,Blocked
Record Size = 80
Block Size = 8000
INFILE DD Name = INFILE      DSN = GENTRAN.V6X5.PGM016.SPLIT100
Control Information obtained from INFILE
*** Batches added to Batch Queues:
BATCH STATUS: I=Incomplete, C=Collected Online, A=Added Offline, D=Flagged For Deletion,
N=NonTransmittable, U=Unextractable, R=Requestable, T=Transmitted, E=Extracted, M=Multixmt,
X=Transparent Data, B=BSC, F=FTP, S=SNA, Z=EBCDIC, 0=Structure File, 1=FTP MODE Blocked,
2=FTP MODE Compressed, 3=FTP MODE Streamed, 4=SSL, 8=FTP Structure File, 9=FTP Structure Record,
e=Encrypted when offline added
Mailbox Batch User Batch
ID Number Identification VBQ# Input Bytes Input Records Output Bytes Output Records Date Added Time Added Status
TEST-2 760 00000000000010 01 1920 24 1840 23 03335 12:00.00 A R
TEST-3 761 00000000000010 01 1120 14 1040 13 03335 12:00.00 A R
TEST-4 762 00000000000010 01 960 12 880 11 03335 12:00.00 A R
Total Batches Added = 3
Total Input Records = 50
CMU0131 - Utility completed, highest Return Codes are, this utility 4, this JOB Step 4.
    
```

Sample REPORT2 output from EDIN110 (VPVEROPL only)

```

DATE 02/01/08 (03335)          TIME 12:00:00          CONNECT:Enterprise Offline Utilities          Page 1
Control Records For This Run:
ADD
VPF='YOUR.CONNECT.VPF.DSNAME'
CMU092I - Batch# = 0000760, Xref# = 0000007
CMU092I - Batch# = 0000761, Xref# = 0000008
CMU092I - Batch# = 0000762, Xref# = 0000009
    
```

Sample EDISUM output from EDIN110 (VPVEROPL only)

```
REPORT DATE: 02/01/2008          PAGE : 00001
REPORT TIME: 12:00:00          VERSION: 6.5
REPORT ID  : N110SUM

                GENTRAN:VIEWPOINT
                VIEWPOINT STOUTL PROCESSOR PROGRAM
                SUMMARY REPORT

OPTIONS USED THIS RUN
-----

PROCESSING SUMMARY
-----
REPORT RECORDS READ           : 22
BATCH RECORDS FOUND          : 3
BATCH RECORDS SELECTED       : 3
REPORT1 RECORDS PRINTED      : 22
REPORT2 RECORDS PRINTED      : 8
NUMBER OF ERRORS THIS RUN    : 0
HIGHEST RETURN CODE THIS RUN : 0
```

Completed by: _____

Date: _____ Time: _____

Step 5 Inbound Processing

Typically performed by: System Installer

The following programs process sample data provided with the Gentran:Viewpoint system:

- Connect Offline Utilities (STOUTL) or sample Inbound User communications program
- Inbound Editor (EBDI001), Inbound Splitter (EBDI015)
- Inbound Mapper (EBDI041)
- The sample Inbound User Application program

Note: The use of the Connect Offline Utilities program or the sample Inbound Communications program depends on whether you are a Gentran:Plus user; Plus users use STOUTL in the Viewpoint verification process.

The items processed by the Offline Utilities (if applicable), Inbound Editor, and Inbound Mapper are captured by Gentran:Viewpoint Exception Management. The items processed by each tracking point are tracked by the Gentran:Viewpoint Tracking Management module.

Figure 5.2 illustrates the processing flow of this step.

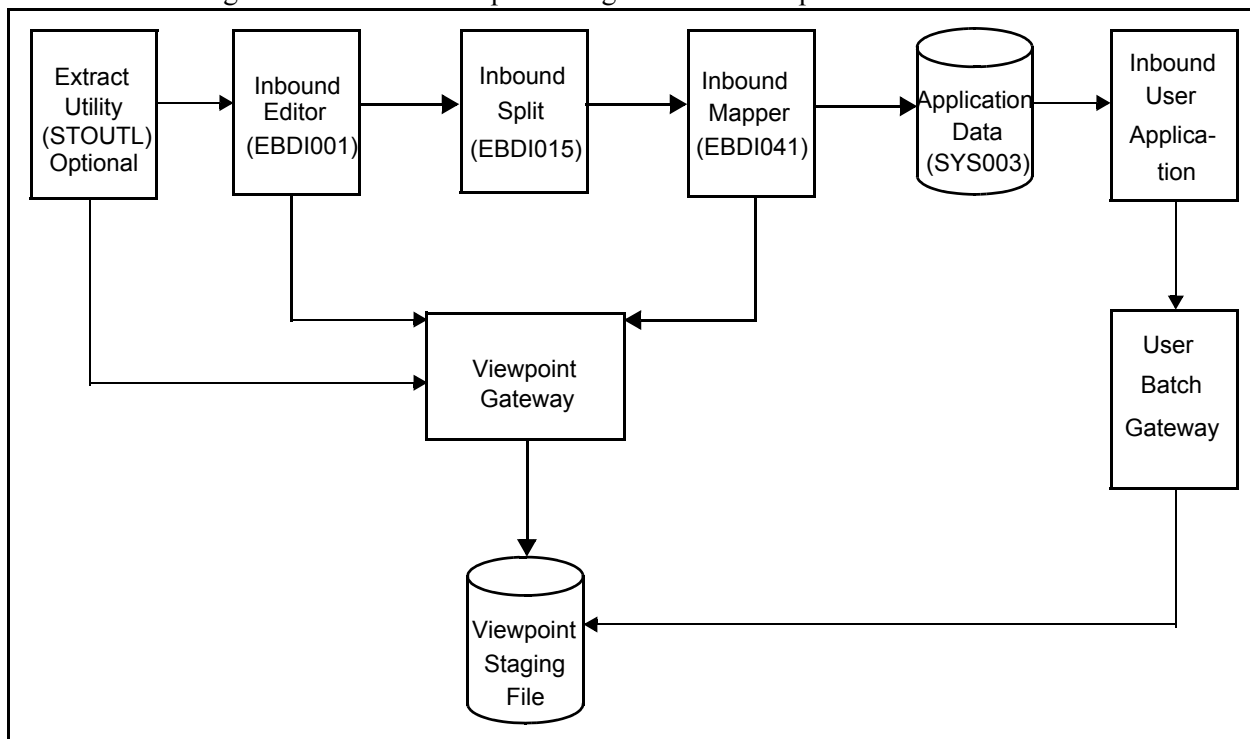


Figure 5.2 Inbound Batch Processing Flow

Check the box next to each task as you complete it.

- The JCL member you use will depend on whether you are implementing the Gentran:Plus communications module.
 - If Gentran:Plus is not being implemented, use member **VPVERIN**. This job uses the Sample Inbound Communications program **VPIBCOMM**.
 - If Gentran:Plus is being implemented, use member **VPVERIPL**. This job replaces the Sample Inbound Communications program with the Connect Offline utility **STOUTL**.
- Modify the job card.
- Change **DISK** of **UNIT=DISK** as required by your installation.
- Change the string **XXXXXX** of the **VOL=SER=** parameter as required by your installation.
- Change data set names as required by your installation. Change only the first two levels of each data set name (**GENTRAN.V6X5**); this simplifies the installation process because it enables you to mass-edit data set names.
- If you are processing in Relationship mode, make the following modification to the step that executes **EBDI001**:
 - Comment out the **SYS095 DD** statement for the Partner Cross Reference file and uncomment the **EDIPREL DD** statement for the Partner Relationship file.
- If using the **VPVERIPL** JCL for Gentran:Plus, also make the following modifications to the step that executes **STOUTL**:
 - Replace **SRV1** in the parm on the execute statement to match the VSAM File Server Name specified in the parm of your Connect VSAM File Server.
 - Change the **STEPLIB DD** statement to reference your Connect load library.
 - If using Connect:Enterprise version 1.4 or higher, comment out the DCB parameter with **LRECL=133** for the **REPORTS DD** statement and uncomment the DCB parameter with **LRECL=173**.
 - Change the VPF parameter included with the **SYSIN DD** statement to reference your Connect VSAM Pointer File.
- Read the comments within the JCL member and follow any additional instructions that are noted.
- Submit the JCL member.
- Verify job results. You should never receive a return code greater than **8**.

- Compare your reports with the sample reports that follow.

Sample SYSOUT output from VPIBCOMM (VPVERIN only)

```
VIEWPOINT PROCESSING COMPLETED  
INBOUND COMMUNICATIONS RECEIVED
```

Sample SYSPRINT output from STOUTL (VPVERIPL only)

```
DATE 02/01/08 (03335)          TIME 12:00:00          CONNECT:Enterprise Offline Utilities  
Control Records For This Run:  
EXTRACT  
GPLUS=YES  
ID=TEST  
VPP='YOUR.CONNECT.VPF.DSNAME'
```

Page 1

Sample Report1 output from EDIN110 (VPVERIPL only)

```

*** THIS FILE CONTAINS THE REPORTS FOR ALL OF THE OFFLINE UTILITIES EXECUTED ***
*** EXTRACT UTILITY REPORT ***
*** Output File Characteristics: ***
Record Format = Fixed ,Blocked
Record Size = 80
Block Size = 11440
OUTFILE DD Name = OUTFILE
*** Batches extracted from Batch Queues: ***
Mailbox Batch User Batch XmitBlk XmitRec XmitByte ExtractRec ExtractByte Time Date Type DD Name
ID Number Identification Count Count Count Count Count Added Added
TEST 755 MAPPING TEST DATA 16 16 16 16 1280 17 1360 12:00 03335 HOST OUTFILE
Total number of batches extracted 1, Total number of blocks extracted 16
CMU013I - Utility completed, highest Return Codes are, this utility 0, this JOB step 0.
    
```

Sample SYS010 output from EBDI001 (Relationship Mode)

```

EBDI001  RUN 02/01/2008  TIME 12:00  ERRORS ENCOUNTERED PROCESSING INCOMING DATA  PAGE 1
ERROR RECORD SEG ELT/COMP/REPEAT
NUMBER ID NBR INFORMATION ERROR MESSAGE

INTERCHANGE = YOUR COMPANY / THEIR COMPANY TYPE = ISA ENV = 000000005 VER = 00403
AGY = X

GROUP = YOUR COMPANY / THEIR COMPANY TYPE = IN ENV = 000000007 VER = 004030
AGY = X

TRANSACTION = EDI SENDER 121212121 - DATE FIELD NOT NUMERIC.
AGY = X EDI RECEIVER 987654321 - IN THE IDENTIFIED ELEMENT, AN INVALID CODE WAS FOUND.
33 4 BIG 1 2001QQ05 UNACCEPTABLE CHARACTER FOUND IN INDICATED INPUT ELEMENT.
63 11 IT1 3 QQ IN THE IDENTIFIED ELEMENT, AN INVALID CODE WAS FOUND.
61 11 IT1 4 12QQ.99 UNACCEPTABLE CHARACTER FOUND IN INDICATED INPUT ELEMENT.
63 12 IT1 3 QQ IN THE IDENTIFIED ELEMENT, AN INVALID CODE WAS FOUND.
61 16 CTT 1 QQ UNACCEPTABLE CHARACTER FOUND IN INDICATED INPUT ELEMENT.
*** DOCUMENT AUDIT ID AUDIT ID = INV01
*** DATABANK ***** RUN # = 00000001

PROCESSING ENDED WITH ERRORS.

* * * * * END OF REPORT * * *
    
```

Sample SYS010 output from EBDI001 (Mixed Mode)

```

EBDI001  RUN 02/01/2008  TIME 12:00  ERRORS ENCOUNTERED PROCESSING INCOMING DATA  PAGE 1
ERROR RECORD SEG ELT/COMP/REPEAT
NUMBER ID NBR INFORMATION ERROR MESSAGE
INTERCHANGE = VENDOR-1
TUTORIAL - XYZ COMPUTER COMPANY - TYPE = ISA ENV = 000000005 VER = 00403 AGY = X
GROUP = VENDOR-1
EDI SENDER 121212121 TYPE = IN ENV = 000000007 VER = 00403 AGY = X
EDI RECEIVER 987654321
TRANSACTION =
33 4 BIG 1 2001QQ05 DATE FIELD NOT NUMERIC. TEST TYPE = 810 ENV = 000070001 VER = 00403 AGY = X
63 11 IT1 3 QQ IN THE IDENTIFIED ELEMENT, AN INVALID CODE WAS FOUND.
61 11 IT1 4 12QQ.99 UNACCEPTABLE CHARACTER FOUND IN INDICATED INPUT ELEMENT.
63 12 IT1 3 QQ IN THE IDENTIFIED ELEMENT, AN INVALID CODE WAS FOUND.
61 16 CTT 1 QQ UNACCEPTABLE CHARACTER FOUND IN INDICATED INPUT ELEMENT.
*** DOCUMENT AUDIT ID AUDIT ID = INV01
*** DATABANK ***** RUN # = 00000001
PROCESSING ENDED WITH ERRORS.
* * * * * END OF REPORT * * *
    
```

Sample SYS006 output from EBDI001

```

EBDI001  RUN 02/01/2008  TIME 12:00  RUNTIME GLOBAL PARAMETER OVERRIDES  PAGE 1
EBDI001  RUN 02/01/2008  TIME 12:00  SYSTEM CONFIGURATION OPTIONS  PAGE 2
INTCHG VERSION = N
GROUP VERSION = N
TRANSACTION VERSION = N
TRADING PROFILE MODE RELATIONSHIP
MULTIPLE ENVELOPE DISABLED
CONCURRENCY DISABLED
MESSAGE CENTER DISABLED
EBDI001  RUN 02/01/2008  TIME 12:00  GLOBAL PARAMETER LIST  PAGE 3
VERIFY PARTNER INTERCHANGE OFF
VERIFY PARTNER GROUP OFF
VERIFY PARTNER TRANSACTION OFF
VERIFY RECEIVER INTERCHANGE OFF
VERIFY RECEIVER GROUP OFF
ERROR REPORT ALWAYS
OUTPUT MESSAGE ON
DIRECTED OUTPUT FILES
ICS TRALES OFF
CODE CHECK ON
BG PARTNER YES
PARTNER ACKNOWLEDGEMENT
PARTNER DATABANK OFF
GS SENDER/RECEIVER QUALIFIER SPACES
INBOUND EDI INTERCHANGE FULL
INBOUND EDI GROUP DIRECTORY
INBOUND EDI TRANSACTION DIRECTORY
PARTNER SEQUENCE OFF
VIEWPOINT PROCESSING - 51105 VIEWPOINT STAGING FILE 0018 UTILIZED ON FILE : 01
EBDI001  RUN 02/01/2008  TIME 12:00  SUMMARY CONTROL COUNTS PROCESSING INCOMING DATA  PAGE 4

PROCESSING BEGAN ON 02/01/2008 AT 12:00 PM.
OVERALL INPUTS AND OUTPUTS SUMMARY
INTERCHANGES READ ----- 1
GROUPS READ ----- 1
TRANSACTIONS READ ----- 1
SEGMENTS READ ----- 40
RECORDS READ ----- 17
CHARACTERS READ ----- 1,214
INTERCHANGES WRITTEN ----- 1
INTERCHANGES REJECTED ----- 0
INTERCHANGES SUSPENDED ----- 0
GROUPS WRITTEN ----- 1
GROUPS REJECTED ----- 0
GROUPS SUSPENDED ----- 0
TRANSACTIONS WRITTEN ----- 1
TRANSACTIONS REJECTED ----- 0
TRANSACTIONS SUSPENDED ----- 0
SEGMENTS WRITTEN ----- 41
PACKAGES WRITTEN ----- 0
CHARACTERS WRITTEN (EXPANDED OUTPUT) ----- 1,575
MISCELLANEOUS OUTPUT SUMMARY
SEGMENTS SUSPENDED----- 0
NON-EDI RECORDS SUSPENDED----- 5
ERROR RECORDS WRITTEN----- 1
TOTAL PASS-THRU WRITTEN----- 1
DIRECTION PASS-THRU WRITTEN ----- 0
ERROR REJECTION PASS-THRU WRITTEN ----- 0
TOTAL RECORDS WRITTEN----- 49
GENERATED ACKNOWLEDGEMENT SUMMARY
TOTAL ACK. INFORMATION GENERATED ----- 22

DATABANK OUTPUT SUMMARY
INTERCHANGES STORED ON DATA BANK ----- 1
REJECTED INTERCHANGES ON DATA BANK ----- 0
GROUPS STORED ON DATA BANK ----- 1
REJECTED GROUPS ON DATA BANK ----- 0
TRANSACTION STORED ON DATA BANK ----- 1
REJECTED TRANSACTIONS ON DATA BANK ----- 0
SEGMENTS STORED ON DATA BANK ----- 40
CHARACTERS STORED ON DATA BANK ----- 1,280
RECORDS STORED ON DATA BANK ----- 16
    
```

Note: If you are processing in Mixed mode, this report will show the following values in the fields indicated:

Field	Value for Mixed Mode
Trading Profile Mode	Mixed

Sample SYS005 output from EBDI041 (Relationship Mode)

```

EBDI041  RUN 02/01/2008  TIME 12:00  ERRORS ENCOUNTERED MAPPING INCOMING DATA  PAGE 1
ERROR  **RECORD**  FIELD SEG ELE  INFORMATION  ERROR MESSAGE
NUMBR  NBR ID  SEQ # ID SEQ  YOUR COMPANY  CONTROL NO: 000000005
INTERCHANGE: THEIR COMPANY  YOUR COMPANY  CONTROL NO: 000000007
GROUP   : THEIR COMPANY  YOUR COMPANY  CONTROL NO: 000700001
TRANSACTION: 810  24  QQ  UNABLE TO TRANSLATE CODE - MOVED SPACE TO TARGET FIELD.
626  24  TRANSLATION ID: UNITWEAS
785  9 5  70  ** WARNING ** MANDATORY FIELD/ELEMENT MISSING.
785  9 5  100  ** WARNING ** MANDATORY FIELD/ELEMENT MISSING.
626  26  QQ  UNABLE TO TRANSLATE CODE - MOVED SPACE TO TARGET FIELD.
785  11 5  70  TRANSLATION ID: UNITWEAS
785  19 7  70  ** WARNING ** MANDATORY FIELD/ELEMENT MISSING.

PROCESSING ENDED WITH ERRORS - PROCESSING COUNTS BELOW
EDI RECORDS READ ----- 49
EDI RECORDS SUSPENDED ----- 0
APPLICATION RECORDS WRITTEN ----- 19
RETURN-CODE FOR MAPPING ----- 4
    
```

Sample SYS005 output from EBDI041 (Mixed Mode)

```

EBDI041  RUN 02/01/2008  TIME 12:00  PAGE 1
ERROR  **RECORD**  FIELD  SEQ  ELE  ERRORS ENCOUNTERED MAPPING INCOMING DATA
NUMBER  NBR ID  SEQ  ID  SEQ  INFORMATION  ERROR MESSAGE
INTERCHANGE: VENDOR-1  QVAL:  CONTROL NO: 000000005
GROUP : VENDOR-1  QVAL:  CONTROL NO: 000000007
TRANSACTION: 810  CONTROL NO: 000070001
626 24  QO  UNABLE TO TRANSLATE CODE - MOVED SPACE TO TARGET FIELD.
785 9 5  TRANSLATION ID: UNITMEAS  ** WARNING ** MANDATORY FIELD/ELEMENT MISSING.
70
785 9 5  ** WARNING ** MANDATORY FIELD/ELEMENT MISSING.
100
626 26  QO  UNABLE TO TRANSLATE CODE - MOVED SPACE TO TARGET FIELD.
785 11 5  TRANSLATION ID: UNITMEAS  ** WARNING ** MANDATORY FIELD/ELEMENT MISSING.
70
785 19 7  ** WARNING ** MANDATORY FIELD/ELEMENT MISSING.
70

PROCESSING ENDED WITH ERRORS - PROCESSING COUNTS BELOW
EDI RECORDS READ ----- 49
EDI RECORDS SUSPENDED ----- 0
APPLICATION RECORDS WRITTEN ----- 19
RETURN-CODE FOR MAPPING ----- 4
    
```

Sample SYS006 output from EBDI041

```

EBDI041  RUN 02/01/2008      TIME 12:00      PROCESSING OPTIONS FOR MAPPING INCOMING DATA      PAGE 1
APPLICATION TO PROCESS-----INVFILE
ABEND PROGRAM ON SERIOUS ERROR-----N
USER EXIT VERSION SUPPORTED-----1
APPLICATION DECIMAL INDICATOR IS-----
RIGHT JUSTIFY ALL APPLICATION REALS-----N
HANDLE FLOATING NOTES WITHIN A SECTION--Y
DATABANK PROCESSING CONFIGURATION-----DIRECTORY AND MESSAGE STORE
DATABANK PROCESSING LEVEL-----DIRECTORY AND MESSAGE STORE
DATABANK RUN NUMBER-----00000001
DIRECTORY POSTING OPTION-----POST USER/PARTNER
PARTNER PROFILE MODE-----RELATIONSHIP MODE
PRINT PARTNER NAME-----N
WRITE APPLICATION RECORDS-----Y
VIEWPOINT PROCESSING-----51105 VIEWPOINT STAGING FILE 001% UTILIZED ON FILE : 01
BUSINESS DOCUMENT TRACKING-----N
SUPPORT SINGLE QUOTE-----N
VERIFY PARTNER SPECIFIC MAP VERSION-----N
CONCURRENCY ENABLED-----N
MESSAGE CENTER ENABLED-----N
EBDI041  RUN 02/01/2008      TIME 12:00      SUMMARY CONTROL COUNTS MAPPING INCOMING DATA      PAGE 1
PROCESSING BEGAN ON 02/01/2008 AT 12:00 PM.
INTERCHANGES READ -----1
GROUPS READ -----1
TRANSACTIONS READ -----1
SEGMENTS READ -----34
CHARACTERS READ -----5,749
DOCUMENTS STORED ON DATA BANK -----1
RECORDS STORED ON DATA BANK -----19
APPLICATION DOCUMENTS WRITTEN -----1
APPLICATION RECORDS WRITTEN -----19
APPLICATION CHARACTERS WRITTEN -----1,520
DOCUMENTS SUSPENDED -----0
RECORDS SUSPENDED -----0
CHARACTERS SUSPENDED -----0
NUMBER OF APPLICATIONS PROCESSED -----1
NUMBER OF MAP DEFINITIONS PROCESSED -----1
NUMBER OF TRADING PARTNERS PROCESSED -----1
PROCESSING ENDED ON 02/01/2008 AT 12:00 PM.
    
```

Note: If you are processing in Mixed mode, this report will show the following values in the fields indicated:

Field	Value for Mixed Mode
Directory Posting Option	Post Receiver/Sender
Partner Profile Mode	Mixed Mode

Sample SYSOUT output from VIPBAPPL

```
VIEWPOINT PROCESSING COMPLETED  
INVOICES RECEIVED - PROGRAM:VIPBAPPL
```

Completed by: _____

Date: _____ **Time:** _____

Step 6 Start the Gentran:Viewpoint Online Scanner/Initiator

Manually start up the background Gentran:Viewpoint CICS system (Online Scanner/Initiator).

Note: If you have updated the PLT tables with the program EDIVPLT, skip this step.

Typically performed by: System Installer

The tasks involved in starting the background Gentran:Viewpoint CICS system are listed below. Check the box next to each task as you complete it.

- From a blank CICS screen, type **EDIV** and press **Enter**.
The message **Viewpoint Scanner Started** will display.
- Press **CLEAR** to clear the screen.

Completed by: _____

Date: _____ **Time:** _____

Step 7 Review the Online Log

Typically performed by: System Installer

Perform the following tasks to verify that the Viewpoint Online Scanner/Initiator is executing and that Viewpoint Post Processors were started for the Outbound and Inbound tests that were performed in the earlier steps.

Check the box next to each task as you complete it.

- Type your system image ID on a blank CICS screen and press **Enter**. The system displays the Gentran logon screen (EDIM000).
- Type your Gentran CICS user ID and password or a user ID of **ADMIN** and a password of **SECURITY**. The system displays the Gentran Main Menu (EDIM001).
- Type **9** to select the Gentran:Viewpoint Main Menu and press **Enter**. The system displays the Viewpoint Main Menu (EDIM600).
- Type **99** to select the Log Display and press **Enter**. The system displays the Viewpoint Online Log Display (EDIM688).

```

EDIM688 9.99_____ VIEWPOINT ONLINE LOG DISPLAY          XXX  02/01/2008
                                     12:00:00
Start: 02/01/2008 12:00:00 Stop:                Last: 12:00:00 Scan: 0005
Filters====>  Errors Only:  _  Program: _____
Position      Task #      TranID      Time          Date          Max Count
Criteria====> _____  _____  _____  _____  _____  0450

   Task  Tran   Time      Date      Term   Program   Error Code
00001  EDIV   12:00:00  02/01/2008  EDIX690  EDI-50302-T 00
VIEWPOINT ONLINE SCANNER BEGINS . . . , DATE: 02/01/2008, TIME: 12:00:00
00001  EDIV   12:00:39  02/01/2008  EDIX690  EDI-50303-T 00
VIEWPOINT ONLINE SCANNER ENDS . . . . , DATE: 02/01/2008, TIME: 12:00:00
00002  EDIZ   12:00:00  02/01/2008  EDIX691  EDI-50100-I 00
VIEWPOINT POST PROCESSOR BEGINS . . . EDIVSF1
00002  EDIZ   12:00:00  02/01/2008  EDIX691  EDI-50101-T 00
VIEWPOINT POST PROCESSOR ENDS . . . . EDIVSF1
00003  EDIZ   12:00:00  02/01/2008  EDIX691  EDI-50100-I 00
VIEWPOINT POST PROCESSOR BEGINS . . . EDIVSF2
00003  EDIZ   12:00:00  02/01/2008  EDIX691  EDI-50101-T 00
VIEWPOINT POST PROCESSOR ENDS . . . . EDIVSF2

Enter                PF3=Exit
PF7=Bwd  PF8=Fwd
    
```

- The **Start**, **Last**, and **Scan** fields near the top of the screen should show the date and time the scanner was started, the time that it last ran, and the scan interval. If they are blank, the Viewpoint Online Scanner/Initiator is not running. Return to the previous step and start the scanner.

- Gentran:Viewpoint is installed with the System Trace enabled. Scan the Viewpoint Online Log Display to find the following trace messages:
 - The Scanner generates trace message **EDI-50302** when it begins and **EDI-50303** when it ends. The trace messages should be repeated for each scan interval.
 - The Post Processor generates trace message **EDI-50100** when it begins and **EDI-50101** when it ends. Post Processors should have started for the EDIVSF1 and EDIVSF2 staging files. If they have not started since you performed the batch outbound and inbound tests, they should start at the next scan interval.

- Press **PF3=Exit** to return to the Viewpoint Main Menu (EDIM600).

Completed by: _____

Date: _____ **Time:** _____

Step 8 Check the Gentran:Viewpoint Capture Results

Typically performed by: System Installer

In this step, the results captured by Gentran:Viewpoint are displayed from the Gentran:Viewpoint Online Facility.

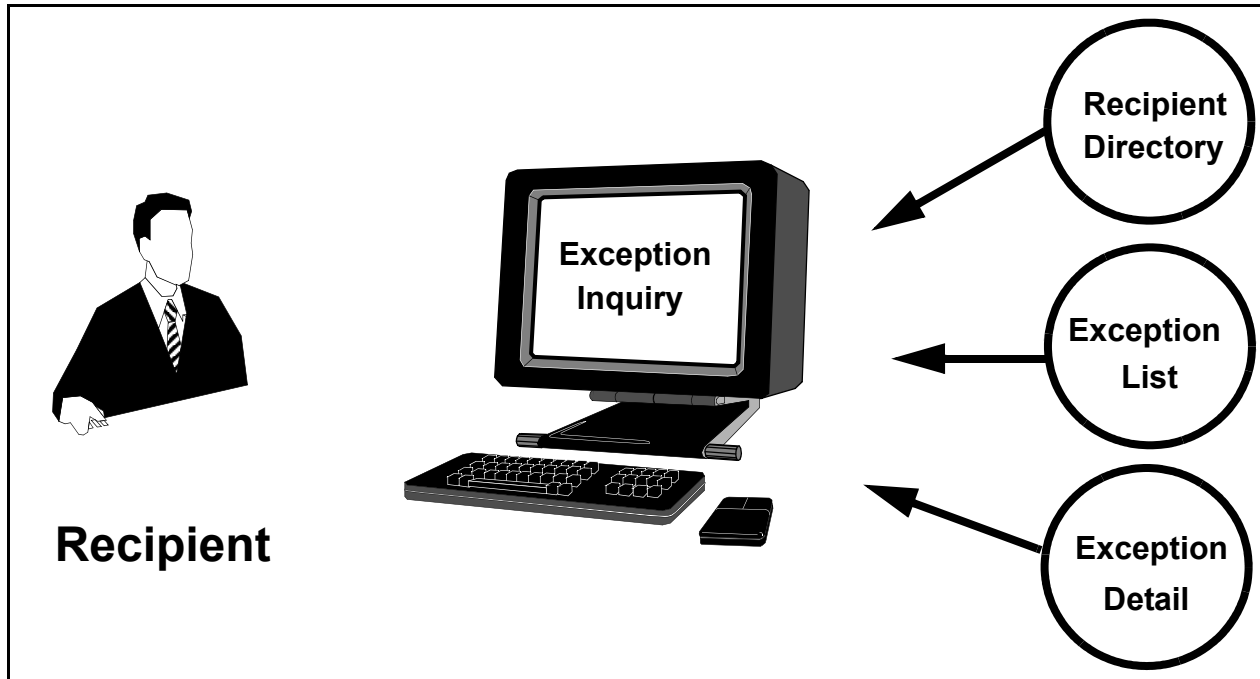


Figure 5.3 Review Capture Results

Perform the following tasks to complete this step:

- From the Viewpoint Main Menu, select **Exception Inquiry** (option 4) and press **Enter**. The Exception Inquiry Menu is displayed.
- Select **Recipient Directory** (option 1) and press **Enter**. The Recipient Directory is displayed. Compare the values on this screen with the screen shown below.

```

EDIM646 9.4.1 _____ RECIPIENT DIRECTORY 02/01/2008
Type Action, press Enter. 12:00:00
 4=Delete 5=Select 6=ExcpList

Recipient @ACKREC___

A Recipient Description Excp Last Activity
  Count Date Time
_ @ACKREC ACKNOWLEDGEMENT RECONCILIATION ERRORS 00000 00/00/0000 00:00
_ @COMM-ERRS COMMUNICATIONS MONITOR 00000 00/00/0000 00:00
_ @EDITORS EDI COMPLIANCE MONITOR 00002 02/01/2008 12:00
_ @FATAL FATAL ERRORS 00000 00/00/0000 00:00
_ @MAPPERIN INBOUND MAPPING ERRORS 00001 02/01/2008 12:00
_ @MAPPEROUT OUTBOUND MAPPING ERRORS 00001 02/01/2008 12:00
_ @SUSPENSE SUSPENSE ERRORS 00000 00/00/0000 00:00
_
_
_
_
LAST ENTRY DISPLAYED
F1=Help F3=Exit F7=Bkwd F8=Fwd F12=Cancel Enter=Refresh
    
```

- Type **6** in the A (Action) field beside the **@EDITORS** Recipient in the list and press **Enter**. The Exception List screen for the Recipient is displayed. Compare the values on this screen with the screen shown below.

```

EDIM648 9.4.2 _____ EXCEPTION LIST 02/01/2008
Type Action, press Enter.
 4=Delete 5=Select 6=MsgList 7=Data 8=UserMsg 9=UserProc 10=ExcpHist 11=Recip

Recipient . . @EDITORS__ EDI COMPLIANCE MONITOR
Date From . . _____ To _____
Excp Status A (A=All, O=Open, C=Closed, R=Reviewed, T=Transferred)

A System Process Reference S Date
_ GENTRAN EBDI001 000000005 /000000007 /000070001 O 02/01/08
_ GENTRAN EBDI002 000000001
_
_
_
_
_
_
_
_
LAST ENTRY DISPLAYED
F1=Help F3=Exit F7=Bkwd F8=Fwd F12=Cancel
    
```

- ☐ Type **5** in the first A (Action) field and press **Enter**.

The Exception Detail screen for the exception is displayed. For Relationship mode, compare the values on this screen with the screen shown below.

```

EDIM649 _____ EXCEPTION DETAIL 02/01/2008
Type Action, press Enter.
  __ 4=Delete 6=MsgList 7=Data 8=UserMsg 9=UserProc 10=ExcpHist 11=Recip.

Recipient . . . : @EDITORS EDI COMPLIANCE MONITOR
Excp Status . . : OPEN 02/01/2008 12:00
Excp Tag . . . : 0000000001
User Reference: 000000005 /000000007 /000070001

System/Process: GENTRAN /EBDI001 Excp. Action:
Date-Time . . . : 02/01/2008 - 12:00 Action Dt-Tm:
Capture ID. . . : @MODEL-IE Databank: GENTRAN
Description . . : INBOUND COMPLIANCE ERRORS

Application : Interchange: 000000005
Network . . . : Group: 000000007
Direction/Set : INBOUND /810 Trans: 000070001
User . . . . : YOUR COMPANY
Partner . . . : THEIR COMPANY

F1=Help F3=Exit F6=Next F12=Cancel
    
```

For Mixed mode, compare the values on this screen with the screen shown below.

```

EDIM649 _____ EXCEPTION DETAIL 02/01/2008
Type Action, press Enter.
  __ 4=Delete 6=MsgList 7=Data 8=UserMsg 9=UserProc 10=ExcpHist 11=Recip.

Recipient . . . : @EDITORS EDI COMPLIANCE MONITOR
Excp Status . . : OPEN 02/01/2008 12:00
Excp Tag . . . : 0000000001
User Reference: 000000005 /000000007 /000070001

System/Process: GENTRAN /EBDI001 Excp. Action:
Date-Time . . . : 02/01/2008 - 12:00 Action Dt-Tm:
Capture ID. . . : @MODEL-IE Databank: GENTRAN
Description . . : INBOUND COMPLIANCE ERRORS

Application : Interchange: 000000005
Network . . . : Group: 000000007
Direction/Set : INBOUND /810 Trans: 000070001
User . . . . : 987654321
Partner . . . : VENDOR-1

F1=Help F3=Exit F6=Next F12=Cancel
    
```

- ☐ Type **6** in the A (Action) field and press **Enter**.

The Exception Message List screen for the exception is displayed. Compare the values on this screen with the screen shown below.

```

EDIM650 _____ EXCEPTION MESSAGE LIST 02/01/2008
Type Action, press Enter.
  6=Excp 7=Data 8=UserMsg 9=UserProc 10=ExcpHist

System   : GENTRAN
Process  : EBDI001
Desc.    : INBOUND COMPLIANCE ERRORS
Reference: 000000005 /000000007 /000070001

A Message
--- 33   4 BIG   1           2001QQ05  DATE FIELD NOT NUMERIC.
--- 63  11 IT1  3           QQ          IN THE IDENTIFIED ELEMENT, AN I
      NVALID CODE WAS FOUND.
--- 61  11 IT1  4          12QQ.99    UNACCEPTABLE CHARACTER FOUND IN
      INDICATED INPUT ELEMENT.
--- 63  12 IT1  3           QQ          IN THE IDENTIFIED ELEMENT, AN I
      NVALID CODE WAS FOUND.
--- 61  16 CTT  1           QQ          UNACCEPTABLE CHARACTER FOUND IN
      INDICATED INPUT ELEMENT.
---
---
LAST ENTRY DISPLAYED
F1=Help F3=Exit F6=Next F7=Bkwd F8=Fwd F12=Cancel
    
```

- Type 7 in the A (Action) field beside the second message and press **Enter**.

The Exception Data Display screen for the exception is displayed. Compare the values on this screen with the screen shown below.

```

EDIM651 _____ EXCEPTION DATA DISPLAY 02/01/2008
Type Action, press Enter.
  ___ 6=Excp 7=MsgList 8=UserMsg 9=UserProc 10=ExcpHist

System   : GENTRAN
Process  : EBDI001
Desc.    : INBOUND COMPLIANCE ERRORS
Reference: 000000005 /000000007 /000070001

Exception Data
IT1**5*QQ*12QQ.99**VC*CAT-286-12-20?
* 63  11 IT1  3           QQ          IN THE IDENTIFIED ELEMENT, AN INV
*      ALID CODE WAS FOUND.
* 61  11 IT1  4          12QQ.99    UNACCEPTABLE CHARACTER FOUND IN I
*      NDICATED INPUT ELEMENT.
IT1**4*EA*1099.99**VC*CAT-286-10-10?
IT1**9*QQ*1.99.99**VC*CAT-286-10-20?
* 63  12 IT1  3           QQ          IN THE IDENTIFIED ELEMENT, AN INV
*      ALID CODE WAS FOUND.
IT1**12*EA*1399.99**VC*CAT-286-12-40?
IT1**8*EA*1349.99**VC*CAT-286-12-30?

F1=Help F3=Exit F6=Next F7=Bkwd F8=Fwd F12=Cancel
    
```


The Exception Detail screen for the exception is displayed. For Relationship mode, compare the values on this screen with the screen shown below.

```
EDIM649 _____ EXCEPTION DETAIL 02/01/2008
Type Action, press Enter.
  __ 4=Delete 6=MsgList 7=Data 8=UserMsg 9=UserProc 10=ExcpHist 11=Recip.

Recipient . . . : @MAPPEROUT OUTBOUND MAPPING ERRORS
Excp Status . . : OPEN 02/01/2008 12:00
Excp Tag . . . : 0000000008
User Reference: PONUMBER-001

System/Process: GENTRAN /EBDI042          Excp. Action:
Date-Time . . . : 02/01/2008 - 12:00      Action Dt-Tm:
Capture ID. . . : @MODEL-OM              Databank: GENTRAN
Description . . : OUTBOUND MAPPING ERRORS

Application   : POFILE                    Interchange:
Network . . . :                          Group:
Direction/Set : OUTBOUND/                Trans:
User . . . . : YOUR COMPANY
Partner . . . : VENDOR-2

F1=Help F3=Exit F6=Next F12=Cancel
```

For Mixed mode, compare the values on this screen with the screen shown below.

```
EDIM649 _____ EXCEPTION DETAIL 02/01/2008
Type Action, press Enter.
  __ 4=Delete 6=MsgList 7=Data 8=UserMsg 9=UserProc 10=ExcpHist 11=Recip.

Recipient . . . : @MAPPEROUT OUTBOUND MAPPING ERRORS
Excp Status . . : OPEN 02/01/2008 12:00
Excp Tag . . . : 0000000003
User Reference: PONUMBER-001

System/Process: GENTRAN /EBDI042          Excp. Action:
Date-Time . . . : 02/01/2008 - 12:00      Action Dt-Tm:
Capture ID. . . : @MODEL-OM              Databank: GENTRAN
Description . . : OUTBOUND MAPPING ERRORS

Application   : POFILE                    Interchange:
Network . . . :                          Group:
Direction/Set : OUTBOUND/                Trans:
User . . . . : ISA-PARTNER
Partner . . . : VENDOR-2

F1=Help F3=Exit F6=Next F12=Cancel
```

- Type **6** in the A (Action) field and press **Enter**.

The Exception Message List screen for the exception is displayed. Compare the values on this screen with the screen shown below.

```

EDIM650 _____ EXCEPTION MESSAGE LIST 02/01/2008
Type Action, press Enter.
  6=Excp  7=Data  8=UserMsg  9=UserProc 10=ExcpHist

System   : GENTRAN
Process  : EDIR042
Desc.    : OUTBOUND MAPPING ERRORS - REALTIME
Reference: PONUMBER-005

A Message
--- 617      11 005          40 PO1   20          INVALID NUMERIC DATA
      IN INPUT FIELD - MOVED ZERO TO TARGET FIELD.
--- 626      EA99          UNABLE TO TRANSLATE C
      ODE - MOVED SPACE TO TARGET FIELD.
      TRANSLATION ID: UNITMEAS
---
---
---
---
---
---
---
LAST ENTRY DISPLAYED
F1=Help  F3=Exit  F6=Next  F7=Bkwd  F8=Fwd  F12=Cancel
    
```

- Type **7** in the A (Action) field beside the first message and press **Enter**.

The Exception Data Display screen for the exception is displayed. Compare the values on this screen with the screen shown below.

```

EDIM651 _____ EXCEPTION DATA DISPLAY 02/01/2008
Type Action, press Enter.
  _ 6=Excp  7=MsgList  8=UserMsg  9=UserProc 10=ExcpHist

System   : GENTRAN
Process  : EDIR042
Desc.    : OUTBOUND MAPPING ERRORS - REALTIME
Reference: PONUMBER-005

Exception Data
VENDOR-2PONUMBER-0050050000Y00EACH0109999CAT-286-10-10  286/10MHZ/10 MEG
* 617      11 005          40 PO1   20          INVALID NUMERIC DATA IN
*          INPUT FIELD - MOVED ZERO TO TARGET FIELD.
VENDOR-2PONUMBER-0050050000900EACH0119999CAT-286-10-20  286/10MHZ/20 MEG
VENDOR-2PONUMBER-0050050001200EA990139999CAT-286-12-40  286/12MHZ/40 MEG
* 626      EA99          UNABLE TO TRANSLATE COD
*          E - MOVED SPACE TO TARGET FIELD.
*          TRANSLATION ID: UNITMEAS
VENDOR-2PONUMBER-0050050001000EACH0134999CAT-286-12-30  286/12MHZ/30 MEG
VENDOR-2PONUMBER-0050050000700EACH0229999CAT-386-16-20  386/16MHZ/20 MEG
VENDOR-2PONUMBER-0050050001000EACH0249999CAT-386-16-40  386/16MHZ/40 MEG

F1=Help  F3=Exit  F6=Next  F7=Bkwd  F8=Fwd  F12=Cancel
    
```

- Press **Home** to move the cursor to the Jump Code field. Type **9.0** and press **Enter** to return to the Viewpoint Main Menu (EDIM600).

Completed by: _____

Date: _____ **Time:** _____

Step 9 Query the Gentran:Viewpoint Tracked Items

Typically performed by: System Installer

In this step, the items tracked by Gentran:Viewpoint will be displayed from the Gentran:Viewpoint Online Facility.



Figure 5.4 Review Tracking Items

Perform the following tasks to complete this step:

- From the Viewpoint Main Menu, select **Tracking Management** (option 5), and press **Enter**.
The Tracking Management Menu is displayed.
- Select **Query Directory** (option 1), and press **Enter**.

The Query Directory is displayed. Compare the values on this screen with the screen shown below.

```

EDIM701 9.5.1_____ QUERY DIRECTORY 02/01/2008
Type Action, press Enter.
  1=Add 4=Delete 5=Select

Query Id @IBRTEQY__
Item Type DOCUMENT_____

A Query ID      Item Type      Description
_ @IBRTEQY      DOCUMENT      SAMPLE INBOUND REALTIME TRANSACTION QUERY
_ @INVOICEQY    U:INVOICE     SAMPLE INBOUND INVOICE HISTORY QUERY
_ @OBRTEQY      TRANSACTION   SAMPLE OUTBOUND REALTIME DOCUMENT QUERY
_ @ORDERQY      U:ORDER       SAMPLE OUTBOUND PURCHASE ORDER HISTORY QUERY
_
_
_
_
_
_
LAST ENTRY DISPLAYED
F1=Help F3=Exit F7=Bkwd F8=Fwd F12=Cancel
    
```

- Type **5** in the A (Action) field, beside the **@ORDERQY** Query ID in the list, and press **Enter**.

The Query Request screen for the Query ID is displayed.

- Type **6** in the (Action) field to Search for the tracked items and press **Enter**. Compare the values on this screen with the screen shown below.

Note: If no entries are displayed, you may need to change the default date range to include the date of your test.

```

EDIM702 9.5.2_____ QUERY REQUEST 02/01/2008
Type Action, press Enter
  _ 1=Add 2=Update 4=Delete 6=Search 7=ExtCond 8=ItemHist 9=ItemDtl
  13=ItemRefs

Query ID      @ORDERQY__ (F4=Prompt)      Extended Condition used: NO
Description    SAMPLE_OUTBOUND_PURCHASE_ORDER_HISTORY_QUERY_

Search Fields          Search Limit: 010000      Find Limit: 000100
Item Type            U:ORDER_____ (F4=Prompt)
Reference            _____
Partner              _____
Date From            02/01/2008      To 02/01/2008

A Item Type          Reference                      Process
_ U:ORDER            PONUMBER-001                    VPOBAPPL
_ U:ORDER            PONUMBER-002                    VPOBAPPL
_ U:ORDER            PONUMBER-003                    VPOBAPPL
_ U:ORDER            PONUMBER-004                    VPOBAPPL
_
_
LAST ENTRY DISPLAYED
F1=Help F3=Exit F4=Prompt F7=Bkwd F8=Fwd F12=Cancel
    
```

- Type **9** in the first A (Action) field and press **Enter**.

The Item Process Detail screen for the item is displayed. Compare the values on this screen with the screen shown below.

```

EDIM712 _____ ITEM PROCESS DETAIL 02/01/2008
Type Action, press Enter.
  8=ItemHist 10=MsgList 11=DataDisp 13=ItemRefs 14=Query 15=Excps

Item Identification
Item Type . . . : U:ORDER
Reference . . . : PONUMBER-001
Trace ID . . . : BB00000001 To/From:

System/Process: @POSYSTEM /VPOBAPPL Recip/Action:
Date-Time . . . : 02/01/2008 - 12:00 Action Dt-Tm:
Direction/Set : OUTBOUND/850 Excp. Status:
Application . . : POFILE
Network . . . . :
User . . . . . : YOUR COMPANY
Partner . . . . : VENDOR-2

Process Statuses User Fields
U:PGM. STATUS : OK U:ORDER DATE : 010201
U:ORDER STATUS : ORDER GOOD U:SHIP DATE : 010595
U:ORDER QTY. : EXCEEDED U:BUYER PHONE : 614-793-7000

F1=Help F3=Exit F12=Cancel
    
```

- Type **13** in the (Action) field, and press **Enter**.

For non-Gentran:Plus users, the Item Reference History for the item is displayed. Compare the values on this screen with the screen shown below.

```

EDIM711 _____ ITEM REFERENCE HISTORY 02/01/2008
Type Action, press Enter
  8=ItemHist 9=ItemDtl 10=MsgList 11=DataDisp 15=Excps

Reference: PONUMBER-001
Process VPOBAPPL

A Item Process Description Reference
--- U VPOBAPPL SAMPLE OUTBOUND PURC PONUMBER-001
--- D EBDI042 OUTBOUND MAPPER PONUMBER-001
--- T EBDI002 OUTBOUND EDITOR 000000001 /000005862 /000000001
--- F EBDI002 OUTBOUND EDITOR 000000001 /000005862
--- I EBDI002 OUTBOUND EDITOR 000000001
--- U VPOBCOMM SAMPLE OUTBOUND COMM OUTBOUND BATCH 4125
---
---
---
---
---
F1=Help F3=Exit F7=Bkwd F8=Fwd F12=Cancel
    
```

For Gentran:Plus users, the Item Reference History will be displayed for the purchase order with the Connect communications batch item added by the Offline Utility (STOUTL).

```

EDIM711 _____ ITEM REFERENCE HISTORY 02/01/2008
Type Action, press Enter
  8=ItemHist  9=ItemDtl 10=MsgList 11=DataDisp 15=Excps

Reference:  PONUMBER-001
Process     VPOBAPPL

A  Item Process  Description          Reference
--- U  VPOBAPPL  SAMPLE OUTBOUND PURC  PONUMBER-001
--- D  EBDI042  OUTBOUND MAPPER      PONUMBER-001
--- T  EBDI002  OUTBOUND EDITOR      00000001 /000005862 /00000001
--- F  EBDI002  OUTBOUND EDITOR      00000001 /000005862
--- I  EBDI002  OUTBOUND EDITOR      00000001
--- B  STOUTL   OFFLINE UTILITIES    00000000000001

---
---
---
---
---
---
---
---
---

F1=Help  F3=Exit  F7=Bkwd  F8=Fwd  F12=Cancel
    
```

- Type **8** in the first A (Action) field, and press **Enter**.

For non-Gentran:Plus users, the Item Status History screen for the item is displayed. Compare the values on this screen with the screen shown below.

```

EDIM710 _____ ITEM STATUS HISTORY 02/01/2008
Type Action, press Enter
  9=ItemDtl 10=MsgList 11=DataDisp 13=ItemRefs 15=Excps

Reference:  PONUMBER-001
Process     VPOBAPPL

A  Item Process  Description          Status      Date      Time  Excp
--- U  VPOBAPPL  SAMPLE OUTBOUND PURCHASE ORD OK          02/01/2008 12:00 0000
--- D  EBDI042  OUTBOUND MAPPER      04          02/01/2008 12:00 0001
--- T  EBDI002  OUTBOUND EDITOR      04          02/01/2008 12:00 0000
--- F  EBDI002  OUTBOUND EDITOR      04          02/01/2008 12:00 0000
--- I  EBDI002  OUTBOUND EDITOR      04          02/01/2008 12:00 0001
--- U  VPOBCOMM  SAMPLE OUTBOUND COMMUNICATIO XMITTED 02/01/2008 12:00 0000

---
---
---
---
---
---
---
---
---

F1=Help  F3=Exit  F7=Bkwd  F8=Fwd  F12=Cancel
    
```


For Mixed mode, compare the values on this screen with the values on the screen shown below.

```

EDIM712 _____ ITEM PROCESS DETAIL 02/01/2008
Type Action, press Enter.
  __ 8=ItemHist 10=MsgList 11=DataDisp 13=ItemRefs 14=Query 15=Excps

Item Identification
Item Type . . . : DOCUMENT
Reference . . . : PONUMBER-001
Trace ID . . . : BB00000001 To/From:

System/Process: GENTRAN /EBDI042 Recip/Action: @MAPPEROUT/
Date-Time . . . : 02/01/2008 - 12:00 Action Dt-Tm:
Direction/Set : OUTBOUND/ Excp. Status: OPEN
Application . . : POFILE
Network . . . . :
User . . . . . : ISA-PARTNER
Partner . . . . : VENDOR-2
Databank . . . : GENTRAN
Process Statuses
Ack Status . . . : Mapping Status : 04
Comp Status . . . : Network Status :
Env Status . . . : Seq Status . . . :

F1=Help F3=Exit F12=Cancel
    
```

- Type **11** in the A (Action Code) field and press **Enter**.

The Item Data Display screen for the item is displayed. Compare the values on this screen with the values on the screen shown in the figure below.

```

EDIM716 _____ ITEM DATA DISPLAY 02/01/2008
Type Action, press Enter.
  __ 8=ItemHist 9=ItemDtl 10=MsgList 13=ItemRefs 15=Excps

System : GENTRAN
Process : EBDI042
Desc. : OUTBOUND MAPPER
Item Type: DOCUMENT
Reference: PONUMBER-005

Item Data
VENDOR-2PONUMBER-005001010201STERLING COMMERCE INC. 4600 LAKEHURST COURT
VENDOR-2PONUMBER-005002#####
VENDOR-2PONUMBER-005002#### PURCHASE ORDER INSTRUCTIONS
VENDOR-2PONUMBER-005002#### ALL ITEMS MUST BE SENT BY REQUESTED SHIP DATE OR
VENDOR-2PONUMBER-005002#### ENTIRE ORDER IS SUBJECT TO CANCELLATION
VENDOR-2PONUMBER-005002####
VENDOR-2PONUMBER-005002#### NO SUBSTITUTION OF ITEMS W/O PRIOR BUYER APPROVAL
VENDOR-2PONUMBER-005002####
VENDOR-2PONUMBER-005002#####
VENDOR-2PONUMBER-0050050000Y00EACH0109999CAT-286-10-10 286/10MHZ/10 MEG

F1=Help F3=Exit F6=Next F7=Bkwd F8=Fwd F12=Cancel
    
```

- Type **10** in the (Action) field, and press **Enter**.

The Item Message List screen for the item is displayed. Compare the values on this screen with the values on the screen shown below.

```

EDIM715 _____ ITEM MESSAGE LIST 02/01/2008
Type Action, press Enter.
  8=ItemHist  9=ItemDtl 11=DataDisp 13=ItemRefs 15=Excps

System   : GENTRAN
Process  : EBDI042
Desc.    : OUTBOUND MAPPER
Item Type: DOCUMENT
Reference: PONUMBER-005

A Message
--- 617      11 005          40 PO1   20          INVALID NUMERIC DATA
      IN INPUT FIELD - MOVED ZERO TO TARGET FIELD.
--- 626          EA99          UNABLE TO TRANSLATE C
      ODE - MOVED SPACE TO TARGET FIELD.
      TRANSLATION ID: UNITMEAS
---
---
---
---
---
LAST ENTRY DISPLAYED
F1=Help  F3=Exit  F7=Bkwd  F8=Fwd  F12=Cancel
    
```

- Type **15** in the first A (Action) field, and press **Enter**.

The Item Exception Status screen for the item is displayed. Compare the values on this screen with the values on the screen shown below.

```

EDIM718 _____ ITEM EXCEPTION STATUS 02/01/2008
Type Action, press Enter.
  8=ItemHist  9=ItemDtl 10=MsgList 11=DataDisp 13=ItemRefs 16=ExcptDtl

System   : GENTRAN
Process  : EBDI042
Desc.    : OUTBOUND MAPPER
Item Type: DOCUMENT
Reference: PONUMBER-001

A Recipient Action Status Date Time Capture Id
--- @MAPPEROUT OPEN 02/01/2008 12:00 @MODEL-OM
---
---
---
---
---
---
---
---
---
F1=Help  F3=Exit  F7=Bkwd  F8=Fwd  F12=Cancel
    
```

- Type **16** in the first A (Action) field beside the exception, and press **Enter**.

The Exception Detail screen for the item is displayed. For Relationship mode, compare the values on this screen with the values on the screen shown below.

```
EDIM649 _____ EXCEPTION DETAIL 02/01/2008
Type Action, press Enter.
  __ 4=Delete 6=MsgList 7=Data 8=UserMsg 9=UserProc 10=ExcpHist 11=Recip.
     12=ItemExcp

Recipient . . . : @MAPPEROUT OUTBOUND MAPPING ERRORS
Excp Status . . : OPEN 02/01/2008 12:00
Excp Tag . . . : 0000000001
User Reference: PONUMBER-001

System/Process: GENTRAN /EBDI042 Excp. Action:
Date-Time . . . : 02/01/2008 - 12:00 Action Dt-Tm:
Capture ID. . . : @MODEL-OM Databank: GENTRAN
Description . . : OUTBOUND MAPPING ERRORS

Application : POFILE Interchange:
Network . . . : Group:
Direction/Set : OUTBOUND/ Trans:
User . . . . : YOUR COMPANY
Partner . . . : VENDOR-2

F1=Help F3=Exit F6=Next F12=Cancel
```

For Mixed mode, compare the values on this screen with the values on the screen shown below.

```
EDIM649 _____ EXCEPTION DETAIL 02/01/2008
Type Action, press Enter.
  __ 4=Delete 6=MsgList 7=Data 8=UserMsg 9=UserProc 10=ExcpHist 11=Recip.
     12=ItemExcp

Recipient . . . : @MAPPEROUT OUTBOUND MAPPING ERRORS
Excp Status . . : OPEN 02/01/2008 12:00
Excp Tag . . . : 0000000001
User Reference: PONUMBER-001

System/Process: GENTRAN /EBDI042 Excp. Action:
Date-Time . . . : 02/01/2008 - 12:00 Action Dt-Tm:
Capture ID. . . : @MODEL-OM Databank: GENTRAN
Description . . : OUTBOUND MAPPING ERRORS

Application : POFILE Interchange:
Network . . . : Group:
Direction/Set : OUTBOUND/ Trans:
User . . . . : ISA-PARTNER
Partner . . . : VENDOR-2

F1=Help F3=Exit F6=Next F12=Cancel
```

Completed by: _____

Date: _____ Time: _____

You have completed the Installation Verification for Gentran:Basic and Gentran:Plus.

Gentran:Realtime Processing

Note: If Gentran:Realtime is not implemented in your system, skip this topic. The installation verification procedures are now complete.

Step 10 Outbound Processing

Typically performed by: System Installer

The Realtime Outbound Mapper (EDIR042) and the Realtime Outbound Editor (EDIR002) will process sample data provided with the system. The items processed by the Outbound Mapper and Outbound Editor will be processed by Gentran:Viewpoint Exception Management and Tracking Management.

Figure 5.5 illustrates the processing flow of this step.

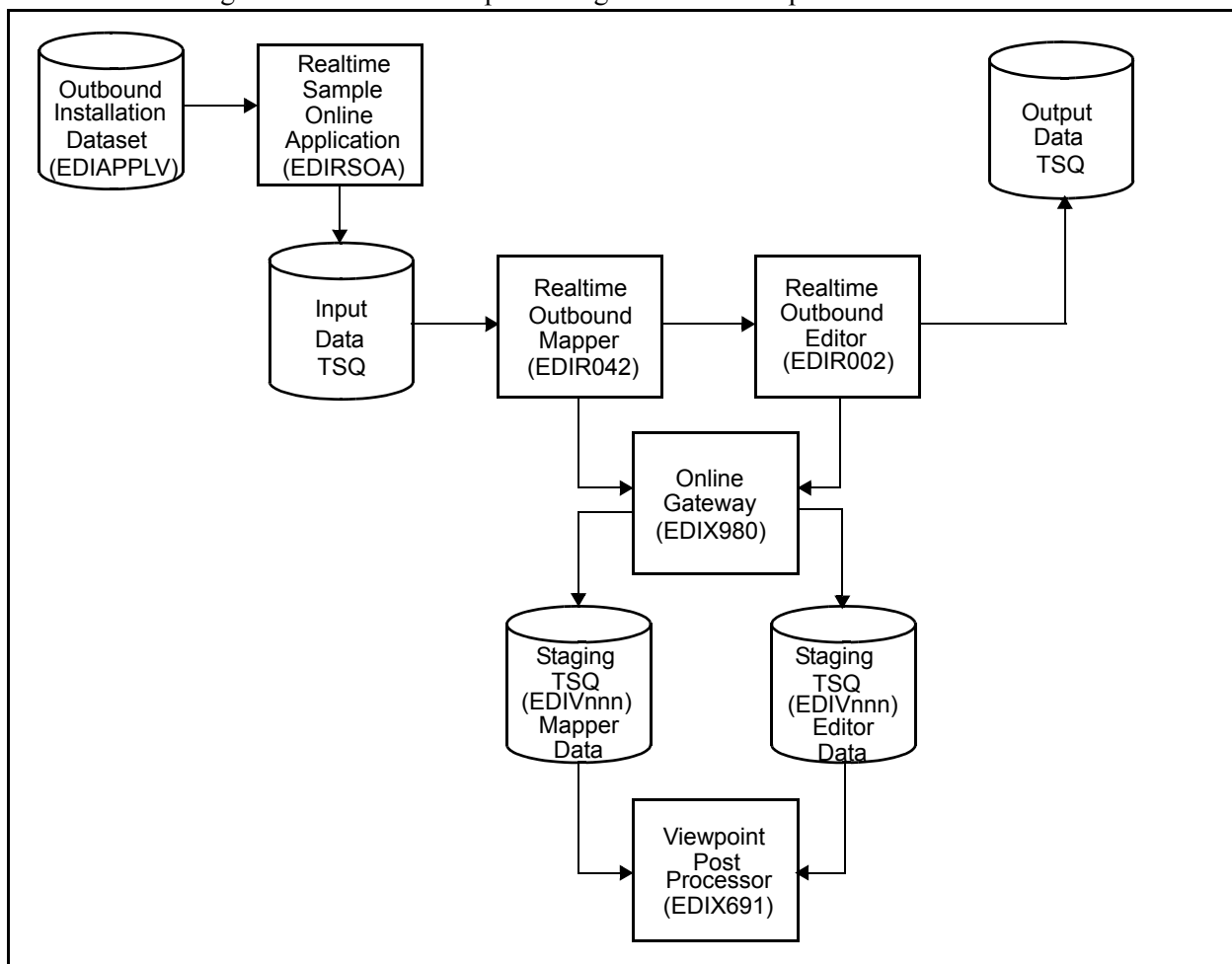


Figure 5.5 Realtime Outbound Processing Flow

Perform the following tasks to complete this step:

- From a blank CICS screen, type **EDITO 200V** and press **Enter**.

Note: If you are using an alternative system image, replace **EDI** with your system image characters.

This step invokes the CICS transaction EDIT, which executes the Realtime Sample Online Application (EDIRSOA) program. In this instance, the Sample Online Application is executing Realtime outbound Immediate Option 200 using sample data in a test dataset (GENTRAN.V6X5.VPT.VSAM.EDIAPPLV). The Realtime Sample Online Application program is included in the Realtime CICS Load Library, GENTRAN.V6X5.RTE.CICS.LOAD.

If the sample installation verification data is not available, ensure that the JCL in member **DEFVPRT** completed successfully during the installation. See “Define and Initialize the Gentran:Realtime Test Data Files” in Chapter 3, “Installing Gentran:Viewpoint”.

The following message will display:

```
BEGINNING PROCESSING      DATE:  YY-MM-DD  TSQNAME:  XXXXXXXX
```

When the transaction is complete, the following message will replace the original display:

```
TRANSFERRING TO EDIR101      RECORD CNT:    00000067

RETURNED FROM EDIR101      COMPLIANCE MESSAGES      PGM= EDIR002
RETURN CODE:      00

STARTING TIME: HH:MM:SS ENDING
TIME: HH:MM:SS DIFFERENCE: SSS.SSS IN SECONDS.
```

- Verify the results of the test by performing the following tasks.

- Type your system image ID on a blank CICS screen and press **Enter**. The system displays the Gentran logon screen.
- Type your Gentran CICS User ID and Password. The system displays the Gentran Main Menu.
- Type **8** to select the Gentran:Realtime Main Menu and press **Enter**. The system displays the Gentran:Realtime Main Menu.
- Type **3** to select Report Selection and press **Enter**.

Sample Gentran:Realtime EDI42E Report (Relationship Mode)

```

EDIR042  RUN 02/01/2008  TIME 12:00  ERRORS ENCOUNTERED MAPPING OUTGOING DATA  PAGE 1
ERROR **RECORD**      FIELD SEG  ELE
NUMBER  NBR ID  SEQ # ID  SEQ INFORMATION  ERROR MESSAGE
***** APPLICATION DEFINITION - POFILE - LOADED *****
***** TRANSACTION DEFINITION - ANSII4030FO - LOADED *****
RECEIVER: YOUR COMPANY /VENDOR-2  APP# REF: PONUMBER-005  DOCUMENT #:
1  617  11 005  40 P01  20  INVALID NUMERIC DATA IN INPUT FIELD - MOVED ZERO TO TARGET FIELD.
626  EA99  UNABLE TO TRANSLATE CODE - MOVED SPACE TO TARGET FIELD.
      TRANSLATION ID: UNITMEAS
PROCESSING ENDED WITH ERRORS - PROCESSING COUNTS BELOW
APPLICATION RECORDS READ ----- 67
APPLICATION RECORDS SUSPENDED - 0
TOTAL RECORDS WRITTEN ----- 130
RETURN CODE FOR MAPPING ----- 4
    
```

Sample Gentran:Realtime EDI42E Report (Mixed Mode)

```

EDIR042  RUN 02/01/2008  TIME 12:00  ERRORS ENCOUNTERED MAPPING OUTGOING DATA  PAGE 1
ERROR **RECORD**  FIELD SEG  ELE  ERRORS ENCOUNTERED MAPPING OUTGOING DATA  PAGE 1
NUMBER  NBR ID  SEQ #  ID  SEQ INFORMATION  ERROR MESSAGE
***** APPLICATION DEFINITION - POFLE - LOADED *****
***** TRANSACTION DEFINITION - ANSI4030PO - LOADED *****
RECEIVER: VENDOR-2  QUAL:  APPL REF: PONUMBER-005  DOCUMENT
# : 1
617 11 005 40 PO1 20  INVALID NUMERIC DATA IN INPUT FIELD - MOVED ZERO TO TARGET FIELD.
626 EA99  UNABLE TO TRANSLATE CODE - MOVED SPACE TO TARGET FIELD.
TRANSLATION ID: UNITMEAS
PROCESSING ENDED WITH ERRORS - PROCESSING COUNTS BELOW
APPLICATION RECORDS READ ----- 67
APPLICATION RECORDS SUSPENDED - 0
TOTAL RECORDS WRITTEN ----- 130
RETURN CODE FOR MAPPING ----- 4
    
```


Sample Gentran:Realtime EDI42S Report

```

EDIR042  RUN  02/01/2008    TIME 12:00    PROCESSING OPTIONS FOR MAPPING OUTGOING DATA    PAGE    1
PROGRAM EDIR042  COMPILED ON 02/01/08 AT 12.00.00    VERSION 6.5
PROGRAM EDIR043  COMPILED ON 02/01/08 AT 12.00.00    VERSION 6.5
PROGRAM EDIR045  COMPILED ON 02/01/08 AT 12.00.00    VERSION 6.5
PROGRAM EDIR056  COMPILED ON 02/01/08 AT 12.00.00    VERSION 6.5
APPLICATION TO PROCESS-----POFILE
USER EXIT VERSION SUPPORTED-----1
APPLICATION DECIMAL INDICATOR IS-----.
DATABANK PROCESSING CONFIGURATION-----DIRECTORY AND MESSAGE STORE
DATABANK PROCESSING LEVEL-----DIRECTORY AND MESSAGE STORE
DATABANK RUN NUMBER-----00000001
PARTNER PROFILE MODE-----RELATIONSHIP MODE
PARTNER PROCESSING SEQUENCE-----SEARCH PARTNER FILE
DIRECTORY POSTING OPTION-----POST USER/PARTNER
DEFAULT USER ID-----YOUR COMPANY
USE MULTIPLE ENVELOPE ID -----N
USE INTERCHANGE PARTNER WITH VERSION----N
USE GROUP PARTNER WITH VERSION-----N
USE TRANSACTION PARTNER WITH VERSION----N
ENVELOPE GENERATION OPTION-----MAPPER GENERATES ENVELOPES
VIEWPOINT PROCESSING-----TSQ EDIV0001 CREATED NORMALLY
EDIR042  RUN  02/01/2008    TIME 12:00    PROCESSING OPTIONS FOR ENVELOPE GENERATION    PAGE    1
NO ENVELOPE PARAMETERS SPECIFIED -----
GENTRAN:REALTIME PARAMETERS-----ENABLED
REALTIME PROCESSING OPTION-----200
REALTIME PROCESSING PATH-----200
REALTIME PRINT REPORT SWITCH-----NO
EDIR042  RUN  02/01/2008    TIME 12:00    SUMMARY CONTROL COUNTS MAPPING OUTGOING DATA    PAGE    1
PROCESSING BEGAN ON  02/01/2008 AT 12:00 PM.
SEQUENTIAL INPUT DOCUMENTS READ -----          4
SEQUENTIAL INPUT RECORDS READ -----          67
SEQUENTIAL INPUT CHARACTERS READ -----        16,750
DOCUMENTS STORED ON DATA BANK -----          4
RECORDS STORED ON DATA BANK -----          67
DOCUMENTS REPROCESSED -----                  0
RECORDS REPROCESSED -----                  0
CHARACTERS REPROCESSED -----                0
DOCUMENTS SUSPENDED -----                  0
RECORDS SUSPENDED -----                  0
CHARACTERS SUSPENDED -----                0
EDI DOCUMENTS GENERATED -----             4
EDI PACKAGES GENERATED -----              0
TOTAL RECORDS WRITTEN -----                130
NUMBER OF APPLICATIONS PROCESSED -----     1
NUMBER OF MAP DEFINITIONS PROCESSED -----  1
NUMBER OF TRADING PARTNERS PROCESSED ----- 3
PROCESSING ENDED ON  02/01/2008 AT 12:00 PM.
**** END OF SUMMARY REPORT ****
    
```

Note: If you are processing in Mixed mode, this report will show the following values in the fields indicated:

Field	Value for Mixed Mode
Partner Profile Mode	Mixed Mode
Directory Posting Option	Post Sender/Receiver
Default User ID	ISA-PARTNER

Sample Gentran:Realtime EDI02E Report (Relationship Mode)

```

EDIR002  RUN 02/01/2008  TIME 12:00  ERRORS ENCOUNTERED PROCESSING OUTGOING DATA  PAGE 1
ERROR RECORD SEG ELT/COMP  INFORMATION  ERROR MESSAGE
NUMBER ID NBR
INTERCHANGE = YOUR COMPANY - VENDOR-2
GROUP = YOUR COMPANY - VENDOR-2
EDI SENDER STERLING
EDI RECEIVER BULKPAPR
TRANSACTION = PONUMBER-005
386 16 PO1 3 2 CONDITIONAL ELEMENT REQUIRED BUT NOT PRESENT IN THIS SEGMENT.
*** DOCUMENT AUDIT ID AUDIT ID = PONUMBER-005
*** DATABANK ***** RUN # = 00000001
PROCESSING ENDED WITH ERRORS
* * * * * END OF REPORT * * * * *
TYPE = ISA ENV = 000000010 VER = 00403 AGY = X
TYPE = PO ENV = 000000010 VER = 00403 AGY = X
TEST TYPE = 850 ENV = 000000011 VER = 00403 AGY = X

```

Sample Gentran:Realtime EDI02E Report (Mixed Mode)

```

EDIR002  RUN 02/01/2008      TIME 12:00      ERRORS ENCOUNTERED PROCESSING OUTGOING DATA      PAGE 1
ERROR RECORD SEG ELT/COMP
NUMBER ID NBR INFORMATION
INTERCHANGE = VENDOR-2
GROUP       = VENDOR-2
            EDI SENDER
            EDI RECEIVER
TRANSACTION = PONUMBER-005
386        16 PO1 3
*** DOCUMENT AUDIT ID = PONUMBER-005
*** DATABANK ***** RUN # = 00000001

                -
                -
                STERLING
                BULKPAPR
                TEST TYPE = 850 ENV = 000000017 VER = 004030
                2 CONDITIONAL ELEMENT REQUIRED BUT NOT PRESENT IN THIS SEGMENT.
                TYPE = ISA ENV = 000000009 VER = 00403
                TYPE = PO ENV = 000005870 VER = 004030
                AGY = X
                AGY = X
                AGY = X

PROCESSING ENDED WITH ERRORS
* * * * * END OF REPORT * * *
    
```

Sample Gentran:Realtime EDI02S Report

```

EDIR002  RUN 02/01/2008      TIME 12:00      RUNTIME GLOBAL PARAMETER OVERRIDES
EDIR002  RUN 02/01/2008      TIME 12:00      SYSTEM CONFIGURATION OPTIONS
INTCHG VERSION = N
GROUP VERSION = N
TRANSACTION VERSION = N
TRADING PROFILE MODE RELATIONSHIP
MULTIPLE ENVELOPE DISABLED
EDIR002  RUN 02/01/2008      TIME 12:00      GLOBAL PARAMETER LIST
VERIFY PARTNER INTERCHANGE OFF
VERIFY PARTNER GROUP OFF
VERIFY PARTNER TRANSACTION OFF
ERROR REPORT ALWAYS
ICS TABLES OFF
CODE CHECK ON
PARTNER DATABANK OFF
COMPRESS TRANSMISSION
OUTPUT FILE LENGTH 080
GS SENDER/RECEIVER QUALIFIER INTERCHANGE
OUTBOUND EDI INTERCHANGE FULL
OUTBOUND EDI GROUP DIRECTORY
OUTBOUND EDI TRANSACTION DIRECTORY
VIEWPOINT PROCESSING - TSO R65V0002 CREATED NORMALLY
EDIR002  RUN 02/01/2008      TIME 12:00      SUMMARY CONTROL COUNTS PROCESSING OUTGOING DATA
PROGRAM E6GR002  COMPILED ON 02/01/08 AT 12.00.00  VERSION 6.5

PROCESSING BEGAN ON 02/01/2008 AT 12:00 AM.
OVERALL INPUTS AND OUTPUTS SUMMARY
INTERCHANGES READ -----
GROUPS READ -----
TRANSACTIONS READ -----
SEGMENTS READ -----
RECORDS READ -----
CHARACTERS READ -----
INTERCHANGES WRITTEN -----
INTERCHANGES REJECTED -----
INTERCHANGES SUSPENDED -----
GROUPS WRITTEN -----
GROUPS REJECTED -----
GROUPS SUSPENDED -----
TRANSACTIONS WRITTEN -----
TRANSACTIONS REJECTED -----
TRANSACTIONS SUSPENDED -----
SEGMENTS WRITTEN -----
CHARACTERS WRITTEN (WRAPPED OUTPUT) -----
SEGMENTS SUSPENDED -----
MISCELLANEOUS OUTPUT SUMMARY
TOTAL PASS-THRU WRITTEN -----
DIRECTION PASS-THRU WRITTEN -----
ERROR REJECTION PASS-THRU WRITTEN -----
TOTAL RECORDS WRITTEN -----
TOTAL PACKAGES WRITTEN -----
EDITOR PATH USED -----
REALTIME PROCESSING OPTION -----
REALTIME PROCESSING PATH -----
REALTIME PRINT REPORT SWITCH -----

PROCESSING ENDED ON 02/01/2008 AT 12:00 AM.
***** END OF JOB*****

          PAGE 1
          PAGE 2
          PAGE 3
          PAGE 4

          3
          3
          4
          118
          130
          3,741
          3
          0
          0
          3
          0
          4
          0
          0
          118
          3,561
          0
          0
          0
          0
          46
          999
          200
          200
          NO

          3
          3
          4
          118
          130
          3,741
          3
          0
          0
          3
          0
          4
          0
          0
          118
          3,561
          0
          0
          0
          0
          46
          999
          200
          200
          NO

          DATABANK OUTPUT SUMMARY
          INTERCHANGES STORED ON DATA BANK -----
          REJECTED INTERCHANGES ON DATA BANK -----
          GROUPS STORED ON DATA BANK -----
          REJECTED GROUPS ON DATA BANK -----
          TRANSACTIONS STORED ON DATA BANK -----
          REJECTED TRANSACTIONS ON DATA BANK -----
          SEGMENTS STORED ON DATA BANK -----
          CHARACTERS STORED ON DATA BANK -----
          RECORDS STORED ON DATA BANK -----
    
```

Note: If you are processing in Mixed mode, this report will show the following values in the fields indicated:

Field	Value for Mixed Mode
Trading Profile Mode	Mixed

Step 11 Inbound Processing

Typically performed by: System Installer

The Realtime Inbound Editor (EDIR001) and the Realtime Inbound Mapper (EDIR041) will process sample data provided with the system. The items processed by the Inbound Mapper and Inbound Editor will be processed by Gentran:Viewpoint Exception Management and Tracking Management.

Figure 5.6 illustrates the processing flow of this step.

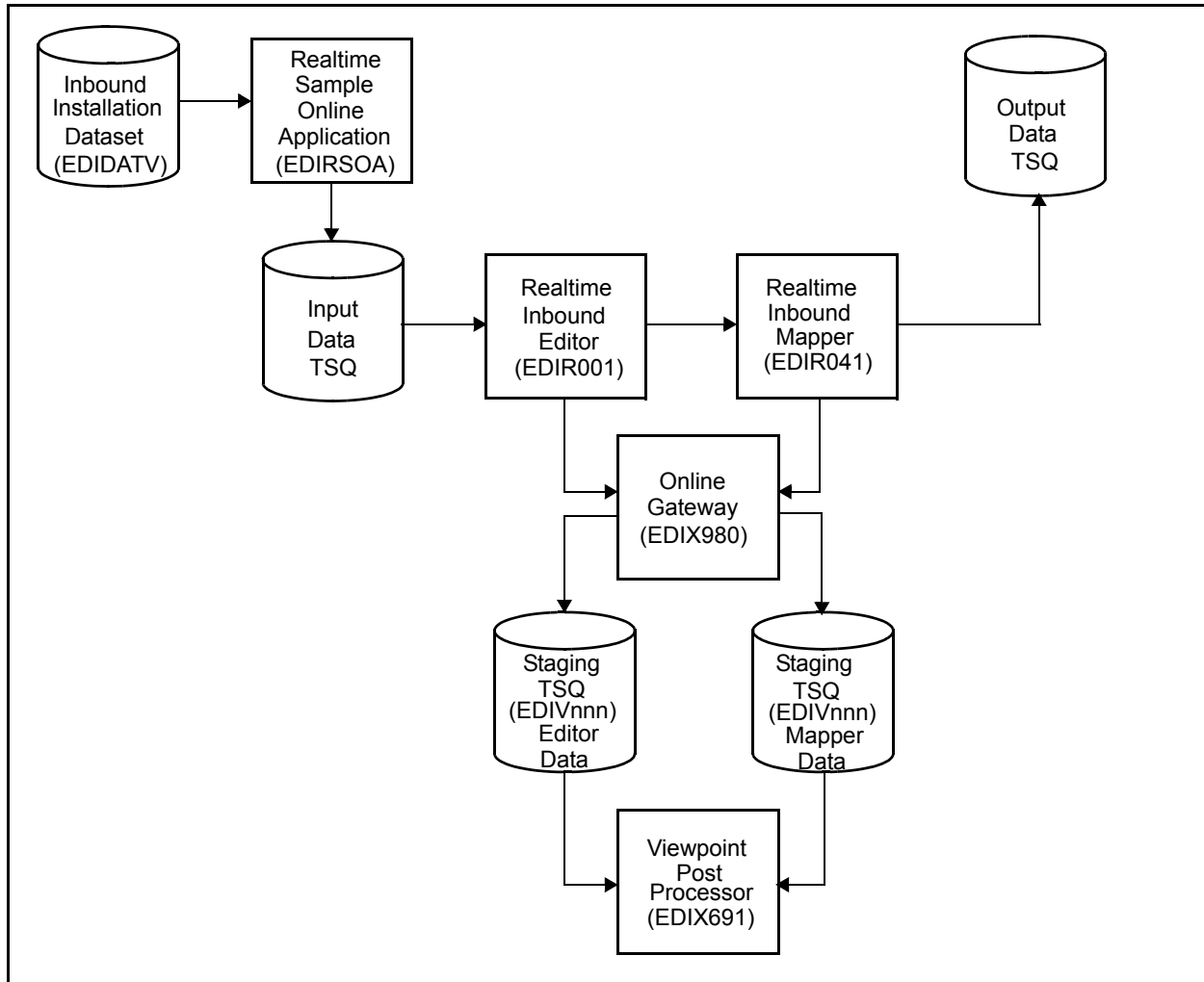


Figure 5.6 Realtime Inbound Processing Flow

Perform the following tasks to complete this step:

- From a blank CICS screen, type **EDITI 203V** and press **Enter**.

Note: If you are using an alternative system image, replace **EDI** with your system image characters.

This step invokes the CICS transaction EDIT which executes the Realtime Sample Online Application (EDIRSOA) program. In this instance, the Sample Online Application is executing Realtime Inbound Immediate Option 203 using sample data in a test dataset (GENTRAN.V6X5.VPT.VSAM.EDIDATV). The Realtime Sample Online Application program is included in the Realtime CICS Load Library, GENTRAN.V6X5.RTE.CICS.LOAD

If the sample installation verification data is not available, ensure that the JCL in member DEFVPRT completed successfully during the installation. See “Define and Initialize the Gentran:Realtime Test Data Files” in Chapter 3, “Installing Gentran:Viewpoint”.

The system displays the following message:

```
BEGINNING PROCESSING      DATE:  YY-MM-DD TSQNAME:  XXXXXXXX
```

When the transaction is complete, the system displays the following message, replacing the original display:

```
TRANSFERRING TO EDIR103  RECORD CNT:      00000016

RETURNED FROM EDIR103    COMPLIANCE MESSAGES      PGM= EDIR001
RETURN CODE:           00

                                STARTING TIME: HH:MM:SS ENDING
TIME: HH:MM:SS DIFFERENCE: SSS.SSS IN SECONDS.
```

- Verify the results of the test by performing the following tasks.
 - Type your system image ID on a blank CICS screen and press **Enter**. The system displays the Gentran logon screen.
 - Type your Gentran CICS User ID and Password. The system displays the Gentran Main Menu.
 - Type **8** to select the Gentran:Realtime Main Menu and press **Enter**. The system displays the Gentran:Realtime Main Menu.
 - Type **3** to select Report Selection and press **Enter**.

The system displays the Report Selection screen.

```

Select Print Log Exception Activity
EDIM310 8.3_____ REPORT SELECTION          XXX    02/01/2008
                                                12:00:00

Path ID.....: _____ Process.....: _____
Line Incrmt...: _____ Cond Code...: _ (Y)
From Date.....: _____ To Date.....: _____ (MM/DD/YYYY)
From Time.....: _____ To Time.....: _____ (HH:MM:SS)
Task #.....: _____ Max Srch...: 0450
Print Job Name: _____

  Generation      Path  Process   Con  Task          Control
A   Date         Time   ID      Name   St Cd   #    Description  Address
-   02/01/2008  12:00:00  203   EDI01S  W 04   1    X12 I/B IVP    1
-   02/01/2008  12:00:00  203   EDI01E  W 04   1    X12 I/B IVP    2
-   02/01/2008  12:00:00  203   ACKFMT  00     1    X12 I/B IVP    3
-   02/01/2008  12:00:00  203   EDI41E  W 04   1    X12 I/B IVP    4
-   02/01/2008  12:00:00  203   EDI41S  W 04   1    X12 I/B IVP    5
-
-
-
-
-
Enter PF1=Help          PF3=Exit          PF5=Action
      PF7=Bwd   PF8=Fwd

```

- Select each of the four reports (**EDI01S**, **EDI01E**, **EDI41E**, and **EDI41S**) by moving the cursor to the A (Action Code) field to the left of each report, typing an **s**, and pressing **PF5=Action** to display the Report Display screen. Following are examples of each complete report. You can scroll forward, backward, left, right, up, or down by using the **PF7**, **PF8**, **PF10**, **PF11**, **PF12**, and **PF13** keys to view the entire report. After viewing each report, press **PF3=Exit** to return to the Report Selection screen.
- After verifying all four reports, exit the Gentran:Realtime system by pressing **Home**, typing **EXIT** in the Jump Code field and pressing **Enter**.

Completed by: _____

Date: _____ Time: _____

Sample Gentran:Realtime EDI01S Report

```

EDIR001    RUN 02/01/2008    TIME 12:00    RUNTIME GLOBAL PARAMETER OVERRIDES    PAGE    1
EDIR001    RUN 02/01/2008    TIME 12:00    SYSTEM CONFIGURATION OPTIONS          PAGE    2
INTCHG VERSION      = N
GROUP VERSION       = N
TRANSACTION VERSION = N
TRADING PROFILE MODE RELATIONSHIP
MULTIPLE ENVELOPE DISABLED
EDIR001    RUN 02/01/2008    TIME 12:00    GLOBAL PARAMETER LIST                  PAGE    3
VERIFY PARTNER INTERCHANGE    OFF
VERIFY PARTNER GROUP          OFF
VERIFY PARTNER TRANSACTION     OFF
VERIFY RECEIVER INTERCHANGE   OFF
VERIFY RECEIVER GROUP         OFF
ERROR REPORT ALWAYS
OUTPUT MESSAGE ON
DIRECTED OUTPUT FILES
ICS TABLES OFF
CODE CHECK ON
BG PARTNER YES
PARTNER ACKNOWLEDGEMENT
PARTNER DATABANK OFF
GS SENDER/RECEIVER QUALIFIER SPACES
INBOUND EDI INTERCHANGE FULL
INBOUND EDI GROUP DIRECTORY
INBOUND EDI TRANSACTION DIRECTORY
PARTNER SEQUENCE OFF
VIEWPOINT PROCESSING - TSQ EDIV0003 CREATED NORMALLY
EDIR001    RUN 02/01/2008    TIME 12:00    SUMMARY CONTROL COUNTS PROCESSING INCOMING DATA    PAGE    4
PROGRAM EDIR001  COMPILED ON 02/01/08 AT 12.00.00    VERSION 6.5

PROCESSING BEGAN ON 02/01/2008 AT 12:00 PM.
OVERALL INPUTS AND OUTPUTS SUMMARY
INTERCHANGES READ ----- 1
GROUPS READ ----- 1
TRANSACTIONS READ ----- 1
SEGMENTS READ ----- 40
RECORDS READ ----- 16
CHARACTERS READ ----- 1,214
INTERCHANGES WRITTEN ----- 1
INTERCHANGES REJECTED ----- 0
INTERCHANGES SUSPENDED ----- 0
GROUPS WRITTEN ----- 1
GROUPS REJECTED ----- 0
GROUPS SUSPENDED ----- 0
TRANSACTIONS WRITTEN ----- 1
TRANSACTIONS REJECTED ----- 0
TRANSACTIONS SUSPENDED ----- 0
SEGMENTS WRITTEN ----- 40
PACKAGES WRITTEN ----- 0
CHARACTERS WRITTEN (EXPANDED OUTPUT)--- 1,575
MISCELLANEOUS OUTPUT SUMMARY
SEGMENTS SUSPENDED----- 0
NON-EDI RECORDS SUSPENDED----- 0
ERROR RECORDS WRITTEN----- 5
TOTAL PASS-THRU WRITTEN----- 0
DIRECTION PASS-THRU WRITTEN ----- 0
ERROR REJECTION PASS-THRU WRITTEN ---- 0
TOTAL RECORDS WRITTEN----- 48
GENERATED ACKNOWLEDGEMENT SUMMARY
TOTAL ACK. INFORMATION GENERATED ----- 22
DATABANK RUN NUMBER ----- 00000009
EDITOR PATH USED ----- 000
REALTIME PROCESSING OPTION----- 203
REALTIME PROCESSING PATH----- 203
REALTIME PRINT REPORT SWITCH----- NO

PROCESSING ENDED ON 02/01/2008 AT 12:00 PM.
* * * END OF REPORT * * *
    
```

Note: If you are processing in Mixed mode, this report will show the following values in the fields indicated:

Field	Value for Mixed Mode
Trading Profile Mode	Mixed

Sample Gentran:Realtime EDI01E Report (Relationship Mode)

```

EDIR001  RUN 02/01/2008  TIME 12:00  ERRORS ENCOUNTERED PROCESSING INCOMING DATA  PAGE 1
ERROR RECORD SEG ELT/COMP/REPEAT
NUMBER ID NBR  INFORMATION
INTERCHANGE = YOUR COMPANY / THEIR COMPANY  TYPE = ISA  ENV = 000000006  VER = 00403  AGY = X
YOUR COMPANY NAME
GROUP = YOUR COMPANY / THEIR COMPANY  TYPE = IN  ENV = 000000008  VER = 00403  AGY = X
EDI SENDER 121212121
EDI RECEIVER 987654321
TRANSACTION = TEST TYPE = 810  ENV = 000080001  VER = 00403  AGY = X
33 3 BIG 1 2001Q005  DATE FIELD NOT NUMERIC.
63 10 IT1 3 QQ IN THE IDENTIFIED ELEMENT, AN INVALID CODE WAS FOUND.
61 10 IT1 4 1200.99 UNACCEPTABLE CHARACTER FOUND IN INDICATED INPUT ELEMENT.
63 11 IT1 3 QQ IN THE IDENTIFIED ELEMENT, AN INVALID CODE WAS FOUND.
61 15 CTT 1 QQ UNACCEPTABLE CHARACTER FOUND IN INDICATED INPUT ELEMENT.
*** DOCUMENT AUDIT ID = INV01
*** DATABANK ***** RUN # = 00000001
PROCESSING ENDED WITH ERRORS.
* * * * * END OF REPORT * * * * *
    
```

Sample Gentran:Realtime EDI01E report (Mixed Mode)

```

EDIR001  RUN 02/01/2008  TIME 12:00  ERRORS ENCOUNTERED PROCESSING INCOMING DATA  PAGE 1
ERROR RECORD SEG ELT/COMP/REPEAT
NUMBR NUMBER ID NBR  INFORMATION  ERROR MESSAGE

INTERCHANGE = VENDOR-1  -  TYPE = ISA  ENV = 000000006  VER = 00403  AGY = X
              TUTORIAL - XYZ COMPUTER COMPANY
GROUP       = VENDOR-1  -  TYPE = IN   ENV = 000000008  VER = 004030  AGY = X
              EDI SENDER 121212121
              EDI RECEIVER 987654321
TRANSACTION =  TEST TYPE = 810  ENV = 000080001  VER = 004030  AGY = X
 33  3  BIG  1  2001QQ05  DATE FIELD NOT NUMERIC.
 63 10 IT1  3  QQ  IN THE IDENTIFIED ELEMENT, AN INVALID CODE WAS FOUND.
 61 10 IT1  4  12QQ.99 UNACCEPTABLE CHARACTER FOUND IN INDICATED INPUT ELEMENT.
 63 11 IT1  3  QQ  IN THE IDENTIFIED ELEMENT, AN INVALID CODE WAS FOUND.
 61 15 CTT  1  QQ  UNACCEPTABLE CHARACTER FOUND IN INDICATED INPUT ELEMENT.
*** DOCUMENT AUDIT ID  AUDIT ID = INV01
*** DATABANK *****  RUN # = 00000001

PROCESSING ENDED WITH ERRORS.
* * *  END OF REPORT  * * *
    
```

Sample Gentran:Realtime EDI41E Report (Relationship Mode)

```

EDIR041  RUN 02/01/2008  TIME 12:00  ERRORS ENCOUNTERED MAPPING INCOMING DATA  PAGE 1
ERROR  **RECORD**  FIELD SEG ELE
NUMBR  NBR ID  SEQ # ID SEQ  INFORMATION  ERROR MESSAGE
***** APPLICATION DEFINITION - INVFILE - LOADED *****
***** TRANSACTION DEFINITION - ANSI4030IN - LOADED *****
INTERCHANGE: THEIR COMPANY YOUR COMPANY  CONTROL NO: 000000006
GROUP       : THEIR COMPANY YOUR COMPANY  CONTROL NO: 000000008
TRANSACTION: 810  CONTROL NO: 000080001
 626  23  QQ  UNABLE TO TRANSLATE CODE - MOVED SPACE TO TARGET FIELD.
              TRANSLATION ID: UNITMEAS
 785  9 5  70  ** WARNING ** MANDATORY FIELD/ELEMENT MISSING.
 785  9 5  100 ** WARNING ** MANDATORY FIELD/ELEMENT MISSING.
 626  25  QQ  UNABLE TO TRANSLATE CODE - MOVED SPACE TO TARGET FIELD.
              TRANSLATION ID: UNITMEAS
 785  11 5  70  ** WARNING ** MANDATORY FIELD/ELEMENT MISSING.
 785  19 7  70  ** WARNING ** MANDATORY FIELD/ELEMENT MISSING.

PROCESSING ENDED WITH ERRORS - PROCESSING COUNTS BELOW
EDI RECORDS READ ----- 48
EDI RECORDS SUSPENDED ----- 0
APPLICATION RECORDS WRITTEN ---- 19
RETURN-CODE FOR MAPPING ----- 4
    
```

Sample Gentran:Realtime EDI41E Report (Mixed Mode)

```

EDIR041  RUN 02/01/2008  TIME 12:00  ERRORS ENCOUNTERED MAPPING INCOMING DATA  PAGE 1
ERROR  **RECORD**  FIELD SEG ELE
NUMBR  NBR ID  SEQ # ID SEQ  INFORMATION  ERROR MESSAGE
***** APPLICATION DEFINITION - INVFILE - LOADED *****
***** TRANSACTION DEFINITION - ANSI4030IN - LOADED *****
INTERCHANGE: VENDOR-1  QUAL:  CONTROL NO: 000000006
GROUP       : VENDOR-1  QUAL:  CONTROL NO: 000000008
TRANSACTION: 810  CONTROL NO: 000080001
 626  23  QQ  UNABLE TO TRANSLATE CODE - MOVED SPACE TO TARGET FIELD.
              TRANSLATION ID: UNITMEAS
 785  9 5  70  ** WARNING ** MANDATORY FIELD/ELEMENT MISSING.
 785  9 5  100 ** WARNING ** MANDATORY FIELD/ELEMENT MISSING.
 626  25  QQ  UNABLE TO TRANSLATE CODE - MOVED SPACE TO TARGET FIELD.
              TRANSLATION ID: UNITMEAS
 785  11 5  70  ** WARNING ** MANDATORY FIELD/ELEMENT MISSING.
 785  19 7  70  ** WARNING ** MANDATORY FIELD/ELEMENT MISSING.

PROCESSING ENDED WITH ERRORS - PROCESSING COUNTS BELOW
EDI RECORDS READ ----- 48
EDI RECORDS SUSPENDED ----- 0
APPLICATION RECORDS WRITTEN ---- 19
RETURN-CODE FOR MAPPING ----- 4
    
```

Sample Gentran:Realtime EDI Report Display screen for EDI41S

```

EDIR041  RUN 02/01/2008  TIME 12:00  PROCESSING OPTIONS FOR MAPPING INCOMING DATA  PAGE 1
PROGRAM EDIR041  COMPILED ON 02/01/08 AT 12.00.00  VERSION 6.5
PROGRAM EDIR043  COMPILED ON 02/01/08 AT 12.00.00  VERSION 6.5
PROGRAM EDIR044  COMPILED ON 02/01/08 AT 12.00.00  VERSION 6.5
APPLICATION TO PROCESS-----INVFILE
USER EXIT VERSION SUPPORTED-----1
APPLICATION DECIMAL INDICATOR IS-----
RIGHT JUSTIFY ALL APPLICATION REALS-----N
HANDLE FLOATING NOTES WITHIN A SECTION--Y
DATABANK PROCESSING CONFIGURATION-----D-----DIRECTORY AND MESSAGE STORE
DATABANK PROCESSING LEVEL-----D-----DIRECTORY AND MESSAGE STORE
DATABANK RUN NUMBER-----00000001
DIRECTORY POSTING OPTION-----POST USER/PARTNER
PARTNER PROFILE MODE-----RELATIONSHIP MODE
PRINT PARTNER NAME -----N
WRITE APPLICATION RECORDS-----Y
VIEWPOINT PROCESSING-----TSQ EDIV0004 CREATED NORMALLY
REALTIME PROCESSING OPTION-----203
REALTIME PROCESSING PATH-----203
REALTIME PRINT REPORT SWITCH-----NO
BUSINESS DOCUMENT TRACKING-----N
SUPPORT SINGLE QUOTE -----N
VERIFY PARTNER SPECIFIC MAP VERSION-----N
EDIR041  RUN 02/01/2008  TIME 12:00  SUMMARY CONTROL COUNTS MAPPING INCOMING DATA  PAGE 1
PROCESSING BEGAN ON 02/01/2008 AT 12:00 PM.
INTERCHANGES READ -----1
GROUPS READ -----1
TRANSACTIONS READ -----1
SEGMENTS READ -----34
CHARACTERS READ -----5,654
DOCUMENTS STORED ON DATA BANK -----1
RECORDS STORED ON DATA BANK -----19
APPLICATION DOCUMENTS WRITTEN -----1
APPLICATION RECORDS WRITTEN -----19
APPLICATION CHARACTERS WRITTEN -----1,520
DOCUMENTS SUSPENDED -----0
RECORDS SUSPENDED -----0
CHARACTERS SUSPENDED -----0
NUMBER OF APPLICATIONS PROCESSED -----1
NUMBER OF MAP DEFINITIONS PROCESSED -----1
NUMBER OF TRADING PARTNERS PROCESSED --1
PROCESSING ENDED ON 02/01/2008 AT 12:00 PM.
**** END OF SUMMARY REPORT ****
    
```

Note: If you are processing in Mixed mode, this report will show the following values in the fields indicated:

Field	Value for Mixed Mode
Directory Posting Option	Post Receiver/Sender

Step 12 Start the Gentran:Viewpoint Online Scanner/Initiator

Manually start up the background Gentran:Viewpoint CICS system (Online Scanner/Initiator).

Note: If you have updated the PLT tables with the program **EDIVPLT**, skip this step.

Typically performed by: System Installer

The tasks involved in starting the background Gentran:Viewpoint CICS system are listed below.

Check the box next to each task as you complete it.

From a blank CICS screen, type **EDIV** and press **Enter**.

The message **Viewpoint Scanner Started** will display.

Press **CLEAR** to clear the screen.

Completed by: _____

Date: _____ **Time:** _____

Step 13 Review the Online Log

Typically performed by: System Installer

Perform the following tasks to verify that the Viewpoint Online Scanner/Initiator is executing and that Viewpoint Post Processors were started for the Outbound and Inbound tests that were performed in the earlier steps.

Check the box next to each task as you complete it.

- Type your system image ID on a blank CICS screen and press **Enter**. The system displays the Gentran logon screen (EDIM000).
- Type your Gentran CICS user ID and password or a user ID of **ADMIN** and a password of **SECURITY**. The system displays the Gentran Main Menu (EDIM001).
- Type **9** to select the Gentran:Viewpoint Main Menu and press **Enter**. The system displays the Viewpoint Main Menu (EDIM600).
- Type **99** to select the Log Display and press **Enter**. The system displays the Viewpoint Online Log Display (EDIM688).

```

EDIM688 9.99_____ VIEWPOINT ONLINE LOG DISPLAY          XXX  02/01/2008
                                     12:00:00
Start: 02/01/2008 12:00:00 Stop:                               Last: 12:00:00  Scan: 0005
Filters====>  Errors Only:  _  Program: _____
  Position      Task #      TranID      Time      Date      Max Count
Criteria====>  _____      _____      _____      _____      _____      0450

  Task  Tran    Time    Date    Term  Program    Error Code
00001  EDIV   12:00:00  02/01/2008  EDIX690  EDI-50302-T 00
VIEWPOINT ONLINE SCANNER BEGINS . . . , DATE: 02/01/2008, TIME: 12:00:00
00001  EDIV   12:00:39  02/01/2008  EDIX690  EDI-50303-T 00
VIEWPOINT ONLINE SCANNER ENDS . . . . , DATE: 02/01/2008, TIME: 12:00:00
00002  EDIZ   12:00:00  02/01/2008  EDIX691  EDI-50100-I 00
VIEWPOINT POST PROCESSOR BEGINS . . . EDIV0001
00002  EDIZ   12:00:00  02/01/2008  EDIX691  EDI-50101-T 00
VIEWPOINT POST PROCESSOR ENDS . . . . EDIV0001  /GENTRAN  /EDIR042
00003  EDIZ   12:00:00  02/01/2008  EDIX691  EDI-50100-I 00
VIEWPOINT POST PROCESSOR BEGINS . . . EDIV0002
00003  EDIZ   12:00:00  02/01/2008  EDIX691  EDI-50101-T 00
VIEWPOINT POST PROCESSOR ENDS . . . . EDIV0002  /GENTRAN  /EDIR002

Enter                               PF3=Exit
PF7=Bwd  PF8=Fwd
    
```

```

EDIM688 9.99_____ VIEWPOINT ONLINE LOG DISPLAY      XXX   02/01/2008
                                           12:00:00
Start: 02/01/2008 12:00:00 Stop:                Last: 12:00:00 Scan: 0005
Filters====>  Errors Only:  _  Program: _____
Position      Task #      TranID      Time      Date      Max Count
Criteria====> _____      _____      _____      _____      0450

Task  Tran   Time      Date      Term  Program      Error Code

00004  EDIZ  12:00:00  02/01/2008      EDIX691  EDI-50100-I 00
VIEWPOINT POST PROCESSOR BEGINS . . . EDIV0003
00004  EDIZ  12:00:00  02/01/2008      EDIX691  EDI-50101-T 00
VIEWPOINT POST PROCESSOR ENDS . . . EDIV0003 /GENTRAN /EDIR001
00005  EDIZ  12:00:00  02/01/2008      EDIX691  EDI-50100-I 00
VIEWPOINT POST PROCESSOR BEGINS . . . EDIV0004
00005  EDIZ  12:00:00  02/01/2008      EDIX691  EDI-50101-T 00
VIEWPOINT POST PROCESSOR ENDS . . . EDIV0004 /GENTRAN /EDIR041

Enter                PF3=Exit
PF7=Bwd  PF8=Fwd
    
```

- The **Start**, **Last**, and **Scan** fields near the top of the screen should show the date and time the scanner was started, the time that it last ran, and the scan interval. If they are blank, the Viewpoint Online Scanner/Initiator is not running. Return to the previous step and start the scanner.
- Gentran:Viewpoint is installed with the System Trace enabled. Scan the Viewpoint Online Log Display to find the following trace messages:
 - The Scanner generates trace message **EDI-50302** when it begins and **EDI-50303** when it ends. The trace messages should be repeated for each scan interval.
 - The Post Processor generates trace message **EDI-50100** when it begins and **EDI-50101** when it ends. Post Processors should have started for the EDIV0001, EDIV0002, EDIV0003, and EDIV0004 staging files. If they have not started since you performed the online outbound and inbound tests, they should start at the next scan interval.
- Press **PF3=Exit** to return to the Viewpoint Main Menu (EDIM600).

Completed by: _____

Date: _____ Time: _____

Step 14 Check the Gentran:Viewpoint Capture Results

Typically performed by: System Installer

In this step, the results from the Gentran:Realtime tests, captured by Gentran:Viewpoint will be displayed from the online facility.

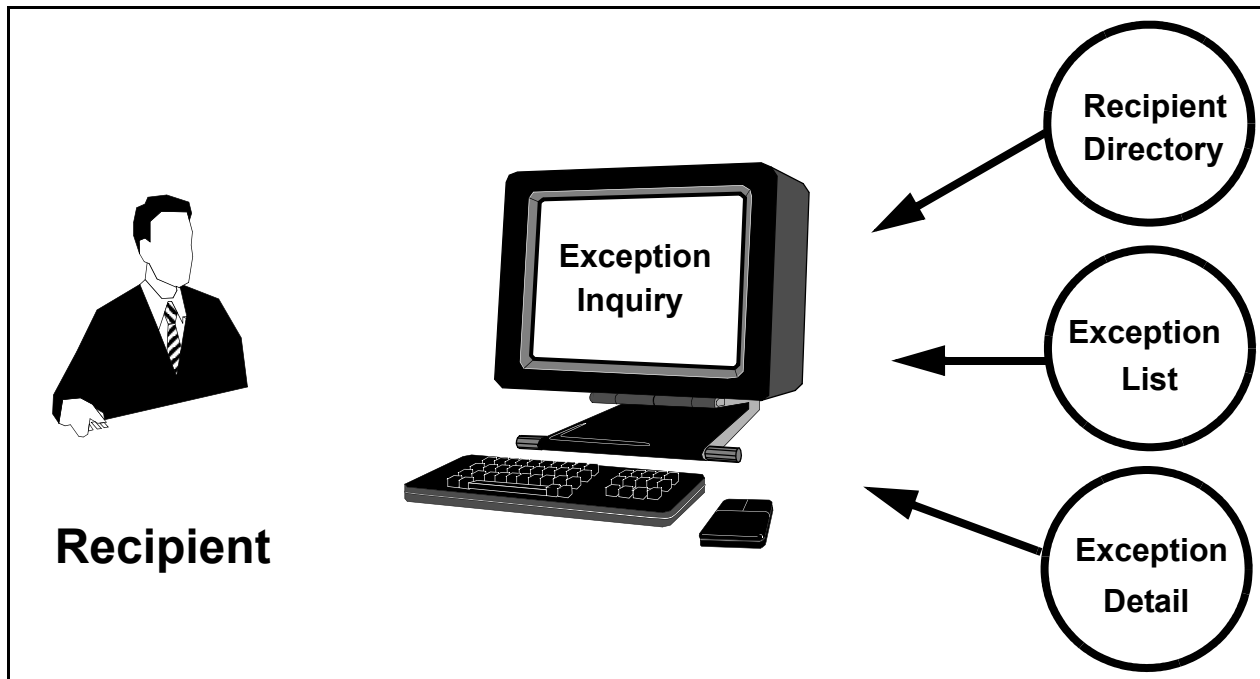


Figure 5.7 Review Capture Results

Perform the following tasks to complete this step:

- From the Viewpoint Main Menu, select **Exception Inquiry** (option 4) and press **Enter**.

The Exception Inquiry Menu is displayed.

- Select **Recipient Directory** (option 1) and press **Enter**.

The Recipient Directory (EDIM646) is displayed.

The Exception Detail screen for the exception is displayed. For Relationship mode, compare the values on this screen with the values shown on the screen below.

```

EDIM649 _____ EXCEPTION DETAIL 02/01/2008
Type Action, press Enter.
__ 4=Delete 6=MsgList 7=Data 8=UserMsg 9=UserProc 10=ExcpHist 11=Recip.

Recipient . . . : @EDITORS EDI COMPLIANCE MONITOR
Excp Status . . : OPEN 02/01/2008 12:00
Excp Tag . . . : 000000007
User Reference: 000000006 /000000008 /000080001

System/Process: GENTRAN /EDIR001 Excp. Action:
Date-Time . . . : 02/01/2008 - 12:00 Action Dt-Tm:
Capture ID. . . : @MODEL-RIE Databank: REALTIME
Description . . : INBOUND COMPLIANCE ERRORS - REALTIME

Application : Interchange: 000000006
Network . . . : Group: 000000008
Direction/Set : INBOUND /810 Trans: 000080001
User . . . . : YOUR COMPANY
Partner . . . : THEIR COMPANY Path / Option: 203/203
Trans ID/Task : EDIT/0000002 Queue File:

F1=Help F3=Exit F6=Next F12=Cancel

```

For Mixed mode, compare the values on this screen with the values shown on the screen below.

```

EDIM649 _____ EXCEPTION DETAIL 02/01/2008
Type Action, press Enter.
__ 4=Delete 6=MsgList 7=Data 8=UserMsg 9=UserProc 10=ExcpHist 11=Recip.

Recipient . . . : @EDITORS EDI COMPLIANCE MONITOR
Excp Status . . : OPEN 02/01/2008 12:00
Excp Tag . . . : 000000007
User Reference: 000000006 /000000008 /000080001

System/Process: GENTRAN /EDIR001 Excp. Action:
Date-Time . . . : 02/01/2008 - 12:00 Action Dt-Tm:
Capture ID. . . : @MODEL-RIE Databank: REALTIME
Description . . : INBOUND COMPLIANCE ERRORS - REALTIME

Application : Interchange: 000000006
Network . . . : Group: 000000008
Direction/Set : INBOUND /810 Trans: 000080001
User . . . . : 987654321
Partner . . . : VENDOR-1 Path / Option: 203/203
Trans ID/Task : EDIT/0000002 Queue File:

F1=Help F3=Exit F6=Next F12=Cancel

```

- Type **6** in the A (Action) field and press **Enter**.

The Exception Message List screen for the exception is displayed. Compare the values on this screen with the values shown on the screen below.

```

EDIM650 _____ EXCEPTION MESSAGE LIST 02/01/2008
Type Action, press Enter.
  6=Excp  7=Data  8=UserMsg  9=UserProc 10=ExcpHist

System   : GENTRAN
Process  : EDIR001
Desc.    : INBOUND COMPLIANCE ERRORS - REALTIME
Reference: 000000006      /000000008      /000080001

A Message
___ 33      3 BIG      1          2001QQ05  DATE FIELD NOT NUMERIC.
___ 63      10 IT1     3          QQ         IN THE IDENTIFIED ELEMENT, AN I
      NVALID CODE WAS FOUND.
___ 61      10 IT1     4          12QQ.99   UNACCEPTABLE CHARACTER FOUND IN
      INDICATED INPUT ELEMENT.
___ 63      11 IT1     3          QQ         IN THE IDENTIFIED ELEMENT, AN I
      NVALID CODE WAS FOUND.
___ 61      15 CTT     1          QQ         UNACCEPTABLE CHARACTER FOUND IN
      INDICATED INPUT ELEMENT.
___
___

LAST ENTRY DISPLAYED
F1=Help  F3=Exit  F6=Next  F7=Bkwd  F8=Fwd  F12=Cancel

```

- Type **7** in the A (Action) field beside the second message and press **Enter**.

The Exception Data Display screen for the exception is displayed. Compare the values on this screen with the values shown on the screen below.

```

EDIM651 _____ EXCEPTION DATA DISPLAY 02/01/2008
Type Action, press Enter.
  ___ 6=Excp  7=MsgList  8=UserMsg  9=UserProc 10=ExcpHist

System   : GENTRAN
Process  : EDIR001
Desc.    : INBOUND COMPLIANCE ERRORS - REALTIME
Reference: 000000006      /000000008      /000080001

Exception Data
IT1**5*QQ*12QQ.99**VC*CAT-286-12-20?
* 63      10 IT1     3          QQ         IN THE IDENTIFIED ELEMENT, AN INV
*      ALID CODE WAS FOUND.
* 61      10 IT1     4          12QQ.99   UNACCEPTABLE CHARACTER FOUND IN I
*      NDICATED INPUT ELEMENT.
IT1**4*EA*1099.99**VC*CAT-286-10-10?
IT1**9*QQ*1.99.99**VC*CAT-286-10-20?
* 63      11 IT1     3          QQ         IN THE IDENTIFIED ELEMENT, AN INV
*      ALID CODE WAS FOUND.
IT1**12*EA*1399.99**VC*CAT-286-12-40?
IT1**8*EA*1349.99**VC*CAT-286-12-30?

F1=Help  F3=Exit  F6=Next  F7=Bkwd  F8=Fwd  F12=Cancel

```


- ☐ Type **5** in the A (Action) field beside the exception for the EDIR042 process and press **Enter**.

The Exception Detail screen for the exception is displayed. For Relationship mode, compare the values on this screen with the values on the screen below.

```

EDIM649 _____ EXCEPTION DETAIL 02/01/2008
Type Action, press Enter.
  __ 4=Delete 6=MsgList 7=Data 8=UserMsg 9=UserProc 10=ExcpHist 11=Recip.

Recipient . . . : @MAPPEROUT OUTBOUND MAPPING ERRORS
Excp Status . . : OPEN 02/01/2008 12:00
Excp Tag . . . : 000000010
User Reference: PONUMBER-005

System/Process: GENTRAN /EDIR042          Excp. Action:
Date-Time . . . : 02/01/2008 - 12:00      Action Dt-Tm:
Capture ID. . . : @MODEL-ROM              Databank: REALTIME
Description . . : OUTBOUND MAPPING ERRORS - REALTIME

Application   : POFILE                    Interchange:
Network . . . :                          Group:
Direction/Set : OUTBOUND/                 Trans:
User . . . . . : YOUR COMPANY
Partner . . . . : VENDOR-2                Path / Option: 200/200
Trans ID/Task : EDIT/0000001              Queue File:

F1=Help F3=Exit F6=Next F12=Cancel

```

For Mixed mode, compare the values on this screen with the values shown on the screen below.

```

EDIM649 _____ EXCEPTION DETAIL 02/01/2008
Type Action, press Enter.
  __ 4=Delete 6=MsgList 7=Data 8=UserMsg 9=UserProc 10=ExcpHist 11=Recip.

Recipient . . . : @MAPPEROUT OUTBOUND MAPPING ERRORS
Excp Status . . : OPEN 02/01/2008 12:00
Excp Tag . . . : 000000010
User Reference: PONUMBER-005

System/Process: GENTRAN /EDIR042          Excp. Action:
Date-Time . . . : 02/01/2008 - 12:00      Action Dt-Tm:
Capture ID. . . : @MODEL-ROM              Databank: REALTIME
Description . . : OUTBOUND MAPPING ERRORS - REALTIME

Application   : POFILE                    Interchange:
Network . . . :                          Group:
Direction/Set : OUTBOUND/                 Trans:
User . . . . . : ISA-PARTNER
Partner . . . . : VENDOR-2                Path / Option: 200/200
Trans ID/Task : EDIT/0000001              Queue File:

F1=Help F3=Exit F6=Next F12=Cancel

```

- ☐ Type **6** in the A (Action) field and press **Enter**.

The Exception Message List screen for the exception is displayed. Compare the values on this screen with the values shown on the screen below.

```

EDIM650 _____ EXCEPTION MESSAGE LIST 02/01/2008
Type Action, press Enter.
  6=Excp  7=Data  8=UserMsg  9=UserProc 10=ExcpHist

System   : GENTRAN
Process  : EDIR042
Desc.    : OUTBOUND MAPPING ERRORS - REALTIME
Reference: PONUMBER-005

A Message
--- 617      11 005          40 PO1   20          INVALID NUMERIC DATA
      INPUT FIELD - MOVED ZERO TO TARGET FIELD.
--- 626          EA99          UNABLE TO TRANSLATE C
      ODE - MOVED SPACE TO TARGET FIELD.
      TRANSLATION ID: UNITMEAS
---
---
---
---
---
---
LAST ENTRY DISPLAYED
F1=Help  F3=Exit  F6=Next  F7=Bkwd  F8=Fwd  F12=Cancel
    
```

- Type **7** in the A (Action) field beside the first message and press **Enter**.

The Exception Data Display screen for the exception is displayed. Compare the values on this screen with the values shown on the screen below.

```

EDIM651 _____ EXCEPTION DATA DISPLAY 02/01/2008
Type Action, press Enter.
  __ 6=Excp  7=MsgList  8=UserMsg  9=UserProc 10=ExcpHist

System   : GENTRAN
Process  : EDIR042
Desc.    : OUTBOUND MAPPING ERRORS - REALTIME
Reference: PONUMBER-005

Exception Data
VENDOR-2PONUMBER-0050050000Y00EACH0109999CAT-286-10-10  286/10MHZ/10 MEG
* 617      11 005          40 PO1   20          INVALID NUMERIC DATA IN
*          INPUT FIELD - MOVED ZERO TO TARGET FIELD.
VENDOR-2PONUMBER-0050050000900EACH0119999CAT-286-10-20  286/10MHZ/20 MEG
VENDOR-2PONUMBER-0050050001200EA990139999CAT-286-12-40  286/12MHZ/40 MEG
* 626          EA99          UNABLE TO TRANSLATE COD
*          E - MOVED SPACE TO TARGET FIELD.
*          TRANSLATION ID: UNITMEAS
VENDOR-2PONUMBER-0050050001000EACH0134999CAT-286-12-30  286/12MHZ/30 MEG
VENDOR-2PONUMBER-0050050000700EACH0229999CAT-386-16-20  386/16MHZ/20 MEG
VENDOR-2PONUMBER-0050050001000EACH0249999CAT-386-16-40  386/16MHZ/40 MEG

F1=Help  F3=Exit  F6=Next  F7=Bkwd  F8=Fwd  F12=Cancel
    
```

- Press **Home** to move the cursor to the Jump Code field. Type **9 . 0** and press **Enter** to return to the Viewpoint Main Menu (EDIM600).

Completed by: _____

Date: _____ Time: _____

Step 15 Query the Gentran:Viewpoint Tracked Items

Typically performed by: System Installer

In this step, the items from Gentran:Realtime tracked by Gentran:Viewpoint will be displayed from the online facility.



Figure 5.8 Review Tracking Items

Perform the following tasks to complete this step:

- From the Viewpoint Main Menu, select **Tracking Management** (option 5) and press **Enter**.
The Tracking Management Menu is displayed.
- Select **Query Directory** (option 1) and press **Enter**.

The Item Process Detail screen for the item is displayed. For Relationship mode, compare the values on this screen with the screen shown below.

```

EDIM712 _____ ITEM PROCESS DETAIL 02/01/2008
Type Action, press Enter.
  __ 8=ItemHist 10=MsgList 11=DataDisp 13=ItemRefs 14=Query 15=Excps

Item Identification
Item Type . . . : DOCUMENT
Reference . . . : PONUMBER-005
Trace ID . . . : A000000001 To/From:

System/Process: GENTRAN /EDIR042 Recip/Action: @MAPPEROUT/
Date-Time . . . : 02/01/2008 - 12:00 Action Dt-Tm:
Direction/Set : OUTBOUND/ Excp. Status: OPEN
Application . . : POFFILE Trans. ID/Task: EDIT/0000001
Network . . . . : Path ID/Option: 200/200
User . . . . . : YOUR COMPANY
Partner . . . . : VENDOR-2 Queue File:
Databank . . . : REALTIME

Process Statuses
Ack Status . . . : Mapping Status : 04
Comp Status . . . : Network Status :
Env Status . . . : Seq Status . . . :

F1=Help F3=Exit F12=Cancel

```

For Mixed mode, compare the values on the screen with the values on the screen shown below.

```

EDIM712 _____ ITEM PROCESS DETAIL 02/01/2008
Type Action, press Enter.
  __ 8=ItemHist 10=MsgList 11=DataDisp 13=ItemRefs 14=Query 15=Excps

Item Identification
Item Type . . . : DOCUMENT
Reference . . . : PONUMBER-005
Trace ID . . . : A000000001 To/From:

System/Process: GENTRAN /EDIR042 Recip/Action: @MAPPEROUT/
Date-Time . . . : 02/01/2008 - 12:00 Action Dt-Tm:
Direction/Set : OUTBOUND/ Excp. Status: OPEN
Application . . : POFFILE Trans. ID/Task: EDIT/0000001
Network . . . . : Path ID/Option: 200/200
User . . . . . : ISA_PARTNER
Partner . . . . : VENDOR-2 Queue File:
Databank . . . : REALTIME

Process Statuses
Ack Status . . . : Mapping Status : 04
Comp Status . . . : Network Status :
Env Status . . . : Seq Status . . . :

F1=Help F3=Exit F12=Cancel

```

- Type **11** in the A (Action) field, and press **Enter**.

The Item Exception Status screen for the item is displayed. Compare the values on the screen with the values on the screen shown below.

```

EDIM718 _____ ITEM EXCEPTION STATUS 02/01/2008
Type Action, press Enter.
  __ 8=ItemHist 9=ItemDtl 10=MsgList 11=DataDisp 13=ItemRefs 16=ExcpDtl

System : GENTRAN
Process : EDIR042
Desc. : OUTBOUND MAPPER
Item Type: DOCUMENT
Reference: PONUMBER-005

A Recipient Action Status Date Time Capture Id
__ @MAPPEROUT OPEN 02/01/2008 12:00 @MODEL-ROM
__
__
__
__
__
__
__
__
__

F1=Help F3=Exit F7=Bkwd F8=Fwd F12=Cancel

```

- Type **16** in the first A (Action) field beside the exception and press **Enter**.

The Exception Detail screen for the item is displayed. For Relationship mode, compare the values on this screen with the screen shown below.

```

EDIM649 _____ EXCEPTION DETAIL 02/01/2008
Type Action, press Enter.
  __ 4=Delete 6=MsgList 7=Data 8=UserMsg 9=UserProc 10=ExcpHist 11=Recip.
  __ 12=ItemExcp

Recipient . . : @MAPPEROUT OUTBOUND MAPPING ERRORS
Excp Status . . : OPEN 02/01/2008 12:00
Excp Tag . . : 0000000010
User Reference: PONUMBER-005

System/Process: GENTRAN /EDIR042 Excp. Action:
Date-Time . . : 02/01/2008 - 12:00 Action Dt-Tm:
Capture ID. . : @MODEL-ROM Databank: REALTIME
Description . . : OUTBOUND MAPPING ERRORS - REALTIME

Application : POFILE Interchange:
Network . . . : Group:
Direction/Set : OUTBOUND/ Trans:
User . . . . : YOUR COMPANY
Partner . . . : VENDOR-2 Path / Option: 200/200
Trans ID/Task : EDIT/0000001 Queue File:

F1=Help F3=Exit F6=Next F12=Cancel

```

For Mixed mode, compare the values on this screen with the screen shown below.

```
EDIM649 _____ EXCEPTION DETAIL 02/01/2008
Type Action, press Enter.
  4=Delete 6=MsgList 7=Data 8=UserMsg 9=UserProc 10=ExcpHist 11=Recip.
 12=ItemExcp

Recipient . . . : @MAPPEROUT OUTBOUND MAPPING ERRORS
Excp Status . . : OPEN 02/01/2008 12:00
Excp Tag . . . : 0000000010
User Reference: PONUMBER-005

System/Process: GENTRAN /EDIR042 Excp. Action:
Date-Time . . . : 02/01/2008 - 12:00 Action Dt-Tm:
Capture ID. . . : @MODEL-ROM Databank: REALTIME
Description . . : OUTBOUND MAPPING ERRORS - REALTIME

Application : POFILE Interchange:
Network . . . : Group:
Direction/Set : OUTBOUND/ Trans:
User . . . . : ISA_PARTNER
Partner . . . : VENDOR-2 Path / Option: 200/200
Trans ID/Task : EDIT/0000001 Queue File:

F1=Help F3=Exit F6=Next F12=Cancel
```

Completed by: _____

Date: _____ Time: _____

You have completed the Installation Verification for Gentran:Realtime.

Converting to Release 6.5

Overview

This chapter explains the steps involved in converting from Gentran:Viewpoint Release 6.3 or 6.4 to Gentran:Viewpoint for zSeries Release 6.5. Customers using earlier versions of Gentran:Viewpoint should contact the Gentran Software Product Support Center.

Note: If you are a new Gentran:Viewpoint customer, skip this chapter.

You must complete the installation verification procedure in Chapter 4 or 5 of this guide (according to your processing mode) before you perform the conversion process here.

Caution: Back up and close all files before beginning the conversion steps.

Note: All JCL members referenced in this chapter are located in GENTRAN.V6X5.VPT.JCL

In every step of the conversion process, you will be instructed to close and disable files to the Release 6.5 CICS environment before submitting the conversion job and then to enable them when the conversion has completed. The first three positions of each file name are always specified as **SIM** to represent the system image. When performing the requested action, always substitute the three-character system image specified on the Pre-installation Worksheet in Chapter 2 for the value **SIM**.

Topic	Page
Overview	6-1
Convert the Profile File	6-2
Convert the Repository File.....	6-3
Convert the Master Index File.....	6-4
Convert the Connect Cross Reference File.....	6-5
Convert the JCL File.....	6-6
Convert the Staging Files	6-7
Convert the Trace ID Cross Reference File.....	6-8
Convert the Trace ID File.....	6-9
Convert the Online Trace ID File.....	6-10

Convert the Profile File

This is an optional function. If you have nothing in your Profile file that you wish to carry forward to Release 6.5, you may skip this function. However you normally will want to retain your current configuration and processing options along with your exception captures definitions and tracking queries, so you will want to perform this function.

There is no actual conversion performed against the contents of the file. The conversion job simply copies the previous file into the new file.

Typically performed by: System Installer

Check the box next to each task as you complete it.

- Customize JCL member **CNVVP**.
- Add an appropriate job card.
- Change **DISK** of **UNIT=DISK** as required by your installation.
- Change data set names. The source data sets should be your previous Gentran:Viewpoint data sets and the target data sets should be your 6.5 data sets built in Chapter 3, "Installing Gentran:Viewpoint".
- Close and disable the **SIMVP** file in your Release 6.5 CICS region.
- Submit the JCL member.
- Verify that the conversion was successful. Check the conversion job output to ensure that all steps completed with zero return codes.
- Open and enable the **SIMVP** file in your Release 6.5 CICS environment and access the Viewpoint screens to ensure that all records were converted correctly.

Completed by: _____

Date: _____ **Time:** _____

Convert the Repository File

This is an optional function. If you have nothing in your Repository file that you wish to carry forward to Release 6.5, you may skip this function. However if you want to retain your current exceptions that have been captured by Exception Management and items processed by Tracking Management, you will want to perform this function.

There is no actual conversion performed against the contents of the file. The conversion job simply copies the previous file into the new file.

Typically performed by: System Installer

Check the box next to each task as you complete it.

- Customize JCL member **CNVVR**.
- Add an appropriate job card.
- Change **DISK** of **UNIT=DISK** as required by your installation.
- Change data set names. The source data sets should be your previous Gentran:Viewpoint data sets and the target data sets should be your 6.5 data sets built in Chapter 3, "Installing Gentran:Viewpoint".
- Close and disable the **SIMVR** file in your Release 6.5 CICS region.
- Submit the JCL member.
- Verify that the conversion was successful. Check the conversion job output to ensure that all steps completed with zero return codes.
- Open and enable the **SIMVR** file in your Release 6.5 CICS environment and access the Viewpoint screens to ensure that all records were converted correctly.

Completed by: _____

Date: _____ **Time:** _____

Convert the Master Index File

This is an optional function. If you are not performing Tracking Management or you have nothing in your Master Index file that you wish to carry forward to Release 6.5, you may skip this function. However if you want to retain your current items processed by Tracking Management, you will want to perform this function.

There is no actual conversion performed against the contents of the file. The conversion job simply copies the previous file into the new file.

Typically performed by: System Installer

Check the box next to each task as you complete it.

- Customize JCL member **CNVVM**.
- Add an appropriate job card.
- Change **DISK** of **UNIT=DISK** as required by your installation.
- Change data set names. The source data sets should be your previous Gentran:Viewpoint data sets and the target data sets should be your 6.5 data sets built in Chapter 3, "Installing Gentran:Viewpoint".
- Close and disable the **SIMVM** file in your Release 6.5 CICS region.
- Submit the JCL member.
- Verify that the conversion was successful. Check the conversion job output to ensure that all steps completed with zero return codes.
- Open and enable the **SIMVM** file in your Release 6.5 CICS environment and access the Viewpoint screens to ensure that all records were converted correctly.

Completed by: _____

Date: _____ **Time:** _____

Convert the Connect Cross Reference File

This is an optional function. If you are not integrating communications for Gentran:Plus or you have nothing in your Connect Cross Reference file that you wish to carry forward to Release 6.5, you may skip this function. However if you wish to retain your current record of which communications batch numbers were re-assigned by running the Connect maintenance utilities, you will want to perform this function.

There is no actual conversion performed against the contents of the file. The conversion job simply copies the previous file into the new file.

Typically performed by: System Installer

Check the box next to each task as you complete it.

- Customize JCL member **CNVCXRF**.
- Add an appropriate job card.
- Change **DISK** of **UNIT=DISK** as required by your installation.
- Change data set names. The source data sets should be your previous Gentran:Viewpoint data sets and the target data sets should be your 6.5 data sets built in Chapter 3, "Installing Gentran:Viewpoint".
- Close and disable the **SIMCXRF** file in your Release 6.5 CICS region.
- Submit the JCL member.
- Verify that the conversion was successful. Check the conversion job output to ensure that all steps completed with zero return codes.
- Open and enable the **SIMCXRF** file in your Release 6.5 CICS region.

Completed by: _____

Date: _____ **Time:** _____

Convert the JCL File

This is an optional function. If you have nothing in your JCL file that you wish to carry forward to Release 6.5, you may skip this function. However if you want to retain your current exception action JCL streams, you will want to perform this function.

There is no actual conversion performed against the contents of the file. The conversion job simply copies the previous file into the new file.

Typically performed by: System Installer

Check the box next to each task as you complete it.

- Customize JCL member **CNVJCL**.
- Add an appropriate job card.
- Change data set names. The source data sets should be your previous Gentran:Viewpoint data sets and the target data sets should be your 6.5 data sets built in Chapter 3, "Installing Gentran:Viewpoint".
- Close and disable the **SIMJCL** file in your Release 6.5 CICS region.
- Submit the JCL member.
- Verify that the conversion was successful. Check the conversion job output to ensure that all steps completed with zero return codes.
- Open and enable the **SIMJCL** file in your Release 6.5 CICS region.

Completed by: _____

Date: _____ **Time:** _____

Convert the Staging Files

There is no actual conversion for the staging files. It is recommended that all of the data in the files be processed prior to the upgrade so that there is no need to retain any of the data in the files. However, if you want to rebuild your staging files, you will want to perform this function.

This process must occur after all of the previous conversions have been completed.

The following must be performed for each staging file that you use in your configuration strategy.

Typically performed by: System Installer

Check the box next to each task as you complete it.

- Customize JCL member **EDIN130**.
- Add an appropriate job card.
- Change **DISK** of **UNIT=DISK** as required by your installation.
- Change the text string **XXXXXX** in the **VOLUME** parameter of the **IDCAMS DEFINE CLUSTER** statement to the volume serial number where you wish to locate the file.
- Change data set names. The target data sets should be your Release 6.5 data sets built in Chapter 3, "Installing Gentran:Viewpoint".
- Close and disable the **SIMVSF_x** and **SIMVP** files in your Release 6.5 CICS region.
- Submit the JCL member.
- Verify that the conversion was successful. Check the conversion job output to ensure that all steps completed with zero return codes.
- Open and enable the **SIMVSF_x** and **SIMVP** files in your Release 6.5 CICS region.

Completed by: _____

Date: _____ **Time:** _____

Convert the Trace ID Cross Reference File

This is an optional function. If you are not integrating communications for Gentran:Plus with Tracking Management or you have nothing in your Trace ID Cross Reference file that you wish to carry forward to Release 6.5, you may skip this function. However if you want to retain your current data, you will want to perform this function.

There is no actual conversion performed against the contents of the file. The conversion job simply copies the previous file into the new file.

Typically performed by: System Installer

Check the box next to each task as you complete it.

- Customize JCL member **CNVVPPX**.
- Add an appropriate job card.
- Change data set names. The source data sets should be your previous Gentran:Viewpoint data sets and the target data sets should be your Release 6.5 data sets built in Chapter 3, "Installing Gentran:Viewpoint".
- Close and disable the **SIMVPPX** file in your Release 6.5 CICS region.
- Submit the JCL member.
- Verify that the conversion was successful. Check the conversion job output to ensure that all steps completed with zero return codes.
- Open and enable the **SIMVPPX** file in your Release 6.5 CICS region.

Completed by: _____

Date: _____ **Time:** _____

Convert the Trace ID File

This is an optional function. If you are not performing Tracking Management, you may skip this function. However if you are performing Tracking Management, you will want to perform this function.

There is no actual conversion performed against the contents of the file. The conversion job simply copies the previous file into the new file.

Typically performed by: System Installer

Check the box next to each task as you complete it.

- Customize JCL member **CNVVT**.
- Add an appropriate job card.
- Change data set names. The source data sets should be your previous Gentran:Viewpoint data sets and the target data sets should be your Release 6.5 data sets built in Chapter 3, "Installing Gentran:Viewpoint".
- Submit the JCL member.
- Verify that the conversion was successful. Check the conversion job output to ensure that all steps completed with zero return codes.

Completed by: _____

Date: _____ **Time:** _____

Convert the Online Trace ID File

This is an optional function. If you are not performing Tracking Management, you may skip this function. However if you are performing Tracking Management, you will want to perform this function.

There is no actual conversion performed against the contents of the file. The conversion job simply copies the previous file into the new file.

Typically performed by: System Installer

Check the box next to each task as you complete it.

- Customize JCL member **CNVVTO**.
- Add an appropriate job card.
- Change data set names. The source data sets should be your previous Gentran:Viewpoint data sets and the target data sets should be your Release 6.5 data sets built in Chapter 3, "Installing Gentran:Viewpoint".
- Close and disable the **SIMVTO** file in your Release 6.5 CICS region.
- Submit the JCL member.
- Verify that the conversion was successful. Check the conversion job output to ensure that all steps completed with zero return codes.
- Open and enable the **SIMVTO** file in your Release 6.5 CICS region.

Completed by: _____

Date: _____ **Time:** _____

Implementing Gentran:Viewpoint

This chapter explains the final tasks to be completed to implement Gentran:Viewpoint.

The chapter contains procedures for deleting installation files and for upgrading your Gentran:Basic, Gentran:Plus, or Gentran:Realtime Release 6.5 systems for use with Gentran:Viewpoint Release 6.5.

Topic	Page
Deleting Installation Files	7-2
Upgrades for all Gentran Users	7-3
Review Partner Parameters	7-3
Review Outbound Global Parameters.....	7-5
Upgrades for Gentran:Basic Users	7-6
Modify JCL for Viewpoint library and files	7-6
Review Outbound Editor Parameters.....	7-8
Review Inbound Mapper Parameters.....	7-8
Review Outbound EDI Databank Extract Parameters	7-9
Review Inbound Application Databank Extract Parameters.....	7-9
Upgrades for Gentran:Plus Users	7-10
Update Connect ODF to Specify the Viewpoint Log Exit.....	7-10
Update Connect Startup JCL.....	7-11
Modify JCL for Viewpoint Processing	7-11
Upgrades for Gentran:Realtime Users	7-13
Review Outbound Mapper Path Option parameters	7-13
Review Outbound Editor Path Option parameters.....	7-14
Review Inbound Editor Path Option parameters	7-15
Review Inbound Mapper Path Option parameters.....	7-16
Review Acknowledgment Reconciliation/Monitor parameters.....	7-17
Review Outbound EDI Databank Extract parameters	7-18
Review Inbound Application Databank Extract parameters.....	7-19

Deleting Installation Files

Following the successful installation of Gentran:Viewpoint, the files that you uploaded to your mainframe and the files that you used to build the permanent Gentran:Viewpoint files are no longer needed. This section deletes those files and frees the disk space that they occupy.

Note: Leaving the files on your mainframe will not hinder the performance of Gentran:Viewpoint. If you do not want to delete them, you may skip this section and proceed to the section “Upgrades for all Gentran Users.”

Customize JCL member **DELFILES**.

Typically performed by: System Installer

Check the box next to each task as you complete it.

- Add a job card.
- Change the data set names as required by your installation. Change only the first two index levels (**GENTRAN.V6X5**).
- Read the comments within the JCL and follow any additional instructions.
- Submit the job.
- Verify the job results. You should never receive a return code greater than 0.

Completed by: _____

Date: _____ **Time:** _____

Upgrades for all Gentran Users

Review Partner Parameters

The Control, Group, and Transaction Information Screens (EDIM015, EDIM030, and EDIM040) permit the Gentran:Viewpoint Exception Management and Tracking Management components to be enabled or disabled at a very detailed level. You can use this feature to limit the quantity of Gentran processing that is to be evaluated by Gentran:Viewpoint. It can directly affect the volume of data that is extracted and the corresponding DASD requirements.

If desired, review partner definitions and modify them, if necessary, to reflect the required Gentran:Viewpoint processing options.

Following are samples of these screens. For additional details of the screens, refer to the *Gentran:Basic for zSeries Release 6.5 User's Guide*.

```

EDIM015 1.2.2.1___          CONTROL INFORMATION          XXX  02/01/2008
                                                                12:00:00

          GENTRAN RESERVED PARTNER
Part ID: !!!GENTRAN-RESERVED-PARTNER-ID-1          Qual:
Multiple Envelope Id: _____          Version: _____
Interchange Header Option....:  ISA  (ISA ICS BG GS UNA UNB SCH STX GEN)
Last Incoming Sequence Number: _____
EDI Databank Inbound.....:  D (D/N)          Outbound.....:  F (F/D/N)
Expect a TA1, AC1, or UCI....:  N (Y/N)          Network Tracking.:  Y (Y/N)
Acknowledge Interchange.....:  _ (Y/N/E)          Errors.....:  _ (Y/N)

Last Incoming BG Password....:  _____          Syntax Version...:  _
Mailbox/Remote ID (For Plus)..:  _____
Network ID.(For PLUS).....:  _____
Viewpoint - Exception.....:  _ (Y/N)          Tracking.....:  _ (Y/N)
Reconciliation Delay (days)..:  _____

Enter PF1=Help          PF3=Exit PF4=IDir          PF5=Control  PF6=Next Ctl
                        PF9=Add PF10=Updt PF11=Del          PF14=Info
  
```

```

EDIM030 1.2.3.1__          GROUP INFORMATION          XXX 02/01/2008
                                                12:00:00

          GENTRAN RESERVED PARTNER
Part ID.:  !!!GENTRAN-RESERVED-PARTNER-ID-1          Qual:
Group ID:  !!!DFT  Multiple Env Id:                  Version: _____

Compliance Version.....: _____          Version Use:  _ (A/I/D)
Accept Flag.....: _____          (Y/N)          Send Flag..:  _ (Y/N)
Expect a AK1, B5, or UCF.....: _____          (Y/N)
Acknowledge Group or Transaction...: _____          (G/T)
Acknowledgment overdue after.....: _____          (HHH:MM)
Alternate Acknowledgement Partner...: _____
Alternate Partner Qualifier.....: _____
Last Incoming Control Number.....: _____

EDI Databank Inbound.....: D (D/N)          Outbound...: D (D/N)
Viewpoint - Exception.....: _ (Y/N)          Tracking...: _ (Y/N)

Enter PF1=Help          PF3=Exit PF4=GDir          PF5=Group          PF6=Next Grp
                        PF9=Add PF10=Updt PF11=Del          PF14=Info
    
```

```

EDIM040 1.2.4.1__          TRANSACTION INFORMATION          XXX 02/01/2008
                                                12:00:00

          GENTRAN RESERVED PARTNER
Part ID:  !!!GENTRAN-RESERVED-PARTNER-ID-1          Qual:
Transaction ID:  !!!DFT          Version: _____
                                                Multiple Env Id:

Functional Group ID.....: _____
Test or Production.....: _____          (T/P)
Translation Map ID Inbound.....: _____          Outbound: _____
EDI Databank Inbound.....: D (D/N)          Outbound: D (D/N)
Application Databank Inbound....: D (F/D/N)          Outbound: D (D/N)
Last Incoming Control Number....: _____
Accept Transaction Inbound.....: _____          (Y/N)
Send Transaction Outbound.....: _____          (Y/N)
Expect an AK2 or UCM.....: _____          (Y/N)
Acknowledge this Transaction....: N (Y/N)
Transaction Acknowledgment Type.: _____          (997/999/Contr1)
Viewpoint - Exception.....: _____          (Y/N)          Tracking:  _ (Y/N)

Enter PF1=Help          PF3=Exit PF4=TDir          PF5=Trans          PF6=Next Trn
                        PF9=Add PF10=Updt PF11=Del          PF14=Info
    
```

Completed by: _____

Date: _____ Time: _____

Review Outbound Global Parameters

This only applies to Tracking Management users.

You may wish to monitor your EDI data file(s) as the data passes through your communications system. To track the interchanges, functional groups, and transactions contained within the output file(s), the Outbound Editor creates Viewpoint User Tracking records for each output file produced. You must specify global parameter **TRACK OUTPUT FILES** to enable this feature.

You can specify this parameter as either a run time parameter or as a system level default.

If you wish to specify it at run time and you are a Gentran:Basic user, see "Upgrades for Gentran:Basic Users" on page 7-6 in this chapter for further details.

If you wish to specify it at run time and you are a Gentran:Realtime user, see "Upgrades for Gentran:Realtime Users" on page 7-13 in this chapter for further details.

If you wish to specify it as a system level default, see the *Gentran:Basic for zSeries Release 6.5 User's Guide* for further details.

The following sample screen indicates where the system level default is specified.

```

EDIM22F _____ GLOBAL PARAMETER MAINT-6      XXX      02/01/2008
                                           12:00:00

Inbound/Outbound:  O          *** OUTBOUND ***

EDIFACT/TRADACOMS Options:

  Use STX Qualifer.....: N  Y = ON      N = OFF

  Delete Optional Blanks.....: N  Y = Optional Blanks Removed
  Delete All Blanks.....: N  Y = All Blanks Removed

Add On Product Options:

  Viewpoint Track Output Files..: N  Y = ON      N = OFF
  Plus Will Assign Batch #.....: N  Y = ON      N = OFF

Last Update Date...: 02/01/08   Time...: 12:00:00   User...: XXX

Enter PF1=Help          PF3=Exit PF4=Prev GBL
                          PF10=Updt

```

Completed by: _____

Date: _____ **Time:** _____

Upgrades for Gentran:Basic Users

Modify JCL for Viewpoint library and files

The JCL for the following tracking points must be modified to support Gentran:Viewpoint processing.

Tracking Point	Description
EBDI001	Inbound Editor
EBDI002	Outbound Editor
EBDI041	Inbound Mapper
EBDI042	Outbound Mapper
EDID205	Outbound EDI Databank Extract
EDID405	Inbound Application Databank Extract
EDID510	Acknowledgement Reconciliation/Monitor
EDID850	Network Reconciliation

- Include the new Gentran:Viewpoint batch load library at the front of the STEPLIB concatenation. The batch load library is:

```
//STEPLIB DD DSN=GENTRAN.V6X5.VPT.BATCH.LOAD,
// DISP=SHR
```

- Add the following DD statements:

```
//EDIVP DD DSN=GENTRAN.V6X5.VPT.VSAM.EDI.EDIVP,
// DISP=SHR
//EDIVSF DD DSN=GENTRAN.V6X5.VPT.VSAM.EDI.EDIVSFx,
// DISP=SHR
```

Note: We recommend that a different staging file number be used for each of the Gentran:Basic Tracking Points.

- For Tracking Management users,** also add the following DD statement:

```
//EDIVT DD DSN=GENTRAN.V6X5.VPT.VSAM.EDI.EDIVT,
// DISP=SHR
```

- For Gentran:Plus users of Tracking Management, also add the following DD statement:

```
//EDIVPPX DD DSN=GENTRAN.V6X5.VPT.VSAM.EDI.EDIVPPX,  
DISP=SHR
```

Note: This DD statement is only required for the following Tracking Points:

Tracking Point	Description
EBDI001	Inbound Editor
EBDI002	Outbound Editor
EDID205	Outbound EDI Databank Extract

Completed by: _____

Date: _____ Time: _____

Review Outbound Editor Parameters

This only applies to **Tracking Management** users.

If tracking is to continue after the Outbound Editor by a user written communications tracking program, you must instruct the Editor to include the information required for the user program.

Specify this parameter as either a run time parameter or as a system level default.

If you wish to specify it at run time, see the *Gentran:Basic for zSeries Release 6.5 Technical Reference Guide* for further details.

If you wish to specify it as a system level default, see the "Upgrades for all Gentran Users" on page 7-3 in this chapter for further details.

Completed by: _____

Date: _____ **Time:** _____

Review Inbound Mapper Parameters

This only applies to **Tracking Management** users.

If tracking is to continue after the Inbound Mapper by a user written application tracking program, you must instruct the Mapper to include the information required for the user program.

Specify this parameter as a run time parameter. See the *Gentran:Basic for zSeries Release 6.5 Technical Reference Guide* for further details.

Completed by: _____

Date: _____ **Time:** _____

Review Outbound EDI Databank Extract Parameters

This only applies to **Tracking Management** users.

If tracking is to continue after the Outbound EDI Databank Extract by a user written communications tracking program, you must instruct the Extract to include the information required for the user program.

Specify this parameter as a run time parameter. See the *Gentran:Basic for zSeries Release 6.5 Technical Reference Guide* for further details.

Completed by: _____

Date: _____ **Time:** _____

Review Inbound Application Databank Extract Parameters

This only applies to **Tracking Management** users.

If tracking is to continue after the Inbound Application Databank Extract by a user written application tracking program, you must instruct the Extract to include the information required for the user program.

Specify this parameter as a run time parameter. See the *Gentran:Basic for zSeries Release 6.5 Technical Reference Guide* for further details.

Completed by: _____

Date: _____ **Time:** _____

Upgrades for Gentran:Plus Users

Update Connect ODF to Specify the Viewpoint Log Exit

To monitor Connect communications activity the Gentran:Viewpoint system must be passed information from the Connect log exit. In the *OPTIONS section of the Connect Options Definition File (ODF), you must specify one of the Viewpoint Log Exit programs on the XLOG entry.

If you have implemented a site-specific log exit program, then you must specify the appropriate Viewpoint Log Exit program since it calls the user specified program after performing its Viewpoint activities. Depending on whether a site-specific log exit program is implemented, select one of the following entries:

For users without a site-specific log exit program:

XLOG=EDIVLX

For users with a site-specific log exit program implemented:

XLOG=EDIVLXU

Specify the site-specific user log exit program on the Sterling Tracking Point Definition panel (EDIM603) for the Connect communications product.

```

EDIM603 9.2.2_____ STERLING TRACKING POINT DEFINITION 02/01/2008
Type Action, press Enter.
  _ 1=Add 2=Update 4=Delete

System . . . . . CONNECT____
Process . . . . . MAILBOX_
Description . . CONNECT_COMMUNICATIONS_PRODUCT_____
Item Type(s) . . : BATCH
Status . . . . . E (E=Enabled, D=Disabled)

Tracking Point Control
  System Message _ (A=All, N=None, D=Detail)
  Status . . . . _ (A=All, N=None, D=Detail)
  MBX/RMT ID . . A (A=All, D=Detail)

Order By Control
  System . . . . . Y (Y=Yes, N=No)
  Process . . . . Y (Y=Yes, N=No)
  Values . . . . _____ (F4=Prompt)

User Log Exit  USEREXIT

F1=Help  F3=Exit  F4=Prompt  F10=F1dDt1  F12=Cancel
    
```

Completed by: _____

Date: _____ **Time:** _____

Update Connect Startup JCL

Modify the start-up JCL, for the Connect communications task, to include the entries required by Viewpoint.

- Add the following DD statement for the Viewpoint Communications Queue file:

```
//EDIVCQ   DD   DSN=GENTRAN.V6X5.VPT.VSAM.EDI.EDIVCQ,
//                               DISP=SHR
```

- Include the load library for the Viewpoint Log Exit module by adding the following DD statement to the STEPLIB or JOBLIB concatenation:

```
//           DD   DSN=GENTRAN.V6X5.VPT.CONNECT.LOAD,
//                               DISP=SHR
```

Completed by: _____

Date: _____ Time: _____

Modify JCL for Viewpoint Processing

- In the JCL to execute the Connect Offline Utilities ADD function, change the DD statement for the SYSPRINT and REPORTS files to save the reports to cataloged datasets as follows:

```
//SYSPRINT DD   DSN=GENTRAN.V6X5.GPL.ADD.SYSPRINT,
//                               DISP=(NEW,CATLG,DELETE),
//                               UNIT=DISK,
//                               VOL=SER=XXXXXX,
//                               SPACE=(TRK,(5,5),RLSE),
//                               DCB=(RECFM=FBA,LRECL=133,BLKSIZE=1330)
```

```
//REPORTS  DD   DSN=GENTRAN.V6X5.GPL.ADD.REPORTS,
//                               DISP=(NEW,CATLG,DELETE),
//                               UNIT=DISK,
//                               VOL=SER=XXXXXX,
//                               SPACE=(TRK,(5,5),RLSE),
//                               DCB=(RECFM=FBA,LRECL=133,BLKSIZE=1330)
```

The SYSPRINT and REPORTS file datasets should be passed to the Viewpoint STOUTL Report Processor program (EDIN110) as the EDIVOUXR and EDIVOURT datasets, respectively.

Note: If using Connect:Enterprise version 1.4 or higher, change the DCB parameter for the REPORTS DD statement to:

```
DCB=(RECFM=FBA,LRECL=173,BLKSIZE=1730)
```

- In the JCL to execute the Connect Offline Utilities EXTRACT function, the DD statement for the REPORTS file should be changed to save the report to a cataloged dataset as follows:

```
//REPORTS DD DSN=GENTRAN.V6X5.GPL.EXTRACT.REPORTS,
//          DISP=(NEW,CATLG,DELETE),
//          UNIT=DISK,
//          VOL=SER=XXXXXXX,
//          SPACE=(TRK,(5,5),RLSE),
//          DCB=(RECFM=FBA,LRECL=133,BLKSIZE=1330)
```

The REPORTS file dataset should be passed to the Viewpoint STOUTL Report Processor program (EDIN110) as the EDIVOURT dataset.

Note: If using Connect:Enterprise version 1.4 or higher, change the DCB parameter for the REPORTS DD statement to:

```
DCB=(RECFM=FBA,LRECL=173,BLKSIZE=1730)
```

- All Gentran:Plus inbound and outbound translation JCL streams should be changed to execute the Viewpoint STOUTL Report Processor Program (EDIN110) immediately after the Offline Utilities (STOUTL). For a model of these JCL streams, refer to members **INGPL** (inbound) and **OUTGPL** (outbound) in the **GENTRAN.V6X5.VPT.JCL** dataset.

See the *Gentran:Viewpoint for zSeries Release 6.5 Technical Reference Guide*, Chapter 1, “Batch Program Descriptions” for more information about the “EDIN110 – STOUTL Report Processor”.

- The Gentran:Plus JCL member **REORGDB** should be replaced by the **REORGDB** member included in the **GENTRAN.V6X5.VPT.JCL** dataset. The Viewpoint version contains statements to run the Viewpoint Communications Re-Org Program (EDIN120).

Completed by: _____

Date: _____ Time: _____

Upgrades for Gentran:Realtime Users

Note: See the *Gentran:Realtime for zSeries Release 6.5 User's Guide* for complete details of the screens referenced in this section.

Review Outbound Mapper Path Option parameters

Ensure that the Exception and Tracking indicators are set to the required value for all paths. Note that a blank value specified will by default enable Gentran:Viewpoint processing.

These parameters are specified on the Outbound Mapper-4 Path Maintenance screen (EDIM84J). The following sample screen indicates where these parameters are specified.

```

EDIM84J _____ OUTBOUND MAPPER-4 PATH MAINTENANCE      XXX  02/01/2008
                                                12:00:00

Path ID.....: 200M  X12 O/B IVP (MAPPER PARMS - IMM 200)

Structure:
Standard Type.....: _ (F/V/blank)
Maximum Len.....: 00000
Initialize Numerics.....: _ (Y/Blank)
DBK Level.....: _ (0=No/1=Full/2=Dir)
Always Generate New Group per Tran.: _ (Y/Blank)

Viewpoint:
Exception Tracking.....: Y (Y=ON/N=OFF)
Tracking Management.....: Y (Y=ON/N=OFF)

                                                Last Update Date: 00/00/00
                                                Time: 00:00:00
                                                User: SCI

Enter PF1=Help          PF3=Exit PF4=Dir          PF6=Shell
      PF7=Map3 PF8=Env          PF10=Updt

```

Completed by: _____

Date: _____ **Time:** _____

Review Outbound Editor Path Option parameters

Ensure that the Exception and Tracking indicators are set to the required value for all paths. Note that a blank value will by default enable Gentran:Viewpoint processing.

In addition, for Tracking Management users, if tracking is to continue after the Outbound Editor by a user written communications tracking program, you must instruct the Editor to include the information required for the user program.

Specify this parameter as either a path parameter or as a system level default.

If you wish to specify it as a system level default, see "Upgrades for all Gentran Users" on page 7-3 in this chapter for further details.

These parameters are specified on the Outbound Global Parameter Override Maint-4 screen (EDIM84C). The following sample screen indicates where these parameters are specified.

```

EDIM84C _____ OUTBOUND GLOBAL PARAMETER OVERRIDE MAINT-4   XXX 02/01/2008
                                                    12:00:00

Path ID.....: 999E  OUTBOUND EDITOR DEFAULT GLOBAL PARMS

EDIFACT/TRADACOMS Options:
  Use STX Qualifier.....: _  Y = ON      N = Off
  Delete Optional Blanks.....: _  Y = Optional Blanks Removed
  Delete All Blanks.....: _  Y = All Blanks Removed

Add On Product Options:
  Viewpoint Exception Mgmt.....: _  Y = ON      N = OFF
  Viewpoint Tracking Mgmt.....: _  Y = ON      N = OFF
  Viewpoint Track Output Files.: _  Y = ON      N = OFF
  Plus Will Assign Batch #.....: _  Y = ON      N = OFF

                                                    Last Update Date: 00/00/00
                                                    Time: 00:00:00
                                                    User: SCI

Enter PF1=Help          PF3=Exit PF4=Dir          PF6=Shell
      PF7=Edt3 PF8=Edt5          PF10=Updt
    
```

Completed by: _____

Date: _____ **Time:** _____

Review Inbound Editor Path Option parameters

Ensure that the Exception and Tracking indicators are set to the required value for all paths. Note that a blank value will by default enable Gentran:Viewpoint processing.

These parameters are specified on the Inbound Global Parameter Override Maint-6 screen (EDIM848). The following sample screen indicates where these parameters are specified.

```

EDIM848 _____ INBOUND GLOBAL PARAMETER OVERRIDE MAINT-6   XXX 02/01/2008
                                                    12:00:00
Path ID.....: 000E  INBOUND EDITOR DEFAULT GLOBAL PARMS

EDIFACT/TRADACOMS Options:
  Use STX Qualifier.....: _  Y = ON      N = OFF
  Error Rejection.....:   _  T = Tradacoms  Y = Non-Tradacoms
                               N = Not Active

Add On Product Options:
  Examiner Tracking.....: _  Y = ON      N = OFF
  Viewpoint Exception Mgmt.....: _  Y = ON      N = OFF
  Viewpoint Tracking Mgmt.....: _  Y = ON      N = OFF

                                                    Last Update Date: 00/00/00
                                                    Time: 00:00:00
                                                    User: SCI

Enter PF1=Help          PF3=Exit PF4=Dir          PF6=Shell
      PF7=Edt5 PF8=Edt7          PF10=Updt

```

Completed by: _____

Date: _____ **Time:** _____

Review Inbound Mapper Path Option parameters

Ensure that the Exception and Tracking indicators are set to the required value for all paths. Note that a blank value will by default enable Gentran:Viewpoint processing.

In addition, for Tracking Management users, if tracking is to continue after the Inbound Mapper by a user written communications tracking program, you must instruct the Mapper to include the information required for the user program.

These parameters are specified on the Inbound Mapper-3 Path Maintenance screen (EDIM837). The following sample screen indicates where these parameters are specified.

```

EDIM837 _____ INBOUND MAPPER-3 PATH MAINTENANCE      XXX 02/01/2008
                                                    12:00:00

Path ID.....: 203M X12 I/B IVP (MAPPER PARMS - IMM 203)

Structure:
  Standard Type.....: _ (F=Fixed/V=Variable)
  DBK Level.....: _ (0=No/1=Full/2=Dir)

Viewpoint:
  User Tracking.....: Y (Y/N)
  Exception Tracking.: Y (Y/N)
  Tracking Management: Y (Y/N)

                                                    Last Update Date: 00/00/00
                                                    Time: 00:00:00
                                                    User: SCI

Enter PF1=Help          PF3=Exit PF4=Dir          PF6=Shell
      PF7=Map2 PF8=Map1          PF10=Updt
    
```

Completed by: _____

Date: _____ **Time:** _____

Review Acknowledgment Reconciliation/Monitor parameters

Ensure that the Viewpoint indicator is set to the required value. Note that a blank value will by default enable Gentran:Viewpoint processing.

This parameter is specified on the Acknowledgment Parameter Maintenance screen (EDIM867). The following sample screen indicates where the parameter is specified.

```

EDIM867 8.1.12_____ ACKNOWLEDGMENT PARAMETER MAINTENANCE   XXX 02/01/2008
                                                                12:00:00

Operation.....: P      P = Process
Monitor.....: Y      Y = Yes           N = No
Monitor Level.....: N    N = Normal       T = Transaction
Monitor Report.....: A    N = New         A = All
Reconcile.....: Y      Y = Yes           N = No
Monitor Saturday.....: N  Y = Yes         N = No
Monitor Sunday.....: N  Y = Yes         N = No
Monitor Holiday.MM/DD/CCYY: _____
                               _____
                               _____
                               _____
                               _____
Viewpoint.....: N      Y = Yes           N = No
Syncpoint Maximum Count...: 0100  Range 0100 - 9999
Delete Unmatched ACKs.....: Y      Y = Yes           N = No
Queue File # for ACKs.....: 099
Last Update Date.....: 00/00/00  Time: 00:00:00  User: SCI

Enter PF1=Help           PF3=Exit
                          PF10=Updt
    
```

Completed by: _____

Date: _____ **Time:** _____

Review Outbound EDI Databank Extract parameters

This only applies to **Tracking Management** users.

If tracking is to continue after the Outbound EDI Databank Extract by a user written communications tracking program, you must instruct the Extract to include the information required for the user program.

Specify this parameter on the Outbound EDI Databank Extract screen (EDIM868). The following sample screen indicates where this parameter is specified.

```

EDIM868 _____ OUTBOUND EDI DATABANK EXTRACT          XXX 02/01/2008
                                                12:00:00
Path ID.....: 414X DEFERRED_O/B_IVP_(EXTRACT_-_SCHED_414)___
Operation....: E (Select, Envelope, Re-envelope)
  Databank-Configuration.....: FULL          Output-File.....: 080
  Partner...Qual.....: _____: _____
  User.....: _____
  Status....Test-Prod.....: _____: _____
  Network...Config...Tracking.: _____: _____: _____
  Validation-Status.....: _____ Viewpoint-Tracking... _____
  Databank-Run-Number.....: _____
  Interchange-Env-Ref-ID.....: _____
  From-Edited.....:Date.....: _____ Time.....: _____
  To-Edited.....:Date.....: _____ Time.....: _____
  From-Output.....:Date.....: _____ Time.....: _____
  To-Output.....:Date.....: _____ Time.....: _____
  Report Print Sw.....: N      N = No, Y = Print

  Last Update Date.....: 00/00/00 Time: 00:00:00 User: SCI

Enter PF1=Help          PF3=Exit PF4=Dir          PF6=Shell
          PF8=Env  PF9=Add PF10=Updt PF11=Del
    
```

Completed by: _____

Date: _____ **Time:** _____

Review Inbound Application Databank Extract parameters

This only applies to **Tracking Management** users.

If tracking is to continue after the Inbound Application Databank Extract by a user written application tracking program, you must instruct the Extract to include the information required for the user program.

Specify this parameter on the Inbound Application Databank Extract Part-2 screen (EDIM873). The following sample screen indicates where this parameter is specified.

```

EDIM873 _____ INBOUND APPL. DATABANK EXTRACT PART-2   XXX 02/01/2008
                                                12:00:00

Path ID.....: 002T INBOUND_EXTRACT_EXAMPLE _____
Operation....: S   (Select)
Reference-Tag.....: _____
Map-Validation-Status.....: _____
Viewpoint-Tracking.....: _____
Transaction-Set-ID.....: _____
Transaction-Set-Env-Ref-ID....: _____
User-Duplicate-Indicator.....: _____
User-Reference.....: _____

Last Update Date.....: 00/00/00 Time: 00:00:00 User: SCI

Enter PF1=Help          PF3=Exit PF4=Dir          PF6=Shell
      PF7=Xtrl          PF10=Updt PF11=Del

```

Completed by: _____

Date: _____ **Time:** _____

Library Descriptions

This Appendix contains the following library descriptions:

Topic	Page
JCL Library.....	A-2
Batch Load Library.....	A-4
CICS Load Library	A-5
Utility Source Library.....	A-9

JCL Library

For Exception Management

Member Name	Description
\$INDEX	Contains an index listing of all JCL library members
CHANGES	Contains a reference listing of JCL modifications made for Gentran:Viewpoint Release 6.5
CNVJCL	Converts the JCL file
CNVVM	Converts the Master Index file
CNVVP	Converts the Profile file
CNVVPPX	Converts the Trace ID Cross Reference file
CNVVR	Converts the Repository file
CNVVT	Converts the Trace ID file
CNVVTO	Converts the Online Trace ID file
DEFRDO	Defines CICS resources for Gentran:Viewpoint
DEFVPRT	Load the Gentran:Realtime Tutorial and Verification Test Data
DEFVPT	Define and Initialize Gentran:Viewpoint files
DELFILES	Delete installation files
EDIG010	Online JCL File Maintenance JCL
EDIN130	Staging File Initialize JCL
EDIN140	Maintenance/Inquiry JCL
EDIN200	Batch Action Processor JCL
EXECWAIT	Batch Wait program sample JCL
GNSYSCPY	Back up all Gentran:Viewpoint principal files.
LOADTPM	Loads the test partners and maps needed to perform the installation verification procedure for Partner/Qualifer or Mixed mode.
LOADTPMR	Loads the test partners and maps needed to perform the installation verification procedure for Relationship mode.
PCVPTFX1	Allocate Gentran:Viewpoint Fix Upload file on mainframe
PCVPTFX2	Create Gentran:Viewpoint Fix files
PCVPTJC1	Allocate Gentran:Viewpoint current JCL Upload file on mainframe
PCVPTJC2	Unload Gentran:Viewpoint current JCL file
PCVPTPD1	Allocate Gentran:Viewpoint Product Upload file on mainframe
PCVPTPD2	Unload Gentran:Viewpoint from product upload files
UPDCFG	Update the Gentran:Basic Configuration File
VPTCICS	Contains the CICS startup JCL DD statements for Gentran:Viewpoint
VPTNAME	Renames the CICS load modules with the program image
VPTPLT	Contains the CICS resource definitions for automatic system start-up

Member Name	Description
VPTRDOF	Contains the CICS resource definitions for files
VPTRDOPM	Contains the CICS resource definitions for programs and mapsets
VPTRDOT	Contains the CICS resource definitions for transactions
VPTUTIN	Gentran:Viewpoint Tutorial Inbound
VPTUTOUT	Gentran:Viewpoint Tutorial Outbound
VPTUT010	Gentran:Viewpoint Tutorial Online JCL File Maintenance
VPTUT200	Gentran:Viewpoint Tutorial Batch Action Processor
VPVERIN	Gentran:Viewpoint Inbound Verification Test Job
VPVEROUT	Gentran:Viewpoint Outbound Verification Test Job
The following JCL members are for Gentran:Plus users only:	
CNVCXRF	Converts the Connect Cross Reference file
DEFVPPL	Define and Initialize Gentran:Viewpoint files for Gentran:Plus users.
EDIN110	STOUTL Report Processor JCL
EDIN120	Viewpoint Communications Re-org JCL
EDIN150	Communications Queue File Initialize JCL
INGPL	Gentran:Plus Inbound Process Job
LOADVPPL	Load the Connect Data Queues with Test Data
OUTGPL	Gentran:Plus Outbound Process Job
REORGDB	Re-org Utility
VPTUTIPL	Gentran:Viewpoint Tutorial Inbound
VPTUTOPL	Gentran:Viewpoint Tutorial Outbound
VPVERIPL	Gentran:Viewpoint Inbound Verification Test Job
VPVEROPL	Gentran:Viewpoint Outbound Verification Test Job

For Tracking Management

Member Name	Description
DEFVPTM	Define and Initialize Tracking Management Files
TMTUTIN	Tracking Management Tutorial Inbound
TMTUTOUT	Tracking Management Tutorial Outbound
The following JCL members are for Gentran:Plus users only:	
TMTUTIPL	Tracking Management Tutorial Inbound
TMTUTOPL	Tracking Management Tutorial Outbound

Batch Load Library

For Exception Management

Member Name	Description
EDIG010	Online JCL File Maintenance
EDIN100	Batch Gateway
EDIN110	STOUTL Report Processor (for Gentran:Plus users)
EDIN120	Viewpoint Communications Re-org (for Gentran:Plus users)
EDIN130	Staging File Initialize
EDIN140	Maintenance/Inquiry
EDIN141	Profile Maintenance/Inquiry Subroutine
EDIN142	Repository Maintenance/Inquiry Subroutine
EDIN150	Communications Queue File Initialize (for Gentran:Plus users)
EDIN200	Batch Action Processor
EDIVBACT	Sample Batch Action Exit
EDIVWAIT	Batch Wait Utility

For Tracking Management

Member Name	Description
EDIN144	Tracking Management Maintenance/Inquiry Subroutine
EDIN300	User Batch Gateway
VPIBAPPL	Sample Inbound User Application
VPIBCOMM	Sample Inbound Communications
VPOBAPPL	Sample Outbound User Application
VPOBCOMM	Sample Outbound Communications

For Connect Processing

Member Name	Description
EDIVLX	Connect Log Exit (for Gentran:Plus uses)
EDIVLXU	Connect Log Exit with User Log Exit call (for Gentran:Plus users)

CICS Load Library

For Exception Management

Member Name	Description
EDIPRVPT	Point Release Number for Gentran:Viewpoint
EDIVOACT	Sample Online Action User Exit
EDIVPLT	Automatic Viewpoint System Start-up
EDIVTOGL	System Status Toggle program
EDIX600	Gentran:Viewpoint Main Menu
EDIX601	Extended System Management Menu
EDIX602	Sterling Tracking Point Directory
EDIX603	Sterling Tracking Point Definition
EDIX604	Tracking Point System Message Control
EDIX605	Tracking Point Status Control
EDIX606	Tracking Point Remote ID Control (for Gentran:Plus users)
EDIX607	Functional Area Control
EDIX608	Maintenance/Inquiry Options Directory
EDIX609	Maintenance/Inquiry Options Definition
EDIX610	User Tracking Point Directory
EDIX611	User Tracking Point Definition
EDIX620	Exception Management Menu
EDIX621	Exception Profile Directory
EDIX622	Exception Profile Definition
EDIX623	Exception Capture Directory
EDIX624	Exception Capture Definition
EDIX625	Exception Action Directory
EDIX626	Exception Action Definition
EDIX627	User Message Directory
EDIX628	User Message Definition
EDIX629	User Procedure Directory
EDIX630	User Procedure Definition
EDIX631	Usage Cross Reference
EDIX645	Exception Inquiry Menu
EDIX646	Recipient Directory
EDIX647	Recipient Detail
EDIX648	Exception List
EDIX649	Exception Detail

Member Name	Description
EDIX650	Exception Message List
EDIX651	Exception Data Display
EDIX652	Exception History
EDIX653	Exception History – 2
EDIX654	Exception History Update
EDIX655	Exception Data Display
EDIX662	User Message Display
EDIX663	User Procedure Display
EDIX685	System Options
EDIX686	Staging Temporary Storage Queue Directory
EDIX688	Viewpoint OnLine Log Display
EDIX690	Gentran:Viewpoint Scanner
EDIX691	Post Processor
EDIX692	Communications Post Processor (for Gentran:Plus users)
EDIX950	Prompt Processor
EDIX960	Job Submission Processor
EDIX980	Online Gateway
EDIZ600	Gentran:Viewpoint Main Menu (BMS Map)
EDIZ601	Extended System Management Menu (BMS Map)
EDIZ602	Sterling Tracking Point Directory (BMS Map)
EDIZ603	Sterling Tracking Point Definition (BMS Map)
EDIZ604	Tracking Point System Message Control (BMS Map)
EDIZ605	Tracking Point Status Control (BMS Map)
EDIZ606	Tracking Point Remote ID Control (BMS Map)
EDIZ607	Functional Area Control (BMS Map)
EDIZ608	Maintenance/Inquiry Options Directory (BMS Map)
EDIZ609	Maintenance/Inquiry Options Definition (BMS Map)
EDIZ610	User Tracking Point Directory (BMS Map)
EDIZ611	User Tracking Point Definition (BMS Map)
EDIZ620	Exception Management Menu (BMS Map)
EDIZ621	Exception Profile Directory (BMS Map)
EDIZ622	Exception Profile Definition (BMS Map)
EDIZ623	Exception Capture Directory (BMS Map)
EDIZ624	Exception Capture Definition (BMS Map)
EDIZ625	Exception Action Directory (BMS Map)
EDIZ626	Exception Action Definition (BMS Map)

Member Name	Description
EDIZ627	User Message Directory (BMS Map)
EDIZ628	User Message Definition (BMS Map)
EDIZ629	User Procedure Directory (BMS Map)
EDIZ630	User Procedure Definition (BMS Map)
EDIZ631	Usage Cross Reference (BMS Map)
EDIZ645	Exception Inquiry Menu (BMS Map)
EDIZ646	Recipient Directory (BMS Map)
EDIZ647	Recipient Detail (BMS Map)
EDIZ648	Exception List (BMS Map)
EDIZ649	Exception Detail (BMS Map)
EDIZ650	Exception Message List (BMS Map)
EDIZ651	Exception Data Display (BMS Map)
EDIZ652	Exception History (BMS Map)
EDIZ653	Exception History-2 (BMS Map)
EDIZ654	Exception History Update (BMS Map)
EDIZ662	User Message Display (BMS Map)
EDIZ663	User Procedure Display (BMS Map)
EDIZ685	System Options (BMS Map)
EDIZ686	Staging Temporary Storage Queue Directory (BMS Map)
EDIZ688	Viewpoint OnLine Log Display (BMS Map)
EDIZ950	Prompt Processor (BMS Map)

For Tracking Management

Member Name	Description
EDIVTMUX	Sample Tracking User Exit
EDIX700	Tracking Management Menu
EDIX701	Query Directory
EDIX702	Query Request
EDIX703	Extended Search Condition
EDIX710	Item Status History
EDIX711	Item Reference History
EDIX712	Item Process Detail
EDIX715	Item Message List
EDIX716	Item Data Display – Application
EDIX717	Item Data Display – EDI
EDIX718	Item Exception Status
EDIX970	Online User Gateway
EDIZ700	Tracking Management Menu (BMS Map)
EDIZ701	Query Directory (BMS Map)
EDIZ702	Query Request (BMS Map)
EDIZ703	Extended Search Condition (BMS Map)
EDIZ710	Item Status History (BMS Map)
EDIZ711	Item Reference History (BMS Map)
EDIZ712	Item Process Detail (BMS Map)
EDIZ715	Item Message List (BMS Map)
EDIZ716	Item Data Display (BMS Map)
EDIZ718	Item Exception Status (BMS Map)

Utility Source Library

For Exception Management

Member Name	Description
EDIVACT	Gentran:Viewpoint Action Exit Parameters
EDIVBACT	Sample Batch Action Exit Program
EDIVEXIT	Sample Error User Exit
EDIVLX	Connect Log Exit
EDIVLXU	Connect Log Exit with User Log Exit Call
EDIVOACT	Sample Online Action Exit Program
EDIVPLT	Gentran:Viewpoint System Start-up Program

For Tracking Management

Member Name	Description
EDIVTMUX	Sample Tracking Management User Exit Program
LSN300	Tracking Management Batch User Gateway Linkage Section
LSX970	Tracking Management Online User Gateway Linkage Section
VPIBAPPL	Sample Inbound User Application Program
VPIBCOMM	Sample Inbound Communications Program
VPOBAPPL	Sample Outbound User Application Program
VPOBCOMM	Sample Outbound Communications Program

B

System Image and Program Image Features

This appendix contains the following topics:

Topic	Page
Overview	B-2
System Image Feature.....	B-2
Program Image Feature.....	B-3
Scenario.....	B-3
Implementation	B-4
Replicating the System Image.....	B-4
Replicating the Program Image.....	B-5

Overview

Situations may occur when you need to run multiple copies of the Gentran online application at the same time within a specific CICS region. For instance:

- You need separate environments because you have set up your organization with multiple divisions that use the same application, yet processes different sets of files.
- You are installing a new version of Gentran and need to keep a production version of your application active to perform daily business transactions.

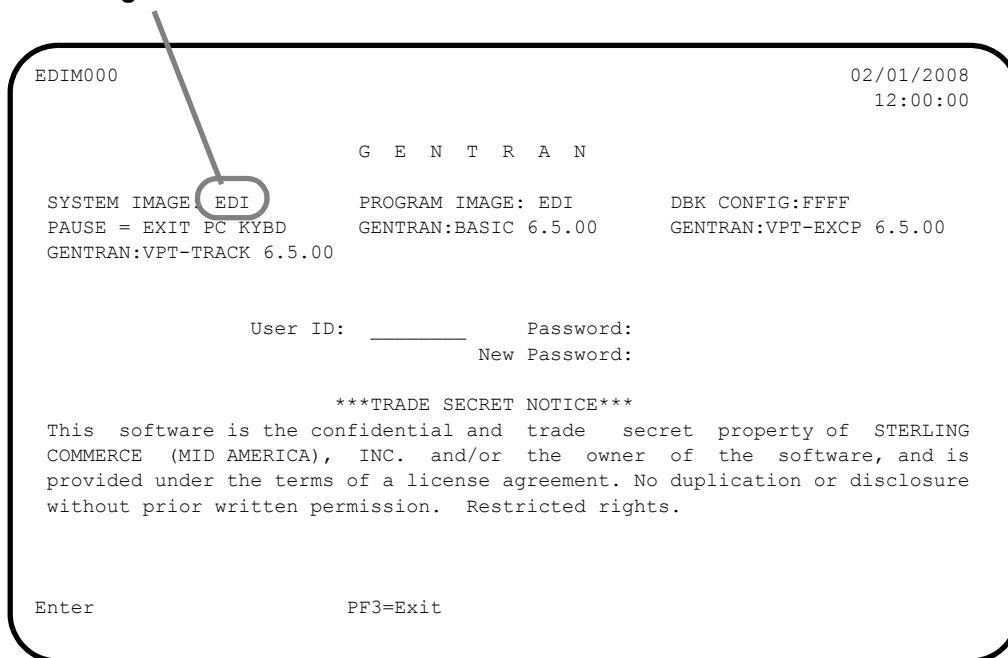
The system image and program image features enable you to keep your current Gentran online application active in these types of situations. This appendix provides guidelines for using these features.

System Image Feature

Using the system image feature, each virtual copy (image) of the application executes the same programs, but has a unique set of transaction identifiers and its own set of files to process. Each image is differentiated by the first three characters of the Transaction ID used by a terminal operator for signing on to the application (such as EDI or MKT).

The following illustration depicts a system image using **EDI** as the transaction identifier.

System Image Characters



```

EDIM000                                02/01/2008
                                         12:00:00

          G E N T R A N

SYSTEM IMAGE: EDI          PROGRAM IMAGE: EDI          DBK CONFIG:FFFF
PAUSE = EXIT PC KYBD     GENTRAN: BASIC 6.5.00      GENTRAN: VPT-EXCP 6.5.00
GENTRAN: VPT-TRACK 6.5.00

          User ID: _____ Password:
                               New Password:

          ***TRADE SECRET NOTICE***

This software is the confidential and trade secret property of STERLING
COMMERCE (MID AMERICA), INC. and/or the owner of the software, and is
provided under the terms of a license agreement. No duplication or disclosure
without prior written permission. Restricted rights.

Enter                                PF3=Exit

```


Program Image Feature

Program sets, known by the first three characters of the program names, comprise program images. Used in conjunction with system images, program images make it possible to run entirely different versions of an application at the same time within the same CICS region.

Scenario

While upgrading from Release 6.4 to Release 6.5, you need to test the newer version before moving it into production. Therefore, you decide to create two separate systems. To achieve this, you will need to set up two different system and program images.

Solution

To differentiate the systems and access the applicable programs for each, you could use **E64** to represent Release 6.4. You then could use **E65** to represent Release 6.5.

When invoking the Release 6.4 online environment, you will enter the transaction ID **E64** to display the Gentran Logon screen. For Release 6.5, you will enter the transaction ID **E65**.

When accessing files applicable to Release 6.4, Gentran will look for file names starting with **E64** to access. For files applicable to Release 6.5, Gentran will look for file names starting with **E65**.

When retrieving programs applicable to Release 6.4, Gentran will look for program names starting with **E64** to execute. For programs applicable to Release 6.5, Gentran will look for program names starting with **E65**.

Implementation

In most cases, system image and program image are specified on the Pre-Installation Worksheet in Chapter 2 of this guide, and implemented by the installer while performing the steps in Chapter 3.

If you need to replicate or rename a system/program image of Gentran, please review the guidelines detailed in the following sections.

Replicating the System Image

Step 1 The tasks involved in setting up your system image are defined below.

Typically performed by: System Installer

Check the box next to each task as you complete it.

- Select a new transaction ID (three characters only). The resource definitions for this transaction ID should associate the ID with the main program (EDIX000). This new ID becomes the first three characters of the filenames used in the file definitions and the ddnames for CICS JCL. You should also change the transaction SIMD to have the system image as its first three characters. This transaction name must be specified in the System Configuration file (Record Type 2).

For example, if your system image is **EDI**, **SIM** becomes **EDI** and **SIMD** becomes **EDID**.

- Add resource definitions for the CICS files to be used with the system image.

Note: We have built sample definitions for you to use. See "Establishing the Online Environment" in Chapter 3 of this guide.

- Recycle the CICS region.

Completed by: _____

Date: _____ **Time:** _____

Replicating the Program Image

The Program Image feature, when used in conjunction with the System Image feature, enables different versions of the Gentran online software to co-exist within one CICS region.

Step 2 The tasks involved in setting up your program image are defined below.

Typically performed by: System Installer

Check the box next to each task as you complete it.

- Implement the system image feature as described in the previous section.

Note: The system image and program image do not have to be identical. We recommend that they be the same, but it is not mandatory.

- Copy all Gentran:Viewpoint CICS load modules into a temporary load library.

- Rename all of the load modules in the temporary load library.

- Change the first three characters of each module from **PIM** to the program image name.
- For example, **PIMX000** becomes **EDIX000**, where **EDI** is the program image name. Perform this procedure for all load modules in the library.
- See the member **GENTRAN.V6X5.VPT.JCL(VPTNAME)** for a sample **IEBCOPY JCL**.

- Copy the renamed load modules into the Gentran:Viewpoint load library that is accessed by CICS.

- Add the new program and mapset definitions to be used with the program image.

Note: We have built sample definitions for you to use. See "Establishing the Online Environment" in Chapter 3 of this guide for more information.

- Modify the resource definitions of the Gentran:Viewpoint transactions to point to the renamed load modules.

For example, if your program image is **EDI**, program **PIMX000** becomes **EDIX000**.

Note: We have built sample definitions for you to use. See "Establishing the Online Environment" in Chapter 3 of this guide.

- Recycle the CICS region.

Completed by: _____

Date: _____ **Time:** _____

Gentran:Viewpoint Files

Data Set Naming Conventions

The following table describes data set naming conventions.

Data Set	Format
Permanent VSAM files	GENTRAN.V6X5.VPT.VSAM.????? <i>Where:</i> ?????=file-specific
Initial loading sequential files	GENTRAN.V6X5.VPT.SEQ.????? <i>Where:</i> ?????=file-specific Note: Most of these files can be deleted after installation and conversion are complete.
Batch executable load modules	GENTRAN.V6X5.VPT.BATCH.LOAD
CICS executable load modules	GENTRAN.V6X5.VPT.CICS.LOAD

Production Data Set Names for Gentran:Viewpoint Release 6.5

Exception Management Files

JCL File	GENTRAN.V6X5.VPT.VSAM.EDI.EDIJCL
Prompt File	GENTRAN.V6X5.VPT.VSAM.EDI.EDIPRMP
Profile File	GENTRAN.V6X5.VPT.VSAM.EDI.EDIVP
Repository File	GENTRAN.V6X5.VPT.VSAM.EDI.EDIVR
Staging File 1	GENTRAN.V6X5.VPT.VSAM.EDI.EDIVSF1
Staging File 2	GENTRAN.V6X5.VPT.VSAM.EDI.EDIVSF2
Staging File 3	GENTRAN.V6X5.VPT.VSAM.EDI.EDIVSF3
Staging File 4	GENTRAN.V6X5.VPT.VSAM.EDI.EDIVSF4
Staging File 5	GENTRAN.V6X5.VPT.VSAM.EDI.EDIVSF5
Staging File 6	GENTRAN.V6X5.VPT.VSAM.EDI.EDIVSF6
Staging File 7	GENTRAN.V6X5.VPT.VSAM.EDI.EDIVSF7
Staging File 8	GENTRAN.V6X5.VPT.VSAM.EDI.EDIVSF8
Staging File 9	GENTRAN.V6X5.VPT.VSAM.EDI.EDIVSF9
Staging File 10	GENTRAN.V6X5.VPT.VSAM.EDI.EDIVSF10
Staging File 11	GENTRAN.V6X5.VPT.VSAM.EDI.EDIVSF11
Staging File 12	GENTRAN.V6X5.VPT.VSAM.EDI.EDIVSF12
Staging File 13	GENTRAN.V6X5.VPT.VSAM.EDI.EDIVSF13
Staging File 14	GENTRAN.V6X5.VPT.VSAM.EDI.EDIVSF14
Staging File 15	GENTRAN.V6X5.VPT.VSAM.EDI.EDIVSF15
Staging File 16	GENTRAN.V6X5.VPT.VSAM.EDI.EDIVSF16
Staging File 17	GENTRAN.V6X5.VPT.VSAM.EDI.EDIVSF17
Staging File 18	GENTRAN.V6X5.VPT.VSAM.EDI.EDIVSF18
Staging File 19	GENTRAN.V6X5.VPT.VSAM.EDI.EDIVSF19
Staging File 20	GENTRAN.V6X5.VPT.VSAM.EDI.EDIVSF20

Tracking Management Files

Master Index File	GENTRAN.V6X5.VPT.VSAM.EDI.EDIVM
Trace ID File	GENTRAN.V6X5.VPT.VSAM.EDI.EDIVT
Online Trace ID File	GENTRAN.V6X5.VPT.VSAM.EDI.EDIVTO

Gentrans:Plus Files

Connect Failure Codes File	GENTRAN.V6X5.VPT.VSAM.EDI.EDICFC
Connect Cross Reference File	GENTRAN.V6X5.VPT.VSAM.EDI.EDICXRF
Communications Queue File	GENTRAN.V6X5.VPT.VSAM.EDI.EDIVCQ
Trace ID Cross Reference File	GENTRAN.V6X5.VPT.VSAM.EDI.EDIVPPX

Gentrans:Realtime Files

Tutorial Application Data File	GENTRAN.V6X5.VPT.VSAM.EDIAPPLT
IVP Application Data File	GENTRAN.V6X5.VPT.VSAM.EDIAPPLV
Tutorial EDI Data File	GENTRAN.V6X5.VPT.VSAM.EDIDATT
IVP EDI Data File	GENTRAN.V6X5.VPT.VSAM.EDIDATV

