

CICS® Transaction Server for VSE/ESA™



# User's Handbook

*Release 1*



CICS® Transaction Server for VSE/ESA™



# User's Handbook

*Release 1*

**Note!**

Before using this information and the product it supports, be sure to read the general information under "Notices" on page 233.

**First Edition (June 1999)**

This edition applies to Release 1 of CICS Transaction Server for VSE/ESA, program number 5648-054, and to all subsequent versions, releases, and modifications until otherwise indicated in new editions. Make sure you are using the correct edition for the level of the product.

The CICS for VSE/ESA Version 2.3 edition remains applicable and current for users of CICS for VSE/ESA Version 2.3.

Order publications through your IBM representative or the IBM branch office serving your locality.

At the back of this publication is a page entitled "Sending your comments to IBM". If you want to make any comments, please use one of the methods described there.

© **Copyright International Business Machines Corporation 1977, 1999. All rights reserved.**

US Government Users Restricted Rights – Use, duplication or disclosure restricted by GSA ADP Schedule Contract with IBM Corp.

---

# Contents

Programming interface information . . . . .	iv
<b>Preface</b> . . . . .	v
Handbook structure . . . . .	vi
Determining if a publication is current . . . . .	vii
<b>Summary of changes</b> . . . . .	ix
Changes made for this edition . . . . .	ix
<b>Chapter 1. Command-level application programming</b> . . . . .	1
General format . . . . .	1
Restrictions for distributed program link (DPL) . . . . .	2
API command syntax . . . . .	3
<b>Chapter 2. Command-level system programming</b> . . . . .	63
<b>Chapter 3. CICS-supplied transactions</b> . . . . .	95
<b>Chapter 4. Resource definition online</b> . . . . .	111
<b>Chapter 5. Front End Programming Interface Command Reference</b> . . . . .	115
<b>Chapter 6. CICS-value data areas used by all commands</b> . . . . .	125
CVDAs and numeric values in alphabetic sequence . . . . .	125
CVDAs and numeric values in numeric sequence . . . . .	130
CVDAs returned by the INQ NETNAME TERMINAL DEVICE command . . . . .	134
<b>Chapter 7. EXEC interface block (EIB)</b> . . . . .	137
EIB field names and descriptions . . . . .	137
EIBFN codes . . . . .	137
EIBRCODE values . . . . .	141
RESP values and conditions . . . . .	145
RESP2 values and their meanings . . . . .	147
<b>Chapter 8. DFH messages</b> . . . . .	185
Message Identifiers . . . . .	185
Format of information . . . . .	188
VSE user abend codes . . . . .	189
<b>Chapter 9. Transaction abend codes</b> . . . . .	193
Format of information . . . . .	193
CICS abend codes . . . . .	194
Transaction abend codes . . . . .	194
<b>Chapter 10. VTAM-associated errors</b> . . . . .	213
VTAM terminal error codes and CICS message numbers . . . . .	213
System sense codes received . . . . .	216
<b>Chapter 11. VTAM submodule identifiers</b> . . . . .	221

<b>Chapter 12. AP domain storage classes</b> . . . . .	225
<b>Bibliography</b> . . . . .	227
Books from VSE/ESA 2.4 base program libraries . . . . .	228
Books from VSE/ESA 2.4 optional program libraries . . . . .	230
<b>Notices</b> . . . . .	233
Trademarks and service marks . . . . .	234

---

## Programming interface information

This book is intended to help you refer quickly to CICS system administration and operating information.

This book also documents General-use Programming Interface and Associated Guidance Information, Product-sensitive Programming Interface and Associated Guidance Information, and Diagnosis, Modification or Tuning Information provided by CICS.

General-use programming interfaces allow the customer to write programs that obtain the services of CICS.

General-use Programming Interface and Associated Guidance Information is identified where it occurs, by an introductory statement to a chapter or section.

Product-sensitive programming interfaces allow the customer installation to perform tasks such as diagnosing, modifying, monitoring, repairing, tailoring, or tuning of CICS. Use of such interfaces creates dependencies on the detailed design or implementation of the IBM software product. Product-sensitive programming interfaces should be used only for these specialized purposes. Because of their dependencies on detailed design and implementation, it is to be expected that programs written to such interfaces may need to be changed in order to run with new product releases or versions, or as a result of service.

Product-sensitive Programming Interface and Associated Guidance Information is identified where it occurs, by an introductory statement to a chapter or section.

Diagnosis, Modification or Tuning Information is provided to help you diagnose problems in a CICS system.

**Warning:** Do not use this Diagnosis, Modification or Tuning Information as a programming interface.

Diagnosis, Modification or Tuning Information is identified where it occurs, by an introductory statement to a chapter or section.

---

# Preface

## **What this handbook is about**

This book helps you refer quickly to topics you are already familiar with. It provides a summary of information contained elsewhere in the CICS library.

## **Who this handbook is for**

This book is for:

- System programmers
- CICS or system operators
- Application programmers.

## **What you need to know to understand this handbook**

You need to have a good understanding of how CICS works. This assumes familiarity with most, if not all, of the books in the CICS library, together with adequate practical experience of running a CICS system.

---

## Handbook structure

### **Chapter 1, “Command-level application programming” on page 1**

Gives a summary of command-level application programming commands in CICS Transaction Server for VSE/ESA. For programming information, see the *CICS Application Programming Reference*.

### **Chapter 2, “Command-level system programming” on page 63**

Gives a summary of command-level system programming commands. For programming information, see the *CICS System Programming Reference* manual.

### **Chapter 3, “CICS-supplied transactions” on page 95**

Gives a summary of the CICS-supplied transactions. For more detailed information, see the *CICS-Supplied Transactions*.

### **Chapter 4, “Resource definition online” on page 111**

Gives a summary of the syntax for resource definition online. For more detailed information, see the *CICS Resource Definition Guide*.

### **Chapter 6, “CICS-value data areas used by all commands” on page 125**

Gives a table of CVDA values. For programming information, see the *CICS System Programming Reference* manual.

### **Chapter 7, “EXEC interface block (EIB)” on page 137**

Gives information about EIB fields, and gives the meanings of EIBFN, EIBRCODE, RESP, and RESP2 values. For programming information, see the *CICS Application Programming Reference*.

### **Chapter 8, “DFH messages” on page 185**

Gives a summary of the terminal error messages and codes. For more detailed information, see the *VSE/ESA Messages and Codes Volume 3*.

### **Chapter 9, “Transaction abend codes” on page 193**

Gives a summary of CICS transaction abend codes. For more detailed information, see the *VSE/ESA Messages and Codes Volume 3*.

### **Chapter 10, “VTAM-associated errors” on page 213**

Gives a summary of VTAM errors and associated CICS messages. For more detailed information, see the *VSE/ESA Messages and Codes Volume 3*.

### **Chapter 11, “VTAM submodule identifiers” on page 221**

Gives information about the product-sensitive product interface.

### **Chapter 12, “AP domain storage classes” on page 225**

Shows the valid AP domain storage classes.



## Determining if a publication is current

IBM regularly updates its publications with new and changed information. When first published, both the printed hardcopy and the BookManager softcopy versions of a publication are in step, but subsequent updates are normally made available in softcopy before they appear in hardcopy.

For CICS Transaction Server for VSE/ESA Release 1 books, softcopy updates appear regularly on the *Transaction Processing and Data Collection Kit* CD-ROM, SK2T-0730-xx and on the *VSE/ESA Collection Kit* CD-ROM, SK2T-0060-xx. Each reissue of the collection kit is indicated by an updated order number suffix (the -xx part). For example, collection kit SK2T-0730-20 is more up-to-date than SK2T-0730-19. The collection kit is also clearly dated on the front cover.

For individual books, the suffix number is incremented each time it is updated, so a publication with order number SC33-0667-02 is more recent than one with order number SC33-0667-01. Updates in the softcopy are clearly marked by revision codes (usually a “#” character) to the left of the changes.

Note that book suffix numbers are updated as a product moves from release to release, as well as for updates within a given release. Also, the date in the edition notice is not changed until the hardcopy is reissued.



---

## Summary of changes

---

### Changes made for this edition

This handbook includes information about the new or enhanced facilities introduced by CICS Transaction Server for VSE/ESA Release 1.

The commands for application programming and system programming are shown in alphabetic order.

In the section Chapter 6, "CICS-value data areas used by all commands" on page 125, tables of CVDA values have been added.

Syntax boxes for EXEC CICS commands are replaced with "railroad" diagrams. For an explanation of these diagrams, see the *CICS Application Programming Reference* manual.

Trace has been removed from this handbook and has been moved into the *CICS Trace Entries* manual.

Front end programming interface (FEPI) commands have been added.



---

## Chapter 1. Command-level application programming

This chapter contains General-use Programming Interface information.

---

### General format

The format of a CICS command, which can be coded in a COBOL, C, PL/I, or assembler application program, is as follows:

**COBOL:**

```
EXEC CICS function[option[(arg)]]... END-EXEC
```

**C:**

```
EXEC CICS function[option[(arg)]]... ;
```

**PL/I:**

```
EXEC CICS function[option[(arg)]]... ;
```

**Assembler:**

```
EXEC CICS function[option[(arg)]]...
```

### DL/I command format

The format of a DL/I command, which can be coded only in a COBOL, C, or PL/I application program, is as follows:

```
EXEC DLI function[option[(arg)]]...
```

For multiple segment commands, options are repeated for each segment.

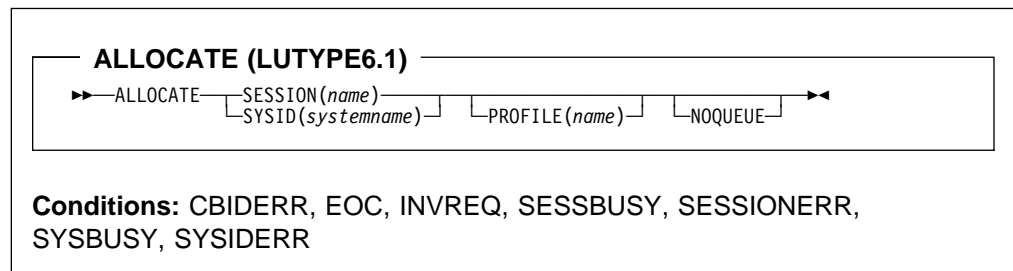
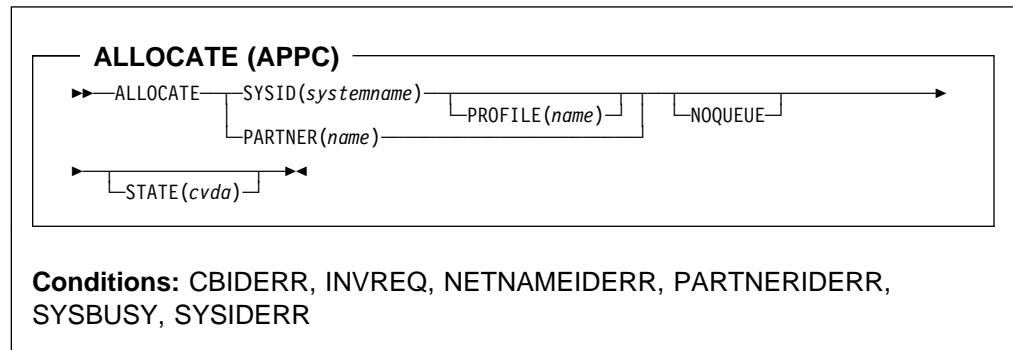
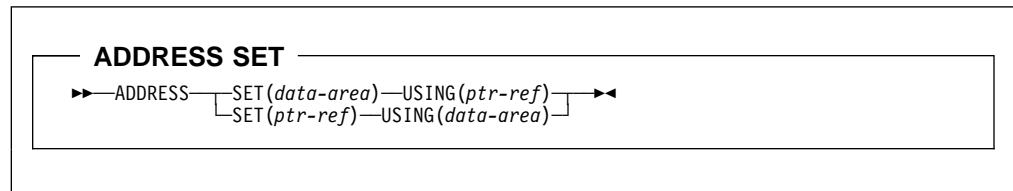
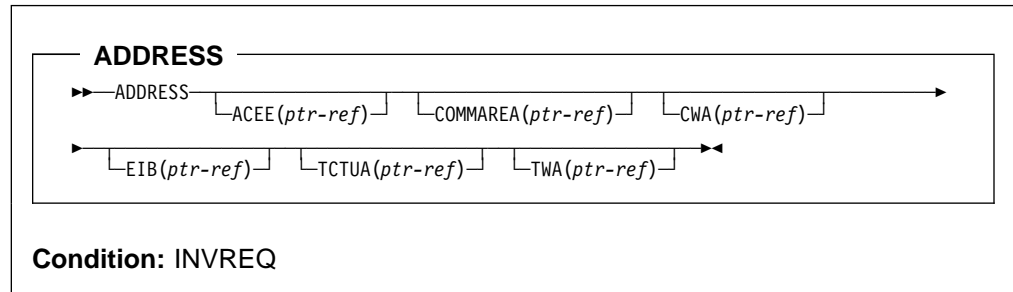
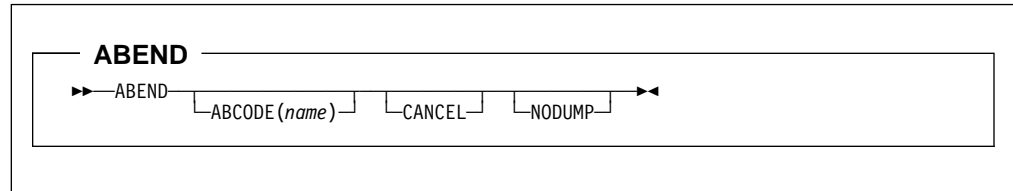
---

### Restrictions for distributed program link (DPL)

The following commands are not supported in a program running in a resource region in response to a distributed program link command:

ADDRESS ....	RECEIVE
ALLOCATE	RETURN ....
ASSIGN ....	ROUTE
CONNECT PROCESS	SEND ....
CONVERSE	SIGNOFF
EXTRACT PROCESS	SIGNON
FREE CONVID	SYNCPOINT ....
HANDLE AID	WAIT CONVID
ISSUE ....	WAIT TERMINAL
LINK ....	XCTL ....
PURGE MESSAGE	

## API command syntax



**ALLOCATE (MRO)**

▶▶—ALLOCATE—SYSID(*systemname*)—{NOQUEUE}—{STATE(*cvda*)}—▶▶

**Conditions:** INVREQ, SYSBUSY, SYSIDERR

**ASKTIME**

▶▶—ASKTIME—{ABSTIME(*data-area*)}—▶▶

**ASSIGN**

▶▶—ASSIGN—

—ABCODE( <i>data-area</i> )—	—MAPWIDTH( <i>data-area</i> )—
—ABDUMP( <i>data-area</i> )—	—MSRCONTROL( <i>data-area</i> )—
—ABPROGRAM( <i>data-area</i> )—	—NATLANGINUSE( <i>data-area</i> )—
—ALTSCRNHT( <i>data-area</i> )—	—NETNAME( <i>data-area</i> )—
—ALTSCRNWD( <i>data-area</i> )—	—NEXTTRANSID( <i>data-area</i> )—
—APLKYBD( <i>data-area</i> )—	—NUMTAB( <i>data-area</i> )—
—APLTEXT( <i>data-area</i> )—	—OPCLASS( <i>data-area</i> )—
—APPLID( <i>data-area</i> )—	—OPERKEYS( <i>data-area</i> )—
—ASRAINTRPT( <i>data-area</i> )—	—OPID( <i>data-area</i> )—
—ASRAKEY( <i>cvda</i> )—	—OPSECURITY( <i>data-area</i> )—
—ASRAPSW( <i>data-area</i> )—	—ORGABCODE( <i>data-area</i> )—
—ASRAREGS( <i>data-area</i> )—	—OUTLINE( <i>data-area</i> )—
—ASRASTG( <i>cvda</i> )—	—PAGENUM( <i>data-area</i> )—
—BTRANS( <i>data-area</i> )—	—PARTNPAGE( <i>data-area</i> )—
—CMDSEC( <i>data-area</i> )—	—PARTNS( <i>data-area</i> )—
—COLOR( <i>data-area</i> )—	—PARTNSET( <i>data-area</i> )—
—CWALENG( <i>data-area</i> )—	—PRINSYSID( <i>data-area</i> )—
—DEFSCRNHT( <i>data-area</i> )—	—PROGRAM( <i>data-area</i> )—
—DEFSCRNWD( <i>data-area</i> )—	—PS( <i>data-area</i> )—
—DELIMITER( <i>data-area</i> )—	—QNAME( <i>data-area</i> )—
—DESTCOUNT( <i>data-area</i> )—	—RESSEC( <i>data-area</i> )—
—DESTID( <i>data-area</i> )—	—RESTART( <i>data-area</i> )—
—DESTIDLENG( <i>data-area</i> )—	—RETURNPROG( <i>data-area</i> )—
—DSSCS( <i>data-area</i> )—	—SCRNHT( <i>data-area</i> )—
—DS3270( <i>data-area</i> )—	—SCRNWD( <i>data-area</i> )—
—EWASUPP( <i>data-area</i> )—	—SIGDATA( <i>data-area</i> )—
—EXTDS( <i>data-area</i> )—	—SOSI( <i>data-area</i> )—
—FACILITY( <i>data-area</i> )—	—STARTCODE( <i>data-area</i> )—
—FCI( <i>data-area</i> )—	—STATIONID( <i>data-area</i> )—
—GCHARS( <i>data-area</i> )—	—SYSID( <i>data-area</i> )—
—GCODES( <i>data-area</i> )—	—TASKPRIORITY( <i>data-area</i> )—
—GMMI( <i>data-area</i> )—	—TCTUALENG( <i>data-area</i> )—
—HIGHLIGHT( <i>data-area</i> )—	—TELLERID( <i>data-area</i> )—
—INITPARM( <i>data-area</i> )—	—TERMCODE( <i>data-area</i> )—
—INITPARMLEN( <i>data-area</i> )—	—TERMPRIORITY( <i>data-area</i> )—
—INPARTN( <i>data-area</i> )—	—TEXTKYBD( <i>data-area</i> )—
—INVOKINGPROG( <i>data-area</i> )—	—TEXTPRINT( <i>data-area</i> )—
—KATAKANA( <i>data-area</i> )—	—TRANPRIORITY( <i>data-area</i> )—
—LANGINUSE( <i>data-area</i> )—	—TWALENG( <i>data-area</i> )—
—LDCMNEM( <i>data-area</i> )—	—UNATTEND( <i>data-area</i> )—
—LDCNUM( <i>data-area</i> )—	—USERID( <i>data-area</i> )—
—MAPCOLUMN( <i>data-area</i> )—	—USERNAME( <i>data-area</i> )—
—MAPHEIGHT( <i>data-area</i> )—	—USERPRIORITY( <i>data-area</i> )—
—MAPLINE( <i>data-area</i> )—	—VALIDATION( <i>data-area</i> )—

▶▶

**Condition:** INVREQ

1  
1  
1

1  
1  
1



**BIF DEEDIT**

►► BIF DEEDIT—FIELD(*data-area*)—LENGTH(*data-value*)—►

**Condition:** LENGERR

**BUILD ATTACH (LUTYPE6.1)**

►► BUILD ATTACH—ATTACHID(*name*)—PROCESS(*name*)—RESOURCE(*name*)—►

► RPROCESS(*name*)—RRESOURCE(*name*)—QUEUE(*name*)—►

► IUTYPE(*data-value*)—DATASTR(*data-value*)—RECFM(*data-value*)—►

**BUILD ATTACH (MRO)**

►► BUILD ATTACH—ATTACHID(*name*)—PROCESS(*name*)—RESOURCE(*name*)—►

► RPROCESS(*name*)—RRESOURCE(*name*)—QUEUE(*name*)—►

► IUTYPE(*data-value*)—DATASTR(*data-value*)—RECFM(*data-value*)—►

**CANCEL**

►► CANCEL—REQID(*name*)—SYSID(*systemname*)—TRANSID(*name*)—►

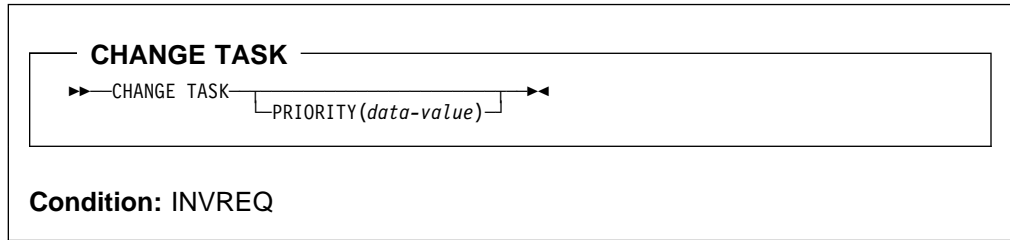
**Conditions:** ISCINVREQ, NOTAUTH, NOTFND, SYSIDERR

**CHANGE PASSWORD**

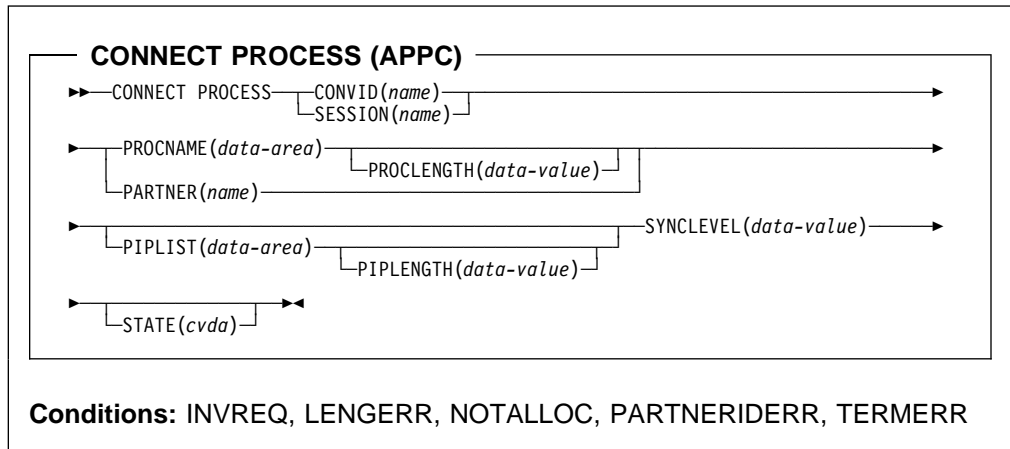
►► CHANGE PASSWORD(*data-value*)—NEWPASSWORD(*data-value*)—USERID(*data-value*)—►

► ESMREASON(*data-area*)—ESMRESP(*data-area*)—►

**Conditions:** INVREQ, NOTAUTH, USERIDERR

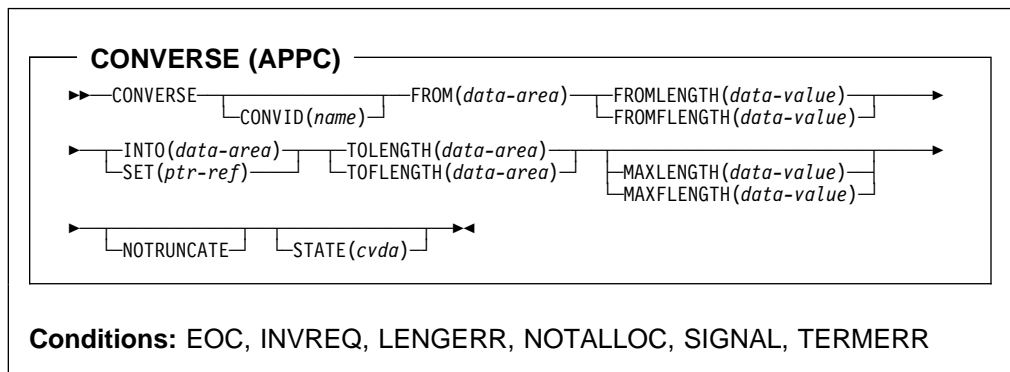


1

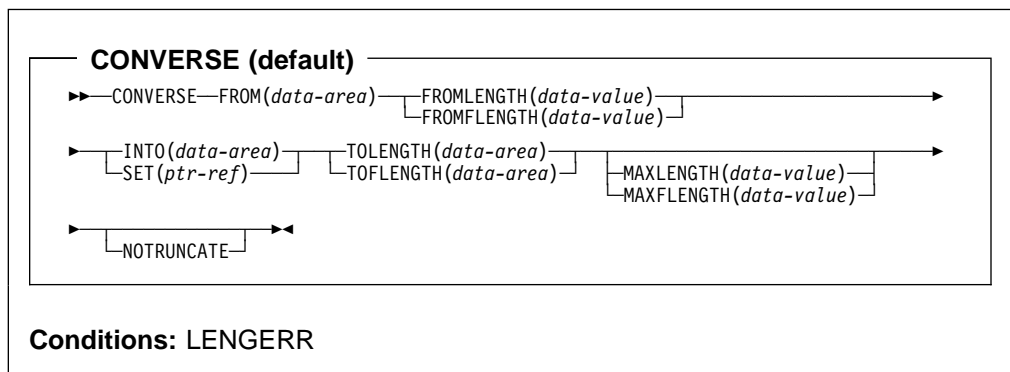


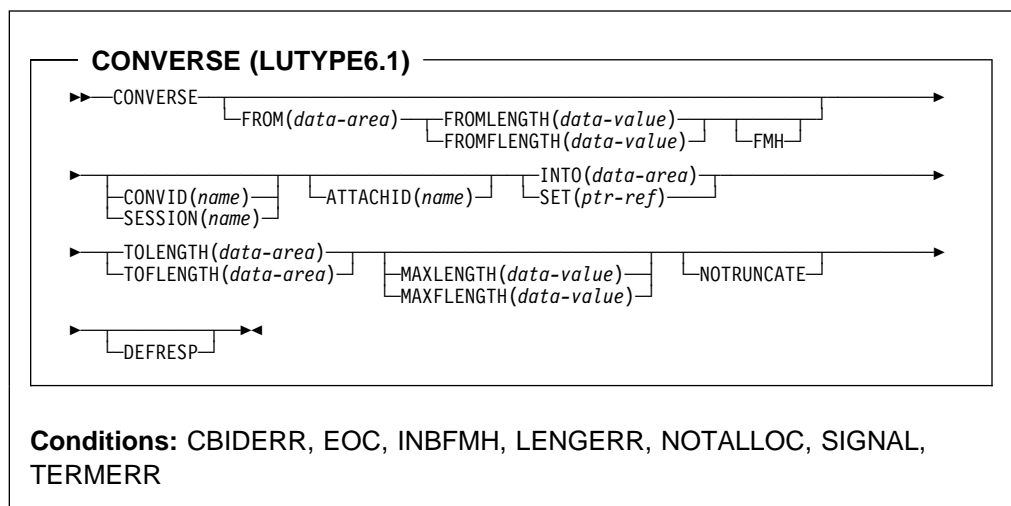
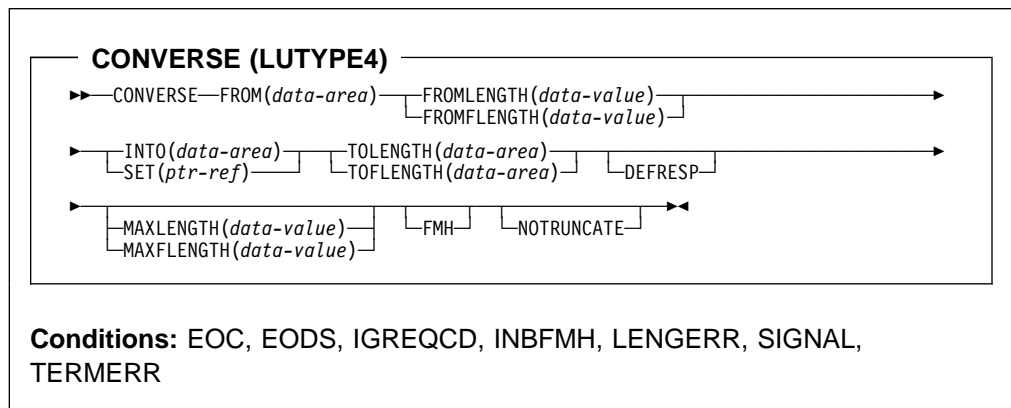
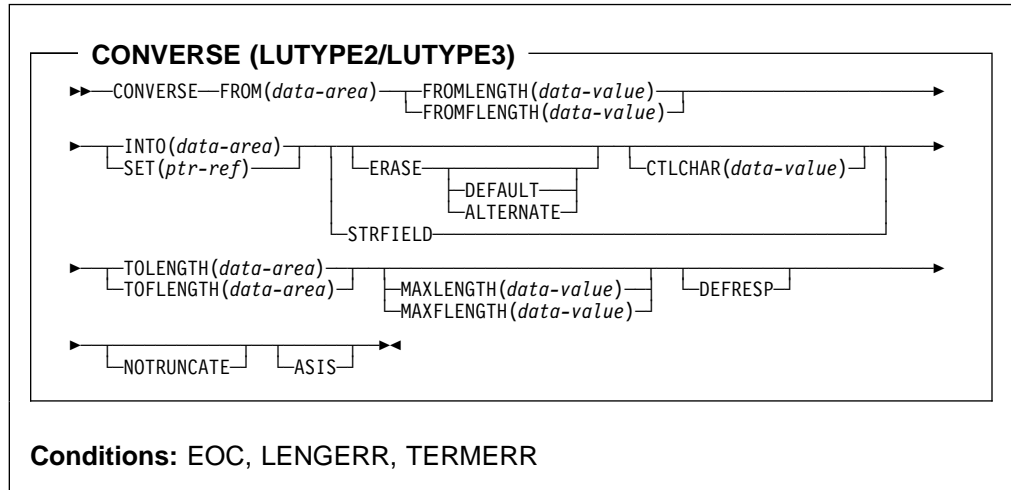
1

1

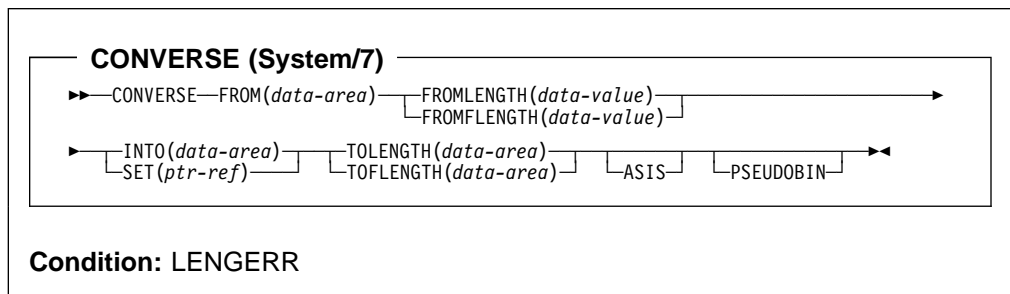
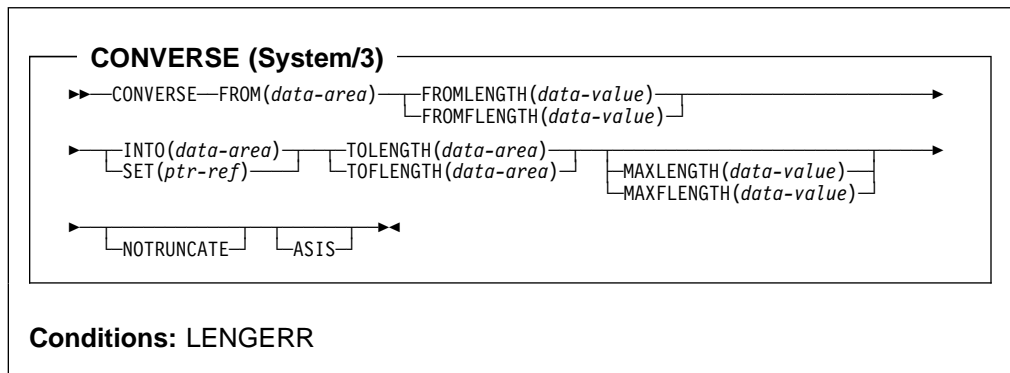
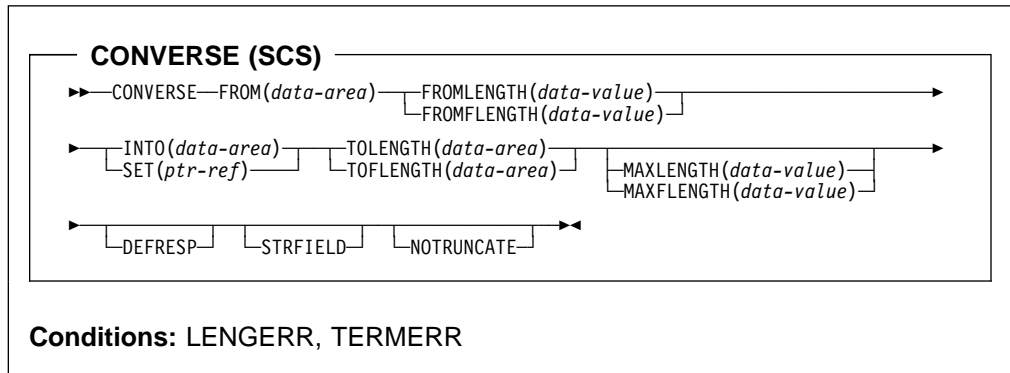
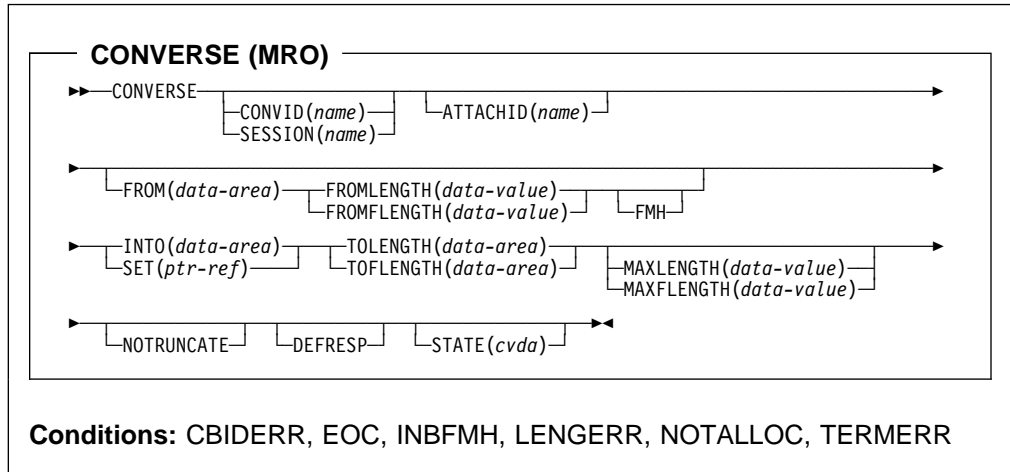


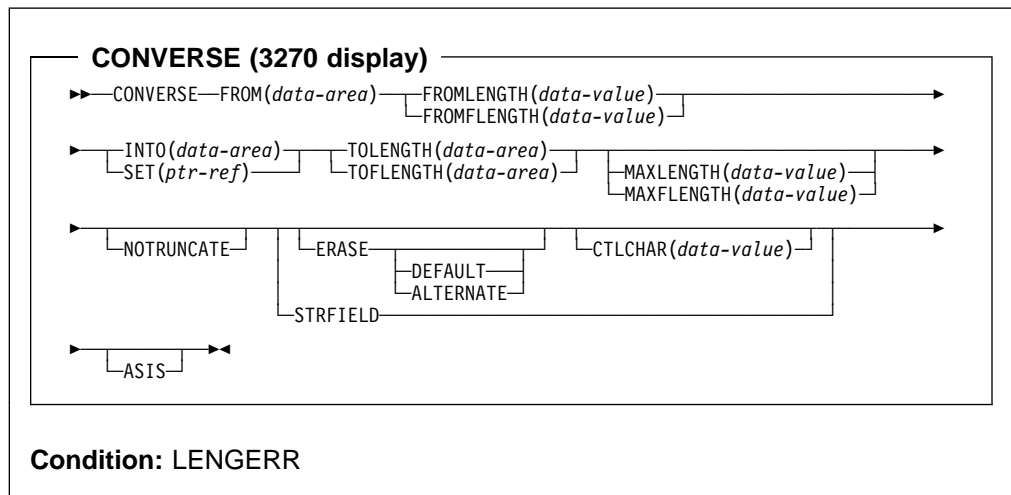
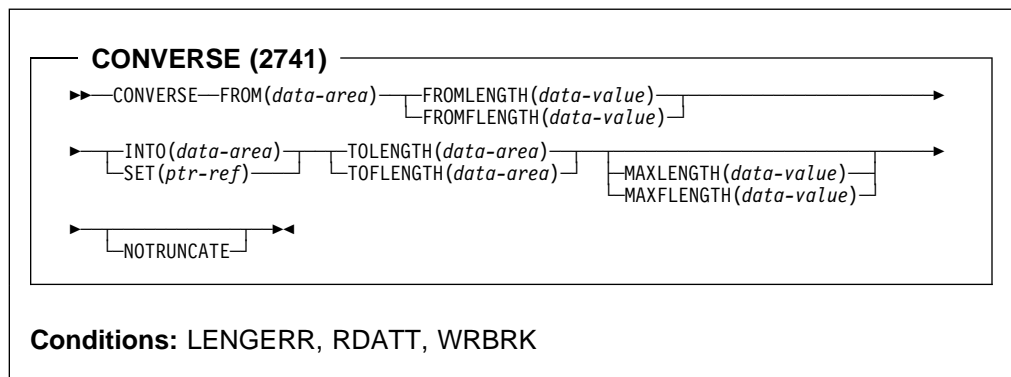
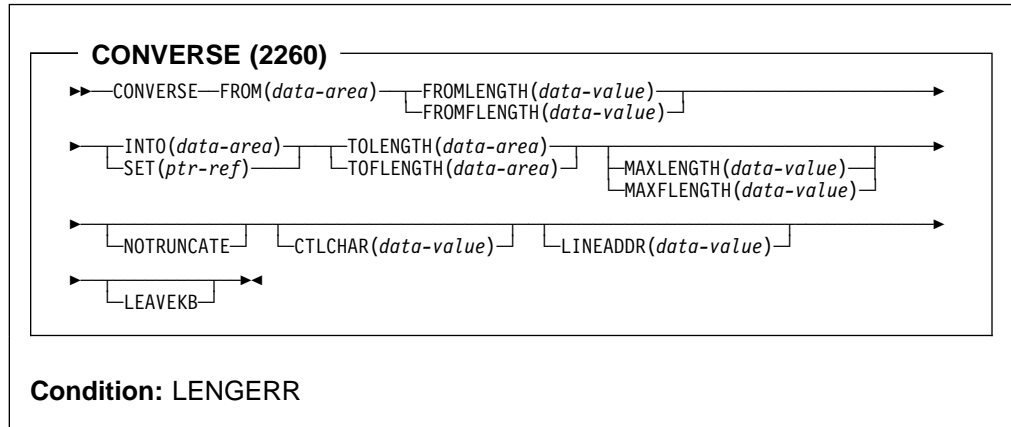
1

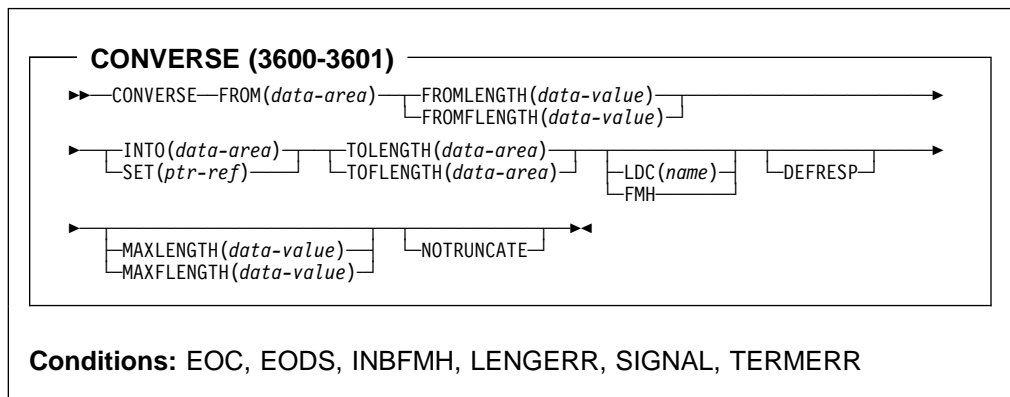
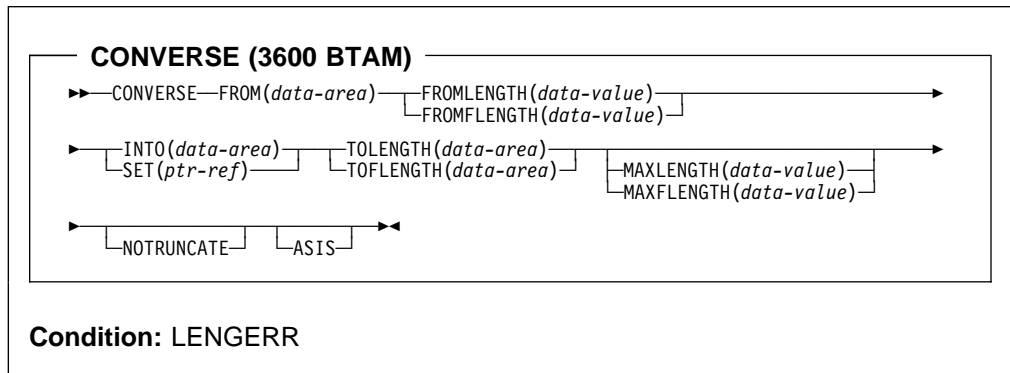
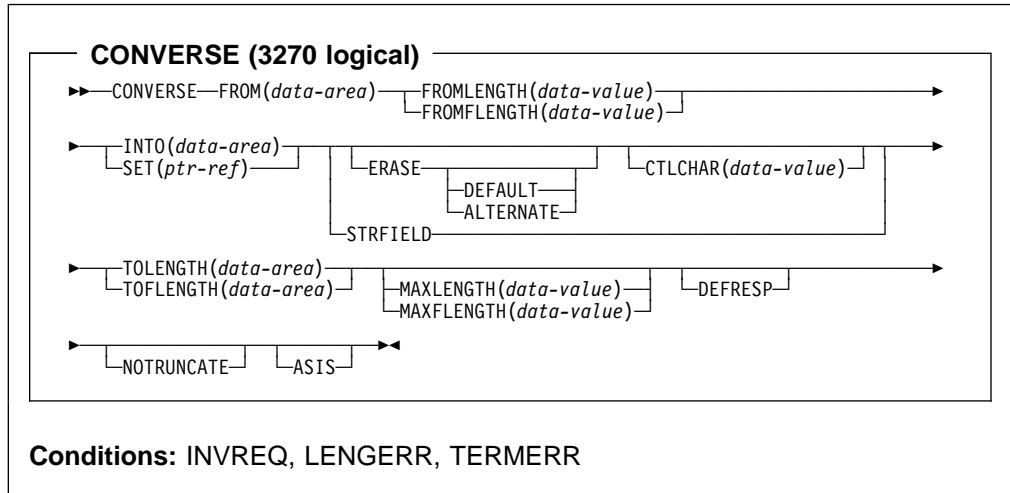


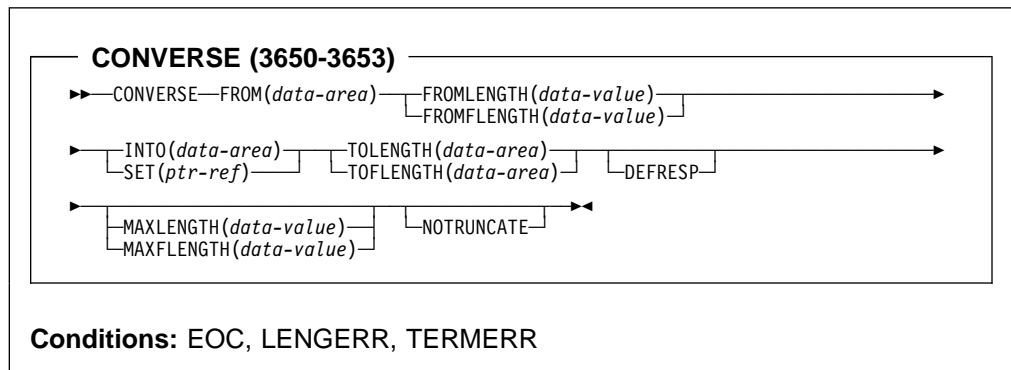
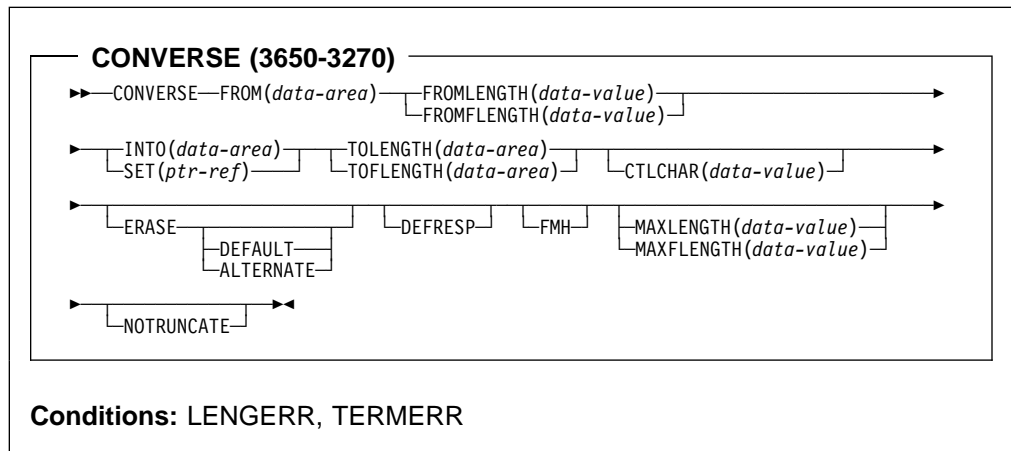
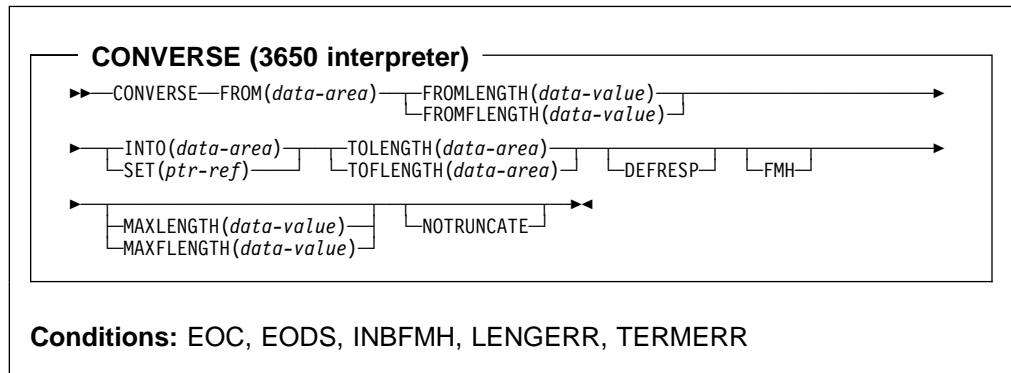
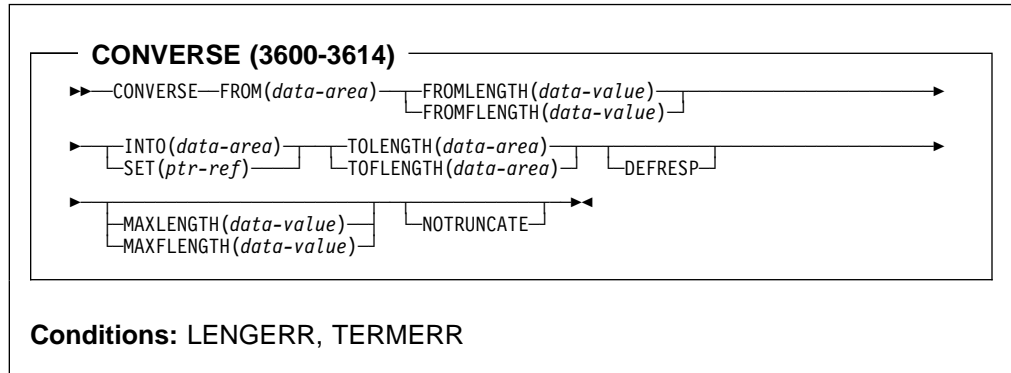


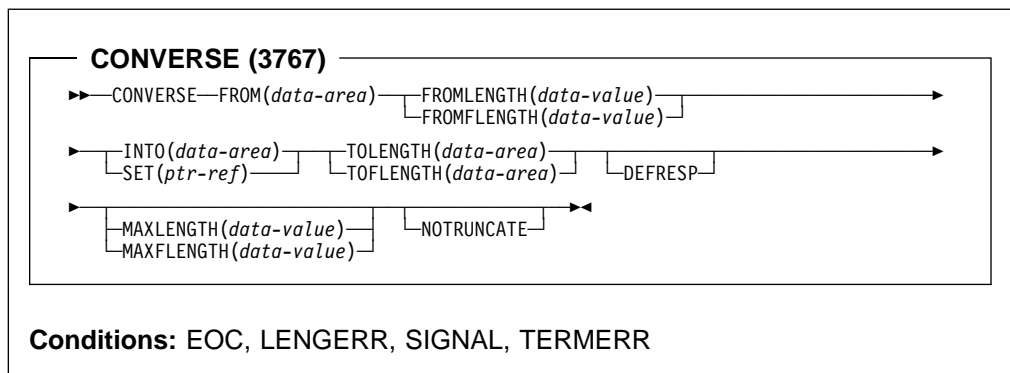
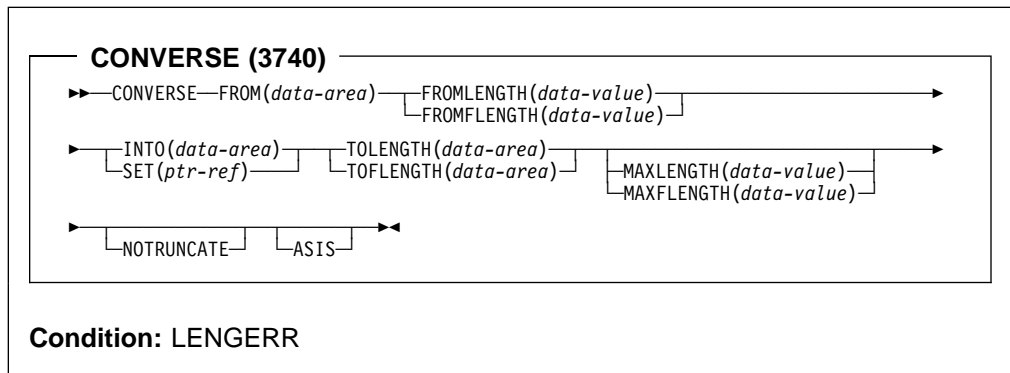
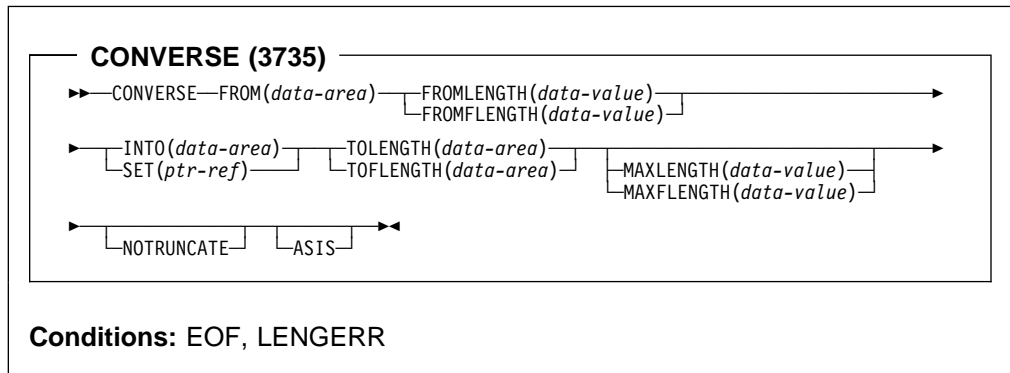
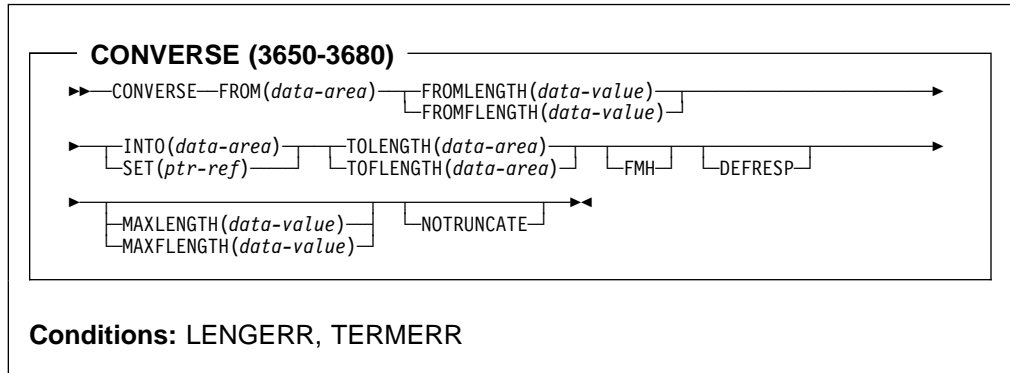
1





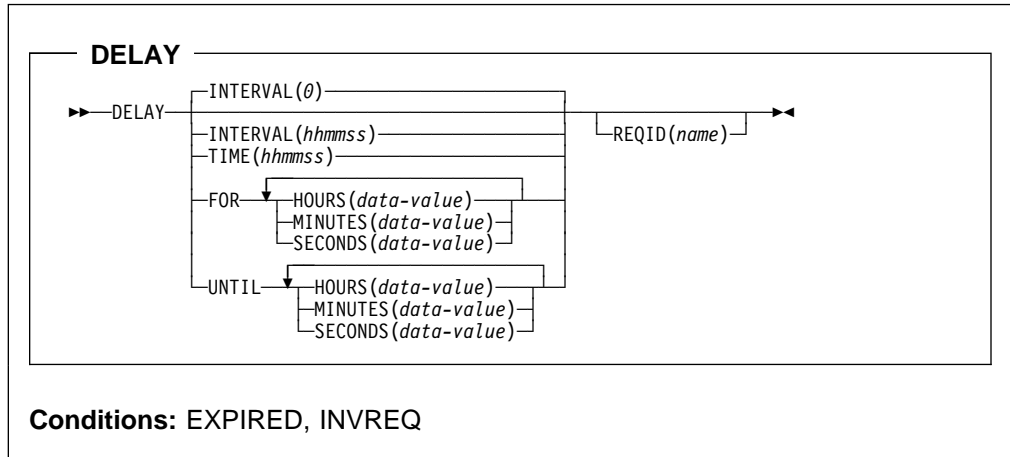




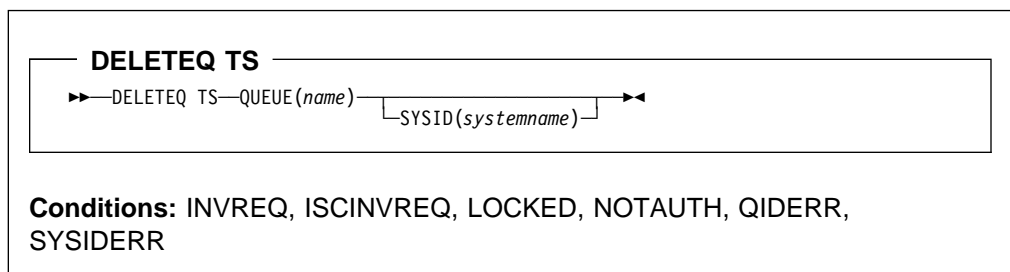
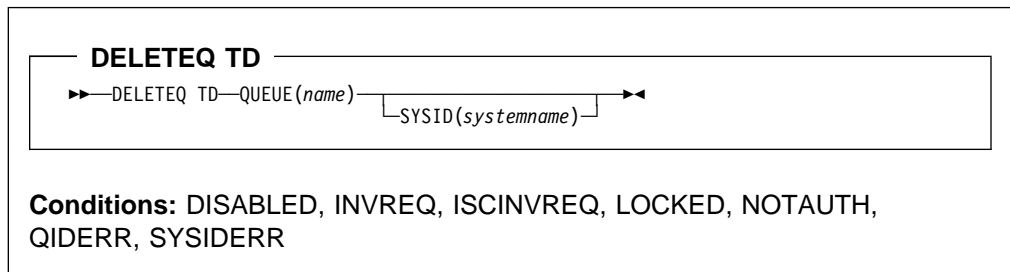
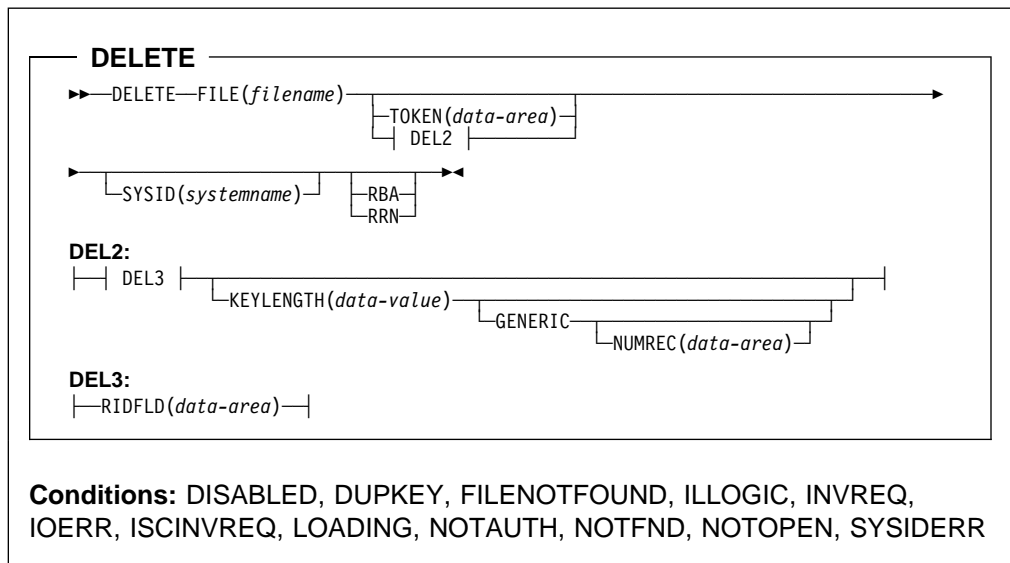




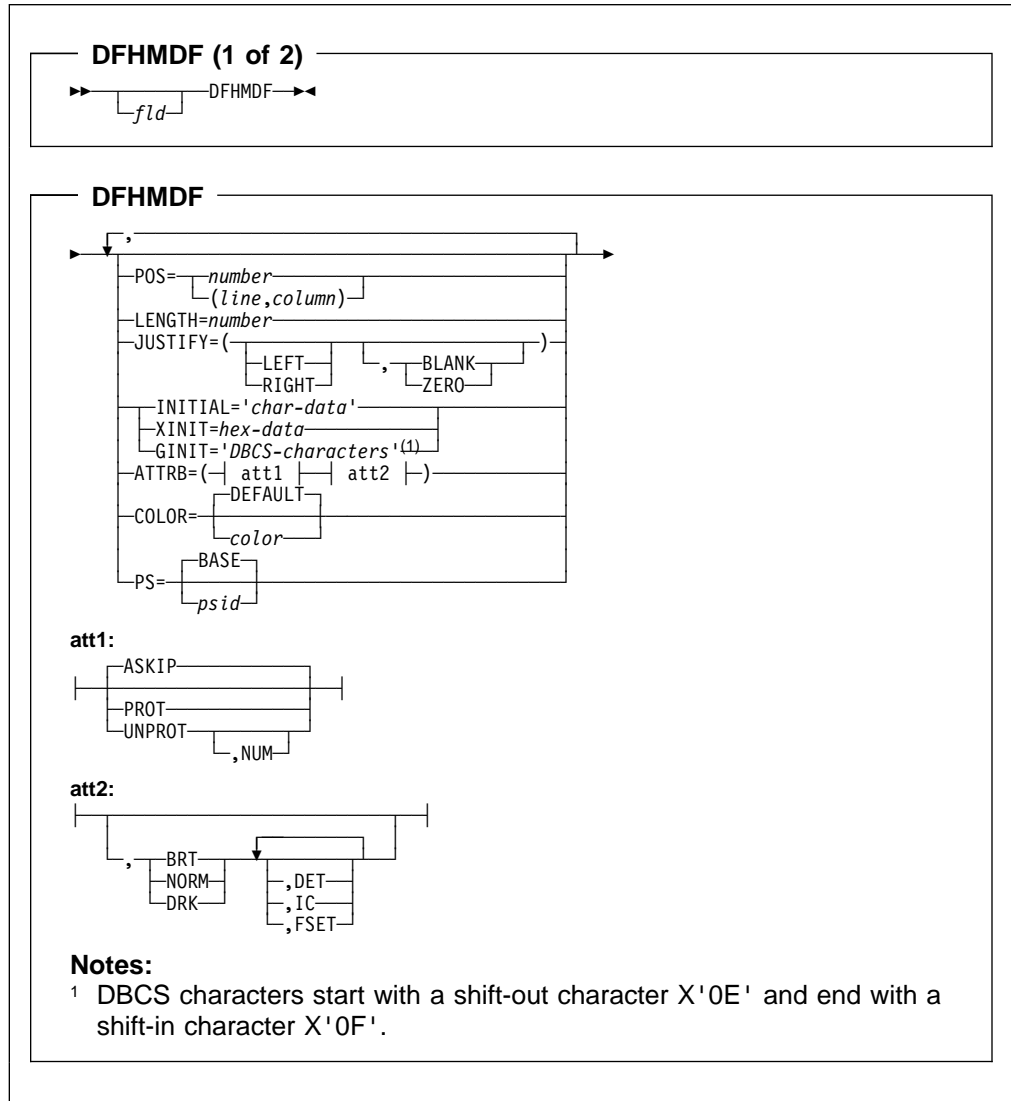
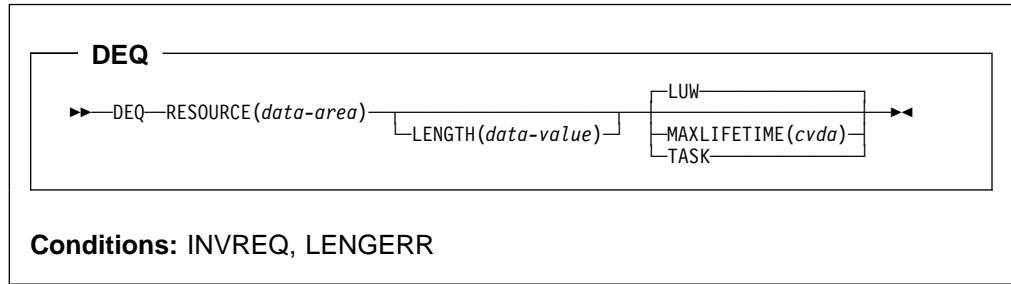


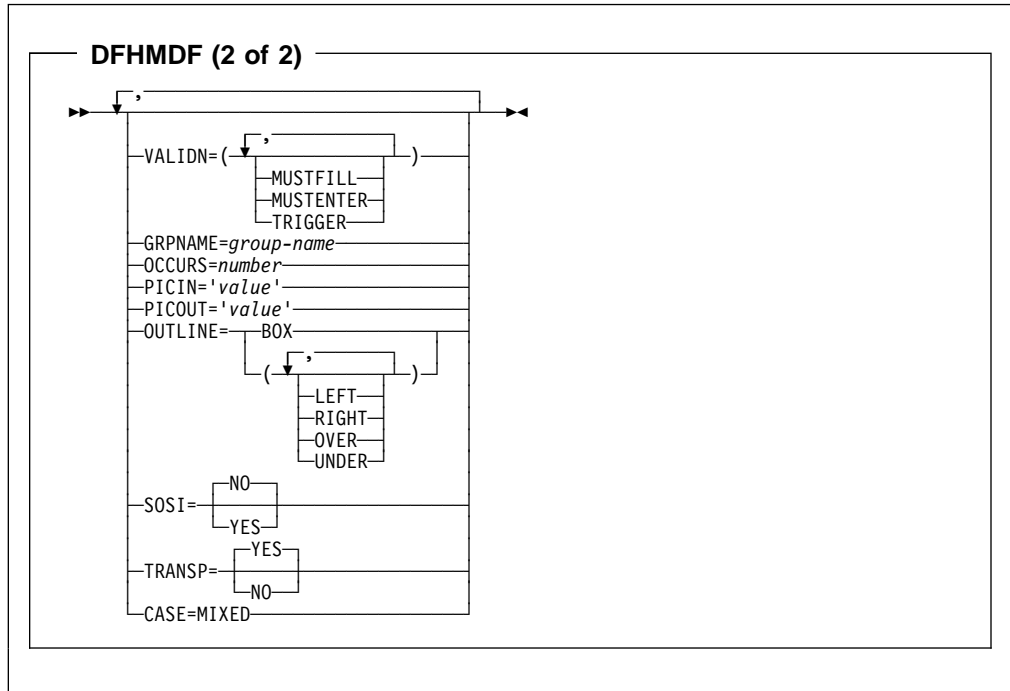


1

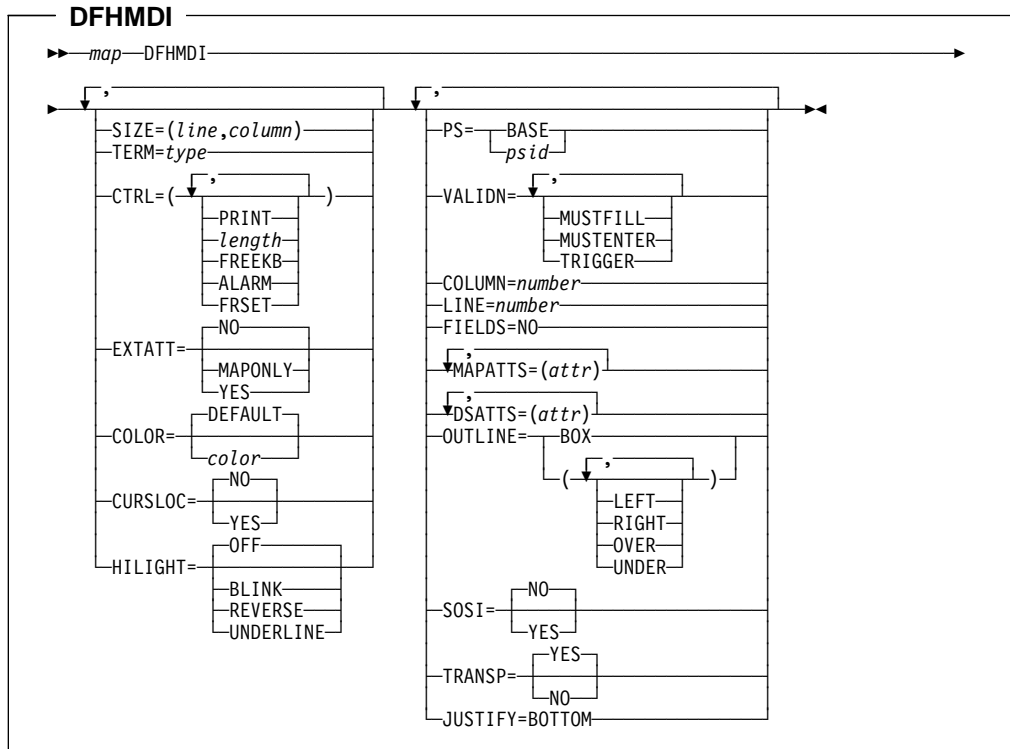


1  
1  
1

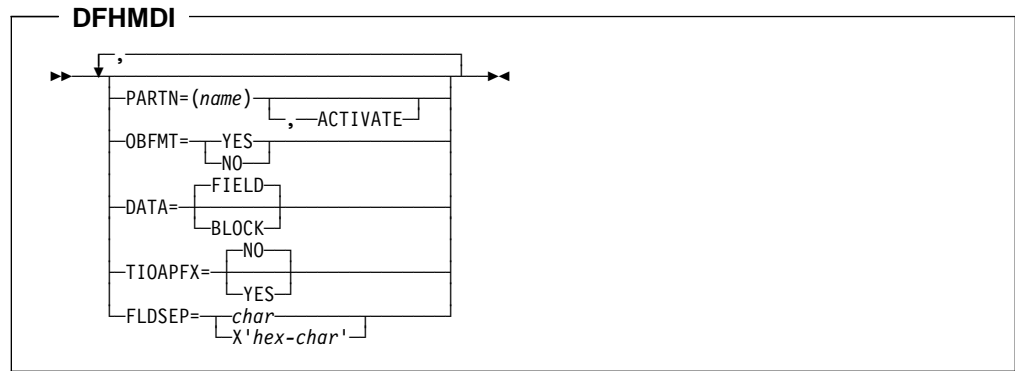




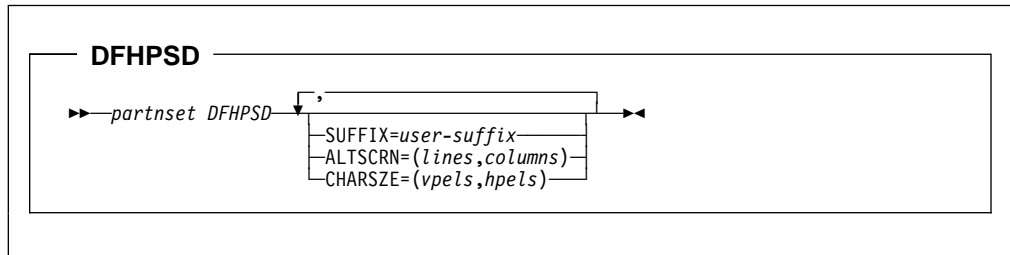
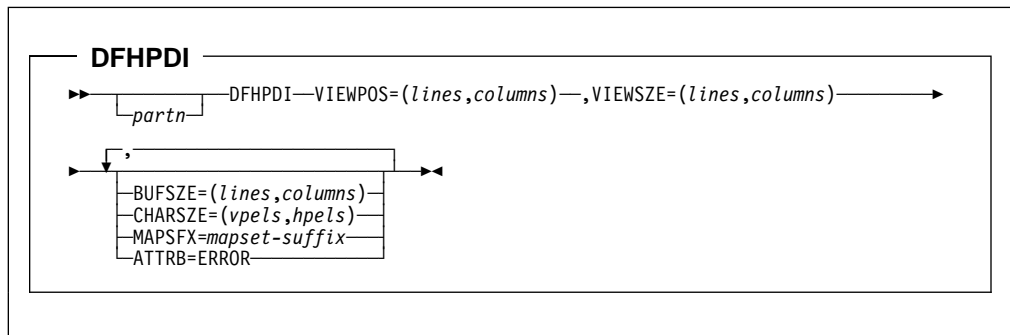
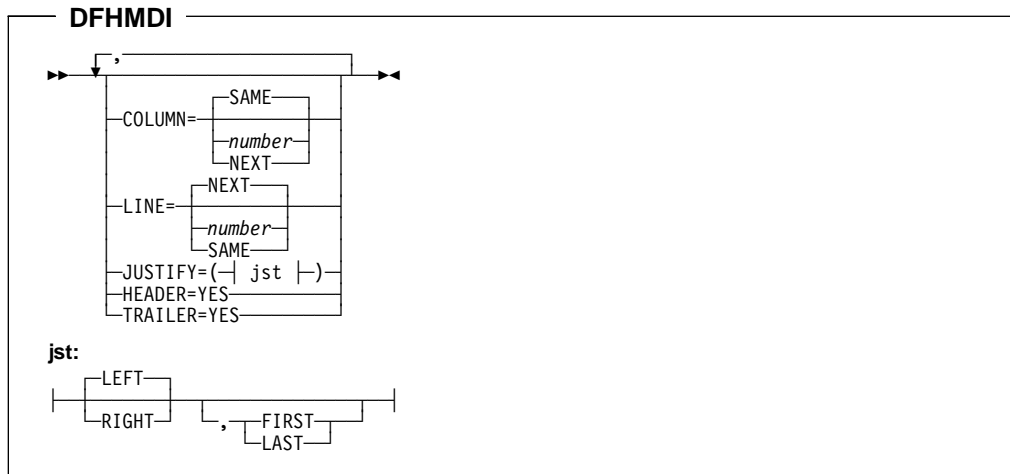
Minimum BMS:

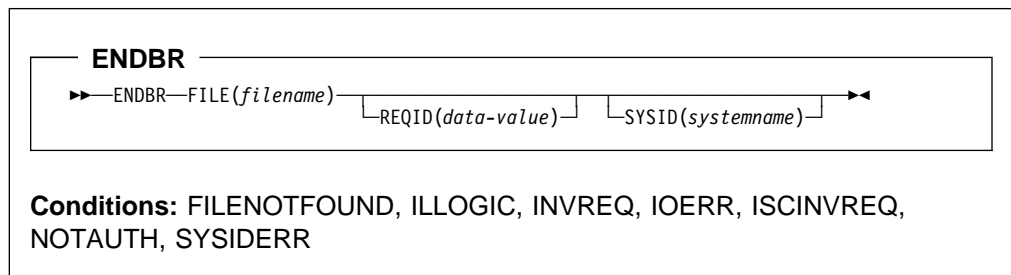
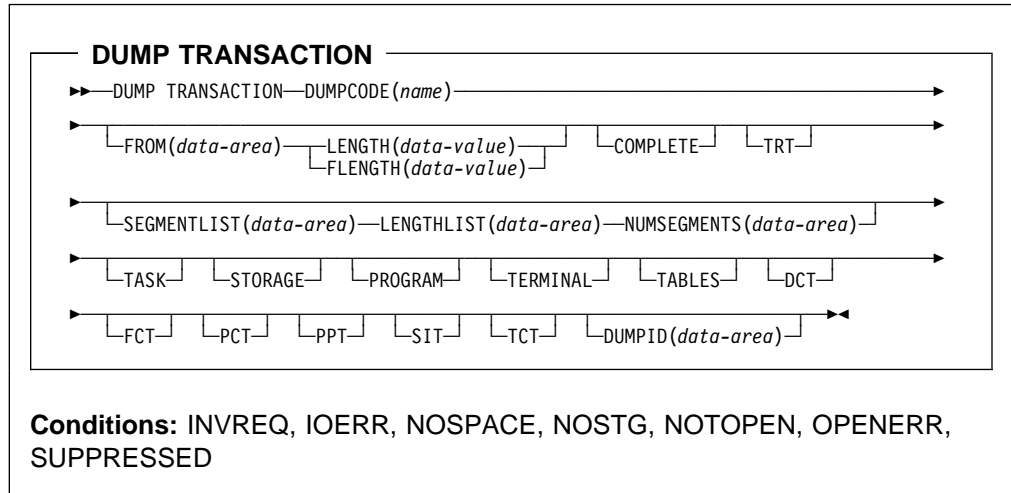


Standard BMS:

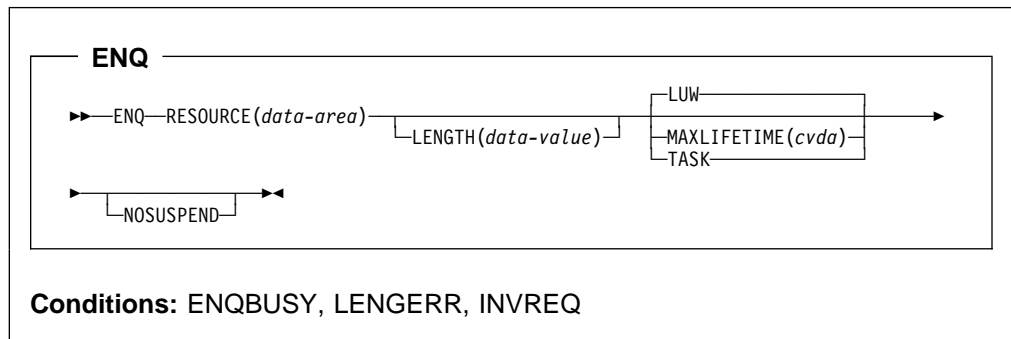


Full BMS:

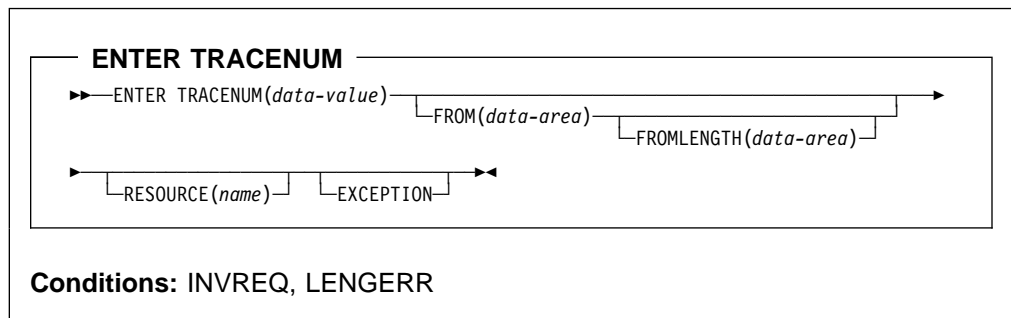




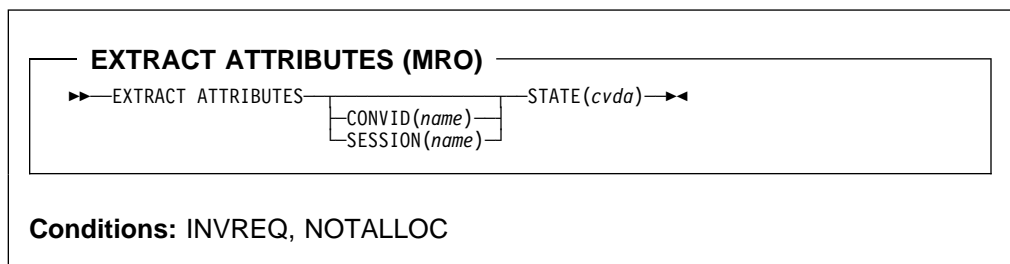
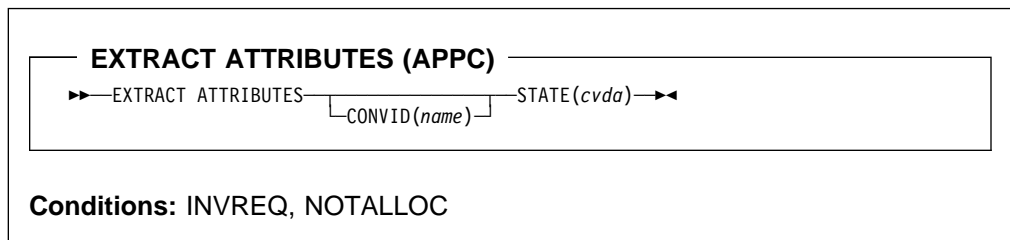
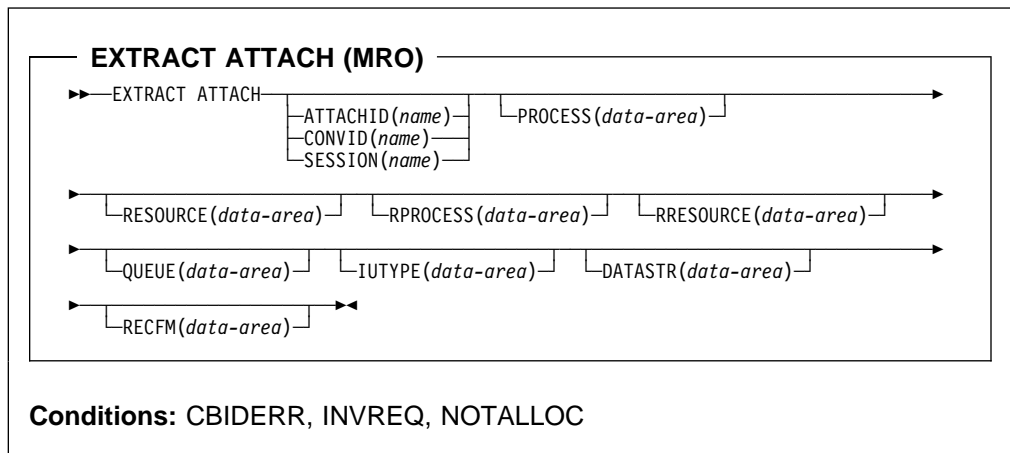
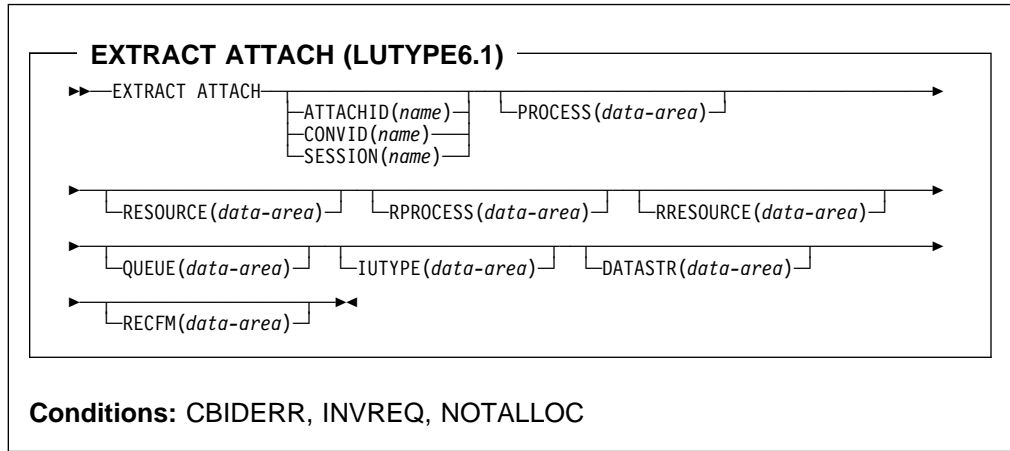
1



1

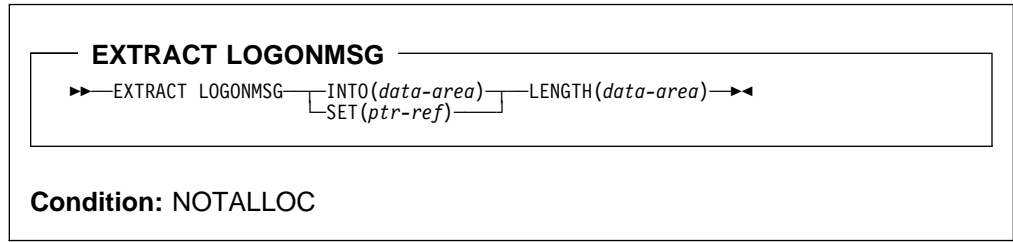


1

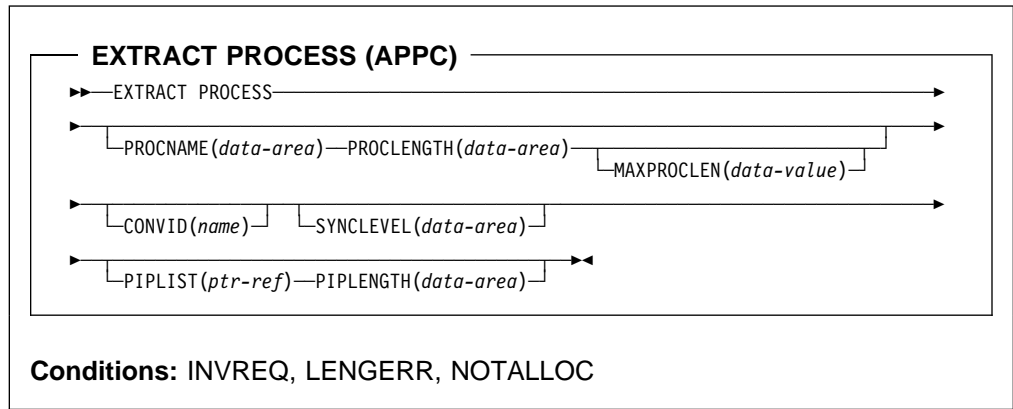




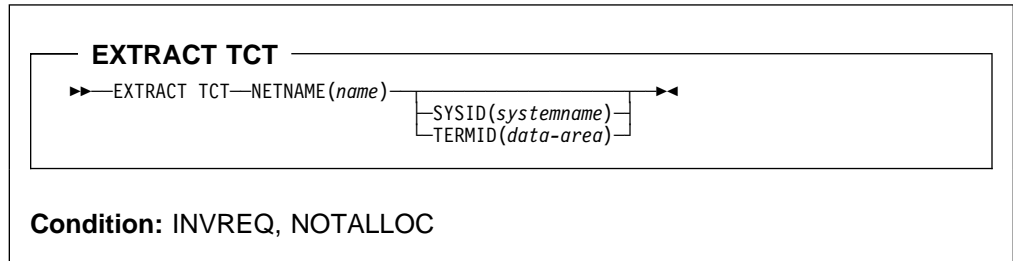
1



1

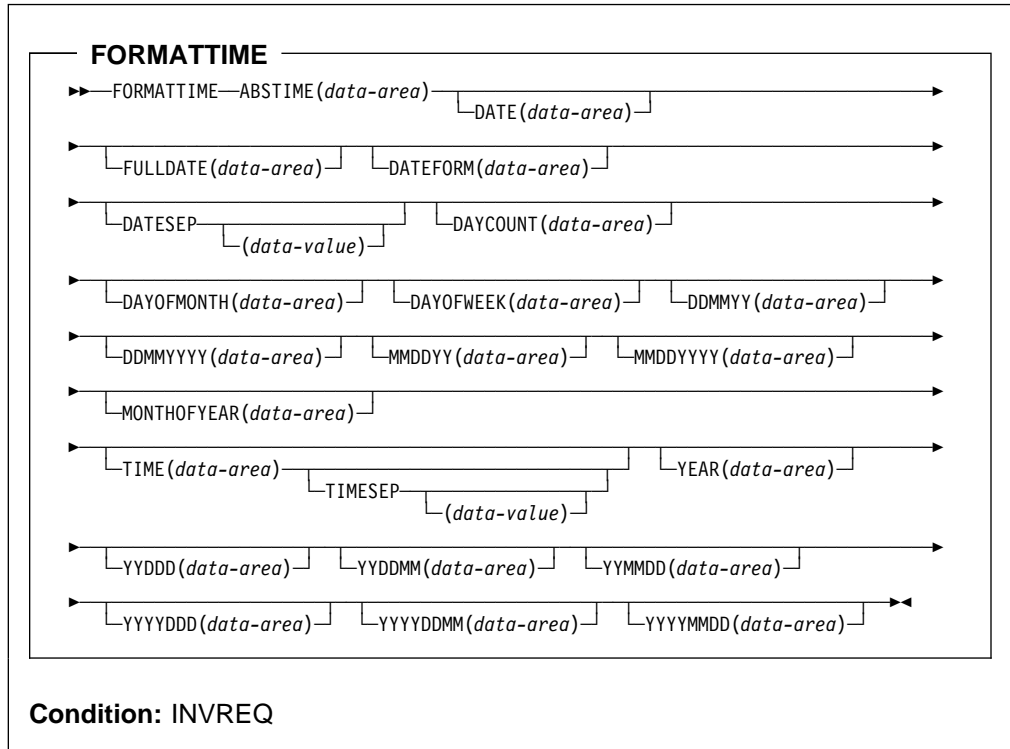


1

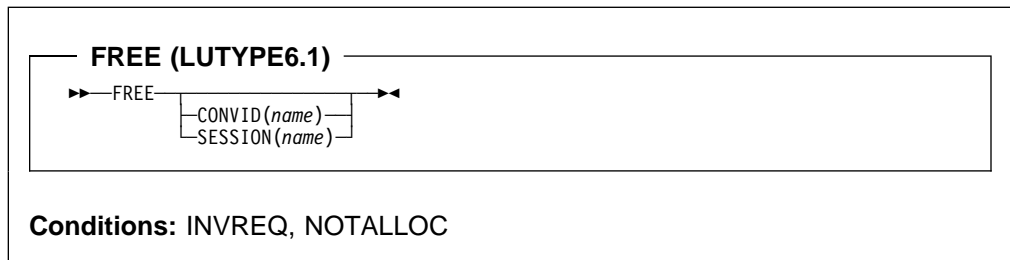
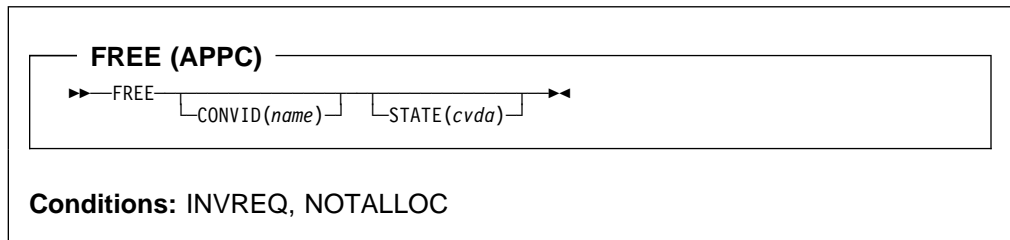


1

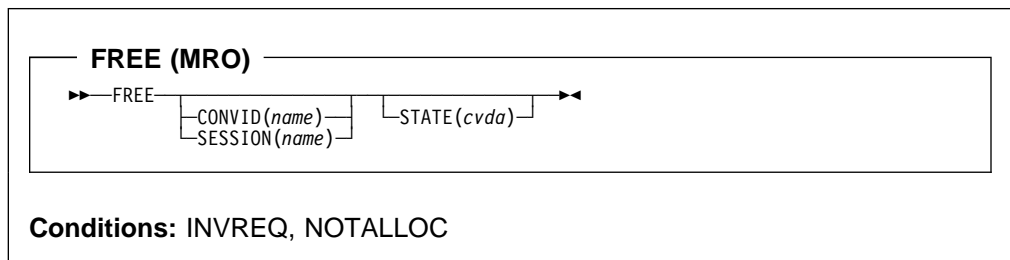
3

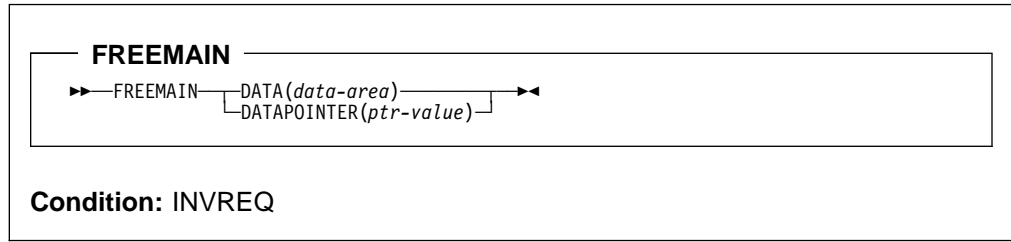


1

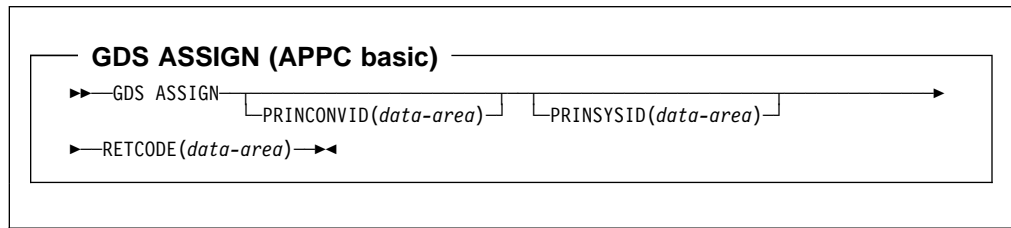
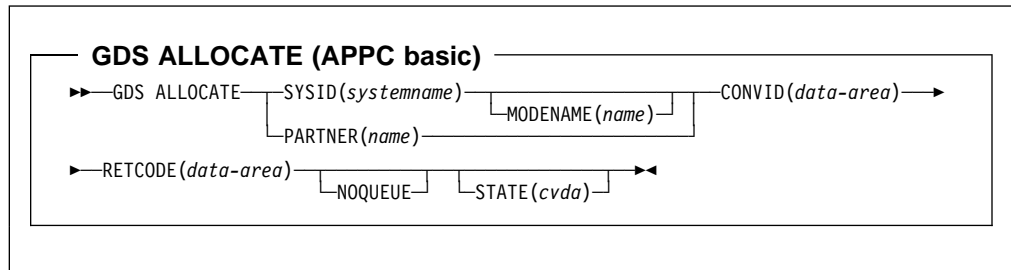


1

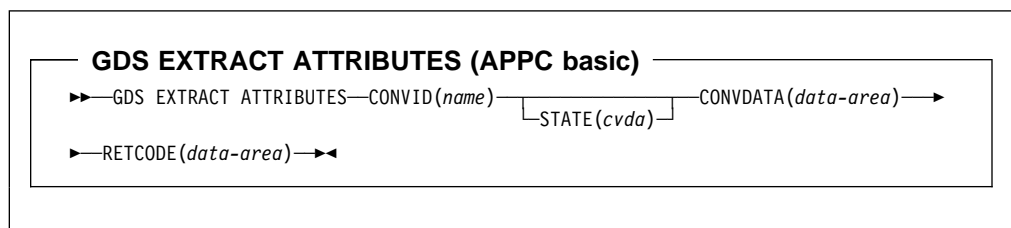
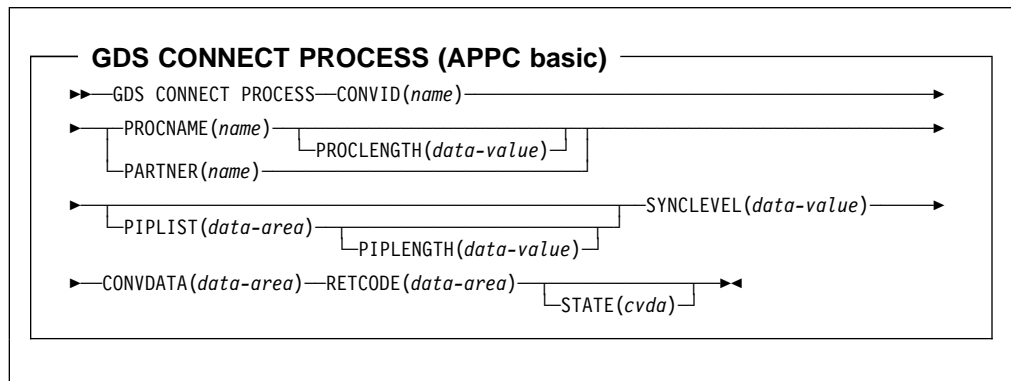




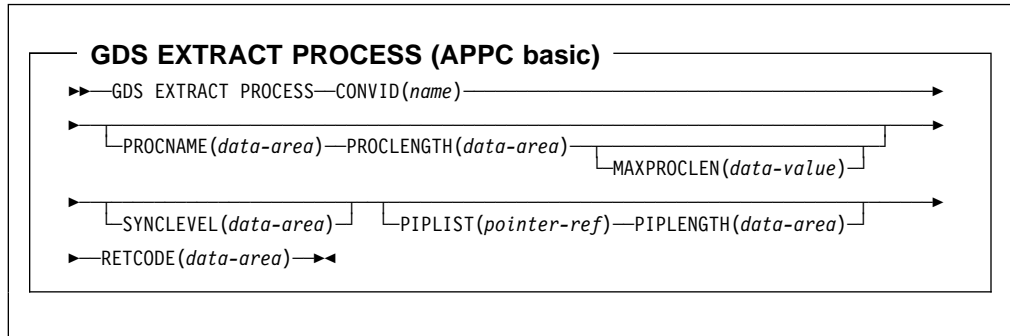
1  
1



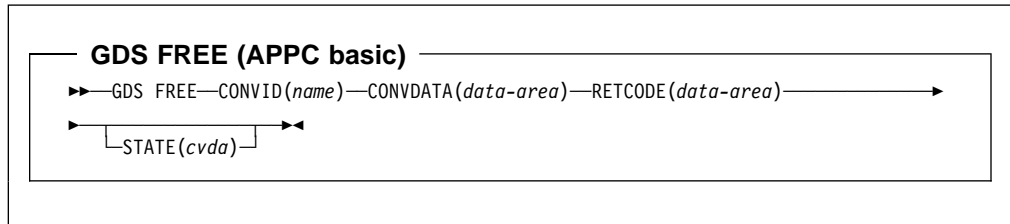
1  
1



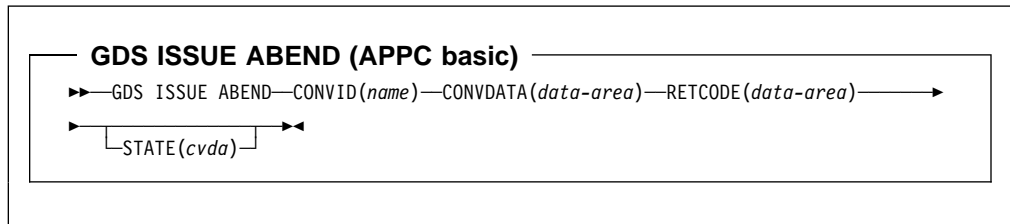
1



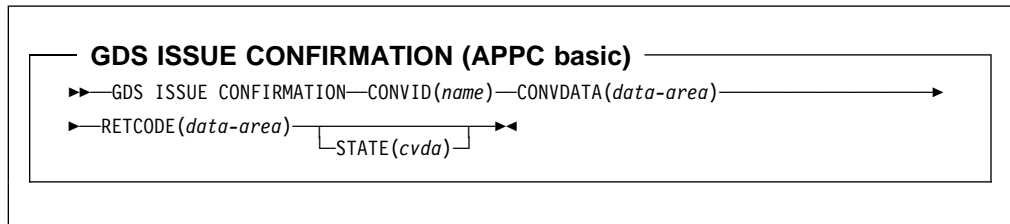
1



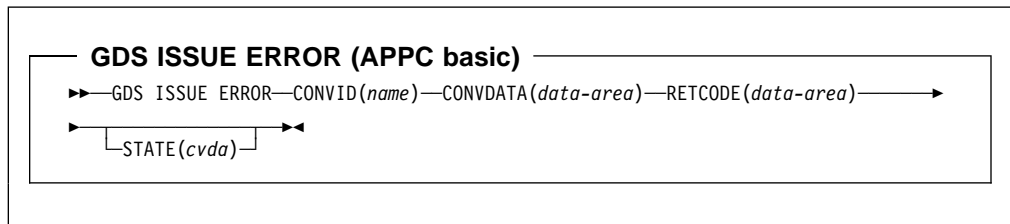
1



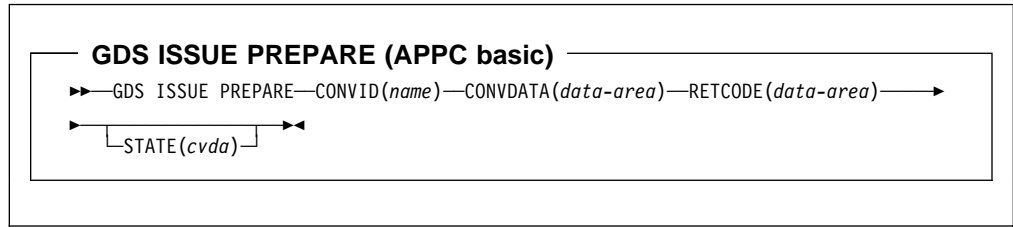
1



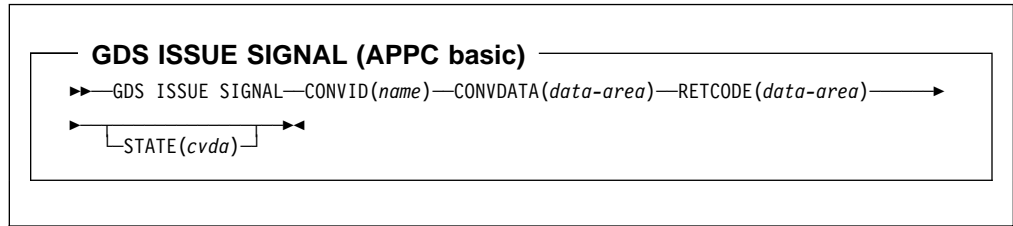
1



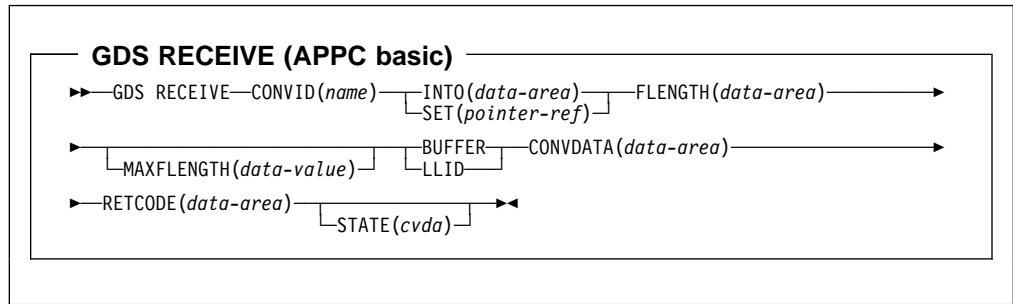
1



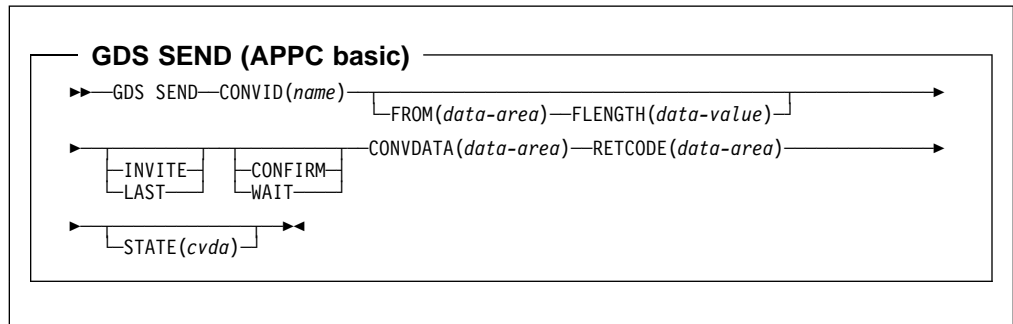
1



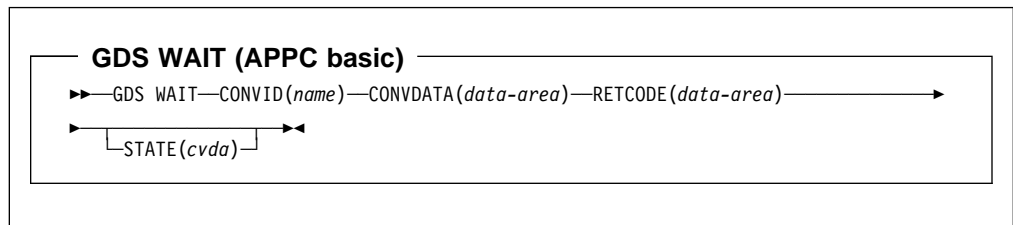
1



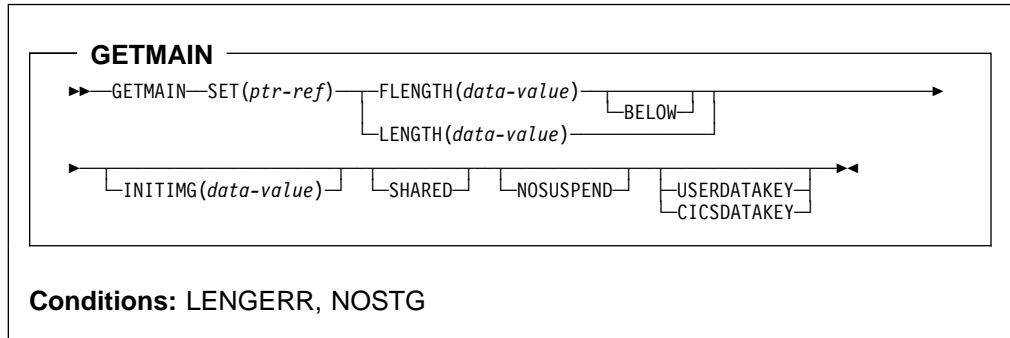
1



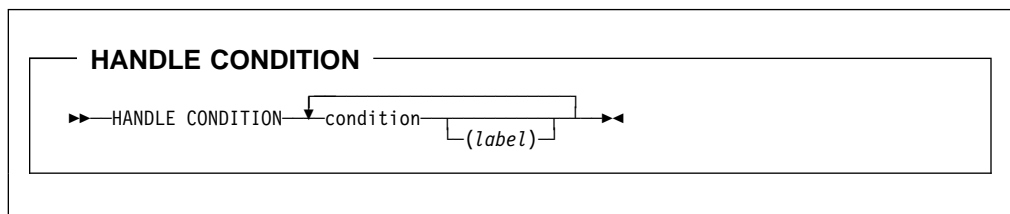
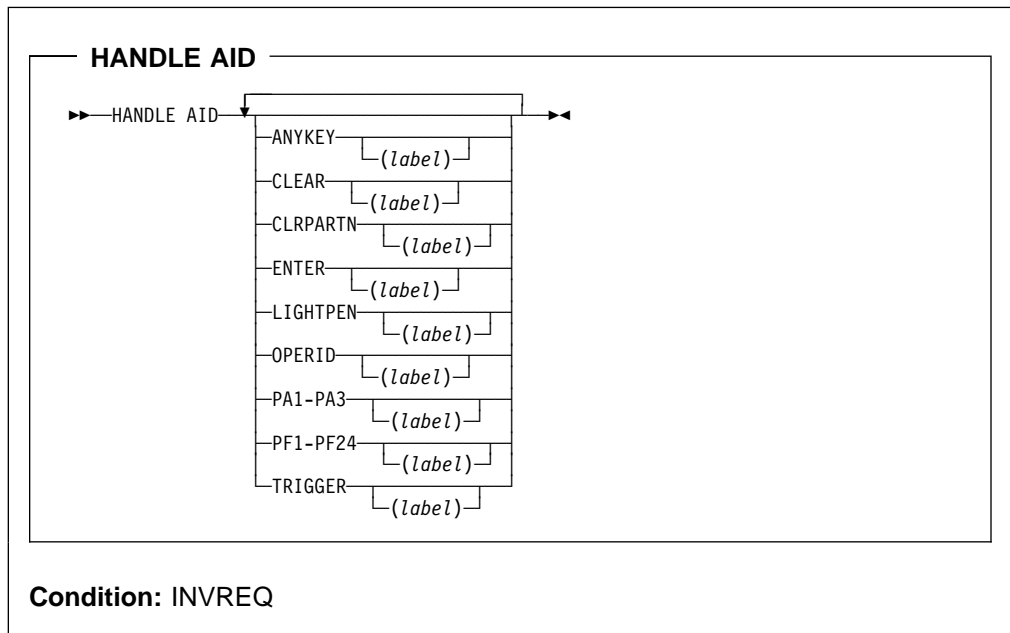
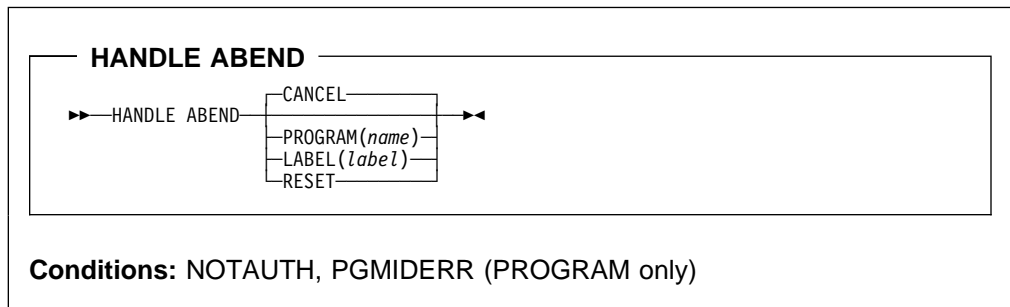
1



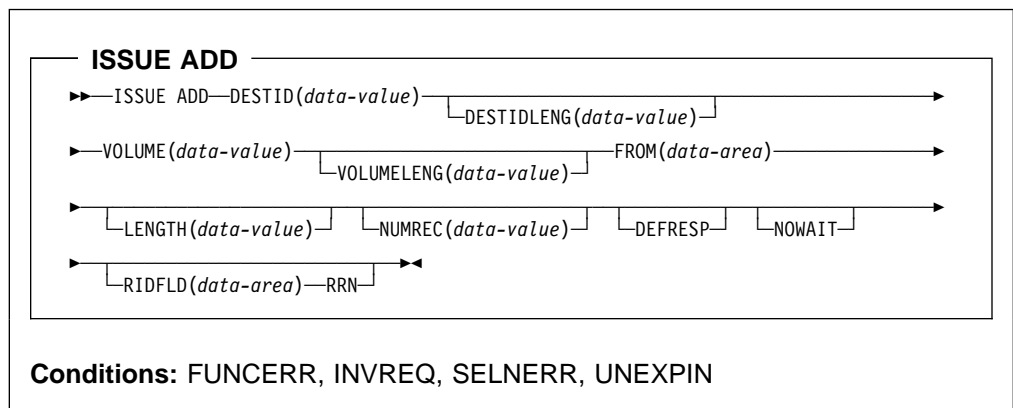
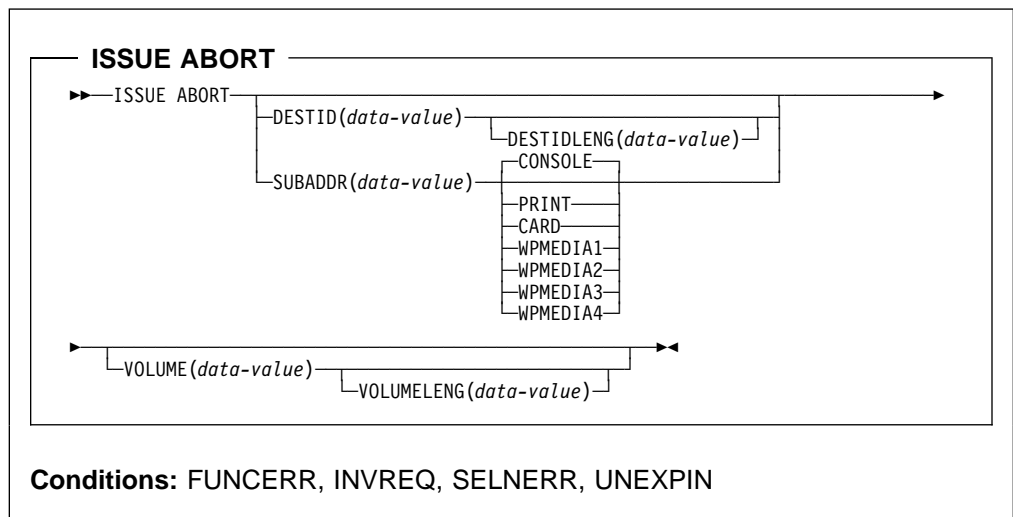
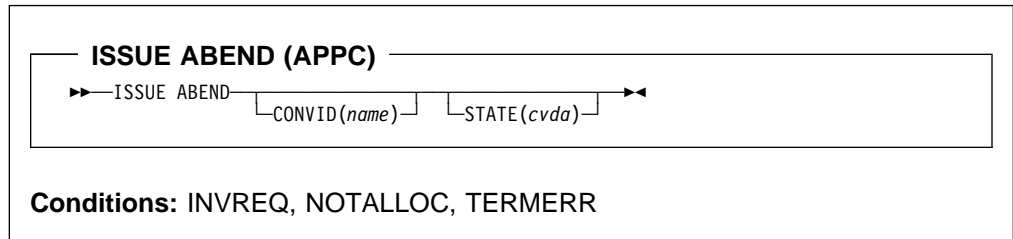
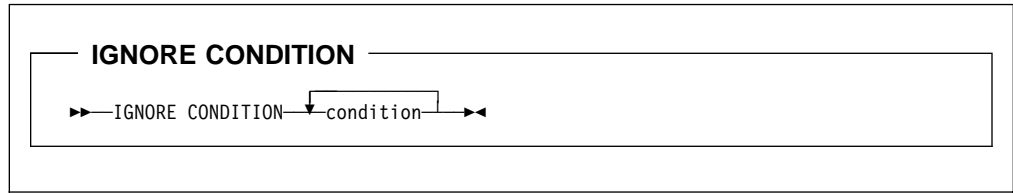
1  
1



1



1



1

**ISSUE CONFIRMATION (APPC)**

```

    >>—ISSUE CONFIRMATION—└──CONVID(name)──┘ └──STATE(cvda)──┘ <<<
    
```

**Conditions:** INVREQ, NOTALLOC, SIGNAL, TERMERR

1

**ISSUE COPY (3270 display)**

```

    >>—ISSUE COPY—TERMID(name)—└──CTLCHAR(data-value)──┘ └──WAIT──┘ <<<
    
```

**Condition:** NOTALLOC, TERMIDERR

1

**ISSUE COPY (3270 logical)**

```

    >>—ISSUE COPY—TERMID(name)—└──CTLCHAR(data-value)──┘ └──WAIT──┘ <<<
    
```

**Conditions:** LENGERR, NOTALLOC, TERMERR

**ISSUE DISCONNECT (default)**

```

    >>—ISSUE DISCONNECT—<<<
    
```

**Conditions:** SIGNAL, TERMERR

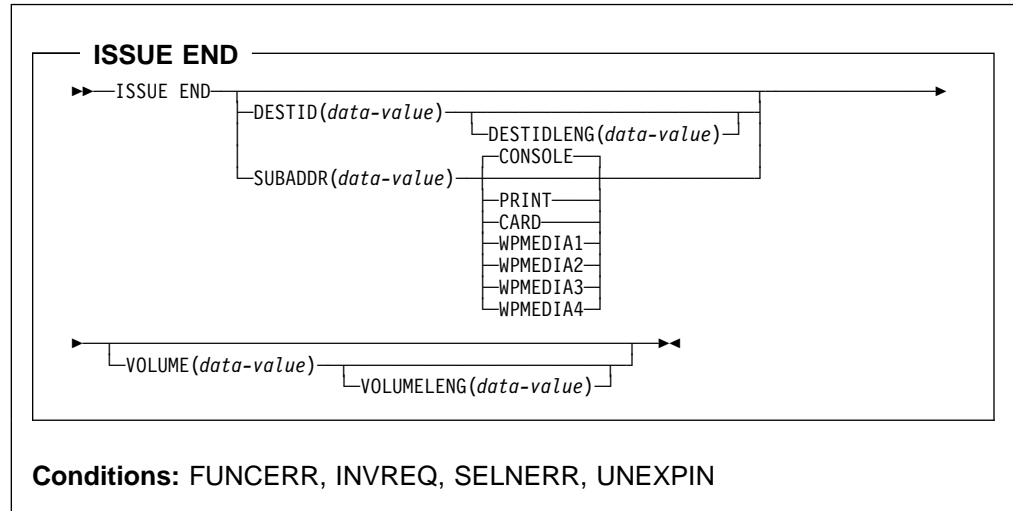
**ISSUE DISCONNECT (LUTYPE6.1)**

```

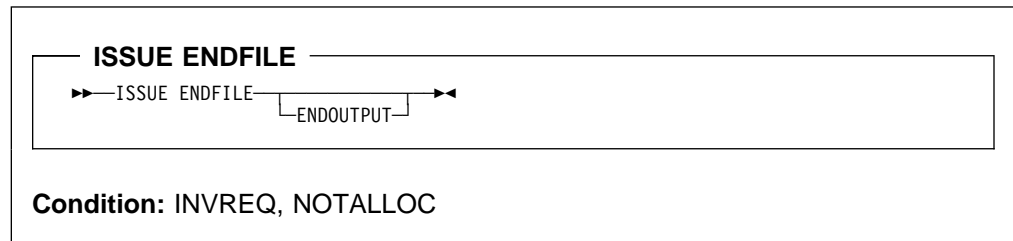
    >>—ISSUE DISCONNECT—└──SESSION(name)──┘ <<<
    
```

**Conditions:** NOTALLOC, TERMERR

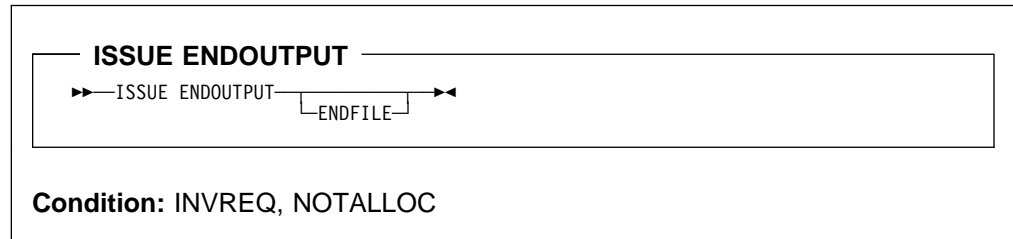




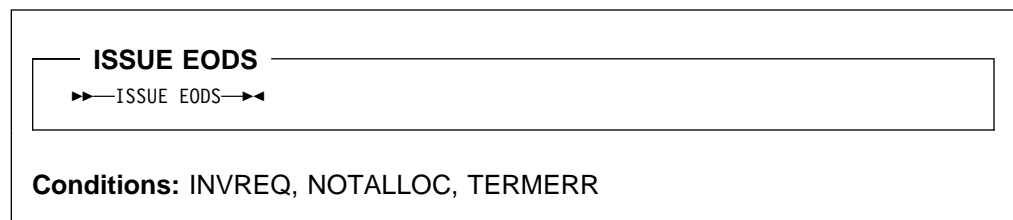
1

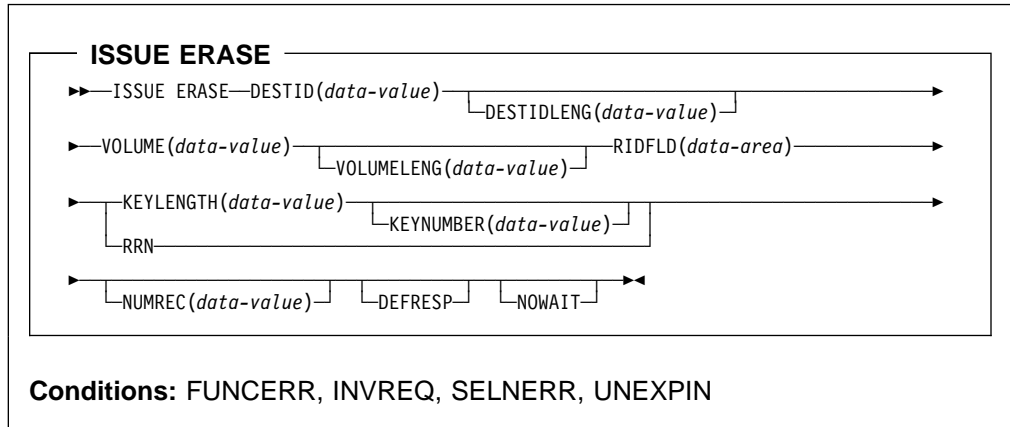


1

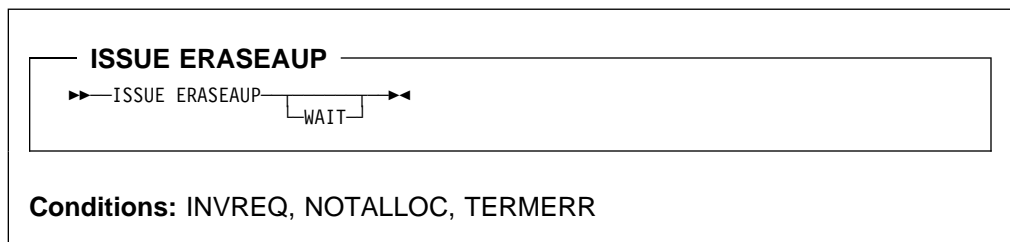


1

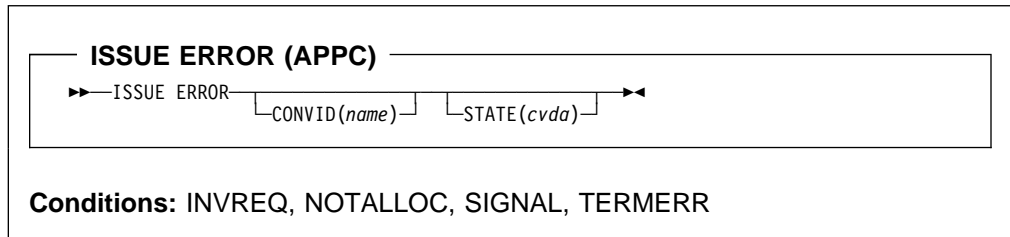




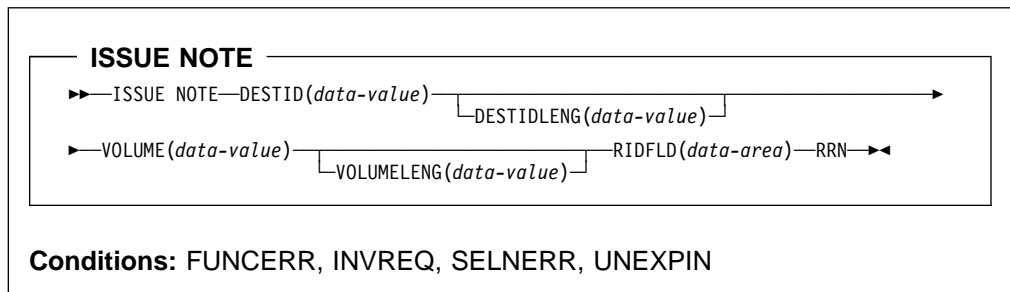
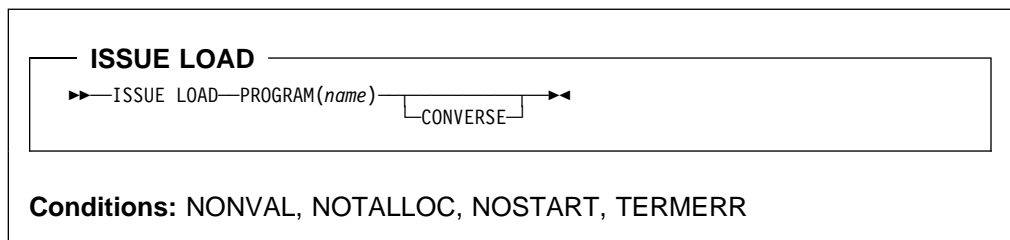
1



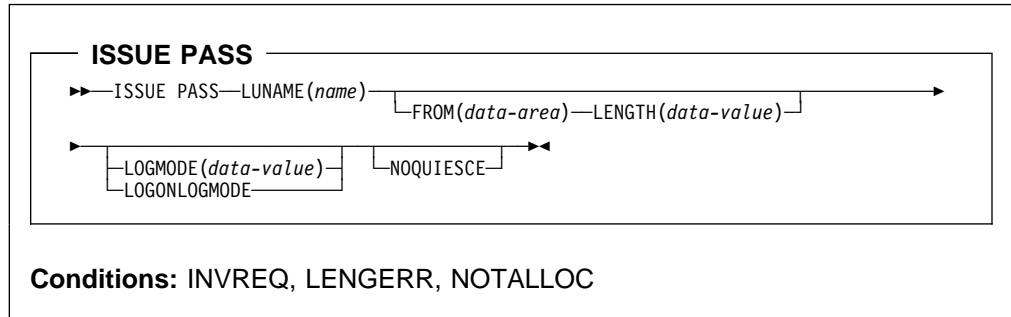
1



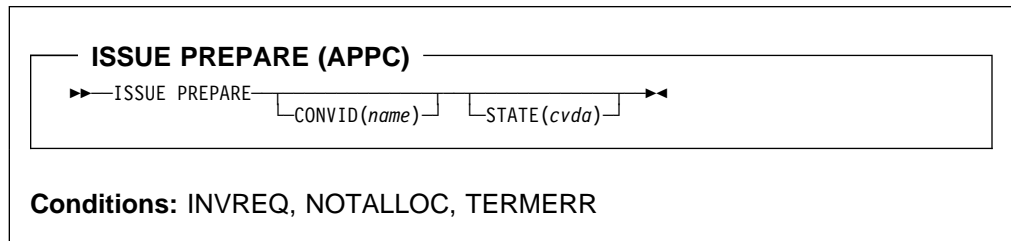
1



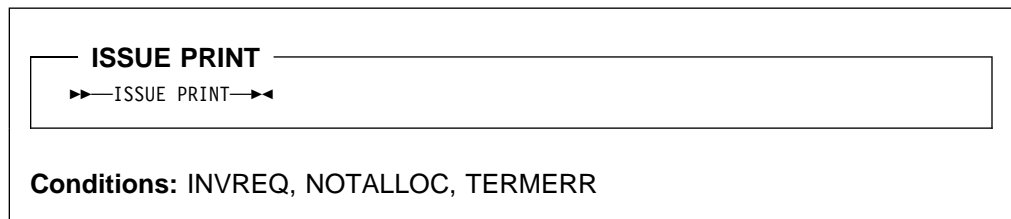
1  
1



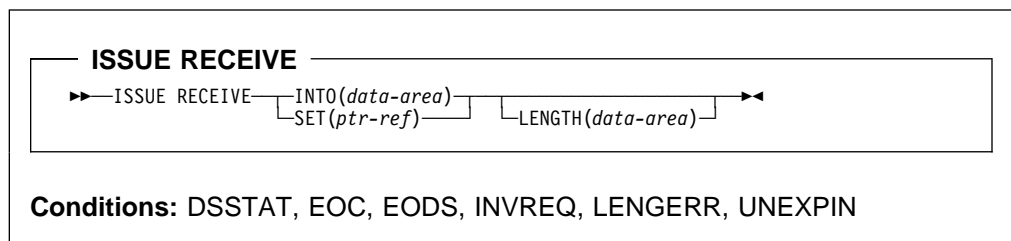
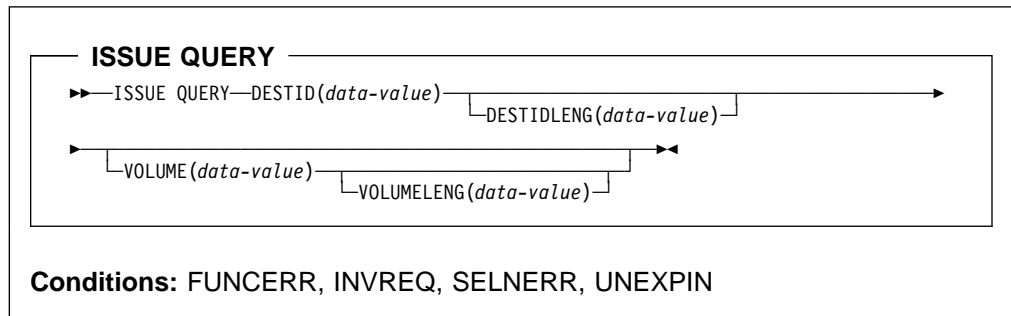
1

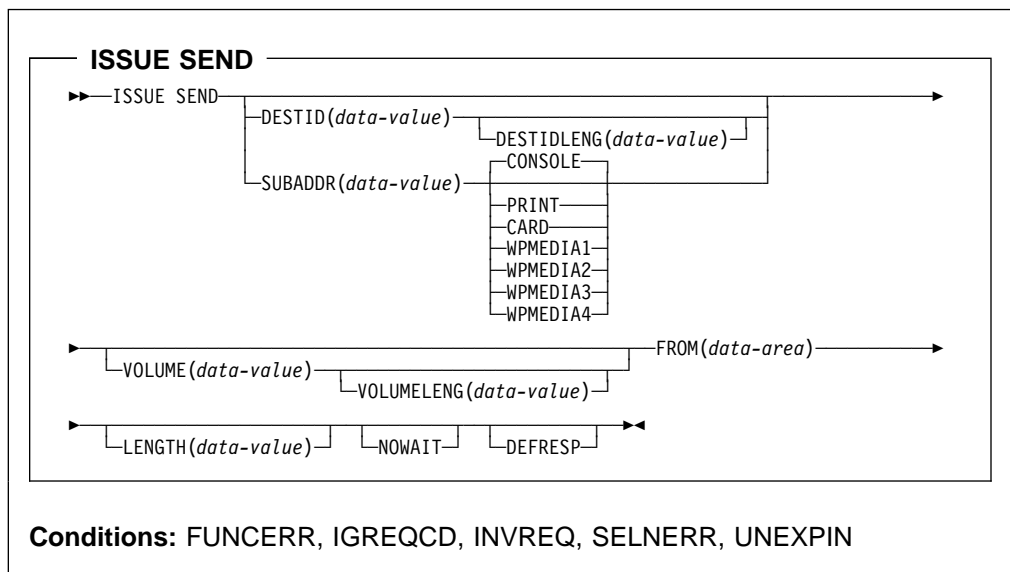
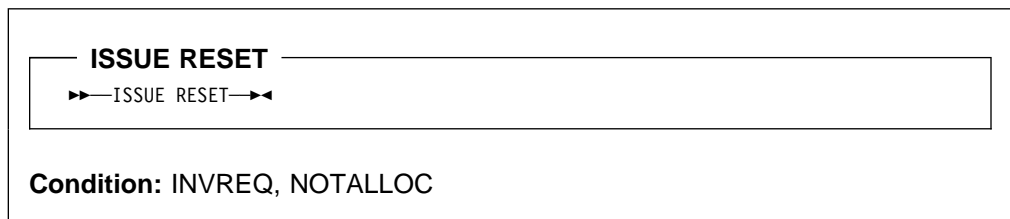
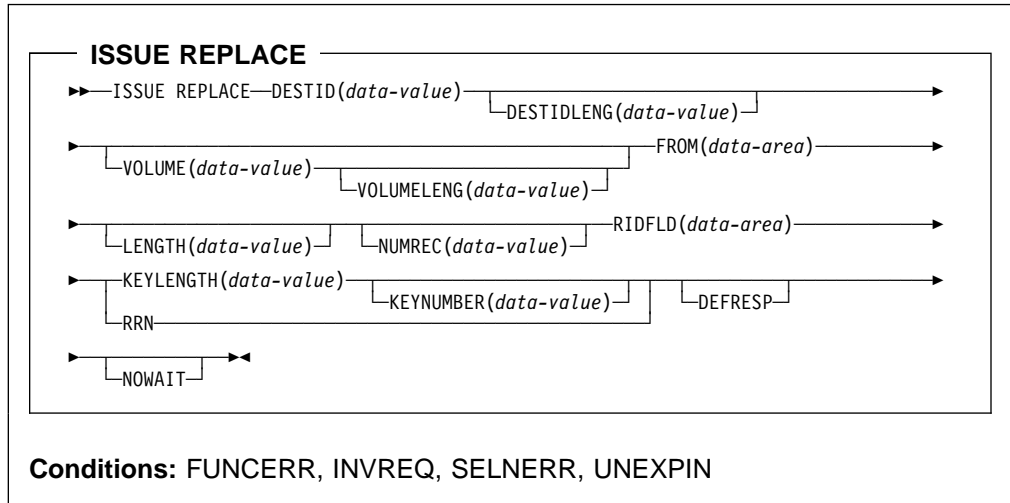


1

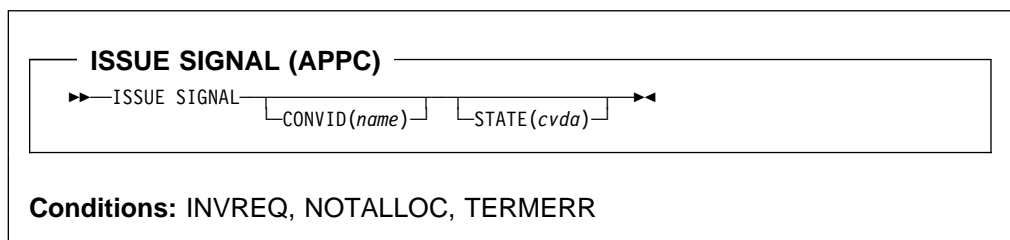


1

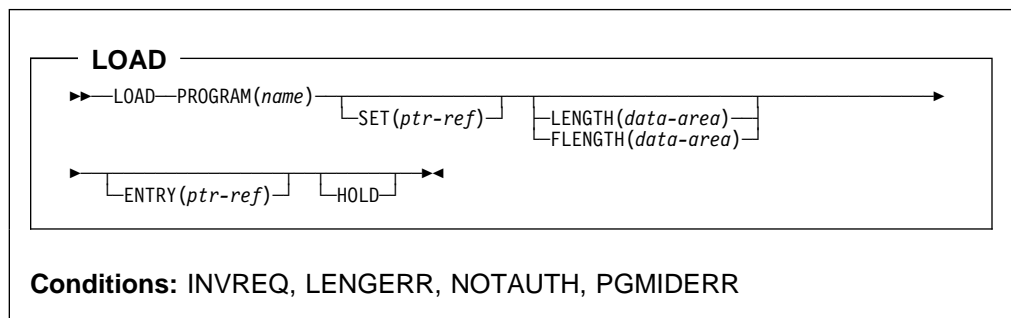
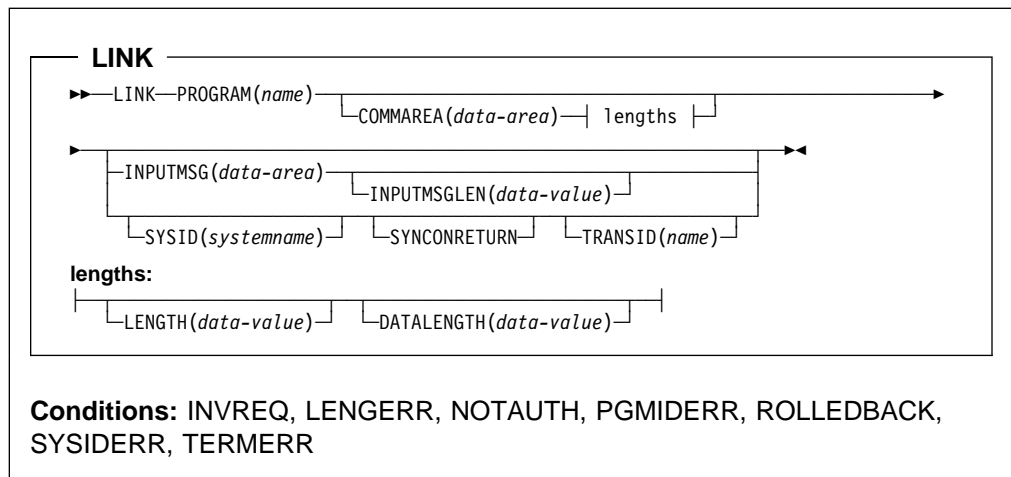
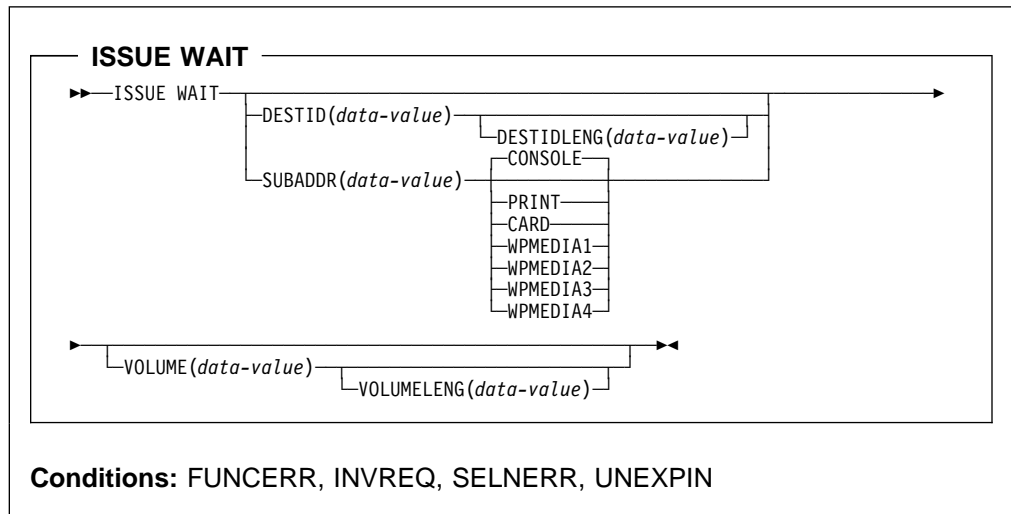
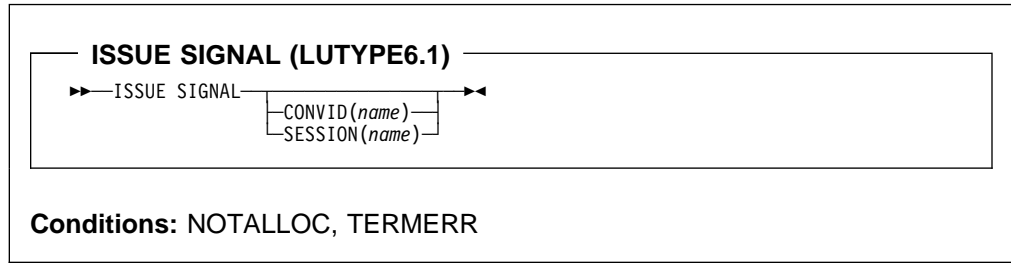


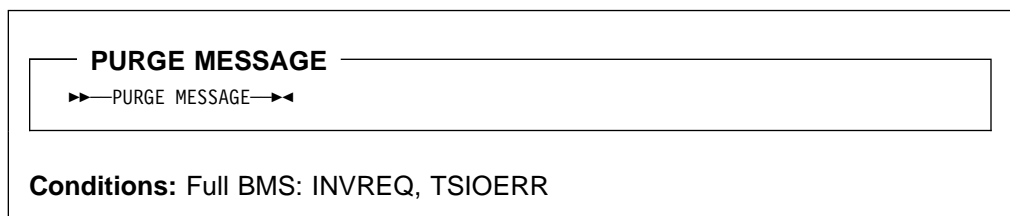
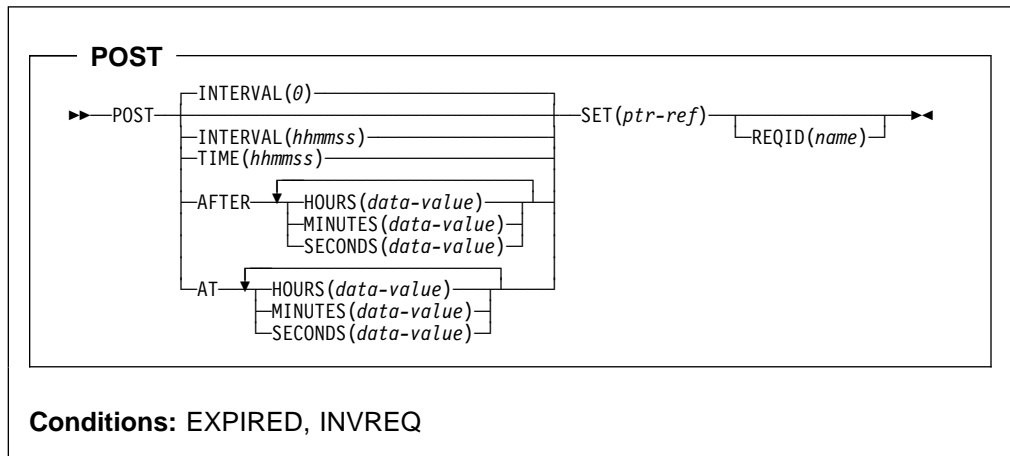
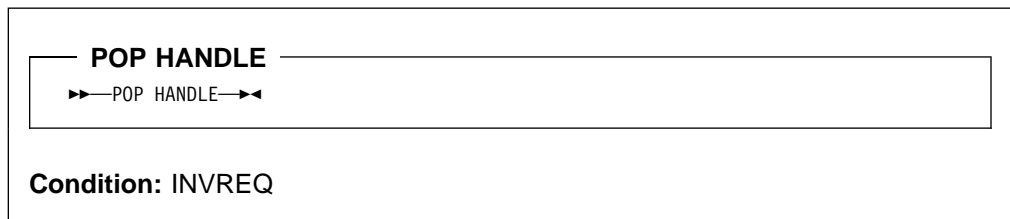
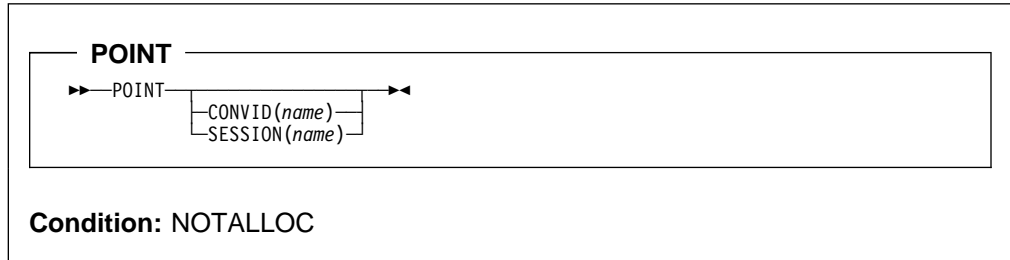
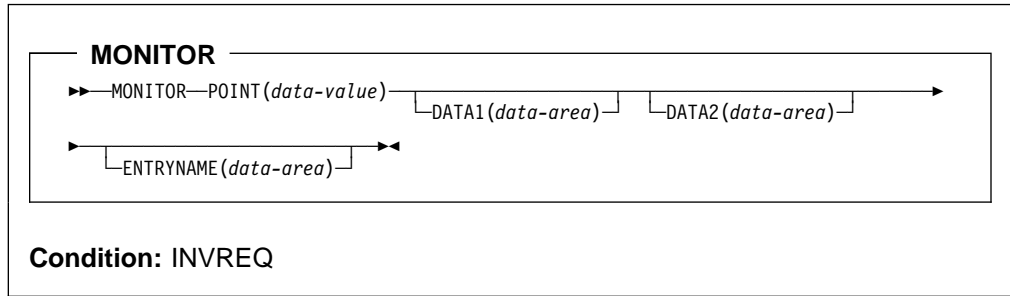


1



1

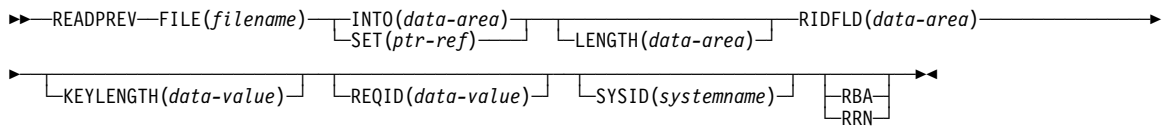






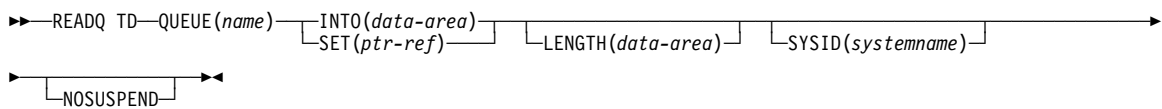
## API syntax

### READPREV



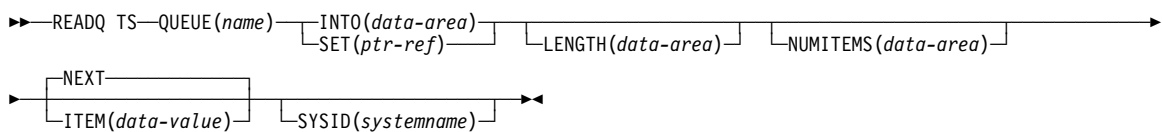
**Conditions:** DUPKEY, ENDFILE, FILENOTFOUND, ILLOGIC, INVREQ, IOERR, ISCINVREQ, LENGERR, NOTAUTH, NOTFND, SYSIDERR

### READQ TD



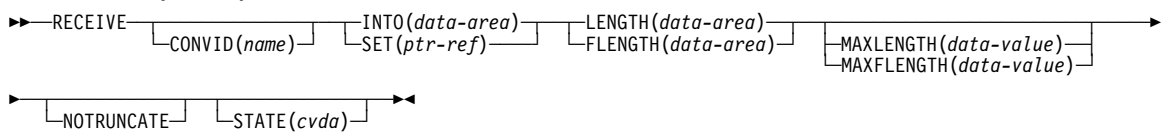
**Conditions:** DISABLED, INVREQ, IOERR, ISCINVREQ, LENGERR, NOTAUTH, NOTOPEN, QBUSY, QIDERR, QZERO, SYSIDERR

### READQ TS



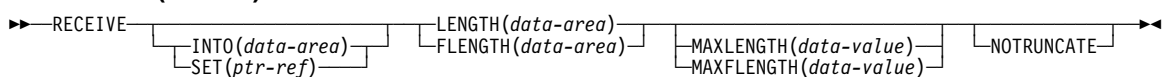
**Conditions:** INVREQ, IOERR, ISCINVREQ, ITEMERR, LENGERR, NOTAUTH, QIDERR, SYSIDERR

### RECEIVE (APPC)



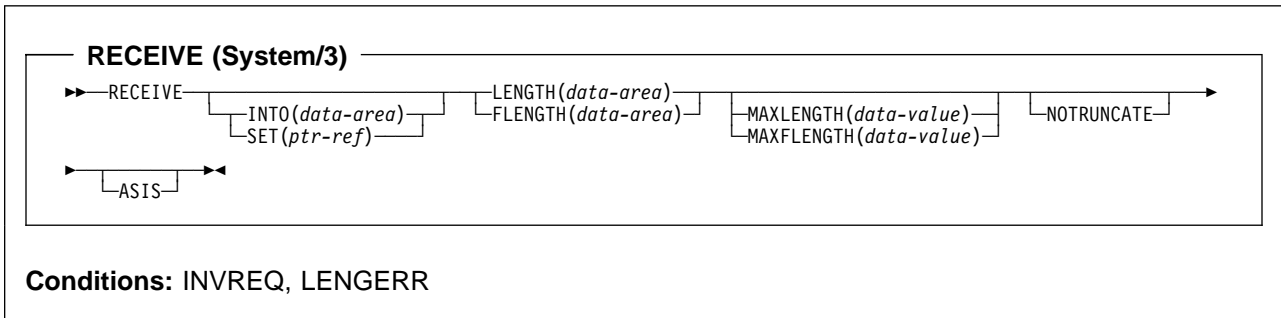
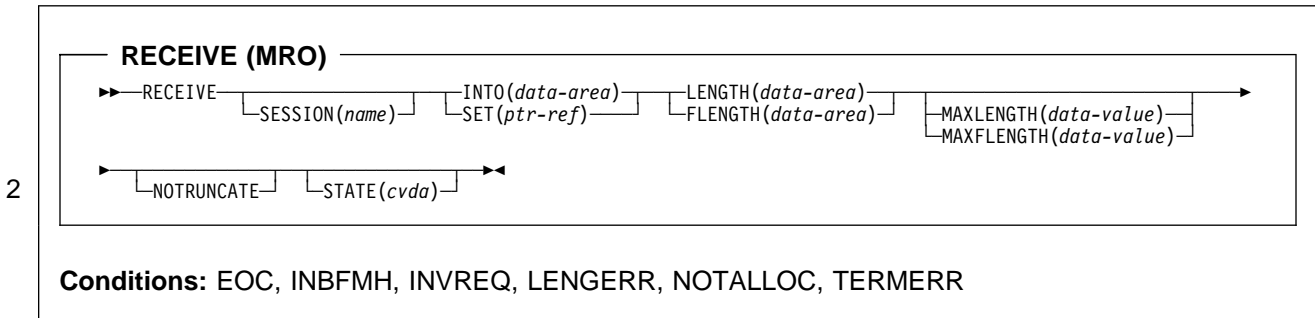
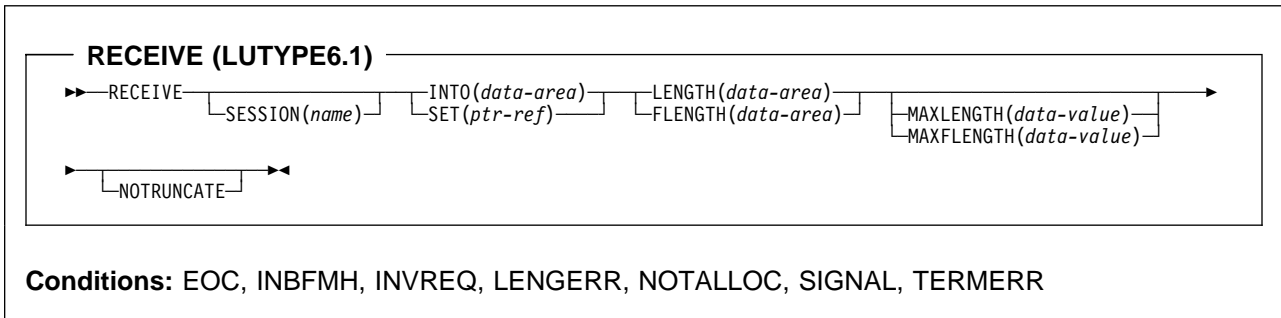
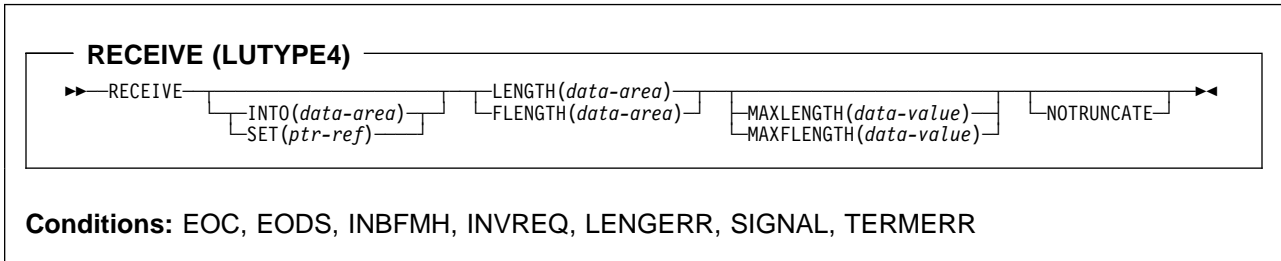
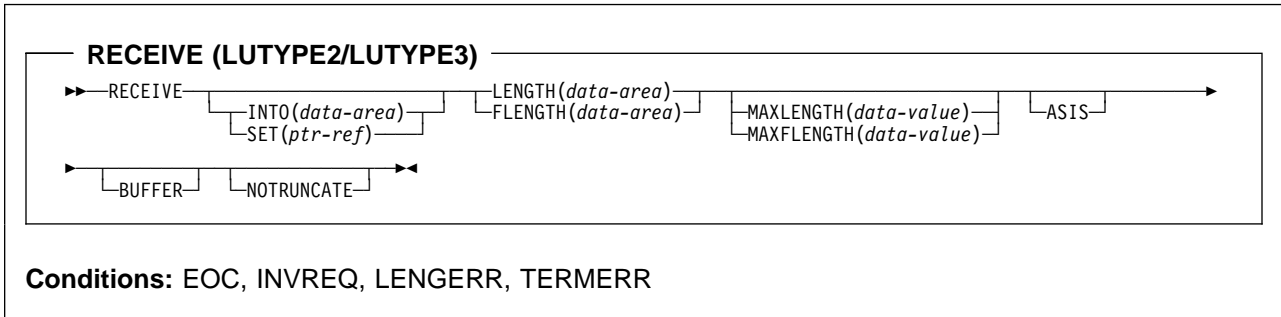
**Conditions:** EOC, INVREQ, LENGERR, NOTALLOC, SIGNAL, TERMERR

### RECEIVE (default)

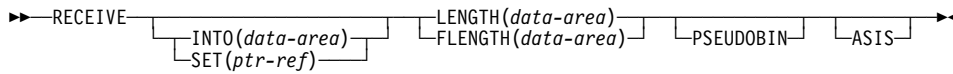


**Conditions:** INVREQ, LENGERR, NOTALLOC



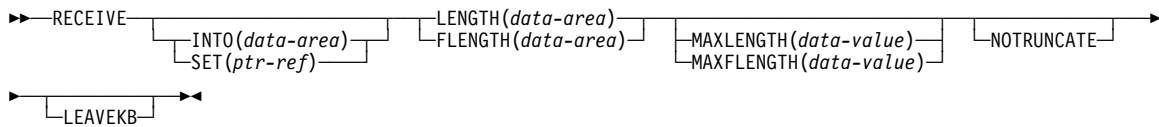


**RECEIVE (System/7)**



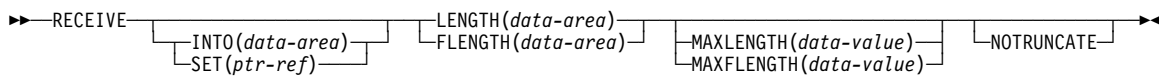
Conditions: INVREQ, LENGERR

**RECEIVE (2260)**



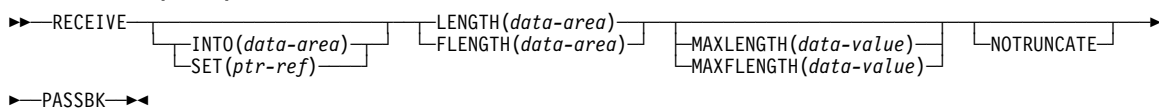
Conditions: INVREQ, LENGERR

**RECEIVE (2741)**



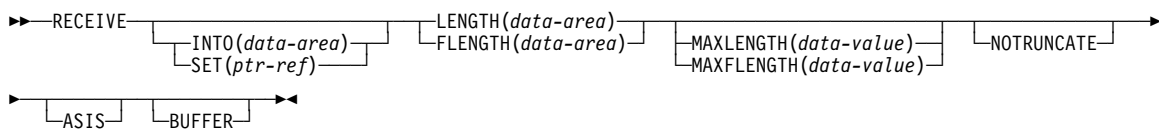
Conditions: INVREQ, LENGERR, RDATT

**RECEIVE (2980)**

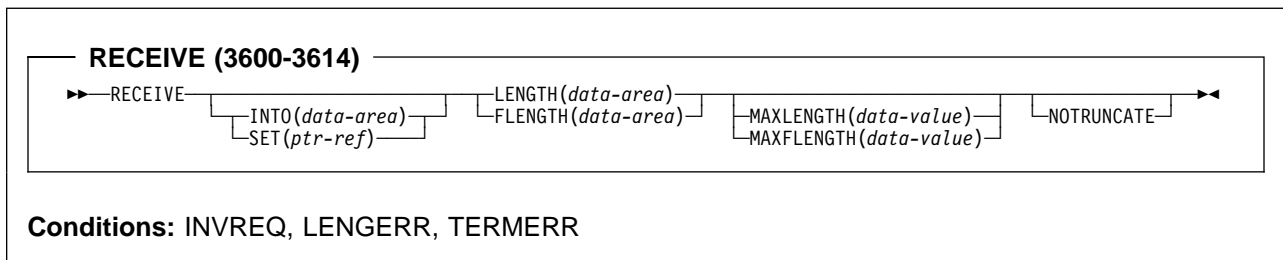
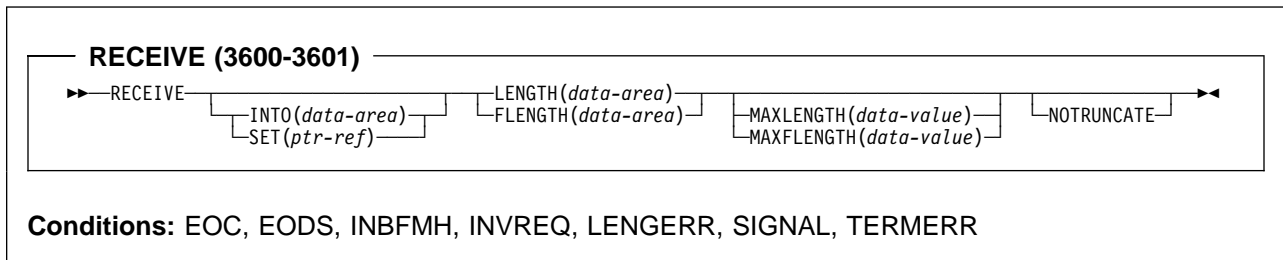
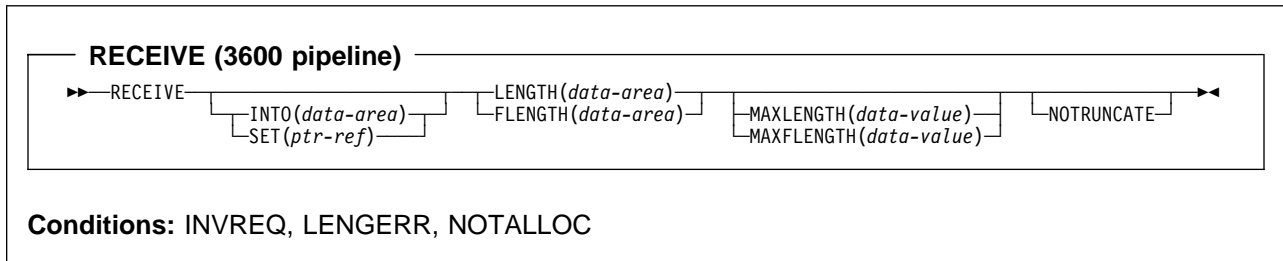
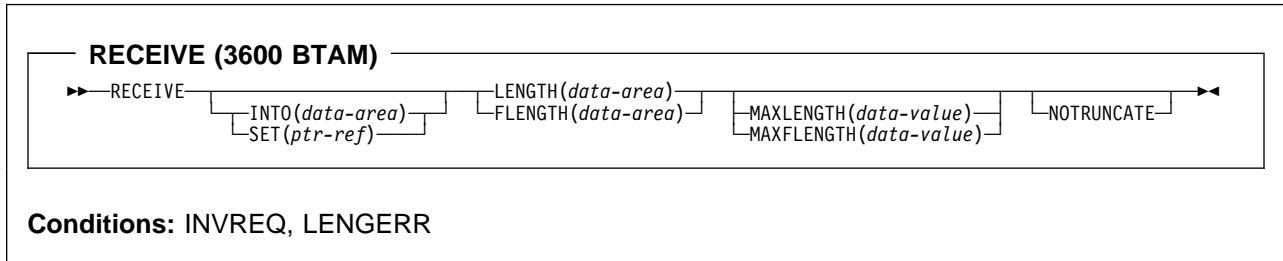
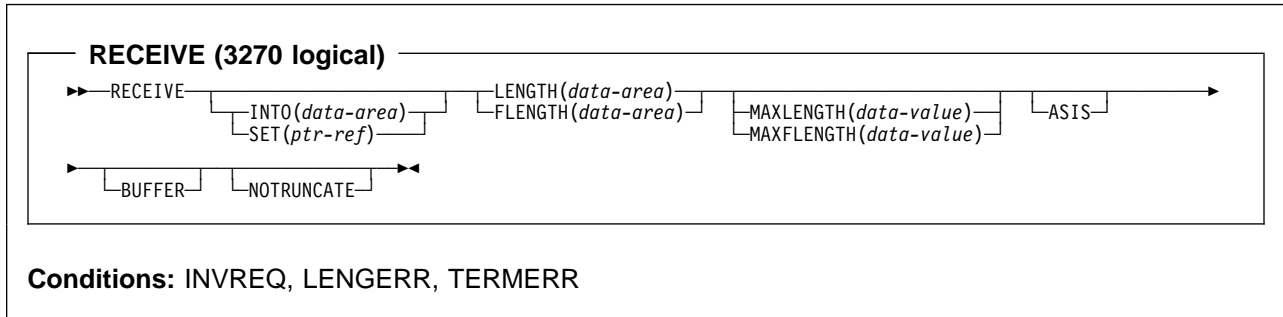


Conditions: INVREQ, LENGERR, NOPASSBKRD

**RECEIVE (3270 display)**

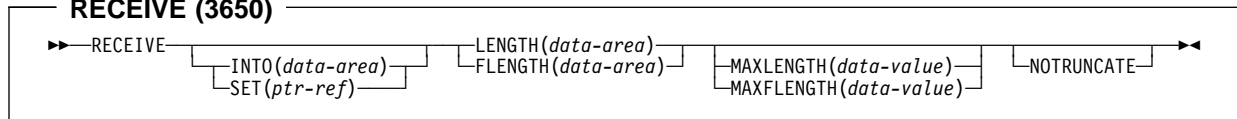


Conditions: INVREQ, LENGERR



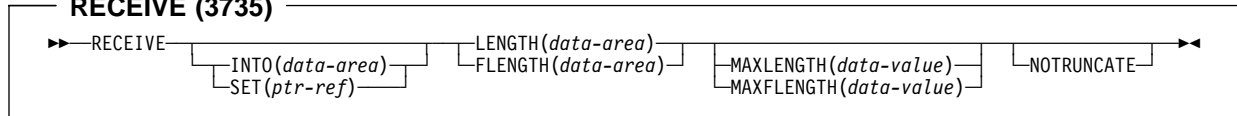
## API syntax

### RECEIVE (3650)



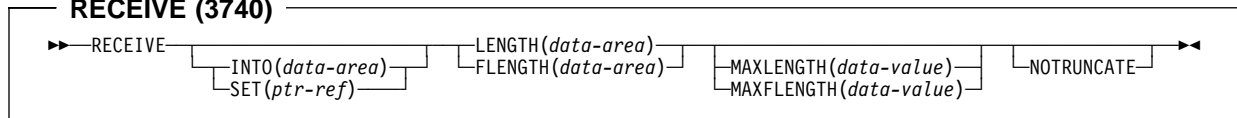
**Conditions:** EOC, EODS, INBFMH, INVREQ, LENGERR, TERMERR

### RECEIVE (3735)



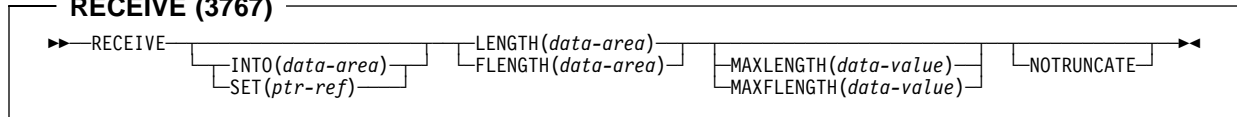
**Conditions:** EOF, INVREQ, LENGERR

### RECEIVE (3740)



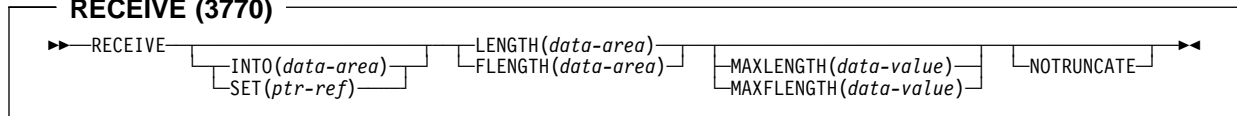
**Conditions:** EOF, ENDINPT, INVREQ, LENGERR

### RECEIVE (3767)



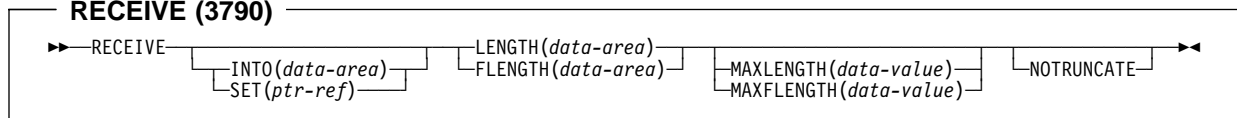
**Conditions:** EOC, INVREQ, LENGERR, SIGNAL, TERMERR

### RECEIVE (3770)

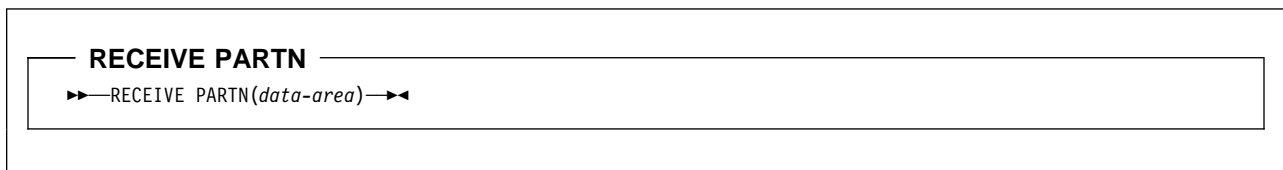
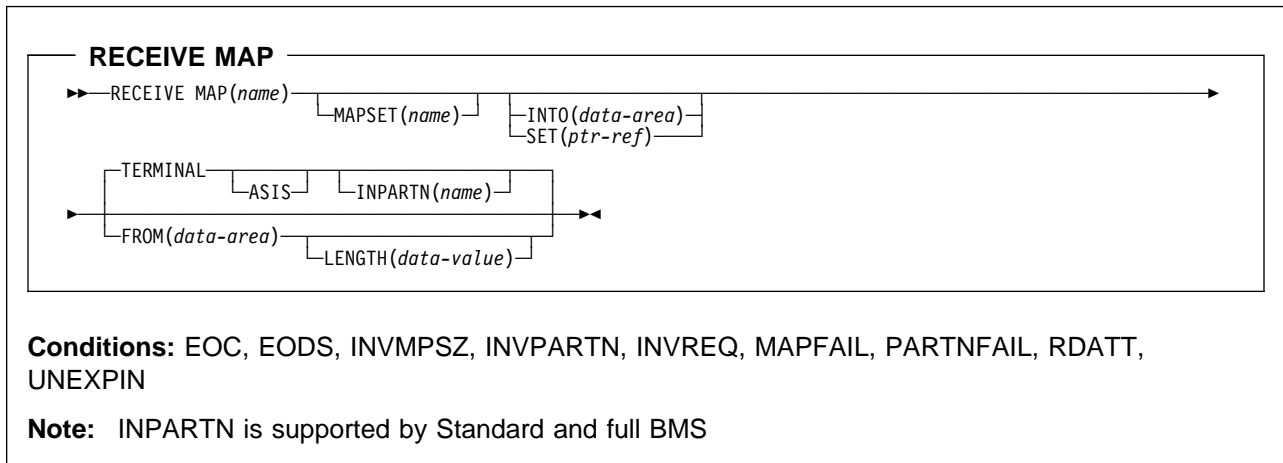
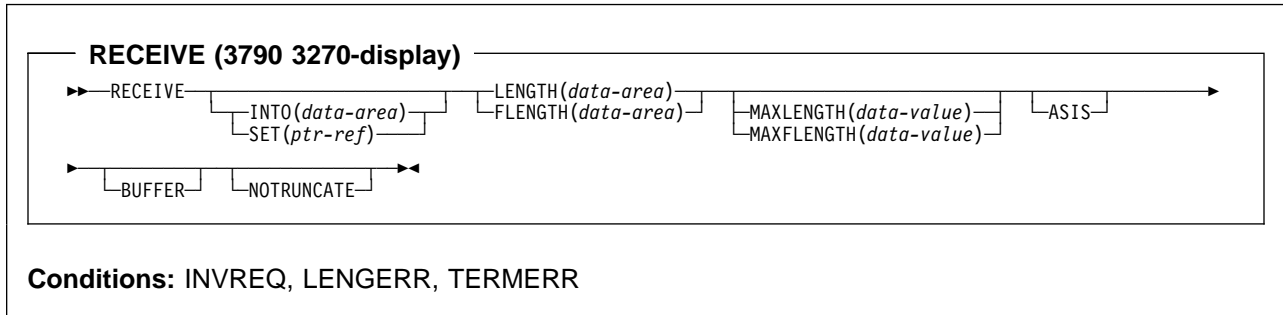


**Conditions:** EOC, EODS, INBFMH, INVREQ, LENGERR, SIGNAL, TERMERR

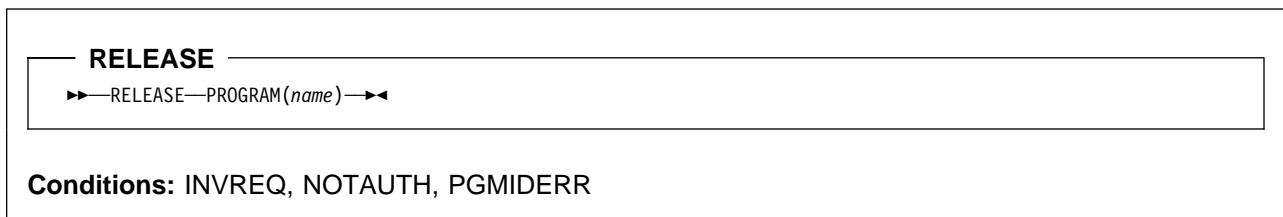
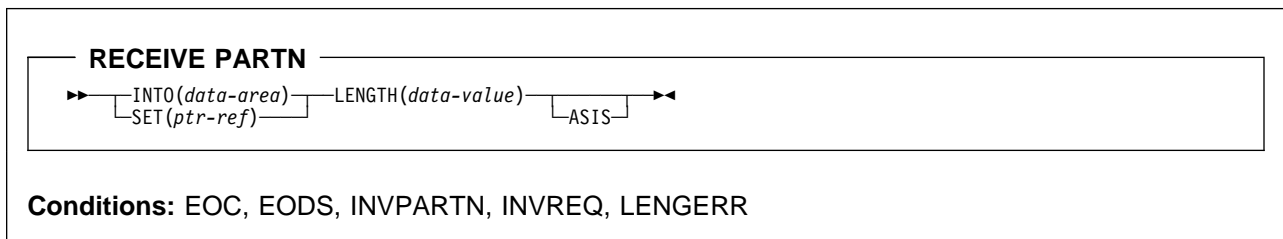
### RECEIVE (3790)



**Conditions:** EOC, EODS, INBFMH, INVREQ, LENGERR, SIGNAL, TERMERR

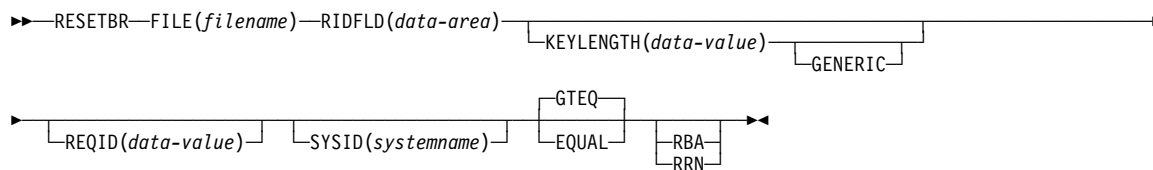


Standard and full BMS:



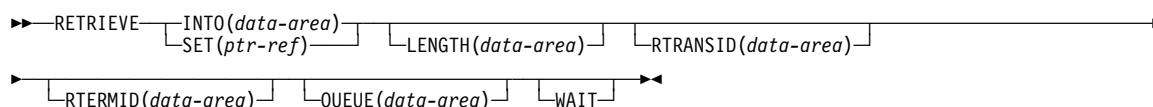
## API syntax

### RESETBR



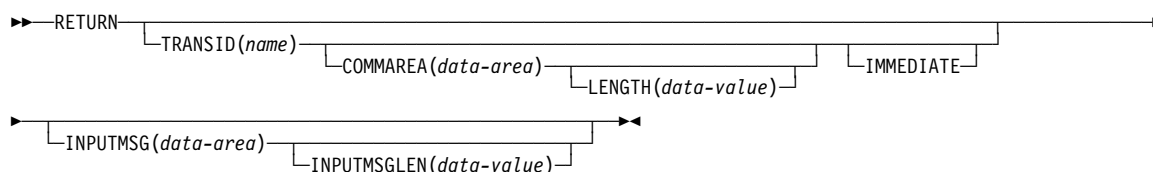
**Conditions:** FILENOTFOUND, ILLOGIC, INVREQ, IOERR, ISCINVREQ, NOTAUTH, NOTFND, SYSIDERR

### RETRIEVE



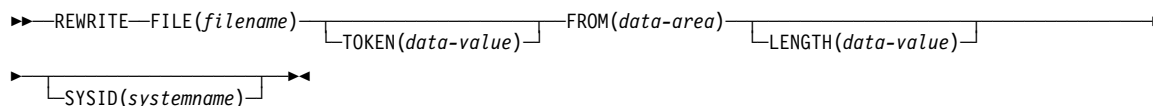
**Conditions:** ENDDATA, ENVDEFERR, INVREQ, IOERR, LENGERR, NOTFND

### RETURN



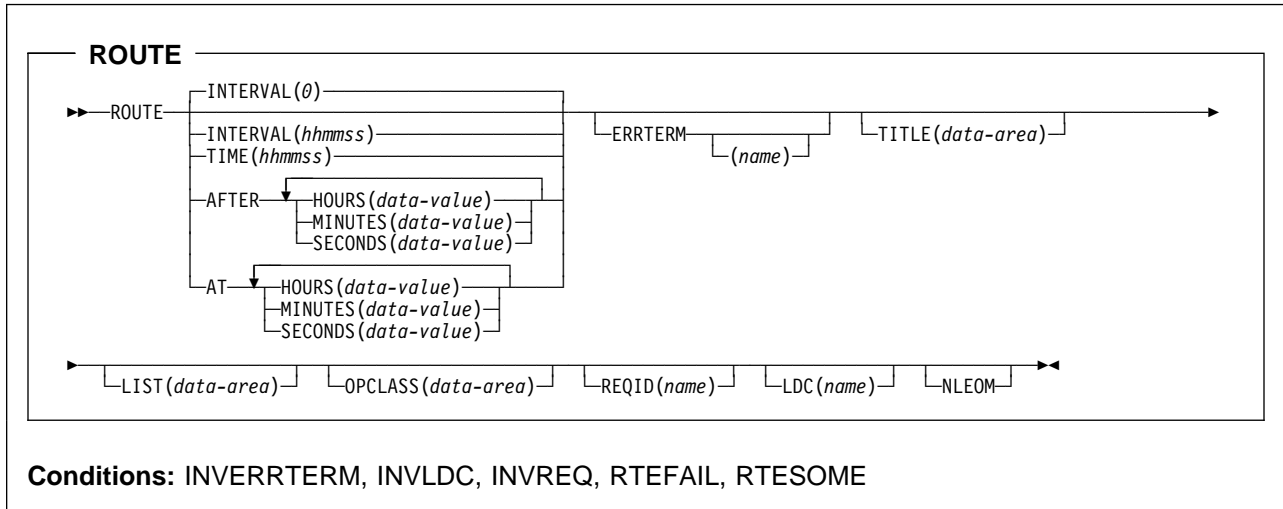
**Conditions:** INVREQ, LENGERR

### REWRITE

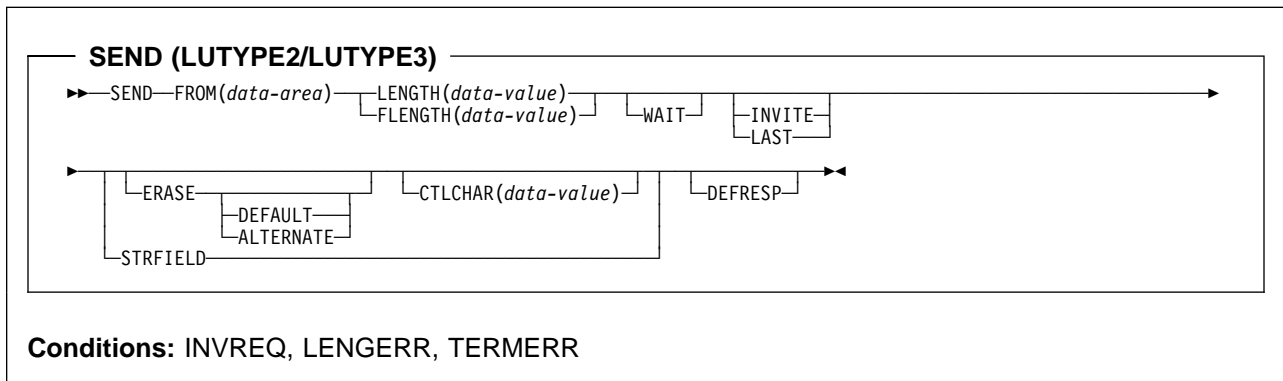
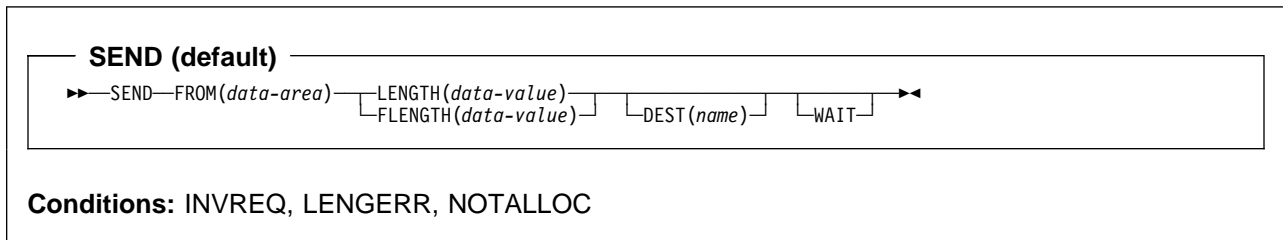
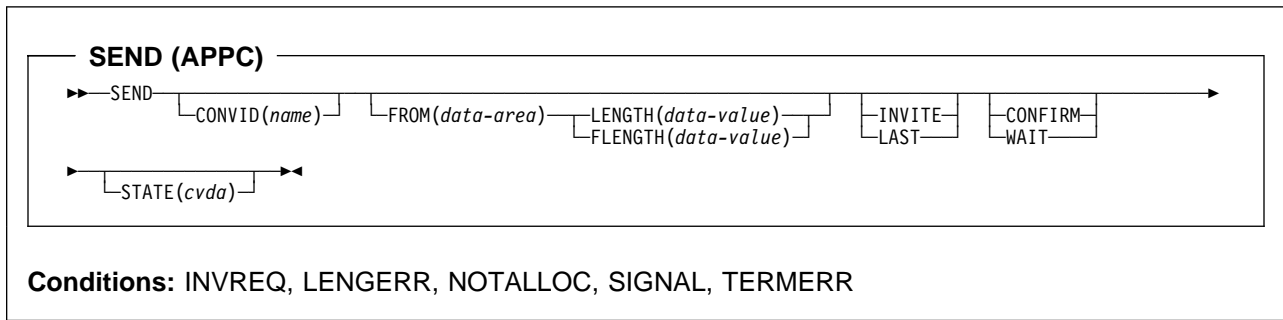


**Conditions:** DUPREC, FILENOTFOUND, ILLOGIC, INVREQ, IOERR, ISCINVREQ, LENGERR, NOSPACE, NOTAUTH, SYSIDERR

2

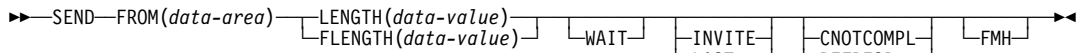


2



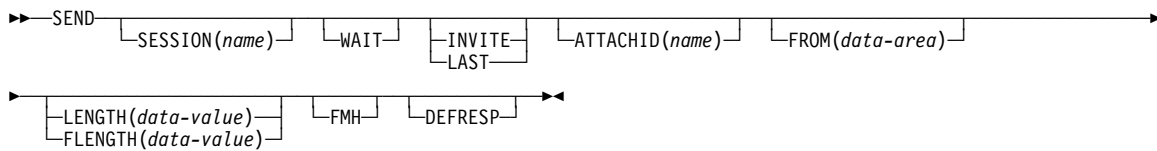
## API syntax

### SEND (LUTYPE4)



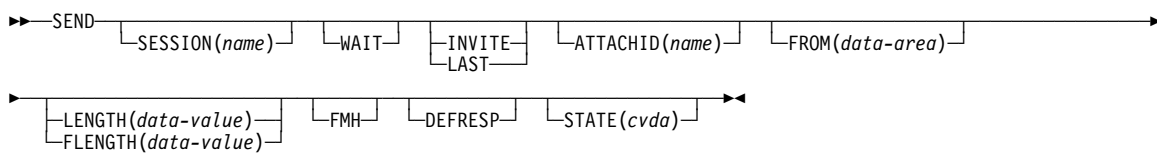
**Conditions:** INVREQ, IGRQCD, LENGERR, SIGNAL, TERMERR

### SEND (LUTYPE6.1)



**Conditions:** CBIDERR, INVREQ, LENGERR, NOTALLOC, SIGNAL, TERMERR

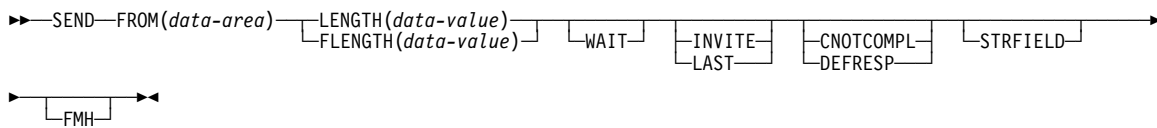
### SEND (MRO)



2

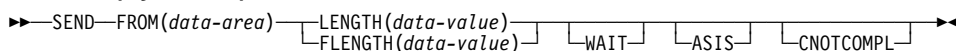
**Conditions:** CBIDERR, INVREQ, LENGERR, NOTALLOC, TERMERR

### SEND (SCS)



**Conditions:** INVREQ, LENGERR, TERMERR

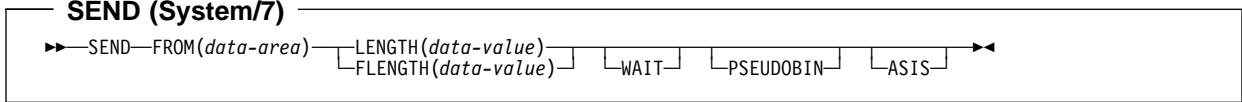
### SEND (System/3)



**Conditions:** INVREQ, LENGERR

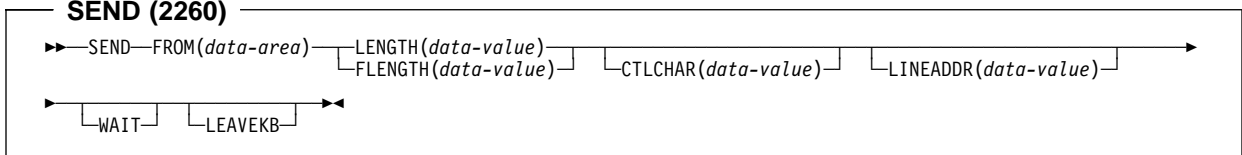


**SEND (System/7)**



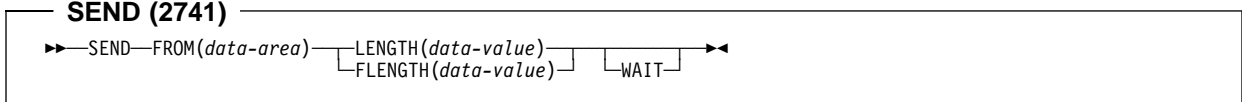
**Conditions:** INVREQ, LENGERR

**SEND (2260)**



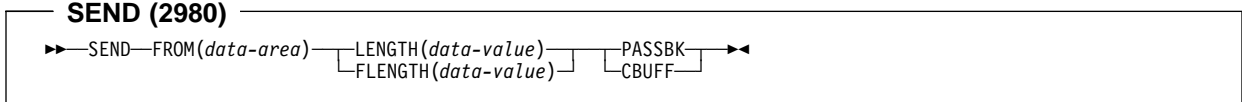
**Conditions:** INVREQ, LENGERR

**SEND (2741)**



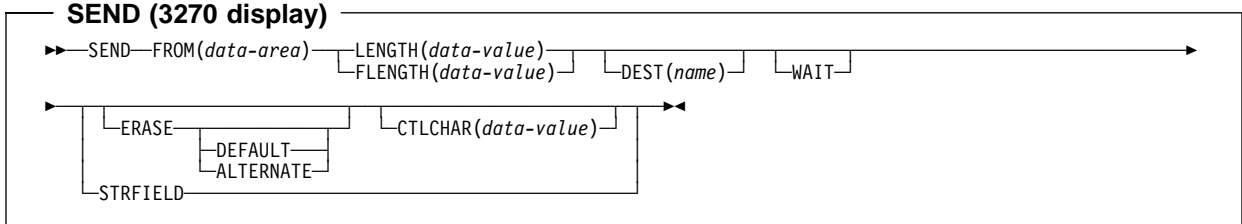
**Conditions:** INVREQ, LENGERR, WRBRK

**SEND (2980)**



**Conditions:** INVREQ, LENGERR, NOPASSBKWR

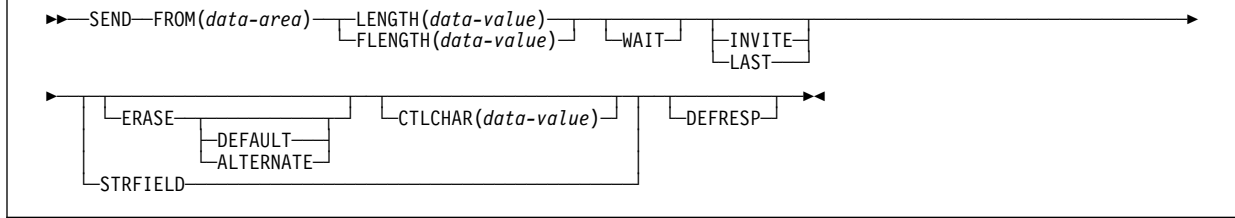
**SEND (3270 display)**



**Conditions:** INVREQ, LENGERR

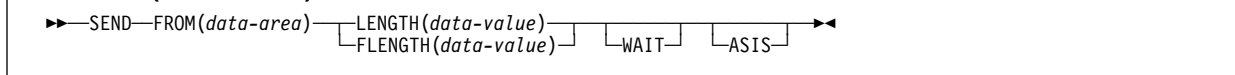
## API syntax

### SEND (3270 logical)



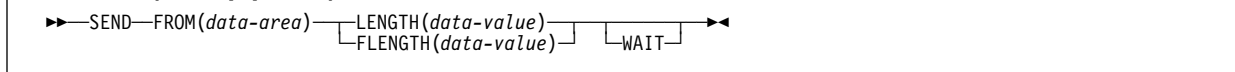
**Conditions:** INVREQ, LENGERR, TERMERR

### SEND (3600 BTAM)



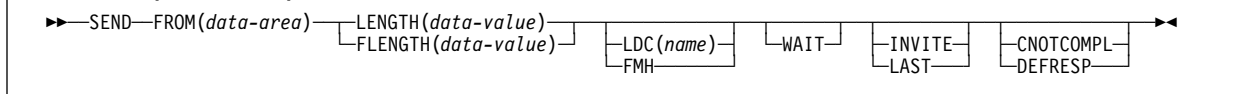
**Conditions:** INVREQ, LENGERR

### SEND (3600 pipeline)



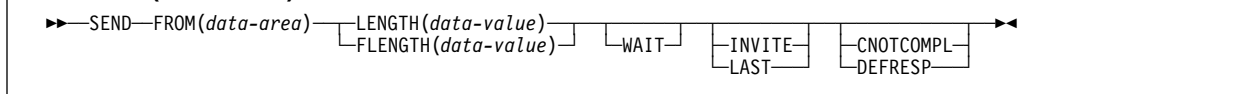
**Conditions:** INVREQ, LENGERR, TERMERR

### SEND (3600-3601)

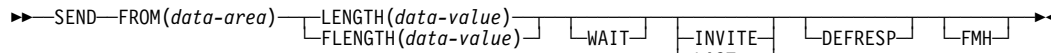


**Conditions:** INVREQ, LENGERR, SIGNAL, TERMERR

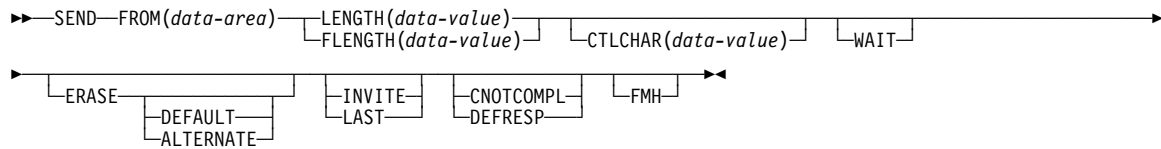
### SEND (3600-3614)



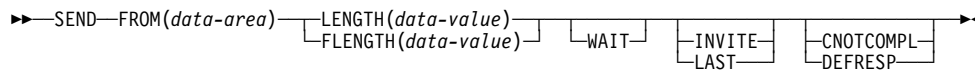
**Conditions:** INVREQ, LENGERR, TERMERR

**SEND (3650 interpreter)**

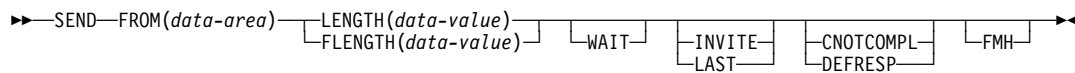
**Conditions:** INVREQ, LENGERR, TERMERR

**SEND (3650-3270)**

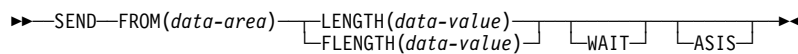
**Conditions:** INVREQ, LENGERR, TERMERR

**SEND (3650-3653)**

**Conditions:** INVREQ, LENGERR, TERMERR

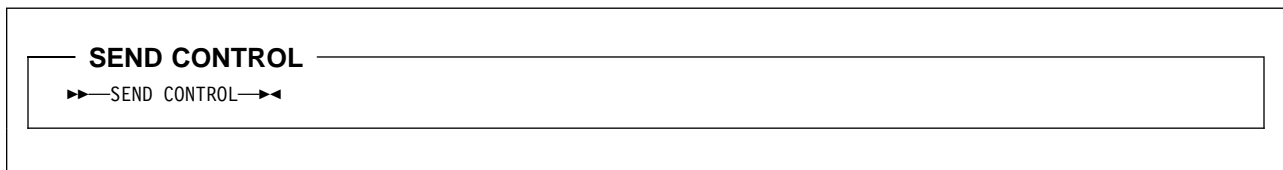
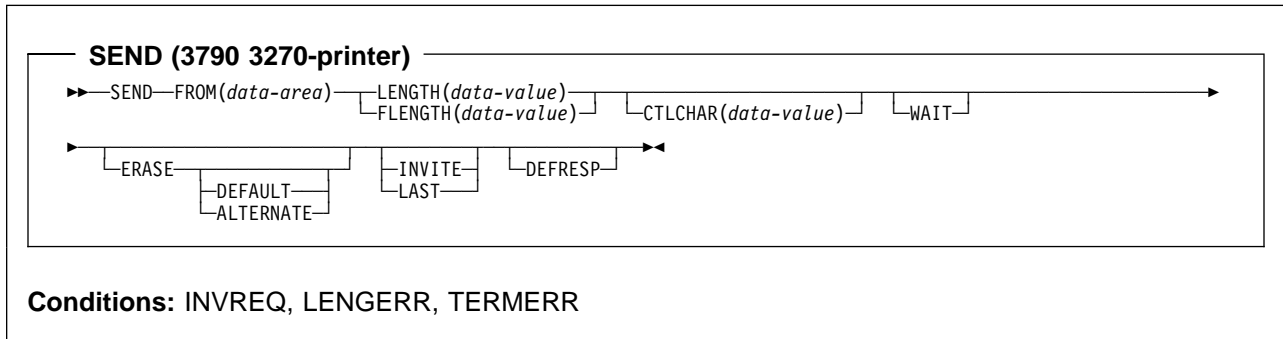
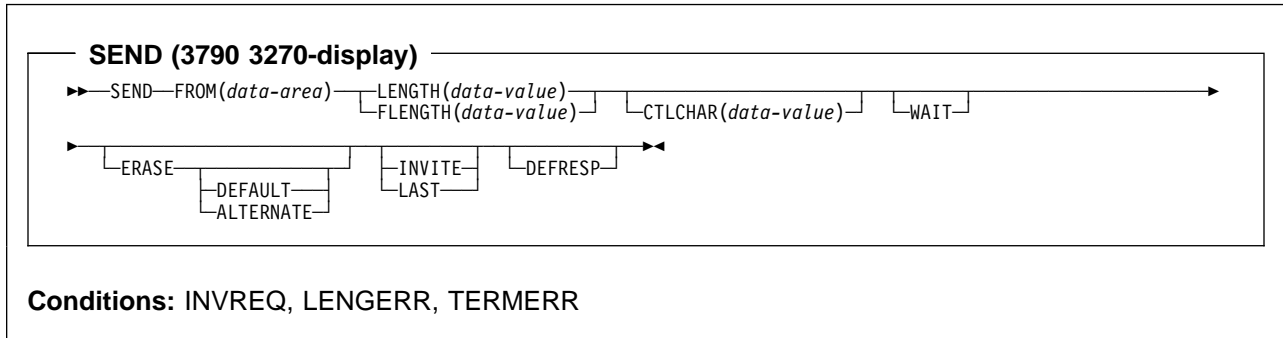
**SEND (3650-3680)**

**Conditions:** INVREQ, LENGERR, TERMERR

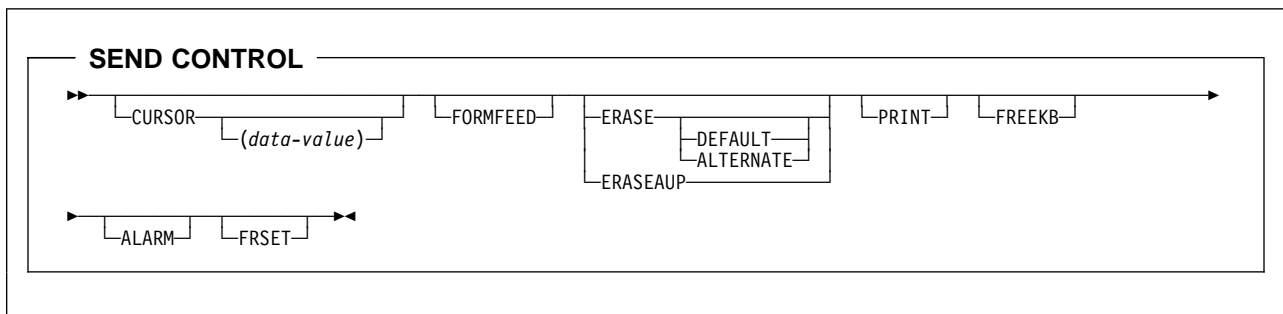
**SEND (3735)**

**Conditions:** INVREQ, LENGERR

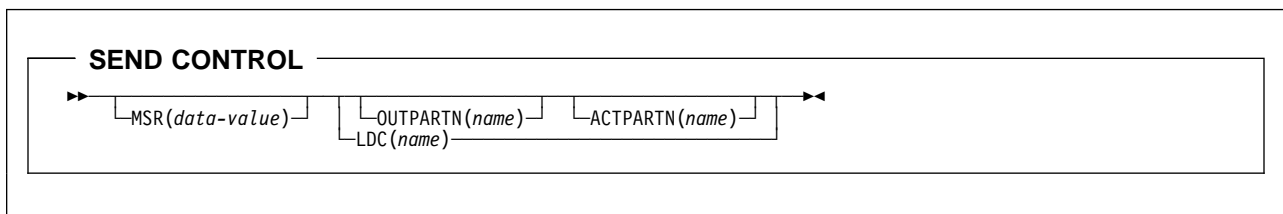




Minimum BMS:

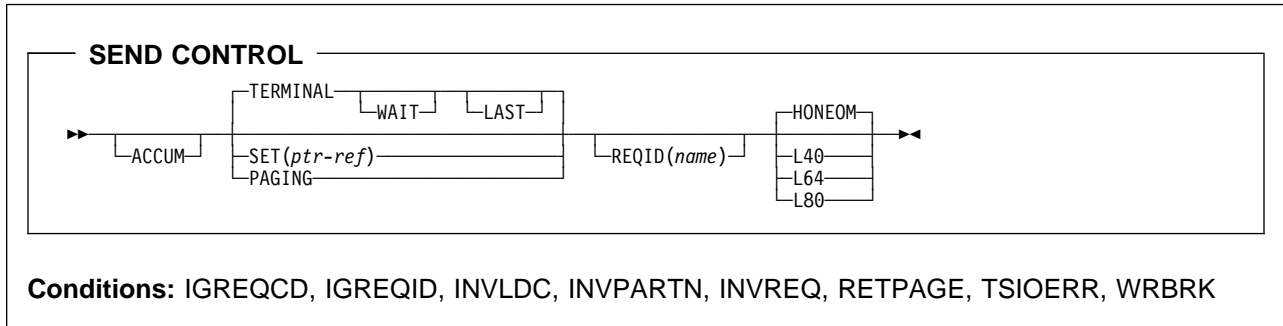


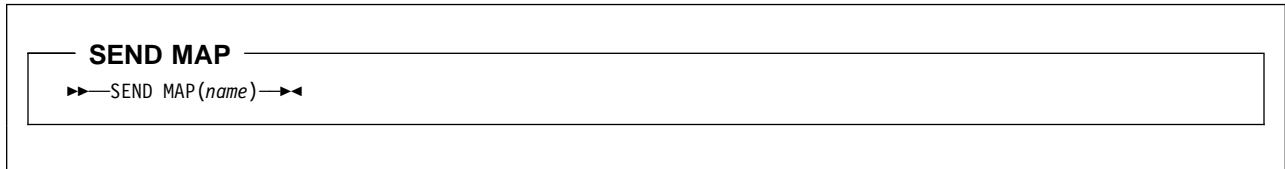
Standard BMS:



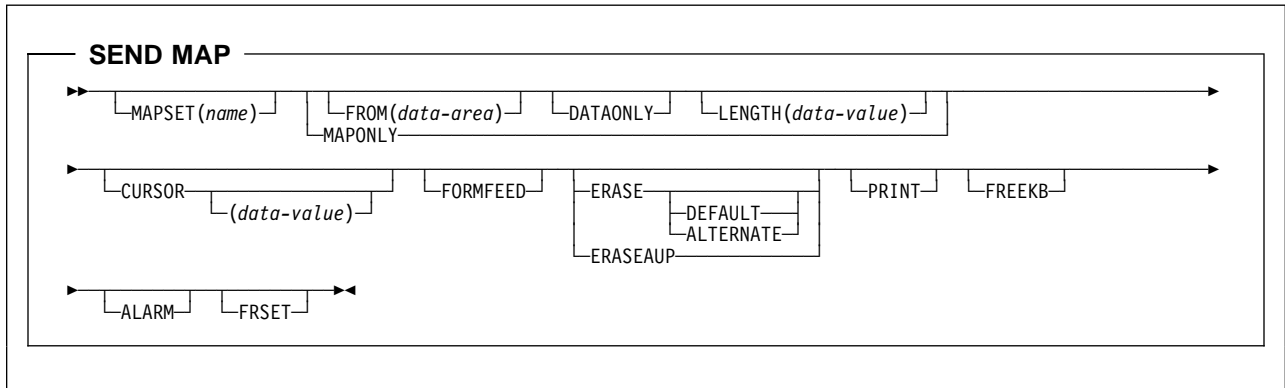
Full BMS:

## API syntax

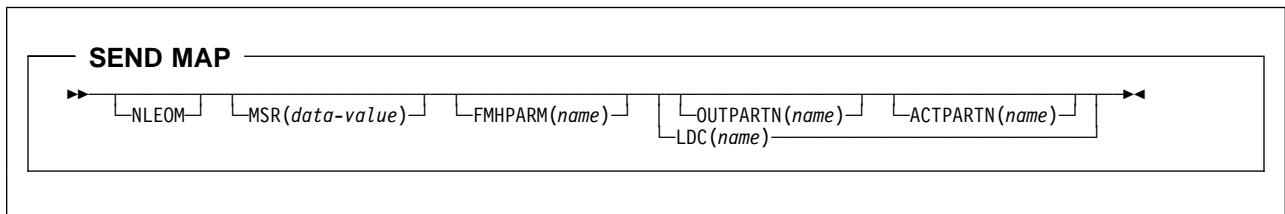




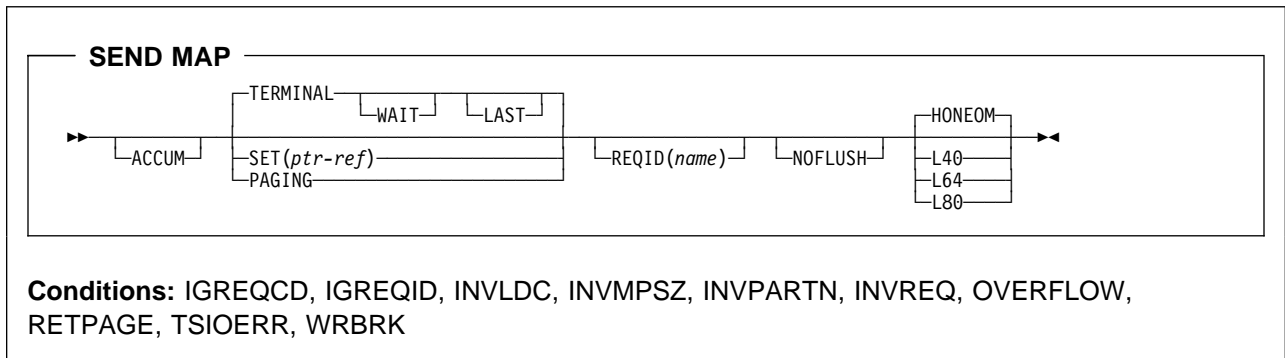
Minimum BMS:



Standard BMS:

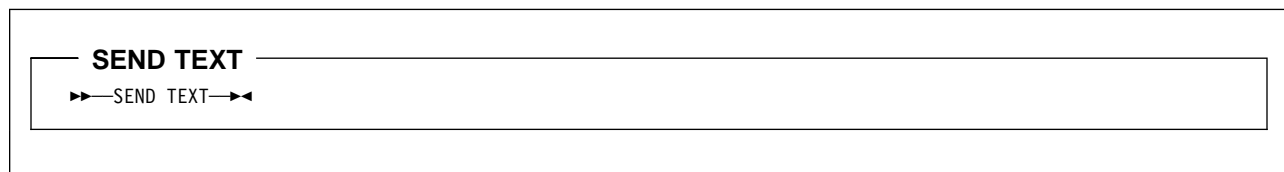
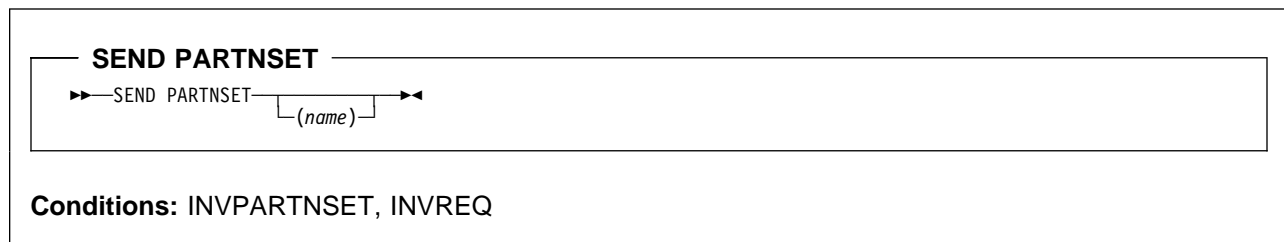
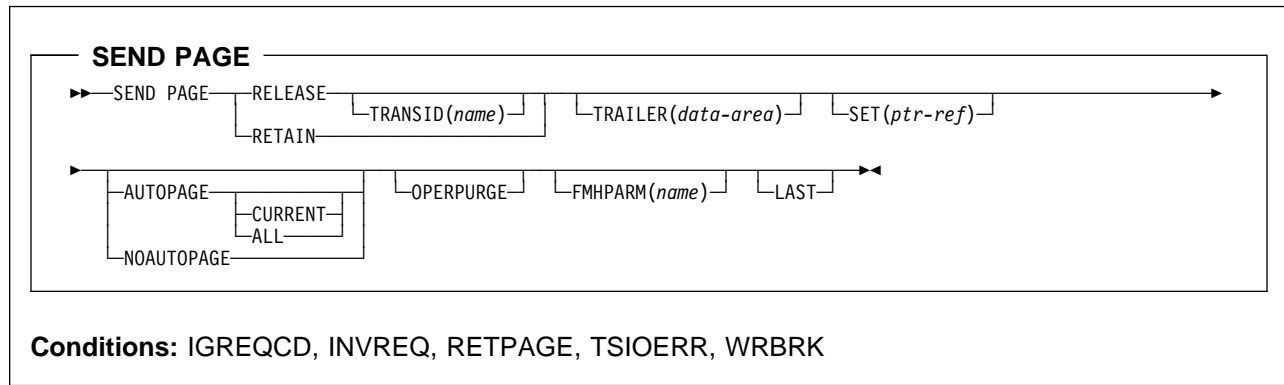


Full BMS:

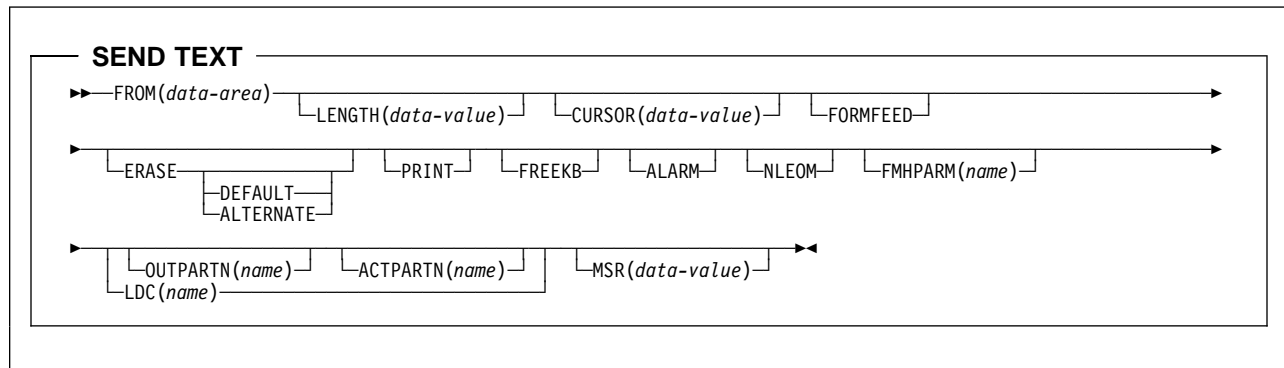


**Conditions:** IGREQCD, IGREQID, INVLDC, INVMPsz, INVPARTN, INVREQ, OVERFLOW, RETPAGE, TSOERR, WRBRK

## API syntax

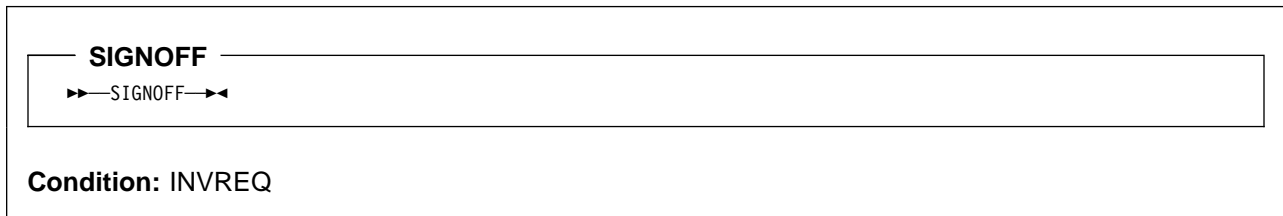
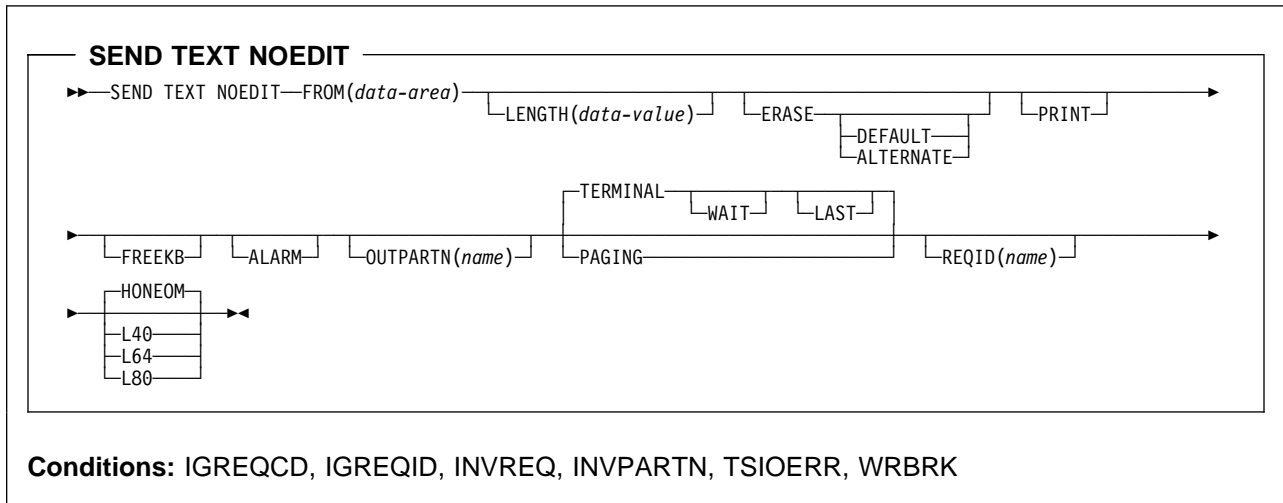
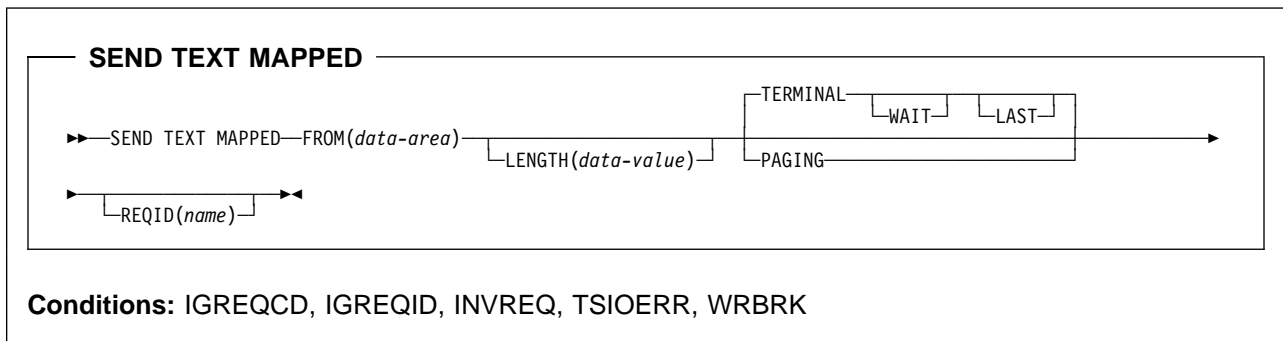
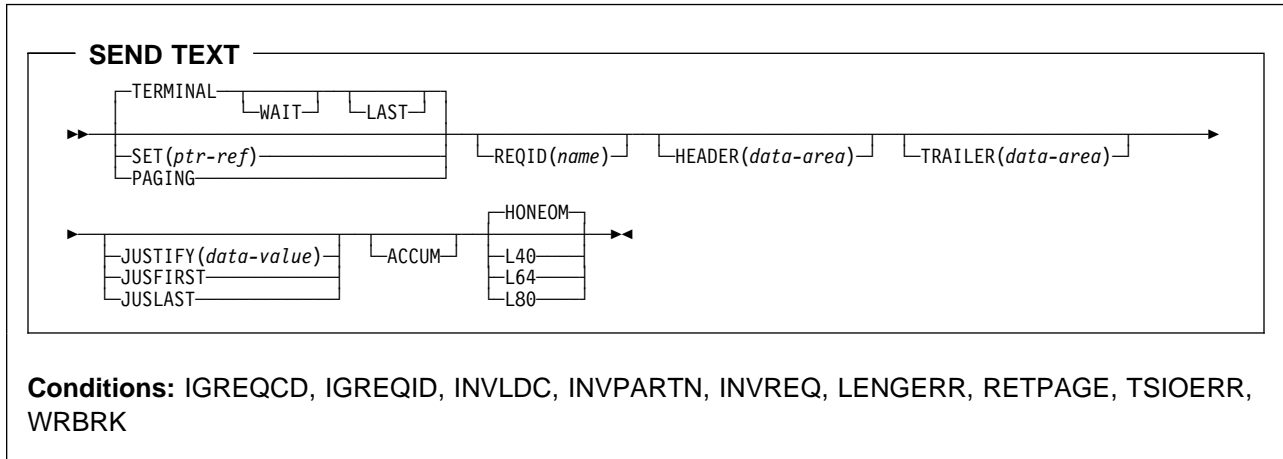


Standard BMS:



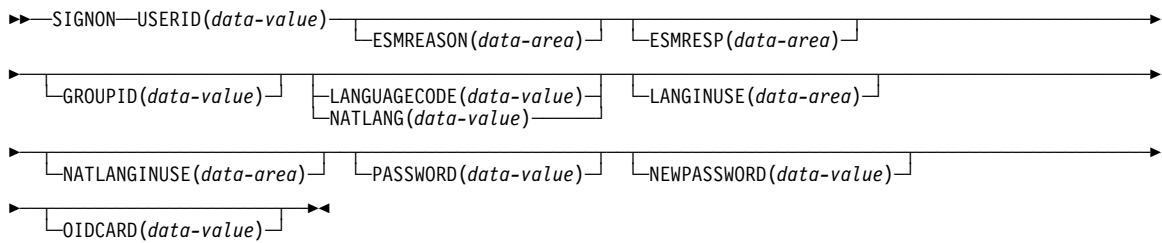
Full BMS:





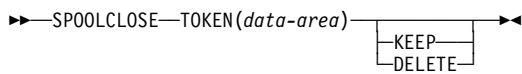
## API syntax

### SIGNON



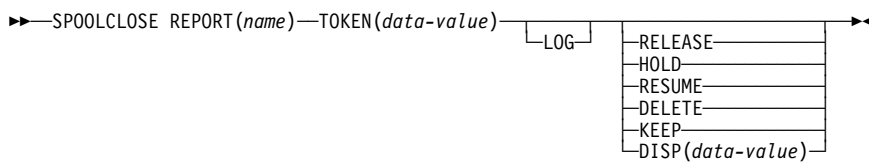
**Conditions:** INVREQ, NOTAUTH, USERIDERR

### SPOOLCLOSE TOKEN



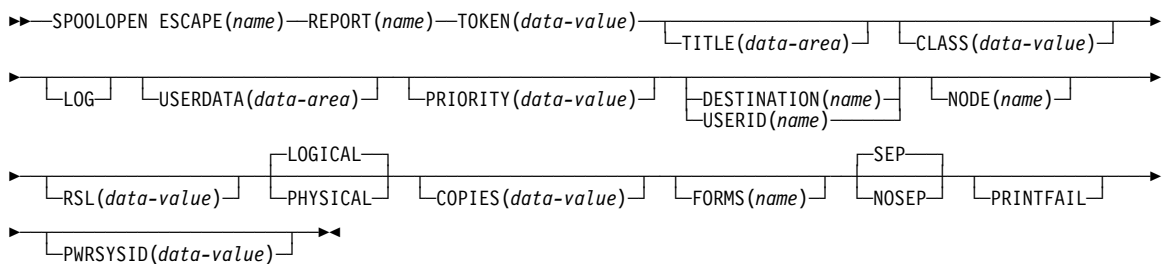
**Conditions:** INVREQ, IOERR, NOSPOOL

### SPOOLCLOSE REPORT



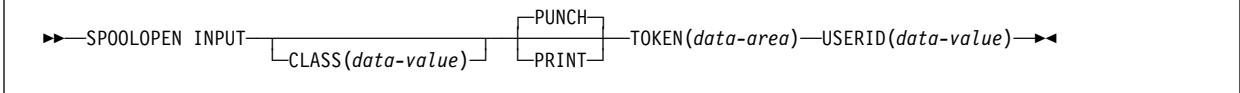
**Conditions:** ILLOGIC, INVREQ, IOERR, NAMEERROR, NOSPACE, NOSPOOL, NOTAUTH

### SPOOLOPEN ESCAPE



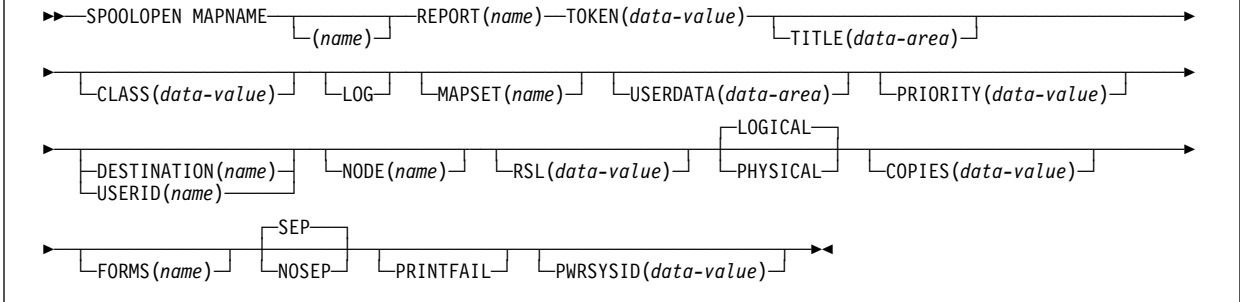
**Conditions:** CCERROR, ILLOGIC, INVREQ, IOERR, NOSPACE, NOSPOOL

**SPOOLOPEN INPUT**



**Conditions:** ILLOGIC, INVREQ, IOERR, NOSPACE, NOSPOOL, NOTAUTH, NOTFND

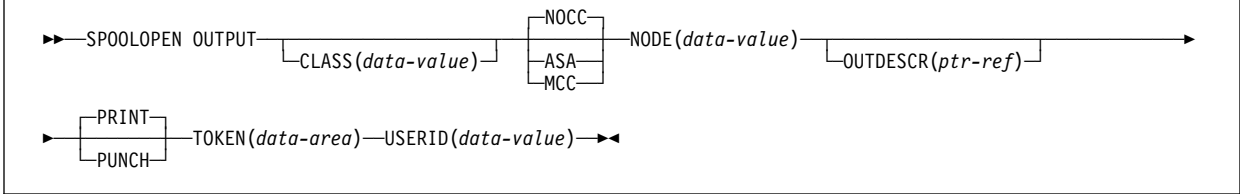
**SPOOLOPEN MAPNAME**



4

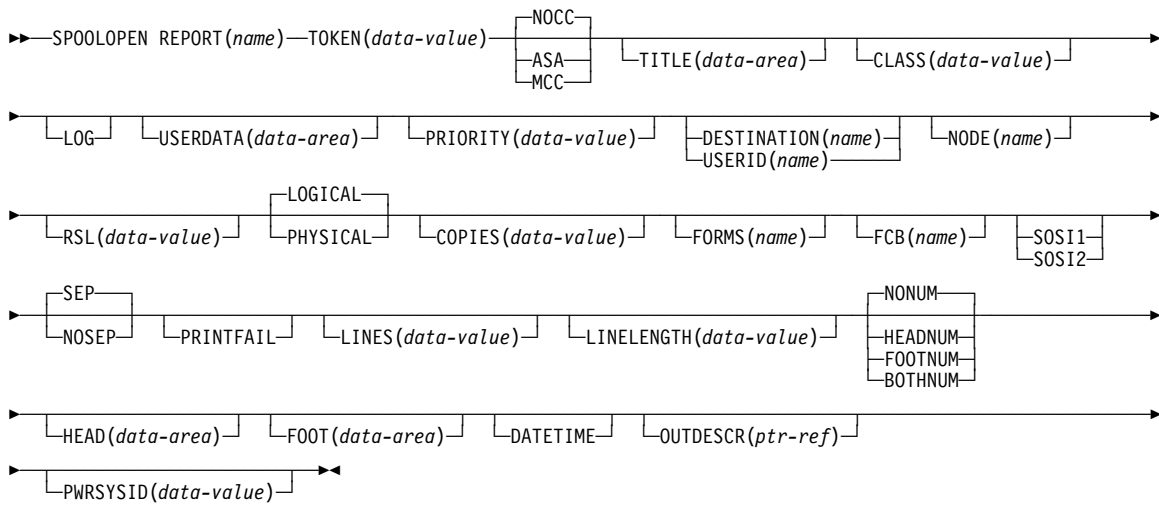
**Conditions:** CCERROR, ILLOGIC, INVREQ, IOERR, NOSPACE, NOSPOOL

**SPOOLOPEN OUTPUT**



**Conditions:** ILLOGIC, INVREQ, IOERR, NOSPACE, NOSPOOL, OUTDESCRERR

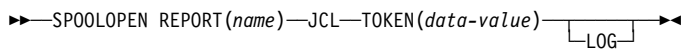
**SPOOLOPEN REPORT (ASA, MCC, or NOCC)**



2  
4

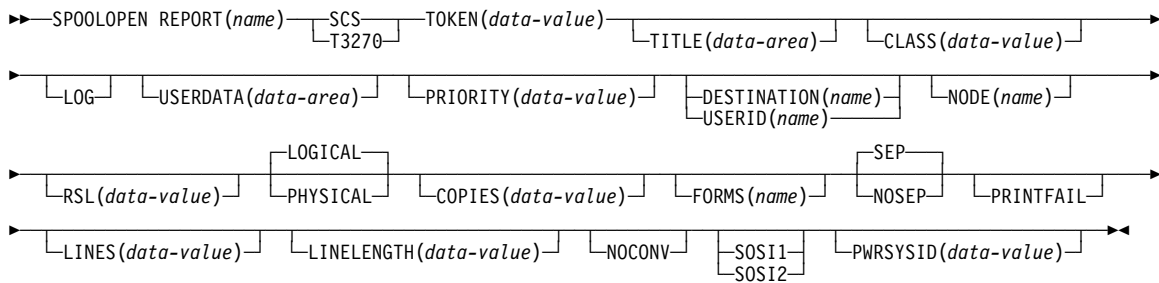
**Conditions:** CCERROR, ILLOGIC, INVREQ, IOERR, NAMEERROR, NOSPSPACE, NOSPOOL

**SPOOLOPEN REPORT (JCL)**



**Conditions:** CCERROR, ILLOGIC, INVREQ, IOERR, NOSPSPACE, NOSPOOL

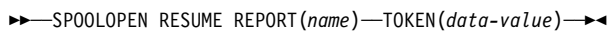
**SPOOLOPEN REPORT (SCS/T3270)**



4

**Conditions:** CCERROR, ILLOGIC, INVREQ, IOERR, NOSPSPACE, NOSPOOL

**SPOOLOPEN RESUME**



**Conditions:** ILLOGIC, IOERR, INVREQ, NAMEERROR, NOSPSPACE, NOSPOOL, NOTAUTH, WRONGSTAT

**SPOOLREAD**

►► SPOOLREAD INTO (*data-area*) [MAXLENGTH(*data-value*)] [TOLENGTH(*data-area*)] TOKEN(*data-area*) ►►

**Conditions:** ENDFILE, INVREQ, IOERR, LENGERR, NOSPOOL

**SPOOLWRITE**

►► SPOOLWRITE [FLENGTH(*data-value*)] FROM(*data-area*) [LINE] [PAGE] TOKEN(*data-area*) ►►

**Conditions:** INVREQ, IOERR, LENGERR, NOSPACE, NOSPOOL

**SPOOLWRITE MAPNAME**

►► SPOOLWRITE MAPNAME [(*name*)] REPORT(*name*) TOKEN(*data-value*) ►►

► [FROM(*data-area*)] [FLENGTH(*data-value*)] [MAPSET(*name*)] [LOG] ►►

MAPONLY

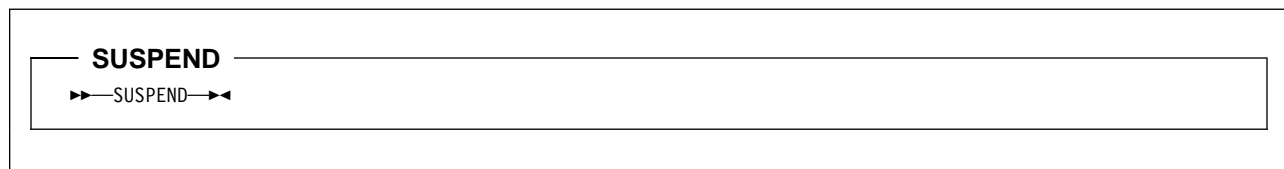
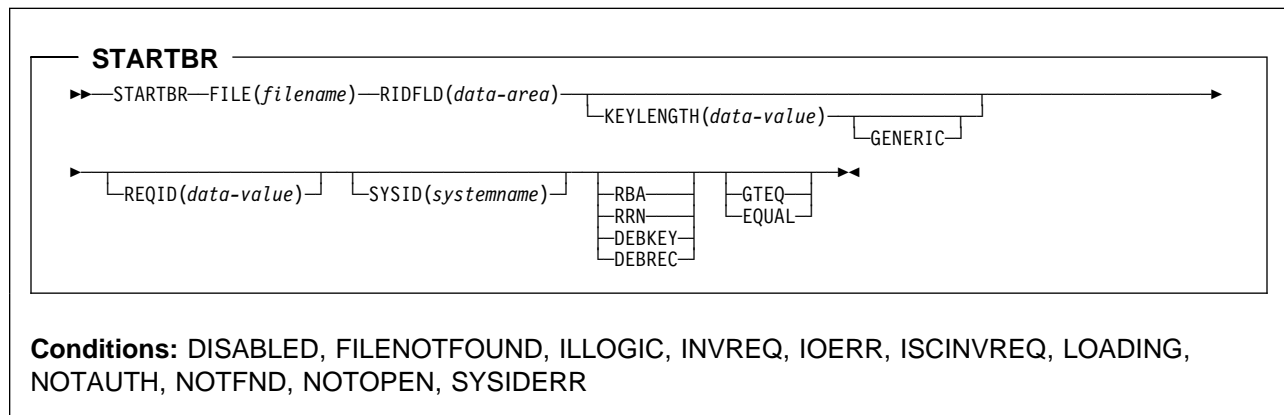
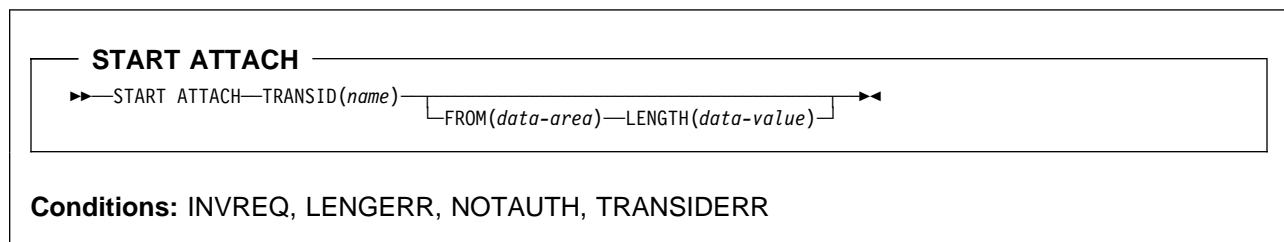
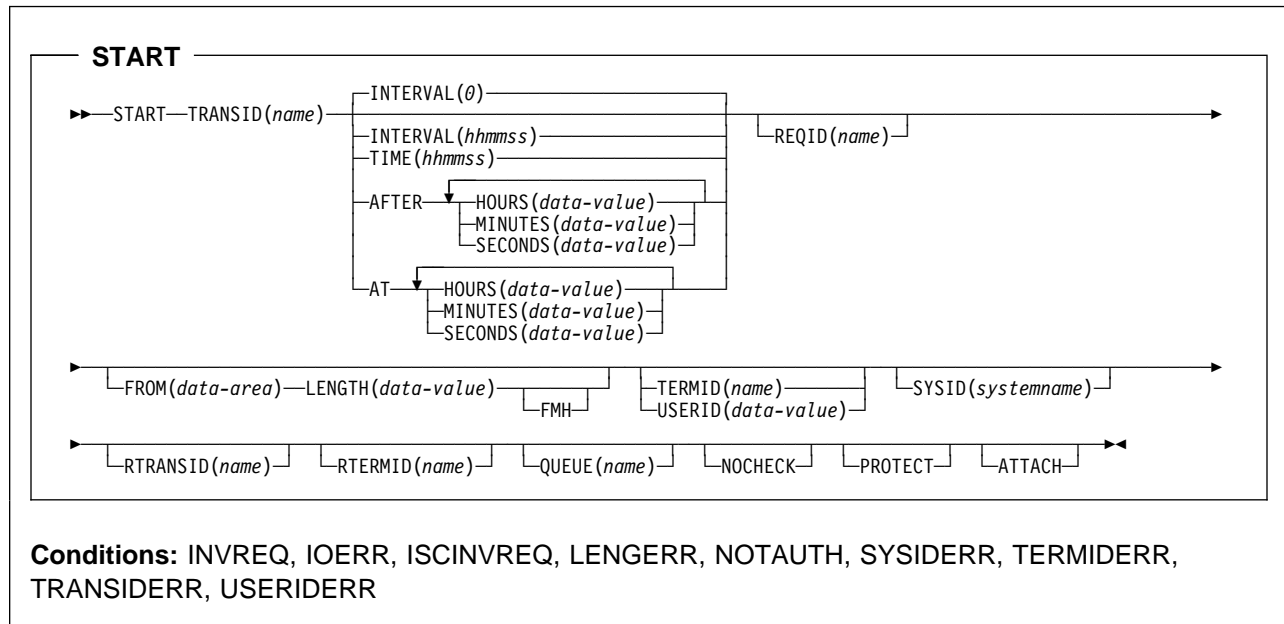
**Conditions:** CCERROR, IOERR, LENGERR, MAPERROR, NOSPACE, NOSPOOL, NOTAUTH

**SPOOLWRITE REPORT**

►► SPOOLWRITE REPORT(*name*) TOKEN(*data-value*) FROM(*data-area*) [FLENGTH(*data-value*)] [LOG] ►►

**Conditions:** CCERROR, INVREQ, IOERR, LENGERR, NAMEERROR, NOSPACE, NOSPOOL, NOTAUTH

## API syntax



**SYNCPOINT**

```

▶▶—SYNCPOINT—◀◀

```

**Conditions:** INVREQ, ROLLEDBACK

**SYNCPOINT ROLLBACK**

```

▶▶—SYNCPOINT—ROLLBACK—◀◀

```

**Condition:** INVREQ

**UNLOCK**

```

▶▶—UNLOCK—FILE(filename)—
└─TOKEN(data-area)—┐
└─SYSID(systemname)—┐◀◀

```

**Conditions:** DISABLED, FILENOTFOUND, ILLOGIC, INVREQ, IOERR, ISCINVREQ, NOTAUTH, NOTOPEN, SYSIDERR

**VERIFY PASSWORD**

```

▶▶—VERIFY PASSWORD(data-value)—USERID(data-value)—
└─CHANGETIME(data-area)—┐
└─DAYSLEFT(data-area)—┐▶
└─ESMREASON(data-area)—┐
└─ESMRESP(data-area)—┐
└─EXPIRYTIME(data-area)—┐▶
└─INVALIDCOUNT(data-area)—┐
└─LASTUSETIME(data-area)—┐▶◀◀

```

**Conditions:** INVREQ, NOTAUTH, USERIDERR

**WAIT CONVID (APPC)**

```

▶▶—WAIT CONVID(name)—
└─STATE(cvda)—┐◀◀

```

2

**Conditions:** INVREQ, NOTALLOC

**WAIT EVENT**

```

▶▶—WAIT EVENT—ECADDR(ptr-value)—
└─NAME(name)—┐▶◀◀

```

2

**Condition:** INVREQ

## API syntax

2

### WAIT EXTERNAL

▶▶—WAIT EXTERNAL—ECBLIST(*ptr-value*)—NUMEVENTS(*data-value*)—  
┌—PURGEABLE—┐  
├—PURGEABILITY(*cvda*)—┤  
└—NOTPURGEABLE—┘

NAME(*name*) ▶▶

**Condition:** INVREQ

2

### WAIT JOURNALNUM

▶▶—WAIT JOURNALNUM(*data-value*)—  
┌—REQID(*data-value*)—┐  
└—STARTIO—┘ ▶▶

**Conditions:** INVREQ, IOERR, JIDERR, NOTOPEN

### WAIT SIGNAL

▶▶—WAIT SIGNAL—▶▶

**Conditions:** NOTALLOC, SIGNAL, TERMERR

### WAIT TERMINAL

▶▶—WAIT TERMINAL—▶▶  
┌—CONVID(*name*)—┐  
└—SESSION(*name*)—┘

**Conditions:** INVREQ, NOTALLOC, SIGNAL

2

### WAITCICS

▶▶—WAITCICS—ECBLIST(*ptr-value*)—NUMEVENTS(*data-value*)—  
┌—PURGEABLE—┐  
├—PURGEABILITY(*cvda*)—┤  
└—NOTPURGEABLE—┘

NAME(*name*) ▶▶

**Condition:** INVREQ



**WRITE**

```

WRITE FILE(filename) [MASSINSERT] FROM(data-area) [LENGTH(data-value)] [RIDFLD(data-area)]
[KEYLENGTH(data-value)] [SYSID(systemname)] [RBA] [RRN]

```

**Conditions:** DISABLED, DUPREC, FILENOTFOUND, ILLOGIC, INVREQ, IOERR, ISCINVREQ, LENGERR, LOADING, NOSPACE, NOTAUTH, NOTOPEN, SUPPRESSED, SYSIDERR

**WRITE JOURNALNUM**

```

WRITE JOURNALNUM(data-value) [JTYPEID(data-value)] FROM(data-area) [LENGTH(data-value)]
[REQID(data-area)] [PREFIX(data-value)] [PFXLENG(data-value)] [STARTIO] [WAIT]
[NOSUSPEND]

```

**Conditions:** IOERR, JIDERR, LENGERR, NOJBUFSP, NOTAUTH, NOTOPEN

**WRITE OPERATOR**

```

WRITE OPERATOR TEXT(data-value) [TEXTLENGTH(data-value)]
[ROTECODES(data-value)] [NUMROUTES(data-value)]
[EVENTUAL]
[ACTION(cvda)]
[CRITICAL]
[IMMEDIATE]
[REPLY(data-area)] [MAXLENGTH(data-value)] [REPLYLENGTH(data-area)] [TIMEOUT(data-value)]

```

**Conditions:** EXPIRED, INVREQ, LENGERR

**WRITEQ TD**

```

WRITEQ TD QUEUE(name) FROM(data-area) [LENGTH(data-value)] [SYSID(systemname)]

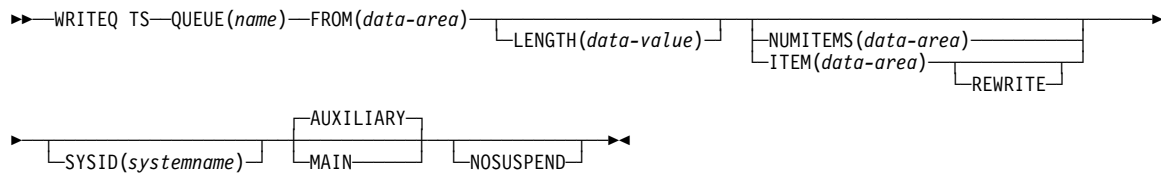
```

**Conditions:** DISABLED, INVREQ, IOERR, ISCINVREQ, LENGERR, NOSPACE, NOTAUTH, NOTOPEN, QIDERR, SYSIDERR

## API syntax

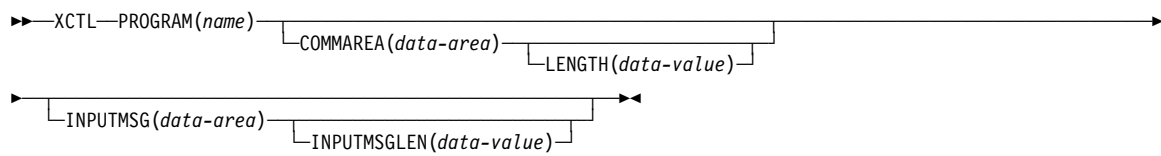
2

### WRITEQ TS



**Conditions:** INVREQ, IOERR, ISCINVREQ, ITEMERR, LENGERR, NOSPSPACE, NOTAUTH, QIDERR, SYSIDERR

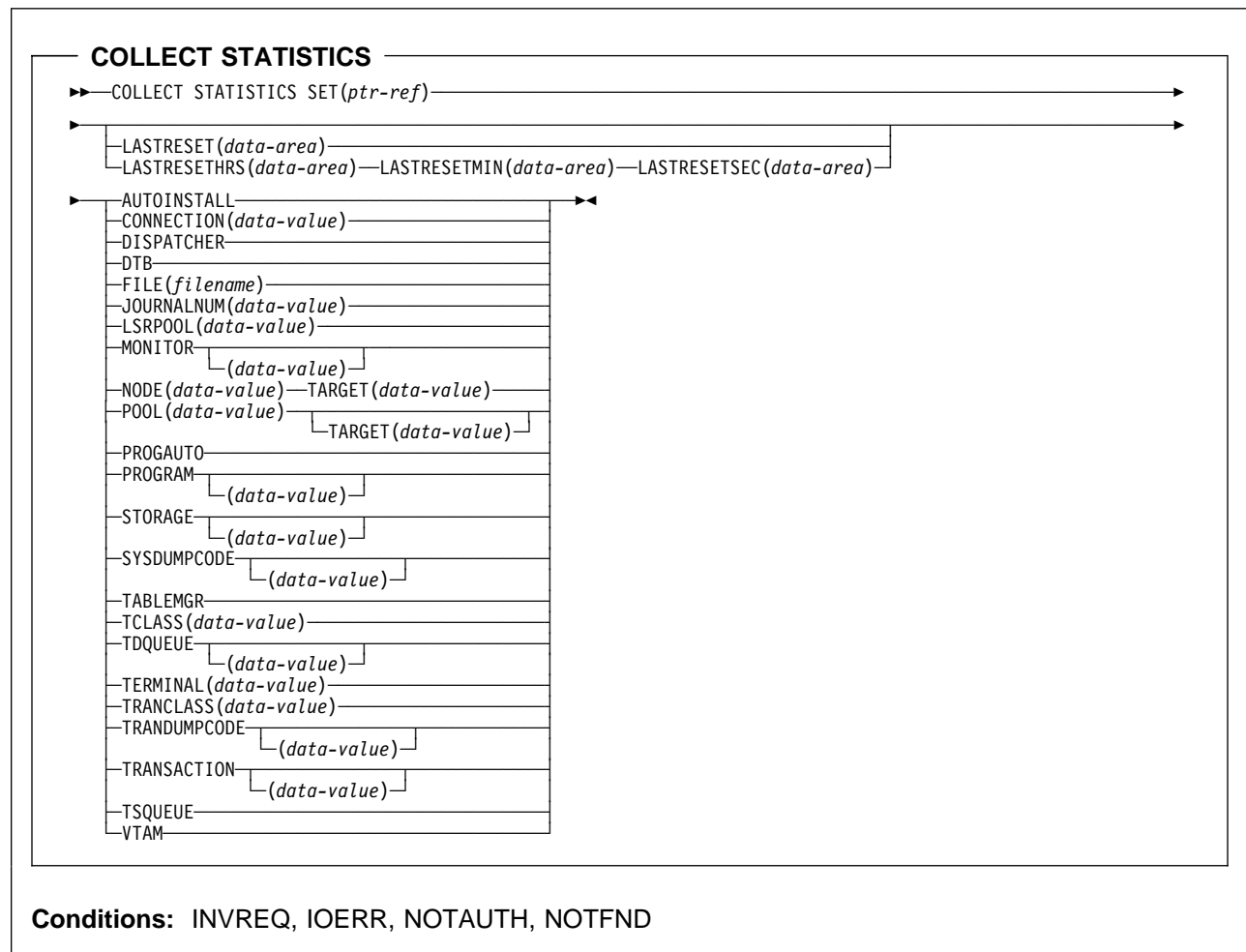
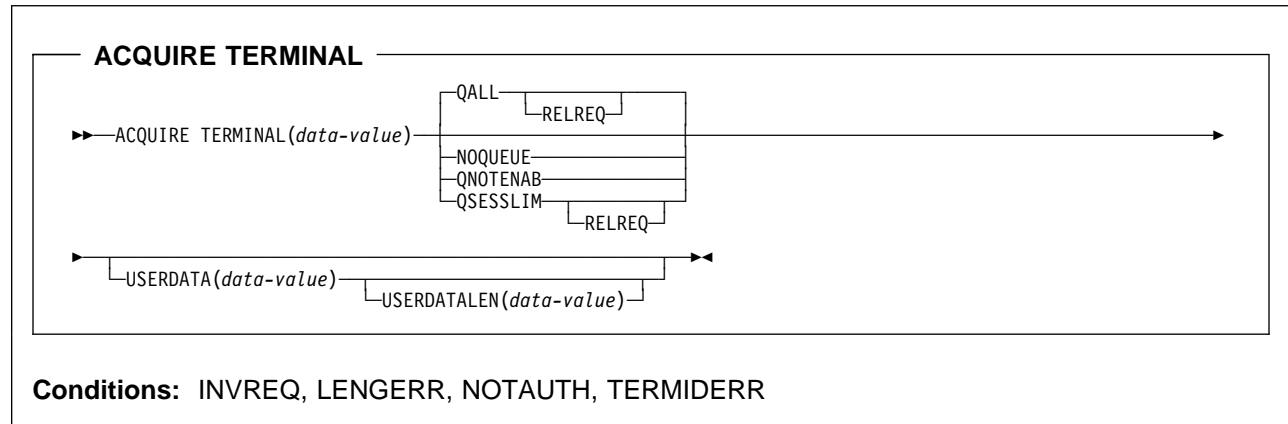
### XCTL



**Conditions:** INVREQ, LENGERR, NOTAUTH, PGMIDERR

## Chapter 2. Command-level system programming

This chapter contains General-use Programming Interface information.



2

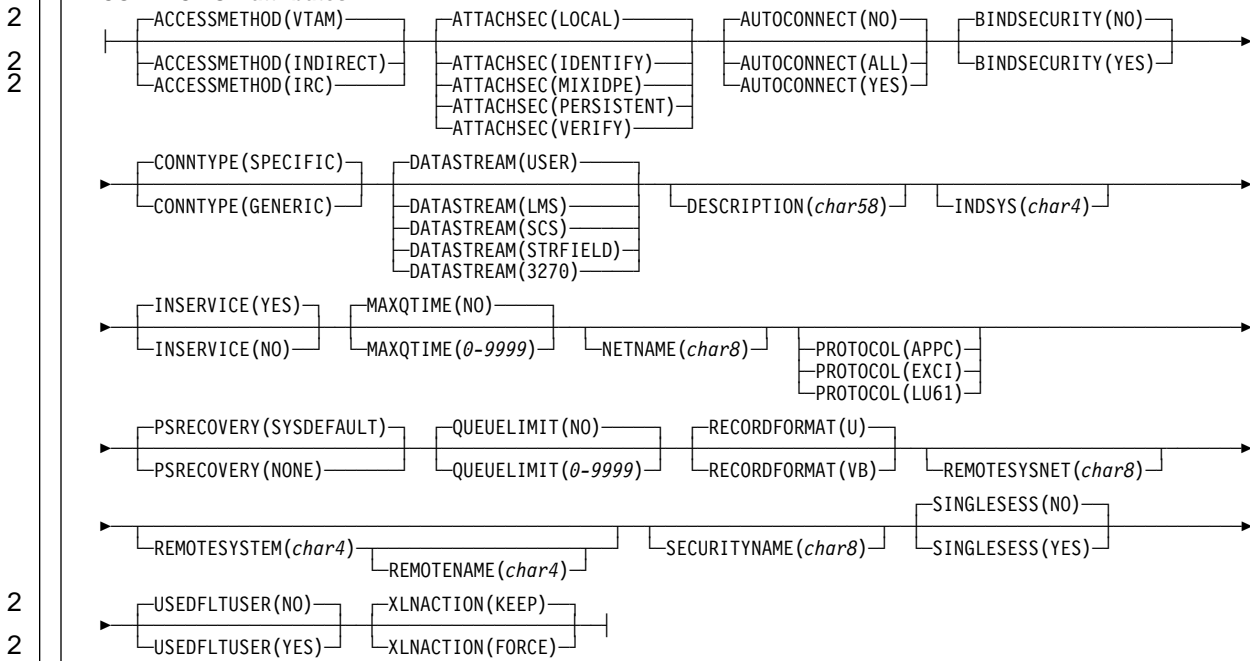
**CREATE CONNECTION**



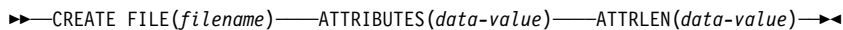
**Conditions:** ILLOGIC, INVREQ, LENGERR, NOTAUTH

**CREATE CONNECTION**

**CONNECTION attributes:**



**CREATE FILE**



**Conditions:** ILLOGIC, INVREQ, LENGERR, NOTAUTH



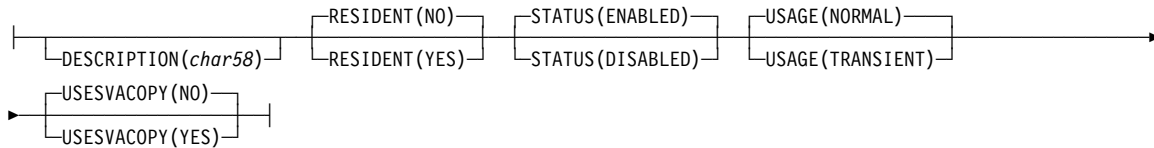
**CREATE MAPSET**

▶▶ CREATE MAPSET(*data-value*)—ATTRIBUTES(*data-value*)—ATTRLEN(*data-value*)—▶▶

**Conditions:** ILLOGIC, INVREQ, LENGERR, NOTAUTH

**CREATE MAPSET**

**MAPSET attributes:**



2  
2

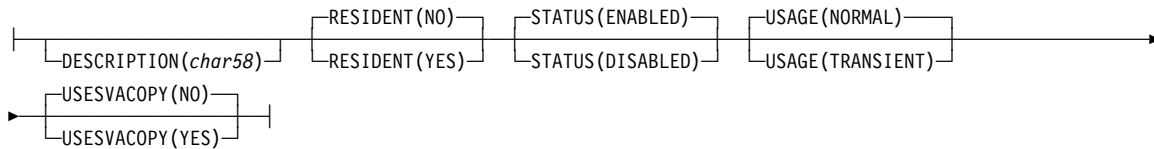
**CREATE PARTITIONSET**

▶▶ CREATE PARTITIONSET(*data-value*)—ATTRIBUTES(*data-value*)—ATTRLEN(*data-value*)—▶▶

**Conditions:** ILLOGIC, INVREQ, LENGERR, NOTAUTH

**CREATE PARTITIONSET**

**PARTITIONSET attributes:**

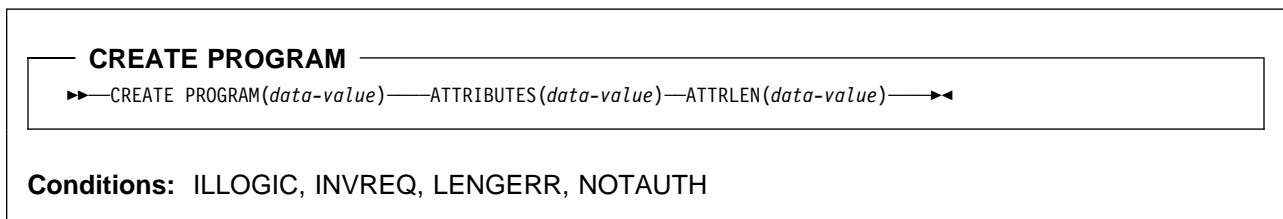
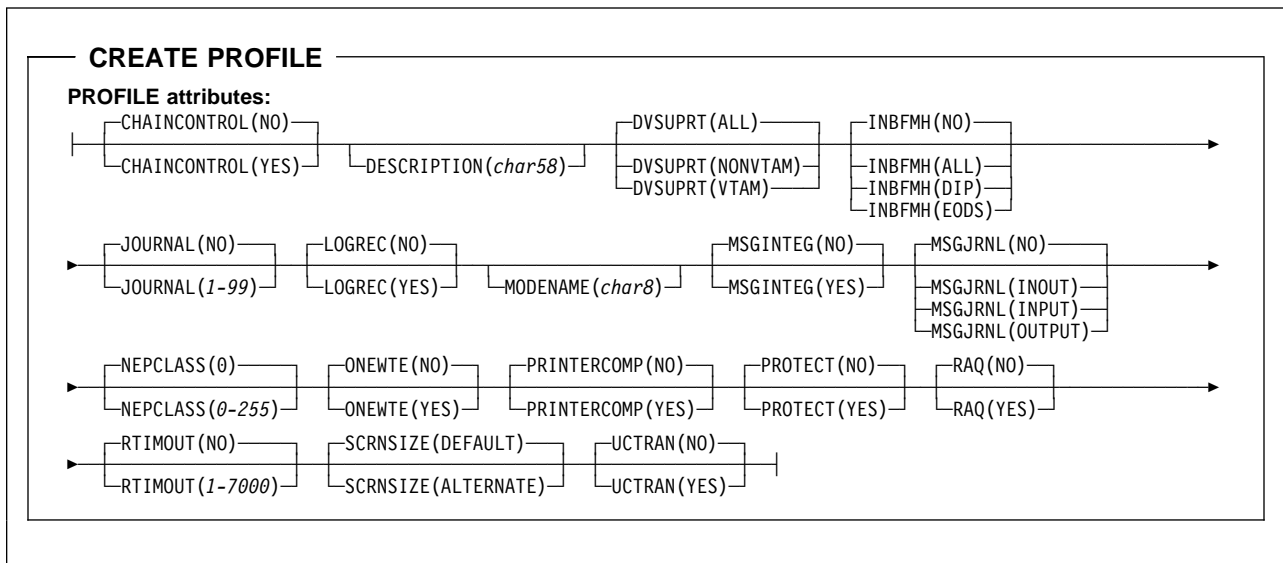
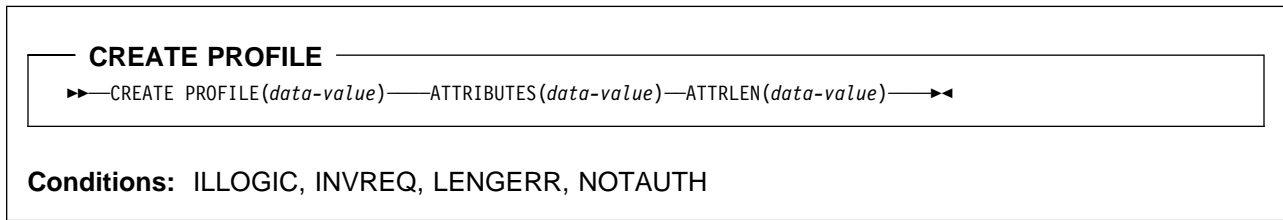
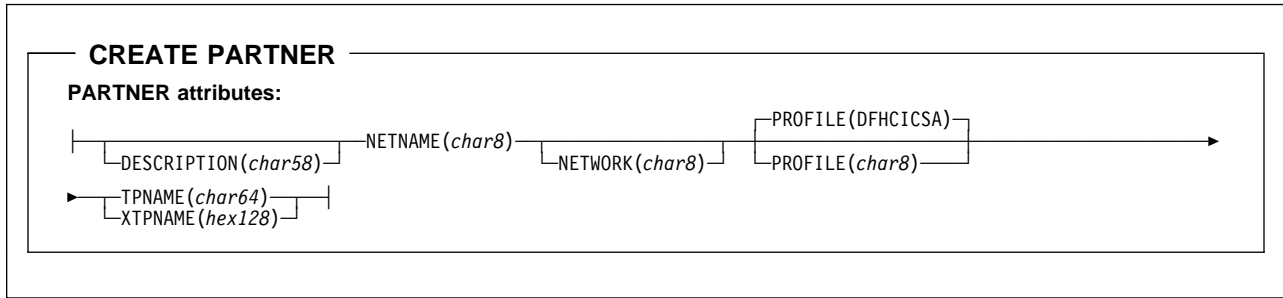


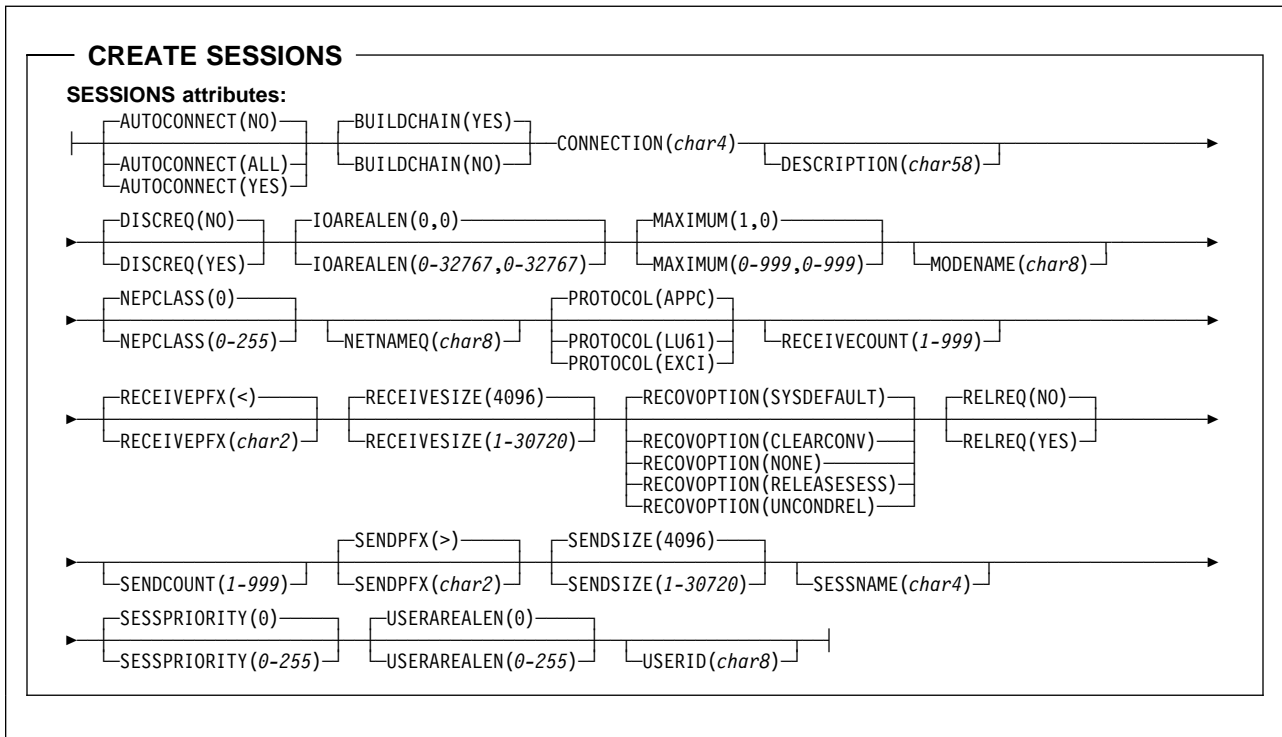
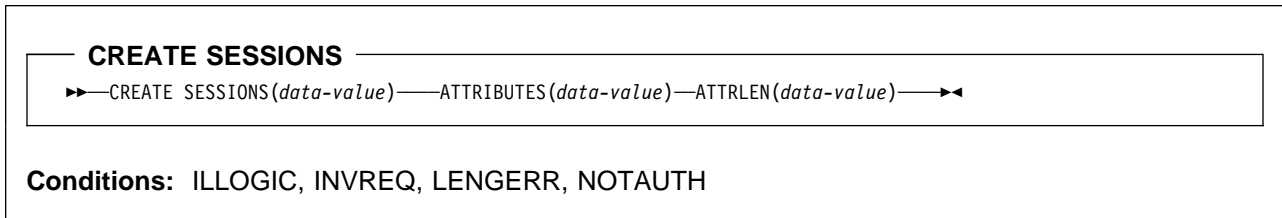
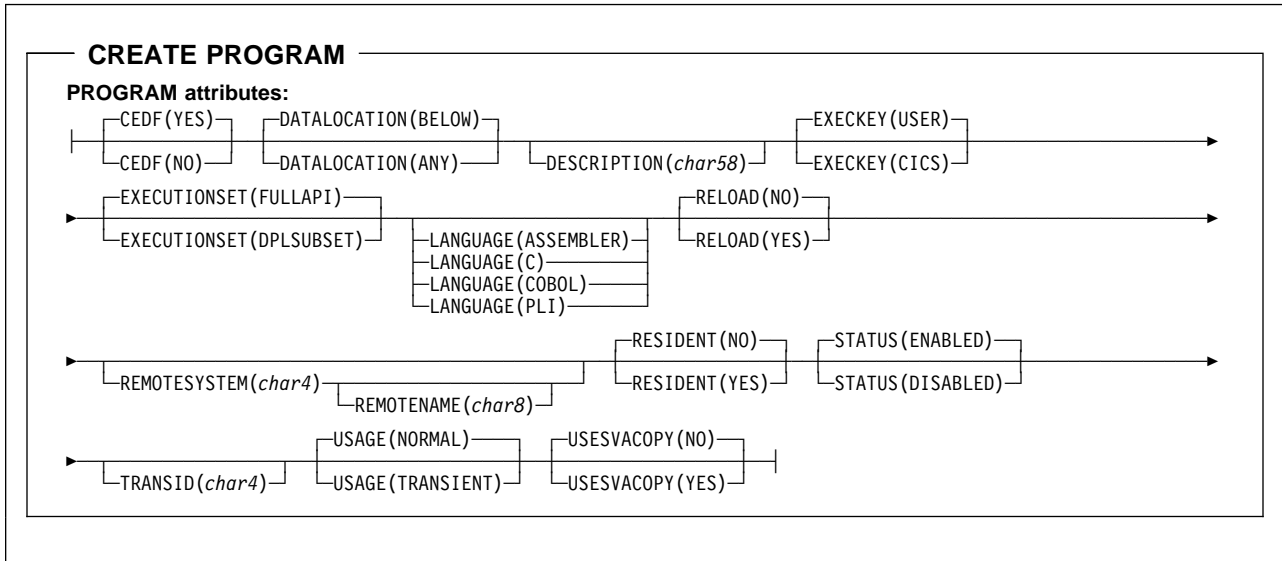
2  
2

**CREATE PARTNER**

▶▶ CREATE PARTNER(*data-value*)—ATTRIBUTES(*data-value*)—ATTRLEN(*data-value*)—▶▶

**Conditions:** ILLOGIC, INVREQ, LENGERR, NOTAUTH







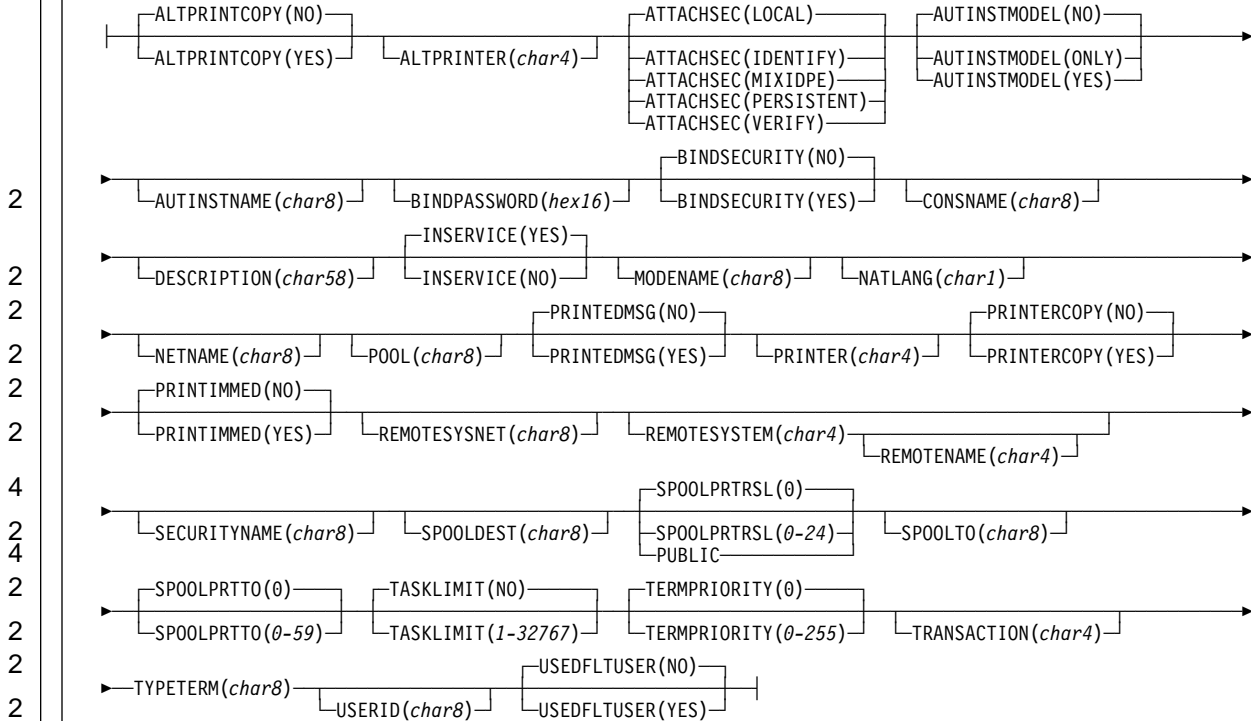
**CREATE TERMINAL**

►► CREATE TERMINAL(*data-value*)—ATTRIBUTES(*data-value*)—ATTRLEN(*data-value*)—◄◄  
 { COMPLETE }  
 { DISCARD }

**Conditions:** ILLOGIC, INVREQ, LENGERR, NOTAUTH

**CREATE TERMINAL**

**TERMINAL attributes:**



**CREATE TRANCLASS**

►► CREATE TRANCLASS(*data-value*)—ATTRIBUTES(*data-value*)—ATTRLEN(*data-value*)—◄◄

**Conditions:** ILLOGIC, INVREQ, LENGERR, NOTAUTH

**CREATE TRANCLASS**

**TRANCLASS attributes:**

{ DESCRIPTION(*char58*) } MAXACTIVE(0-999) { PURGETHRESH(NO) }  
 { PURGETHRESH(1-1000000) }

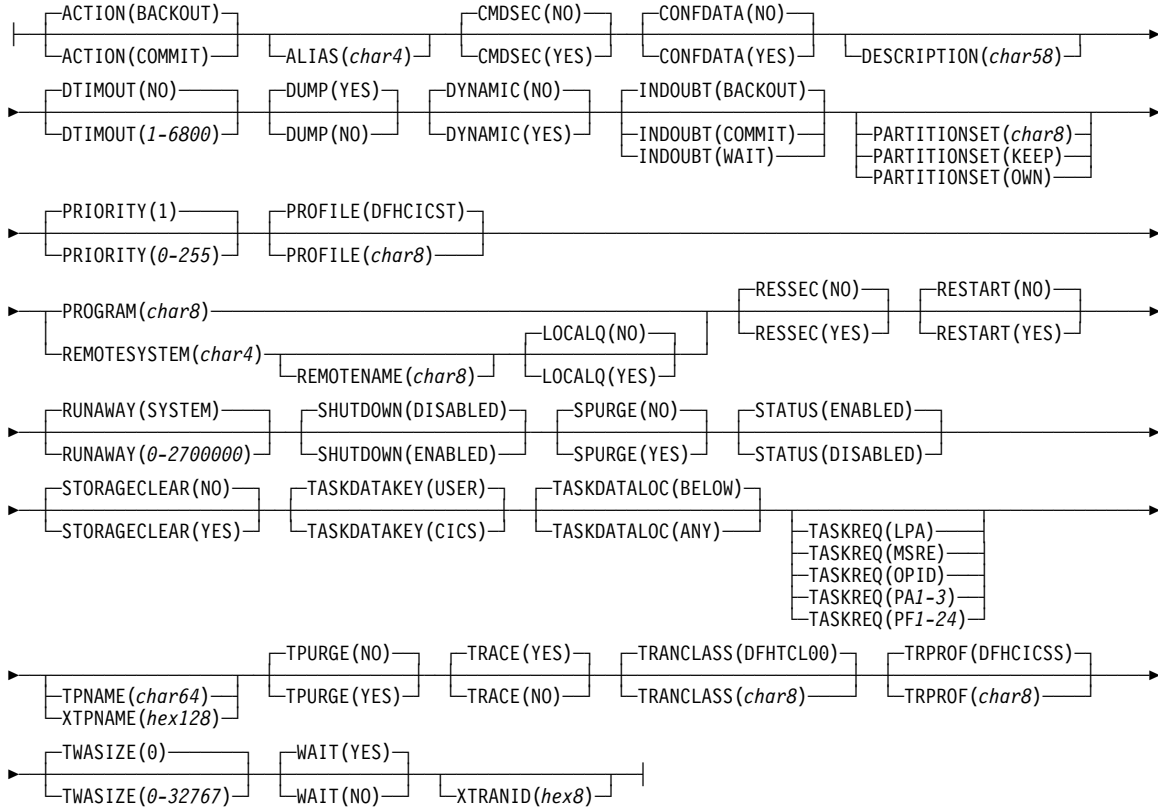
**CREATE TRANSACTION**

▶▶ CREATE TRANSACTION(*data-value*)—ATTRIBUTES(*data-value*)—ATTRLEN(*data-value*)—▶▶

**Conditions:** ILLOGIC, INVREQ, LENGERR, NOTAUTH

**CREATE TRANSACTION**

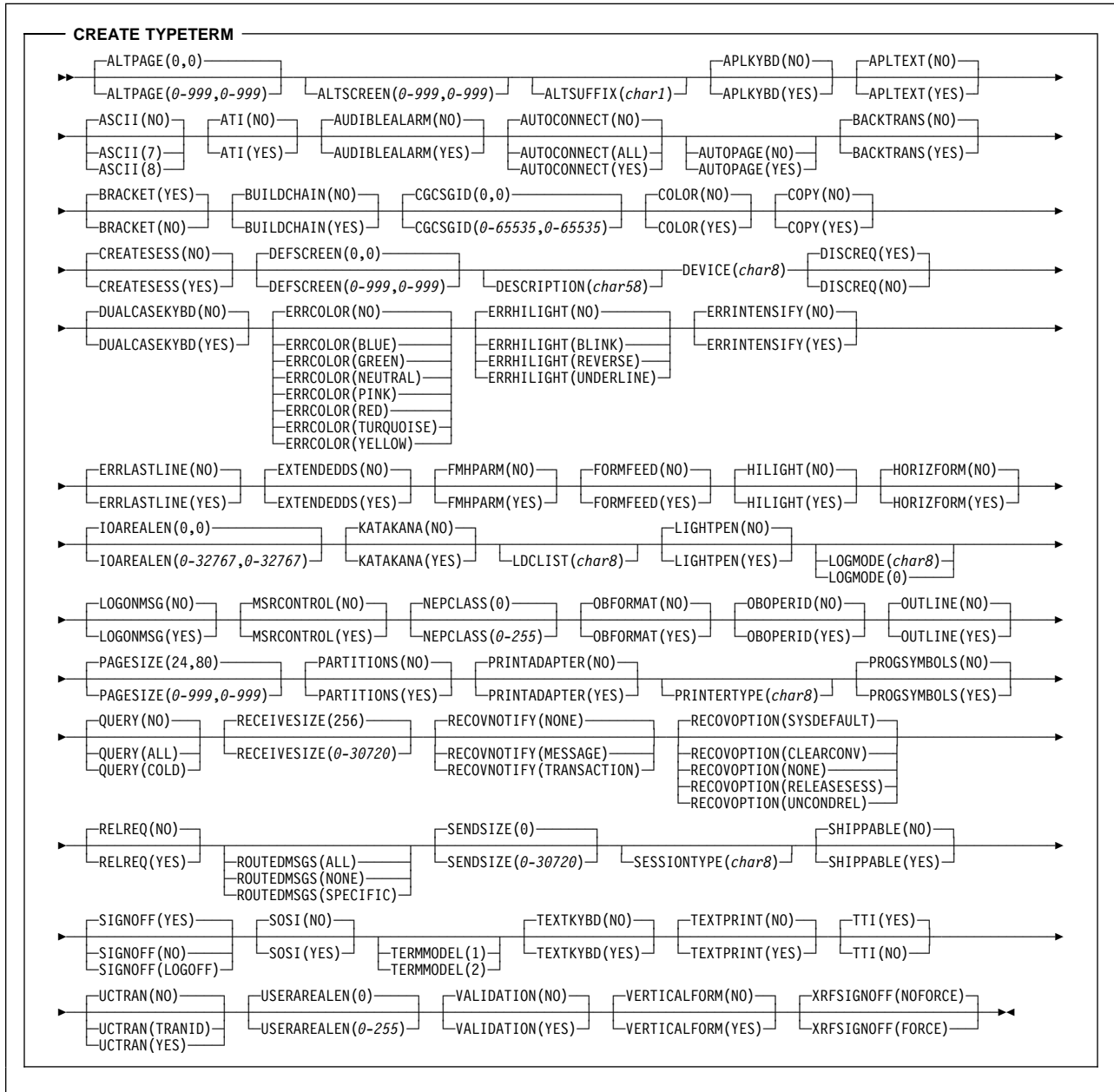
**TRANSACTION attributes:**



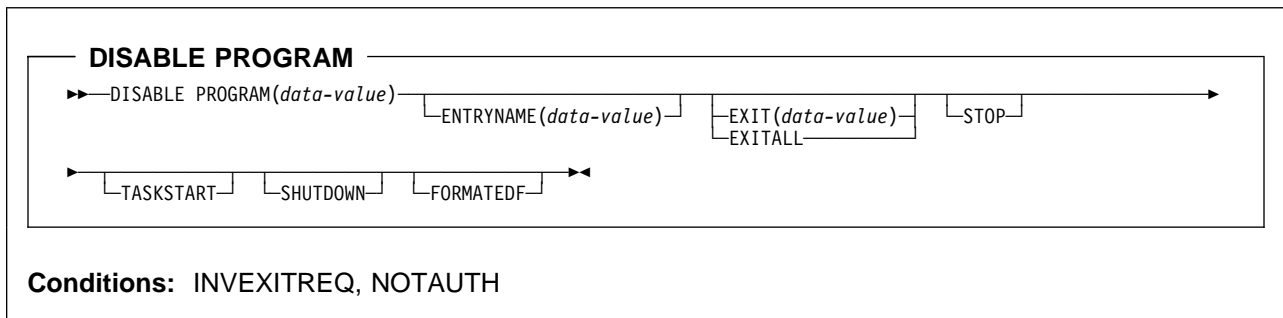
**CREATE TYPETERM**

▶▶ CREATE TYPETERM(*data-value*)—ATTRIBUTES(*data-value*)—ATTRLEN(*data-value*)—▶▶

**Conditions:** ILLOGIC, INVREQ, LENGERR, NOTAUTH



2



1

**Conditions:** INVEXITREQ, NOTAUTH

## DISCARD AUTINSTMODEL

►►—DISCARD AUTINSTMODEL(*data-value*)—►◄

**Conditions:** INVREQ, MODELIDERR, NOTAUTH

## DISCARD FILE

►►—DISCARD FILE(*filename*)—►◄

**Conditions:** FILENOTFOUND, INVREQ, NOTAUTH

## DISCARD PARTNER

►►—DISCARD PARTNER(*data-value*)—►◄

**Conditions:** INVREQ, NOTAUTH, PARTNERIDERR

## DISCARD PROFILE

►►—DISCARD PROFILE(*data-value*)—►◄

**Conditions:** INVREQ, NOTAUTH, PROFILEIDERR

## DISCARD PROGRAM

►►—DISCARD PROGRAM(*data-value*)—►◄

**Conditions:** INVREQ, NOTAUTH, PGMIDERR

## DISCARD TRANCLASS

►►—DISCARD TRANCLASS(*data-value*)—►◄

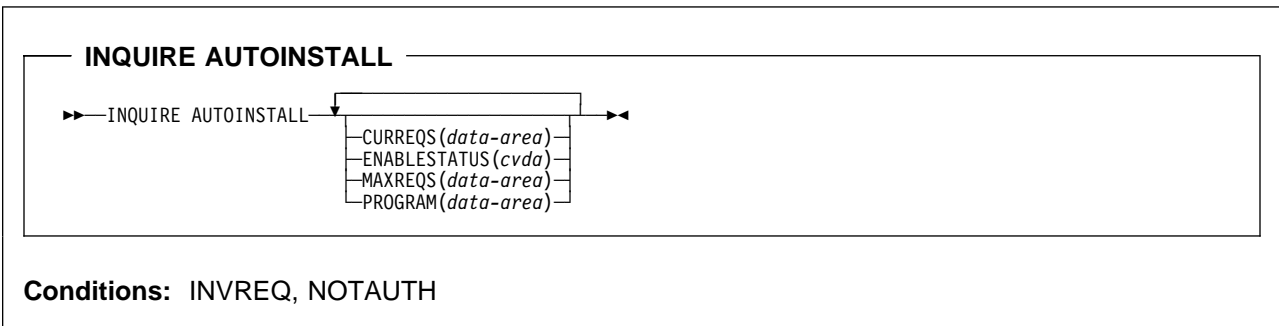
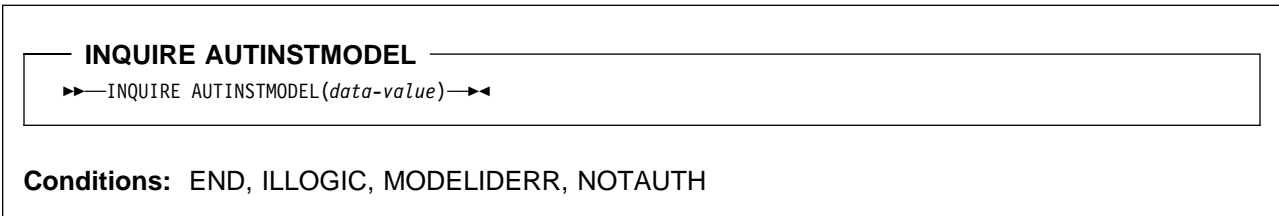
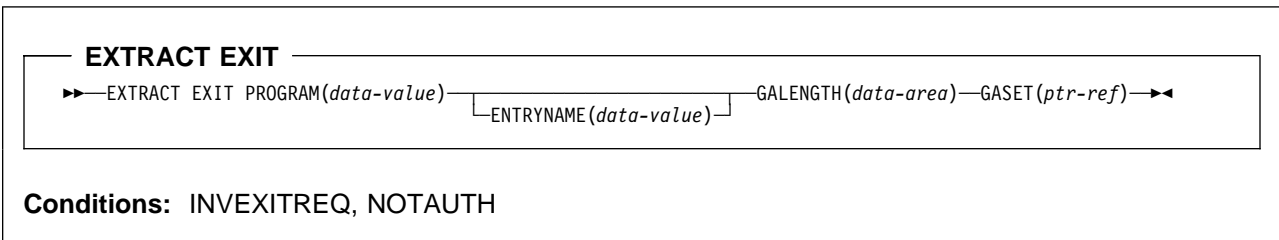
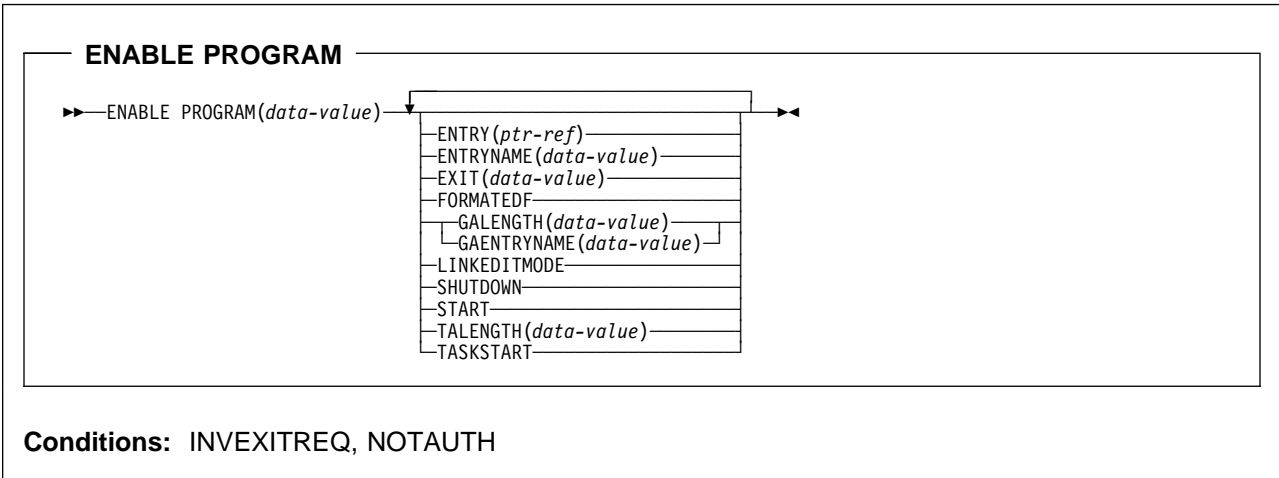
**Conditions:** INVREQ, NOTAUTH, TCIDERR

## DISCARD TRANSACTION

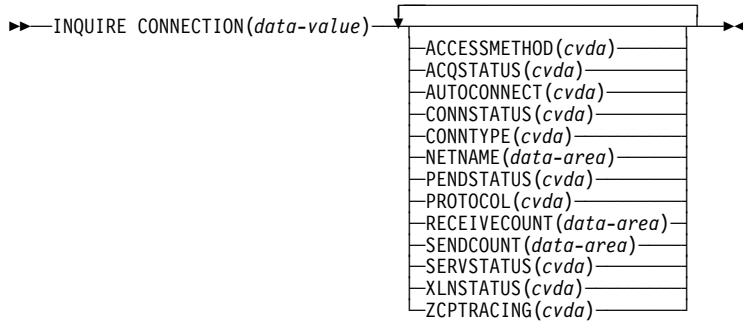
►►—DISCARD TRANSACTION(*data-value*)—►◄

**Conditions:** INVREQ, NOTAUTH, TRANSIDERR

1  
1  
1  
1



**INQUIRE CONNECTION**

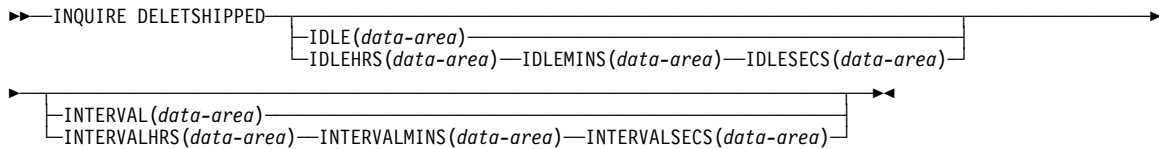


1

1

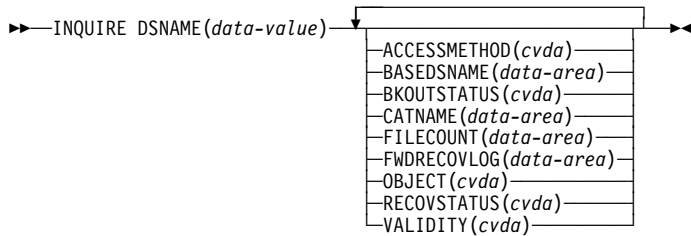
**Conditions:** END, ILLOGIC, NOTAUTH, SYSIDERR

**INQUIRE DELETSHIPED**



**Conditions:** NOTAUTH

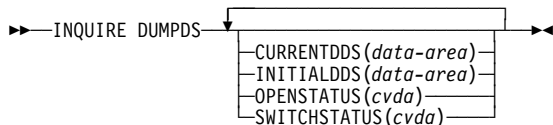
**INQUIRE DSNAME**



4

**Conditions:** DSNNOTFOUND, END, ILLOGIC, NOTAUTH

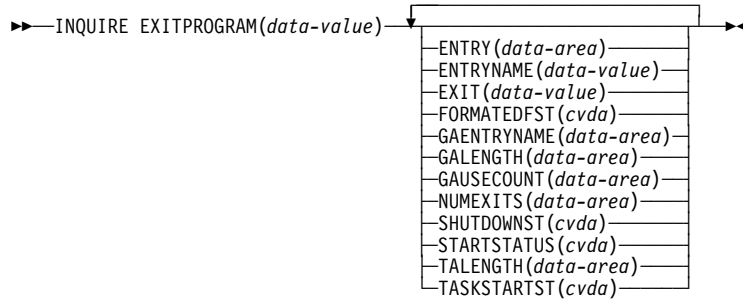
**INQUIRE DUMPDS**



1

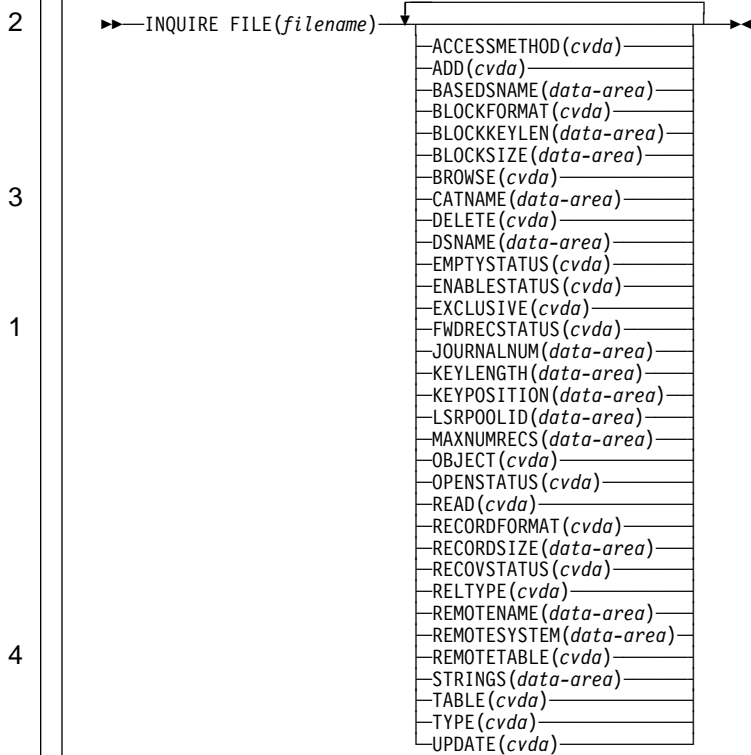
**Conditions:** NOTAUTH

**INQUIRE EXITPROGRAM**



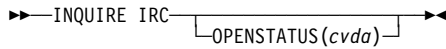
**Conditions:** END, ILLOGIC, INVREQ, NOTAUTH, PGMIDERR

**INQUIRE FILE**



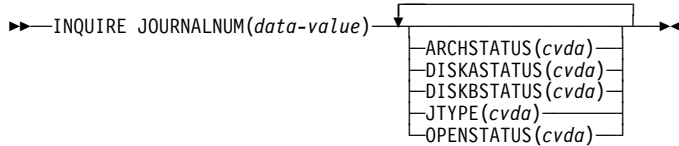
**Conditions:** END, FILENOTFOUND, ILLOGIC, NOTAUTH

**INQUIRE IRC**



**Conditions:** NOTAUTH

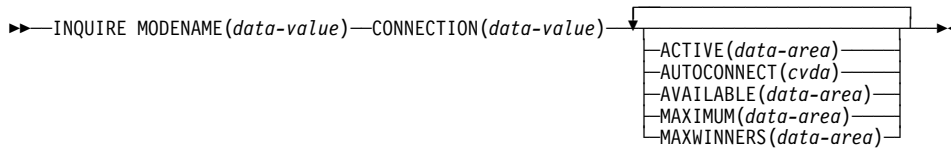
**INQUIRE JOURNALNUM**



1  
2  
2  
2

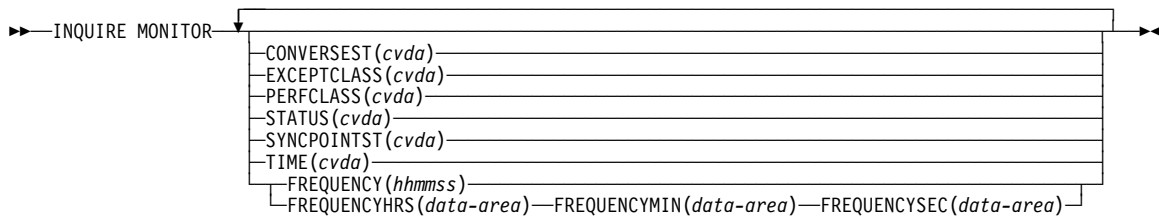
**Conditions:** END, ILLOGIC, IOERR, JIDERR, NOTAUTH

**INQUIRE MODENAME**



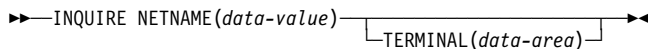
**Conditions:** END, ILLOGIC, NOTAUTH, SYSIDERR

**INQUIRE MONITOR**



**Conditions:** NOTAUTH

**INQUIRE NETNAME**



**Conditions:** NOTAUTH, TERMIDERR



**INQUIRE PARTNER**

▶▶—INQUIRE PARTNER(*data-value*)—▶▶

—NETNAME ( <i>data-area</i> )—
—NETWORK ( <i>data-area</i> )—
—PROFILE ( <i>data-area</i> )—
—TPNAME ( <i>data-area</i> )—
—TPNAMELEN ( <i>data-area</i> )—

**Conditions:** END, ILLOGIC, NOTAUTH, PARTNERIDERR

**INQUIRE PROFILE**

▶▶—INQUIRE PROFILE(*data-value*)—▶▶

**Conditions:** END, ILLOGIC, NOTAUTH, PROFILEIDERR

**INQUIRE PROGRAM**

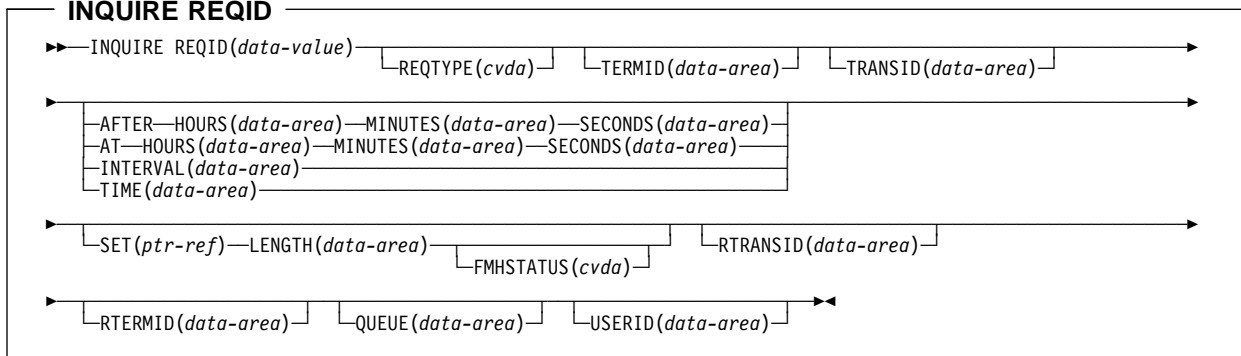
▶▶—INQUIRE PROGRAM(*data-value*)—▶▶

—CEDFSTATUS ( <i>cvda</i> )—
—COBOLTYPE ( <i>cvda</i> )—
—COPY ( <i>cvda</i> )—
—DATALLOCATION ( <i>cvda</i> )—
—ENTRYPOINT ( <i>ptr-ref</i> )—
—EXECKEY ( <i>cvda</i> )—
—EXECUTIONSET ( <i>cvda</i> )—
—HOLDSTATUS ( <i>cvda</i> )—
—LANGDEDUCED ( <i>cvda</i> )—
—LANGUAGE ( <i>cvda</i> )—
—LENGTH ( <i>data-area</i> )—
—LOADPOINT ( <i>ptr-ref</i> )—
—PROGTYPE ( <i>cvda</i> )—
—REMOTENAME ( <i>data-area</i> )—
—REMOTESYSTEM ( <i>data-area</i> )—
—RESCOUNT ( <i>data-area</i> )—
—SHARESTATUS ( <i>cvda</i> )—
—STATUS ( <i>cvda</i> )—
—SVASTATUS ( <i>cvda</i> )—
—TRANSID ( <i>data-area</i> )—
—USECOUNT ( <i>data-area</i> )—

1  
1  
1  
1  
1  
2  
1

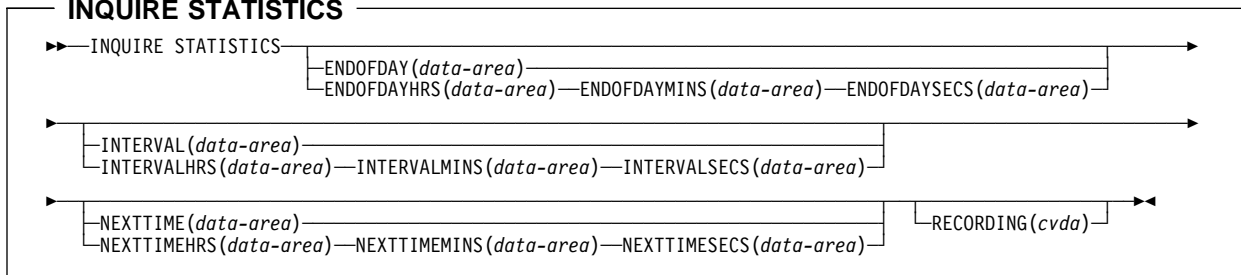
**Conditions:** END, ILLOGIC, NOTAUTH, PGMIDERR

**INQUIRE REQID**



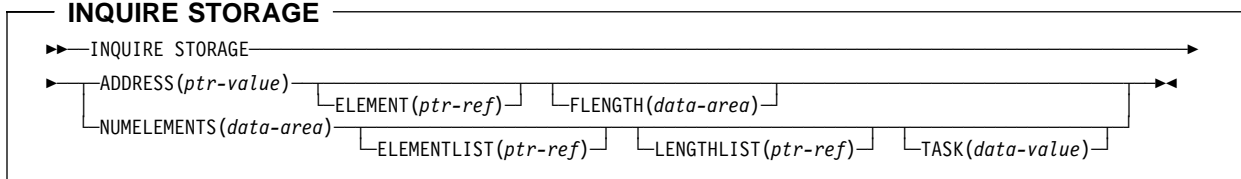
**Conditions:** INVREQ, NOTAUTH, NOTFND

**INQUIRE STATISTICS**



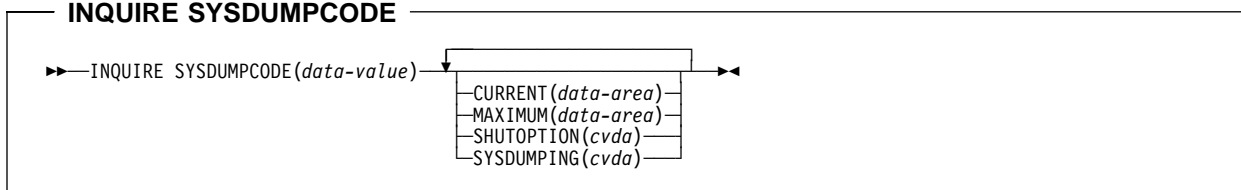
**Conditions:** NOTAUTH

**INQUIRE STORAGE**

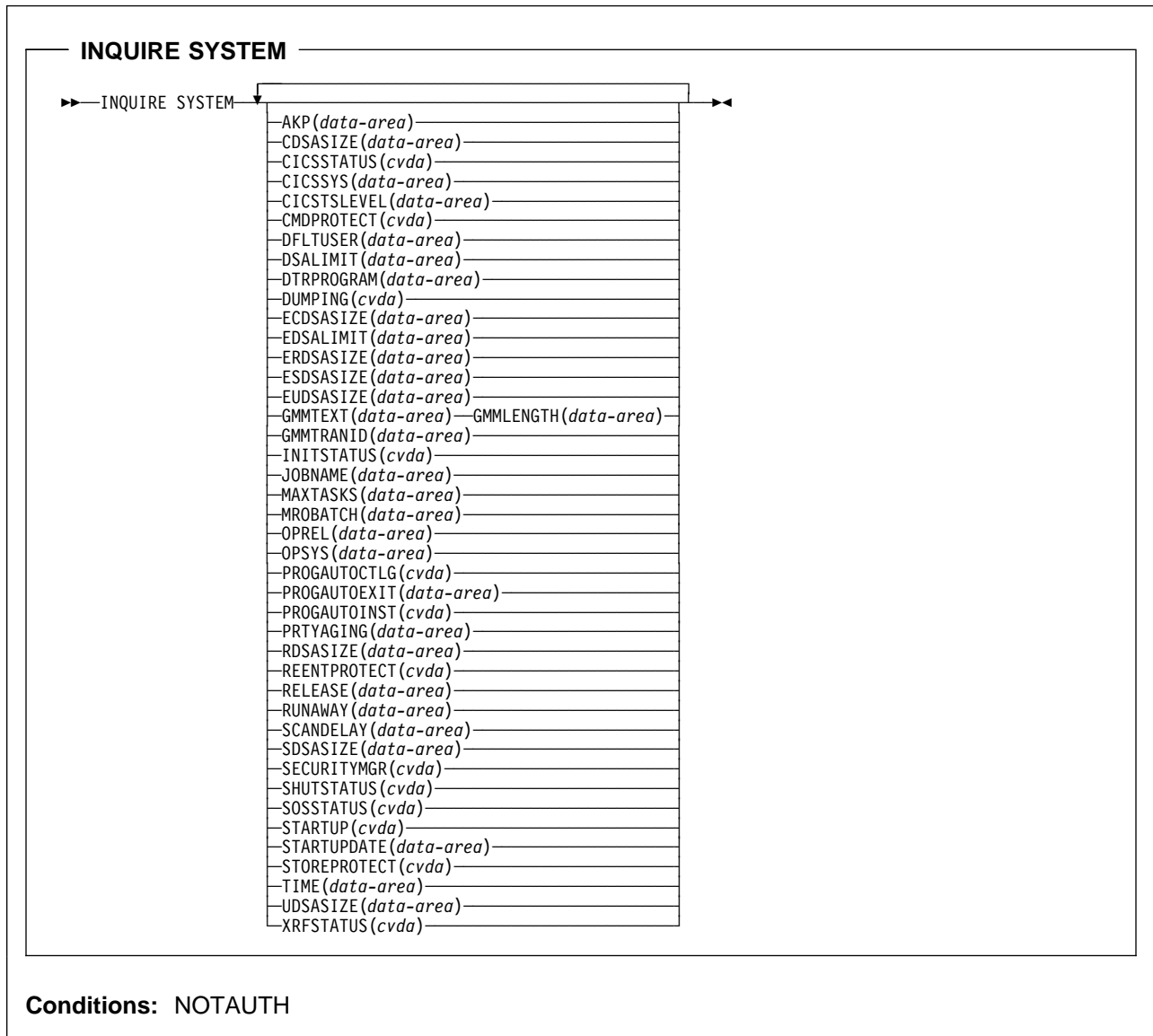


**Conditions:** NOTAUTH, TASKIDERR

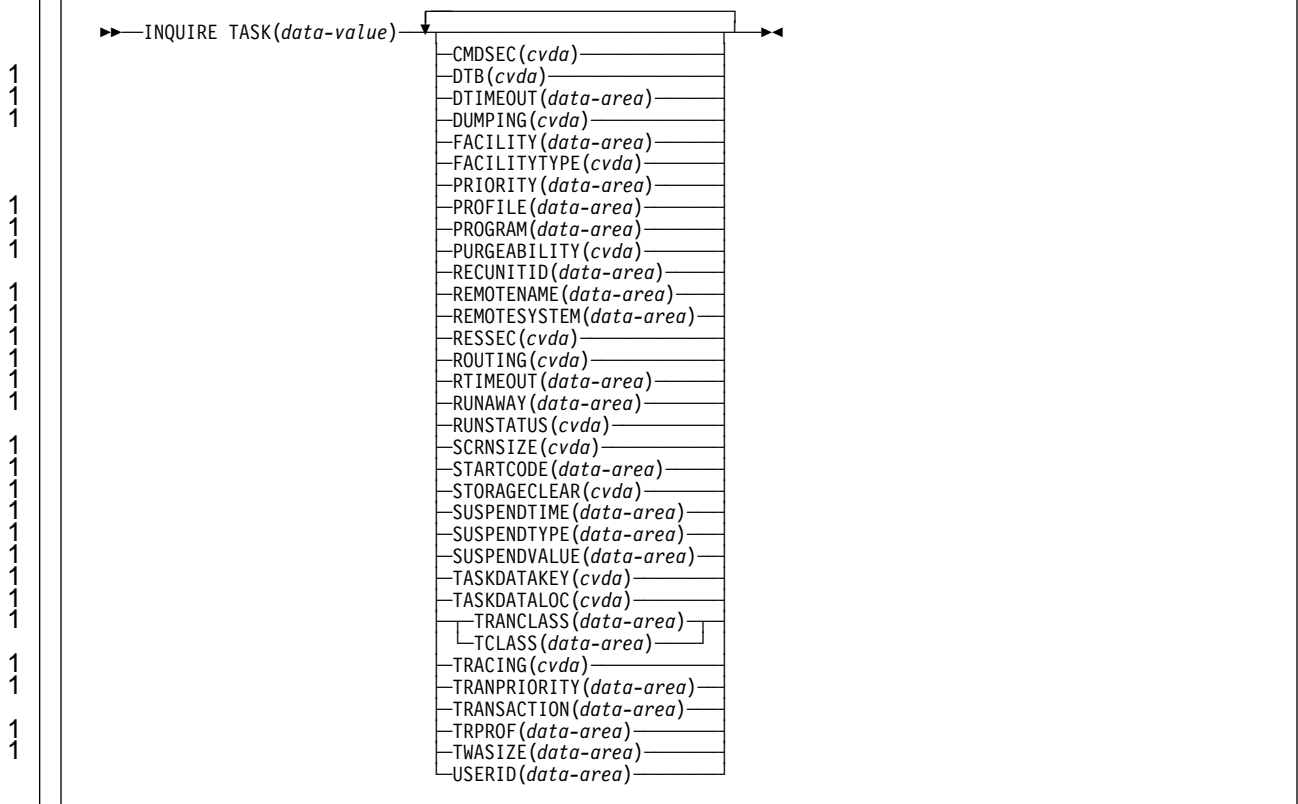
**INQUIRE SYSDUMPCODE**



**Conditions:** END, ILLOGIC, NOTAUTH, NOTFND

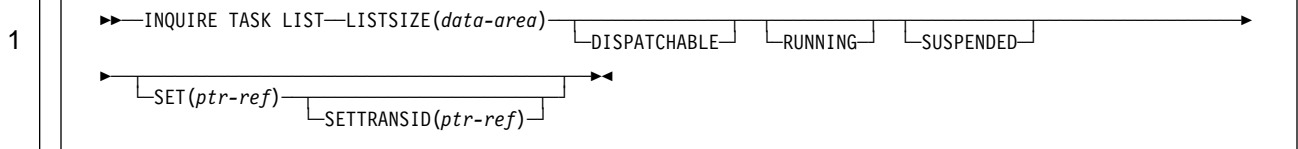


**INQUIRE TASK**



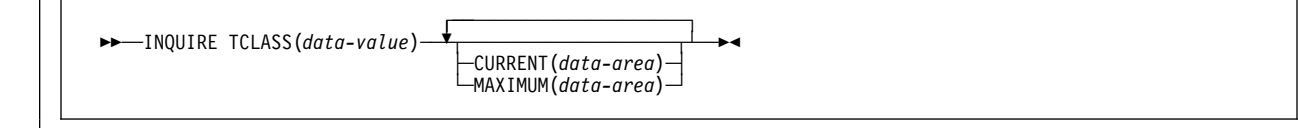
**Conditions:** INVREQ, NOTAUTH, TASKIDERR

**INQUIRE TASK LIST**



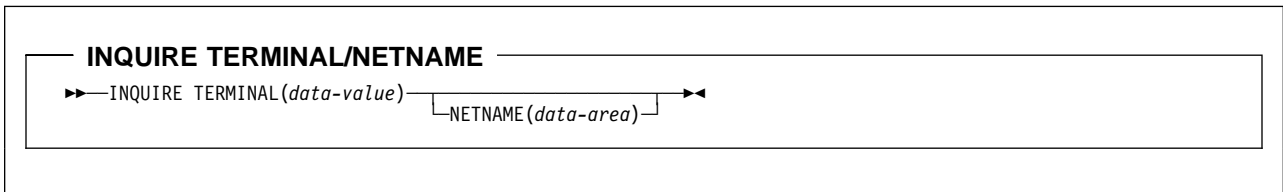
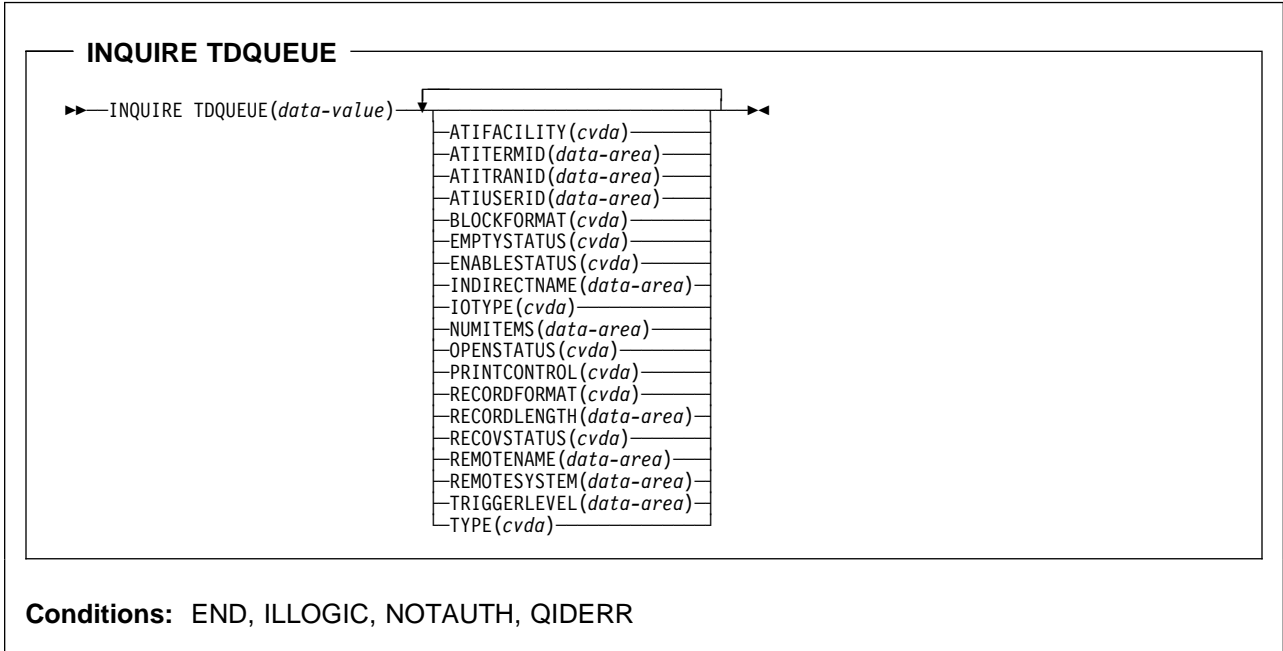
**Conditions:** NOTAUTH

**INQUIRE TCLASS**



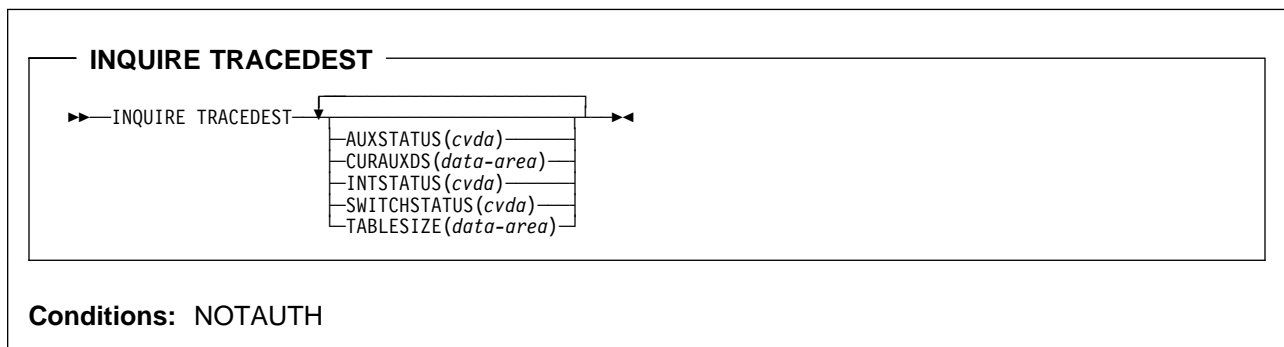
**Conditions:** NOTAUTH, TCIDERR

1

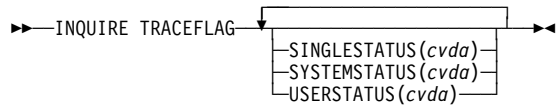


## INQUIRE TERMINAL

- ACCESSMETHOD (*cvda*) —
- ACQSTATUS (*cvda*) —
- ALTPAGEHT (*data-area*) —
- ALTPAGEWD (*data-area*) —
- ALTPRINTER (*data-area*) —
- ALTPRTCOPYST (*cvda*) —
- ALTSCRNHT (*data-area*) —
- ALTSCRNWD (*data-area*) —
- ALTSUFFIX (*data-area*) —
- APLKYBDST (*cvda*) —
- APLTEXTST (*cvda*) —
- ASCII (*cvda*) —
- ATISTATUS (*cvda*) —
- AUDALARMST (*cvda*) —
- AUTOCONNECT (*cvda*) —
- BACKTRANSST (*cvda*) —
- COLORST (*cvda*) —
- COPYST (*cvda*) —
- CREATESESS (*cvda*) —
- DATASTREAM (*cvda*) —
- DEFPAGEHT (*data-area*) —
- DEFPAGEWD (*data-area*) —
- DEFSCRNHT (*data-area*) —
- DEFSCRNWD (*data-area*) —
- DEVICE (*cvda*) —
- DISCREQST (*cvda*) —
- DUALCASEST (*cvda*) —
- EXTENDEDSSST (*cvda*) —
- FMHPARMST (*cvda*) —
- FORMFEEDST (*cvda*) —
- GCHARS (*data-area*) —
- GCODES (*data-area*) —
- HFORMST (*cvda*) —
- HILIGHTST (*cvda*) —



**INQUIRE TRACEFLAG**



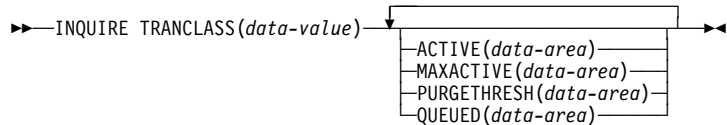
**Conditions:** NOTAUTH

**INQUIRE TRACETYPE**



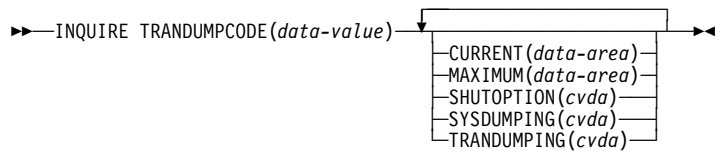
**Conditions:** NOTAUTH, NOTFND

**INQUIRE TRANCLASS**



**Conditions:** INVREQ, NOTAUTH, TCIDERR

**INQUIRE TRANDUMPCODE**



**Conditions:** END, ILLOGIC, NOTAUTH, NOTFND





**PERFORM DELETSHIPED**

▶▶—PERFORM DELETSHIPED—◀◀

**Conditions:** NOTAUTH

**PERFORM DUMP**

▶▶—PERFORM DUMP DUMPCODE(*data-value*)—TITLE(*data-value*)—TITLELENGTH(*data-value*)—  
 CALLER(*data-value*)—CALLERLENGTH(*data-value*)—DUMPID(*data-value*)—◀◀

**Conditions:** INVREQ, IOERR, NOSPACE, NOSTG, NOTAUTH, SUPPRESSED

**PERFORM RESETTIME**

▶▶—PERFORM RESETTIME—◀◀

**Conditions:** INVREQ, NOTAUTH

**PERFORM SECURITY REBUILD**

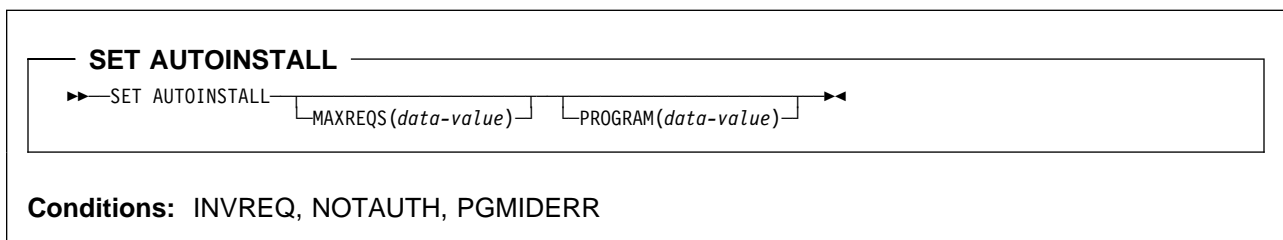
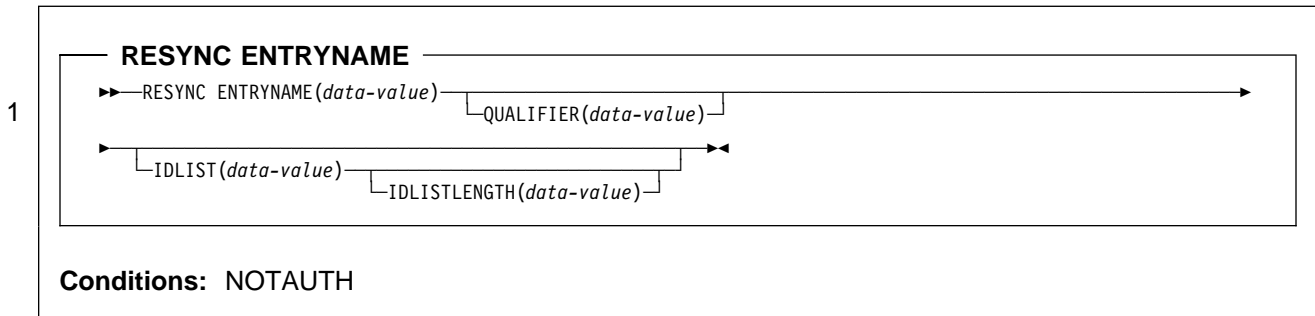
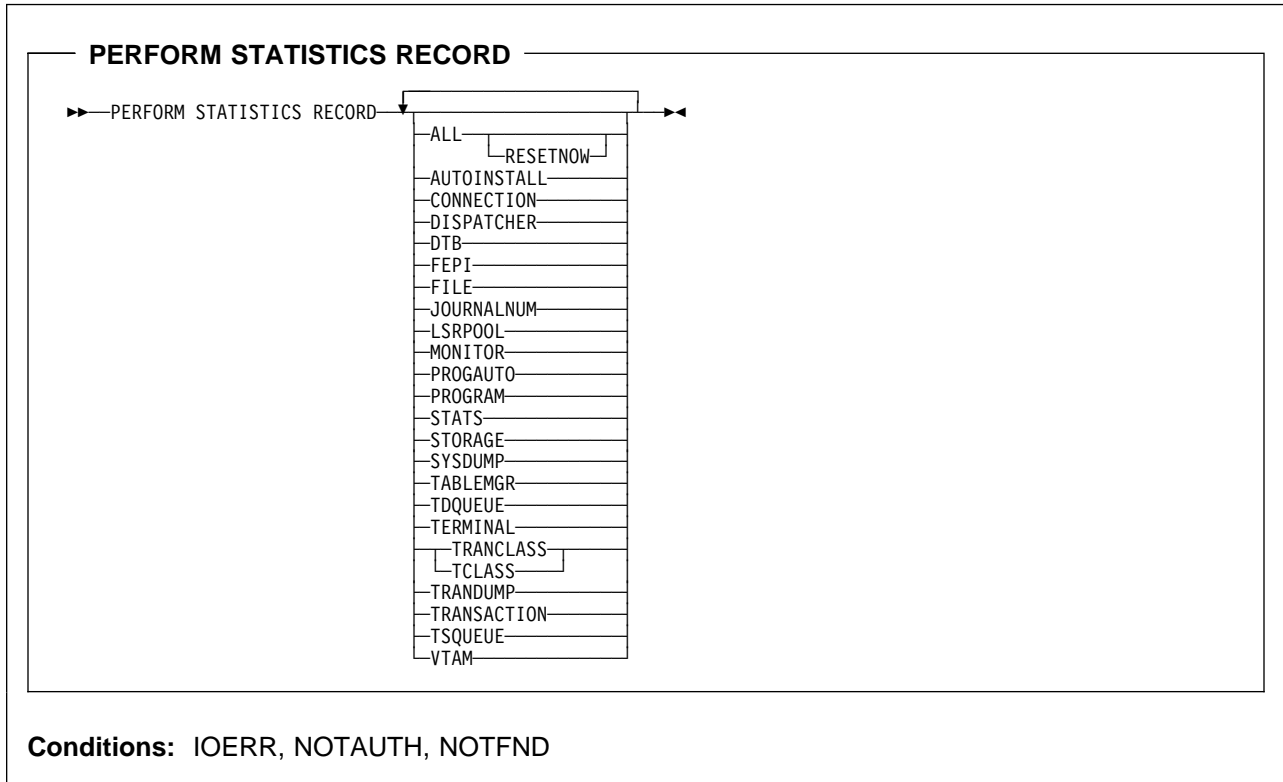
▶▶—PERFORM SECURITY REBUILD—ESMRESP(*data-area*)—◀◀

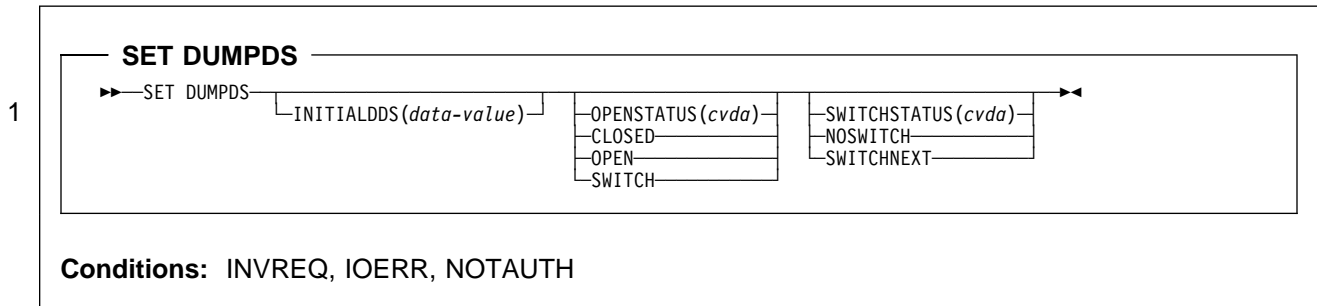
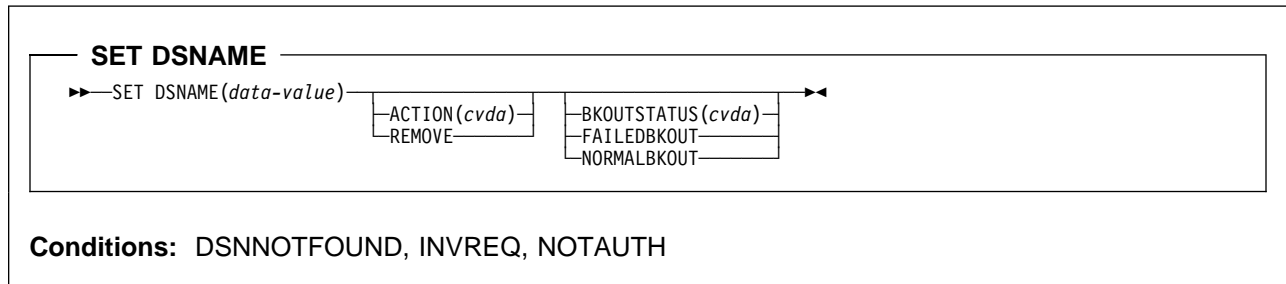
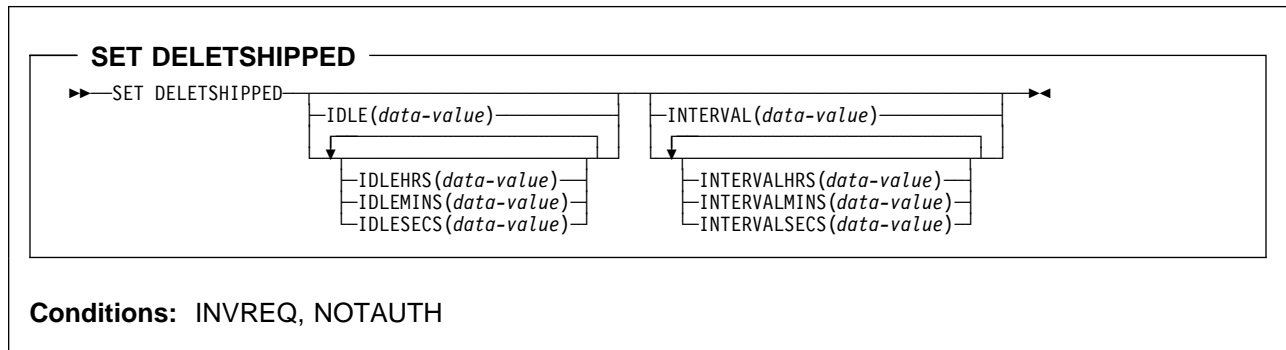
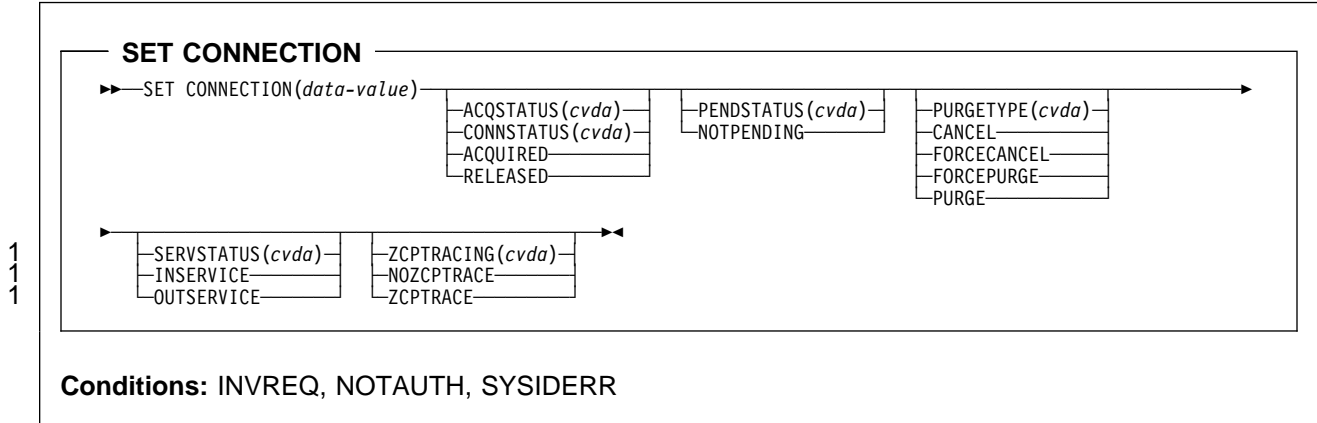
**Conditions:** INVREQ, IOERR, NOTAUTH, SYSBUSY

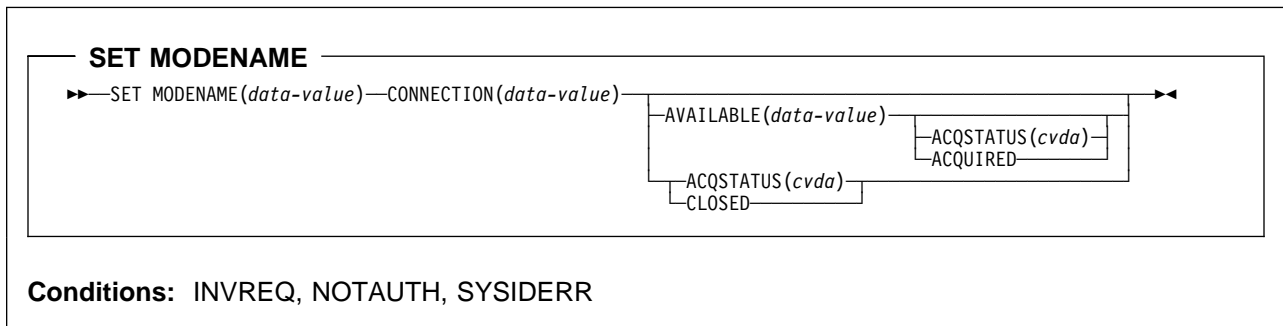
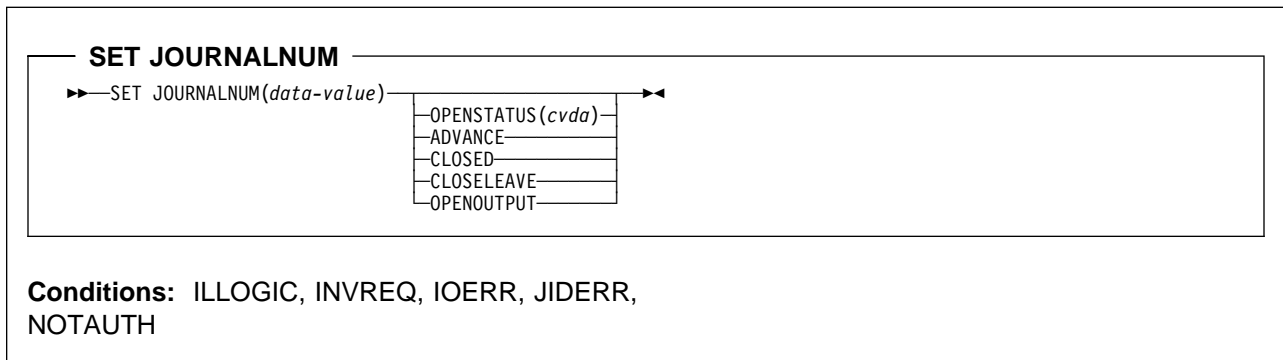
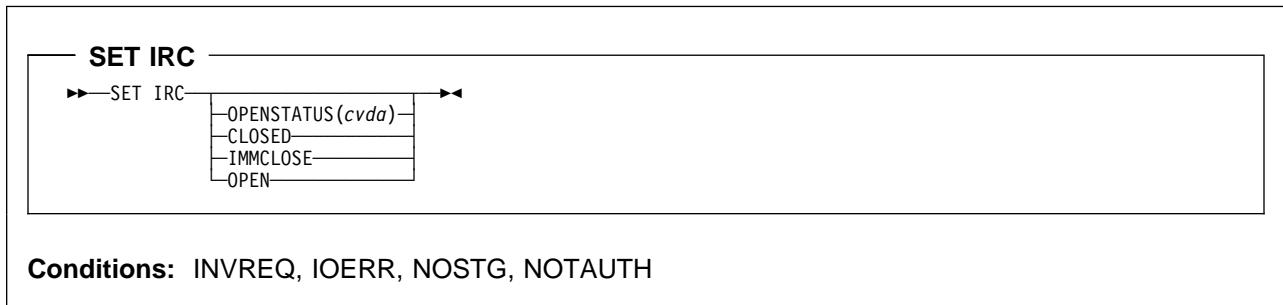
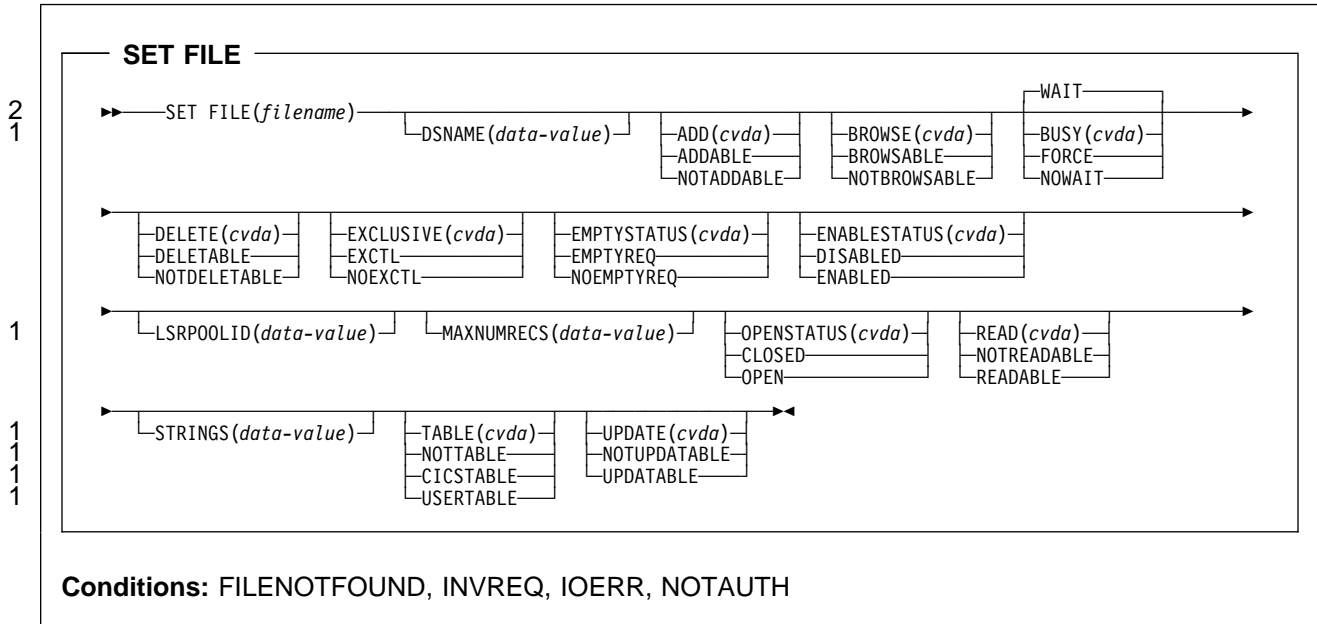
**PERFORM SHUTDOWN**

▶▶—PERFORM SHUTDOWN—DUMP—IMMEDIATE—  
 PLT(*data-value*)—XLT(*data-value*)—TAKEOVER—◀◀

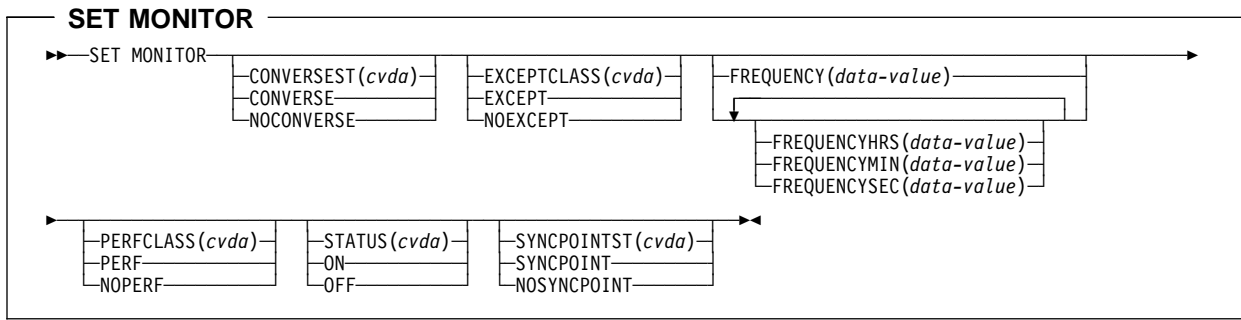
**Conditions:** INVREQ, IOERR, NOTAUTH





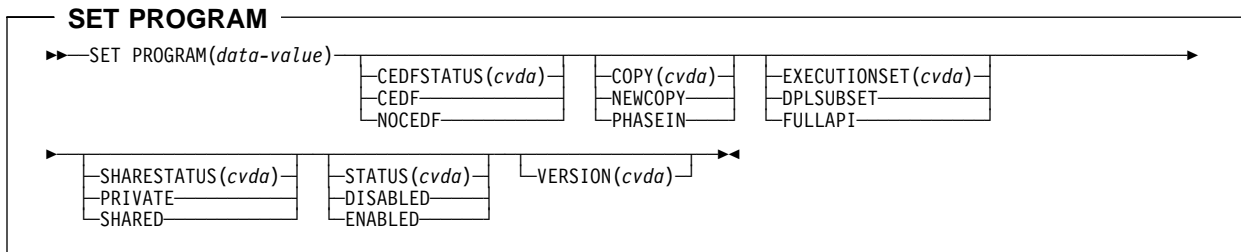


2  
2

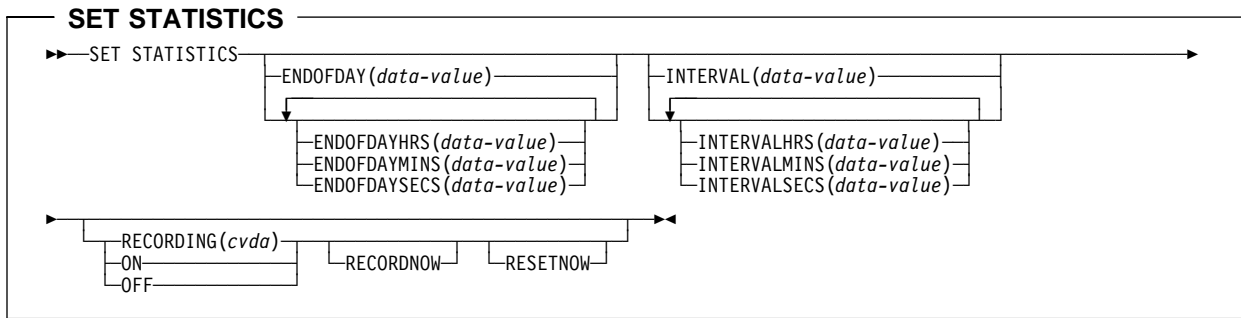


**Conditions:** INVREQ, NOTAUTH

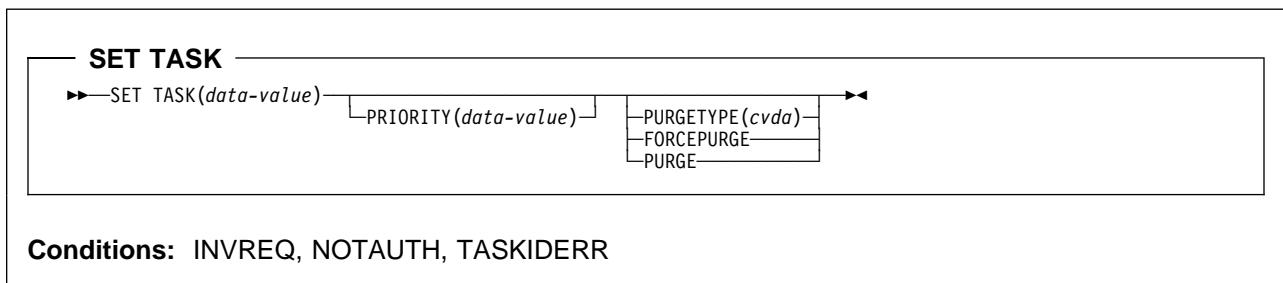
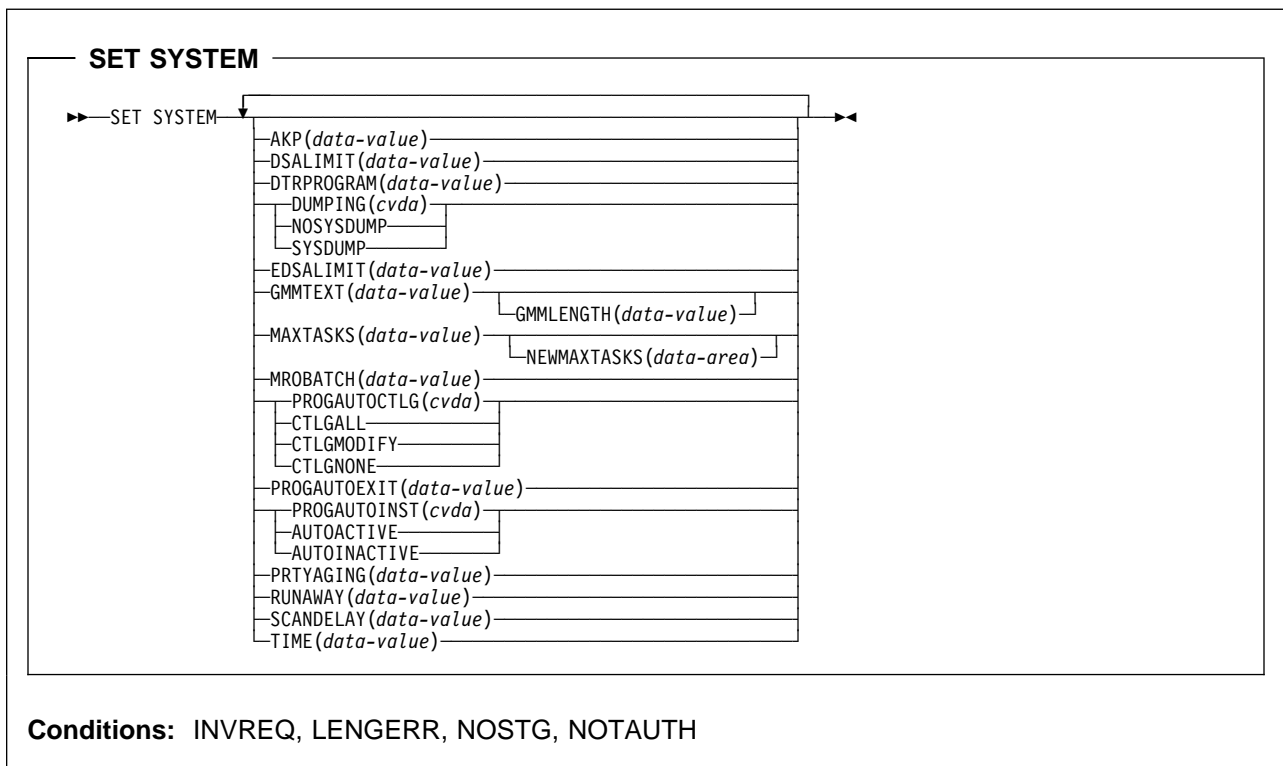
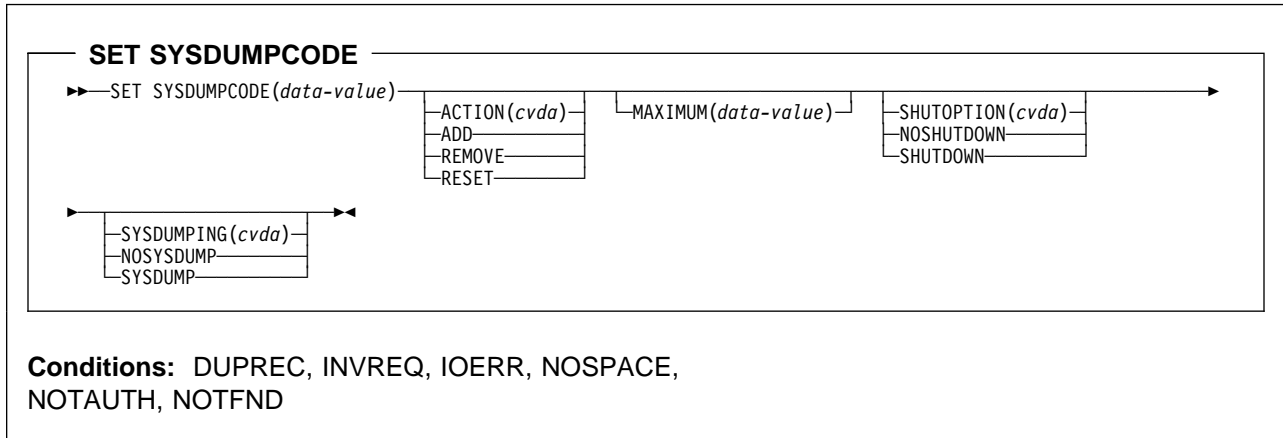
1  
1  
1  
  
1  
1  
1



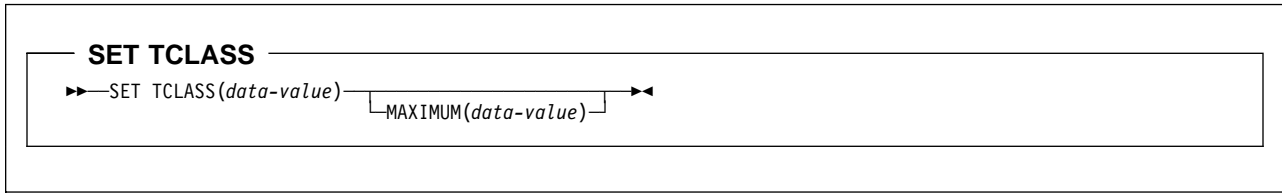
**Conditions:** INVREQ, IOERROR, NOTAUTH, PGMIDERR



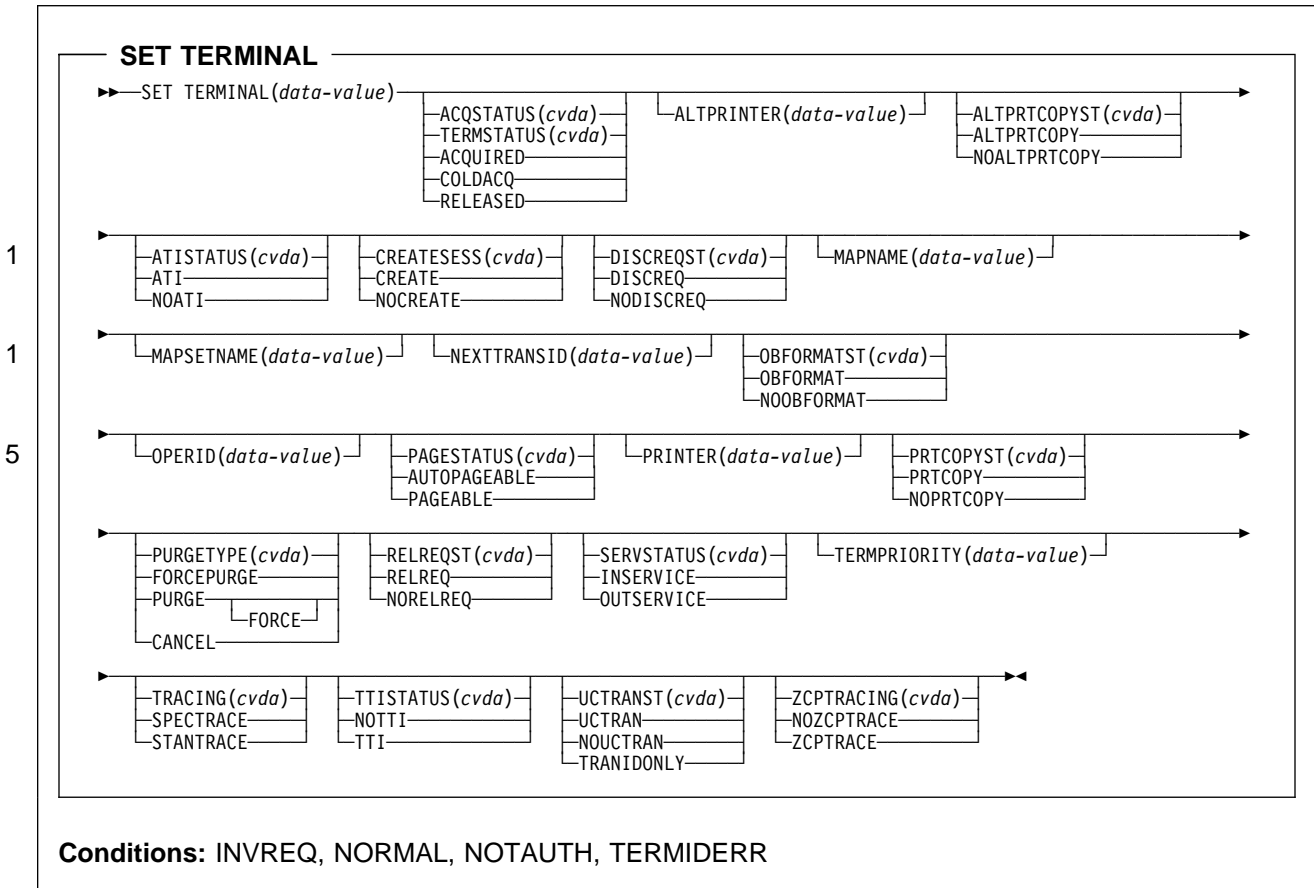
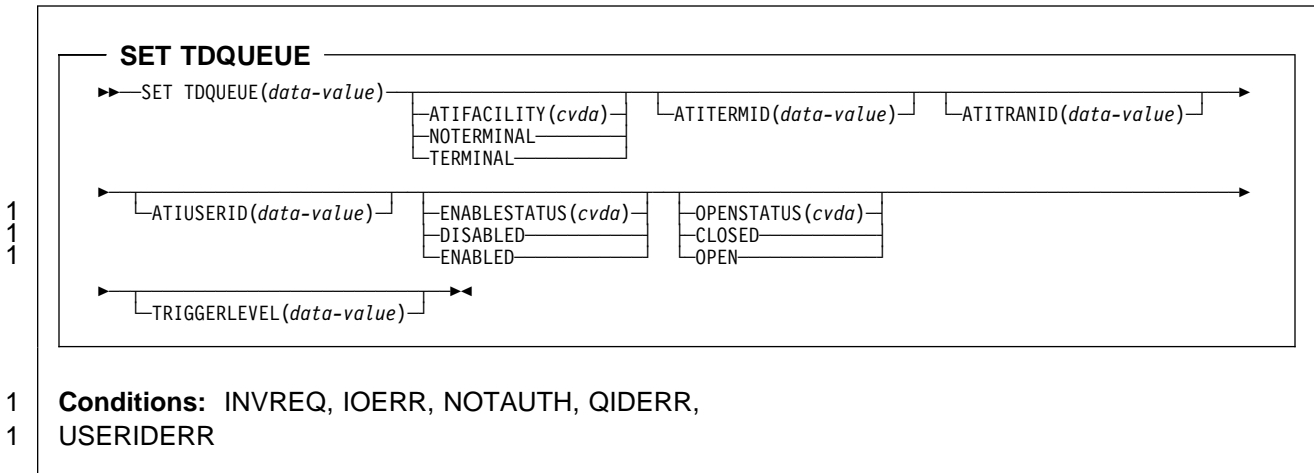
**Conditions:** INVREQ, NOTAUTH



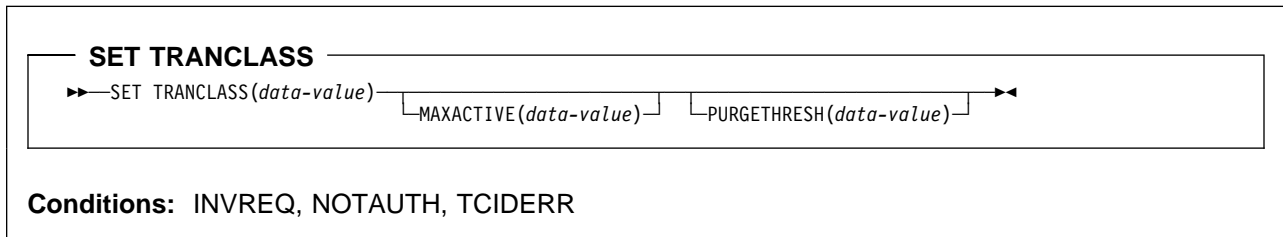
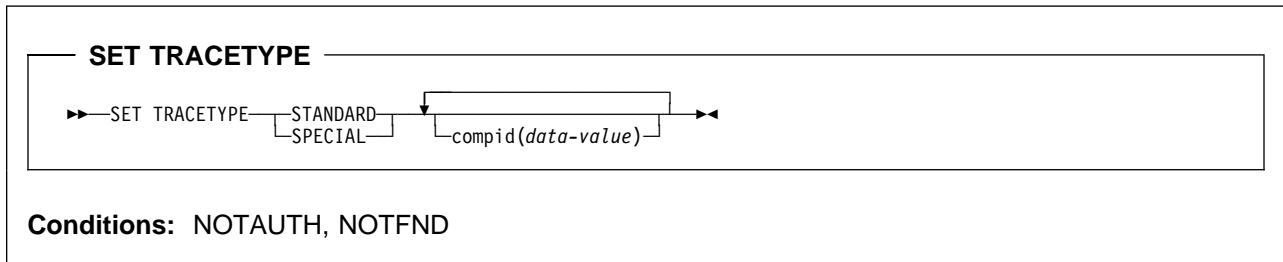
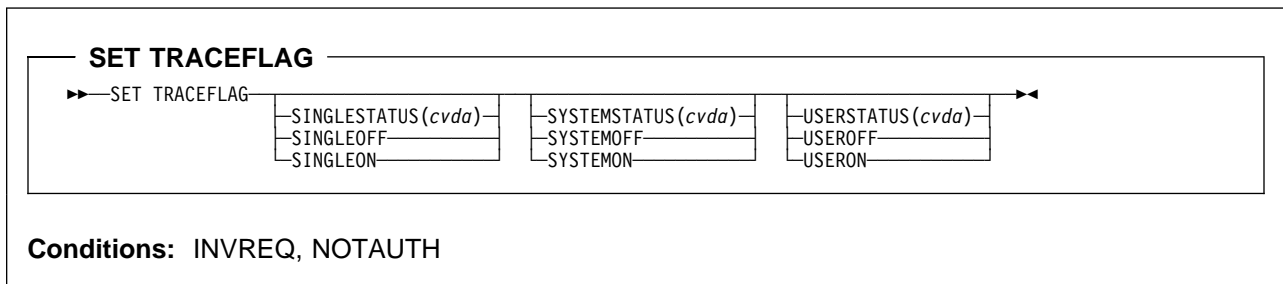
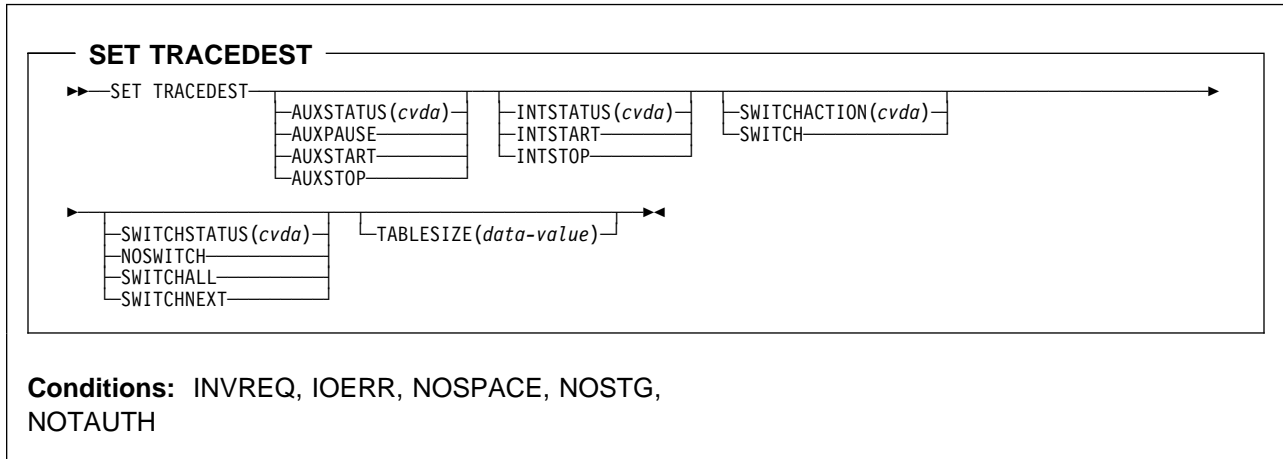
# System Programming

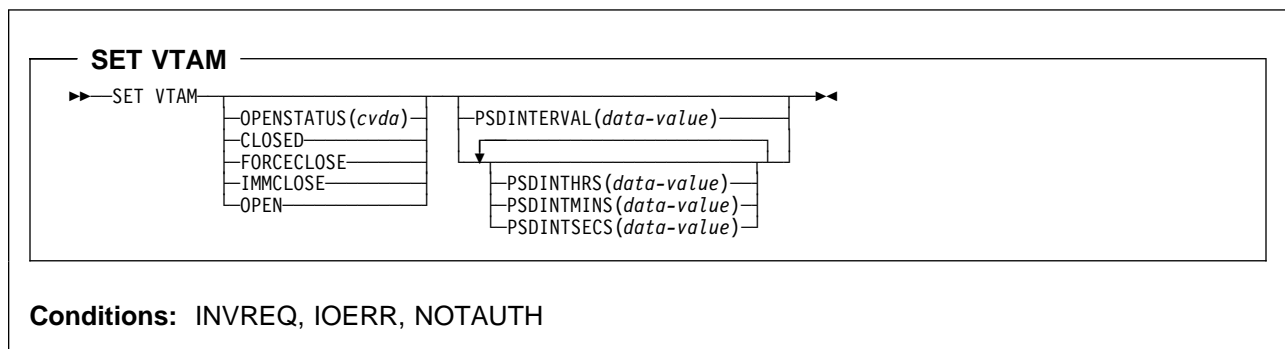
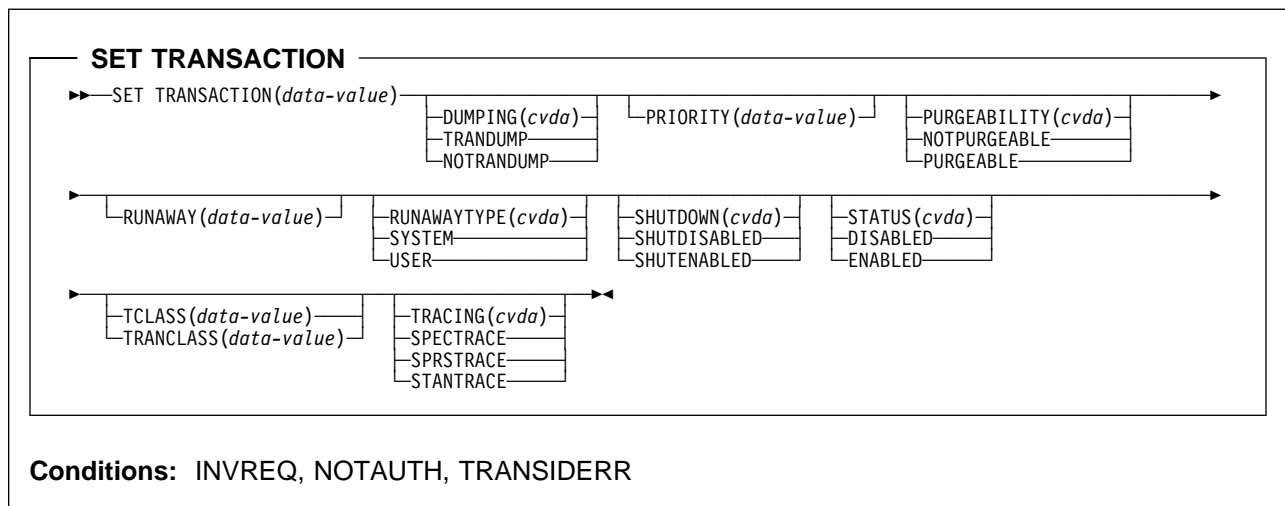
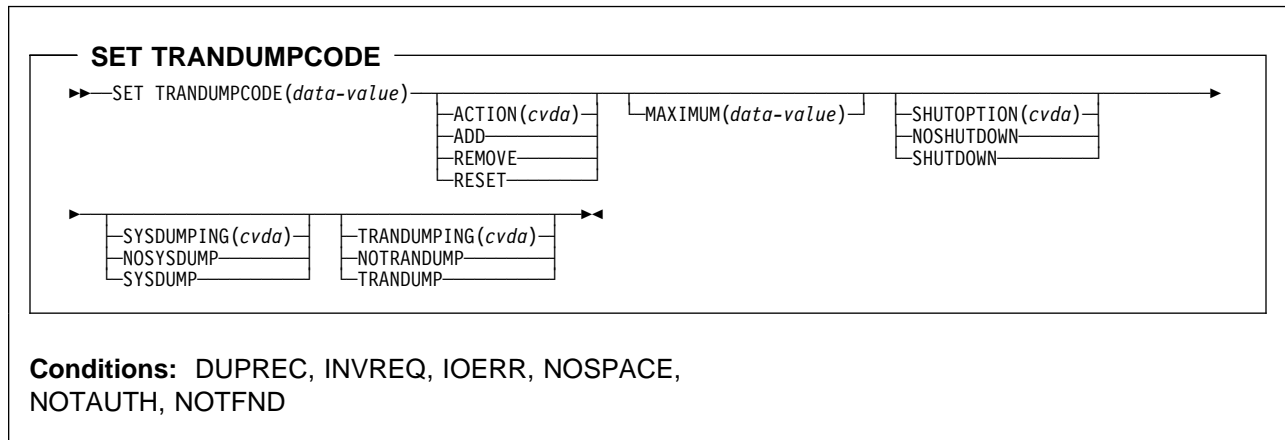


**Conditions:** INVREQ, NOTAUTH, TCIDERR









# Chapter 3. CICS-supplied transactions

Some CICS-supplied transactions are menu driven while others can be entered as a command. Menus are provided wherever the transaction name appears on its own in the syntax descriptions on the pages that follow.

**CEBT INQUIRE AUXTRACE**

▶▶—CEBT Inquire AUXtrace—◀◀

**CEBT INQUIRE DUMP**

▶▶—CEBT Inquire DUmP—◀◀

**CEBT INQUIRE INTTRACE**

▶▶—CEBT Inquire INttrace—◀◀

**CEBT INQUIRE SURVEILLANCE**

▶▶—CEBT Inquire SURveillance—◀◀

**CEBT INQUIRE TAKEOVER**

▶▶—CEBT Inquire Takeover—◀◀

**CEBT PERFORM SHUTDOWN**

▶▶—CEBT Perform SHUTdown—  
                                   └Dump┐   └Immediate┐▶▶

**CEBT PERFORM SNAP**

▶▶—CEBT Perform SNAp—◀◀

**CEBT PERFORM TAKEOVER**

▶▶—CEBT Perform Takeover—  
                                   └Dump┐▶▶

**CEBT SET AUXTRACE**

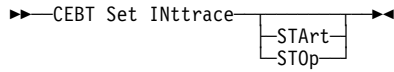
▶▶—CEBT Set AUXtrace—  
                                   ┌STArt┐   ┌NOswitch┐   └Switch┐▶▶  
                                   └Pause┐   └NExt┐   ┌         ┐  
                                   └STOp┐   └All┐    ┌         ┐

**CEBT SET DUMP**

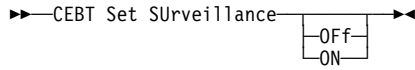
▶▶—CEBT Set DUmP—  
                                   ┌Open┐   ┌Autoswitch┐▶▶  
                                   └CLosed┐   └Noautoswitch┐  
                                   └Switch┐

# CICS-supplied transactions

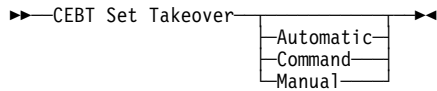
## CEBT SET INTRTRACE



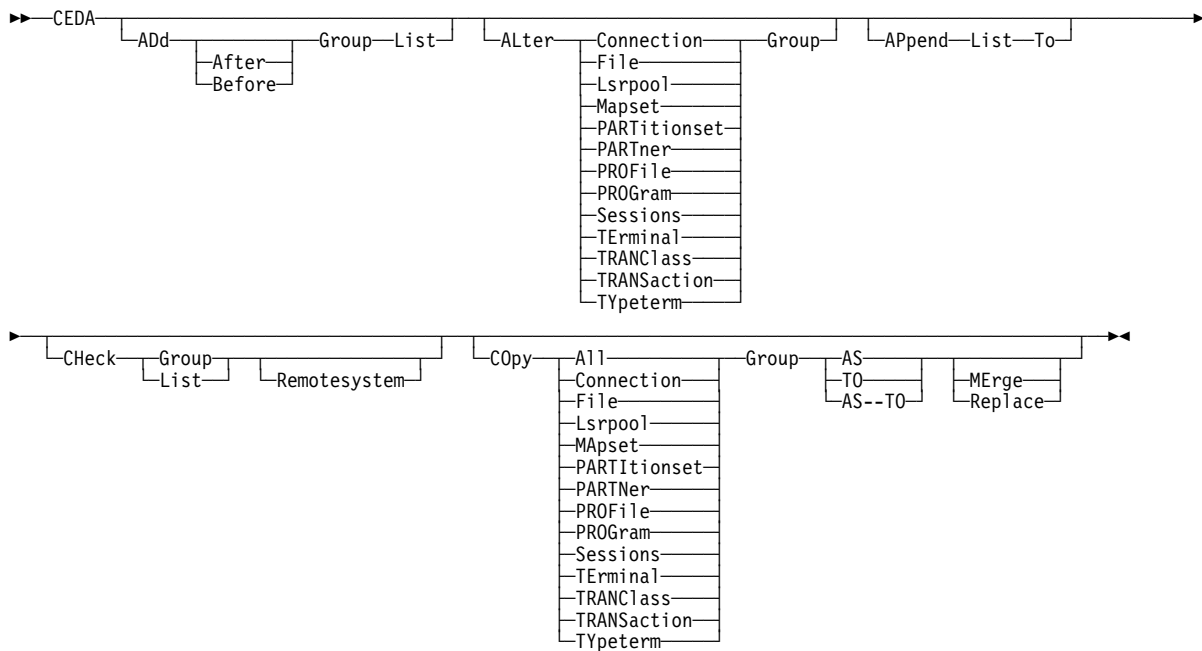
## CEBT SET SURVEILLANCE



## CEBT SET TAKEOVER

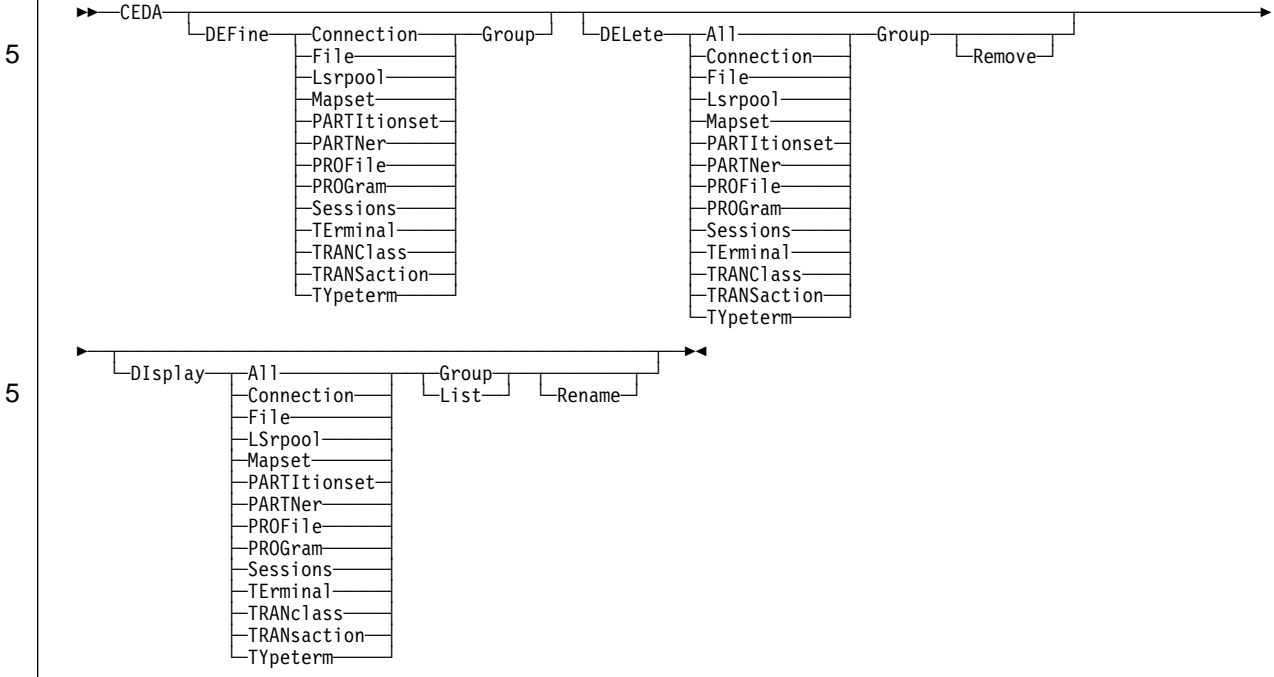


## CEDA ADD

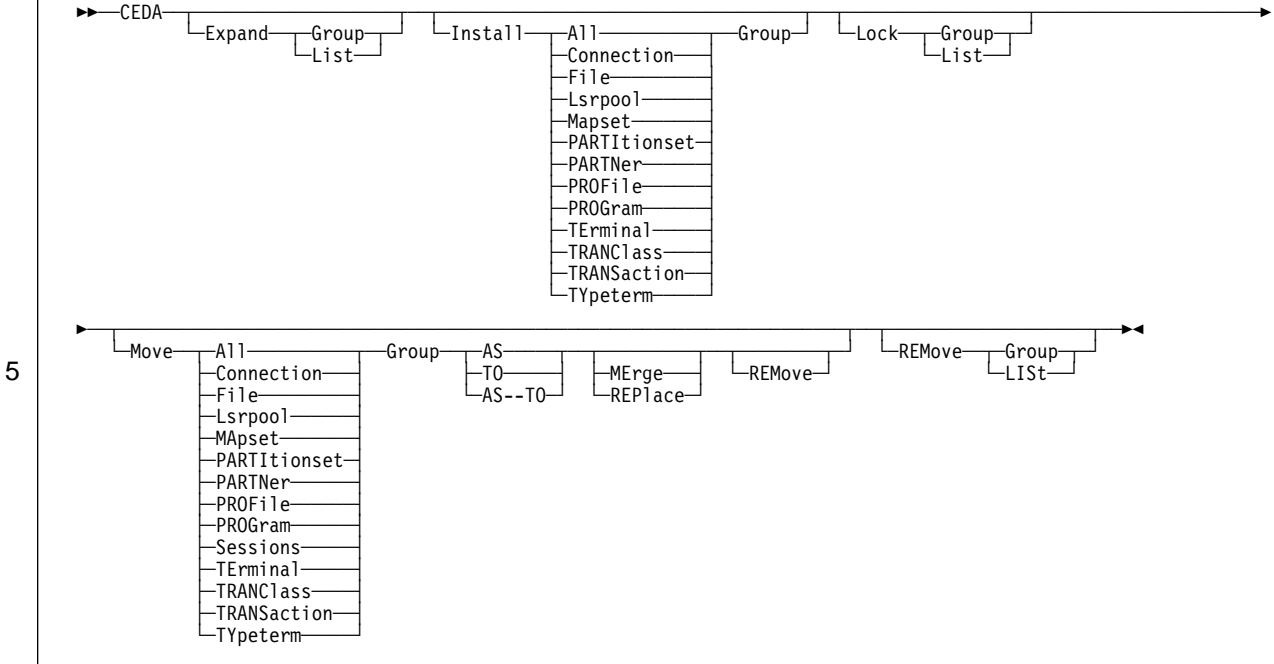


55

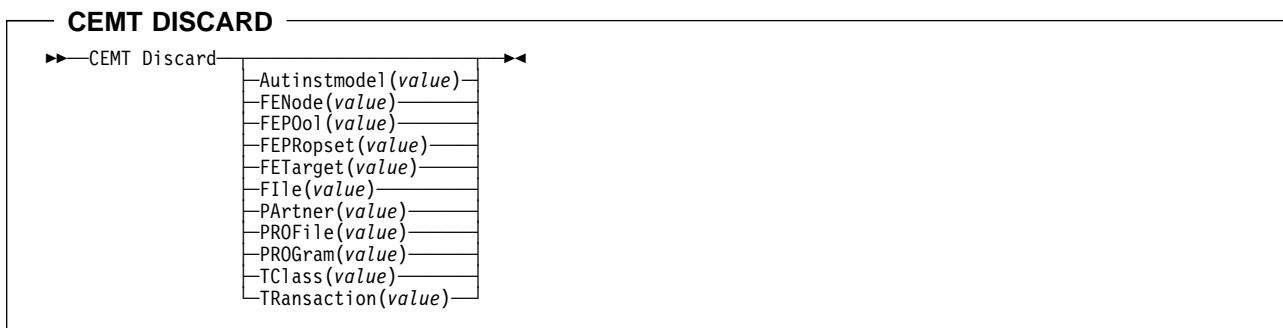
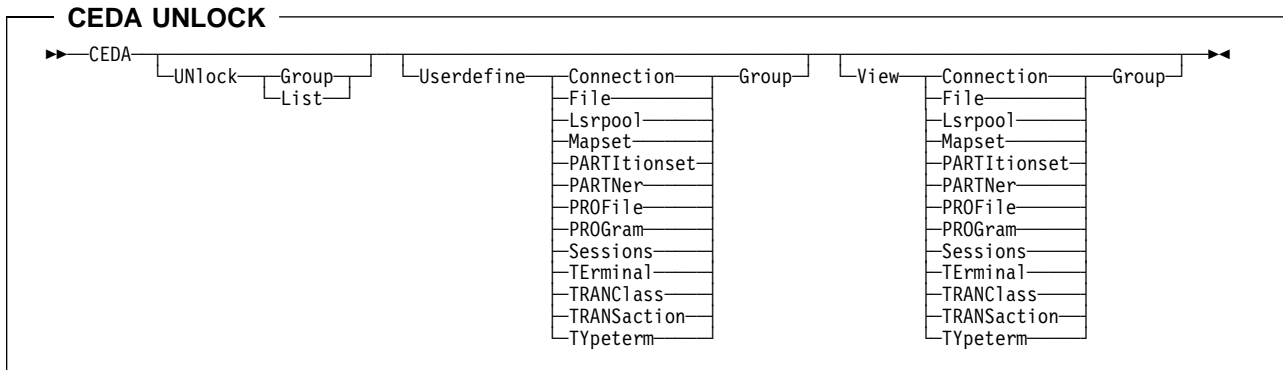
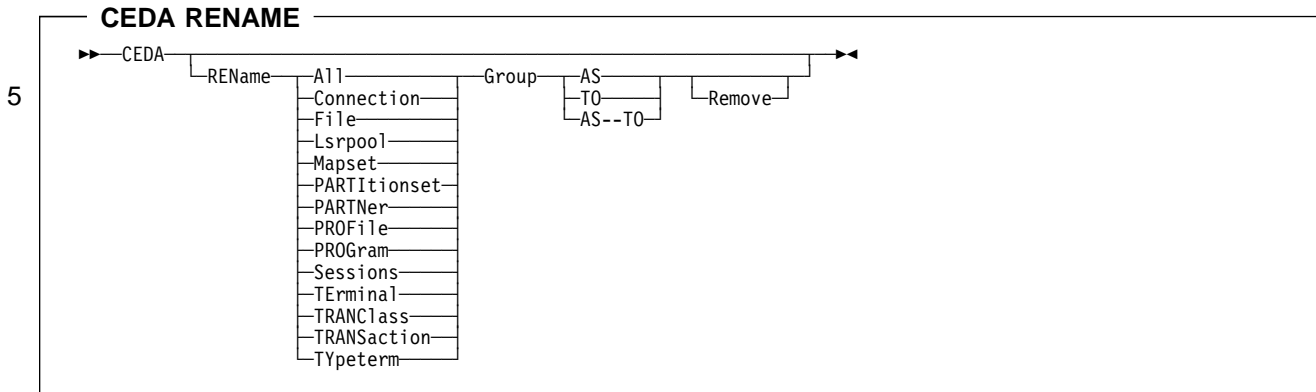
**CEDA DEFINE**

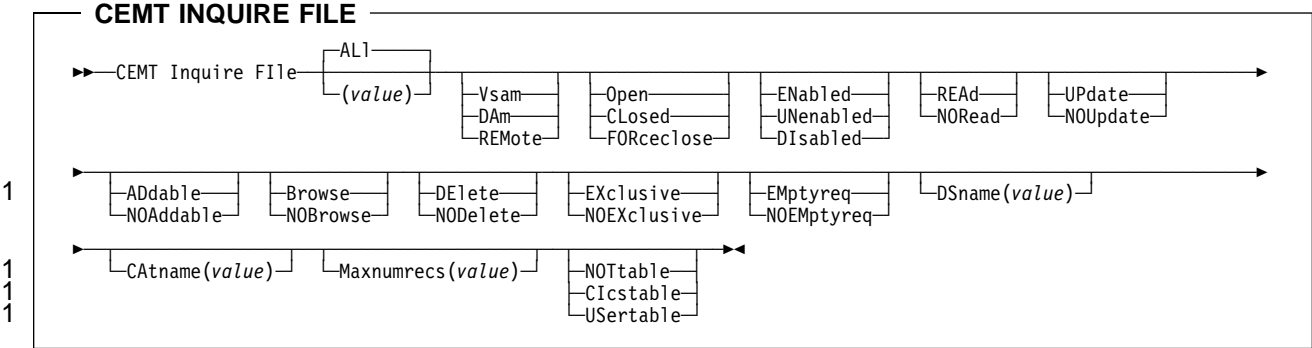
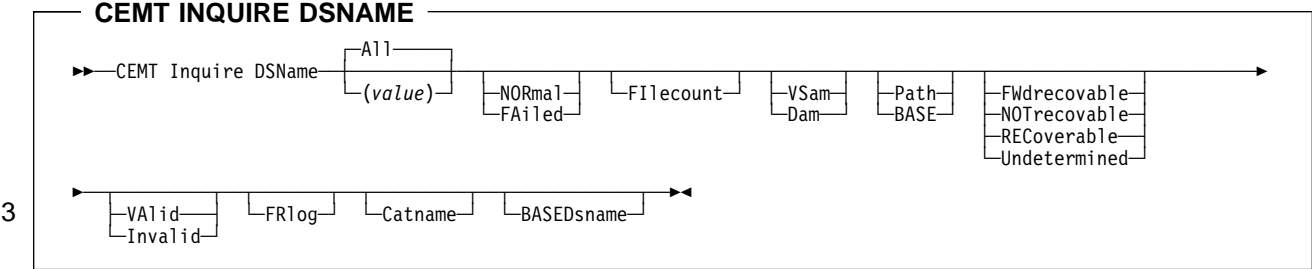
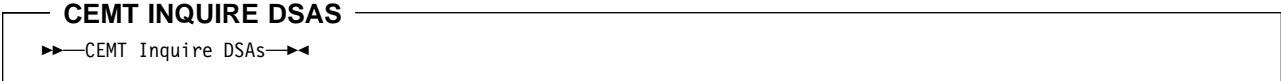
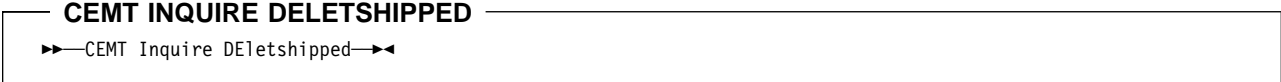
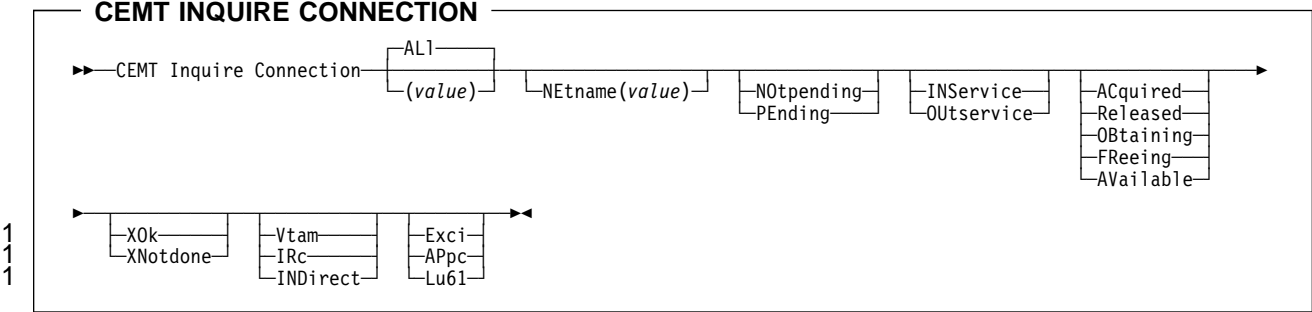


**CEDA EXPAND**



# CICS-supplied transactions





# CICS-supplied transactions

## CEMT INQUIRE INTRACE

▶▶ CEMT Inquire INtrace ◀◀

## CEMT INQUIRE IRC

▶▶ CEMT Inquire IRc ◀◀

## CEMT INQUIRE JOURNALNUM

333

▶▶ CEMT Inquire Journalnum All  
(value) Output  
Closed  
Input Autoarch  
Noautoarch  
Reverted ◀◀

## CEMT INQUIRE MODENAME

▶▶ CEMT Inquire MODename All  
(value) Connection(value) Maximum(value) Available(value) Active(value) ◀◀

## CEMT INQUIRE MONITOR

▶▶ CEMT Inquire MONitor ◀◀

## CEMT INQUIRE NETNAME

▶▶ CEMT Inquire Netname All  
(value) REMOtesystem(value) TRansaction(value) PRiority(value) PAGeable  
AUTopageable INservice  
OUTservice ATI  
NOATI TTI  
NOTTI TERminal(value) ACquired  
RELeased CReate  
NOCreate ◀◀

## CEMT INQUIRE PARTNER

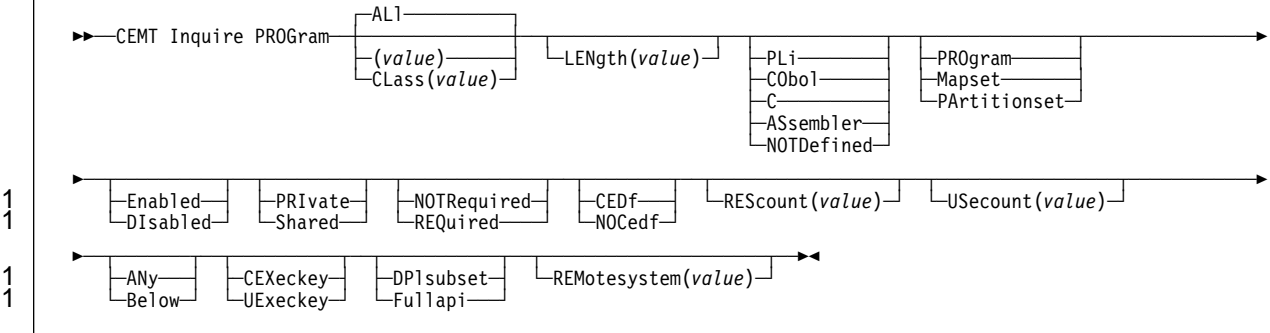
▶▶ CEMT Inquire PARTner All  
(value) NETWork(value) NETName(value) Profile(value) LTpname(value) TPname(value) ◀◀

## CEMT INQUIRE PROFILE

▶▶ CEMT Inquire PROFile All  
(value) ◀◀



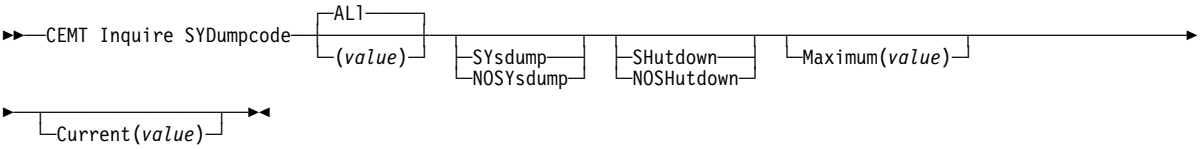
**CEMT INQUIRE PROGRAM**



**CEMT INQUIRE STATISTICS**

CEMT Inquire Statistics

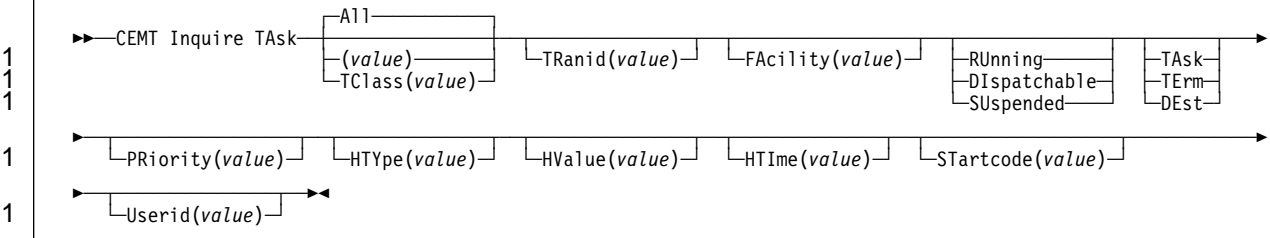
**CEMT INQUIRE SYDUMPCODE**



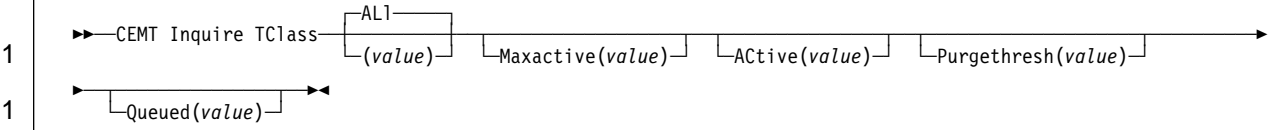
**CEMT INQUIRE SYSTEM**

CEMT Inquire SYSTEM

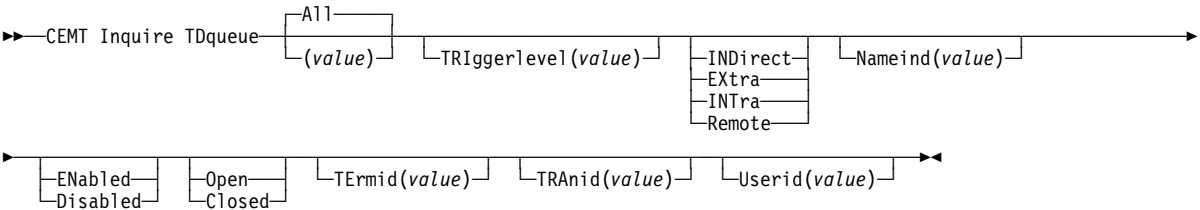
**CEMT INQUIRE TASK**



**CEMT INQUIRE TCLASS**

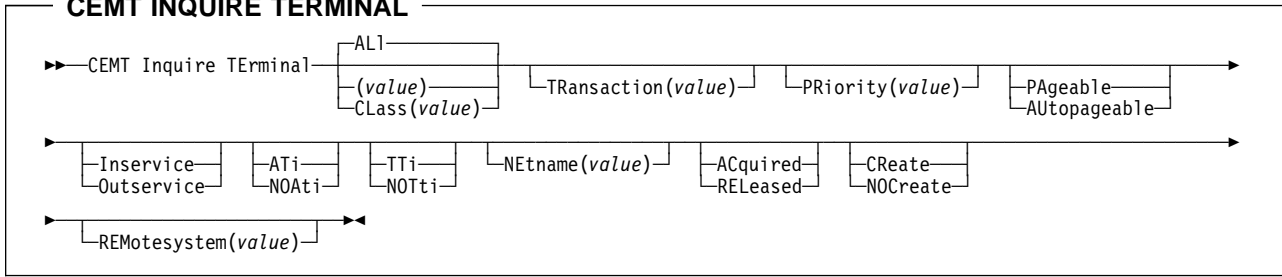


**CEMT INQUIRE TDQUEUE**

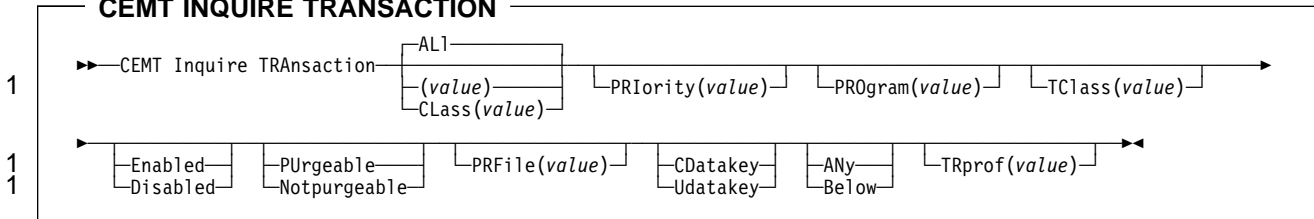


# CICS-supplied transactions

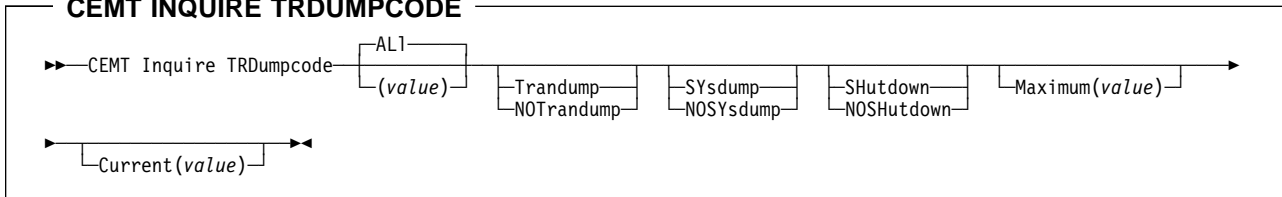
## CEMT INQUIRE TERMINAL



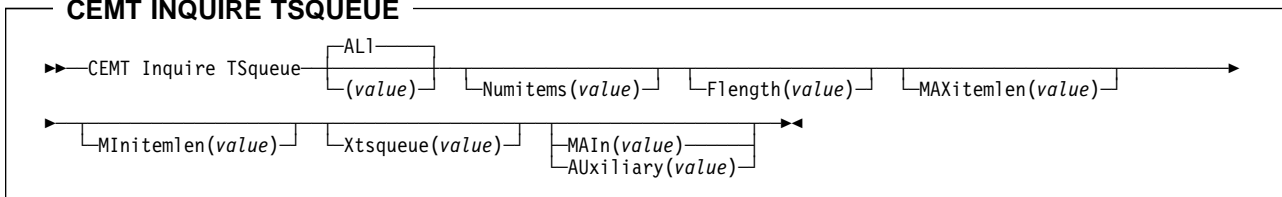
## CEMT INQUIRE TRANSACTION



## CEMT INQUIRE TRDUMPCODE



## CEMT INQUIRE TSQUEUE



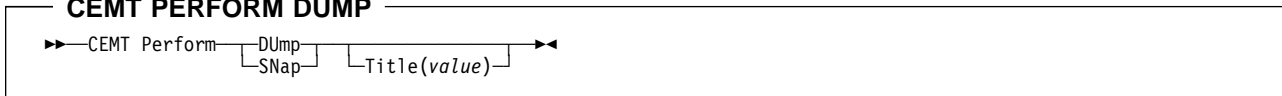
## CEMT INQ VTAM



## PERFORM DELETSHIPPED



## CEMT PERFORM DUMP

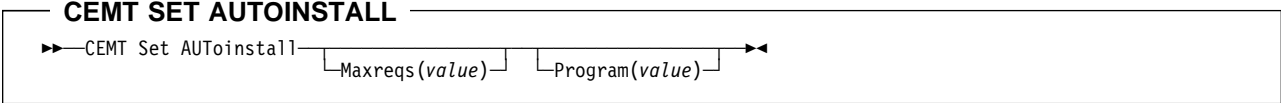
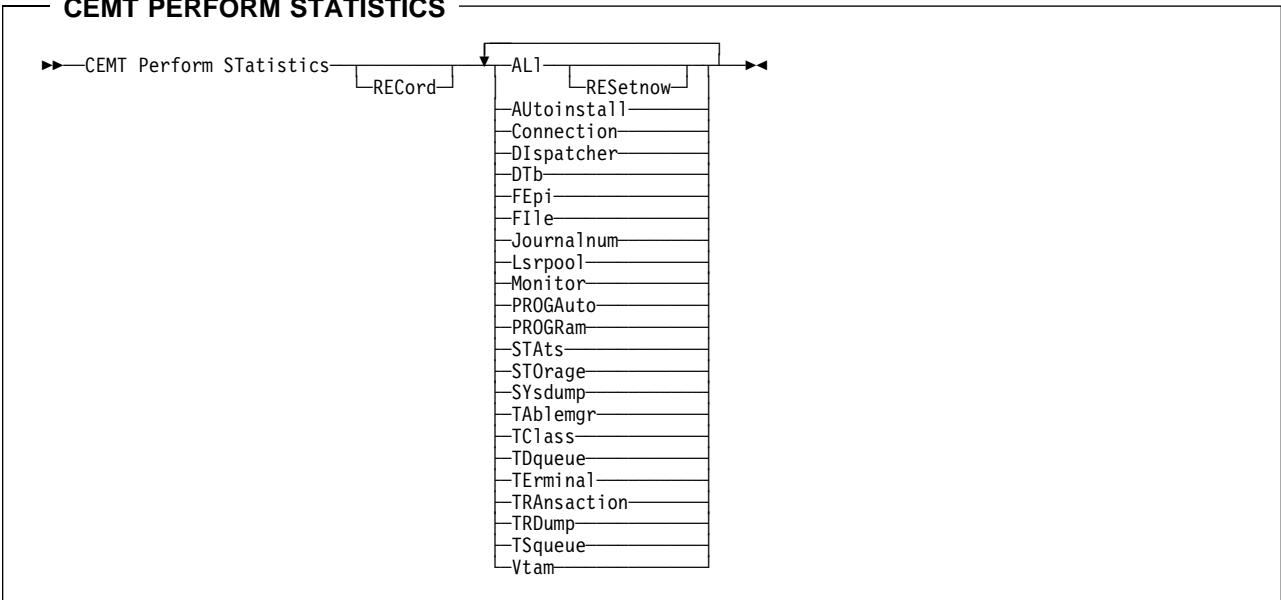
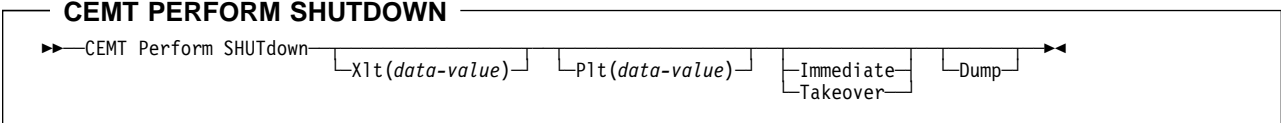


## CEMT PERFORM RESET

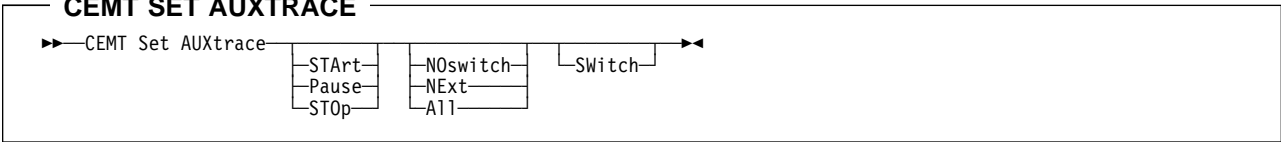


## CEMT PERFORM SECURITY REBUILD

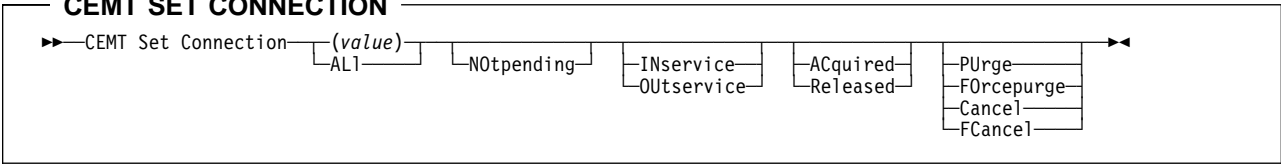




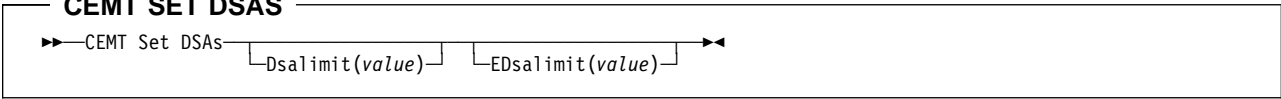
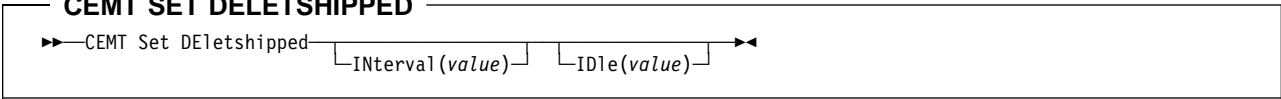
1



1  
1  
1

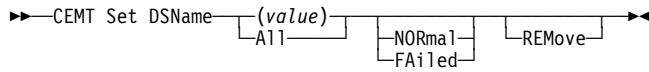


1  
1

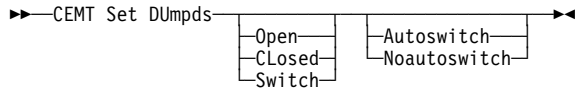


# CICS-supplied transactions

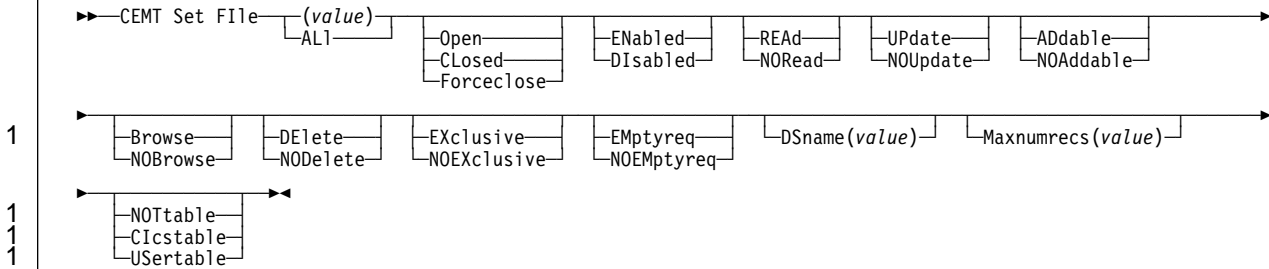
## CEMT SET DSNAME



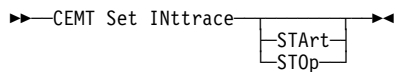
## CEMT SET DUMPDS



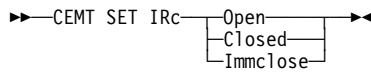
## CEMT SET FILE



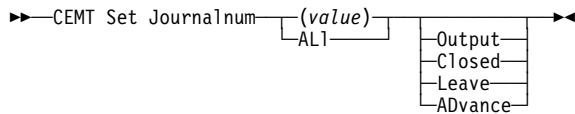
## CEMT SET INTRACE



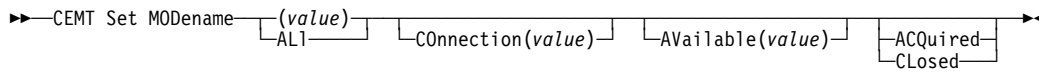
## CEMT SET IRC



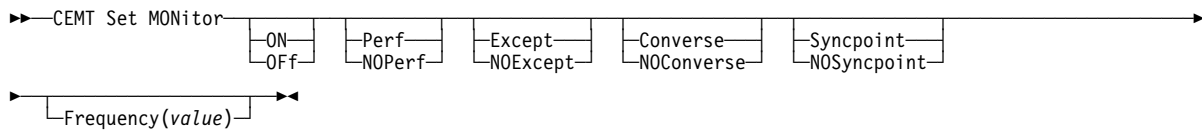
## CEMT SET JOURNALNUM

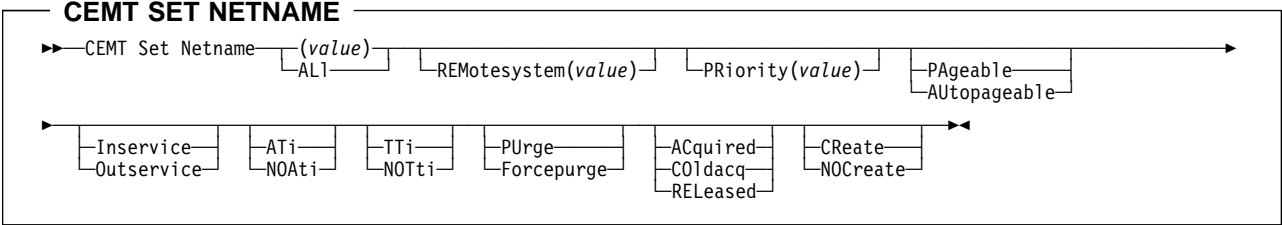


## CEMT SET MODENAME

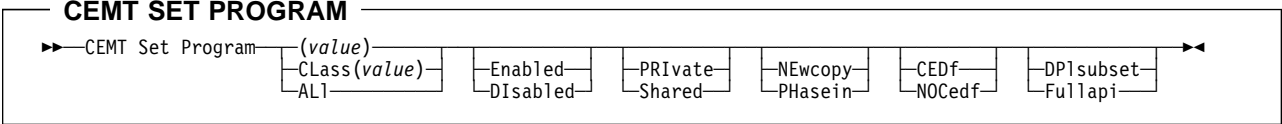


## CEMT SET MONITOR

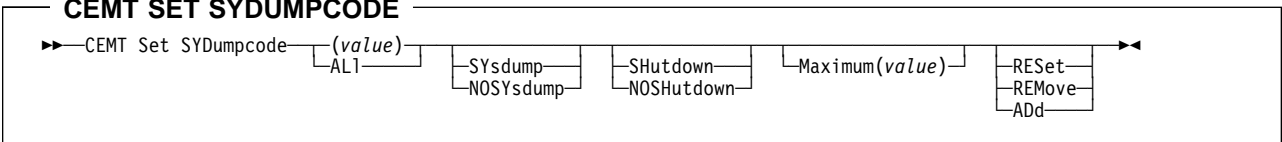
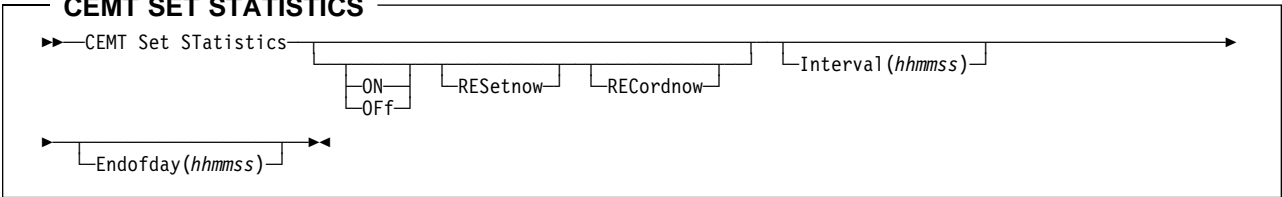




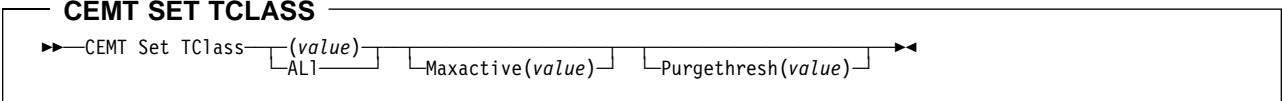
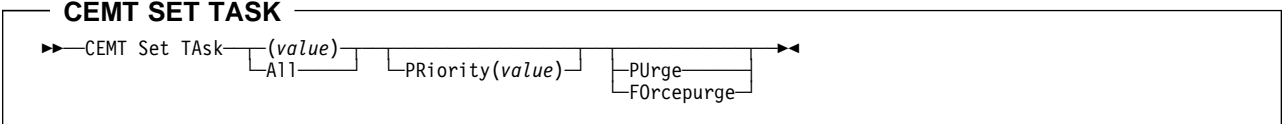
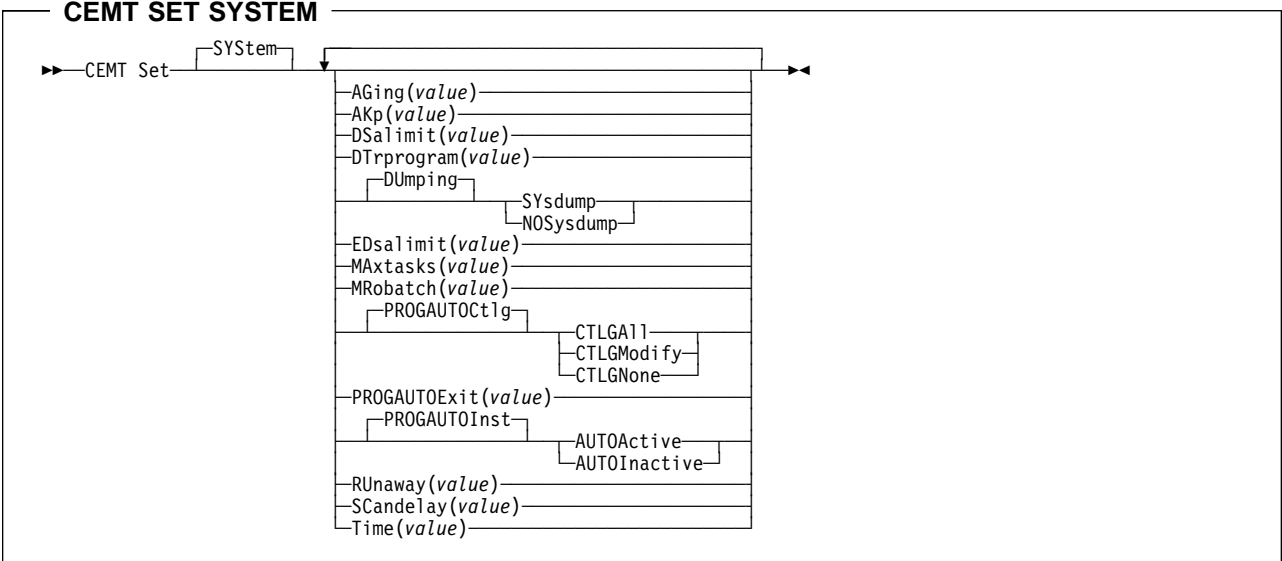
1  
1



2  
2

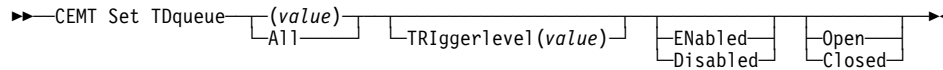


1  
1  
3  
3  
3  
1  
1  
1  
1  
1  
1  
1  
1  
1  
1

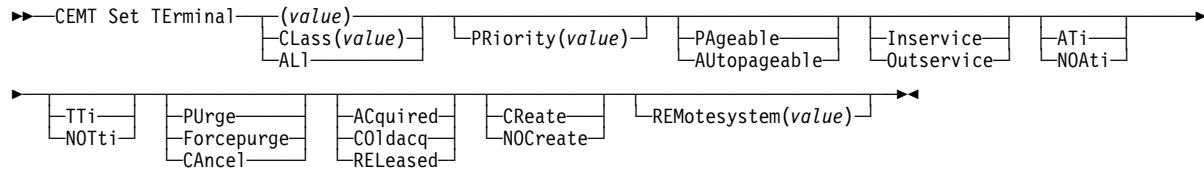


# CICS-supplied transactions

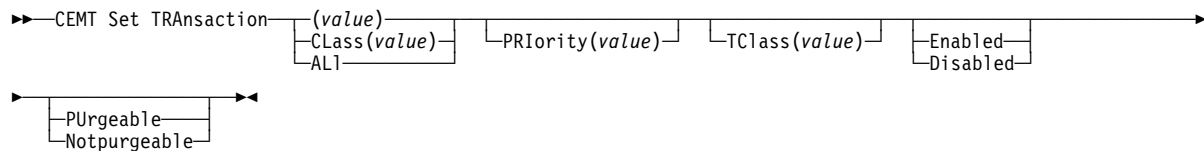
## CEMT SET TDQUEUE



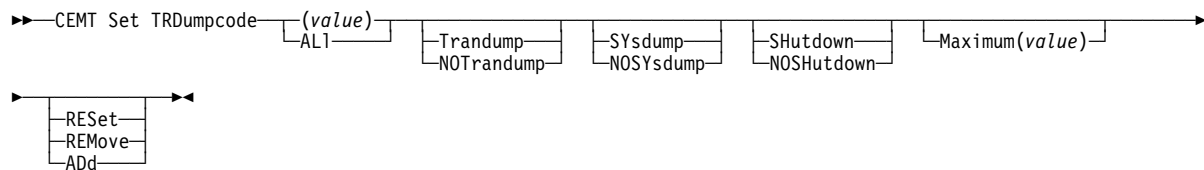
## CEMT SET TERMINAL



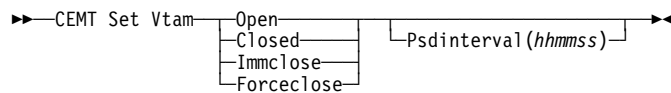
## CEMT SET TRANSACTION



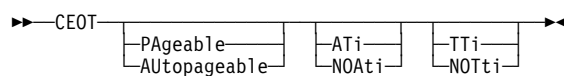
## CEMT SET TRDUMPCODE



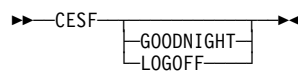
## CEMT SET VTAM



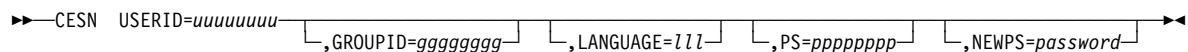
## CEOT



## CESF

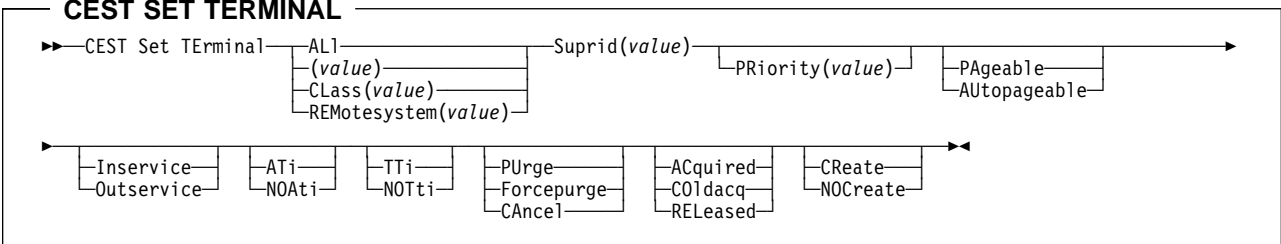
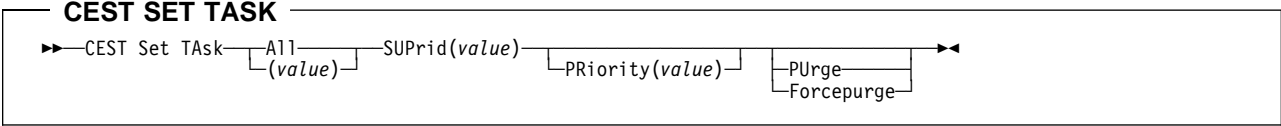
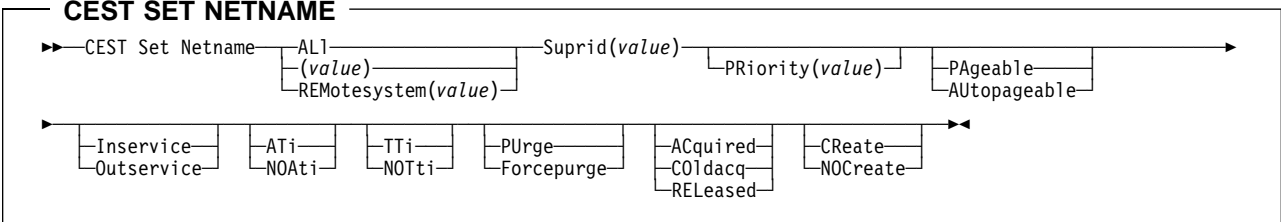
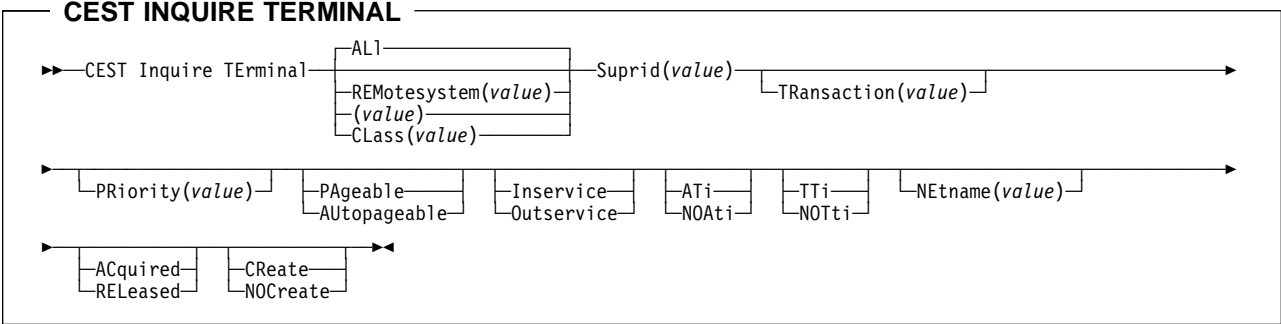
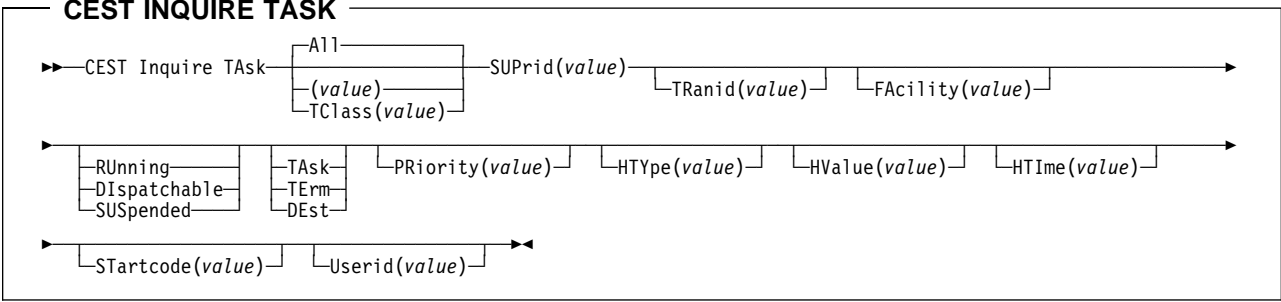
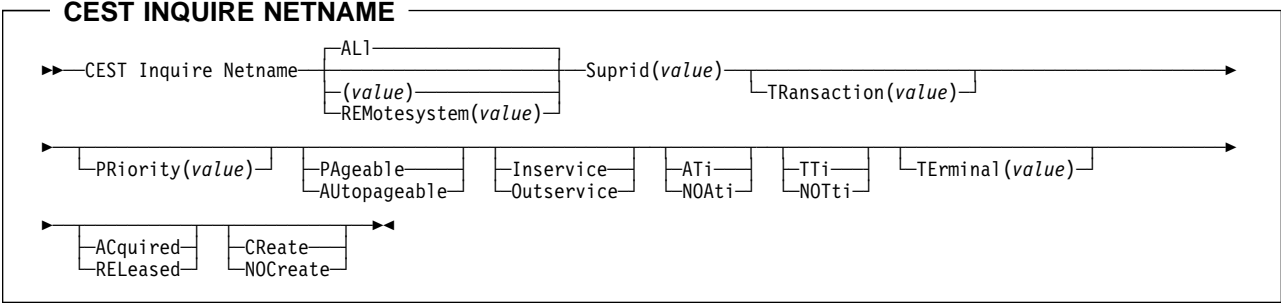


## CESN



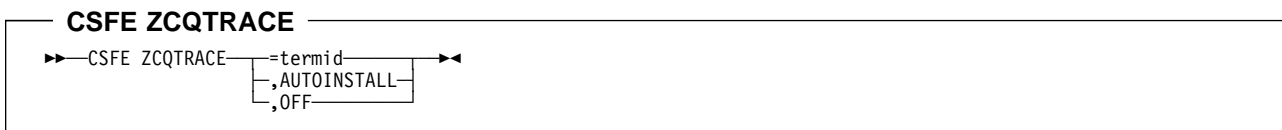
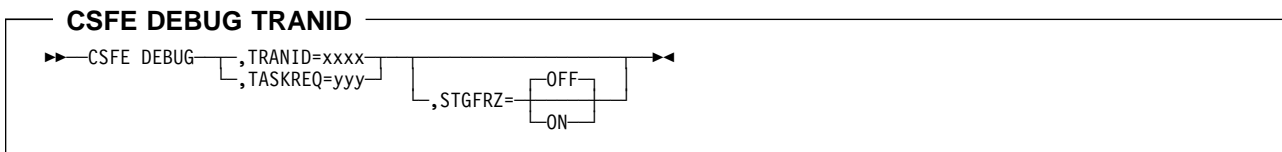
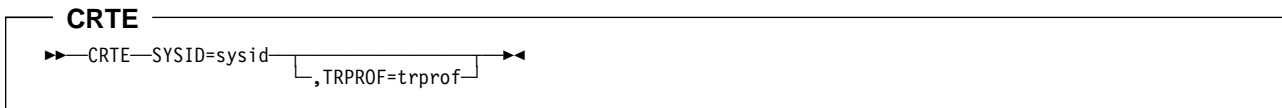
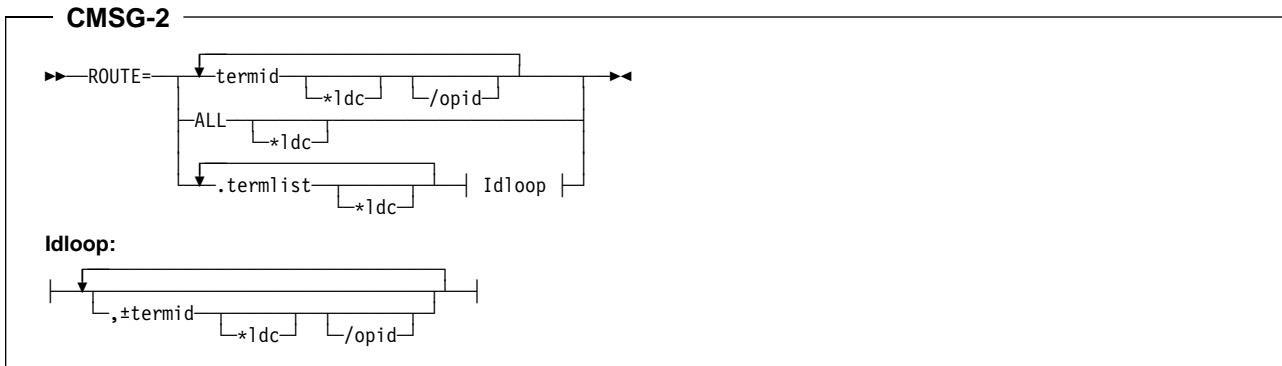
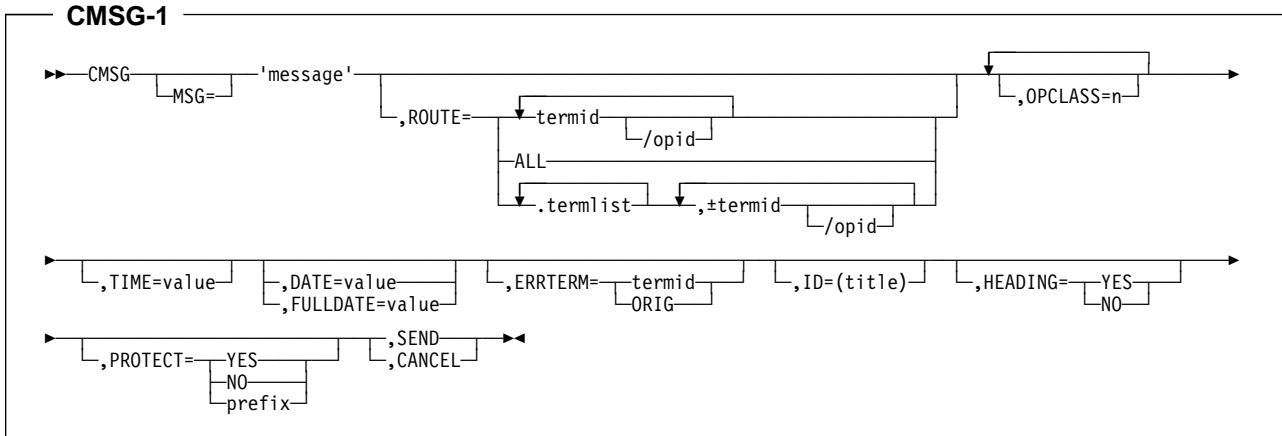
### Note:

<sup>1</sup> Do not use blanks between parameters in the comma-separated list.

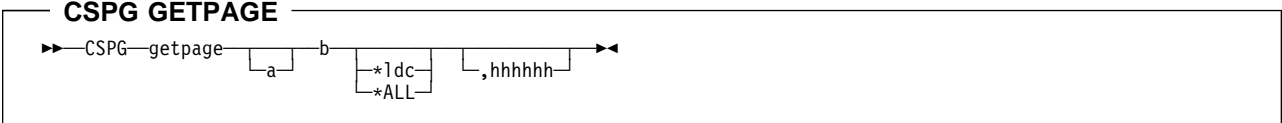


# CICS-supplied transactions

33







## CICS-supplied transactions

## Chapter 4. Resource definition online

The syntax diagrams that follow are taken from the *CICS Resource Definition Guide*.

### ADD syntax

```

▶▶—ADd—Group(groupname1)—LIst(listname)—
    ┌—Before(groupname2)—
    └—After(groupname3)—
▶▶
  
```

### ALTER syntax

```

▶▶—ALter—
    ┌—Connection(name)—
    ┌—File(name)—
    ┌—Lsrpool(name)—
    ┌—Mapset(name)—
    ┌—PARTItionset(name)—
    ┌—PARTNer(name)—
    ┌—PROFile(name)—
    ┌—PROGram(name)—
    ┌—Sessions(name)—
    ┌—TERminal(name)—
    ┌—TRANClass(name)—
    ┌—TRANSaction(name)—
    └—TYpeterm(name)—
    Group(groupname)—attribute list(new value)—▶▶
  
```

### APPEND syntax

```

▶▶—APpend—LIst(listname1)—To(listname2)—▶▶
  
```

### CHECK syntax

2

```

▶▶—ChEck—
    ┌—Group(groupname)—
    ┌—LIst(listname1, listname2, listname3, listname4)—
    └—Remotesystem(sysid)—
▶▶
  
```

### COPY syntax

```

▶▶—COpy—
    ┌—All(name)—
    ┌—Connection(name)—
    ┌—File(name)—
    ┌—Lsrpool(name)—
    ┌—Mapset(name)—
    ┌—PARTItionset(name)—
    ┌—PARTNer(name)—
    ┌—PROFile(name)—
    ┌—PROGram(name)—
    ┌—Sessions(name)—
    ┌—TERminal(name)—
    ┌—TRANClass(name)—
    ┌—TRANSaction(name)—
    └—TYpeterm(name)—
    Group(groupname)—
    ┌—AS(newname)—
    ┌—TO(newgroupname)—
    ┌—AS(new-name) TO(newgroupname)—
    └—
        ┌—Replace—
        └—MErge—
▶▶
  
```

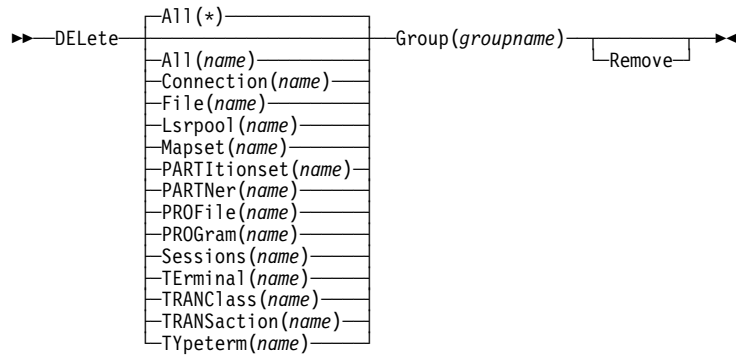
### DEFINE syntax

```

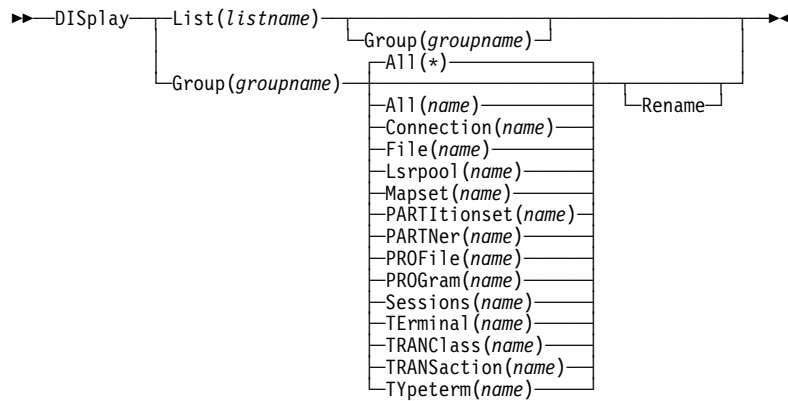
▶▶—DEFine—
    ┌—Connection(name)—
    ┌—File(name)—
    ┌—Lsrpool(name)—
    ┌—Mapset(name)—
    ┌—PARTItionset(name)—
    ┌—PARTNer(name)—
    ┌—PROFile(name)—
    ┌—PROGram(name)—
    ┌—Sessions(name)—
    ┌—TERminal(name)—
    ┌—TRANClass(name)—
    ┌—TRANSaction(name)—
    └—TYpeterm(name)—
    Group(groupname)—
    └—Attribute list—
▶▶
  
```

**DELETE syntax**

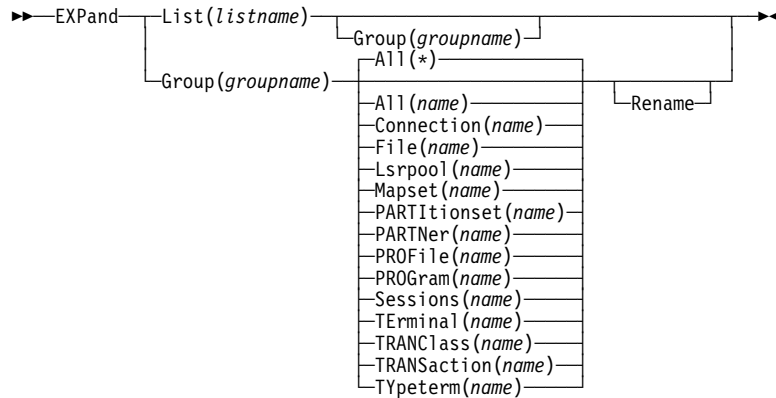
5

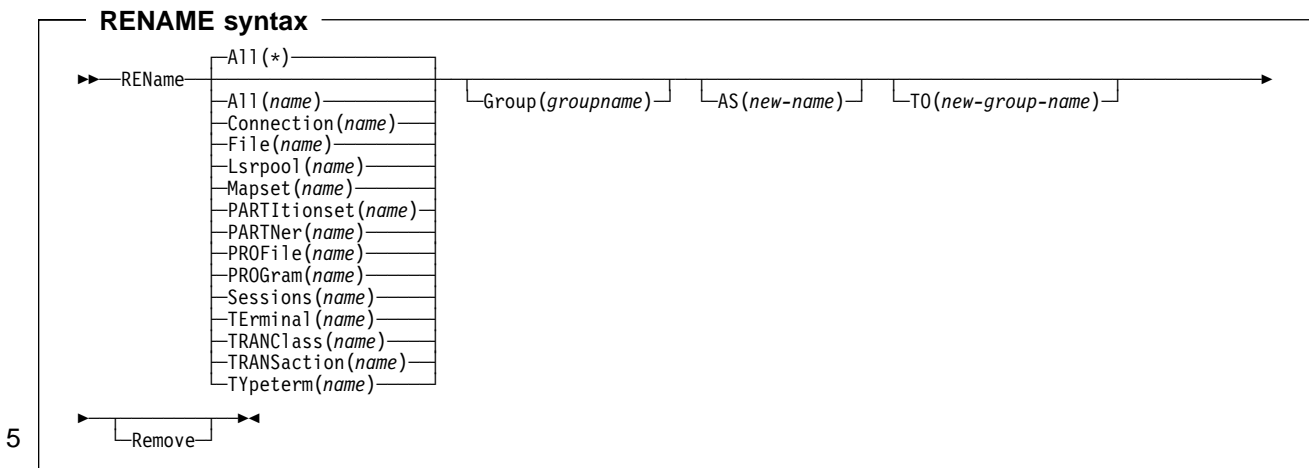
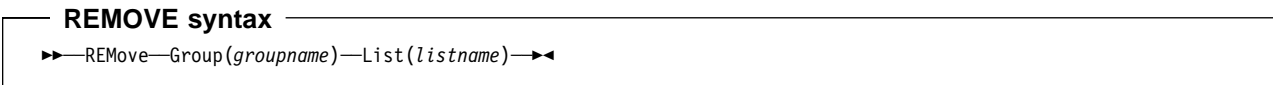
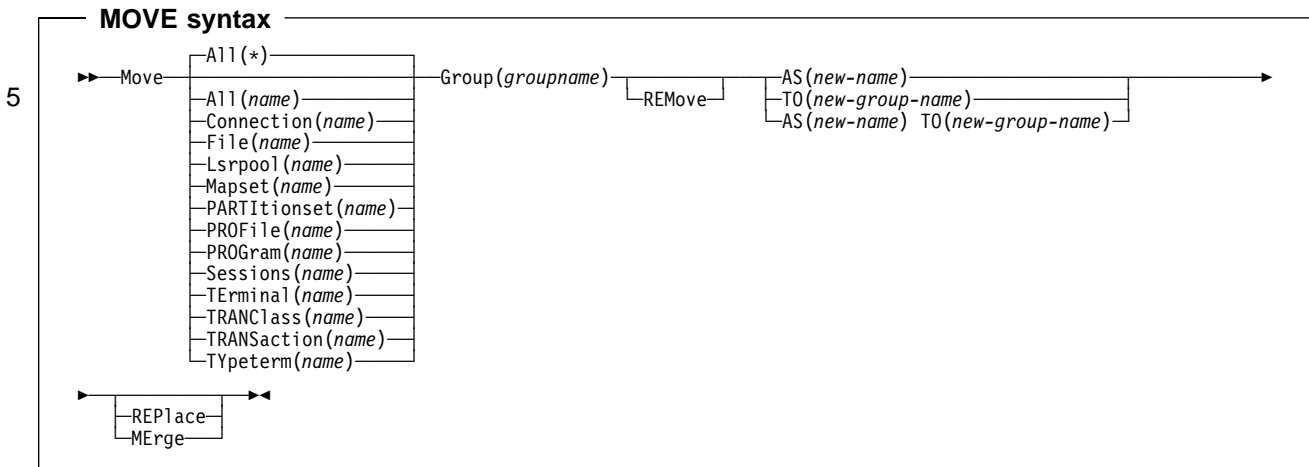
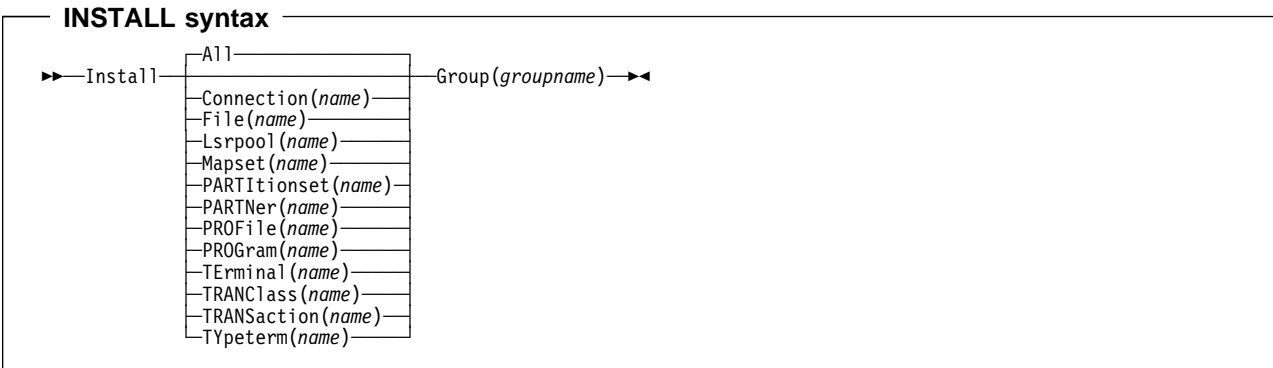


**DISPLAY syntax**

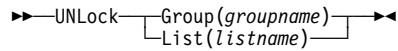


**EXPAND syntax**

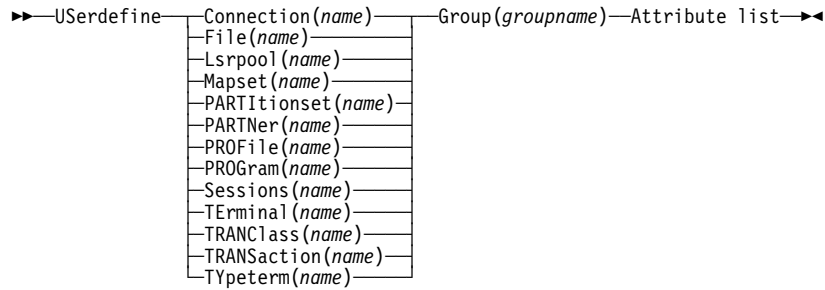




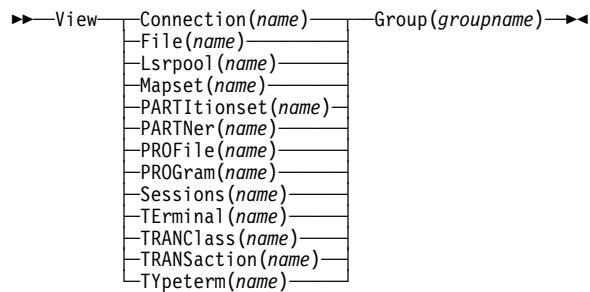
**UNLOCK syntax**



**USERDEFINE syntax**



**VIEW syntax**



## Chapter 5. Front End Programming Interface Command Reference

This chapter contains General Use Programming Interface information.

### FEPI application programming

#### FEPI ALLOCATE PASSCONVID

▶ FEPI ALLOCATE PASSCONVID(*data-value*) ▶▶

**Conditions:**  
INVREQ

#### FEPI ALLOCATE POOL

▶ FEPI ALLOCATE POOL(*data-value*) CONVID(*data-area*)

└─ TARGET(*data-value*) ─┘ └─ TIMEOUT(*data-value*) ─┘

└─ SEQNUMIN(*data-area*) ─┘ └─ SEQNUMOUT(*data-area*) ─┘ └─ SESSSTATUS(*cvda*) ─┘ ▶▶

**Conditions:**  
INVREQ

#### FEPI AP NOOP

▶ FEPI AP NOOP ▶▶

**Conditions:**  
INVREQ

### Previously allocated conversation:

#### FEPI CONVERSE DATASTREAM

▶ FEPI CONVERSE DATASTREAM CONVID(*data-value*) FROM(*data-value*)

└─ FROMLENGTH(*data-value*) ─┘

┌─ CHAIN ─┘

┌─ RU ─┘

┌─ UNTILCDEB ─┘

└─ ENDSTATUS(*cvda*) ─┘ └─ FMH ─┘ └─ FMHSTATUS(*cvda*) ─┘

└─ INTO(*data-area*) ─┘ INTO options └─ REMLENGTH(*data-area*) ─┘ └─ RESPSTATUS(*cvda*) ─┘

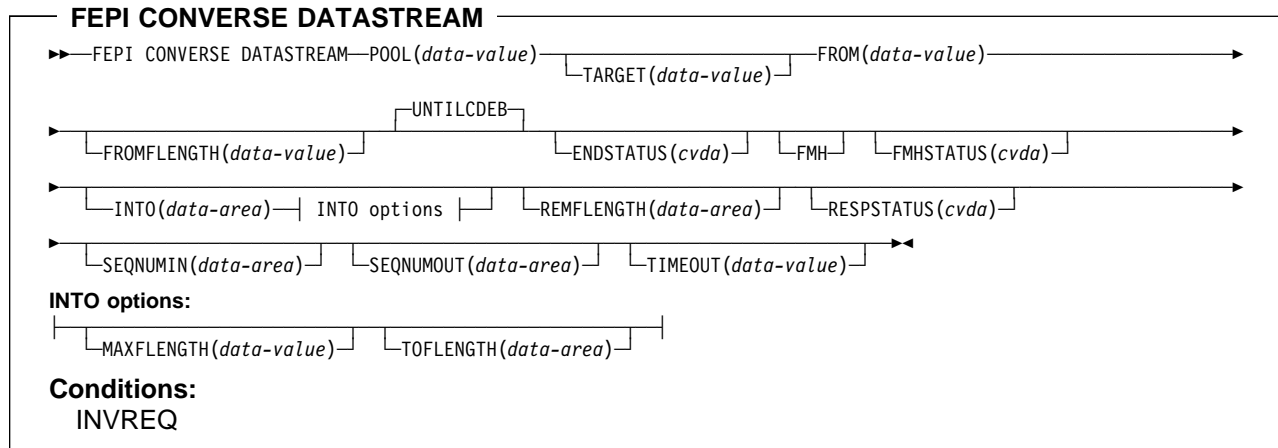
└─ SEQNUMIN(*data-area*) ─┘ └─ SEQNUMOUT(*data-area*) ─┘ └─ TIMEOUT(*data-value*) ─┘ ▶▶

**INTO options:**

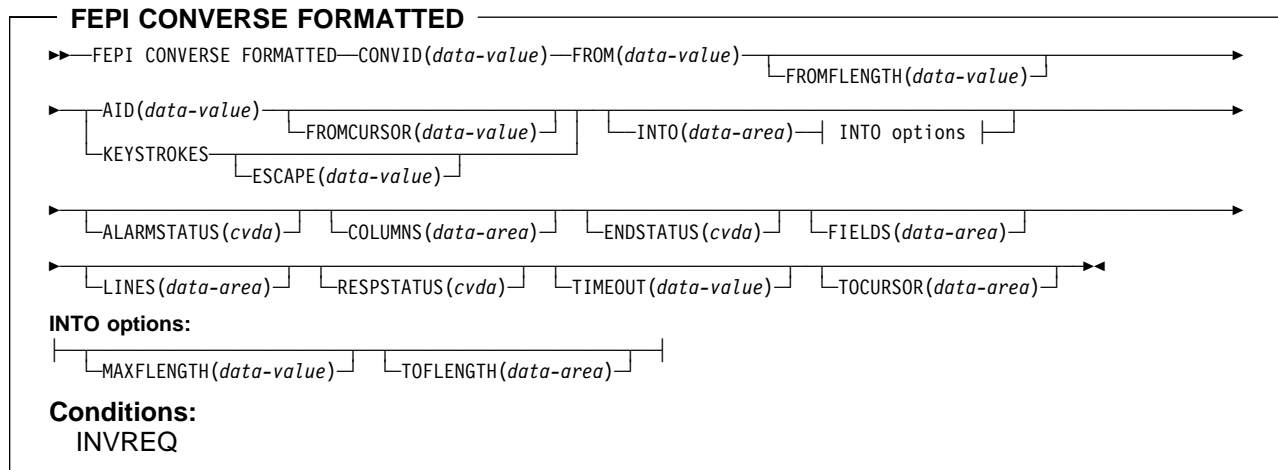
└─ MAXLENGTH(*data-value*) ─┘ └─ TOLENGTH(*data-area*) ─┘

**Conditions:**  
INVREQ

## Temporary conversation:

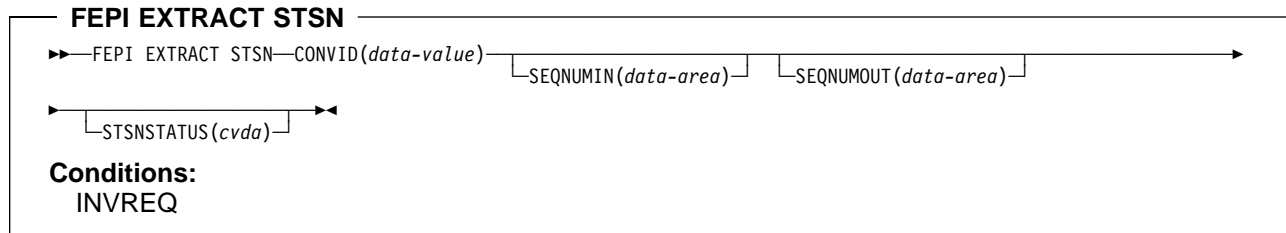
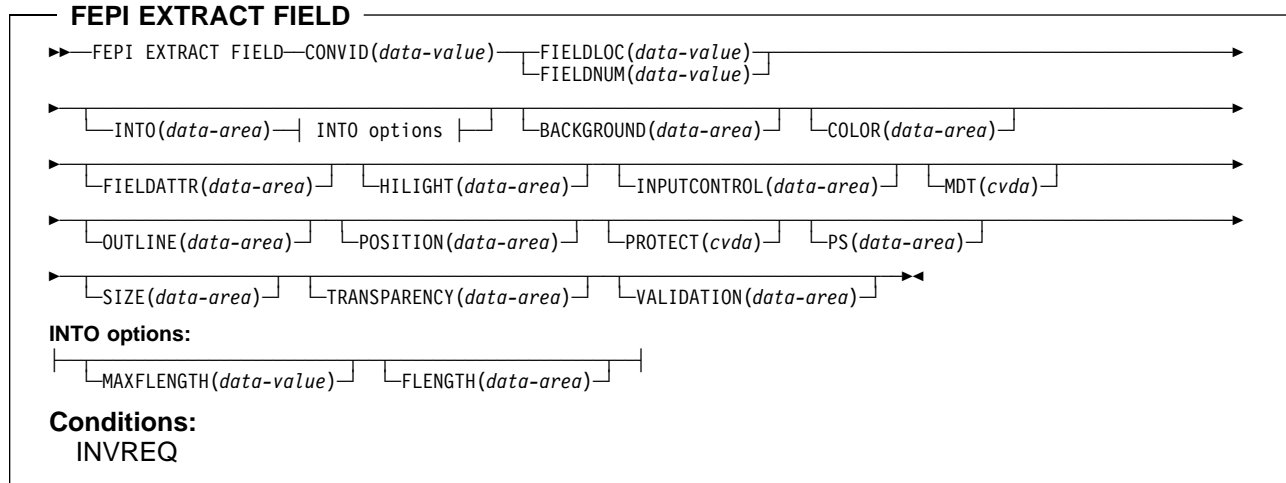
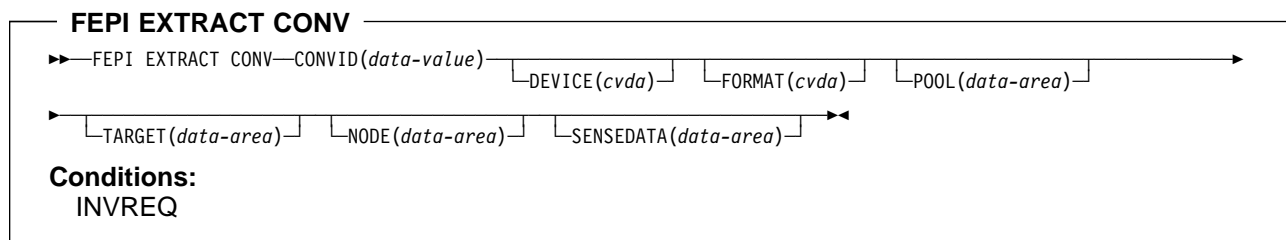
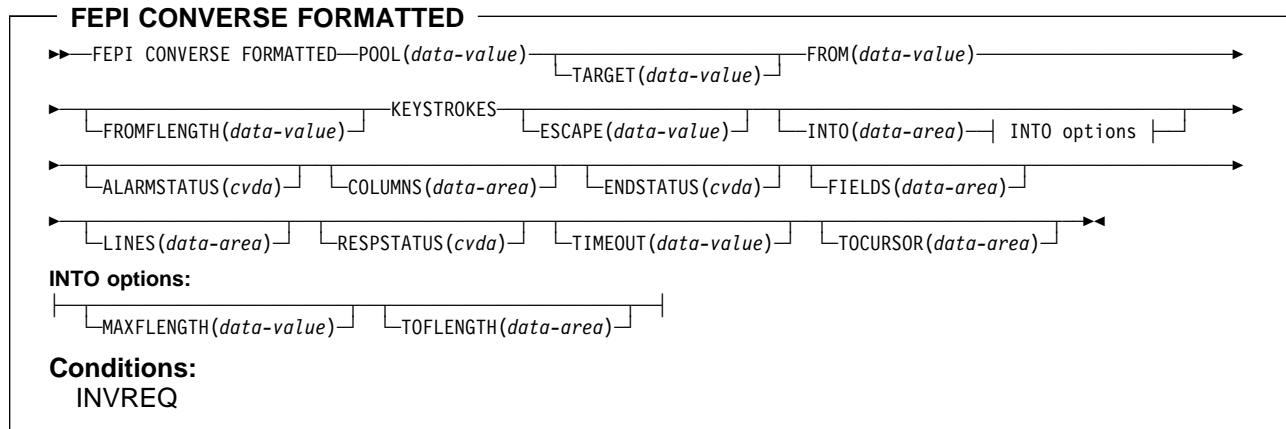


## Previously allocated conversation:



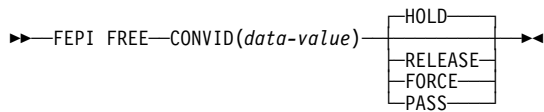


**Temporary conversation:**



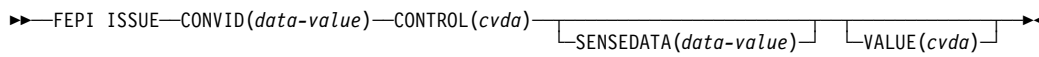
# FEPI Programming

## FEPI FREE



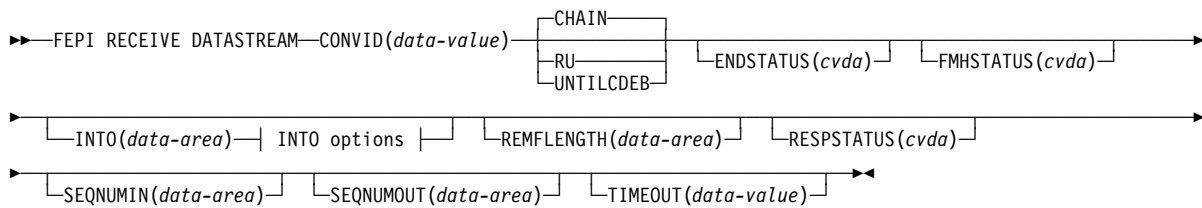
**Conditions:**  
INVREQ

## FEPI ISSUE

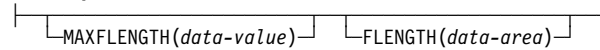


**Conditions:**  
INVREQ

## FEPI RECEIVE DATASTREAM

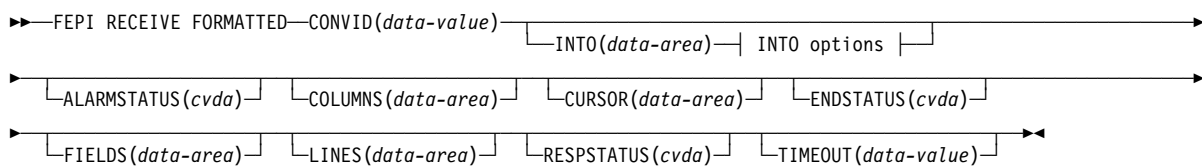


**INTO options:**

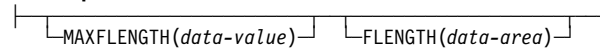


**Conditions:**  
INVREQ

## FEPI RECEIVE FORMATTED

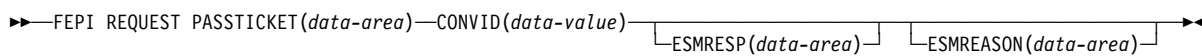


**INTO options:**



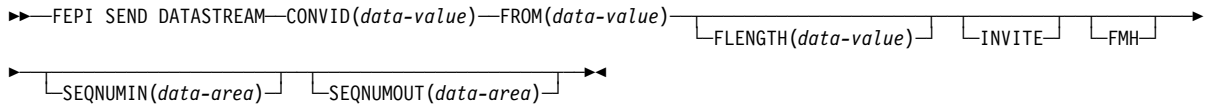
**Conditions:**  
INVREQ

## FEPI REQUEST PASSTICKET



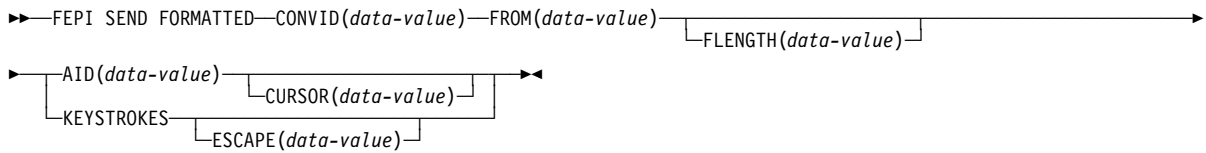
**Conditions:**  
INVREQ

**FEPI SEND DATASTREAM**



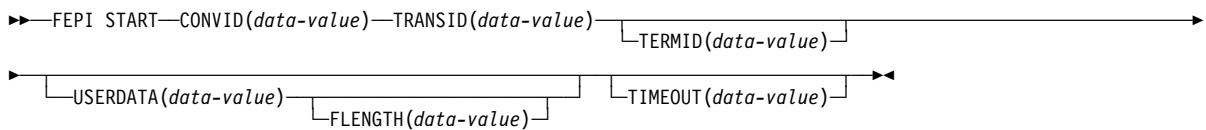
**Conditions:**  
INVREQ

**FEPI SEND FORMATTED**



**Conditions:**  
INVREQ

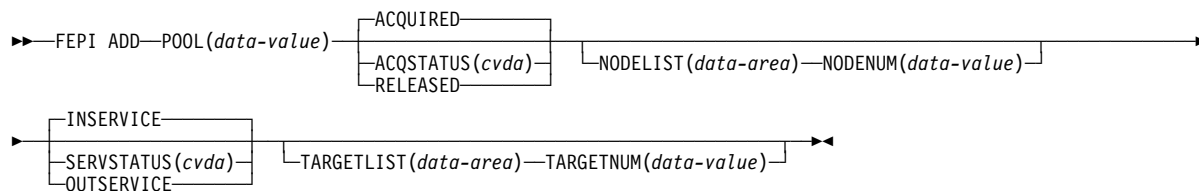
**FEPI START**



**Conditions:**  
INVREQ

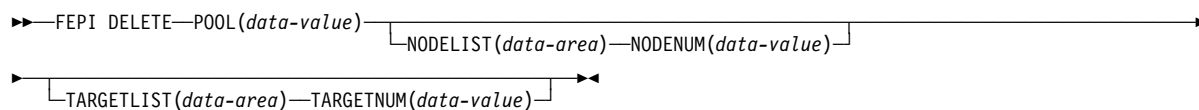
## FEPI system programming

### FEPI ADD POOL



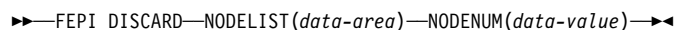
**Conditions:**  
INVREQ, NOTAUTH

### FEPI DELETE POOL



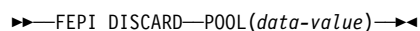
**Conditions:**  
INVREQ, NOTAUTH

### FEPI DISCARD NODELIST



**Conditions:**  
INVREQ, NOTAUTH

### FEPI DISCARD POOL



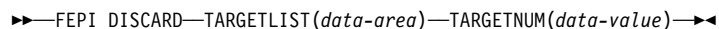
**Conditions:**  
INVREQ, NOTAUTH

### FEPI DISCARD PROPERTYSET



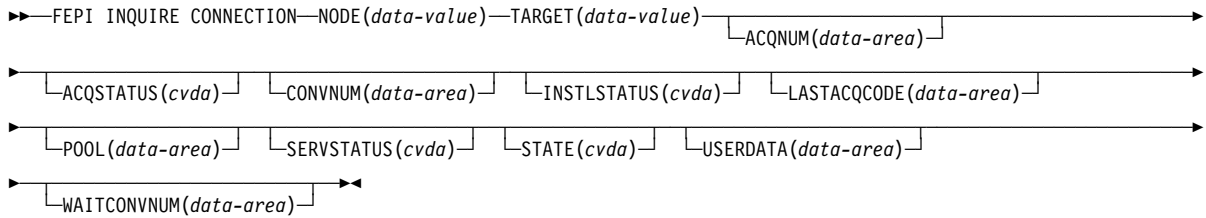
**Conditions:**  
INVREQ, NOTAUTH

### FEPI DISCARD TARGETLIST



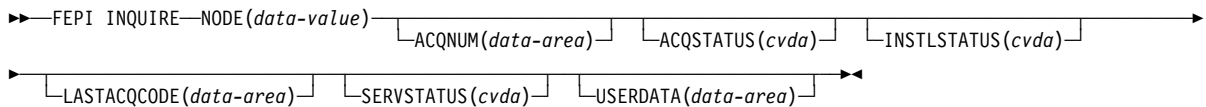
**Conditions:**  
INVREQ, NOTAUTH

**FEPI INQUIRE CONNECTION**



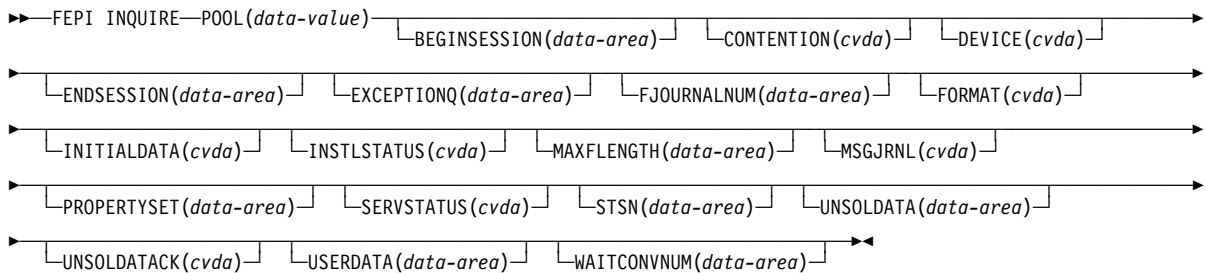
**Conditions:**  
END, ILLOGIC, INVREQ, NOTAUTH

**FEPI INQUIRE NODE**



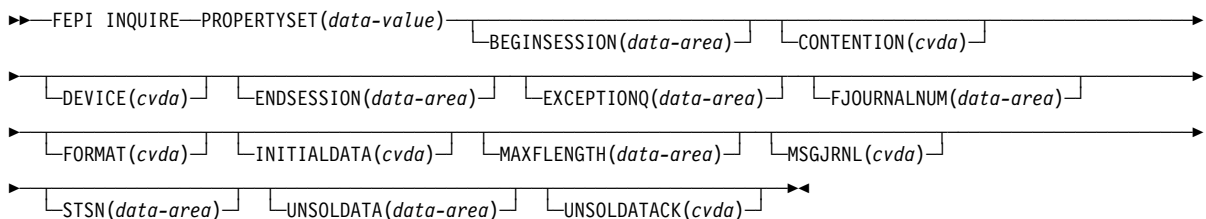
**Conditions:**  
END, ILLOGIC, INVREQ, NOTAUTH

**FEPI INQUIRE POOL**



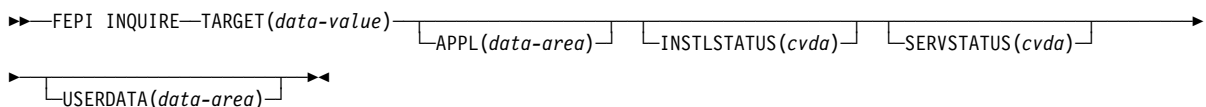
**Conditions:**  
END, ILLOGIC, INVREQ, NOTAUTH

**FEPI INQUIRE PROPERTYSET**



**Conditions:**  
END, ILLOGIC, INVREQ, NOTAUTH

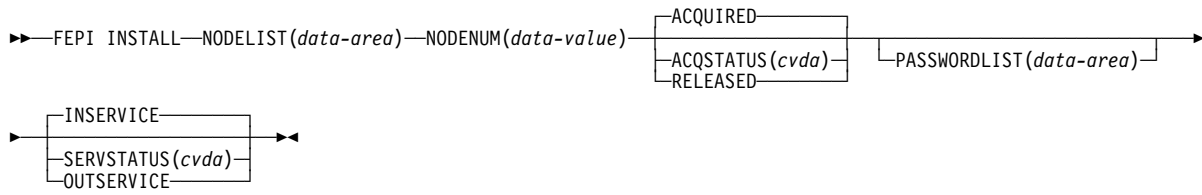
**FEPI INQUIRE TARGET**



**Conditions:**  
END, ILLOGIC, INVREQ, NOTAUTH

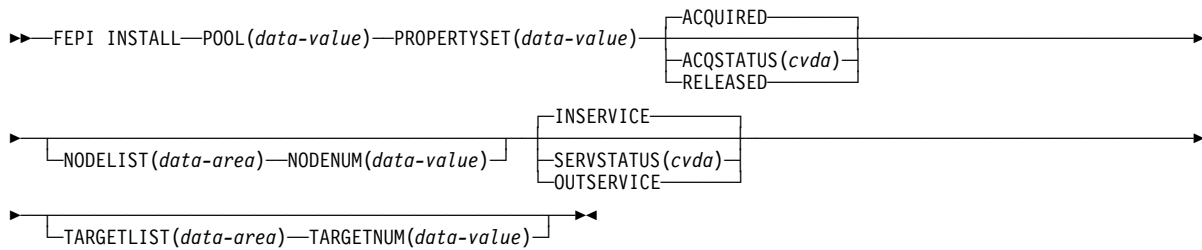
# FEPI Programming

## FEPI INSTALL NODELIST



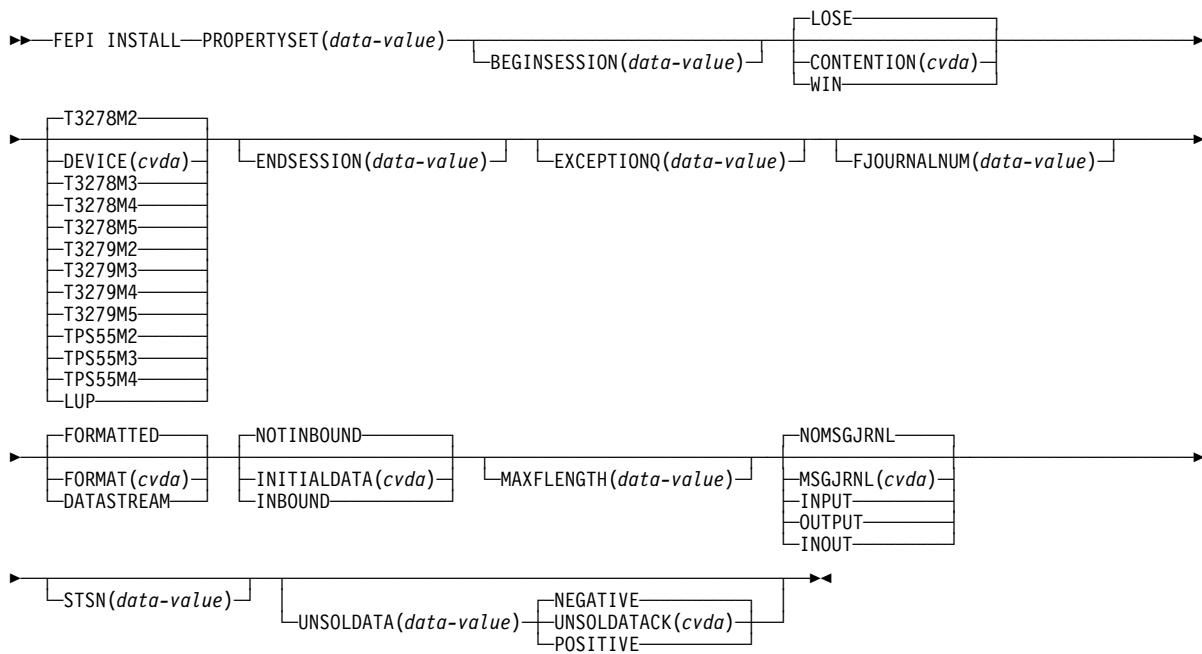
**Conditions:**  
INVREQ, NOTAUTH

## FEPI INSTALL POOL



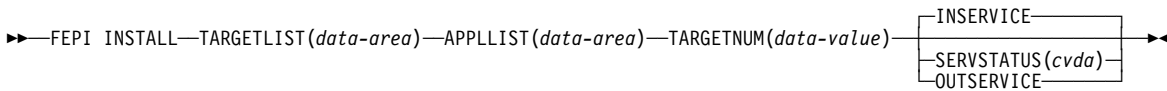
**Conditions:**  
INVREQ, NOTAUTH

## FEPI INSTALL PROPERTYSET



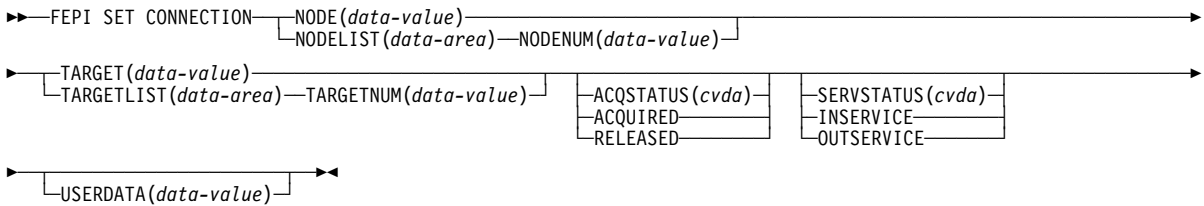
**Conditions:**  
INVREQ, NOTAUTH

**FEPI INSTALL TARGETLIST**



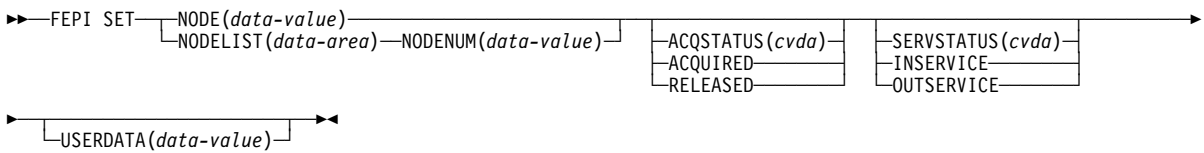
**Conditions:**  
INVREQ, NOTAUTH

**FEPI SET CONNECTION**



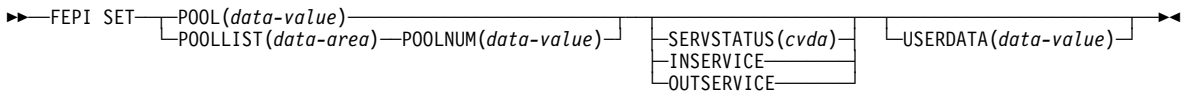
**Conditions:**  
INVREQ, NOTAUTH

**FEPI SET NODE**



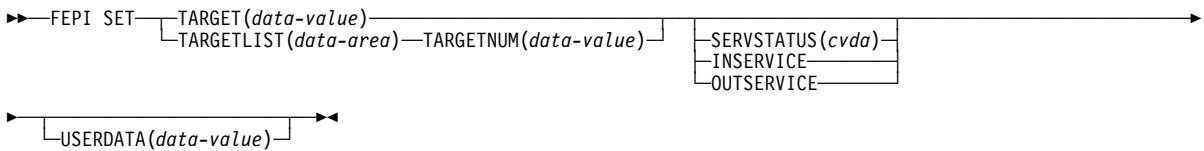
**Conditions:**  
INVREQ, NOTAUTH

**FEPI SET POOL**



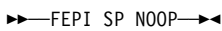
**Conditions:**  
INVREQ, NOTAUTH

**FEPI SET TARGET**



**Conditions:**  
INVREQ, NOTAUTH

**FEPI SP NOOP**



**Conditions:**  
INVREQ, NOTAUTH





## Chapter 6. CICS-value data areas used by all commands

This chapter contains General-use Programming Interface information.

This section lists the CICS-value data-area (CVDA) values and their numeric equivalents for all of the EXEC CICS commands. CVDA's are described in the *CICS System Programming Reference*.

### Using the tables

The section consists of three tables. The first, beginning below, is in character sequence of the CVDA values. The second, beginning on page 130, is in numeric sequence. The third, beginning on page 134, gives the CVDA values returned by the INQUIRE TERMINAL|NETNAME DEVICE command.

### CVDA's and numeric values in alphabetic sequence

CVDA	Value	CVDA	Value
ACQFAIL	515	AUXSTOP	314
ACQUIRED	69	AVAILABLE	95
ACQUIRING	71	BACKOUT	192
ACTIVE	181	BACKTRANS	397
ADD	291	BASE	10
ADDABLE	41	BDAM	2
ADDFAIL	519	BEGINSESSION	510
ADVANCE	265	BELOW	159
ALARM	501	BGAM	63
ALLCONN	169	BLK	47
ALLOCATED	81	BLOCKED	16
ALLQUERY	431	BROWSABLE	39
ALTERABLE	52	BSAM	61
ALTERNATE	197	BTAM	62
ALTPRTCOPY	446	BUSY	612
ANY	158	C	149
APLKYBD	391	CANCEL	526
APLTEXT	393	CANCELLED	624
APPC	124	CD	491
APPCPARALLEL	374	CEDF	370
APPCSINGLE	373	CICS	660
APPLICATION	559	CICSDATAKEY	379
ASACTL	224	CICSEXECKEY	381
ASCII7	616	CICSTABLE	101
ASCII8	617	CLEAR	640
ASSEMBLER	150	CLOSED	19
ATI	75	CLOSELEAVE	261
ATTENTION	524	CLOSEREQUEST	22
AUDALARM	395	CLOSING	21
AUTOACTIVE	630	CMDPROT	673
AUTOARCH	262	CMDSECNO	205
AUTOCONN	170	CMDSECYES	207
AUTOINACTIVE	631	COBOL	151
AUTOPAGEABLE	80	COBOLII	375
AUTOSTART	618	COLDACQ	72
AUXILIARY	247	COLDQUERY	433
AUXPAUSE	313	COLDSTART	266
AUXSTART	312	COLOR	399

## CVDA

CVDA	Value	CVDA	Value
COMMIT	208	FINALQUIESCE	183
CONFFREE	82	FINPUT	270
CONFRECEIVE	83	FIRSTINIT	625
CONFSEND	84	FIRSTQUIESCE	182
CONNECTED	690	FIXED	12
CONSOLE	66	FMH	502
CONTROLSHUT	623	FMHPARM	385
CONVIDLE	518	FOPEN	272
COPY	401	FORCE	342
CREATE	67	FORCECLOSE	351
CTLGALL	632	FORCECLOSING	353
CTLGMODIFY	633	FORCEPURGE	237
CTLGNONE	634	FORMATEDF	606
CTRLABLE	56	FORMATTED	542
CURRENT	260	FORMFEED	407
DAM	2	FOUTPUT	271
DATA	508	FREE	85
DATASTREAM	543	FREEING	94
DEC	46	FULL	212
DEFAULT	198	FULLAPI	384
DEFRESP1	497	FWDRECOVABLE	354
DEFRESP1OR2	528	GENERIC	651
DEFRESP2	498	GMT	604
DEFRESP3	499	GOINGOUT	172
DELAY	637	HEX	45
DELETABLE	43	HFORM	409
DELETEFAIL	520	HILIGHT	413
DEST	235	HOLD	163
DISABLED	24	IGNORE	1
DISABLING	25	IMMCLOSE	350
DISCARDFAIL	513	IMMCLOSING	352
DISCREQ	444	INACTIVE	378
DISK1	252	INBOUND	547
DISK2	253	INDIRECT	122
DISK2PAUSE	254	INITCOMPLETE	628
DISPATCHABLE	228	INOUT	532
DMF	255	INPUT	226
DPLSUBSET	383	INSERVICE	73
DS3270	615	INSTALLED	550
DUALCASE	403	INSTALLFAIL	512
DYNAMIC	178	INTRA	222
EB	490	INTSTART	310
EMERGENCY	268	INTSTOP	311
EMPTY	210	INVALID	359
EMPTYREQ	31	IRC	121
ENABLED	23	KATAKANA	415
ESDS	5	KEYED	8
EXCEPT	332	KSDS	6
EXCEPTRESP	523	LE370	377
EXCI	650	LEVSE	377
EXCTL	48	LIC	493
EXITTRACE	362	LIGHTPEN	417
EXTENDEDDS	405	LOG	54
EXTRA	221	LOGICAL	216
EXTSECURITY	194	LOGTERM	269
FAILEDDBKOUT	357	LOSE	544
FAILINGBKOUT	358	LPA	165
FCLOSE	273	LUP	541

CVDA	Value	CVDA	Value
LUSTAT	525	NOPRESETSEC	243
LUW	246	NOPRINTADAPT	428
LU61	125	NOPROGSYMBOL	430
MAIN	248	NOPRTCOPY	449
MAP	155	NOQUERY	432
MAPSET	155	NOREENTPROT	681
MCHCTL	241	NORELREQ	443
MDT	506	NORMALBKOUT	356
MODEL	370	NORMALRESP	522
MORE	492	NOSECURITY	196
MSRCONTROL	419	NOSHUTDOWN	289
NEGATIVE	530	NOSOSI	435
NEWCOPY	167	NOSTSN	487
NEWSSESSION	485	NOSWITCH	285
NOALARM	500	NOSYSCONNECT	654
NOALTPRTCOPY	447	NOSYSDUMP	185
NOAPLKYBD	392	NOTADDABLE	42
NOAPLTEXT	394	NOTALTERABLE	53
NOATI	76	NOTAPPLIC	1
NOAUDALARM	396	NOTASKSTART	608
NOAUTOARCH	263	NOTBROWSABLE	40
NOBACKTRANS	398	NOTBUSY	613
NOCEDF	371	NOTCDEB	495
NOCLEAR	641	NOTCONNECTED	691
NOCMDPROT	674	NOTCTRLABLE	57
NOCOLOR	400	NOTDEFINED	659
NOCONV	556	NOTDELETABLE	44
NOCOPY	402	NOTEMPTY	211
NOCREATE	68	NOTERMINAL	214
NOCTL	223	NOTEXTKYBD	437
NODISCREQ	445	NOTEXTPRINT	439
NODUALCASE	404	NOTFWDRCVBLE	361
NOEMPTYREQ	32	NOTINBOUND	546
NOEXCEPT	333	NOTINIT	376
NOEXCTL	49	NOTINSTALLED	551
NOEXITTRACE	363	NOTKEYED	9
NOEXTENDEDDES	406	NOTLPA	166
NOFMH	503	NOTPENDING	127
NOFMHPARM	386	NOTPURGEABLE	161
NOFORMATEDF	607	NOTRANDUMP	187
NOFORMFEED	408	NOTREADABLE	36
NOHFORM	410	NOTREADY	259
NOHIGHLIGHT	414	NOTRECOVABLE	30
NOHOLD	164	NOTREQUIRED	667
NOKATAKANA	416	NOTSOS	669
NOLIGHTPEN	418	NOTSVA	166
NOLOG	55	NOTTABLE	100
NOMDT	507	NOTTI	78
NOMSGJRN	531	NOTUPDATABLE	38
NOMSRCONTROL	420	NOUCTRAN	451
NONAUTOCONN	171	NOVALIDATION	441
NONCICS	661	NOVFORM	412
NONE	496	NOWAIT	341
NOOBFORMAT	422	NOWRITE	275
NOOBOPERID	388	NOZCPTRACE	365
NOOUTLINE	424	OBFORMAT	421
NOPARTITIONS	426	OBOPERID	387
NOPERF	331	OBTAINING	96

## CVDA

CVDA	Value	CVDA	Value
OFF	200	REQUIRED	666
OK	274	RESET	290
OLD	26	RESSECINT	203
OLDCOPY	162	RESSECNO	202
OLDSESSION	486	RESSECYES	204
ON	201	REVERTED	264
OPEN	18	ROLLBACK	89
OPENING	20	RRDS	7
OPENOUTPUT	257	RTR	527
OUTLINE	423	RU	494
OUTPUT	227	RUNNING	229
OUTSERVICE	74	SCS	614
PAGEABLE	79	SECONDINIT	626
PARTITIONS	425	SEND	90
PARTITIONSET	156	SESSION	372
PATH	11	SESSIONFAIL	517
PENDBEGIN	558	SESSIONLOST	516
PENDDATA	560	SETFAIL	514
PENDFREE	86	SHARE	27
PENDING	126	SHARED	173
PENDPASS	565	SHUTDOWN	288
PENDRECEIVE	87	SHUTDISABLED	645
PENDRELEASE	562	SHUTENABLED	644
PENDSTART	561	SIGNEDOFF	245
PENDSTSN	557	SIGNEDON	244
PENDUNSOL	564	SINGLEOFF	324
PERF	330	SINGLEON	323
PHASEIN	168	SMF	255
PHYSICAL	215	SOS	668
PLI	152	SOSI	434
PL1	152	SPECIFIC	652
POSITIVE	529	SPECTRACE	177
POST	636	SPRSTRACE	175
PRESETSEC	242	STANDBY	629
PRIMARY	110	STANTRACE	176
PRINTADAPT	427	START	635
PRIVATE	174	STARTED	609
PROGRAM	154	STARTUP	180
PROGSYMBOL	429	STOPPED	610
PROTECTED	504	STSN	509
PRTCOPY	448	STSNSET	488
PURGE	236	STSNTEST	489
PURGEABLE	160	SURROGATE	371
READABLE	35	SUSPENDED	231
READBACK	209	SVA	165
READONLY	275	SWITCH	188
READY	258	SWITCHALL	287
RECEIVE	88	SWITCHING	225
RECOVERABLE	29	SWITCHNEXT	286
RECOVERED	277	SYNCFREE	91
REENTPROT	680	SYNCRECEIVE	92
RELEASE	563	SYNCSEND	93
RELEASED	70	SYSCONNECT	653
RELEASING	549	SYSDUMP	184
RELREQ	442	SYSTEM	643
REMOTE	4	SYSTEMOFF	320
REMOVE	276	SYSTEMON	319
REMTABLE	103	TAKEOVER	111

CVDA	Value		
TAPE1	250	UNBLOCKED	17
TAPE2	251	UNDEFINED	14
TASK	233	UNDETERMINED	355
TASKSTART	611	UNENABLED	33
TERM	234	UNPROTECTED	505
TERMINAL	213	UNSOLDATA	521
TEXTKYBD	436	UPDATABLE	37
TEXTPRINT	438	USER	642
THIRDINIT	627	USERDATAKEY	380
TIMEOUT	511	USEREXECKEY	382
TPS55M2	552	USEROFF	322
TPS55M3	553	USERON	321
TPS55M4	554	USERTABLE	102
TPS55M5	555	VALID	360
TRANDUMP	186	VALIDATION	440
TRANIDONLY	452	VARIABLE	13
TTI	77	VFORM	411
T3278M2	533	VSAM	3
T3278M3	534	VTAM	60
T3278M4	535	WAIT	340
T3278M5	536	WARMSTART	267
T3279M2	537	WIN	545
T3279M3	538	XNOTDONE	144
T3279M4	539	XOK	143
T3279M5	540	ZCPTRACE	364
UCTRAN	450		

---

**CVDAs and numeric values in numeric sequence**

Value	CVDA	Value	CVDA
1	NOTAPPLIC	62	BTAM
1	IGNORE	63	BGAM
2	BDAM	66	CONSOLE
2	DAM	67	CREATE
3	VSAM	68	NOCREATE
4	REMOTE	69	ACQUIRED
5	ESDS	70	RELEASED
6	KSDS	71	ACQUIRING
7	RRDS	72	COLDACQ
8	KEYED	73	INSERVICE
9	NOTKEYED	74	OUTSERVICE
10	BASE	75	ATI
11	PATH	76	NOATI
12	FIXED	77	TTI
13	VARIABLE	78	NOTTI
14	UNDEFINED	79	PAGEABLE
16	BLOCKED	80	AUTOPAGEABLE
17	UNBLOCKED	81	ALLOCATED
18	OPEN	82	CONFFREE
19	CLOSED	83	CONFRECEIVE
20	OPENING	84	CONFSEND
21	CLOSING	85	FREE
22	CLOSEREQUEST	86	PENDFREE
23	ENABLED	87	PENDRECEIVE
24	DISABLED	88	RECEIVE
25	DISABLING	89	ROLLBACK
26	OLD	90	SEND
27	SHARE	91	SYNCFREE
29	RECOVERABLE	92	SYNCRECEIVE
30	NOTRECOVABLE	93	SYNCSEND
31	EMPTYREQ	94	FREEING
32	NOEMPTYREQ	95	AVAILABLE
33	UNENABLED	96	OBTAINING
35	READABLE	100	NOTTABLE
36	NOTREADABLE	101	CICSTABLE
37	UPDATABLE	102	USERTABLE
38	NOTUPDATABLE	103	REMTABLE
39	BROWSABLE	110	PRIMARY
40	NOTBROWSABLE	111	TAKEOVER
41	ADDABLE	121	IRC
42	NOTADDABLE	122	INDIRECT
43	DELETABLE	124	APPC
44	NOTDELETABLE	125	LU61
45	HEX	126	PENDING
46	DEC	127	NOTPENDING
47	BLK	143	XOK
48	EXCTL	144	XNOTDONE
49	NOEXCTL	149	C
52	ALTERABLE	150	ASSEMBLER
53	NOTALTERABLE	151	COBOL
54	LOG	152	PLI
55	NOLOG	152	PL1
56	CTRLABLE	154	PROGRAM
57	NOTCTRLABLE	155	MAP
60	VTAM	156	PARTITIONSET
61	BSAM	158	ANY

Value	CVDA	Value	CVDA
159	BELOW	227	OUTPUT
160	PURGEABLE	228	DISPATCHABLE
161	NOTPURGEABLE	229	RUNNING
162	OLDCOPY	231	SUSPENDED
163	HOLD	233	TASK
164	NOHOLD	234	TERM
165	LPA	235	DEST
165	SVA	236	PURGE
166	NOTLPA	237	FORCEPURGE
166	NOTSVA	241	MCHCTL
167	NEWCOPY	242	PRESETSEC
168	PHASEIN	243	NOPRESETSEC
169	ALLCONN	244	SIGNEDON
170	AUTOCONN	245	SIGNEDOFF
171	NONAUTOCONN	246	LUW
172	GOINGOUT	247	AUXILIARY
173	SHARED	248	MAIN
174	PRIVATE	250	TAPE1
175	SPRSTRACE	251	TAPE2
176	STANTRACE	252	DISK1
177	SPECTRACE	253	DISK2
178	DYNAMIC	254	DISK2PAUSE
180	STARTUP	255	DMF
181	ACTIVE	255	SMF
182	FIRSTQUIESCE	257	OPENOUTPUT
183	FINALQUIESCE	258	READY
184	SYSDUMP	259	NOTREADY
185	NOSYSDUMP	260	CURRENT
186	TRANDUMP	261	CLOSELEAVE
187	NOTRANDUMP	262	AUTOARCH
188	SWITCH	263	NOAUTOARCH
192	BACKOUT	264	REVERTED
194	EXTSECURITY	265	ADVANCE
196	NOSECURITY	266	COLDSTART
197	ALTERNATE	267	WARMSTART
198	DEFAULT	268	EMERGENCY
200	OFF	269	LOGTERM
201	ON	270	FINPUT
202	RESSECNO	271	FOUTPUT
203	RESSECINT	272	FOPEN
204	RESSECYES	273	FCLOSE
205	CMDSECNO	274	OK
207	CMDSECYES	275	READONLY
208	COMMIT	276	REMOVE
209	READBACK	277	RECOVERED
210	EMPTY	285	NOSWITCH
211	NOTEMPTY	286	SWITCHNEXT
212	FULL	287	SWITCHALL
213	TERMINAL	288	SHUTDOWN
214	NOTERMINAL	289	NOSHUTDOWN
215	PHYSICAL	290	RESET
216	LOGICAL	291	ADD
221	EXTRA	310	INTSTART
222	INTRA	311	INTSTOP
223	NOCTL	312	AUXSTART
224	ASACTL	313	AUXPAUSE
225	SWITCHING	314	AUXSTOP
226	INPUT	319	SYSTEMON

# CVDA

Value	CVDA	Value	CVDA
320	SYSTEMOFF	399	COLOR
321	USERON	400	NOCOLOR
322	USEROFF	401	COPY
323	SINGLEON	402	NOCOPY
324	SINGLEOFF	403	DUALCASE
330	PERF	404	NODUALCASE
331	NOPERF	405	EXTENDEDDES
332	EXCEPT	406	NOEXTENDEDDES
333	NOEXCEPT	407	FORMFEED
340	WAIT	408	NOFORMFEED
341	NOWAIT	409	HFORM
342	FORCE	410	NOHFORM
350	IMMCLOSE	411	VFORM
351	FORCECLOSE	412	NOVFORM
352	IMMCLOSING	413	HILIGHT
353	FORCECLOSING	414	NOHILIGHT
354	FWDRECOVABLE	415	KATAKANA
355	UNDETERMINED	416	NOKATAKANA
356	NORMALBKOUT	417	LIGHTPEN
357	FAILEDDBKOUT	418	NOLIGHTPEN
358	FAILINGBKOUT	419	MSRCONTROL
359	INVALID	420	NOMSRCONTROL
360	VALID	421	OBFORMAT
361	NOTFWDRCVBLE	422	NOOBFORMAT
362	EXITTRACE	423	OUTLINE
363	NOEXITTRACE	424	NOOUTLINE
364	ZCPTRACE	425	PARTITIONS
365	NOZCPTRACE	426	NOPARTITIONS
370	MODEL	427	PRINTADAPT
370	CEDF	428	NOPRINTADAPT
371	SURROGATE	429	PROGSYMBOL
371	NOCEDF	430	NOPROGSYMBOL
372	SESSION	431	ALLQUERY
373	APPC SINGLE	432	NOQUERY
374	APPC PARALLEL	433	COLDQUERY
375	COBOLII	434	SOSI
376	NOTINIT	435	NOSOSI
377	LEVSE	436	TEXTKYBD
377	LE370	437	NOTEXTKYBD
378	INACTIVE	438	TEXTPRINT
379	CICSDATAKEY	439	NOTEXTPRINT
380	USERDATAKEY	440	VALIDATION
381	CICSEXECKEY	441	NOVALIDATION
382	USEREXECKEY	442	RELREQ
383	DPLSUBSET	443	NORELREQ
384	FULLAPI	444	DISCREQ
385	FMHPARM	445	NODISCREQ
386	NOFMHPARM	446	ALTPRTCOPY
387	OBOPERID	447	NOALTPRTCOPY
388	NOOBOPERID	448	PRTCOPY
391	APLKYBD	449	NOPRTCOPY
392	NOAPLKYBD	450	UCTRAN
393	APLTEXT	451	NOUCTRAN
394	NOAPLTEXT	452	TRANIDONLY
395	AUDALARM	485	NEWSESSION
396	NOAUDALARM	486	OLDSESSION
397	BACKTRANS	487	NOSTSN
398	NOBACKTRANS	488	STSNSET



Value	CVDA	Value	CVDA
489	STSNTEST	547	INBOUND
490	EB	549	RELEASING
491	CD	550	INSTALLED
492	MORE	551	NOTINSTALLED
493	LIC	552	TPS55M2
494	RU	553	TPS55M3
495	NOTCDEB	554	TPS55M4
496	NONE	555	TPS55M5
497	DEFRESP1	556	NOCONV
498	DEFRESP2	557	PENDSTSN
499	DEFRESP3	558	PENDBEGIN
500	NOALARM	559	APPLICATION
501	ALARM	560	PENDDATA
502	FMH	561	PENDSTART
503	NOFMH	562	PENDRELEASE
504	PROTECTED	563	RELEASE
505	UNPROTECTED	564	PENDUNSOL
506	MDT	565	PENDPASS
507	NOMDT	604	GMT
508	DATA	606	FORMATEDF
509	STSN	607	NOFORMATEDF
510	BEGINSESSION	608	NOTASKSTART
511	TIMEOUT	609	STARTED
512	INSTALLFAIL	610	STOPPED
513	DISCARDFAIL	611	TASKSTART
514	SETFAIL	612	BUSY
515	ACQFAIL	613	NOTBUSY
516	SESSIONLOST	614	SCS
517	SESSIONFAIL	615	DS3270
518	CONVIDLE	616	ASCII7
519	ADDFAIL	617	ASCII8
520	DELETEFAIL	618	AUTOSTART
521	UNSOLDATA	623	CONTROLSHUT
522	NORMALRESP	624	CANCELLED
523	EXCEPTRESP	625	FIRSTINIT
524	ATTENTION	626	SECONDINIT
525	LUSTAT	627	THIRDINIT
526	CANCEL	628	INITCOMPLETE
527	RTR	629	STANDBY
528	DEFRESP1OR2	630	AUTOACTIVE
529	POSITIVE	631	AUTOINACTIVE
530	NEGATIVE	632	CTLGALL
531	NOMSGJRNL	633	CTLGMODIFY
532	INOUT	634	CTLGNONE
533	T3278M2	635	START
534	T3278M3	636	POST
535	T3278M4	637	DELAY
536	T3278M5	640	CLEAR
537	T3279M2	641	NOCLEAR
538	T3279M3	642	USER
539	T3279M4	643	SYSTEM
540	T3279M5	644	SHUTENABLED
541	LUP	645	SHUTDISABLED
542	FORMATTED	650	EXCI
543	DATASTREAM	651	GENERIC
544	LOSE	652	SPECIFIC
545	WIN	653	SYSCONNECT
546	NOTINBOUND	654	NOSYSCONNECT

## CVDA

Value	CVDA
659	NOTDEFINED
660	CICS
661	NONCICS
666	REQUIRED
667	NOTREQUIRED
668	SOS
669	NOTSOS
690	CONNECTED
691	NOTCONNECTED

---

## CVDAs returned by the INQ NETNAME|TERMINAL DEVICE command

### CVDA sequence

BATCHLU	191
BIPROG	160
BISYNCH	128
CDRDLPRT	24
CONTNLU	189
HARDCOPY	32
INTACTLU	190
ISCOMMCONV	209
LUCMODGRP	210
LUCSESS	211
LUTYPE4	193
LUTYPE6	192
MAGTAPE	20
RESSYS	208
SDLC	176
SEQDISK	18
SYSTEM3	161
SYSTEM7	2
SYS370	164
SYS7BSCA	166
TCONSOLE	8
TELETYPE	34
TTCAM	80
TWX3335	33
T1050	36
T1053	74
T2260L	65
T2260R	72
T2265	76
T2740	40
T2741BCD	43
T2741COR	42
T2770	130
T2780	132
T2980	134
T3275R	146
T3277L	153
T3277R	145
T3284L	155
T3284R	147
T3286L	156
T3286R	148
T3600BI	138
T3601	177
T3614	178

### CVDA sequence

T3650ATT	186
T3650PIPE	184
T3650USER	187
T3653HOST	185
T3735	136
T3740	137
T3780	133
T3790	180
T3790SCSP	182
T3790UP	181
T7770	1
VIDEOTERM	64

### Numeric sequence

1	T7770
2	SYSTEM7
8	TCONSOLE
18	SEQDISK
20	MAGTAPE
24	CDRDLPRT
32	HARDCOPY
34	TELETYPE
33	TWX3335
36	T1050
40	T2740
42	T2741COR
43	T2741BCD
64	VIDEOTERM
65	T2260L
72	T2260R
74	T1053
76	T2265
80	TTCAM
128	BISYNCH
130	T2770
132	T2780
133	T3780
134	T2980
136	T3735
137	T3740
138	T3600BI
145	T3277R
146	T3275R
147	T3284R

Numeric sequence			
148	T3286R	182	T3790SCSP
153	T3277L	184	T3650PIPE
155	T3284L	185	T3653HOST
156	T3286L	186	T3650ATT
160	BIPROG	187	T3650USER
161	SYSTEM3	189	CONTNLU
164	SYS370	190	INTACTLU
166	SYS7BSCA	191	BATCHLU
176	SDLC	192	LUTYPE6
177	T3601	193	LUTYPE4
178	T3614	208	RESSYS
180	T3790	209	ISCMCONV
181	T3790UP	210	LUCMODGRP
		211	LUCSESS



## Chapter 7. EXEC interface block (EIB)

This chapter contains General-use Programming Interface information.

### EIB field names and descriptions

EIB field	COBOL	C	PL/I	ASM
EIBAID	PIC X(1)	char eibaid[1]	CHAR(1)	CL1
EIBATT	PIC X(1)	char eibatt[1]	CHAR(1)	CL1
EIBCALEN	PIC S9(4) COMP	short int eibcalen	FIXED BIN(15)	H
EIBCOMPL	PIC X(1)	char eibcompl[1]	CHAR(1)	CL1
EIBCONF	PIC X(1)	char eibconf[1]	CHAR(1)	CL1
EIBCPOSN	PIC S9(4) COMP	short int eibcposn	FIXED BIN(15)	H
EIBDATE	PIC S9(7) COMP-3	char eibdate[4]	FIXED DEC(7,0)	PL4
EIBDS	PIC X(8)	char eibds[8]	CHAR(8)	CL8
EIBEOC	PIC X(1)	char eibeoc[1]	CHAR(1)	CL1
EIBERR	PIC X(1)	char eiberr[1]	CHAR(1)	CL1
EIBERRCD	PIC X(4)	char eiberrcd[4]	CHAR(4)	CL4
EIBFMH	PIC X(1)	char eibfmh[1]	CHAR(1)	CL1
EIBFN	PIC X(2)	char eibfn[2]	CHAR(2)	CL2
EIBFREE	PIC X(1)	char eibfree[1]	CHAR(1)	CL1
EIBNODAT	PIC X(1)	char eibnodat[1]	CHAR(1)	CL1
EIBRCODE	PIC X(6)	char eibrcode[6]	CHAR(6)	CL6
EIBRECV	PIC X(1)	char eibrecv[1]	CHAR(1)	CL1
EIBREQID	PIC X(8)	char eibreqid[8]	CHAR(8)	CL8
EIBRESP	PIC S9(8) COMP	long int eibresp	FIXED BIN(31)	F
EIBRESP2	PIC S9(8) COMP	long int eibresp2	FIXED BIN(31)	F
EIBRLDBK	PIC X(1)	char eibrldb[1]	CHAR(1)	CL1
EIBRSRCE	PIC X(8)	char eibrsrce[8]	CHAR(8)	CL8
EIBSIG	PIC X(1)	char eibsig[1]	CHAR(1)	CL1
EIBSYNC	PIC X(1)	char eibsync[1]	CHAR(1)	CL1
EIBSYNRB	PIC X(1)	char eibsynrb[1]	CHAR(1)	CL1
EIBTASKN	PIC S9(7) COMP-3	char eibtaskn[4]	FIXED DEC(7,0)	PL4
EIBTIME	PIC S9(7) COMP-3	char eibtime[4]	FIXED DEC(7,0)	PL4
EIBTRMID	PIC X(4)	char eibtrmid[4]	CHAR(4)	CL4
EIBTRNID	PIC X(4)	char eibtrnid[4]	CHAR(4)	CL4

### EIBFN codes

**Note:** In the column **Type**, API indicates that the command is described in the *CICS Application Programming Reference*, and SPI indicates that it is described in the *CICS System Programming Reference* manual. SPI does **not** indicate that the special (SP) translator option is required for this command. FEPI indicates commands used by the CICS Front End Programming Interface. They are described in the *CICS Front End Programming Interface User's Guide*.

¢  
¢  
¢

EIBFN value	Command	Type
X'0202'	ADDRESS	API
X'0204'	HANDLE CONDITION	API
X'0206'	HANDLE AID	API
X'0208'	ASSIGN	API
X'020A'	IGNORE CONDITION	API
X'020C'	PUSH	API
X'020E'	POP	API
X'0402'	RECEIVE	API
X'0404'	SEND	API
X'0406'	CONVERSE	API
X'0408'	ISSUE EODS	API
X'040A'	ISSUE COPY	API
X'040C'	WAIT TERMINAL	API
X'040E'	ISSUE LOAD	API

## EIBFN codes

EIBFN value	Command	Type	EIBFN value	Command	Type
X'0410'	WAIT SIGNAL	API	X'1206'	DEQ	API
X'0412'	ISSUE RESET	API	X'1208'	SUSPEND	API
X'0414'	ISSUE DISCONNECT	API	X'1402'	JOURNAL	API
X'0416'	ISSUE ENDOUTPUT	API	X'1402'	WRITE JOURNALNUM	API
X'0418'	ISSUE ERASEAUP	API	X'1404'	WAIT JOURNAL	API
X'041A'	ISSUE ENDFILE	API	X'1404'	WAIT JOURNALNUM	API
X'041C'	ISSUE PRINT	API	X'1602'	SYNCPOINT	API
X'041E'	ISSUE SIGNAL	API	X'1604'	RESYNC	SPI
X'0420'	ALLOCATE	API	X'1802'	RECEIVE MAP	API
X'0422'	FREE	API	X'1804'	SEND MAP	API
X'0424'	POINT	API	X'1806'	SEND TEXT	API
X'0426'	BUILD ATTACH	API	X'1808'	SEND PAGE	API
X'0428'	EXTRACT ATTACH	API	X'180A'	PURGE MESSAGE	API
X'042A'	EXTRACT TCT	API	X'180C'	ROUTE	API
X'042C'	WAIT CONVID	API	X'180E'	RECEIVE PARTN	API
X'042E'	EXTRACT PROCESS	API	X'1810'	SEND PARTNSET	API
X'0430'	ISSUE ABEND	API	X'1812'	SEND CONTROL	API
X'0432'	CONNECT PROCESS	API	X'1A02'	TRACE	API
X'0434'	ISSUE CONFIRMATION	API	X'1A04'	ENTER TRACEID	API
X'0436'	ISSUE ERROR	API	X'1C02'	DUMP	API
X'0438'	ISSUE PREPARE	API	X'1E02'	ISSUE ADD	API
X'043A'	ISSUE PASS	API	X'1E04'	ISSUE ERASE	API
X'043C'	EXTRACT LOGONMSG	API	X'1E06'	ISSUE REPLACE	API
X'043E'	EXTRACT ATTRIBUTES	API	X'1E08'	ISSUE ABORT	API
X'0602'	READ FILE	API	X'1E0A'	ISSUE QUERY	API
X'0604'	WRITE FILE	API	X'1E0C'	ISSUE END	API
X'0606'	REWRITE FILE	API	X'1E0E'	ISSUE RECEIVE	API
X'0608'	DELETE FILE	API	X'1E10'	ISSUE NOTE	API
X'060A'	UNLOCK FILE	API	X'1E12'	ISSUE WAIT	API
X'060C'	STARTBR FILE	API	X'1E14'	ISSUE SEND	API
X'060E'	READNEXT FILE	API	X'2002'	BIF DEEDIT	API
X'0610'	READPREV FILE	API	X'2202'	ENABLE	SPI
X'0612'	ENDBR FILE	API	X'2204'	DISABLE	SPI
X'0614'	RESETBR FILE	API	X'2206'	EXTRACT EXIT	SPI
X'0802'	WRITEQ TD	API	X'2404'	GDS ASSIGN	API
X'0804'	READQ TD	API	X'2406'	GDS EXTRACT PROCESS	API
X'0806'	DELETEQ TD	API	X'2408'	GDS FREE	API
X'0A02'	WRITEQ TS	API	X'240A'	GDS ISSUE ABEND	API
X'0A04'	READQ TS	API	X'240C'	GDS CONNECT PROCESS	API
X'0A06'	DELETEQ TS	API	X'240E'	GDS ISSUE CONFIRMATION	API
X'0C02'	GETMAIN	API	X'2410'	GDS ISSUE ERROR	API
X'0C04'	FREEMAIN	API	X'2412'	GDS ISSUE SIGNAL	API
X'0E02'	LINK	API	X'2414'	GDS RECEIVE	API
X'0E04'	XCTL	API	X'2416'	GDS SEND	API
X'0E06'	LOAD	API	X'2418'	GDS WAIT	API
X'0E08'	RETURN	API	X'241A'	GDS ISSUE PREPARE	API
X'0E0A'	RELEASE	API	X'241C'	GDS EXTRACT ATTRIBUTE	API
X'0E0C'	ABEND	API	X'4202'	INQUIRE AUTINSTMODEL	SPI
X'0E0E'	HANDLE ABEND	API	X'4210'	DISCARD AUTINSTMODEL	SPI
X'1002'	ASKTIME	API	X'4402'	INQUIRE PARTNER	SPI
X'1004'	DELAY	API	X'4410'	DISCARD PARTNER	SPI
X'1006'	POST	API	X'4602'	INQUIRE PROFILE	SPI
X'1008'	START	API	X'4610'	DISCARD PROFILE	SPI
X'100A'	RETRIEVE	API	X'4802'	ENTER TRACENUM	API
X'100C'	CANCEL	API	X'4804'	MONITOR	API
X'1202'	WAIT EVENT	API	X'4A02'	ASKTIME ABSTIME	API
X'1204'	ENQ	API	X'4A04'	FORMATTIME	API

EIBFN value	Command	Type	EIBFN value	Command	Type
X'4C02'	INQUIRE FILE	SPI	X'6624'	SET SYSDUMPCODE	SPI
X'4C04'	SET FILE	SPI	X'6802'	INQUIRE VTAM	SPI
X'4C10'	DISCARD FILE	SPI	X'6804'	SET VTAM	SPI
X'4E02'	INQUIRE PROGRAM	SPI	X'6812'	INQUIRE AUTOINSTAL	SPI
X'4E04'	SET PROGRAM	SPI	X'6814'	SET AUTOINSTALL	SPI
X'4E10'	DISCARD PROGRAM	SPI	X'6822'	INQUIRE DELETSHIPED	SPI
X'5002'	INQUIRE TRANSACTIO	SPI	X'6824'	SET DELETSHIPED	SPI
X'5004'	SET TRANSACTION	SPI	X'6826'	PERFORM DELETSHIPED	SPI
X'5010'	DISCARD TRANSACTION	SPI	X'6A02'	QUERY SECURITY	API
X'5202'	INQUIRE TERMINAL <sup>1</sup>	SPI	X'6C02'	WRITE OPERATOR	API
X'5204'	SET TERMINAL	SPI	X'6C12'	CICSMESSAGE	API
X'5206'	INQUIRE NETNAME <sup>1</sup>	SPI	X'6E02'	INQUIRE IRC	SPI
X'5208'	SET NETNAME	SPI	X'6E04'	SET IRC	SPI
X'5212'	INQUIRE TERMINAL	SPI	X'7002'	INQUIRE STATISTICS	SPI
X'5214'	SET TERMINAL	SPI	X'7004'	SET STATISTICS	SPI
X'5216'	INQUIRE NETNAME	SPI	X'7006'	PERFORM STATISTICS	SPI
X'5402'	INQUIRE SYSTEM	SPI	X'7008'	COLLECT STATISTICS	SPI
X'5404'	SET SYSTEM	SPI	X'7012'	INQUIRE MONITOR	SPI
X'5602'	SPOOLOPEN INPUT	API	X'7014'	SET MONITOR	SPI
X'5602'	SPOOLOPEN OUTPUT	API	X'7202'	PERFORM RESETTIME	SPI
X'5604'	SPOOLREAD	API	X'7402'	SIGNON	API
X'5606'	SPOOLWRITE	API	X'7404'	SIGNOFF	API
X'5610'	SPOOLCLOSE	API	X'7406'	VERIFY PASSWORD	API
X'5620'	SPOOLOPEN REPORT	API	X'7408'	CHANGE PASSWORD	API
X'5622'	SPOOLOPEN MAPNAME	API	X'7602'	PERFORM SHUTDOWN	SPI
X'5624'	SPOOLOPEN ESCAPE	API	X'7802'	INQUIRE TRACEDEST	SPI
X'5626'	SPOOLOPEN RESUME	API	X'7804'	SET TRACEDEST	SPI
X'5628'	SPOOLWRITE REPORT	API	X'7812'	INQUIRE TRACEFLAG	SPI
X'562A'	SPOOLWRITE MAPNAME	API	X'7814'	SET TRACEFLAG	SPI
X'562C'	SPOOLCLOSE REPORT	API	X'7822'	INQUIRE TRACETYPE	SPI
X'5802'	INQUIRE CONNECTION	SPI	X'7824'	SET TRACETYPE	SPI
X'5804'	SET CONNECTION	SPI	X'7A02'	INQUIRE DSNAME	SPI
X'5A02'	INQUIRE MODENAME	SPI	X'7A04'	SET DSNAME	SPI
X'5A04'	SET MODENAME	SPI	X'7E02'	DUMP TRANSACTION	API
X'5C02'	INQUIRE TDQUEUE	SPI	X'7E04'	PERFORM DUMP	SPI
X'5C04'	SET TDQUEUE	SPI	X'8002'	INQUIRE TSQUEUE	SPI
X'5E02'	INQUIRE TASK	SPI	X'820E'	AP	FEPI
X'5E04'	SET TASK	SPI	X'8210'	ALLOCATE POOL	FEPI
X'5E06'	CHANGE TASK	API	X'8210'	ALLOCATE PASSCONVI	FEPI
X'5E08'	INQUIRE STORAGE	SPI	X'8212'	CONVERSE FORMATTED	FEPI
X'5E12'	INQUIRE TCLASS	SPI	X'8214'	CONVERSE DATASTREA	FEPI
X'5E14'	SET TCLASS	SPI	X'8216'	EXTRACT CONV	FEPI
X'5E18'	DISCARD TRANCLASS	SPI	X'8218'	EXTRACT FIELD	FEPI
X'5E1A'	INQUIRE TRANCLASS	SPI	X'821A'	EXTRACT STSN	FEPI
X'5E1C'	SET TRANCLASS	SPI	X'821C'	FREE	FEPI
X'5E22'	WAIT EXTERNAL	API	X'821E'	ISSUE	FEPI
X'5E32'	WAITCICS	API	X'8220'	RECEIVE FORMATTED	FEPI
X'6002'	INQUIRE JOURNALNUM	SPI	X'8222'	RECEIVE DATASTREAM	FEPI
X'6004'	SET JOURNALNUM	SPI	X'8224'	SEND FORMATTED	FEPI
X'6202'	INQUIRE VOLUME	SPI	X'8226'	SEND DATASTREAM	FEPI
X'6204'	SET VOLUME	SPI	X'8228'	START	FEPI
X'6402'	PERFORM SECURITY	SPI	X'840E'	SP	FEPI
X'6602'	INQUIRE DUMPDS	SPI	X'8422'	INQUIRE PROPERTYSE	FEPI
X'6604'	SET DUMPDS	SPI	X'8428'	INSTALL PROPERTYSE	FEPI
X'6612'	INQUIRE TRANDUMPCODE	SPI	X'8430'	DISCARD PROPERTYSE	FEPI
X'6614'	SET TRANDUMPCODE	SPI	X'8442'	INQUIRE NODE	FEPI
X'6622'	INQUIRE SYSDUMPCODE	SPI	X'8444'	SET NODE	FEPI

## EIBFN codes

<b>EIBFN value</b>	<b>Command</b>	<b>Type</b>
X'8444'	SET NODELIST	FEPI
X'8448'	INSTALL NODELIST	FEPI
X'844A'	ADD POOL	FEPI
X'844C'	DELETE POOL	FEPI
X'8450'	DISCARD NODELIST	FEPI
X'8462'	INQUIRE POOL	FEPI
X'8464'	SET POOL	FEPI
X'8464'	SET POOLLIST	FEPI
X'8468'	INSTALL POOL	FEPI
X'8470'	DISCARD POOL	FEPI
X'8482'	INQUIRE TARGET	FEPI
X'8484'	SET TARGETLIST	FEPI
X'8484'	SET TARGET	FEPI
X'8488'	INSTALL TARGETLIST	FEPI
X'8490'	DISCARD TARGETLIST	FEPI
X'84A2'	INQUIRE CONNECTION	FEPI
X'84A4'	SET CONNECTION	FEPI
X'8602'	ACQUIRE	SPI
X'8802'	INQUIRE EXITPROGRAM	SPI
X'8A02'	INQUIRE REQID	SPI
X'8C02'	WRITE MESSAGE	API

---

<sup>1</sup> Function codes for programs translated prior to CICS/VSE 2.2.



## EIBRCODE values

See the notes at the end of the list of values for explanations of the numbers following some of the conditions.

EIBFN	EIBRCODE	Condition
02	E0	INVREQ
04	04	EOF
04	10	EODS
04	C1	EOF
04	C2	ENDINPT
04	D0	SYSIDERR <sup>3</sup>
04	D2	SESSIONERR <sup>4</sup>
04	D3	SYSBUSY <sup>5</sup>
04	D4	SESSBUSY
04	D5	NOTALLOC
04	E0	INVREQ <sup>6</sup>
04	E1	LENGERR <sup>7</sup>
04	E3	WRBRK
04	E4	RDATT
04	E5	SIGNAL
04	E6	TERMIDERR
04	E7	NOPASSBKRD
04	E8	NOPASSBKWR
04	EA	IGREQCD
04	EB	CBIDERR
04	F1	TERMERR
04	.. 20	EOC
04	.. 40	INBFMH
04	.. .. F6	NOSTART
04	.. .. F7	NONVAL
06	01	FILENOTFOUND
06	02	ILLOGIC <sup>1</sup>
06	08	INVREQ
06	0C	NOTOPEN
06	0D	DISABLED
06	0F	ENDFILE
06	80	IOERR <sup>1</sup>
06	81	NOTFND
06	82	DUPREC
06	83	NOSPACE
06	84	DUPKEY
06	85	SUPPRESSED
06	86	LOADING
06	D0	SYSIDERR <sup>3</sup>
06	D1	ISCINVREQ
06	D6	NOTAUTH
06	E1	LENGERR
08	01	QZERO
08	02	QIDERR
08	04	IOERR
08	08	NOTOPEN
08	10	NOSPACE
08	C0	QBUSY
08	D0	SYSIDERR <sup>3</sup>
08	D1	ISCINVREQ
08	D6	NOTAUTH
08	D7	DISABLED
08	E0	INVREQ
08	E1	LENGERR
0A	01	ITEMERR
0A	02	QIDERR
0A	04	IOERR
0A	08	NOSPACE
0A	20	INVREQ
0A	D0	SYSIDERR <sup>3</sup>
0A	D1	ISCINVREQ
0A	D6	NOTAUTH
0A	E1	LENGERR
0C	E1	LENGERR
0C	E2	NOSTG
0E	01	PGMIDERR
0E	D6	NOTAUTH
0E	E0	INVREQ
0E	E1	LENGERR

## EIBRCODE values

EIBFN	EIBRCODE	Condition
10 ..	01 ..	ENDDATA
10 ..	04 ..	IOERR
10 ..	11 ..	TRANSIDERR
10 ..	12 ..	TERMIDERR
10 ..	14 ..	INVTSREQ
10 ..	20 ..	EXPIRED
10 ..	81 ..	NOTFND
10 ..	D0 ..	SYSIDERR <sup>3</sup>
10 ..	D1 ..	ISCINVREQ
10 ..	D6 ..	NOTAUTH
10 ..	E1 ..	LENGERR
10 ..	E9 ..	ENVDEFERR
10 ..	FF ..	INVREQ
12 ..	32 ..	ENQBUSY
12 ..	E0 ..	INVREQ
12 ..	E1 ..	LENGERR
14 ..	01 ..	JIDERR
14 ..	02 ..	INVREQ
14 ..	05 ..	NOTOPEN
14 ..	06 ..	LENGERR
14 ..	07 ..	IOERR
14 ..	09 ..	NOJBUFSP
14 ..	D6 ..	NOTAUTH
16 ..	01 ..	ROLLEDBACK
18 ..	01 ..	INVREQ
18 ..	02 ..	RETPAGE
18 ..	04 ..	MAPFAIL
18 ..	08 ..	INVMPSZ <sup>2</sup>
18 ..	20 ..	INVERRTERM
18 ..	40 ..	RTESOME
18 ..	80 ..	RTEFAIL
18 ..	E1 ..	LENGERR
18 ..	E3 ..	WRBRK
18 ..	E4 ..	RDATT
18 ..	.. 02 ..	PARTNFAIL
18 ..	.. 04 ..	INVPARTN
18 ..	.. 08 ..	INVPARTNSET
18 ..	.. 10 ..	INVLDC
18 ..	.. 20 ..	UNEXPIN
18 ..	.. 40 ..	IGREQCD
18 ..	.. 80 ..	TSIOERR
18 ..	.. .. 01 ..	OVERFLOW
18 ..	.. .. 04 ..	EODS
18 ..	.. .. 08 ..	EOC
18 ..	.. .. 10 ..	IGREQID
1A ..	E0 ..	INVREQ
1A ..	04 ..	DSSTAT
1A ..	08 ..	FUNCERR
1A ..	0C ..	SELNERR
1A ..	10 ..	UNEXPIN
1A ..	E1 ..	LENGERR
1A ..	.. 11 ..	EODS
1A ..	.. 2B ..	IGREQCD
1A ..	.. .. 20 ..	EOC
22 ..	80 ..	INVEXITREQ
4A ..	.. .. 01 ..	ERROR
56 ..	.. .. 0D ..	NOTFND
56 ..	.. .. 10 ..	INVREQ
56 ..	.. .. 13 ..	NOTOPEN
56 ..	.. .. 14 ..	ENDFILE
56 ..	.. .. 15 ..	ILLOGIC
56 ..	.. .. 16 ..	LENGERR
56 ..	.. .. 2A ..	NOSTG
56 ..	.. .. 46 ..	NOTAUTH
56 ..	.. .. 50 ..	NOSPOOL
56 ..	.. .. 55 ..	ALLOCERR
56 ..	.. .. 56 ..	STRELERR
56 ..	.. .. 57 ..	OPENERR
56 ..	.. .. 58 ..	SPOLBUSY
56 ..	.. .. 59 ..	SPOLERR
56 ..	.. .. 5A ..	NODEIDERR
56 ..	.. .. 60 ..	OUTDESCRERR

**Notes:**

1. When ILOGIC or IOERR occurs during file control operations, further information is provided in field EIBRCODE, as follows:

```
.. xx xx .. .. . DAM response (ERRBYTE value)
.. xx .. .. .. . VSAM return code
.. .. xx .. .. .. VSAM error code
```

See the *VSE/ESA Messages and Codes Volume 2* manual for VSAM return codes, and the *VSE/ESA System Macro User's Guide* for DAM.

2. When INVMPsz occurs during BMS operations, byte 3 of field EIBRCODE contains the terminal code:

```
.. .. .. xx .. .. terminal code
```

3. When SYSIDERR occurs, further information is provided in bytes 1 and 2 of EIBRCODE, as follows:

```
.. 04 00 .. .. . request was for invalid function
.. 04 04 .. .. . no session available and NOQUEUE
.. 04 08 .. .. . mode name not found
.. 04 0C .. .. . mode name invalid
.. 04 10 .. .. . task canceled or timed out during allocation
.. 04 14 .. .. . mode group is out of service
.. 04 18 .. .. . close - DRAIN=ALL (Note: APPC only)
.. 08 .. .. . SYSID out of service,
    For function shipping requests, the exit program
    (XISCONA) may have refused to queue the request
    because the intersystem connection is busy
.. 0C xx .. .. . SYSID definition error
.. 0C 00 .. .. . name not that of TCTSE
.. 0C 04 .. .. . name not that of remote TCTSE
.. 0C 08 .. .. . mode name not found
.. 0C 0C .. .. . profile not found
```

Further information about SYSIDERR can be found in the *CICS Intercommunication Guide*.

4. When SESSIONERR occurs, further information is provided in bytes 1 and 2 of EIBRCODE, as follows:

```
.. 08 .. .. . session out of service
.. 0C xx .. .. . session definition error
.. 0C 00 .. .. . name not found
.. 0C 0C .. .. . profile not found
```

Further information about SESSIONERR can be found in the *CICS Intercommunication Guide*.

5. If SYSBUSY occurs on an ALLOCATE command that attempts to acquire a session to an APPC terminal or system, byte 3 of the EIBRCODE indicates where the error condition was detected:

```
.. .. .. 00 .. .. the request was for a session to a connected terminal
    or system
.. .. .. 01 .. .. the request was for a session to a remotely connected
    terminal or system, and the error occurred in the
    terminal-owning region (TOR) or an intermediate system
.. .. .. 02 .. .. the request was for a session to a remotely connected
    terminal or system, and the error occurred in the
    application-owning region (AOR)
```

Further information about SYSBUSY can be found in the *CICS Intercommunication Guide*.

## EIBRCODE values

6. When INVREQ occurs during terminal control operations, further information is provided in byte 3 of EIBRCODE as follows:

```
.. .. 04 .. .. ALLOCATE command - TCTTE already allocated
.. .. 08 .. .. FREE command - TCTTE in wrong state
.. .. 0C .. .. CONNECT PROCESS command - SYNCLVL 2 has been
    requested but cannot be supported on the session in use
.. .. 10 .. .. EXTRACT ATTACH command - invalid data
.. .. 14 .. .. SEND command - CONFIRM option has been specified but
    conversation is not SYNCLVL 1
.. .. 18 .. .. EXTRACT TCT command - invalid netname
.. .. 1C .. .. an invalid command has been issued for the terminal
    or logical unit in use
.. .. 20 .. .. an invalid command has been issued for the LU6.2
    conversation type in use
.. .. 28 .. .. GETMAIN failure on ISSUE PASS command
```

7. When LENGERR occurs during terminal control operations, further information is provided in byte 1 of EIBRCODE, as follows:

```
.. 00 .. .. .. input data is overlong and has been truncated
.. 04 .. .. .. on output commands, an invalid (FROM)LENGTH has been
    specified, either less than zero or greater than 32767
.. 08 .. .. .. on input commands, an invalid (TO)LENGTH has been
    specified, greater than 32767
.. 0C .. .. .. length error has occurred on ISSUE PASS command
```

## EXEC CICS DISCARD, INQUIRE, PERFORM, and SET commands

The first word of EIBRCODE for these commands is always set equal to the hexadecimal equivalent of the RESP value; the remaining bytes are set to X'00'.

Condition	RESP Value	EIBRCODE (Byte 3)	Abend code
DSNNOTFOUND	93	5D	AEX1
DUPREC	14	0E	AEIN
END	83	53	AEXK
FILENOTFOUND	12	0C	AEIL
ILLOGIC	21	15	AEIU
INVREQ	16	10	AEIP
IOERR	17	11	AEIQ
JIDERR	43	2B	AEYG
LENGERR	22	16	AEIV
MODELIDERR	95	5F	AEX3
NOSPACE	18	12	AEIR
NOSTG	42	2A	-
NOTAUTH	70	46	AEY7
NOTFND	13	0D	AEIM
PARTNERIDERR	97	61	AEX5
PGMIDERR	27	1B	AEI0
PROFILEIDERR	98	62	AEX6
QIDERR	44	2C	AEYH
SYSBUSY	59	3B	-
SYSIDERR	53	35	AEYQ
TASKIDERR	91	5B	AEXX
TCIDERR	92	5C	AEX0
TERMIDERR	11	0B	AEIK
TRANSIDERR	28	1C	AEI1

Condition	RESP Value	EIBRCODE (Byte 3)	Abend code
USERIDERR	69	45	AEYX
VOLIDERR	71	47	AEXV

## EXEC CICS DISABLE, ENABLE, and EXTRACT EXIT commands

Conditions that can be raised by the ENABLE, DISABLE, and EXTRACT EXIT commands are INVEXITREQ and NOTAUTH. There are no conditions associated with the RESYNC command.

Condition	RESP Value	EIBRCODE (Byte 3)	Abend code
INVEXITREQ	63	80	AEY0
NOTAUTH	70	46	AEY7

---

## RESP values and conditions

RESP Condition value	RESP Condition value
00	NORMAL
01	ERROR
02	RDATT
03	WRBRK
04	EOF
05	EODS
06	EOC
07	INBFMH
08	ENDINPT
09	NONVAL
10	NOSTART
11	TERMIDERR
12	FILENOTFOUND
13	NOTFND
14	DUPREC
15	DUPKEY
16	INVREQ
17	IOERR
18	NOSPACE
19	NOTOPEN
20	ENDFILE
21	ILLOGIC
22	LENGERR
23	QZERO
24	SIGNAL
25	QBUSY
26	ITEMERR
27	PGMIDERR
28	TRANSIDERR
29	ENDDATA
30	INVTSREQ
31	EXPIRED
32	RETPAGE
33	RTEFAIL
34	RTESOME
35	TSIOERR
36	MAPFAIL
37	INVERRTERM
38	INVMPSTZ
39	IGREQID
40	OVERFLOW
41	INVLDC
42	NOSTG
43	JIDERR
44	QIDERR
45	NOJBUFSP
46	DSSTAT
47	SELNERR
48	FUNCERR
49	UNEXPIN
50	NOPASSBKRD
51	NOPASSBKWR
52	-
53	SYSIDERR
54	ISCINVREQ
55	ENQBUSY
56	ENVDEFERR
57	IGREQCD
58	SESSIONERR
59	SYSBUSY
60	SESSBUSY
61	NOTALLOC
62	CBIDERR
63	INVEXITREQ
64	INVPARTNSET
65	INVPARTN
66	PARTNFAIL
67	-
68	-
69	USERIDERR

## RESP values

### RESP Condition value

70 NOTAUTH  
71 VOLIDERR  
72 SUPPRESSED  
73 WRONGSTAT  
74 NAMEERROR  
  
75 RESIDERR  
76 CCERROR  
77 MAPERROR  
78 -  
79 -  
  
80 NOSPOOL  
81 TERMERR  
82 ROLLEDBACK  
83 END  
84 DISABLED

85 ALLOCERR  
86 STRELERR  
87 OPENERR  
88 SPOLBUSY  
89 SPOLERR  
  
90 NODEIDERR  
91 TASKIDERR  
92 TCIDERR  
93 DSNNOTFOUND  
94 LOADING  
  
95 MODELIDERR  
96 OUTDESCRERR  
97 PARTNERIDERR  
98 PROFILEIDERR  
99 NETNAMEIDERR  
  
255 NOTPOSS

## RESP2 values and their meanings

**Note:** The RESP2 values returned by the CICS Front End Programming Interface are described in the *CICS Front End Programming Interface User's Guide*.

Command	Condition	RESP2	Meaning	
ACQUIRE TERMINAL	INVREQ	2	The terminal is a remote terminal	
		3	The terminal is LU6.1, APPC, IRC or a non-VTAM device	
		4	The terminal is not in service; that is, it is not available for use.	
		5	VTAM is not open	
		7	An ACQUIRE TERMINAL request is already outstanding for this terminal	
		8	NOQUEUE and QNOTENAB options are invalid for a logged-on device	
		LENGERR	6	Out-of-range value supplied in the USERDATALEN option
		NOTAUTH	100	The user associated with the task is not authorized to issue this command
	TERMIDERR	1	The terminal cannot be found	
ADDRESS	INVREQ	200	TCTUA option not allowed in a server program invoked by a distributed program link.	
ASSIGN	INVREQ	2	No BMS command has yet been issued, BMS routing is in effect, or no map has yet been positioned	
		3	No BDI command has yet been issued	
		4	The task is not initiated by automatic transaction initiation (ATI)	
		5	The task is not associated with a terminal	
		200	Command syntax options are not allowed in a server program invoked by a distributed program link	
CHANGE PASSWORD	INVREQ	13	There is an unknown return code in ESMRESP from the external security manager	
		18	The CICS external security manager interface is not initialized	
		29	The external security manager is not responding	
		NOTAUTH	2	The supplied password is wrong
		4	The new password is not acceptable	
	USERIDERR	19	The USERID is revoked	
		22	The change password request failed during SECLEVEL processing	
		31	The user is revoked in the connection to the default group	
		8	The USERID is not known to the external security manager	
		CHANGE TASK	INVREQ	1
COLLECT STATISTICS	NOTFND	1	The requested resource cannot be found	
		2	The type of resource is not defined in the CICS system	
		3	The requested statistics area was not functioning	
		4	The TCLASS value was not in the range 1–10, or the LSRPOOL value was not in the range 1–15	
	NOTAUTH	100	The user associated with the issuing task is not authorized to use this command	
		101	The user associated with the task is not authorized to see statistics for the requested resource	
		IOERR		
	INVREQ			

## RESP2 values

Command	Condition	RESP2	Meaning
CONNECT	INVREQ	200	A distributed program link server application specified the function-shipping session (its principal facility) on the CONVID option
PROCESS			
CONVERSE	INVREQ	200	A distributed program link server application specified the function-shipping session (its principal facility) on the CONVID option
DELAY	INVREQ	4	Hours are out of range
		5	Minutes are out of range
		6	Seconds are out of range
DELETE	FILENOTFOUND	1	The file name referred to in the FILE option cannot be found in the FCT
	INVREQ	20	Delete operations are not allowed according to the file entry specification in the FCT <u>or</u> the user-maintained data table was defined as a CICS file and the definition does not allow for delete operations
		21	A DELETE command was issued for a file referring to a VSAM ESDS
		22	A generic delete was issued for a file that is not a VSAM KSDS
		25	The KEYLENGTH and GENERIC options were specified, and the length specified in the KEYLENGTH option is greater than or equal to the length of a full key
		26	The KEYLENGTH option was specified (but the GENERIC option is not specified), and the specified length does not equal the length defined for the data set to which this file refers
		27	A DELETE command was issued for a file referring to a DAM data set
		31	A DELETE command without the RIDFLD option was issued for a file for which no previous READ UPDATE command has been issued
		42	The KEYLENGTH and GENERIC options were specified, and the length specified in the KEYLENGTH option is less than zero
		44	The DELETE command does not conform to the format of DELETE for a user-maintained table; for example if GENERIC were specified
		47	A DELETE instruction included a token whose value cannot be matched against any token in use for an existing READ for UPDATE request
		48	An attempt has been made to function-ship a request which includes a TOKEN keyword
	DISABLED	50	A file is disabled
	NOTOPEN	60	The requested file is CLOSED and UNENABLED <u>or</u> the requested file is OPEN and in use by other transactions, but a close request against it has been received
	ISCINVREQ	70	The remote system indicated a failure that does not correspond to a known condition
	NOTFND	80	An attempt to delete a record based on the search argument provided is unsuccessful <u>or</u> , for user-maintained data tables, an attempt to delete a record was unsuccessful because there is no entry with the specified key in the data table
	NOTAUTH	101	A resource security check has failed on FILE(filename)
	LOADING	104	A delete request has been issued for a user-maintained table that is currently being loaded
	ILLOGIC	110	A VSAM error has occurred which does not fall within the one of the other CICS response categories
	IOERR	120	There has been an I/O error during the file control operation
	SYSIDERR	130	The SYSID option specified a name that is neither the local nor the remote system (made known to CICS by defining a CONNECTION); <u>or</u> the link to the remote system was closed.
	DUPKEY	140	A record has been accessed by way of an alternate index with the NONUNIQUEKEY attribute, and another alternate index record with the same key follows
DEQ	LENGERR	1	The value specified for the LENGTH option is outside the range 1–255
	INVREQ	2	The MAXLIFETIME option has an incorrect CVDA



Command	Condition	RESP2	Meaning
DISABLE PROGRAM	NOTAUTH	100	The user associated with the issuing task is not authorized to use this command
		101	The user associated with the issuing task is not authorized to access this particular resource in the way required by this command.
DISCARD AUTINSTMODEL	MODELIDERR	1	The model cannot be found
	INVREQ	2	The model you requested is currently in use
		3	The model cannot be discarded because its name begins with DFH
	NOTAUTH	100	The user associated with the issuing task is not authorized to use this command
DISCARD FILE	INVREQ	2	The file is not closed
		3	The file is not disabled
		25	The file definition is currently in use
		26	The file cannot be discarded because its name begins with DFH
	FILENOTFOUND	18	The file cannot be found
	NOTAUTH	100	The user associated with the issuing task is not authorized to use this command
		101	The user associated with the issuing task is not authorized to discard the resource definition
	DISCARD PARTNER	PARTNERIDERR	1
5			The Partner Resource Manager (PRM) is not active, because it failed to initialize during CICS initialization
INVREQ		2	The partner definition is currently in use
		3	The partner cannot be discarded because its name begins with DFH
NOTAUTH		100	The user associated with the issuing task is not authorized to use this command
DISCARD PROFILE		PROFILEIDERR	1
	INVREQ	2	The profile definition is currently in use
		3	A transaction definition points to the profile
		4	The profile cannot be discarded because its name begins with DFH
	NOTAUTH	100	The user associated with the issuing task is not authorized to use this command
DISCARD PROGRAM	INVREQ	1	The resource cannot be discarded because its name begins with DFH
		11	The resource definition is currently in use
		15	The resource cannot be discarded because it is a user-replaceable module
	PGMIDERR	7	The resource definition cannot be found
	NOTAUTH	100	The user associated with the issuing task is not authorized to use this command
		101	The user associated with the issuing task is not authorized to discard the resource definition

## RESP2 values

Command	Condition	RESP2	Meaning	
DISCARD TRANCLASS	TCIDERR	1	The transaction class cannot be found	
	INVREQ	2	The TRANCLASS definition is in use	
		12	The transaction class cannot be discarded because installed transactions belong to it	
	NOTAUTH	100	The user associated with the issuing task is not authorized to use this command	
DISCARD TRANSACTION	TRANSIDERR	1	The transaction cannot be found	
	INVREQ	4	The transaction cannot be discarded because its name begins with C	
		12	The transaction definition is currently in use	
		13	The transaction is named on a system initialization parameter	
		14	The transaction is scheduled to run at a future time (in use by an interval control element)	
	15	The transaction is scheduled to run when required resources are available (in use by an automatic initiate descriptor)		
	NOTAUTH	100	The user associated with the issuing task is not authorized to use this command	
101		The user associated with the issuing task is not authorized to discard the resource definition		
DUMP TRANSACTION	SUPPRESSED	1	The transaction dump is suppressed by MAXIMUM in the dump table	
		2	The transaction dump is suppressed by NOTRANDUMP in the dump table	
		3	The transaction dump is suppressed by a user exit program	
		8	The transaction dump is suppressed by a system initialization parameter DUMP	
		4	The transaction dump is incomplete due to lack of space	
	NOSTG	5	CICS has run out of working storage	
	NOTOPEN	6	The current CICS dump routine is not open	
	OPENERR	7	Error on opening, closing, or writing to, the current CICS transaction dump data set (DFHDMPx)	
	IOERR	9	The SDUMP process is not authorized	
		10	An error occurs during system dumping	
		12	The SYSDUMP library is full	
			13	The CICS routine issuing the SDUMP is unable to establish a recovery routine
		INVREQ	13	An incorrect DUMPCODE is specified. DUMPCODE must not contain leading or imbedded blanks
ENABLE PROGRAM	NOTAUTH	100	The user associated with the issuing task is not authorized to issue this command	
		101	The user associated with the task is not authorized to access this particular resource in the way required by this command.	
ENDBR	FILENOTFOUND	1	The name referred to in the FILE option cannot be found in the FCT	
	INVREQ	35	The REQID, if any, does not match that of any successful STARTBR command	
	ISCINVREQ	70	The remote system indicated a failure that does not correspond to a known condition	
	NOTAUTH	101	A resource security check has failed on FILE(filename)	
	ILLOGIC	110	A VSAM error which does not fall within one of the other CICS response categories has occurred.	
	SYSIDERR	130	The SYSID option specified a name that is neither the local nor the remote system (made known to CICS by defining a connection); <u>or</u> the link to the remote system is closed.	

Command	Condition	RESP2	Meaning
ENQ	LENGERR INVREQ	1	The value specified for the LENGTH option is outside the range 1–255
		2	The MAXLIFETIME option has an incorrect CVDA
ENTER TRACENUM	INVREQ	1	TRACENUM is outside the range 0–199
		2	There is no valid trace destination
		3	The user trace master flag is set OFF and EXCEPTION has not been specified
	LENGERR	4	FROMLENGTH is outside the range 0–4000 specified
EXTRACT ATTRIBUTES (APPC)	INVREQ	200	A distributed program link server application explicitly, or implicitly by default, specified the function-shipping session (its principal facility) on the CONVID option
EXTRACT ATTRIBUTES (MRO)	INVREQ	200	A distributed program link server application explicitly, or implicitly by default, specified the function-shipping session (its principal facility) on the CONVID option
EXTRACT PROCESS	INVREQ	200	A distributed program link server application specified the function-shipping session (its principal facility) on the CONVID option
FORMATTIME	INVREQ	1	The ABSTIME option is in an incorrect format
FREE (APPC)	INVREQ	200	A distributed program link server application specified the function-shipping session (its principal facility) on the CONVID option
FREEMAIN	INVREQ	1	The storage specified by the DATA or DATAPOINTER parameter was not storage acquired by a GETMAIN command
		2	The storage area specified by the DATA or DATAPOINTER parameter was in CICS-key storage, and the program issuing the FREEMAIN command was in user-key.
GETMAIN	LENGERR	1	The FLENGTH value was less than 1 or greater than the length of the target storage area from which the request was to be satisfied
	NOSTG	2	The storage requested was more than was currently available in the target DSA
HANDLE ABEND	PGMIDERR	1	The program has no entry in the PPT and autoinstall for programs is not active
		2	The program is disabled
		9	The installed program definition is for a remote program
HANDLE AID	INVREQ	200	A distributed program link server application specified the function-shipping session (its principal facility) on the CONVID option
INQUIRE AUTINSTMODEL	ILLOGIC	1	A START has been given when a browse is already in progress, or a NEXT or an END has been given without a preceding START
	MODELIDERR	1	The model specified cannot be found
	END	2	There are no more autoinstall models
	NOTAUTH	100	The user associated with the issuing task is not authorized to use this command
INQUIRE AUTOINSTALL	INVREQ	1	VTAM is not in use in this system
	NOTAUTH	100	The user associated with the issuing task is not authorized to use this command

## RESP2 values

Command	Condition	RESP2	Meaning
INQUIRE CONNECTION	END	2	All authorized resource definitions have been retrieved. All data areas specified on this command are left unchanged
	ILLOGIC	1	A START has been given when a browse is already in progress <u>or</u> a NEXT or an END has been given without a preceding START
	NOTAUTH	100	The user associated with the issuing task is not authorized to use this command
	SYSIDERR	1	The named connection could not be found
INQUIRE DELETSHIPED INQUIRE DSNAME	NOTAUTH	100	The user associated with the issuing task is not authorized to use this command
	DSNOTFOUND	1	The data set cannot be found
	END	2	All authorized resource definitions have been retrieved. All data areas specified on this command are left unchanged
	ILLOGIC	1	A START has been given when a browse is already in progress <u>or</u> a NEXT or an END has been given without a preceding START
	NOTAUTH	100	The user associated with the issuing task is not authorized to use this command
INQUIRE DUMPDS	NOTAUTH	100	The user associated with the issuing task is not authorized to use this command
	INVREQ	3	The exit identified by EXITPROGRAM and ENTRYNAME does not exist
INQUIRE EXITPROGRAM	NOTAUTH	100	The user associated with the issuing task is not authorized to use this command
		101	The access you have requested to this user exit program is not authorized
	END	2	All authorized resource definitions have been retrieved. All data areas specified on this command are left unchanged
	ILLOGIC	1	A START has been given when a browse is already in progress <u>or</u> a NEXT or an END has been given without a preceding START
	PGMIDERR	1	<ul style="list-style-type: none"> <li>• The load module named on the EXITPROGRAM parameter is not defined to CICS, <u>or</u></li> <li>• The load module is not in the load library, <u>or</u></li> <li>• The load module has been disabled, <u>or</u></li> <li>• The exit identified by EXITPROGRAM and ENTRYNAME is not enabled</li> <li>• The EXIT parameter is missing for an inquiry on a global user exit</li> </ul>
INQUIRE FILE	END	2	All authorized resource definitions have been retrieved. All data areas specified on this command are left unchanged
	FILENOTFOUND	1	The file cannot be found
	ILLOGIC	1	A START has been given when a browse is already in progress <u>or</u> a NEXT or an END has been given without a preceding START
	NOTAUTH	100	The user associated with the issuing task is not authorized to use this command
		101	The access that you have requested to this file is not authorized. (Not applicable to INQUIRE FILE START, INQUIRE FILE NEXT, or INQUIRE FILE END commands)
INQUIRE IRC	NOTAUTH	100	The user associated with the issuing task is not authorized to use this command

Command	Condition	RESP2	Meaning
INQUIRE JOURNALNUM	END	2	All authorized resource definitions have been retrieved. All data areas specified on this command are left unchanged
	ILLOGIC	1	A START has been given when a browse is already in progress <u>or</u> a NEXT or an END has been given without a preceding START
	IOERR	5	An error has occurred in the device, the medium, or the access method
		7	An error occurred writing the journal archiving control data set (JACD)
		8	A logic error occurred in recording an archive in the journal archiving control data set (JACD)
	JIDERR	1	The journal cannot be found
	NOTAUTH	100	The user associated with the issuing task is not authorized to use this command
101		The user associated with the task is not authorized to inquire about this journal	
INQUIRE MODENAME	END	2	All authorized resource definitions have been retrieved. All data areas specified on this command are left unchanged
	ILLOGIC	1	A START has been given when a browse is already in progress, <u>or</u> a NEXT or END has been given without a preceding START
	SYSIDERR	1	The connection cannot be found
		2	The modename within the connection cannot be found
		3	The connection specified on an INQUIRE MODENAME NEXT cannot be found
	NOTAUTH	100	The user associated with the issuing task is not authorized to use this command
INQUIRE MONITOR	NOTAUTH	100	The user associated with the issuing task is not authorized to use this command
INQUIRE PARTNER	END	2	There are no more partner definitions. All data areas specified on this command are left unchanged
	ILLOGIC	1	A START has been given when a browse is already in progress <u>or</u> a NEXT or an END has been given without a preceding START
	PARTNERIDERR	1	The partner cannot be found
		2	Partner Resource Manager (PRM) is not active, because it failed to initialize during CICS initialization
	NOTAUTH	100	The user associated with the issuing task is not authorized to use this command
INQUIRE PROFILE	END	2	All authorized resource definitions have been retrieved. All data areas specified on this command are left unchanged
	ILLOGIC	1	A START has been given when a browse is already in progress, <u>or</u> a NEXT or an END has been given without a preceding START
	PROFILEIDERR	1	The profile cannot be found
	NOTAUTH	100	The user associated with the issuing task is not authorized to use this command
INQUIRE PROGRAM	END	2	All authorized resource definitions have been retrieved. All data areas specified on this command are left unchanged
	ILLOGIC	1	A START has been given when a browse is already in progress <u>or</u> a NEXT or an END has been given without a preceding START
	PGMIDERR	1	The program cannot be found
	NOTAUTH	100	The user associated with the issuing task is not authorized to use this command
		101	The user associated with the task is not authorized to inquire about this resource

## RESP2 values

Command	Condition	RESP2	Meaning
INQUIRE REQID	NOTAUTH	100	The user associated with the issuing task is not authorized to use this command
	INVREQ	3	An I/O error occurred while an attempt was made to read data from temporary storage for the SET, QUEUE, RTERMID or RTRANSID option
		4	Data required for the SET, QUEUE, RTERMID or RTRANSID option cannot be returned because it has been deleted from temporary storage
	NOTFND	1	The REQID cannot be found
INQUIRE STATISTICS	NOTAUTH	100	The user associated with the issuing task is not authorized to use this command
INQUIRE STORAGE	NOTAUTH	100	The user associated with the issuing task is not authorized to use this command
	TASKIDERR	1	The task number does not exist
		2	The task number is a system task, not a user task
INQUIRE SYSDUMPCODE	END	2	All authorized resource definitions have been retrieved. All data areas specified on this command are left unchanged
	ILLOGIC	1	A START has been given when a browse is already in progress, <u>or</u> a NEXT or an END has been given without a preceding START
	NOTAUTH	100	The user associated with the issuing task is not authorized to use this command
	NOTFND	1	The named dump code cannot be found
INQUIRE SYSTEM	NOTAUTH	100	The user associated with the issuing task is not authorized to use this command
INQUIRE TASK	TASKIDERR	1	The named task cannot be found
		2	The named task is CICS-protected; that is, it is a CICS-supplied transaction that is normally invoked from within CICS and not by an operator
	INVREQ	3	TCLASS cannot be returned because the task is in a transaction class that does not correspond to TCLASS values 1 through 10
		10	Neither RTIMEOUT nor SCRNSIZE can be returned because the selected tasks PROFILE entry cannot be located
	NOTAUTH	100	The user associated with the issuing task is not authorized to use this command
INQUIRE TASK LIST	NOTAUTH	100	The user associated with the issuing task is not authorized to use this command
INQUIRE TCLASS	TCIDERR	1	The named task class cannot be found
	NOTAUTH	100	The user associated with the issuing task is not authorized to use this command
INQUIRE TDQUEUE	END	2	All authorized resource definitions have been retrieved. All data areas specified on this command are left unchanged
	ILLOGIC	1	A START has been given when a browse is already in progress, <u>or</u> a NEXT or an END has been given without a preceding START
	NOTAUTH	100	The user associated with the issuing task is not authorized to use this command
		101	The access that you have requested to this queue is not authorized
	QIDERR	1	The named queue cannot be found

Command	Condition	RESP2	Meaning
INQUIRE TERMINAL	END	2	All authorized resource definitions have been retrieved. All data areas specified on this command are left unchanged
	ILLOGIC	1	A START has been given when a browse is already in progress <u>or</u> a NEXT or an END has been given without a preceding START
	NOTAUTH	100	The user associated with the issuing task is not authorized to use this command
	TERMIDERR	1	The named terminal cannot be found
INQUIRE TRACEDEST	NOTAUTH	100	The user associated with the issuing task is not authorized to use this command
INQUIRE TRACEFLAG	NOTAUTH	100	The user associated with the issuing task is not authorized to use this command
INQUIRE TRACETYPE	NOTFND	1	At least one CICS component was not accessible
	NOTAUTH	100	The user associated with the issuing task is not authorized to use this command
INQUIRE TRANCLASS	INVREQ	12	The TRANCLASS definition is in use
	NOTAUTH	100	The user associated with the issuing task is not authorized to use this command
		101	The user associated with the issuing task is not authorized to inquire about this transaction class
	TCIDERR	1	The named tranclass cannot be found
INQUIRE TRANDUMPCODE	END	2	All authorized resource definitions have been retrieved. All data areas specified on this command are left unchanged
	ILLOGIC	1	A START has been given when a browse is already in progress <u>or</u> a NEXT or an END has been given without a preceding START
	NOTAUTH	100	The user associated with the issuing task is not authorized to use this command
	NOTFND	1	The named dump code cannot be found
INQUIRE TRANSACTION	END	2	All authorized resource definitions have been retrieved. All data areas specified on this command are left unchanged
	ILLOGIC	1	A START has been given when a browse is already in progress <u>or</u> a NEXT or an END has been given without a preceding START
	TRANSIDERR	1	The named transaction could not be found
	INVREQ	3	The TCLASS operand has been inquired upon, and: <ul style="list-style-type: none"> <li>• The transaction is defined with an inconsistent TCLASS number and TRANCLASS name, and</li> <li>• The TCLASS name is not one of the ten CICS-supplied default names, DFHTCL01 through DFHTCL10</li> </ul>
		10	The PCT profile is not available
	NOTAUTH	100	The user associated with the issuing task is not authorized to use this command
		101	The access that you have requested to this transaction is not authorized

## RESP2 values

Command	Condition	RESP2	Meaning
INQUIRE TSQUEUE	END	2	An INQUIRE NEXT TSQUEUE is issued when the last temporary storage queue has already been browsed. All data areas specified on the last successful INQUIRE TSQUEUE NEXT command are left unchanged
	ILLOGIC	1	A START has been given when a browse is already in progress, <u>or</u> a NEXT or an END has been given without a preceding START
	NOTAUTH	100	The user associated with the issuing task is not authorized to use this command
		101	The terminal user is not authorized to access the named temporary storage queue
	QIDERR	1	The named temporary storage queue cannot be found
INQUIRE VTAM	INVREQ	1	VTAM is not present in the system
	NOTAUTH	100	The user associated with the issuing task is not authorized to use this command
ISSUE ABEND	INVREQ	200	A distributed program link server application specified the function-shipping session (its principal facility) on the CONVID option
ISSUE ABORT	INVREQ	200	A distributed program link server application specified the function-shipping session (its principal facility) on the CONVID option
ISSUE ADD	INVREQ	200	A distributed program link server application specified the function-shipping session (its principal facility) on the CONVID option
ISSUE CONFIRMATION	INVREQ	200	A distributed program link server application specified the function-shipping session (its principal facility) on the CONVID option
ISSUE END	INVREQ	200	A distributed program link server application specified the function-shipping session (its principal facility) on the CONVID option
ISSUE ENDFILE	INVREQ	200	A distributed program link server application attempted to send on its function-shipping session, its principal facility
ISSUE ENDOUTPUT	INVREQ	200	A distributed program link server application attempted to send on its function shipping session, its principal facility
ISSUE EODS	INVREQ	200	A distributed program link server application attempted to send on its function shipping session, its principal facility
ISSUE ERASE	INVREQ	200	A distributed program link server application specified the function-shipping session (its principal facility) on the CONVID option
ISSUE ERASEAUP	INVREQ	200	A distributed program link server application specified the function-shipping session (its principal facility) on the CONVID option
ISSUE ERROR	INVREQ	200	A distributed program link server application specified the function-shipping session on the CONVID option
ISSUE NOTE	INVREQ	200	A distributed program link server application specified the function-shipping session (its principal facility) on the CONVID option
ISSUE PREPARE	INVREQ	200	A distributed program link server application specified the function-shipping session (its principal facility) on the CONVID option
ISSUE PRINT	INVREQ	200	A distributed program link server application specified the function-shipping session (its principal facility) on the CONVID option



Command	Condition	RESP2	Meaning
ISSUE QUERY	INVREQ	200	A distributed program link server application specified the function-shipping session (its principal facility) on the CONVID option
ISSUE RECEIVE	INVREQ	200	A distributed program link server application specified the function-shipping session (its principal facility) on the CONVID option
ISSUE REPLACE	INVREQ	200	A distributed program link server application specified the function-shipping session (its principal facility) on the CONVID option
ISSUE RESET	INVREQ	200	A distributed program link server application specified the function-shipping session (its principal facility) on the CONVID option
ISSUE SEND	INVREQ	200	A distributed program link server application specified the function-shipping session (its principal facility) on the CONVID option
ISSUE SIGNAL (APPC)	INVREQ	200	A distributed program link server application specified the function-shipping session (its principal facility) on the CONVID option
ISSUE WAIT	INVREQ	200	A distributed program link server application specified the function-shipping session (its principal facility) on the CONVID option
LINK	INVREQ	8	A LINK command with the INPUTMSG option is issued for a program that is not associated with a terminal, <u>or</u> that is associated with an APPC logical unit, or an IRC session
		14	The SYNCONRETURN option is specified but the program issuing the link request (the client program) is already in conversation with a mirror task (that is, a logical unit-of-work (LUW) is in progress) in the remote region specified on the SYSID option. In this case, the client program is in an incorrect state to support the SYNCONRETURN option
		15	The program issuing the link request is already in conversation with a mirror task and the TRANSID specified is different from the transaction identifier of the active mirror
		16	The TRANSID specified is all blanks
		19	The INPUTMSG option is issued for a program that is the subject of a DPL request; that is, SYSID is also specified
		30	The program manager domain has not yet been initialized. This is probably due to a link request having been made in a first stage PLT
	LENGERR	11	The COMMAREA length is less than 0 or greater than 32767
		12	The length specified on the DATALENGTH option is a negative value
		13	The length specified on the DATALENGTH option is greater than the length specified on the LENGTH option
		26	The COMMAREA address is zero, but the COMMAREA length is non zero
		27	The INPUTMSG length < 0 or > 32767
		28	The length specified on the LENGTH option is greater than the length of the data area specified in the COMMAREA option, and while that data was being copied a destructive overlap occurred
	NOTAUTH	101	A resource security check has failed on PROGRAM(name)
	PGMIDERR	1	A program has no entry in the PPT and either program autoinstall was switched off, or the program autoinstall control program indicated that the program should not be autoinstalled
		2	A program is disabled

## RESP2 values

Command	Condition	RESP2	Meaning
		3	<p>A program cannot be loaded because</p> <ul style="list-style-type: none"> <li>• This was the first load of the program and the program load failed, usually because the load module could not be found</li> <li>• This was a subsequent load of the program, but the first load failed</li> </ul> <p>In order to reset the load status the load module must be in the LIBDEF search chain of the CICS startup job stream, and a SET PROGRAM NEWCOPY will be required</p>
		21	The program autoinstall control program failed either because the program autoinstall control program is incorrect, incorrectly defined, or as a result of an abend in the program autoinstall control program. Program autoinstall is disabled and message DFHPG0202 or DFHPG0203 written to the CSPL
		22	The model returned by the program autoinstall control program is not defined in the PPT table, or is not enabled
		23	The program autoinstall control program returned invalid data
		24	Define for the program failed due to autoinstall returning an invalid program name or definition
	SYSIDERR	18	The SYSID specified cannot be found in the intersystem table, <u>or</u> the link to the specified system is unavailable
		20	The remote system specified by SYSID is an LUTYPE6.1-connected system. Distributed program link requests are not supported on LUTYPE6.1 connections
	TERMERR	17	An unrecoverable error occurred during the conversation with the mirror (for example, the session failed or the server region failed)
	ROLLEDBACK	29	The SYNCONRETURN option is specified and the server program is unable to successfully take a syncpoint
LOAD	INVREQ	30	The program manager domain has not yet been initialized. This is probably due to a load request having been made in a first stage PLT
	LENGERR	19	LENGTH is used and the length of the loaded program is not less than 32KB
	NOTAUTH	101	A resource security check has failed on PROGRAM(name)
	PGMIDERR	1	A program, table, or map has no entry in the PPT and either program autoinstall was switched off, or the program autoinstall control program indicated that the program should not be autoinstalled
		2	A program is disabled
		3	<p>A program cannot be loaded because</p> <ul style="list-style-type: none"> <li>• This was the first load of the program and the program load failed, usually because the load module could not be found</li> <li>• This was a subsequent load of the program, but the first load failed</li> </ul> <p>In order to reset the load status the load module must be in the LIBDEF search chain of the CICS startup job stream concatenation, and a SET PROGRAM NEWCOPY will be required</p>
		9	The installed program definition is for a remote program
		21	The program autoinstall control program failed either because the program autoinstall control program is incorrect, incorrectly defined, or as a result of an abend in the program autoinstall control program. Program autoinstall is disabled and message DFHPG0202 or DFHPG0203 written to the CSPL
		22	The model returned by the program autoinstall control program was not defined in the PPT table, or was not enabled
		23	The program autoinstall control program returned invalid data
		24	Define for the program failed due to autoinstall returning an invalid program name or definition

Command	Condition	RESP2	Meaning	
MONITOR	INVREQ	1	POINT value is outside the range 1–255	
		2	POINT value is not defined in the MCT	
		3	DATA1 value is not valid	
		4	DATA2 value is not valid	
		5	DATA1 value not specified for an MCT operation that required it	
		6	DATA2 value not specified for an MCT operation that required it	
PERFORM DELETSHIPPED	NOTAUTH	100	The user associated with the issuing task is not authorized to use this command	
PERFORM DUMP	SUPPRESSED	1	The system dump is suppressed by MAXIMUM in the dump table	
		2	The system dump is suppressed by NOSYSDUMP in the dump table	
		3	The system dump is suppressed by a user exit program	
		8	The system dump is suppressed by the global NOSYSDUMP option	
		NOSPACE NOSTG INVREQ	4	The system dump is incomplete due to lack of space
			5	CICS has run out of working storage
			6	TITLELENGTH is greater than 80 bytes
			7	CALLERLENGTH is greater than 8 bytes
	13		An incorrect DUMPCODE is specified. DUMPCODE must not contain leading or imbedded blanks	
	IOERR	9	PERFORM DUMP is not authorized	
		10	An error occurs during system dumping	
		12	No data set is available	
		13	An error occurred in the CICS routine that issues VSE SDUMP requests	
100		The user associated with the issuing task is not authorized to use this command		
PERFORM RESETTIME	INVREQ	1	There is no clock in the system	
	NOTAUTH	100	The user associated with the issuing task is not authorized to use this command	
PERFORM SECURITY REBUILD	INVREQ	1	No ESM is installed, or the ESM is inactive	
		5	The ESM is temporarily inactive, so cannot perform the requested refresh	
	IOERR	3	Error returned from ESM. The return code is in the field ESMRESP if specified.	
	NORMAL	0	Profiles rebuilt successfully. (The ESM does not support dynamic refresh of security profiles)	
		4	The ESM contains support for refreshing its own resource profiles, so this CICS command is not required	
	NOTAUTH	100	The user associated with the issuing task is not authorized to use this command	
PERFORM SHUTDOWN	SYSBUSY	3	A security rebuild is currently in progress	
		INVREQ	1	A normal shutdown has been requested but is already in progress
		2	Required XLT cannot be loaded	
		3	Required PLT cannot be loaded	
	NOTAUTH	4	XRF is not in effect	
100		The user associated with the issuing task is not authorized to use this command		

## RESP2 values

Command	Condition	RESP2	Meaning
PERFORM STATISTICS RECORD	IOERR	n	At least one of these statistics areas was not functioning and the data was therefore not available. The value of "n" identifies the last unavailable type. As much data as possible is recorded.
	NOTAUTH	100	The user associated with the issuing task is not authorized to use this command
	NOTFND	n	At least one of the resource types specified is not available. The value of "n" identifies the last unavailable type. As much data as possible is recorded.
			The values of "n" are as follows:
			0 ALL
			1 AUTOINSTALL
			2 CONNECTION
			3 DISPATCHER
			4 (not used)
			5 DTB
			6 FILE
			7 (not used)
			8 JOURNALNUM
			9 (not used)
			10 LSRPOOL
			11 MONITOR
			12 PROGRAM
			13 STATS
			14 STORAGE
			15 SYSDUMP
			16 TABLEMGR
			17 (not used)
			18 TCLASS, TRANCLASS
			19 TDQUEUE
			20 TERMINAL
			21 TRANDUMP
			22 TRANSACTION
			23 TSQUEUE
			24 VTAM
			25 FEPI
			26 PROGAUTO
POST	INVREQ	4	Hours are out of range
		5	Minutes are out of range
		6	Seconds are out of range
PURGE MESSAGE	INVREQ	200	The command was called in a distributed program link server program
QUERY SECURITY	NOTFND	1	The RESID is not valid
		2	The RESTYPE is not valid
		3	The RESID value for RESTYPE (SPCOMMAND) is not valid
		5	The RESCLASS is not defined to the external security manager (ESM)
		8	The resource is not protected
			Possible causes include
			<ul style="list-style-type: none"> <li>• RESCLASS not active</li> <li>• No profile found</li> <li>• ESM not active</li> </ul>
	QIDERR	1	No indirect queue name associated with the given RESID has been found

Command	Condition	RESP2	Meaning
	LENGERR	6	The RESIDLENGTH value is not valid, that is, not in the range 1–246
	INVREQ	7	The CVDA value is not valid for the LOGMESSAGE
		9	The RESID is invalid or filled with blanks
		10	The external security manager (ESM) is inactive or not present
READ	FILENOTFOUND	1	The file name referred to in the FILE option cannot be found in the FCT
	LENGERR	10	Neither the LENGTH nor SET options have been specified on a READ command for a file with variable-length records or for a DAM file with variable-length or undefined-format records
		11	The length of a record read with the INTO option specified exceeds the value specified in the LENGTH option; the record is truncated, and the data area supplied in the LENGTH option is set to the actual length of the record
		13	An incorrect length is specified for a file with fixed-length records
	INVREQ	20	Read is not allowed according to the file entry specification in the FCT <u>or</u> a read command with the UPDATE option has been issued to a file where update operations are not allowed according to the file entry specification in the FCT
		25	The KEYLENGTH and GENERIC options are specified and the length specified in the KEYLENGTH option is greater than or equal to the length of a full key
		26	The KEYLENGTH option is specified (but the GENERIC option is not specified), and the specified length does not equal the length defined for the data set to which this file refers
		28	Following a READ UPDATE command for a file, another READ UPDATE command is issued for a file referencing the same data set before exclusive control is released by a REWRITE, UNLOCK, or DELETE command
		40	A DAM key conversion error occurred
		42	The KEYLENGTH and GENERIC options are specified, and the length specified in the KEYLENGTH option is less than or equal to zero
		44	The command does not conform to the format of READ for a user-maintained table; for example if GTEQ is specified with UPDATE
		48	An attempt has been made to function-ship an UPDATE request which includes a TOKEN keyword
	DISABLED	50	A file was initially defined as disabled and has not since been enabled <u>or</u> it has been disabled by an EXEC CICS SET FILE or the CEMT SET FILE command
	NOTOPEN	60	The requested file is CLOSED and UNENABLED <u>or</u> the requested file is OPEN and in use by other transactions, but a CLOSE request against it has been received
	ISCINVREQ	70	The remote system indicated a failure that does not correspond to a known condition
	NOTFND	80	An attempt to retrieve a record based on the search argument provided is unsuccessful <u>or</u> , for user-maintained data tables, an attempt to read a record is unsuccessful because there is no entry with the specified key in the data table
	NOTAUTH	101	A resource security check has failed on FILE(filename)
	LOADING	104	A READ UPDATE has been issued for a user-maintained data table that is currently being loaded
	ILLOGIC	110	A VSAM error has occurred which does not fall within one of the other CICS response categories
IOERR	120	There has been an I/O error during the READ operation	

## RESP2 values

Command	Condition	RESP2	Meaning	
	SYSIDERR	130	The SYSID option specifies a name that is neither the local nor the remote system (made known to CICS by defining a CONNECTION); <u>or</u> the link to the remote system is closed.	
	DUPKEY	140	A record has been retrieved by way of an alternate index with the NONUNIQUEKEY attribute, and another alternate index record with the same key follows.	
READNEXT	FILENOTFOUND	1	The file name referred to in the FILE option cannot be found in the FCT	
		10	Neither the LENGTH nor SET options have been specified for a file with variable-length records or for a DAM file with undefined-format records	
	LENGERR	11	The length of a record read with the INTO option specified exceeds the value specified in the LENGTH option; the record is truncated, and the data areas supplied in the LENGTH option is set to the actual length of the record	
		13	An incorrect length is specified for a file with fixed-length records	
		INVREQ	25	The KEYLENGTH option is specified for a generic browse (that is one where GENERIC was specified on the STARTBR or the last RESETBR) and the value of KEYLENGTH was greater than the full key length
			26	The KEYLENGTH option is specified for a nongeneric browse, and the specified length does not equal the length defined for the data set to which this file refers
			34	The REQID, if any, does not match that of any successful STARTBR command
			37	The type of record identification used to access a data set during the browse is changed by the READNEXT command
			42	The KEYLENGTH option is specified for a generic browse (that is one where GENERIC was specified on the STARTBR or the last RESETBR) and the value of KEYLENGTH is less than zero
		ISCINVREQ	70	The remote system indicates a failure that does not correspond to a known condition
		NOTFND	80	An attempt to retrieve a record based on the search argument provided is unsuccessful
		ENDFILE	90	An end-of-file condition has been detected during a browse
		NOTAUTH	101	A resource security check has failed on FILE(filename)
		ILLOGIC	110	A VSAM error has occurred which does not fall within one of the other CICS response categories
		IOERR	120	There has been an I/O error during the READNEXT command
SYSIDERR	130	The SYSID option specifies a name that is neither the local nor the remote system (made known to CICS by defining a CONNECTION); <u>or</u> the link to the remote system is closed.		
	DUPKEY	140	A record has been retrieved by way of an alternate index with the NONUNIQUEKEY attribute, and another alternate index record with the same key follows	
READPREV	FILENOTFOUND	1	The file name referred to in the FILE option cannot be found in the FCT	
		10	Neither the LENGTH nor SET options have been specified for a file with variable-length records	
	LENGERR	11	The length of a record read with the INTO option specified exceeds the value specified in the LENGTH option; the record is truncated, and the data area supplied in the LENGTH option is set to the actual length of the record	
		13	An incorrect length is specified for a file with fixed-length records	
		INVREQ	24	A READPREV command is issued for a file for which the previous STARTBR or RESETBR command has the GENERIC option
			26	The KEYLENGTH option is specified and the specified length does not equal the length defined for the data set this file refers to
		37	The type of record identification used to access a data set during the browse is changed	
		39	A READPREV is issued for a DAM file	
		41	The REQID, if any, does not match that of any successful STARTBR command	

Command	Condition	RESP2	Meaning
	ISCINVREQ	70	The remote system indicated a failure that does not correspond to a known condition
	NOTFND	80	An attempt to retrieve a record based on the search argument provided is unsuccessful
	ENDFILE	90	An end-of-file condition has been detected during a browse
	NOTAUTH	101	A resource security check has failed on FILE(filename)
	ILLOGIC	110	A VSAM error has occurred which does not fall within one of the other CICS response categories
	IOERR	120	There has been an I/O error during the browse
	SYSIDERR	130	The SYSID option specified a name that has not been defined to CICS as a remote system (defined by defining a CONNECTION); <u>or</u> the link to the remote system is closed.
	DUPKEY	140	A record has been retrieved by way of an alternate index with the NONUNIQUEKEY attribute, and another alternate index record with the same key exists
RECEIVE	INVREQ	200	A distributed program link server application specified the function-shipping session (its principal facility) on the CONVID option
RELEASE	PGMIDERR	1	A program, table, or map has no entry in the PPT
		2	A program, table, or map is disabled
		9	The installed program definition is for a remote program
	INVREQ	5	An invalid attempt has been made by a program to release itself
		6	A RELEASE command has been issued for a program that is not loaded
		7	A RELEASE command has been issued for a program that is loaded, without the HOLD option, by another task
		17	A program has been defined with RELOAD=YES. It must be released by a FREEMAIN rather than a RELEASE command
		30	The program manager domain has not yet been initialized
RESETBR	FILENOTFOUND	1	The file name referred to in the FILE option cannot be found in the FCT
	INVREQ	25	The KEYLENGTH and GENERIC options are specified and the length specified in the KEYLENGTH option is greater than or equal to the length of a full key
		26	The KEYLENGTH option is specified (but the GENERIC option is not specified), and the specified length does not equal the length defined for the data set to which this file refers
		36	The REQID, if any, does not match that of any successful STARTBR command
		42	The KEYLENGTH and GENERIC options are specified, and the length specified in the KEYLENGTH option is less than zero
	ISCINVREQ	70	The remote system indicated a failure that does not correspond to a known condition
	NOTFND	80	An attempt to retrieve a record based on the search argument provided has been unsuccessful
	NOTAUTH	101	A resource security check has failed on FILE(filename)
	ILLOGIC	110	A VSAM error has occurred which does not fall within one of the other CICS response categories
	IOERR	120	There has been an I/O error during the file control operation
	SYSIDERR	130	The SYSID option specified a name that is neither the local nor the remote system (made known to CICS by defining a CONNECTION); <u>or</u> the link to the remote system is closed.
RESYNC ENTRYNAME	NOTAUTH	100	The user associated with the issuing task is not authorized to use this command

## RESP2 values

Command	Condition	RESP2	Meaning		
RETURN	INVREQ	1	A RETURN command with the TRANSID option has been issued by a program that is not associated with a terminal		
		2	A RETURN command with the COMMAREA or IMMEDIATE option has been issued in a program that is not at the highest logical level		
		4	A RETURN command with the TRANSID option has been issued in a program that is associated with an APPC logical unit		
		8	A RETURN command with the INPUTMSG option has been issued for a program that is not associated with a terminal, or that is associated with an APPC logical unit, or an IRC session		
		30	PG domain is not initialized. Parameters are not allowed on the EXEC RETURN statement in first stage PLT programs		
		200	A RETURN command has been issued with an INPUTMSG option in a program invoked by DPL		
	LENGERR	11	The COMMAREA length is less than 0 or greater than 32763		
		26	The COMMAREA ADDRESS passed was zero, but the commarea length was non zero		
		27	The INPUTMSG LENGTH was less than 0 or greater than 32767		
		REWRITE	FILENOTFOUND	1	The file name referred to in the FILE option cannot be found in the FCT
				LENGERR	10
12	The length specified exceeds the maximum record size				
14	An incorrect length is specified for a file with fixed-length records				
INVREQ	30		A REWRITE command has been issued without a token, the file control attempts to bind either of these with a previous READ for UPDATE command also without a token and it cannot be found		
	46		A REWRITE command has attempted to change the length of a DAM variable length record or block		
	47		A REWRITE instruction included a token whose value cannot be matched against any token in use for an existing READ for UPDATE request		
	48		An attempt has been made to function-ship a request which included a TOKEN keyword		
	ISCINVREQ		70	The remote system indicated a failure that does not correspond to a known condition	
NOSPACE			100	No space is available on the direct access device for adding the updated record to the data set	
	NOTAUTH	103	For user-maintained data tables, CICS is unable to get sufficient storage in the CICS address space to store the updated data table entry		
NOTFND		101	A resource security check has failed on FILE(filename)		
	NOTFND	80	For user-maintained data tables, an attempt to REWRITE a record has failed because the REWRITE is associated with a READ UPDATE request for a record that this transaction has deleted (using DELETE with RIDFLD) after it was read for update		
ILLOGIC		110	A VSAM error has occurred which does not fall within one of the other CICS response categories		
	IOERR	120	There has been an I/O error during the file control operation		
SYSIDERR		130	The SYSID option specified a name that is neither the local nor a remote system (made known to CICS by defining a CONNECTION); <u>or</u> the link to the remote system is closed.		
	DUPREC	150	An attempt has been made to rewrite a record to a data set whose upgrade set has an alternate index with the UNIQUEKEY attribute, if the corresponding alternate key already exists in the alternate index		
ROUTE		INVREQ	4	Hours are out of range	
	5		Minutes are out of range		
	6		Seconds are out of range		
	200		BMS commands are not supported for distributed program link		



Command	Condition	RESP2	Meaning
SEND	INVREQ	200	A distributed program link server application has attempted to send on its function-shipping session (its principal facility) <u>or</u> , for SEND (APPC), a distributed program link server application has specified the function-shipping session (its principal facility) on the CONVID option
SEND CONTROL	INVREQ	200	A distributed program link server application has attempted to send on its function-shipping session (its principal facility)
SEND MAP	INVREQ	200	Command is not allowed for a distributed program link server program
SEND PAGE	INVREQ	200	Command is not allowed for a distributed program link server program
SEND PARTNSET	INVREQ	200	Command is not allowed for a distributed program link server program
SEND TEXT	INVREQ	200	Command is not allowed for a distributed program link server program
SEND TEXT MAPPED	INVREQ	200	A distributed program link server application has specified the function-shipping session (its principal facility) on the CONVID option
SEND TEXT NOEDIT	INVREQ	200	Command is not allowed for a distributed program link server program
SET AUTOINSTALL	INVREQ	1	VTAM is not in use in this system
		2	The MAXREQS value is not in the range 0–999
		4	One of the programs invoked by the autoinstall exit (DFHZATA or DFHZATD) is not available
	NOTAUTH	100	The user associated with the issuing task is not authorized to use this command
	PGMIDERR	3	The program name is invalid
SET CONNECTION	INVREQ	1	ACQSTATUS CONNSTATUS was specified for a non-APPC connection
		2	ACQUIRED or OUTSERVICE specified but: <ul style="list-style-type: none"> <li>• ACQUIRED specified with OUTSERVICE</li> <li>• ACQUIRED specified for OUTSERVICE connection</li> <li>• OUTSERVICE specified for ACQUIRED connection</li> </ul>
		3	ACQSTATUS CONNSTATUS has an invalid CVDA value
		4	SERVSTATUS has an invalid CVDA value
		5	PENDSTATUS or NOTPENDING was specified for a connection that is not APPC
		6	PURGE was specified for connection that is not VTAM
		7	PURGETYPE has an invalid CVDA value
		8	PENDSTATUS has an invalid CVDA value
		11	SET command named a remote connection
		13	ZCPTRACING has an invalid CVDA
		16	The resource whose name was specified by CONNECTION(data-value) is an indirect link
		17	ACQSTATUS CONNSTATUS cannot be set when CICS initialized without ISC support (ISC=NO system initialization parameter)
		18	NOTPENDING cannot be set for a connection which has successfully completed Exchange Lognames processing
19	CONNSTATUS cannot be set to ACQUIRED when in the FREEING state		
22	Other SET parameters were included with the CANCEL or FORCECANCEL option		
23	The resource whose name was specified by CONNECTION(name) is the local TCT system entry (TCTSE)		

## RESP2 values

Command	Condition	RESP2	Meaning
	SYSIDERR	9	The named connection could not be found
	IOERR	10	Unexpected error
	NORMAL	58	AIDs are successfully canceled
	NORMAL	59	No AIDs are canceled
	NOTAUTH	100	The user associated with the issuing task is not authorized to use this command
SET DELETSHIPED	INVREQ	1	INTERVAL value is invalid
		2	INTERVALHRS value is not in the range 0–99
		3	INTERVALMINS value is invalid
		4	INTERVALSECS value is invalid
		5	IDLE value is invalid
		6	IDLEHRS value is not in the range 0–99
		7	IDLEMINS value is invalid
		8	IDLESECS value is invalid
	NOTAUTH	100	The user associated with the issuing task is not authorized to use this command
SET DSNAME	DSNNOTFOUND	1	The named data set cannot be found
		15	RECOVERED was specified, but the data set was not found
	INVREQ	2	BKOUTSTATUS has an invalid CVDA value
		3	ACTION has an invalid CVDA value
		4	The data set has not been opened during this CICS session, so BKOUTSTATUS cannot be SET
		5	NORMALBKOUT has been requested for a data set that is in a FAILINGBKOUT state
		6	FAILEDDBKOUT has been requested for a data set that is in a FAILINGBKOUT state
		7	SET DSNAME BKOUTSTATUS was attempted for a DAM data set
		8	SET DSNAME BKOUTSTATUS was attempted for a path
		9	SET DSNAME BKOUTSTATUS was attempted for a data set that is currently referenced by an open file
		10	REMOVE was specified, but the data set is associated with a file definition
		11	REMOVE was specified, but the data set's backout status is not NORMALBKOUT
		12	REMOVE was specified with other BKOUTSTATUS
		13	REMOVE was specified but a lock was held on the data set by another INQUIRE or SET DSNAME command, or by CICS file control processing.
	NOTAUTH	100	The user associated with the issuing task is not authorized to use this command
SET DUMPDS	INVREQ	1	INITIALDDS has an invalid value
		2	SWITCHSTATUS has an invalid CVDA value
		3	OPENSTATUS has an invalid CVDA value
	IOERR	4	OPEN or SWITCH caused an 'open' error for the data set
	NOTAUTH	100	The user associated with the issuing task is not authorized to use this command

Command	Condition	RESP2	Meaning
SET FILE	INVREQ	1	The named file is REMOTE
		2	The named file is not CLOSED
		3	The named file is not DISABLED
		4	ADD has an invalid CVDA value
		5	BROWSE has an invalid CVDA value
		6	BUSY has an invalid CVDA value
		7	DELETE has an invalid CVDA value
		9	EMPTYSTATUS has an invalid CVDA value
		10	LSRPOOLID was specified for a non-VSAM data set
		11	LSRPOOLID is not in the range 1–15, or the corresponding buffer is not defined
		12	READ has an invalid CVDA value
		13	STRINGS value is not in the range 1–255, or this is not a VSAM file
		14	UPDATE has an invalid CVDA value
		15	OPEN was requested, but the data set has had a backout failure
		16	OPENSTATUS has an invalid CVDA value
		17	ENABLESTATUS has an invalid CVDA value
		19	DELETE has been specified for a non-VSAM file
		20	EMPTYSTATUS has been specified for a non-VSAM file
		21	CLOSED or DISABLED has been specified, but this transaction has an incomplete request against the file
		22	ENABLED was specified for a file that is currently DISABLING or UNENABLING
		23	EXCLUSIVE has an invalid CVDA value
		24	EXCLUSIVE has been specified for a non-DAM file.
		28	OPEN, CLOSE, ENABLE or DISABLE has been specified but an exit program running at exit point XFCSREQ instructed CICS not to carry out the command
		29	TABLE has an invalid CVDA value
		30	MAXNUMREQS value is out of range
		31	The TABLE option is invalid for a DAM file (must be VSAM for a data table.)
		32	The TABLE option is not valid for a file defined with the REUSE option
		33	The TABLE option is invalid for a file defined as UNBLOCKED
		34	The MAXNUMRECS option is invalid for a DAM file (must be VSAM for a data table.)
		35	The MAXNUMRECS option is invalid for a file defined with the REUSE option
		36	The MAXNUMRECS option is invalid for a file defined as UNBLOCKED
		37	The TABLE option is invalid when LSRPOOL=0 is specified
		38	The TABLE option is invalid when MAXNUMRECS=0 is specified
		39	The USERTABLE option is invalid when record format is not variable
		68	DSNAME or OBJECTNAME specified for a non-VSAM file
69	DSNAME has an invalid value		
FILENOTFOUND	18	The named file cannot be found	
NOTAUTH	100	The user associated with the issuing task is not authorized to use this command	
IOERR		101	The access that you have requested to this file is not authorized
		★	OPEN has failed in VSAM, and the RESP2 field contains a VSAM response code
		★	CLOSE has failed in VSAM, and the RESP2 field contains a VSAM response code

## RESP2 values

Command	Condition	RESP2	Meaning	
SET IRC	INVREQ	1	Program DFHCRSP is not available	
		2	OPENSTATUS has an invalid CVDA value	
		4	CICS has been initialized without IRC support (ISC=NO system initialization parameter)	
		5	No connection has been defined	
		6	CICS applid is blanks	
		7	Duplicate CICS name	
		8	Maximum logons to IRC reached	
		16	Unable to locate DFHSCTE program	
		18	DFHIRP services are down-level	
		NOSTG	9	Insufficient CICS DSA storage
			10	Insufficient system GETVIS (SVA) storage
			11	Insufficient partition GETVIS storage
		IOERR	12	IRC initialization failed
			13	General failure to log on to IRC access method
			14	Unable to attach CSNC
15	An error occurred when closing IRC			
NOTAUTH	100	100	The user associated with the issuing task is not authorized to use this command	
SET JOURNALNUM	JIDERR	1	The named journal cannot be found	
		INVREQ	2	OPENSTATUS has an invalid CVDA value
			3	OPENSTATUS value is not valid for this type of journal
		IOERR	5	An error has occurred in the device, the medium, or the access method
			7	Journal archiving control data set (JACD) error
		ILLOGIC	8	Journal archiving control data set (JACD) logic error
			6	ADVANCE specified for a journal that is not open
NOTAUTH	100	100	The user associated with the issuing task is not authorized to use this command	
		101	The access you have requested to this journal is not authorized	
SET MODENAME	SYSIDERR	1	The named connection could not be found	
		INVREQ	2	The modename within the connection could not be found
			3	The reserved modename 'SNASVCMG' was specified
			4	AVAILABLE value is not in the range 0-MAXIMUM
			5	CICS is not in session with the named connection
			6	CLOSED was specified with AVAILABLE
			7	ACQSTATUS has an invalid CVDA value
			8	SET MODENAME command not allowed on a single session
		9	ACQUIRED but parallel sessions and CONNECTION not in session	
		NOTAUTH	100	100
SET MONITOR	INVREQ	1	STATUS has an invalid CVDA value	
		2	PERFCLASS has an invalid CVDA value	
		3	EXCEPTCLASS has an invalid CVDA value	
		5	CONVERSEST has an invalid CVDA value	
		6	SYNCPOINTST has an invalid CVDA value	
		7	The hours exceed 24, the minutes or seconds exceed 59, or the total value is out of range	

Command	Condition	RESP2	Meaning
		8	FREQUENCY HRS is not in range 0–24
		9	FREQUENCY MIN is not in range 00–59
		10	FREQUENCY SEC is not in range 00–59
	NOTAUTH	100	The user associated with the issuing task is not authorized to use this command
SET PROGRAM	INVREQ	1	DISABLED or DPLSUBSET was specified for a program beginning 'DFH'
		2	STATUS has an invalid CVDA value
		3	NEWCOPY was specified and RESCOUNT is not equal to zero
		4	SHARESTATUS has an invalid CVDA value
		5	COPY has an invalid CVDA value
		6	COPY was specified for a program currently loaded with the HOLD option
		9	CEDFSTATUS has an invalid CVDA value
		17	You have specified an invalid option for a remote program You cannot specify any of the following for a remote program: CEDFSTATUS (or CEDF or NOCEDF) COPY (or NEWCOPY or PHASEIN) EXECUTIONSET (or DPLSUBSET or FULLAPI) SHARESTATUS (or PRIVATE or SHARED)
		18	You have specified an invalid option for a map set. You cannot specify the following for a map set: EXECUTIONSET (or DPLSUBSET or FULLAPI) CEDFSTATUS (or CEDF or NOCEDF)
		19	You have specified an invalid option for a partitionset. You cannot specify the following for a partitionset: EXECUTIONSET (or DPLSUBSET or FULLAPI) CEDFSTATUS (or CEDF or NOCEDF)
		20	The CVDA value for the EXECUTIONSET option is invalid
	PGMIDERR	7	The named program cannot be found
	IOERR	8	NEWCOPY was specified and the load process failed. This is either because the program has not been included in the library concatenation or because the link edit failed
	NOTAUTH	100	The user associated with the issuing task is not authorized to use this command
		101	The access you have requested to this program is not authorized
SET STATISTICS	INVREQ	1	INTERVAL value is not in the range 000100–240000
		2	ENDOFDAY value is not in the range 000000–235959
		3	RECORDING has an invalid CVDA value
		4	INTERVALHRS value is not in the range 01–24
		5	INTERVALMINS value is not in the range 01–1440
		6	INTERVALSECS value is not in the range 60–86400
		7	More than one of the interval values has been used and the combination either exceeds 24 hours or is less than 1 minute
		8	ENDOFDAYHRS value is not in the range 00–23
		9	ENDOFDAYMINS value is not in the range 00–59
		10	ENDOFDAYSECS value is not in the range 00–59
		11	RESETNOW or RECORDNOW has been specified, but the recording state has not been changed
	NOTAUTH	100	The user associated with the issuing task is not authorized to use this command

## RESP2 values

Command	Condition	RESP2	Meaning		
SET SYSDUMPCODE	NOTFND	1	The named dumpcode cannot be found		
		2	ACTION has an invalid CVDA value		
	INVREQ	4	SYSDUMPING has an invalid CVDA value		
		5	MAXIMUM value is not in the range 0–999		
		6	SHUTOPTION has an invalid CVDA value		
		7	REMOVE specified with other options		
		8	Both MAXIMUM and SHUTDOWN specified		
		9	Dumpcode is invalid		
		DUPREC	10	ADD specified for a dumpcode that already exists	
		IOERR	11	An error occurred writing the record to the CICS global catalog	
		NOSPACE	12	CICS global catalog full	
		NOTAUTH	100	The user associated with the issuing task is not authorized to use this command	
		SET SYSTEM	INVREQ	1	MAXTASKS is not in the range 1–999
				3	AKP is not in the range 200–65535
5	TIME is not in the range 100–3600000				
6	RUNAWAY is not in the range 500–2700000				
7	MROBATCH is not in the range 1–255				
9	DUMPING has an invalid CVDA value				
12	AKP specified, but no keypointing in the system				
13	TIME is less than SCANDELAY				
14	PRTYAGING is not in the range 0–65535				
15	SCANDELAY is not in the range 0–5000				
19	The PROGAUTOEXIT value contains an invalid character				
20	DSALIMIT is not in the range 2MB to 16MB				
21	EDSALIMIT is not in the range 10MB to 2GB				
22	There is insufficient VSE partition GETVIS storage to allocate the specified DSALIMIT				
23	There is insufficient VSE partition GETVIS storage to allocate the specified EDSALIMIT				
24	The DTRPROGRAM value contains an invalid character				
LENGERR	20	The length of GMMTEXT is greater than 246 or less than zero			
NOSTG	16	MAXTASKS ceiling was reached during execution of a SET SYSTEM MAXTASKS command. The actual value of MAXTASKS is returned in the NEWMAXTASKS option			
SET TASK	TASKIDERR	1	The named task cannot be found		
		2	The named task is CICS-protected; that is, it is a CICS-supplied transaction that is normally invoked from within CICS and not by an operator.		
	INVREQ	3	PURGETYPE has an invalid CVDA value		
		4	PRIORITY is not in the range 0–255		
		5	The task is not in a valid state for purging		
	NORMAL	13	The PURGE request has been accepted but deferred		
	NOTAUTH	100	The user associated with the issuing task is not authorized to use this command		
SET TCLASS	TCIDERR	1	The named task class cannot be found		
	INVREQ	2	The MAXIMUM value is not in the range 0–999		
	NOTAUTH	100	The user associated with the issuing task is not authorized to use this command		

Command	Condition	RESP2	Meaning
SET TDQUEUE	QIDERR	1	The named queue cannot be found
	INVREQ	2	TRIGGERLEVEL was specified for an extrapartition queue
		3	TRIGGERLEVEL value is not in the range 0–32767
		4	ATITERMID was specified for an extrapartition queue
		5	ATITRANID was specified for an extrapartition queue
		6	ATIFACILITY was specified for an extrapartition queue
		7	ATIFACILITY was specified with an invalid CVDA value
		8	OPENSTATUS was specified with an invalid CVDA value
		9	OPENSTATUS was specified for an intrapartition queue
		10	ENABLESTATUS was specified with an invalid CVDA value
		11	DISABLED was specified for a queue beginning with “C”
		12	The named queue is remote
		13	The named queue is indirect
		15	OPEN or CLOSED specified for a DISABLED queue
		16	OPEN or CLOSED specified, but the DDNAME was not found in SDSCI entry
		19	ATIUSERID was specified for an extrapartition queue
		20	The CICS external security manager interface is not initialized
		21	CICS has received an unknown response from the ESM
		22	The ESM is not responding
		IOERR	14
	17		The queue cannot be closed because it is full
	NOTAUTH	23	The specified userid is found to be not authorized during SECLABEL processing by the external security manager. For information about security labels, see the <i>CICS Security Guide</i>
		24	The userid that you have specified has been revoked
		25	During SECLABEL processing by the external security manager, an error occurred.
		27	The userid’s access to the current group has been revoked
		100	The user associated with the issuing task is not authorized to use this command
		101	The access that you have requested to this queue is not authorized
		102	The user of the transaction issuing the SET TDQUEUE command is not an authorized surrogate for the userid specified on the ATIUSERID system initialization parameter
SET TERMINAL	USERIDERR	28	The specified userid is not known to the external security manager
	INVREQ	1	TERMSTATUS or ACQSTATUS was specified for IRC sessions or non-VTAM terminal
		2	TERMSTATUS or ACQSTATUS has an invalid CVDA value
		4	ATISTATUS has an invalid CVDA value
		5	ATISTATUS change would result in NOATI and NOTTI
		6	CREATESESS was specified for non-VTAM terminal
		7	CREATESESS has an invalid CVDA value
		9	PAGESTATUS has an invalid CVDA value
		11	Trying to put the issuing terminal OUTSERVICE
		13	SERVSTATUS has an invalid CVDA value
		15	TERMPRIORITY value not in range 0–255
		17	NOTTI cannot be specified for the issuing terminal
		18	TTISTATUS has an invalid CVDA value
		21	PURGETYPE has an invalid CVDA value
22	TRACING has an invalid CVDA value		
24	Invalid option requested for a remote terminal		
25	ACQUIRED specified, but terminal is not inservice		
26	PURGE specified, but target task has SPURGE=NO on its associated transaction definition		

## RESP2 values

Command	Condition	RESP2	Meaning
		28	ZCPTRACING has an invalid CVDA value
		29	ZCPTRACING specified for non-VTAM terminal (or VTAM not installed)
		31	This is a remote terminal with no associated surrogate
		33	SET TERMINAL is not valid for an LU6.2 (APPC) session
		34	A permanent transaction has been defined for this terminal (TRANSACTION operand in TERMINAL definition)
		37	Preset signon failed, terminal remains OUTSERVICE
		38	OBFORMATST has an invalid CVDA value
		39	RELREQST has an invalid CVDA value
		40	DISCREQST has an invalid CVDA value
		41	ALTPRTCOPIST has an invalid CVDA value
		42	PRTCOPYST has an invalid CVDA value
		43	UCTRANST has an invalid CVDA value
		44	Options would result in the invalid combination of the alternate printer copy status being set without an alternate printer defined
		45	Options would result in the invalid combination of the alternate printer being defined without a primary printer defined
		46	OBFORMATST is specified for a console or 3790
		48	Options would result in the invalid combination of the printer copy status being set without a primary printer defined
		50	VTAM not available for VTAM terminal
		51	PRINTER and ALTPRINTER option specified for a non-3270 terminal
		52	PRTCOPYST of ALTPRTCOPST option specified for a non-3270 terminal
		54	Option other than PURGETYPE specified for an IRC session
		57	Other SET parameters were included with the CANCEL option
		60	MAPNAME or MAPSETNAME specified but the terminal is not a type that is supported by BMS
	NORMAL	53	Purge deferred
		58	AIDs are successfully canceled
		59	No AIDs are canceled
	TERMIDERR	23	The named terminal cannot be found
	NOTAUTH	100	The user associated with the issuing task is not authorized to use this command
SET TRACEDEST	INVREQ	1	INSTATUS has an invalid CVDA value
		2	A TABLESIZE value of < -1 has been specified
		3	AUXSTATUS has an invalid CVDA value
		4	SWITCHSTATUS has an invalid CVDA value
		6	AUXPAUSE was specified, but auxiliary tracing was already stopped
		11	SWITCHACTION has an invalid CVDA value
	IOERR	10	A SWITCH request or a SET AUXSTART request resulted in an "open" error for the trace data set
	NOSPACE	7	There is insufficient space for a new trace table
	NOSTG	8	There is insufficient space for an AUXTRACE buffer
	NOTAUTH	100	The user associated with the issuing task is not authorized to use this command
SET TRACEFLAG	INVREQ	1	SYSTEMSTATUS has an invalid CVDA value
		2	USERSTATUS has an invalid CVDA value
		3	SINGLESTATUS has an invalid CVDA value
	NOTAUTH	100	The user associated with the issuing task is not authorized to use this command



Command	Condition	RESP2	Meaning	
SET TRACETYPE	NOTFND	1	At least one CICS component was not accessible	
	NOTAUTH	100	The user associated with the issuing task is not authorized to use this command	
SET TRANCLASS	INVREQ	2	The MAXACTIVE value is not in the range 0–999	
		3	The PURGETHRESH value is not in the range 0–1000000	
	NOTAUTH	100	The user associated with the issuing task is not authorized to use this command	
	TCIDERR	101	The access requested to this transaction class is not authorized	
1		The named tranclass cannot be found		
SET TRANDUMPCODE	NOTFND	1	The named dump code cannot be found	
	INVREQ	2	ACTION has an invalid CVDA value	
		3	TRANDUMPING has an invalid CVDA value	
		4	SYSDUMPING has an invalid CVDA value	
		5	MAXIMUM value is not in the range 0–999	
		6	SHUTOPTION has an invalid CVDA value	
		7	REMOVE was specified with other options	
		8	Both MAXIMUM and SHUTDOWN specified	
		9	Dump code is invalid	
		DUPREC	10	ADD specified for an existing dump code
	IOERR	11	Error writing the record to the CICS global catalog (DFHGCD)	
	NOSPACE	12	CICS global catalog (DFHGCD) is full	
	NOTAUTH	100	The user associated with the issuing task is not authorized to use this command	
SET TRANSACTION	TRANSIDERR	1	The named transaction cannot be found	
		INVREQ	2	PURGEABILITY has an invalid CVDA value
			3	STATUS has an invalid CVDA value
			4	Attempt to disable a CICS-supplied transaction
			5	TCLASS or TRANCLASS name is not known
			7	Tracing has an invalid CVDA value
			8	DUMPING has an invalid CVDA value
			9	PRIORITY value is not in the range 1–255
			10	RUNAWAYTYPE has an invalid CVDA value
			11	SHUTDOWN has an invalid CVDA value
			12	SET RUNAWAYTYPE(USER) has been specified but no value for RUNAWAY has been specified
			13	SET RUNAWAY has been used but the RUNAWAYTYPE is not USER
			14	SET RUNAWAY value is greater than 2700000 or less than –1 (–1 means ignore)
			NOTAUTH	100
			101	The access requested to this transaction is not authorized
SET VTAM	INVREQ	1	VTAM is not present in the system	
		2	OPENSTATUS has an invalid CVDA value	
		4	PSDINTERVAL value is not in the range 000000–235959	
		5	PSDINTHRS value is not in the range 0–23	
		6	PSDINTMINS is not in the range 0–59	
		7	PSDINTSECS is not in the range 0–59	
		8	Attempted to set PSDINTERVAL > 0 in an XRF-capable system	
		9	An error occurred during attempt to set persistent session delay interval	

## RESP2 values

Command	Condition	RESP2	Meaning
		10	Attempted to set PSDINTERVAL > 0, but using a TCT generated against, or running with, a level of VTAM not capable of persistence. The ACB has been OPENED successfully, and the PSDINTERVAL will have been reset to 0. Either of the following happens: <ul style="list-style-type: none"> <li>• The command specified PSDINTERVAL &gt; 0</li> <li>• The command specified PSDINTHRS and/or PSDINTMINS and/or PSDINTSECS as &gt; 0</li> <li>• An earlier command specified one of the above as &gt; 0 whilst the ACB was closed/being closed</li> </ul>
		11	The ACB has opened successfully, but in attempting to unbind sessions that persisted, an error occurred. CICS saves the interval value to pass to VTAM on the next successful OPEN ACB
		12	The ACB has been closed whilst this command was being processed. CICS saves the interval value to pass to VTAM on the next successful OPEN ACB
		13	An error occurred during recovery of sessions, and the VTAM ACB will subsequently have been closed. CICS saves the interval value to pass to VTAM on the next successful OPEN ACB
		14	The command to open the ACB was issued while CICS was still performing cleanup processing following a previous predatory takeover. No call to VTAM was made. Attempts to open the ACB are rejected with this error until the cleanup processing is complete. The command may then be reissued and should work as normal
	IOERR	3	An error occurred during the opening of the ACB. CICS saves the interval value to pass to VTAM in the next successful OPEN ACB
		- 3	An error occurred during the opening of the ACB. The RESP2 value is the contents of register 15 arising from the error, or the FDBK2 value from VTAM. CICS saves the interval value to pass to VTAM in the next successful OPEN ACB
	NOTAUTH	100	The user associated with the issuing task is not authorized to use this command
		Other	VTAM reference for open/close errors. See <i>VTAM Programming</i> for further details
SIGNOFF	INVREQ	1	No user is currently signed on
		2	There is no terminal with this task
		3	This task's terminal has preset security
		4	Signoff is attempted using transaction routing without using the CRTE transaction
		18	The CICS ESM interface not initialized
		200	Command not allowed for a distributed program link server program
SIGNON	NOTAUTH	1	A password is required
		2	The supplied password is wrong
		3	A new password is required
		4	The new password is not acceptable
		5	An OIDCARD is required
		6	The supplied OIDCARD is wrong
		16	The USERID is not authorized to use this terminal
		17	The USERID is not authorized to use the application
		19	The USERID is revoked
		20	The USERID's access to the specified group has been revoked
		21	The signon failed during SECLABEL checking
		22	The signon failed because ESM is not currently accepting signons
		23	The GROUPID is not known to the ESM
		24	The USERID is not contained in the GROUPID

Command	Condition	RESP2	Meaning				
	INVREQ	9	The terminal already signed on				
		10	No terminal associated with this task				
		11	This task's terminal has preset security				
		12	The response from CICS security modules is unrecognized				
		13	There is an unknown return code in ESMRESP from the external security manager				
		14	The required national language is not available				
		15	Signon attempted via transaction routing without using the CRTE transaction				
		18	The CICS ESM interface is not initialized				
		25	The terminal is of an invalid type				
		27	The external security manager (ESM) is not active				
	USERIDERR		28	The required national language is invalid			
			29	The user is already signed on. This relates to the signon scope checking			
			200	Command not allowed for a distributed program link server program			
			8	The USERID is not known to external security manager			
			30	The USERID is all blanks or nulls			
			SPOOLCLOSE	INVREQ	1	Unsupported language (RPG II)	
					4	Attempted SPOOLCLOSE without any previous valid SPOOLOPEN	
					5	Attempted SPOOLCLOSE with a token that does not match a current token	
				IOERR NOSPOOL			Indicates an input/output error
						1	The VSE/POWER interface is not available. No subsystem is present
2	The VSE/POWER interface is not available. No report controller interface is present						
SPOOLCLOSE REPORT	ILLOGIC	3	Incorrect report name				
		16	Incorrect token				
		17	Invalid DISP value				
		18	Incorrect userdata field				
		21	Unable to get storage for LOAD (GETVIS)				
		INVREQ		4	A SPOOLCLOSE REPORT has been attempted without a preceding valid SPOOLOPEN REPORT		
				5	Token specified on SPOOLCLOSE REPORT does not match the token received on SPOOLOPEN REPORT for a given report name		
				17	A SPOOLCLOSE RESUME has been attempted for a report previously opened as a JCL type		
				18	A SPOOLCLOSE RESUME has been attempted for a report that is on the XMT queue (NODE specified on SPOOLOPEN REPORT)		
				22	Unsupported language (RPG II)		
	IOERR NAMEERROR NOSPACE NOSPOOL					Occurs when an error response is returned from POWER	
						Occurs when an attempt is made to close a report that does not exist	
						Occurs when the spool files are 90% full	
					1	No subsystem is present	
					2	No report controller interface is present	
					6	Interface is being terminated	
	NOTAUTH				7	Interface is not active	
		8	Interface is being disabled				
		12	Interface has been stopped				
			Occurs when a resource security check has failed				

## RESP2 values

Command	Condition	RESP2	Meaning			
SPOOLOPEN ESCAPE	CCERROR		Occurs when an incorrect control character has been specified			
		ILLOGIC	1	Incorrect class		
			3	Incorrect report name		
			4	Incorrect number of copies		
			6	Incorrect priority		
			7	Incorrect forms		
			8	Incorrect destination		
			9	Incorrect node		
			10	Incorrect RSL value		
			15	Incorrect USERID		
			16	Incorrect TOKEN		
			18	Incorrect userdata field		
			23	Incorrect PWRSYSID		
			22	Unsupported language (RPG II)		
			INVREQ IOERR NOSPACE NOSPOOL			Occurs when an error response is returned from POWER
				1	No subsystem is present	
		2		No report controller interface is present		
		6		Interface is being terminated		
		7		Interface is not active		
		8		Interface is being disabled		
		12		Interface has been stopped		
		SPOOLOPEN INPUT	ILLOGIC	1	Incorrect class specified	
2	Invalid PUNCH report format specified					
INVREQ	1		Unsupported language (RPG II)			
	322		Invalid USERID parameter			
			Indicates an input/output error			
IOERR NOSPACE NOSPOOL				Indicates that there is no space on the POWER spool file to add records		
	1		The VSE/POWER interface is not available. No subsystem is present			
	2		The VSE/POWER interface is not available. No report controller interface is present			
NOTAUTH				Indicates that an attempt has been made to SPOOLOPEN INPUT a spool file without the necessary security authorization		
NOTFND				Indicates that no record was returned from POWER when attempting SPOOLOPEN INPUT		
SPOOLOPEN MAPNAME	CCERROR			Occurs when an incorrect control character has been specified		
			ILLOGIC	1	Incorrect class	
		3		Incorrect report name		
		4		Incorrect number of copies		
		6		Incorrect priority		
		7		Incorrect forms		
		8		Incorrect destination		
		9		Incorrect node		
		10		Incorrect RSL value		
		13		Incorrect mapset name		
		14		Incorrect map name		
		15		Incorrect USERID		
		16		Incorrect TOKEN		
		18		Incorrect userdata field		
		23		Incorrect PWRSYSID		
		22		Unsupported language (RPG II)		
		IOERR			Occurs when an error response is returned from POWER	

Command	Condition	RESP2	Meaning
	NOSPACE		Occurs when the spool files are 90% full
	NOSPOOL	1	No subsystem present
		2	No report controller interface present
		6	Interface is being terminated
		7	Interface is not active
		8	Interface is being disabled
		12	Interface has been stopped
SPOOLOPEN OUTPUT	ILLOGIC	1	Invalid class specified
		2	Invalid PUNCH report format specified
	INVREQ	1	Unsupported language (RPG II)
		24	Invalid OUTDESCR address or invalid address in area
		322	Invalid USERID parameter
		333	Invalid NODE parameter
	IOERR		Indicates an input/output error
	NOSPACE		Indicates that there is no space on the POWER spool file to add records
	NOSPOOL	1	The VSE/POWER is not available. No subsystem is present
		2	The VSE/POWER is not available. No report controller interface is present
	OUTDESCRERR		Indicates an error in the string passed with the OUTDESCR parameter
SPOOLOPEN REPORT (ASA, MCC or NOCC)	ILLOGIC	1	Incorrect class specified
		3	Incorrect report name
		4	Incorrect number of copies
		6	Incorrect priority
		7	Incorrect forms
		8	Incorrect destination
		9	Incorrect node
		10	Incorrect RSL value
		11	Incorrect lines per page
		12	Incorrect line length
		15	Incorrect USERID
		16	Incorrect TOKEN
		18	Incorrect userdata field
		19	Incorrect LINELENGTH for DATETIME, HEADER, FOOTNUM, or BOTHNUM
		23	Incorrect PWRSYSID
	INVREQ	22	Unsupported language (RPG II)
		24	Invalid OUTDESCR address or invalid address in area
	IOERR		Occurs when an error response is returned from POWER
	NAMEERROR		Occurs when an application tries to open a LOG report that already exists
	NOSPACE		Occurs when the spool files are 90% full
	NOSPOOL	1	The VSE/POWER is not available. No subsystem is present
		2	The VSE/POWER is not available. No report controller interface is present
		6	The VSE/POWER is not available. Interface is being terminated
		7	The VSE/POWER is not available. Interface is not active
		8	The VSE/POWER is not available. Interface is being disabled
		12	The VSE/POWER is not available. Interface has been stopped
	OUTDESCRERR		Indicates an error in the input string that is detected by VSE/POWER

## RESP2 values

Command	Condition	RESP2	Meaning			
SPOOLOPEN REPORT (JCL)	CCERROR		Occurs when an incorrect control character has been specified			
		ILLOGIC	3	Incorrect report name		
			16	Incorrect TOKEN		
		INVREQ	22	Unsupported language (RPG II)		
			IOERR		Occurs when an error response is returned from POWER	
		NOSPACE		Occurs when the spool files are 90% full		
			NOSPOOL	1	The VSE/POWER is not available. No subsystem is present	
		2		The VSE/POWER is not available. No report controller interface is present		
		6		The VSE/POWER is not available. Interface is being terminated		
		7		The VSE/POWER is not available. Interface is not active		
		8		The VSE/POWER is not available. Interface is being disabled		
		12		The VSE/POWER is not available. Interface has been stopped		
		SPOOLOPEN REPORT (SCS/T3270)	CCERROR		Occurs when an incorrect control character has been specified	
ILLOGIC	1			Incorrect class		
	3			Incorrect report name		
	4			Incorrect number of copies		
	6			Incorrect priority		
	7			Incorrect forms		
	8			Incorrect destination		
	9			Incorrect node		
	10			Incorrect RSL value		
	11			Incorrect lines per page		
	12			Incorrect line length		
	15			Incorrect USERID		
	16			Incorrect TOKEN		
	18			Incorrect userdata field		
	23			Incorrect PWRSYSID		
	INVREQ			22	Unsupported language (RPG II)	
				IOERR		Occurs when an error response is returned from POWER
				NOSPACE		Occurs when the spool files are 90% full
				NOSPOOL	1	The VSE/POWER is not available. No subsystem is present
2					The VSE/POWER is not available. No report controller interface is present	
6	The VSE/POWER is not available. Interface is being terminated					
7	The VSE/POWER is not available. Interface is not active					
	8			The VSE/POWER is not available. Interface is being disabled		
	12	The VSE/POWER is not available. Interface has been stopped				
SPOOLOPEN RESUME	ILLOGIC	3	Incorrect report name			
		16	Incorrect TOKEN			
	INVREQ	22	Unsupported language (RPG II)			
		IOERR		Occurs when an error response is returned from POWER		
	NAMEERROR		Occurs when an application has specified the wrong report name when issuing a command			
		NOSPACE		Occurs when the spool files are 90% full		
	NOSPOOL	1	The VSE/POWER is not available. No subsystem is present			
		2	The VSE/POWER is not available. No report controller interface is present			
		6	The VSE/POWER is not available. Interface is being terminated			

Command	Condition	RESP2	Meaning
		7	The VSE/POWER is not available. Interface is not active
		8	The VSE/POWER is not available. Interface is being disabled
		12	The VSE/POWER is not available. Interface has been stopped
	NOTAUTH		Occurs when a resource security check has failed
	WRONGSTAT		Occurs when a SPOOLOPEN RESUME command is issued but the report has not previously been closed as resumable
SPOOLREAD	ENDFILE		Indicates that all data for the current spool file being SPOOLREAD has been retrieved
	INVREQ	1	Unsupported language (RPG II)
		4	Attempted SPOOLREAD without previous valid SPOOLOPEN, or attempted SPOOLREAD on an output spool file (invalid token)
		5	Attempted SPOOLREAD with a token that does not match a current token
	IOERR		Indicates an input/output error
	NOSPOOL	1	The VSE/POWER is not available. No subsystem is present
		2	The VSE/POWER is not available. No report controller interface is present
SPOOLWRITE	INVREQ	1	Unsupported language (RPG II)
		2	Attempted SPOOLWRITE with a spool token that does not match the token of a currently open spool file
		3	Attempted SPOOLWRITE without previously doing a valid SPOOLOPEN
		4	Attempted SPOOLWRITE to an input spool file (invalid token)
	IOERR		Indicates an input/output error
	LENGERR	2	Length of SPOOLWRITE for a NOCC type spool file exceeds the maximum allowed (32 759 bytes)
		3	Length of SPOOLWRITE for an ASA or MCC type spool file exceeds the maximum allowed (32 760 bytes)
		4	Invalid SPOOLWRITE length. FLENGTH must be greater than 0
	NOSPACE		Indicates that there is no space on the POWER spool file to add records
	NOSPOOL	1	The VSE/POWER is not available. No subsystem is present
		2	The VSE/POWER is not available. No report controller interface is present
SPOOLWRITE	CCERROR		Occurs when an incorrect control character has been specified
MAPNAME	IOERR		Occurs when an error response is returned from POWER
	LENGERR	2	Length of SPOOLWRITE for ESC, BMS SCS(NOCONV), or 3270(NOCONV) type report exceeds the maximum allowed (32 759 bytes)
		4	Incorrect length for SPOOLWRITE. Length must be greater than 0
	MAPERROR	1	No mapset name specified for a report opened without a mapset name
		2	No map name specified for a report opened without a map name
		3	Mapset cannot be found
		4	Map name specified not found in specified mapset
		5	No data fields in the specified map
		6	GETMAIN for the specified map set failed
	NOSPACE		Occurs when the spool files are 90% full records
	NOSPOOL	1	The VSE/POWER is not available. No subsystem is present
		2	The VSE/POWER is not available. No report controller interface is present
		6	The VSE/POWER is not available. Interface is being terminated
		7	The VSE/POWER is not available. Interface not active
		8	The VSE/POWER is not available. Interface being disabled
		12	The VSE/POWER is not available. Interface has been stopped
	NOTAUTH		Occurs when a resource security check has failed

## RESP2 values

Command	Condition	RESP2	Meaning
SPOOLWRITE REPORT	CCERROR		Occurs when an incorrect control character has been specified
	INVREQ		Occurs when an invalid token is specified
	IOERR		Occurs when an error response is returned from POWER
	LENGERR	2	Length of SPOOLWRITE for ESC, BMS SCS(NOCONV), or 3270(NOCONV) type report exceeds the maximum allowed (32 759 bytes)
		4	Incorrect length for SPOOLWRITE. Length must be greater than 0
	NAMEERROR		Occurs when an application specifies the wrong report name when issuing the SPOOLWRITE REPORT command
	NOSPACE		Occurs when the spool files are 90% full records
	NOSPOOL	1	The VSE/POWER is not available. No subsystem is present
		2	The VSE/POWER is not available. No report controller interface is present
		6	The VSE/POWER is not available. Interface is being terminated
		7	The VSE/POWER is not available. Interface not active
		8	The VSE/POWER is not available. Interface being disabled
		12	The VSE/POWER is not available. Interface has been stopped
	NOTAUTH		Occurs when a resource security check has failed
START	INVREQ	4	Hours are out of range
		5	Minutes are out of range
		6	Seconds are out of range
		18	A USERID was specified and the CICS external security manager interface is not initialized
	NOTAUTH	7	A resource security check has failed on TRANSID(name)
		9	A surrogate user security check has failed on USERID(name)
USERIDERR	8	The specified USERID is not known to the external security manager	
	10	The external security manager is in a state such that CICS cannot determine whether a specified USERID is valid	
START ATTACH	INVREQ	11	An attempt was made to route a START ATTACH request
		12	A START ATTACH request has failed
STARTBR	NOTAUTH	7	A resource security check has failed on TRANSID(name)
		1	A file name referred to in the FILE option cannot be found in the FCT and SYSID has not been specified
	INVREQ	20	Browse operations are not allowed according to the file entry specification in the FCT
		25	The KEYLENGTH and GENERIC options are specified, and the length defined for the data set to which this file specified in the KEYLENGTH option is greater than or equal to the length of a full key
		26	The KEYLENGTH option is specified (but the GENERIC option is not specified), and the specified length does not equal the length defined for the data set to which this file refers
		33	An attempt has been made to start a browse with a REQID already in use for another browse
		42	The KEYLENGTH and GENERIC options are specified, and the length specified in the KEYLENGTH option is less than zero
		44	The specified file is a user-maintained data table
		50	File is disabled
		60	The requested file is CLOSED and UNENABLED or the requested file is OPEN and in use by other transactions, but a CLOSE request against it has been received
ISCINVREQ	70	The remote system indicated a failure that does not correspond to a known condition	
NOTFND	80	An attempt to position on a record based on the search argument provided was unsuccessful	



Command	Condition	RESP2	Meaning
	NOTAUTH	101	A resource security check has failed on FILE(filename)
	LOADING	104	A STARTBR was issued to a user-maintained data table that is currently being loaded
	ILLOGIC	110	A VSAM error has occurred which does not fall within one of the other CICS response categories
	IOERR	120	There has been an I/O error during the file control operation
	SYSIDERR	130	The SYSID option specified a name that is neither the local nor a remote system (made known to CICS by defining a CONNECTION); <u>or</u> the link to the remote system is closed.
SYNCPOINT	INVREQ	200	SYNCPOINT was in a program that is linked to from a remote system that has not specified the SYNCONRETURN option, or it was linked to locally and is defined with EXECUTIONSET=DPLSUBSET
SYNCPOINT ROLLBACK	INVREQ	200	SYNCPOINT ROLLBACK was in a program that is linked to from a remote system that has not specified the SYNCONRETURN option, or it was linked to locally and is defined with EXECUTIONSET=DPLSUBSET
UNLOCK	FILENOTFOUND	1	The file name referred to in the FILE option cannot be found in the FCT and SYSID has not been specified
	INVREQ	47	An unlock included a token whose value cannot be matched against any token in use for an existing READ for UPDATE request
		48	An attempt was made to function-ship a request which included a TOKEN keyword
	DISABLED	50	A file is disabled
	NOTOPEN	60	The requested file is CLOSED and UNENABLED <u>or</u> the requested file is OPEN and in use by other transactions, but a close request against it has been received
	ISCINVREQ	70	The remote system indicated a failure that does not correspond to a known condition
	NOTAUTH	101	A resource security check has failed on FILE(filename)
	ILLOGIC	110	A VSAM error has occurred which does not fall within one of the other CICS response categories
	(VSAM and CICS-maintained data tables)		
	IOERR	120	There has been an I/O error during the file control operation
	SYSIDERR	130	The SYSID option specified a name that is neither the local nor a remote system (made known to CICS by defining a CONNECTION); <u>or</u> the link to the remote system is closed.
VERIFY PASSWORD	NOTAUTH	2	The supplied password is wrong
		3	A new password is required
		19	The USERID is revoked
	USERIDERR	8	The USERID is not known to the external security manager
	INVREQ	13	There is an unknown return code in ESMRESP from the external security manager
		18	The CICS external security manager interface is not initialized
		29	The external security manager is not responding
		32	The userid field contains a blank character in an invalid position
WAIT CONVID	INVREQ	200	Command not supported for distributed program link when it refers to the principal facility

## RESP2 values

Command	Condition	RESP2	Meaning	
WAIT EVENT	INVREQ	2	The value of the pointer is zero (X'00000000')	
		3	The specified event control area address is above the 16MB line for programs executing in 24-bit mode	
		4	The event control area address is not aligned on a fullword boundary	
WAIT EXTERNAL	INVREQ	6	The timer-event control area specified on a WAIT EVENT is in use-key task-lifetime storage, and is inaccessible to another transaction. This condition can only occur if the storage for the timer-event control area is obtained other than by an EXEC CICS POST command, and is for posting as an ECB by some other task on completion of an event	
		1	An ECB is not valid, for example the ECB is not fullword aligned	
		3	NUMEVENTS is not a positive number	
		4	PURGEABILITY is specified with an incorrect CVDA	
		5	No valid ECBs have been found in the list because either the WAITLIST address is not valid or all the ECB addresses are not valid	
		6	The event control blocks (ECBs) specified are in user-key task-lifetime storage, and are inaccessible to another transaction that is expected to post the ECBs <u>or</u> the ECBs specified are in read-only storage	
WAIT TERMINAL	INVREQ	200	A distributed program link server application specified the function-shipping session (its principal facility) on the CONVID option	
WAITCICS	INVREQ	1	An ECB is not valid, for example the ECB is not fullword aligned	
		3	NUMEVENTS is not a positive number	
		4	PURGEABILITY is specified with an incorrect CVDA	
		5	No valid ECBs have been found in the list, because either the WAITLIST address is not valid, or all the ECB addresses are not valid	
		6	The event control block (ECBs) specified are in user-key task-lifetime storage, and are inaccessible to another transaction that is expected to post the ECBs <u>or</u> the ECBs specified are in read-only storage	
		WRITE	FILENOTFOUND LENGERR	1
10	LENGTH is omitted for a WRITE to a file with variable-length records or to a DAM file with undefined-format records			
12	The length specified for the write operation exceeds the maximum record size; the record is truncated			
14	An incorrect length is specified for a write operation involving fixed-length records			
INVREQ	20		Add operations are not allowed according to the file entry specification in the FCT	
	23		When writing records containing embedded keys, the key in the record area (FROM option) and the key in RIDFLD do not match	
	26		The KEYLENGTH option is specified, and the specified length does not equal the length defined for the data set to which this file refers to	
	38		A WRITE with the MASSINSERT option has been issued against a DAM file	
	40		A DAM key conversion error has occurred	
	44		The WRITE command does not conform to the format of WRITE for a user-maintained data table	
	DISABLED NOTOPEN		50	A file is disabled
			60	The requested file is CLOSED and UNENABLED <u>or</u> the requested file is OPEN and in use by other transactions, but a CLOSE request against it has been received

Command	Condition	RESP2	Meaning
	ISCINVREQ	70	The remote system indicated a failure that does not correspond to a known condition
	NOSPACE	100	No space is available on the direct access device for adding records to a data set
		102	The maximum number of table entries specified for the user-maintained table has already been reached
		103	CICS is unable to get sufficient storage in the CICS address space to create an in-memory table entry for the record being written
	NOTAUTH	101	A resource security check has failed on FILE(filename)
	LOADING	104	A WRITE is issued to a user-maintained data table that is currently being loaded
	SUPPRESSED	105	A user exit program that is invoked at the XDTAD exit point decides not to add the record to the user-maintained data table
	ILLOGIC	110	A VSAM error has occurred that does not fall within one of the other CICS response categories
	IOERR	120	There has been an I/O error during the file control operation <u>or</u> you are trying to write to a DAM track address that is not defined for a data set
	SYSIDERR	130	The SYSID option specified a name that is neither the local nor a remote system (made known to CICS by defining a CONNECTION); <u>or</u> the link to the remote system is closed.
	DUPREC	150	An attempt has been made to add a record to a data set, by referring to a file, or a path over a file (with the UNIQUEKEY attribute), in which the same key already exists
WRITE OPERATOR	INVREQ	1	The TEXTLENGTH value is not valid
		2	The NUMROUTES value is not valid
		3	A ROUTECODE value is not valid
		4	The MAXLENGTH value is not valid
		5	The TIMEOUT value is not valid
		6	The ACTION value is not valid
	EXPIRED LENGERR	7	TIMEOUT has occurred before the operator's reply was received
		8	The reply was longer than MAXLENGTH, and has been truncated
XCTL	PGMIDERR	1	A program has no entry in the PPT and either program autoinstall was switched off, or the program autoinstall control program indicated that the program should no be autoinstalled
		2	A program is disabled
		3	A program cannot be loaded because this was the first load of the program and the program load failed <u>or</u> this was a subsequent load of the program, but the first load failed
			In order to reset the load status the load module must be in the DFHRPL concatenation, and a SET PROGRAM NEWCOPY will be required
		9	The installed program definition is for a remote program
		21	The program autoinstall control program failed either because the program autoinstall control program is incorrect, incorrectly defined, or as a result of an abend in the program autoinstall control program. Program autoinstall is disabled and message DFHPG0202 or DFHPG0203 is written to the CSPL
		22	The model returned by the program autoinstall control program was not defined in the PPT table, or was not enabled
		23	The program autoinstall control program returned invalid data
		24	Define for the program failed due to autoinstall returning an invalid program name or definition

## DFH messages

Command	Condition	RESP2	Meaning
	INVREQ	8	An XCTL command with the INPUTMSG option was issued for a program that is not associated with a terminal, or that is associated with an APPC logical unit, or an IRC session
		29	EXEC XCTL is not allowed in a GLUE or TRUE
		30	The program manager domain has not yet been initialized
		200	An XCTL command with the INPUTMSG option has been issued in a program invoked by DPL
	LENGERR	11	LENGTH is less than 0 or greater than 32763
		26	The COMMAREA address passed was zero, but LENGTH was non zero
		27	INPUTMSGLEN was less than 0 or greater than 32767
		28	LENGTH is greater than the length of the data area specified in the COMMAREA option, and while that data was being copied a destructive overlap occurred because of the incorrect length
	NOTAUTH	101	A resource security check has failed on PROGRAM(name)

---

## Chapter 8. DFH messages

While CICS is running, it can produce several types of messages:

- Console messages advise the system operator of execution progress, or request a decision.
- Certain CICS-supplied support programs communicate directly with terminal operators.
- CICS management modules and support programs log significant events and error occurrences to transient data destinations; for example, to the control system master terminal (CSMT).
- The CICS message switching program (DFHMSP) generates message switching responses (described in the *CICS-Supplied Transactions* manual).
- CICS directs informational macro notes (mnotes) to programmers (these are not documented).
- Messages produced by CICS utility programs such as DFH\$MOLS and DFHMNDUP. These messages are self-explanatory and are not documented.

---

### Message Identifiers

Message identifiers are of two types. Both are prefixed with “DFH”, the IBM assigned identifier for CICS modules.

#### DFH7nnn identifiers

These consist of the prefix “DFH7” followed by a three digit message number. They indicate messages that have been issued by command-level translators/termc processing programs.

#### DFHccnnnn identifiers

These consist of the prefix “DFH” followed by a two-letter component identifier (*cc*), and a four-digit message number (*nnnn*). The component identifier shows the domain or the component which issues the message. Here is a list of component identifiers with associated domains and components:

<b>AC</b> The abnormal condition program component	<b>DU</b> The dump domain
<b>AI</b> The auto-install terminal model manager (AITM)	<b>ER</b> The user backout program
<b>AK</b> The activity keypoint component	<b>EV</b> The sequential I/O component
<b>AM</b> The RDO allocation manager	<b>EX</b> The external CICS interface
<b>AP</b> The application domain	<b>FC</b> The file control component
<b>CA</b> DFHCSDUP and EXEC CICS CREATE	<b>FE</b> The FE terminal test program component
<b>CC</b> The CICS catalog domain (local and global)	<b>IC</b> The interval control program
<b>CE</b> The sign on program component	<b>IR</b> The interregion component
<b>CP</b> The CPI Communications component	<b>JC</b> The online journal control component
<b>CR</b> The ISC remote scheduler component	<b>KC</b> The transaction/profile manager
<b>DD</b> The directory manager	<b>KE</b> The kernel domain
<b>DL</b> The DL/I interface component	<b>LD</b> The loader domain
<b>DM</b> The domain manager domain	<b>LM</b> The lock manager domain
<b>DS</b> The dispatcher domain	<b>MC</b> The BMS message control program component

## DFH messages

<b>ME</b> The message domain	<b>TF</b> The terminal facility manager
<b>MN</b> The monitor domain	<b>TI</b> The timer domain
<b>PA</b> The parameter manager domain	<b>TM</b> The system termination program component
<b>PC</b> The program control program component	<b>TO</b> The terminal object resolution program component
<b>PD</b> The print dump exit routine DFHPD410	<b>TP</b> The BMS terminal page retrieval program component
<b>PG</b> The program manager domain	<b>TR</b> The trace domain
<b>PR</b> The partner resource manager	<b>TS</b> The temporary storage control program component
<b>RC</b> Report Controller	<b>US</b> The user domain
<b>RD</b> The RDO allocation manager	<b>WK</b> The warm keypoint component
<b>RM</b> The recovery Manager	<b>XA</b> The XRF alternate component
<b>RT</b> The ISC transaction routing component	<b>XC</b> The XRF CICS availability manager
<b>RU</b> The recovery utility program	<b>XG</b> The XRF general component
<b>SI</b> The system initialization component	<b>XM</b> The transaction manager
<b>SK</b> The sub task control program component	<b>XO</b> The XRF CICS availability manager
<b>SM</b> The storage manager domain	<b>XS</b> The CICS security component
<b>SN</b> The signon component	<b>ZC</b> The terminal control working set component
<b>SR</b> The system recovery component	<b>ZE</b> The TCP error message writer component
<b>ST</b> The statistics domain	<b>ZN</b> The syncpoint component
<b>SZ</b> The front end programming interface (FEPI)	
<b>TC</b> The terminal control program component	
<b>TD</b> The transient data component	

Thus the CICS message DFHAP0002 is issued from the application domain, identified by the two-character identifier AP.

## Action codes

Certain messages (for example, DFHFC0922A) include an action code after the message identifier. Action codes give guidance to the operator of the type of action needed when the message appears on the system console. The following action codes are used:

- A** Immediate action (for example, mount a tape)
- D** Immediate decision (reply to a request, for example, enter "GO" or "CANCEL")
- E** Eventual – action is required, but does not have to be taken immediately
- I** No action required (If issued via the message domain, these messages can be suppressed by specifying MSGLVL=0 as a system initialization override.)

## Severity codes

Certain messages, especially those associated with messages to terminal operators and messages which come from CICS utilities, have a severity code. (DFHST0210 I, is an example.) A severity code indicates to the operator whether a message is associated with an error, and if so, how serious it is. The following severity codes are used:

- E** Error. Something has gone wrong and action is required of the user before CICS processing can continue.

- I** Information only. No action is required.
- W** Warning. Something may have gone wrong, a program loop for example, but CICS processing continues.
- S** Severe error. Something serious has gone wrong and immediate action is required. CICS processing is suspended until action has been taken.

---

### Format of information

Information about each message is presented in the following format:

- **Message identifier** – in the form DFHnnnn or DFHccnnnn
- **Message text** – the words and inserts which make up the message as displayed in CICS
- **Explanation** – the events leading to or following the production of the message
- **System action** – the action that has been or will be taken by CICS
- **User response** – the action recommended for the user (the console or terminal operator or system programmer)
- **Destination** – the device or log to which the message is sent. This is one of the following:
  - Console – refers to a terminal type attached to CICS. (Route codes are 2 and 11 unless otherwise stated.)
  - Terminal end user
  - SYSLST (System printer)
  - One of the following transient data queues:
    - CADL VTAM resource definition log
    - CAIL Autoinstall terminal model manager (AITM) log
    - CCPI Common programming interface for communications (CPI Communications) messages
    - CDUL Transaction dump messages
    - CMIG Migration log for messages reporting the use of functions that are no longer supported
    - CRDI Log for installed resource definitions
    - CSDL CEDA command log
    - CSCS Sign on/off security log
    - CSFL File allocation and related messages
    - CSKL Log for transaction and profile resource definitions
    - CSMT Write term errors and abends from DFHTACP and DFHACP
    - CSPL Log for program resource definitions
    - CSRL Log for partner resource definitions
    - CSSL Statistics log
    - CSTL Term I/O error messages from DFHTACP
    - CSML Sign on/off messages
    - CSNE Terminal error messages issued from DFHZNAC.
    - CSPA Report Controller audit log
    - CSPW CEPW message log
    - CSZL FEPI message queue
- **Note:** Destination CXRF is used by the alternate CICS system in an XRF environment until the other destinations are made available during the takeover.
- **Module(s)** – the name(s) of the module or modules that determined that the message should be sent. (This is not necessarily the module that issued the macro to write the message.)

**XMEOUT parameters** – Messages that can drive the XMEOUT global user exit include a list of XMEOUT parameters. The XMEOUT exit allows you to suppress or reroute messages that use the message domain.: A number of console messages should not be rerouted to a transient data queue. These include all DFHTDnnnn messages and certain DFHXMnnnn messages. A note to this effect is included in the descriptions of these messages.

For programming information about the XMEOUT user exit see the *CICS Customization Guide*



**Route codes** – Console messages can be sent to a number of console types. The type of console to which a particular message is sent is determined by the VSE WTO/WTOR route code. Each route code maps onto one console type. The meanings of the route codes normally used by CICS are as follows:

**Code Meaning**

- 1 Master console action – indicates a change in system status demanding operator action
  - 2 Master console information – indicates a change in system status (system default)
  - 3 Tape pool status or other tape related information
  - 4 Direct access pool status or other related information
  - 5 Tape library information
  - 6 Disk library information
  - 7 Unit record pool information
  - 8 Teleprocessing control status
  - 9 System security checking
- Note:** This route code suppresses the operator's reply on the screen and on SYSLOG
- 10 System error or maintenance information
  - 11 Programmer information for the VSE log

Unless otherwise stated, console messages have the route codes '2' and '11'.

**Terminal identifiers** – Some messages include a terminal identifier (*termid*) in the message text. This is normally shown as a 4-character identifier. However, when CICS cannot completely identify a terminal – for example, when intersystem communication is taking place, the terminal identifier is prefixed by the application identification (*applid*) of the system owning the terminal.

**Abend code inserts** – The transaction abend code insert (*abcode*) in some CICS messages is displayed as '????' when neither the EXEC CICS ABEND request nor the DFHPC TYPE=ABEND macro request specifies an abend code.

**Dumps** – A dump is generally available for printing when a CICS system abend or abnormal termination occurs, provided the relevant data set has been specified. The dump can be used for problem determination.

**Terminology** – The terms “abnormally terminates” and “abnormal termination” are frequently used in a general sense to relate, as applicable, to one of the following:

- The termination of CICS as a result of a VSE ABEND macro. (The term “abend” may also be used.)
- The termination of a transaction (task) as a result of a CICS transaction ABEND macro.

---

## VSE user abend codes

DFH messages which accompany a CICS system, utility, or subtask abend have an associated VSE user abend code. Where possible, the value of this code is the numeric part of the corresponding DFH message. Thus DFHSI1596 has an 1596 user abend code. If a VSE abend code is issued but not the associated CICS message, the problem probably does not originate with CICS.

The highest possible value of a VSE user abend code is 4095, therefore any DFH message with a number higher than 4095 has a VSE user abend code that does not follow the above convention. The following are lists of the abend codes for messages with numbers above 4095, in order of abend code, and in order of message number.

### Ordered by abend code

## DFH messages

0111	DFHJC4511
0112	DFHJC4512
0113	DFHJC4501
0114	DFHJC4514
0115	DFHJC4580
0116	DFHJC4582
0117	DFHJC4596
0118	DFHJC4515
0119	DFHJC4519
0150	DFHER5724
0151	DFHER5725
0161	DFHAK5802
0162	DFHAK5803
0170	DFHPS5394
0180	DFHJC4597
0182	DFHJC4509
0183	DFHJC4516
0184	DFHJC4534
0185	DFHJC4530
0190	DFHXG6450
0191	DFHXG6451
0192	DFHXG6452
0193	DFHXG6453
0194	DFHXG6454
0195	DFHXG6440
0196	DFHXG6441
0197	DFHXG6442
0198	DFHXG6443
0200	DFHXA6540
0201	DFHXA6541
0202	DFHXG6444
0203	DFHXG6430
0204	DFHXA6530
0205	DFHXG6439
0206	DFHXG6415
0207	DFHXA6523
0209	DFHXG6427
0210	DFHXA6528
0213	DFHXG6524
0214	DFHXA6580
0220	DFHXO6714
0221	DFHXO6715
0308	DFHCA5263
0321	DFHCA5100
0323	DFHCA5175
0325	DFHCA5180
0326	DFHCA5184
0327	DFHCA5148

**Ordered by message identifier**

DFHAK5802	0161
DFHAK5803	0162
DFHCA5100	0321
DFHCA5148	0327
DFHCA5175	0323
DFHCA5180	0325
DFHCA5184	0326
DFHCA5263	0308
DFHER5724	0150
DFHER5725	0151
DFHJC4501	0113
DFHJC4509	0182
DFHJC4511	0111
DFHJC4512	0112
DFHJC4514	0114
DFHJC4515	0118
DFHJC4516	0183
DFHJC4519	0119
DFHJC4530	0185
DFHJC4534	0184
DFHJC4580	0115
DFHJC4582	0116
DFHJC4596	0117
DFHJC4597	0180
DFHPS5394	0170
DFHXA6523	0207
DFHXA6528	0210
DFHXA6530	0204
DFHXA6540	0200
DFHXA6541	0201
DFHXA6580	0214
DFHXG6415	0206
DFHXG6427	0209
DFHXG6430	0203
DFHXG6439	0205
DFHXG6440	0195
DFHXG6441	0196
DFHXG6442	0197
DFHXG6443	0198
DFHXG6444	0202
DFHXG6450	0190
DFHXG6451	0191
DFHXG6452	0192
DFHXG6453	0193
DFHXG6454	0194
DFHXG6524	0213
DFHXO6714	0220
DFHXO6715	0221

**Notes:**

1. All messages which appear in the POWER job log are prefixed by a time stamp and job number. Because of this, some messages will have their message text truncated. If the full message text is required, consult the VSE log as all messages in the POWER log are duplicated in the VSE system log.

## DFH messages

---

## Chapter 9. Transaction abend codes

When abnormal conditions occur, CICS can send a message to the CSMT transient data destination containing the transaction ID, the program name and the abend code. Here is an example:

---

```
DFHAC2236 date time applid Transaction tranid abend primary abcode in program program name term termid
backout successful { EXCI id = } exci_id. condmsg
```

Alternatively, the application can intercept abends by including an active EXEC CICS HANDLE ABEND command. The actual abend code can be determined by issuing the EXEC CICS ASSIGN command with the ABCODE option.

The transaction identification code *tranid* usually consists of the 4 characters defined to CICS. However, when a transaction is initiated by using a light pen, an operator identification (OPID) card reader, or 3270 PA or PF keys (specified in the TASKREQ= operand), CICS creates an internal transaction identification in the form of a 1-byte 3270 attention identification (AID) code followed by 3 bytes of X'FF'.

The code that may actually appear in the message in place of the internally-created transaction identification will be \*xx\*, where xx is the character translation of the 3270 AID code. To prevent ambiguity, the user should avoid using these codes as transaction identifiers.

The keys, the light pen (LPA), and OPID, and their corresponding printed AID codes are given in the following list:

LPA	*7E*	PF6	*F6*	PF16	*C4*
OPID	*E6*	PF7	*F7*	PF17	*C5*
PA1	*6C*	PF8	*F8*	PF18	*C6*
PA2	*6E*	PF9	*F9*	PF19	*C7*
PA3	*6B*	PF10	*7A*	PF20	*C8*
PF1	*F1*	PF11	*7B*	PF21	*C9*
PF2	*F2*	PF12	*7C*	PF22	*4A*
PF3	*F3*	PF13	*C1*	PF23	*4B*
PF4	*F4*	PF14	*C2*	PF24	*4C*
PF5	*F5*	PF15	*C3*		

An abend code indicates the cause of an error that may have been originated by CICS or by a user program. For most of the abend codes described, a CICS transaction dump is provided at abnormal termination.

All CICS transaction abend codes *abcode* are 4-character alphanumeric codes of the form **A**xx**y**, where:

**Aack 'M'** is the IBM-assigned designation of a CICS transaction abend.

**xx** is the 2-character code assigned by CICS to identify the module that detected an error.

**y** is the 1-character alphanumeric code assigned by CICS.

---

### Format of information

For each transaction abend code, the following information is given:

- An explanation of events leading to or following the message.
- The action that has been or will be taken by CICS (system action).
- The action recommended for the user (console or terminal operator).
- The module or modules that can determine that the message should be sent (not necessarily the module or modules that can issue the macro to write the message.)

---

## CICS abend codes

---

### Transaction abend codes

For guidance about interpreting the transaction abend codes summarized below, see the *VSE/ESA Messages and Codes Volume 3* manual.

Abend	Module	Explanation
AACA	DFHACP	Invalid error code
AAKP	DFHAKP	Write I/O error to MT Log
AAL1	DFHALP	DFHALP was processing a request that deadlocked
AAL2	DFHALP	Unexpected response from suspend or resume allocated task
AAL3	DFHALP	Task purged before GETMAIN completed
AAL4	DFHALP	Error occurred on call to storage manager (SM) domain
AAL6	DFHALP	Error occurred on call to SIGNOFF_TERMINAL_USER by DFHALP during signoff
AAL7	DFHALP	Error occurred on call to schedule remote terminal delete
AALN	DFHALP	Error occurred on call to TD manager
AAMA	DFHAMP	Internal logic error in DFHAMP
AAMC	DFHAMP	Task purged before GETMAIN completed
AAMD	DFHAMP	Unexpected return code from DFHDMP, internal logic error
AAMF	DFHAMP	Unexpected return code from KE domain, internal logic error
AAMG	DFHAMP	Unexpected return code from DFHAFMT, internal logic error
AAMH	DFHAMP	Unexpected return code from DFHFCMT, internal logic error
AAMI	DFHAMP	Unexpected return code from DFHFCRL, internal logic error
AAMJ	DFHAMP	Irrecoverable error from DFHFCFS while installing a file
AAMK	DFHAMP	Irrecoverable error from DFHFCDN while installing a file
AAMN	DFHAMP	Unexpected return code from DFHPRPT, internal logic error
AAMO	DFHAMP	Invalid return code from DFHTOR
AAMP	DFHAMP	Unexpected return code from DFHPUP, internal logic error
AAMQ	DFHAMP	Partner resource manager is unavailable, failed to initialize
AAMS	DFHAMP	Unexpected return code from SM domain, internal logic error
AAMT	DFHAMP	Unexpected return code from DFHTMP, internal logic error
AAMZ	DFHAMP	Unexpected return code from DFHZCP, internal logic error
AAM1	DFHALP	Unexpected response from DFHXMCL during install of TRANCLASS
AAM2	DFHALP	Unexpected response from DFHXMCD during transaction definition install
AAOA	DFHCPI	Unsupported CPI verb
AAOB	DFHCPI	CPI verb with more than eight parameters
AAOC	DFHCPARH	Invalid number of parameters for CPI Communications call
AAOD	DFHCPCBI	Task purged before GETMAIN request completed
AAOE	DFHCPCBA	Task purged before GETMAIN request completed
AAOF	DFHCPCBS	Task purged before GETMAIN request completed
AAOG	DFHCPCBA	Application attached with unsupported sync level
AAOH	DFHCPCOJ	Journaling of data sent on CPI Communications mapped conversation failed
AAOI	DFHCPCRI	Journaling of data received on CPI Communications mapped conversation failed
	DFHCPCRW	
AAOJ	DFHCPI	CPI Communications detected unexpected response from internal routine
AAOK	DFHCPI	CPI Communications detected unexpected call to internal routine
AAOL	DFHCPCLR	CPI Communications made an invalid call to DFHLUC
AAOM	DFHCPCLR	CPI Communications out of sync with DFHZUSR state machines
	DFHCPSRH	
AAON	DFHCPCLR	Unexpected response from DFHLUC to CPI Communications
	DFHCPLC	
AAOO	DFHCPARH	CPI Communications invoked with invalid first parameter
AAOP	DFHCPCFS	Impossible situation requested for CPI Communications
AAOQ	DFHCPCFS	CPI Communications return code has no entry in state table
AAOR	DFHCPI	CPI Communications detected invalid value in conversation control block
AAOS	DFHCPI	CPI Communications finds unexpected RESET for conversation state

Abend	Module	Explanation
AAOT	DFHCPCBI	CPI Communications chain broken in conversation control blocks
AAOU	DFHCPCBI	CPI Communications error processing initialize conversation
AAOV	DFHCPCFS	CPI Communications internal state table corrupted
AAOW	DFHCPCLC	Internal logic error in DFHCPCLC
AAOX	DFHCPCIC	CPI Communications has detected bad syncpoint return code
AAOY	DFHCPCRB	Invalid LL field while CPI Communications receives mapped conversation
AAOZ	DFHCPCRB	Invalid ID field while CPI Communications receives mapped conversation
AAO2	DFHCPCBA	Unexpected response from DFHLUC to CPI Communications
AAO3	DFHCPI	Call to CPI Communications without initialization
AAO4	DFHCPCLR	Logic error detected by DFHZARL
AAO5	DFHCPCBA	Task purged before GETMAIN completed
	DFHCPCBI	
	DFHCPCBS	
AAO7	DFHCPSRH	Invalid DFHLUC parameter list passed to CPI Communications
AAO8	DFHCPSRH	Invalid Conversation Control Block (CPC) passed to CPI Communications
AAO9	DFHCPCLR	Task purge detected
ABLA	DFHMCP	Task purged before GETMAIN completed
	DFHMCPE	
	DFHM32	
	DFHPBP	
	DFHRLR	
ABLB	DFHMCP	Error in call to storage manager domain
	DFHMCPE	
	DFHM32	
	DFHPBP	
	DFHRLR	
ABMA	DFHPBP	TIOA = 0 or > (storage accounting length - 12)
	DFHMCP	
ABMB	DFHPBP	Cursor position larger than current screen size
	DFHMCP	
	DFHMCX	
ABMC	DFHMCP	CMSG tran attempt to send to greater number of terminals than possible
ABMD	DFHTPP	Unexpected return code from send from DFHTPR or DFHTPP
	DFHTPR	
ABME	DFHTPP	DFHTPR or DFHTPP detected invalid datastream during BMS request
	DFHTPR	
ABMF	DFHPBP	Send length too large
ABMG	DFHMCP	BMS service not present
	DFHTPQ	
ABMI	DFHMCP	Not input map
	DFHMCX	
	DFHMCY	
ABML	DFHRLR	Terminal control locate routine received invalid data
ABMM	DFHPBP	Invalid map
ABMO	DFHMCP	Not output map
	DFHMCX	
	DFHMCY	
ABMQ	DFHQRY	Task not terminal-oriented or terminal not defined to CICS correctly
ABMR	DFHTPR	Page Retrieval transaction (CSPG) initiated but task not terminal oriented
ABMT	DFHTPS	Minimum function BMS being used for non-3270 terminal type
ABMU	DFHEMS	Address out of range
	DFHMCP	
ABMV	DFHRLR	Invalid route list entry
ABMX	DFHPBP	Invalid set attribute order in text
ABMZ	DFHMCP	TIOA address in TCTTEDA is zero
	DFHMCX	
	DFHMCY	

## Abend codes

Abend	Module	Explanation
ABM0	DFHMCP DFHMCX DFHMCY	Map could not be located
ABM1	DFHRLR	BMS service requested from non-BMS-supported terminal
ABM2	DFHMCP	No user data for BMS request
ABM3	DFHMCP	BMS service requested from a non-terminal-oriented task
ABM4	DFHMCP DFHTPP	BMS issued invalid request response to temp storage PUT or PUTQ
ABM5	DFHMCP DFHTPR	Purge request issued with invalid REQID by BMS
ABM6	DFHMCP	CSPS not installed
ABM7	DFHPBP	Trailer too long
ABM8	DFHPBP	Justify parameter zero or too large for page
ABM9	DFHPBP	Header or trailer too large
ABNA	DFHTPS	No route list
ABNB	DFHTPS	Invalid TCTTE type for principal facility of the task
ABNC	DFHTPS	Access temporary storage queue failed
ABNE	DFHTPS	Error response from BMS ROUTE or STORE request
ABNF	DFHTPS	Transaction not in send mode when sent to remote system
ABNG	DFHTPS	Attach received from remote system without data
ABNH	DFHTPS	Ship data to remote system failed
ABNI	DFHTPS	No profile for LU6.2 transaction routing request
ABNJ	DFHTPS	Task purged before GETMAIN complete
ABNK	DFHTPS	Error on call to storage manager domain
ABP1	DFHDLBP DFHTCBP DFHUSBP	I/O error in restart data set
ABP2	DFHDLBP DFHTSBP	Backout failure
ABP3	DFHTCBP DFHTSBP	CICS internal logic error during emergency restart
ABP4	DFHDLBP	Storage management unusable in emergency restart
ABSA	DFHTBS	Message to DFHBSMSG too long
ACAA	DFHCAP	Parameterized resource definition contains invalid resource type code
ACAD	DFHCAP	Parameterized resource definition contains invalid resource type code
ACAI	DFHCAP	Invalid function code for domain call to DFHCAP
ACAJ	DFHCAP	Preallocated dynamic storage area too small
ACEx		LE/VSE errors. See the <i>IBM Language Environment for VSE/ESA Debugging Guide and Run-time Messages</i> for further information
ACHA	DFHCHS	Remote server transaction is incorrect level
ACHB	DFHCHS	Remote server received data frame out of sequence
ACHC	DFHCHS	Remote server did not receive expected acknowledgement type data frame
ACHD	DFHCHS	Remote server did not receive expected response type data frame
ACHE	DFHCHS	Remote server received unexpected data frame - logic error
ACHF	DFHCHS	Remote server sent more than one data frame
ACHG	DFHCHS	Remote server sent data when not in correct mode
ACHH	DFHCHS	Remote server has no TIOA for data
ACHI	DFHCHS	Remote server received unexpected return code from Transformer 2 program
ACHJ	DFHCHS	Remote server cannot return error condition to CICS/CMS
ACHK	DFHCHS	Logic error in transformer program request
ACHL	DFHCHS	Remote server buffer too small
ACHM	DFHCHS	Remote server response retry limit exceeded
ACHN	DFHCHS	Remote server request retry limit exceeded
ACHO	DFHCHS	Remote server reply retry limit exceeded
ACHP	DFHCHS	Remote server reply has insufficient storage
ACHQ	DFHCHS	Remote server request for DL/I resource and DL/I does not exist on CICS system
ACHR	DFHCHS	Failure of the CICS/CMS remote server transaction (CEHS)
ACHS	DFHCHS	Failure of the CICS/OS2 remote server transaction (CEHP)



Abend	Module	Explanation
ACNA	DFHCCNV	Table DFHCCNV could not be loaded
ACNB	DFHCCNV	Program DFHCCNVV cannot be linked
ACN1	DFHCCNV	Table DFHCCNV could not be loaded
ACN2	DFHCCNV	Table DFHCCNV has wrong format in first record
ACN3	DFHCCNV	Program DFHCCNV could not be linked
ACN4	DFHCCNV	Unrecognized format of DFHCCNV table
ACN5	DFHCCNV	Unrecognized value of default client code page override
ACN6	DFHCCNV	Conversion between client code page and server code page not supported by OS/390
ACN7	DFHCCNV	Unrecognized override value for default binary format
ACN8	DFHCCNV	Client and server code page have FIELD containing SBCS characters
ACN9	DFHCCNV	Table DFHCCNV cannot be loaded
ACP1	DFHCPY	Bad DFHIC TYPE=GET response code
ACP2	DFHCPY	Bad DFHIC TYPE=INITIATE response code
ACRA	DFHAPRT	Relay program invoked without terminal as principal facility
ACRB	DFHAPRT	Relay program invoked by transaction not defined as remote
ACRC	DFHAPRT	Invalid response from DFHZCX
ACRD	DFHAPRT	System entry not found
ACRE	DFHAPRT	Link is out of service
ACRF	DFHAPRT	Dynamic routing program incorrectly initiated
ACRG	DFHAPRT	No matching AID for ATI initiated remote transaction
ACRH	DFHAPRT	Profile could not be found
ACRI	DFHAPRT	Dynamic transaction routing program link error
ACRJ	DFHAPRT	Dynamic transaction routing program has abended
ACRK	DFHAPRT	Relay program invoked with no address for principal facility
ACRL	DFHAPRT	The task does not own the facility
ACRM	DFHAPRT	Dynamic routing program INITIAL_LINK failure
ACRO	DFHCRQ	Attempt to invoke CRSQ (internal transaction)
ACSA	DFHCRS	Remote scheduler task (CRSR) does not own intersystem link TCTTE
ACSB	DFHCRS	Invalid reply from remote system in response to request to schedule a task
ACSC	DFHCRS	Unexpected request received from remote system
ACSD	DFHCRS	Internal logic error detected
ACSE	DFHCRS	DFHCRS attached in unsupported manner
ACSF	DFHCRS	Task purged before GETMAIN successful
ACSG	DFHCRS	Error on call to storage manager domain
ACSH	DFHCRS	Sync level mismatch for processing APPC data
ACSI	DFHCRS	APPC conversion failure when attaching between systems
ACSL	DFHCRS	Unable to perform CDTS request or CFTS request
ACSM	DFHCRS	Transaction CFTS has abended
ACSN	DFHCRS	Transaction CFTS has stalled
ACTA	DFHZTSP	Relay program in TOR had unexpected request from AOR
ACTB	DFHZTSP	Relay program in TOR WRITE, LAST request failed
ACTC	DFHZTSP	Relay program in TOR failed to free session
ACTD	DFHZTSP	Relay program in TOR WRITE, WAIT, READ request failed
ACTE	DFHZSTP	Relay program in TOR failed to free session
ACTF	DFHZSTP	Relay program in TOR failed to free session
ACTG	DFHZSTP	Relay program in TOR received invalid region response
ACTH	DFHZISP	Privileged allocate issued against a remote LU6.2 system
ACTI	DFHCRT	TCTTE for session not owned by task
ACTJ	DFHCRT	Principal facility of relay transaction not a TCTTE
ACTK	DFHZISP	Task purged before GETMAIN successful
ACTL	DFHZISP	Error on call to storage manager domain
ACUA	DFHZXRL	Request not supported for transaction routing
ACUB	DFHZXRL	TCTSE address missing from parameter list for ALLOCATE request
ACUC	DFHZXRL	TCTSE address not that of a remote LU6.2 terminal
ACUD	DFHZXRL	Profile DFHCICSR was not located as installed profile definition
ACUE	DFHZXRL	Request to DFHZTSP to build surrogate TCTTE not met
ACUF	DFHZXRL	Session not allocated, request incorrectly specified
ACUG	DFHZXRL	Profile for ALLOCATE not located as installed transaction definition

## Abend codes

Abend	Module	Explanation
ACUH	DFHZXRL	Requested session already owned by the TCA
ACUI	DFHZXRL	MODENAME in profile not found
ACUJ	DFHZXRL	Maximum session count for modegroup is zero
ACUK	DFHZXRL	No TCT entry for TOR in TCTSE for remote terminal
ACUL	DFHZXRL	WRITE, WAIT, READ request failed
ACUM	DFHZXRL	Request to DFHZTSP to free surrogate TCTTE not satisfied
ACUN	DFHZXRL	Attempt to free session with TOR failed
ACUO	DFHZXRL	Attempt to receive data from TOR failed
ACUP	DFHZXRL	Expected rollback from TOR not received
ACUQ	DFHZXRL	Attempt to receive data from TOR failed
ACUR	DFHZXRL	Expected rollback from TOR not received
ACUS	DFHZXRL	Attempt to receive data from TOR failed
ACUT	DFHZXRL	Expected rollback or syncpoint not received from TOR
ACUV	DFHZXRL	TC ISSUE ABEND on MRO link failed
ACUW	DFHZXRL	TC ISSUE ERROR on MRO link failed
ACUX	DFHZXRL	WRITE, WAIT, READ request failed
ACUY	DFHZXRL	TC WRITE, WAIT request to TOR failed
ACUZ	DFHZXRL	WRITE, WAIT, READ request failed
ACU0	DFHZXRL	TC WRITE, LAST, WAIT request to TOR failed
ACU1	DFHZXRL	Attempt to read data from TOR failed
ACU2	DFHZXRL	Response from the TOR violates protocols
ACU3	DFHZXRL	AOR set of conversation state machine violates protocols
ACU4	DFHZXRL	Setting of conversation state machine failed
ACU5	DFHZXRL	Connection between two systems not installed
ACVA	DFHZXRT	TC WRITE, WAIT, or READ request to AOR failed
ACVB	DFHZXRT	ISSUE SIGNAL on MRO link violates protocols
ACVC	DFHZXRT	ISSUE SIGNAL on LU6.2 link failed
ACVD	DFHZXRT	TC READ, WAIT request to AOR failed
ACVE	DFHZXRT	TC WRITE request to AOR failed
ACVF	DFHZXRT	TC WRITE, LAST, WAIT request to AOR failed
ACVG	DFHZXRT	Attempt to free session with LU6.2 terminal failed
ACVH	DFHZXRT	Attempt to free session with AOR failed
ACVK	DFHZXRT	ISSUE ABEND on LU6.2 link failed
ACVL	DFHZXRT	TC ISSUE ABEND on MRO link failed
ACVM	DFHZXRT	ISSUE ERROR on LU6.2 link failed
ACVN	DFHZXRT	TC ISSUE ERROR on MRO link failed
ACVO	DFHZXRT	ISSUE PREPARE in TOR failed or violates protocols
ACVP	DFHZXRT	Expected FMH43 not received from AOR
ACVQ	DFHZXRT	Nonzero return code from APPC terminal
ACVR	DFHZXRT	TC SEND, LAST, WAIT request to LU6.2 terminal failed
ACWA	DFHCWTO	CWTO transaction has failed, task started without a terminal ID
ACXA	DFHCXCU	Catch-up transaction, CXCU, has failed
ADBA	DFHDBP	Attempt to read dynamic log failed
ADBB	DFHDBP	DWE chain from TCA corrupted
ADBC	DFHDBP	DL/I log record too large for DL/I interface
ADBE	DFHDBP	Invalid file name (DBRFID) found on dynamic log
ADBF	DFHDBP	PSB name in DL/I backout record differs from that scheduled to current task
ADBH	DFHDBP	Invalid service module identifier on dynamic log (DBRSVMID)
ADBK	DFHDBP	Invalid function ID found (DBRMODFN) from dynamic log
ADBL	DFHDBP	Invalid error code found (DBRERRCD) retrying file backout
ADEF	DFHCLS3	Severe error executing transaction CLS3
ADIR	DFHDIP	Invalid DFHDI or DFHBMS request <b>or</b> transaction did not specify INBFMH=DIP or INBFMH=ALL
ADLH	DFHDLRP	CICS DL/I restart task could not complete
ADPL	DFHEIP DFHCPIR	Restricted API or CPI-RR command used in DPL environment

Abend	Module	Explanation
AEC1	DFHECIP DFHECSP DFHEMTP DFHESTP DFHEOTP DFHEDAP	CECI, CEMT, CEDA, CEDB or CEDC transaction attempted on unsupported terminal
AEC2	DFHECIP DFHECSP DFHEMTP DFHESTP DFHEOTP DFHEDAP	CECI, CEMT, CEDA, CEDB or CEDC tried to use too small a screen
AEC7	DFHAPLI	LE/VSE failed to initialize a thread
AEC8	DFHAPLI	LE/VSE failed to initialize a run-unit
AEC9	DFHAPLI	LE/VSE had error during RUNUNIT BEGIN INVOCATION phase
AEDA	DFHEDFX	CEDF started with invalid start code
AEDB	DFHEDFX	DFHEDFP passed invalid EDFXA
AEDC	DFHEDFX	EDF GETMAIN request failed
AEDD	DFHEDFX	EDF attach failed
AEDE	DFHEDFX	EDF suspend failed
AEDH	DFHEDFX	Failure of call to program manager
AED1	DFHEDFP DFHEDFBR	Attempt to use EDF on unsupported terminal or using CEBR on unsupported device
AED2	DFHEDFX	EDF has terminated a task
AED3	DFHEDFX	EDF has terminated a task
AED4	DFHEDFP	Internal logic error in DFHEDFP
AED5	DFHEDFD	Internal logic error in EDF - insufficient dynamic storage
AED6	DFHEDFU	Internal logic error in EDF
AED8	DFHEDFX	Terminal control error in DFHEDFX
AED9	DFHEDFD	Temporary storage error in EDF
AEIA	DFHEIP	ERROR condition not handled
AEID	DFHEIP	EOF condition not handled
AEIE	DFHEIP	EODS condition not handled
AEIG	DFHEIP	INBFMH condition not handled
AEIH	DFHEIP	ENDINPT condition not handled
AEII	DFHEIP	NONVAL condition not handled
AEIJ	DFHEIP	NOSTART condition not handled
AEIK	DFHEIP	TERMIDERR condition not handled
AEIL	DFHEIP	FILENOTFOUND condition not handled
AEIM	DFHEIP	NOTFND condition not handled
AEIN	DFHEIP	DUPREC condition not handled
AEIO	DFHEIP	DEPKEY condition not handled
AEIP	DFHEIP	INVREQ condition not handled
AEIQ	DFHEIP	IOERR condition not handled
AEIR	DFHEIP	NOSPACE condition not handled
AEIS	DFHEIP	NOTOPEN condition not handled
AEIT	DFHEIP	ENDFILE condition not handled
AEIU	DFHEIP	ILLOGIC condition not handled
AEIV	DFHEIP	LENGERR condition not handled
AEIW	DFHEIP	QZERO condition not handled
AEIZ	DFHEIP	ITEMERR condition not handled
AEI0	DFHEIP	PGMIDERR condition not handled
AEI1	DFHEIP	TRANSIDERR condition not handled
AEI2	DFHEIP	ENDDATE condition not handled
AEI3	DFHEIP	INVTSREQ condition not handled
AEI4	DFHEIP	EXPIRED condition not handled
AEI8	DFHEIP	TSIOERR condition not handled
AEI9	DFHEIP	MAPFAIL condition not handled

## Abend codes

Abend	Module	Explanation
AELA	DFHETL	Function purged before control returned
AELB	DFHEGL	Function purged before control returned
AEMA	DFHUEM	Error on call to application domain
AEMB	DFHUEM	Error on call to loader domain
AEMP	DFHUEM	Task purged before set active request completed
AEMQ	DFHUEM	Task purged before IDENTIFY_PROGRAM completed successfully
AETA	DFHERM	Task abended by DFHERM after using DFHRMCAL macro
AETC	DFHERM	Command issued with invalid TRUE
AETF	DFHERM	Task purged before completion of storage manager request
AETG	DFHERM	Error on call to storage manager domain
AETH	DFHERM	Task purged before completion of storage manager request
AETI	DFHERM	Error on call to storage manager domain
AEXC	DFHEIP	RESIDERR condition not handled
AEXD	DFHEIP	CCERROR condition not handled
AEXE	DFHEIP	MAPERROR condition not handled
AEXF	DFHEIP	ESCERROR condition not handled
AEXI	DFHEIP	TERMERR condition not handled
AEXJ	DFHEIP	ROLLEDBACK condition not handled
AEXK	DFHEIP	END condition not handled
AEXL	DFHEIP	DISABLED condition not handled
AEXS	DFHEIP	OUTDESCRERR condition not handled
AEXU	DFHEIDTI	NOTPOSS condition raised on encountering invalid parameter
	DFHEIQDS	
	DFHEIQSA	
	DFHEIQSC	
	DFHEIQSM	
	DFHEIQSP	
	DFHEIQST	
	DFHEIQSX	
AEXW	DFHEIP	SUPPRESSED condition not handled
AEXX	DFHEIP	TASKIDERR condition not handled
AEXY	DFHxxx	Transaction purged before control was returned. For module list, see <i>VSE/ESA Messages and Codes Volume 3</i>
AEXZ	DFHxxx	Command failed due to serious failure in CICS component. For module list, see <i>VSE/ESA Messages and Codes Volume 3</i>
AEX0	DFHEIP	TCIDERR condition not handled
AEX1	DFHEIP	DSNOTFOUND condition not handled
AEX2	DFHEIP	LOADING condition not handled
AEX3	DFHEIP	MODELIDERR condition not handled
AEX5	DFHEIP	PARTNERIDERR condition not handled
AEX6	DFHEIP	PROFILEIDERR condition not handled
AEX7	DFHEIP	NETNAMEIDERR condition not handled
AEYA	DFHEIP	INVERRTERM condition not handled
AEYB	DFHEIP	INVMPSTZ condition not handled
AEYC	DFHEIP	IGREQID condition not handled
AEYD	DFHSRP	Storage violation by CICS
AEYE	DFHEIP	INVLDC condition not handled
AEYG	DFHEIP	JIDERR condition not handled
AEYH	DFHEIP	QIDERR condition not handled
AEYJ	DFHEIP	DSSTAT condition not handled
AEYK	DFHEIP	SELNERR condition not handled
AEYL	DFHEIP	FUNCERR condition not handled
AEYM	DFHEIP	UNEXPIN condition not handled
AEYN	DFHEIP	NOPASSBKRD condition not handled
AEYO	DFHEIP	NOPASSBKWR condition not handled
AEYP	DFHEIP	SEGIDERR condition not handled
AEYQ	DFHEIP	SYSIDERR condition not handled
AEYR	DFHEIP	ISCINVREQ condition not handled

Abend	Module	Explanation
AEYT	DFHEIP	ENVDEFERR condition not handled
AEYU	DFHEIP	IGREQCD condition not handled
AEYV	DFHEIP	SESSIONERR condition not handled
AEYX	DFHEIP	USERIDERR condition not handled
AEYY	DFHEIP	NOTALLOC condition not handled
AEYZ	DFHEIP	CBIDERR condition not handled
AEY0	DFHEIP	INVEXITREQ condition not handled
AEY1	DFHEIP	INVPARTNSET condition not handled
AEY2	DFHEIP	INVPARTN condition not handled
AEY3	DFHEIP	PARTNFAIL condition not handled
AEY6	DFHUEM	Internal logic error in DFHUEM
AEY7	DFHEIP	NOTAUTH condition not handled
AEY8	DFHEIP	No DSA found on chain while trying to free dynamic storage
AEY9	DFHEIP	Invalid EXEC CICS command issued
	DFHEEI	
AEZA	DFHEIP	AMODE 24 program defined in transaction with TASKDATALOC=ANY
AEZB	DFHERM	AMODE 24 task-related user exit defined in transaction with TASKDATALOC=ANY
AEZC	DFHAPLI	AMODE 24 program defined in transaction with TASKDATALOC=ANY
AEZD	DFHAPLI	Attempt to run EXECCKEY(USER) program in transaction with TASKDATAKEY(CICS) defined
AFCB	DFHFCEI	Unexpected response from DFHFCEI resource level security check
A FCC	DFHFCEI	Internal logical error on calling file control request module DFHF CFR
	DFHDMPCA	
	DFHDBP	
A FCD	DFHFCEI	Disastrous error as table manager tries to locate AFCT entry
A FCE	DFHFCEI	A GETMAIN for FFLE storage failed
A FCF	DFHFCEI	File control deadlock detected between two or more tasks
A FCG	DFHFCEI	File issued sequence of file control requests that would deadlock itself
A FCH	DFHFCEI	Request to disabled or closed table
A FCJ	DFHF CU	Task taking longer than DTIMEOUT interval specified for CSFU transaction
A FCM	DFHDTL DX	Data table load failed
A FCN	DFHDTL DX	Journal record too large
A FCP	DFHDMPCA	Journal control IDERROR response
	DFHFCEI	
A FCQ	DFHDMPCA	Journal control LERROR response
	DFHFCEI	
A FCY	DFHDBP	Transaction purged during file request
	DFHDMPCA	
	DFHFCEI	
A FCZ	DFHDBP	Disastrous error response from DFHF CFR to its caller
	DFHDMCPA	
	DFHFCEI	
A FC0	DFHCEI,	Updating file after file control restart failed
	DFHDMPCA	
A FC2	DFHF CU	Disastrous error from DFHF CFS on open file request
A FC4	DFHFCEI	Record length does not match defined record length of recoverable fixed length file
A FC7	DFHDMPCA	Disastrous error response from DFHF CFS to DFHDMPCA
A FC9	DFHFCEI	Task attempted to update file that failed backout
	DFHDMPCA	
AGMA	DFHGMM	No terminal specified for Good Morning transaction
A ICA	DFHSRP	Task executing for longer than runaway time interval
A ICB	DFHICP	RETRIEVE WAIT reissued in system shutdown
A ICC	DFHICP	Incorrect response from a TI domain request
	DFHTAJP	
A ICD	DFHICP	Incorrect response from a KE domain request
A ICE	DFHICP	Incorrect response from a DS domain request (other than AICG)
A ICF	DFHICP	Incorrect response from a TM domain request
A ICG	DFHICP	PURGED response from DS request with reason code TASK_CANCEL

## Abend codes

Abend	Module	Explanation
AICH	DFHEIIC DFHICP	Task purged before request to SM domain completed successfully
AICJ	DFHICP	Error on call to storage manager domain
AICK	DFHEIIC	Invalid response from resource level security check
AICL	DFHEIIC	Invalid function code in the command level parameter list
AICN	DFHICP	Incorrect response from US domain request
AICO	DFHICXM	Unexpected EXCEPTION response on call to user domain
AICR	DFHCRR	Failure of DFHTC write request for IRC
AISA	DFHMIRS	CSMI attached to facility other than terminal
AISB	DFHMIRS	Errors detected in data for mirror transaction
AISC	DFHMIRS	TIOA not received from terminal by mirror transaction (CSMI)
AISD	DFHMIRS	Mirror program received nonzero return code
AISE	DFHMIRS	Mirror program issued unsupported DL/I request
AISF	DFHMIRS	Facility for mirror is APPC, conversation unmapped
AISG	DFHMIRS	Mirror transaction could not send reply
AISH	DFHCRNP	Incorrect invocation of CSNC
AISI	DFHISP	Invalid function shipping request from DFHEIP to DFHISP
AISJ	DFHCRNP	CSNC abended because LINK to DFHCRR failed
AISK	DFHISP	Mirror transaction abended
AISL	DFHLUP DFHCLS3 DFHCLS4 DFHZLS1	LU services manager transaction started directly from user terminal
AISM	DFHTDP	Macro-level request for remote system
AISN	DFHCRNP	CSNC failed to acquire SUSPEND TOKEN
AISO	DFHCRNP	CSNC failed to suspend itself
AISP	DFHMIRS	Mirror transaction invoked with invalid principal facility
AISQ	DFHMIRS	EXEC CICS command issued for CPI Communications session
AISS	DFHZARM	Security violation at start of APPC conversation
AIST	DFHCRNP	Unexpected return code after DFHTC TYPE=LOCATE
AISU	DFHMIRS	Error on call to storage manager domain
AISV	DFHMIRS	PURGED condition on call to storage manager domain
AISW	DFHCRSP	Error on call to storage manager domain
AISX	DFHCRSP	PURGED condition on call to SM domain to GETMAIN or FREEMAIN
AISY	DFHLUP	Invalid parameters for LU services manager
AISZ	DFHMXP	Unexpected reply when committing START PROTECT NOCHECK requests
AIS1	DFHCRSP	Unexpected return code after DFHMROQM FUNC=ENQ command issued
AIS2	DFHCRNP	Unexpected return code after DFHMROQM FUNC=WAIT_Q command issued
AIS3	DFHCRNP	Attempt to issue store clock instruction failed
AIS4	DFHCRNP	Unexpected return code after DFHMROQM FUNC=ENQUEUE command issued
AIS5	DFHCRNP	Unexpected return code after DFHMROQM FUNC=ENQUEUE command issued
AIS6	DFHMIRS	DISASTER, EXCEPTION, or INVALID condition on call to storage manager domain
AIS7	DFHMIRS	PURGED condition on call to storage manager domain
AIS8	DFHMIRS	Internal logic error in DFHMIRS
AIS9	DFHMIRS	DPL server program returned invalid state after LINK command
AJCA	DFHJCIOE	Unrecoverable I/O error on output to journal data set
AJCB	DFHJCEOV	Error while switching data sets on NONCRUCIAL journal
AJCC	DFHJCBSP	Transaction identifier CSJC illegally entered at terminal
AJCD	DFHJCKOJ DFHJCP DFHJCPDY	Error on call to storage manager domain
AJCE	DFHJCP DFHJCPDY	Task purged before GETMAIN request to storage manager domain completed

Abend	Module	Explanation
AJCF	DFHJCBS DFHJCC DFHJCEOV DFHJCI DFHJCKOJ DFHJCO DFHJCP DFHJCSDJ	Error on call to dispatcher domain
AJCG	DFHJCC DFHJCEOV DFHJCI DFHJCKOJ DFHJCO DFHJCP DFHJCSDJ	Task purged before WAIT request to dispatcher domain completed
AJCH	DFHJCC DFHJCO	DFHPC link for the journal exit has failed
AJCI	DFHJCRP	Insufficient storage for ADD_SUBPOOL request
AJCJ	DFHJCRP	Unexpected response from ADD_SUBPOOL request
AJCK	DFHJCP	Unexpected response from GETMAIN request to SMGF domain
AJCL	DFHAKP	Unexpected response from GETMAIN request to SMGF domain
AJCM	DFHAKP	DFHAKP failed to locate first JCT entry in JCT
AJCN	DFHAKP	Unexpected response from GETMAIN request to SMGF domain
AJCO	DFHAKP	Unexpected response from FREEMAIN request to SMGF domain
AJCP	DFHJCO	Journal exit program DFHXJCO has abended
AJCQ	DFHJCC	Journal exit program DFHXJCC has abended
AJCR	DFHJCP	CRUCIAL journal unavailable
AKCA	DFHXCPC	Transaction manager component received invalid request code
AKCB	DFHKCRP	Transaction manager restart task could not complete
AKCC	DFHXMAT DFHXMCL	Purge threshold on TRANCLASS reached
AKCE	DFHKCQ	Write to system log failed
AKCF	DFHKCQ	Write to catalog failed
AKCR	DFHXCP DFHXCPC	Transaction manager received an invalid request code
AKCS	DFHXCP DFHXCPC	Deadlock time-out has occurred
AKCT	DFHXCP	Terminal read-time-out has occurred
AKCV	DFHALP	Unexpected return code on resume of suspended task
AKC0	DFHAPATT	Attempt to run CSSY as user transaction
AKC1	DFHXCP	DFHXC WAIT when ECB already marked as waiting
AKC2	DFHXCP DFHXCPC	Unexpected response from dispatcher domain call
AKC3	DFHXCP DFHXCPC DFHXMAT DFHXMCL DFHXTMIQ DFHXTMTA	Task has been purged
AKC4	DFHXCPC	Error on transaction attach concerning storage
AKC5	DFHXCPC	Invalid response from storage manager domain call
AKC6	DFHXCP	DFHXC SUSPEND did not precede DFHXC RESUME
AKC7	DFHXCPC	Unexpected response from an XMSU call during transaction ATTACH
AKC8	DFHXCP	Unexpected response from call to kernel domain for task purge
AKEA	DFHKESTX	Program check detected by kernel domain
AKEB	DFHKESTX	Operating system abend detected by kernel domain
AKEC	DFHKESTX DFHKERRU	Runaway detected by kernel domain

## Abend codes

Abend	Module	Explanation
AKED	DFHKEEDA	Deferred abend request in kernel domain
AKEF	DFHKERKE	Error detected while processing kernel domain call
AKEG	DFHKESGM	VSE GETMAIN for kernel stack storage failed
AKEZ	DFHKETA	Failure of user attach - insufficient kernel tasks
ALIA	DFHAPLI	DOS/VS COBOL GETMAIN failure - insufficient storage
ALIC	DFHAPLI	LE/VSE GETMAIN failure (above 31-bit line) - insufficient storage
ALID	DFHAPLI	LE/VSE GETMAIN failure (below 31-bit line) - insufficient storage
ALIF	DFHAPLI	LE/VSE GETMAIN failure - insufficient storage
ALIG	DFHAPLI	Failure to determine language of application program
AMNA	DFHCMP	Exception response from monitoring domain—invalid address in DATA1
AMNB	DFHCMP	Exception response from monitoring domain—invalid data in DATA2
AMNZ	DFHCMP	Unexpected error response from monitoring domain
AMSA	DFHMSP	SBA not followed by two 1-byte address fields
AMSB	DFHMSP	Internal logic error in DFHMSP
AMSC	DFHMSP	Task purged before GETMAIN completed
AMSD	DFHMSP	Error on call to storage manager (SM) domain
APCF	DFHAPLI	Program not compiled with supported PL/I compiler
APCG	DFHxxx	Transaction purged. For module list, see <i>VSE/ESA Messages and Codes Volume 3</i>
APCH	DFHAPLI	Probable absence of LE/VSE
APCL	DFHAPLI	LE/VSE unable to determine program language
APCN	DFHxxx	Attempt to release program/mapset/partitionset that is not loaded or has already been deleted. For module list, see <i>VSE/ESA Messages and Codes Volume 3</i>
APCS	DFHAPLI	CICS could not get run time information from LE/VSE
APCT	DFHxxx	Program/mapset/partitionset failure. For module list, see <i>VSE/ESA Messages and Codes Volume 3</i>
APCW	DFHAPLI	Compiler level for COBOL program cannot be determined
APCY	DFHAPLI	Macro request from PL/I or COBOL program
APCZ	DFHAPLI	'Old-style' application program or DOS/VS COBOL program link-edited with SVA attribute
APC0	DFHPCP DFHMCY	Serious error on call to program manager domain
APC1	DFHAPLI	Request for TGT exceeding 64KB in size
APC2	DFHAPLI	Illegal branch following abend condition
APC3	DFHLIP	No LE/VSE support present for program
APDA	DFHAPLI	Attempt to execute 31-bit program but output is 24-bit only
APDB	DFHAPLI	Program defined as C compiled with unsupported compiler
APDC	DFHAPLI	C/370 compiler no longer supported
APDD	DFHEIP	EXEC CICS command executed with unsupported PL/I compiler
APDE	DFHEIP DFHEIPA	Invalid PSW key - only supports CICS key (partition key) or USER key (key 9)
APP1	DFHP3270	Invalid DFHIC TYPE=GET response code
APP2	DFHP3270	Data length passed to DFHP3270 less than or equal to 5
APP3	DFHP3270	Invalid request to nonprinter or unsupported device
APR1	DFHPRK	Invalid DFHIC TYPE=PUT response code
APSA	DFHPSPIO	Irrecoverable error on POWER interface
APSB	DFHEMS00	Attempt to use CEOS or CEMS on unsupported terminal
APSC	DFHEMS00	Attempt to use CEOS or CEMS on display terminal of size less than 24x80
APSD	DFHEMSR1	Start-browse failed when building a list using CEMS
APSE	DFHEMSR1	Start-browse failed when building a list using CEMS
APSF	DFHEMSJ1	Start-browse failed when building a list using CEMS
APSG	DFHPSPFX	Printer buffer address exceeded maximum allowed when converting 3270 data stream
APSH	DFHPSPB	Unable to close a report during backout processing
APSI	DFHCXPA	Unable to initialize spooler
APSK	DFHPSOP	Error response from DFHPS TYPE=TRANSFER macro
APSL	DFHPSOP	Error response from DFHPS TYPE=PRINTER,PRACTN=CONFIRM macro
APSM	DFHPSOP	Terminal error - terminal being set out of service
APSN	DFHPSOP	Terminal error - terminal is left in service
APSO	DFHPSOP	Error response from DFHPS TYPE=OPEN,OPTION=GENIN macro



Abend	Module	Explanation
APSP	DFHPSOP	Could not locate DFHPSWPW from TCTTE
APSQ	DFHPSOP	Device on which CEPW started is not supported by DFHPSOP
APSR	DFHPSOP	Error response from DFHPS TYPE=PRINTER,PRACTN=SETUP macro
APSS	DFHPSOP	Error response from DFHPS TYPE=PRINTER,PRACTN=SETUPCOM macro
APST	DFHEPS	SPOOL command without NOHANDLE operand
APS0	DFHPSOP	Printer buffer size in TCTTE too small
APS1	DFHPSOP	Unrecognizable response from PRINTER SETUP request
APS2	DFHPSOMH	DFHPSOMH asked to send unknown message
APS3	DFHPSOP	Error response from DFHPS TYPE=CLOSE,OPTION=GENIN macro
APS4	DFHPSOP	Error response from DFHPS TYPE=READ macro
APS5	DFHPSOP	Unable to read record when it had previously enlarged its UNPUT buffer
APS6	DFHPSOP	Error response from DFHPS TYPE=PRINTER,PRACTN=DISCON macro
APS7	DFHPSOMH	Error writing to an audit trail (CSPA or CSPW)
APS8	DFHEMS00	Attempt to use XCTL or LINK to DFHEMSP
APS9	DFHPSOP	Subordinate module has exceeded the size of its storage
APTA	DFHEMSR4	Attempt made to write to audit trail CSPA which failed
APTB	DFHEMSP4	Attempt made to write to audit trail CSPA which failed
APTC	DFHEMSJ4	Attempt made to write to audit trail CSPA which failed
APTD	DFHPSOP	Error response retrying a DFHPS TYPE=READ macro
APTE	DFHPSOP	Attempt to call a nonexistent sub-routine in DFHPSOPR
	DFHPSOPR	
APTF	DFHPSOP	Error response from a DFHPS TYPE=ORDWAIT macro while RCF printer sharing facility is enabled
APTG	DFHPSOP	Attempt to issue a call to print related sub-routines within the principal facility (printer)
	DFHPSOPR	
APTH	DFHPSOP	Error response from a DFHPS TYPE=START macro
APTK	DFHxxx	Task purged before GETMAIN request to storage manager completed. For module list, see <i>VSE/ESA Messages and Codes Volume 3</i>
APTL	DFHxxx	Error occurred on call to storage manager domain. For module list, see <i>VSE/ESA Messages and Codes Volume 3</i>
APTM	DFHPSPCB	Storage overwrite or CICS internal logic error
APTN	DFHPSOP	Insufficient storage for ADD_SUBPOOL function
APTO	DFHPSOP	Unexpected response after ADD-SUBPOOL function
APTP	DFHCXPB	Return code >4 received on return from DFHPS TYPE=OPEN,ANY
APTQ	DFHCXPB	DFHCXPB (txn CXPB) detected an abend has been issued
APUA	DFHPUP	GETSTG parameter missing on call to DFHPUP (PUPF)
APUB	DFHPUP	GETSTG parameter missing on call to DFHPUP (PUPU)
APUC	DFHPUP	Invalid function code supplied on domain call to DFHPUP
APUD	DFHPUP	Unable to locate RDO language definition table (DFHEITSP)
APUE	DFHPUP	Lack of storage to load RDO language definition table (DFHEITSP)
APUF	DFHPUP	RDO language definition table invalid or missing
APUG	DFHPUP	Storage cannot be obtained for CSD record buffer
APUH	DFHPUP	Storage cannot be obtained for argument list
APUI	DFHPUP	Storage cannot be freed for argument list
APUJ	DFHPUP	Storage cannot be freed for CSD record buffer
APUK	DFHPUP	Unable to obtain storage
APUL	DFHPUP	Unrecognized resource type code (FLATTEN)
APUM	DFHPUP	Unrecognized resource type code (TRANCASE)
APUN	DFHPUP	Unrecognized resource type code (COMPARE)
APUO	DFHPUP	Unrecognized resource type code (BACKTRANS)
APUP	DFHPUP	Error processing language definition table for RDO - stack error
APUQ	DFHPUP	Error processing language definition table for RDO - too many keywords
APUR	DFHPUP	Data type conflict
APUS	DFHPUP	Invalid integer data length for keyword field
APUT	DFHPUP	Invalid keyword existence bit number
APUZ	DFHPUP	Invalid resource type code in CSD record
ARCA	DFHRCRP	Recovery control restart task failure
ARCB	DFHRCEX	Initialization failure - exit program cannot be found

## Abend codes

Abend	Module	Explanation
ARHA	DFHCPIR	SAA resource recovery interface has invalid first parameter
ARHB	DFHCPIR	Invalid number of parameters for SAA resource recovery call
ARHC	DFHCPIR	Unexpected return code from syncpoint program for SAA resource recovery interface
ARL1	DFHZRLG	CSLG not internally initiated by task attach
ARPA	DFHRTE	Unexpected response from DFHSUSN signing off user of CRTE transaction
ARTA	DFHRTE	Task does not own terminal as its principal facility
ARTB	DFHRTE	No input TIOA, or data length zero
ARTC	DFHRTE	Link not usable for unknown reason
ARTD	DFHRTE	Internal logic error in DFHRTE
ARTE	DFHRTE	Error in I/O to or from temporary storage
ARTF	DFHRTE	Attempt to use CRTE from terminal that has a permanent transaction code set
ARTG	DFHRTE	Profile not found
ARTH	DFHRTE	Error on call to schedule a remote terminal delete by DFHRTE during signoff
ASCA	DFHSMSCP	Disaster or invalid response to DFHSC TYPE=GETMAIN request from storage manager domain
ASCB	DFHSMSCP	Disaster or invalid response to DFHSC TYPE=FREEMAIN request from storage manager domain
ASCP	DFHSMSCP	Task purged while waiting for contiguous main storage to become free
ASCR	DFHSMSCP	Invalid request type issued to DFHSC macro
ASFA	DFHSFP	Unexpected response from EXEC CICS
ASFB	DFHSFP	Attempt to execute CICS signoff without an associated terminal
ASFC	DFHSFP	Attempt to execute CICS signoff program against APPC session
ASIA	DFHSII1	Error on call to storage manager domain
ASIB	DFHSIPLT	Invalid attempt to run CICS internal task CPLT as user transaction
ASNA	DFHSNP	Unexpected response from EXEC CICS
ASNB	DFHSNP	Attempt to execute CICS signon without an associated terminal
ASNC	DFHSNP	Signon program failed to send request to user
ASPA	DFHSPP	Task purged before GETMAIN request to storage manager domain completed successfully
ASPB	DFHSPP	Error on call to storage manager domain
	DFHSPZ	
ASPD	DFHSPP	Error resetting dynamic log
ASPE	DFHSPP	Syncpoint rollback without dynamic transaction backout
ASPF	DFHSPP	ROLLEDBACK returned to syncpoint program
ASPG	DFHSPZ	Invalid format in partner's LU name
ASPH	DFHSPZ	No logname for partner's LU
ASPJ	DFHSPZ	Unexpected syncpoint message data from partner system
ASPK	DFHSPZ	Error detected committing message to sync level 1 function shipped resource
ASPL	DFHSPP	Error writing syncpoint information to system log
ASPM	DFHSPP	Unexpected response from resource manager
ASPN	DFHSPP	Transaction has issued an EXEC CICS RETURN in backout required program state
ASP1	DFHSPZ	Intersystem session failed during syncpoint
ASP2	DFHSPZ	Syncpoint attempted with ISC links in invalid state
ASP3	DFHSPP	No syncpoint taken in remote system
	DFHSPZ	
ASP4	DFHSPP	Backed out response from single phase commit
ASP5	DFHSPZ	Principal facility not owned by task
ASP6	DFHSPZ	Attempt to flush out data unsuccessful
ASP7	DFHSPP	Resource manager replied 'No' to request to 'Prepare'
ASP8	DFHSPZ	Syncpoint rollback not supported
ASP9	DFHSPP	Free TCTTE failed
	DFHSPZ	
ASRA	DFHSRP	Program check has occurred
ASRB	DFHSRP	Operating system abend
ASRD	DFHSRP	Invalid macro call or reference to CSA or TCA
ASRK	DFHSR1	DFHSR1 unable to call system recovery program (DFHSRP)
ATCA	DFHZARQ	DFHTC macro issued when in final quiesce mode
ATCB	DFHZARQ	Two consecutive reads or writes without intervening wait

Abend	Module	Explanation
ATCC	DFHZARQ	Read or more than one write issued using pipeline session
ATCD	DFHZDSP DFHZERH	CTYPE or QUEUE issued and VTAM or ZCP function not included in system
ATCE	DFHZARQ	DFHTC request issued without address of TIOA
ATCF	DFHZCRQ	DFHTC CTYPE macro issued to non-VTAM TCTTE or RESPONSE macro issued to a VTAM 3270 TCTTE
ATCG	DFHZARQ	DFHTC request for terminal which program does not own
ATCH	DFHxxx	Task purged before domain call completed successfully. For module list, see <i>VSE/ESA Messages and Codes Volume 3</i>
ATCJ	DFHZATA DFHZATD DFHZATR	Invalid autoinstall invocation
ATCK	DFHZARQ	Write issued with CCOMPL=NO without authority
ATCL	DFHETL DFHTCPCM DFHZARQ	Error during automatic journaling or automatic logging
ATCM	DFHZDWE DFHZSYN	Error writing syncpoint information
ATCN	DFHZSUP	Error during automatic journaling or automatic logging
ATCO	DFHZARQ	Function unsupported by terminal or system
ATCP	DFHZRLG	DFHJCP detected error attempting PUT request
ATCQ	DFHZRAQ	Temporary storage error
ATCR	DFHZRAR	Temporary storage error
ATCS	DFHZARQ	Send data after request change direction received
ATCT	DFHZSUP	Build of surrogate TCTTE for remotely-owned terminal failed
ATCU	DFHZARQ	Send in receive mode
ATCV	DFHETL DFHZARQ DFHZISP	Application attempted operation on logical unit which failed
ATCW	DFHZSUP	No installed profile definition for LU6.1 or APPC session
ATCX	DFHxxx	Error on call to storage manager domain. For module list, see <i>VSE/ESA Messages and Codes Volume 3</i>
ATCY	DFHZARQ DFHZSUP	Error processing inbound FMH
ATCZ	DFHZSLS	Error in call to security domain
ATC1	DFHTCRP	Terminal control restart task failure
ATC2	DFHZSLS	VTAM rejected CICS SET VTAM OPEN request
ATC4	DFHTCRP	The XRF TCB abended
ATC5	DFHETL	Internal logic error in APPC mapped processing
ATC6	DFHETL	SEND DATA length greater than 65528 bytes
ATC7	DFHZSUP	Unexpected response from INITIAL-CALL request to DFHZARL
ATC8	DFHETL	Error during processing of an inbound FMH
ATC9	DFHZNCE	RESUME issued without prior SUSPEND
ATDD	DFHTDP	Transient data destination is disabled
ATDI	DFHTDP	Unsupported transient data destination type
ATDL	DFHTDP	Error detected by journaling
ATDT	DFHTDP	Invalid request code in TCATDTR
ATDY	DFHTDRP	Transient data initialization failed
ATDZ	DFHTDP DFHTDRP	CICS function failed
ATD3	DFHTDP	Task purged before GETMAIN request to storage manager domain completed successfully
ATD4	DFHTDP	Error in call to storage manager domain
ATFE	DFHTOUT1	FREEMAIN failed during CEDA CHECK or CEDA INSTALL
ATGE	DFHTOUT1	GETMAIN failed during CEDA CHECK or CEDA INSTALL
ATMA	DFHTMP	Task purged before GETMAIN request to storage manager domain completed successfully
ATMB	DFHTMP	Error on call to storage manager domain

## Abend codes

Abend	Module	Explanation
ATNA	DFHZNAC	Terminal operator entered transaction identification for NACP
ATND	DFHZARQ DFHZARL DFHZSUP	Task termination postponed
ATNI	DFHZARL DFHZARM DFHZARQ DFHZRAQ DFHZSUP	Task terminated by NEP (VTAM) or TEP (non-VTAM)
ATOA	DFHCESC	Invalid attempt to invoke CESC with terminal as principal facility
ATOB	DFHCESC	Abnormal response from EXEC CICS START TRANSACTION(CESC) request
ATOC	DFHCESC	Failure of a DFHZCUT timeout request
ATOD	DFHCESC	Abnormal response from EXEC CICS CANCEL TRANSACTION(CESC) request
ATOE	DFHCESC	Cannot determine time XRF takeover began
ATOF	DFHCESC	Abnormal response from EXEC CICS DELAY TRANSACTION(CESC) request
ATOG	DFHCESC	Abnormal response from EXEC CICS START TRANSACTION(CEGN)
ATOH	DFHCESC	Failure of CESC due to an invalid function code
ATOT	DFHCEGN	CEGN RETRIEVE failure
ATOU	DFHCEGN	CEGN RETURN failure
ATOV	DFHCEGN	CEGN GETMAIN, ASSIGN or SEND failure
ATPA	DFHTPR	Error occurred estimating the length of a CICS message
ATPB	DFHTPR	Error occurred trying to retrieve a CICS message
ATPC	DFHTPQ	Error occurred estimating the length of a CICS message
ATPD	DFHTPQ	Error occurred trying to retrieve a CICS message
ATPE	DFHTPQ	Task purged before GETMAIN request to storage manager domain completed successfully
ATPF	DFHTPQ DFHTPR	Error on call to storage manager domain
ATRA	DFHTRP	Task abnormal termination requested by DFHTRAP
ATSA	DFHTSRP	Temporary storage restart task failure
ATSB	DFHTSP	Temporary storage restart task failure
ATSC	DFHTSP	Task canceled during temporary storage command
ATSD	DFHTSP	Unexpected response from dispatcher domain
ATSL	DFHTSP	Error detected by journaling
ATSP	DFHTSP	DATAID currently in use, or purge not synchronized
ATSQ	DFHTSP	Move of data to or from temporary storage failed
	DFHETS	
ATST	DFHTSP	Unexpected error from DFHTSUT subroutine call
ATSU	DFHTSP	I/O error attempting to write to temporary storage data set during syncpoint processing
AUEP	DFHUEH	User exit program sent return code UERCPURG to user exit handler
AWKY	DFHWKP	Failure of global catalog request during warm keypointing
AWKZ	DFHWKP	Failure of keypoint request for automatic AIDs chain
AXFA	DFHXFP	File control request keylength zero
AXFB	DFHXFP	Unacceptable FMH type found
AXFC	DFHXFP	Invalid request passed to data transformation program
AXFD	DFHXFP	Invalid request for remote system
AXFE	DFHXFP	Transformation requested does not exist
AXFF	DFHXFP	Unacceptable queue organization found
AXFG	DFHXFP	Unacceptable argument number in data following FMH type 43
AXFH	DFHXFP	Unexpected argument in data following FMH type 43
AXFI	DFHXFP	Zero data length for WRITEQ TD or READQ TD
AXFJ	DFHXFP	Error code in UIBFCTR and UIBDLTR cannot be converted to SNA error code
AXFL	DFHXFP	Null chain of data received
AXFM	DFHXFP	ISCINVREQ condition raised
AXFO	DFHXFP	Check on DS and DBA parameters failed
AXFP	DFHXFP	No second FMH received
AXFQ	DFHXFP	FMH too short or too long
AXFR	DFHXFP	Length of data exceeds 32767

Abend	Module	Explanation
AXFS	DFHXFP	Maximum length of I/O area exceeds 65535
AXFT	DFHXFP	Size of output I/O area exceeds 65535
AXFU	DFHXFP	Invalid two-level cursor
AXFW	DFHXFP	Invalid length specification given
AXFX	DFHXFP	Function shipping request by APPC link failed
AXFY	DFHXFP	APPC conversation failure for attach between CICS systems
AXF0	DFHXFP	Task purged due to lack of storage in a DSA
AXF1	DFHXFP	Unexpected condition returned from storage manager module DFHSMGF
AXF2	DFHXFP	Task purged because of insufficient storage in DSA
AXF3	DFHXFP	Unexpected condition returned from storage manager module DFHSMGC
AXF4	DFHXFX	Task purged before GET_BUFFER request completed successfully
AXF5	DFHXFX	Error on call to DFHEISR
AXMA	DFHxxx	Error obtaining a lock in transaction manager domain. For module list, see <i>VSE/ESA Messages and Codes Volume 3</i>
AXMB	DFHxxx	Error releasing a lock in transaction manager domain. For module list, see <i>VSE/ESA Messages and Codes Volume 3</i>
AXMC	DFHXMAT DFHXMxE	Severe error allocating unique transaction number to a new transaction
AXMD	DFHXMAB	Invalid attempt to run CICS internal task CSXM
AXMY	DFHXMAT	Error obtaining transaction class membership
AXMZ	DFHXMtA	Severe error detected by the transaction manager domain
AXSA	DFHXSMN	Security control task could not complete
AXSC	DFHXSMN	Task purged before GETMAIN request to storage manager domain completed successfully
AXSD	DFHTCRP	Error on call to storage manager domain
AXTA	DFHXTP	Calculation of data length to be shipped failed
AXTB	DFHXTP	Obtain of TIOA to ship data failed
AXTC	DFHXTP	Data transform failed
AXTD	DFHXTP	No TIOA received from remote system
AXTE	DFHXTP	Data received from remote system not long enough
AXTF	DFHXTP	No relay process FMH received from remote system
AXTG	DFHXTP	Data transform from remote system failed
AXTH	DFHXTP	Locate of terminal identifier failed
AXTI	DFHXTP	Major request byte LUCOPN0 invalid
AXTJ	DFHXTP	Unexpected combination of bit settings in XTSSTAT and XTSTCOPC
AXTK	DFHXTP	APPC conversation failed on attach between CICS systems
AXTL	DFHXTP	Wrong sync level for processing APPC mapped data
AXTM	DFHXTP	Wrong sync level for message—protected transaction
AXTN	DFHETL	Application buffer chained off TCTTE (offset TCTERCSA) has corrupted header
AXTO	DFHXTP	Exception response from CICS security manager
AXTP	DFHXTP	Exception response from DFHCCNV FUNCTION(CONVERT_DS3270_FOR_SBCS)
AXTQ	DFHXTP	Exception response from DFHCCNV FUNCTION(CONVERT_DS3270_FOR_SBCS)
AXTR	DFHXTP	Exception response from DFHPGLE FUNCTION(LOAD_EXEC)
AZAA	DFHZARM	Logic error attempting to flush application deferred data on APPC mapped conversation
AZAB	DFHZARM	SEND DATA length greater than 65528
AZAD	DFHZCN1	DFHZCN1 started from unexpected place - CCIN can only be issued by a client
AZAE	DFHZCN1	DFHZCN1 started from terminal facility, not an LU6.2 session - CCIN can only be issued by a client
AZAF	DFHZCN1	DFHZCN1 started for CCIN and environment is wrong or client architecture has been violated
AZAG	DFHZCT1	DFHZCN1 started from an unexpected place - CTIN can only be issued by a client
AZAH	DFHZCT1	DFHZCN1 started from terminal facility, not an LU6.2 session - CTIN can only be issued by a client
AZAI	DFHZCT1	DFHZCN1 started for CTIN and environment is wrong or client architecture has been violated
AZAJ	DFHZCN1	DFHZCN1 started for CCIN defined as remote transaction - it must be local
AZAK	DFHZCT1	DFHZCN1 started for CTIN defined as remote transaction - it must be local

## Abend codes

Abend	Module	Explanation
AZCA	DFHZARM	Internal logic error detected during APPC mapped processing
AZCB	DFHZARM	Sense code X'088901xx' received during APPC mapped processing
AZCC	DFHZARM	Unsupported function management data
AZCD	DFHETL DFHZARM	Internal logic error detected during APPC mapped processing
AZCE	DFHETL DFHZARM	Application data length to be received exceeds 65000
AZCF	DFHZARM	Invalid request to DFHZARL
AZCG	DFHZARM	Invalid TCTTE
AZCH	DFHETL DFHZARM	Unexpected sense code X'0889xxxx' received while processing APPC mapped data
AZCI	DFHETL DFHZARM DFHZARQ	Invalid sync level
AZCJ	DFHZARM	System does not support APPC structured field with null data
AZCK	DFHZARM	Internal logic error in error recovery for APPC mapped processing
AZCL	DFHZARM	Sense code X'088901xx' received during APPC mapped processing
AZCM	DFHZARM	Error on call to storage manager domain
AZCN	DFHZARM	Task purged before GETMAIN request to storage manager domain completed successfully
AZCO	DFHZCGRP	LCGRP started directly from a terminal
AZCP	DFHZUP	Logic error in ZCP
AZCR	DFHZARL	Error during APPC SYNCPOINT ROLLBACK request
AZCT	DFHZARQ	Terminal read time-out has occurred
AZCU	DFHZCOVR	Invalid attempt to start COVR transaction
AZCV	DFHZCOVR	Logic error in COVR transaction connecting to VTAM
AZCW	DFHZCSTP	Invalid attempt to run CICS internal task CSTP as a user transaction
AZIA	DFHZIS2	Transaction request for storage during MRO processing invalid
AZIB	DFHZIS2	Transaction purged while waiting for storage
AZIC	DFHZIS2	Error on call to storage manager domain to FREEMAIN a CRB control block
AZID	DFHZIS2	PURGED condition on call to storage manager domain to FREEMAIN a CRB control block
AZIE	DFHZARQ	IRC ISSUE-ERROR or ISSUE-ABEND violated IRC protocols
AZI1	DFHZARQ	IRC data transmission protocol violated
AZI2	DFHZARQ	IRC data transmission cannot complete
AZI3	DFHZARQ	Conversation failed
AZI4	DFHZARQ	IRC link to connected transaction down
AZI5	DFHZARQ	IRC data transmission violated IRC protocols
AZI6	DFHZARQ	IRC connected transaction abnormally terminated
AZI7	DFHZIS2	Wait during MRO request rejected by CICS dispatcher
AZI8	DFHZIS1	Incorrect format for error log data
AZI9	DFHZIS2	Failing transaction purged during wait
AZRA	DFHZARRC	FMH address missing from APPC receive buffer
AZRB	DFHZARR0	First parameter is invalid in call to DFHZARR0
AZRD	DFHZARR0	APPC logical and physical receive buffers are out of step
AZRE	DFHZARR0	Logical APPC receive buffer starts outside physical buffer
AZRF	DFHZARRF	Invalid state error returned from DFHZUSR state machine
AZRG	DFHZARR	Invalid state error returned from DFHZUSR state machine
AZRH	DFHZARR	Invalid RECEIVE_TYPE in DFHZARR
AZRI	DFHZARR1	Invalid parameter passed to DFHZARR1
AZRJ	DFHZARR0	APPC record length exceeds receive buffer
AZRK	DFHZARRF	Invalid combination of fields in DFHLUC parameter list
AZRL	DFHZARRF	First parameter invalid in call to DFHZARRF
AZRM	DFHZARR	DFHZARR called one of its own routines at wrong time
AZRN	DFHZARRF	DFHLUC parameter list does not have LUCCIERR set on
AZRO	DFHZARER	First parameter invalid in call to DFHZARER
AZRP	DFHZARER	Invalid response from DFHZNAC
AZRQ	DFHZARRA	Invalid parameter in call to DFHZARRA

Abend	Module	Explanation
AZRR	DFHZARRA	Corrupted header in application buffer
AZRS	DFHZARRA	DFHZARRA cannot acquire main memory
AZRT	DFHZARRA	Invalid application buffer
AZRU	DFHZARRF	Unexpected response from DFHZARR0
AZRV	DFHZARR1	Unexpected response from DFHZARR0
AZRW	DFHZARRA	Negative record length in the TCTTE
AZRY	DFHZARR	Unexpected response from DFHZARRC
AZRZ	DFHZARR	Unexpected response from an internal subroutine
AZR2	DFHZARRA	DFHZARRA can not acquire main memory
AZR3	DFHZARRA	Task purged during GETMAIN request
AZR4	DFHZARER	Unexpected response from dispatcher domain call
AZR5	DFHZARR1	Unexpected response from dispatcher domain call
AZS0	DFHZSTAP	DFHZSTAM macro passed invalid request
AZS1	DFHZSTAP	No TCTTE pointer passed via DFHZSTAM macro
AZS2	DFHZSTAP	TCTTE passed via DFHZSTAM does not relate to MRO or APPC conversation
AZS3	DFHZSTAP	No LUC Extension Control Block found for an APPC TCTTE
AZS4	DFHZSTAP	DFHZUSRM LUC State Machine has invalid setting
AZS5	DFHZSTAP	Internal State number has invalid setting
AZS6	DFHZSTAP	Internal State number has invalid setting
AZTA	DFHZTSP	Task does not own terminal as principal facility
AZTB	DFHZTSP	Attempt to delete/install remote terminal failed
AZTC	DFHZTSP	Failure of remote terminal install or delete failed - caused by SOS condition
AZTF	DFHZTSP	TCTTE length error due to storage violation or CICS logic error
AZTG	DFHZTSP	Principal facility not intersystem TCTTE
AZTH	DFHZTSP	Error response from remote terminal control macro
AZTI	DFHZTSP	Terminal not defined as remotely owned
AZTL	DFHZTSP	Request to invalid terminal
AZTM	DFHZTSP	Data has no FMH
AZTN	DFHZTSP	Conversation unexpectedly terminated
AZTO	DFHZTSP	TCTTE ownership chain in error
AZTP	DFHZTSP	BMS TYPE=STORE request failed
AZTQ	DFHZTSP	Invalid BMS data received from remote system
AZTR	DFHZTSP	BMS TYPE=PAGEOUT request failed
AZTS	DFHZTSP	Data ship to remote system failed
AZTU	DFHZTSP	Link TCTTE not owned by task after syncpoint
AZTV	DFHZTSP	Invalid FMH received from remote system
AZTW	DFHZTSP	Attach request to task already running
AZTY	DFHZTSP	Maximum APPC sessions limit reached
AZTZ	DFHZTSP	Relay program DFHCRT attached in unsupported manner
AZT1	DFHZTSP	Task attached improperly in AOR when transaction routing
AZT3	DFHZTSP	Task is being routed back to region from where it came
AZVA	DFHZATS	Time-out while waiting for service transaction CITS
AZVB	DFHZATS	DFHZCQ failed to create remote terminal definition
AZVC	DFHZATS	Unexpected error in DFHZATS
AZVD	DFHZATS	Unexpected error in install procedure of DFHZATS
AZVE	DFHZATS	Terminal has same ID as existing TCT entry
AZVF	DFHZATS	An attempt was made to start CITS/CDTS/CMTS/CFTS directly from a terminal
AZVG	DFHZATS	Error in remote delete routines
AZVH	DFHZATS	Error in remote delete routine while processing mass delete
AZVI	DFHZATS	Error in remote delete routine while processing single delete
AZVJ	DFHZATS	Error in mass deletion of remote terminals
AZVK	DFHZATS	Unexpected return code during deletion of single terminal
AZVL	DFHZATS	Error in mass flag routine of remote terminals for deletion
AZVM	DFHZATMF	Error in DFHZATMF
AZVN	DFHZATMF	CRMF started directly from terminal
AZVO	DFHZATMD	CRMD started directly from terminal
AZVP	DFHZATMD	Error in DFHZATMD
AZVQ	DFHZATS	Request to install shipped terminal definition rejected by autoinstall user program

## Abend codes

Abend	Module	Explanation
AZVR	DFHZATS	Request to install shipped terminal definition failed - invalid return code
AZVS	DFHZATS	Request to install shipped terminal definition failed - error in autoinstall user program
AZXA	DFHZXCU	Catch-up program finds unexpected error, reason code 5
AZXB	DFHZXCU	Catch-up program finds unexpected error, reason code 4
DSNC		DB2 abend code
DHxx	DFHEDP	EXEC DL/I error or invalid status code (xx)
0100	DFHEAP	Translator error opening listing data set
	DFHECP	
	DFHEDP	
	DFHEPP	
0101	DFHEAP1\$ (for assembler language), DFHECP1\$ (for COBOL), DFHEDP1\$ (for C), DFHEPP1\$ (for PL/I)	Translator program check
0211	DFHPD410	Recursive program check in system dump
0212	DFHPD410	Too many program checks in system dump
0300	DFHCSDUP	SYSIPT data set failed to open successfully
0301	DFHCSDUP	Invalid RECFM for the SYSIPT data set
0302	DFHCSDUP	Invalid record length for the SYSIPT data set
0303	DFHCSDUP	SYSLST data set has not opened successfully
0304	DFHCSDUP	Unrecognized resource type code in CSD record
0305	DFHCSDUP	Unexpected return code received closing alternate SYSIPT and SYSLST data sets or freeing task local storage
0307	DFHCSDUP	Attempt to print input command failed
0308	DFHCSDUP	Bad command sequence found during migration of TCT table
0309	DFHCSDUP	DFHCSDUP found an unrecognized function code in a command
0321	DFHCSDUP	Internal error in DFHCSDUP when invoked by CSD utility command
0322	DFHCSDUP	Specified table to be migrated not loaded
0323	DFHCSDUP	VSAM detected an error processing a command
0325	DFHCSDUP	Error occurred during execution of DFHDMP function
0326	DFHCSDUP	Internal logic error in DFHCSDUP utility program
0327	DFHCSDUP	Language table DFHEITCU could not be loaded
0328	DFHCSDUP	Language table DFHEITCU could not be unloaded
0330	DFHCSDUP	Cross-reference table size too small
0401	DFHXCSTB	EXCI call made in AMODE 24
0402	DFHXCPRH	Nonzero return code from VSE following OS/390 ESTAE issued by DFHXCPRH
0403	DFHXCPRH	Nonzero return code from VSE following OS/390 GETMAIN request by DFHXCPRH
0404	DFHXCPRH	EXCI dump services not available to take VSE SDUMP
0406	DFHXCPRH	Failure of CICS SVC call during EXCI initialization
0407	DFHXCPRH	CICS SVC at the wrong level for EXCI
0408	DFHXCPRH	Failure of OS/390 GETMAIN request by DFHXCPRH for working storage
0410	DFHXCPRH	Failure of OS/390 GETMAIN request by DFHXCPRH for XCUSER block
0412	DFHXCEIP	Invalid function in EXEC parameter list of EXCI EXEC API request
0413	DFHEIP	Error in EXEC parameter list of EXCI EXEC API request
0414	DFHXCEIP	Nonzero return code following VSE ESTAE issued by DFHXCEIP
0415	DFHXCEIP	Error in EXCI initialization detected by DFHXCEIP
0416	DFHXCPRH	VSE SUBSID macro failure



## Chapter 10. VTAM-associated errors

This section lists the terminal error codes from VTAM.

### VTAM terminal error codes and CICS message numbers

Terminal error codes from VTAM are put in a one-byte field of the DFHZNAC COMMAREA (DFHNEPCA) at label TWAEC.

For those error codes that have CICS messages associated with them, you should see the *VSE/ESA Messages and Codes Volume 3* for descriptions of the corresponding error conditions.

Symbolic label	Action flags set	Error code	CICS message
TCZSDSE9	3 9 11	X'AA'	DFHZC2473
TCZLUERR	9 10 11 24	X'AB'	DFHZC3470
TCZVRDAC	9 10 11 24	X'AC'	DFHZC3474
TCZNRULUF	9 10 11 24	X'AD'	DFHZC3475
TCZRCLUF	9 10 11 24	X'AE'	DFHZC3476
TCZCLEAN	9 10 11 24	X'AF'	DFHZC3477
TCZNOISC	23 24	X'A0'	DFHZC3480
TCZRVSZ2	3 10 11	X'A1'	DFHZC2438
TCZPRGE	3 9 10 11 24	X'A2'	DFHZC4945
TCZBKTSE	2 3 9 10 11 24	X'A3'	DFHZC2444
TCZBOEB	2 3 11 18 24	X'A7'	DFHZC2449
TCZFMHLE	2 3 4 10 11 22 24	X'A8'	DFHZC2471
TCZRACRF	11	X'A9'	DFHZC2472
TCZRACSF	11	X'BA'	DFHZC2114
TCZSEXUC	2 3 9 10 11 23 24	X'BB'	DFHZC2418
TCZINIIR	2 3 9 10 11	X'BC'	DFHZC3410
TCZDESGM	24	X'BD'	DFHZC4928
TCZBFAIL	2 3 5 22 24	X'BE'	DFHZC4944
TCZCPFAL	24	X'BF'	DFHZC3490
TCZRPLAC	2 3 9 10 11 23 24	X'B1'	DFHZC2401
TCZSDAUC	3 9 10 11 15 24	X'B2'	DFHZC2425
TCZBDBND	2 3 5 24	X'B3'	DFHZC4929
TCZRSNE	3 11	X'B4'	DFHZC2402
TCZSAXUC	2 3 9 10 11 23 24	X'B5'	DFHZC2420
TCZNSEED	2 3 5 24	X'B6'	DFHZC4924
TCZASINC	2 3 5 24	X'B7'	DFHZC4925
TCZEVBAD	2 3 5 24	X'B8'	DFHZC4926
TCZFMH12	2 3 5 24	X'B9'	DFHZC4927
TCZSRCTC	2 3 9 10 11	X'CB'	DFHZC2431
TCZSRCCI	2 3 9 10 11	X'CC'	DFHZC2451
TCZSRCCX	2 3 9 10 11	X'CD'	DFHZC2454
TCZVHOLD	9 10 11 24	X'CE'	DFHZC3469
TCZVRNOP	9 10 11 24	X'CF'	DFHZC3471
TCZDWEFG		X'C0'	DFHZC3499
TCZSRCAT	2 3 9 10 11 23 24	X'C1'	DFHZC2400
TCZLUINP	24	X'C2'	DFHZC3486
TCZSRCNA	2	X'C5'	DFHZC2427
TCZPASSD		X'C6'	DFHZC3484
TCZPSPRE	24	X'C7'	DFHZC3485
TCZLUINH	18 24	X'C8'	DFHZC3489
TCZNPSAU	24	X'C9'	DFHZC3487
TCZSXC3	9 10 11 24	X'DA'	DFHZC2470

# VTAM

Symbolic label	Action flags set	Error code	CICS message
TCZPXE1		X'DC'	DFHZC2442
TCZPXE2		X'DD'	DFHZC2458
TCZDMGF		X'DF'	DFHZC3482
TCZTXCS	2 3 9 10 11 15 24	X'D0'	DFHZC2409
TCZTXCU	2 3 9 10 11 18 24	X'D1'	DFHZC2410
TCZDMPD		X'D3'	DFHZC2463
TCZCXRR	1 2 3 9 10 11	X'D4'	DFHZC2453
TCZCXE2	3 9 10 11 18 24	X'D5'	DFHZC2452
TCZSXC2		X'D6'	DFHZC2441
TCZSXC1		X'D7'	DFHZC2440
TCZRNCH	2 3 9 10 11 24	X'D8'	DFHZC2457
TCZYX43	2 3 9 10 11	X'D9'	DFHZC2469
TCZSTLER	2 3	X'EA'	DFHZC3432
TCZSTRMH	3	X'EB'	DFHZC3428
TCZSTRMM	2 3	X'EC'	DFHZC3429
TCZSTON	2 3	X'ED'	DFHZC3430
TCZSTIN	2 3	X'EF'	DFHZC3431
TCZDMSN		X'E0'	DFHZC2411
TCZDMRA		X'E1'	DFHZC2412
TCZDMCL	2	X'E2'	DFHZC2413
TCZCNCL	3 9 10 11	X'E3'	DFHZC2485
TCZAIER		X'E4'	DFHZC2433
TCZDMLG		X'E6'	DFHZC2404
TCZDMSLE	2 3	X'E8'	DFHZC3416
TCZSTIND	3	X'E9'	DFHZC2102
TCZLUSEC	2 3 22 24	X'FA'	DFHZC4947
TCZPSUNB		X'FB'	DFHZC0125
TCZPSOPN		X'FC'	DFHZC0131
TCZPSRC		X'FD'	DFHZC0146
TCZPSRF	3 6 9 10 11 15 24	X'FE'	DFHZC0150
TCZPSPE		X'FF'	DFHZC0149
TCZBDMOD	18 24	X'F1'	DFHZC4931
TCZEXRVT	2 3 9 10 11	X'F2'	DFHZC2469
TCZICTYP	2 3 22 24	X'F3'	DFHZC4932
TCZIDBA	2 3 22 24	X'F4'	DFHZC4933
TCZISYNL	2 3 22 24	X'F5'	DFHZC4934
TCZIUOW	2 3 22 24	X'F6'	DFHZC4935
TCZIFMHL	2 3 22 24	X'F7'	DFHZC4936
TCZFSMRB	3 9 10 11 24	X'F8'	DFHZC4943
TCZINVAT	2 3 22 24	X'F9'	DFHZC4946
TCZSRCVE	2 3 9 10 11 18 24	X'1A'	DFHZC2408
TCZSRCVI	2 24	X'1D'	DFHZC2417
TCZSRCV2	2 3 9 10 11 24	X'1E'	DFHZC2408
TCZSRCTU	18	X'10'	DFHZC2405
TCZSRCBF	2 5 18 24	X'11'	DFHZC2403
TCZSRCVH	18 24	X'13'	DFHZC2416
TCZLRCER	2 3 9 10 11 23 24	X'14'	DFHZC2404
TCZSRCPF	2 3 9 10 11 24	X'15'	DFHZC2407
TCZDMIT		X'16'	DFHZC3492
TCZLRCNR	2 3 9 10 11 23 24	X'18'	DFHZC2404
TCZSRCTS	9 10 11 18	X'19'	DFHZC2406
TCZRLPEX	2 3 9 10 11 24	X'2A'	DFHZC4911
TCZRLPBD	2 3 9 10 11 22 24	X'2B'	DFHZC4912
TCZRLPDR	2 3 9 10 11 24	X'2C'	DFHZC4913
TCZRLPIL	2 3 9 10 11 22 24	X'2D'	DFHZC4914
TCZRLPEC	2 3 9 10 11 22 24	X'2E'	DFHZC4915
TCZRLPRR	2 3 9 10 11 24	X'2F'	DFHZC4916
TCZVTAMI		X'20'	DFHZC2417

Symbolic label	Action flags set	Error code	CICS message
TCZLUCF1	3 9 10 11 22 24	X'21'	DFHZC4902
TCZLUCF2	3 9 10 11 22 24	X'22'	DFHZC4903
TCZFMSBE	3 9 10 11 22 24	X'23'	DFHZC4904
TCZFSMCS	3 9 10 11 22 24	X'24'	DFHZC4905
TCZFSMCR	3 9 10 11 24	X'25'	DFHZC4906
TCZSDLER	3 9 10 11 24	X'26'	DFHZC4907
TCZRVLER	3 9 10 11 24	X'28'	DFHZC4909
TCZRVLRB	3 9 10 11 24	X'29'	DFHZC4910
TCZXUVAR	2 3 9 10 11 22 24	X'3C'	DFHZC3488
TCZRLPIF	2 3 9 10 11 24	X'30'	DFHZC4917
TCZRLPIR	2 3 9 10 11 24	X'31'	DFHZC4918
TCZRLXCL	20	X'32'	DFHZC4922
TCZIVIND	2 3 9 10 11 22 24	X'33'	DFHZC4919
TCZIVDAT	2 3 9 10 11 22 24	X'34'	DFHZC4920
TCZRTMT	2 3 9 10 11 24	X'35'	DFHZC4930
TCZXSHRA	9 10 11 24	X'37'	DFHZC3470
TCZOPACB		X'4A'	DFHZC3463
TCZICPUT		X'4B'	DFHZC2498
TCZDSPCL	2 3 9 10 11 24	X'4C'	DFHZC3481
TCZUNBFE	2 3 9 10 11 24	X'4E'	DFHZC3479
TCZCNOS0		X'4F'	
TCZINCPY	3 9 11	X'40'	DFHZC2489
TCZTOLRQ	2 3 9 10 11 15 24	X'41'	DFHZC2490
TCZUNPRT		X'42'	DFHZC2497
TCZCPYNS	3 11	X'43'	DFHZC2434
TCZSRCDE	2 3 9 10 11 18 24	X'44'	DFHZC2456
TCZCHMX	3 10 11 22	X'45'	DFHZC3400
TCZOCIR	3 9 10 11	X'46'	DFHZC3402
TCZOPSIN		X'48'	DFHZC3461
TCZCLSIN		X'49'	DFHZC3462
TCZSBIRV	20	X'5A'	DFHZC3421
TCZNSP01	2 3 9 10 11 18 24	X'5B'	DFHZC3422
TCZNSP02	9 10 11 15 24	X'5C'	DFHZC3424
TCZPRDTP		X'5D'	DFHZC0101
TCZBRUAC	2 3 5 18 24	X'5E'	DFHZC3454
TCZBDSQP	2 3 5 18 24	X'5F'	DFHZC3455
TCZSDRE3	3 9 10 11 24	X'50'	DFHZC3417
TCZBDPRI	3 9 10 11 24	X'51'	DFHZC3418
TCZBDUAC	2 3 5 24	X'52'	DFHZC3419
TCZBDTOS	20	X'53'	DFHZC3420
TCZUNBIS	2 3 9 10 11 24	X'54'	DFHZC3434
TCZEMWBK		X'55'	DFHZC3440
TCZXRFVS		X'56'	DFHZC6598
TCZRELIS	20	X'57'	DFHZC3464
TCZERMGR		X'58'	DFHZC3433
TCZROCT	2 3 9 10 11 24	X'59'	DFHZC2443
TCZTIOAE	1 2 3 9 10 11 23 24	X'6A'	DFHZC3444
TCZNOTNA	24	X'6B'	DFHZC3495
TCZPSAF	3 6 9 10 11 24	X'6C'	DFHZC0155
TCZPSAR		X'6D'	DFHZC0156
TCZSDAS	2 3	X'6F'	DFHZC2351
TCZUNCMD	2 3 9 10 11 24	X'60'	DFHZC2421
TCZVTAMQ	24	X'62'	
TCZVTAMO		X'63'	DFHZC3441
TCZVTAMA		X'64'	DFHZC3443
TCZINVRR	2 3 10 11 22 23 24	X'65'	DFHZC2448
TCZSIGR		X'66'	DFHZC3452
TCZVTAMK		X'67'	DFHZC3442

## System sense codes

Symbolic label	Action flags set	Error code	CICS message
TCZSEXOS	20 23	X'69'	DFHZC3466
TCZPSRAC	11	X'7A'	DFHZC0144
TCZPSANR	3 9 10 11 24	X'7C'	DFHZC0157
TCZRABUS	2 3 9 10 11 24	X'7D'	DFHZC4949
TCZCLRRV	9 10 11 15 24	X'70'	DFHZC3468
TCZPSLE	3 6 9 10 11 24	X'71'	DFHZC0147
TCZPSVF	9 10 11 24	X'72'	DFHZC0148
TCZSDSE4	3 9 11	X'73'	DFHZC2437
TCZSDSE5	3 9 10 11 24	X'74'	DFHZC2423
TCZSESE1	3 9 10 11 15 24	X'75'	DFHZC2424
TCZLGNA	3	X'76'	DFHZC2487
TCZDMRY		X'77'	DFHZC2488
TCZSDRE2	3 9 11 22	X'78'	DFHZC2430
TCZPSRAF	3 6 9 10 11 24	X'79'	DFHZC0145
TCZLUSRR	2 3 5 24	X'8A'	DFHZC4937
TCZLUSRF	2 3 5 24	X'8B'	DFHZC4938
TCZLUPUN	2 3 5 24	X'8C'	DFHZC4939
TCZLUPLK	2 3 5 24	X'8D'	DFHZC4941
TCZLUPEX	2 3 5 24	X'8E'	DFHZC4942
TCZLUSKN	2 3 5 24	X'8F'	DFHZC4940
TCZSRCSP		X'80'	DFHZC2414
TCZSSXNR		X'81'	DFHZC2432
TCZSSXUC	2 3 9 10 11 23 24	X'82'	DFHZC2419
TCZSSXAR		X'83'	DFHZC2450
TCZSSXIB	2 3 9 10 11 23 24	X'84'	DFHZC2446
TCZUNEGR	2 3 9 10 11 23 24	X'85'	DFHZC3409
TCZLEXCI	2 3 9 10 11 23 24	X'88'	DFHZC2467
TCZLEXUS	2 3 9 10 11 23 24	X'89'	DFHZC2468
TCZDOMCF	3 9 10 11 23	X'9A'	DFHZC2447
TCZRACNL	3	X'9B'	DFHZC2486
TCZRSPER	1 2 3 9 10 11 23 24	X'9D'	DFHZC3465
TCZDEVND		X'9E'	DFHZC3472
TCZLGCER	1 2 3 6 9 10 11 23 24	X'90'	DFHZC2422
TCZRSTLE	3 10 11	X'91'	DFHZC2429
TCZSDSE6	3 9 11	X'92'	DFHZC2428
TCZRACET	2 3 9 10 11 15 22 24	X'93'	DFHZC2455
TCZRACES	2 3 9 10 11 22	X'94'	DFHZC2426
TCZSDSE8	3 9 11	X'95'	DFHZC2445
TCZRVSZ1	3 10 11 24	X'96'	DFHZC2435
TCZRVSZ3	3 10 11	X'97'	DFHZC2436
TCZACT01	2 18	X'98'	DFHZC2439
TCZSDSE7	3 9 11	X'99'	DFHZC2459

## System sense codes received

This chapter contains Product-sensitive Programming Interface information.

This table lists the actions taken by DFHZNAC on receipt of inbound system sense codes.

Sense code	Message	Action flags set
0001	DFHZC3401	2
0002	DFHZC3415	2, 3, 10, 11
0003	DFHZC3449	None
0004	DFHZC3450	None
0007	DFHZC3451	None

Sense code	Message	Action flags set
00FF	DFHZC3446	2, 3, 9, 10, 11, 21, 23
0801	DFHZC2476	3, 9, 10, 11
0802	DFHZC2461	None
0806	DFHZC3426	None
0807	DFHZC3411	None
080B	DFHZC2462	2, 3, 9, 10, 11, 15, 24
080E	DFHZC3448	23
080F	DFHZC3436	9, 10, 11
0811	DFHZC2464	9, 10, 11
0812	DFHZC2465	2, 3
081B	DFHZC2483	2, 3
081C	DFHZC2466	2, 3, 9, 10, 11
0824	DFHZC2475	3, 9, 10, 11
0825	DFHZC2484	2, 3, 9, 10, 11
0826	DFHZC3423	2, 3, 9, 10, 11
0827	DFHZC2480	3
0829	DFHZC3407	1, 2, 3, 10, 11, 24
082A	None	9
082B	DFHZC3408	2, 3, 10, 11, 13
082D	DFHZC3413	None
082E	DFHZC3412	None
082F	DFHZC3414	2, 3, 9, 10, 11
0831	DFHZC3438	None
0833	DFHZC3427	None
0847	DFHZC3439	None
084A	None	None
084C	DFHZC3467	9, 10, 11
0860	DFHZC3459	None
0863	DFHZC3460	9, 10, 11
0864	DFHZC2475	3, 9, 10, 11
0865	DFHZC2465	3, 9, 10, 11
0866	DFHZC2475	3, 9, 10, 11
0867	None	9, 10, 11
0868	DFHZC3456	2, 9, 10, 11
0869	DFHZC3457	2, 9, 10, 11
08FF	DFHZC3447	2, 3, 9, 10, 11, 24
1000	DFHZC3494	2, 3, 9, 10, 11
1001	DFHZC2481	2, 3, 9, 10, 11, 14
1002	DFHZC2481	2, 3, 9, 10, 11, 14
1003	DFHZC2479	2, 3, 9, 10, 11, 14
1005	DFHZC3406	2, 3, 4, 9, 10, 11, 14
1008	DFHZC2478	None
1009	DFHZC3458	2, 9, 10, 11
10FF	DFHZC3446	2, 3, 9, 10, 11, 21, 23
2003	DFHZC3405	2, 3, 9, 10, 11, 15, 24
20FF	DFHZC3445	2, 3, 9, 10, 11, 23, 24
400B	DFHZC2477	1, 3, 11
40FF	DFHZC3453	2, 3, 9, 10, 11, 23, 24
8000	DFHZC3435	2, 3, 9, 10, 11, 18, 24
8002	DFHZC3435	2, 3, 9, 10, 11, 18, 24
8004	DFHZC3435	2, 3, 9, 10, 11, 18, 24
8005	DFHZC3435	2, 3, 9, 10, 11, 18, 24
80FF	DFHZC3435	2, 3, 9, 10, 11, 18, 23, 24
FFFF	DFHZC2460	2, 3, 9, 10, 11, 23, 24

## System sense codes

Message	Sense code	Action flags set
DFHXC2460	FFFF	2, 3, 9, 10, 11, 23, 24
DFHXC2461	0802	None
DFHXC2462	080B	2, 3, 9, 10, 11, 15, 24
DFHXC2464	0811	9, 10, 11
DFHXC2465	0812	2, 3
DFHXC2465	0865	3, 9, 10, 11
DFHXC2466	081C	2, 3, 9, 10, 11
DFHXC2475	0824	3, 9, 10, 11
DFHXC2475	0864	3, 9, 10, 11
DFHXC2475	0866	3, 9, 10, 11
DFHXC2476	0801	3, 9, 10, 11
DFHXC2477	400B	1, 3, 11
DFHXC2478	1008	None
DFHXC2479	1003	2, 3, 9, 10, 11, 14
DFHXC2480	0827	3
DFHXC2481	1001	2, 3, 9, 10, 11, 14
DFHXC2481	1002	2, 3, 9, 10, 11, 14
DFHXC2483	081B	2, 3
DFHXC2484	0825	2, 3, 9, 10, 11
DFHXC3401	0001	2
DFHXC3405	2003	2, 3, 9, 10, 11, 15, 24
DFHXC3406	1005	2, 3, 4, 9, 10, 11, 14
DFHXC3407	0829	1, 2, 3, 10, 11, 24
DFHXC3408	082B	2, 3, 10, 11, 13
DFHXC3411	0807	None
DFHXC3412	082E	None
DFHXC3413	082D	None
DFHXC3414	082F	2, 3, 9, 10, 11
DFHXC3415	0002	2, 3, 10, 11
DFHXC3423	0826	2, 3, 9, 10, 11
DFHXC3426	0806	None
DFHXC3427	0833	None
DFHXC3435	8000	2, 3, 9, 10, 11, 18, 24
DFHXC3435	8002	2, 3, 9, 10, 11, 18, 24
DFHXC3435	8004	2, 3, 9, 10, 11, 18, 24
DFHXC3435	8005	2, 3, 9, 10, 11, 18, 24
DFHXC3435	80FF	2, 3, 9, 10, 11, 18, 23, 24
DFHXC3436	080F	9, 10, 11
DFHXC3438	0831	None
DFHXC3439	0847	None
DFHXC3445	20FF	2, 3, 9, 10, 11, 23, 24
DFHXC3446	00FF	2, 3, 9, 10, 11, 21, 23
DFHXC3446	10FF	2, 3, 9, 10, 11, 21, 23
DFHXC3447	08FF	2, 3, 9, 10, 11, 24
DFHXC3448	080E	23
DFHXC3449	0003	None
DFHXC3450	0004	None
DFHXC3451	0007	None
DFHXC3453	40FF	2, 3, 9, 10, 11, 23, 24
DFHXC3456	0868	2, 9, 10, 11
DFHXC3457	0869	2, 9, 10, 11
DFHXC3458	1009	2, 9, 10, 11
DFHXC3459	0860	None
DFHXC3460	0863	9, 10, 11
DFHXC3467	084C	9, 10, 11
DFHXC3494	1000	2, 3, 9, 10, 11
None	082A	9

<b>Message</b>	<b>Sense code</b>	<b>Action flags set</b>
None	084A	None
None	0867	9, 10, 11

## Action flag settings and default actions

These are the default actions generated by DFHZNAC for DFHZNEP. The default actions can vary from the actions set, depending on the state of the node at the time of the error.

Flag	Field	Bit mask	Hex bit setting	Action
1	TWAOPT1	1... ..	"X'80"	Print action flags
2		.1.. ..	"X'40"	Print VTAM RPL
3		..1. ....	"X'20"	Print TCTTE
4		...1 ....	"X'10"	Print TIOA
5		.... 1...	"X'08"	Print BIND area
6		.... .1..	"X'04"	System dump if no task attached
9		1... ..	"X'80"	Abort any send for this terminal
10	TWAOPT2	.1.. ..	"X'40"	Abort any receive for " "
11		..1. ....	"X'20"	Abend any task attached to TCTTE
12		...1 ....	"X'10"	Cancel any task attached to TCTTE
13		.... 1...	"X'08"	Good Morning message to be sent
14		.... .1..	"X'04"	Purge any BMS pages for this TCTTE
15		.... ..1.	"X'02"	SIMLOGON required
17	TWAOPT3	1... ..	"X'80"	Set INTLOG now allowed
18		.1.. ..	"X'40"	Set no internal general logons
20		...1 ....	"X'10"	Normal CLSDST (no reset allowed)
21		.... 1...	"X'08"	Normal CLSDST (reset allowed)
22		.... .1..	"X'04"	Send negative response
23		.... ..1.	"X'02"	Keep node out of service
24		.... ...1	"X'01"	CLSDST node



## Chapter 11. VTAM submodule identifiers

This chapter contains Product-sensitive Programming Interface information.

Hex ID	Module	Description
X'00'	DFHZDSP	DISPATCH
X'01'	DFHZARQ	READ /WRITE
X'02'	DFHZLOC	LOCATE
X'03'	DFHZDET	DETACH
X'04'	DFHZTCP	TCP
X'06'	DFHZCRQ	COMMAND REQS
X'08'	DFHZSTU	STATUS CHANGE
X'09'	DFHZTSP	TERMINAL SHARING
X'0B'	DFHZISP	ALLOCATE/FREE
X'0C'	DFHZIS1	INTER SYSTEM
X'0D'	DFHZIS2	INTER SYSTEM 2
X'0E'	DFHZABD	INVALID REQUEST/ABEND
X'10'	DFHZATI	ATI
X'11'	DFHZATT	ATTACH TASK
X'12'	DFHZFRE	FREE STORAGE
X'13'	DFHZGET	GET STORAGE
X'14'	DFHZRAC	RECEIVE ANY
X'15'	DFHZRST	RESETSR
X'16'	DFHZRVS	RECEIVE SPECIFIC
X'17'	DFHZRVX	RECEIVE SPECIFIC EXIT
X'18'	DFHZSDS	SEND NORMAL
X'19'	DFHZSDX	SEND DATA EXIT
X'1A'	DFHZUCT	TRANSLATION
X'1B'	DFHZUIX	USER EXIT
X'1C'	DFHZACT	ACTIVATE SCAN
X'1D'	DFHZSDR	SEND RESPONSE
X'1F'	DFHZRPL	RECEIVE ANY BUILDER
X'20'	DFHZAIT	ATTACH INITIALIZATION
X'21'	DFHZASX	ASYN COM EXIT
X'22'	DFHZCLS	CLSDST
X'23'	DFHZCLX	CLSDST EXIT
X'24'	DFHZDWE	DWE PROCESS
X'25'	DFHZLEX	LERAD EXIT
X'26'	DFHZLGX	LOGON EXIT
X'27'	DFHZLRP	LOGICAL RECORD
X'28'	DFHZLTX	LOSTERM EXIT
X'29'	DFHZOPN	OPEN DESTINAT
X'2A'	DFHZOPX	OPEN DESTEXIT
X'2B'	DFHZRAQ	READAHEAD QUEUING
X'2C'	DFHZRAR	READAHEAD RETRIEVAL
X'2E'	DFHZRRX	RELEASE REQUEST EXIT
X'2F'	DFHZNSP	NETWORK SPEC EXIT
X'30'	DFHZRSY	RESYNC
X'31'	DFHZSAX	SEND DFASY EXIT
X'32'	DFHZSCX	SCIP EXIT
X'33'	DFHZSDA	SEND ASYN
X'34'	DFHZSKR	SEND COMMAND RESPONSE ID
X'35'	DFHZSES	SESSIONC
X'36'	DFHZSEX	SESSIONC EXIT
X'37'	DFHZSIM	SIMLOGON
X'38'	DFHZSIX	SIMLOGON EXIT
X'39'	DFHZSLS	SETLOGON START

## VTAM identifiers

Hex ID	Module	Description
X'3A'	DFHZSSX	SEND DFSYN EXIT
X'3B'	DFHZSYX	SYNAD EXIT
X'3C'	DFHZTAX	TURNAROUND EXIT
X'3D'	DFHZTPX	TPEND EXIT
X'3E'	DFHZOPA	VTAM OPEN ACB
X'3F'	DFHZSHU	VTAM SHUTDOWN
X'40'	DFHZQUE	TERMINAL SHARING
X'41'	DFHZEMW	ERROR MESSAGE WRITER
X'42'	DFHZSYN	SYNCHPOINT HANDLER
X'43'	DFHZTRA	VTAM RPL TRACE
X'44'	DFHZAND	ABEND CONTROL BLOCK
X'45'	DFHZCNA	CONSOLE CONTROL
X'46'	DFHZCNR	CONSOLE REQUEST
X'47'	DFHZCNC	CONSOLE ABNORMAL COND.
X'48'	DFHZUAX	ATTACH USER EXIT
X'49'	DFHZUOX	OUTPUT USER EXIT
X'4A'	DFHZARL	LU6.2 APPL REQUEST
X'4B'	DFHZARM	LU6.2 MIGRATION
X'4C'	DFHZRVL	LU6.2 RECEIVE
X'4D'	DFHZRLX	LU6.2 RECEIVE EXIT
X'4E'	DFHZSDL	LU6.2 SEND
X'4F'	DFHZSLX	LU6.2 SEND EXIT
X'50'	DFHZERH	LU6.2 APPL ERP
X'52'	DFHZBKT	LU6.2 BRACKET STATE M/C
X'53'	DFHZCNT	LU6.2 CONTENTION STATE
X'54'	DFHZCHS	LU6.2 CHAIN SEND
X'55'	DFHZCHR	LU6.2 CHAIN RECEIVE
X'56'	DFHZUSR	LU6.2 CONVERSATION STATE
X'57'	DFHZDST	SNA-ASCII TRAN ROUTINE
X'58'	DFHZEV1	ENCRYPTION VALIDATION 1
X'59'	DFHZEV2	ENCRYPTION VALIDATION 2
X'5E'	DFHZXRC	XRF TERMINAL RECOVERY
X'60'	DFHZXRL	LU6.2 TRANSACTION ROUTING
X'61'	DFHZINT	INITIALIZATION MODULE IDENT
X'62'	DFHZXRT	LU6.2 TRANSACTION ROUTING TOS
X'63'	DFHZSTA	LU6.2 APPLICATION STATUS
X'64'	DFHZRLP	LU6.2 RECEIVE POST-VTAM
X'65'	DFHZCRT	LU6.2 RPL_B STATE
X'66'	DFHZRAS	LU6.2 SLOW-DOWN PROCESSING
X'67'	DFHZXPS	LU6.2 PER SESS RECOVERY
X'7D'	DFHZRLG	RESPONSE LOGGER
X'7E'	DFHZNAC	NACP
X'7F'	DFHZRSP	RESYNC SYSTEM TASK
X'80'	DFHZATR	ZATR RESTART DELETES
X'82'	DFHZATA	ZATA AUTOINSTALL
X'84'	DFHZATD	ZATD AUTOINSTALL DELETE
X'86'	DFHGMMM	GOOD MORNING TRANSACTION
X'8B'	DFHZATS	ZATS REMOTE INSTALL ENTRY
X'C0'	DFHZCQ00	DFHZCQ REQUEST ROUTER
X'C1'	DFHZCQIN	ZC INITIALISE
X'C2'	DFHZBAN	ZC BIND ANALYSIS
X'C3'	DFHZCQCH	ZC CHANGE
X'C4'	DFHZCQDL	ZC DELETE
X'C5'	DFHZCQIT	ZC INSTALL TCTTE
X'C7'	DFHZCQRS	ZC RESTORE
X'C8'	DFHZCQIQ	ZC INQUIRE
X'C9'	DFHZCQIS	ZC INSTALL
X'CA'	DFHTRZCP	BUILD TERMINAL BPS

Hex ID	Module	Description
X'CB'	DFHTRZXP	BUILD CONNECTION BPS
X'CC'	DFHTRZIP	BUILD SESSIONS BPS
X'CD'	DFHTRZYP	BUILD TYPETERM BPS
X'CE'	DFHTRZPP	BUILD POOL BPS
X'CF'	DFHTRZZP	MERGE TERMINAL AND TYPETERM BPS
X'D3'	DFHZXSTS	ISSUE SETLOGON

## VTAM identifiers

## Chapter 12. AP domain storage classes

This chapter contains Diagnosis, Modification or Tuning information.

This table shows the valid AP domain storage classes. Some classes use a storage accounting area (SAA). For these, the storage class value always appears in the first byte in the accounting area for a storage element. The value is sometimes modified when the top bit is set to indicate getmained storage. As an example, X'01' can appear as X'81'.

Value	Class	SAA
X'01'	TERMINAL24	No
X'02'	CICS	No
X'03'	SHARED_CICS	No
X'04'	LINE	No
X'05'	TERMINAL	No
X'06'	TASK	No
X'07'	TASK24	No
X'08'	CICS24	No
X'09'	SHARED_CICS24	No
X'0C'	CICS24_SAA	Yes
X'0D'	TRANSDATA	Yes
X'0E'	TEMPSTG	Yes
X'11'	USER	No
X'12'	USER24	No
X'13'	SHARED_CICS24_SAA	Yes
X'14'	CONTROL	No
X'16'	TACLE	Yes
X'20'	SHARED_USER24	No
X'21'	SHARED_USER	No

## Storage classes

# Bibliography

## CICS Transaction Server for VSE/ESA Release 1 library

	<b>Evaluation and planning</b>	
	<i>Release Guide</i>	GC33-1645
	<i>Migration Guide</i>	GC33-1646
	<i>Report Controller Planning Guide</i>	SC33-1941
	<b>General</b>	
	<i>Master Index</i>	SC33-1648
	<i>Trace Entries</i>	SC34-5556
	<i>User's Handbook</i>	SX33-6101
	<i>Glossary (softcopy only)</i>	GC33-1649
	<b>Administration</b>	
	<i>System Definition Guide</i>	SC33-1651
	<i>Customization Guide</i>	SC33-1652
	<i>Resource Definition Guide</i>	SC33-1653
	<i>Operations and Utilities Guide</i>	SC33-1654
	<i>CICS-Supplied Transactions</i>	SC33-1655
	<b>Programming</b>	
	<i>Application Programming Guide</i>	SC33-1657
	<i>Application Programming Reference</i>	SC33-1658
	<i>Sample Applications Guide</i>	SC33-1713
	<i>Application Migration Aid Guide</i>	SC33-1943
	<i>System Programming Reference</i>	SC33-1659
	<i>Distributed Transaction Programming Guide</i>	SC33-1661
	<i>Front End Programming Interface User's Guide</i>	SC33-1662
	<b>Diagnosis</b>	
5	<i>Problem Determination Guide</i>	GC33-1663
	<i>Messages and Codes Vol 3 (softcopy only)</i>	SC33-6799
	<i>Diagnosis Reference</i>	LY33-6085
	<i>Data Areas</i>	LY33-6086
	<i>Supplementary Data Areas</i>	LY33-6087
	<b>Communication</b>	
	<i>Intercommunication Guide</i>	SC33-1665
	<i>CICS Family: Interproduct Communication</i>	SC33-0824
	<i>CICS Family: Communicating from CICS on System/390</i>	SC33-1697
	<b>Special topics</b>	
	<i>Recovery and Restart Guide</i>	SC33-1666
	<i>Performance Guide</i>	SC33-1667
	<i>Shared Data Tables Guide</i>	SC33-1668
	<i>Security Guide</i>	SC33-1942
	<i>External CICS Interface</i>	SC33-1669
	<i>XRF Guide</i>	SC33-1671
	<i>Report Controller User's Guide</i>	SC33-1940
	<b>CICS Clients</b>	
	<i>CICS Clients: Administration</i>	SC33-1792
	<i>CICS Universal Clients Version 3 for OS/2: Administration</i>	SC34-5450
	<i>CICS Universal Clients Version 3 for Windows: Administration</i>	SC34-5449
	<i>CICS Universal Clients Version 3 for AIX: Administration</i>	SC34-5348
	<i>CICS Universal Clients Version 3 for Solaris: Administration</i>	SC34-5451
	<i>CICS Family: OO programming in C++ for CICS Clients</i>	SC33-1923
	<i>CICS Family: OO programming in BASIC for CICS Clients</i>	SC33-1671
	<i>CICS Family: Client/Server Programming</i>	SC33-1435
	<i>CICS Transaction Gateway Version 3: Administration</i>	SC34-5448

## 5 Books from VSE/ESA 2.4 base program libraries

### 5 VSE/ESA Version 2 Release 4

5	Book title	Order number
5	Administration	SC33-6705
5	Diagnosis Tools	SC33-6614
5	Extended Addressability	SC33-6621
5	Guide for Solving Problems	SC33-6710
5	Guide to System Functions	SC33-6711
5	Installation	SC33-6704
5	Licensed Program Specification	GC33-6700
5	Messages and Codes Volume 1	SC33-6796
5	Messages and Codes Volume 2	SC33-6798
5	Messages and Codes Volume 3	SC33-6799
5	Networking Support	SC33-6708
5	Operation	SC33-6706
5	Planning	SC33-6703
5	Programming and Workstation Guide	SC33-6709
5	System Control Statements	SC33-6713
5	System Macro Reference	SC33-6716
5	System Macro User's Guide	SC33-6715
5	System Upgrade and Service	SC33-6702
5	System Utilities	SC33-6717
5	TCP/IP User's Guide	SC33-6601
5	Turbo Dispatcher Guide and Reference	SC33-6797
5	Unattended Node Support	SC33-6712

### 5 High-Level Assembler Language (HLASM)

5	Book title	Order number
5	General Information	GC26-8261
5	Installation and Customization Guide	SC26-8263
5	Language Reference	SC26-8265
5	Programmer's Guide	SC26-8264



## 5 Language Environment for VSE/ESA (LE/VSE)

5	Book title	Order number
5	C Run-Time Library Reference	SC33-6689
5	C Run-Time Programming Guide	SC33-6688
5	Concepts Guide	GC33-6680
5	Debug Tool for VSE/ESA Fact Sheet	GC26-8925
5	Debug Tool for VSE/ESA Installation and Customization Guide	SC26-8798
5	Debug Tool for VSE/ESA User's Guide and Reference	SC26-8797
5	Debugging Guide and Run-Time Messages	SC33-6681
5	Diagnosis Guide	SC26-8060
5	Fact Sheet	GC33-6679
5	Installation and Customization Guide	SC33-6682
5	LE/VSE Enhancements	SC33-6778
5	Licensed Program Specification	GC33-6683
5	Programming Guide	SC33-6684
5	Programming Reference	SC33-6685
5	Run-Time Migration Guide	SC33-6687
5	Writing Interlanguage Communication Applications	SC33-6686

## 5 VSE/ICCF

5	Book title	Order number
5	Administration and Operations	SC33-6738
5	User's Guide	SC33-6739

## 5 VSE/POWER

5	Book title	Order number
5	Administration and Operation	SC33-6733
5	Application Programming	SC33-6736
5	Networking Guide	SC33-6735
5	Remote Job Entry User's Guide	SC33-6734

## 5 VSE/VSAM

5	Book title	Order number
5	Commands	SC33-6731
5	User's Guide and Application Programming	SC33-6732

## 5 VTAM for VSE/ESA

5	Book title	Order number
5	Customization	LY43-0063
5	Diagnosis	LY43-0065
5	Data Areas	LY43-0104
5	Messages and Codes	SC31-6493
5	Migration Guide	GC31-8072
5	Network Implementation Guide	SC31-6494
5	Operation	SC31-6495
5	Overview	GC31-8114
5	Programming	SC31-6496
5	Programming for LU6.2	SC31-6497
5	Release Guide	GC31-8090
5	Resource Definition Reference	SC31-6498

## Books from VSE/ESA 2.4 optional program libraries

### C for VSE/ESA (C/VSE)

Book title	Order number
C Run-Time Library Reference	SC33-6689
C Run-Time Programming Guide	SC33-6688
Diagnosis Guide	GC09-2426
Installation and Customization Guide	GC09-2422
Language Reference	SC09-2425
Licensed Program Specification	GC09-2421
Migration Guide	SC09-2423
User's Guide	SC09-2424

### COBOL for VSE/ESA (COBOL/VSE)

Book title	Order number
Debug Tool for VSE/ESA Fact Sheet	GC26-8925
Debug Tool for VSE/ESA Installation and Customization Guide	SC26-8798
Debug Tool for VSE/ESA User's Guide and Reference	SC26-8797
Diagnosis Guide	SC26-8528
General Information	GC26-8068
Installation and Customization Guide	SC26-8071
Language Reference	SC26-8073
Licensed Program Specifications	GC26-8069
Migration Guide	GC26-8070
Migrating VSE Applications To Advanced COBOL	GC26-8349
Programming Guide	SC26-8072

## DB2 Server for VSE

Book title	Order number
Application Programming	SC09-2393
Database Administration	GC09-2389
Installation	GC09-2391
Interactive SQL Guide and Reference	SC09-2410
Operation	SC09-2401
Overview	GC08-2386
System Administration	GC09-2406

## DL/I VSE

Book title	Order number
Application and Database Design	SH24-5022
Application Programming: CALL and RQDLI Interface	SH12-5411
Application Programming: High-Level Programming Interface	SH24-5009
Database Administration	SH24-5011
Diagnostic Guide	SH24-5002
General Information	GH20-1246
Guide for New Users	SH24-5001
Interactive Resource Definition and Utilities	SH24-5029
Library Guide and Master Index	GH24-5008
Licensed Program Specifications	GH24-5031
Low-level Code and Continuity Check Feature	SH20-9046
Library Guide and Master Index	GH24-5008
Messages and Codes	SH12-5414
Recovery and Restart Guide	SH24-5030
Reference Summary: CALL Program Interface	SX24-5103
Reference Summary: System Programming	SX24-5104
Reference Summary: HLPI Interface	SX24-5120
Release Guide	SC33-6211

## PL/I for VSE/ESA (PL/I VSE)

Book title	Order number
Compile Time Messages and Codes	SC26-8059
Debug Tool For VSE/ESA User's Guide and Reference	SC26-8797
Diagnosis Guide	SC26-8058
Installation and Customization Guide	SC26-8057
Language Reference	SC26-8054
Licensed Program Specifications	GC26-8055
Migration Guide	SC26-8056
Programming Guide	SC26-8053
Reference Summary	SX26-3836

## Screen Definition Facility II (SDF II)

Book title	Order number
VSE Administrator's Guide	SH12-6311
VSE General Introduction	SH12-6315
VSE Primer for CICS/BMS Programs	SH12-6313
VSE Run-Time Services	SH12-6312

---

## Notices

This information was developed for products and services offered in the U.S.A. IBM may not offer the products, services, or features discussed in this document in other countries. Consult your local IBM representative for information on the products and services currently available in your area. Any reference to an IBM product, program, or service is not intended to state or imply that only that IBM product, program, or service may be used. Any functionally equivalent product, program, or service that does not infringe any IBM intellectual property right may be used instead. However, it is the user's responsibility to evaluate and verify the operation of any non-IBM product, program, or service.

IBM may have patents or pending patent applications covering subject matter described in this document. The furnishing of this document does not give you any license to these patents. You can send license inquiries, in writing, to:

IBM Director of Licensing  
IBM Corporation  
North Castle Drive  
Armonk, NY 10504-1785  
U.S.A.

For license inquiries regarding double-byte (DBCS) information, contact the IBM Intellectual Property Department in your country or send inquiries, in writing, to:

IBM World Trade Asia Corporation  
Licensing  
2-31 Roppongi 3-chome, Minato-ku  
Tokyo 106, Japan

**The following paragraph does not apply in the United Kingdom or any other country where such provisions are inconsistent with local law:**

INTERNATIONAL BUSINESS MACHINES CORPORATION PROVIDES THIS PUBLICATION "AS IS" WITHOUT WARRANTY OF ANY KIND, EITHER EXPRESS OR IMPLIED, INCLUDING, BUT NOT LIMITED TO, THE IMPLIED WARRANTIES OF NON-INFRINGEMENT, MERCHANTABILITY, OR FITNESS FOR A PARTICULAR PURPOSE. Some states do not allow disclaimer of express or implied warranties in certain transactions, therefore this statement may not apply to you.

This publication could include technical inaccuracies or typographical errors. Changes are periodically made to the information herein; these changes will be incorporated in new editions of the publication. IBM may make improvements and/or changes in the product(s) and/or the program(s) described in this publication at any time without notice.

Licensees of this program who wish to have information about it for the purpose of enabling: (i) the exchange of information between independently created programs and other programs (including this one) and (ii) the mutual use of the information which has been exchanged, should contact IBM United Kingdom Laboratories, MP151, Hursley Park, Winchester, Hampshire, England, SO21 2JN. Such information may be available, subject to appropriate terms and conditions, including in some cases, payment of a fee.

The licensed program described in this document and all licensed material available for it are provided by IBM under terms of the IBM Customer Agreement, IBM International Programming License Agreement, or any equivalent agreement between us.

---

## Trademarks and service marks

The following terms, used in this publication, are trademarks or service marks of IBM Corporation in the United States or other countries:

ACF/VTAM  
CICS  
CICS OS/2  
CICS/ESA  
CICS/MVS

CICS/VSE  
C/370  
DB2  
DL/I  
IBM  
IBMLink

LE/VSE  
MVS/ESA  
POWER  
VSE/ESA  
VTAM

---

## **Sending your comments to IBM**

**CICS® Transaction Server for VSE/ESA™**

**User's Handbook**

**SX33-6101-00**

If you want to send to IBM any comments you have about this book, please use one of the methods listed below. Feel free to comment on anything you regard as a specific error or omission in the subject matter, and on the clarity, organization or completeness of the book itself.

To request additional publications, or to ask questions or make comments about the functions of IBM products or systems, you should talk to your IBM representative or to your IBM authorized remarketer.

When you send comments to IBM, you grant IBM a nonexclusive right to use or distribute your comments in any way it believes appropriate, without incurring any obligation to you.

You can send your comments to IBM in any of the following ways:

- By mail:
  - IBM UK Laboratories
  - Information Development
  - Mail Point 095
  - Hursley Park
  - Winchester, SO21 2JN
  - England
- By fax:
  - From outside the U.K., after your international access code use 44 1962 870229
  - From within the U.K., use 01962 870229
- Electronically, use the appropriate network ID:
  - IBM Mail Exchange: GBIBM2Q9 at IBMMAIL
  - IBMLink: HURSLEY(IDRCF)
  - Email: idrcf@hursley.ibm.com

Whichever method you use, ensure that you include:

- The publication number and title
- The page number or topic to which your comment applies
- Your name and address/telephone number/fax number/network ID.







Program Number: 5648-054



Printed in the United States of America  
on recycled paper containing 10%  
recovered post-consumer fiber.

SX33-6101-00

